

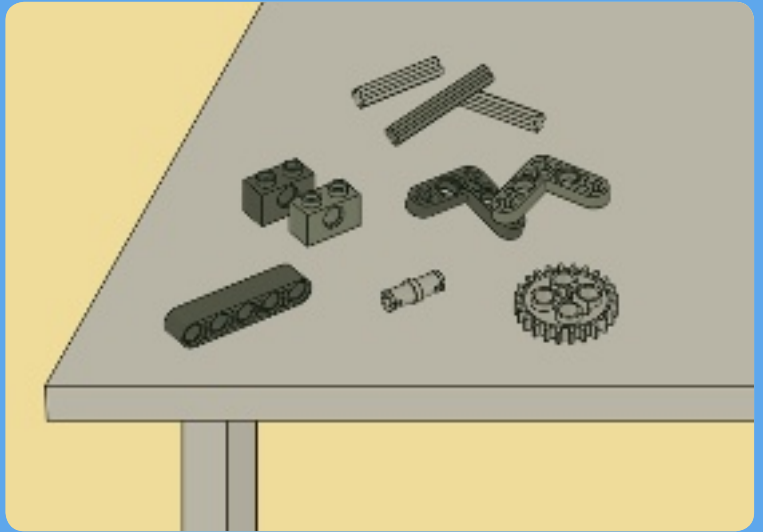


TECHNIC

8081

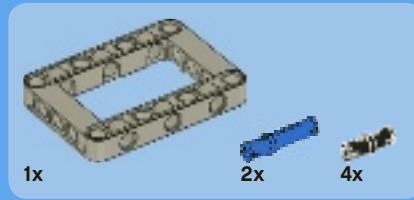
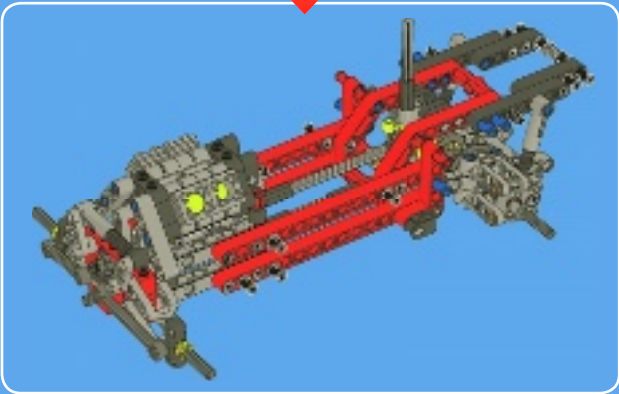
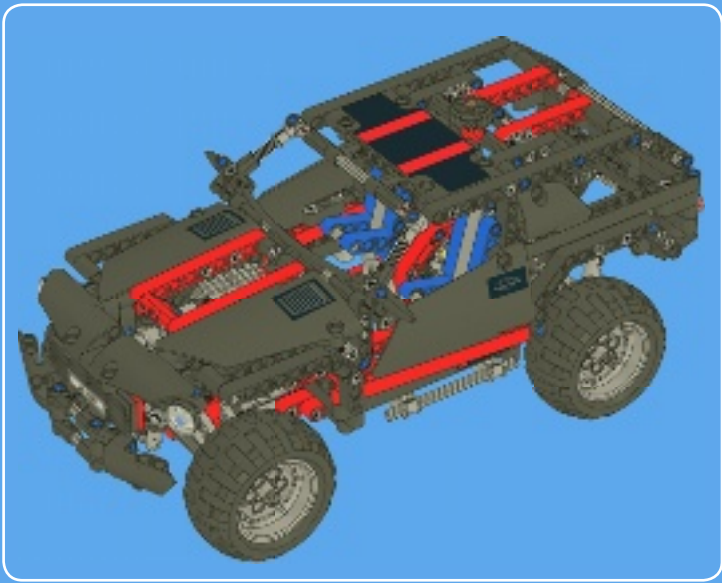


1

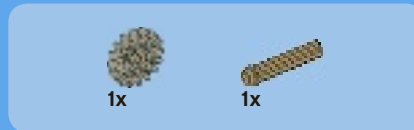
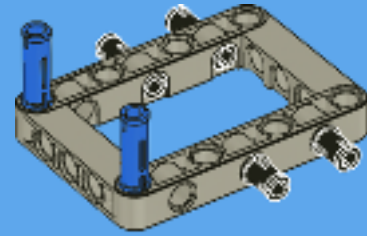


2

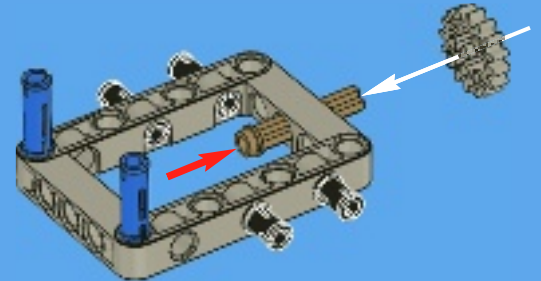


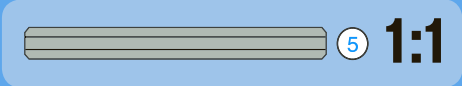
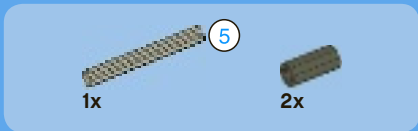


1

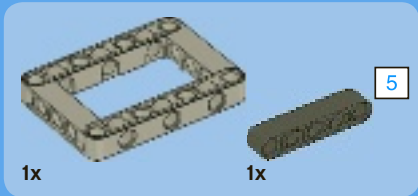
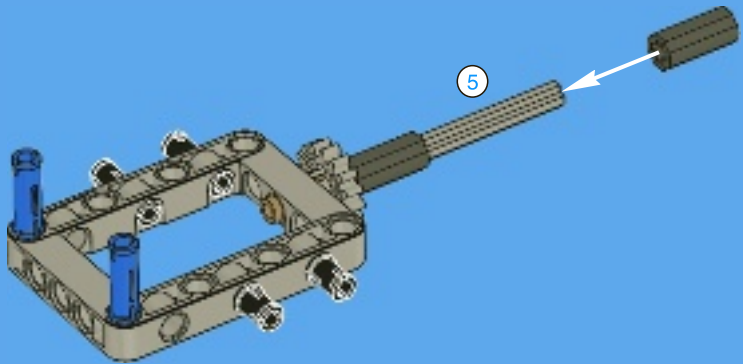


2

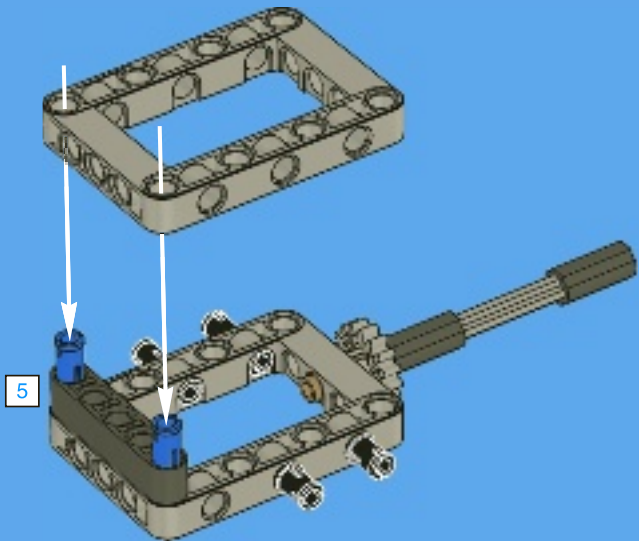




3



4



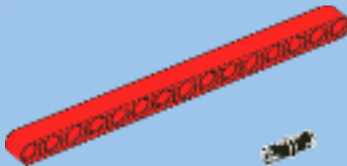
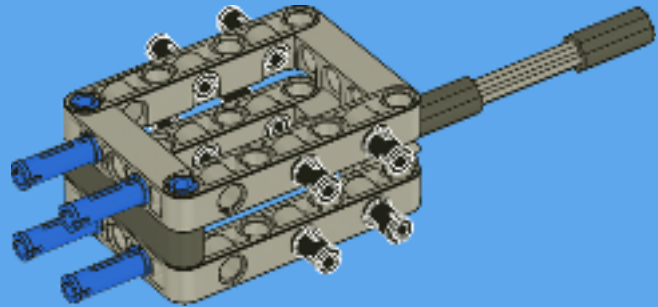


4x



4x

5



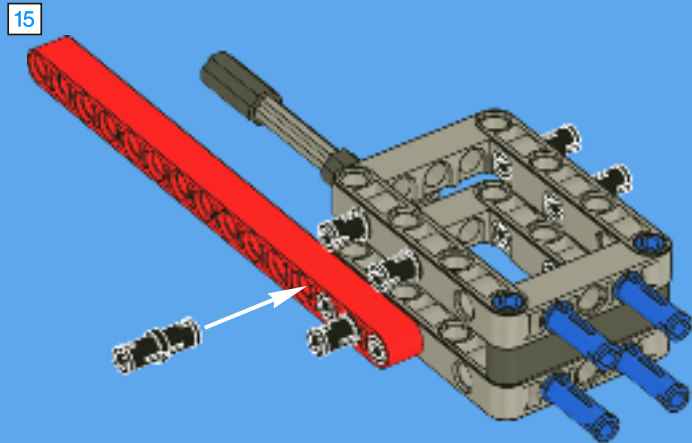
15

1x



2x

6

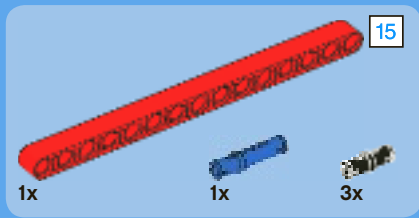


15

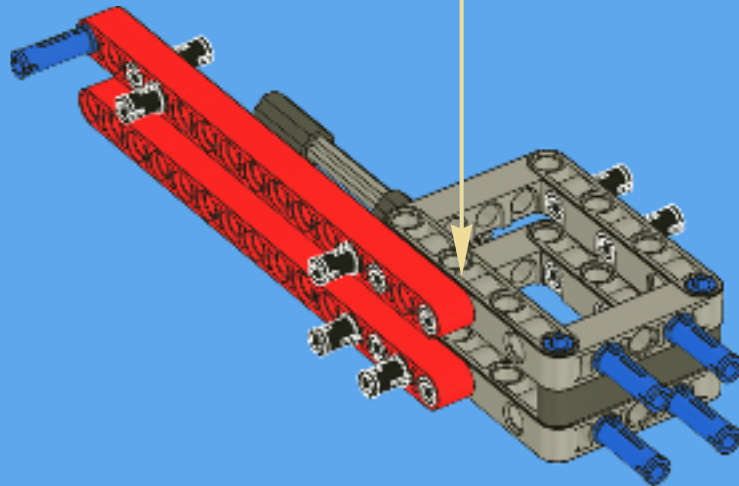
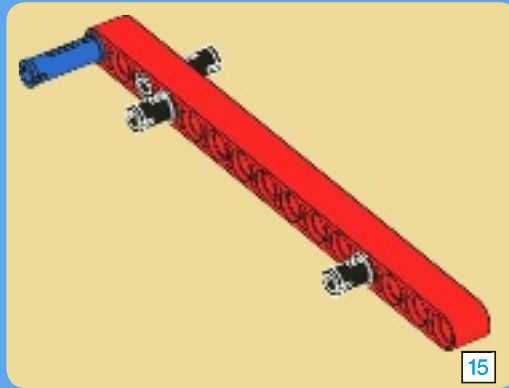


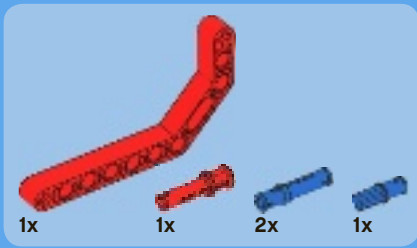
15

1:1

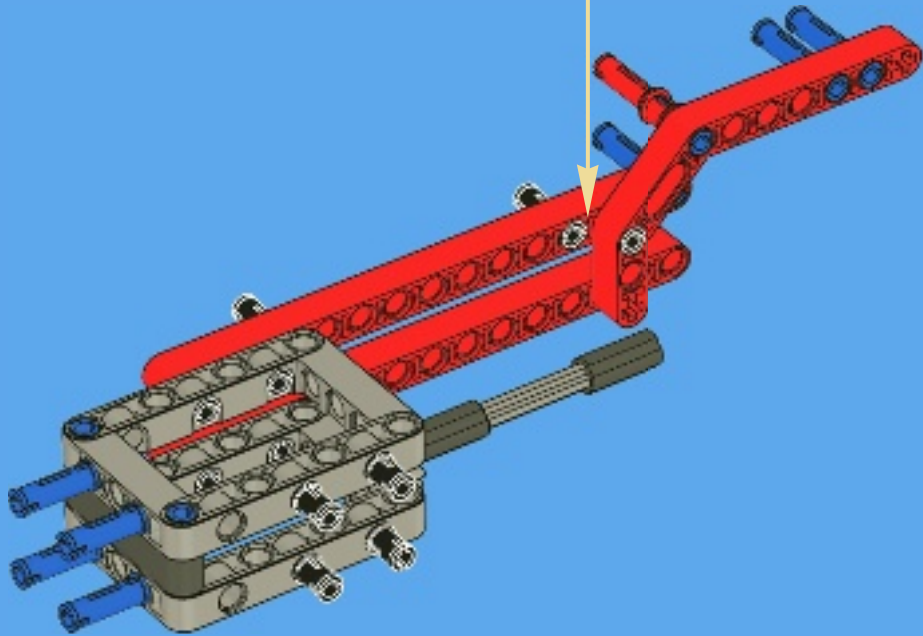
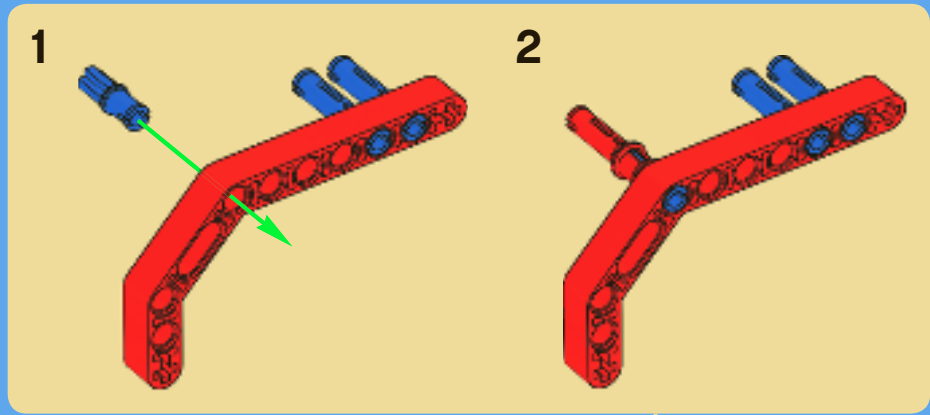


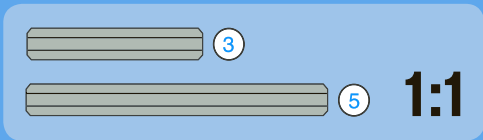
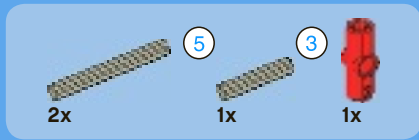
7



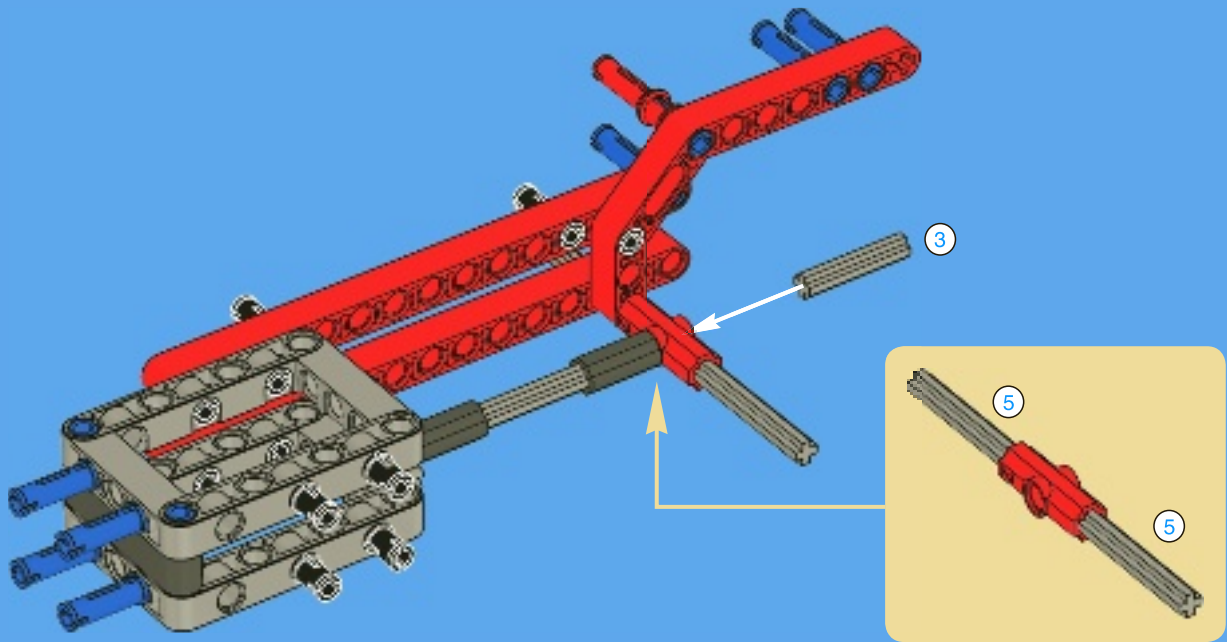


8





9





2x

4



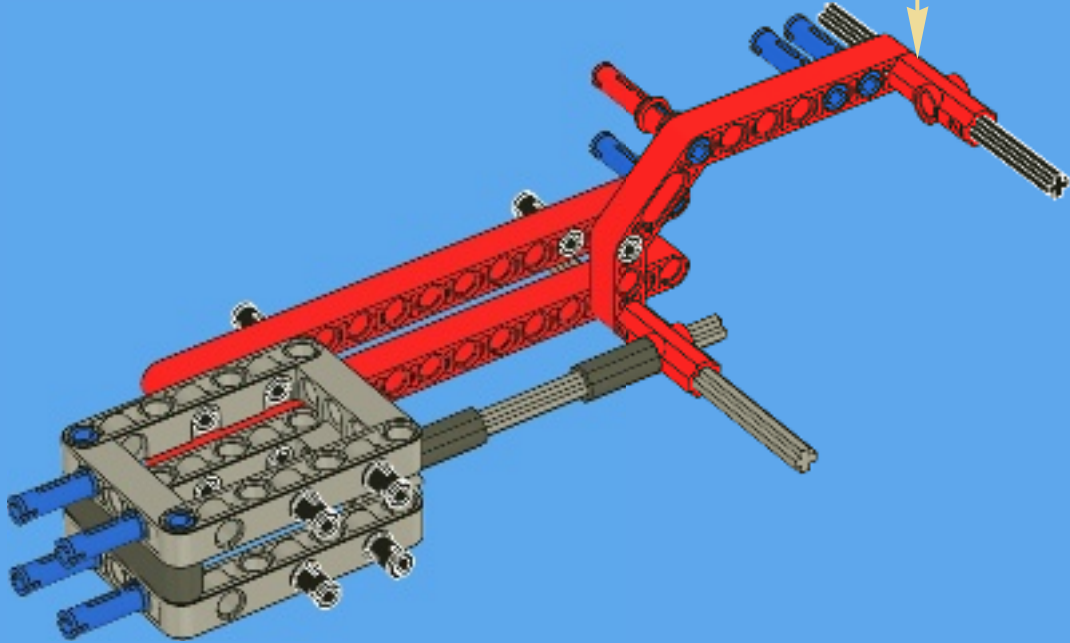
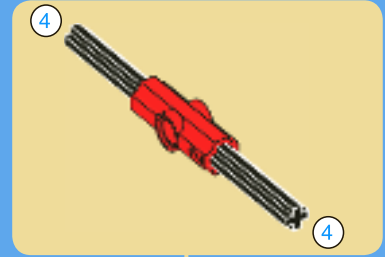
1x



4

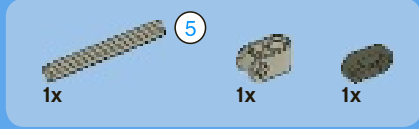
1:1

10

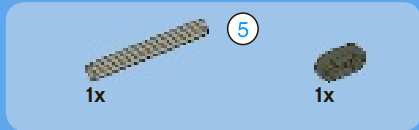
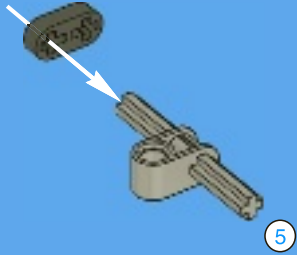




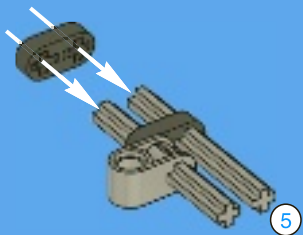
1:1



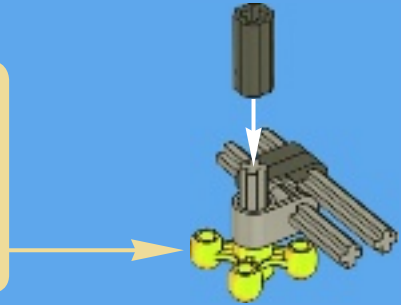
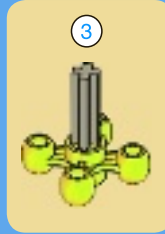
1



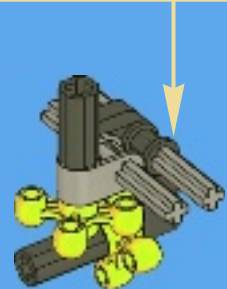
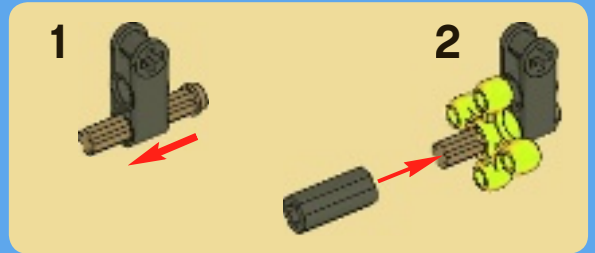
2



3

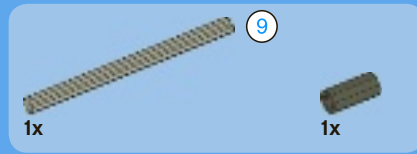
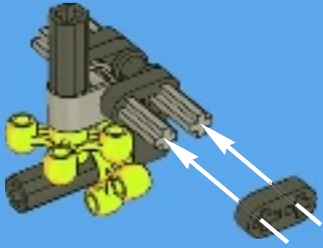


4

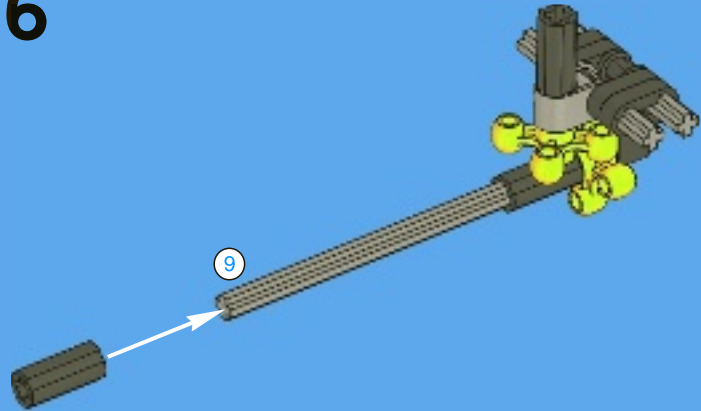




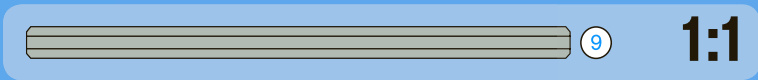
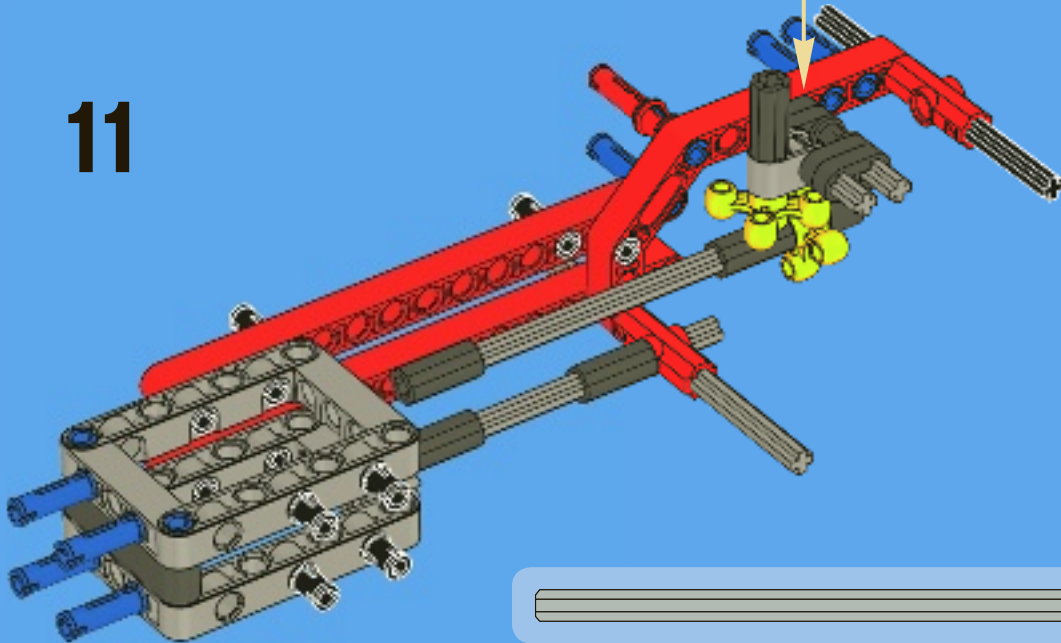
5

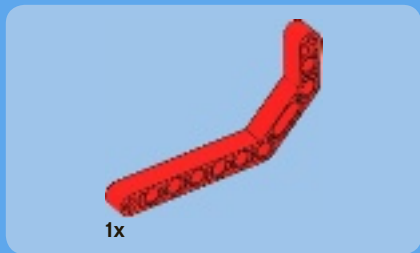


6

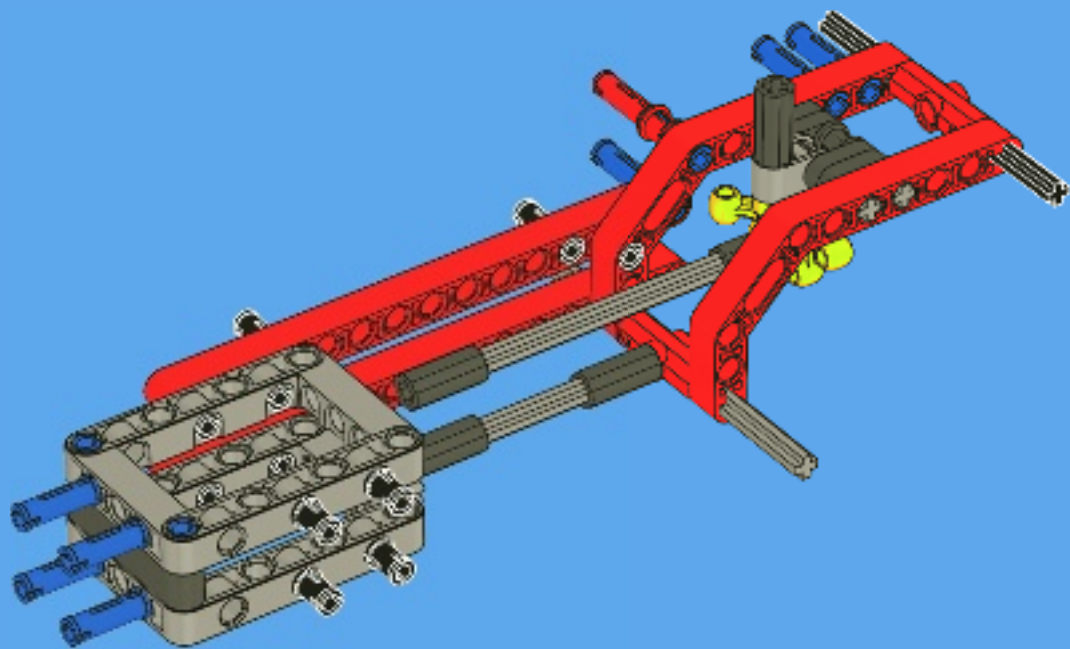


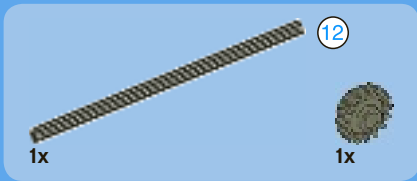
11



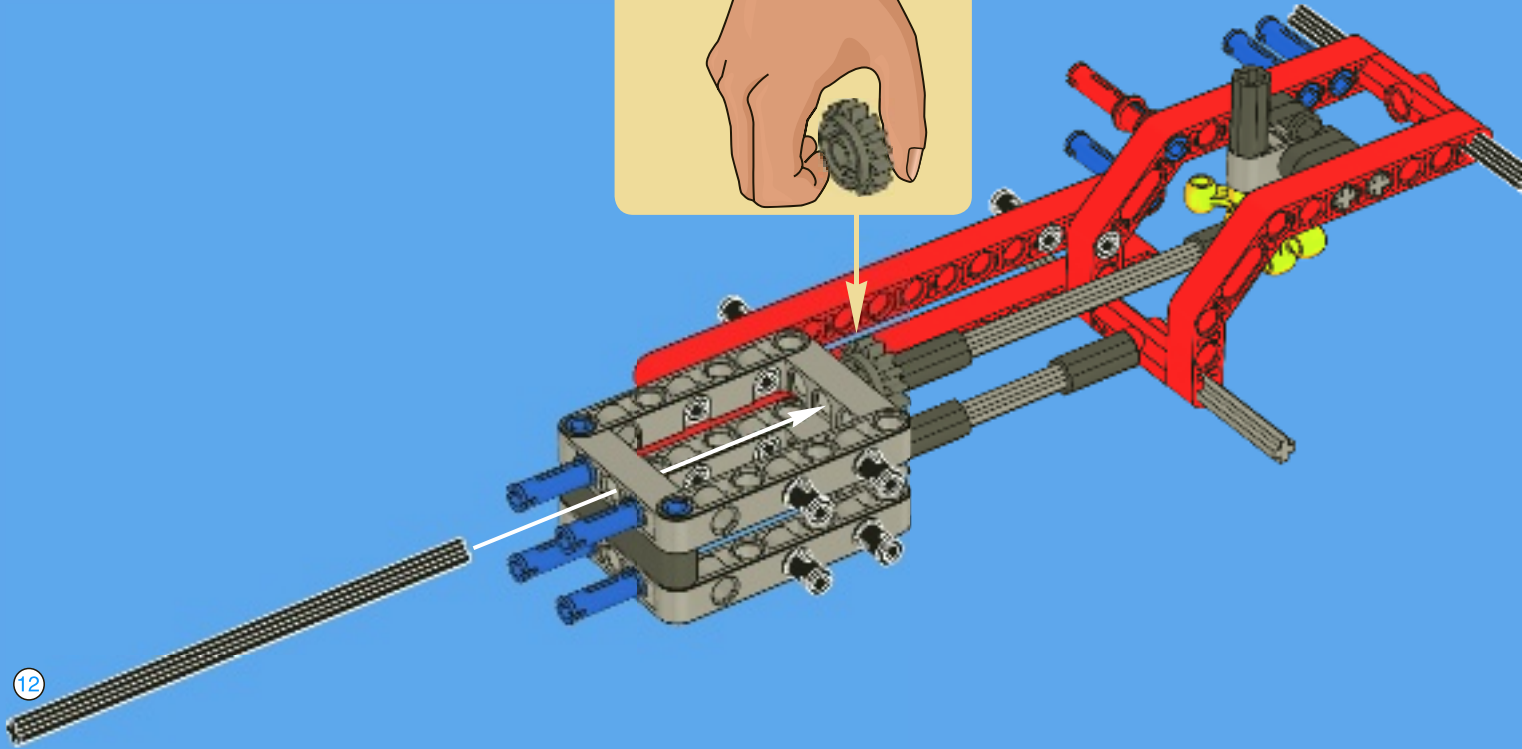
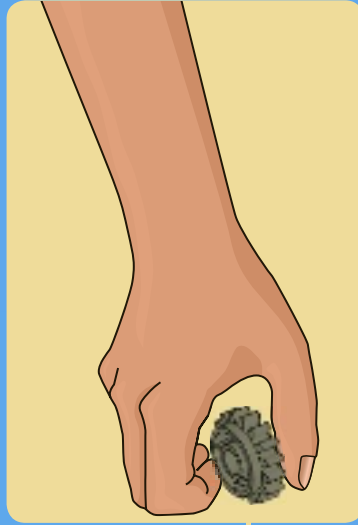


12





13



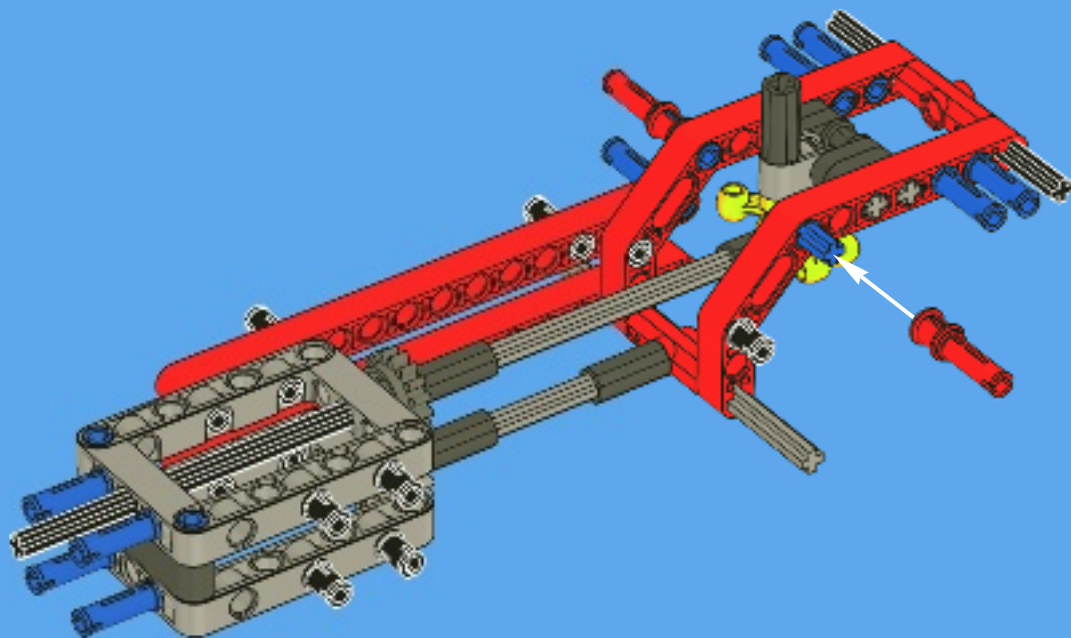
1x

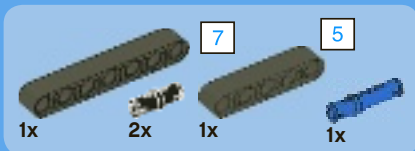
1x

1x

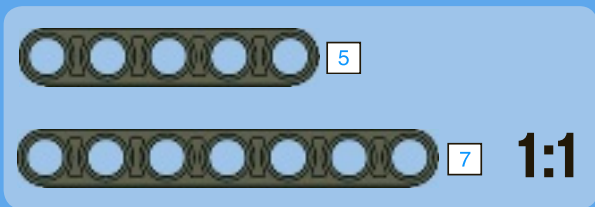
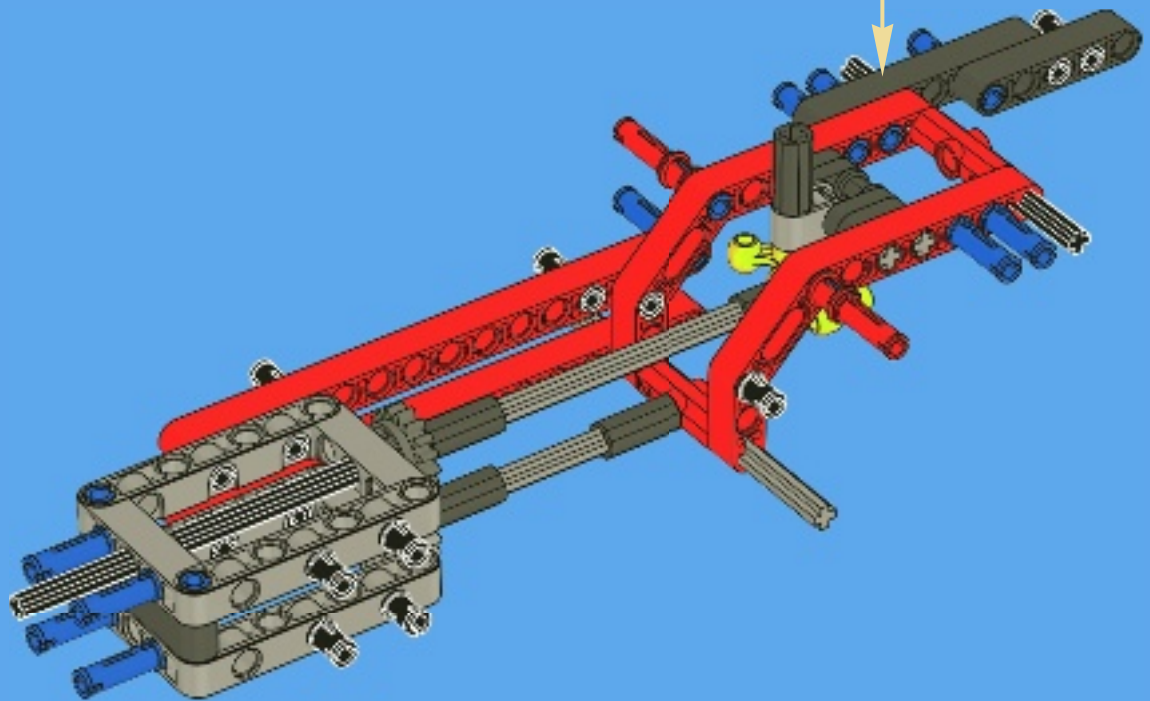
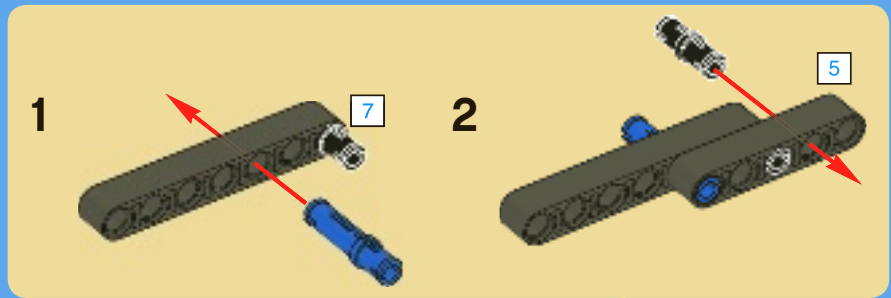
2x

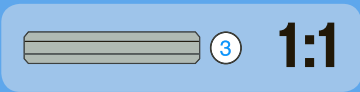
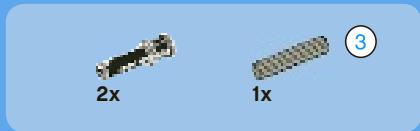
14



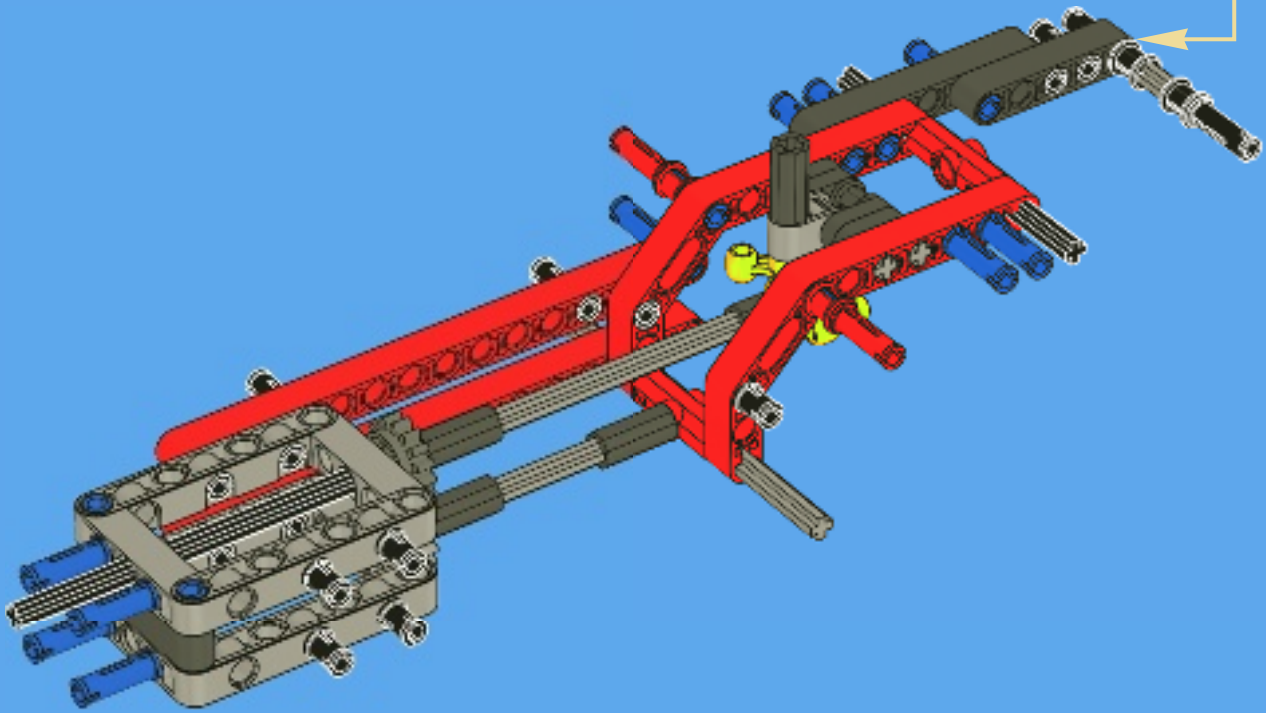
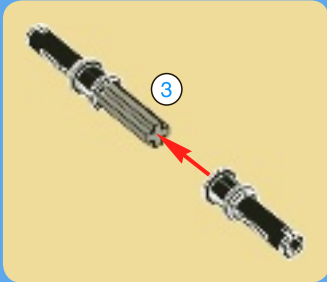


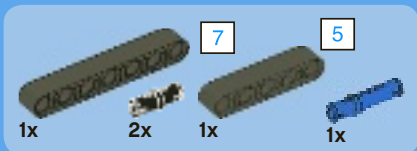
15



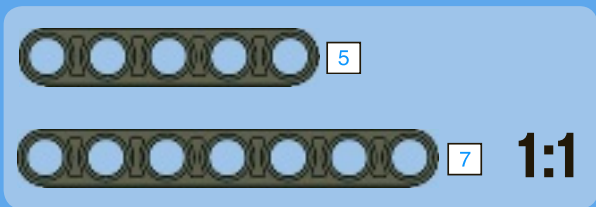
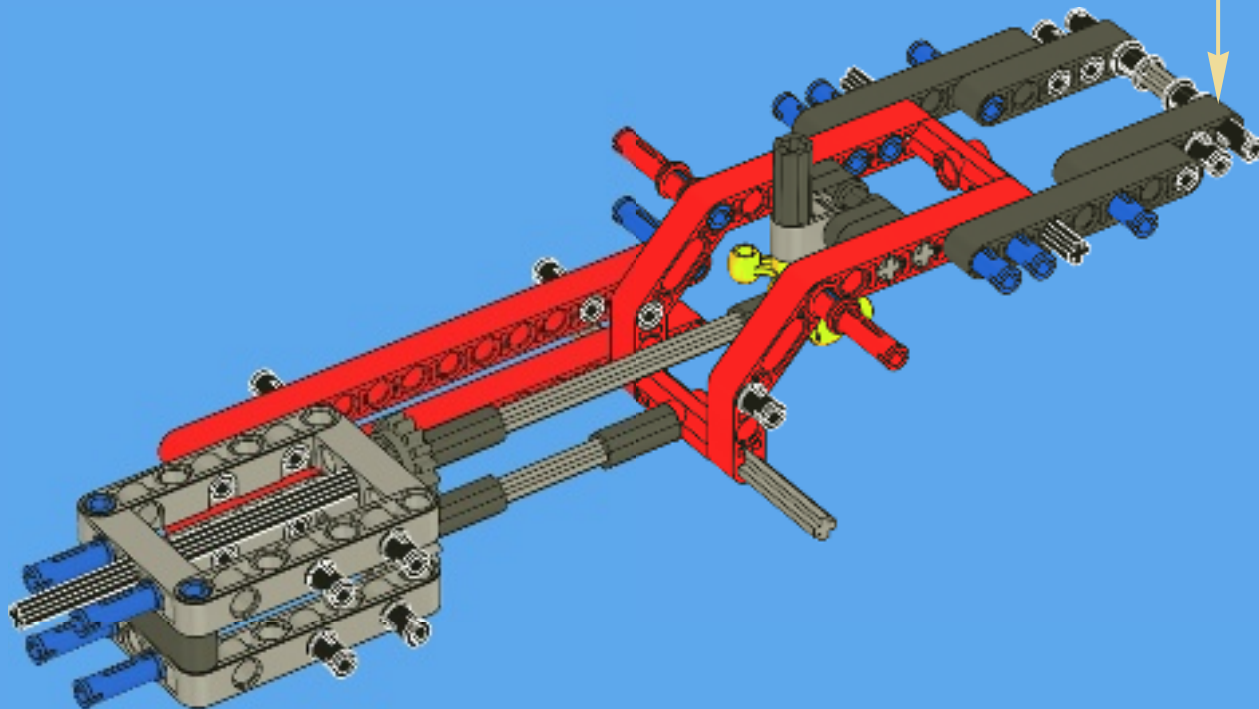
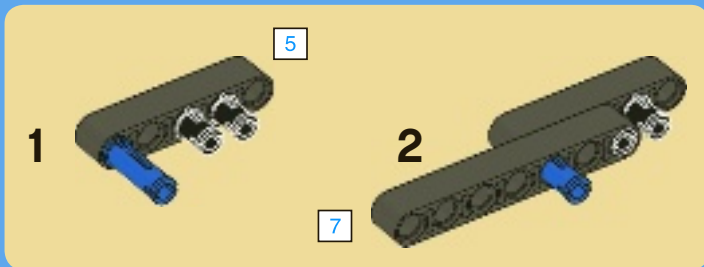


16

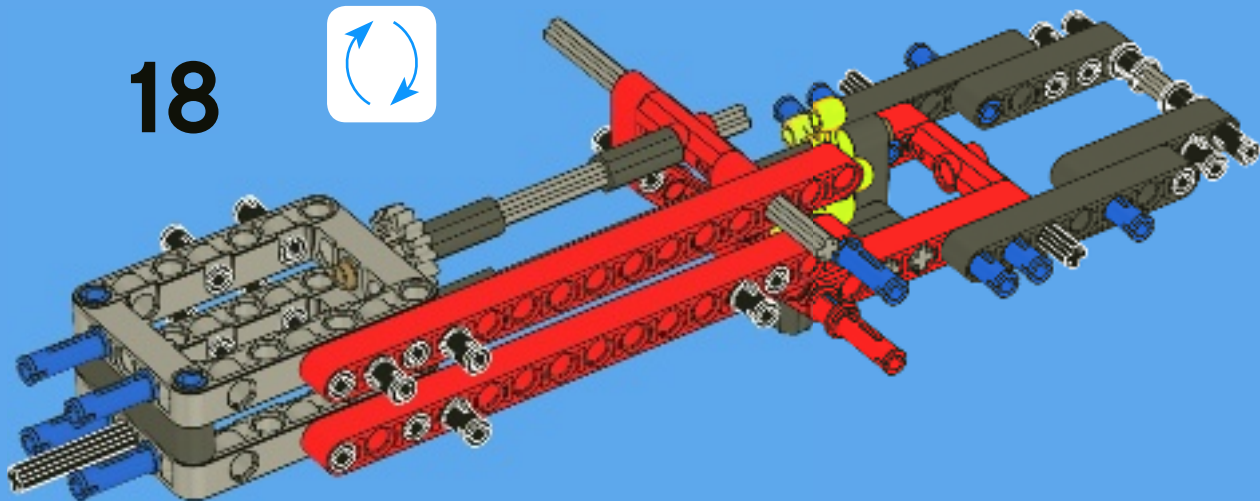


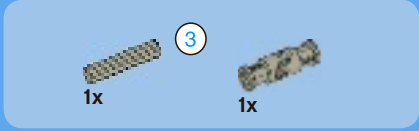


17

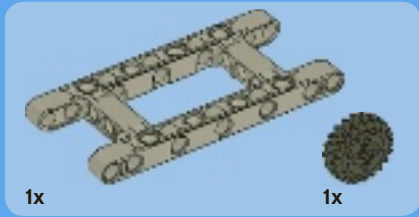
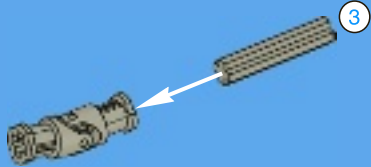


18

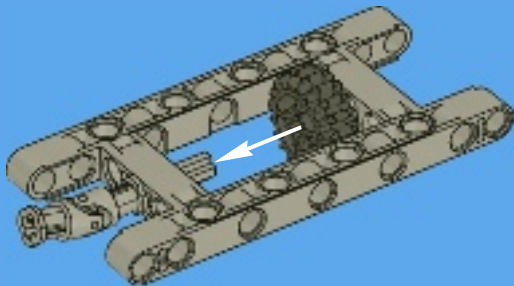




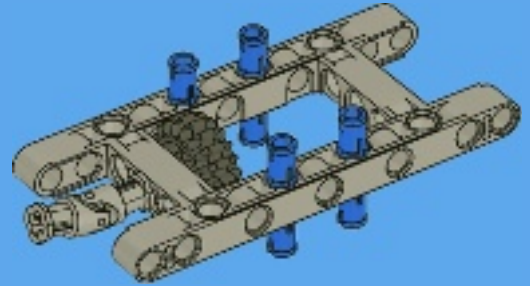
1



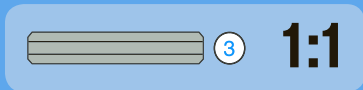
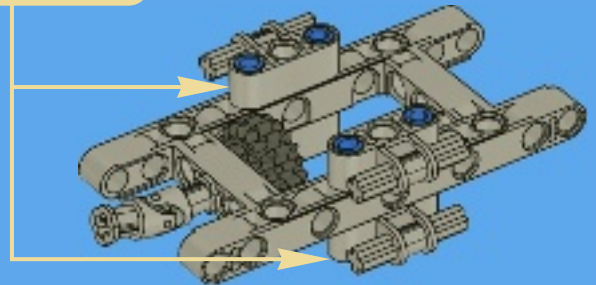
2



3



4





1x



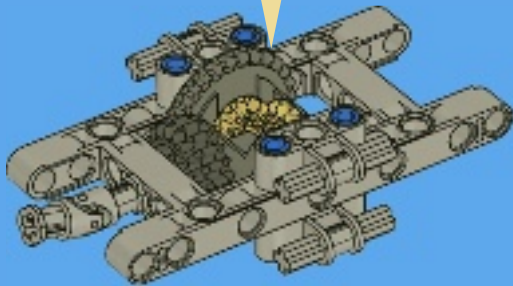
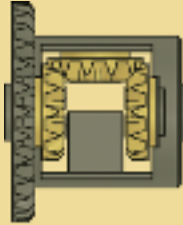
3x

5

1



2

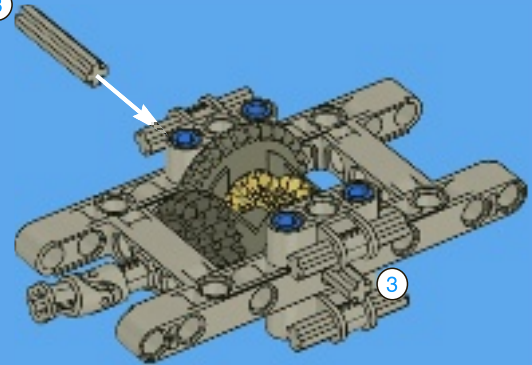


2x

3

6

3



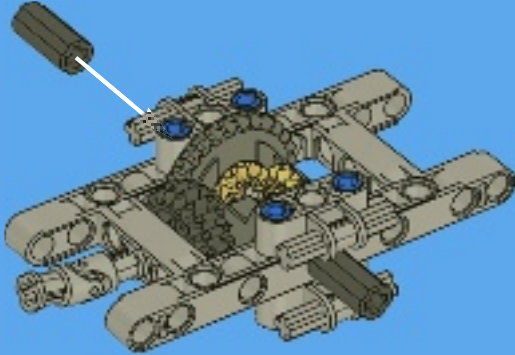
3

1:1



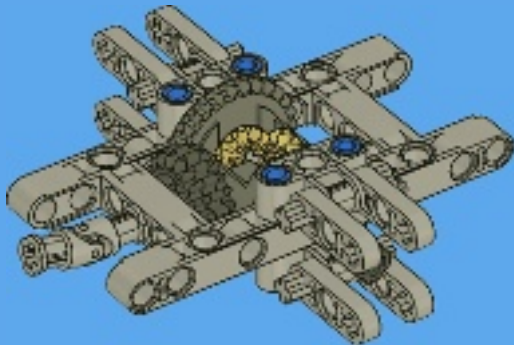
2x

7



8x

8



2x



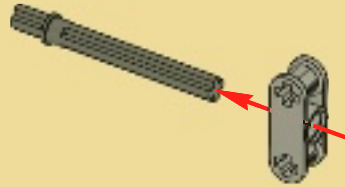
2x



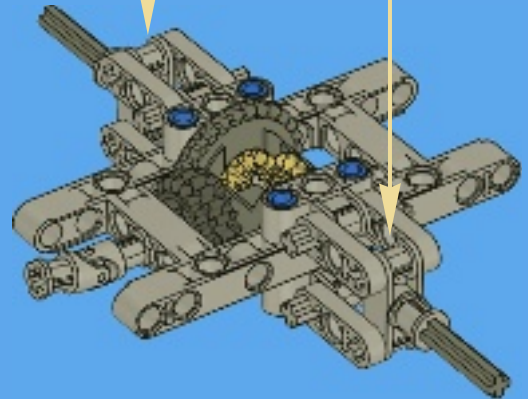
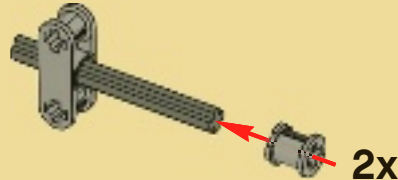
2x

9

1



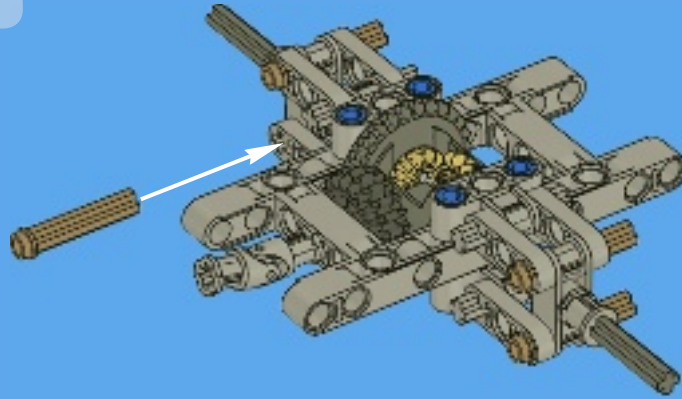
2





4x

10



2x



2x

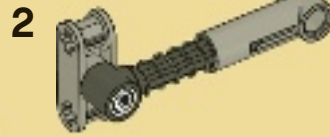


2x

11

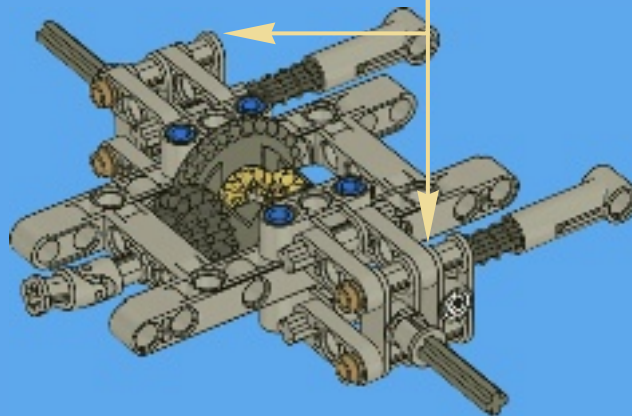


1



2

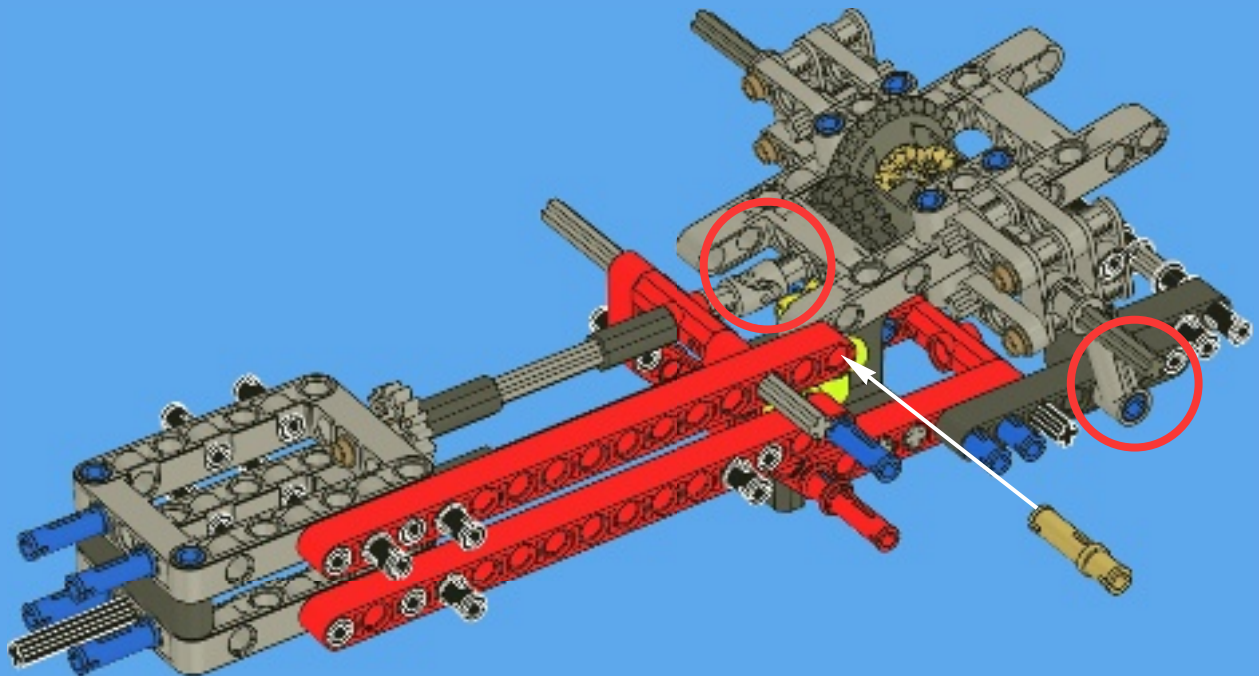
2x





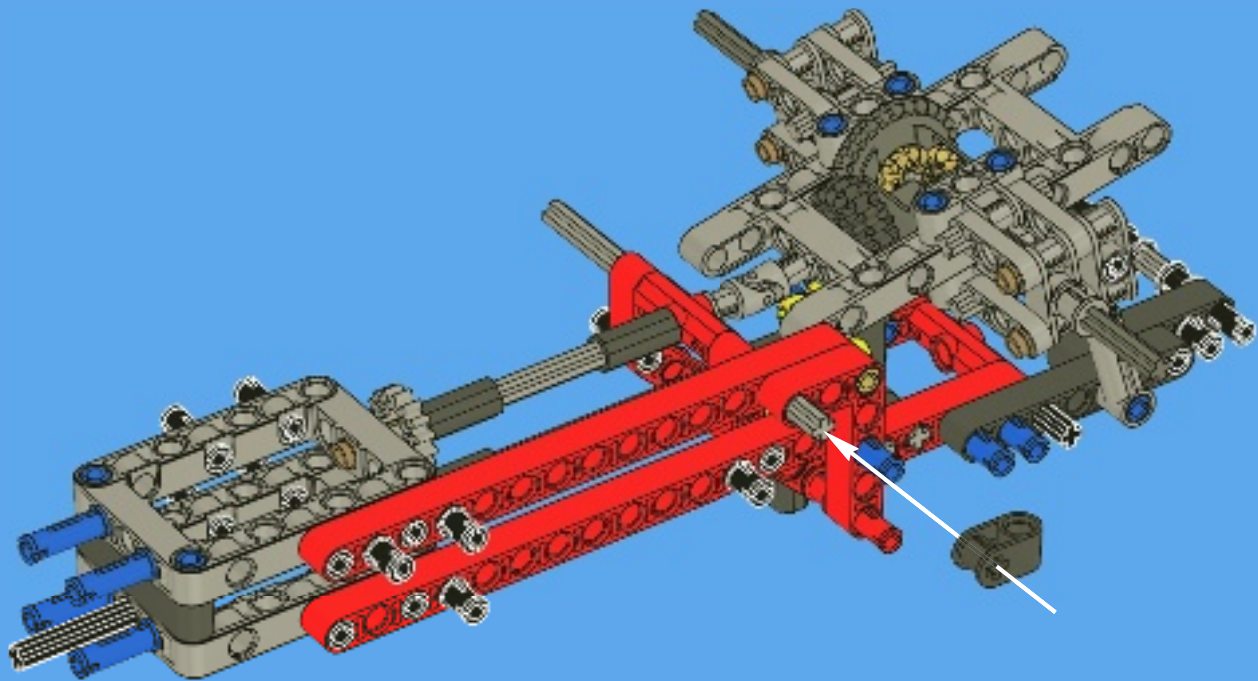
1x

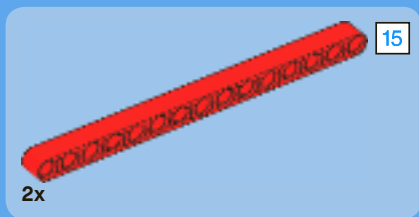
19



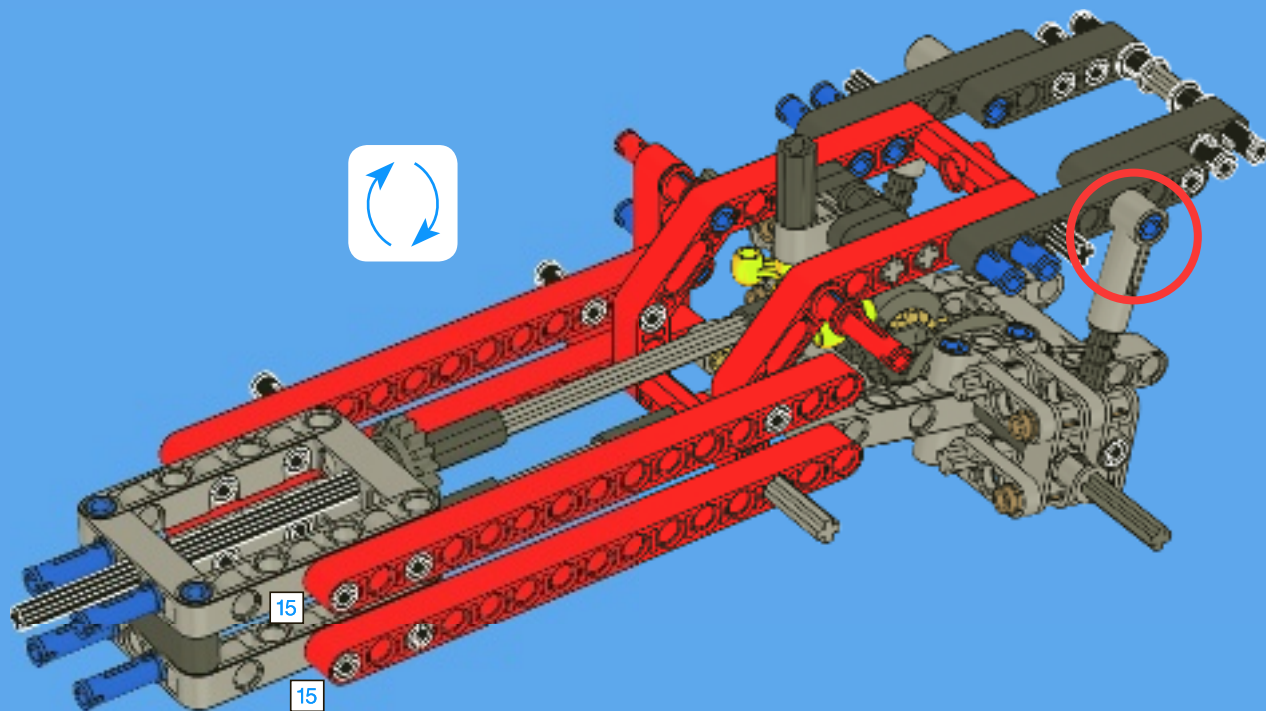


20

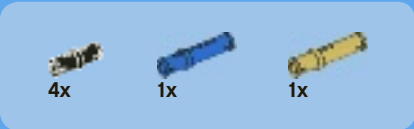




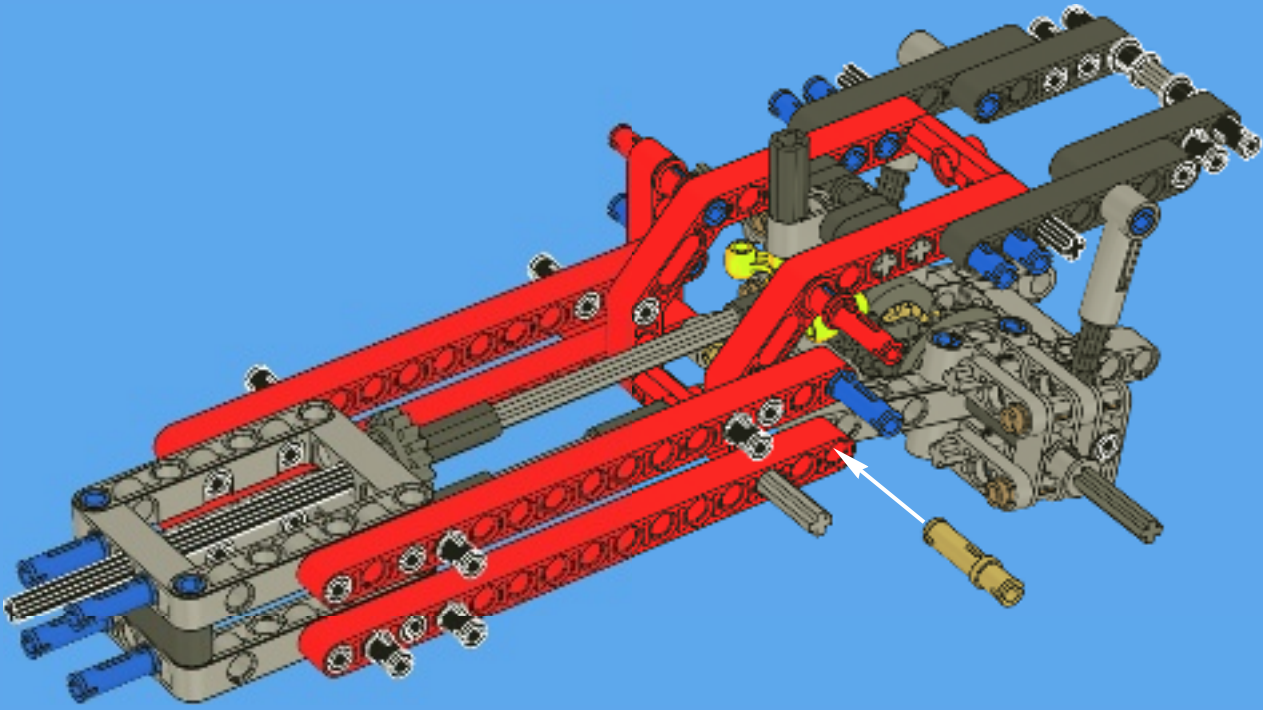
21

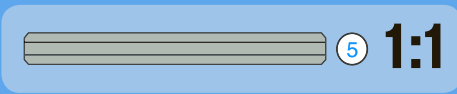
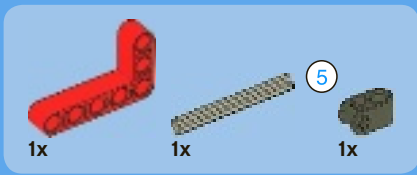


1:1

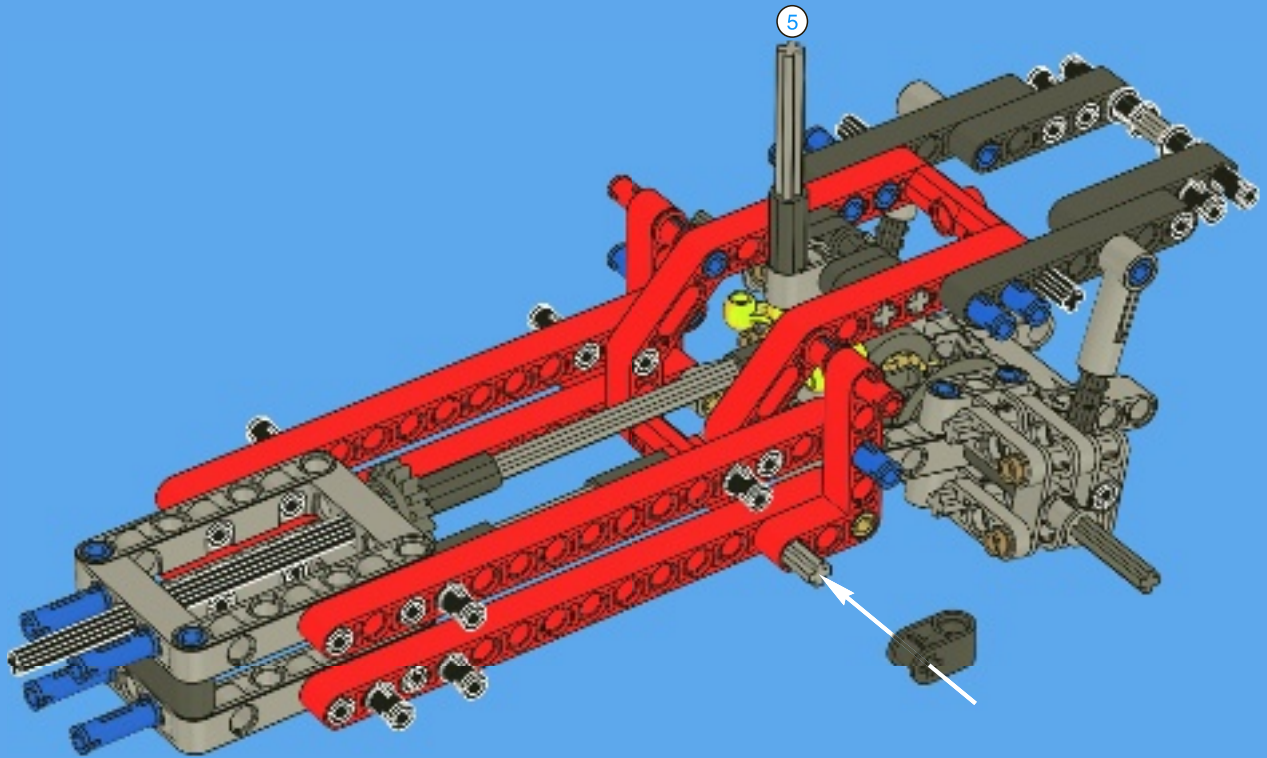


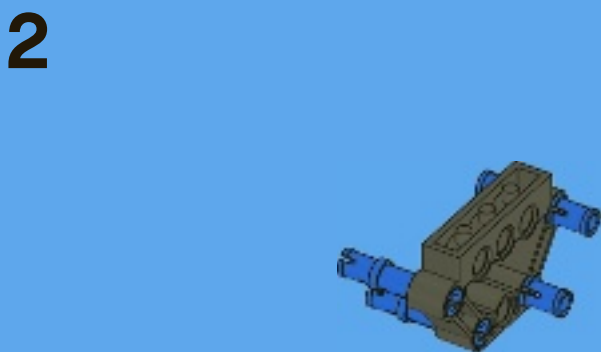
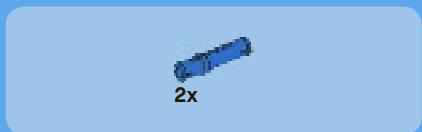
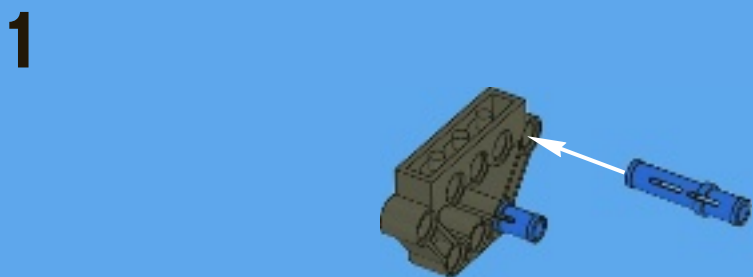
22



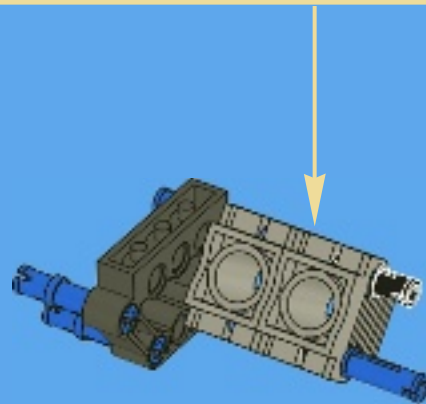
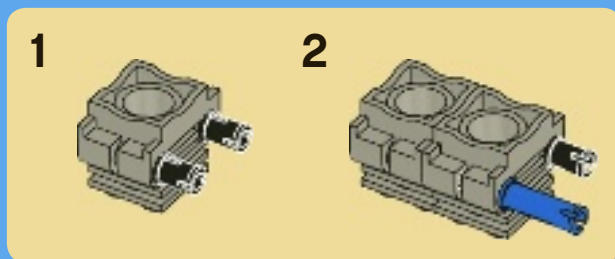


23





3



4x

2x

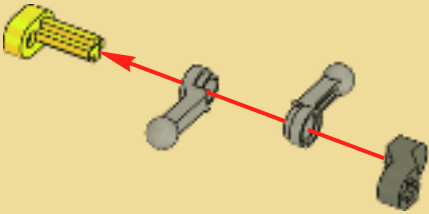
1x

1x

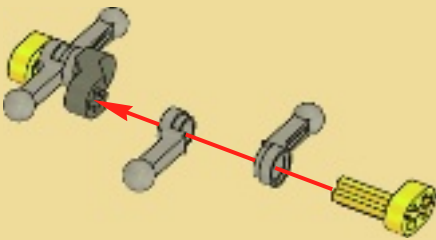
4x

4

1



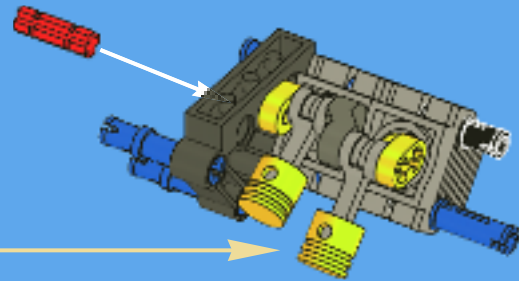
2



3

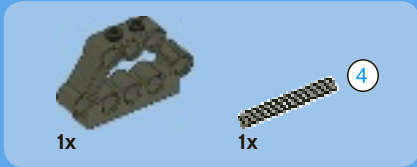
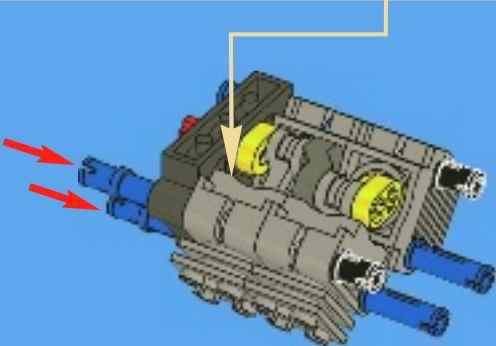
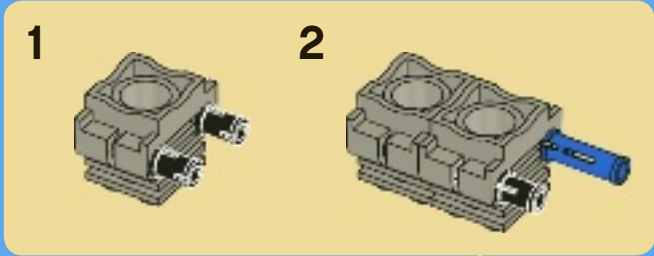


1:1

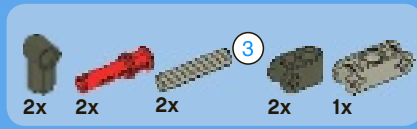
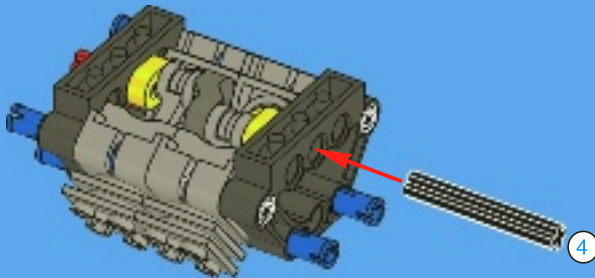




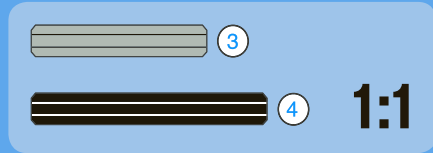
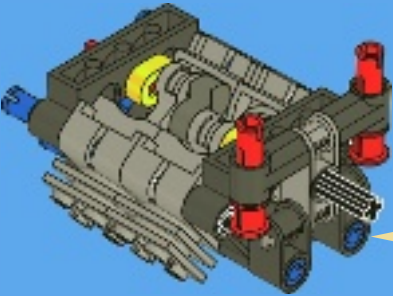
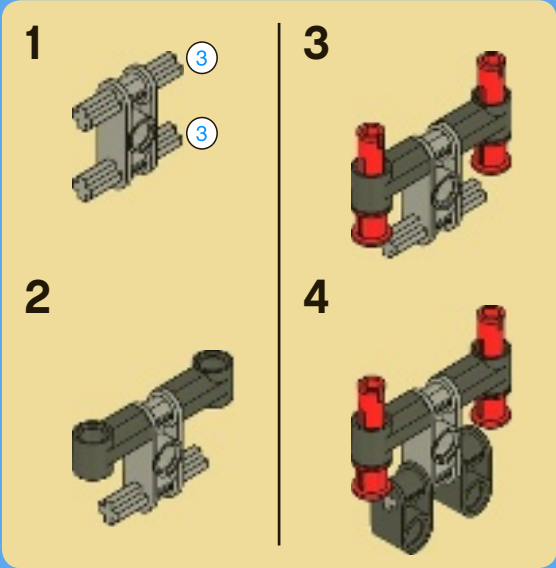
5



6



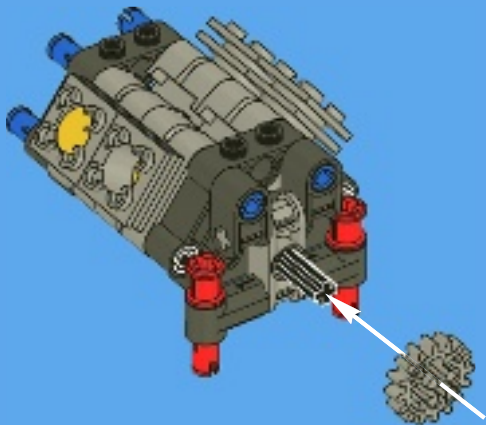
7





1x

8



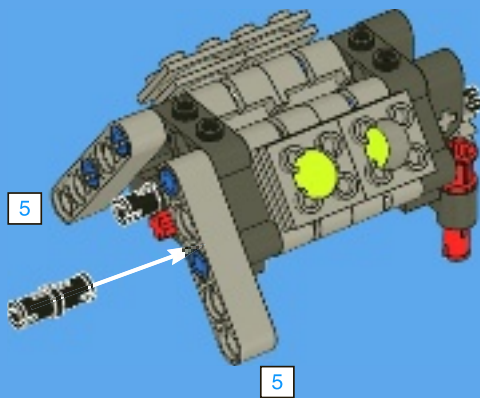
2x

5



2x

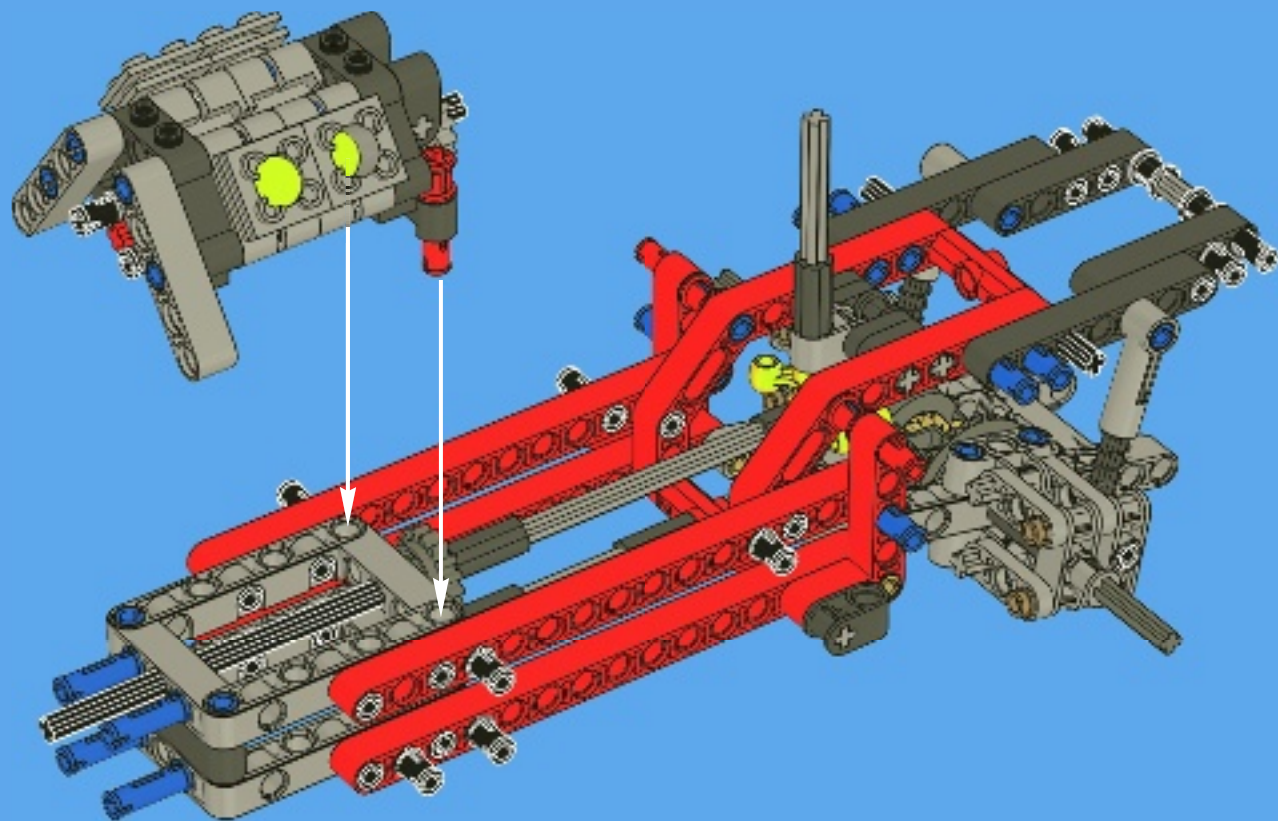
9



5

1:1

24



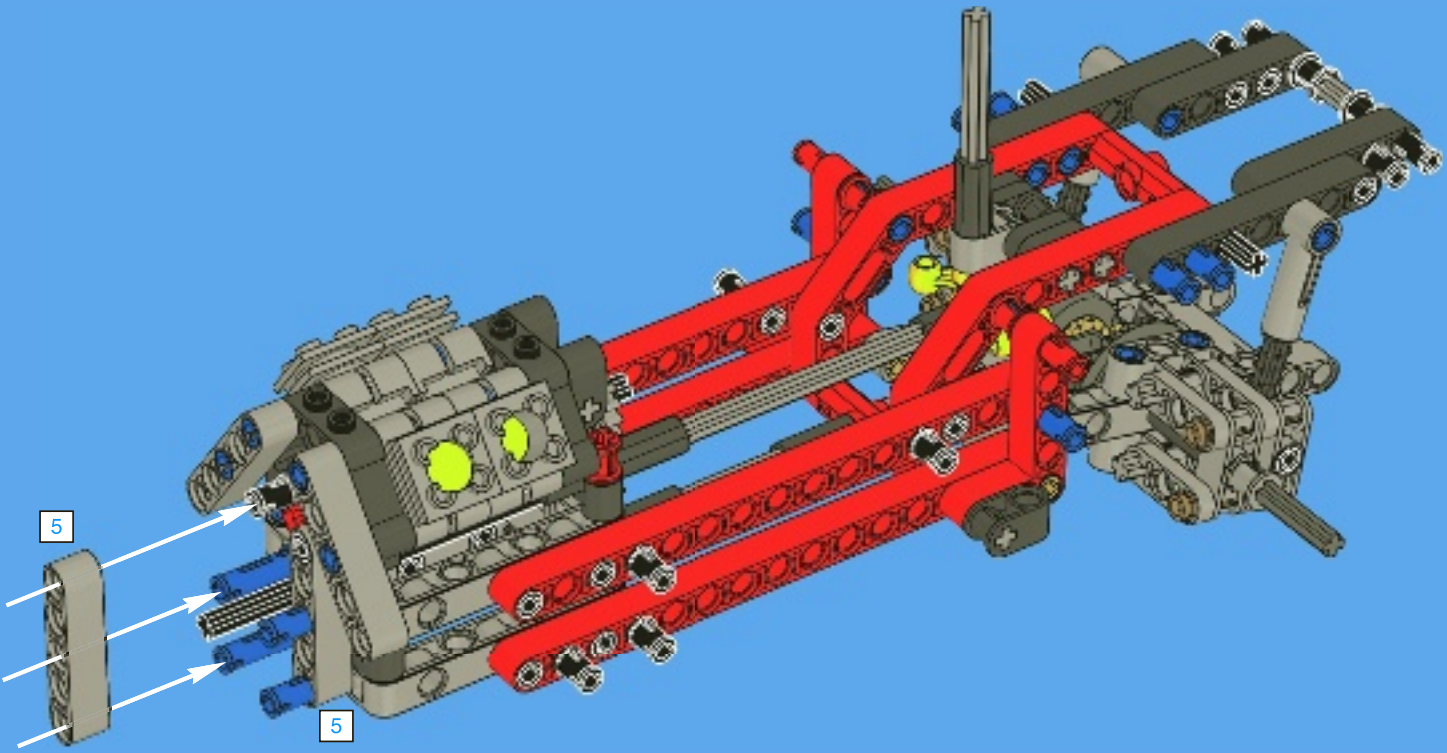


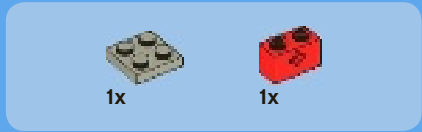
2x



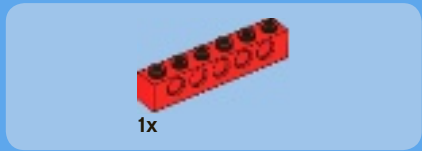
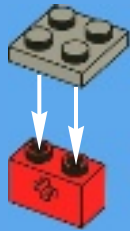
1:1

25

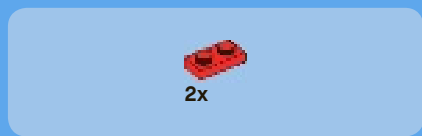
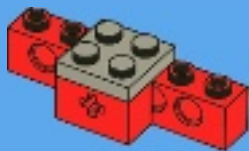




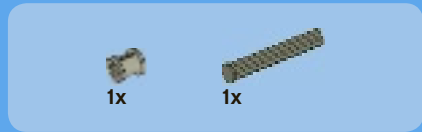
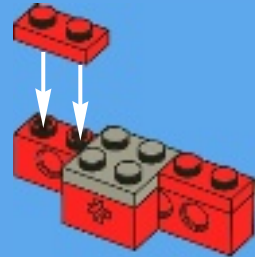
1



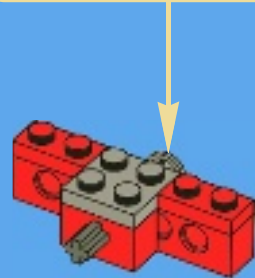
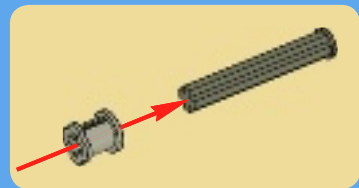
2

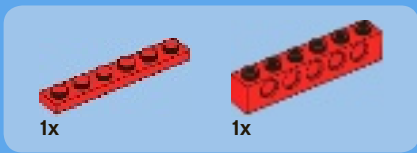


3

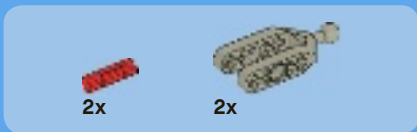
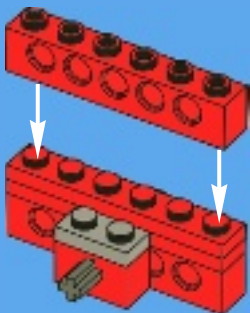


4

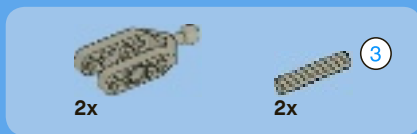
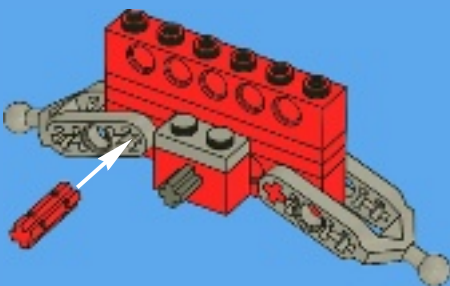




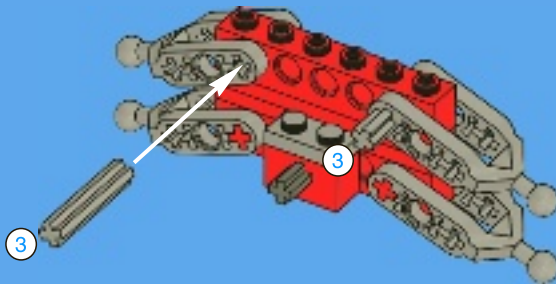
5



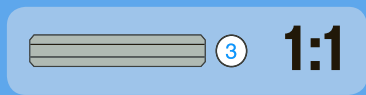
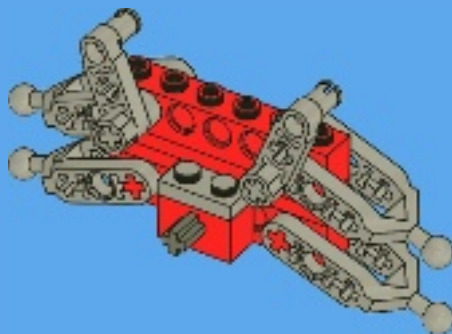
6



7



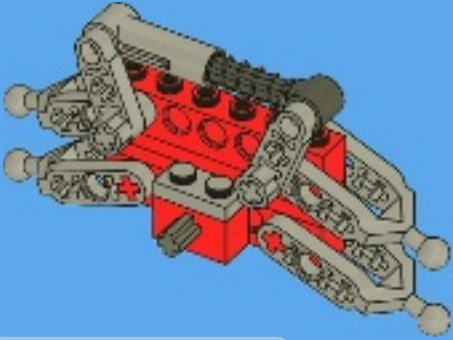
8



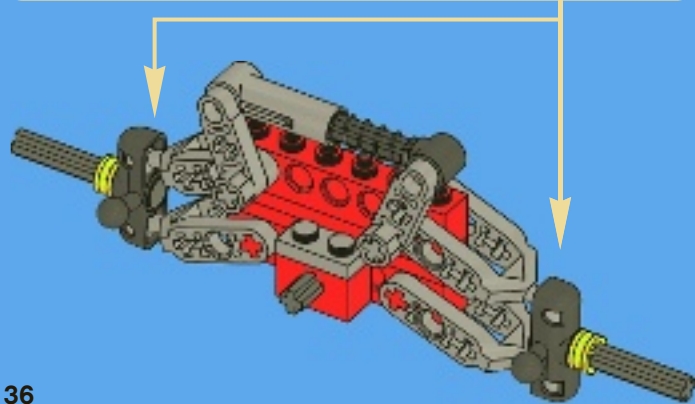
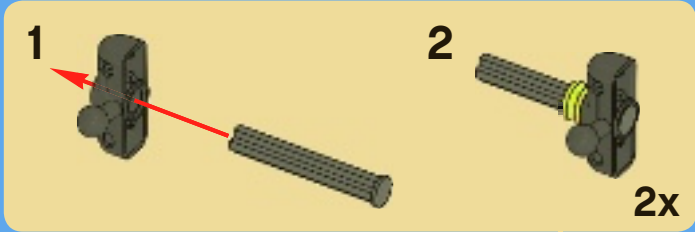
1:1



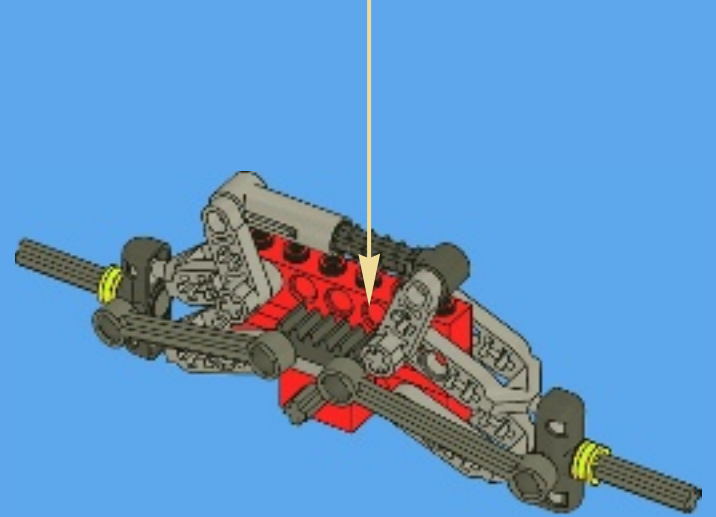
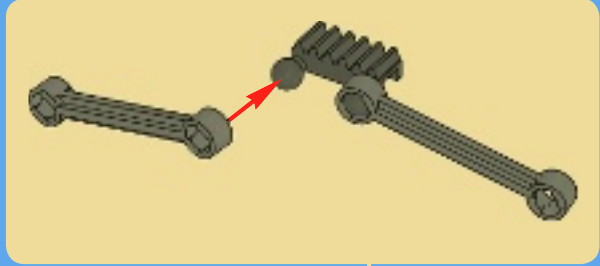
9



10



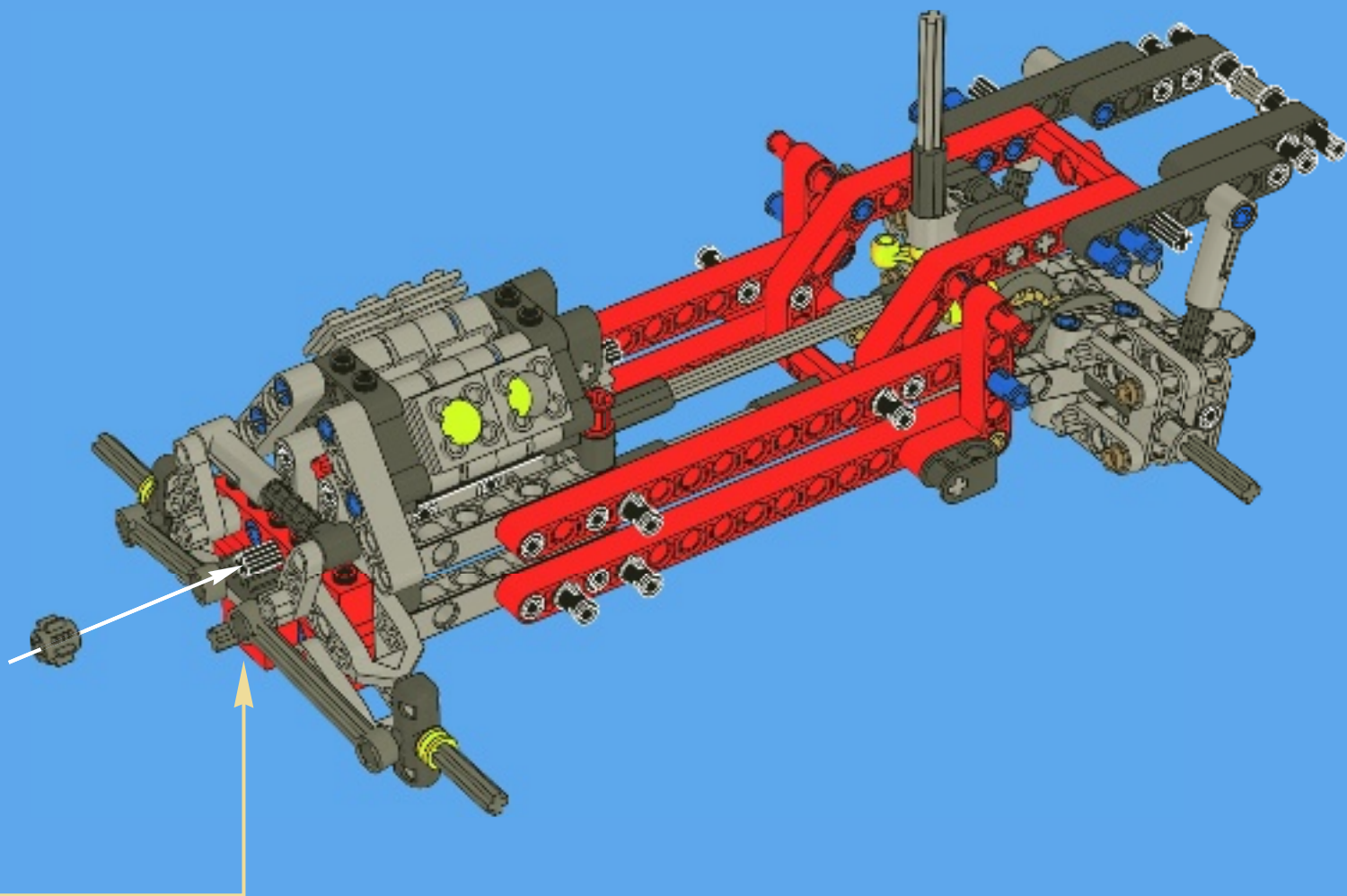
11

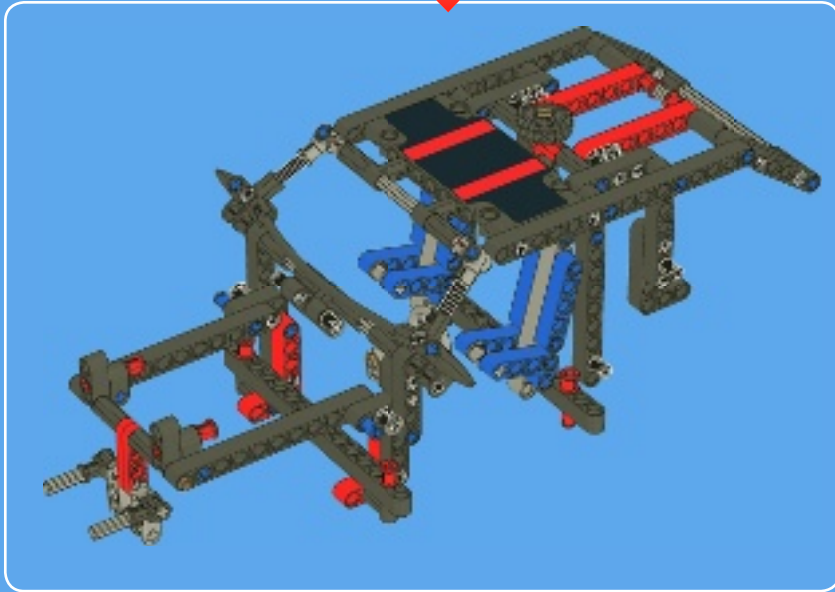


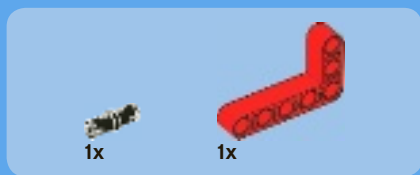


1x

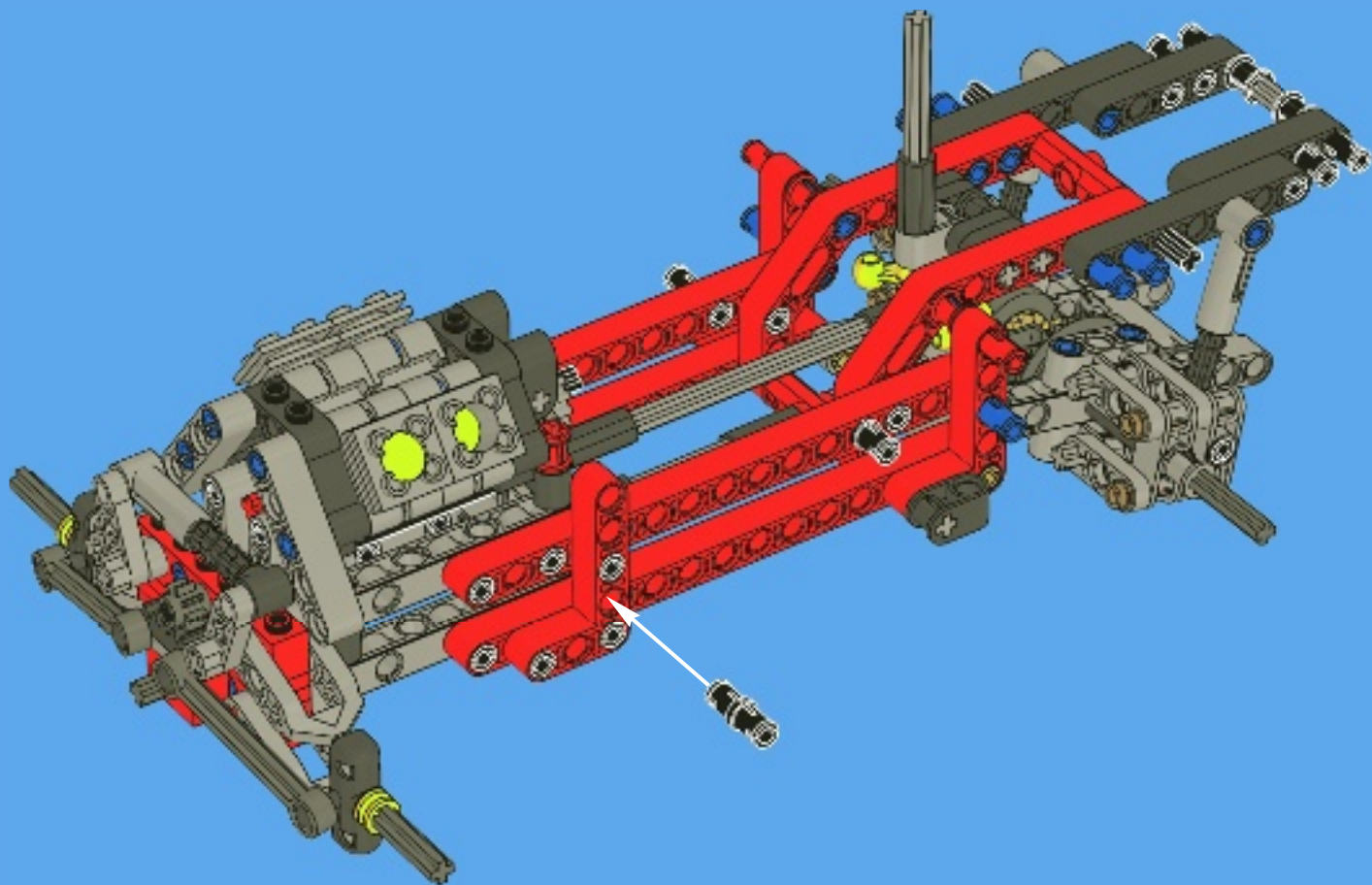
26







1



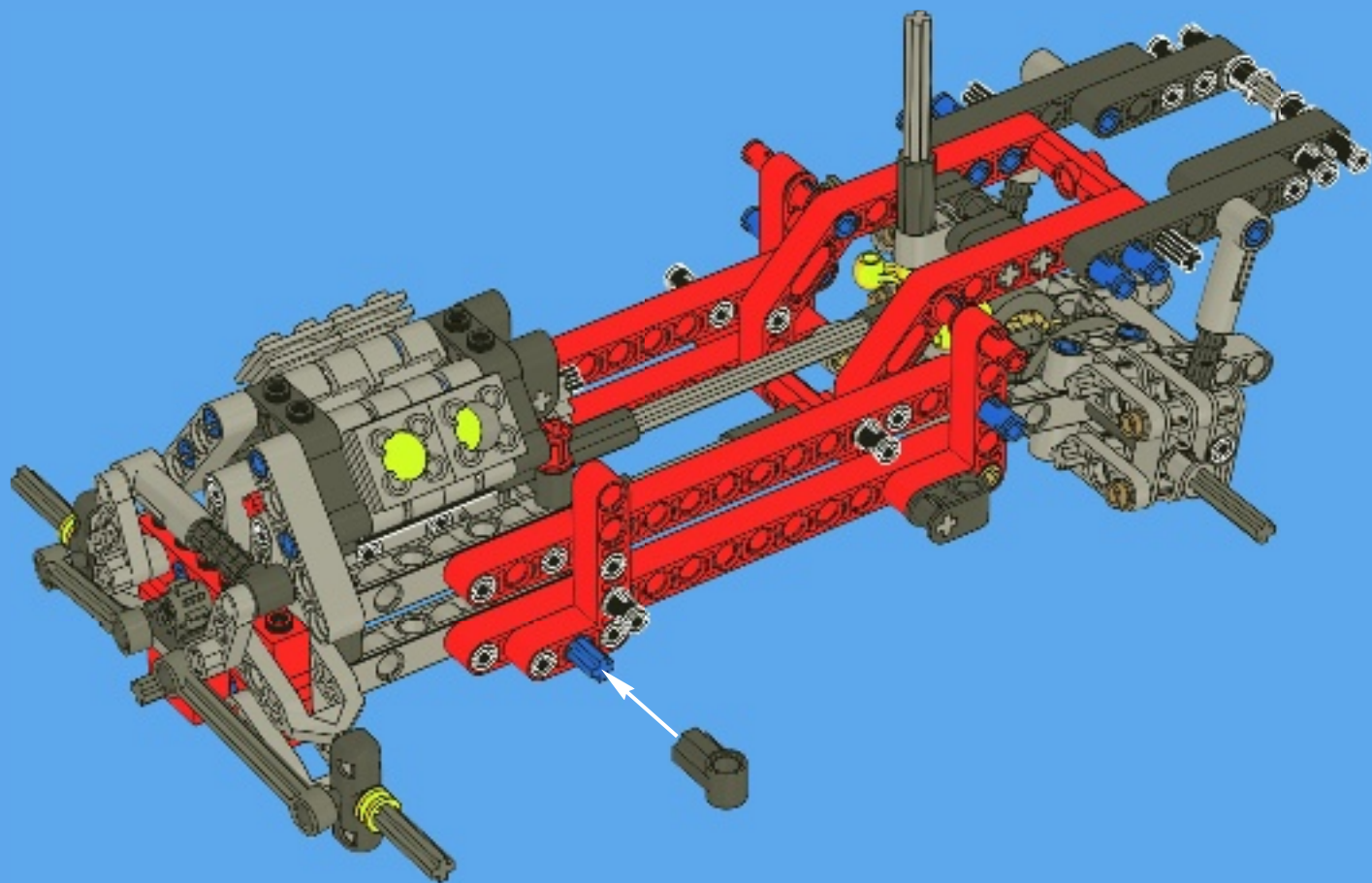


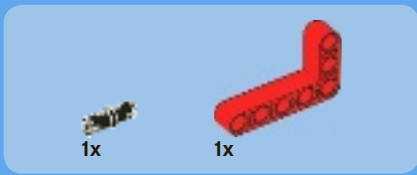
1x



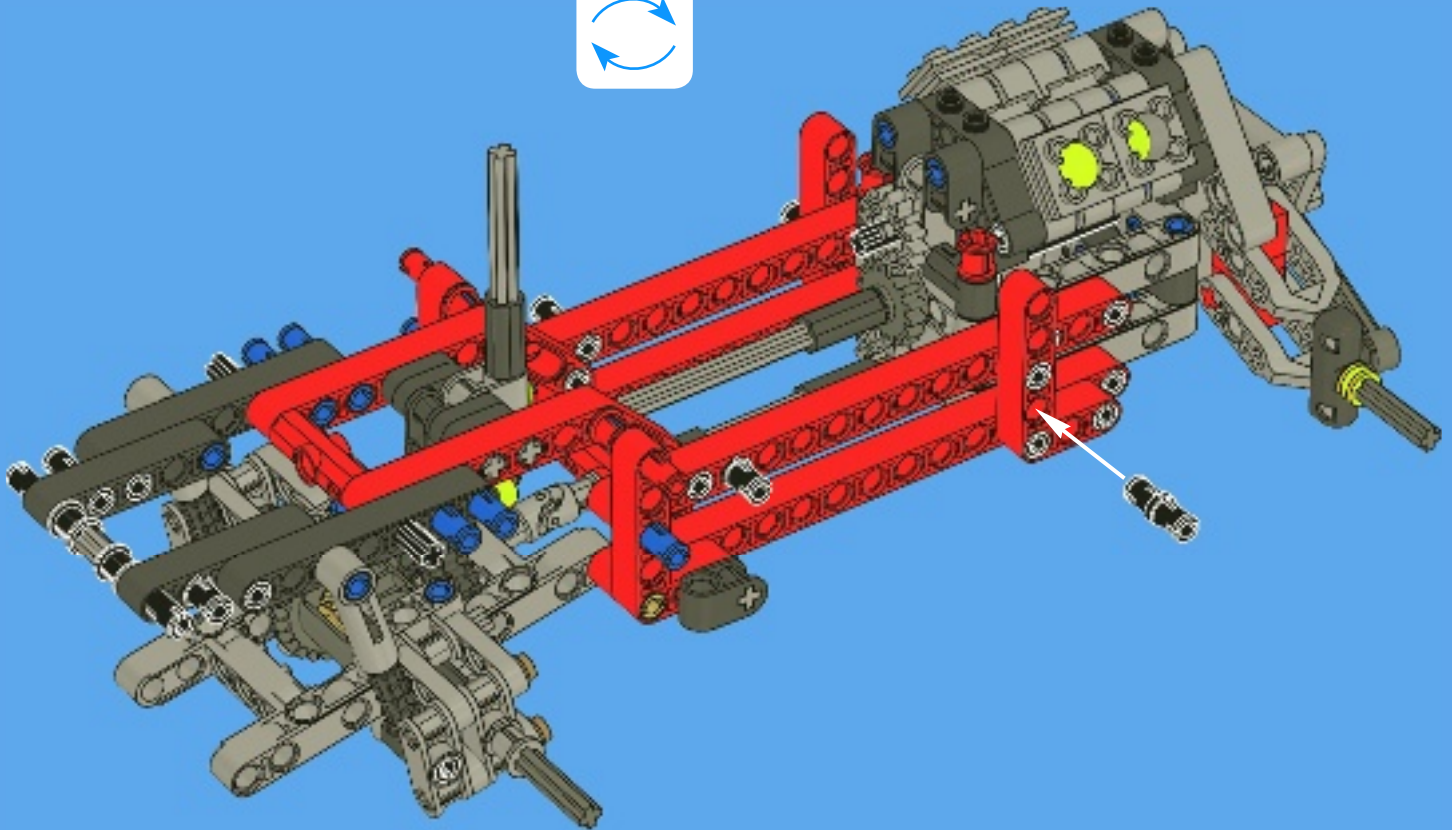
1x

2





3



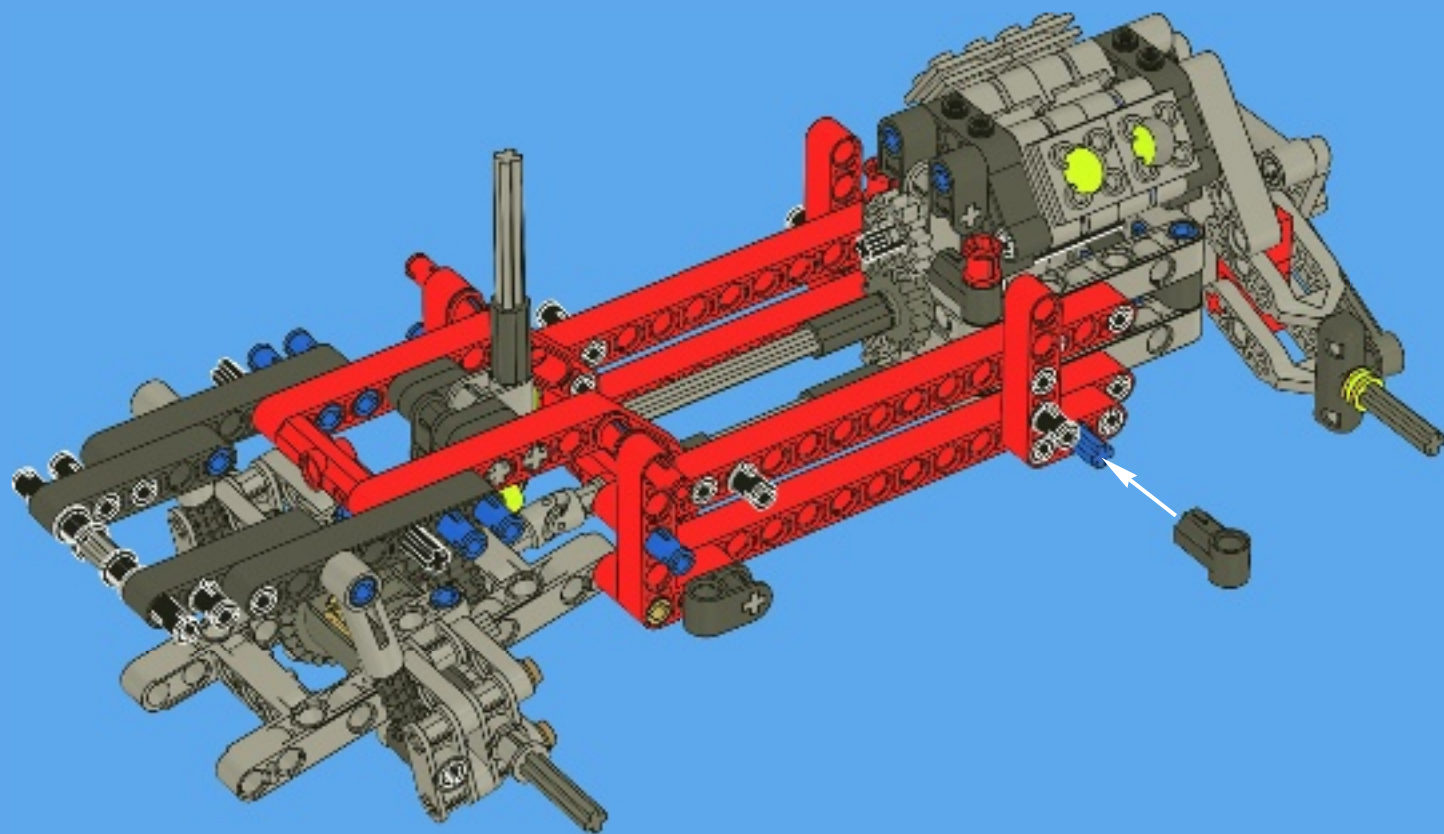


1x



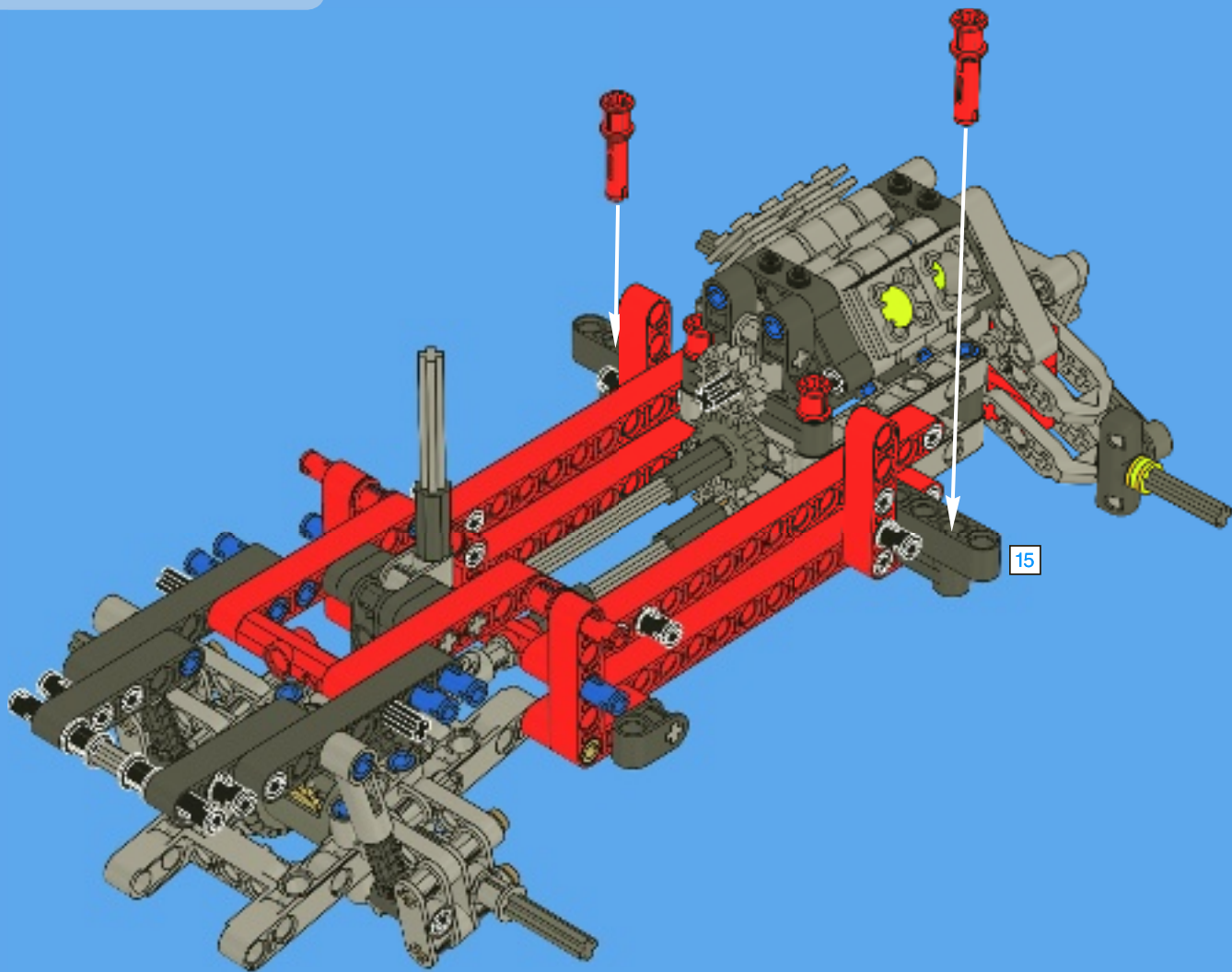
1x

4



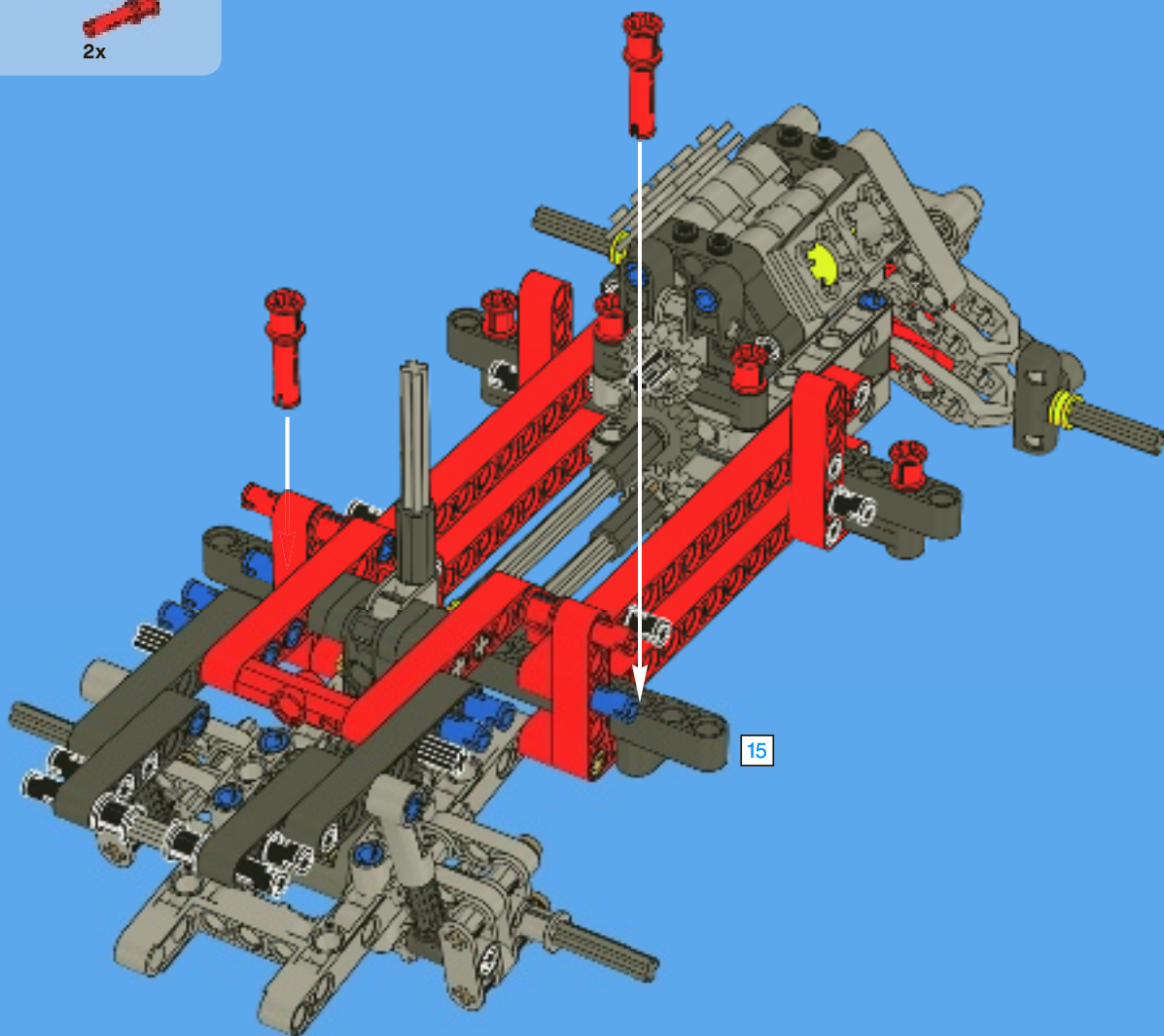


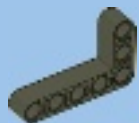
5





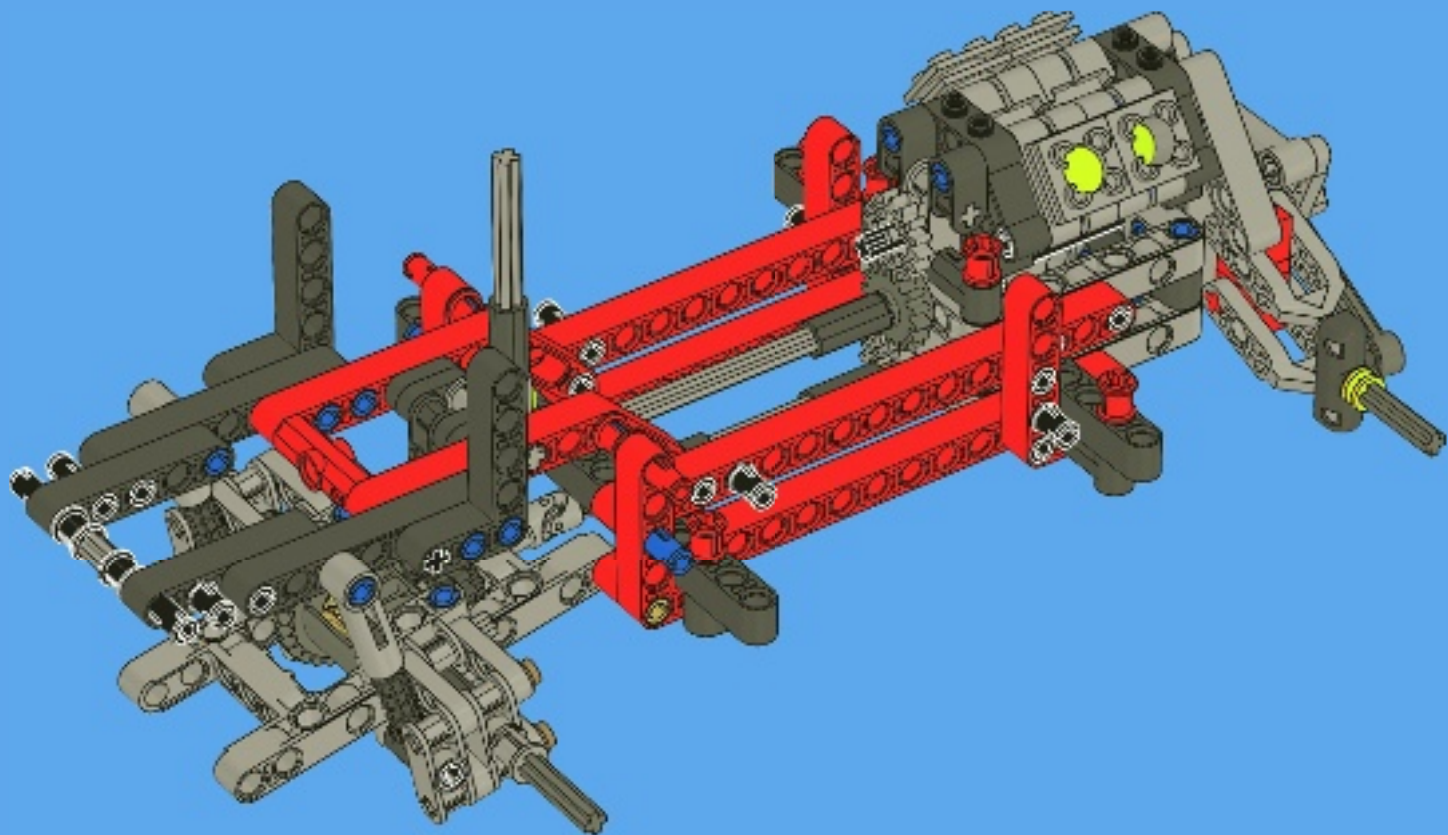
6





2x

7



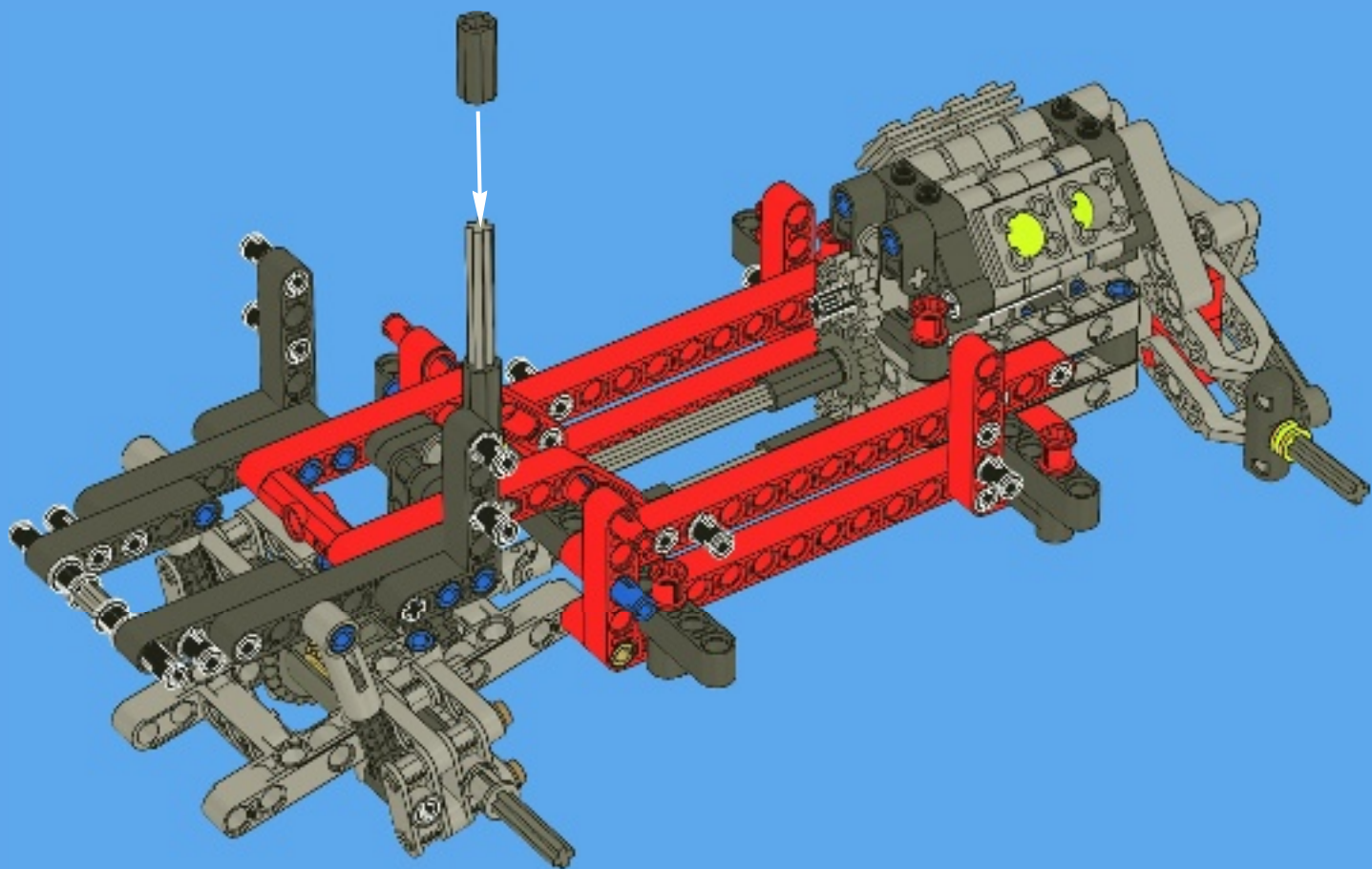


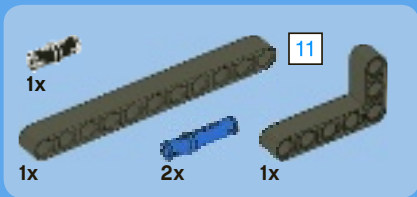
4x



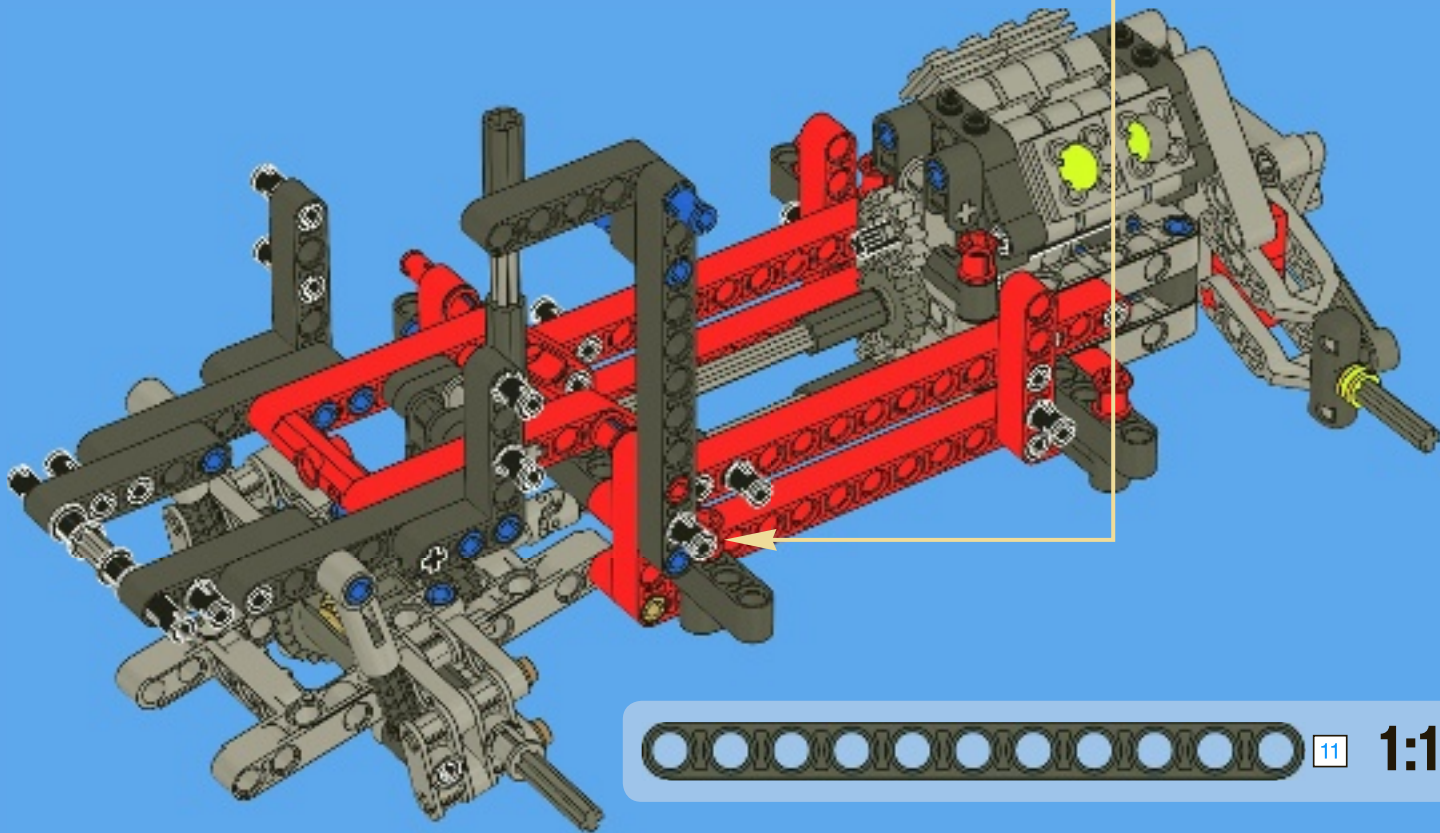
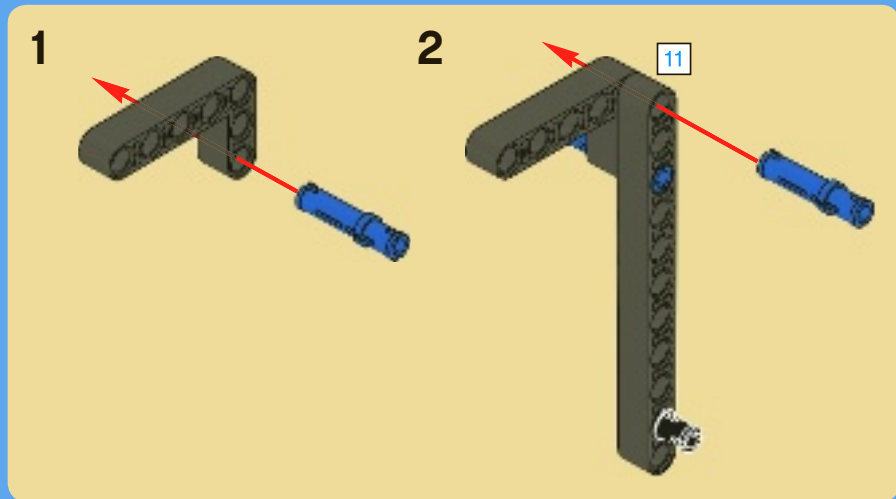
1x

8



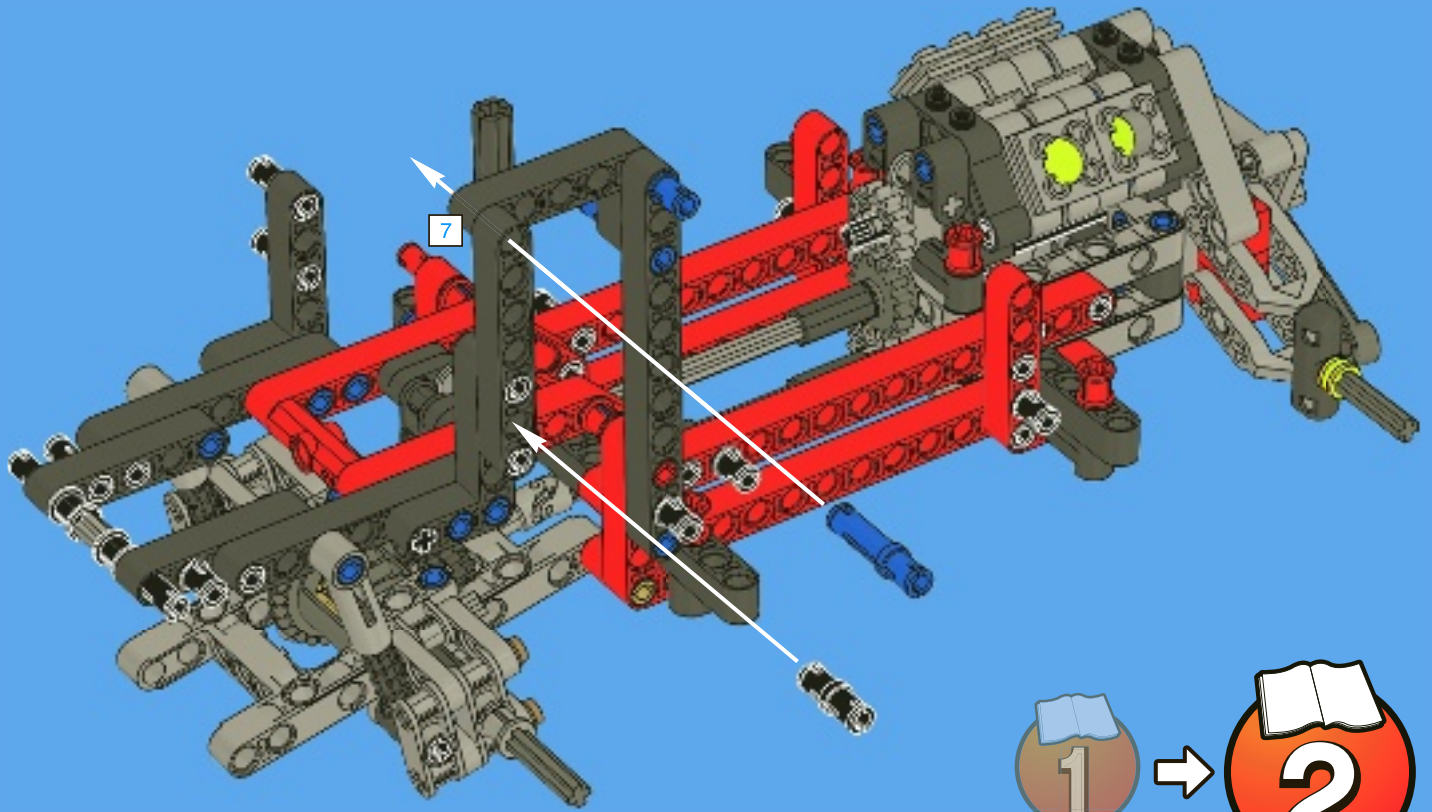


9





10





TECHNIC

8081





www.LEGOclub.com



LEGO® Club Email

LEGO club™

FREE! GRATIS! GRATUIT!



LEGO® Club Magazine

SIGN UP ONLINE!

www.LEGOclub.com



00800 5346 5555*

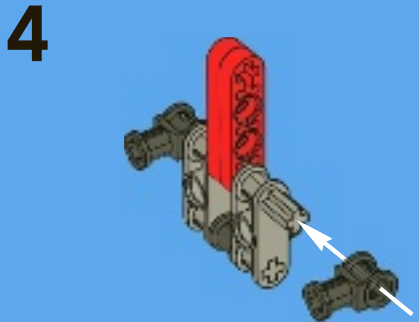
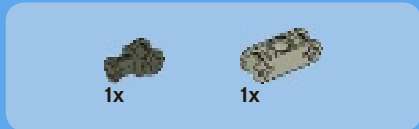
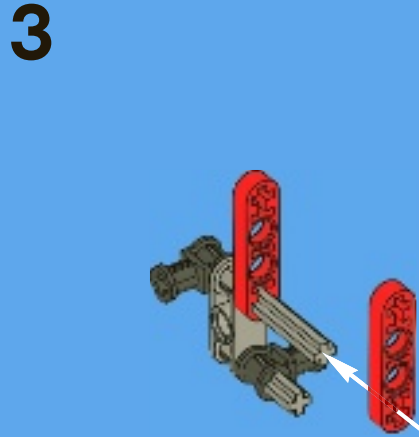
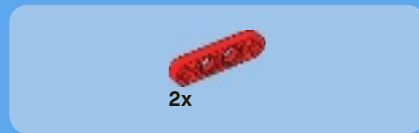
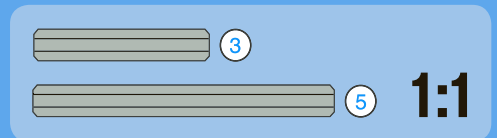
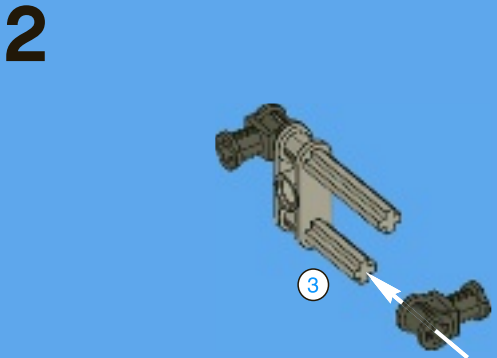
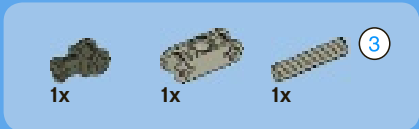
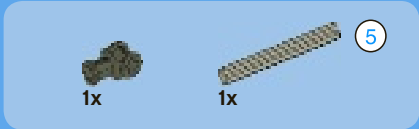


1-866-534-6258 • 1-877-518-5346

US & Canada only

Canada seulement

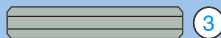
* Freephone. Mobile charges may apply.
* Numéro sans frais. Des frais peuvent s'appliquer avec les téléphones cellulaires.
* Gebührenfrei. Kosten für Anrufe aus Mobilfunknetzen können abweichen.
* Gratis telefonnummer vanaf vaste lijn.
* Det er et gratis nummer, når du ringer fra fasttelefon.
* Det är gratis, när du ringer från en fast telefon.
* Numéro sans frais. Des frais peuvent s'appliquer avec les téléphones portables.





1x

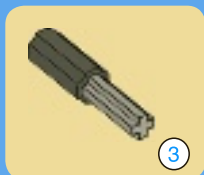
2x



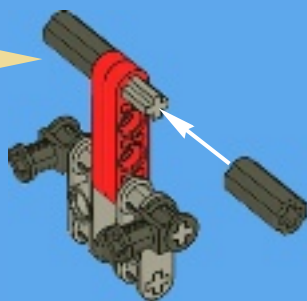
3

1:1

5

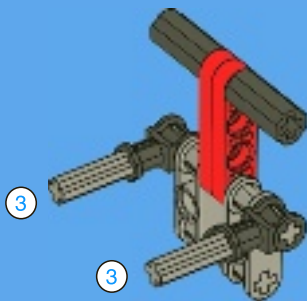


3



2x

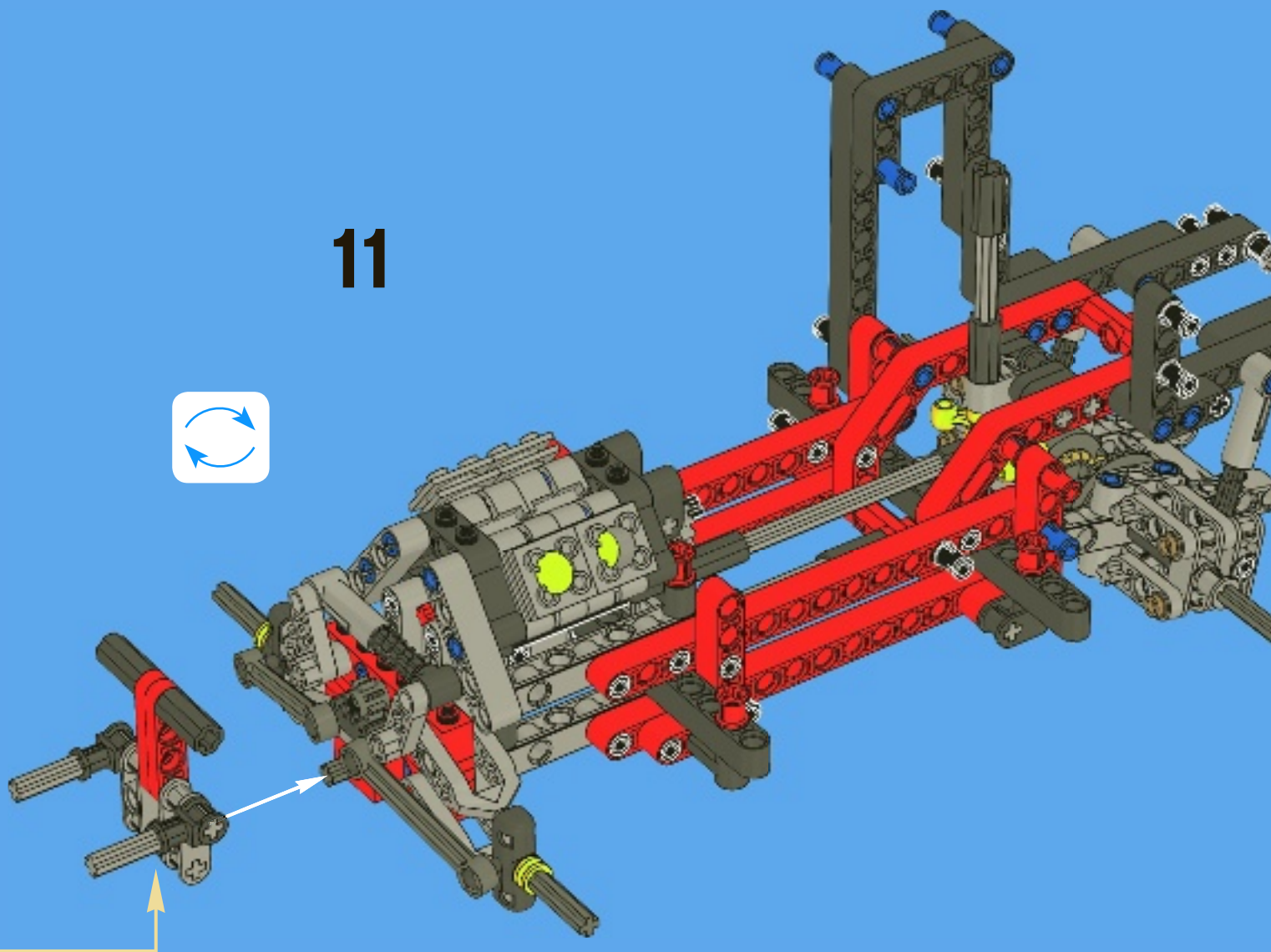
6



3

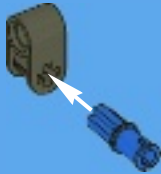
3

11

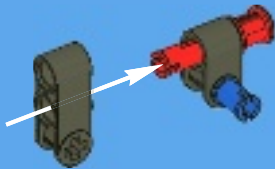




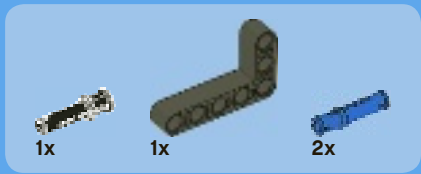
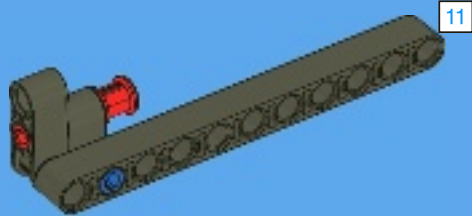
1



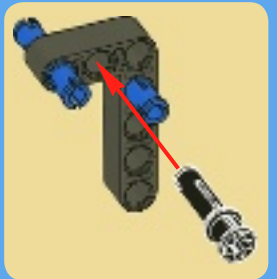
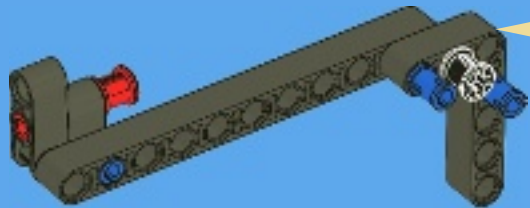
2



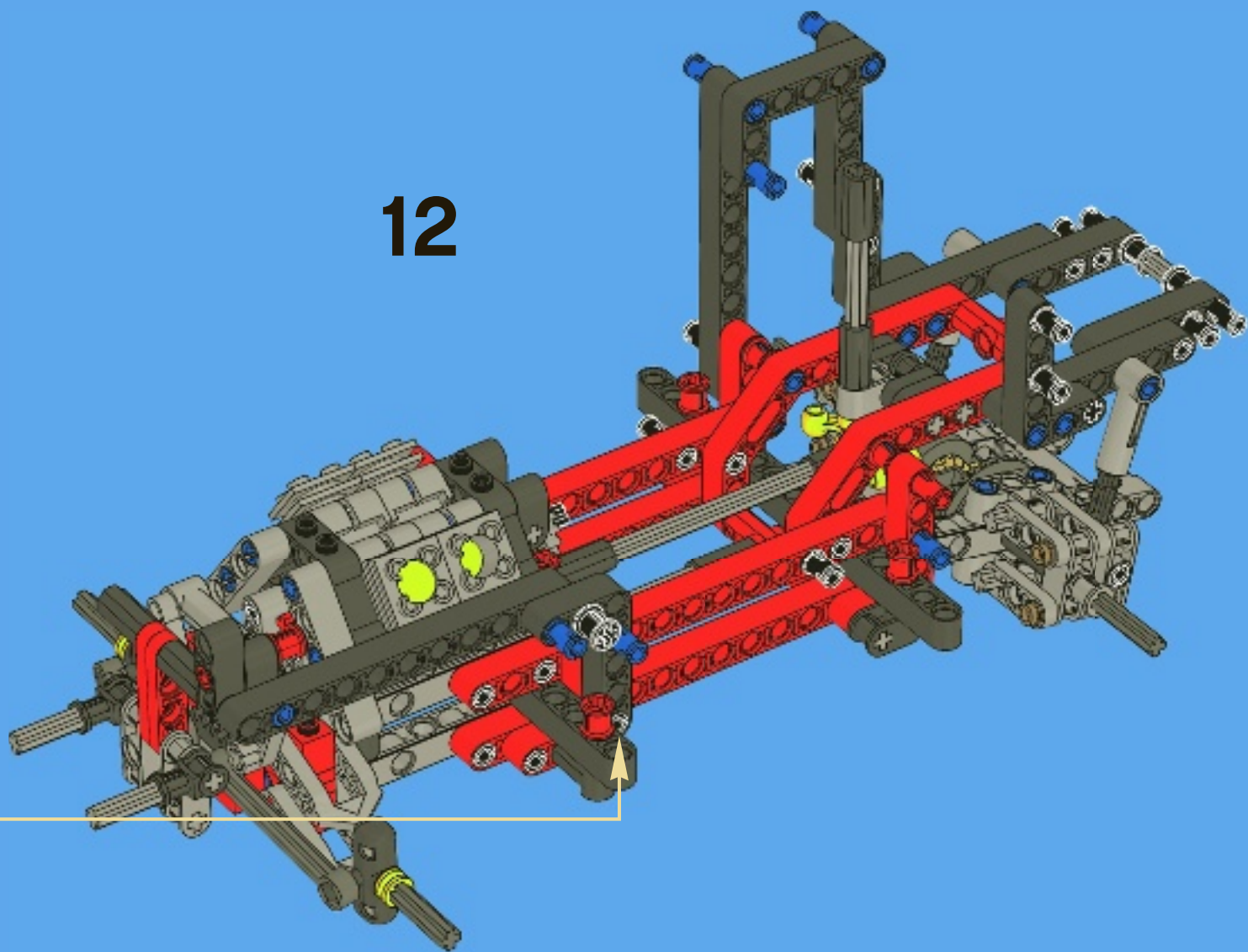
3



4

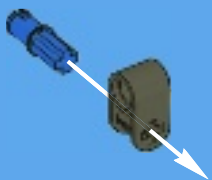


12

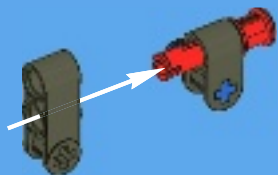




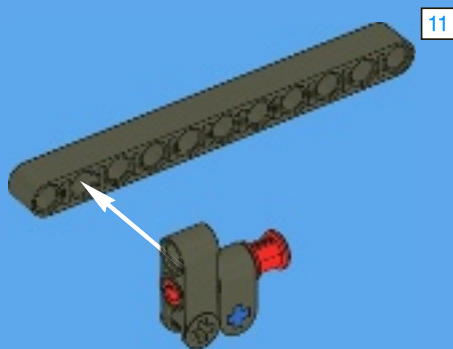
1

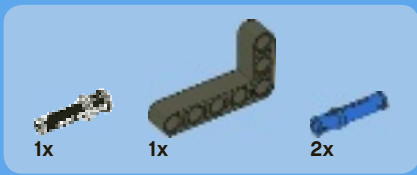


2

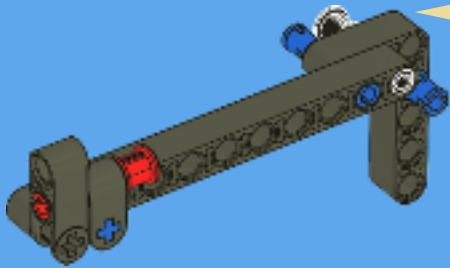
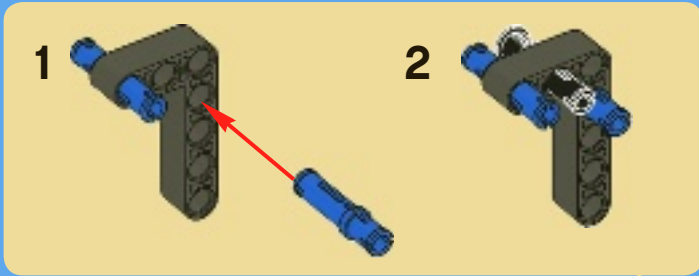


3

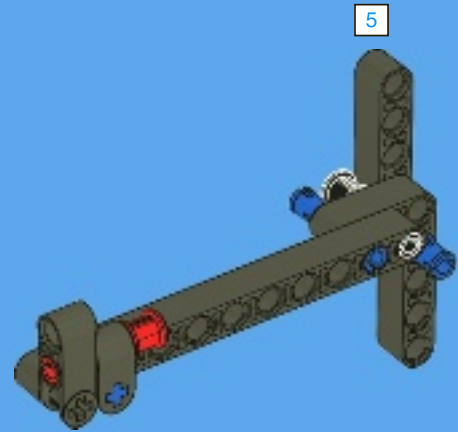




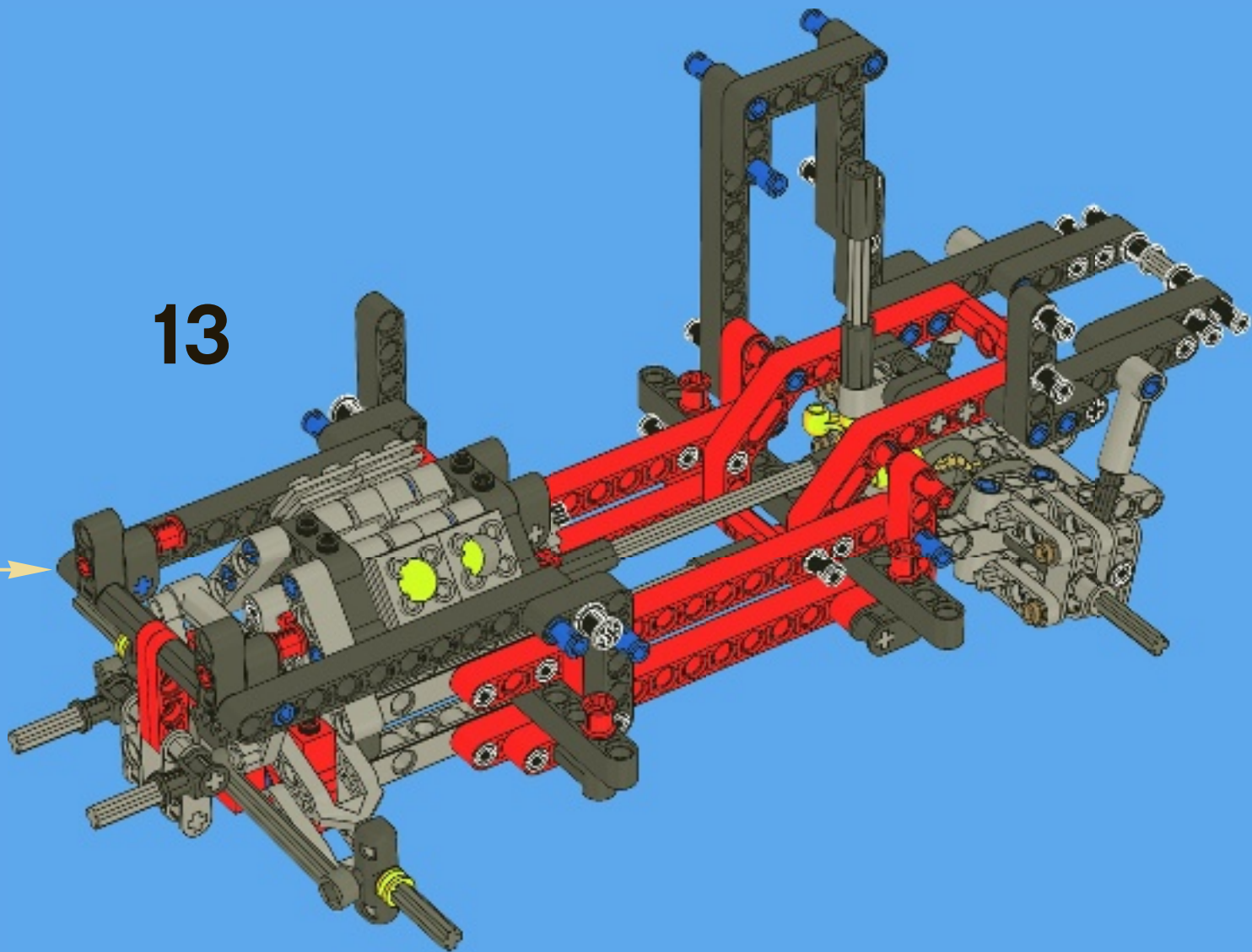
4



5



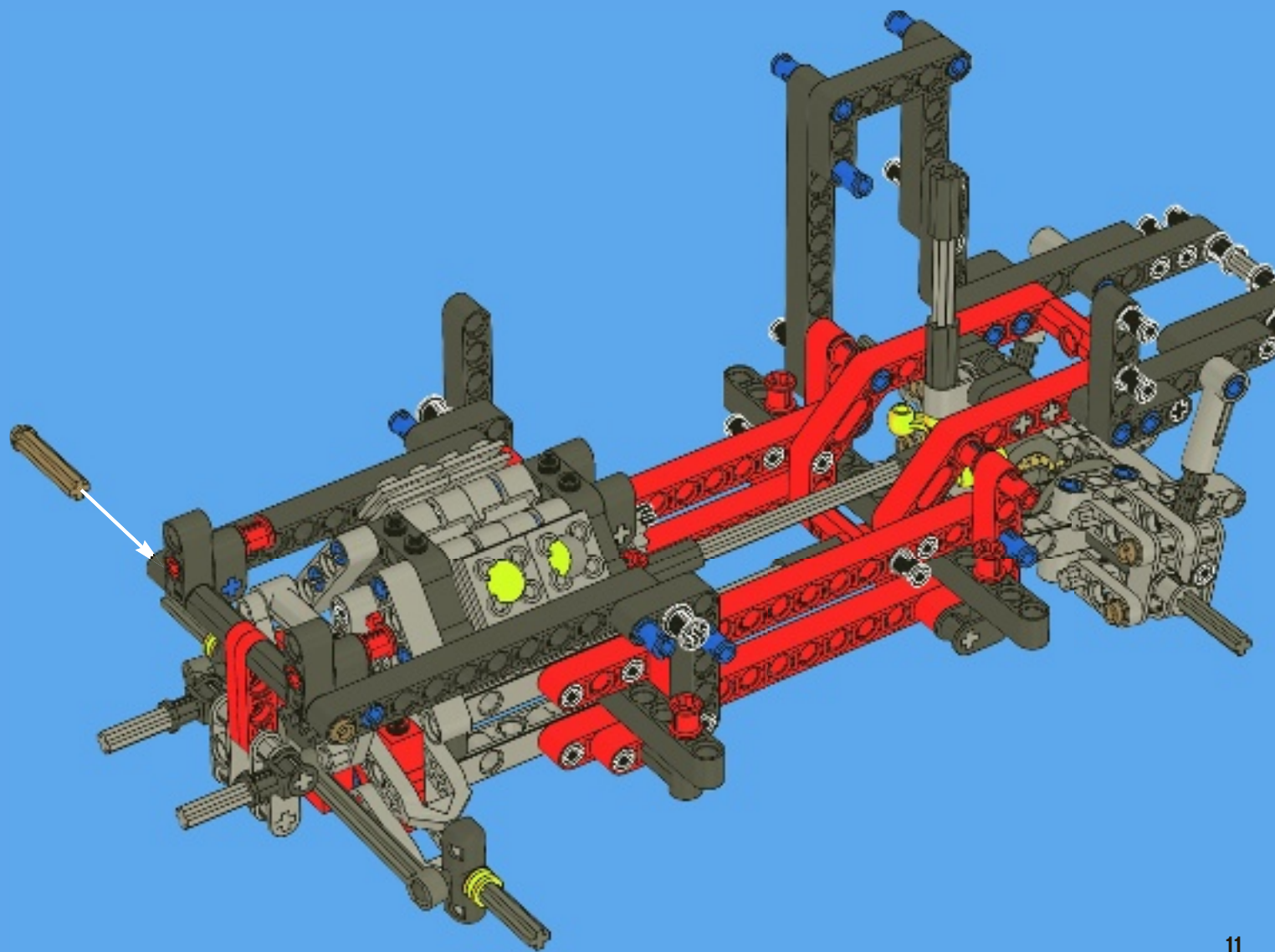
13

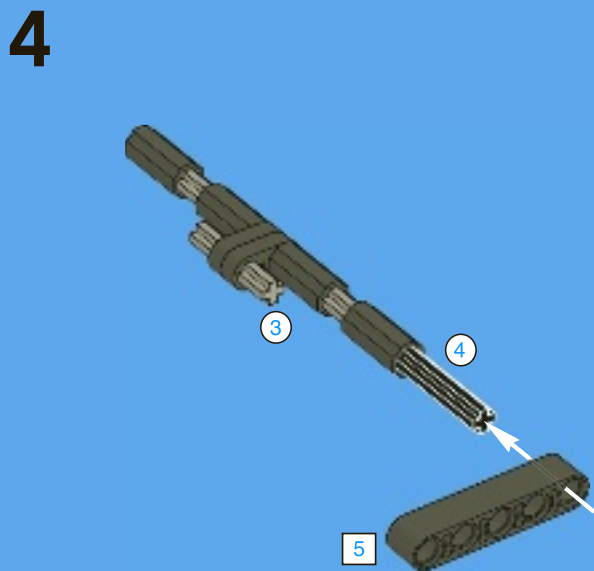
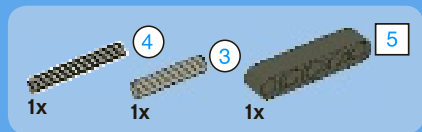
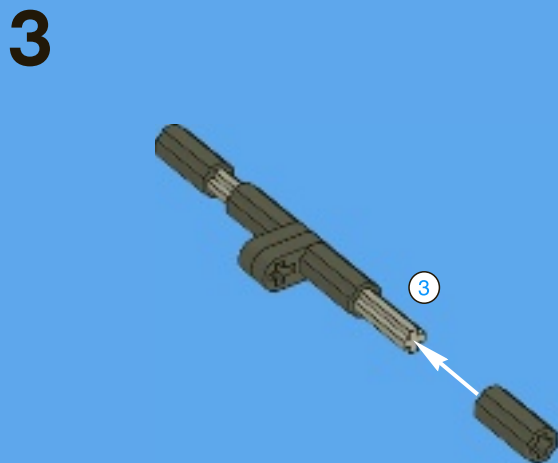
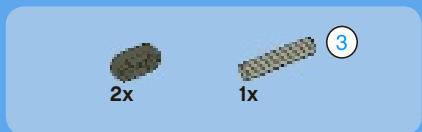
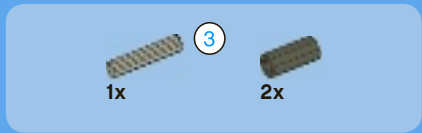




2x

14

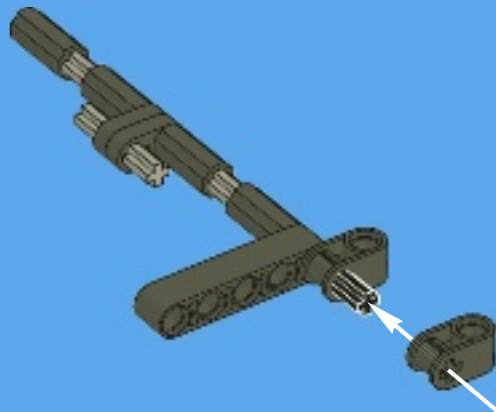






2x

5



1x

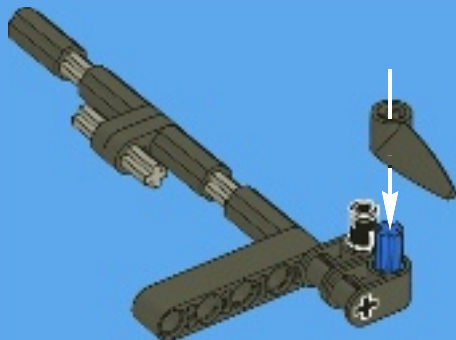


1x



1x

6

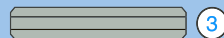
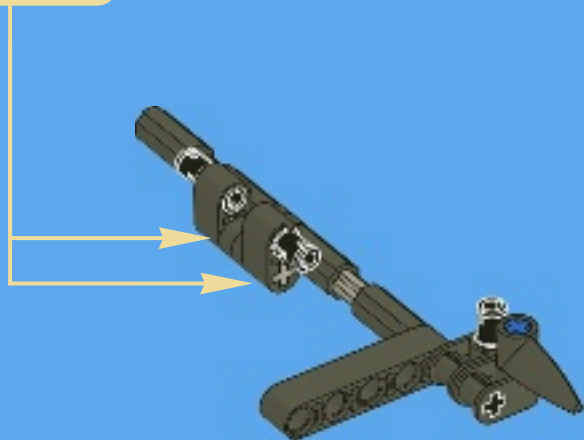
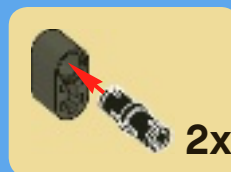


2x



2x

7



3



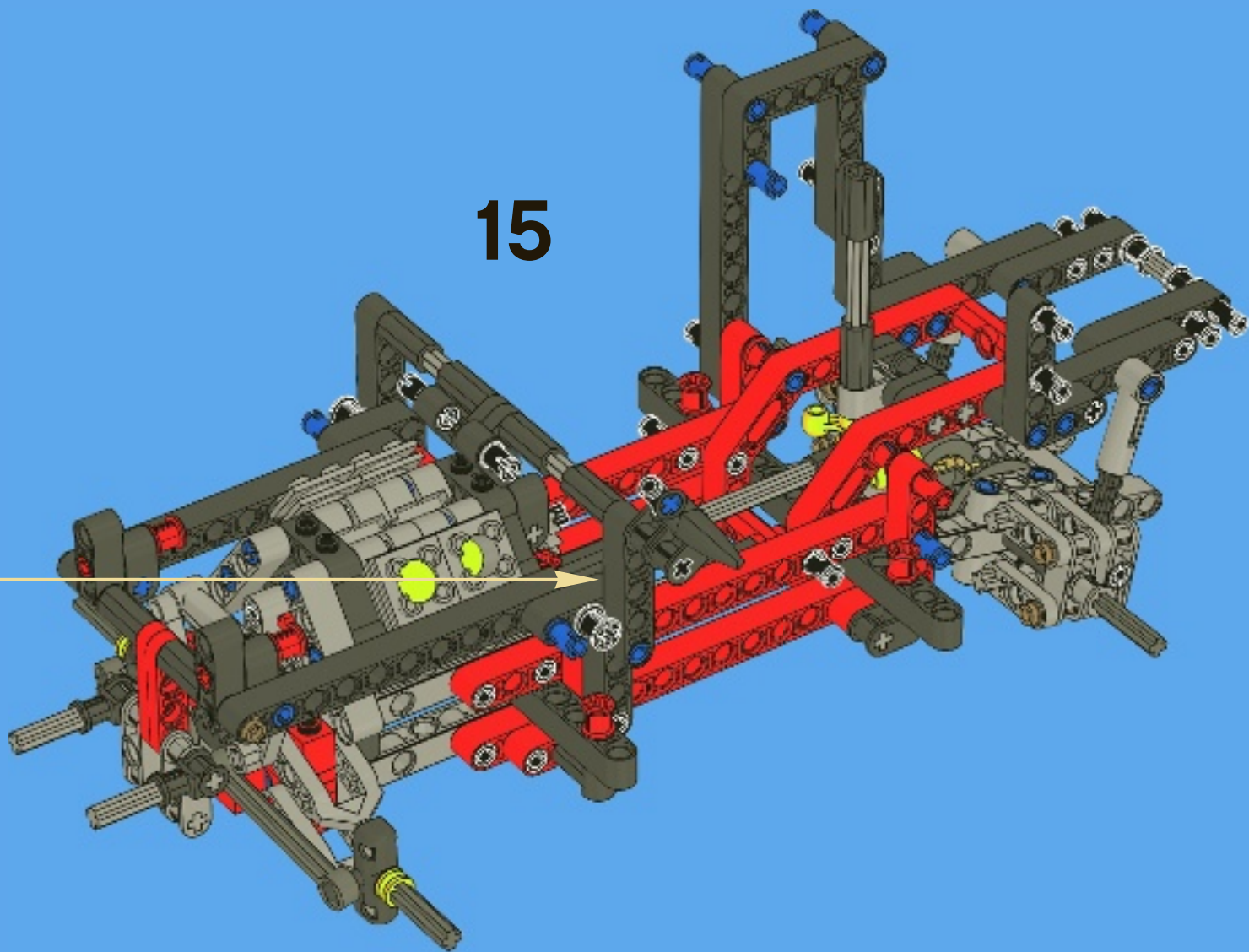
4



5

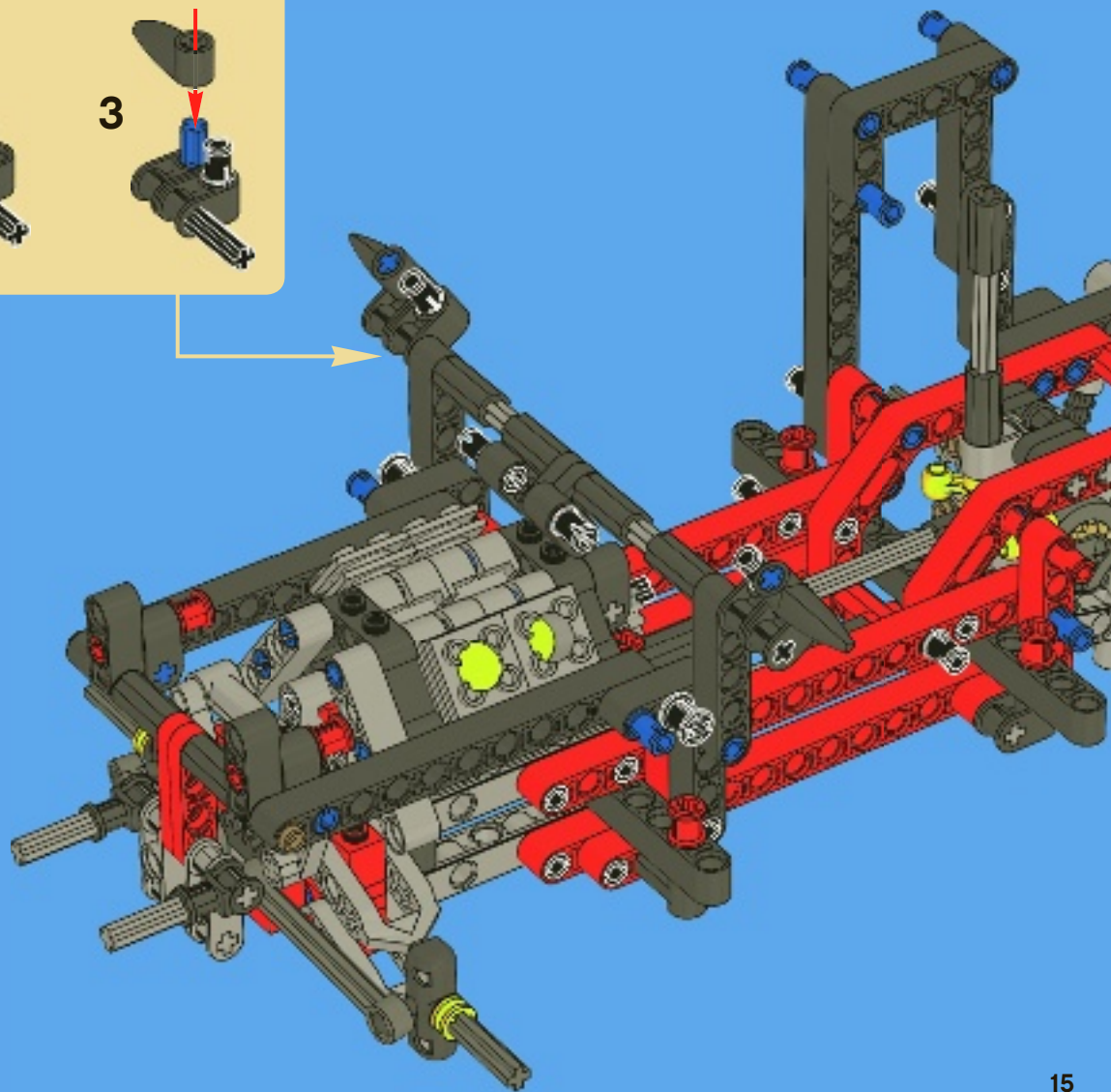
1:1

15





16





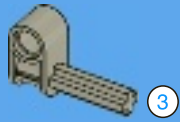
1x



1x

3

1



3

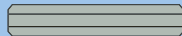
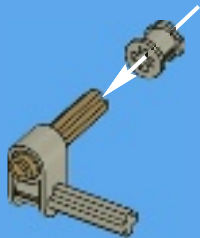


1x



1x

2



3

1:1

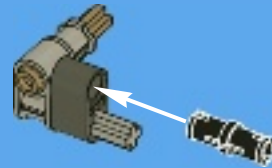


1x



1x

3

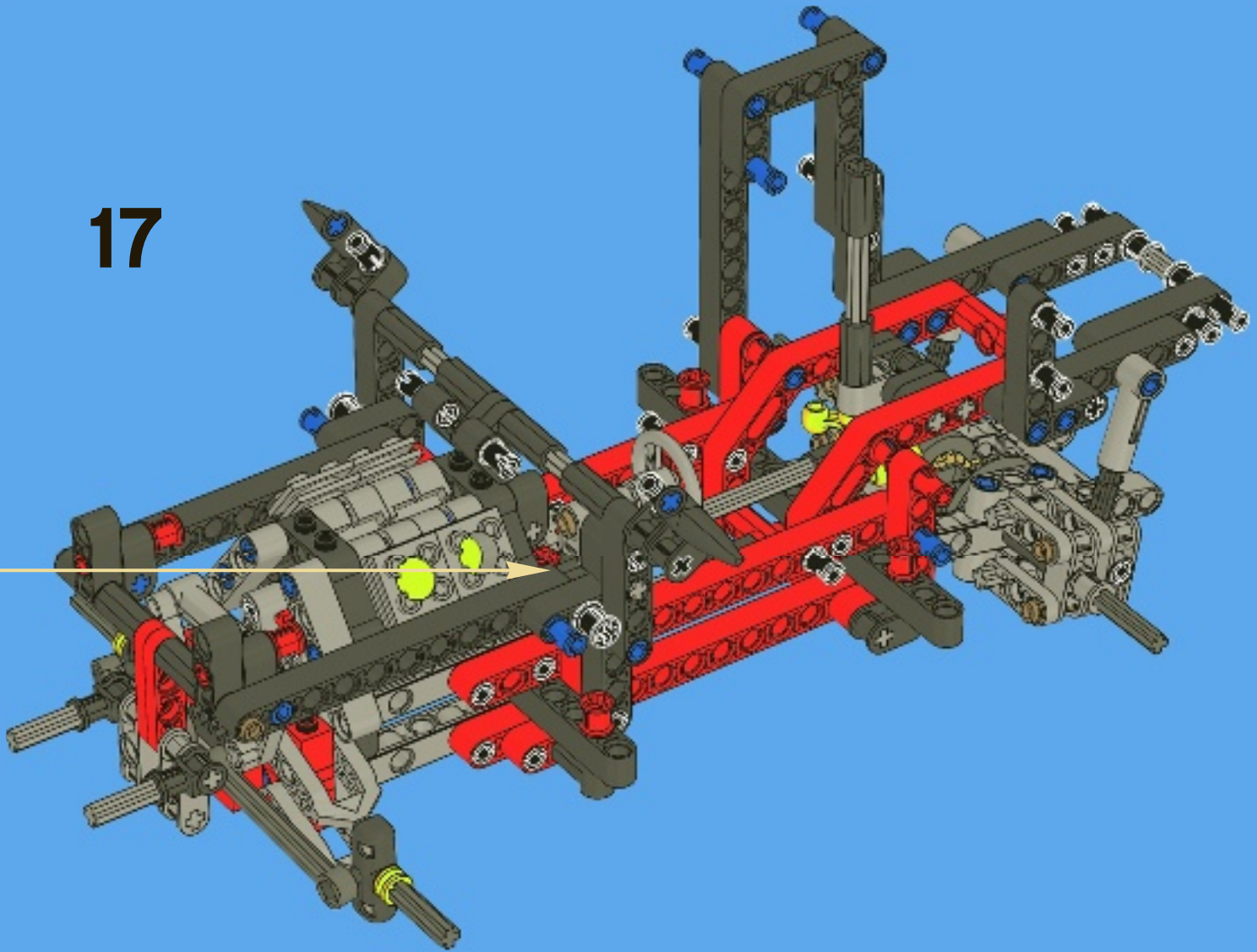


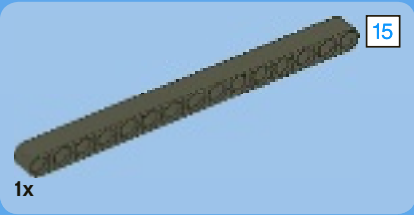
1x

4

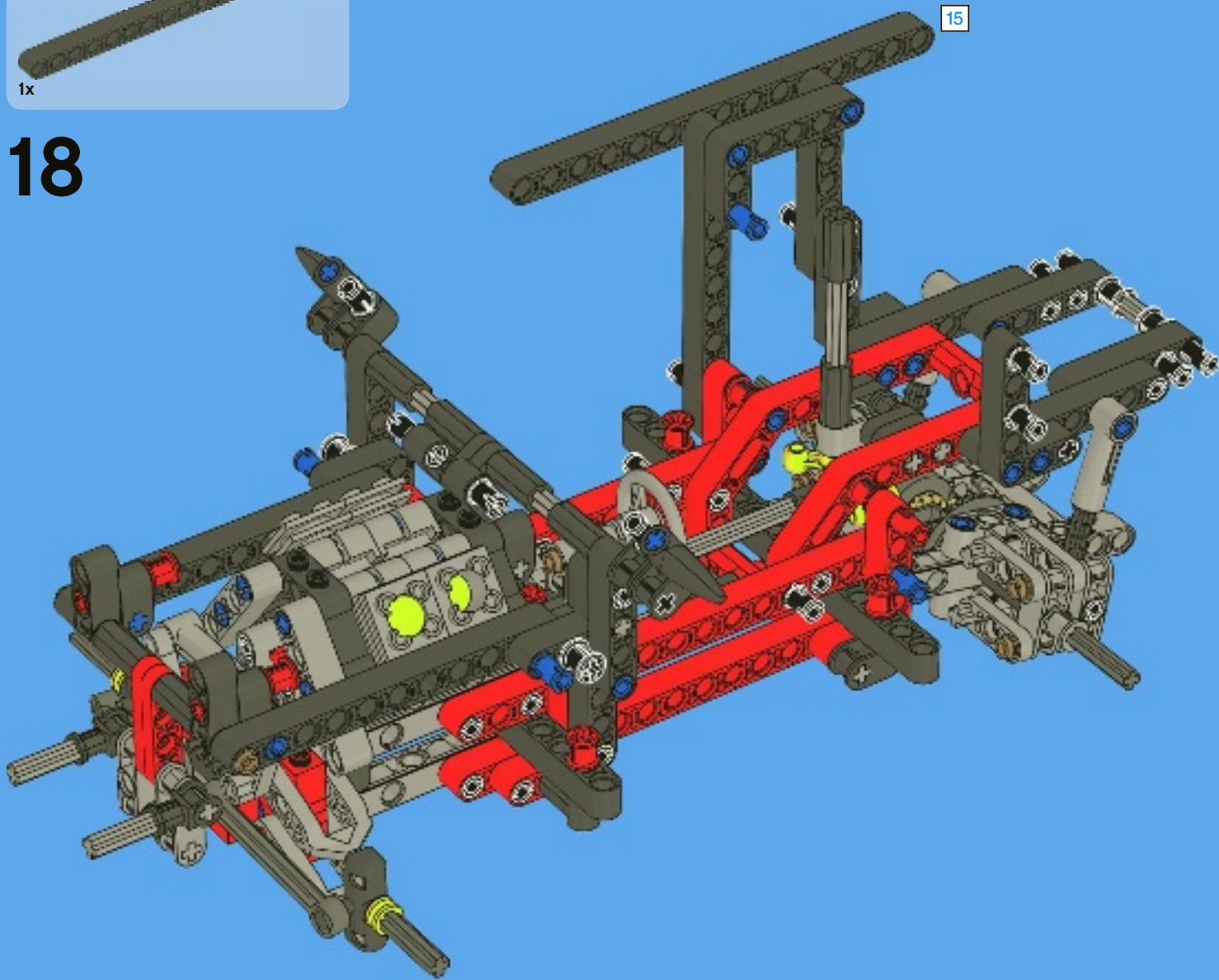


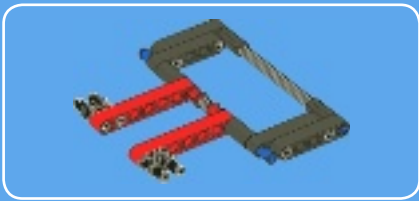
17



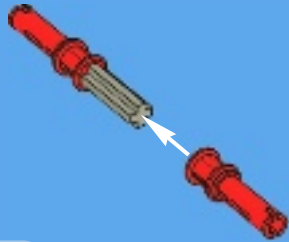


18

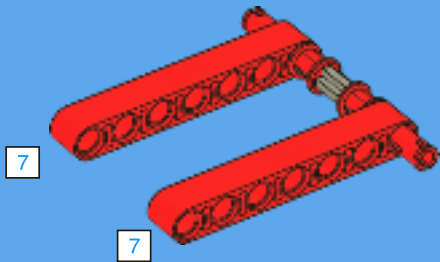




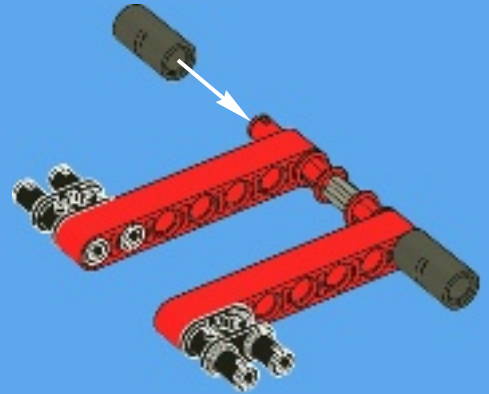
1



2



3

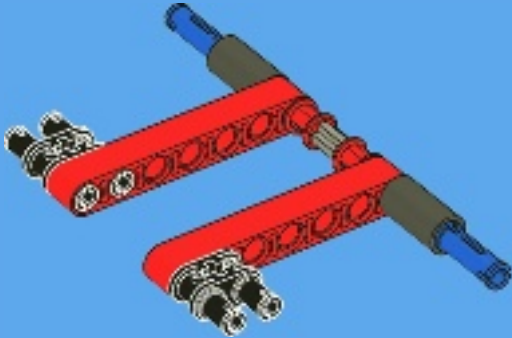


1:1



2x

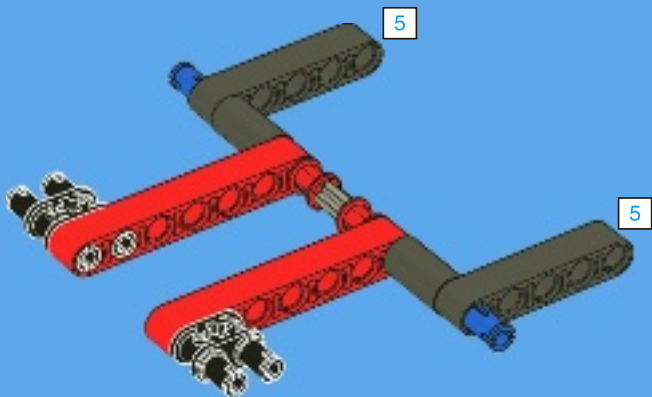
4



2x

5

5



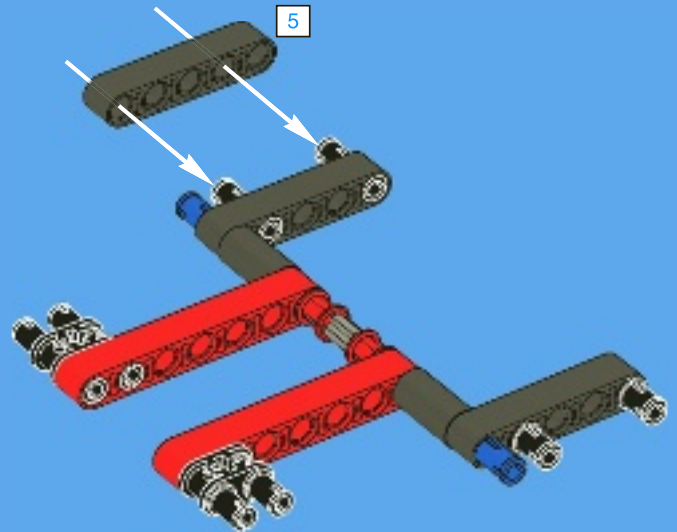
1x

5



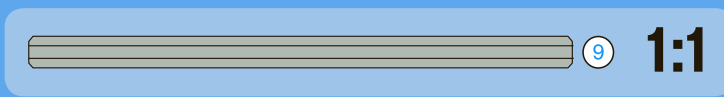
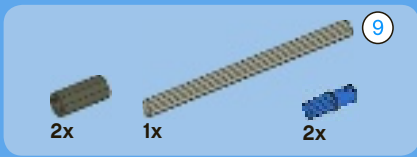
4x

6

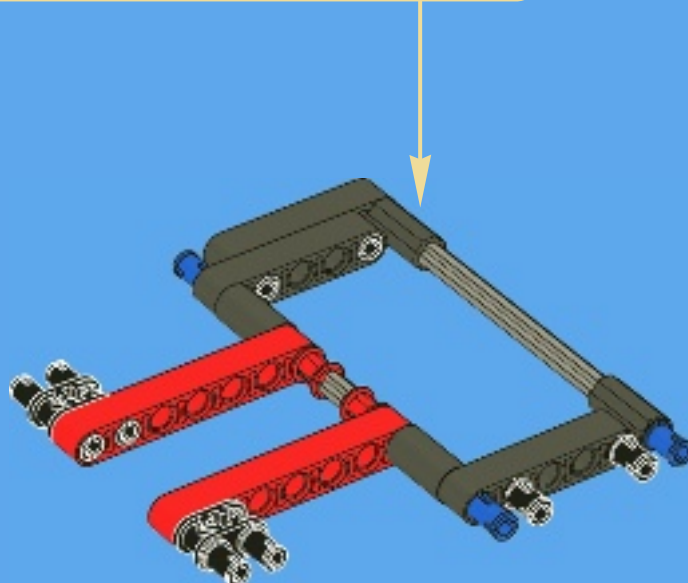
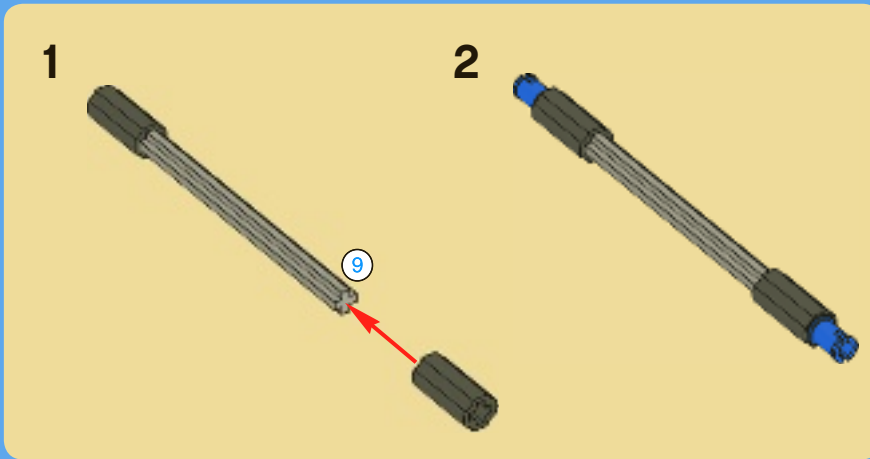


5

1:1



7





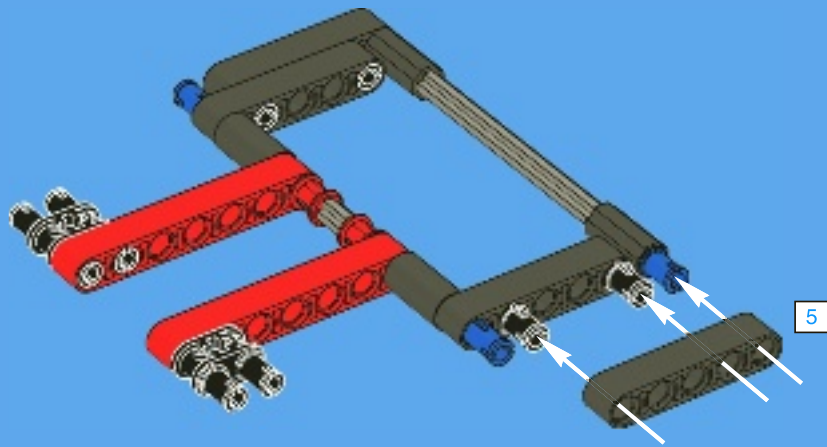
1x



5

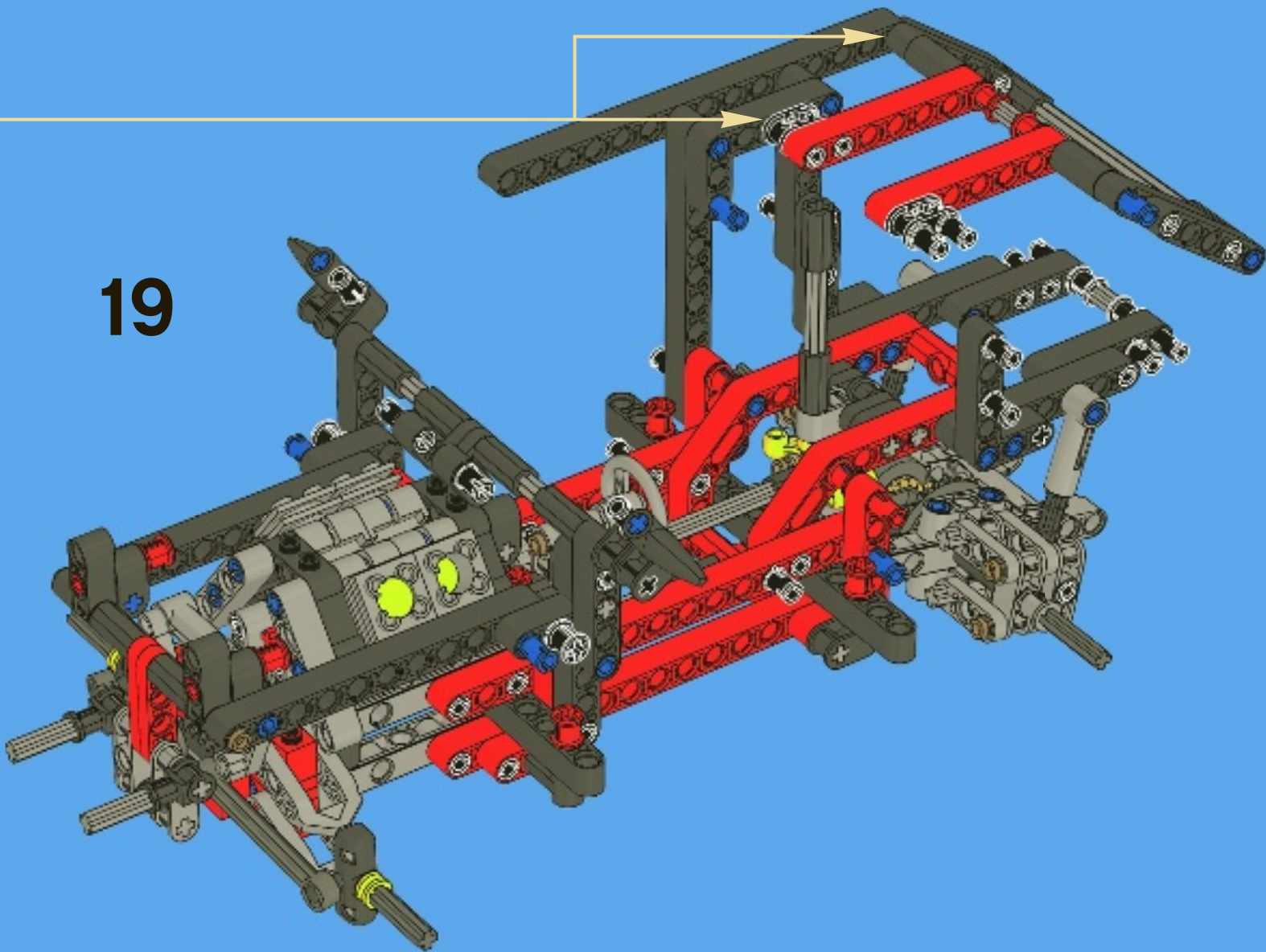
1:1

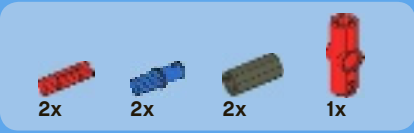
8



5

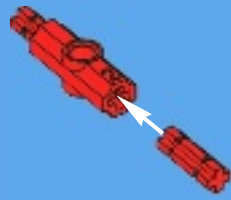
19





20

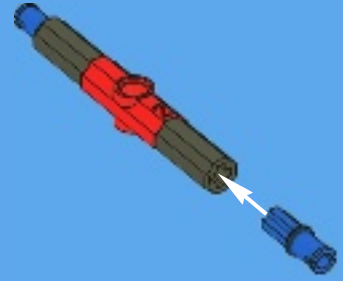
1

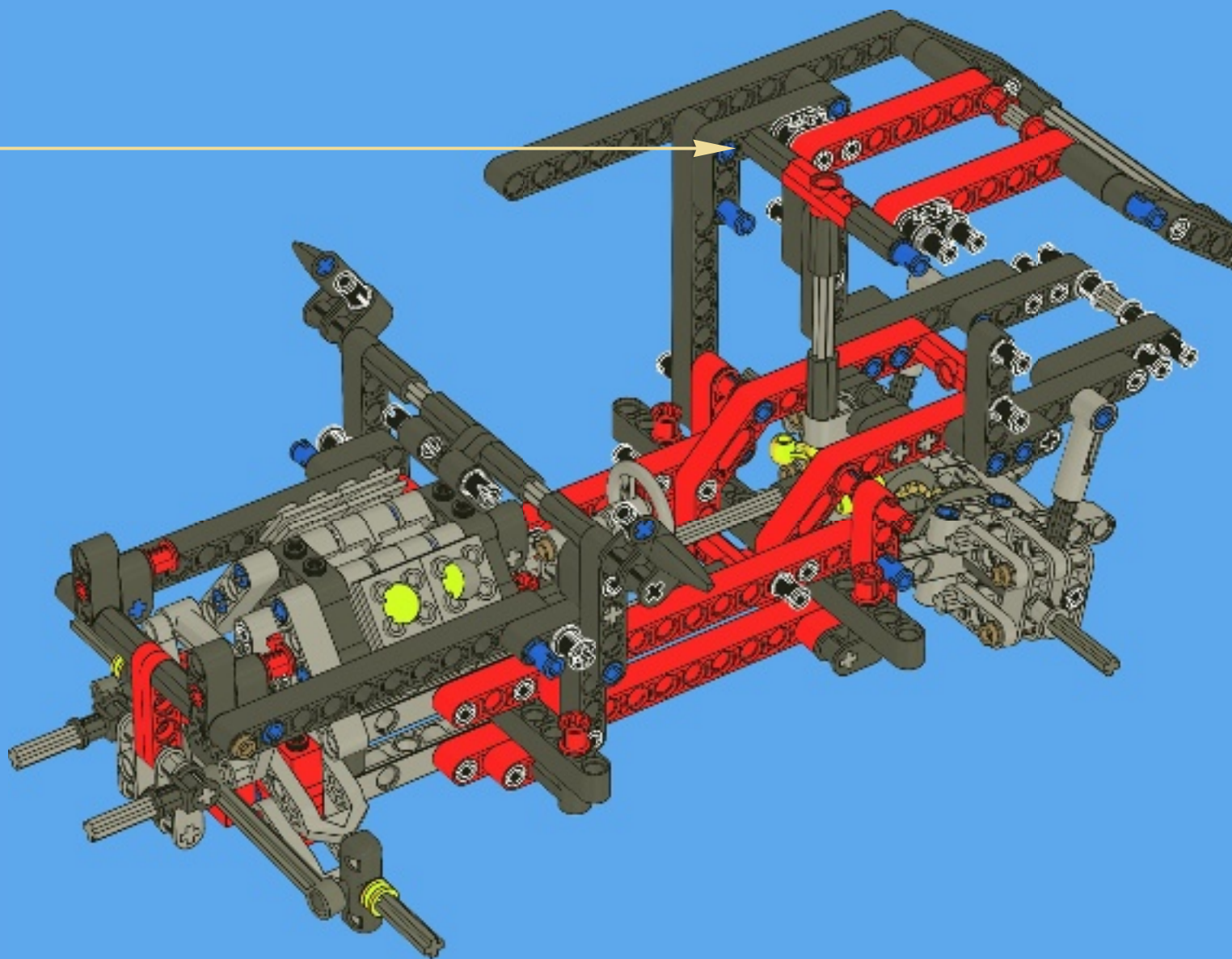


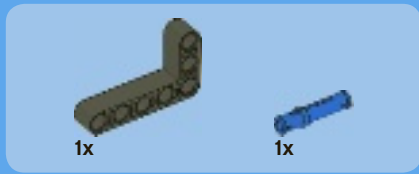
2



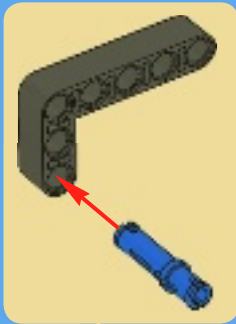
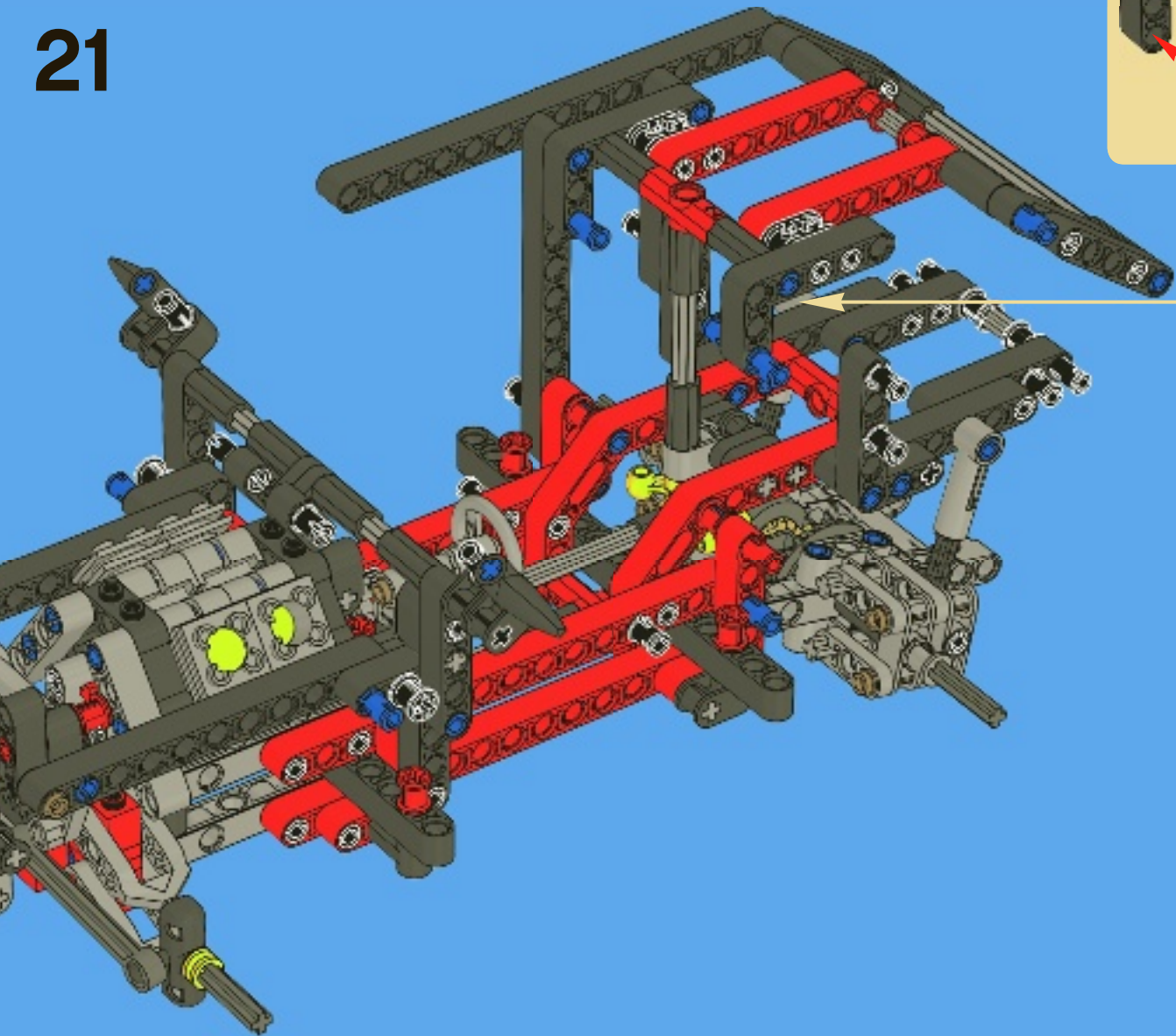
3

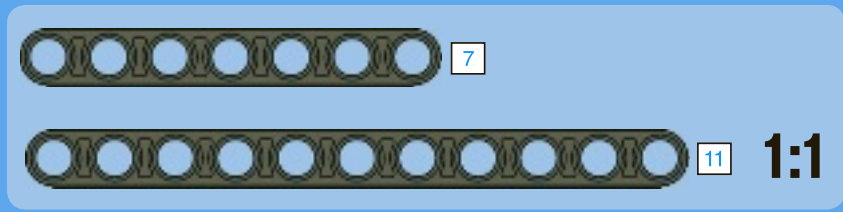
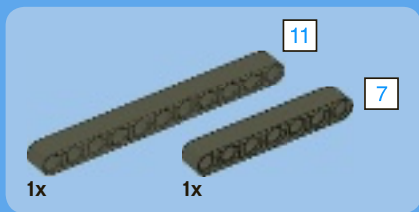




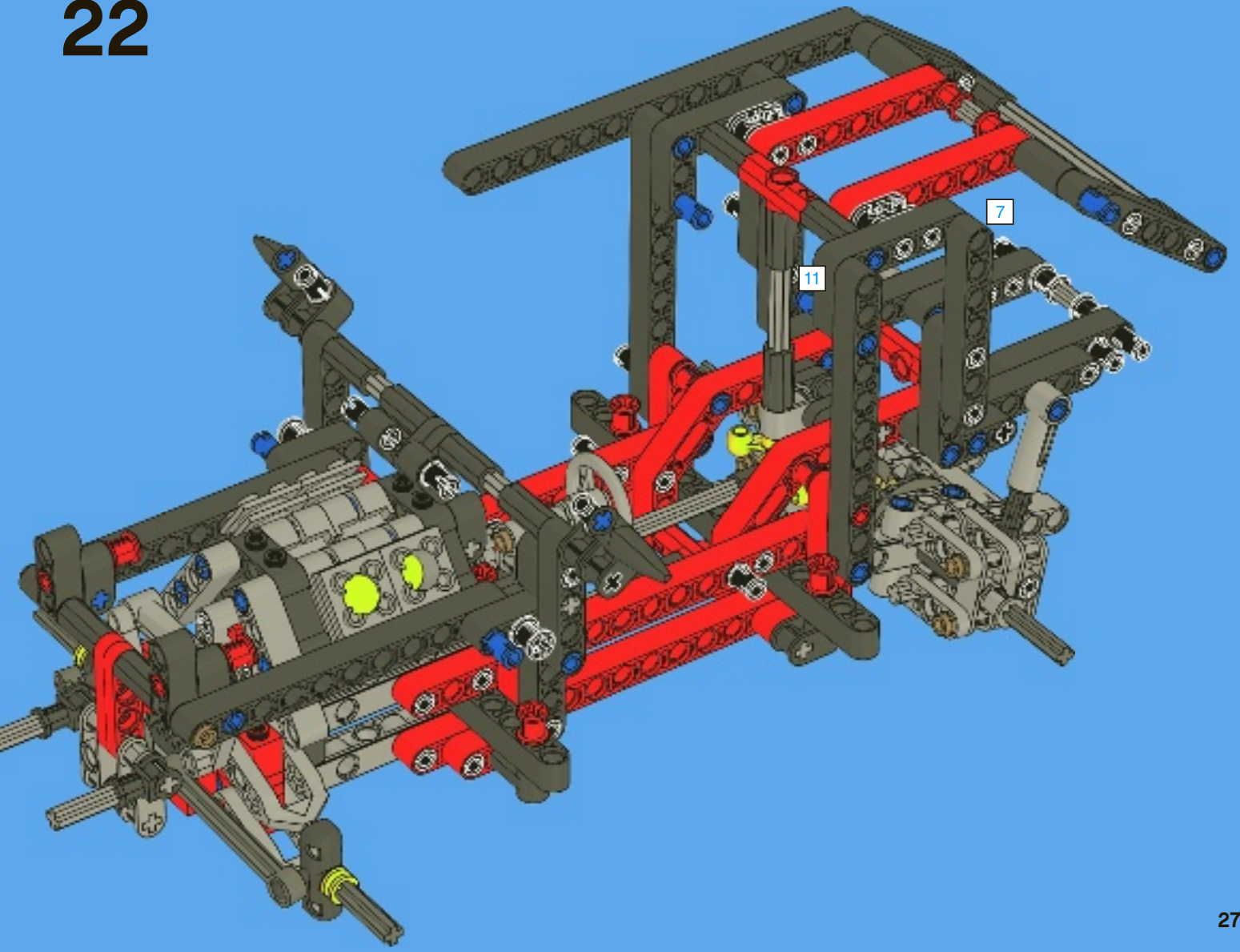


21





22



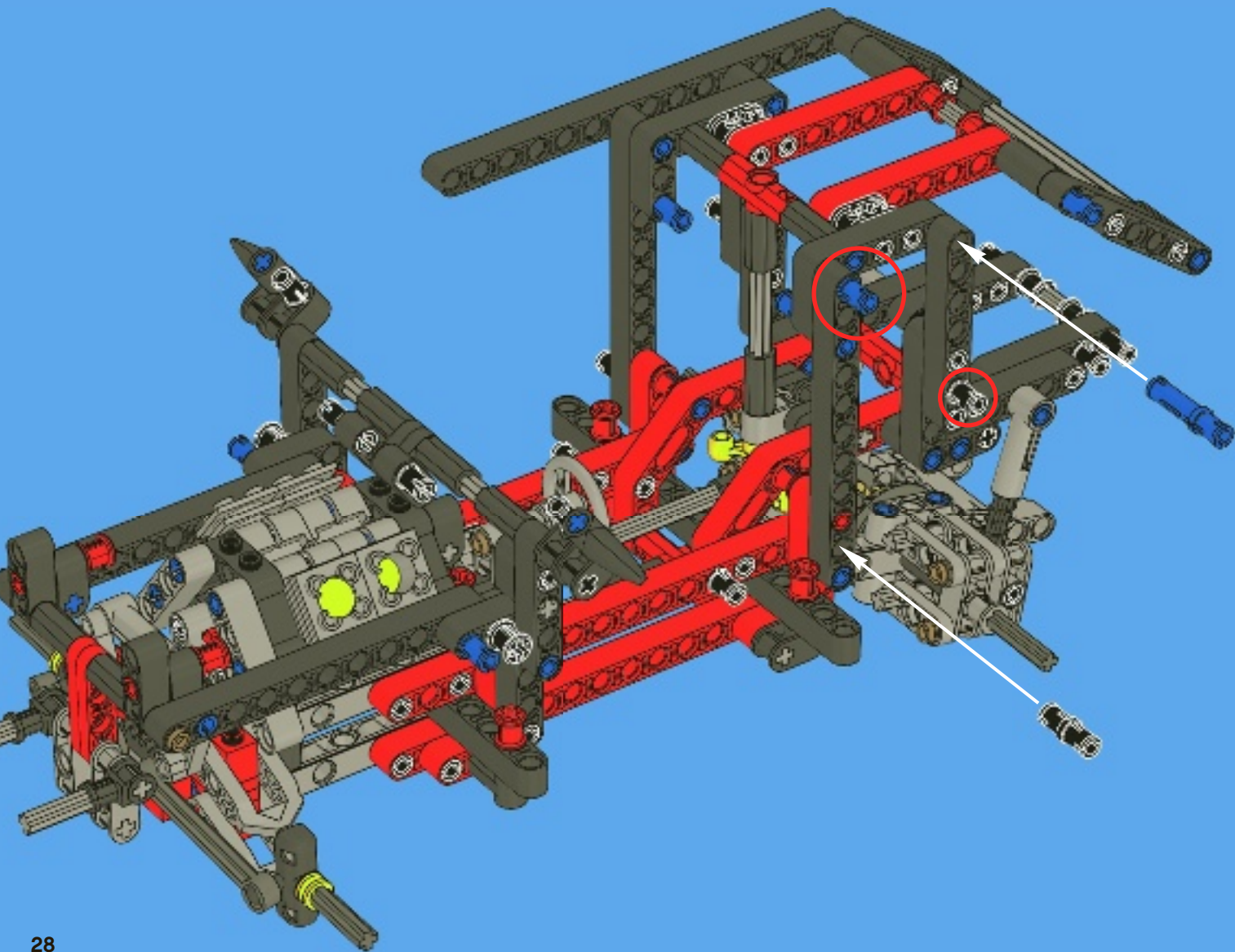


2x



2x

23



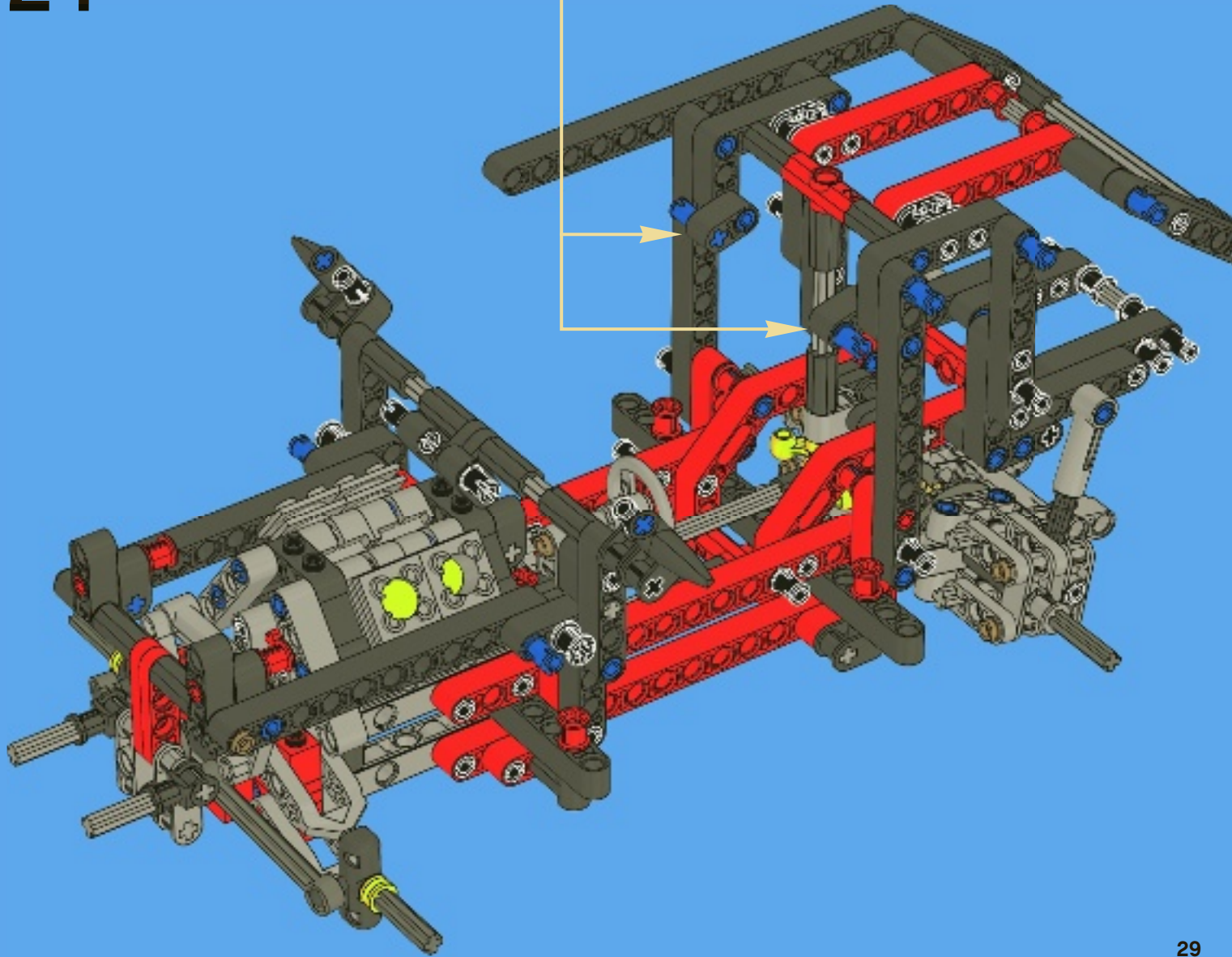
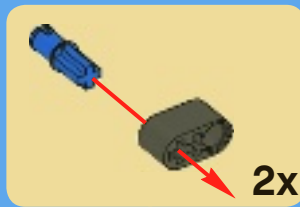


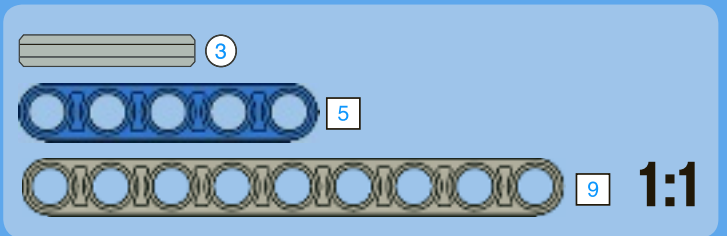
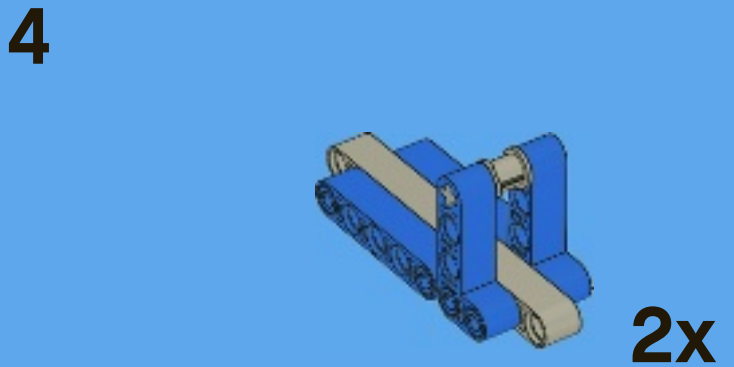
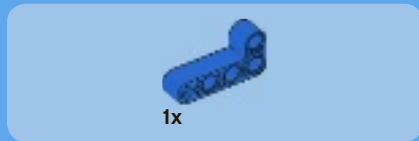
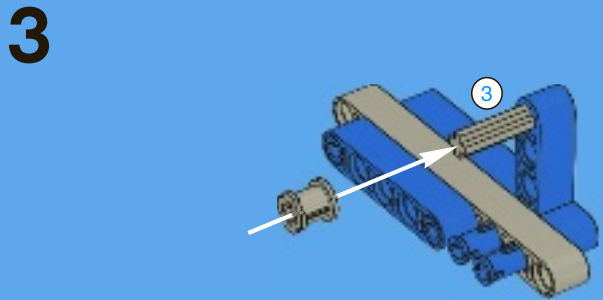
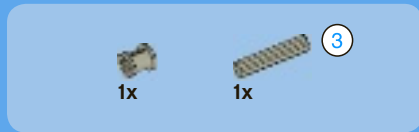
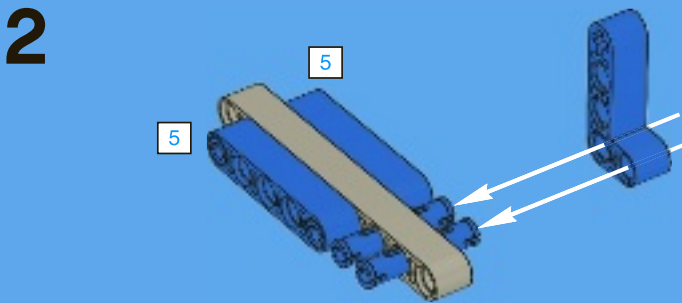
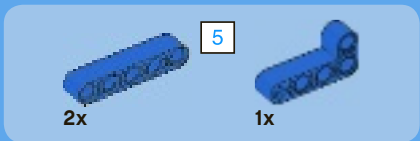
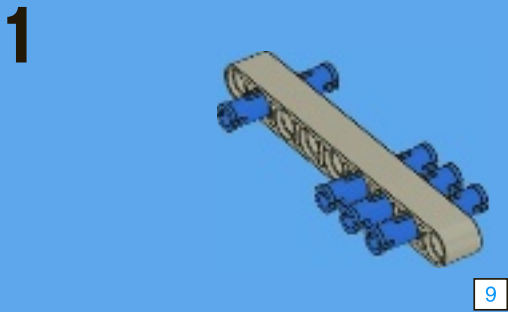
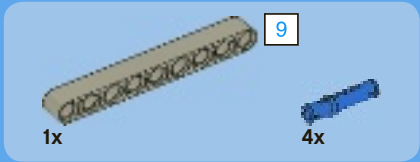
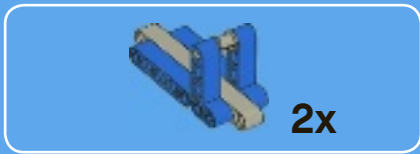
2x



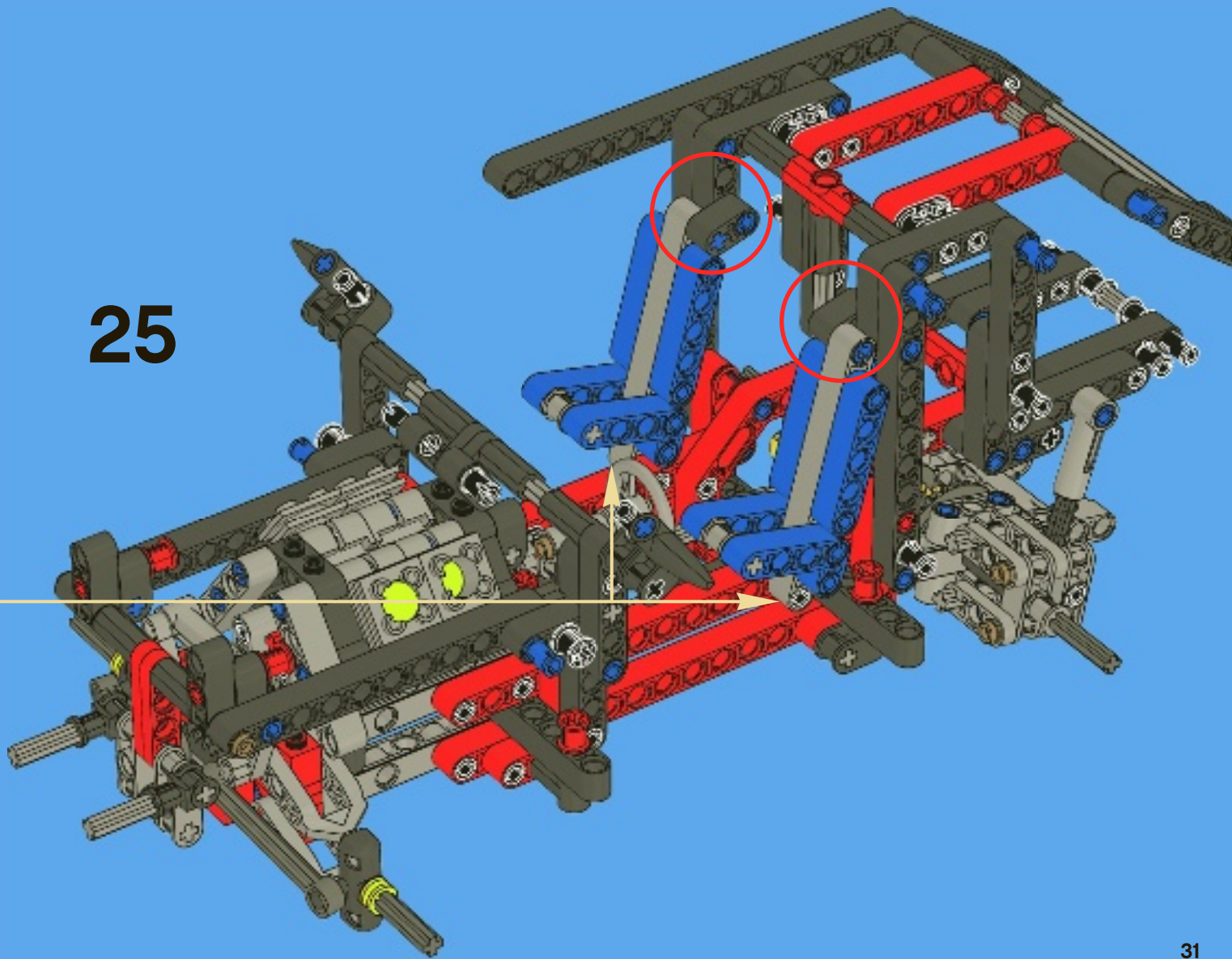
2x

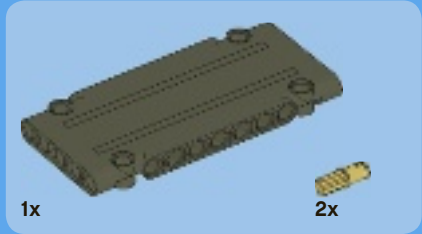
24



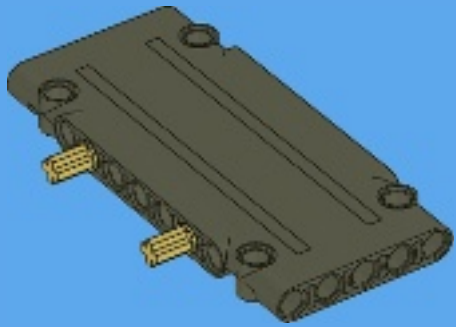


25

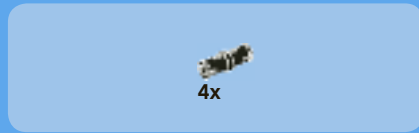
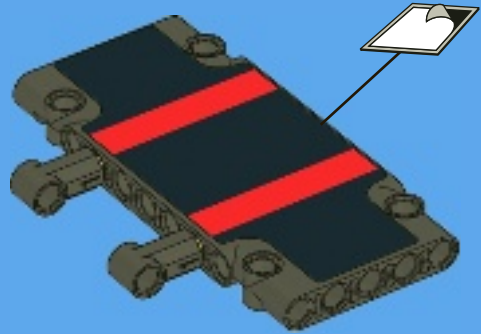




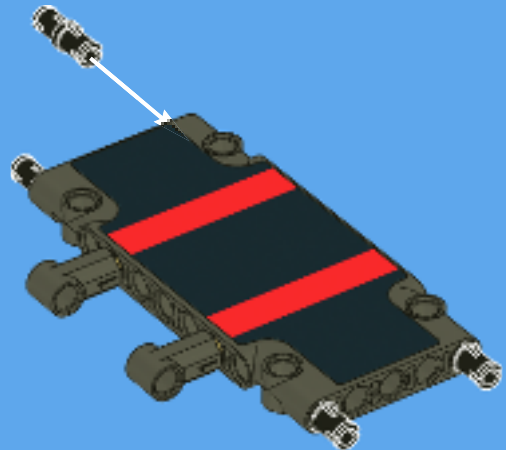
1



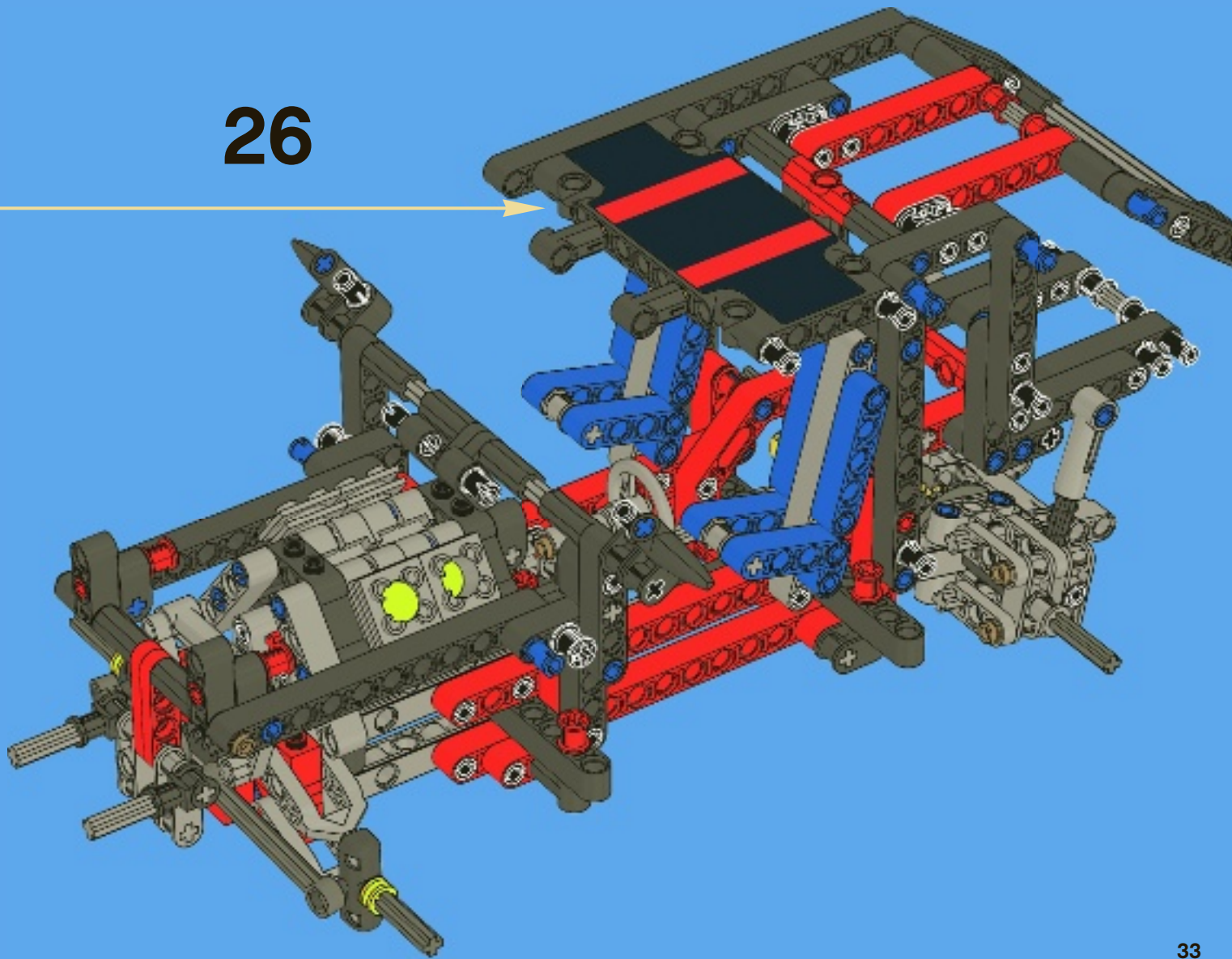
2



3

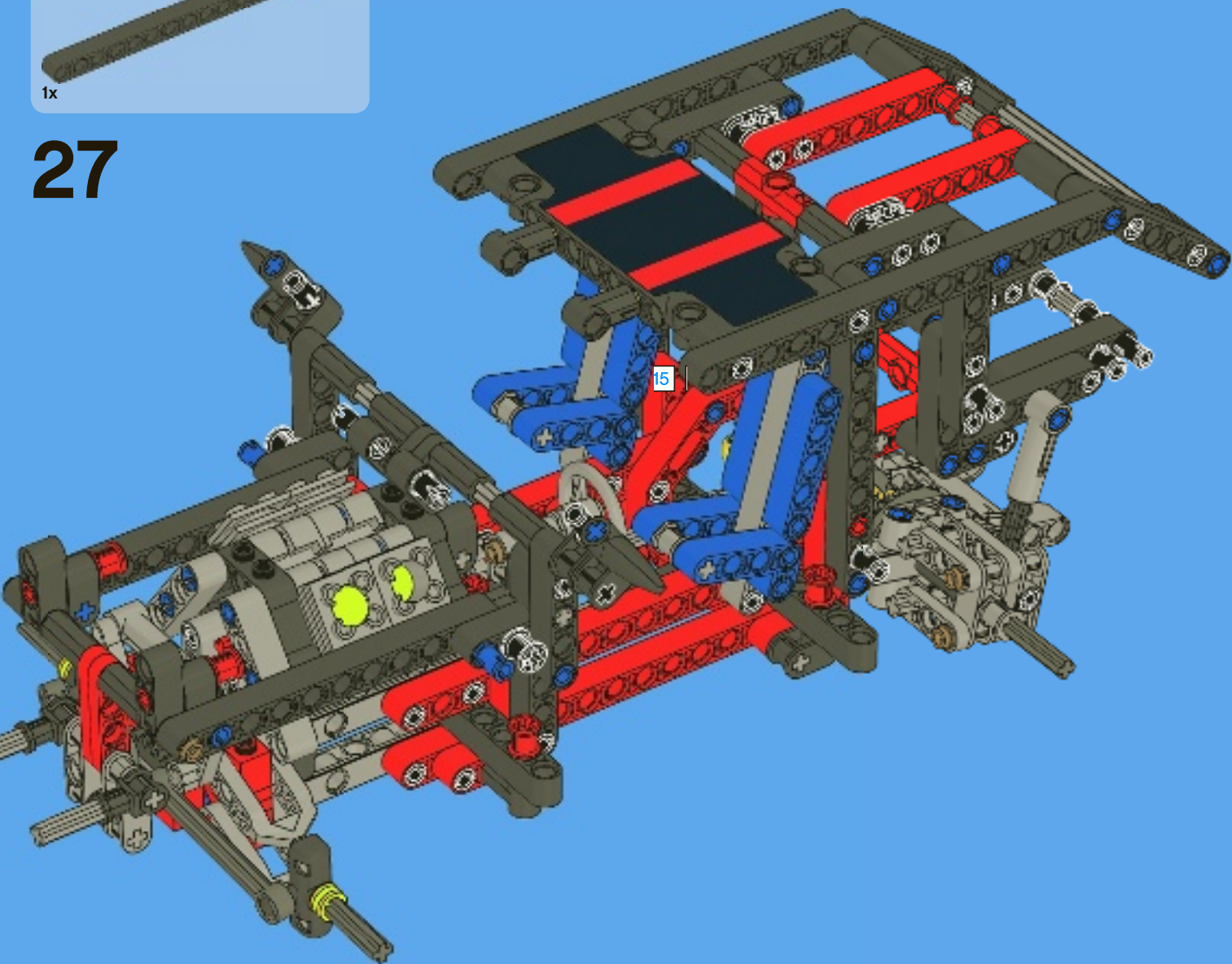


26



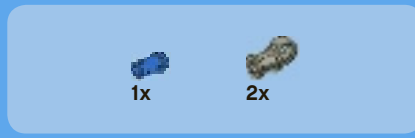
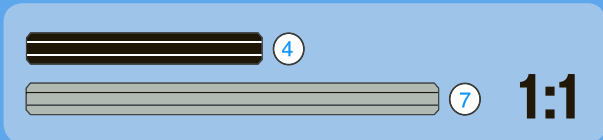
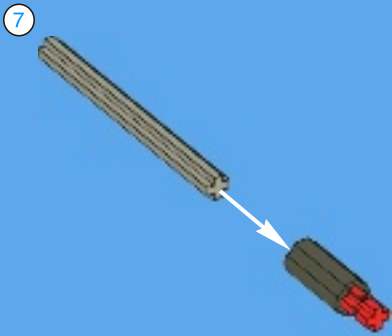


27

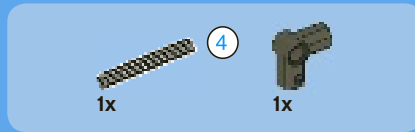
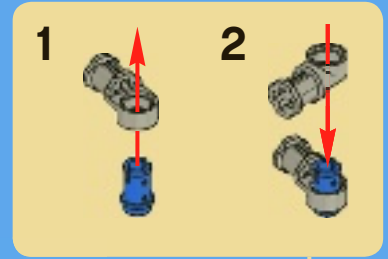




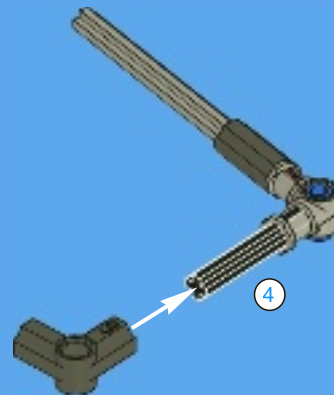
1



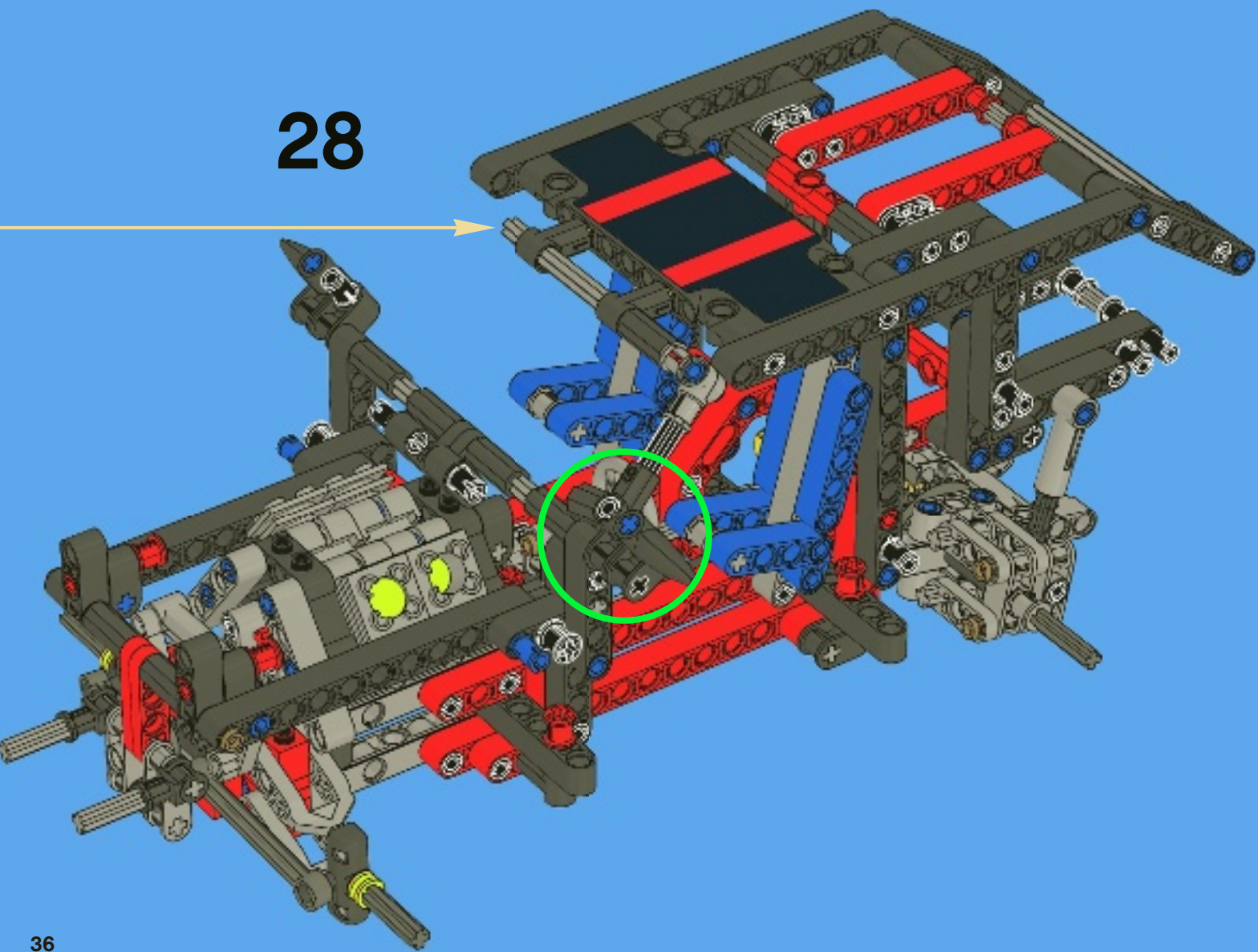
2



3

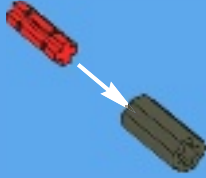


28

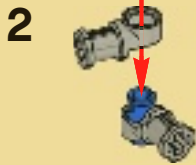
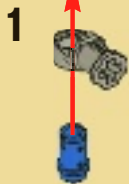




1



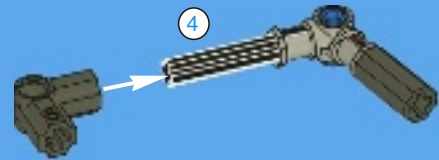
2



4



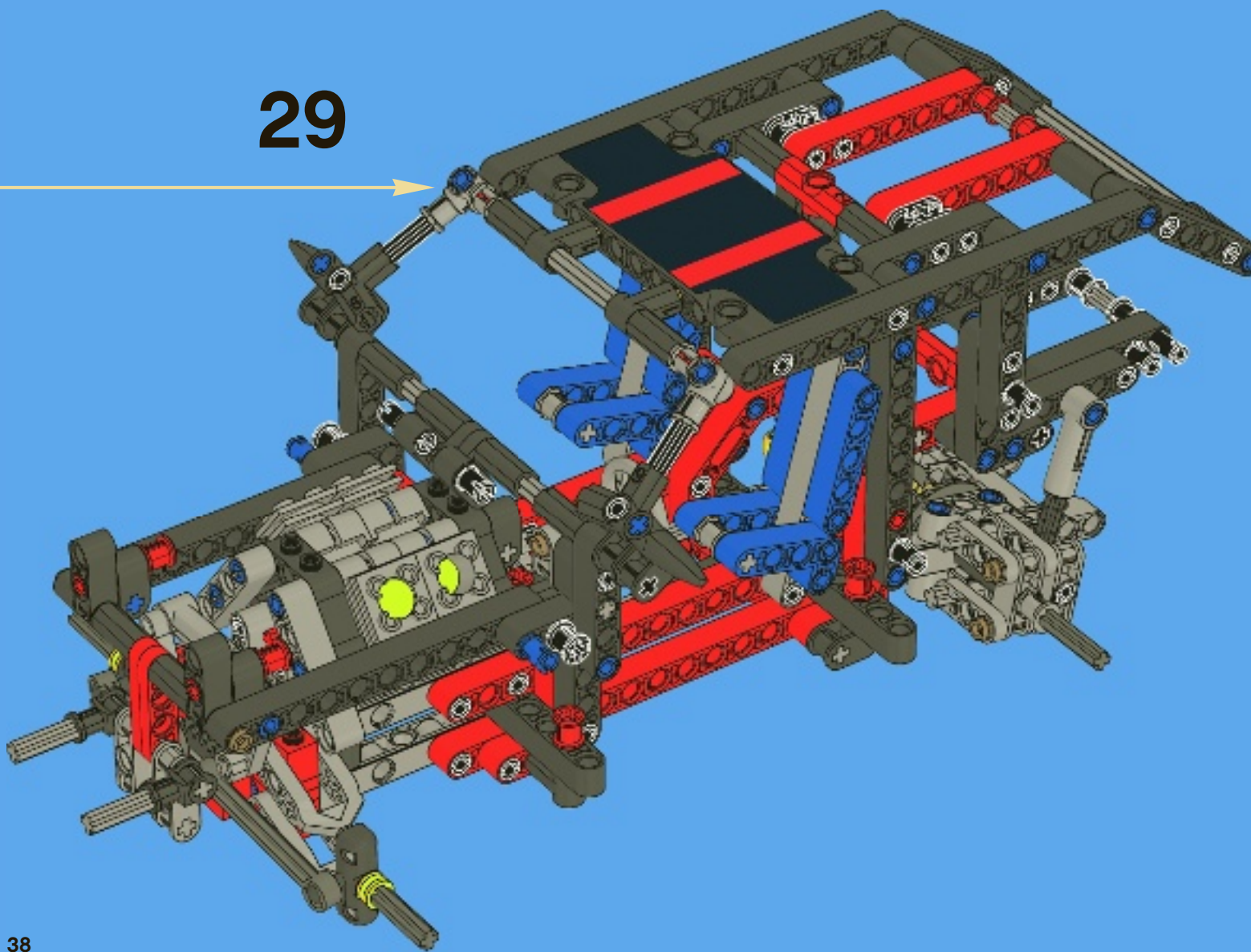
3



4

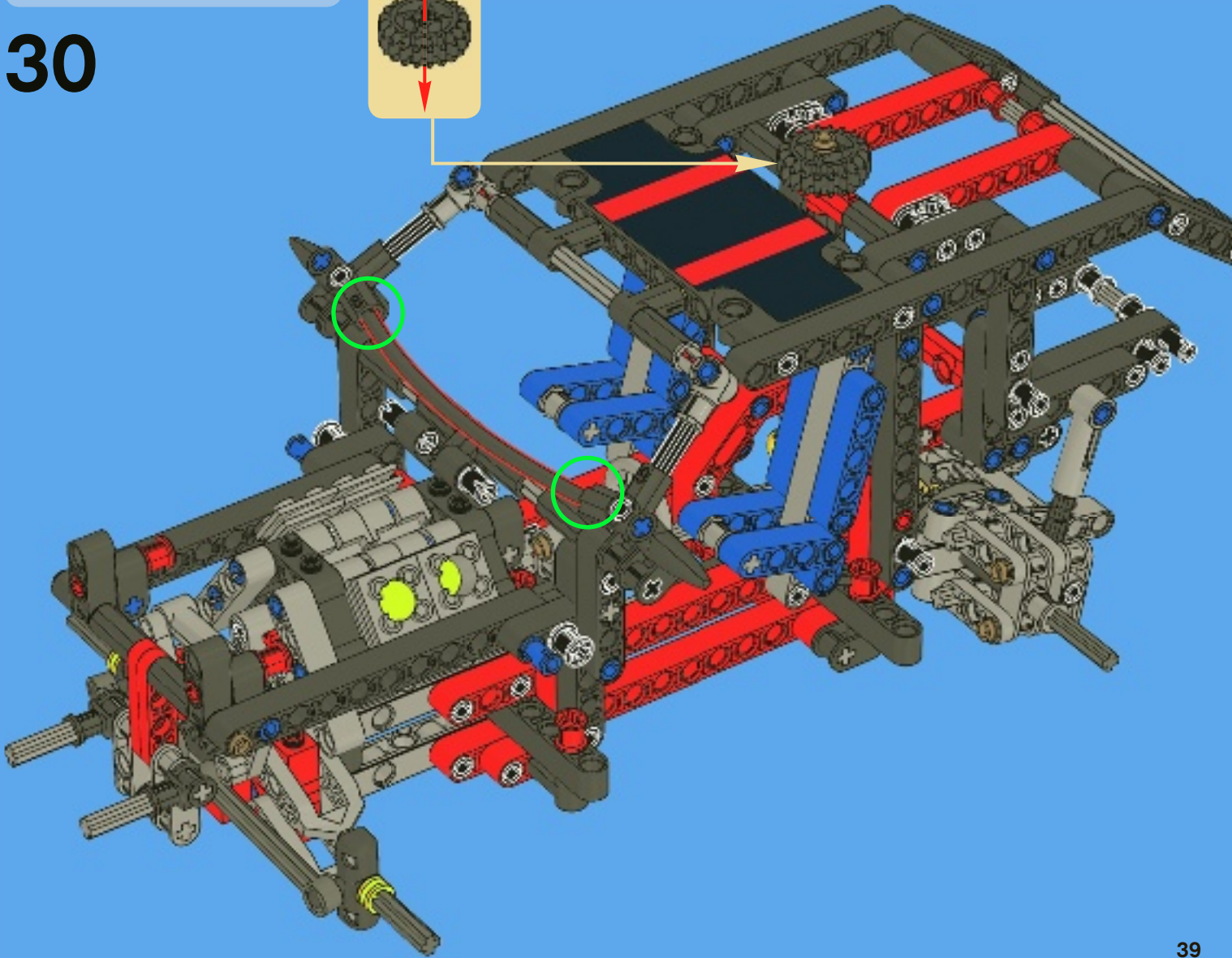
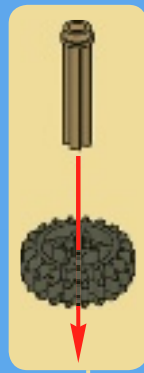
1:1

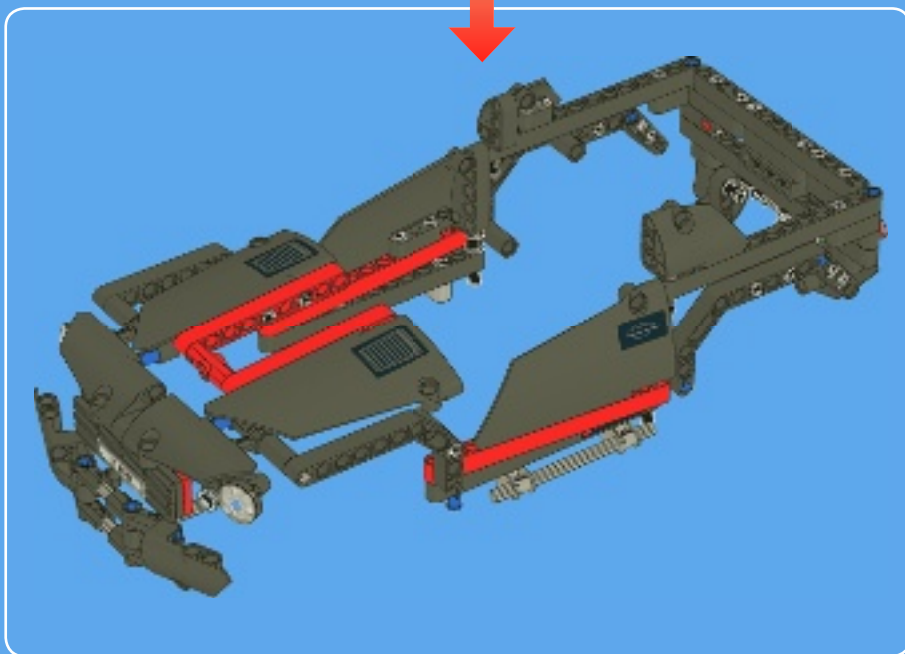
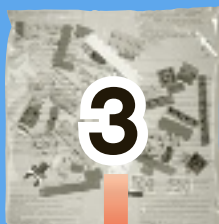
29





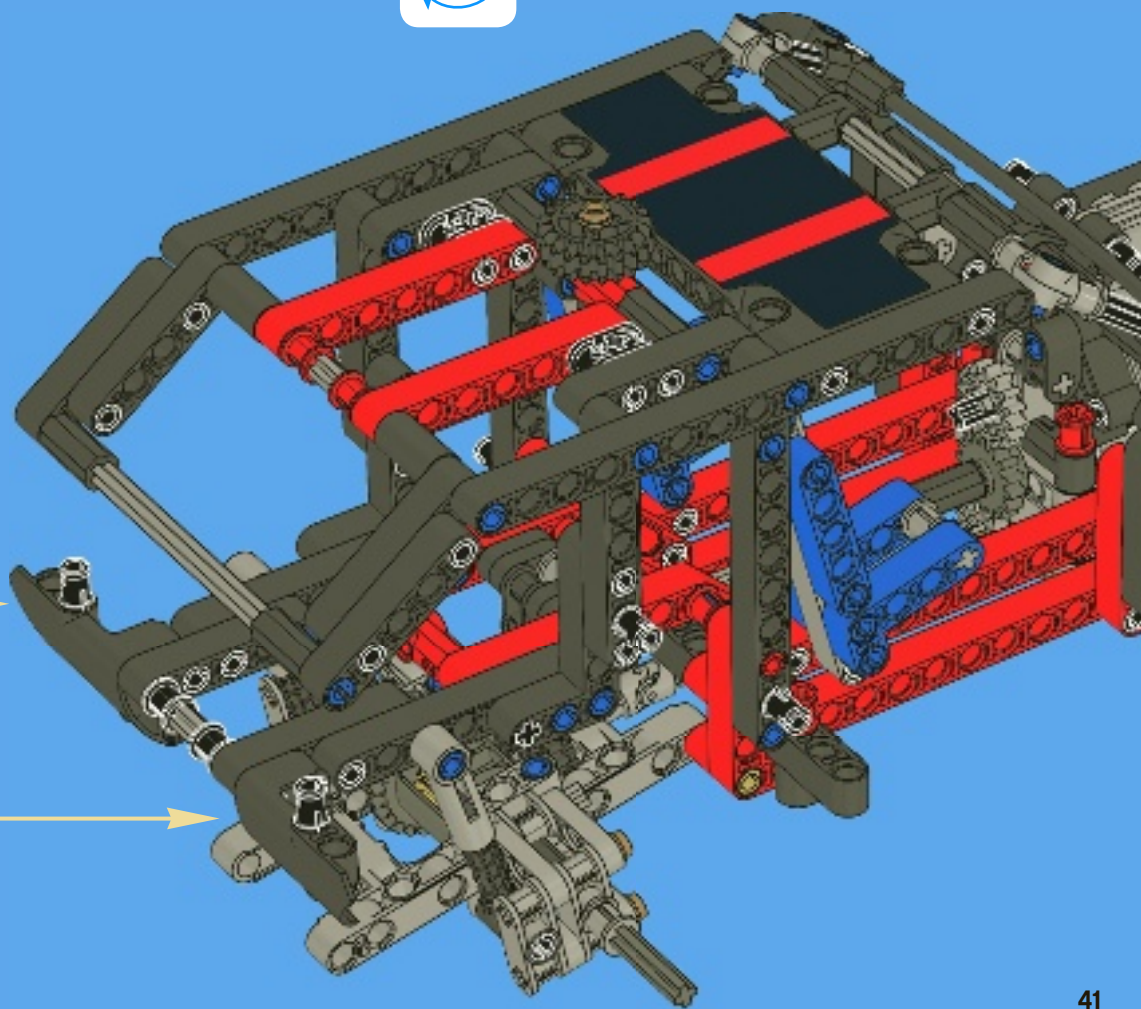
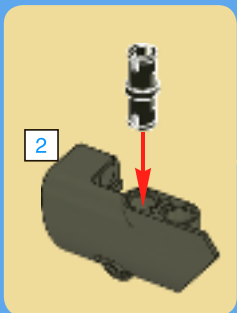
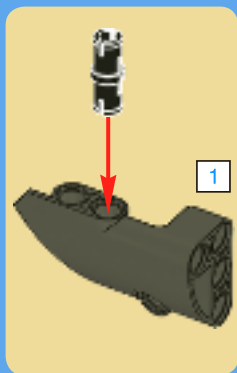
30

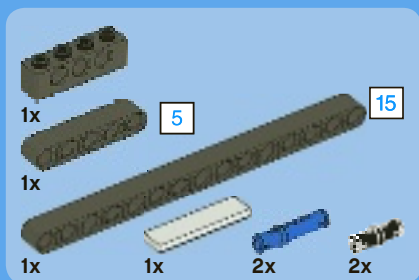






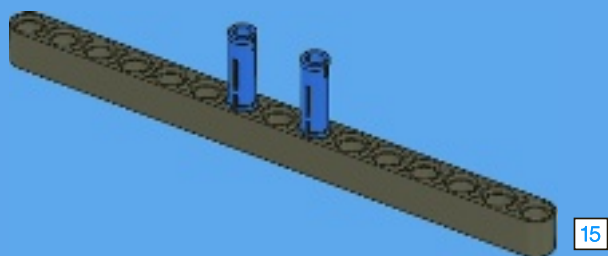
1



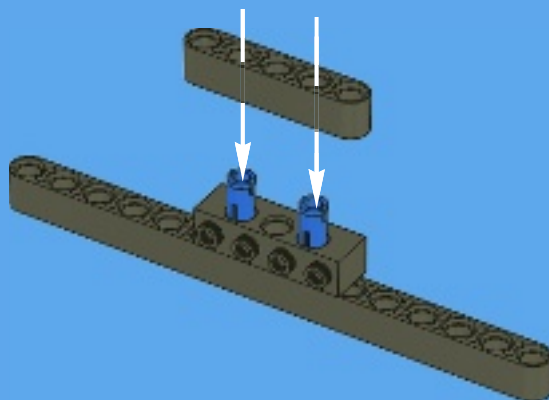


2

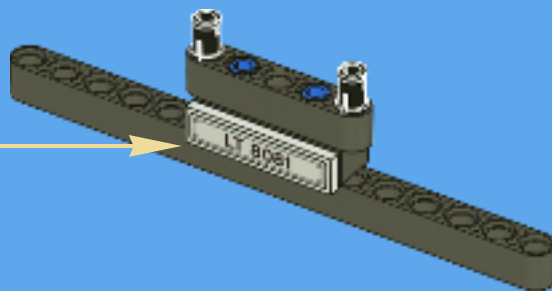
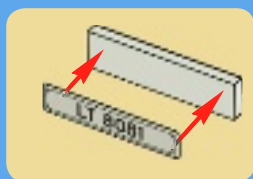
1

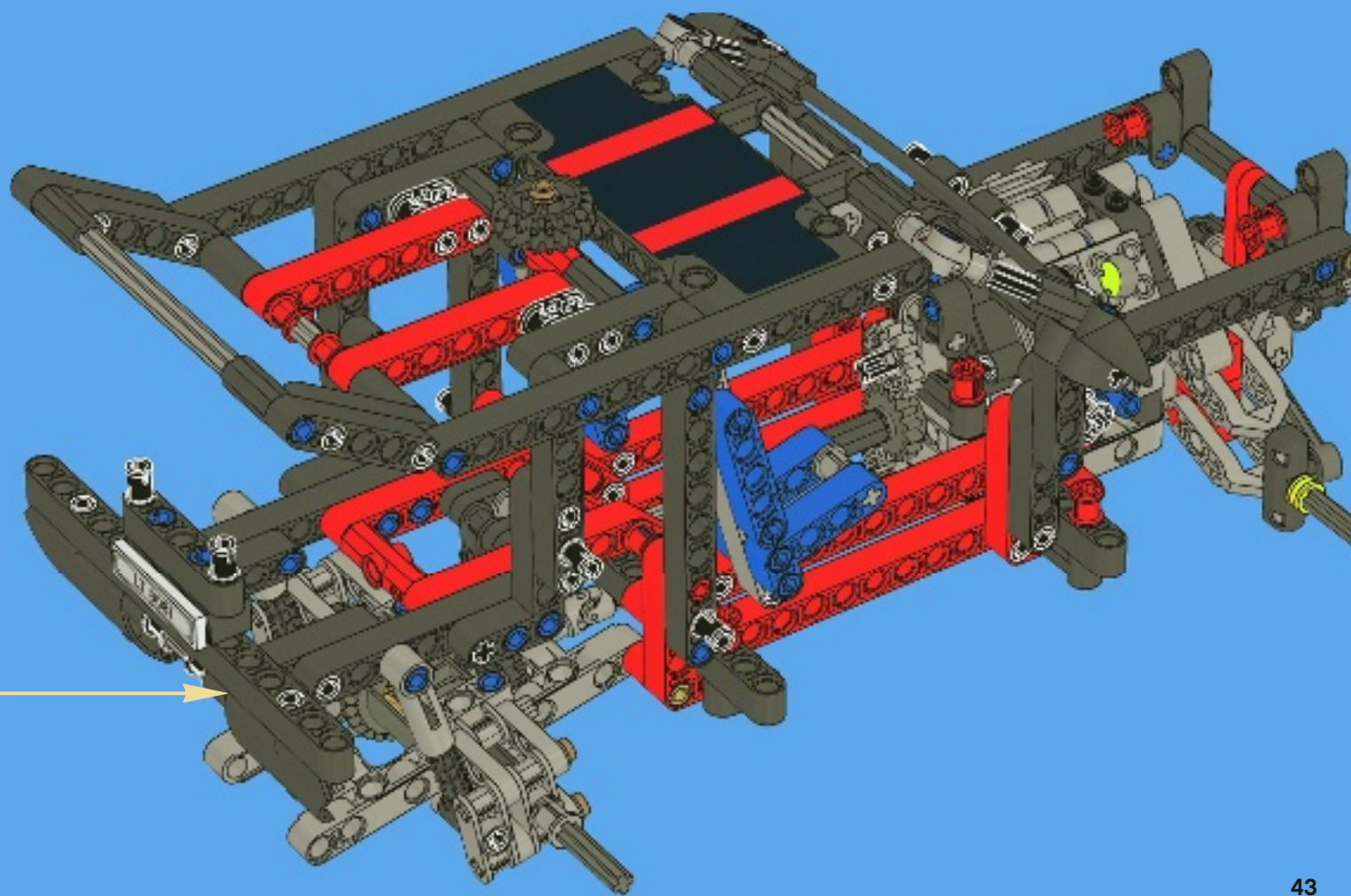


2



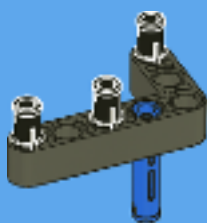
3



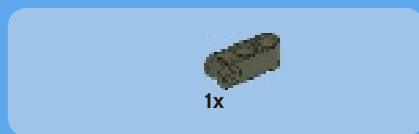




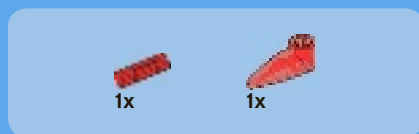
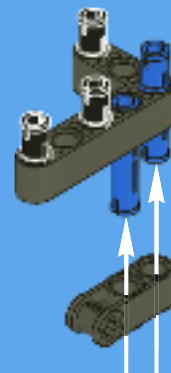
1



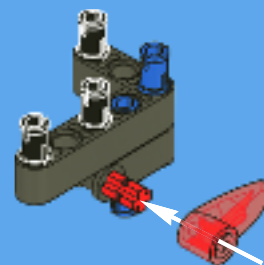
2



3

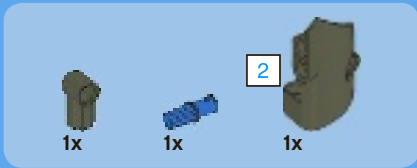
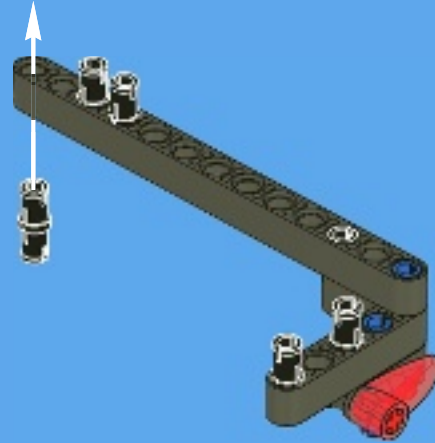


4

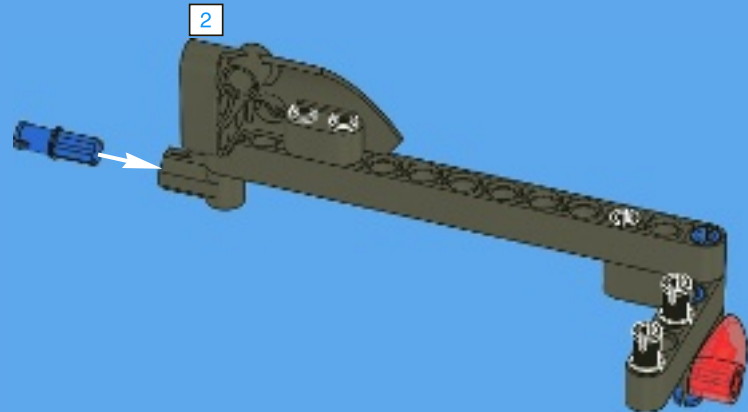




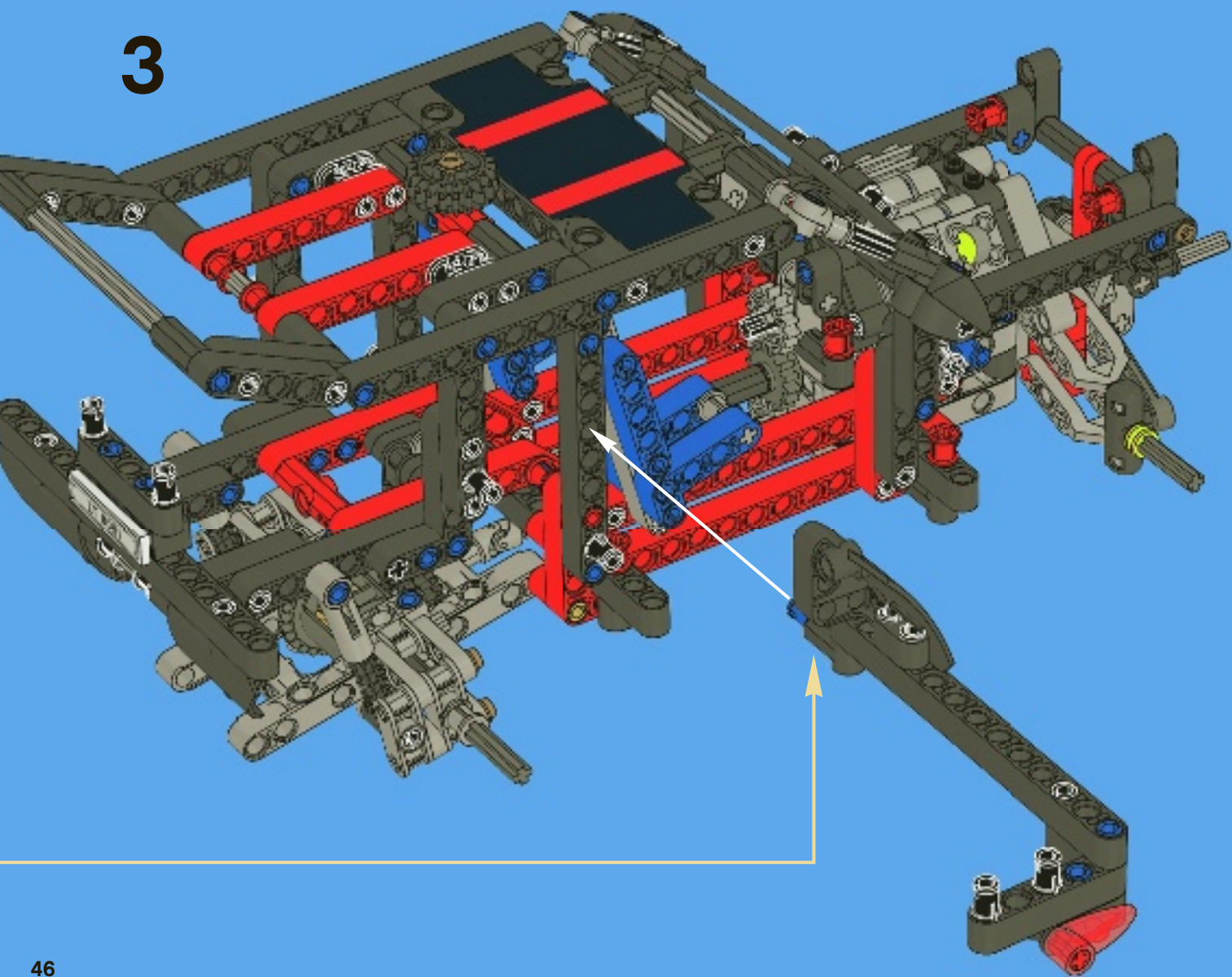
5



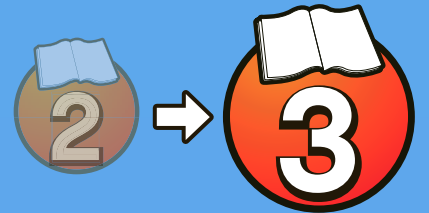
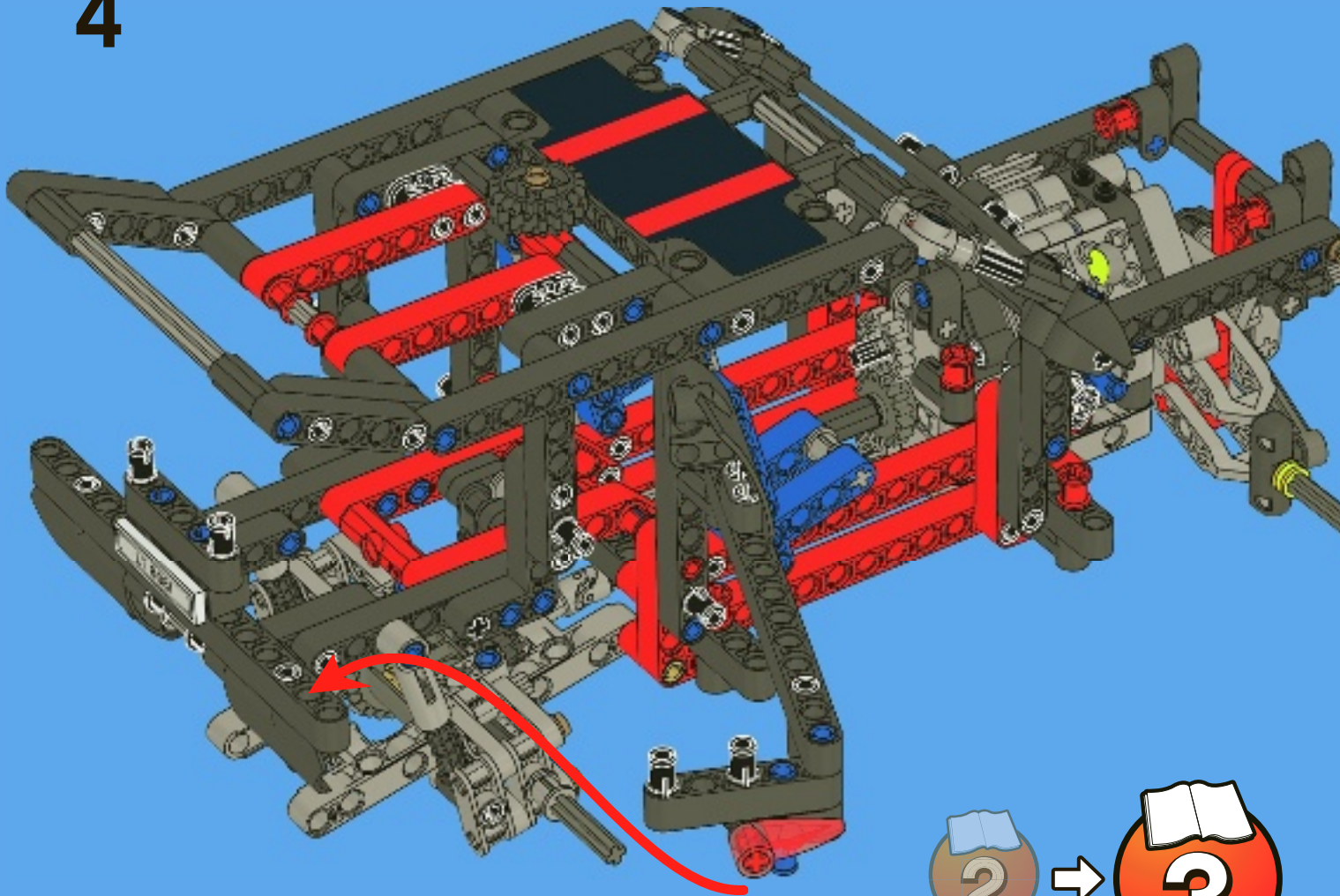
6



3



4





TECHNIC



8109



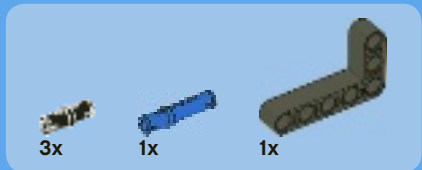
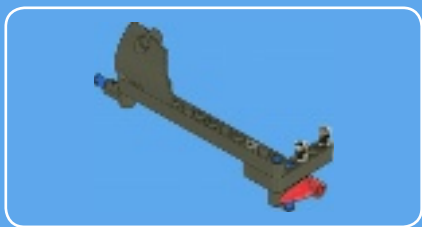
LEGO and the LEGO logo are trademarks of the/sont des marques de commerce de/son
marcas registradas de LEGO Group.
©2011 The LEGO Group.



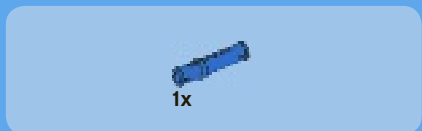
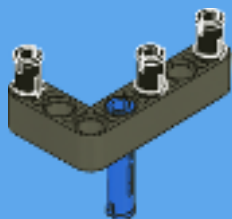
TECHNIC

8081

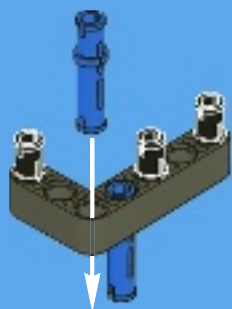




1



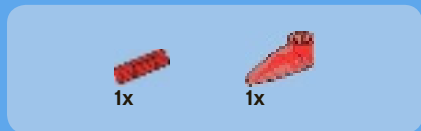
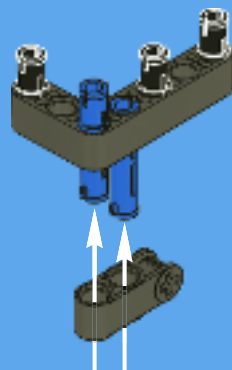
2



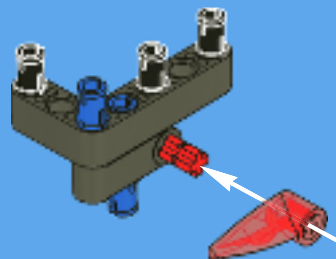
2



3

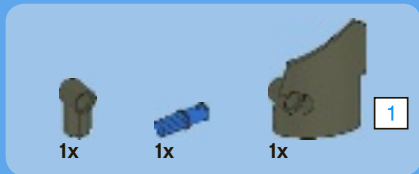
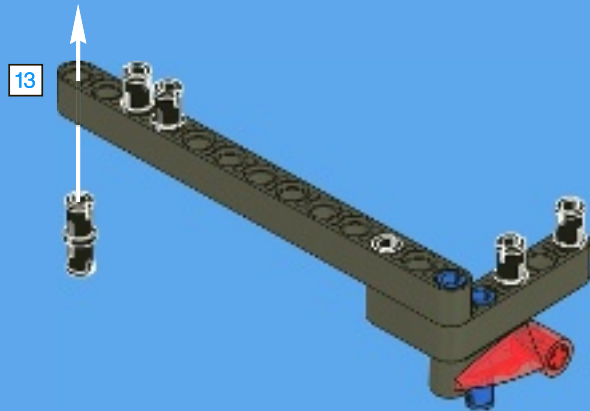


4

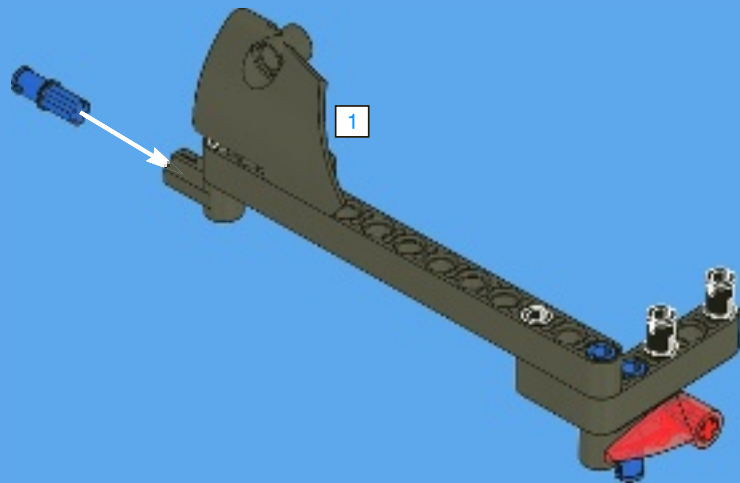




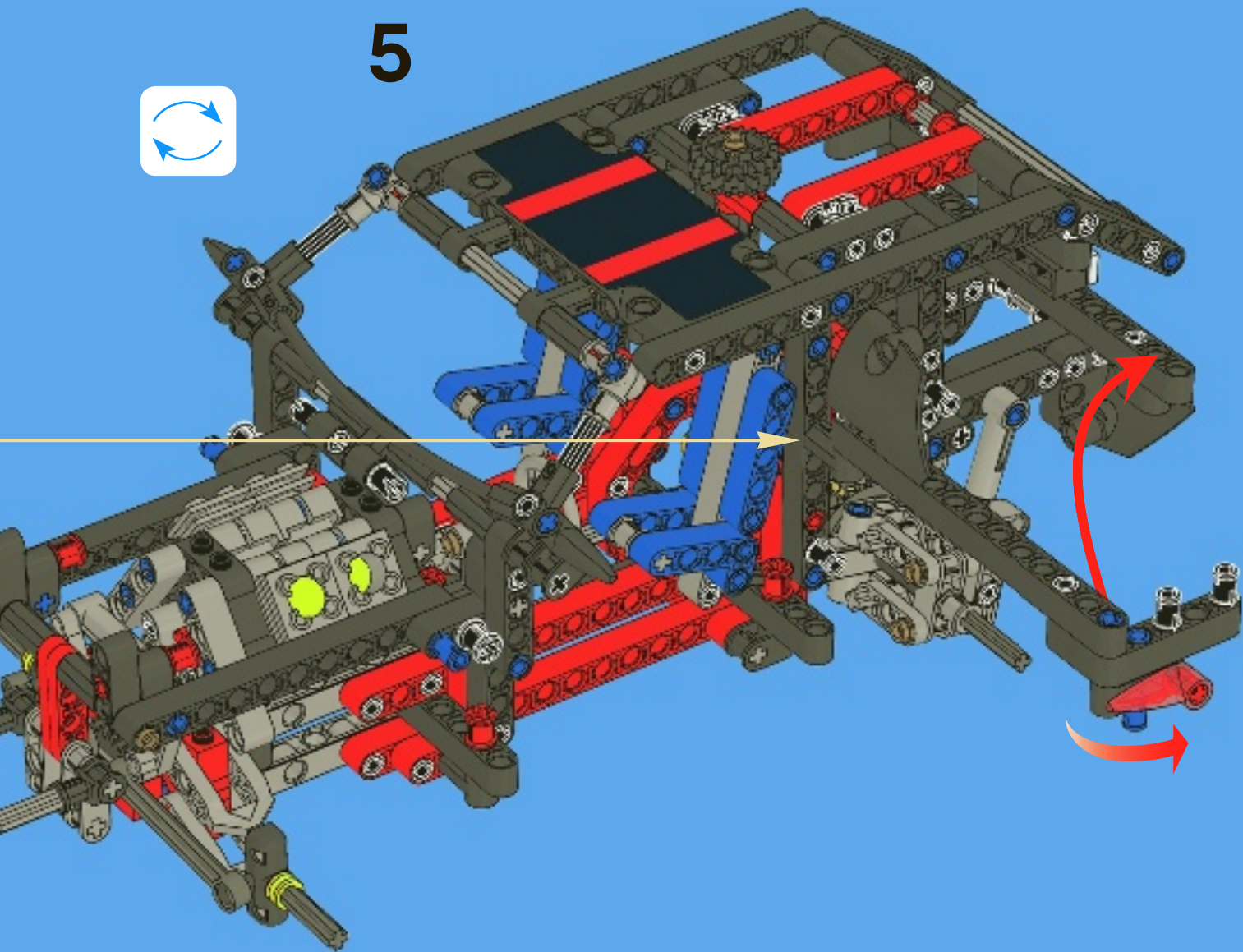
4

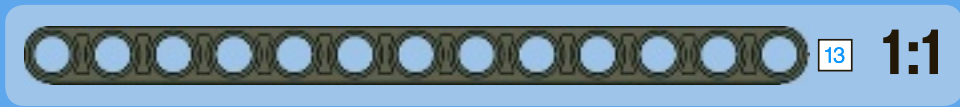


5

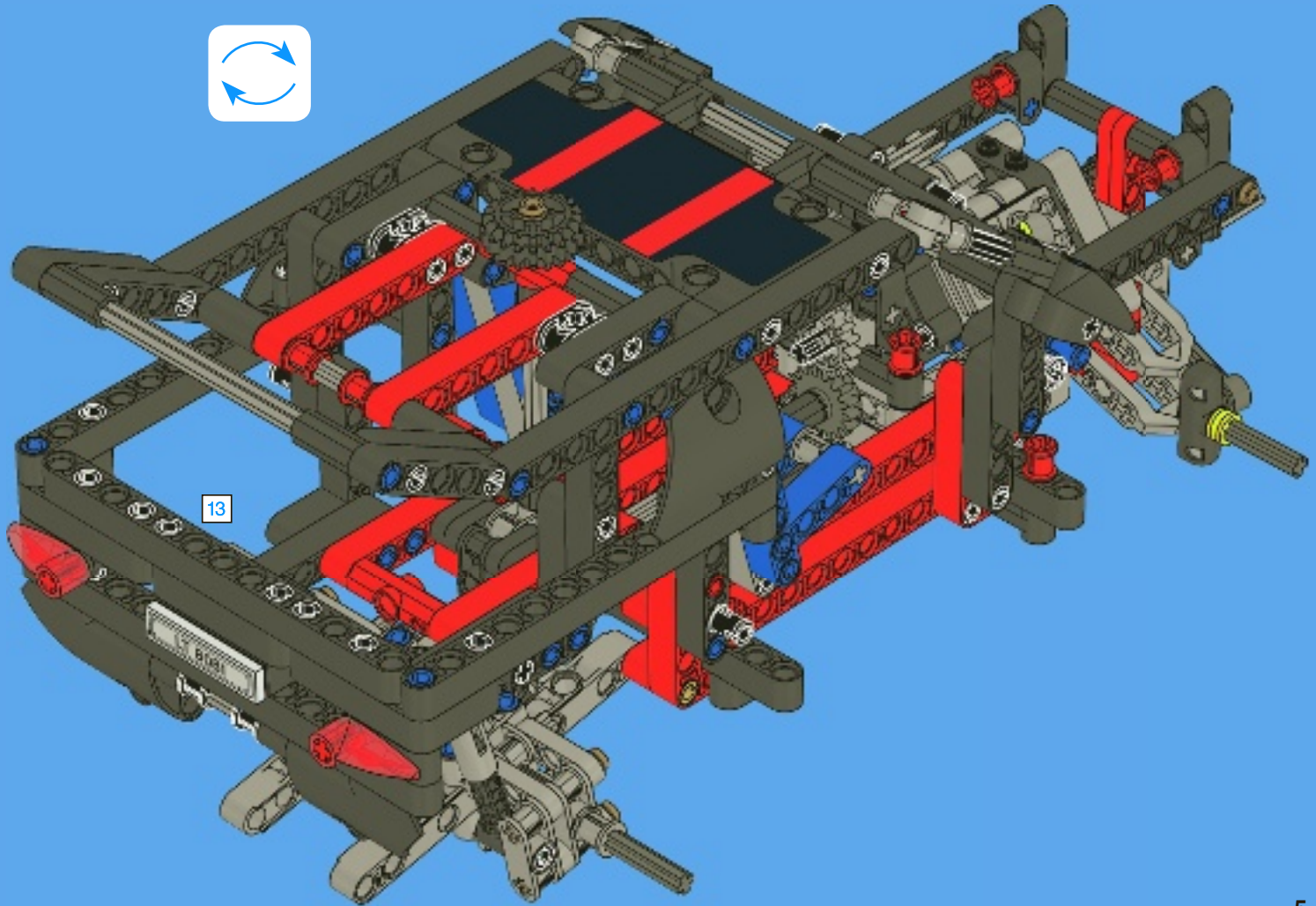


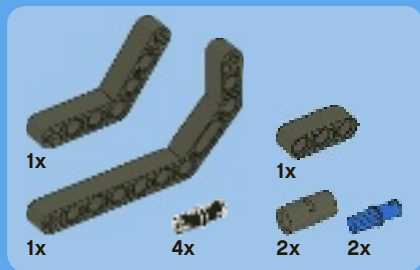
5





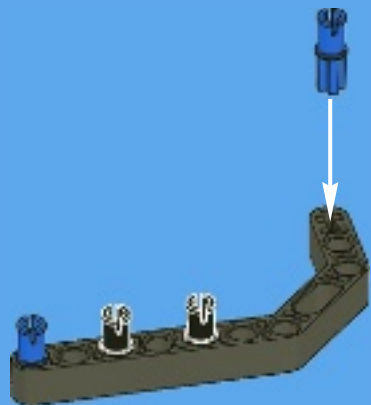
6



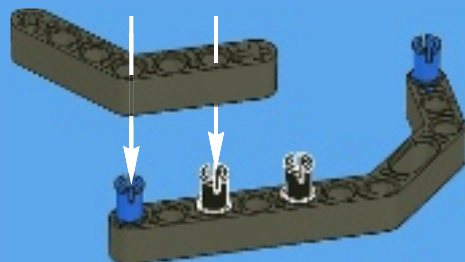


7

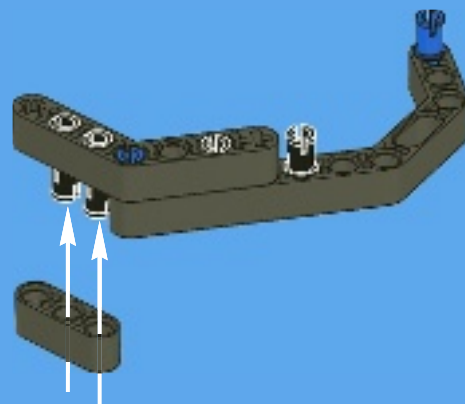
1



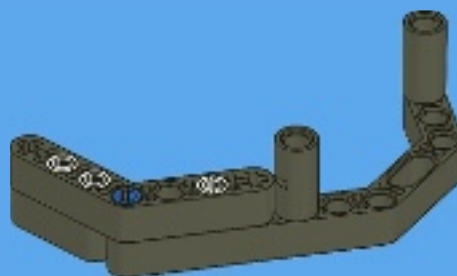
2

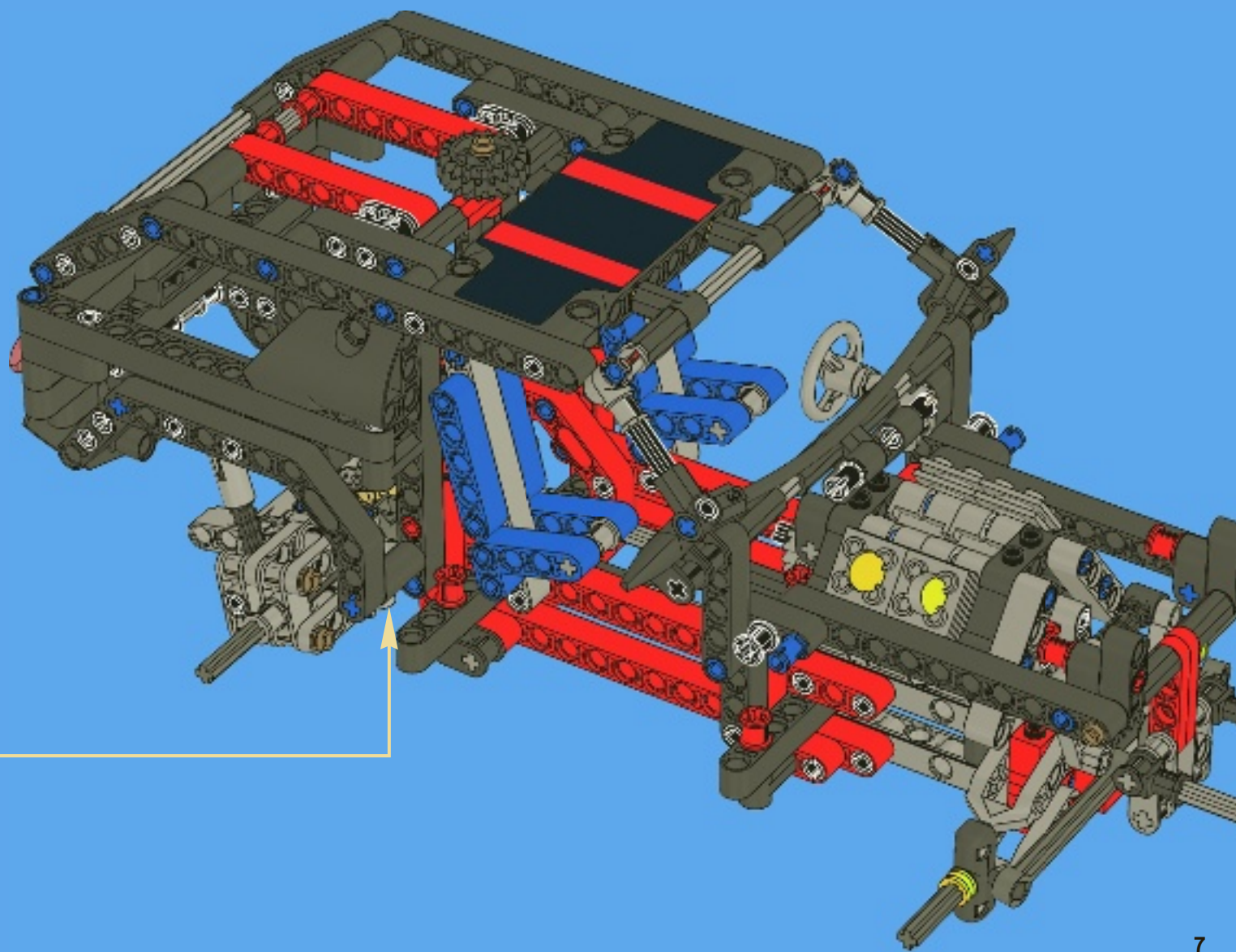


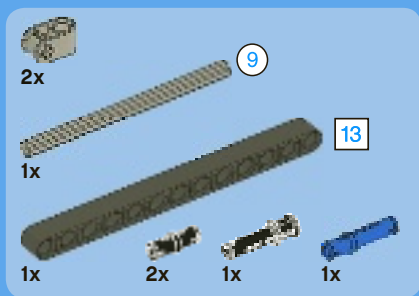
3



4





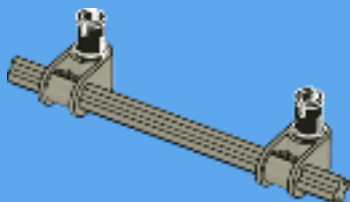


8

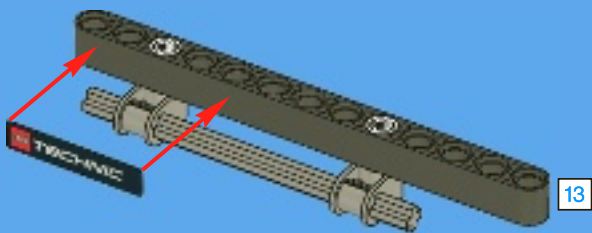
1



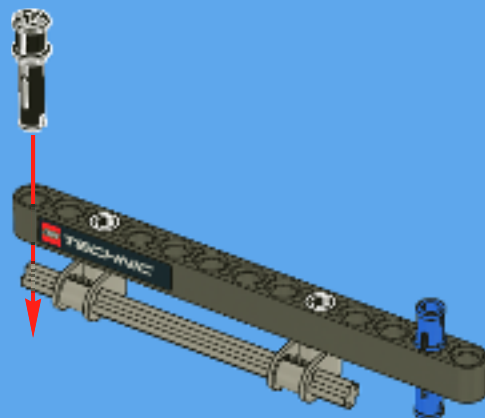
2

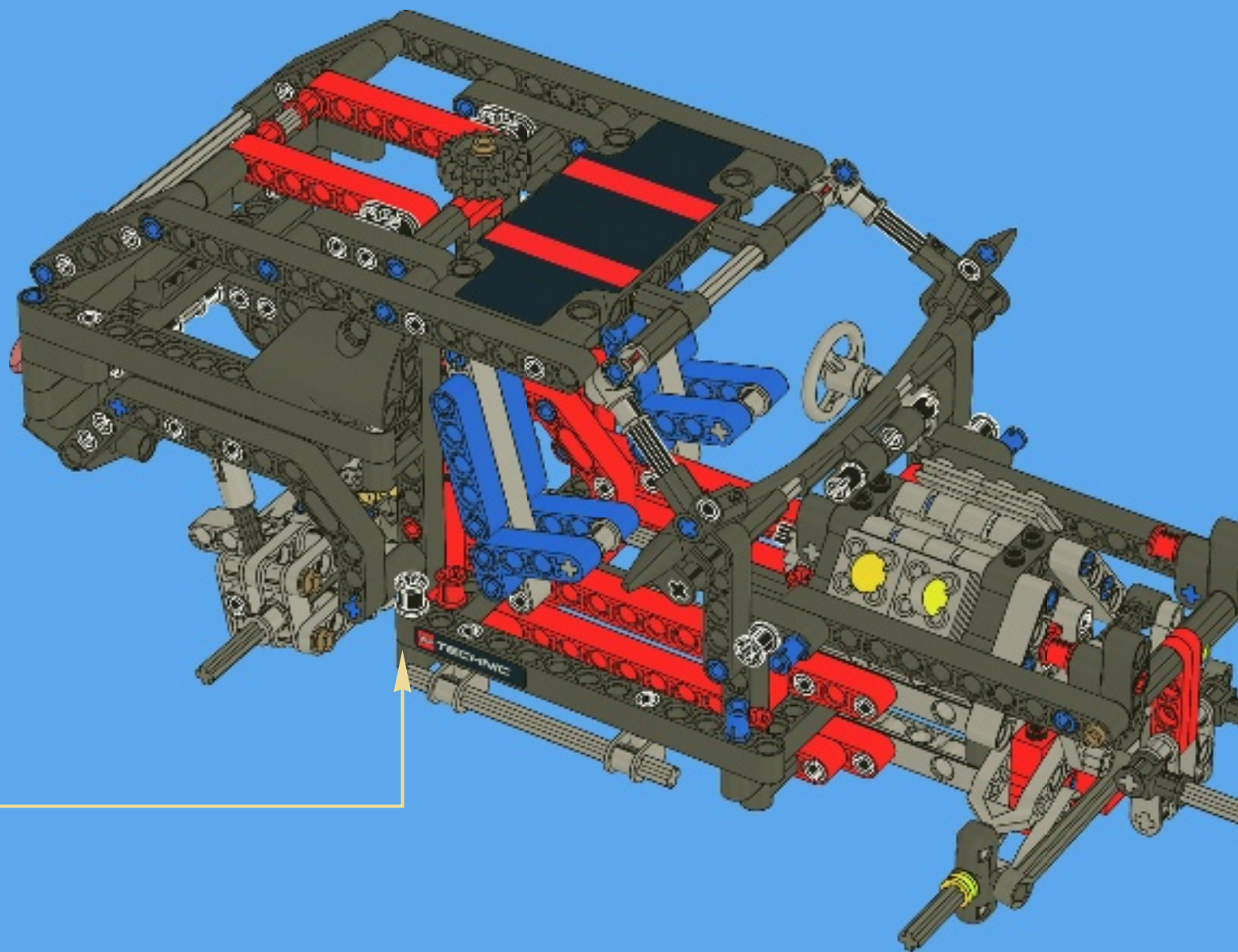


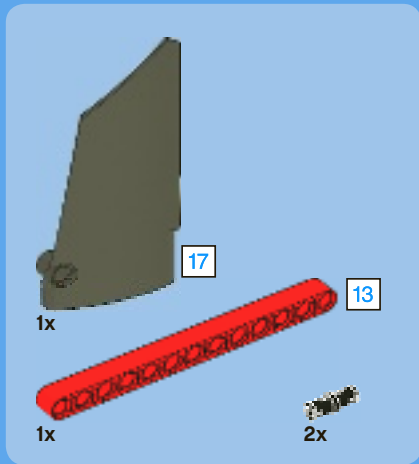
3



4

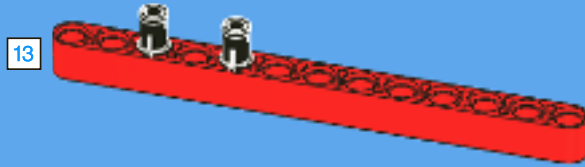




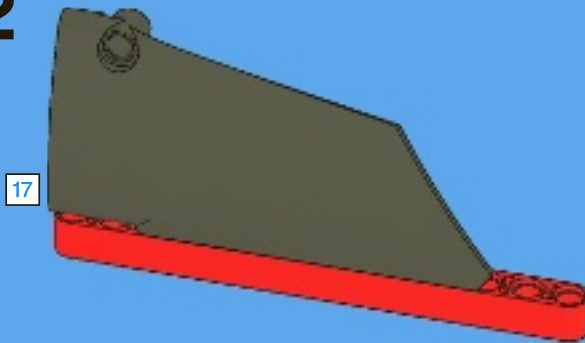


9

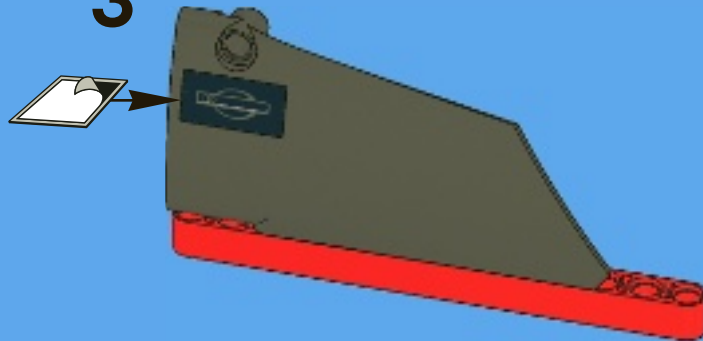
1

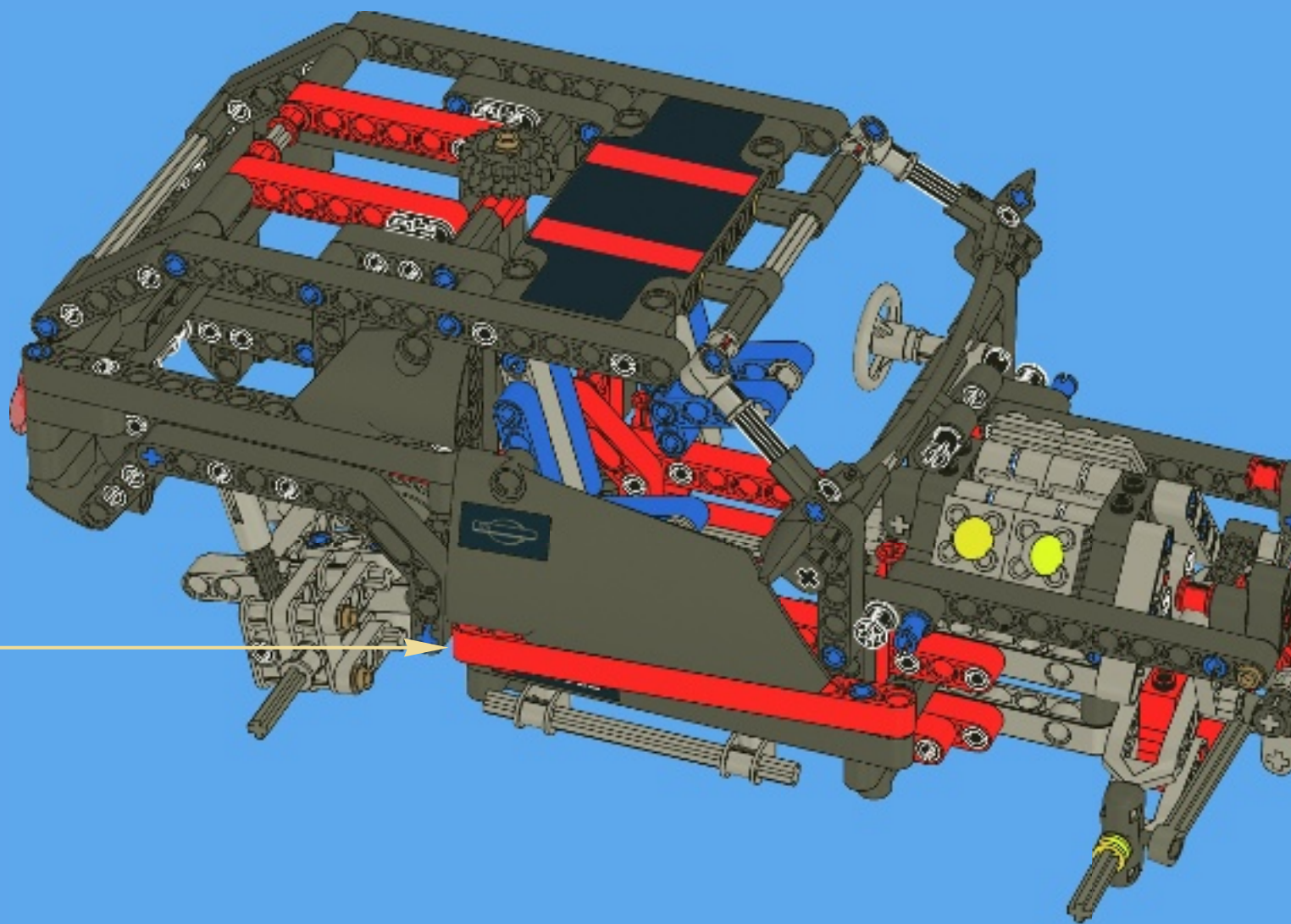


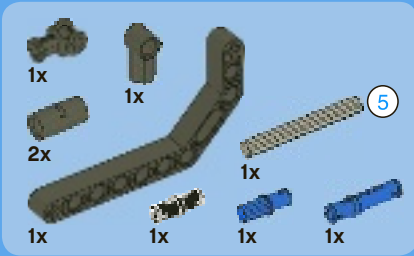
2



3





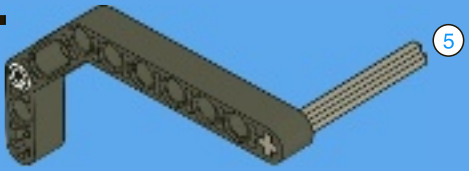


10

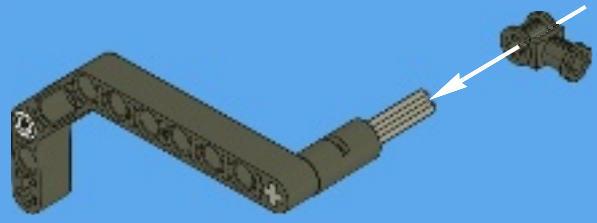
1



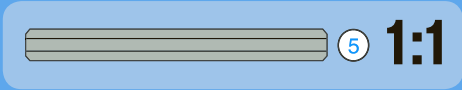
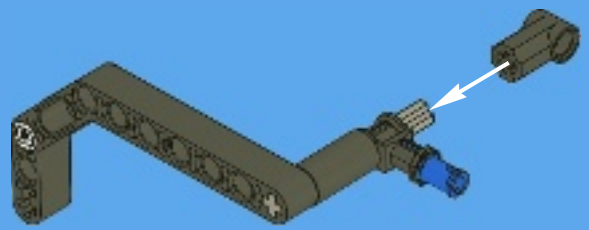
2

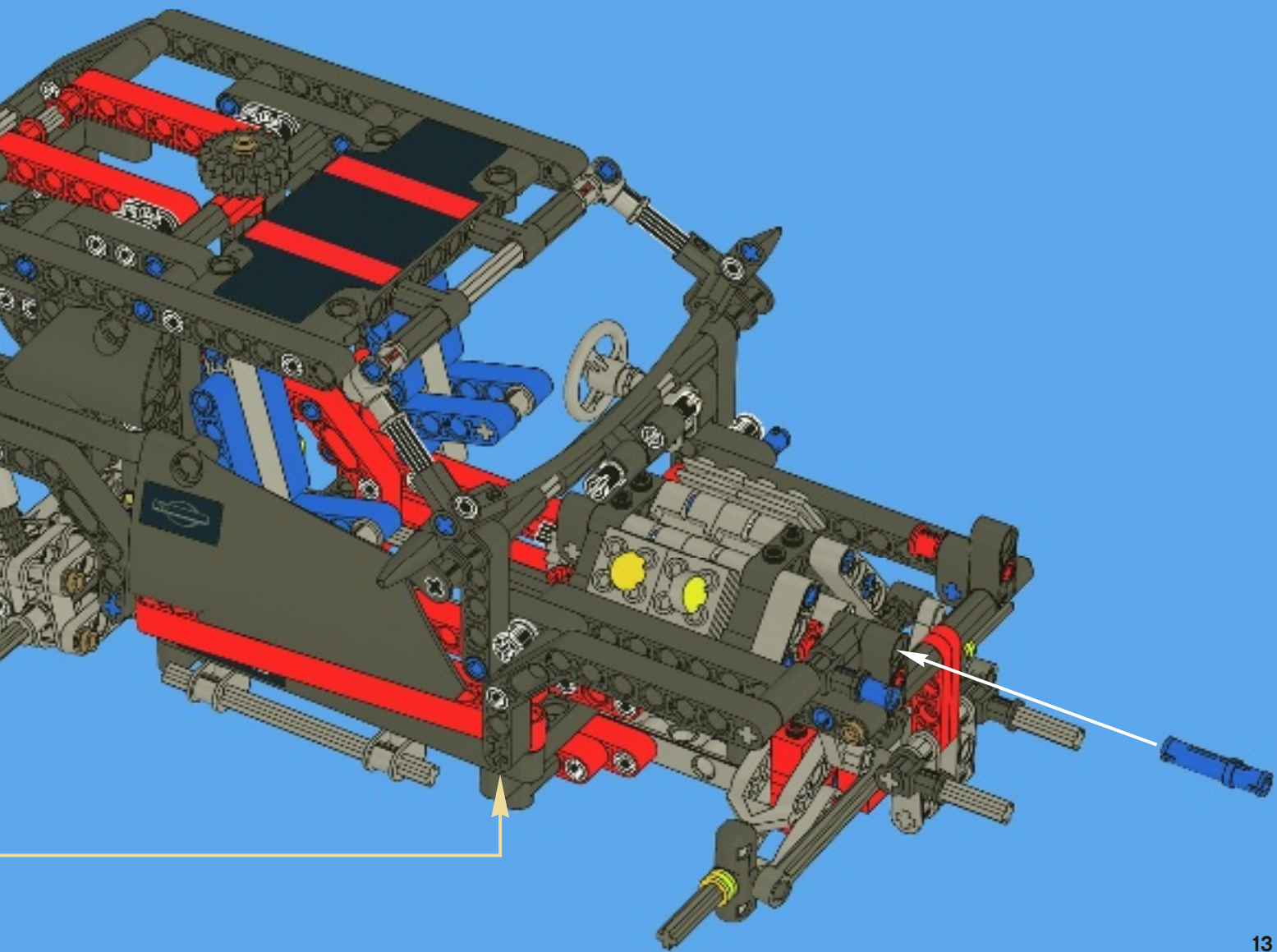


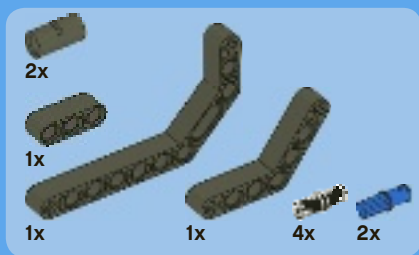
3



4

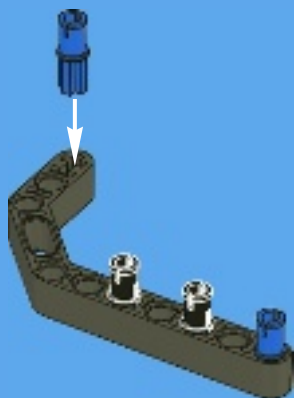




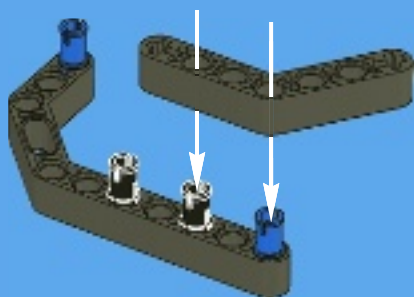


11

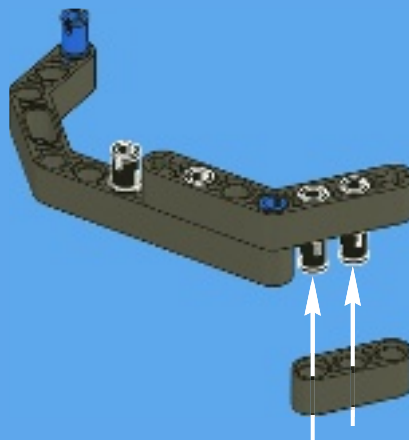
1



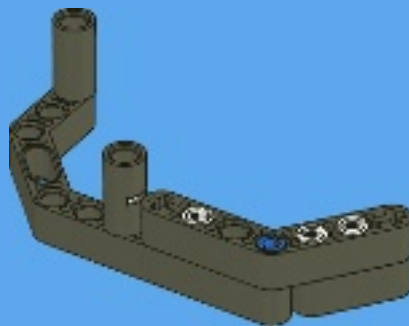
2

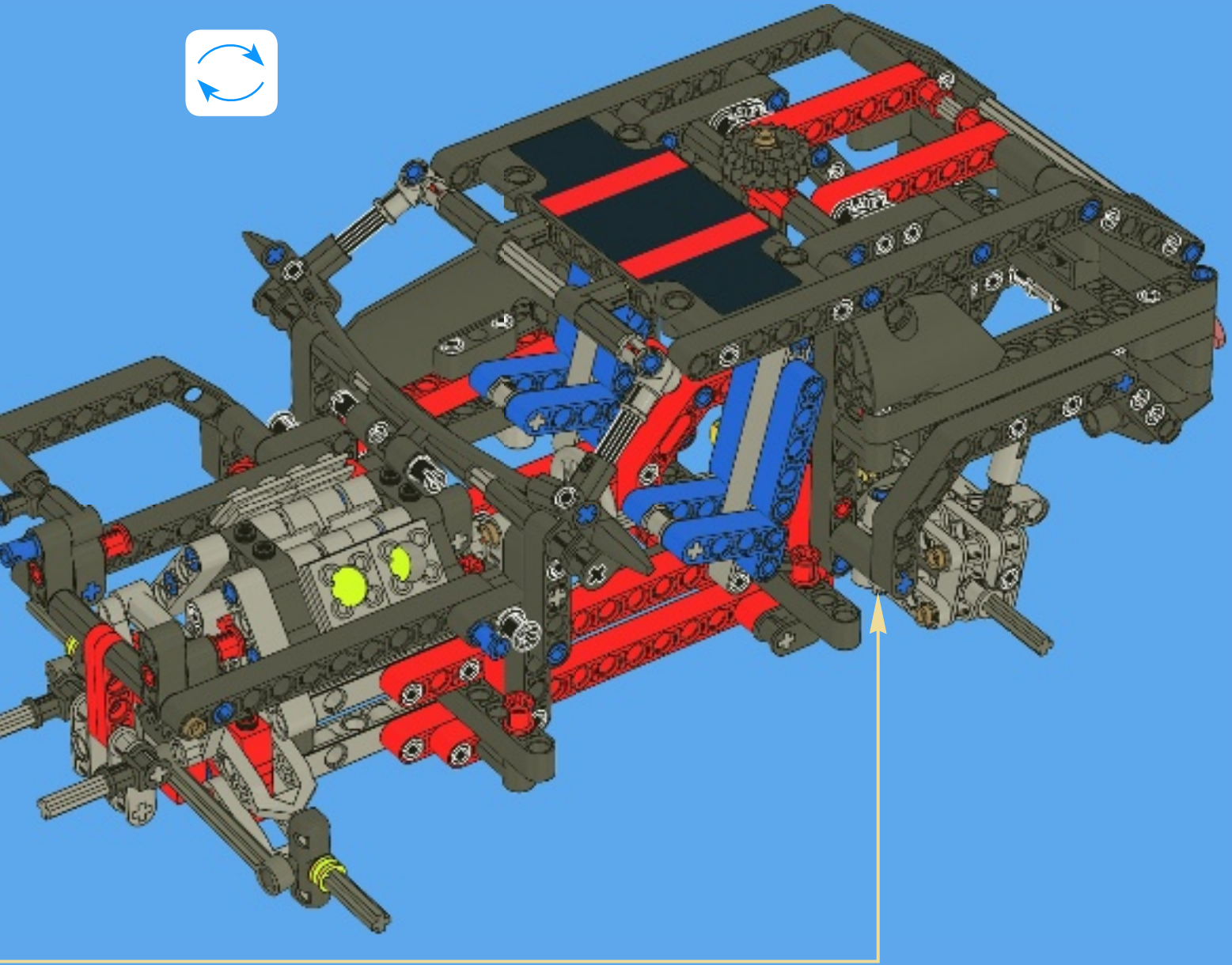


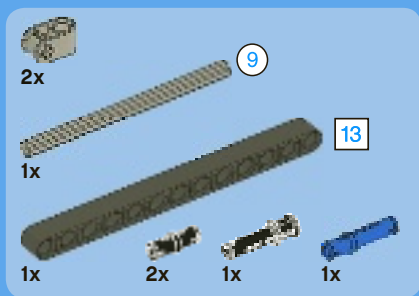
3



4





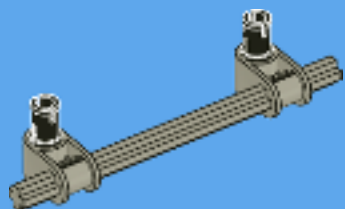


12

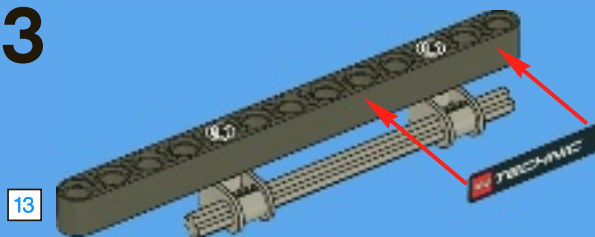
1



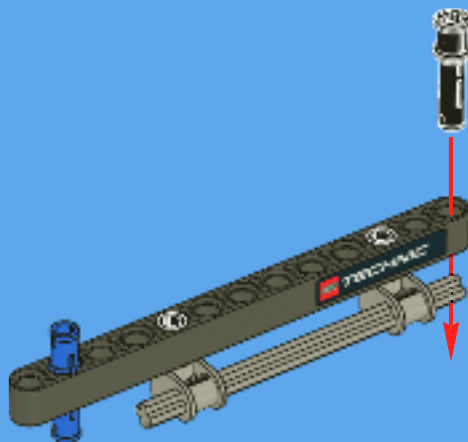
2

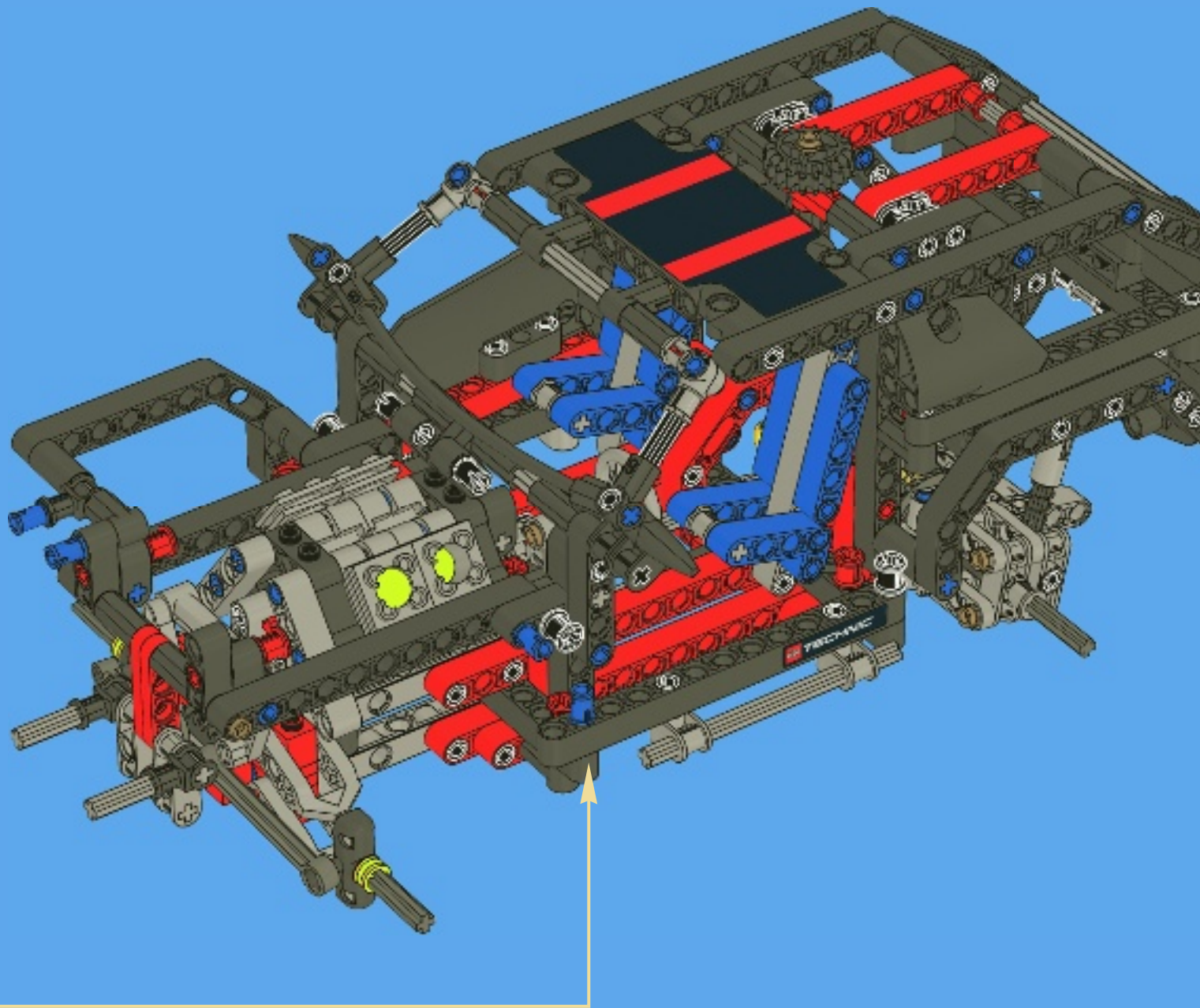


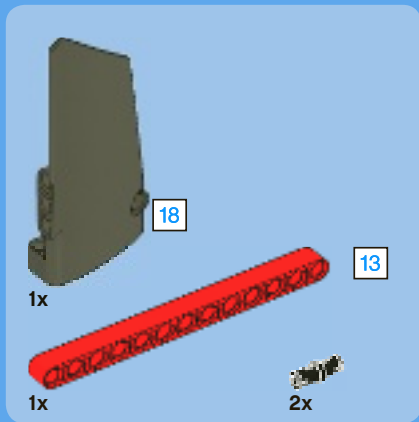
3



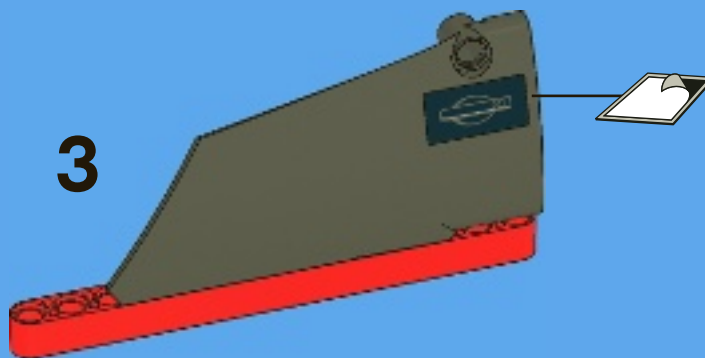
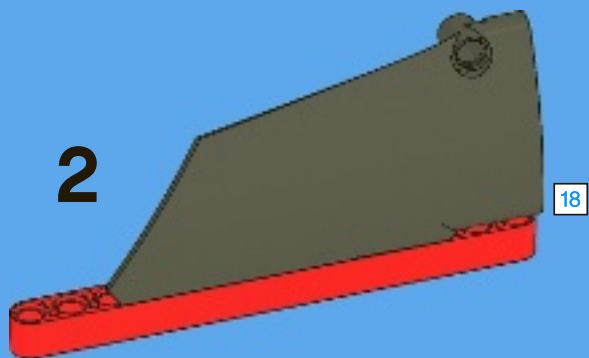
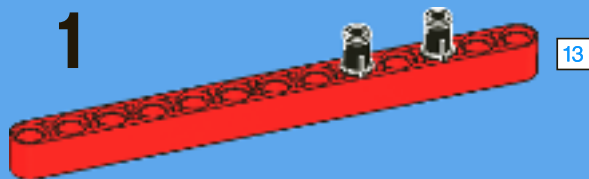
4

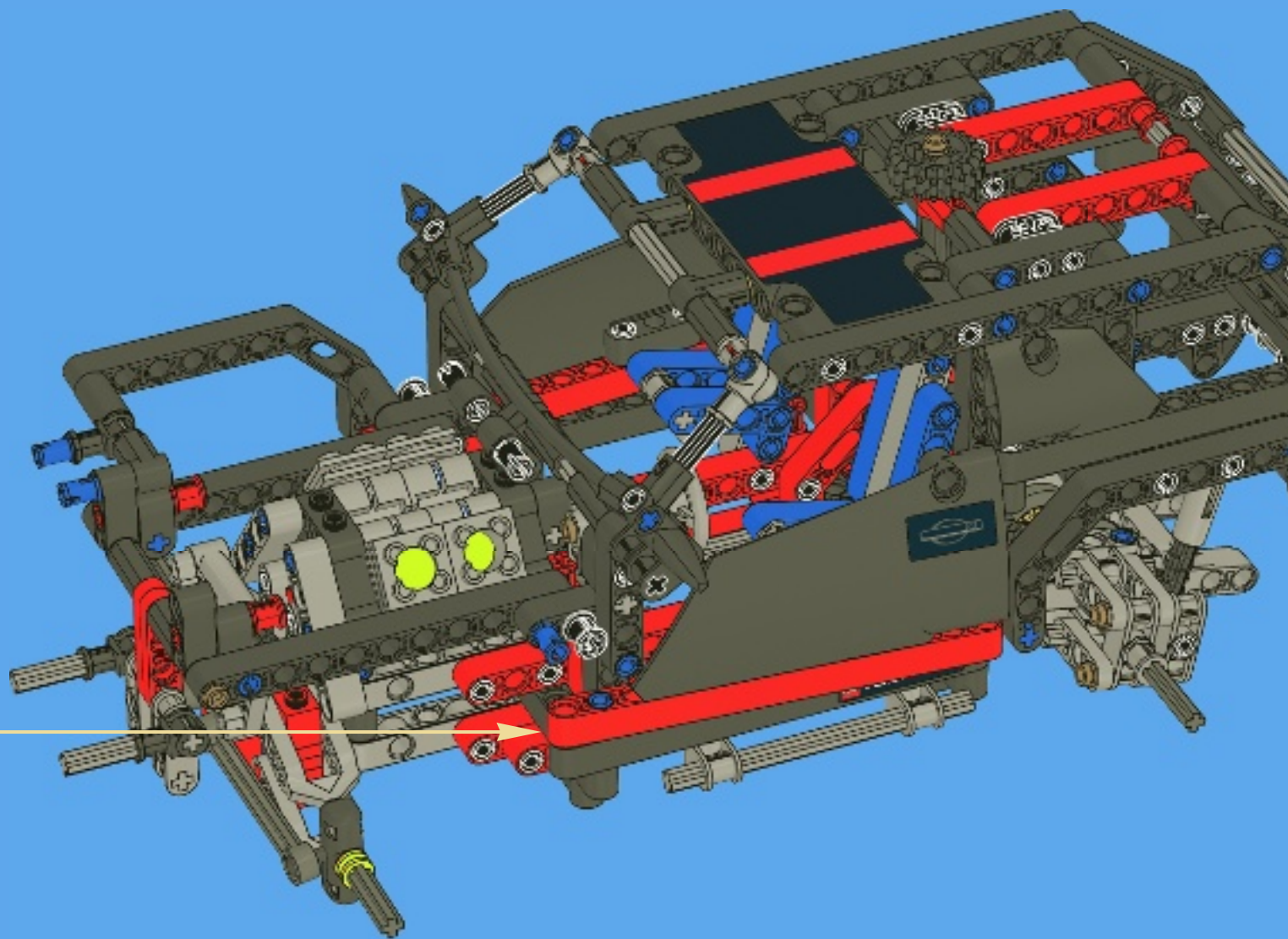


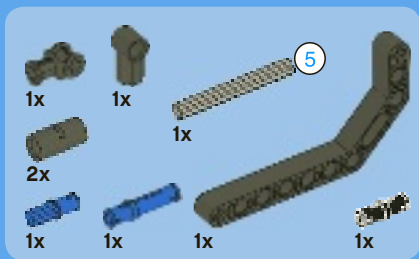




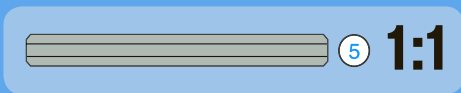
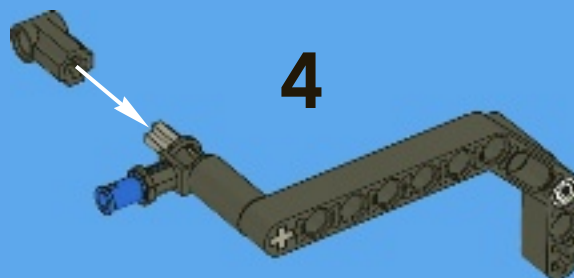
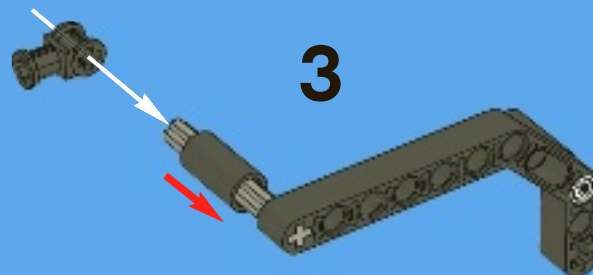
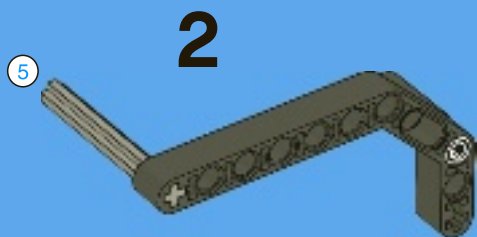
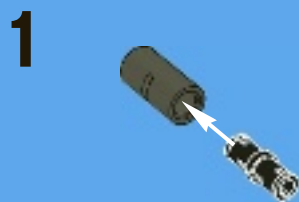
13

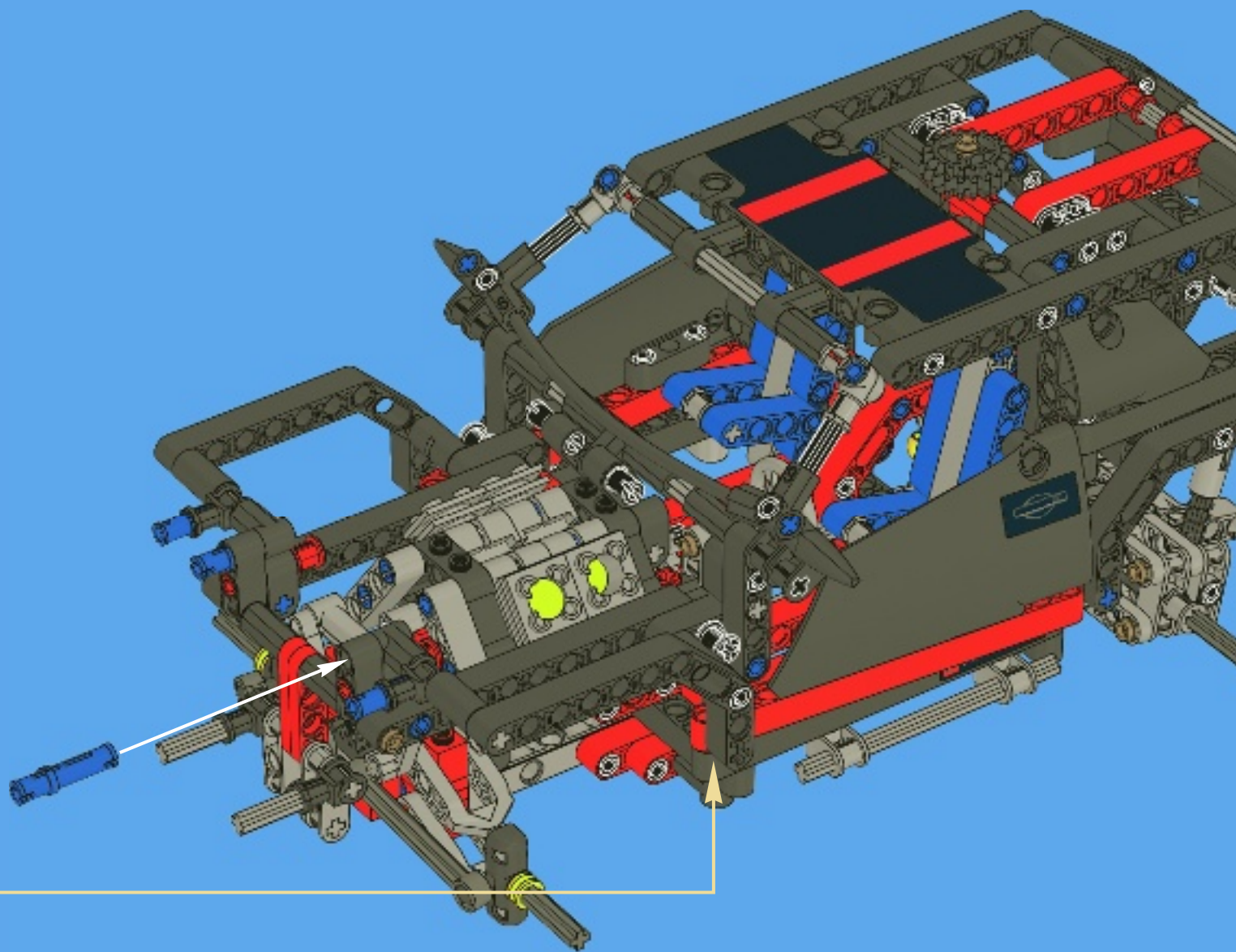


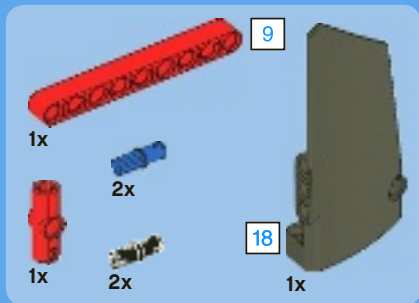




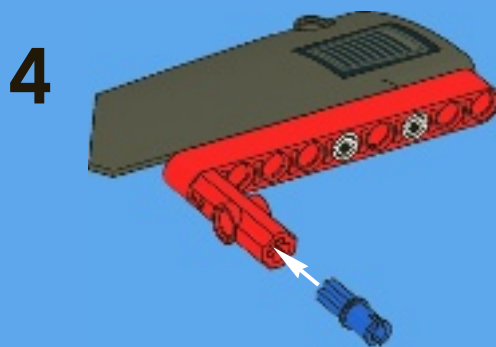
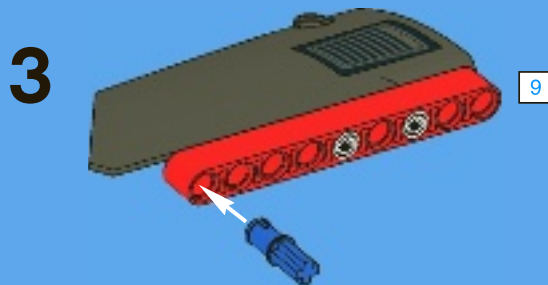
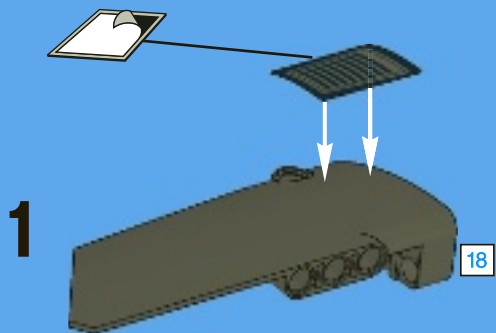
14

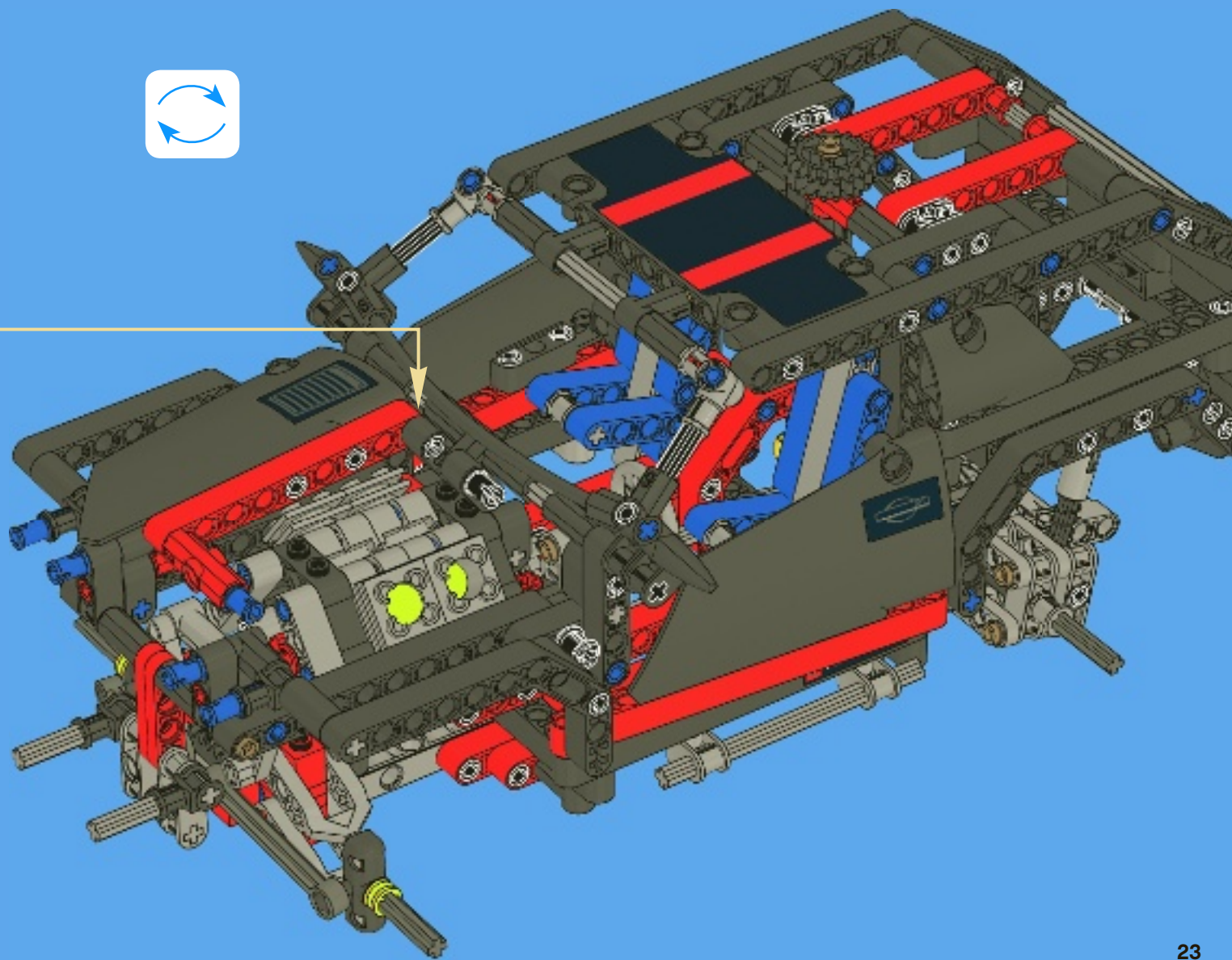


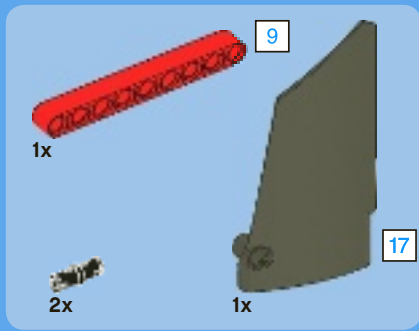




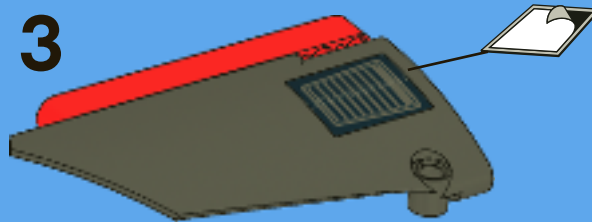
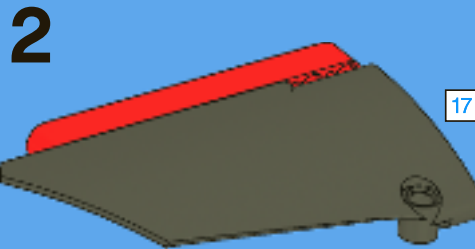
15

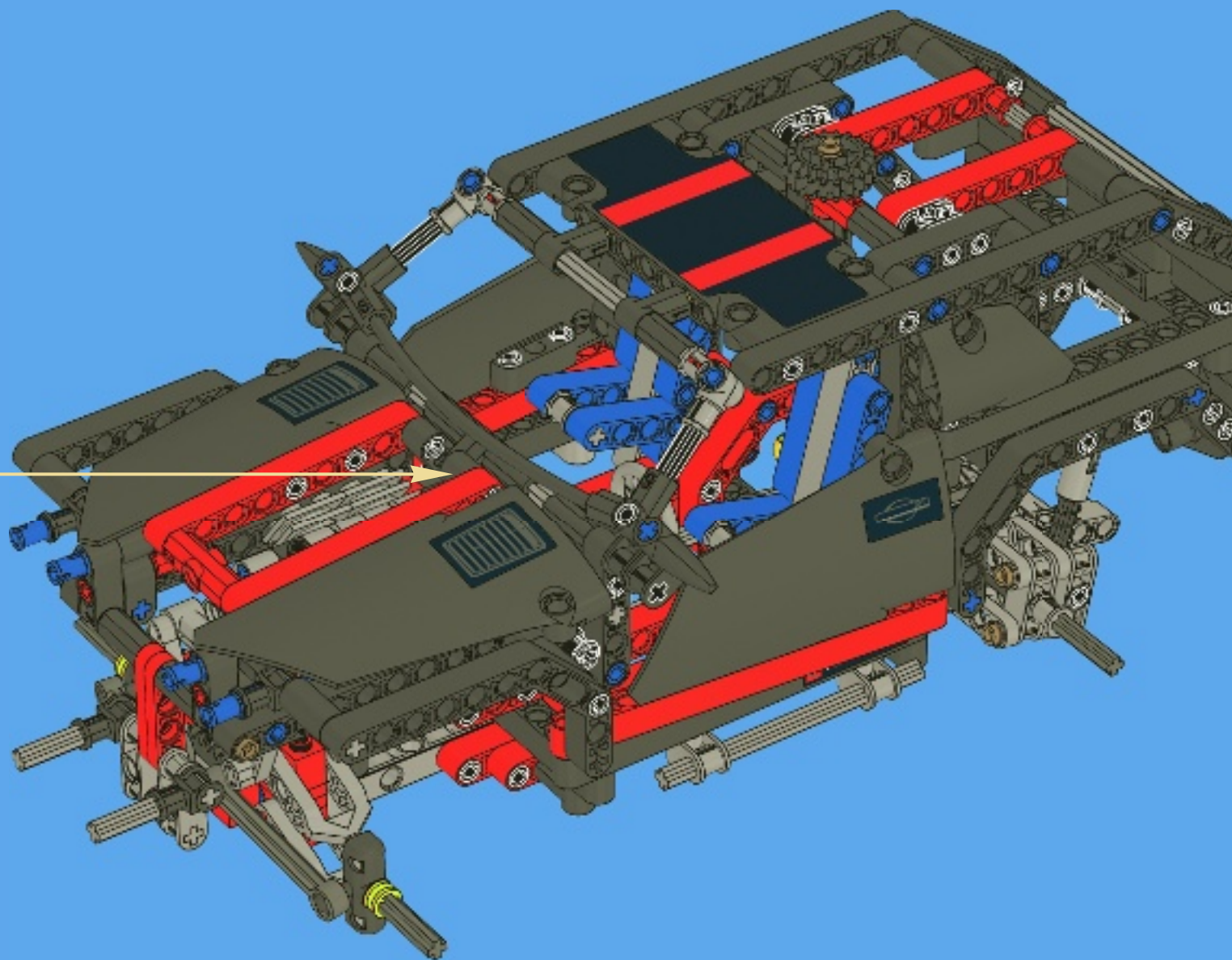


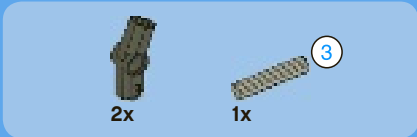




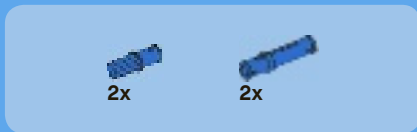
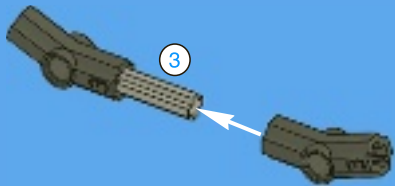
16



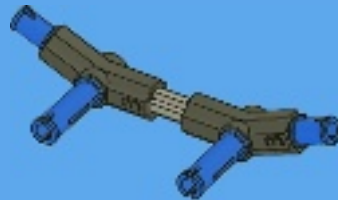




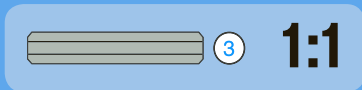
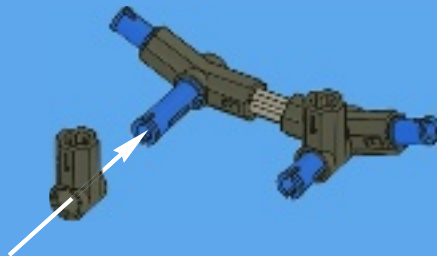
1

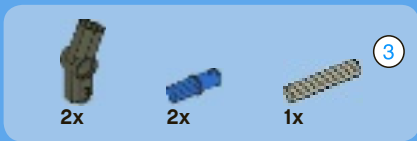


2

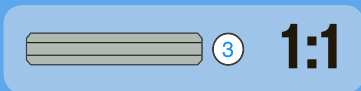
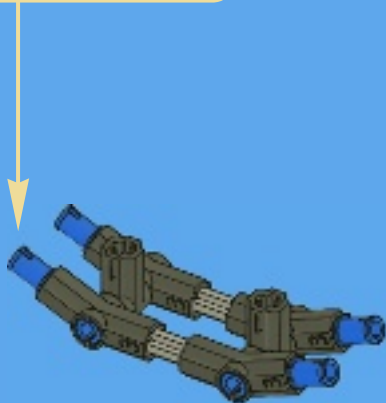
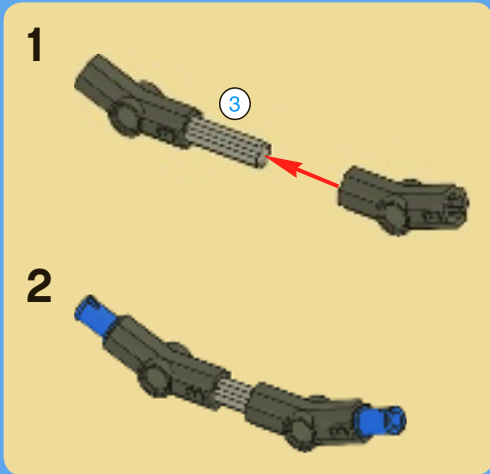


3

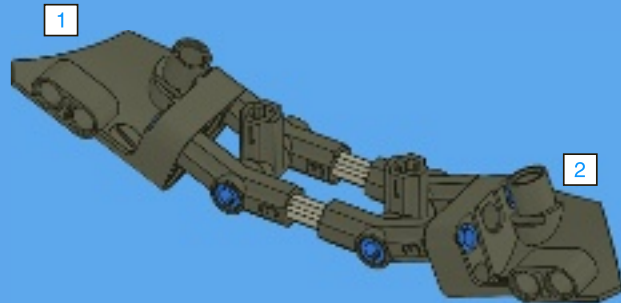




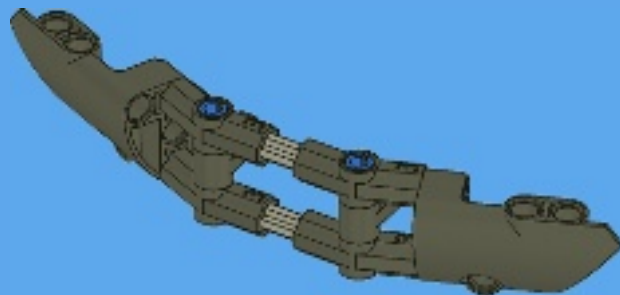
4



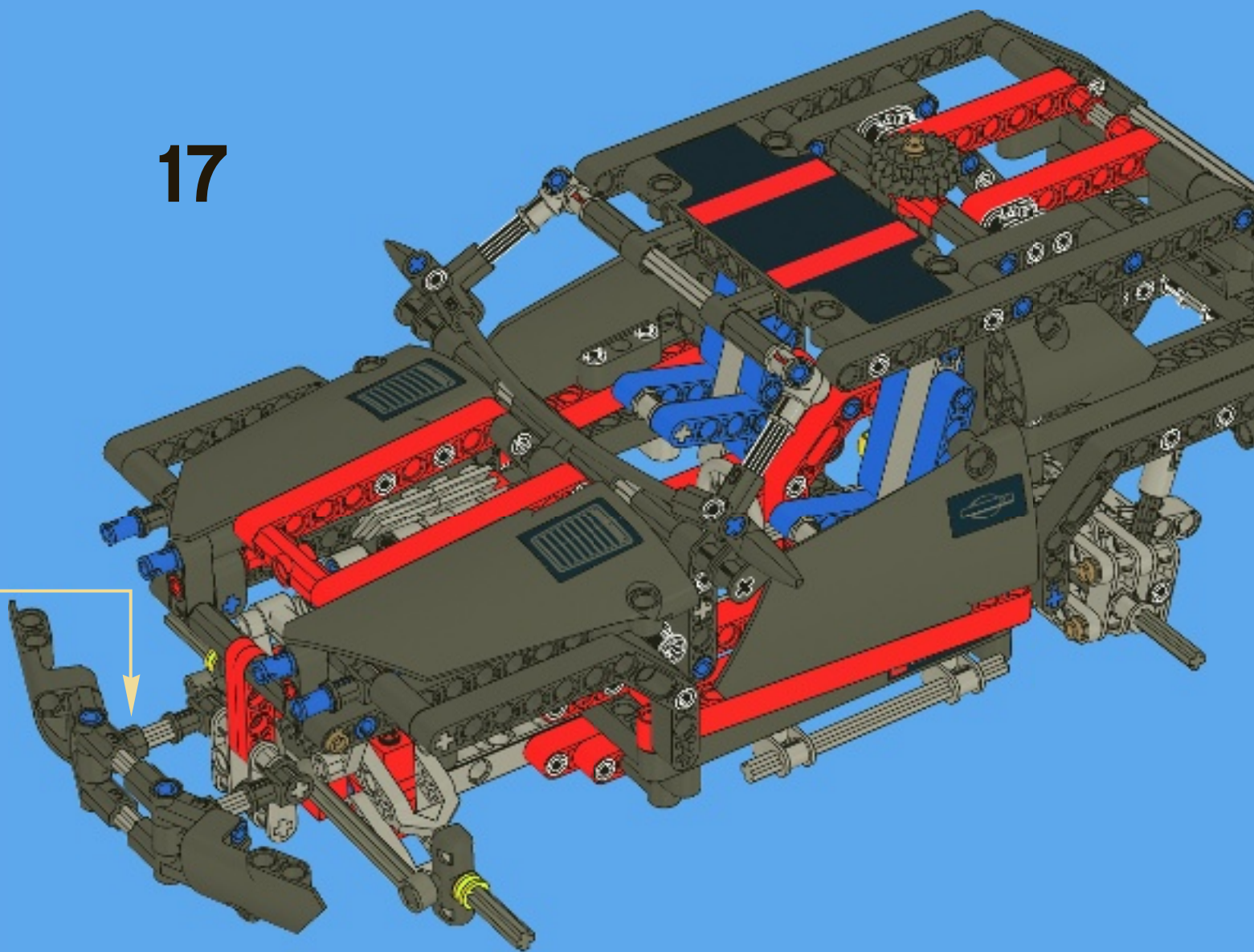
5

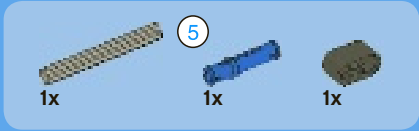


6

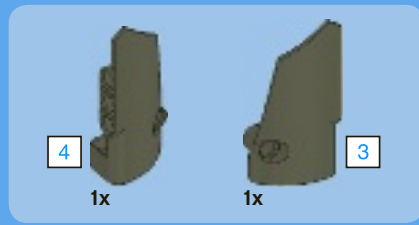
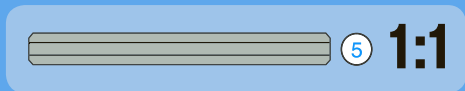
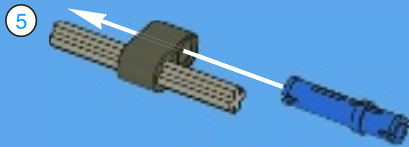


17

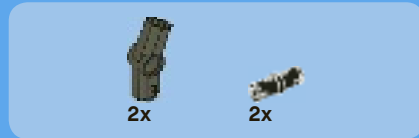
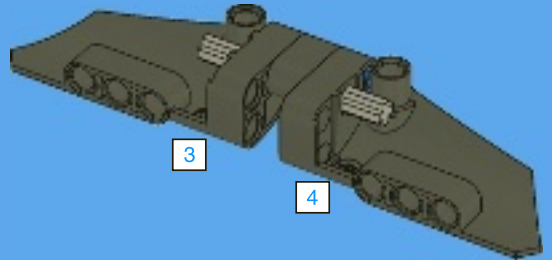




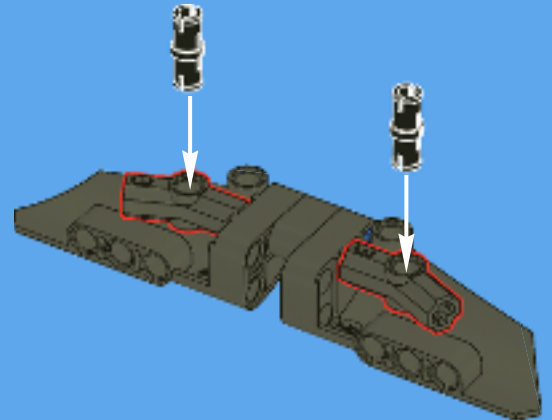
1

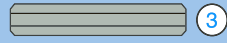


2



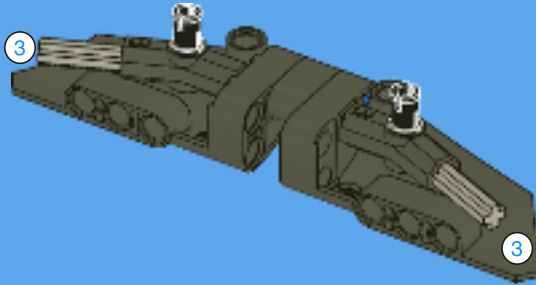
3





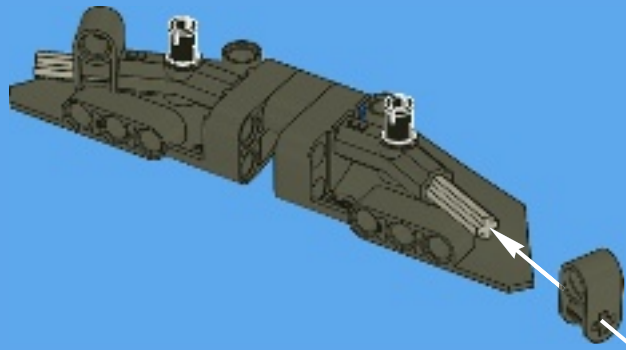
1:1

4



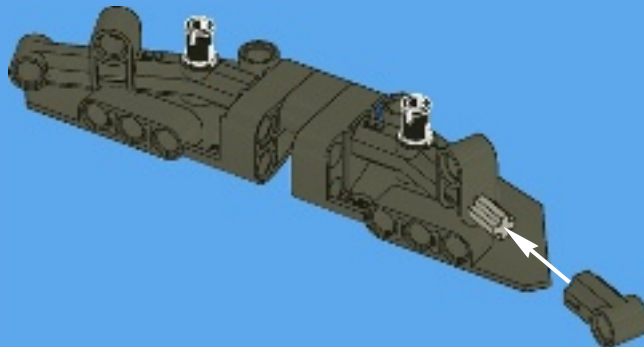
2x

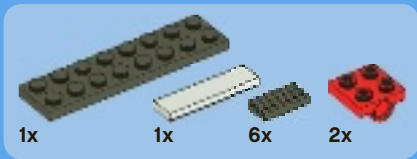
5



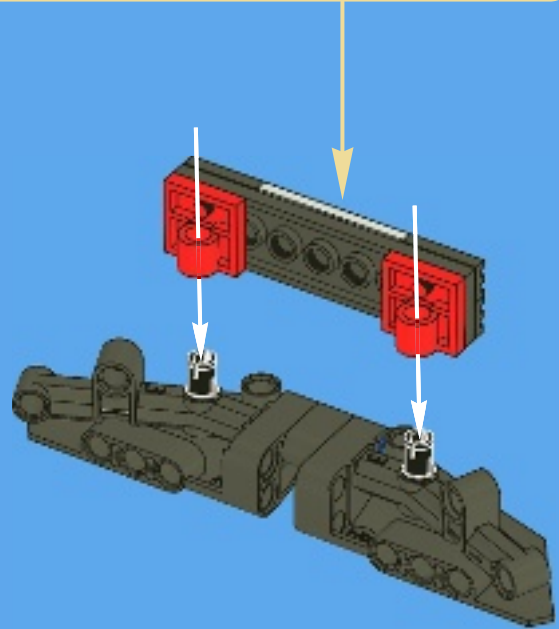
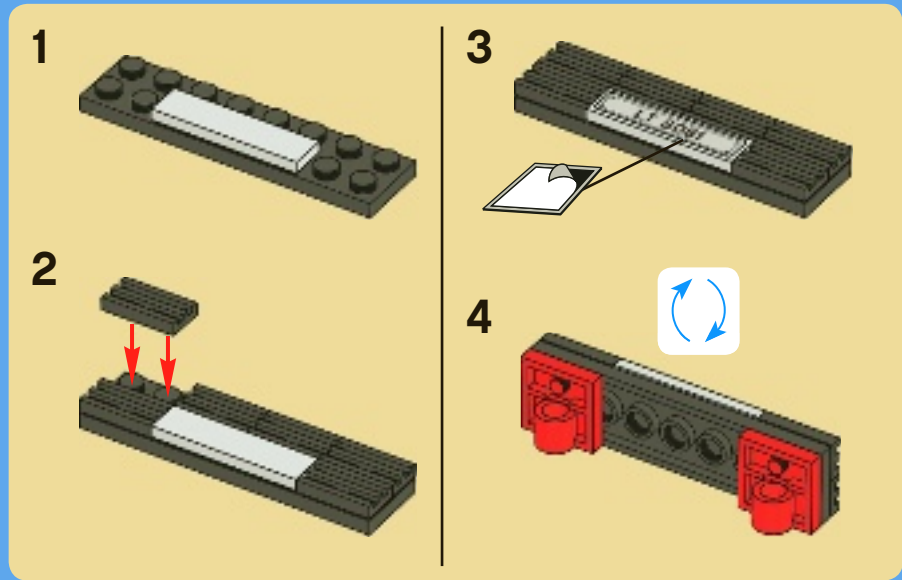
2x

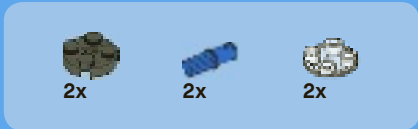
6



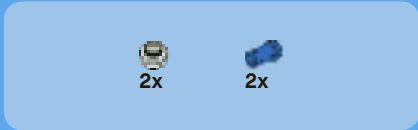
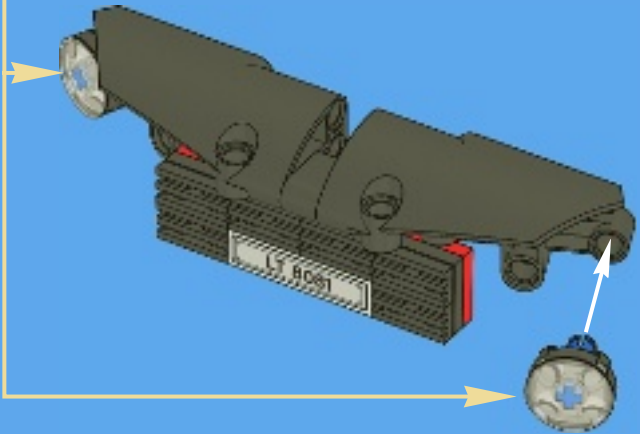


7

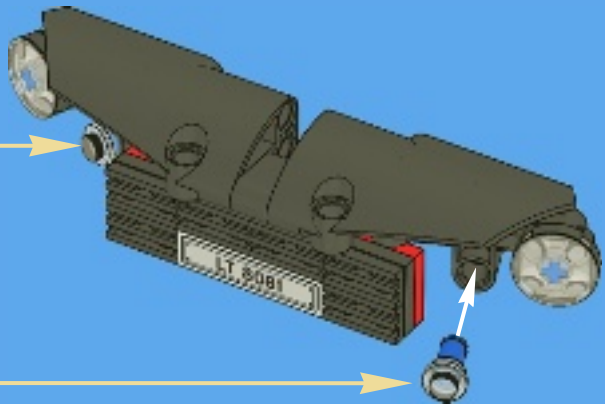




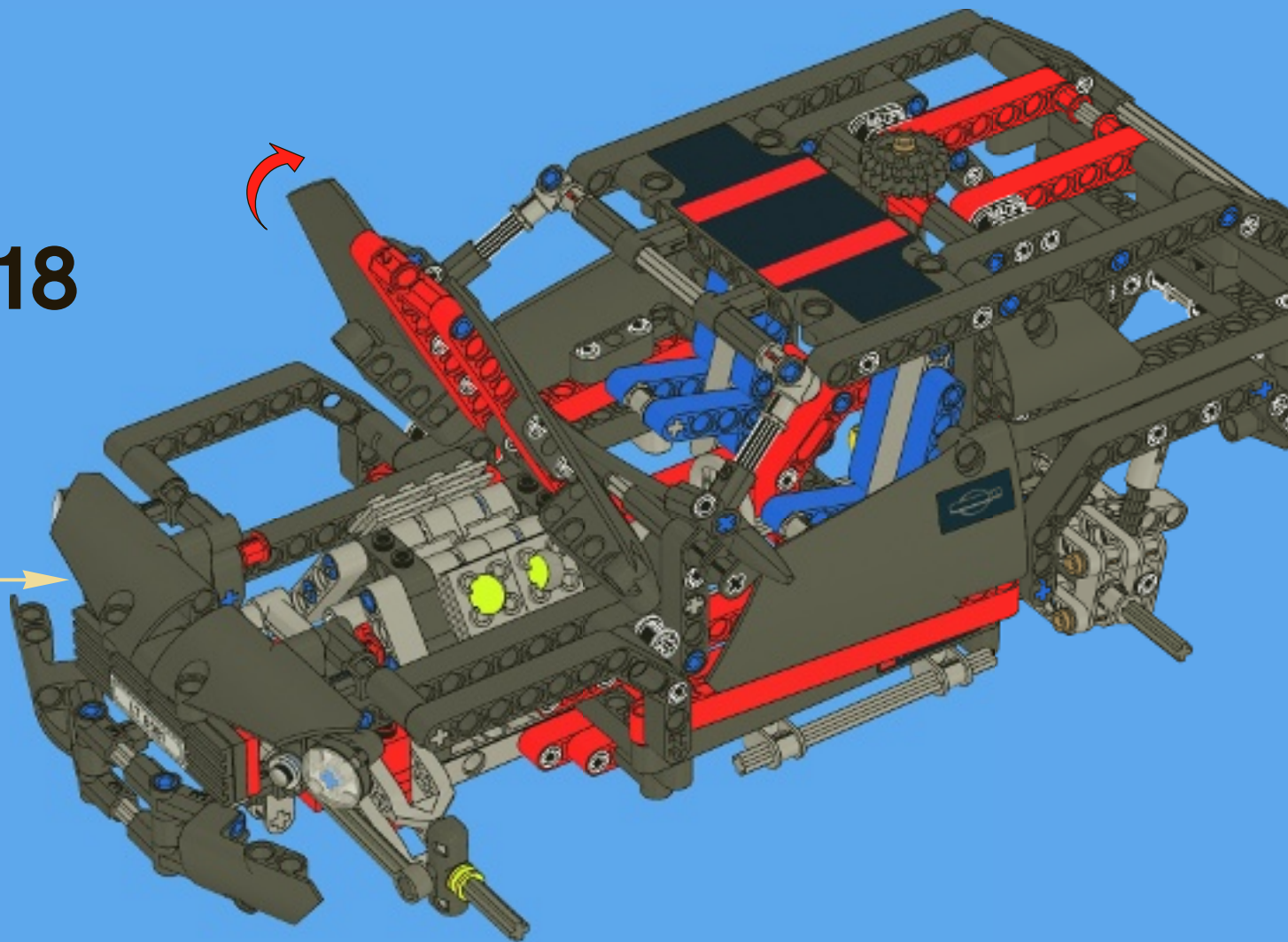
8



9

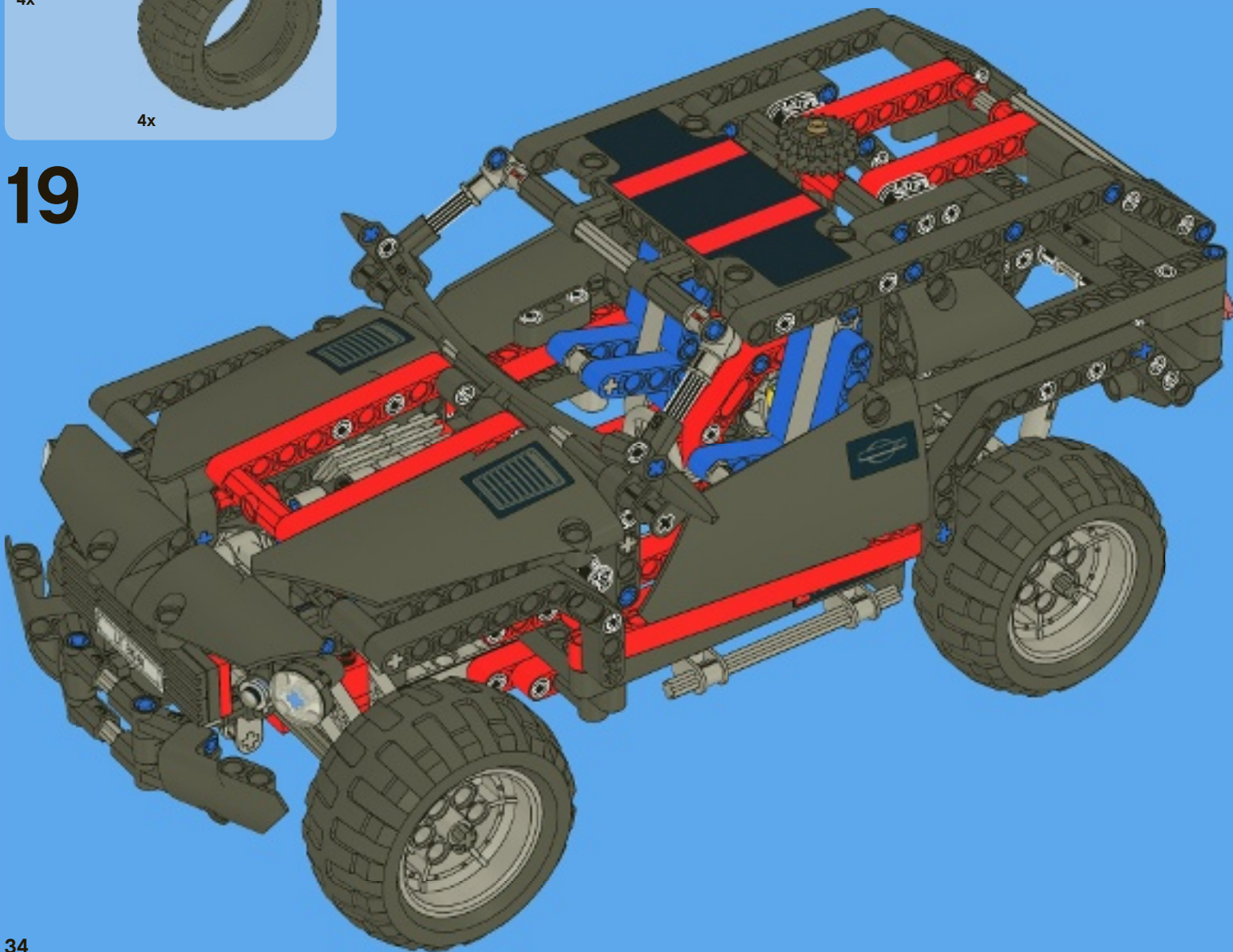


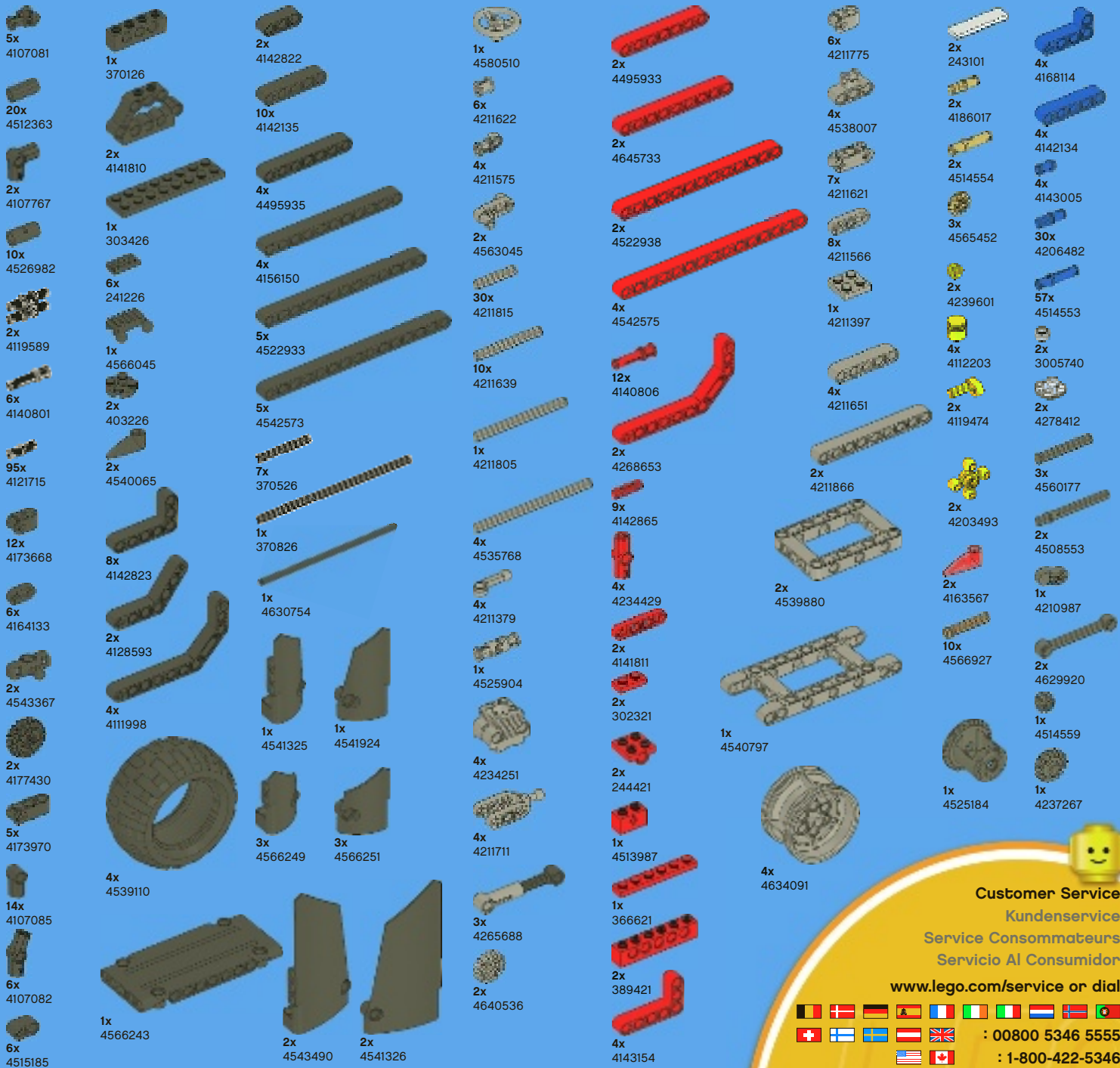
18





19





Customer Service

Kundenservice

Service Consommateurs

Servicio Al Consumidor

www.lego.com/service or dial



: 00800 5346 5555

: 1-800-422-5346



WIN!

Go to www.LEGOsurvey.com/product
to fill out a survey for a chance
to win a cool LEGO® Product.
No purchase necessary.
Open to all residents where not prohibited.

 www.LEGO.com



www.LEGOsurvey.com/product

GEWINNE! WIN!

Nimm an der Umfrage auf
www.LEGOsurvey.com/product
teil und hab die Chance ein cooles
LEGO® Produkt zu gewinnen!
Die Teilnahme am Gewinnspiel führt zu keinerlei
Kaufverpflichtungen. Teilnahme in allen nicht
ausgeschlossenen Ländern möglich.

Ga naar www.LEGOsurvey.com/product,
vul een enquêteformulier
in en maak kans op een
cool LEGO® product.
Geen aankoopverplichting.
Iedereen mag deelnemen, uitgezonderd
ingezetenden van landen waar een
enquêteverbod geldt.

GAGNE! 当てよう!

Visite www.LEGOsurvey.com/product
pour répondre à un
questionnaire et avoir une chance de
gagner un produit LEGO® très cool!
Aucune obligation d'achat.
Ouvert à tous les résidents des pays
autorisés.

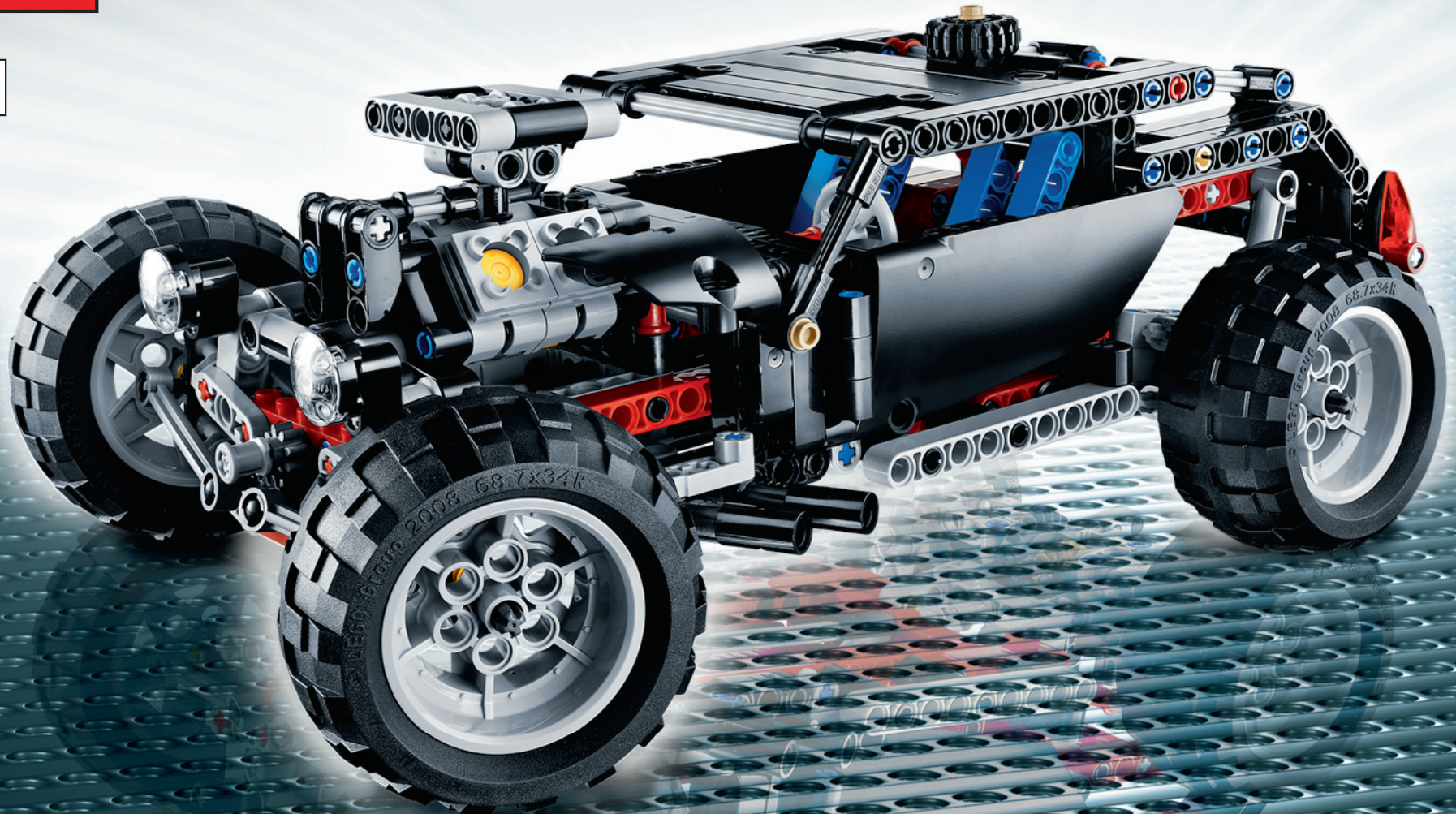
www.LEGOsurvey.com/product にアクセスして、
アンケートにご記入ください。当選者にはレゴ®
製品を差し上げます。
お買い上げの必要はありません。
禁止されていない限り、すべての管轄にご利用いただけます。

LEGO and the LEGO logo are trademarks of the/sont des marques de commerce de/sont
marcas registradas de LEGO Group.
©2011 The LEGO Group.

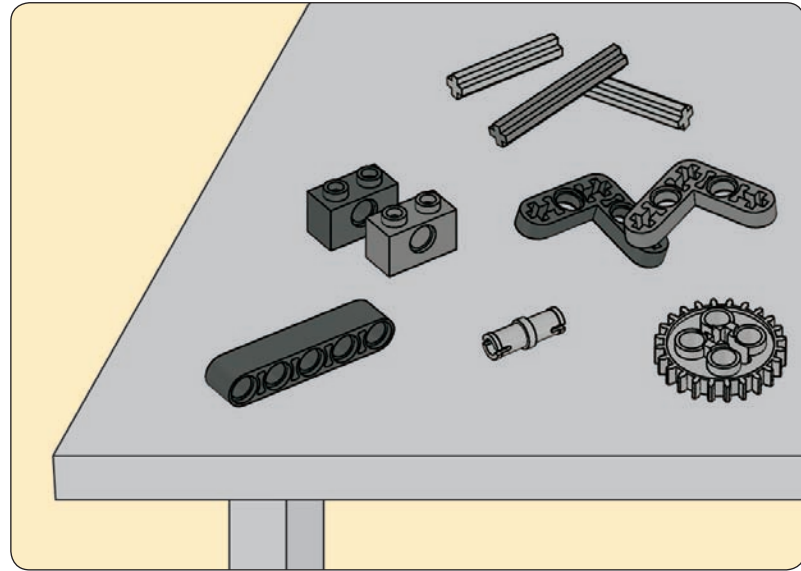
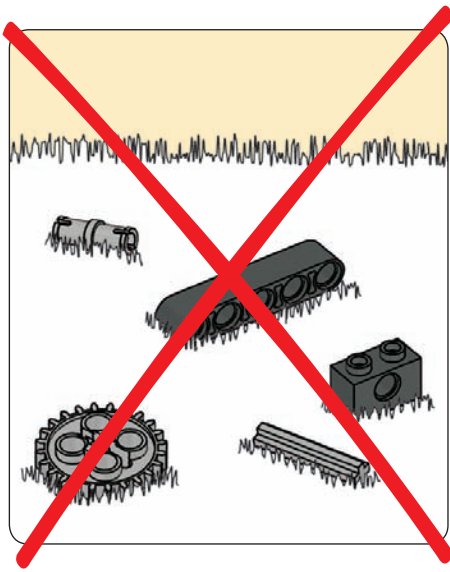


TECHNIC

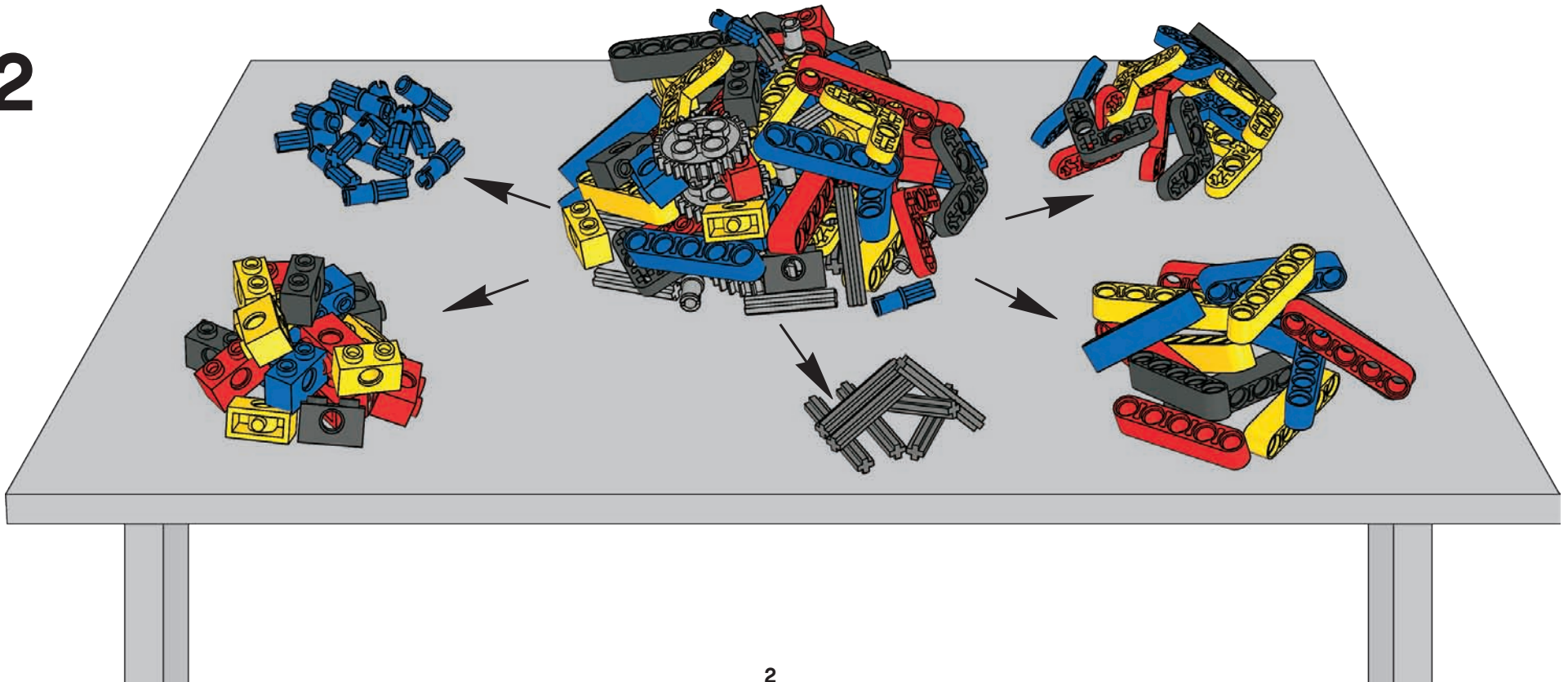
8081

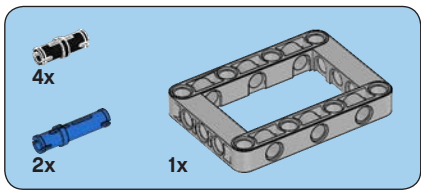


1

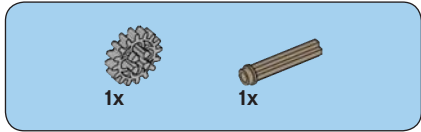
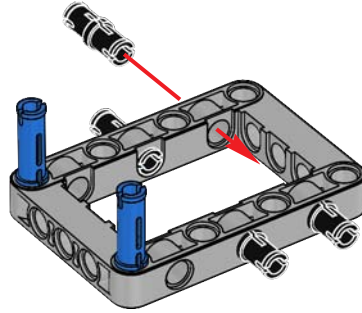


2

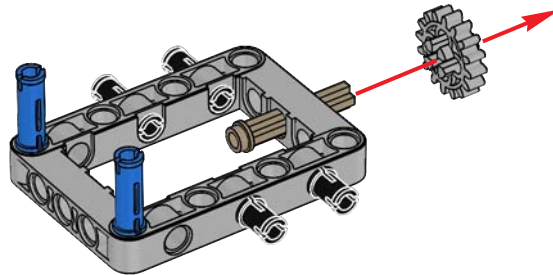


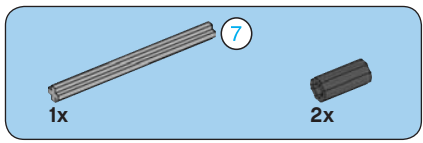


1

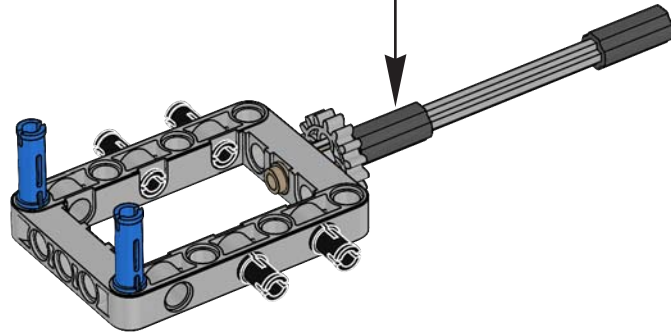
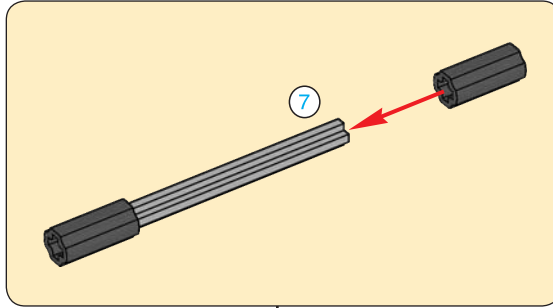


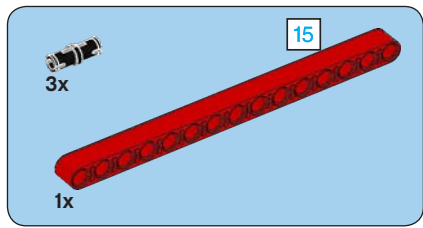
2



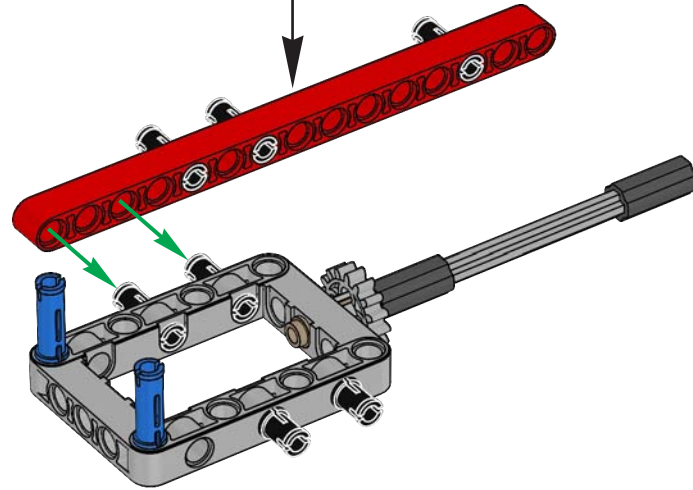
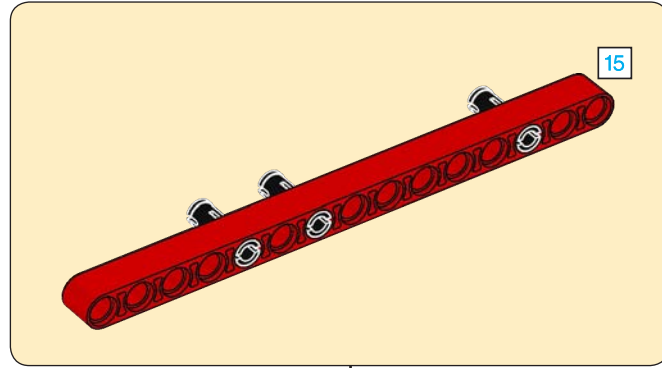


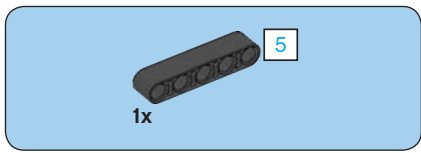
3



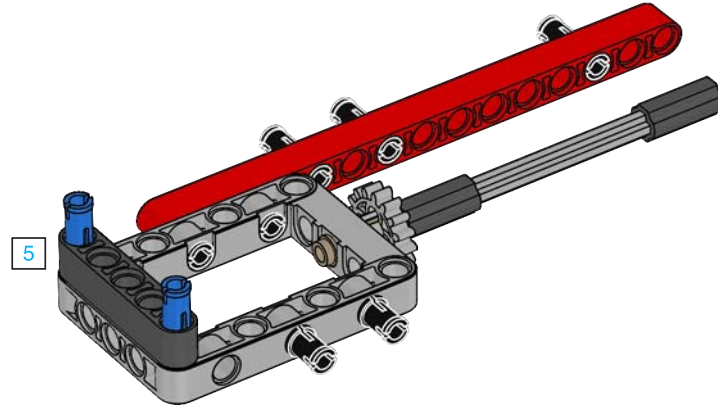


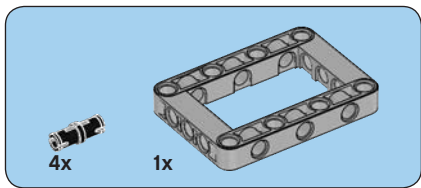
4



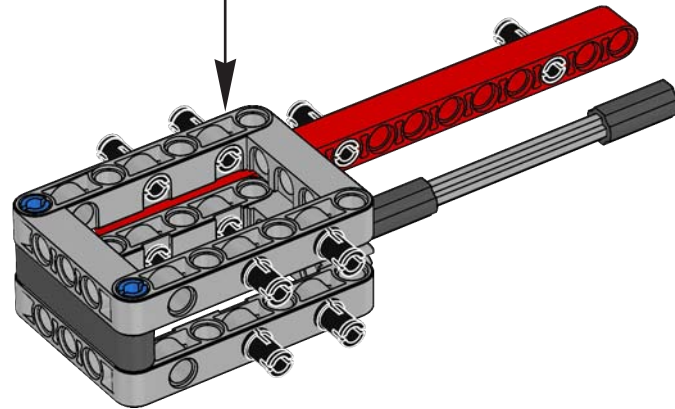
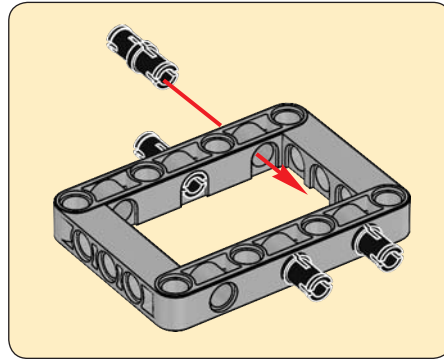


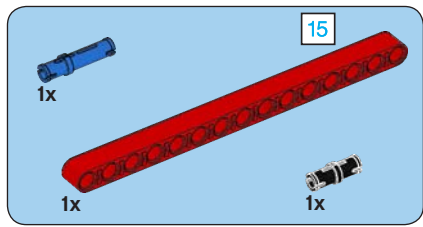
5



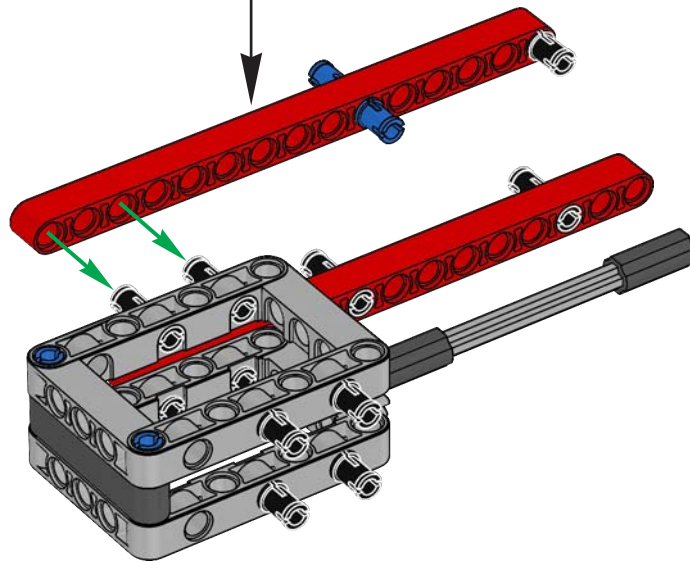
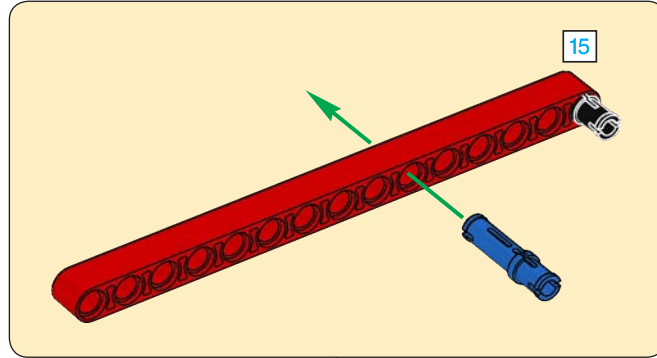


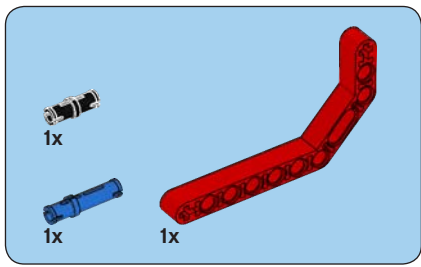
6



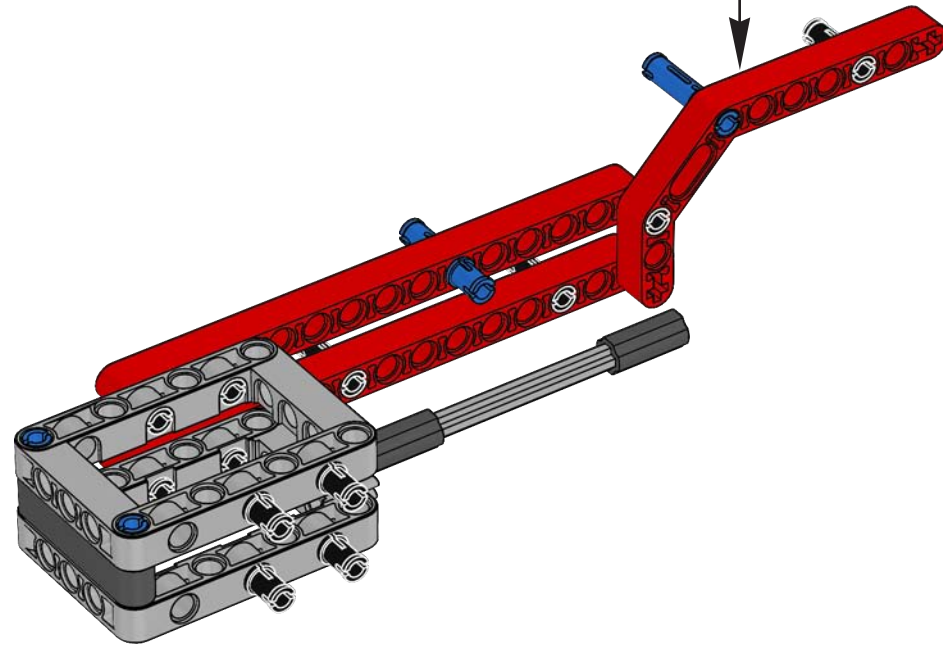
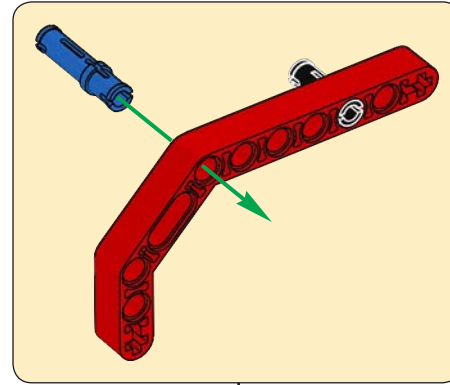


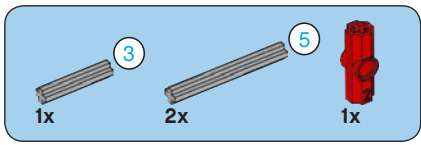
7



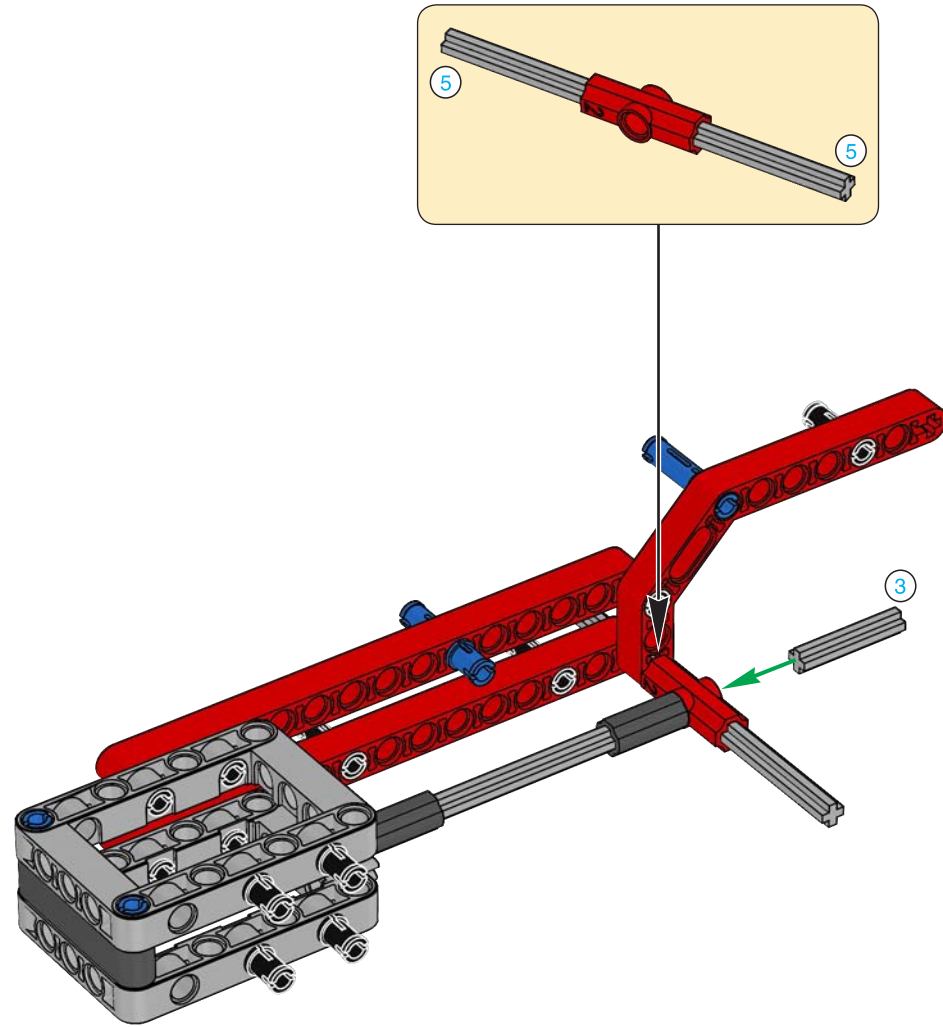


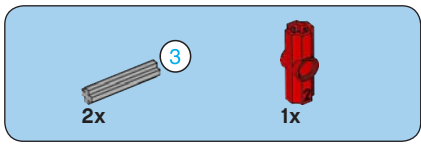
8



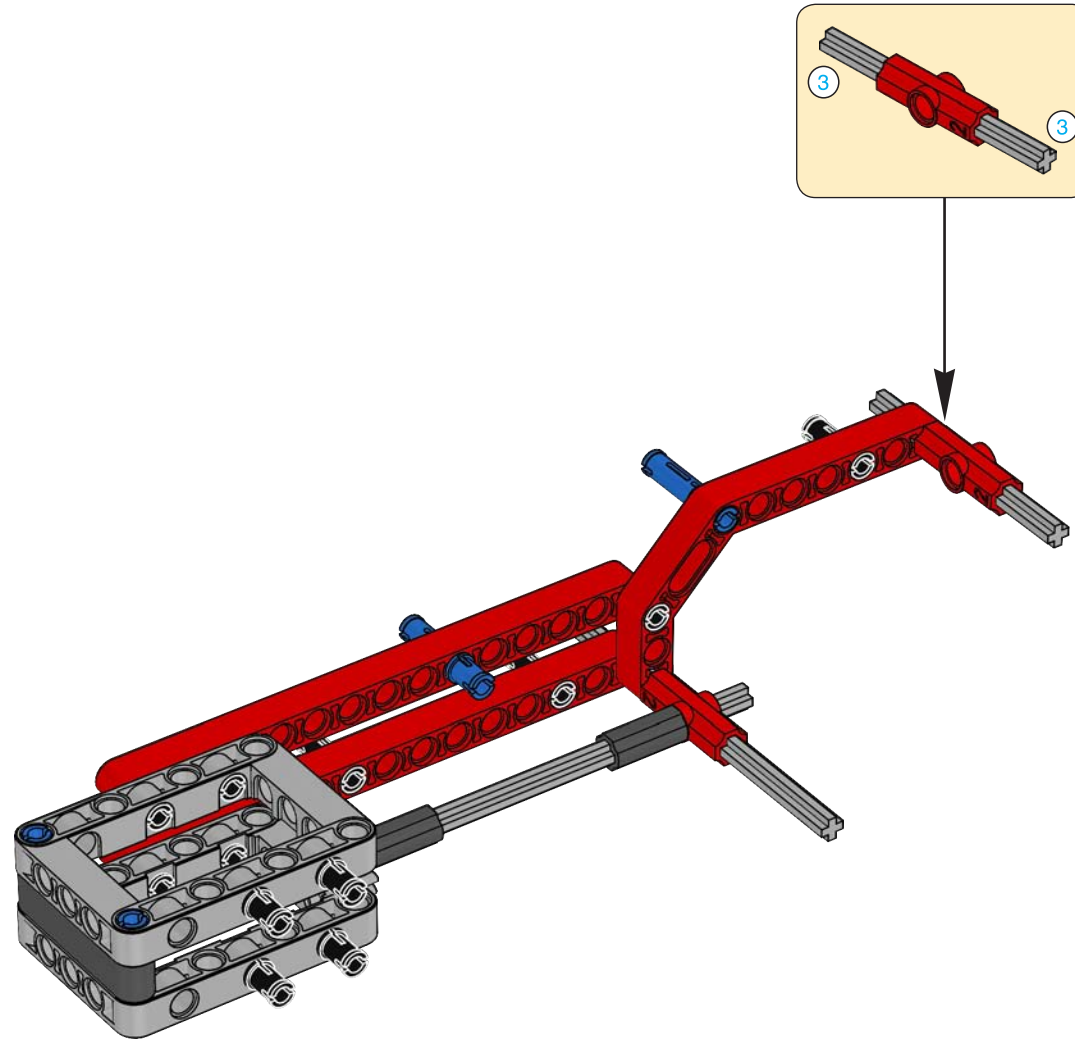


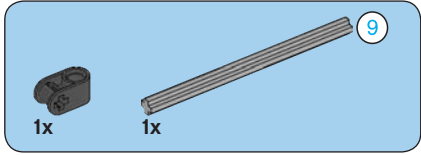
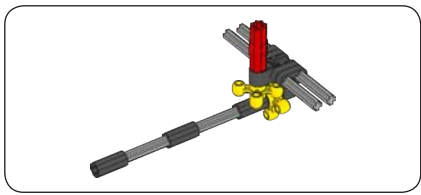
9



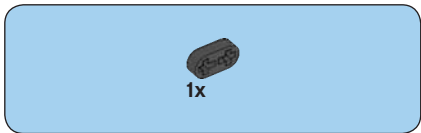
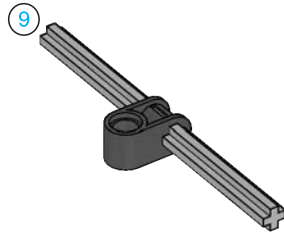


10

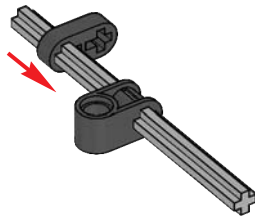


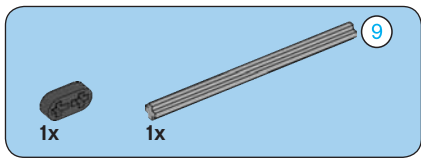


1

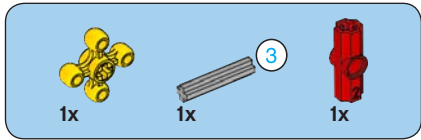
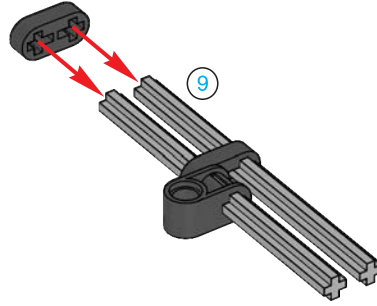


2

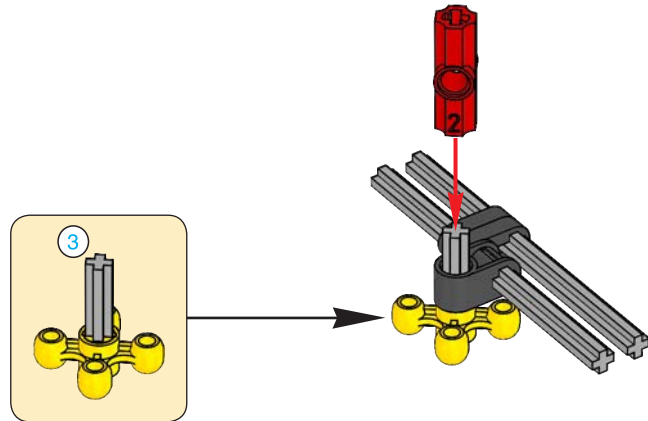


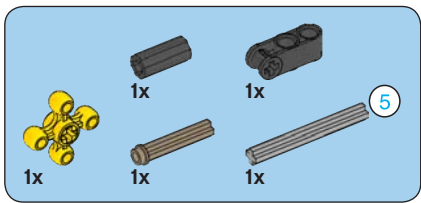


3

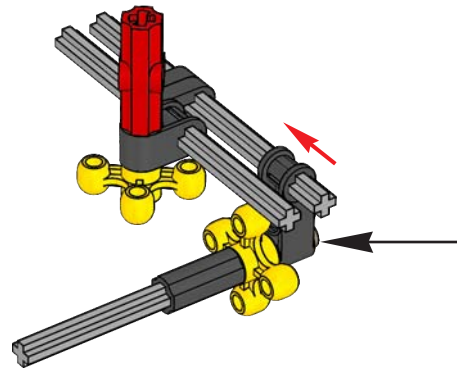
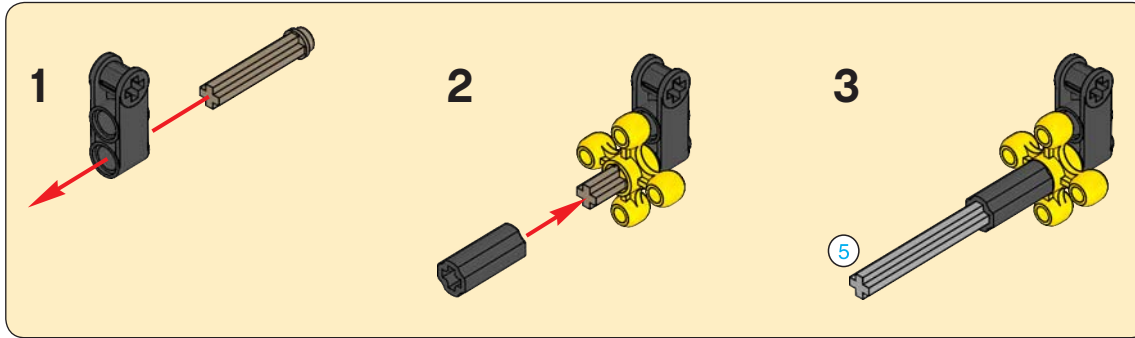


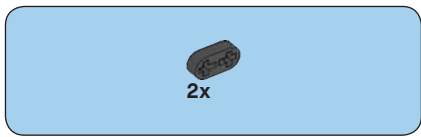
4



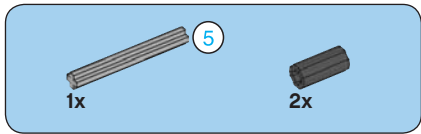
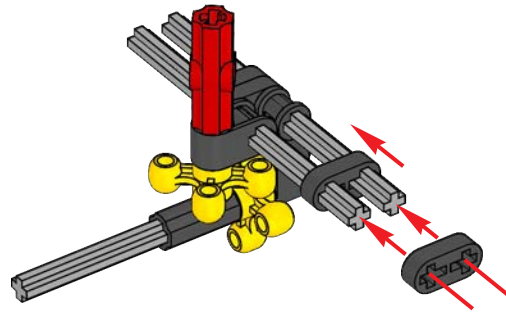


5

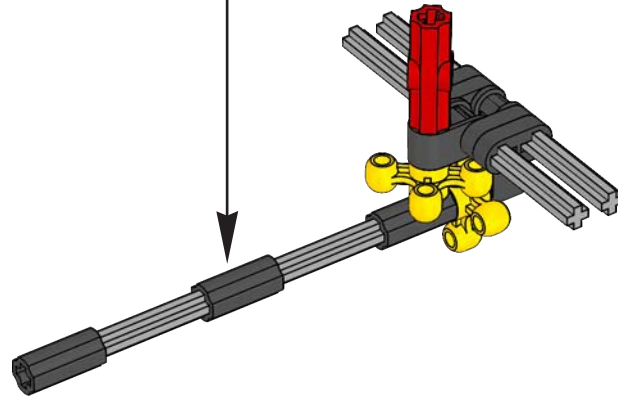
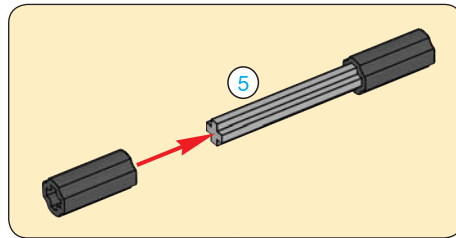




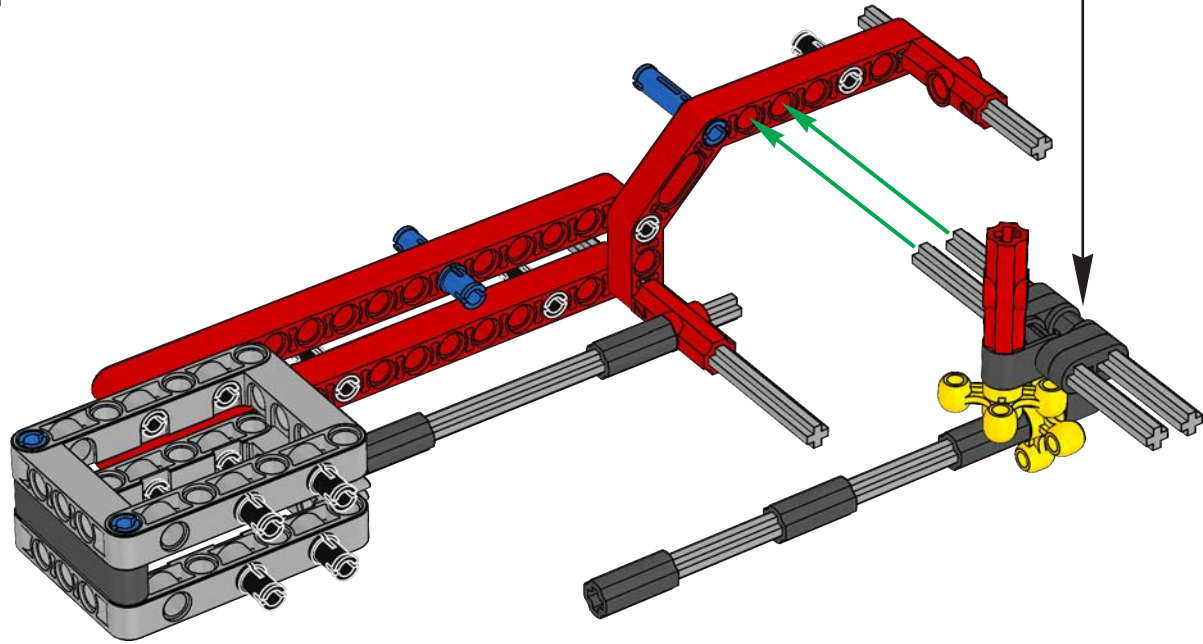
6

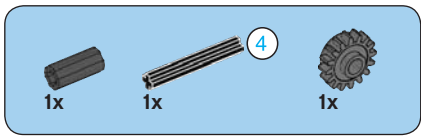


7

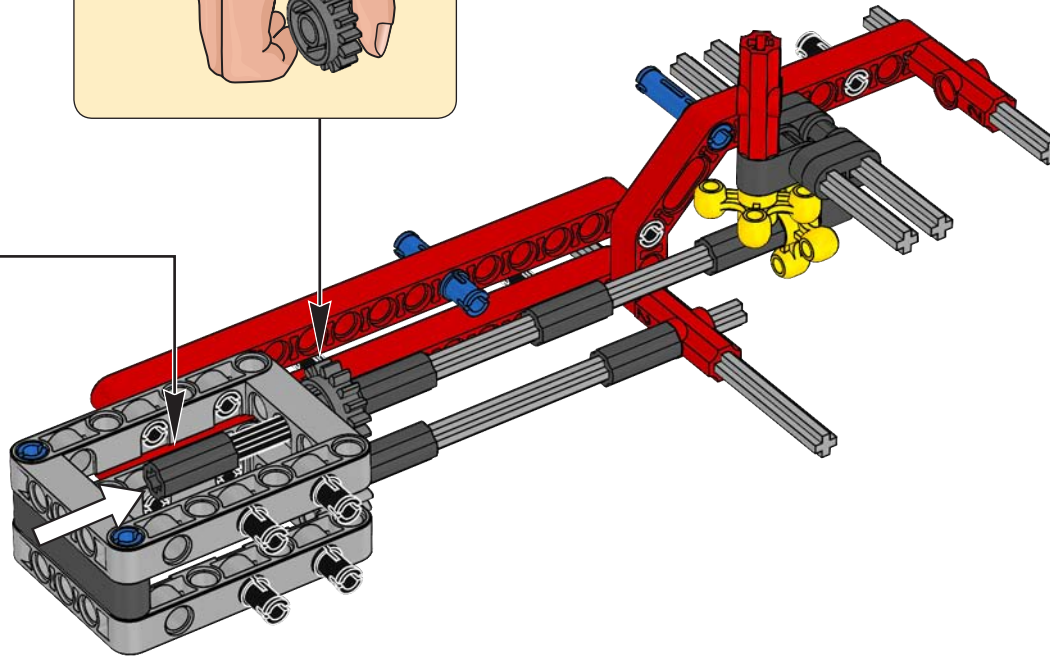
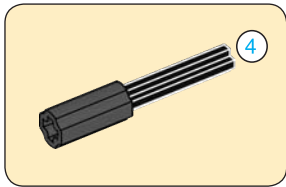
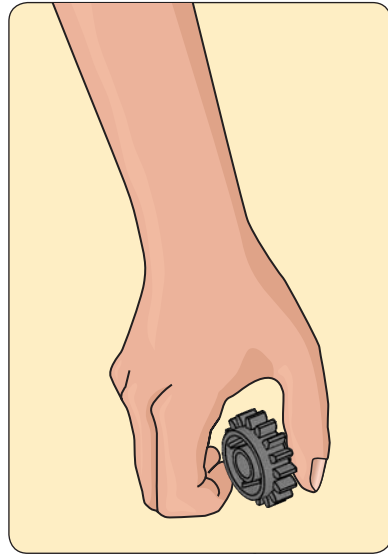


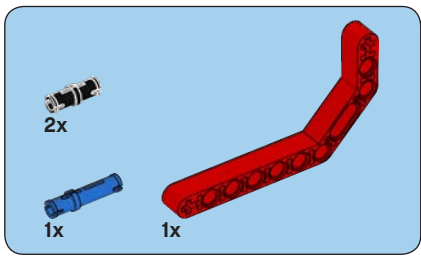
11



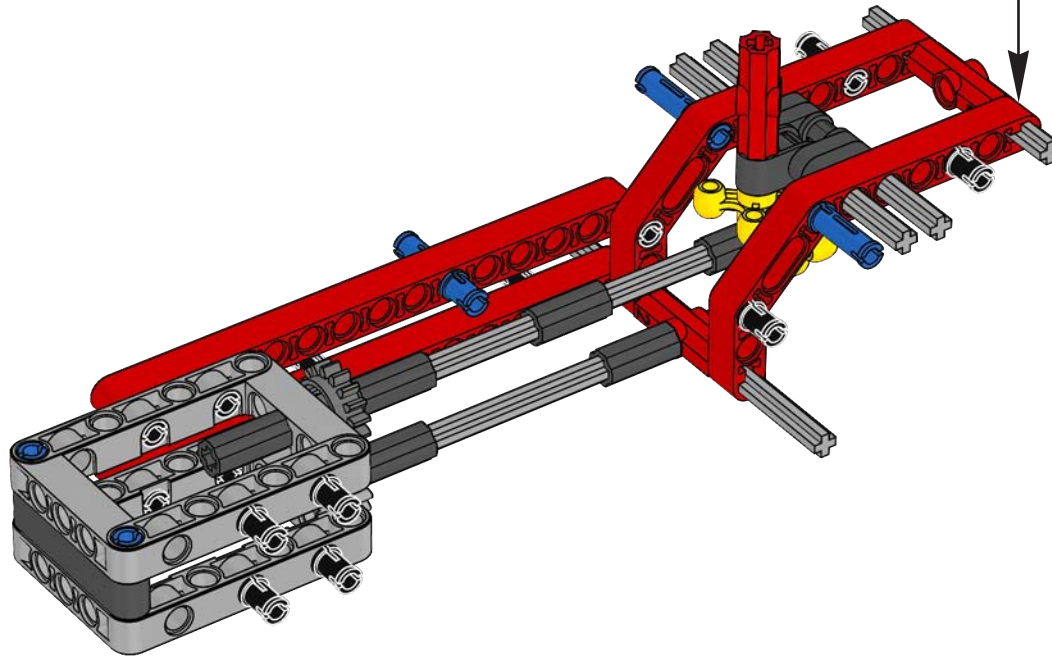
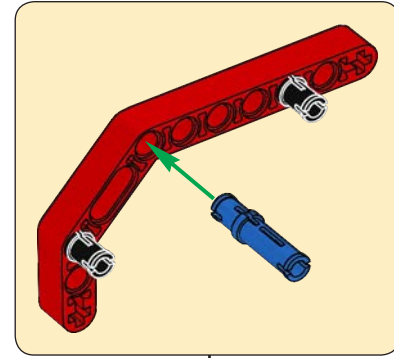


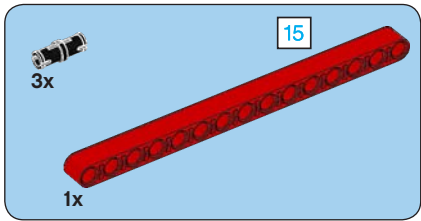
12



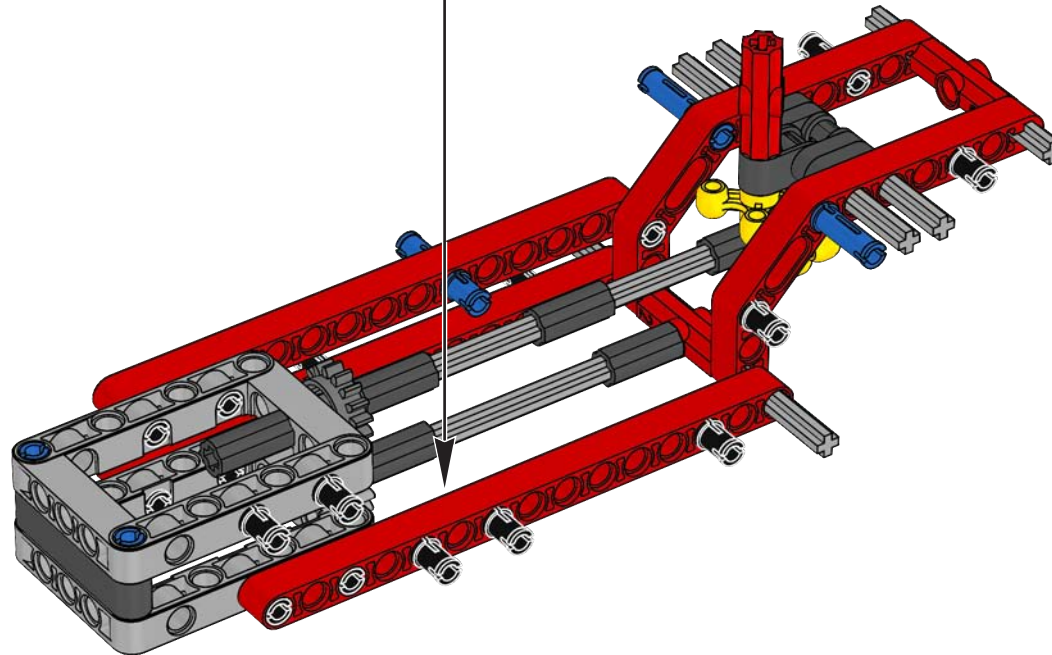
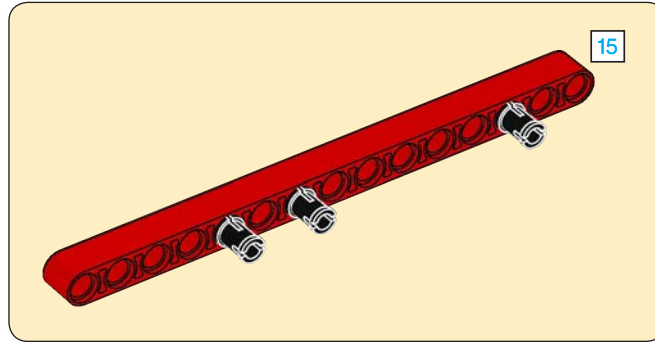


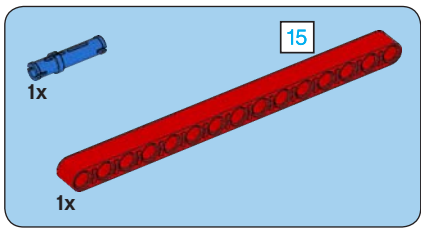
13



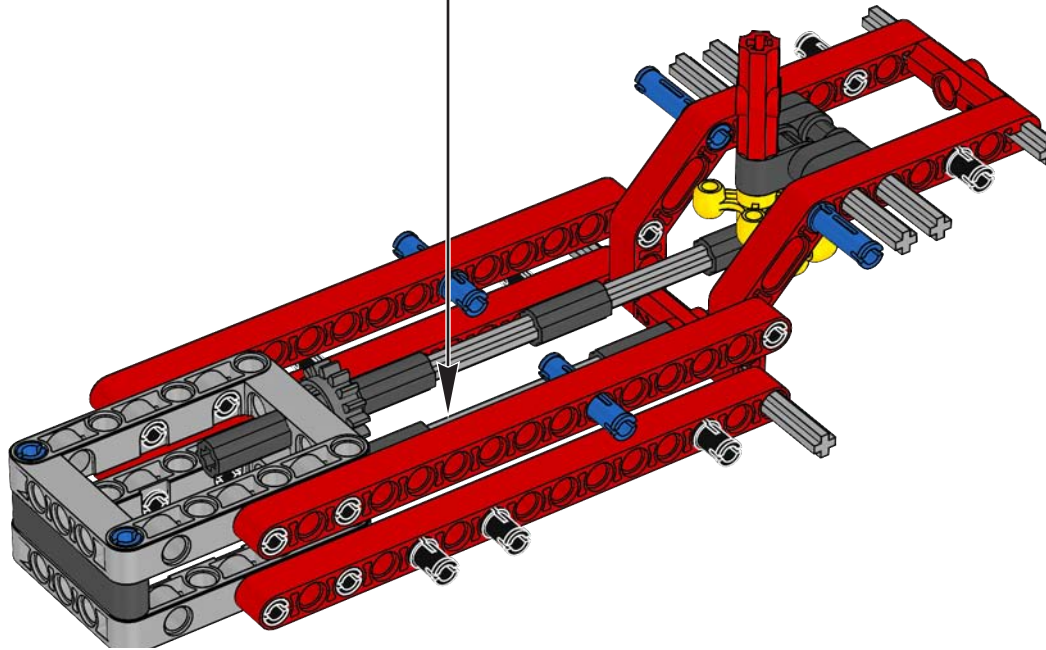
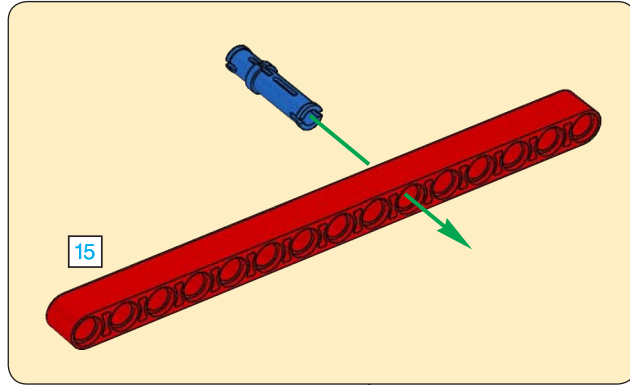


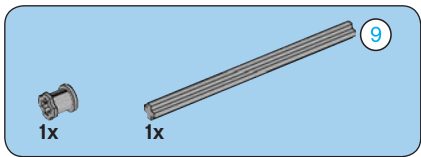
14



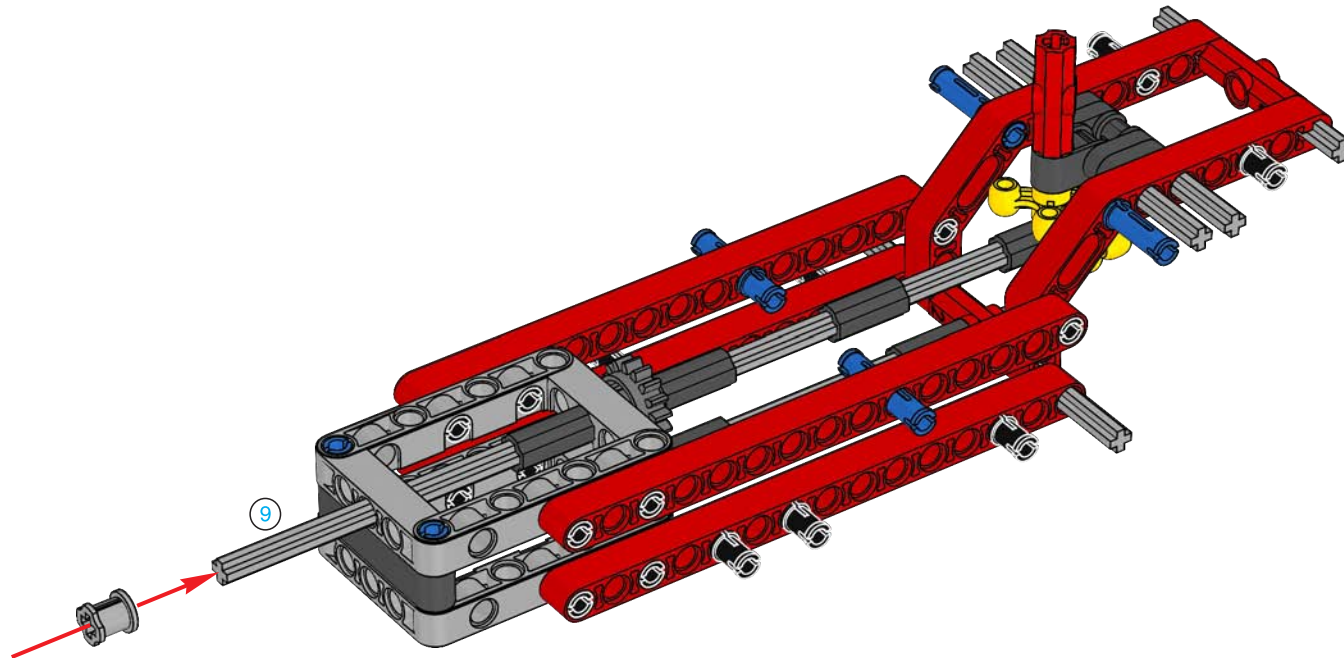


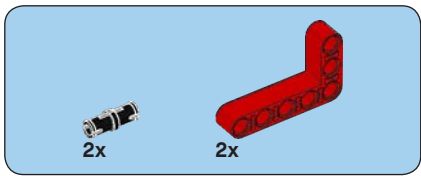
15



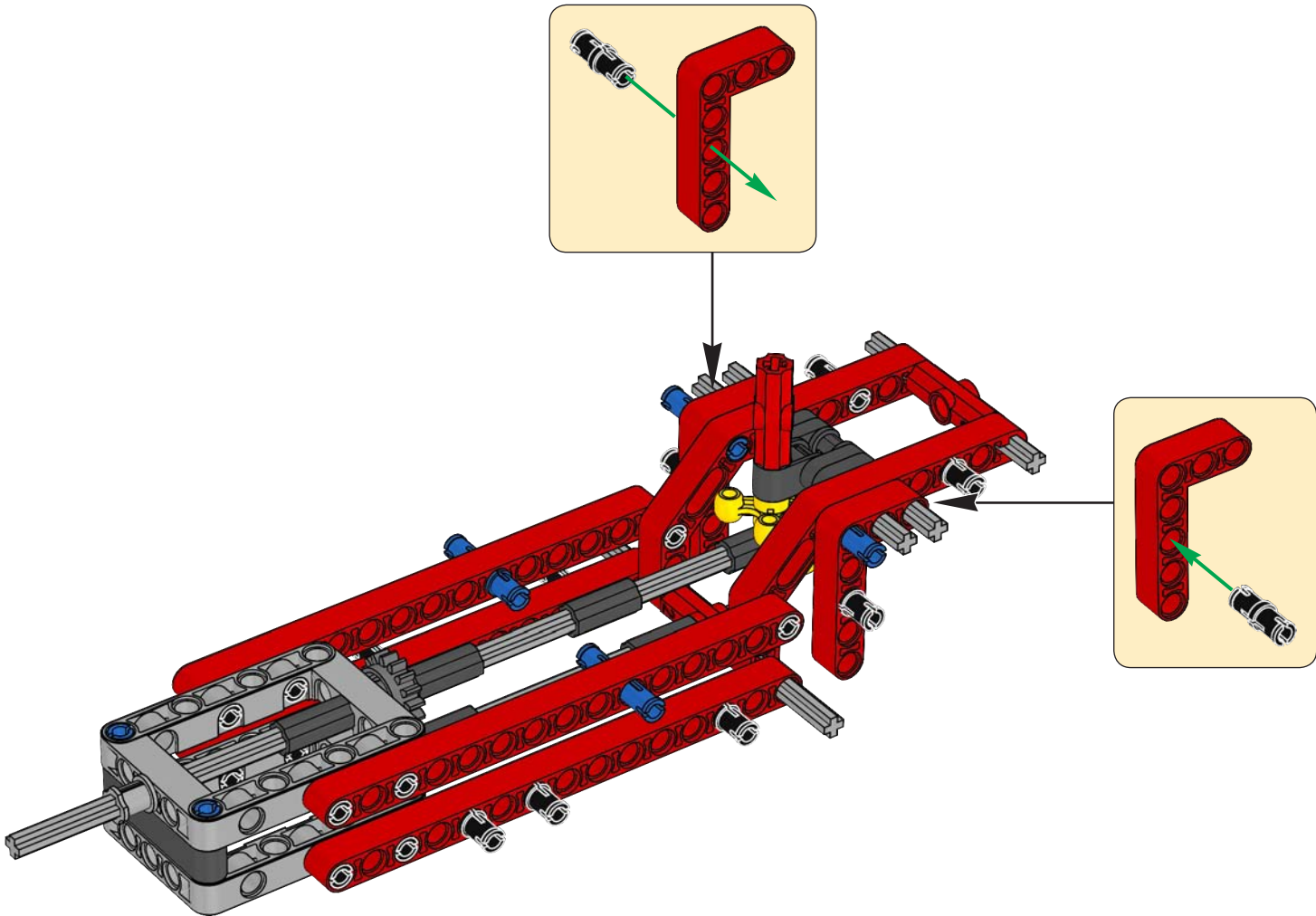


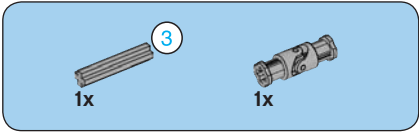
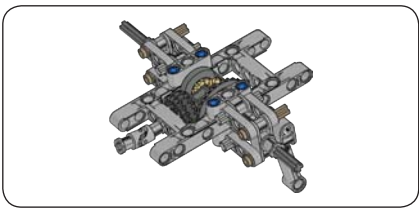
16



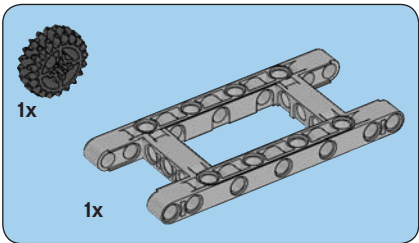
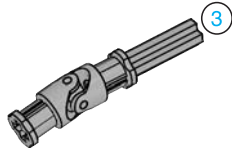


17

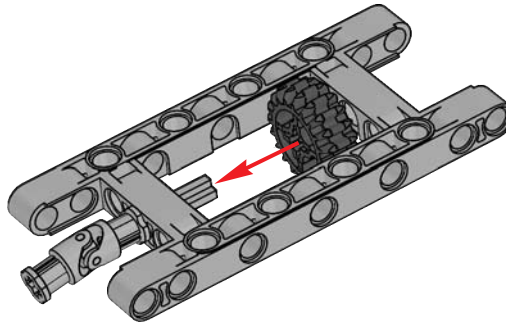


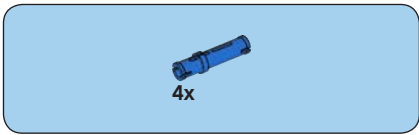


1

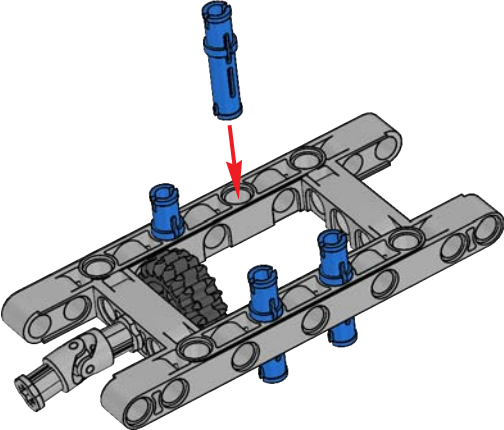


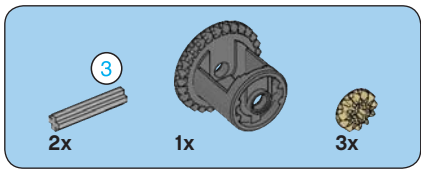
2



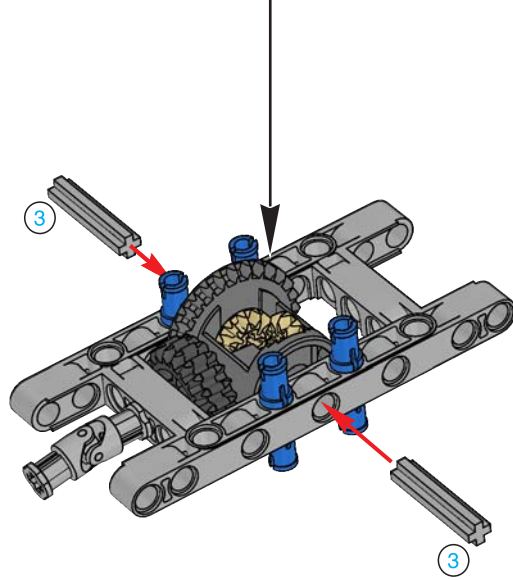
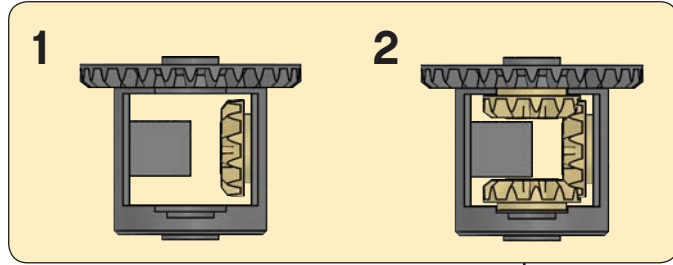


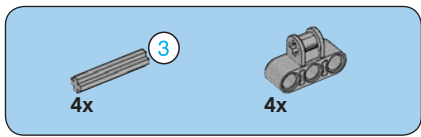
3



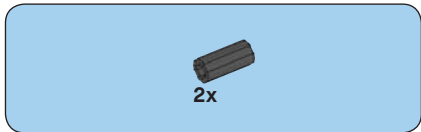
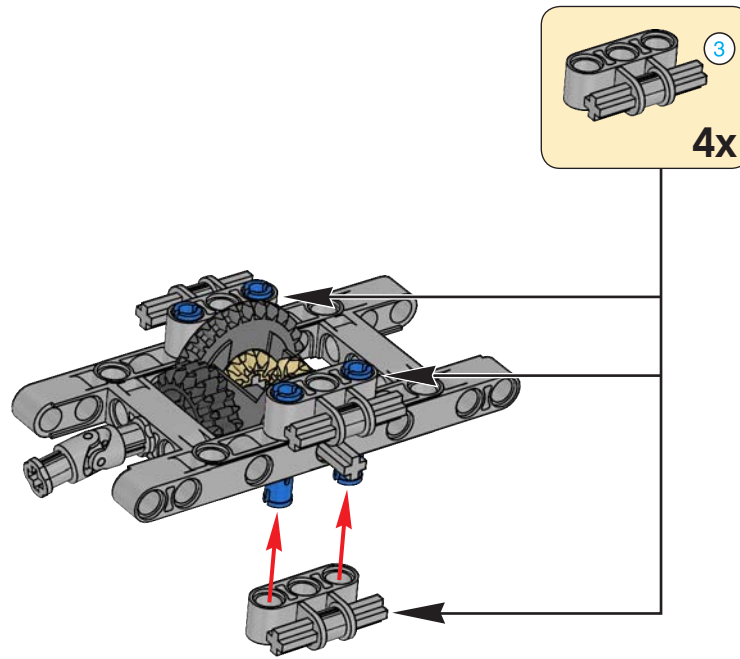


4

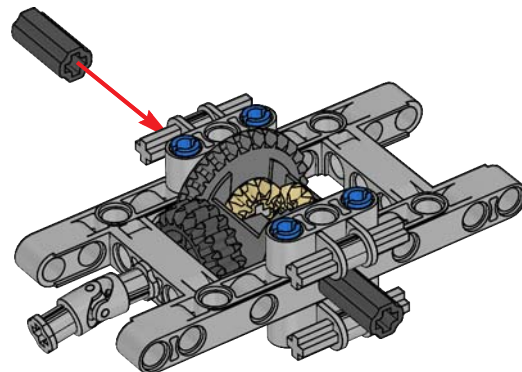


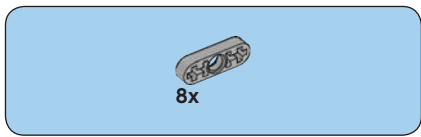


5

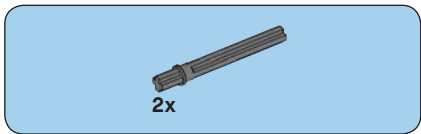
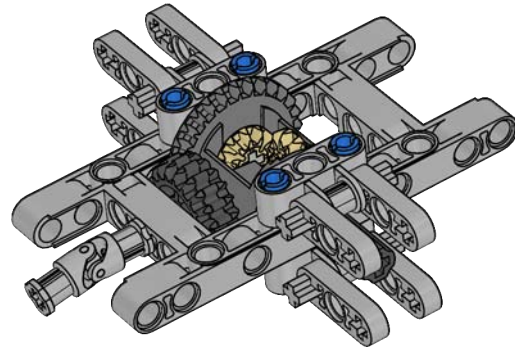


6

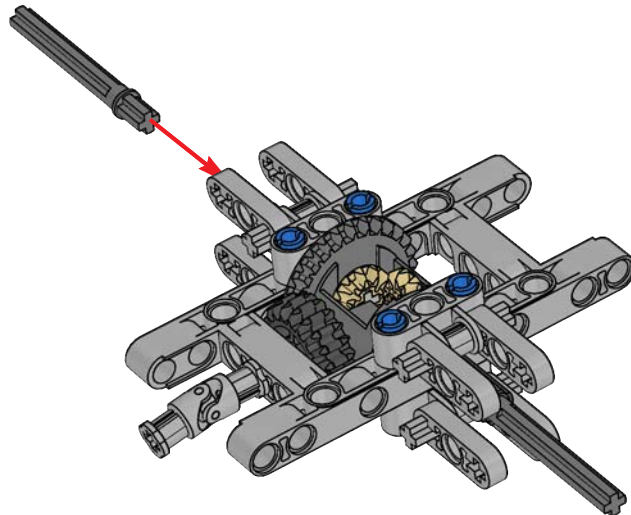


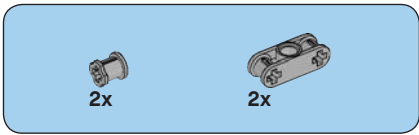


7

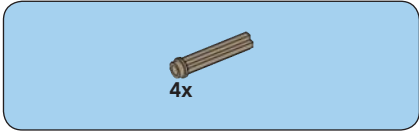
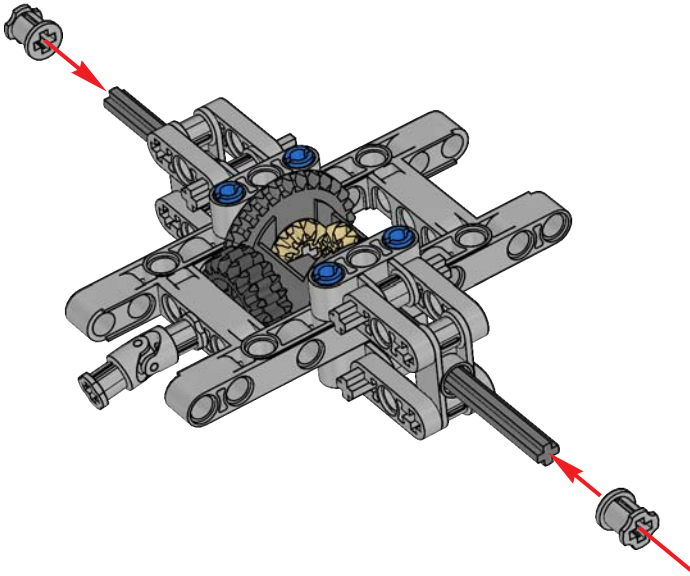


8

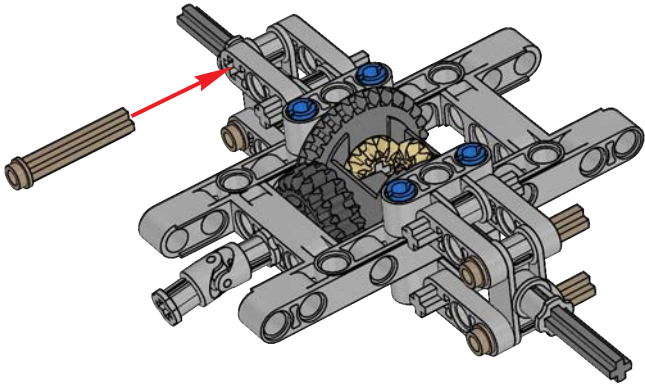


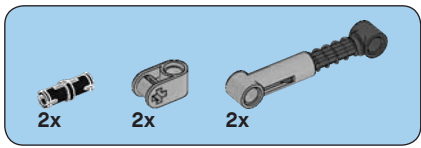


9

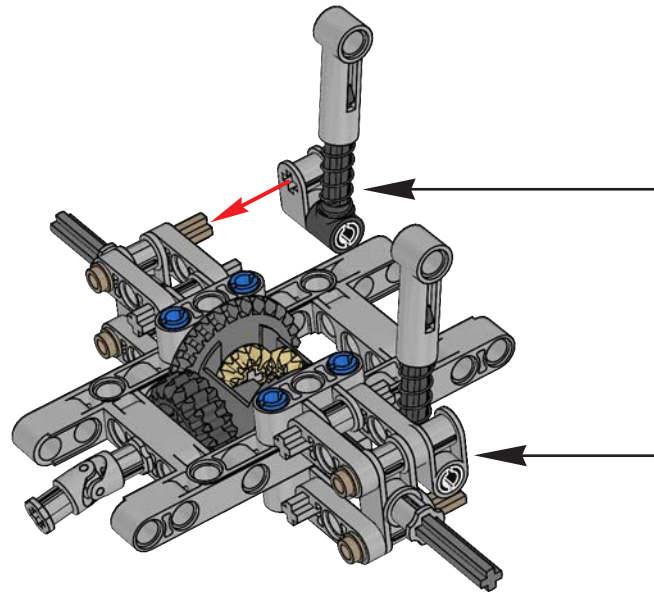
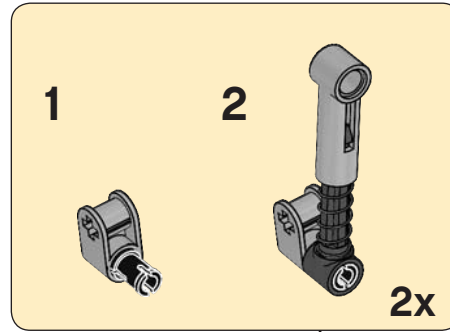


10

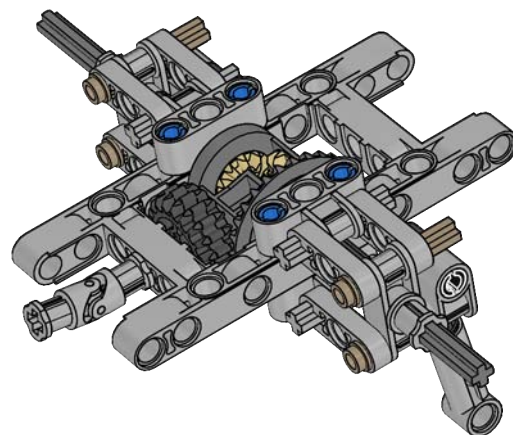




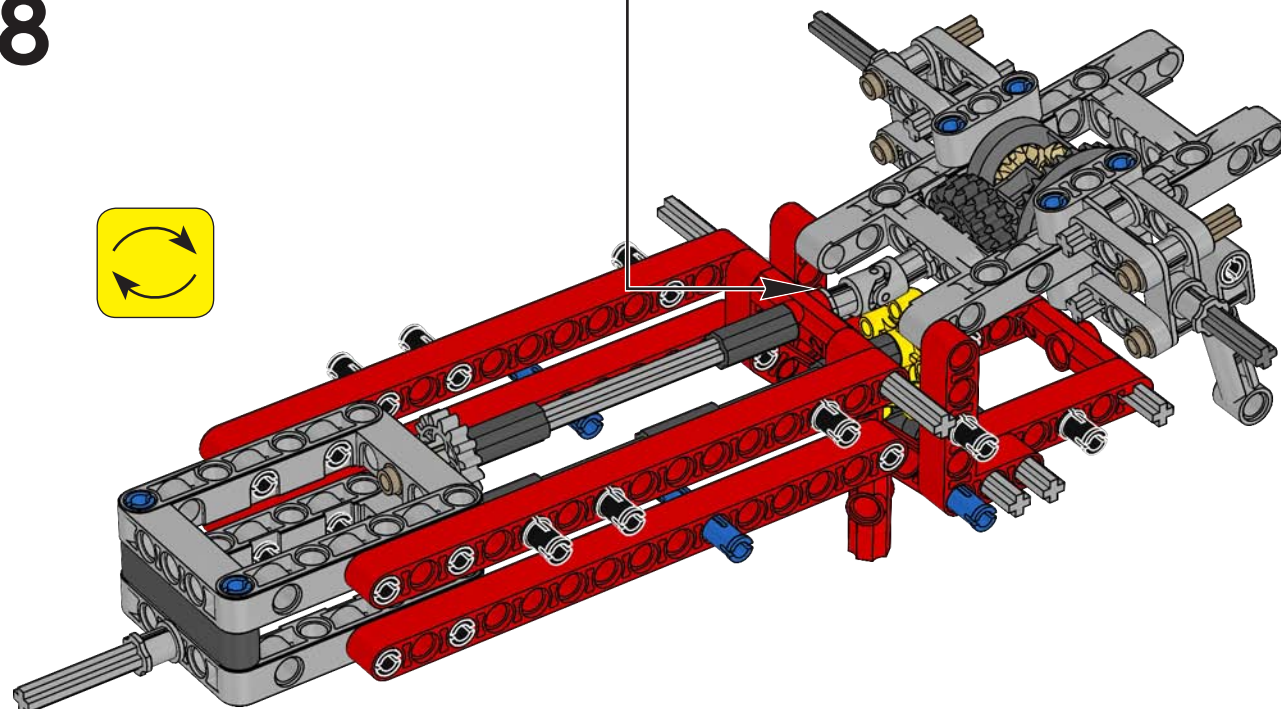
11

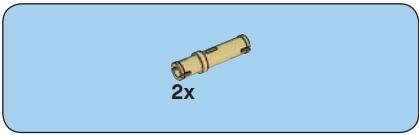


12

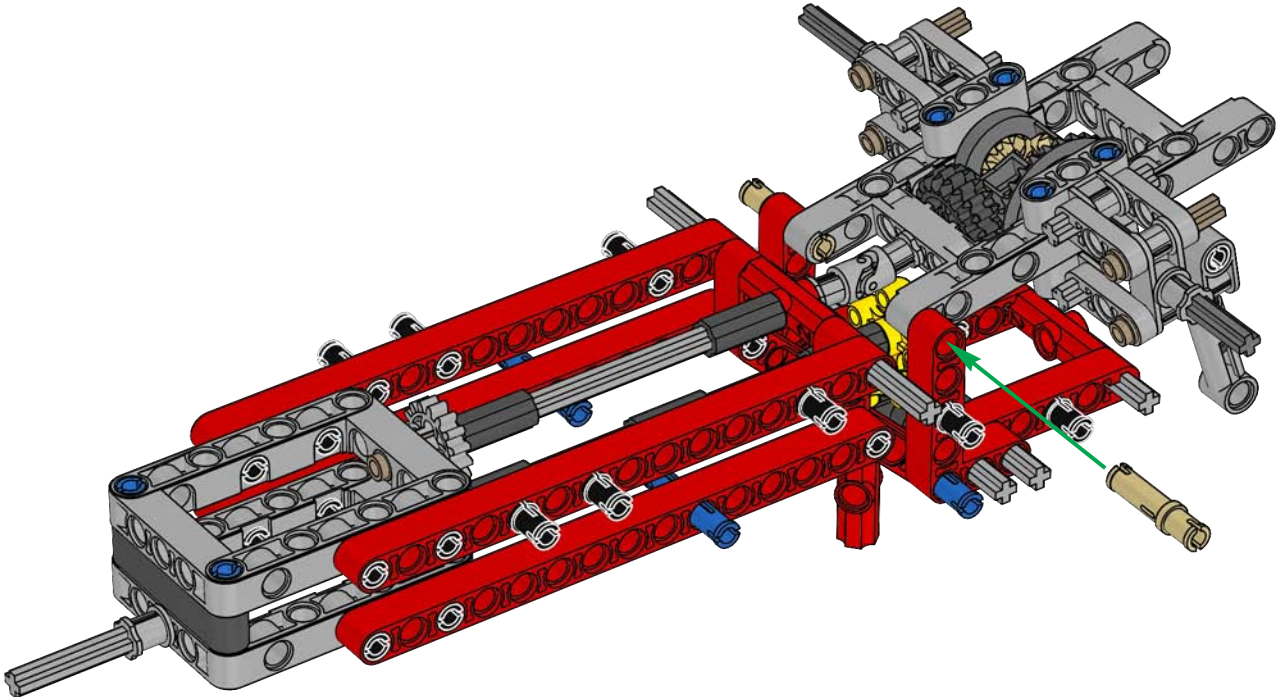


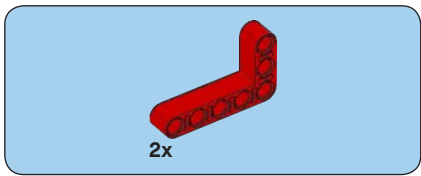
18



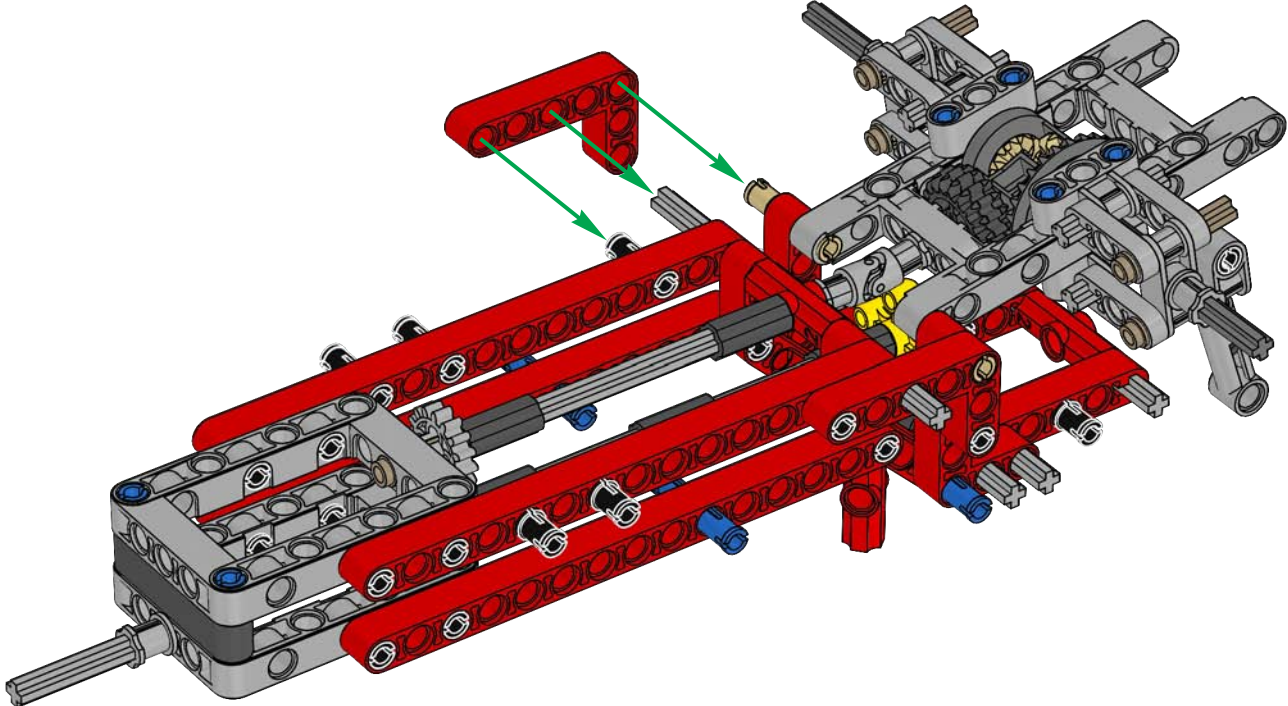


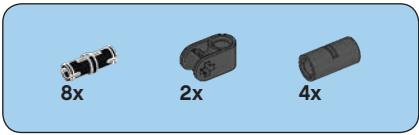
19



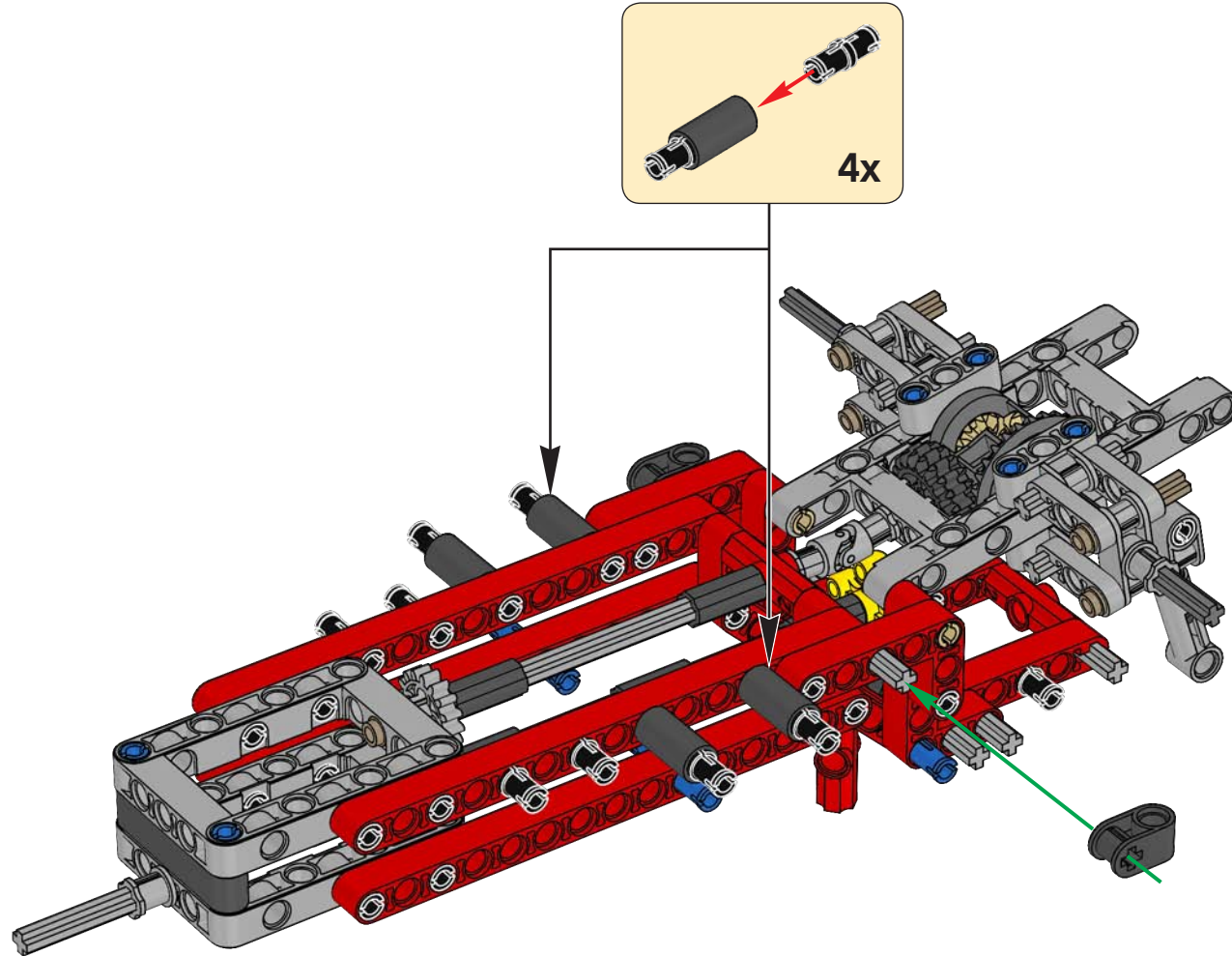


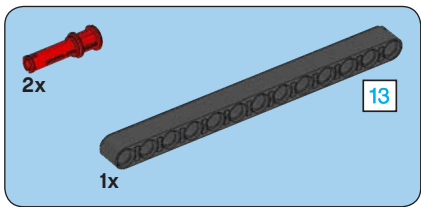
20



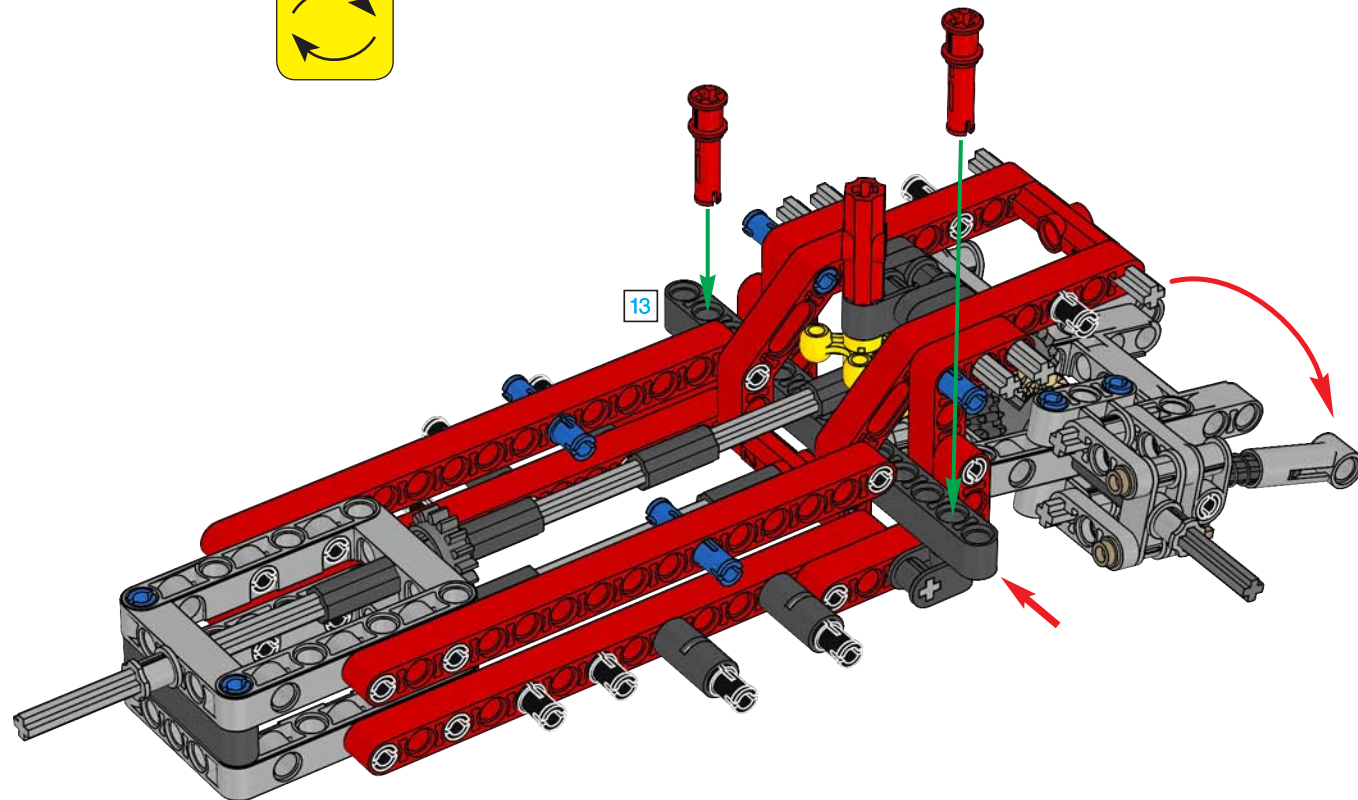


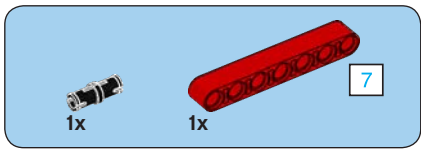
21



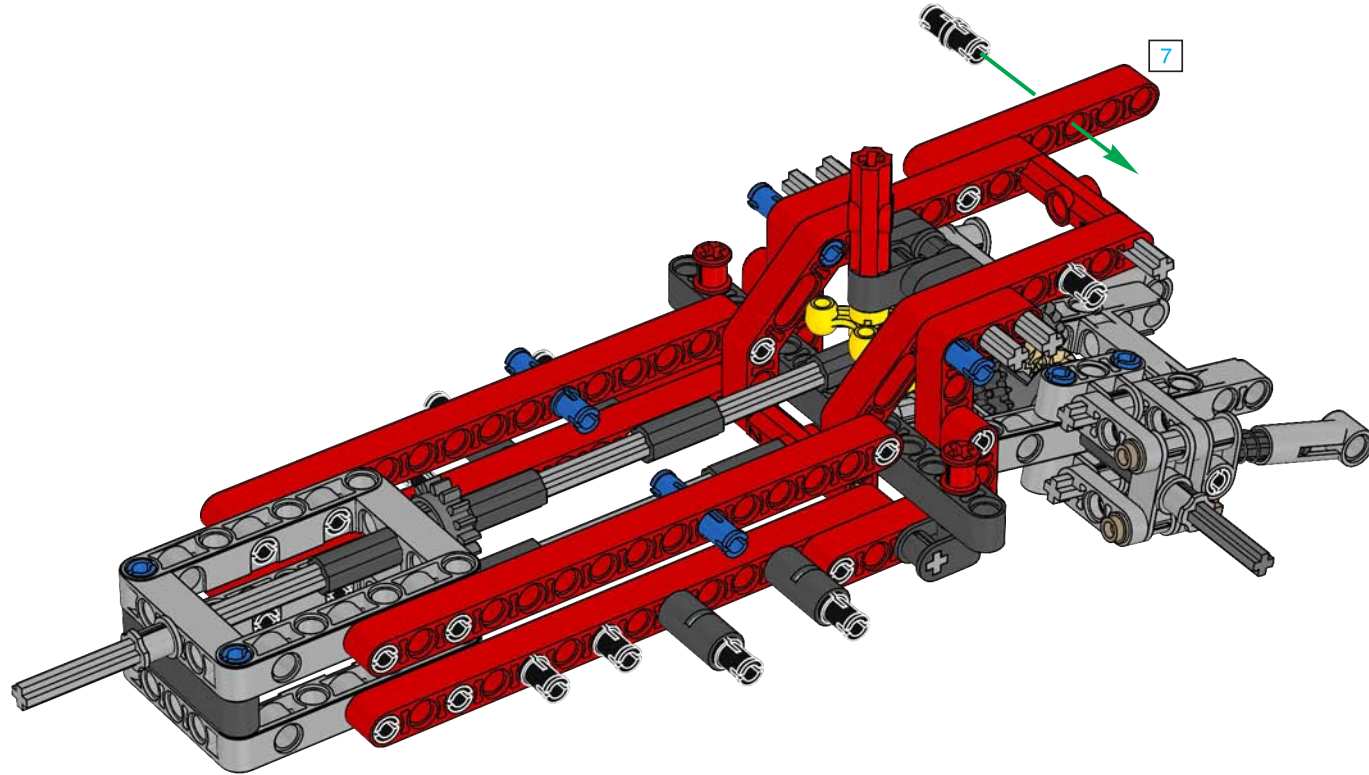


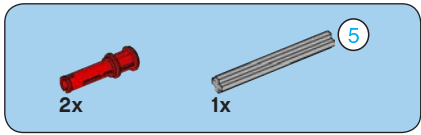
22



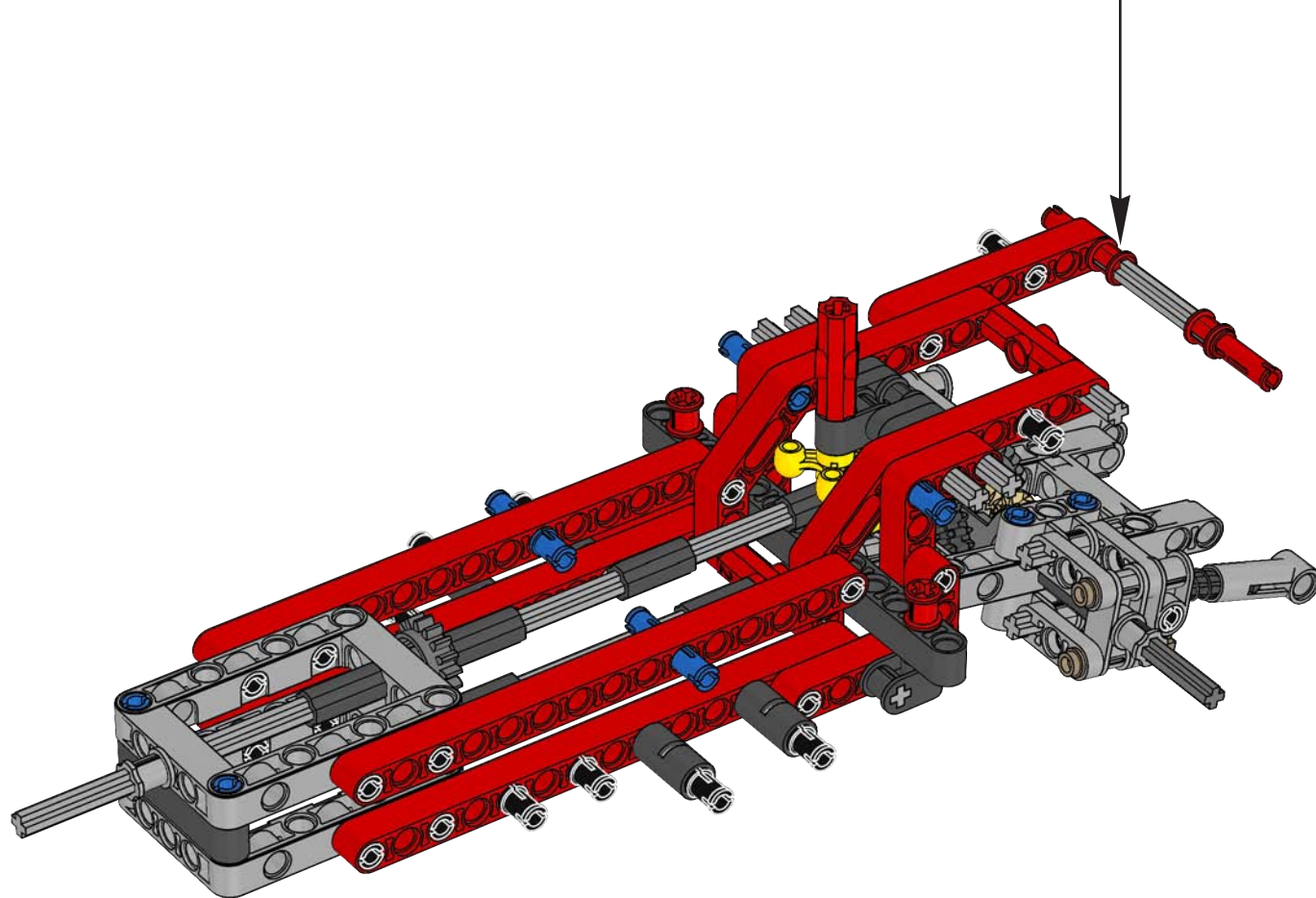
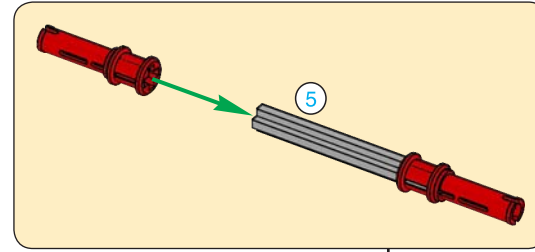


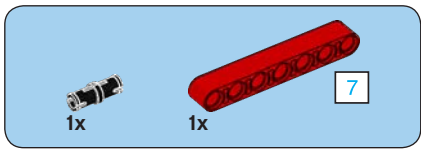
23



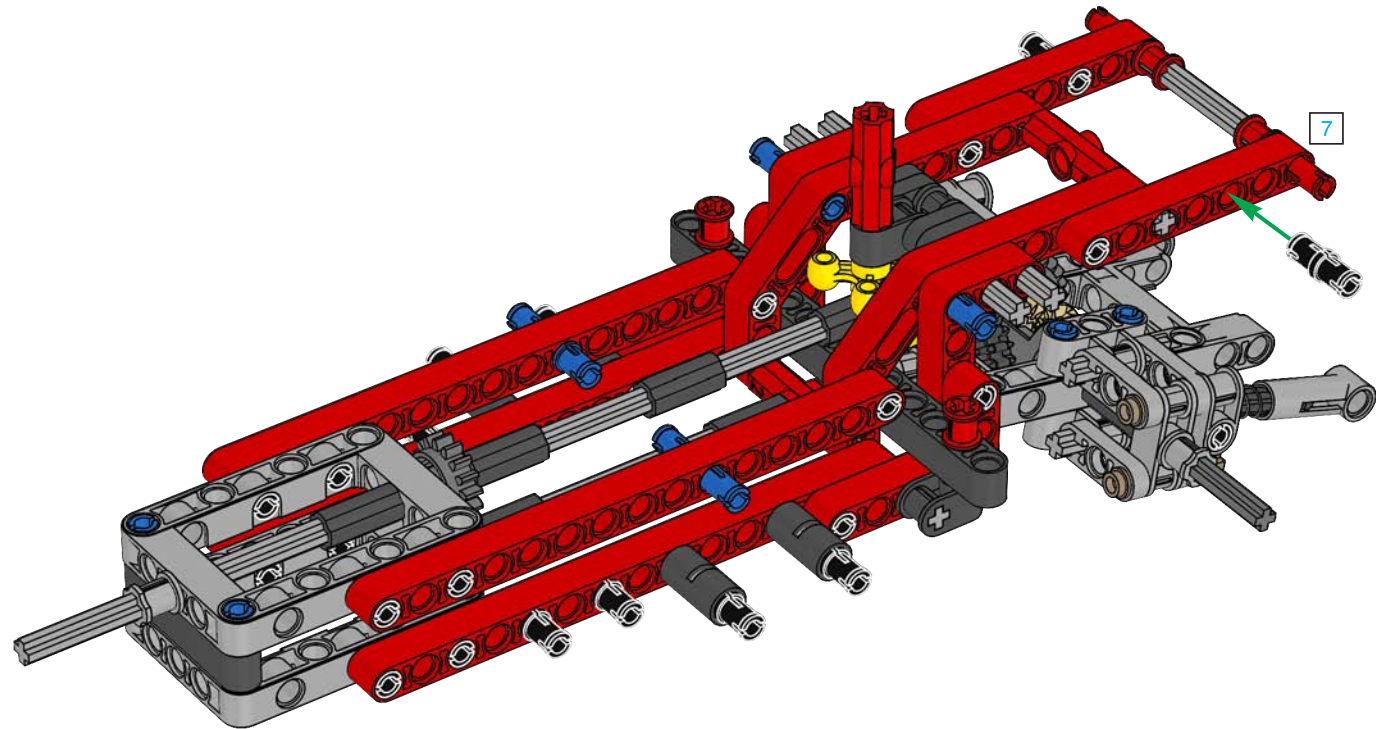


24

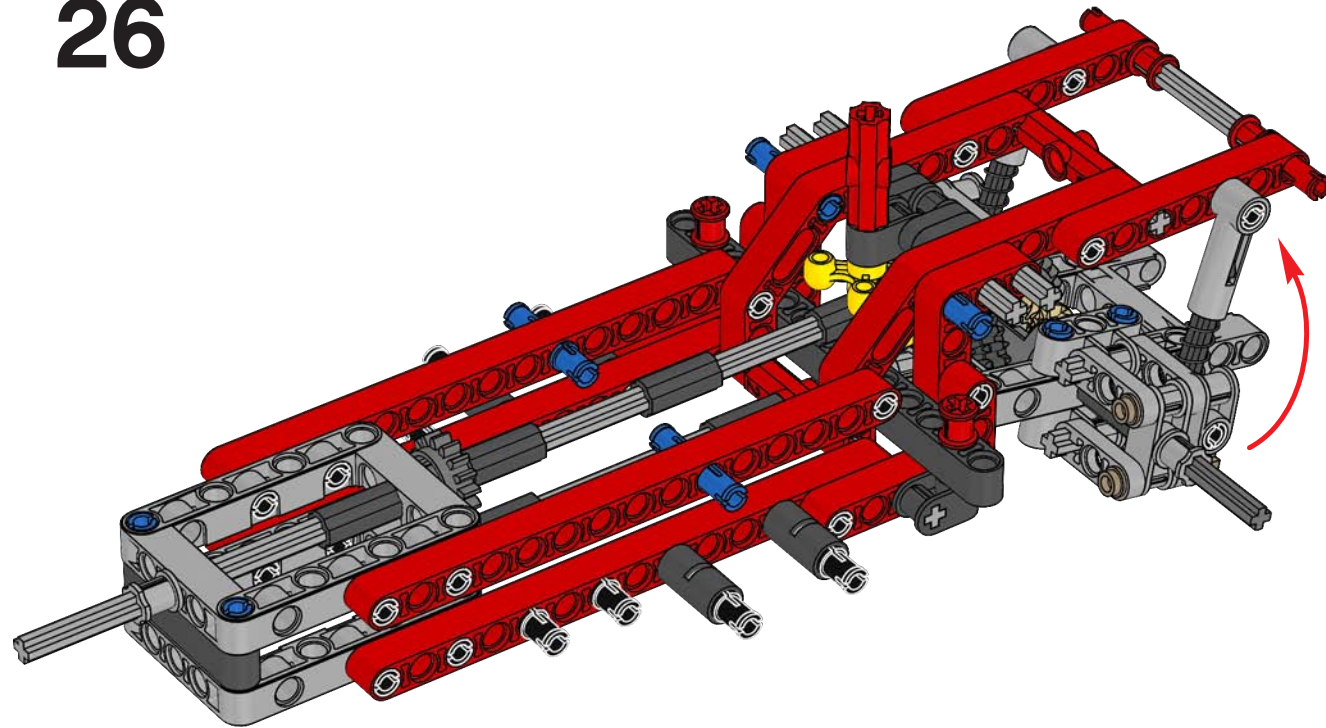


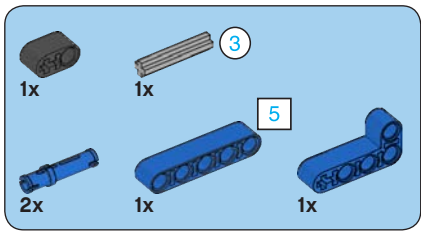


25

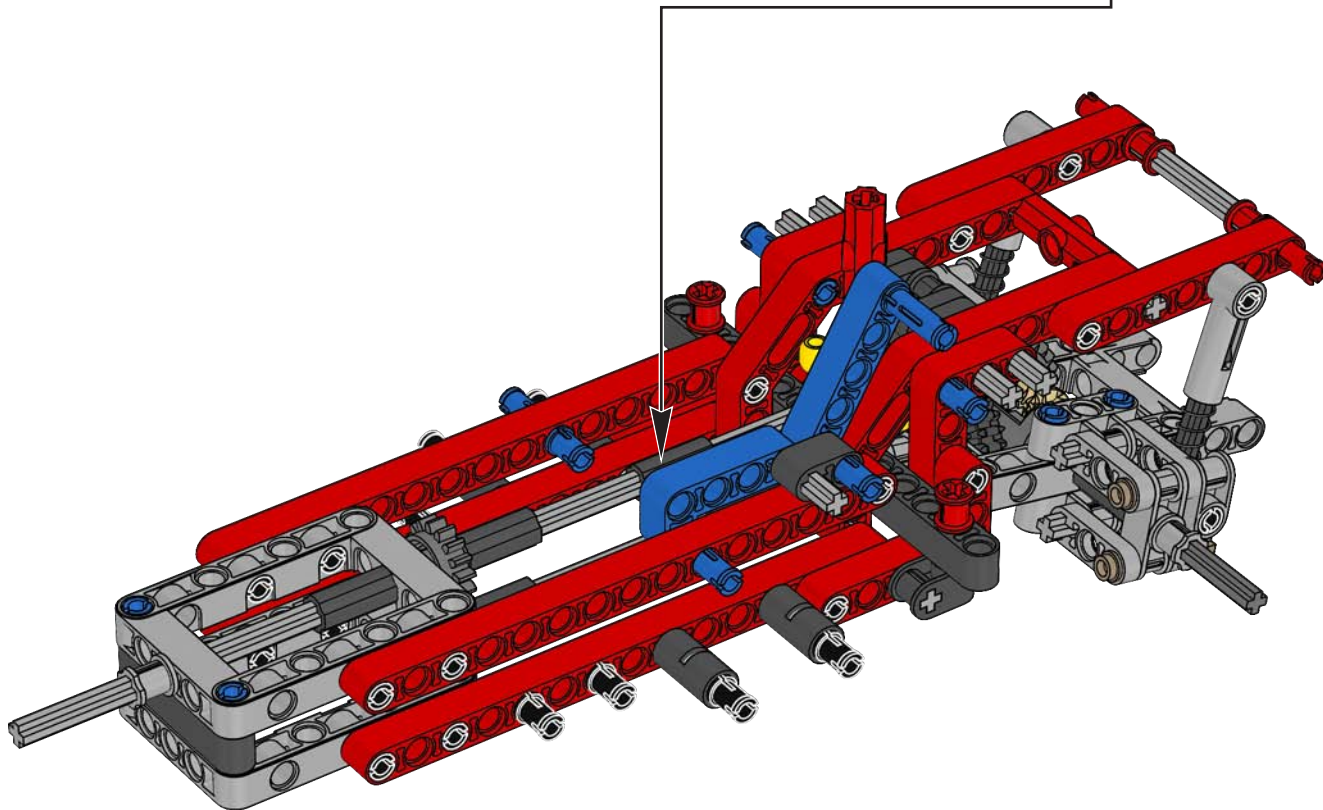
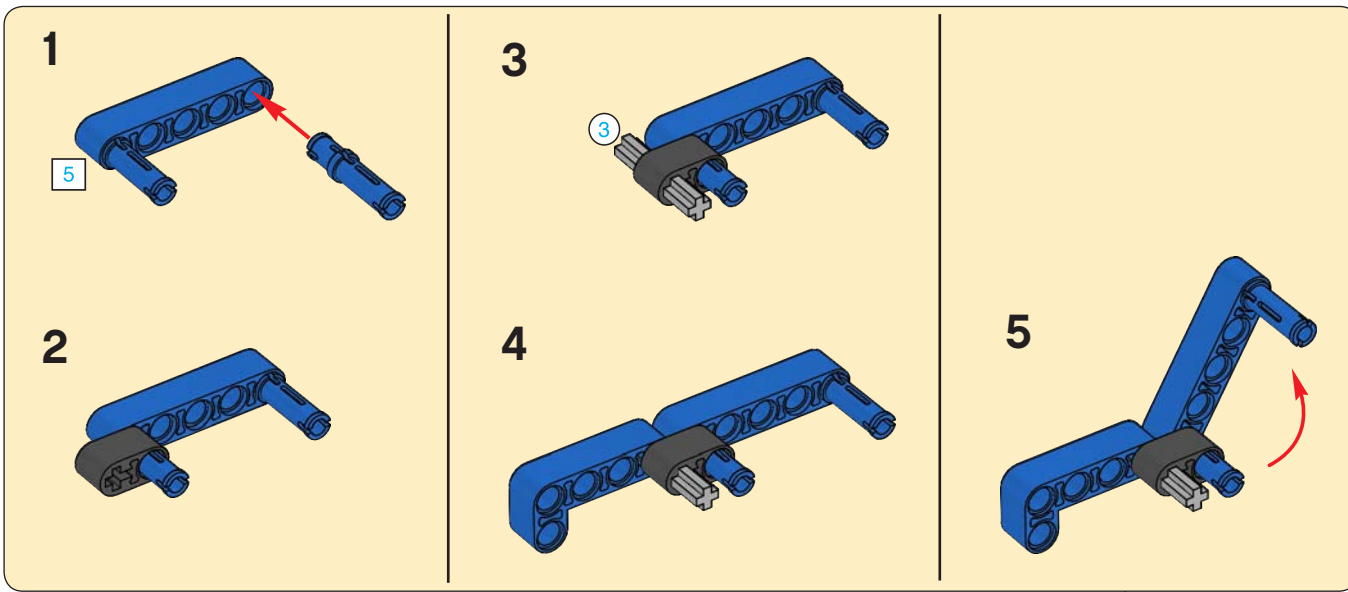


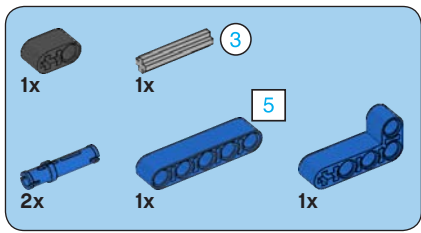
26



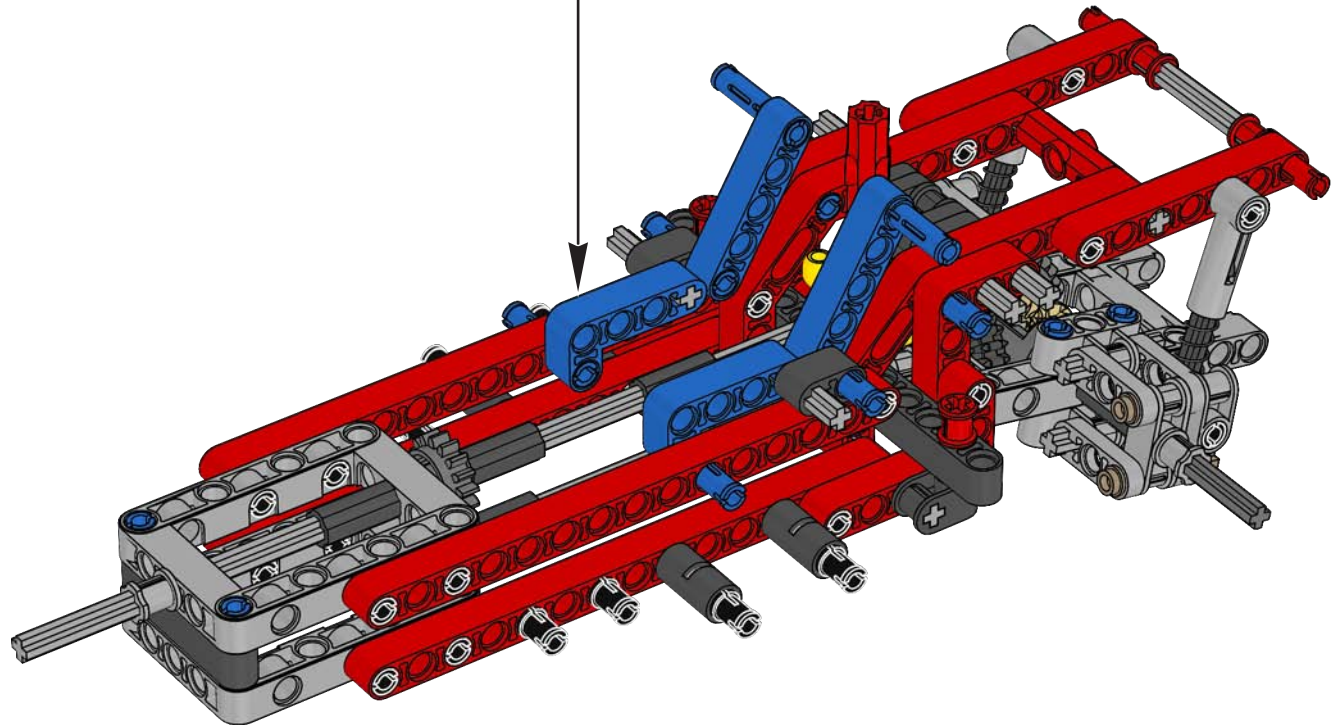
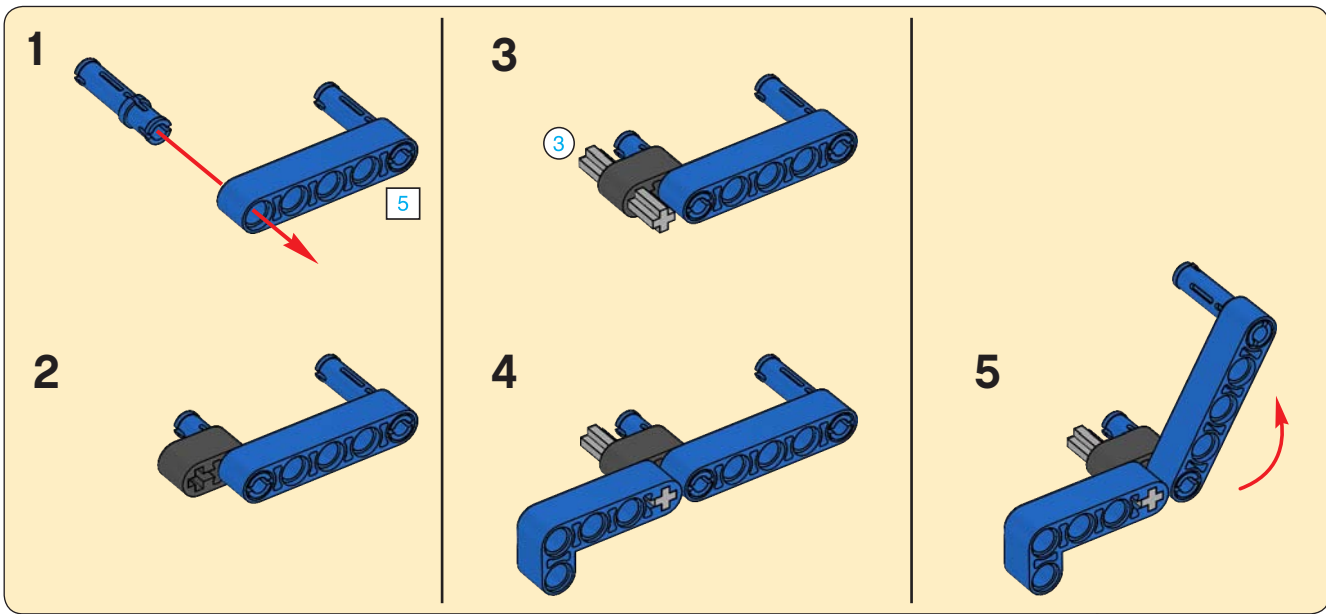


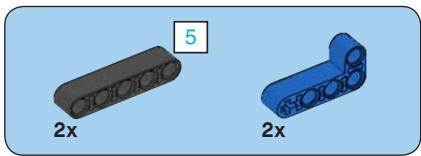
27



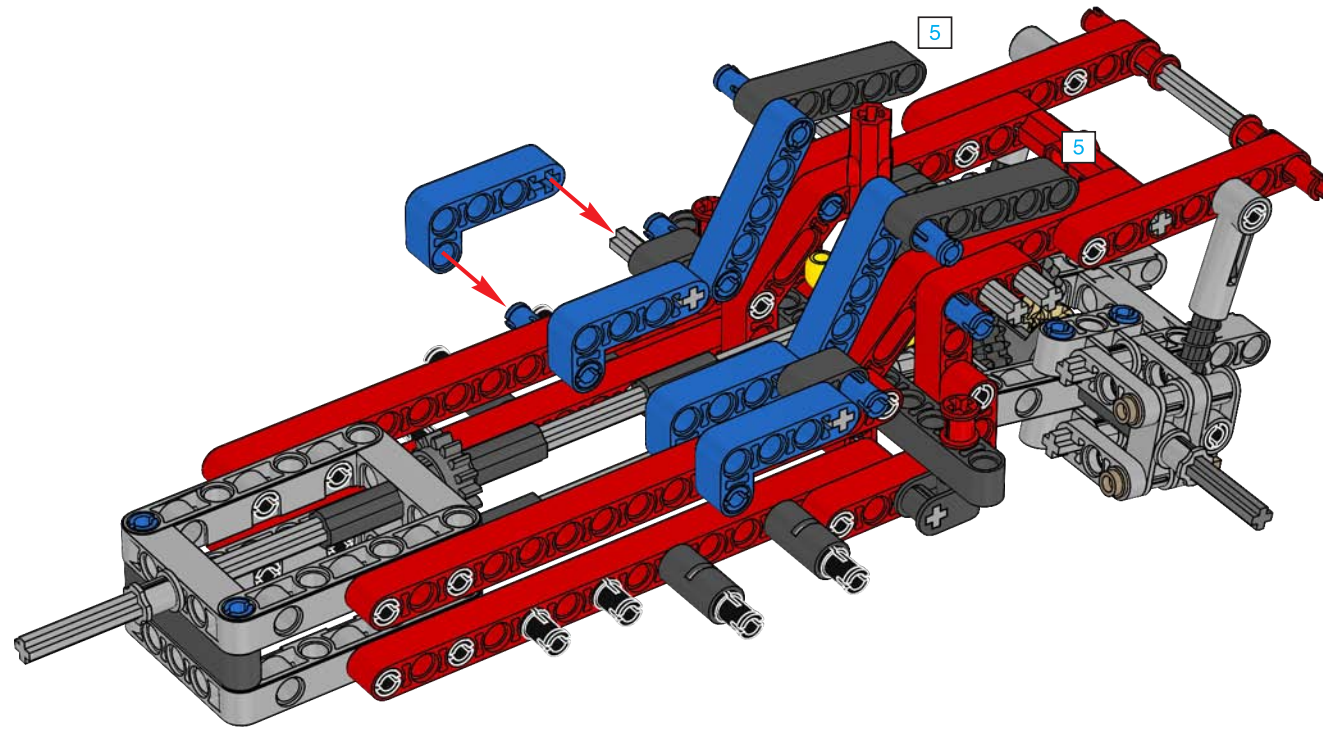


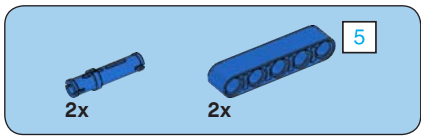
28



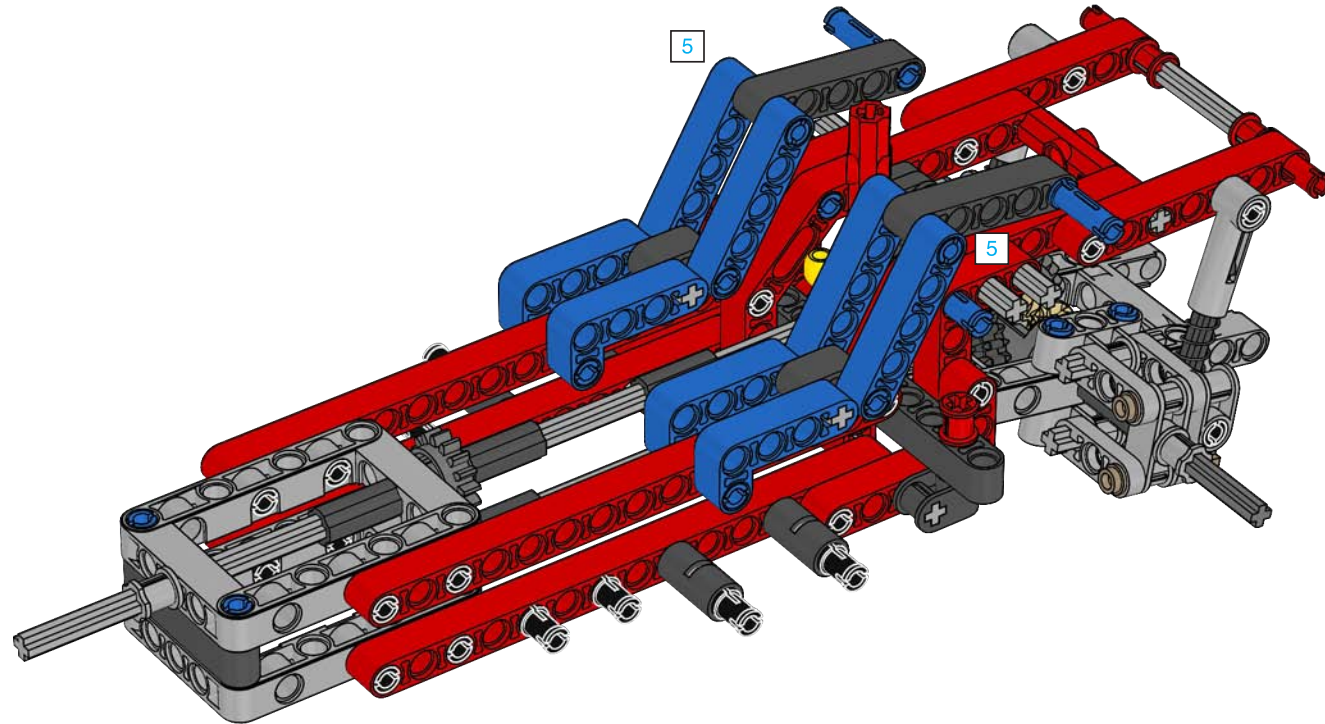


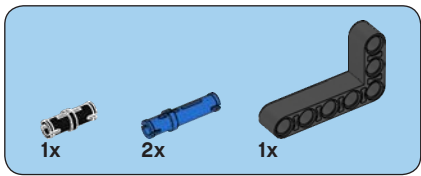
29



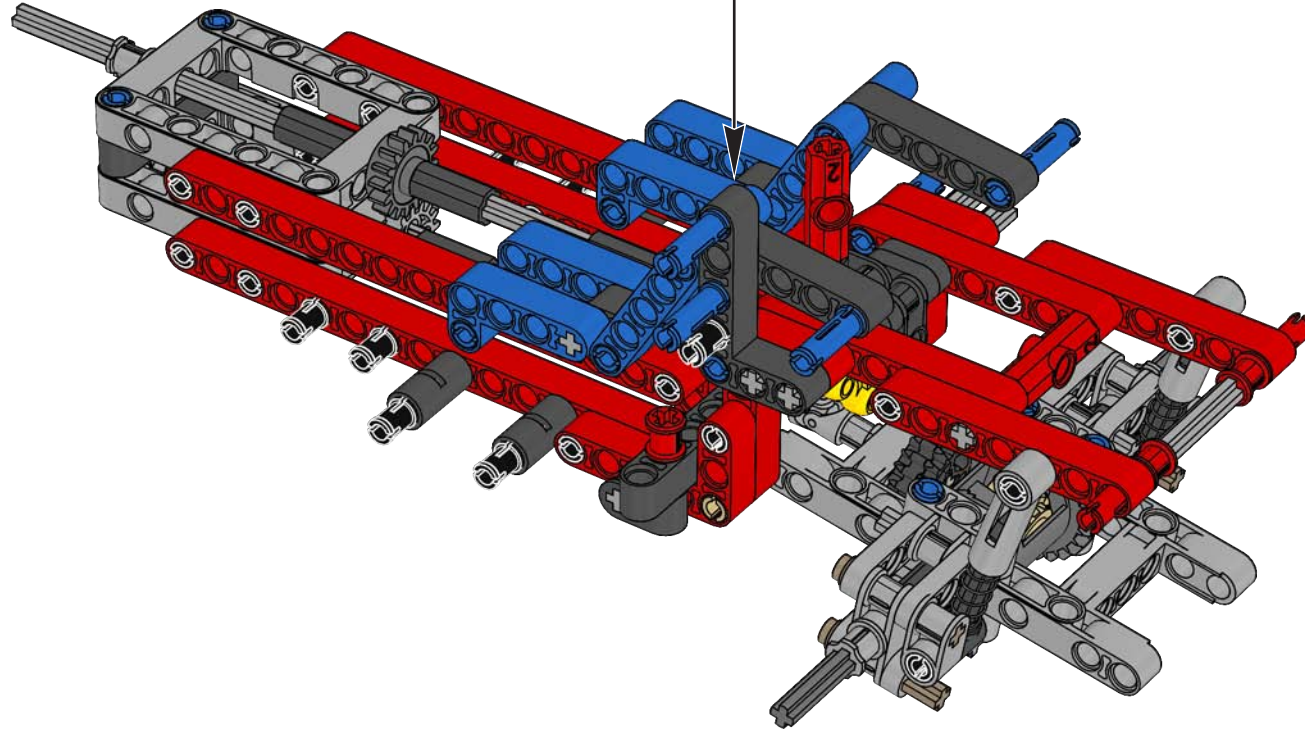
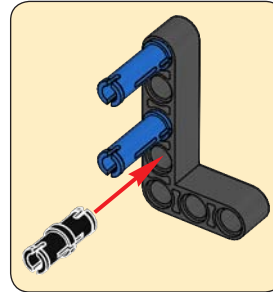


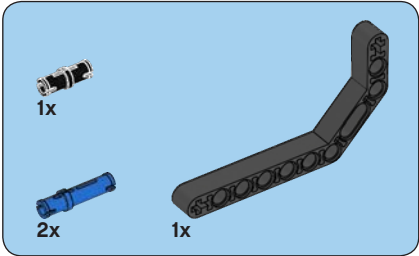
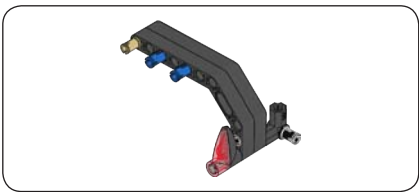
30



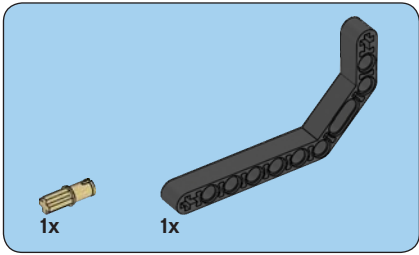
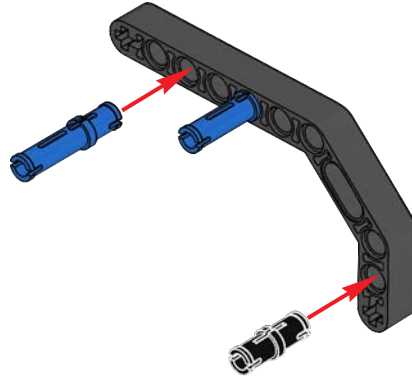


31

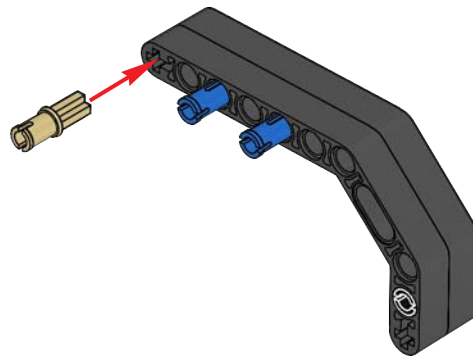


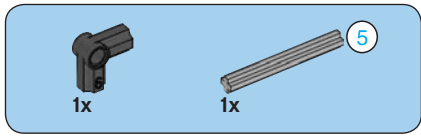


1

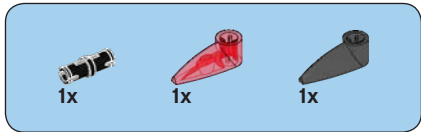
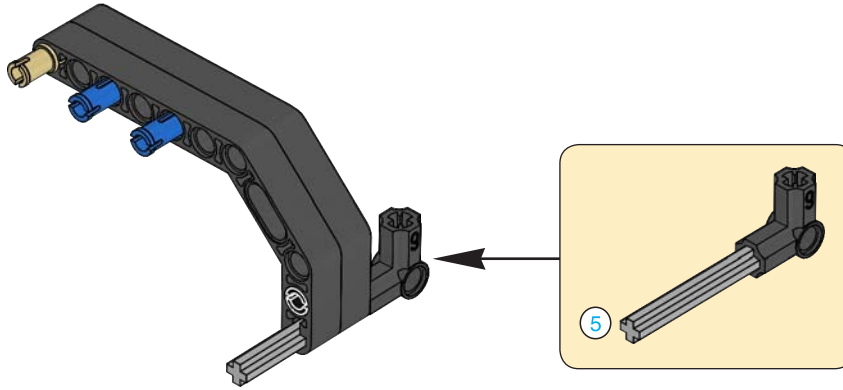


2

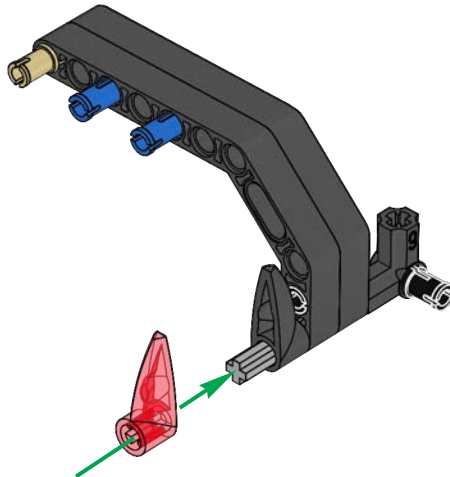


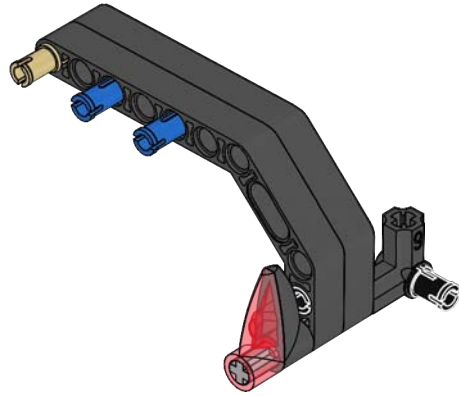


3

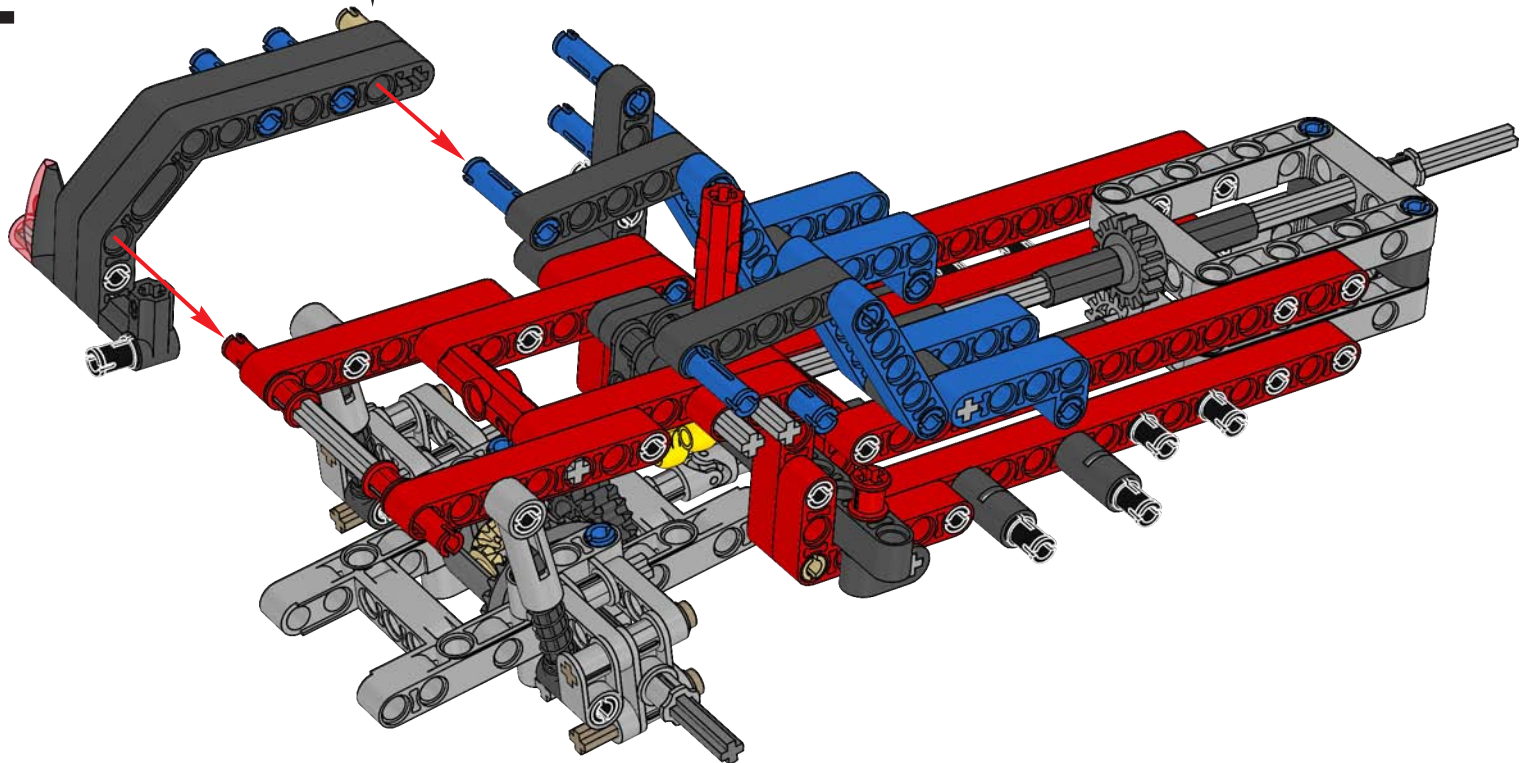


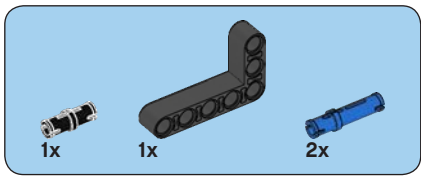
4



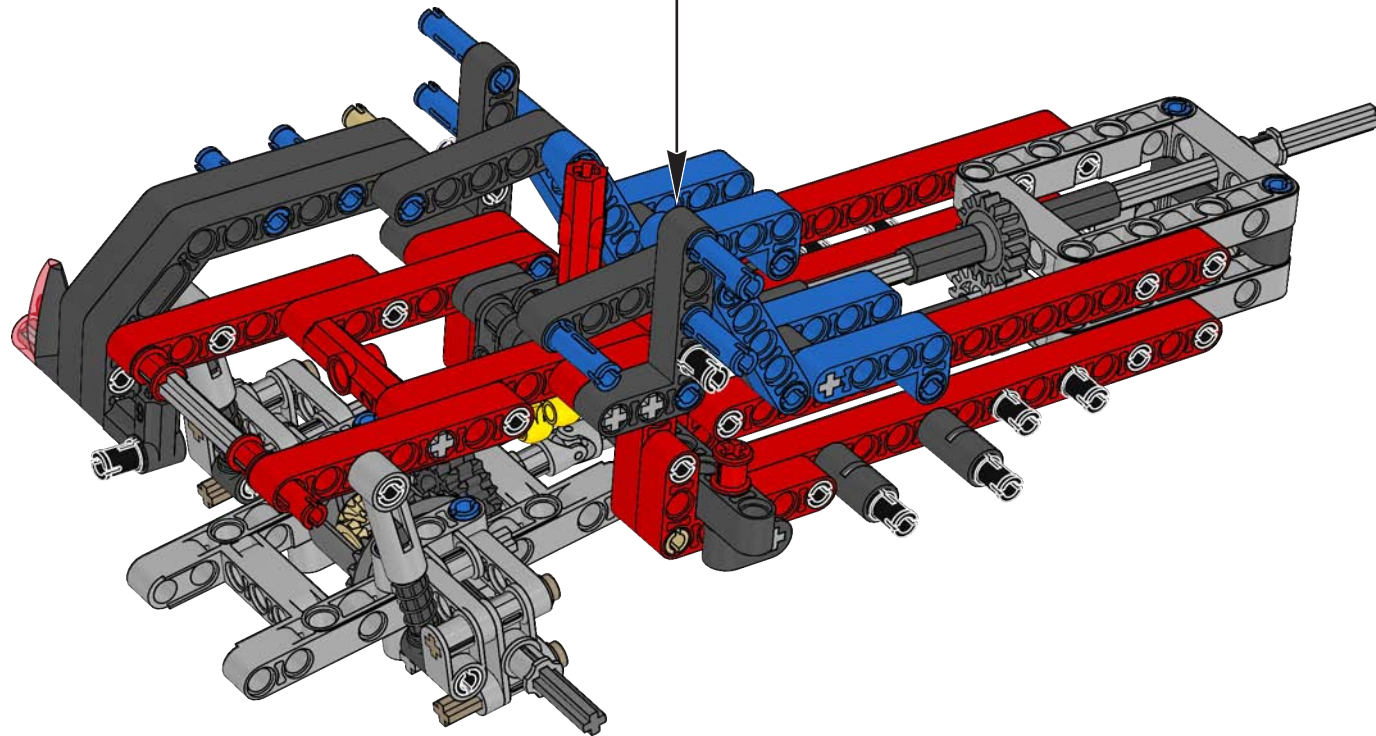
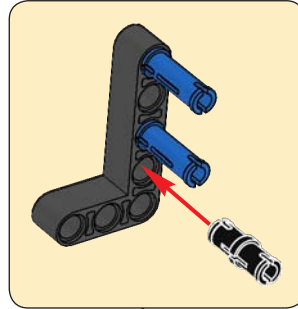


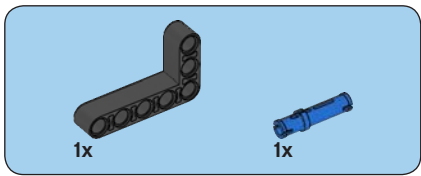
32



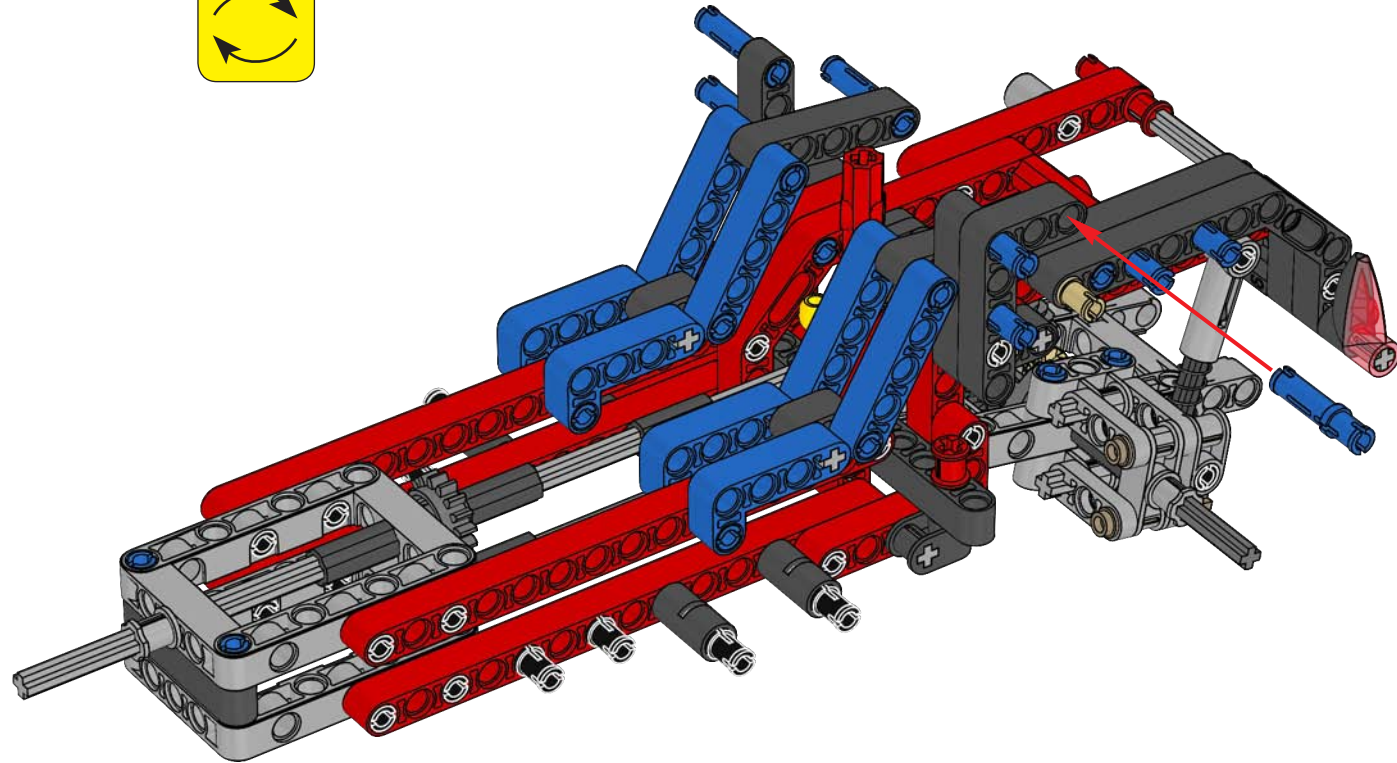


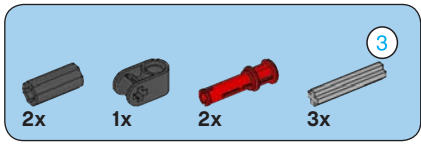
33



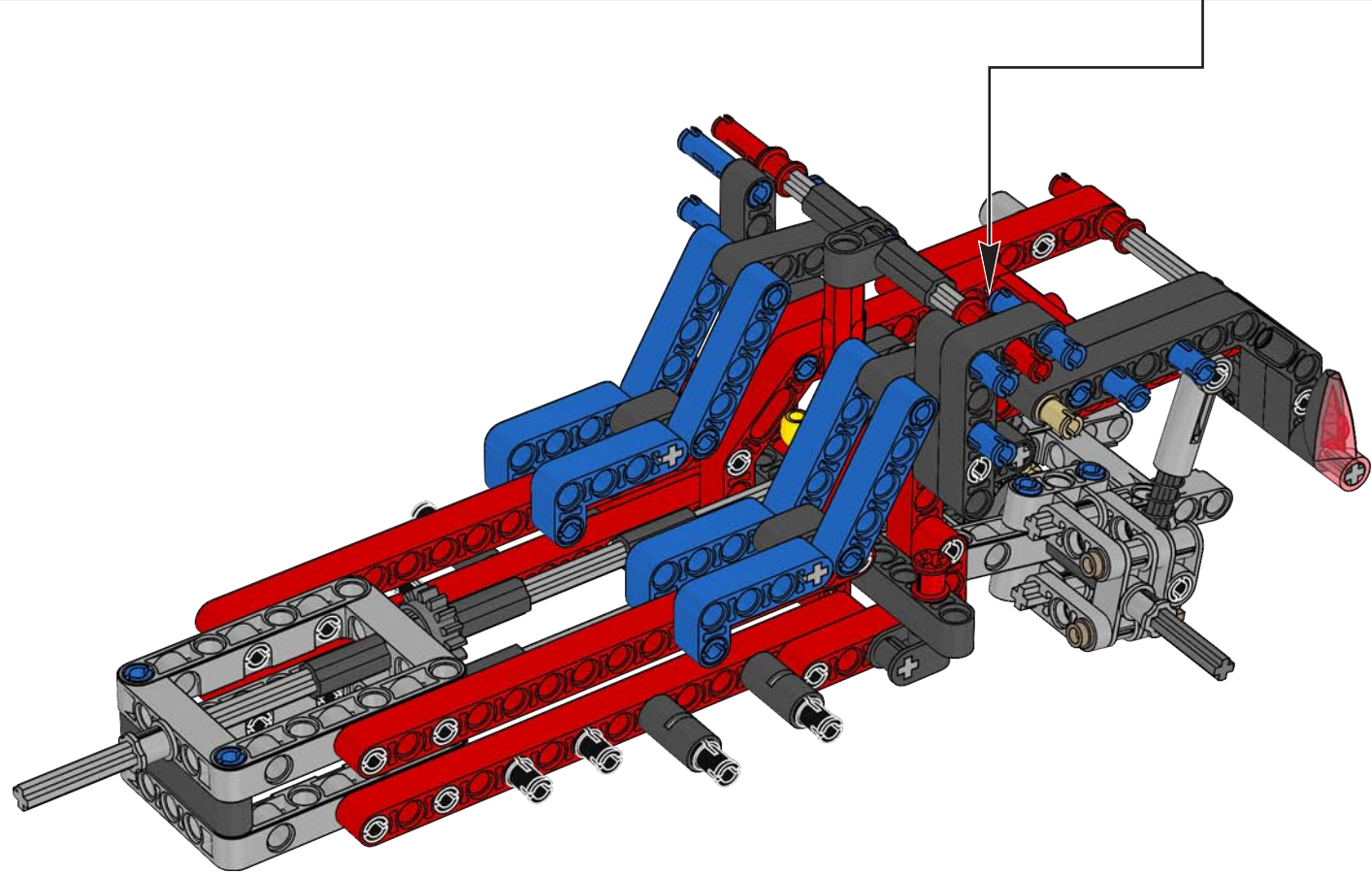
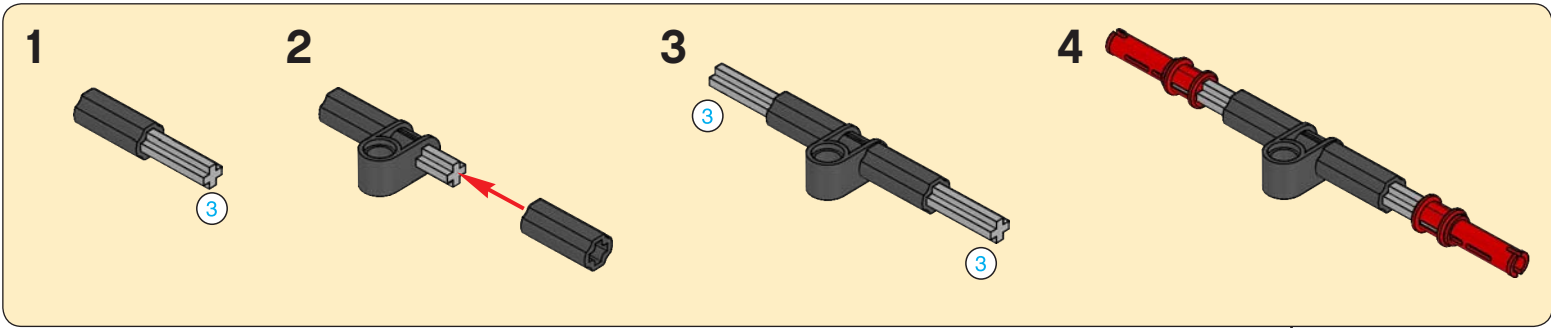


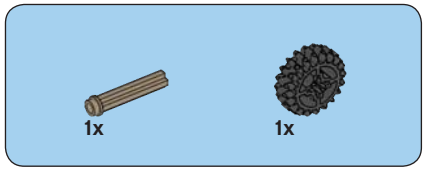
34



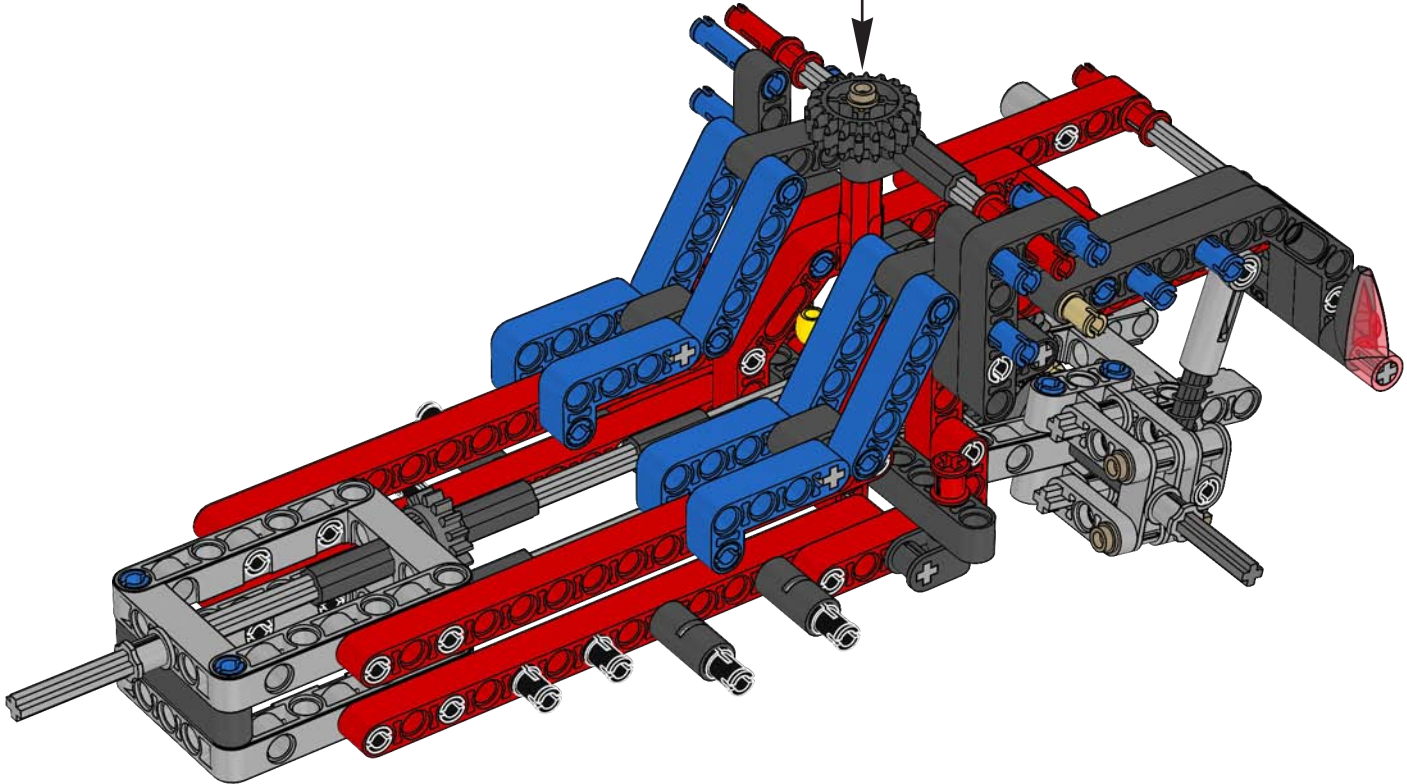
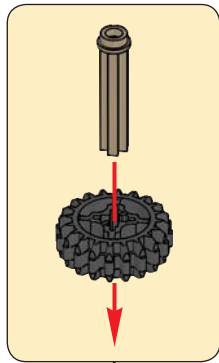


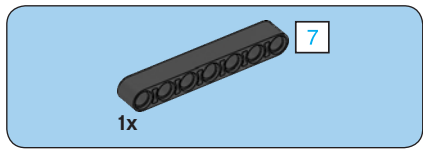
35



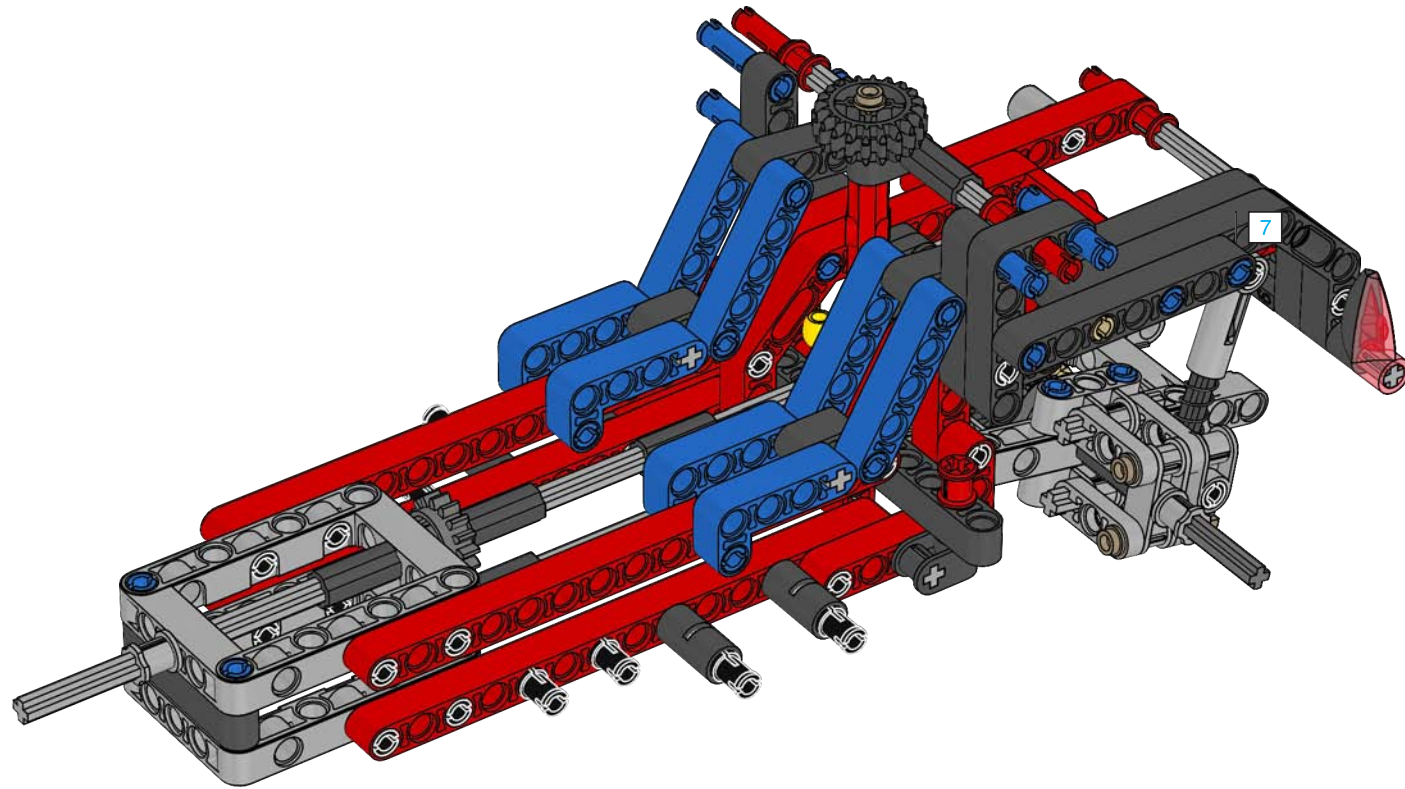


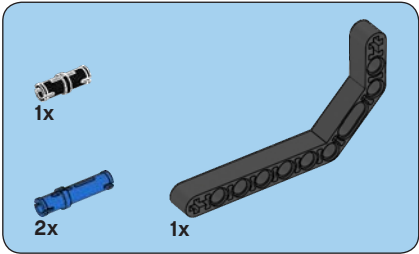
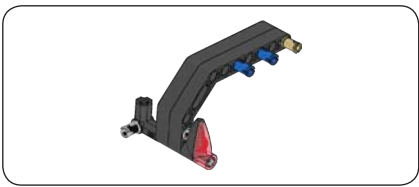
36



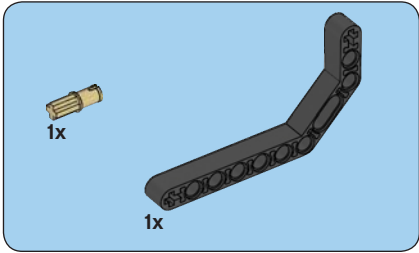
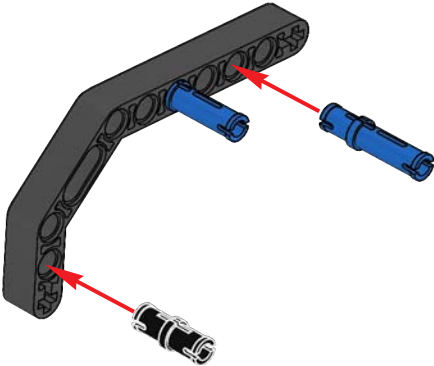


37

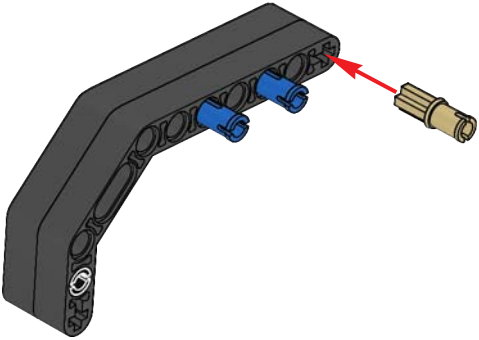


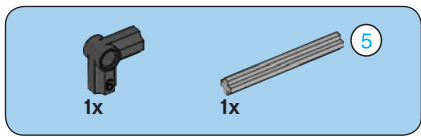


1

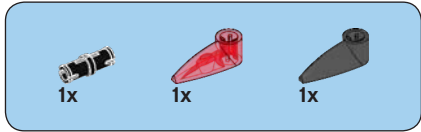
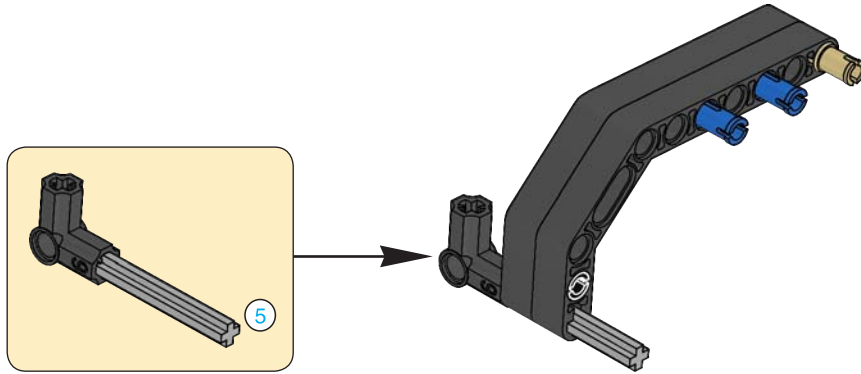


2

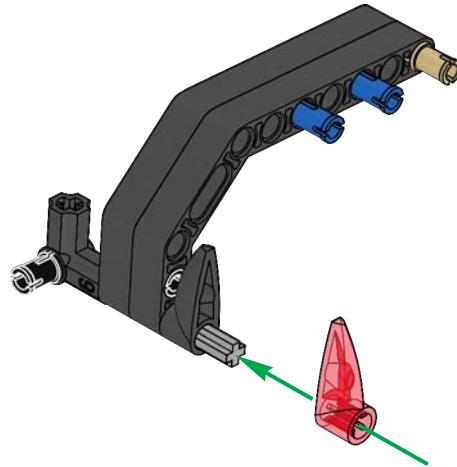


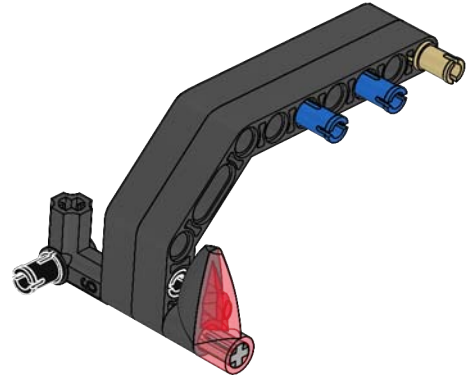


3

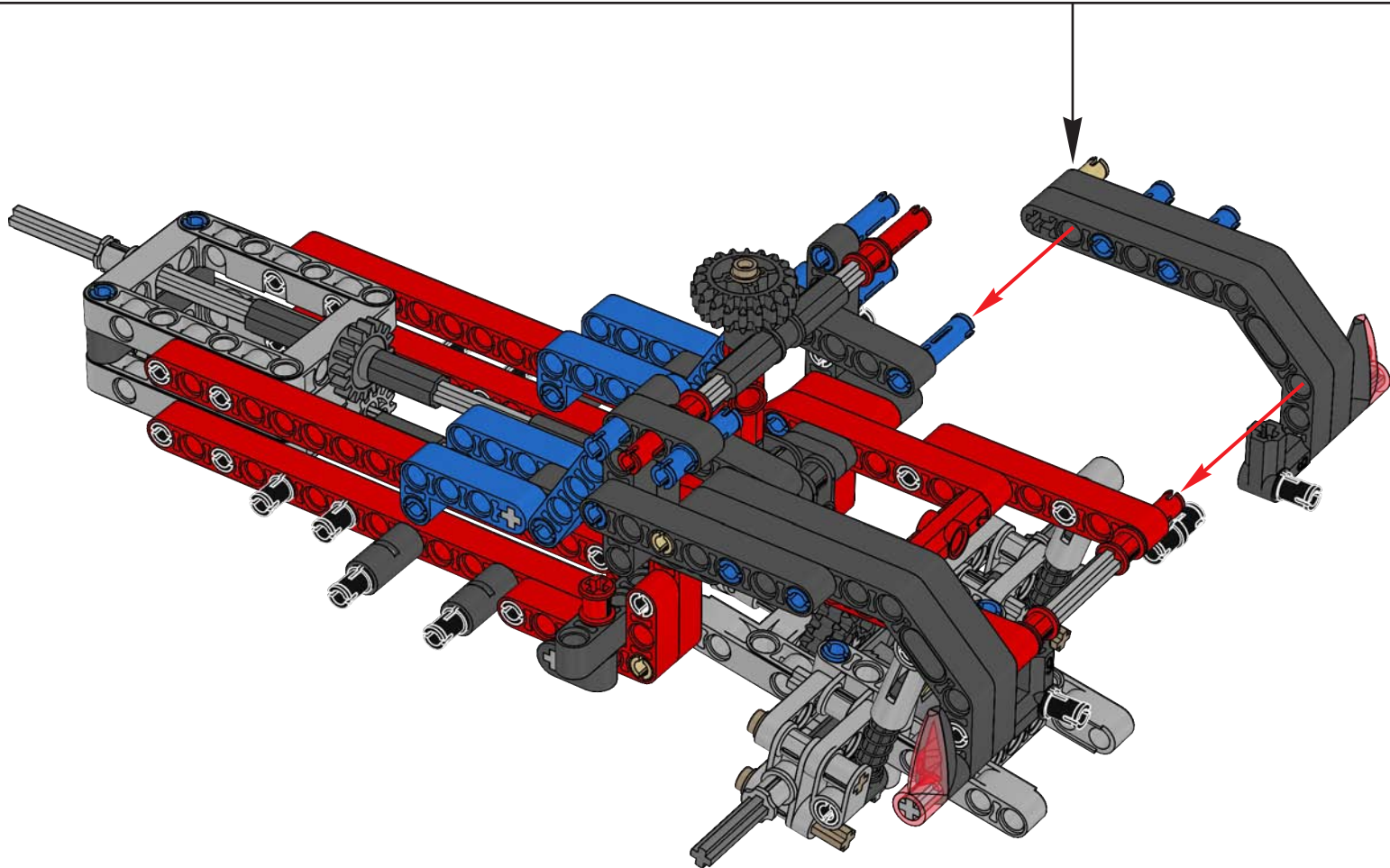


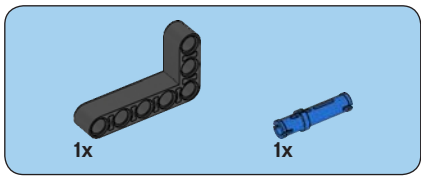
4



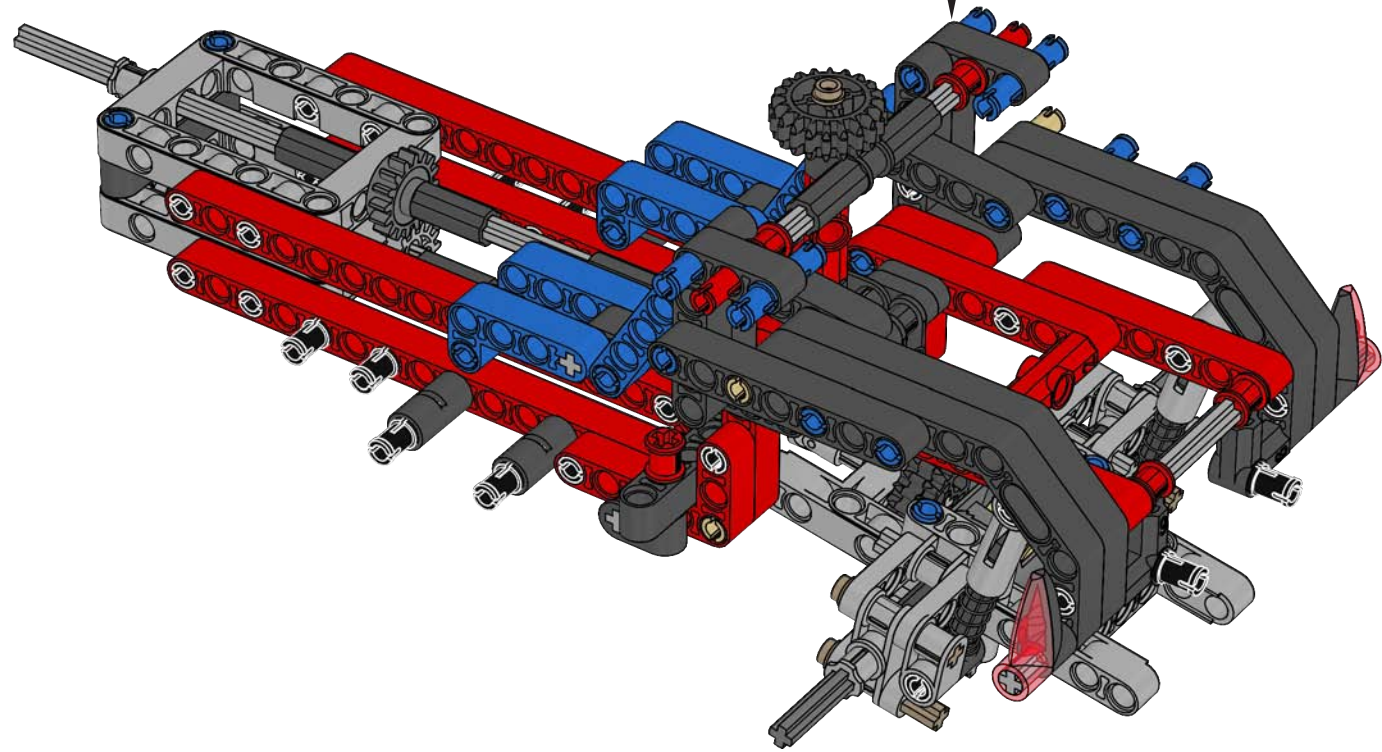
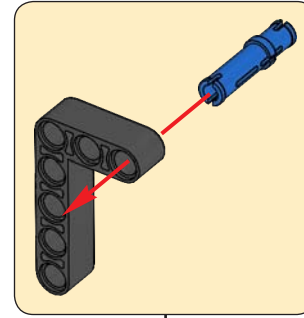


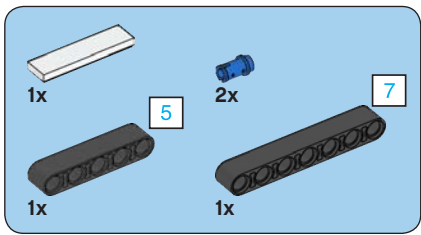
38



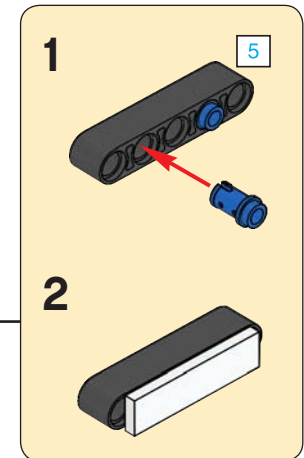
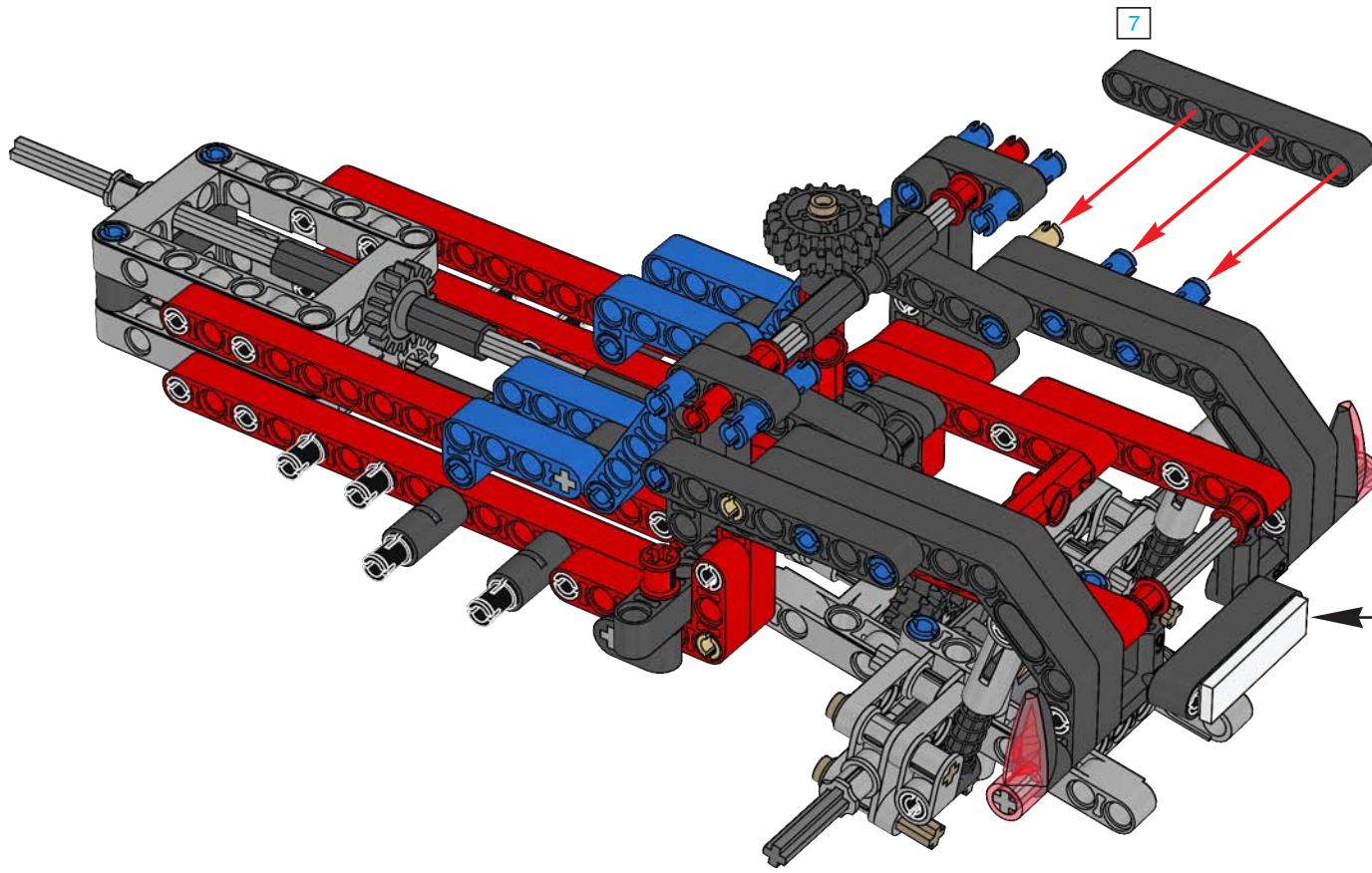


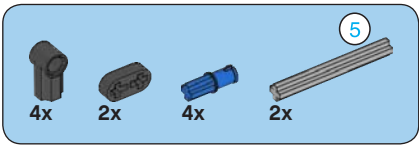
39



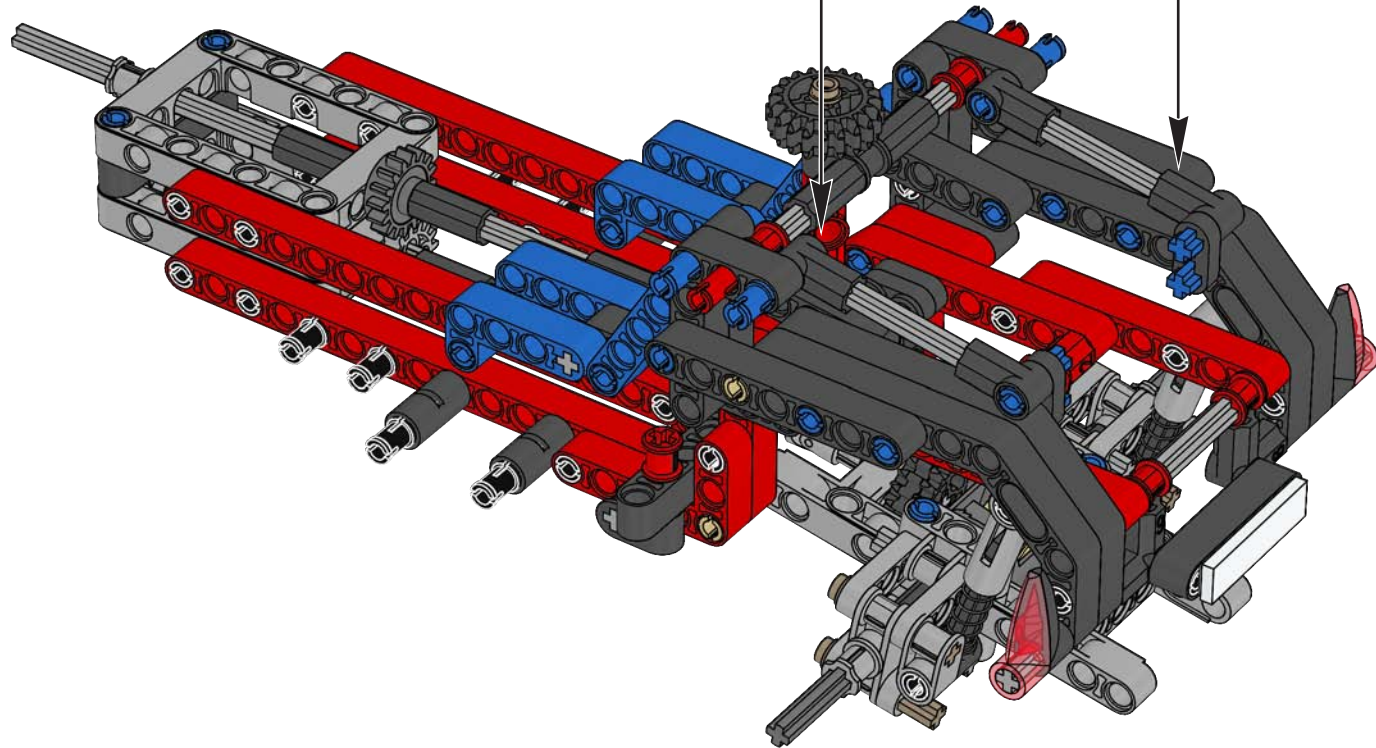
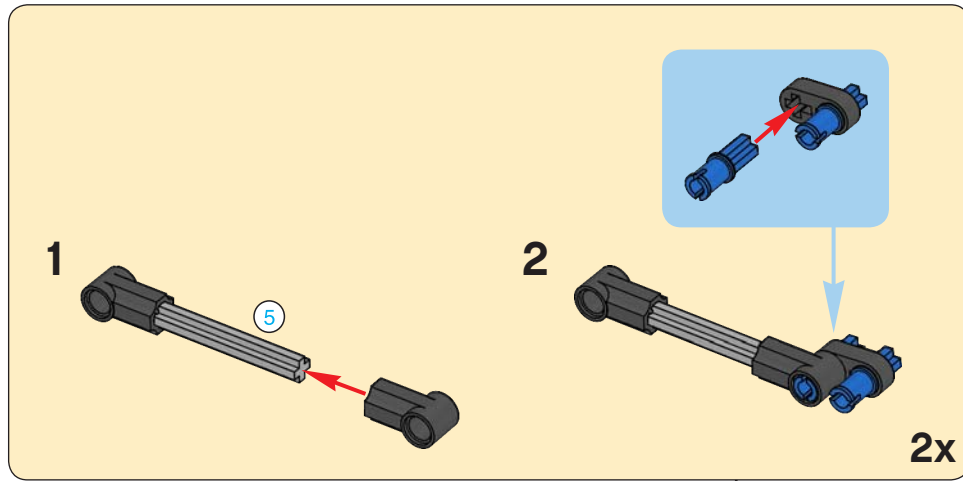


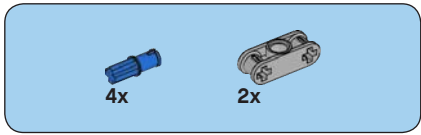
40



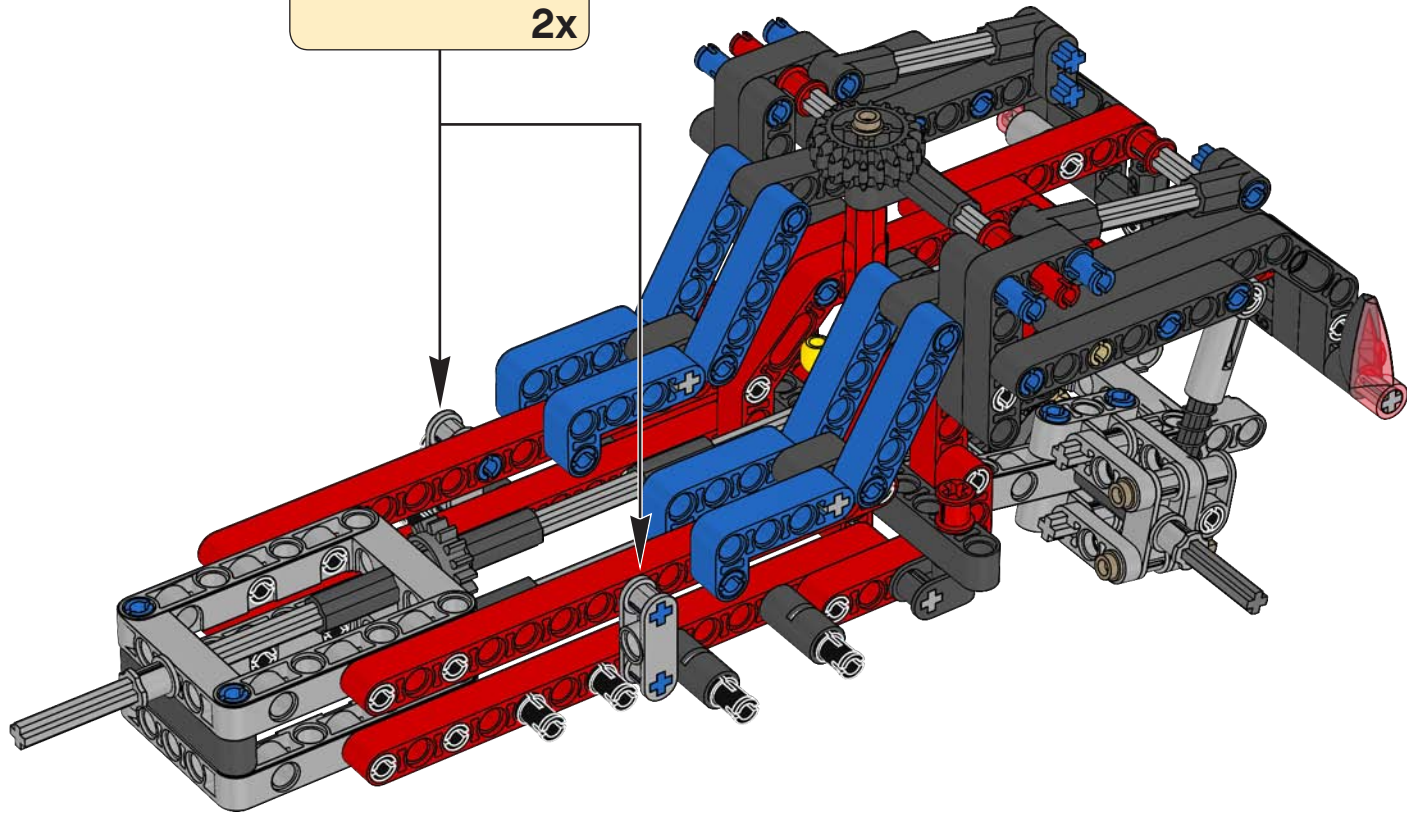
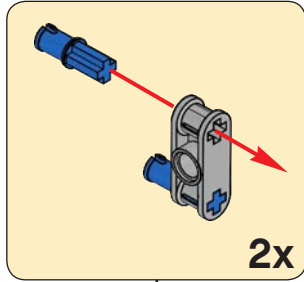


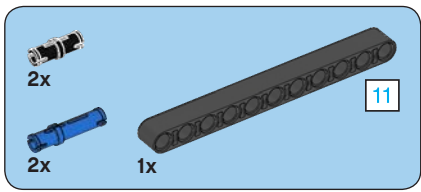
41



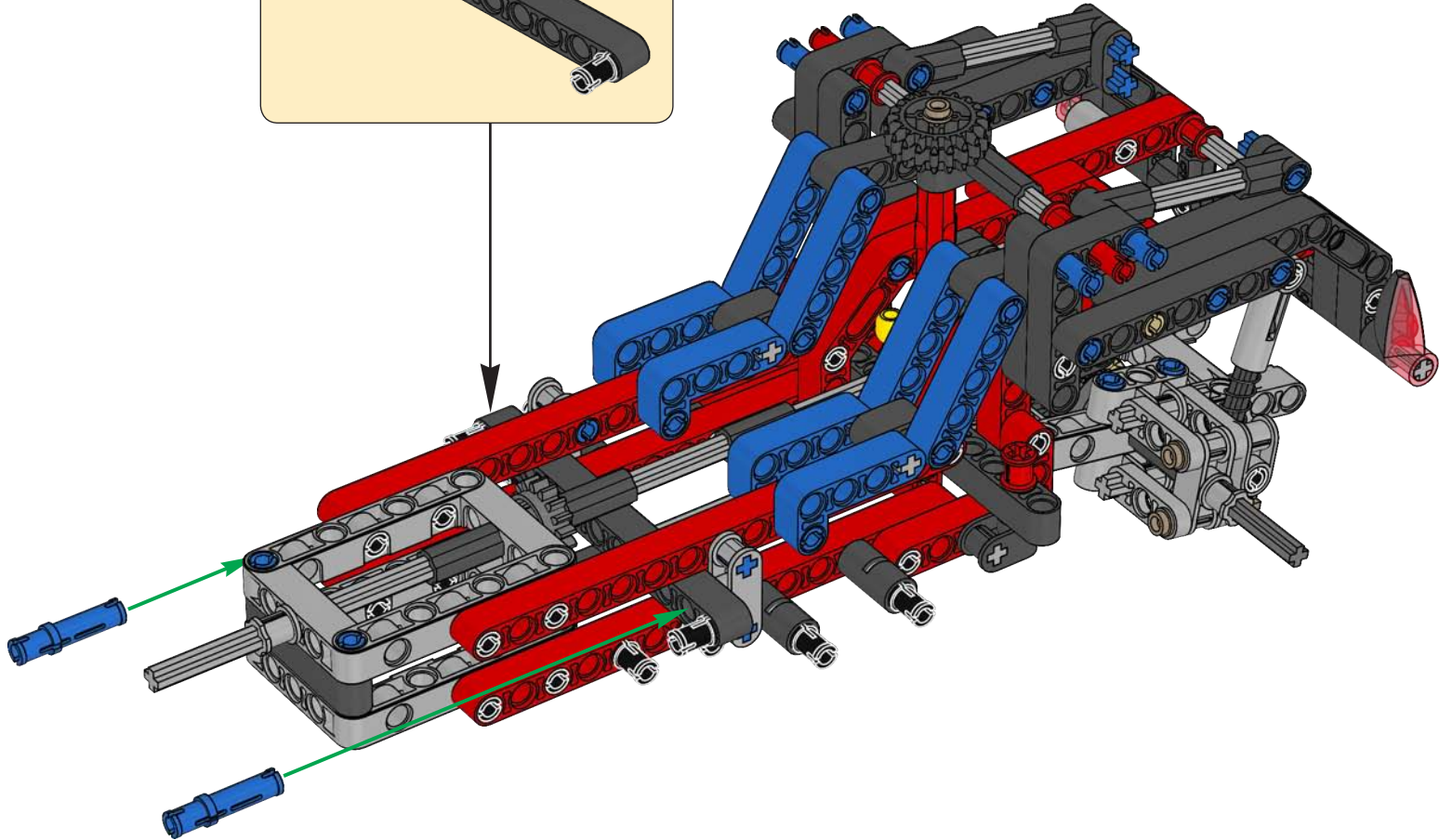
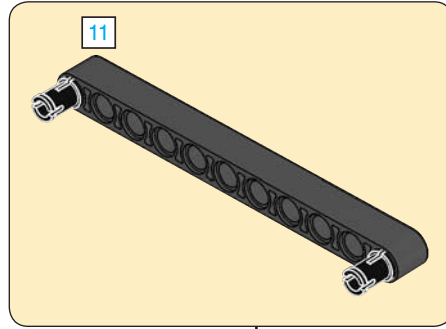


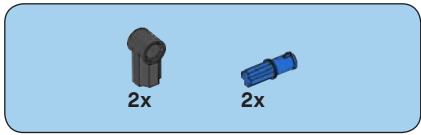
42



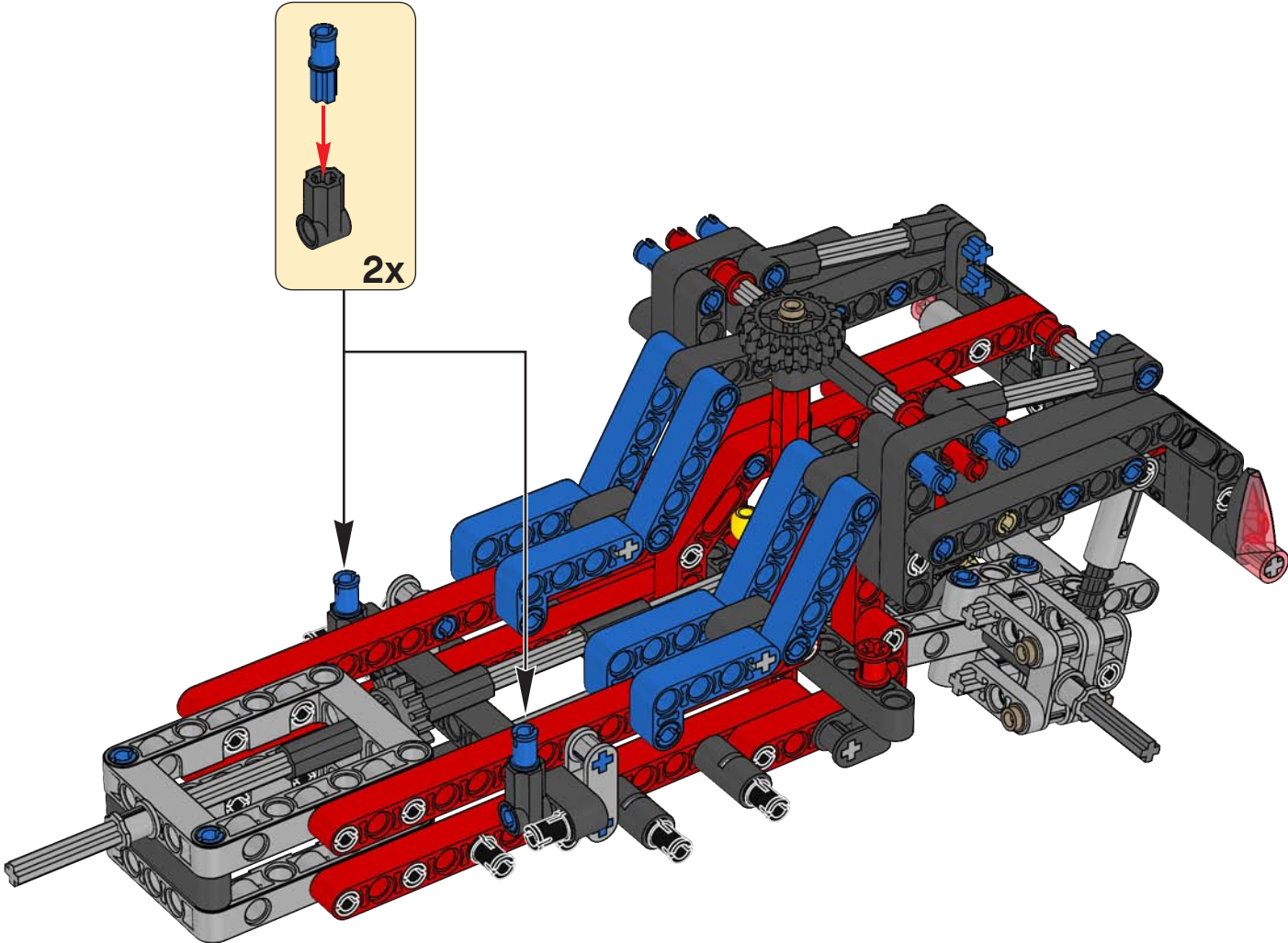


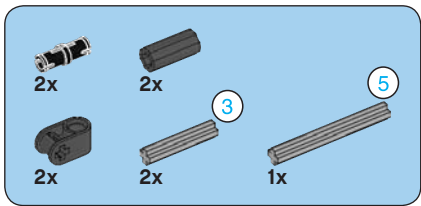
43



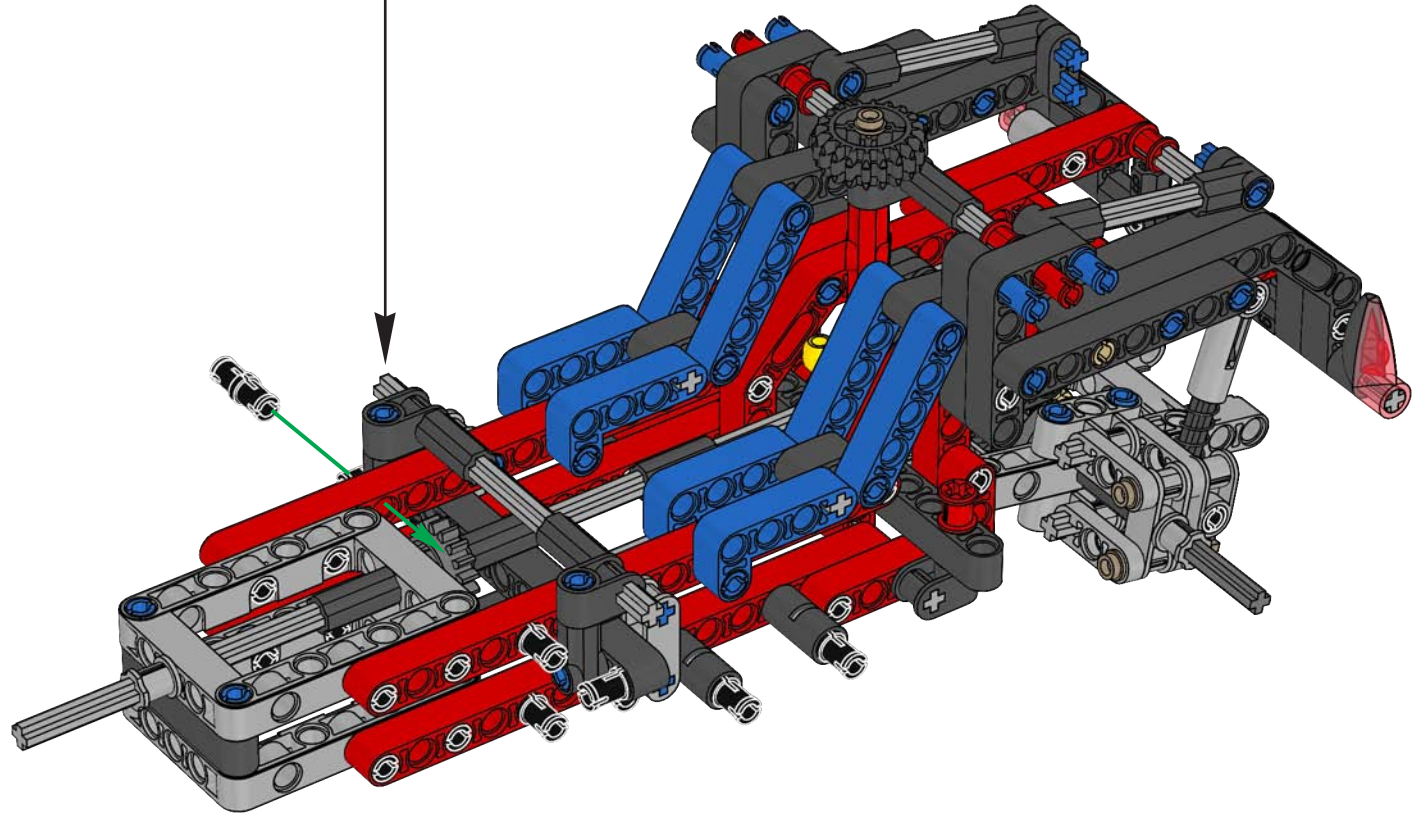
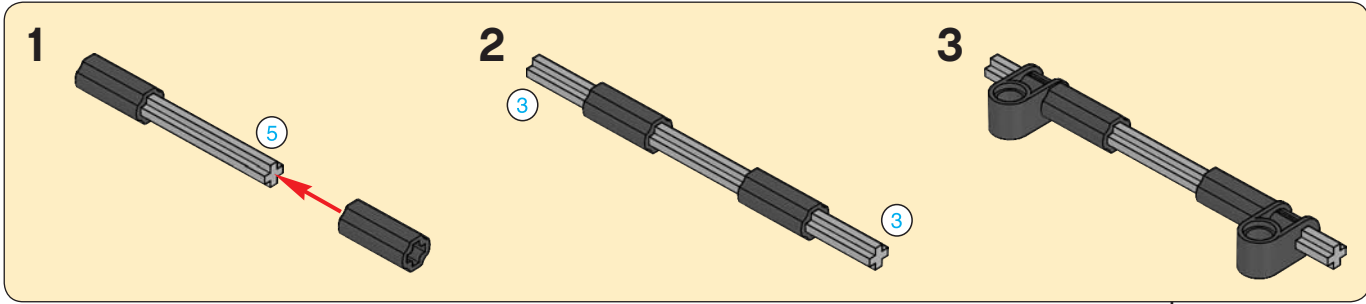


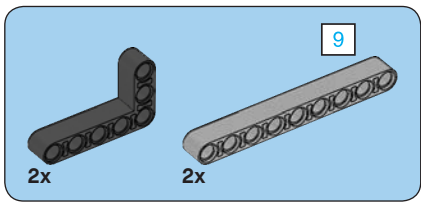
44



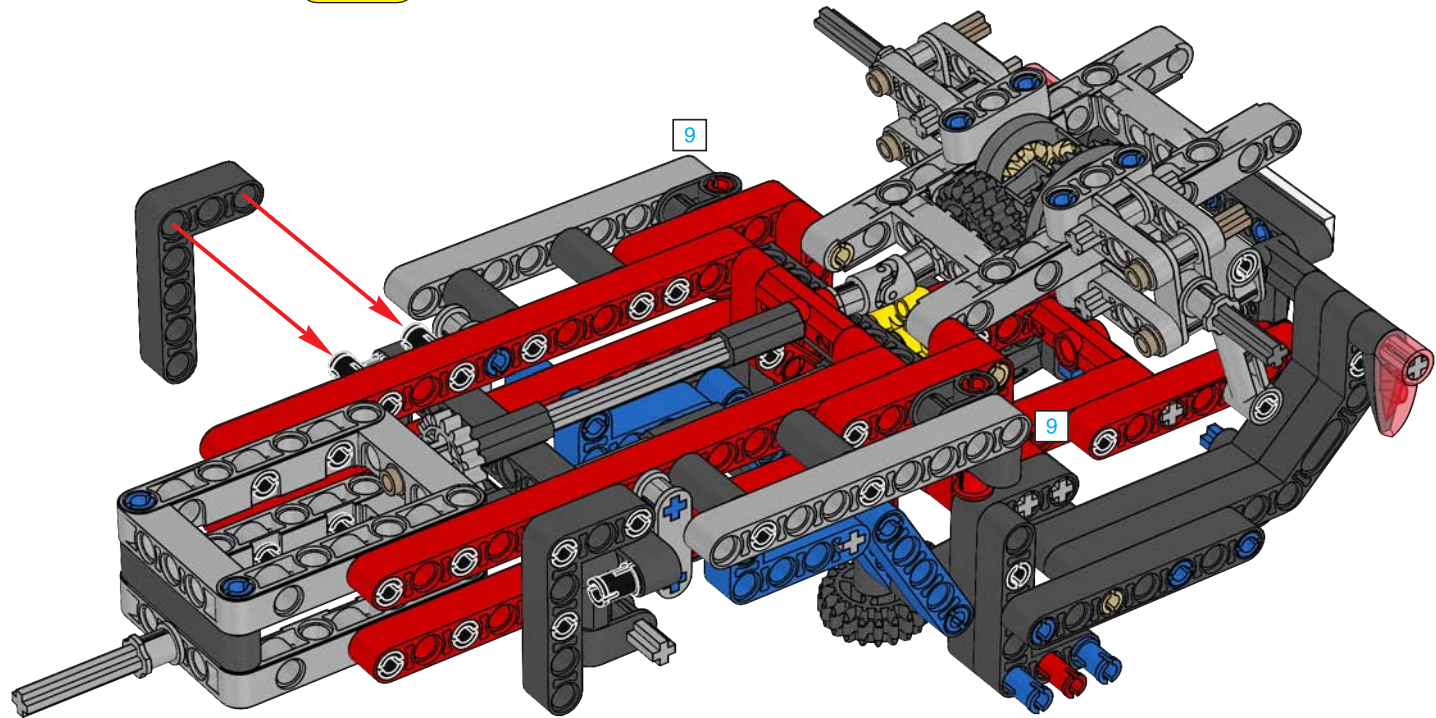


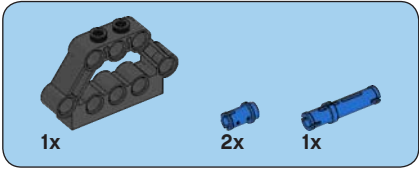
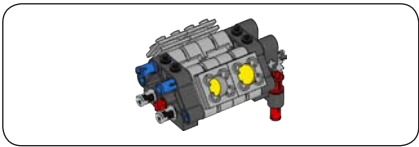
45



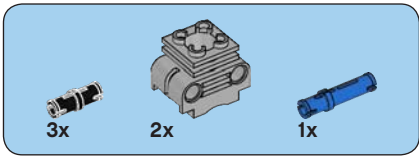
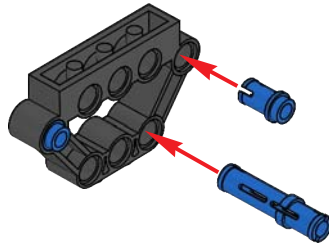


46

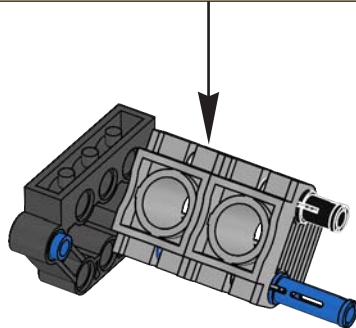
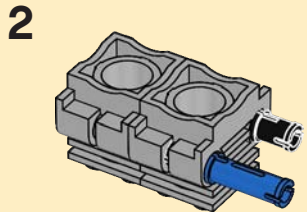
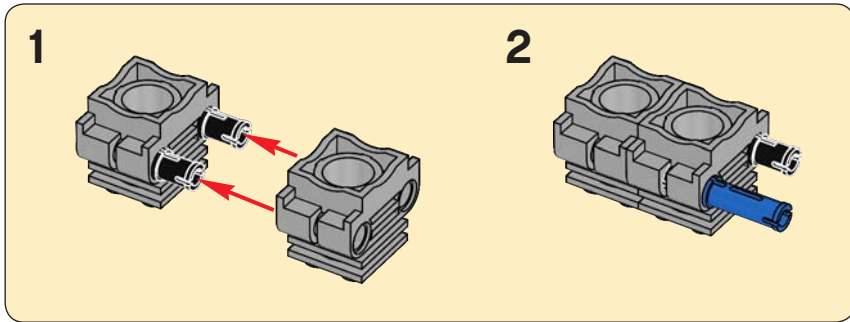


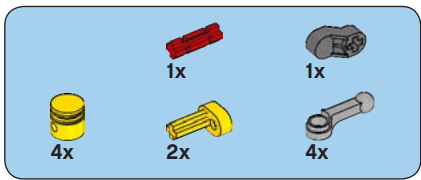


1

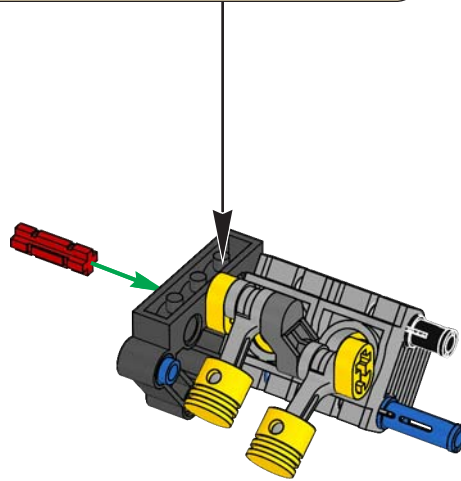
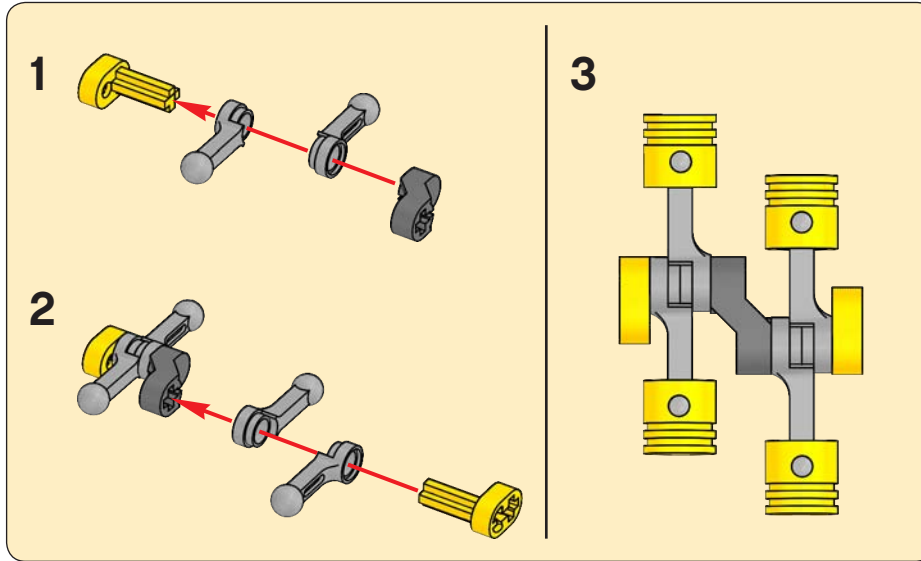


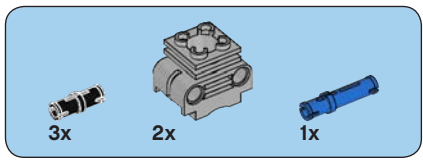
2



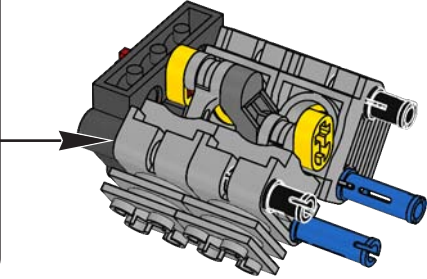
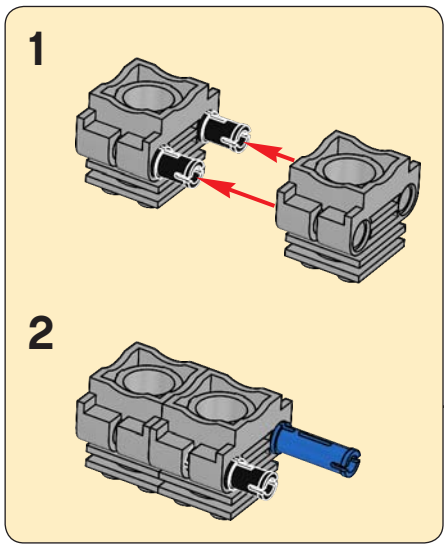


3

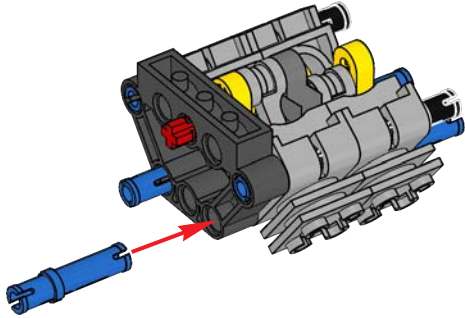


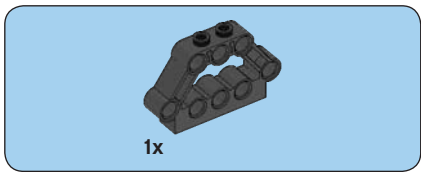


4

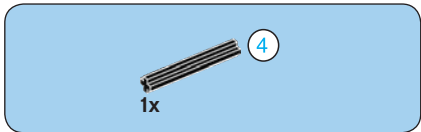
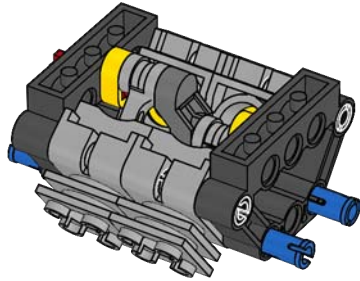


5

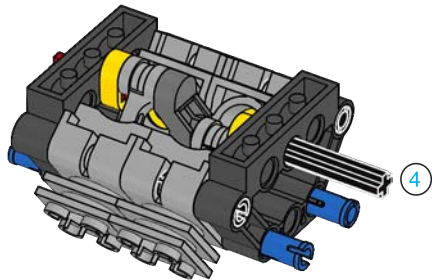


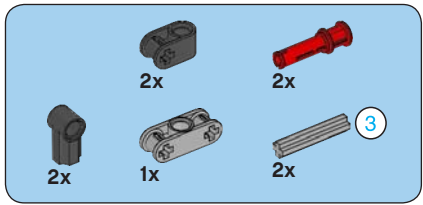


6

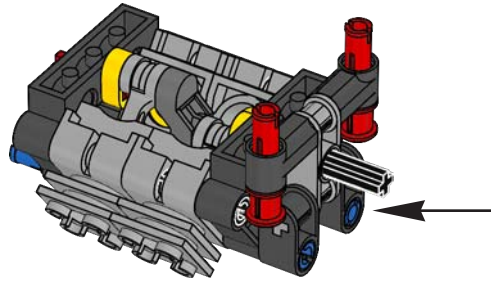
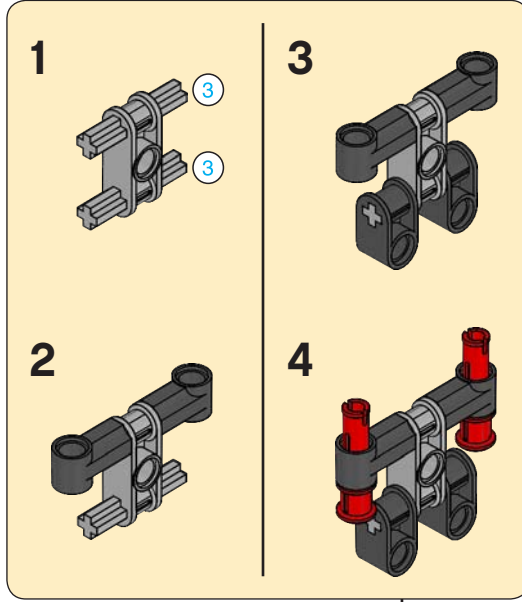


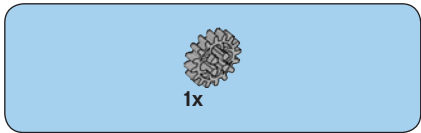
7



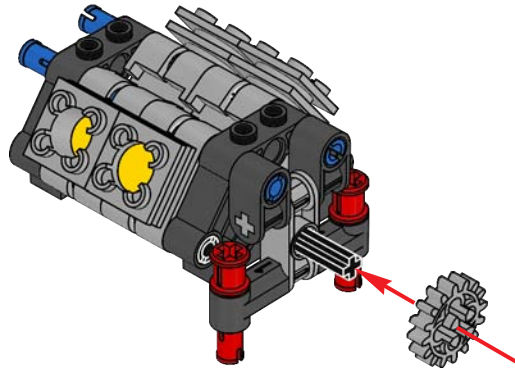


8

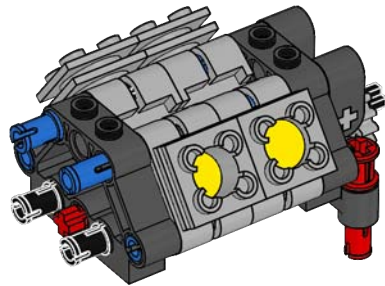




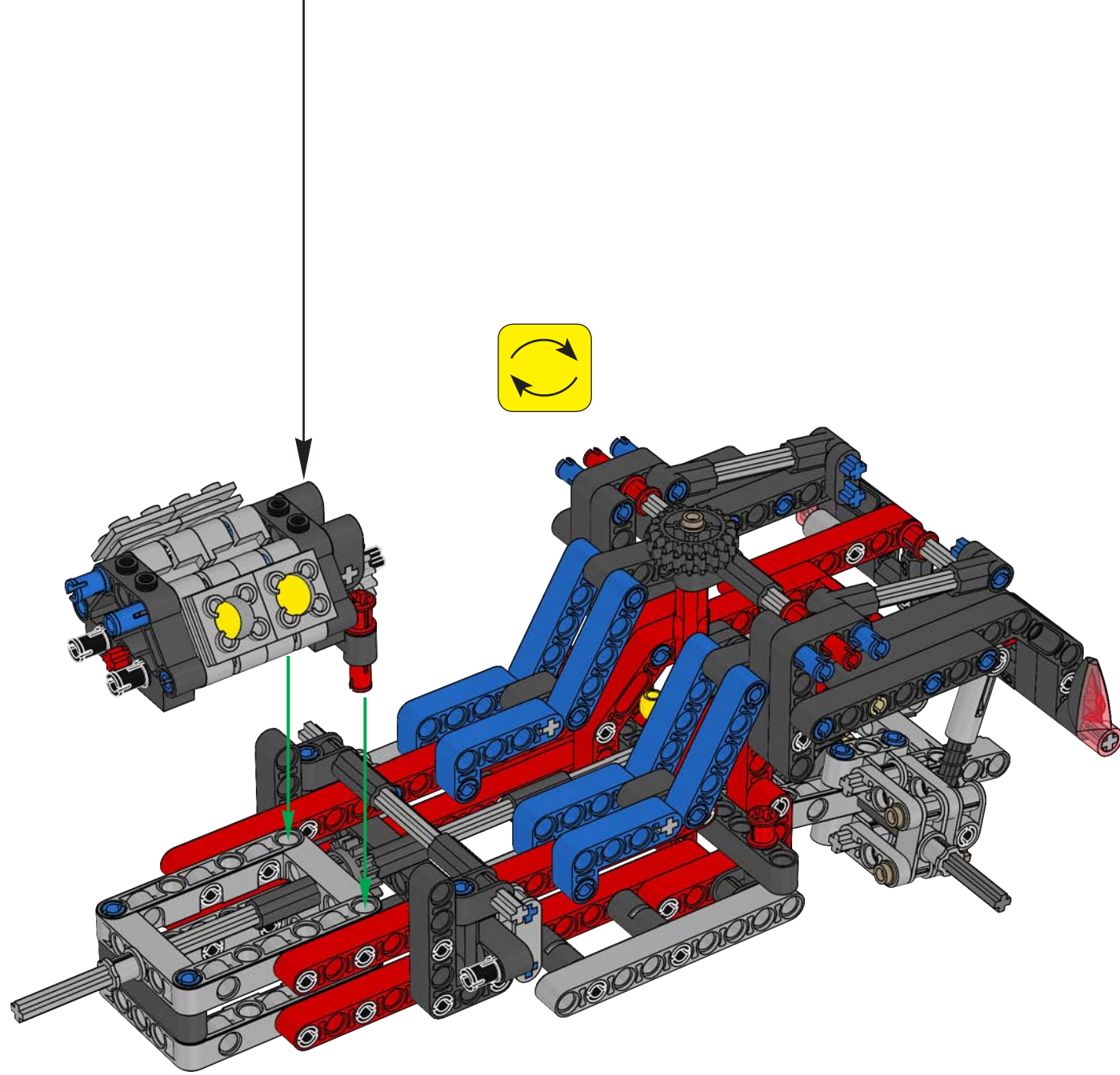
9

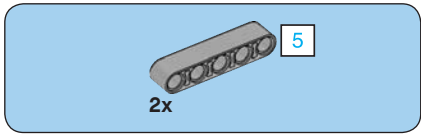


10

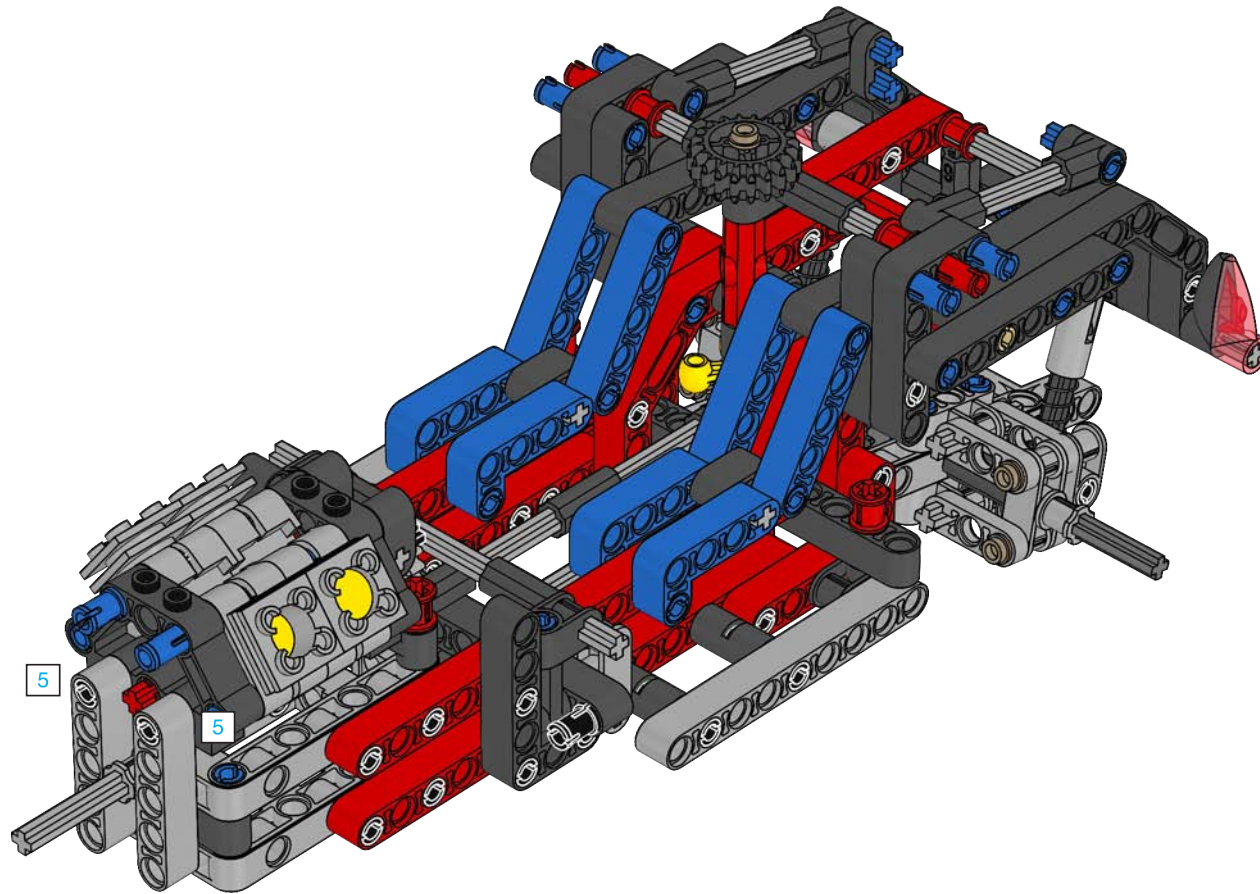


47



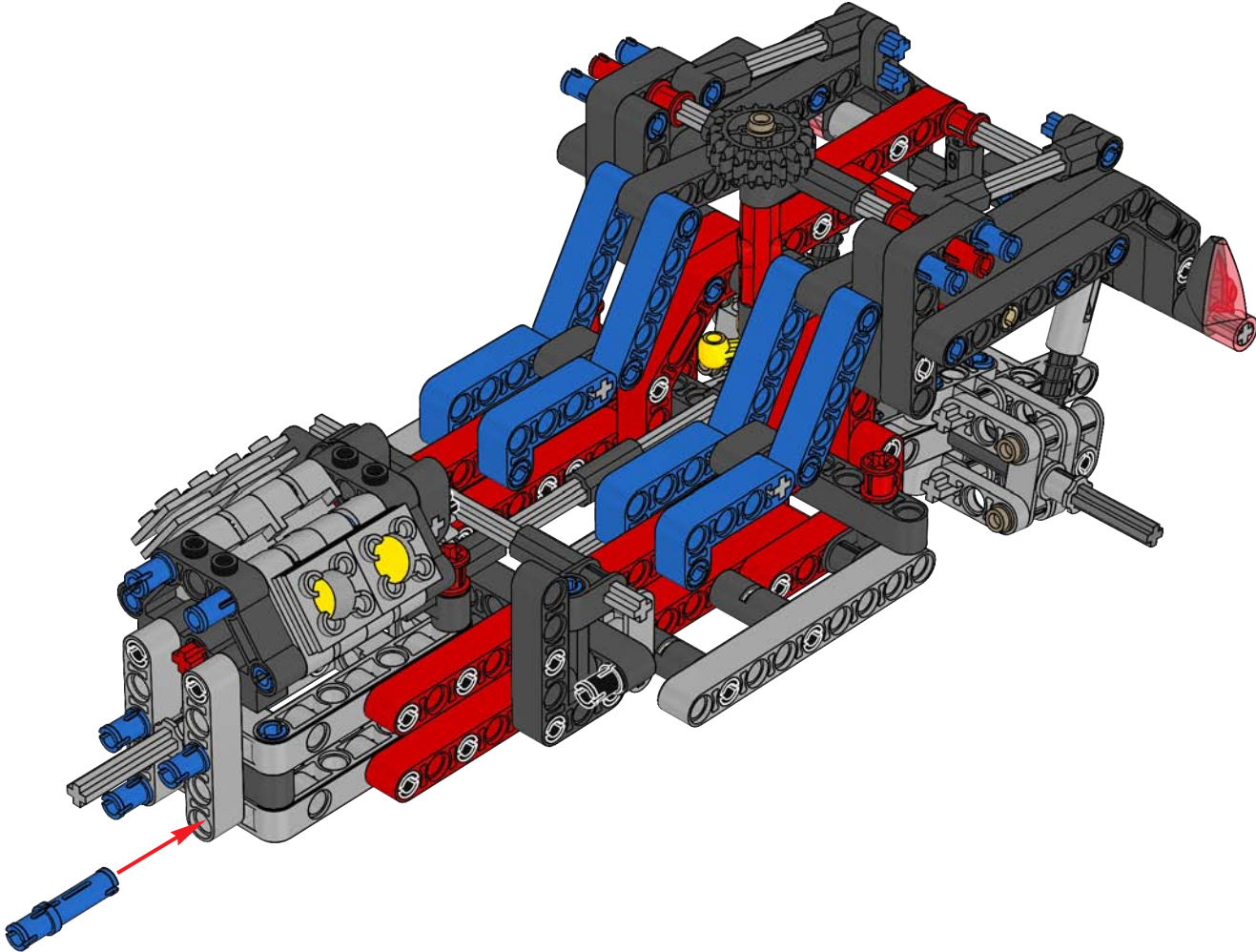


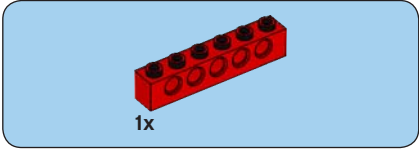
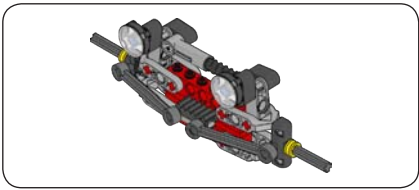
48



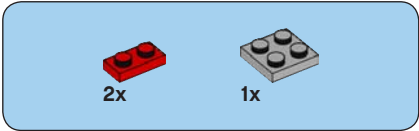
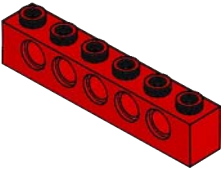


49

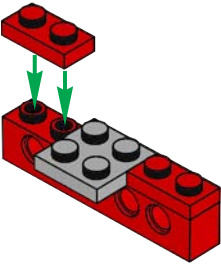


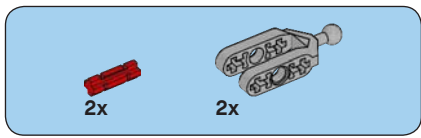


1

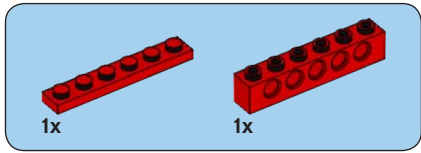
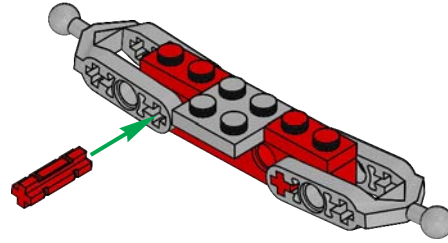


2

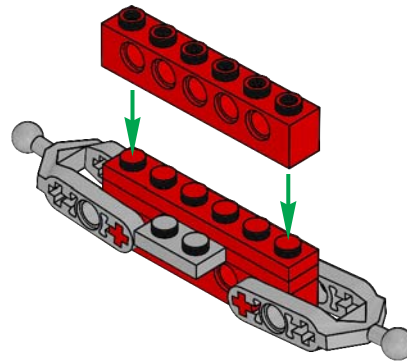


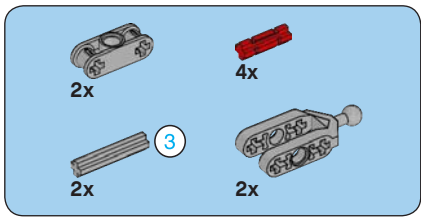


3

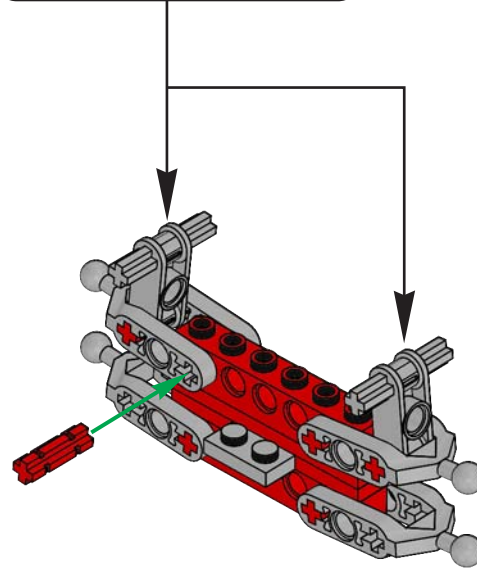
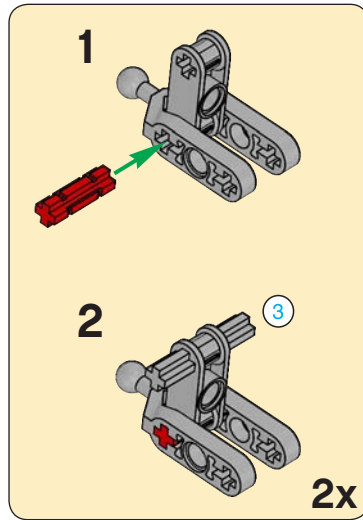


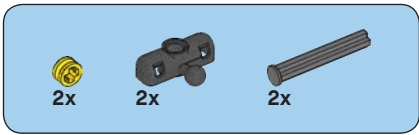
4



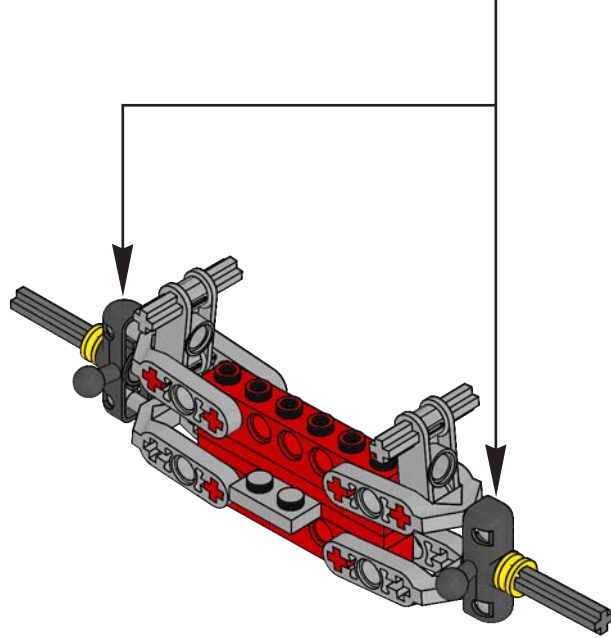
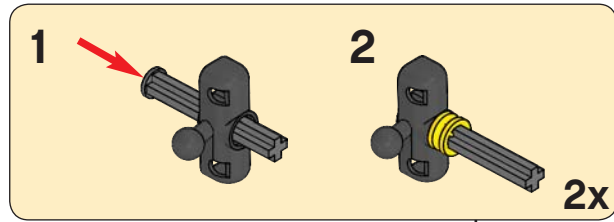


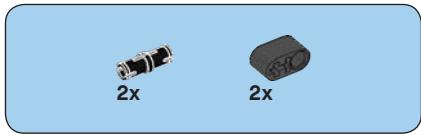
5



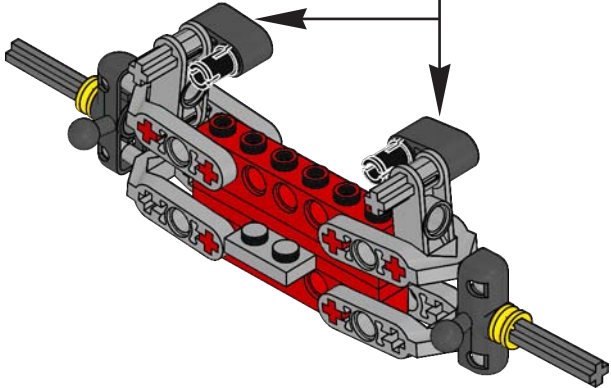
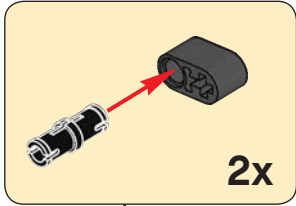


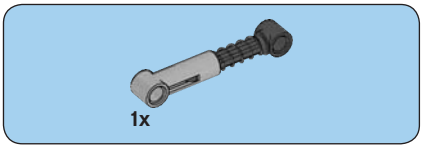
6



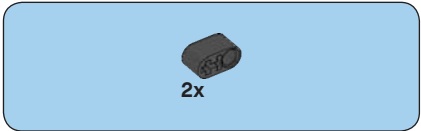
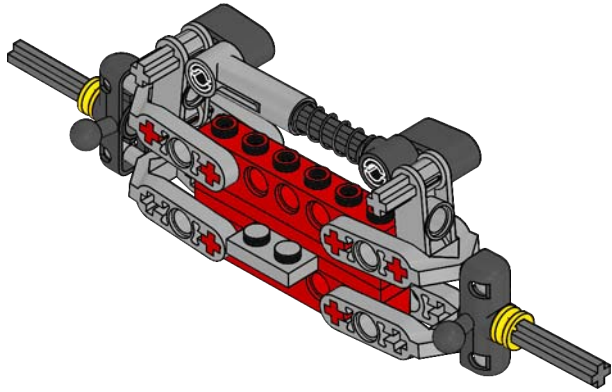


7

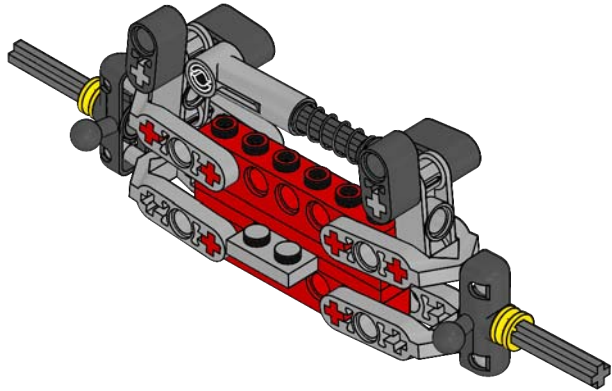


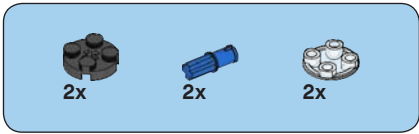


8

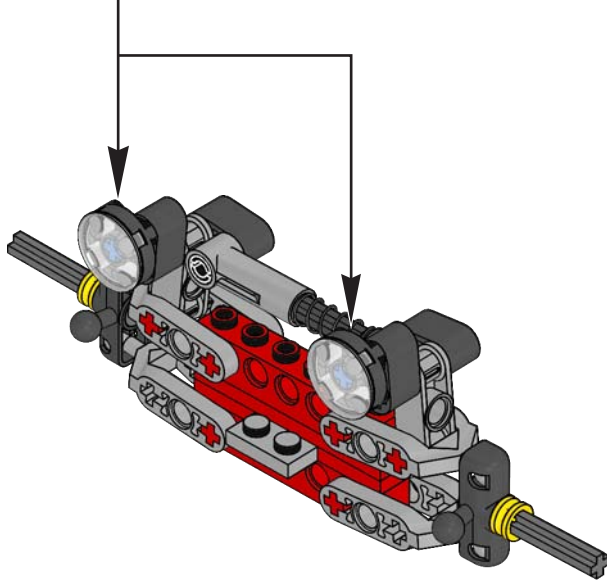
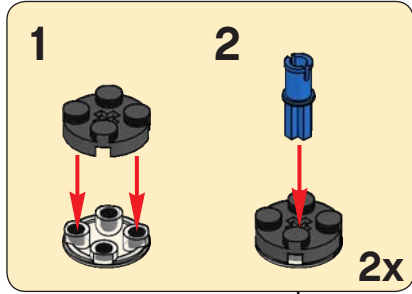


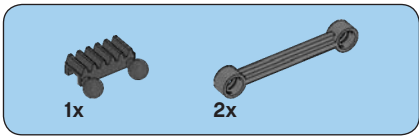
9



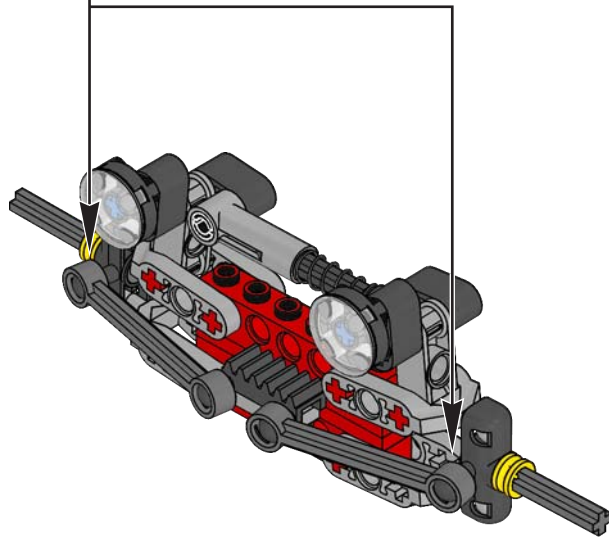
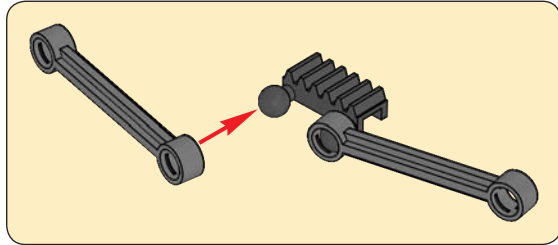


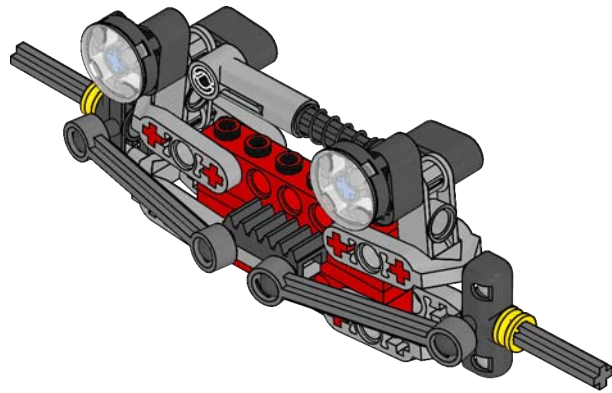
10



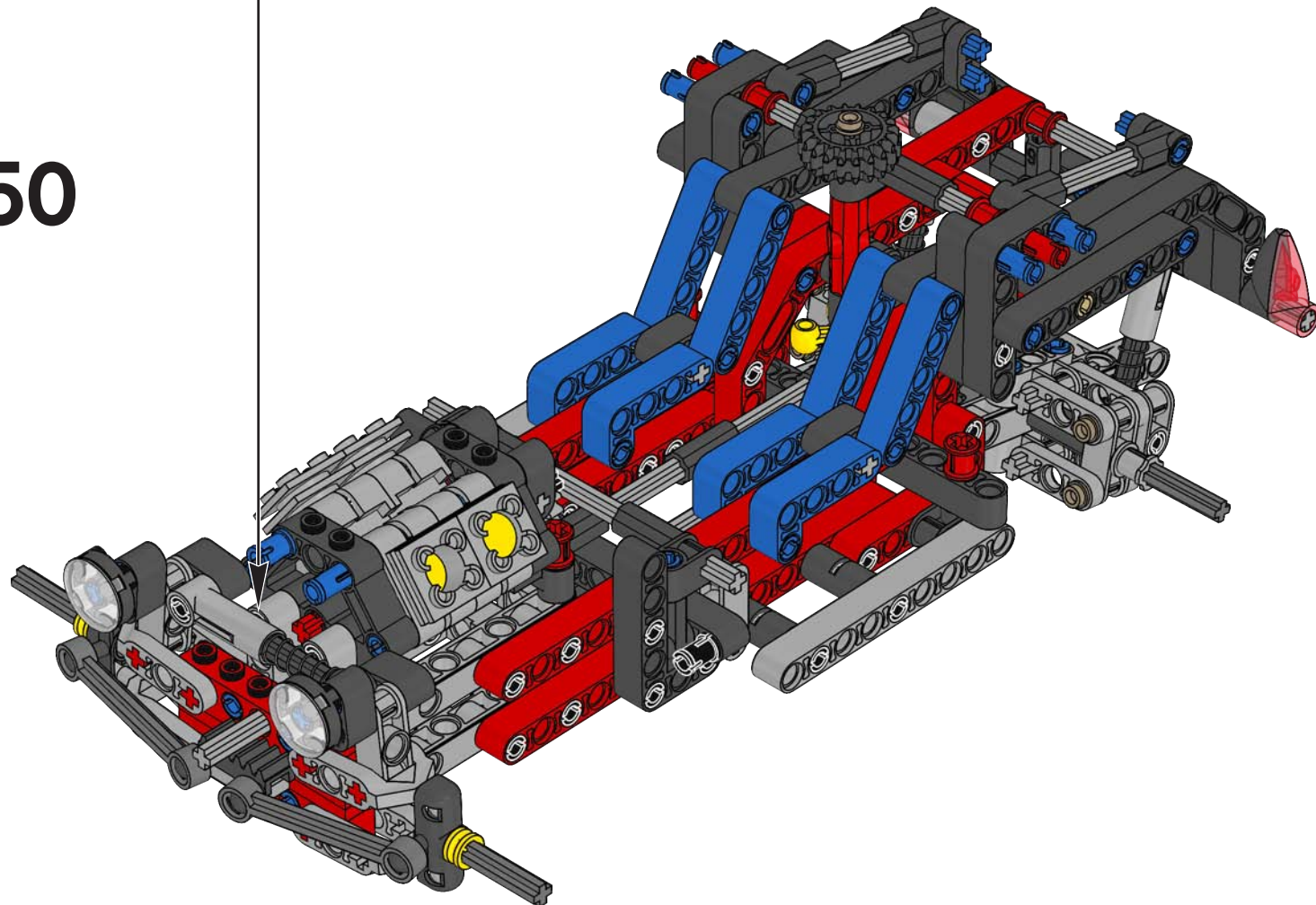


11





50



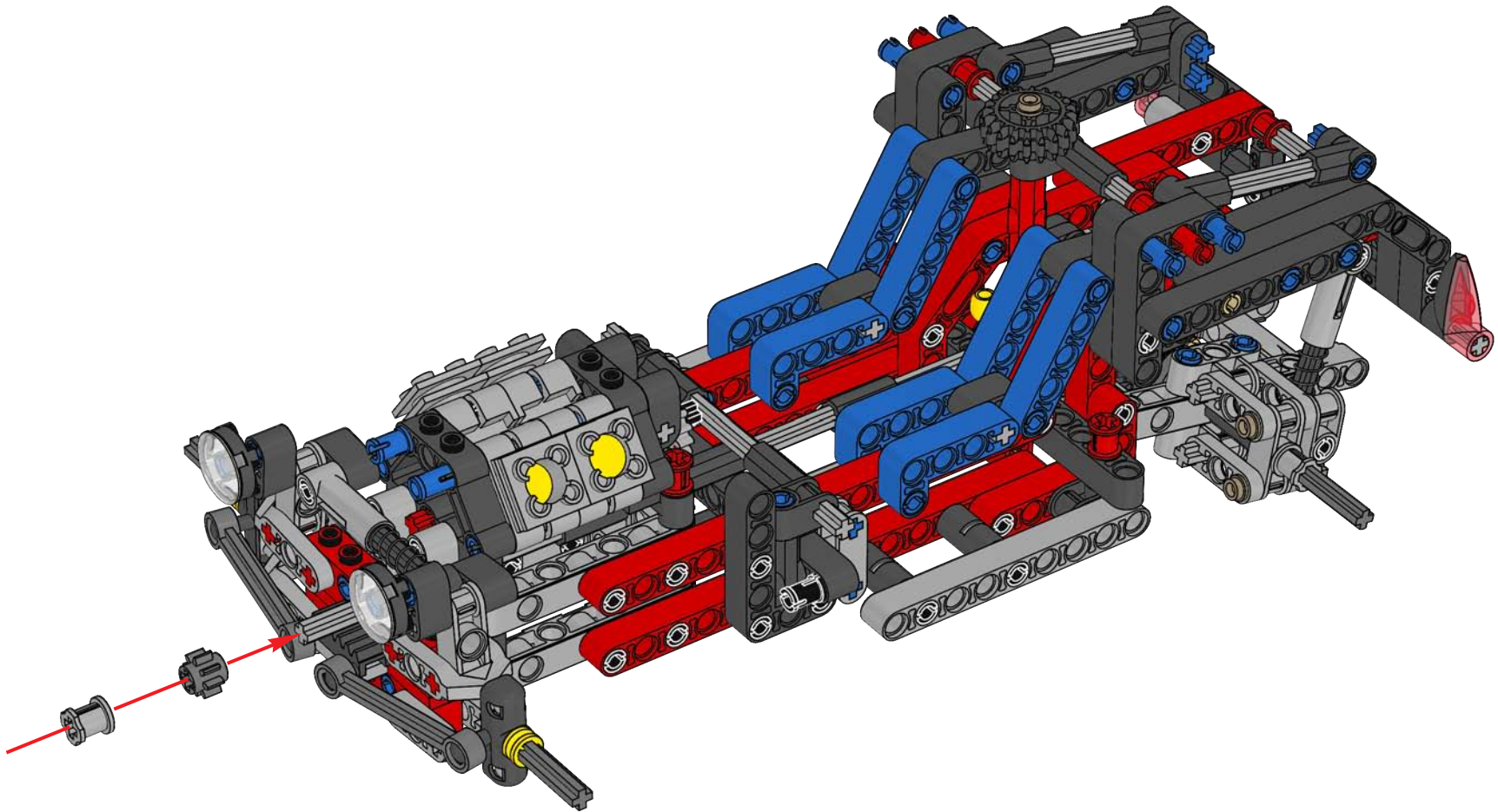


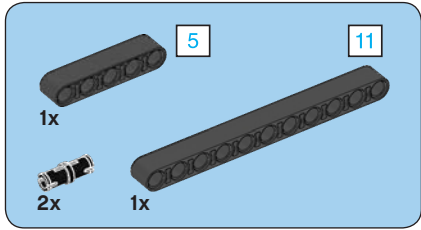
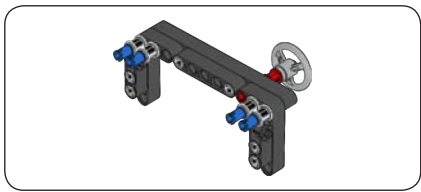
1x



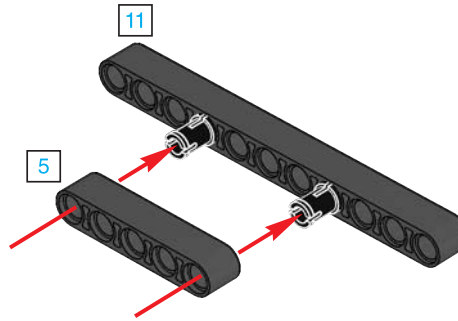
1x

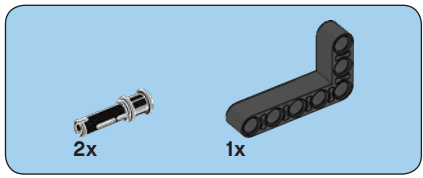
51



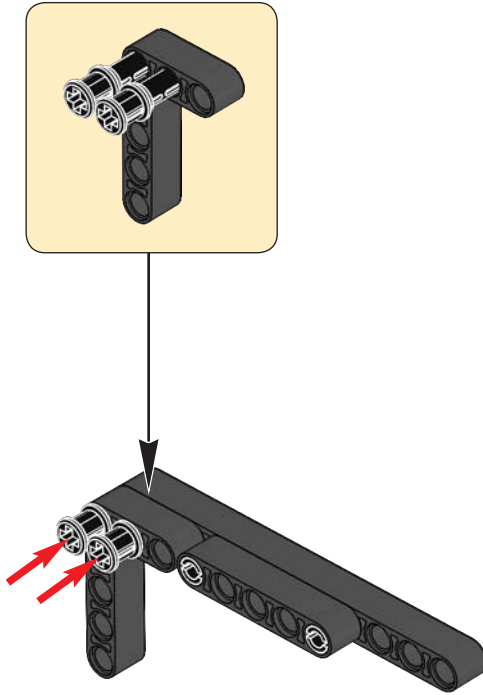


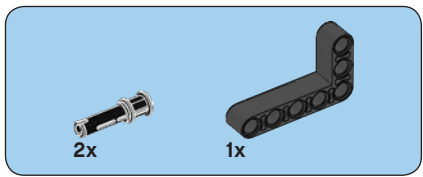
1



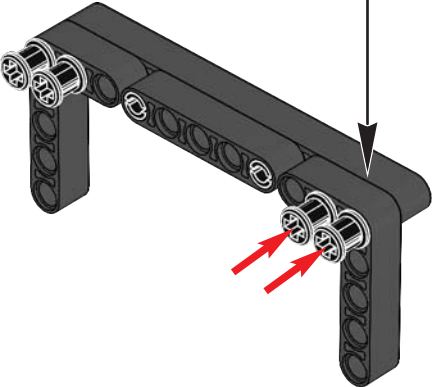
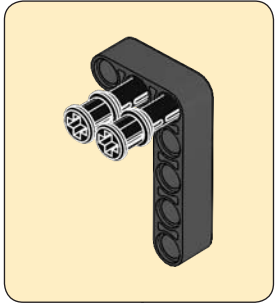


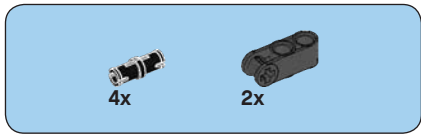
2



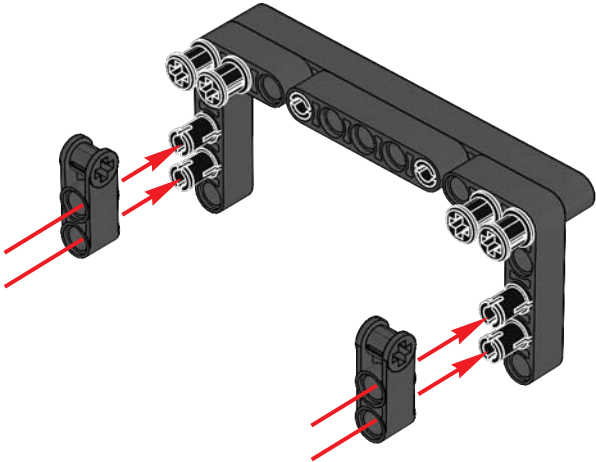


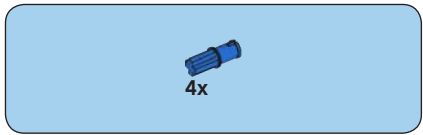
3



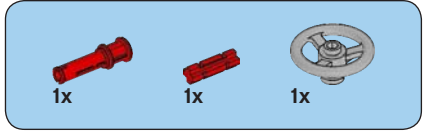
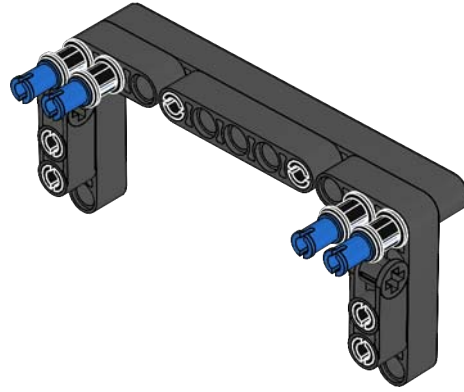


4

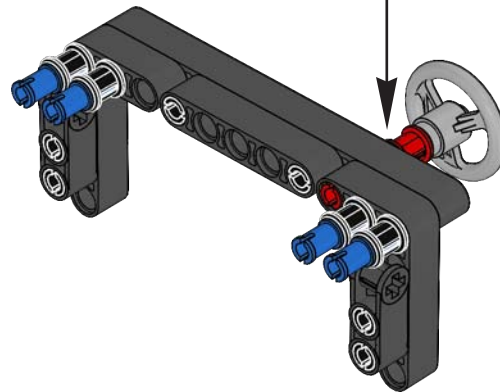
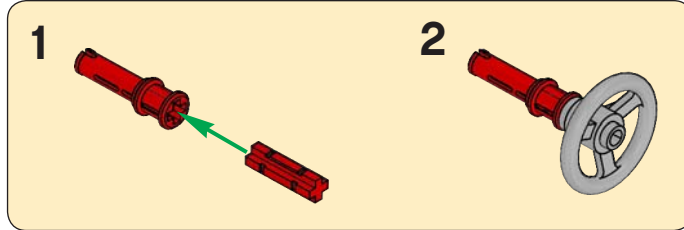


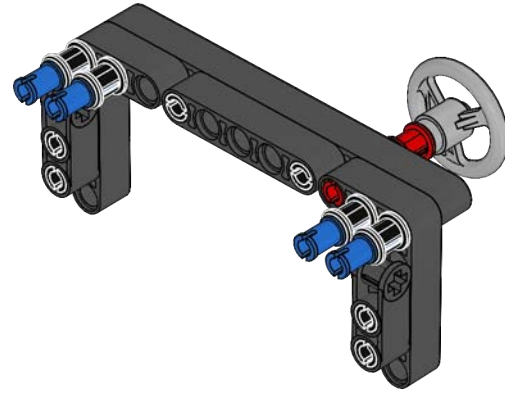


5

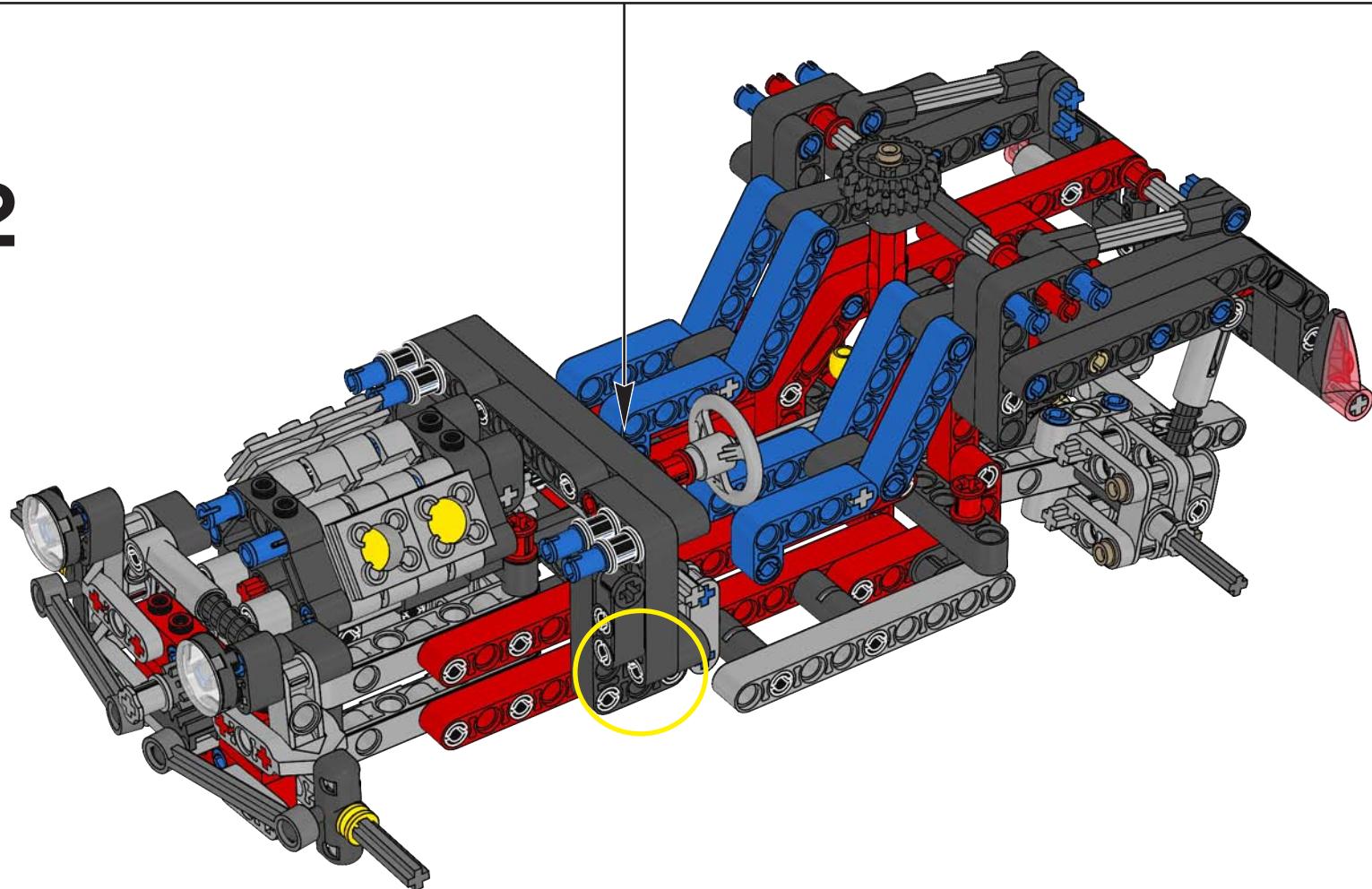


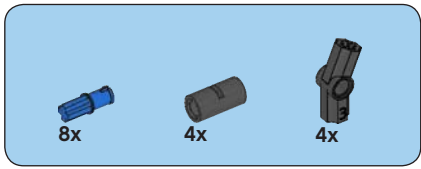
6



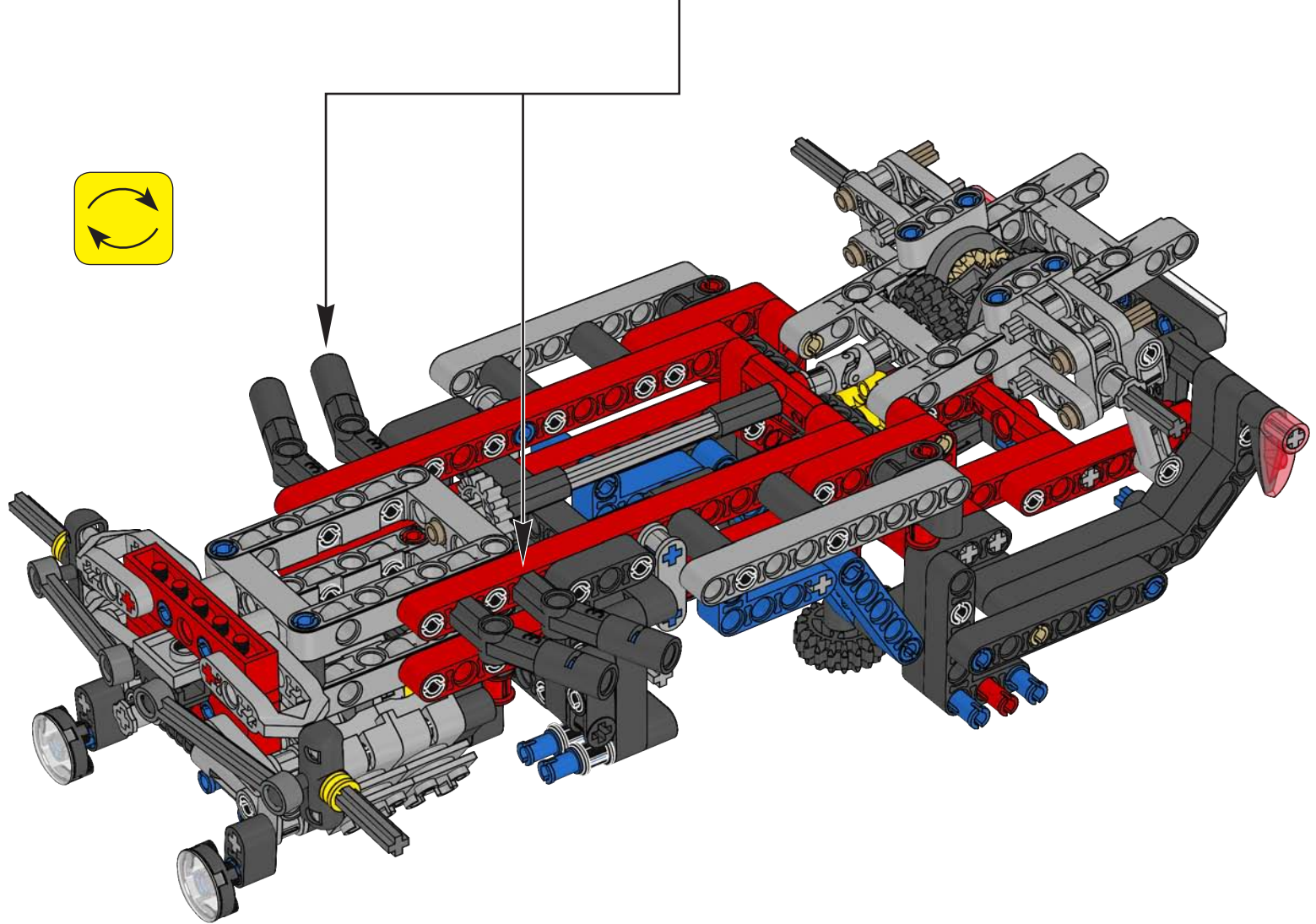
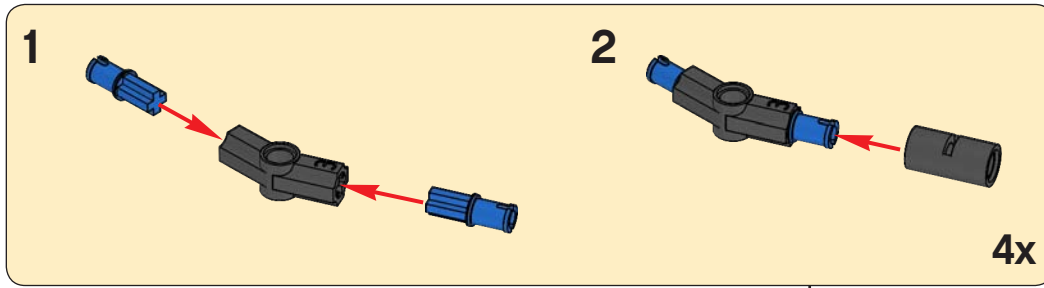


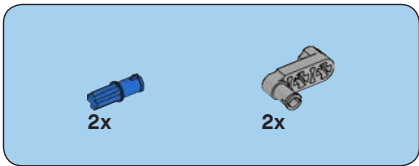
52



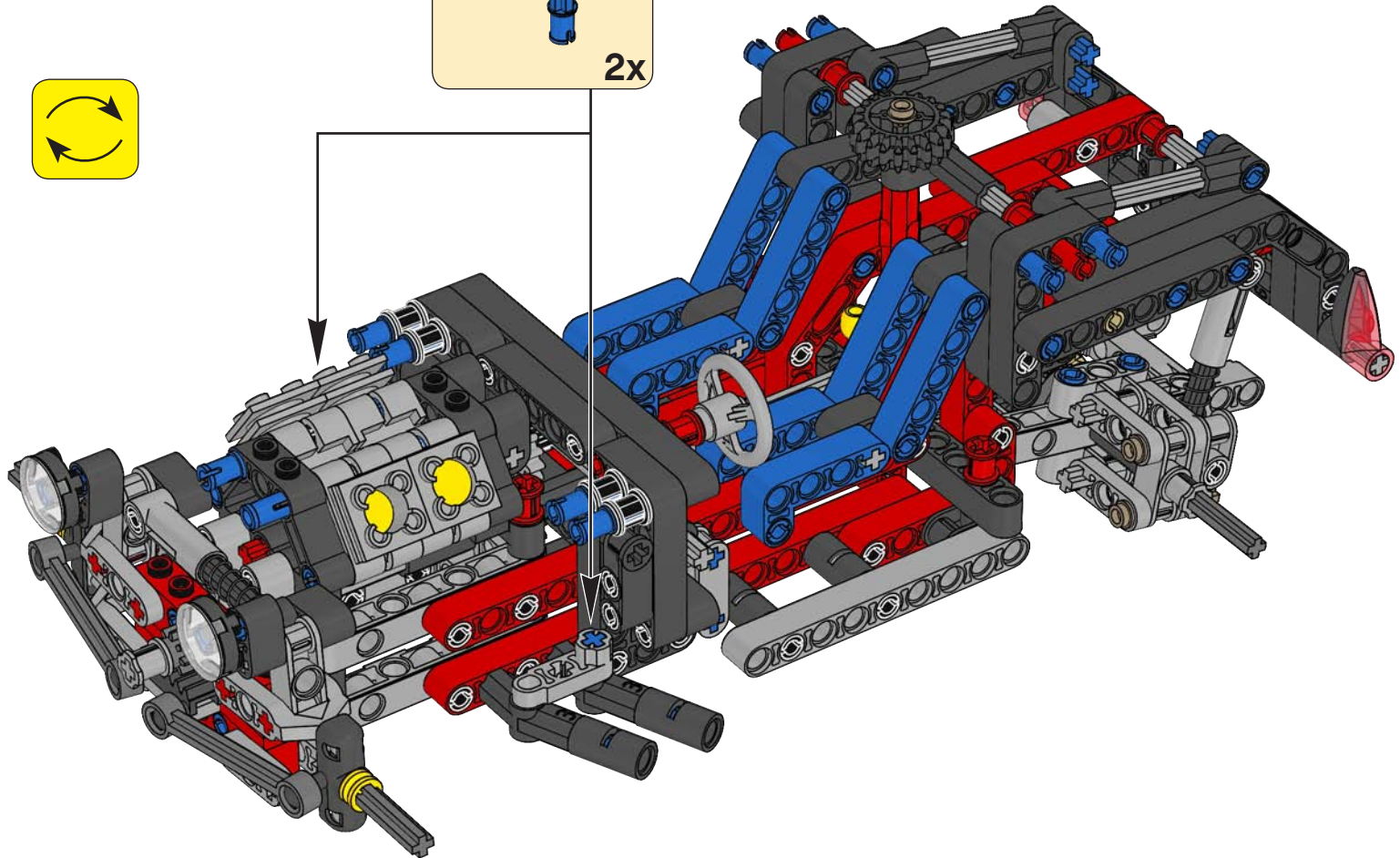
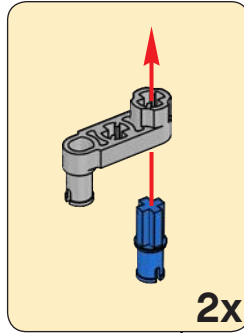


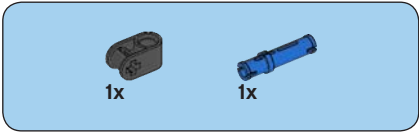
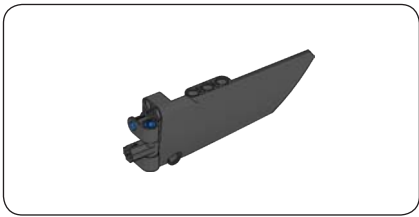
53



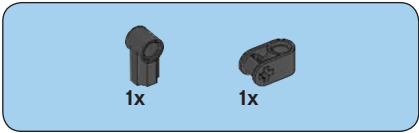
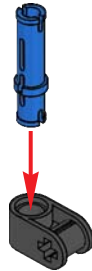


54

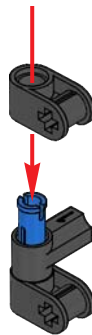


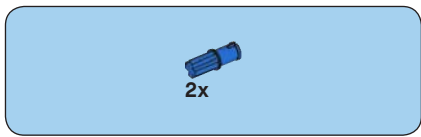


1

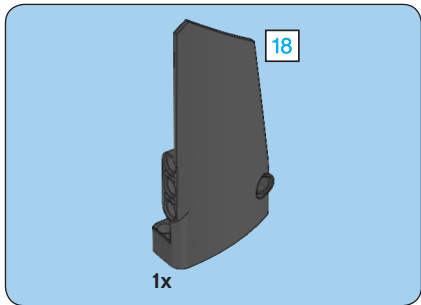
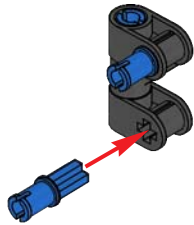


2

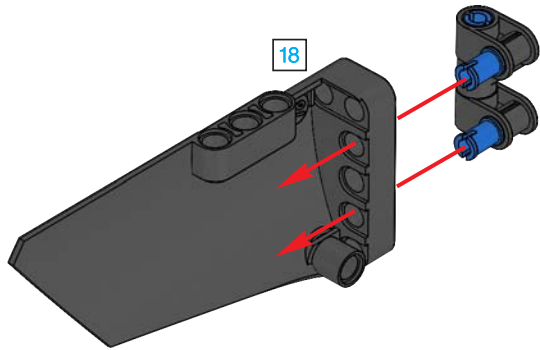


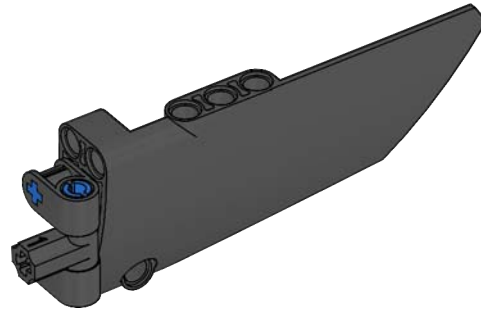


3

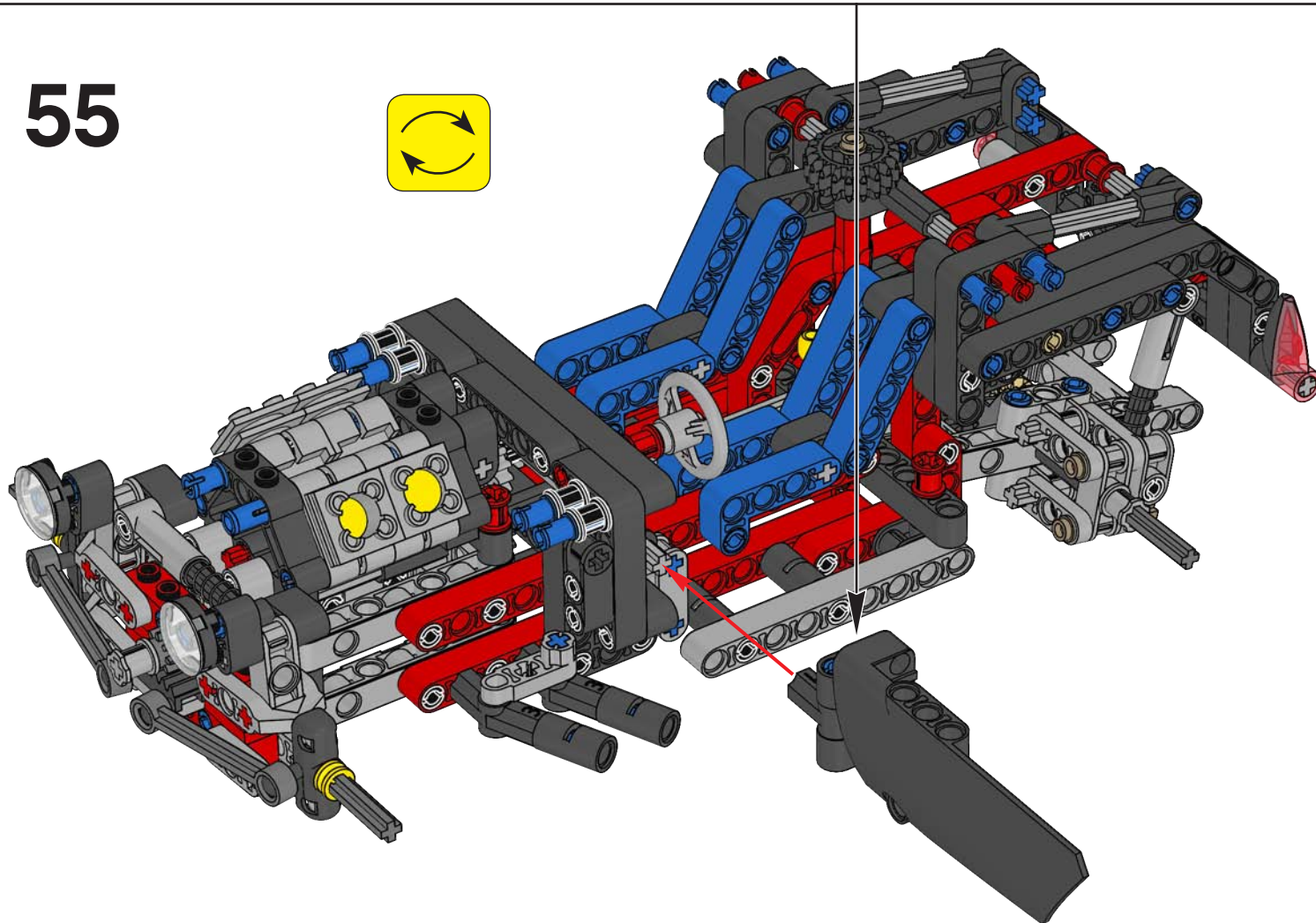


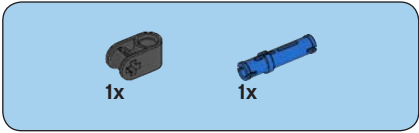
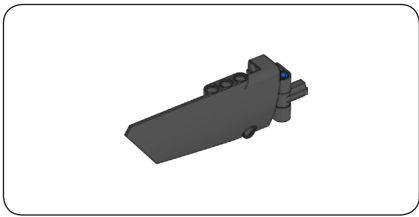
4



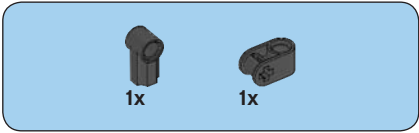
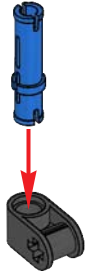


55

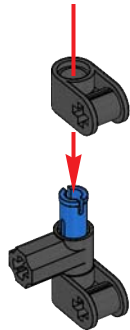


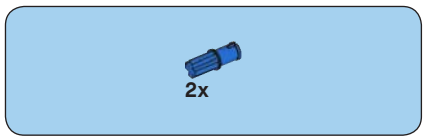


1

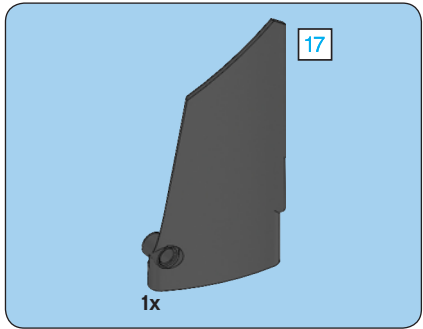
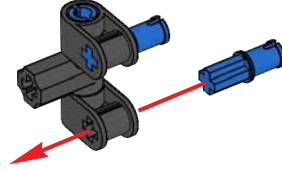


2

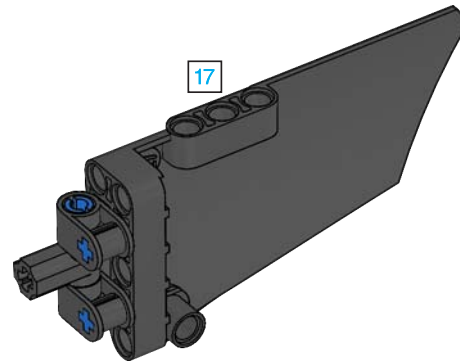


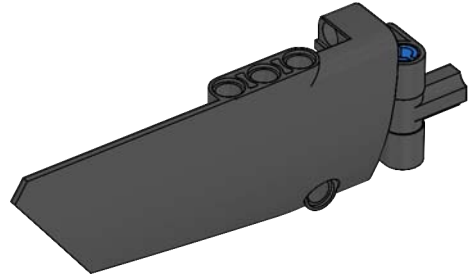


3

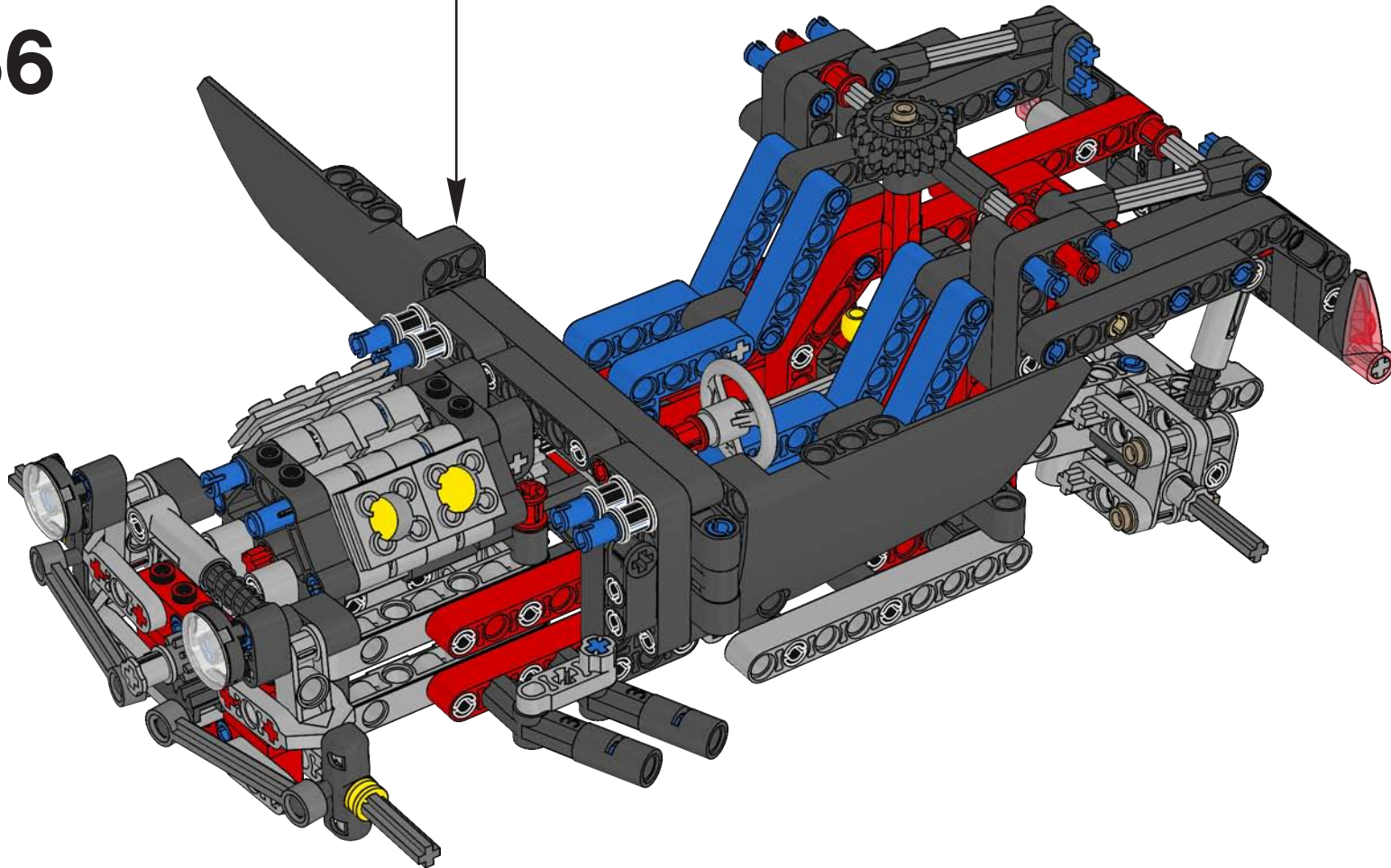


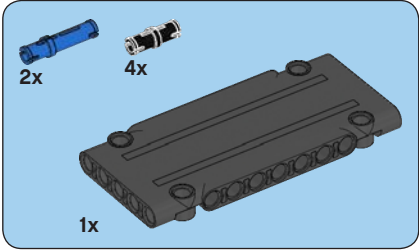
4



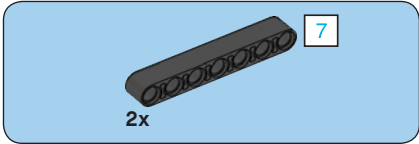
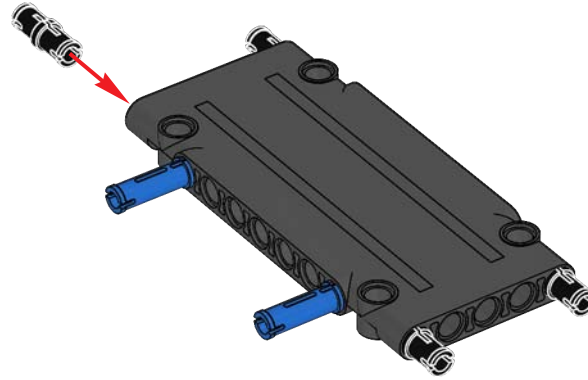


56

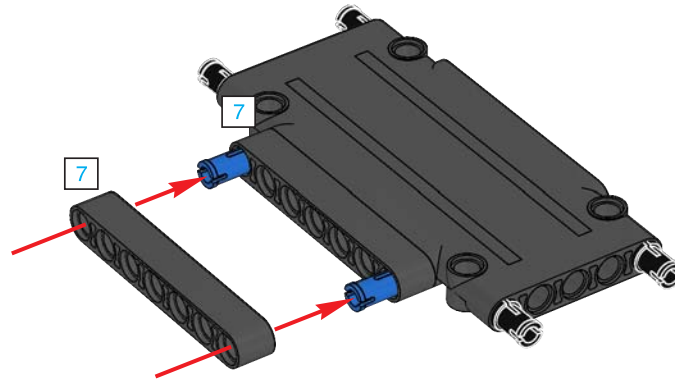


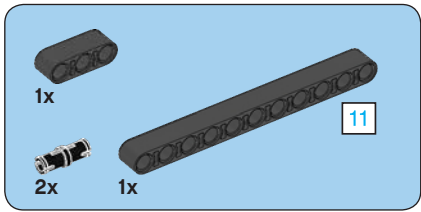


1

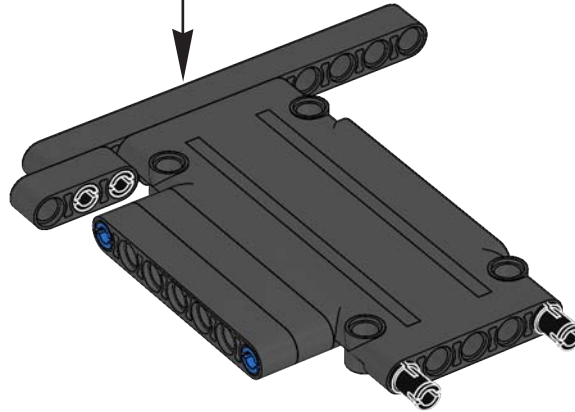
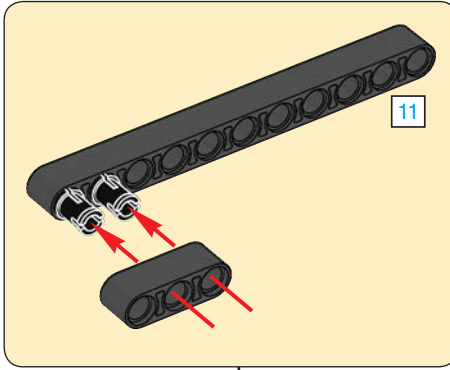


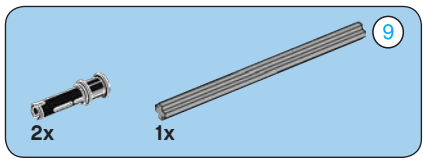
2



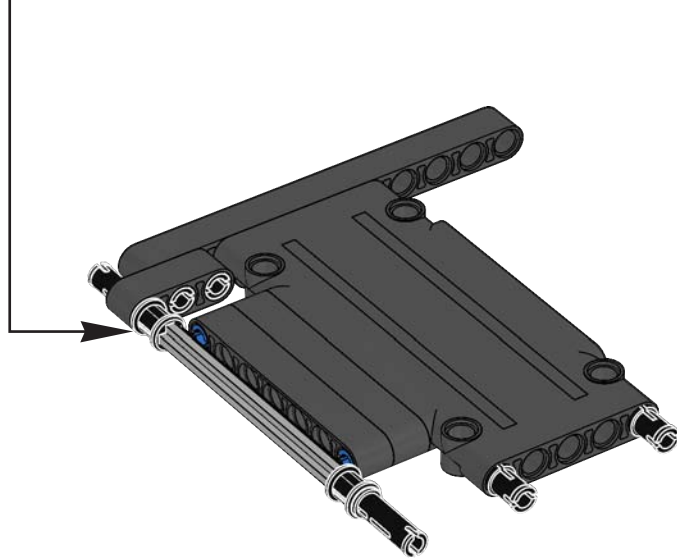
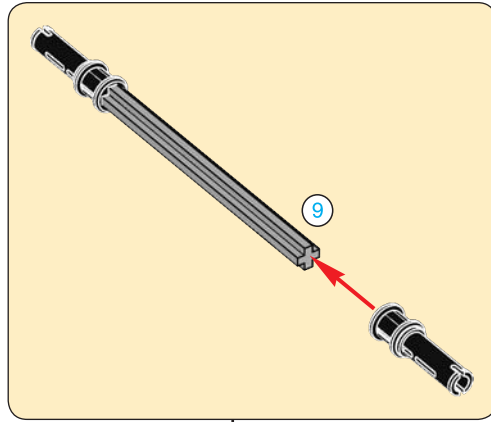


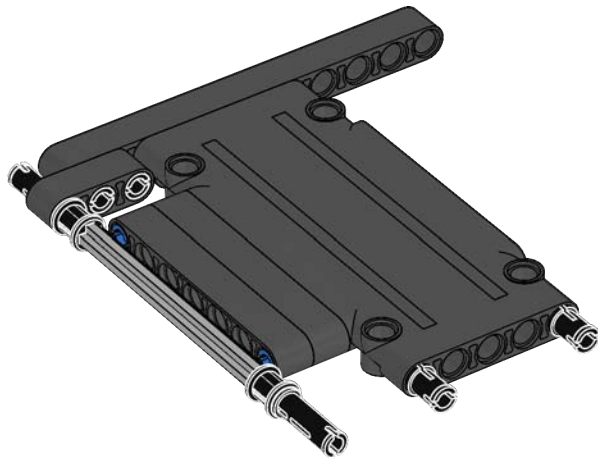
3



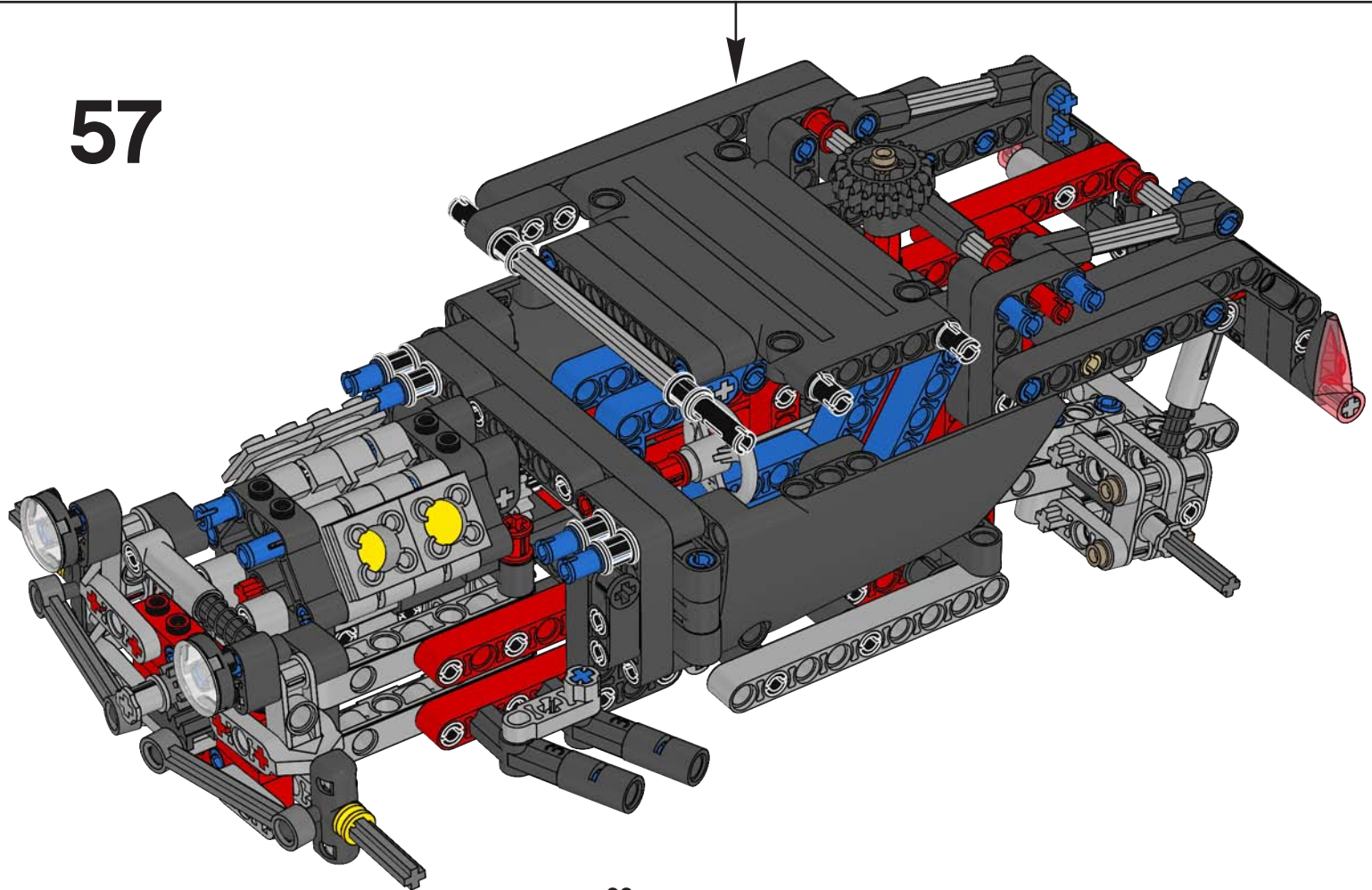


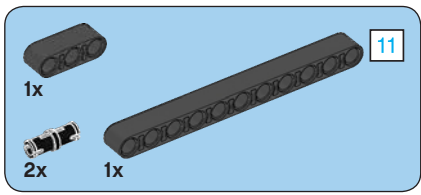
4



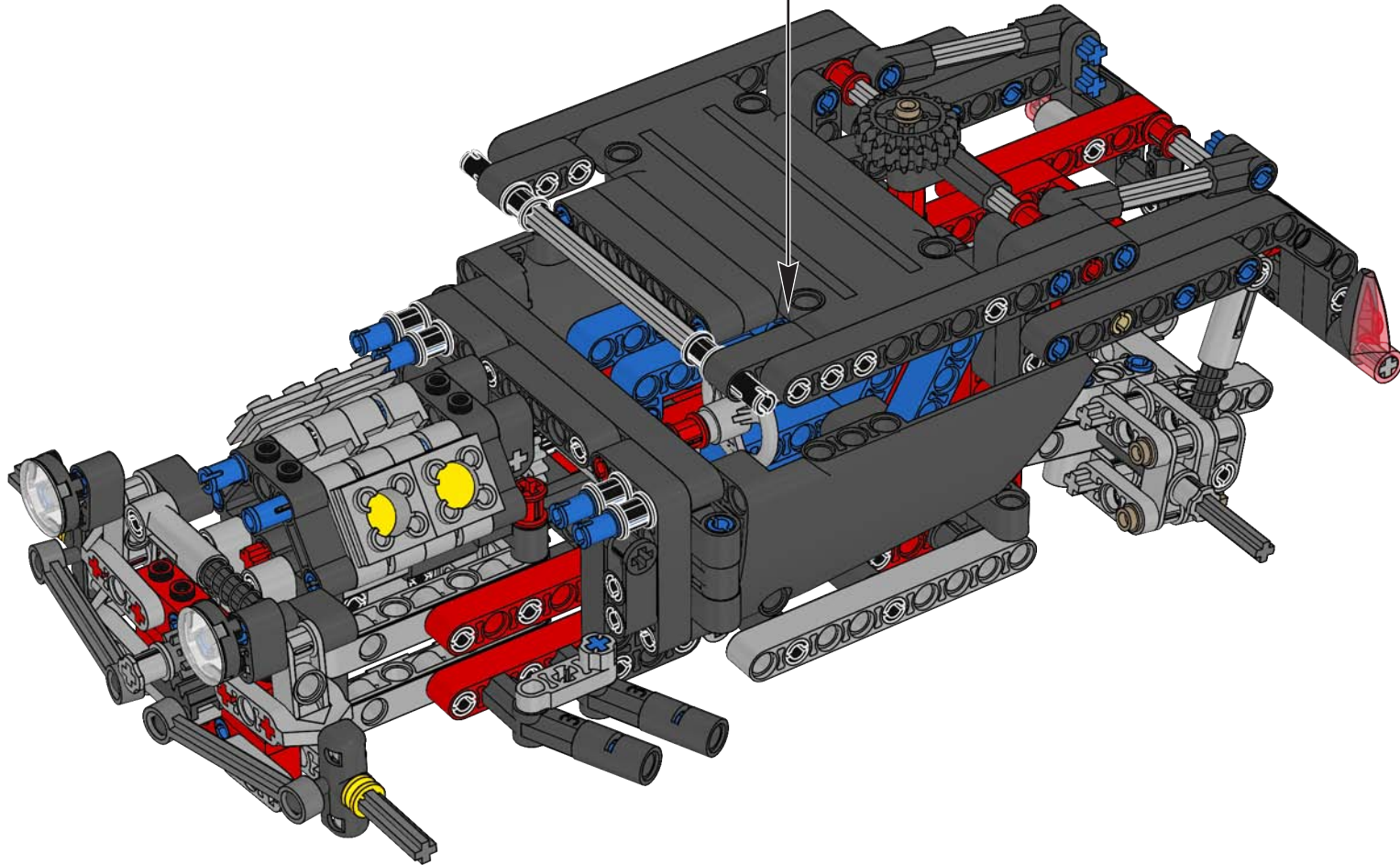
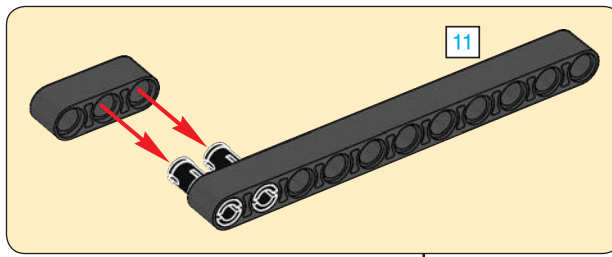


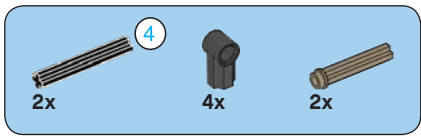
57



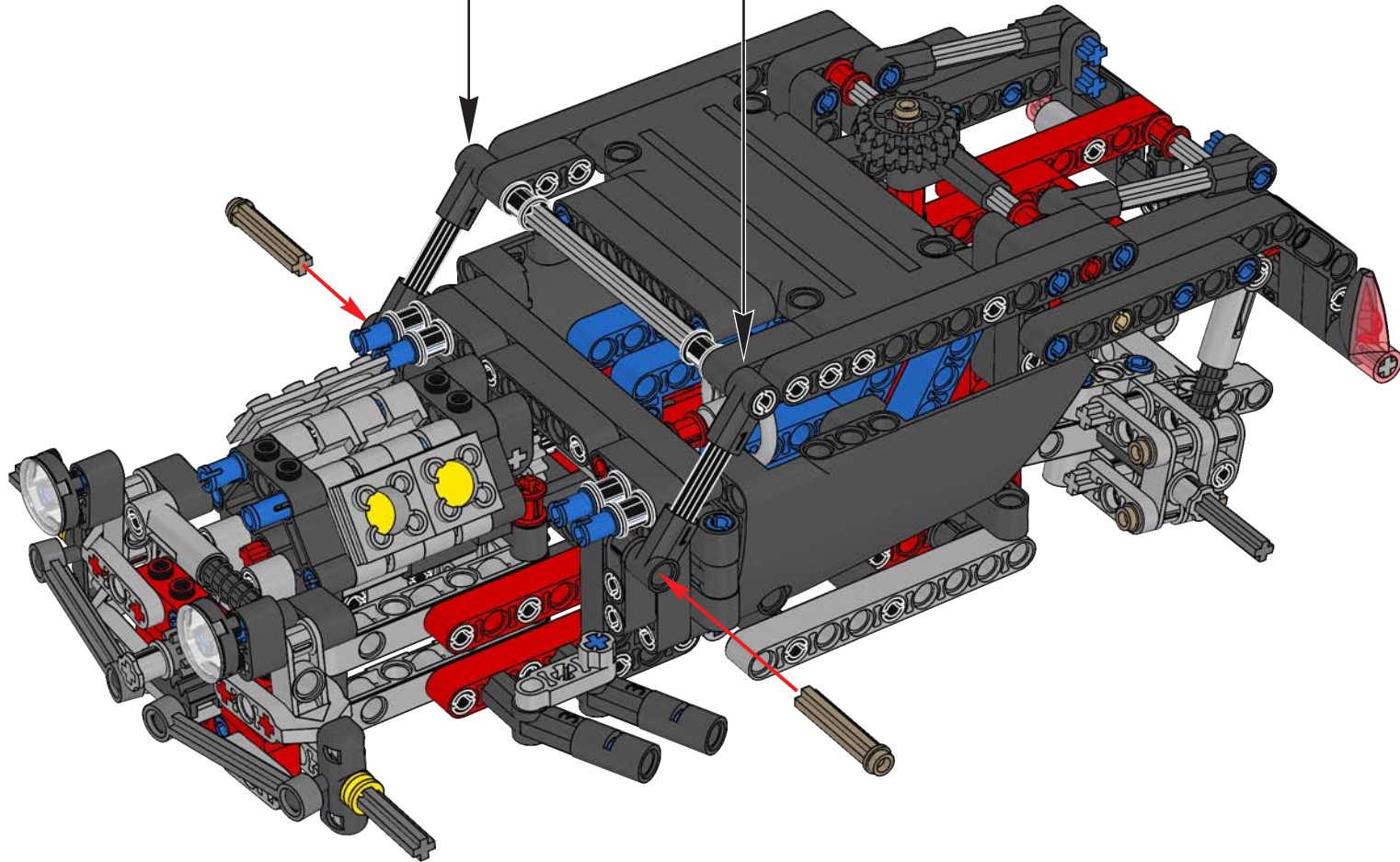
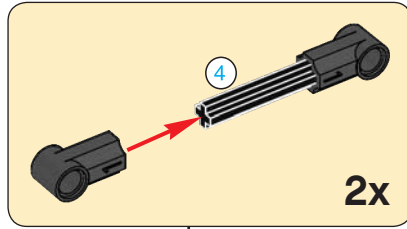


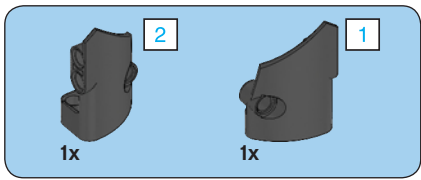
58



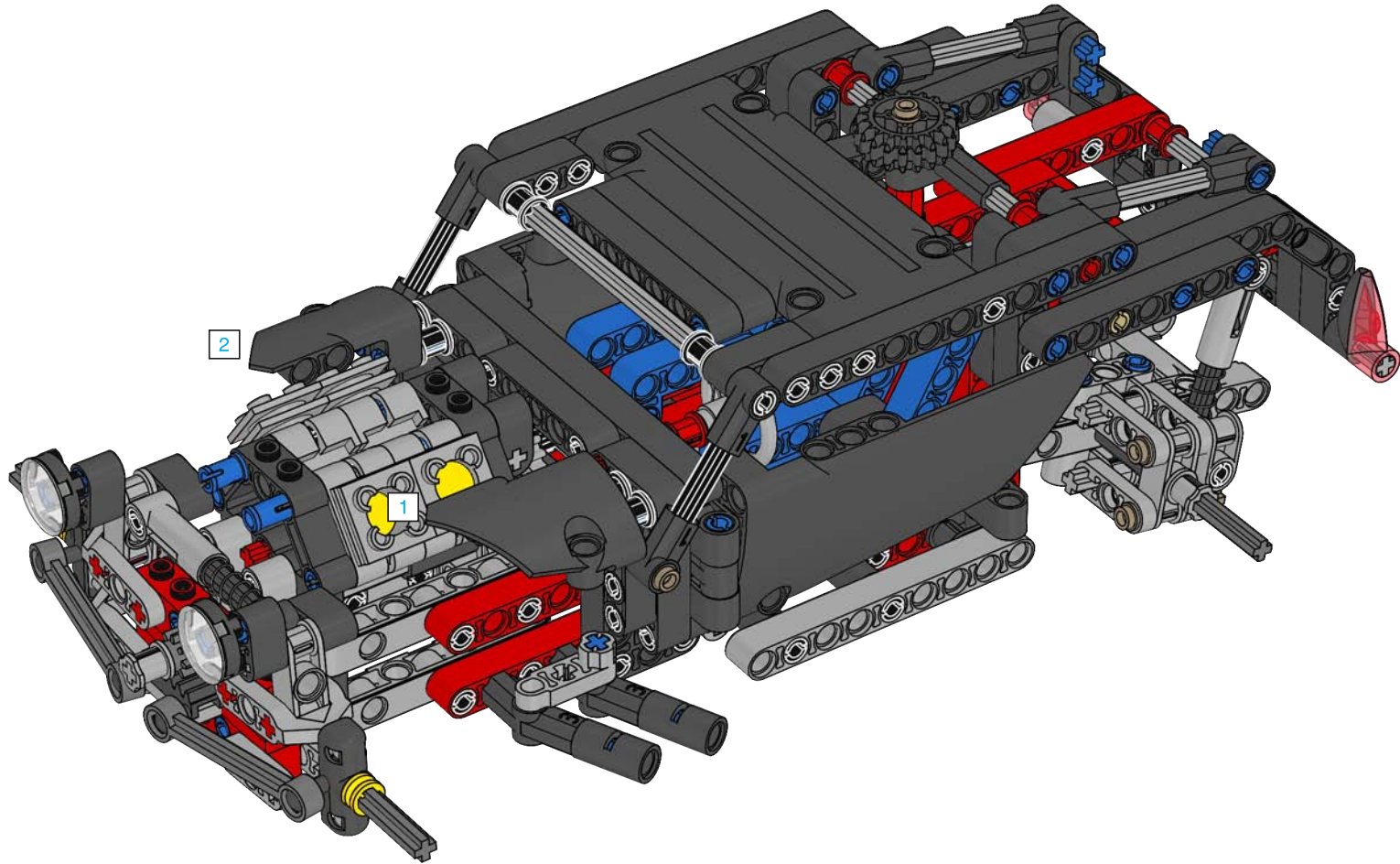


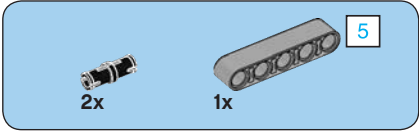
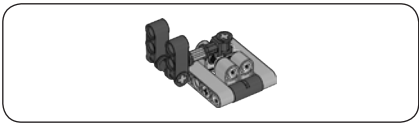
59



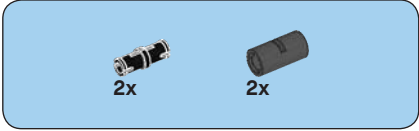
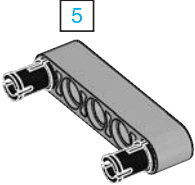


60

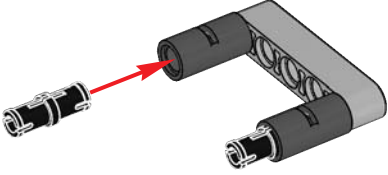


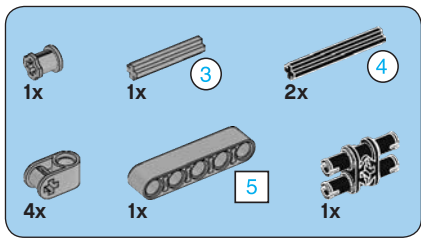


1

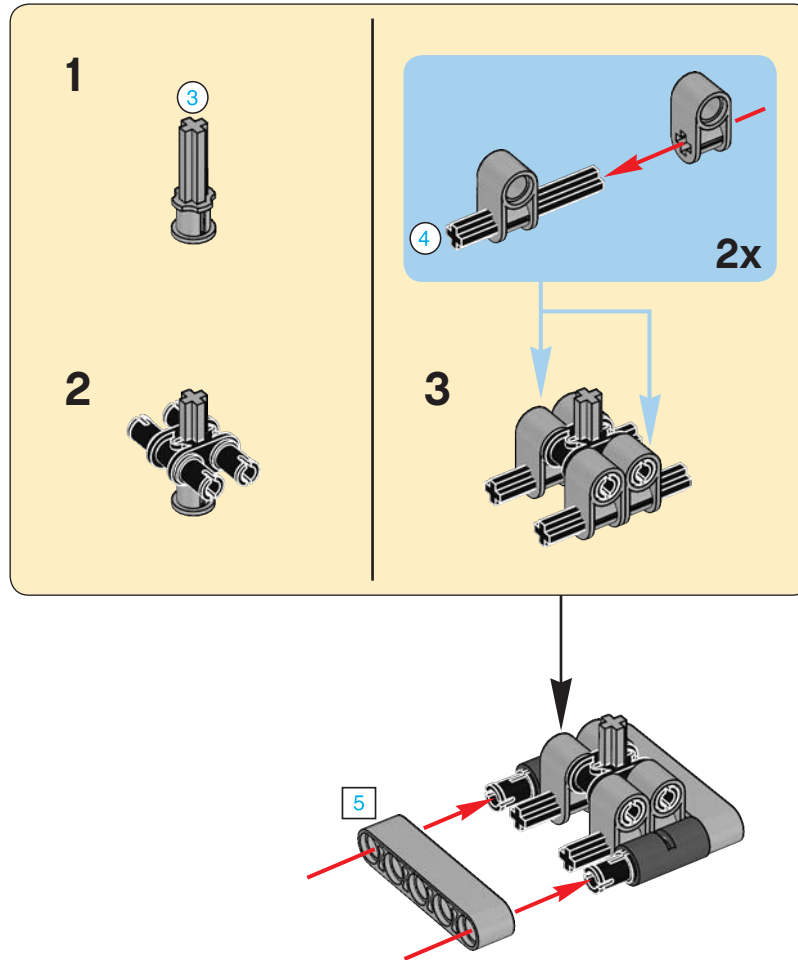


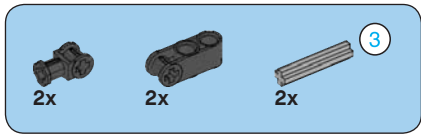
2



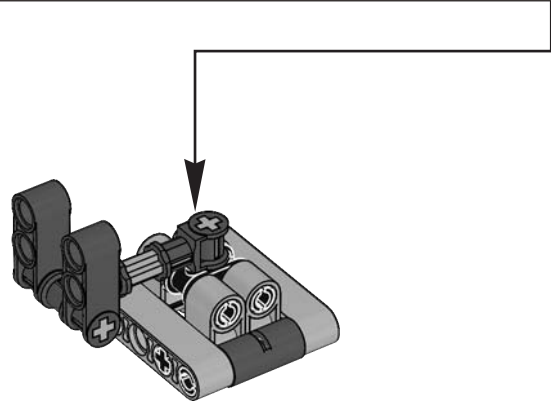
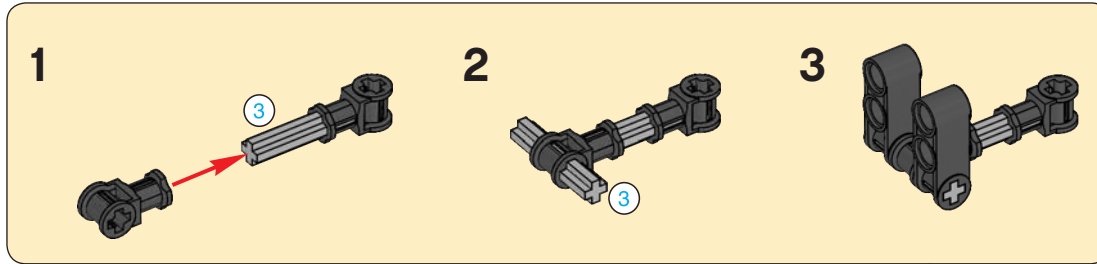


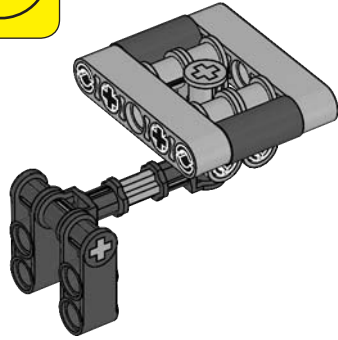
3



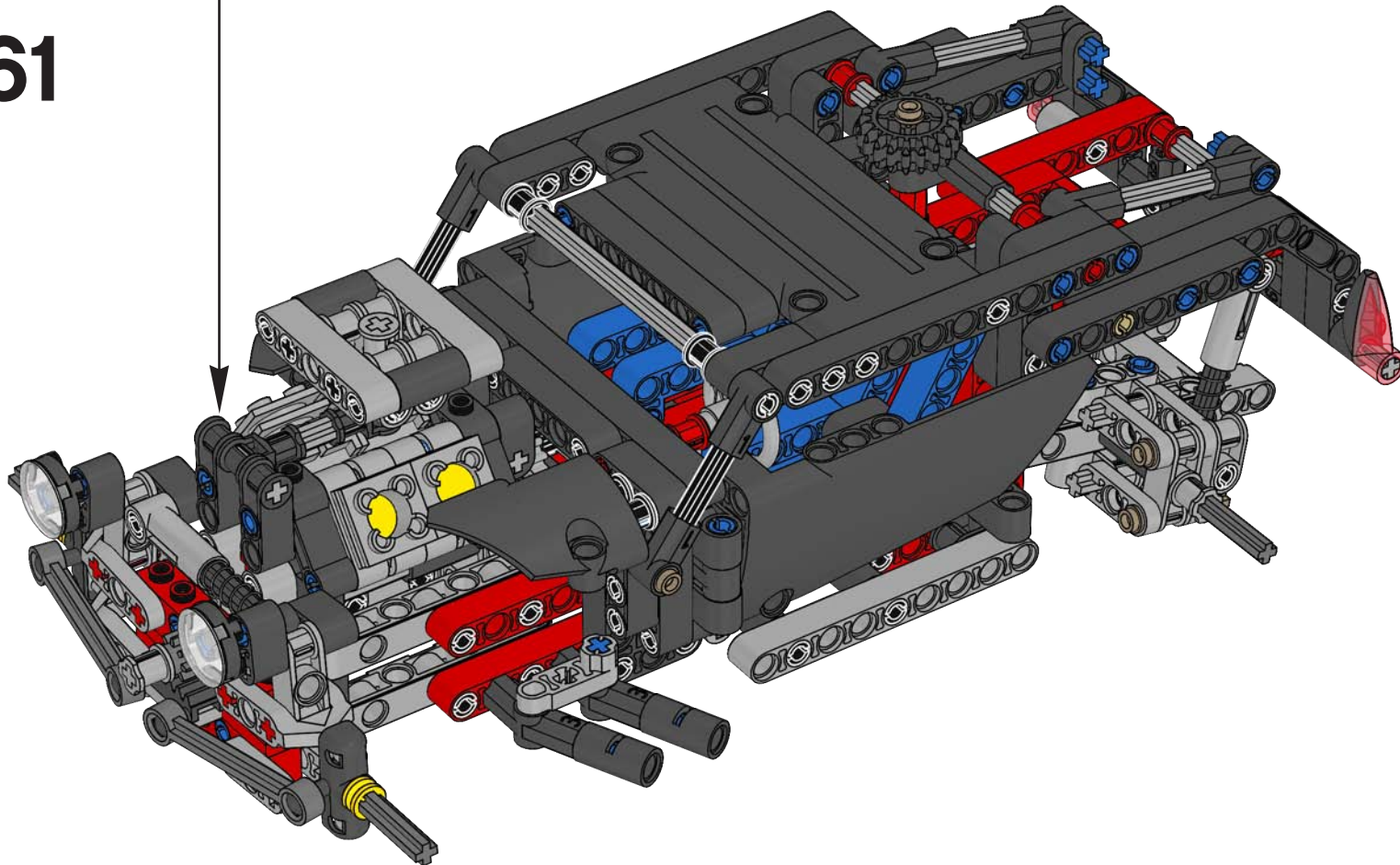


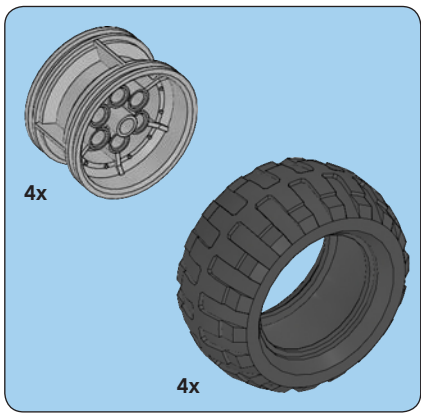
4





61





62

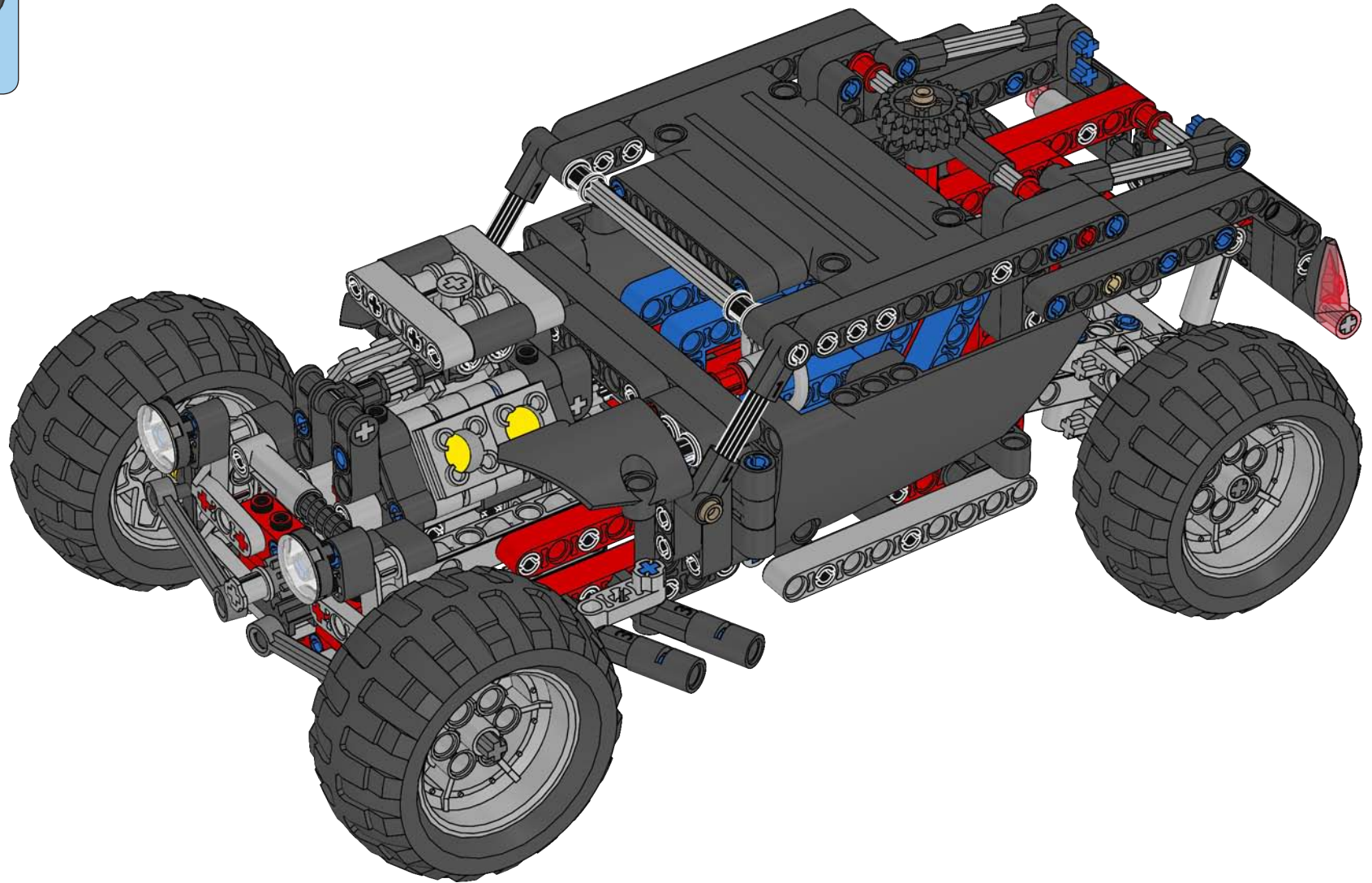
































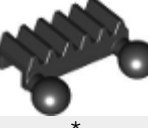



















Image	Qty	Item No	Description	MID
Regular Items:				
Parts:				
	2	x346	Black Bionicle 1 x 3 Tooth with Axle Hole Catalog: Parts: Bionicle 6288220 or 4177441 or 4540065	PG
	2	x346	Trans-Red Bionicle 1 x 3 Tooth with Axle Hole Catalog: Parts: Bionicle 6275769 or 4163567	PG
	1	75c12	Black Hose, Rigid 3mm D. 12L / 9.6cm Catalog: Parts: Hose, Rigid 3mm D. 4296268 or 4526794	PG
	2	3023	Red Plate 1 x 2 Catalog: Parts: Plate 302321	PG
	1	3666	Red Plate 1 x 6 Catalog: Parts: Plate 366621	PG
	1	3022	Light Bluish Gray Plate 2 x 2 Catalog: Parts: Plate 4211397	PG
	1	3034	Black Plate 2 x 8 Catalog: Parts: Plate 303426	PG
	2	2444	Red Plate, Modified 2 x 2 with Pin Hole Catalog: Parts: Plate, Modified 244421	PG
	2	4073	Trans-Clear Plate, Round 1 x 1 Catalog: Parts: Plate, Round 6240030 or 3005740	PG
	2	4032	Black Plate, Round 2 x 2 with Axle Hole Catalog: Parts: Plate, Round 403226	PG
	2	2654	Trans-Clear Plate, Round 2 x 2 with Rounded Bottom (Boat Stud) Catalog: Parts: Plate, Round 6163901 or 4199303 or 4278412	PG














+	 *	1	8081stk01	Sticker for Set 8081 - (97556/4636802) Catalog: Parts: Sticker 4636802	PG		
+	 *	6	3713	Light Bluish Gray Technic Bush Catalog: Parts: Technic 6275844 or 4211622	PG		
+	 *	2	4265c	Yellow Technic Bush 1/2 Smooth Catalog: Parts: Technic 6271167 or 4239601 or 3212324	PG		
+	 *	4	2852	Light Bluish Gray Technic Engine Connecting Rod Catalog: Parts: Technic 6000018 or 4211379 or 2852194	PG		
+	 *	2	2853	Yellow Technic Engine Crankshaft Catalog: Parts: Technic 4119474	PG		
+	 *	1	2854	Dark Bluish Gray Technic Engine Crankshaft Center Catalog: Parts: Technic 6007058 or 4210987 or 2854199	PG		
+	 *	4	2850	Light Bluish Gray Technic Engine Cylinder Catalog: Parts: Technic 4234251	PG	1	
+	 *	4	2851	Yellow Technic Engine Piston Round Catalog: Parts: Technic 285124 or 4112203	PG		
+	 *	2	32072	Yellow Technic Knob Wheel Catalog: Parts: Technic 4203493	PG		
+	 *	9	32062	Red Technic, Axle 2 Notched Catalog: Parts: Technic, Axle 4142865	PG		
+	 *	30	4519	Light Bluish Gray Technic, Axle 3 Catalog: Parts: Technic, Axle 4211815	PG		
+	 *	10	6587	Dark Tan Technic, Axle 3 with Stud Catalog: Parts: Technic, Axle 6031821 or 4566927	PG		













+	 *	7	3705	Black Technic, Axle 4 Catalog: Parts: Technic, Axle 370526	PG
+	 *	3	87083	Dark Bluish Gray Technic, Axle 4 with Stop Catalog: Parts: Technic, Axle 6083620 or 4560177	PG
+	 *	10	32073	Light Bluish Gray Technic, Axle 5 Catalog: Parts: Technic, Axle 32073194 or 4211639	PG
+	 *	1	44294	Light Bluish Gray Technic, Axle 7 Catalog: Parts: Technic, Axle 44294194 or 4211805	PG
+	 *	4	60485	Light Bluish Gray Technic, Axle 9 Catalog: Parts: Technic, Axle 4535768	PG
+	 *	1	3708	Black Technic, Axle 12 Catalog: Parts: Technic, Axle 370826	PG
+	 *	2	32209	Dark Bluish Gray Technic, Axle 5.5 with Stop Catalog: Parts: Technic, Axle 4263624 or 4508553	PG
+	 *	14	32013	Black Technic, Axle and Pin Connector Angled #1 Catalog: Parts: Technic, Connector 6284699 or 4107085	PG
+	 *	4	32034	Red Technic, Axle and Pin Connector Angled #2 - 180 degrees Catalog: Parts: Technic, Connector 4234429	PG
+	 *	6	32016	Black Technic, Axle and Pin Connector Angled #3 - 157.5 degrees Catalog: Parts: Technic, Connector 6261386 or 4107082	PG
+	 *	2	32014	Black Technic, Axle and Pin Connector Angled #6 - 90 degrees Catalog: Parts: Technic, Connector 6268905 or 4107767	PG
+	 *	12	6536	Black Technic, Axle and Pin Connector Perpendicular Catalog: Parts: Technic, Connector 6261371 or 4173668 or 653626	PG












+	 *	6	6536	Light Bluish Gray Technic, Axle and Pin Connector Perpendicular Catalog: Parts: Technic, Connector 4211775	PG
+	 *	5	42003	Black Technic, Axle and Pin Connector Perpendicular 3L with 2 Pin Holes Catalog: Parts: Technic, Connector 6273708 or 4200326 or 4173970	PG
+	 *	7	32184	Light Bluish Gray Technic, Axle and Pin Connector Perpendicular 3L with Center Pin Hole Catalog: Parts: Technic, Connector 6276969 or 4211621	PG
+	 *	4	63869	Light Bluish Gray Technic, Axle and Pin Connector Perpendicular Triple Catalog: Parts: Technic, Connector 4538007	PG
+	 *	4	44	Light Bluish Gray Technic, Axle and Pin Connector Toggle Joint Smooth Catalog: Parts: Technic, Connector 4211575	PG
+	 *	20	6538c	Black Technic, Axle Connector 2L (Smooth with x Hole + Orientation) Catalog: Parts: Technic, Connector 6084612 or 4512363	PG
+	 *	5	32039	Black Technic, Axle Connector with Axle Hole Catalog: Parts: Technic, Connector 3203926 or 4107081	PG
+	 *	30	43093	Blue Technic, Axle Pin with Friction Ridges Lengthwise Catalog: Parts: Technic, Axle 4309323 or 4206482	PG
+	 *	2	3749	Tan Technic, Axle Pin without Friction Ridges Lengthwise Catalog: Parts: Technic, Axle 4666579 or 65625 or 4186017	PG
+	 *	1	32064	Red Technic, Brick 1 x 2 with Axle Hole Catalog: Parts: Technic, Brick 6196217 or 4142869 or 4233485 or 4513987	PG
+	 *	1	3701	Black Technic, Brick 1 x 4 with Holes Catalog: Parts: Technic, Brick 370126	PG
+	 *	2	3894	Red Technic, Brick 1 x 6 with Holes Catalog: Parts: Technic, Brick 389421	PG

+	 *	1	3647	Dark Bluish Gray Technic, Gear 8 Tooth Type 1 Catalog: Parts: Technic, Gear 4514559	PG
+	 *	3	6589	Tan Technic, Gear 12 Tooth Bevel Catalog: Parts: Technic, Gear 4565452 or 4514556	PG
+	 *	2	94925	Light Bluish Gray Technic, Gear 16 Tooth (Second Version - Reinforced) Catalog: Parts: Technic, Gear 4640536	PG
+	 *	1	6542	Dark Bluish Gray Technic, Gear 16 Tooth with Clutch Catalog: Parts: Technic, Gear 6542199 or 4237267	PG 2 
+	 *	2	32269	Black Technic, Gear 20 Tooth Double Bevel Catalog: Parts: Technic, Gear 6093977 or 4177430	PG
+	 *	1	62821a	Dark Bluish Gray Technic, Gear Differential with Inner Tabs and Open Center, 28 Bevel Teeth Catalog: Parts: Technic, Gear 4525184	PG
+	 *	1	6574	Black Technic, Gear Rack 1 x 2 with Ball Joints Catalog: Parts: Technic, Gear 4566045	PG
+	 *	6	60483	Black Technic, Liftarm 1 x 2 Thick with Pin Hole and Axle Hole Catalog: Parts: Technic, Liftarm 6265091 or 6006140 or 4515185	PG
+	 *	6	41677	Black Technic, Liftarm 1 x 2 Thin Catalog: Parts: Technic, Liftarm 4167726 or 4164133	PG
+	 *	2	32523	Black Technic, Liftarm 1 x 3 Thick Catalog: Parts: Technic, Liftarm 3252326 or 4142822	PG
+	 *	8	6632	Light Bluish Gray Technic, Liftarm 1 x 3 Thin Catalog: Parts: Technic, Liftarm 4211566	PG
+	 *	2	33299	Light Bluish Gray Technic, Liftarm 1 x 3 with 2 Axle Holes and Pin / Crank Catalog: Parts: Technic, Liftarm 4563045 or 4211688	PG

+	 *	2	32449	Red Technic, Liftarm 1 x 4 Thin Catalog: Parts: Technic, Liftarm 4141811	PG
+	 *	10	32316	Black Technic, Liftarm 1 x 5 Thick Catalog: Parts: Technic, Liftarm 4142135	PG
+	 *	4	32316	Blue Technic, Liftarm 1 x 5 Thick Catalog: Parts: Technic, Liftarm 3231623 or 4142134	PG
+	 *	4	32316	Light Bluish Gray Technic, Liftarm 1 x 5 Thick Catalog: Parts: Technic, Liftarm 4211651	PG
+	 *	2	32348	Black Technic, Liftarm 1 x 7 Bent (4 - 4) Thick Catalog: Parts: Technic, Liftarm 6278125 or 4128593	PG
+	 *	4	32524	Black Technic, Liftarm 1 x 7 Thick Catalog: Parts: Technic, Liftarm 3252426 or 4495935 or 4155458	PG
+	 *	2	32524	Red Technic, Liftarm 1 x 7 Thick Catalog: Parts: Technic, Liftarm 4162098 or 4495933	PG
+	 *	2	40490	Light Bluish Gray Technic, Liftarm 1 x 9 Thick Catalog: Parts: Technic, Liftarm 6102449 or 4211866	PG
+	 *	2	40490	Red Technic, Liftarm 1 x 9 Thick Catalog: Parts: Technic, Liftarm 4645733 or 4192225	PG
+	 *	4	32525	Black Technic, Liftarm 1 x 11 Thick Catalog: Parts: Technic, Liftarm 6029578 or 3252526 or 4534909 or 4156150	PG
+	 *	5	41239	Black Technic, Liftarm 1 x 13 Thick Catalog: Parts: Technic, Liftarm 4123926 or 4164422 or 4522933	PG
+	 *	2	41239	Red Technic, Liftarm 1 x 13 Thick Catalog: Parts: Technic, Liftarm 4522938 or 4262082	PG

+	 *	5	32278	Black Technic, Liftarm 1 x 15 Thick Catalog: Parts: Technic, Liftarm 4542573 or 4128603	PG
+	 *	4	32278	Red Technic, Liftarm 1 x 15 Thick Catalog: Parts: Technic, Liftarm 4542575 or 4163147	PG
+	 *	4	32009	Black Technic, Liftarm 1 x 11.5 Double Bent Thick Catalog: Parts: Technic, Liftarm 6271152 or 4111998	PG
+	 *	2	32009	Red Technic, Liftarm 1 x 11.5 Double Bent Thick Catalog: Parts: Technic, Liftarm 4111997 or 4268653	PG
+	 *	4	32140	Blue Technic, Liftarm 2 x 4 L-Shape Thick Catalog: Parts: Technic, Liftarm 4124278 or 4168114	PG
+	 *	8	32526	Black Technic, Liftarm 3 x 5 L-Shape Thick Catalog: Parts: Technic, Liftarm 3252626 or 4142823	PG
+	 *	4	32526	Red Technic, Liftarm 3 x 5 L-Shape Thick Catalog: Parts: Technic, Liftarm 4143154	PG
+	 *	2	64179	Light Bluish Gray Technic, Liftarm 5 x 7 Open Center Frame Thick Catalog: Parts: Technic, Liftarm 4539880	PG
+	 *	1	64178	Light Bluish Gray Technic, Liftarm 5 x 11 Open Center Frame Thick Catalog: Parts: Technic, Liftarm 4540797	PG
+	 *	2	2739b	Dark Bluish Gray Technic, Link 1 x 6 with Stoppers Catalog: Parts: Technic, Link 4211026 or 4629920	PG 3 
+	 *	3	87080	Black Technic, Panel Fairing # 1 Small Smooth Short, Side A Catalog: Parts: Technic, Panel 4566251	PG
+	 *	3	87086	Black Technic, Panel Fairing # 2 Small Smooth Short, Side B Catalog: Parts: Technic, Panel 4566249	PG

+		1	64683	Black Technic, Panel Fearing # 3 Small Smooth Long, Side A Catalog: Parts: Technic, Panel 4541924	PG
	*				
+		1	64391	Black Technic, Panel Fearing # 4 Small Smooth Long, Side B Catalog: Parts: Technic, Panel 4541325	PG
	*				
+		2	64392	Black Technic, Panel Fearing #17 Large Smooth, Side A Catalog: Parts: Technic, Panel 4541326	PG
	*				
+		2	64682	Black Technic, Panel Fearing #18 Large Smooth, Side B Catalog: Parts: Technic, Panel 4543490	PG
	*				
+		1	64782	Black Technic, Panel Plate 5 x 11 x 1 Catalog: Parts: Technic, Panel 4566243	PG
	*				
+		4	4274	Blue Technic, Pin 1/2 Catalog: Parts: Technic, Pin 4143005	PG
	*				
+		57	6558	Blue Technic, Pin 3L with Friction Ridges Lengthwise Catalog: Parts: Technic, Pin 4514553	PG
	*				
+		6	32054	Black Technic, Pin 3L with Friction Ridges Lengthwise and Stop Bush Catalog: Parts: Technic, Pin 3205426 or 4140801 or 4107742	PG
	*				
+		12	32054	Red Technic, Pin 3L with Friction Ridges Lengthwise and Stop Bush Catalog: Parts: Technic, Pin 4140806	PG
	*				
+		2	32556	Tan Technic, Pin 3L without Friction Ridges Lengthwise Catalog: Parts: Technic, Pin 4514554	PG
	*				
+		2	32333	Black Technic, Pin Connector Block 1 x 5 x 3 Catalog: Parts: Technic, Connector 6271358 or 4141810	PG
	*				
+		10	62462	Black Technic, Pin Connector Round 2L with Slot (Pin Joiner Round) Catalog: Parts: Technic, Connector 6173119 or 4526982	PG
	*				

+	 *	2	32138	Black Technic, Pin Double with Axle Hole Catalog: Parts: Technic, Pin 4119589	PG
+	 *	95	2780	Black Technic, Pin with Friction Ridges Lengthwise WITH Center Slots Catalog: Parts: Technic, Pin 4121715 or 278026	PG
+	 *	3	731c06	Light Bluish Gray Technic, Shock Absorber 6.5L - Soft Spring Catalog: Parts: Technic, Shock Absorber 6027565 or 4265688	PG
+	 *	2	6571	Black Technic, Steering Arm Small with Pin Hole and Ball (Towball) Catalog: Parts: Technic, Steering 4543367 or 657126	PG
+	 *	4	6572	Light Bluish Gray Technic, Steering Knuckle Arm with Ball Joint (Towball) Catalog: Parts: Technic, Steering 4211711	PG
+	 *	1	2819	Light Bluish Gray Technic, Steering Wheel Small, 3 Studs Diameter Catalog: Parts: Technic, Steering 4580510 or 4211578	PG
+	 *	1	62520c01 (inv)	Light Bluish Gray Technic, Universal Joint 3L Catalog: Parts: Technic, Connector 4525904	PG
+	 *	2	2431	White Tile 1 x 4 Catalog: Parts: Tile 243101	PG
+	 *	6	2412b	Black Tile, Modified 1 x 2 Grille with Bottom Groove / Lip Catalog: Parts: Tile, Modified 241226	PG
+	 *	4	61480	Black Tire 68.7 x 34 R Catalog: Parts: Tire & Tread 6201365 or 4539110	PG
+	 *	4	56908	Light Bluish Gray Wheel 43.2mm D. x 26mm Technic Racing Small, 6 Pin Holes Catalog: Parts: Wheel 4634091	PG

Extra Items:

+		1	4073	Trans-Clear Plate, Round 1 x 1 Catalog: Parts: Plate, Round	PG
---	--	---	----------------------	---	--------------------



6240030 or 3005740

*

+



2

[3713](#)

Light Bluish Gray Technic Bush

[Catalog: Parts: Technic](#)
6275844 or 4211622

[PG](#)

*

+



1

[4265c](#)

Yellow Technic Bush 1/2 Smooth

[Catalog: Parts: Technic](#)
6271167 or 4239601 or 3212324

[PG](#)

*

+



2

[4274](#)

Blue Technic, Pin 1/2

[Catalog: Parts: Technic, Pin](#)
4143005

[PG](#)

*

+



3

[2780](#)

Black Technic, Pin with Friction Ridges Lengthwise WITH Center Slots

[Catalog: Parts: Technic, Pin](#)
4121715 or 278026

[PG](#)

*

Counterparts:

+



1

[64392pb013](#)

Black Technic, Panel Fairing #17 Large Smooth, Side A with Door Handle Pattern (Sticker) - Set 8081

[Catalog: Parts: Technic, Panel, Decorated](#)
Part Color Code Missing

[PG](#)

*

+



1

[64682pb013](#)

Black Technic, Panel Fairing #18 Large Smooth, Side B with Door Handle Pattern (Sticker) - Set 8081

[Catalog: Parts: Technic, Panel, Decorated](#)
Part Color Code Missing

[PG](#)

*

+



1

[64782pb026](#)

Black Technic, Panel Plate 5 x 11 x 1 with 2 Red Stripes with Corner Cutouts Pattern (Sticker) - Set 8081

[Catalog: Parts: Technic, Panel, Decorated](#)
Part Color Code Missing

[PG](#)

*

+



2

[2431pb535](#)

White Tile 1 x 4 with Black 'LT 8081' License Plate and 4 Rivets Pattern (Sticker) - Set 8081

[Catalog: Parts: Tile, Decorated](#)
Part Color Code Missing

[PG](#)

*

+



4

[56908c02\(inv\)](#)

Light Bluish Gray Wheel 43.2mm D. x 26mm Technic Racing Small, 6 Pin Holes with Black Tire 68.7 x 34 R (56908 / 61480)

[Catalog: Parts: Wheel & Tire Assembly](#)
Part Color Code Missing

[PG](#)

*

Alternate Items:

+



4

[2850b](#)

Light Bluish Gray Technic Engine Cylinder without Side Slots

[Catalog: Parts: Technic](#)
4234251

[PG](#)

1

Dark Bluish Gray Technic, Gear 16 Tooth with Clutch,

+



1

[6542b](#)

Smooth

[Catalog:](#) [Parts:](#) [Technic_Gear](#)
4237267

[PG](#)

2



+



2

[2739a](#)

Dark Bluish Gray Technic, Link 1 x 6 without Stoppers

[Catalog:](#) [Parts:](#) [Technic_Link](#)
4629920

[PG](#)

3




Summary:

Type	Unique Lots	Total Qty
Regular Items:		
Parts	106	590
Extra Items:		
Parts	5	9
Counterparts:		
Parts	5	9
Alternative Items:		
Parts	3	7

Source:

Parts List

[torem \(58\)](#)  inventoried this Set on May 30, 2011, inventory last updated on Dec 27, 2018.