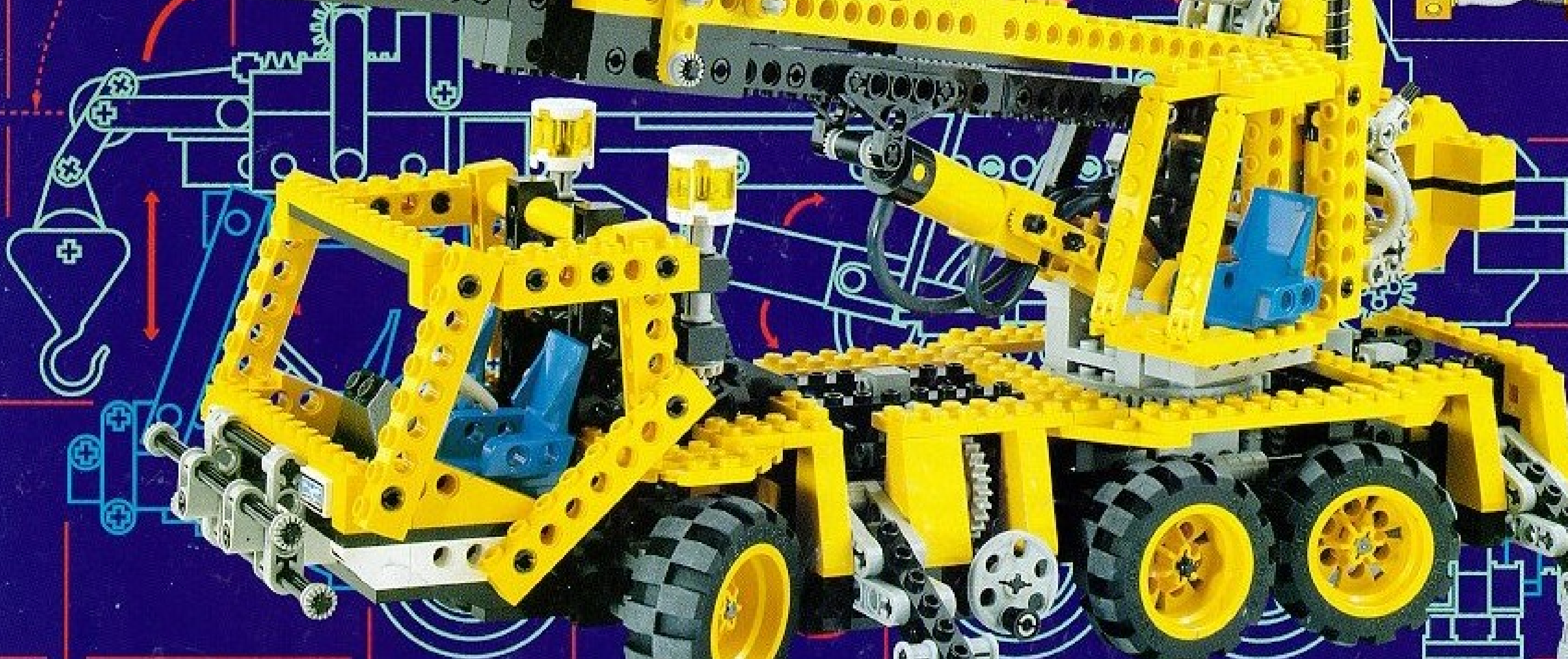
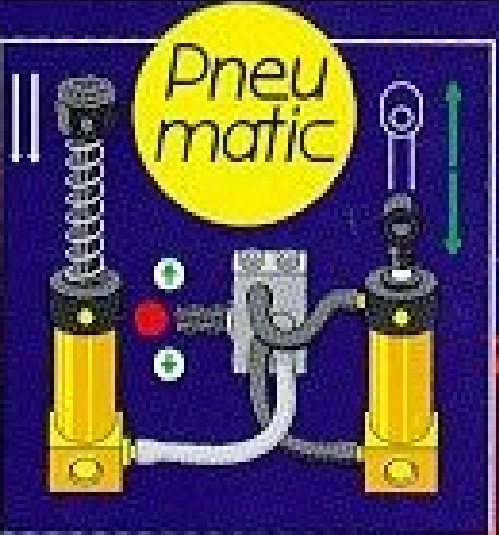
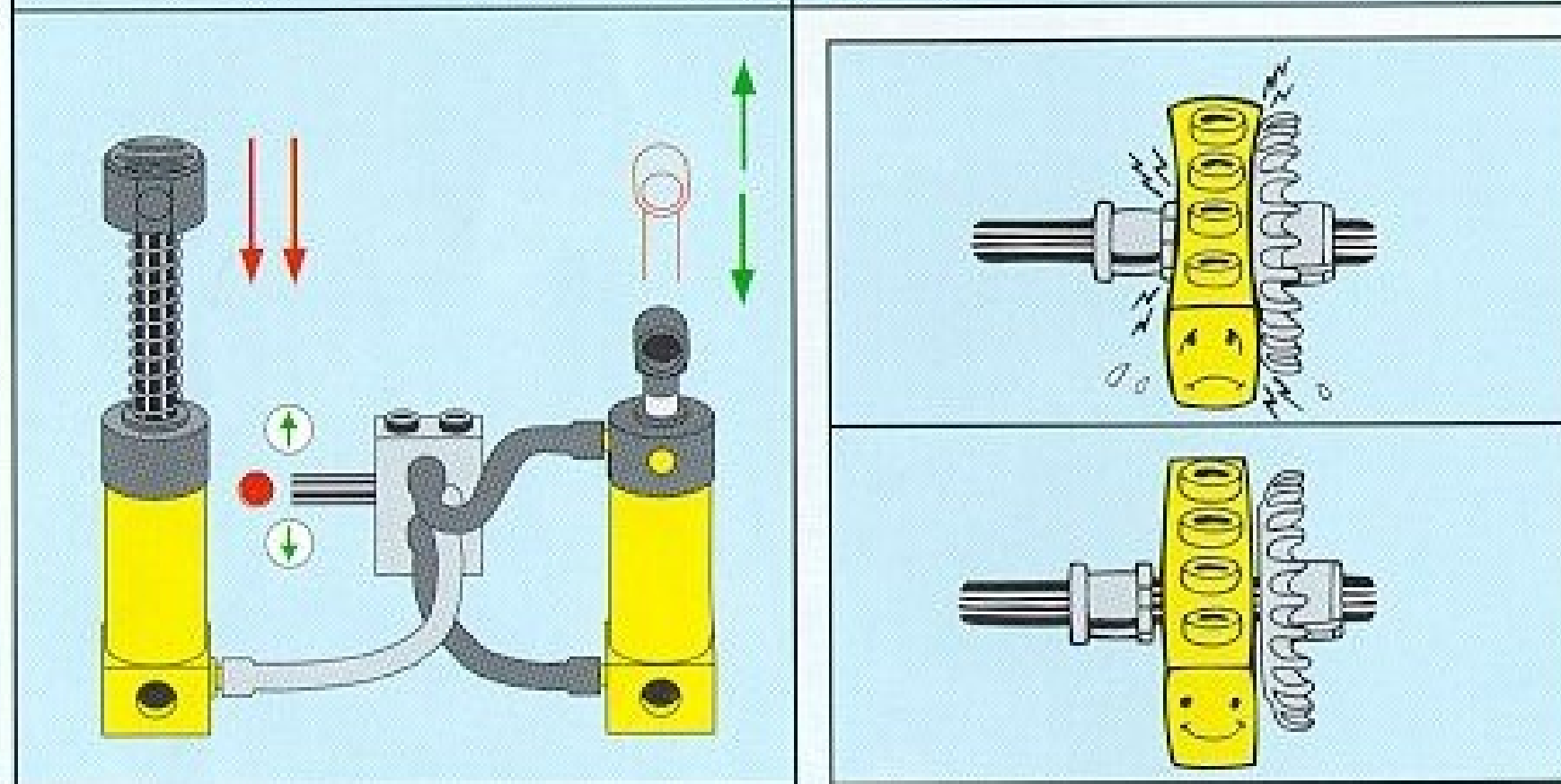
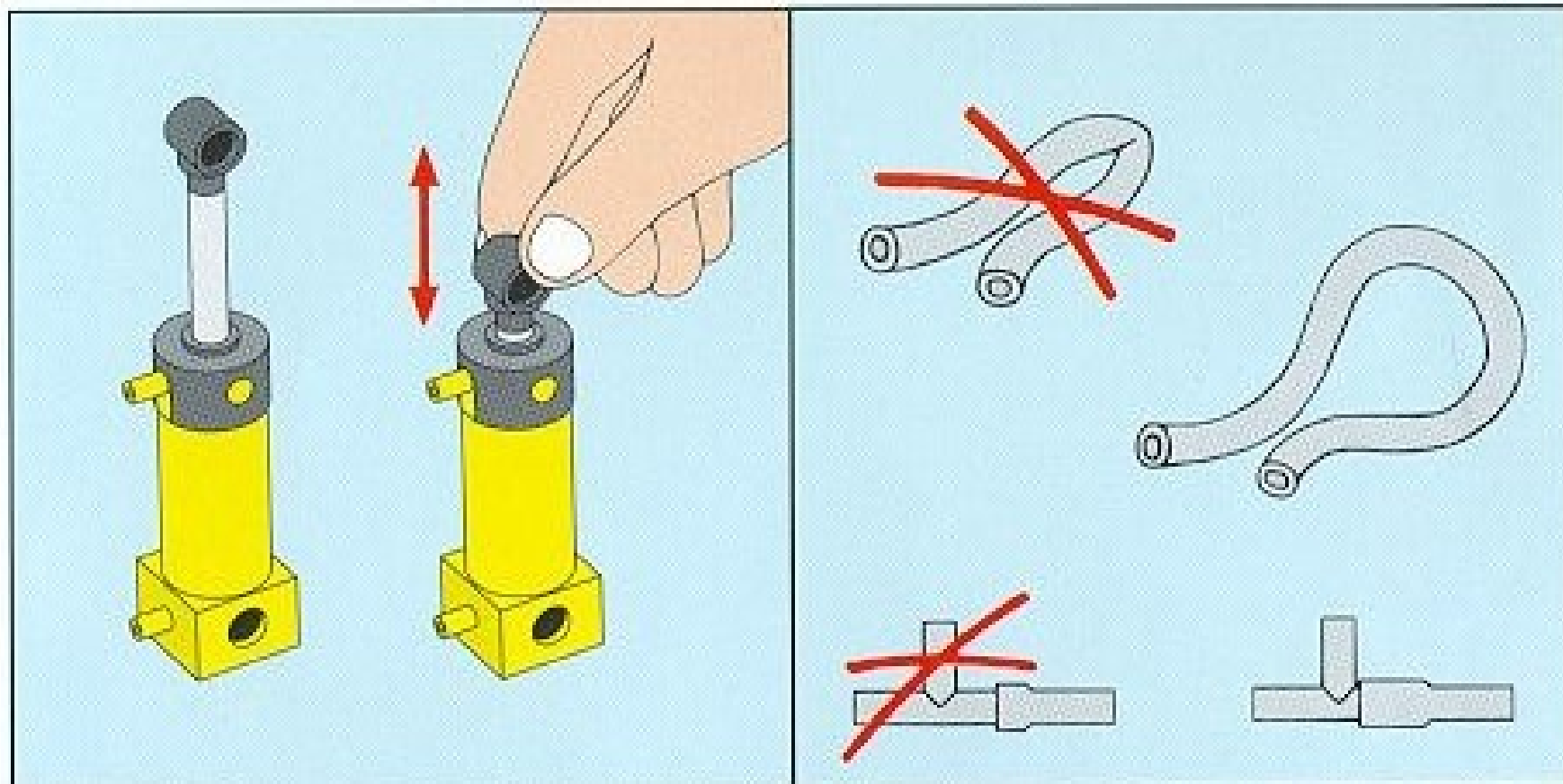




Technic

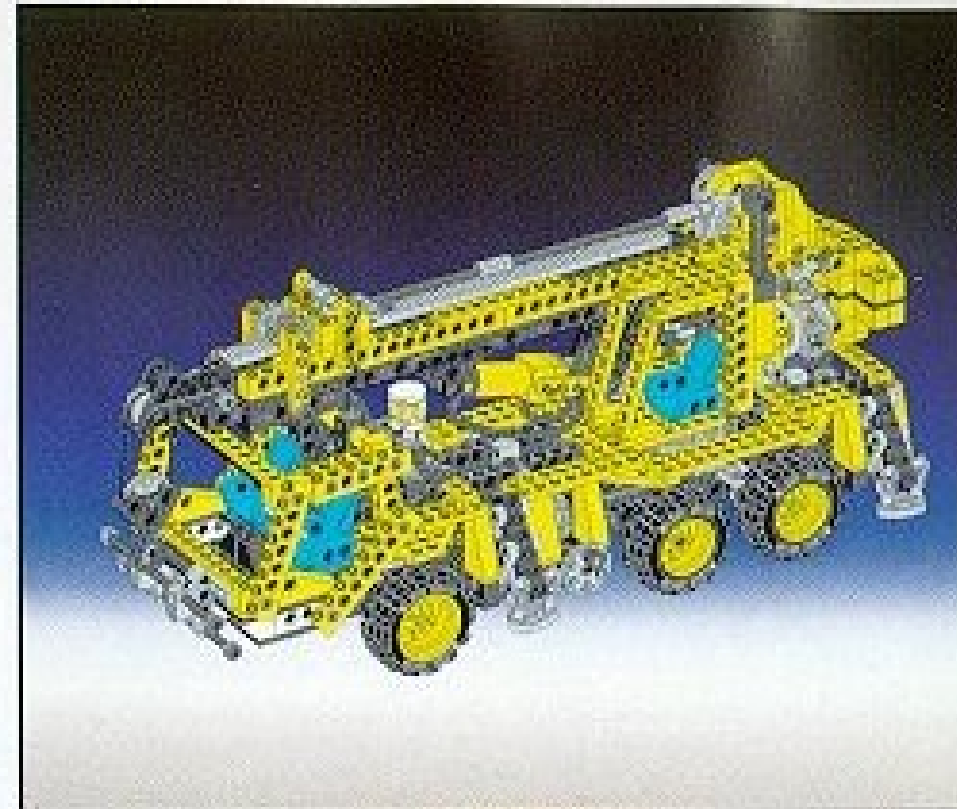
8460





30 cm

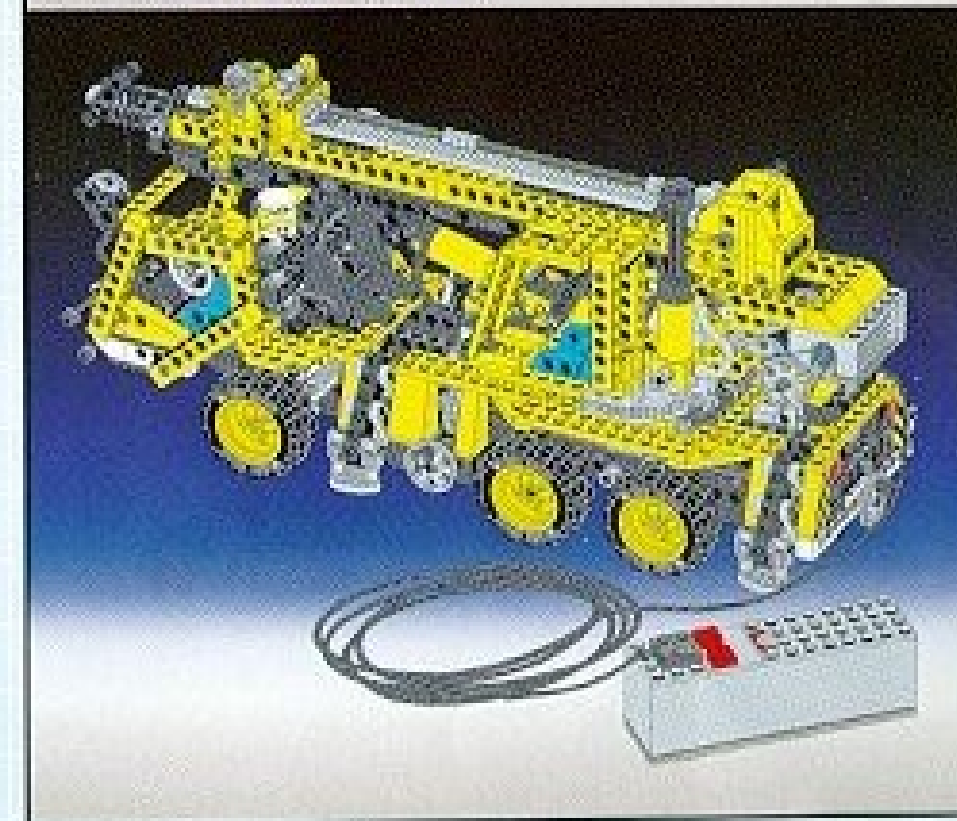
30 cm



.....3



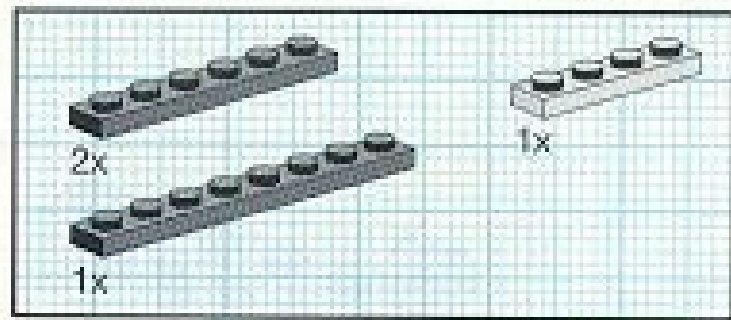
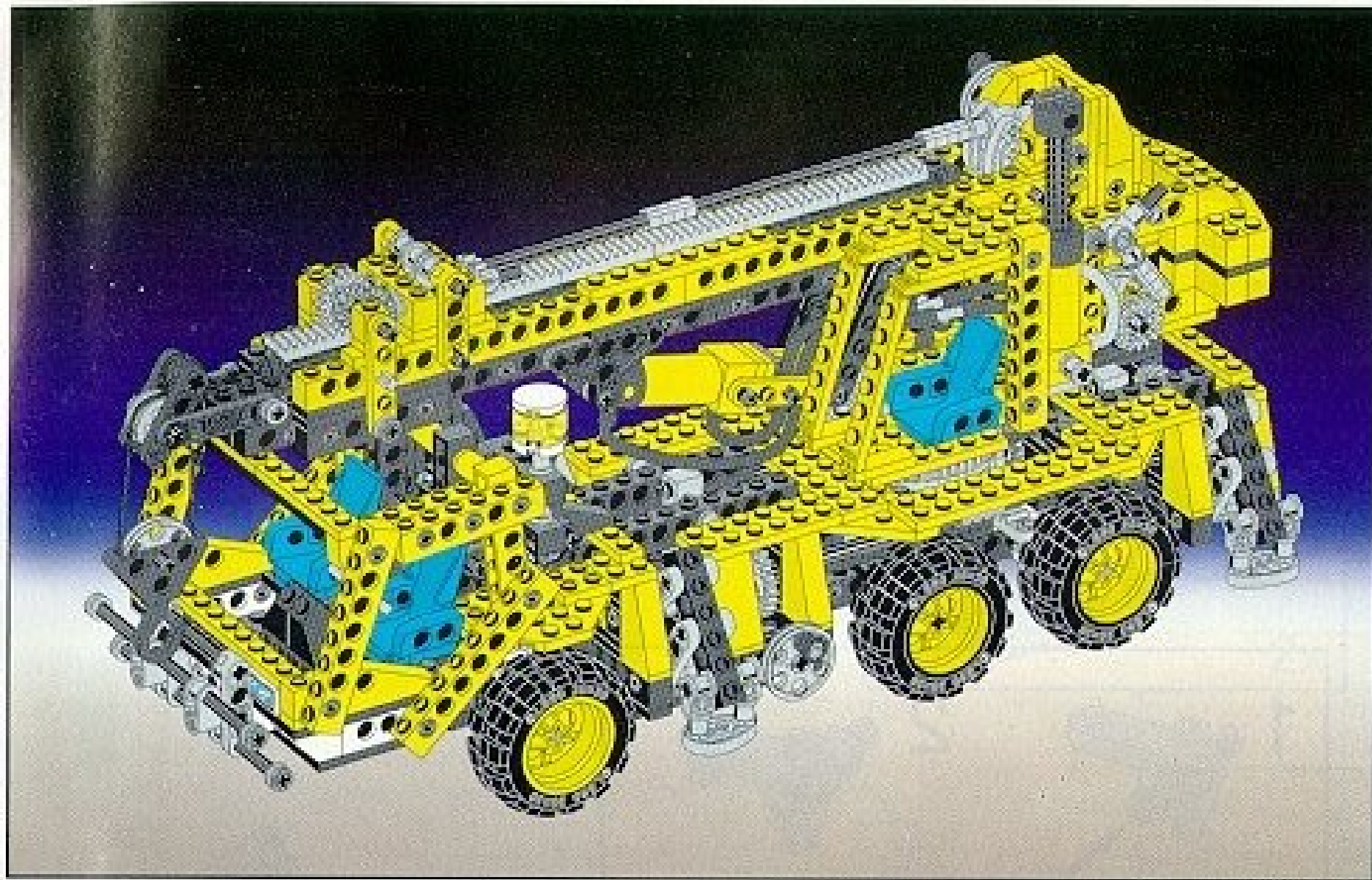
.....52



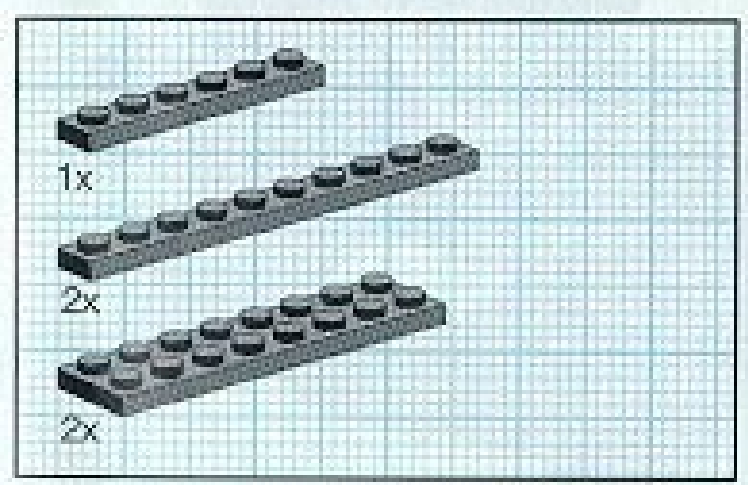
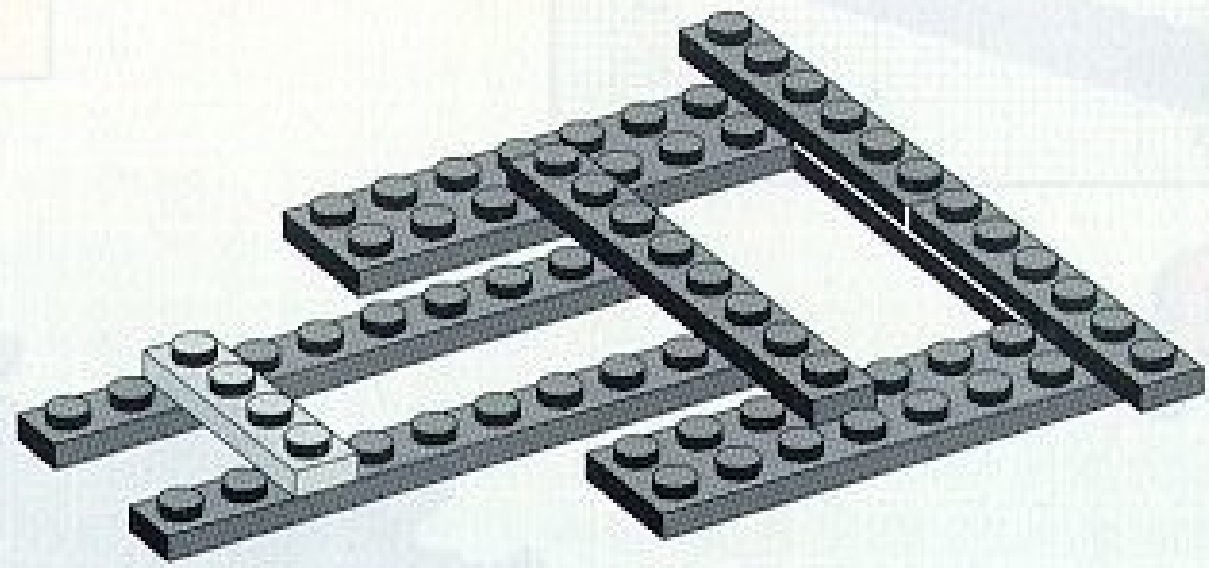
.....94

14 cm
14 cm
14 cm
14 cm

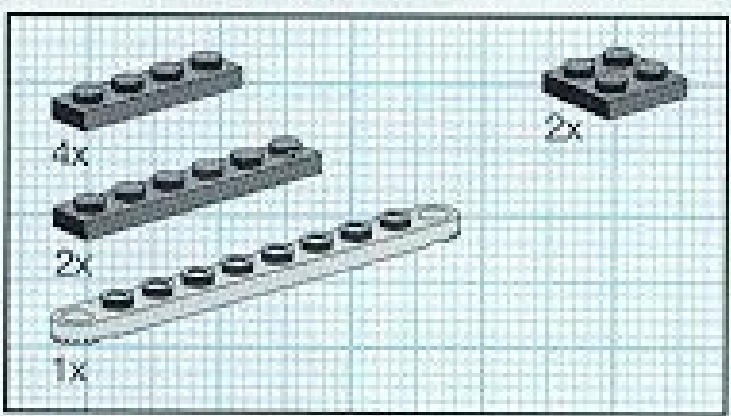
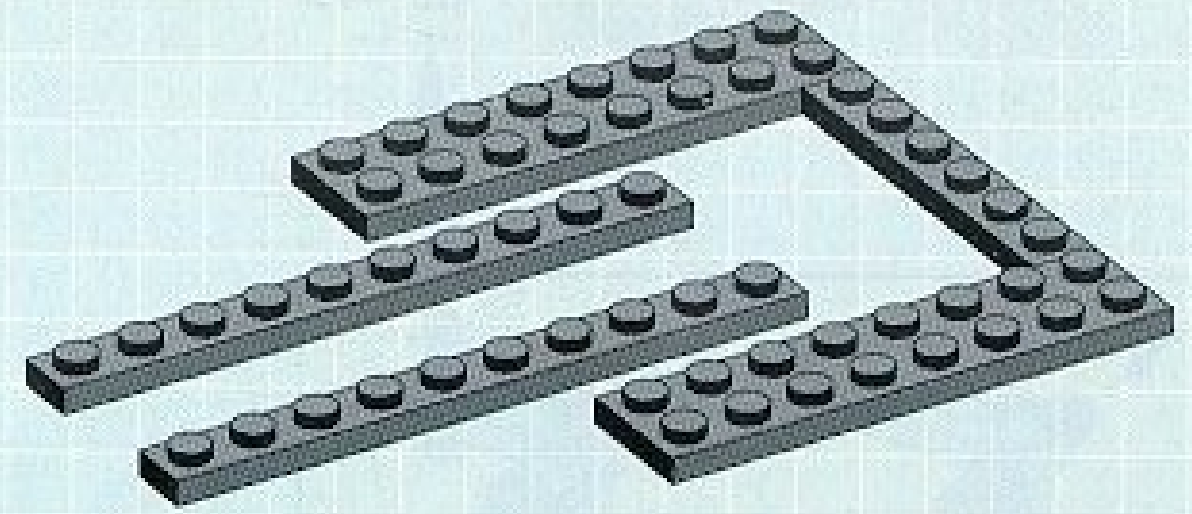




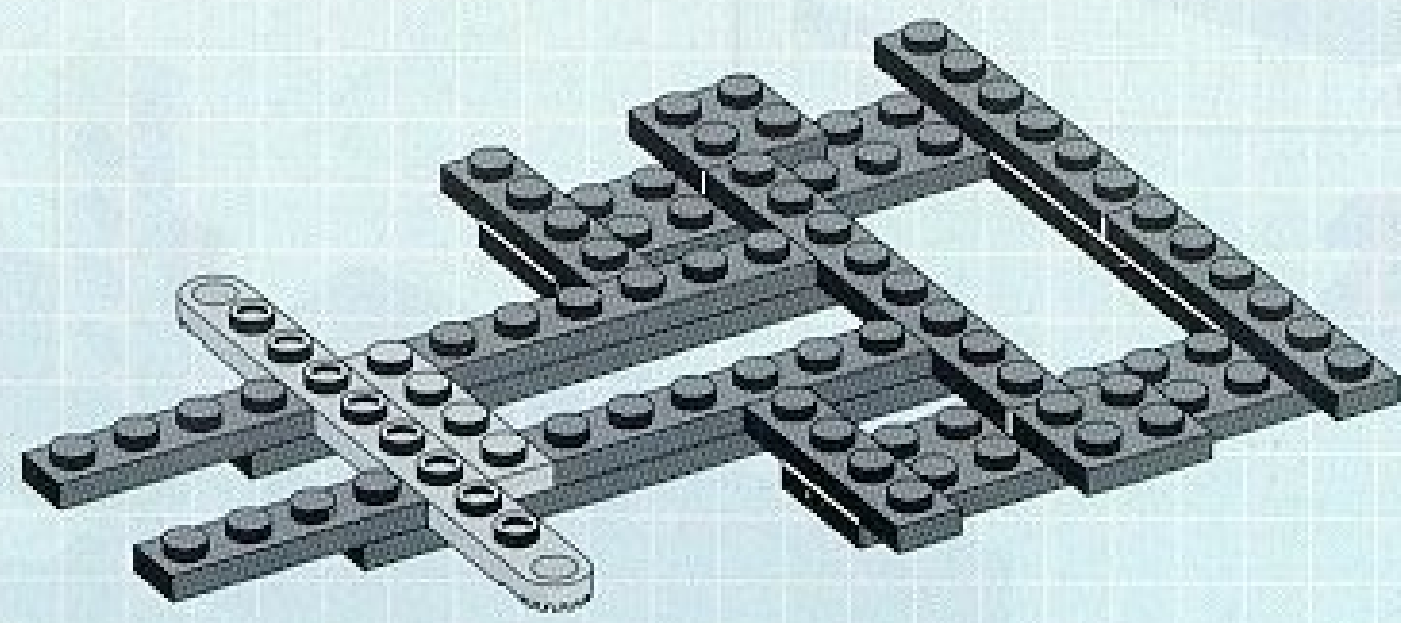
2

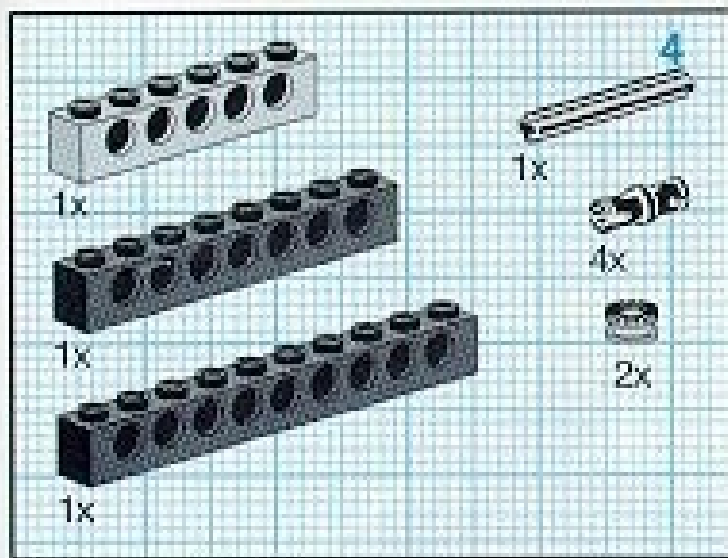


1

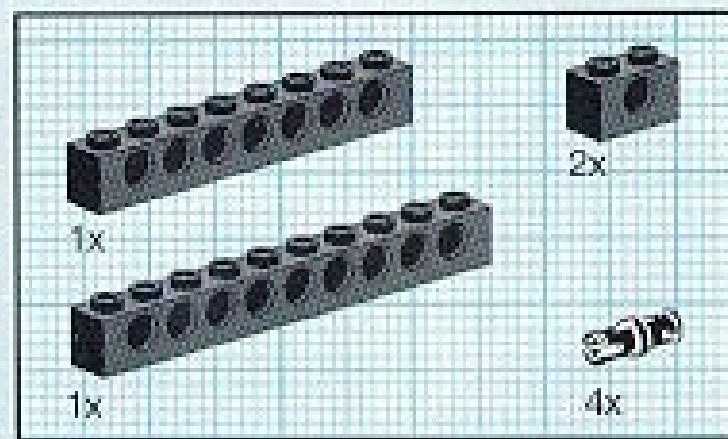
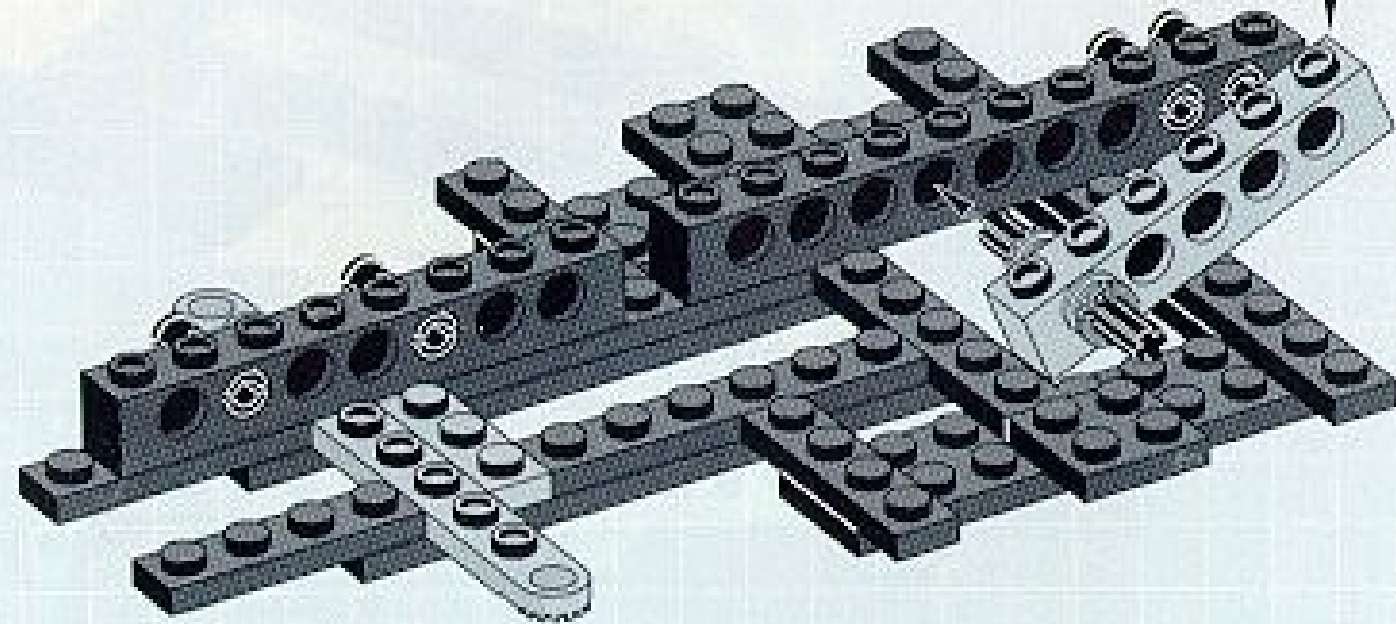
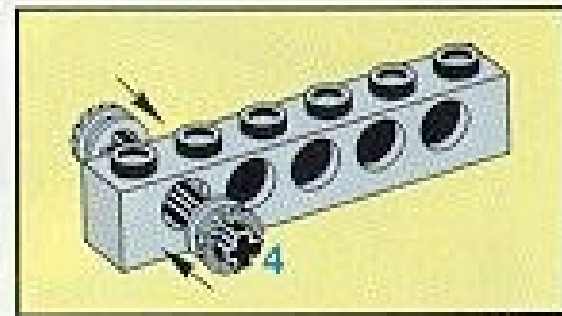


3

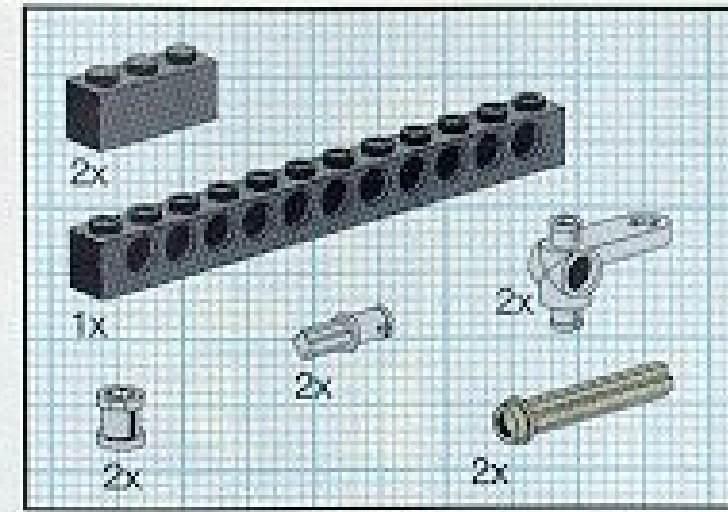
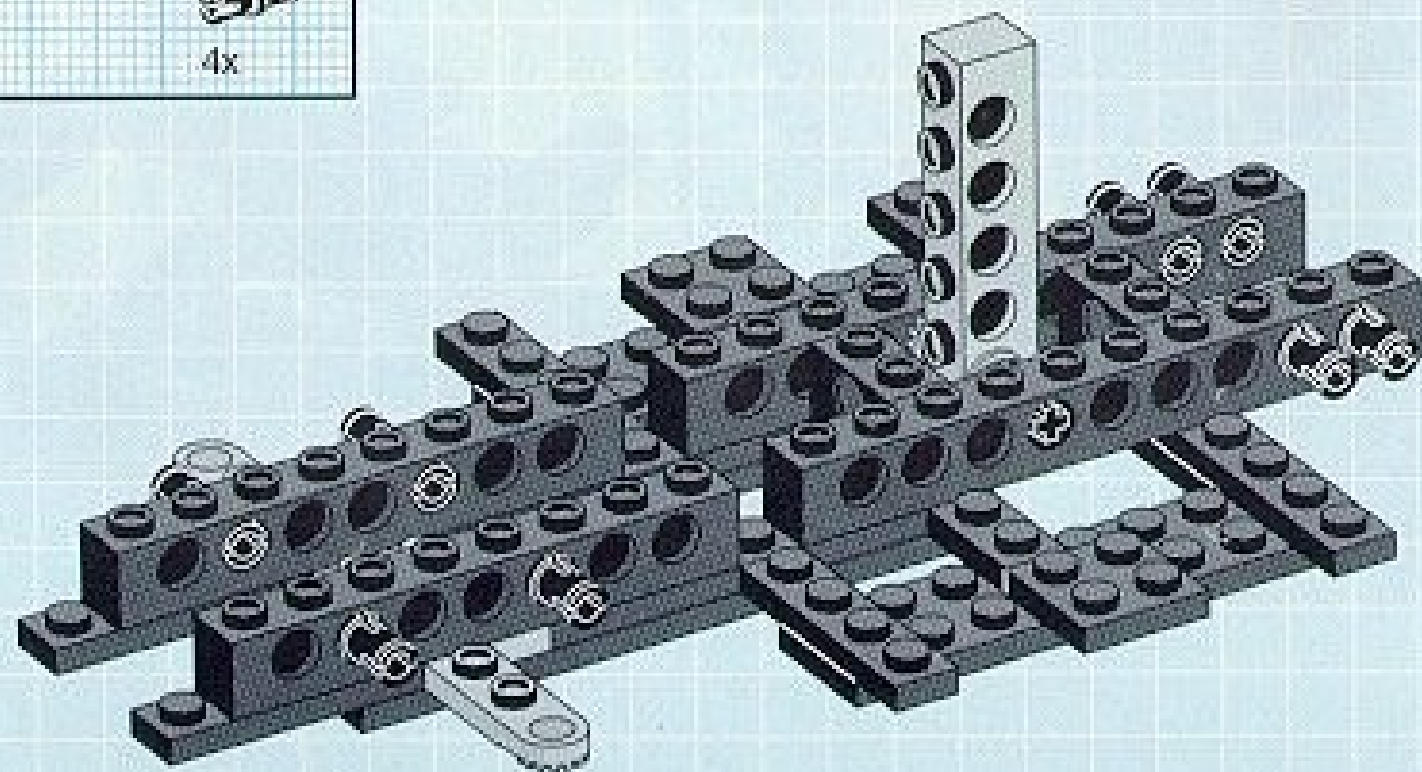




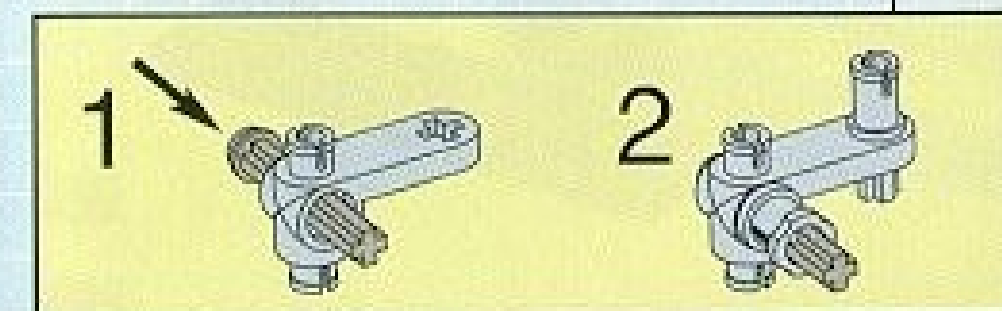
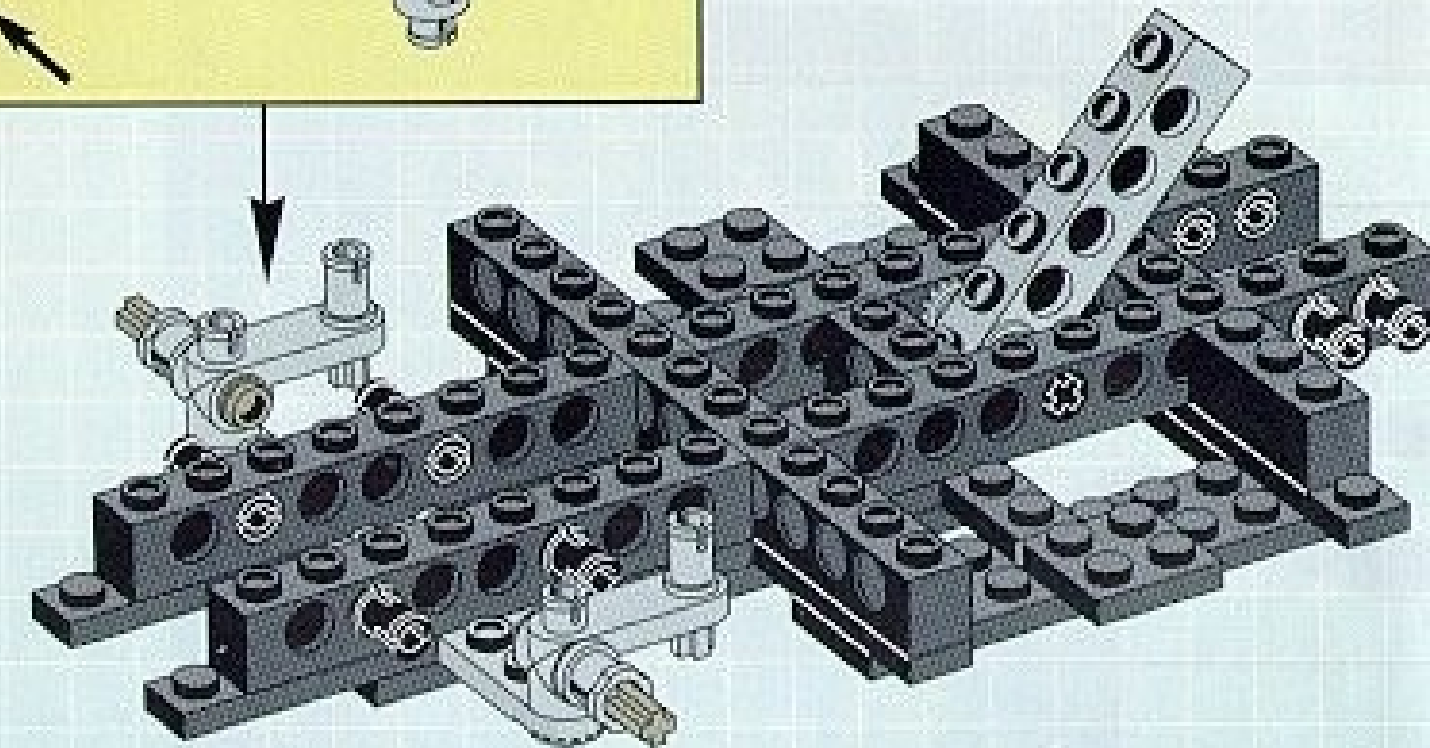
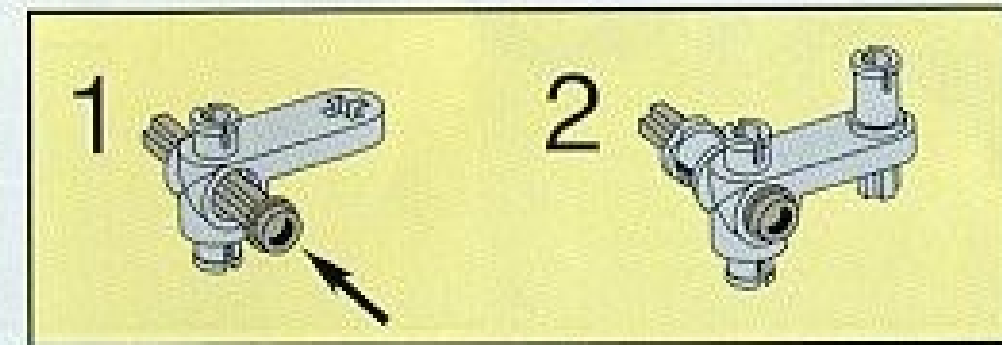
4

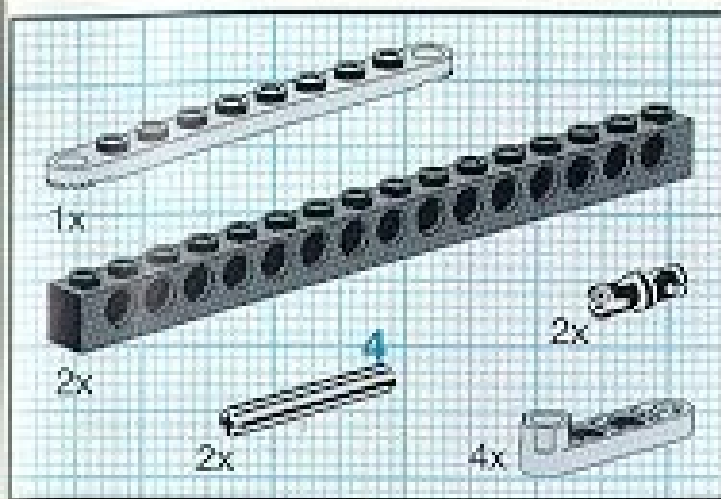


5

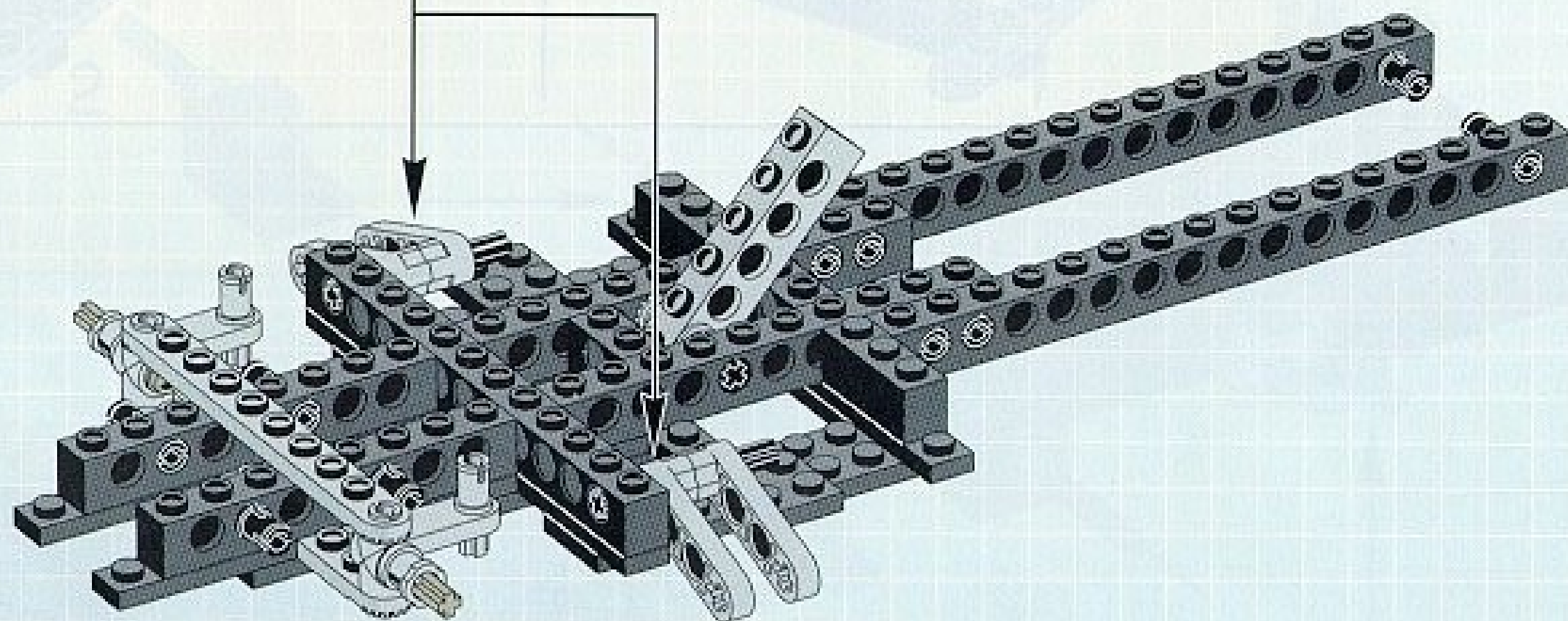
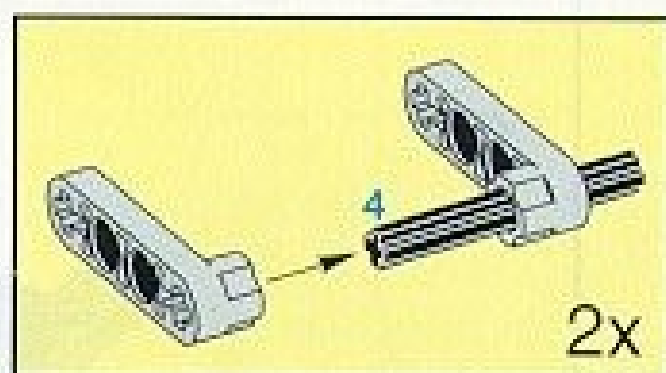


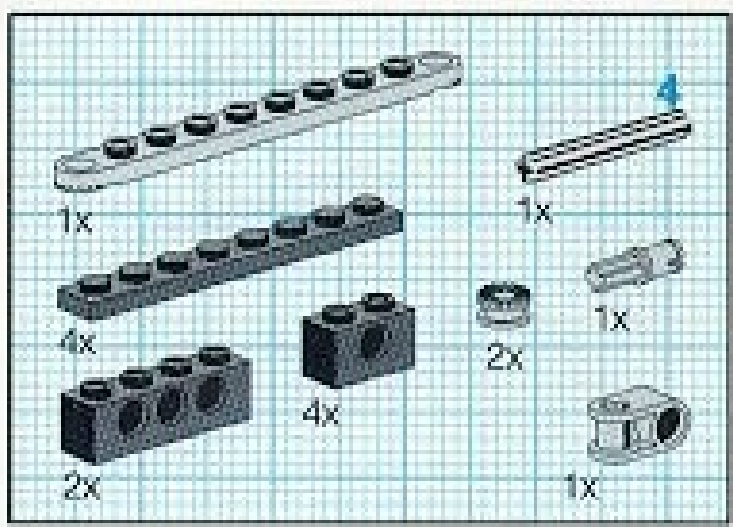
6



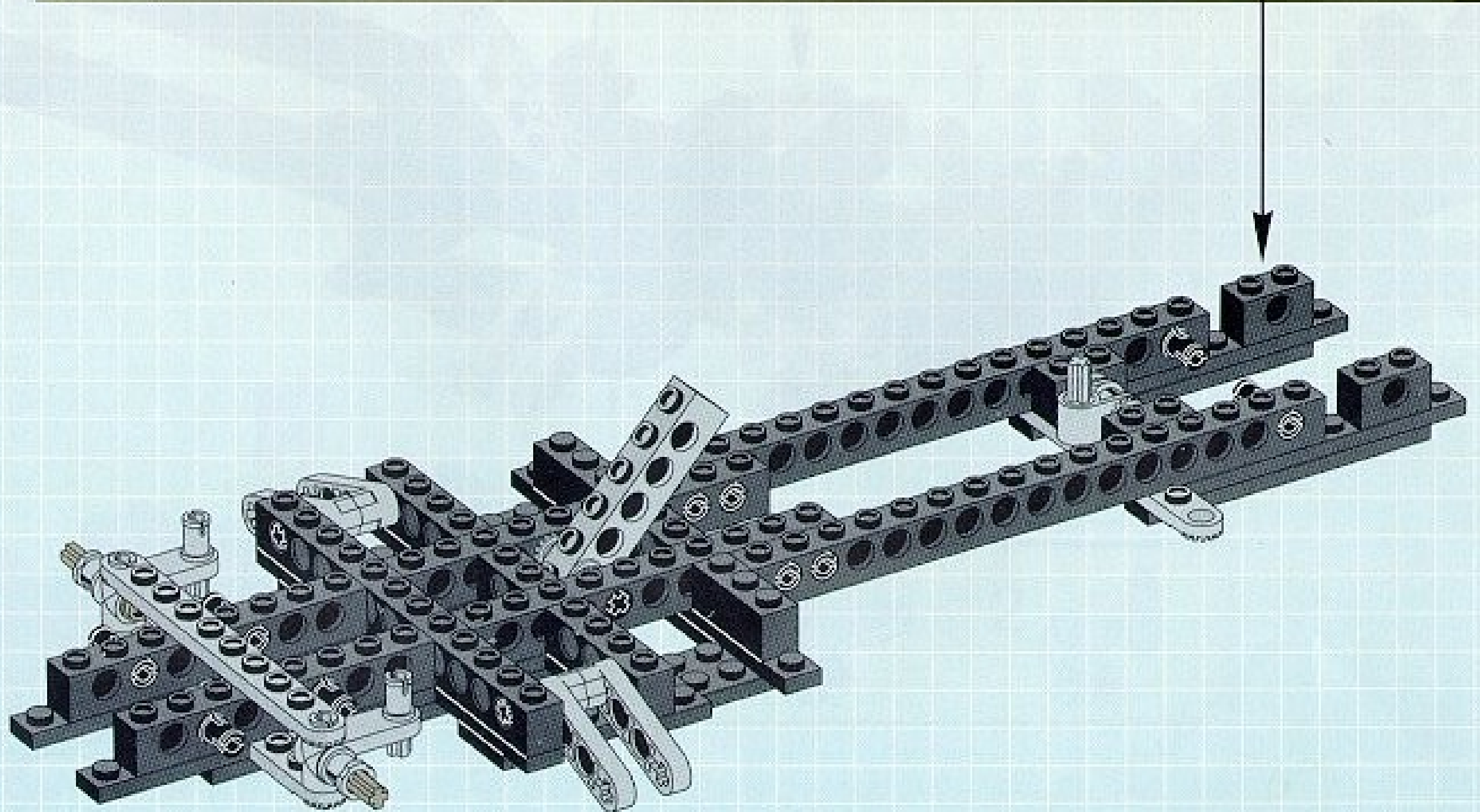
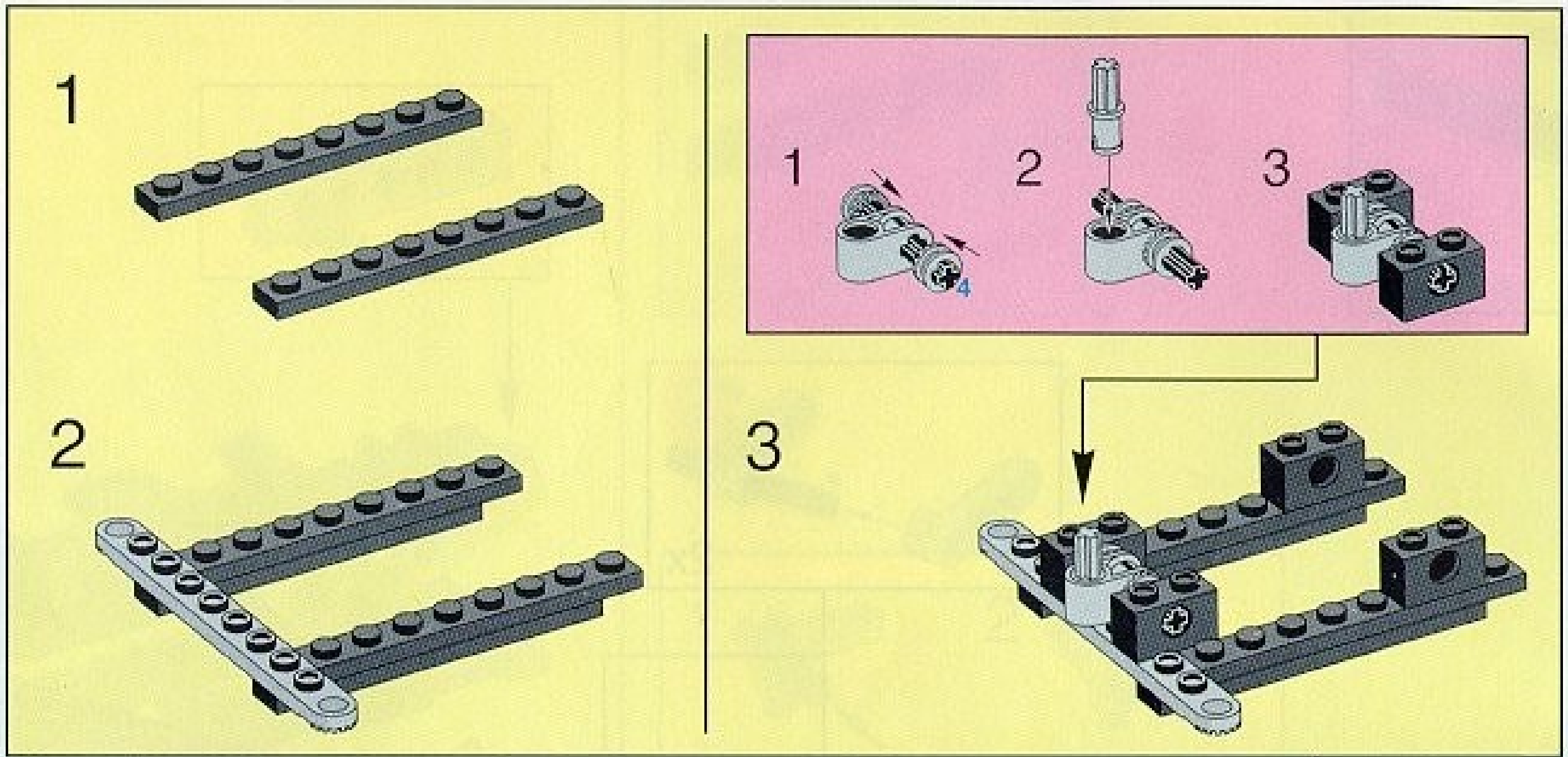


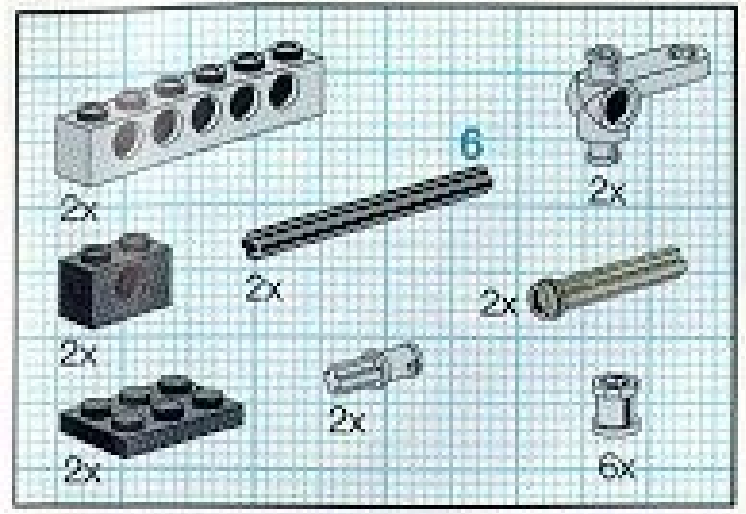
7



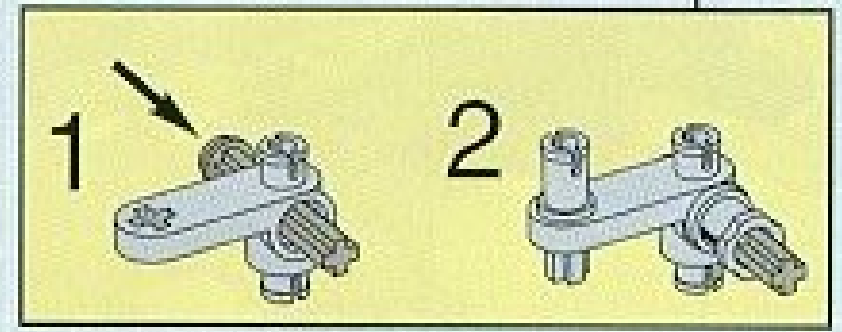
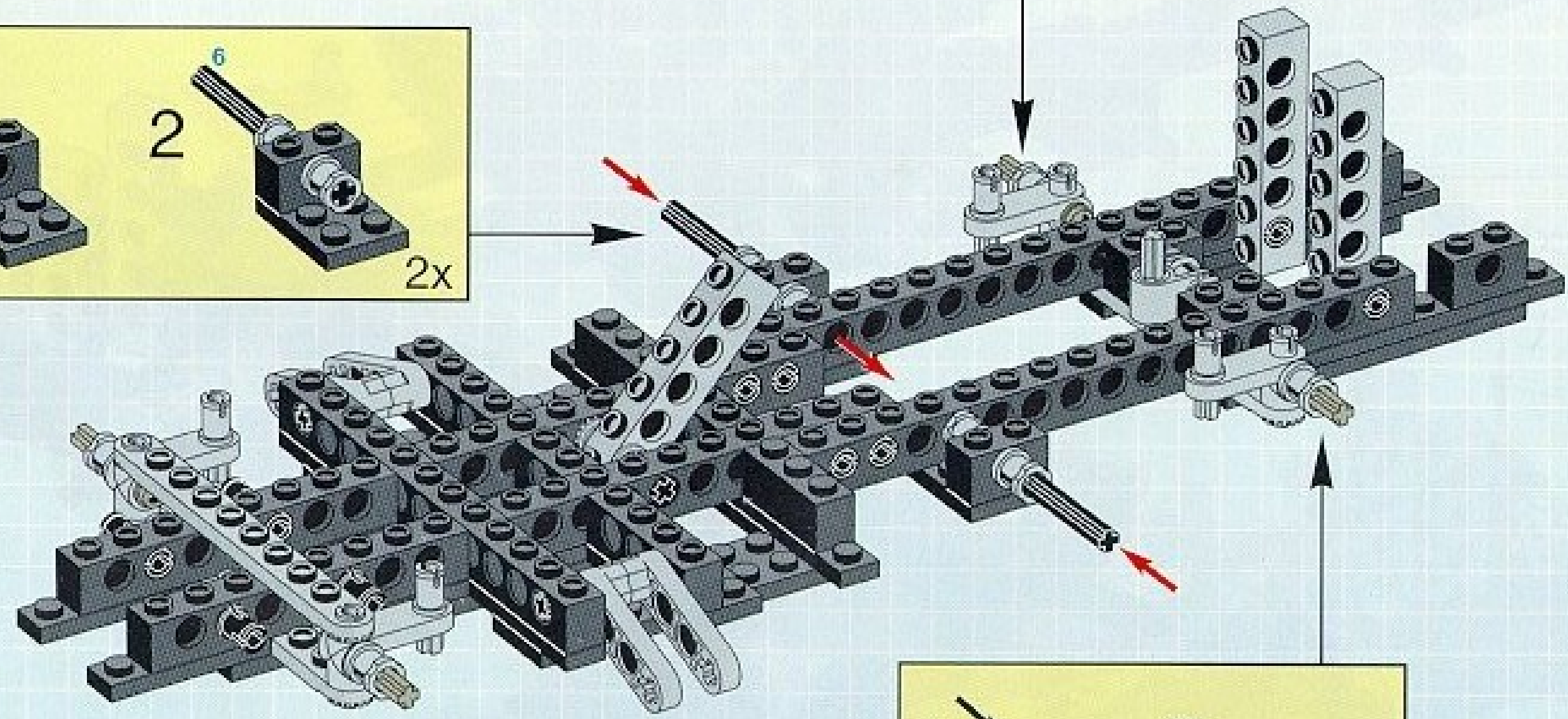
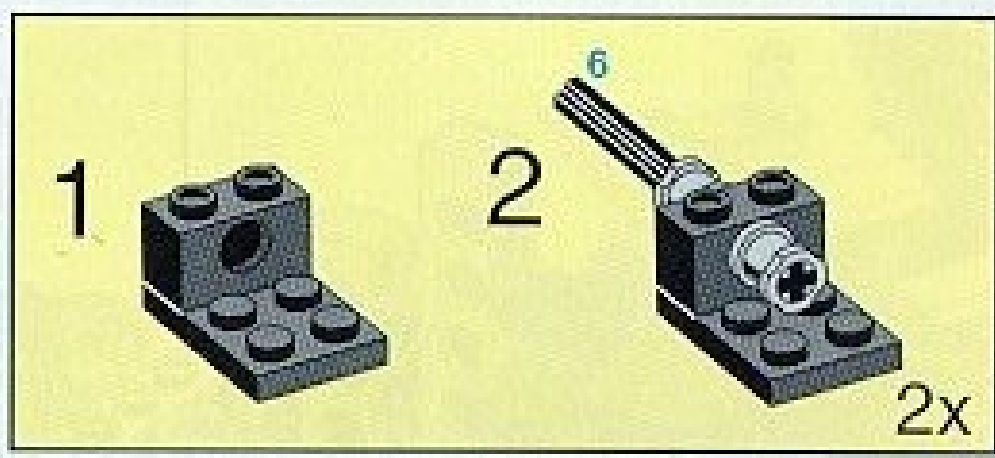
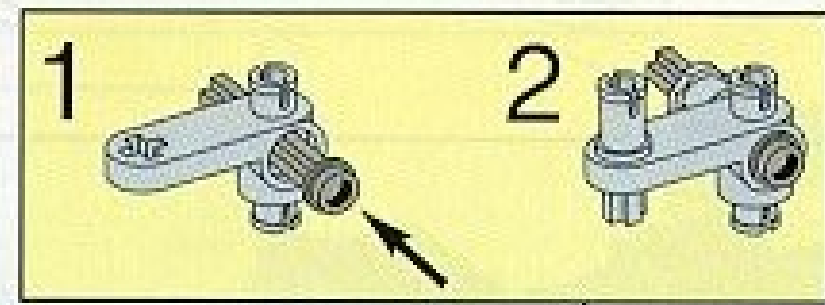


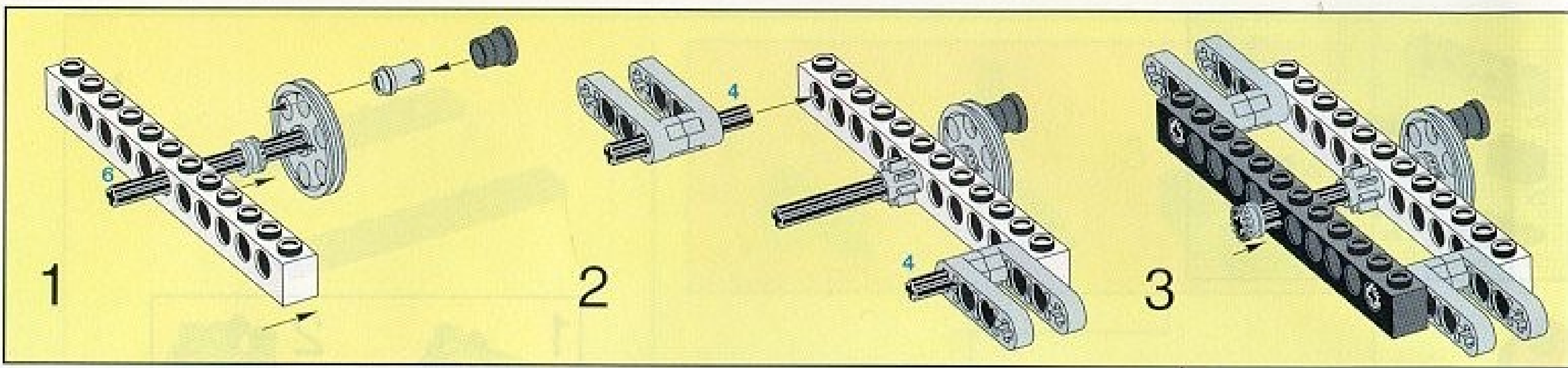
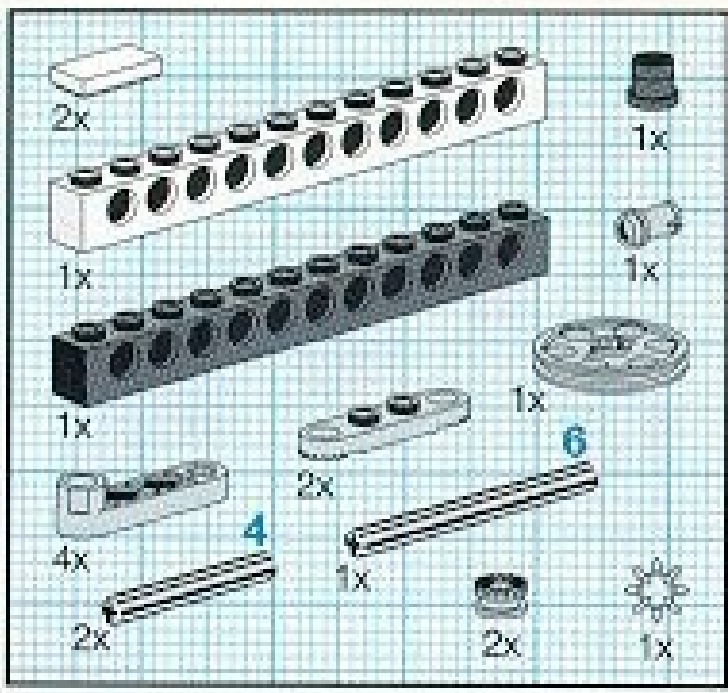
8



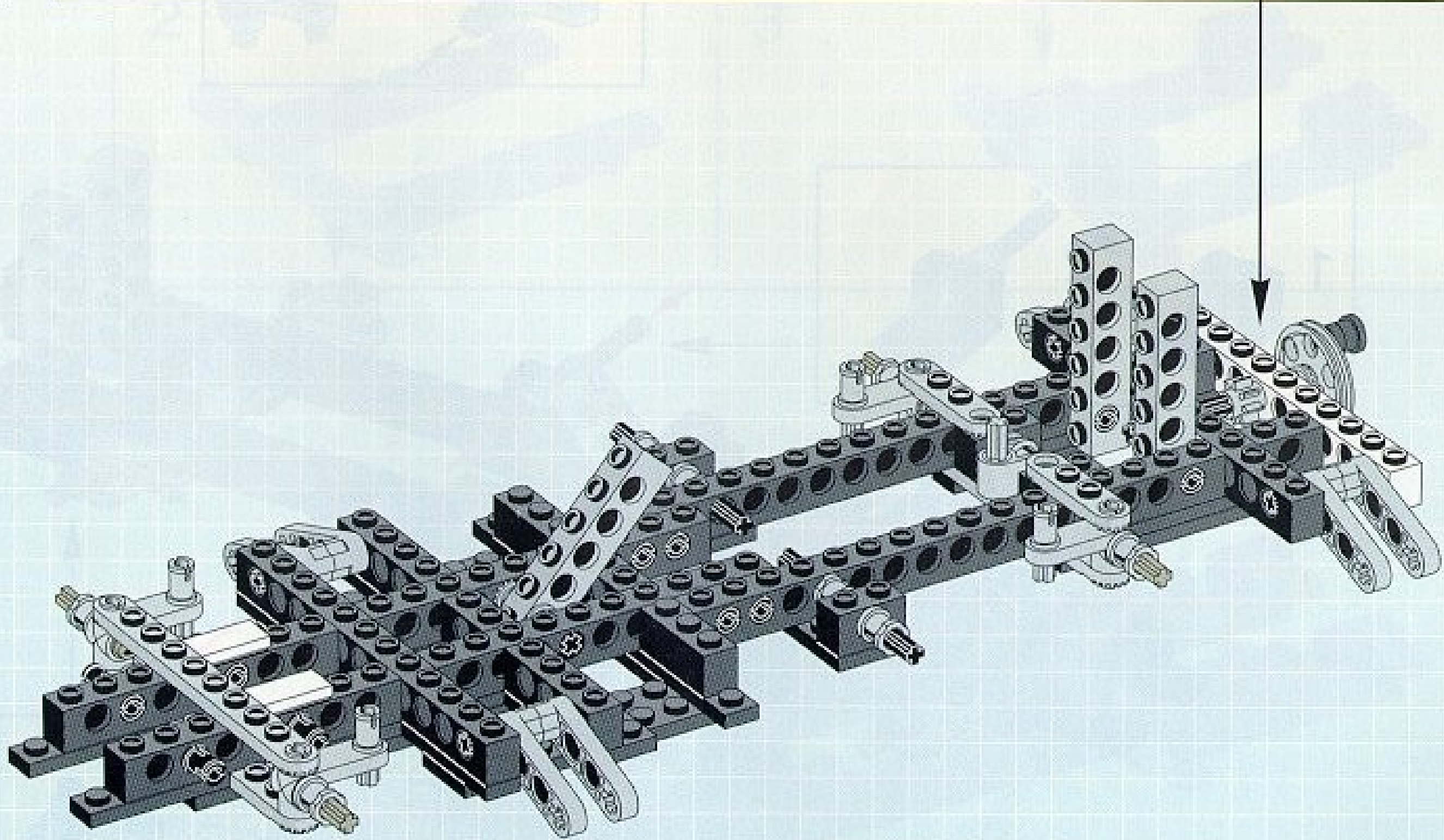


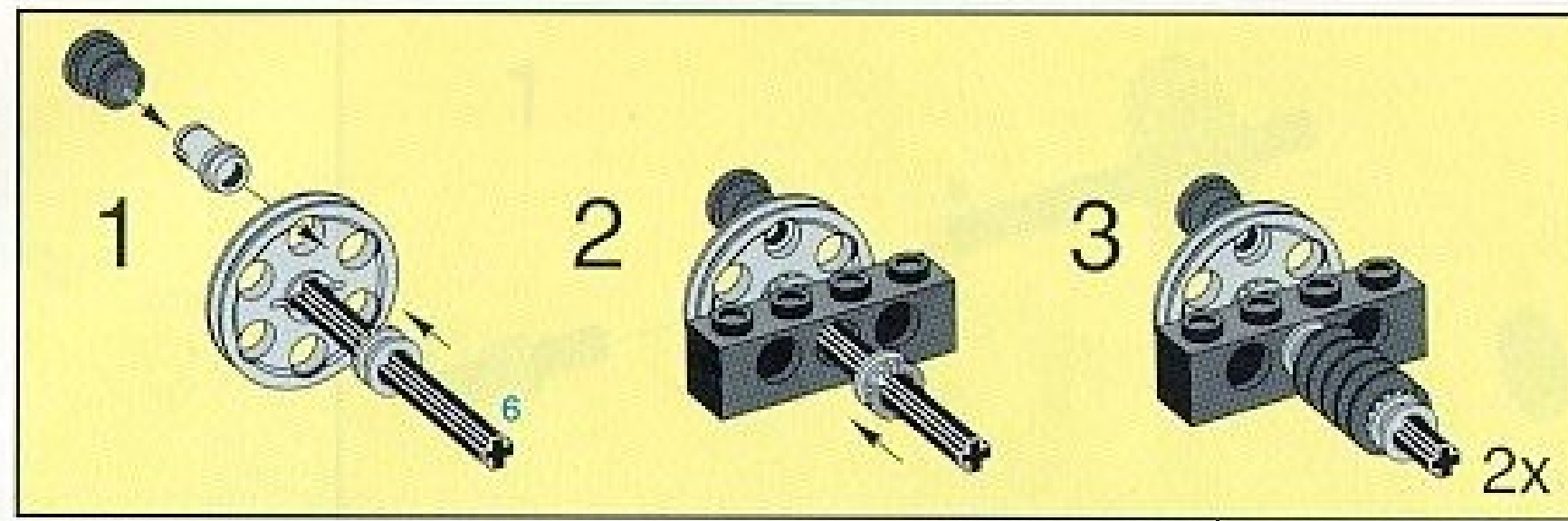
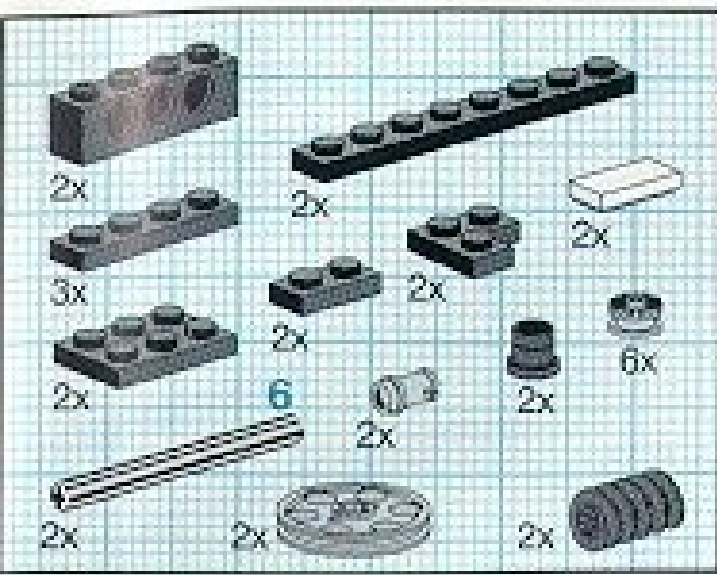
9



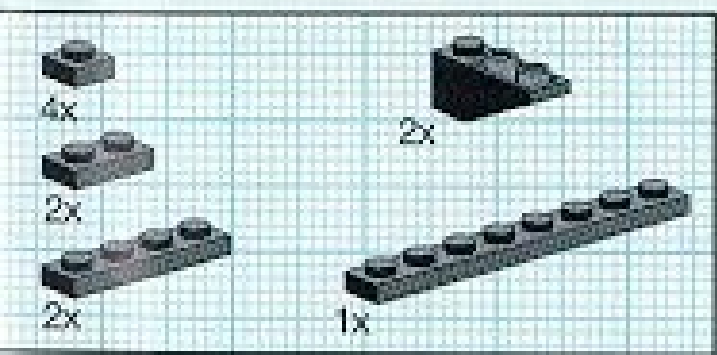
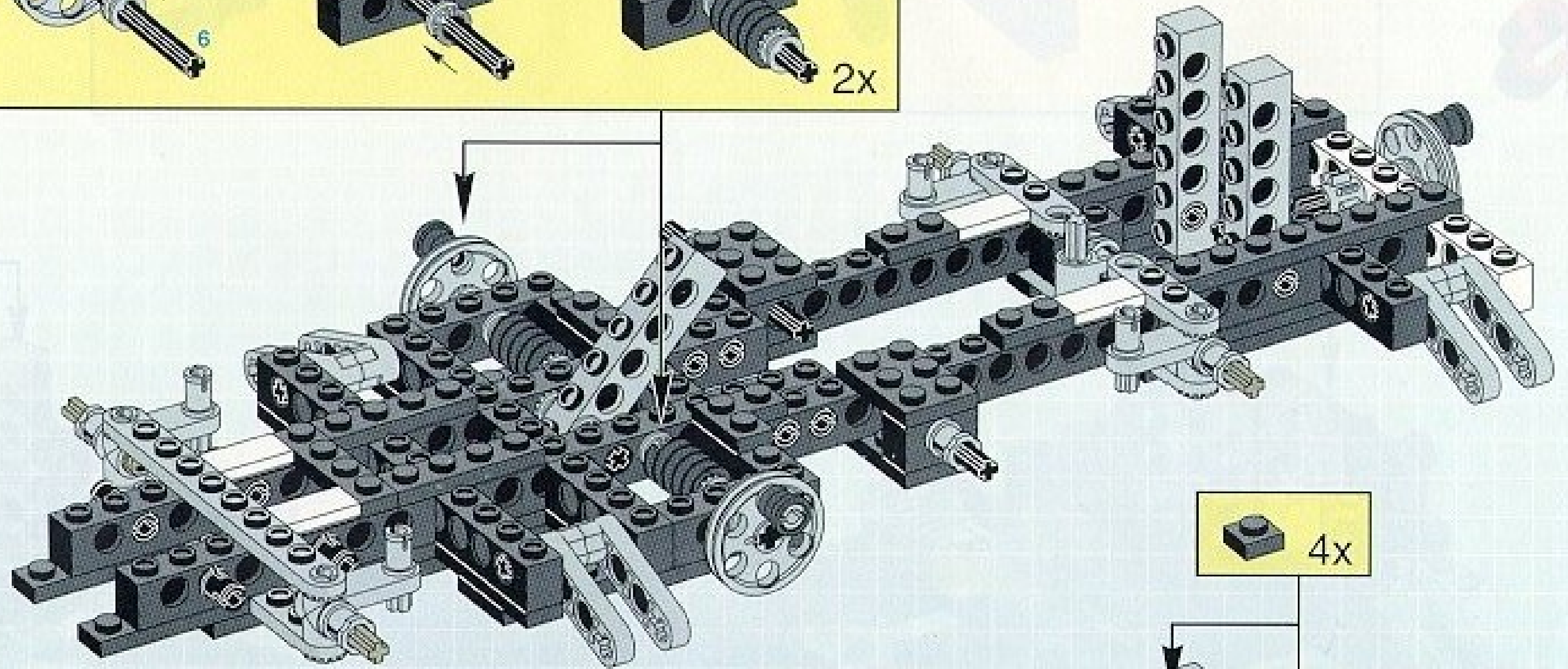


10

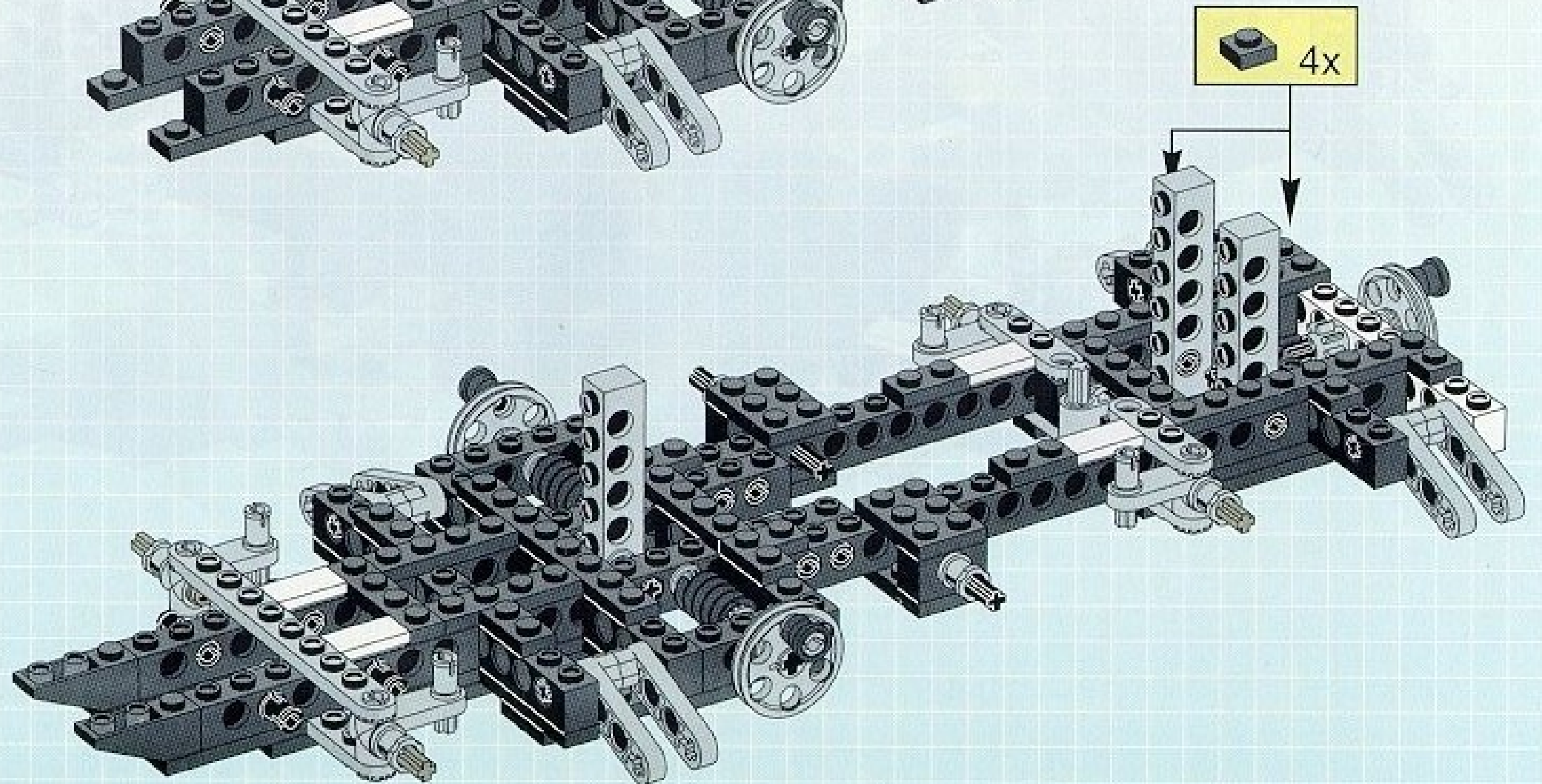


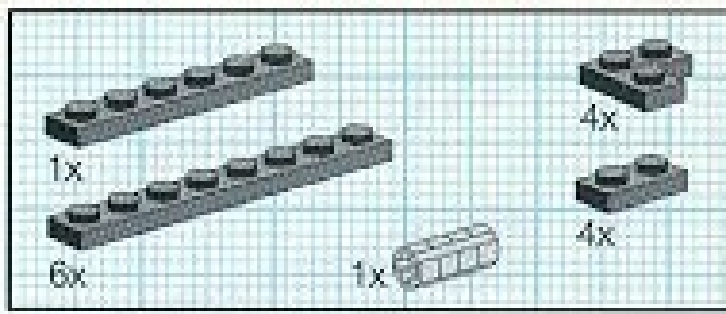


11

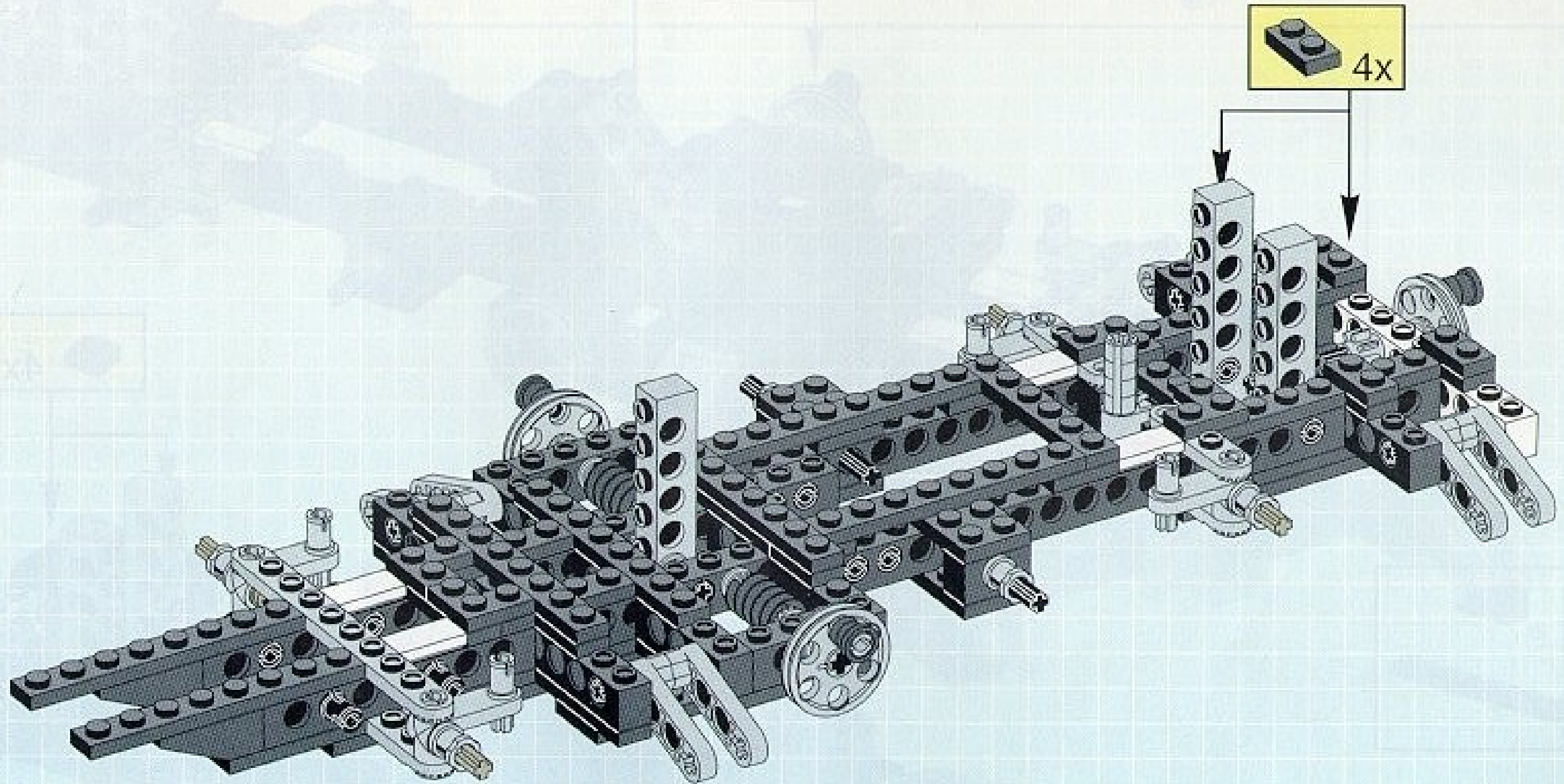


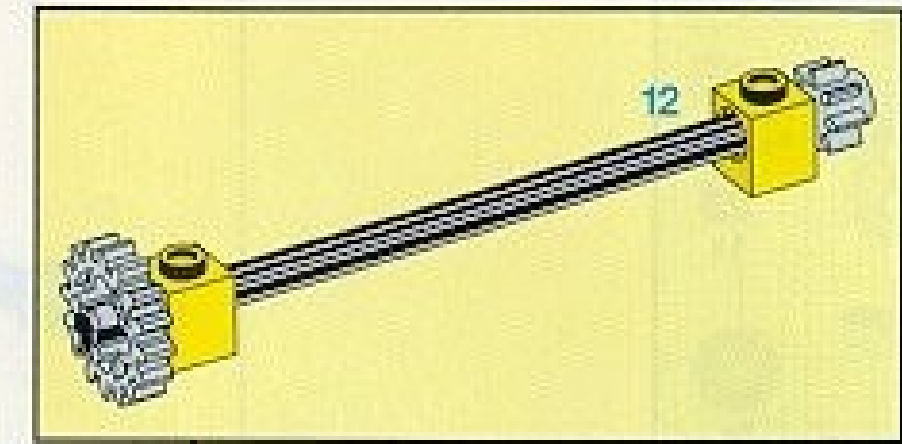
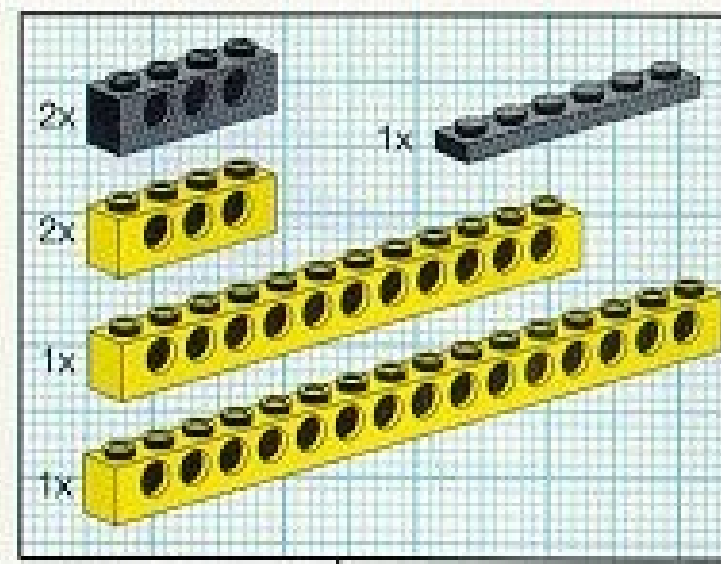
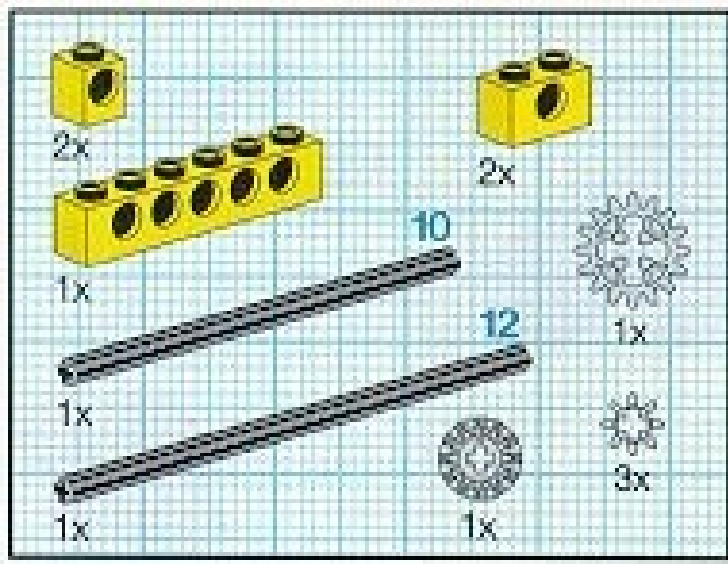
12



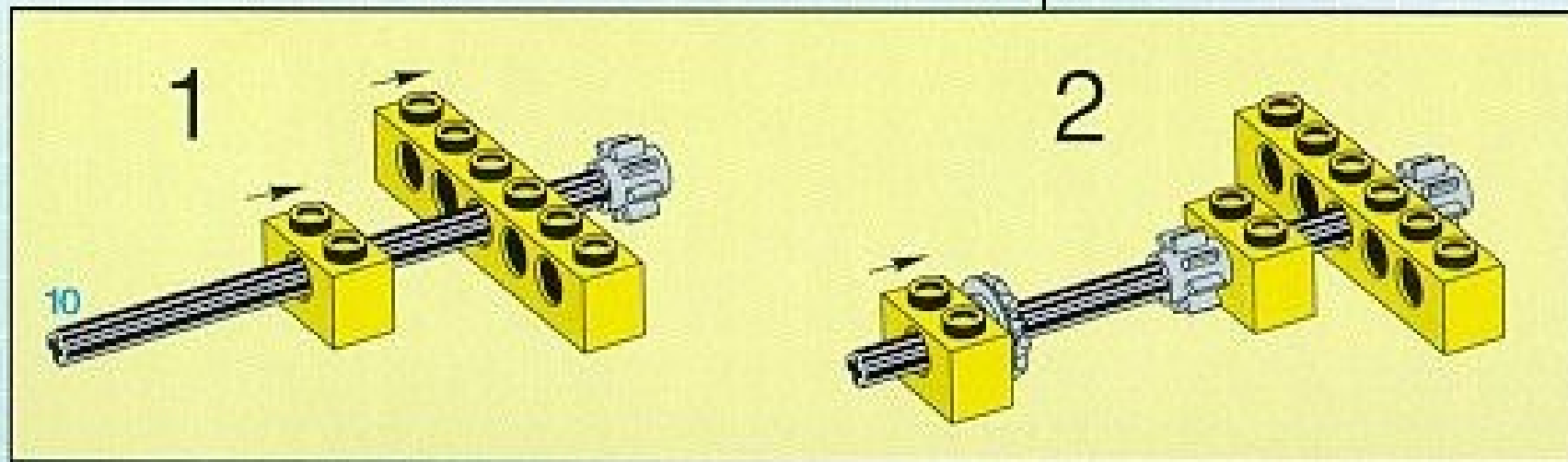
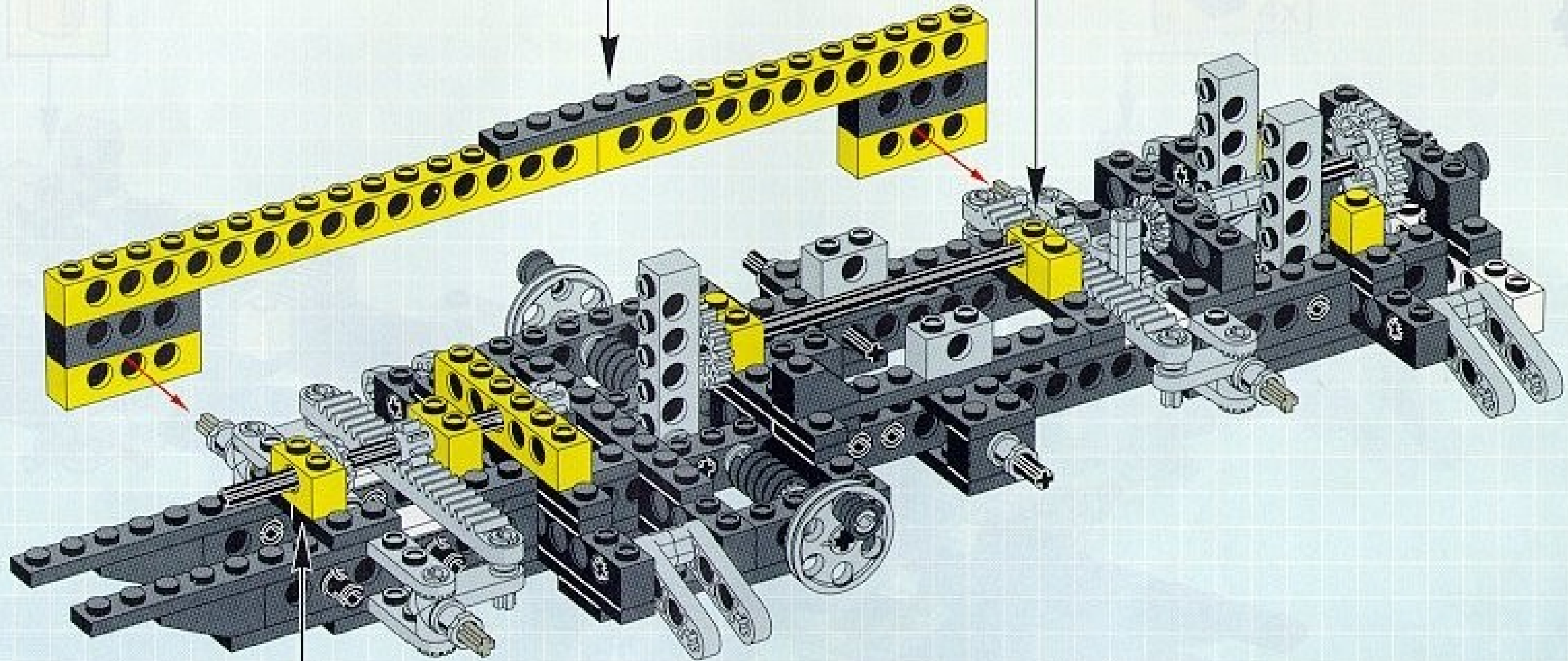


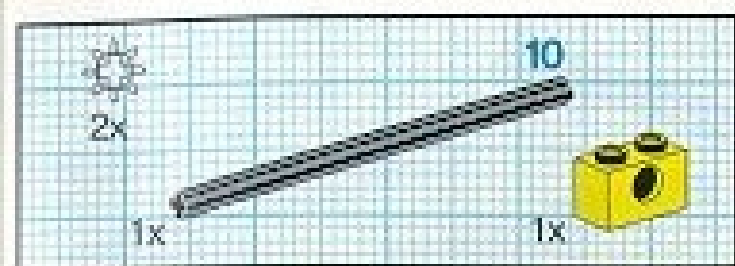
13



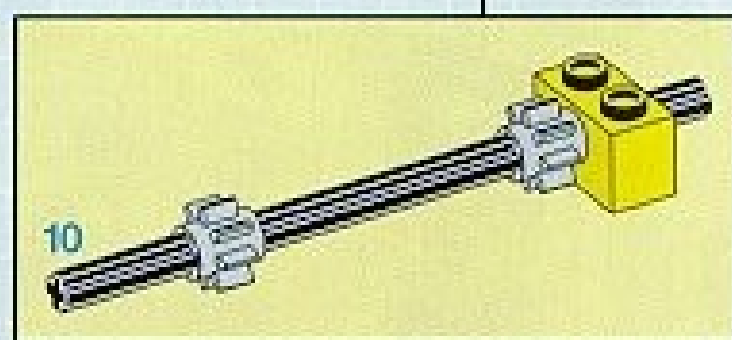
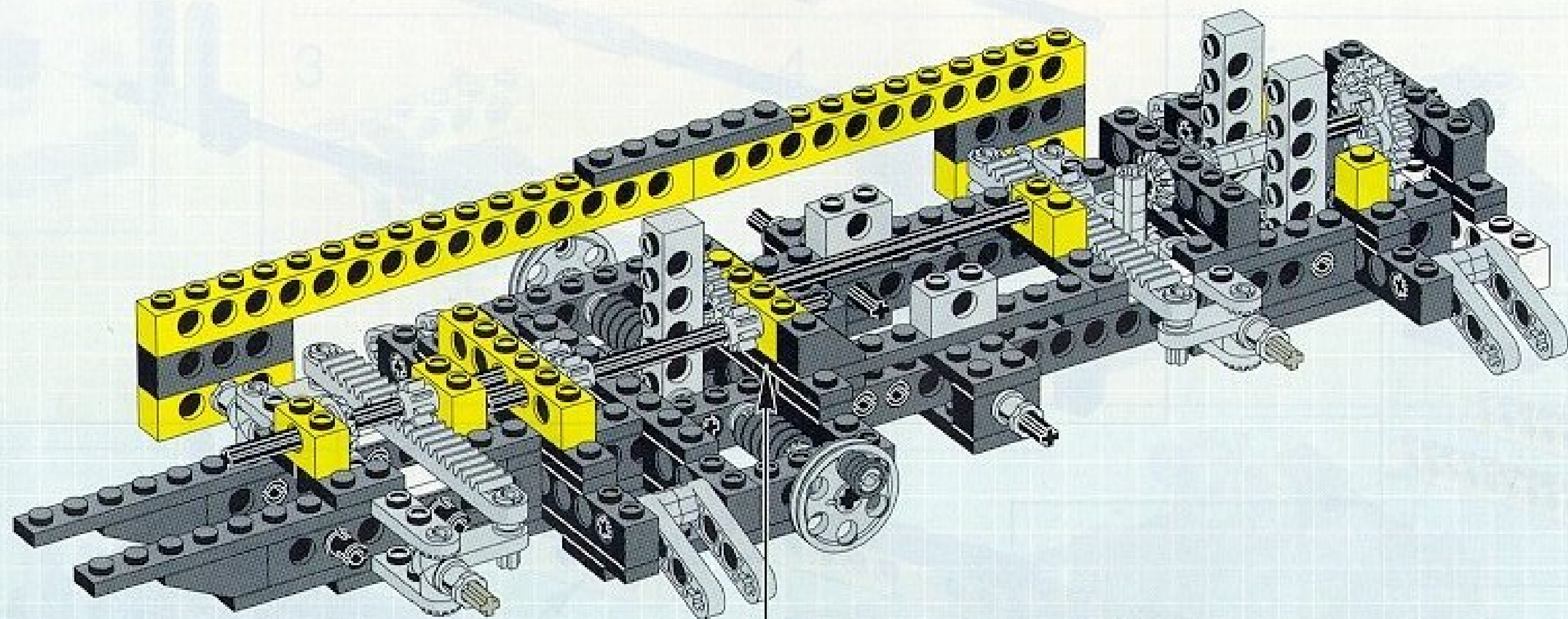


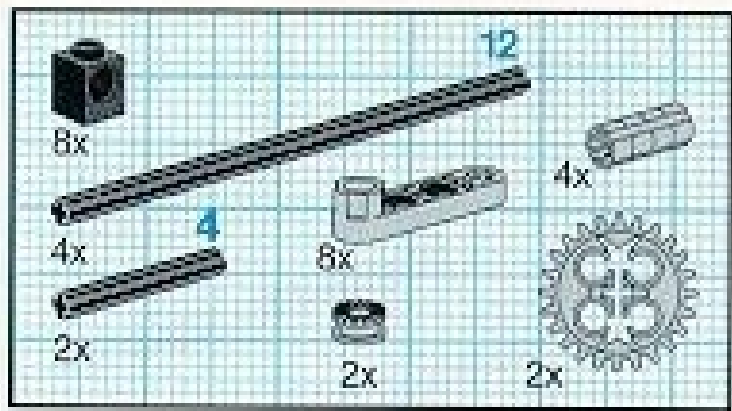
15



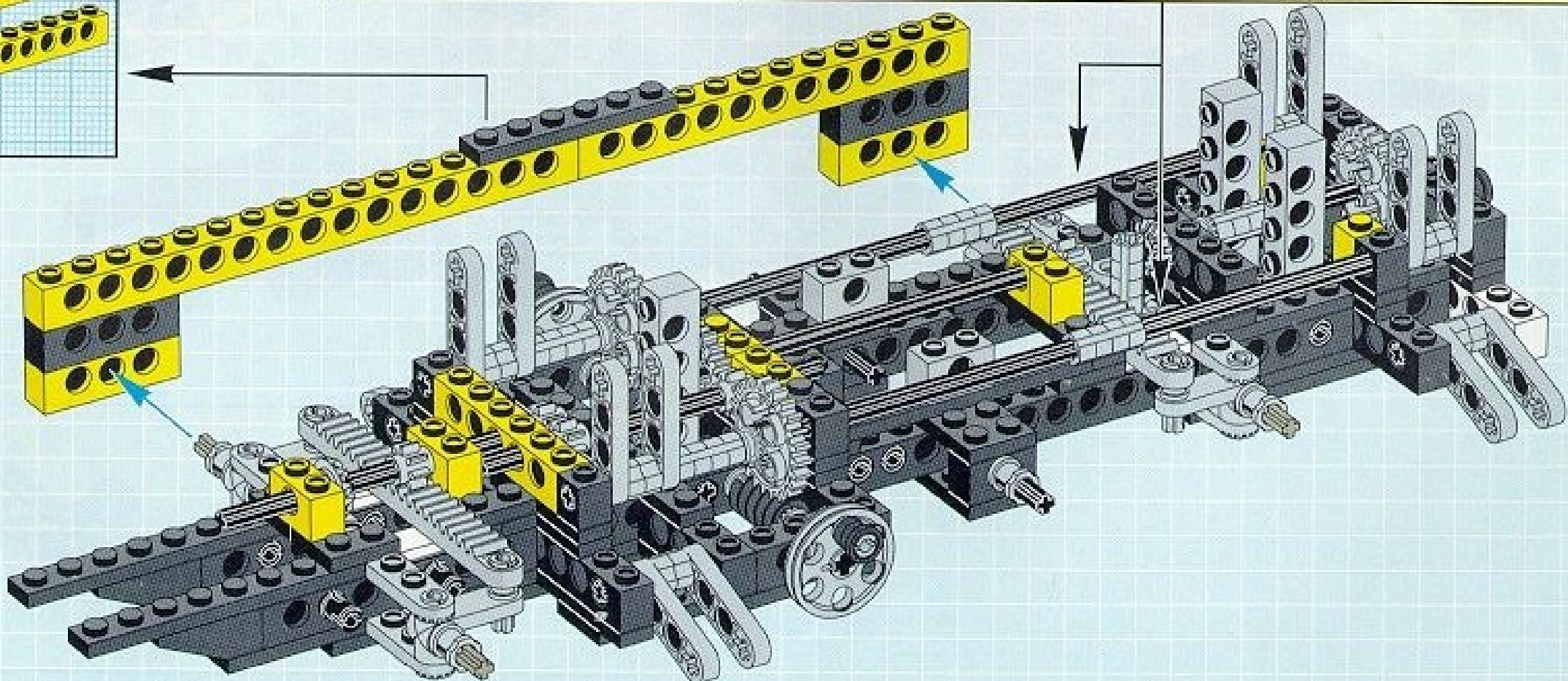
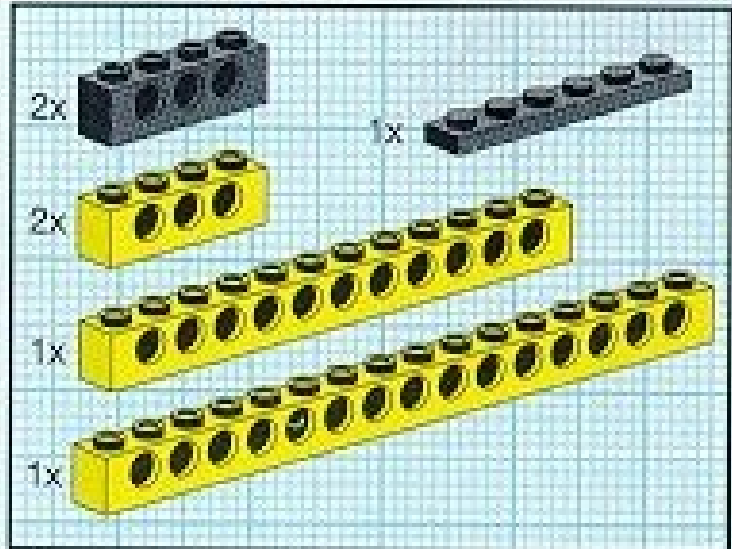
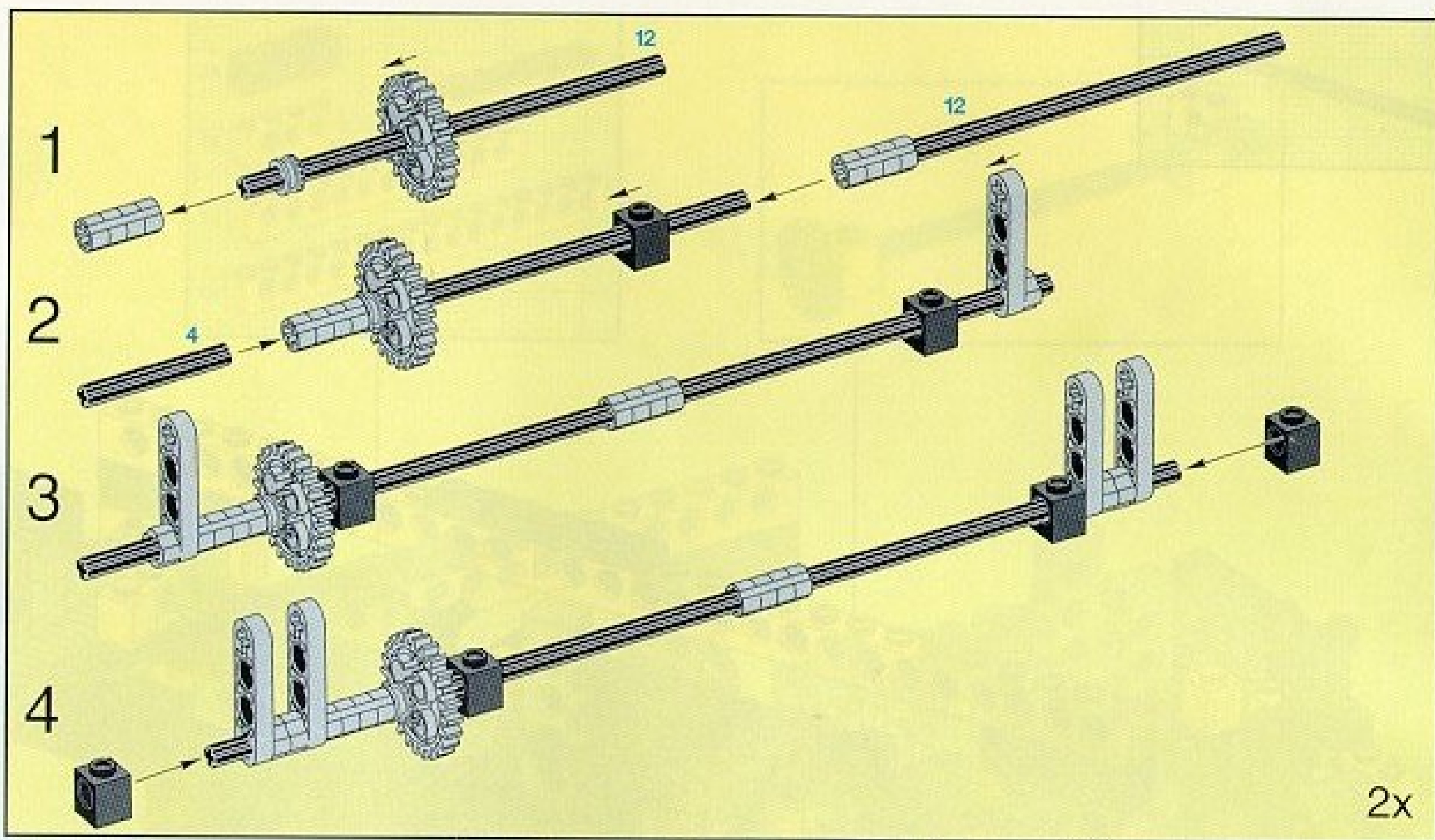


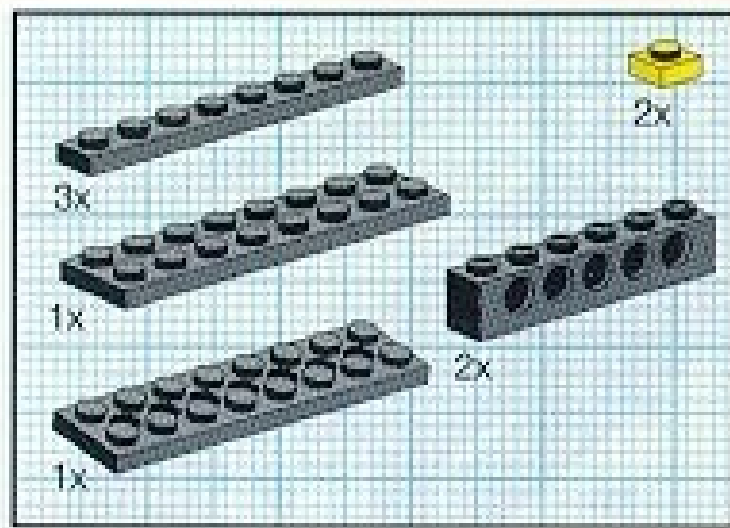
16



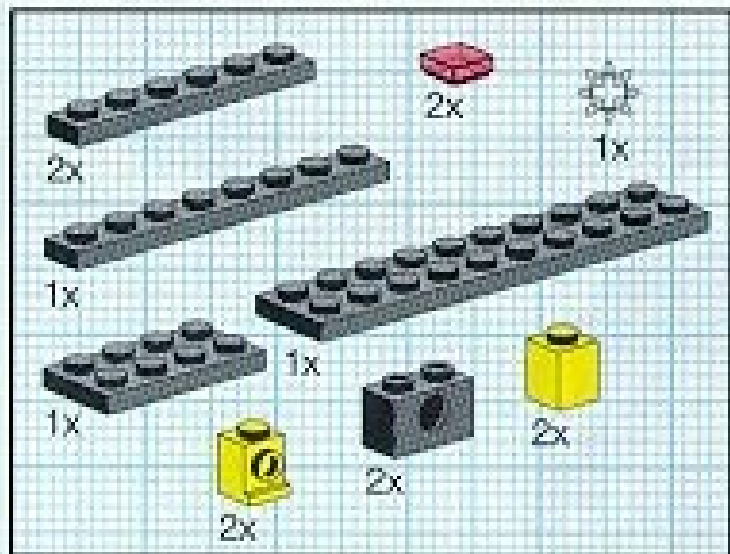
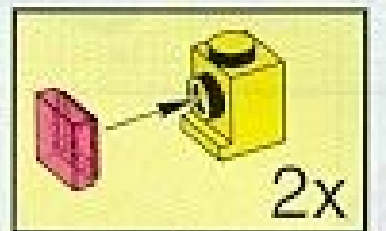
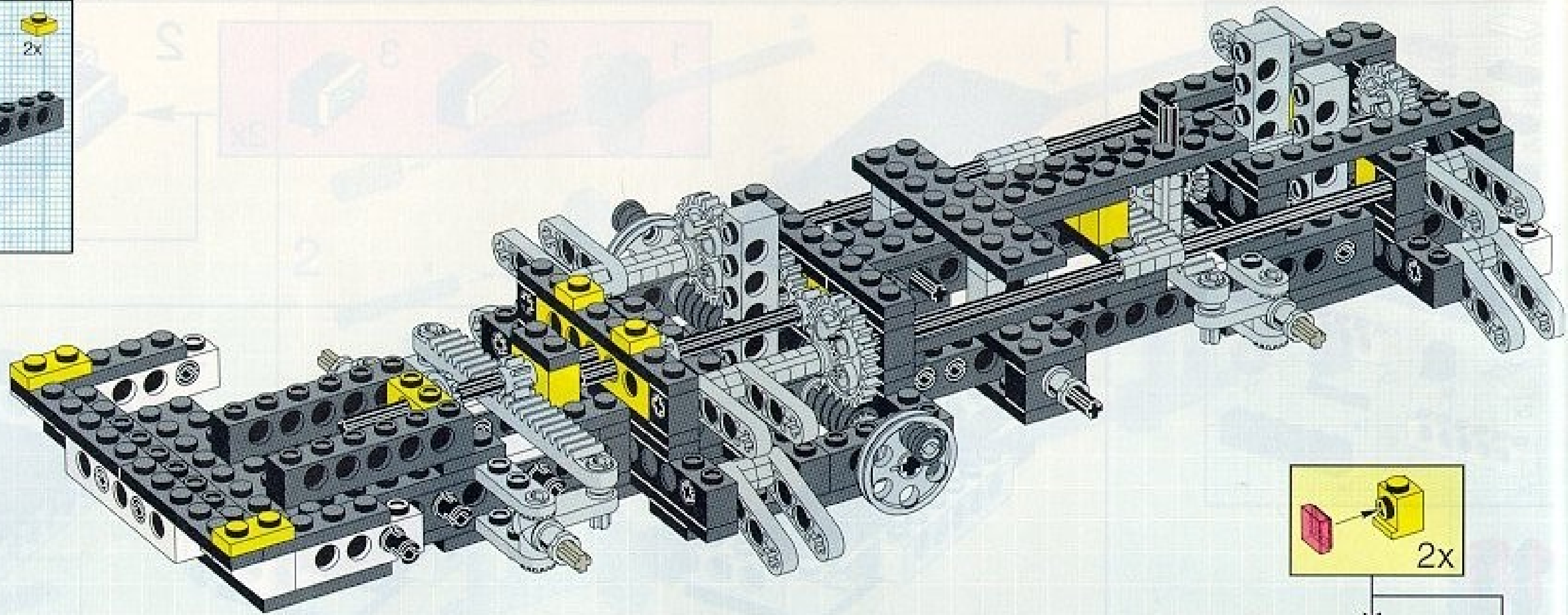


17

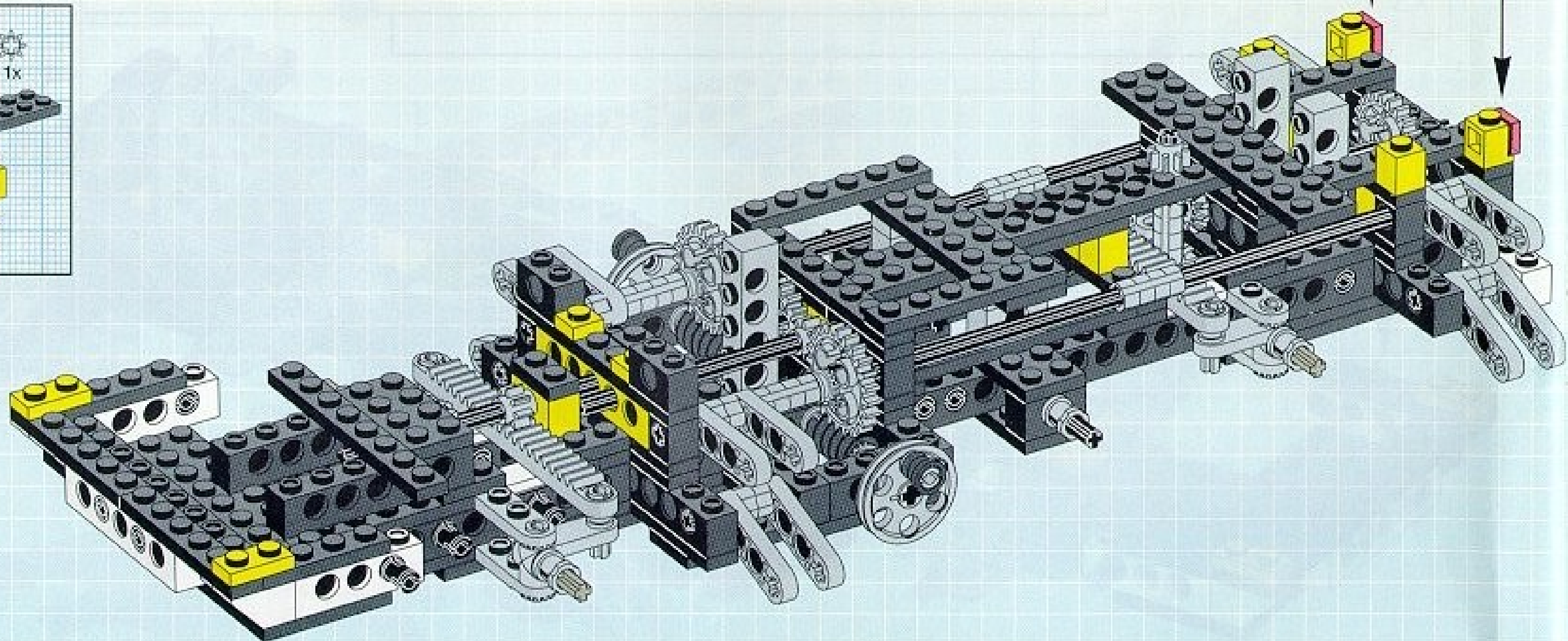




19

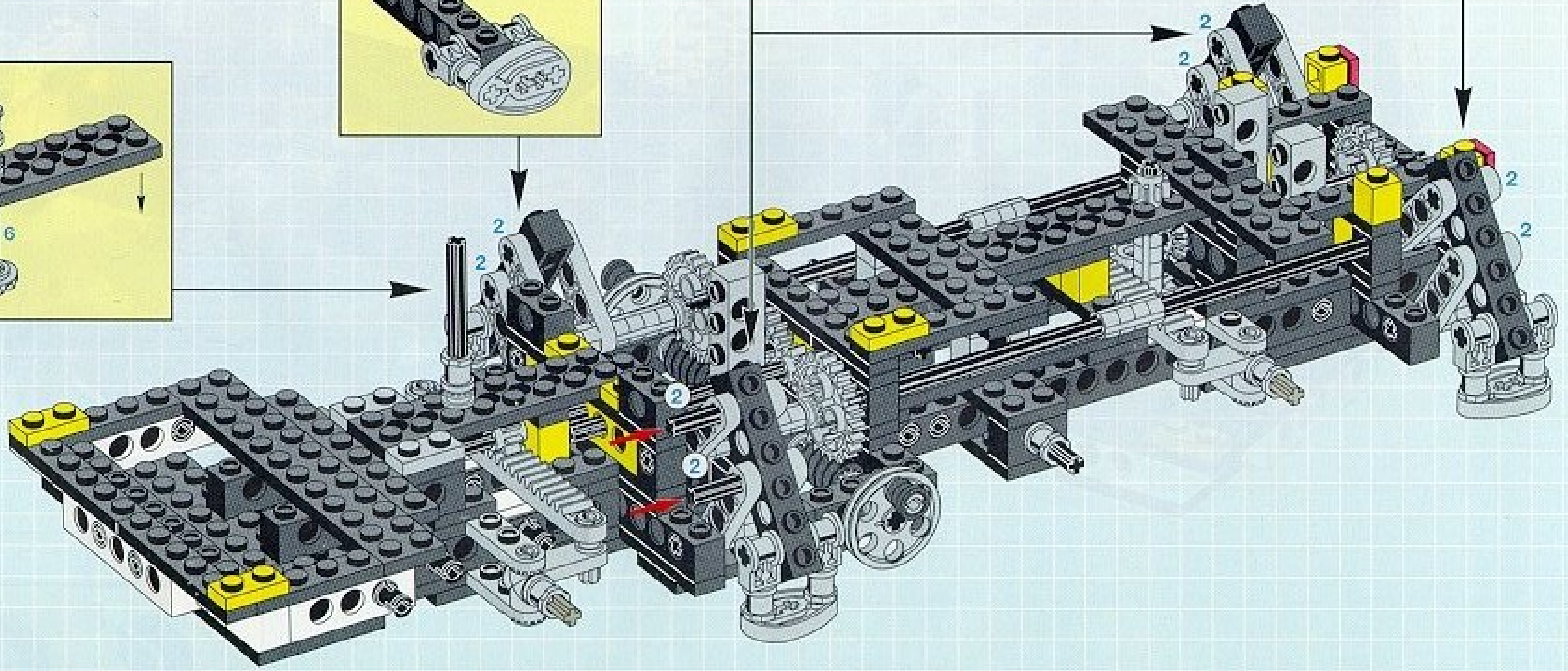
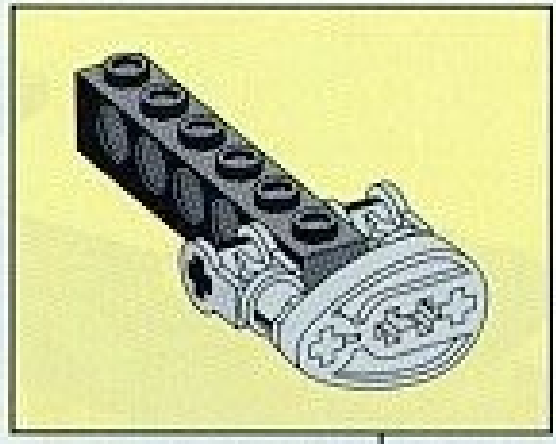
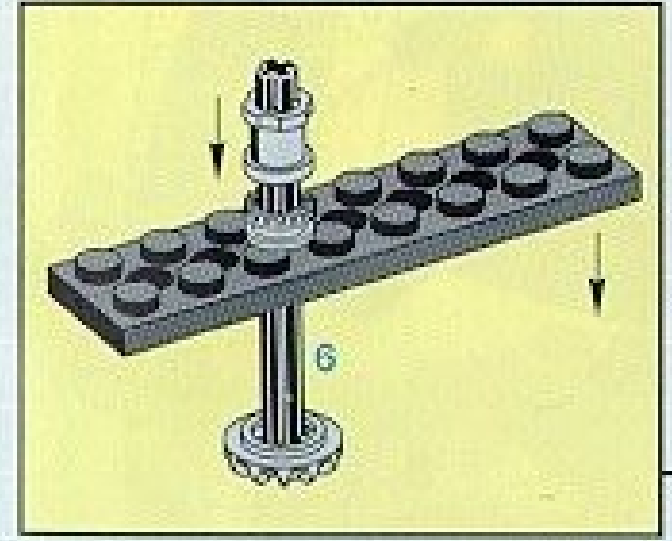
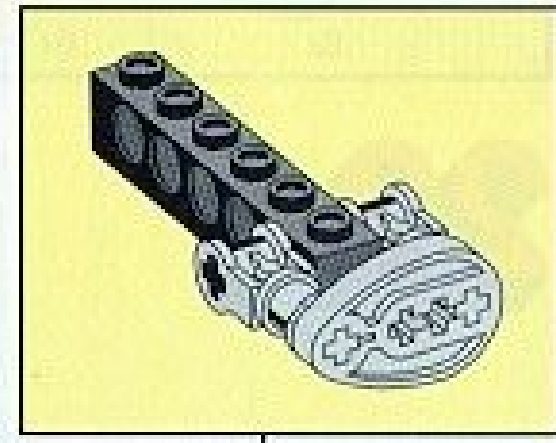
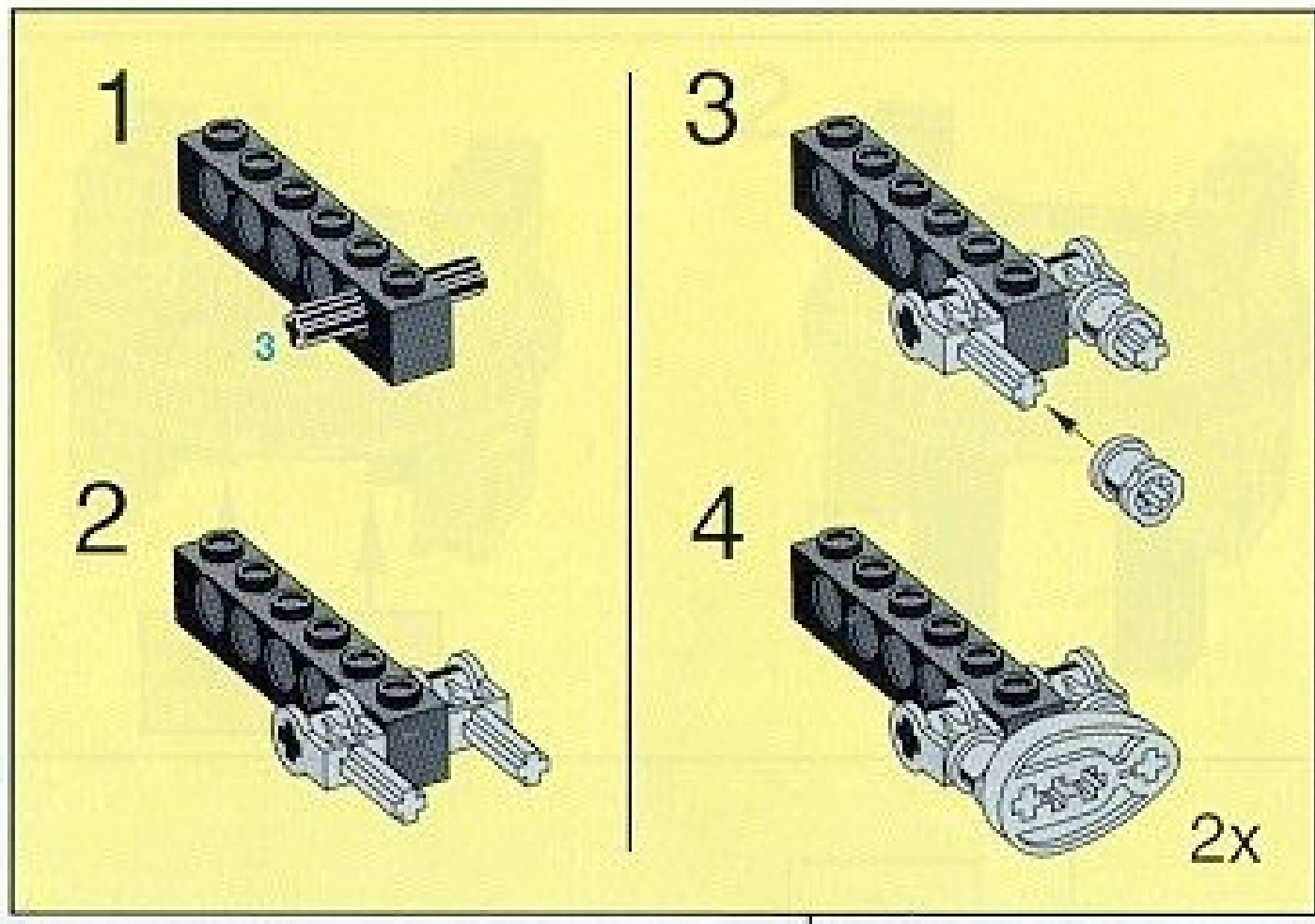


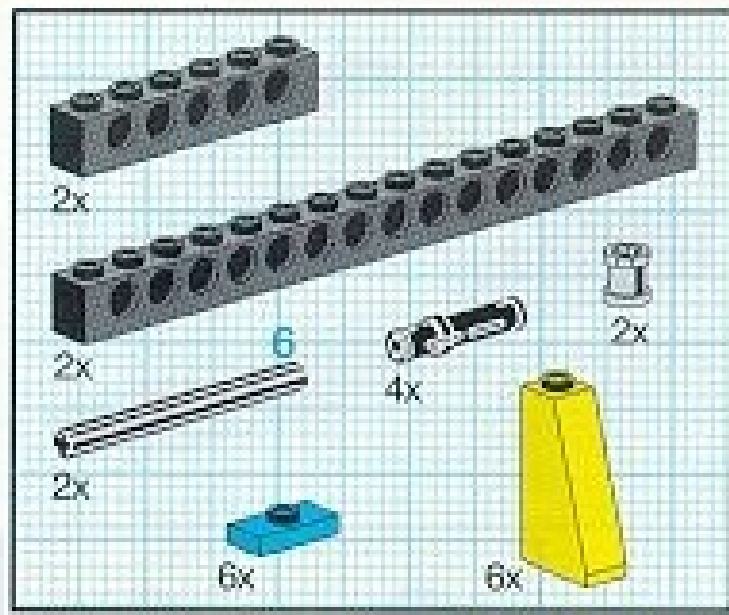
20



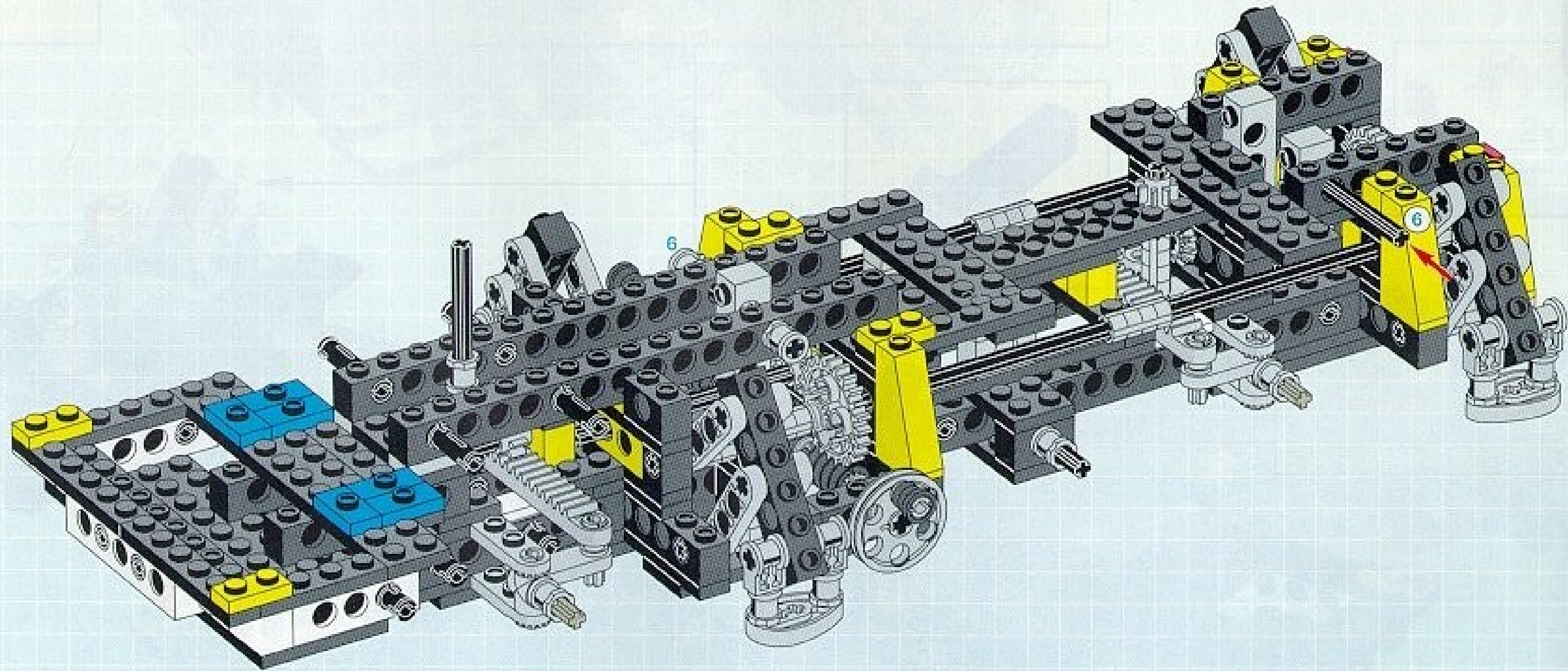


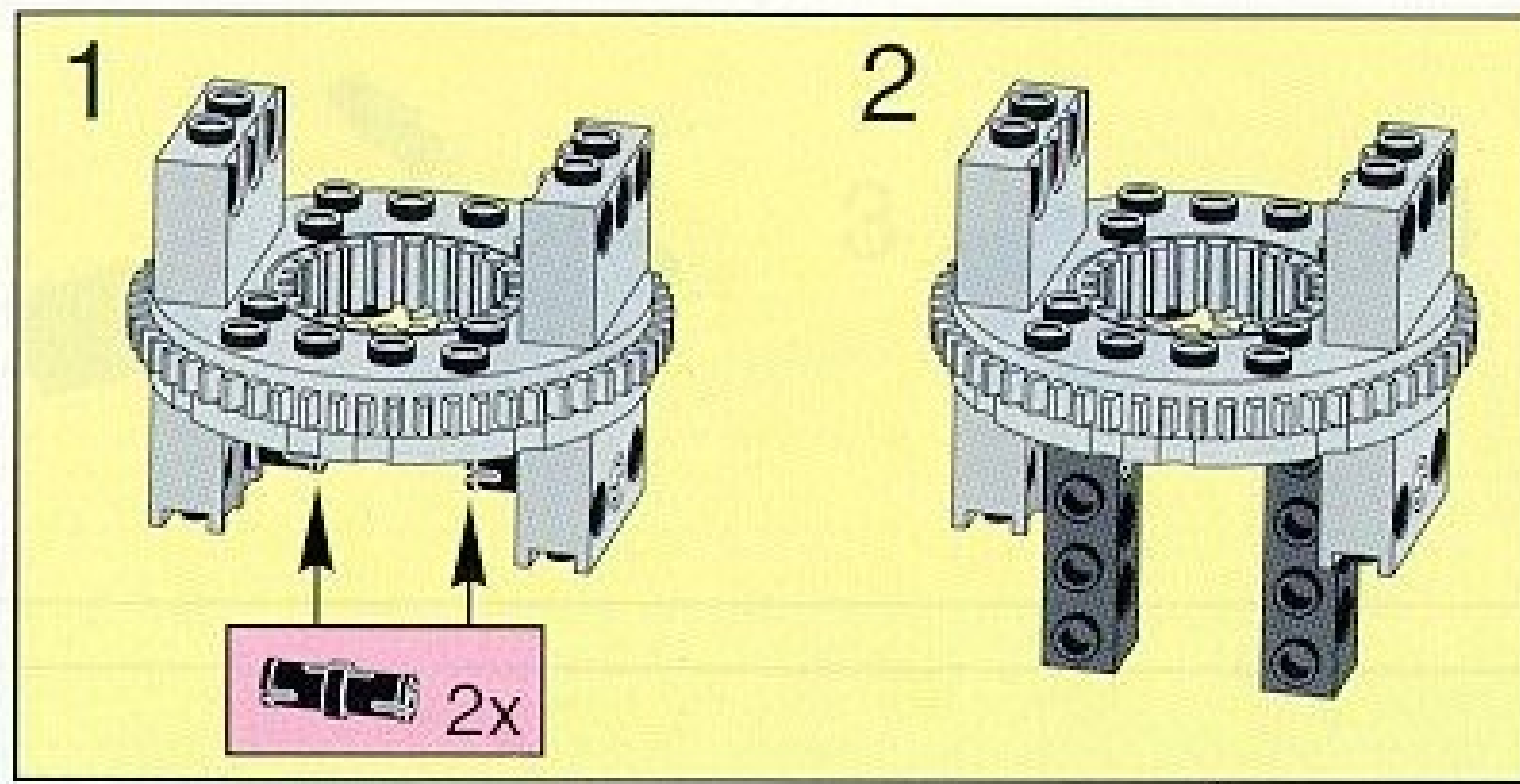
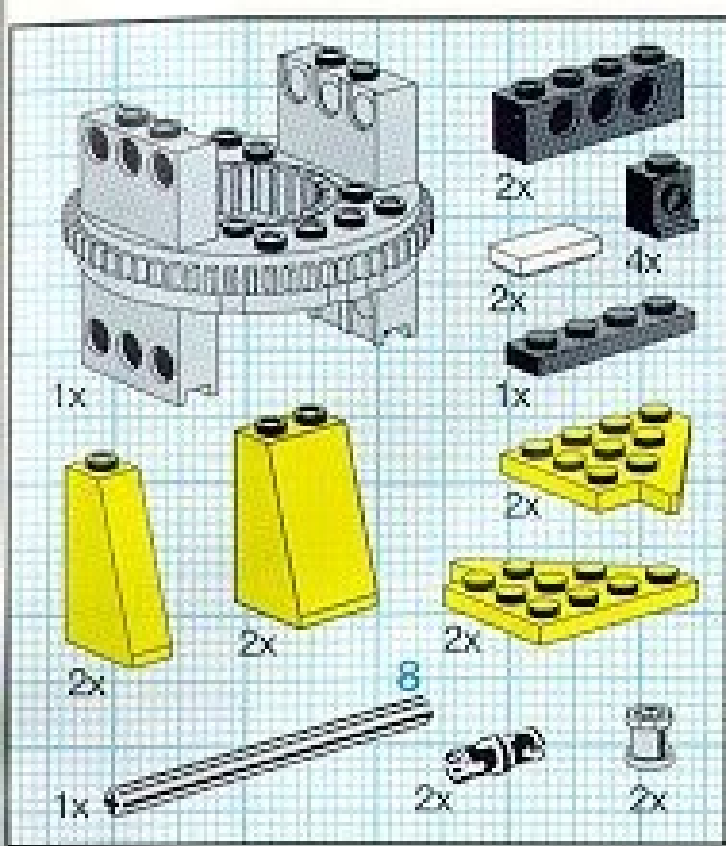
21



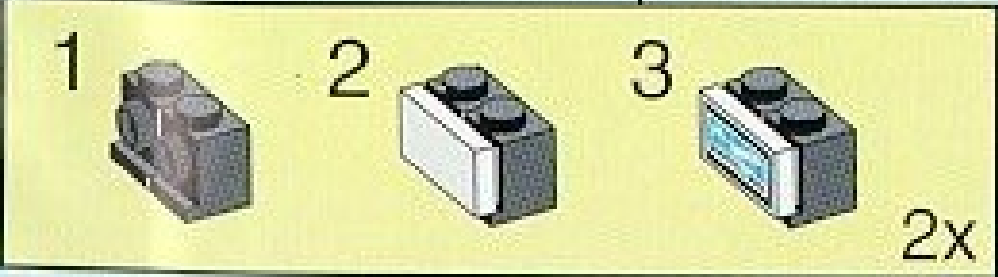
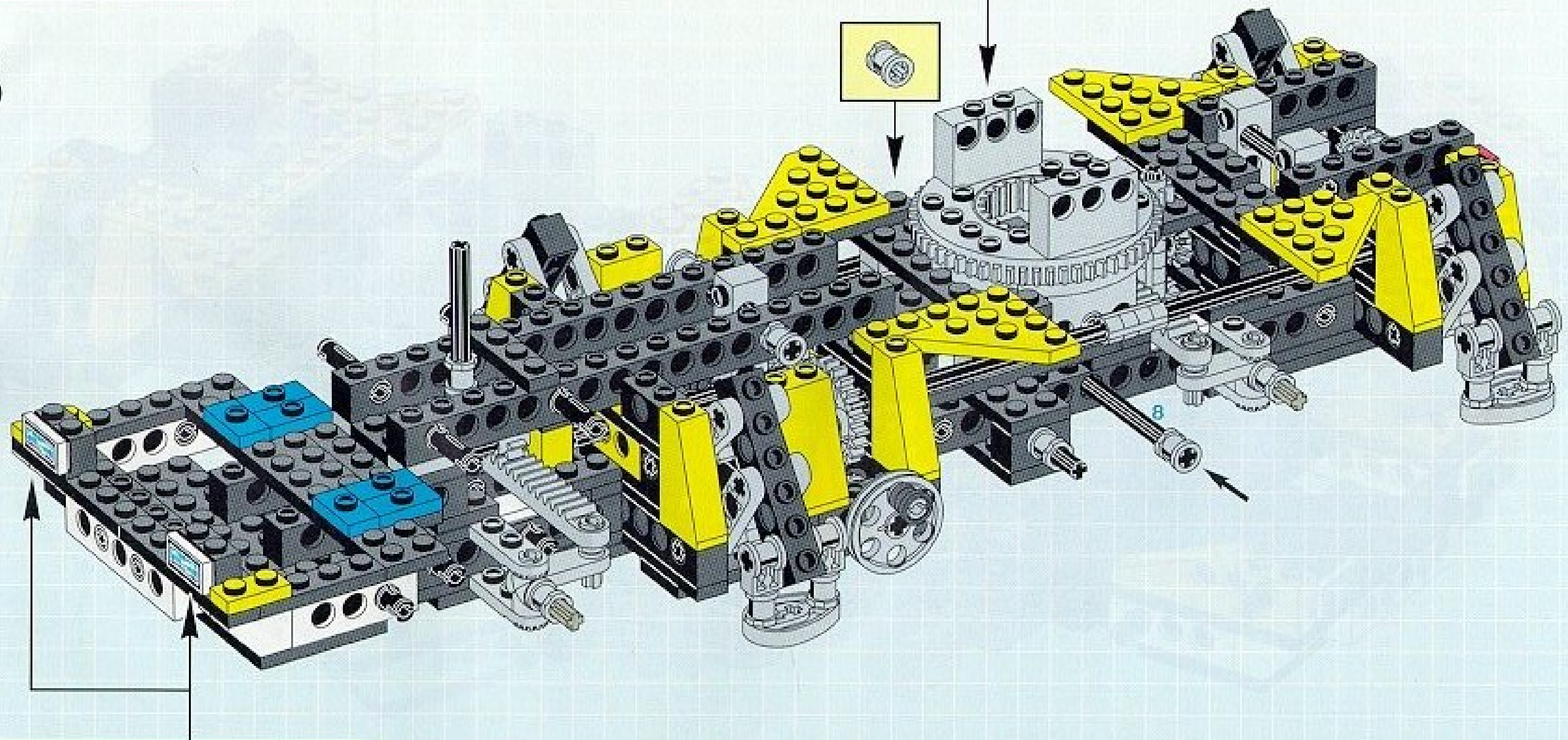


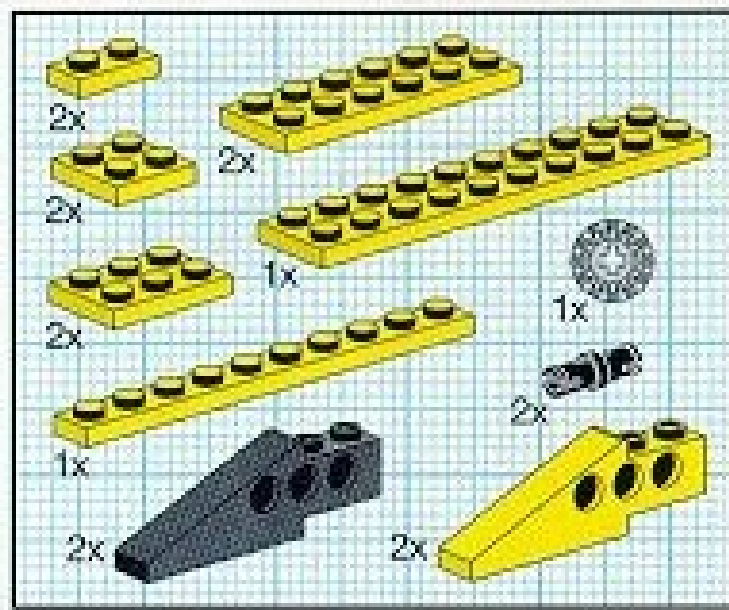
22



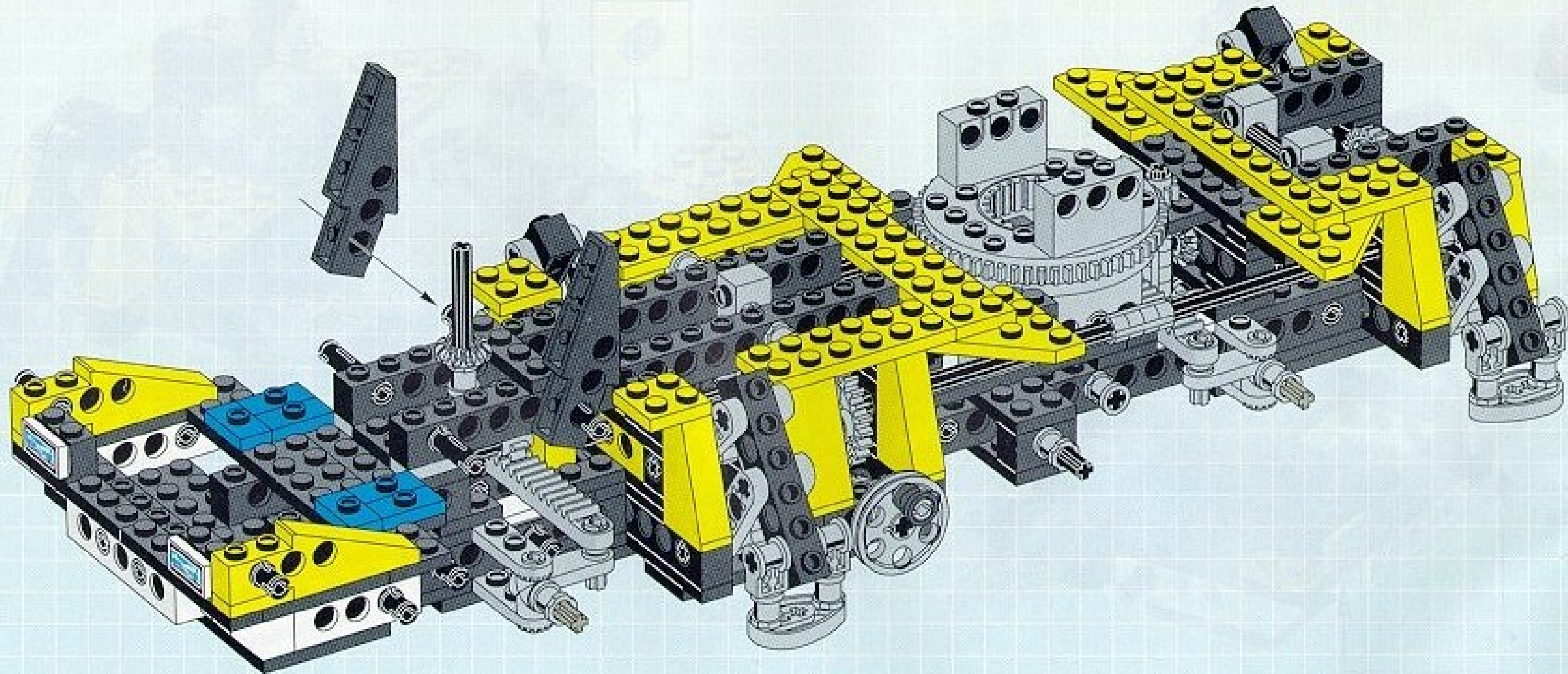


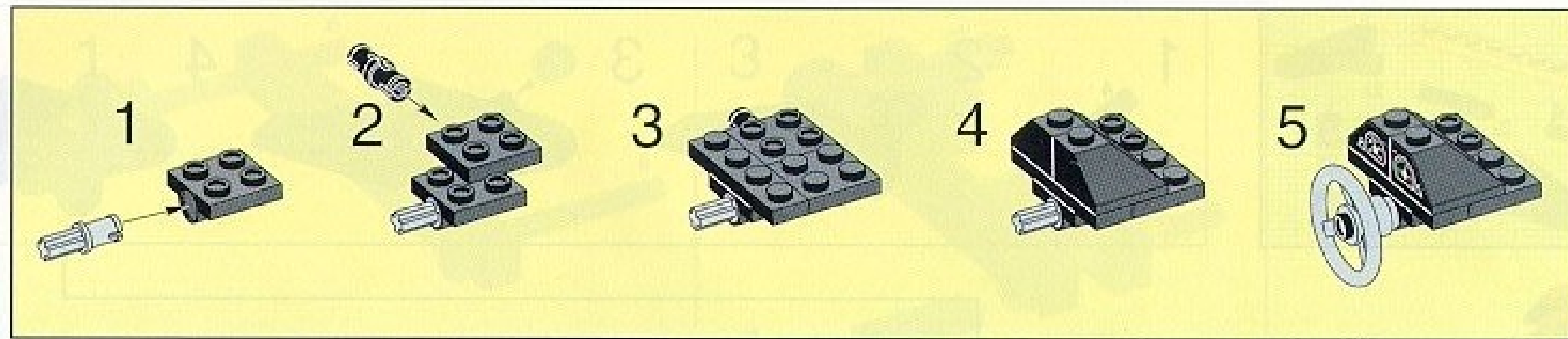
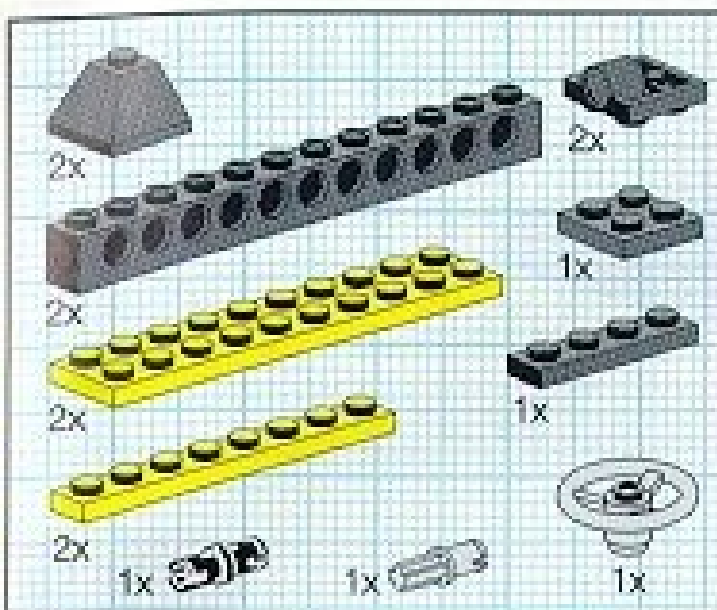
23



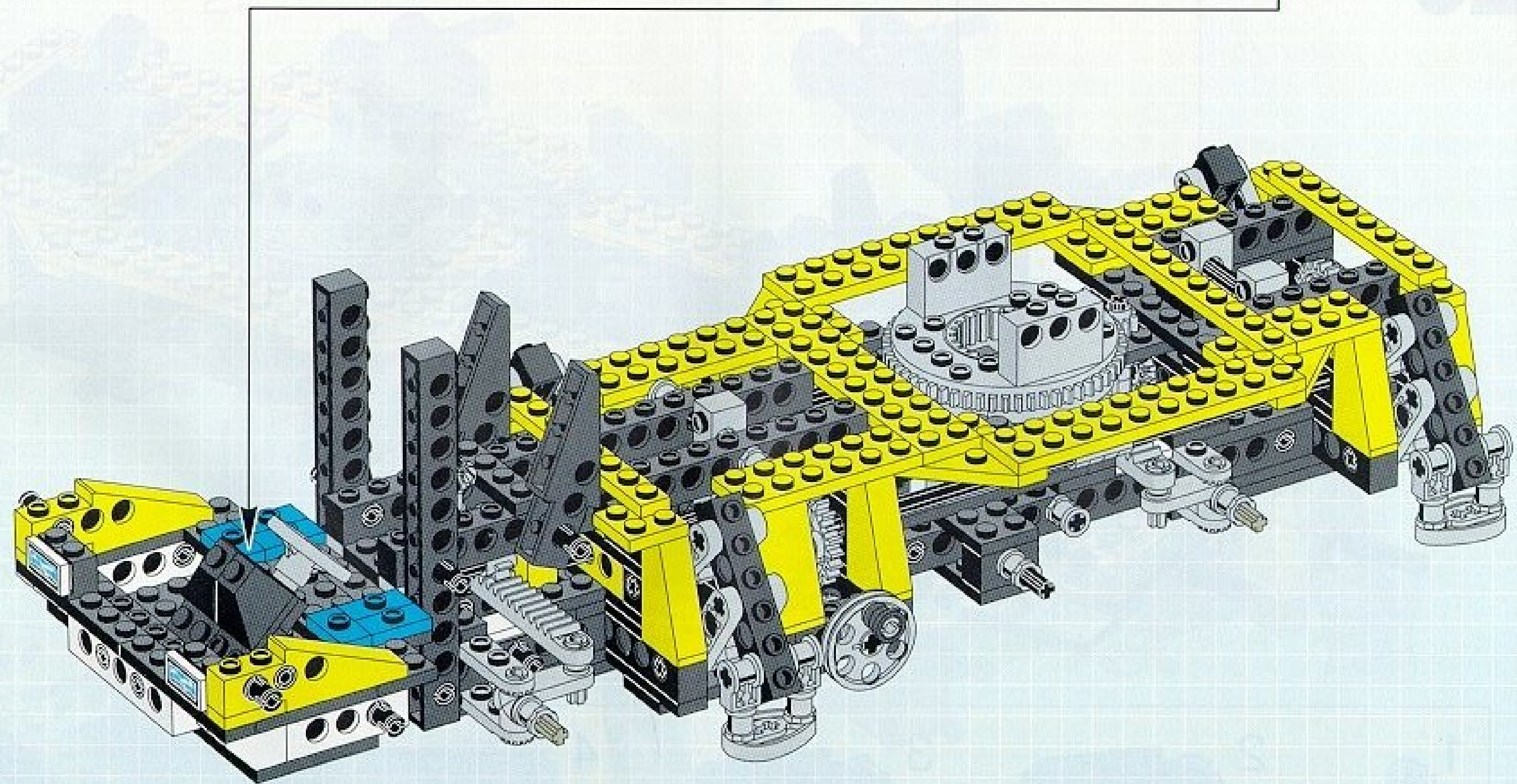


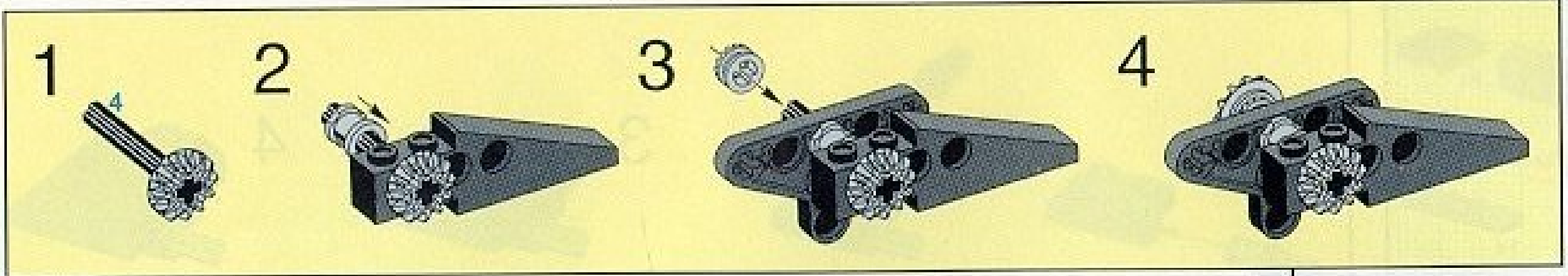
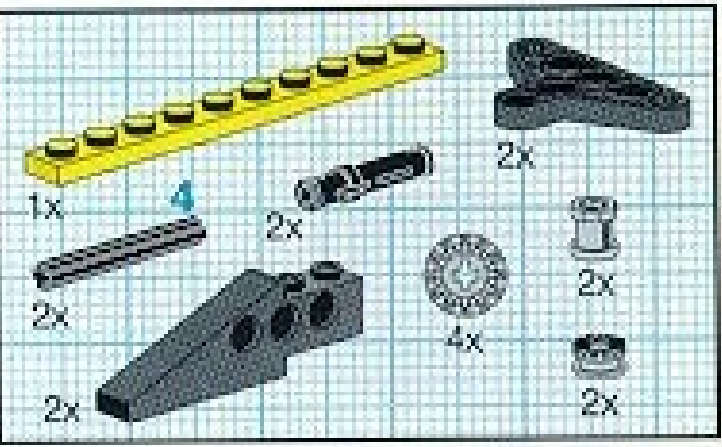
24



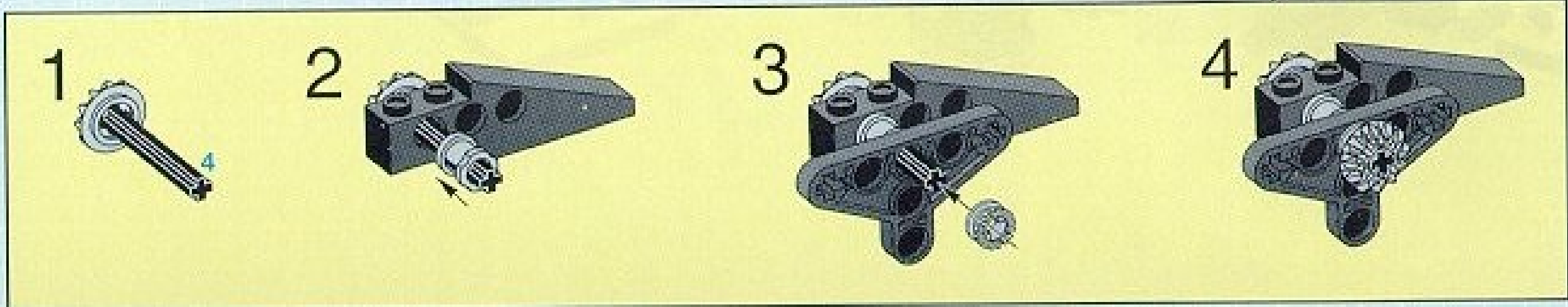
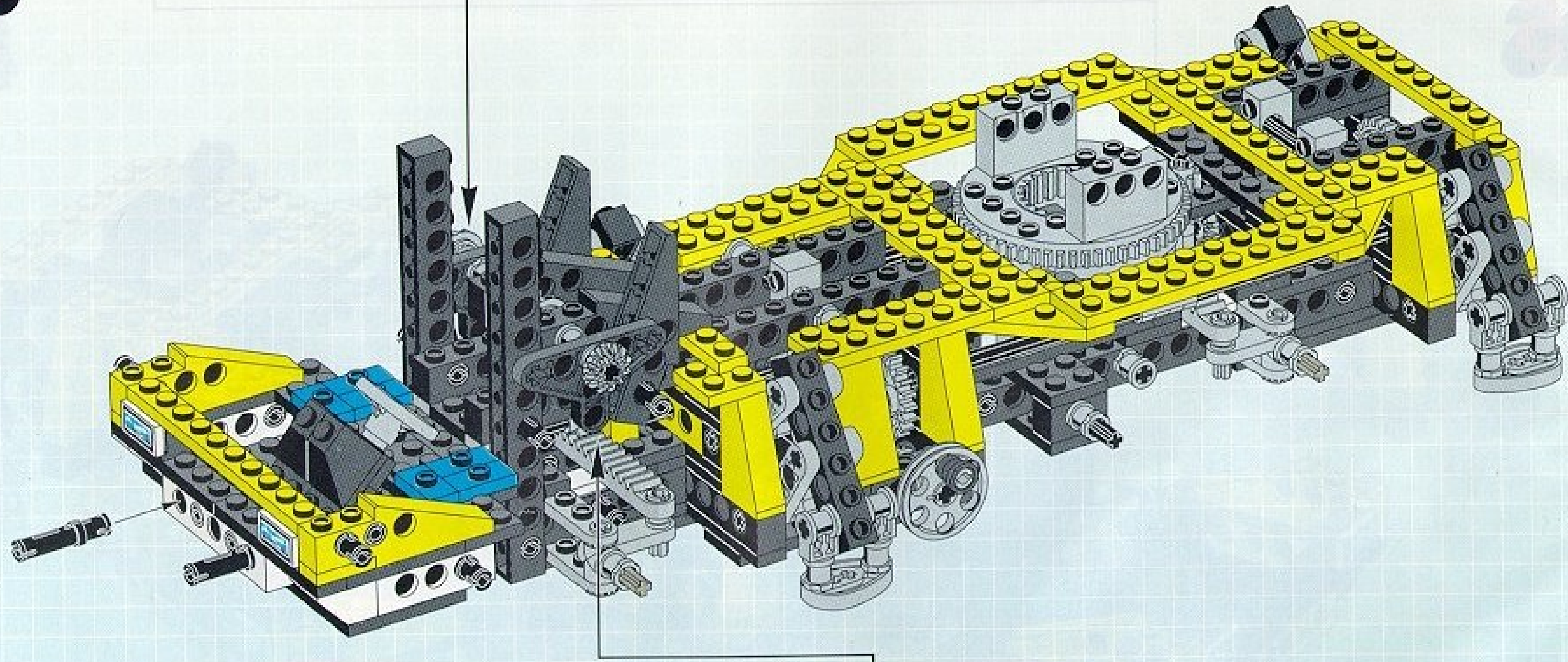


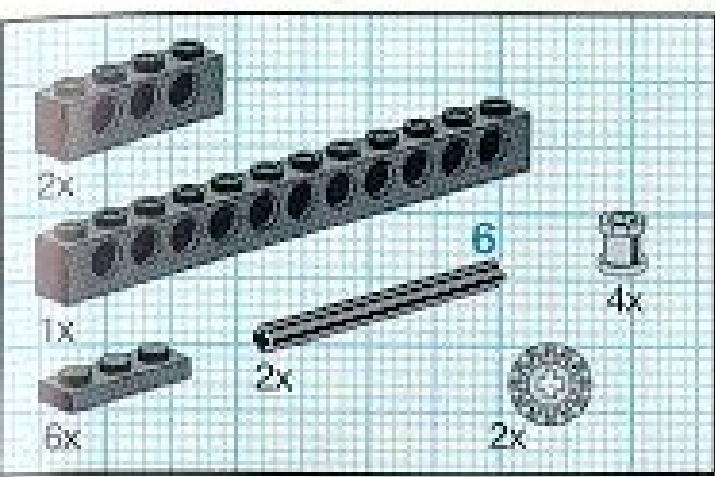
25



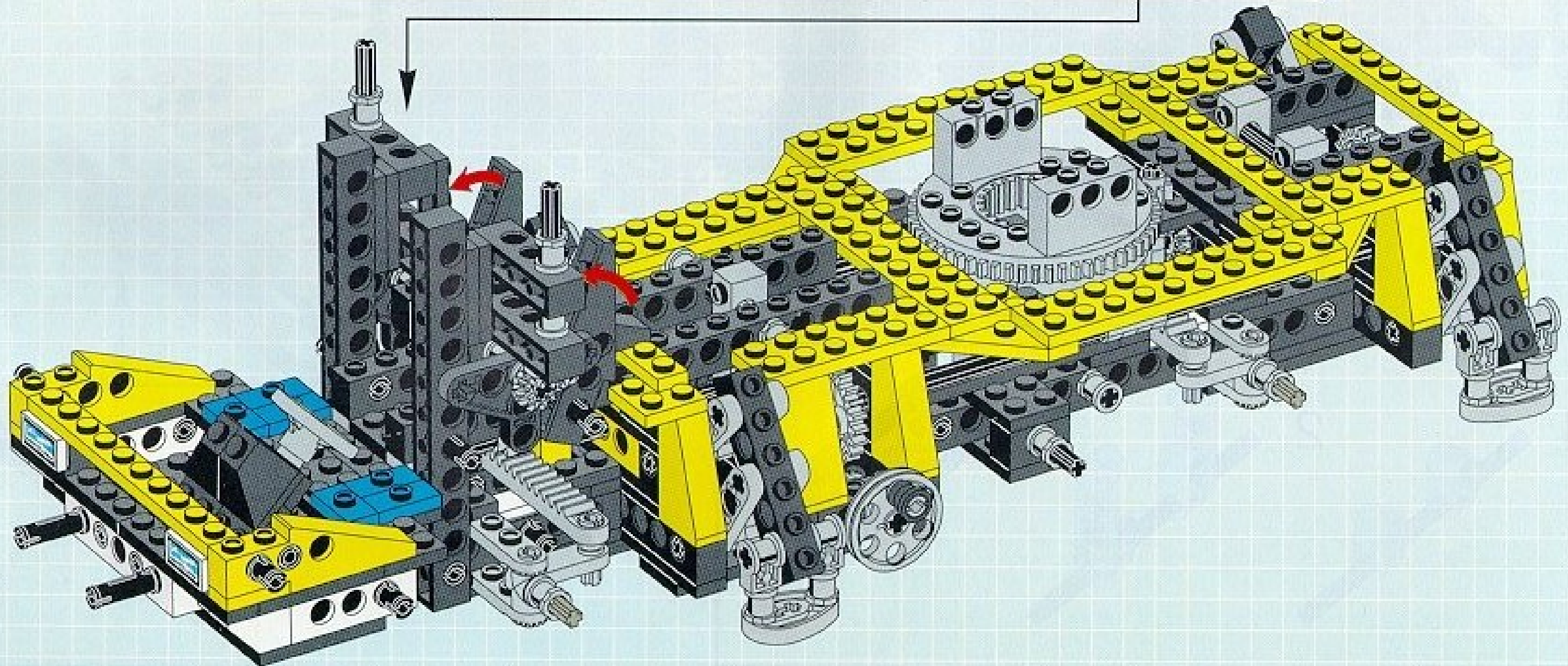
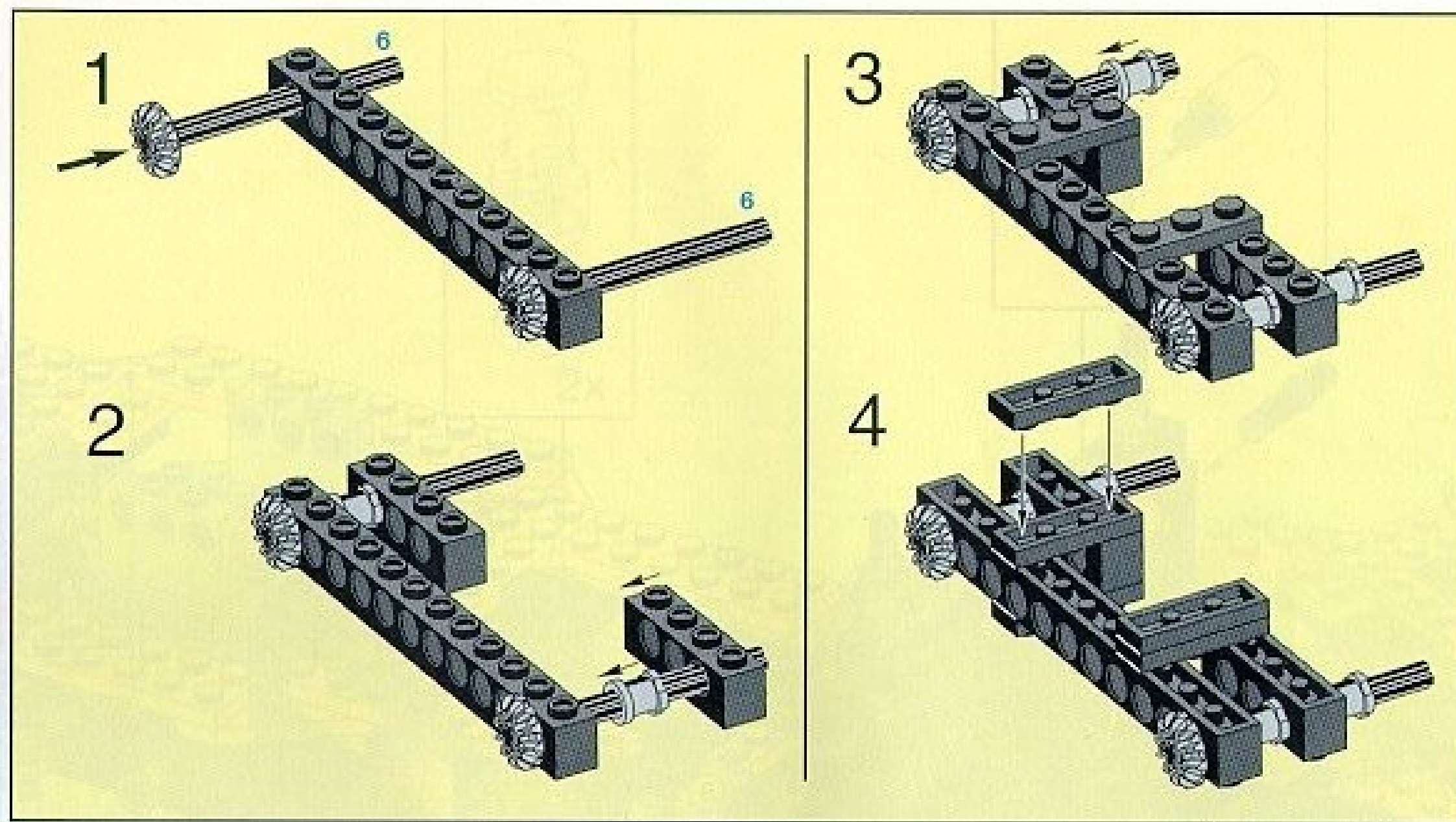


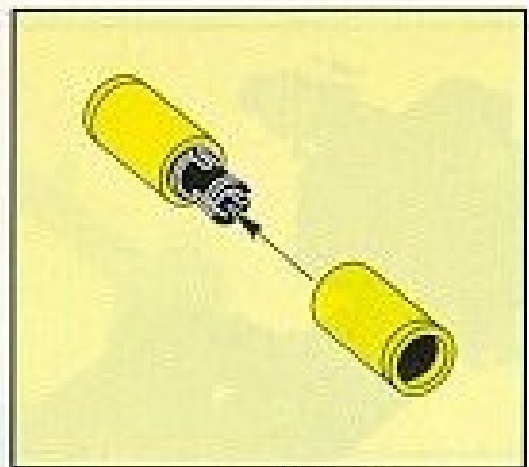
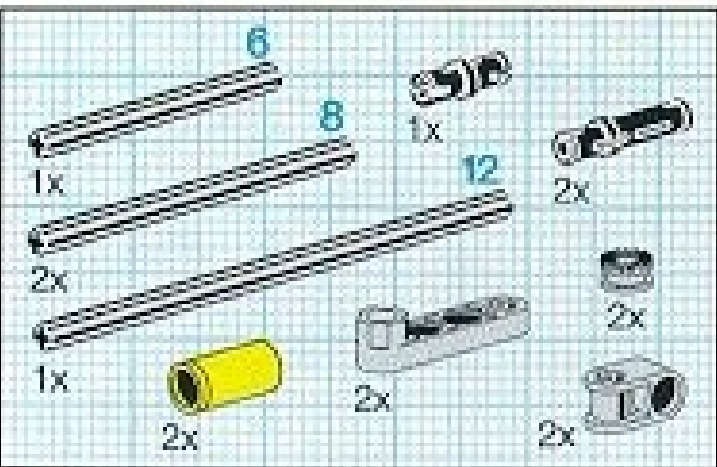
26



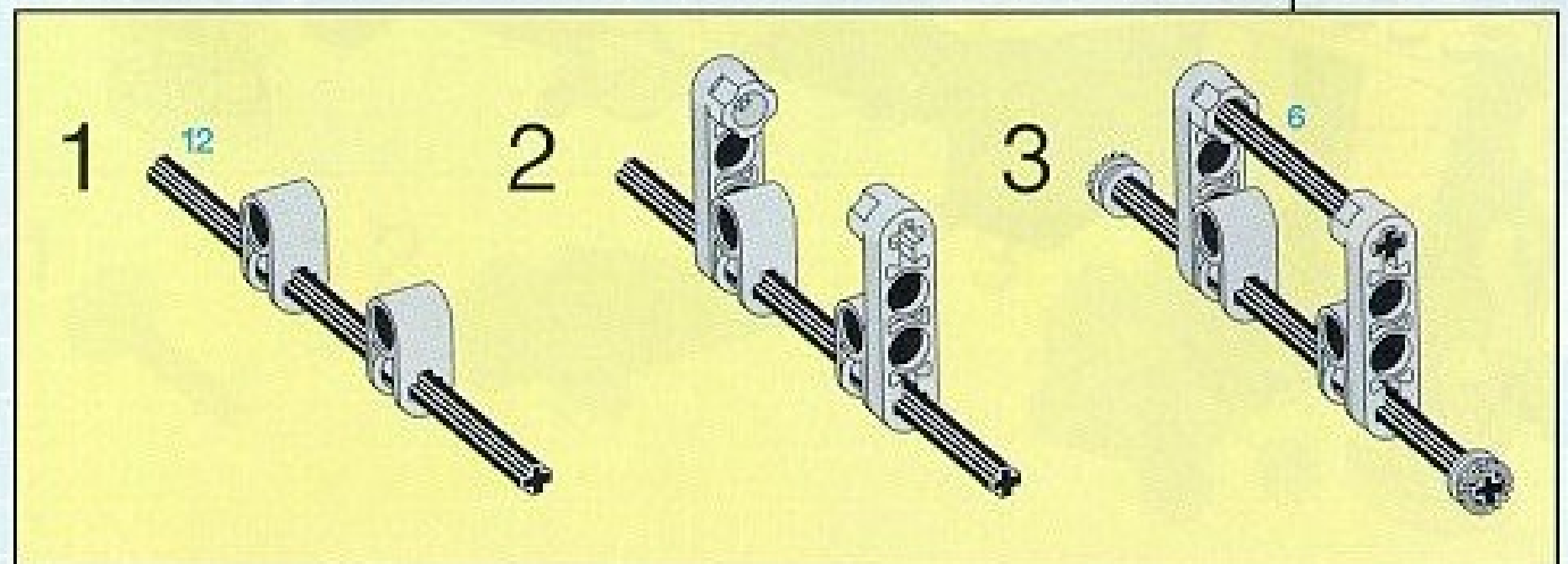
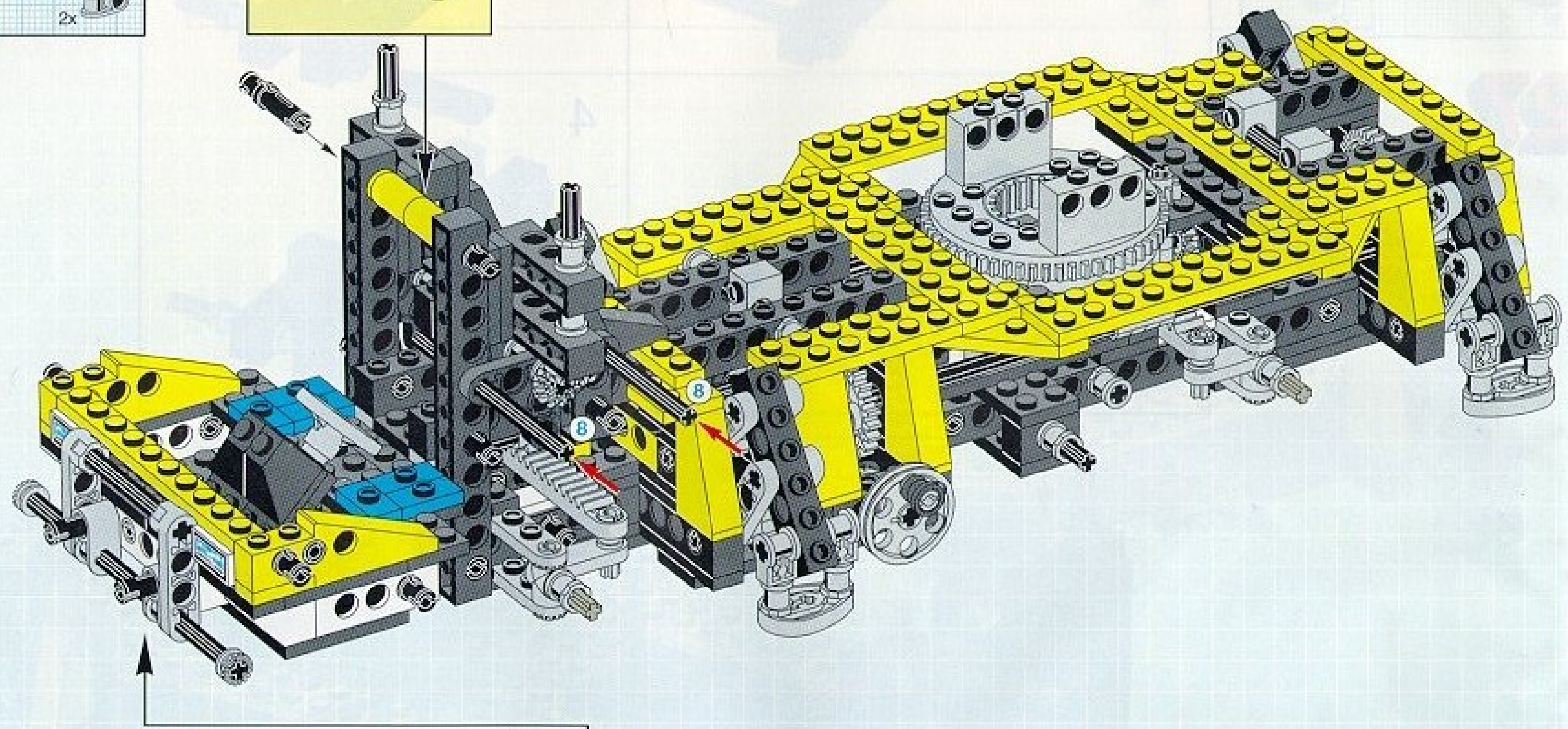


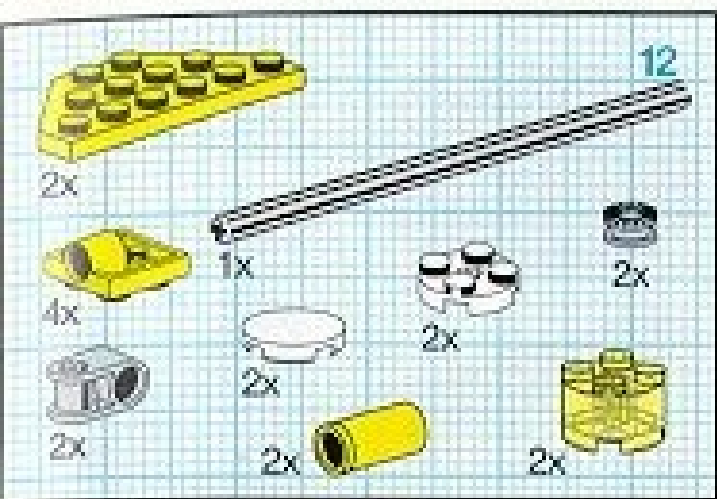
27



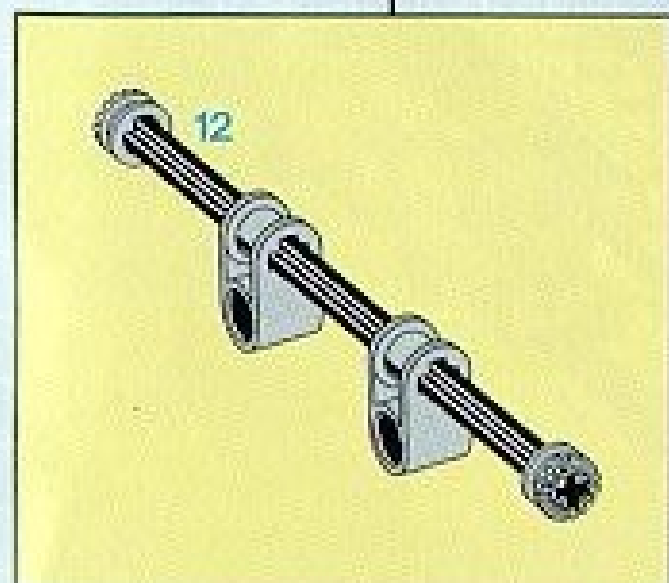
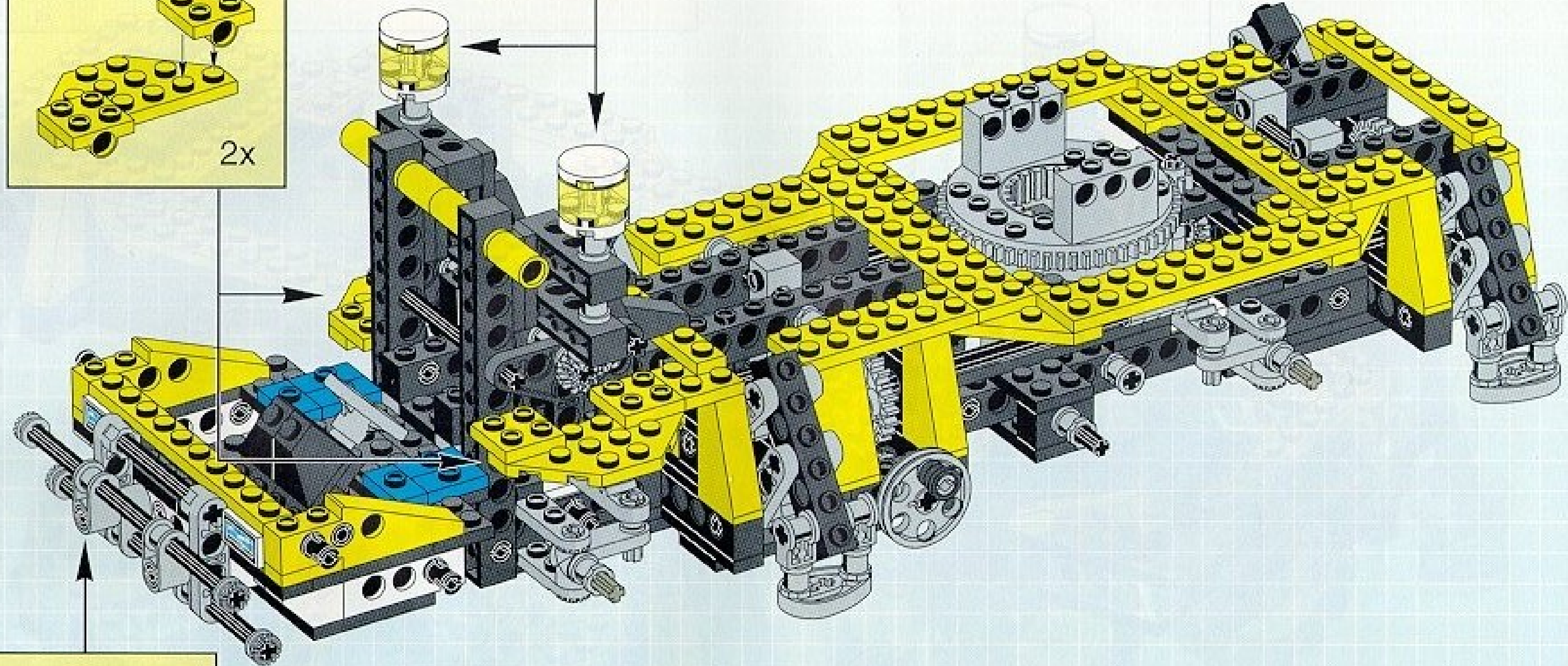
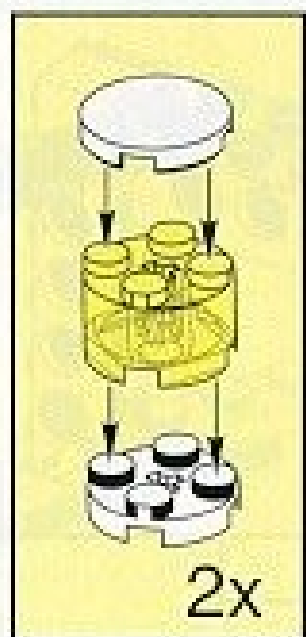
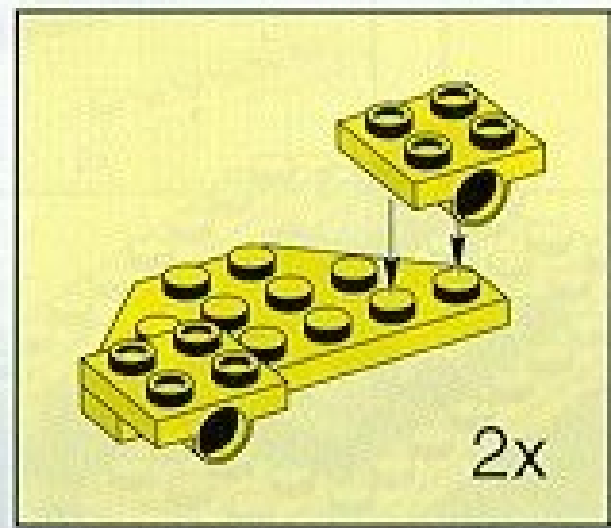


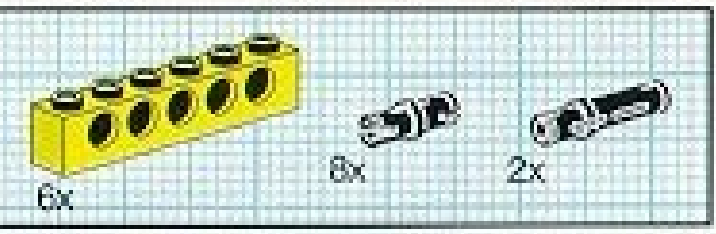
28



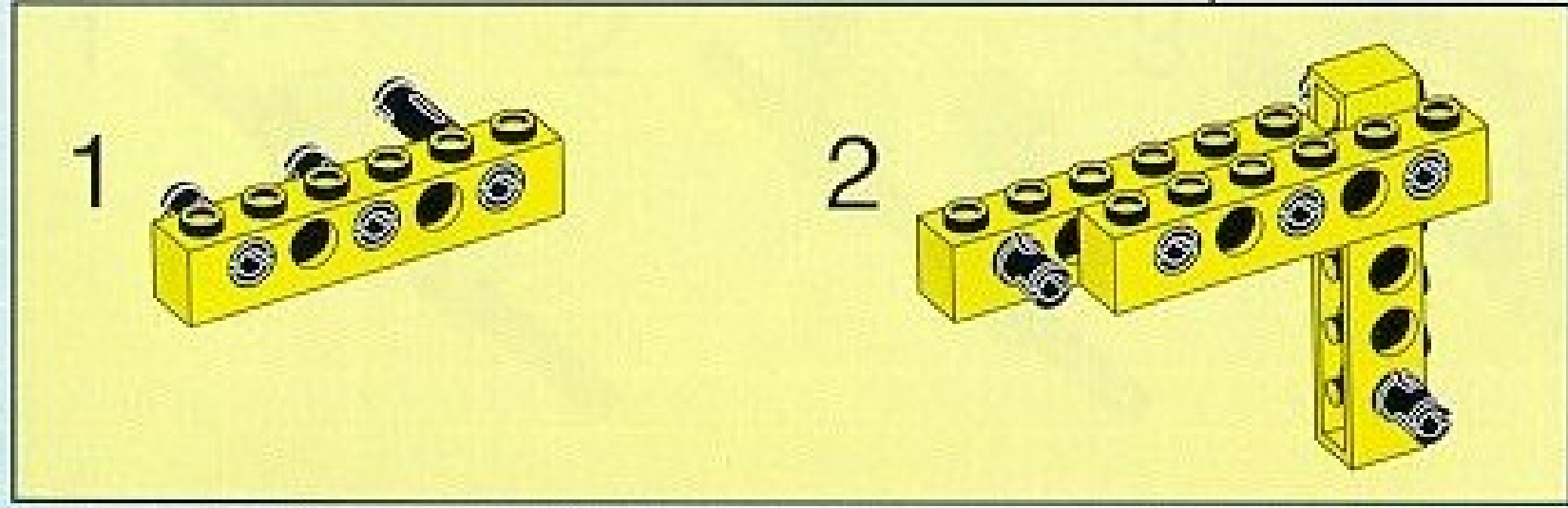
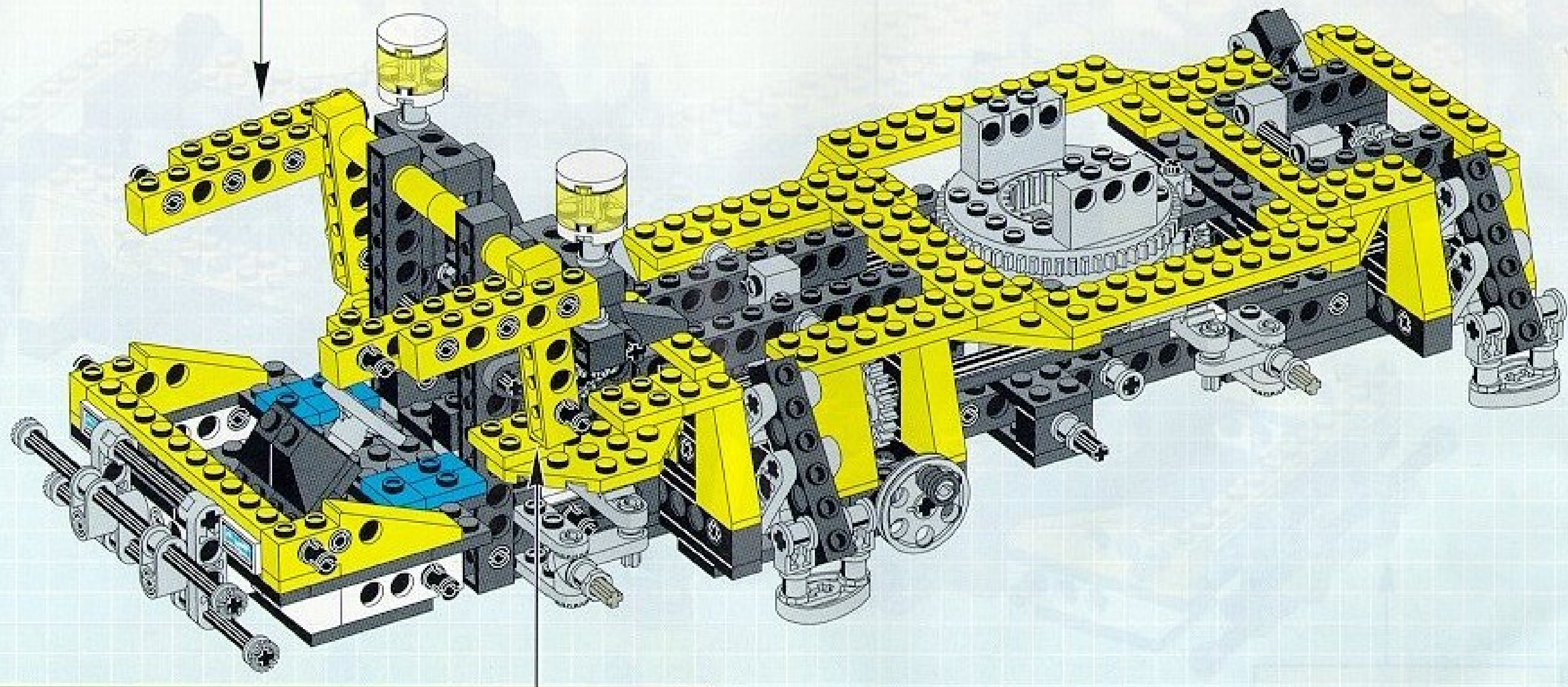
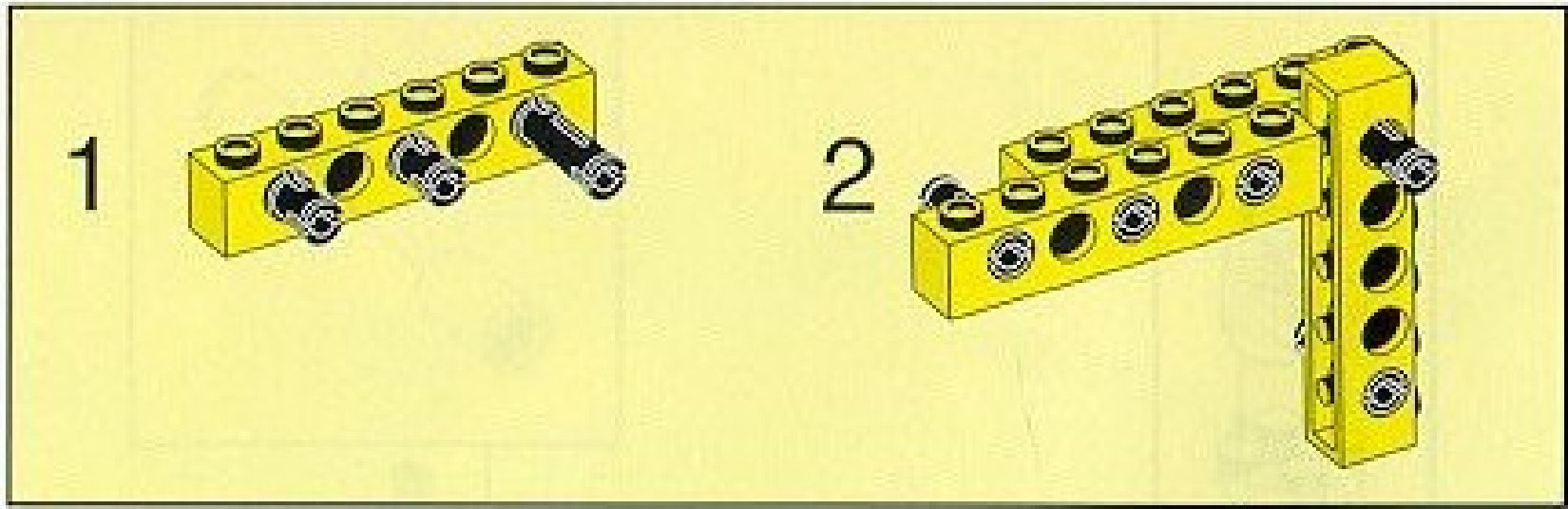


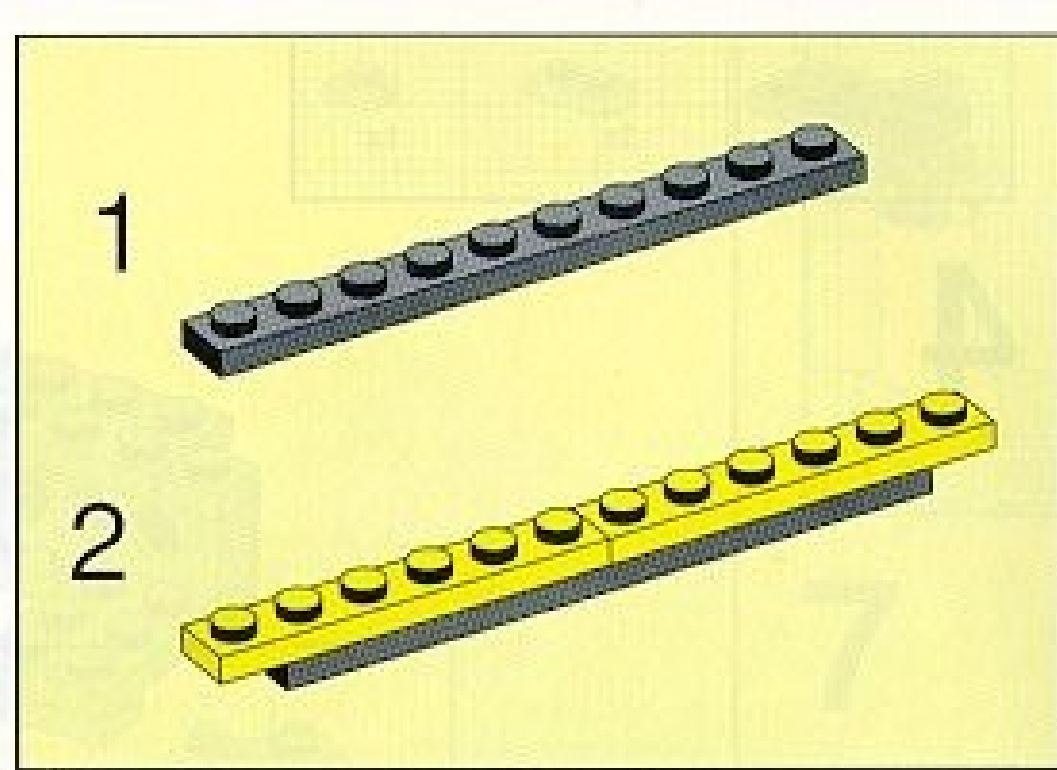
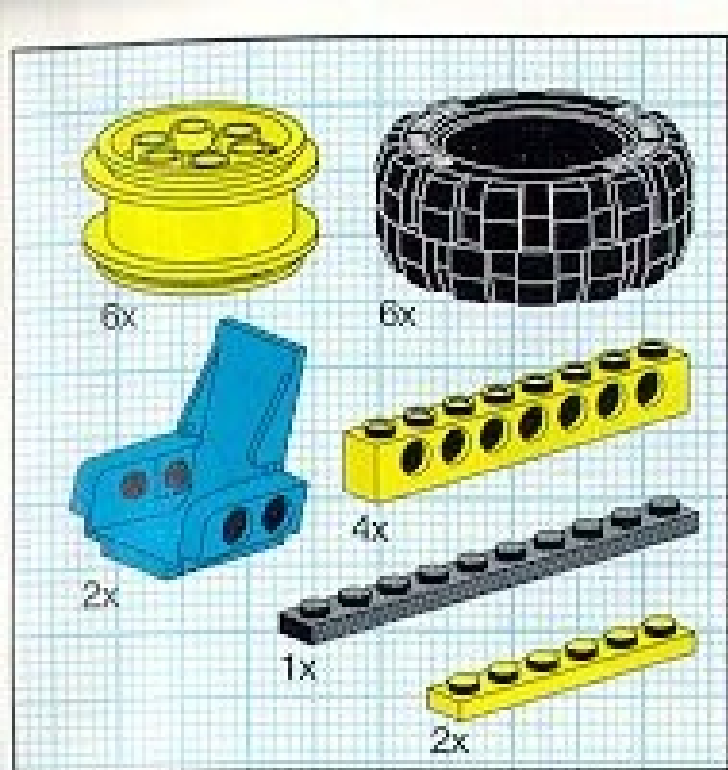
29



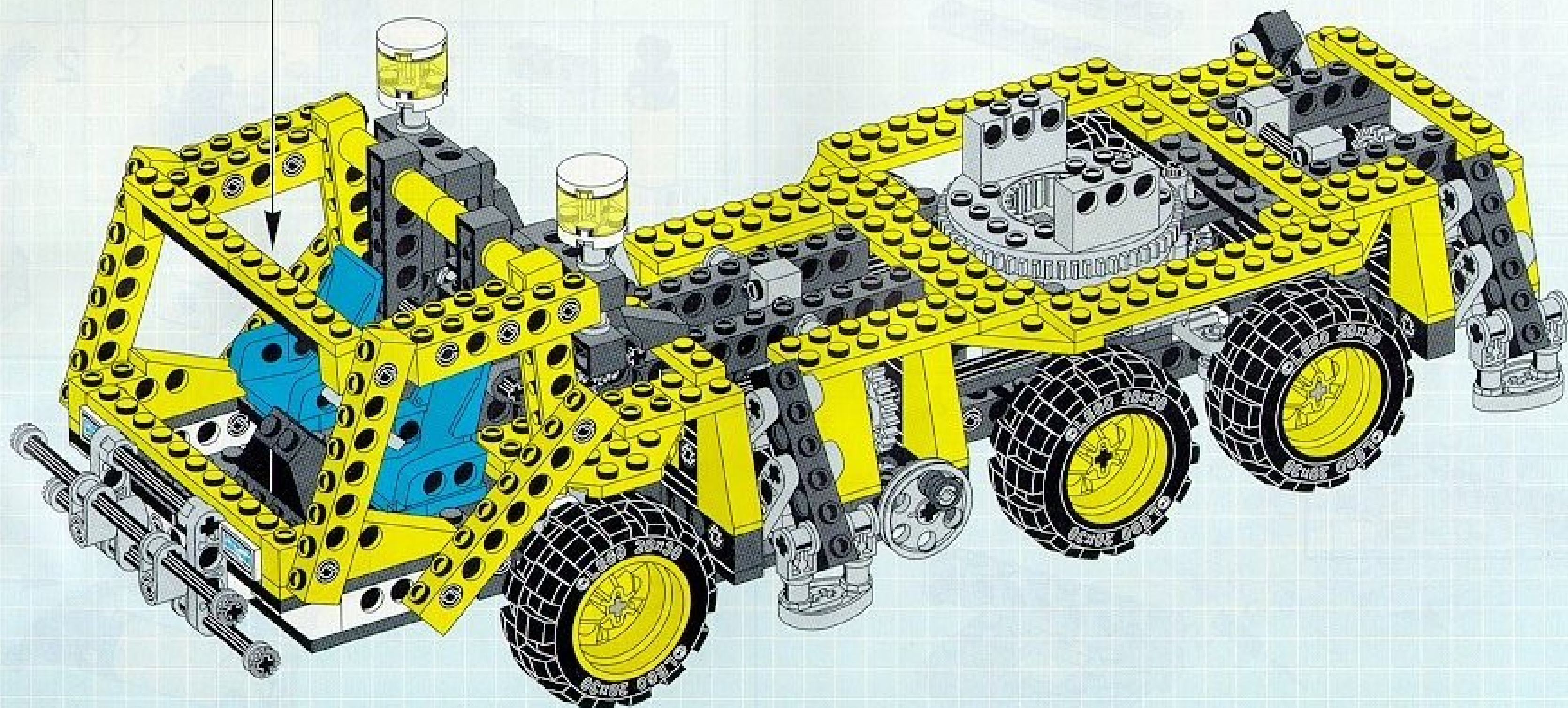


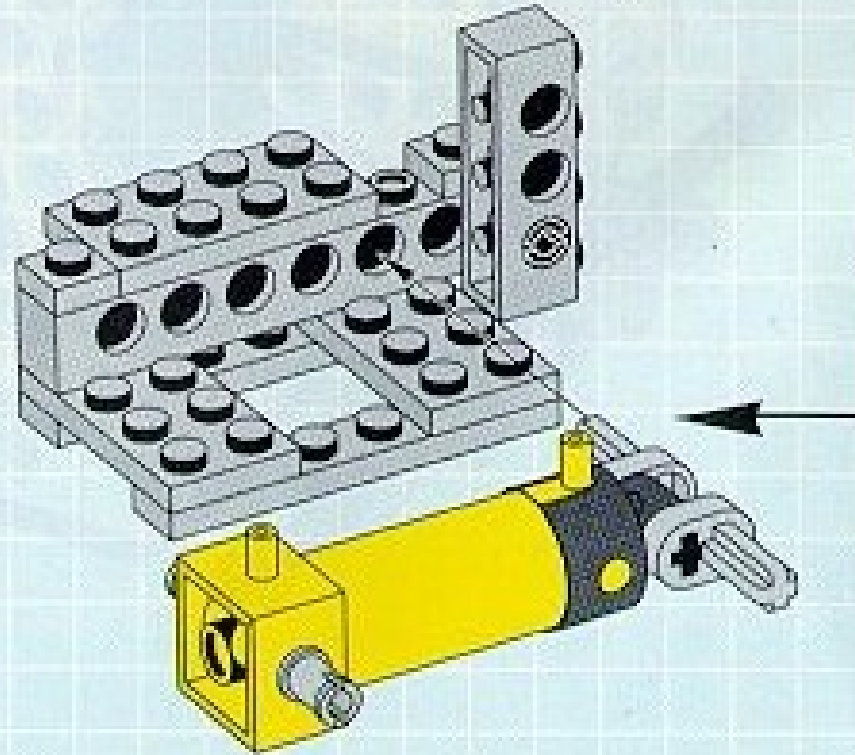
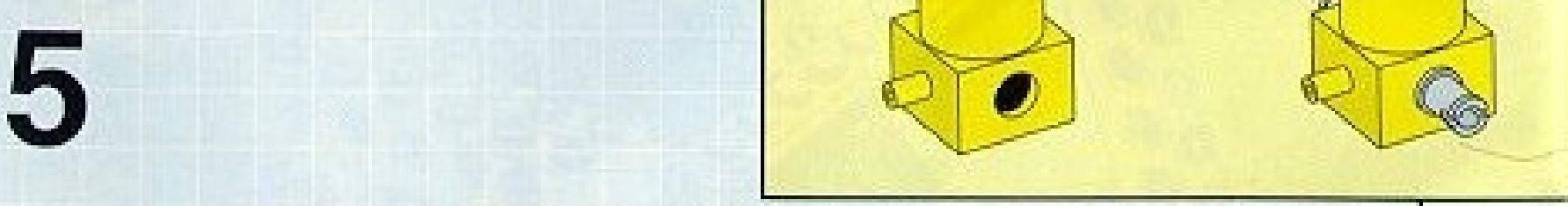
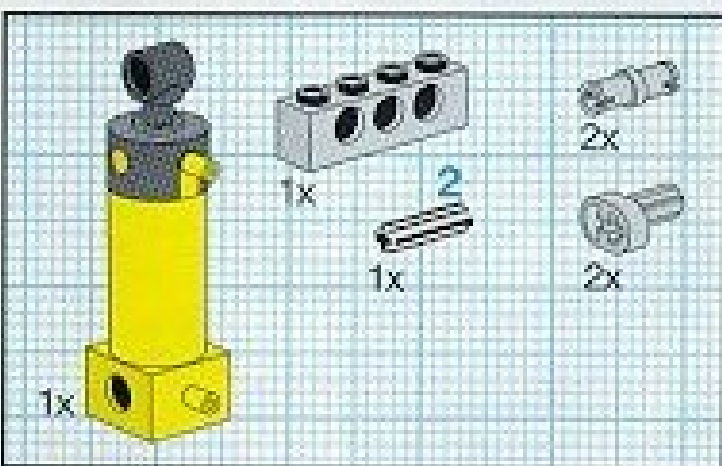
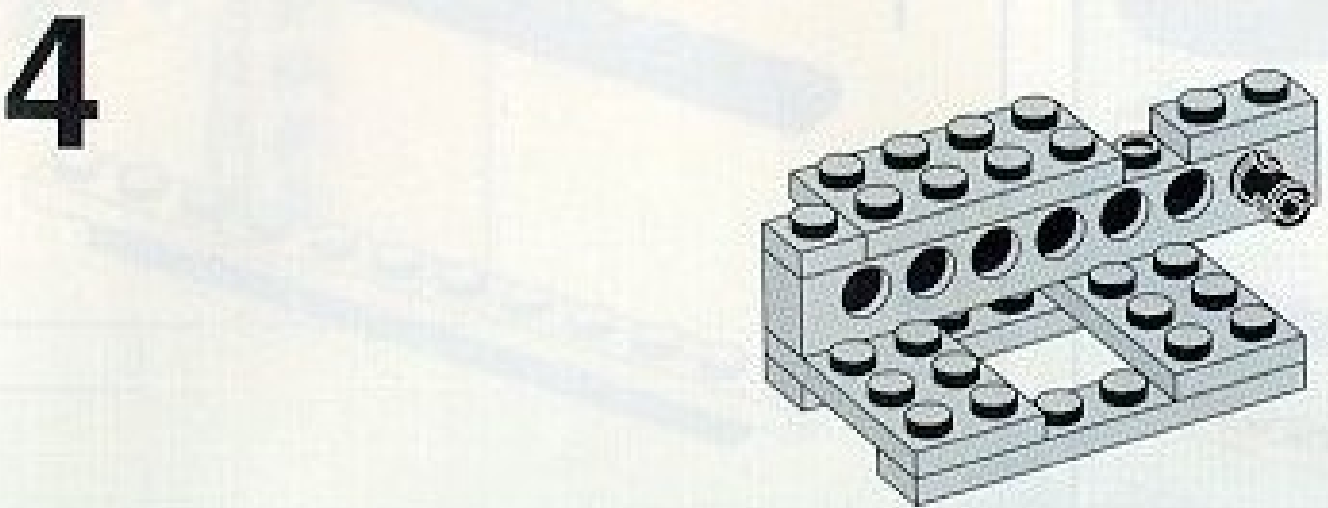
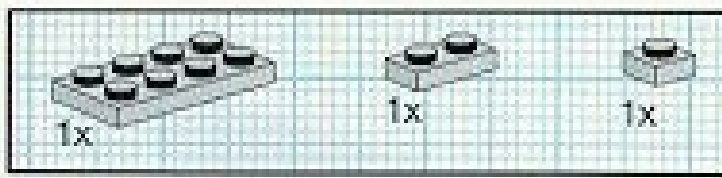
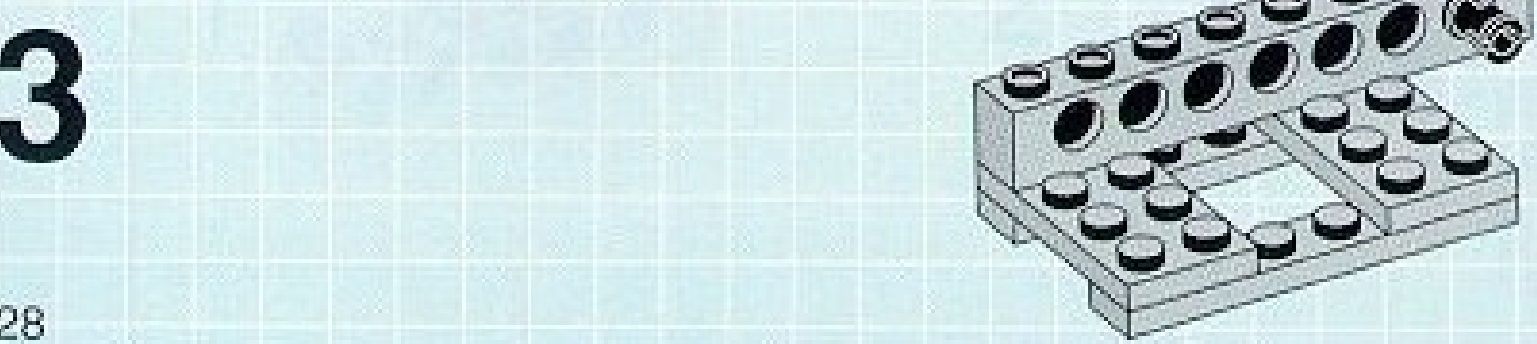
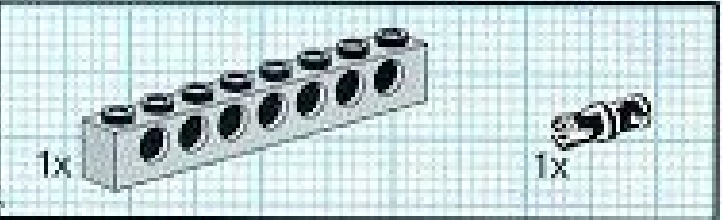
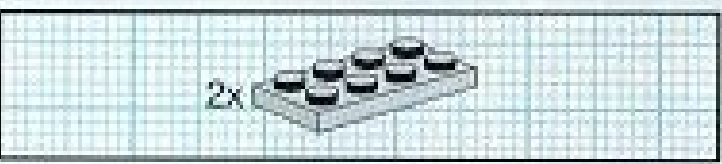
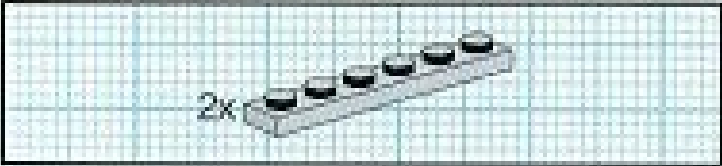
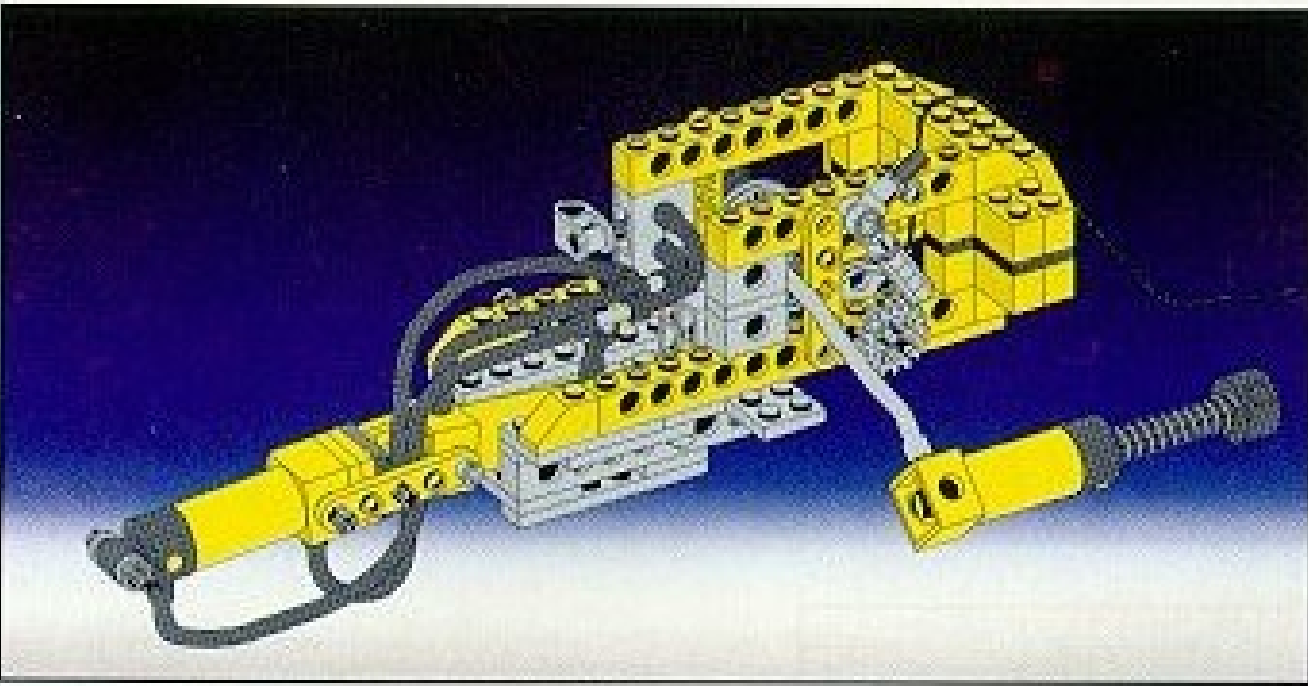
30



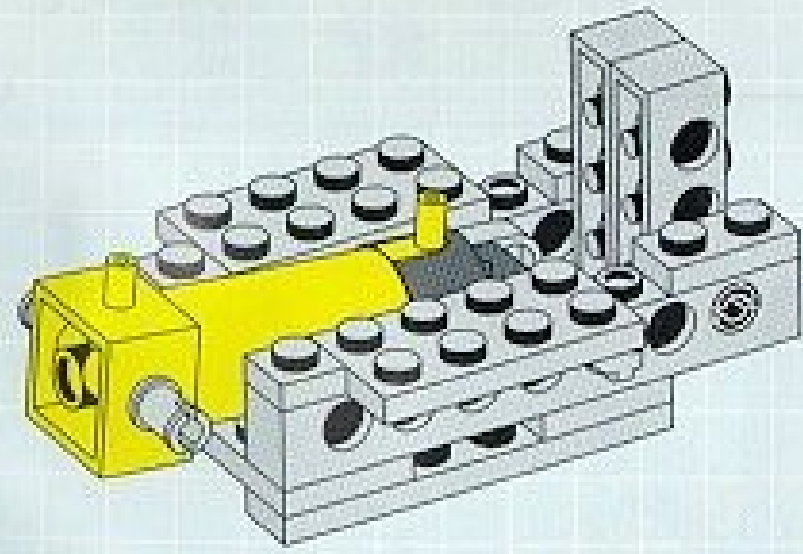
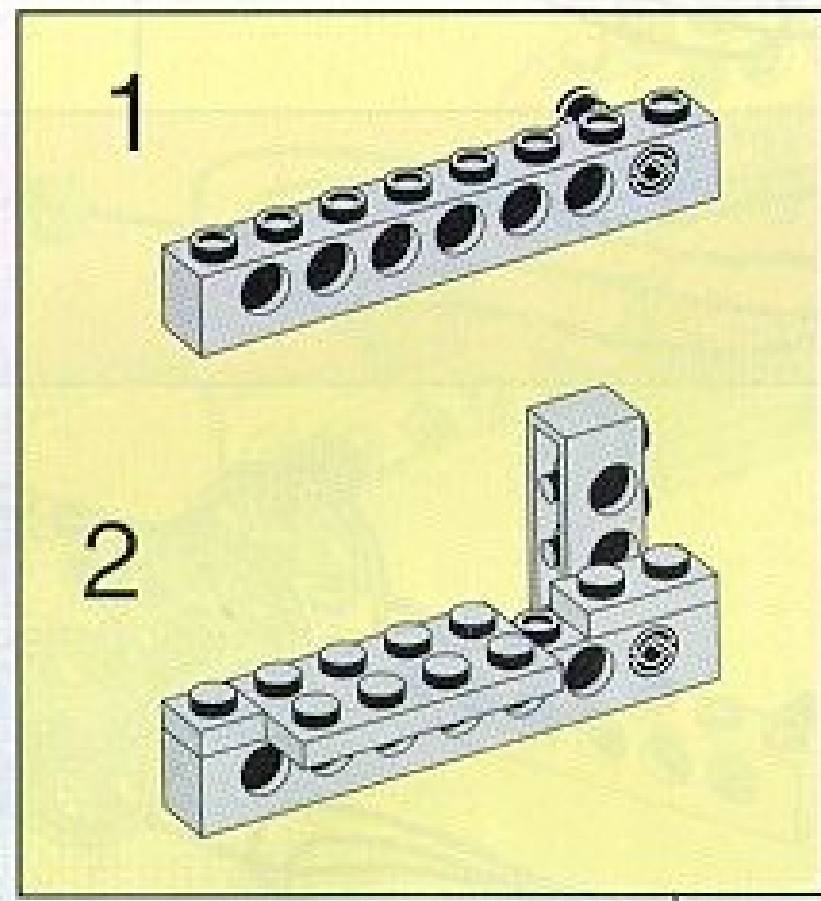
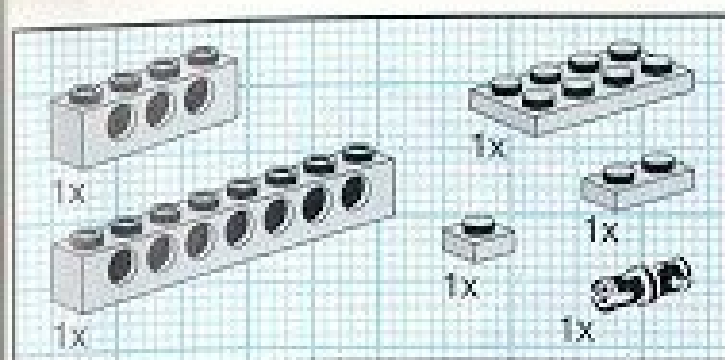


31

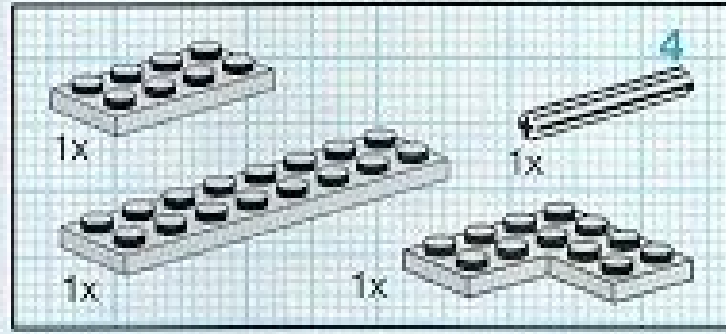
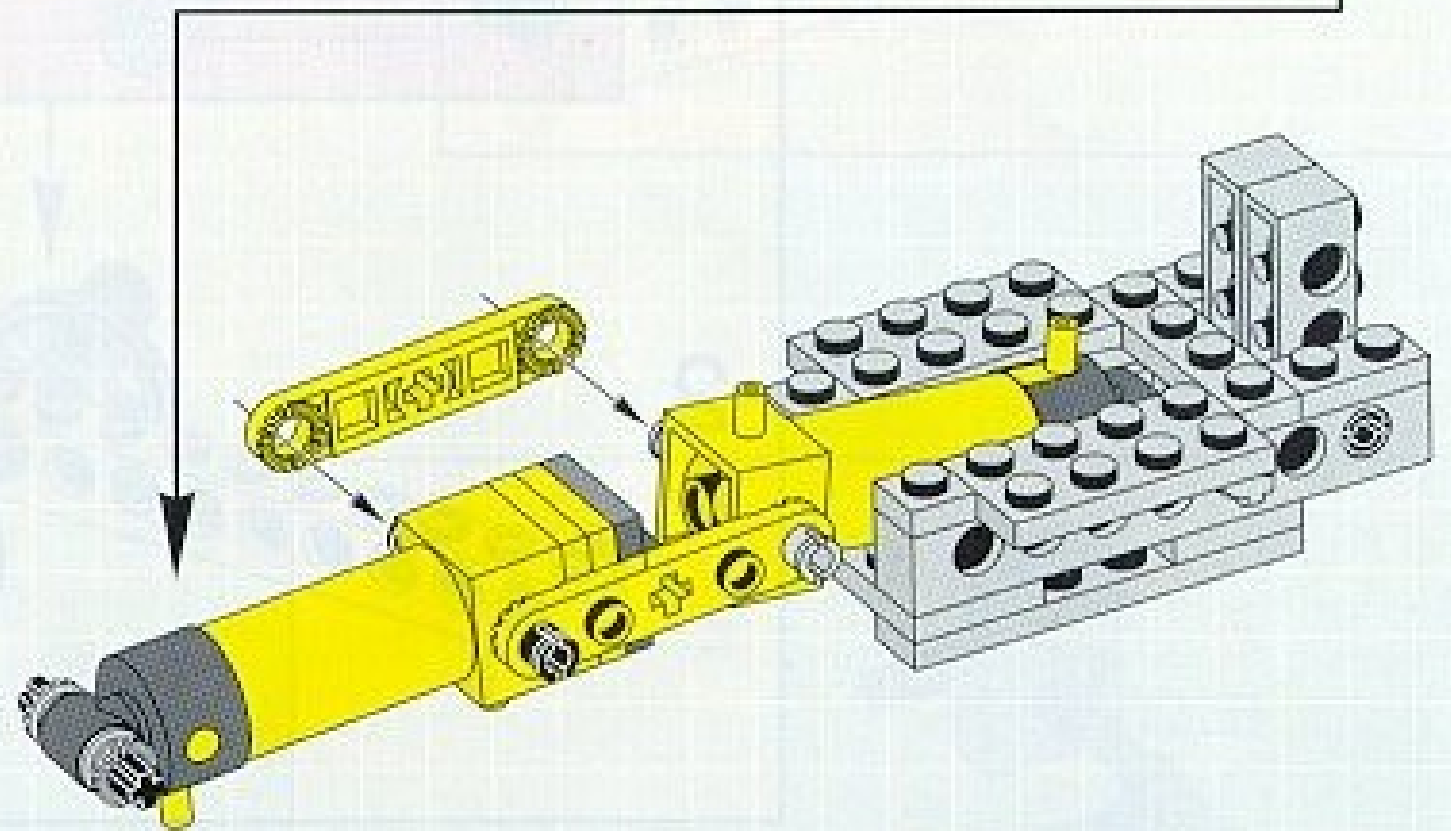
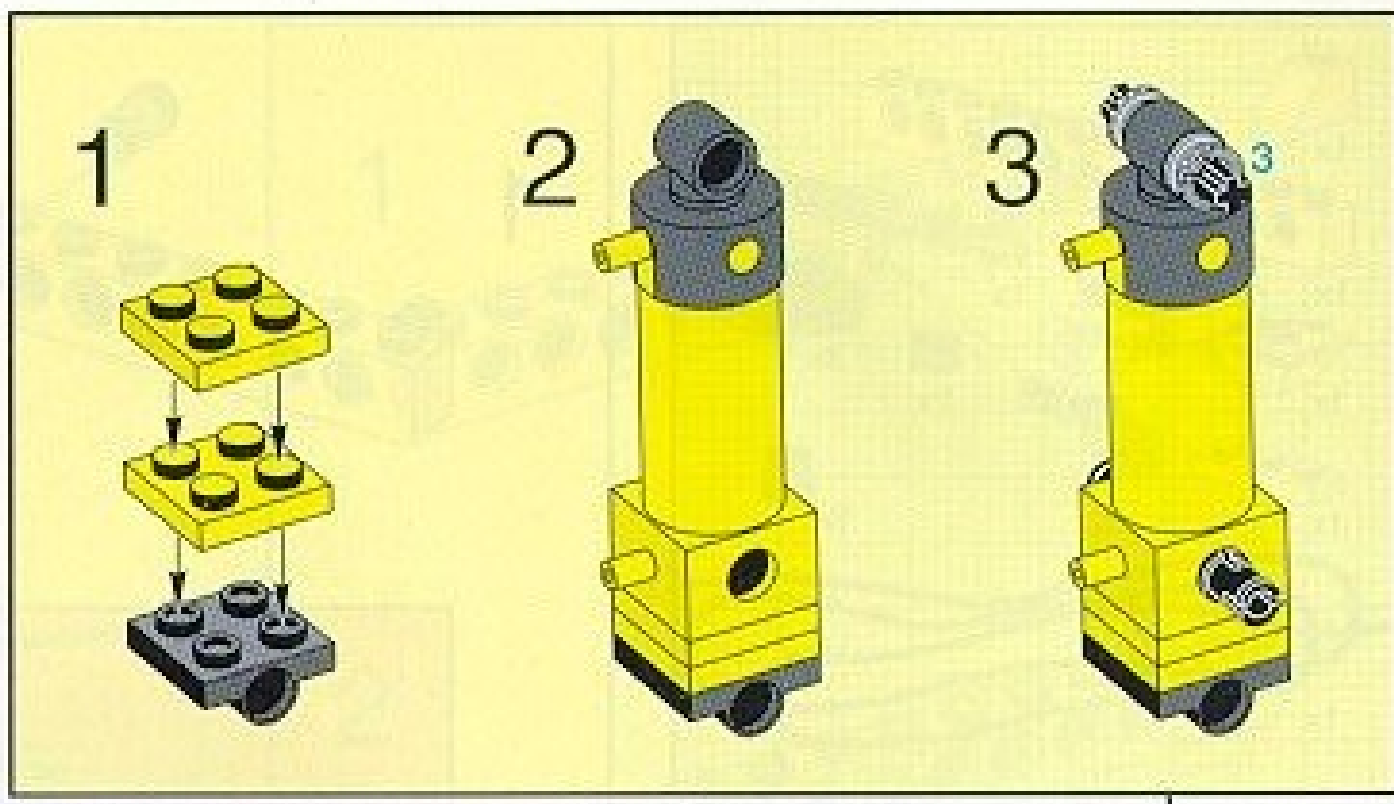
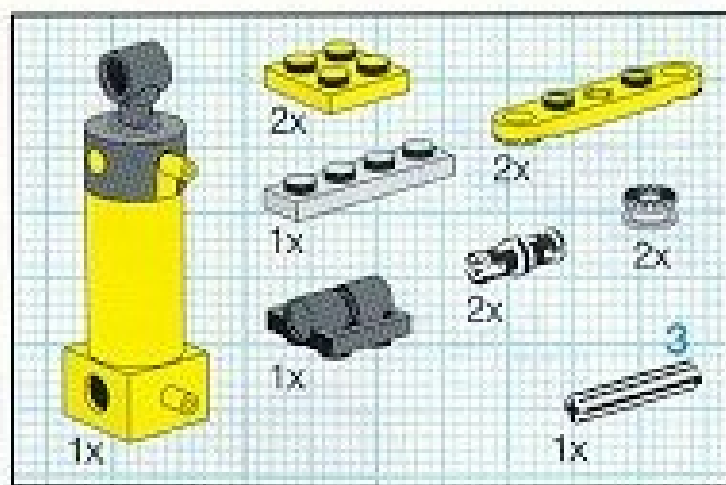




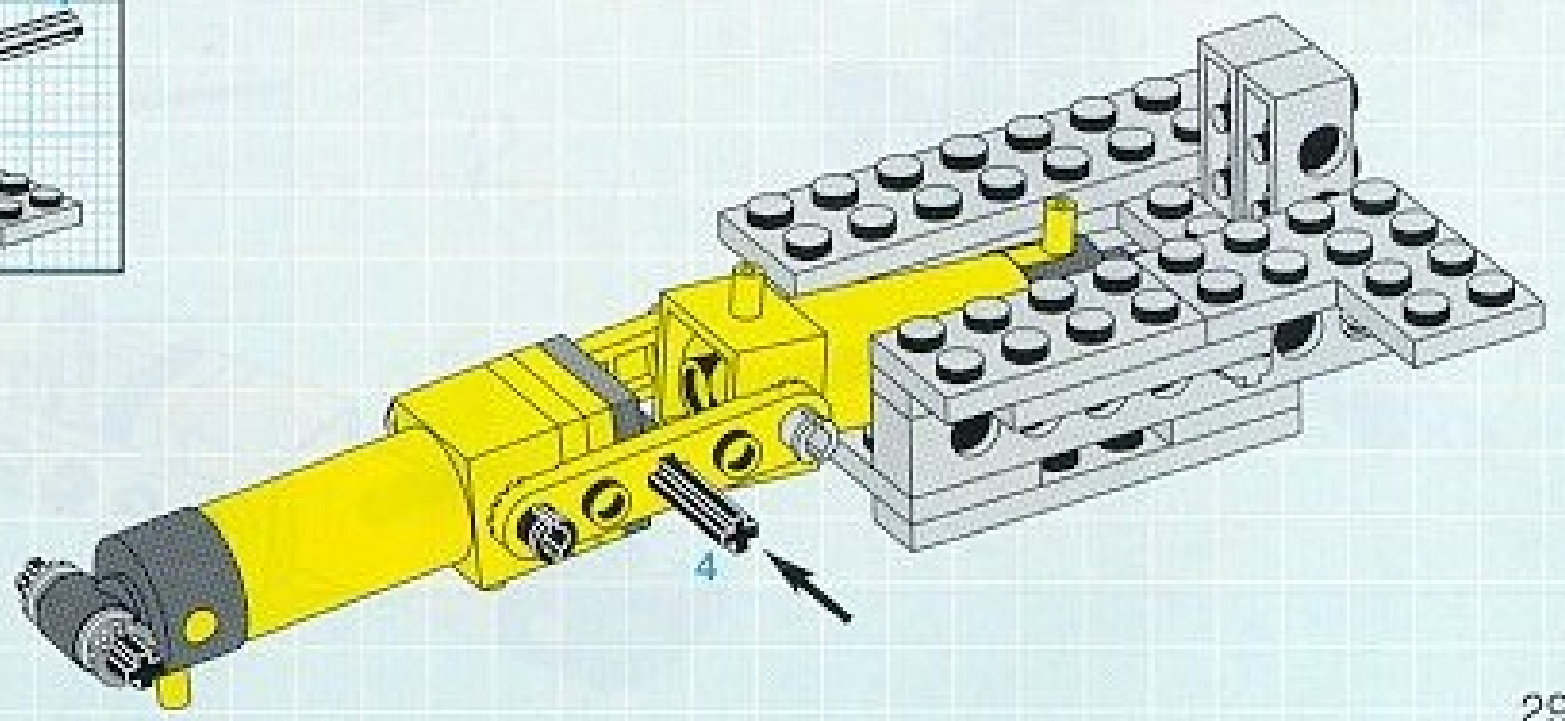
6

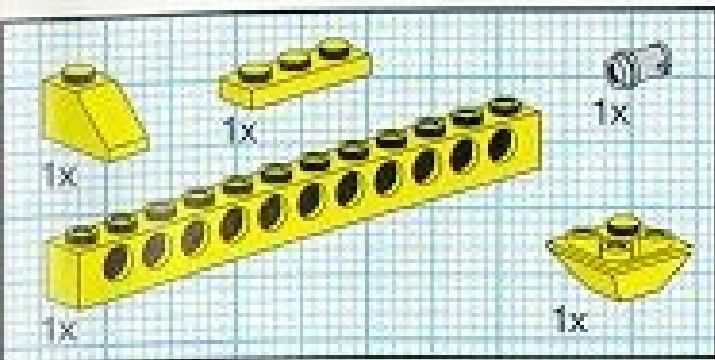


7

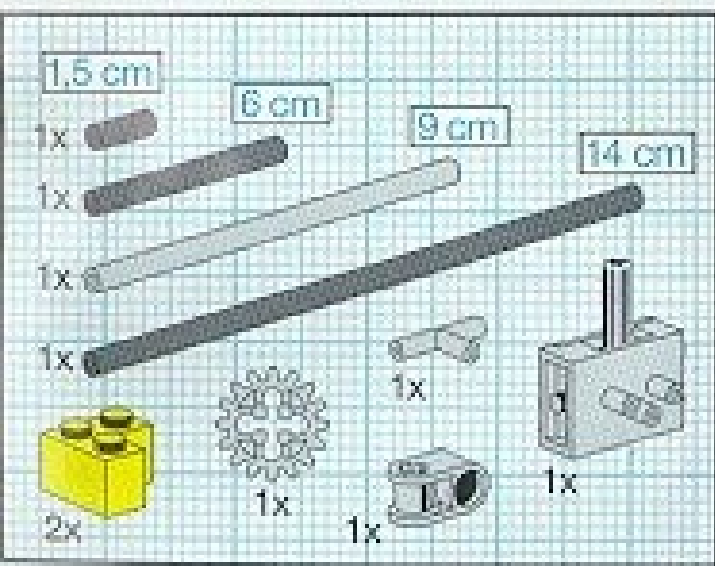
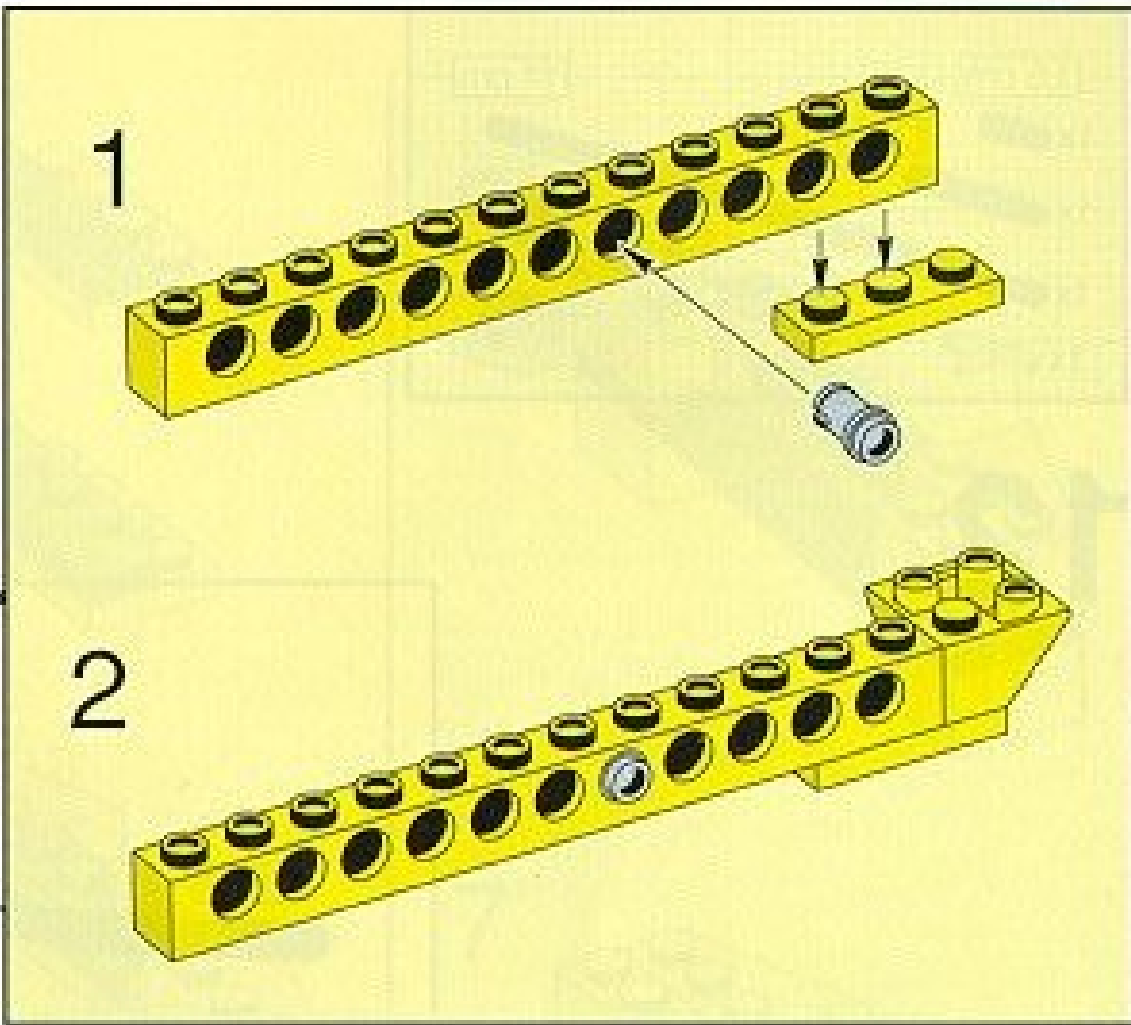
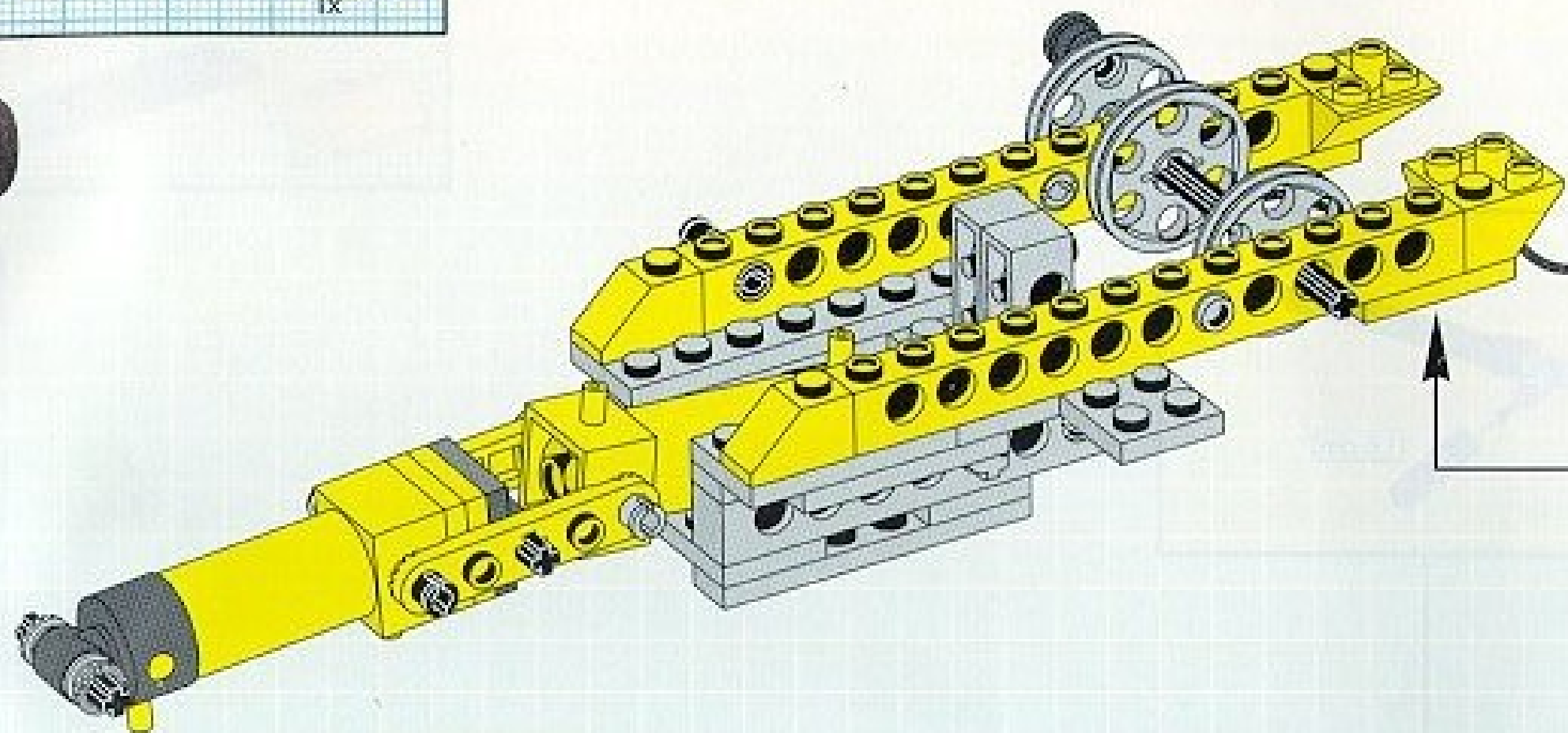


8

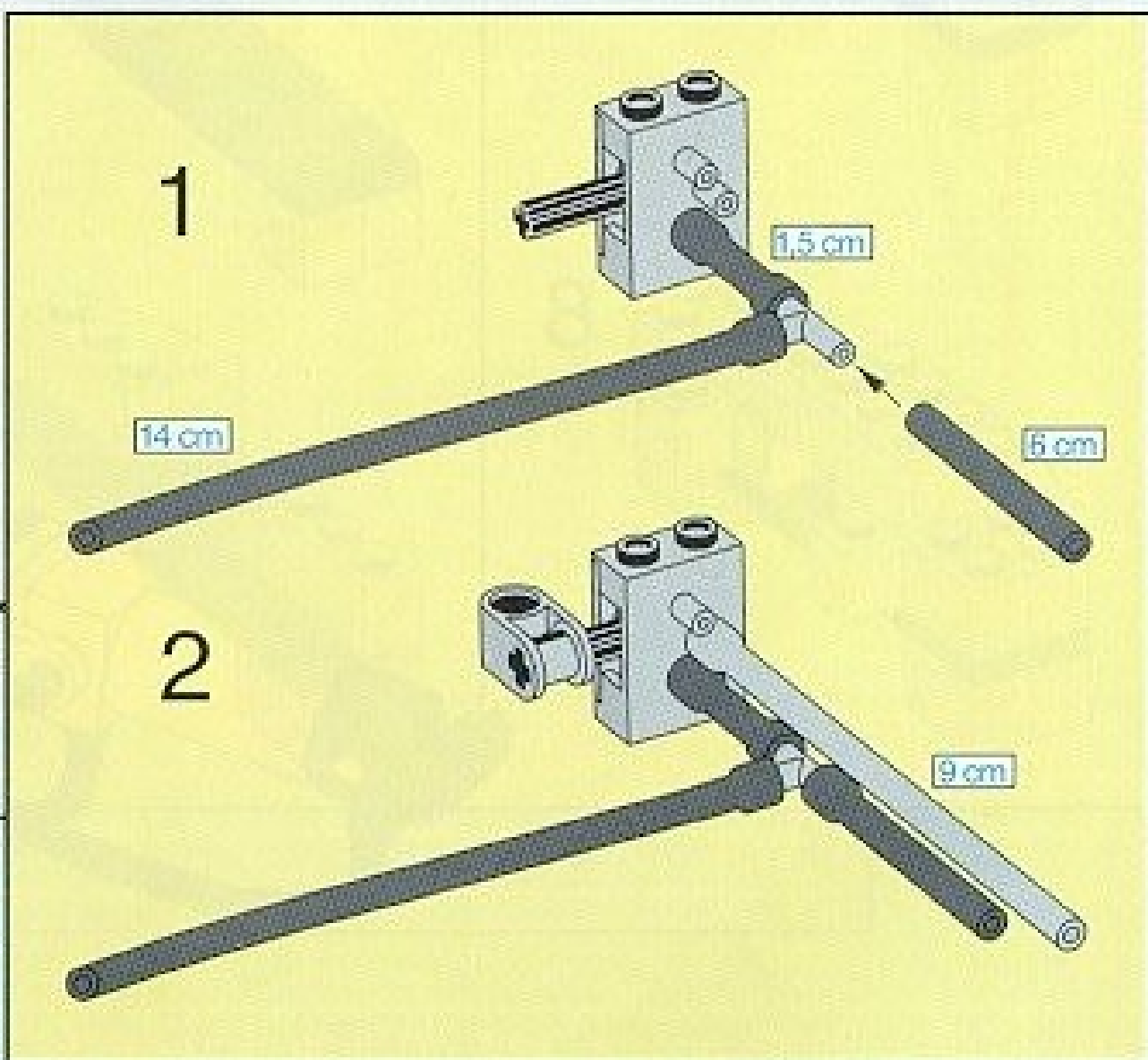
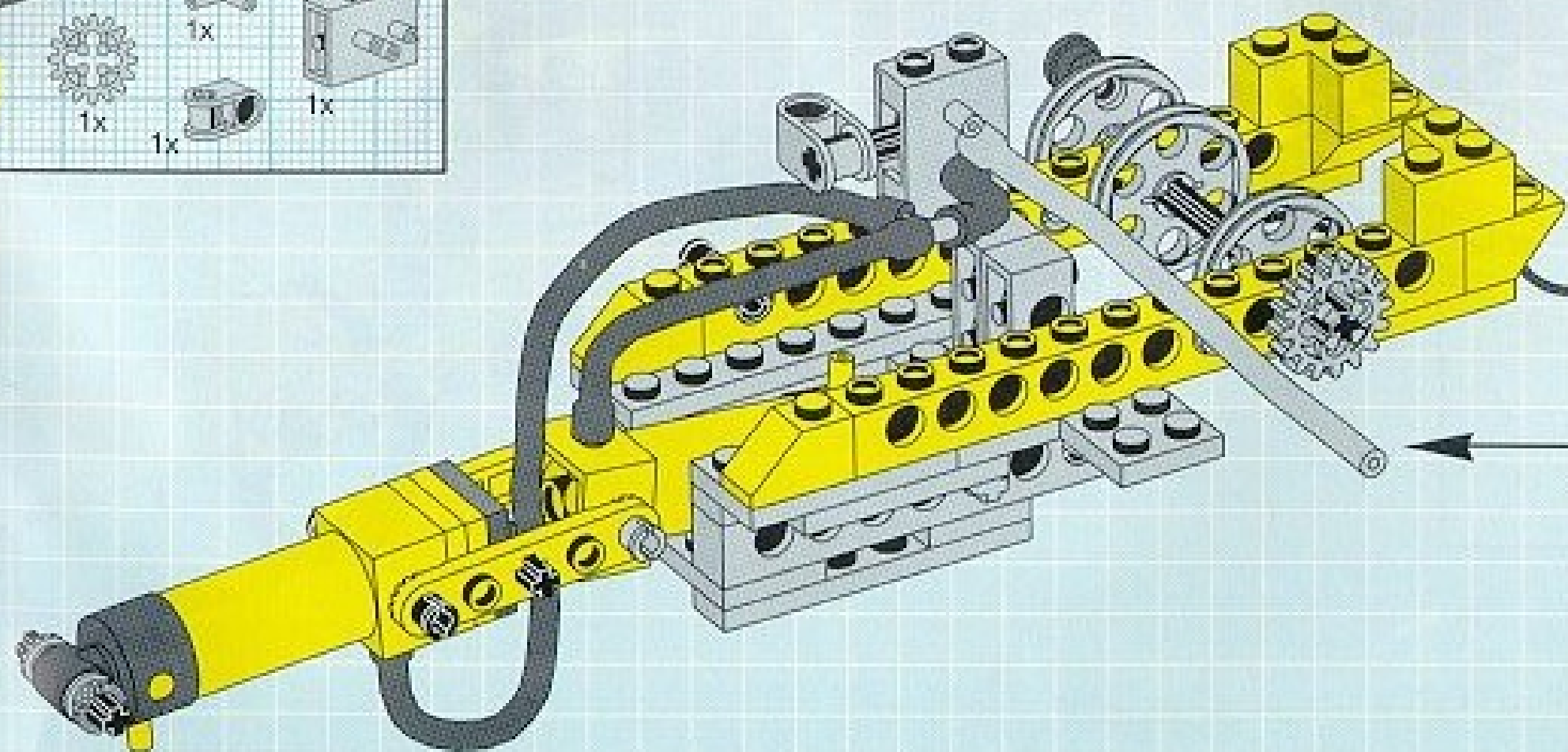


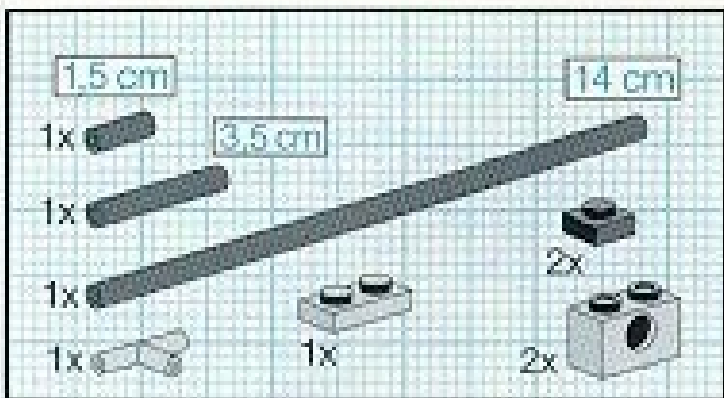


10

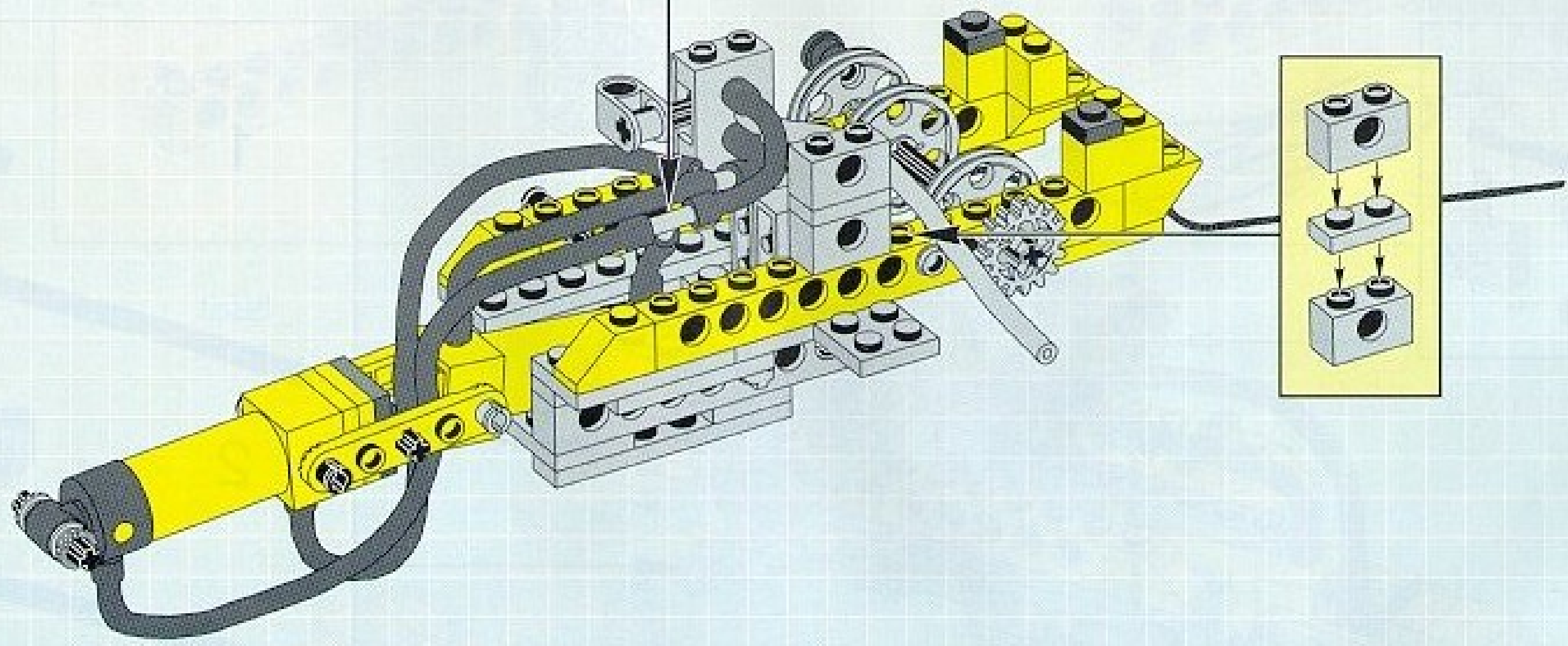
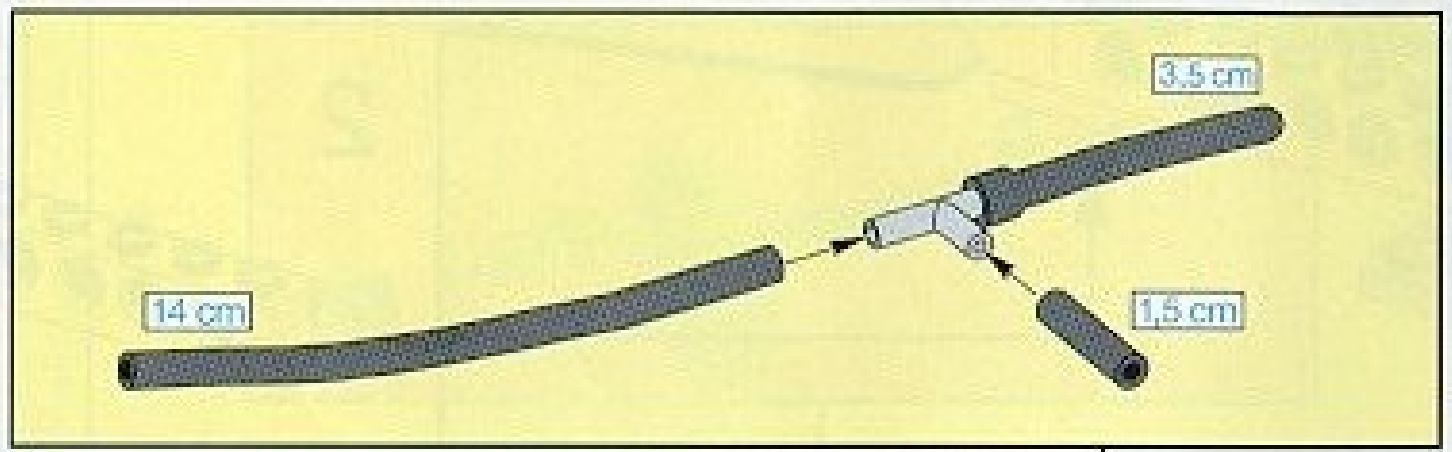


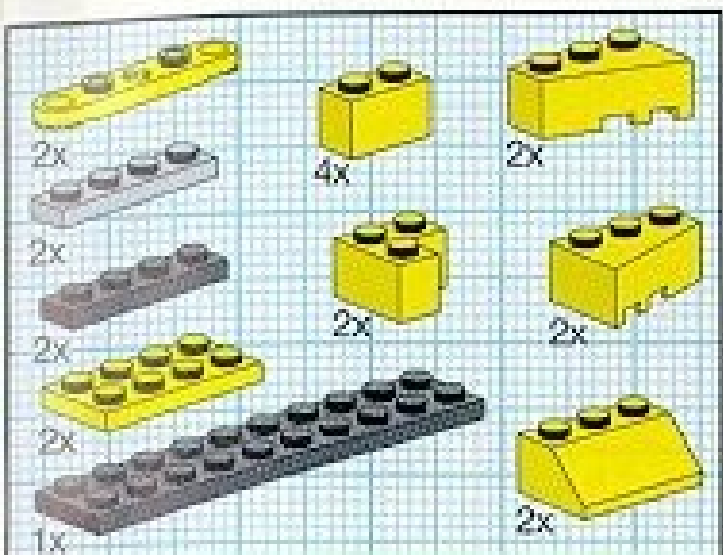
11



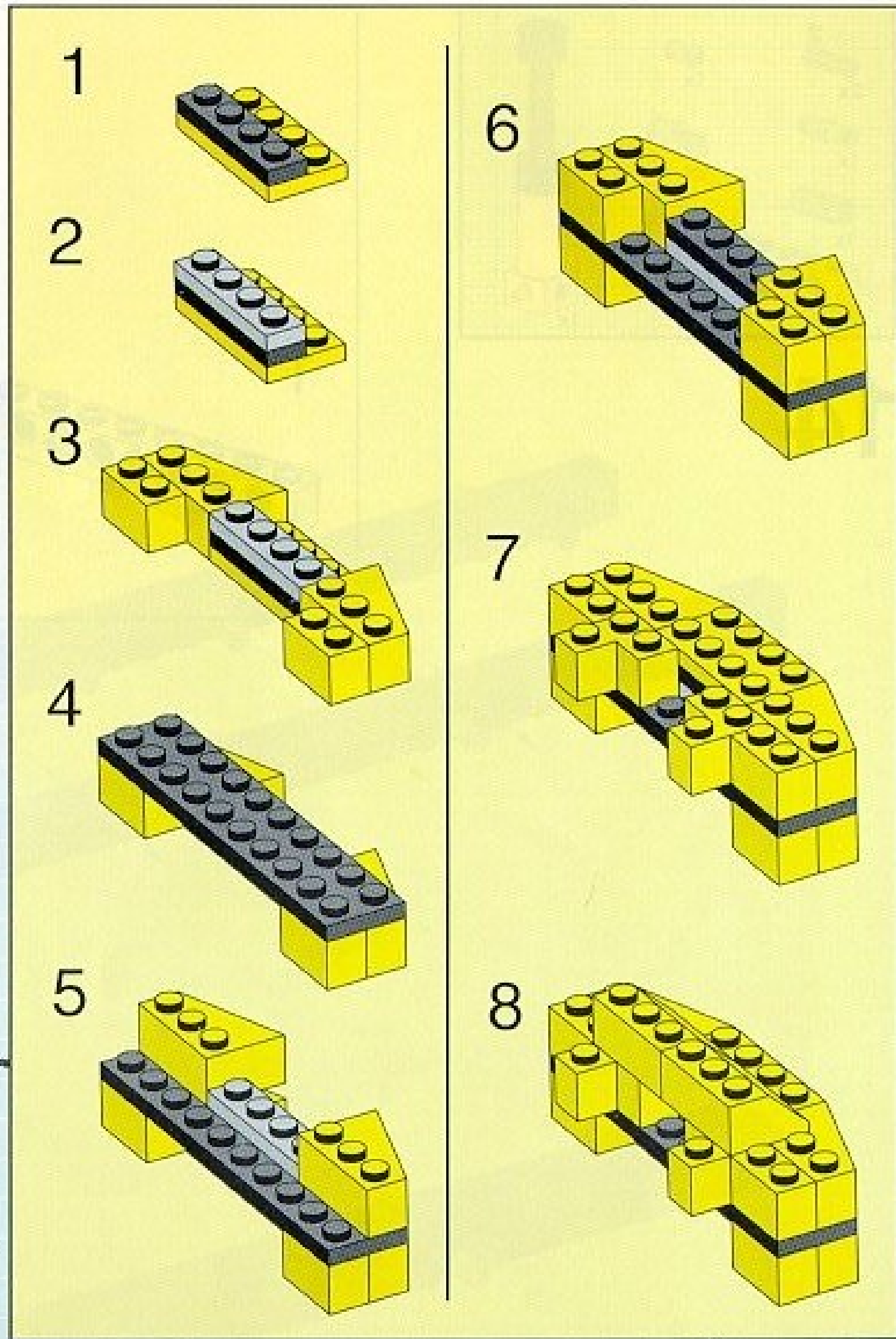
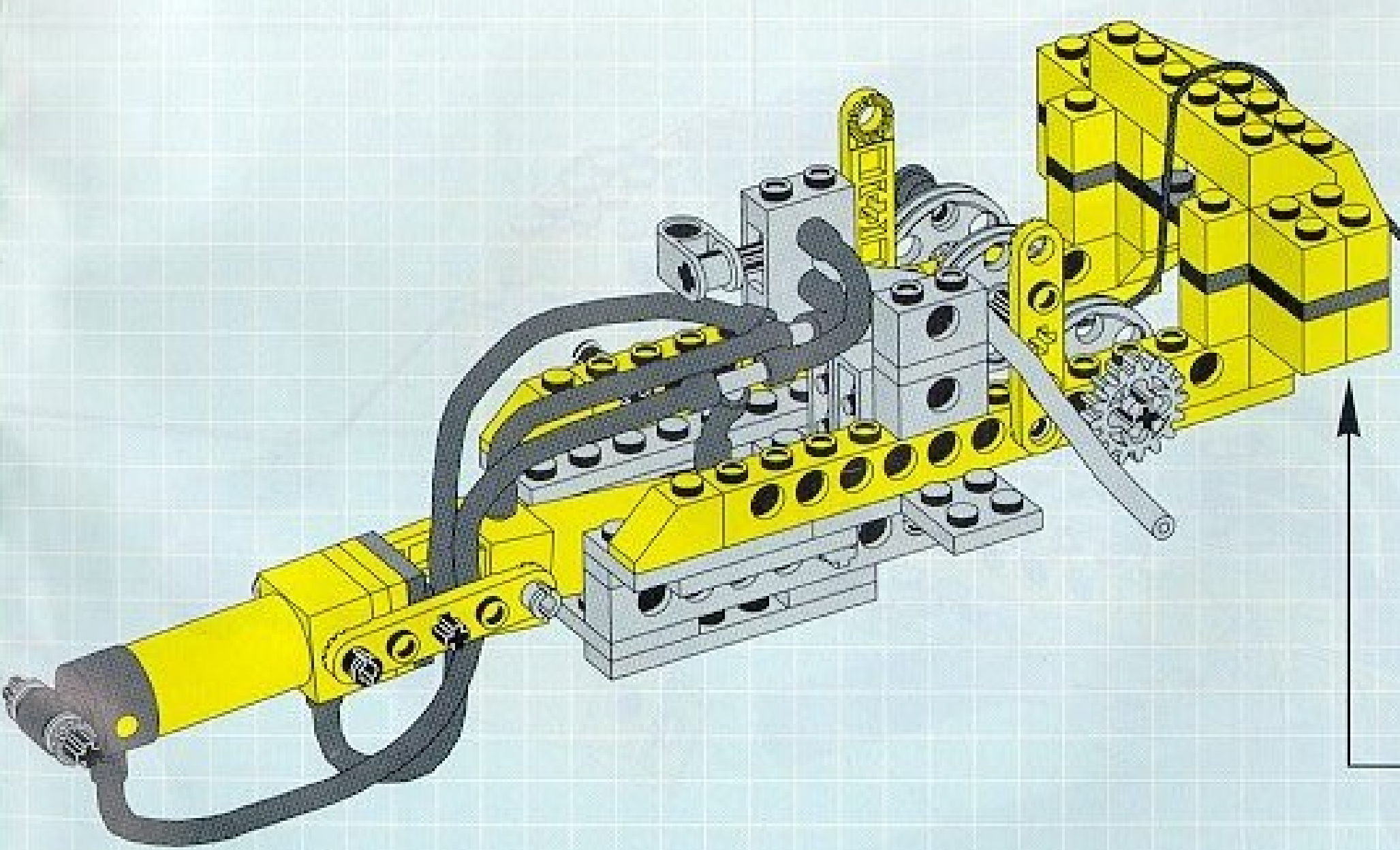


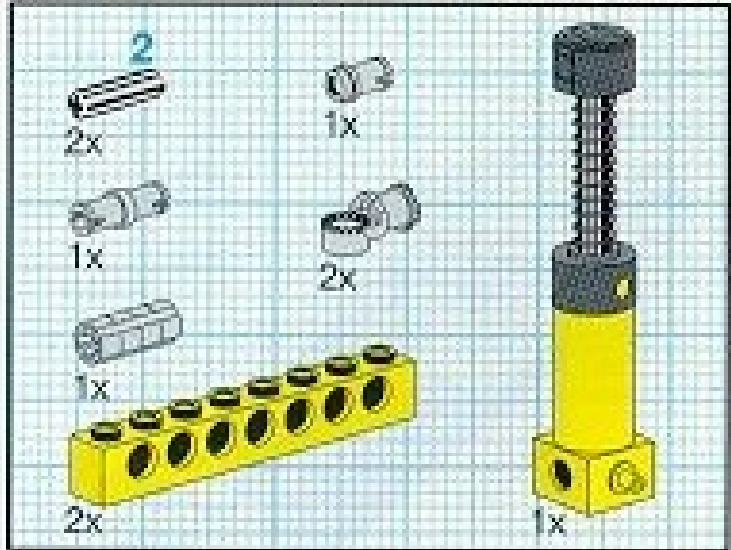
12



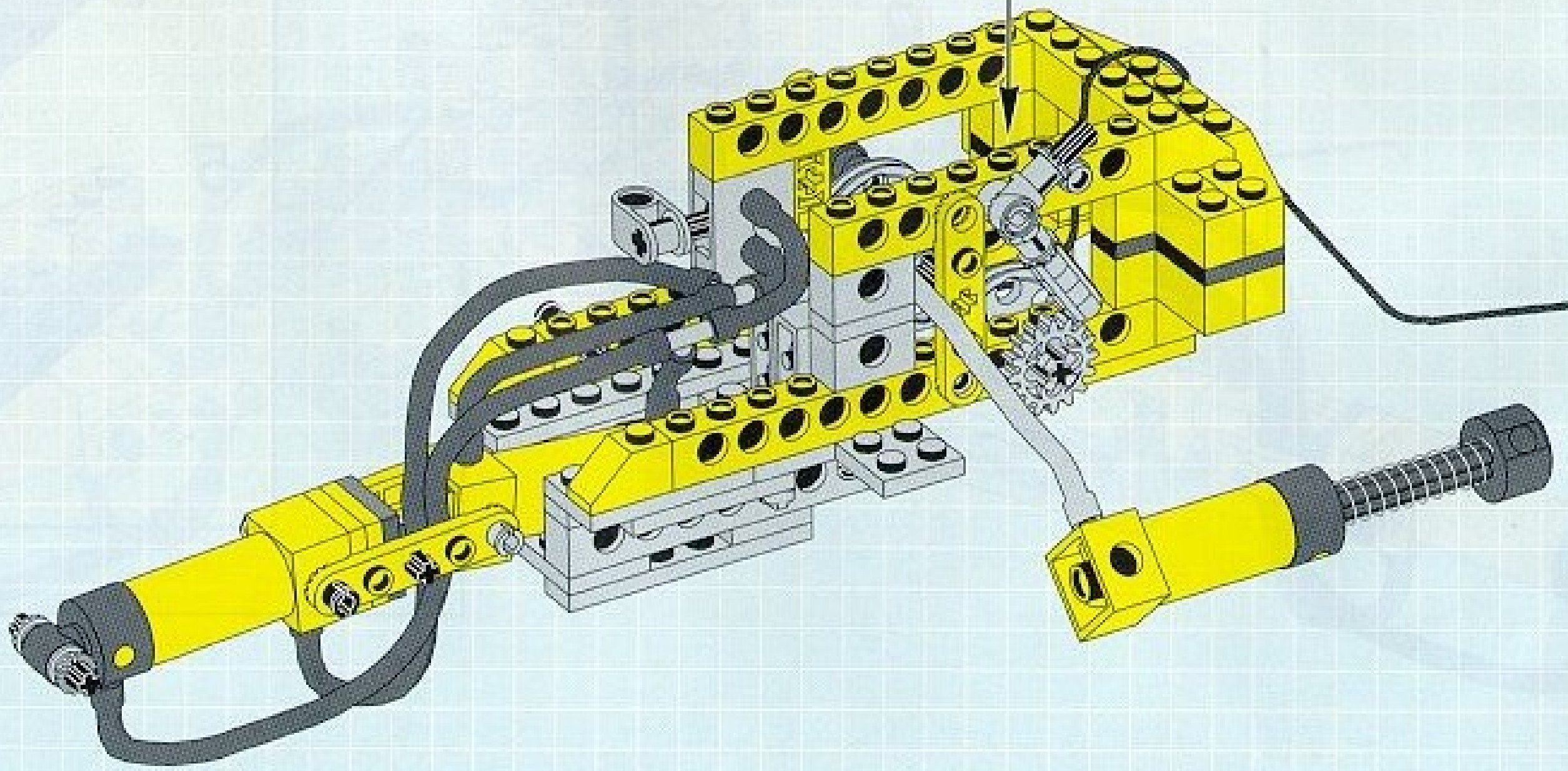
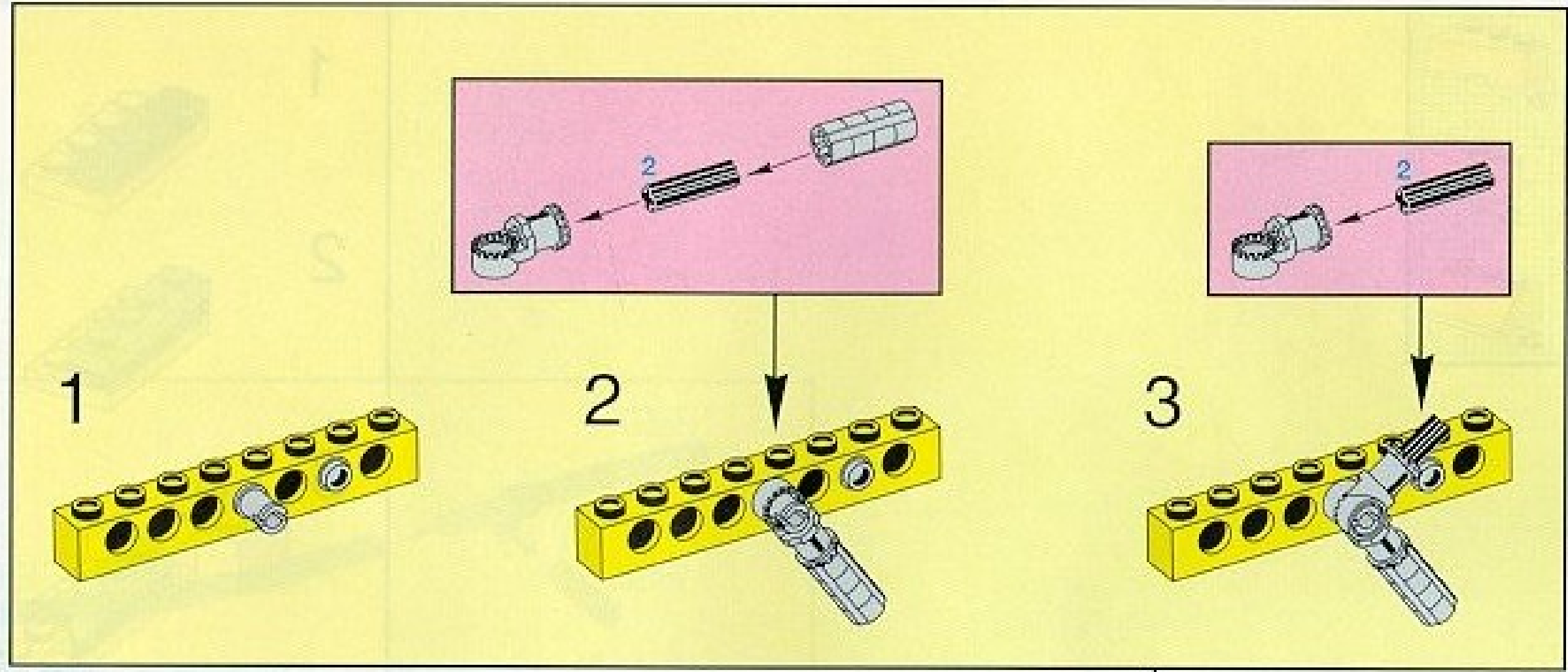


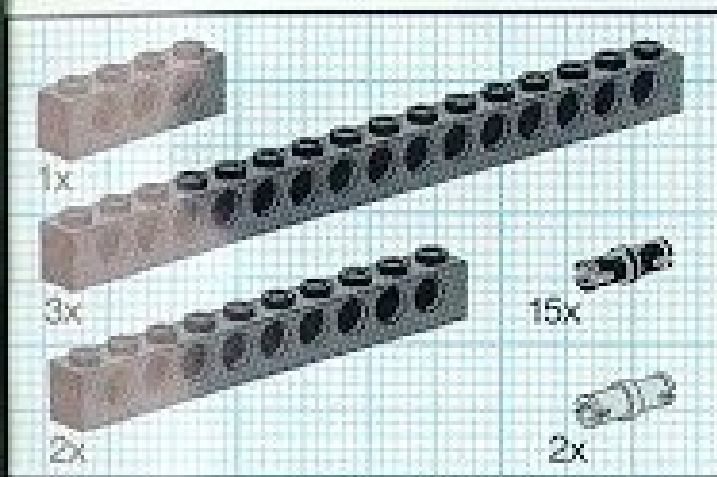
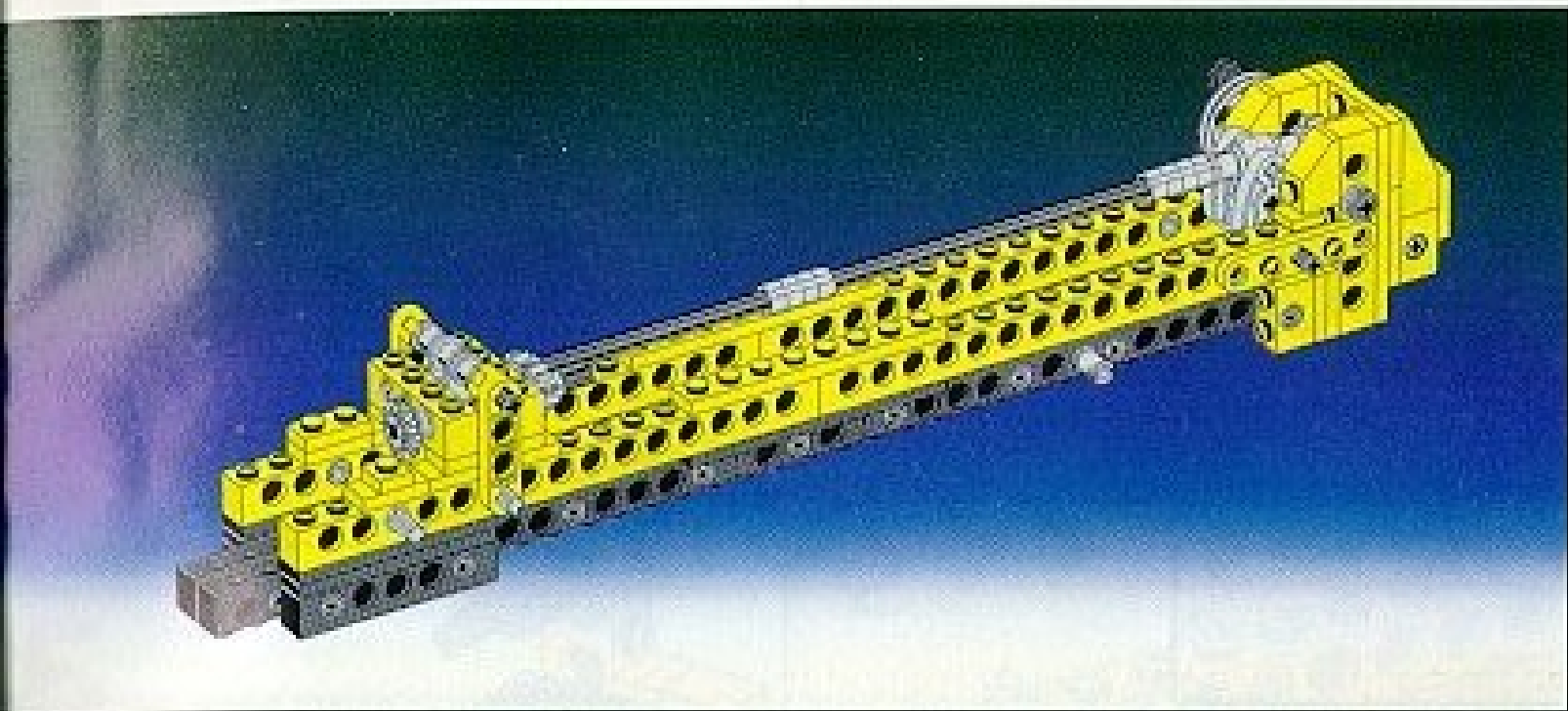
13



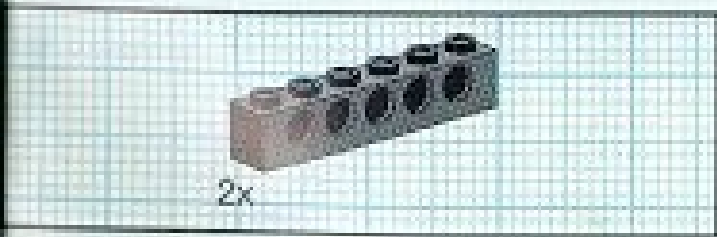
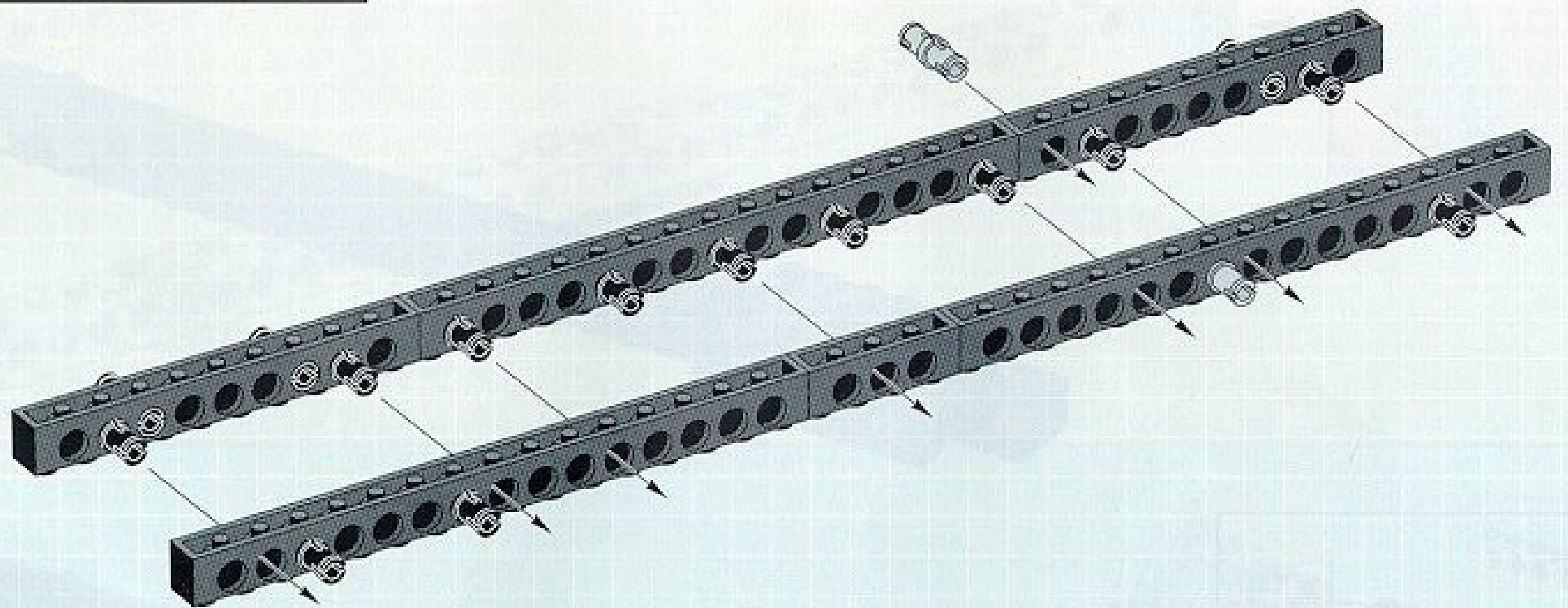


14



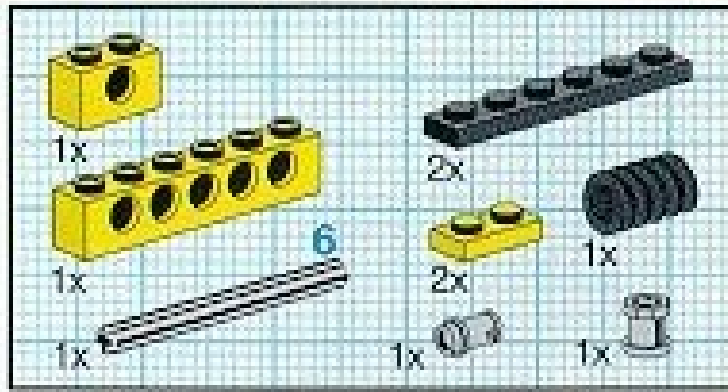


1

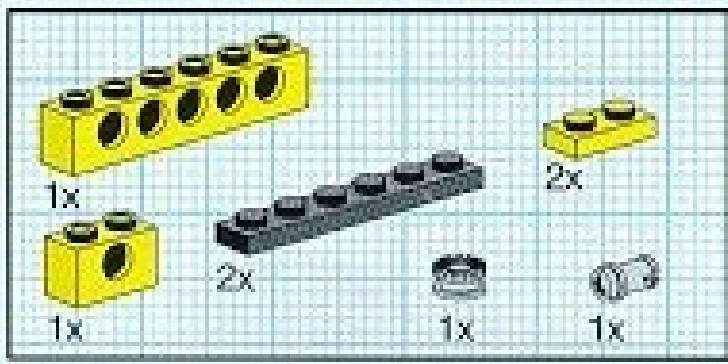
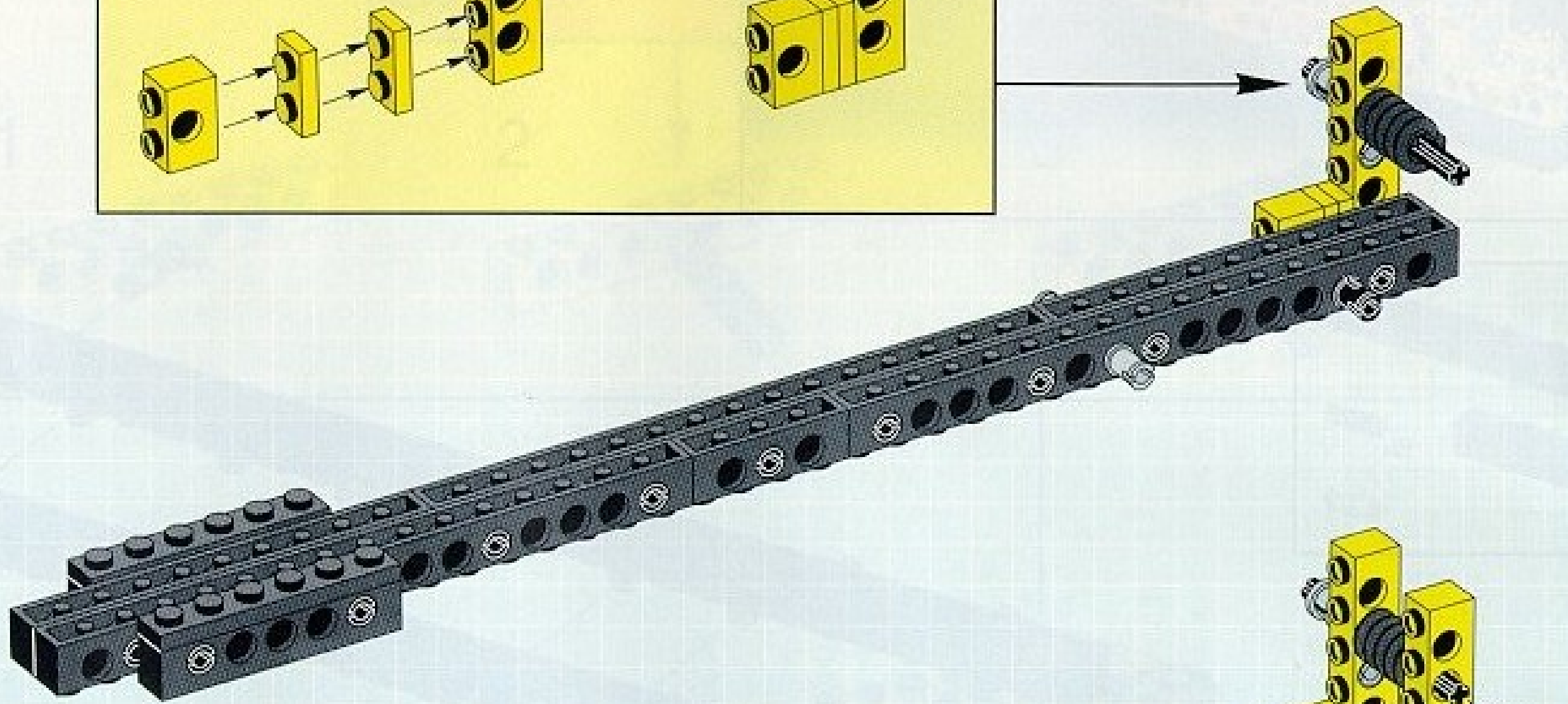
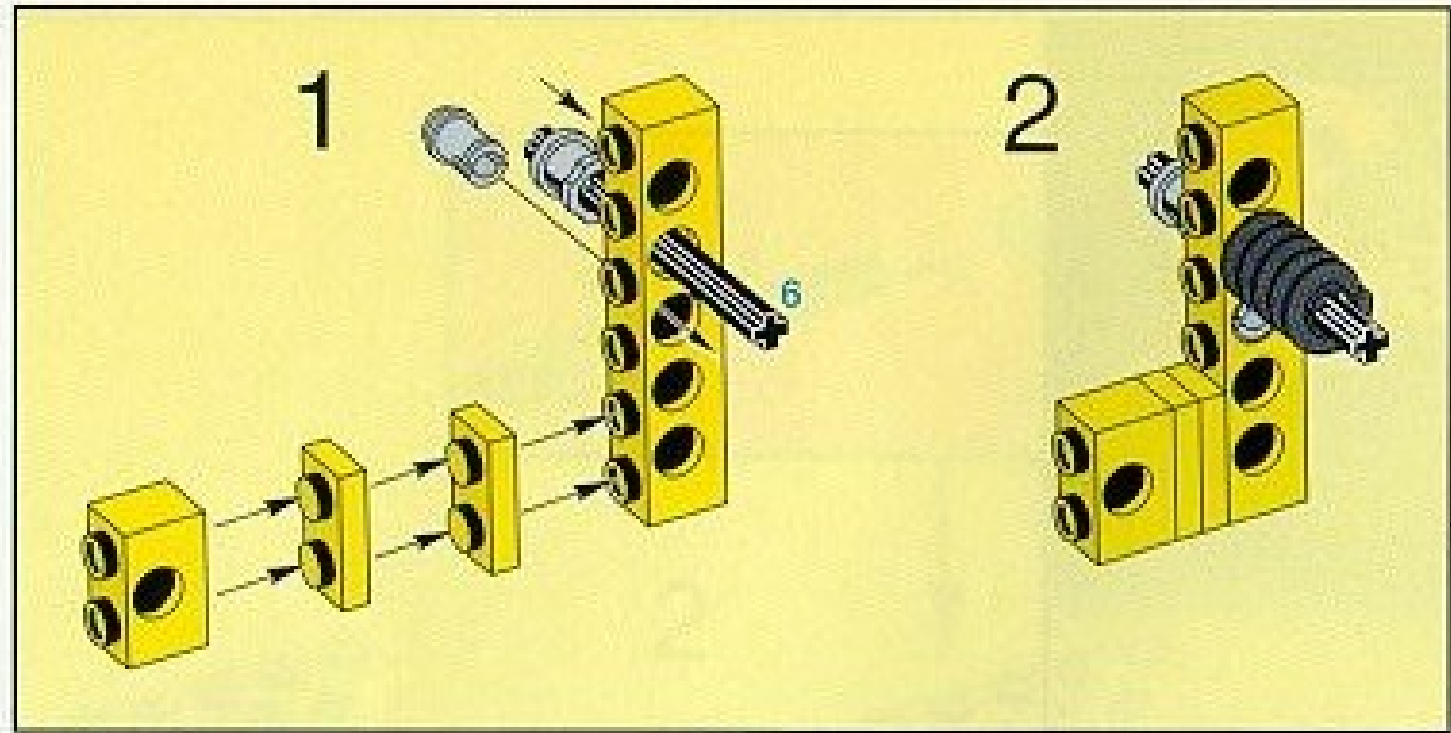


2

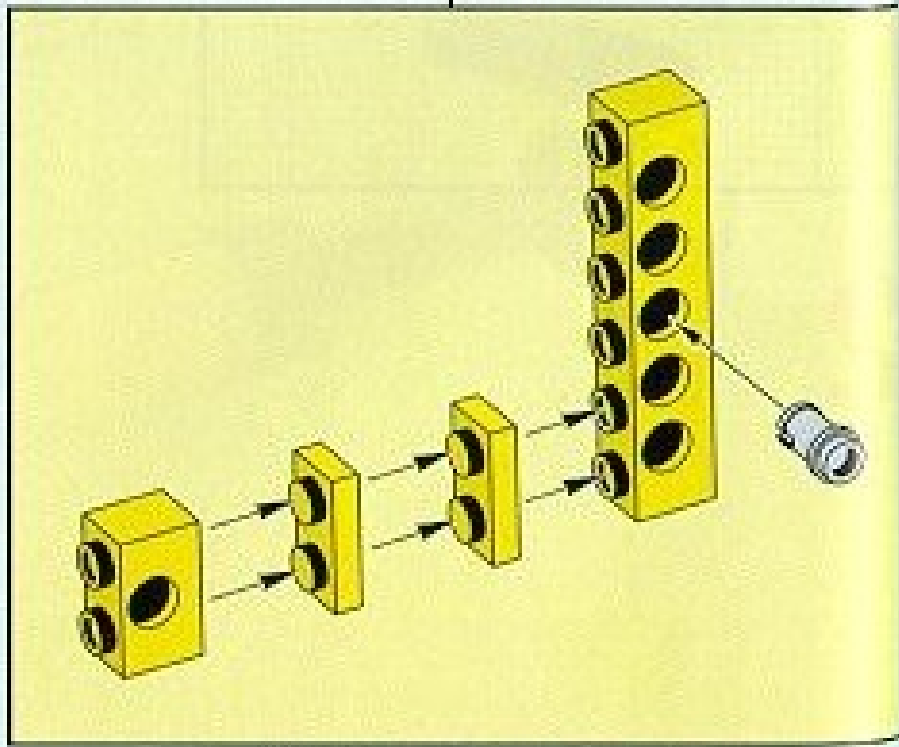


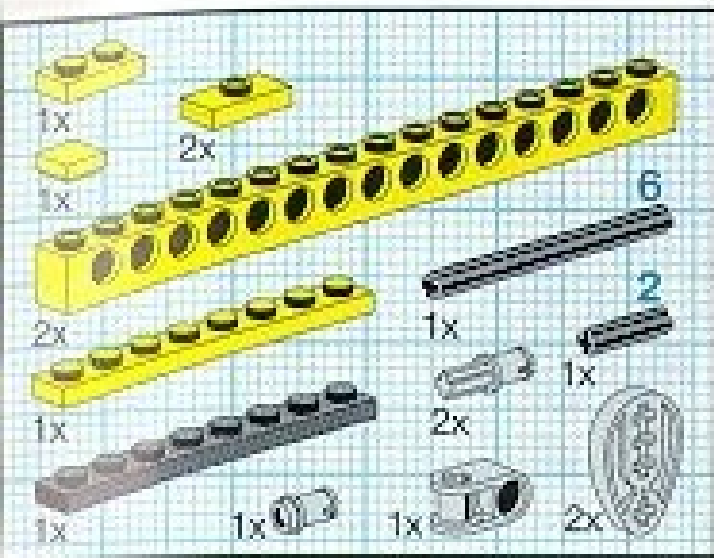


3

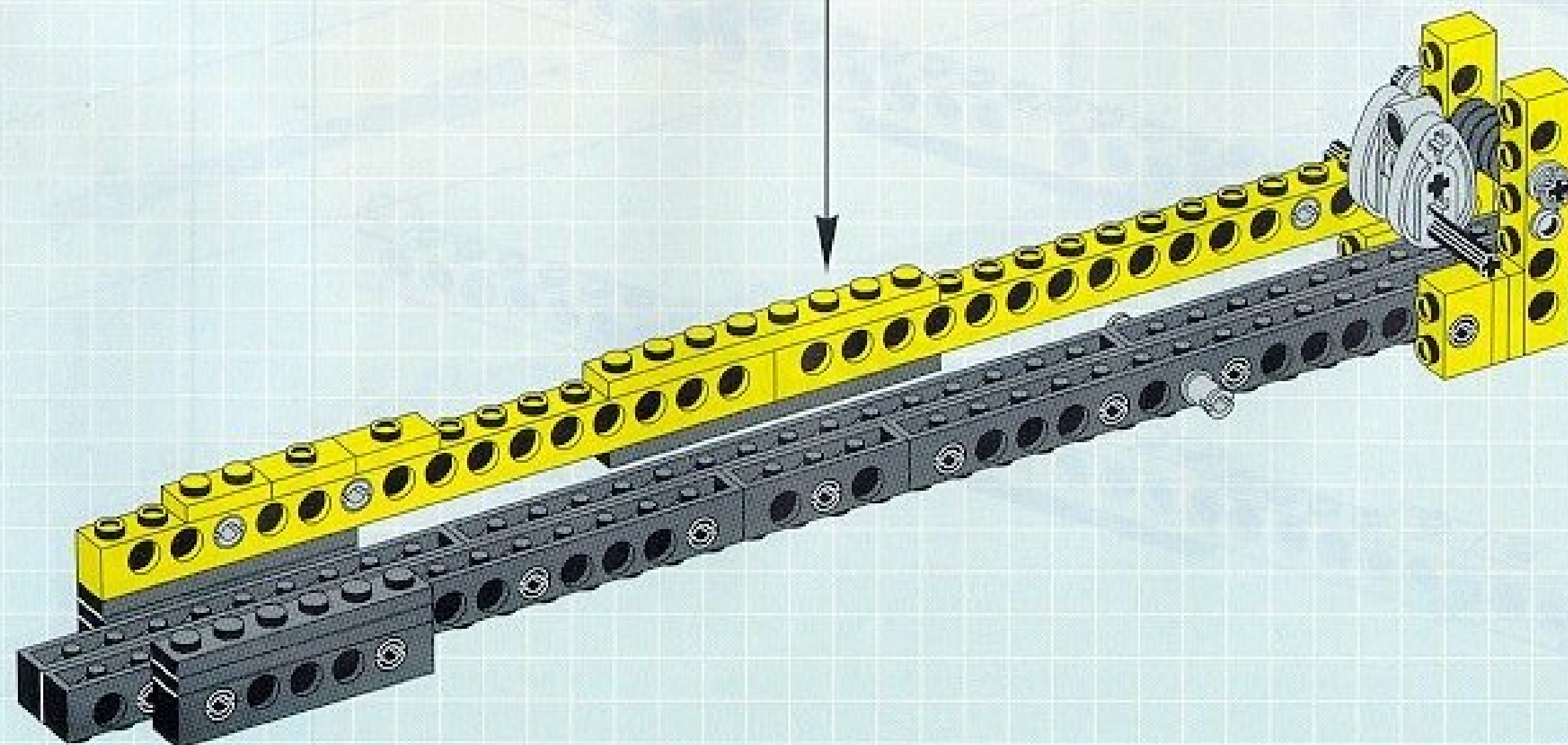
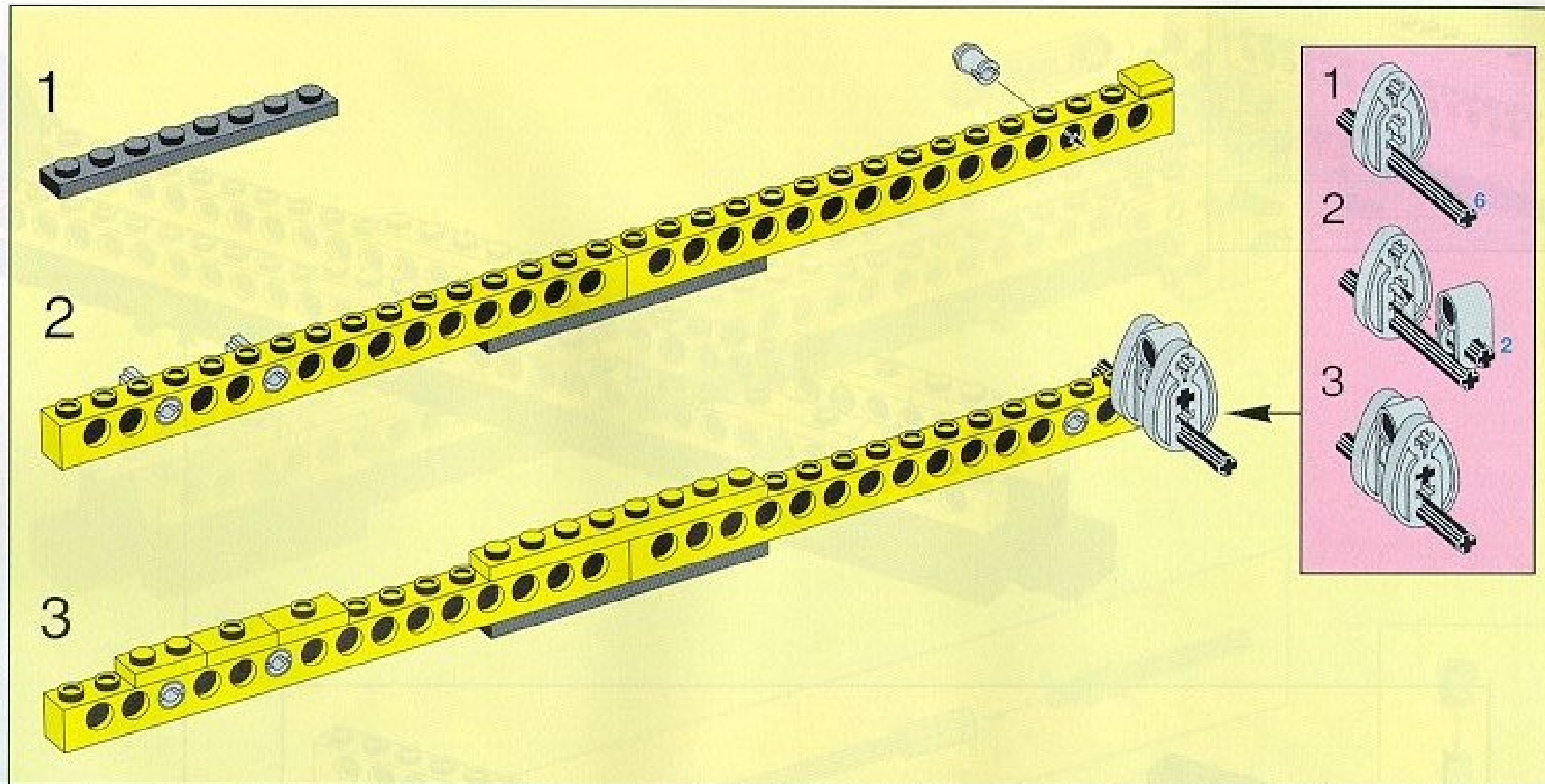


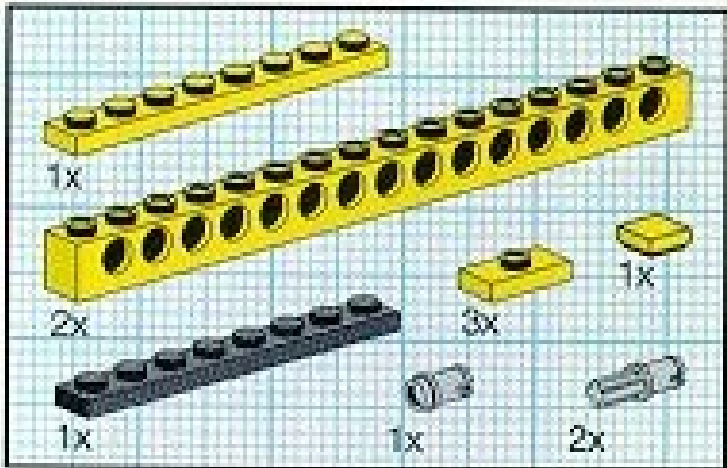
4



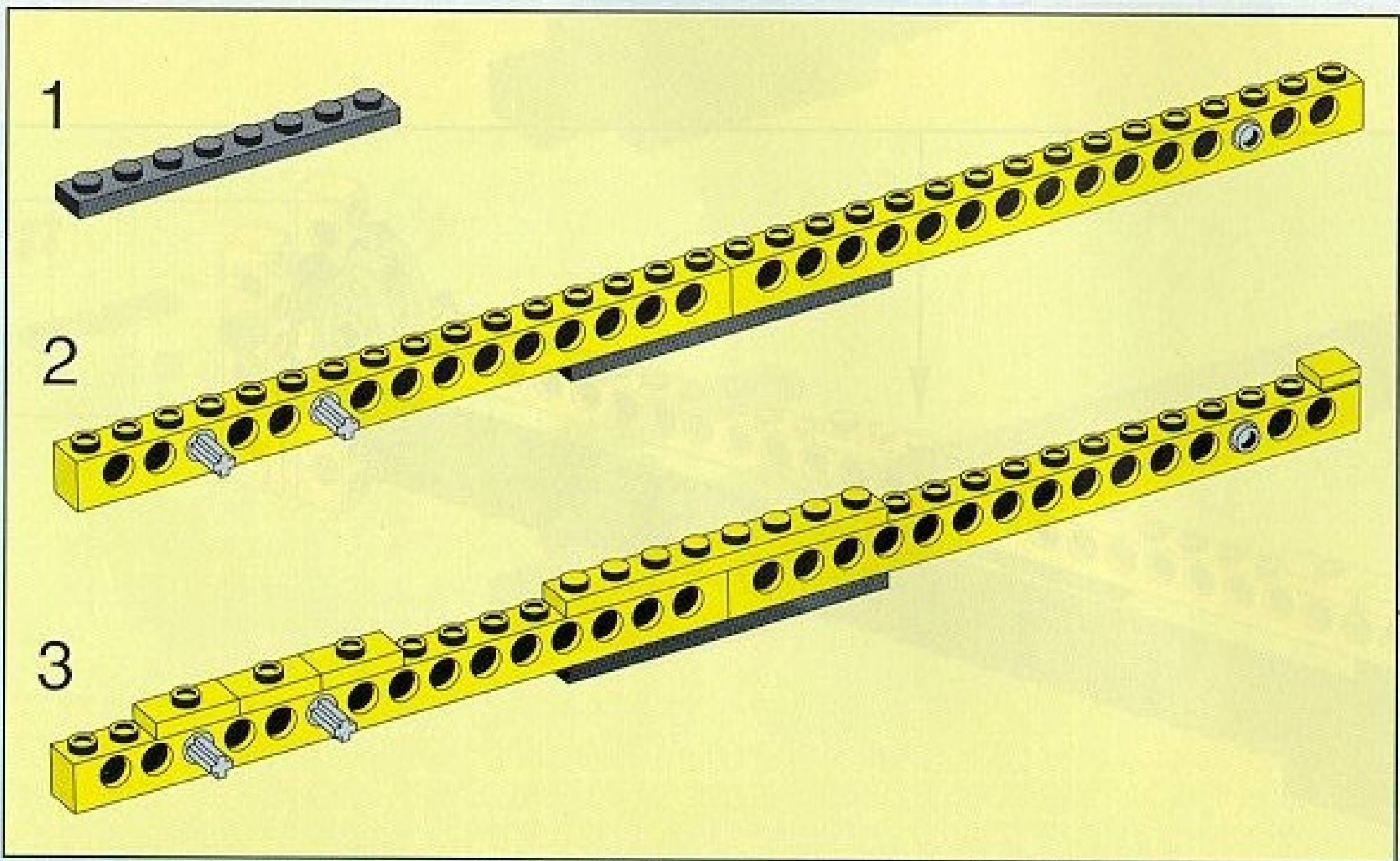
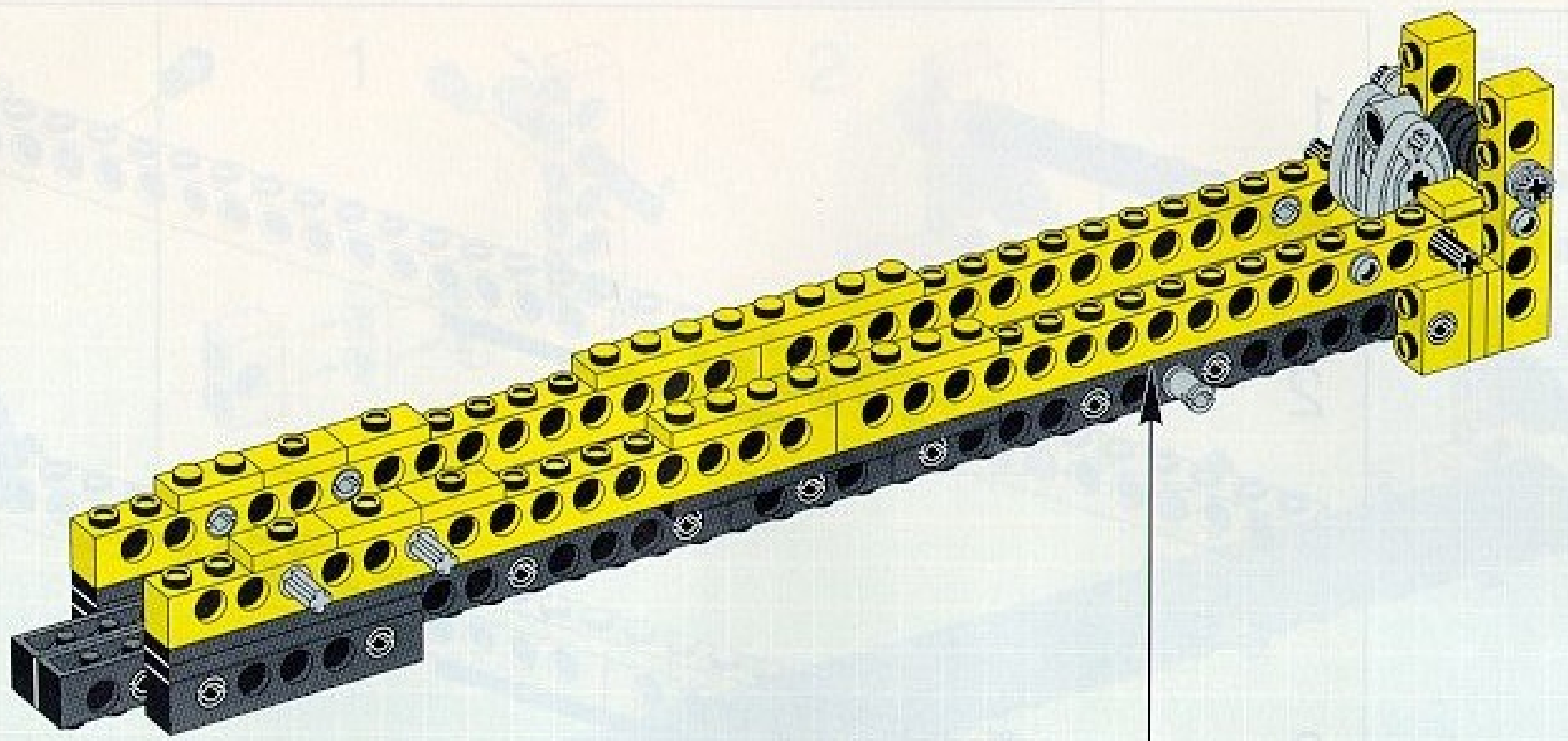


5

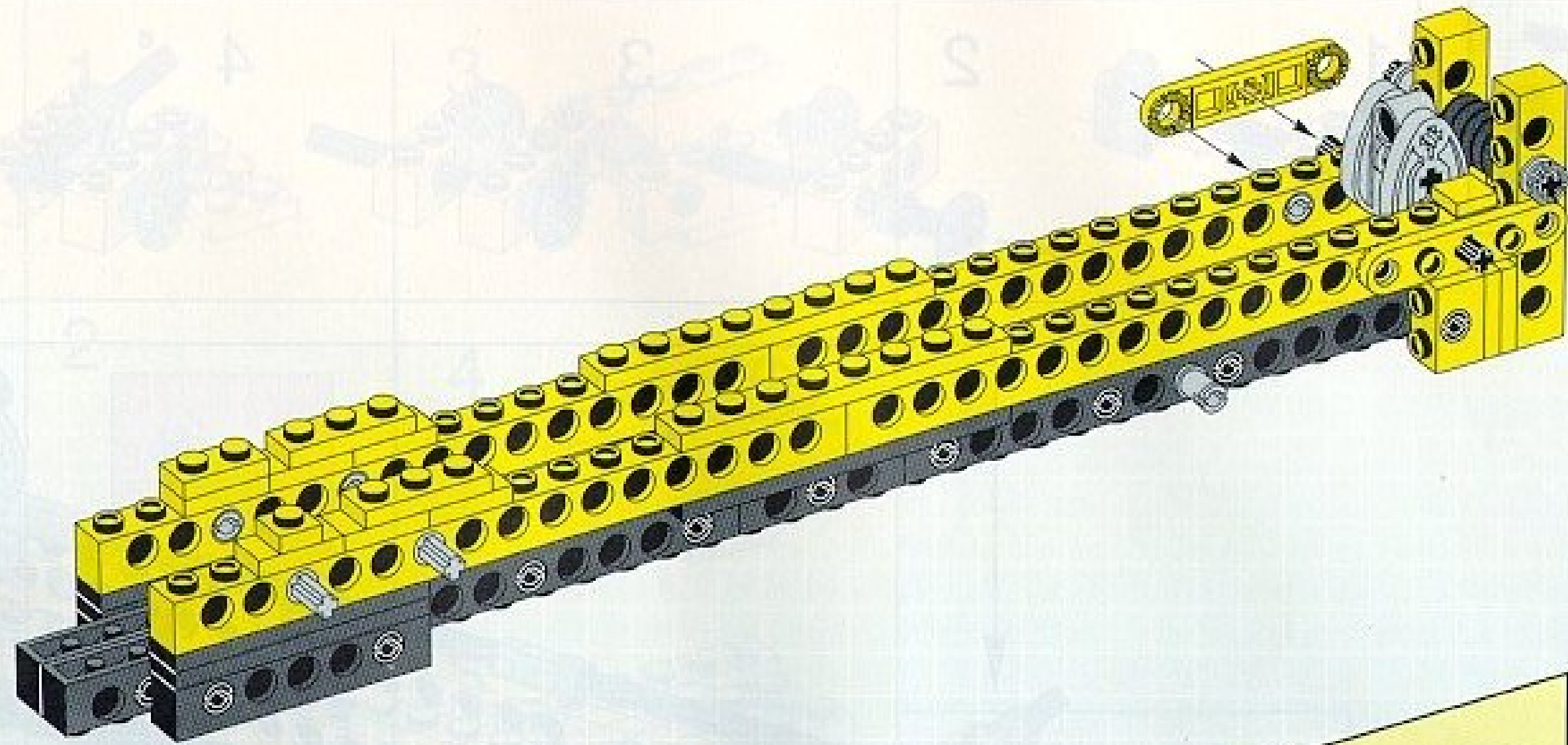
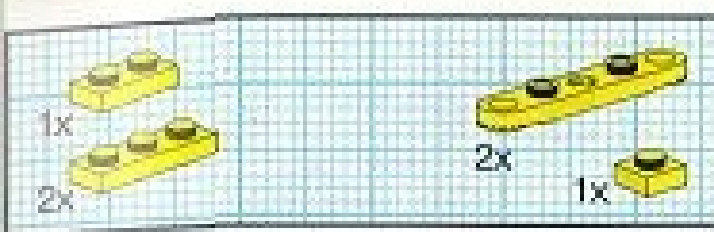




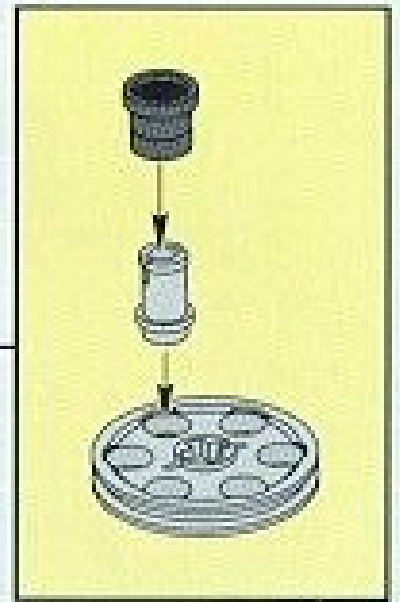
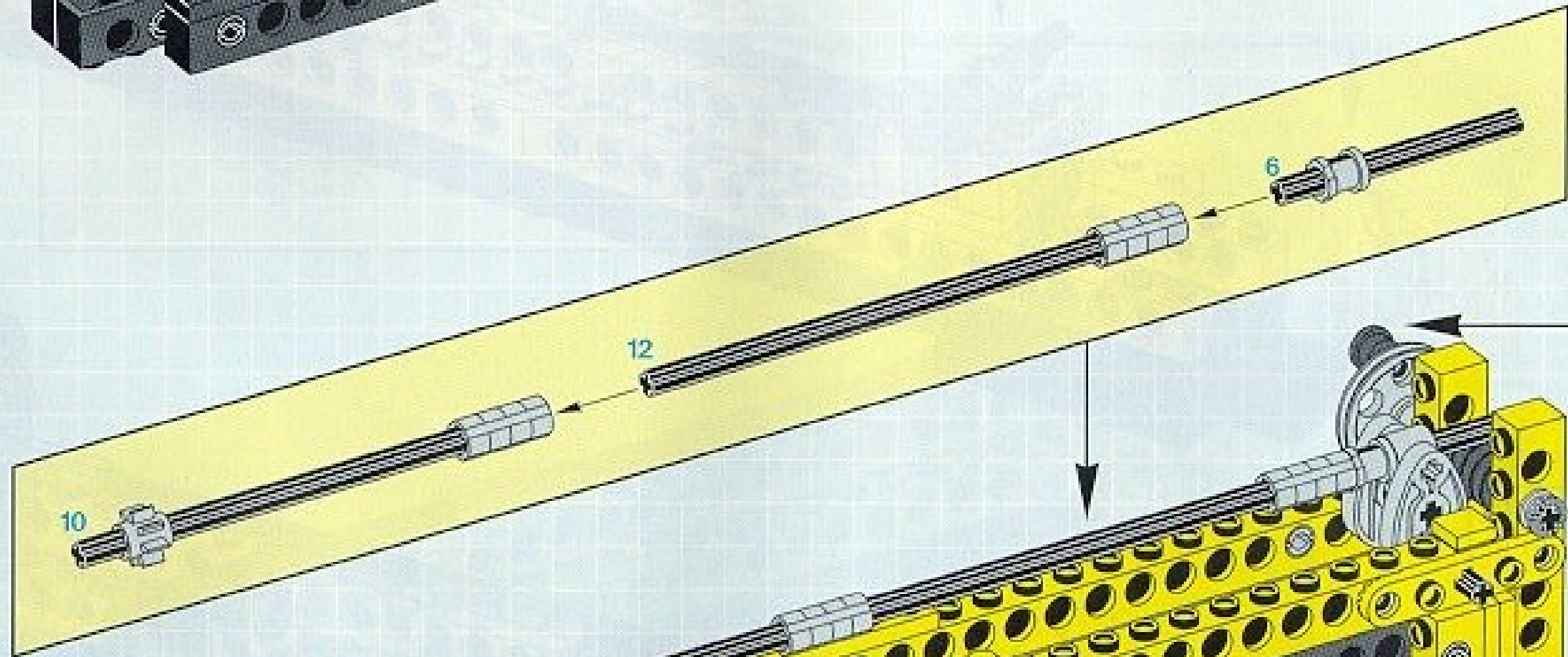
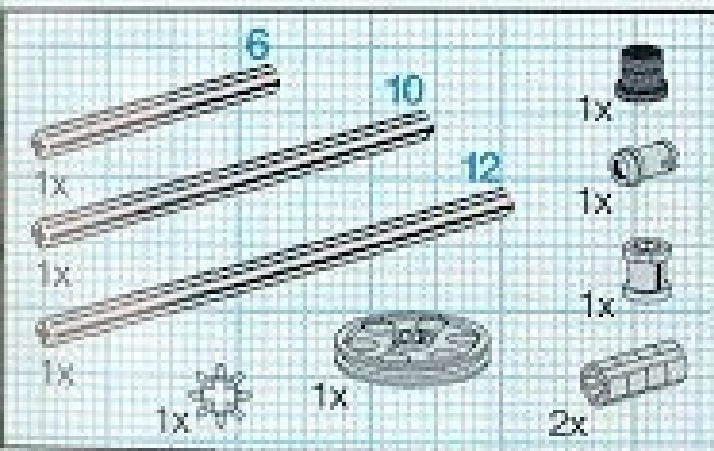
6

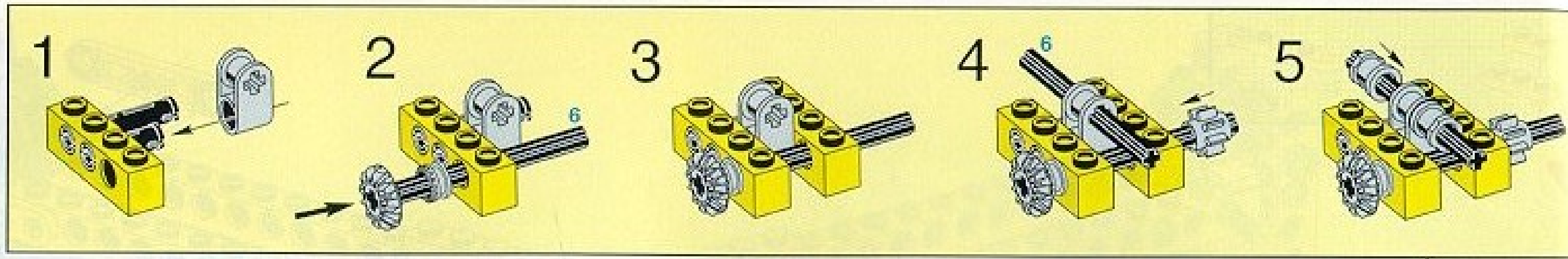
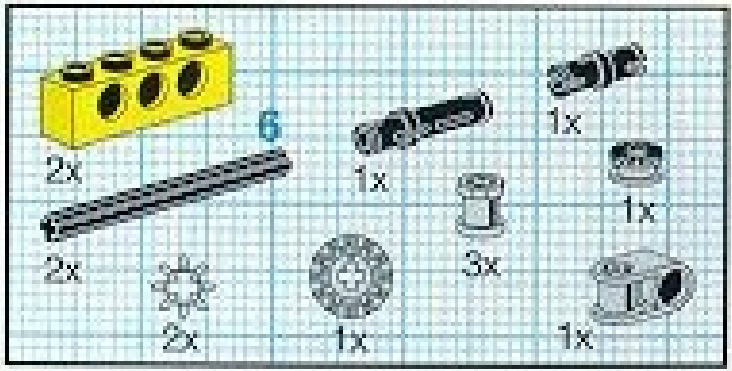


7

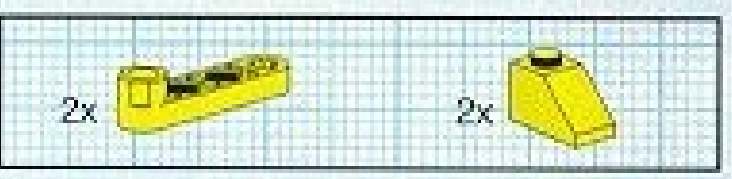
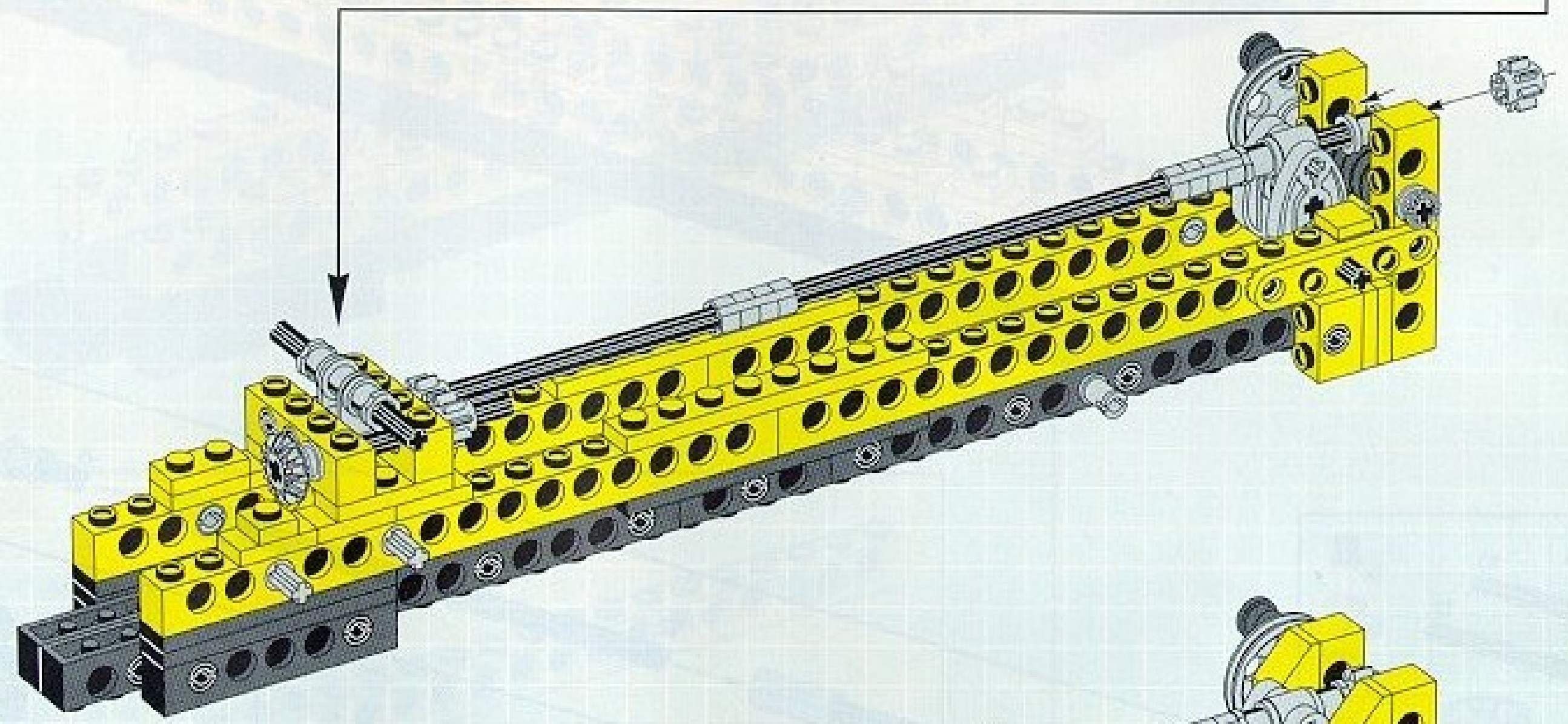


8

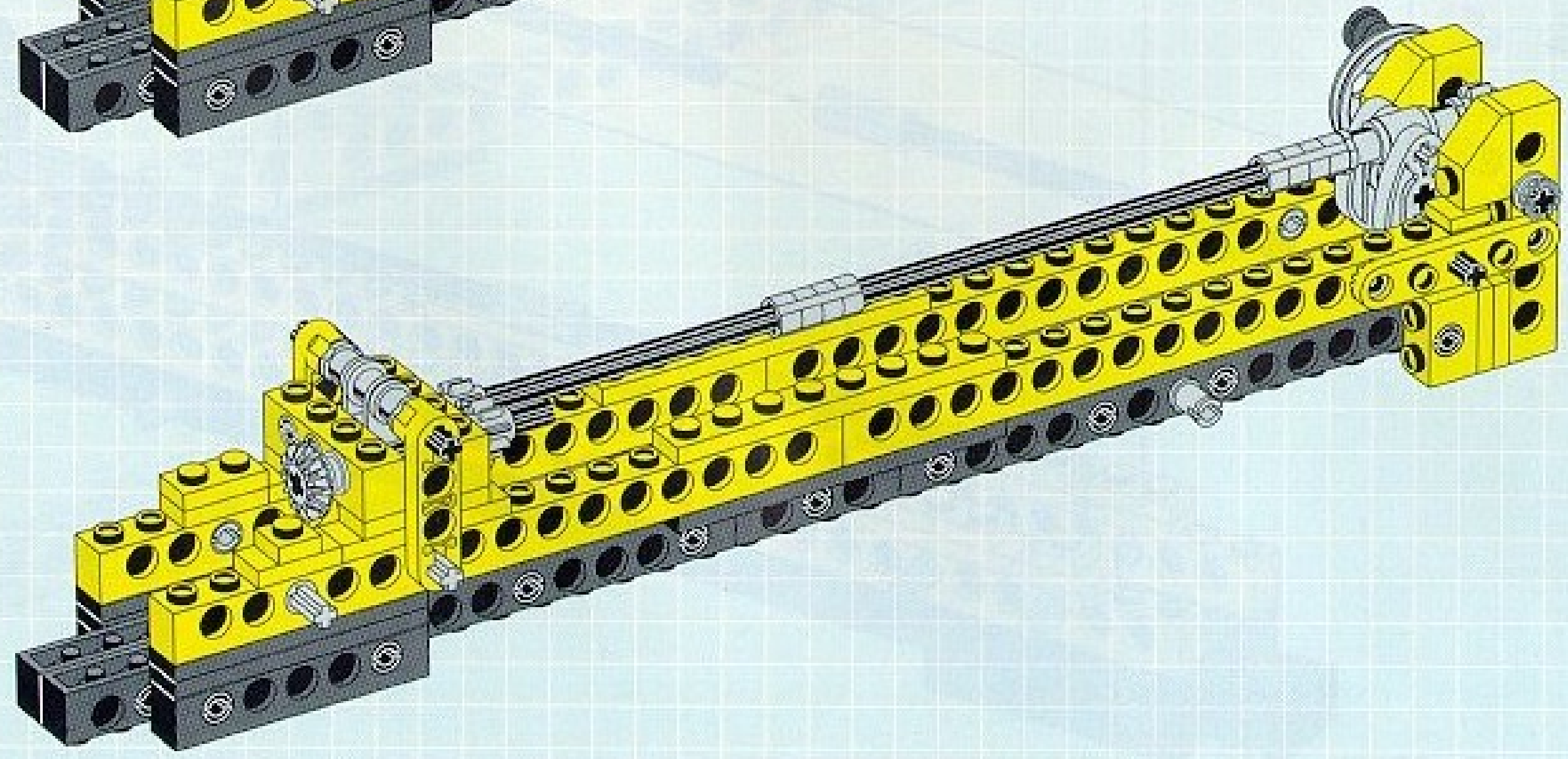


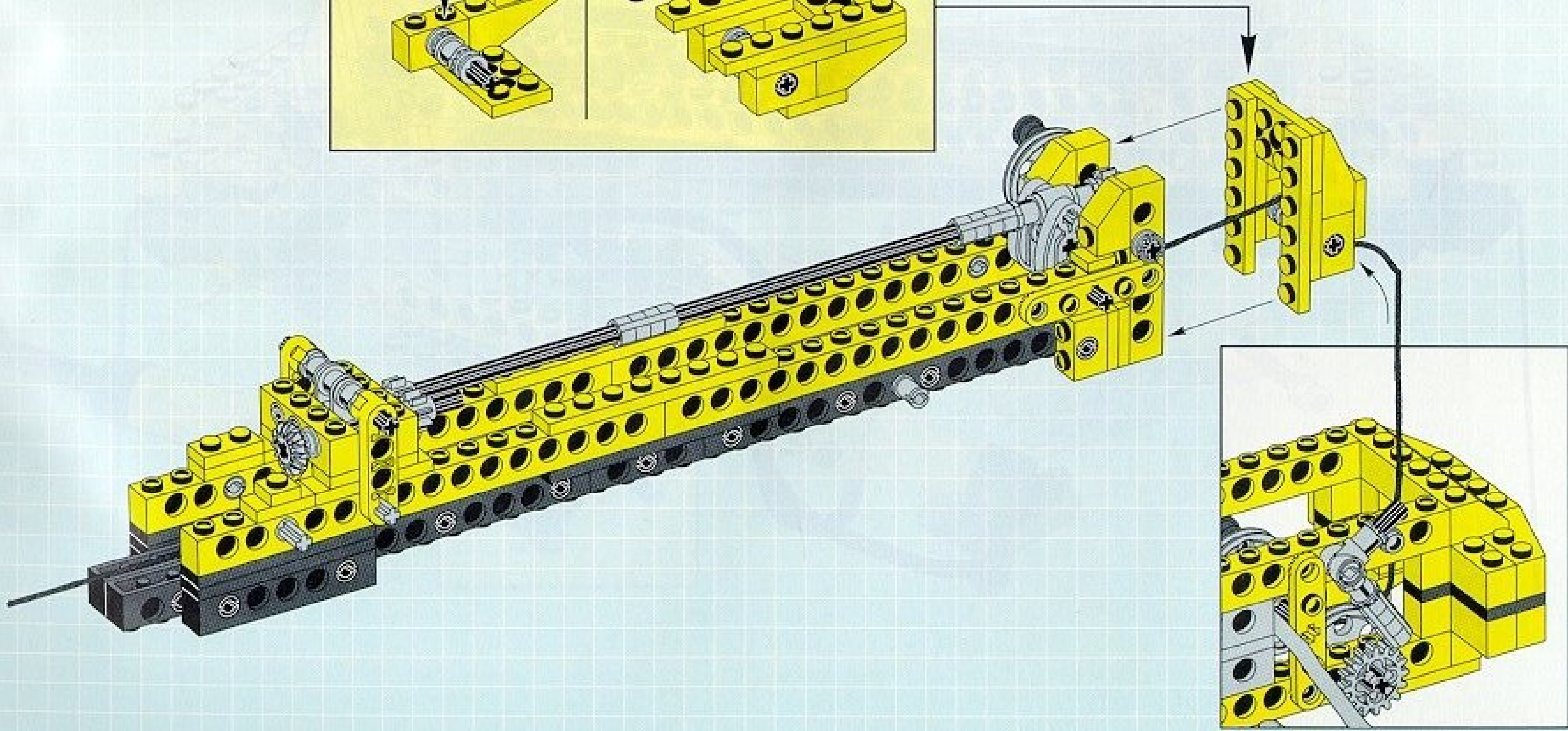
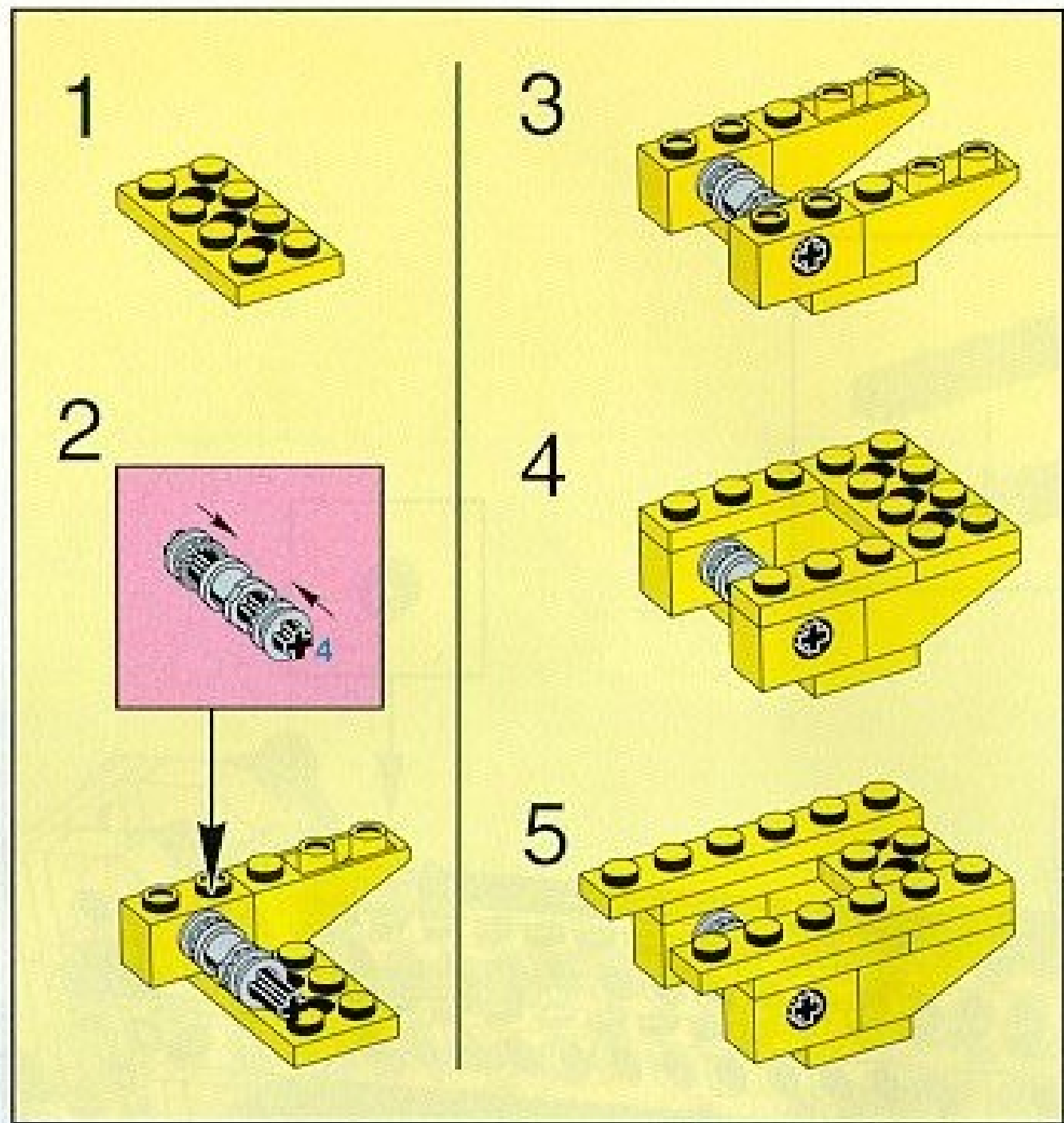
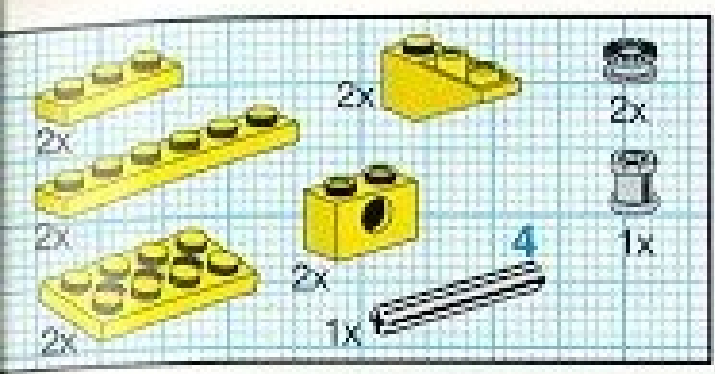


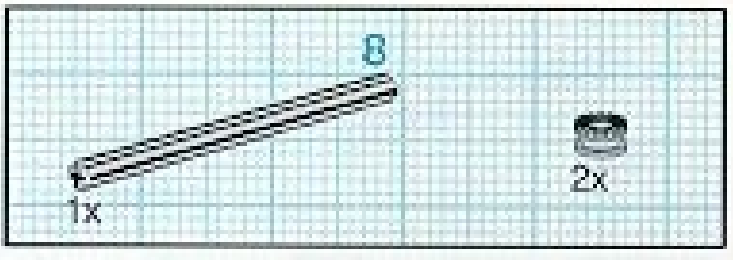
9



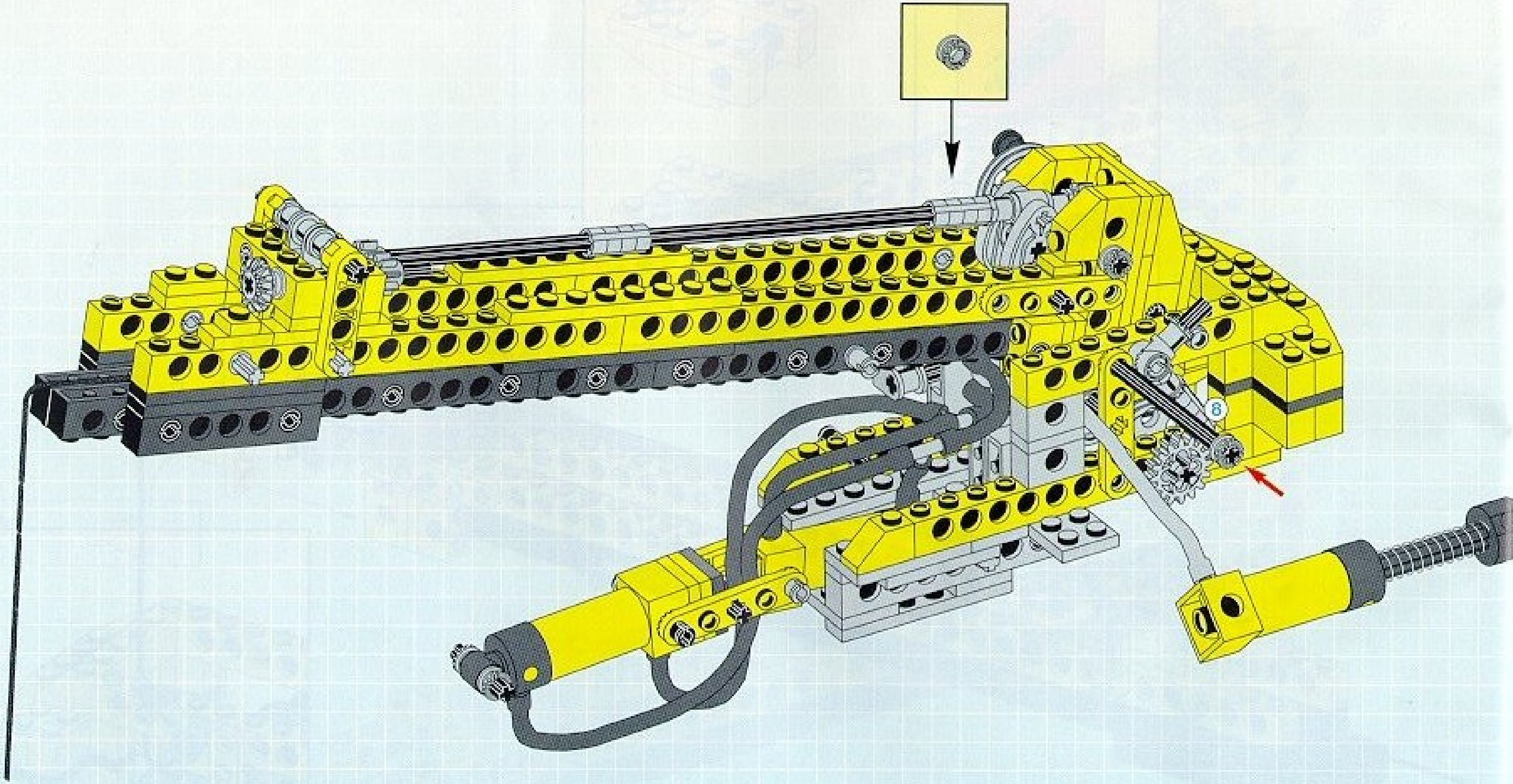
10



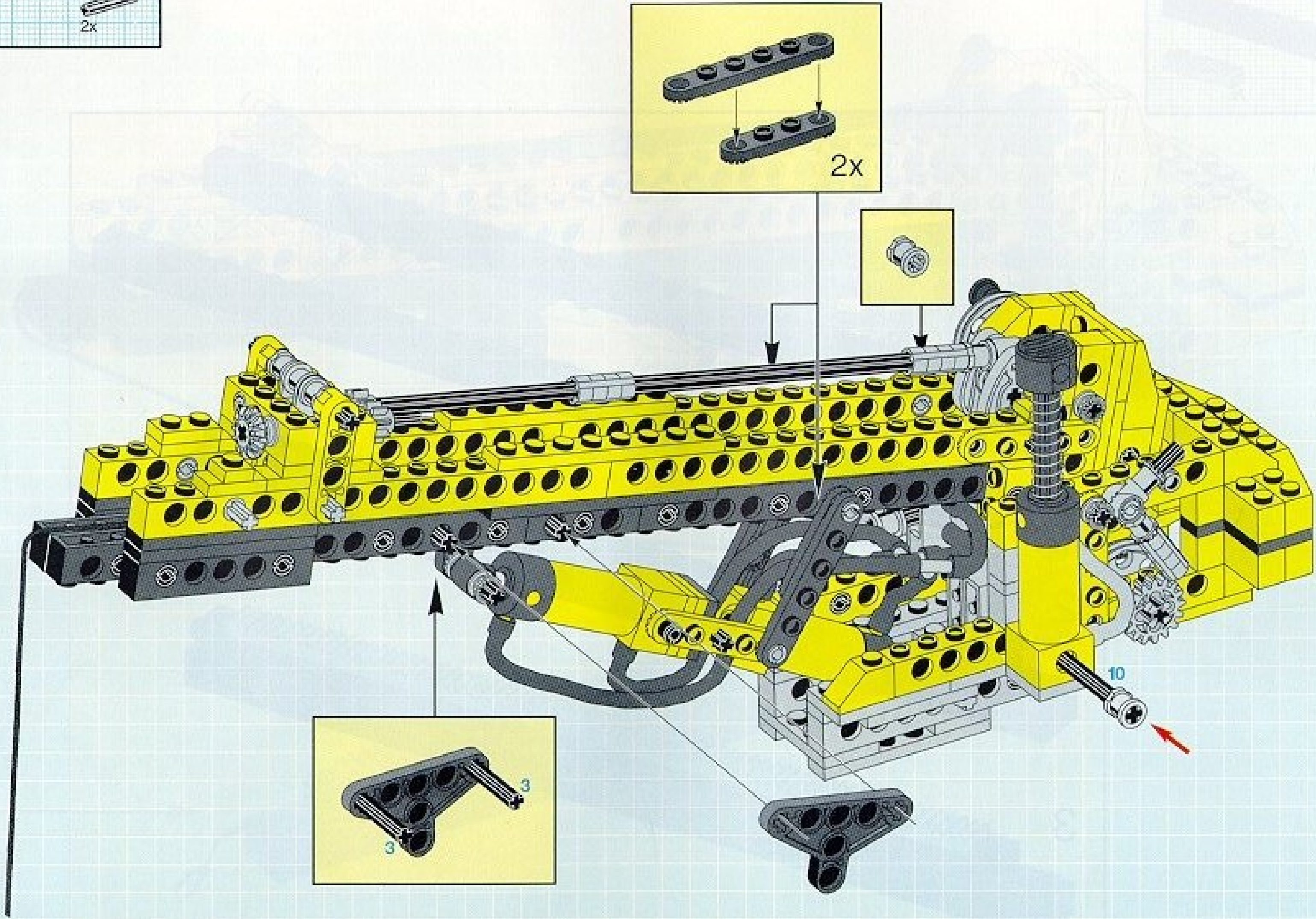
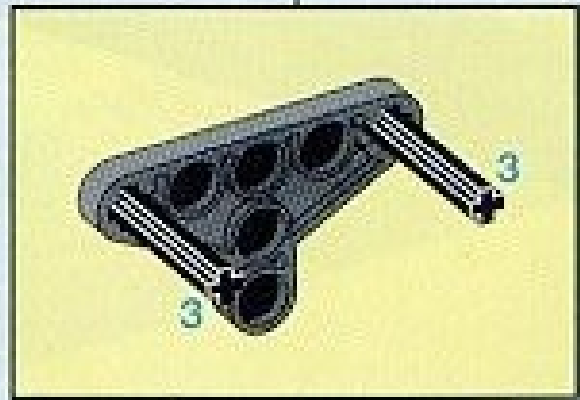
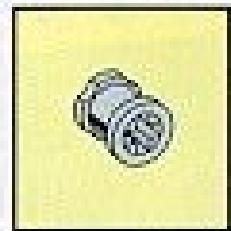
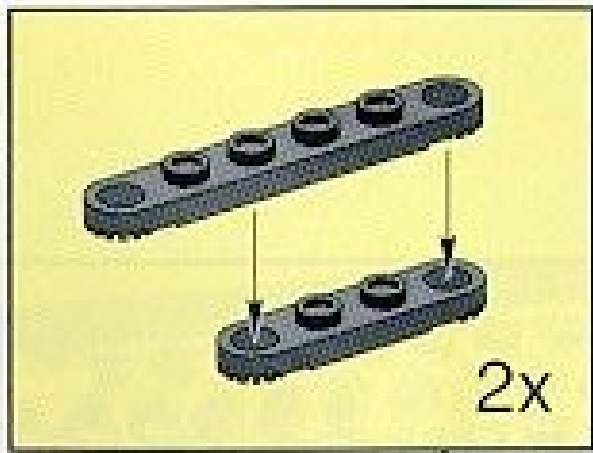
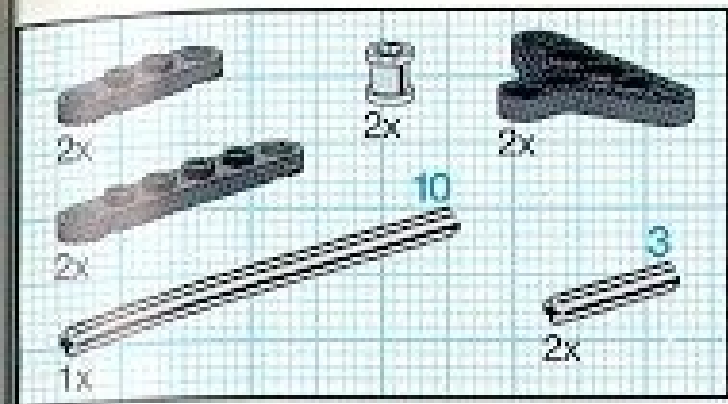


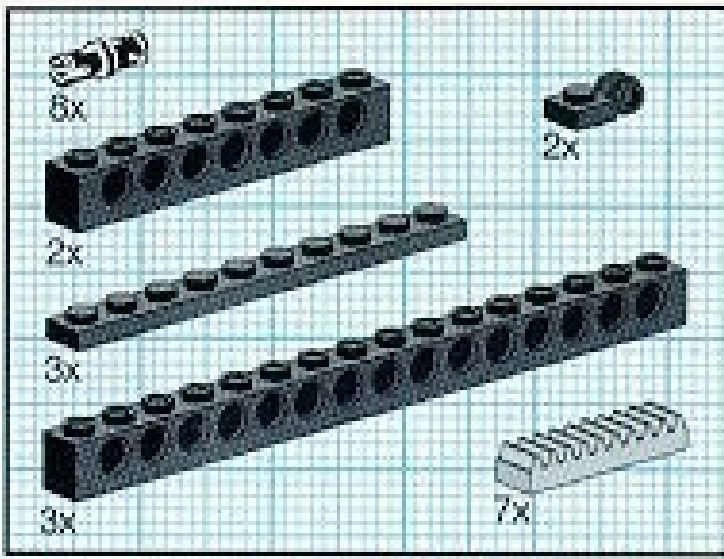


15



16

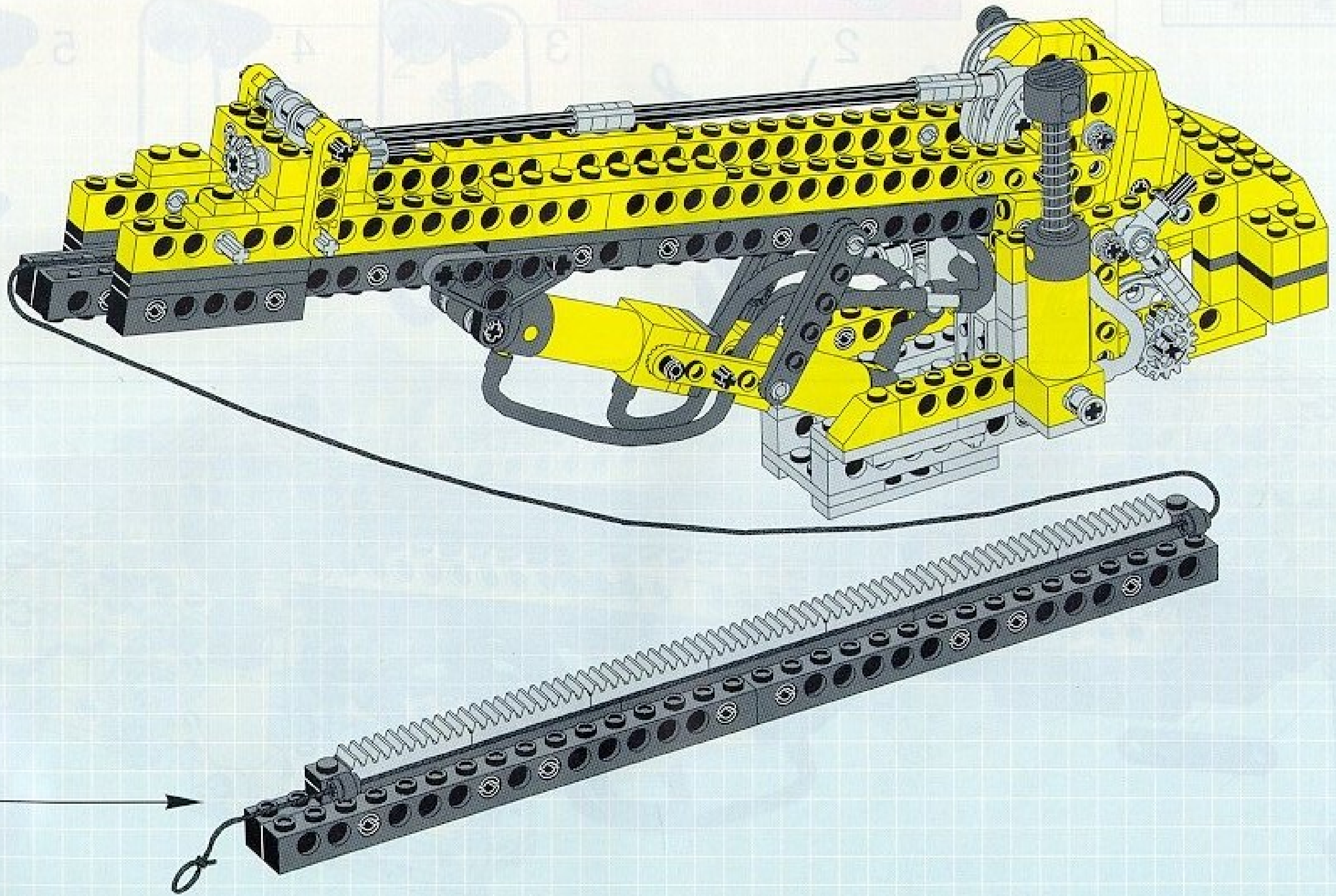


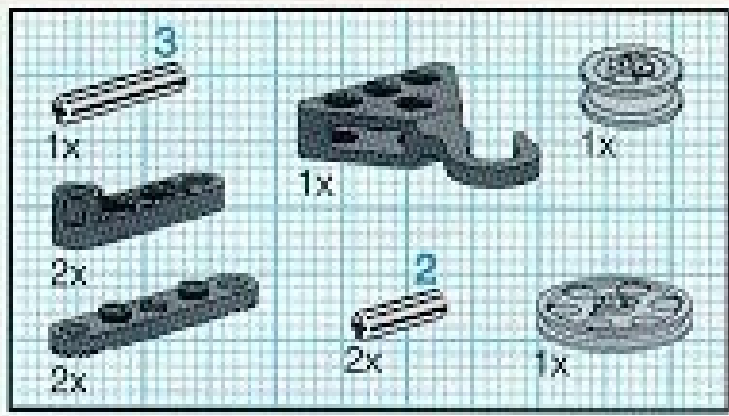


6

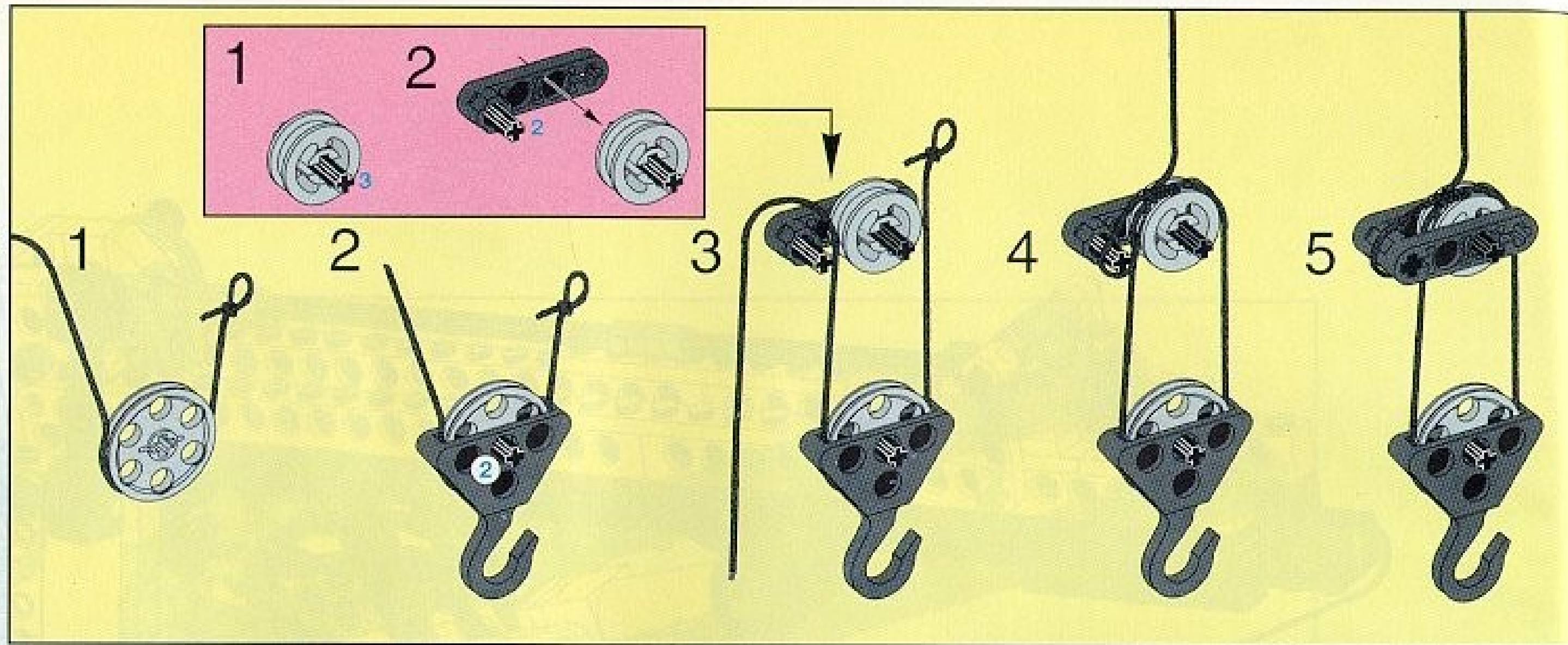
17

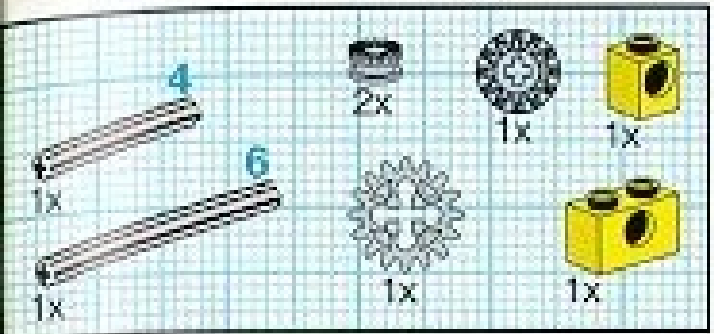




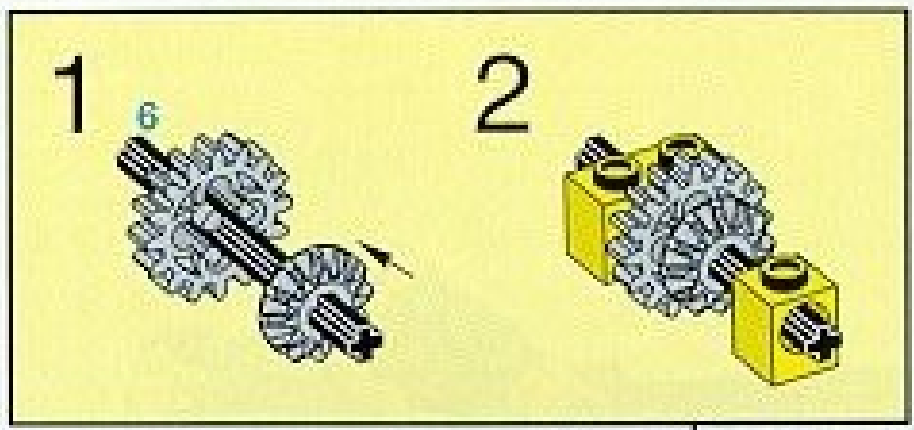


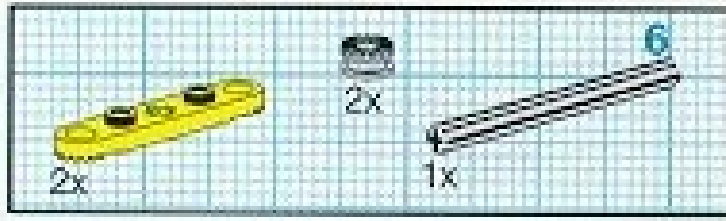
18





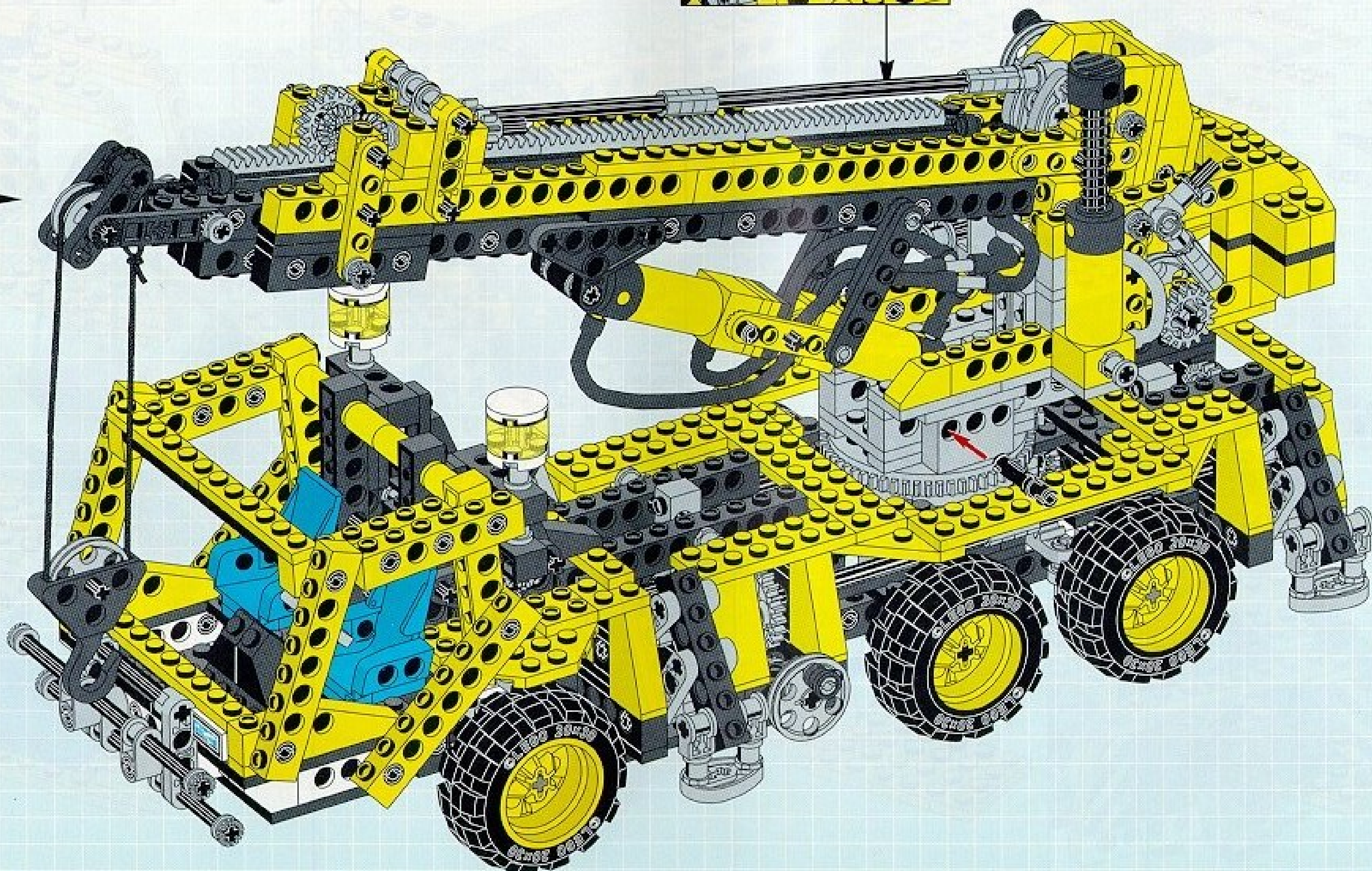
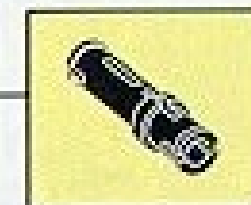
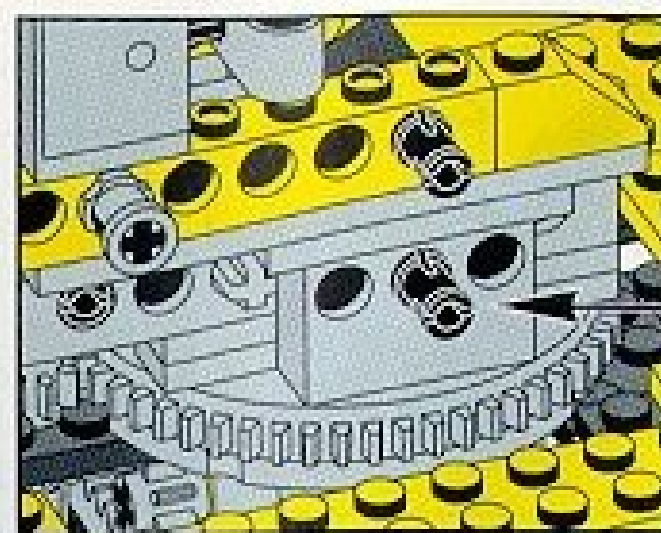
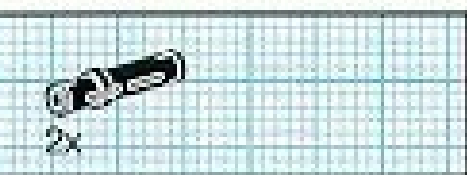
19

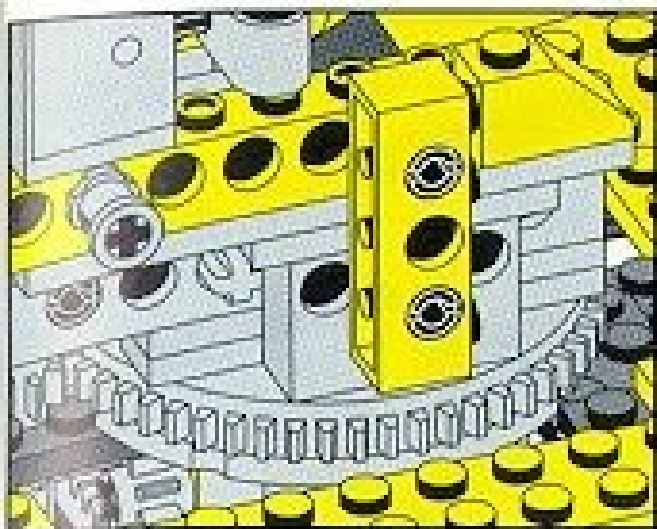




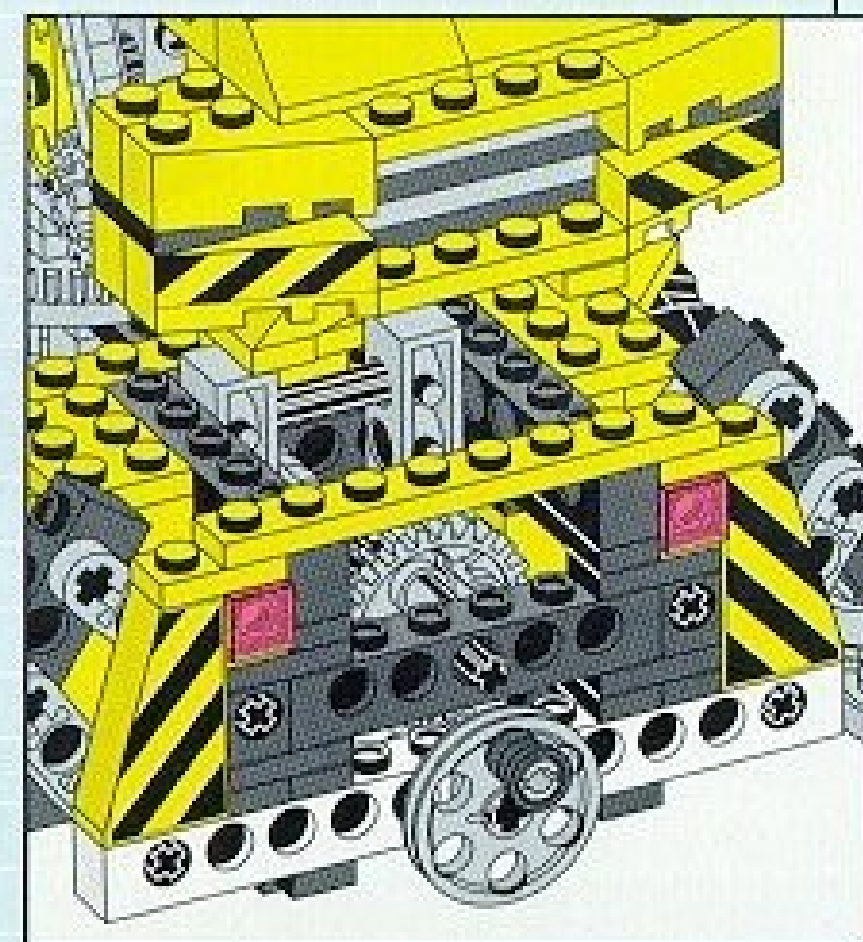
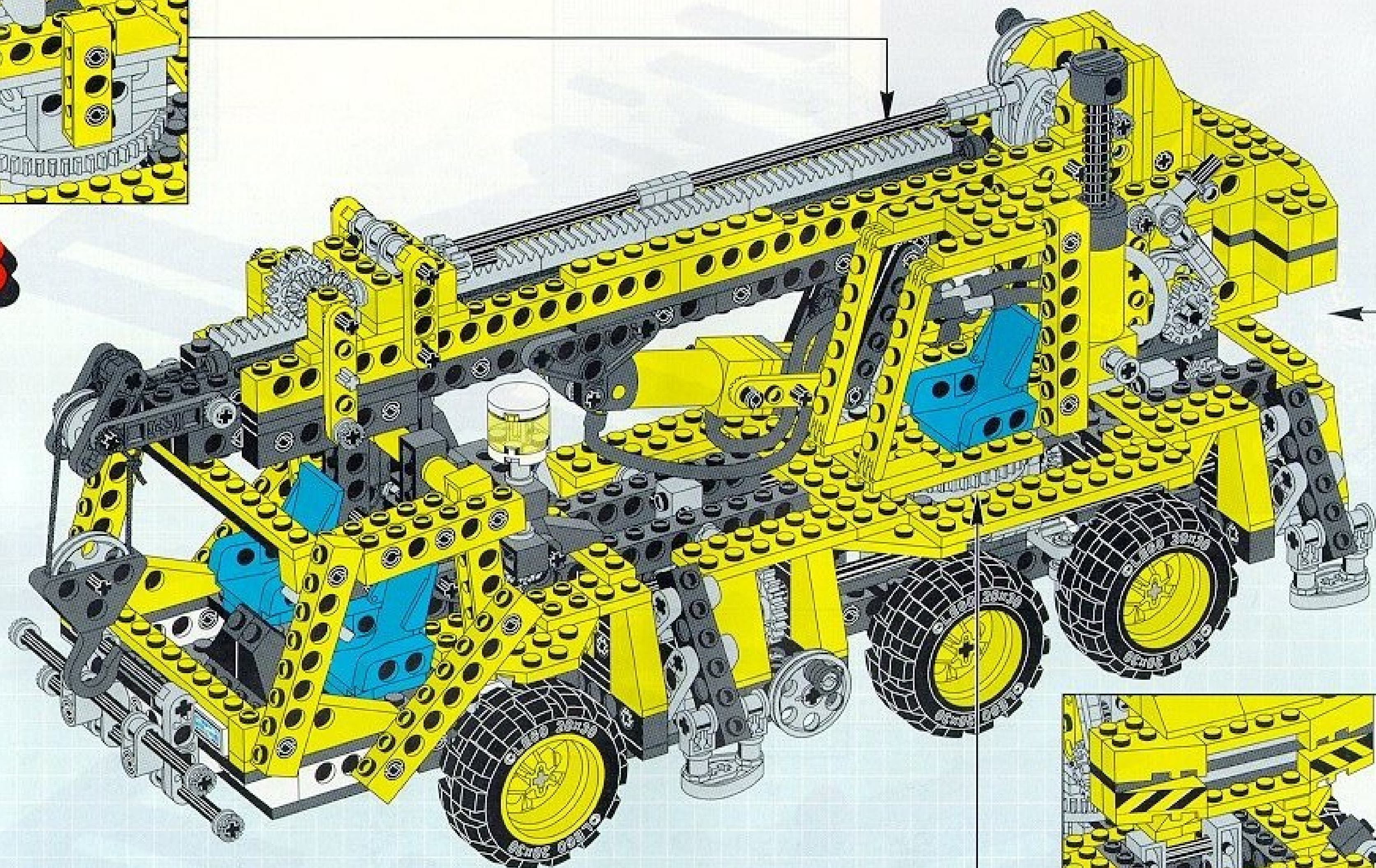
20







33

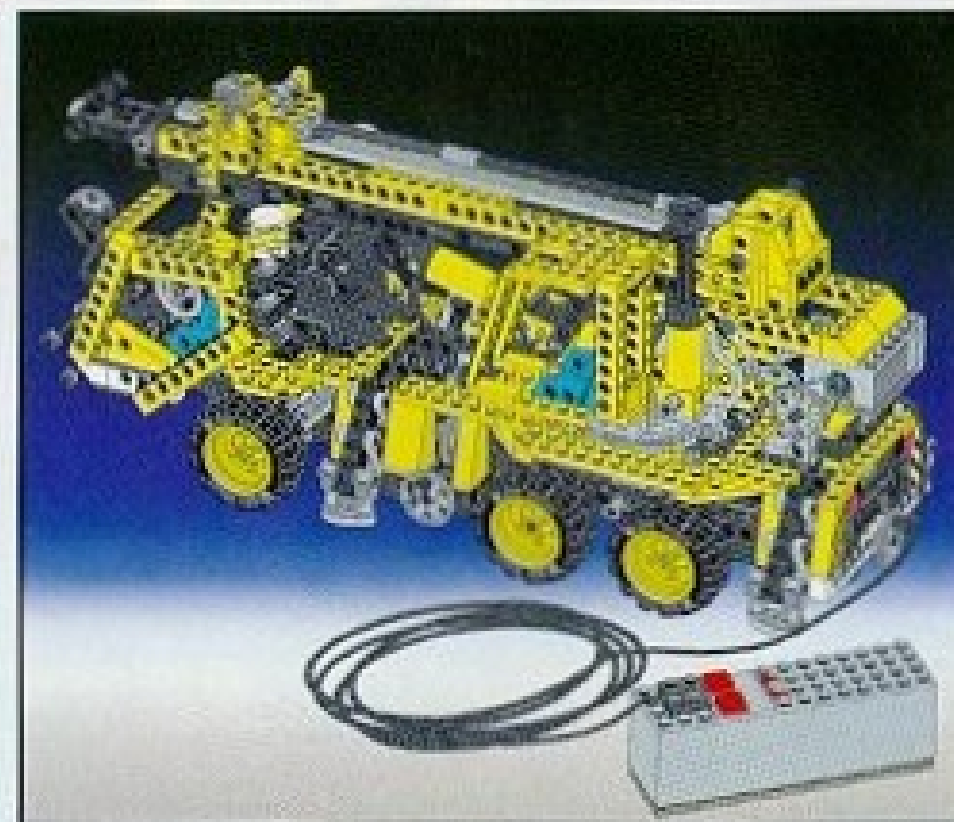




+



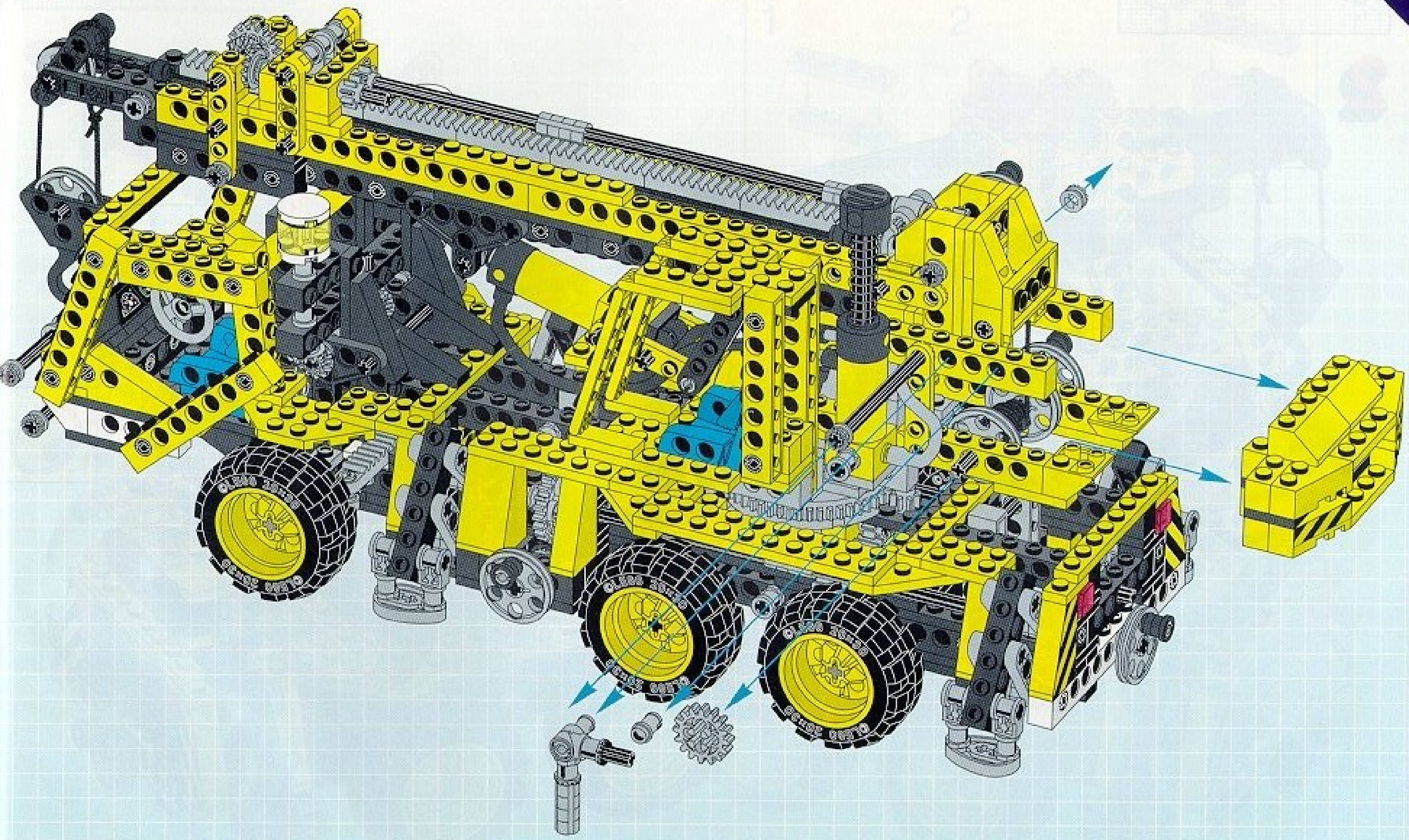
=

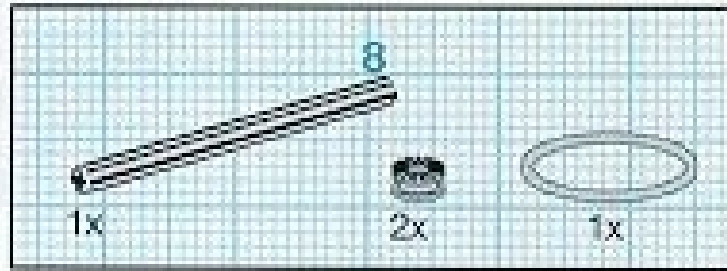


8460+8720

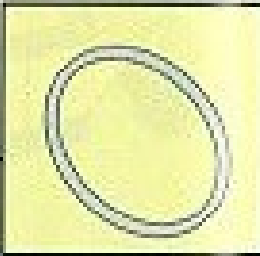
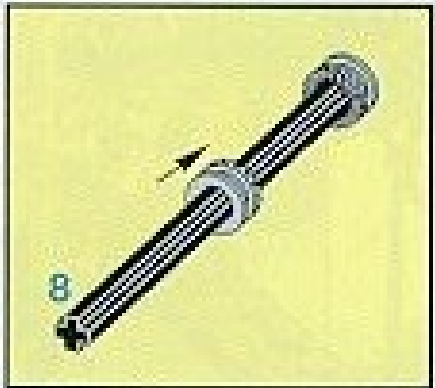
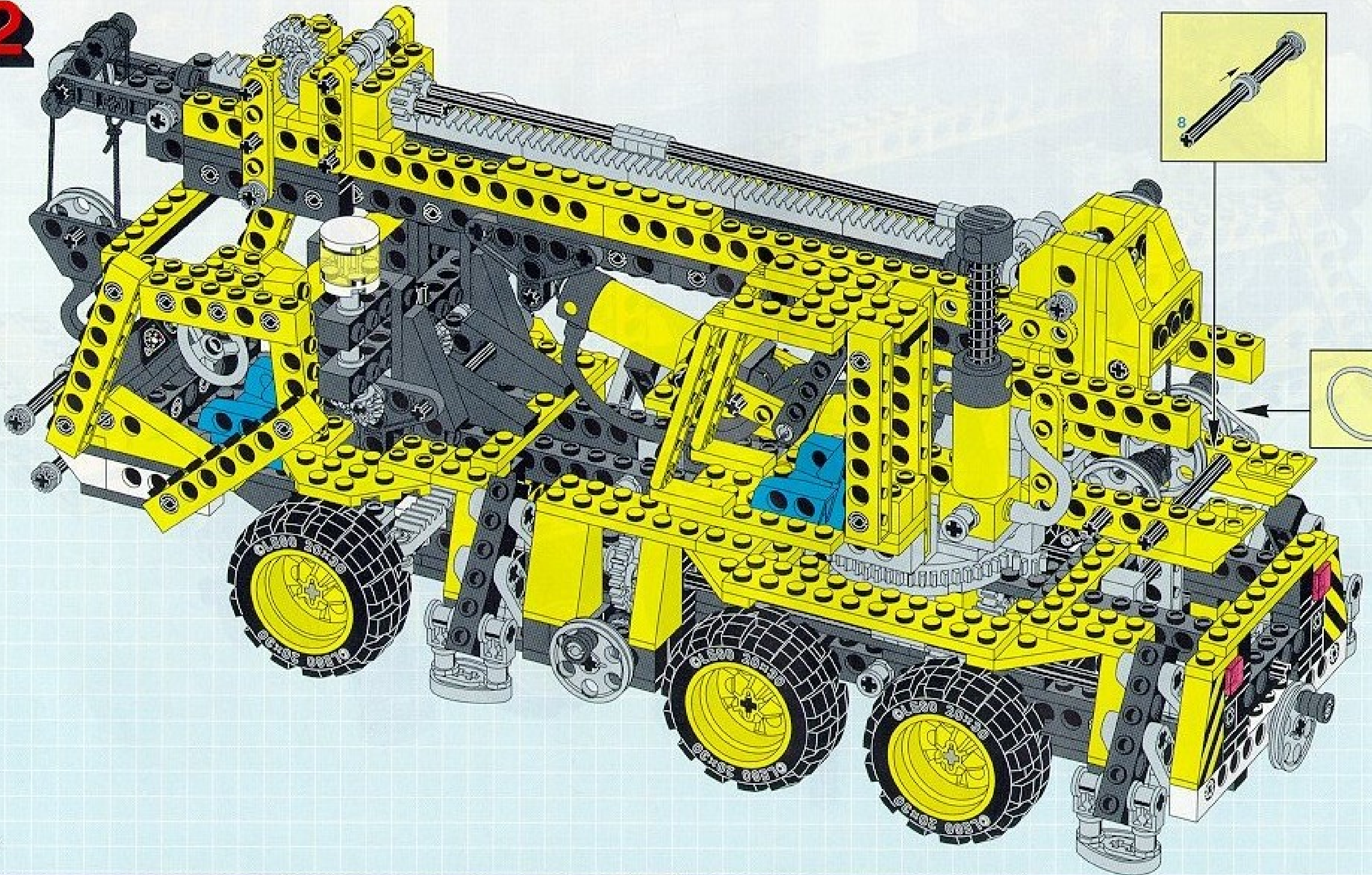
1

8460+8720



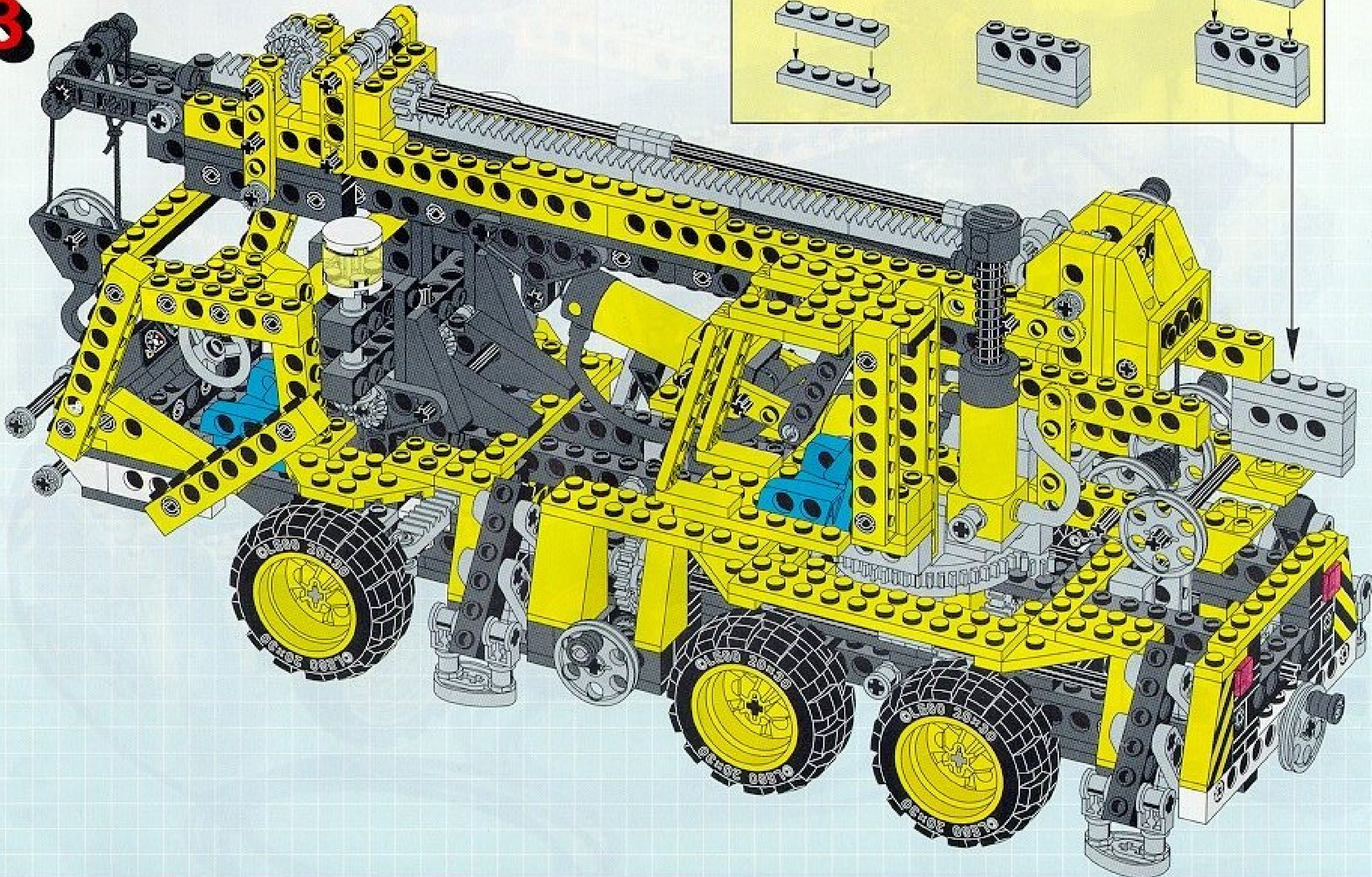
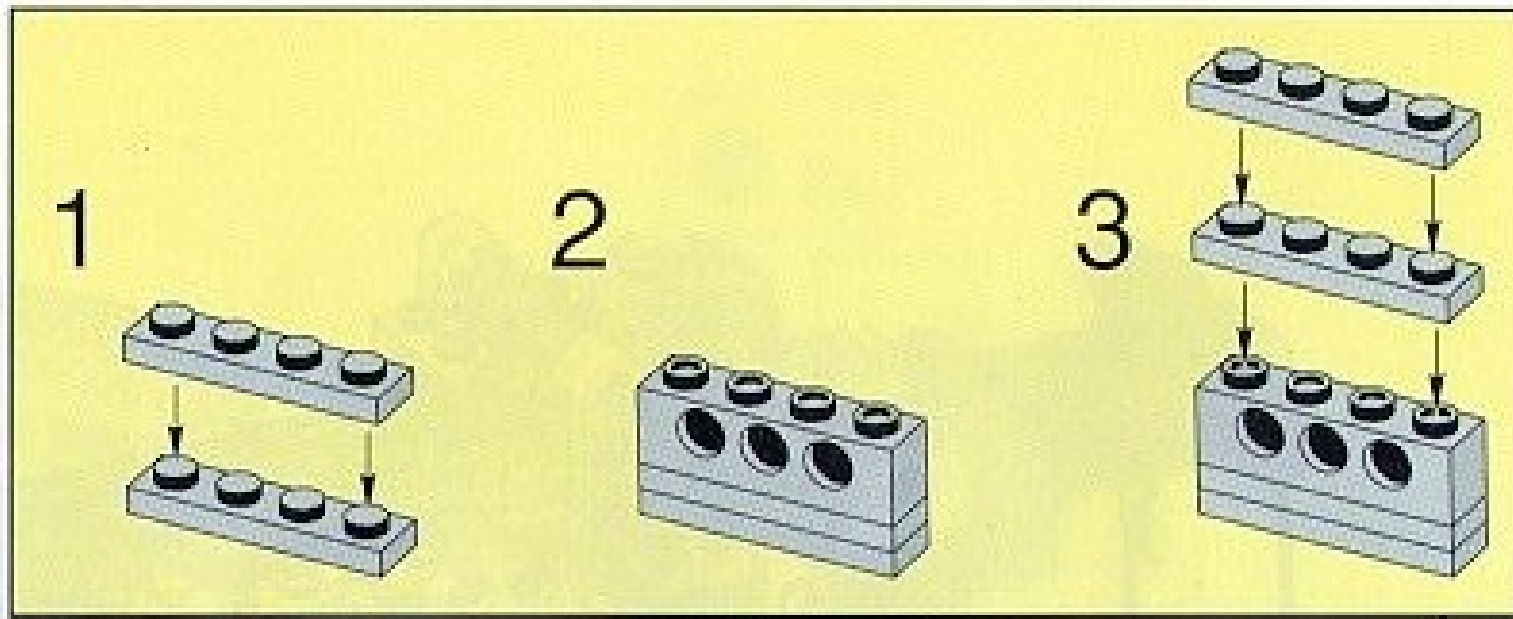


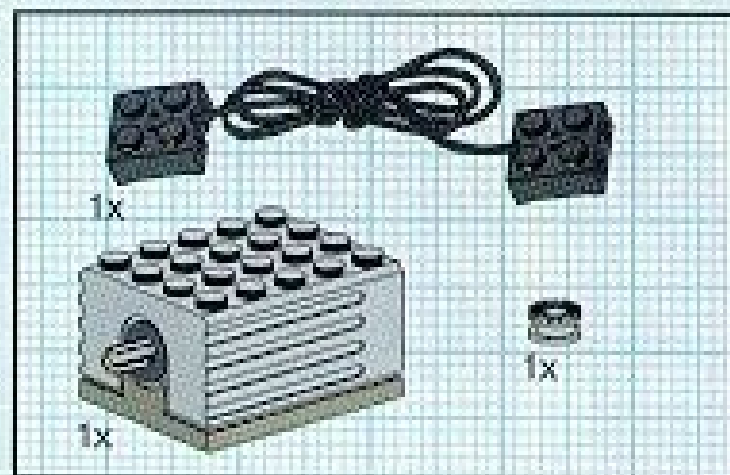
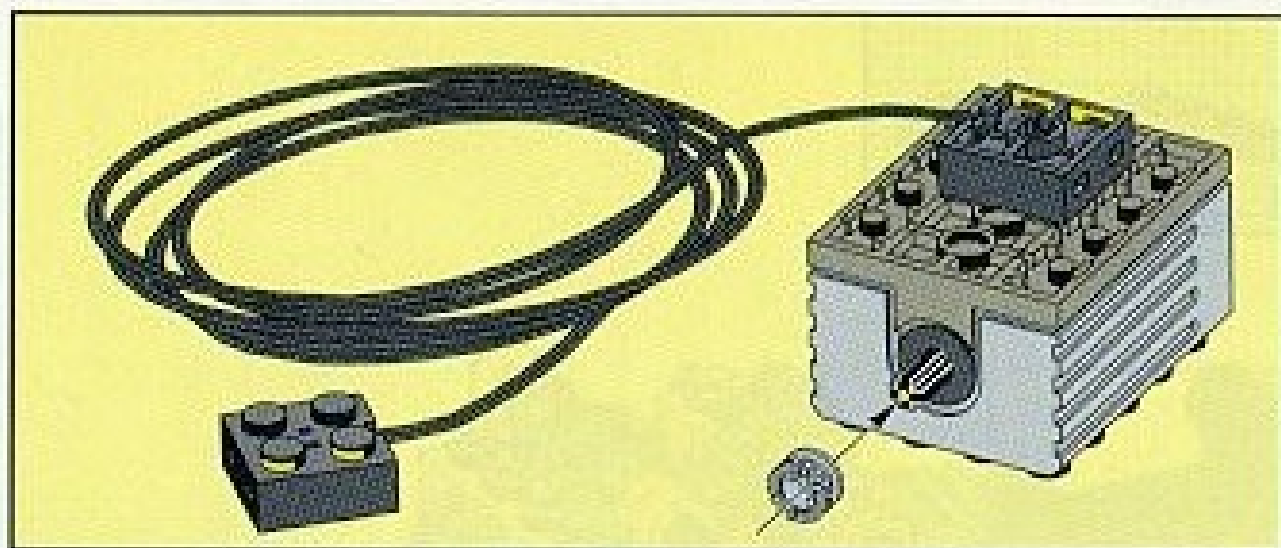
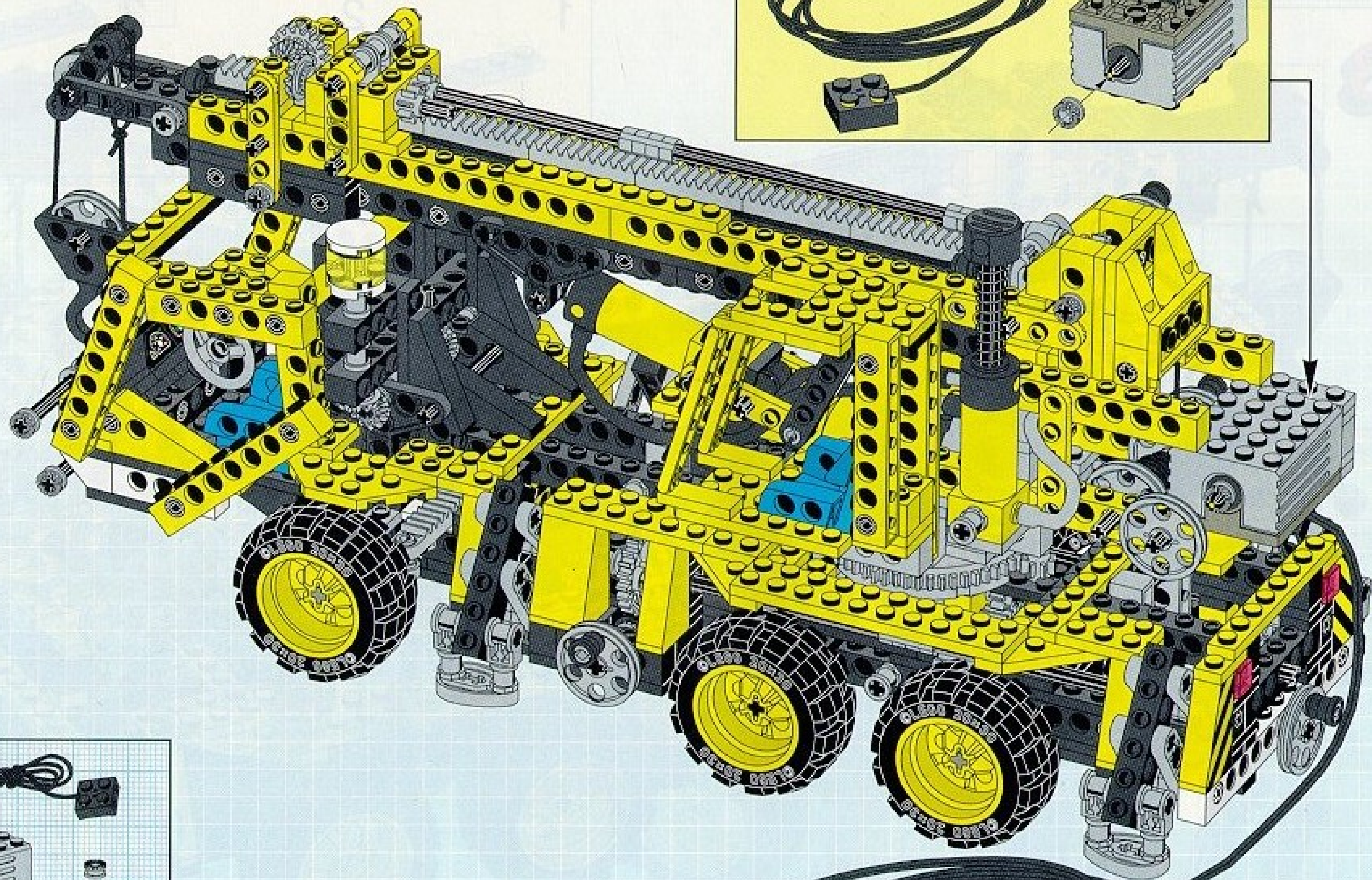
2

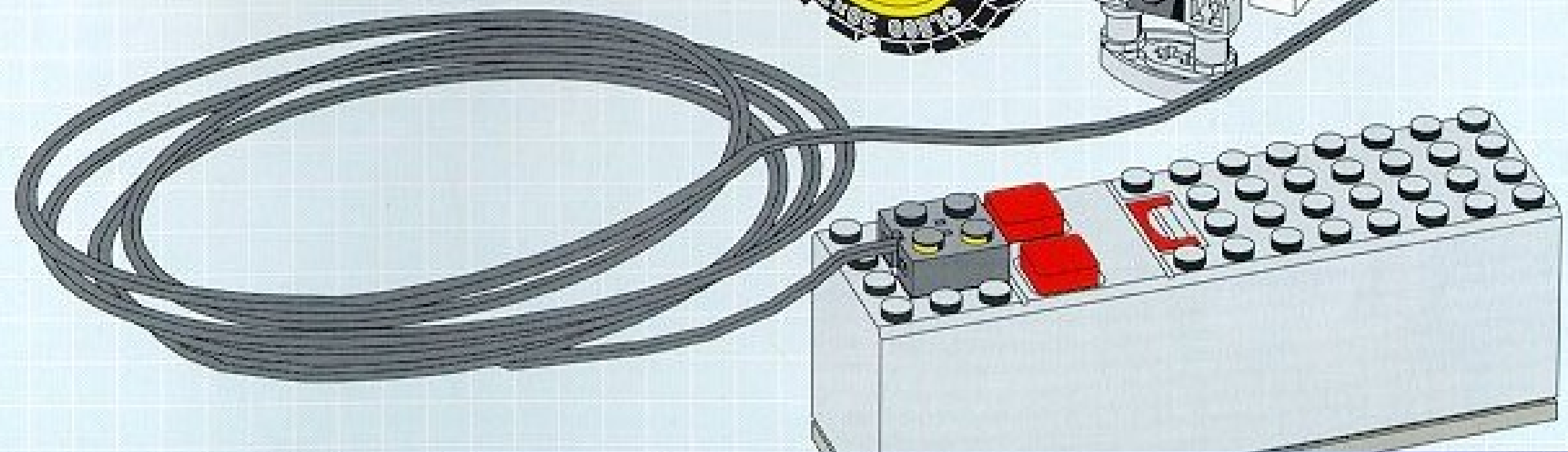
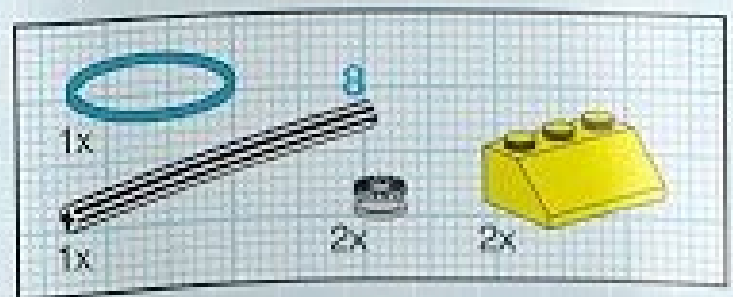
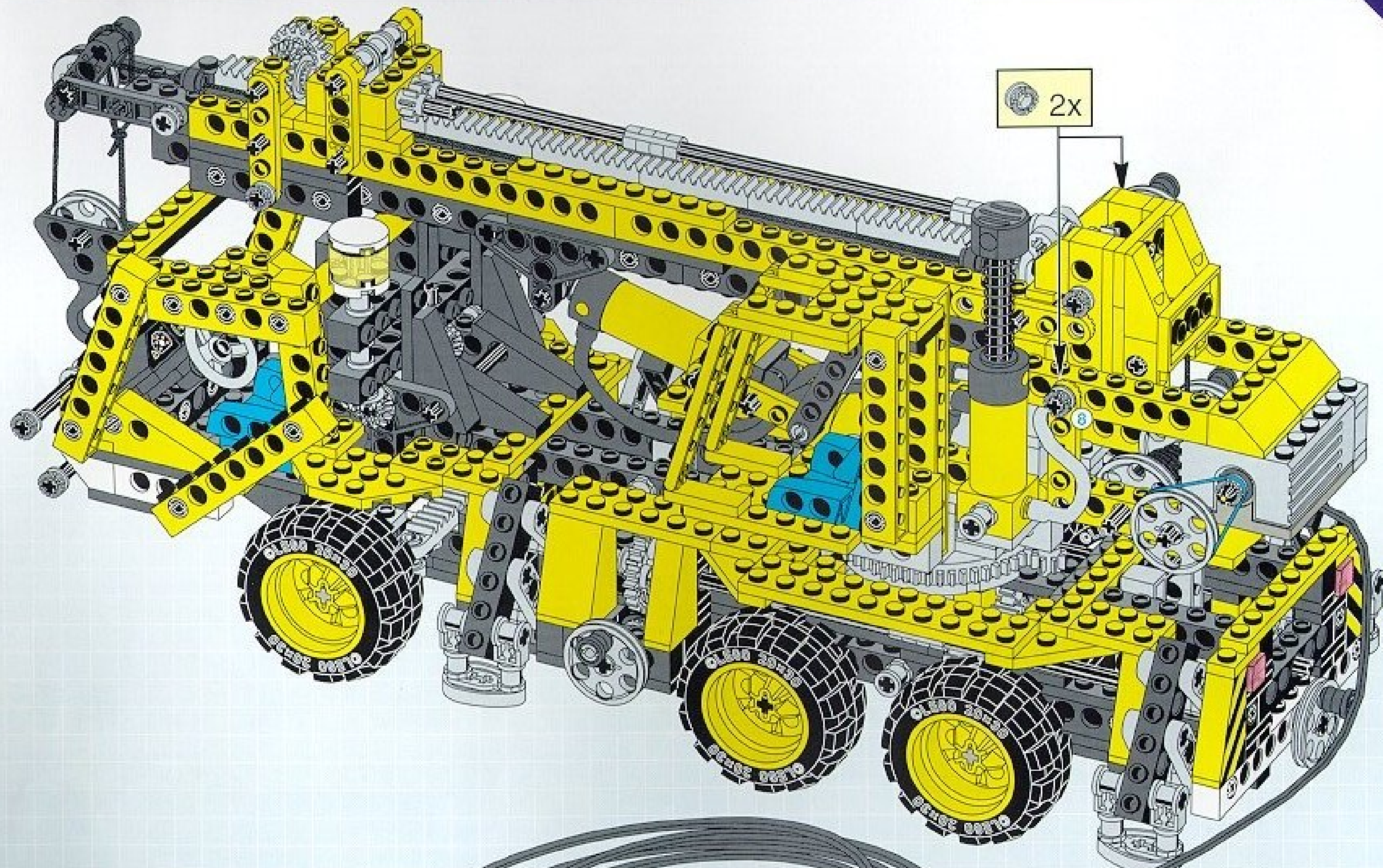


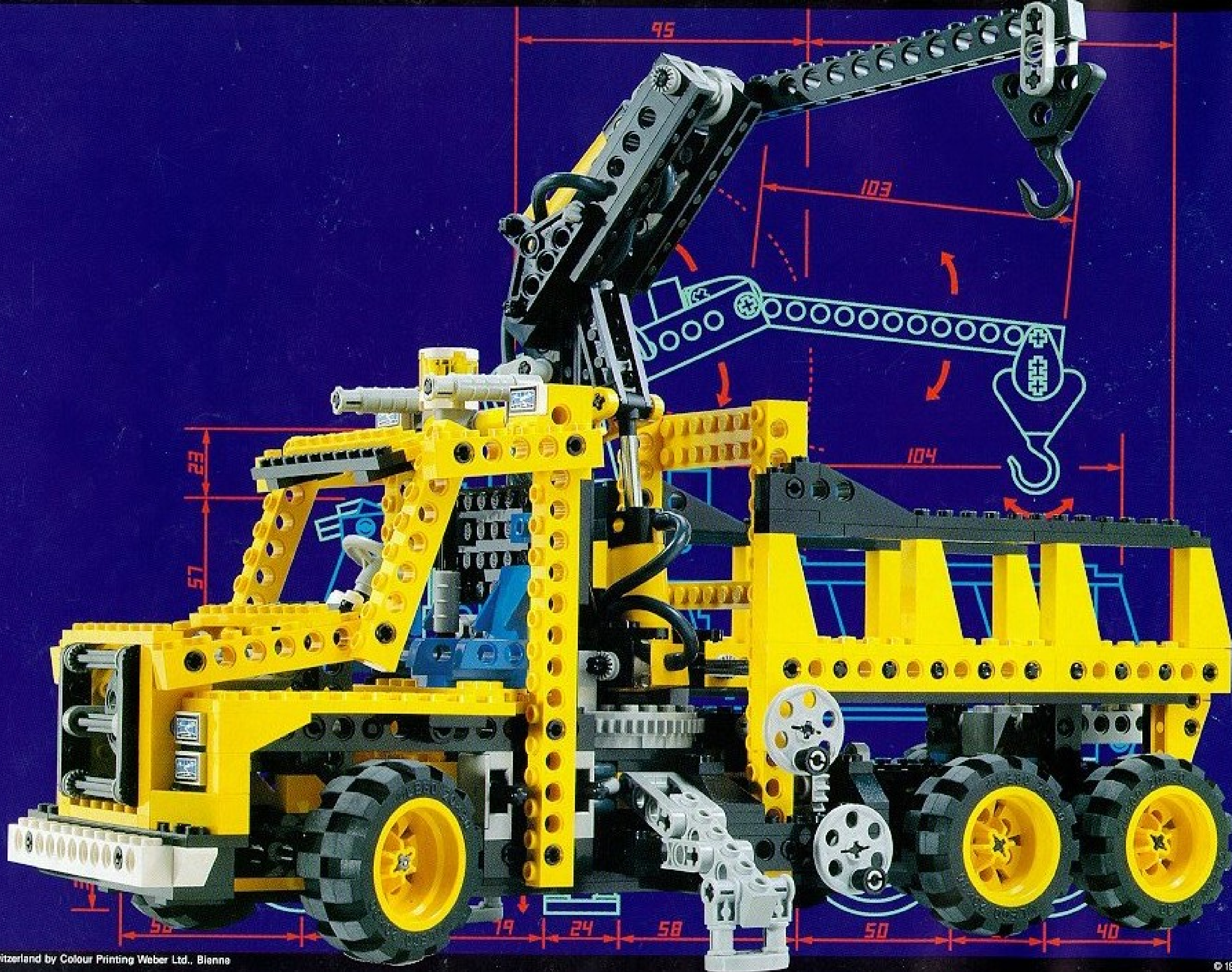
- 1x
- 4x
- 1x

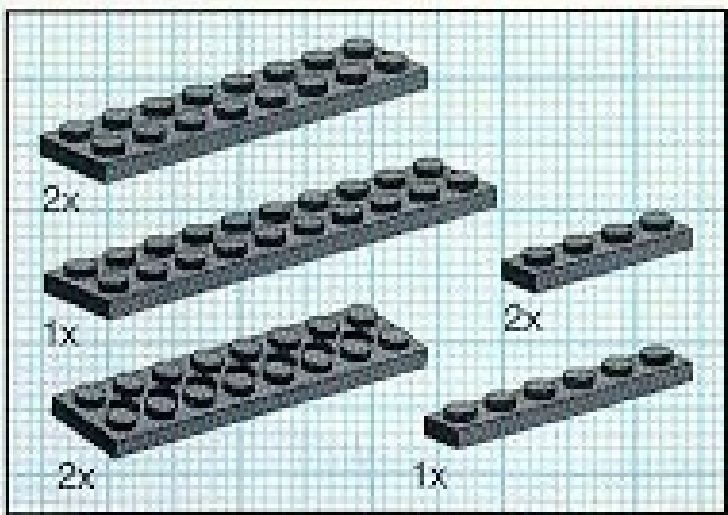
3



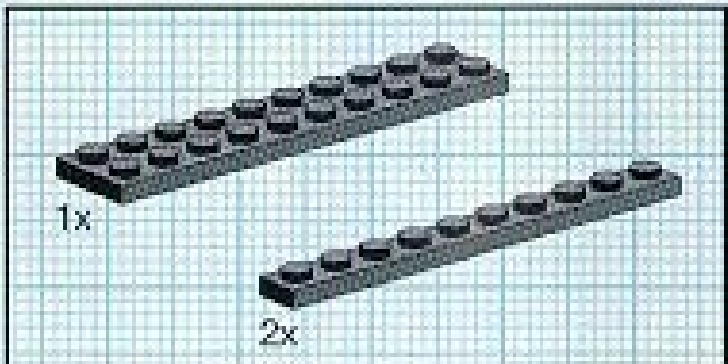
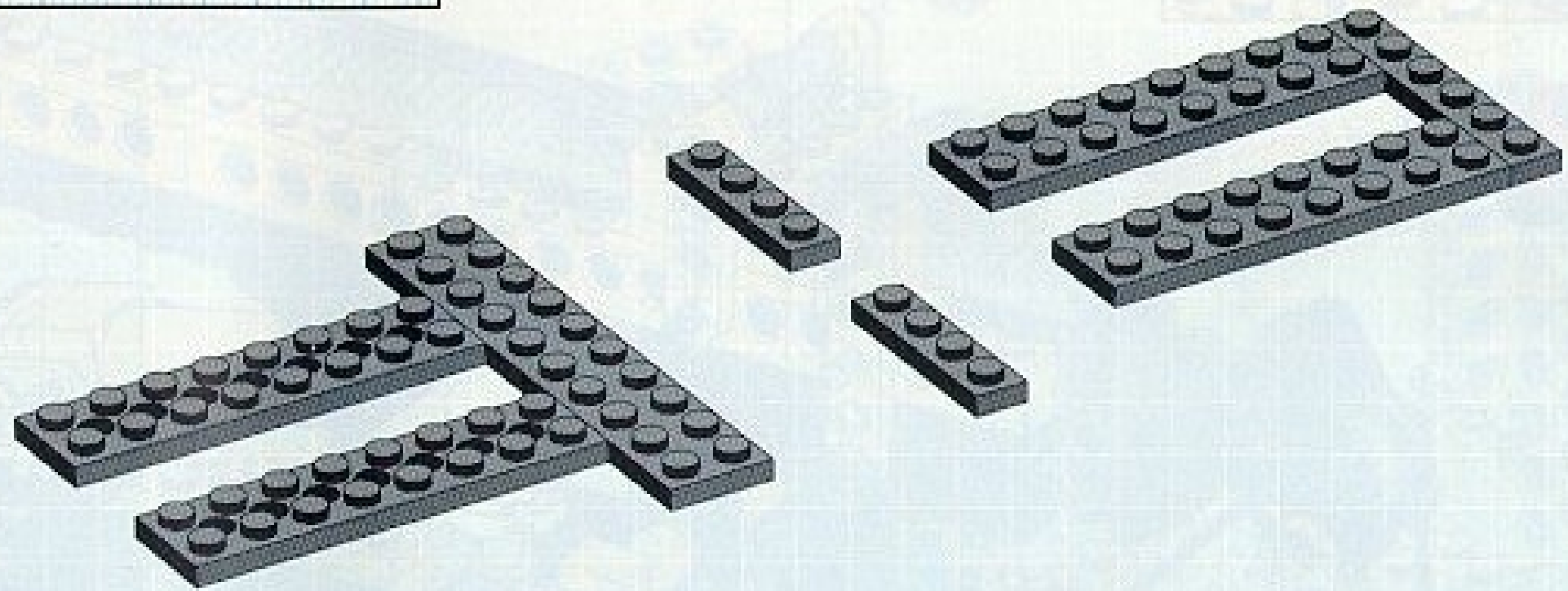




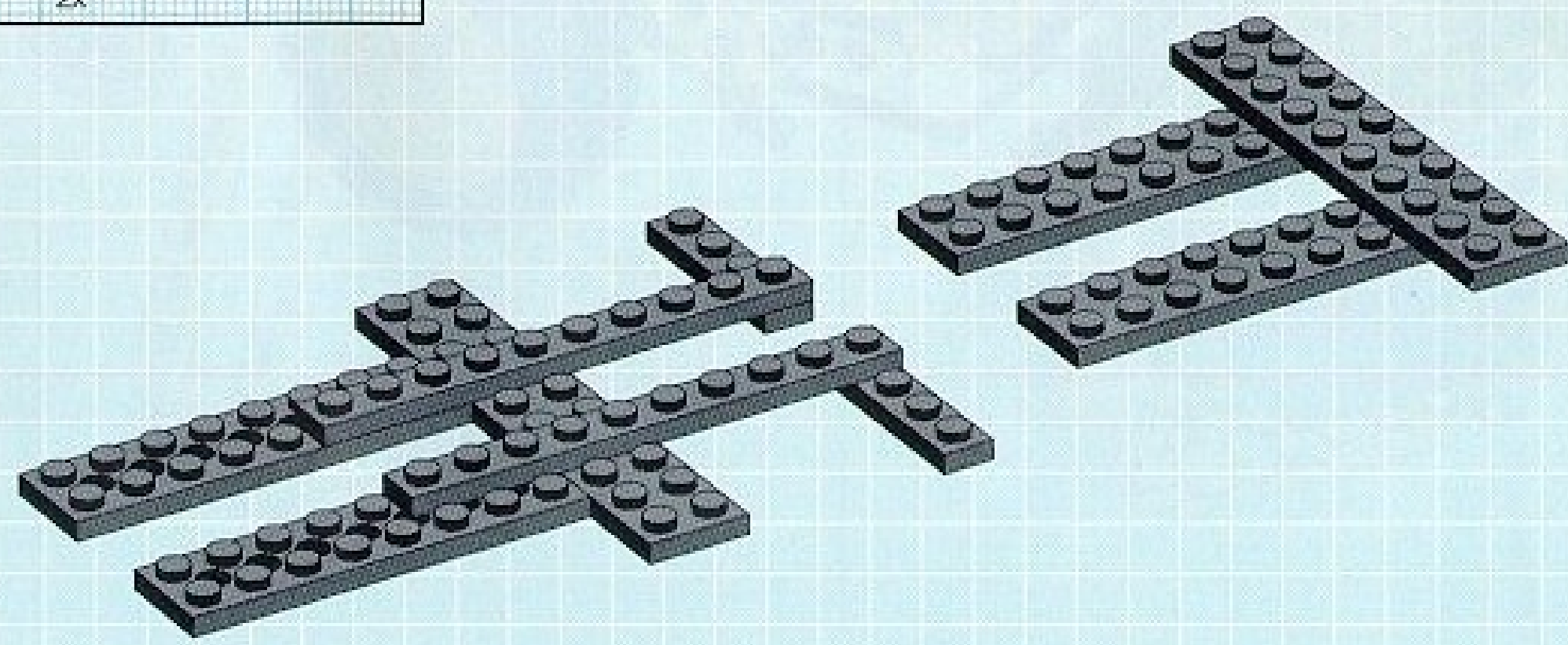


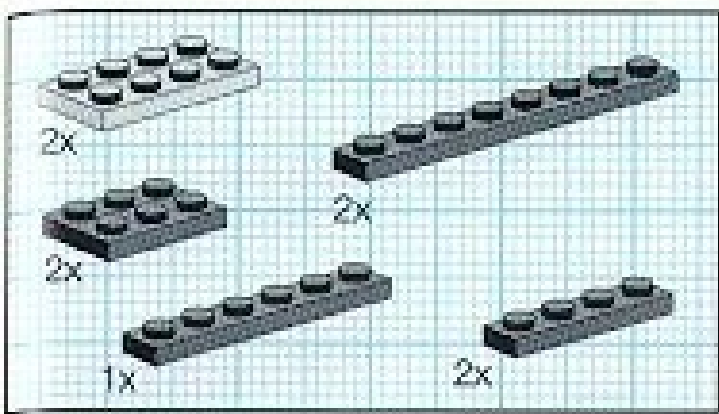


1

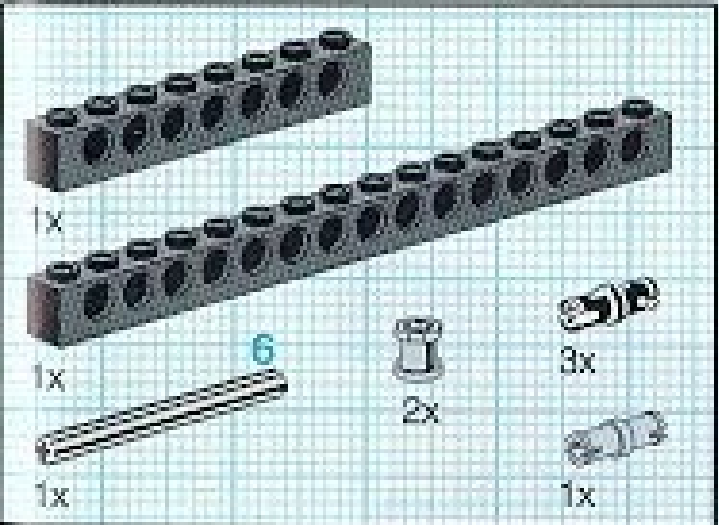
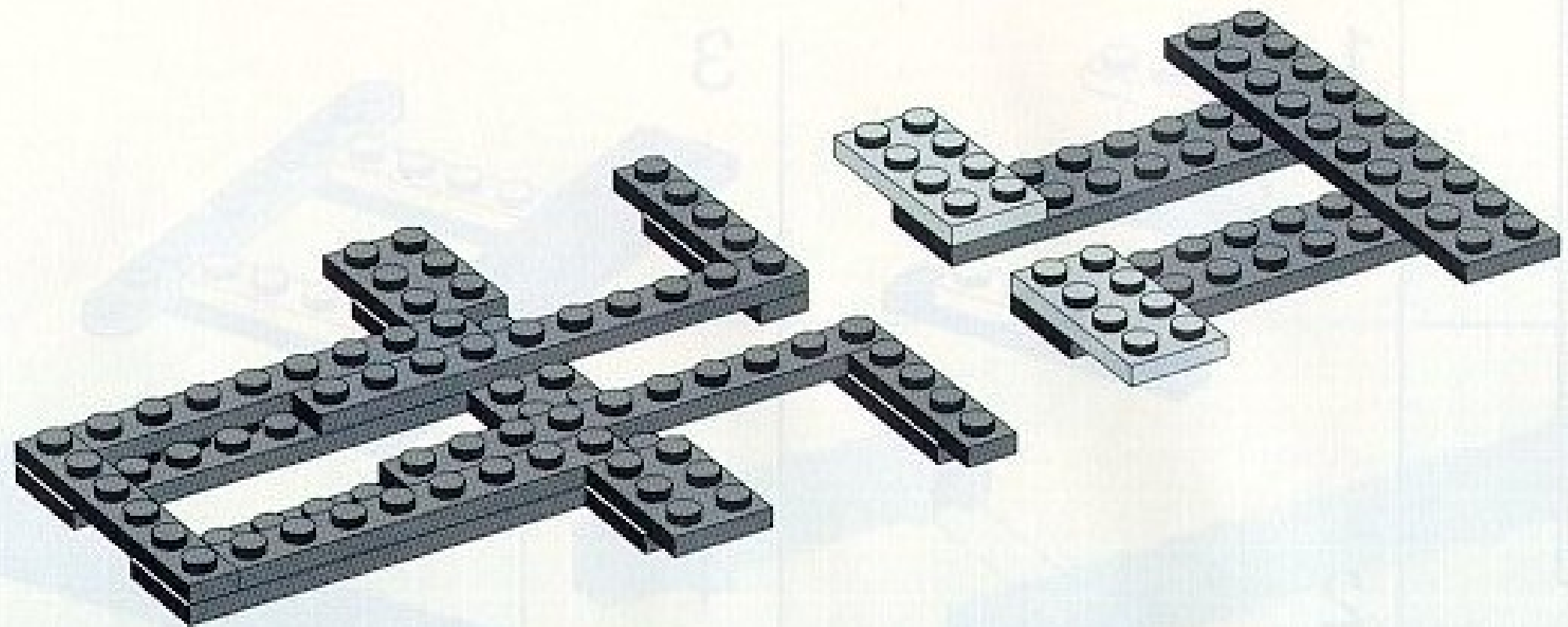


2

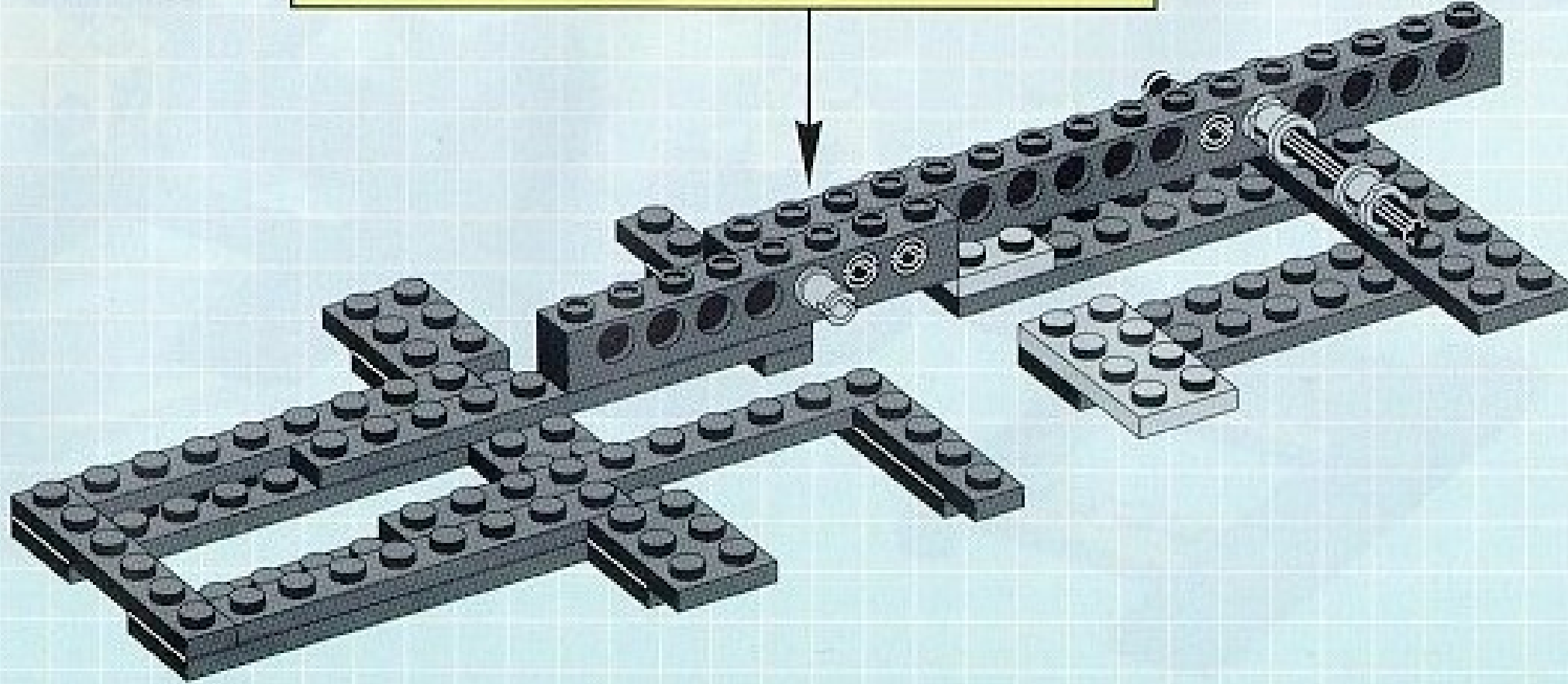
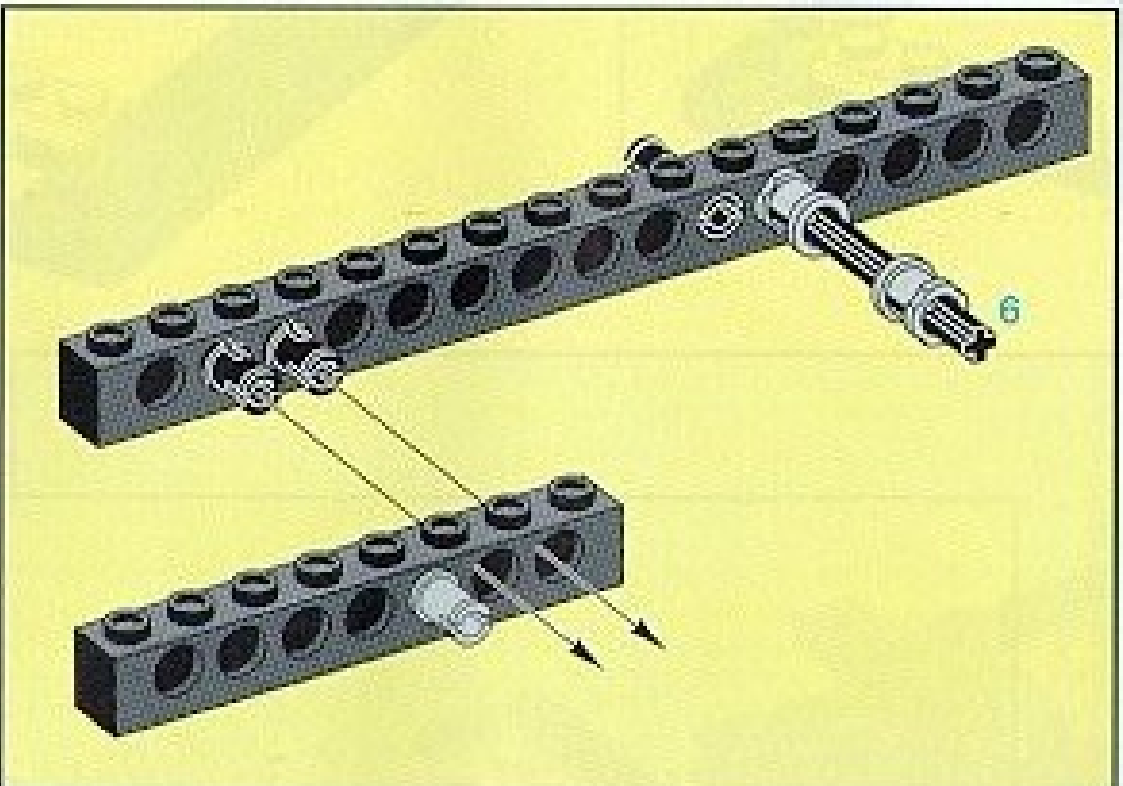


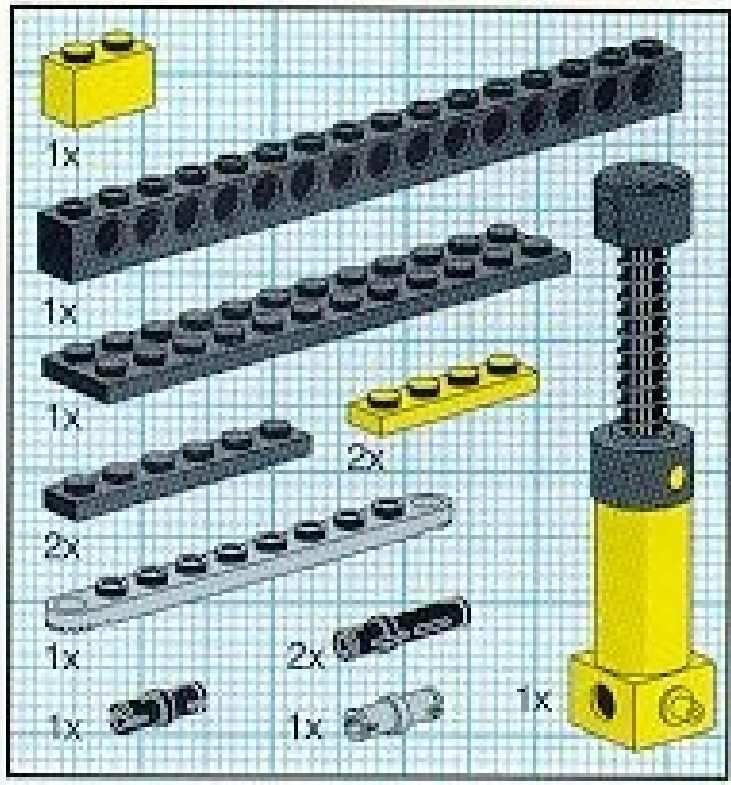


3

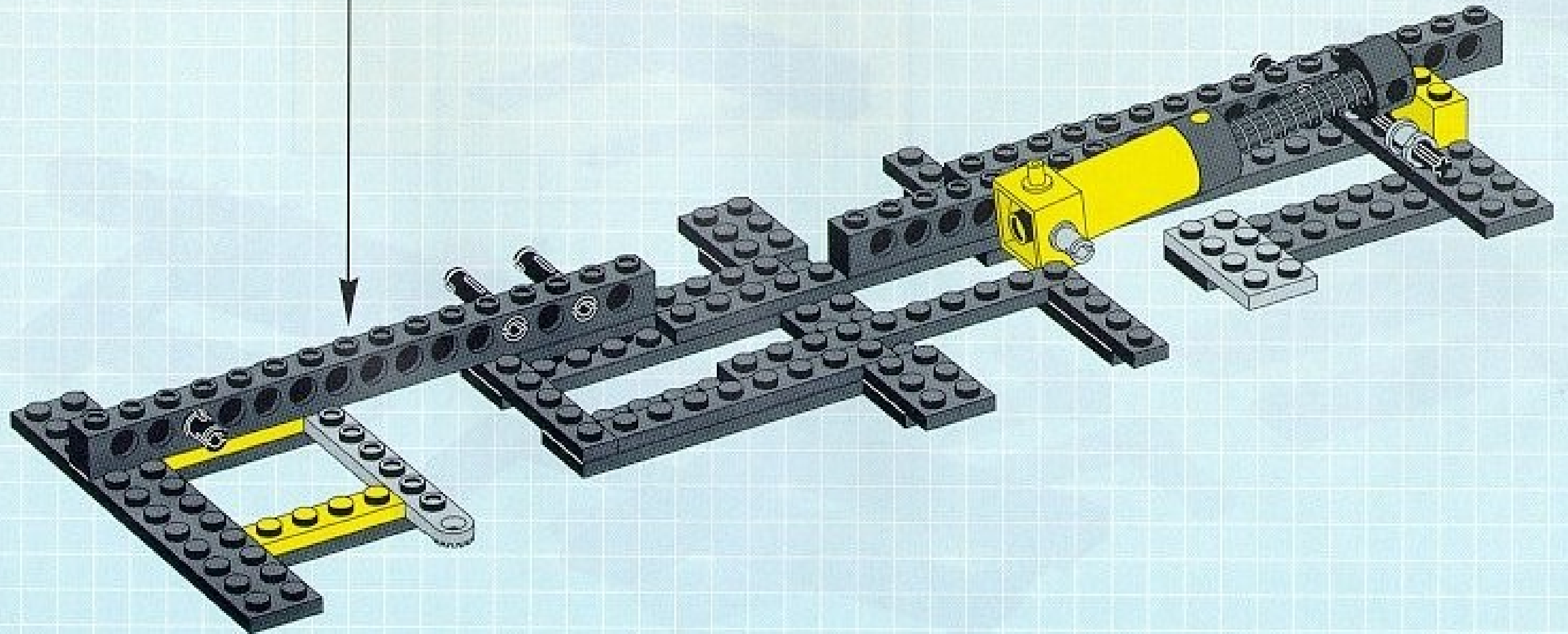
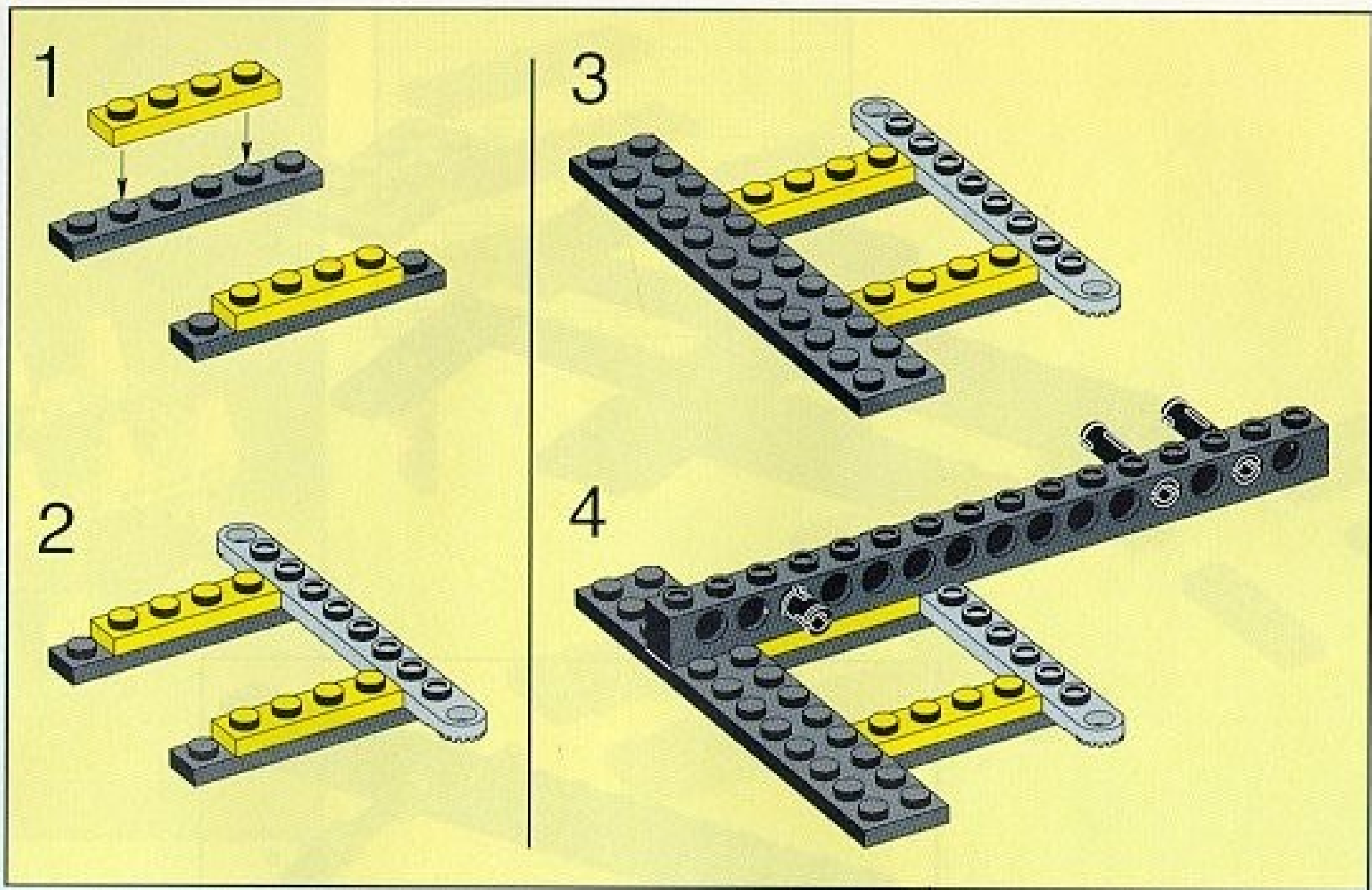


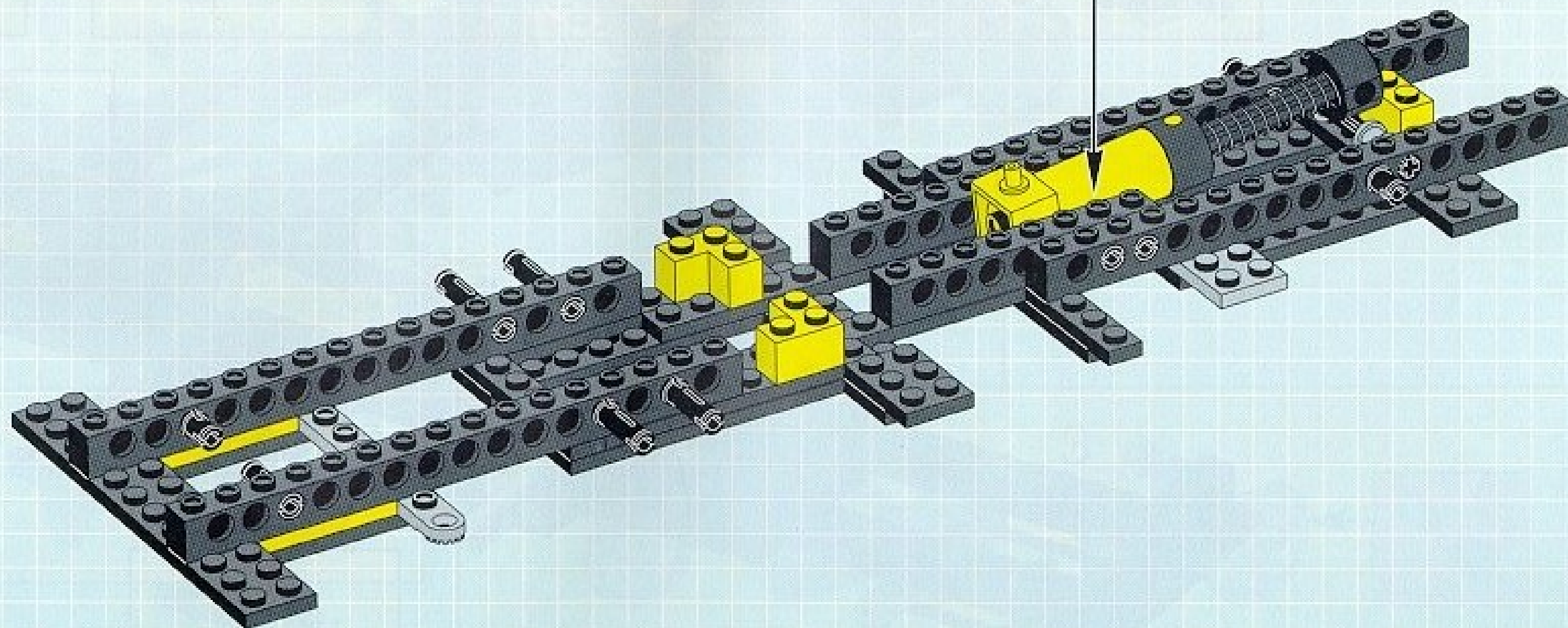
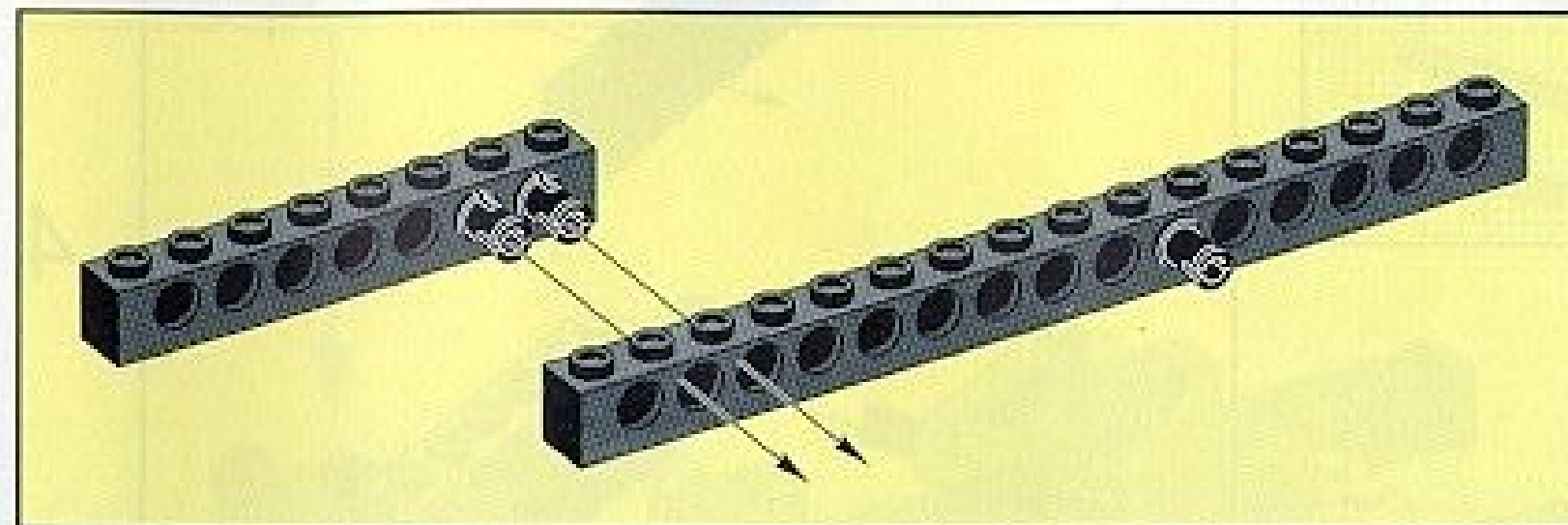
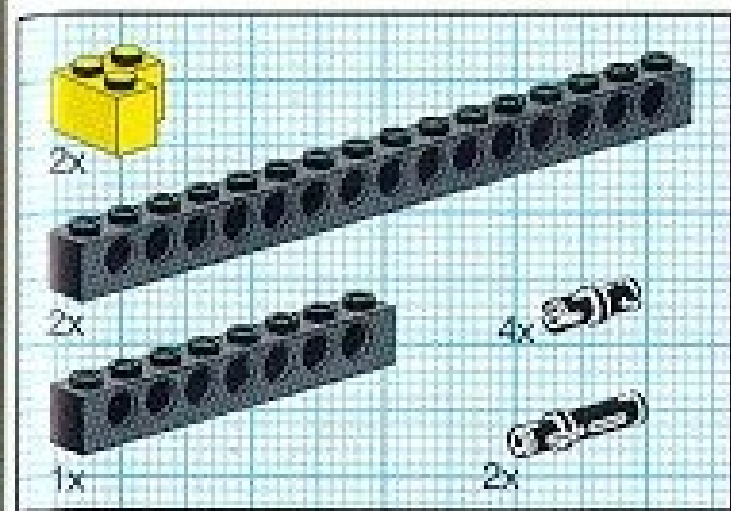
4

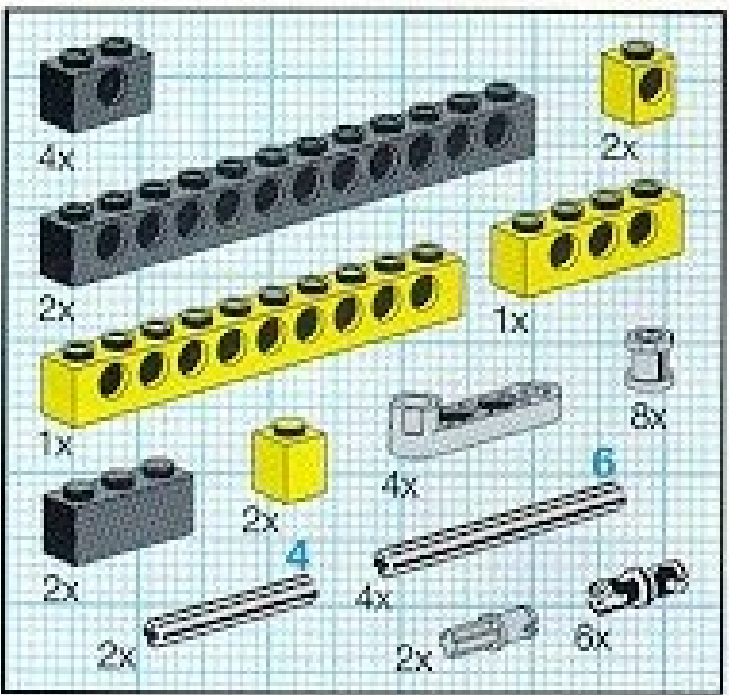




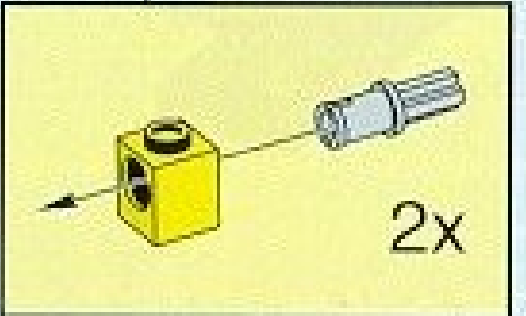
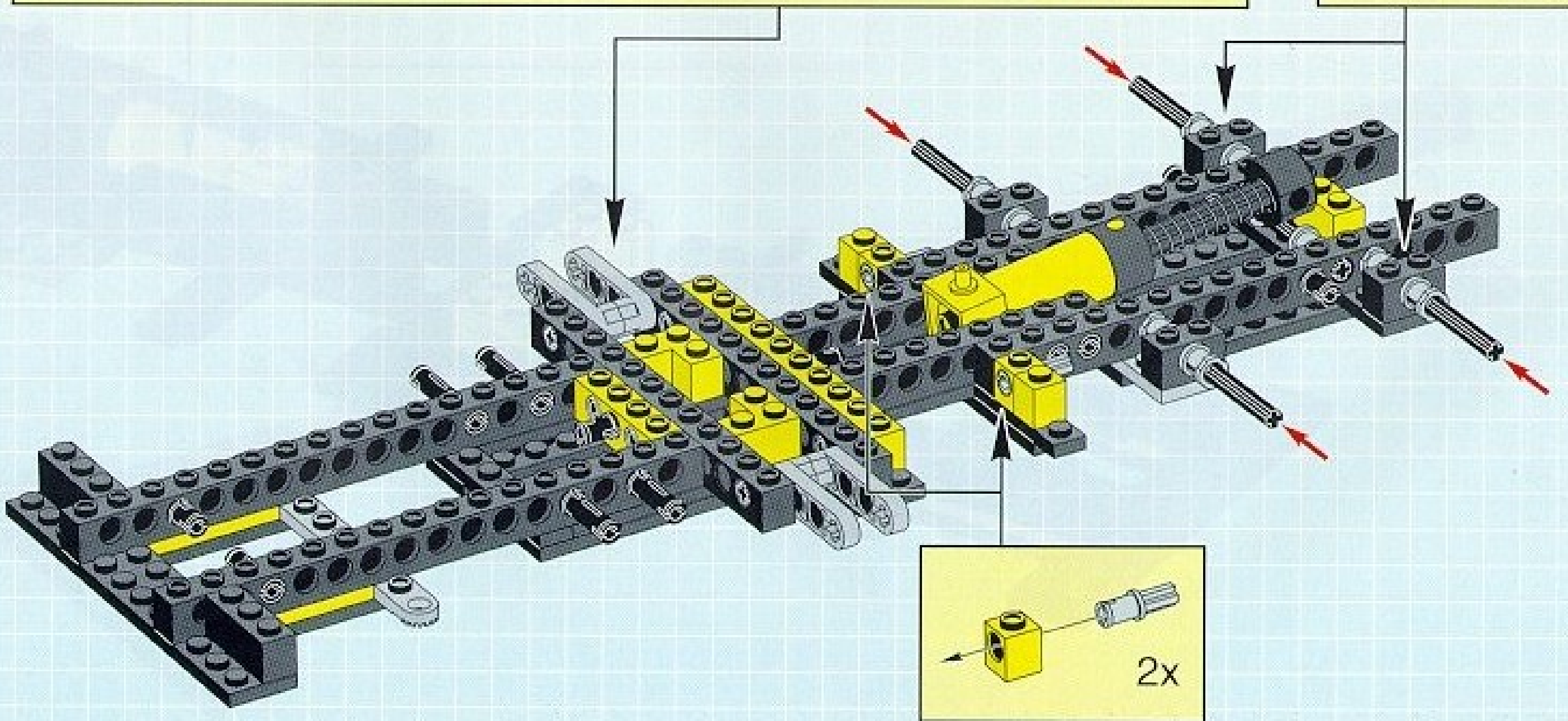
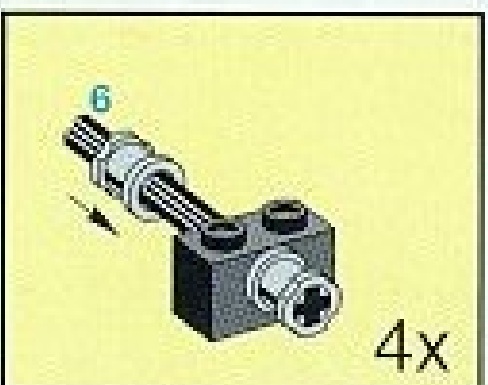
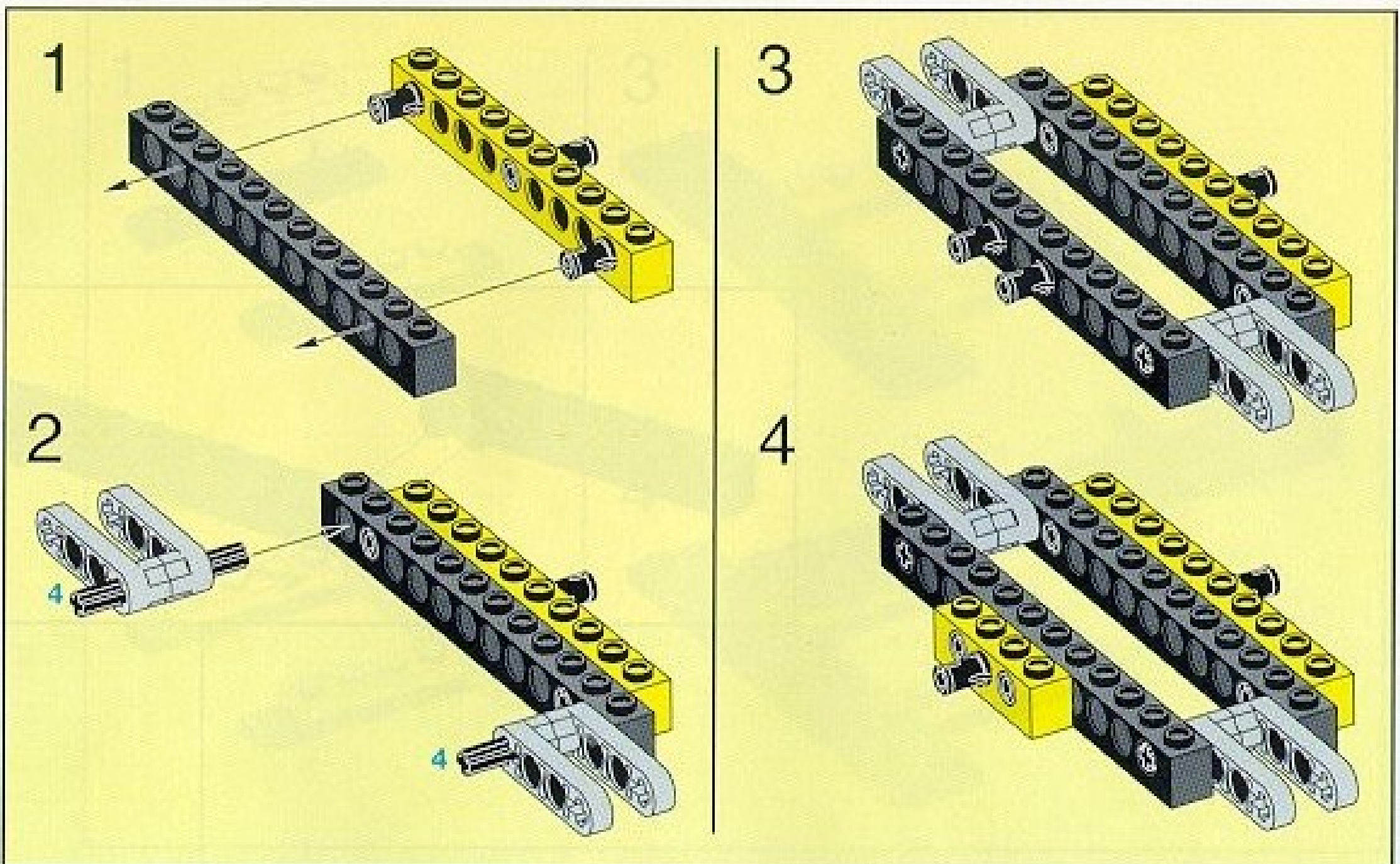
5

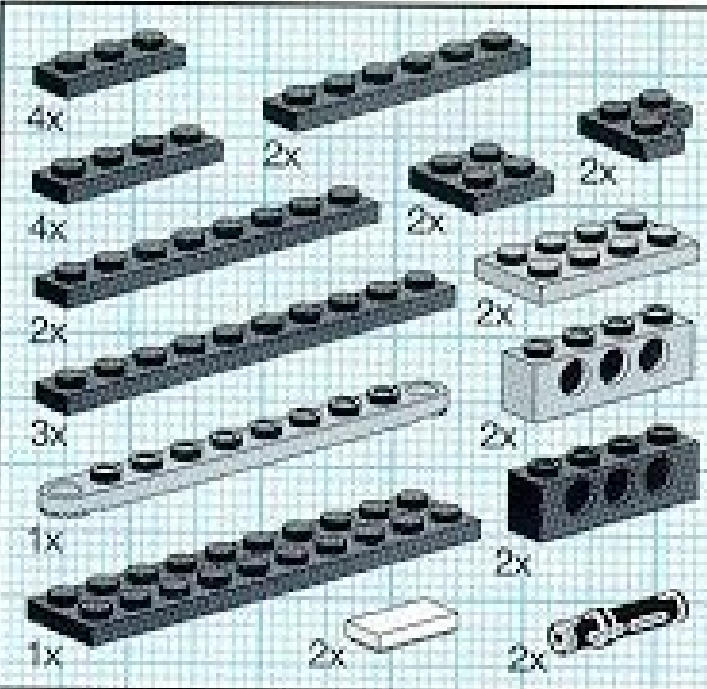




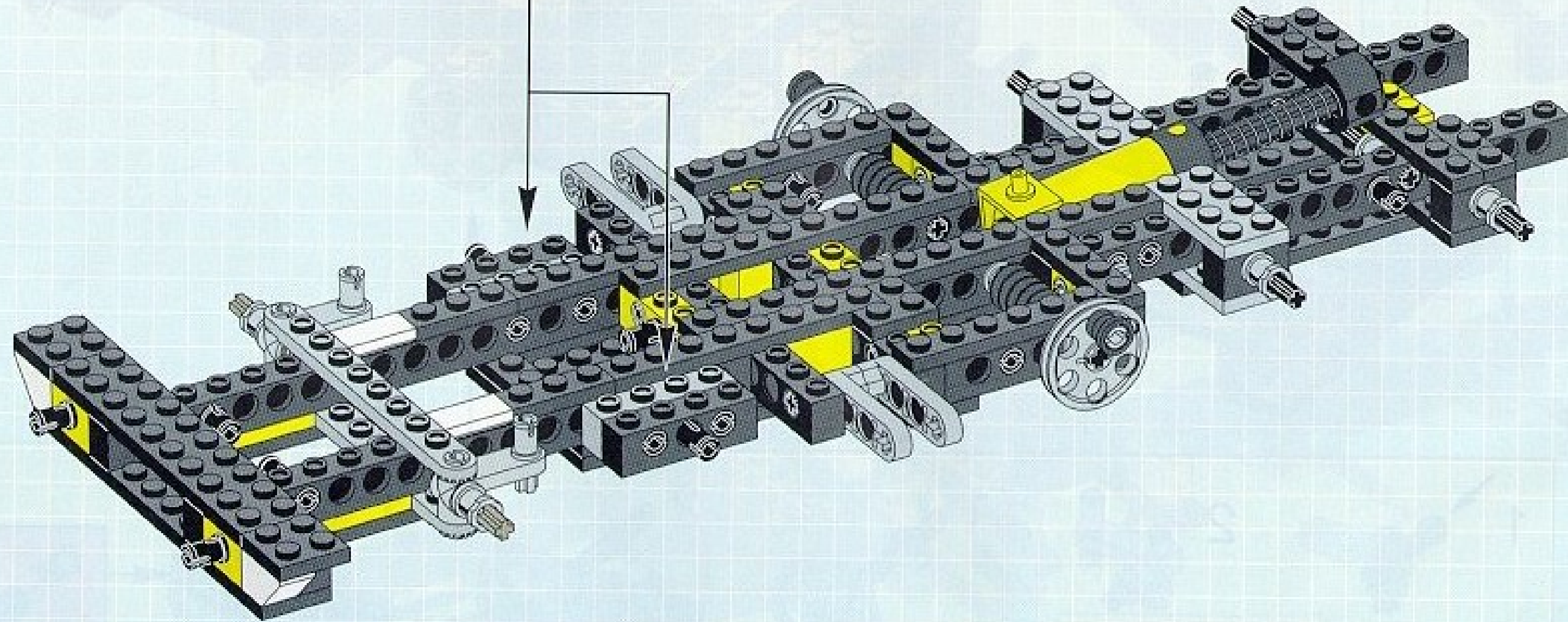
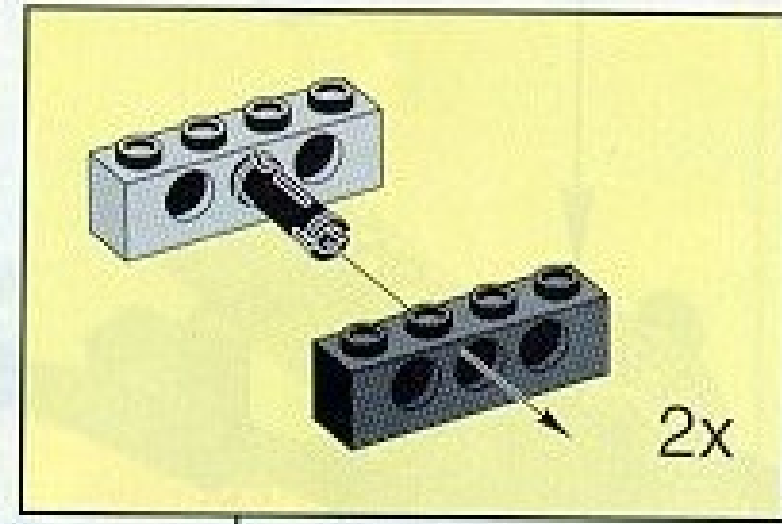


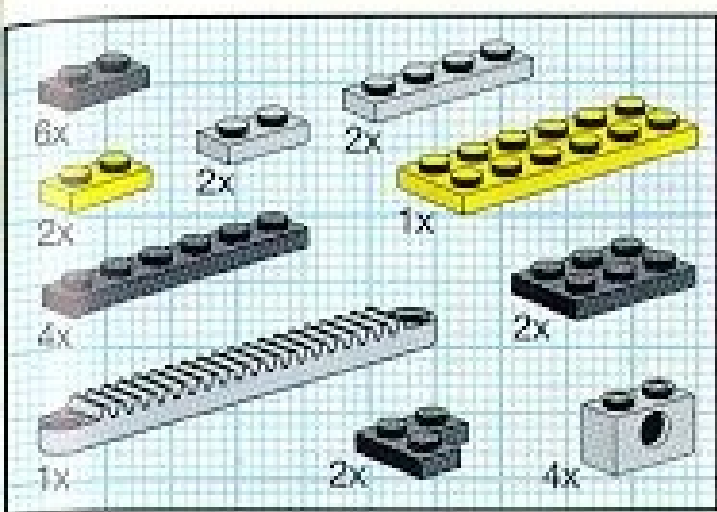
7



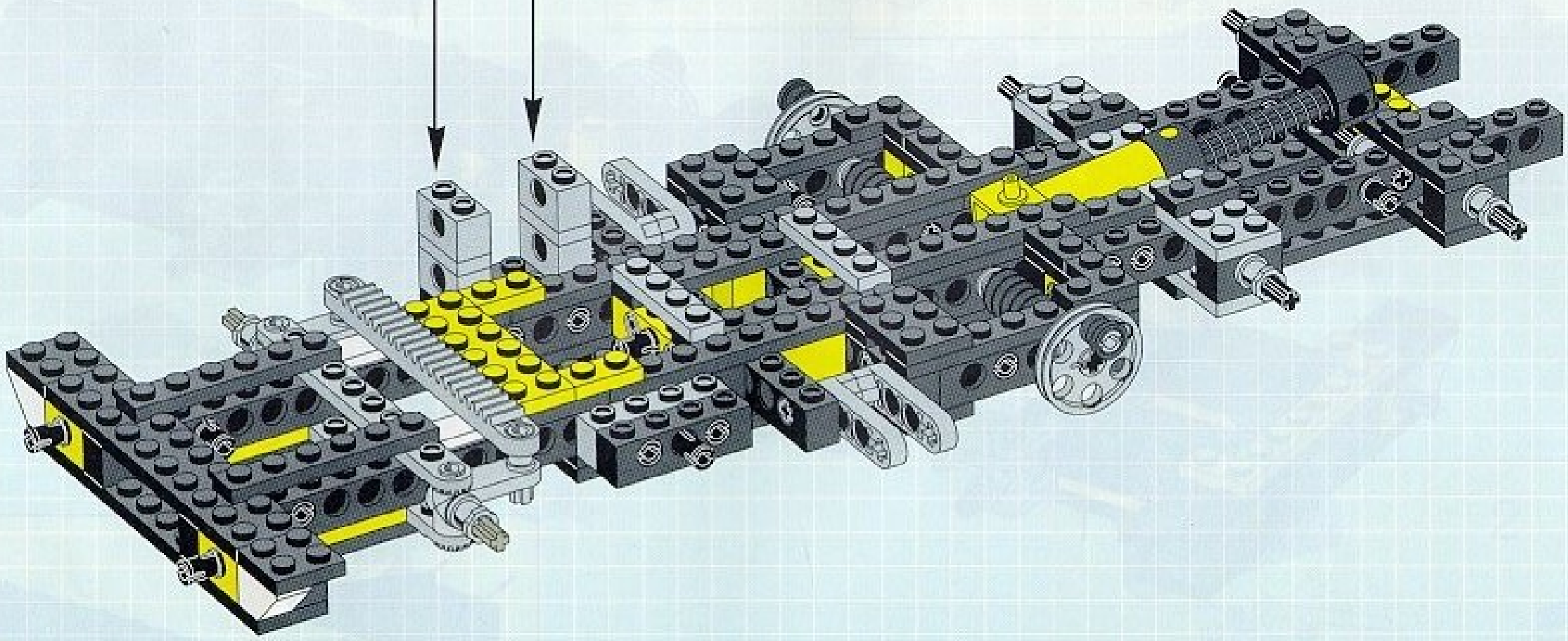
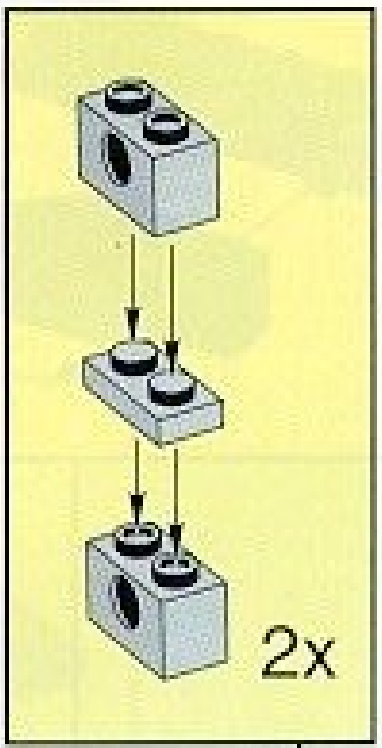


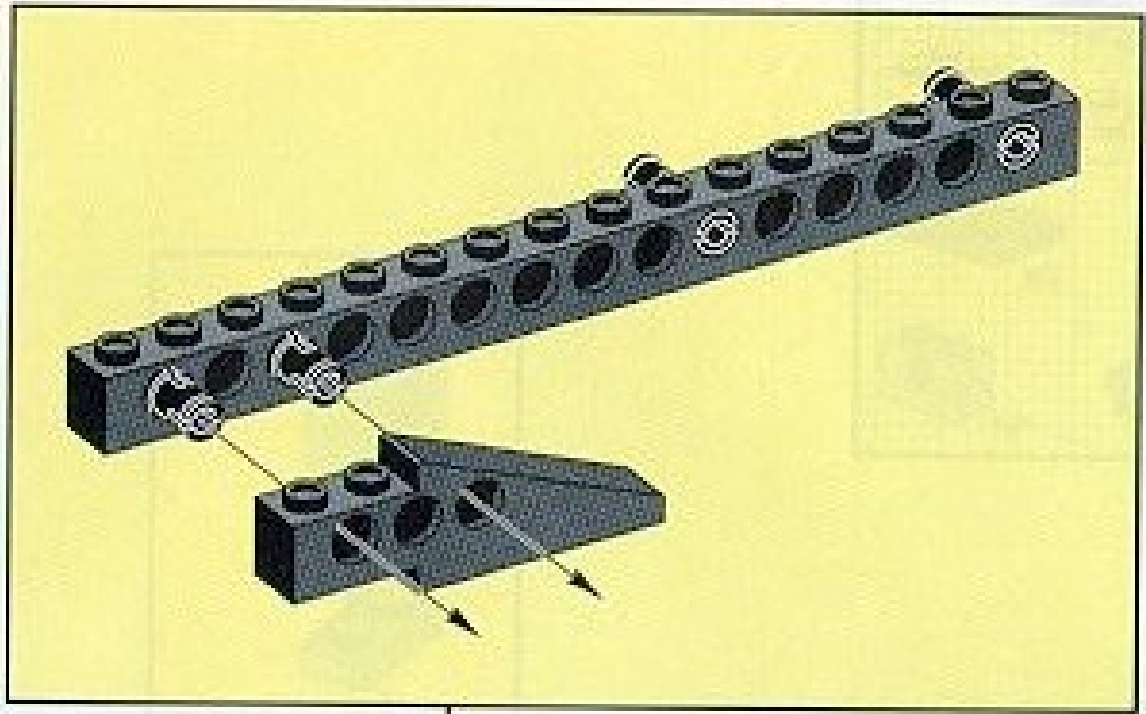
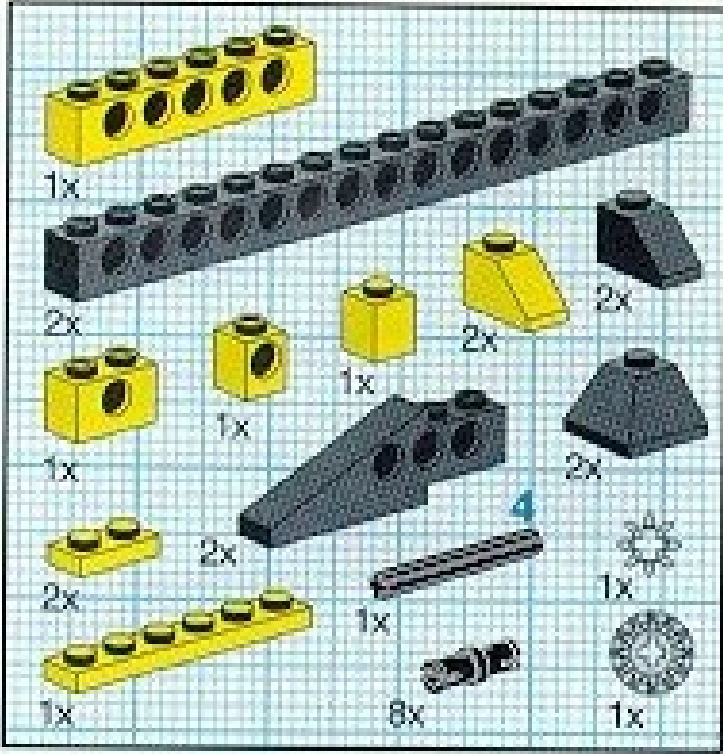
9



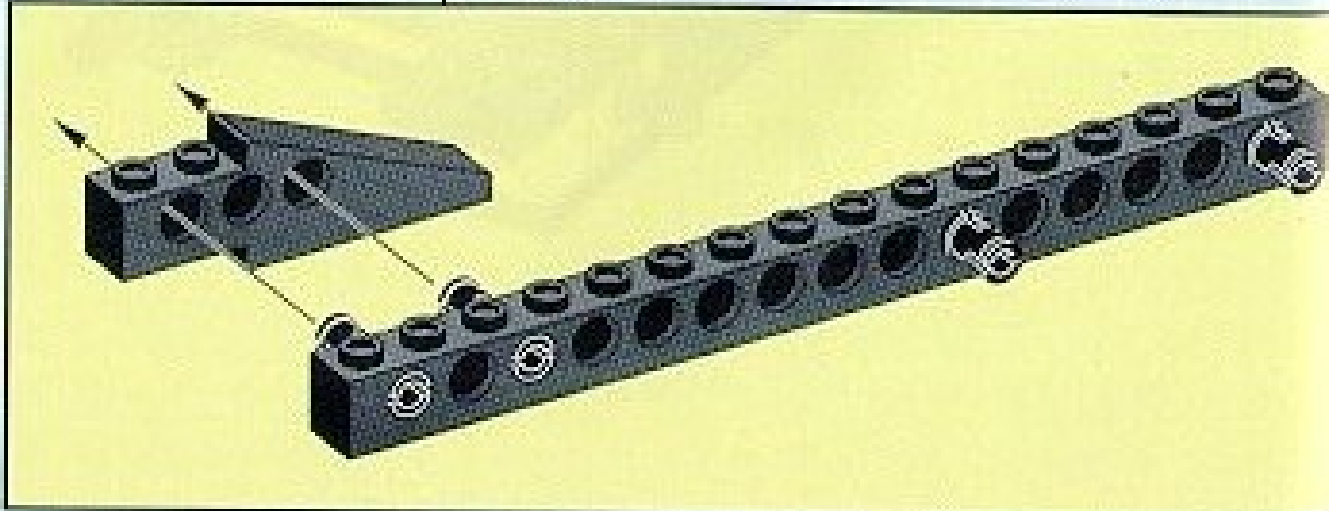
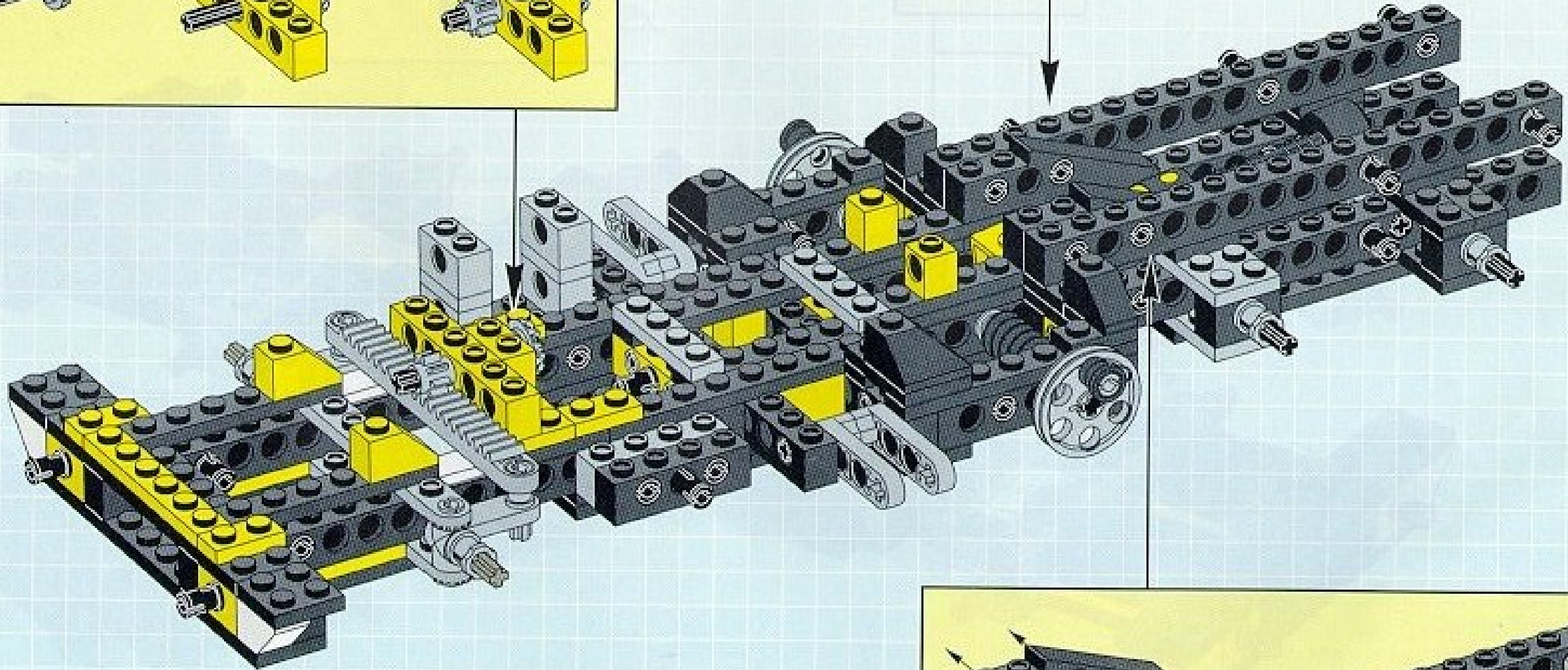
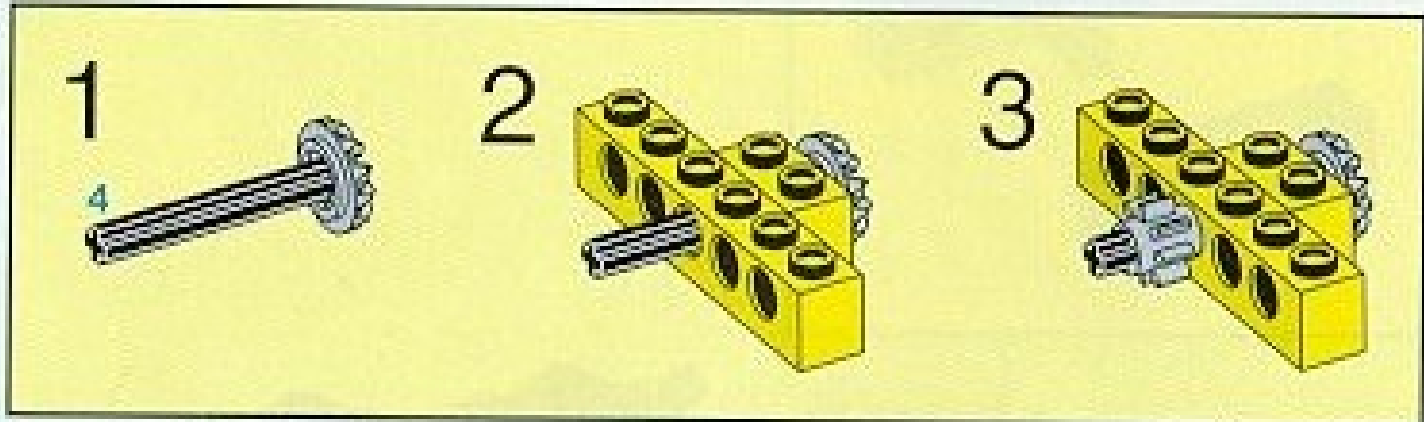


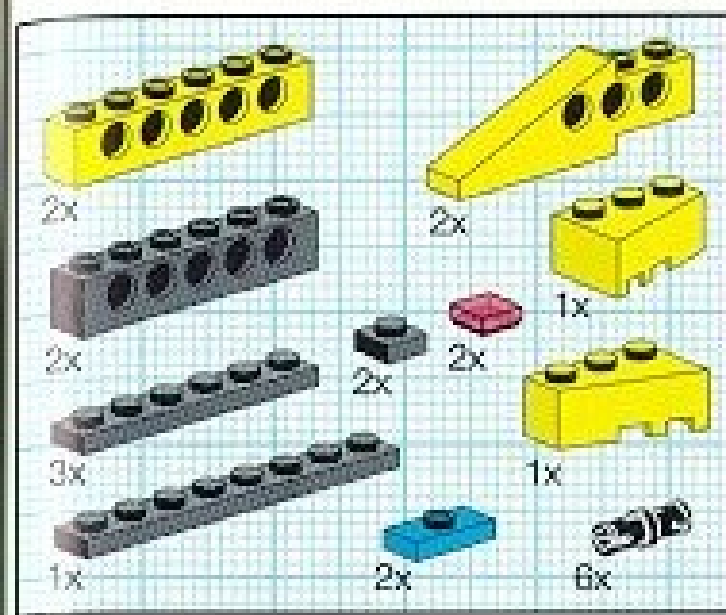
10



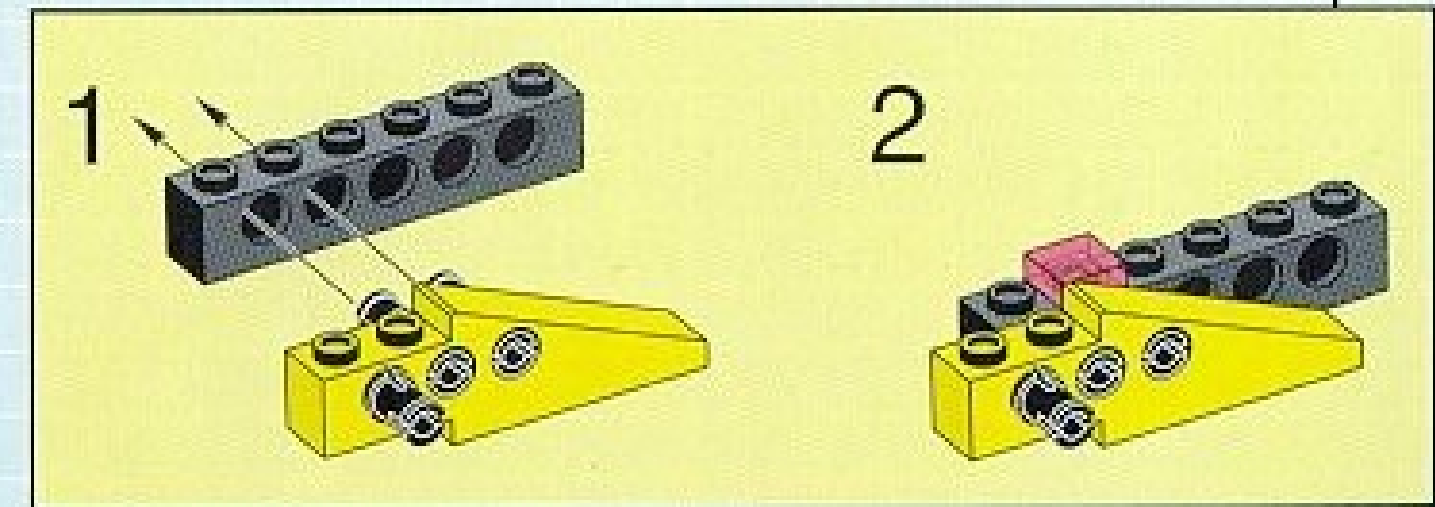
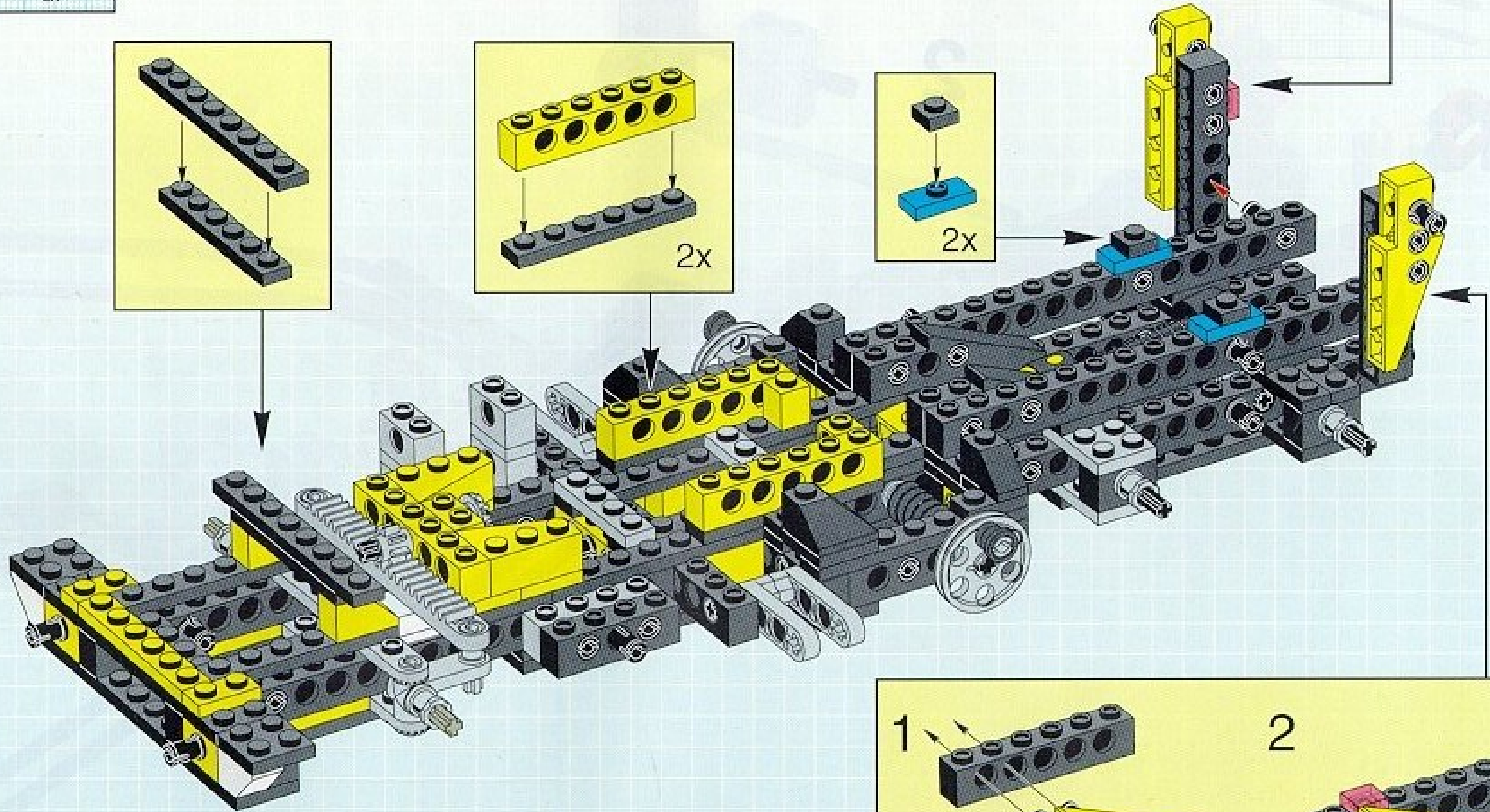
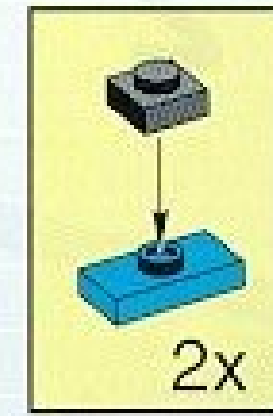
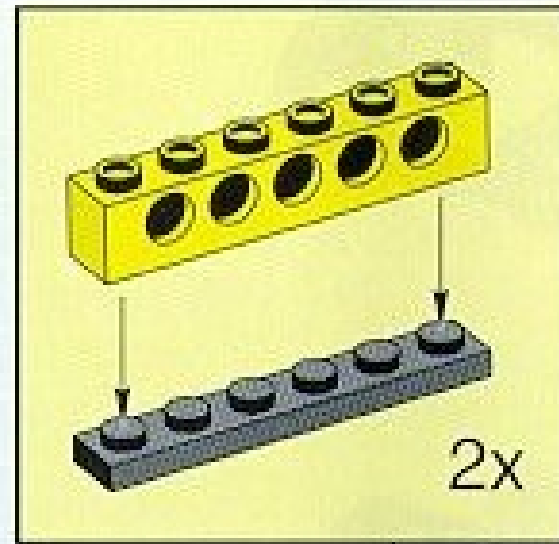
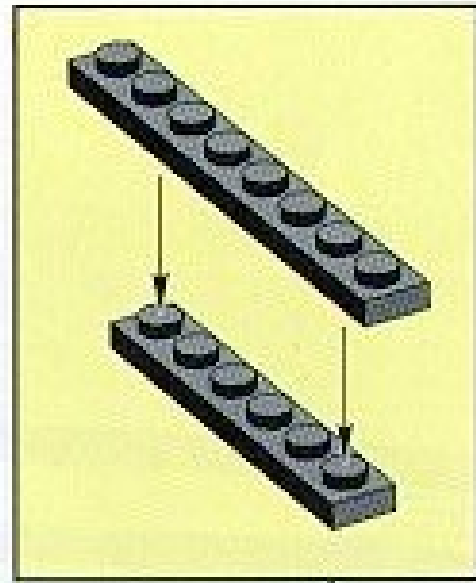
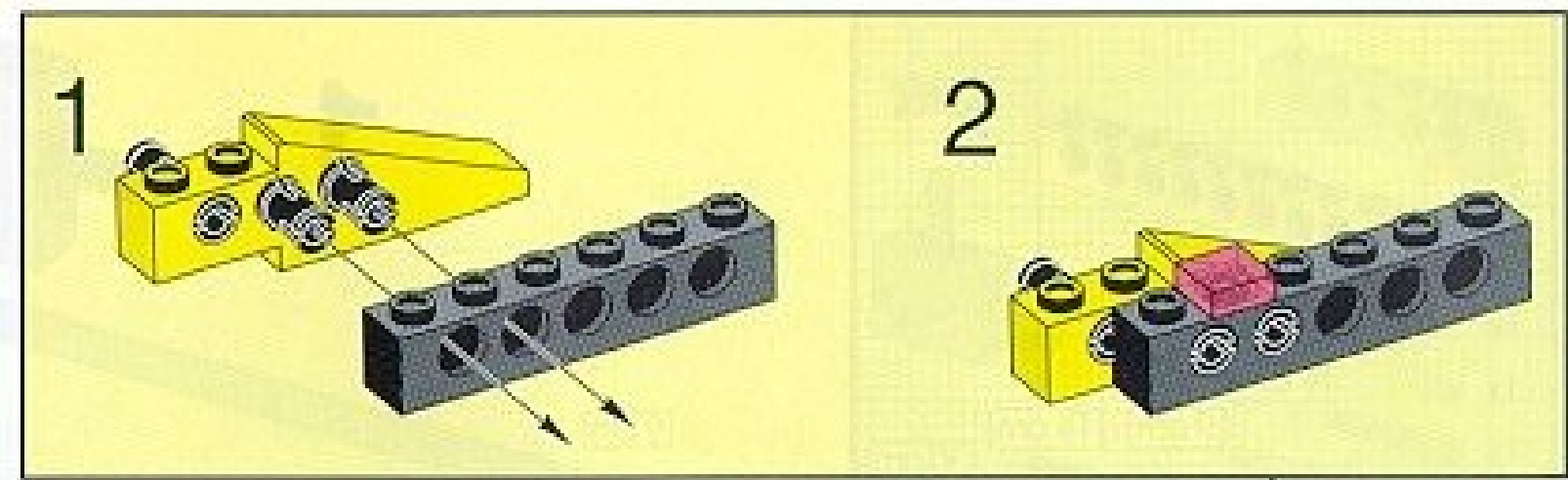


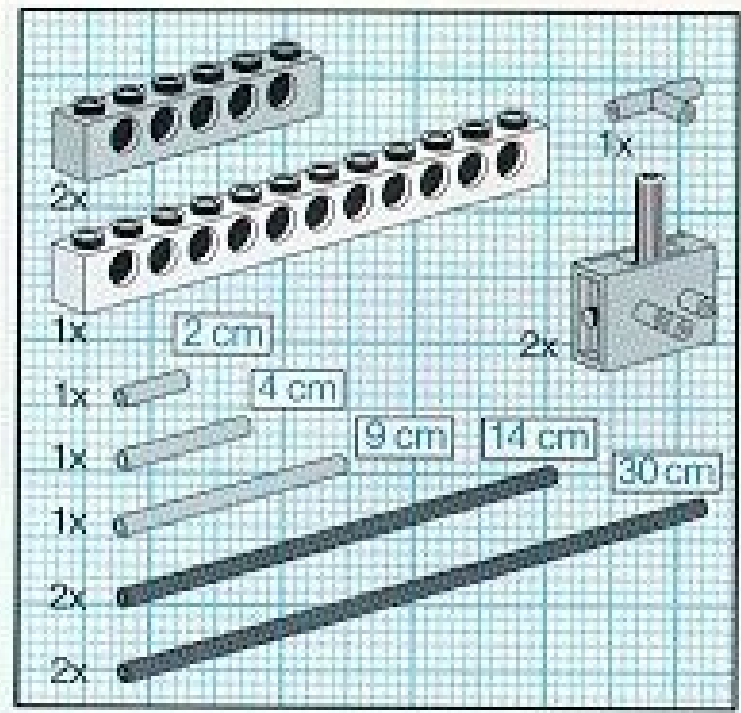
11



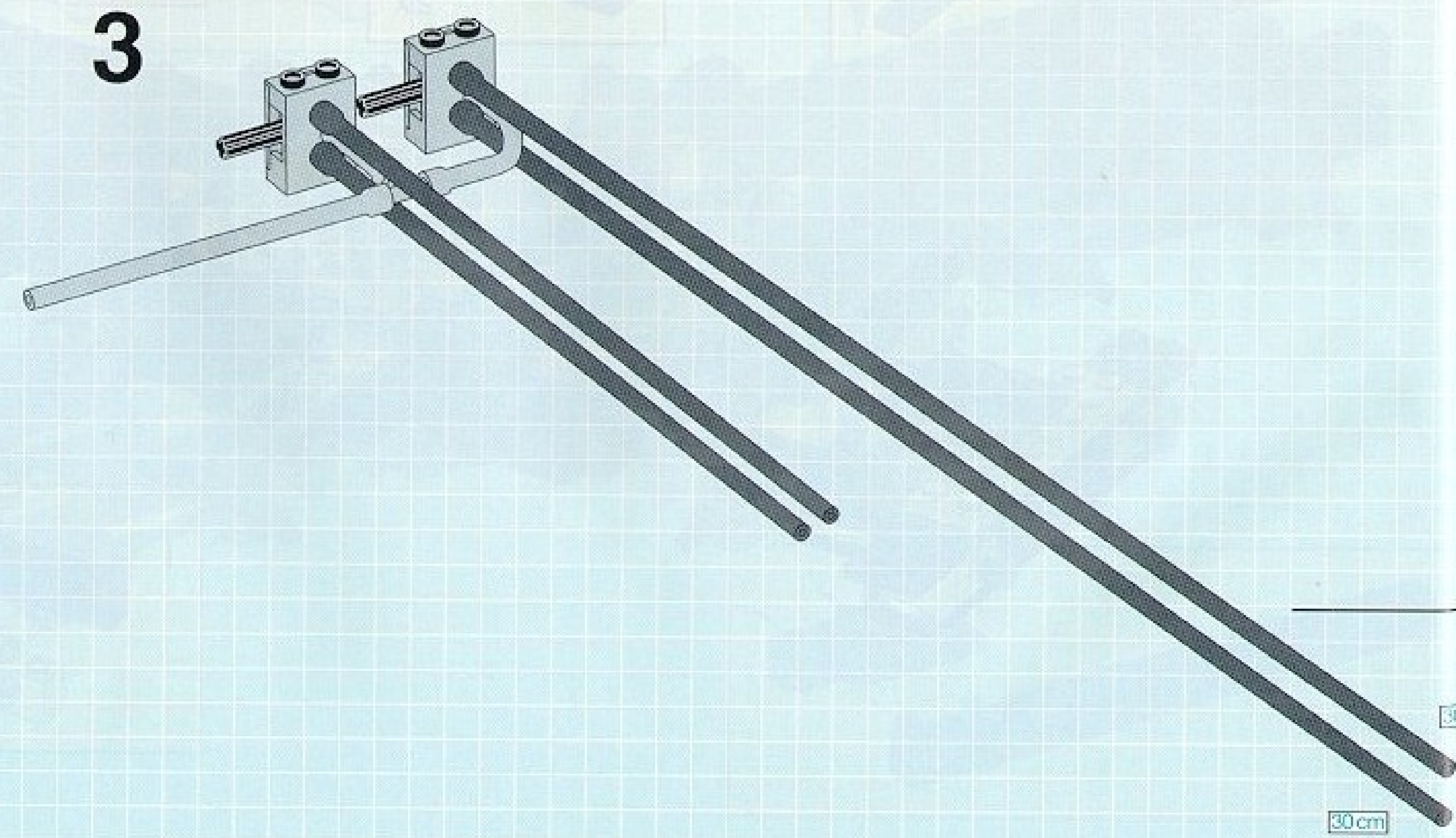
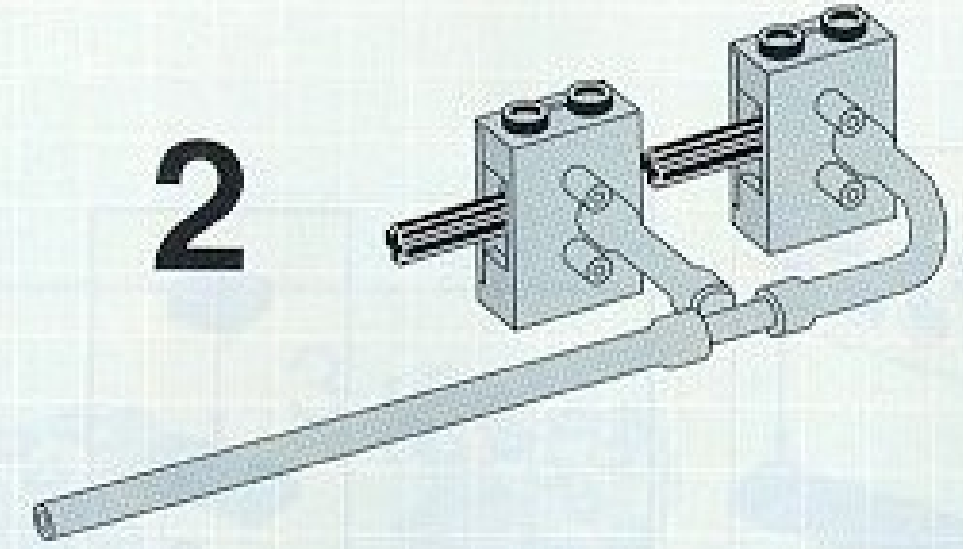
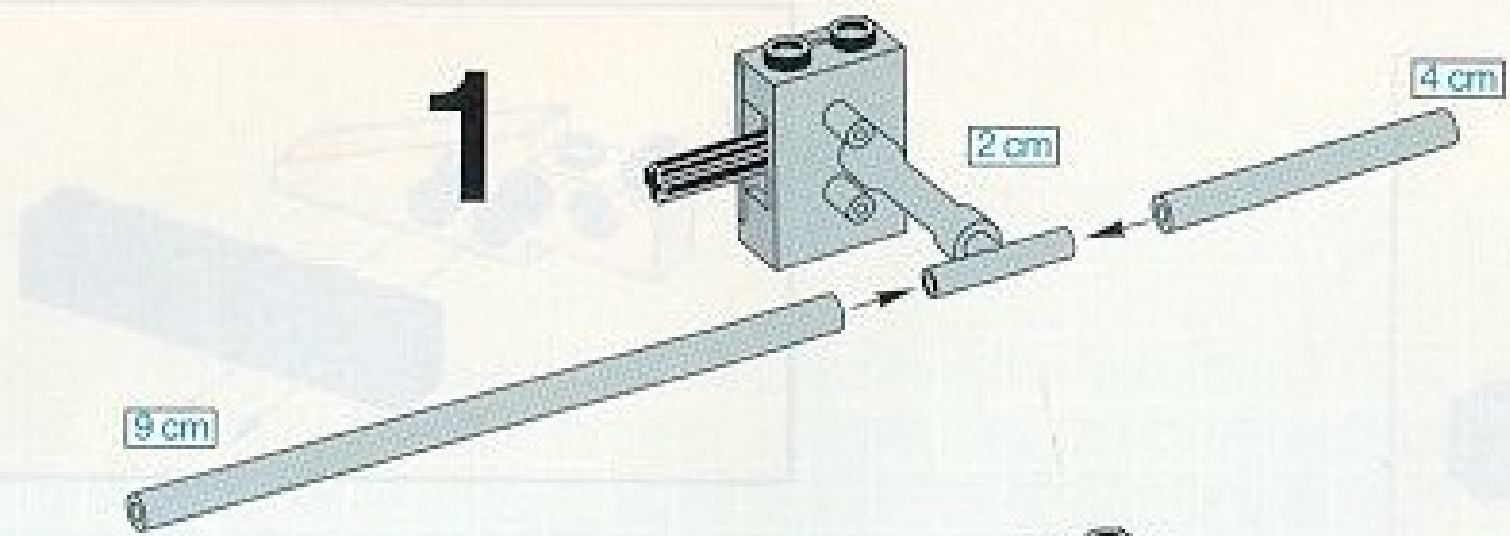


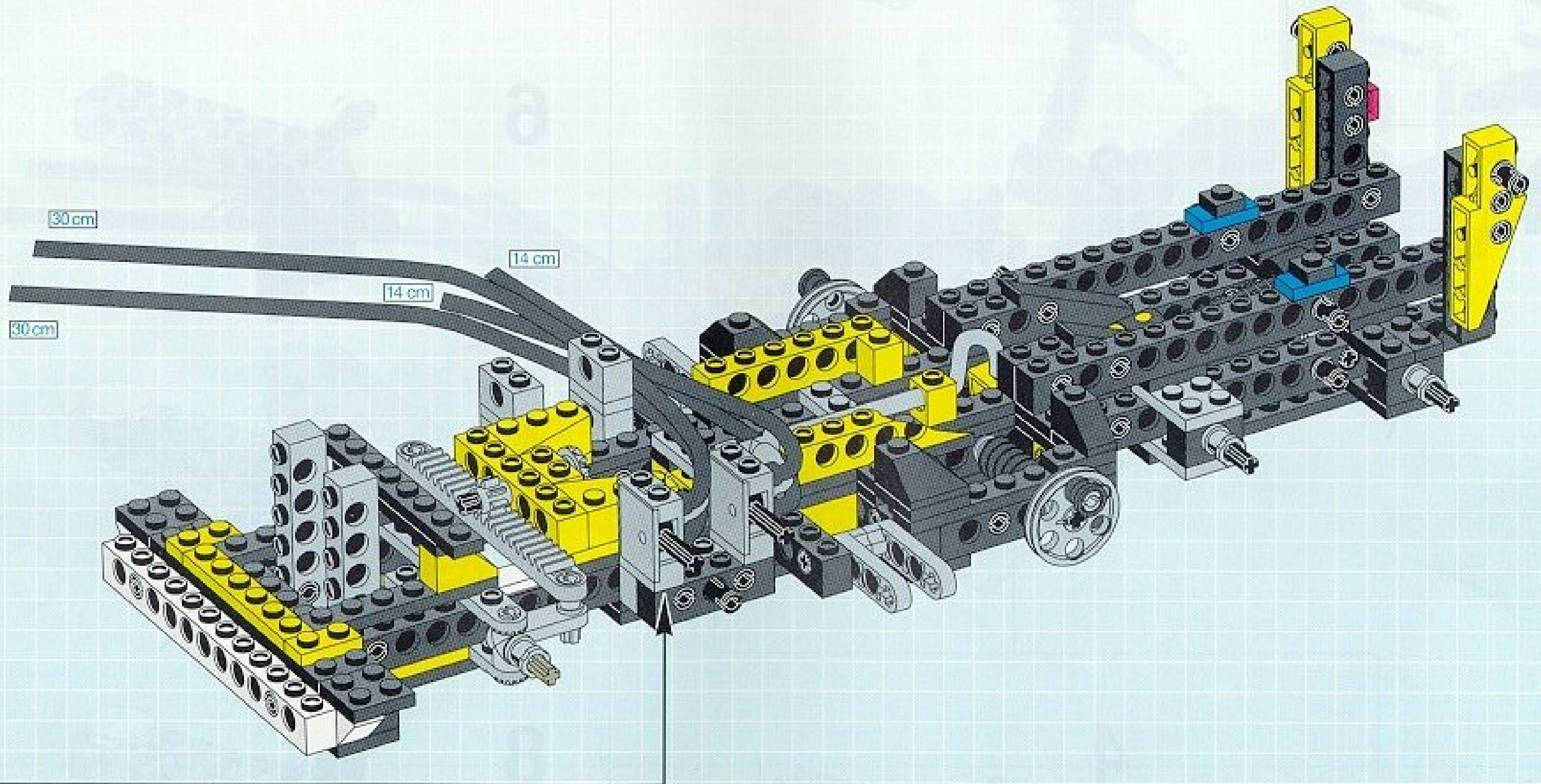
12

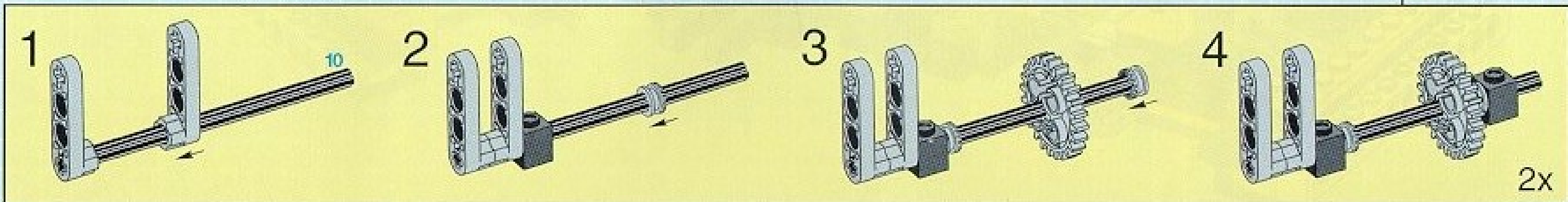
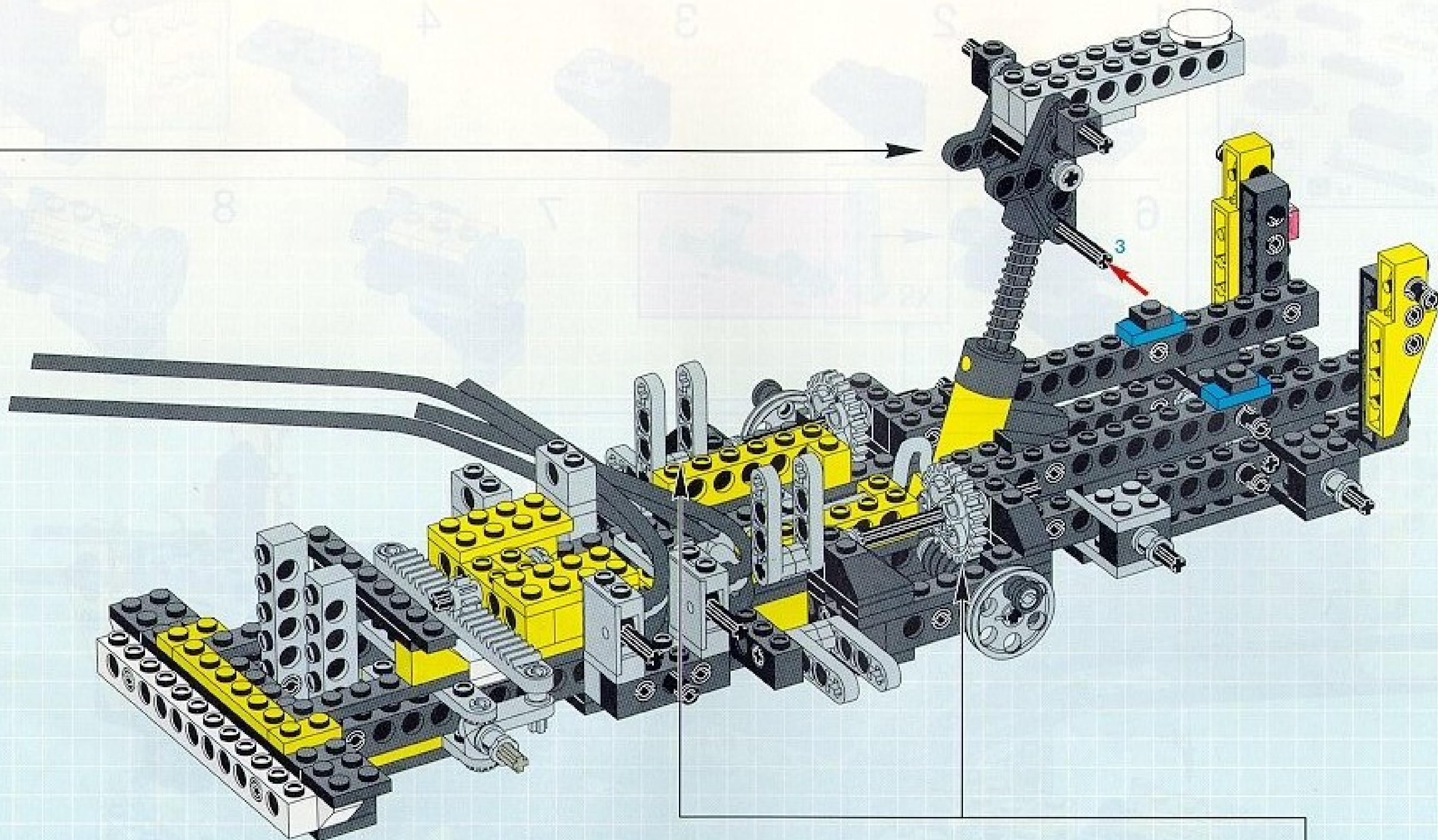


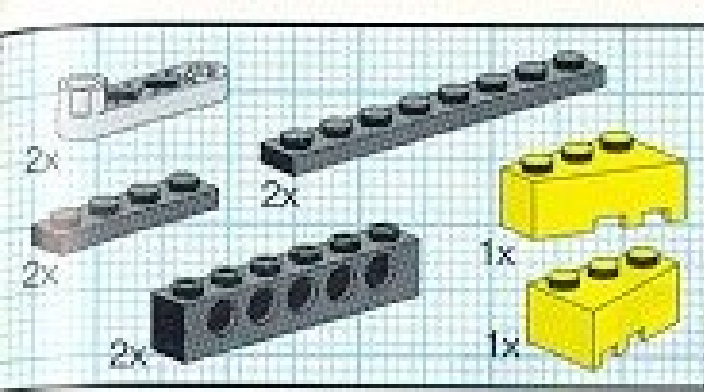


13

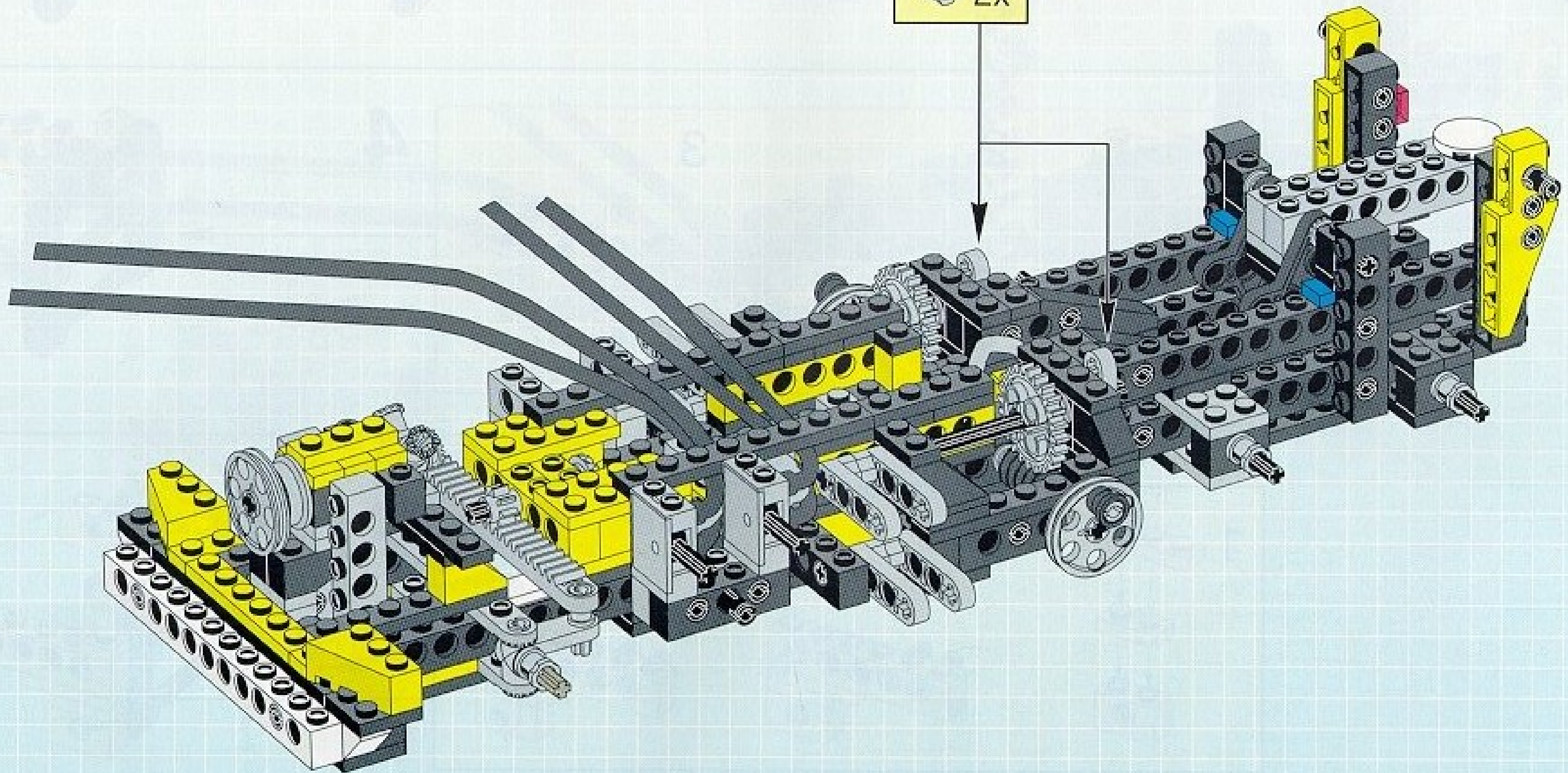
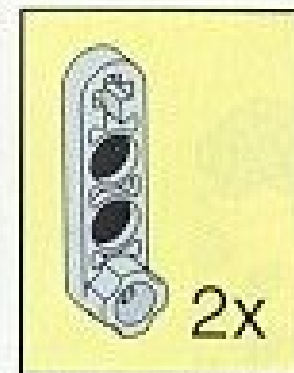


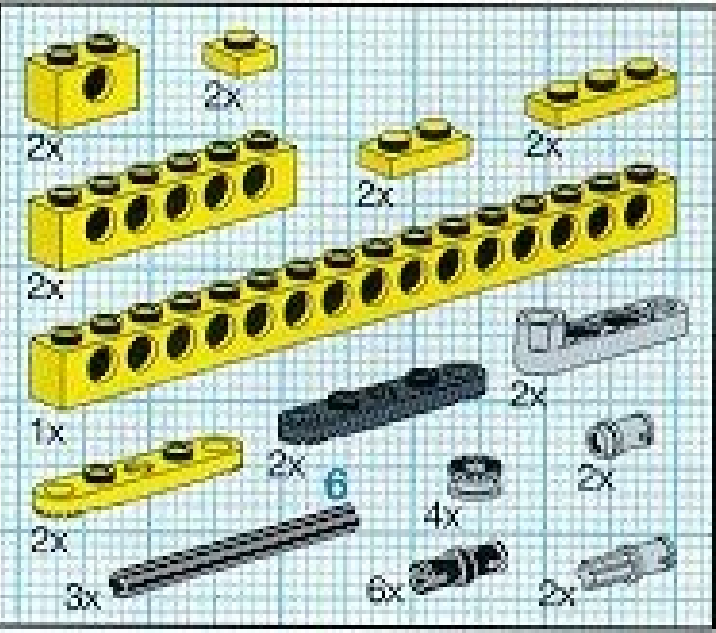




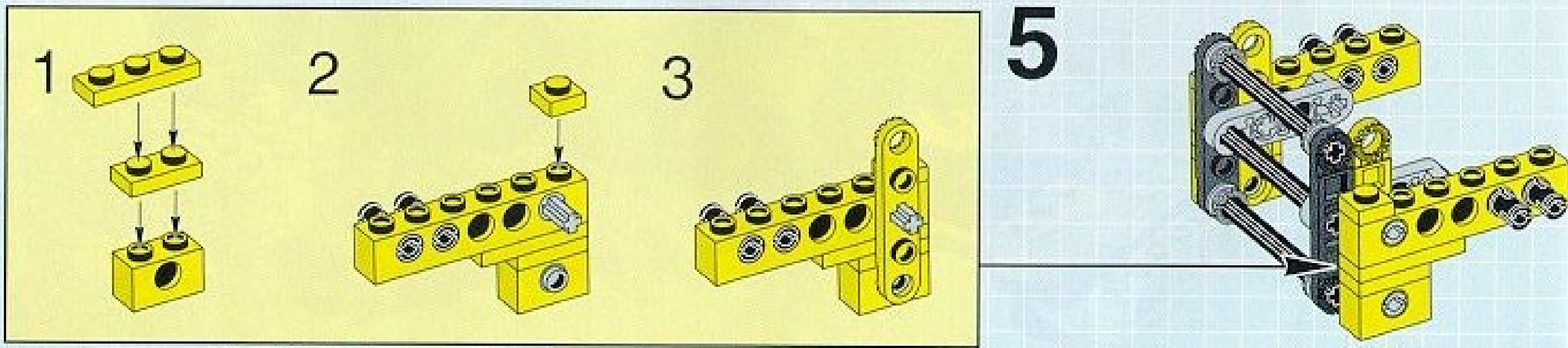
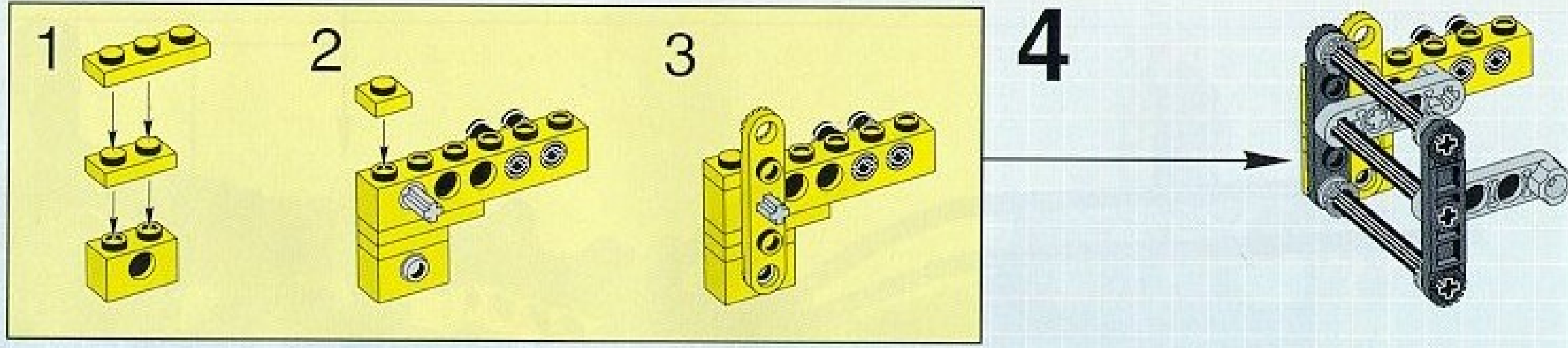
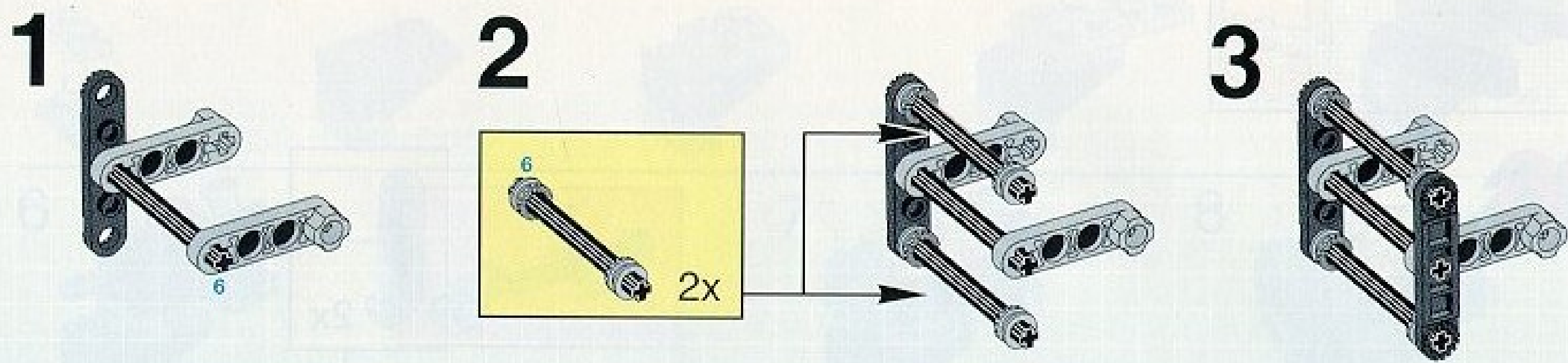


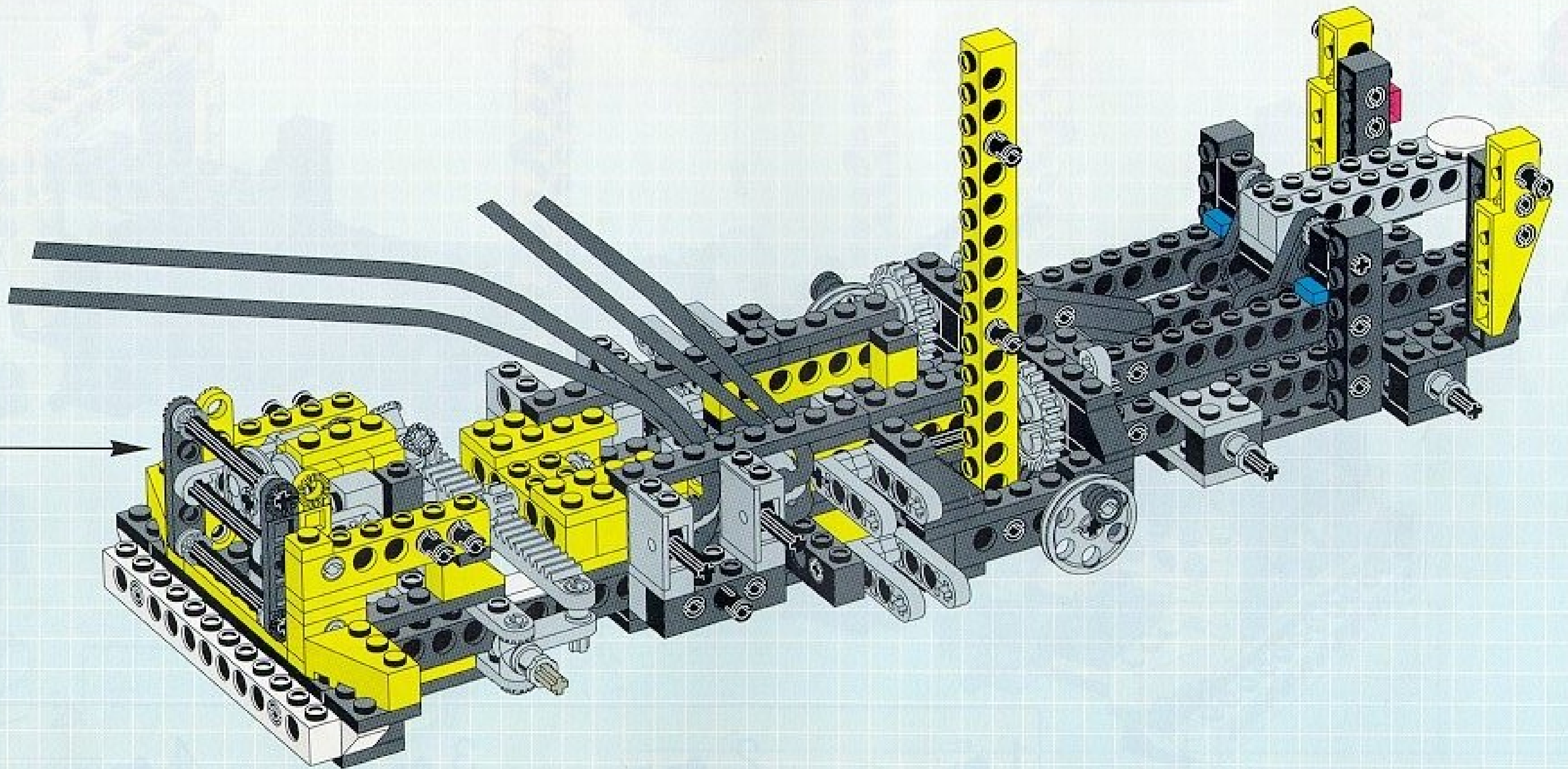
16

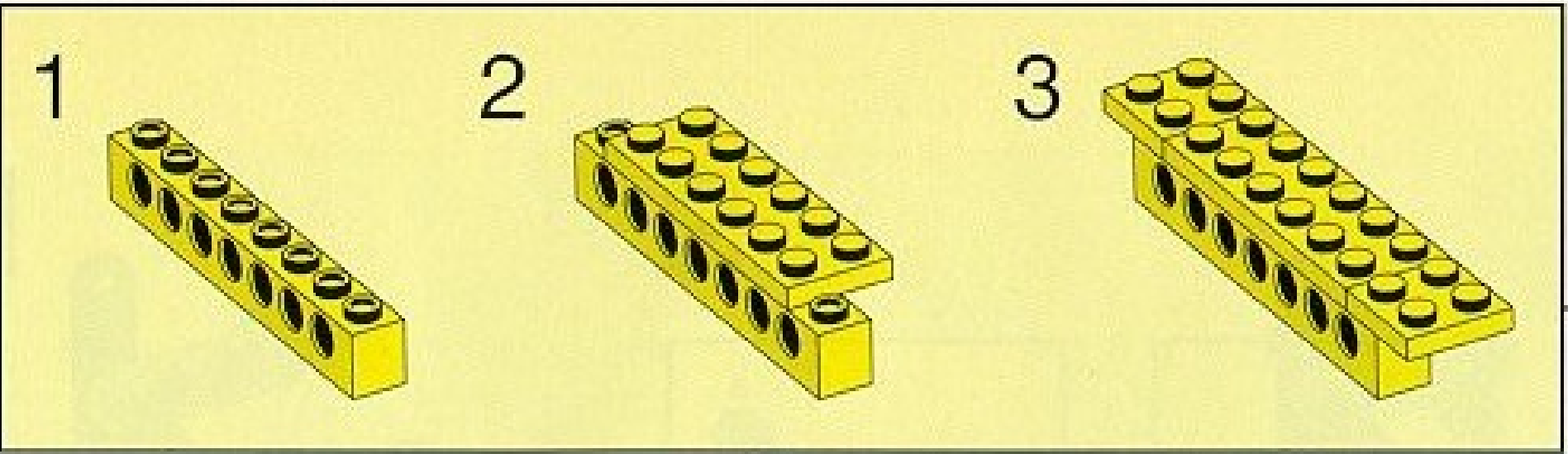
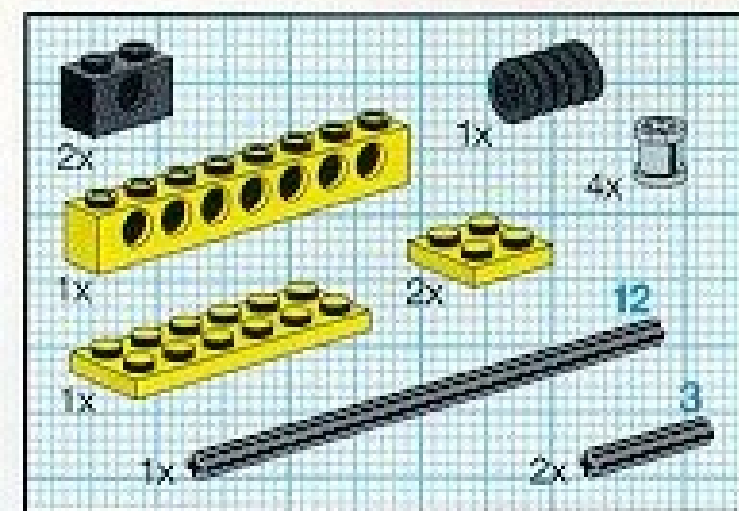




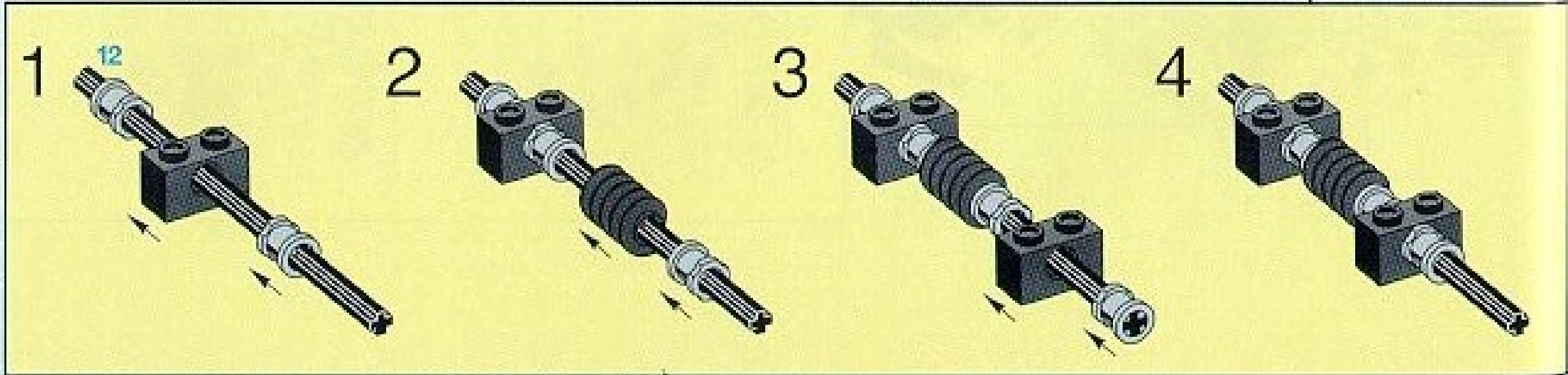
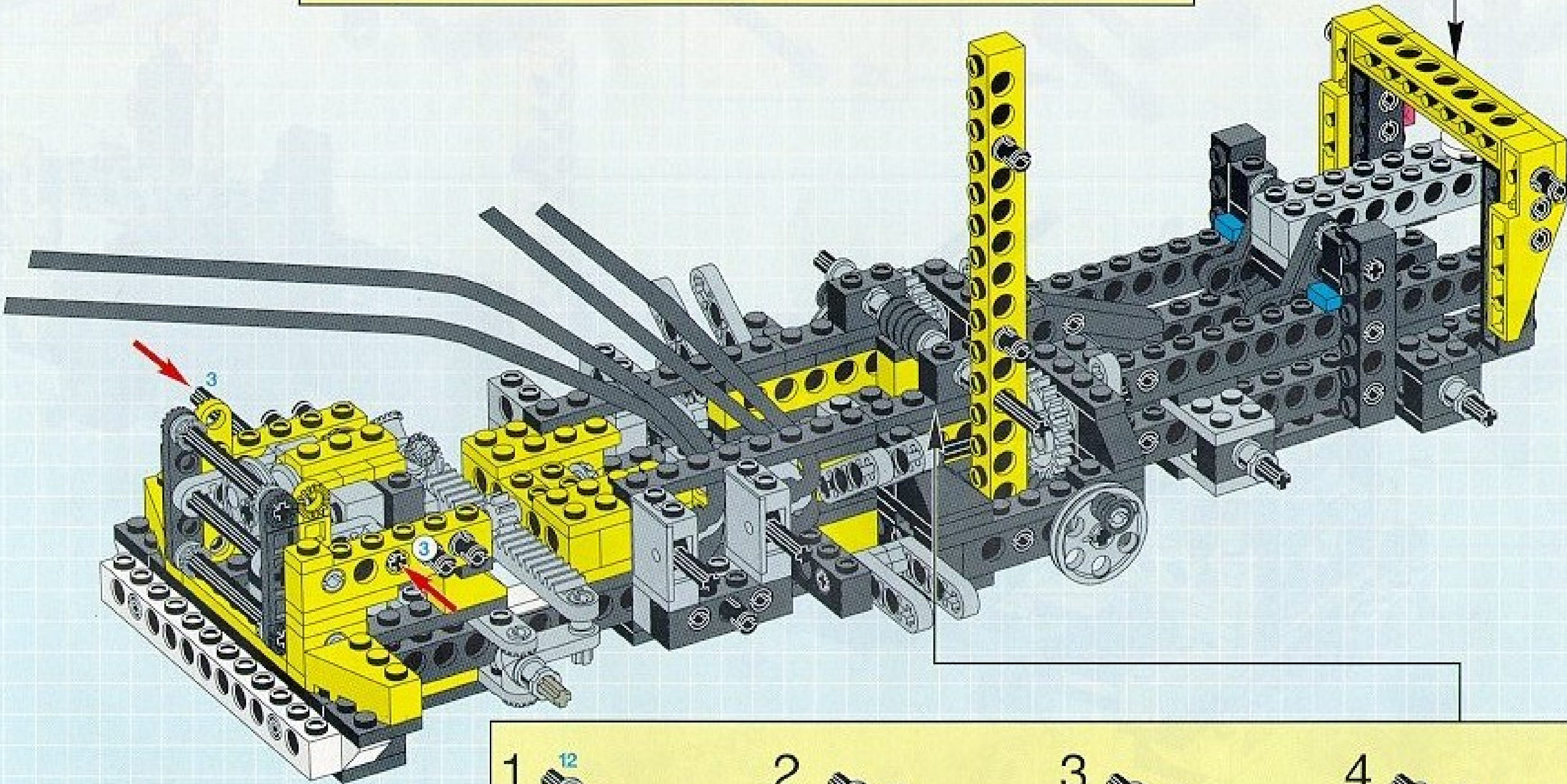
17

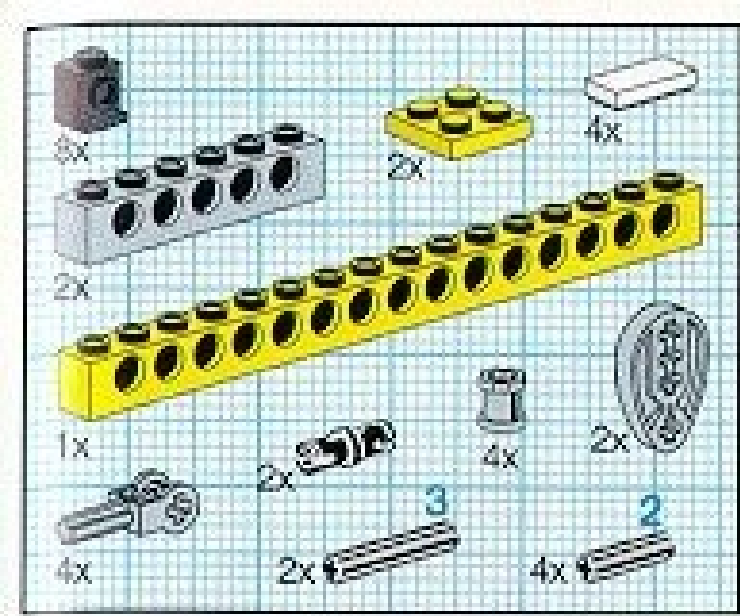




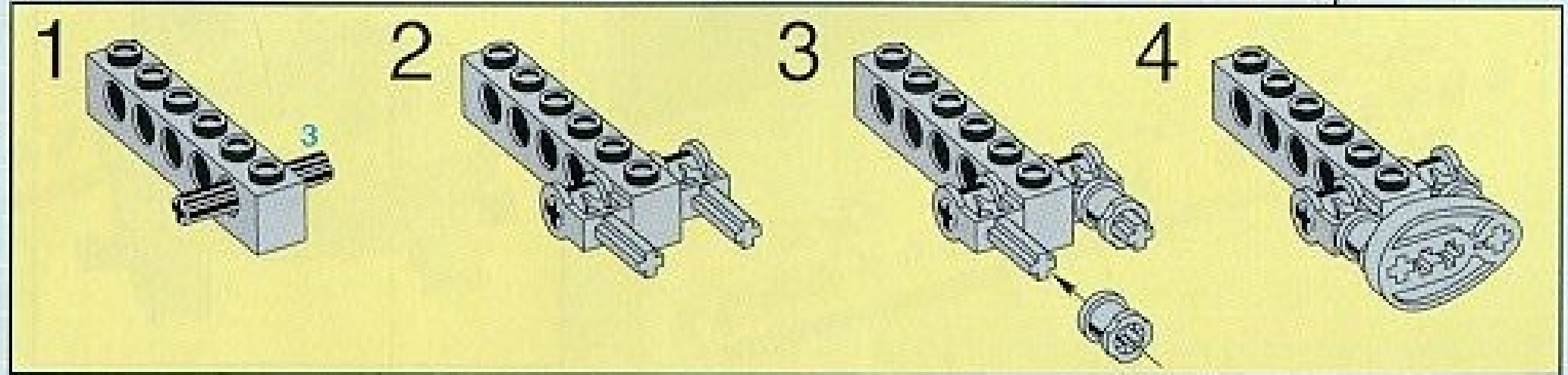
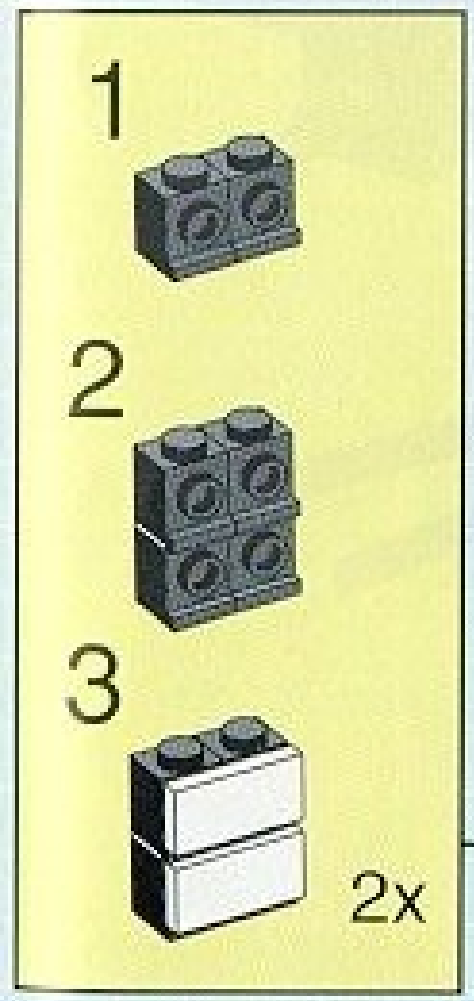
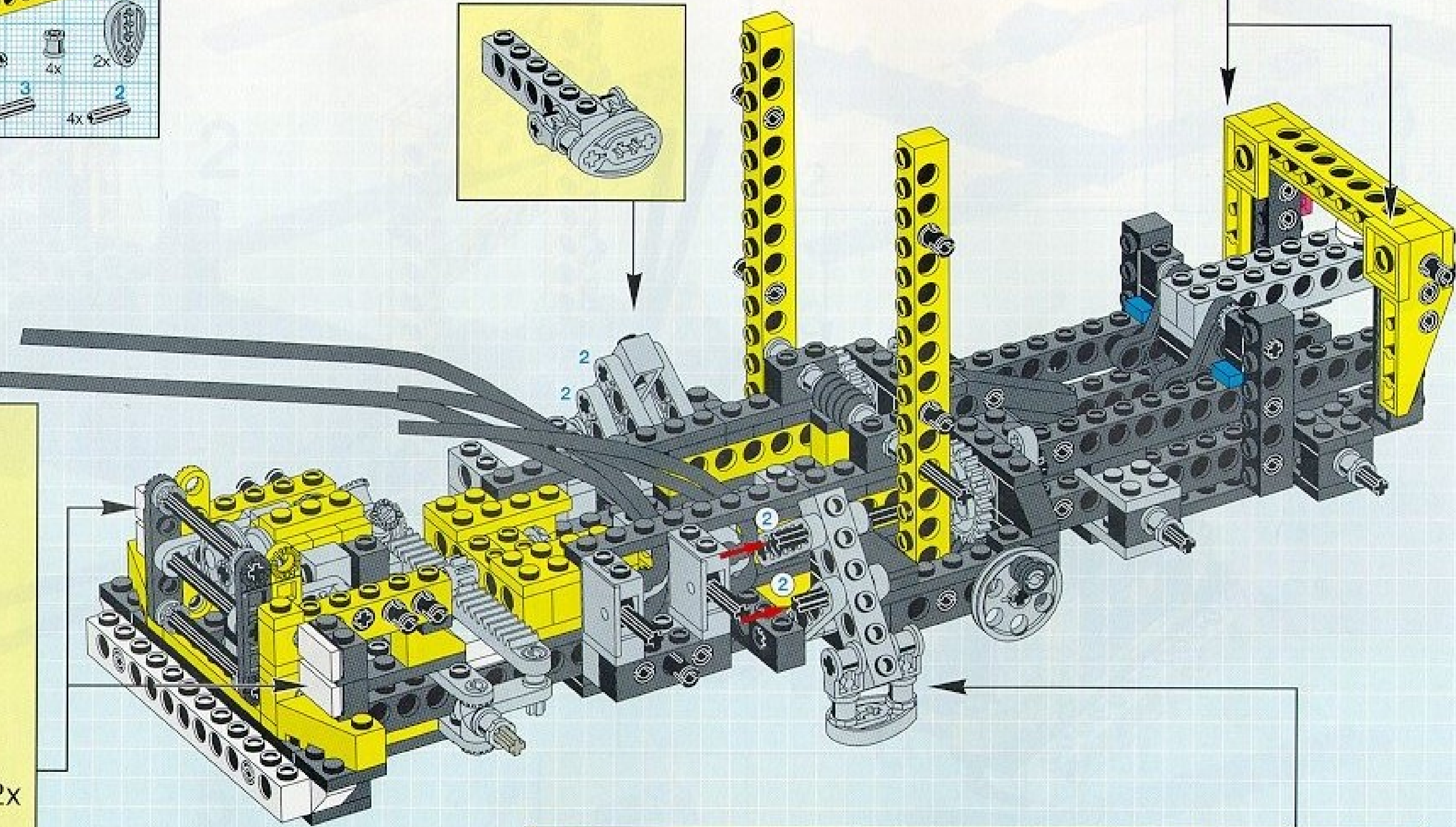
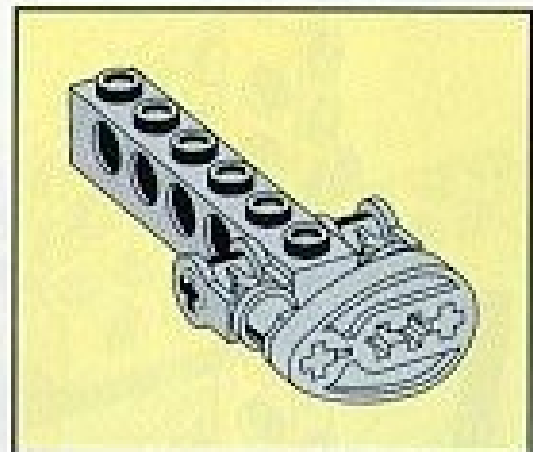
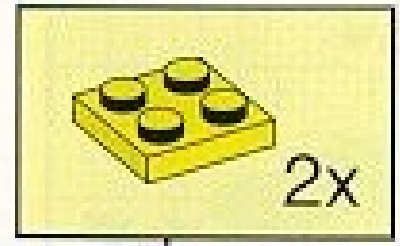


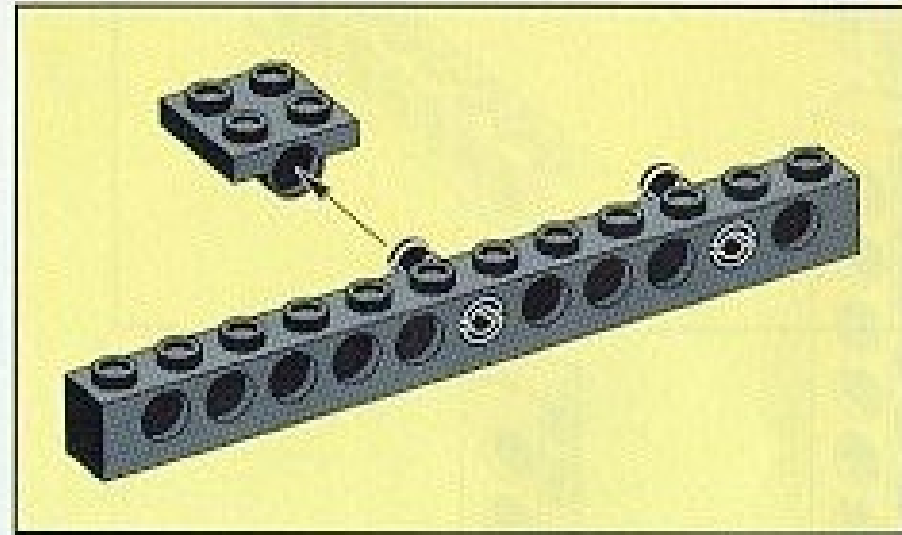
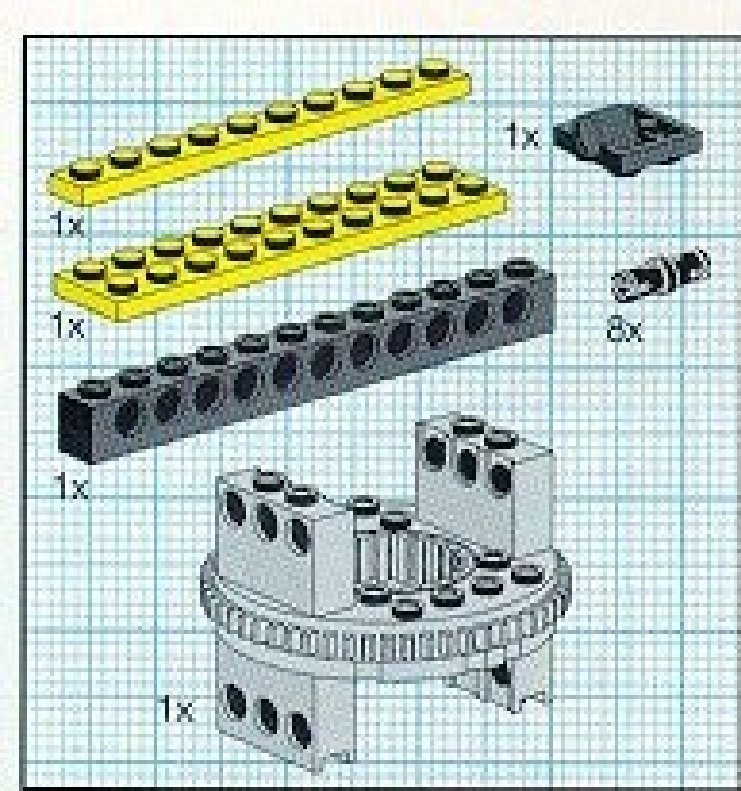
18



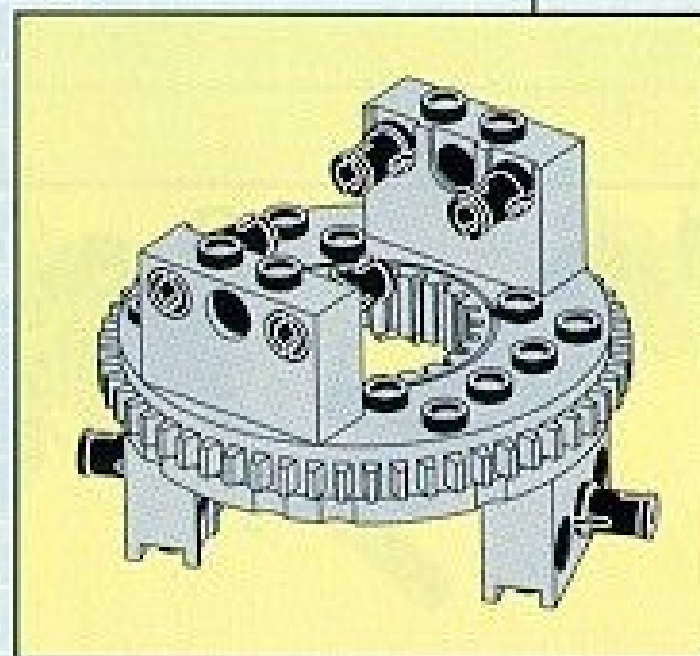
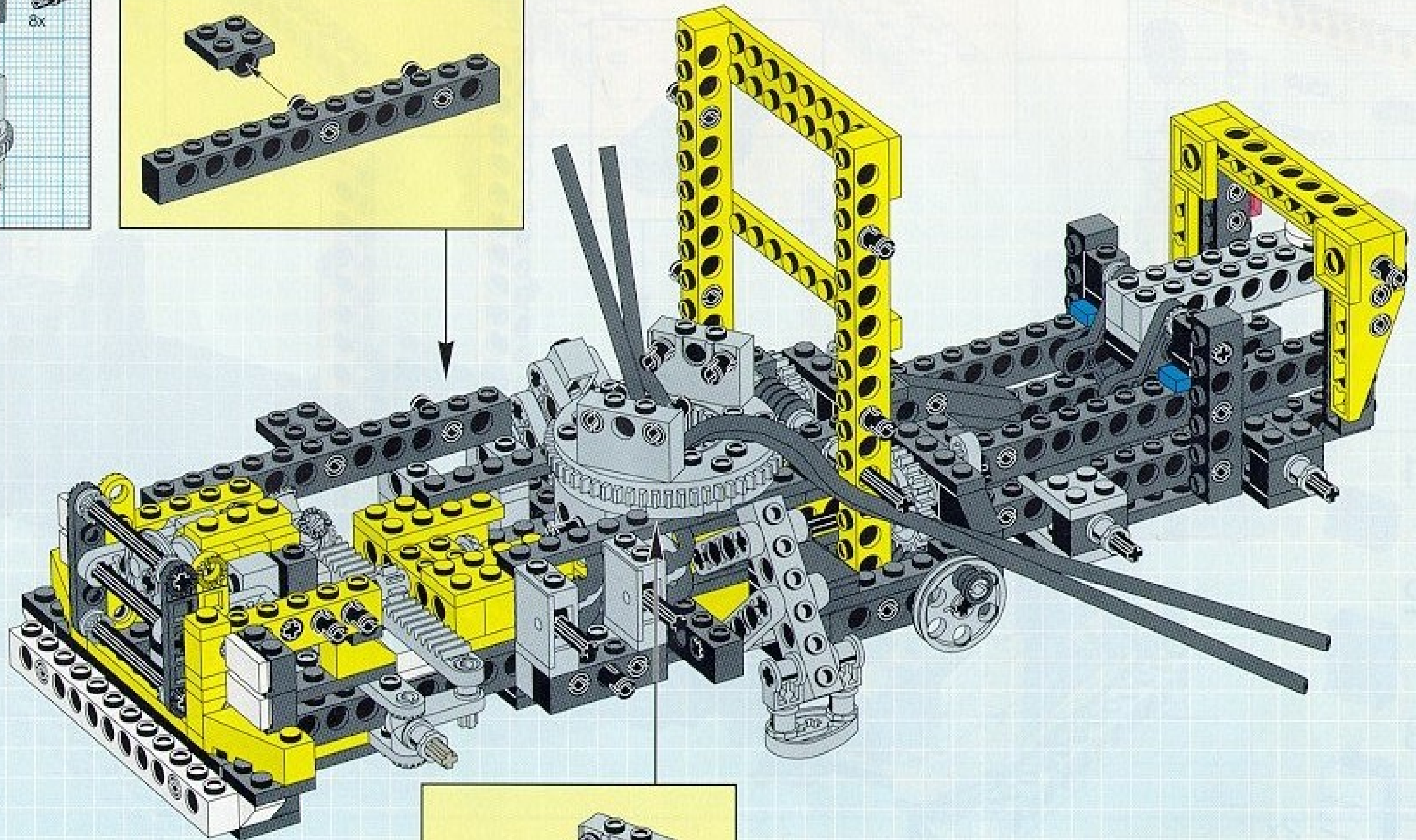


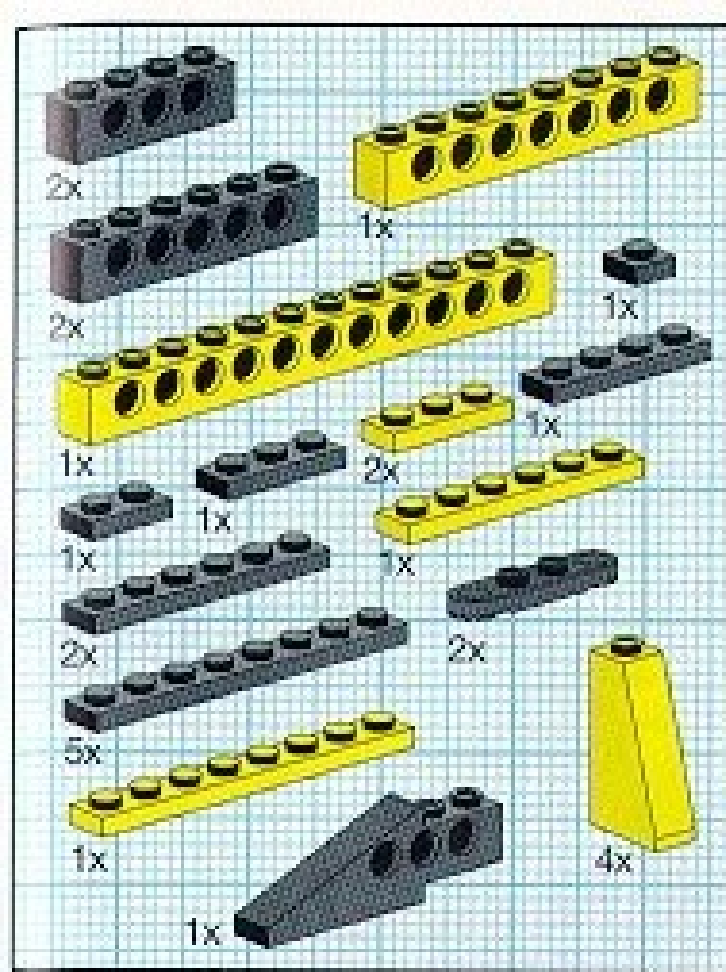
19



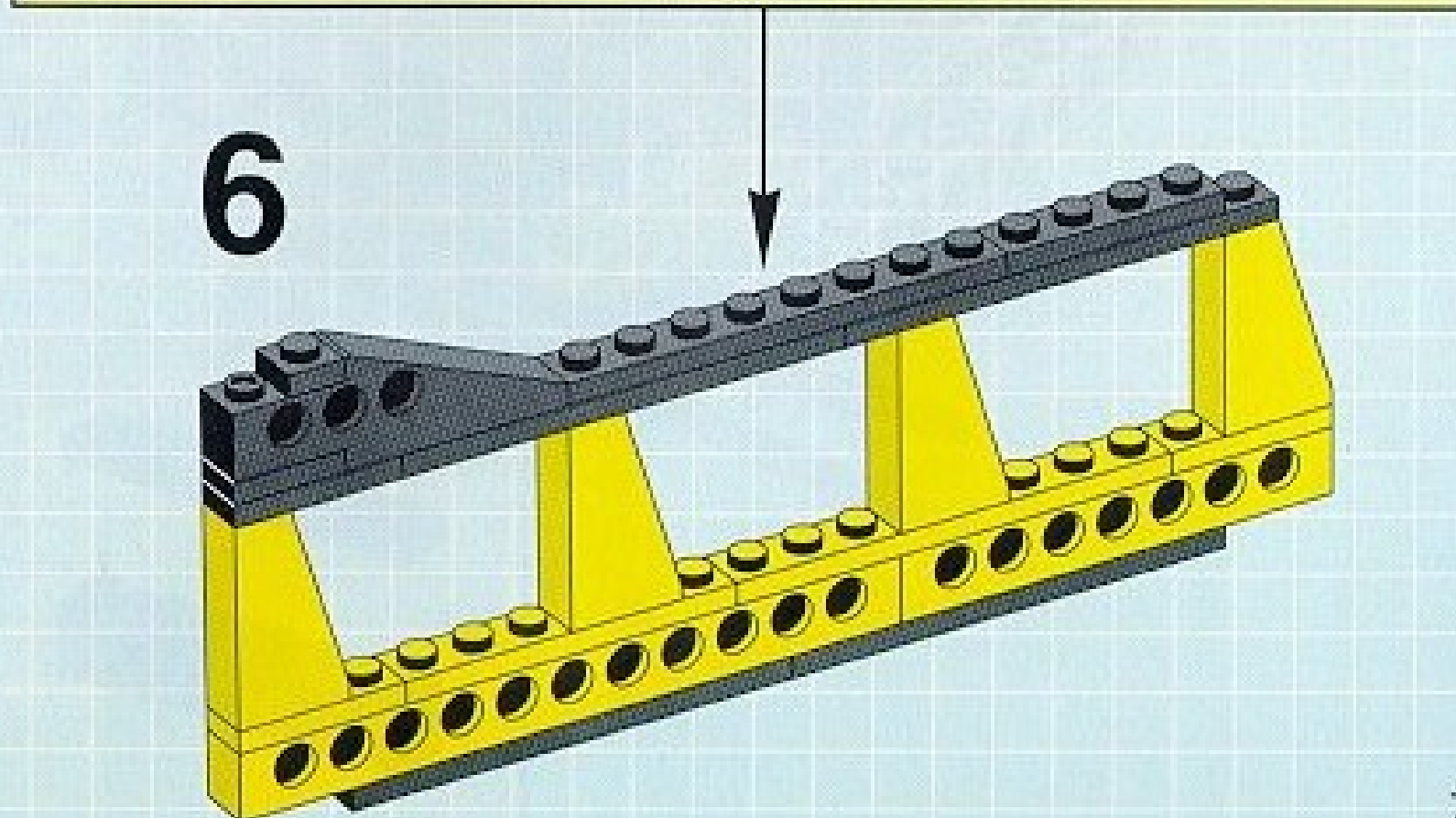
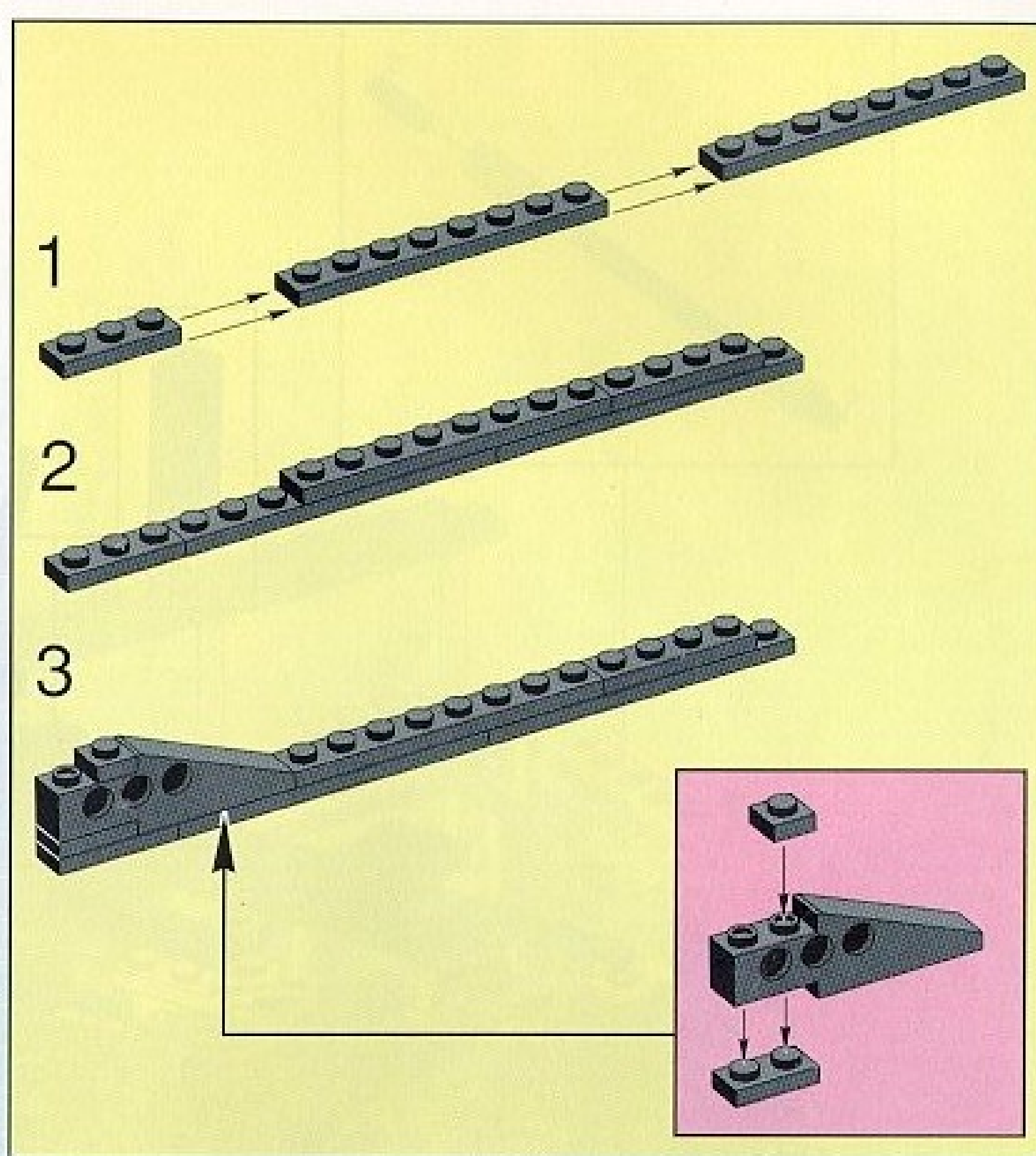
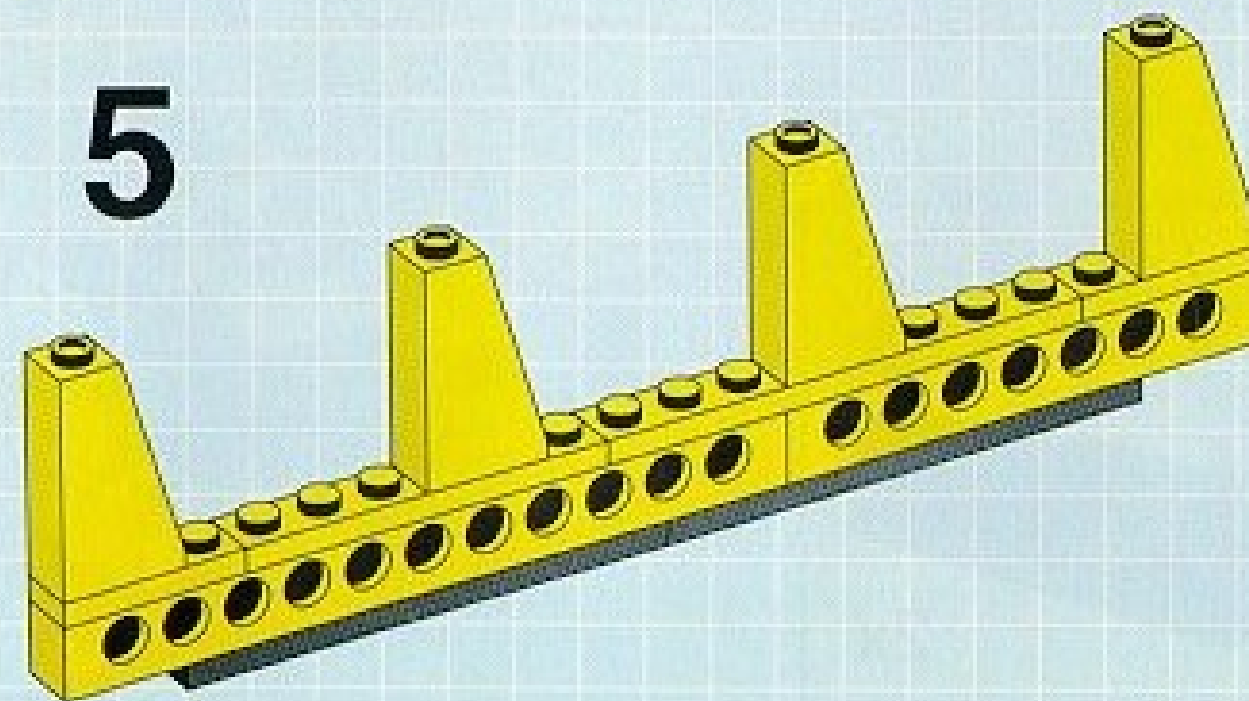
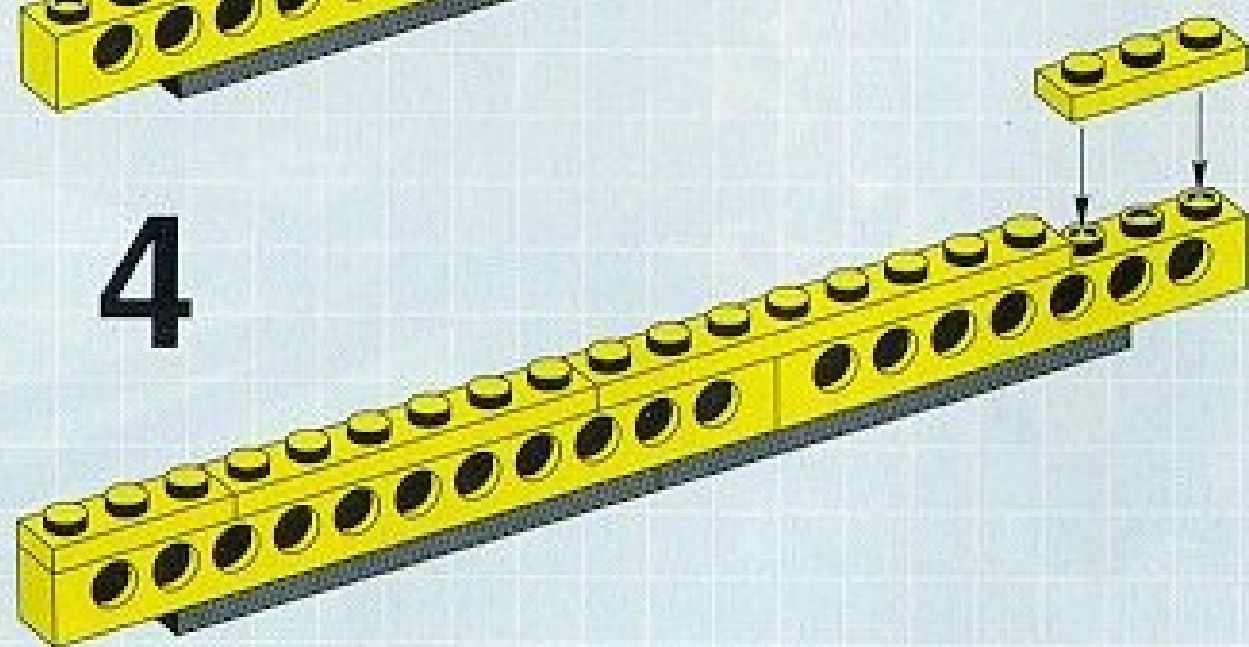
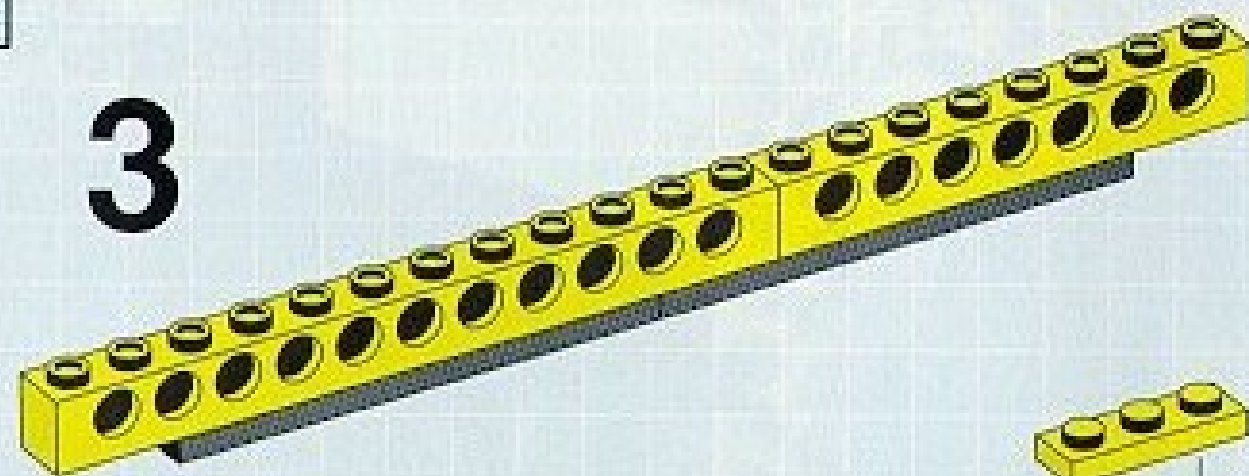
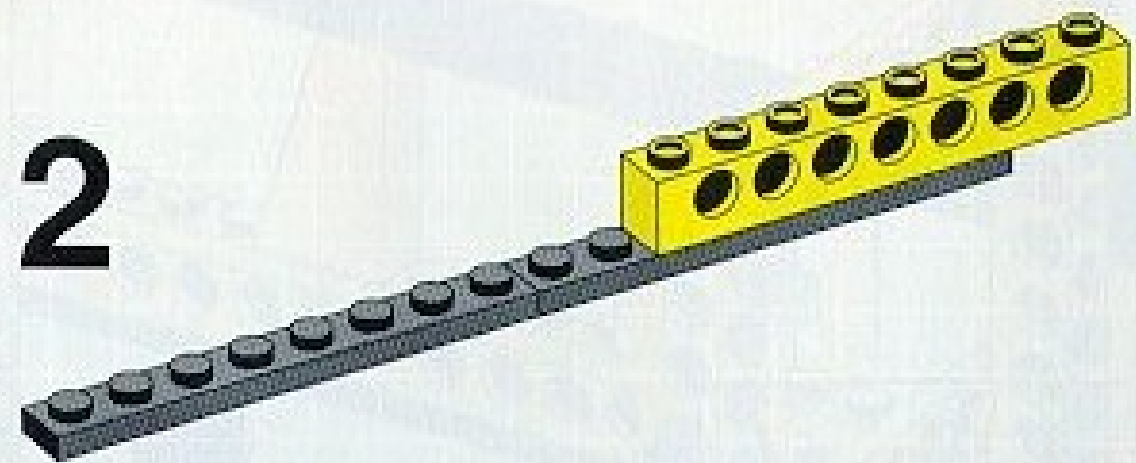
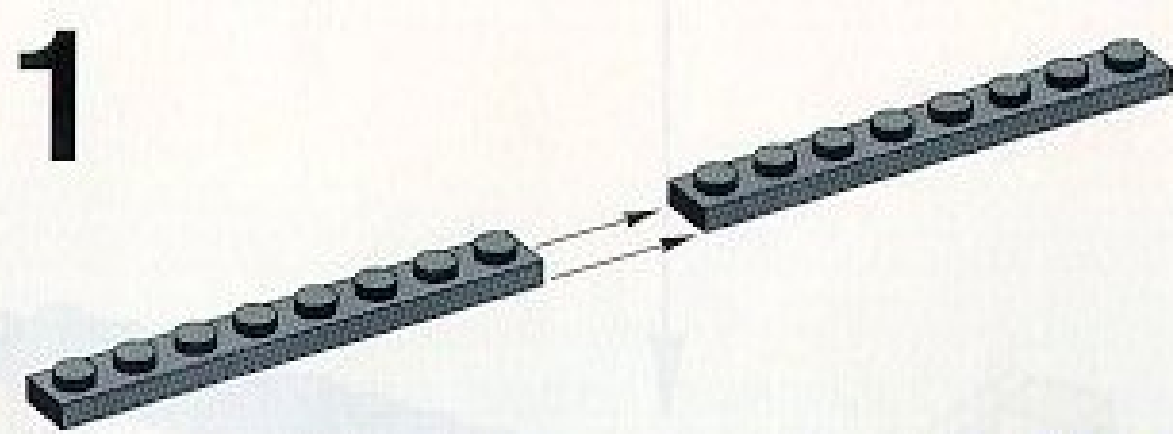


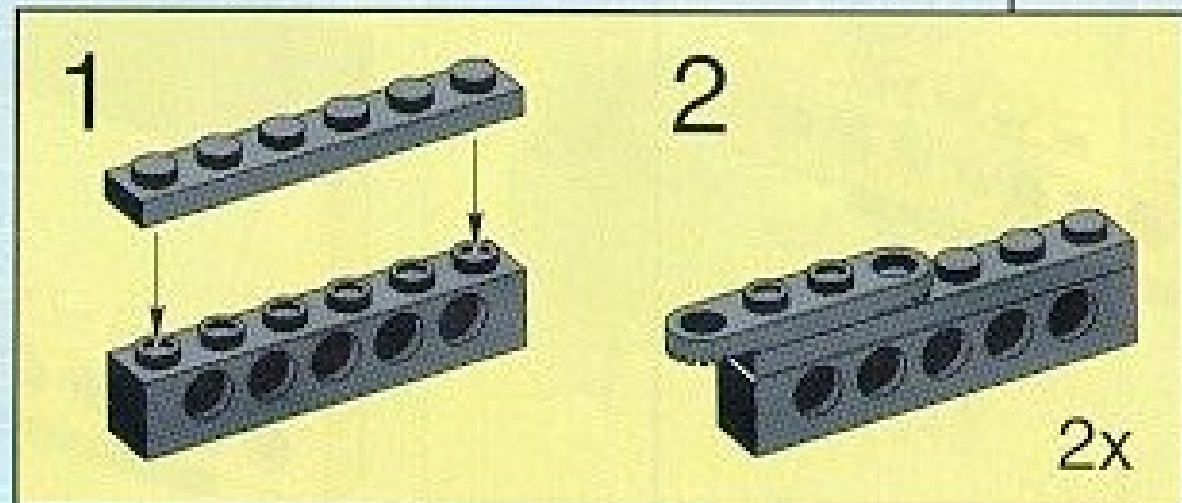
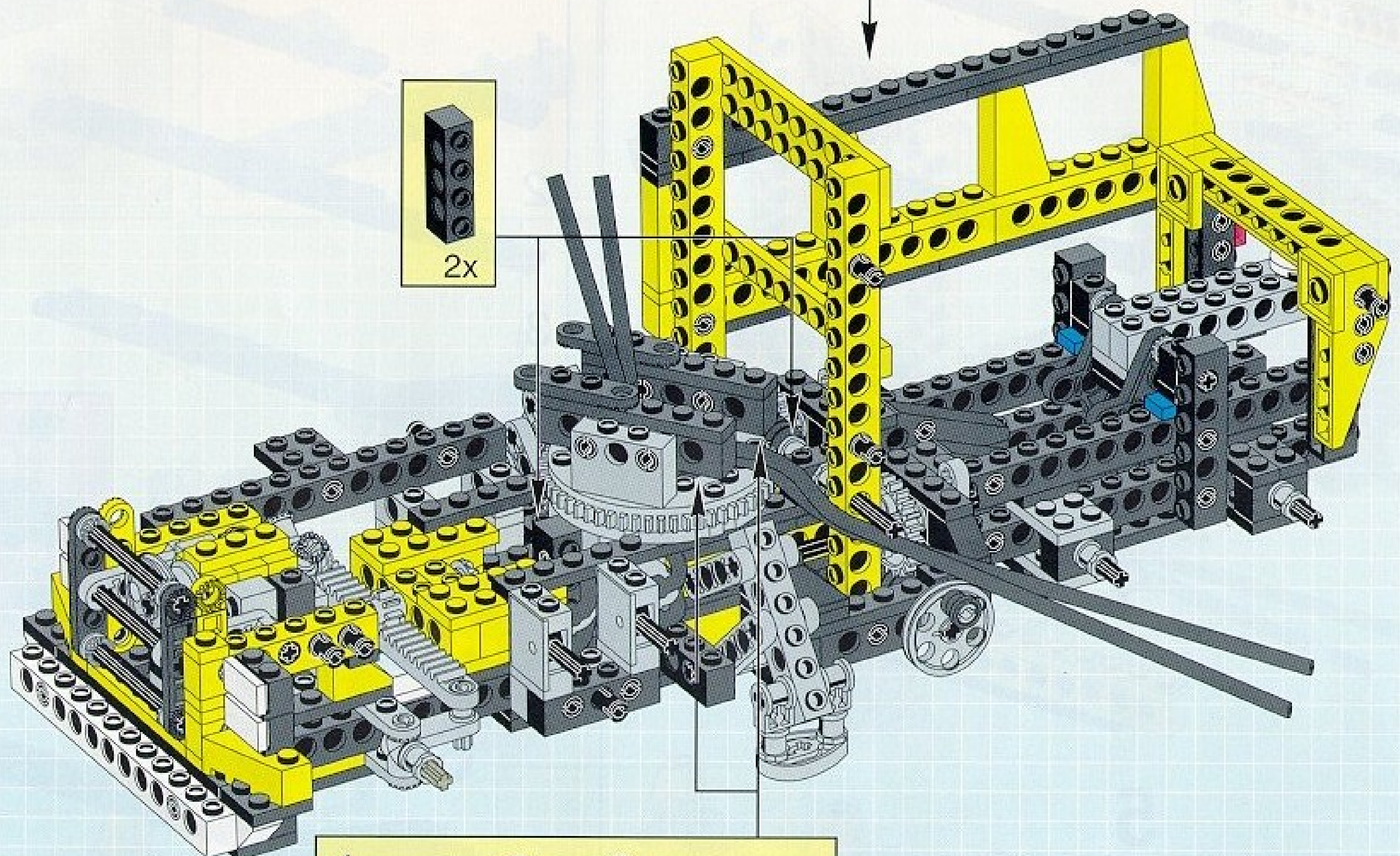
20

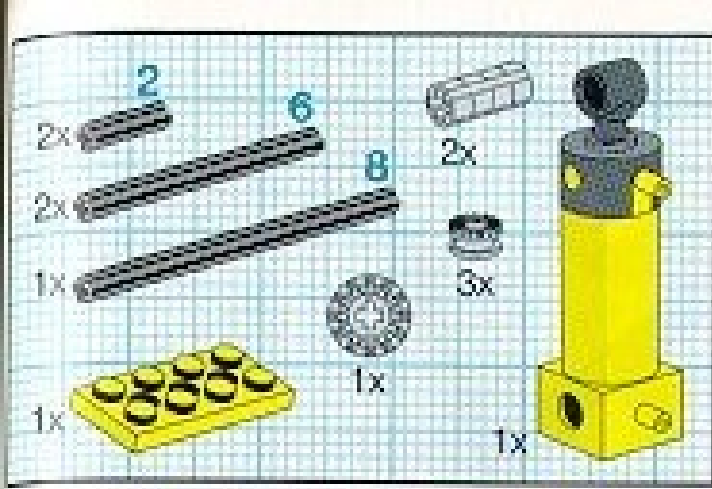




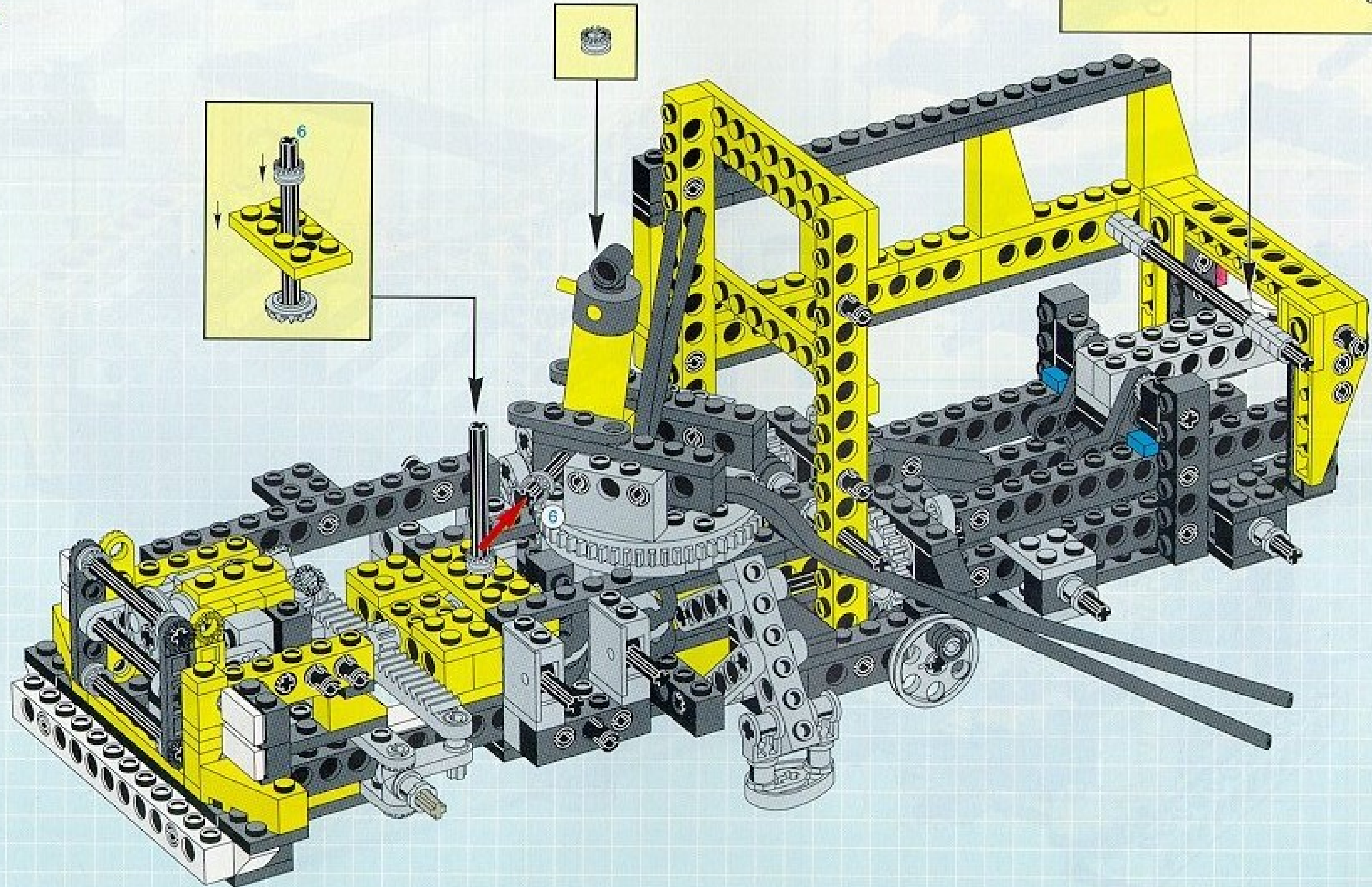
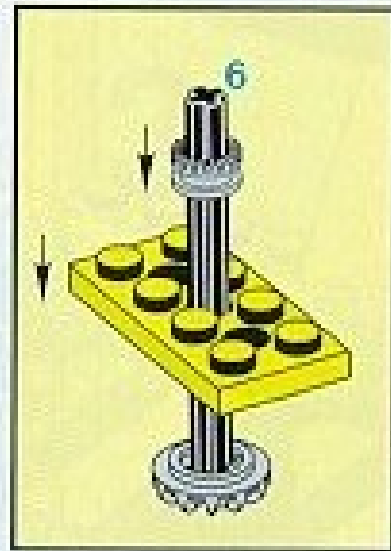
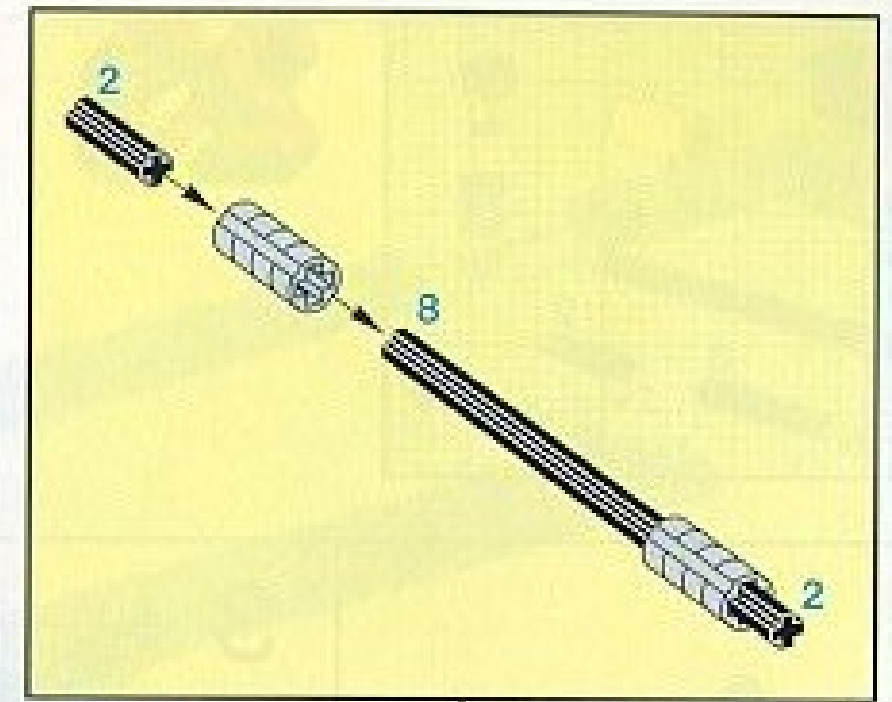
21





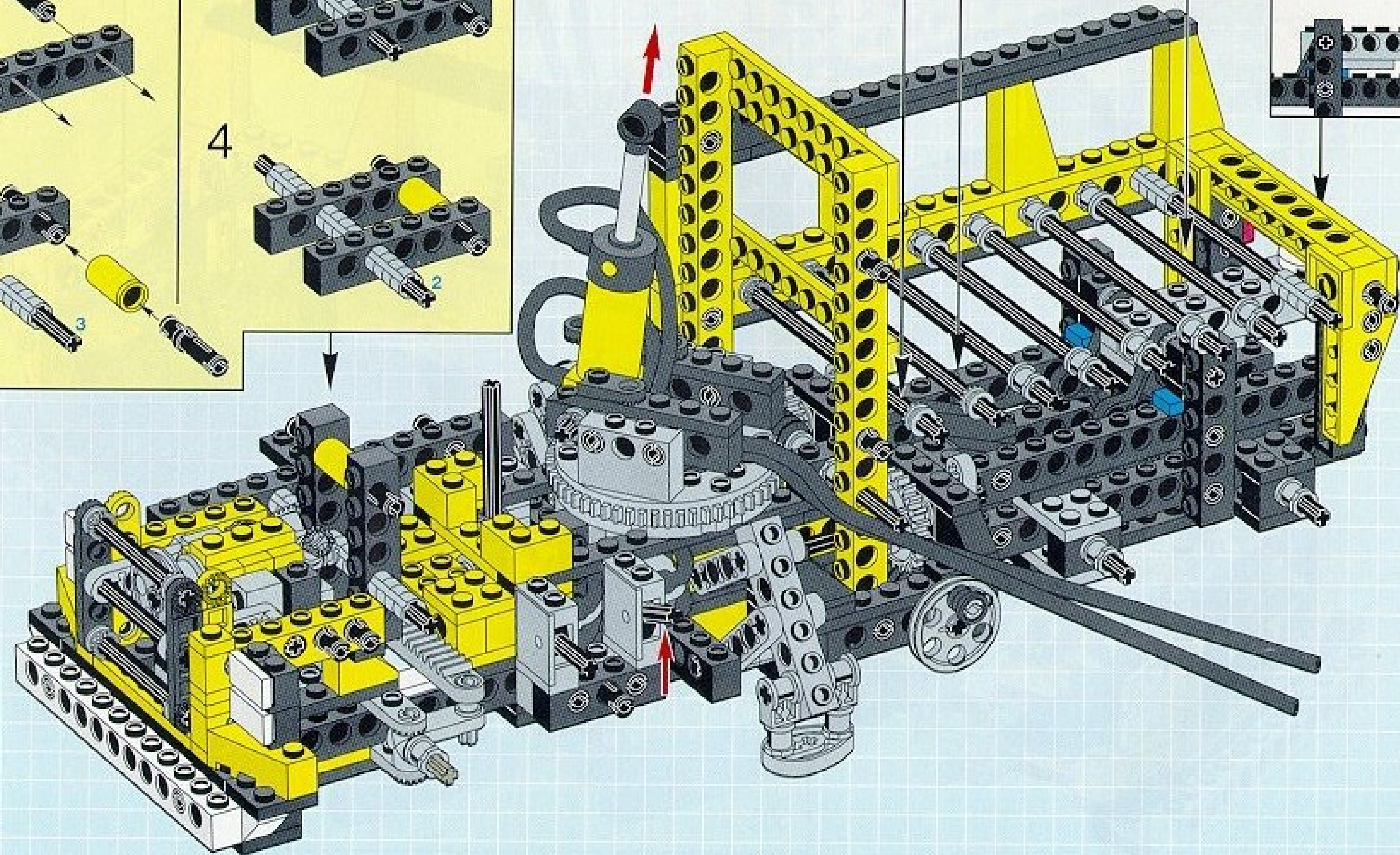
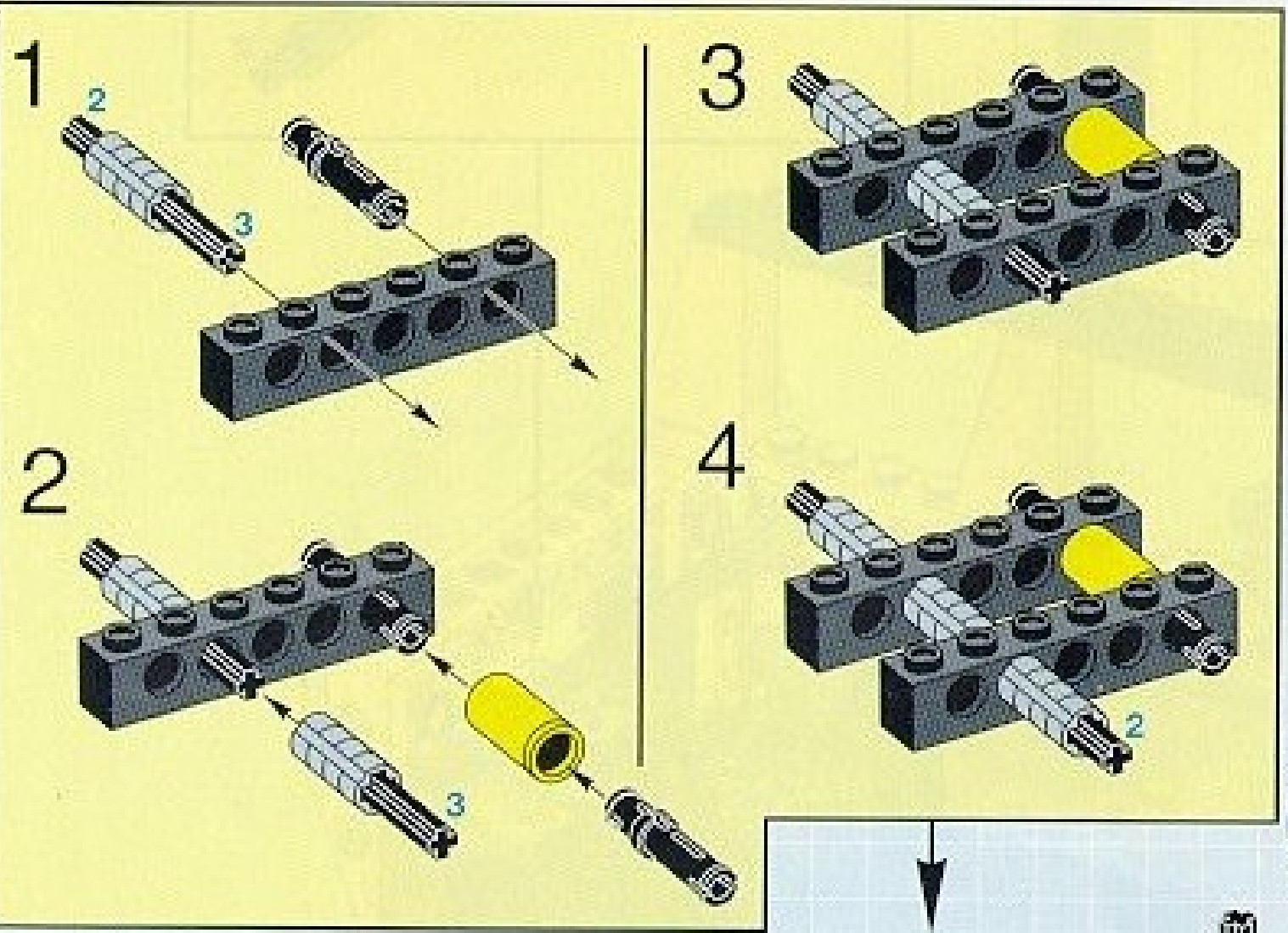
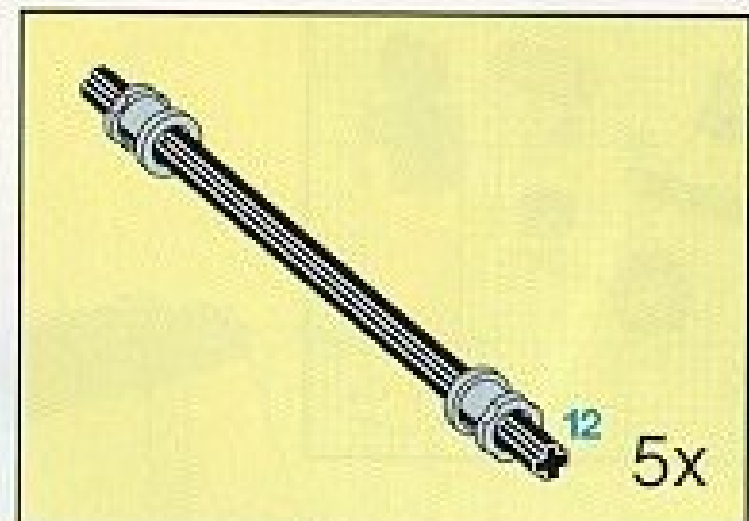
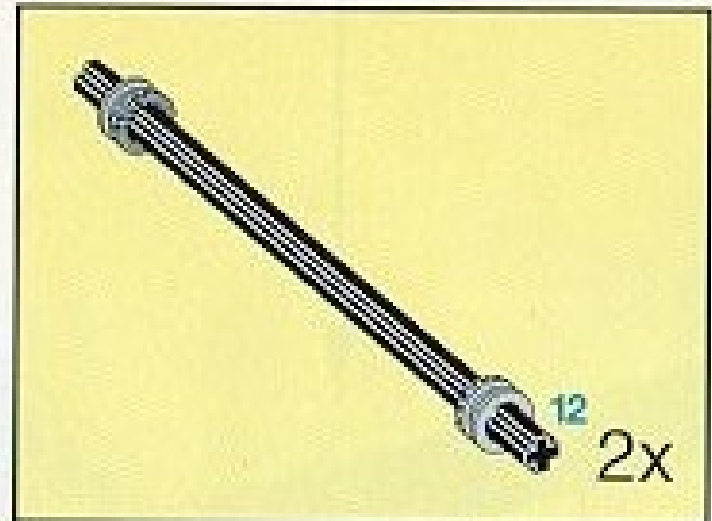


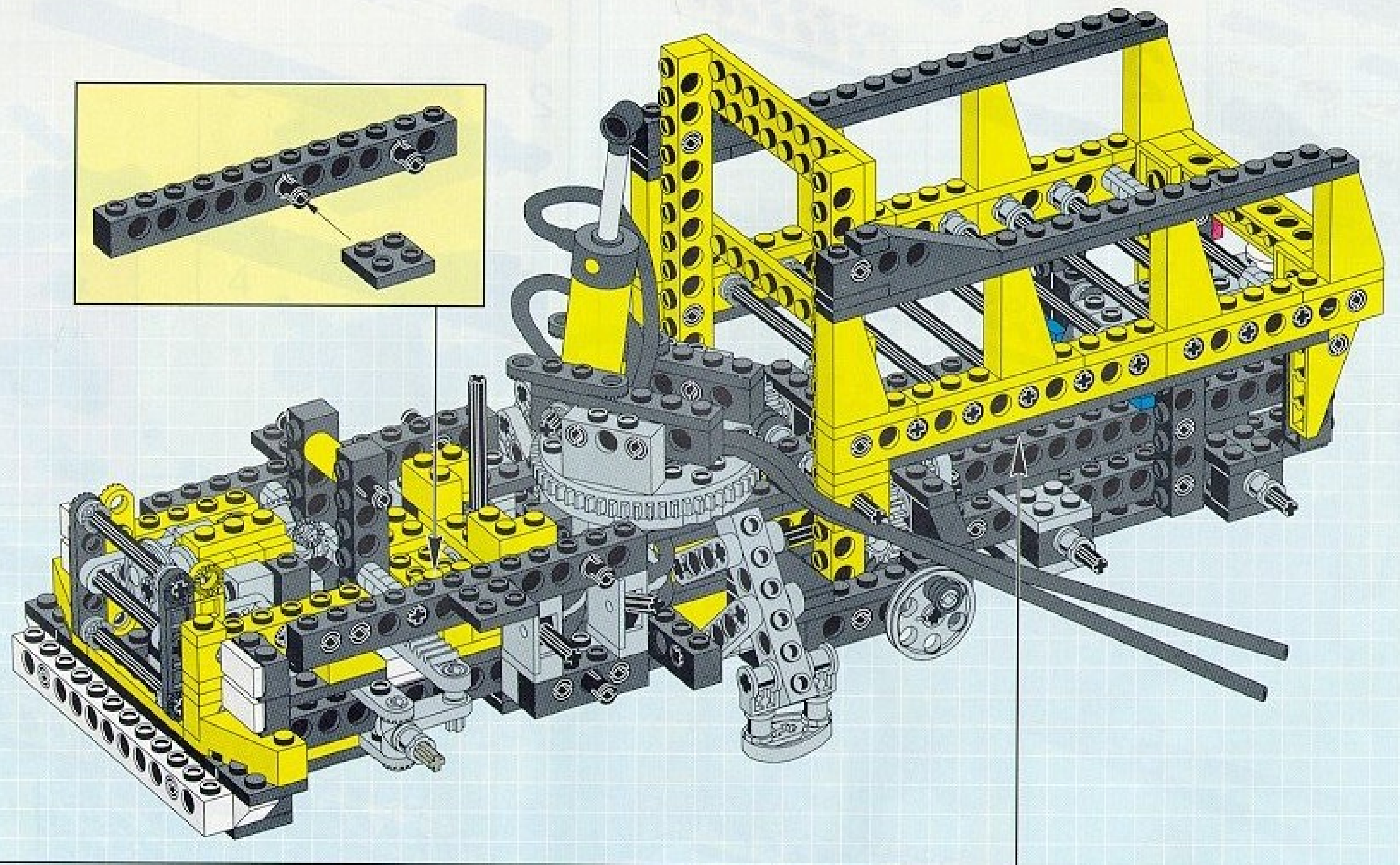
22

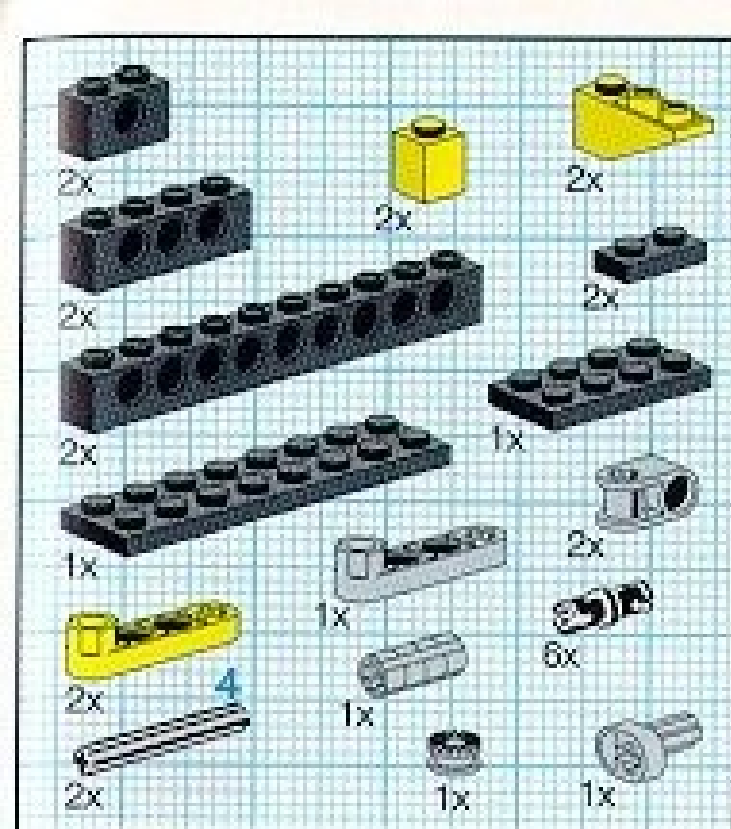


23

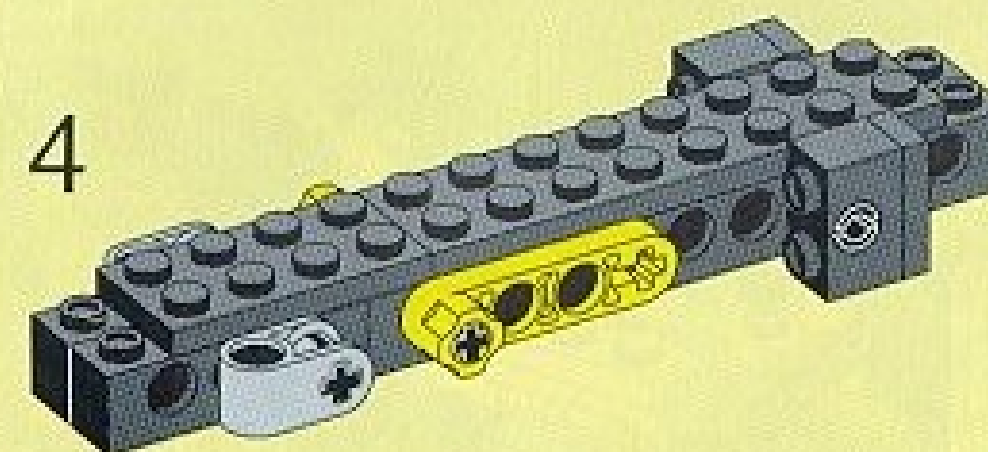
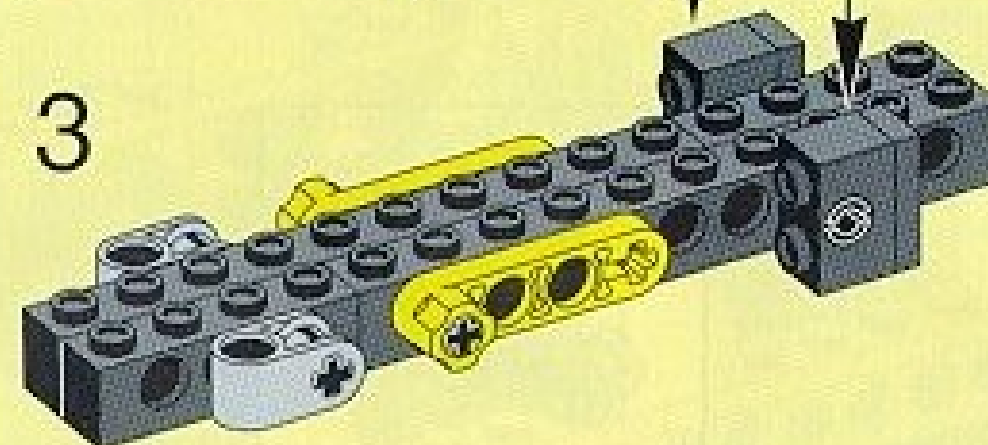
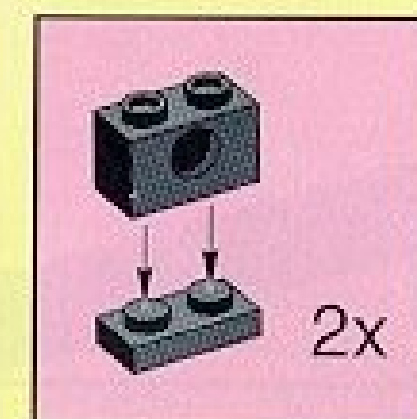
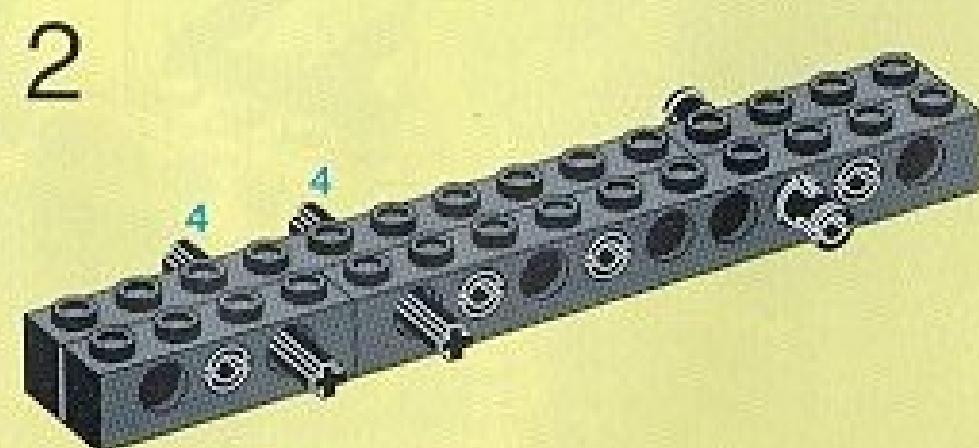
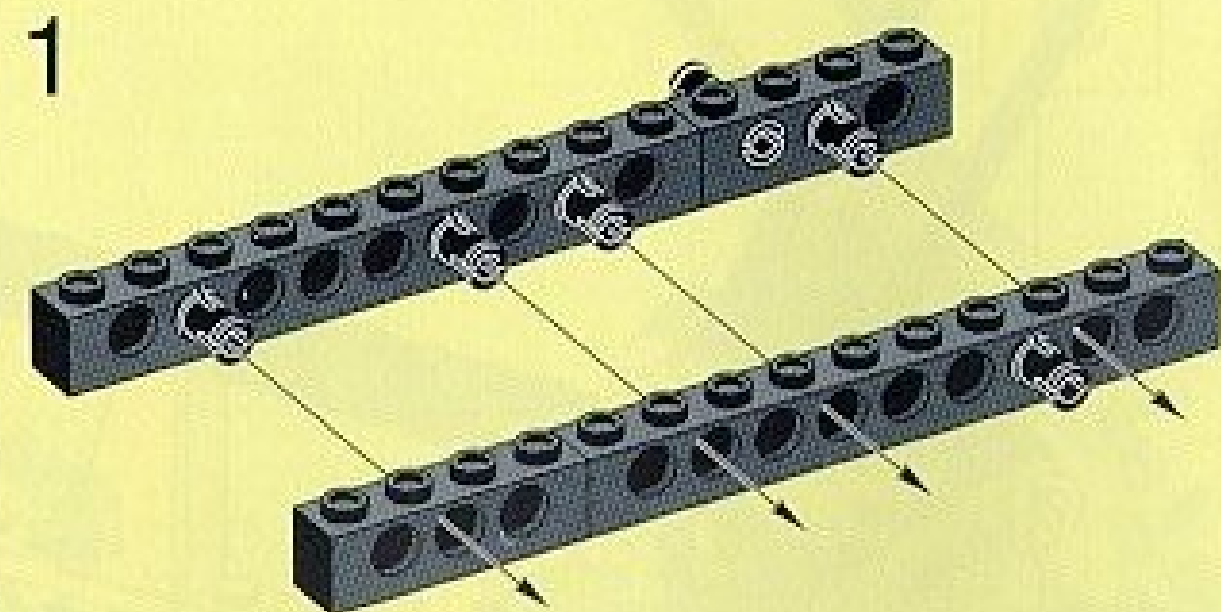
- 2x [Grey 1x6 Technic Brick]
- 1x [Yellow 1x2 Technic Brick]
- 3x [Grey 1x2 Technic Brick]
- 2x [Grey 1x3 Technic Brick]
- 7x [Grey 1x6 Technic Beam]
- 1x [Yellow 1x2 Technic Pin]
- 2x [Grey 1x2 Technic Pin]
- 2x [Grey 1x3 Technic Pin]
- 2x [Grey 1x2 Technic Pin]
- 2x [Grey 1x2 Technic Pin]
- 4x [Grey 1x2 Technic Pin]
- 10x [Grey 1x2 Technic Pin]
- 12 [Grey 1x2 Technic Pin]
- 3 [Grey 1x2 Technic Pin]
- 2 [Grey 1x2 Technic Pin]
- 2 [Grey 1x2 Technic Pin]

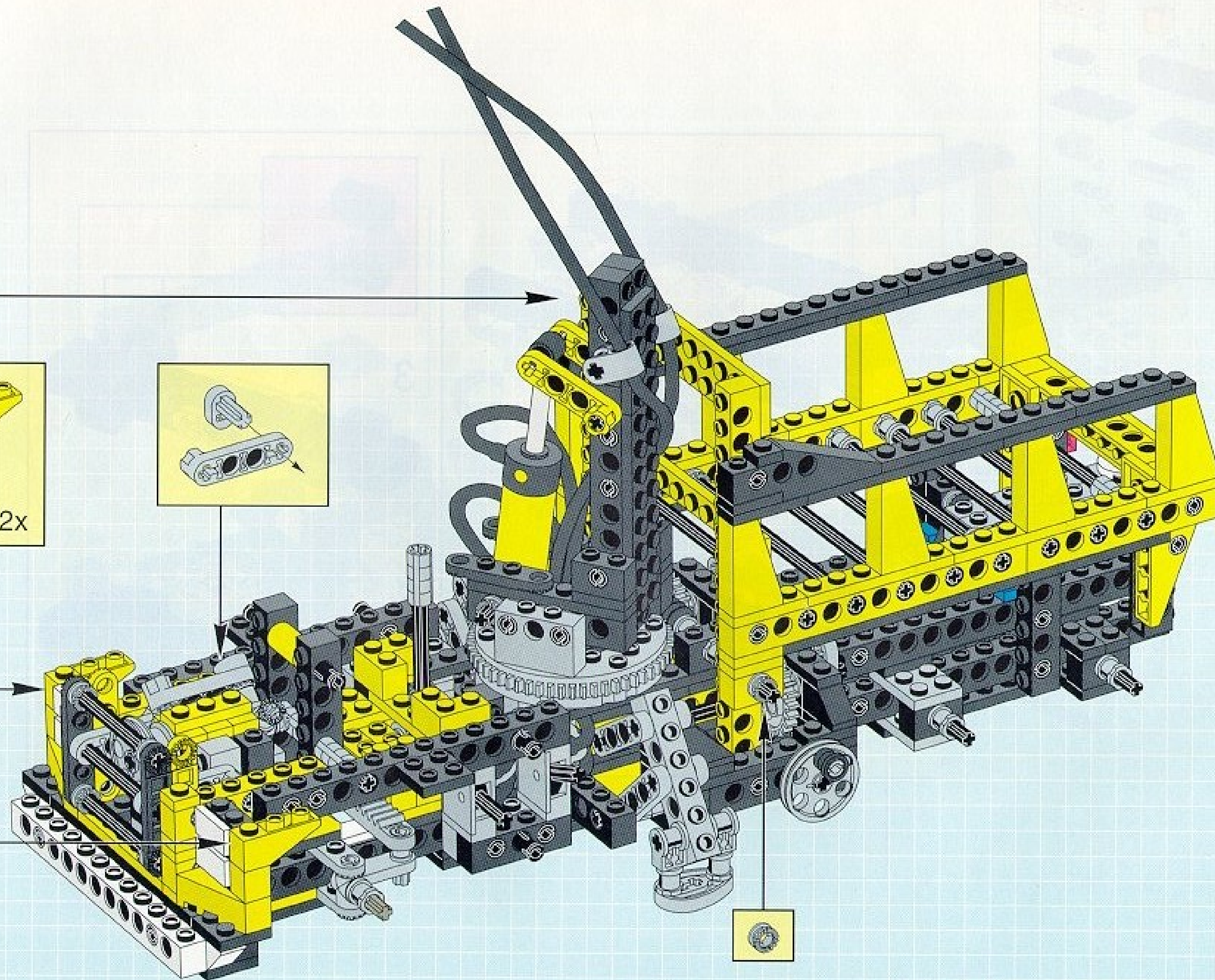
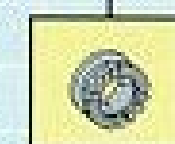
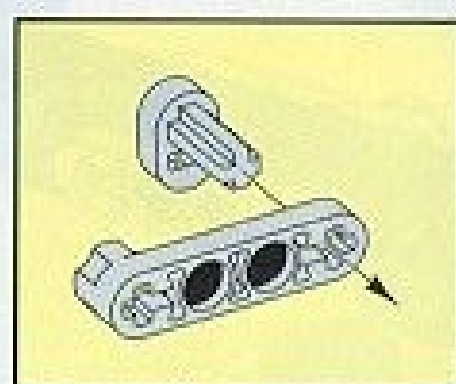
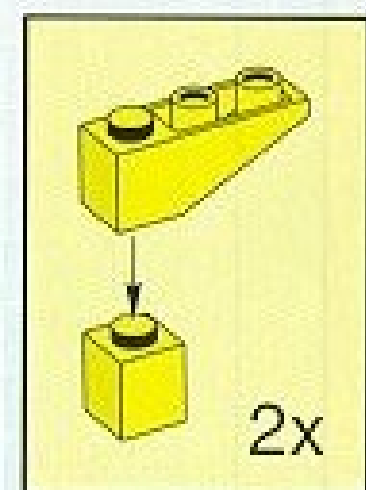


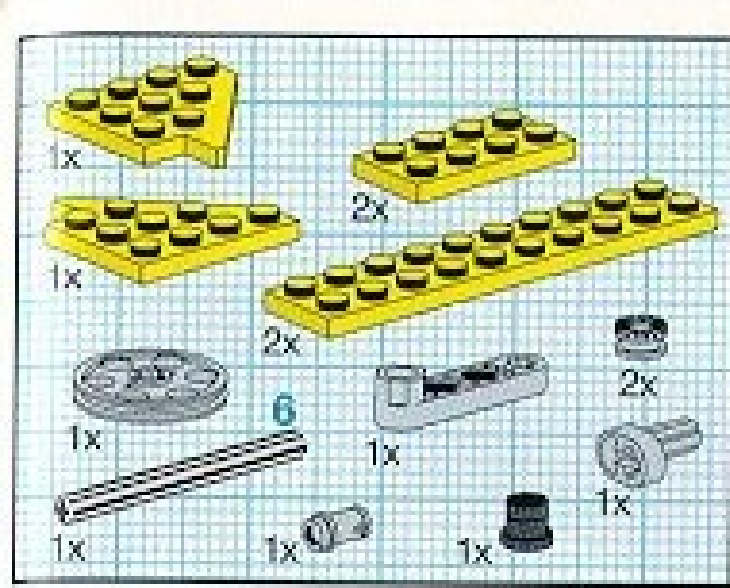




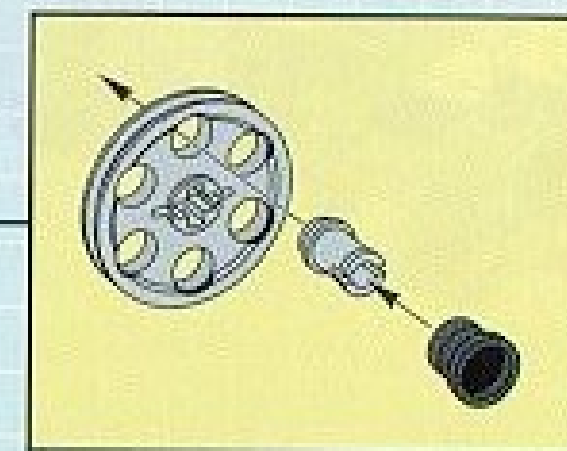
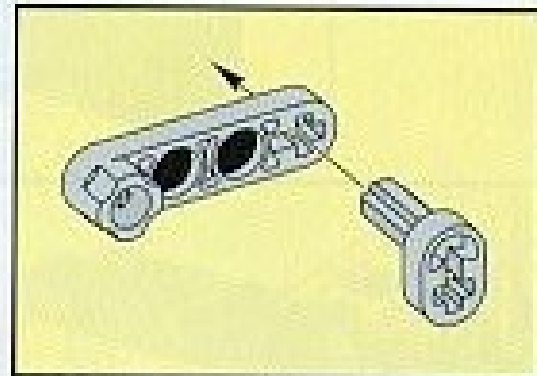
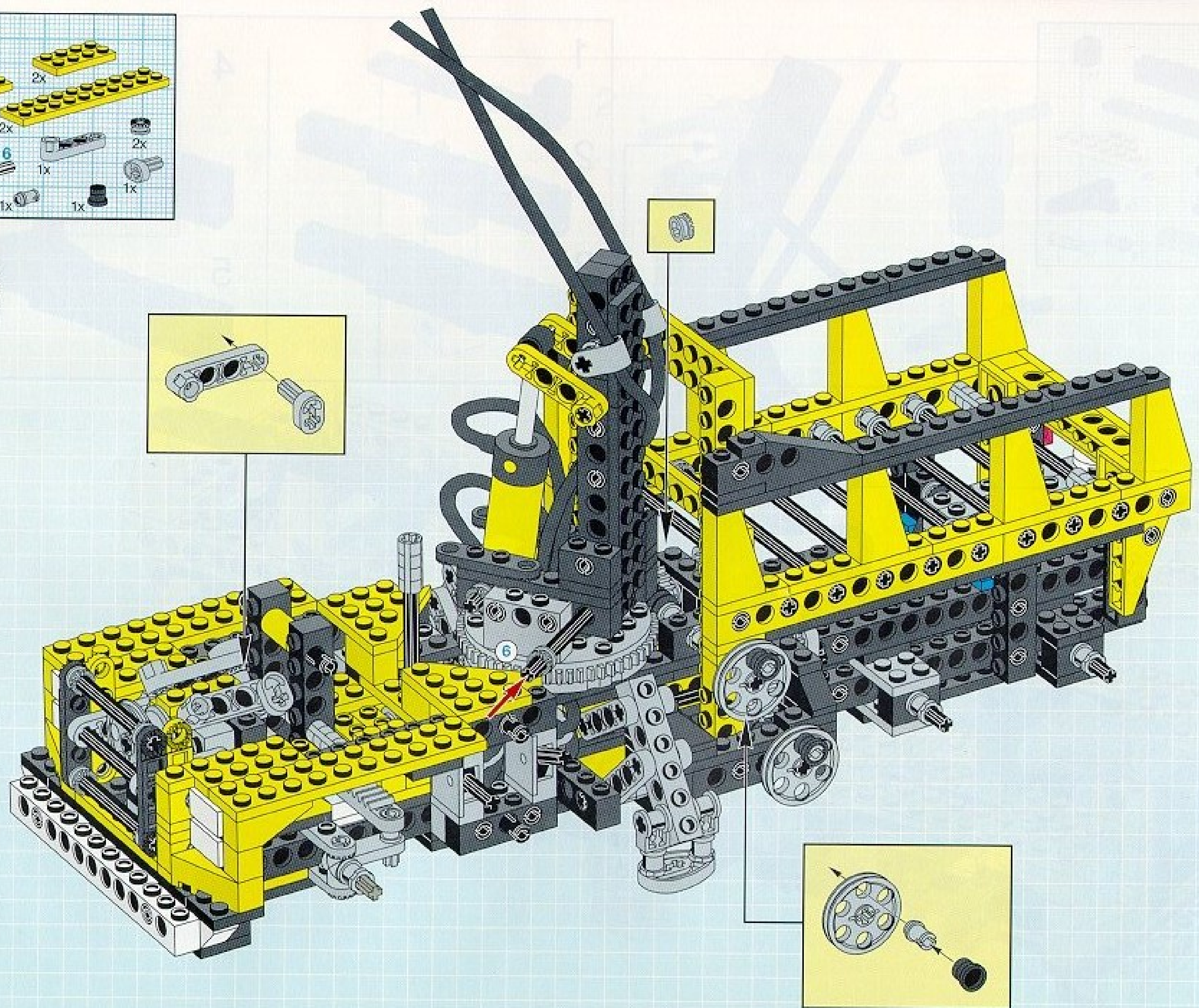
25

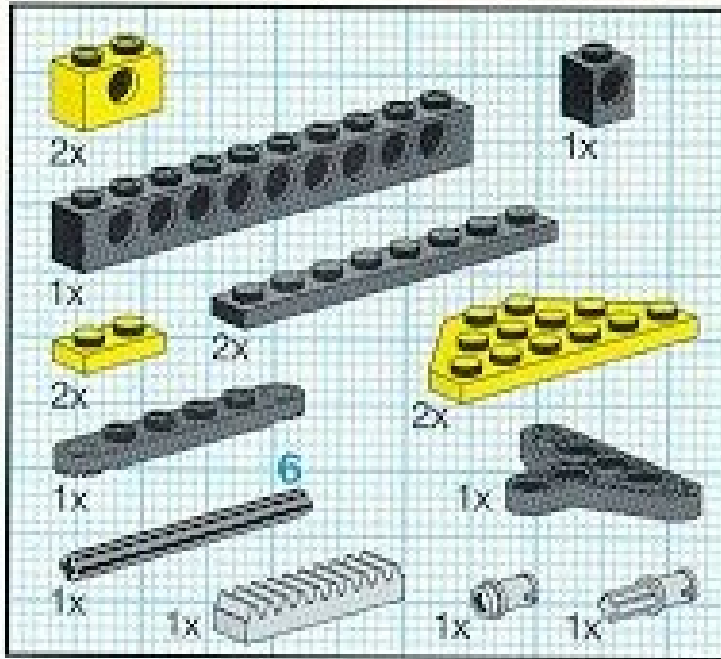




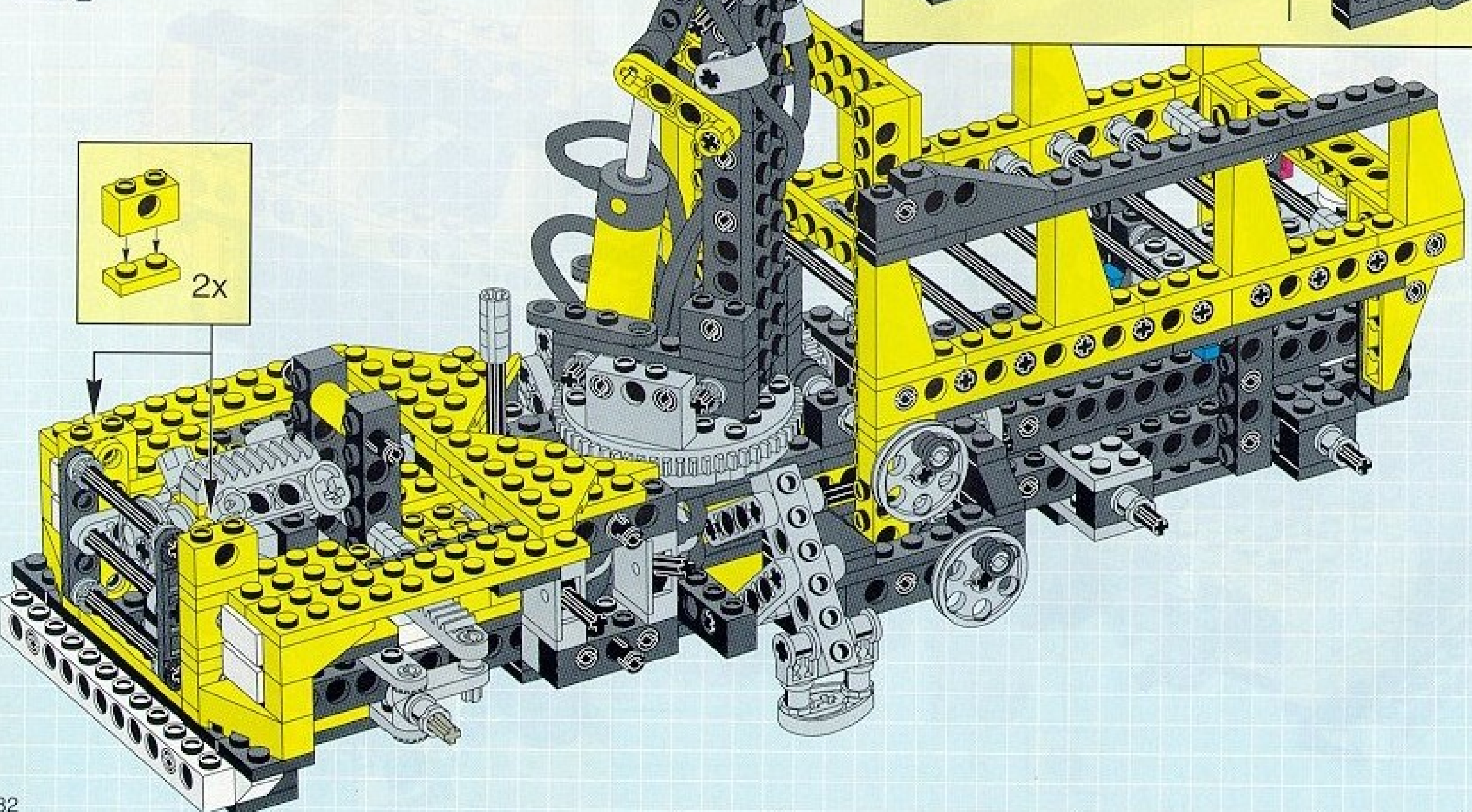
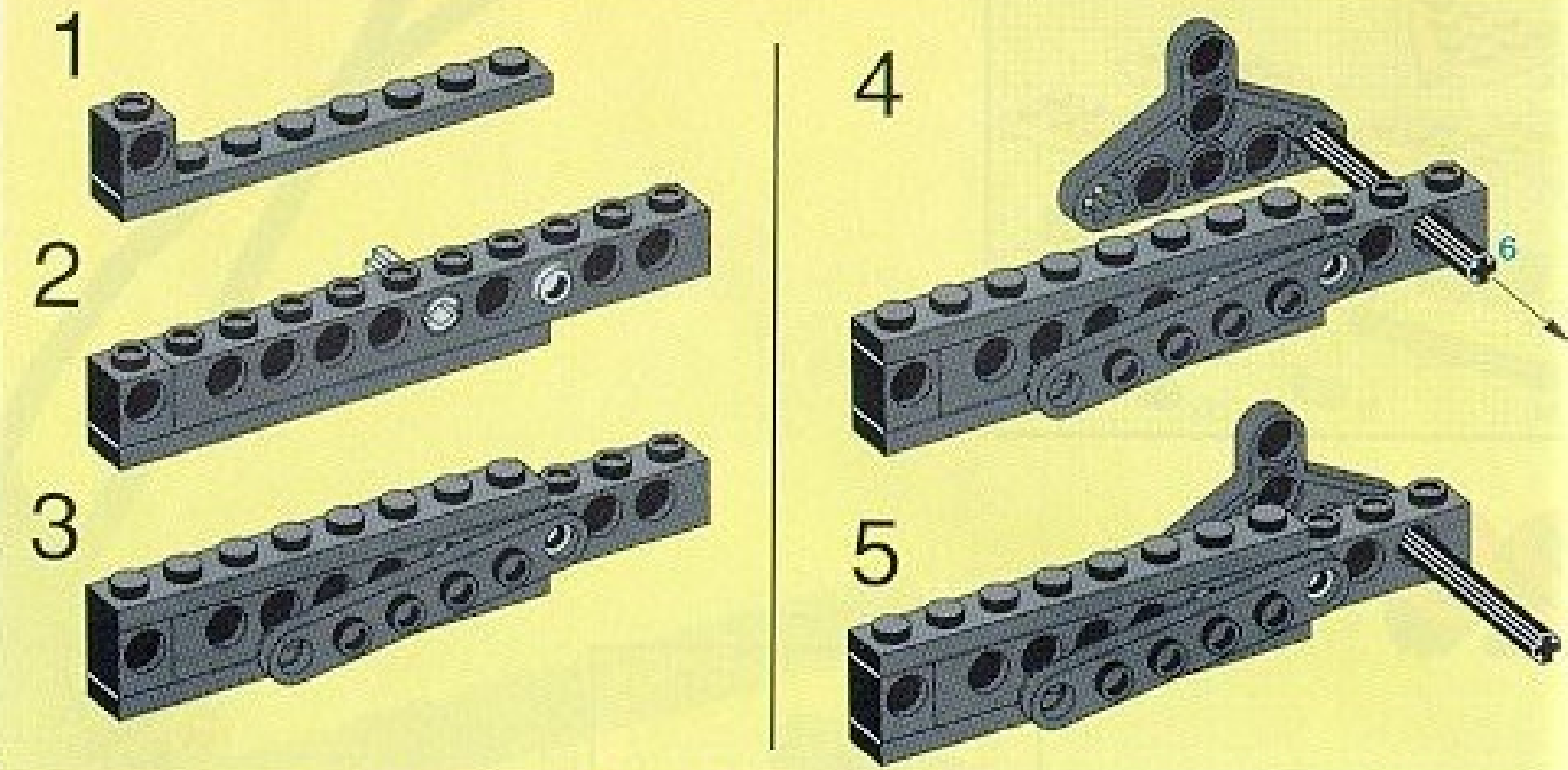
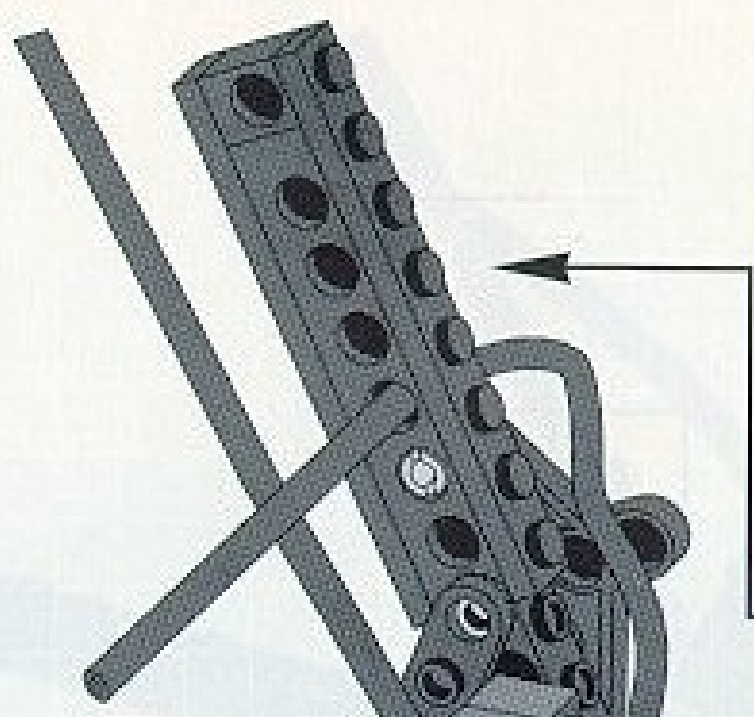
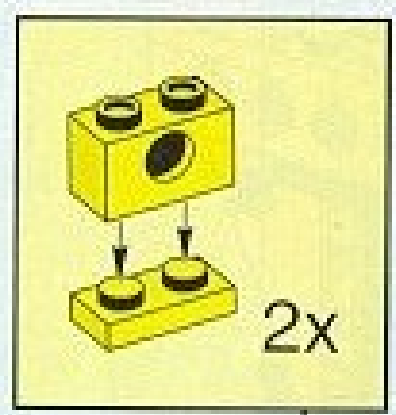


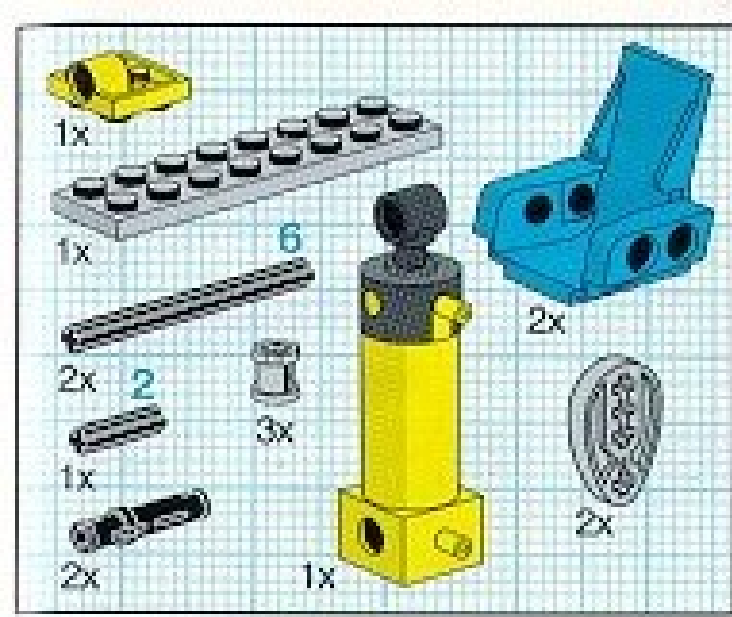
26



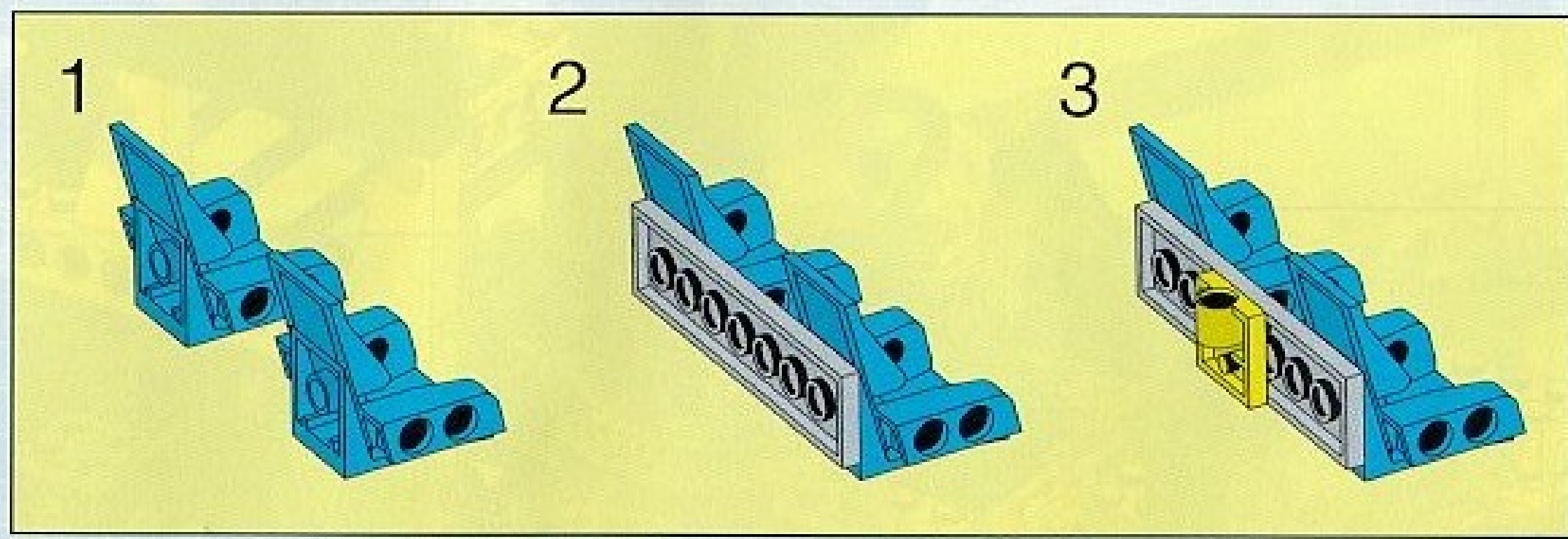
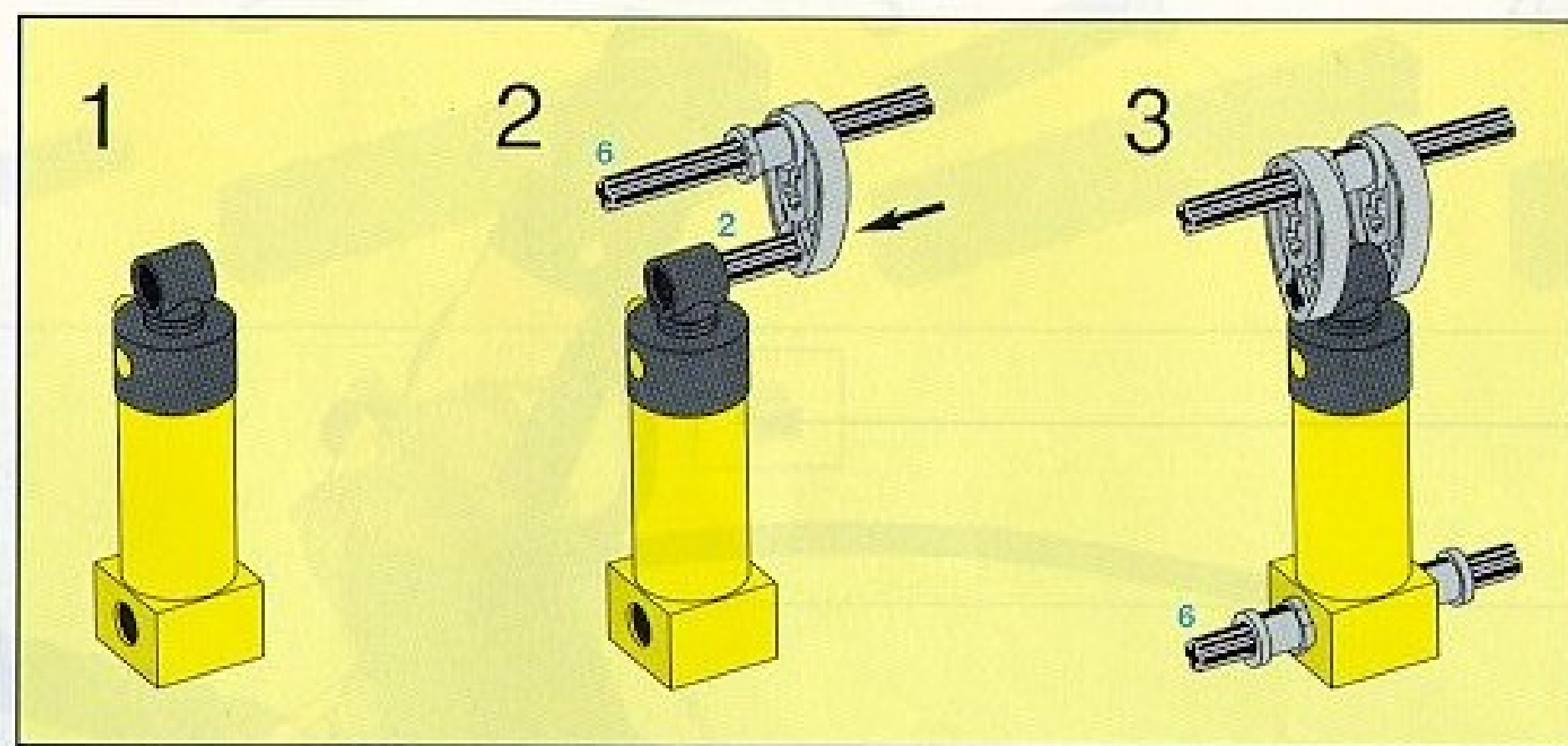


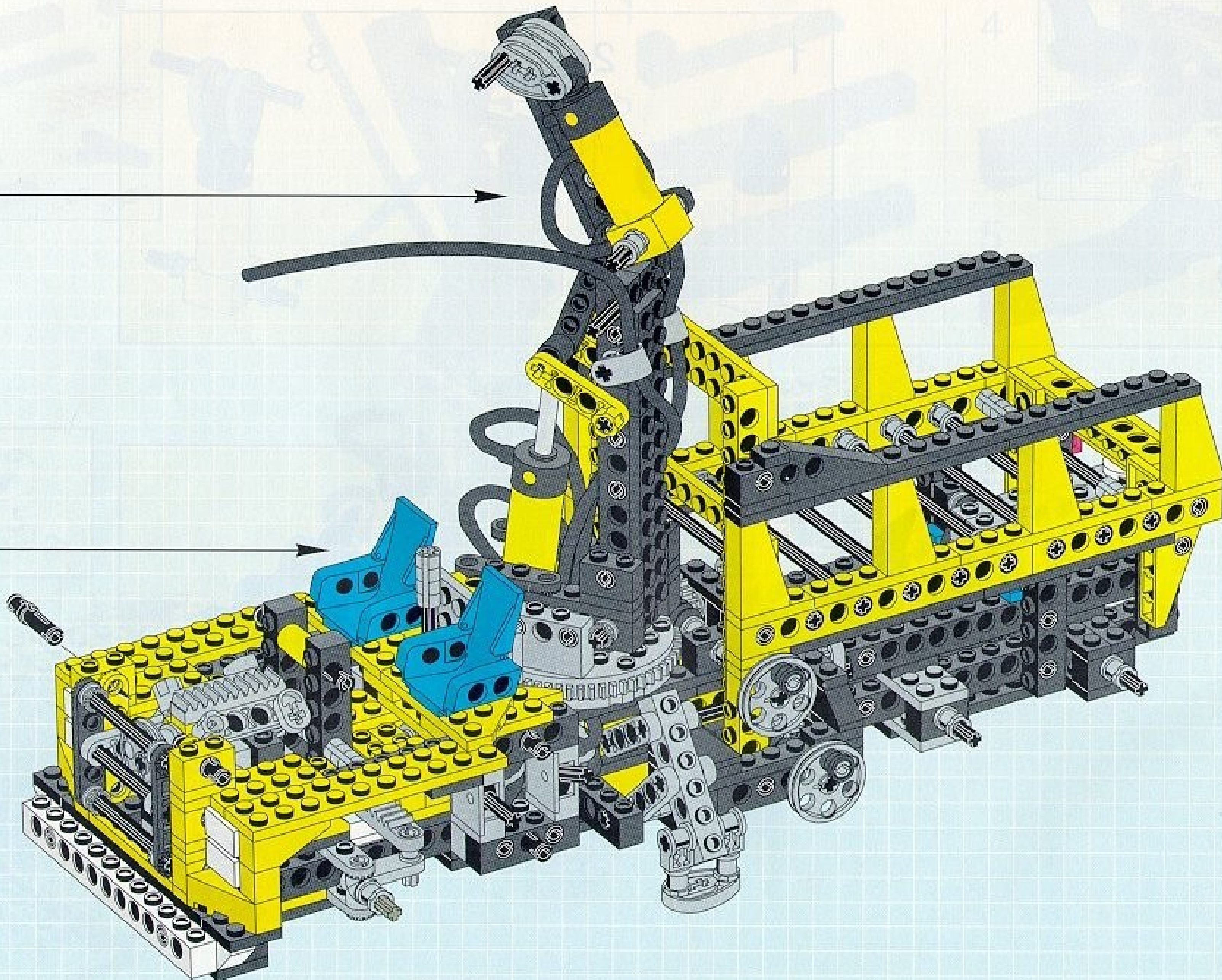
27

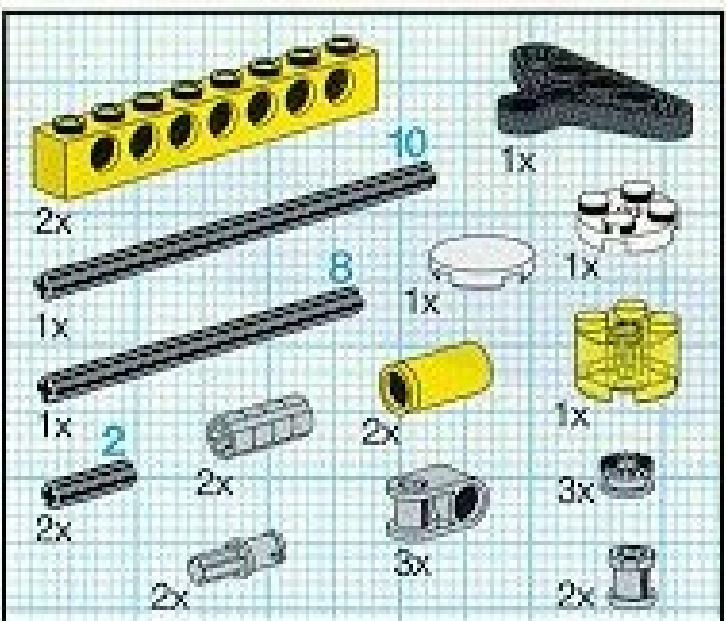




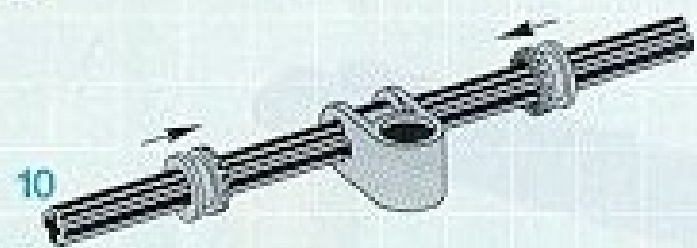
28



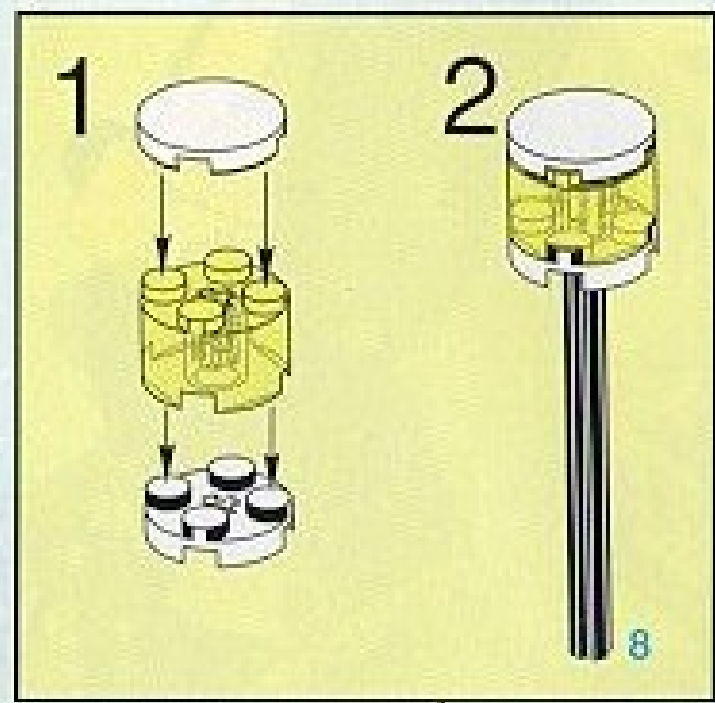
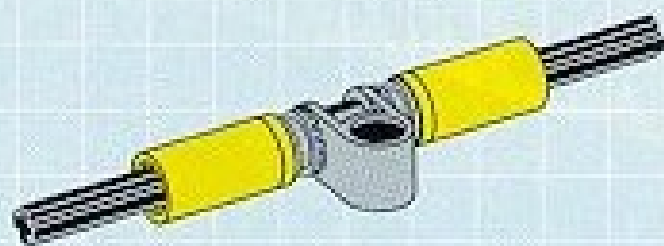




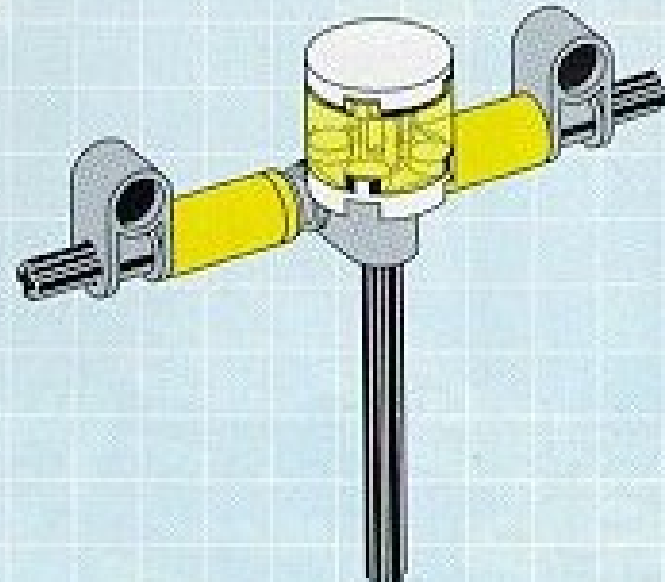
1



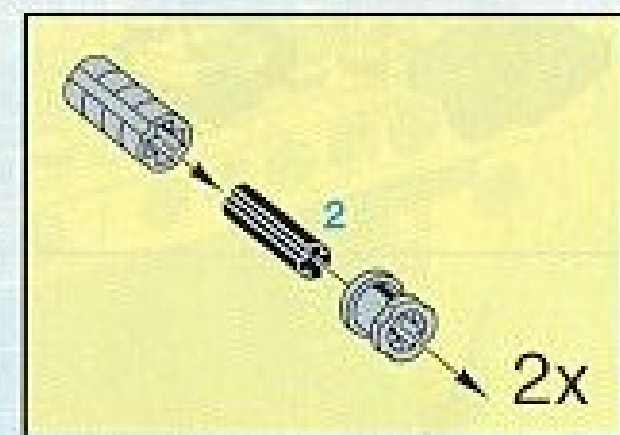
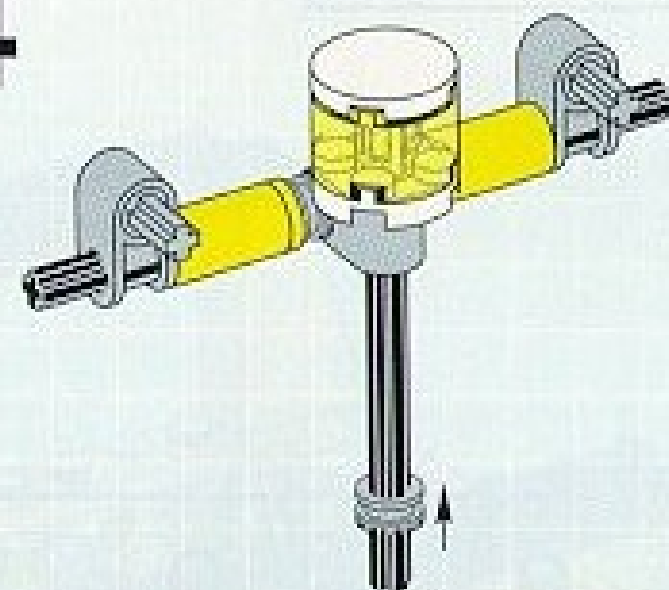
2



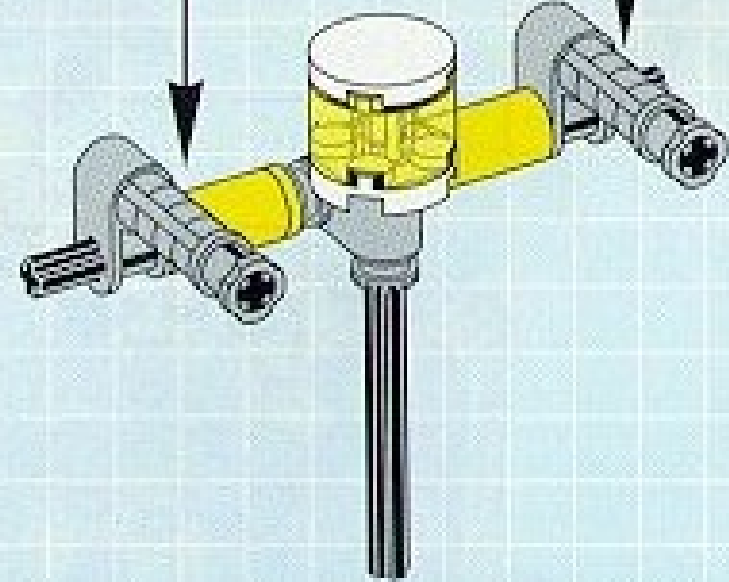
3

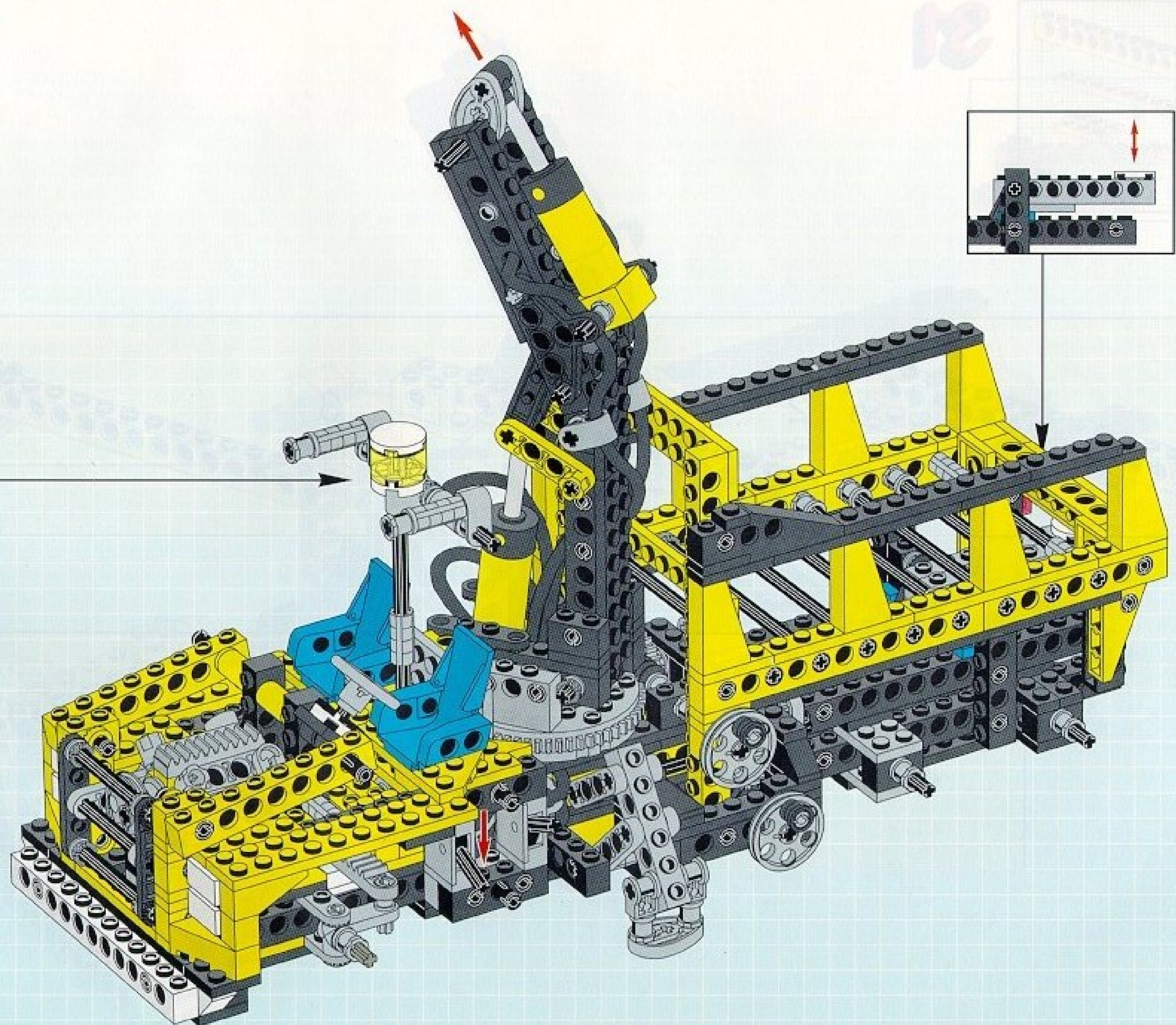


4

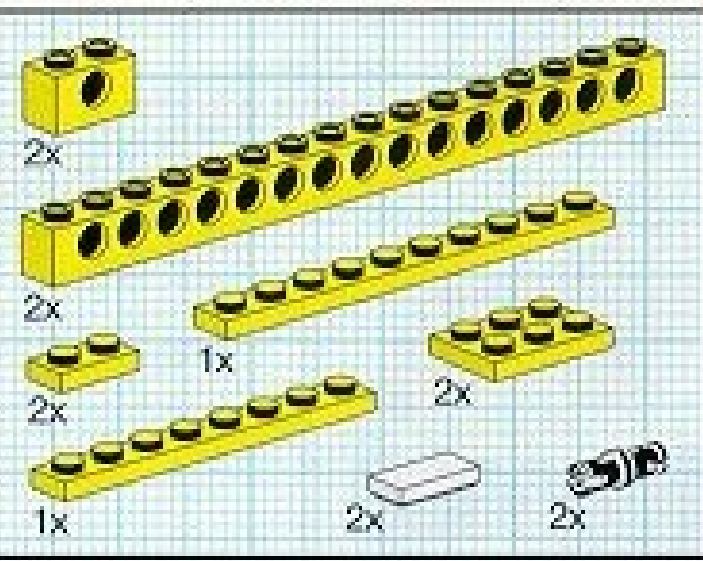


5

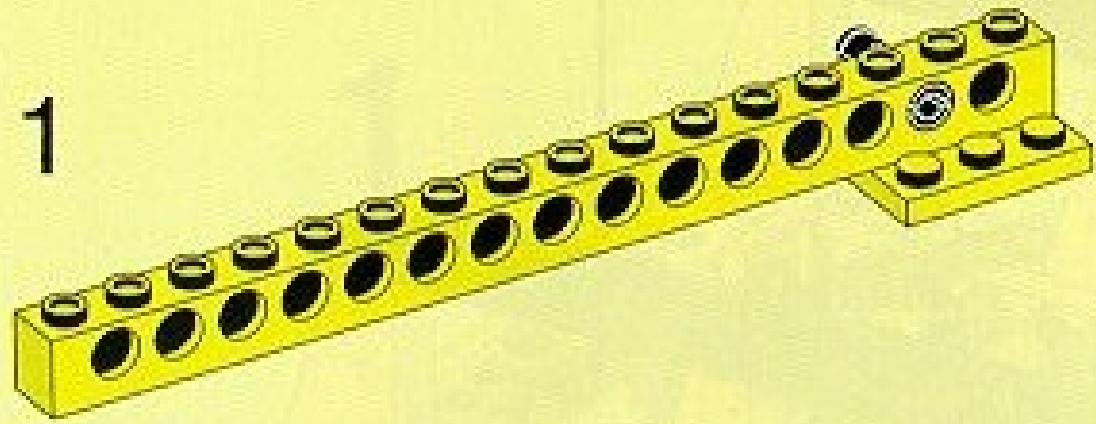




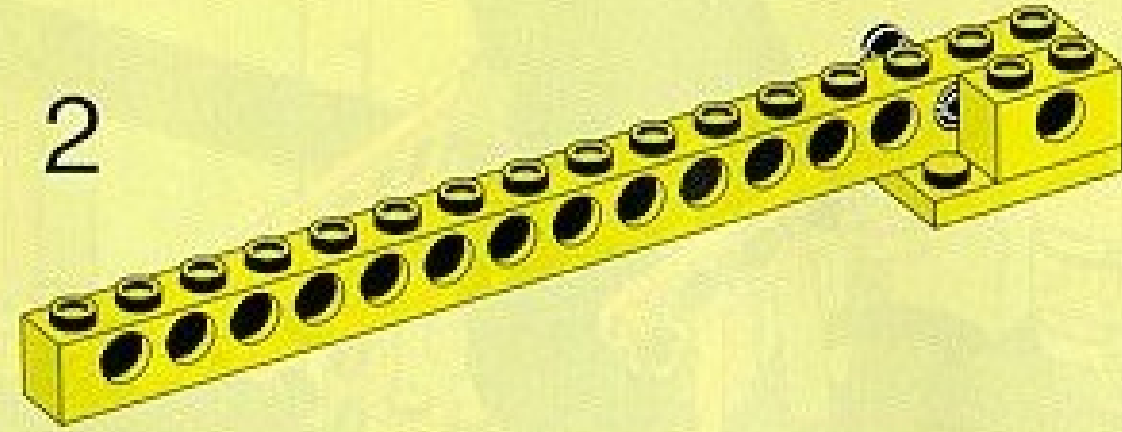
31



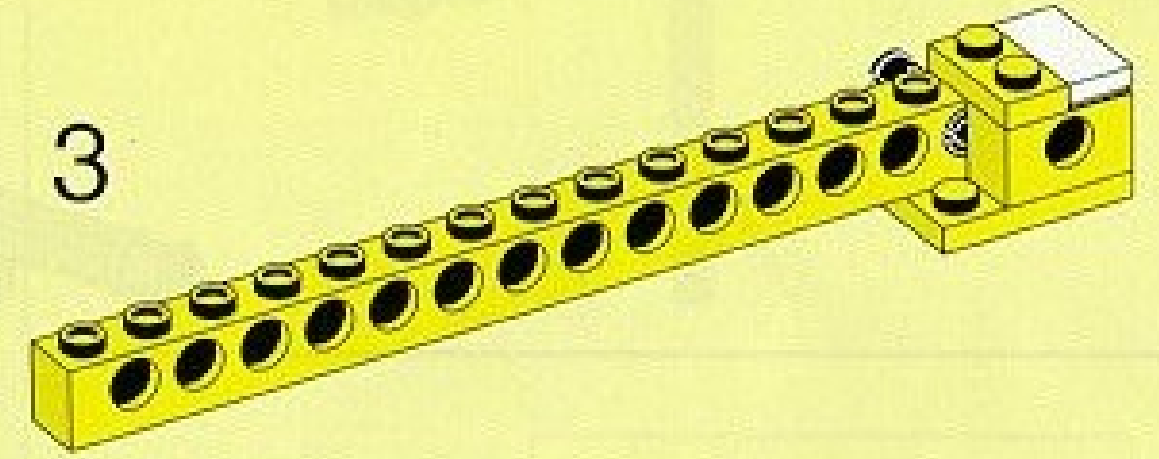
1



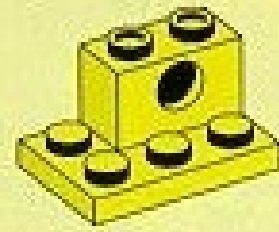
2



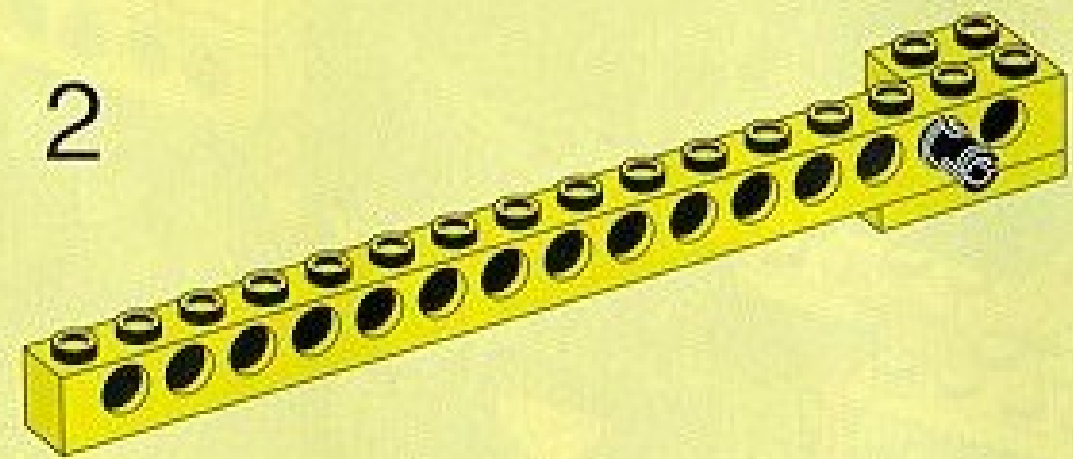
3



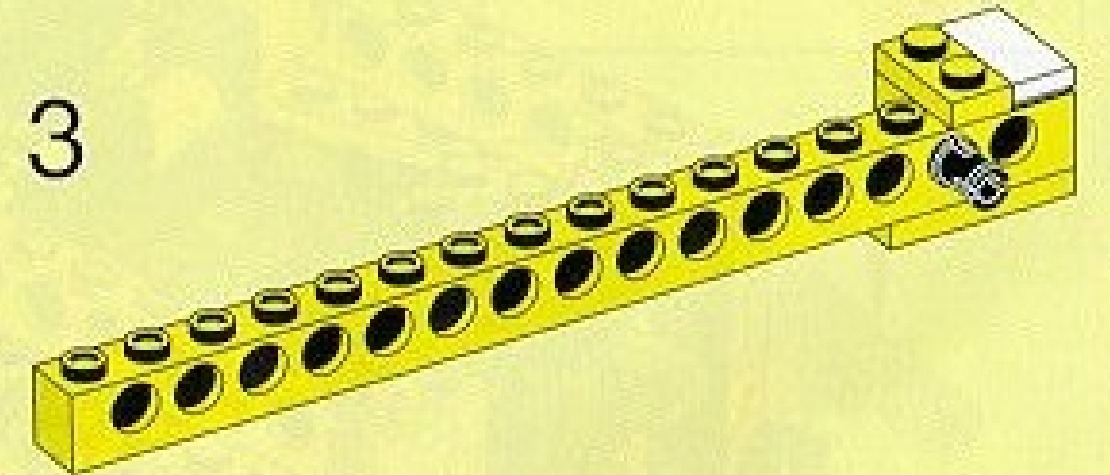
1

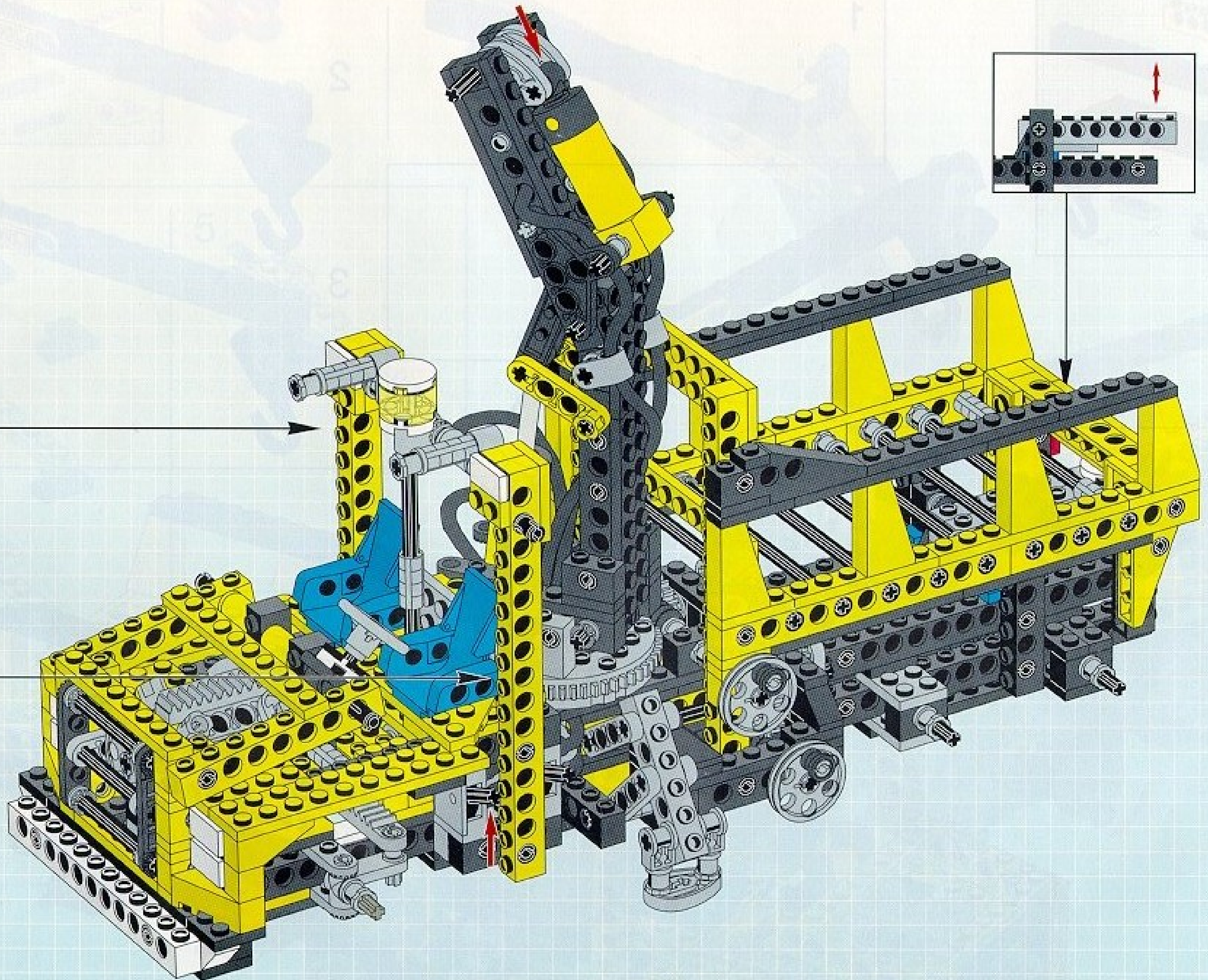


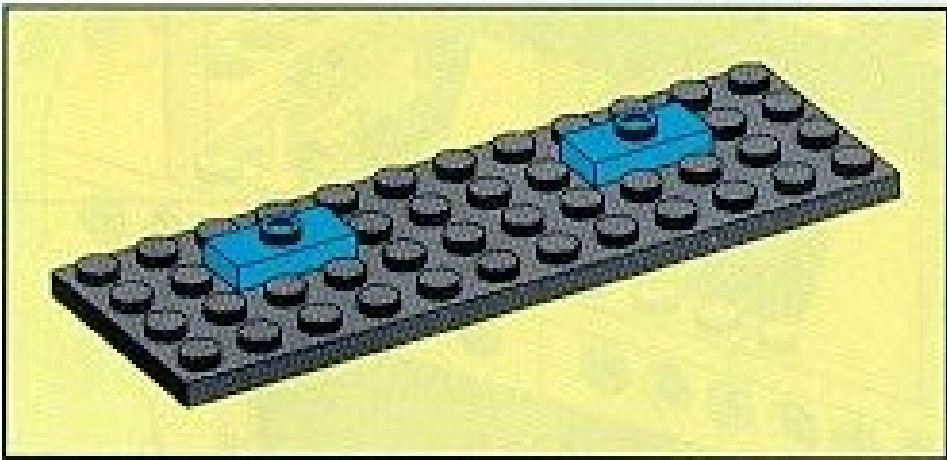
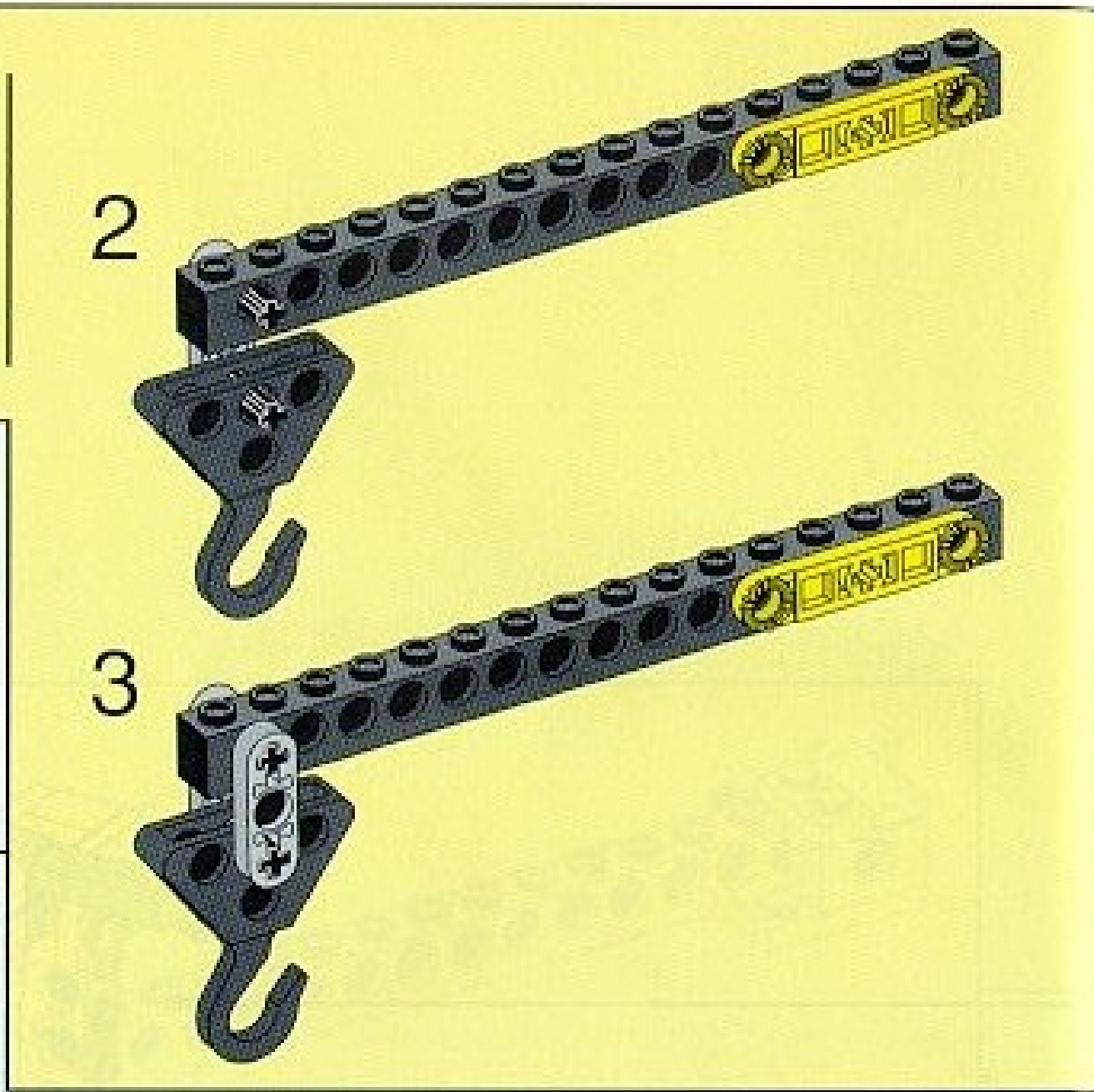
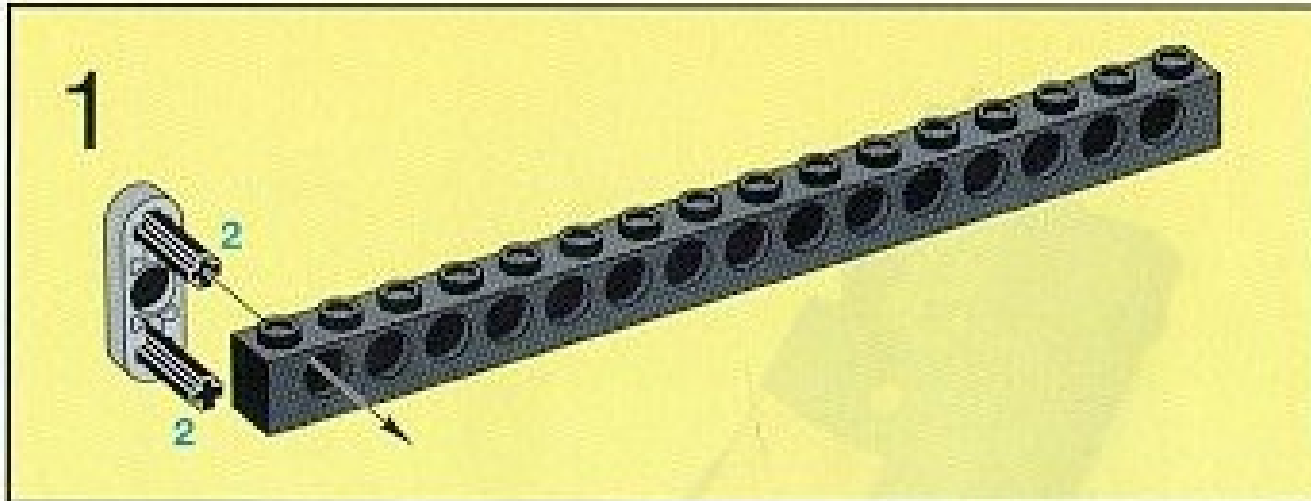
2



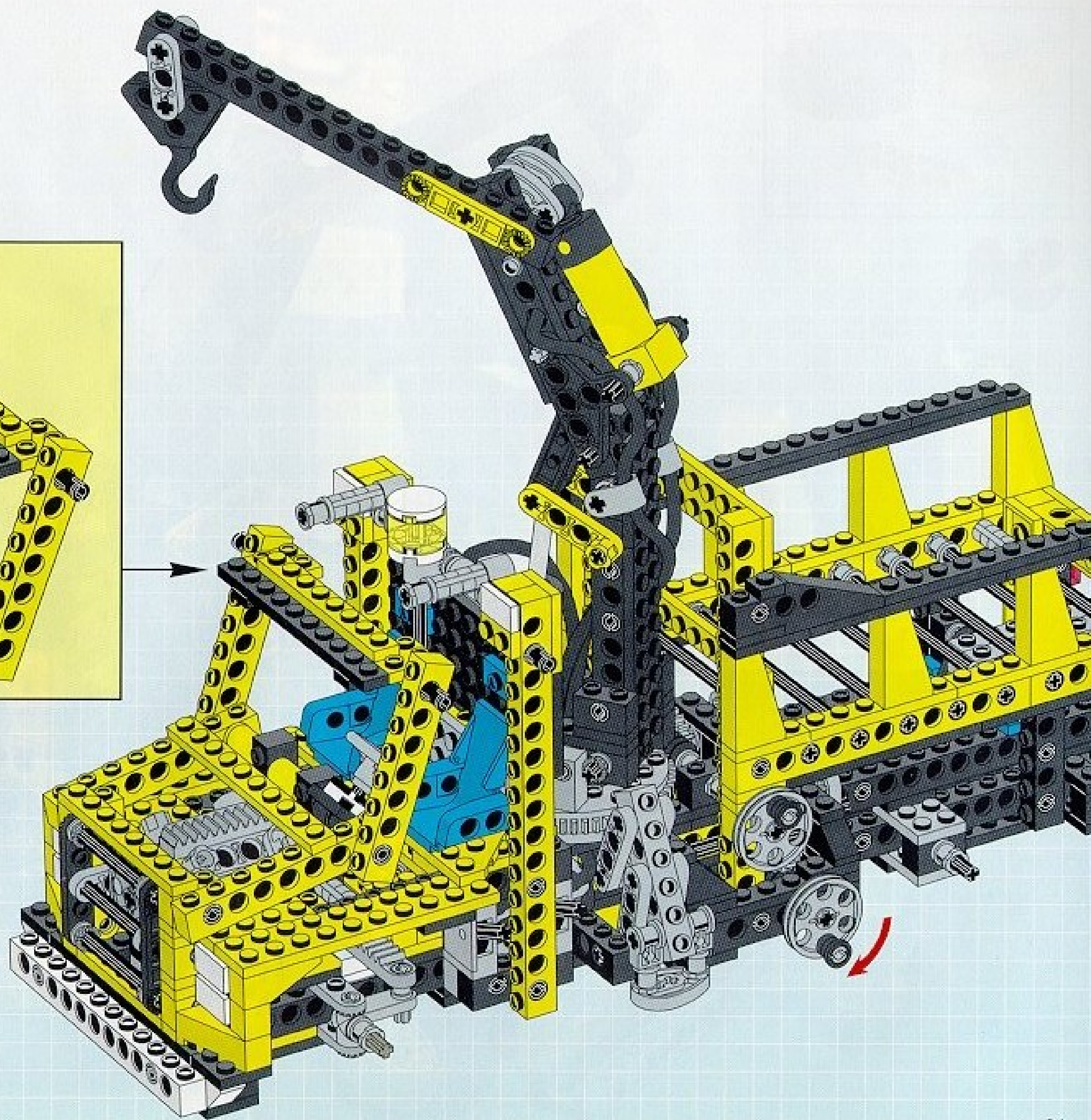
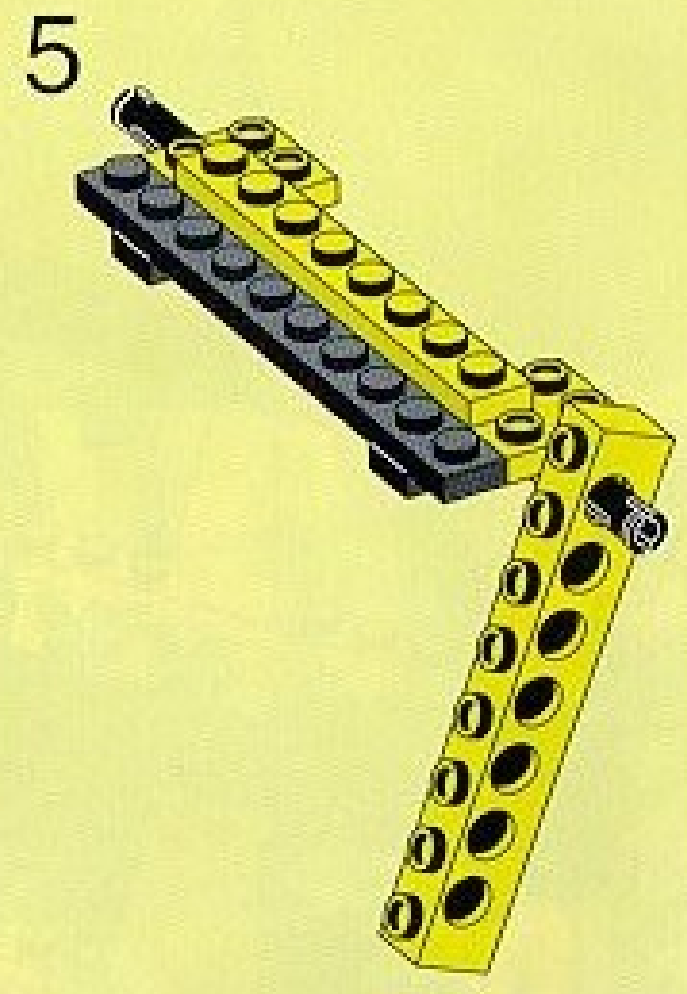
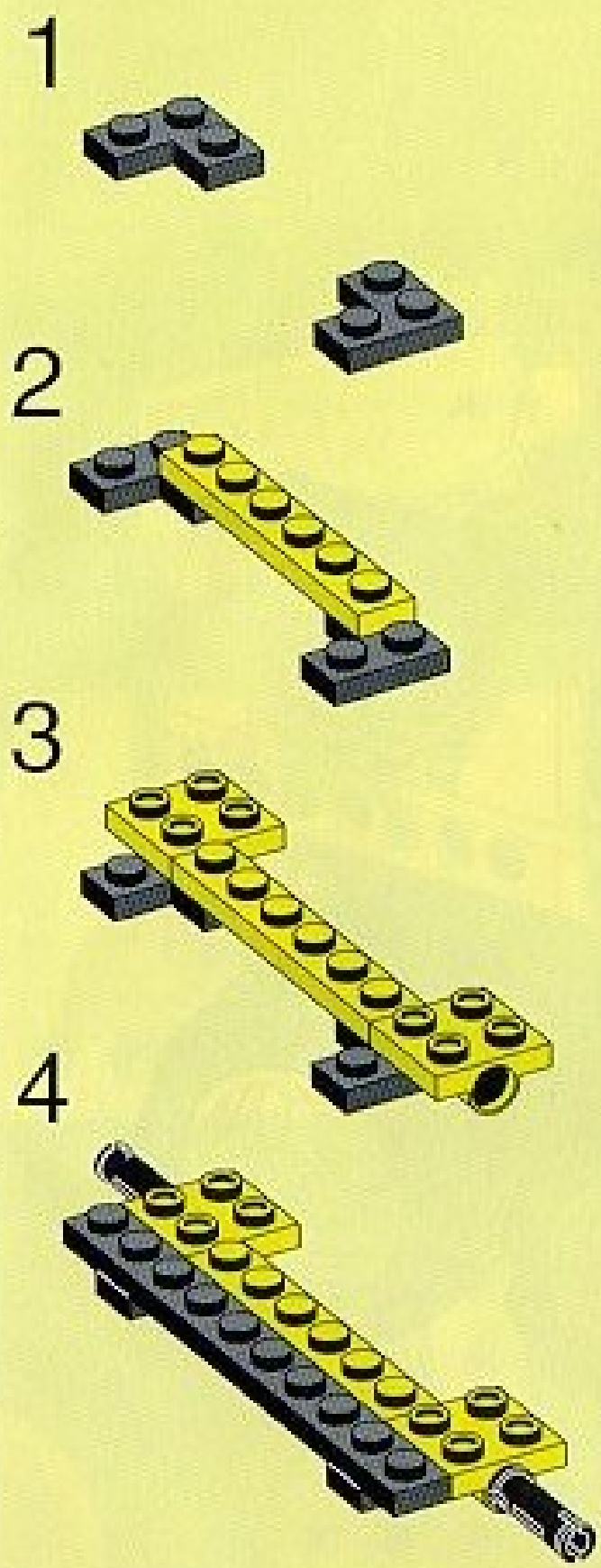
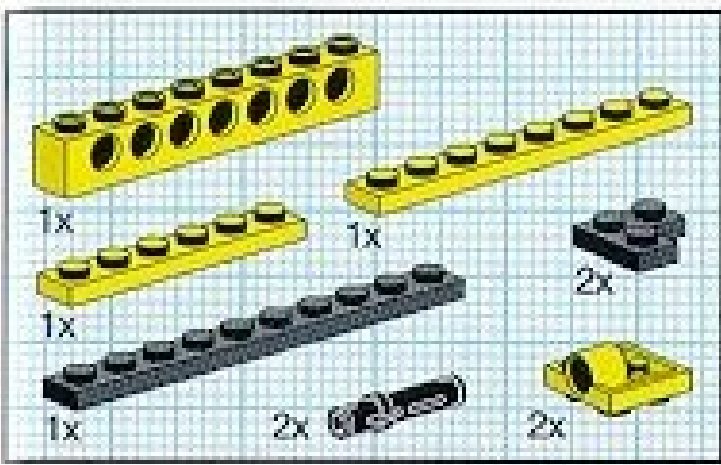
3

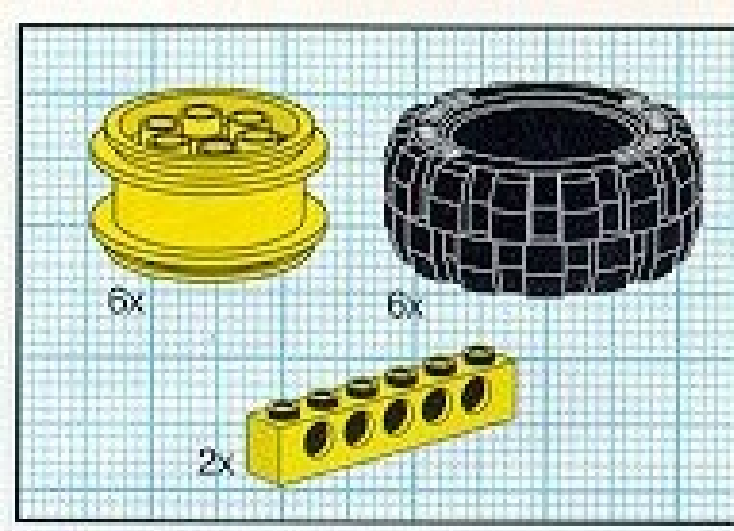






32





34

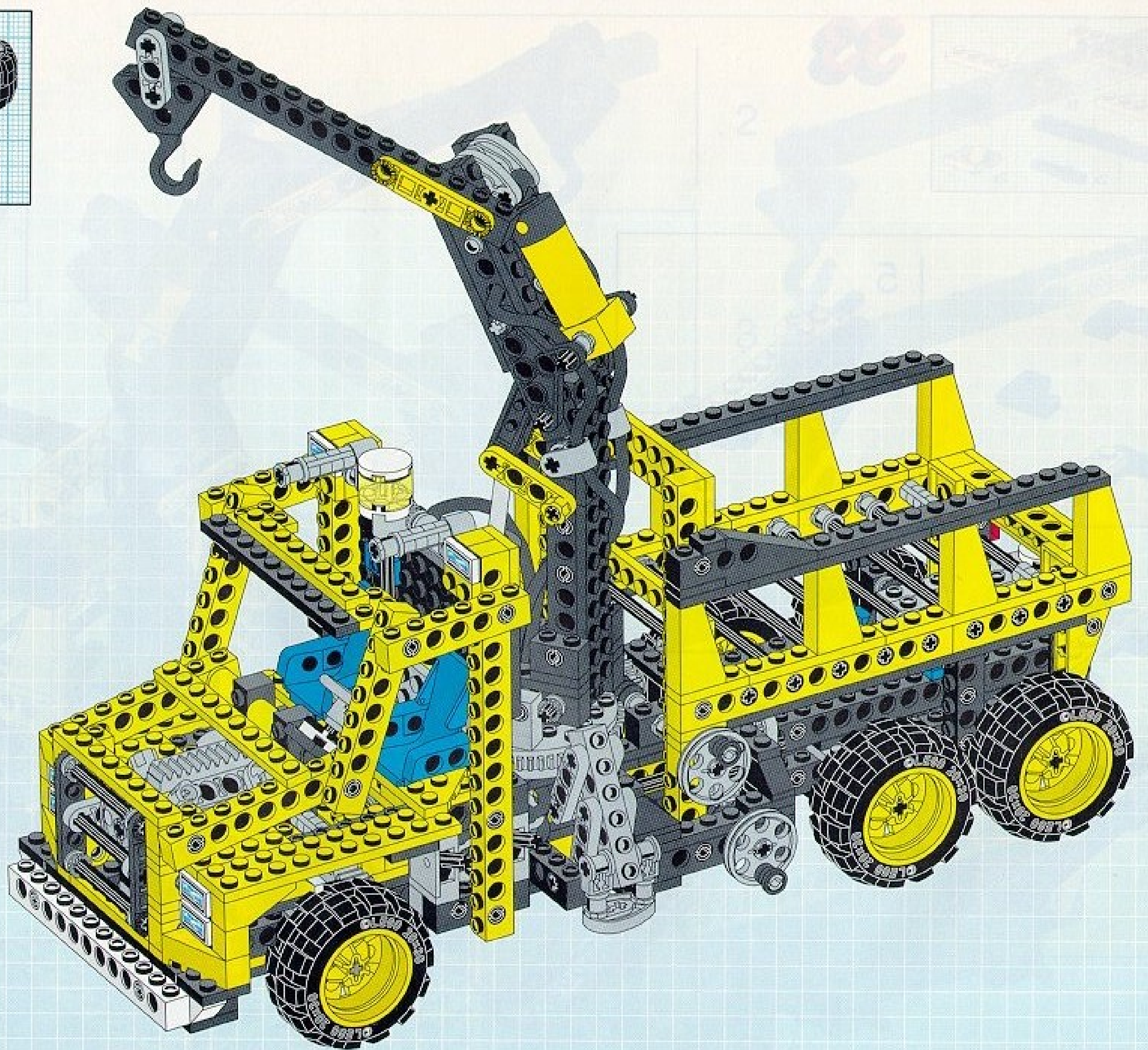












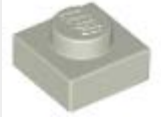




Image	Qty	Item No	Description	MID
Regular Items:				
Parts:				
+  *	6	3005	Yellow Brick 1 x 1 Catalog: Parts: Brick	PG
+  *	4	3004	Yellow Brick 1 x 2 Catalog: Parts: Brick	PG
+  *	2	3622	Black Brick 1 x 3 Catalog: Parts: Brick	PG
+  *	4	2357	Yellow Brick 2 x 2 Corner Catalog: Parts: Brick	PG
+  *	8	4070	Black Brick, Modified 1 x 1 with Headlight Catalog: Parts: Brick, Modified	PG
+  *	2	4070	Yellow Brick, Modified 1 x 1 with Headlight Catalog: Parts: Brick, Modified	PG
+  *	2	3941	Trans-Yellow Brick, Round 2 x 2 with Axle Hole Catalog: Parts: Brick, Round	PG
+  *	2	4275	Yellow Hinge Plate 1 x 2 with 3 Fingers Catalog: Parts: Hinge	PG
+  *	2	4504	Yellow Hinge Plate 1 x 6 with 2 and 3 Fingers On Ends Catalog: Parts: Hinge	PG
+  *	2	4531	Yellow Hinge Tile 1 x 2 1/2 with 2 Fingers on Top Catalog: Parts: Hinge	PG
+  *	1	5102	Light Gray Hose, Pneumatic 4mm D. (Undetermined Length) Catalog: Parts: Hose, Pneumatic 4mm D.	PG

+  1 [5102c207](#) **Black Hose, Pneumatic 4mm D. 207L / 165.6cm** [PG](#)
No image
[Catalog:](#) [Parts:](#) [Hose, Pneumatic 4mm D.](#)

+  6 [3024](#) **Black Plate 1 x 1** [PG](#)
*
[Catalog:](#) [Parts:](#) [Plate](#)

+  2 [3024](#) **Light Gray Plate 1 x 1** [PG](#)
*
[Catalog:](#) [Parts:](#) [Plate](#)

+  3 [3024](#) **Yellow Plate 1 x 1** [PG](#)
*
[Catalog:](#) [Parts:](#) [Plate](#)


+  14 [3023](#) **Black Plate 1 x 2** [PG](#)
*
[Catalog:](#) [Parts:](#) [Plate](#)

+  7 [3023](#) **Light Gray Plate 1 x 2** [PG](#)
*
[Catalog:](#) [Parts:](#) [Plate](#)

+  12 [3023](#) **Yellow Plate 1 x 2** [PG](#)
*
[Catalog:](#) [Parts:](#) [Plate](#)


+  8 [3623](#) **Black Plate 1 x 3** [PG](#)
*
[Catalog:](#) [Parts:](#) [Plate](#)

+  7 [3623](#) **Yellow Plate 1 x 3** [PG](#)
*
[Catalog:](#) [Parts:](#) [Plate](#)

+  15 [3710](#) **Black Plate 1 x 4** [PG](#)
*
[Catalog:](#) [Parts:](#) [Plate](#)


+  4 [3710](#) **Light Gray Plate 1 x 4** [PG](#)
*
[Catalog:](#) [Parts:](#) [Plate](#)

+  2 [3710](#) **Yellow Plate 1 x 4** [PG](#)
*
[Catalog:](#) [Parts:](#) [Plate](#)


+	 *	15	3666	Black Plate 1 x 6 Catalog: Parts: Plate	PG
---	---	----	----------------------	---	--------------------

+	 *	2	3666	Light Gray Plate 1 x 6 Catalog: Parts: Plate	PG
---	--	---	----------------------	--	--------------------


+	 *	4	3666	Yellow Plate 1 x 6 Catalog: Parts: Plate	PG
---	--	---	----------------------	--	--------------------


+	 *	21	3460	Black Plate 1 x 8 Catalog: Parts: Plate	PG
---	--	----	----------------------	---	--------------------


+	 *	4	3460	Yellow Plate 1 x 8 Catalog: Parts: Plate	PG
---	--	---	----------------------	--	--------------------


+	 *	6	4477	Black Plate 1 x 10 Catalog: Parts: Plate	PG
---	---	---	----------------------	--	--------------------


+	 *	2	4477	Yellow Plate 1 x 10 Catalog: Parts: Plate	PG
---	--	---	----------------------	---	--------------------

+	 *	3	3022	Black Plate 2 x 2 Catalog: Parts: Plate	PG
---	--	---	----------------------	---	--------------------

+	 *	6	3022	Yellow Plate 2 x 2 Catalog: Parts: Plate	PG
---	--	---	----------------------	--	--------------------

+	 *	8	2420	Black Plate 2 x 2 Corner Catalog: Parts: Plate	PG
---	--	---	----------------------	--	--------------------

+	 *	4	3021	Black Plate 2 x 3 Catalog: Parts: Plate	PG
---	--	---	----------------------	---	--------------------

+	 *	2	3021	Yellow Plate 2 x 3 Catalog: Parts: Plate	PG
---	--	---	----------------------	--	--------------------

+  1 [3020](#) **Black Plate 2 x 4**
[Catalog:](#) [Parts:](#) [Plate](#) [PG](#)


*

+  5 [3020](#) **Light Gray Plate 2 x 4**
[Catalog:](#) [Parts:](#) [Plate](#) [PG](#)


*

+  4 [3020](#) **Yellow Plate 2 x 4**
[Catalog:](#) [Parts:](#) [Plate](#) [PG](#)

*

+  2 [3795](#) **Yellow Plate 2 x 6**
[Catalog:](#) [Parts:](#) [Plate](#) [PG](#)

*

+  3 [3034](#) **Black Plate 2 x 8**
[Catalog:](#) [Parts:](#) [Plate](#) [PG](#)

*

+  1 [3034](#) **Light Gray Plate 2 x 8**
[Catalog:](#) [Parts:](#) [Plate](#) [PG](#)

*

+  3 [3832](#) **Black Plate 2 x 10**
[Catalog:](#) [Parts:](#) [Plate](#) [PG](#)

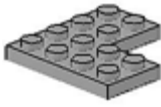
*

+  3 [3832](#) **Yellow Plate 2 x 10**
[Catalog:](#) [Parts:](#) [Plate](#) [PG](#)


*

+  1 [2445](#) **Black Plate 2 x 12**
[Catalog:](#) [Parts:](#) [Plate](#) [PG](#)


*

+  1 [2639](#) **Light Gray Plate 4 x 4 Corner**
[Catalog:](#) [Parts:](#) [Plate](#) [PG](#)













*













+  1 [3032](#) **Yellow Plate 4 x 6**
[Catalog:](#) [Parts:](#) [Plate](#) [PG](#)













*













+  1 [3029](#) **Black Plate 4 x 12**
[Catalog:](#) [Parts:](#) [Plate](#) [PG](#)











*

+	 *	2	4081b	Black Plate, Modified 1 x 1 with Clip Light - Thick Ring Catalog: Parts: Plate: Modified	PG
+	 *	6	3794a	Blue Plate, Modified 1 x 2 with 1 Stud without Groove (Jumper) Catalog: Parts: Plate: Modified	PG
+	 *	5	3794a	Yellow Plate, Modified 1 x 2 with 1 Stud without Groove (Jumper) Catalog: Parts: Plate: Modified	PG
+	 *	2	2444	Black Plate, Modified 2 x 2 with Pin Hole Catalog: Parts: Plate: Modified	PG
+	 *	4	2444	Yellow Plate, Modified 2 x 2 with Pin Hole Catalog: Parts: Plate: Modified	PG
+	 *	2	2817	Black Plate, Modified 2 x 2 with Pin Holes Catalog: Parts: Plate: Modified	PG
+	 *	2	4032	White Plate, Round 2 x 2 with Axle Hole Catalog: Parts: Plate: Round	PG
+	 *	2	2793c01	Yellow Pneumatic Cylinder with 2 Inlets Medium (48mm) with Black Top Catalog: Parts: Pneumatic	PG
+	 *	1	2797c02	Yellow Pneumatic Pump Second Version with Black Top Catalog: Parts: Pneumatic	PG
+	 *	2	4694c01	Light Gray Pneumatic Switch with Top Studs Catalog: Parts: Pneumatic	PG
+	 *	3	4697b	Light Gray Pneumatic T Piece Second Version (T Bar with Ball in Center) Catalog: Parts: Pneumatic	PG
+	 *	2	3040	Black Slope 45 2 x 1 Catalog: Parts: Slope	PG

+	 *	4	3040	Yellow Slope 45 2 x 1 Catalog : Parts : Slope	PG
+	 *	2	3045	Black Slope 45 2 x 2 Double Convex Catalog : Parts : Slope	PG
+	 *	2	3038	Yellow Slope 45 2 x 3 Catalog : Parts : Slope	PG
+	 *	8	4460a	Yellow Slope 75 2 x 1 x 3 - Open Stud Catalog : Parts : Slope	PG
+	 *	2	3684a	Yellow Slope 75 2 x 2 x 3 - Hollow Studs Catalog : Parts : Slope	PG
+	 *	2	4287	Black Slope, Inverted 33 3 x 1 Catalog : Parts : Slope , Inverted	PG
+	 *	2	4287	Yellow Slope, Inverted 33 3 x 1 Catalog : Parts : Slope , Inverted	PG
+	 *	2	3665	White Slope, Inverted 45 2 x 1 Catalog : Parts : Slope , Inverted	PG
+	 *	2	3676	Yellow Slope, Inverted 45 2 x 2 Double Convex Catalog : Parts : Slope , Inverted	PG
+	 *	1	8460stk01	Sticker for Set 8460 - (169765) Catalog : Parts : Sticker	PG
+	 * ???cm	1	x77a	Black String, Cord Thin (Undetermined Length) Catalog : Parts : String	PG
+	 *	36	3713	Light Gray Technic Bush Catalog : Parts : Technic	PG

+		36	4265b	Light Gray Technic Bush 1/2 Toothed Type II Catalog: Parts: Technic	PG
+		6	6575	Light Gray Technic Cam Catalog: Parts: Technic	PG
+		2	2853	Light Gray Technic Engine Crankshaft Catalog: Parts: Technic	PG
+		1	70644	Black Technic Hook Large Metal Catalog: Parts: Technic	PG
+		5	424	Black Technic Hub / Handle 1 x 1 Catalog: Parts: Technic	PG
+		8	6553	Light Gray Technic Pole Reverser Handle Catalog: Parts: Technic, Axle	PG
+		3	2717	Blue Technic Seat 3 x 2 Base Catalog: Parts: Technic	PG
+		4	2744	Black Technic Slope 33 6 x 1 x 1 2/3 Long (Wing Back) Catalog: Parts: Technic	PG
+		2	2744	Yellow Technic Slope 33 6 x 1 x 1 2/3 Long (Wing Back) Catalog: Parts: Technic	PG
+		1	2856c01 (inv)	Light Gray Technic Turntable Large Type 1 Catalog: Parts: Technic	PG
+		8	4185	Light Gray Technic Wedge Belt Wheel (Pulley) Catalog: Parts: Technic	PG
+		14	3704	Black Technic, Axle 2 Catalog: Parts: Technic, Axle	PG

+	 *	10	4519	Black Technic, Axle 3 Catalog: Parts: Technic, Axle	PG
+	 *	4	6587	Dark Gray Technic, Axle 3 with Stud Catalog: Parts: Technic, Axle	PG
+	 *	13	3705	Black Technic, Axle 4 Catalog: Parts: Technic, Axle	PG
+	 *	19	3706	Black Technic, Axle 6 Catalog: Parts: Technic, Axle	PG
+	 *	5	3707	Black Technic, Axle 8 Catalog: Parts: Technic, Axle	PG
+	 *	4	3737	Black Technic, Axle 10 Catalog: Parts: Technic, Axle	PG
+	 *	8	3708	Black Technic, Axle 12 Catalog: Parts: Technic, Axle	PG
+	 *	8	6536	Light Gray Technic, Axle and Pin Connector Perpendicular Catalog: Parts: Technic, Connector	PG
+	 *	2	4273	Light Gray Technic, Axle and Pin Connector Toggle Joint Toothed Catalog: Parts: Technic, Connector	PG
+	 *	9	6538b	Light Gray Technic, Axle Connector 2L (Ridged with x Hole x Orientation) Catalog: Parts: Technic, Connector	PG
+	 *	10	3749	Light Gray Technic, Axle Pin without Friction Ridges Lengthwise Catalog: Parts: Technic, Axle	PG
+	 *	8	6541	Black Technic, Brick 1 x 1 with Hole Catalog: Parts: Technic, Brick	PG


+	 *	3	6541	Yellow Technic, Brick 1 x 1 with Hole Catalog: Parts: Technic, Brick	PG
+	 *	10	3700	Black Technic, Brick 1 x 2 with Hole Catalog: Parts: Technic, Brick	PG
+	 *	4	3700	Light Gray Technic, Brick 1 x 2 with Hole Catalog: Parts: Technic, Brick	PG
+	 *	10	3700	Yellow Technic, Brick 1 x 2 with Hole Catalog: Parts: Technic, Brick	PG
+	 *	9	3701	Black Technic, Brick 1 x 4 with Holes Catalog: Parts: Technic, Brick	PG
+	 *	3	3701	Light Gray Technic, Brick 1 x 4 with Holes Catalog: Parts: Technic, Brick	PG
+	 *	2	3701	White Technic, Brick 1 x 4 with Holes Catalog: Parts: Technic, Brick	PG
+	 *	3	3701	Yellow Technic, Brick 1 x 4 with Holes Catalog: Parts: Technic, Brick	PG
+	 *	13	3894	Black Technic, Brick 1 x 6 with Holes Catalog: Parts: Technic, Brick	PG
+	 *	4	3894	Light Gray Technic, Brick 1 x 6 with Holes Catalog: Parts: Technic, Brick	PG
+	 *	1	3894	White Technic, Brick 1 x 6 with Holes Catalog: Parts: Technic, Brick	PG
+	 *	9	3894	Yellow Technic, Brick 1 x 6 with Holes Catalog: Parts: Technic, Brick	PG

+  4 [3702](#) **Black Technic, Brick 1 x 8 with Holes** [PG](#)
[Catalog:](#) [Parts:](#) [Technic, Brick](#)

+  2 [3702](#) **Light Gray Technic, Brick 1 x 8 with Holes** [PG](#)
[Catalog:](#) [Parts:](#) [Technic, Brick](#)

+  7 [3702](#) **Yellow Technic, Brick 1 x 8 with Holes** [PG](#)
[Catalog:](#) [Parts:](#) [Technic, Brick](#)

+  4 [2730](#) **Black Technic, Brick 1 x 10 with Holes** [PG](#)
[Catalog:](#) [Parts:](#) [Technic, Brick](#)

+  1 [2730](#) **Yellow Technic, Brick 1 x 10 with Holes** [PG](#)
[Catalog:](#) [Parts:](#) [Technic, Brick](#)


+  5 [3895](#) **Black Technic, Brick 1 x 12 with Holes** [PG](#)
[Catalog:](#) [Parts:](#) [Technic, Brick](#)


+  1 [3895](#) **White Technic, Brick 1 x 12 with Holes** [PG](#)
[Catalog:](#) [Parts:](#) [Technic, Brick](#)

+  2 [3895](#) **Yellow Technic, Brick 1 x 12 with Holes** [PG](#)
[Catalog:](#) [Parts:](#) [Technic, Brick](#)













+  10 [3703](#) **Black Technic, Brick 1 x 16 with Holes** [PG](#)
[Catalog:](#) [Parts:](#) [Technic, Brick](#)













+  4 [3703](#) **Yellow Technic, Brick 1 x 16 with Holes** [PG](#)
[Catalog:](#) [Parts:](#) [Technic, Brick](#)

+  10 [3647](#) **Light Gray Technic, Gear 8 Tooth Type 1** [PG](#)
[Catalog:](#) [Parts:](#) [Technic, Gear](#)

+  13 [6589](#) **Light Gray Technic, Gear 12 Tooth Bevel** [PG](#)
[Catalog:](#) [Parts:](#) [Technic, Gear](#)

+		3	4019	Light Gray Technic, Gear 16 Tooth (First Version - 4 Round Holes)	PG
	*			Catalog: Parts: Technic: Gear	
+		3	x187	Light Gray Technic, Gear 24 Tooth (1st Version - 3 Axle Holes)	PG
	*			Catalog: Parts: Technic: Gear	
+		7	3743	Light Gray Technic, Gear Rack 1 x 4	PG
	*			Catalog: Parts: Technic: Gear	
+		2	6592	Light Gray Technic, Gear Rack 1 x 10 with Holes	PG
	*			Catalog: Parts: Technic: Gear	
+		3	4716	Black Technic, Gear Worm Screw, Long	PG
	*			Catalog: Parts: Technic: Gear	
+		2	6632	Light Gray Technic, Liftarm 1 x 3 Thin	PG
	*			Catalog: Parts: Technic: Liftarm	
+		2	2825	Black Technic, Liftarm 1 x 4 Thin with Stud Connector	PG
	*			Catalog: Parts: Technic: Liftarm	
+		18	2825	Light Gray Technic, Liftarm 1 x 4 Thin with Stud Connector	PG
	*			Catalog: Parts: Technic: Liftarm	
+		2	2825	Yellow Technic, Liftarm 1 x 4 Thin with Stud Connector	PG
	*			Catalog: Parts: Technic: Liftarm	
+		4	2905	Black Technic, Liftarm Triangle Thin	PG
	*			Catalog: Parts: Technic: Liftarm	
+		12	4274	Light Gray Technic, Pin 1/2	PG
	*			Catalog: Parts: Technic: Pin	
+		15	6558	Black Technic, Pin 3L with Friction Ridges Lengthwise	PG
	*			Catalog: Parts: Technic: Pin	

+	 *	4	75535	Yellow Technic, Pin Connector Round 2L without Slot (Pin Joiner Round)	PG
				Catalog: Parts: Technic: Connector	
+	 *	62	2780	Black Technic, Pin with Friction Ridges Lengthwise WITH Center Slots	PG
				Catalog: Parts: Technic: Pin	
+	 *	6	3673	Light Gray Technic, Pin without Friction Ridges Lengthwise	PG
				Catalog: Parts: Technic: Pin	
+	 *	2	4263	Black Technic, Plate 1 x 4 with Toothed Ends	PG
				Catalog: Parts: Technic: Plate	
+	 *	2	4263	Light Gray Technic, Plate 1 x 4 with Toothed Ends	PG
				Catalog: Parts: Technic: Plate	
+	 *	2	2711	Black Technic, Plate 1 x 5 with Toothed Ends, 2 Studs and Center Axle Hole	PG
				Catalog: Parts: Technic: Plate	
+	 *	8	2711	Yellow Technic, Plate 1 x 5 with Toothed Ends, 2 Studs and Center Axle Hole	PG
				Catalog: Parts: Technic: Plate	
+	 *	2	4262	Black Technic, Plate 1 x 6 with Toothed Ends	PG
				Catalog: Parts: Technic: Plate	
+	 *	3	2719	Light Gray Technic, Plate 1 x 10 with Toothed Ends	PG
				Catalog: Parts: Technic: Plate	
+	 *	2	3709b	Yellow Technic, Plate 2 x 4 with 3 Holes	PG
				Catalog: Parts: Technic: Plate	
+	 *	2	3738	Black Technic, Plate 2 x 8 with 7 Holes	PG
				Catalog: Parts: Technic: Plate	
+	 *	4	4261	Light Gray Technic, Steering Arm	PG
				Catalog: Parts: Technic: Steering	

+	 *	1	2819	Light Gray Technic, Steering Wheel Small, 3 Studs Diameter Catalog: Parts: Technic, Steering	PG
+	 *	2	3070b	Trans-Red Tile 1 x 1 with Groove (3070) Catalog: Parts: Tile	PG
+	 *	2	3070b	Yellow Tile 1 x 1 with Groove (3070) Catalog: Parts: Tile	PG
+	 *	8	3069b	White Tile 1 x 2 with Groove Catalog: Parts: Tile	PG
+	 *	2	4150	White Tile, Round 2 x 2 Catalog: Parts: Tile, Round	PG
+	 *	6	6581	Black Tire 20 x 30 Balloon Medium Catalog: Parts: Tire & Tread	PG
+	 *	2	6565	Yellow Wedge 3 x 2 Left Catalog: Parts: Wedge	PG
+	 *	2	6564	Yellow Wedge 3 x 2 Right Catalog: Parts: Wedge	PG
+	 *	2	2419	Yellow Wedge, Plate 3 x 6 Cut Corners Catalog: Parts: Wedge, Plate	PG
+	 *	2	3936	Yellow Wedge, Plate 4 x 4 Wing Left Catalog: Parts: Wedge, Plate	PG
+	 *	2	3935	Yellow Wedge, Plate 4 x 4 Wing Right Catalog: Parts: Wedge, Plate	PG
+	 *	6	6582	Yellow Wheel 20 x 30 Balloon Medium Catalog: Parts: Wheel	PG

+



*

1

[3482](#)

Light Gray Wheel with Split Axle Hole

[Catalog](#): [Parts](#): [Wheel](#)

[PG](#)

Extra Items:

+



*

1

[4265b](#)

Light Gray Technic Bush 1/2 Toothed Type II

[Catalog](#): [Parts](#): [Technic](#)

[PG](#)

+



*

1

[3070b](#)

Trans-Red Tile 1 x 1 with Groove (3070)

[Catalog](#): [Parts](#): [Tile](#)

[PG](#)

+



*

1

[3070b](#)

Yellow Tile 1 x 1 with Groove (3070)

[Catalog](#): [Parts](#): [Tile](#)

[PG](#)

Counterparts:

+



*

1

[3045pb02L](#)

Black Slope 45 2 x 2 Double Convex with Gauges Pattern Left (Sticker)

[Catalog](#): [Parts](#): [Slope, Decorated](#)

[PG](#)

+



*

1

[3045pb02R](#)

Black Slope 45 2 x 2 Double Convex with Gauges Pattern Right (Sticker)

[Catalog](#): [Parts](#): [Slope, Decorated](#)

[PG](#)

+



*

1

[4460pb009L](#)

Yellow Slope 75 2 x 1 x 3 with Black and Yellow Danger Stripes Pattern on Left Side (Sticker) - Pneumatic Crane Trucks

[Catalog](#): [Parts](#): [Slope, Decorated](#)

[PG](#)

+



*

1

[4460pb009R](#)

Yellow Slope 75 2 x 1 x 3 with Black and Yellow Danger Stripes Pattern on Right Side (Sticker) - Pneumatic Crane Trucks

[Catalog](#): [Parts](#): [Slope, Decorated](#)

[PG](#)

+



*

6

[3069bpb010](#)

White Tile 1 x 2 with Groove with Headlight Medium Blue Pattern (Sticker) - (Pneumatic Crane Sets)

[Catalog](#): [Parts](#): [Tile, Decorated](#)

[PG](#)

+



*

1

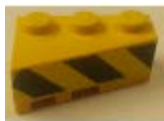
[6565pb17](#)

Yellow Wedge 3 x 2 Left with Black and Yellow Danger Stripes Pattern (Sticker) - Pneumatic Crane Truck

[Catalog](#): [Parts](#): [Wedge, Decorated](#)

[PG](#)

+



*

1

[6564pb17](#)

Yellow Wedge 3 x 2 Right with Black and Yellow Danger Stripes Pattern (Sticker) - Pneumatic Crane Truck

[Catalog](#): [Parts](#): [Wedge, Decorated](#)

[PG](#)

Yellow Wheel 20 x 30 Balloon Medium, with Black Tire 20 x

+




6 [6582c01\(inv\)](#) **30 Balloon Medium (6582 / 6581)**
[Catalog:](#) [Parts:](#) [Wheel & Tire Assembly](#)

[PG](#)

Summary:

Type	Unique Lots	Total Qty
Regular Items:		
Parts	156	850
Extra Items:		
Parts	3	3
Counterparts:		
Parts	8	18

[SimplyBricks \(17769\)](#)  inventoried this Set on Jan 26, 2006, inventory last updated on Apr 4, 2018.