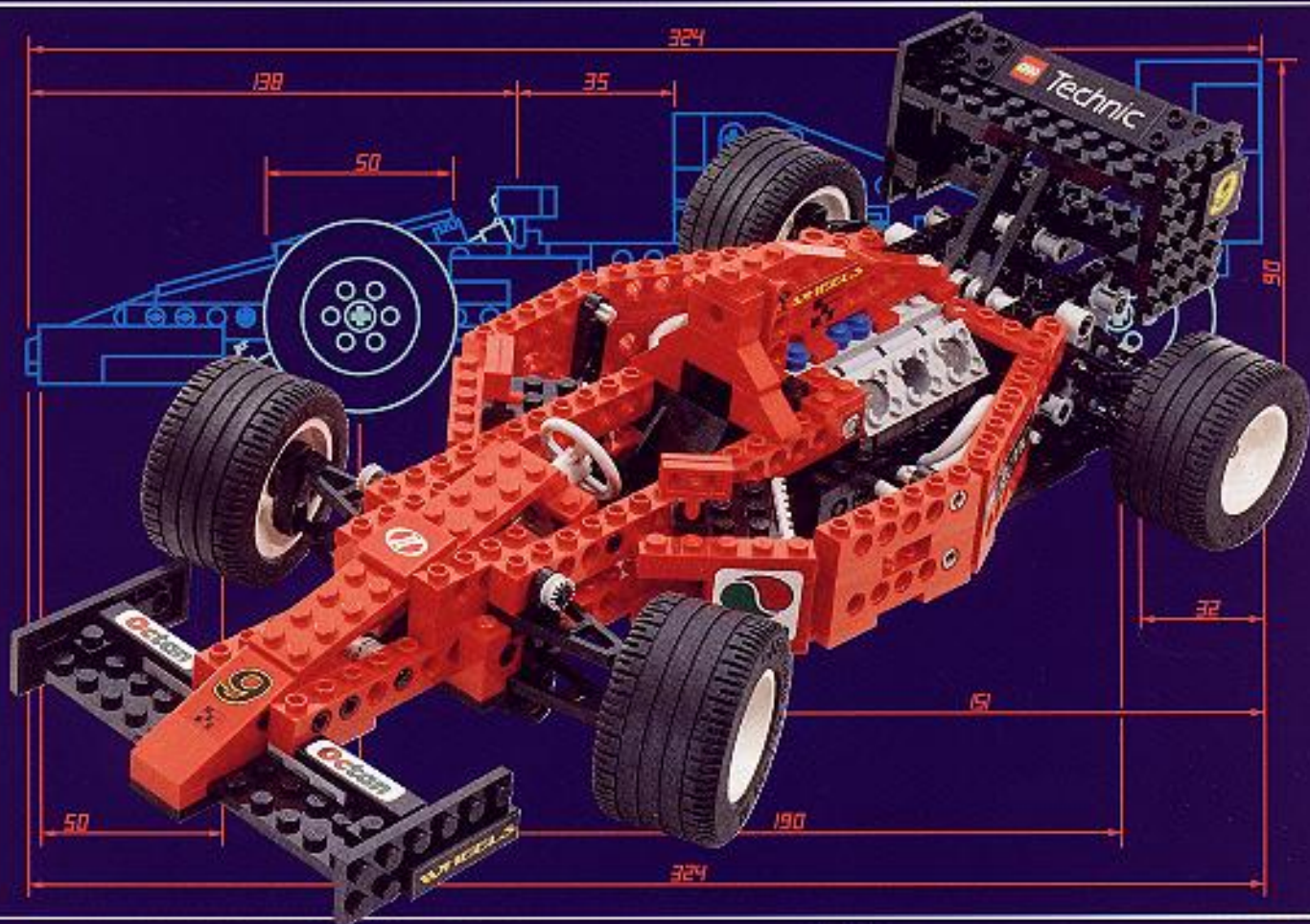
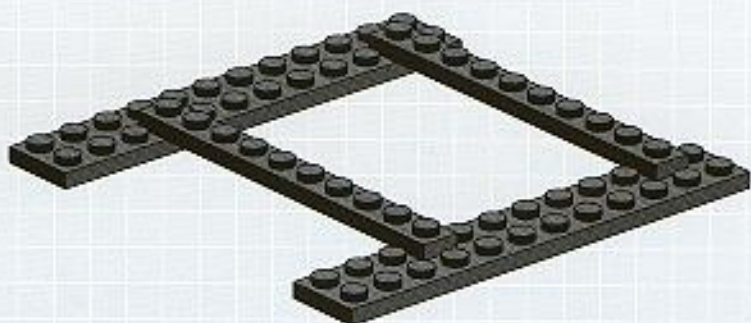
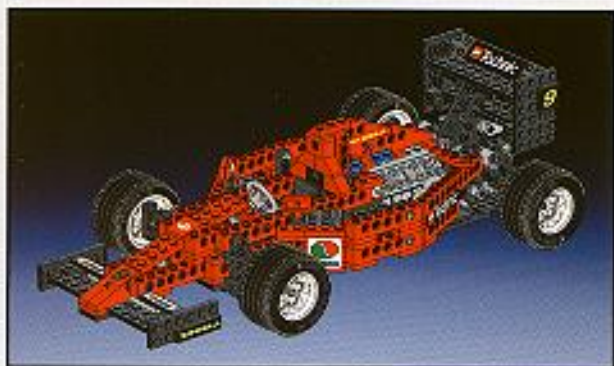
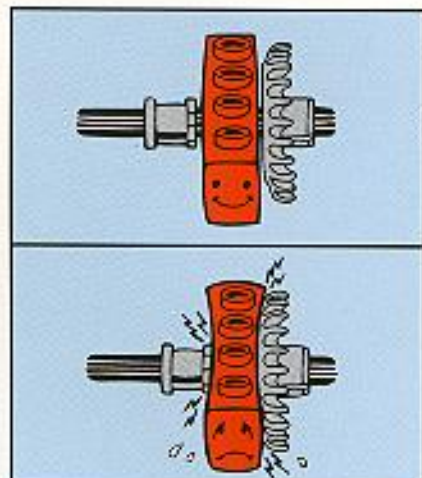
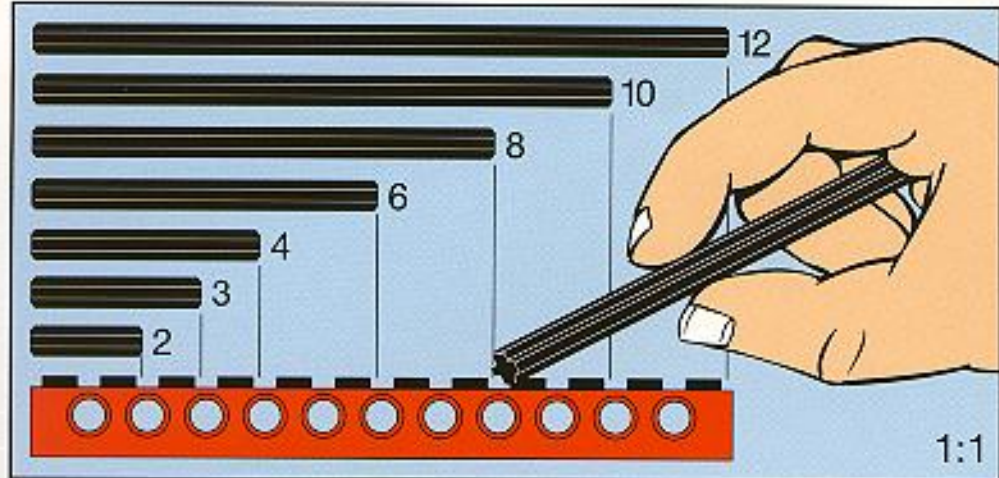


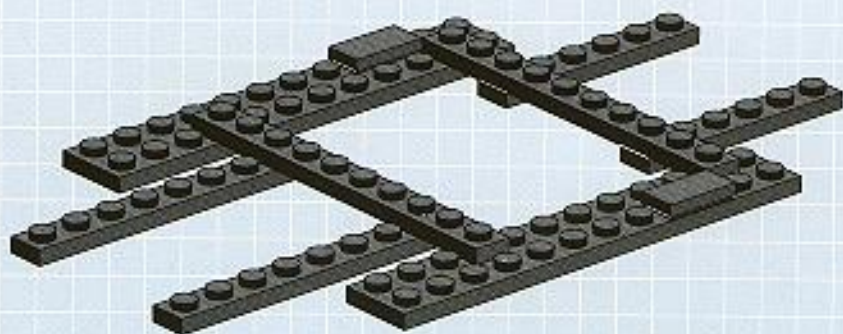
LEGO

Technic

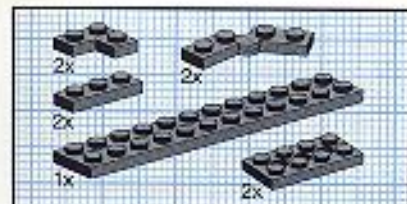
**8440**



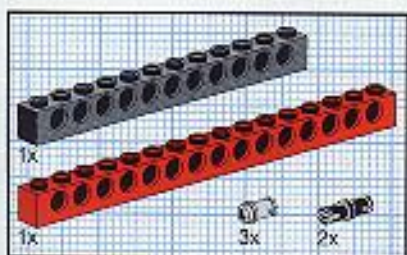
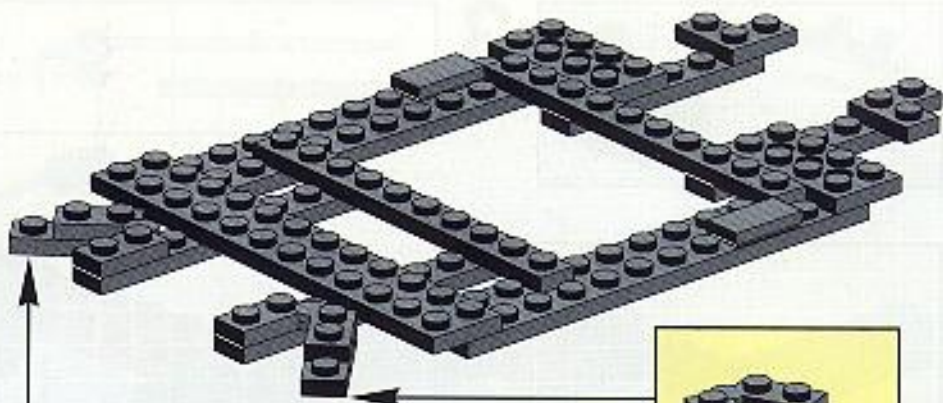
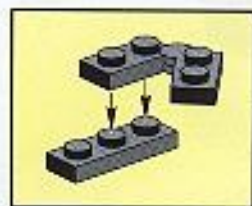
1



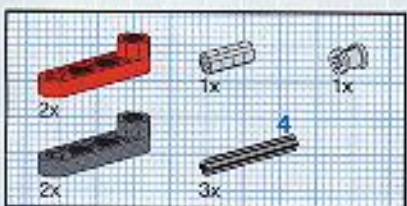
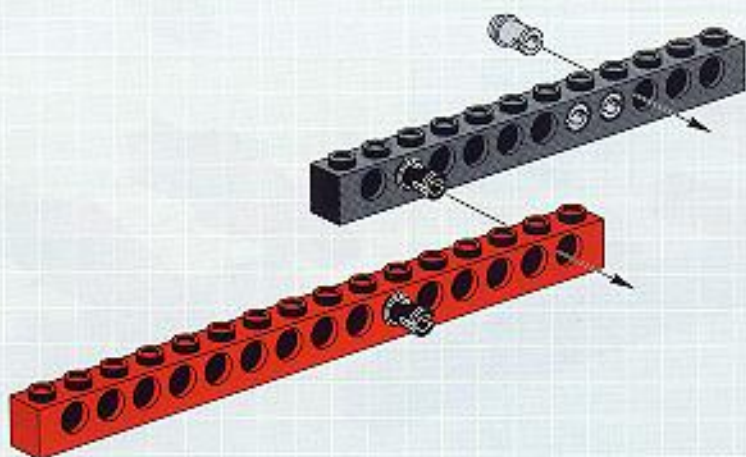
2



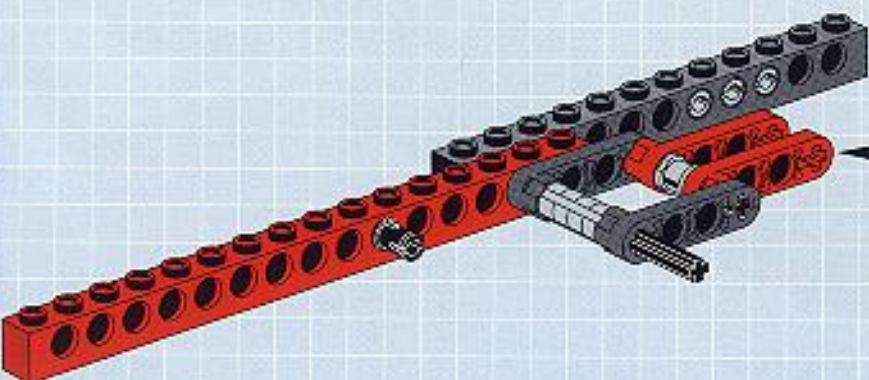
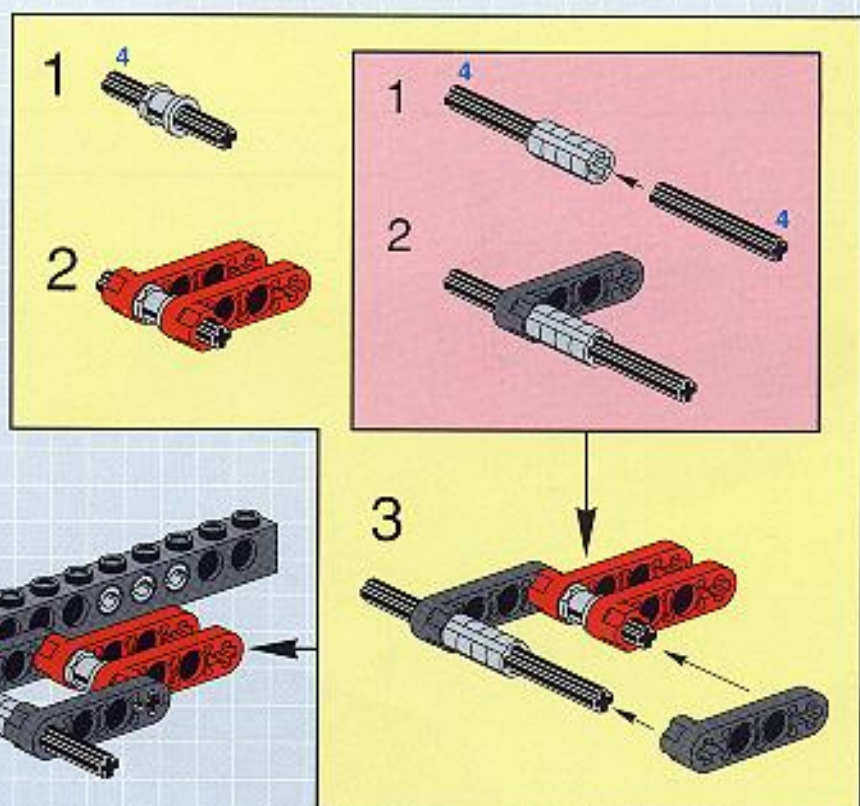
3

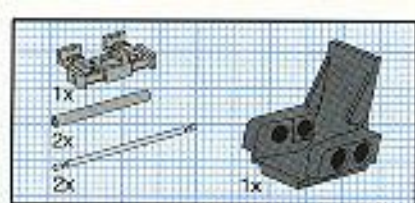


1

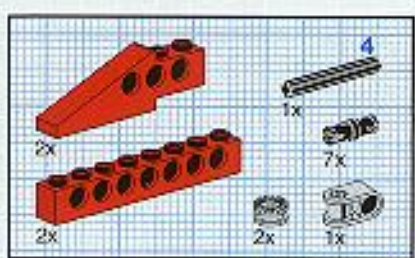
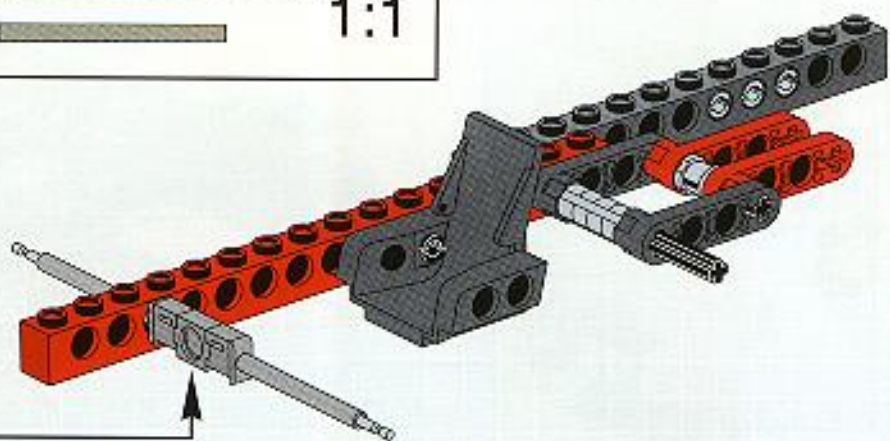
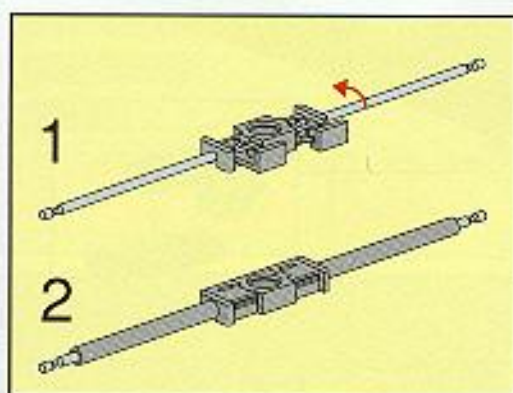


2

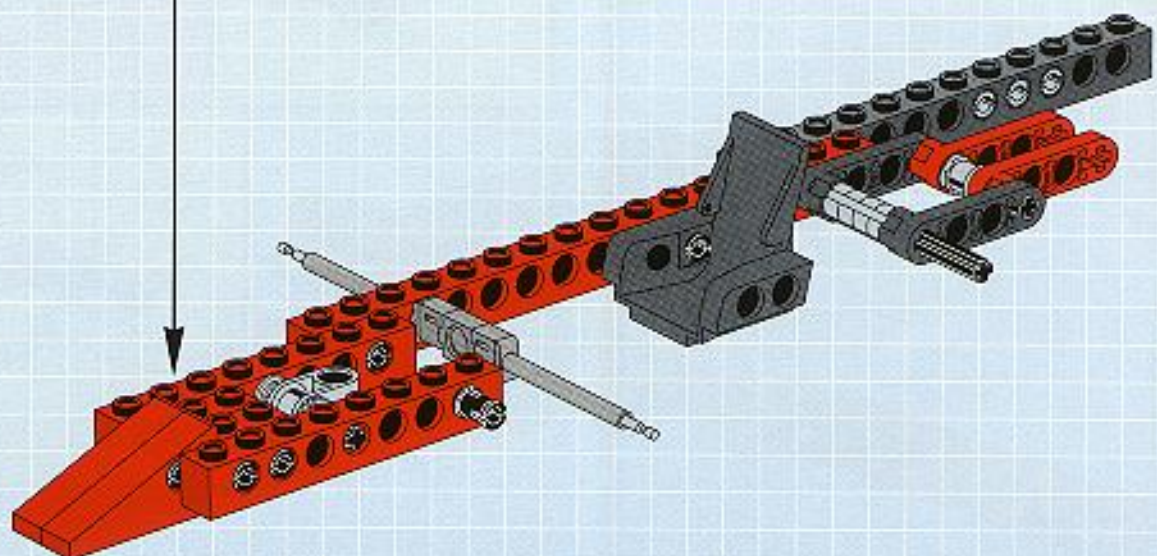
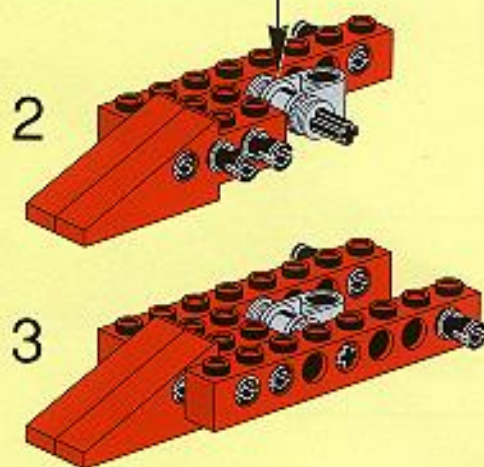
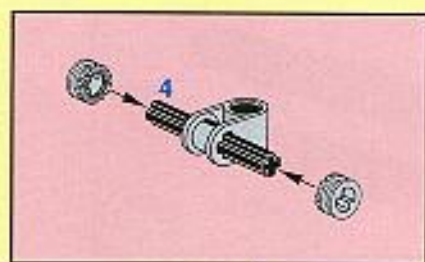
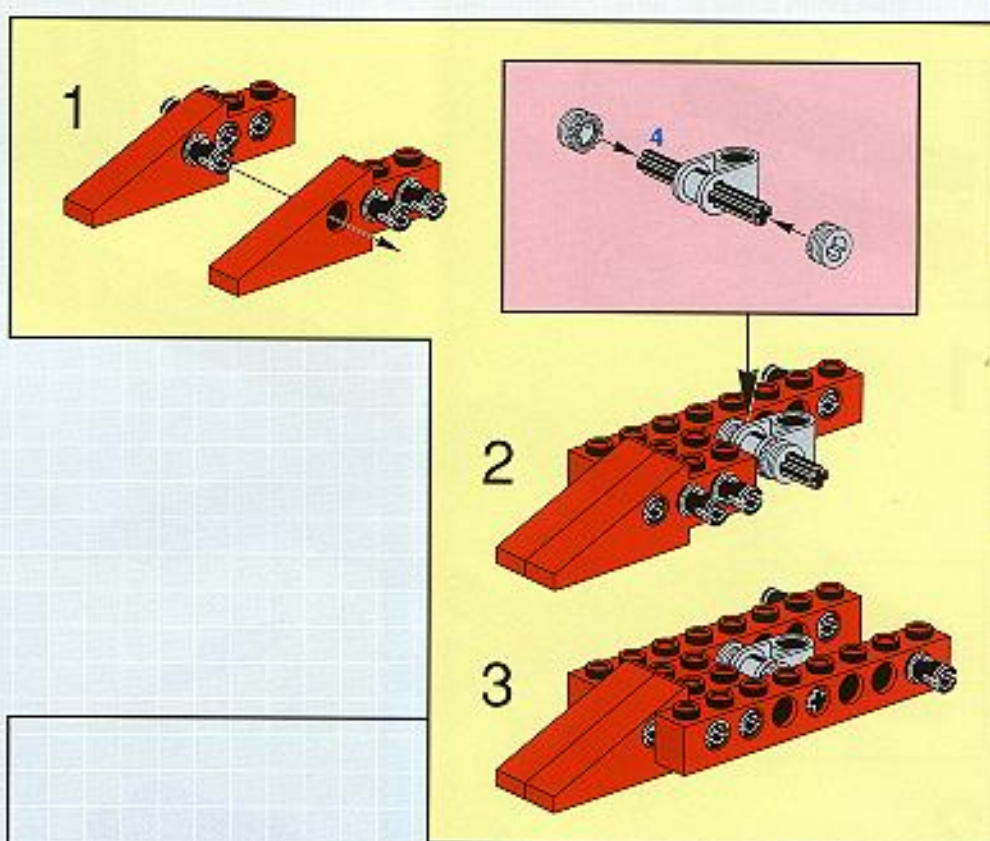


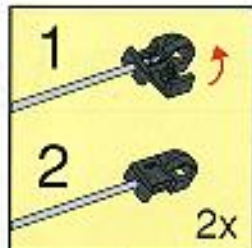
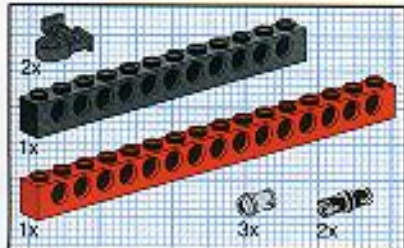


3

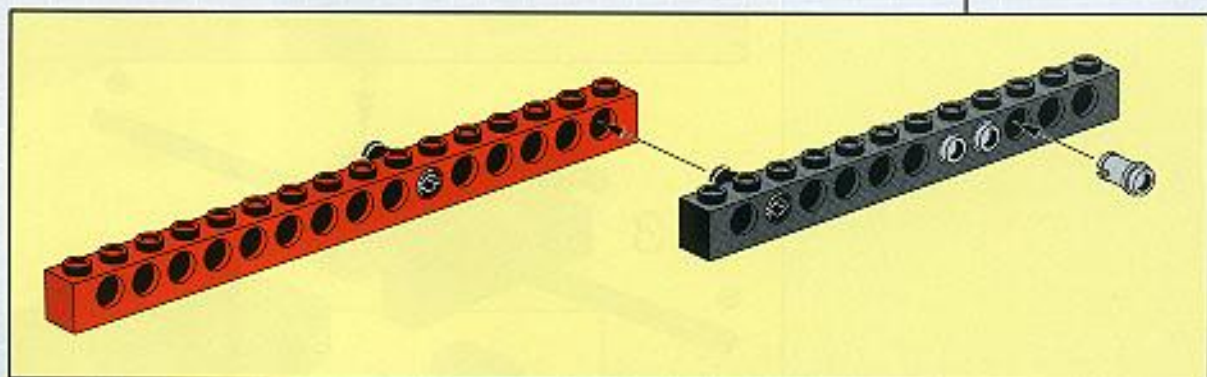
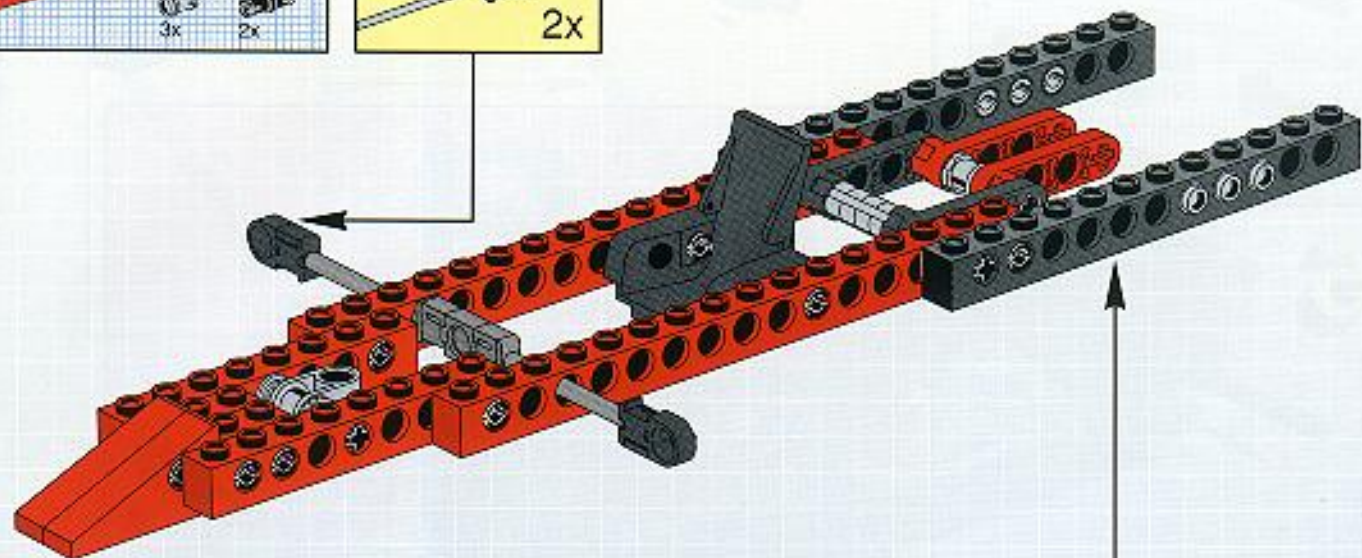


4

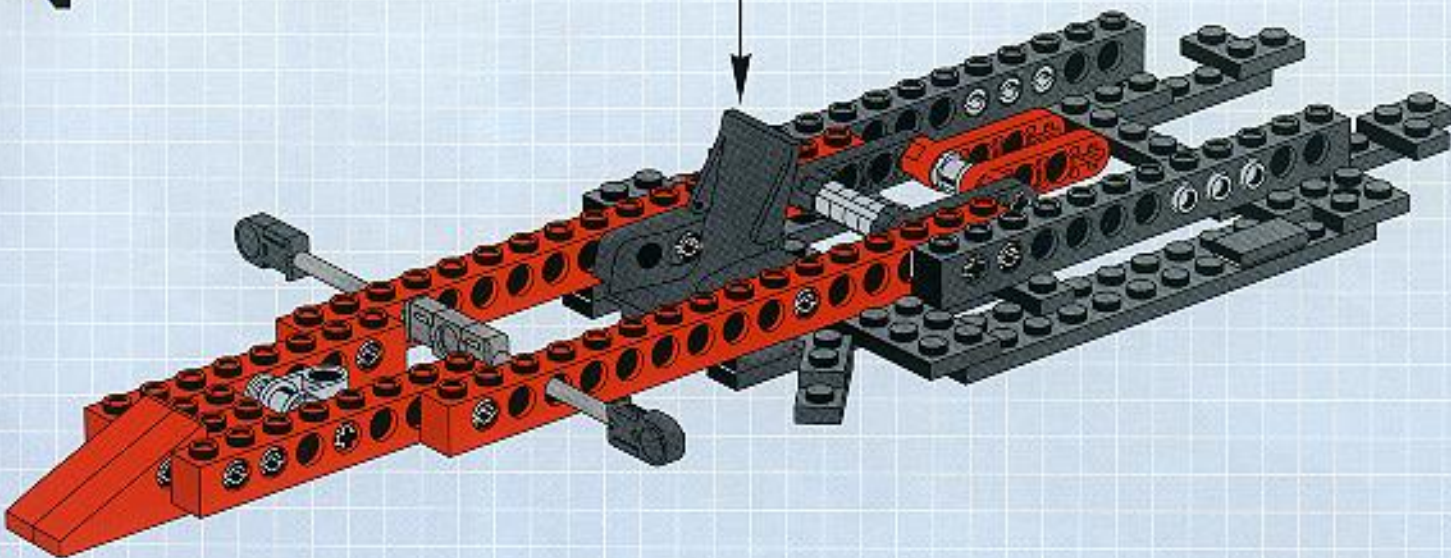


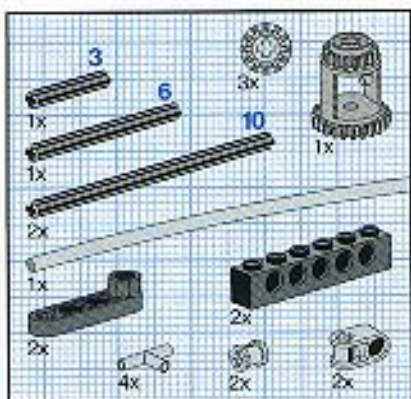


5

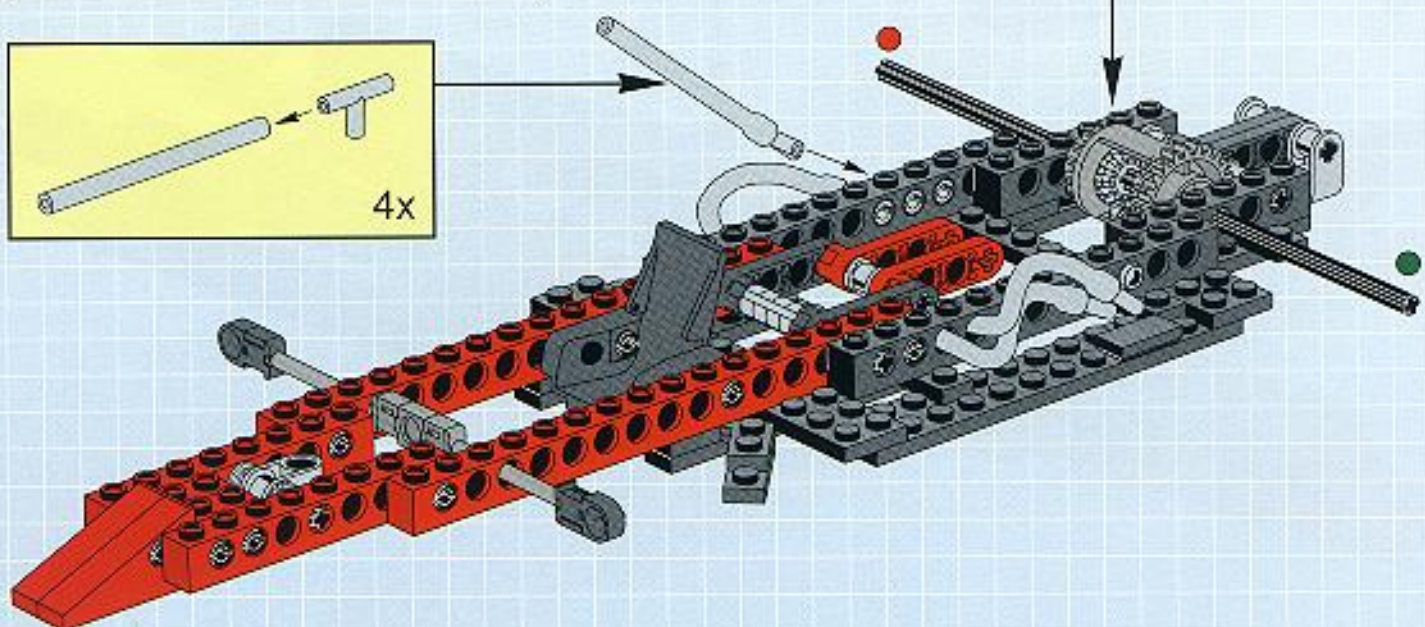
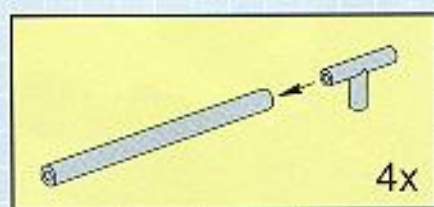
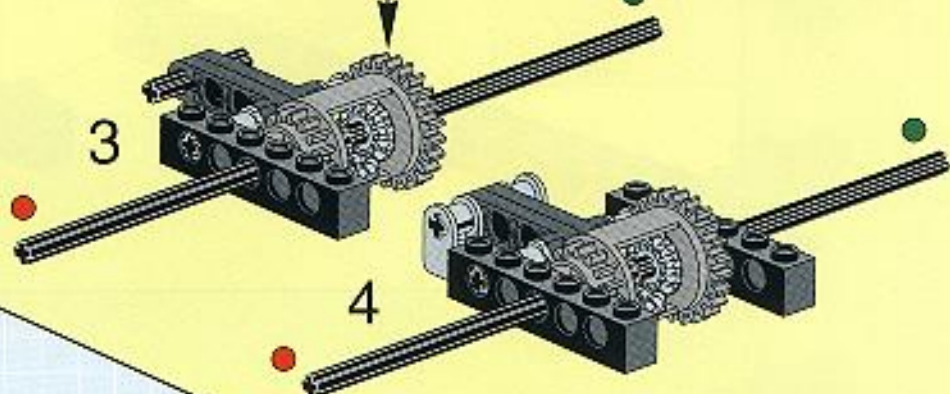
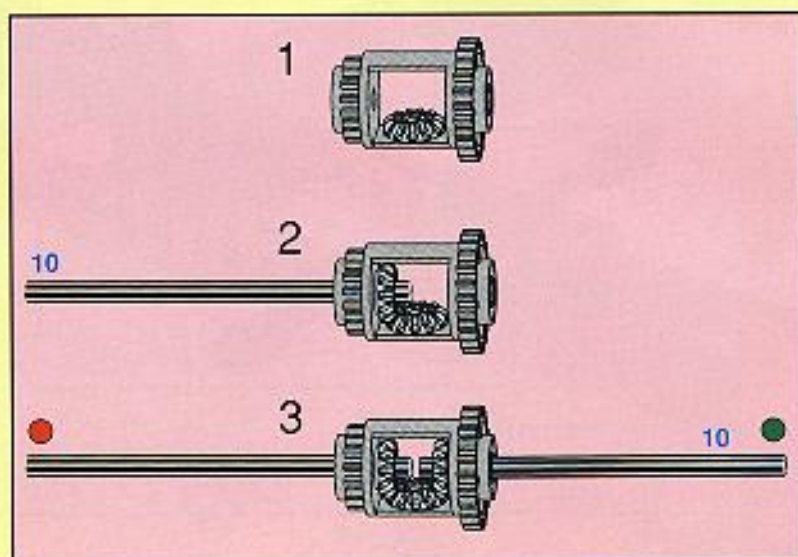
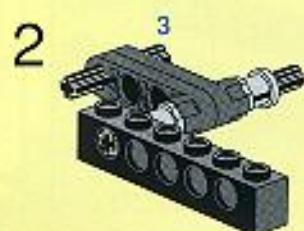


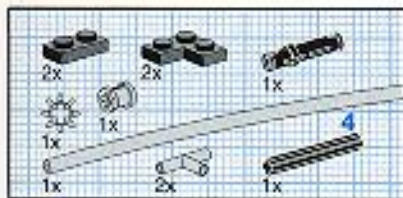
4



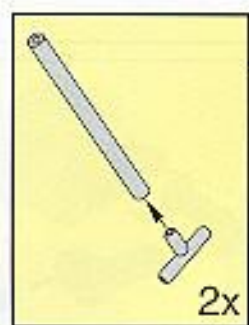


5

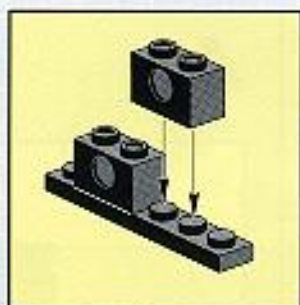
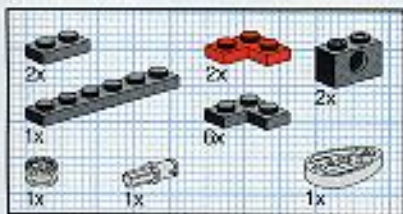
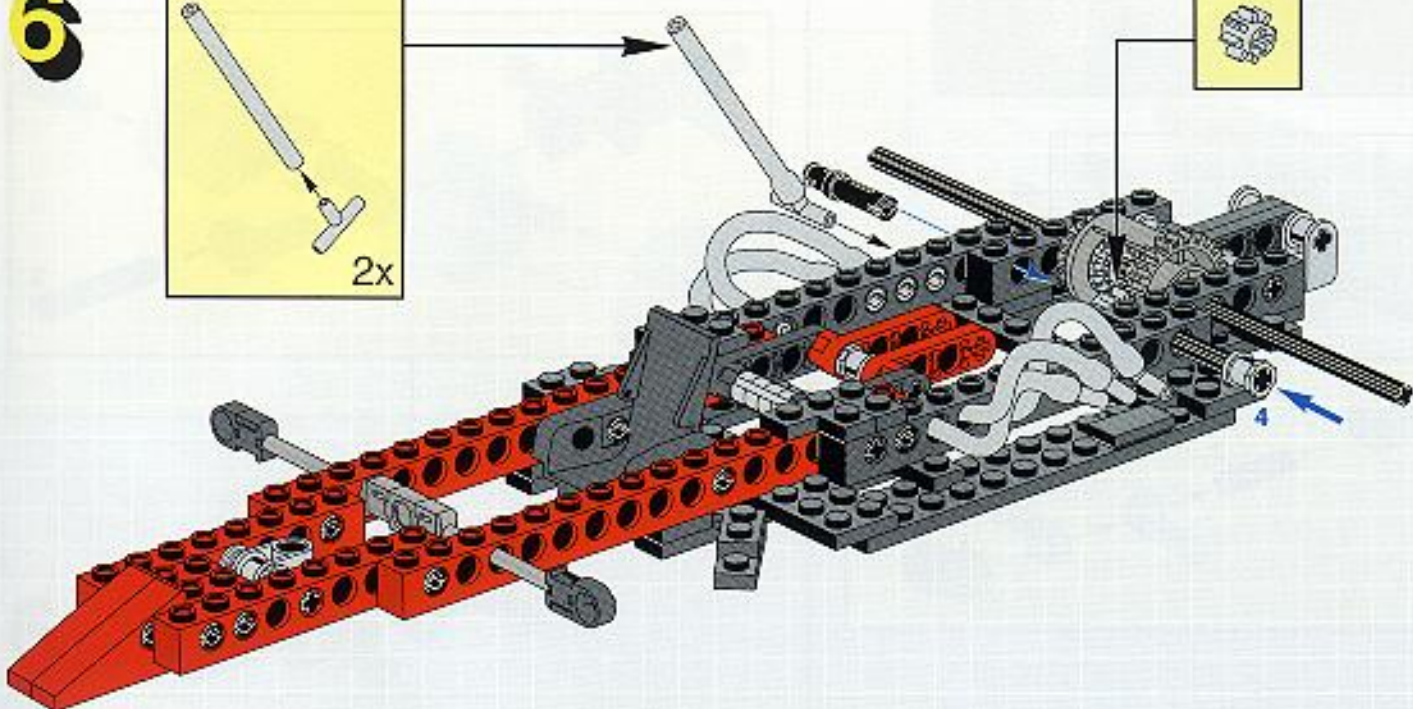
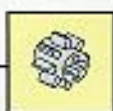




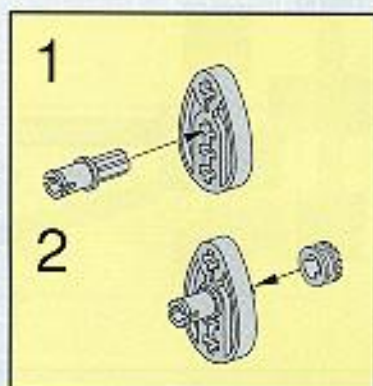
6



2x

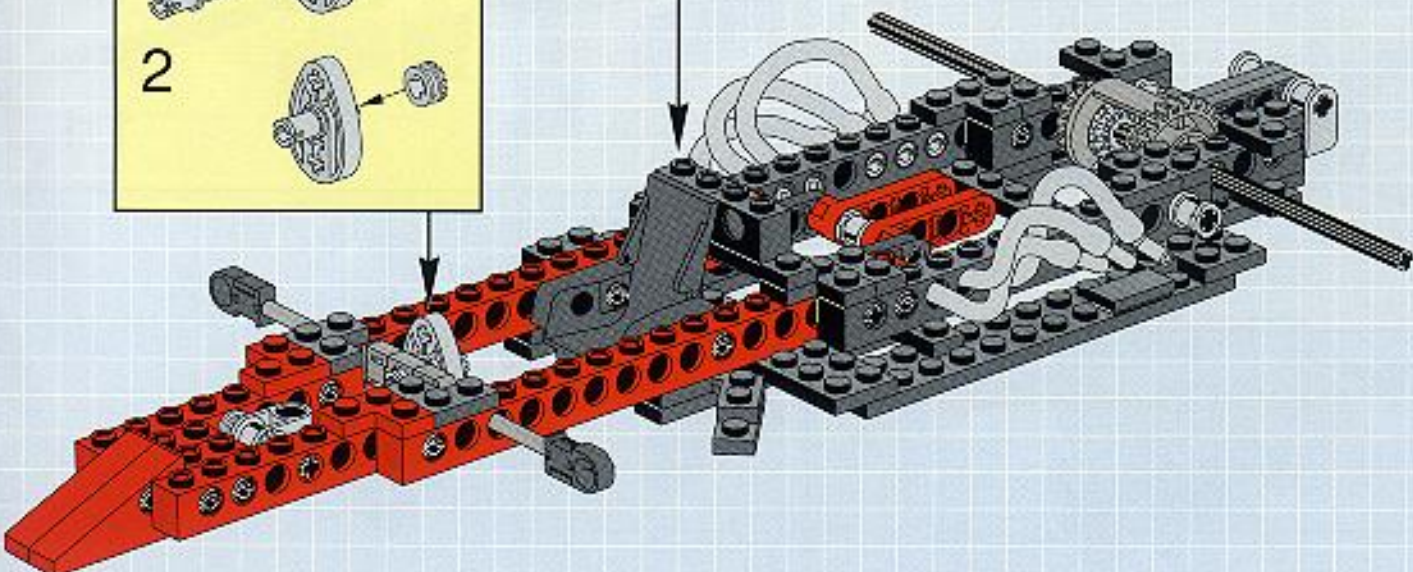


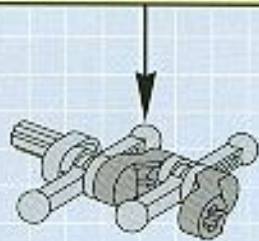
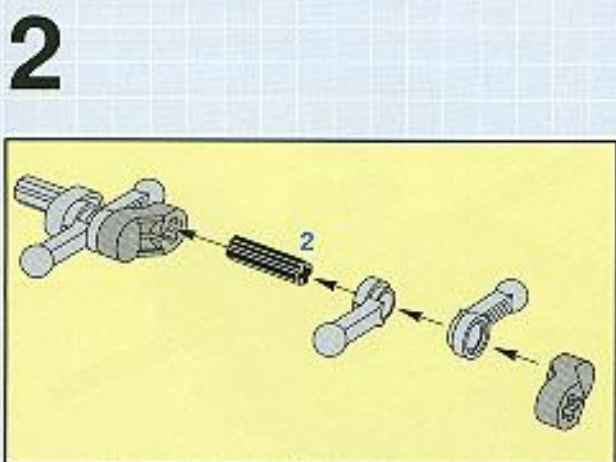
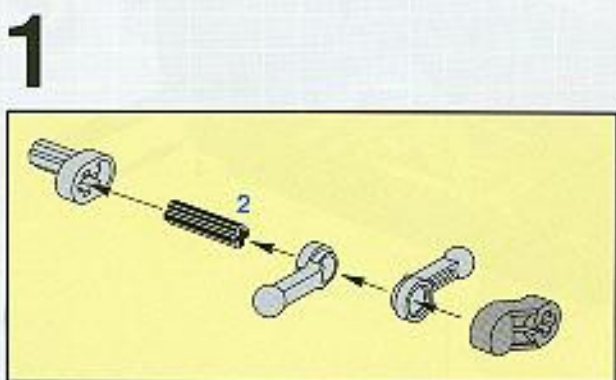
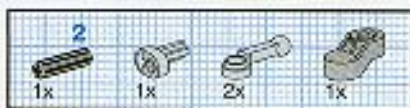
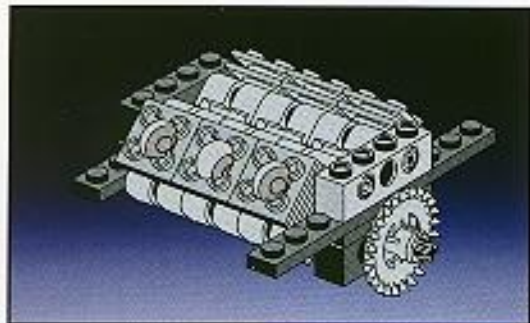
7



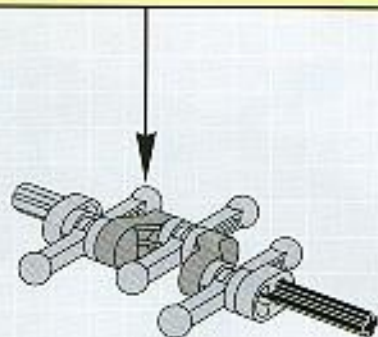
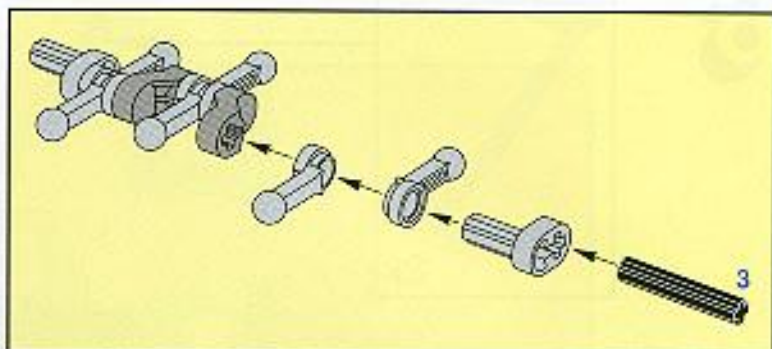
1

2

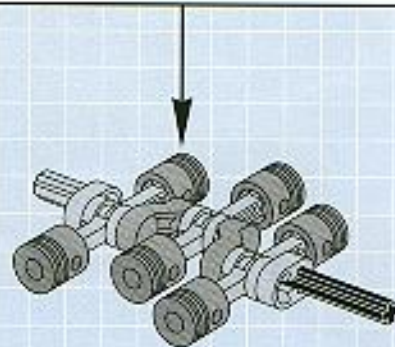
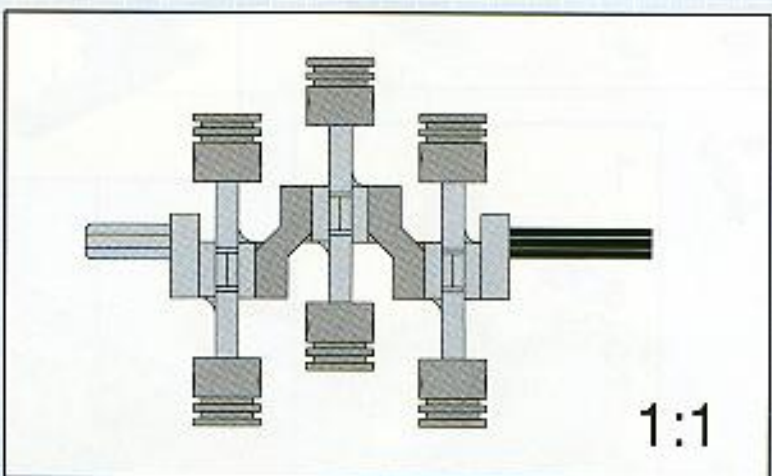


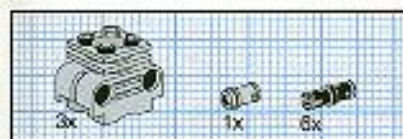


3

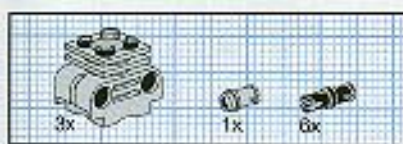
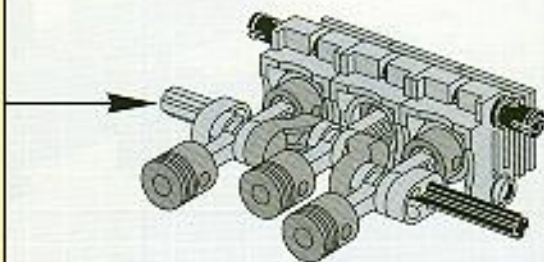
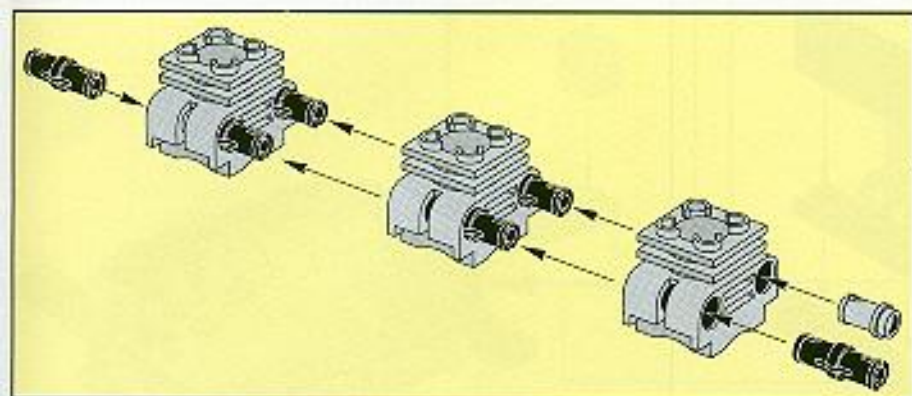


4

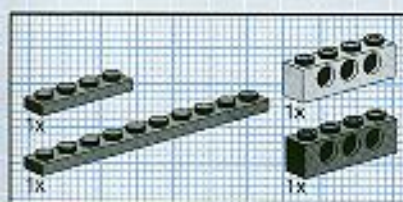
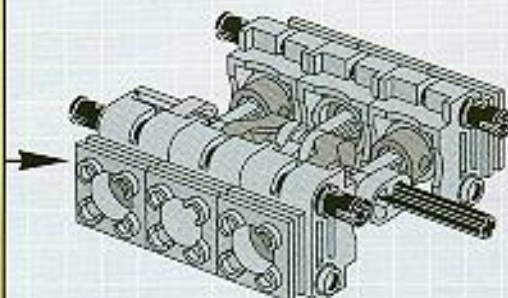
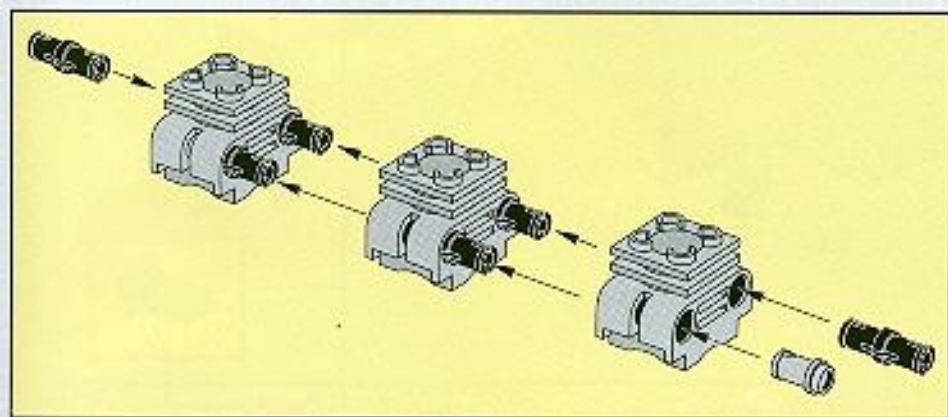




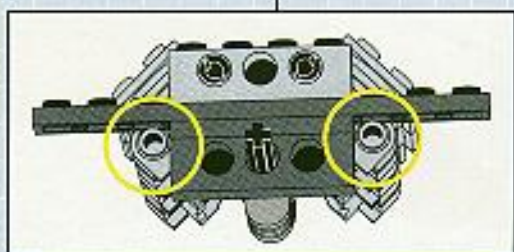
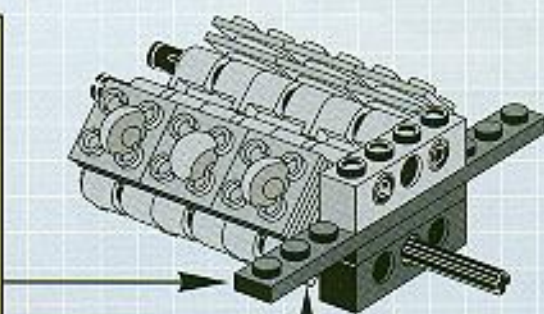
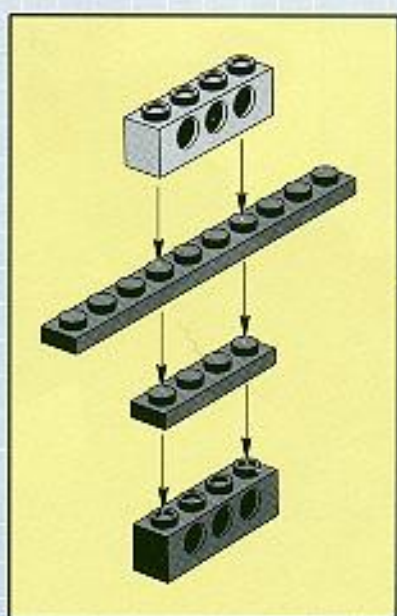
5

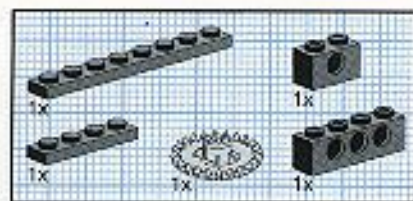


6

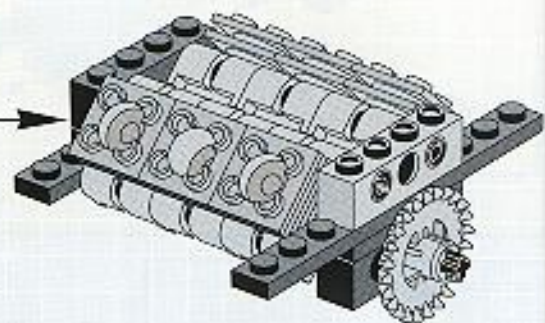
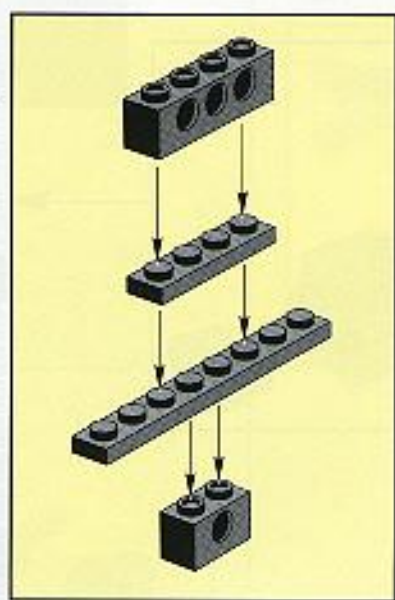


7

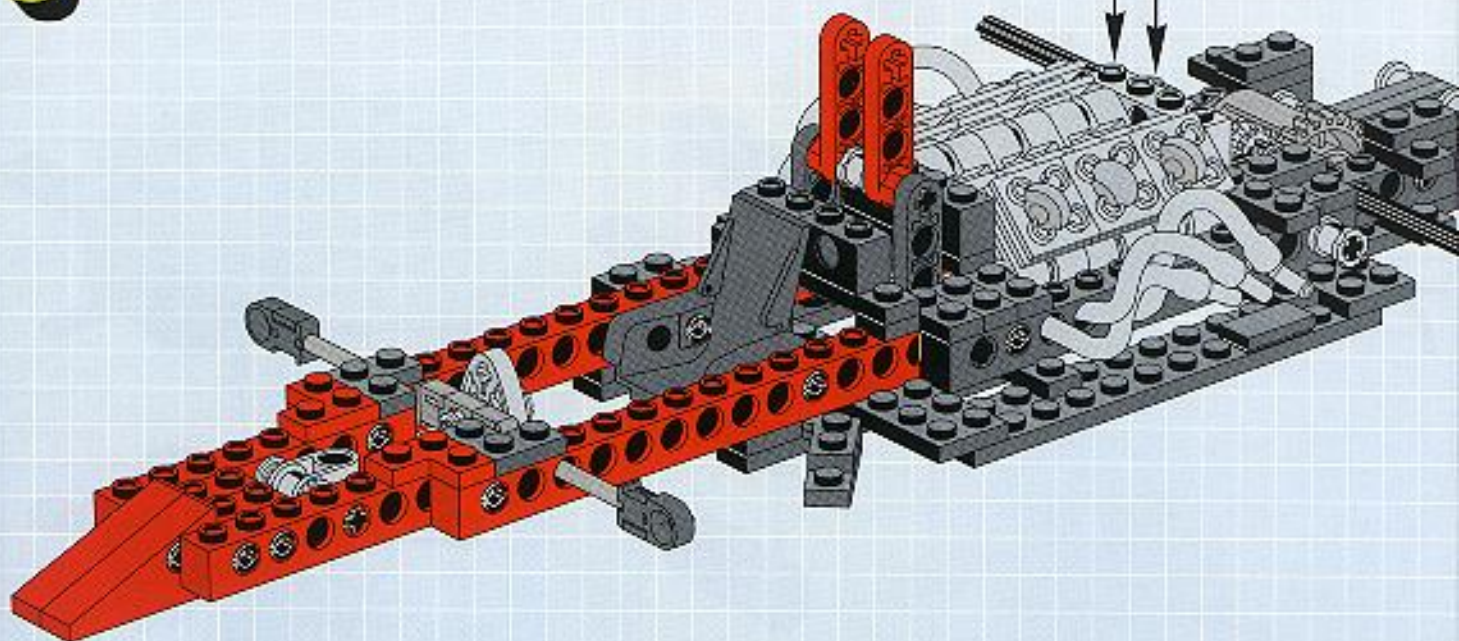
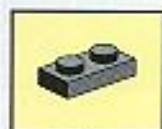


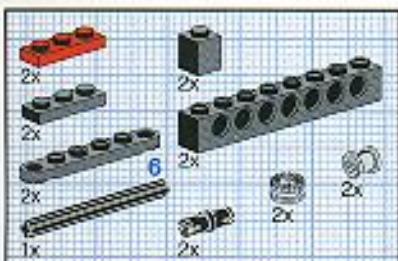


8

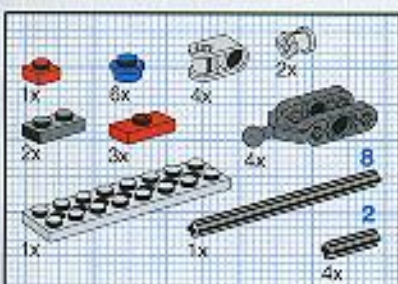
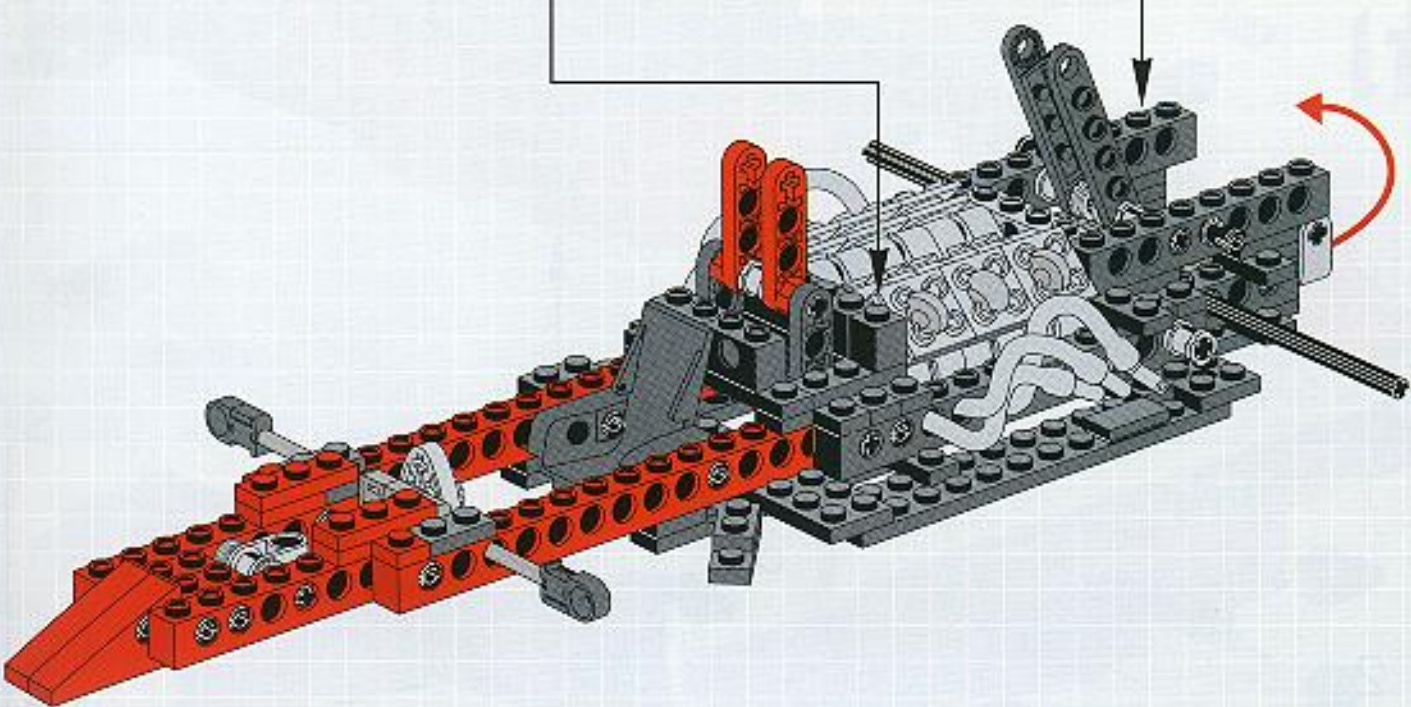
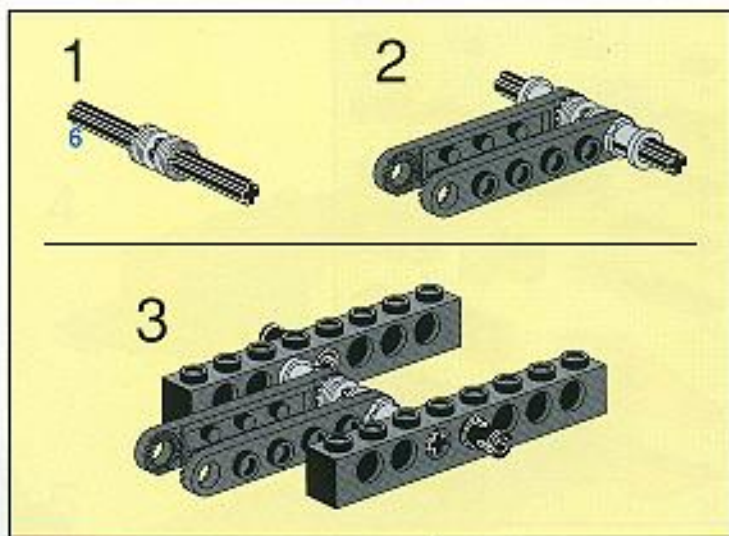
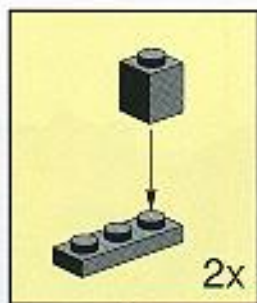


8

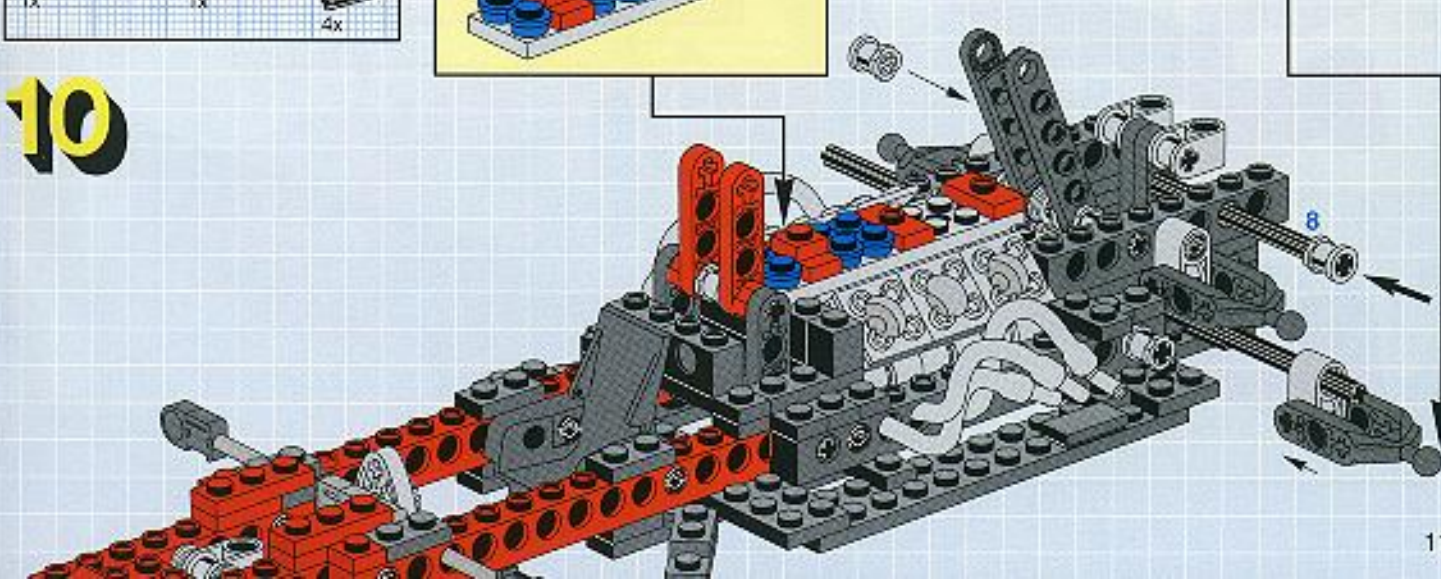
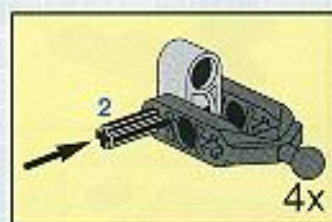
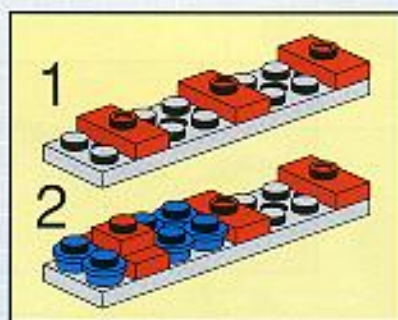


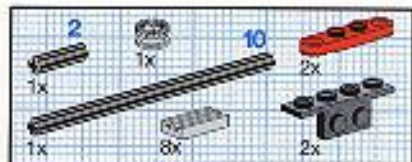


9

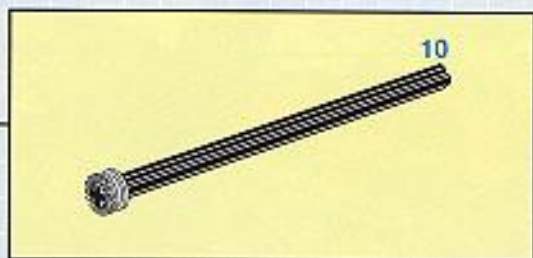
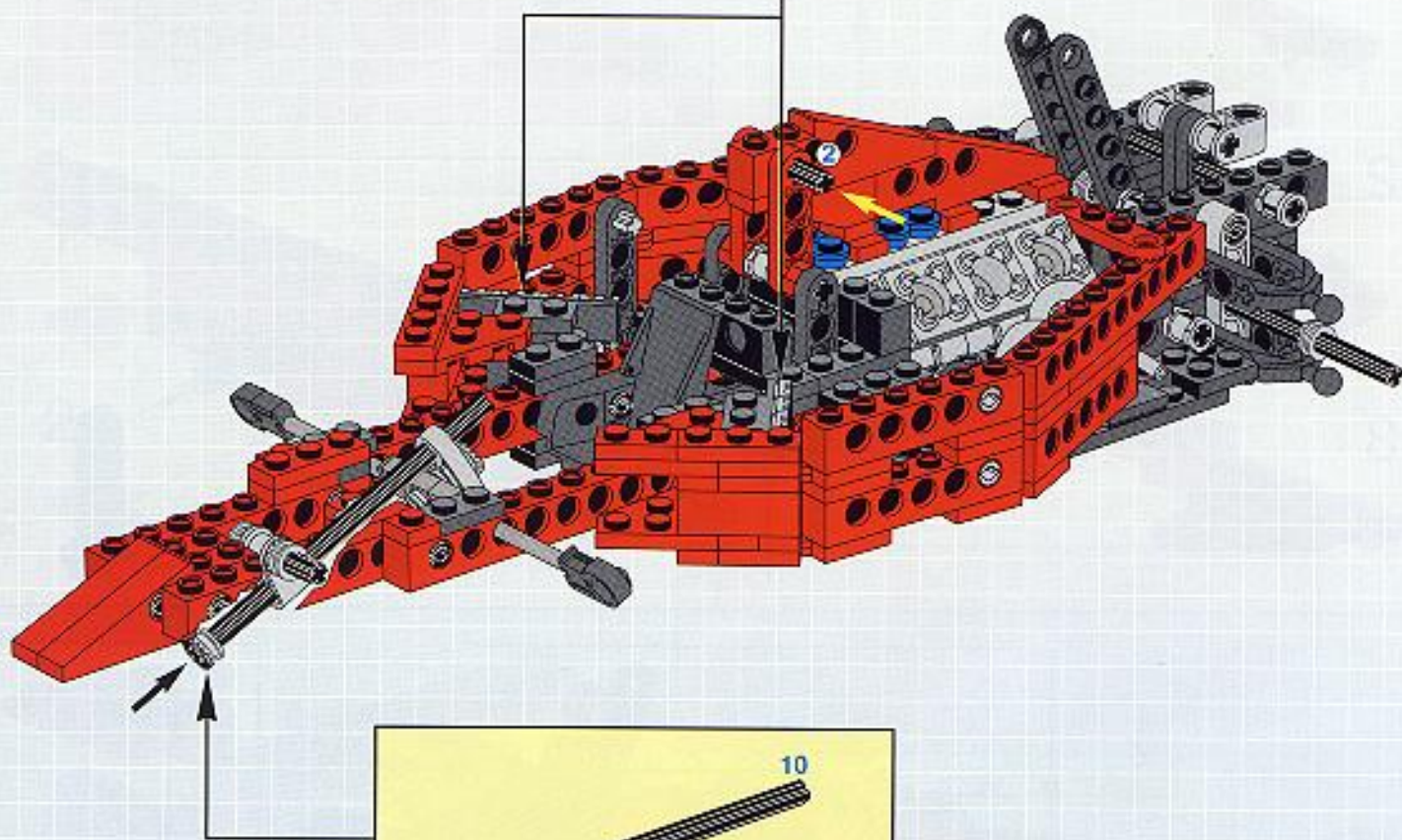
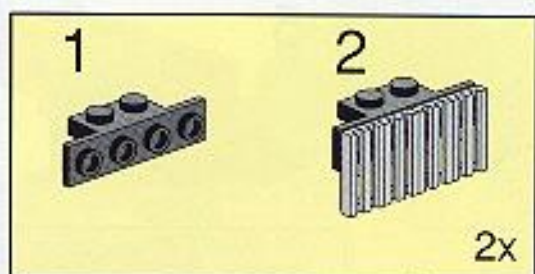


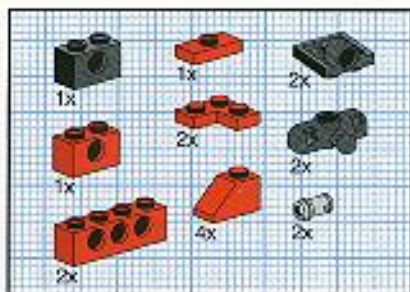
10



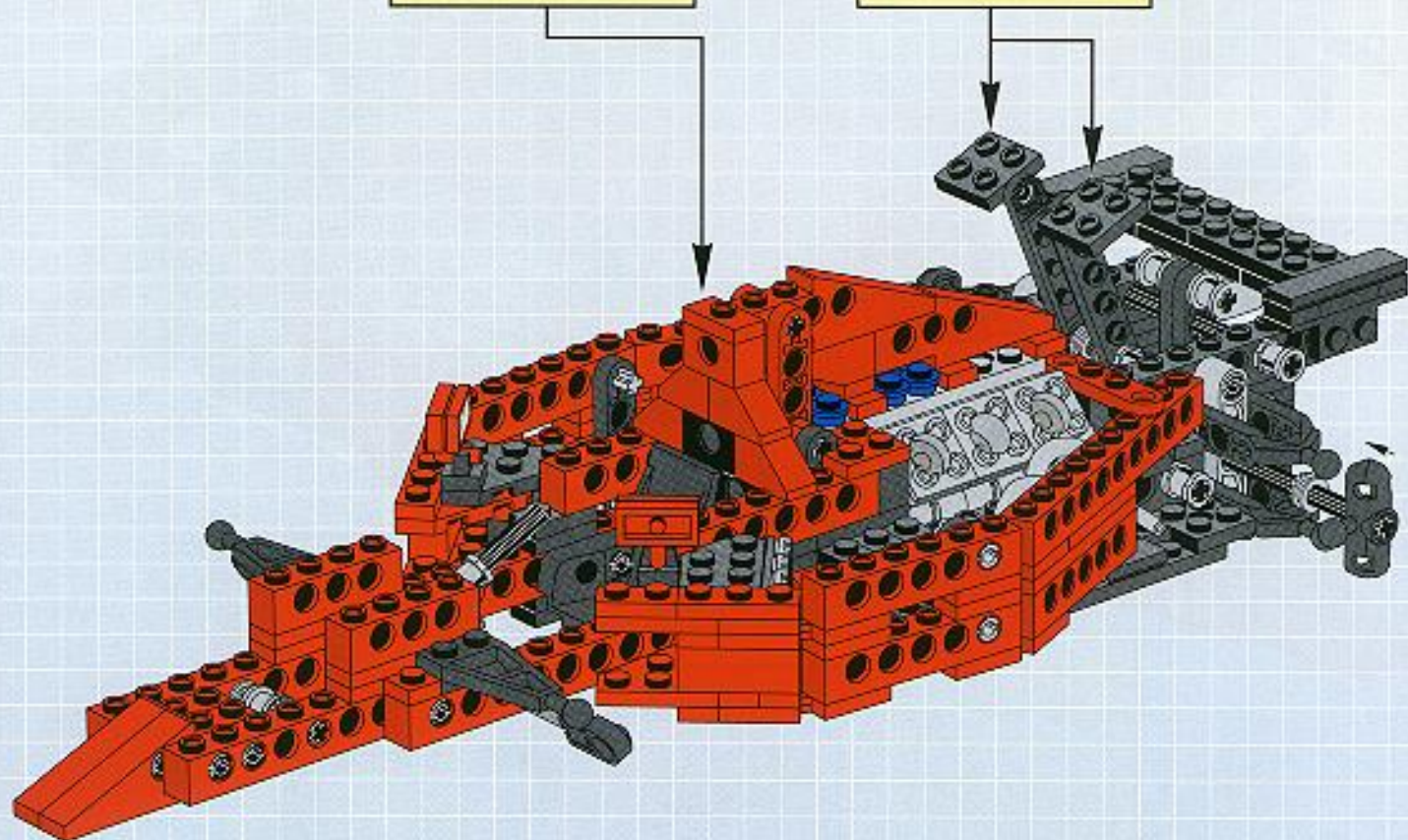
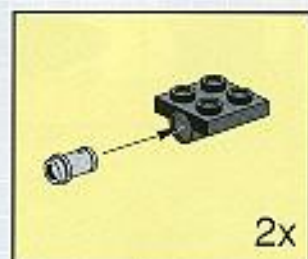
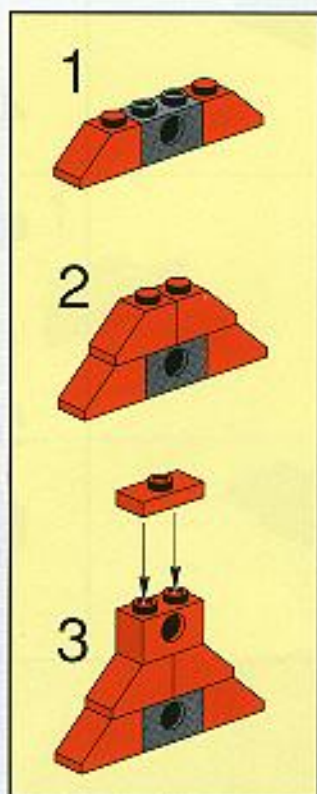


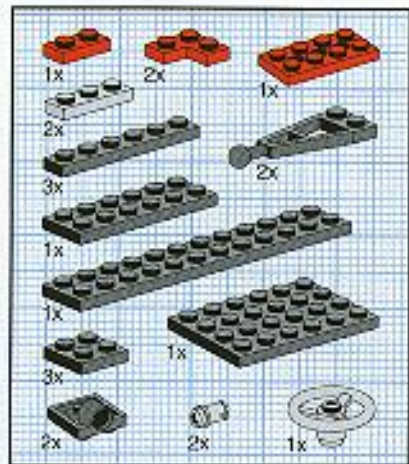
13



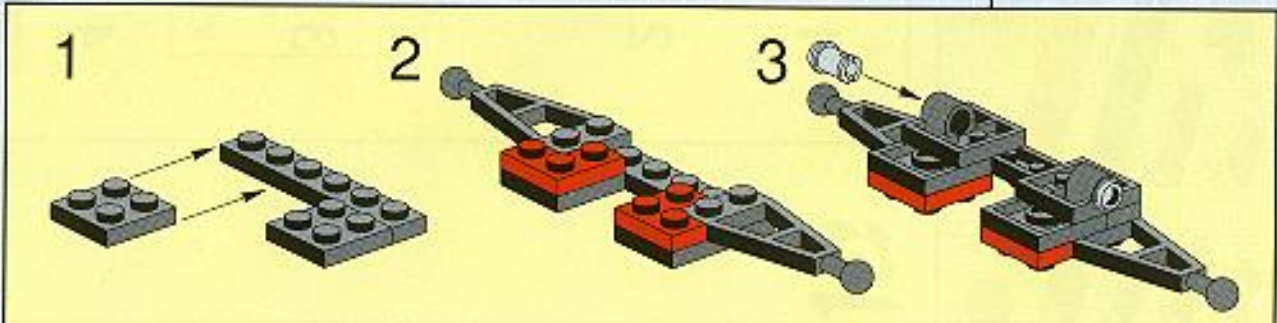
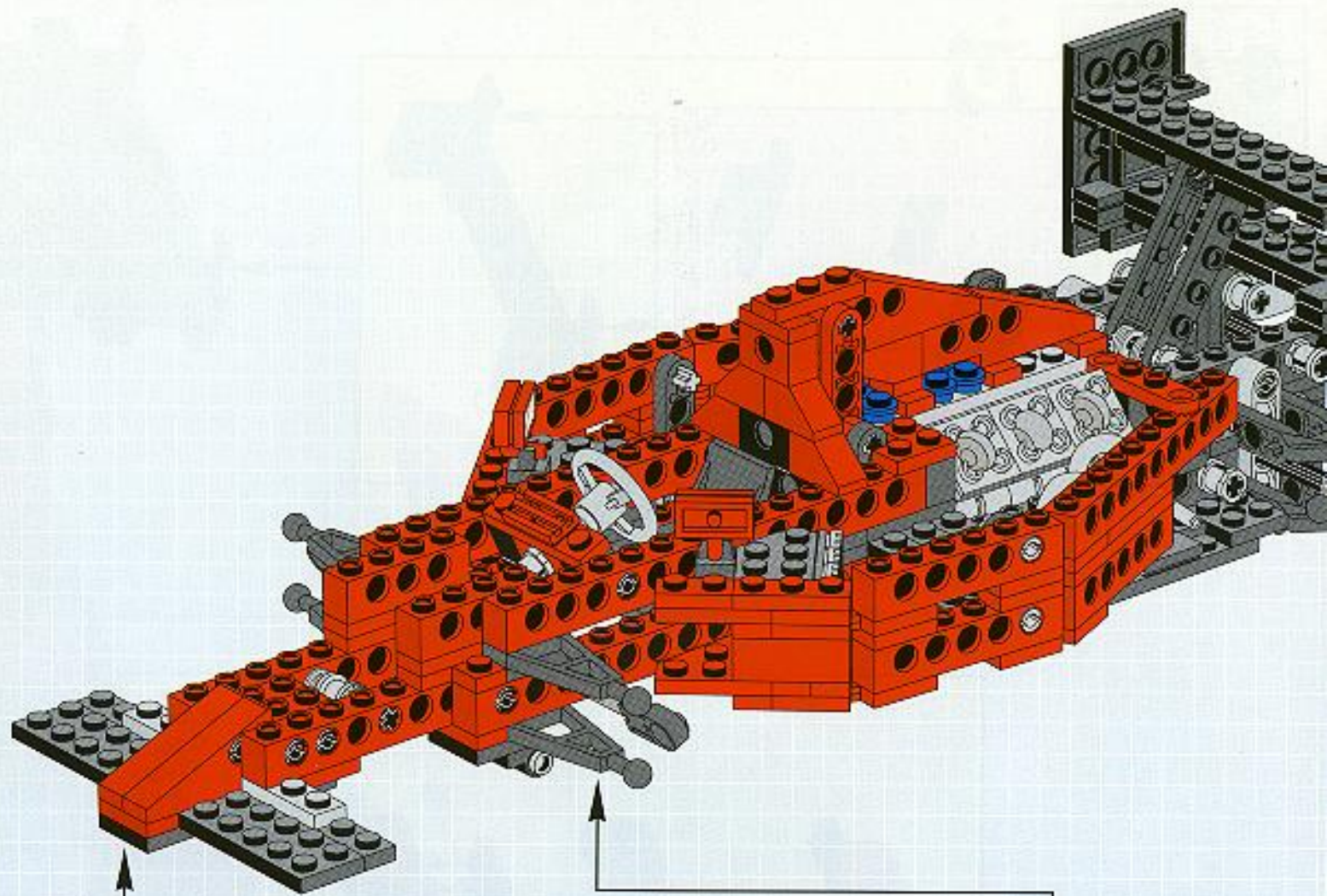
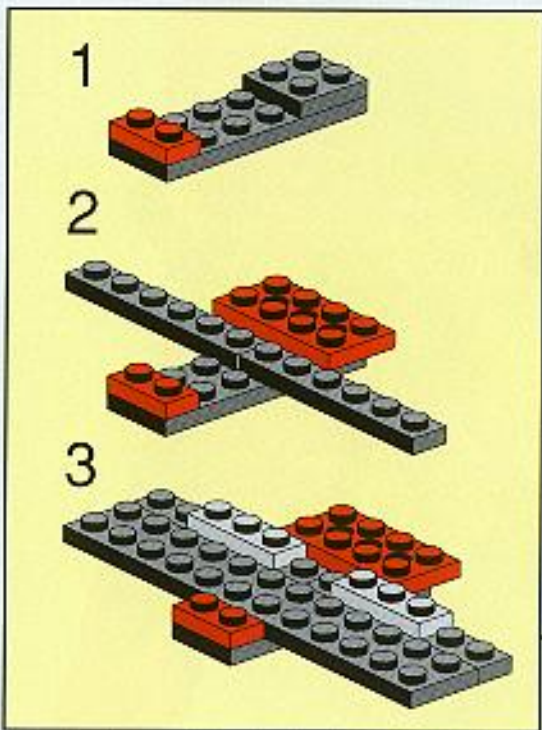


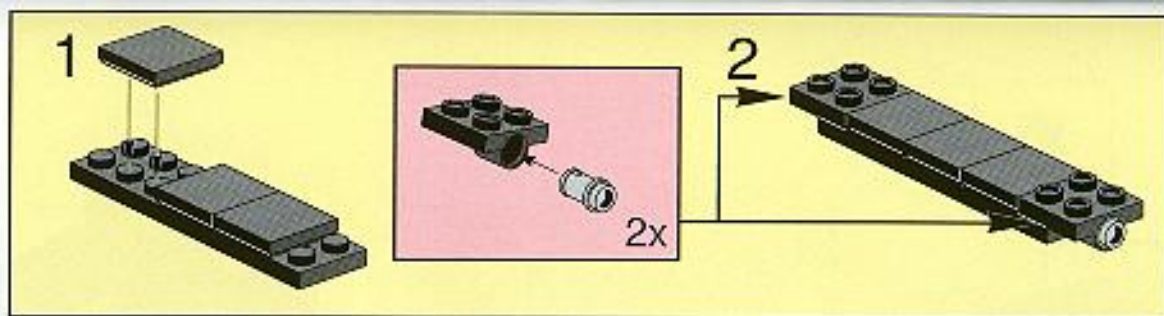
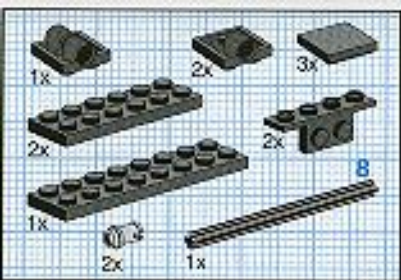
15



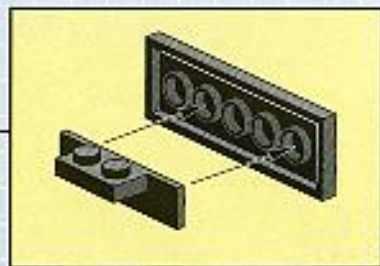
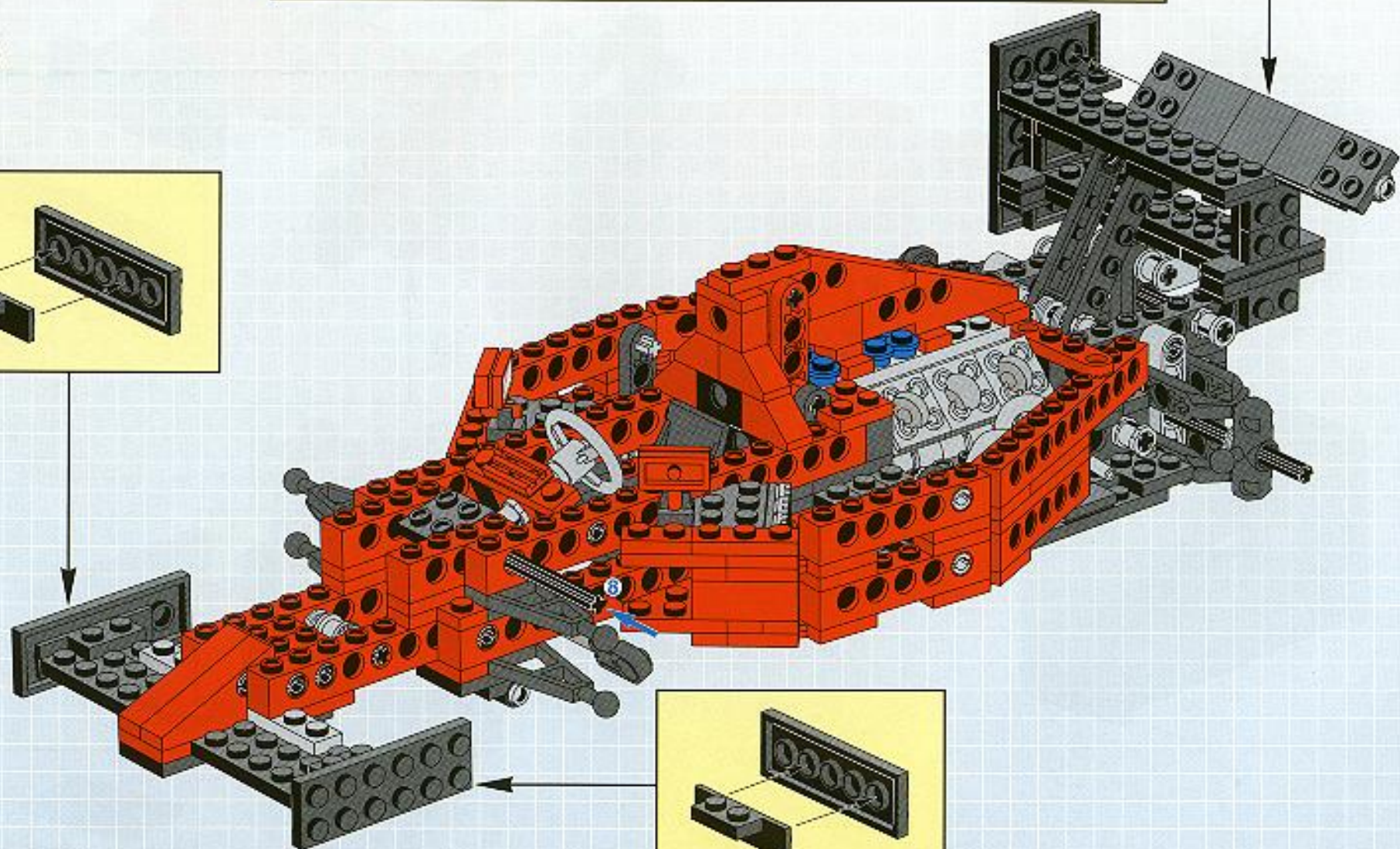
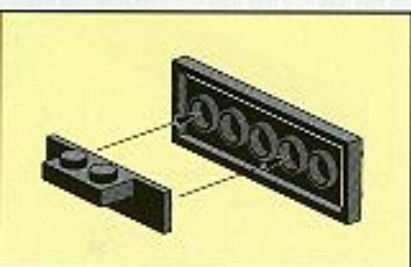


17



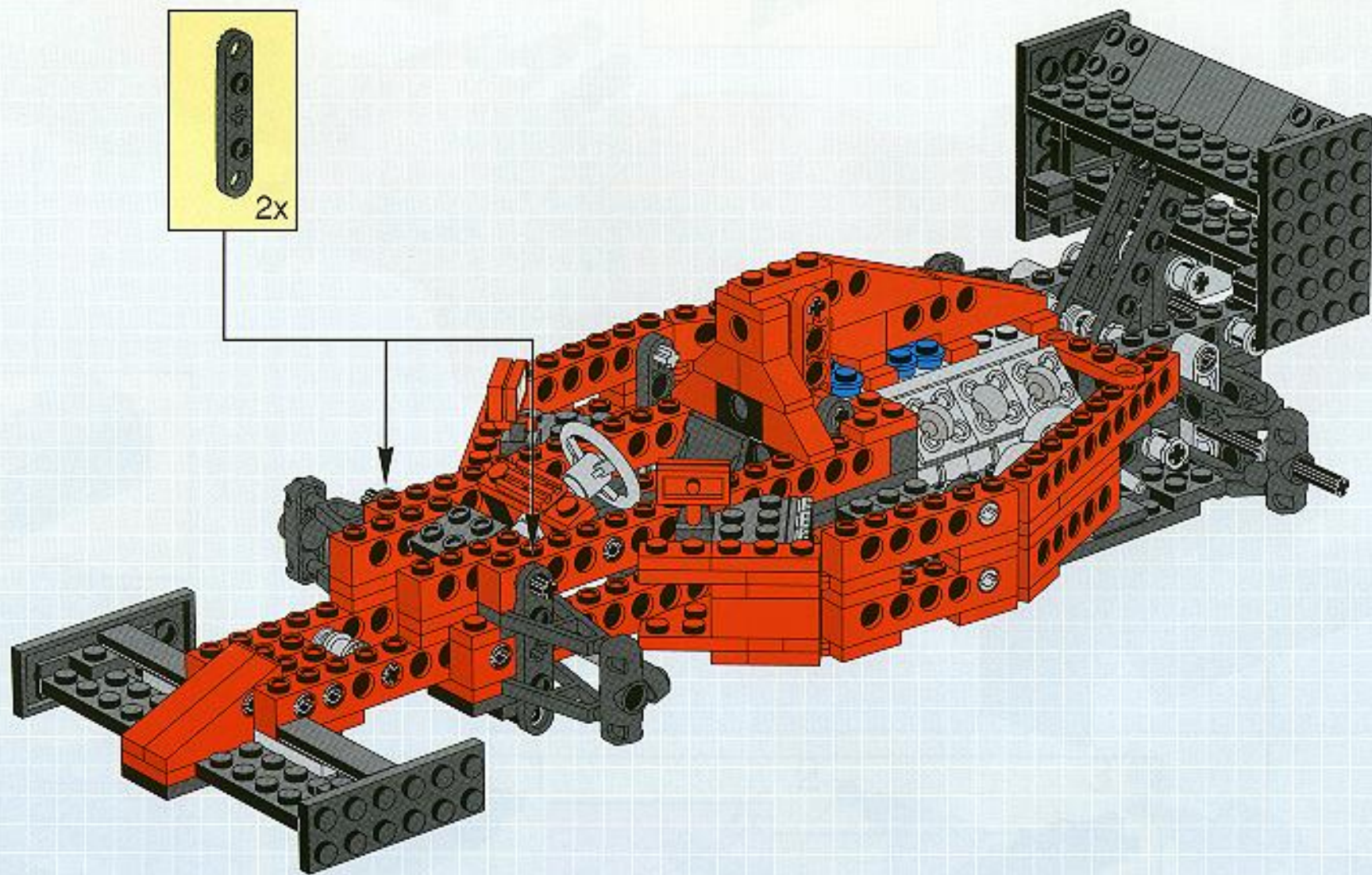


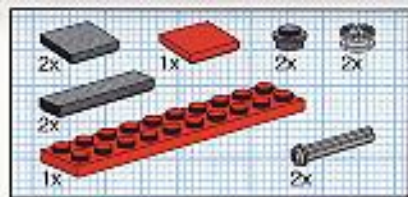
18



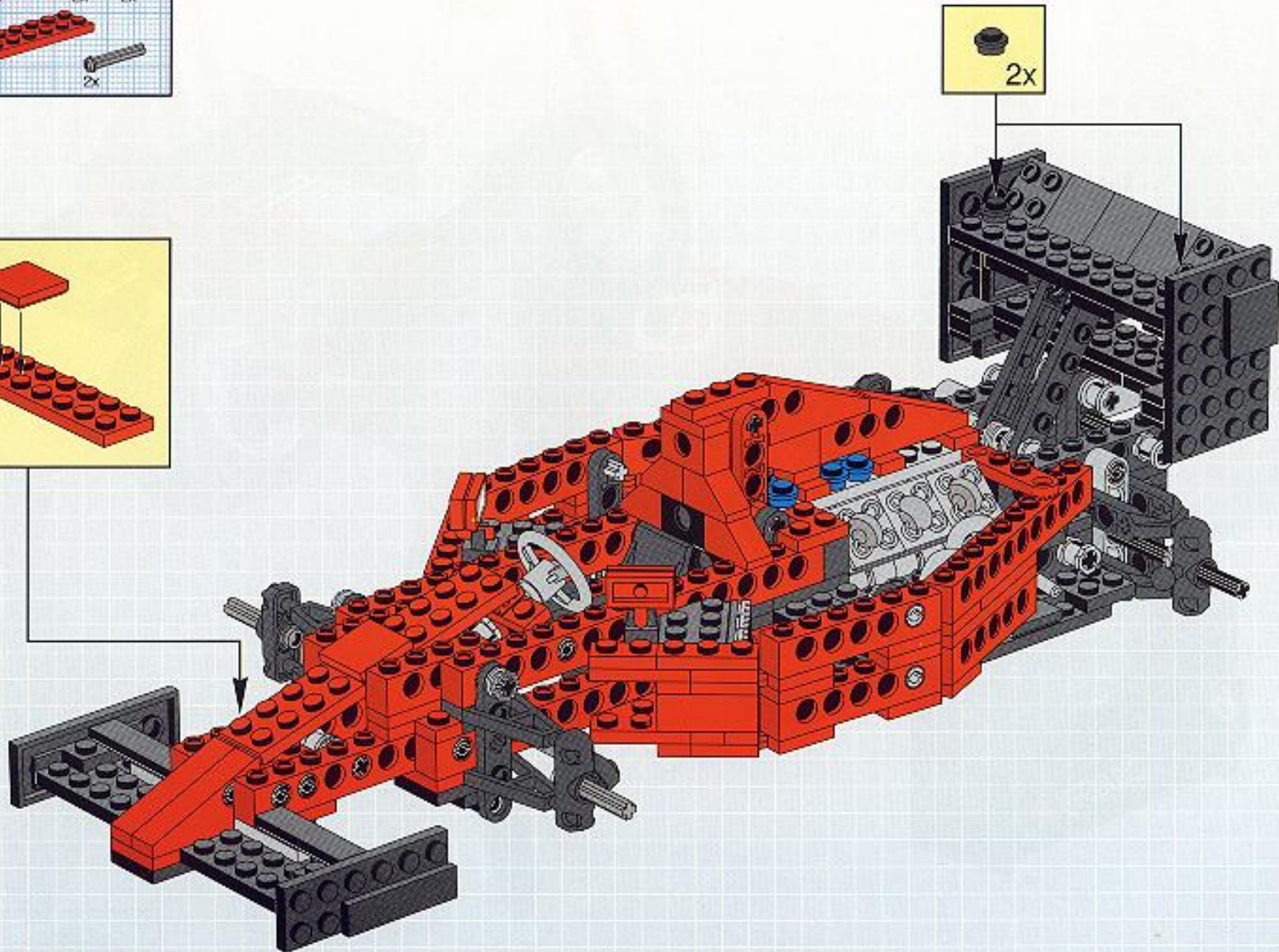
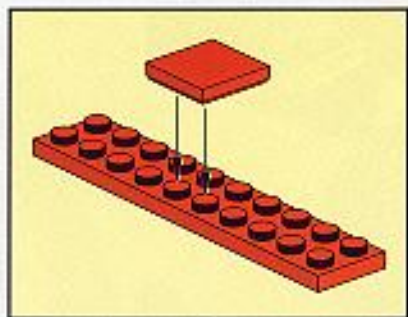


19



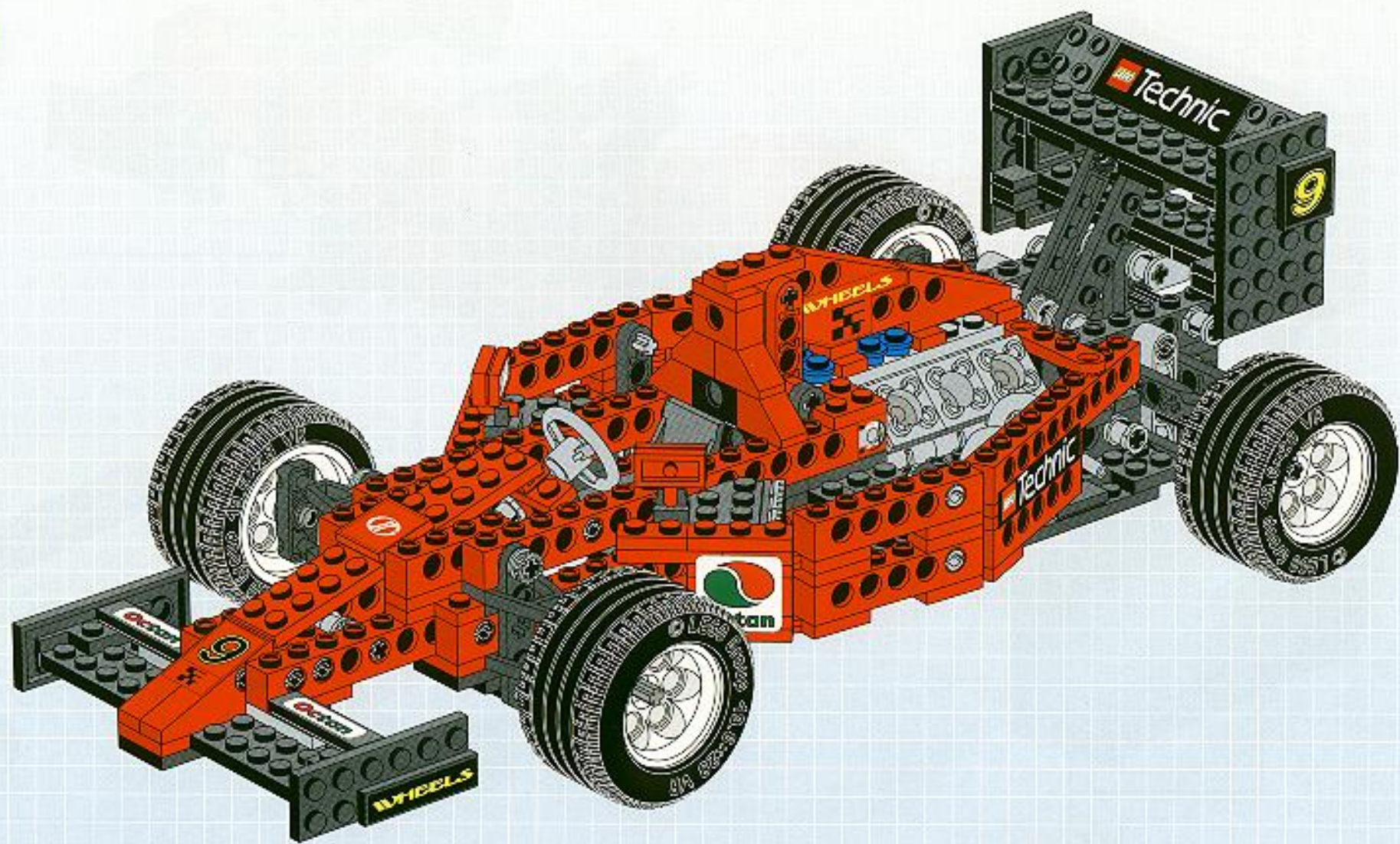


20



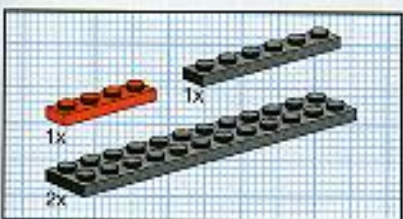
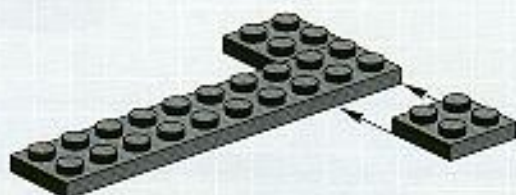


21

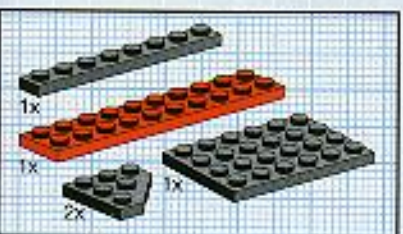
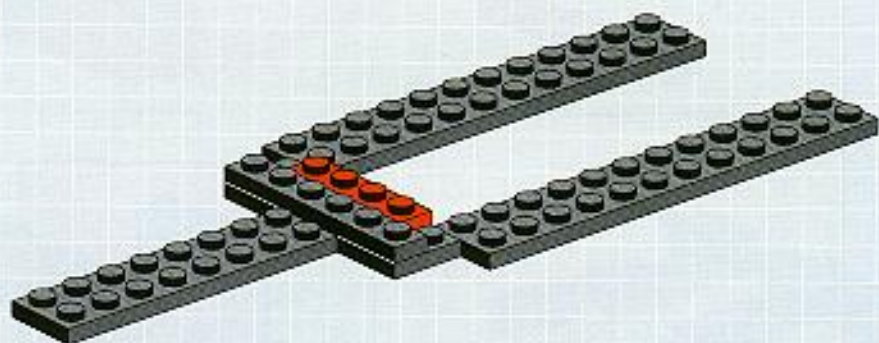




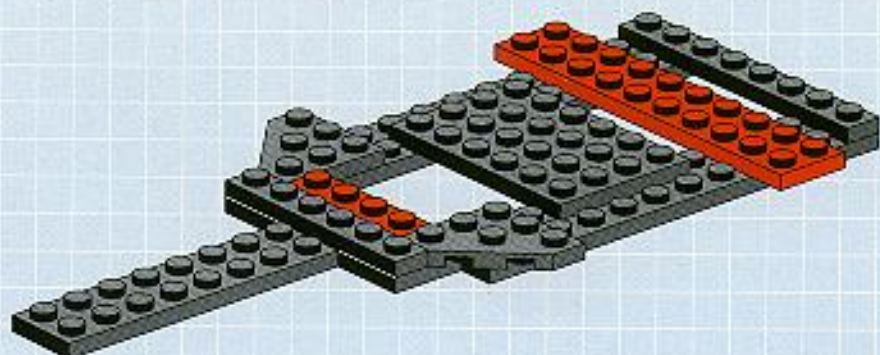
1

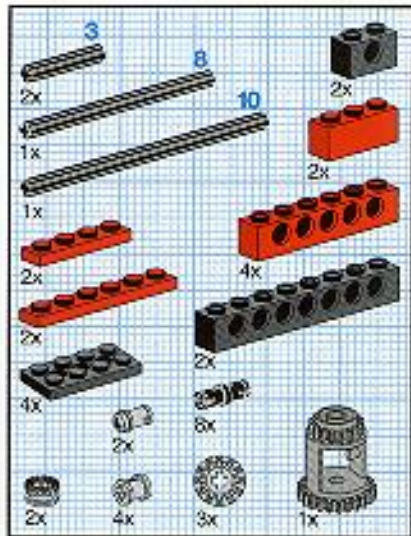


2



3





4

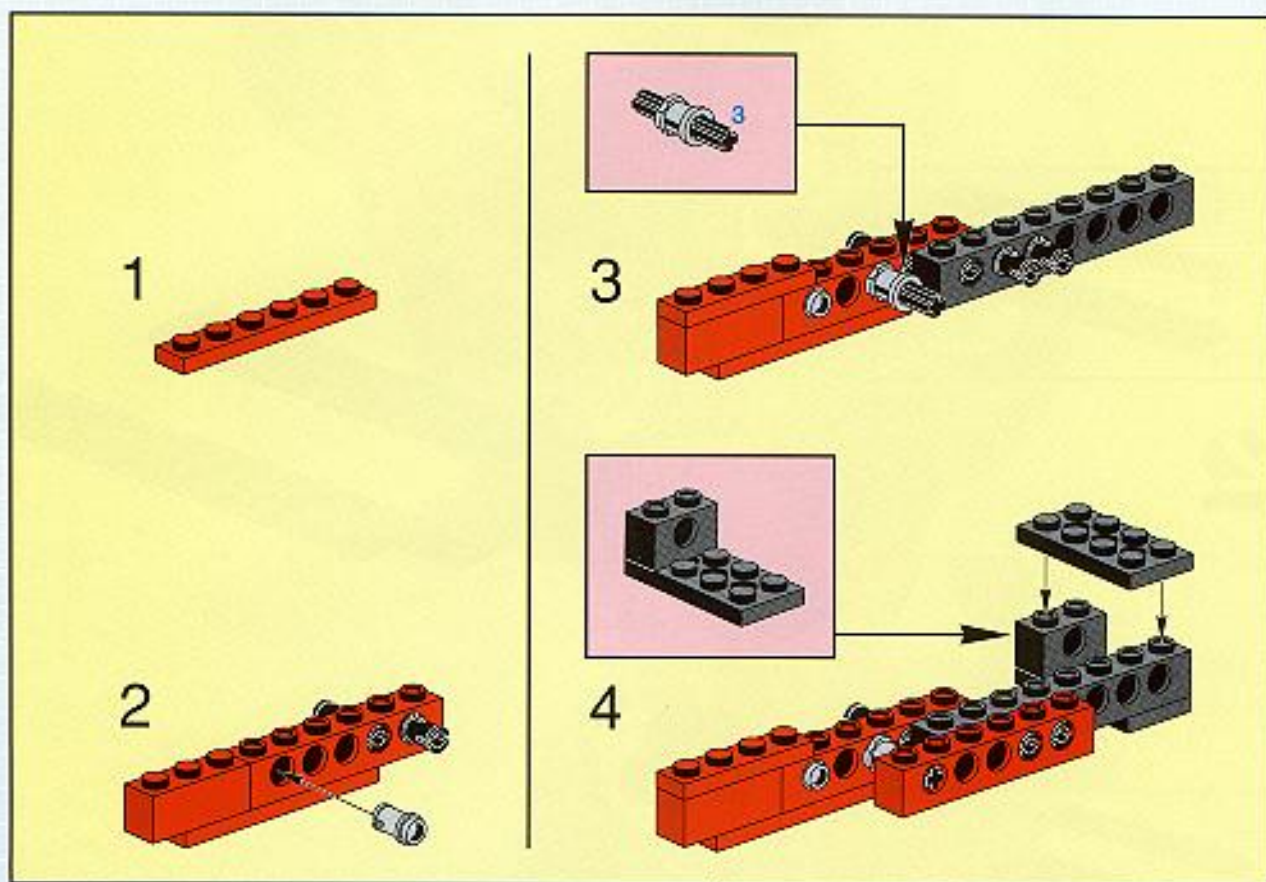
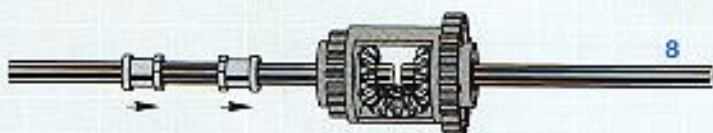
1



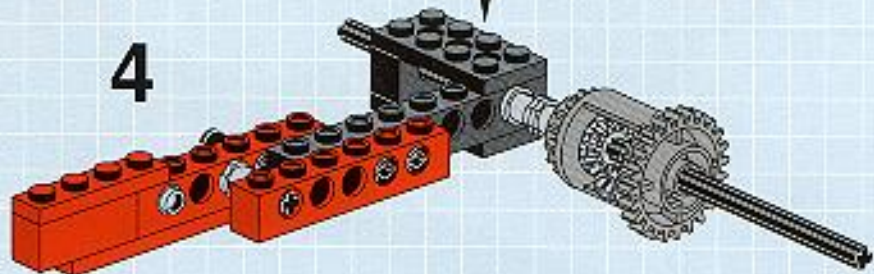
2



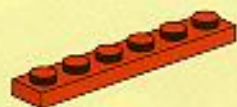
3



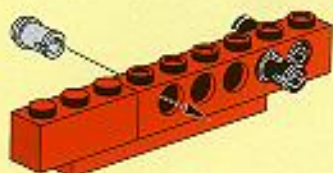
4



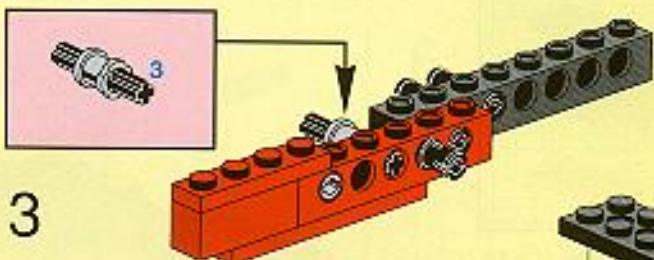
1



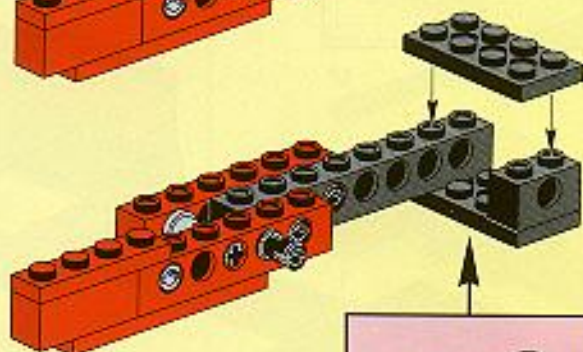
2



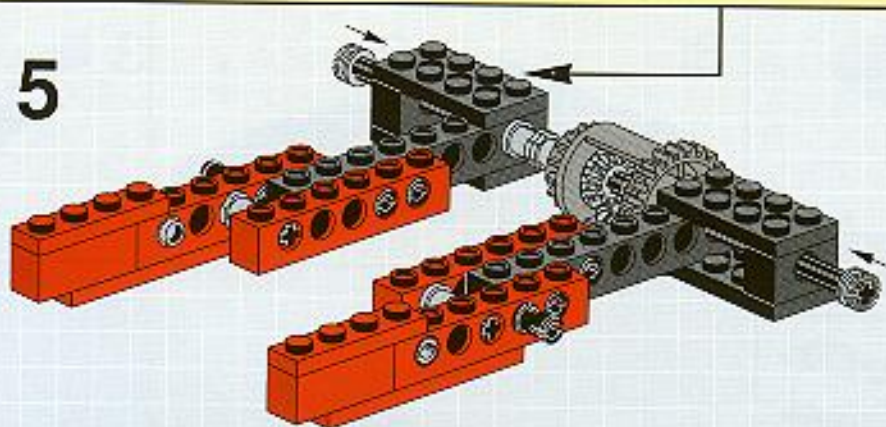
3



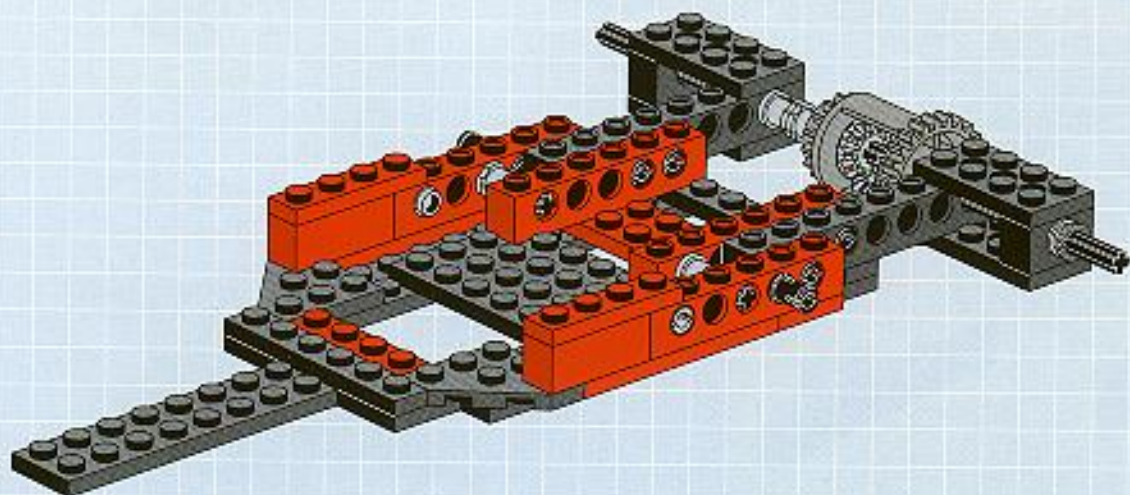
4

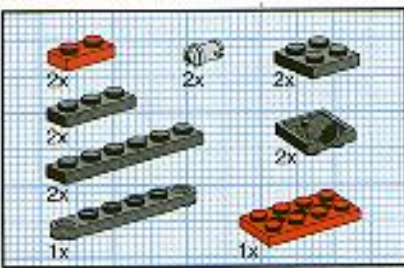


5

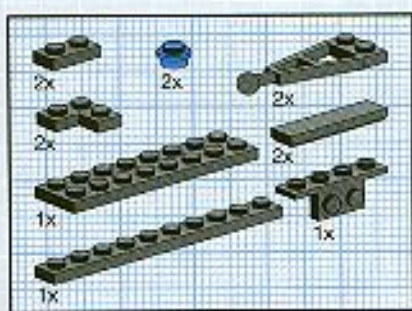
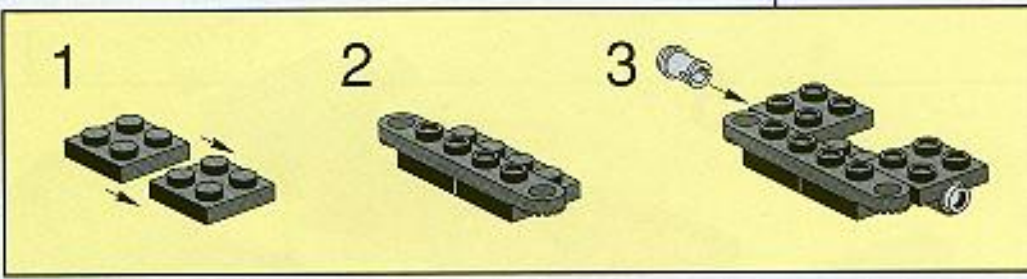
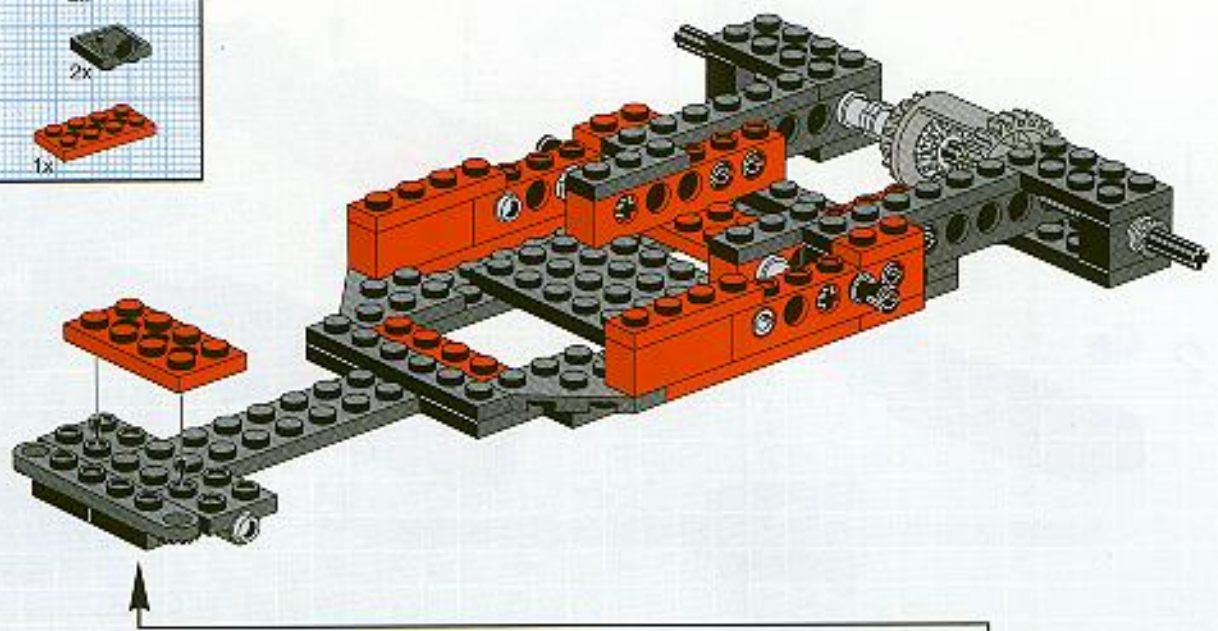


+

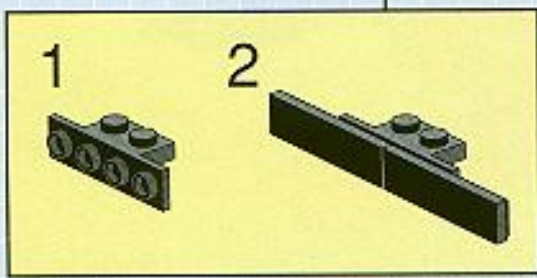
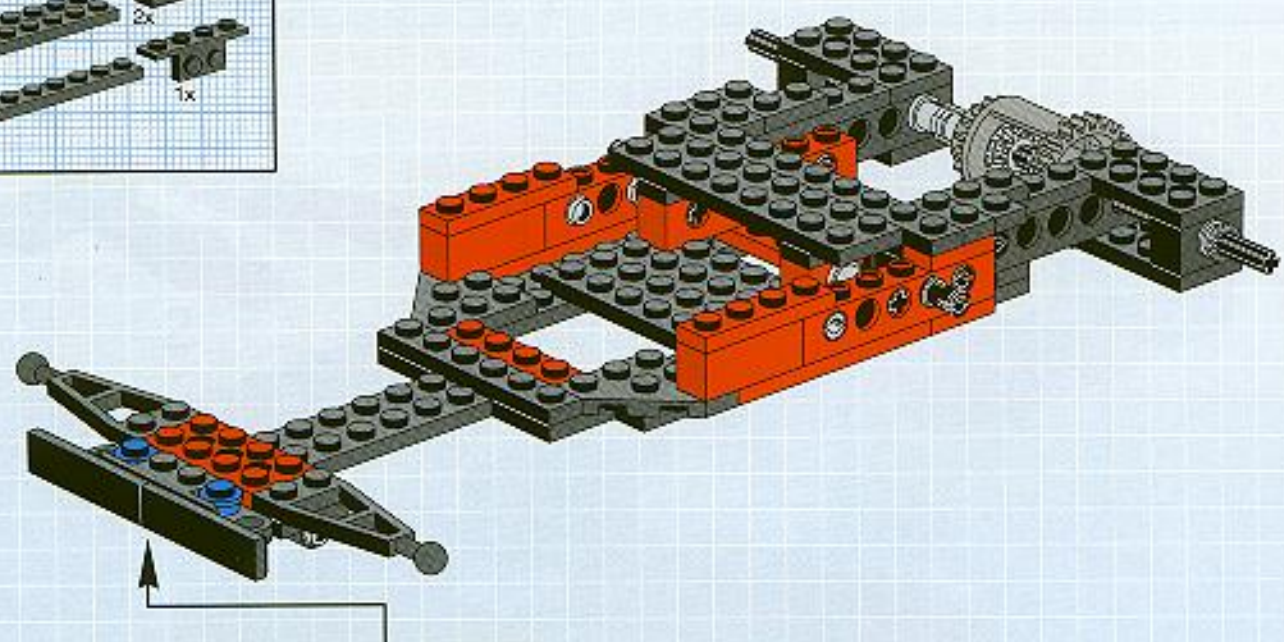


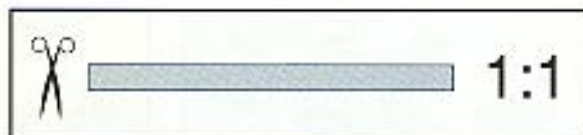
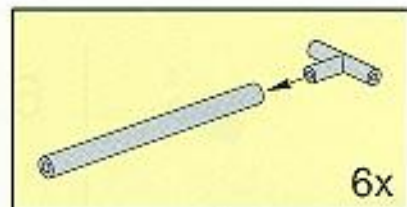
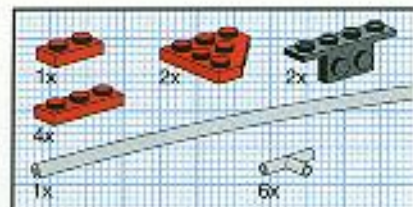


5

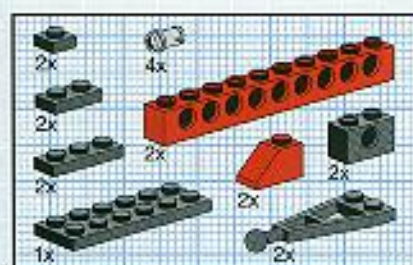
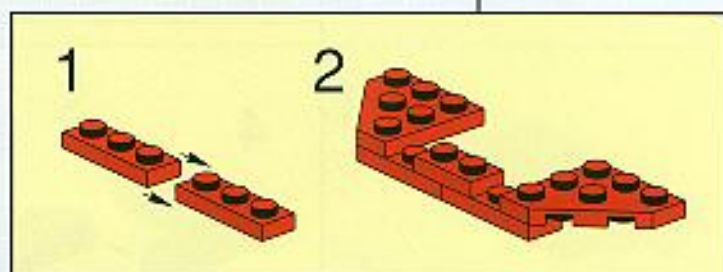
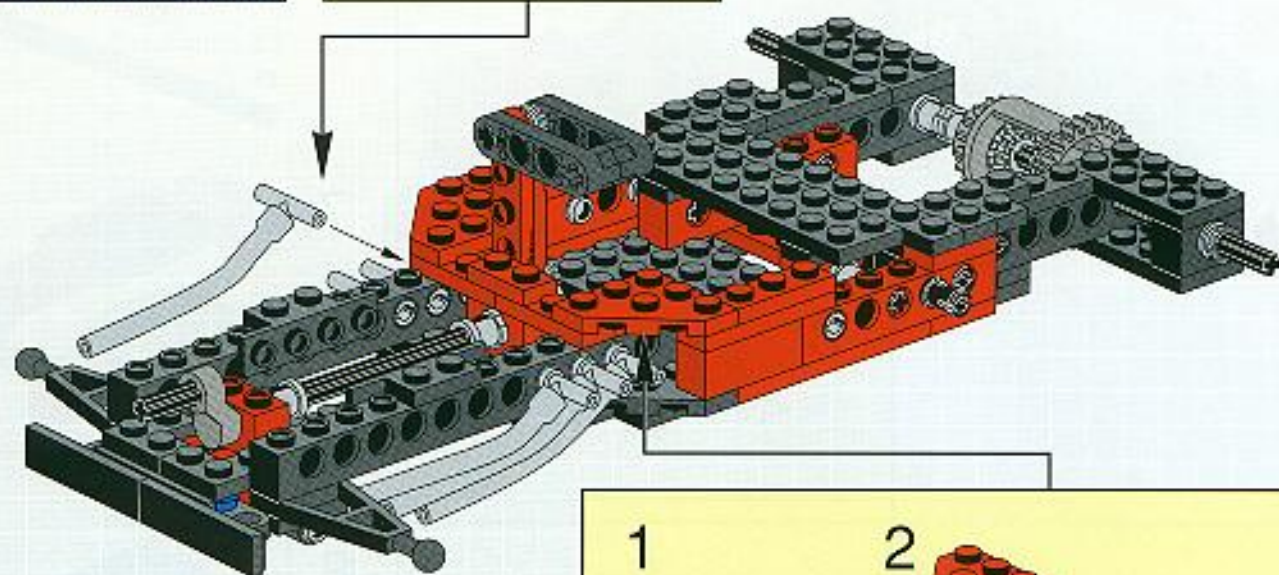


6

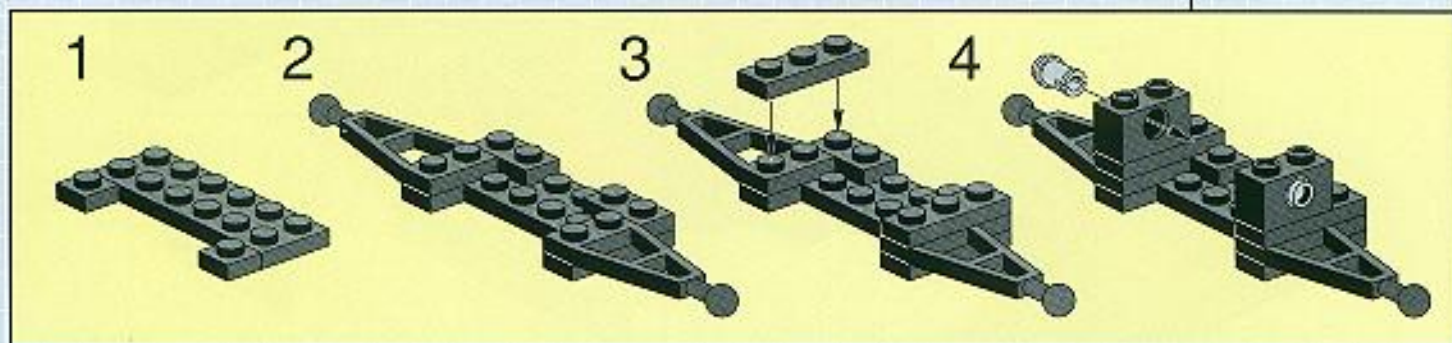
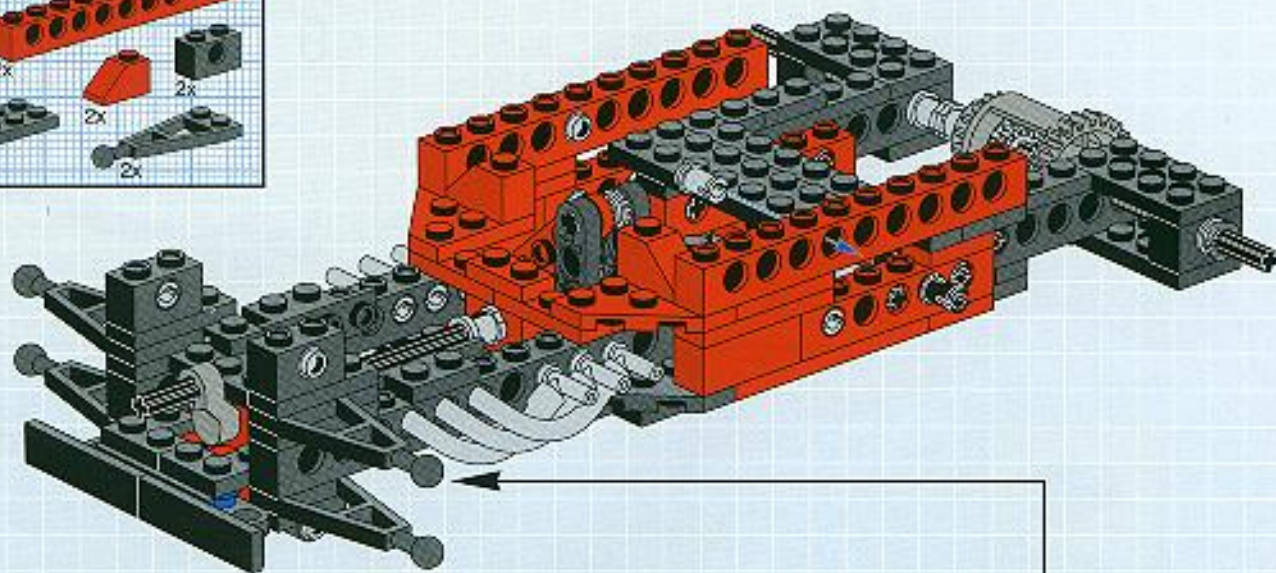


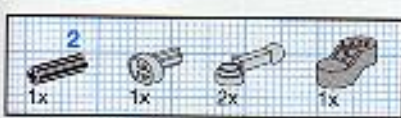
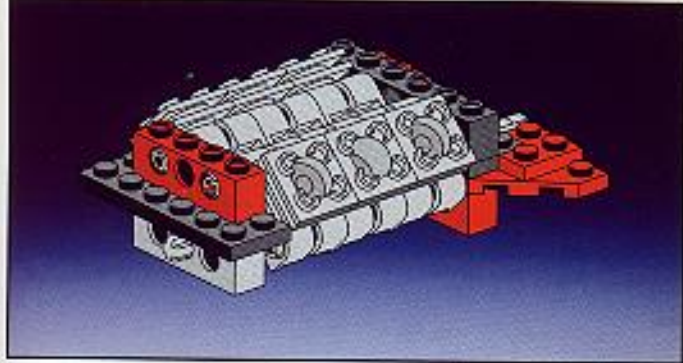


8

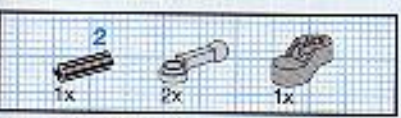
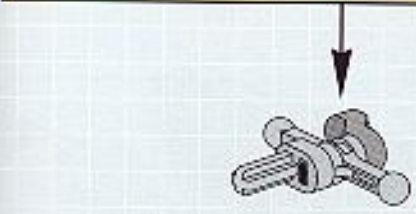
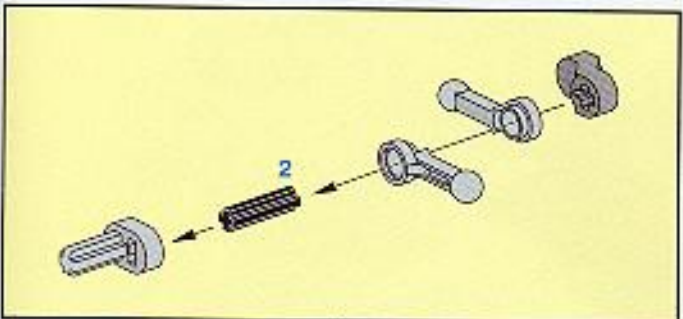


9

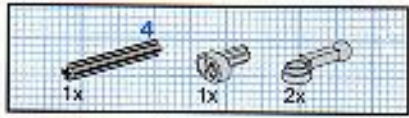
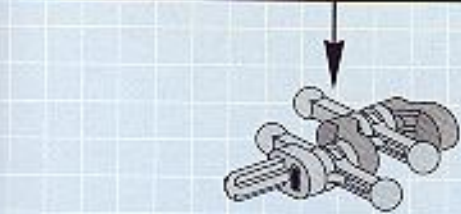
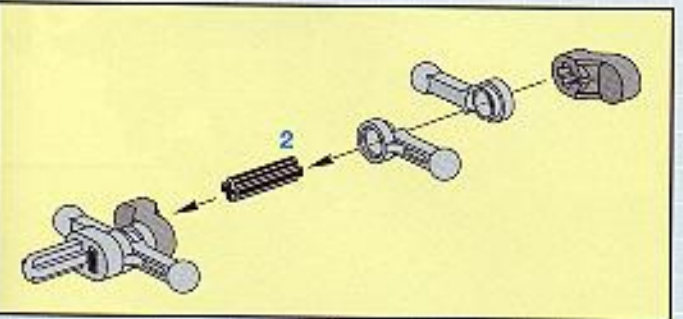




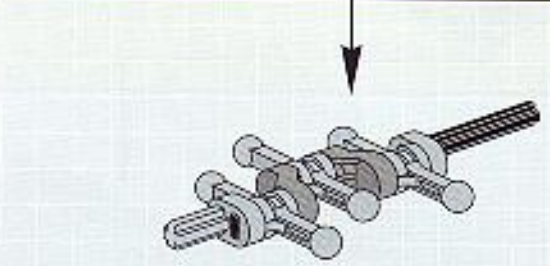
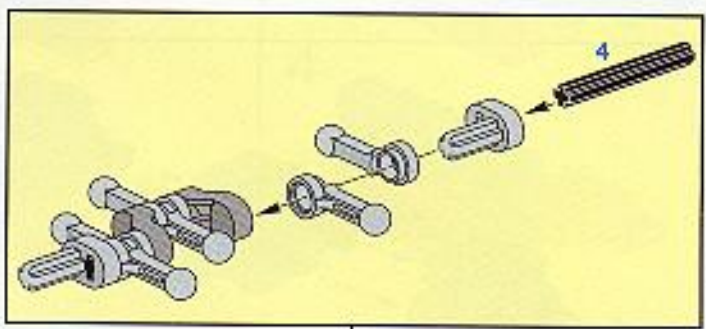
1



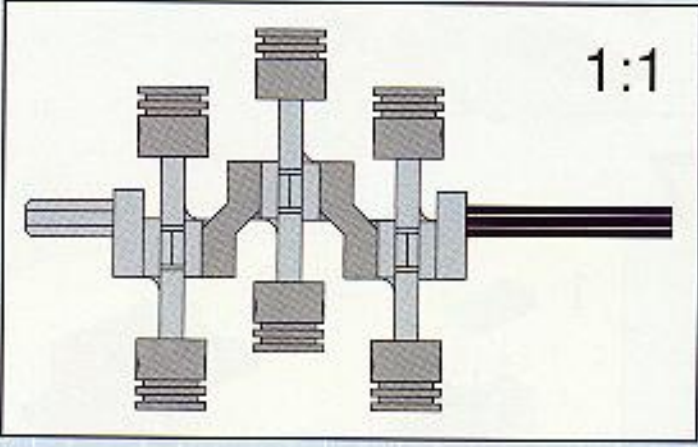
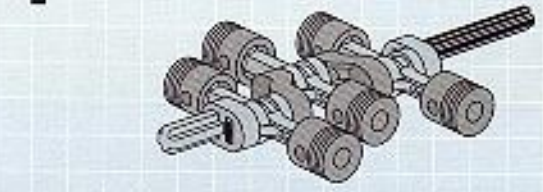
2

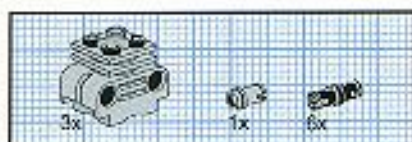


3

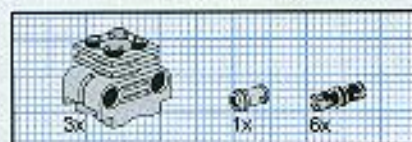
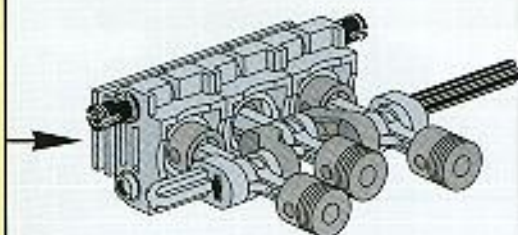
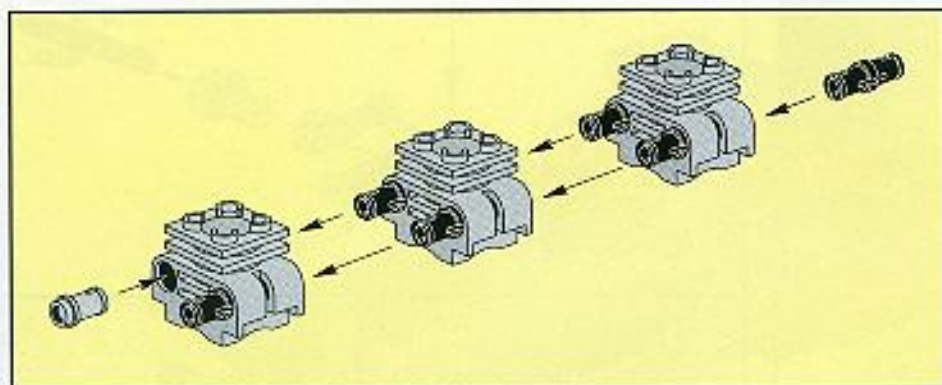


4

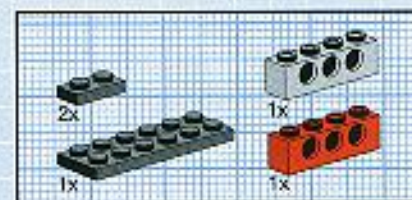
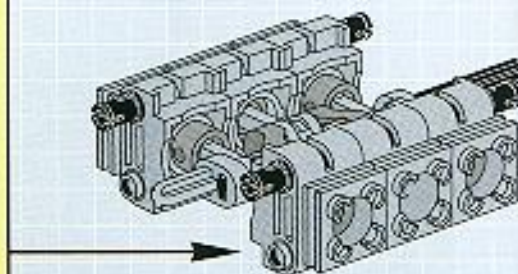
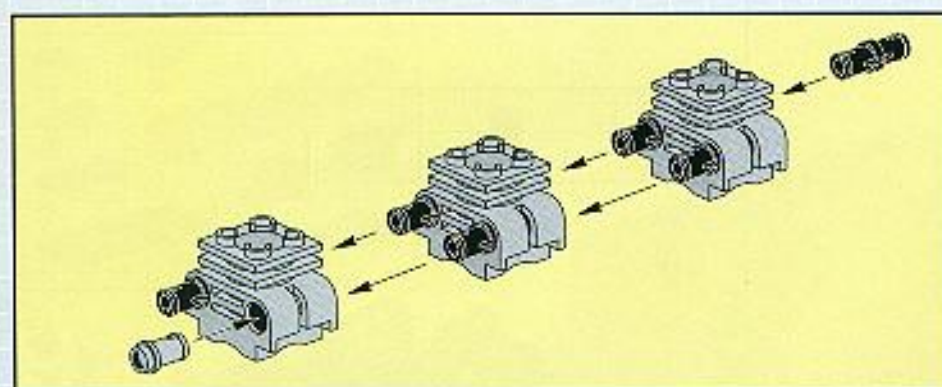




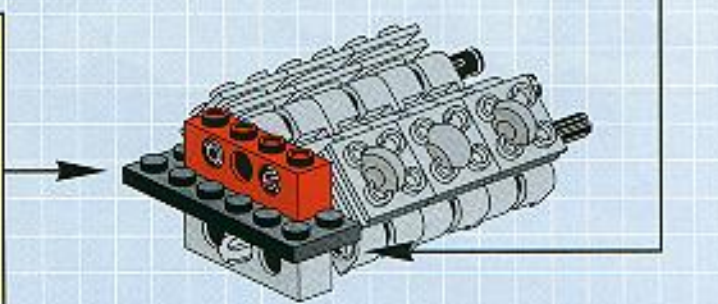
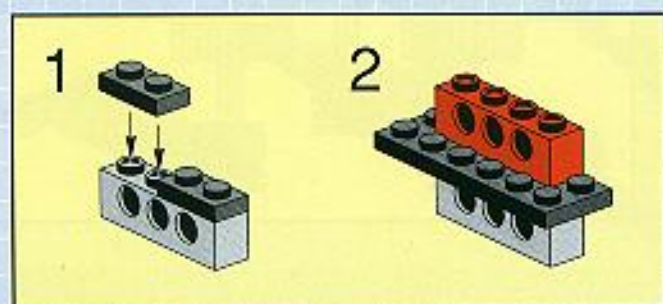
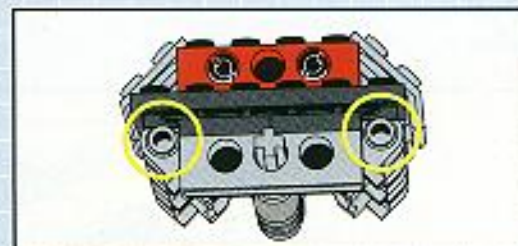
5



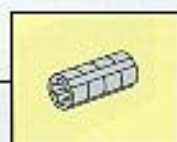
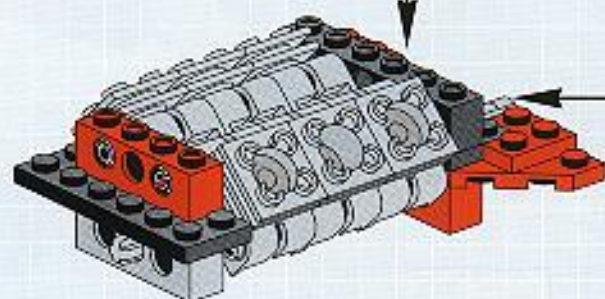
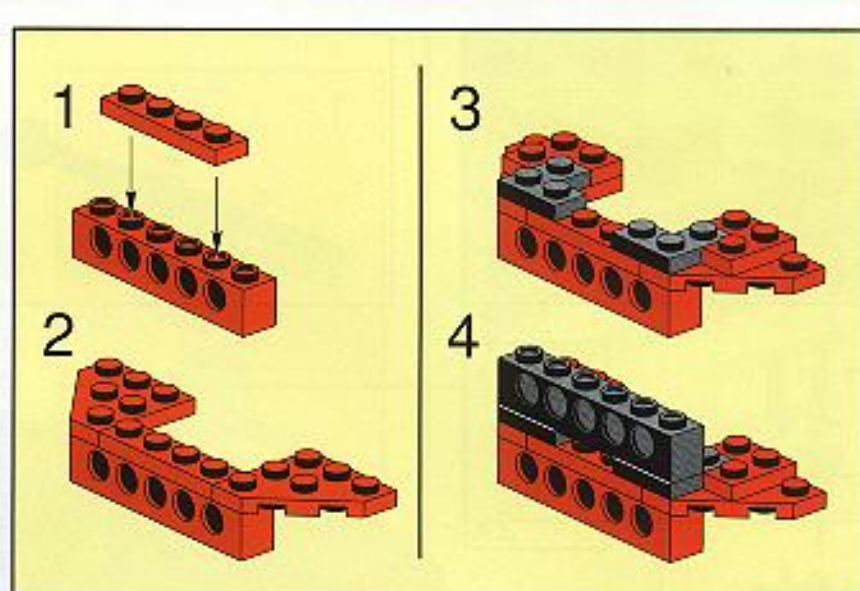
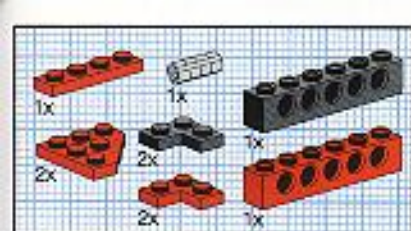
6



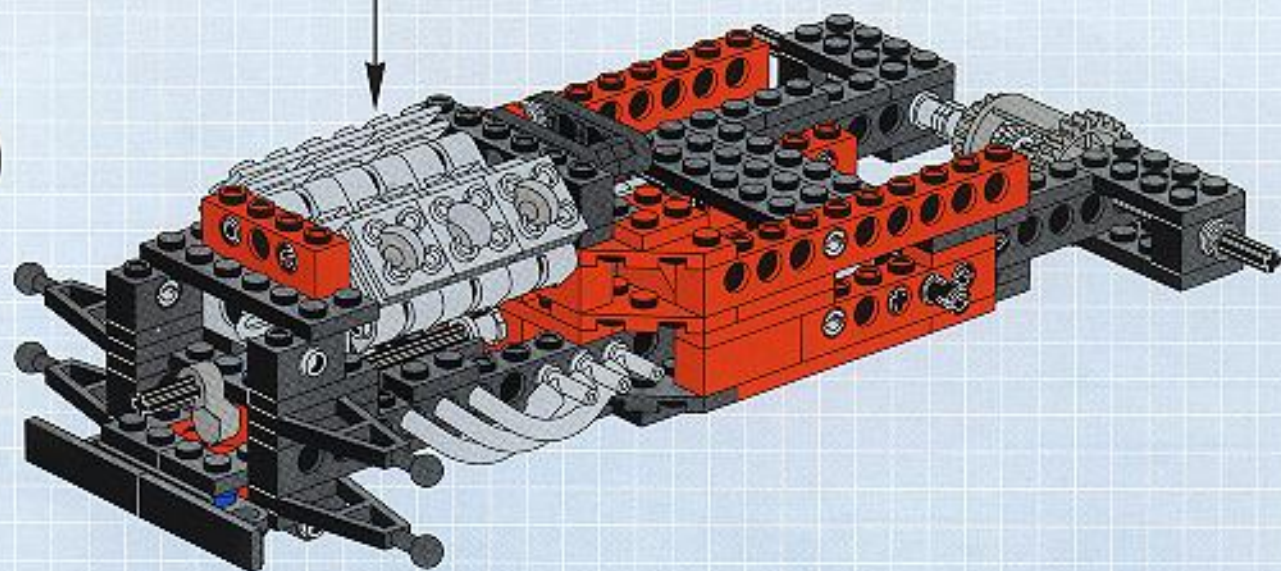
7

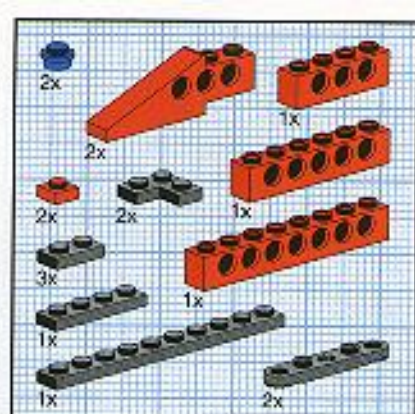


8

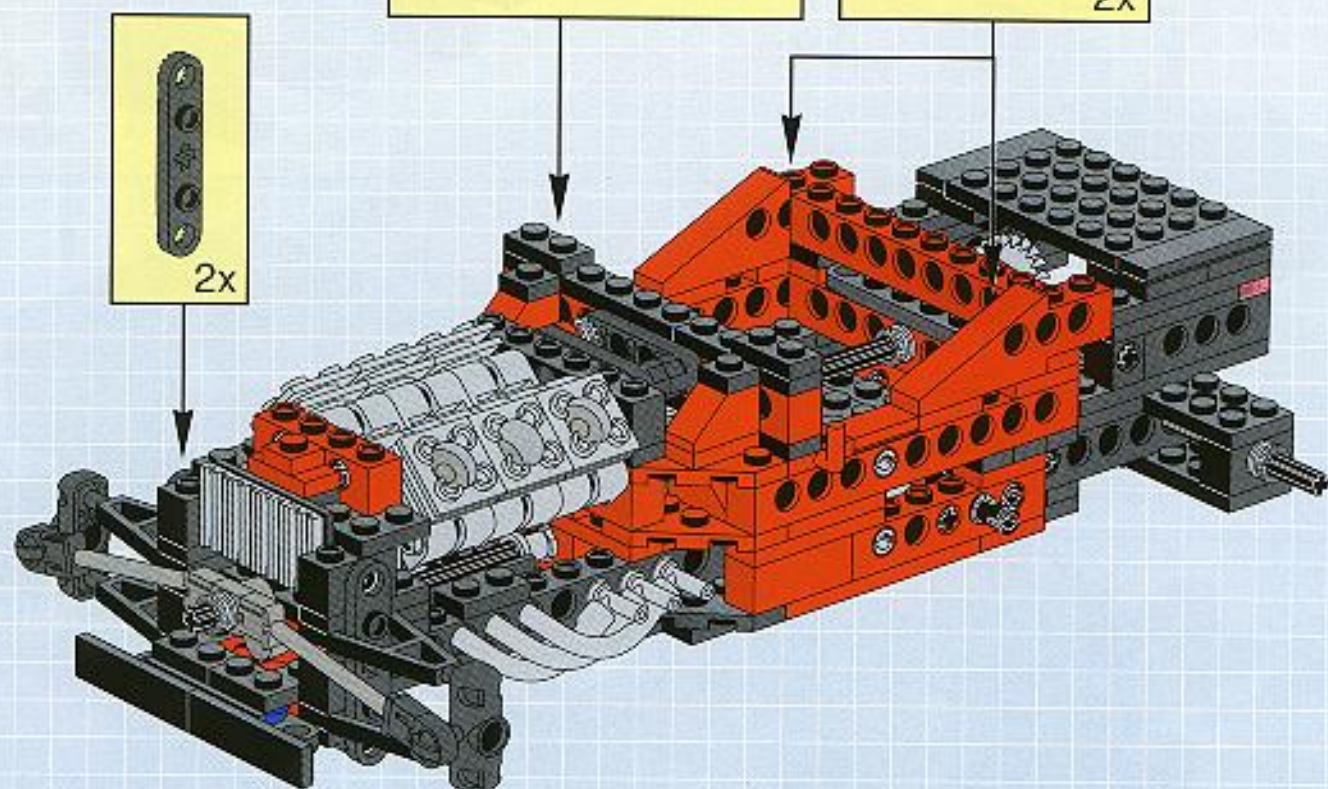
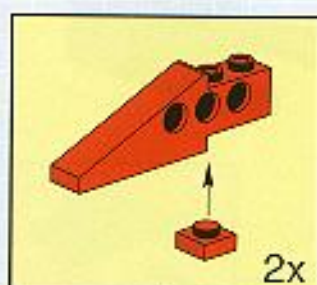
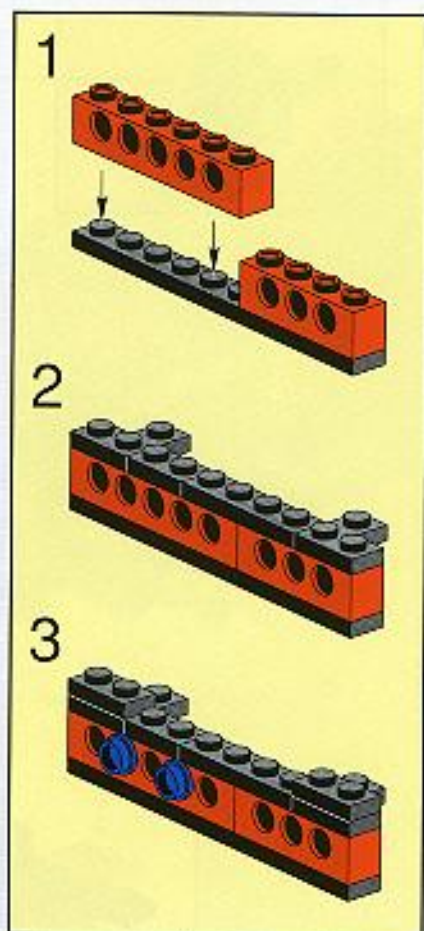


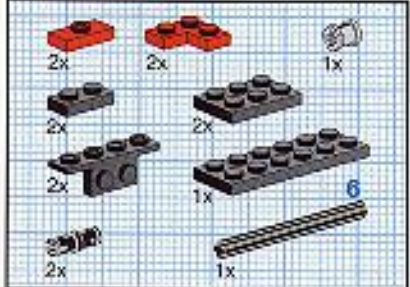
10



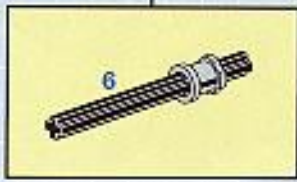
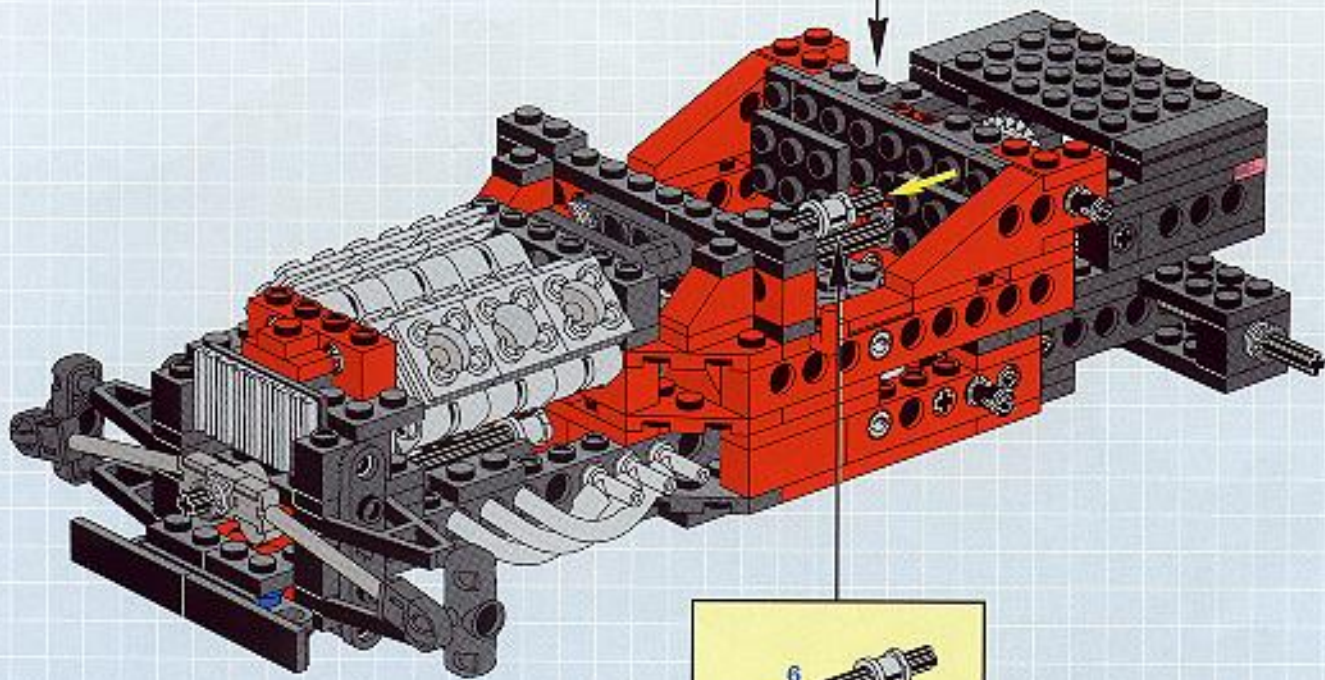
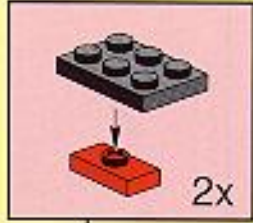
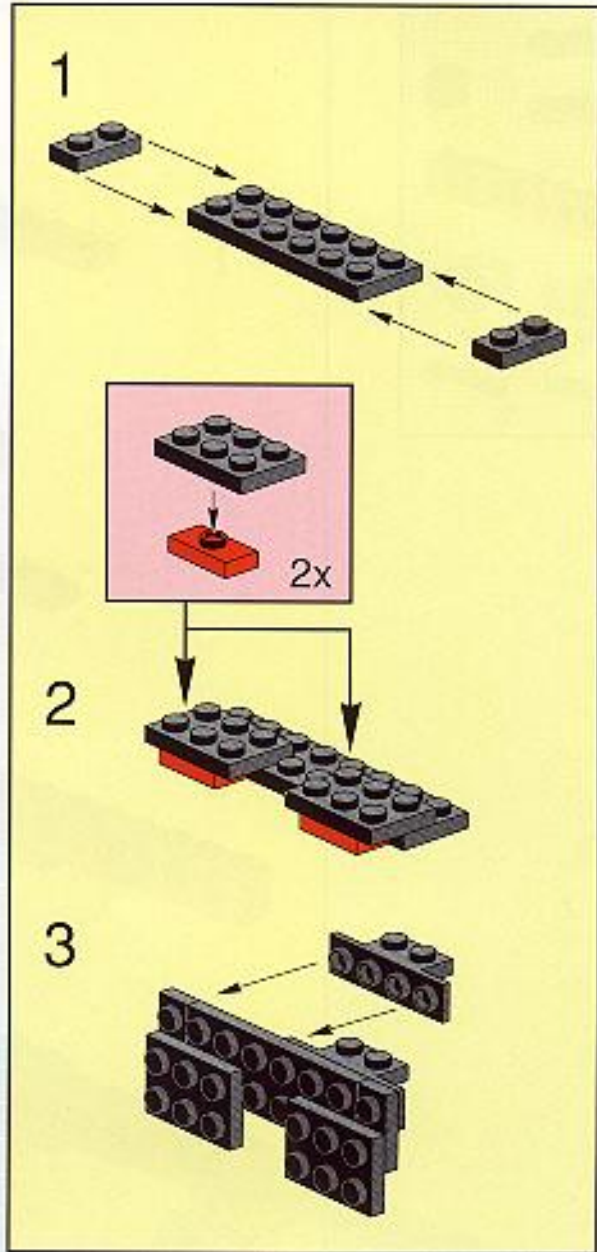


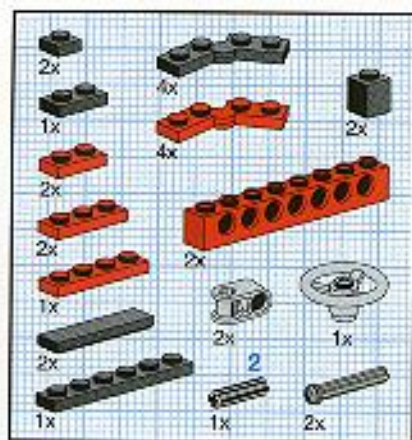
14



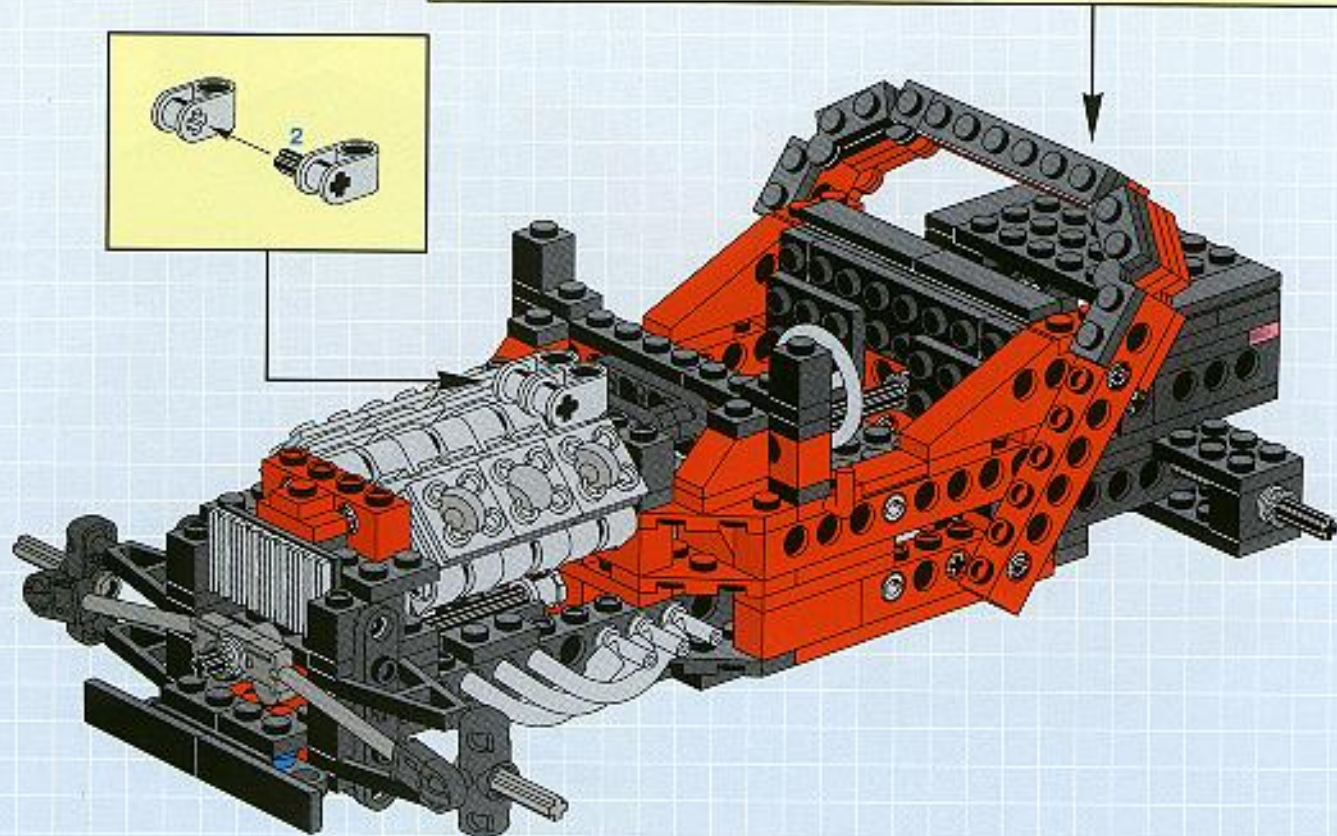
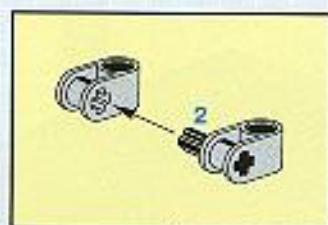
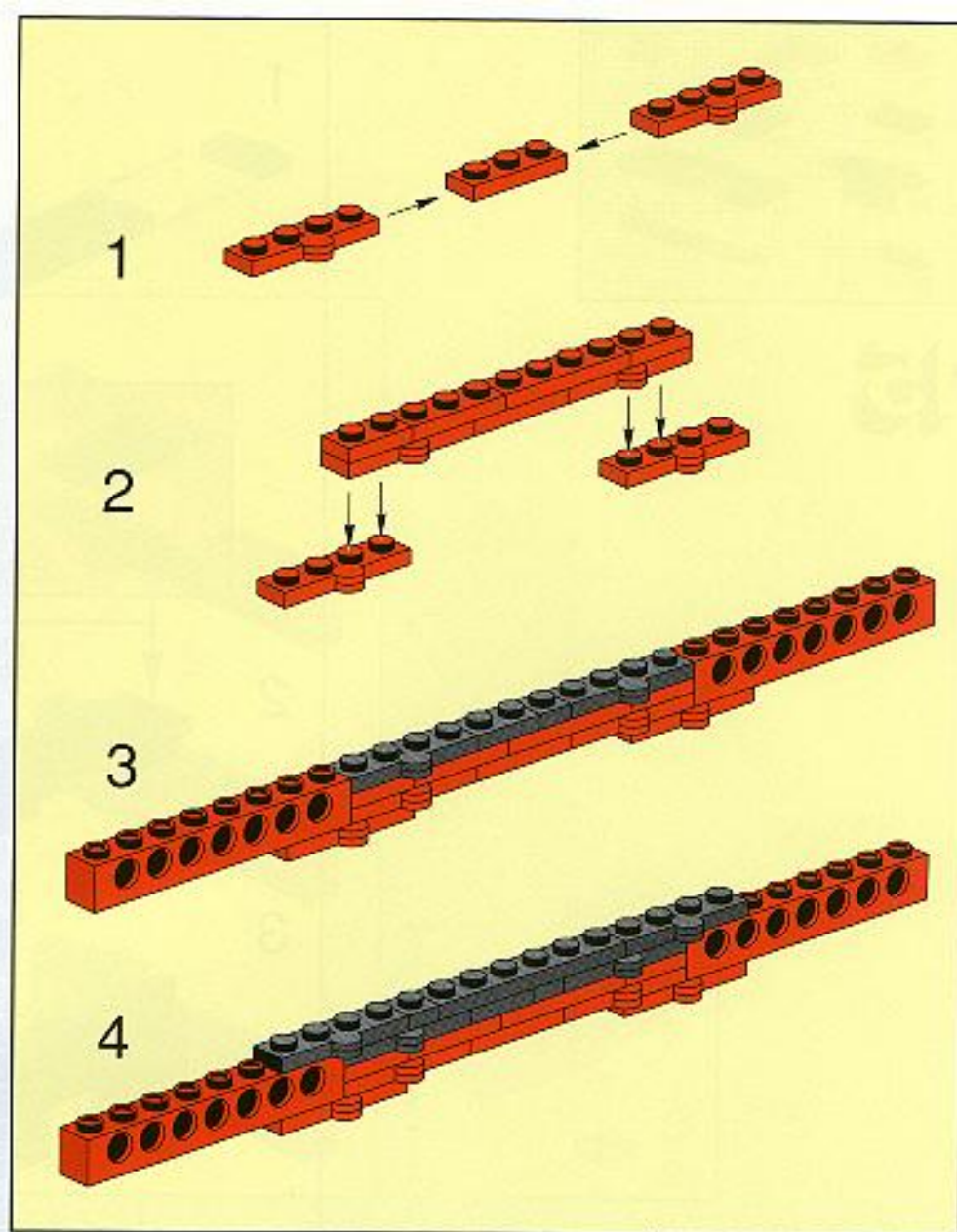


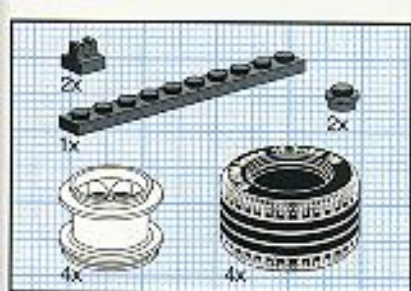
15



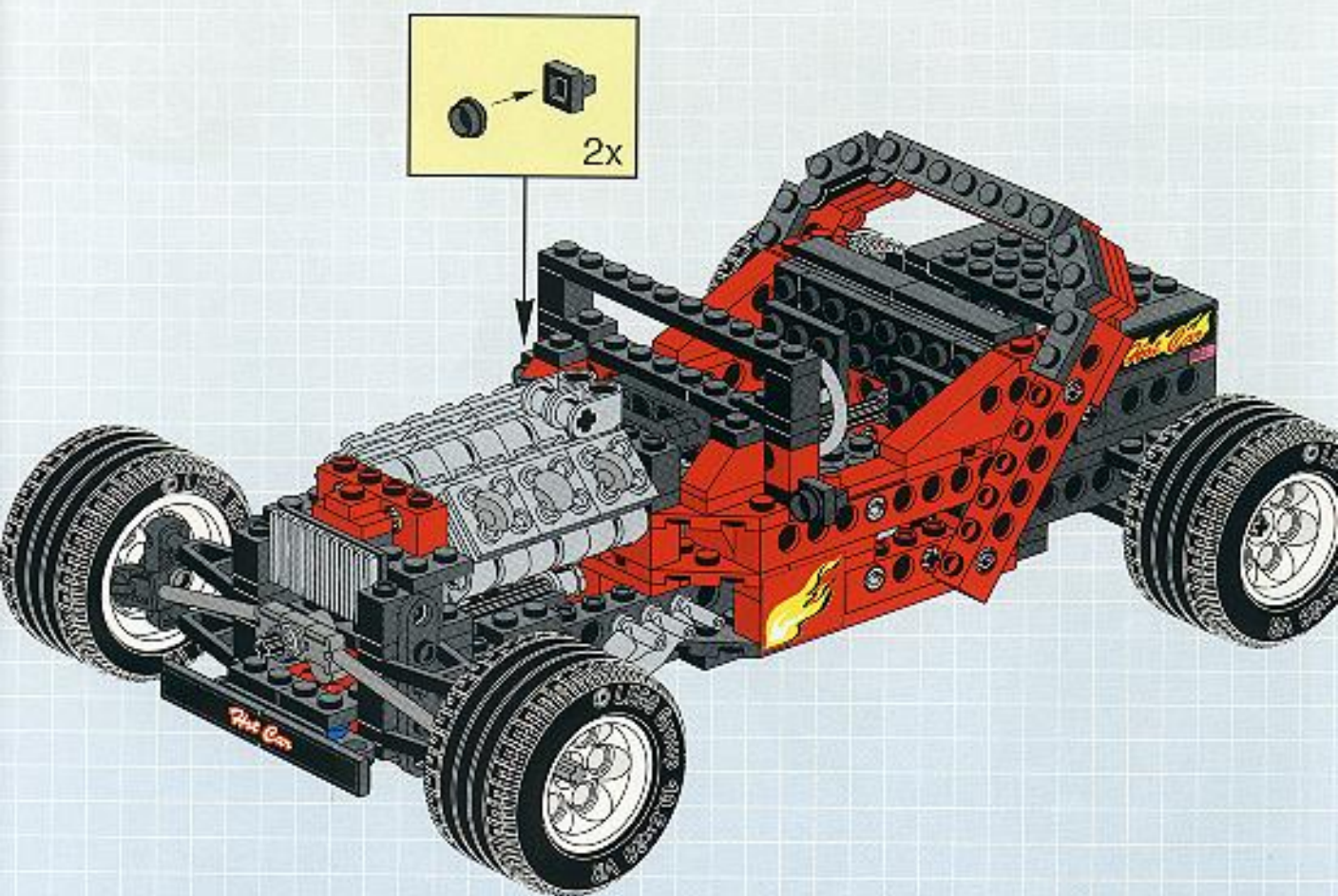


16





17

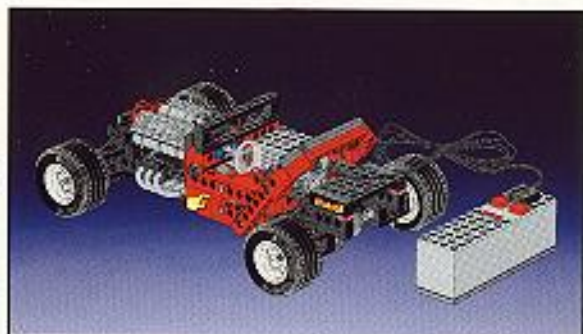




+

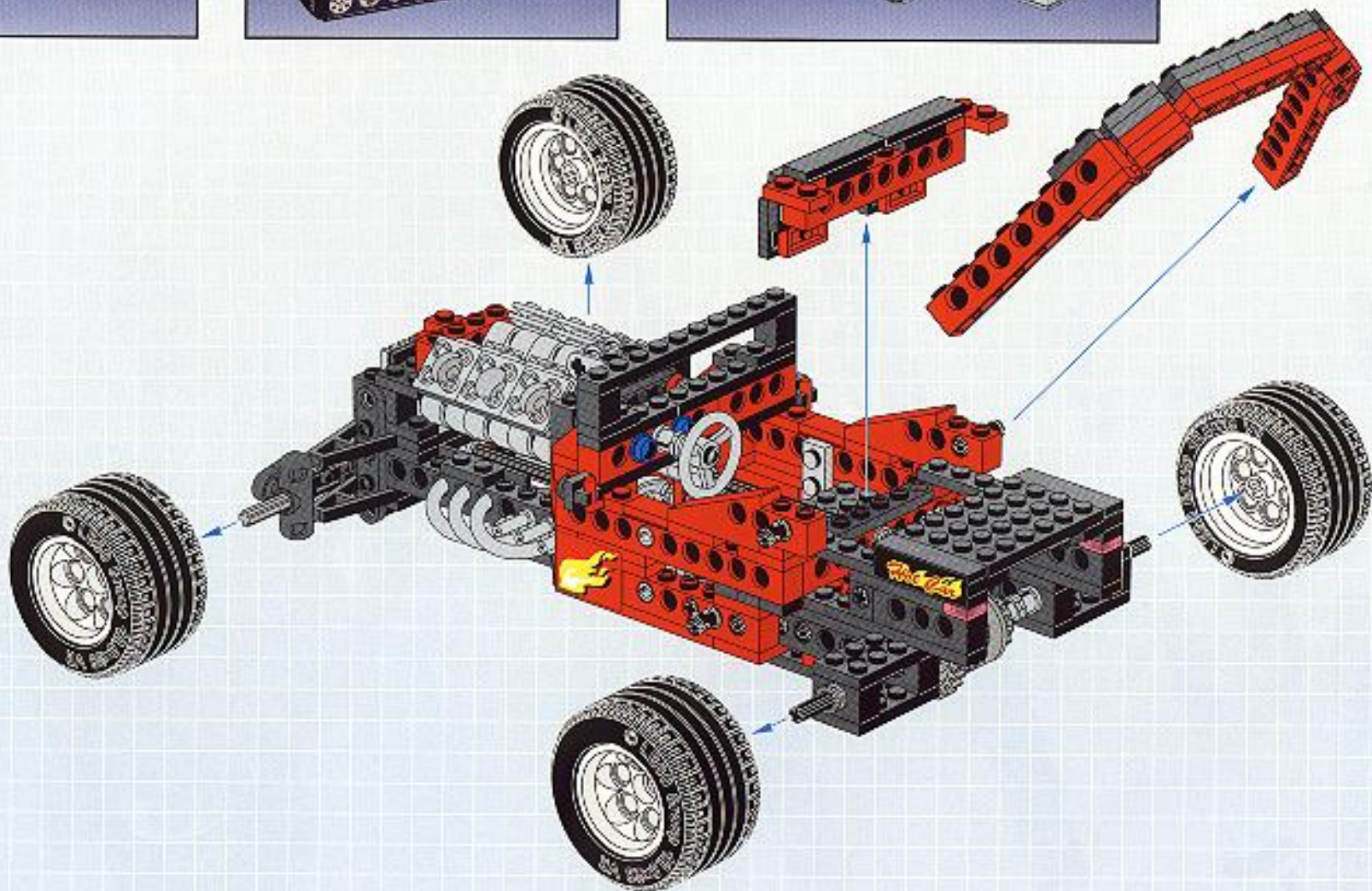


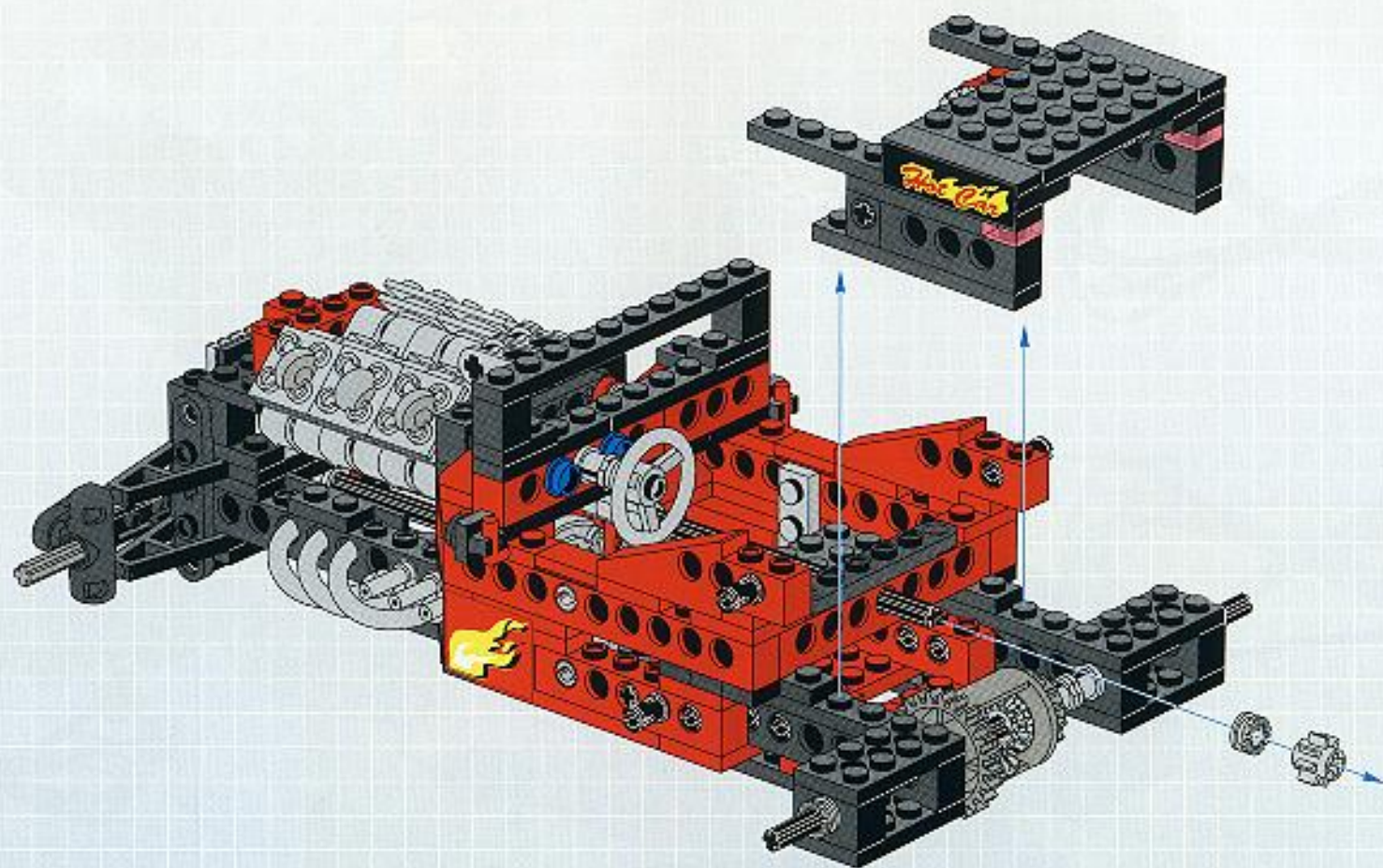
=

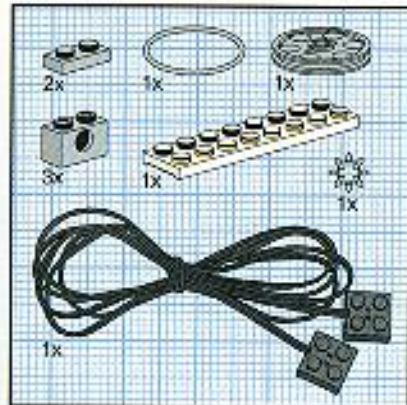


8440+8720

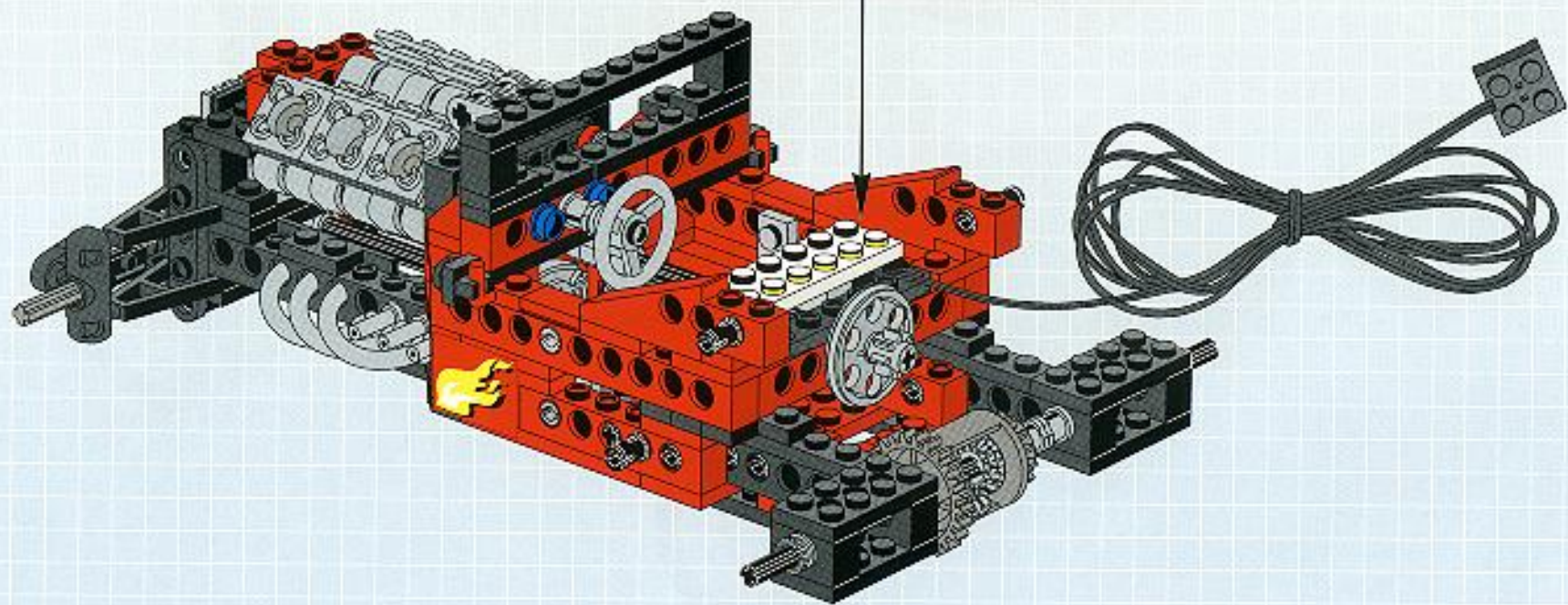
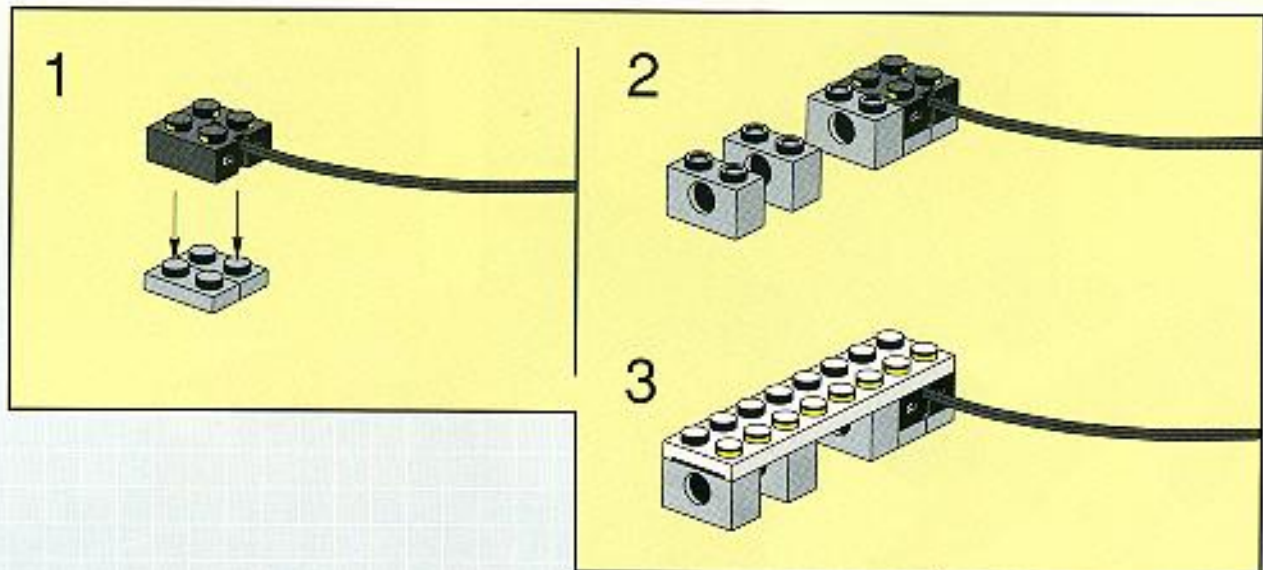
1

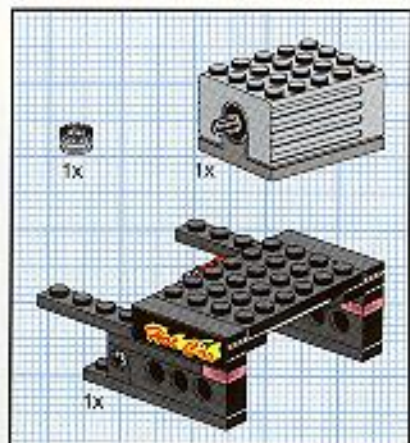




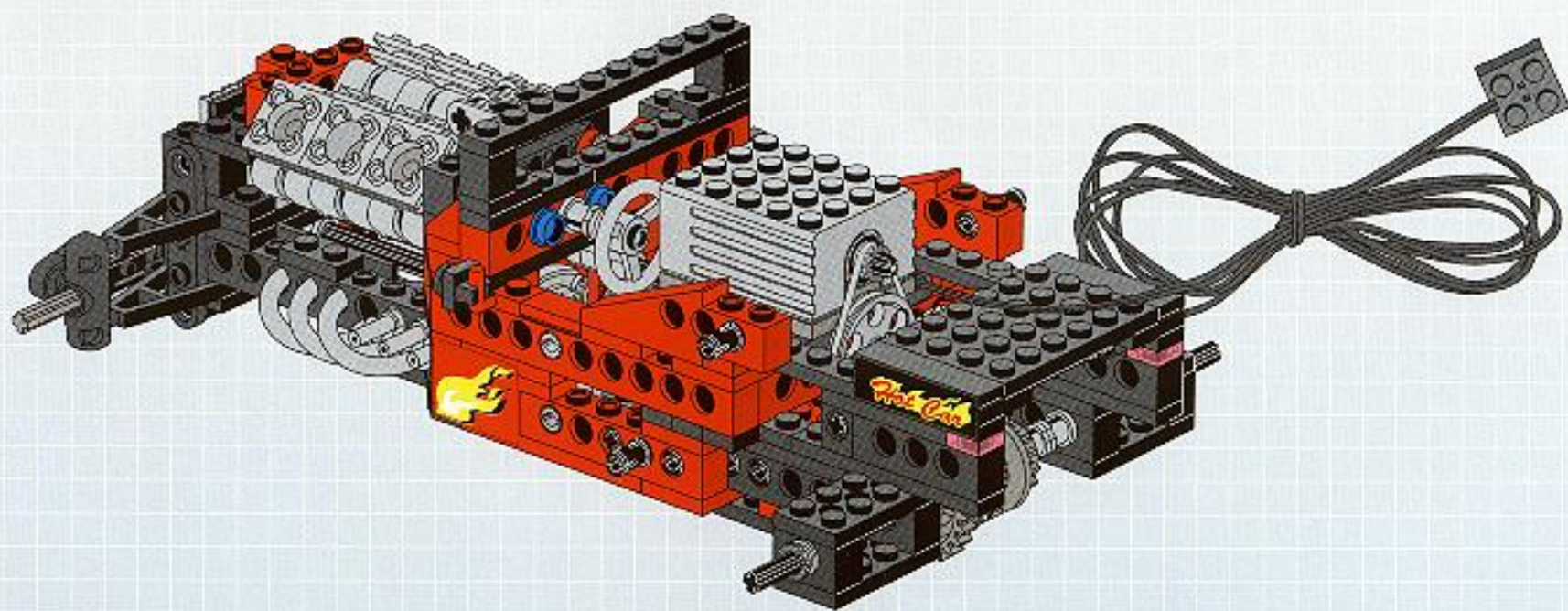


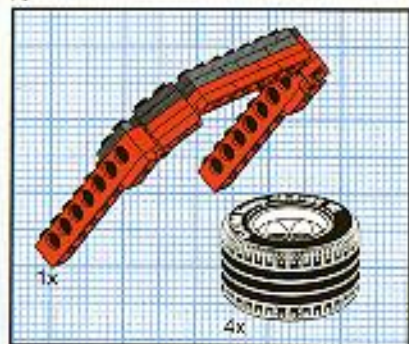
3



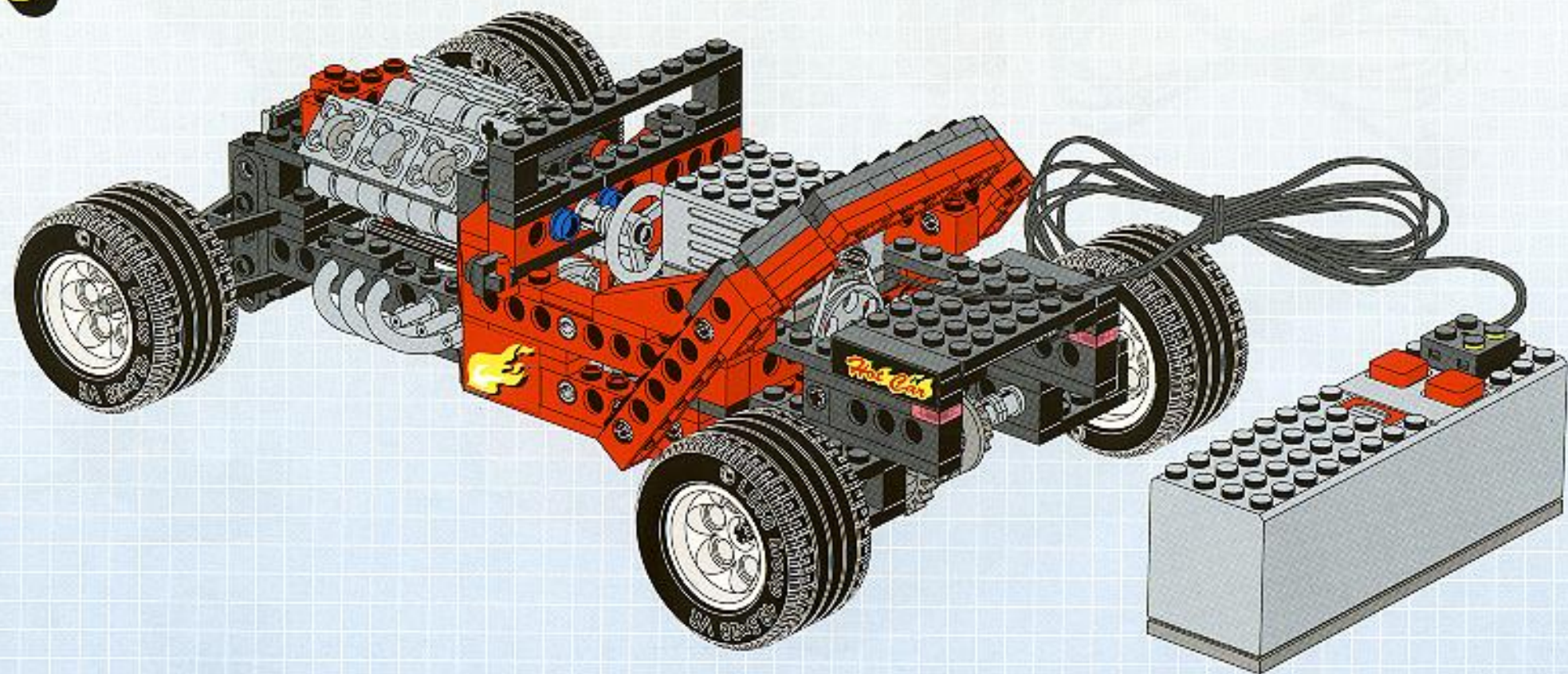


4





5





Octan
Octan

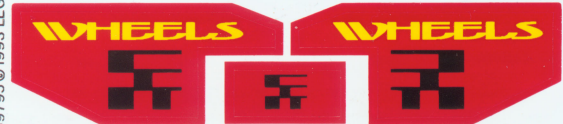


Image	Qty	Item No	Description	MID
Regular Items:				
Parts:				
	8	2436	Black Bracket 1 x 2 - 1 x 4 Catalog: Parts: Bracket	PG
*				
	2	3005	Black Brick 1 x 1 Catalog: Parts: Brick	PG
*				
	2	3622	Red Brick 1 x 3 Catalog: Parts: Brick	PG
*				
	2	2357	Black Brick 2 x 2 Corner Catalog: Parts: Brick	PG
*				
	4	2429c01(inv)	Black Hinge Plate 1 x 4 Swivel Base with Same Color Hinge Plate 1 x 4 Swivel Top (2429 / 2430) Catalog: Parts: Hinge	PG
*				
	8	2429c01(inv)	Red Hinge Plate 1 x 4 Swivel Base with Same Color Hinge Plate 1 x 4 Swivel Top (2429 / 2430) Catalog: Parts: Hinge	PG
*				
	2	5102	Light Gray Hose, Pneumatic 4mm D. (Undetermined Length) Catalog: Parts: Hose, Pneumatic 4mm D.	PG
*				
	2	75c04	Dark Gray Hose, Rigid 3mm D. 4L / 3.2cm Catalog: Parts: Hose, Rigid 3mm D.	PG
*				
	4	3024	Black Plate 1 x 1 Catalog: Parts: Plate	PG
*				
	3	3024	Red Plate 1 x 1 Catalog: Parts: Plate	PG
*				
	2	3024	Trans-Red Plate 1 x 1 Catalog: Parts: Plate	PG
*				

+



*

12

[3023](#)

Black Plate 1 x 2

[Catalog:](#) [Parts:](#) [Plate](#)

[PG](#)

+



*

10

[3023](#)

Red Plate 1 x 2

[Catalog:](#) [Parts:](#) [Plate](#)

[PG](#)

+



*

4

[3623](#)

Black Plate 1 x 3

[Catalog:](#) [Parts:](#) [Plate](#)

[PG](#)

+



*

2

[3623](#)

Light Gray Plate 1 x 3

[Catalog:](#) [Parts:](#) [Plate](#)

[PG](#)

+



*

7

[3623](#)

Red Plate 1 x 3

[Catalog:](#) [Parts:](#) [Plate](#)

[PG](#)

+



*

3

[3710](#)

Black Plate 1 x 4

[Catalog:](#) [Parts:](#) [Plate](#)

[PG](#)

+



*

5

[3710](#)

Red Plate 1 x 4

[Catalog:](#) [Parts:](#) [Plate](#)

[PG](#)

+



*

6

[3666](#)

Black Plate 1 x 6

[Catalog:](#) [Parts:](#) [Plate](#)

[PG](#)

+



*

2

[3666](#)

Red Plate 1 x 6

[Catalog:](#) [Parts:](#) [Plate](#)

[PG](#)

+



*

3

[3460](#)

Black Plate 1 x 8

[Catalog:](#) [Parts:](#) [Plate](#)

[PG](#)

+



*

3

[4477](#)

Black Plate 1 x 10

[Catalog:](#) [Parts:](#) [Plate](#)

[PG](#)

+



*













5


[3022](#)

Black Plate 2 x 2


[Catalog:](#) [Parts:](#) [Plate](#)

[PG](#)


+		10	2420	Black Plate 2 x 2 Corner Catalog : Parts : Plate	PG
*					
+		8	2420	Red Plate 2 x 2 Corner Catalog : Parts : Plate	PG
*					
+		2	3021	Black Plate 2 x 3 Catalog : Parts : Plate	PG
*					
+		3	3795	Black Plate 2 x 6 Catalog : Parts : Plate	PG
*					
+		1	3034	Black Plate 2 x 8 Catalog : Parts : Plate	PG
*					
+		1	3832	Black Plate 2 x 10 Catalog : Parts : Plate	PG
*					
+		1	3832	Red Plate 2 x 10 Catalog : Parts : Plate	PG
*					
+		4	2445	Black Plate 2 x 12 Catalog : Parts : Plate	PG
*					
+		2	3032	Black Plate 4 x 6 Catalog : Parts : Plate	PG
*					
+		4	3794a	Red Plate, Modified 1 x 2 with 1 Stud without Groove (Jumper) Catalog : Parts : Plate , Modified	PG
*					
+		2	4623	Red Plate, Modified 1 x 2 with Arm Up (Horizontal Arm Length 6mm) Catalog : Parts : Plate , Modified	PG
*					
+		4	2508	Black Plate, Modified 1 x 2 with Long Towball Catalog : Parts : Plate , Modified	PG
*					

+  6 [2444](#) **Black Plate, Modified 2 x 2 with Pin Hole** [PG](#)
[Catalog:](#) [Parts:](#) [Plate, Modified](#)


*

+  1 [2817](#) **Black Plate, Modified 2 x 2 with Pin Holes** [PG](#)
[Catalog:](#) [Parts:](#) [Plate, Modified](#)



*

+  2 [4073](#) **Black Plate, Round 1 x 1** [PG](#)
[Catalog:](#) [Parts:](#) [Plate, Round](#)


*

+  6 [4073](#) **Blue Plate, Round 1 x 1** [PG](#)
[Catalog:](#) [Parts:](#) [Plate, Round](#)

*

+  6 [4697a](#) **Light Gray Pneumatic T Piece First Version (T Bar)** [PG](#) 1 
[Catalog:](#) [Parts:](#) [Pneumatic](#)

*

+  4 [3040](#) **Red Slope 45 2 x 1** [PG](#)
[Catalog:](#) [Parts:](#) [Slope](#)


*

+  1 [4287](#) **Red Slope, Inverted 33 3 x 1** [PG](#)
[Catalog:](#) [Parts:](#) [Slope, Inverted](#)

*

+  1 [8440stk01](#) **Sticker for Set 8440 - (169795)** [PG](#)
[Catalog:](#) [Parts:](#) [Sticker](#)


*

+  9 [3713](#) **Light Gray Technic Bush** [PG](#)
[Catalog:](#) [Parts:](#) [Technic](#)

*

+  10 [4265b](#) **Light Gray Technic Bush 1/2 Toothed Type II** [PG](#)
[Catalog:](#) [Parts:](#) [Technic](#)













*

+  1 [6575](#) **Light Gray Technic Cam** [PG](#)
[Catalog:](#) [Parts:](#) [Technic](#)













*

+  6 [2852](#) **Light Gray Technic Engine Connecting Rod** [PG](#)
[Catalog:](#) [Parts:](#) [Technic](#)




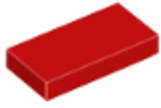

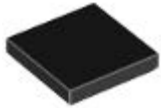






*

+	 *	2	2853	Light Gray Technic Engine Crankshaft Catalog: Parts: Technic	PG
+	 *	3	2854	Dark Gray Technic Engine Crankshaft Center Catalog: Parts: Technic	PG
+	 *	6	2850	Light Gray Technic Engine Cylinder Catalog: Parts: Technic	PG
+	 *	6	2851	Dark Gray Technic Engine Piston Round Catalog: Parts: Technic	PG
+	 *	1	2717	Black Technic Seat 3 x 2 Base Catalog: Parts: Technic	PG
+	 *	4	2744	Red Technic Slope 33 6 x 1 x 1 2/3 Long (Wing Back) Catalog: Parts: Technic	PG
+	 *	7	3704	Black Technic, Axle 2 Catalog: Parts: Technic, Axle	PG
+	 *	2	4519	Black Technic, Axle 3 Catalog: Parts: Technic, Axle	PG
+	 *	2	6587	Dark Gray Technic, Axle 3 with Stud Catalog: Parts: Technic, Axle	PG
+	 *	5	3705	Black Technic, Axle 4 Catalog: Parts: Technic, Axle	PG
+	 *	2	3706	Black Technic, Axle 6 Catalog: Parts: Technic, Axle	PG
+	 *	2	3707	Black Technic, Axle 8 Catalog: Parts: Technic, Axle	PG


+	 *	3	3737	Black Technic, Axle 10 Catalog: Parts: Technic, Axle	PG
+	 *	7	6536	Light Gray Technic, Axle and Pin Connector Perpendicular Catalog: Parts: Technic, Connector	PG
+	 *	1	6538	Light Gray Technic, Axle Connector 2L (Ridged Undetermined Type) Catalog: Parts: Technic, Connector	PG
+	 *	3	3749	Light Gray Technic, Axle Pin without Friction Ridges Lengthwise Catalog: Parts: Technic, Axle	PG
+	 *	2	6541	Black Technic, Brick 1 x 1 with Hole Catalog: Parts: Technic, Brick	PG
+	 *	4	3700	Black Technic, Brick 1 x 2 with Hole Catalog: Parts: Technic, Brick	PG
+	 *	2	3700	Red Technic, Brick 1 x 2 with Hole Catalog: Parts: Technic, Brick	PG
+	 *	2	3701	Black Technic, Brick 1 x 4 with Holes Catalog: Parts: Technic, Brick	PG
+	 *	1	3701	Light Gray Technic, Brick 1 x 4 with Holes Catalog: Parts: Technic, Brick	PG
+	 *	2	3701	Red Technic, Brick 1 x 4 with Holes Catalog: Parts: Technic, Brick	PG
+	 *	2	3894	Black Technic, Brick 1 x 6 with Holes Catalog: Parts: Technic, Brick	PG
+	 *	8	3894	Red Technic, Brick 1 x 6 with Holes Catalog: Parts: Technic, Brick	PG

+	 *	2	3702	Black Technic, Brick 1 x 8 with Holes Catalog : Parts : Technic , Brick	PG
+	 *	4	3702	Red Technic, Brick 1 x 8 with Holes Catalog : Parts : Technic , Brick	PG
+	 *	2	2730	Red Technic, Brick 1 x 10 with Holes Catalog : Parts : Technic , Brick	PG
+	 *	2	3895	Black Technic, Brick 1 x 12 with Holes Catalog : Parts : Technic , Brick	PG
+	 *	2	3703	Red Technic, Brick 1 x 16 with Holes Catalog : Parts : Technic , Brick	PG
+	 *	2	bb0008c06L	Light Gray Technic, Flex Cable (Stud Measure) 6L Catalog : Parts : Technic , Flex Cable	PG
+	 *	1	6642	Dark Gray Technic, Flex Cable End Double, Pin Connection Catalog : Parts : Technic , Flex Cable	PG
+	 *	2	6644	Black Technic, Flex Cable End, Ball Connection with Cage Catalog : Parts : Technic , Flex Cable	PG
+	 *	1	3647	Light Gray Technic, Gear 8 Tooth Type 1 Catalog : Parts : Technic , Gear	PG
+	 *	3	6589	Light Gray Technic, Gear 12 Tooth Bevel Catalog : Parts : Technic , Gear	PG
+	 *	1	3650b	Light Gray Technic, Gear 24 Tooth Crown (2nd Version - Reinforced) Catalog : Parts : Technic , Gear	PG
+	 *	1	6573	Dark Gray Technic, Gear Differential, 24-16 Teeth Catalog : Parts : Technic , Gear	PG

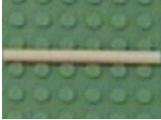
+	 *	6	2825	Black Technic, Liftarm 1 x 4 Thin with Stud Connector Catalog: Parts: Technic. Liftarm	PG
+	 *	2	2825	Red Technic, Liftarm 1 x 4 Thin with Stud Connector Catalog: Parts: Technic. Liftarm	PG
+	 *	16	4274	Light Gray Technic, Pin 1/2 Catalog: Parts: Technic. Pin	PG
+	 *	1	6558	Black Technic, Pin 3L with Friction Ridges Lengthwise Catalog: Parts: Technic. Pin	PG
+	 *	29	2780	Black Technic, Pin with Friction Ridges Lengthwise WITH Center Slots Catalog: Parts: Technic. Pin	PG
+	 *	2	4263	Red Technic, Plate 1 x 4 with Toothed Ends Catalog: Parts: Technic. Plate	PG
+	 *	2	2711	Black Technic, Plate 1 x 5 with Toothed Ends, 2 Studs and Center Axle Hole Catalog: Parts: Technic. Plate	PG
+	 *	2	4262	Black Technic, Plate 1 x 6 with Toothed Ends Catalog: Parts: Technic. Plate	PG
+	 *	5	3709b	Black Technic, Plate 2 x 4 with 3 Holes Catalog: Parts: Technic. Plate	PG
+	 *	1	3709b	Red Technic, Plate 2 x 4 with 3 Holes Catalog: Parts: Technic. Plate	PG
+	 *	1	3738	Light Gray Technic, Plate 2 x 8 with 7 Holes Catalog: Parts: Technic. Plate	PG
+	 *	4	6571	Black Technic, Steering Arm Small with Pin Hole and Ball (Towball) Catalog: Parts: Technic. Steering	PG


+	 *	4	6572	Black Technic, Steering Knuckle Arm with Ball Joint (Towball) Catalog: Parts: Technic, Steering	PG
+	 *	1	2819	Light Gray Technic, Steering Wheel Small, 3 Studs Diameter Catalog: Parts: Technic, Steering	PG
+	 *	2	3069b	Black Tile 1 x 2 with Groove Catalog: Parts: Tile	PG
+	 *	2	3069b	Red Tile 1 x 2 with Groove Catalog: Parts: Tile	PG
+	 *	6	2431	Black Tile 1 x 4 Catalog: Parts: Tile	PG
+	 *	5	3068b	Black Tile 2 x 2 with Groove Catalog: Parts: Tile	PG
+	 *	1	3068b	Red Tile 2 x 2 with Groove Catalog: Parts: Tile	PG
+	 *	2	2555	Black Tile, Modified 1 x 1 with Clip Catalog: Parts: Tile, Modified	PG
+	 *	8	2412b	Light Gray Tile, Modified 1 x 2 Grille with Bottom Groove / Lip Catalog: Parts: Tile, Modified	PG
+	 *	1	2412b	Red Tile, Modified 1 x 2 Grille with Bottom Groove / Lip Catalog: Parts: Tile, Modified	PG
+	 *	4	6594	Black Tire 49.6 x 28 VR Catalog: Parts: Tire & Tread	PG
+	 *	2	2450	Black Wedge, Plate 3 x 3 Cut Corner Catalog: Parts: Wedge, Plate	PG


+  4 [2450](#) **Red Wedge, Plate 3 x 3 Cut Corner** [PG](#)
[Catalog:](#) [Parts:](#) [Wedge, Plate](#)

+  4 [6595](#) **White Wheel 36.8mm D. x 26mm VR with Axle Hole** [PG](#)
[Catalog:](#) [Parts:](#) [Wheel](#)

Counterparts:

+  6 [5102c06](#) **Light Gray Hose, Pneumatic 4mm D. 6L / 4.8cm** [PG](#)
[Catalog:](#) [Parts:](#) [Hose, Pneumatic 4mm D.](#)


+  2 [3069bpb059](#) **Red Tile 1 x 2 with Groove with Mirror Rear-view Pattern (Sticker)** [PG](#)
[Catalog:](#) [Parts:](#) [Tile, Decorated](#)

+  2 [2431pb047](#) **Black Tile 1 x 4 with Octan on White Background with Rounded Corners Pattern (Sticker) - Set 8440** [PG](#)
[Catalog:](#) [Parts:](#) [Tile, Decorated](#)



+  2 [2431pb028](#) **Black Tile 1 x 4 with Yellow 'WHEELS' on Black Background Pattern (Sticker) - Set 8440** [PG](#)
[Catalog:](#) [Parts:](#) [Tile, Decorated](#)

+  2 [3068bpb0132](#) **Black Tile 2 x 2 with Groove with Number 9 Yellow on Black Background Pattern (Sticker) - Set 8440** [PG](#)
[Catalog:](#) [Parts:](#) [Tile, Decorated](#)

+  1 [3068bpb0107](#) **Red Tile 2 x 2 with Groove with White Stylized 'LT' Racing Logo Pattern (Sticker) - Set 8440** [PG](#)
[Catalog:](#) [Parts:](#) [Tile, Decorated](#)

+  4 [6595c02\(inv\)](#) **White Wheel 49.6 x 28 VR with Axle Hole, with Black Tire 49.6 x 28 VR (6595 / 6594)** [PG](#)
[Catalog:](#) [Parts:](#) [Wheel & Tire Assembly](#)

Alternate Items:

+  6 [4697b](#) **Light Gray Pneumatic T Piece Second Version (T Bar with Ball in Center)** [PG](#) 1 
[Catalog:](#) [Parts:](#) [Pneumatic](#)

Summary:

Type	Unique Lots	Total Qty
Regular Items:		
Parts	109	415
Counterparts:		

Parts	7	19
Alternative Items:		
Parts	1	6

Source:
Instructions

[Admin](#) inventoried this Set on Mar 7, 2007, inventory last updated on Jun 20, 2019.