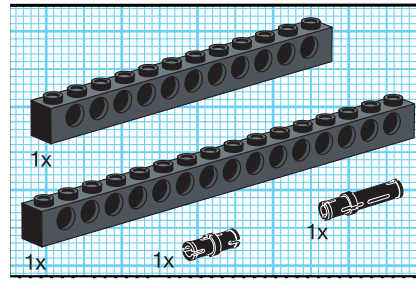
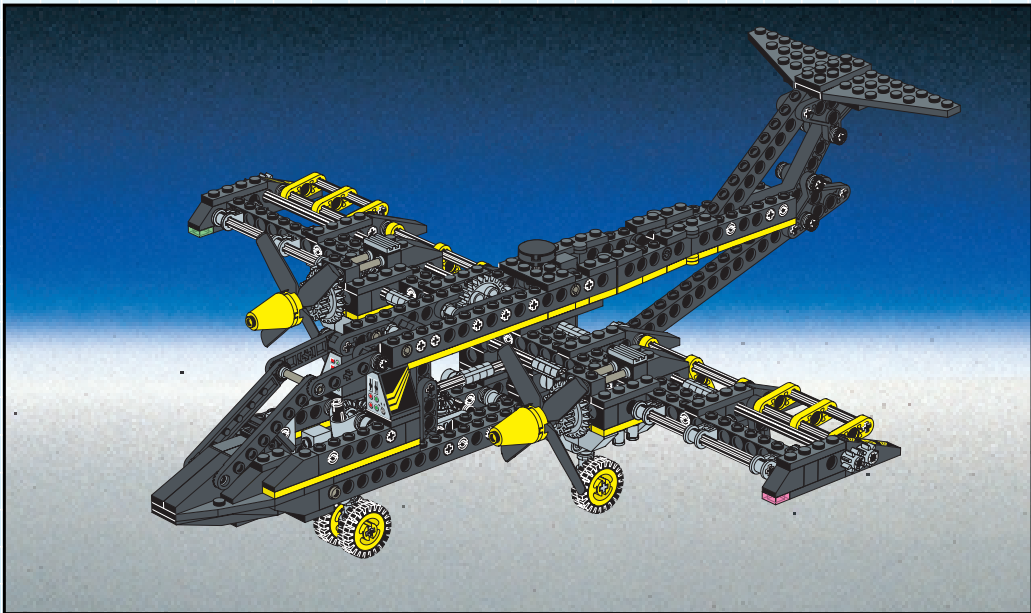
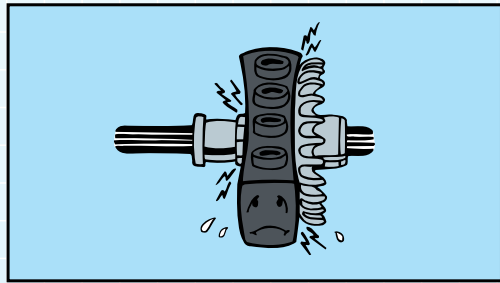
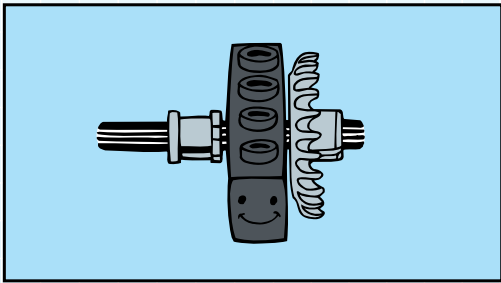
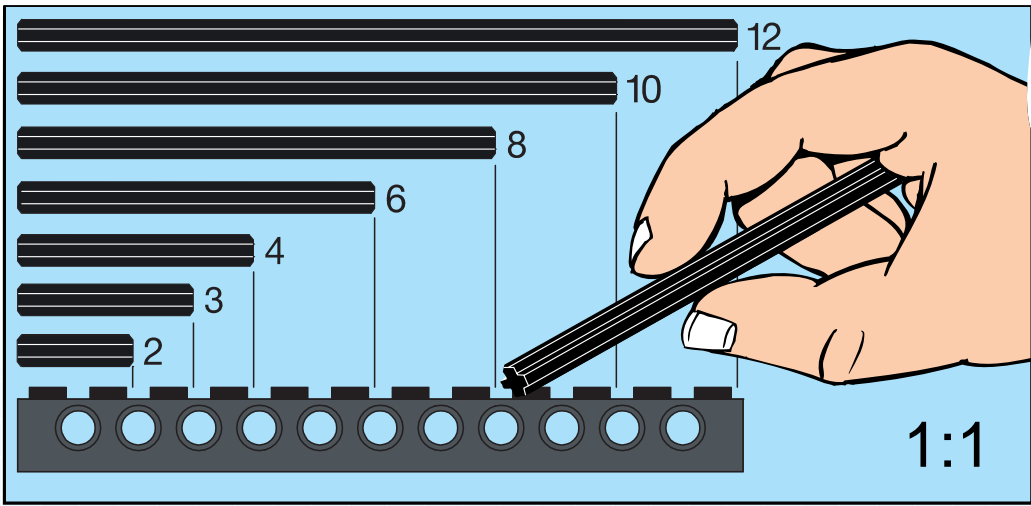




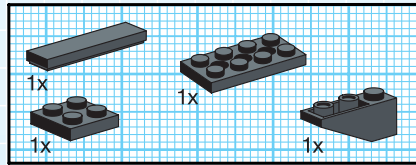
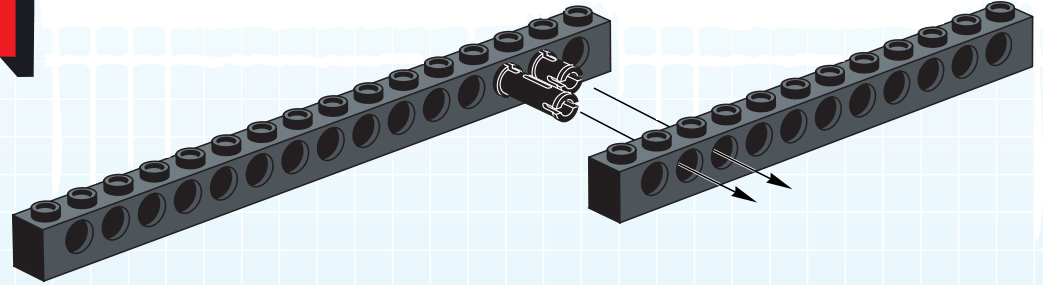
Technic

8425

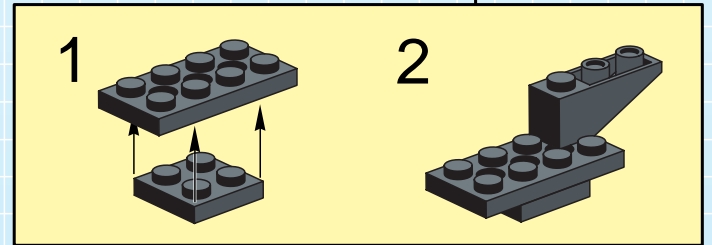
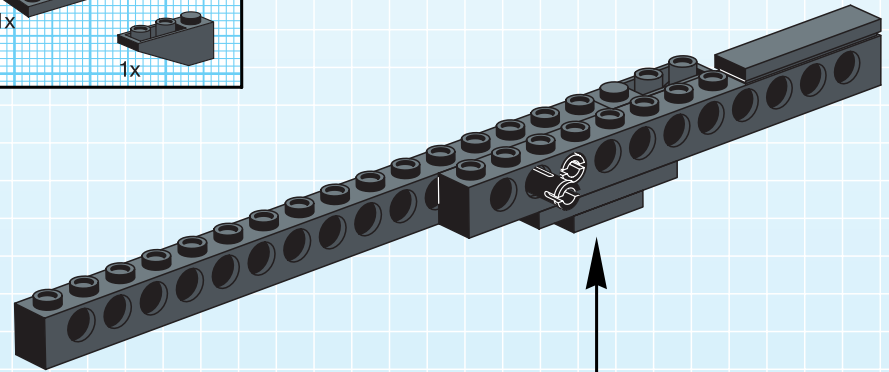


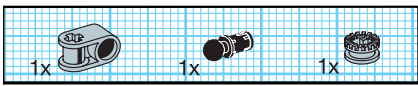


1

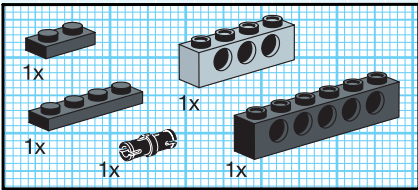
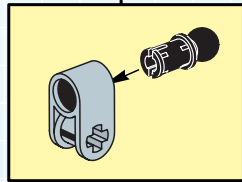
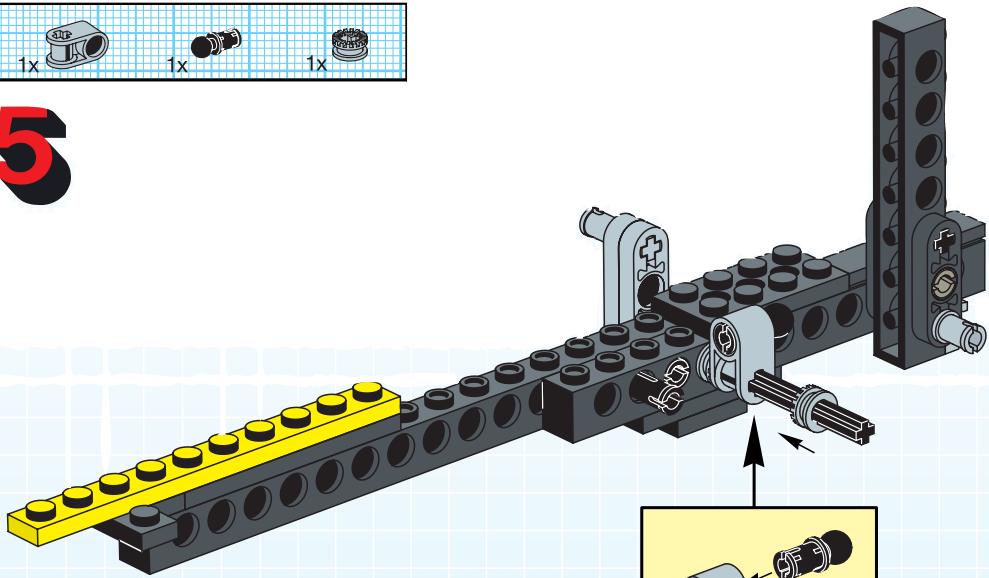


2

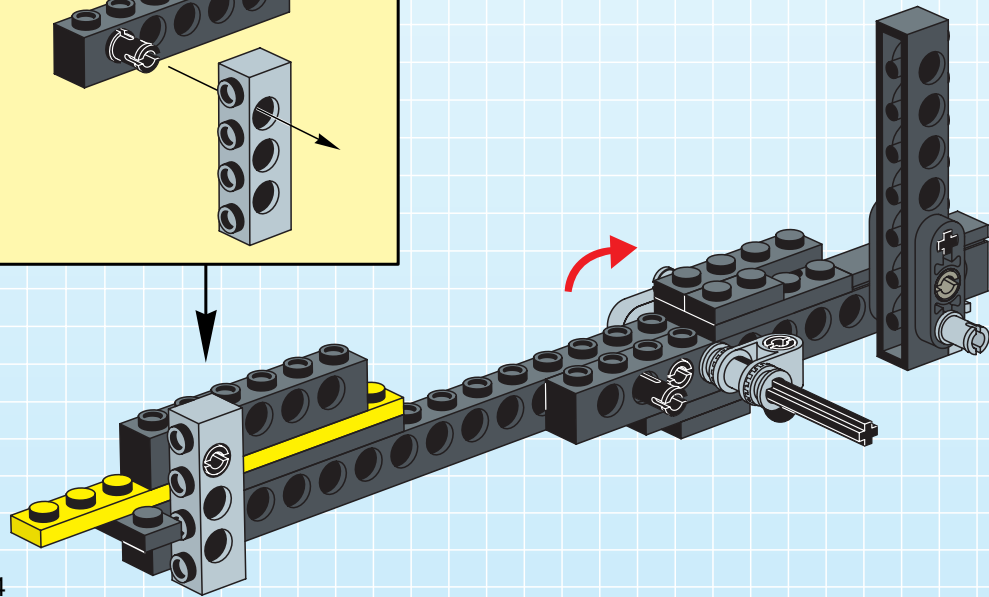
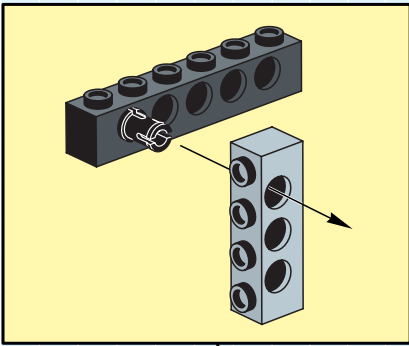




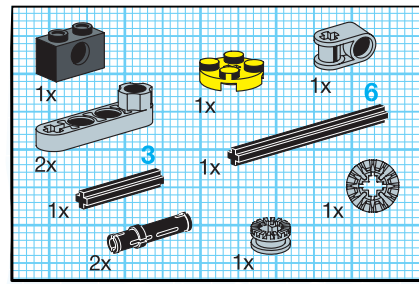
5



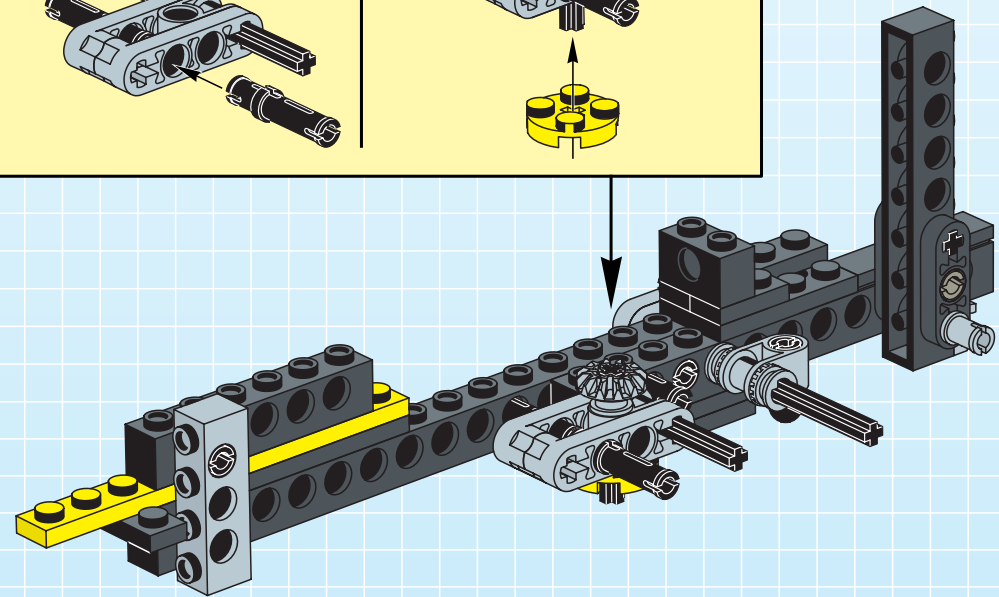
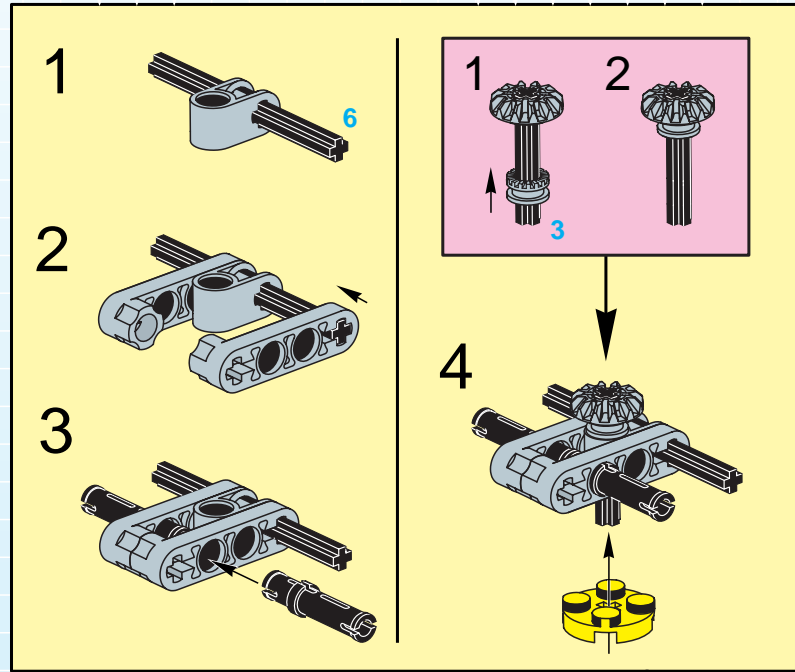
6

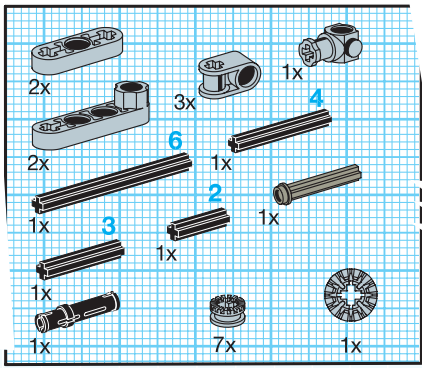


4

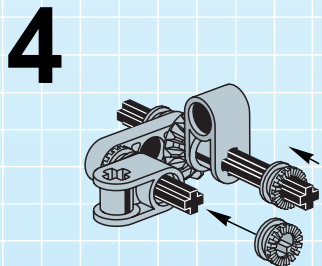
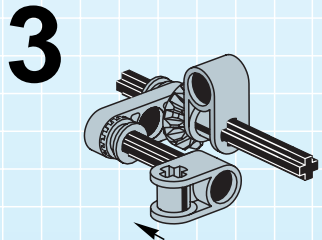
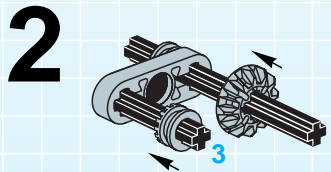
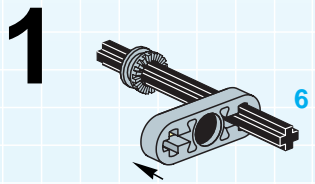


7

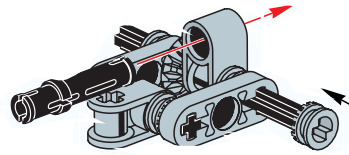




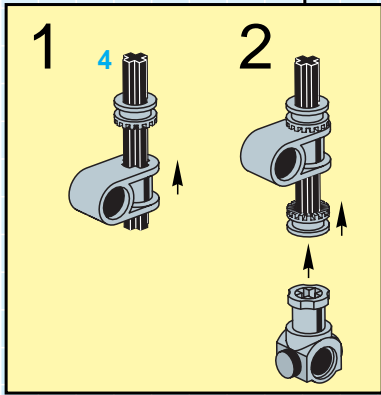
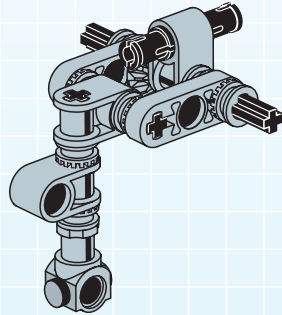
8



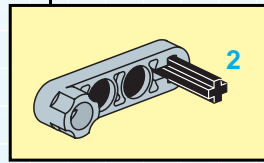
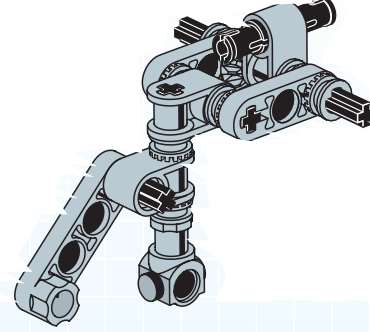
5



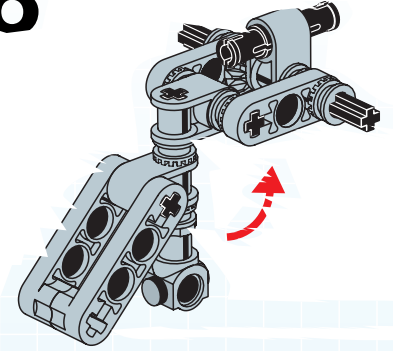
6



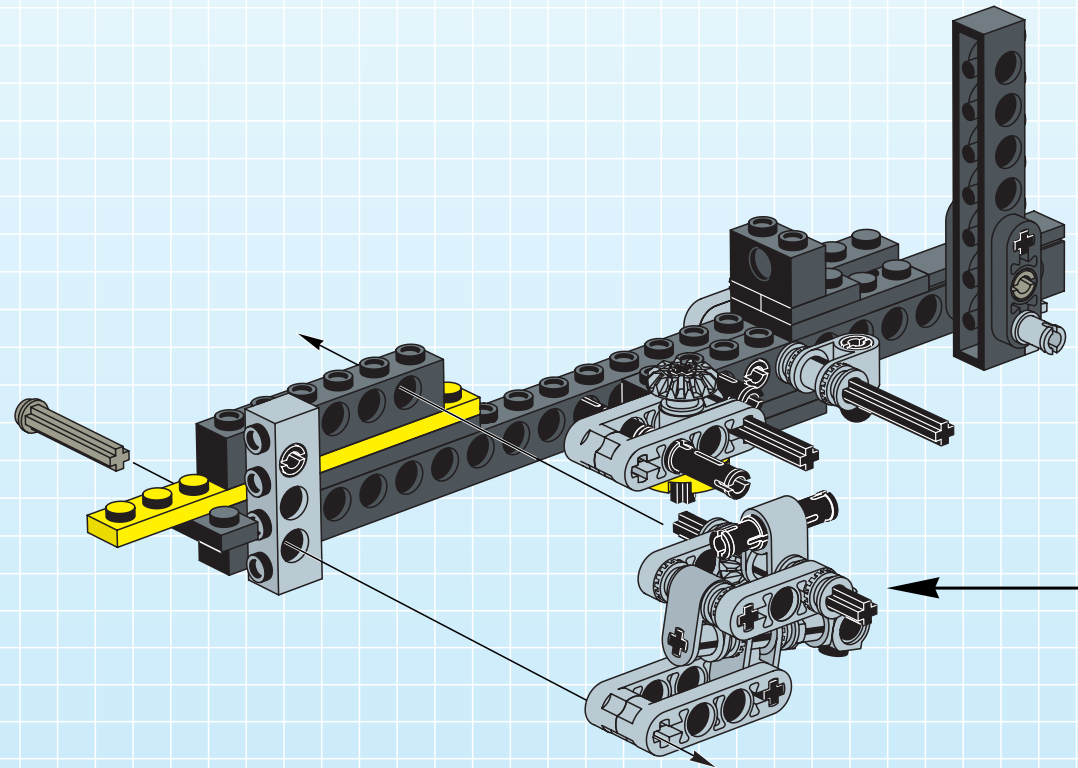
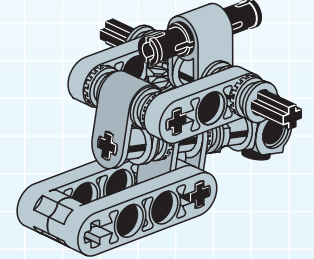
7

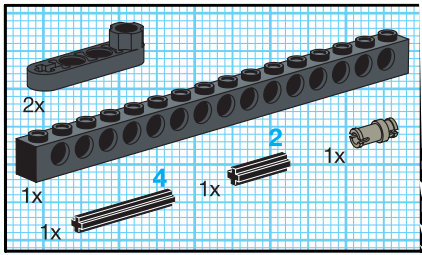


8

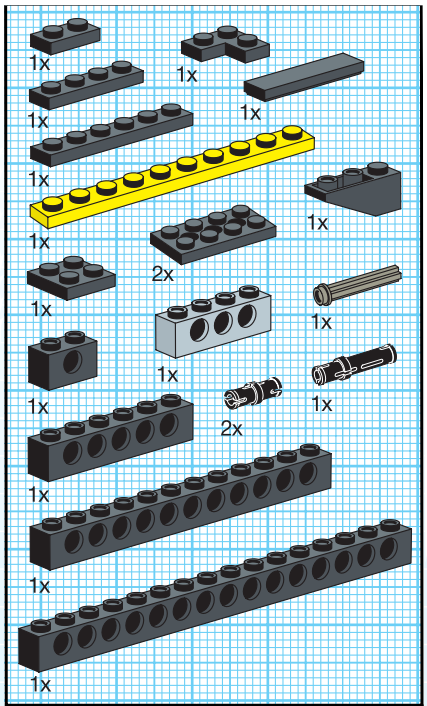
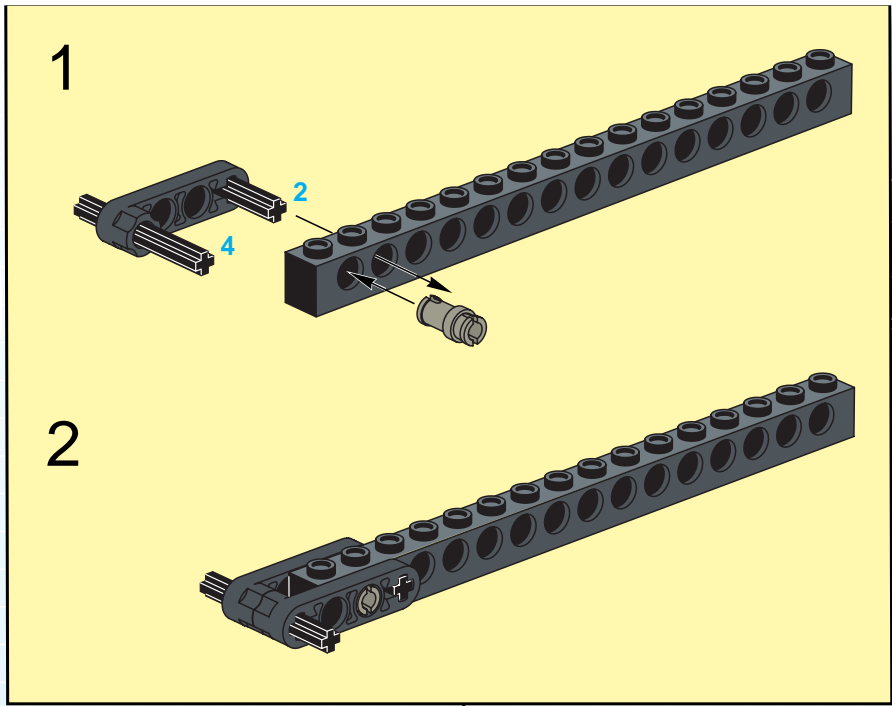


9

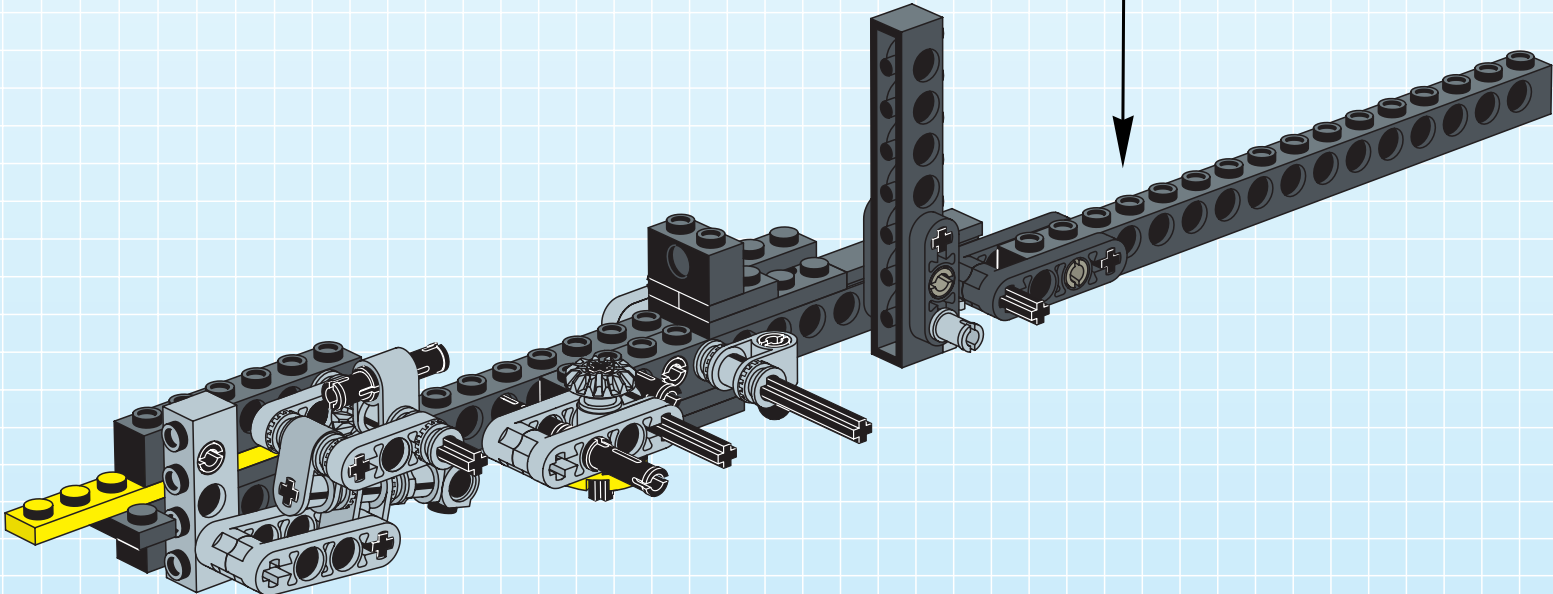
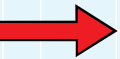




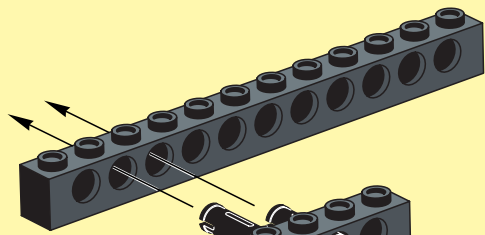
9



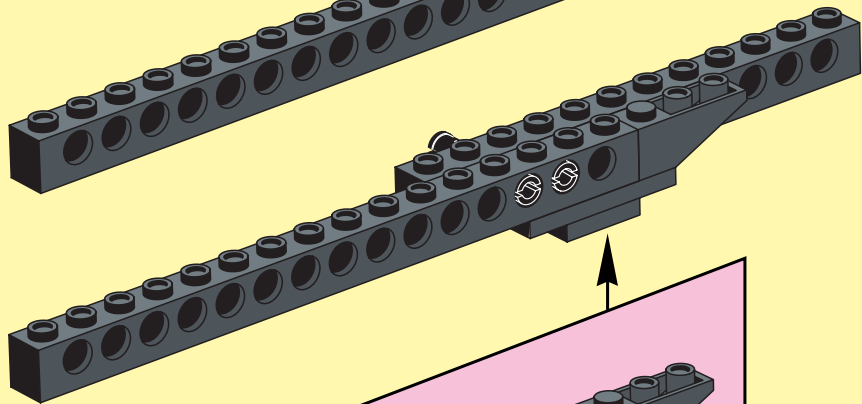
10



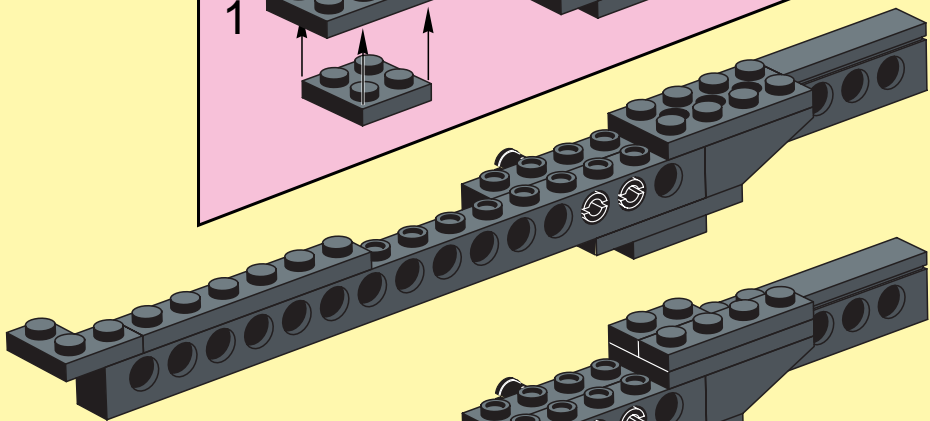
1



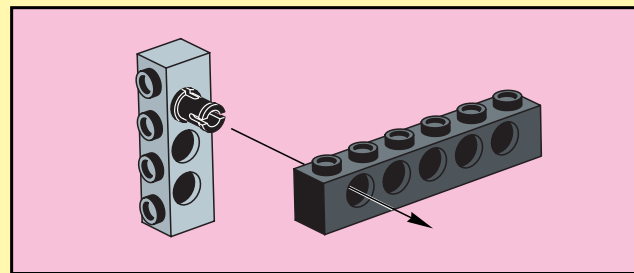
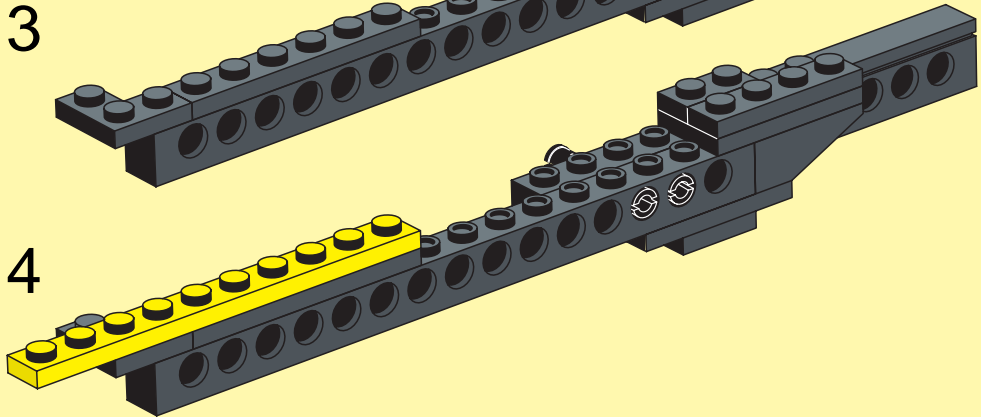
2



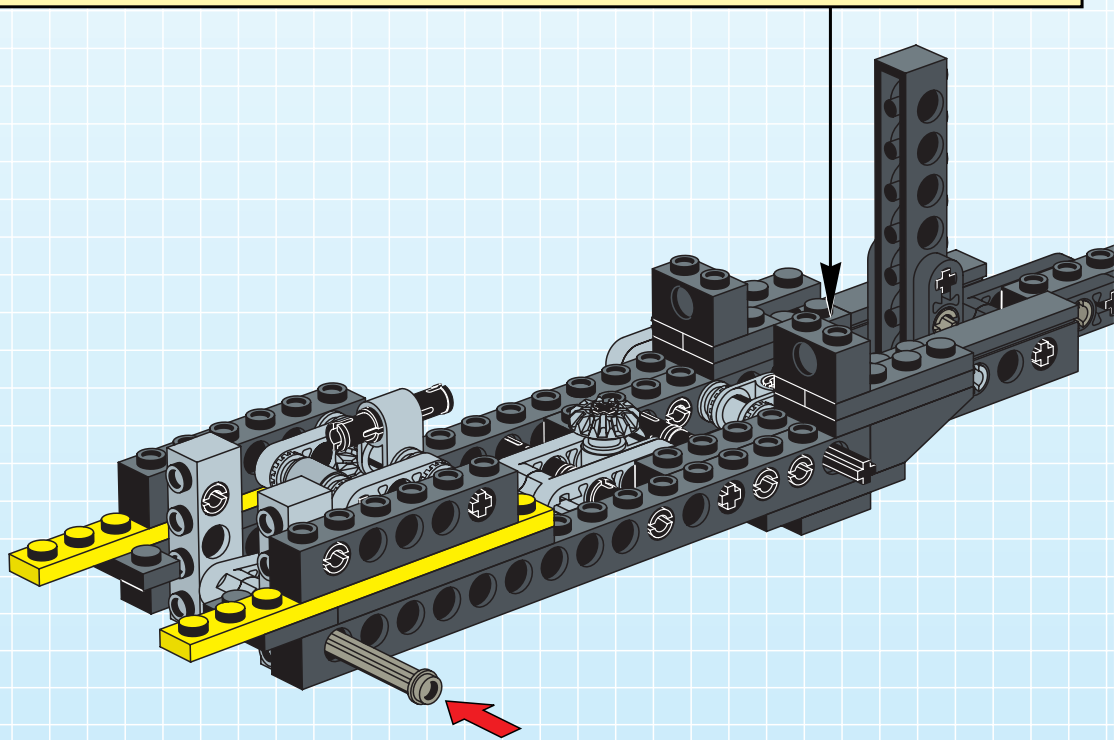
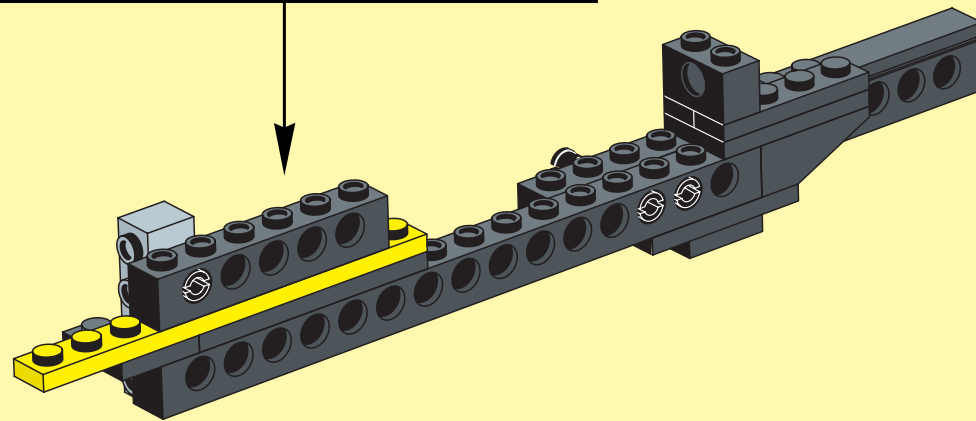
3

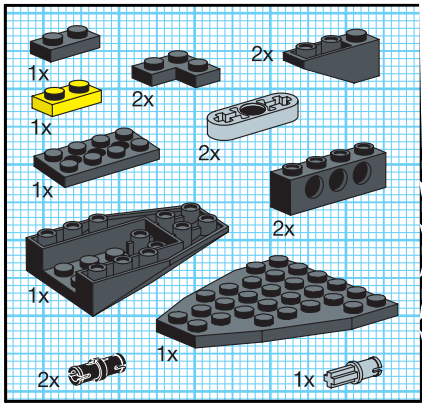


4

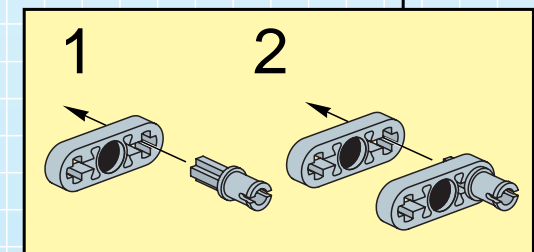
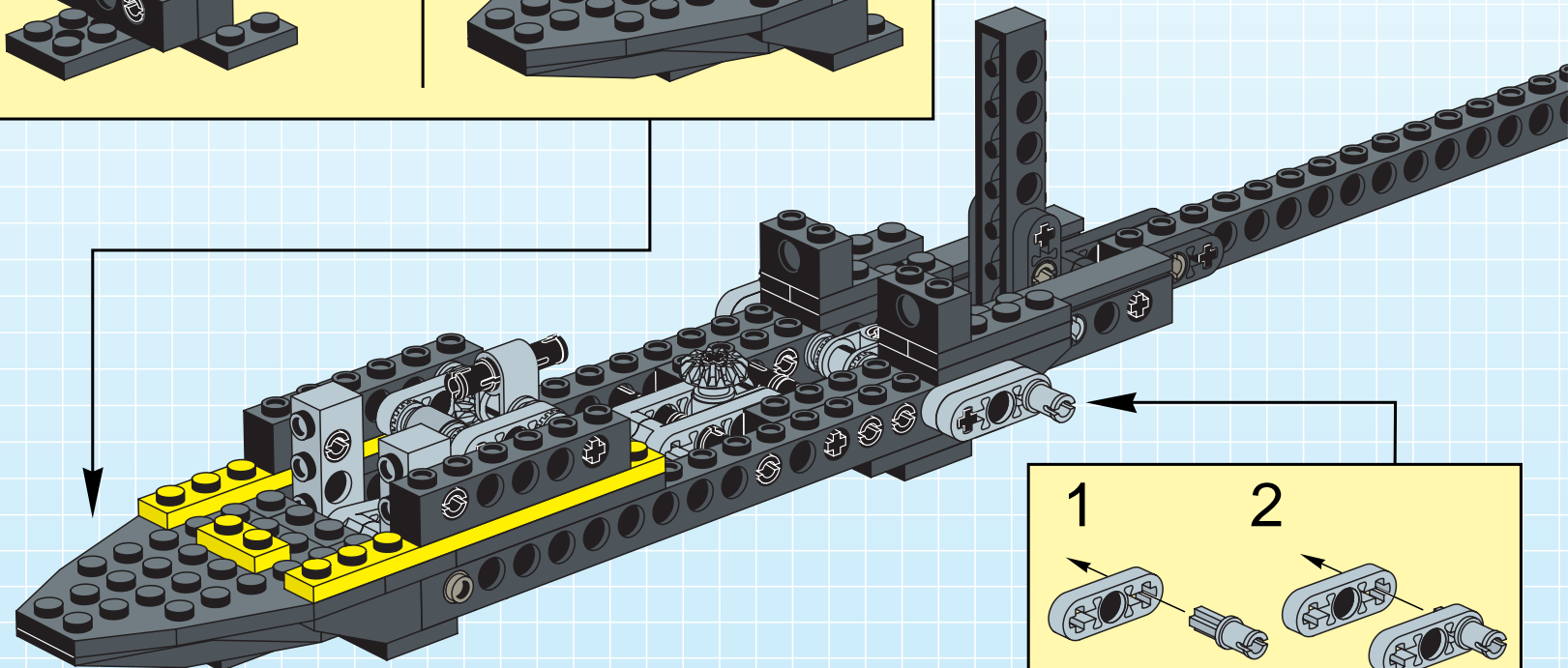
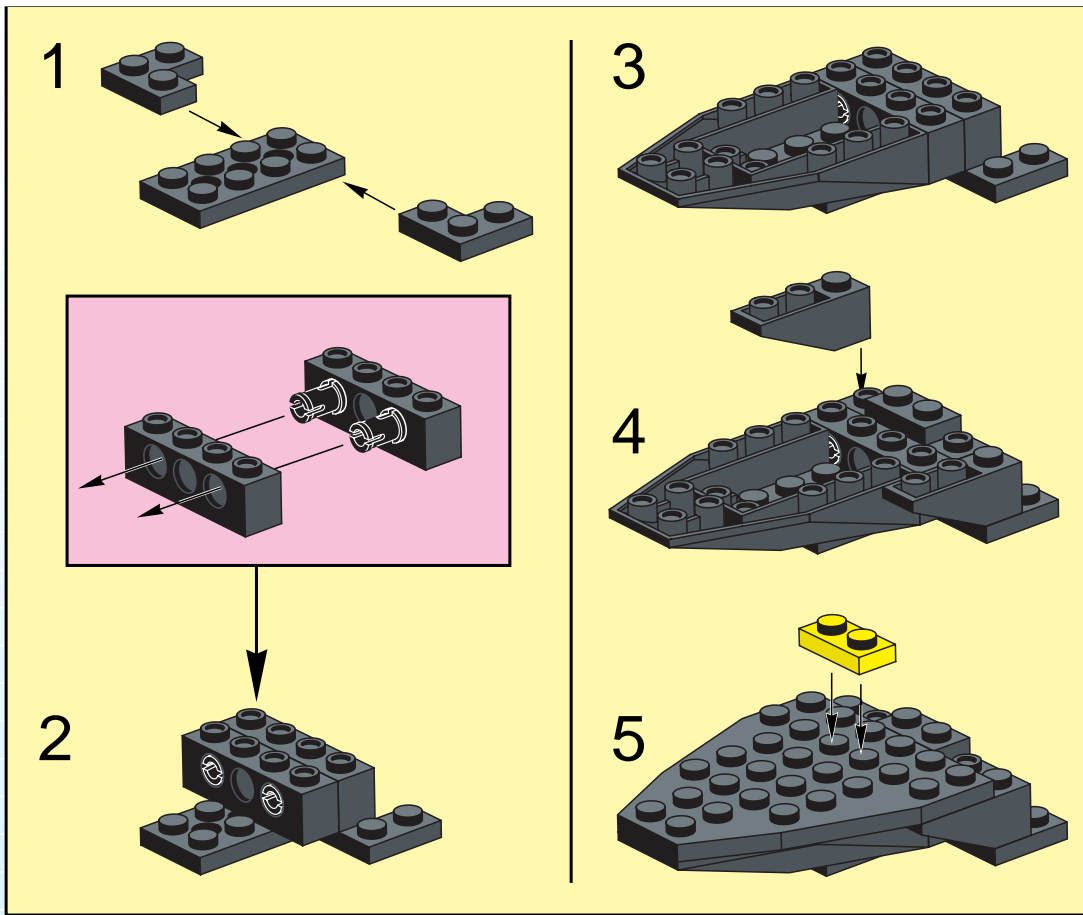


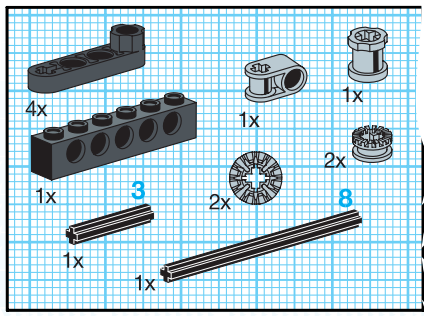
5



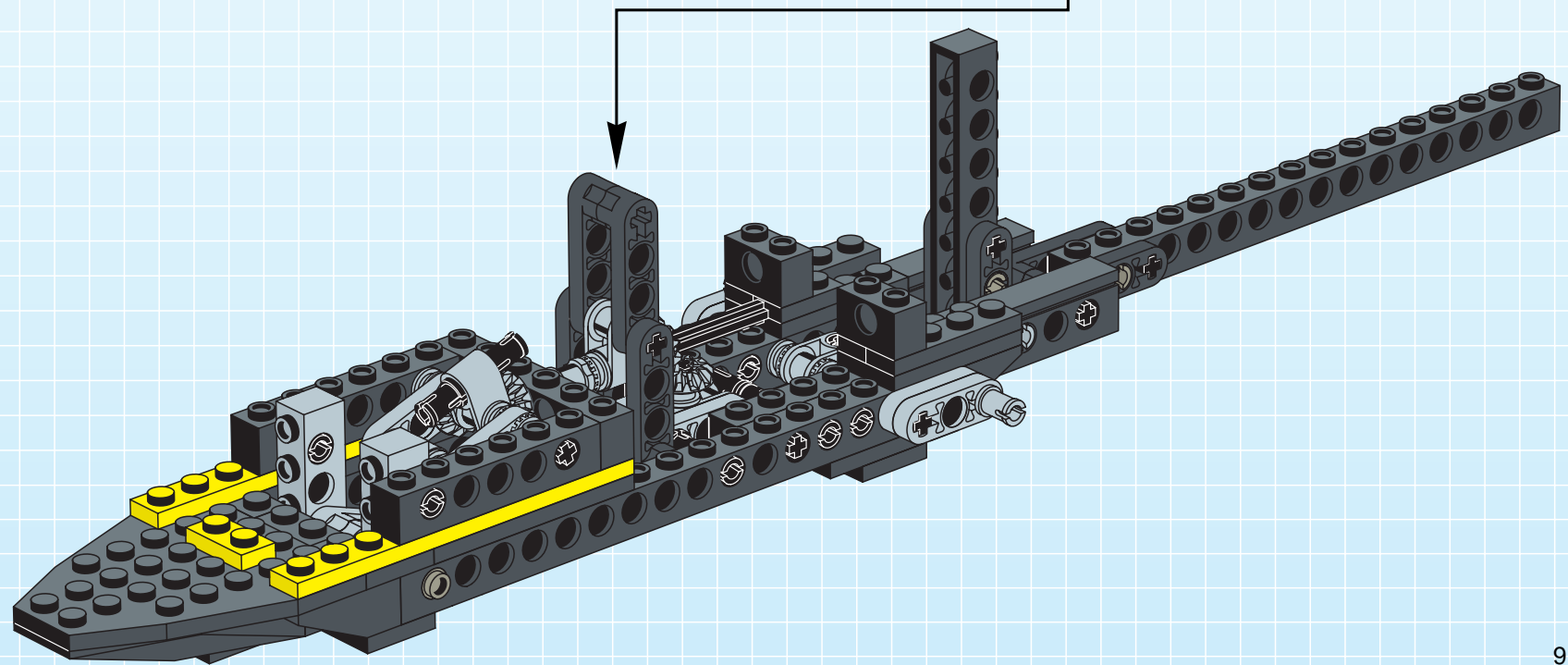
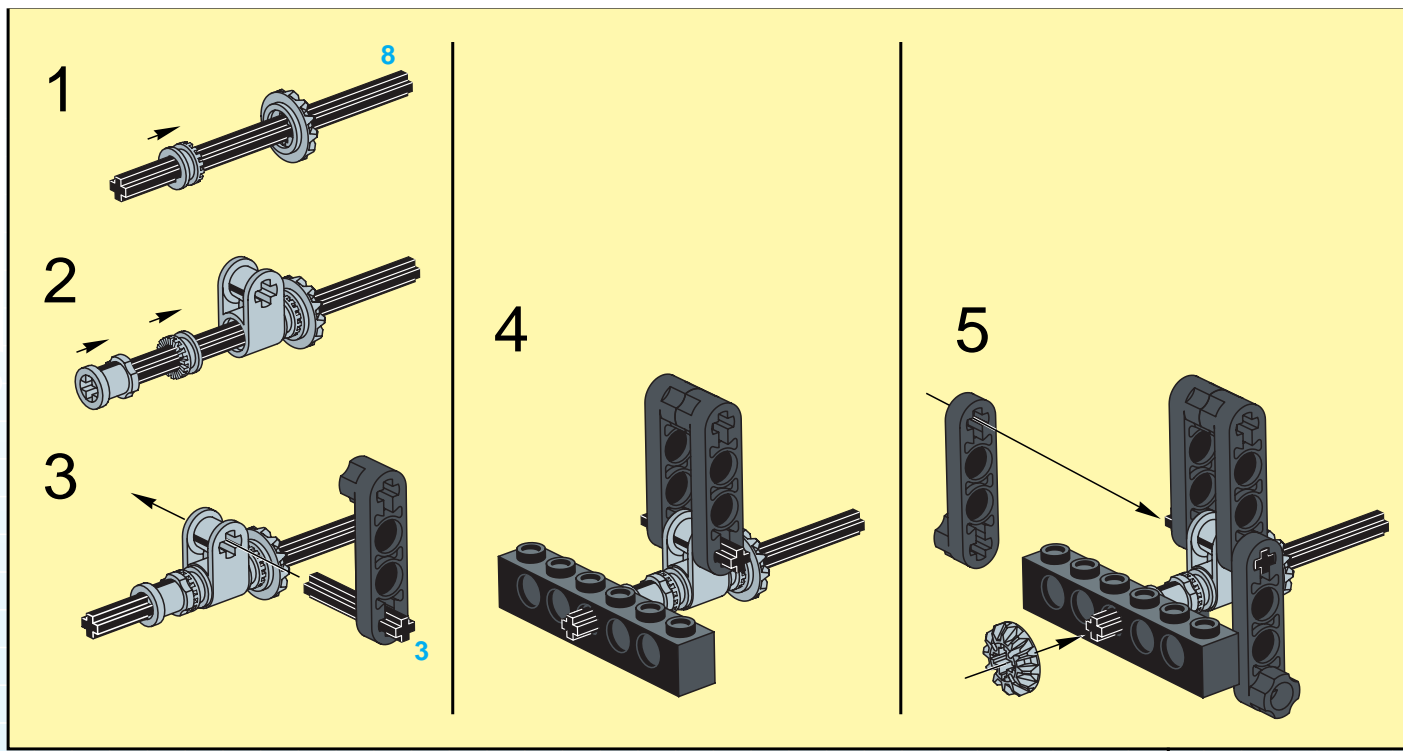


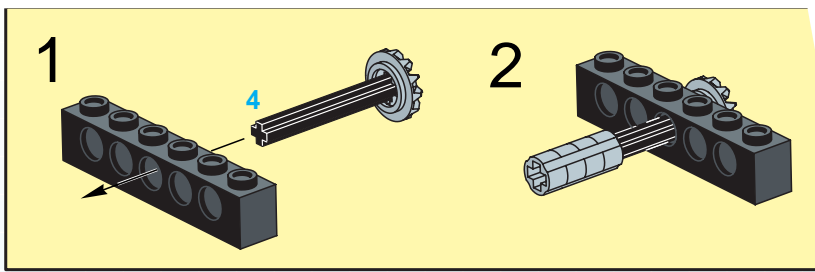
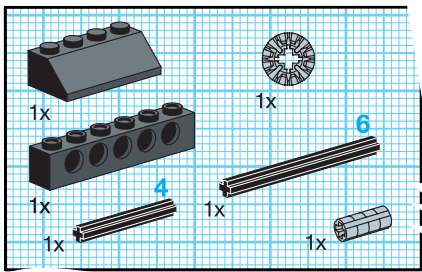
11



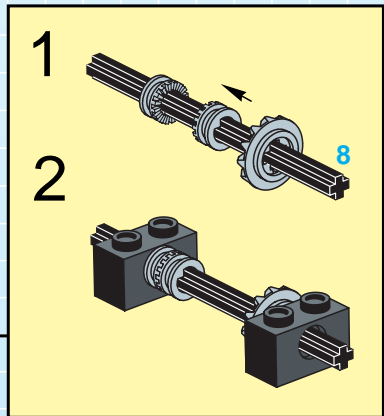
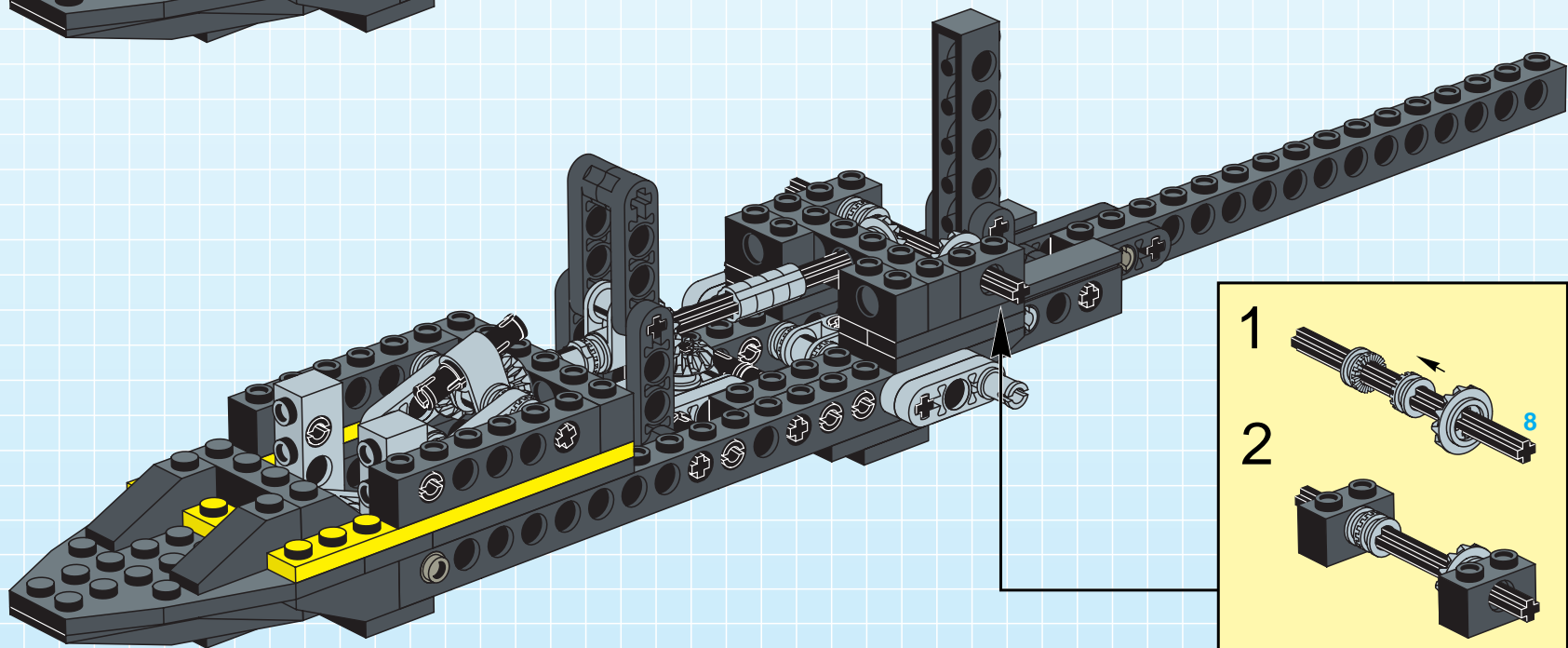
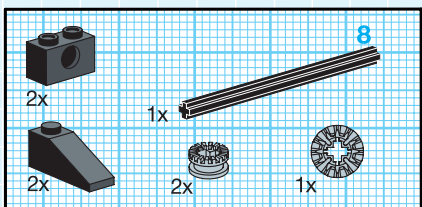
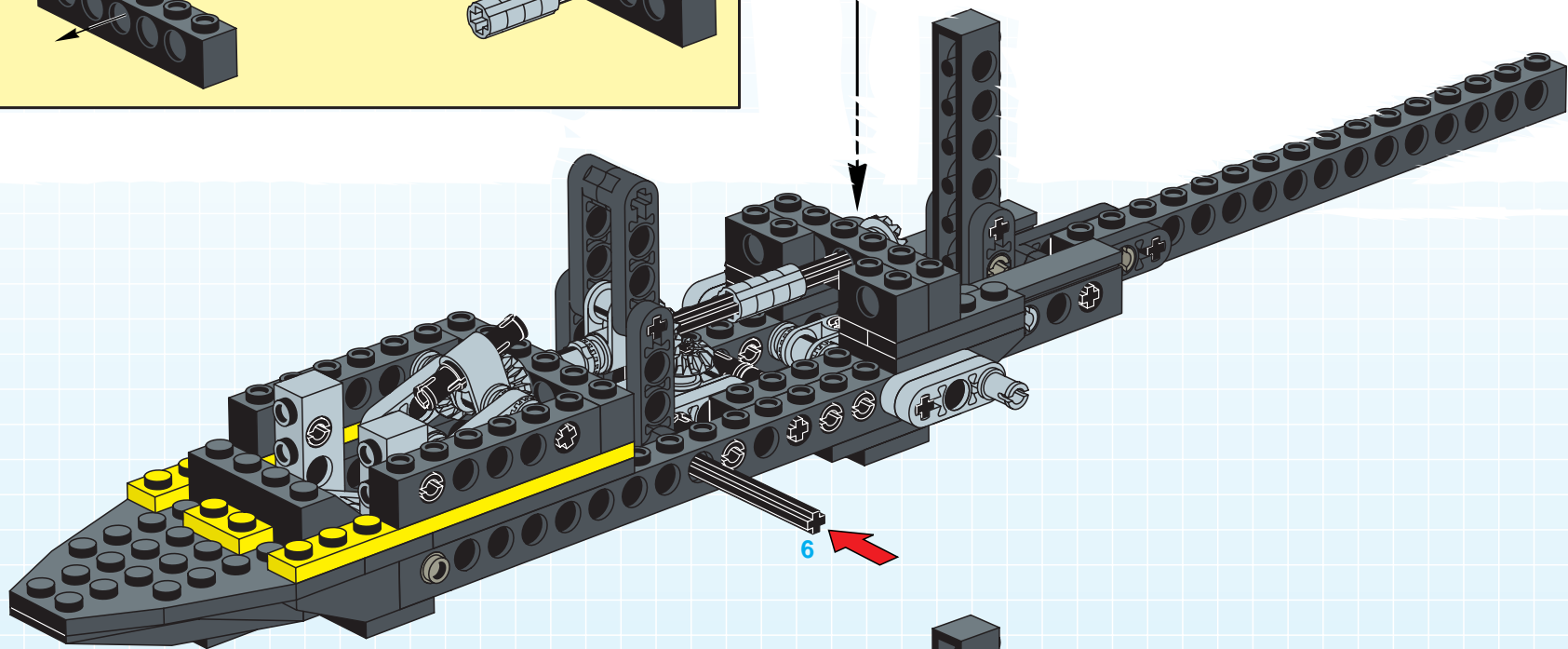


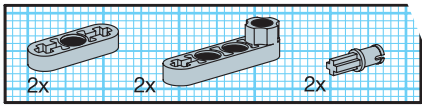
12



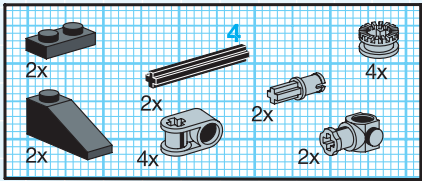
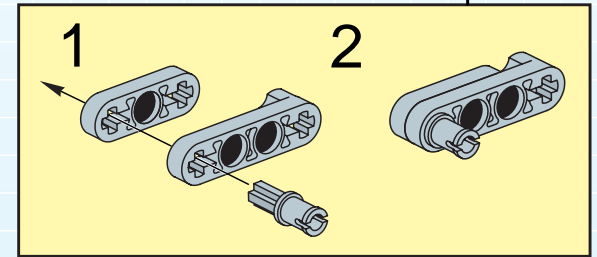
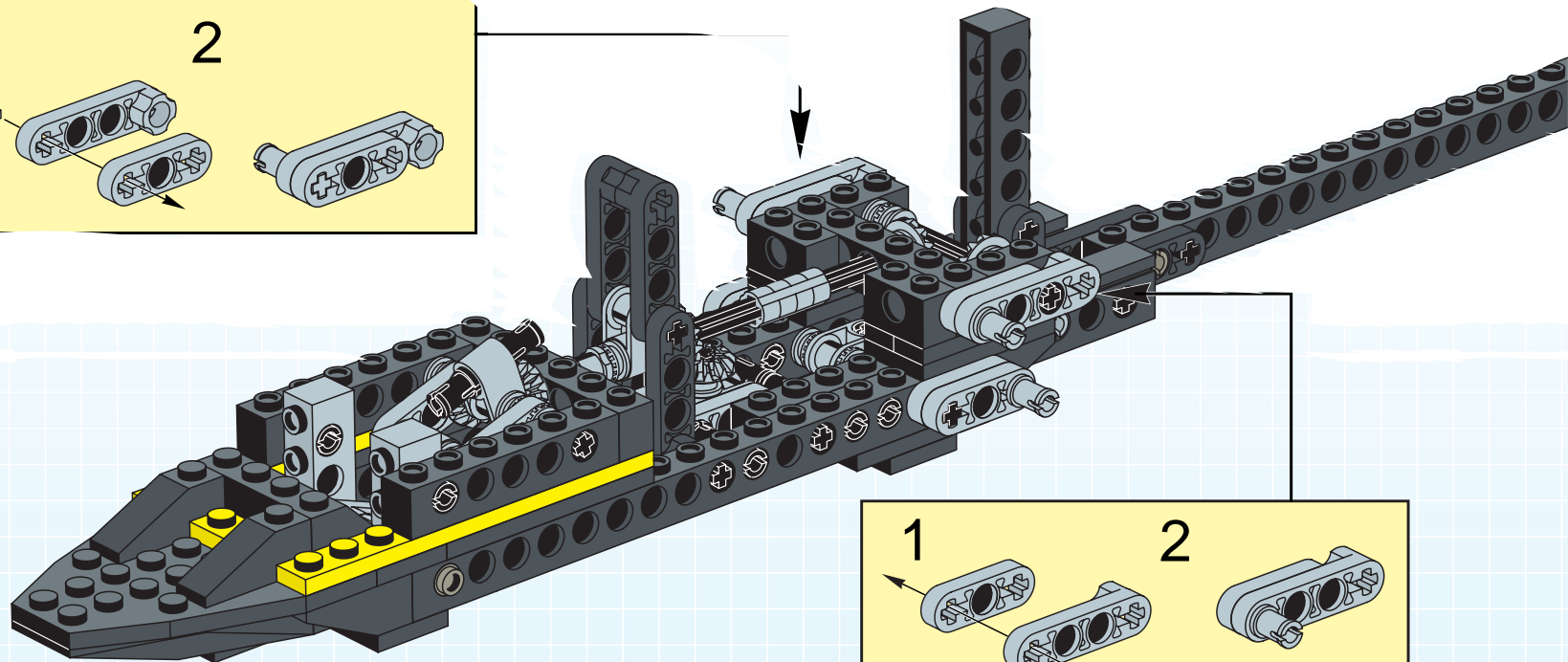
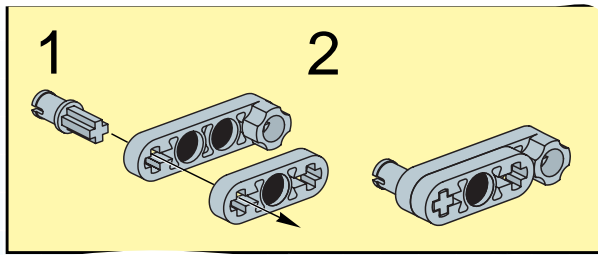


13

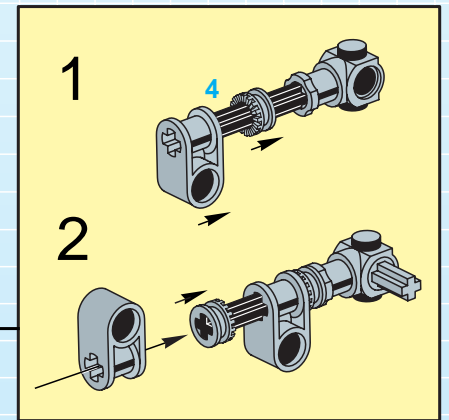
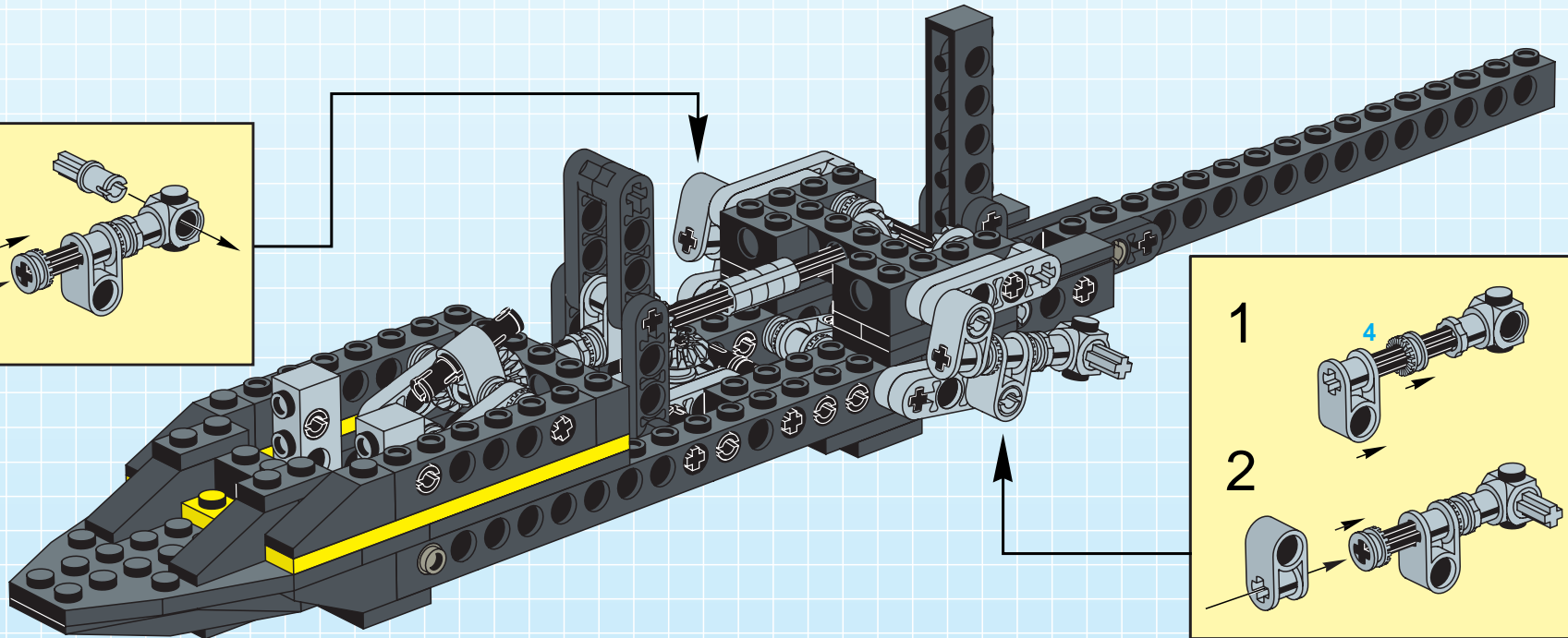
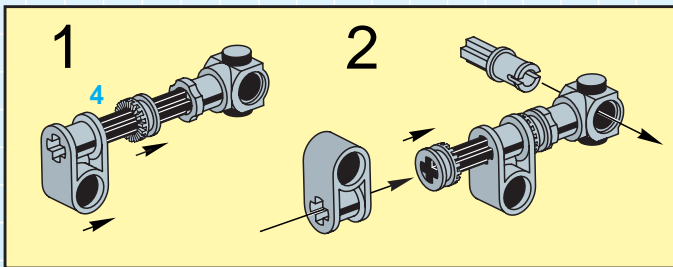


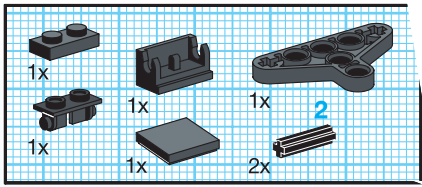


15

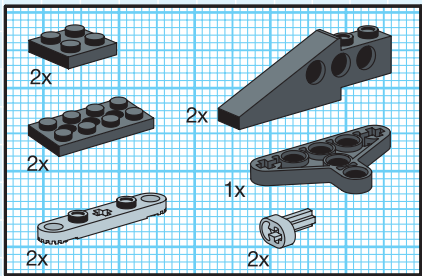
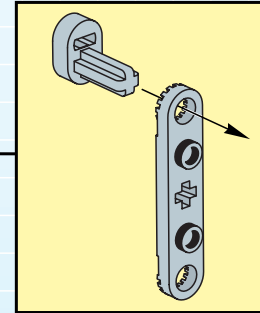
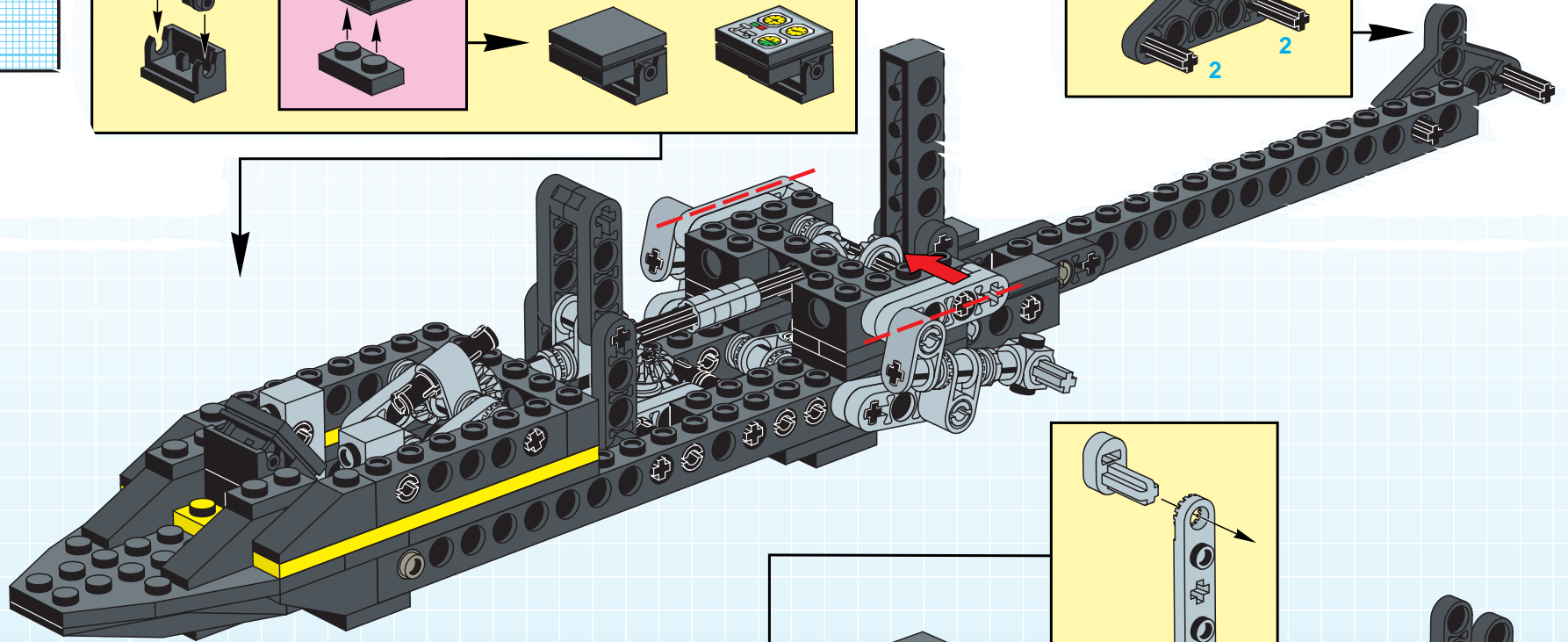
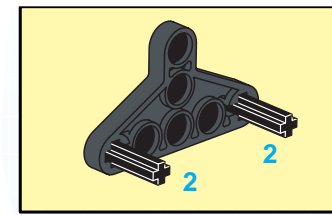
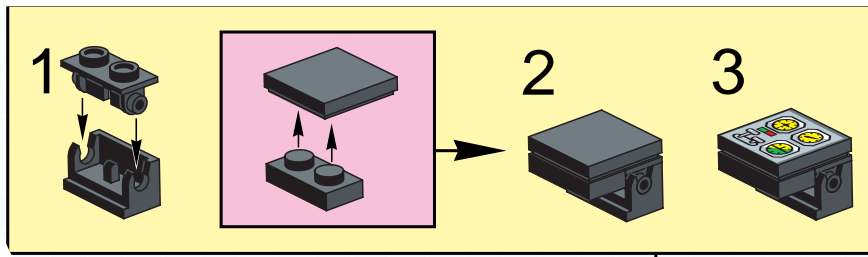


16

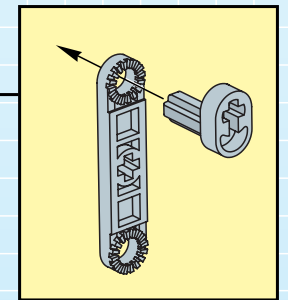
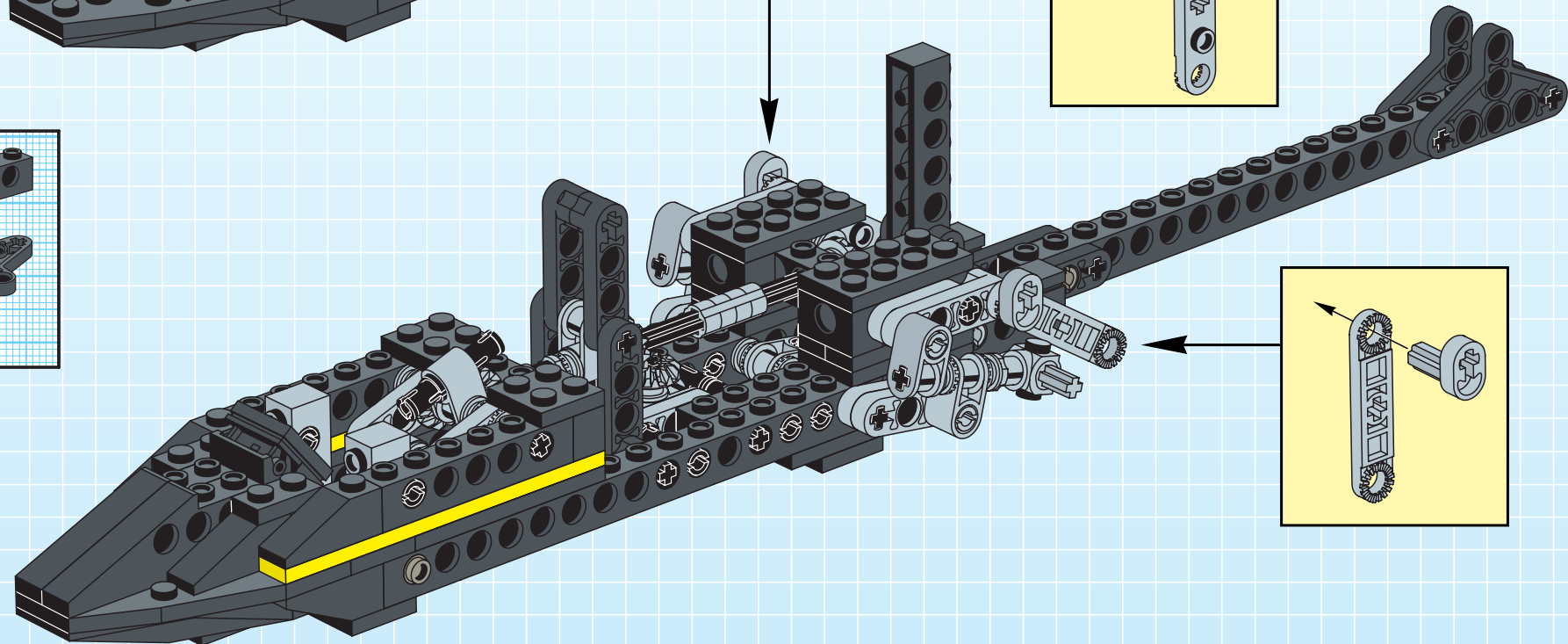


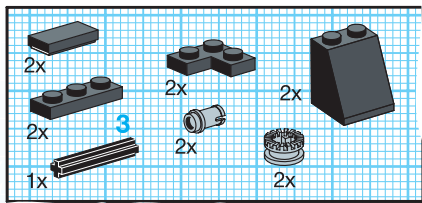


17

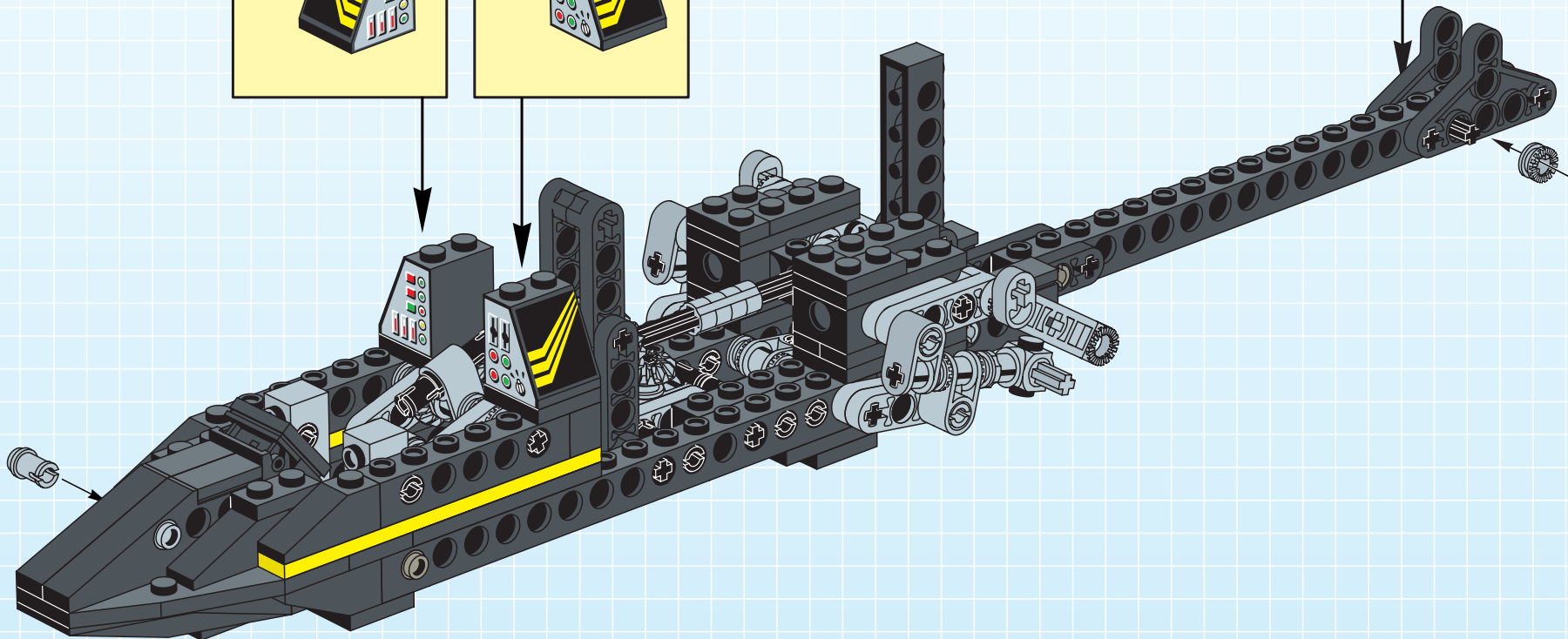
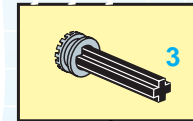
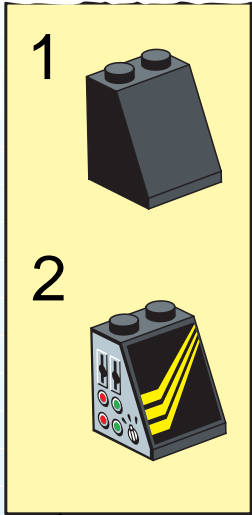
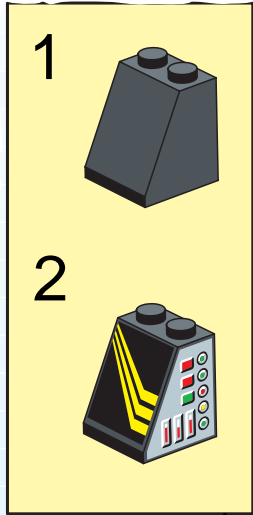


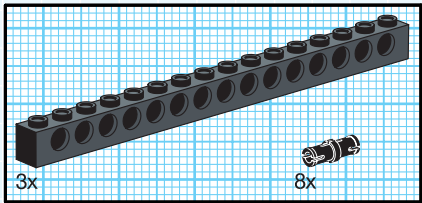
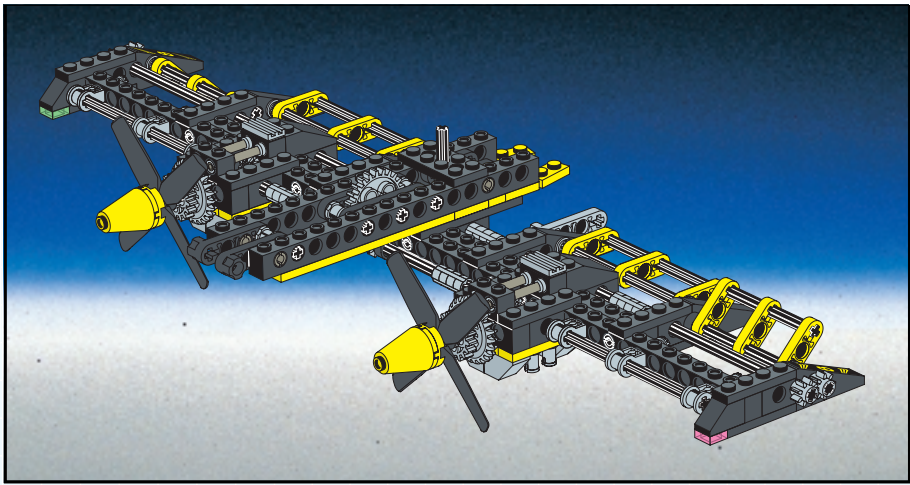
18



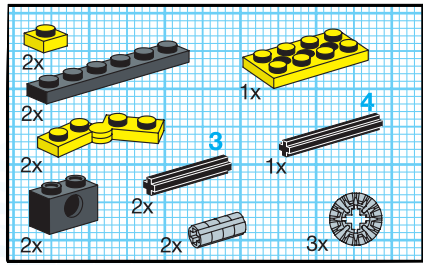
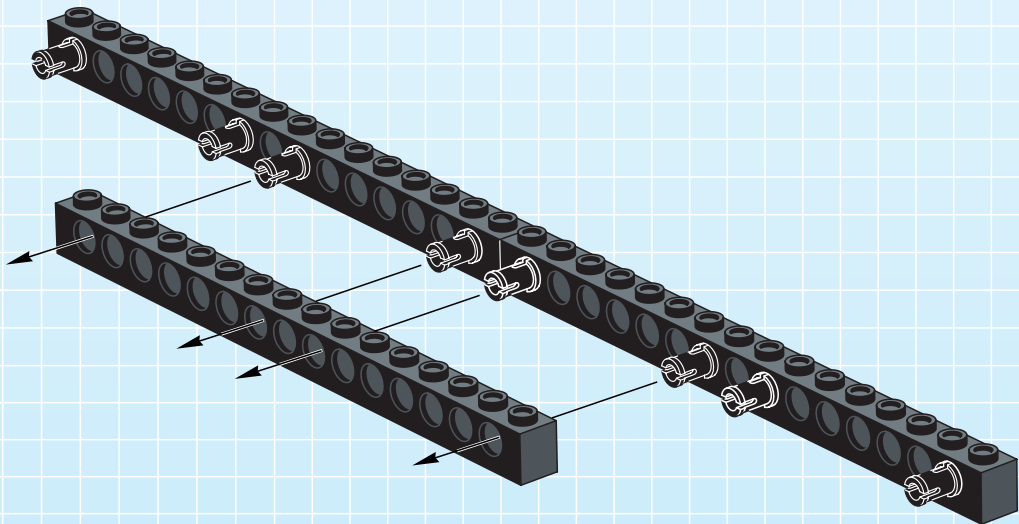


19

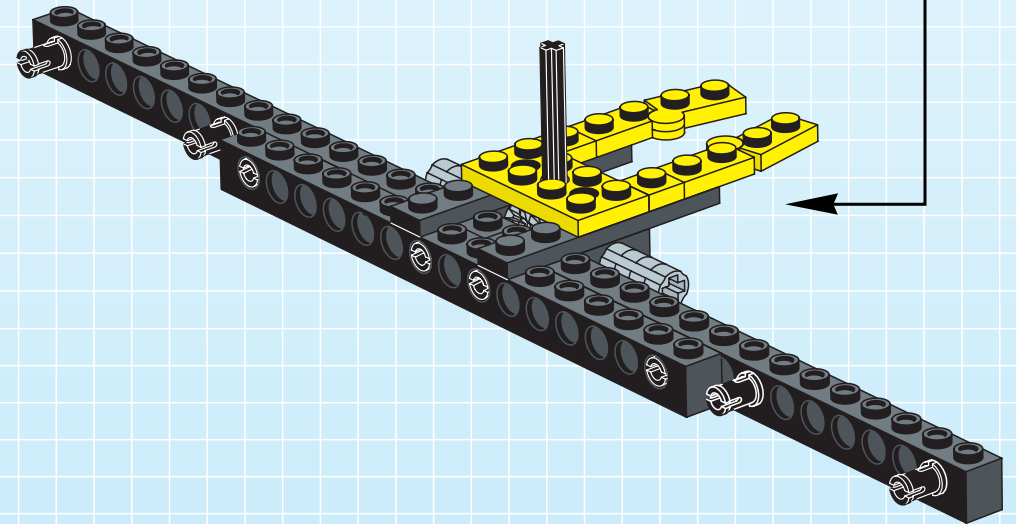
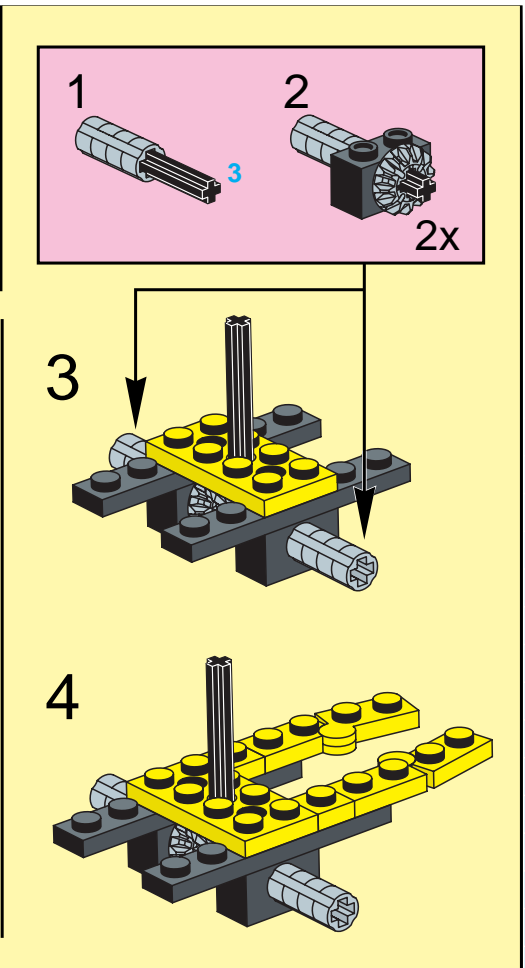
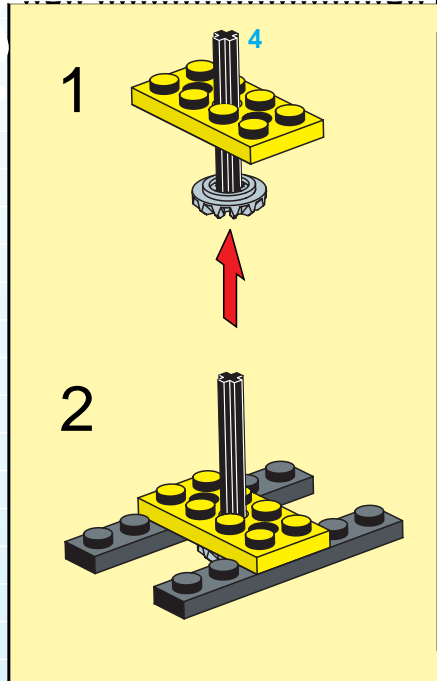


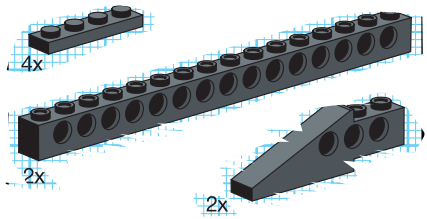


1

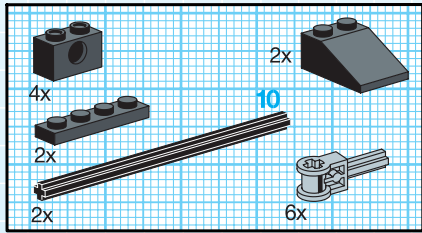
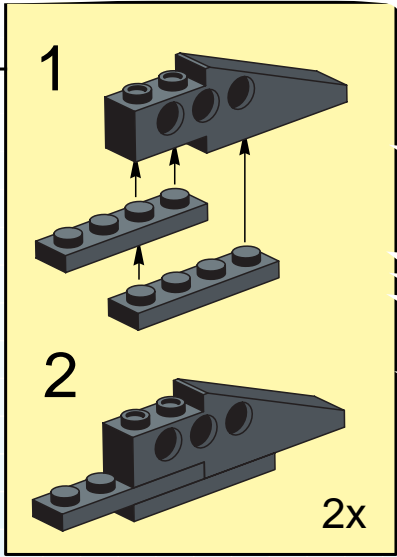
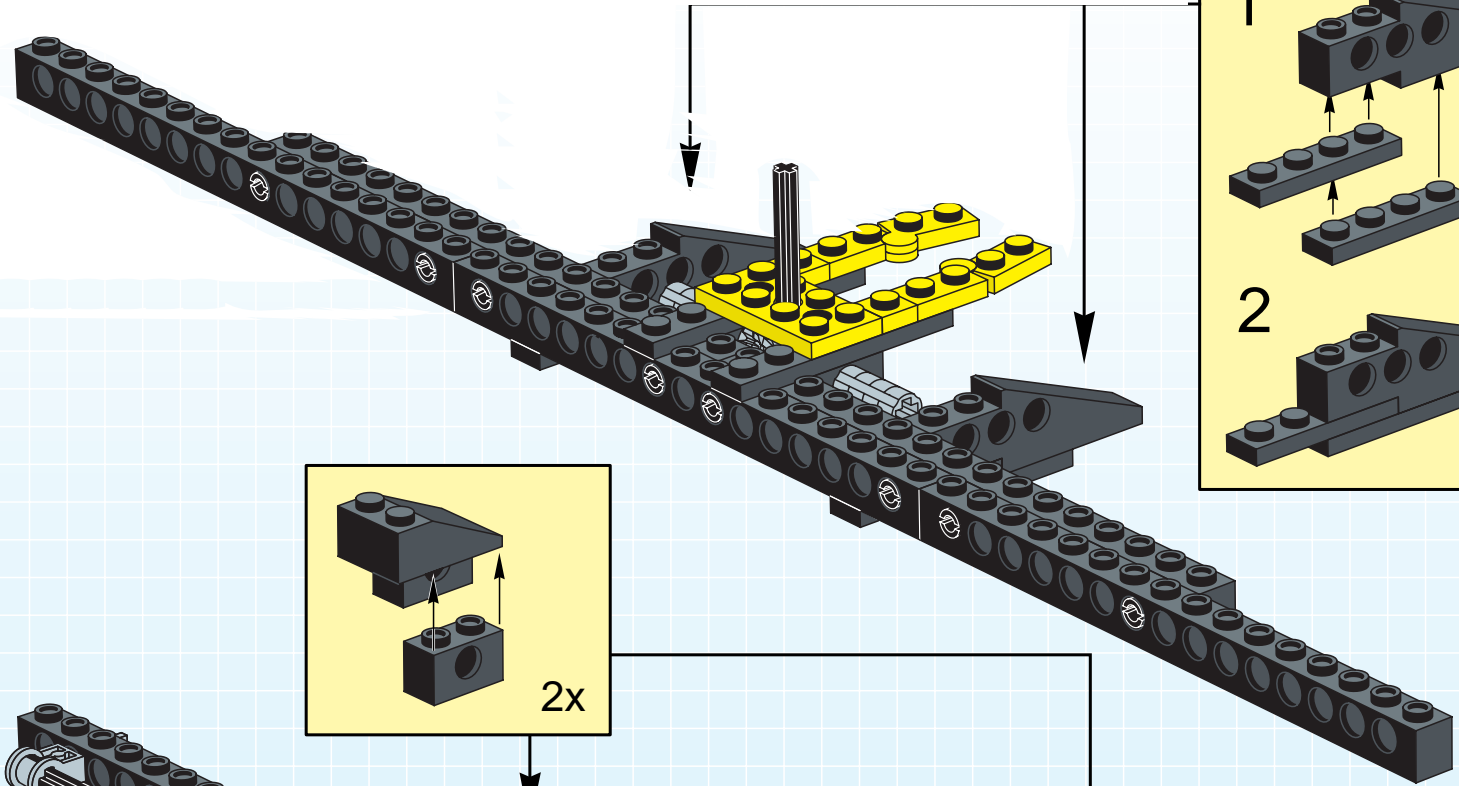


2

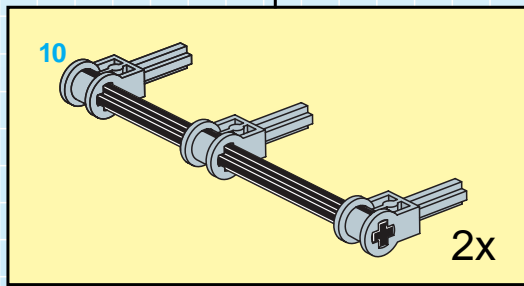
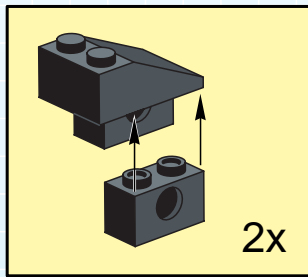
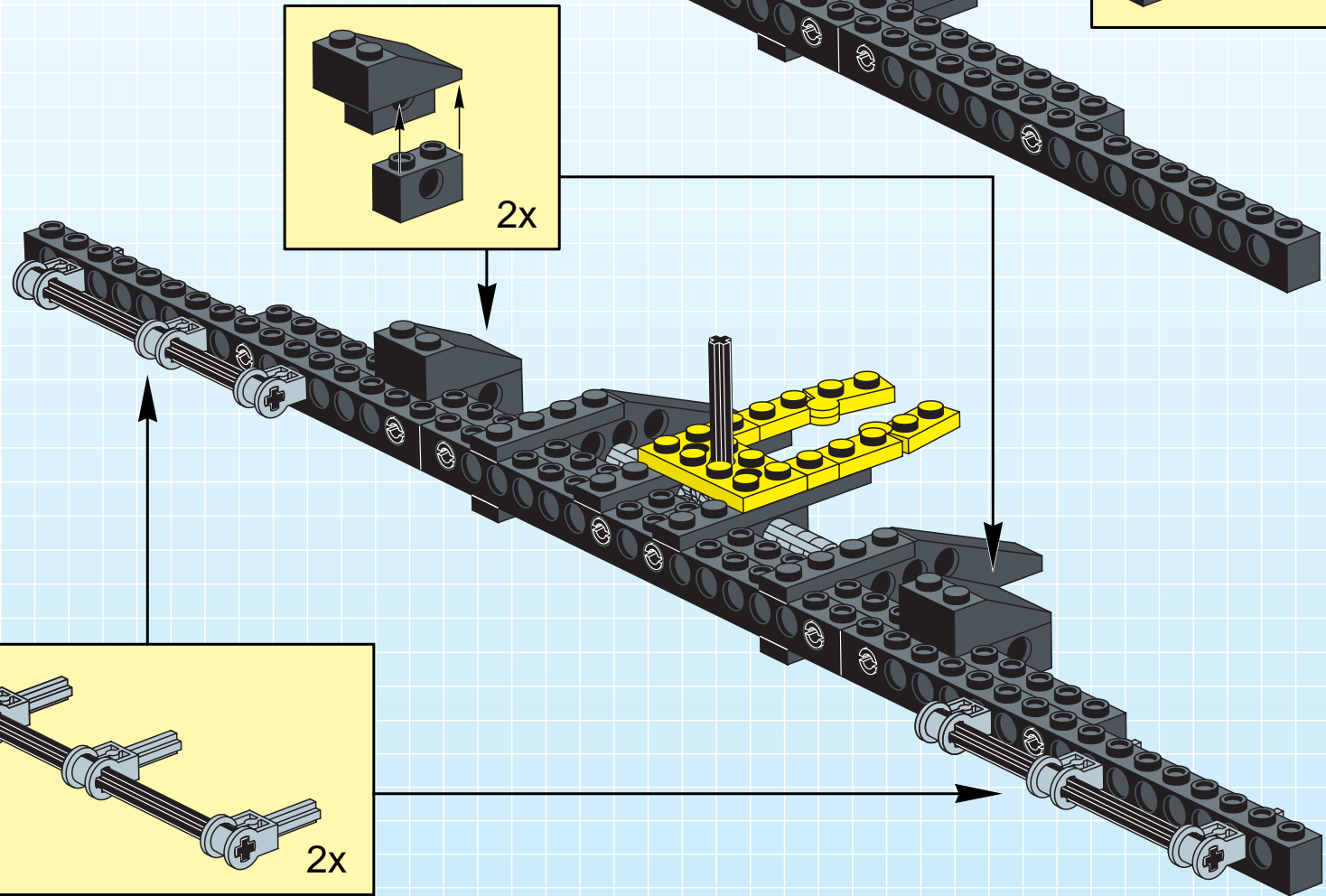


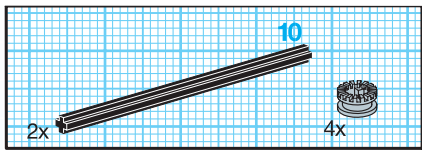


3

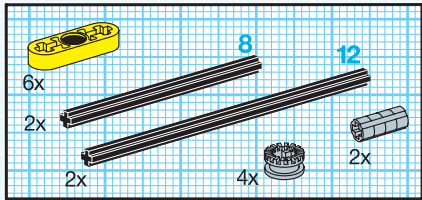
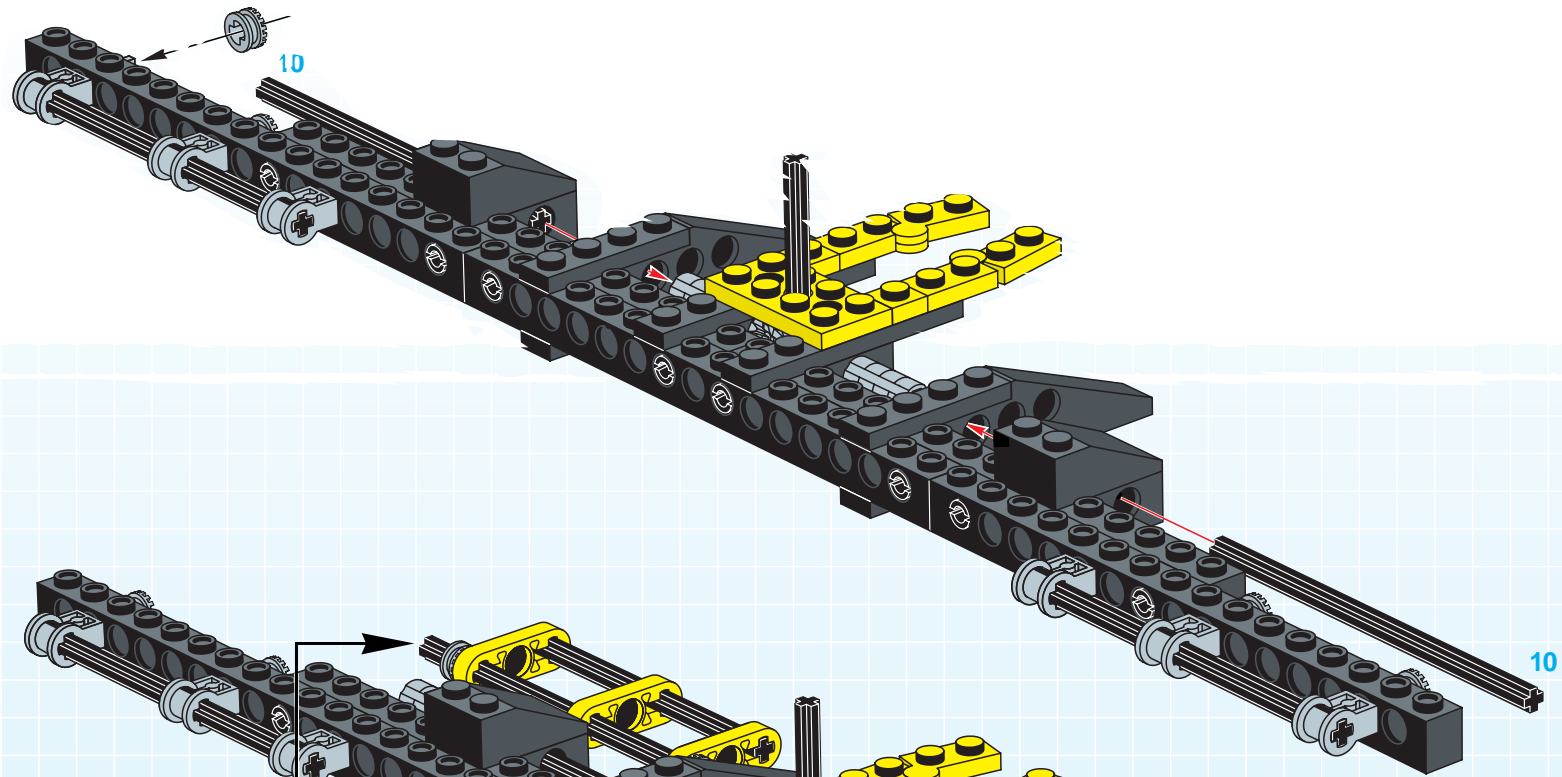


4

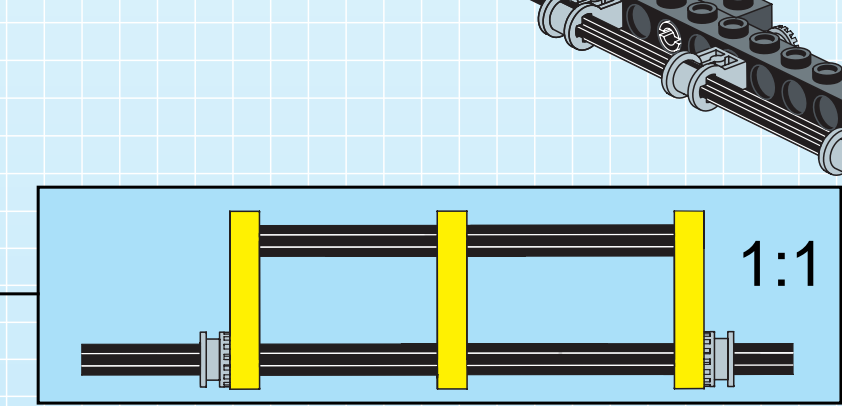
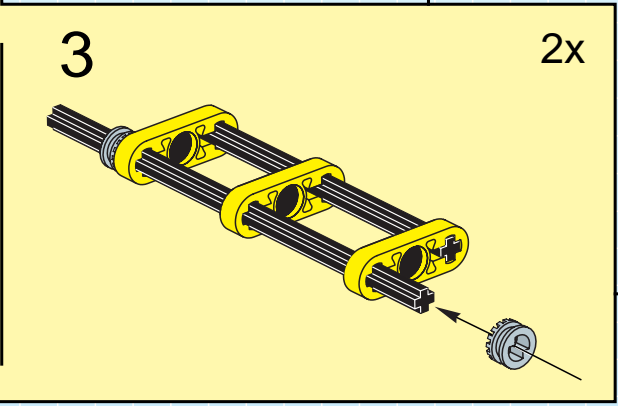
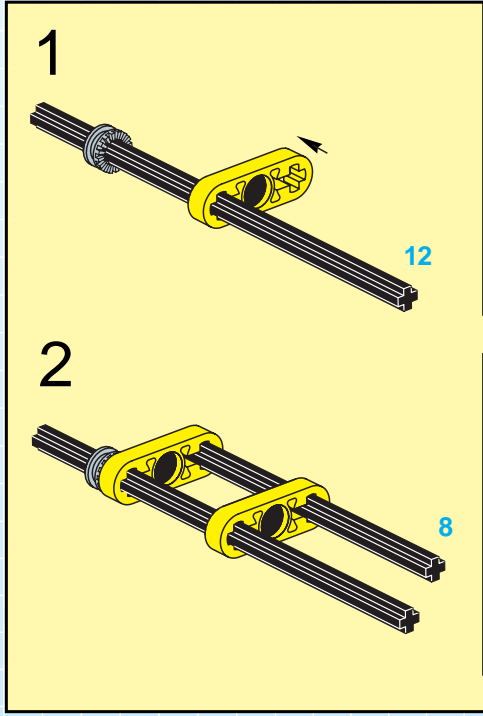
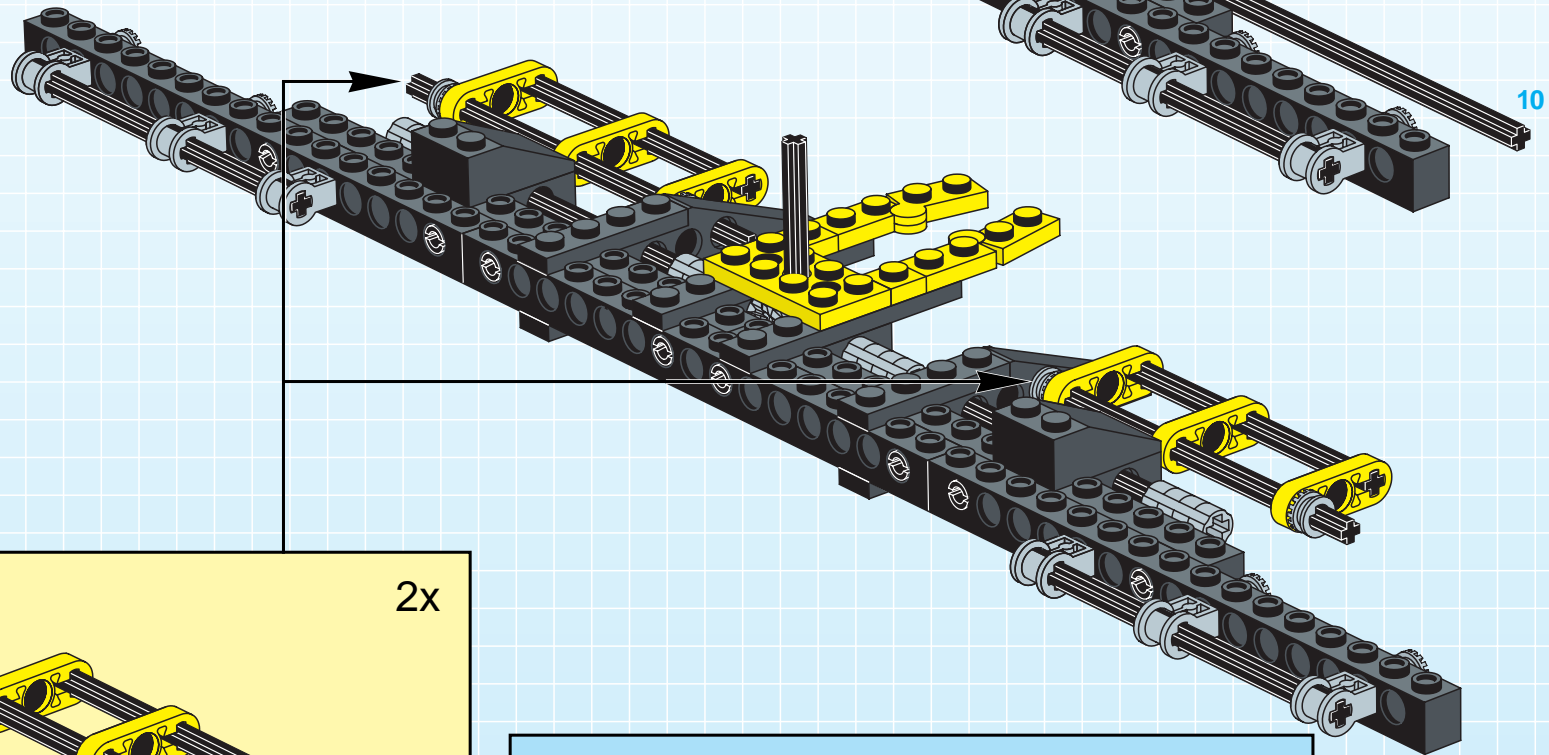


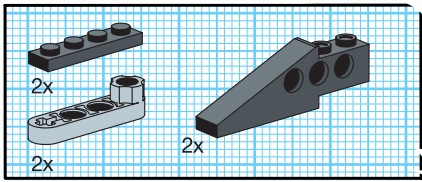


5

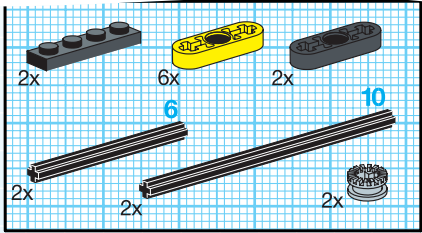


6

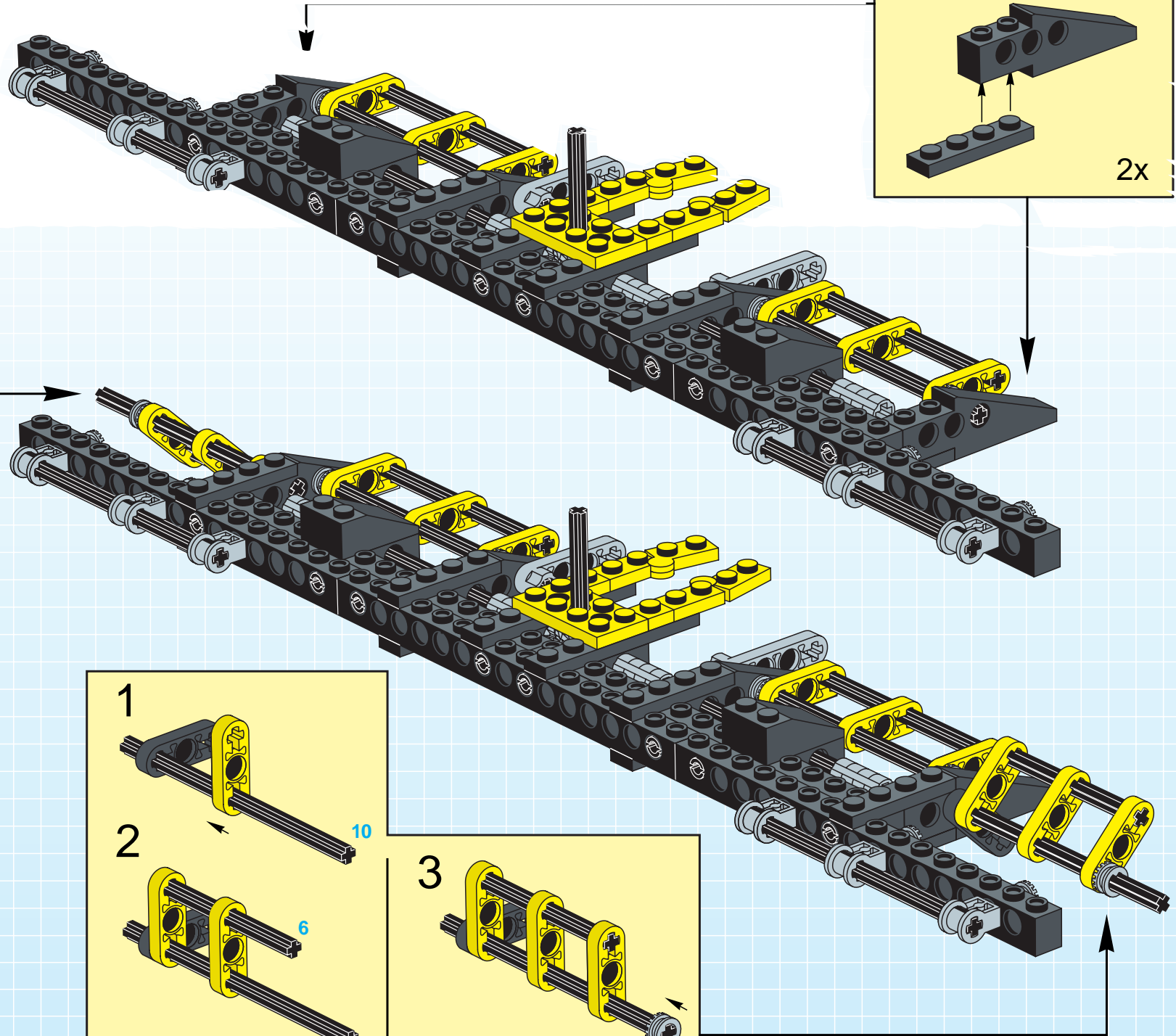
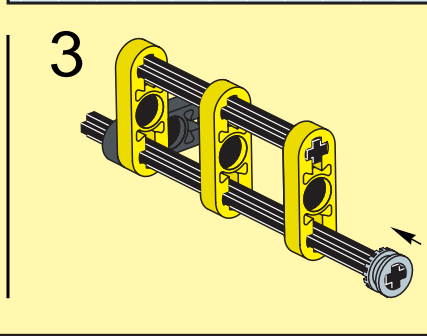
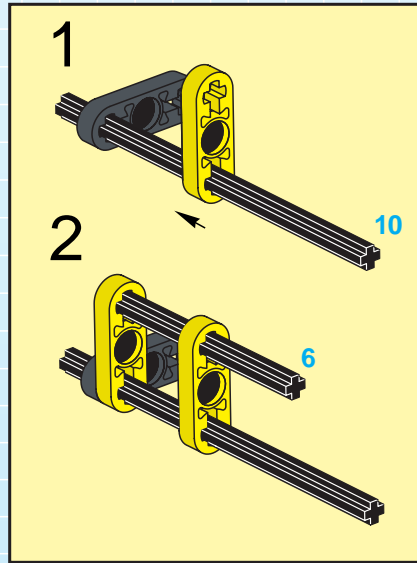
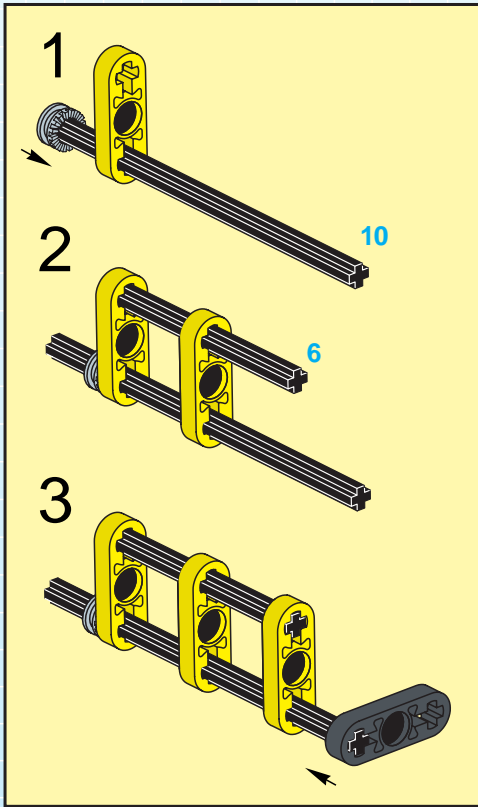


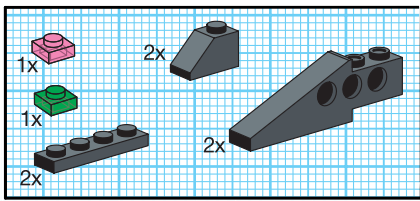


7

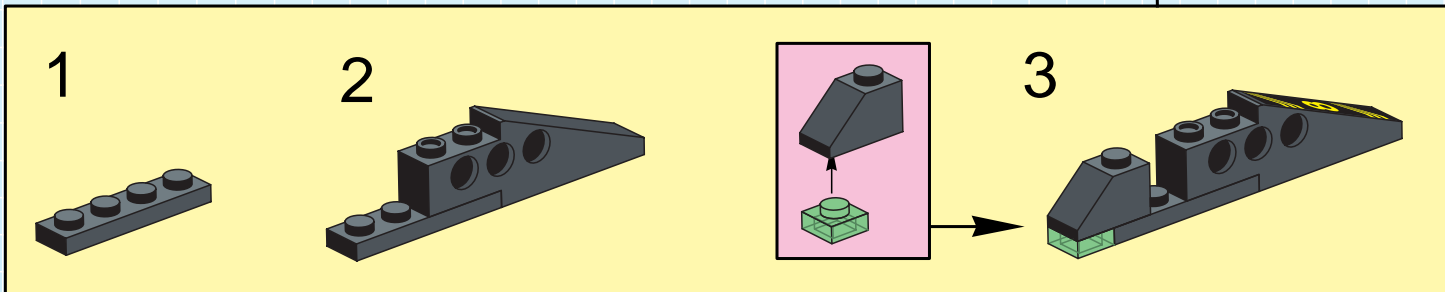
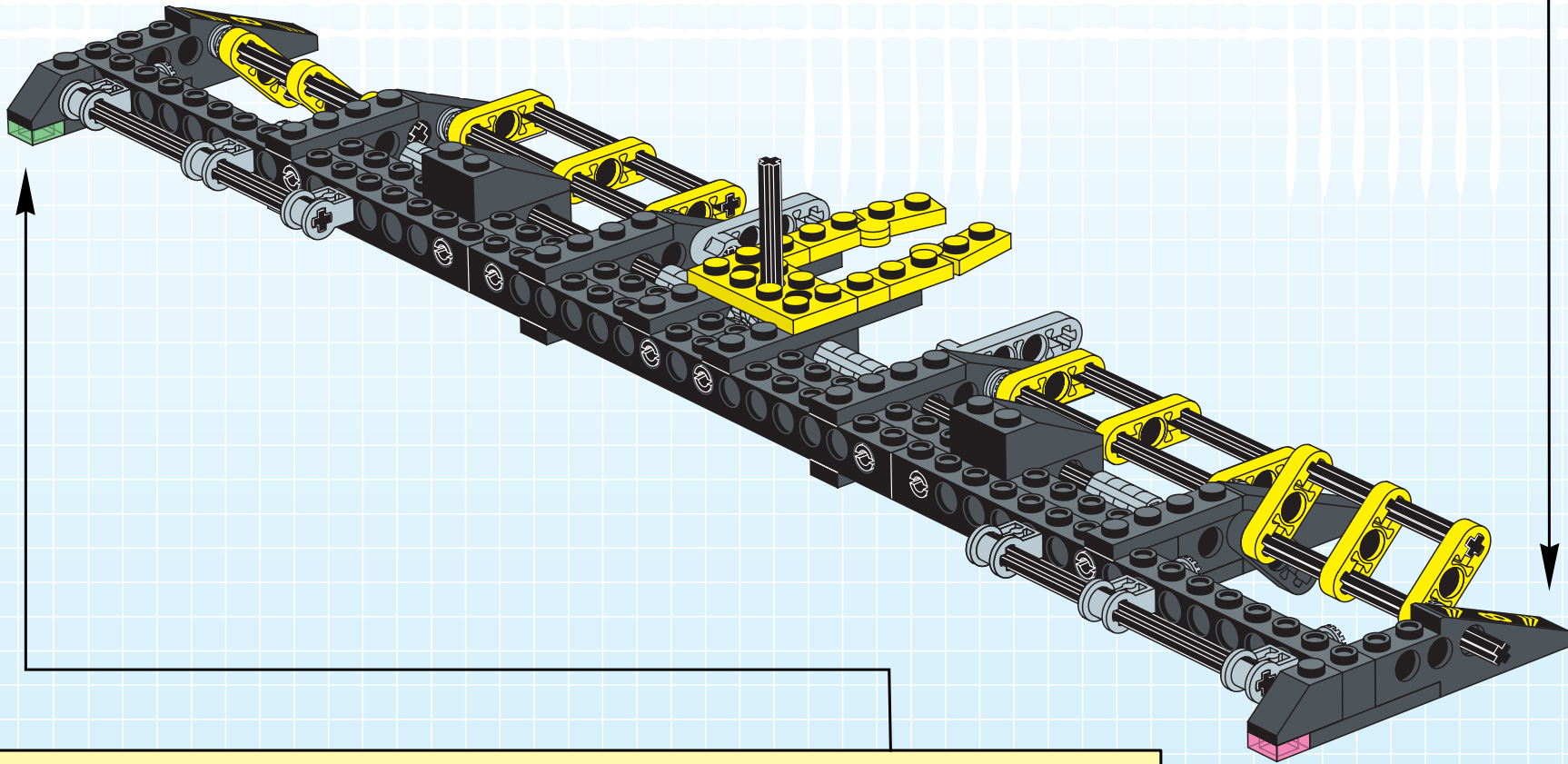
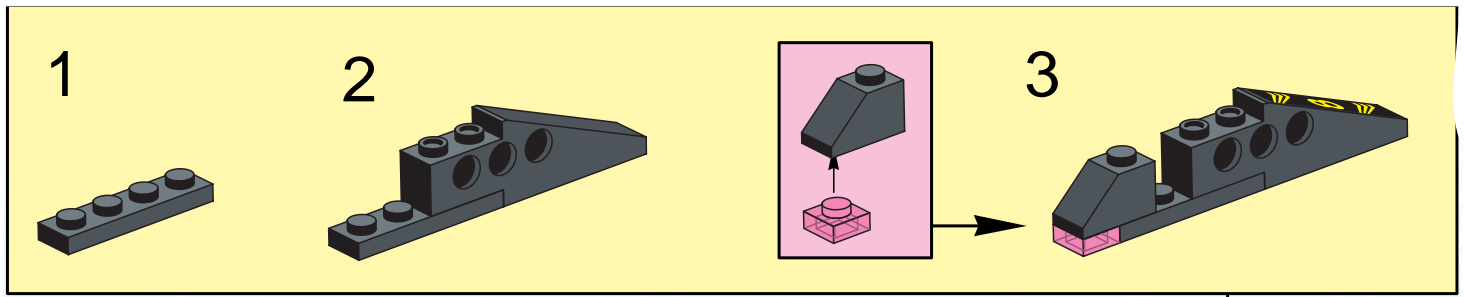


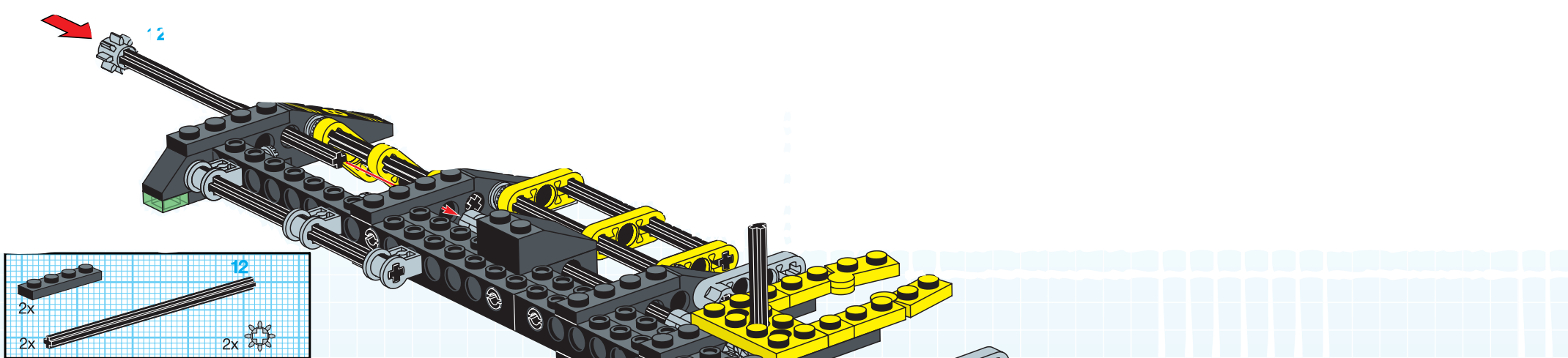
8



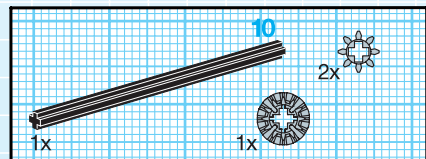
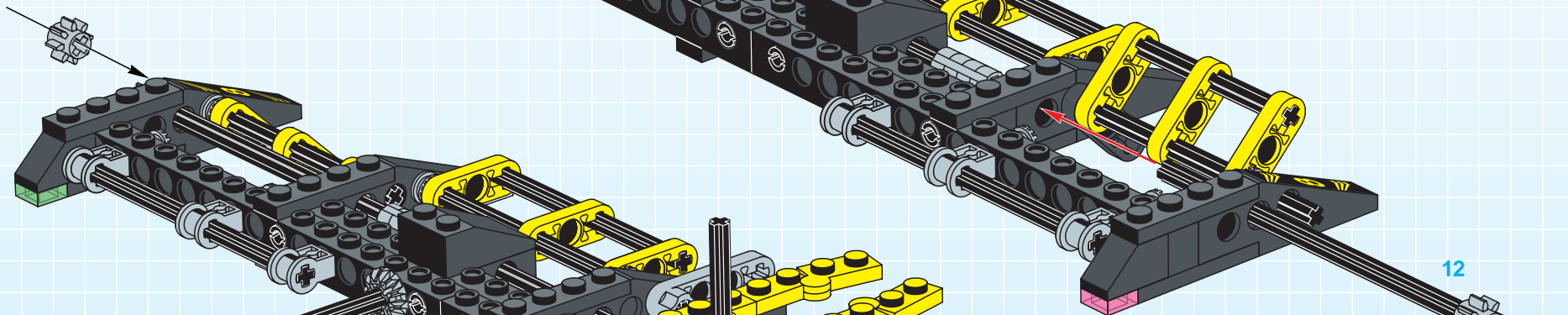


9

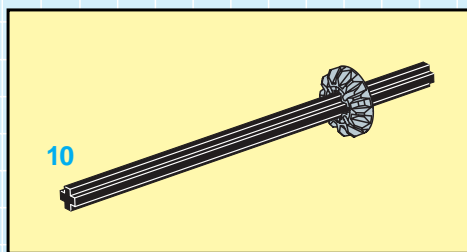


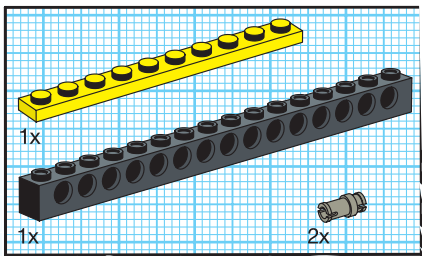


10

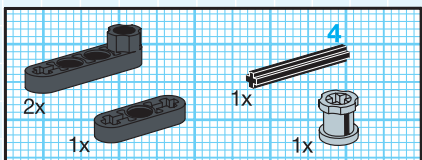
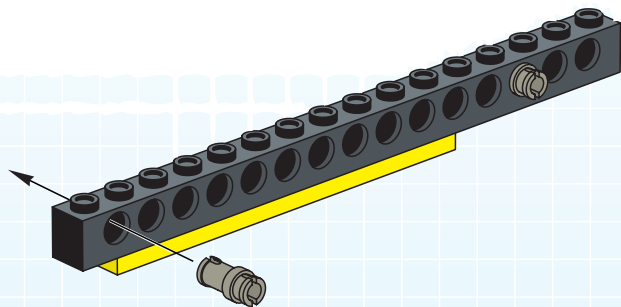


11

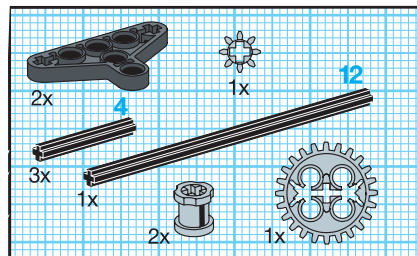
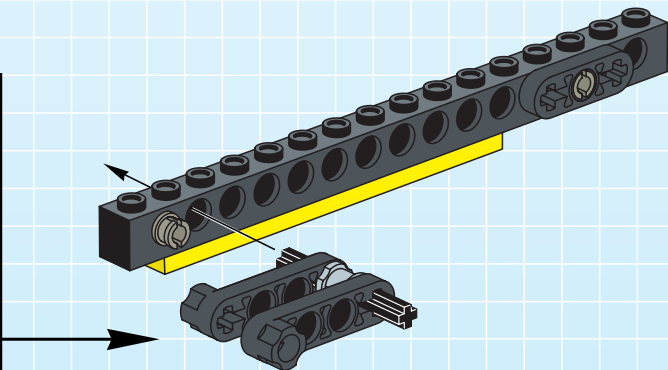
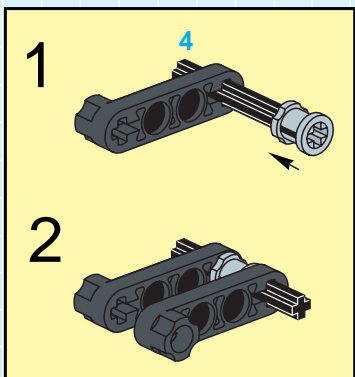




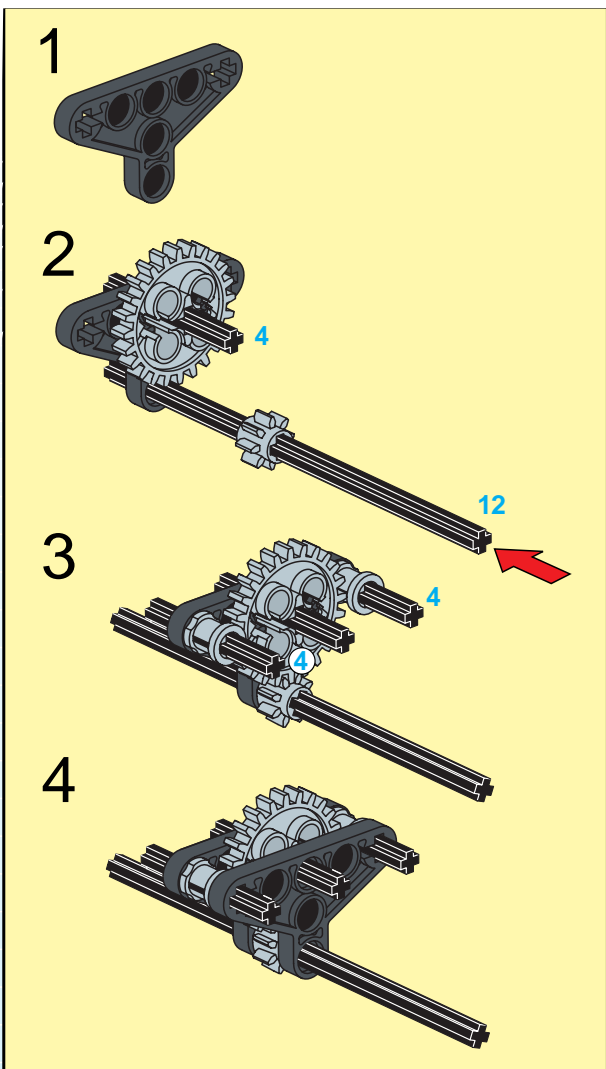
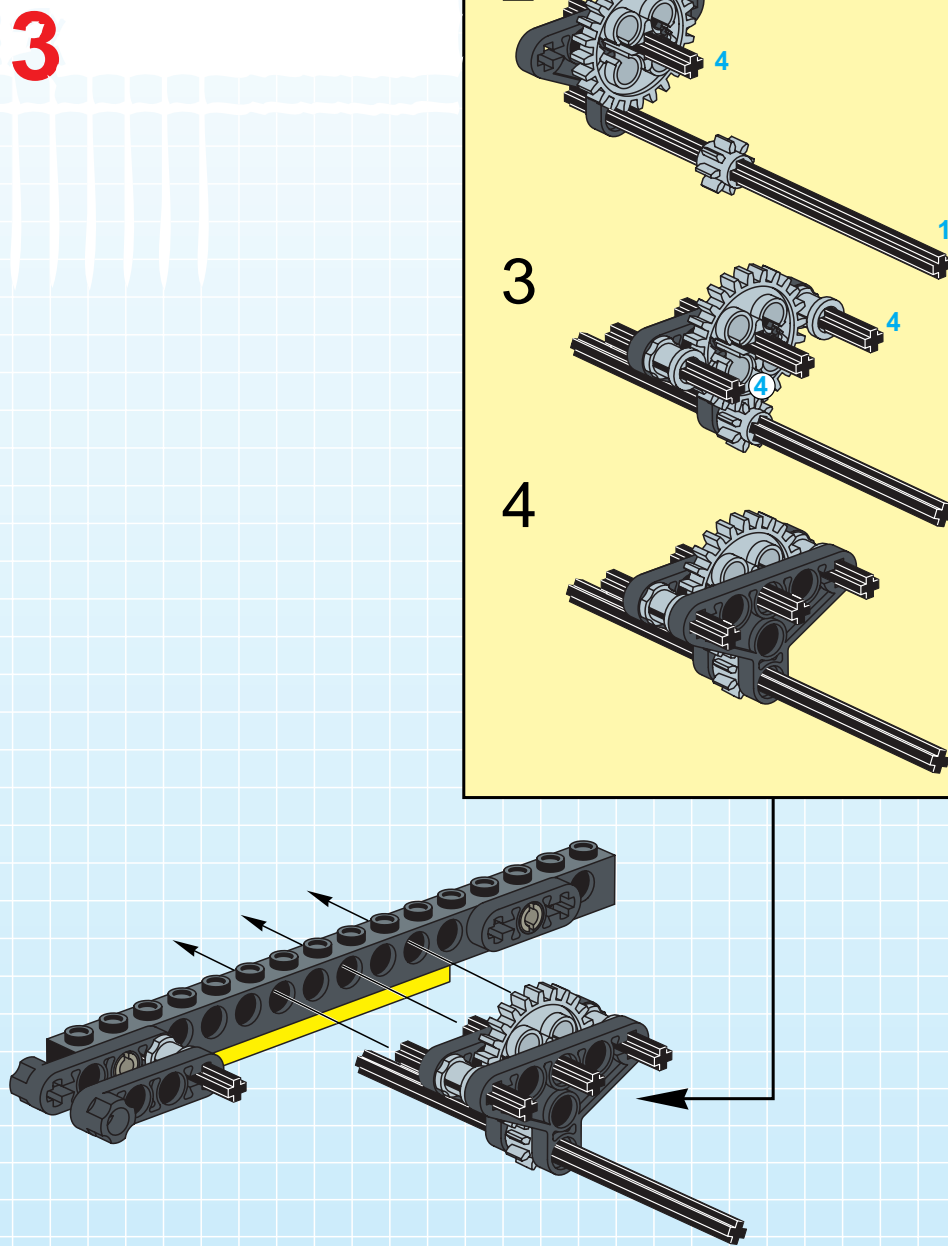
1

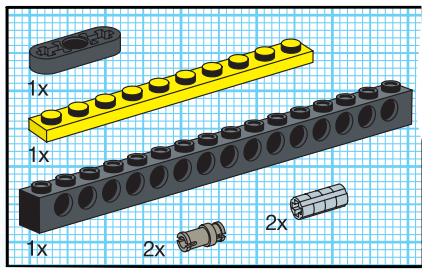


2

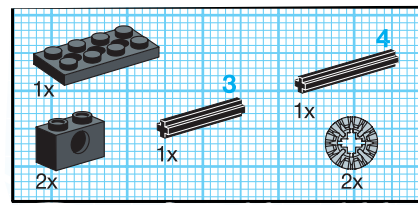
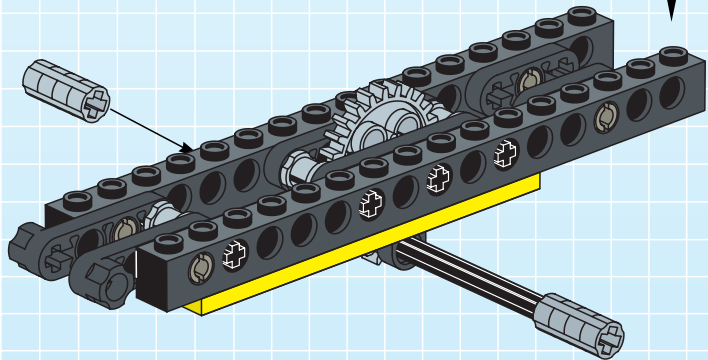
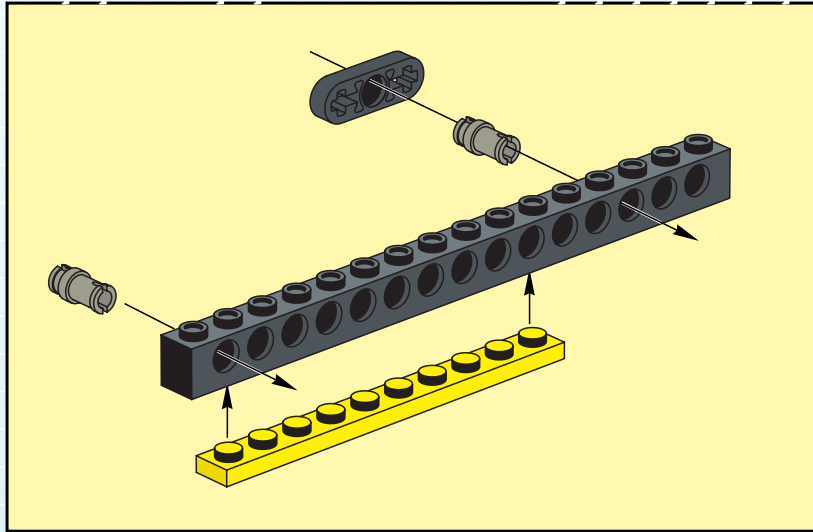


3

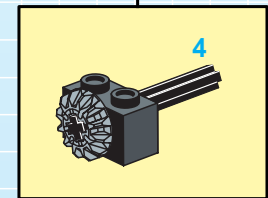
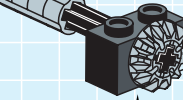
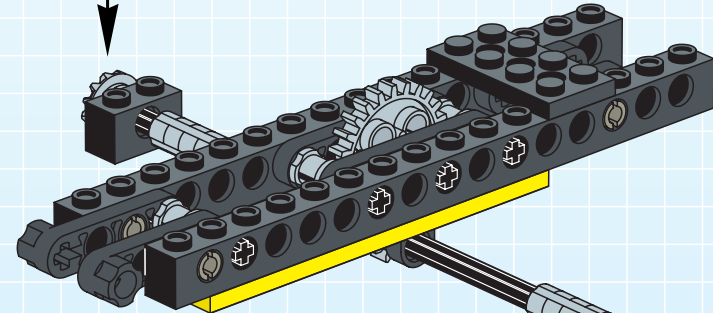
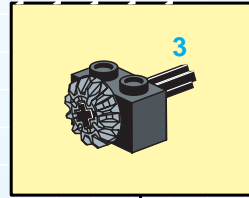




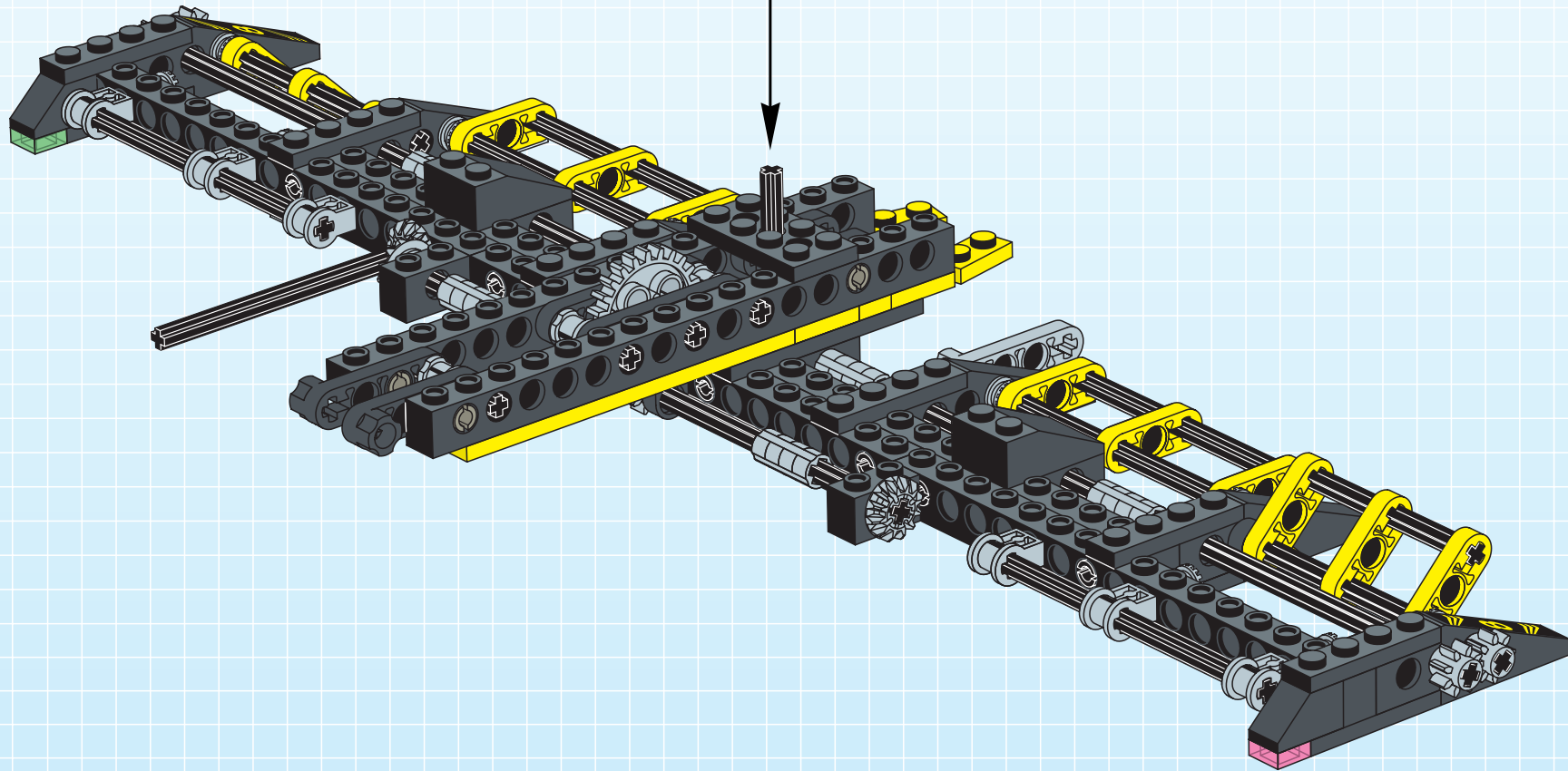
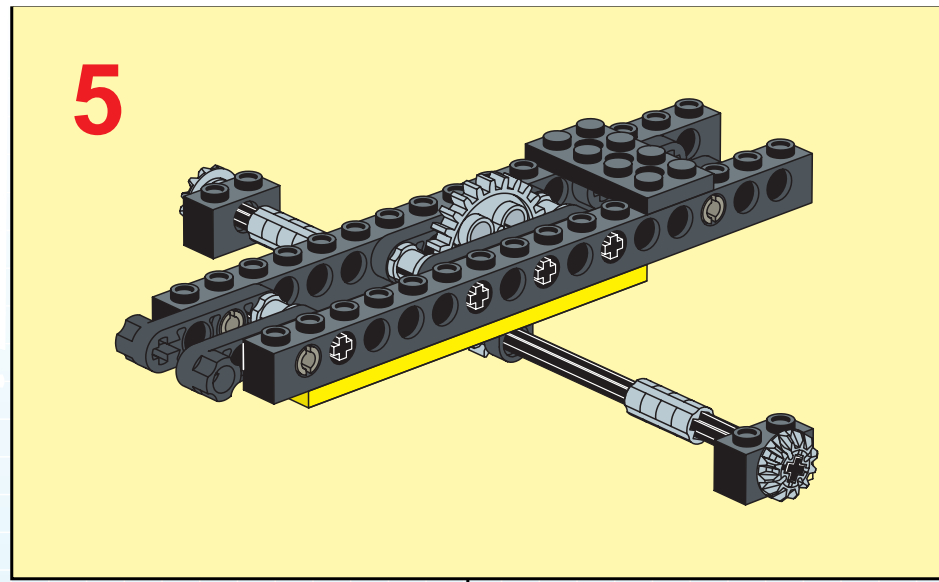
4

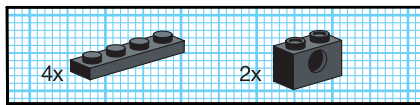


5

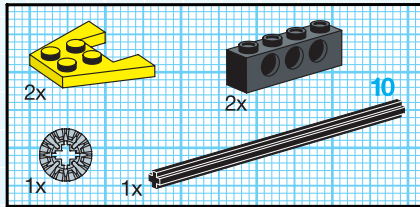
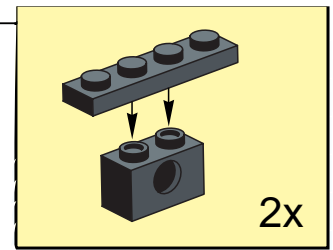
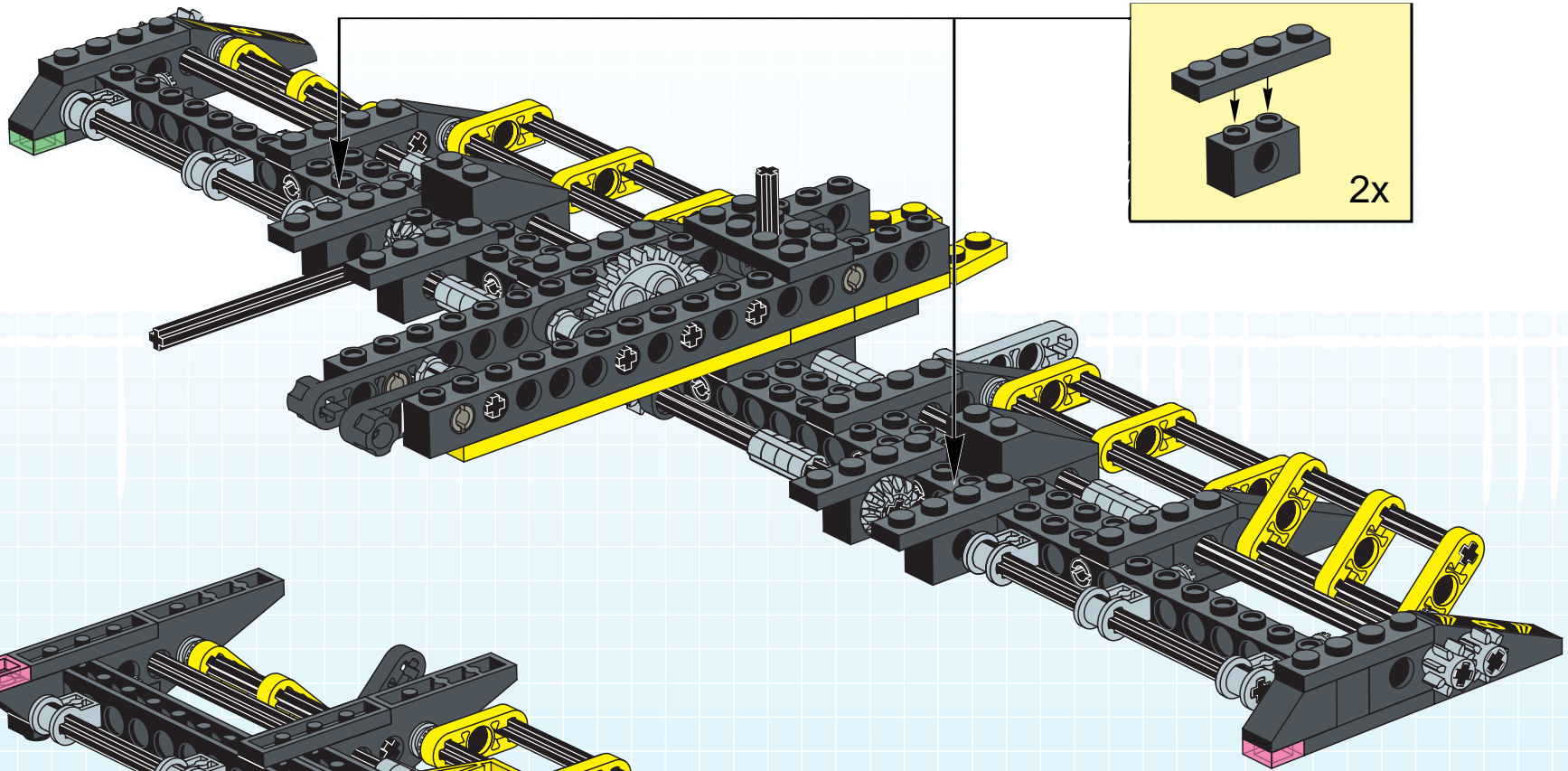


12

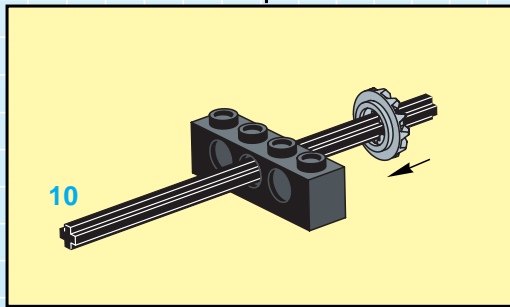
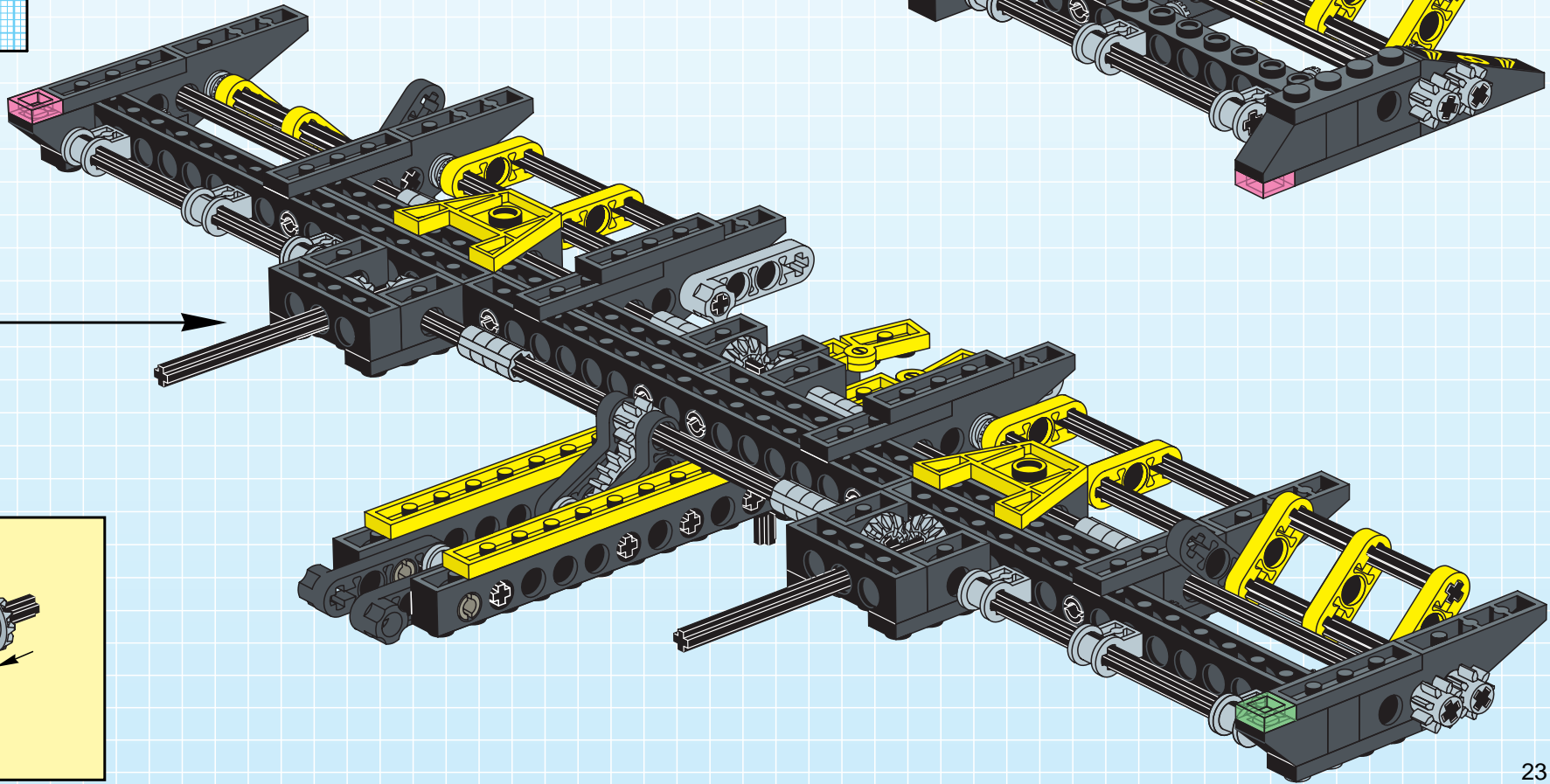




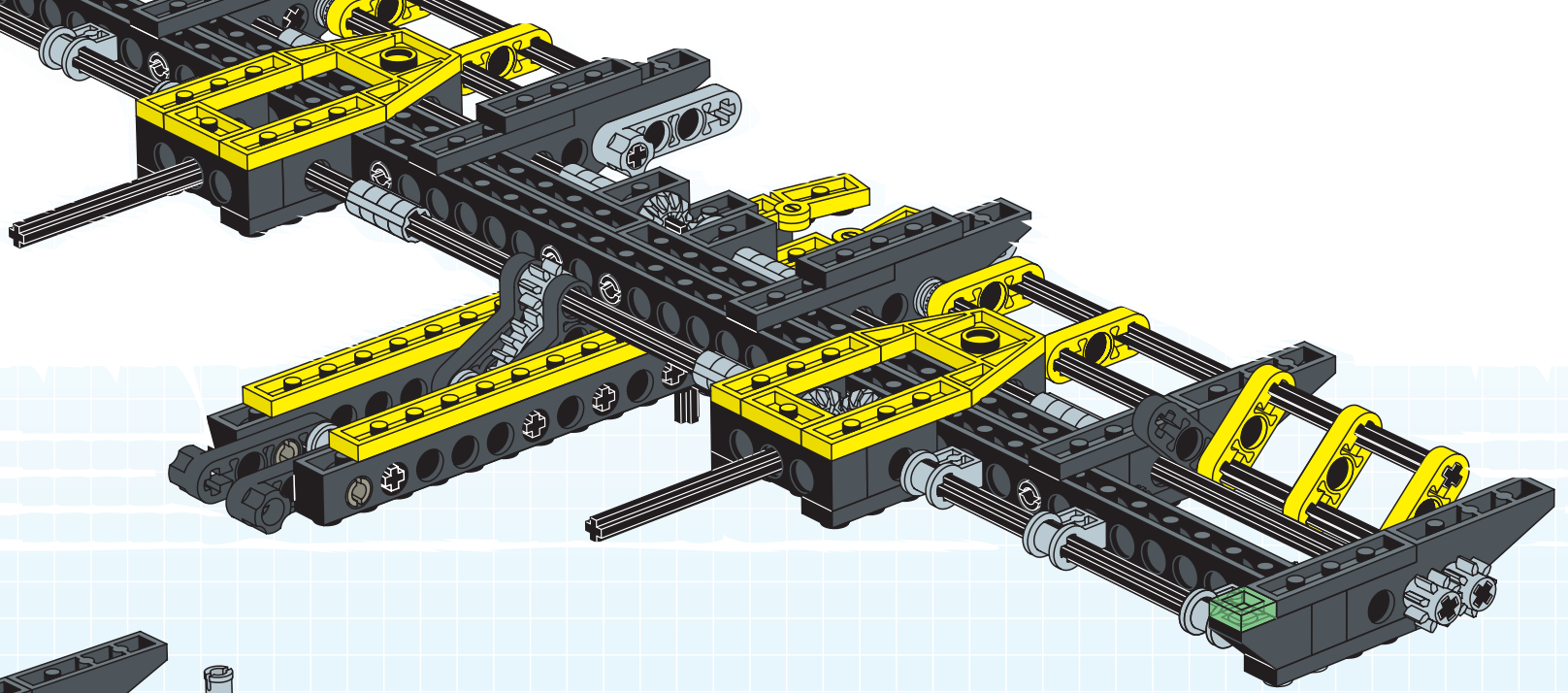
13



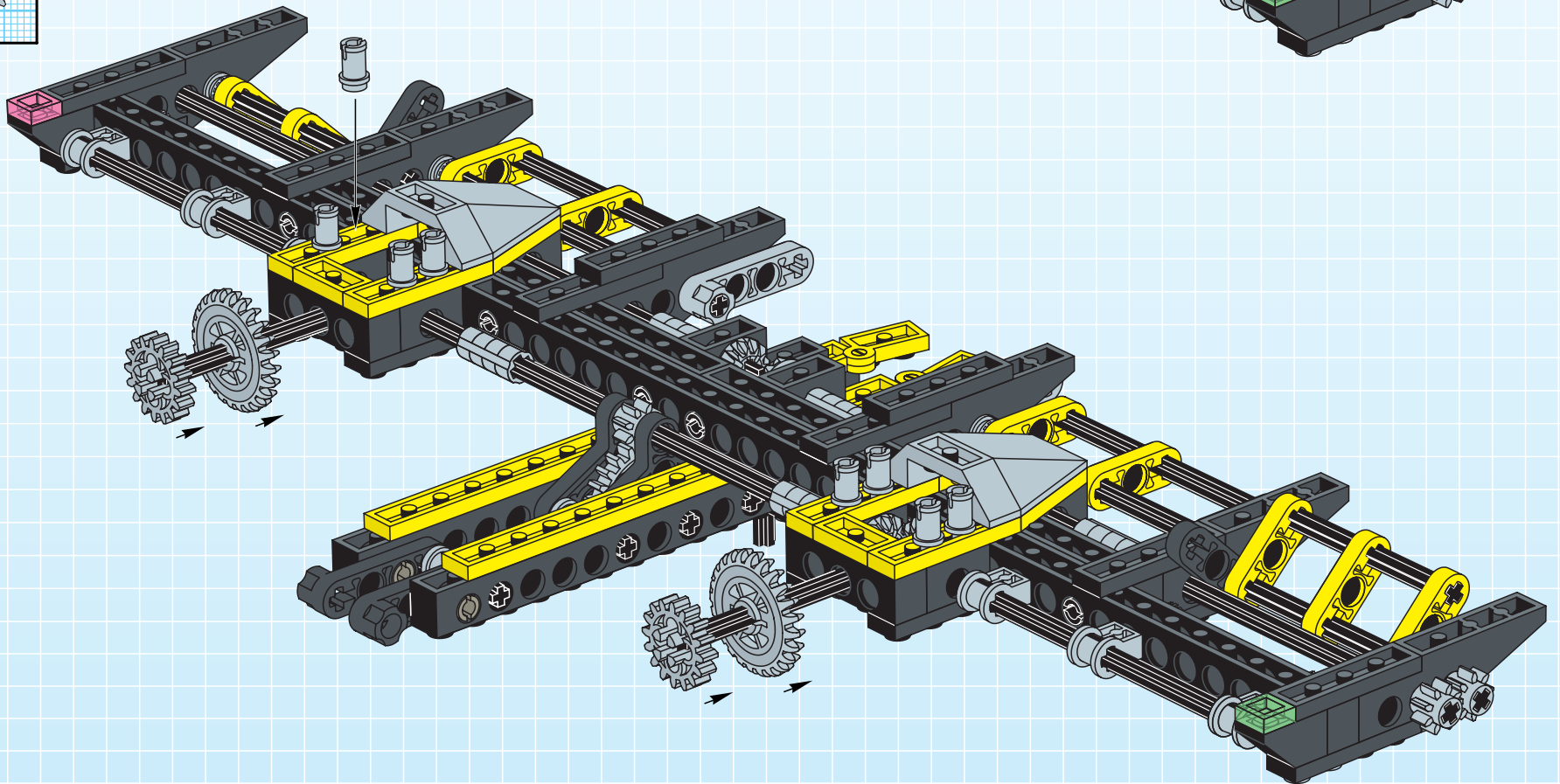
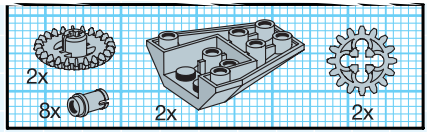
14

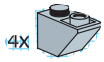
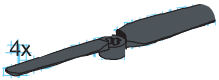


15

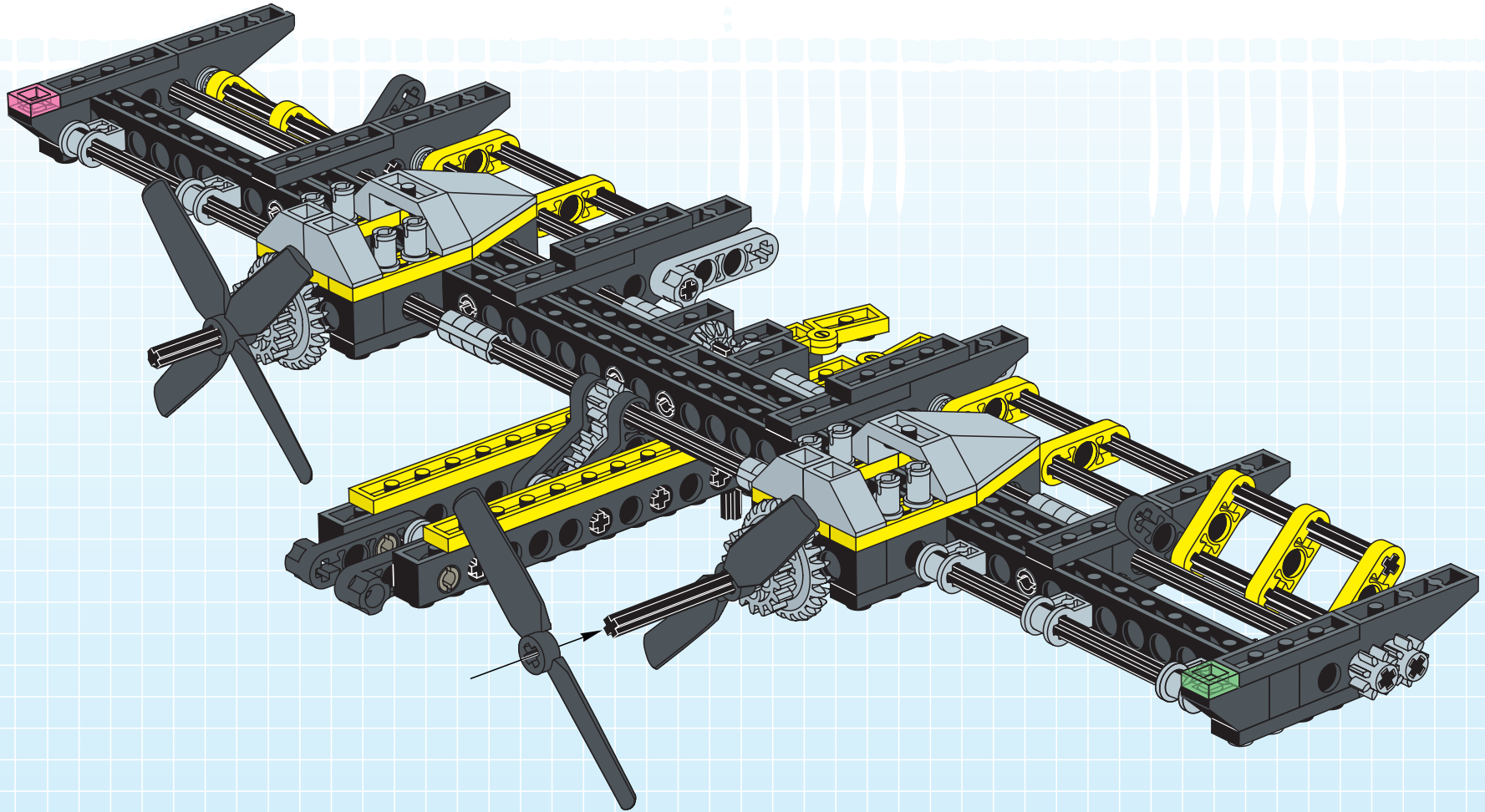


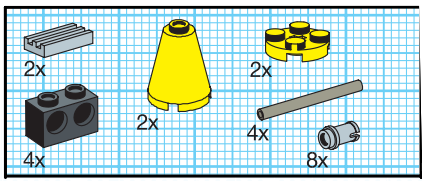
16



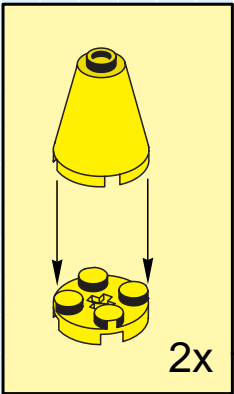
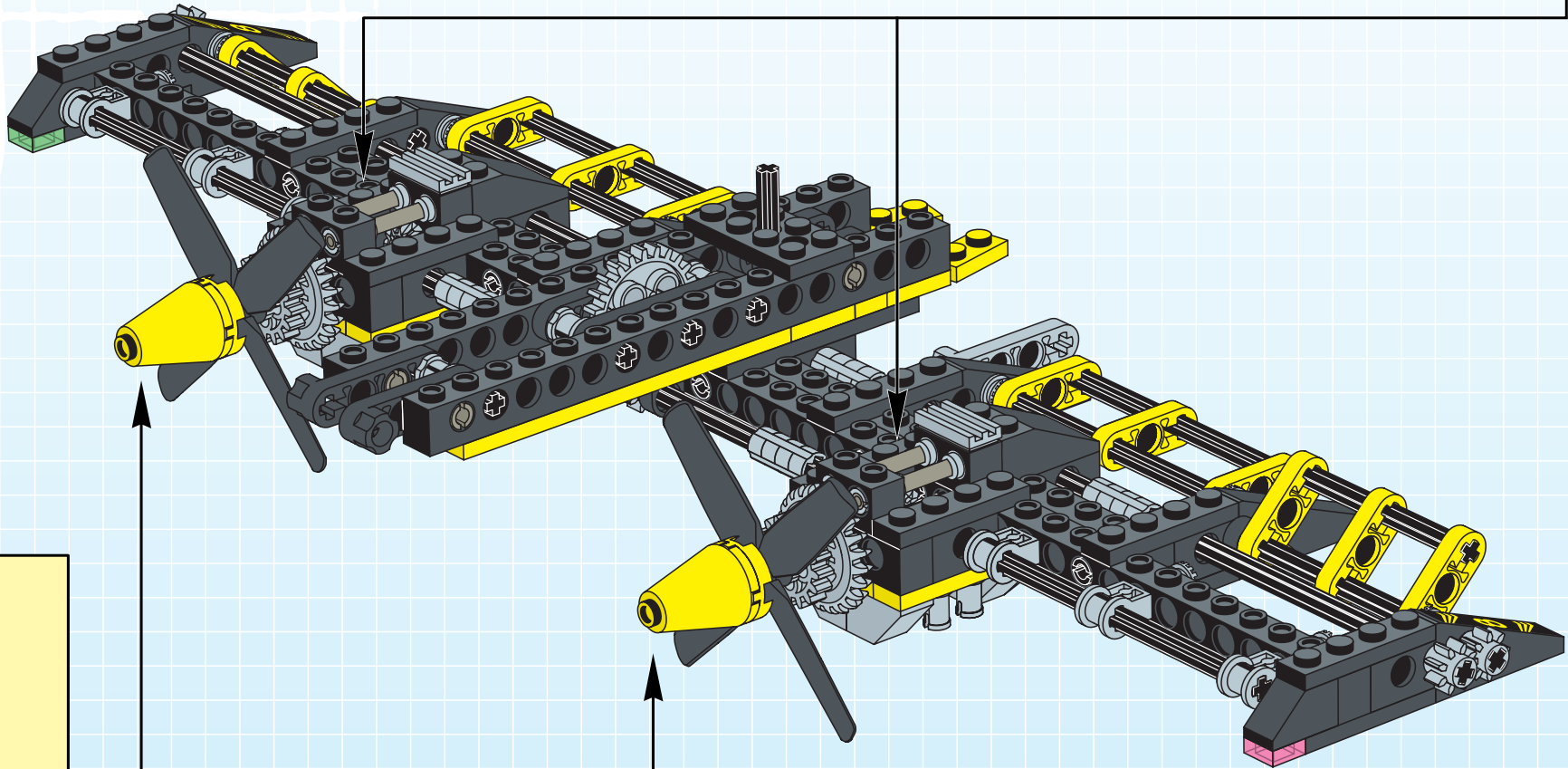
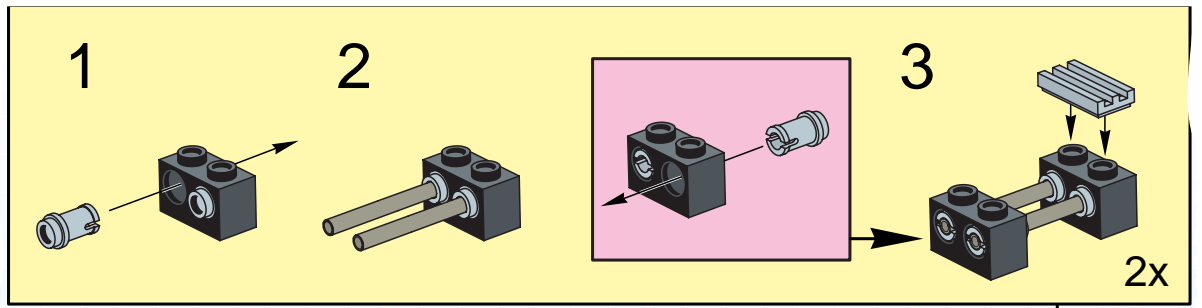


17




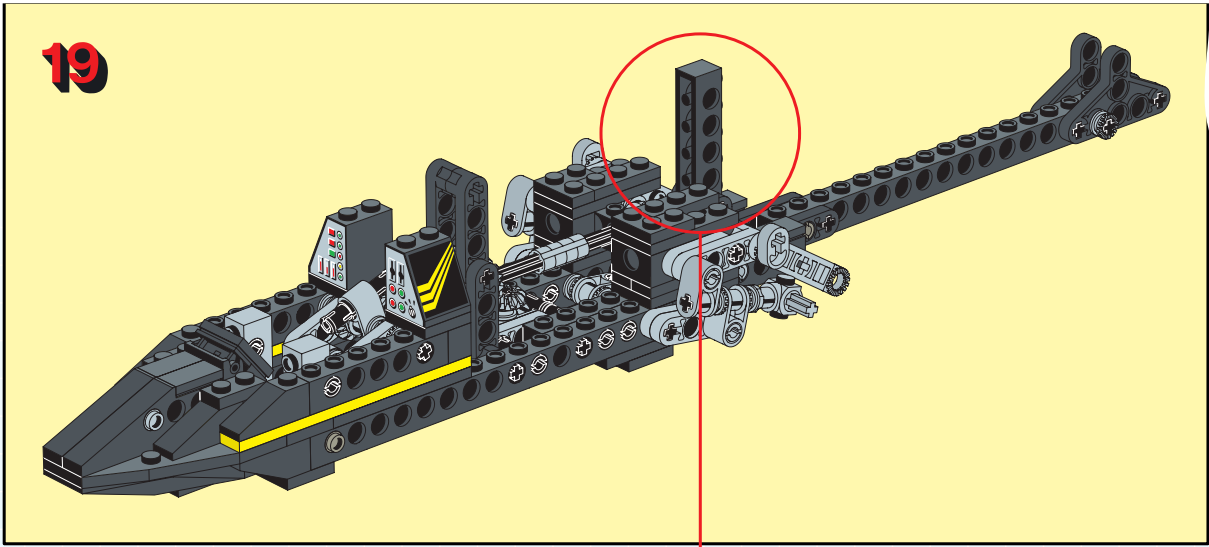
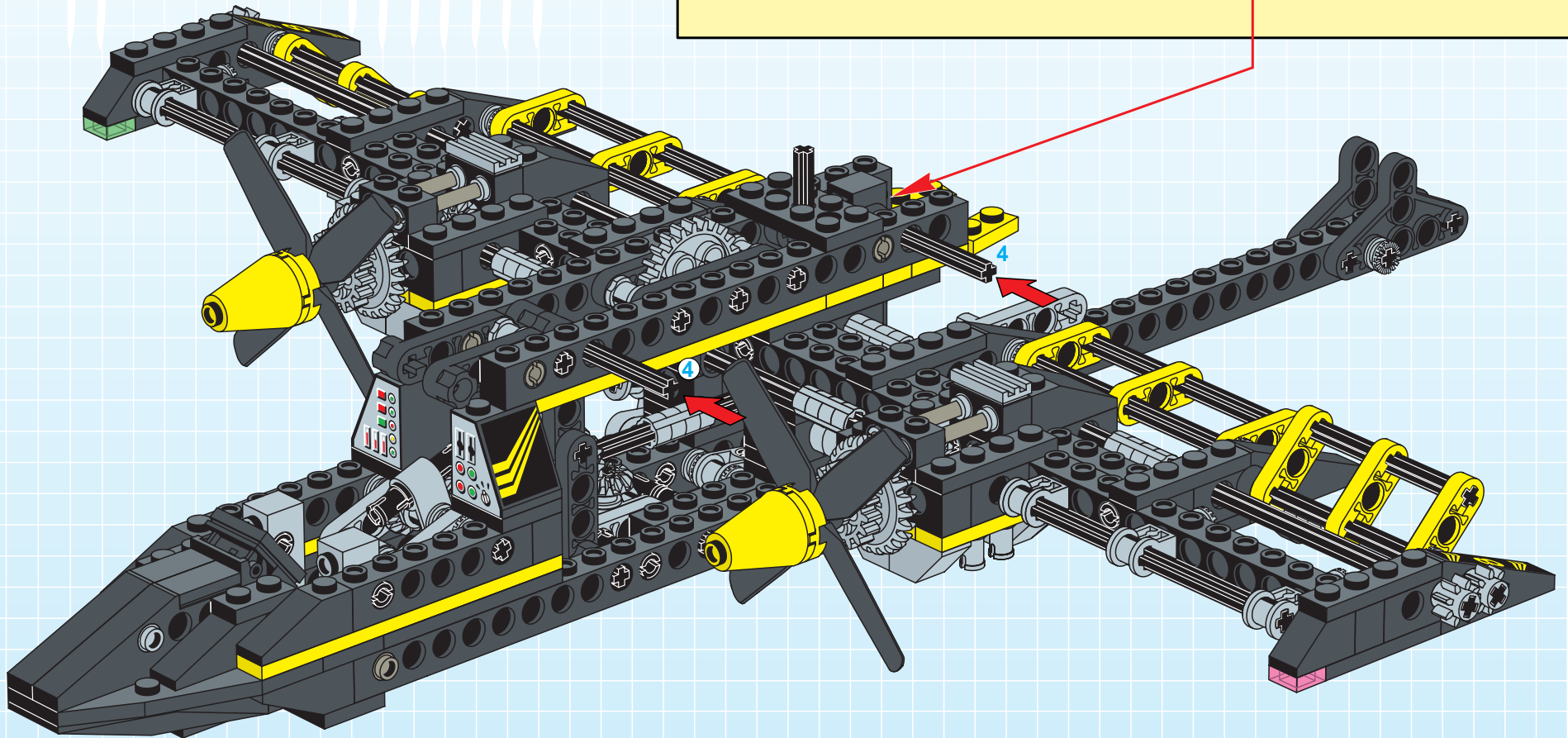


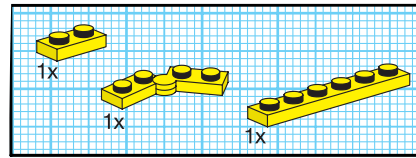
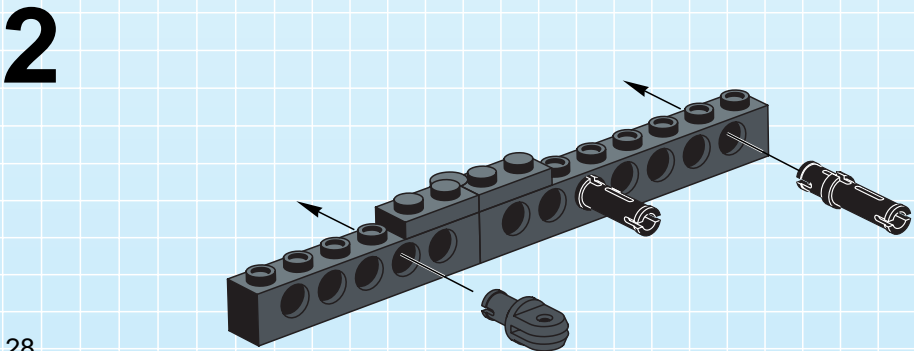
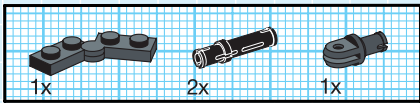
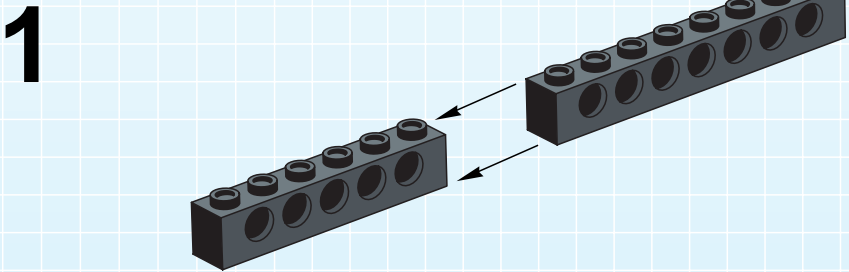
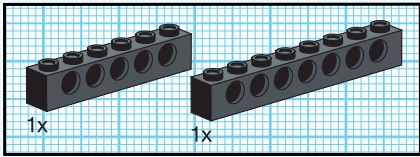
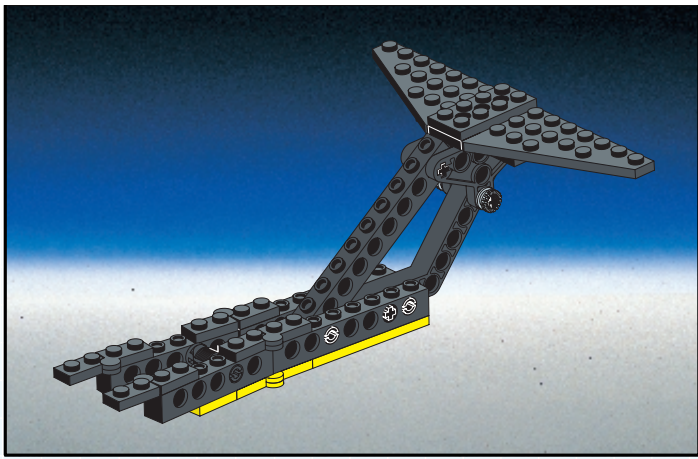
18



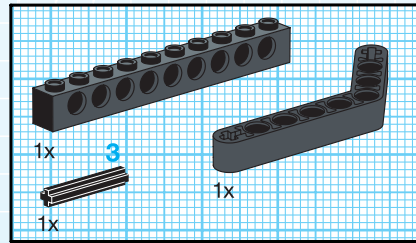
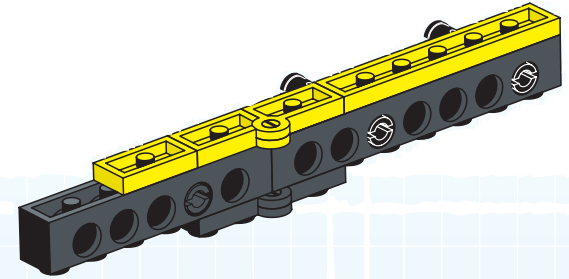
20

2x 

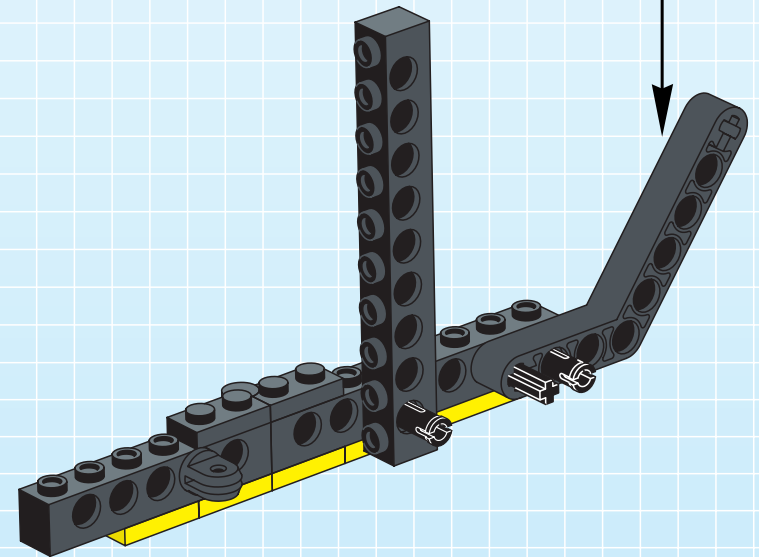
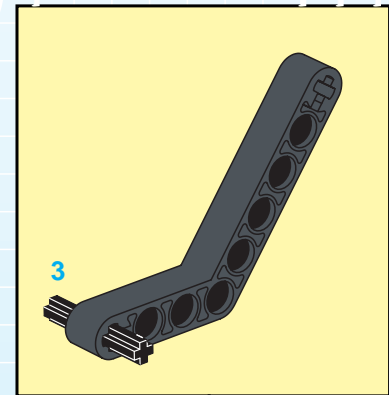


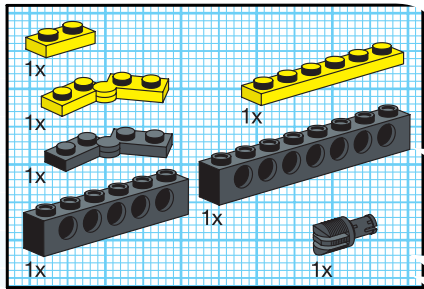


3

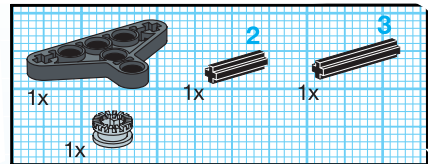
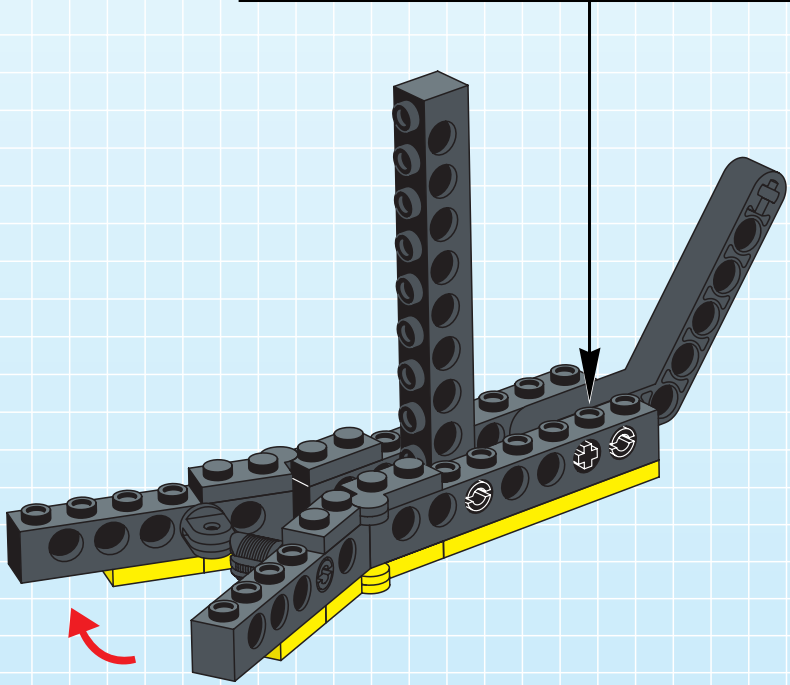
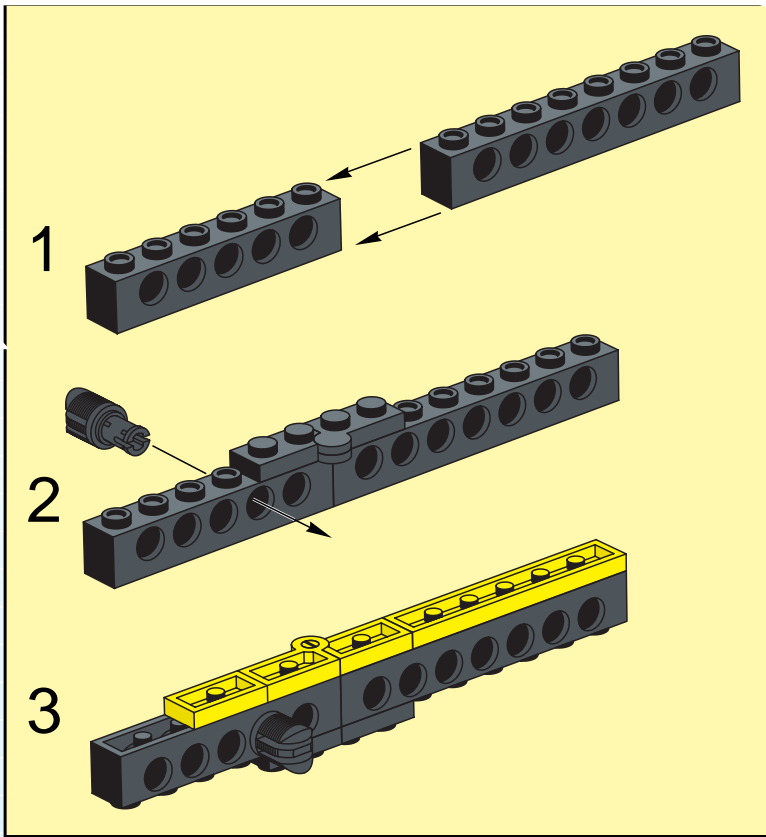


4

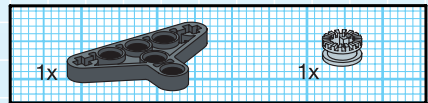
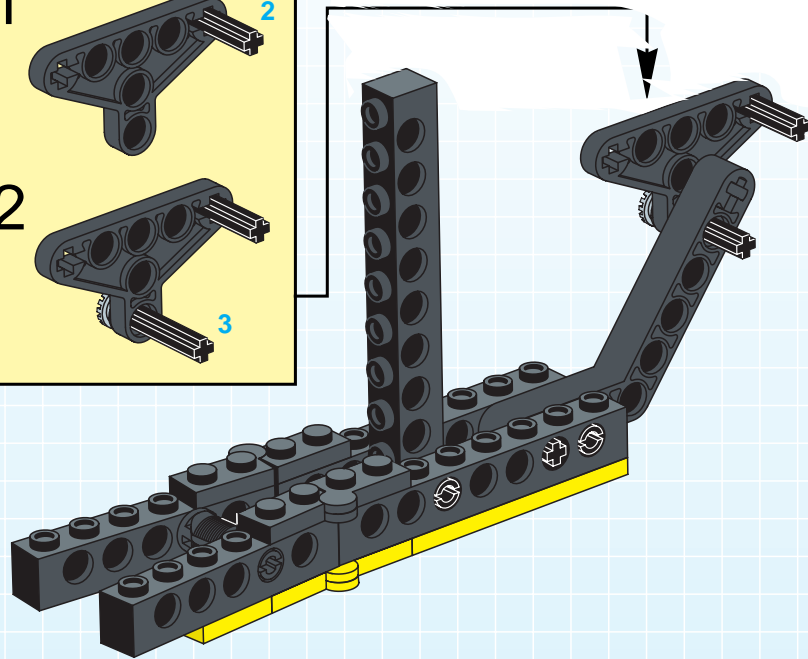
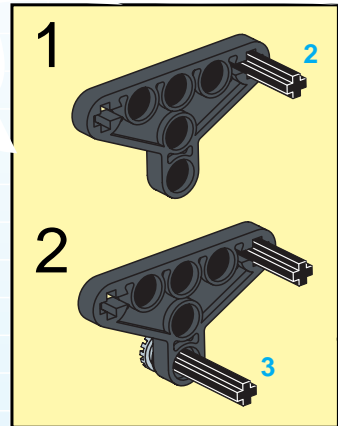




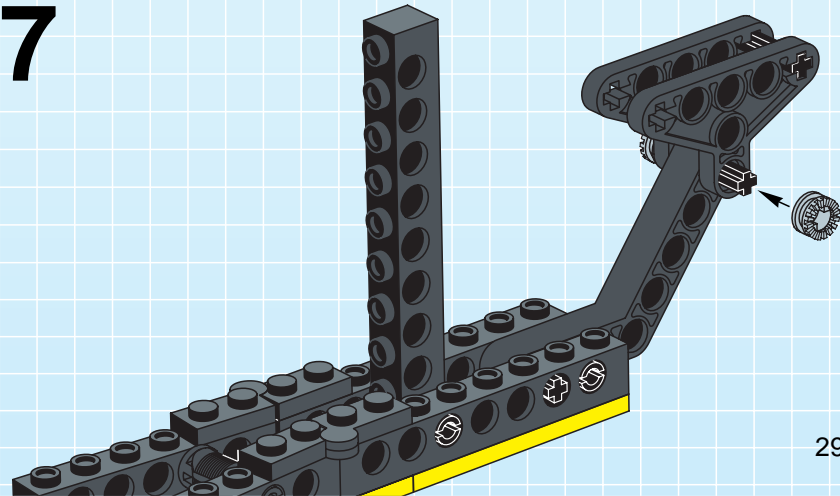
5

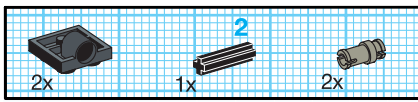


6

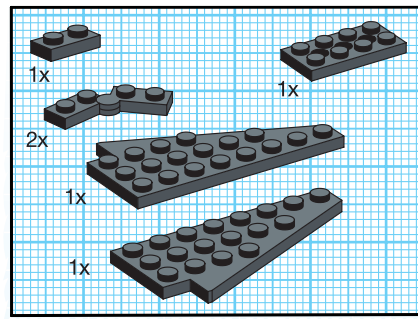
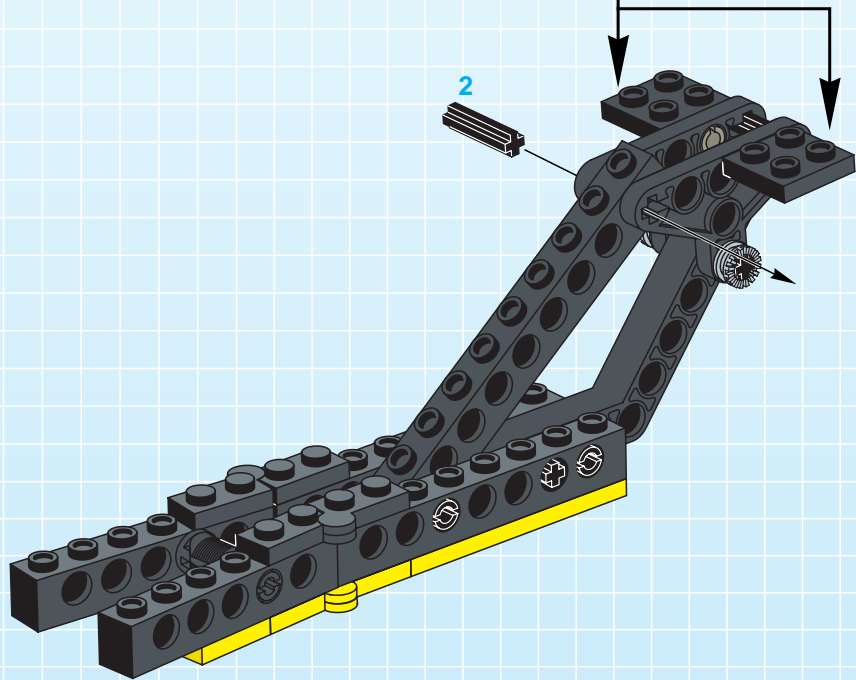
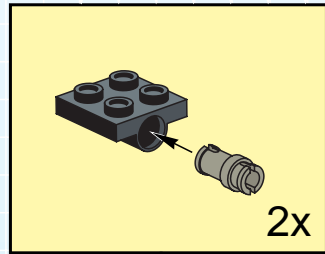


7

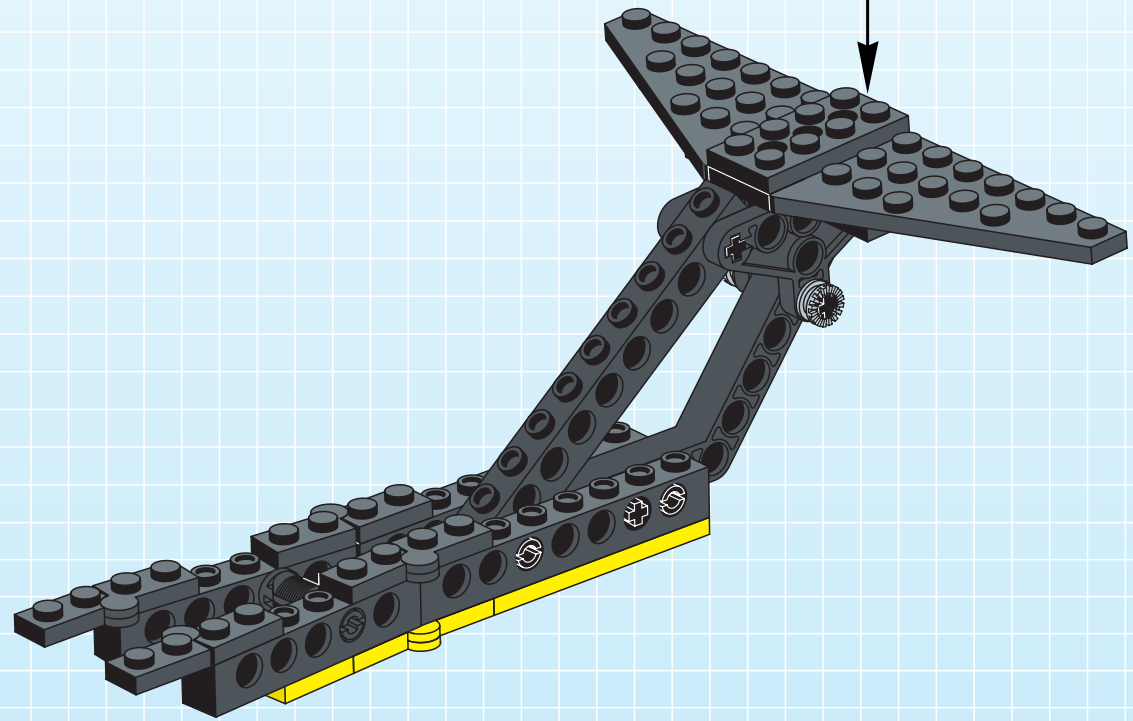
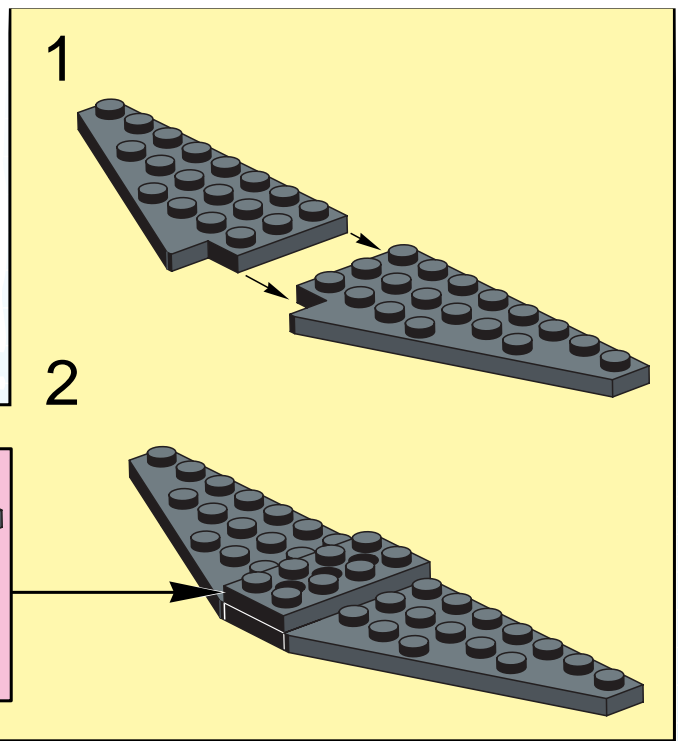
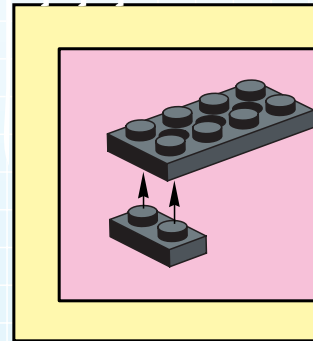


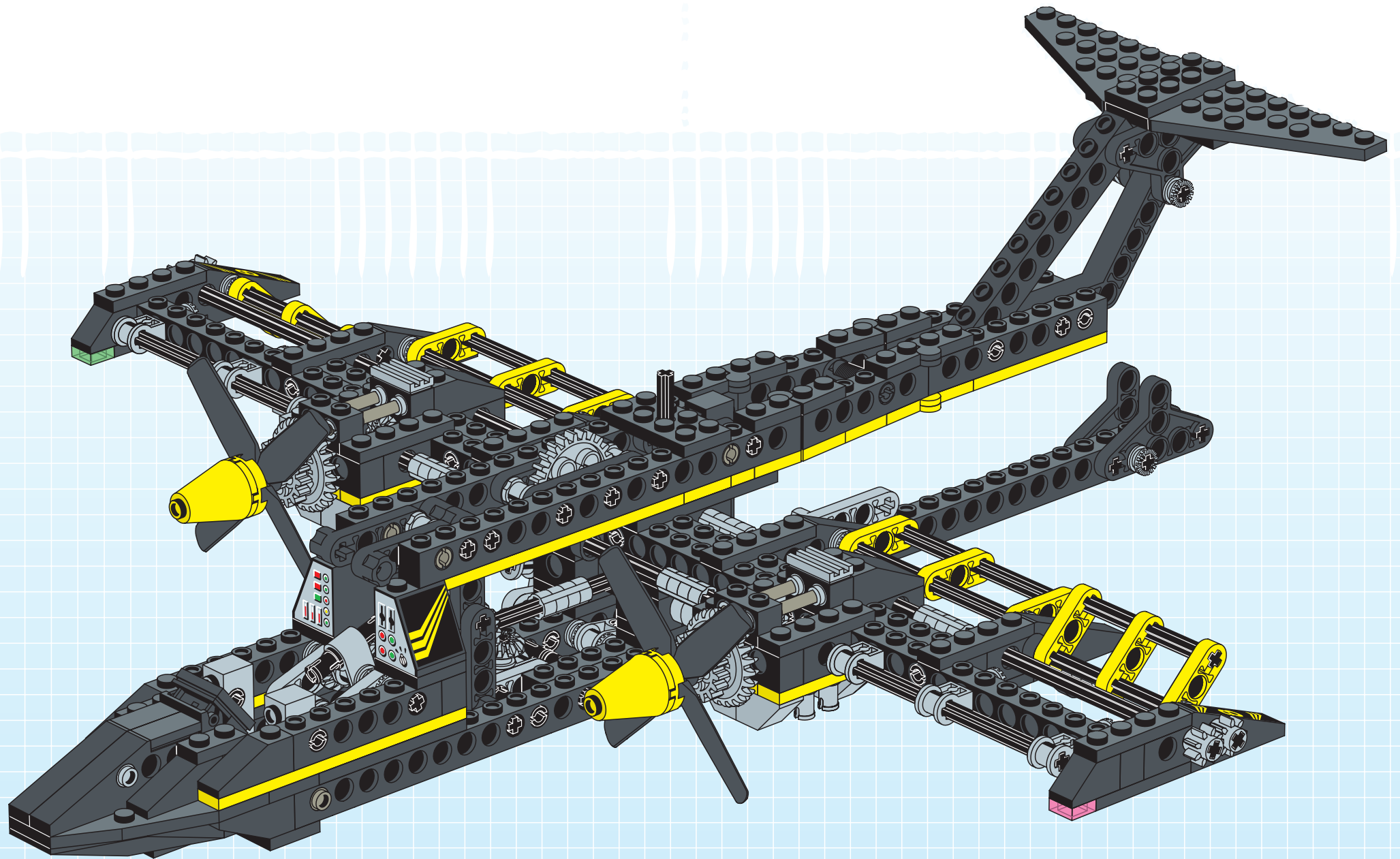


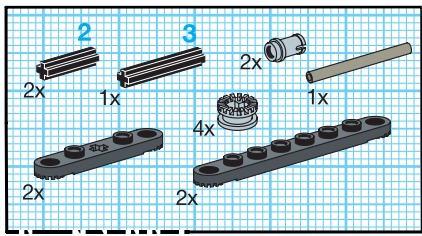
8



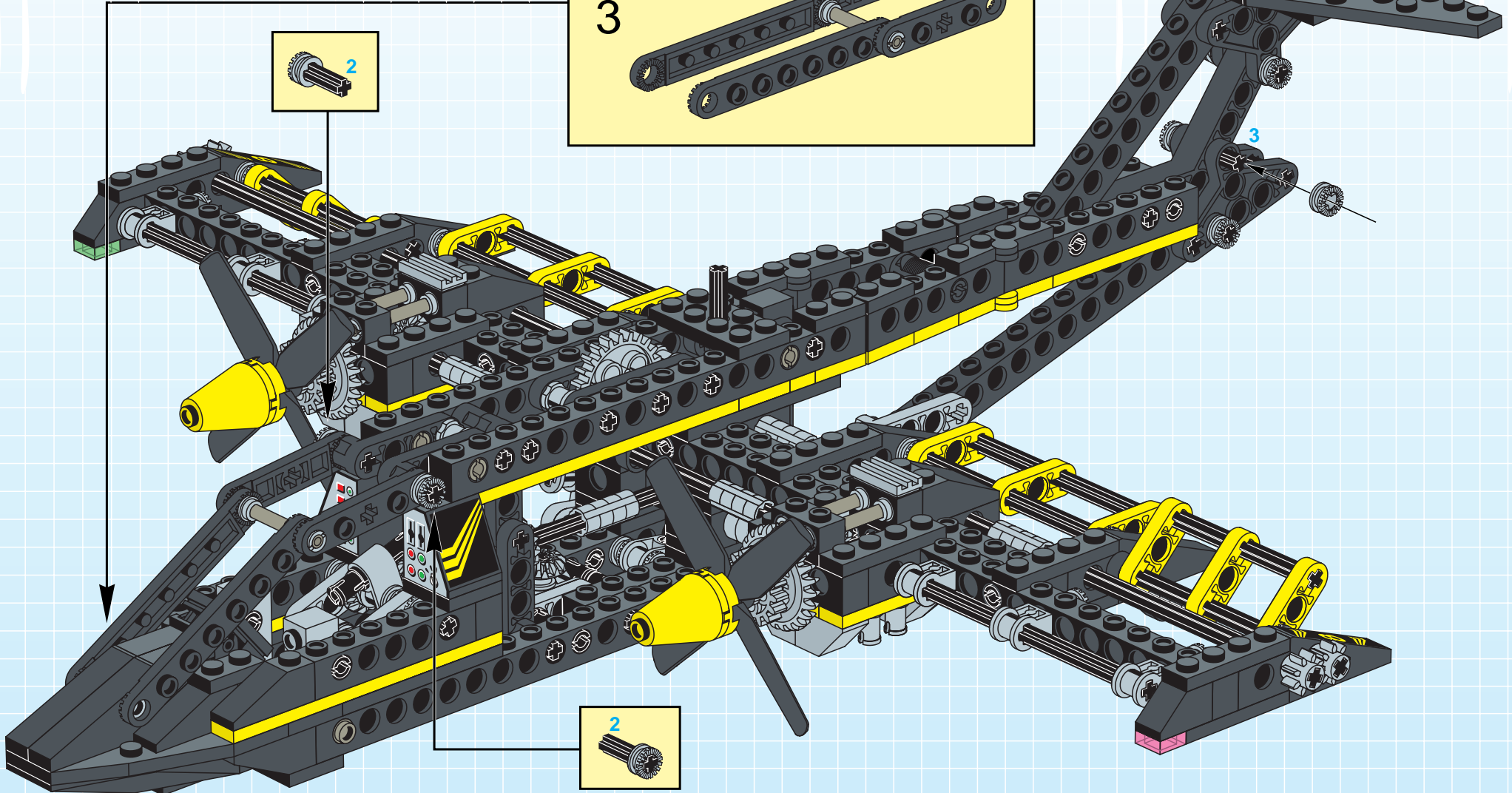
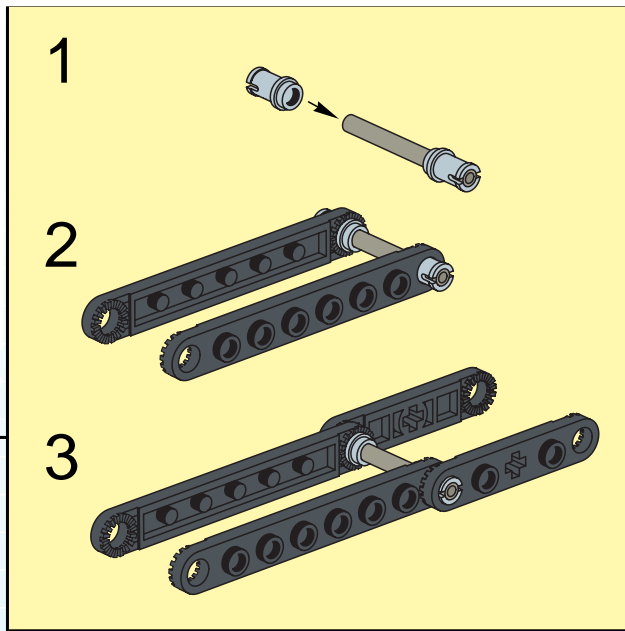
9

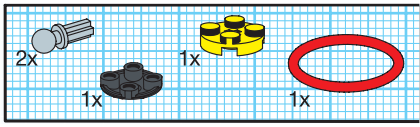




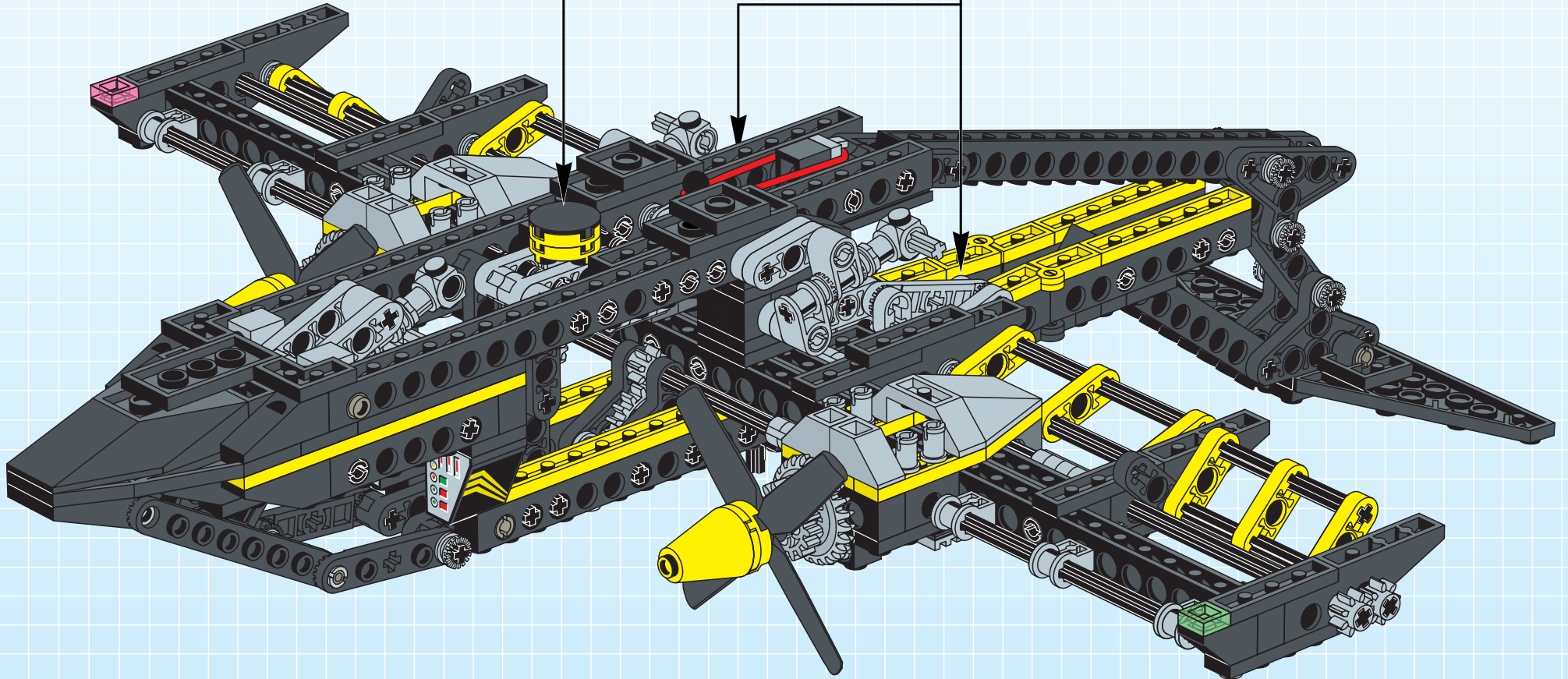
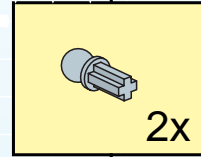
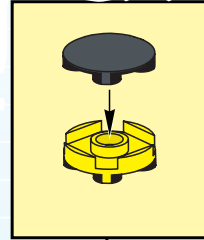
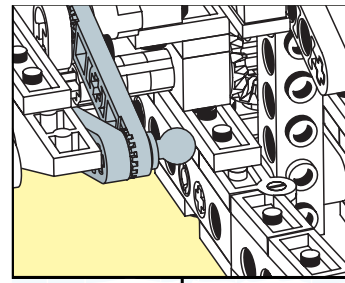


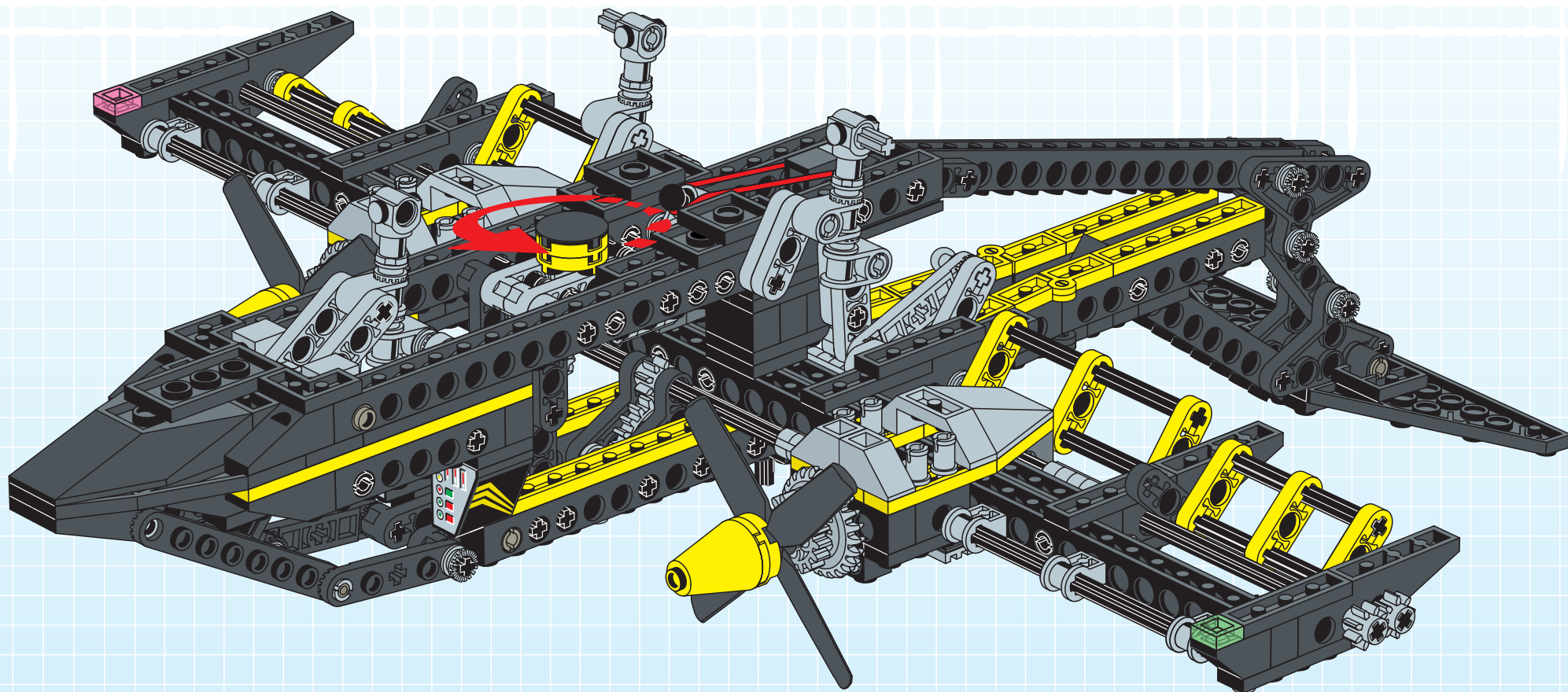
22

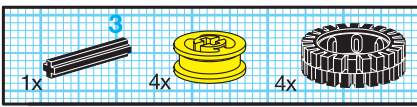




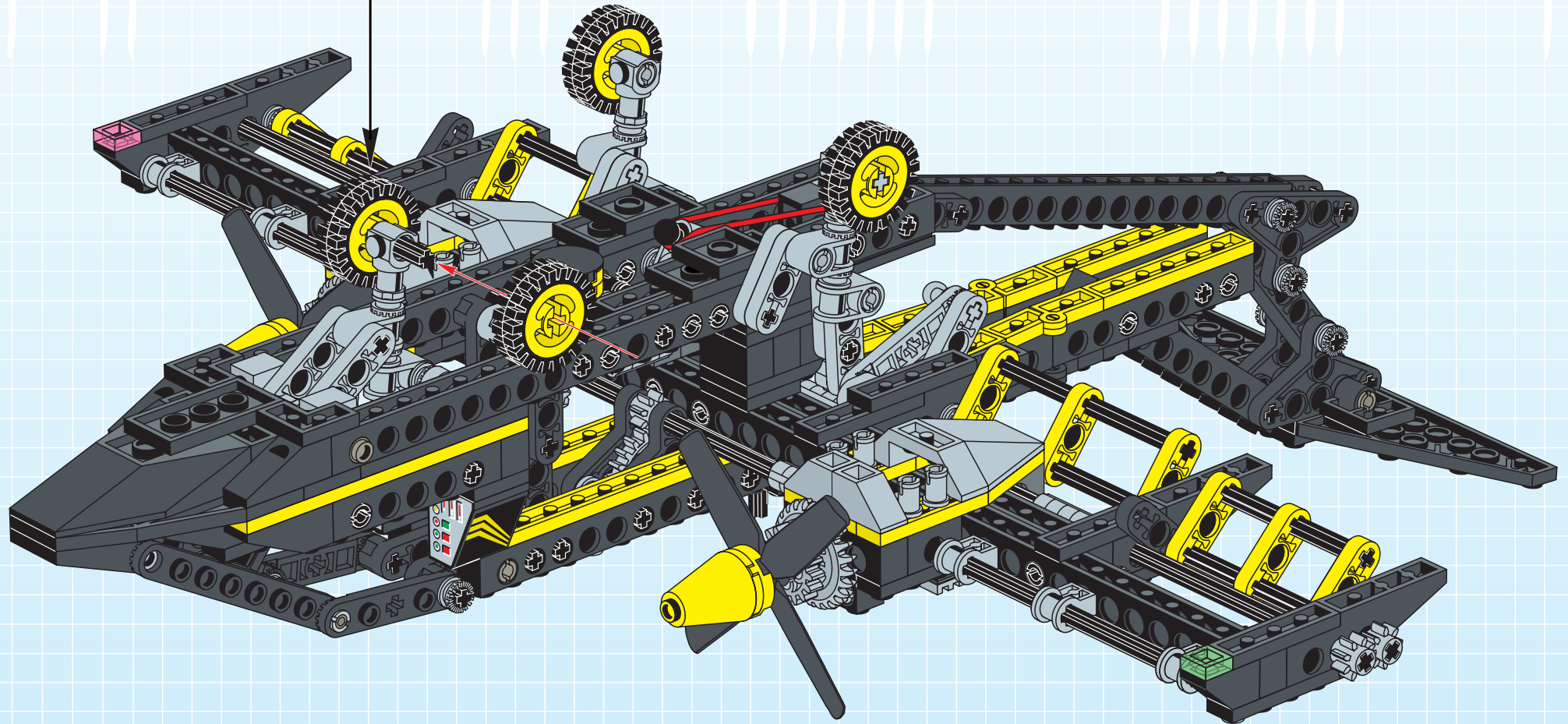
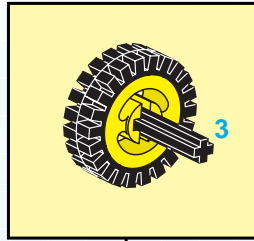
23

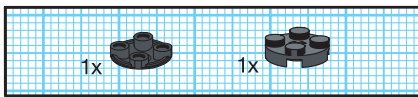




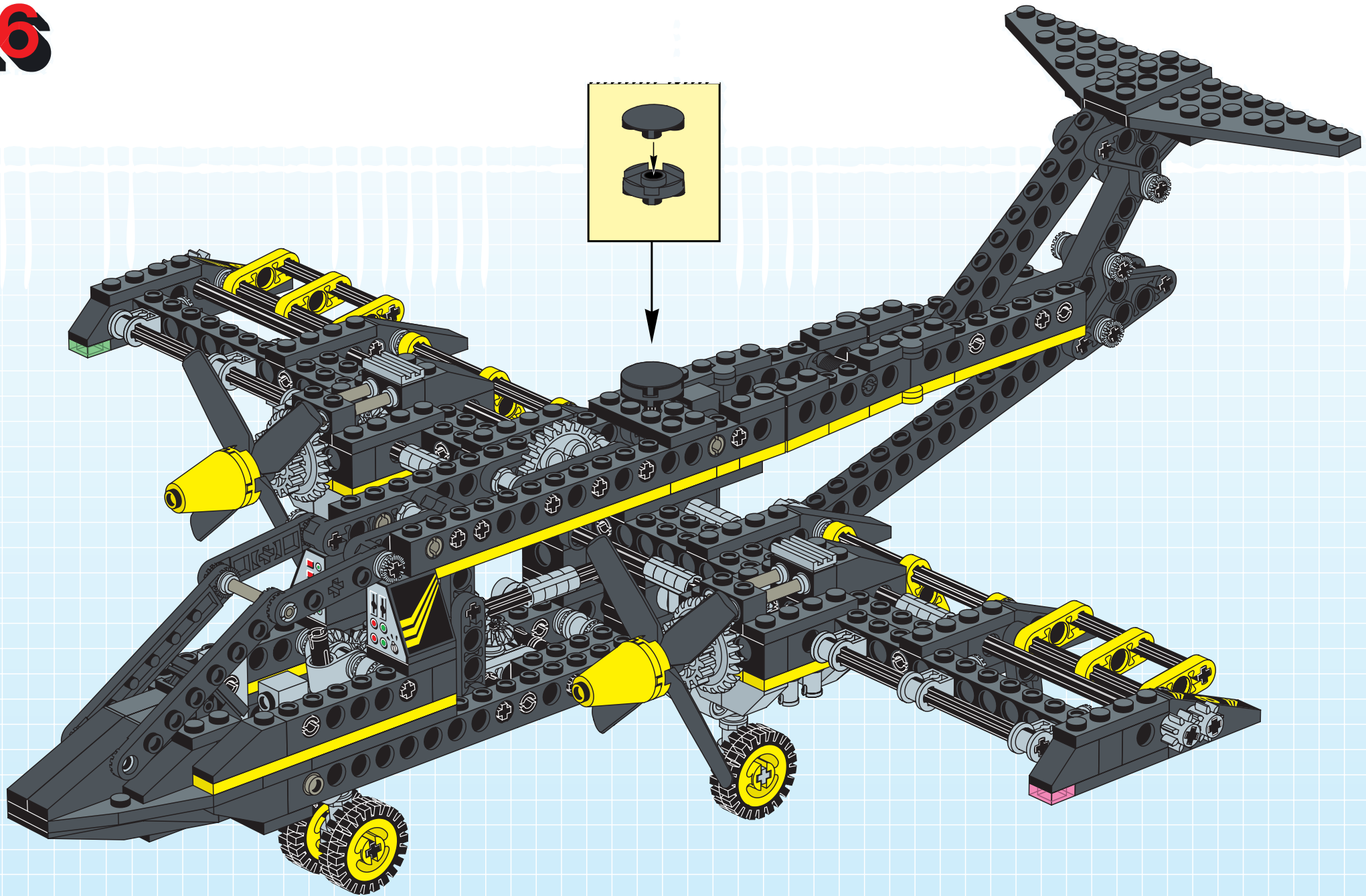


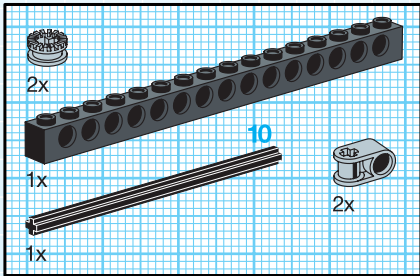
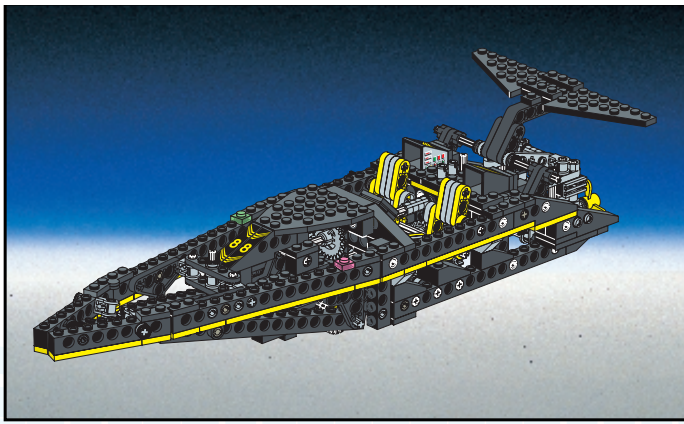
25



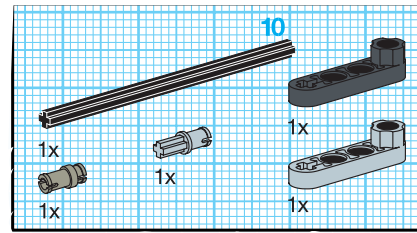
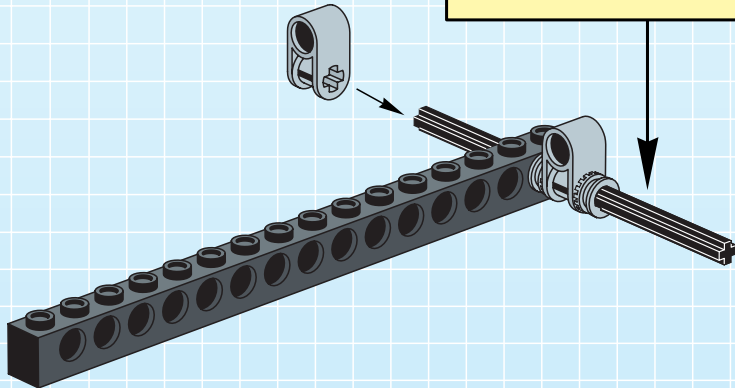
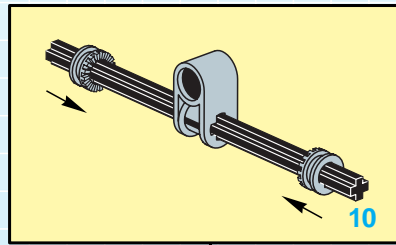


26

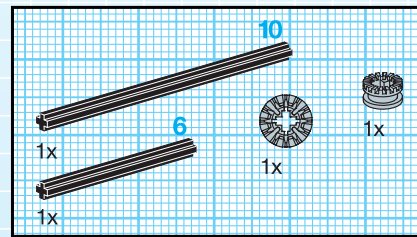
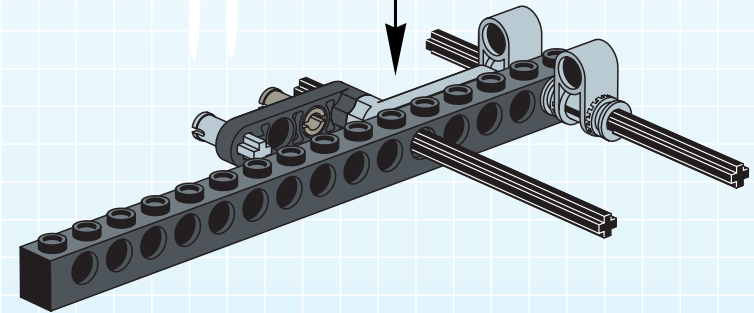
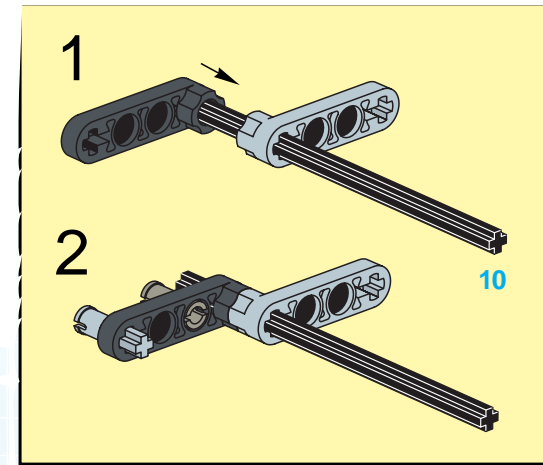




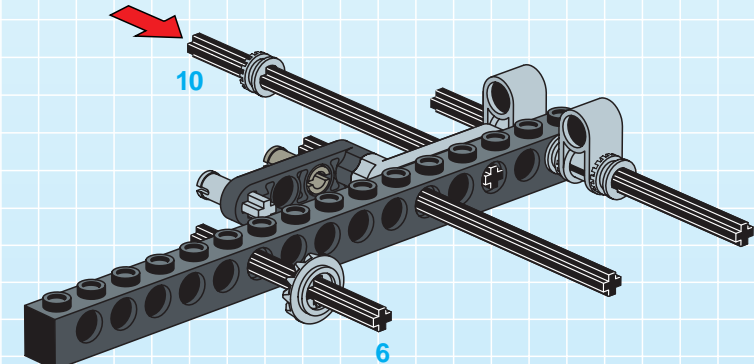
1

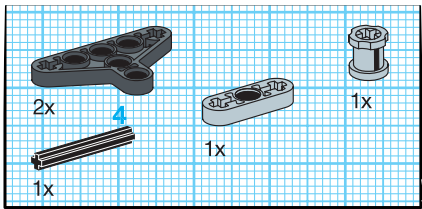


2

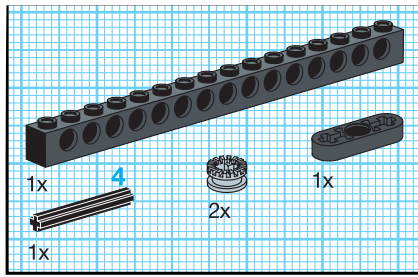
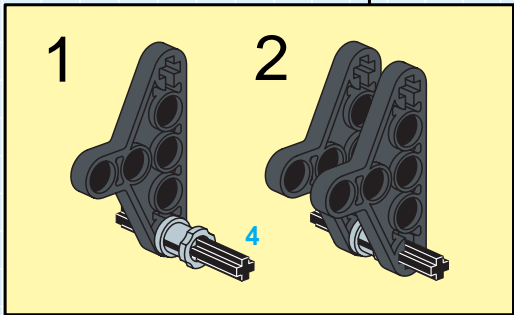
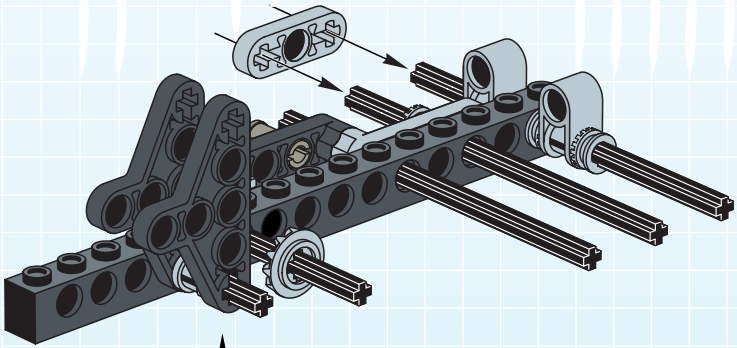


3

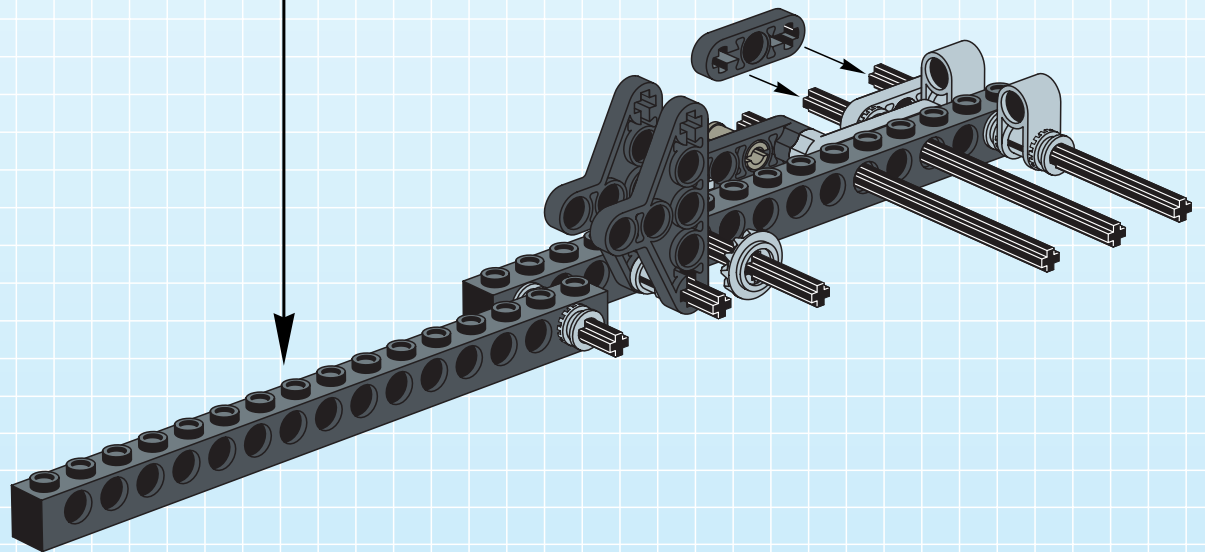
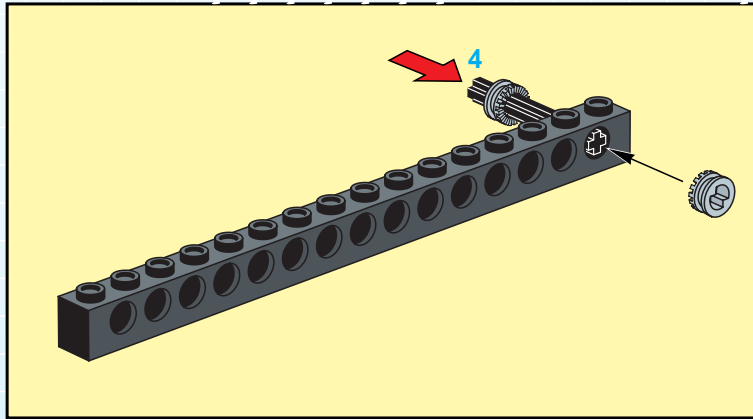


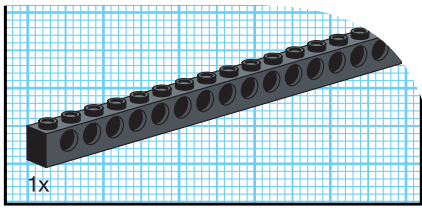


4

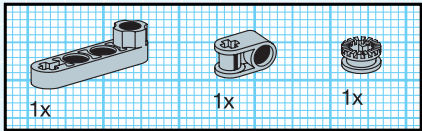
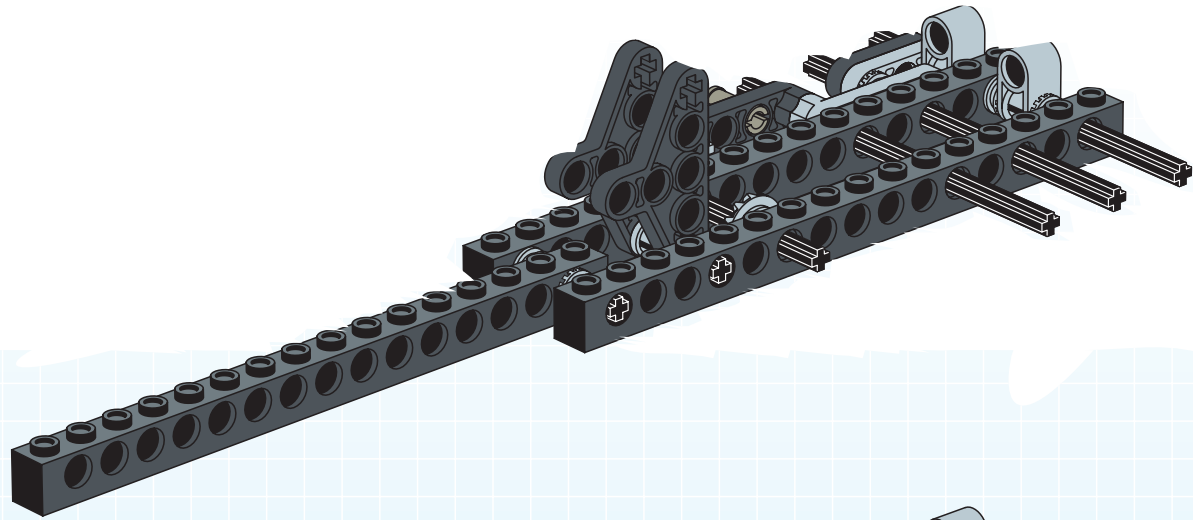


5

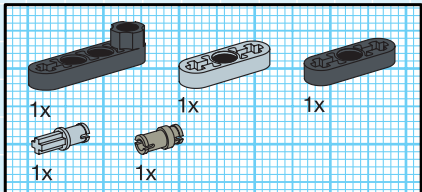
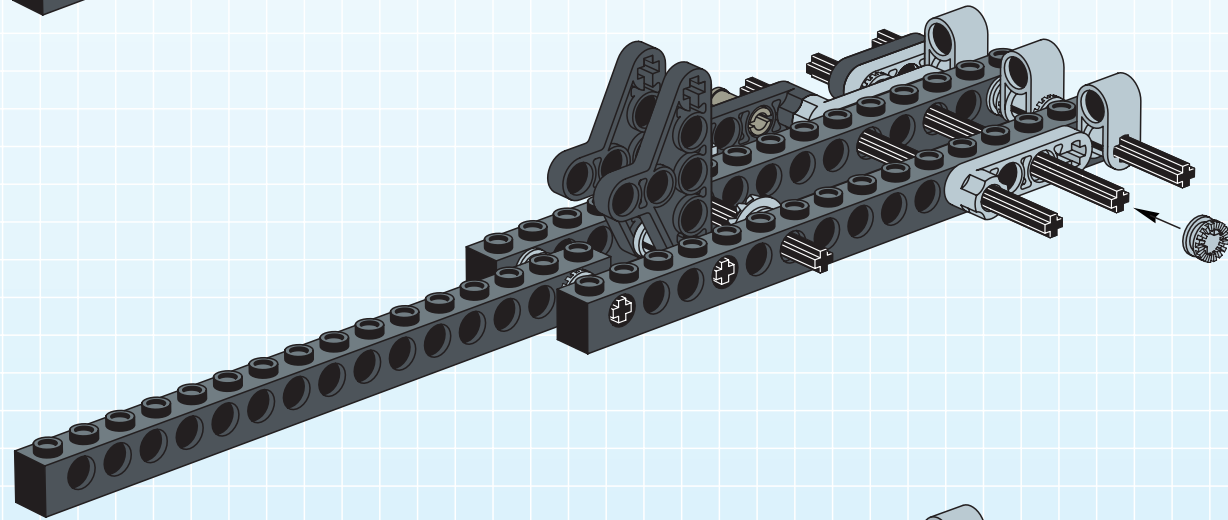




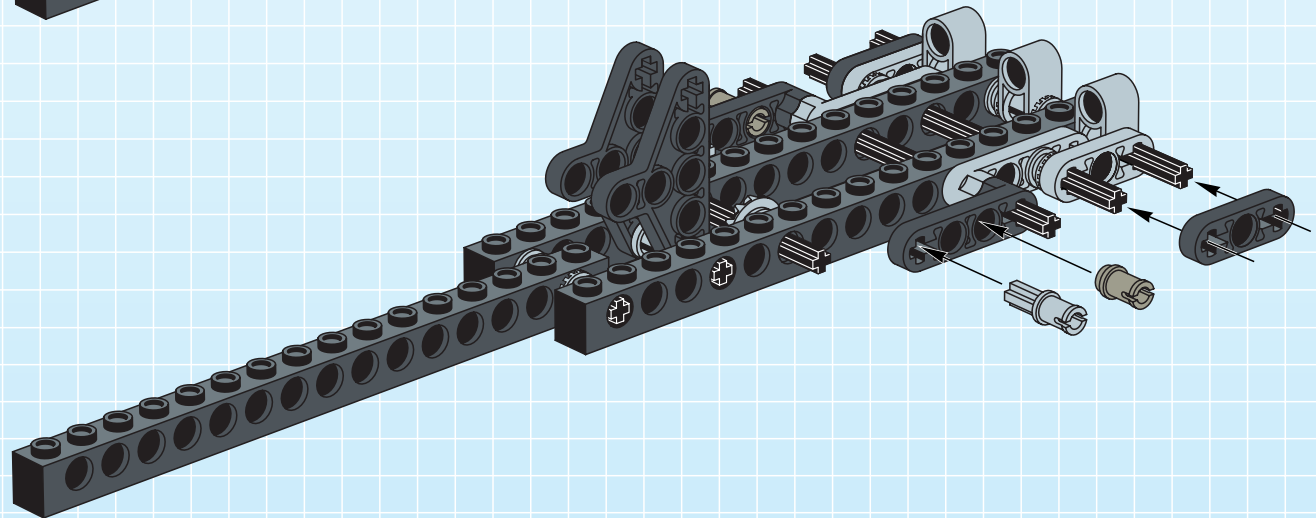
6

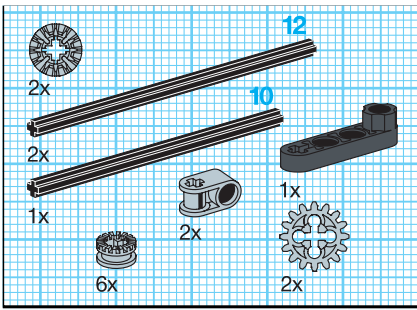


7

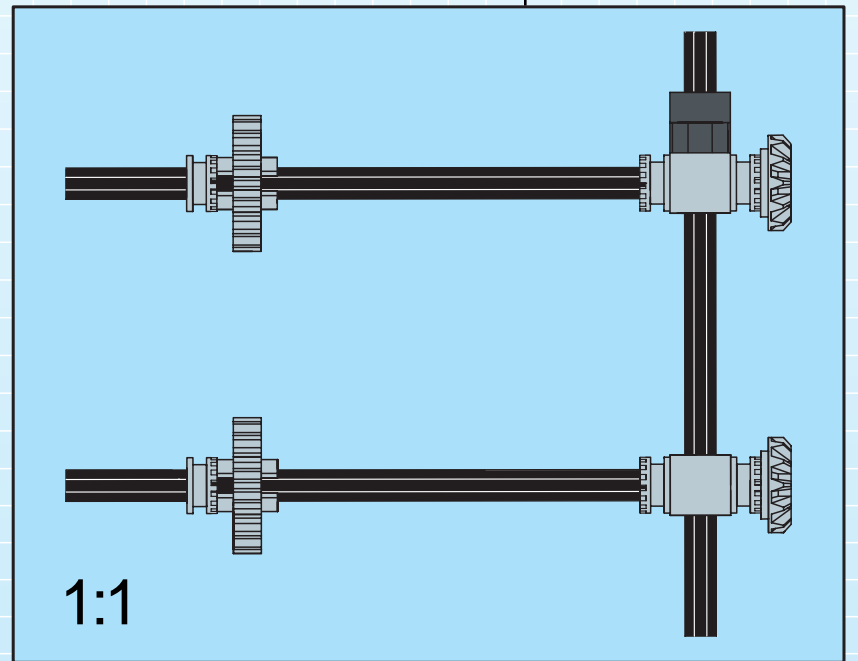
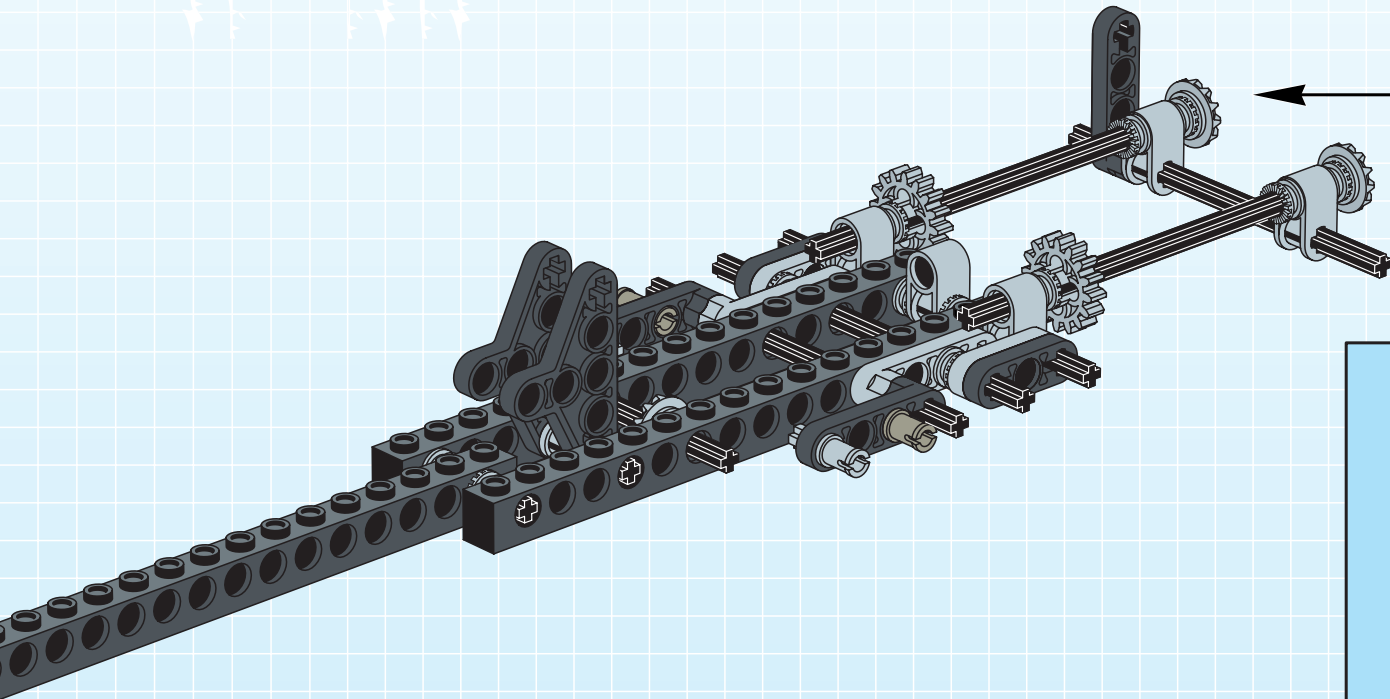
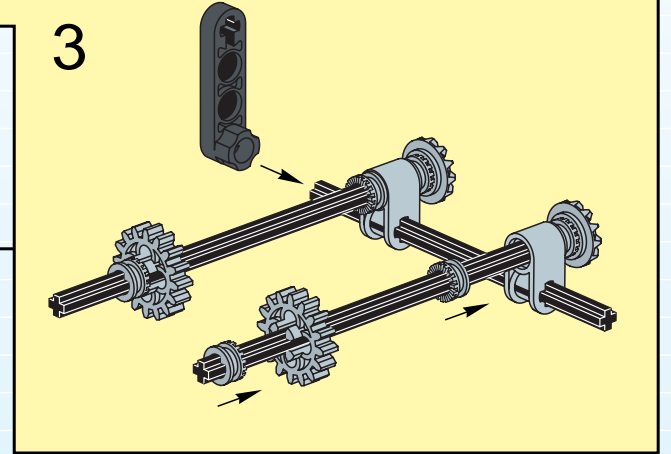
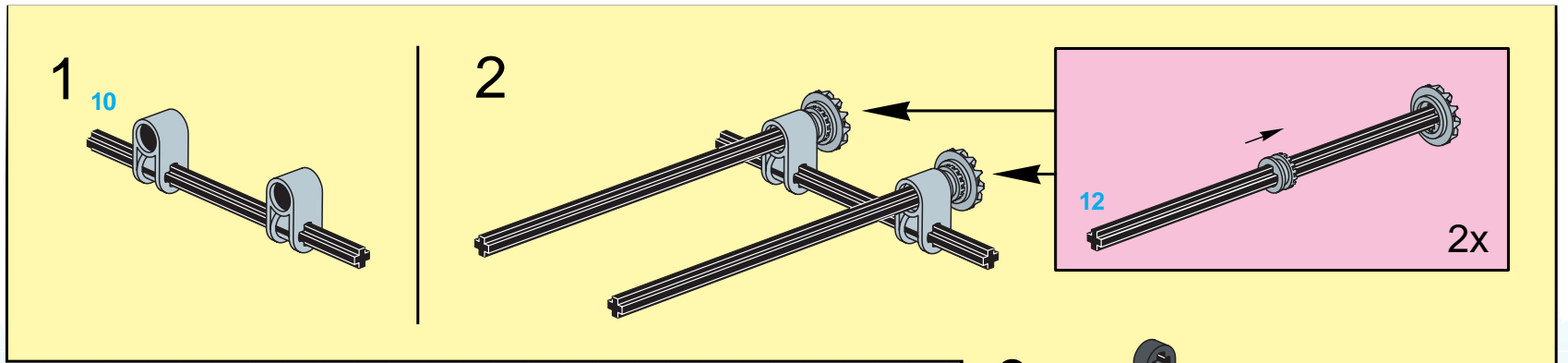


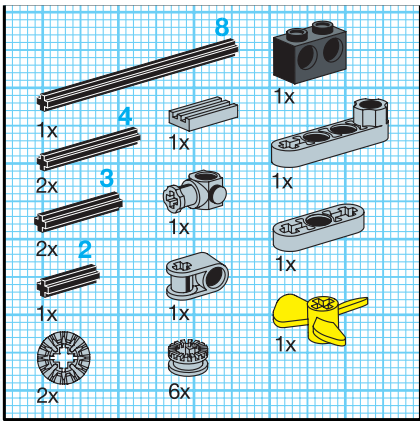
8



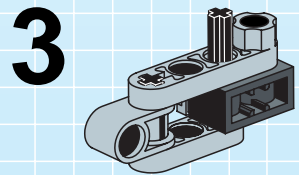
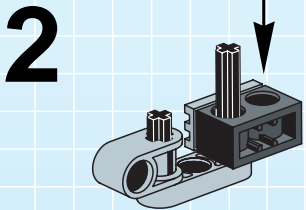
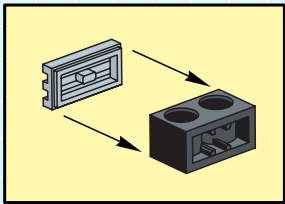
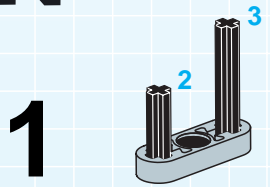


9

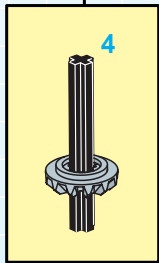
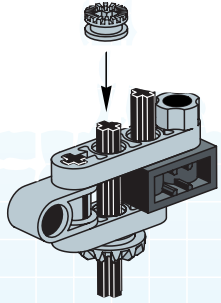




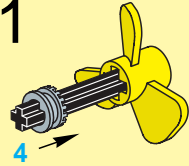
11



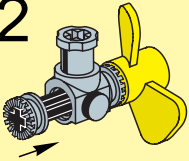
4



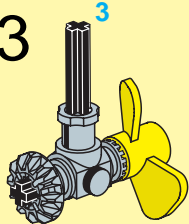
1



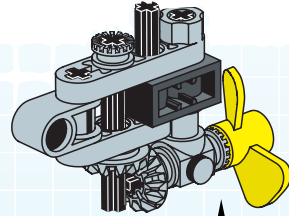
2



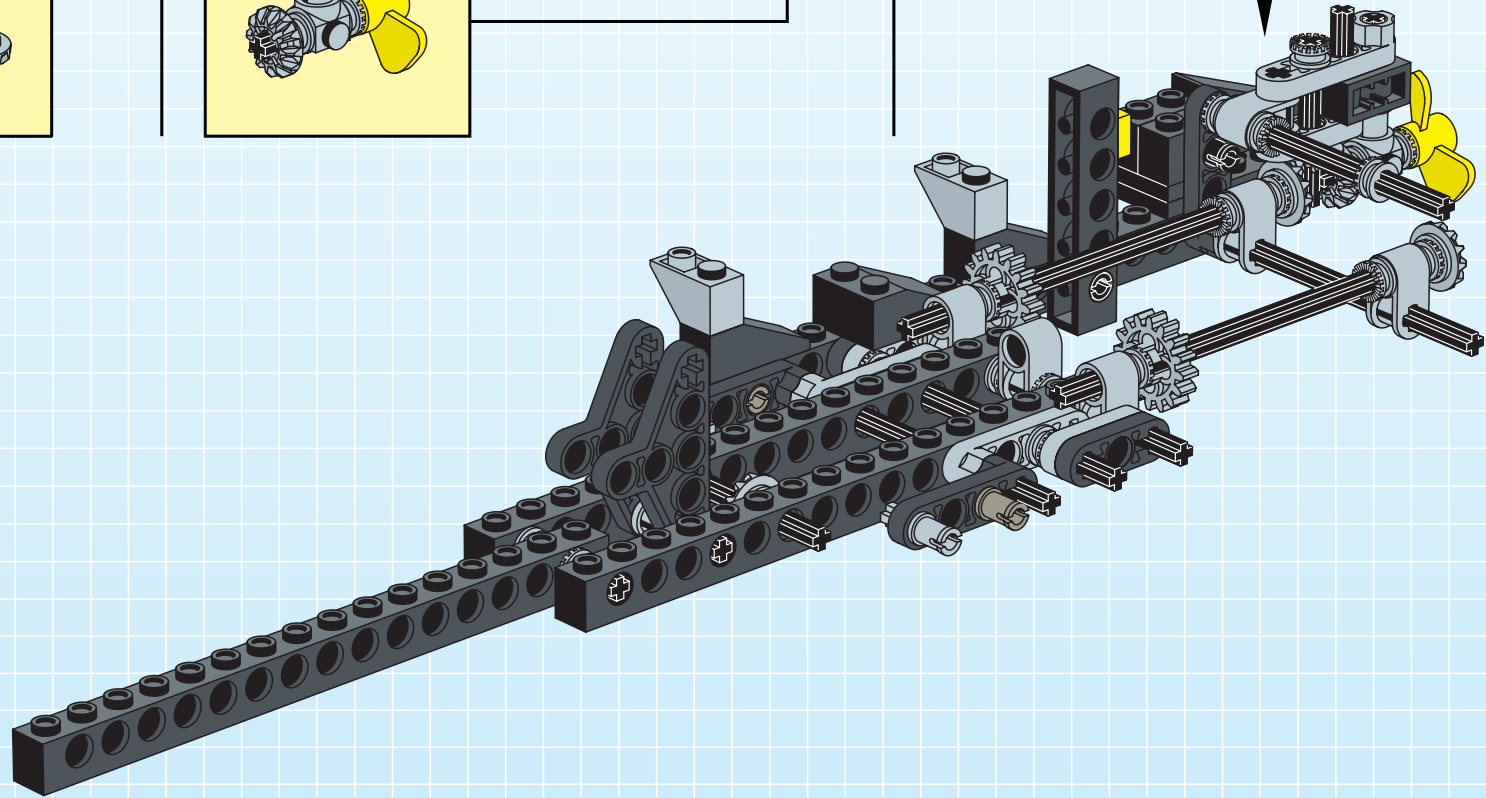
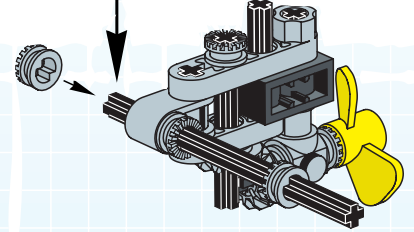
3

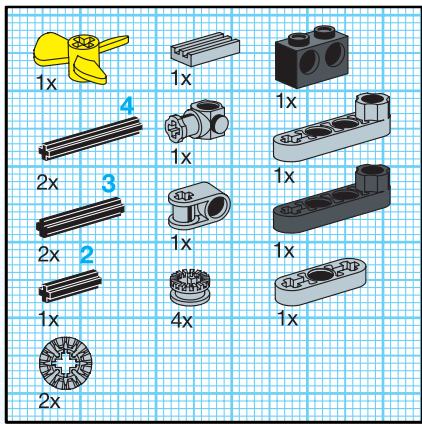


5

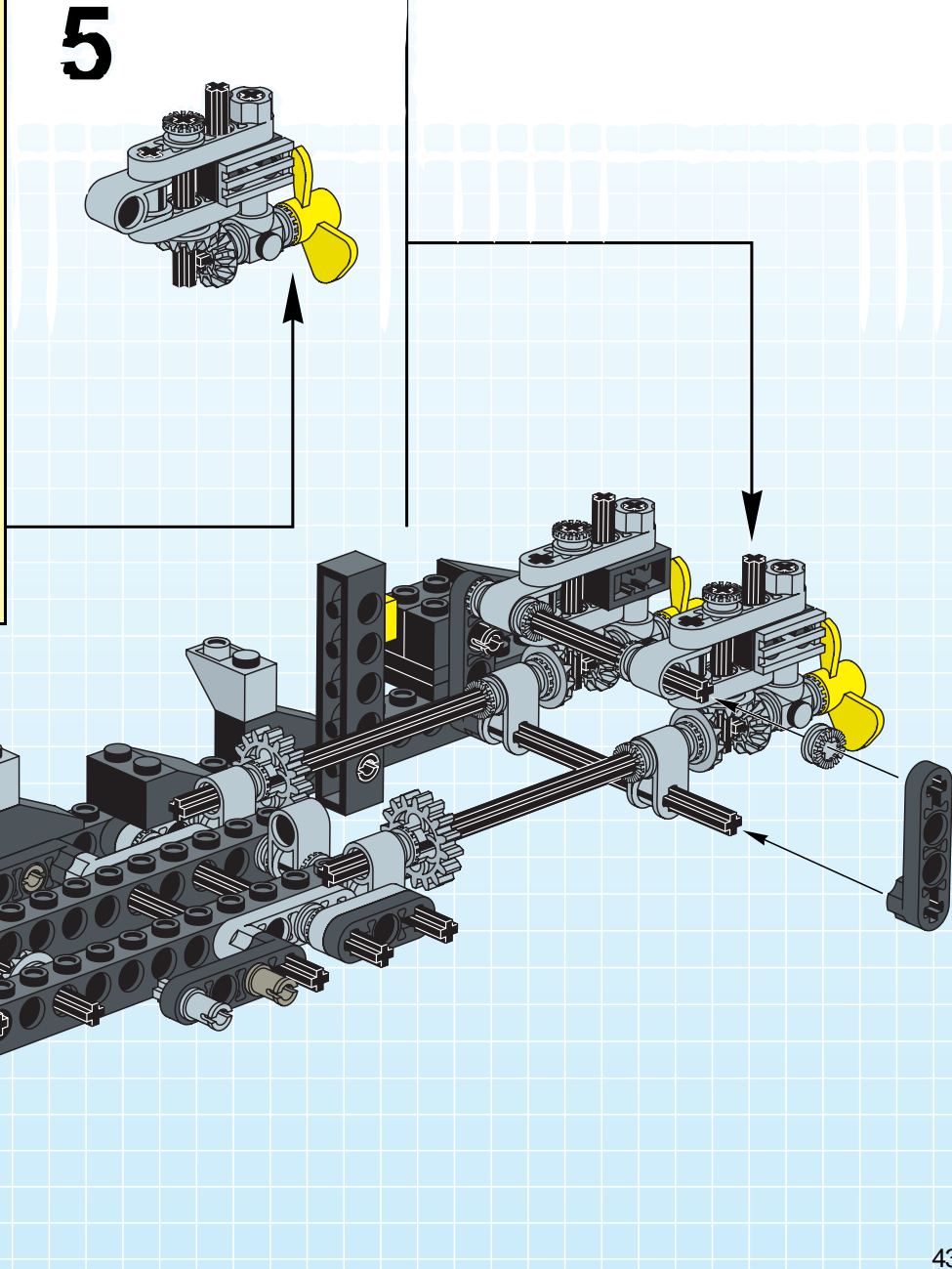
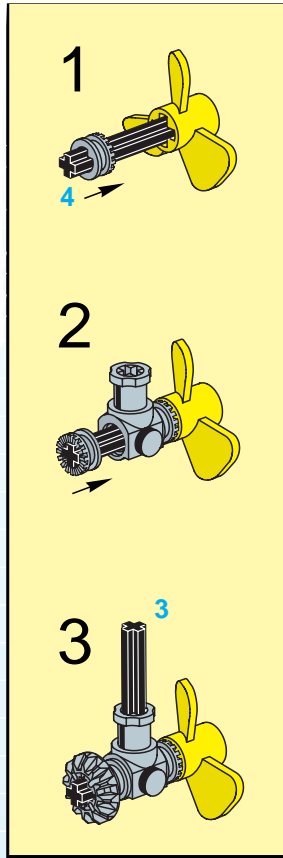
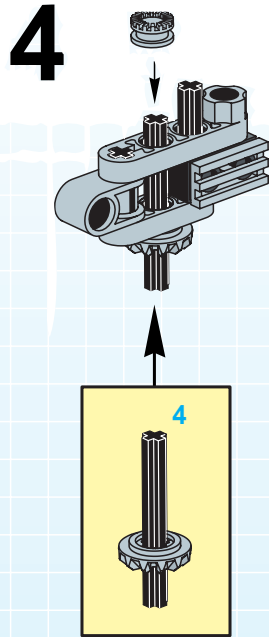
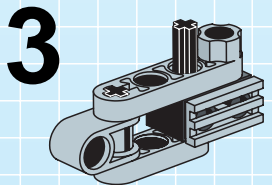
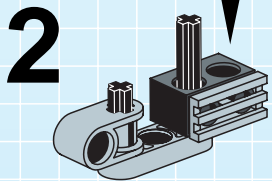
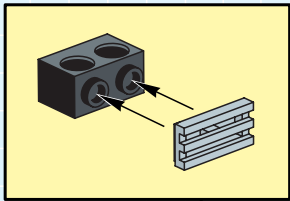
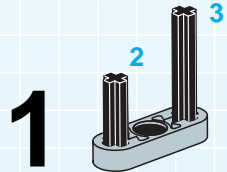


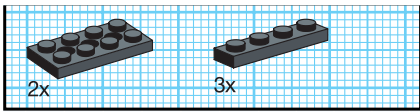
6



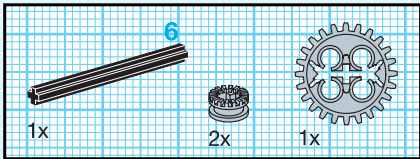
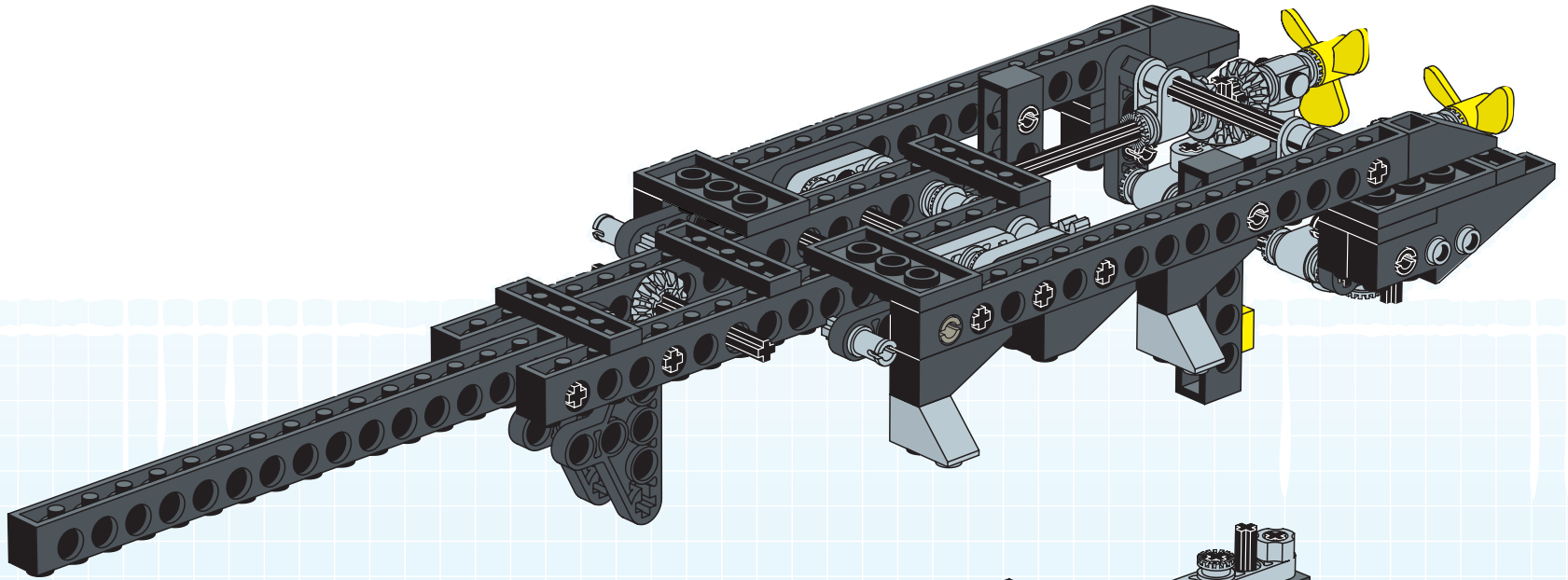


12

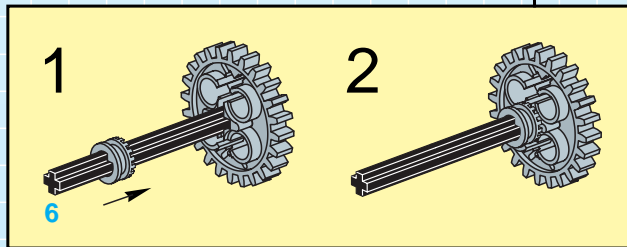
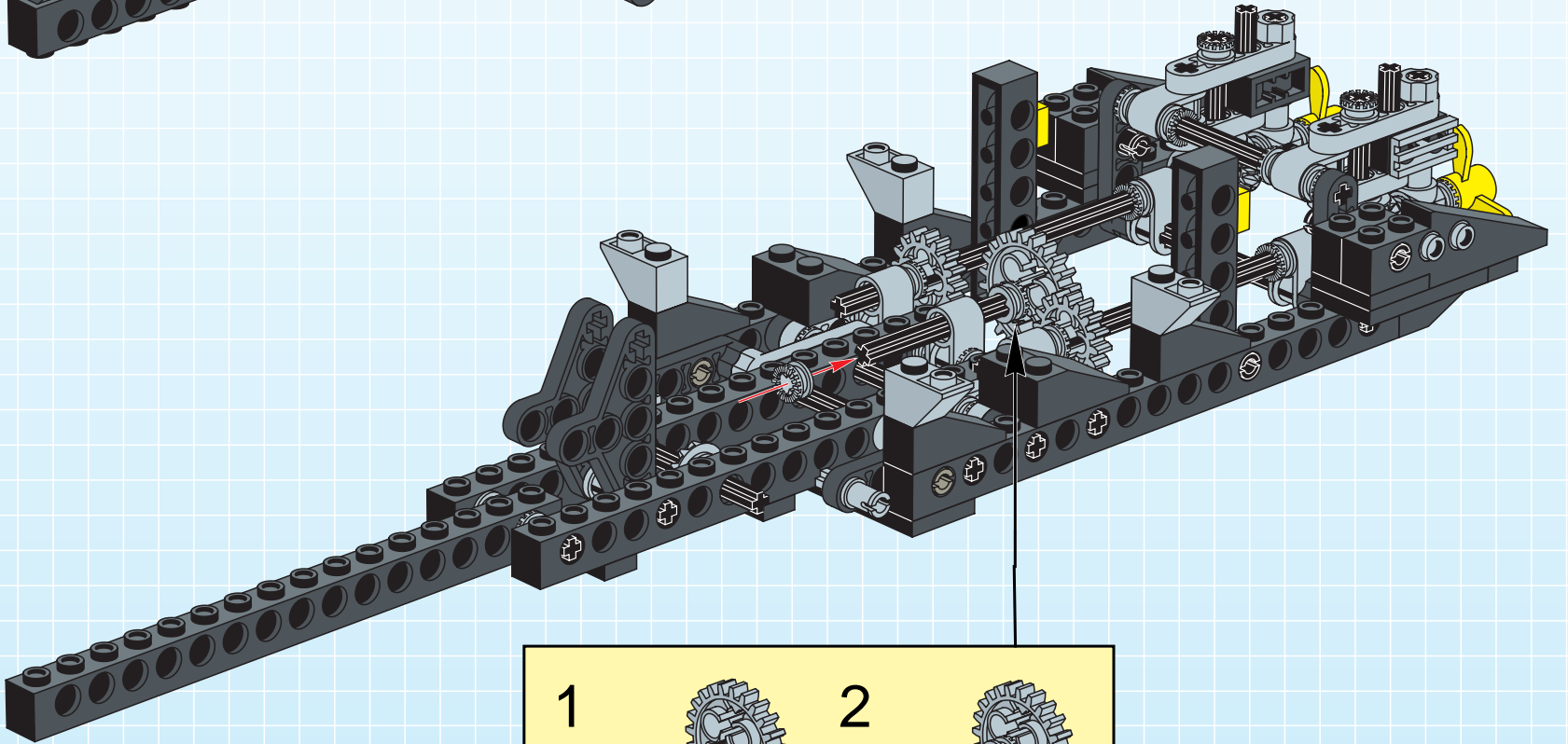


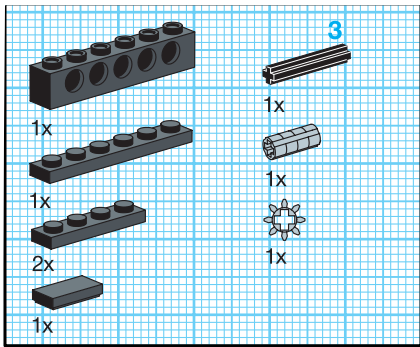


14

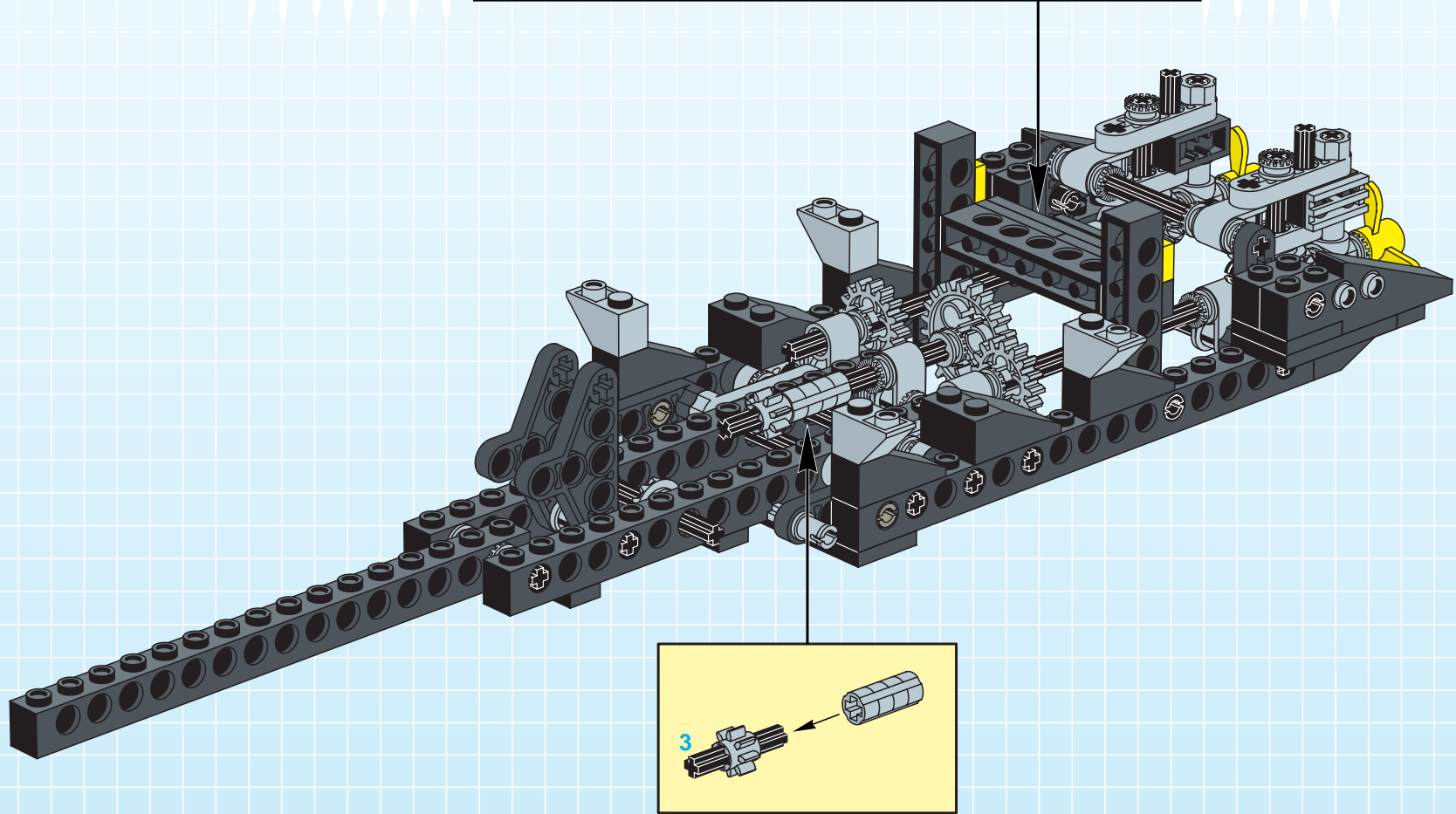
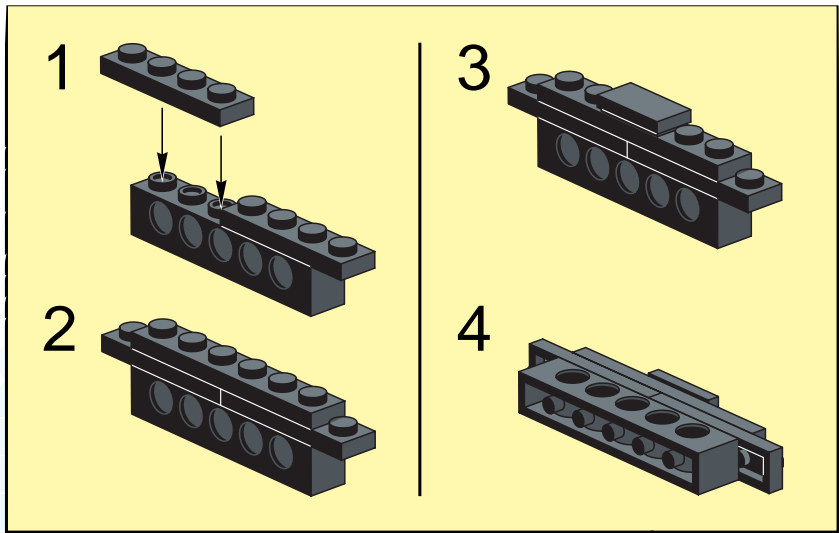


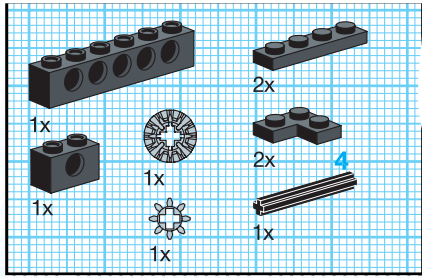
15



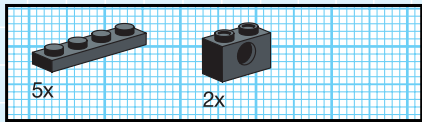
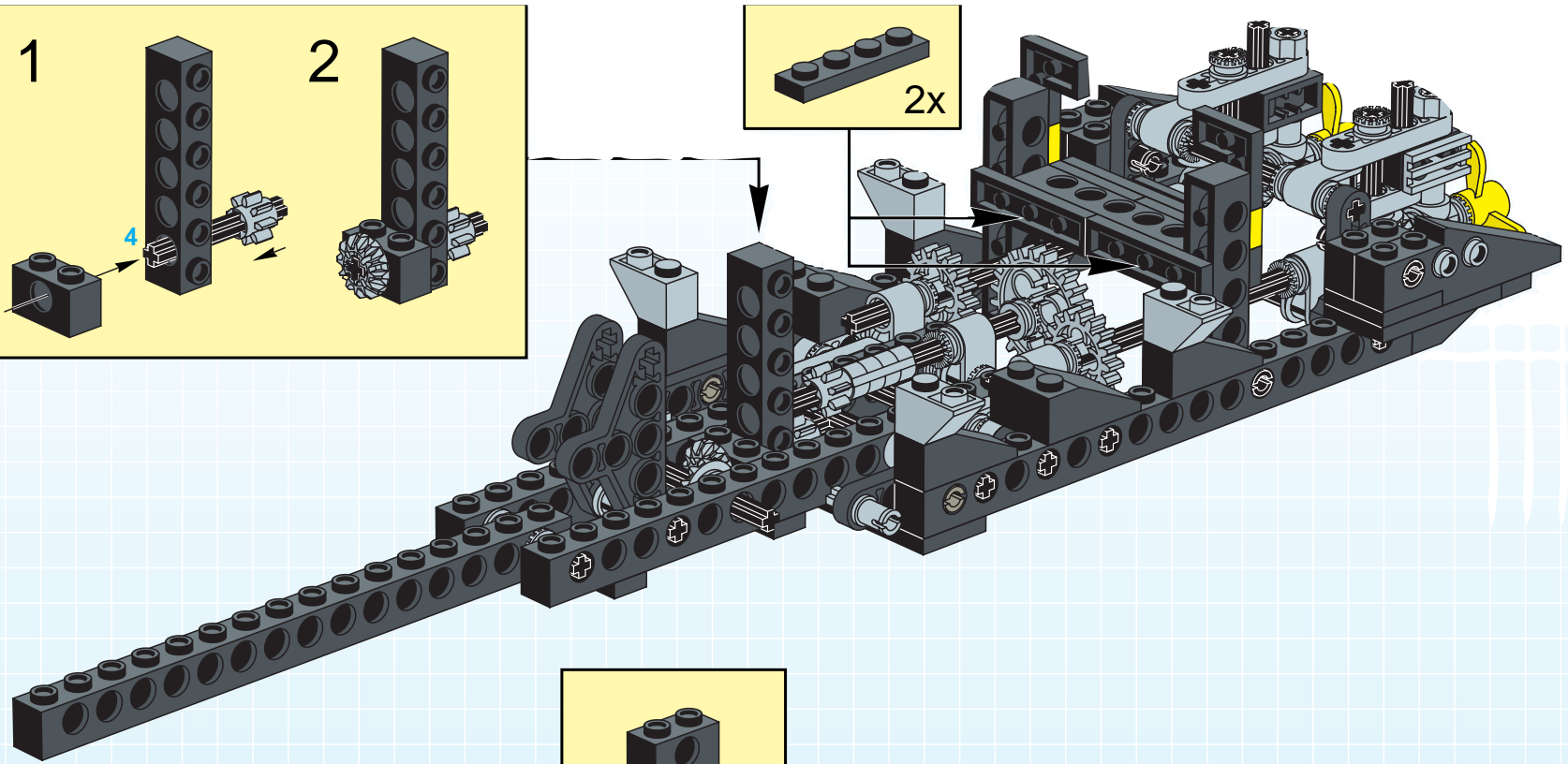
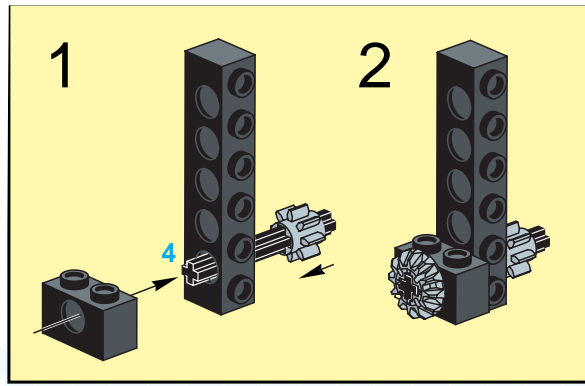


16

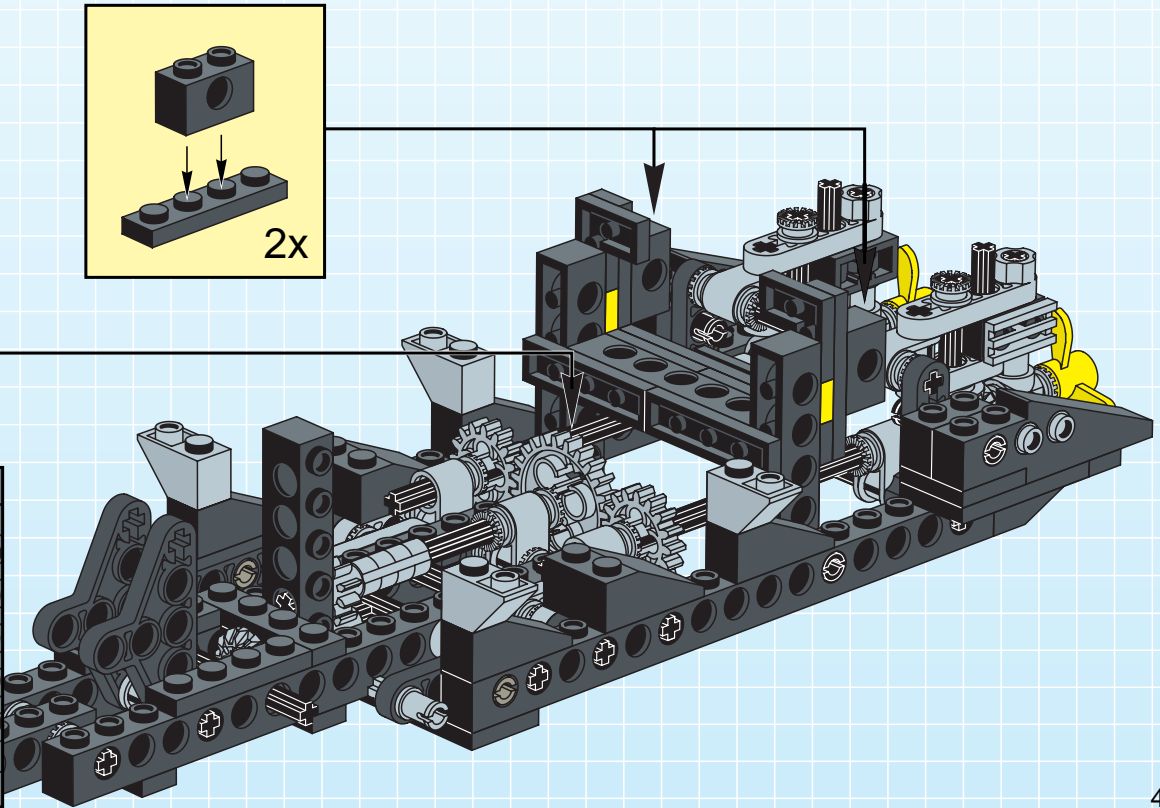
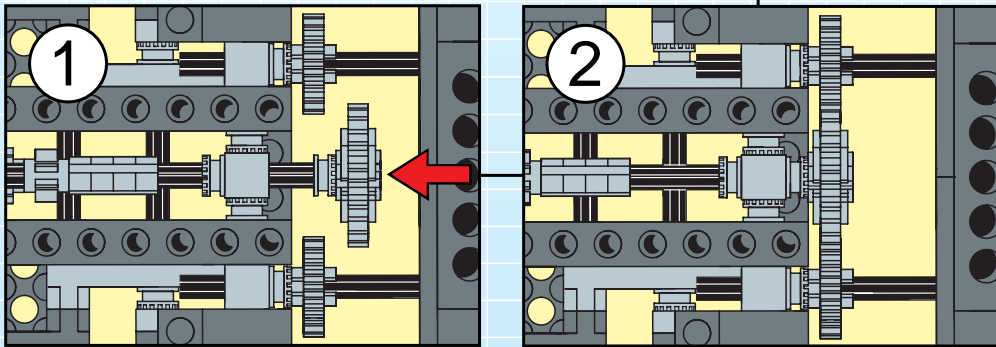


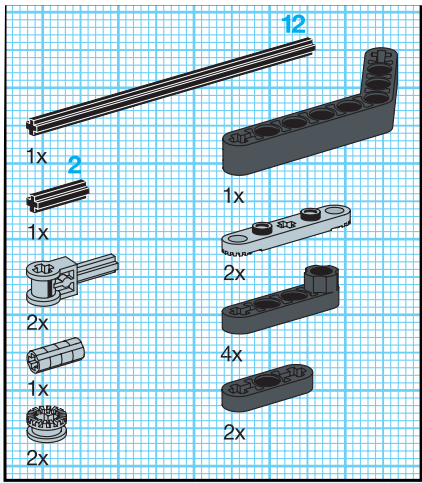


17

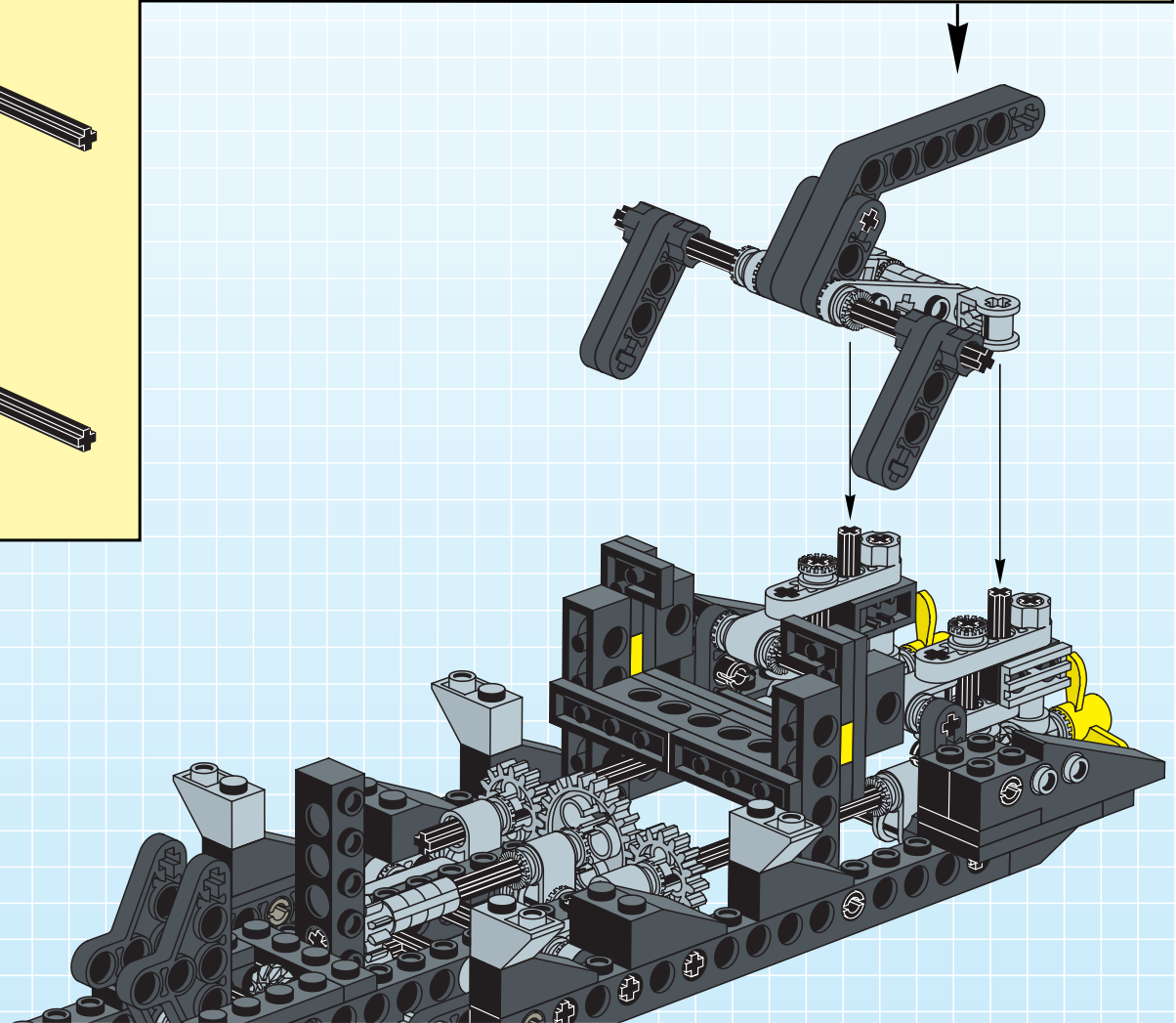
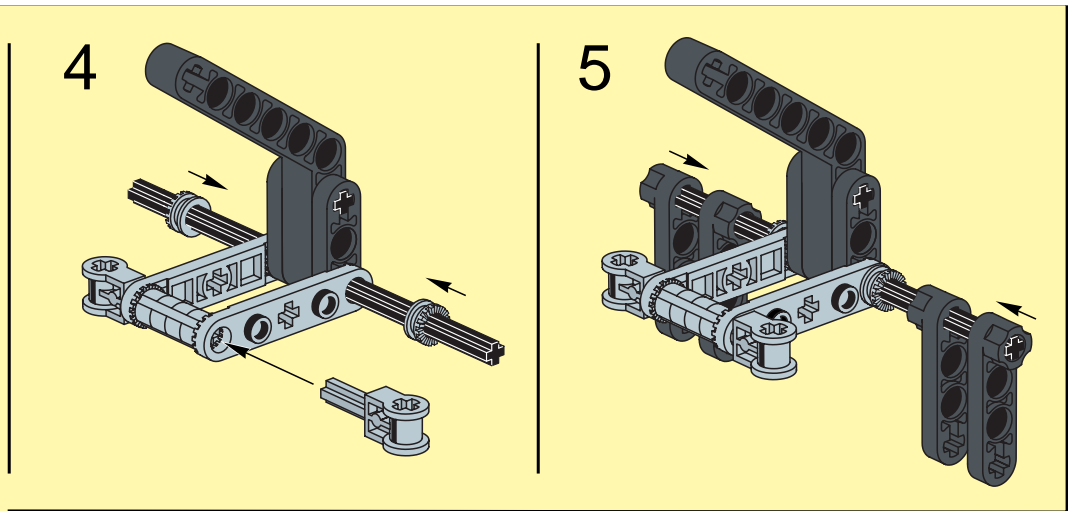
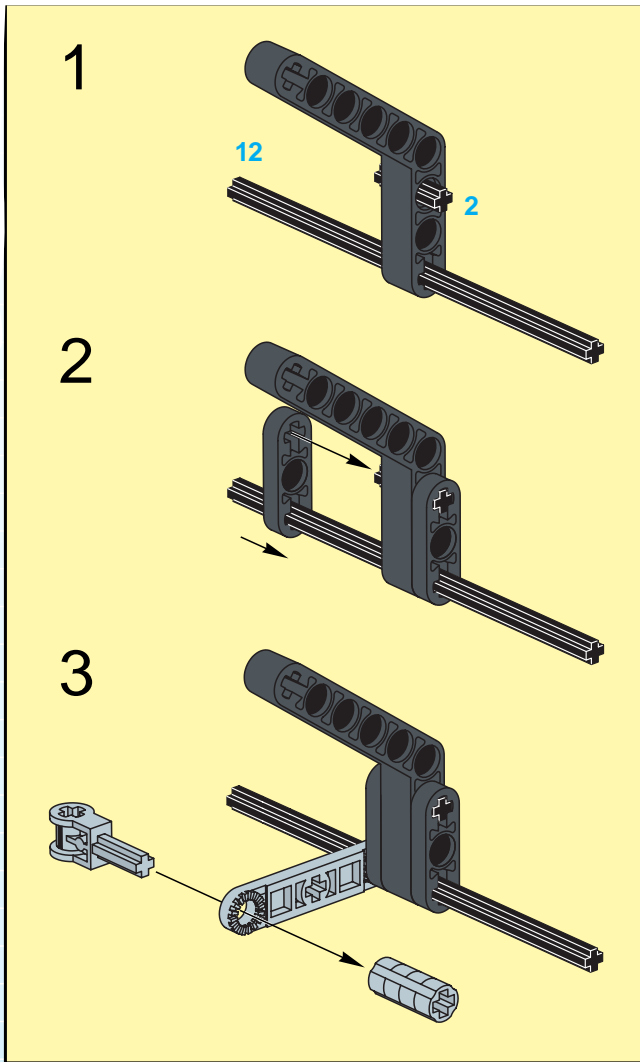


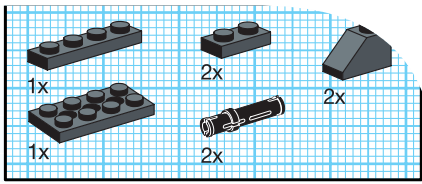
18



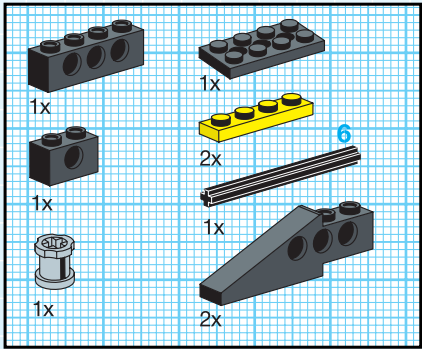
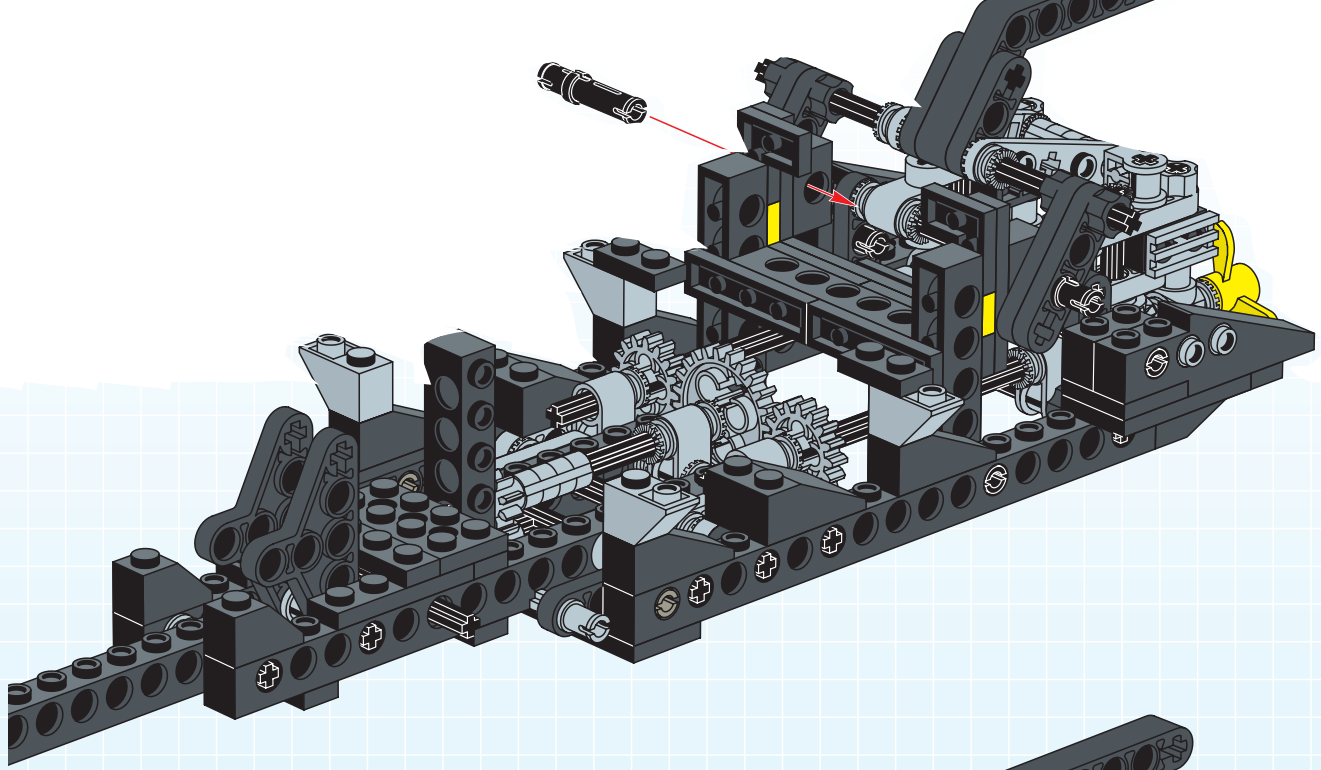


19

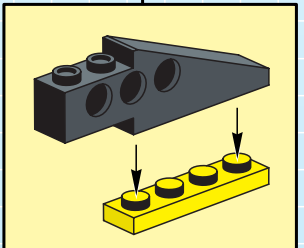
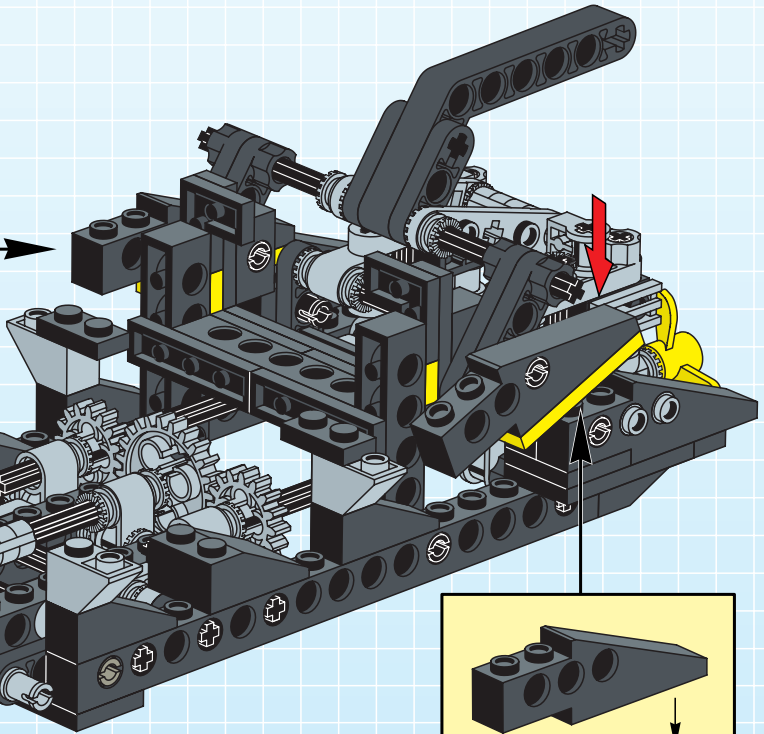
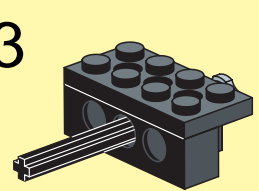
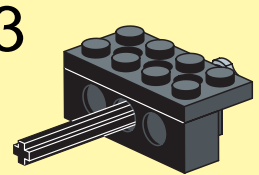
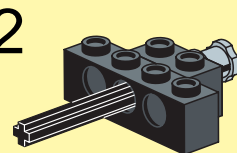
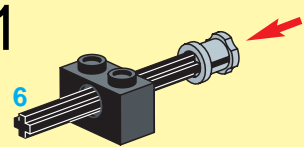
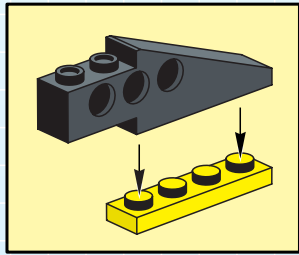
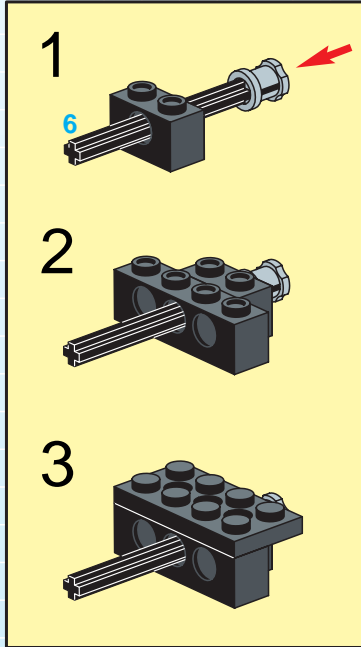


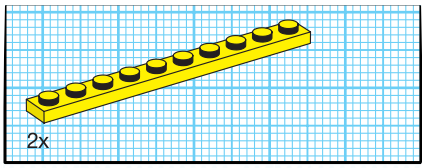


20

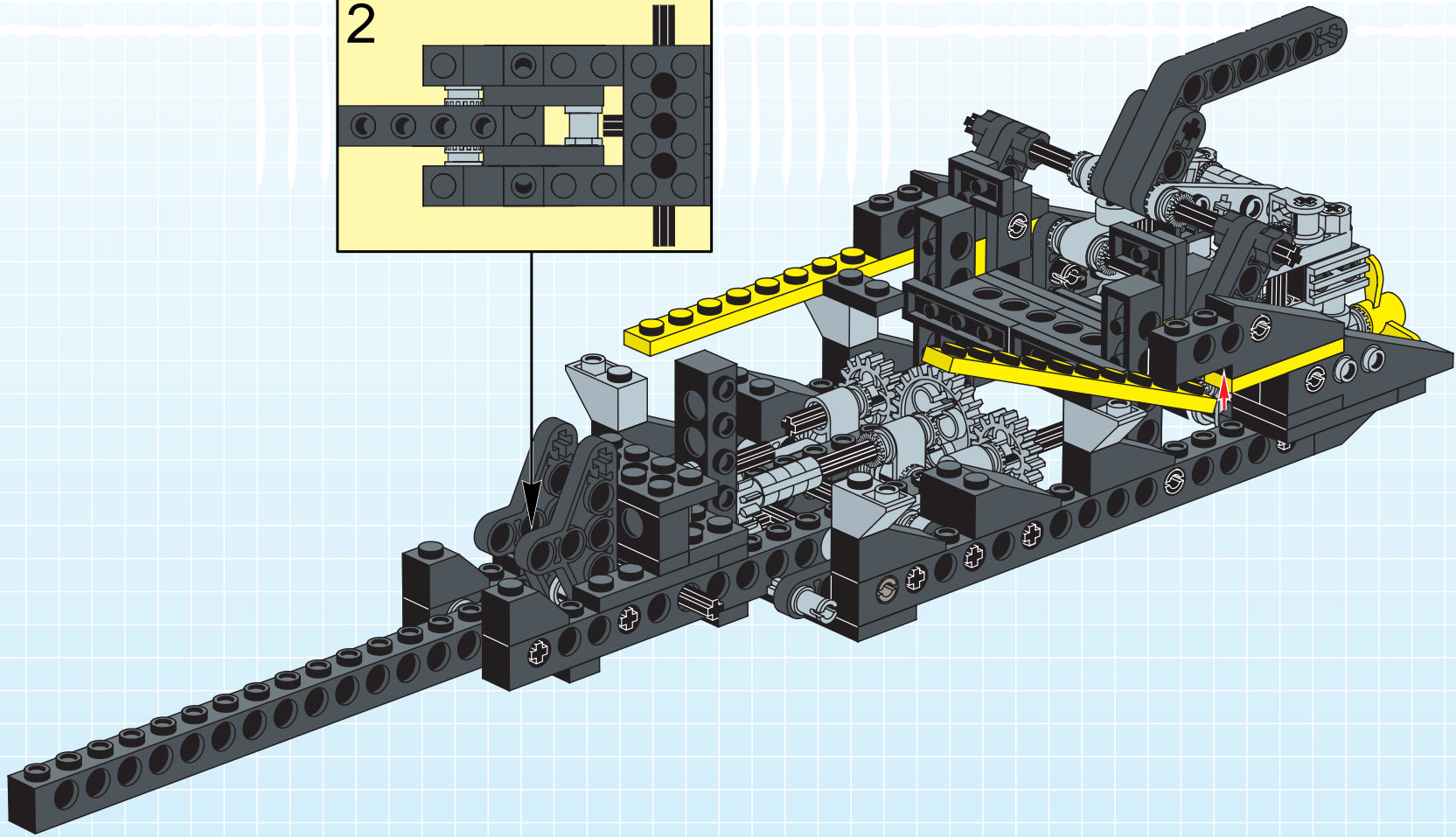
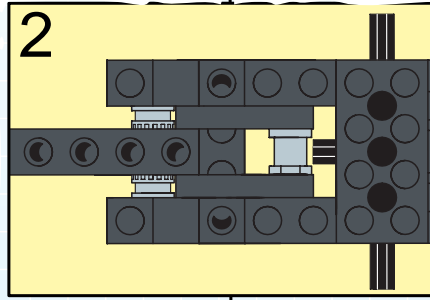
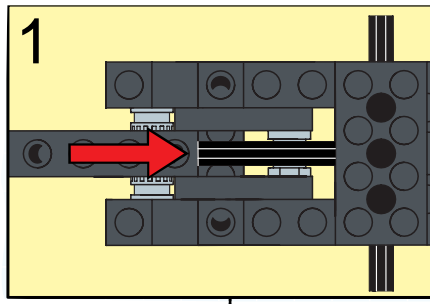


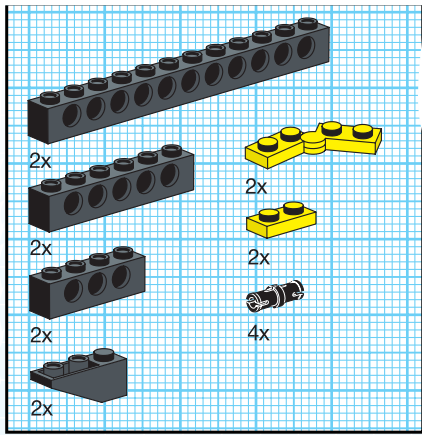
21



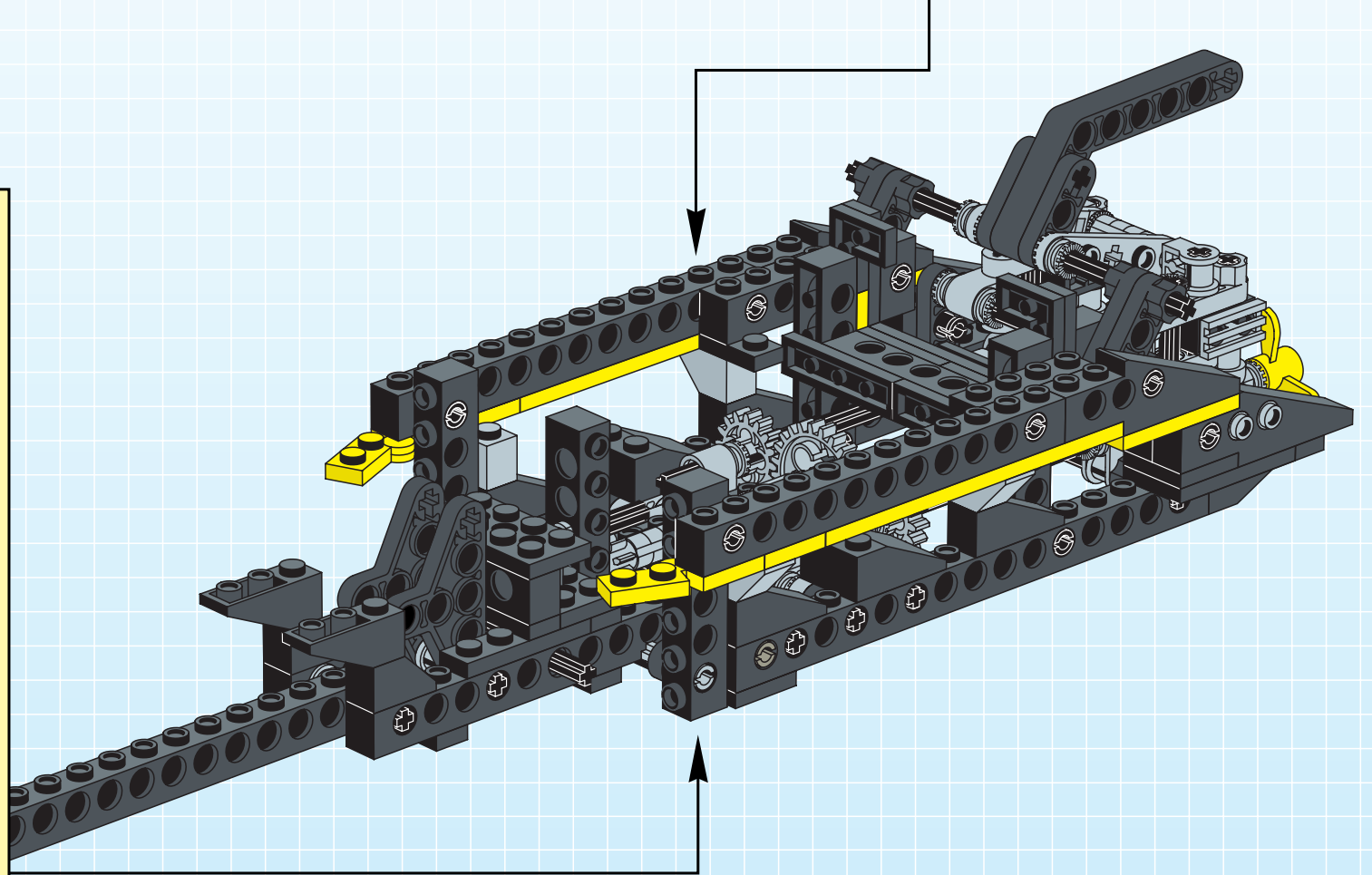
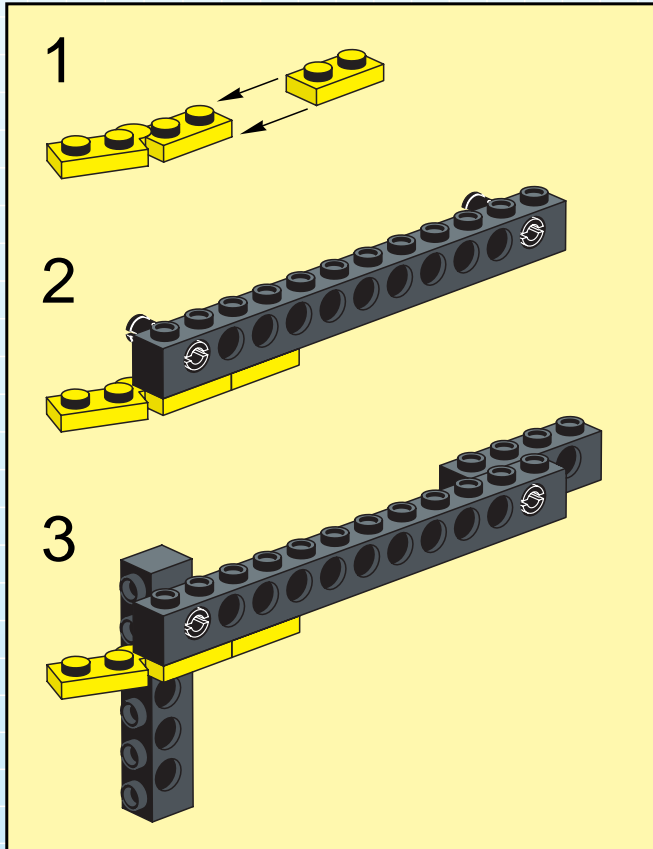
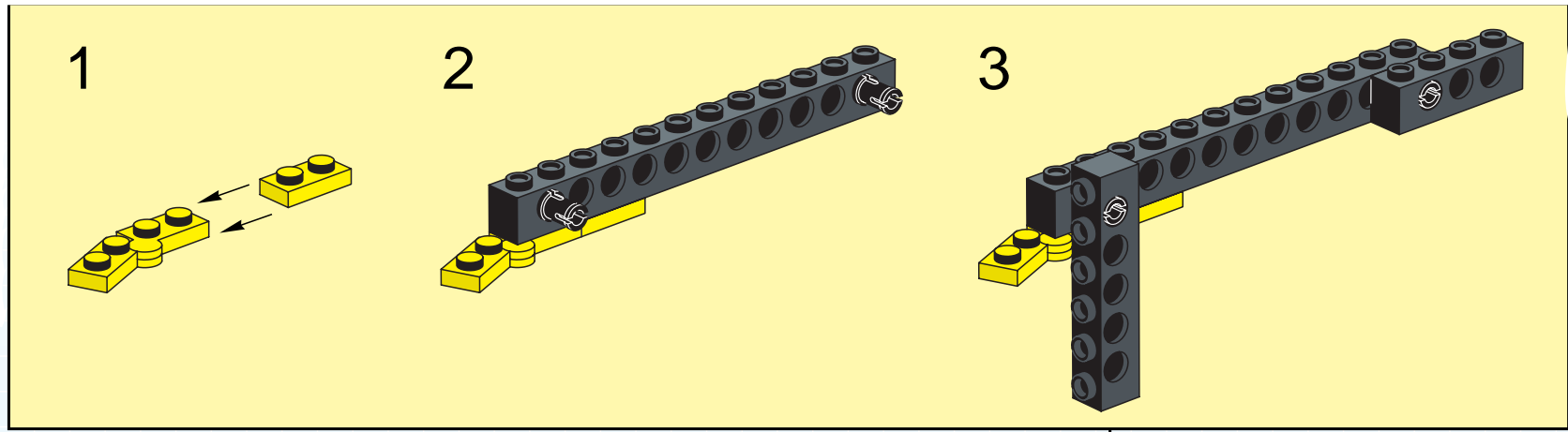


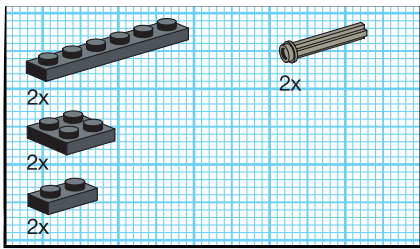
22



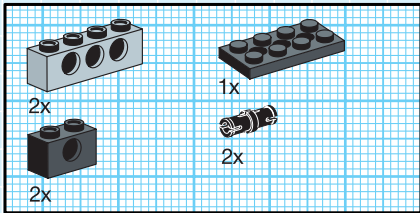
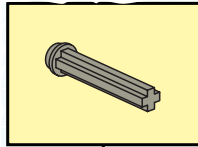
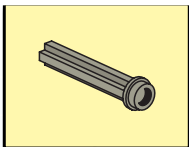
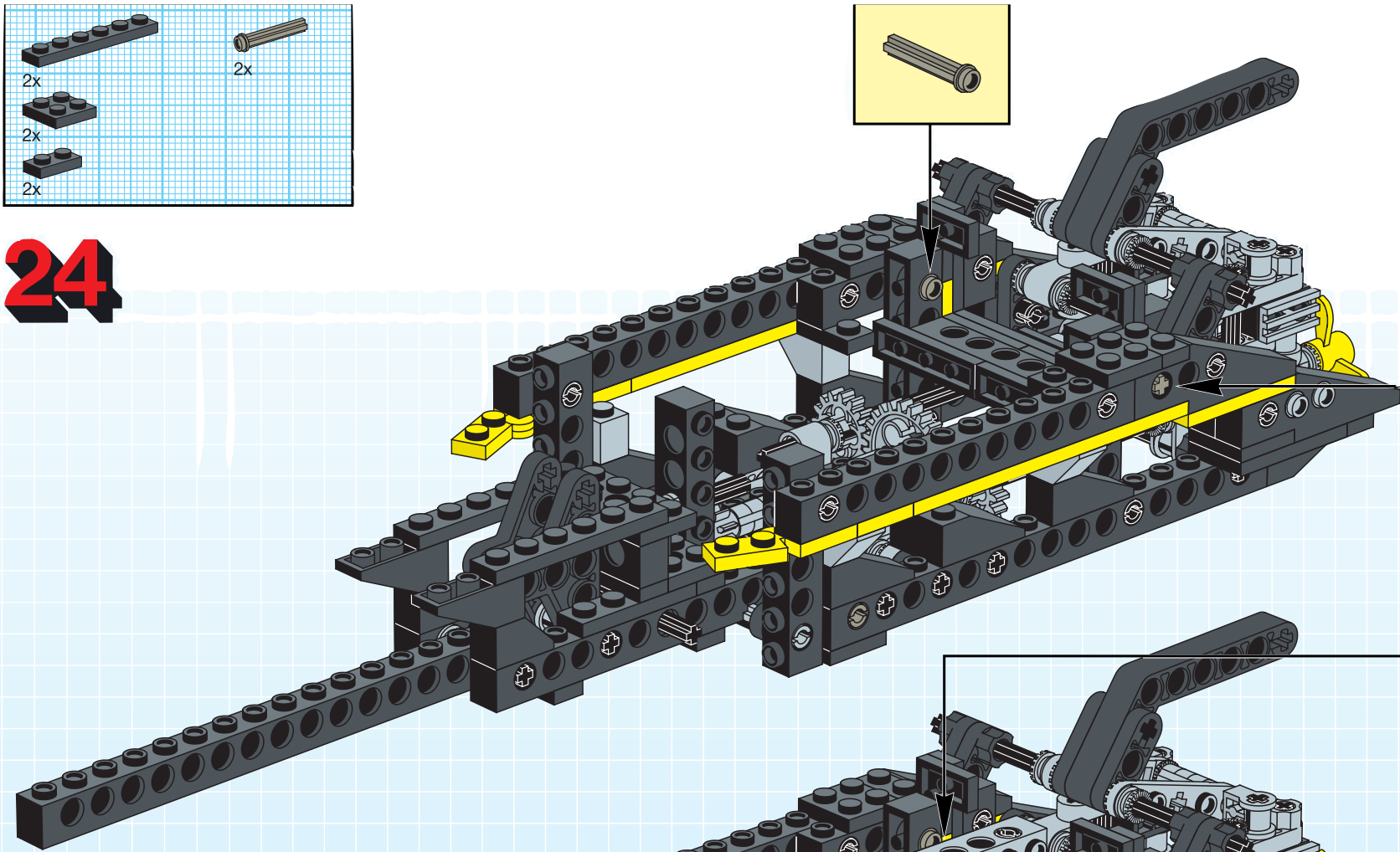


23

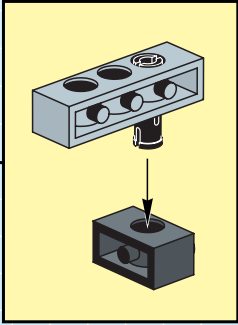
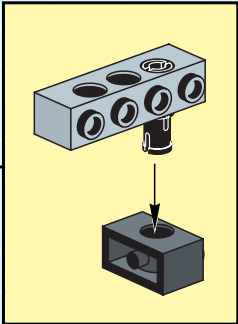
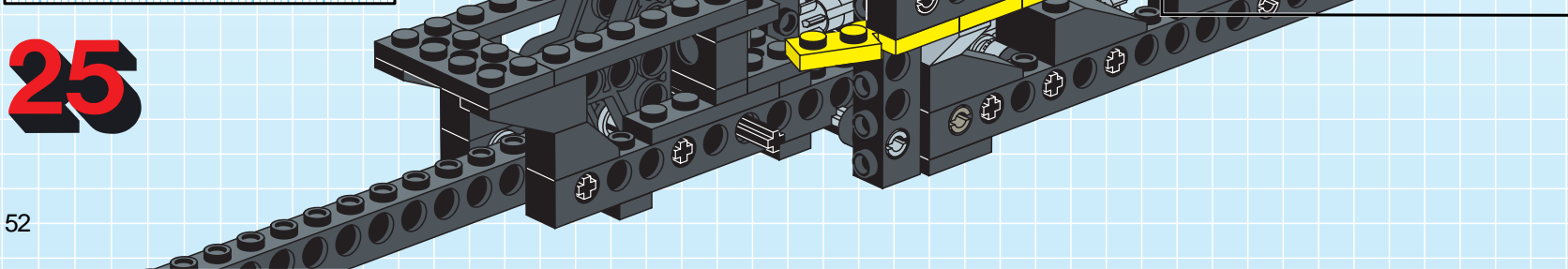


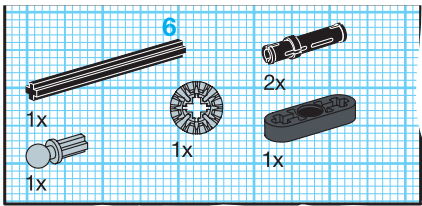


24

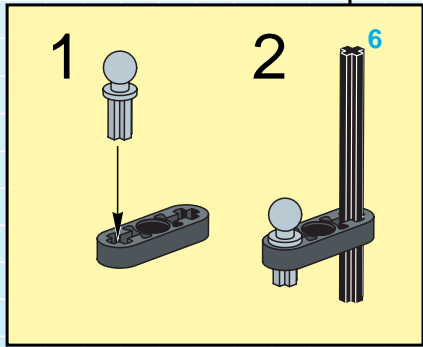
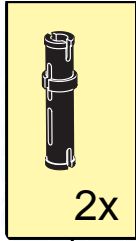
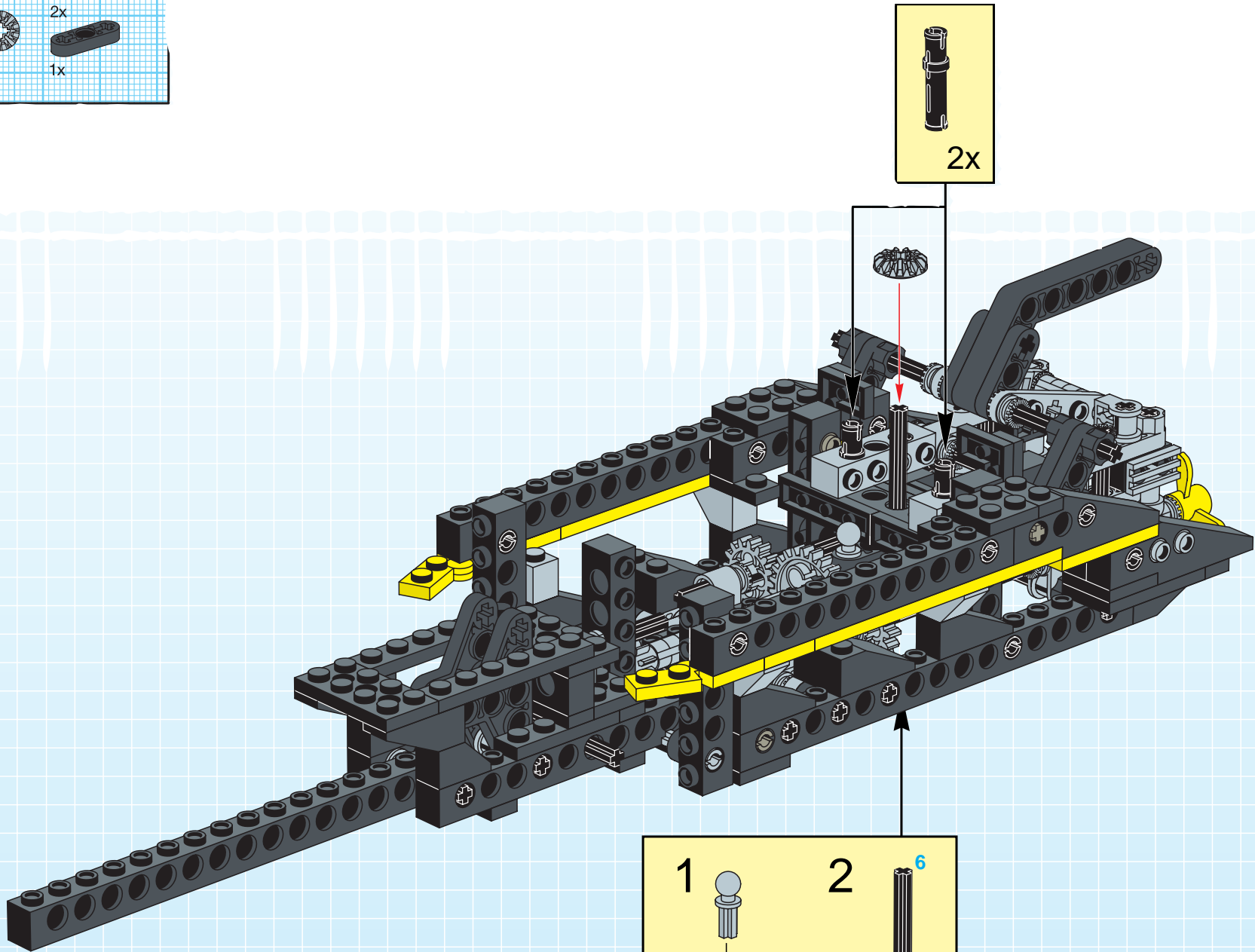


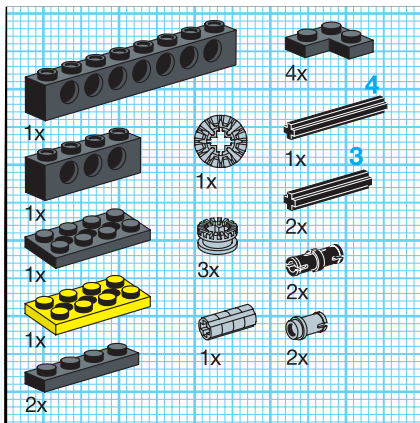
25



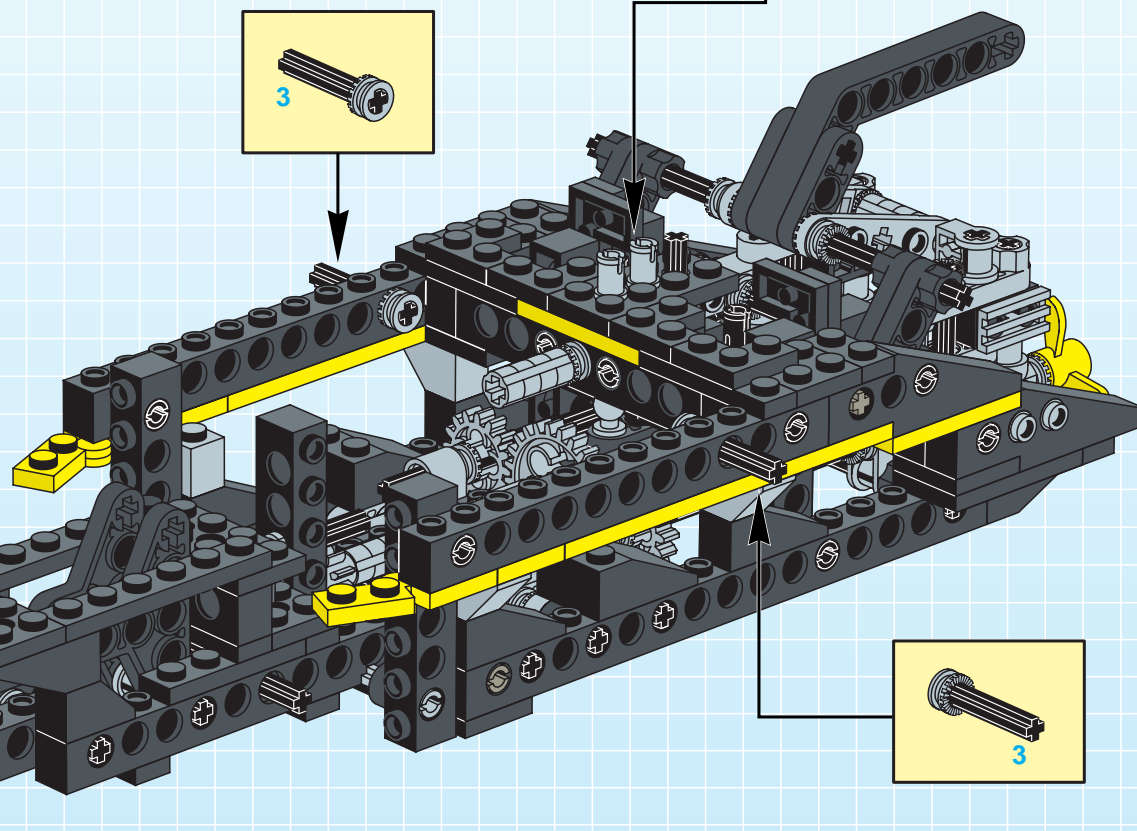
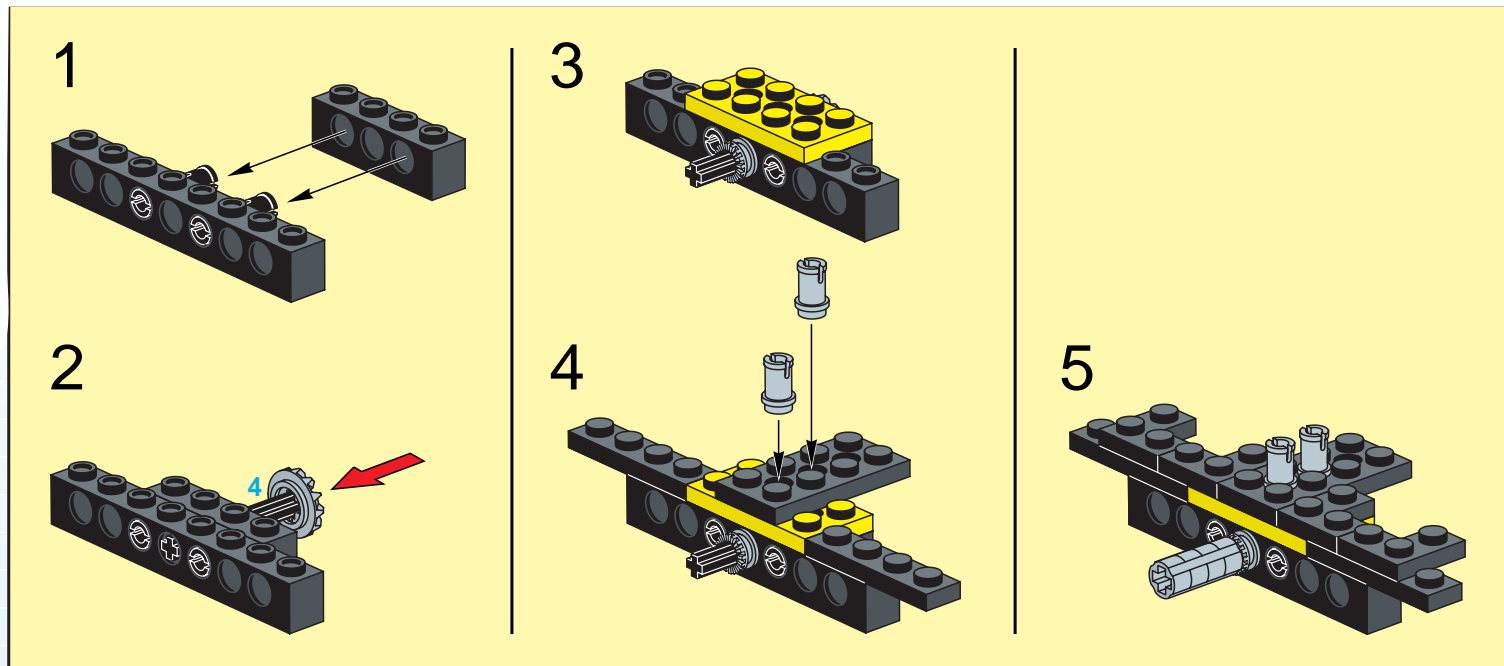


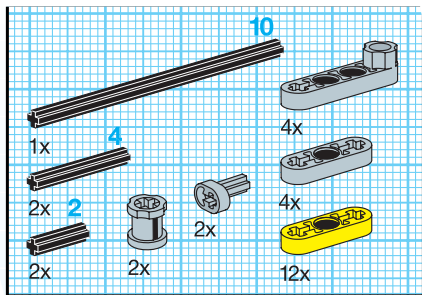
26



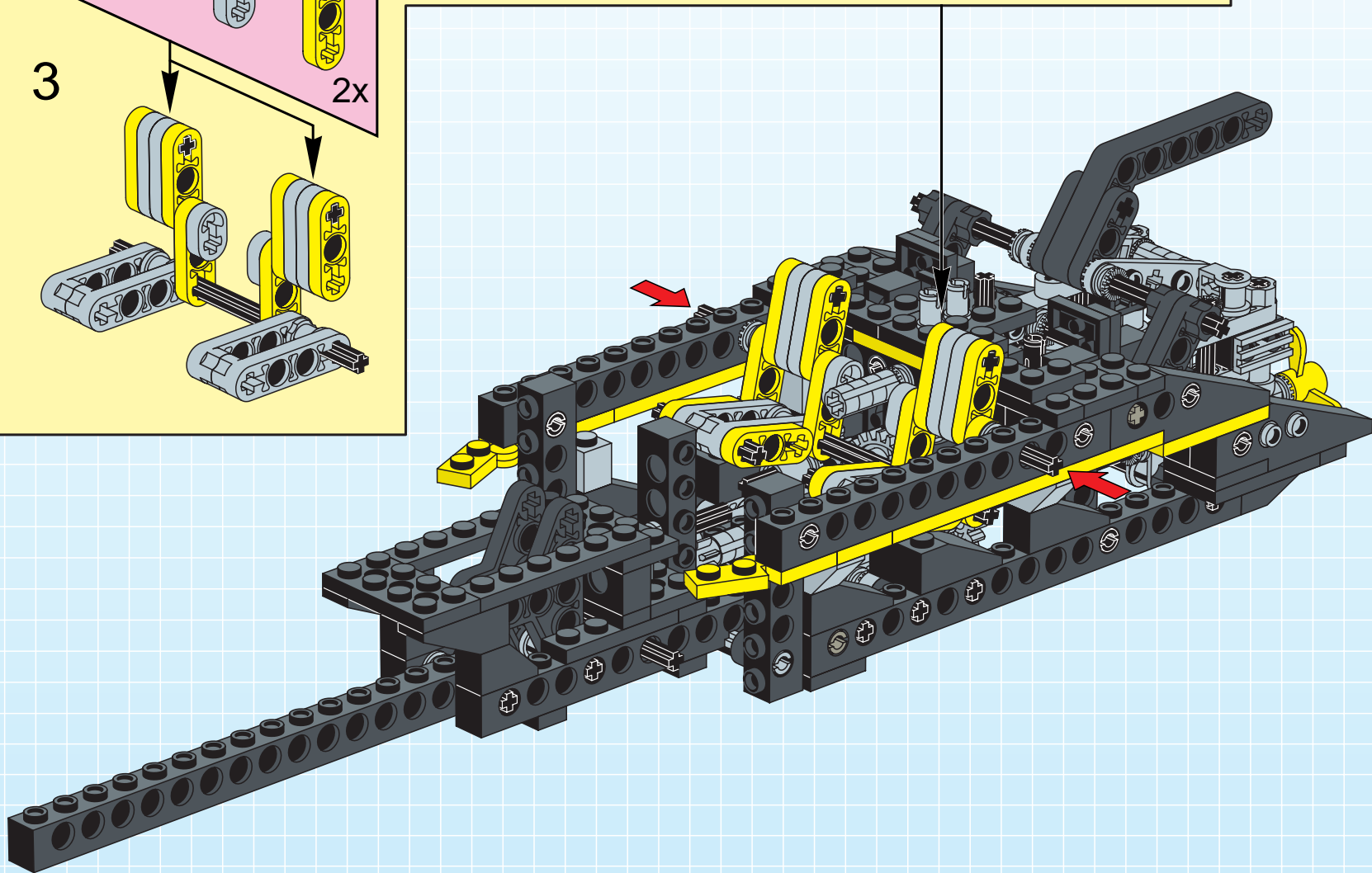
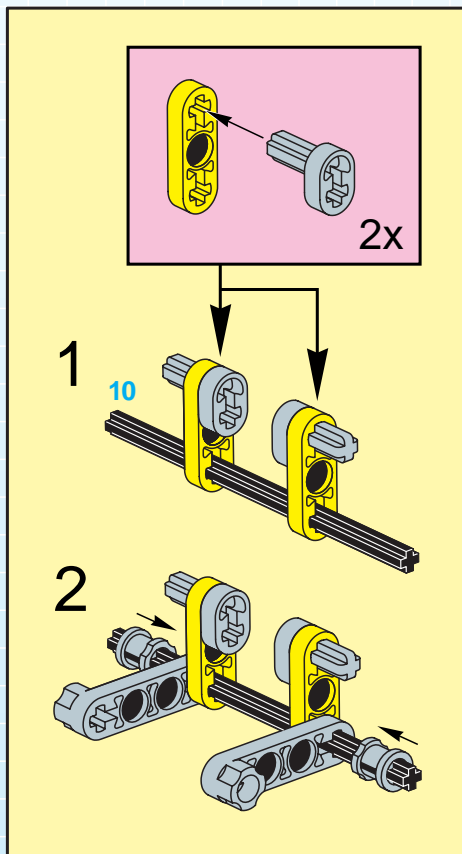
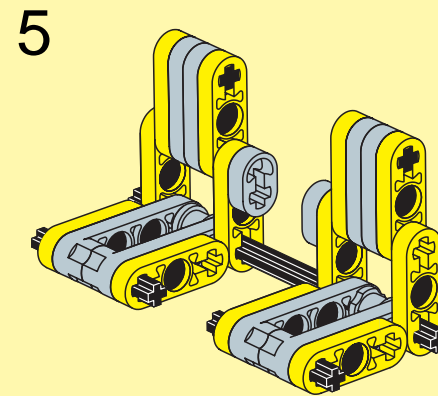
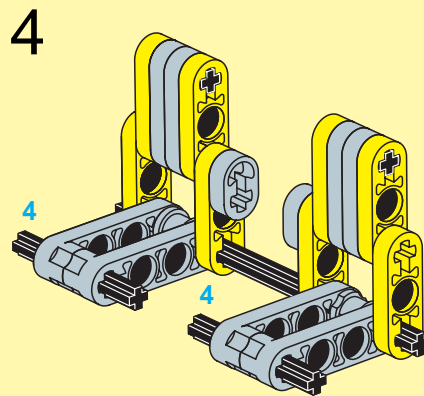
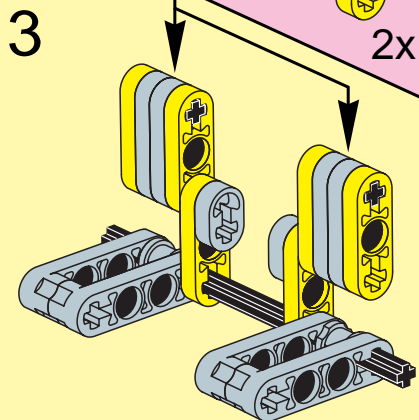
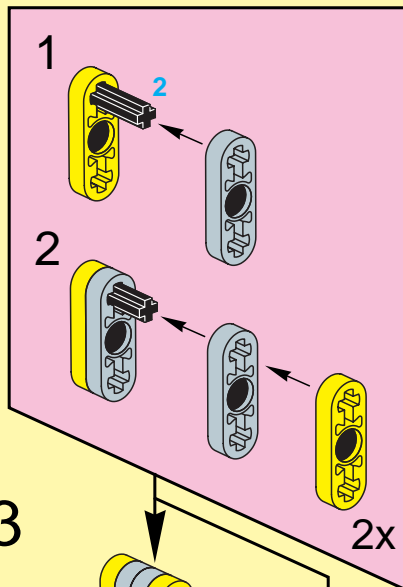


27

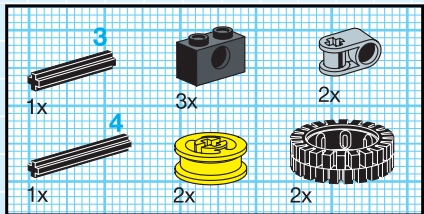
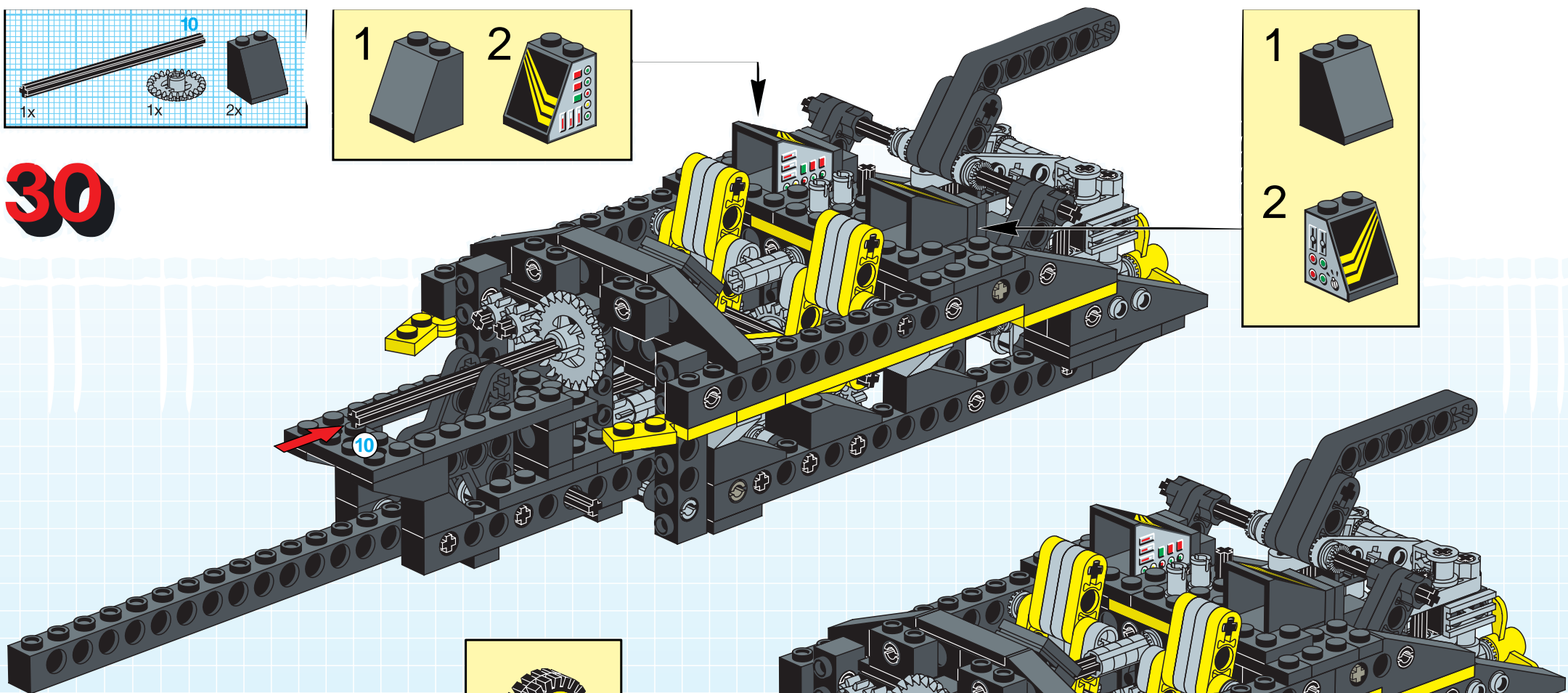
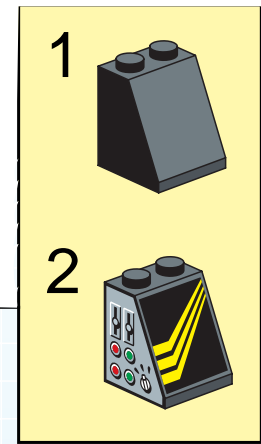
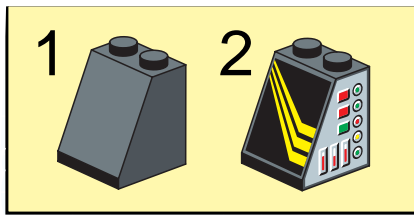
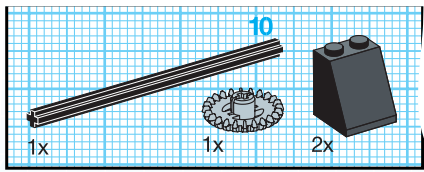




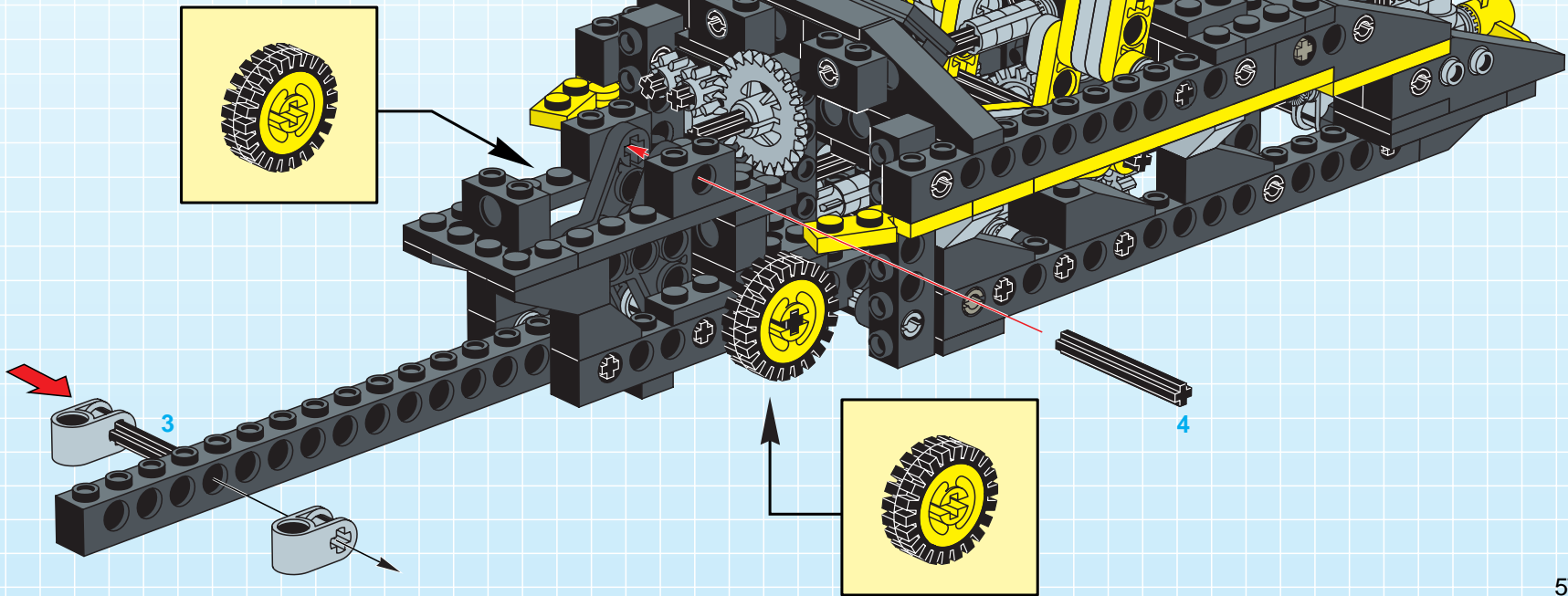
28

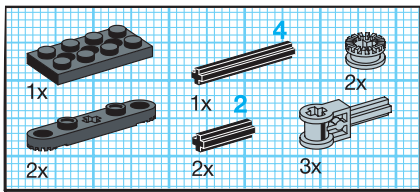


30

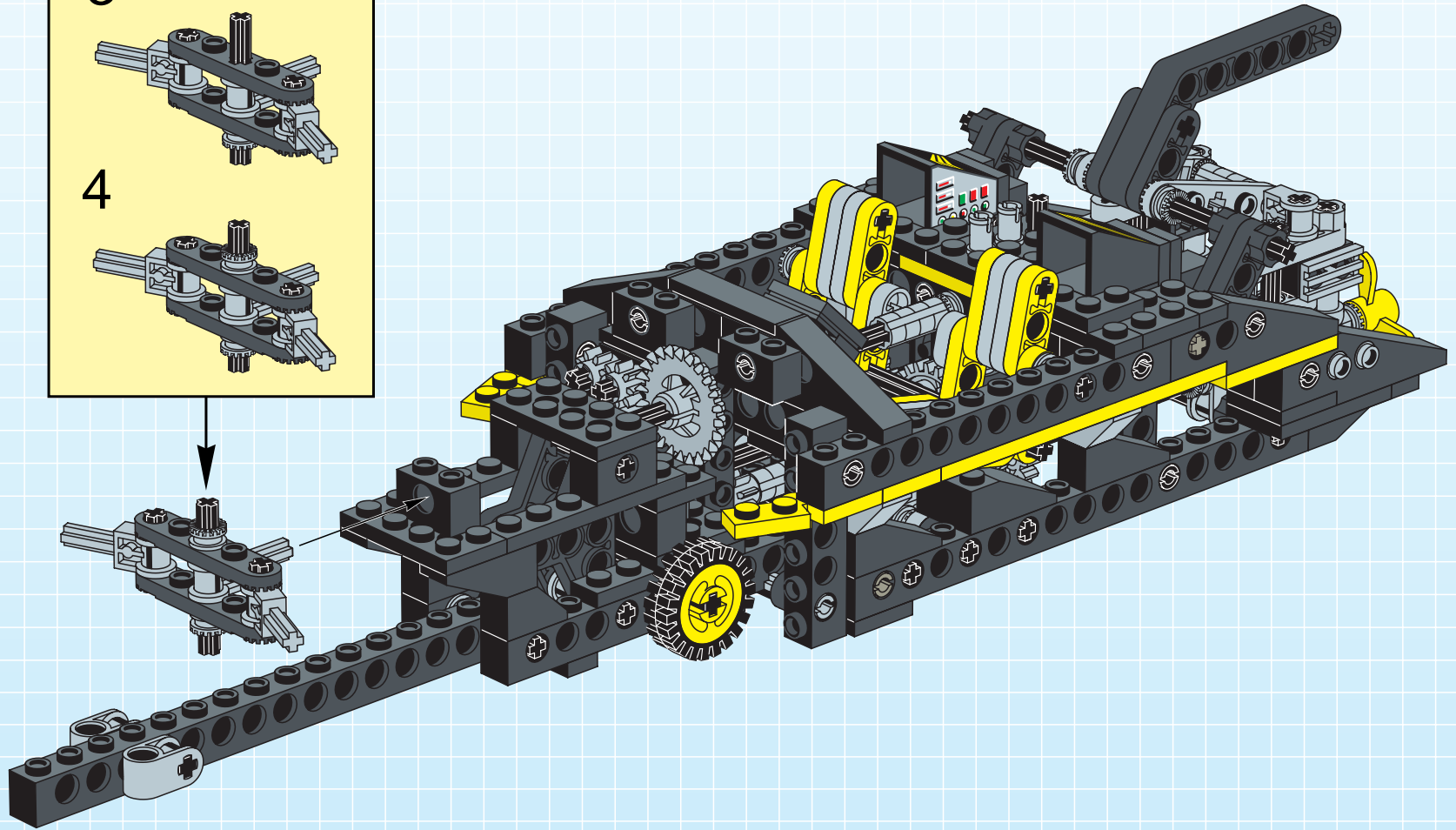
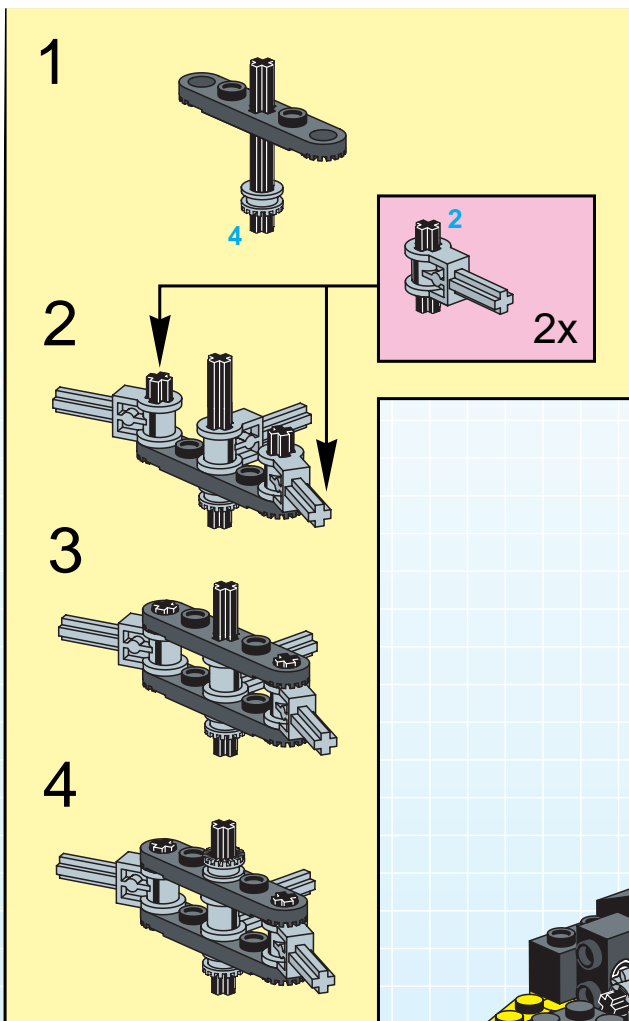


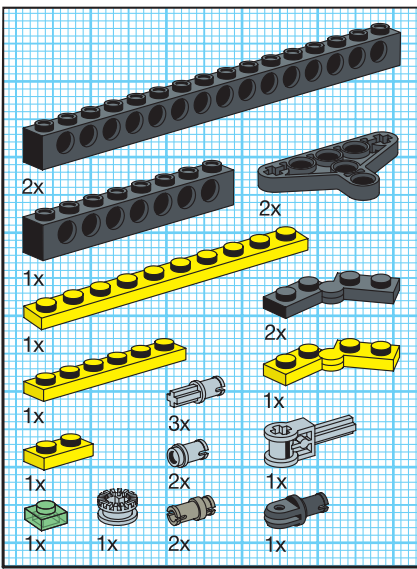
31



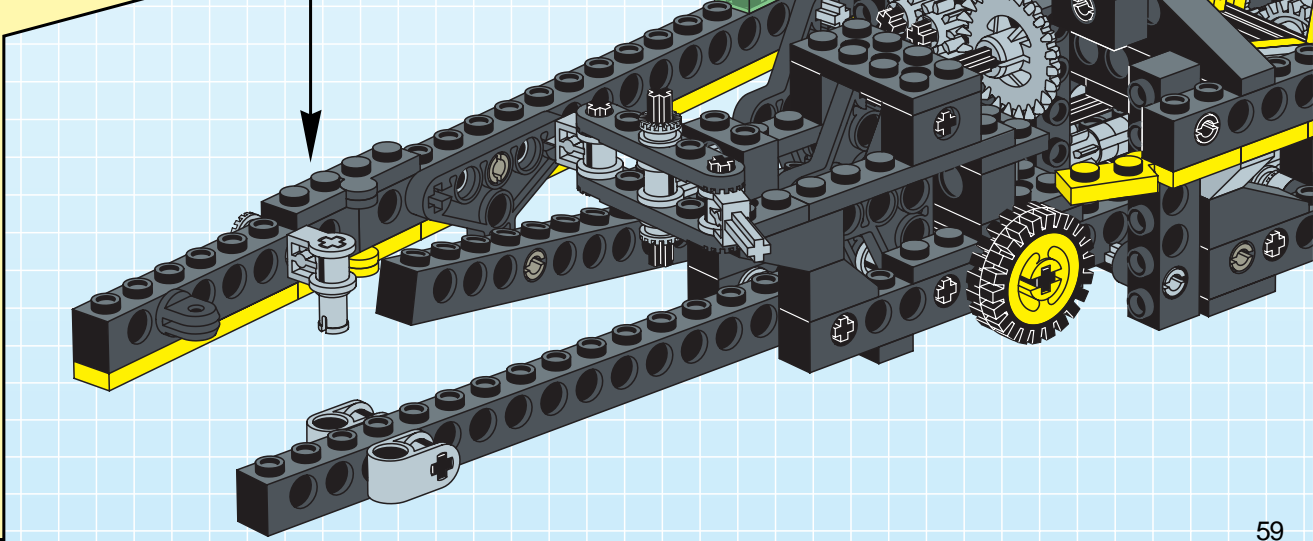
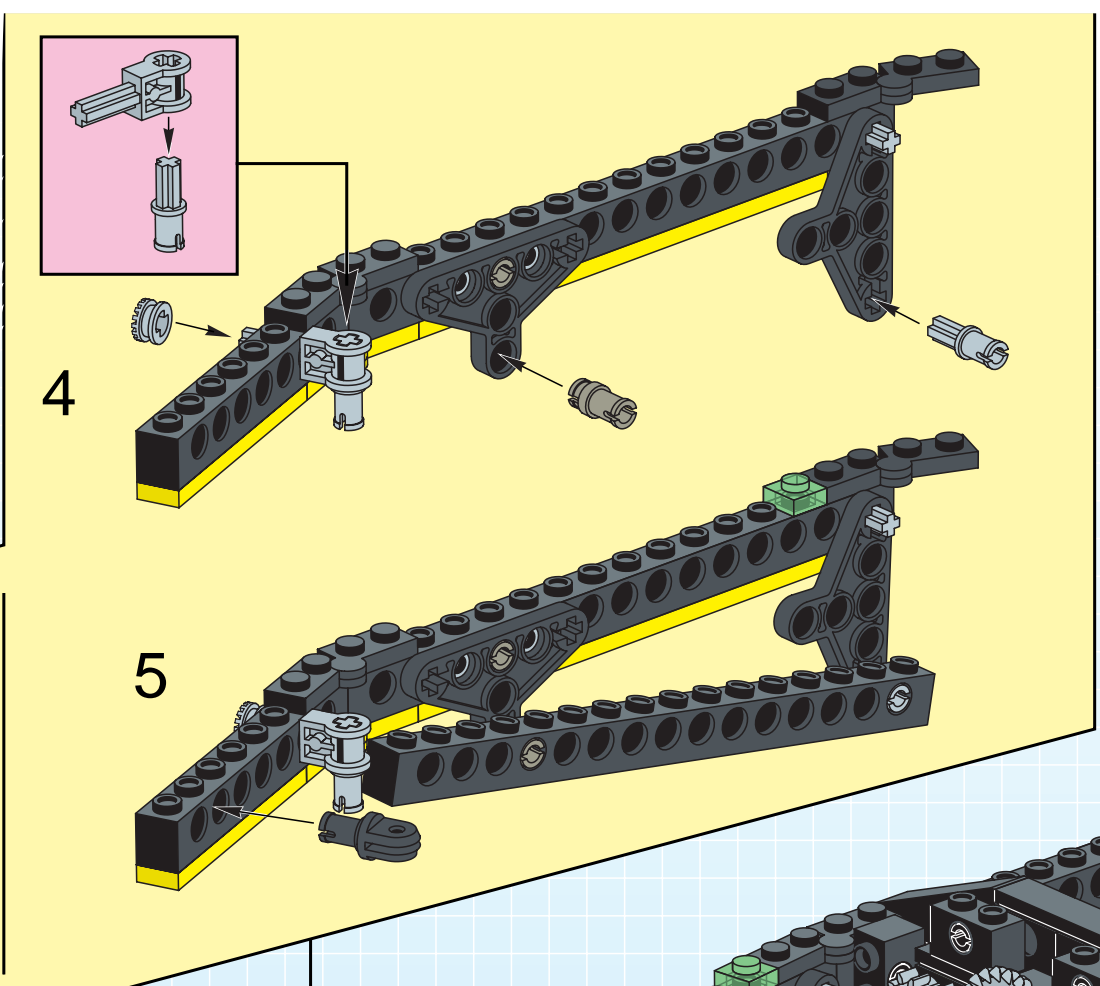
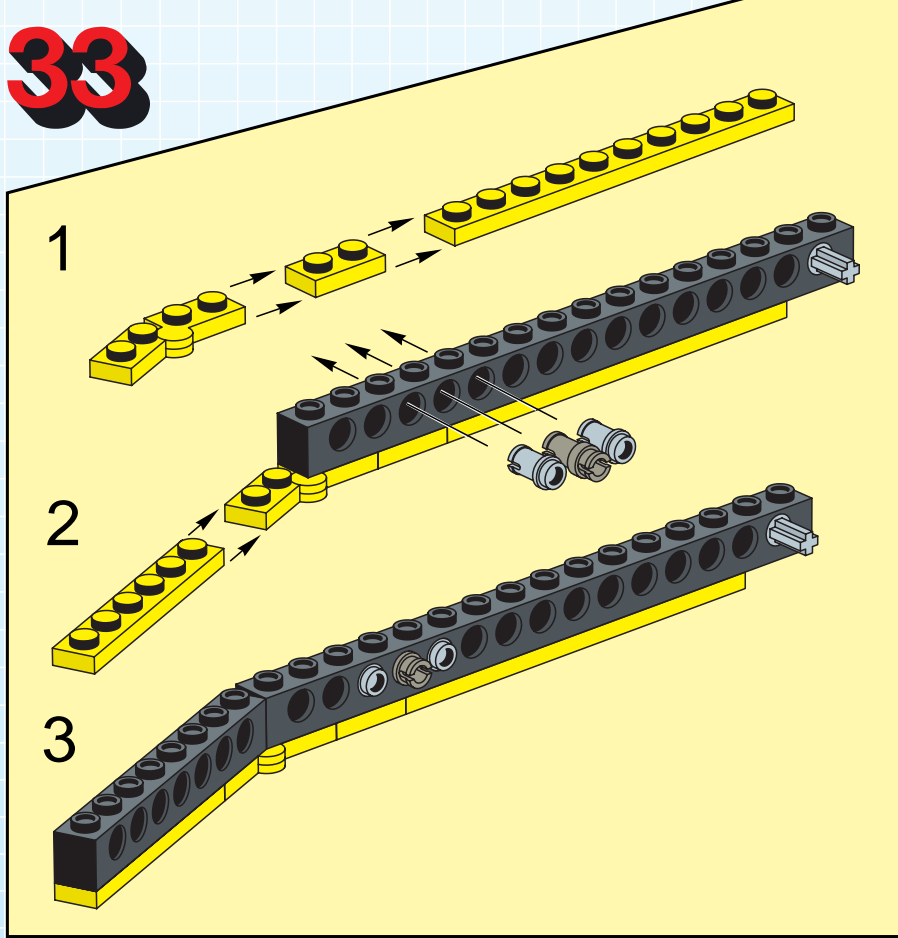


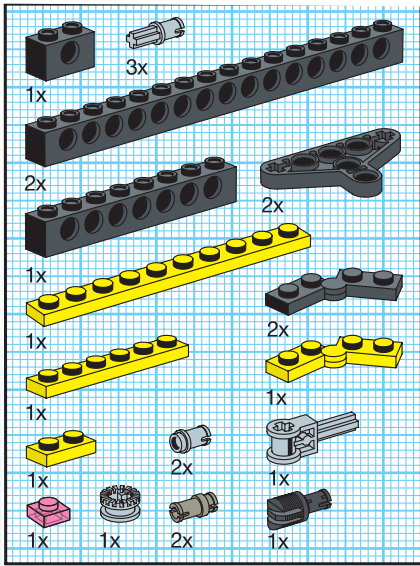
32



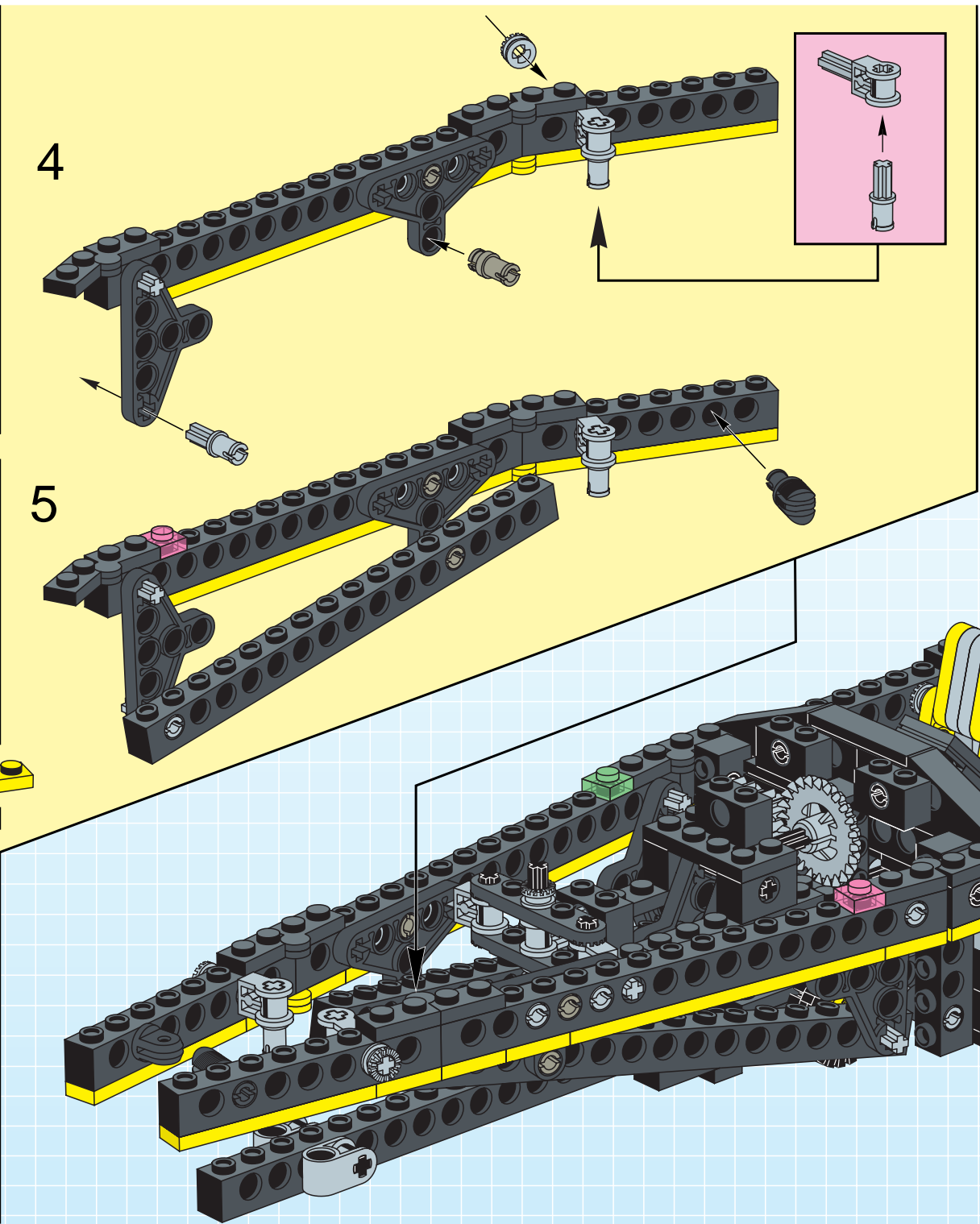
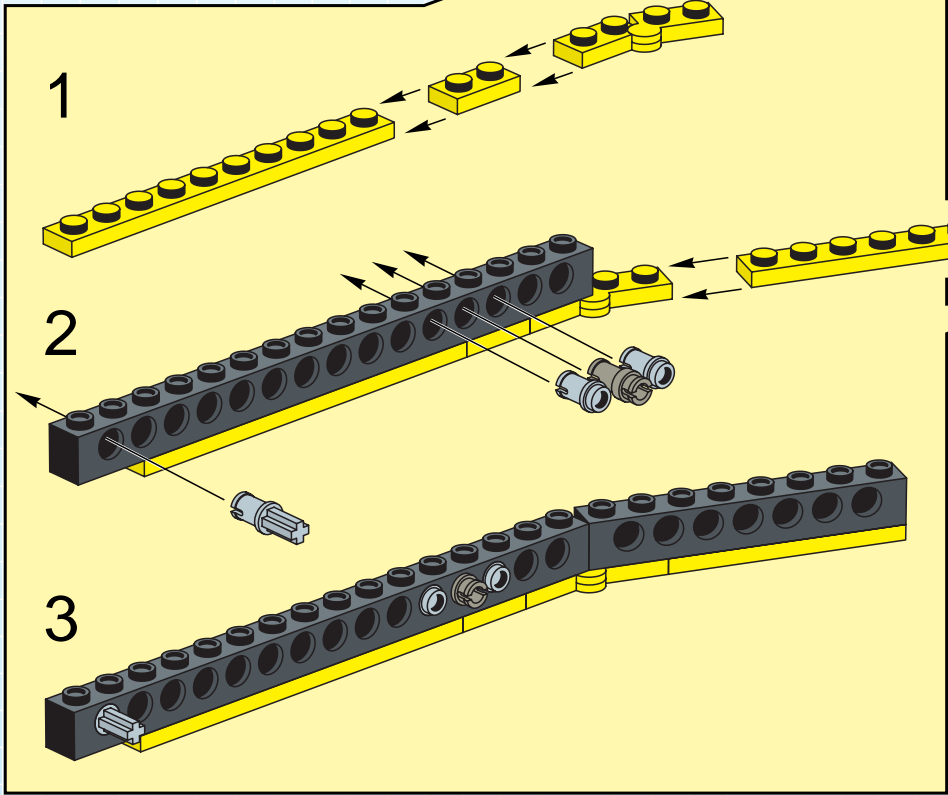


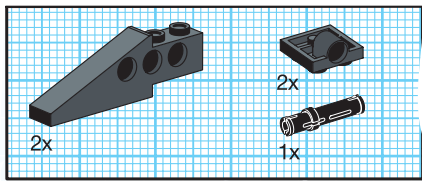
33



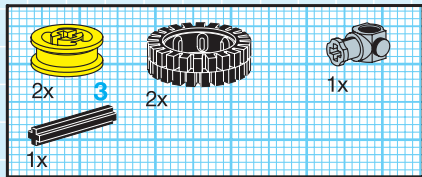
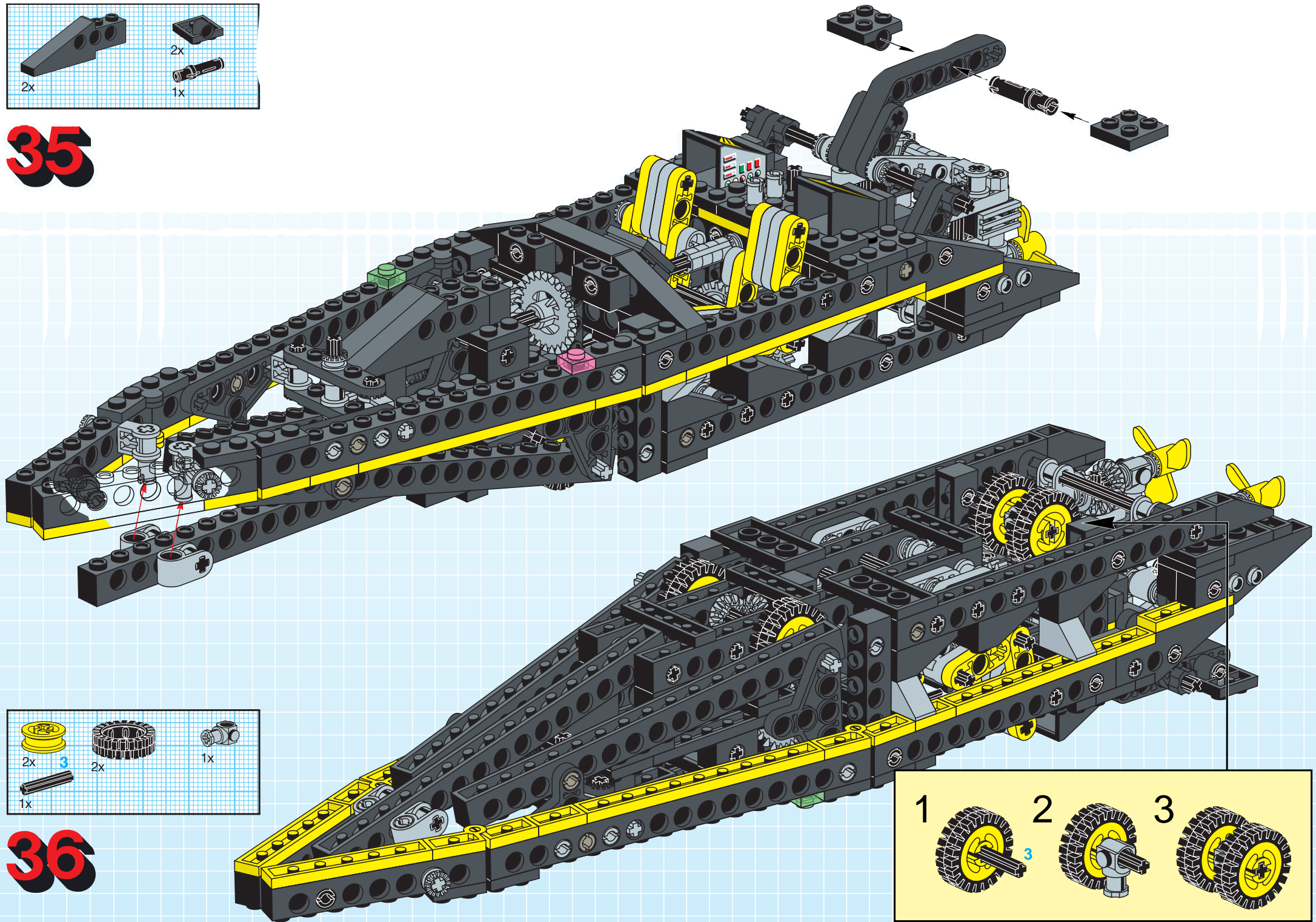


34

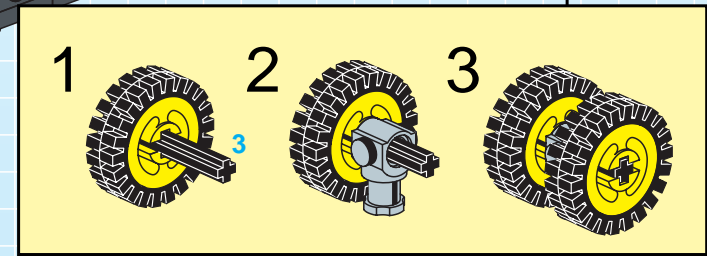


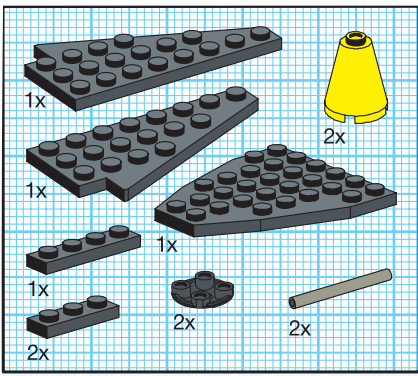


35

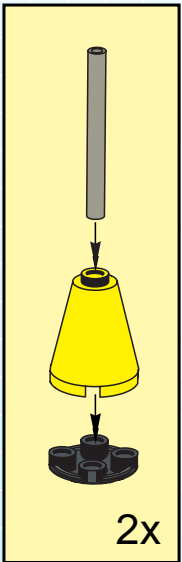
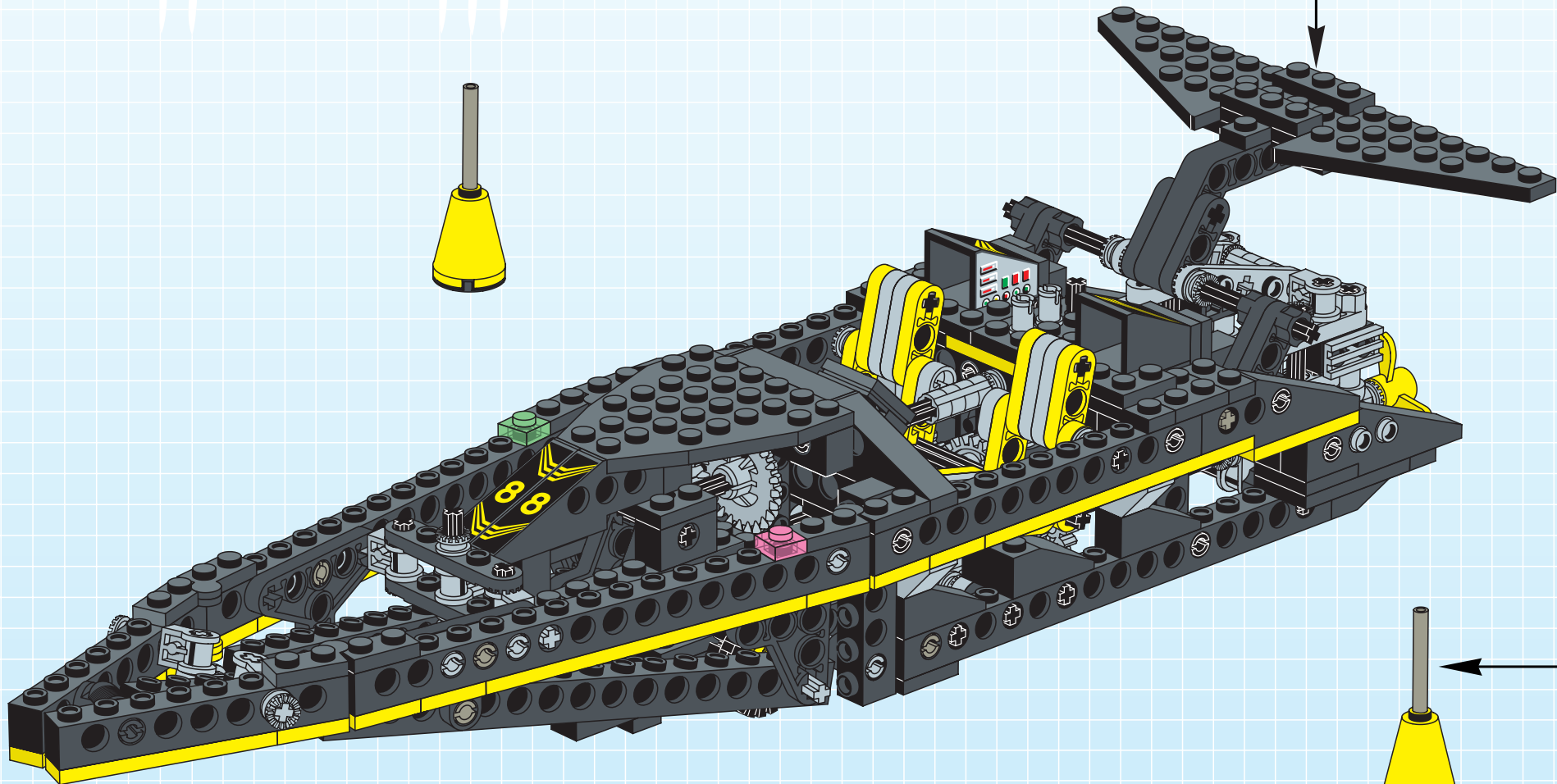
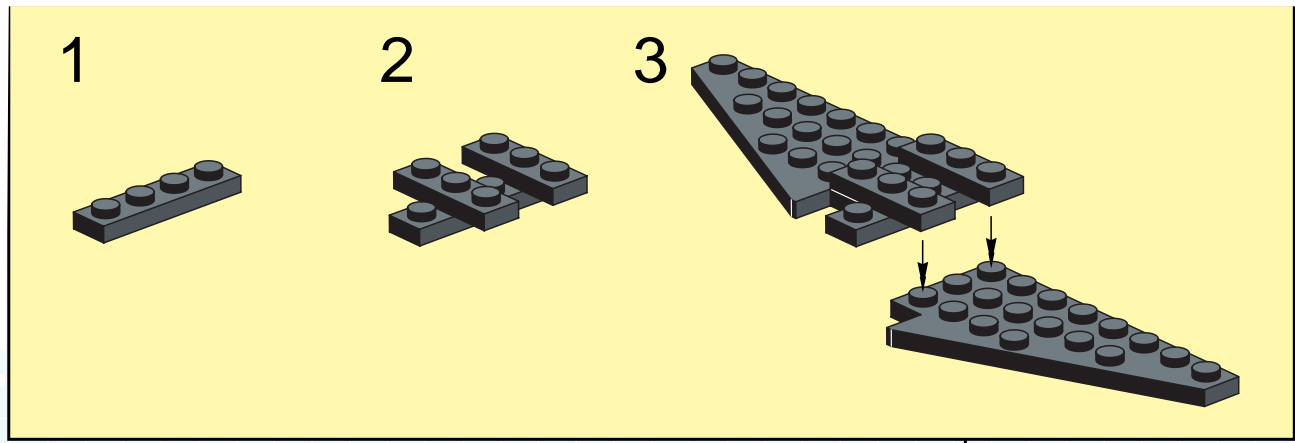


36



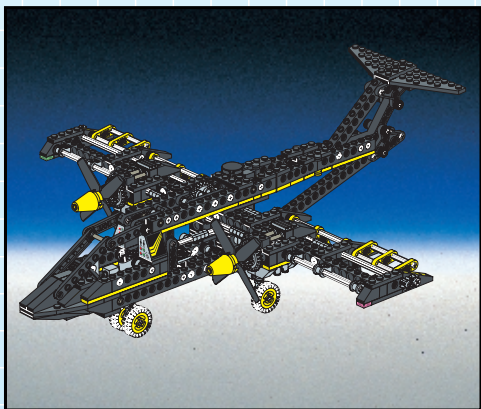
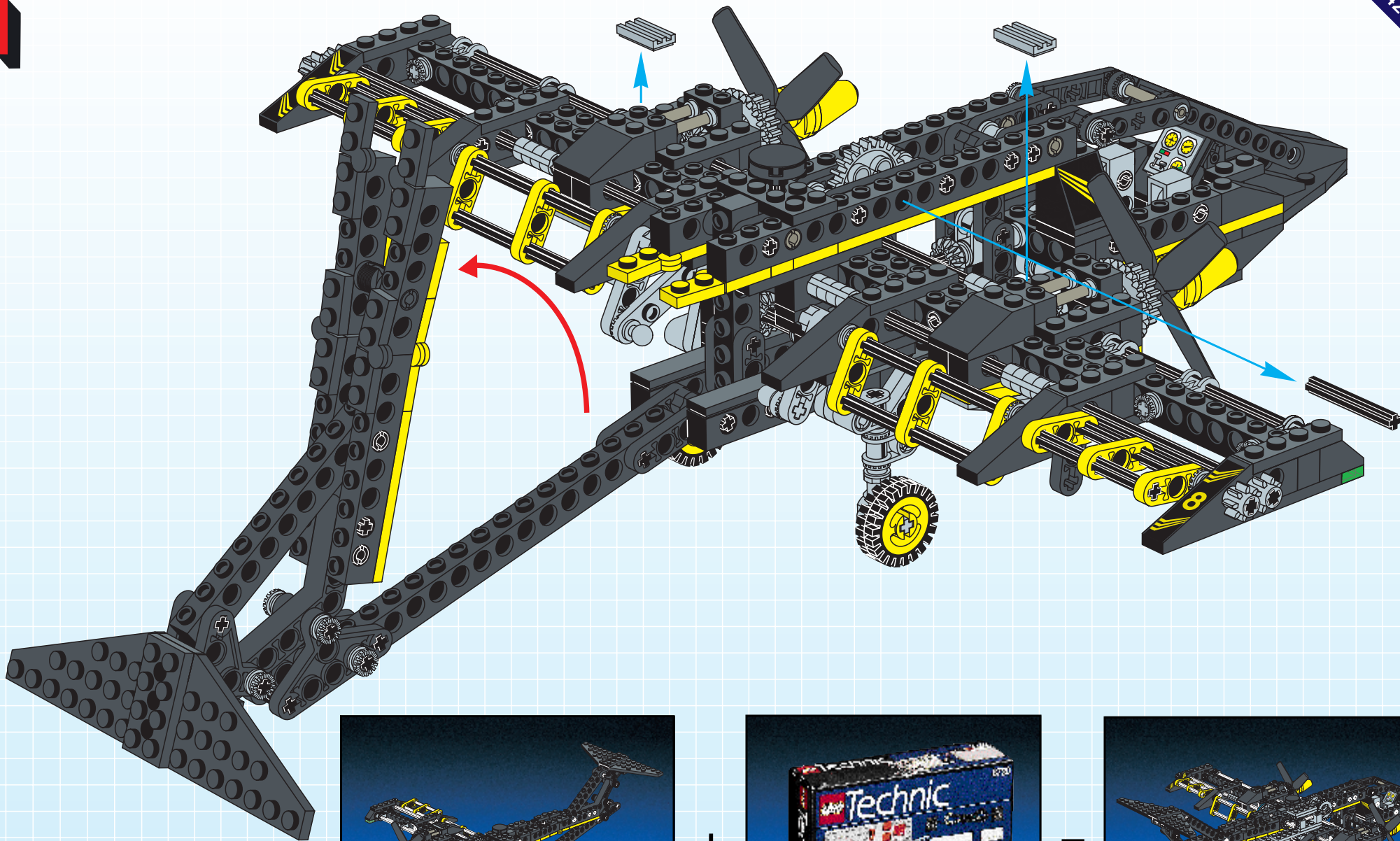


37



1

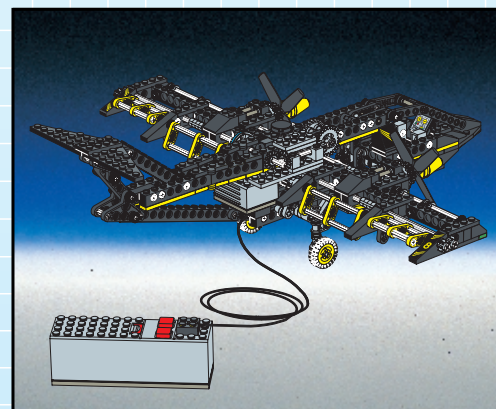
8425+8720

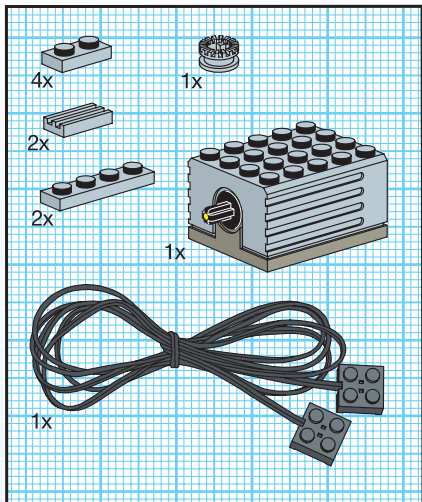


+



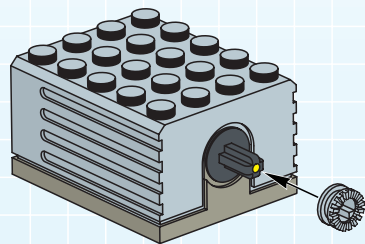
=



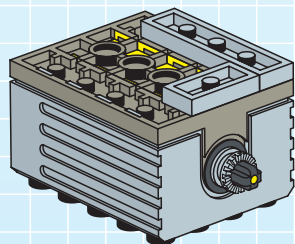


2

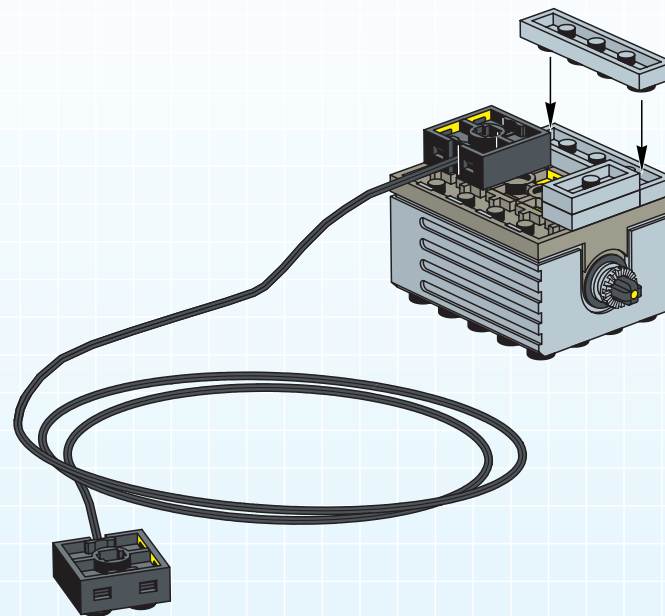
1



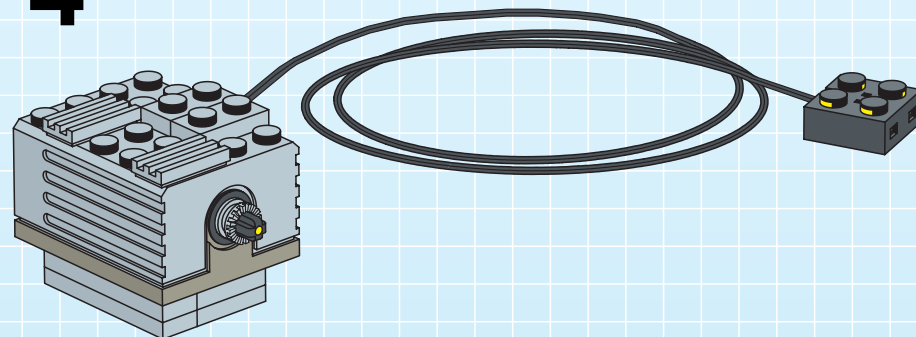
2

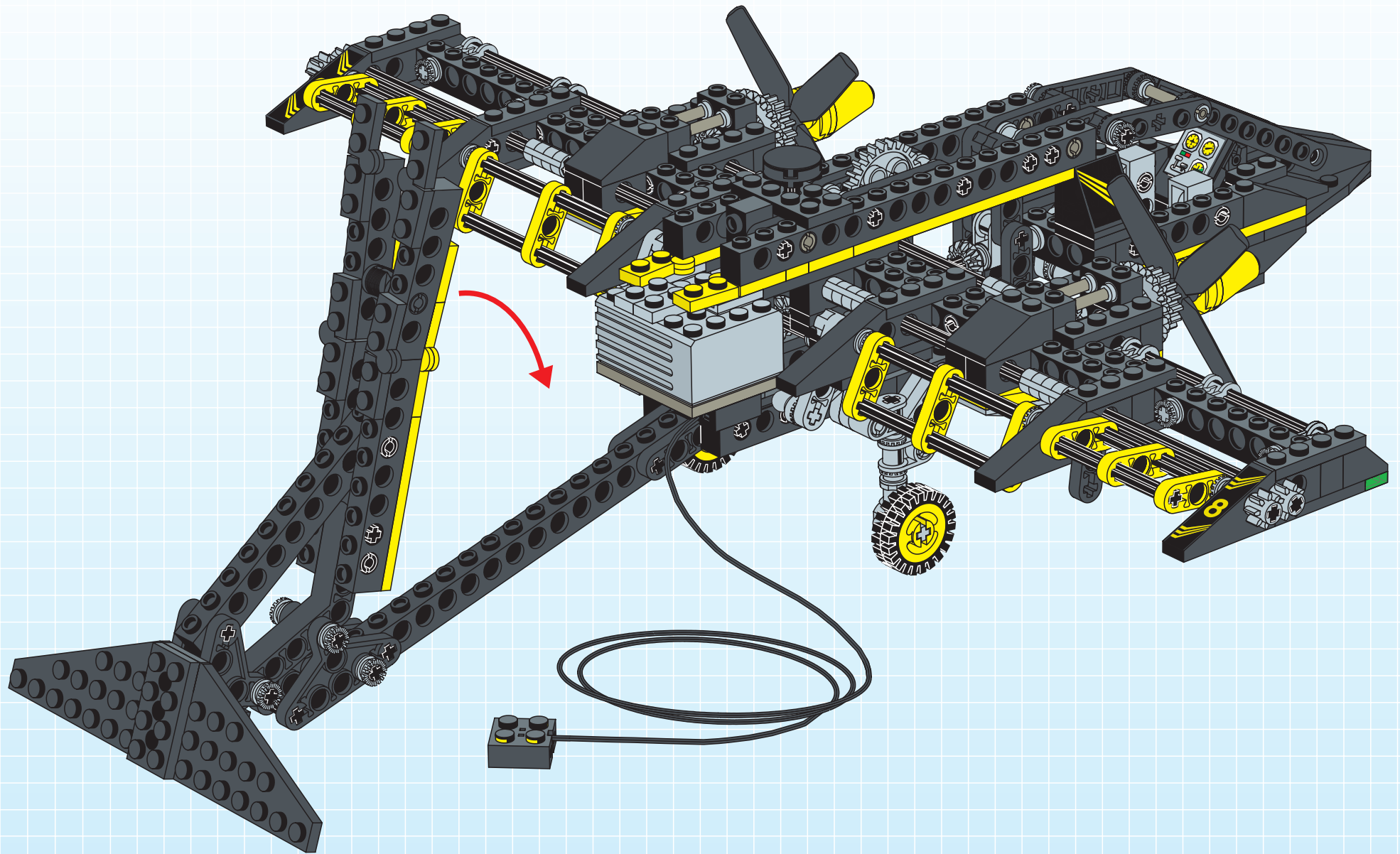


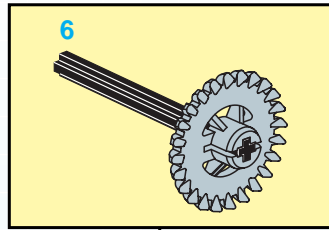
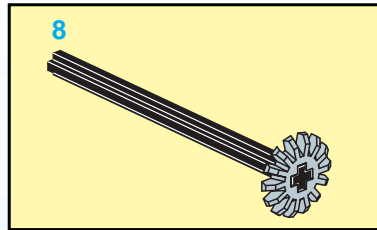
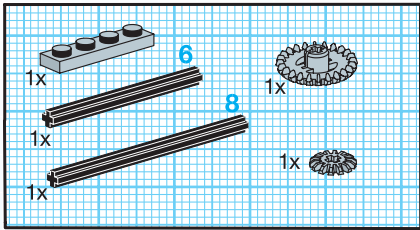
3



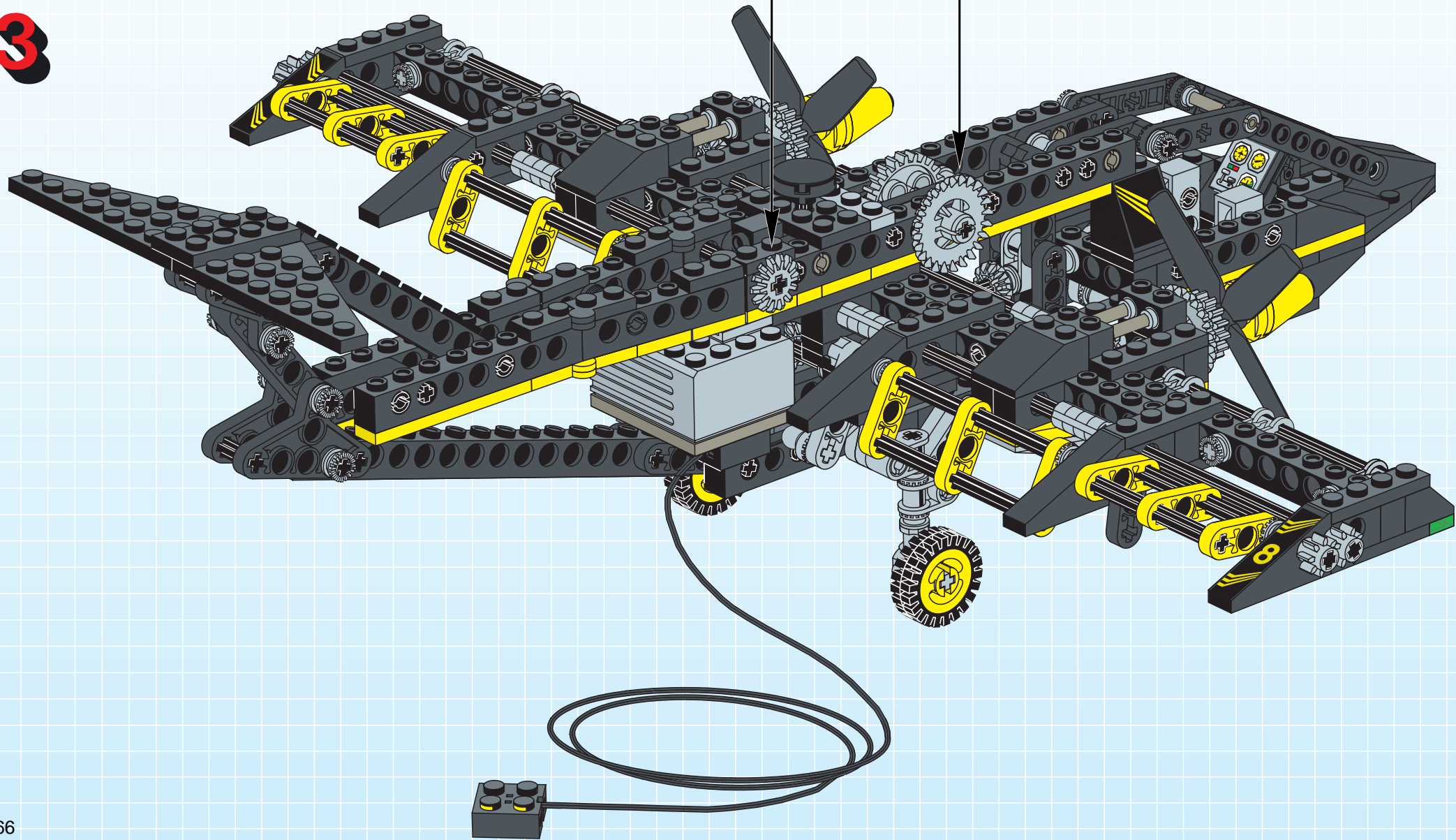
4

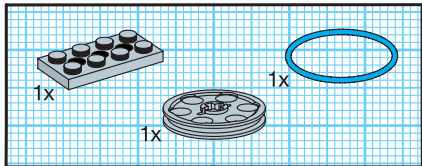






3





5

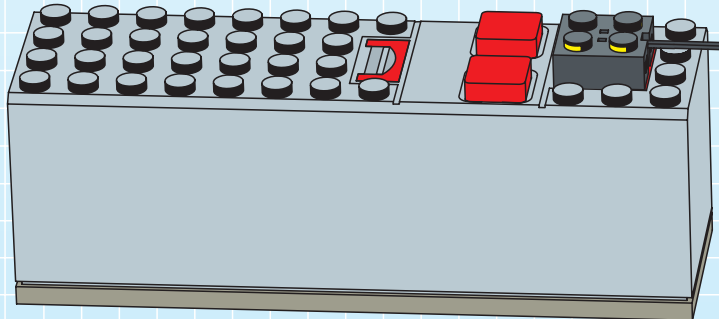
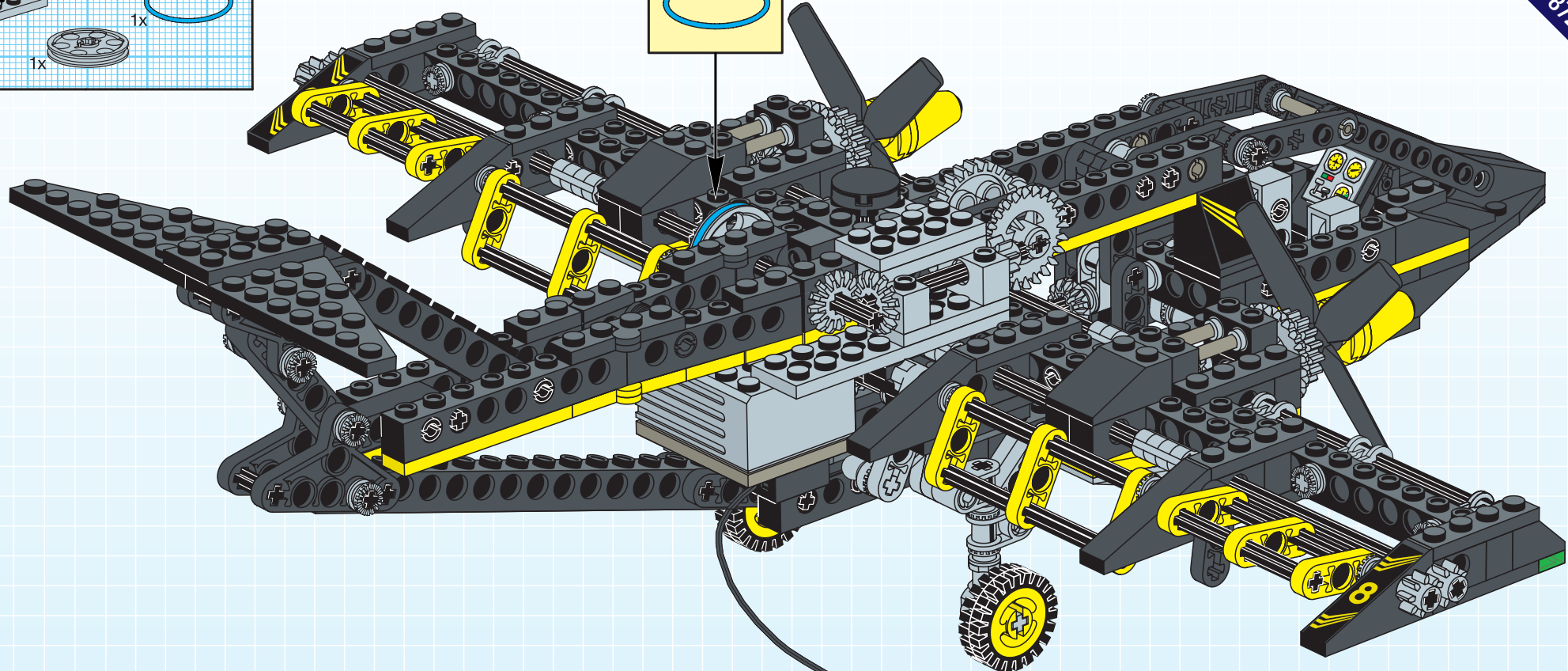
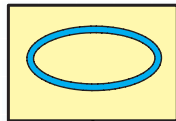














Image	Qty	Item No	Description	MID
Regular Items:				
Parts:				
 *	1	6048	Black Arm Piece with Pin, 2 Fingers Catalog: Parts: Arm	PG
 *	1	6217	Black Arm Piece with Pin, 3 Fingers Catalog: Parts: Arm	PG
 *	2	3942c	Yellow Cone 2 x 2 x 2 - Open Stud Catalog: Parts: Cone	PG
 *	1	3937	Black Hinge Brick 1 x 2 Base Catalog: Parts: Hinge	PG
 *	1	3938	Black Hinge Brick 1 x 2 Top Catalog: Parts: Hinge	PG
 *	4	2429c01(inv)	Black Hinge Plate 1 x 4 Swivel Base with Same Color Hinge Plate 1 x 4 Swivel Top (2429 / 2430) Catalog: Parts: Hinge	PG
 *	4	2429c01(inv)	Yellow Hinge Plate 1 x 4 Swivel Base with Same Color Hinge Plate 1 x 4 Swivel Top (2429 / 2430) Catalog: Parts: Hinge	PG
 *	5	75c04	Dark Gray Hose, Rigid 3mm D. 4L / 3.2cm Catalog: Parts: Hose, Rigid 3mm D.	PG
 *	1	3024	Trans-Green Plate 1 x 1 Catalog: Parts: Plate	PG
 *	1	3024	Trans-Red Plate 1 x 1 Catalog: Parts: Plate	PG
 *	2	3024	Yellow Plate 1 x 1 Catalog: Parts: Plate	PG

+  7 [3023](#) **Black Plate 1 x 2**
[Catalog:](#) [Parts:](#) [Plate](#) [PG](#)

*

+  5 [3023](#) **Yellow Plate 1 x 2**
[Catalog:](#) [Parts:](#) [Plate](#) [PG](#)

*

+  2 [3623](#) **Black Plate 1 x 3**
[Catalog:](#) [Parts:](#) [Plate](#) [PG](#)

*

+  20 [3710](#) **Black Plate 1 x 4**
[Catalog:](#) [Parts:](#) [Plate](#) [PG](#)


*

+  4 [3710](#) **Yellow Plate 1 x 4**
[Catalog:](#) [Parts:](#) [Plate](#) [PG](#)


*

+  4 [3666](#) **Black Plate 1 x 6**
[Catalog:](#) [Parts:](#) [Plate](#) [PG](#)

*

+  2 [3666](#) **Yellow Plate 1 x 6**
[Catalog:](#) [Parts:](#) [Plate](#) [PG](#)

*

+  4 [4477](#) **Yellow Plate 1 x 10**
[Catalog:](#) [Parts:](#) [Plate](#) [PG](#)


*

+  4 [3022](#) **Black Plate 2 x 2**
[Catalog:](#) [Parts:](#) [Plate](#) [PG](#)


*

+  6 [2420](#) **Black Plate 2 x 2 Corner**
[Catalog:](#) [Parts:](#) [Plate](#) [PG](#)


*

+  2 [2444](#) **Black Plate, Modified 2 x 2 with Pin Hole**
[Catalog:](#) [Parts:](#) [Plate, Modified](#) [PG](#)


*

+  1 [4032](#) **Black Plate, Round 2 x 2 with Axle Hole**
[Catalog:](#) [Parts:](#) [Plate, Round](#) [PG](#)


*

+  4 [4032](#) **Yellow Plate, Round 2 x 2 with Axle Hole** [PG](#)

*

+  2 [2654](#) **Black Plate, Round 2 x 2 with Rounded Bottom (Boat Stud)** [PG](#)


*

+  4 [2952](#) **Black Propeller 2 Blade 9 Diameter** [PG](#)

*

+  2 [6041](#) **Yellow Propeller 3 Blade 3 Diameter** [PG](#)

*

+  1 [x37](#) **Red Rubber Belt Medium (Round Cross Section) - Approx. 3 x 3** [PG](#)


*

+  4 [4286](#) **Black Slope 33 3 x 1** [PG](#)

*

+  2 [3298](#) **Black Slope 33 3 x 2** [PG](#)

*

+  2 [3040](#) **Black Slope 45 2 x 1** [PG](#)

*

+  1 [3037](#) **Black Slope 45 2 x 4** [PG](#)

*

+  2 [3678a](#) **Black Slope 65 2 x 2 x 2 Smooth without Bottom Tube** [PG](#)

*





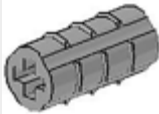







+  4 [4287](#) **Black Slope, Inverted 33 3 x 1** [PG](#)

*

+  4 [3665](#) **Light Gray Slope, Inverted 45 2 x 1** [PG](#)

*

+	 *	1	8425stk01	Sticker for Set 8425 - (4100330) Catalog: Parts: Sticker	PG
+	 *	4	3713	Light Gray Technic Bush Catalog: Parts: Technic	PG
+	 *	36	4265b	Light Gray Technic Bush 1/2 Toothed Type II Catalog: Parts: Technic	PG
+	 *	2	2853	Light Gray Technic Engine Crankshaft Catalog: Parts: Technic	PG
+	 *	6	6553	Light Gray Technic Pole Reverser Handle Catalog: Parts: Technic, Axle	PG
+	 *	8	2744	Black Technic Slope 33 6 x 1 x 1 2/3 Long (Wing Back) Catalog: Parts: Technic	PG
+	 *	9	3704	Black Technic, Axle 2 Catalog: Parts: Technic, Axle	PG
+	 *	11	4519	Black Technic, Axle 3 Catalog: Parts: Technic, Axle	PG
+	 *	2	6587	Dark Gray Technic, Axle 3 with Stud Catalog: Parts: Technic, Axle	PG
+	 *	13	3705	Black Technic, Axle 4 Catalog: Parts: Technic, Axle	PG
+	 *	5	3706	Black Technic, Axle 6 Catalog: Parts: Technic, Axle	PG
+	 *	5	3707	Black Technic, Axle 8 Catalog: Parts: Technic, Axle	PG


+	 *	8	3737	Black Technic, Axle 10 Catalog: Parts: Technic, Axle	PG
+	 *	5	3708	Black Technic, Axle 12 Catalog: Parts: Technic, Axle	PG
+	 *	3	3651	Light Gray Technic, Axle and Pin Connector Catalog: Parts: Technic, Connector	PG
+	 *	10	6536	Light Gray Technic, Axle and Pin Connector Perpendicular Catalog: Parts: Technic, Connector	PG
+	 *	7	6538	Light Gray Technic, Axle Connector 2L (Ridged Undetermined Type) Catalog: Parts: Technic, Connector	PG
+	 *	8	3749	Light Gray Technic, Axle Pin without Friction Ridges Lengthwise Catalog: Parts: Technic, Axle	PG
+	 *	2	2736	Light Gray Technic, Axle Towball Catalog: Parts: Technic, Axle	PG
+	 *	14	3700	Black Technic, Brick 1 x 2 with Hole Catalog: Parts: Technic, Brick	PG
+	 *	4	32000	Black Technic, Brick 1 x 2 with Holes Catalog: Parts: Technic, Brick	PG
+	 *	4	3701	Black Technic, Brick 1 x 4 with Holes Catalog: Parts: Technic, Brick	PG
+	 *	2	3701	Light Gray Technic, Brick 1 x 4 with Holes Catalog: Parts: Technic, Brick	PG
+	 *	6	3894	Black Technic, Brick 1 x 6 with Holes Catalog: Parts: Technic, Brick	PG


+	 *	3	3702	Black Technic, Brick 1 x 8 with Holes Catalog: Parts: Technic, Brick	PG
---	---	---	----------------------	--	--------------------


+	 *	1	2730	Black Technic, Brick 1 x 10 with Holes Catalog: Parts: Technic, Brick	PG
---	--	---	----------------------	---	--------------------

+	 *	2	3895	Black Technic, Brick 1 x 12 with Holes Catalog: Parts: Technic, Brick	PG
---	--	---	----------------------	---	--------------------


+	 *	10	3703	Black Technic, Brick 1 x 16 with Holes Catalog: Parts: Technic, Brick	PG
---	--	----	----------------------	---	--------------------


+	 *	5	3647	Light Gray Technic, Gear 8 Tooth Type 1 Catalog: Parts: Technic, Gear	PG
---	--	---	----------------------	---	--------------------


+	 *	13	6589	Light Gray Technic, Gear 12 Tooth Bevel Catalog: Parts: Technic, Gear	PG
---	--	----	----------------------	---	--------------------


+	 *	2	4019	Light Gray Technic, Gear 16 Tooth (First Version - 4 Round Holes) Catalog: Parts: Technic, Gear	PG
---	--	---	----------------------	---	--------------------













+	 *	1	x187	Light Gray Technic, Gear 24 Tooth (1st Version - 3 Axle Holes) Catalog: Parts: Technic, Gear	PG
---	--	---	----------------------	--	--------------------

+	 *	2	3650b	Light Gray Technic, Gear 24 Tooth Crown (2nd Version - Reinforced) Catalog: Parts: Technic, Gear	PG
---	--	---	-----------------------	--	--------------------


+	 *	6	6632	Black Technic, Liftarm 1 x 3 Thin Catalog: Parts: Technic, Liftarm	PG
---	--	---	----------------------	--	--------------------


+	 *	8	6632	Light Gray Technic, Liftarm 1 x 3 Thin Catalog: Parts: Technic, Liftarm	PG
---	--	---	----------------------	---	--------------------


+	 *	12	6632	Yellow Technic, Liftarm 1 x 3 Thin Catalog: Parts: Technic, Liftarm	PG
---	--	----	----------------------	---	--------------------

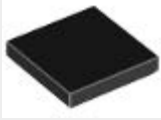
+	 *	8	2825	Black Technic, Liftarm 1 x 4 Thin with Stud Connector Catalog: Parts: Technic, Liftarm	PG
+	 *	8	2825	Light Gray Technic, Liftarm 1 x 4 Thin with Stud Connector Catalog: Parts: Technic, Liftarm	PG
+	 *	1	6629	Black Technic, Liftarm 1 x 9 Bent (6 - 4) Thick Catalog: Parts: Technic, Liftarm	PG
+	 *	6	2905	Black Technic, Liftarm Triangle Thin Catalog: Parts: Technic, Liftarm	PG
+	 *	20	4274	Light Gray Technic, Pin 1/2 Catalog: Parts: Technic, Pin	PG
+	 *	8	32002	Dark Gray Technic, Pin 3/4 Catalog: Parts: Technic, Pin	PG
+	 *	7	6558	Black Technic, Pin 3L with Friction Ridges Lengthwise Catalog: Parts: Technic, Pin	PG
+	 *	1	6628	Black Technic, Pin with Friction Ridges Lengthwise and Towball Catalog: Parts: Technic, Pin	PG
+	 *	14	2780	Black Technic, Pin with Friction Ridges Lengthwise WITH Center Slots Catalog: Parts: Technic, Pin	PG
+	 *	2	2711	Black Technic, Plate 1 x 5 with Toothed Ends, 2 Studs and Center Axle Hole Catalog: Parts: Technic, Plate	PG
+	 *	2	2711	Light Gray Technic, Plate 1 x 5 with Toothed Ends, 2 Studs and Center Axle Hole Catalog: Parts: Technic, Plate	PG
+	 *	2	4442	Black Technic, Plate 1 x 8 with Toothed Ends Catalog: Parts: Technic, Plate	PG

+		9	3709b	Black Technic, Plate 2 x 4 with 3 Holes Catalog: Parts: Technic, Plate	PG
	*				

+		1	3709b	Yellow Technic, Plate 2 x 4 with 3 Holes Catalog: Parts: Technic, Plate	PG
	*				


+		2	3069b	Black Tile 1 x 2 with Groove Catalog: Parts: Tile	PG
	*				


+		2	2431	Black Tile 1 x 4 Catalog: Parts: Tile	PG
	*				


+		1	3068b	Black Tile 2 x 2 with Groove Catalog: Parts: Tile	PG
	*				


+		1	2555	Light Gray Tile, Modified 1 x 1 with Clip Catalog: Parts: Tile, Modified	PG
	*				


+		2	2412b	Light Gray Tile, Modified 1 x 2 Grille with Bottom Groove / Lip Catalog: Parts: Tile, Modified	PG
	*				


+		4	3483	Black Tire 24mm D. x 8mm Offset Tread Catalog: Parts: Tire & Tread	PG
	*				

+		2	4855	Light Gray Wedge 4 x 4 Triple Inverted Catalog: Parts: Wedge	PG
	*				


+		1	4856a	Black Wedge 6 x 4 Triple Inverted without Connections between Studs Catalog: Parts: Wedge	PG
	*				

+		2	4859	Yellow Wedge, Plate 3 x 4 without Stud Notches Catalog: Parts: Wedge, Plate	PG
	*				

+		1	2625	Black Wedge, Plate 7 x 6 without Stud Notches (Boat Bow Plate) Catalog: Parts: Wedge, Plate	PG
	*				


+  1 [3933](#) **Black Wedge, Plate 8 x 4 Wing Left** [PG](#)
[Catalog:](#) [Parts:](#) [Wedge, Plate](#)


+  1 [3934](#) **Black Wedge, Plate 8 x 4 Wing Right** [PG](#)
[Catalog:](#) [Parts:](#) [Wedge, Plate](#)

+  4 [3482](#) **Yellow Wheel with Split Axle Hole** [PG](#)
[Catalog:](#) [Parts:](#) [Wheel](#)

Counterparts:

+  1 [3937c01\(inv\)](#) **Black Hinge Brick 1 x 2 Base with Same Color Hinge Brick 1 x 2 Top (3937 / 3938)** [PG](#)
[Catalog:](#) [Parts:](#) [Hinge](#)


+  1 [3678apb13L](#) **Black Slope 65 2 x 2 x 2 Smooth without Bottom Tube with Gauges and Diagonal Yellow Stripes Pattern Model Left Side (Stickers) - Set 8425** [PG](#)
[Catalog:](#) [Parts:](#) [Slope, Decorated](#)

+  1 [3678apb13R](#) **Black Slope 65 2 x 2 x 2 Smooth without Bottom Tube with Gauges and Diagonal Yellow Stripes Pattern Model Right Side (Stickers) - Set 8425** [PG](#)
[Catalog:](#) [Parts:](#) [Slope, Decorated](#)

+  1 [2744pb017L](#) **Black Technic Slope Long with Yellow '8' and Bent Stripes Pattern Model Left (Sticker) - Set 8425** [PG](#)
[Catalog:](#) [Parts:](#) [Technic](#)

+  1 [2744pb017R](#) **Black Technic Slope Long with Yellow '8' and Bent Stripes Pattern Model Right (Sticker) - Set 8425** [PG](#)
[Catalog:](#) [Parts:](#) [Technic](#)

+  1 [3068bpb0220](#) **Black Tile 2 x 2 with Groove with Avionics Helicopter Controls Pattern (Sticker) - Set 8425** [PG](#)
[Catalog:](#) [Parts:](#) [Tile, Decorated](#)

+  4 [3482c01\(inv\)](#) **Yellow Wheel with Split Axle Hole with Black Tire 24mm D. x 8mm Offset Tread (3482 / 3483)** [PG](#)
[Catalog:](#) [Parts:](#) [Wheel & Tire Assembly](#)

Summary:

Type	Unique Lots	Total Qty
Regular Items:		
Parts	98	469
Counterparts:		

Source:
Instructions

[Admin](#) inventoried this Set on Mar 8, 2007, inventory last updated on Sep 29, 2019.