

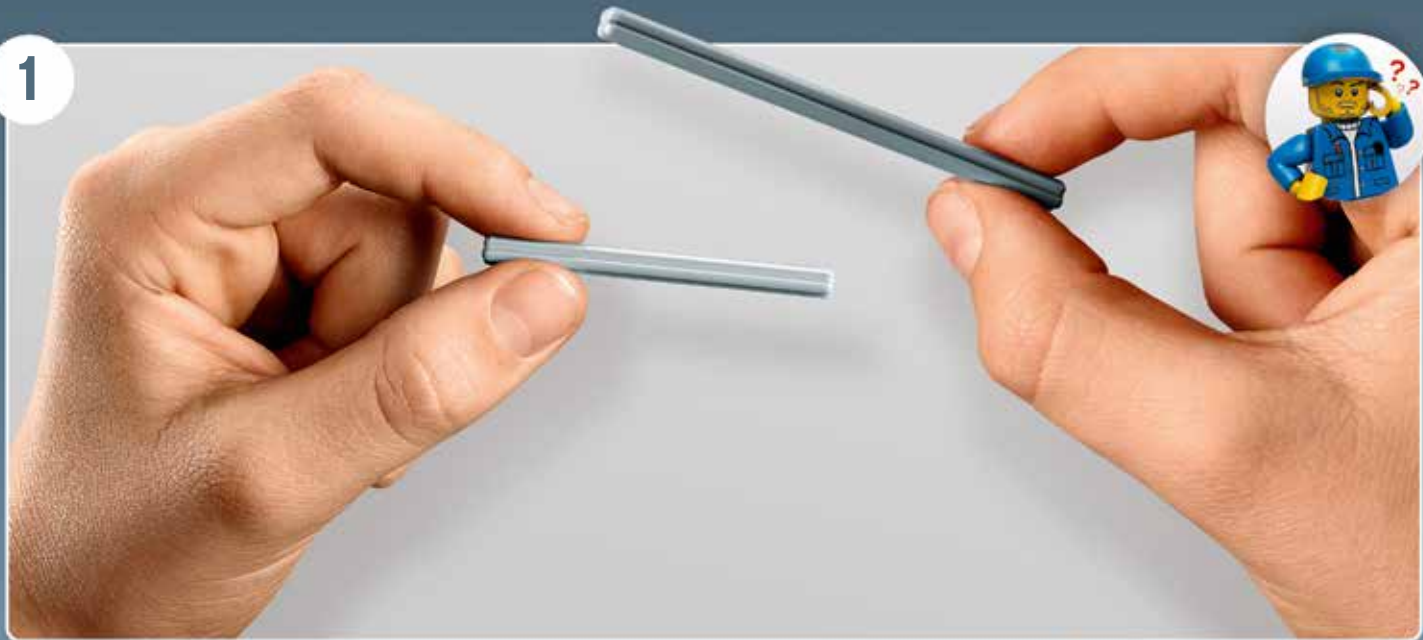


# TECHNIC

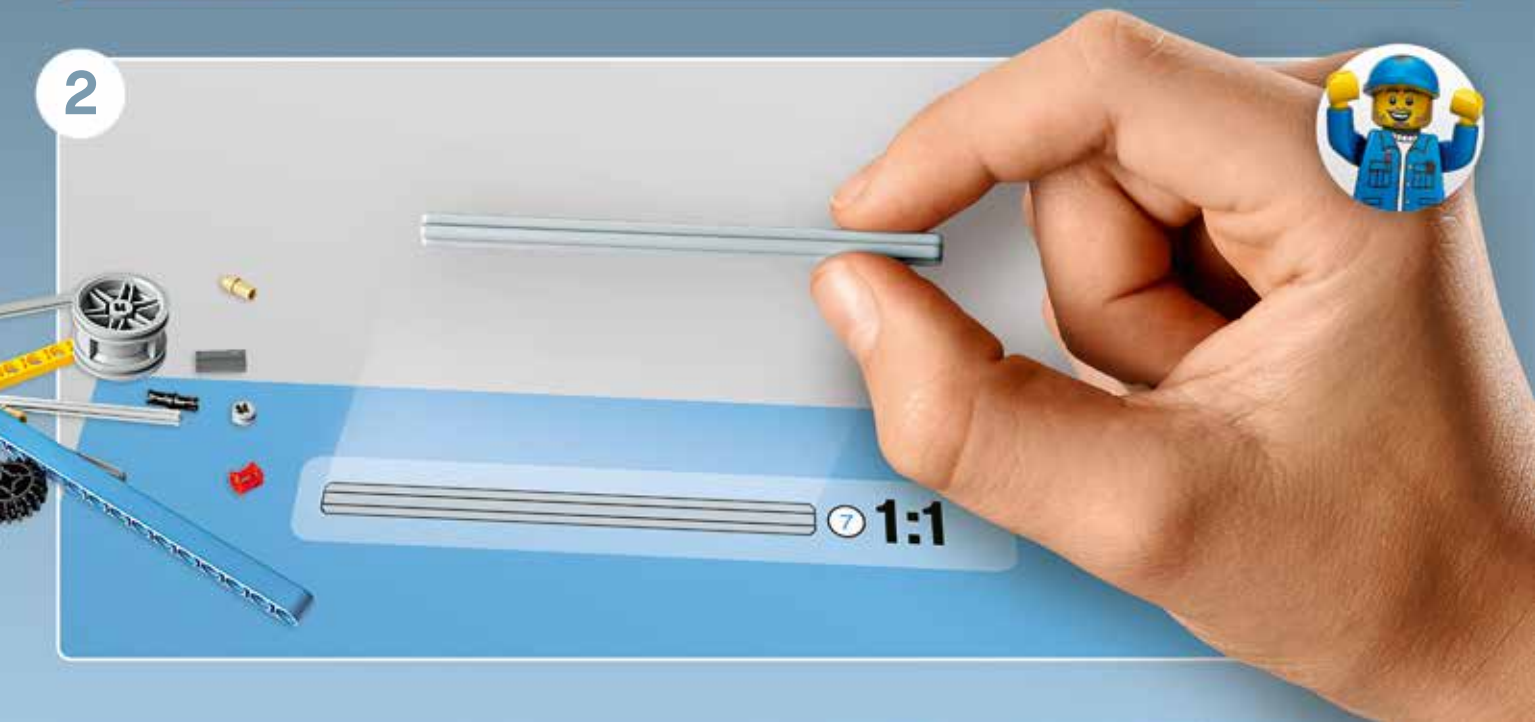
42063



1



2



1

LEGO.com/building-app



2



3



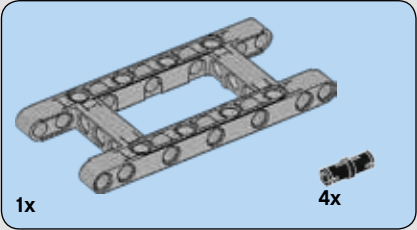
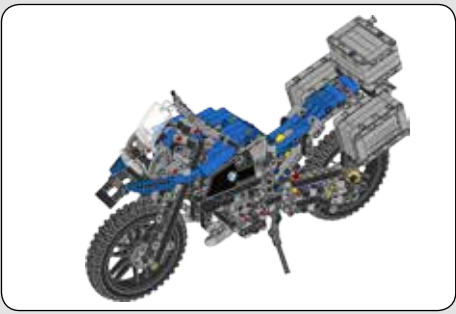
LEGO®  
Building  
Instructions



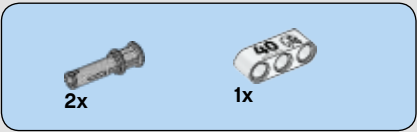
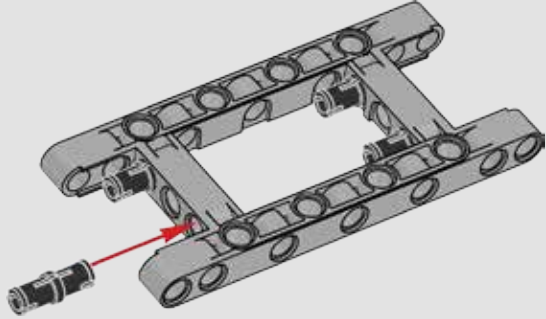
Ask parents' permission first.  
Bitte frage erst deine Eltern um Erlaubnis.  
Demande d'abord l'autorisation d'un parent.  
Pide antes permiso a tus padres.  
Pede primeiro permissão aos teus pais.  
Először kérj engedélyt a szüleidtől!  
先请求家长的许可。

Apple and the Apple logo are trademarks of Apple Inc., registered in the U.S. and other countries. App Store is a service mark of Apple Inc.

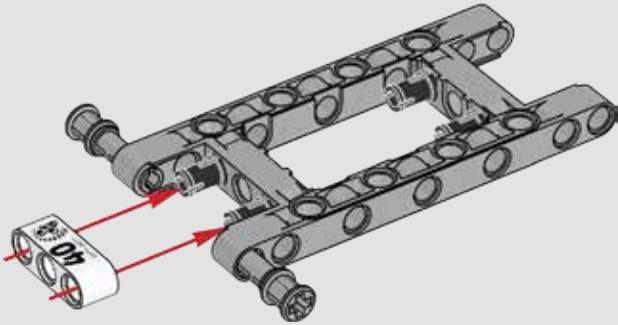
Google Play is a trademark of Google Inc.

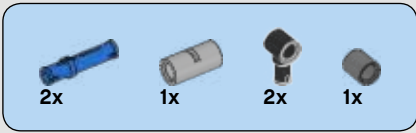


1

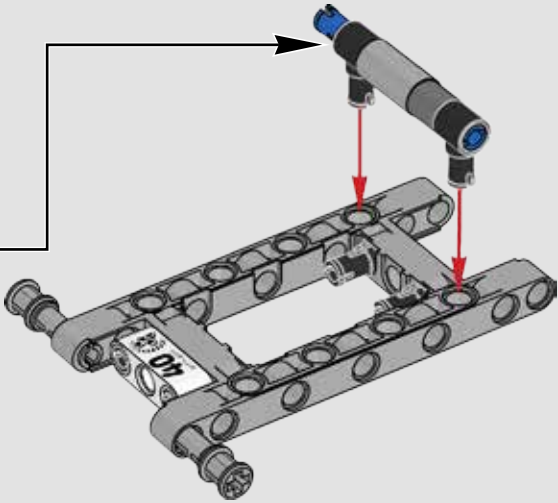
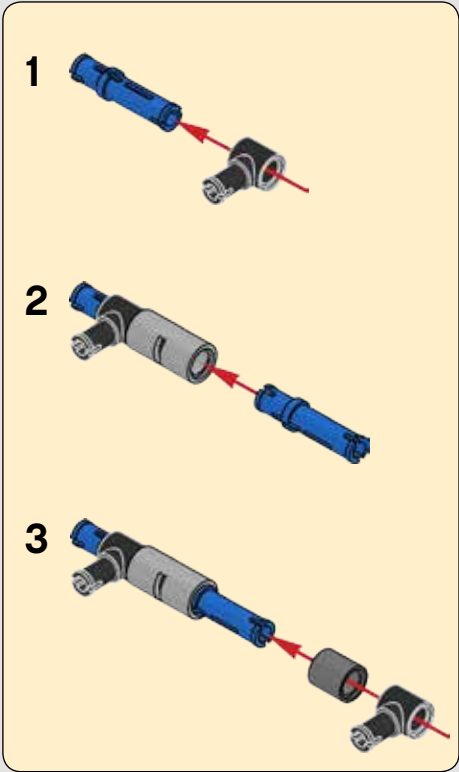


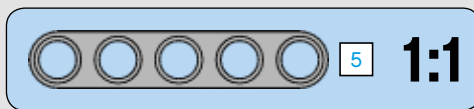
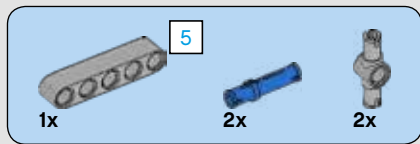
2



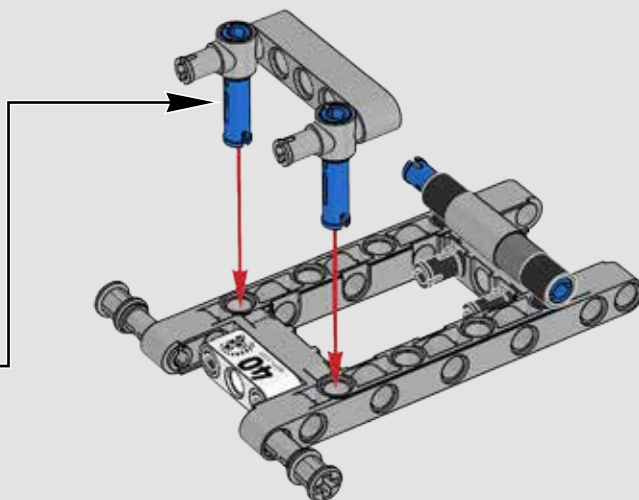
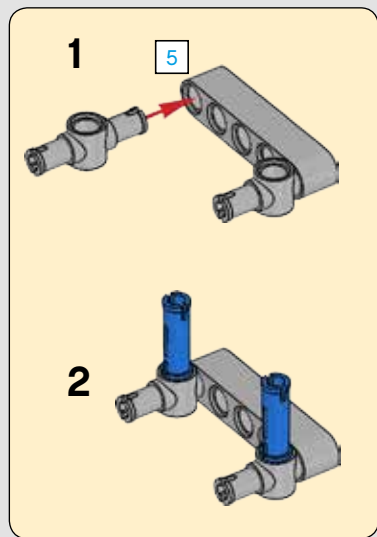


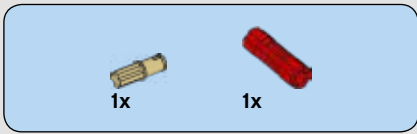
# 3



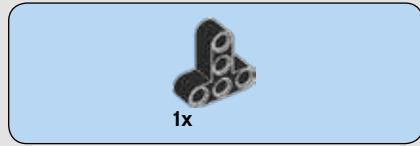
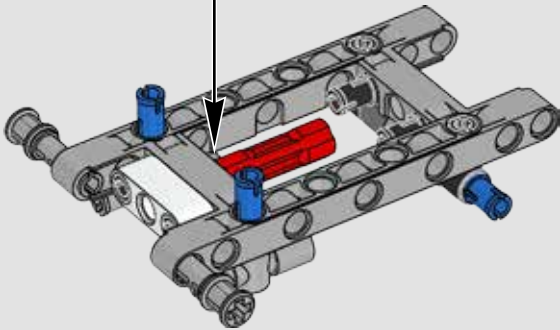
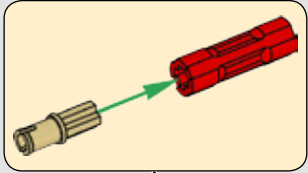


4

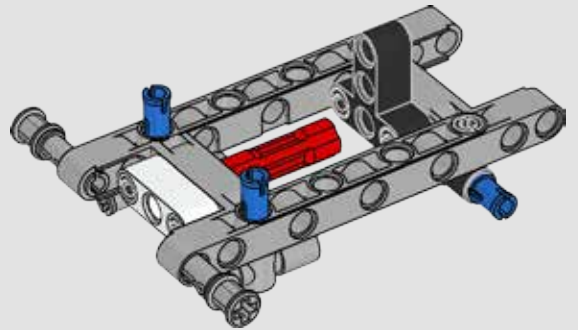


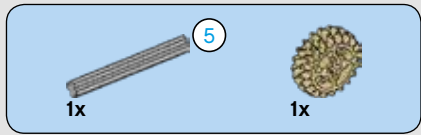


5

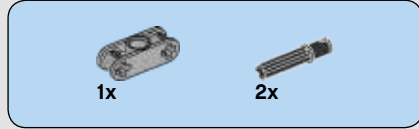
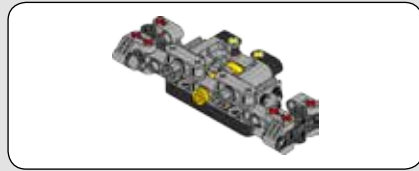
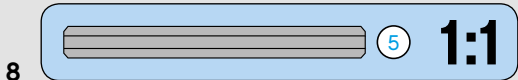
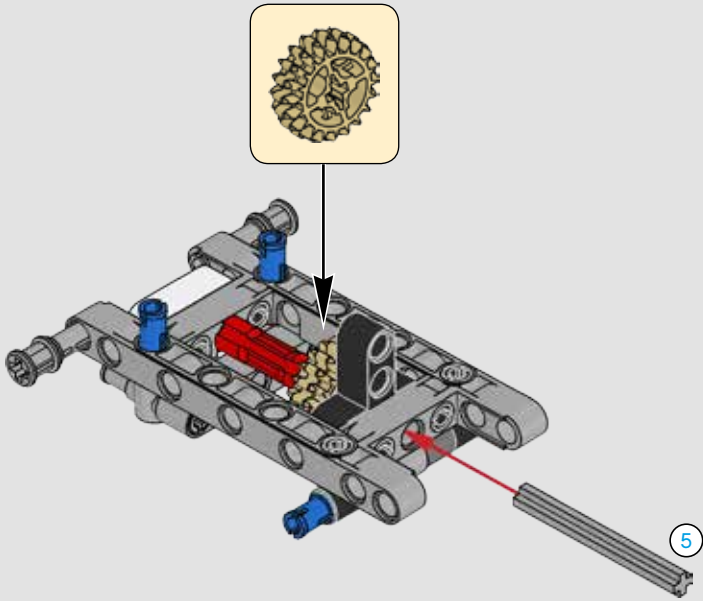


6

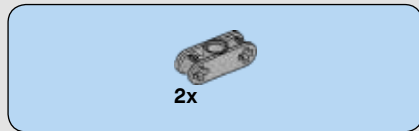
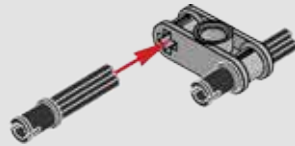




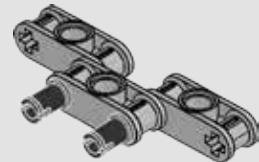
7



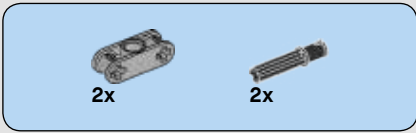
8



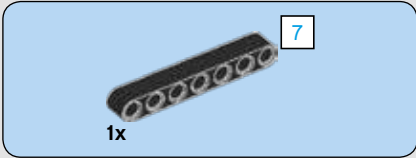
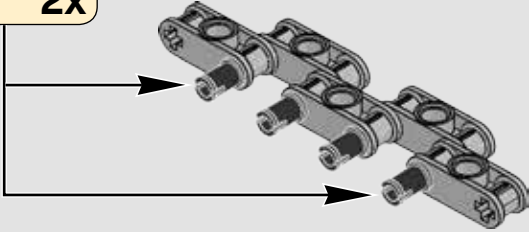
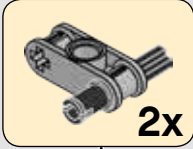
9



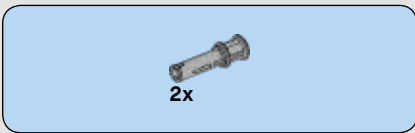
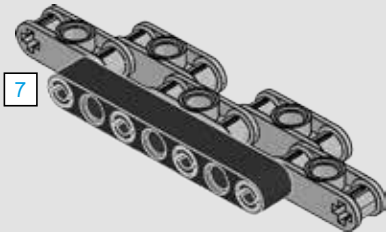




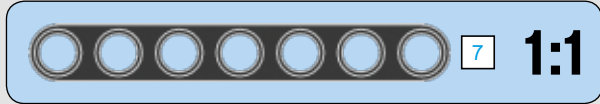
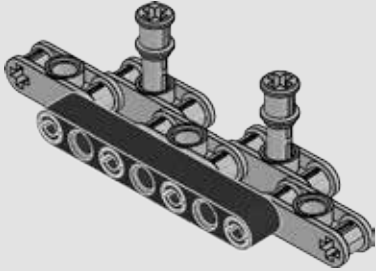
10

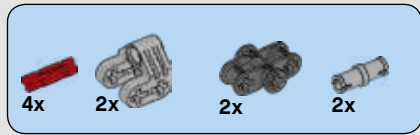


11

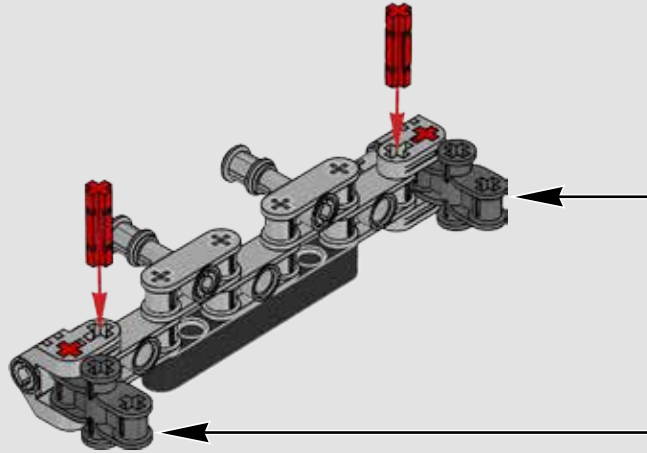
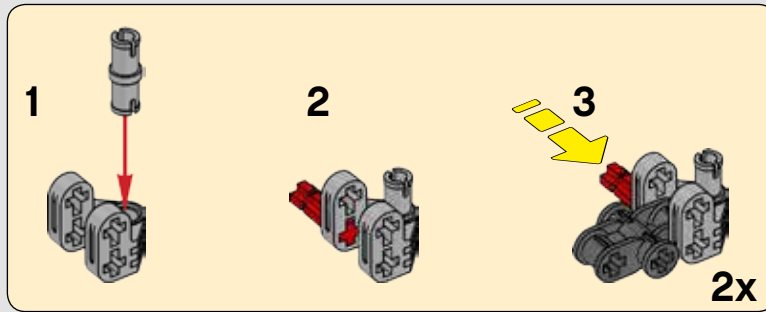
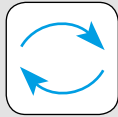


12

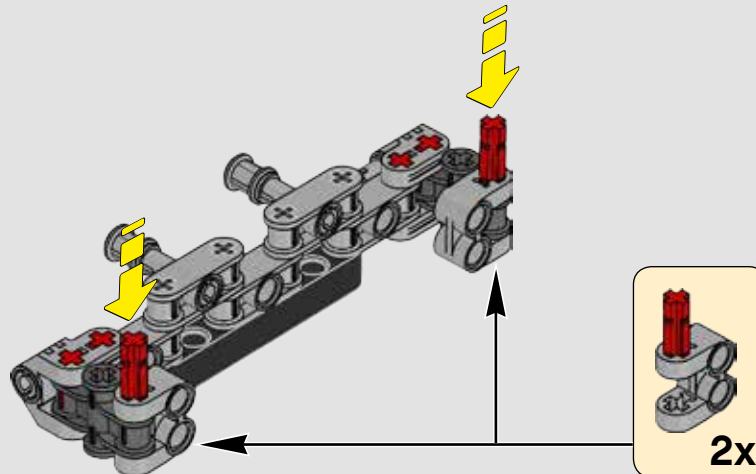


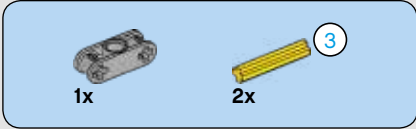
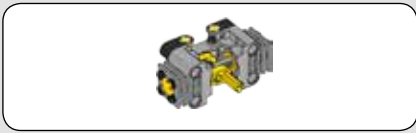


13

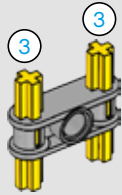


14

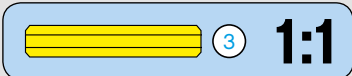




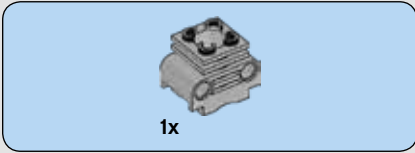
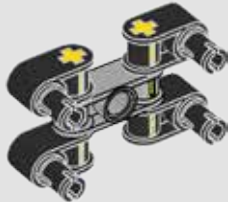
15



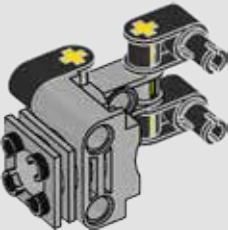
16



17

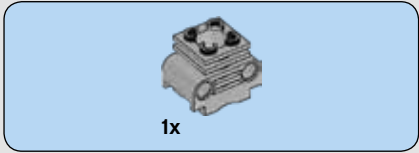
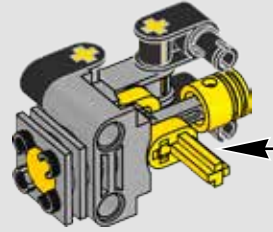
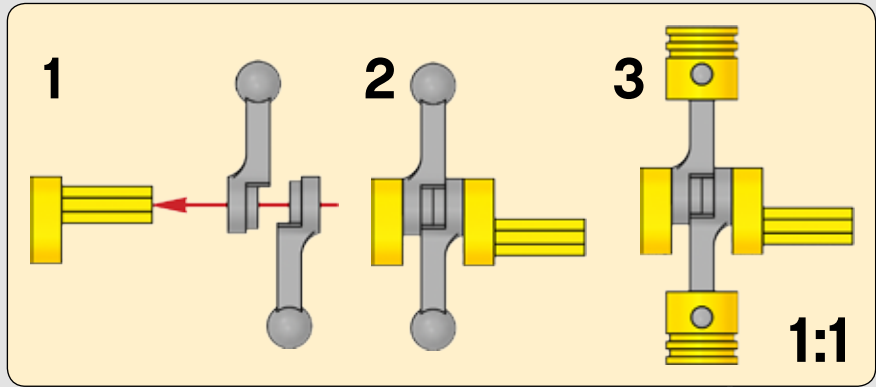


18

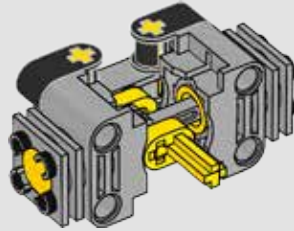




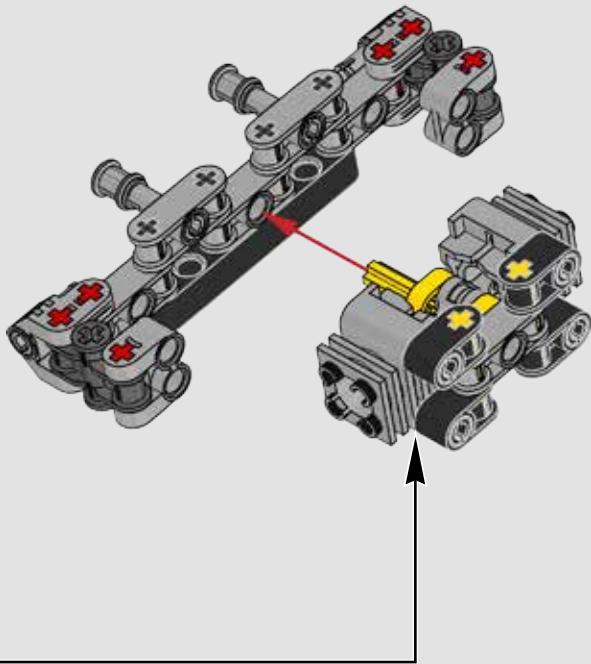
19



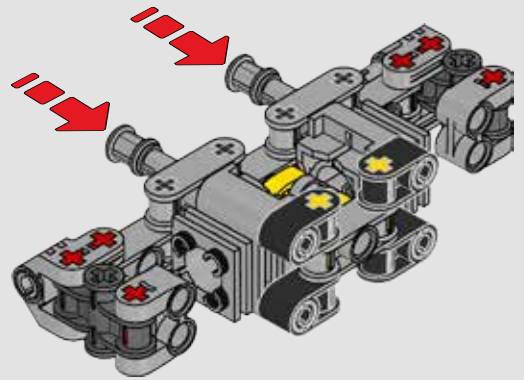
20



21



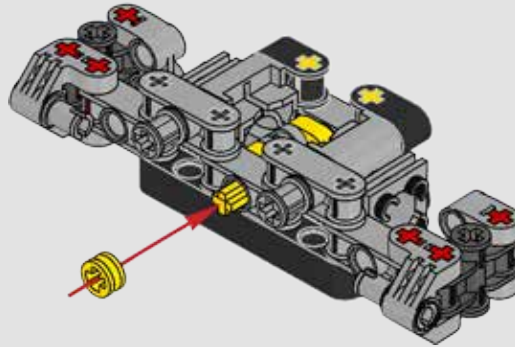
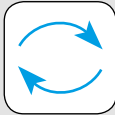
22



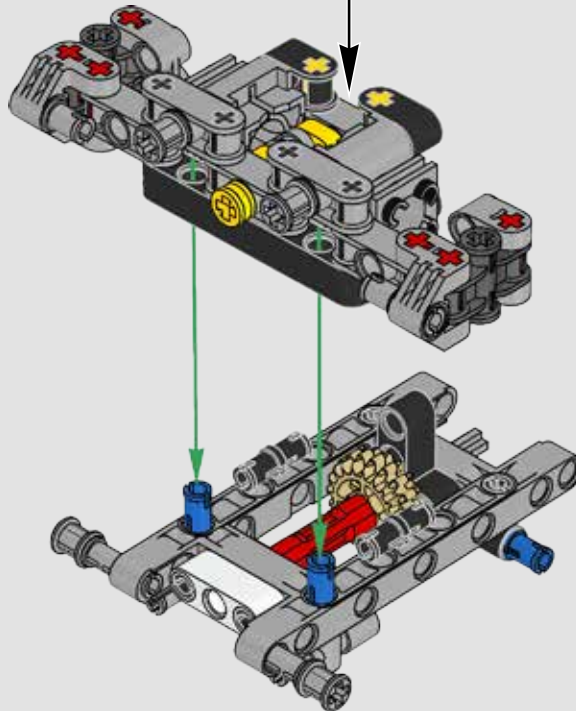


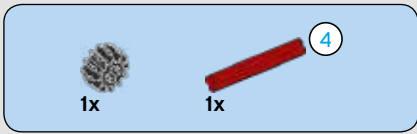
1x

23

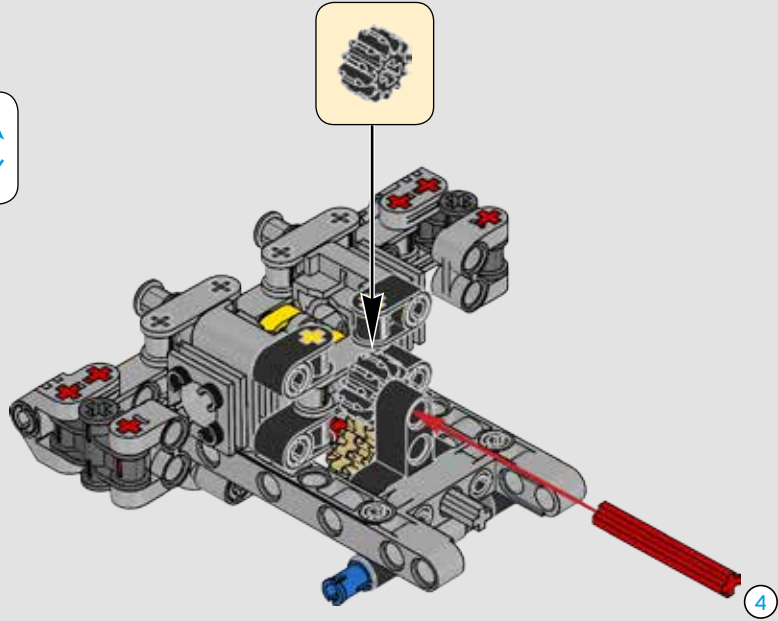
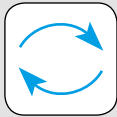


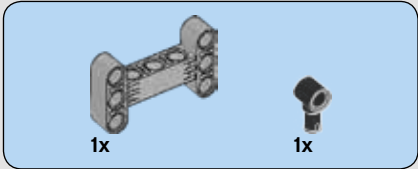
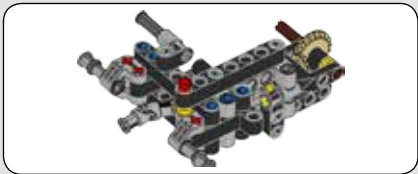
24



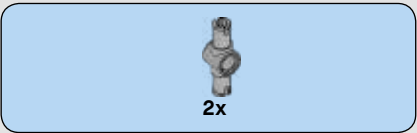
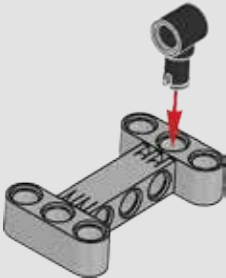


25

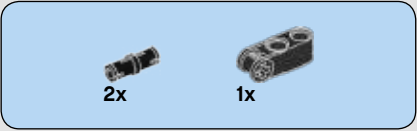
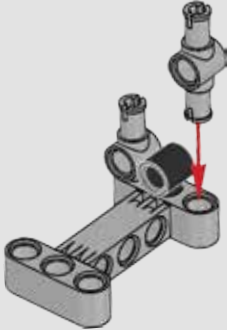




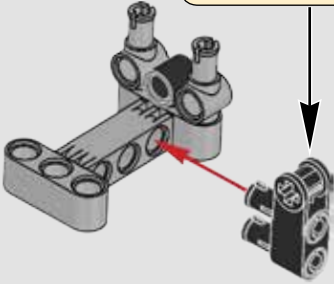
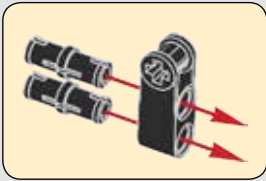
26



27



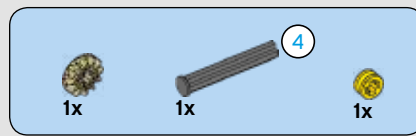
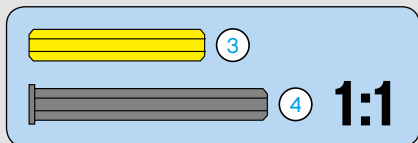
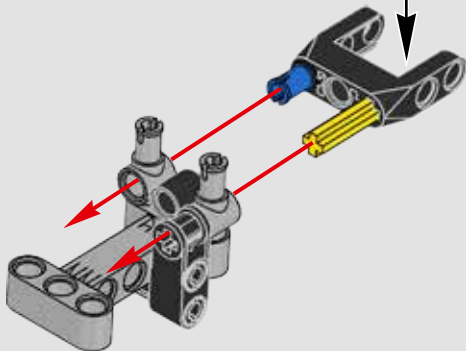
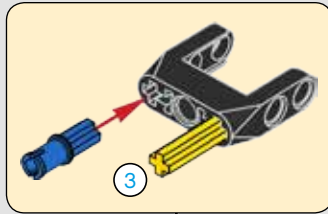
28



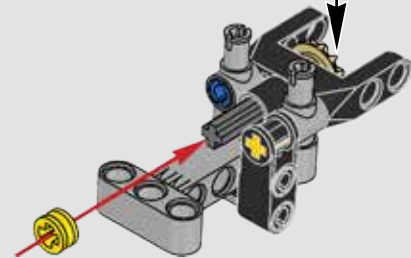
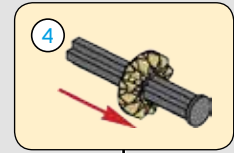


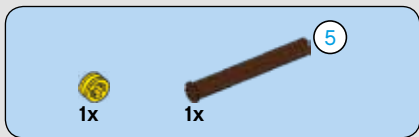


29

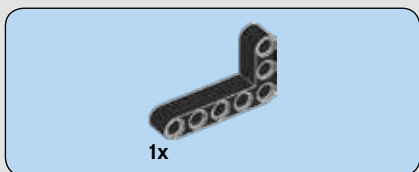
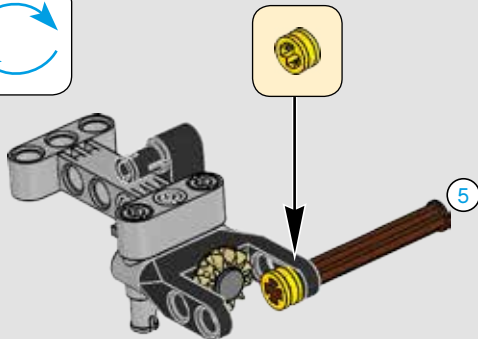
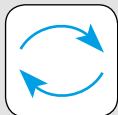


30

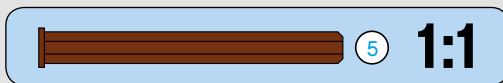
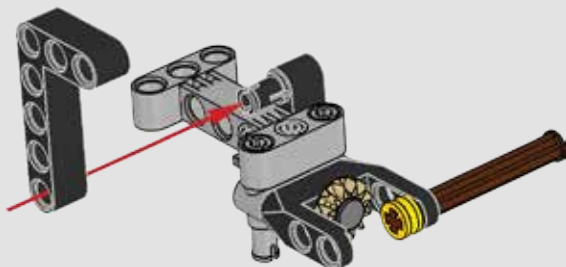




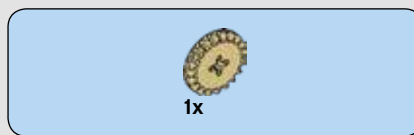
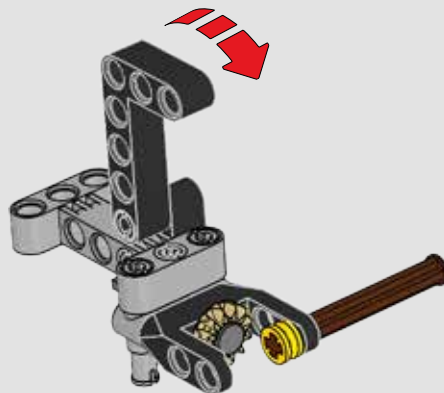
31



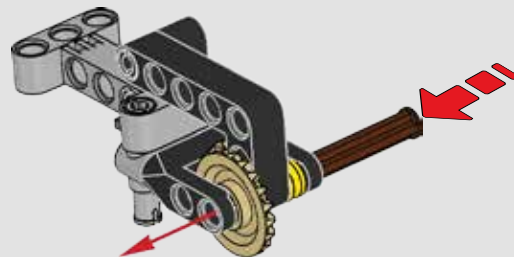
32



33

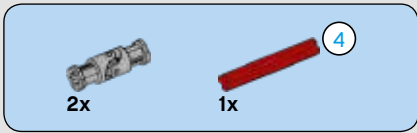
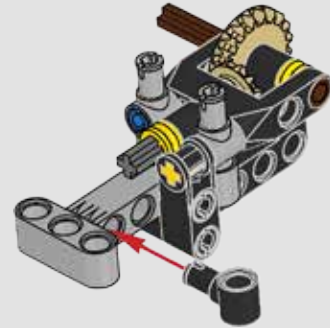
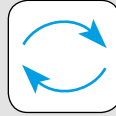


34

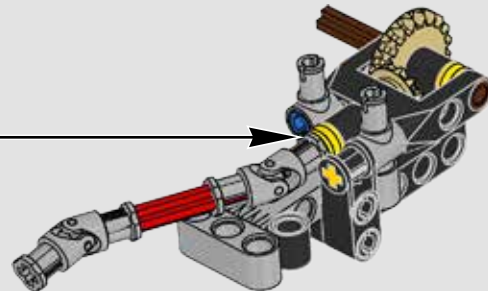
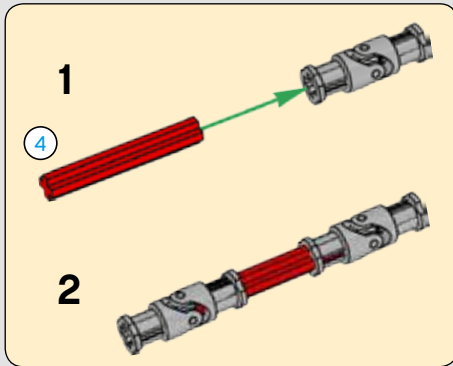




35



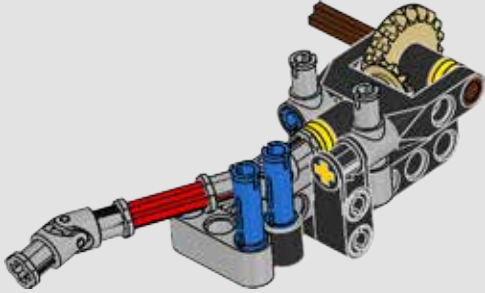
36





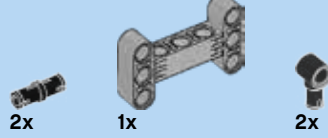
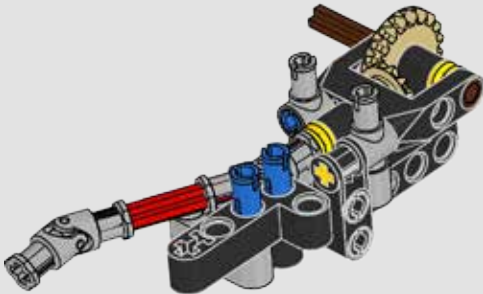
2x

37



1x

38

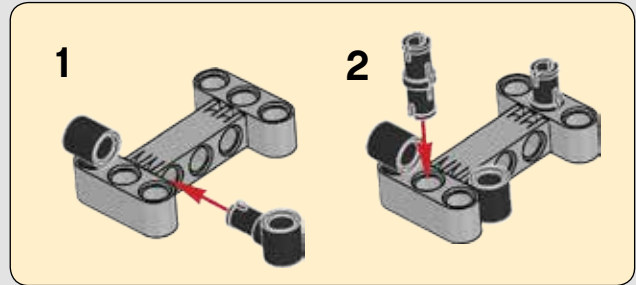


2x

1x

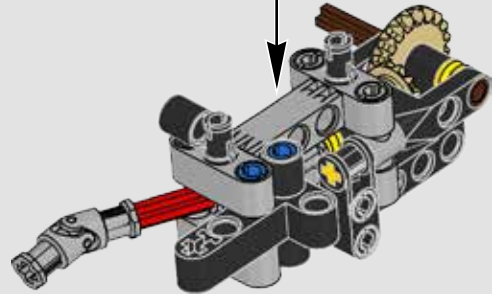
2x

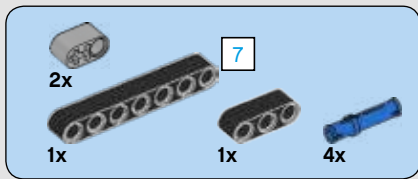
39



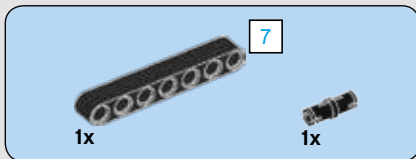
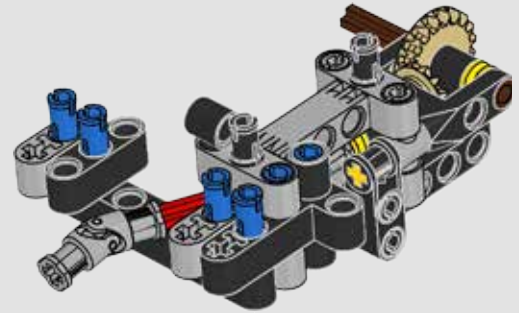
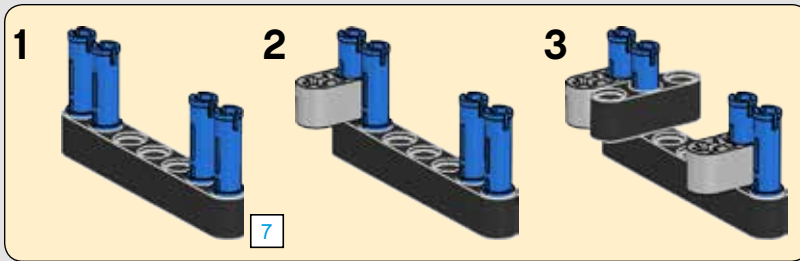
1

2

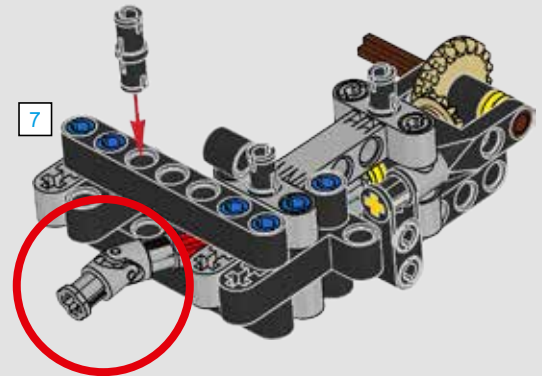


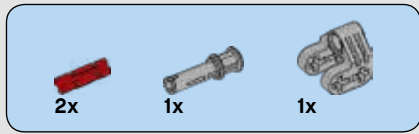


40

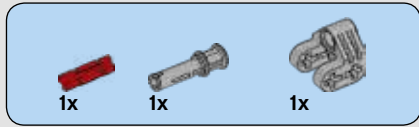
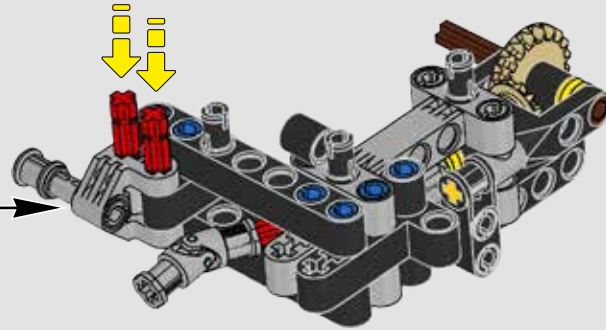
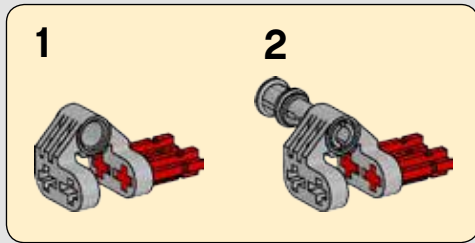


41

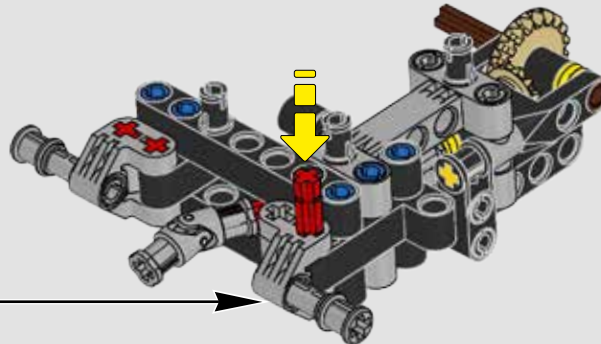
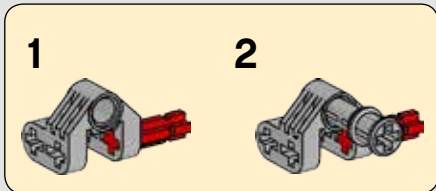




42

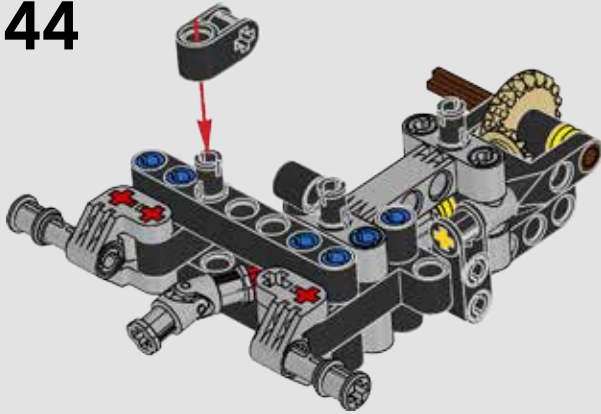


43

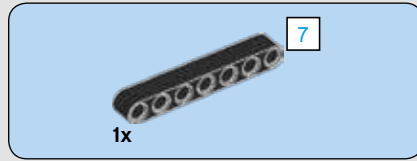
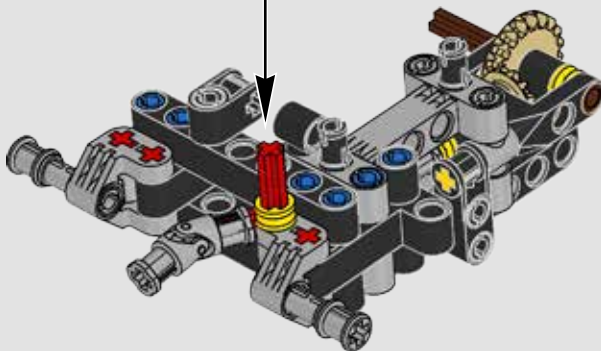
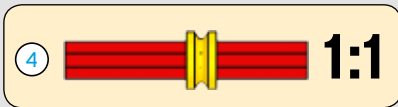




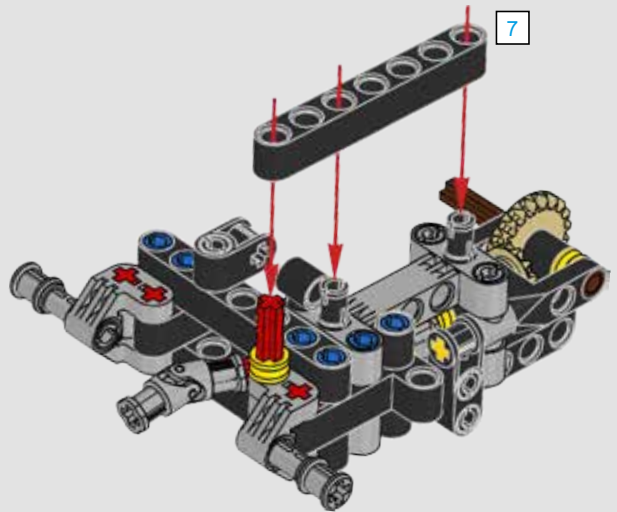
44

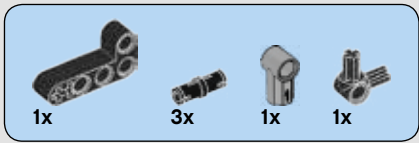


45

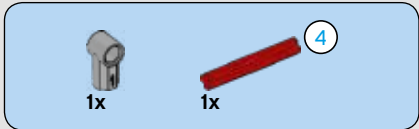
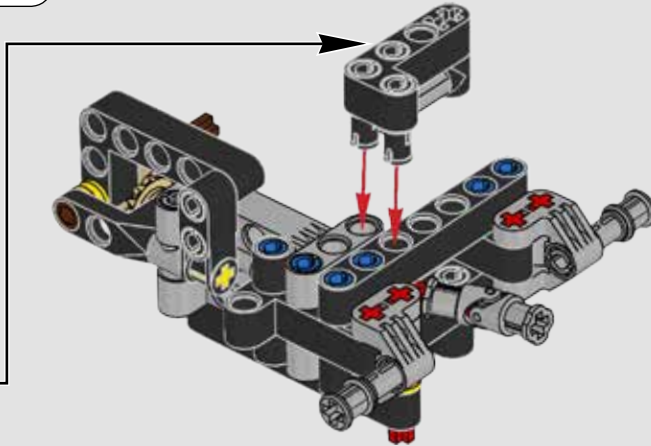
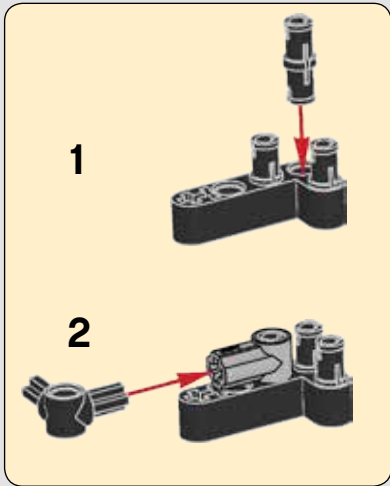
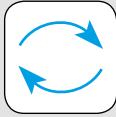


46

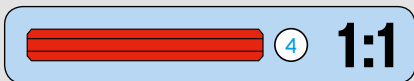
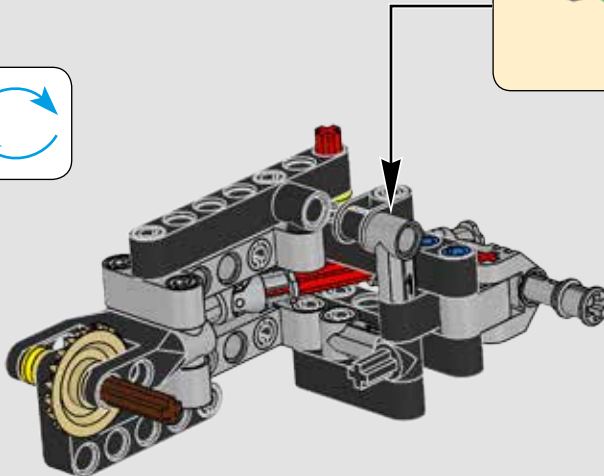
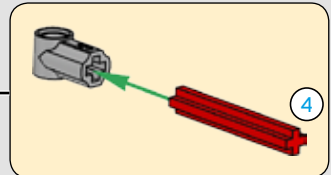
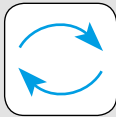




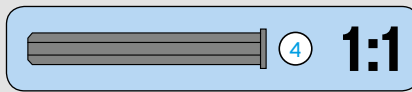
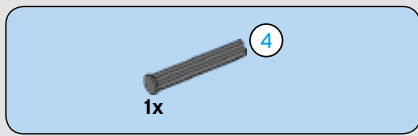
47



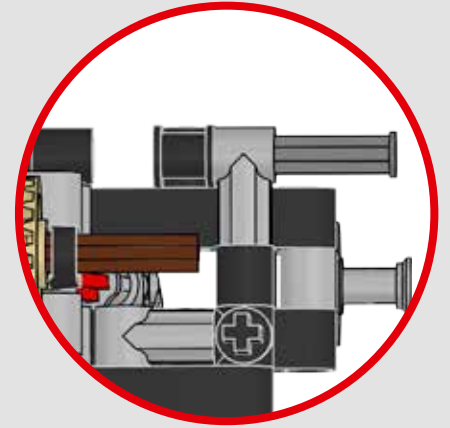
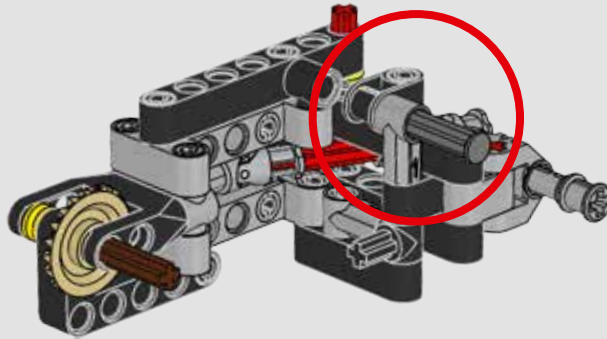
48



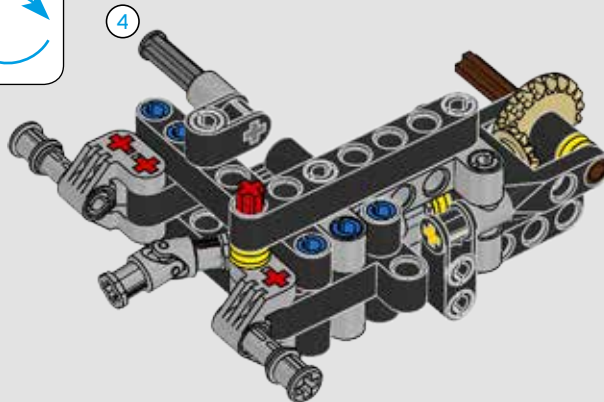
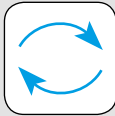




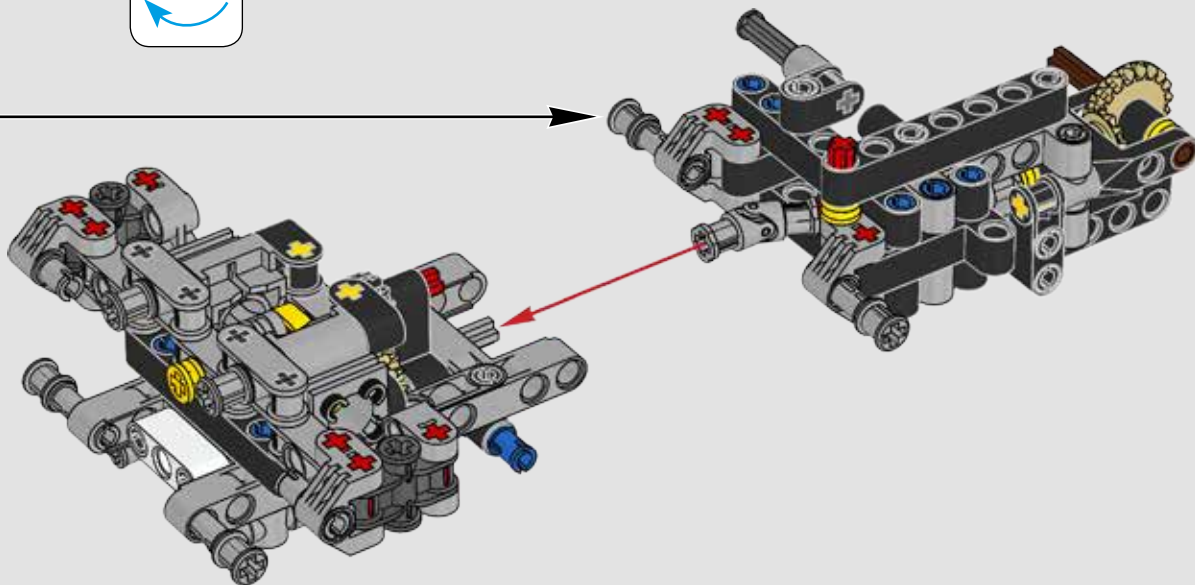
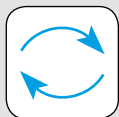
49



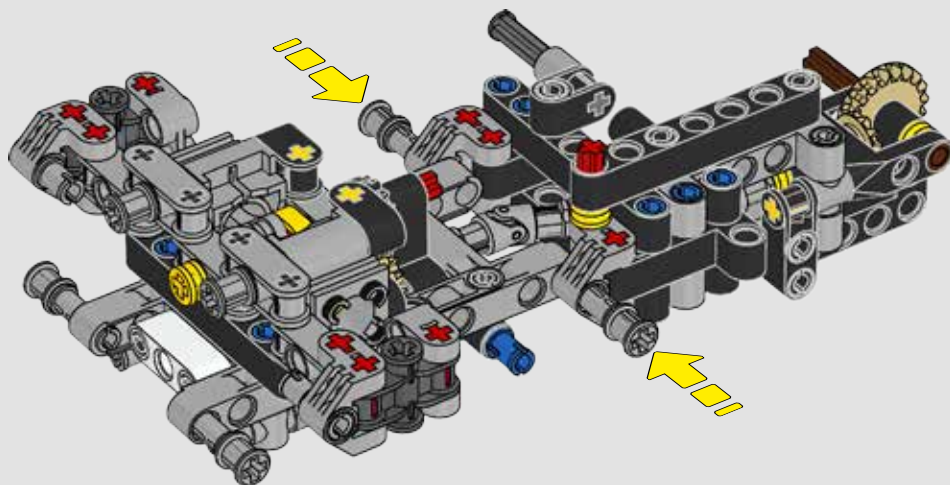
50

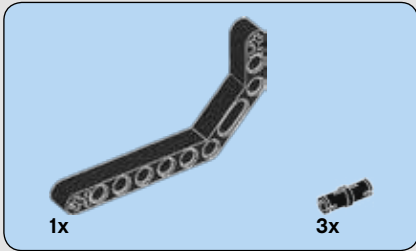
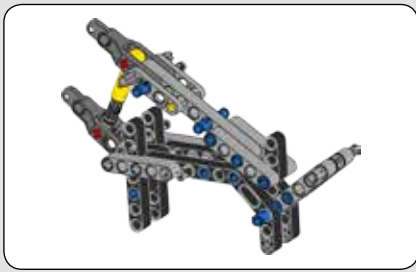


51

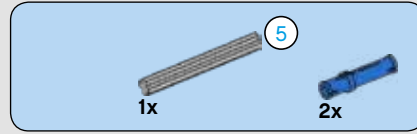
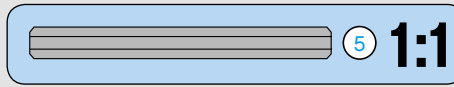
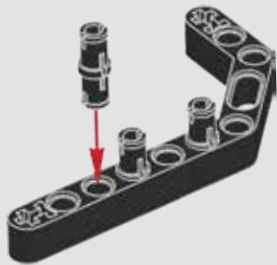


52

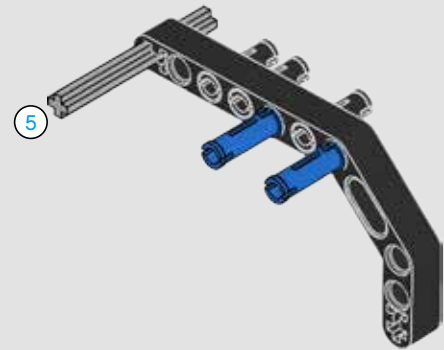
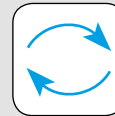


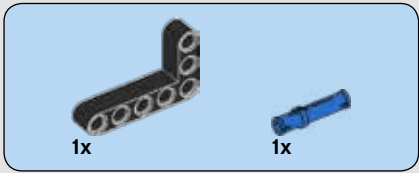


53

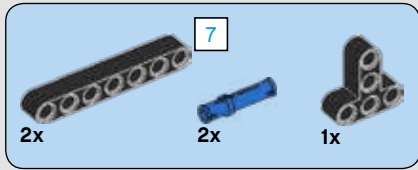
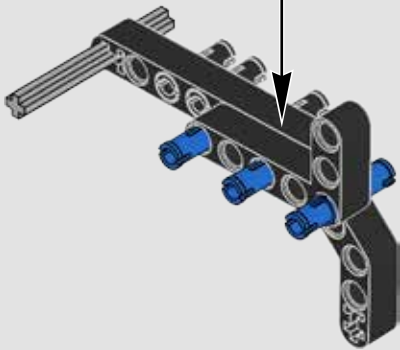
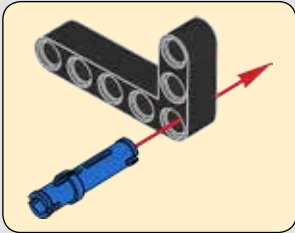


54

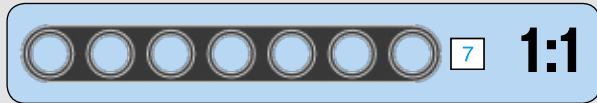
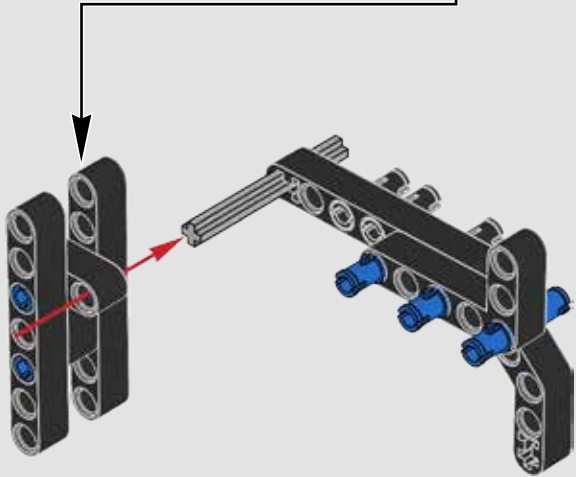
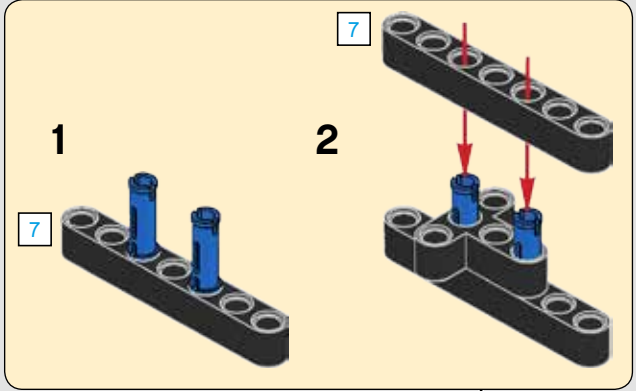


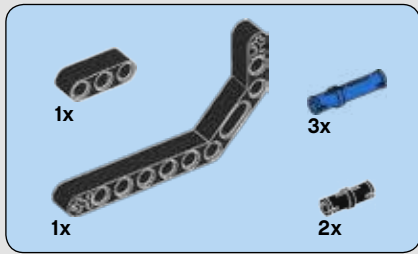


55

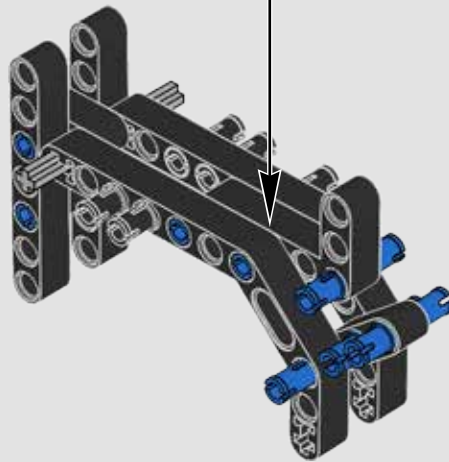
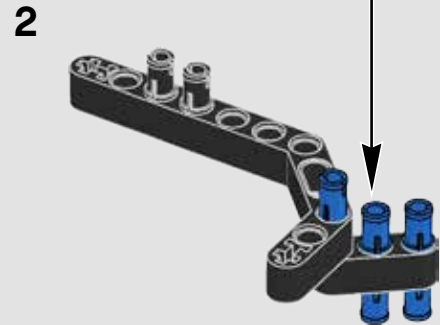
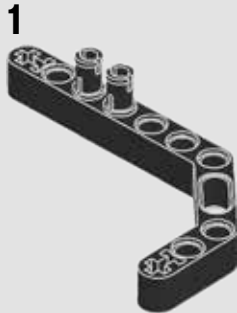


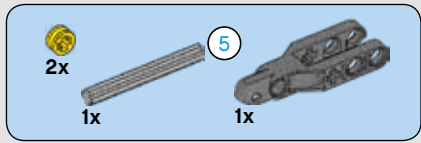
56



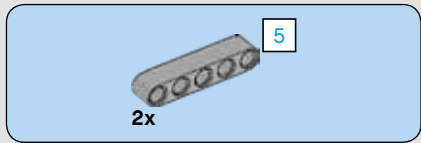
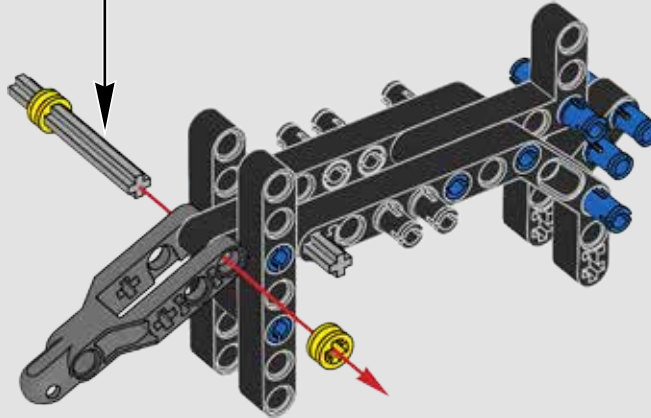
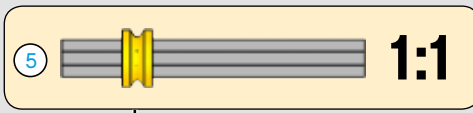
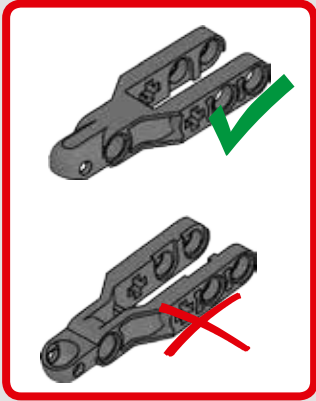


**57**

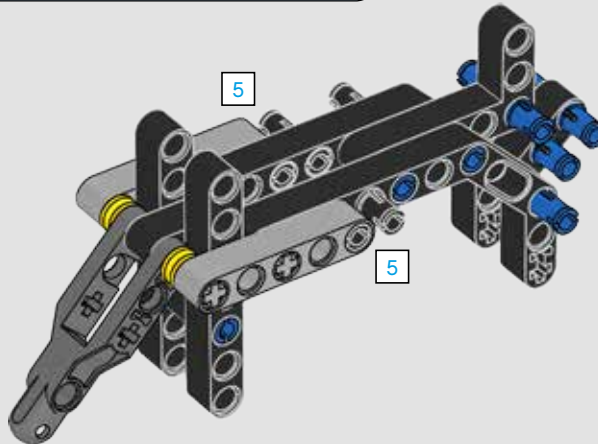
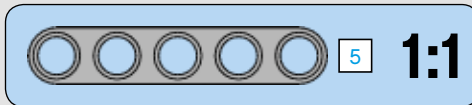


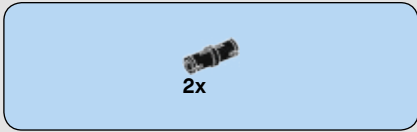


58

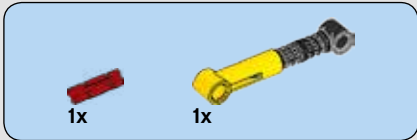
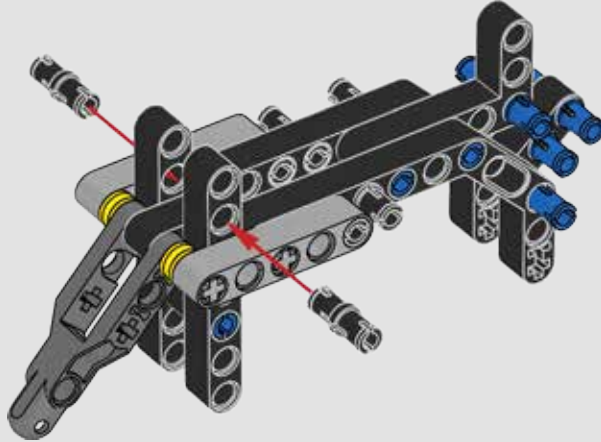


59

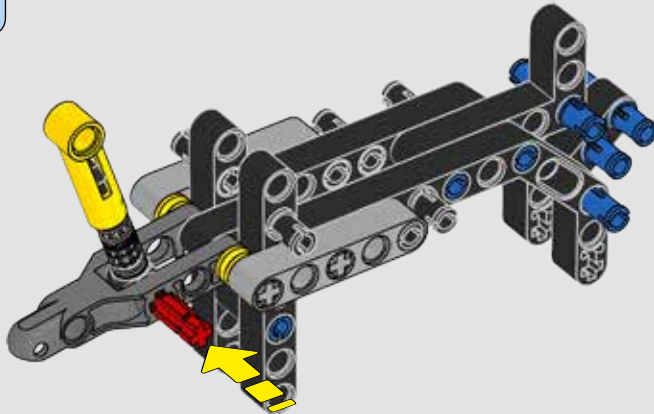


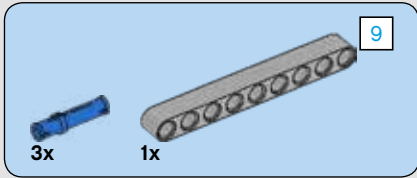
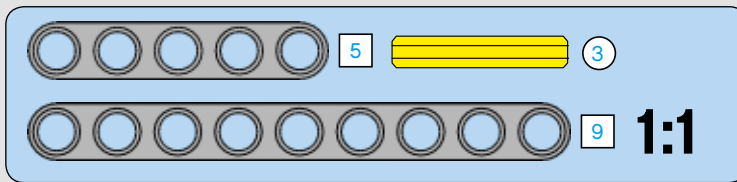
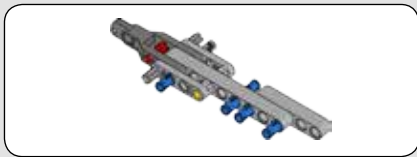


60



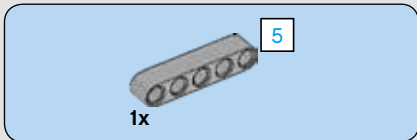
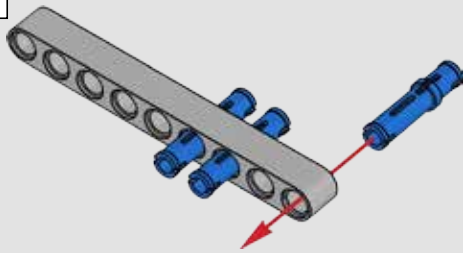
61



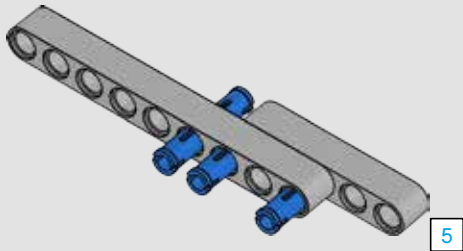


62

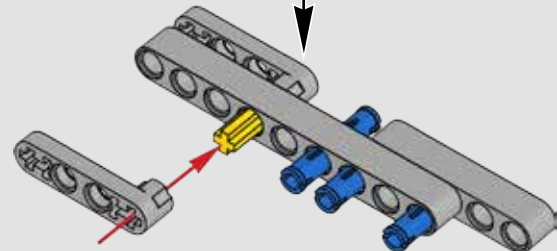
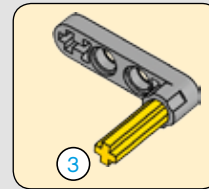
9



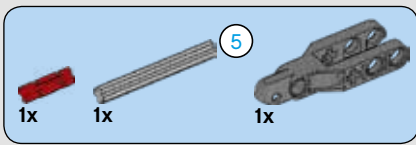
63



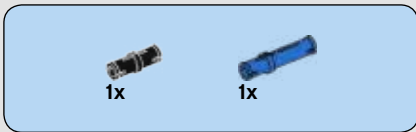
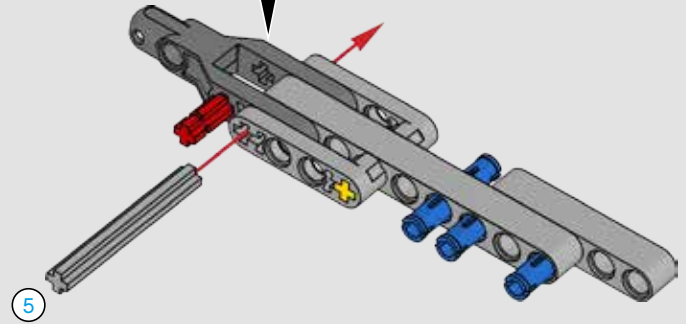
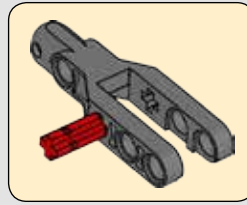
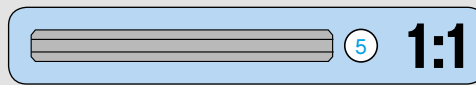
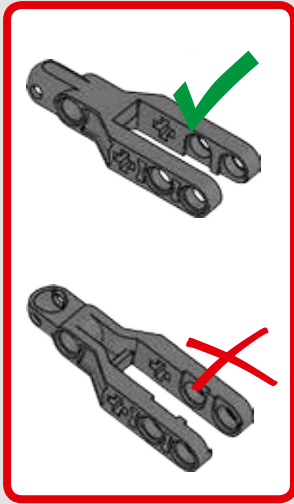
64



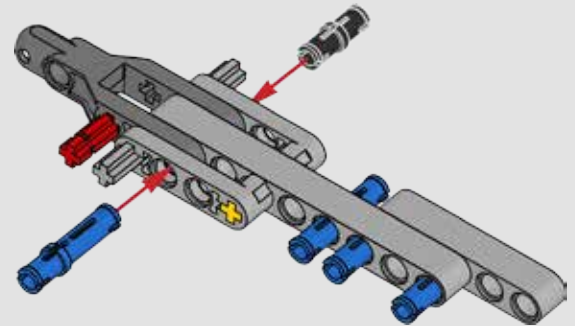




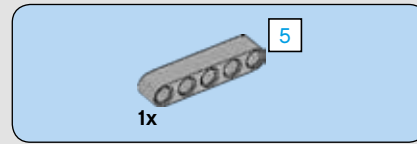
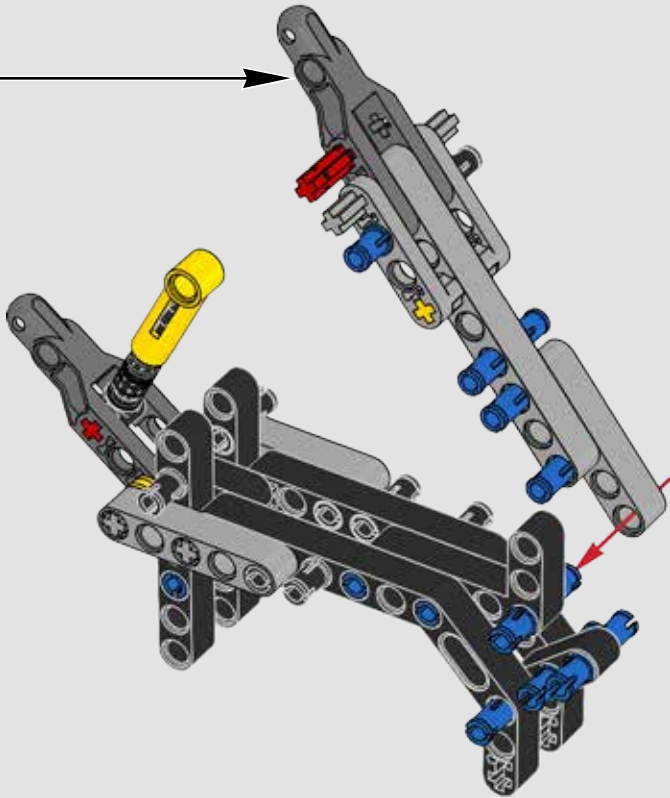
65



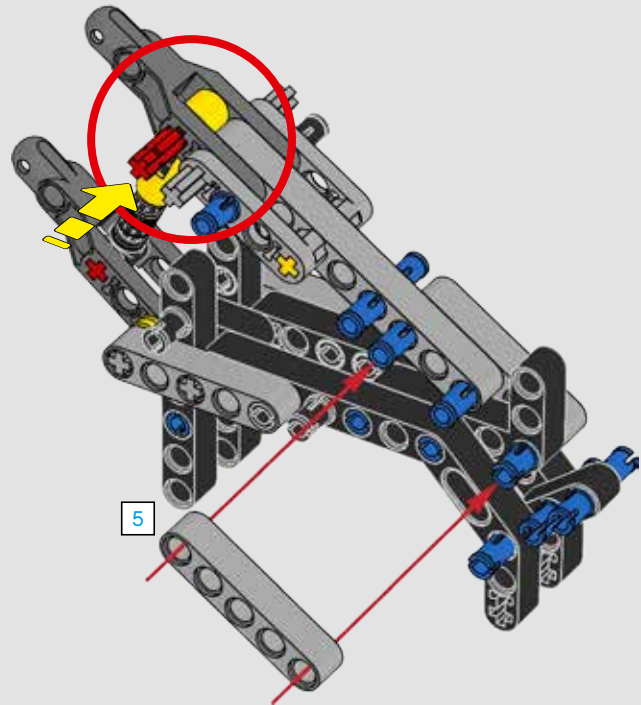
66

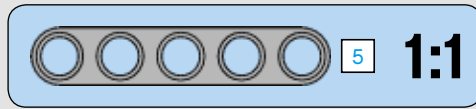
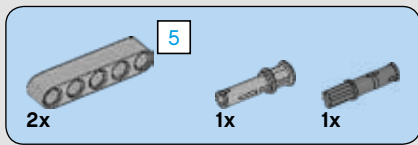


67

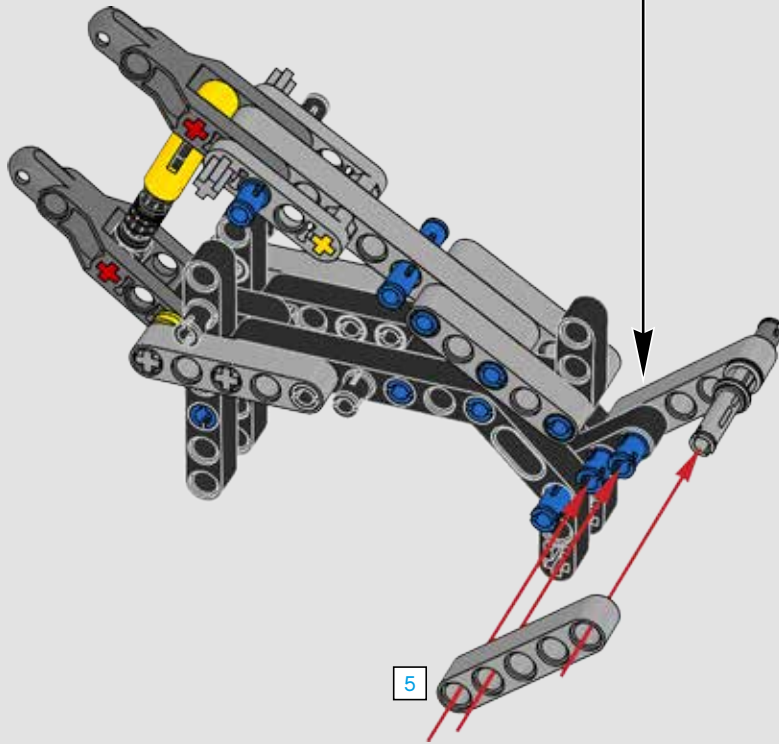
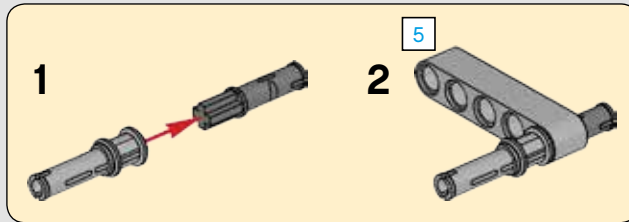


68

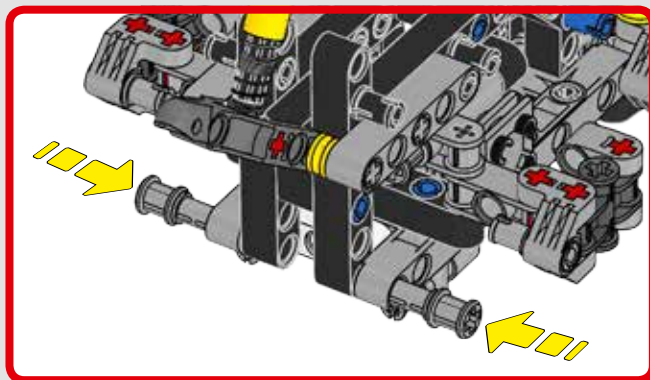
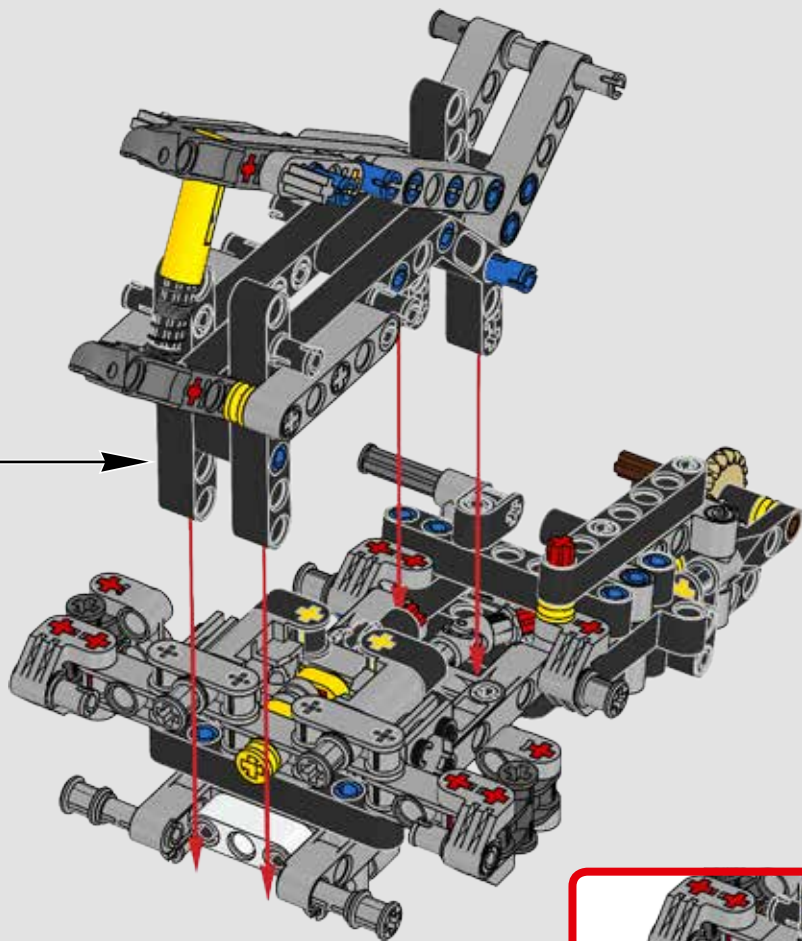


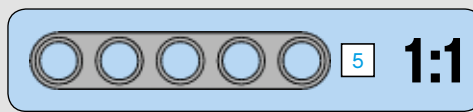
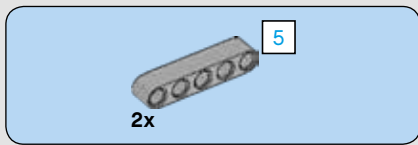


69

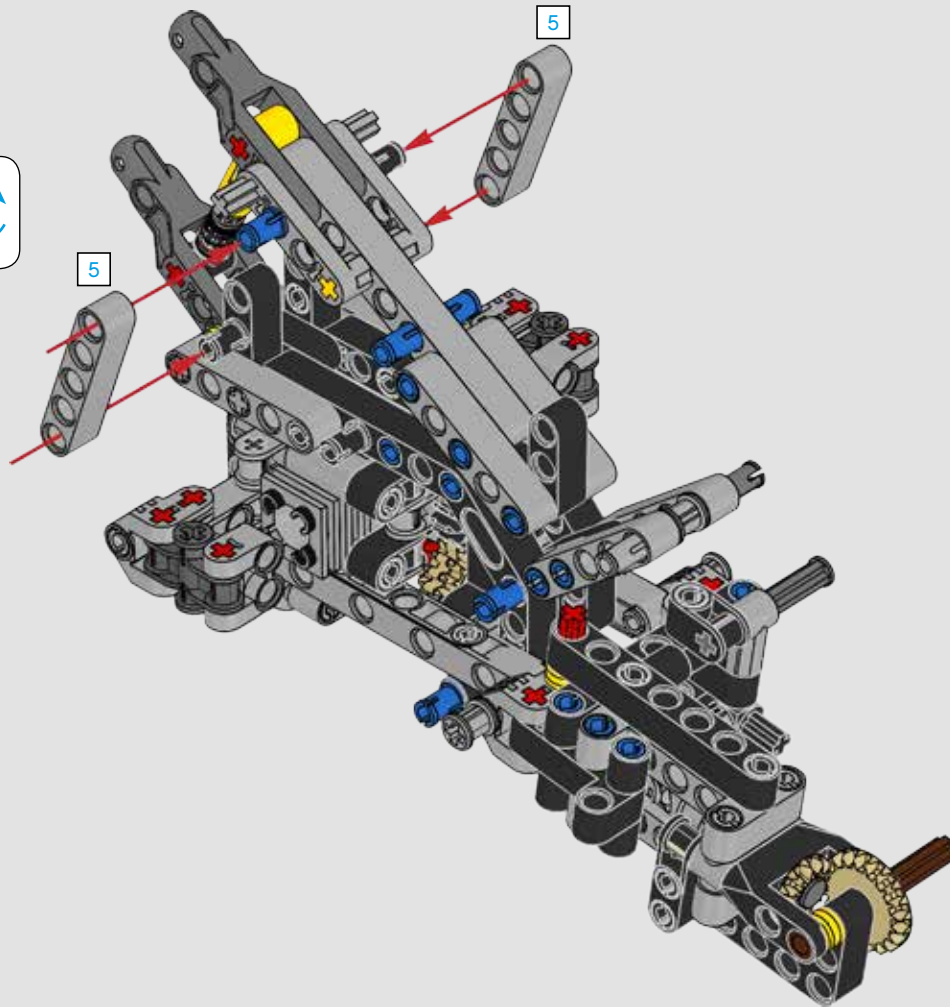
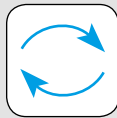


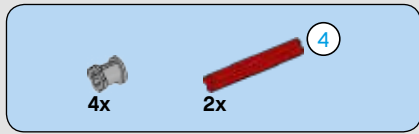
70



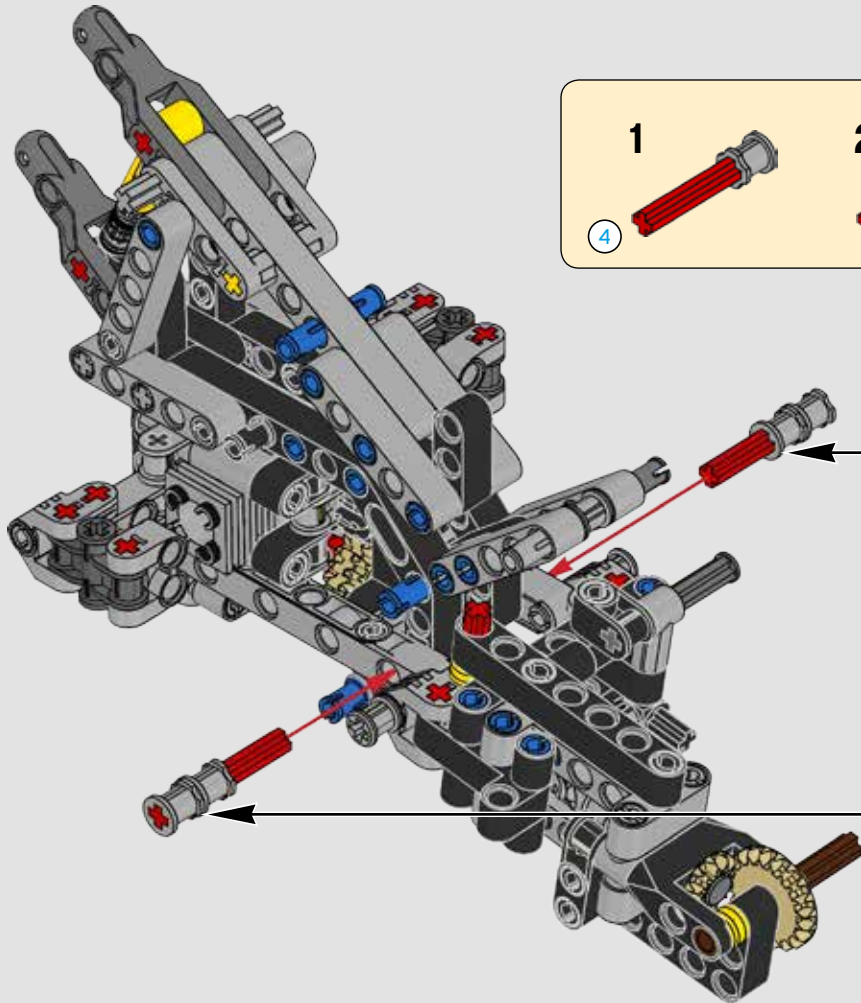
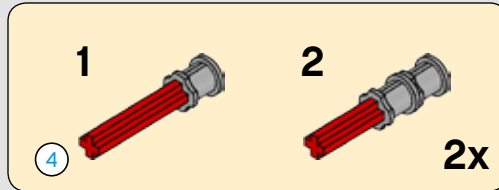


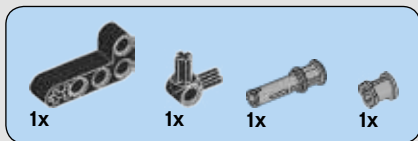
71



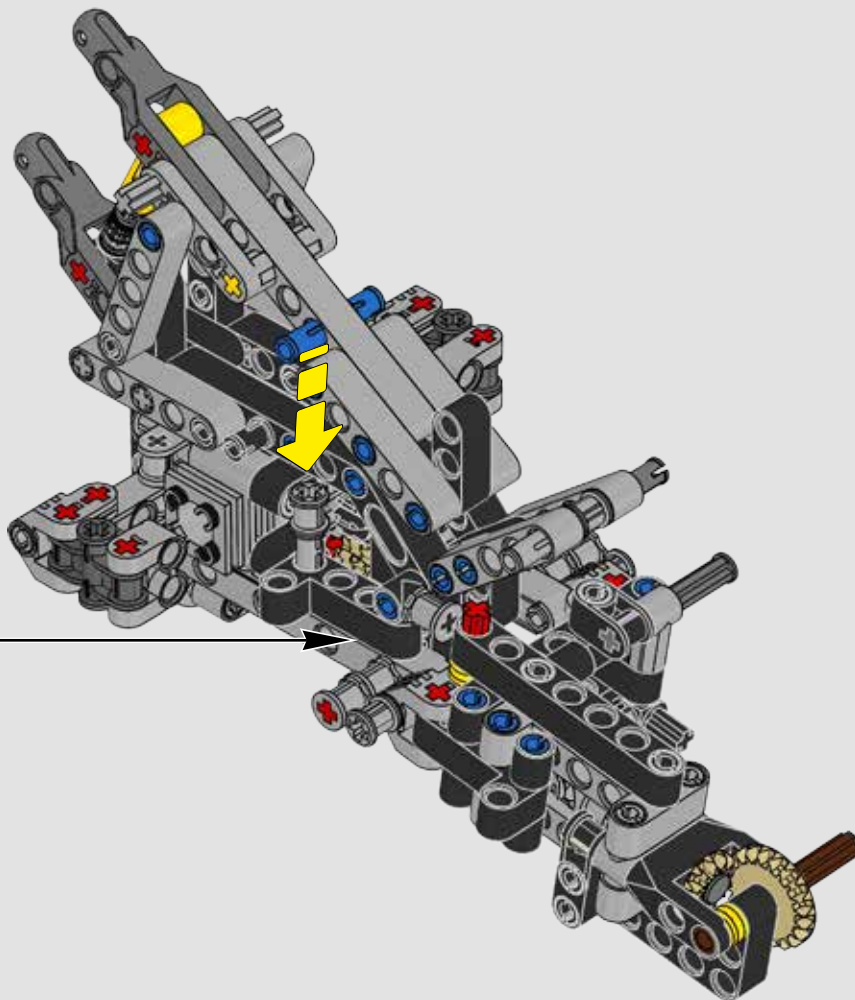
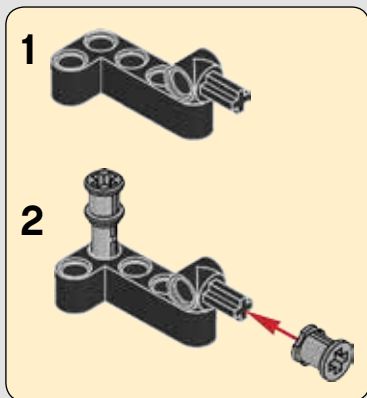


72





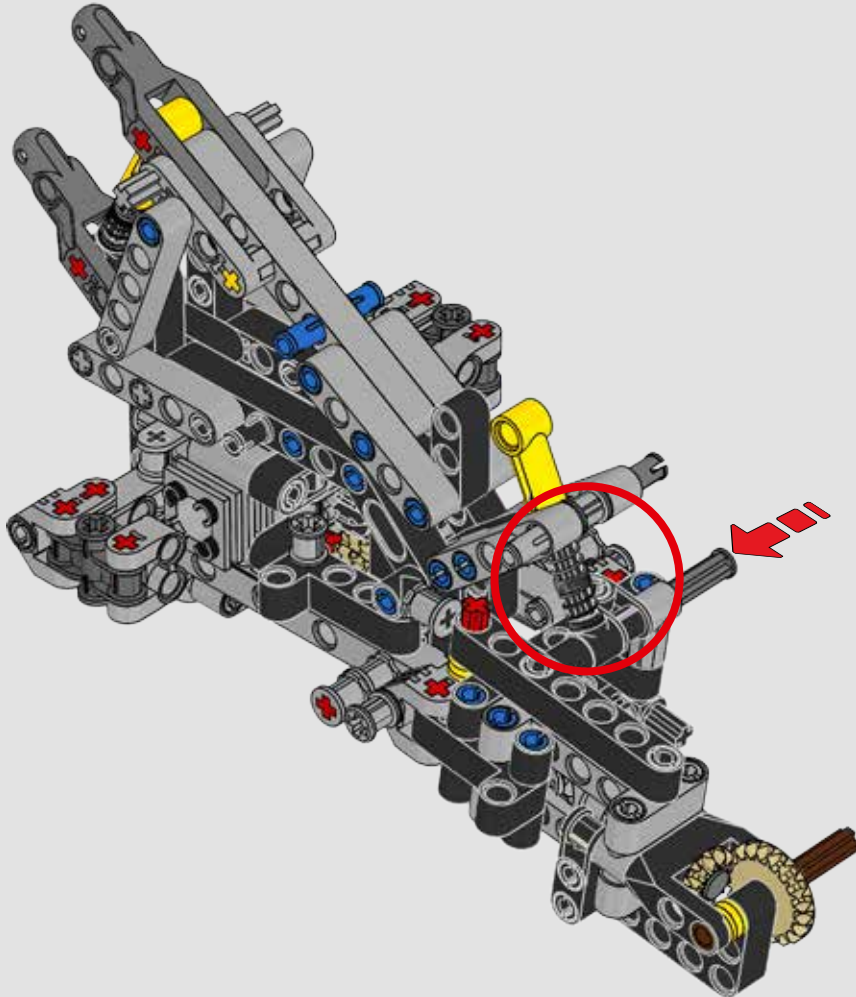
73



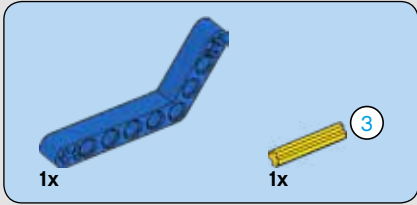


1x

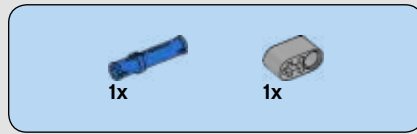
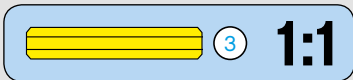
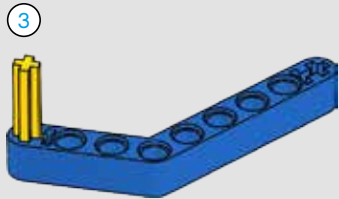
74



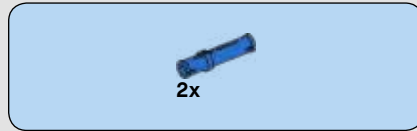
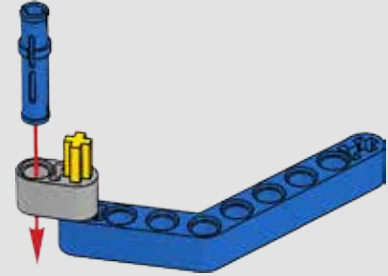




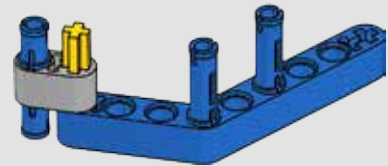
75



76

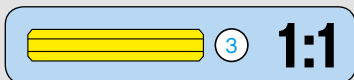
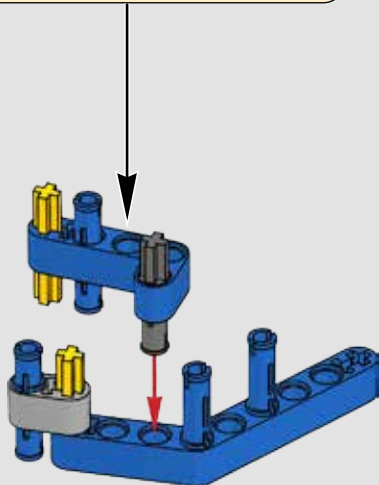
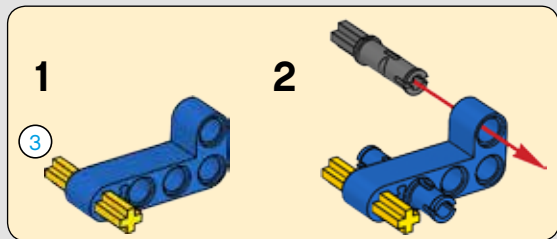


77

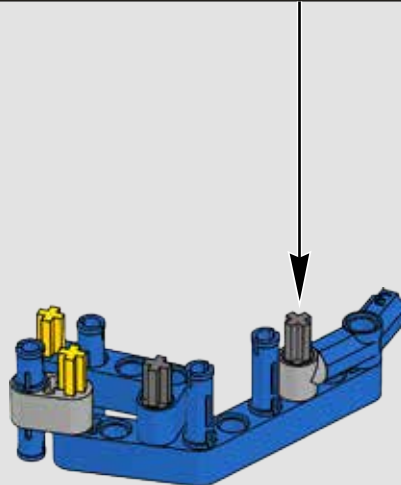
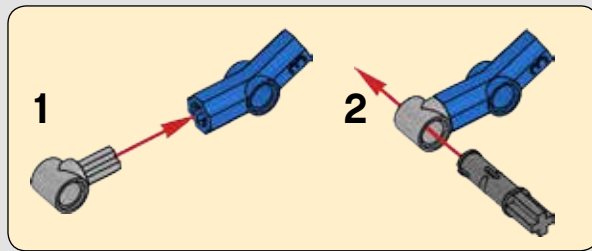


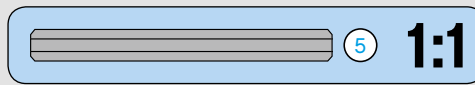
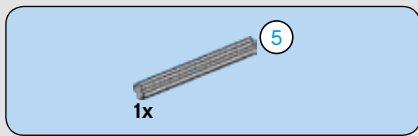


78

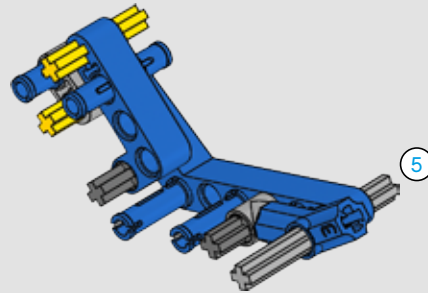
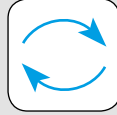


79

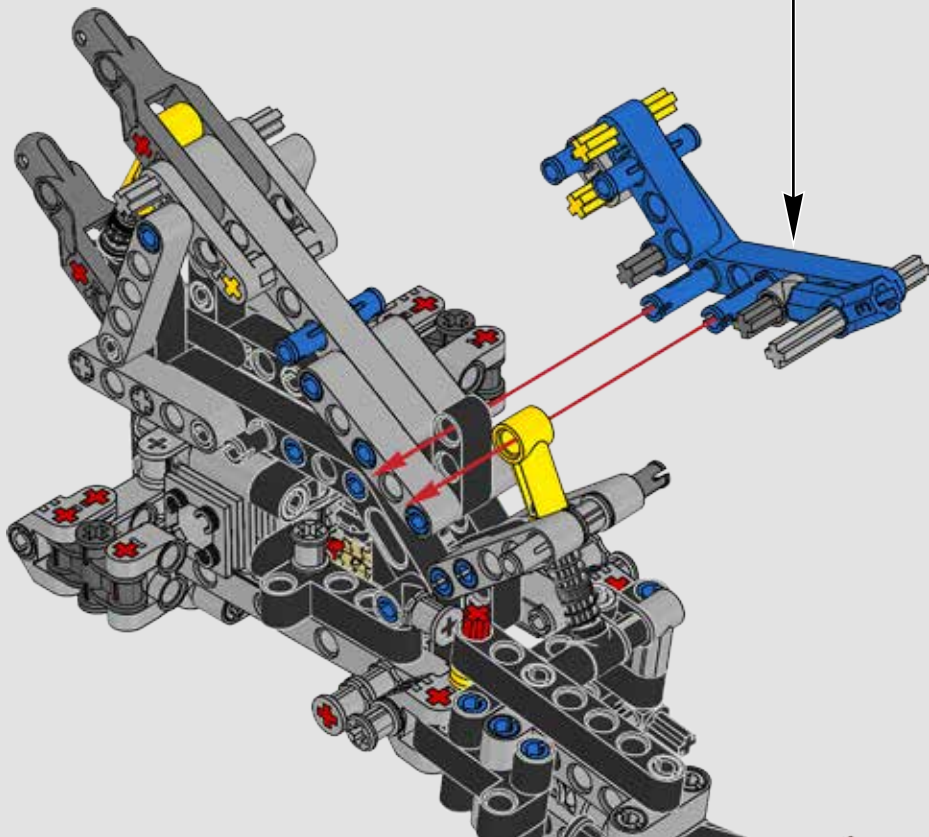




80

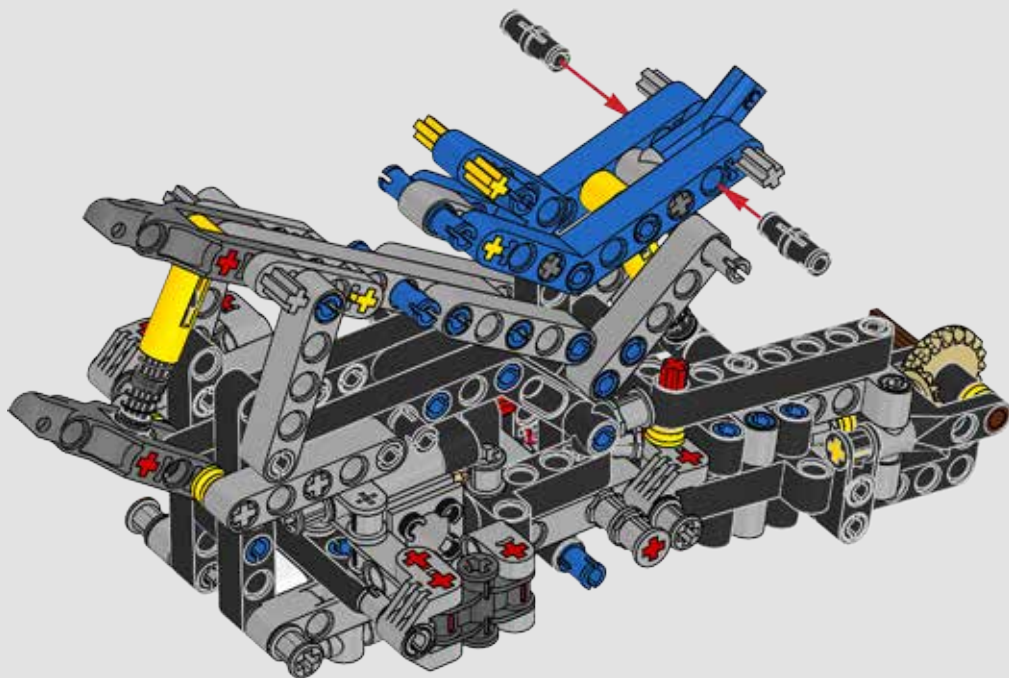


81



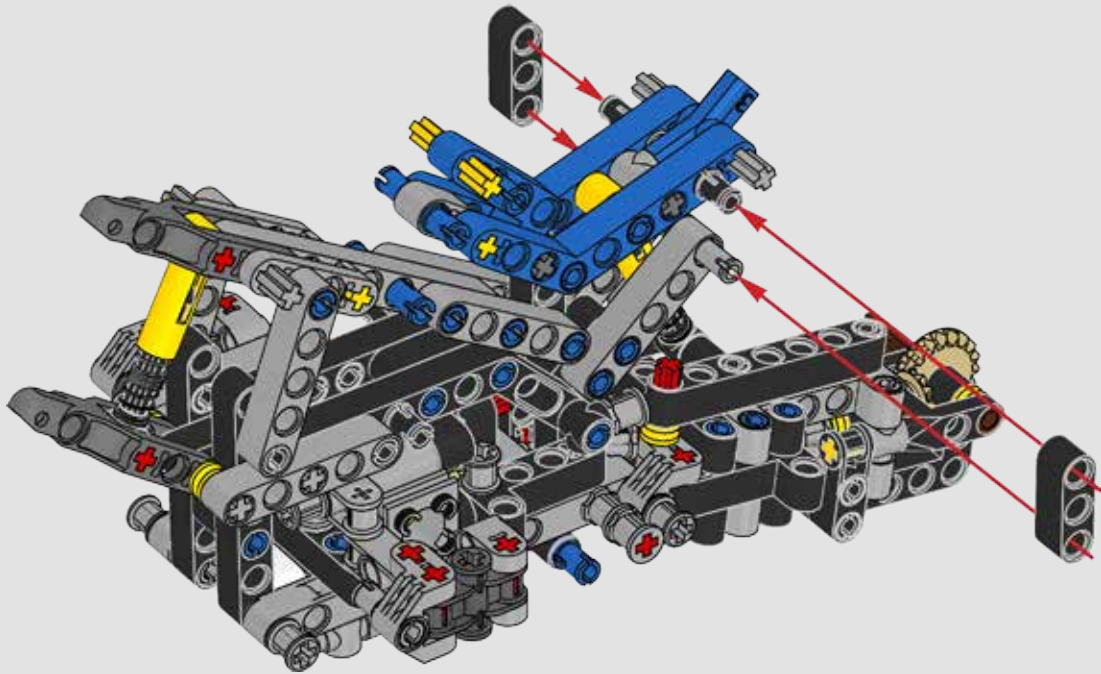


82





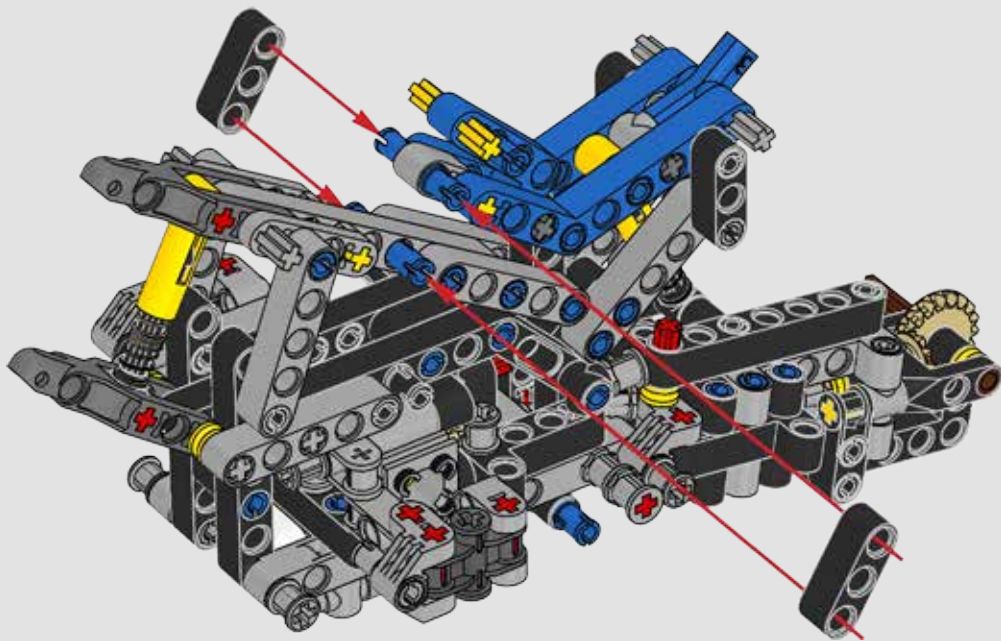
83

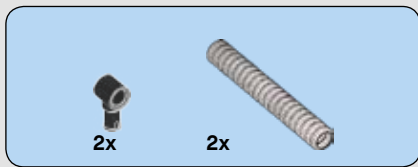




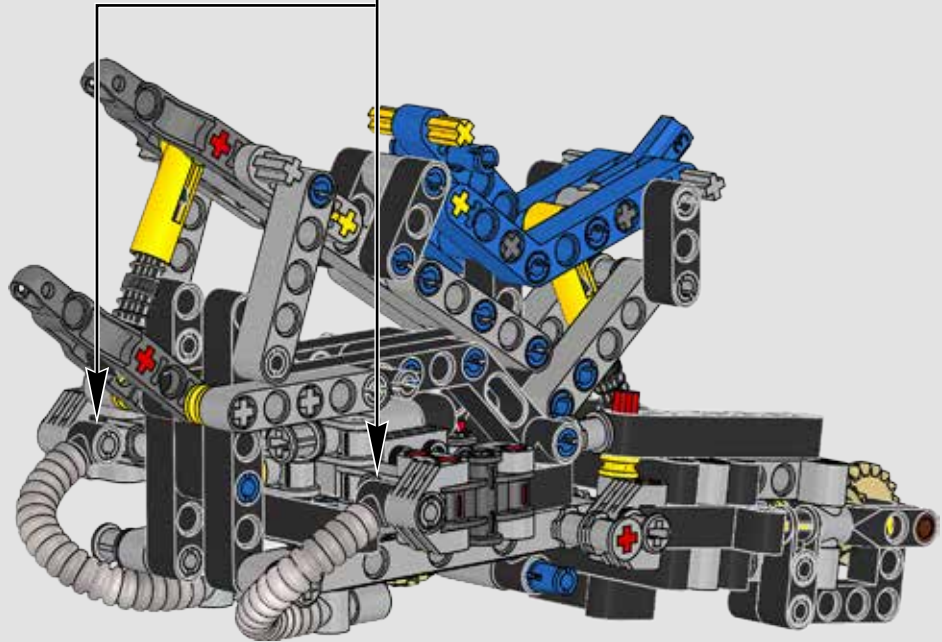
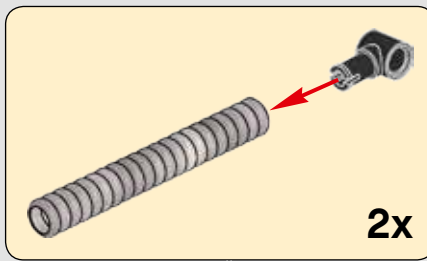
2x

84



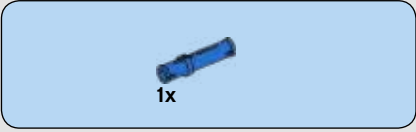
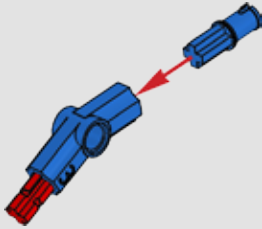


85

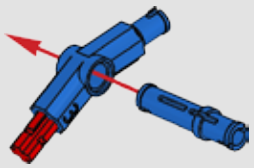




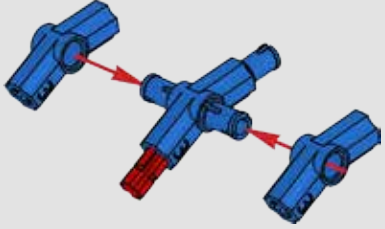
86



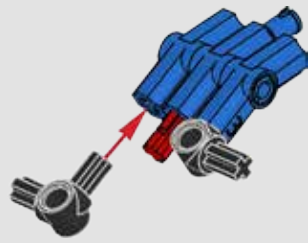
87



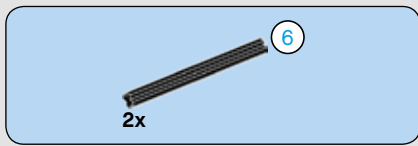
88



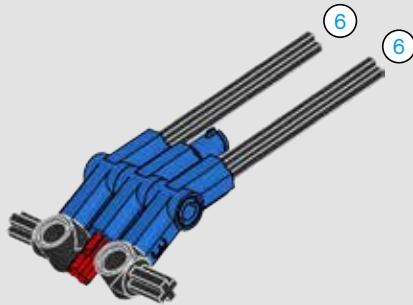
89



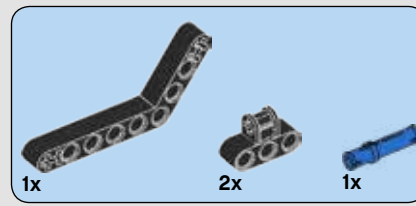
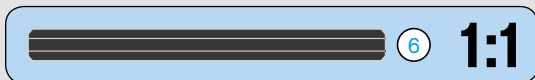
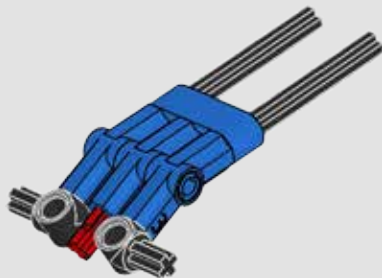




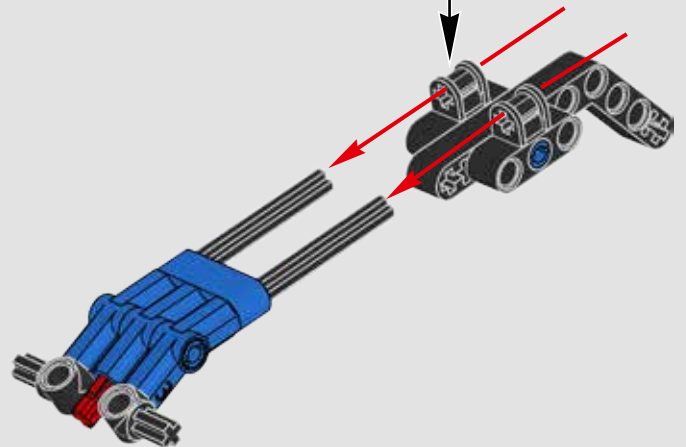
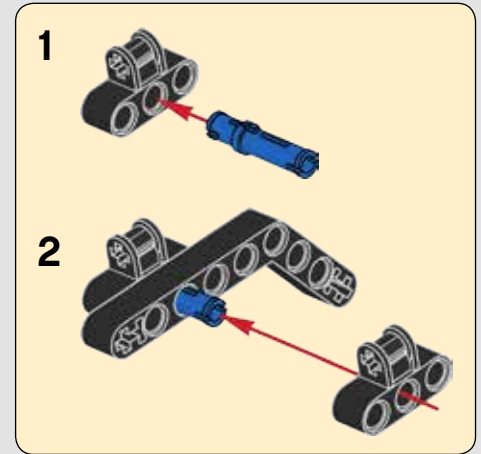
90



91

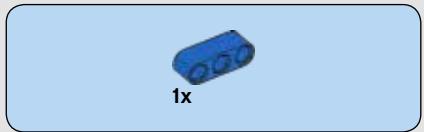
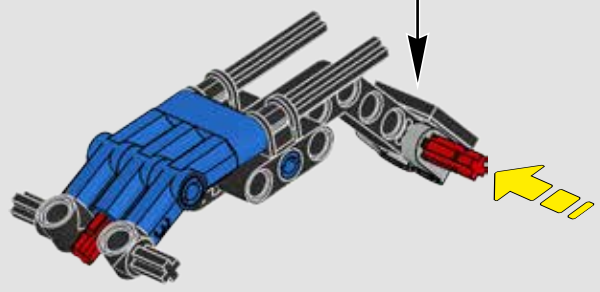
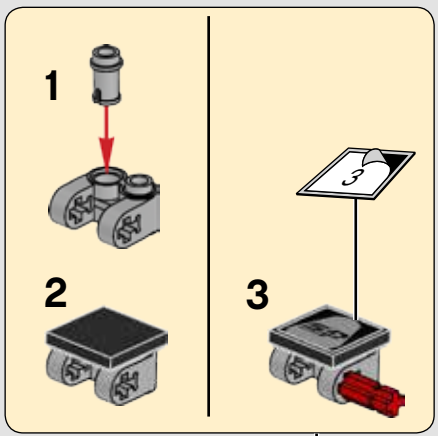


92

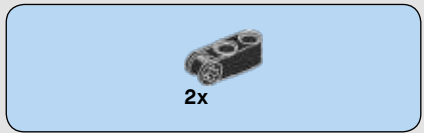
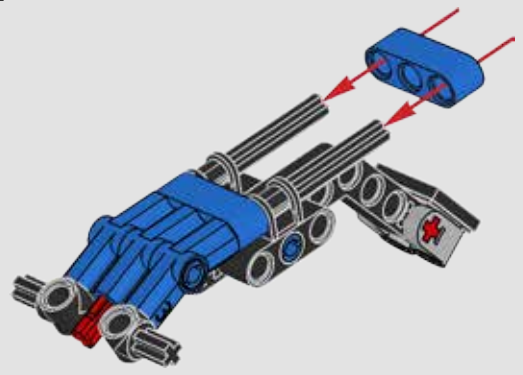




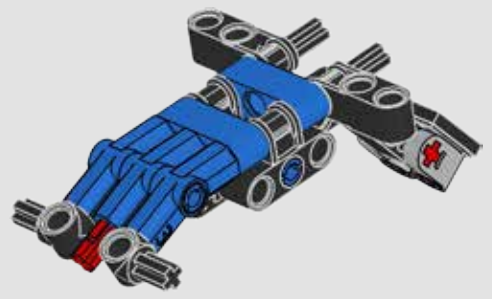
93



94

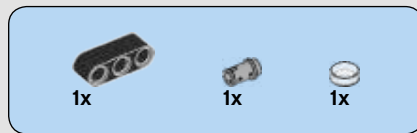
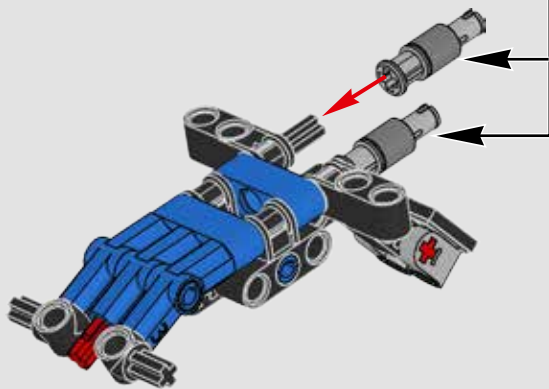
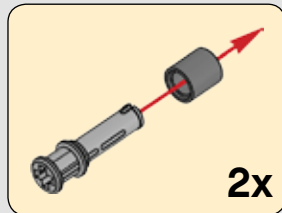


95

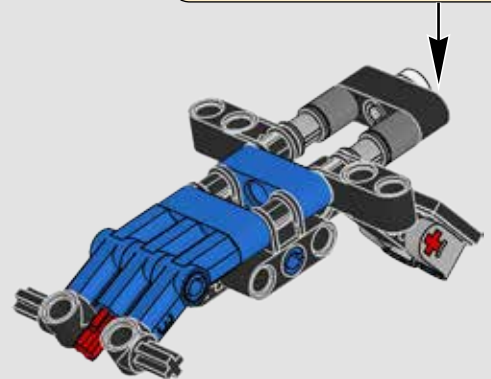
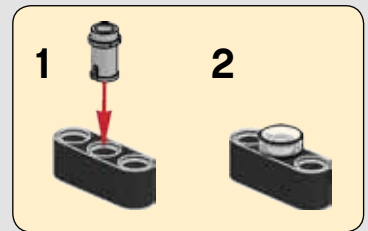




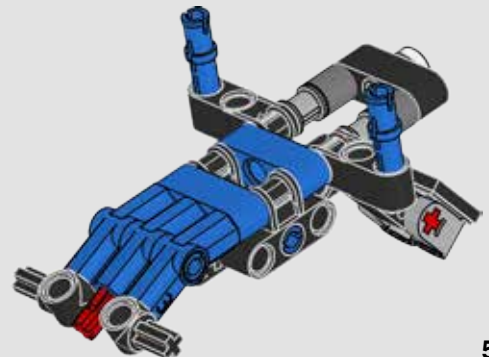
96



97



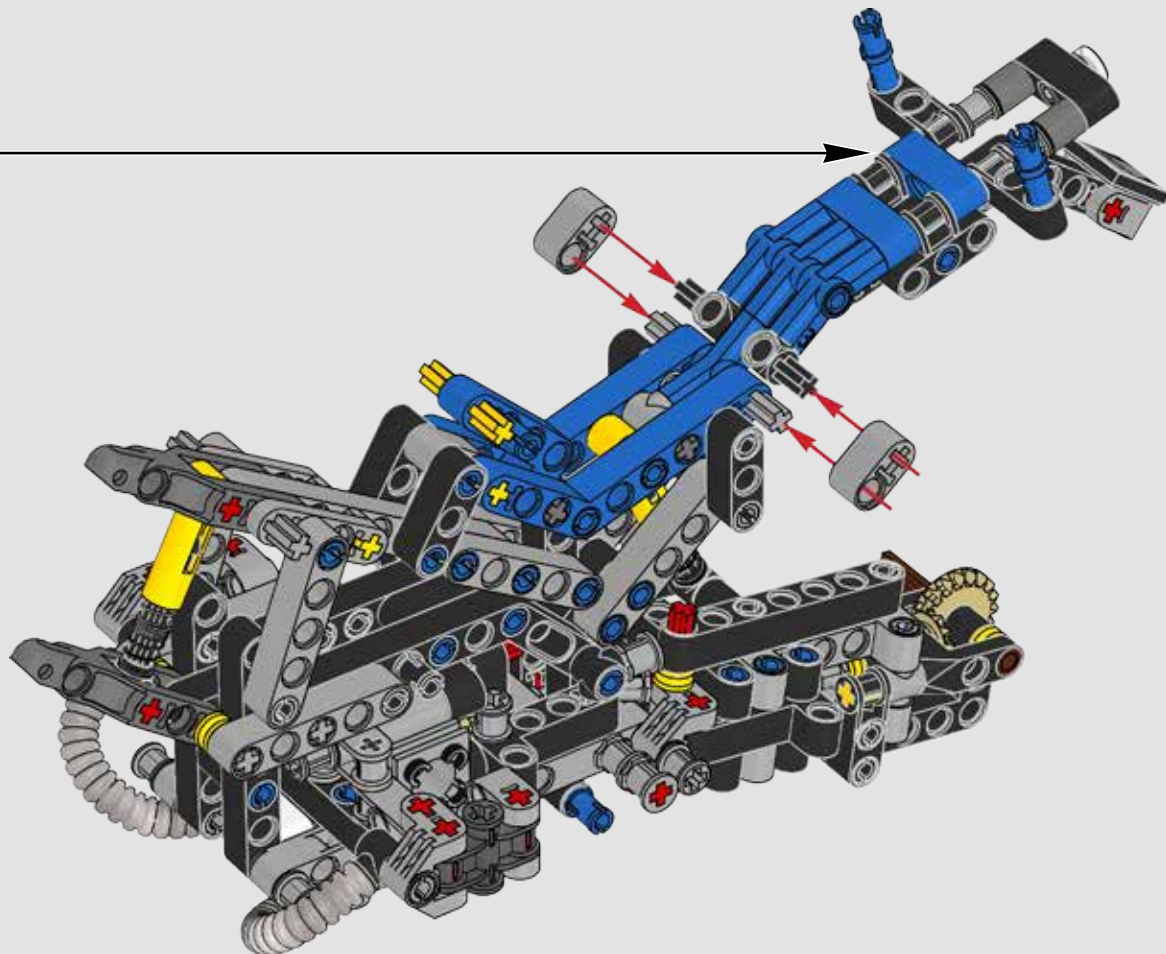
98

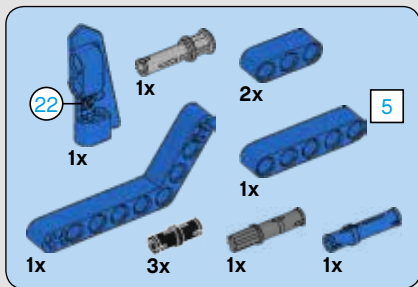




2x

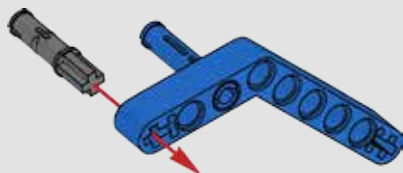
99



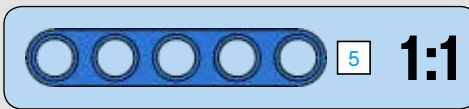
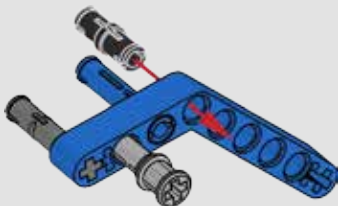


100

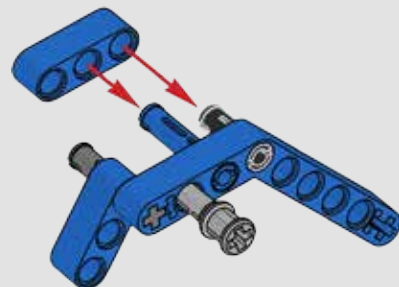
1



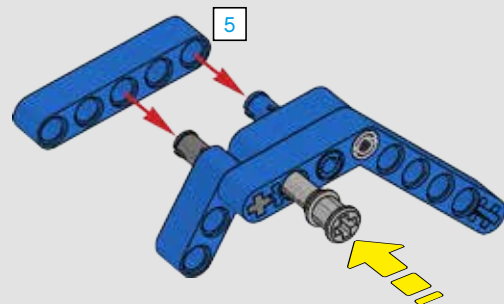
2



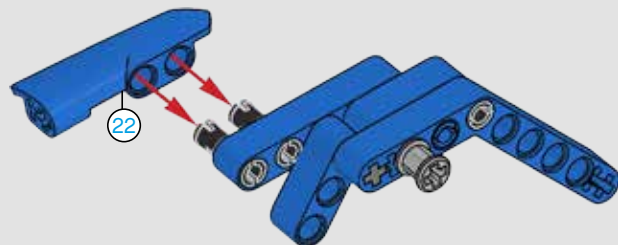
3

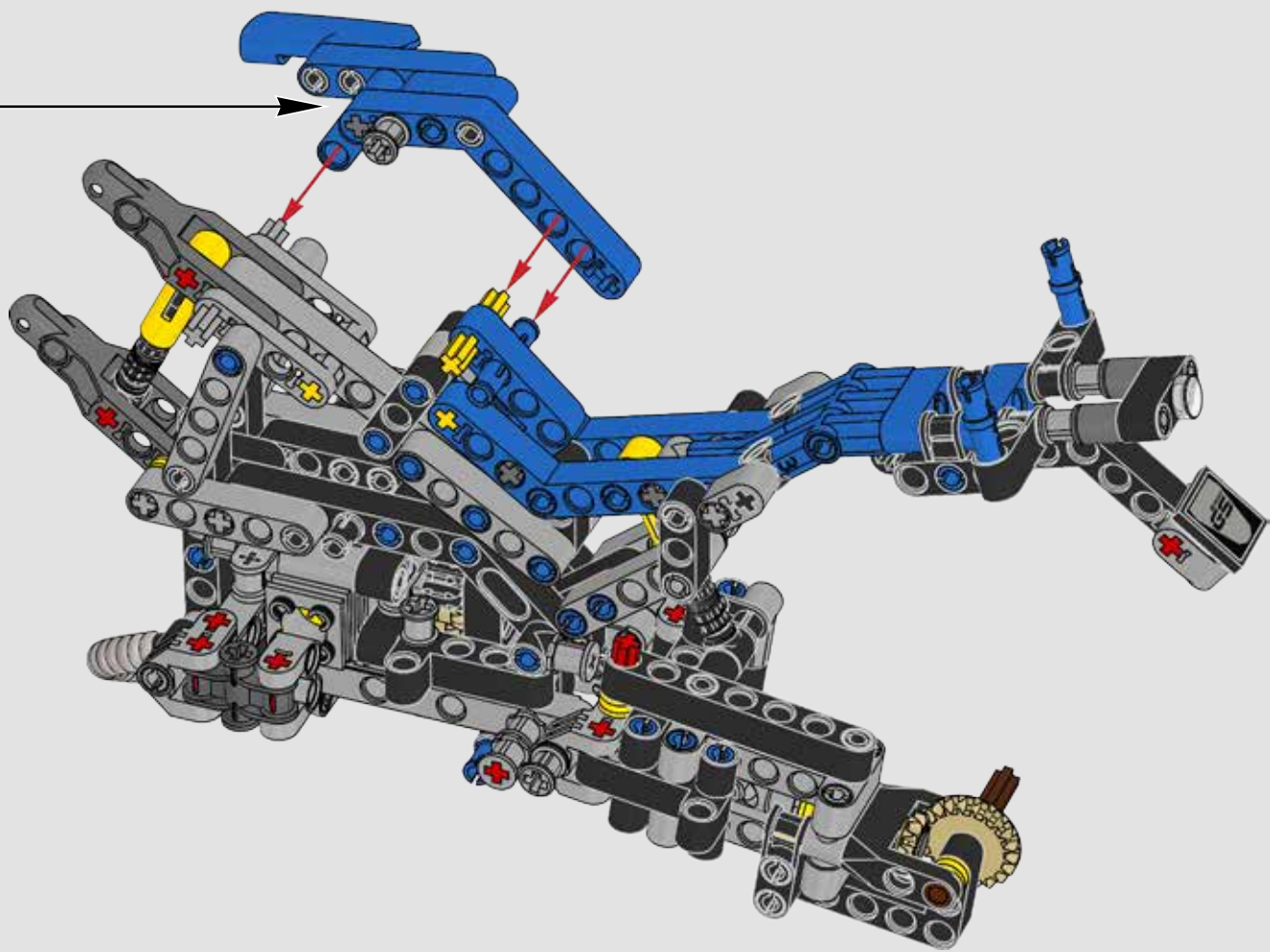


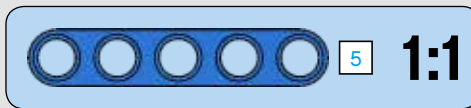
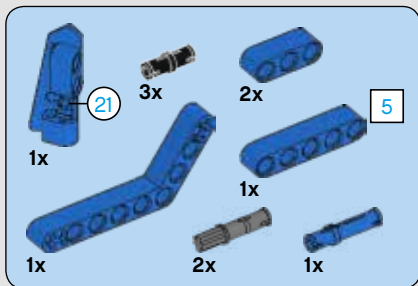
4



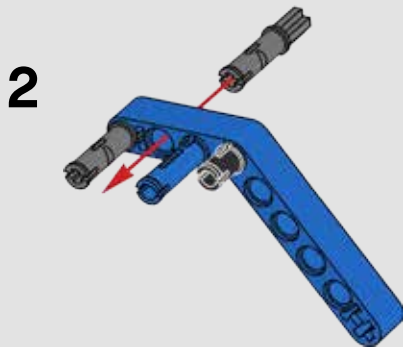
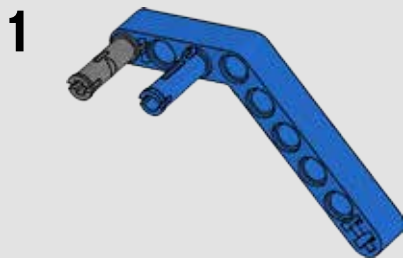
5



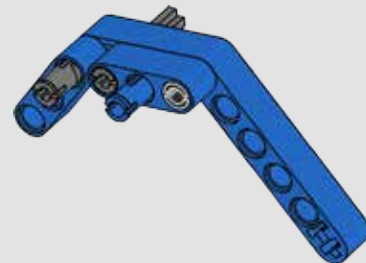




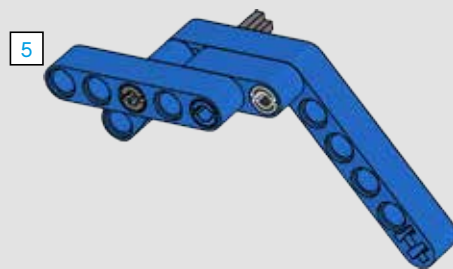
101



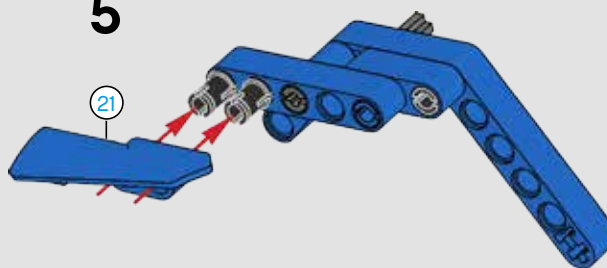
3

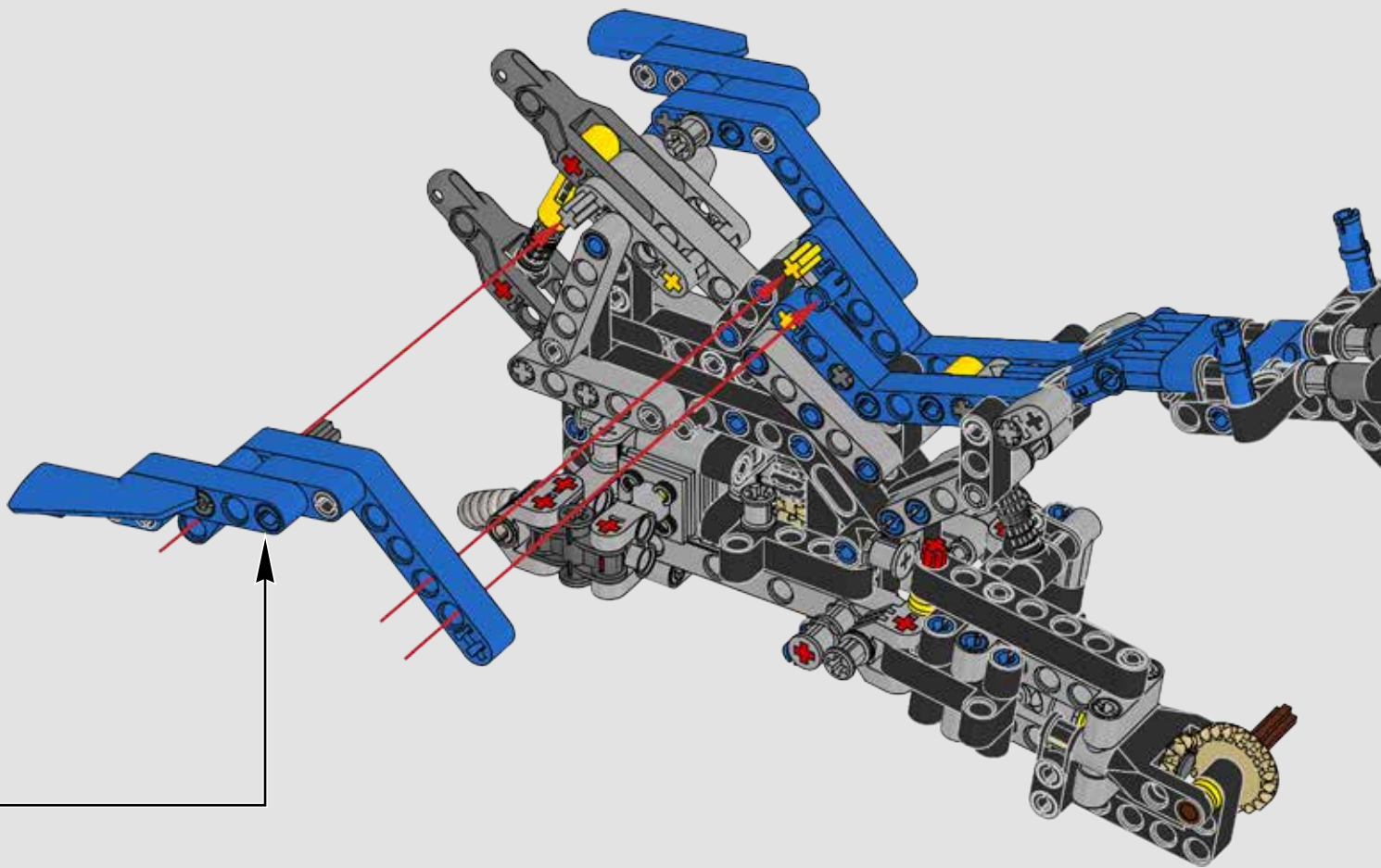


4



5

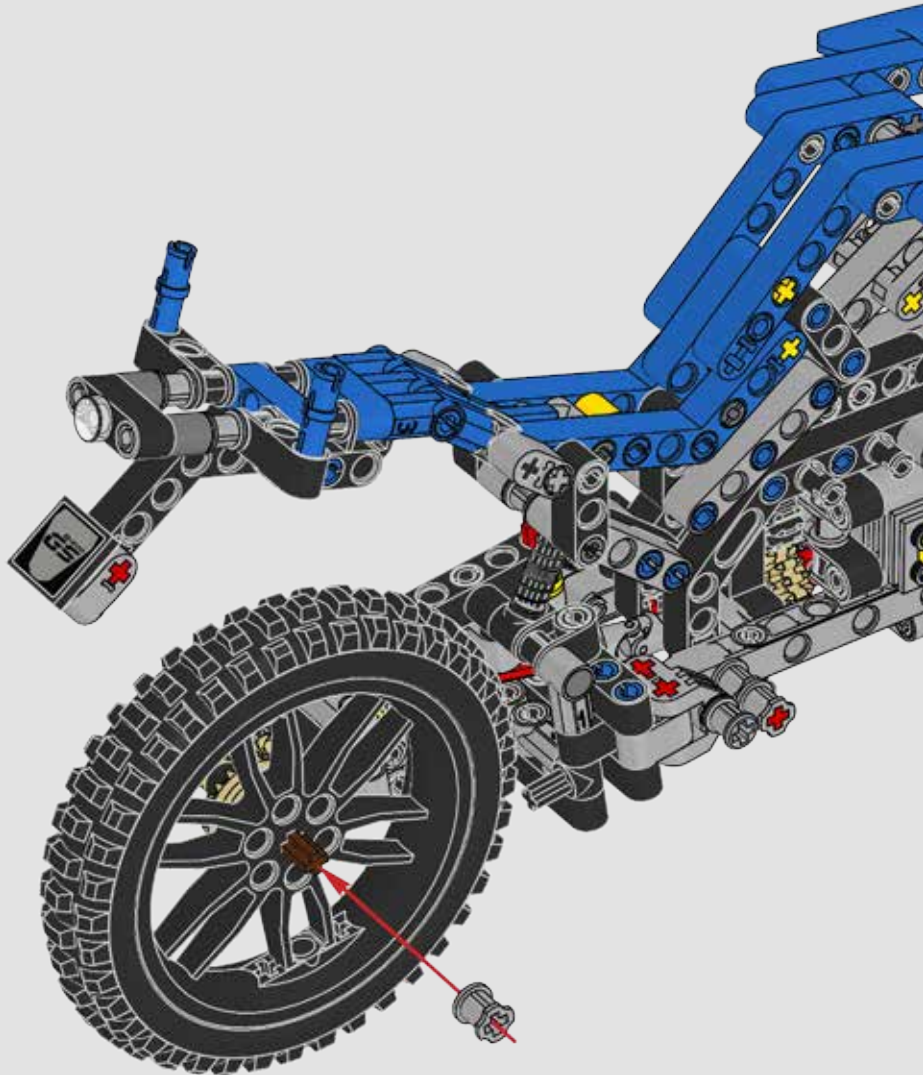
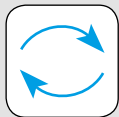


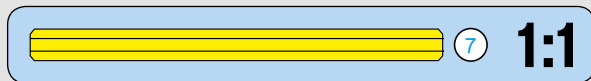
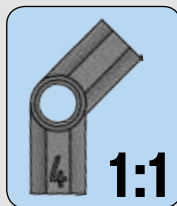
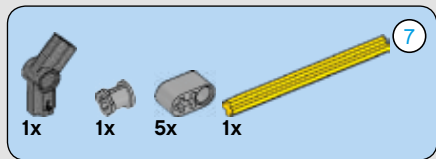




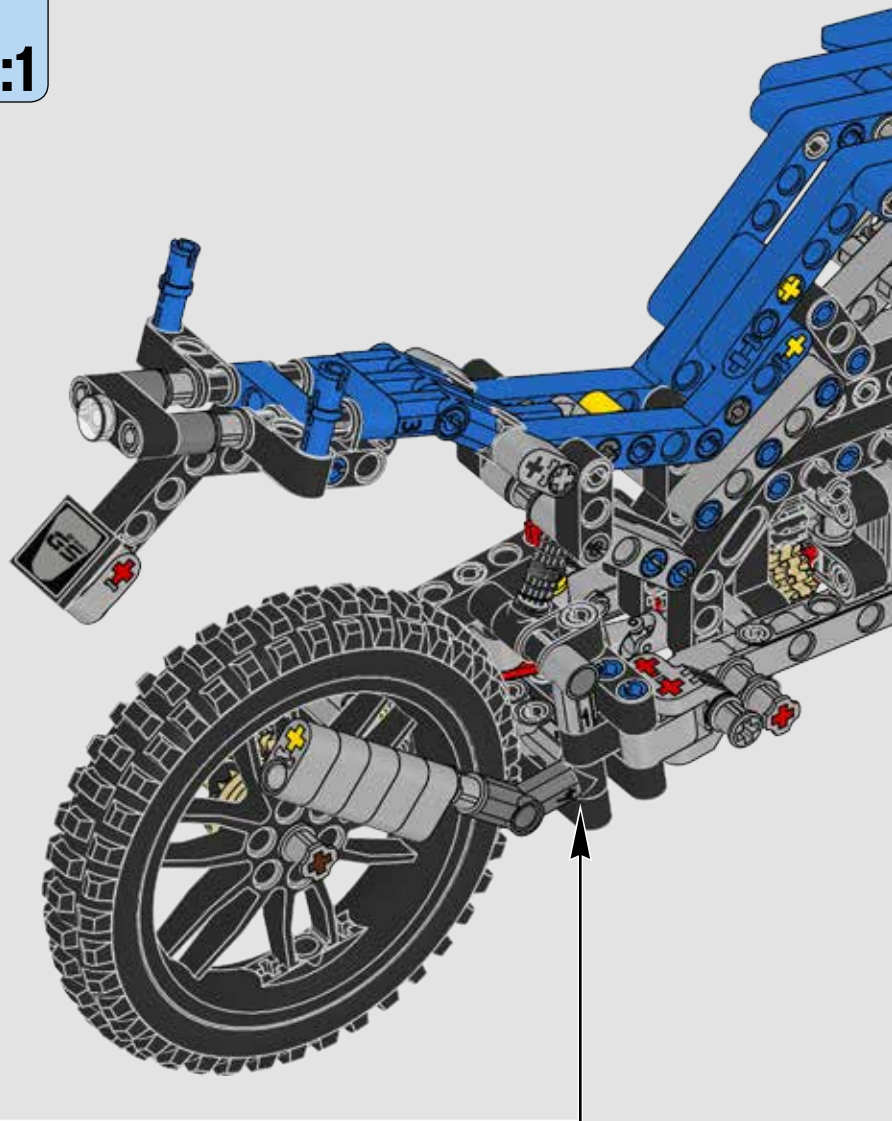
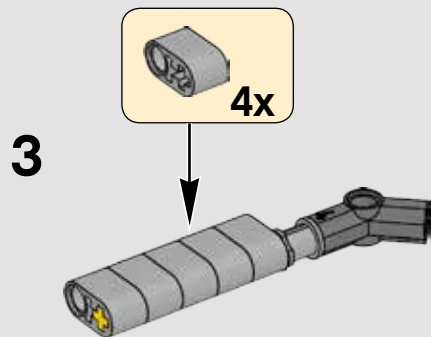
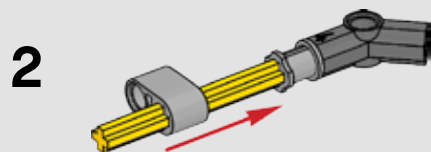
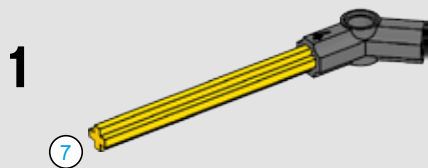


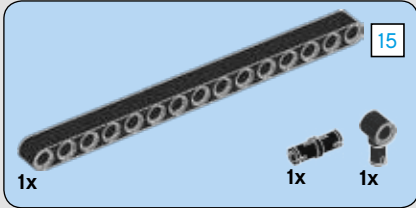
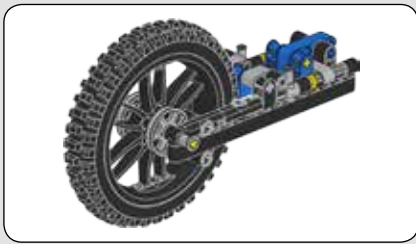
102



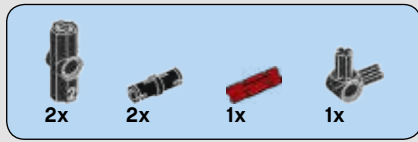
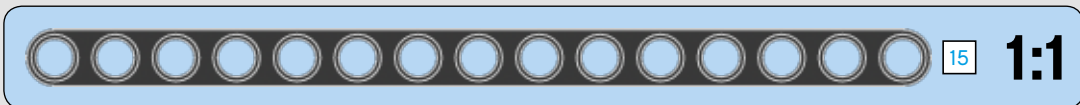
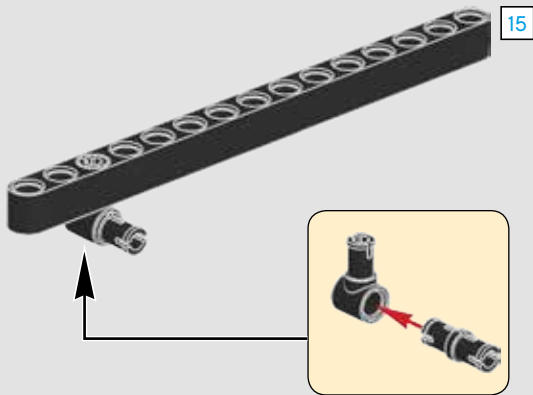


103

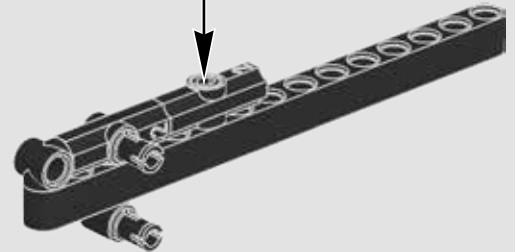
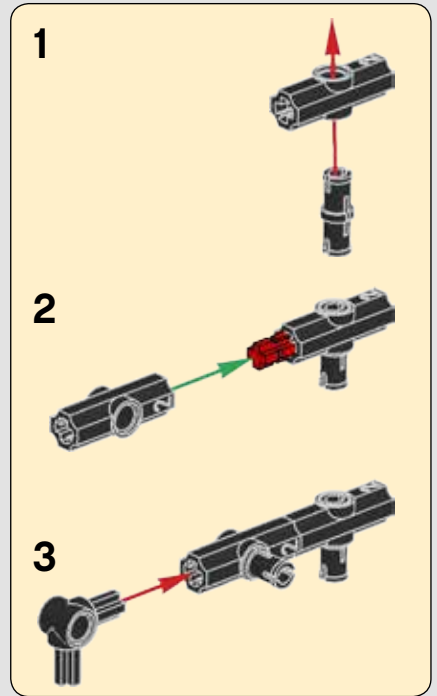


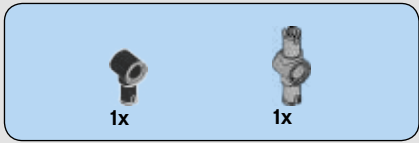


104

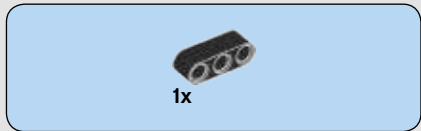
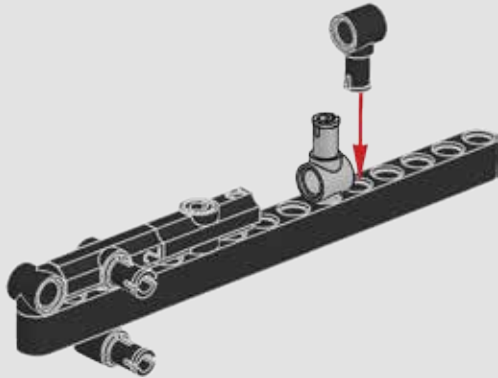


105

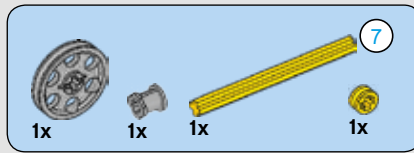
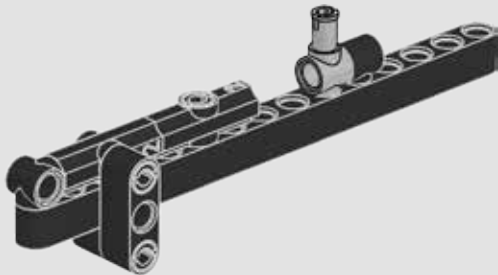




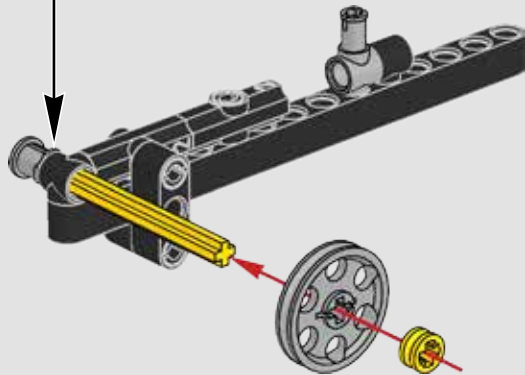
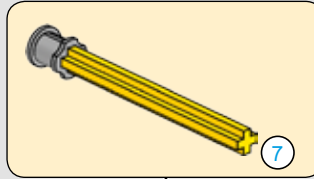
106

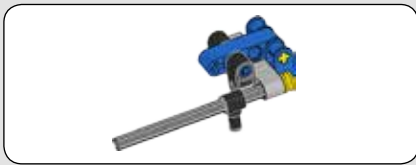


107

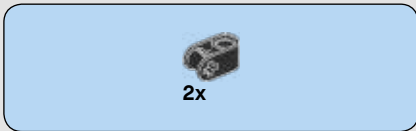
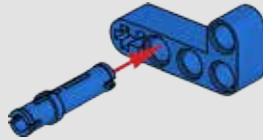


108

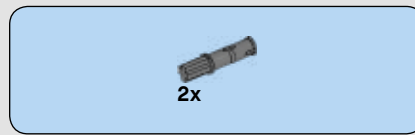
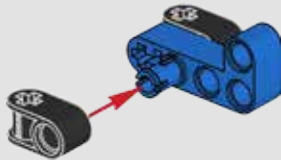




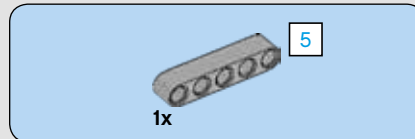
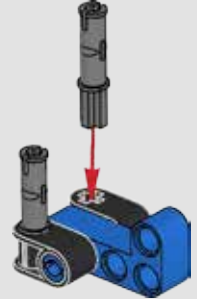
109



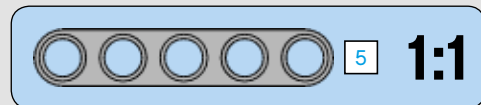
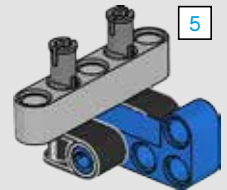
110



111

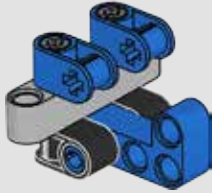


112

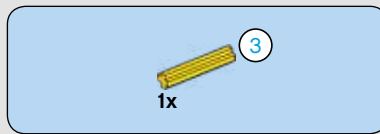
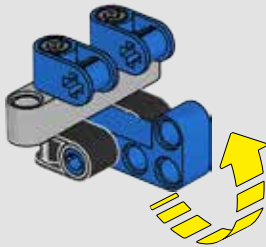




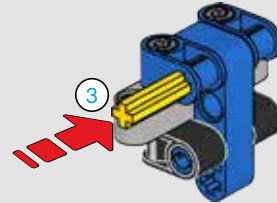
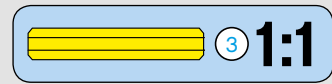
113



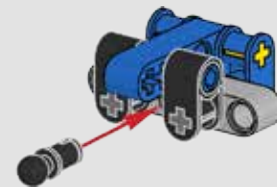
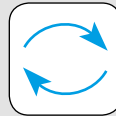
114

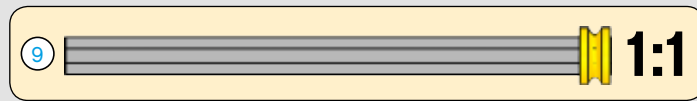
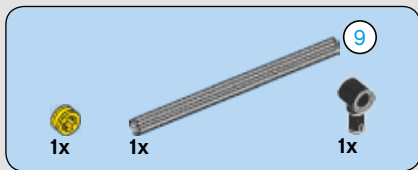


115

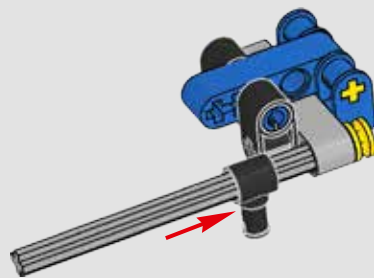


116

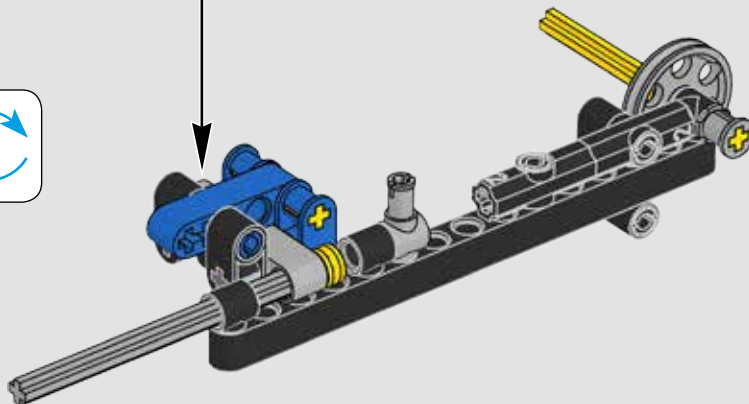
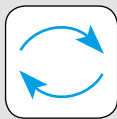


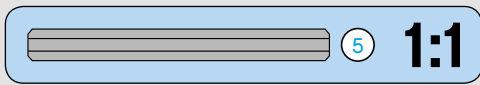
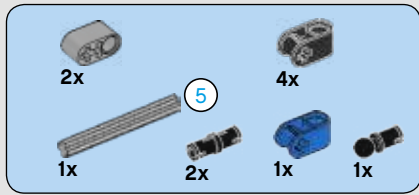


117

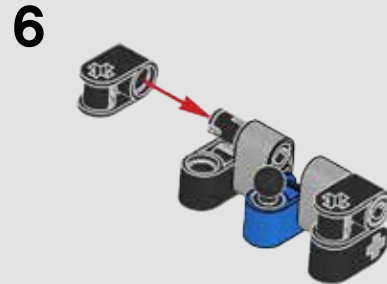
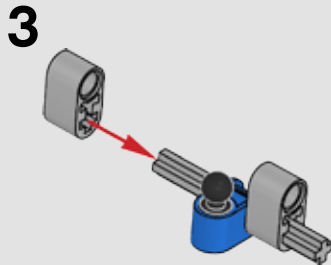
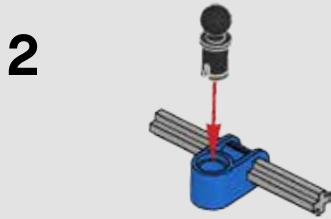
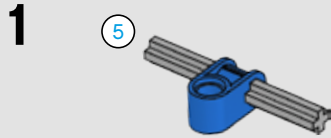


118



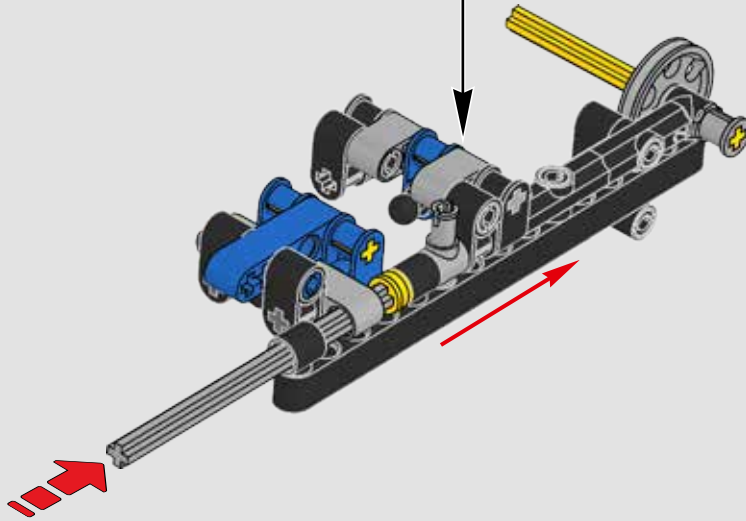
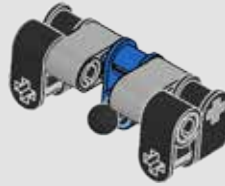
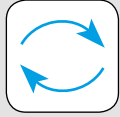


# 119



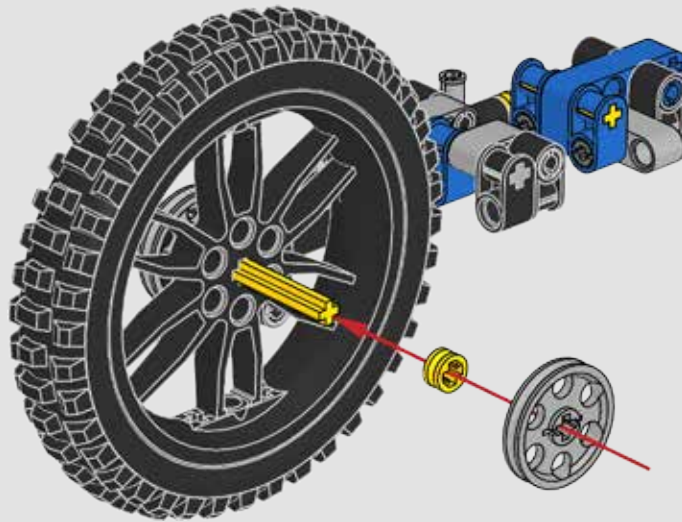
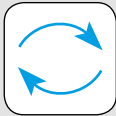


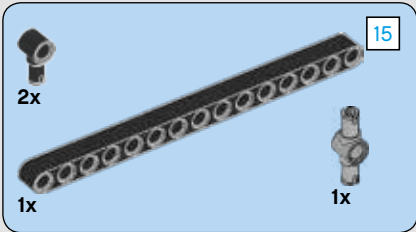
7



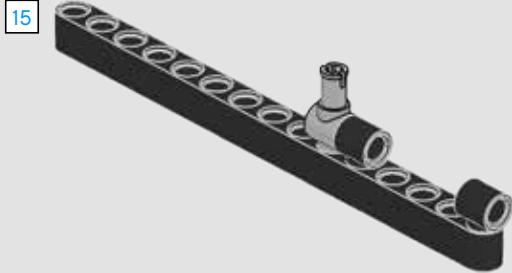


120

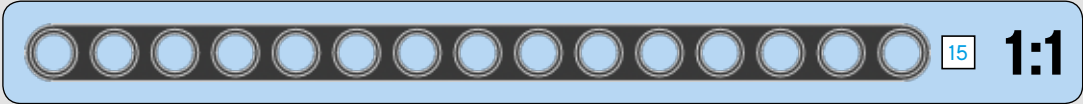
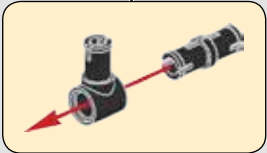
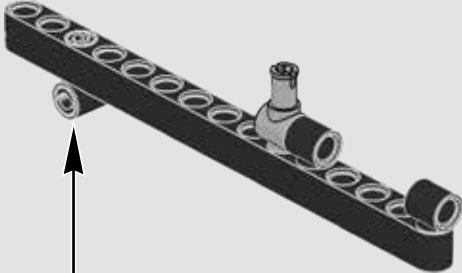


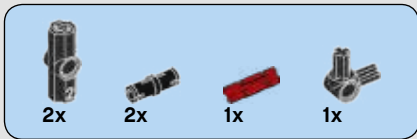


121

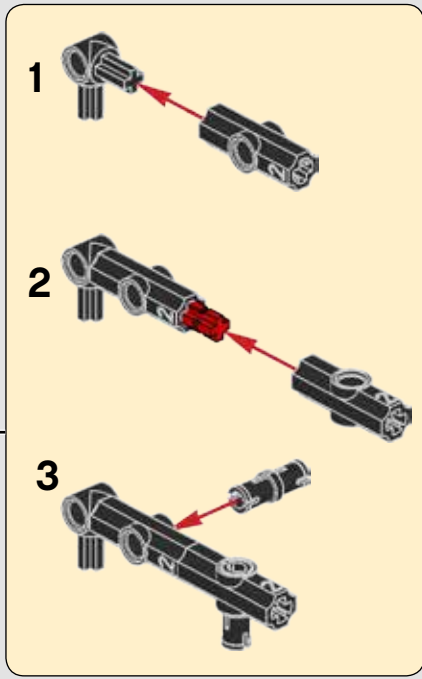
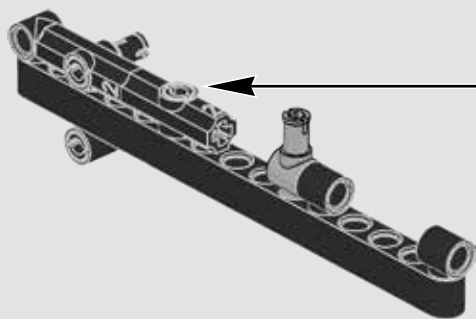


122

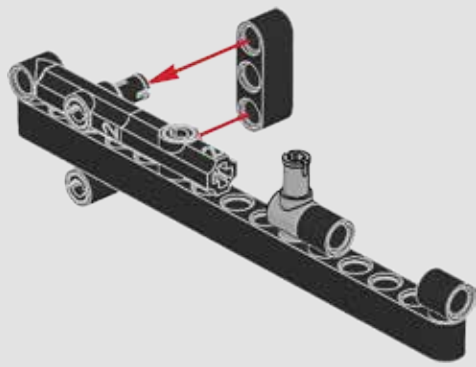




# 123

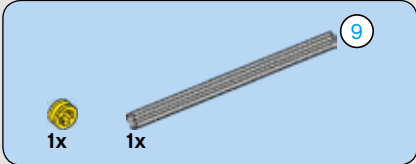
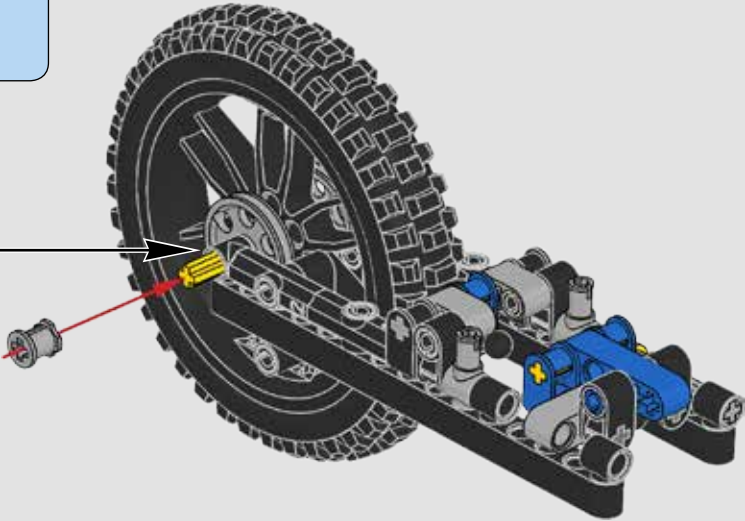


# 124

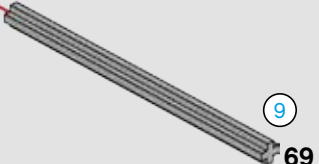
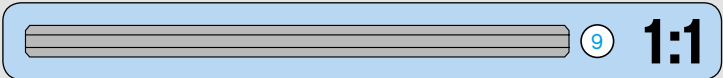
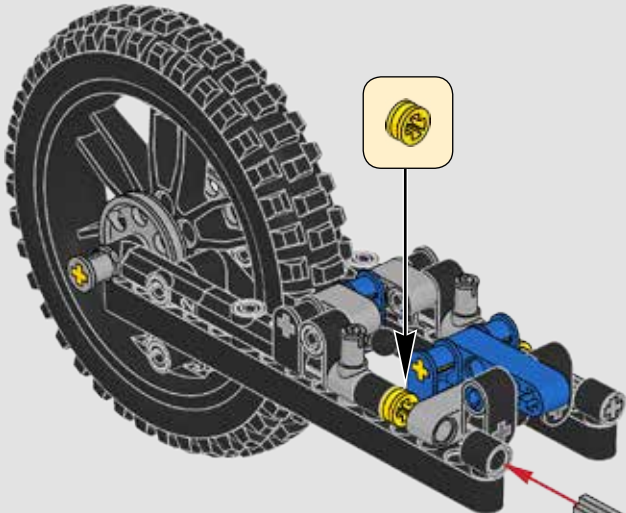




125

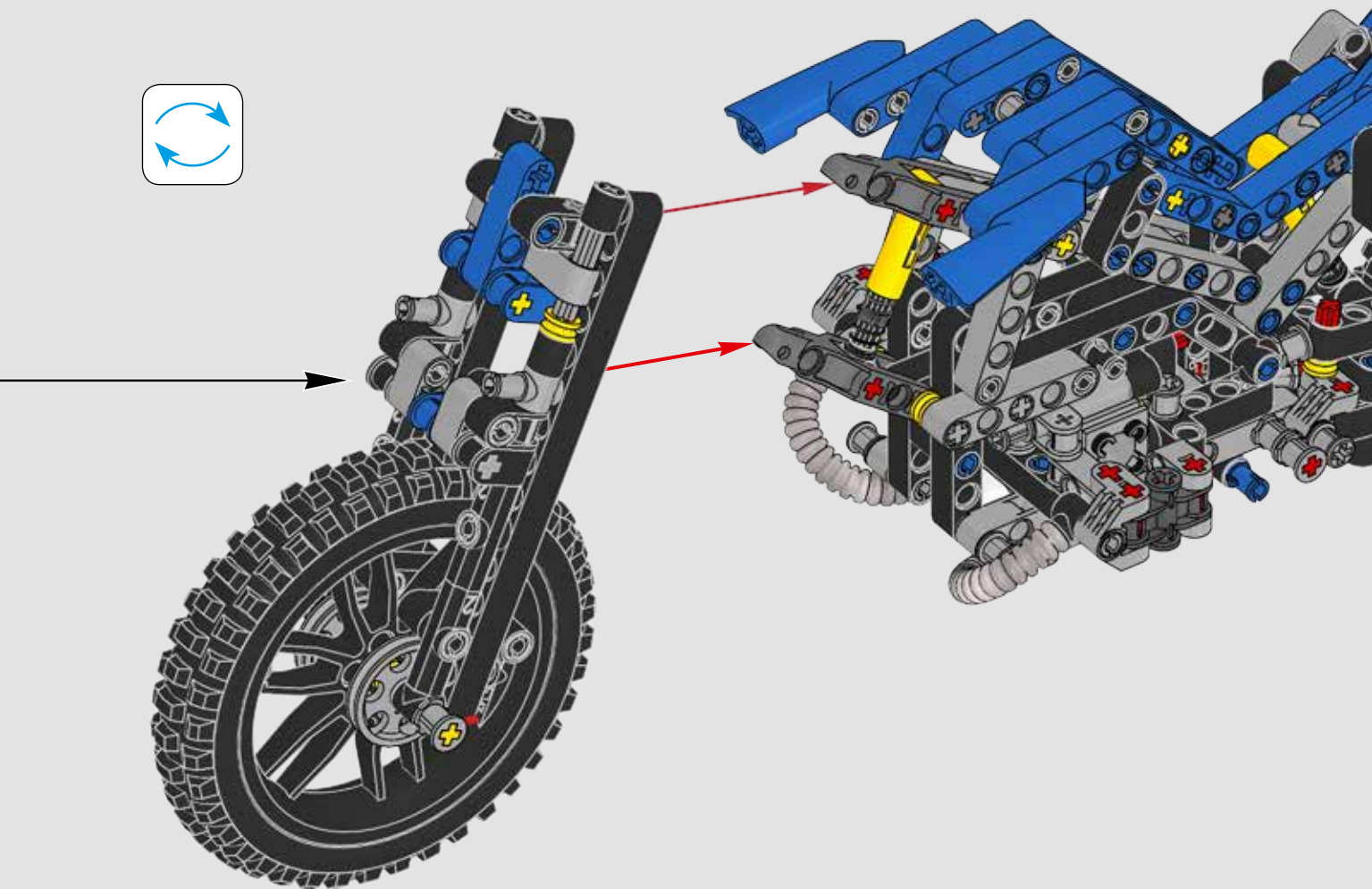
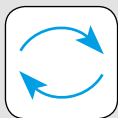


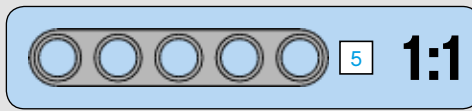
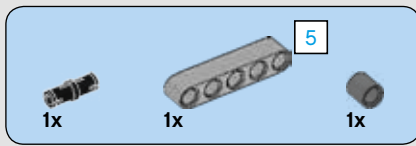
126



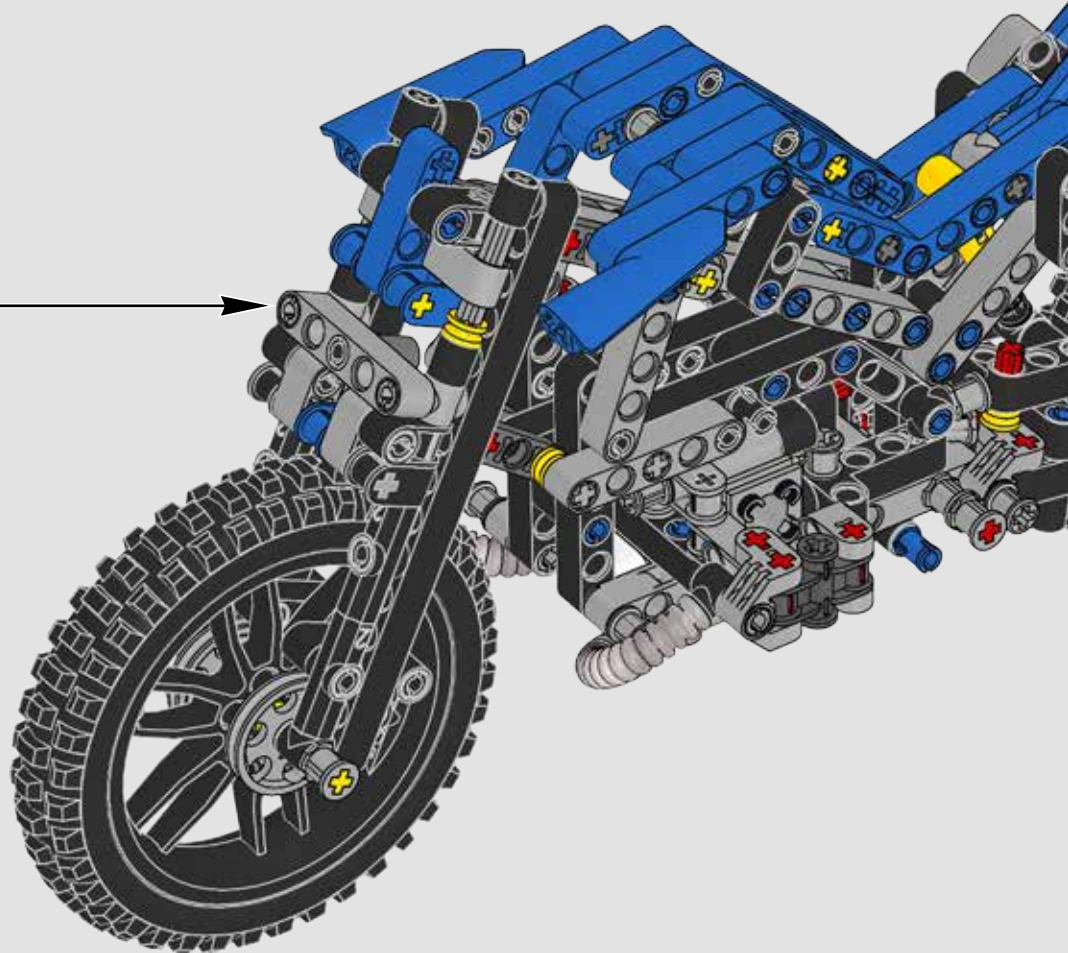
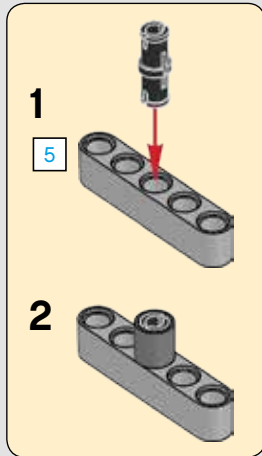
9

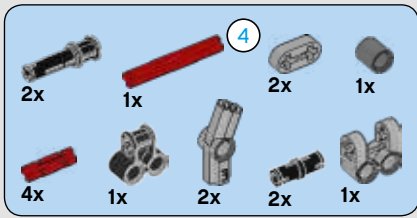
127



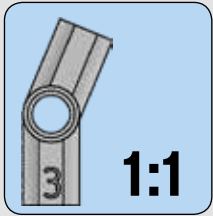


# 128

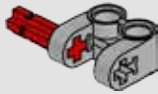




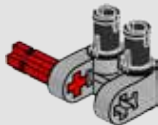
129



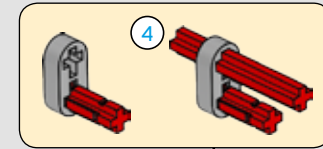
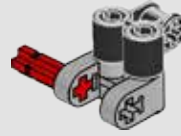
1



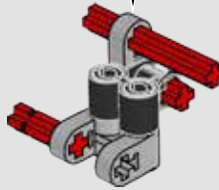
2



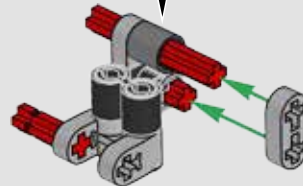
3



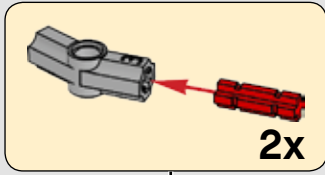
4



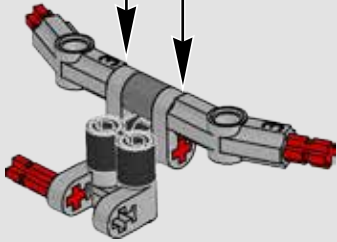
5



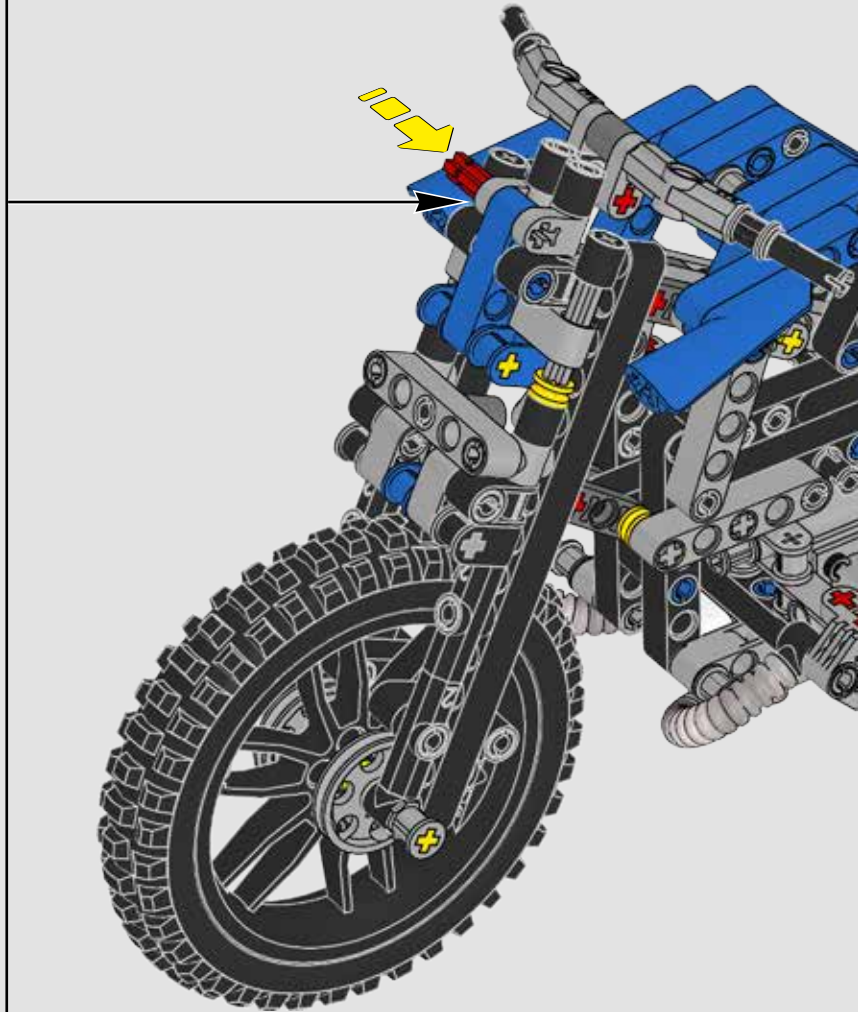
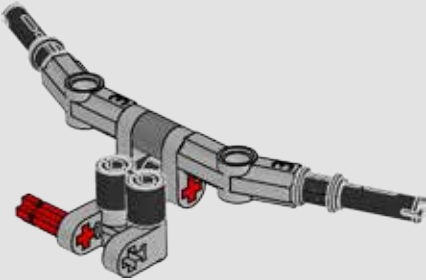


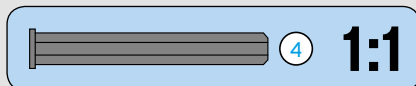
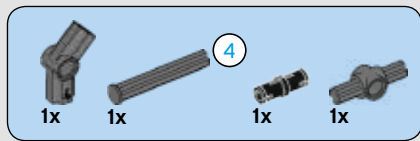


6

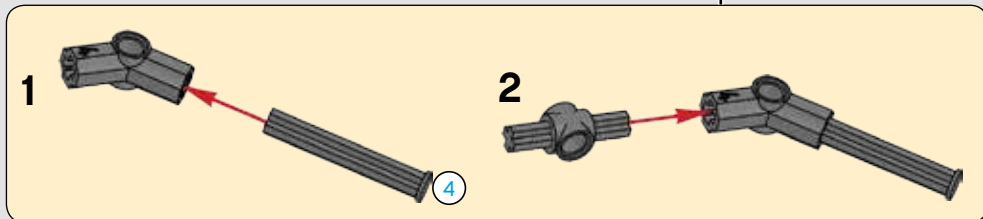
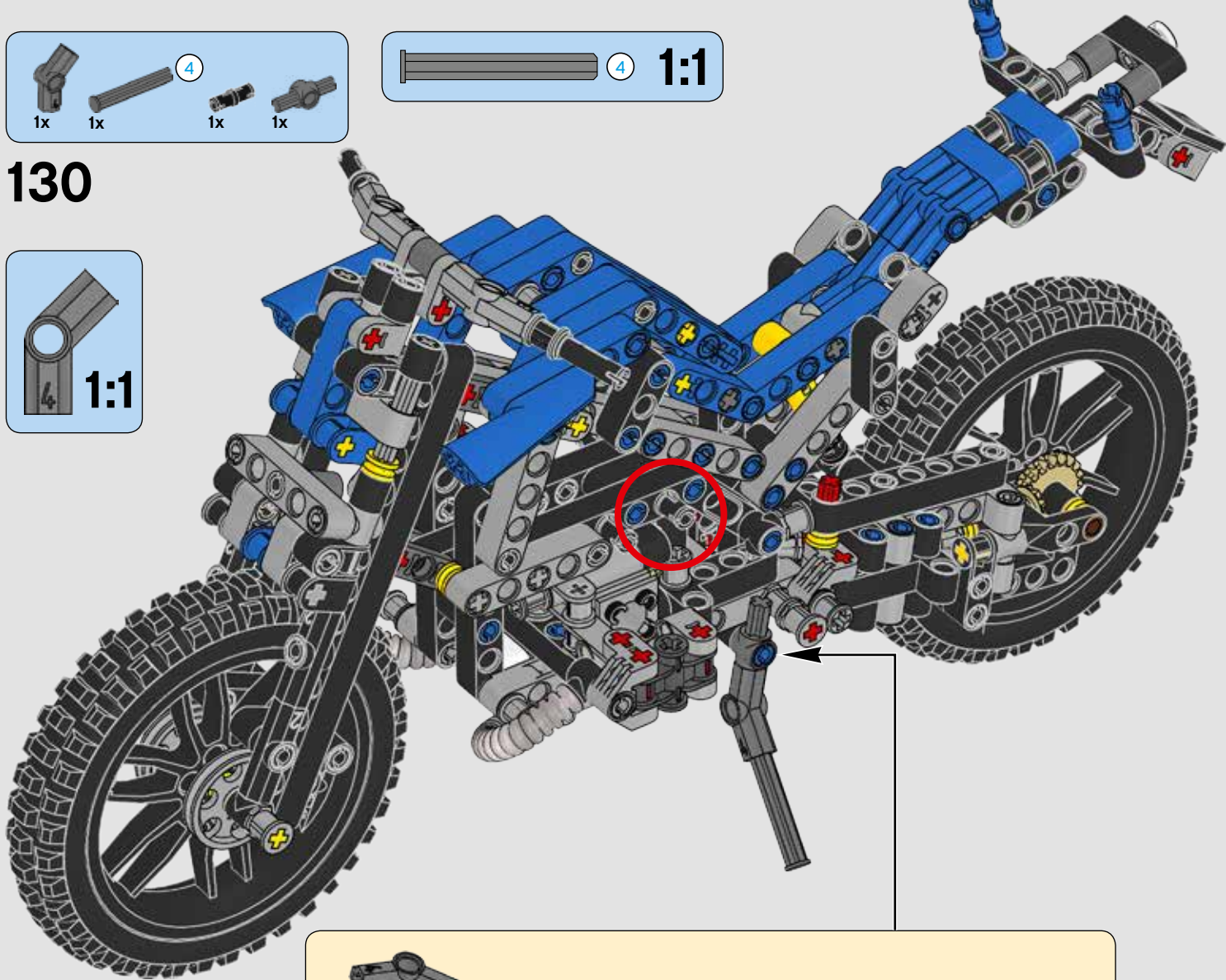


7



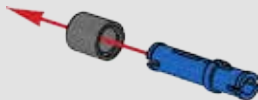


130

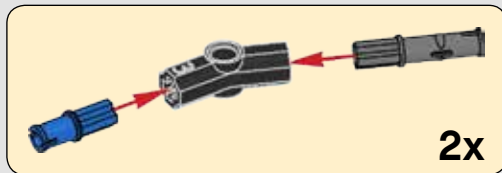




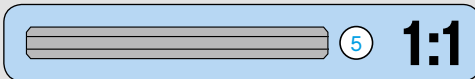
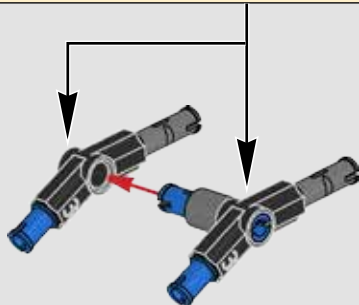
131



132



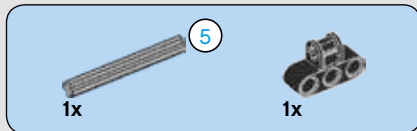
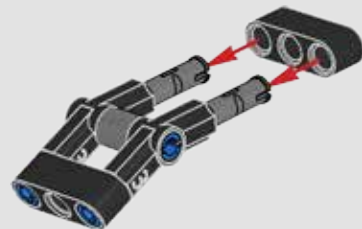
1:1



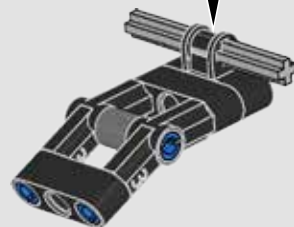
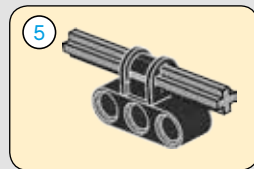
1:1

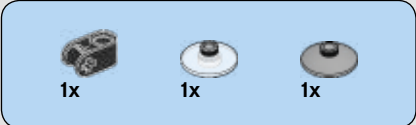


133

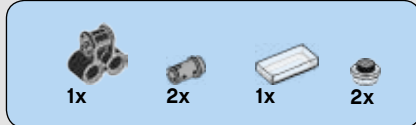
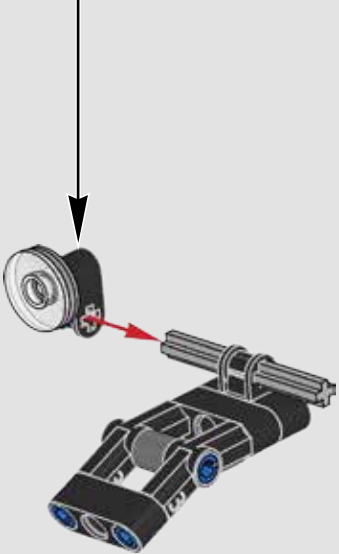
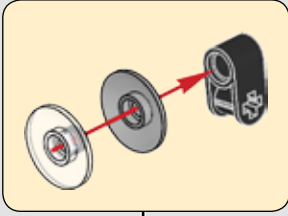


134

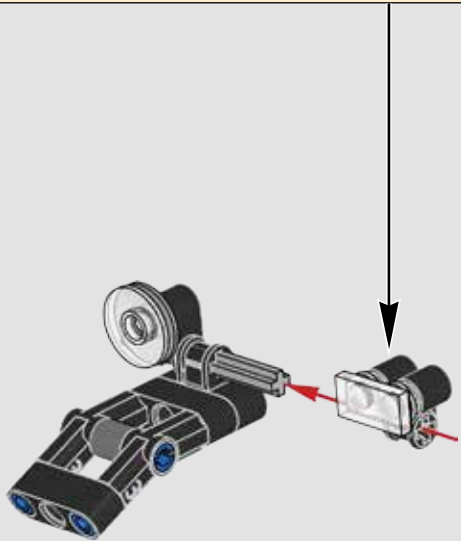
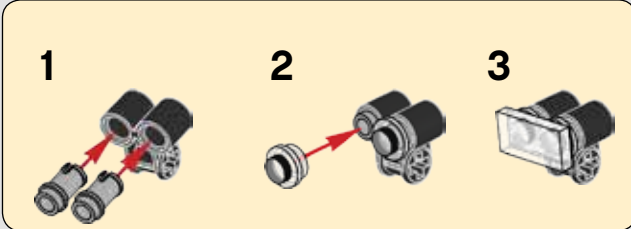


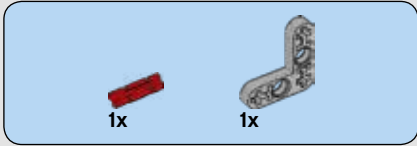


# 135

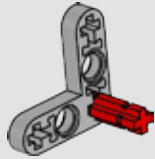


# 136

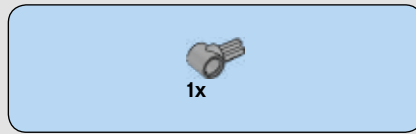
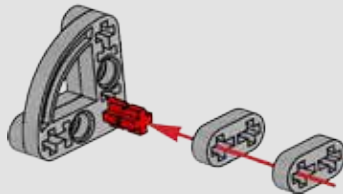




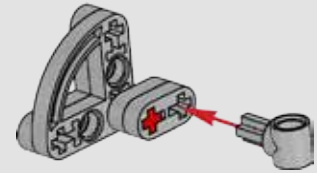
137



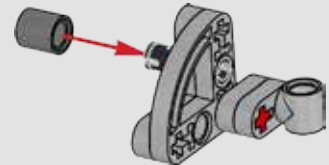
138

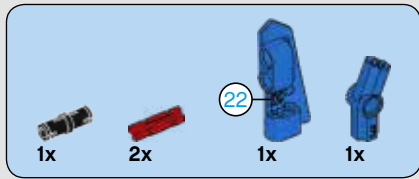


139

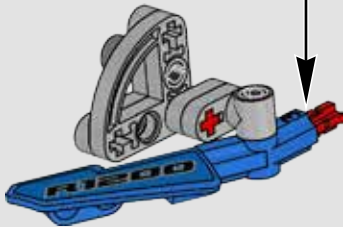
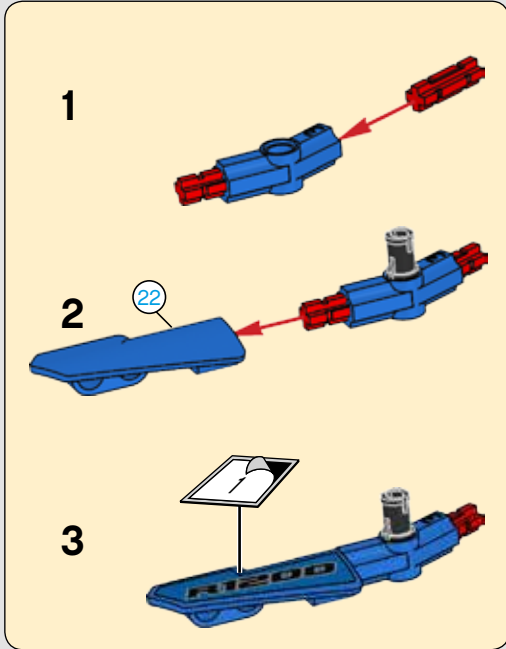


140

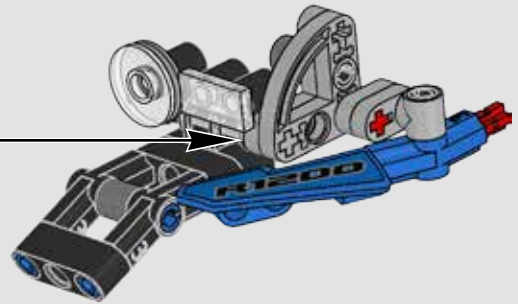


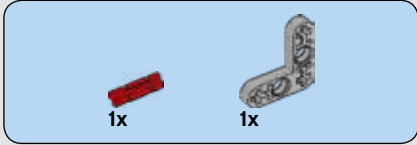
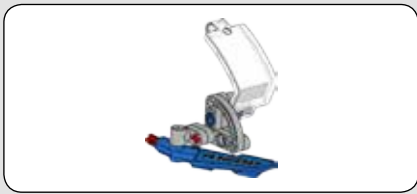


141

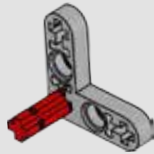


142

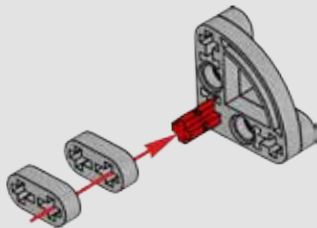




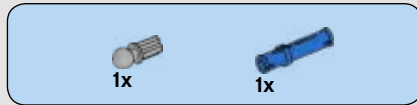
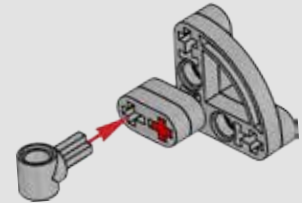
143



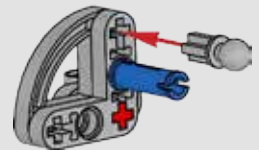
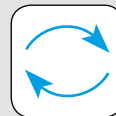
144

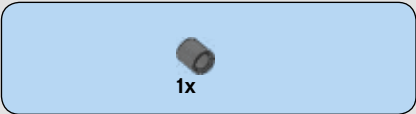


145

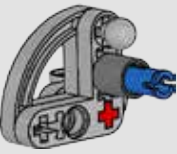


146

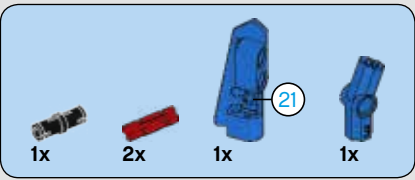
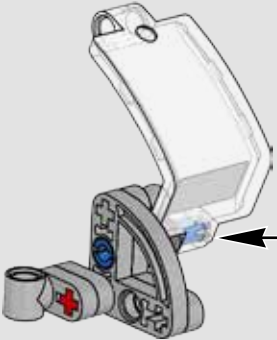
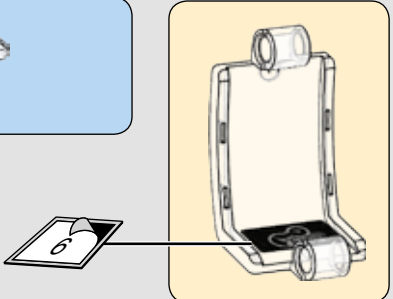




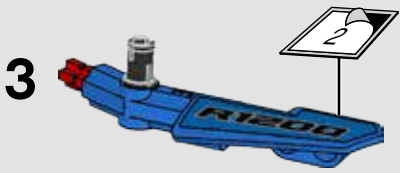
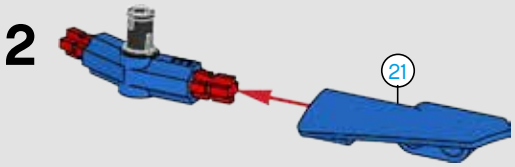
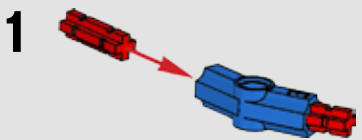
# 147



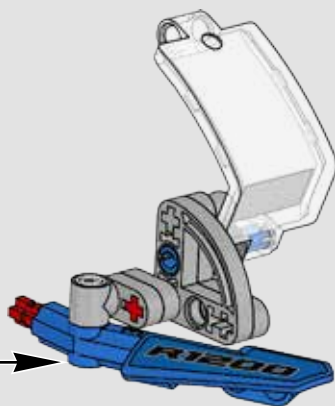
# 148



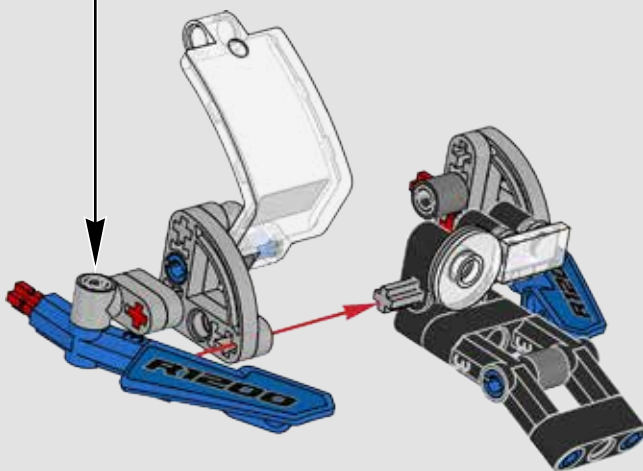
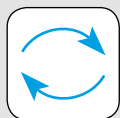
# 149



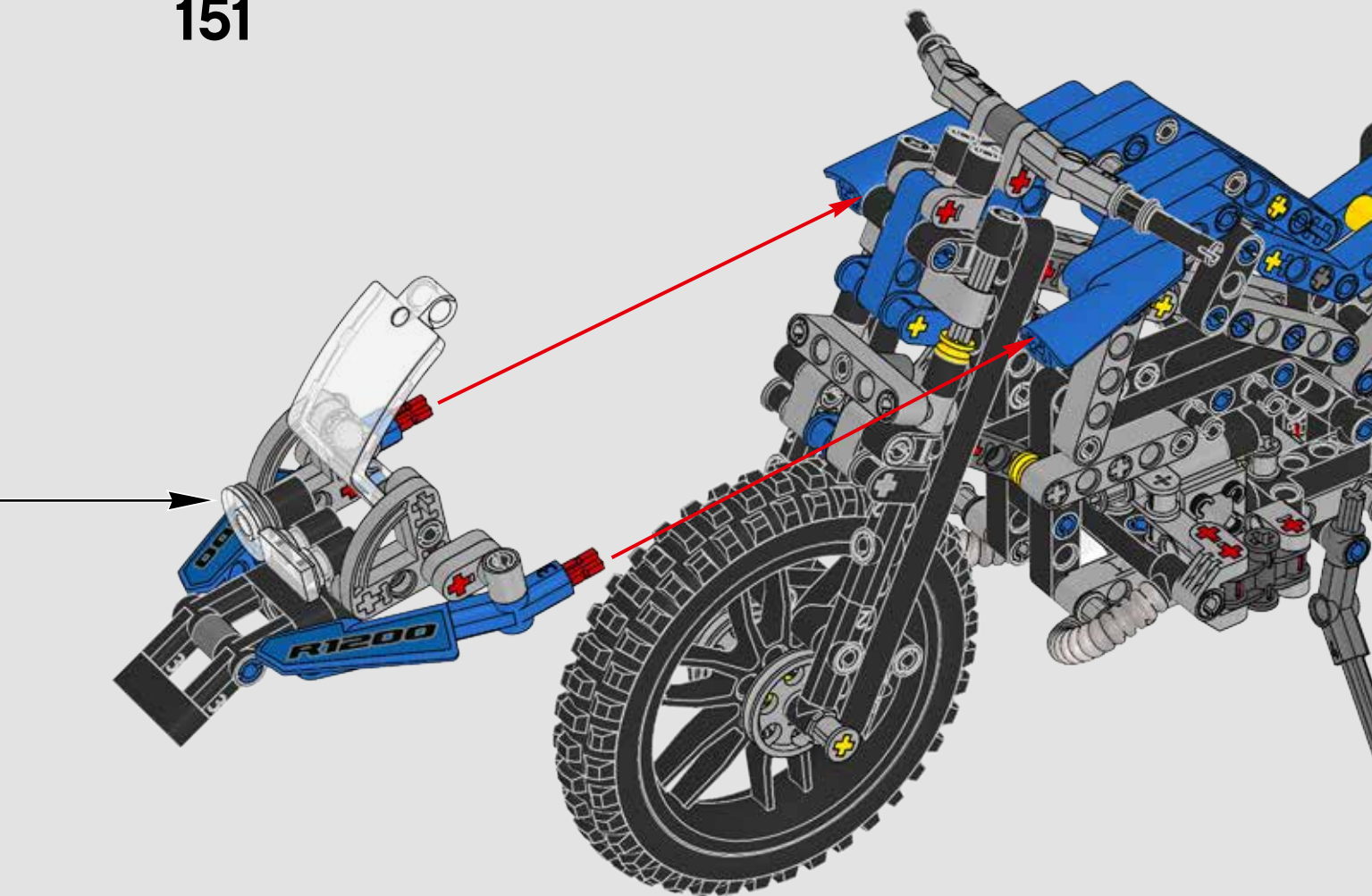


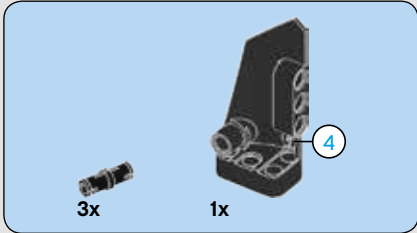


150

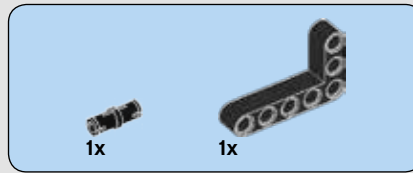
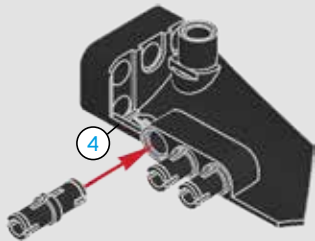


151

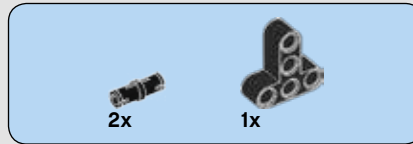
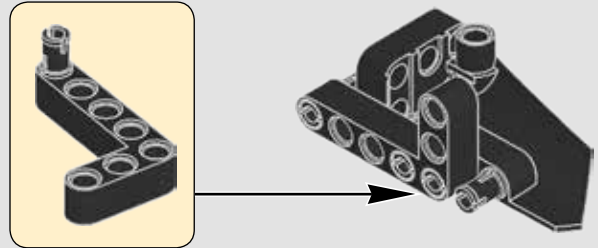




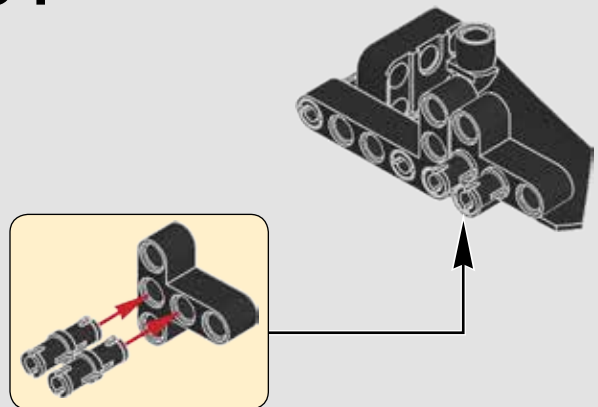
152



153

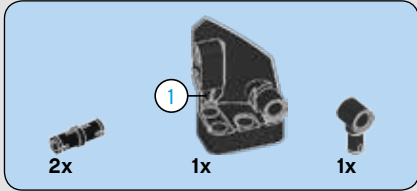
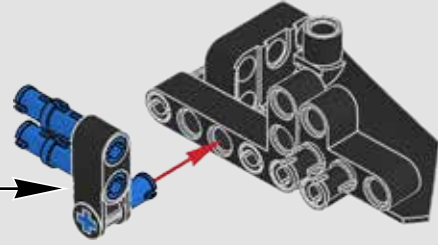
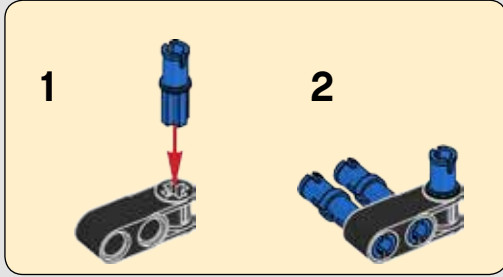


154

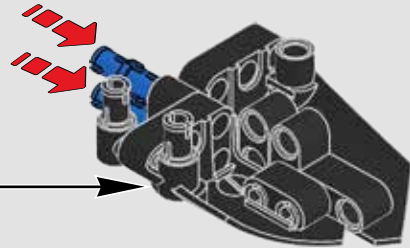
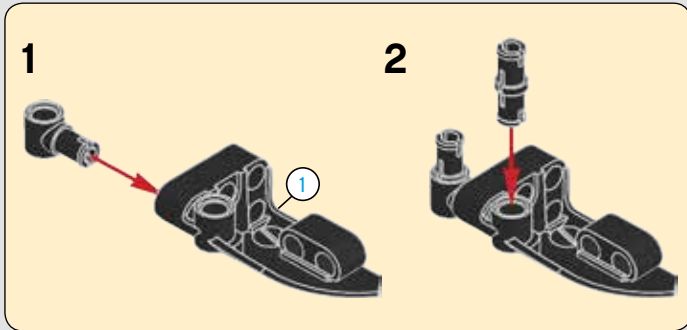




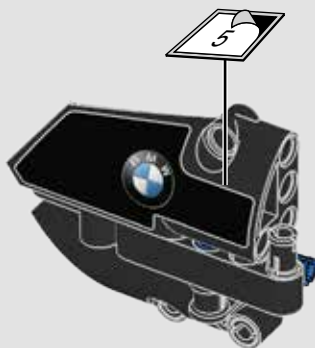
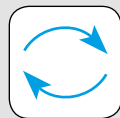
# 155



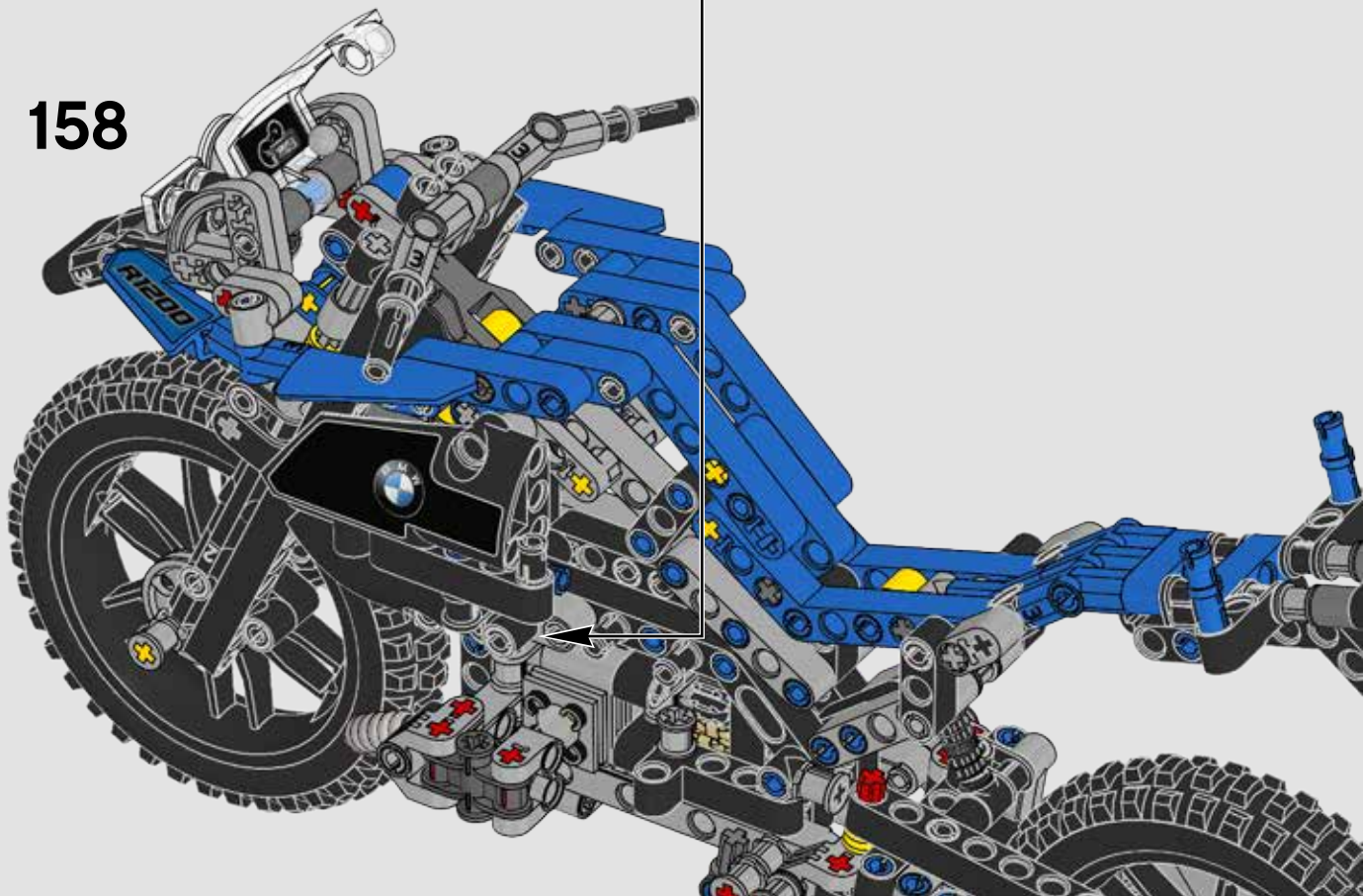
# 156

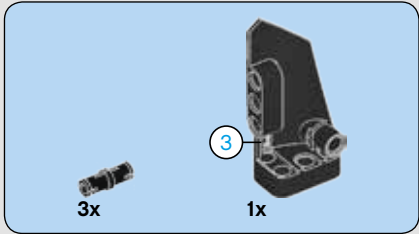


157

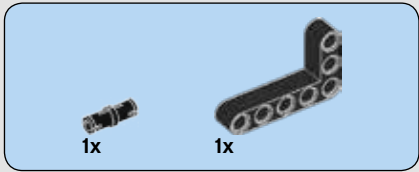
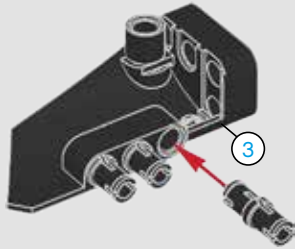


158

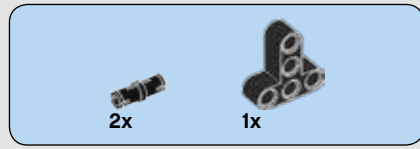
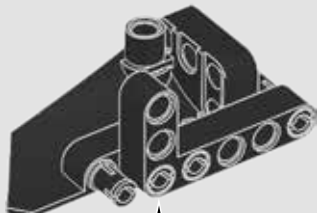
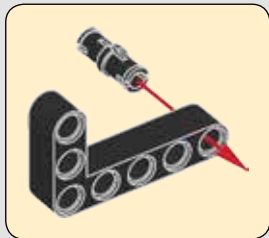




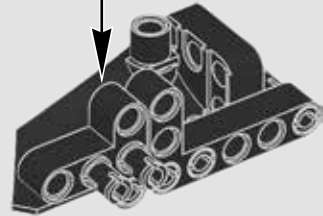
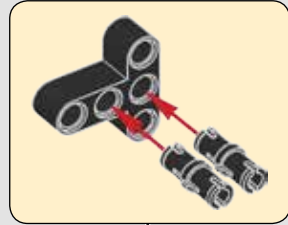
159



160

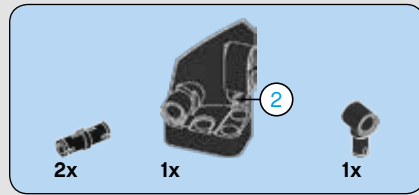
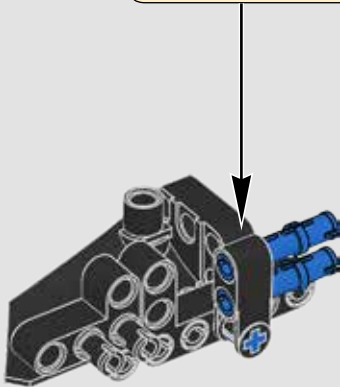
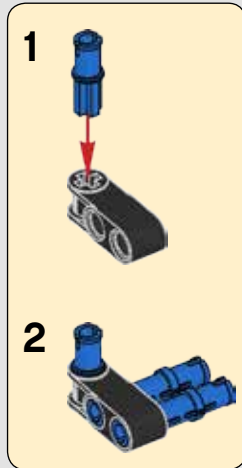


161

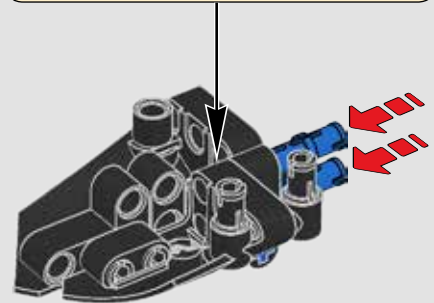
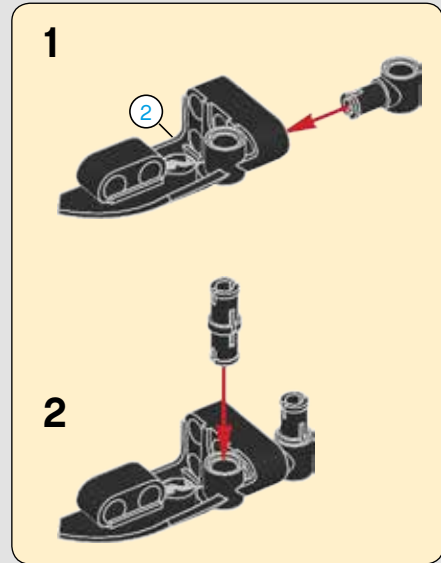




162

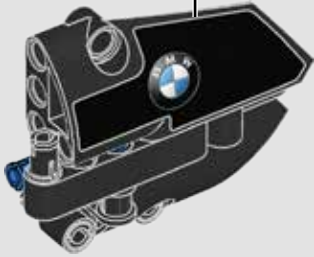


163

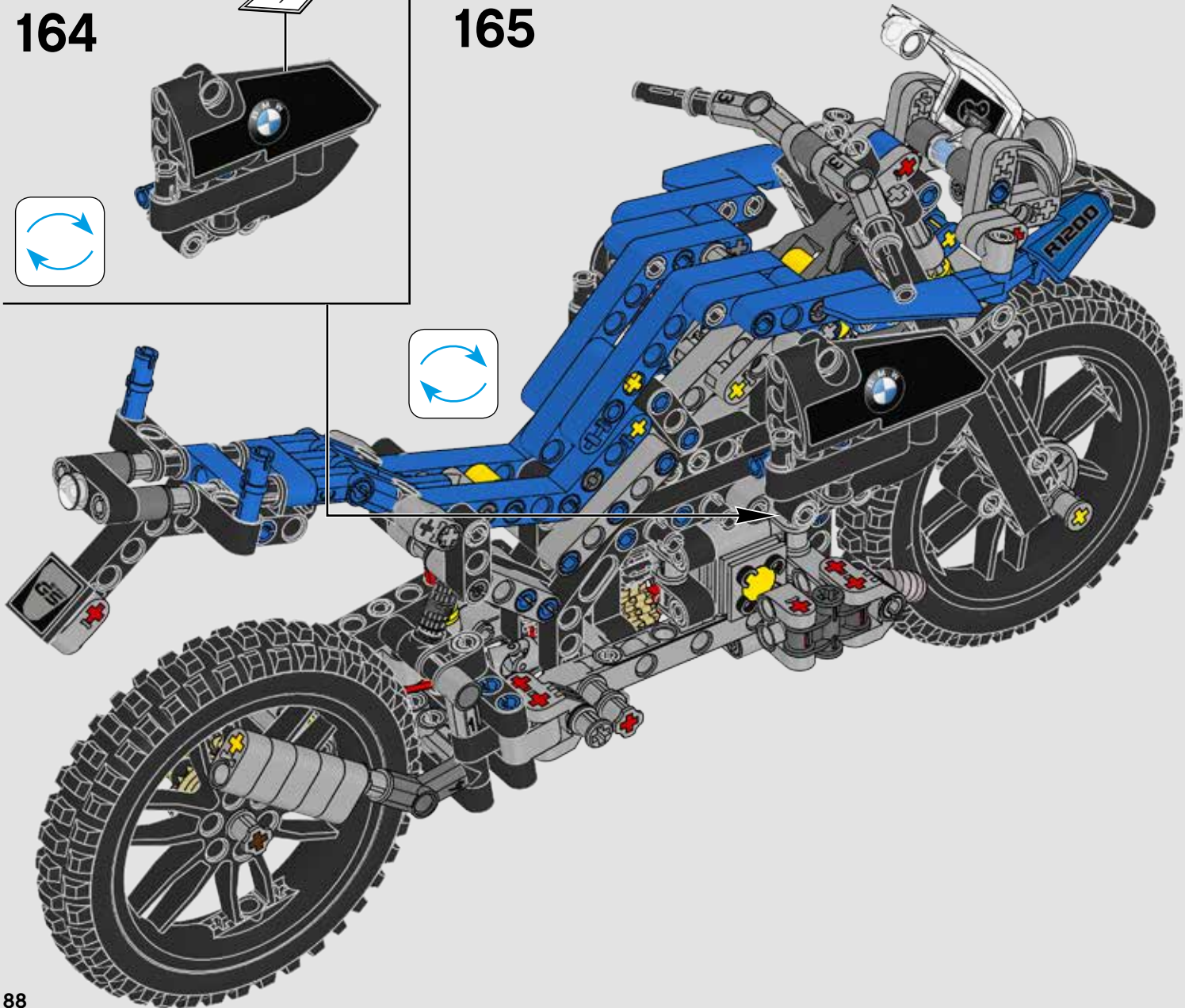


164

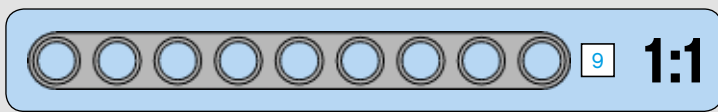
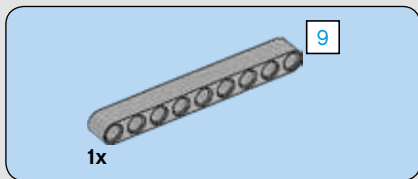
4



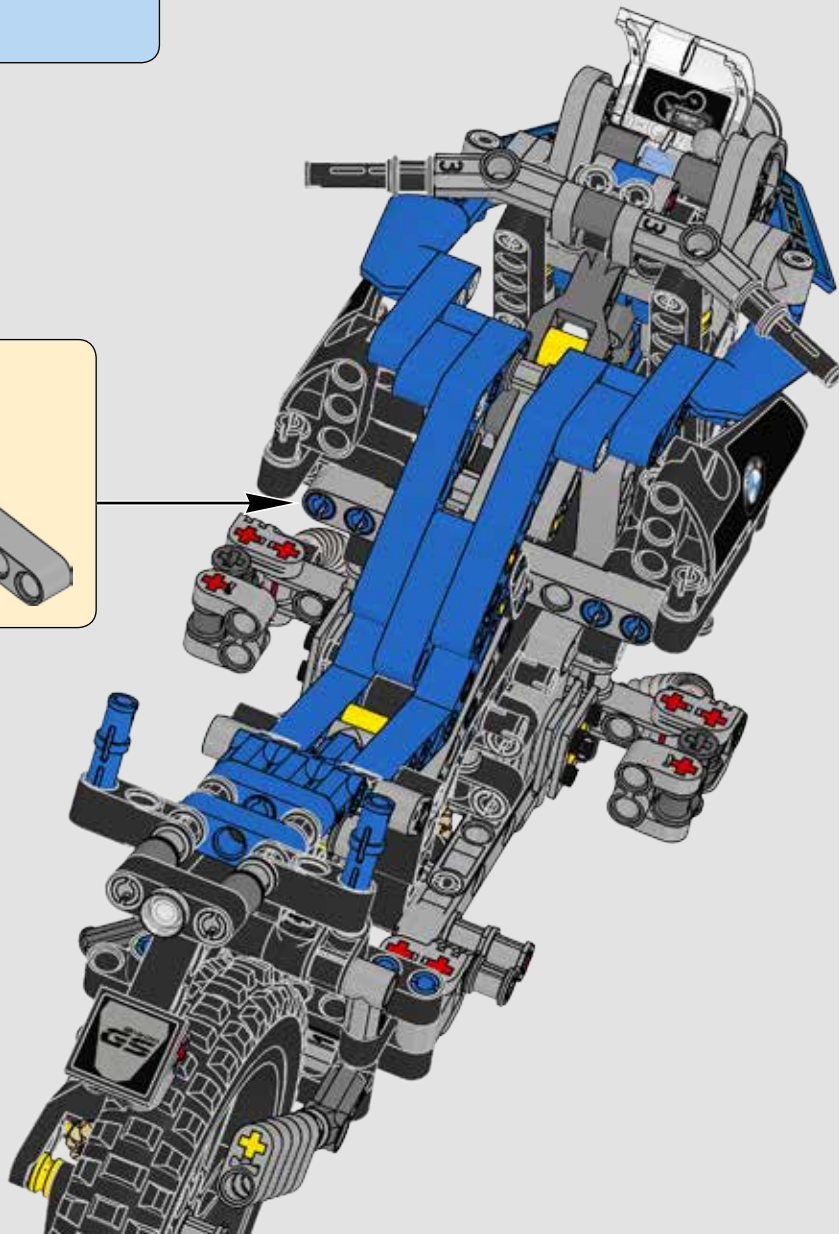
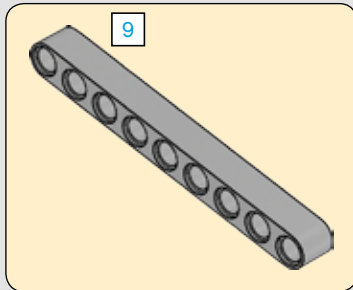
165

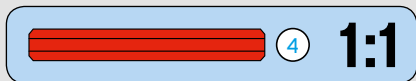
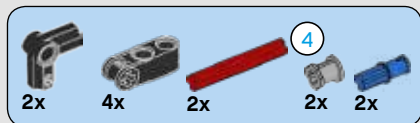




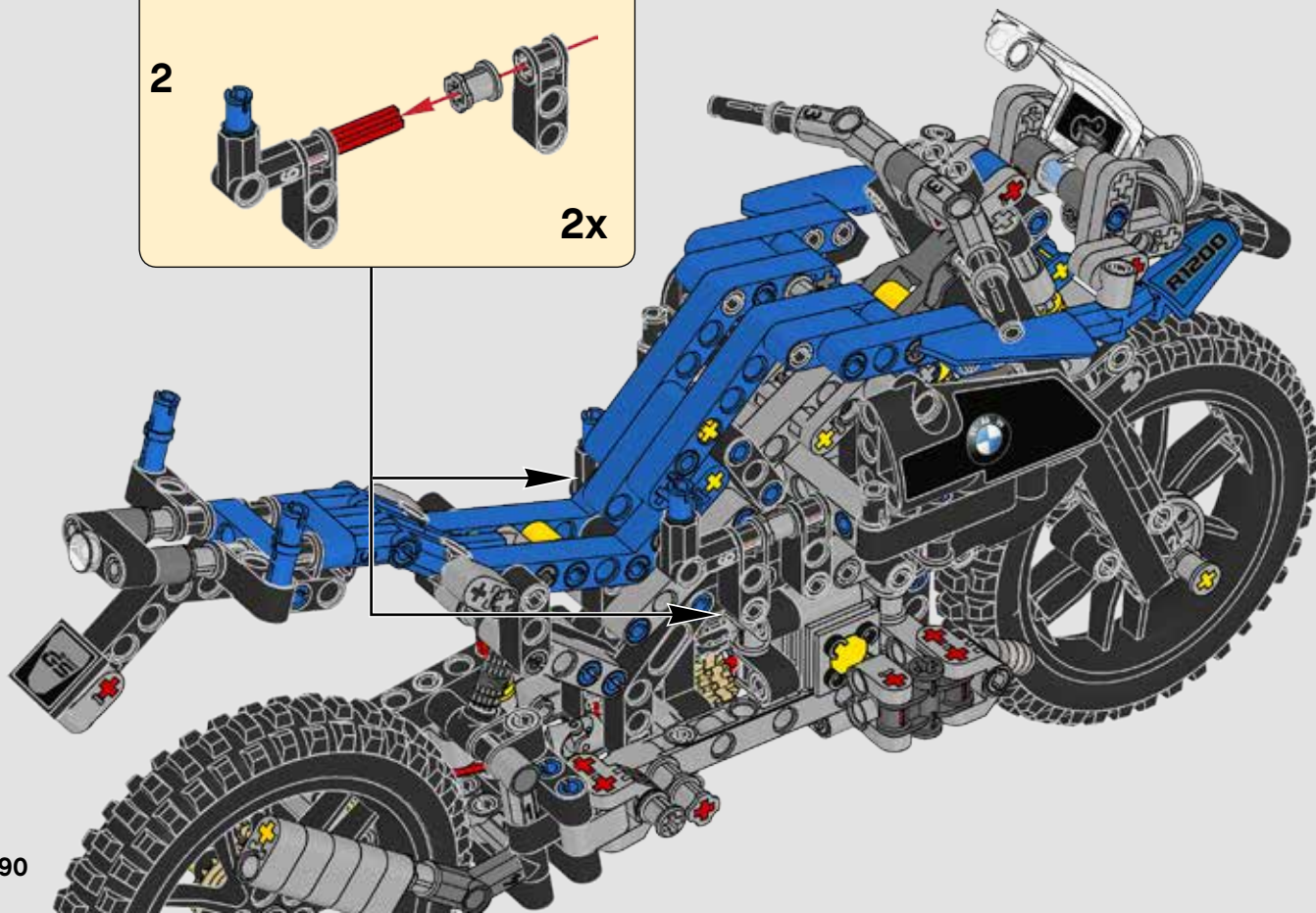
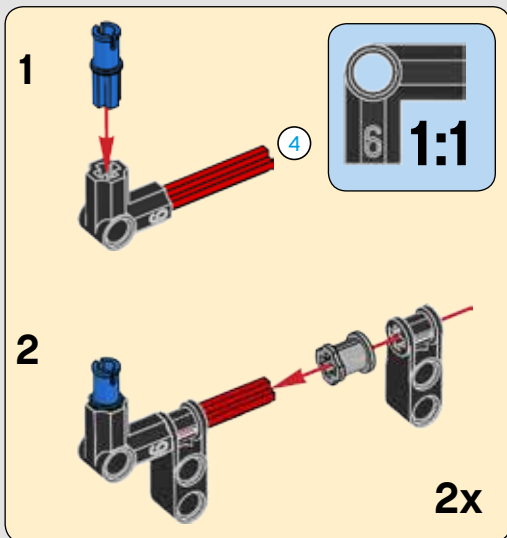


166



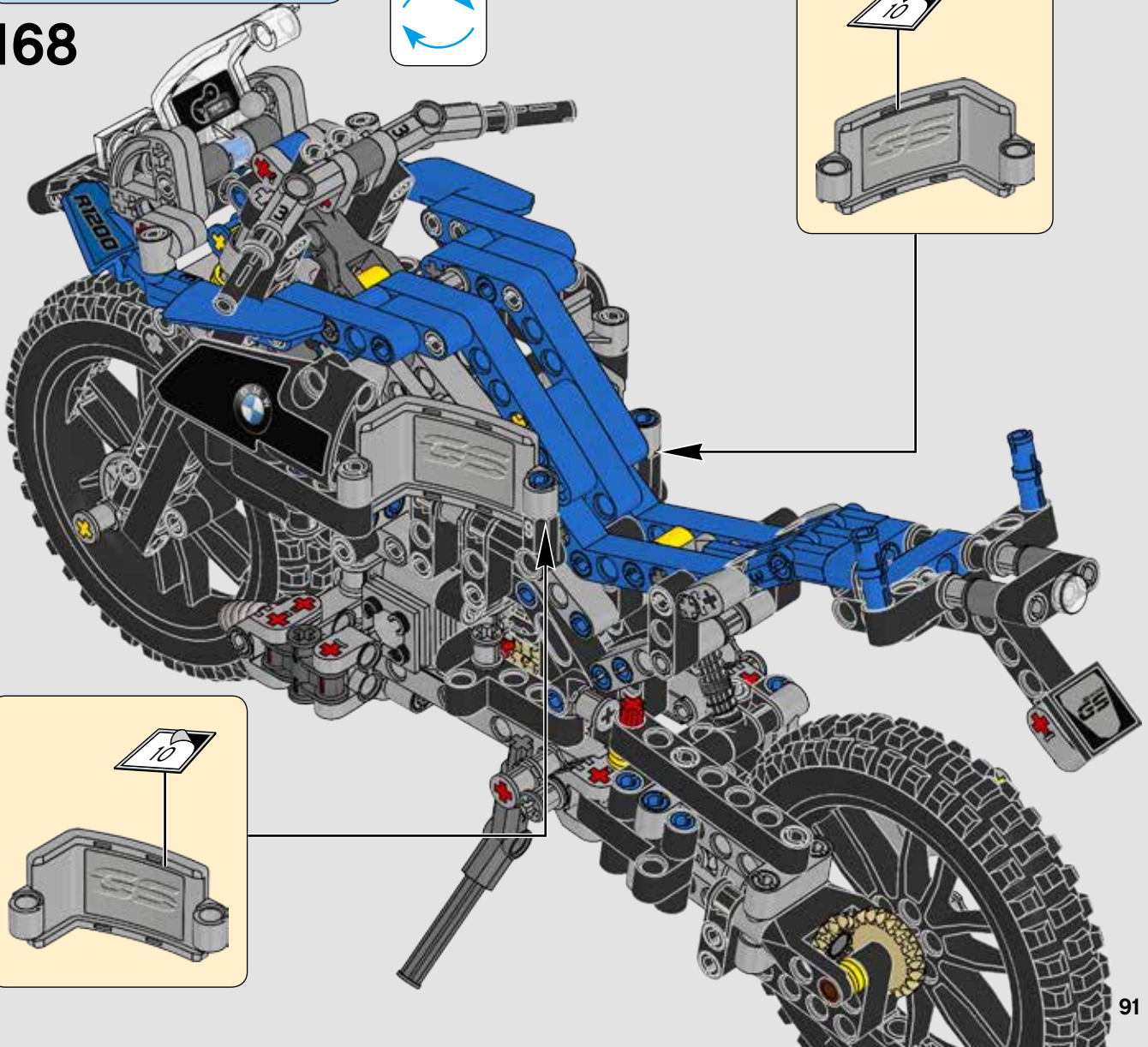
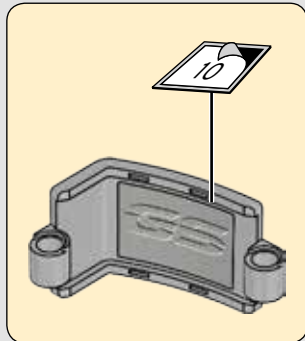
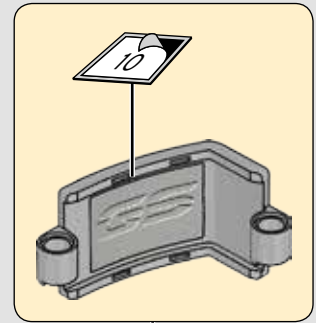
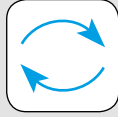


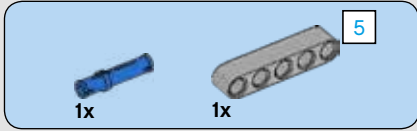
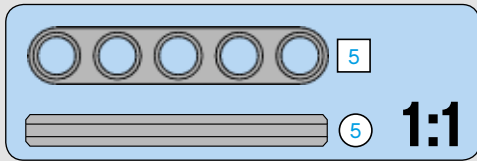
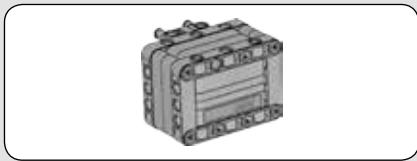
167



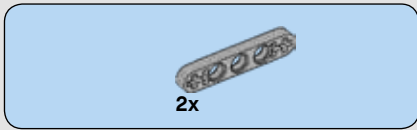
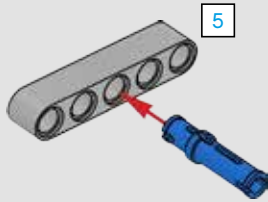


168

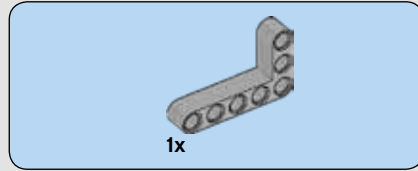
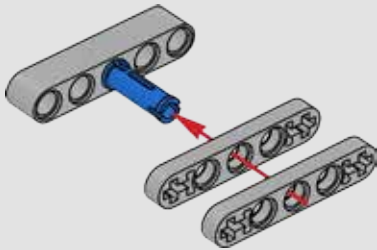




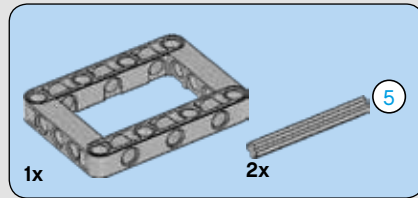
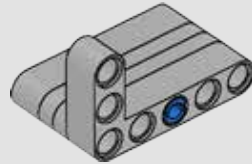
169



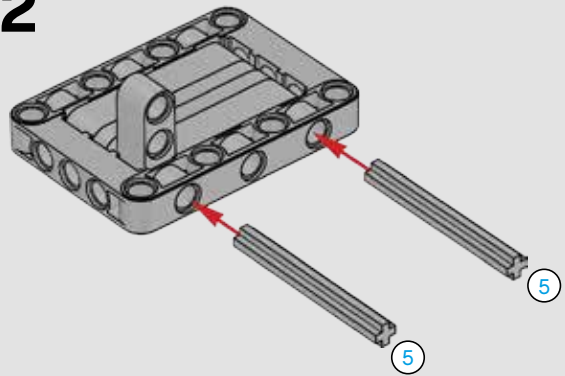
170



171

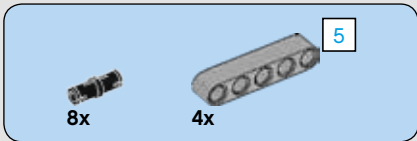
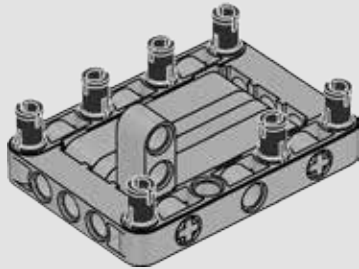


172

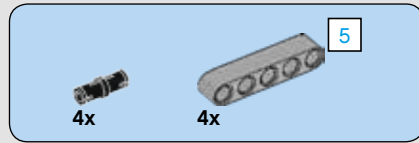
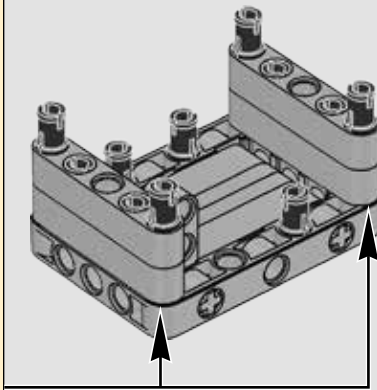
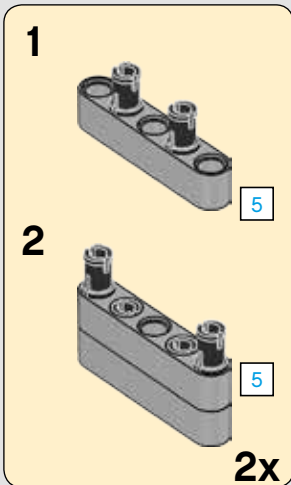




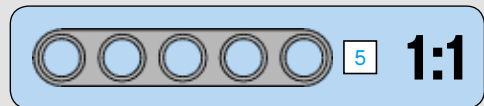
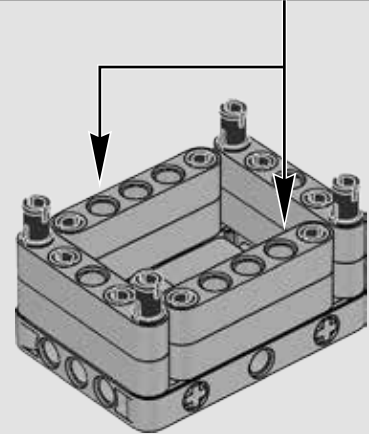
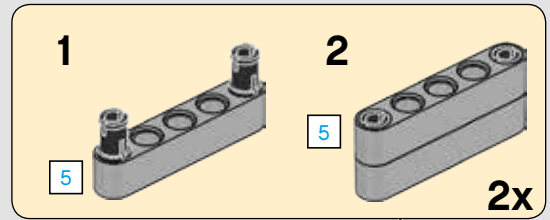
173



174



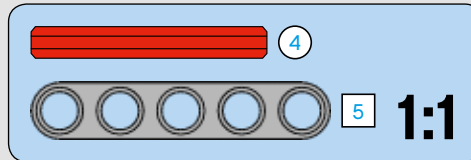
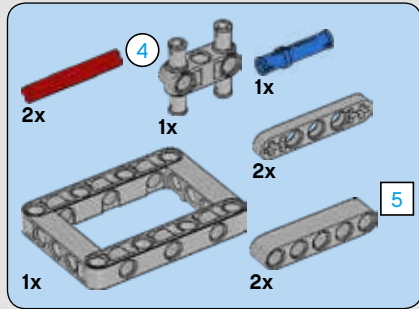
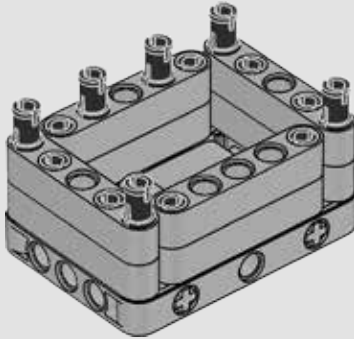
175



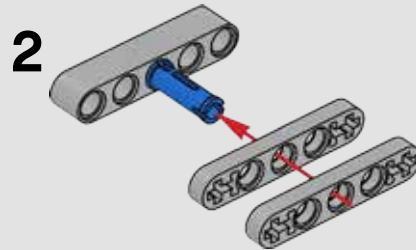
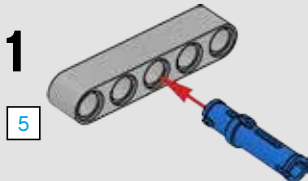


2x

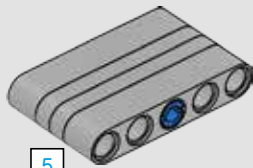
# 176



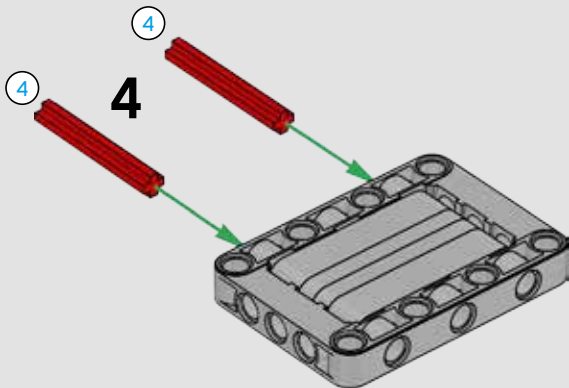
# 177



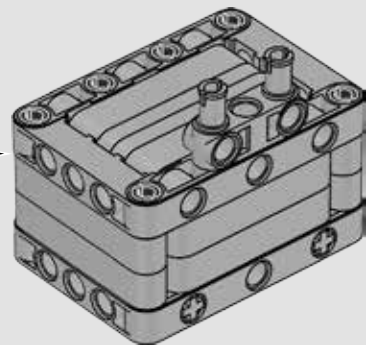
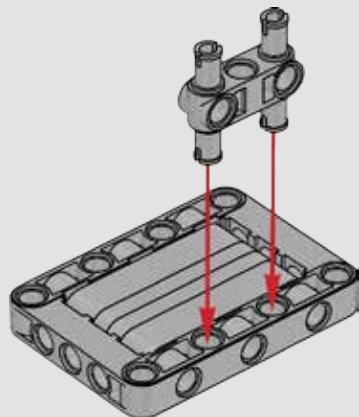
**3**



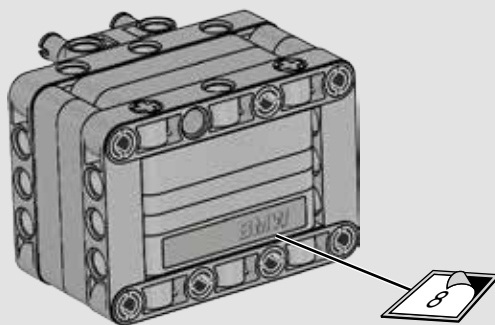
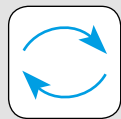
**4**



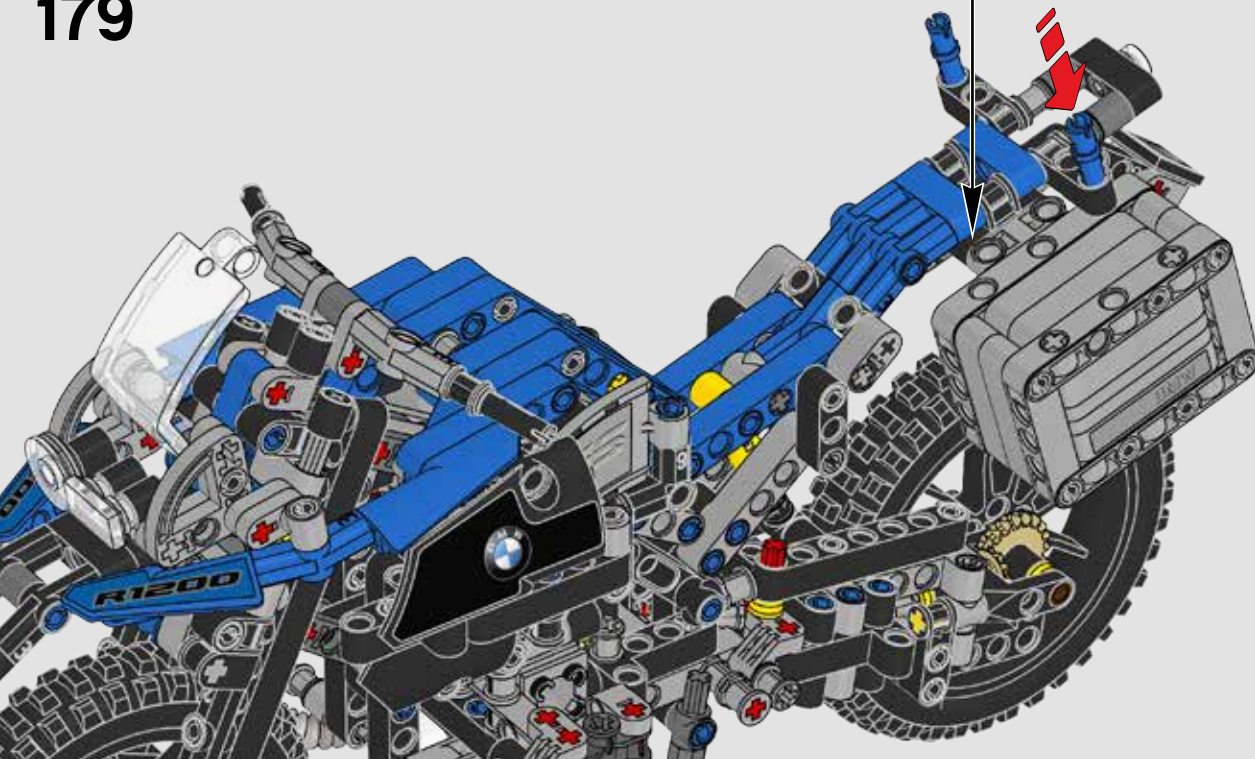
**5**



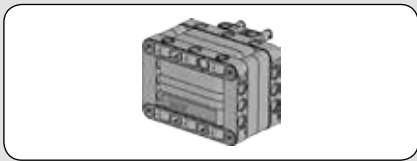
178



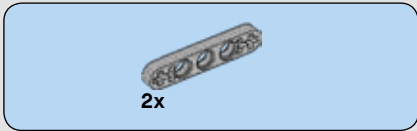
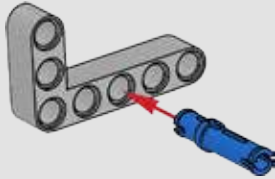
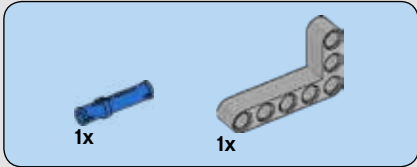
179



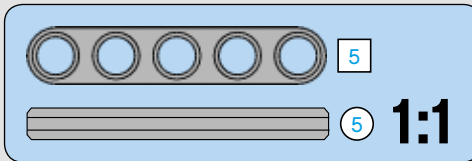
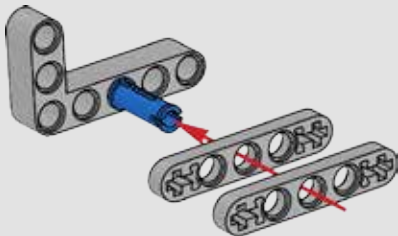




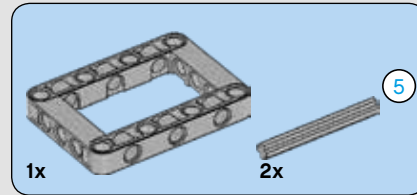
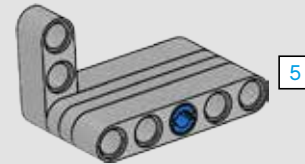
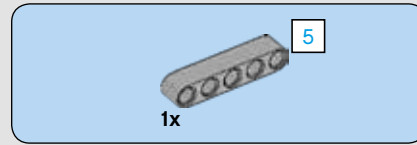
180



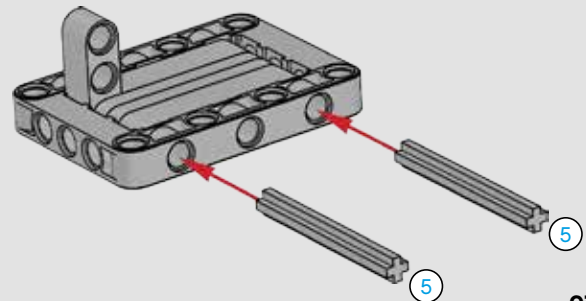
181



182

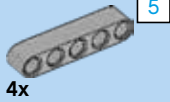
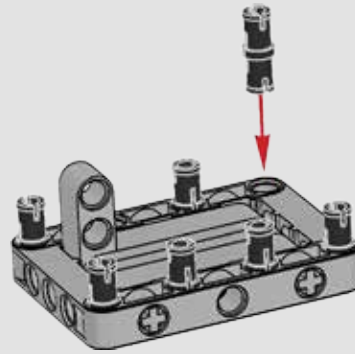


183

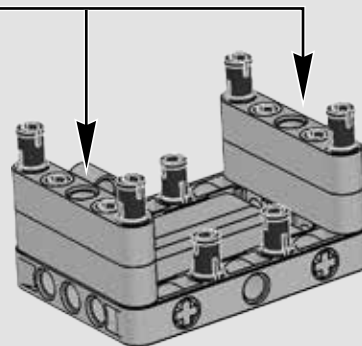
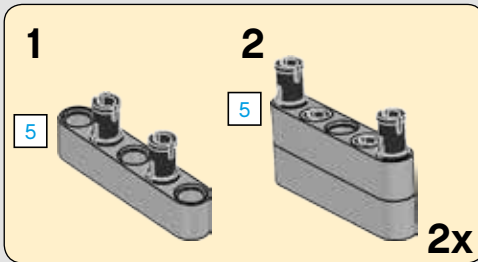


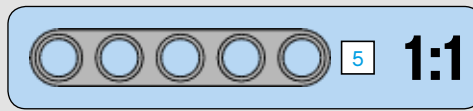
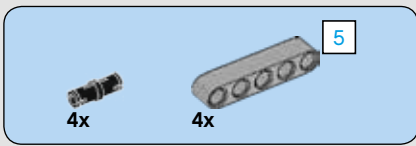


184

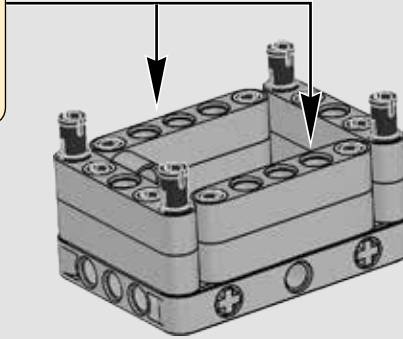
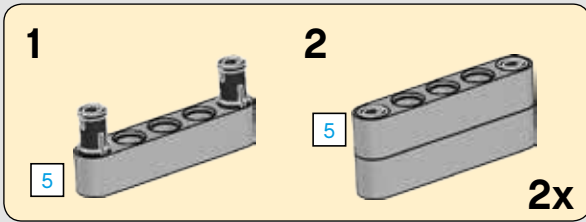


185

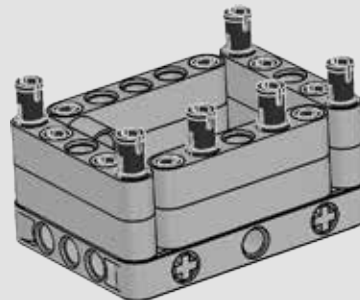


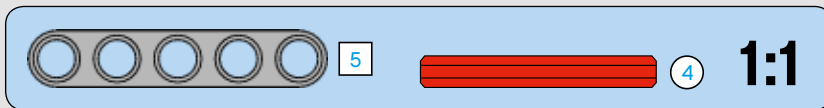
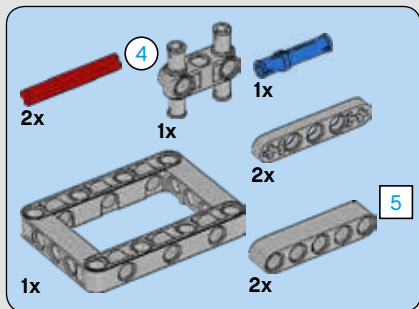


# 186

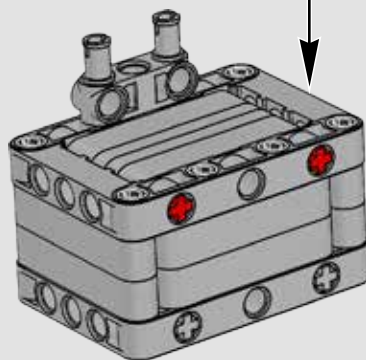
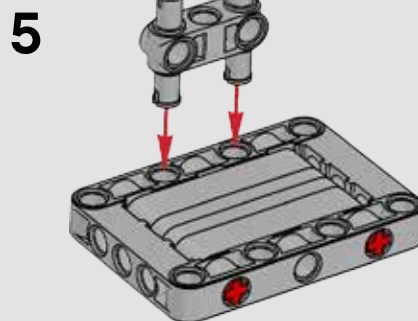
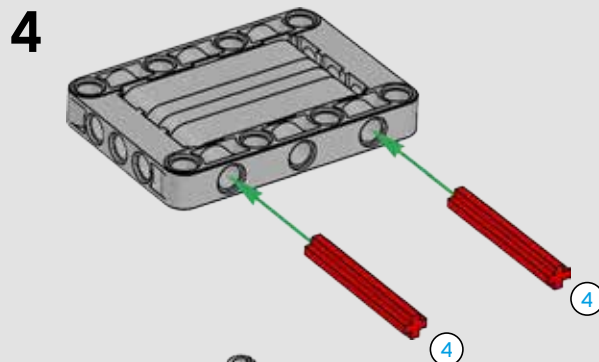
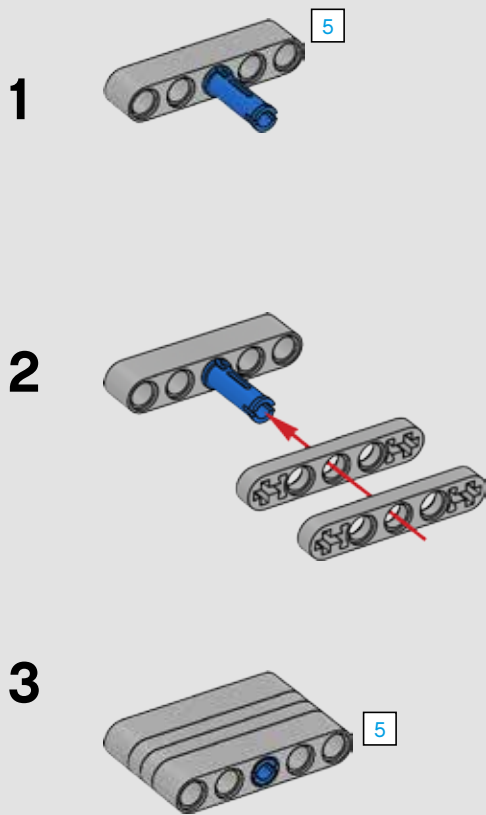


# 187

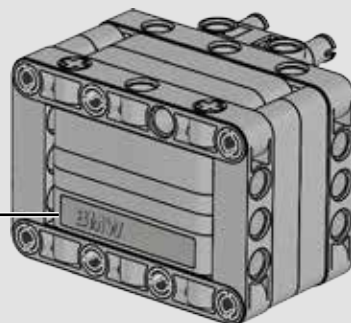
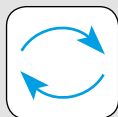




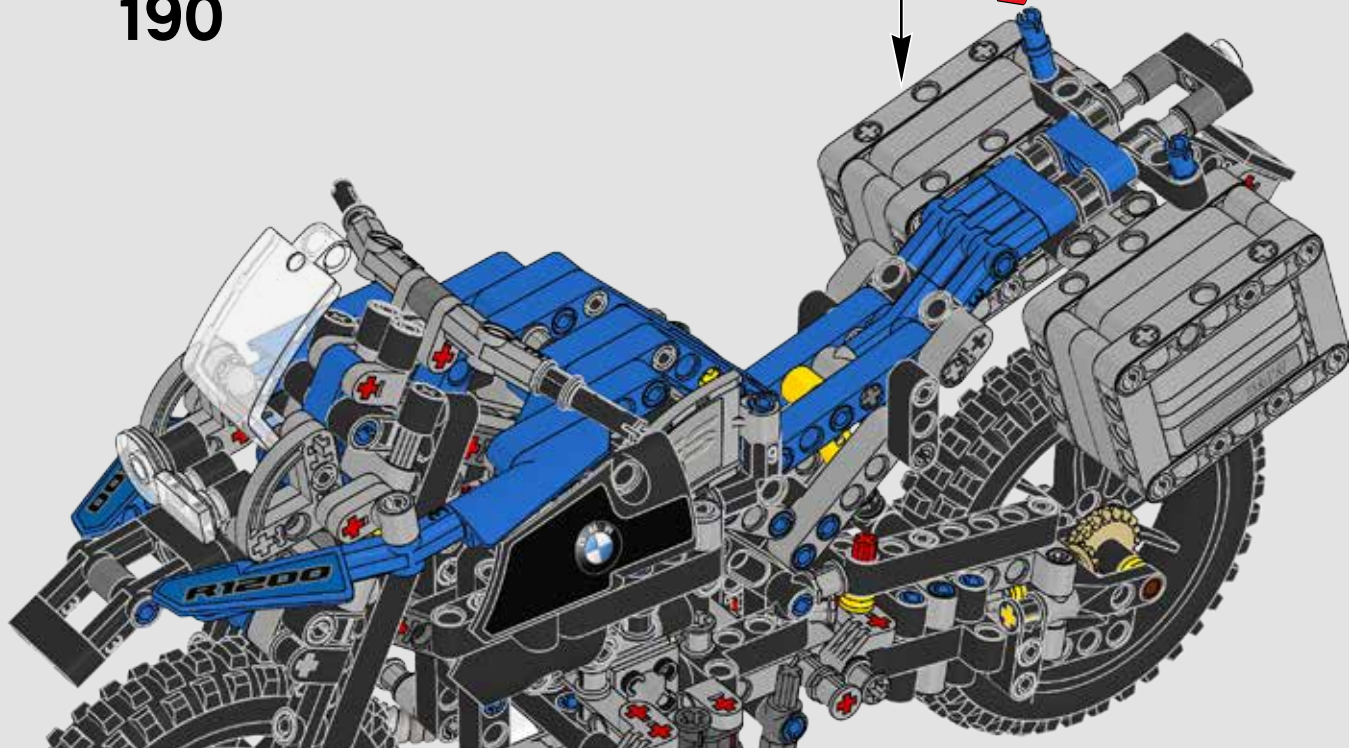
188

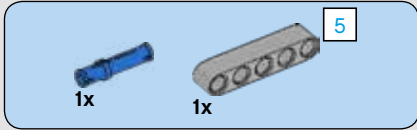
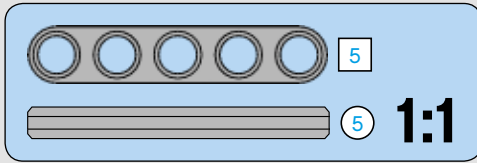
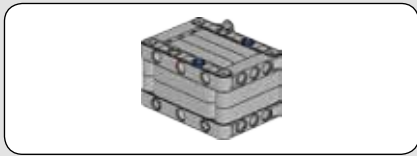


189

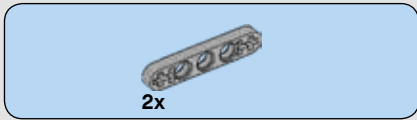
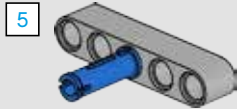


190

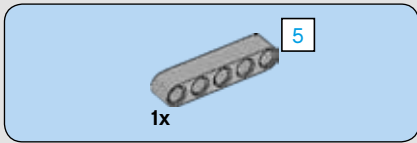
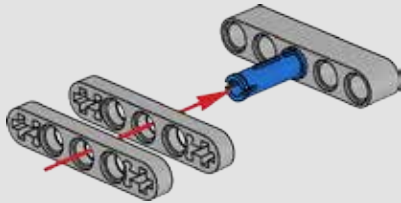




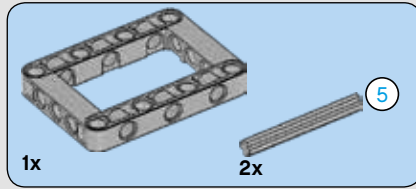
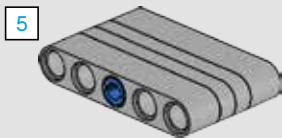
191



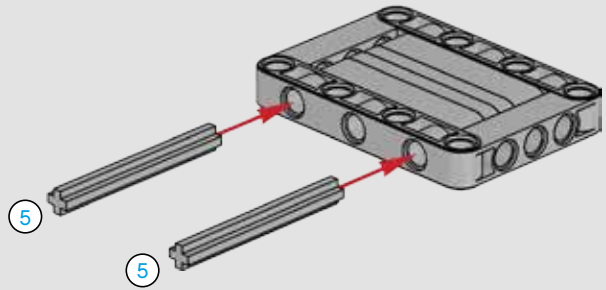
192



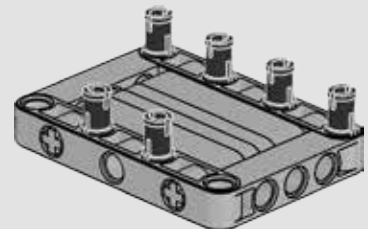
193

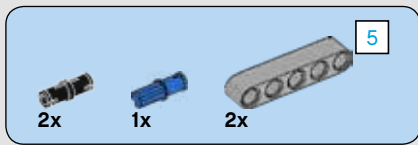


194

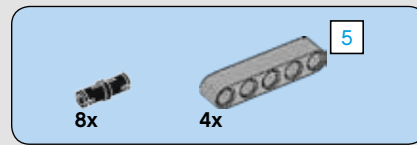
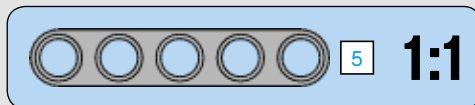
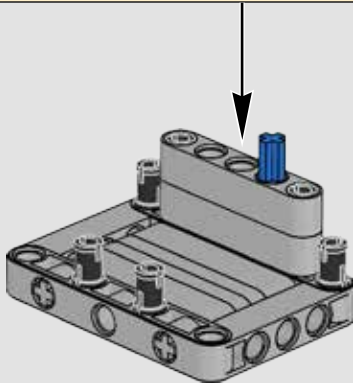
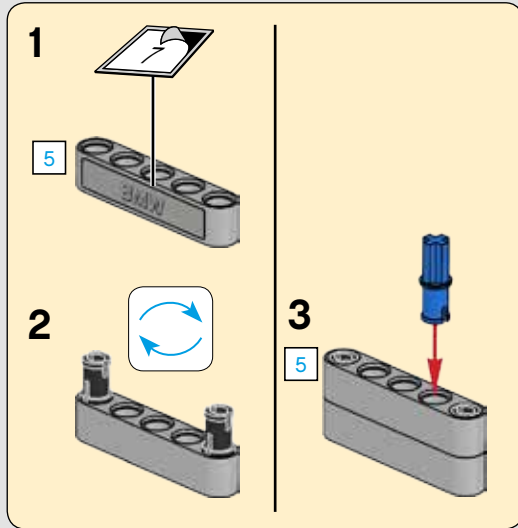


195

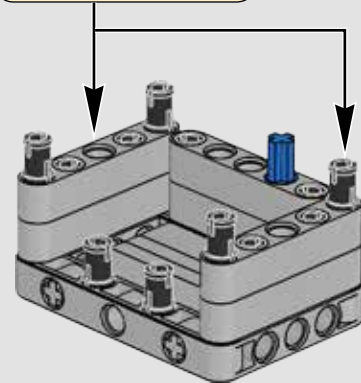
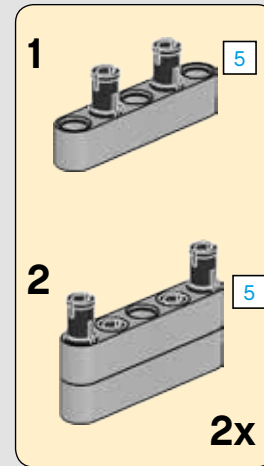


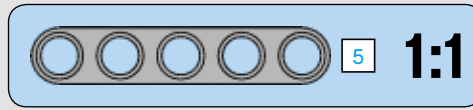
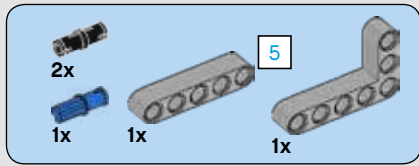


196

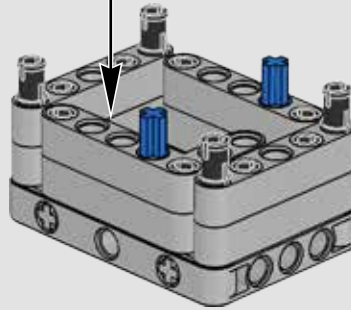
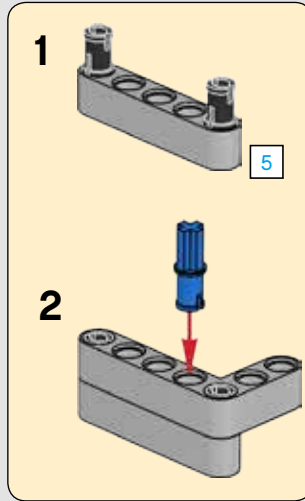


197

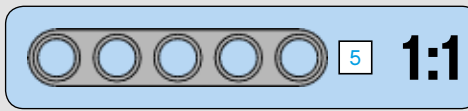
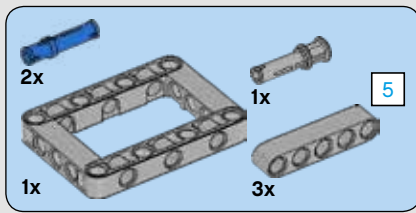




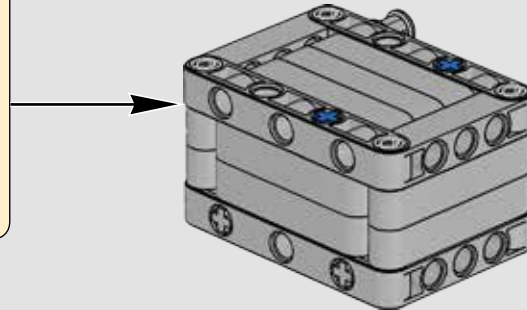
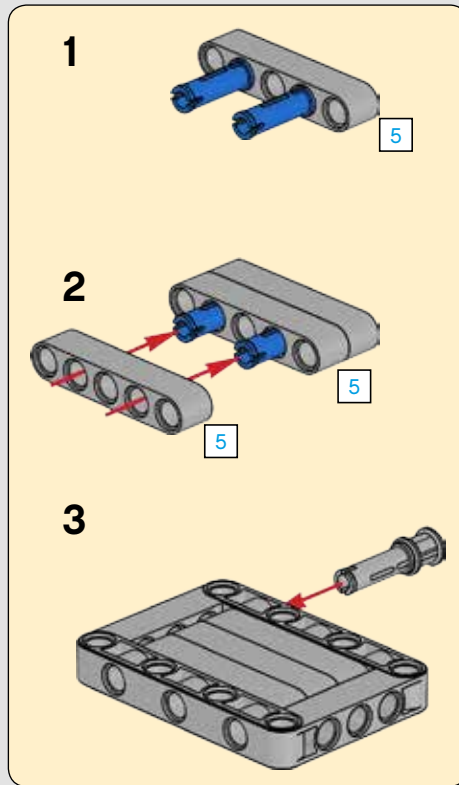
198



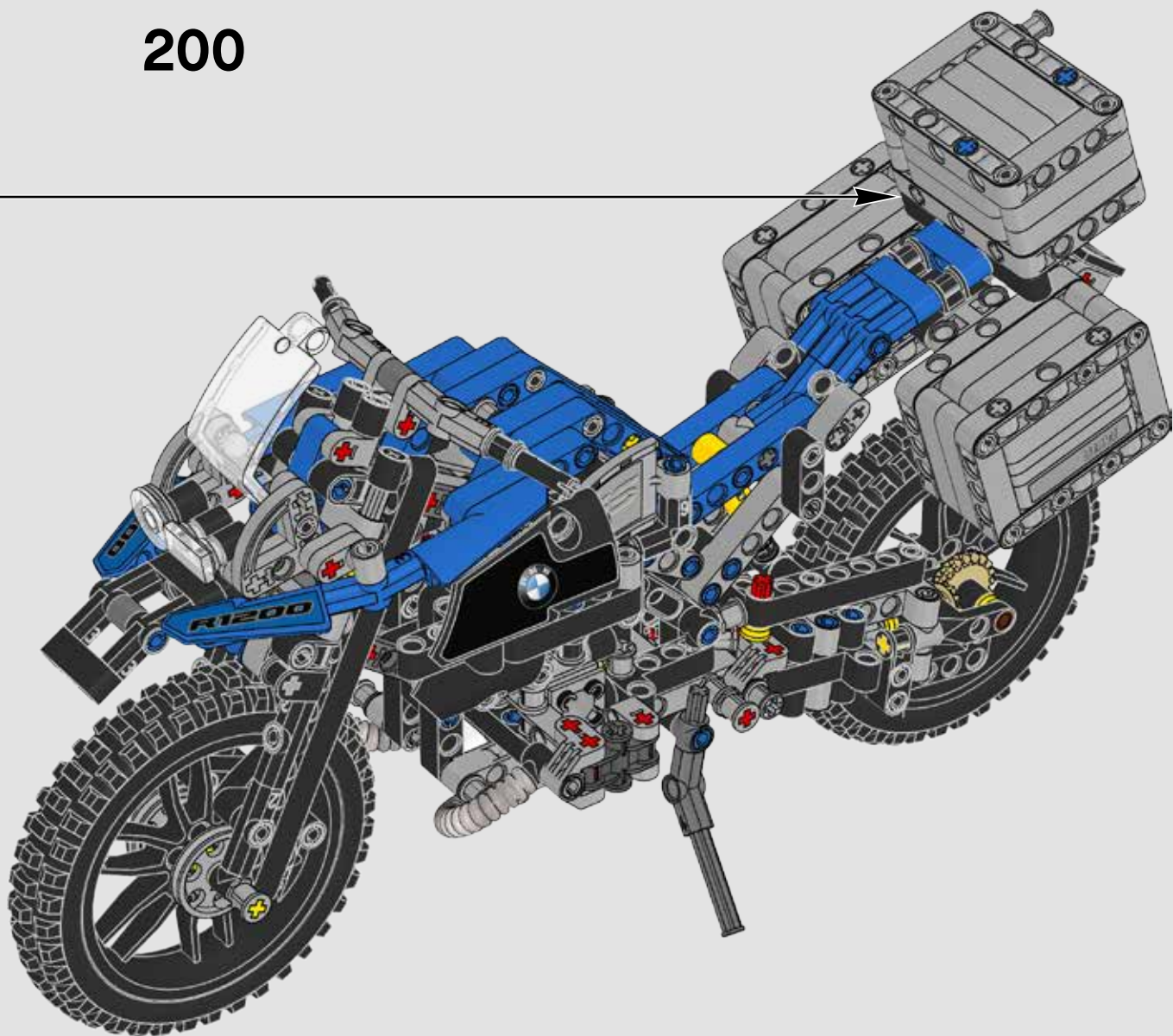




199



200





**LEGO** *TECHNIC*





**LEGO** **TECHNIC**



42060



42062



42057



42061

**LEGO**<sup>®</sup>  
Building  
Instructions



ANDROID APP ON  
Google play

Download on the  
App Store



Ask parents' permission first.  
Bitte frage erst deine Eltern um Erlaubnis.  
Demande d'abord l'autorisation d'un parent.  
Pide antes permiso a tus padres.  
Pede primeiro permissão aos teus pais.  
Először kérj engedélyt a szülőidtől!  
先请求家长的许可。

Apple and the Apple logo are trademarks of Apple Inc.,  
registered in the U.S. and other countries.  
App Store is a service mark of Apple Inc.

Google Play is a trademark of Google Inc.

**7** [LEGO.com/technic](http://LEGO.com/technic)

1x 6170737  
 1x 4565452  
 1x 4666579  
 1x 6031962  
 1x 6084724  
 25x 4142865  
 1x 6153686  
 13x 6129995  
 6x 6177396  
 2x 6022764  
 2x 6023035  
 10x 4206482  
 46x 4514553  
 2x 4168114

6x 4509376  
 3x 6178359  
 2x 4142134  
 4x 4182884  
 2x 6027566  
 2x 6130009  
 10x 4239601  
 2x 4112203  
 2x 4119474  
 7x 6130007  
 4x 4552347  
 16x 6073231  
 4x 4107783  
 2x 4107082  
 2x 4184169

5

7

3

21

1x 4177431  
 12x 4173668  
 123x 4121715  
 6x 6099801  
 2x 4140430  
 2x 4107767  
 1x 306826  
 9x 4173970  
 4x 6089119  
 2x 4140801  
 3x 6007966  
 11x 4142822  
 3x 4120017  
 1x 4558692  
 4x 4142823

1x 4566249  
 1x 4566251  
 1x 4541325  
 1x 4541924  
 2x 370626  
 6x 4495935  
 1x 4112282  
 2x 4111998  
 2x 4542573  
 1x 4540797

2

1

4

3

6

7

5

9

9

15

45x 4211651  
 2x 6055519  
 2x 4535768  
 2x 6102449  
 6x 4539880  
 2x 4211550  
 5x 4211483  
 11x 4211622  
 2x 4211552  
 4x 4630114  
 2x 4494222  
 12x 4211865  
 6x 4211621

1x 4211375  
 6x 4211741  
 1x 4211512  
 2x 4211807  
 3x 6123815  
 12x 6004888  
 4x 4211889  
 1x 4526985  
 2x 6000018  
 2x 4211574  
 2x 4531184  
 4x 4630114  
 2x 4494222  
 12x 4211865  
 6x 4211621

2x 4225033  
 2x 4525904  
 2x 6176758  
 2x 4234251  
 2x 4211561  
 10x 6029206  
 13x 4211639  
 3x 4211713  
 6x 4560175  
 1x 6159763  
 10x 6015356

5

5

2x 6074651  
 2x 6083456  
 2x 6022718  
 2x 4210688  
 1x 6167281  
 8x 6100030

1x 6133686  
 1x 4650498  
 2x 3005740  
 1x 4187750  
 1x 4569297  
 3x 6083620



2x 6021952



2x 6176748

Customer Service

Kundenservice

Service Consommateurs

Servicio Al Consumidor

LEGO.com/service or dial



: 00800 5346 5555

: 1-800-422-5346



# WIN

GO TO [WWW.LEGO.COM/PRODUCTFEEDBACK](http://WWW.LEGO.COM/PRODUCTFEEDBACK) AND  
GIVE US YOUR SHORT **FEEDBACK** ABOUT THIS  
LEGO® SET FOR A CHANCE TO WIN  
A COOL LEGO PRIZE.

Terms & Conditions apply

# [LEGO.com/productfeedback](http://LEGO.com/productfeedback)

## GEWINNE

Erzähle uns auf  
[www.LEGO.com/productfeedback](http://www.LEGO.com/productfeedback)

etwas über die Erfahrungen, die du mit  
diesem LEGO® Set gemacht hast, und  
sichere dir die Chance auf einen coolen  
LEGO Preis!

Es gelten die Teilnahmebedingungen

## GAGNE

Rends-toi sur  
[www.LEGO.com/productfeedback](http://www.LEGO.com/productfeedback)

et donne-nous quelques commentaires  
sur ce produit LEGO® pour avoir une  
chance de gagner un prix LEGO !

Voir Conditions Générales

## GANA

Visita  
[www.LEGO.com/productfeedback](http://www.LEGO.com/productfeedback)

y envíanos tu opinión acerca de este set  
LEGO®. ¡Participarás en el sorteo de un  
premio LEGO!

Términos y Condiciones aplicables

## 获取奖品

登录  
[www.LEGO.com/productfeedback](http://www.LEGO.com/productfeedback)

给出关于此乐高®套装的简短反馈，  
就有机会获得炫酷乐高奖品

《条款及条件》适用

LEGO and the LEGO logo are trademarks of the/son des marques de commerce du/son marcas registradas de LEGO Group. ©2017 The LEGO Group.



## BMW Motorrad

The BMW logo, the BMW word mark and model designation are trademarks of BMW and are used under license.

6205673 / 6187737





# TECHNIC

42063



1

LEGO.com/building-app



2



3



LEGO®  
Building  
Instructions



ANDROID APP ON  
Google play

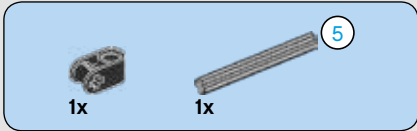
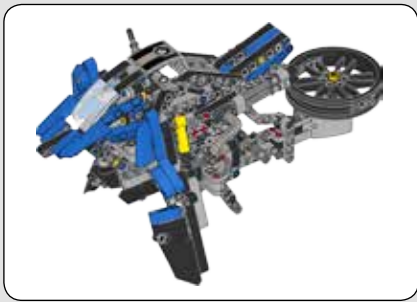
Download on the  
App Store



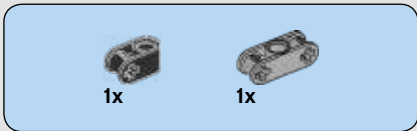
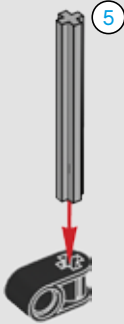
Ask parents' permission first.  
Bitte frage erst deine Eltern um Erlaubnis.  
Demande d'abord l'autorisation d'un parent.  
Pide antes permiso a tus padres.  
Pede primeiro permissão aos teus pais.  
Először kérj engedélyt a szüleidtől!  
先请求家长的许可。

Apple and the Apple logo are trademarks of Apple Inc., registered in the U.S. and other countries. App Store is a service mark of Apple Inc.

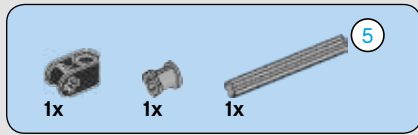
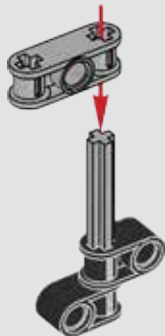
Google Play is a trademark of Google Inc.



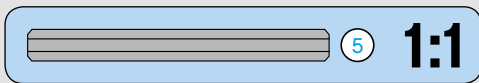
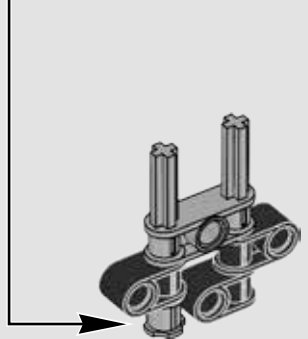
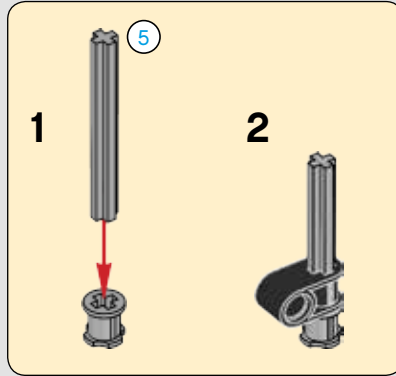
1



2



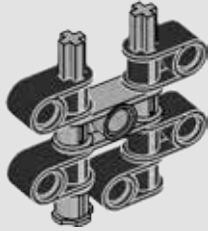
3





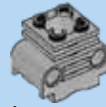
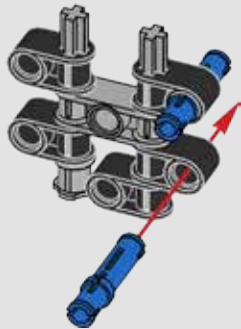
2x

4



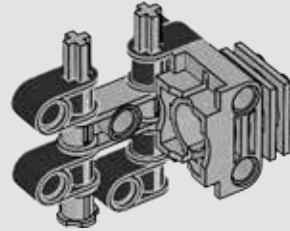
2x

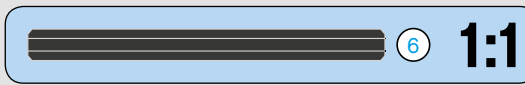
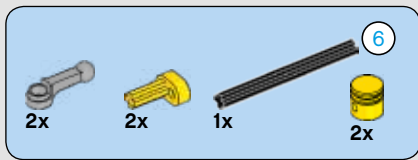
5



1x

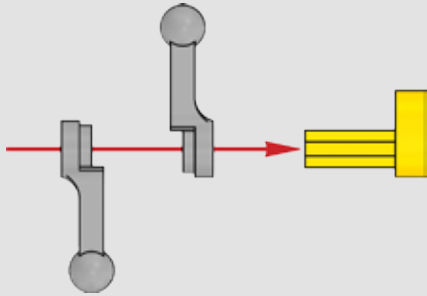
6



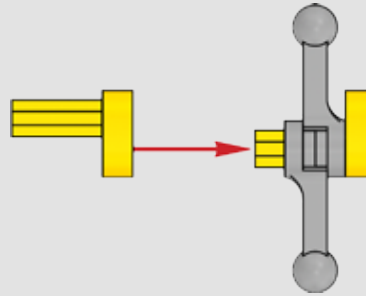


7

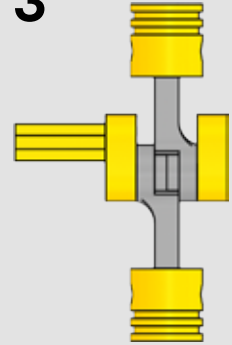
1



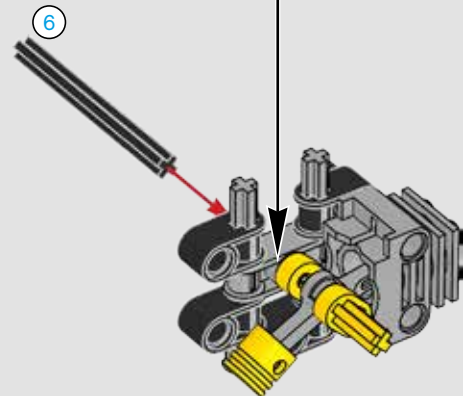
2



3



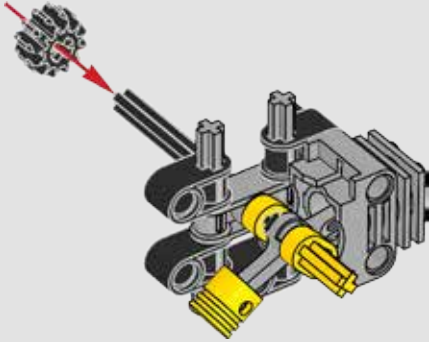
1:1





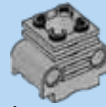
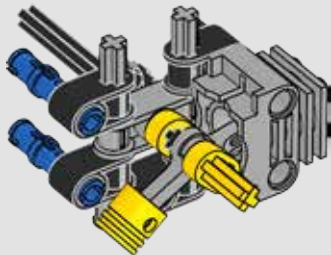
1x

8



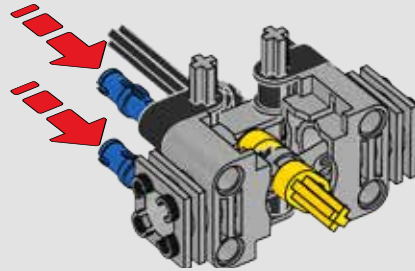
2x

9



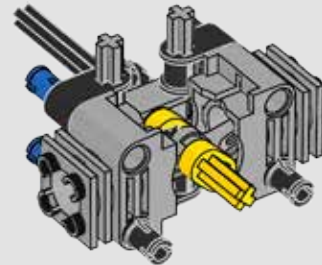
1x

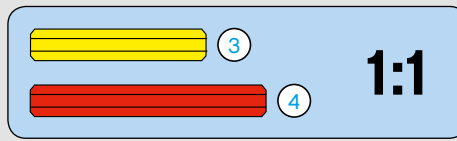
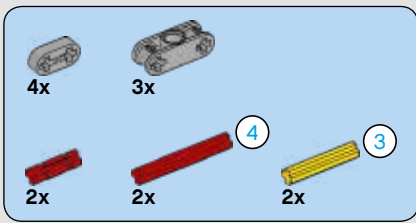
10



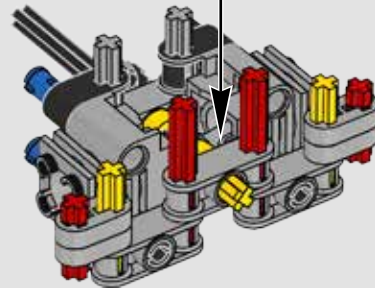
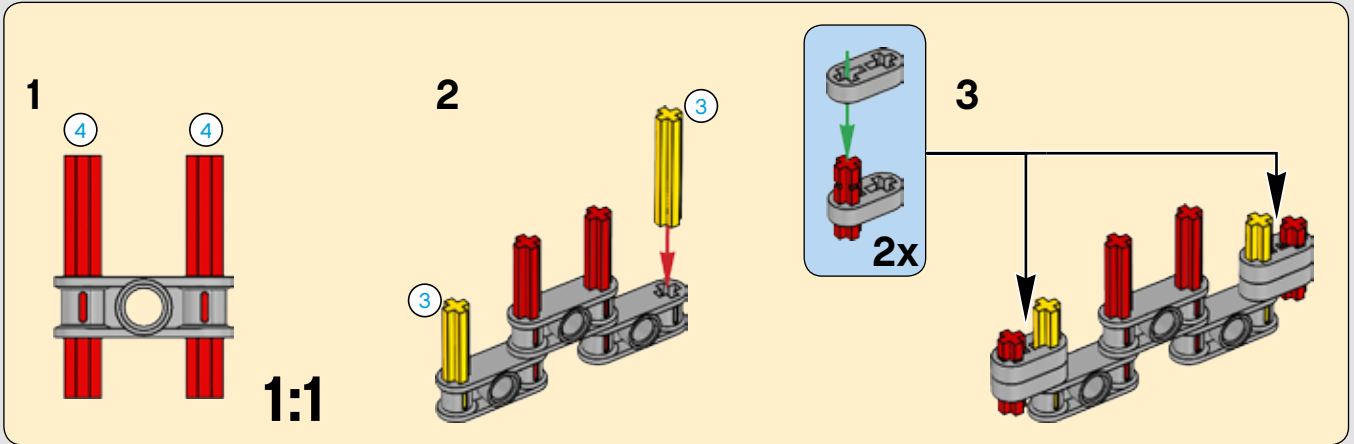
2x

11



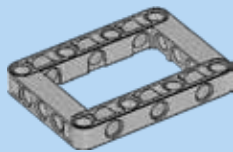
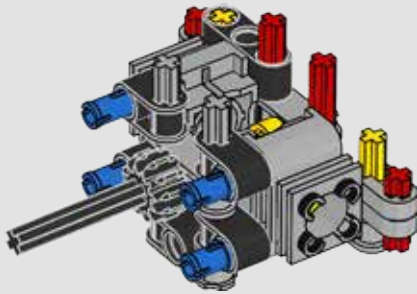
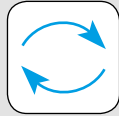


# 12

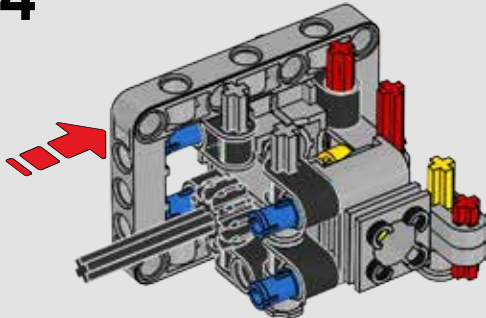




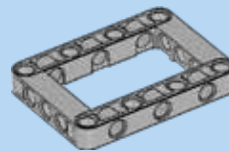
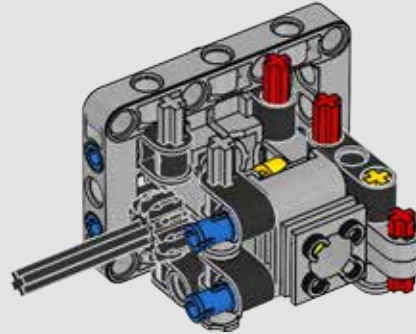
13



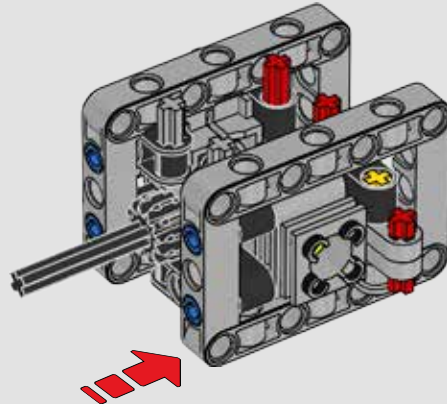
14



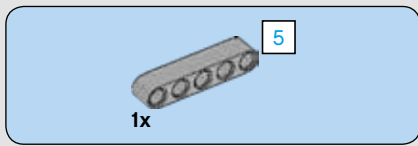
15



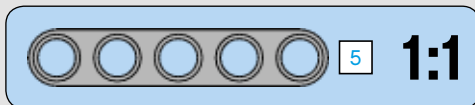
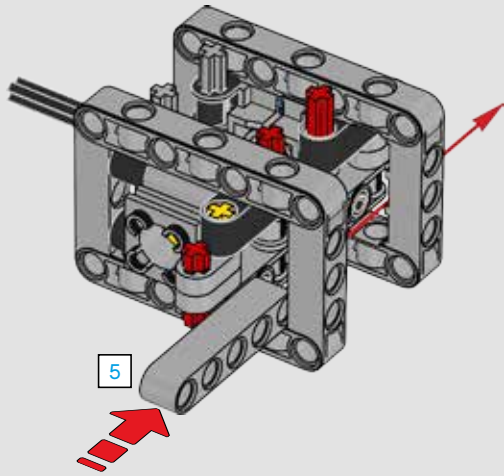
16



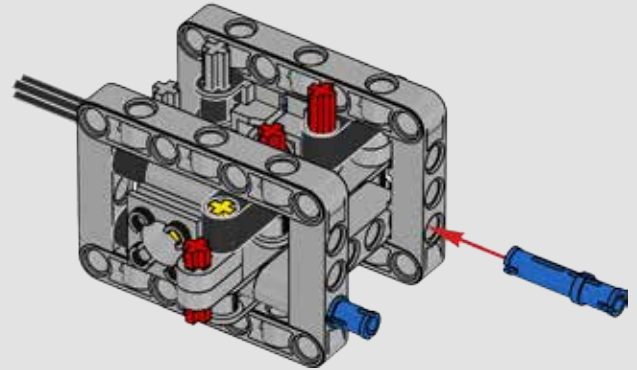




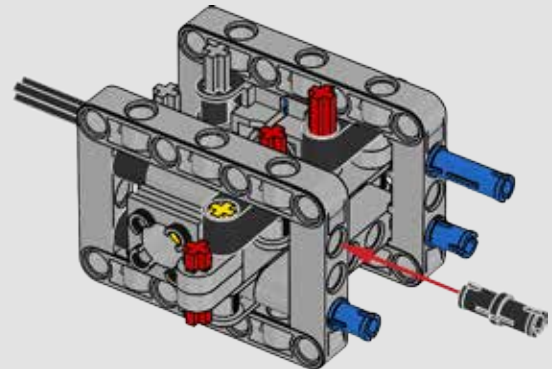
17

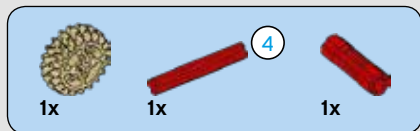


18

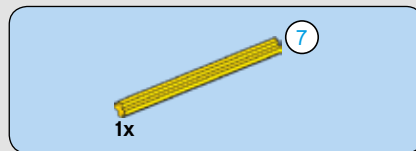
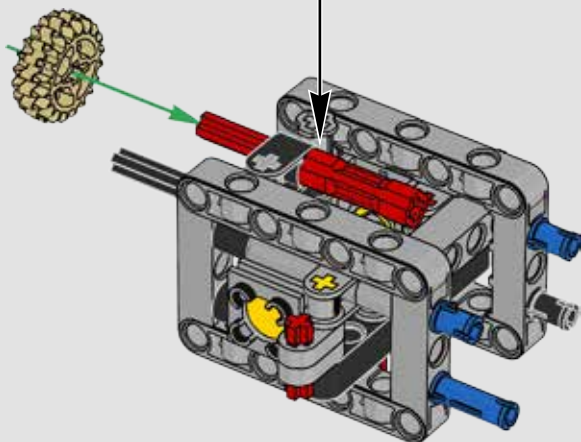
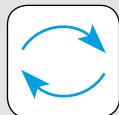
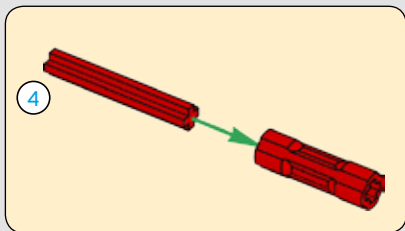


19

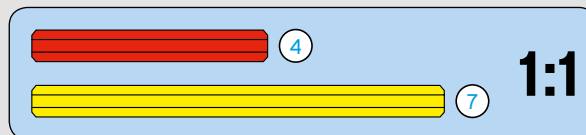
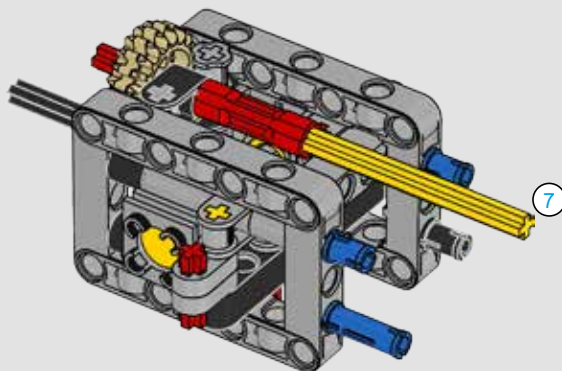


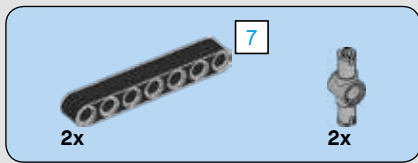


20

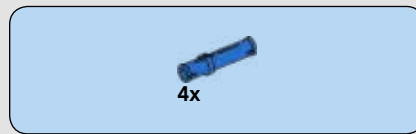
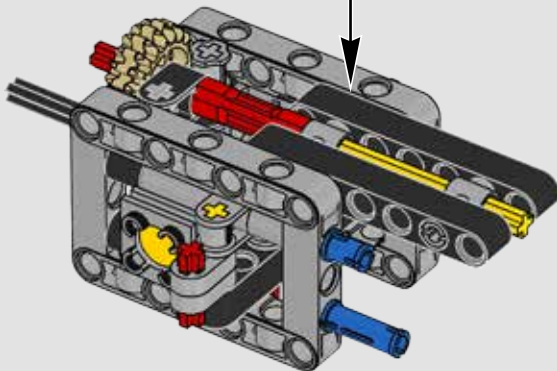
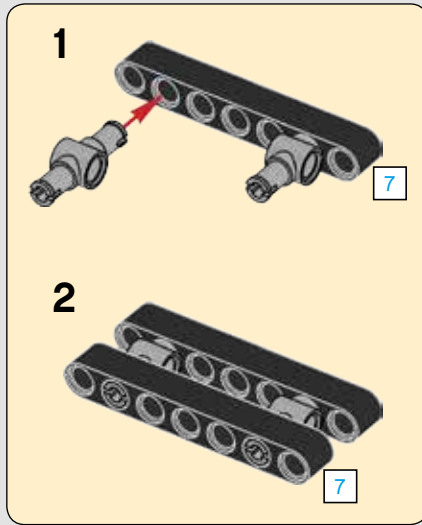


21

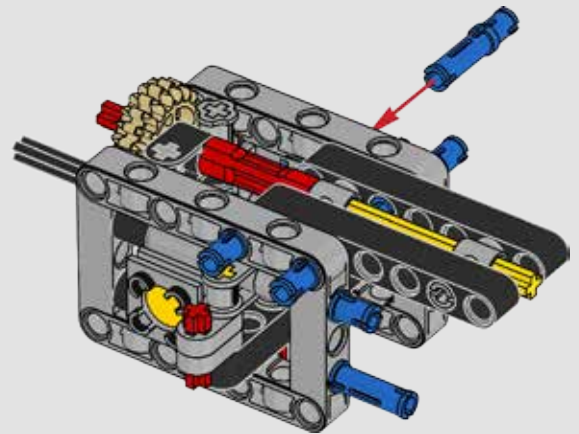


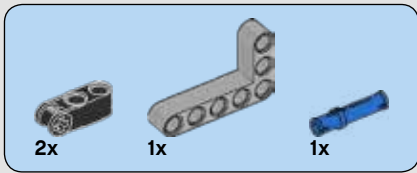


22

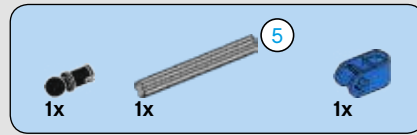
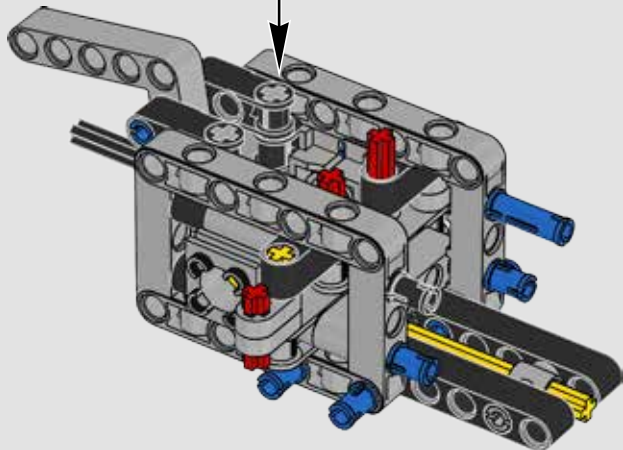
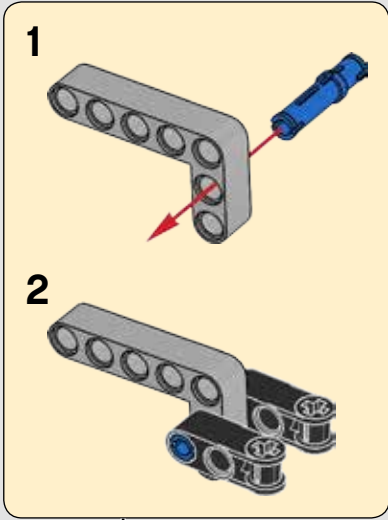


23

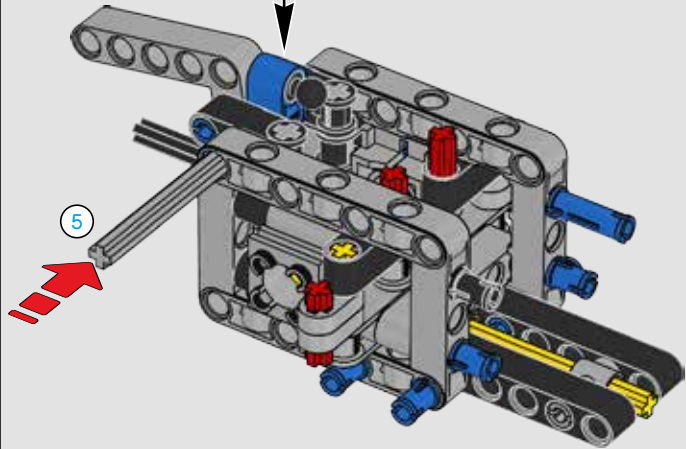
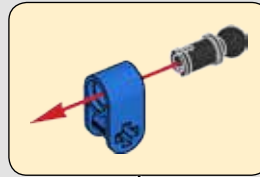




24

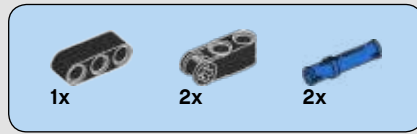
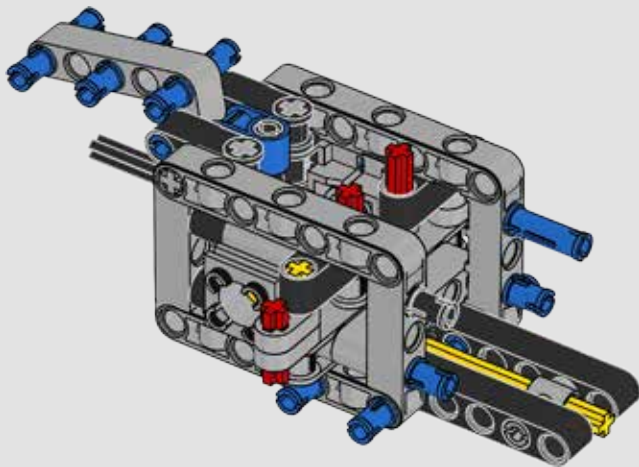


25

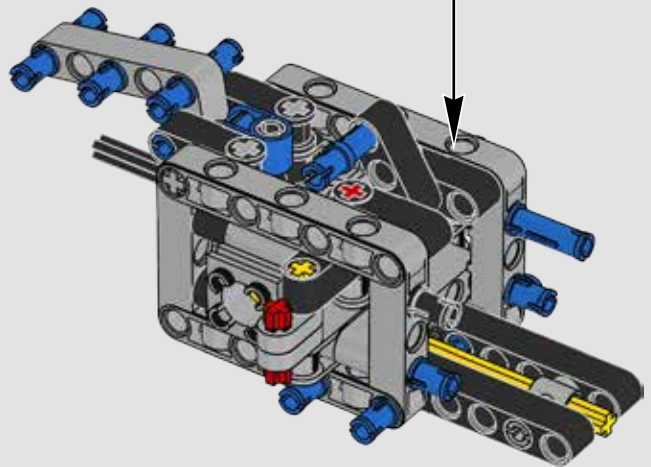
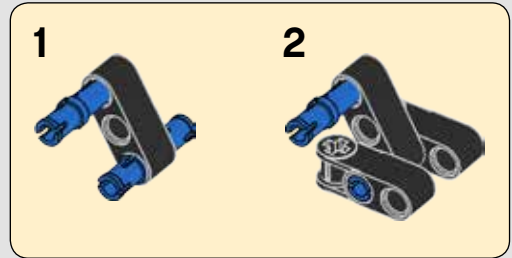




26

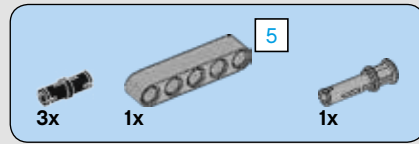
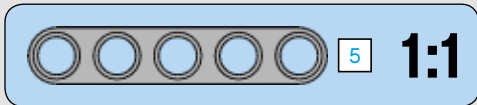
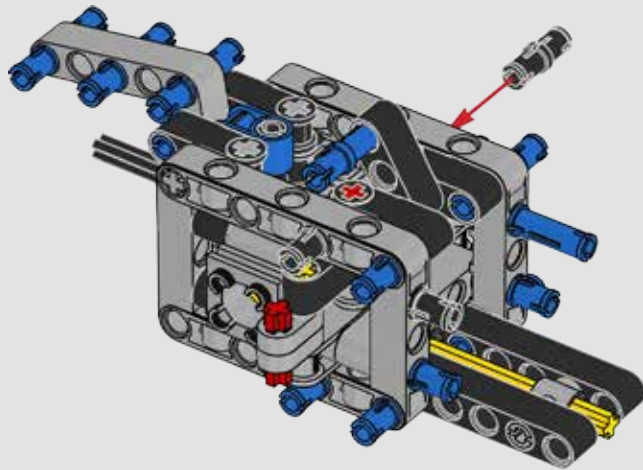


27

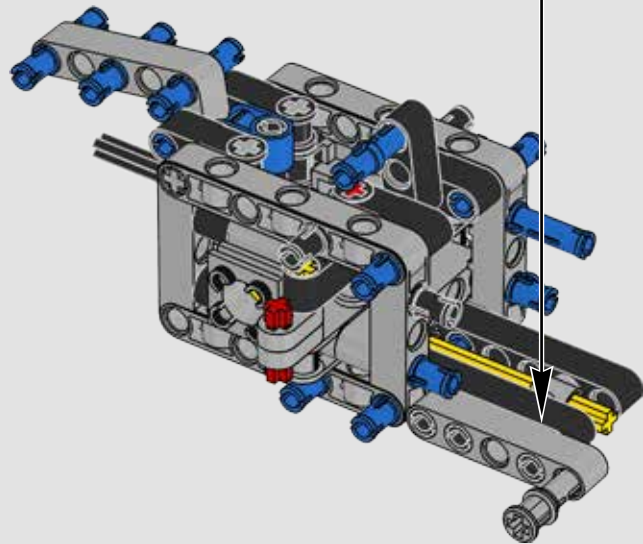
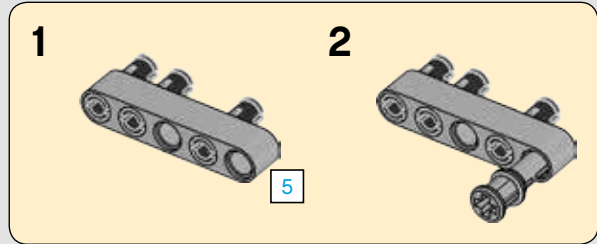




28

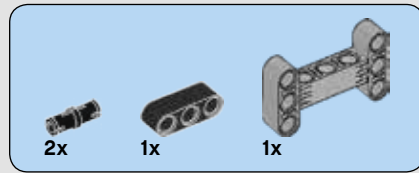
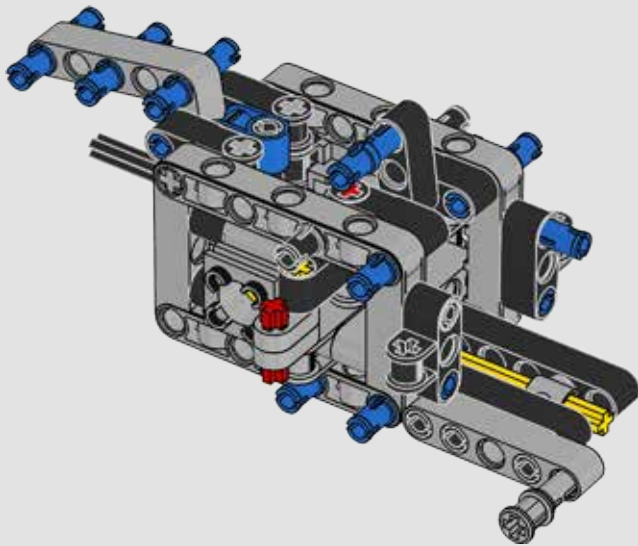


29

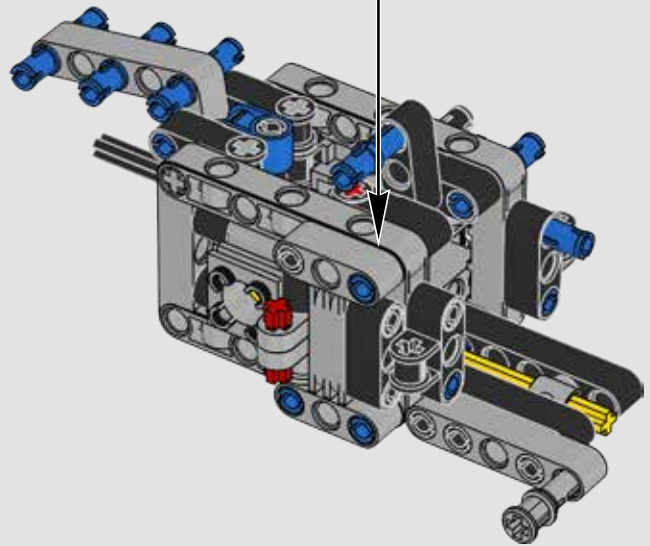
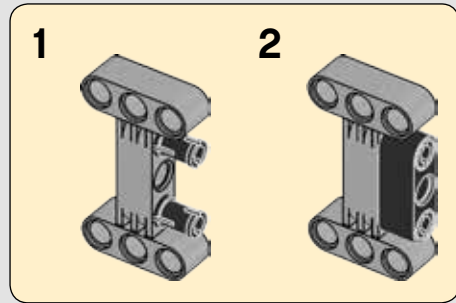


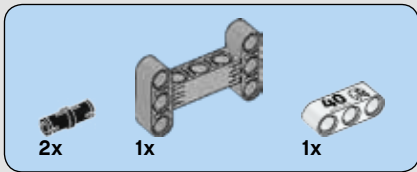


30

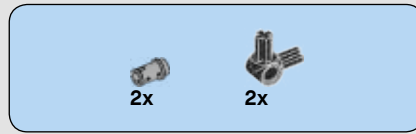
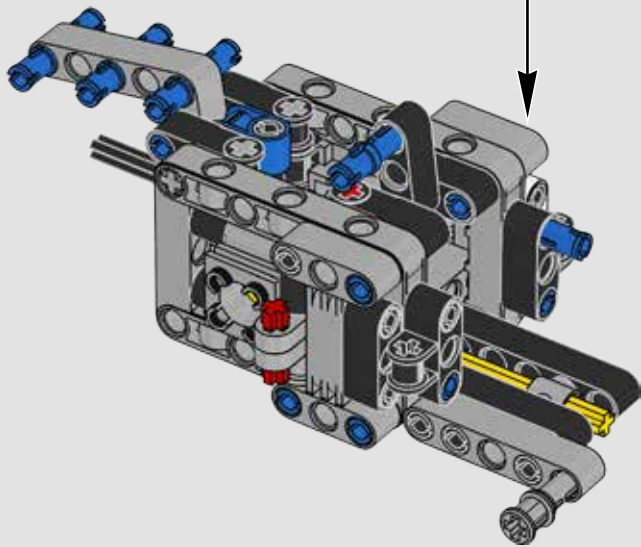
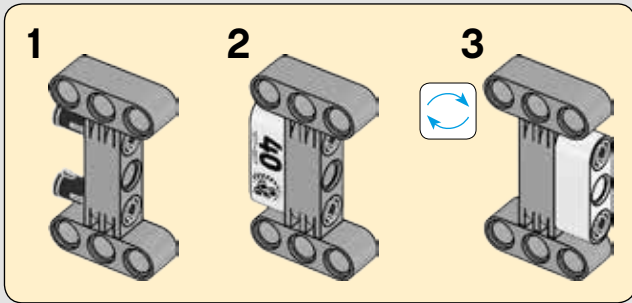


31

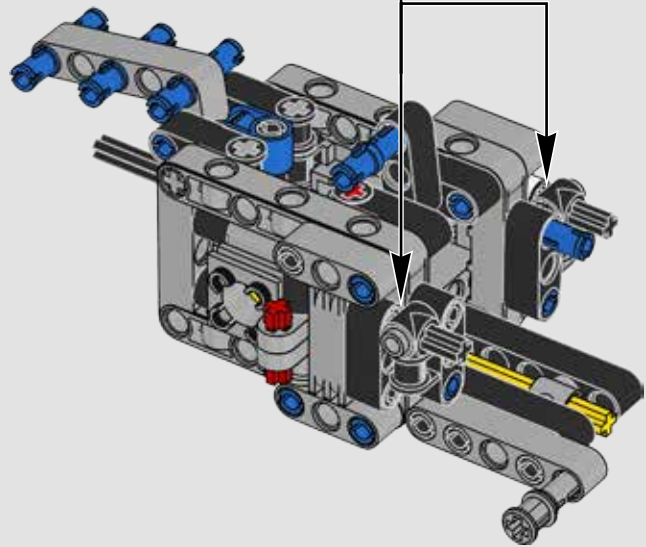
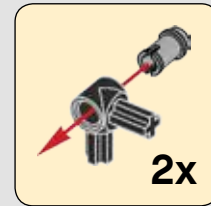




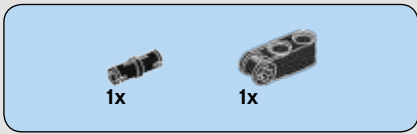
32



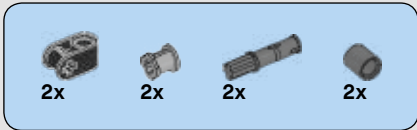
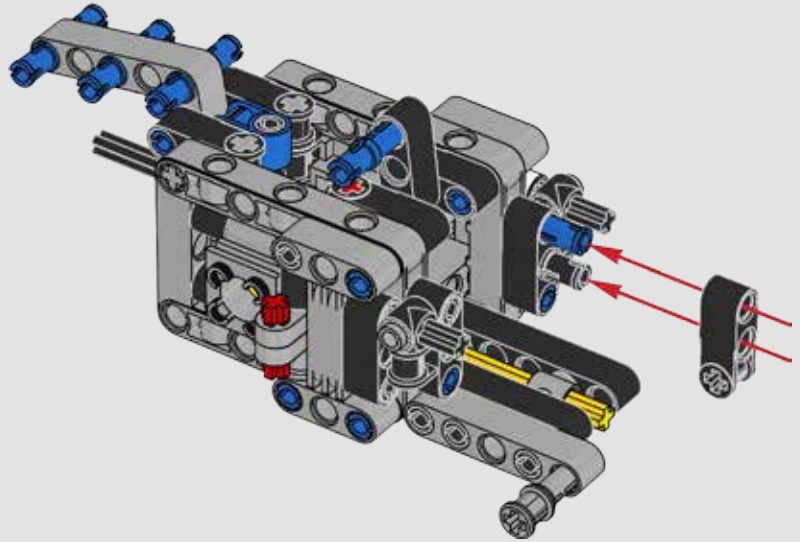
33



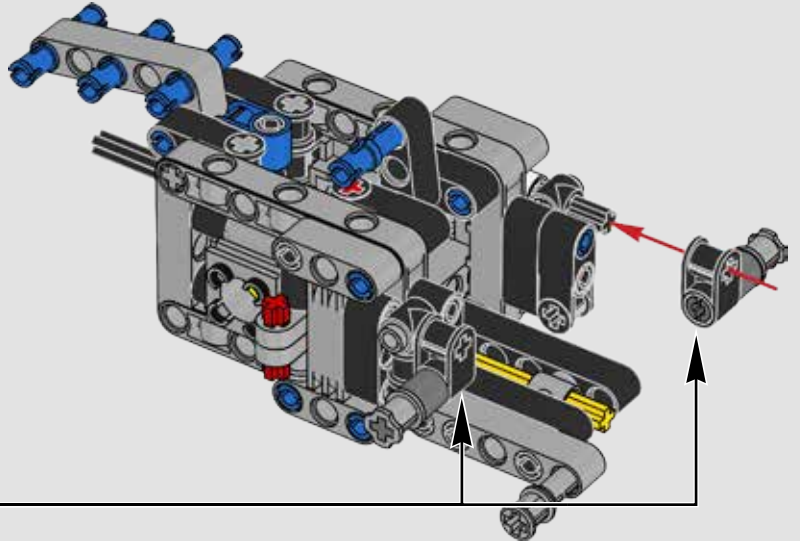
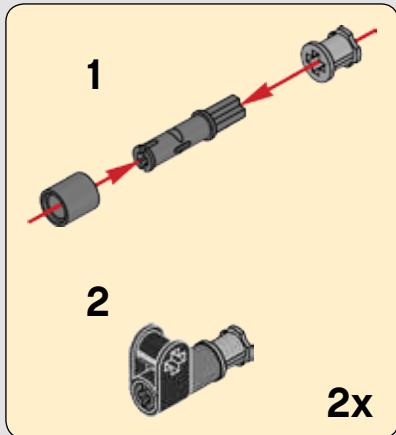


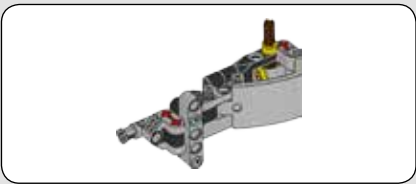


34

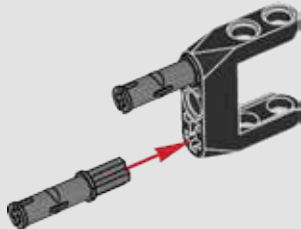


35

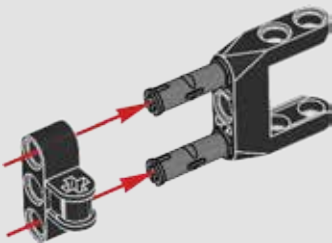




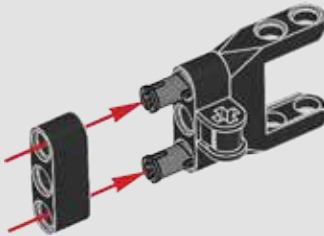
36

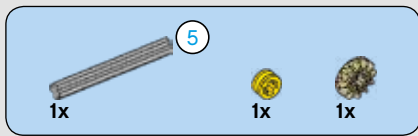


37

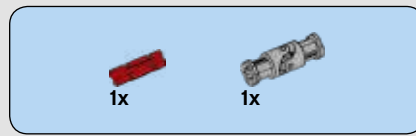
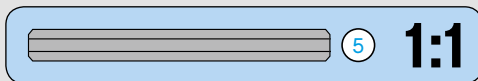
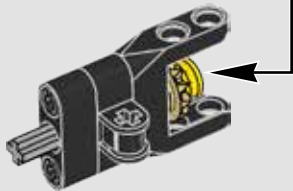
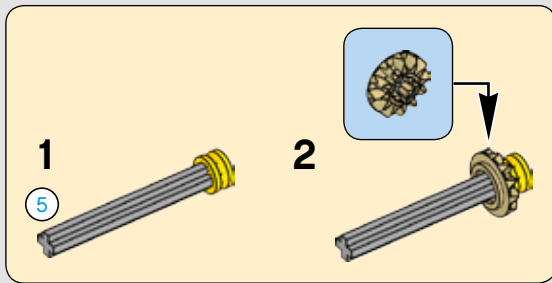


38

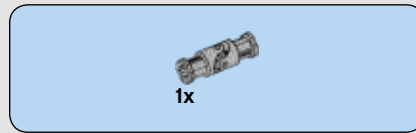
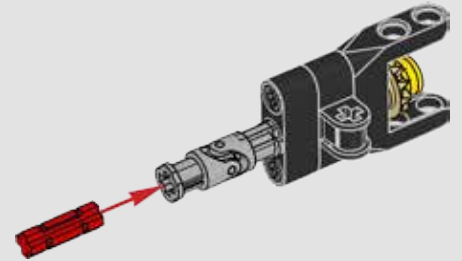




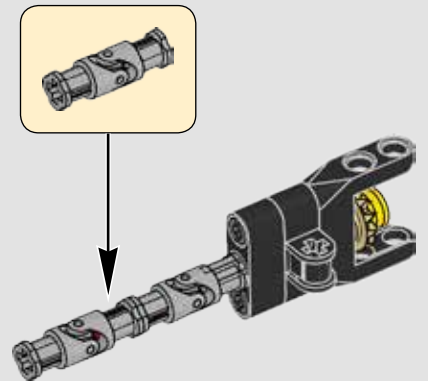
39

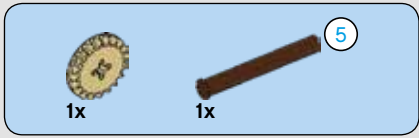


40

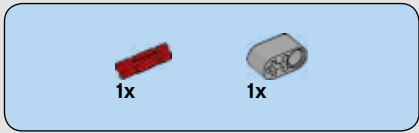
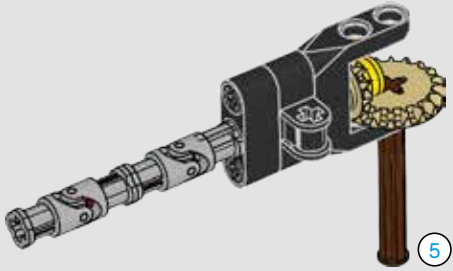


41

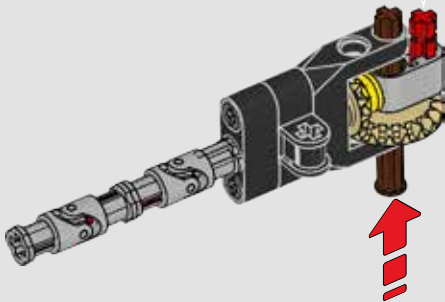
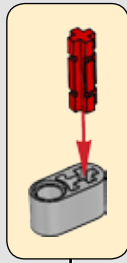




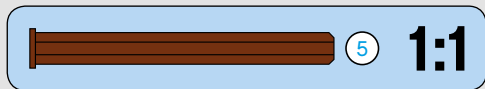
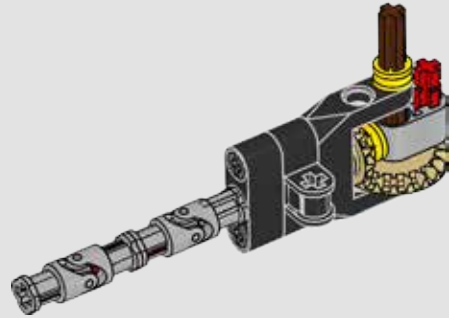
42

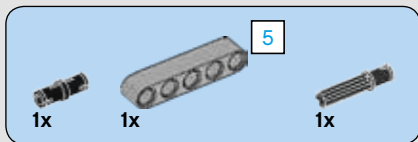


43

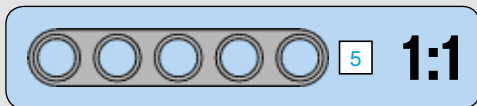
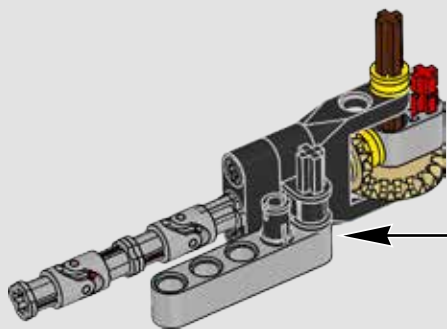
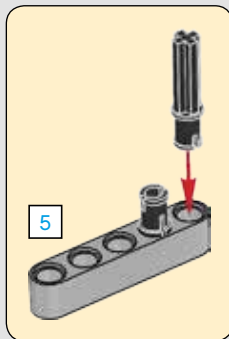


44

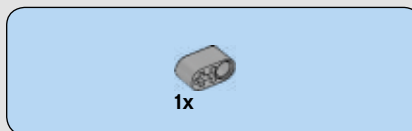
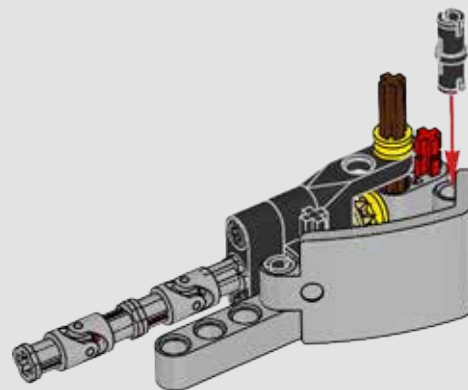




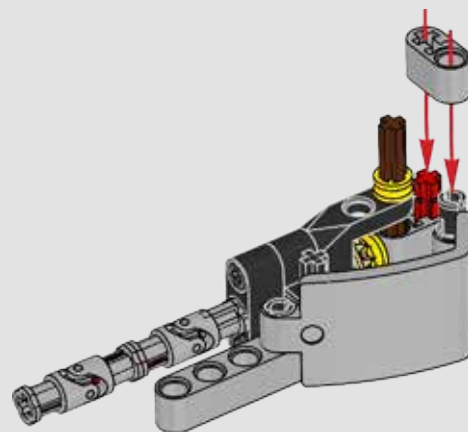
45

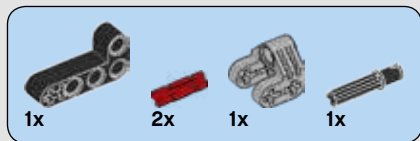


46

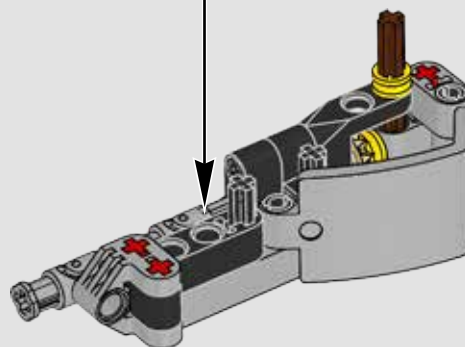
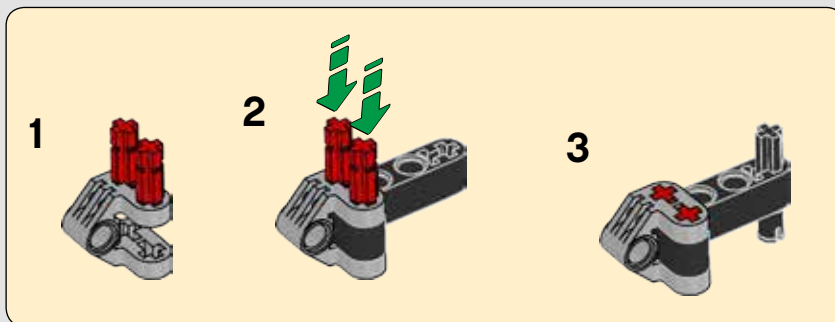


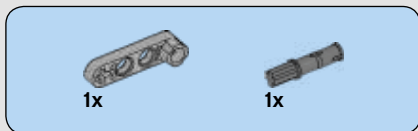
47



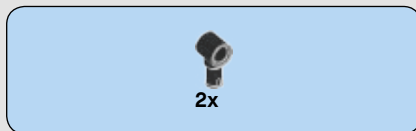
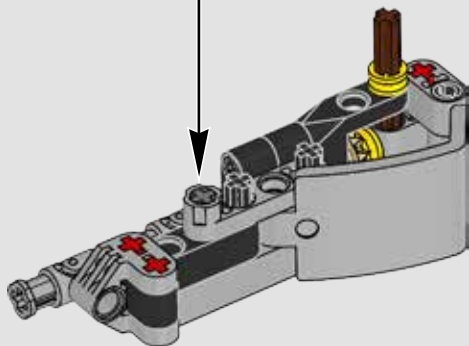
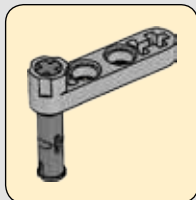


48

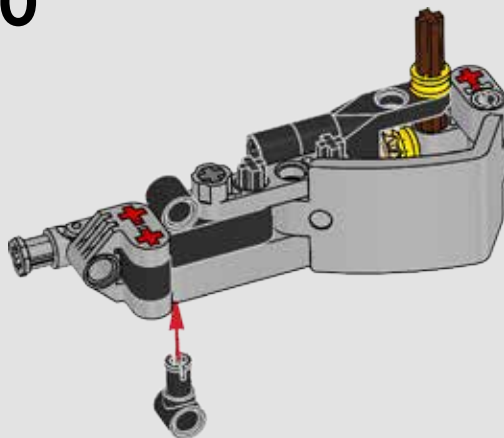




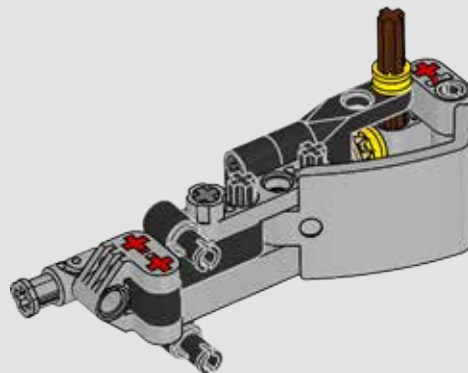
49

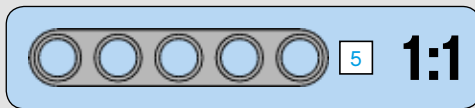
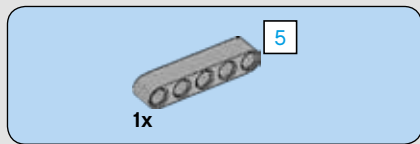


50

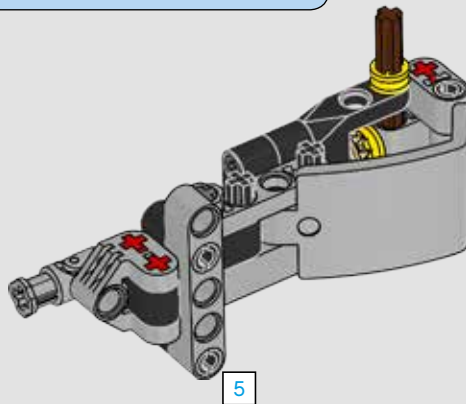


51

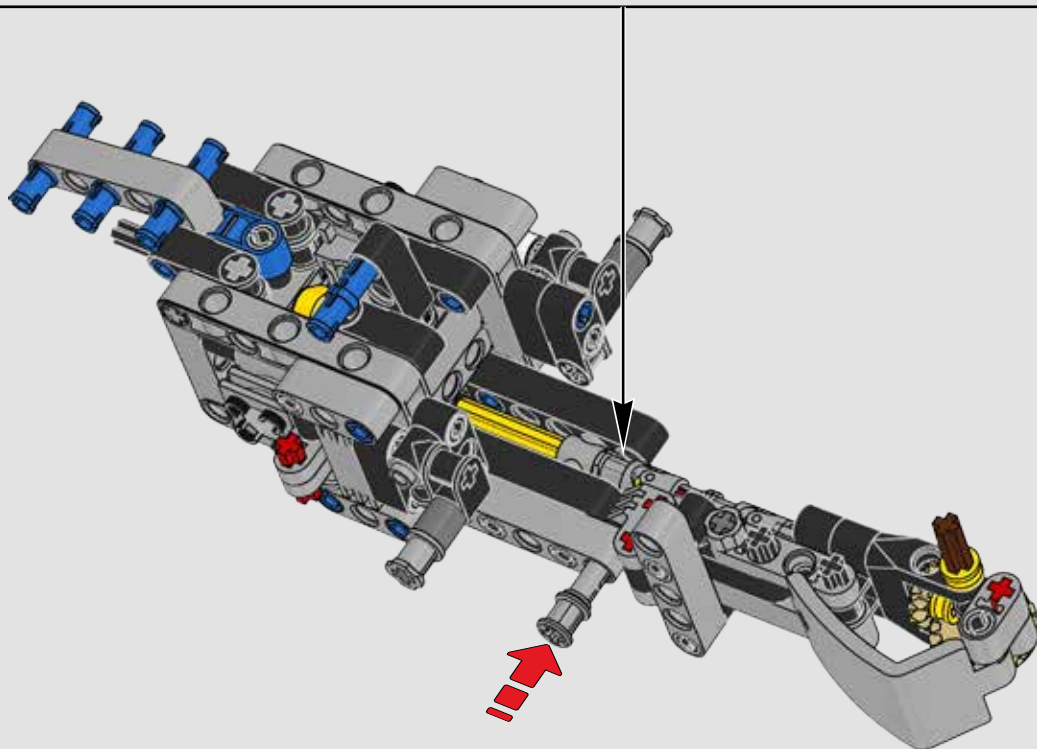




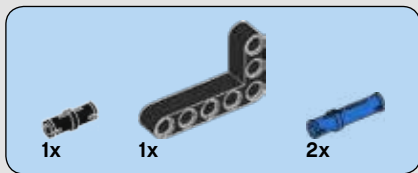
52



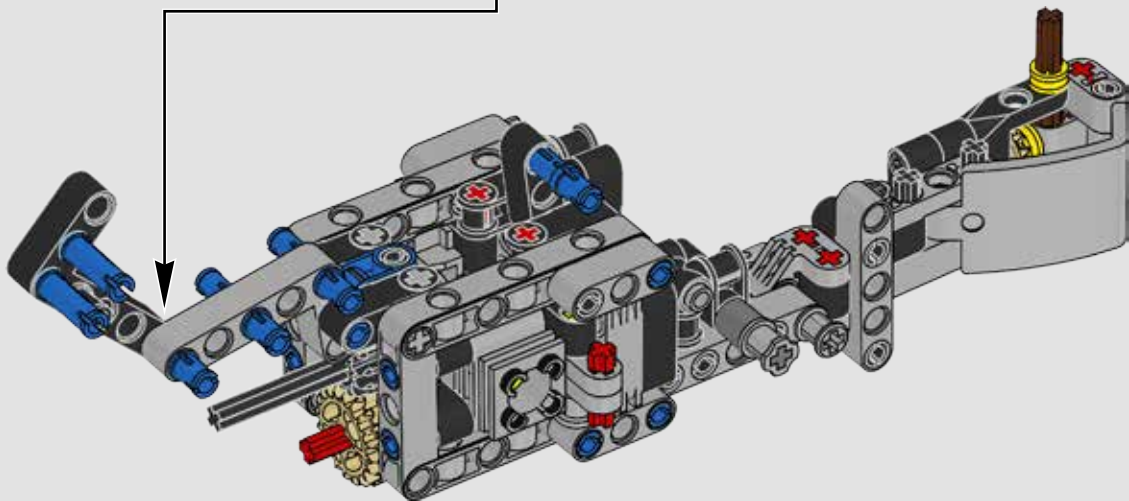
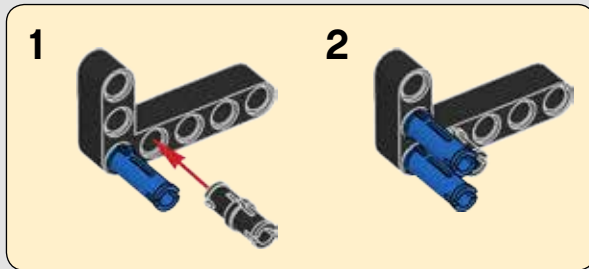
53

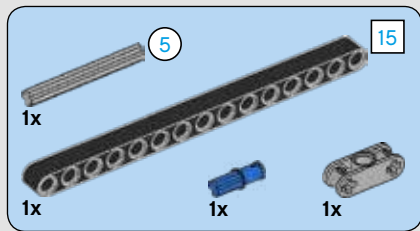




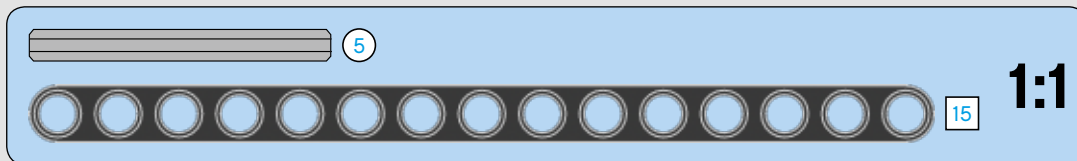
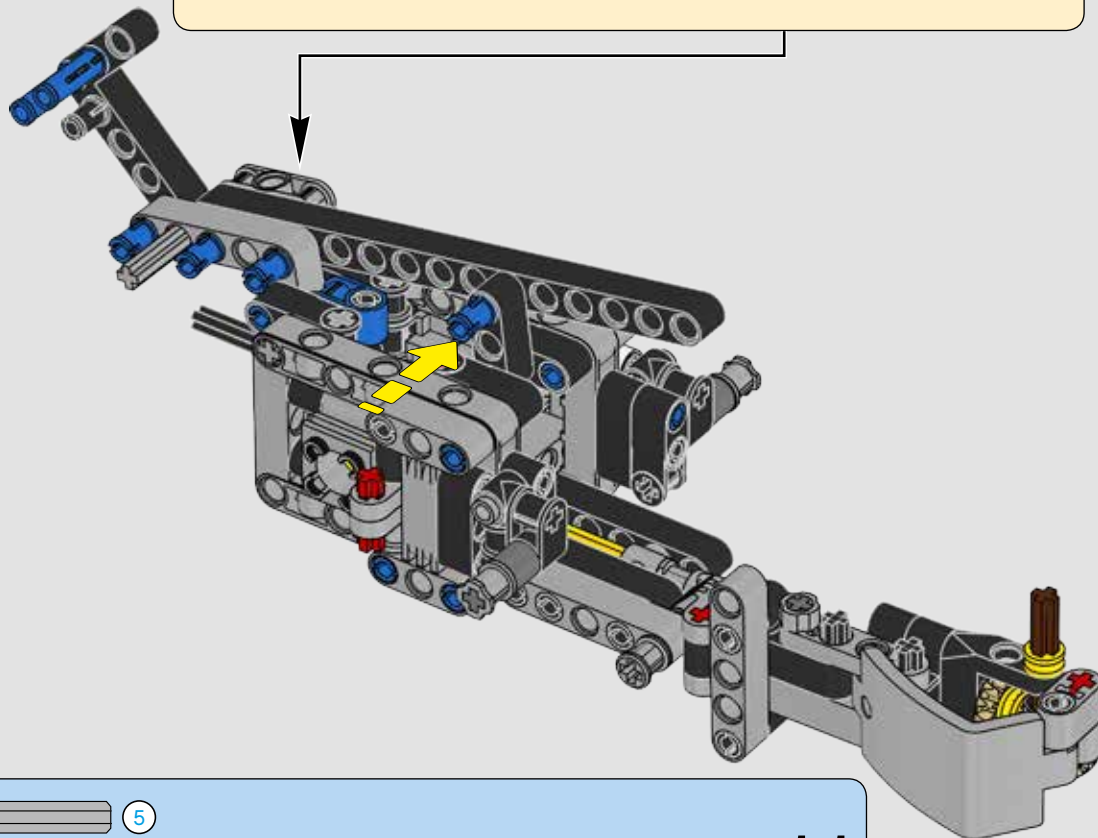
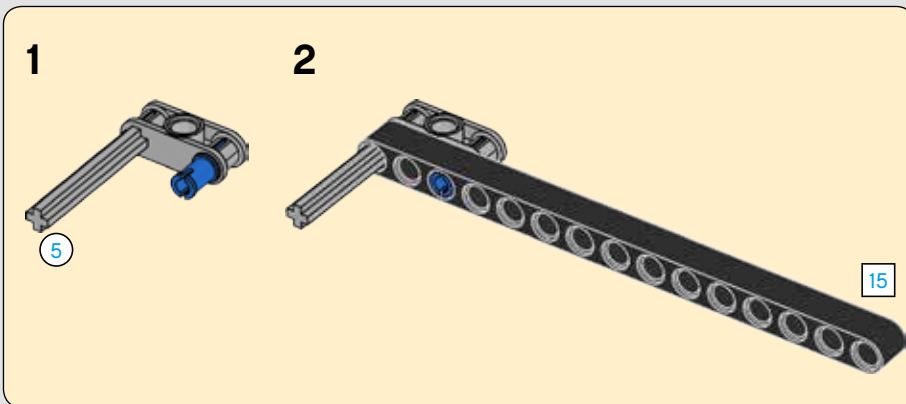


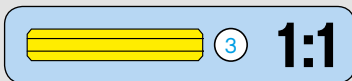
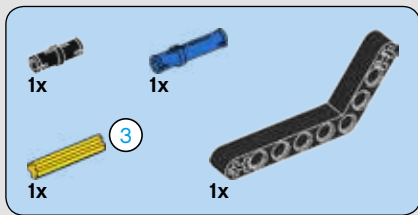
54



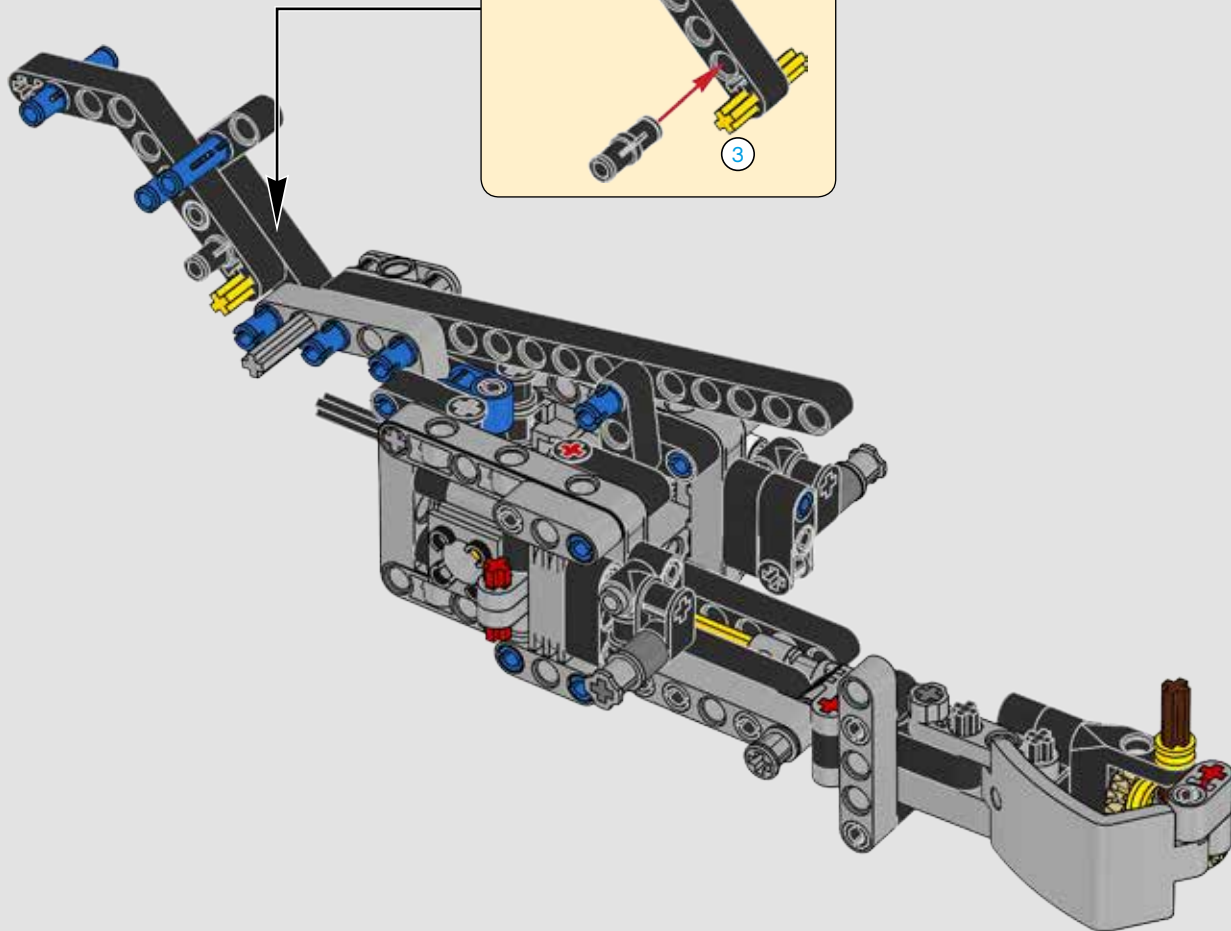
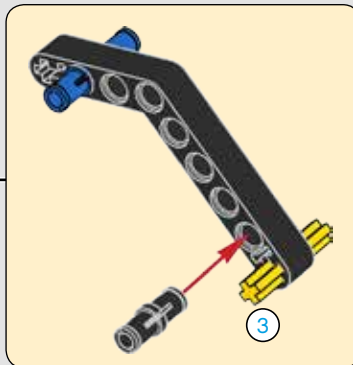


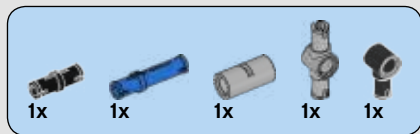
55



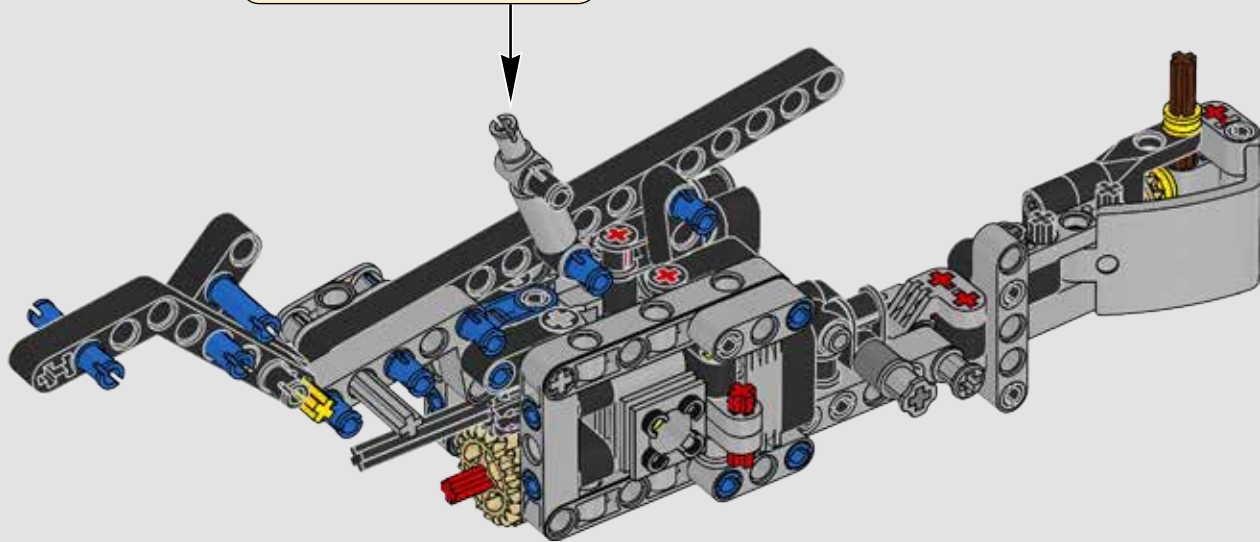
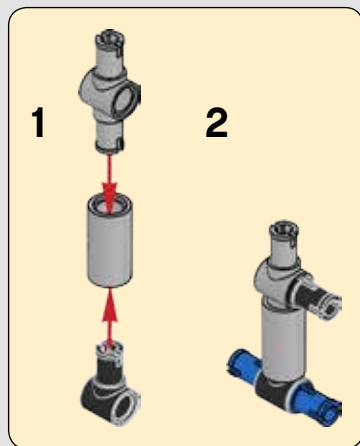


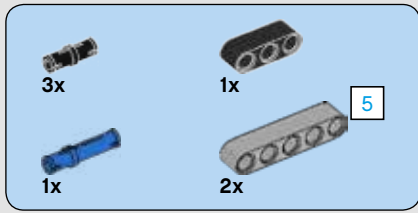
56



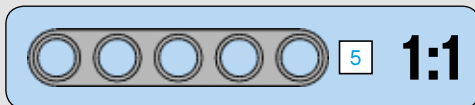
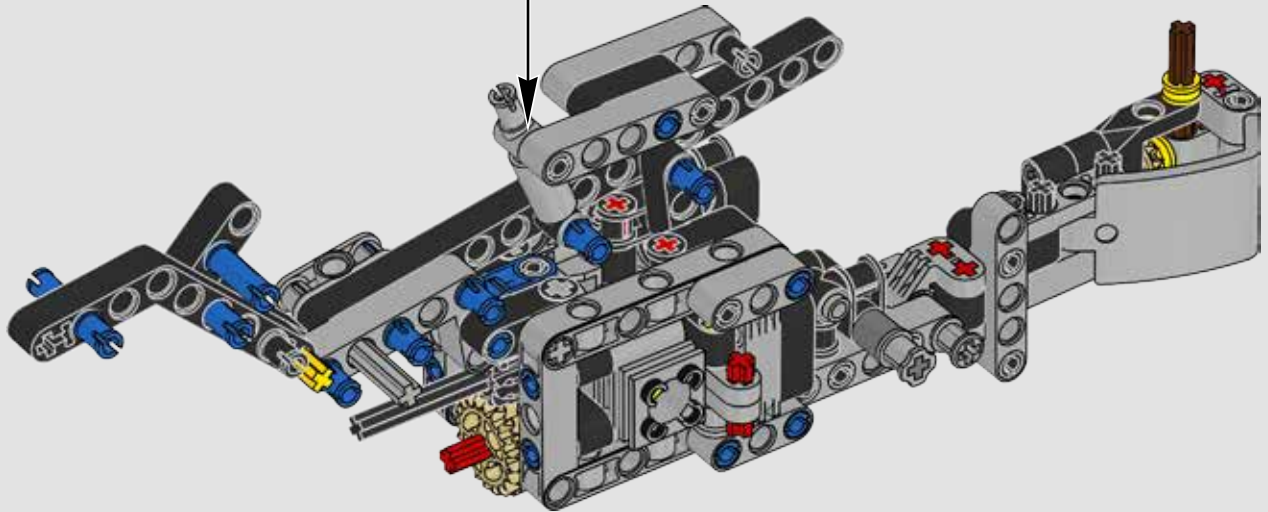
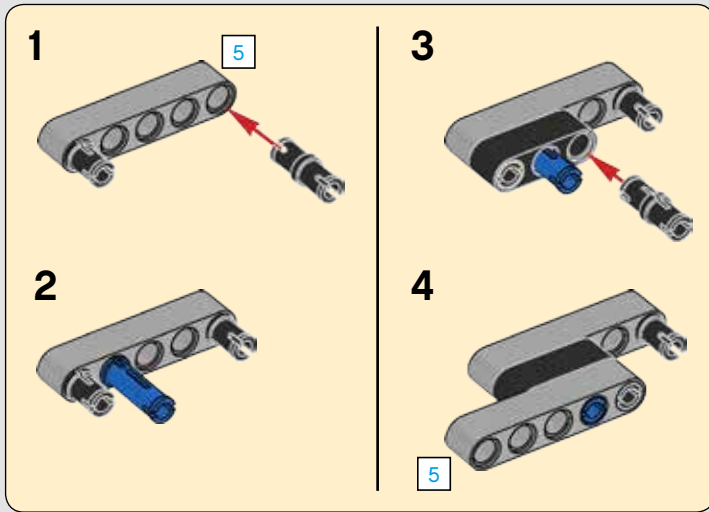


57

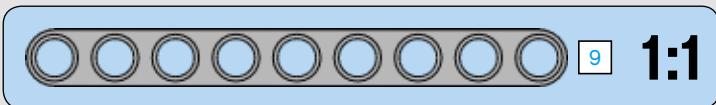
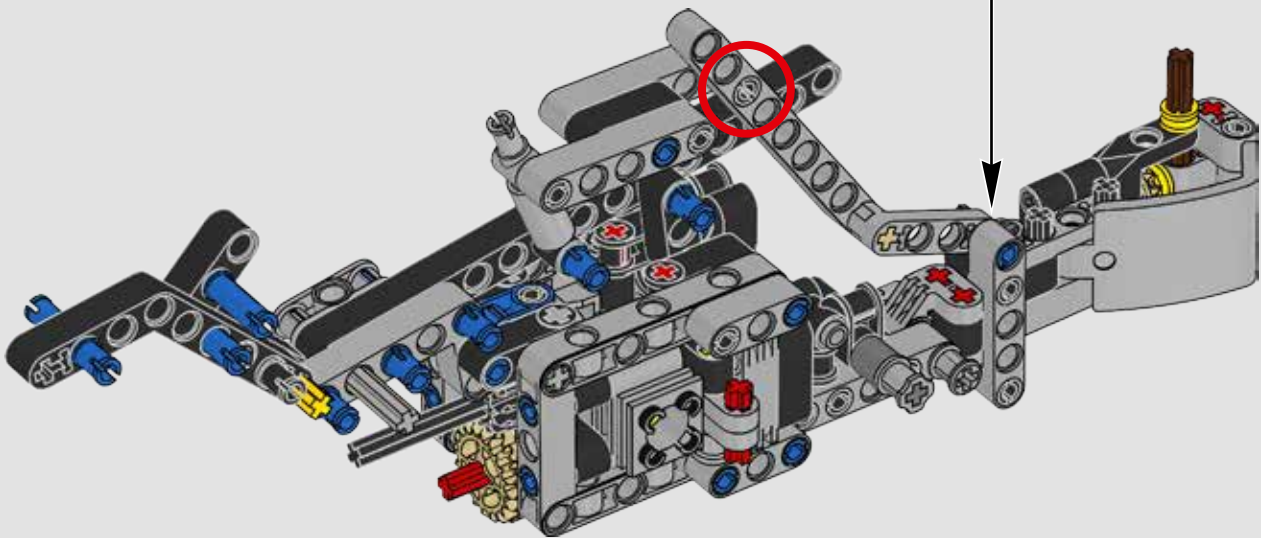
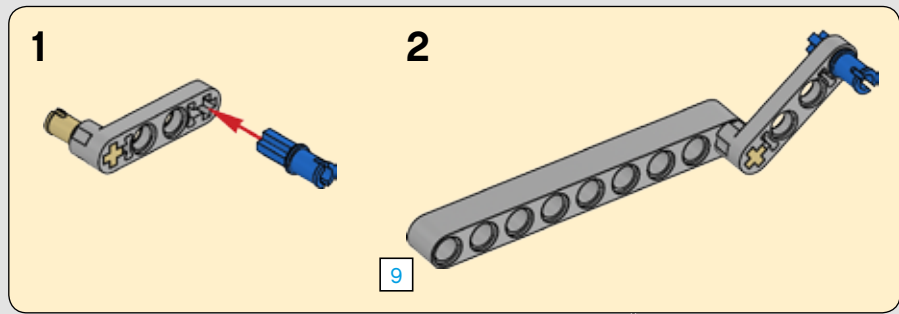
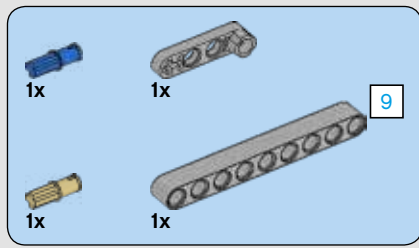


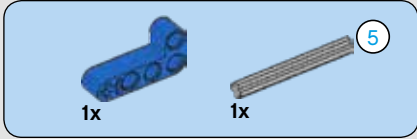


58

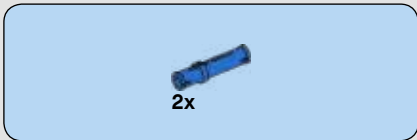
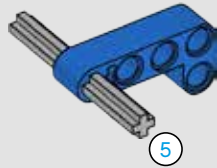


59

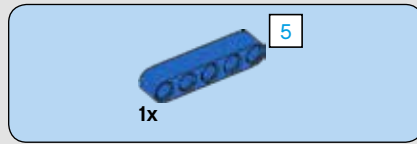
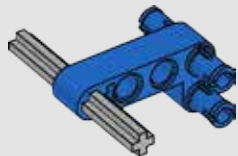




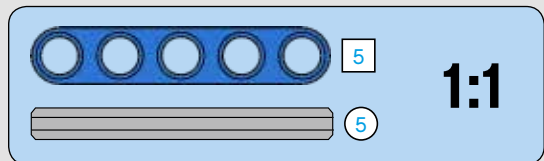
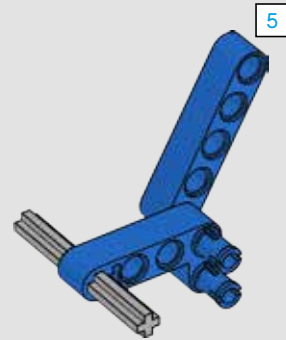
60

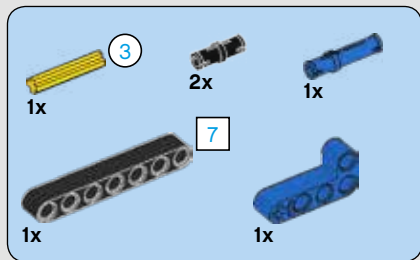


61

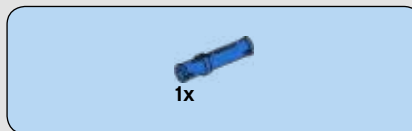
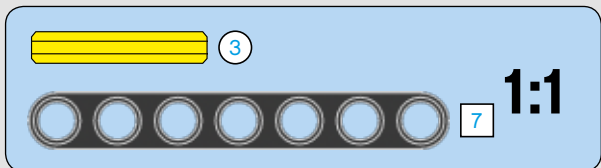
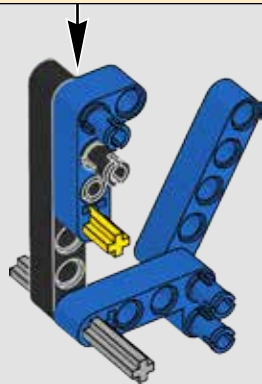
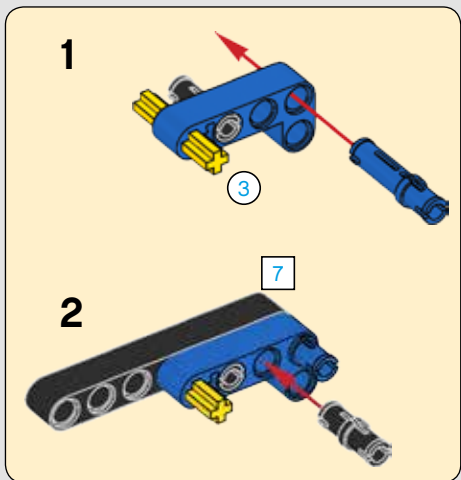


62

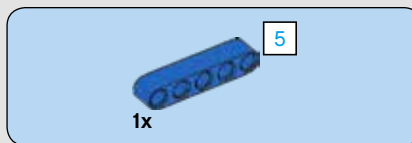
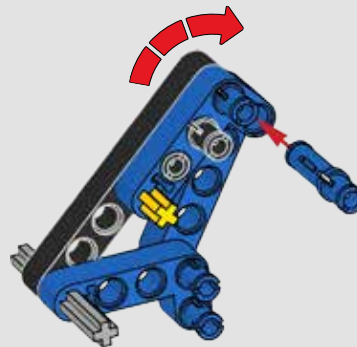




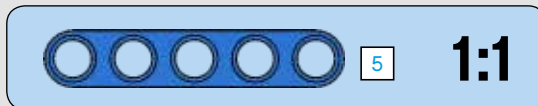
63



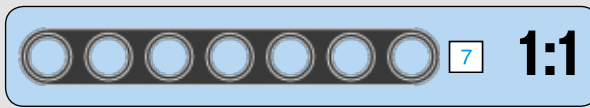
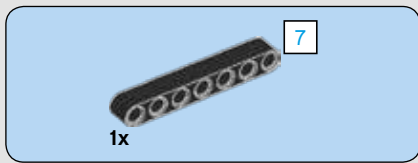
64



65



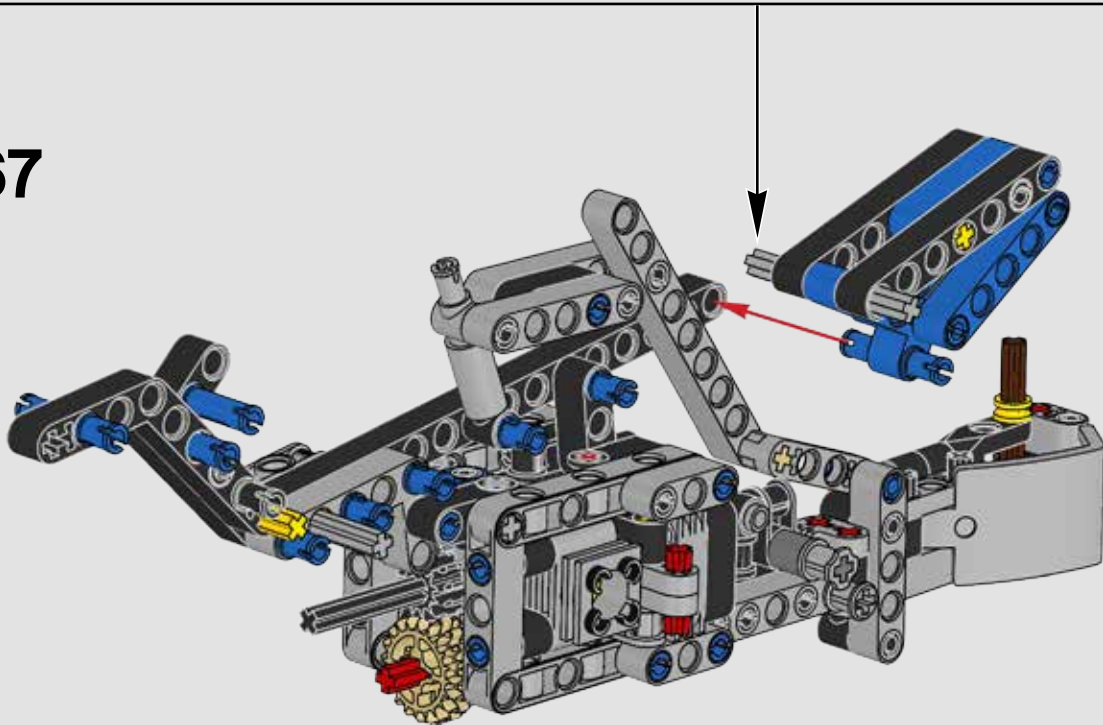


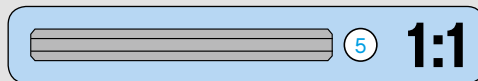
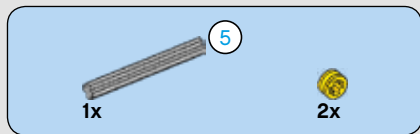


66

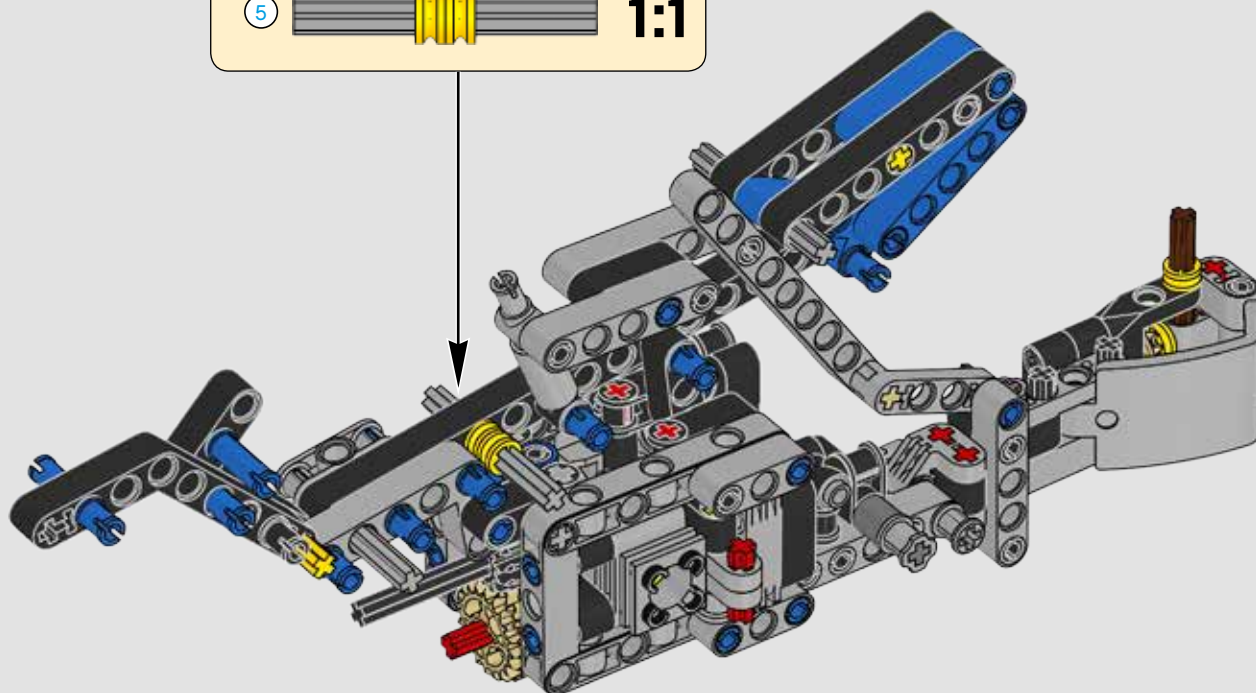
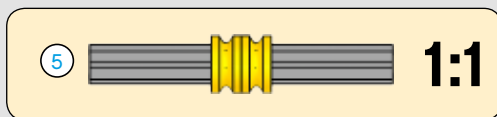


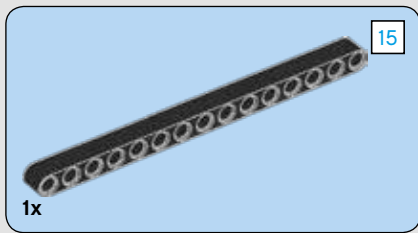
67



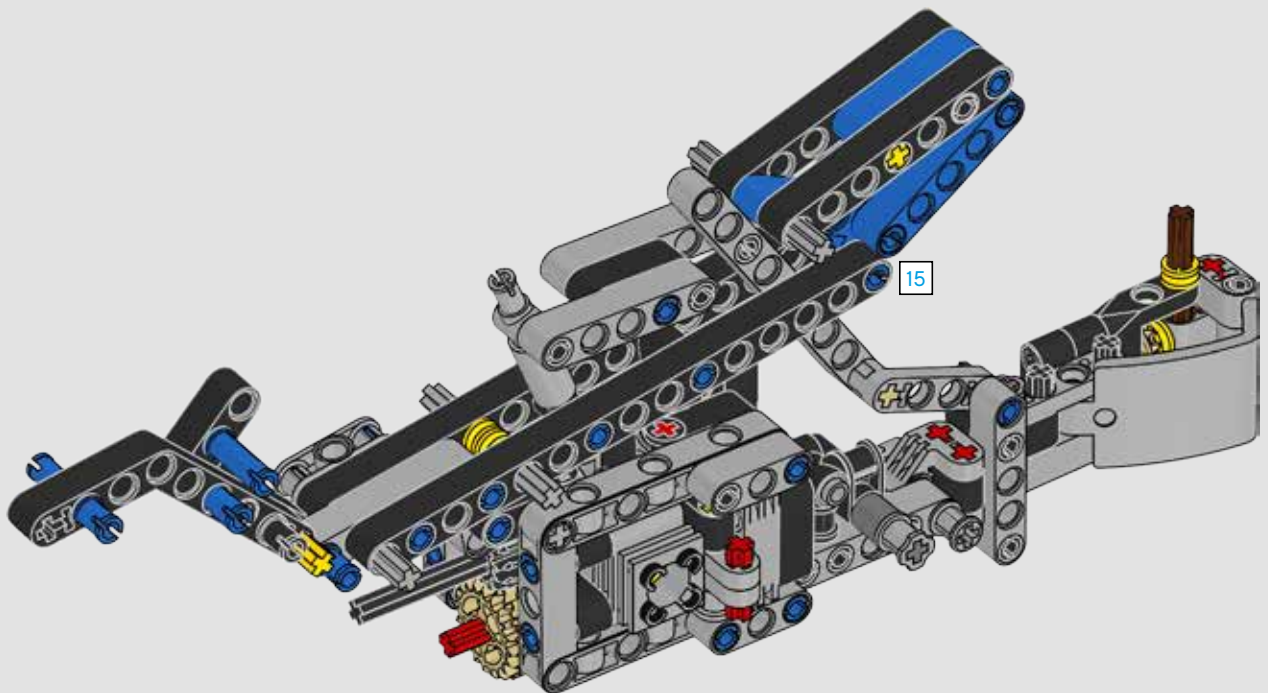


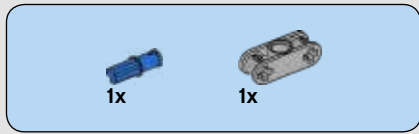
68



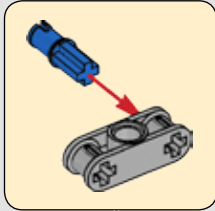
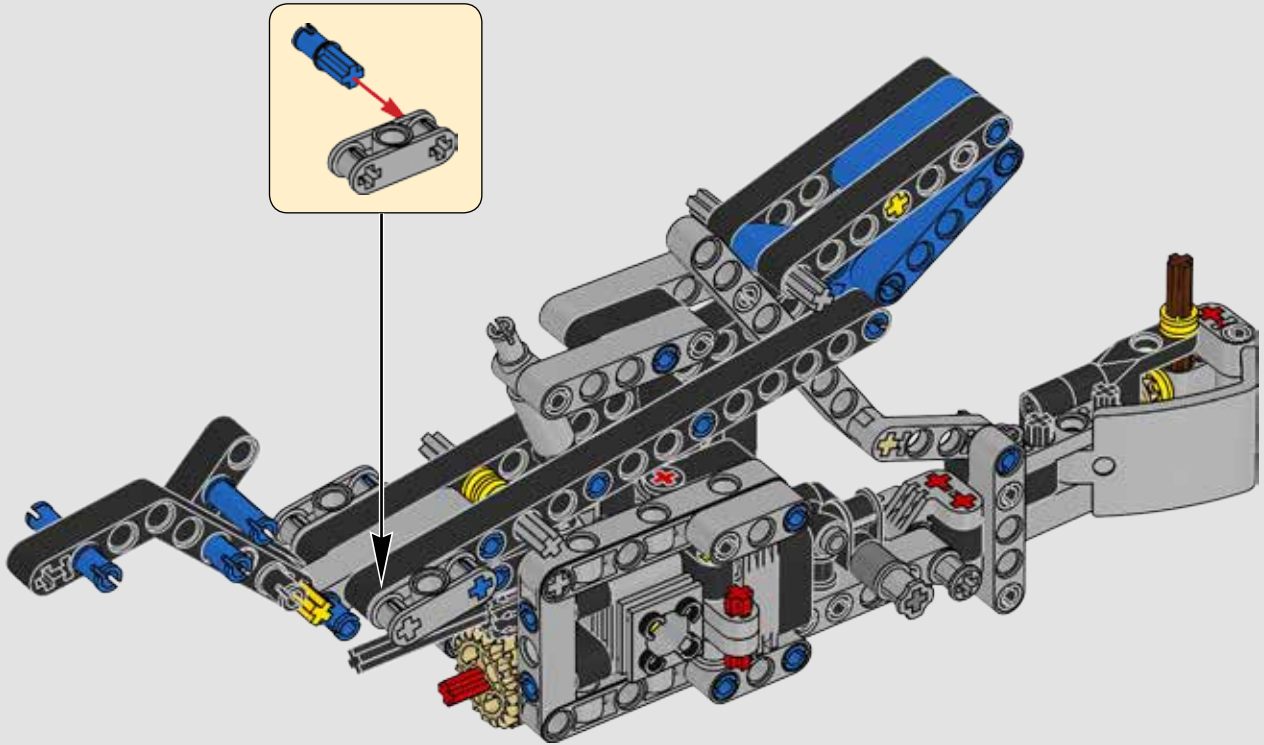


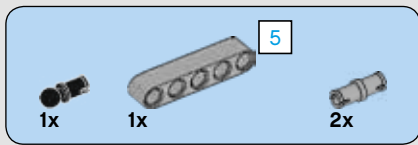
69



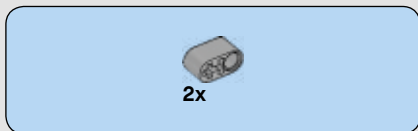
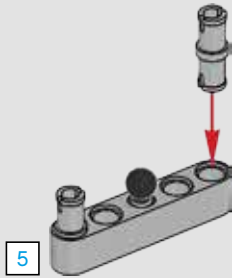


70

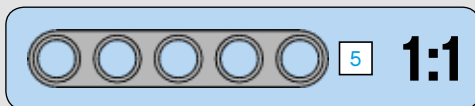
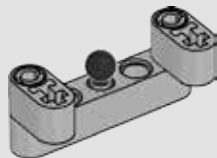




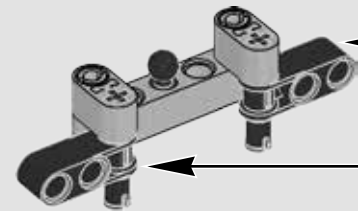
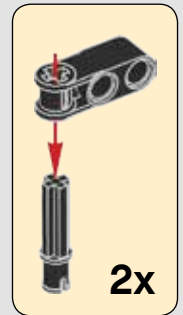
71



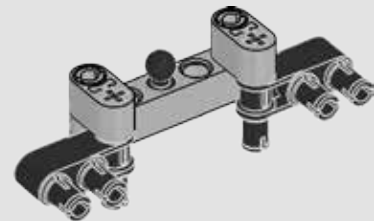
72



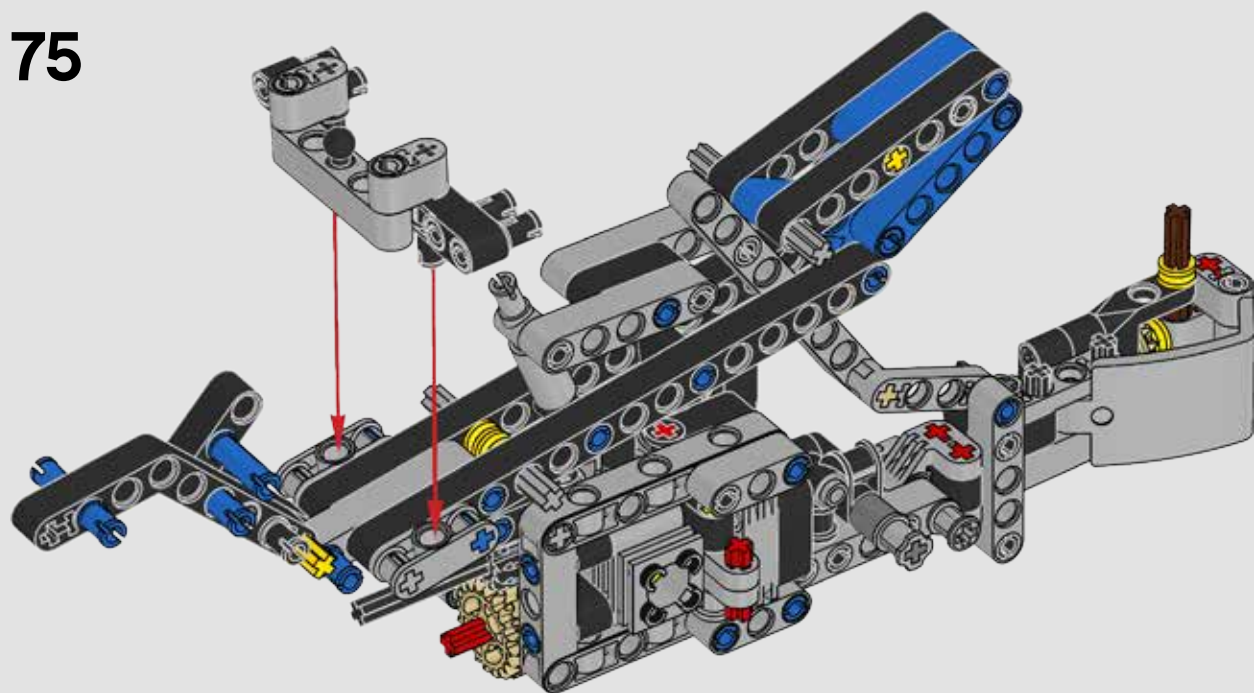
73

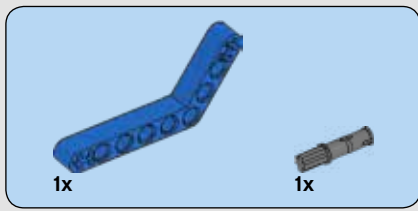


74

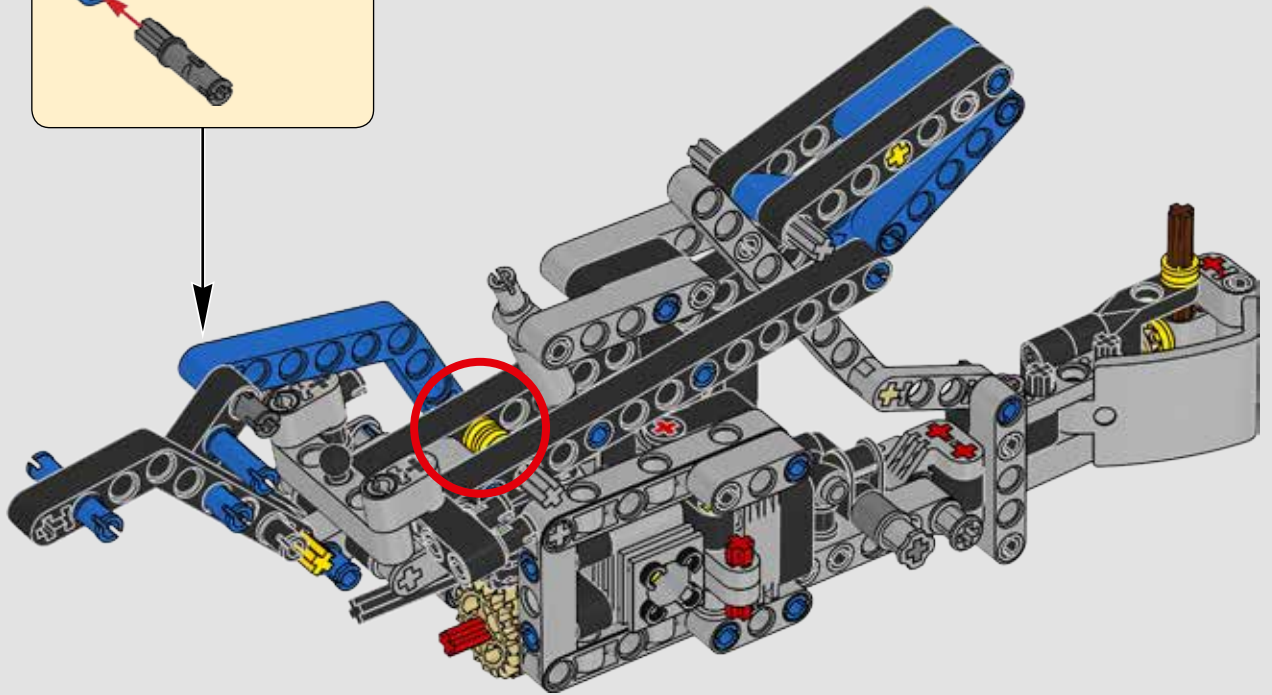
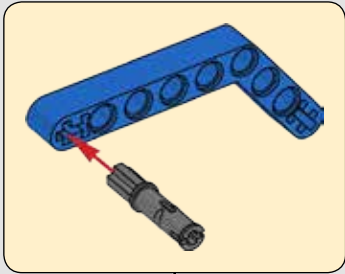


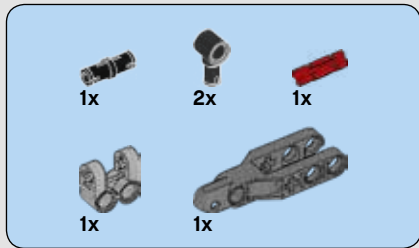
75



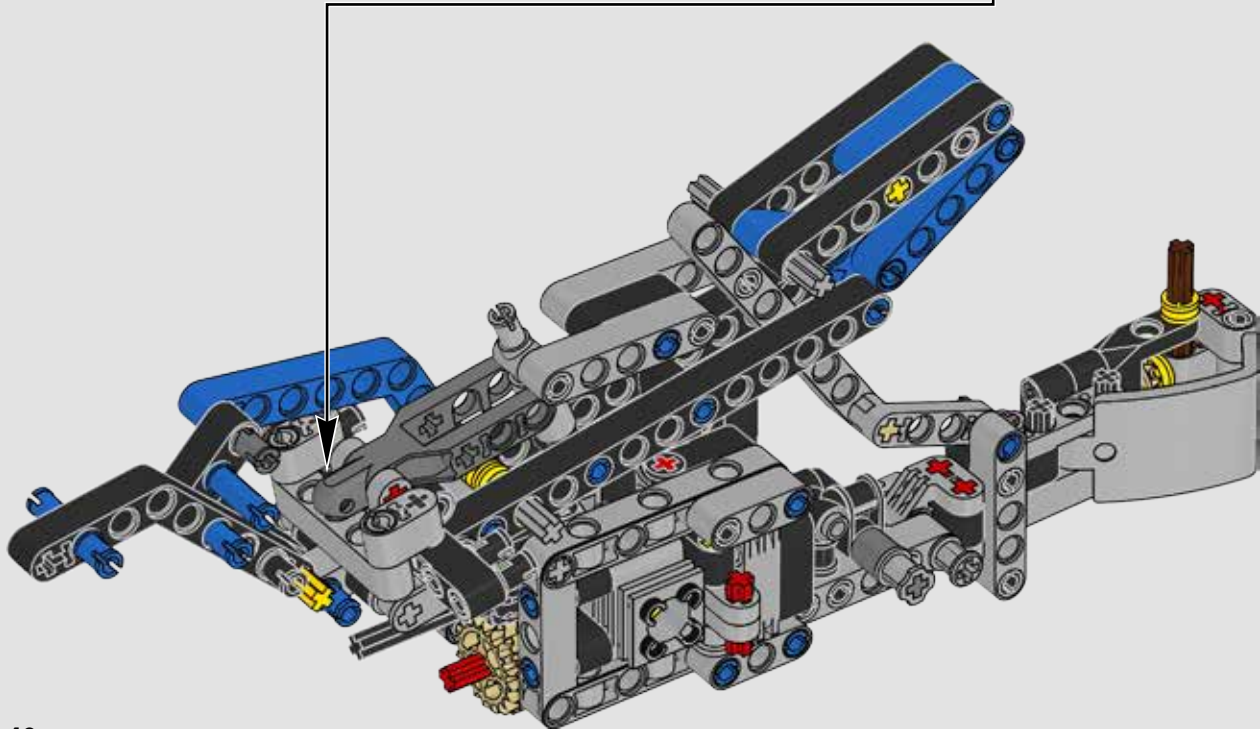
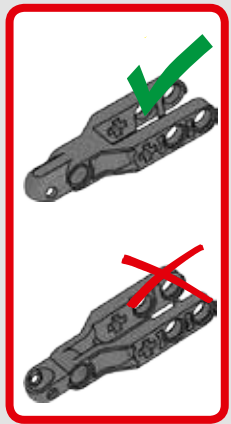
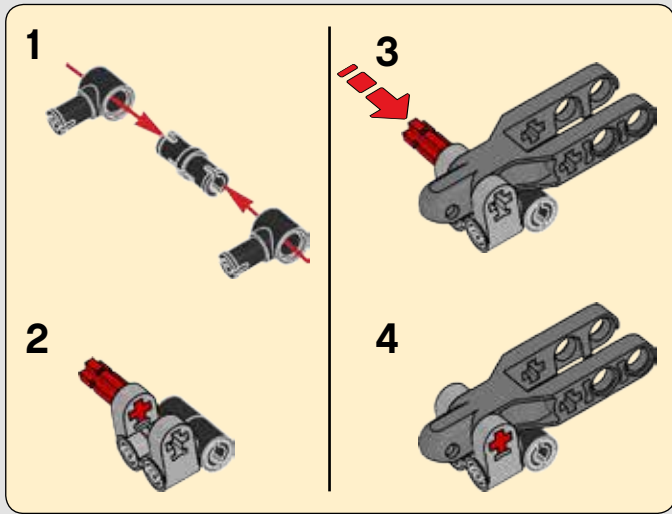


76

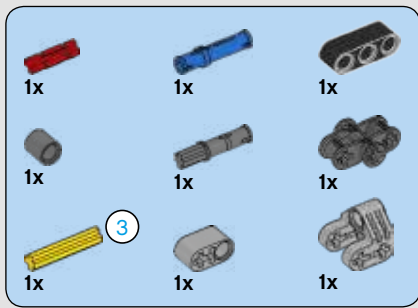




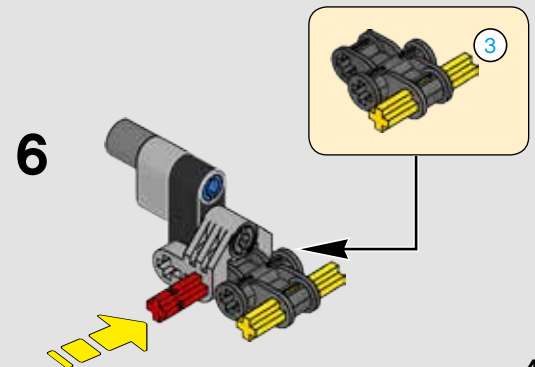
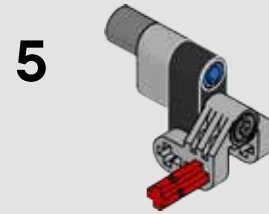
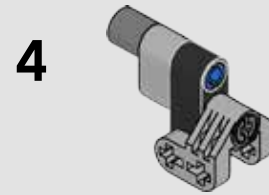
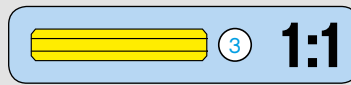
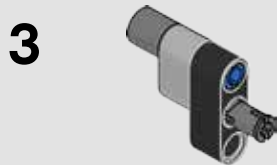
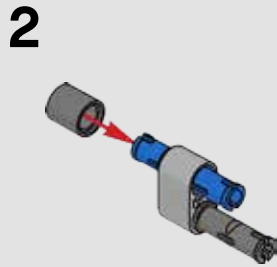
77

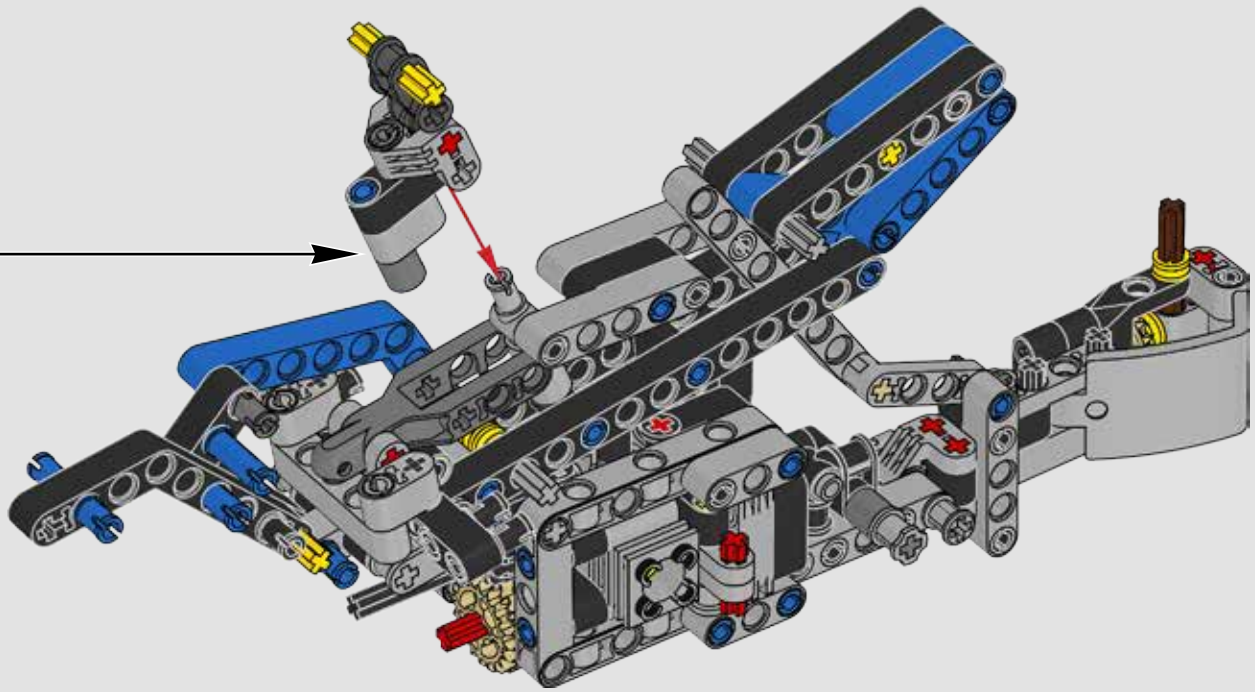


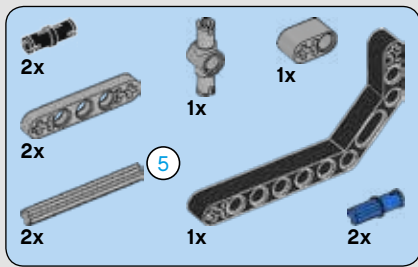




# 78

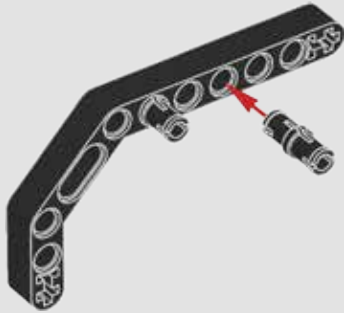




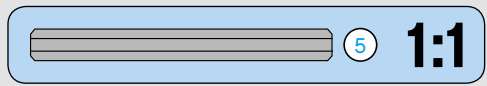
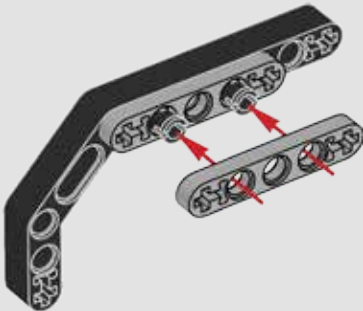


79

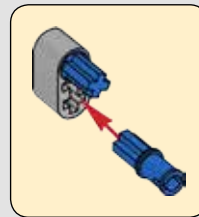
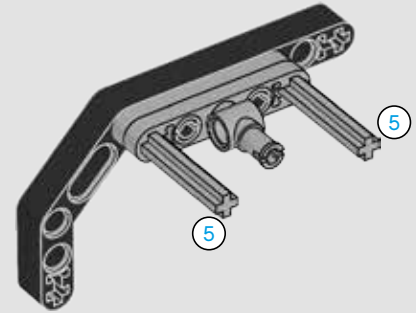
1



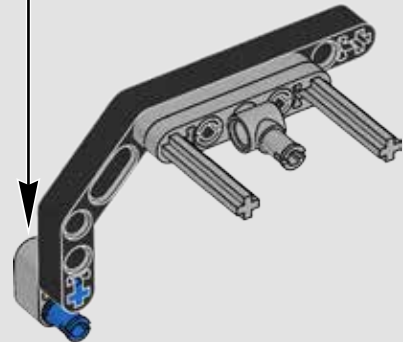
2

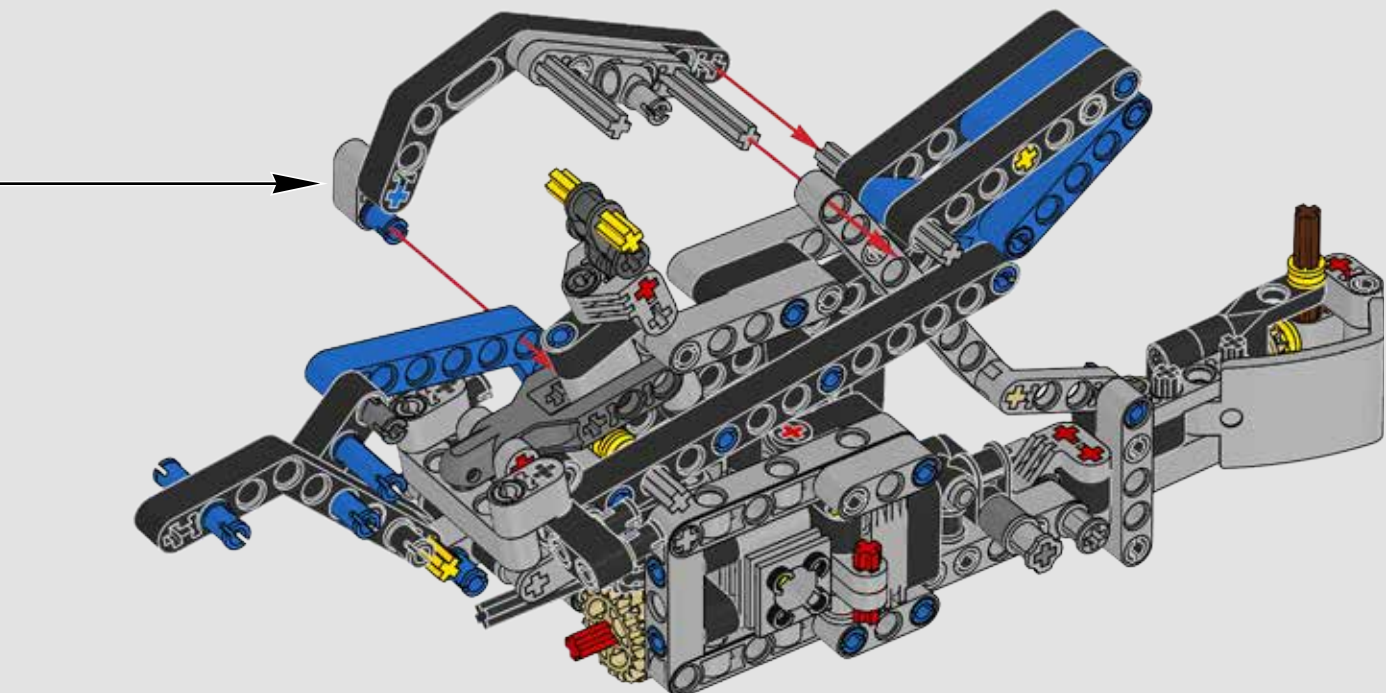


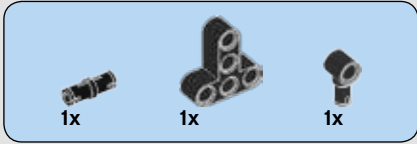
3



4



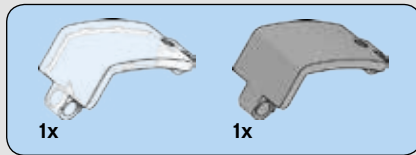




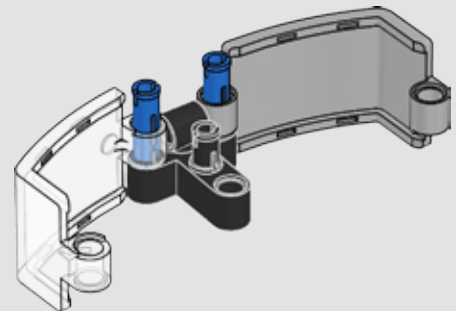
80



81

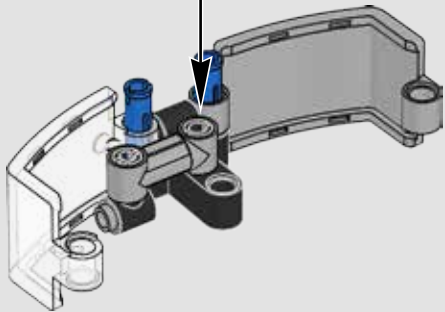
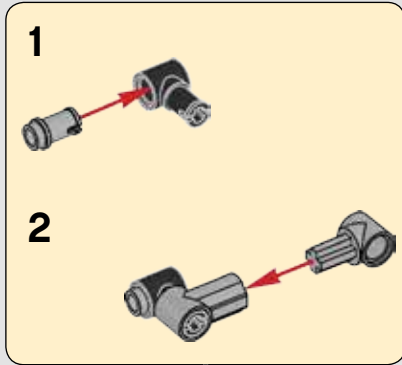


82

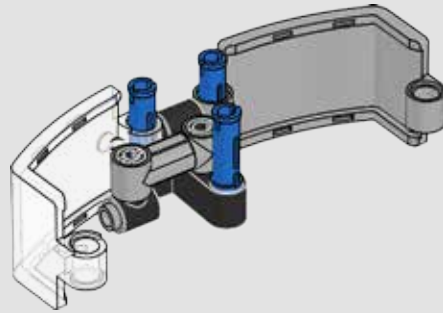




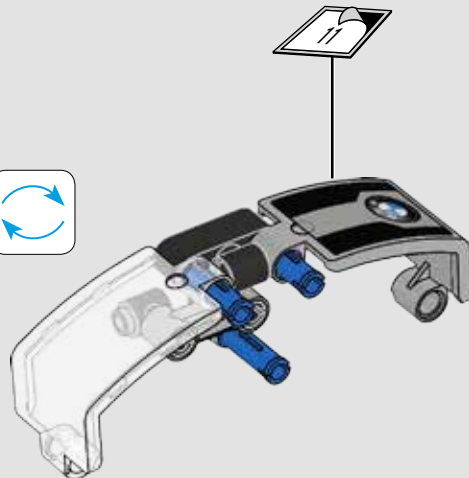
83



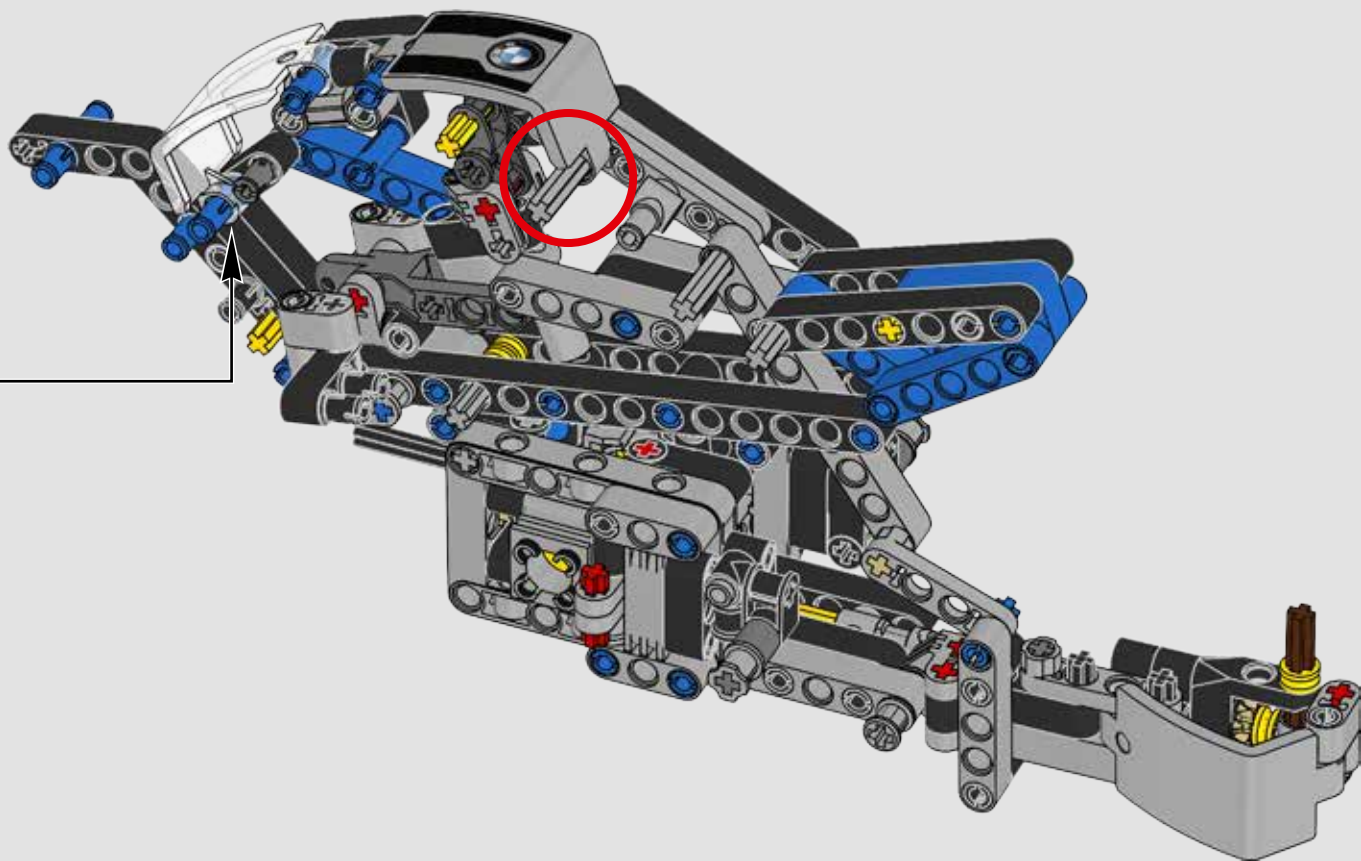
84

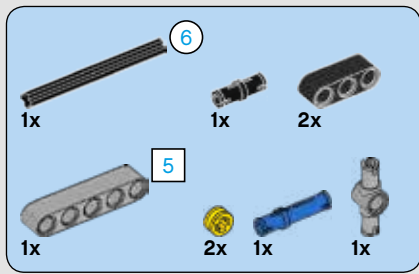


85

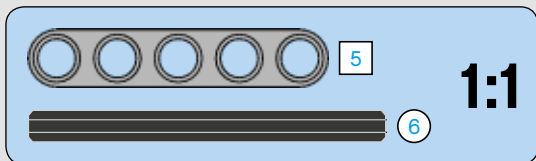
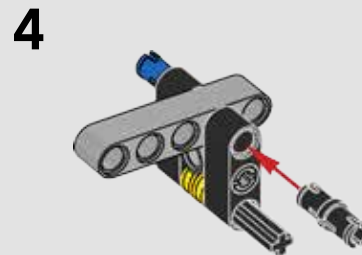
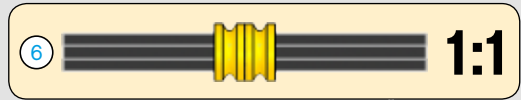
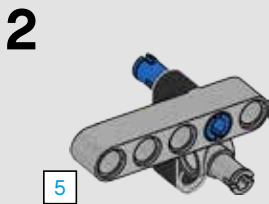
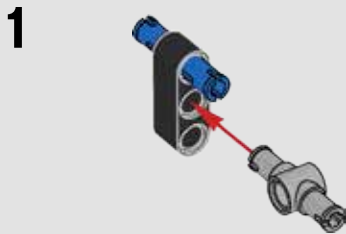


86

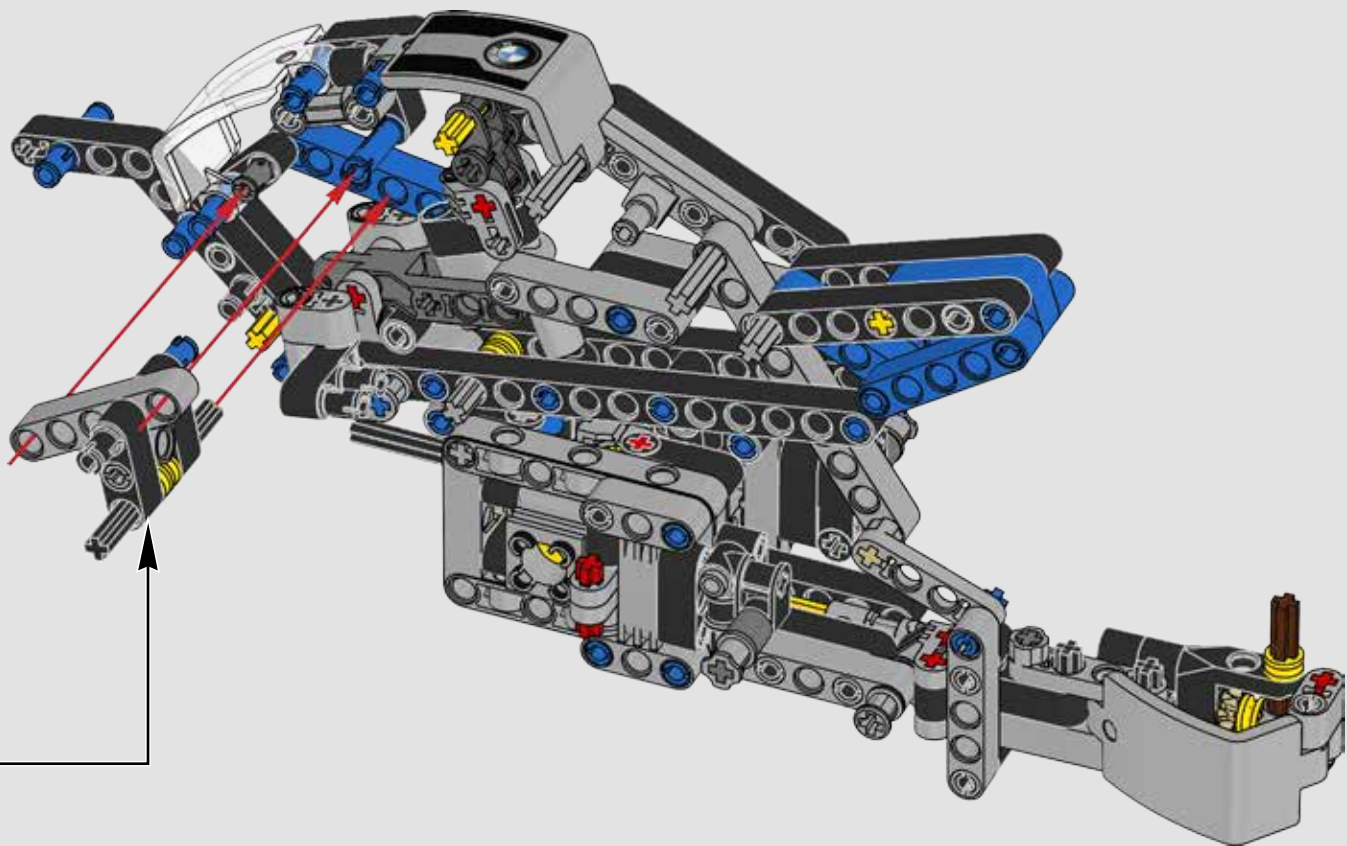


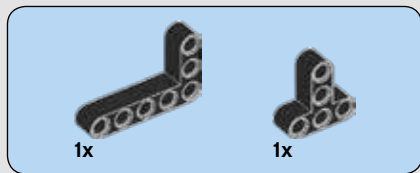


87

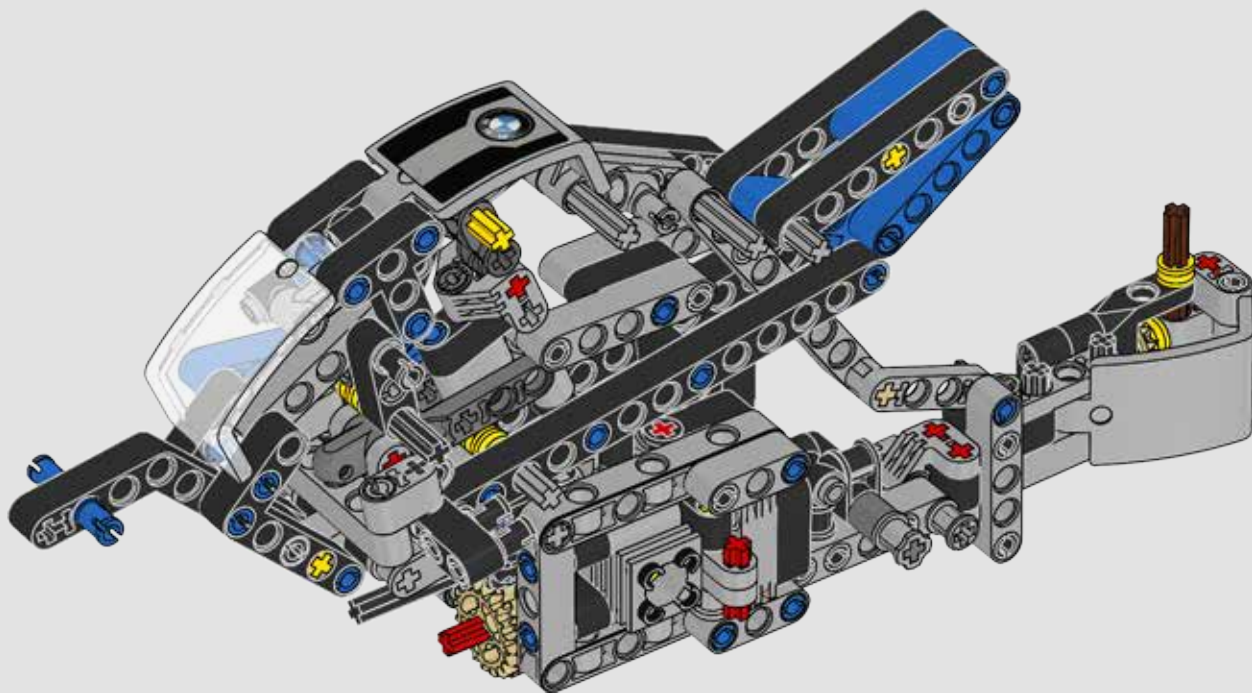


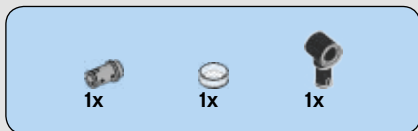




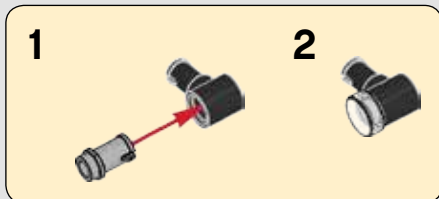


88

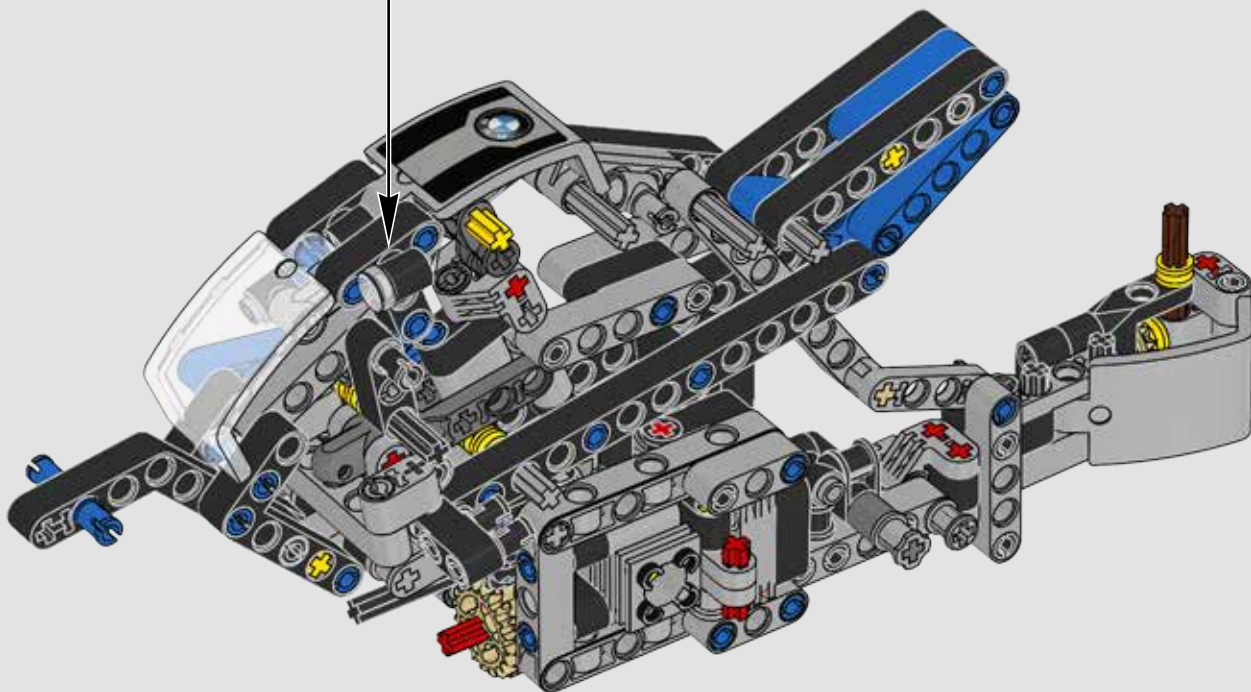


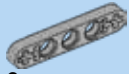


89



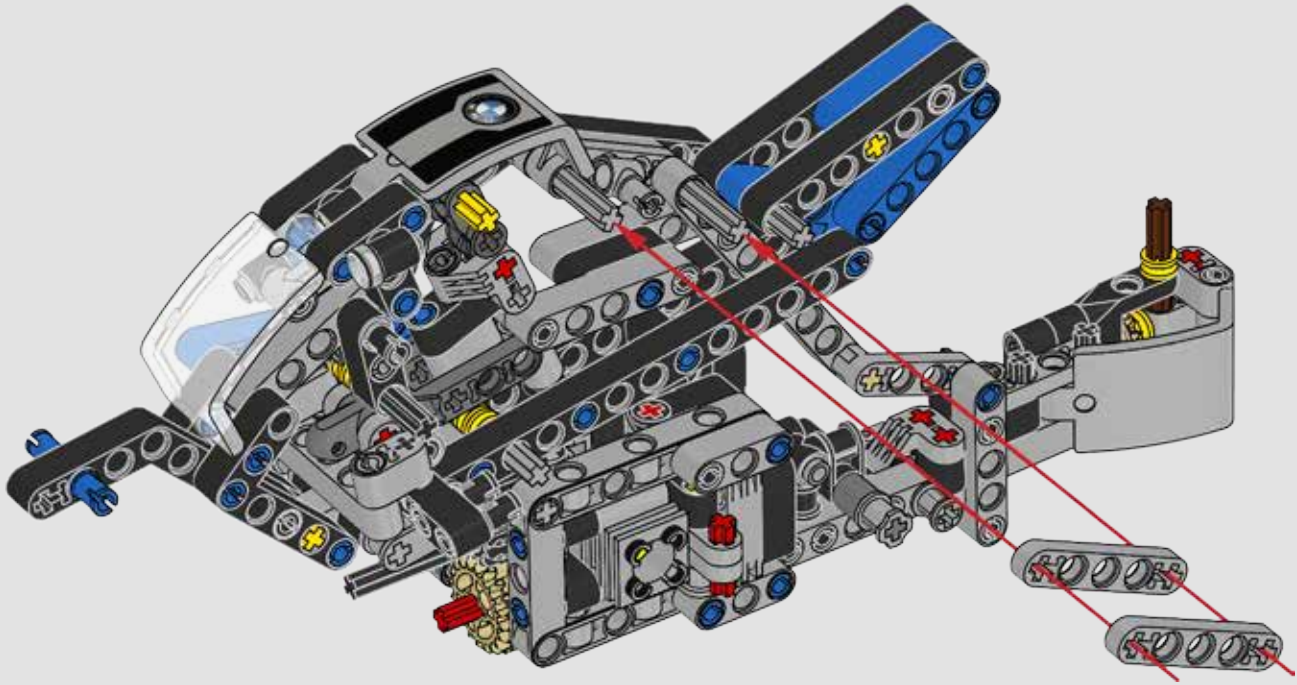
2





2x

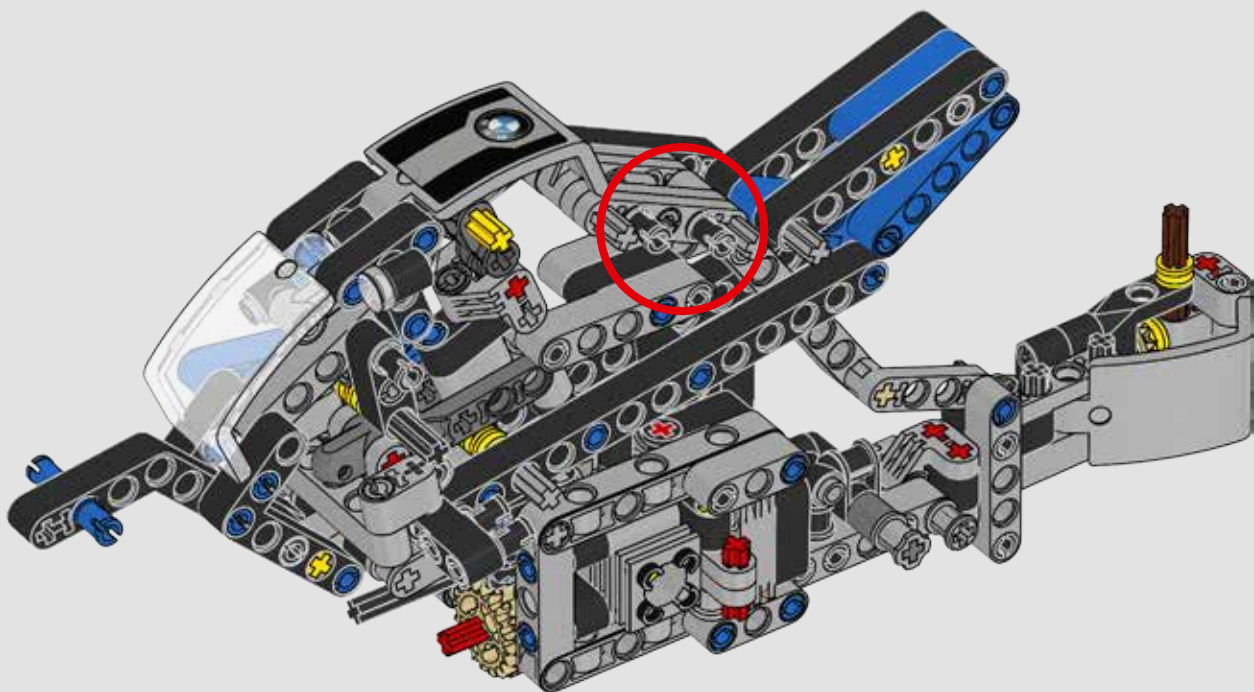
90

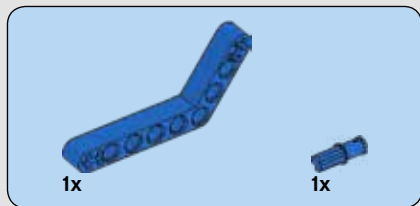




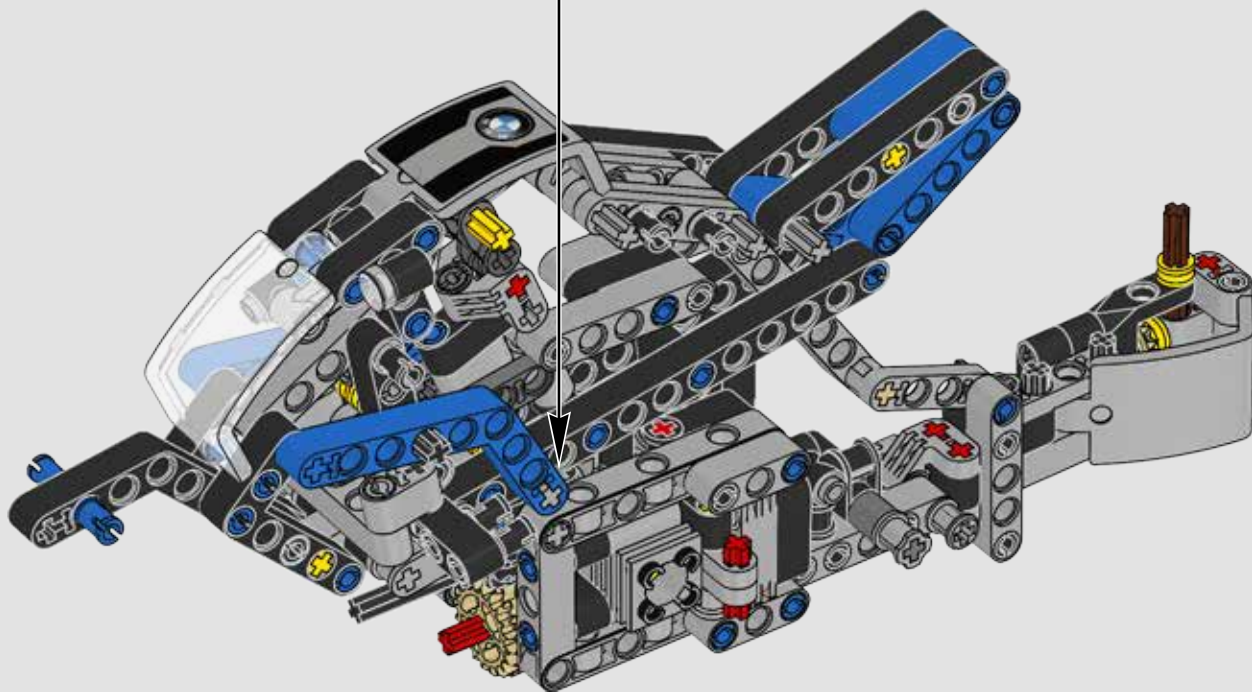
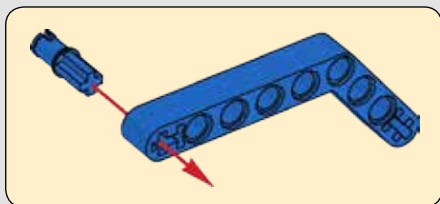
2x

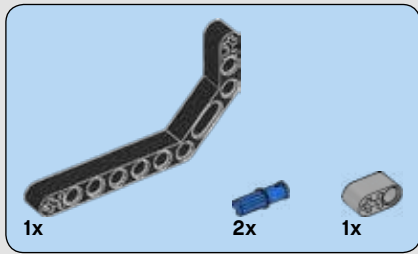
91



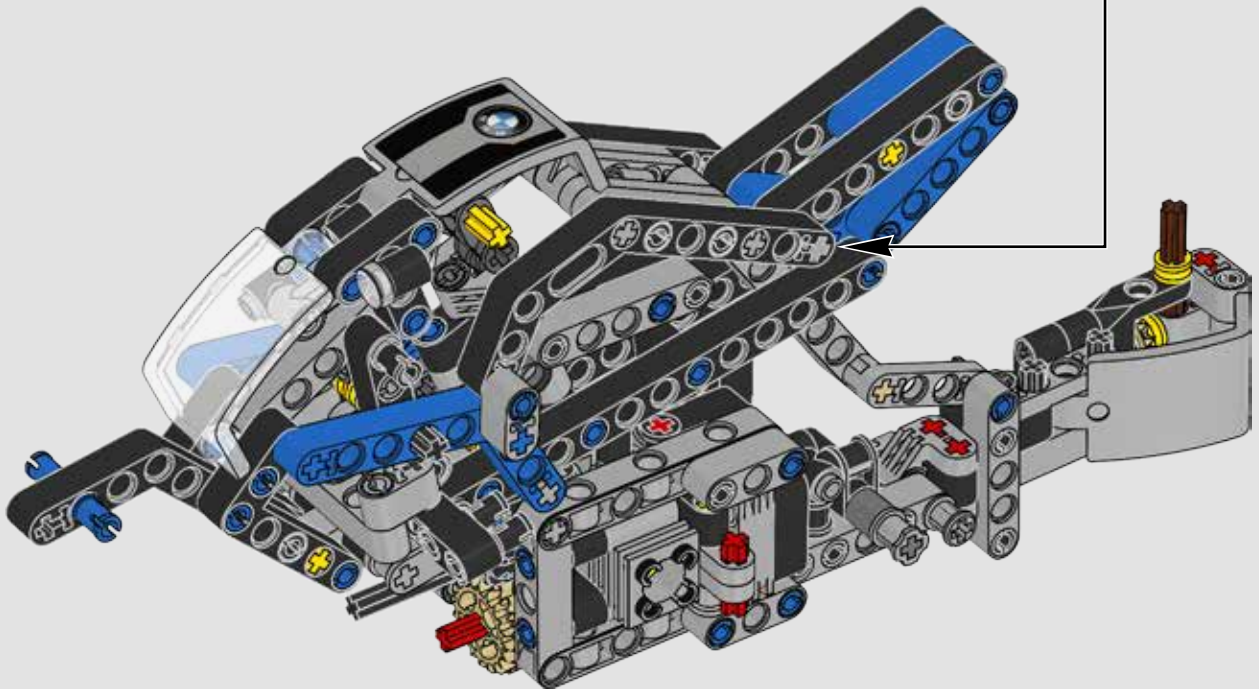
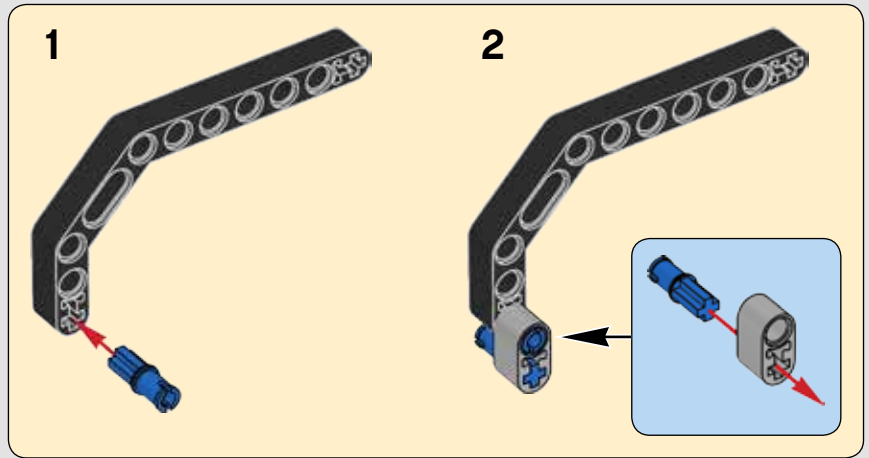


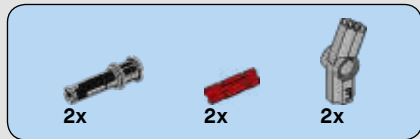
92



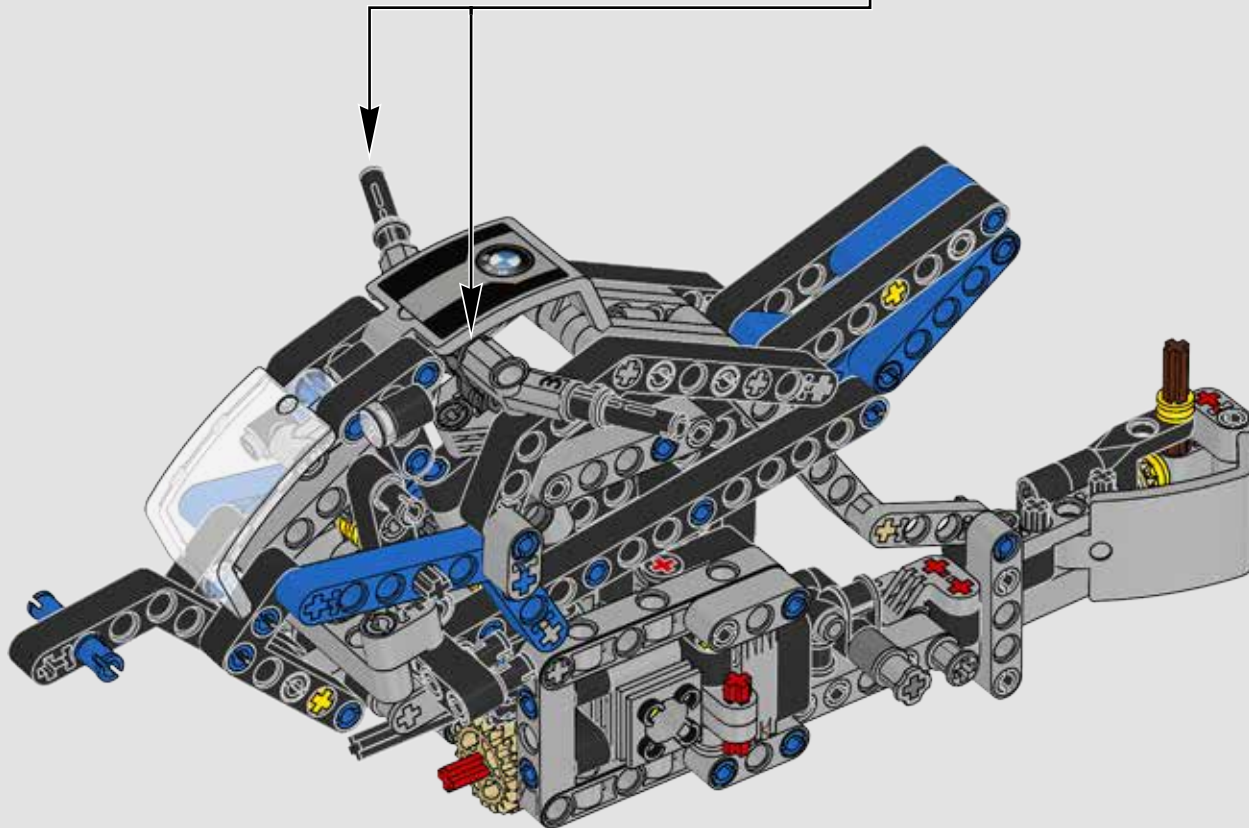
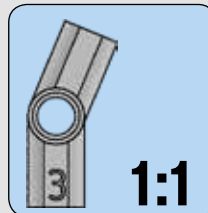
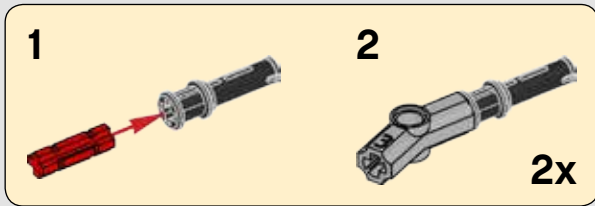


93





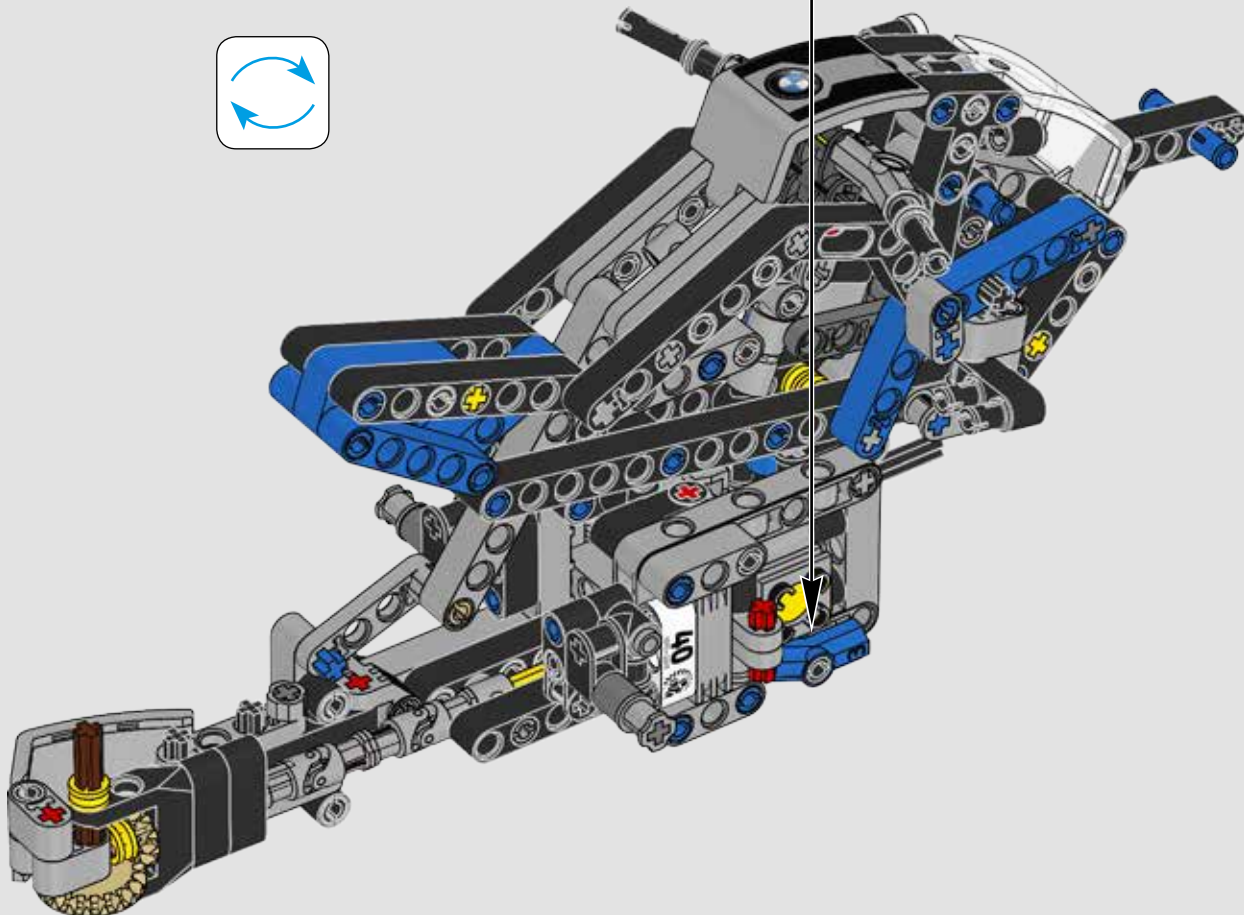
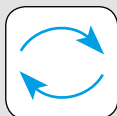
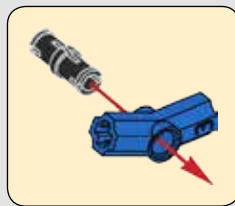
94

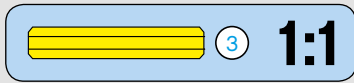
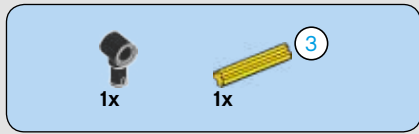




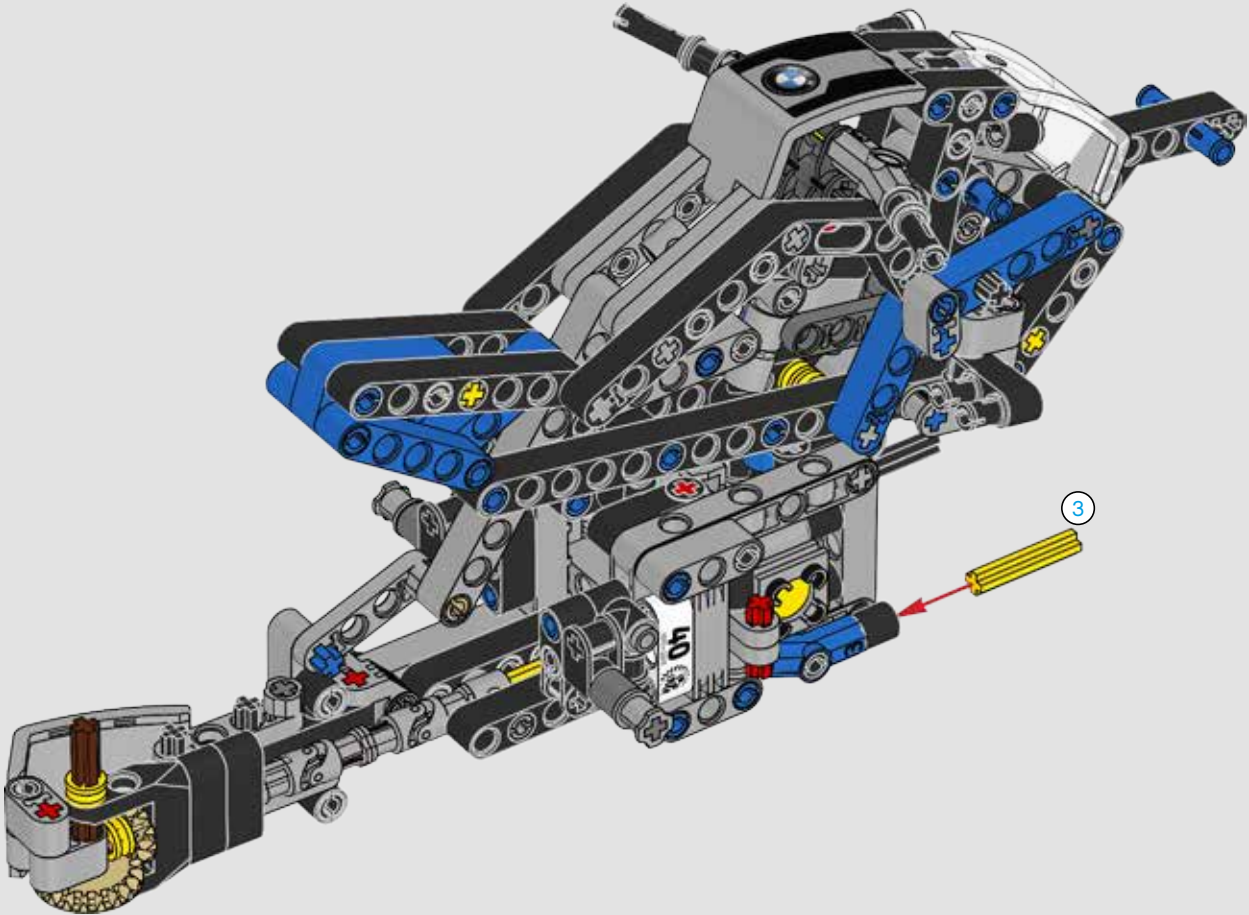


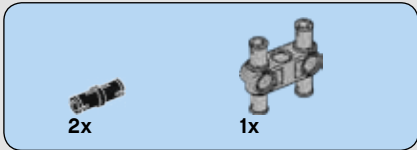
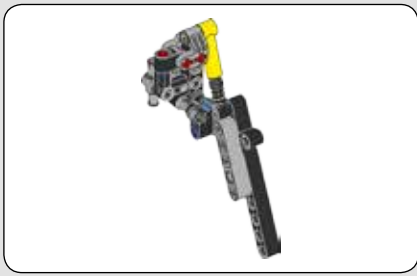
95



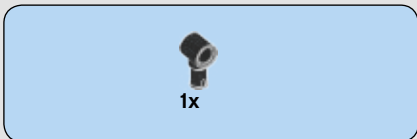
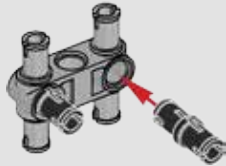


96

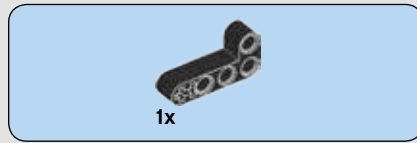
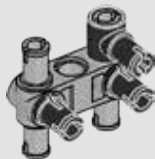




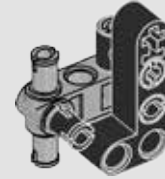
97



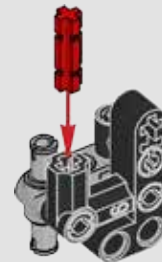
98

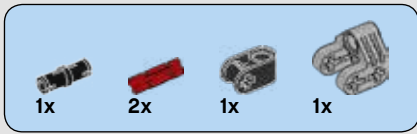


99

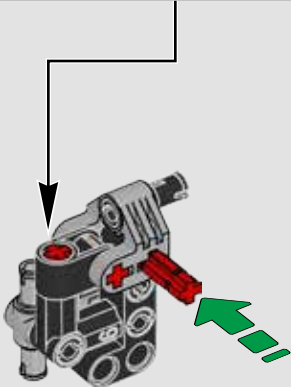
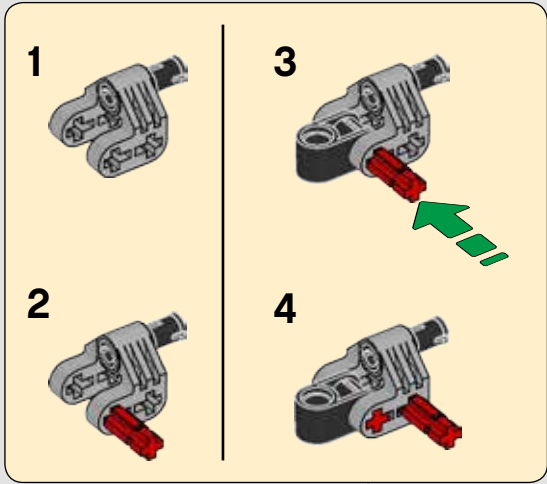


100

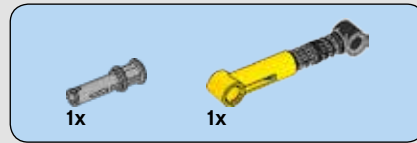
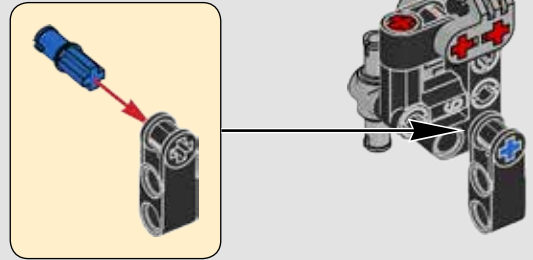




101

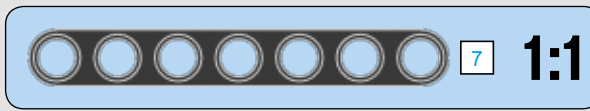
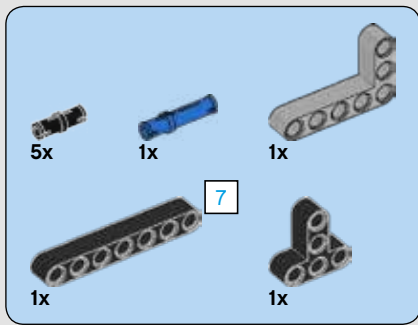


102

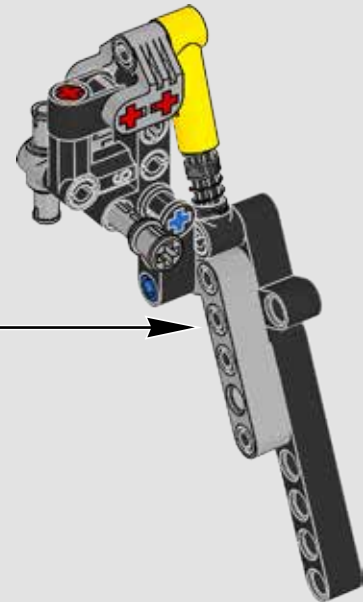
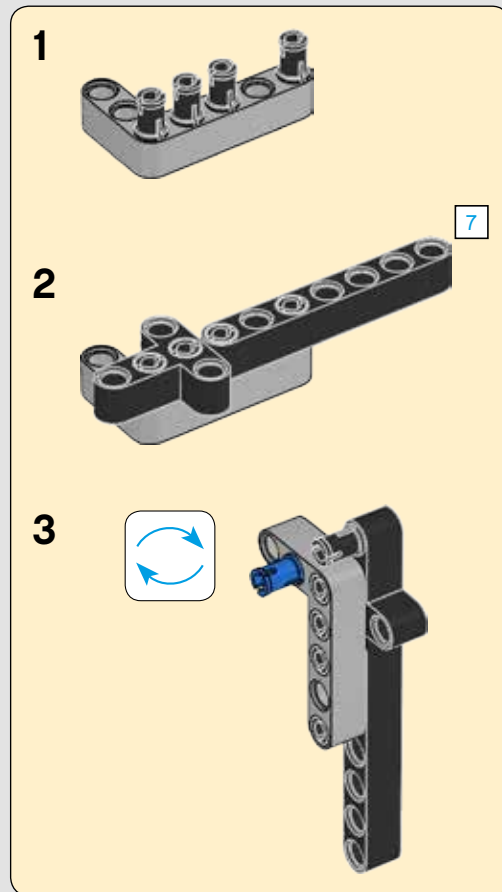


103

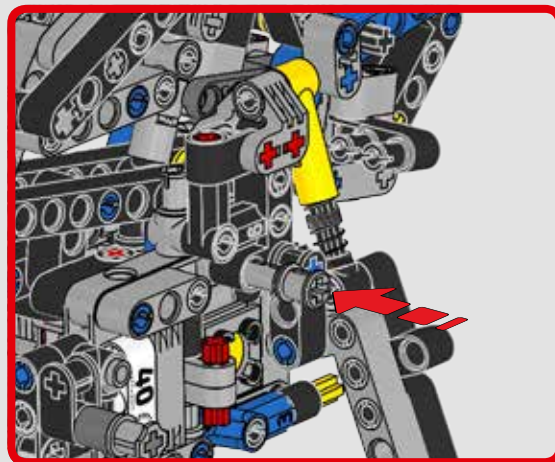
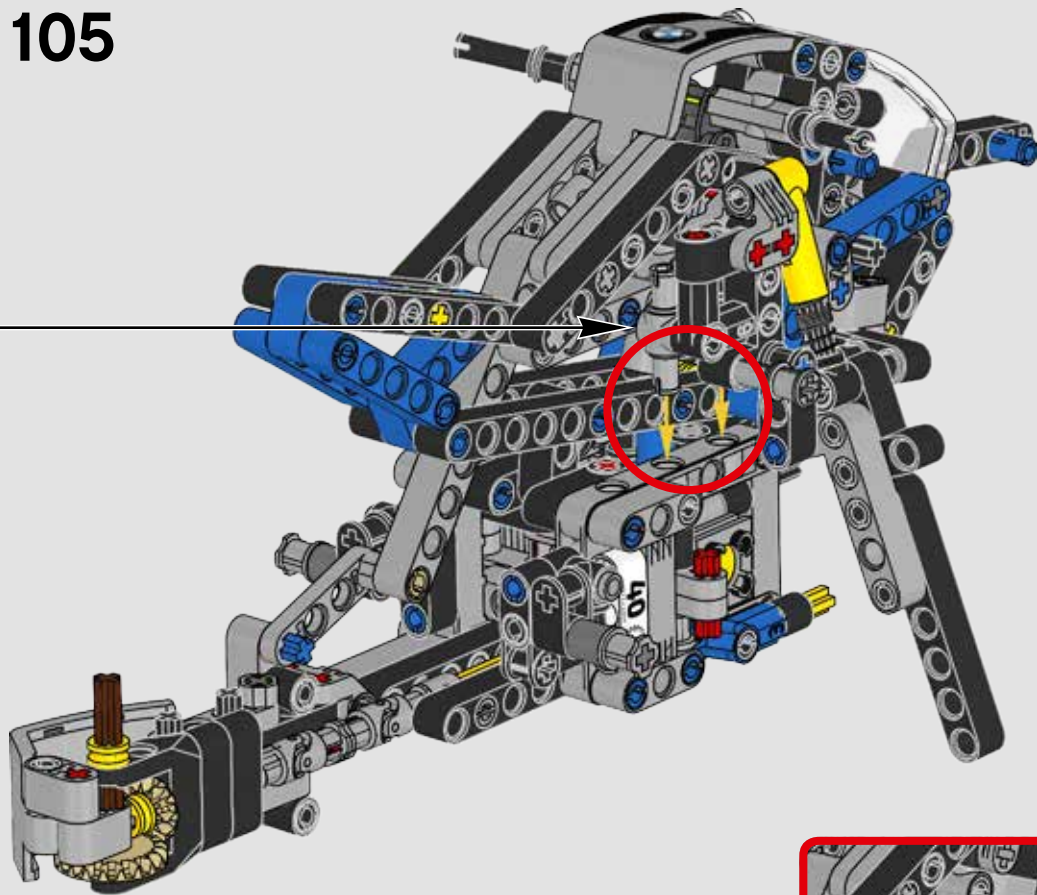


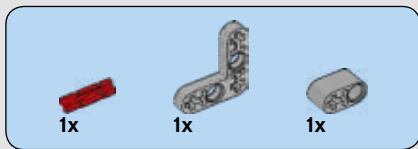


104

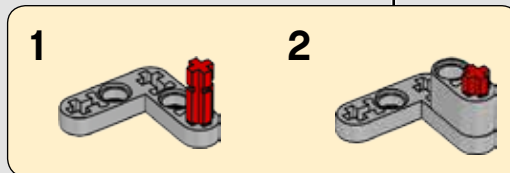
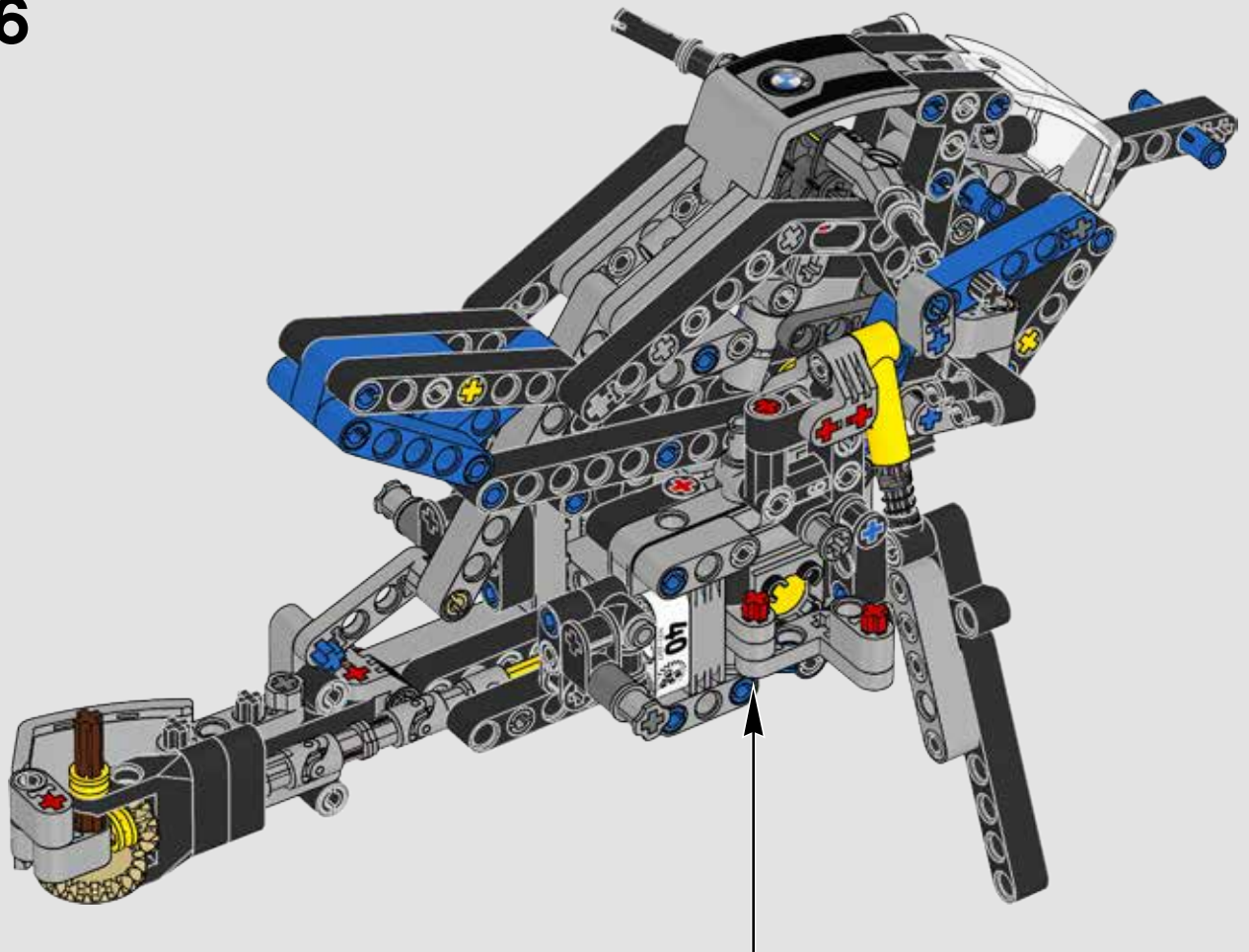


105





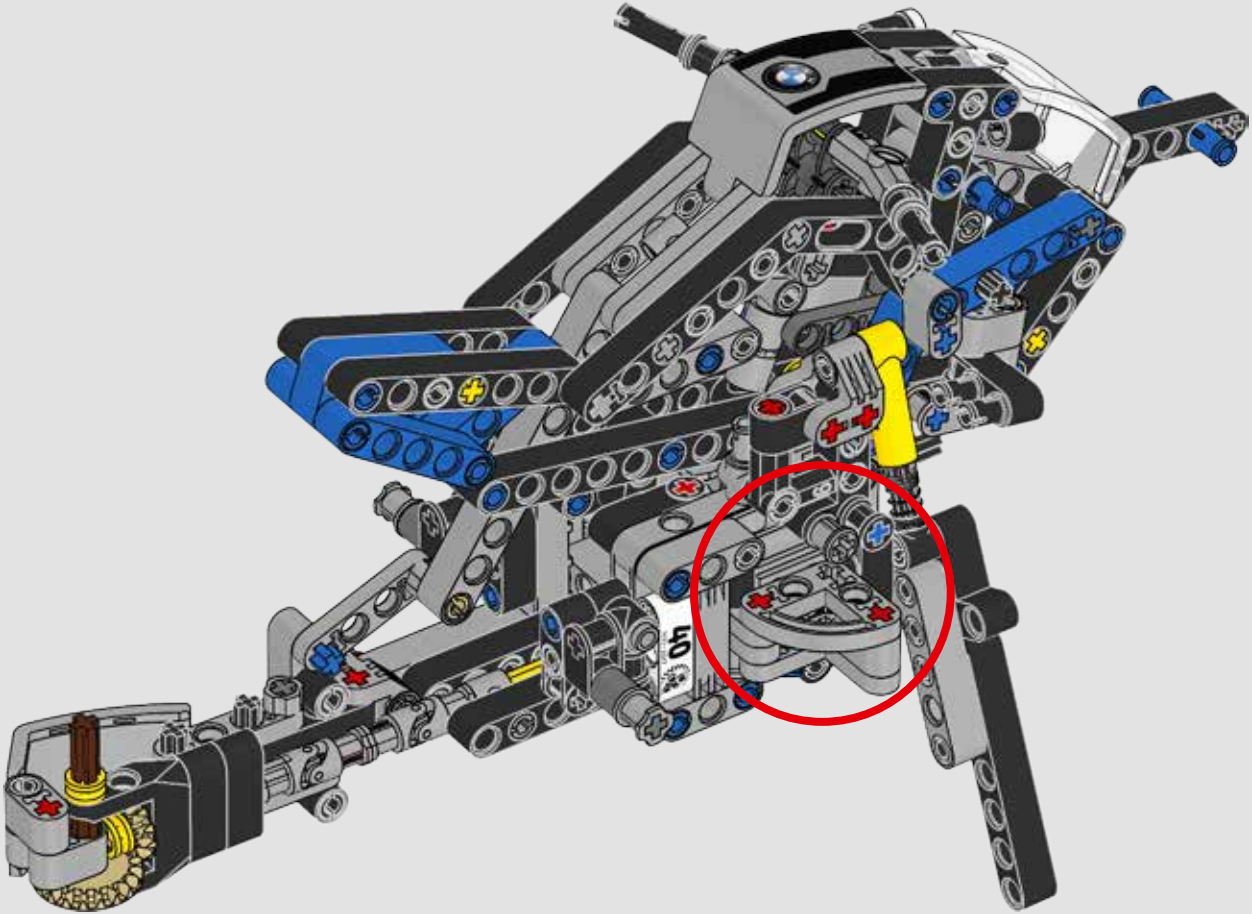
106



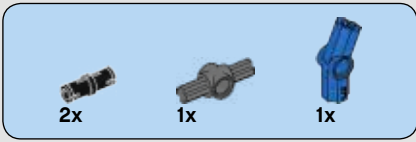


1x

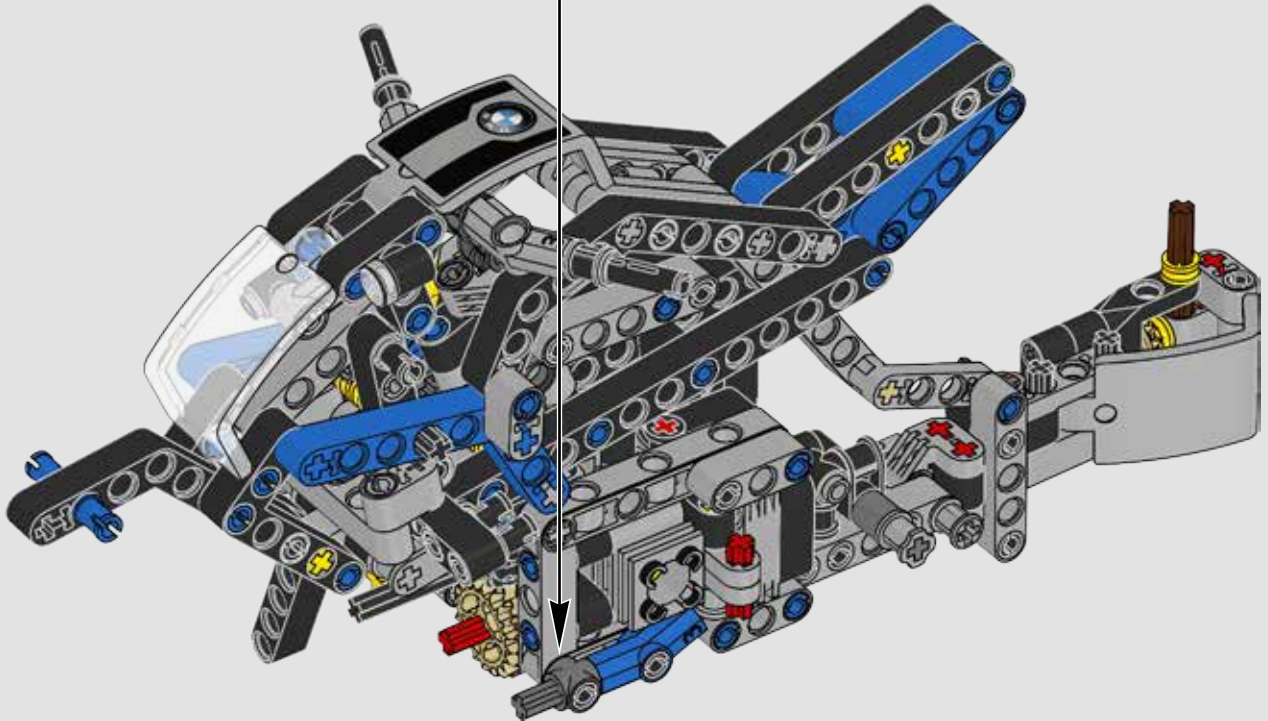
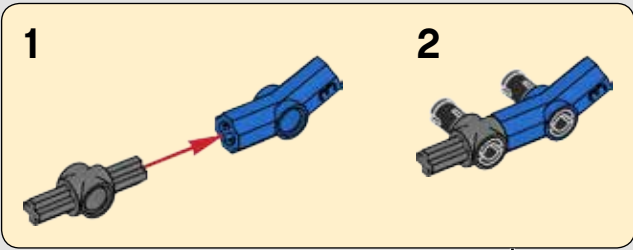
107

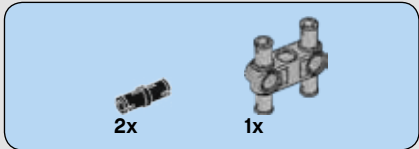




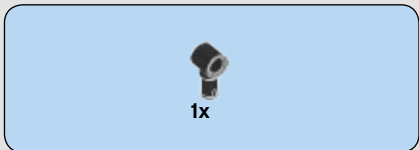
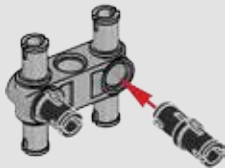


108

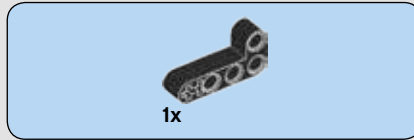
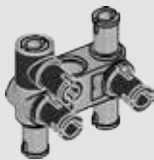




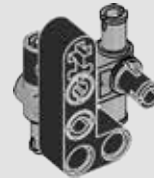
109



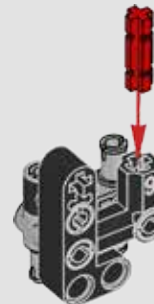
110

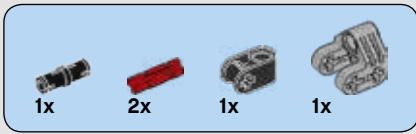


111

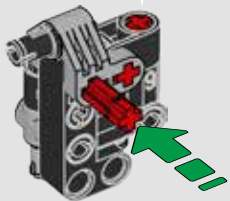
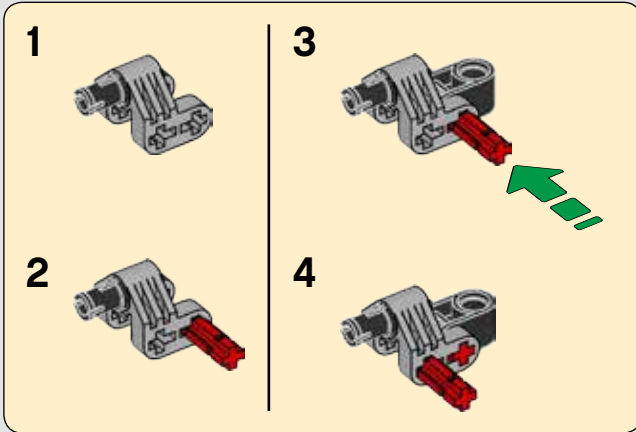


112

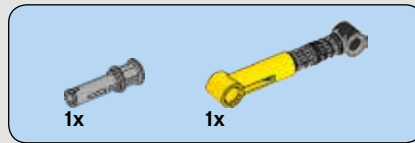
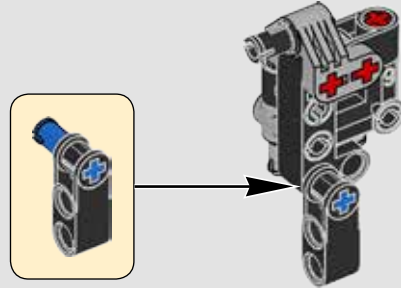




# 113

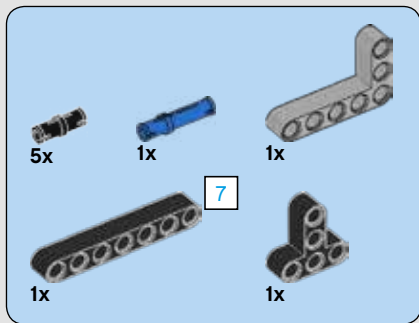


# 114

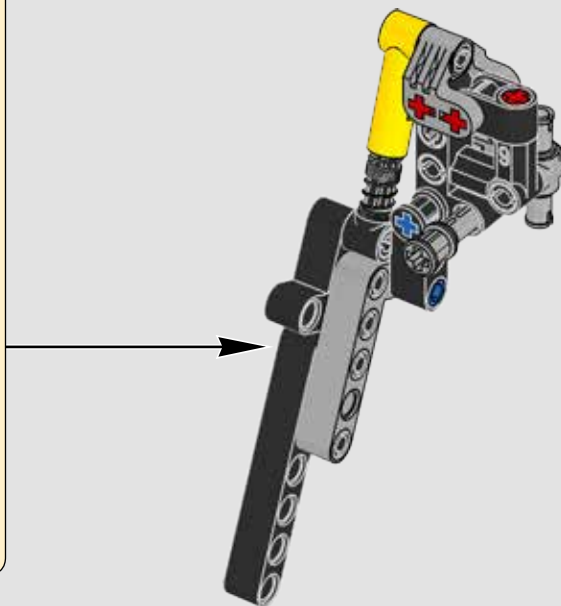
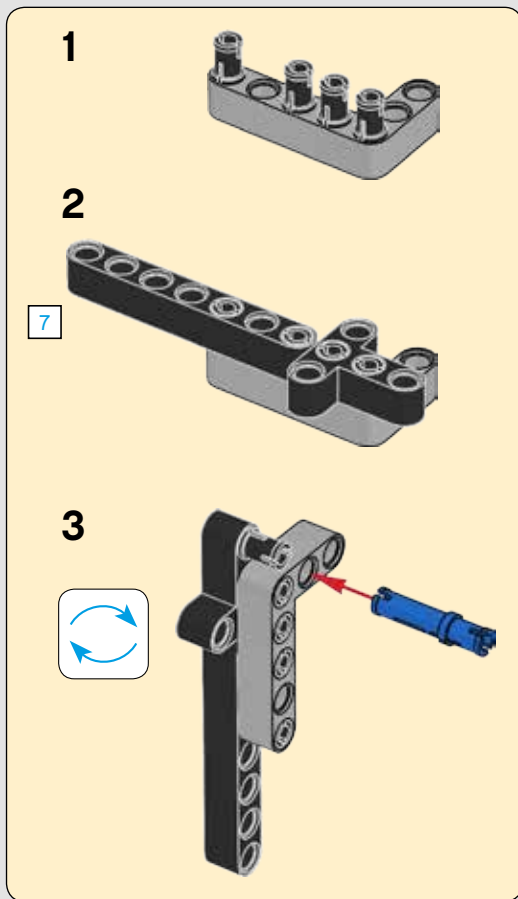


# 115

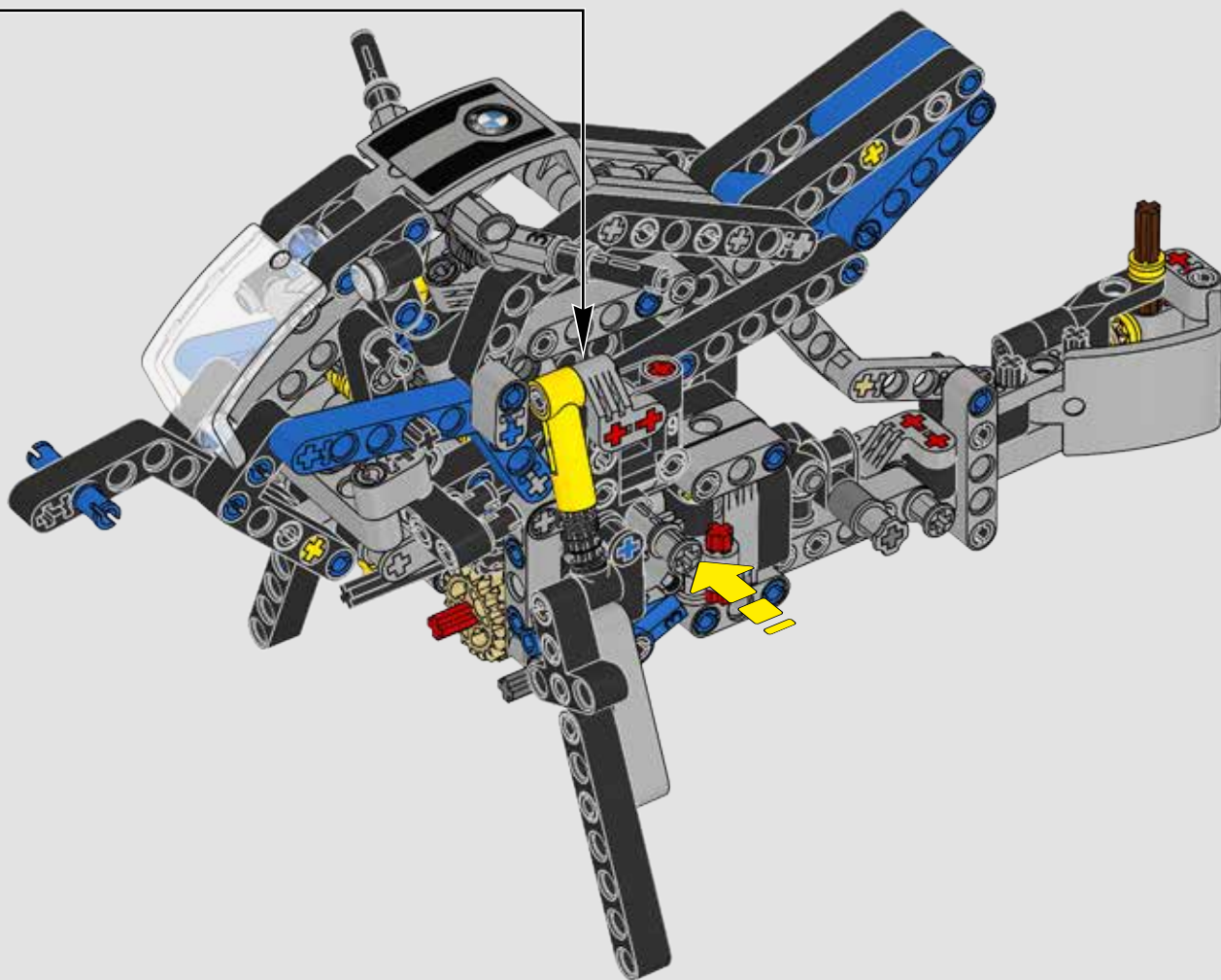


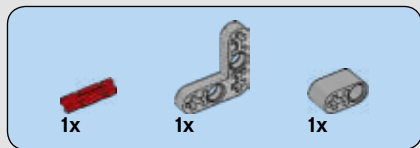


116

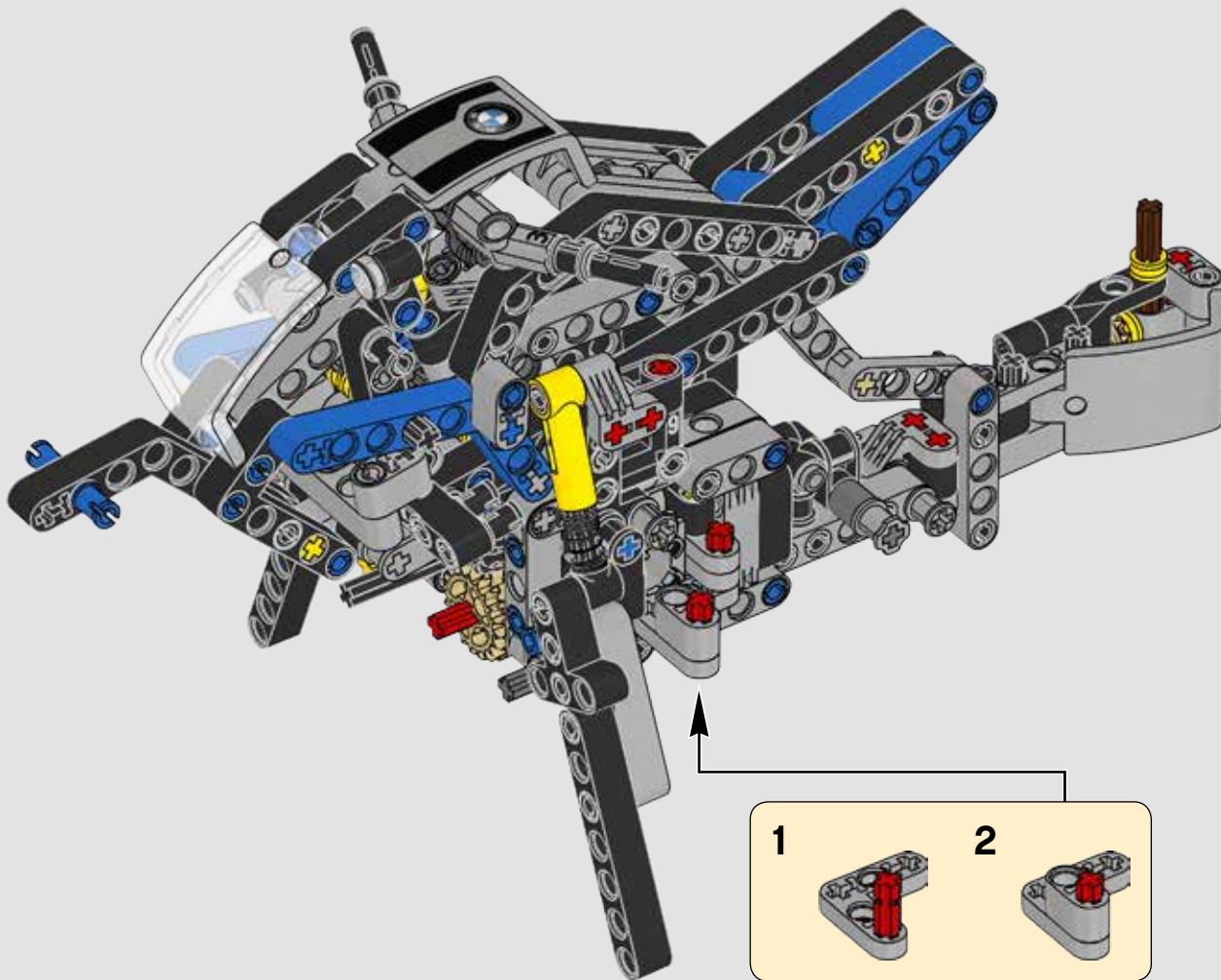


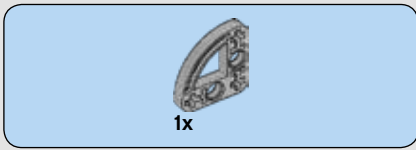
117



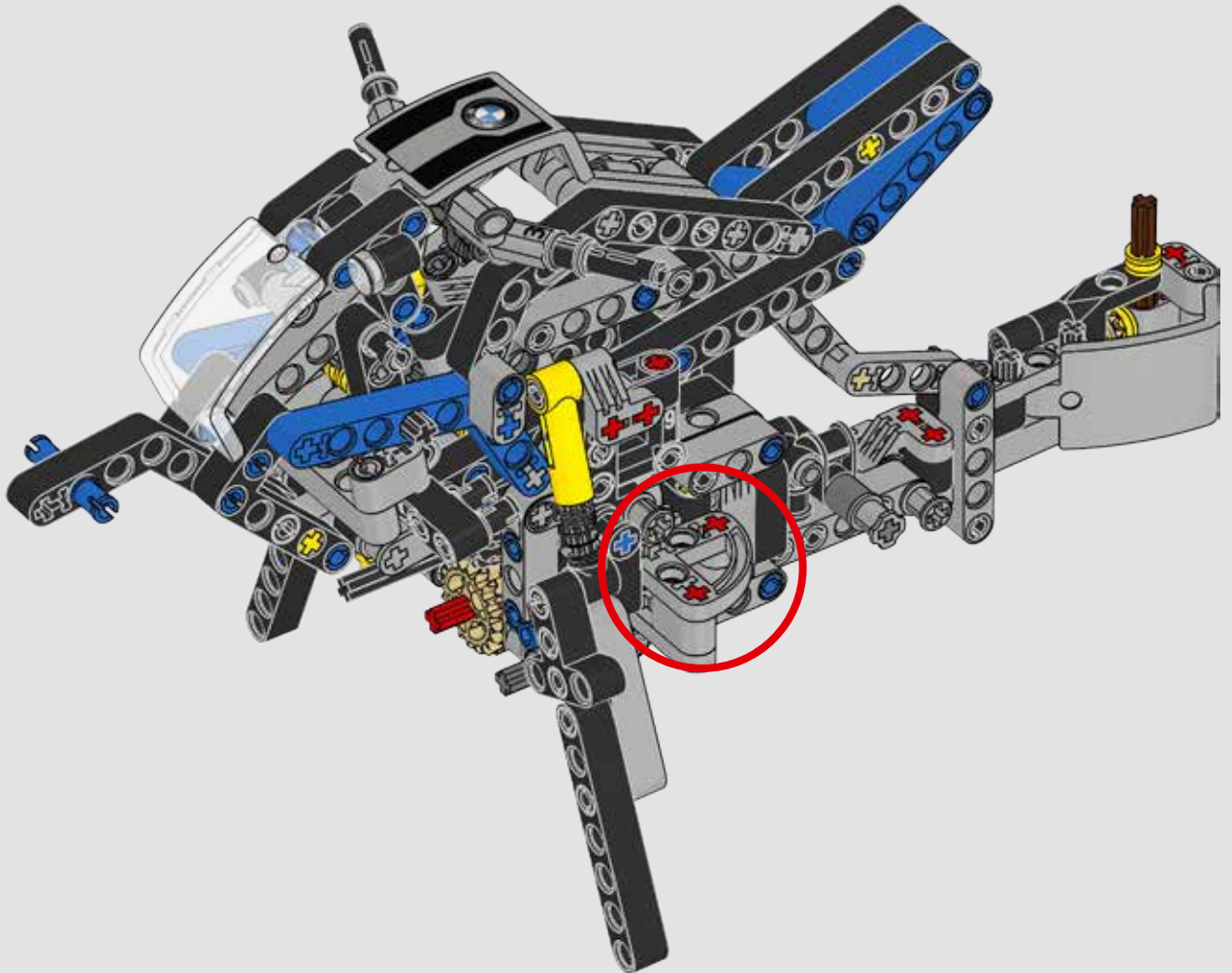


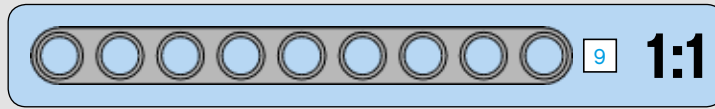
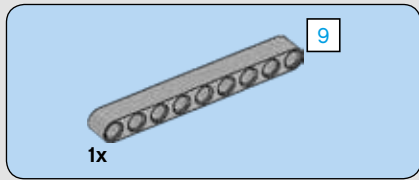
118



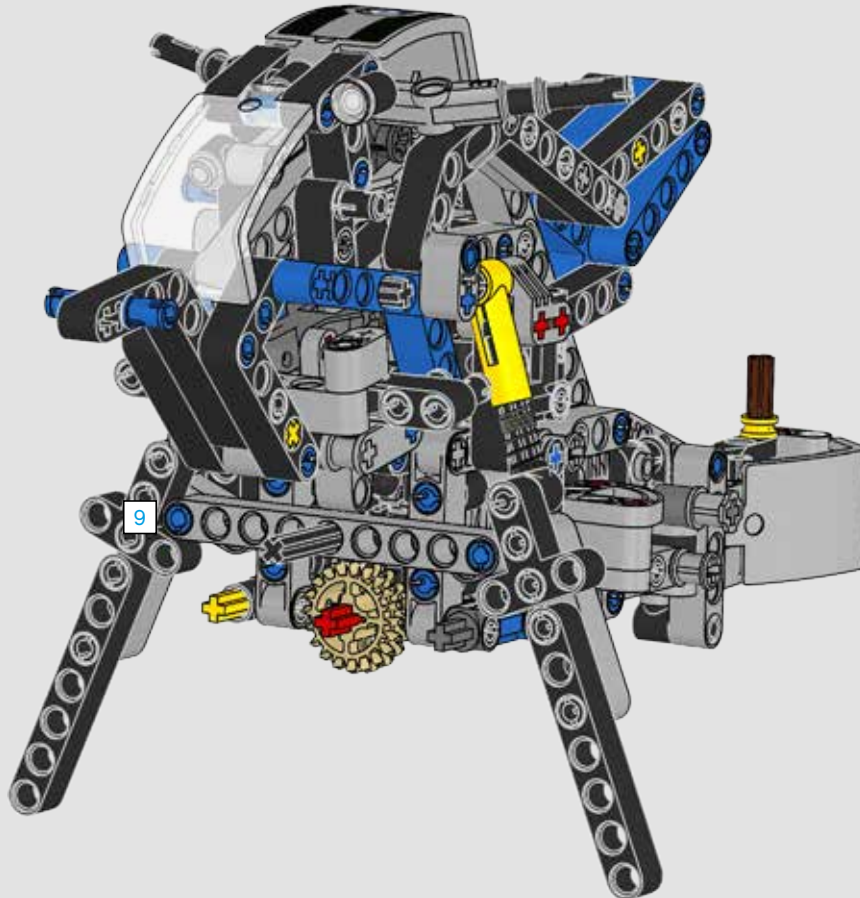


119





120





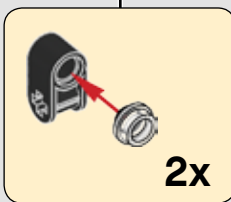
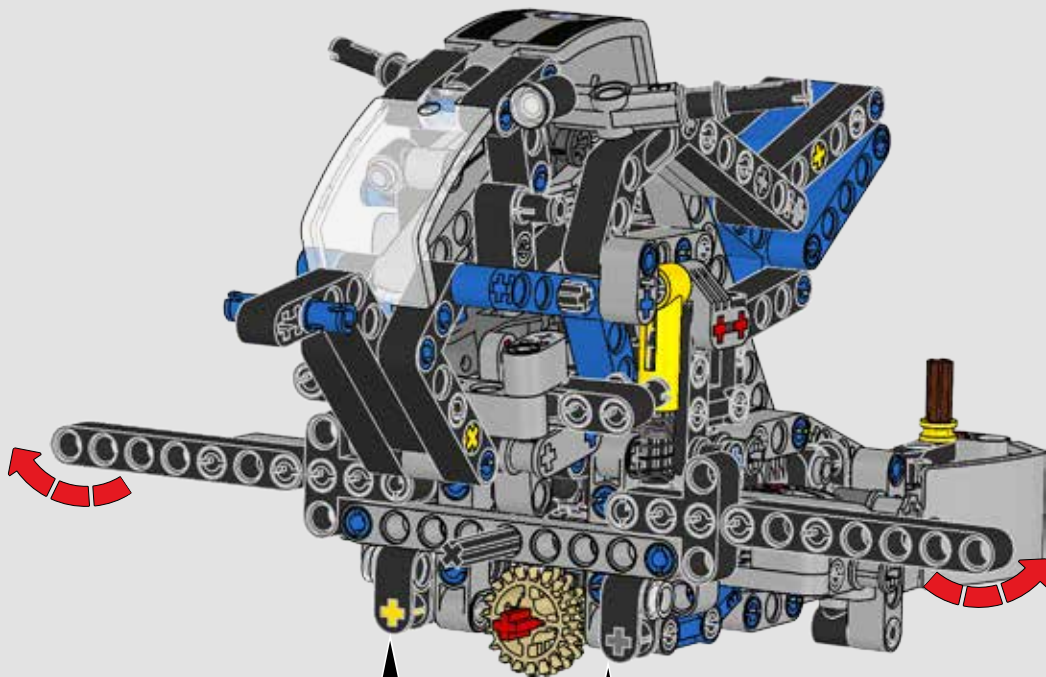


2x

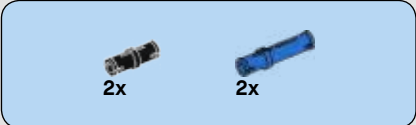


2x

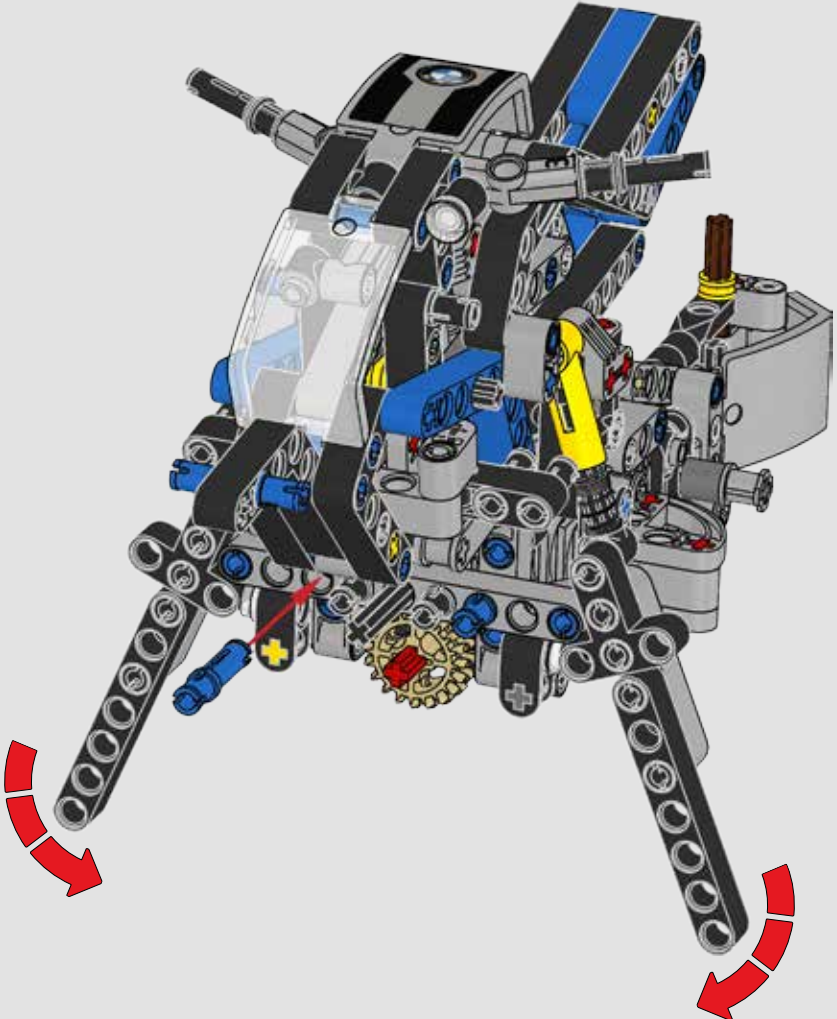
# 121

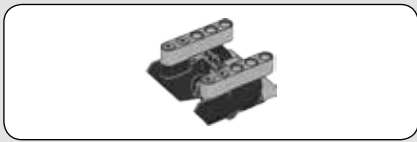


2x



# 122

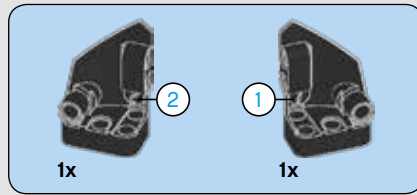
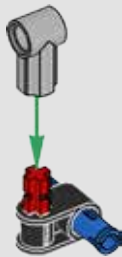




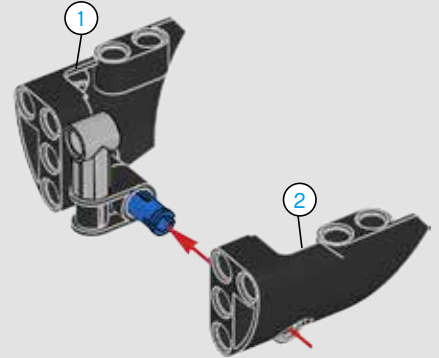
123



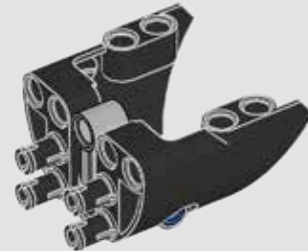
124



125



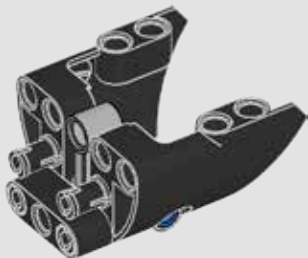
126





1x

# 127



1x

5

# 128



5



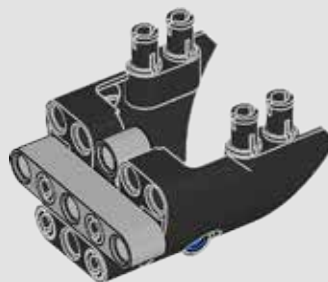
5

# 1:1



4x

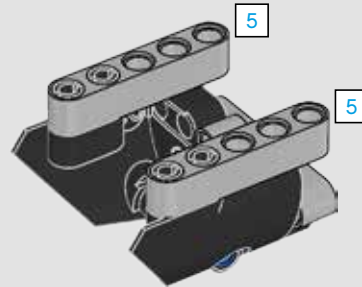
# 129



2x

5

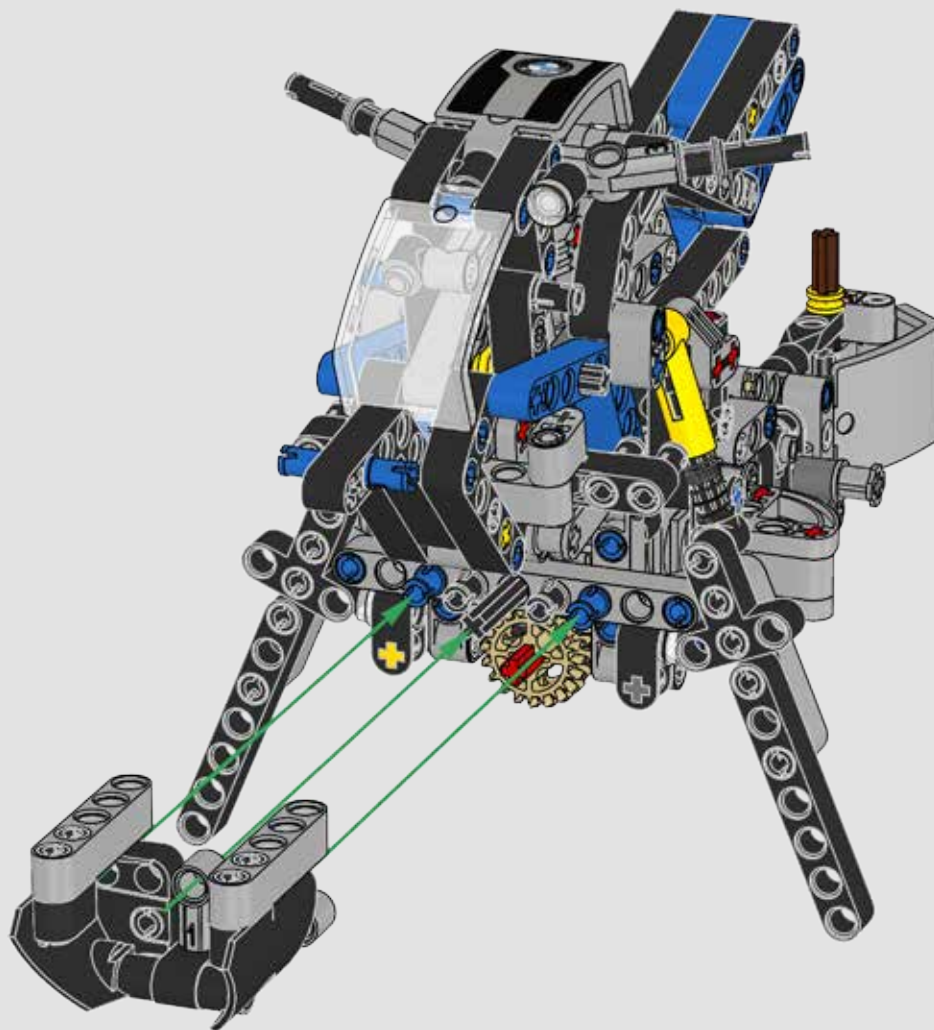
# 130



5

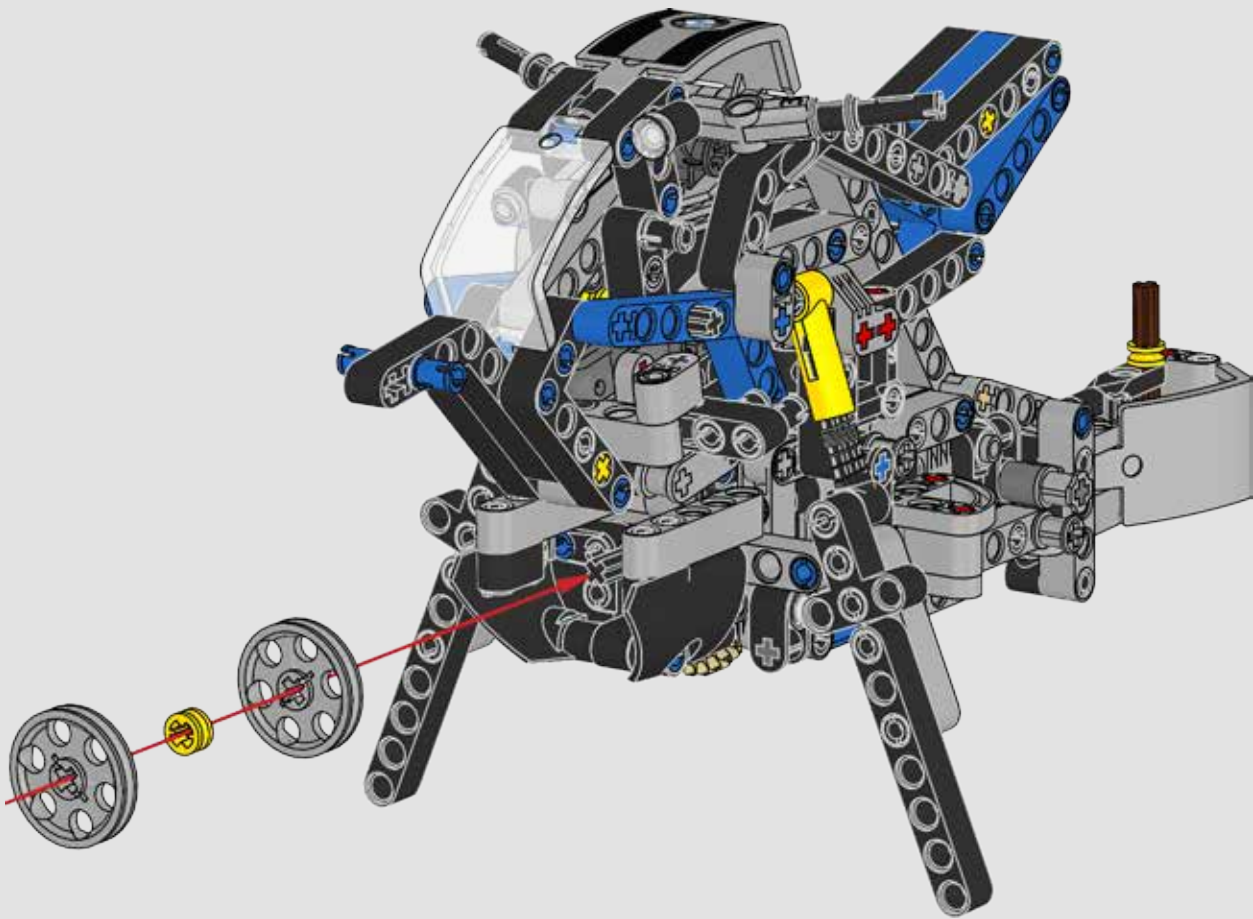
5

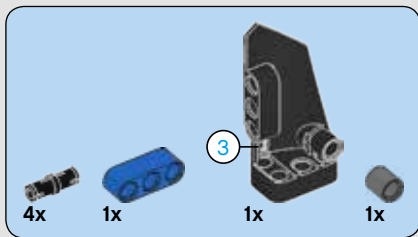
131



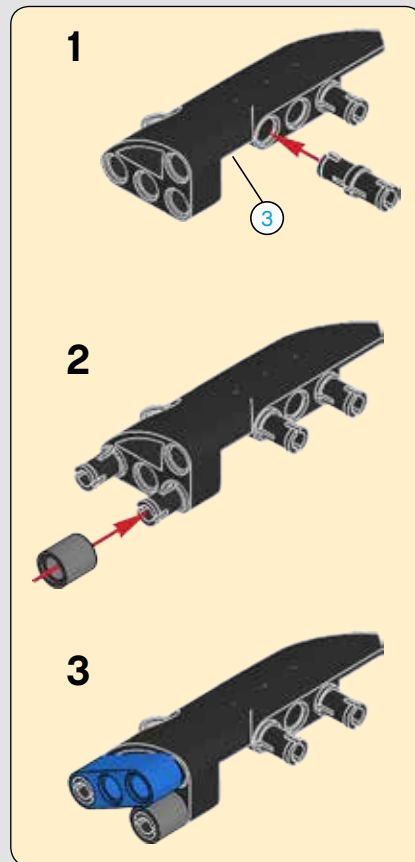
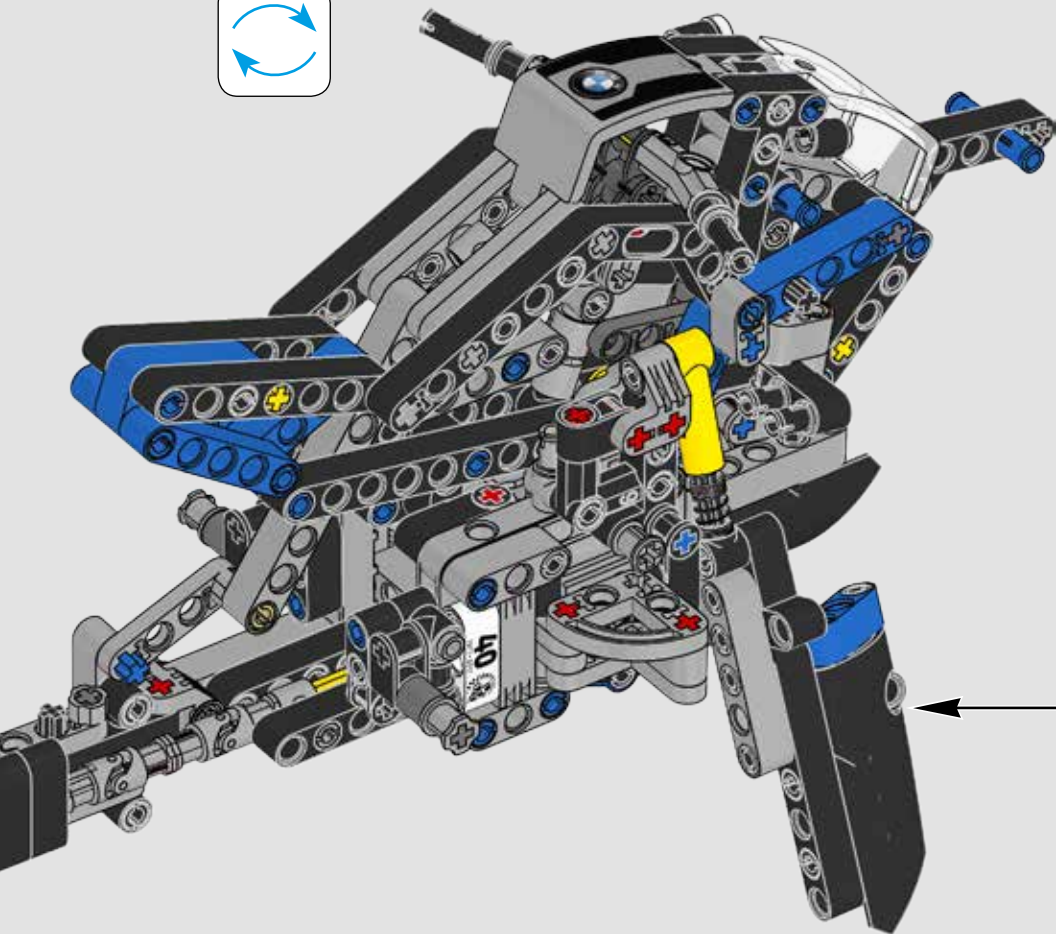
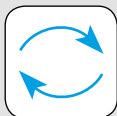


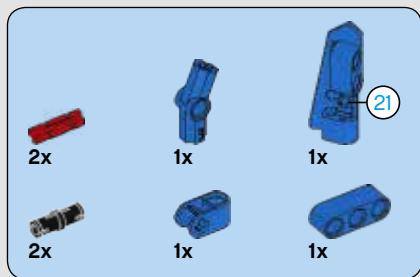
132



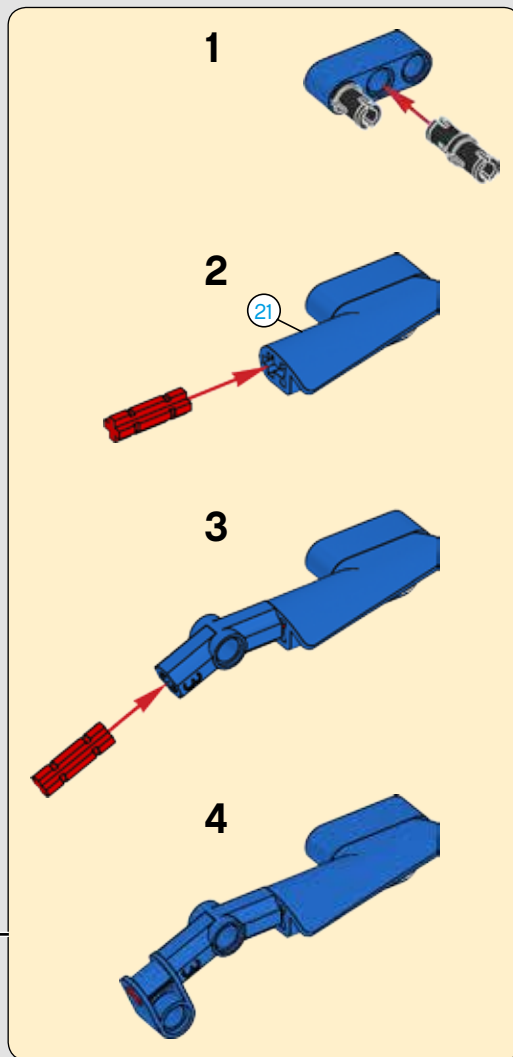
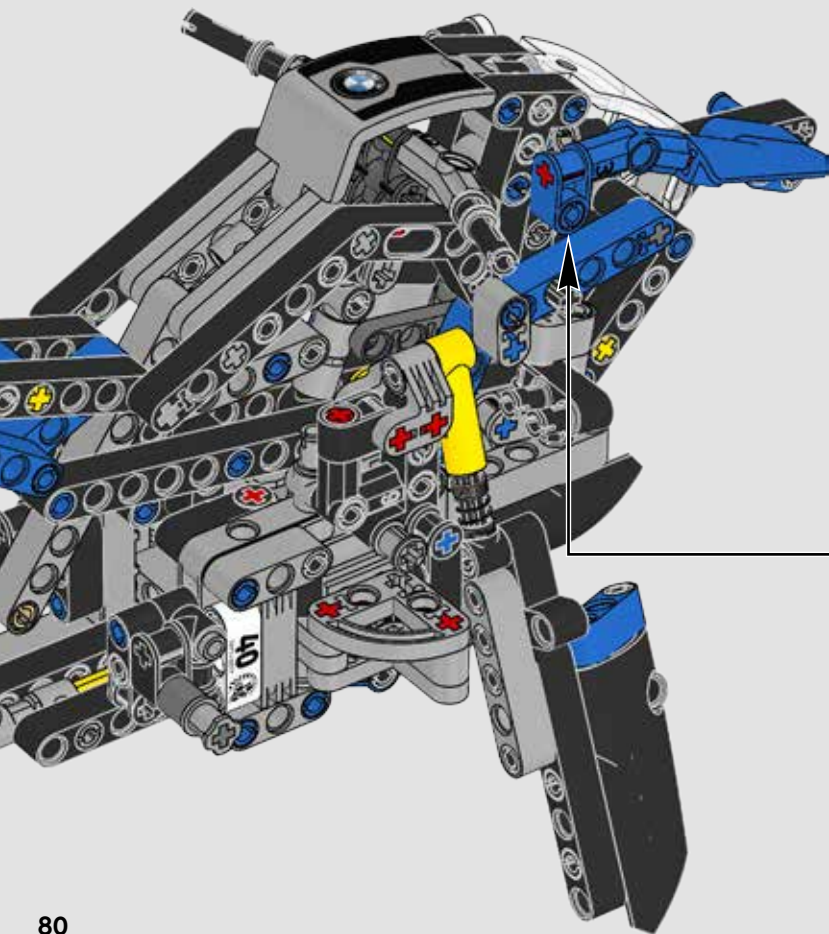


# 133

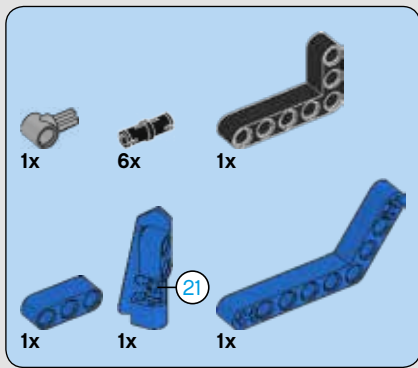




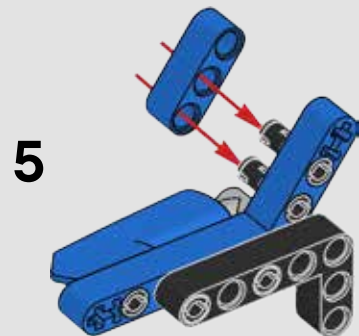
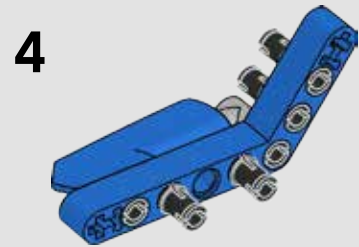
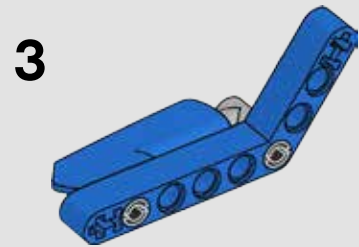
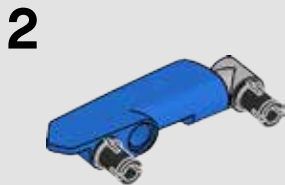
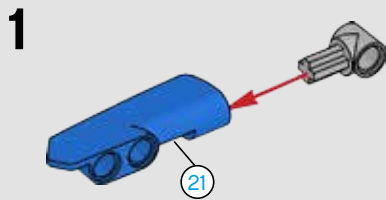
134

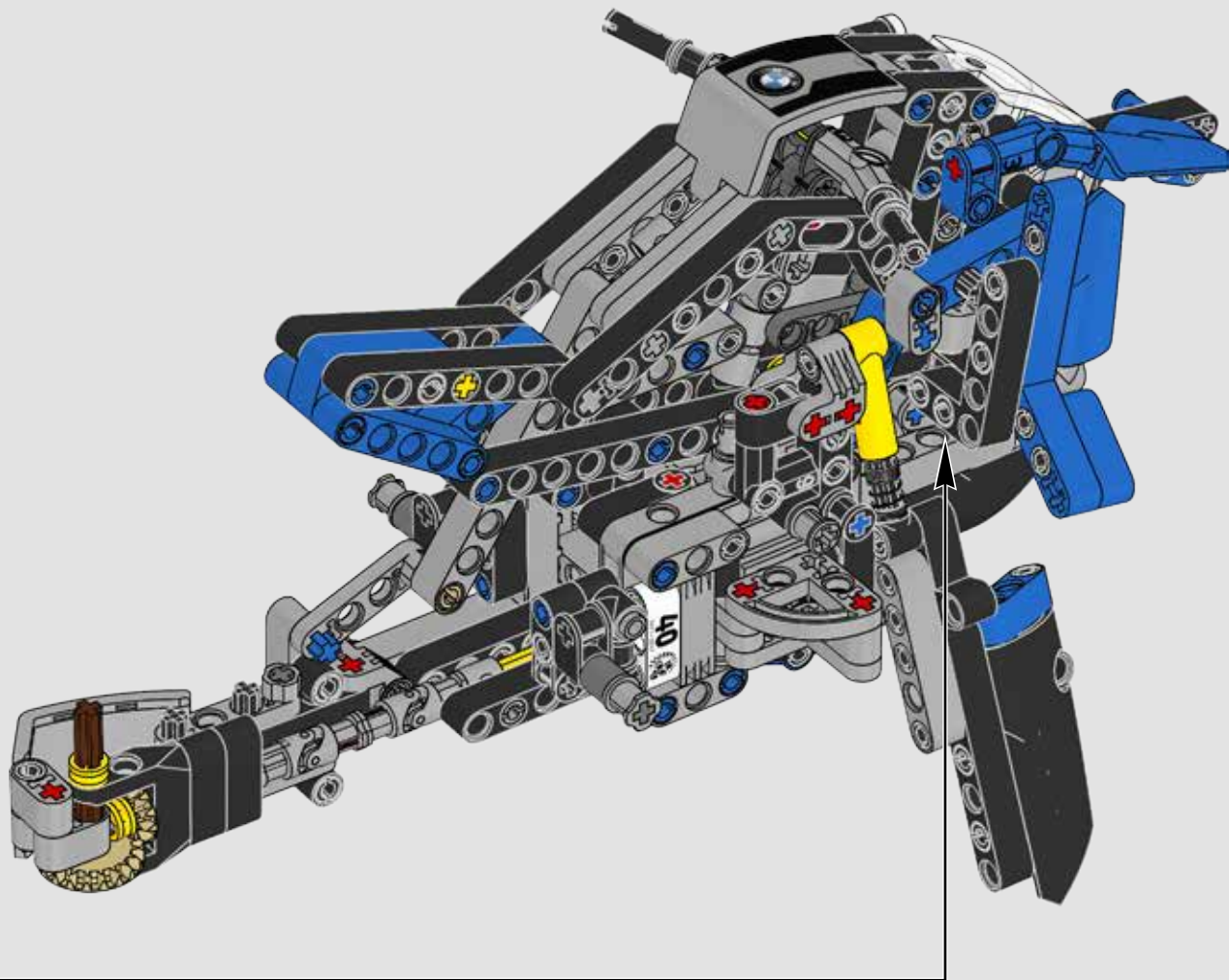


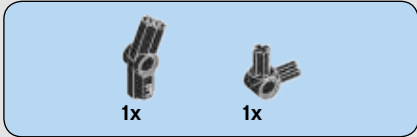




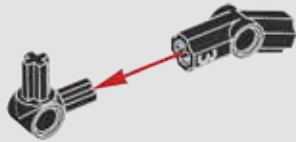
135



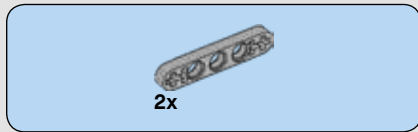




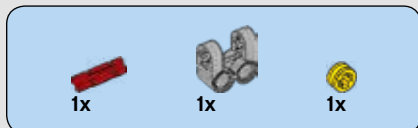
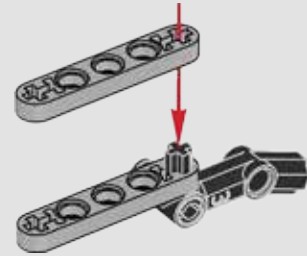
136



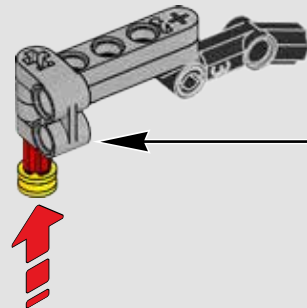
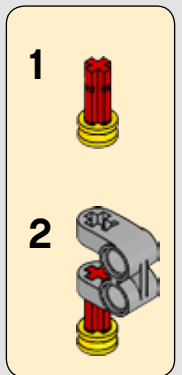
137

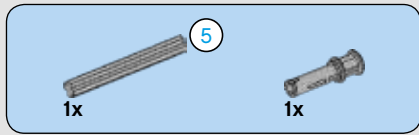


138

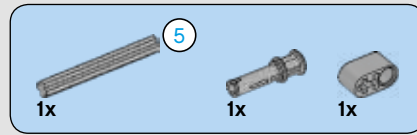
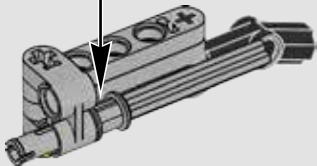
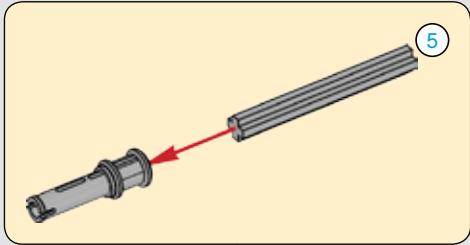


139

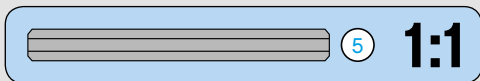
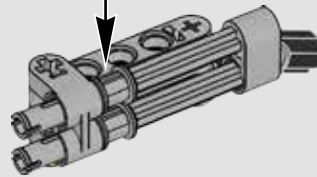
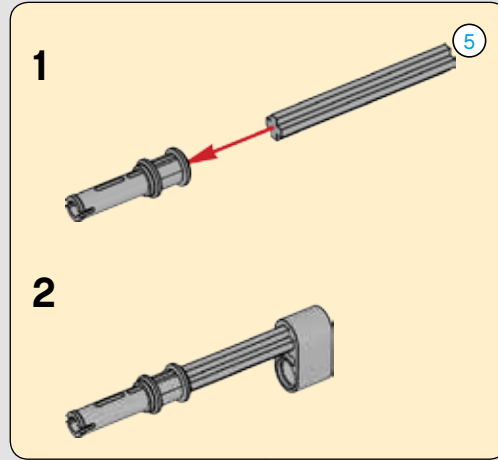




140

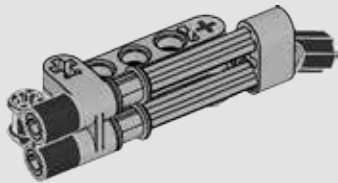


141

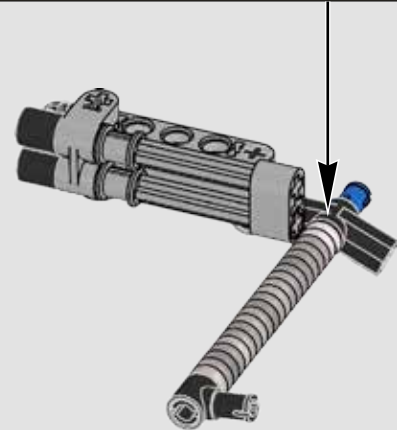
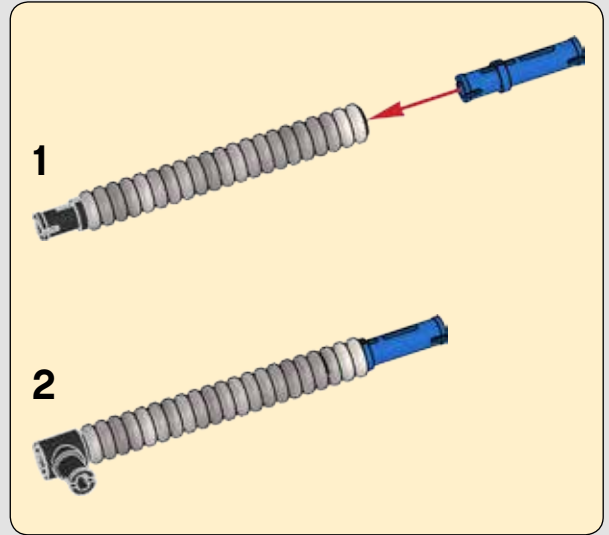




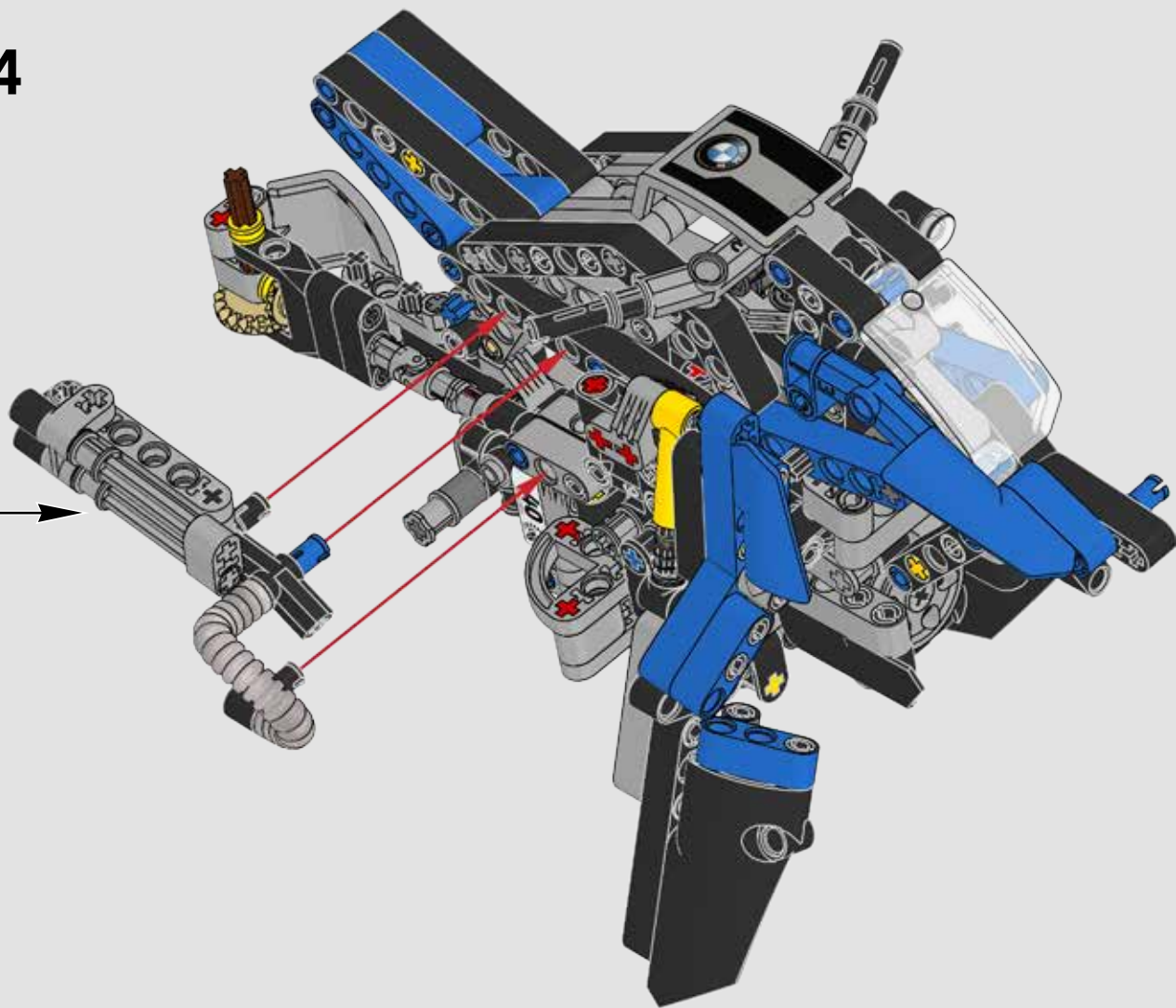
142

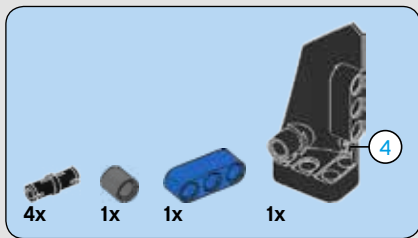


143

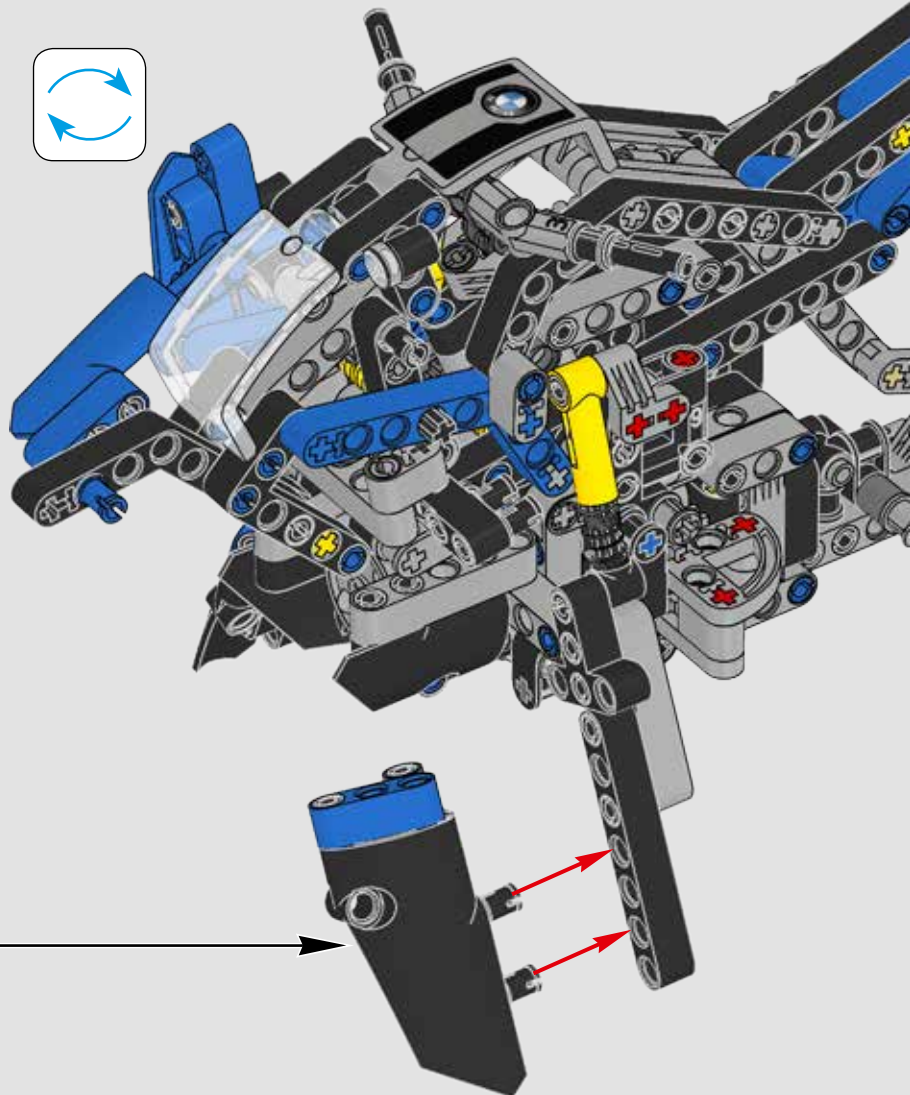
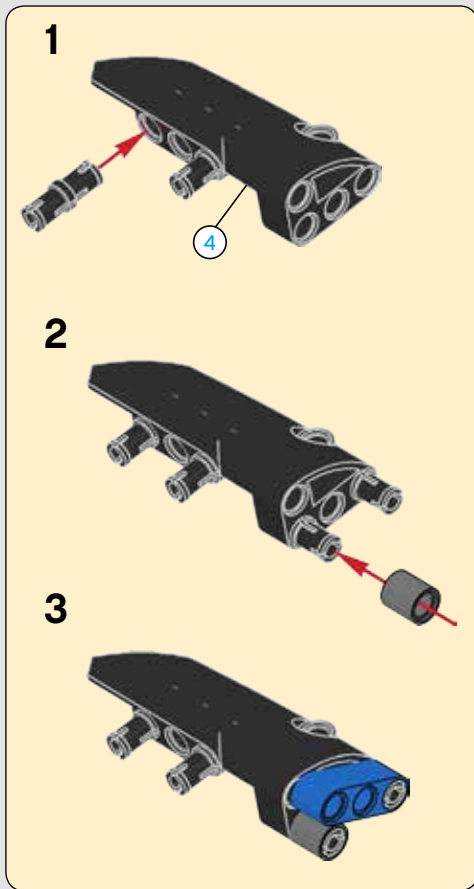
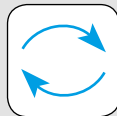


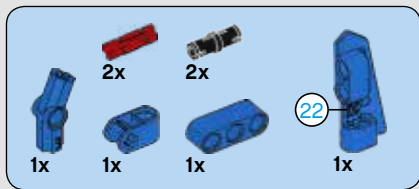
144



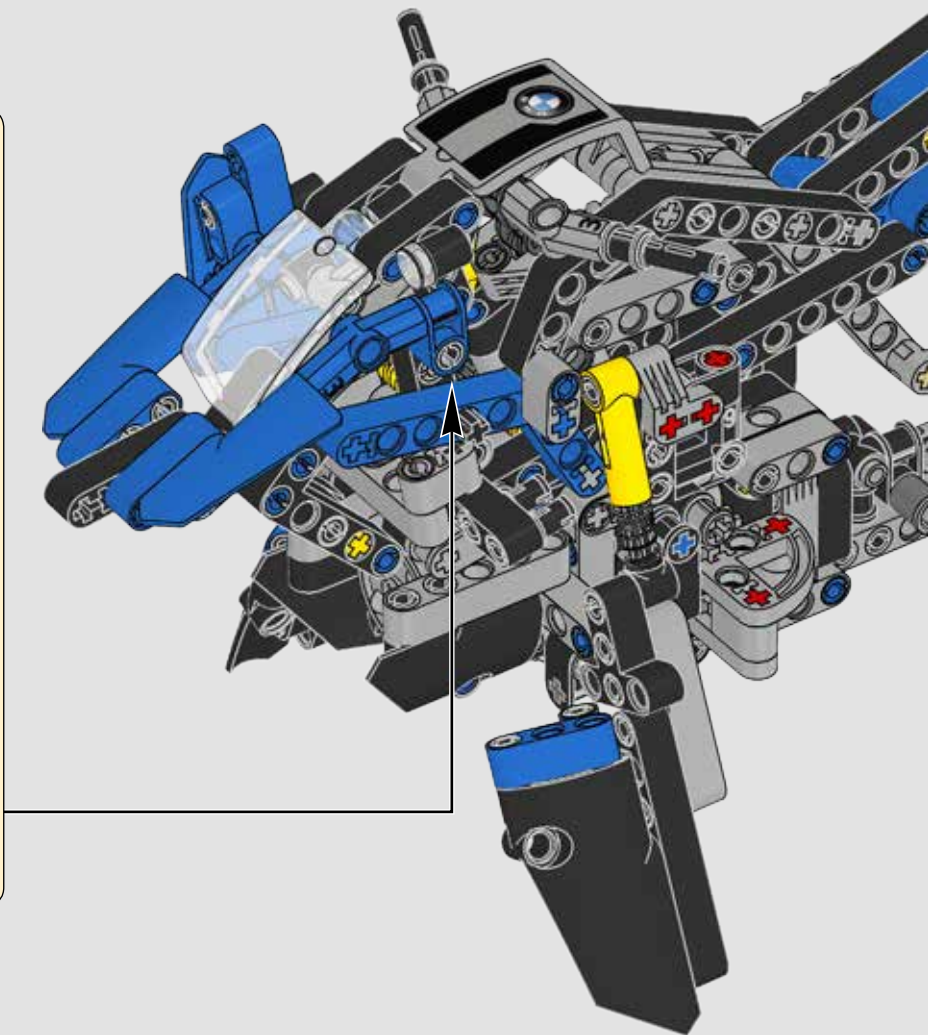
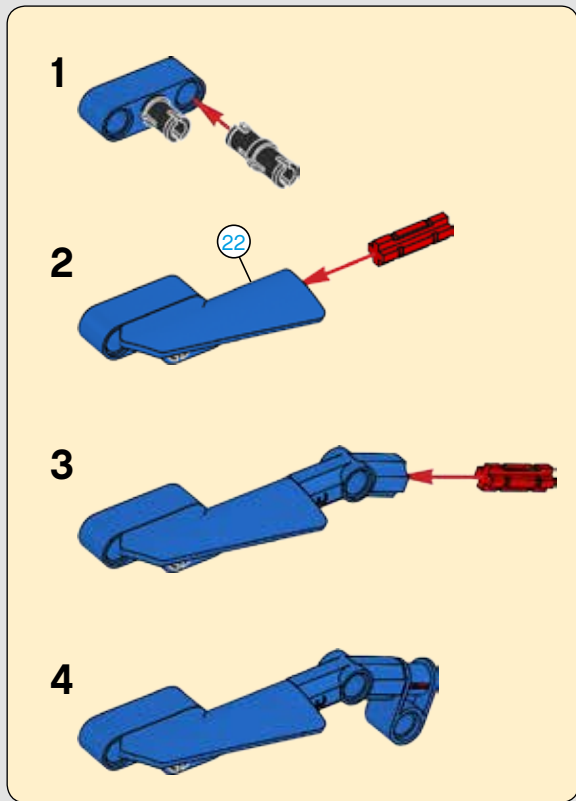


# 145

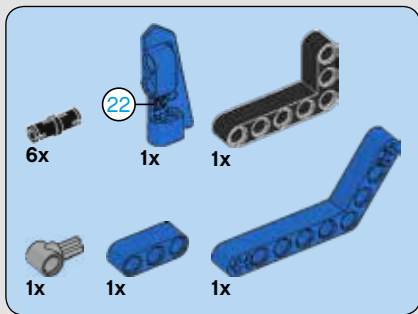




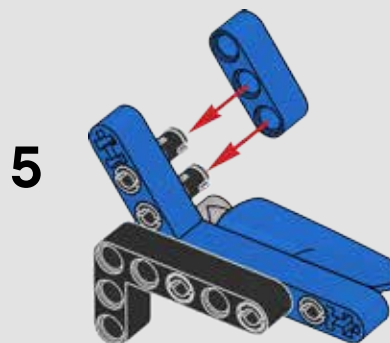
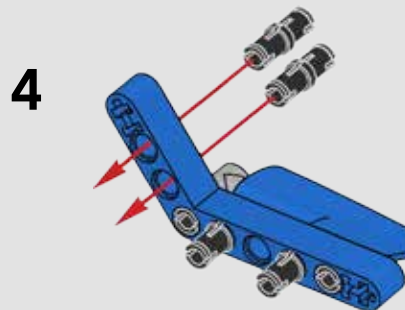
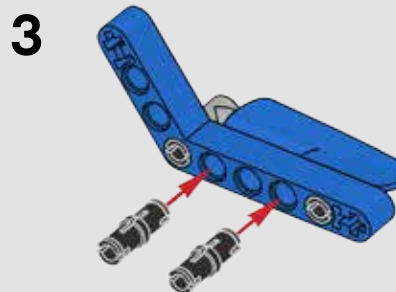
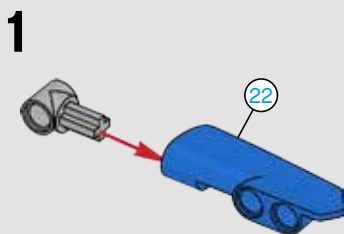
146

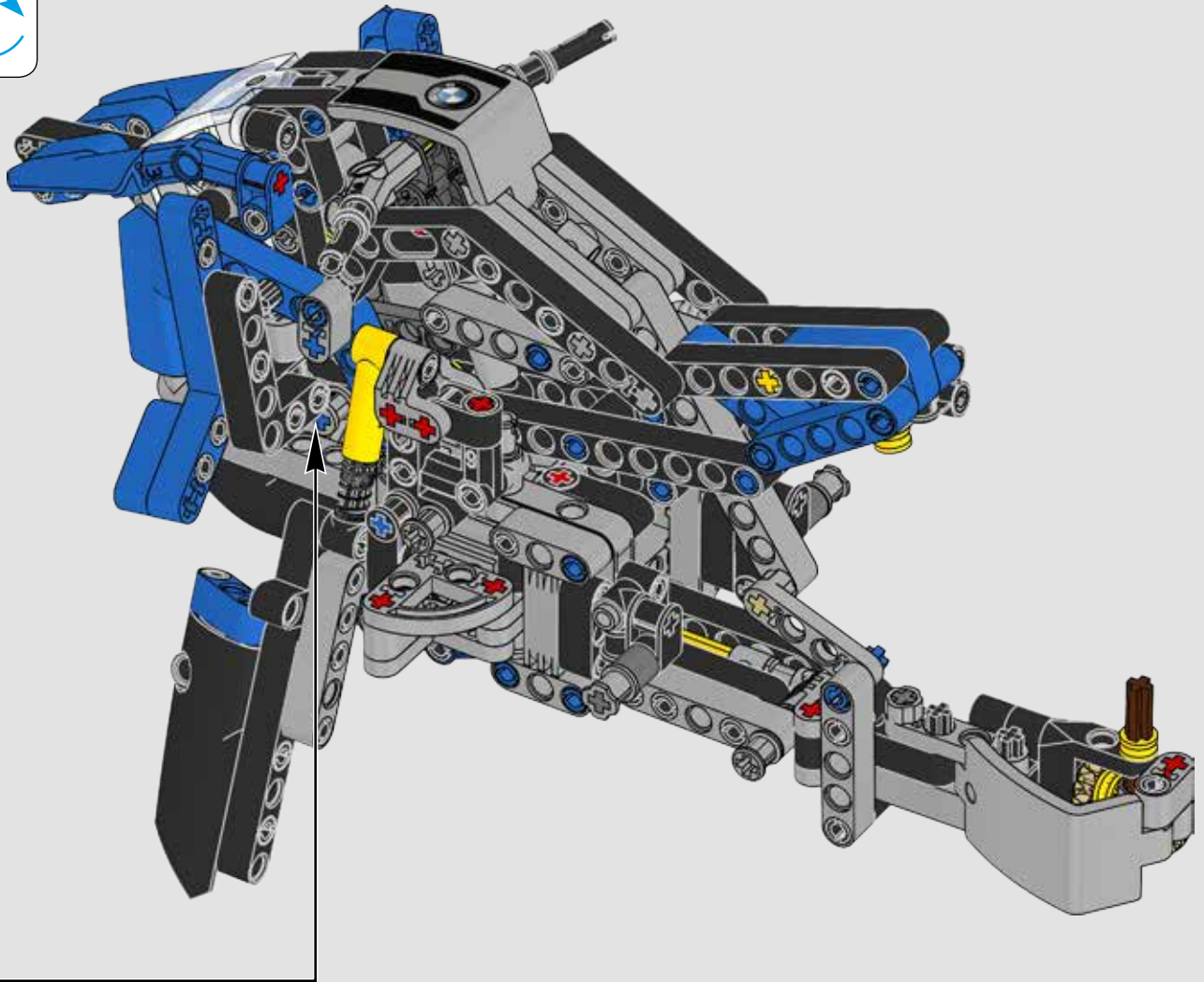


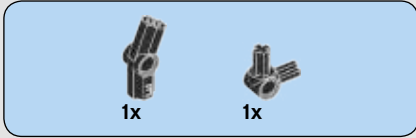




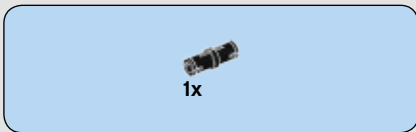
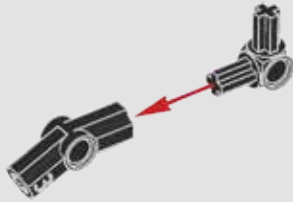
147



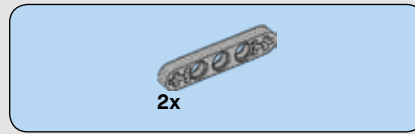




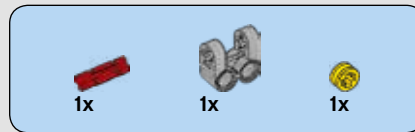
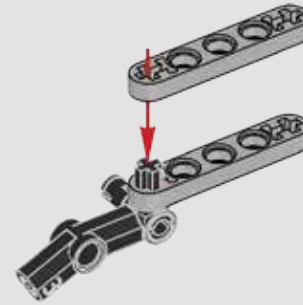
148



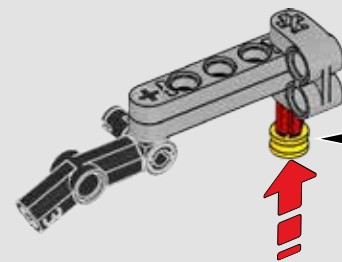
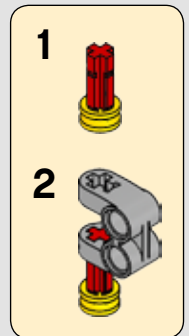
149

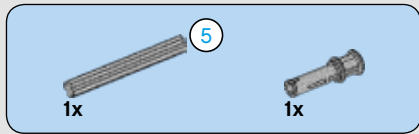


150

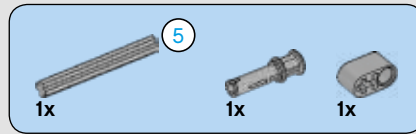
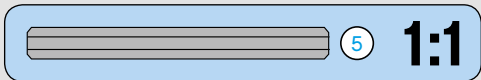
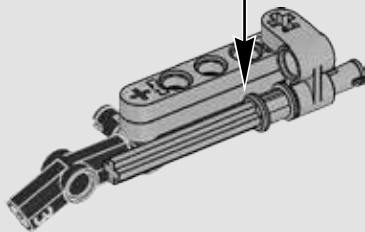
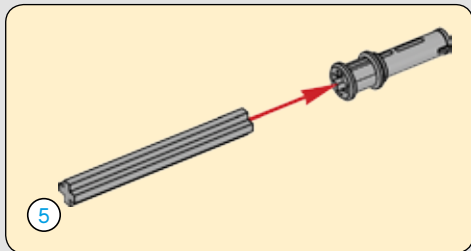


151

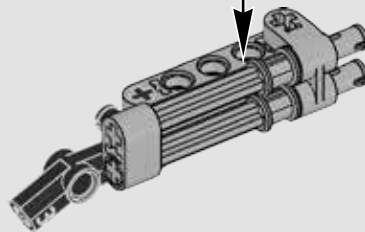
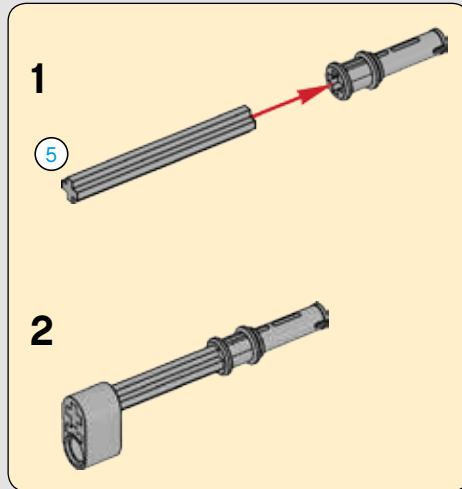




152

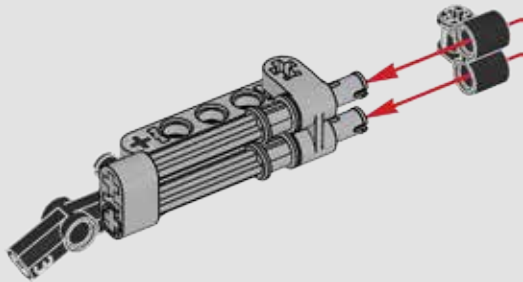


153

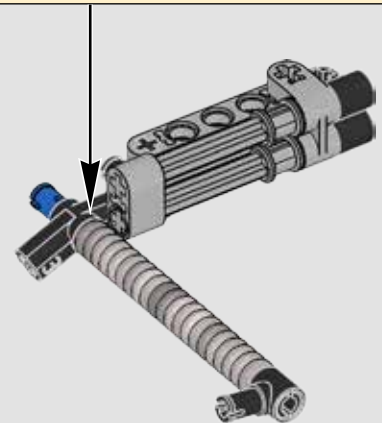
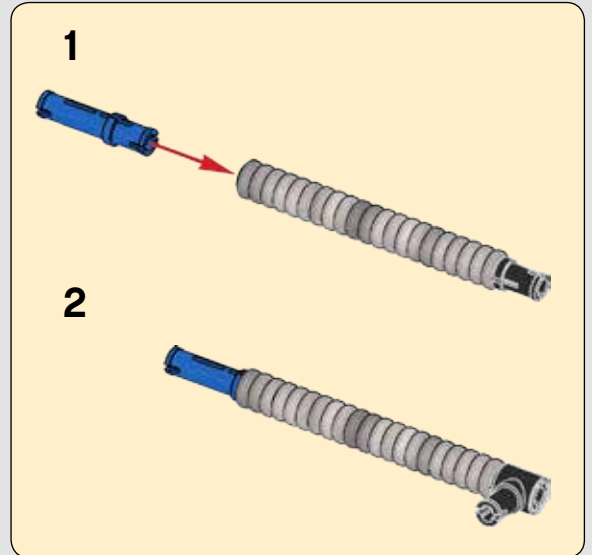




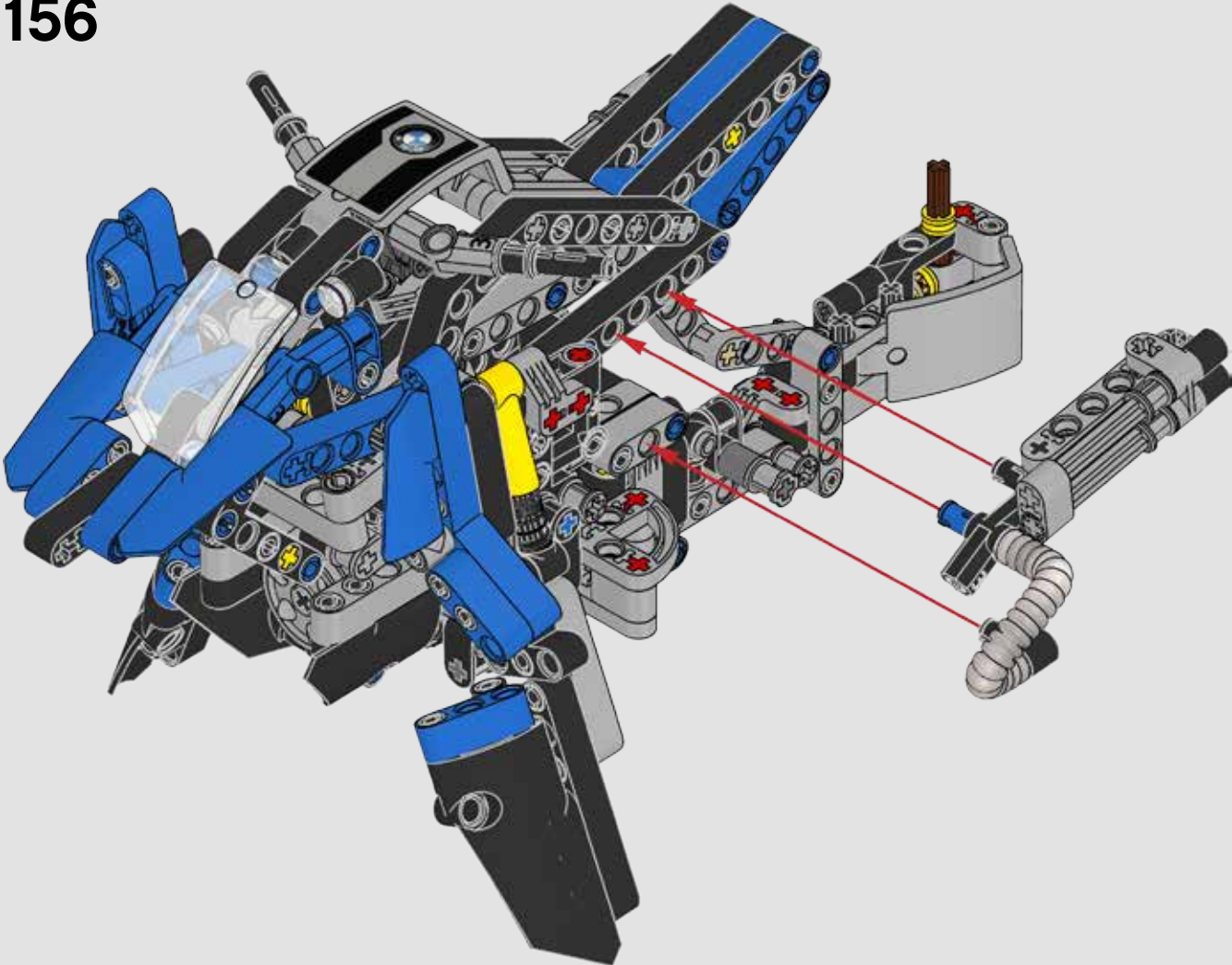
154

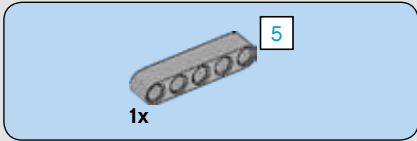


155

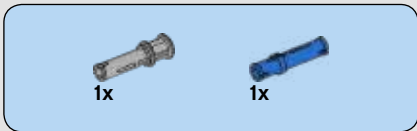
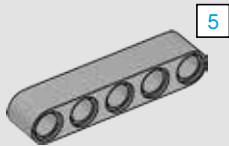


156

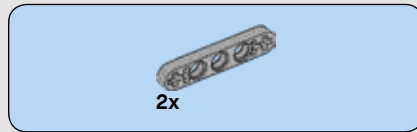
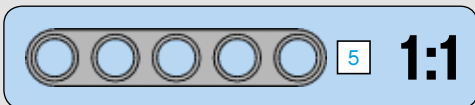
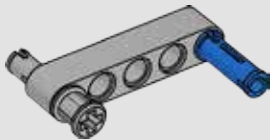




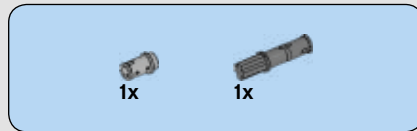
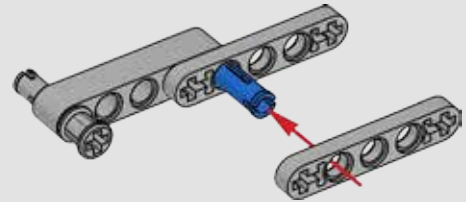
**157**



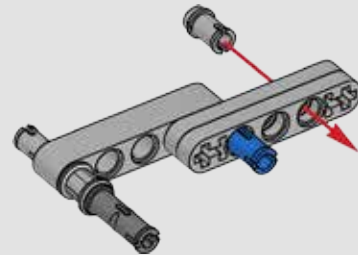
**158**

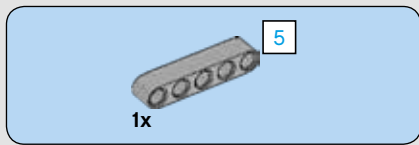


**159**

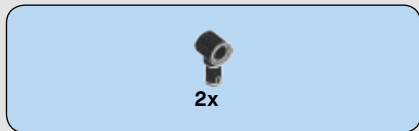
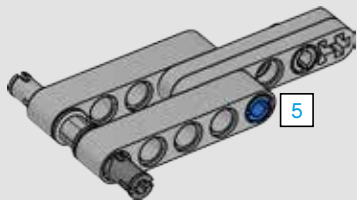


**160**

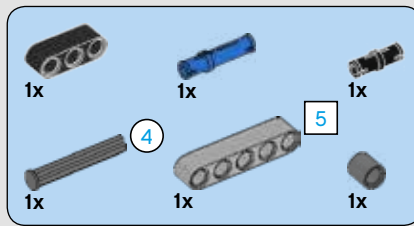
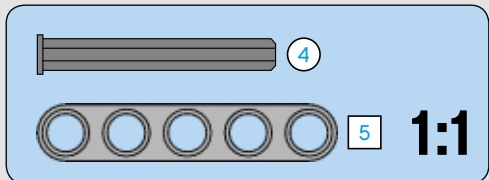
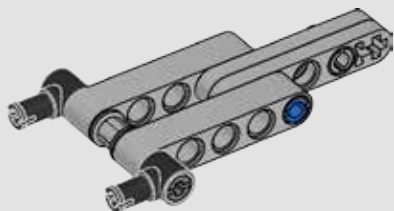




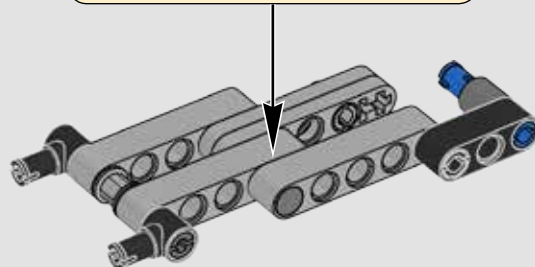
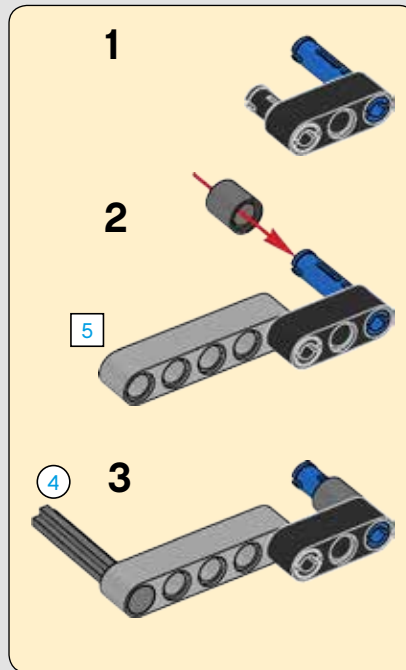
161



162

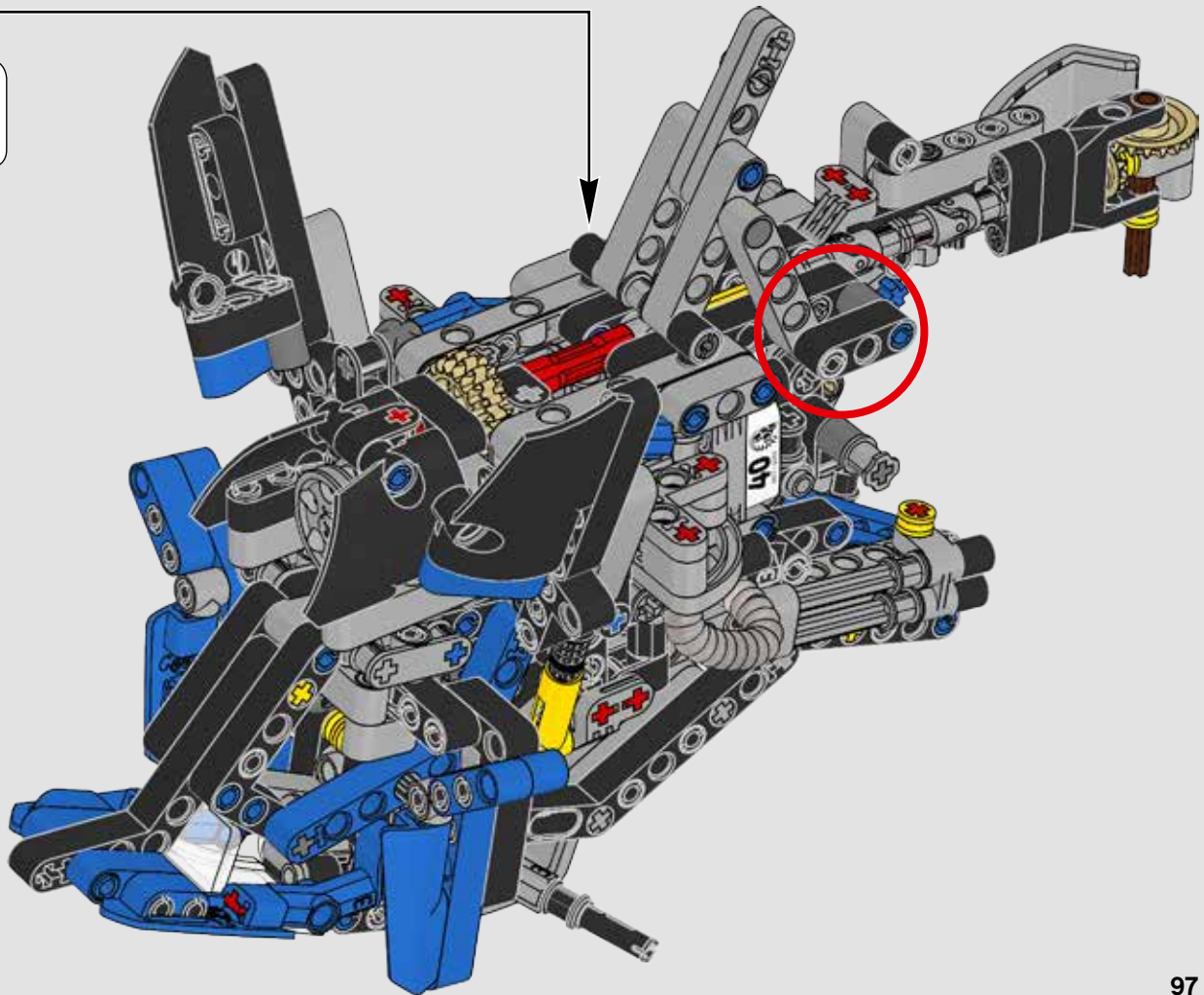


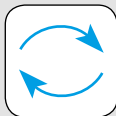
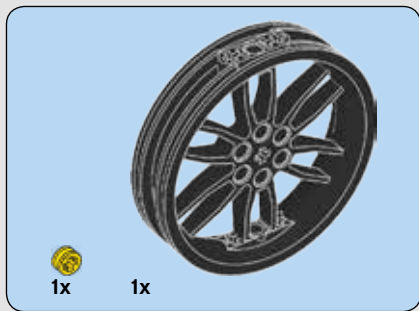
163



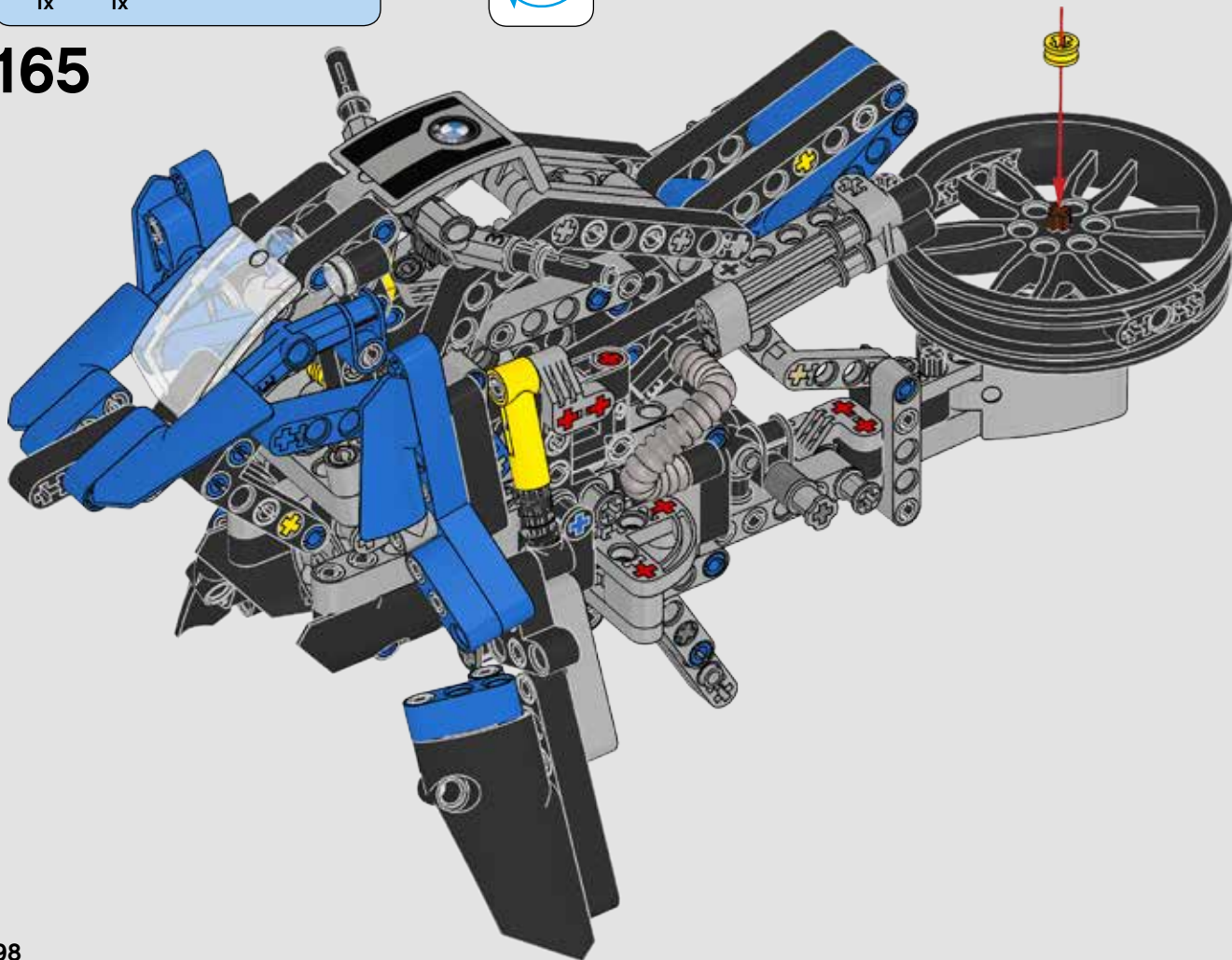


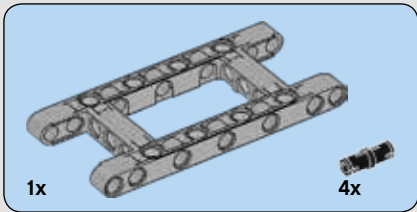
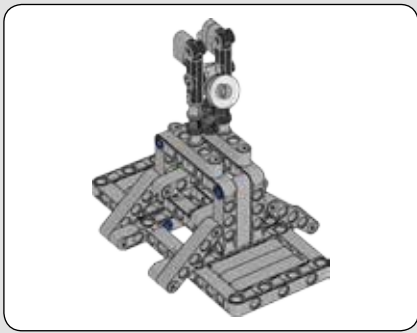
164



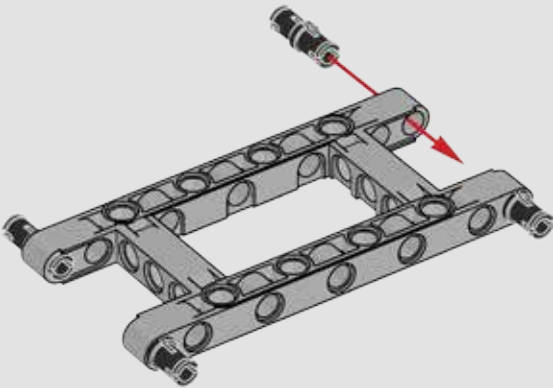


165

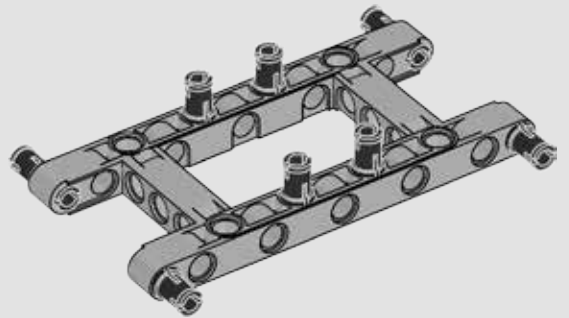


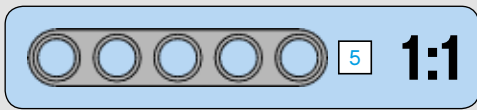
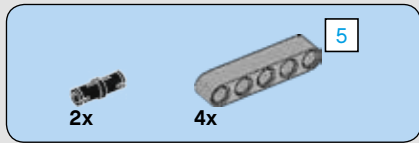


**1**

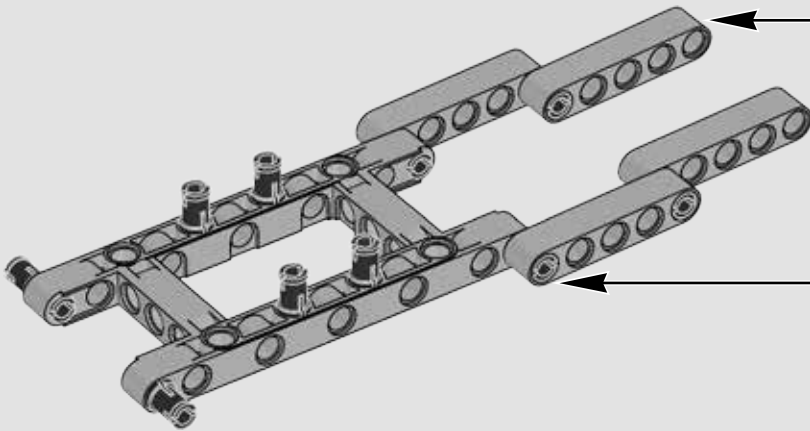
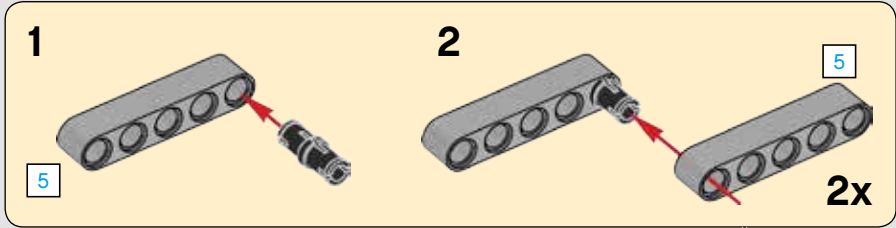


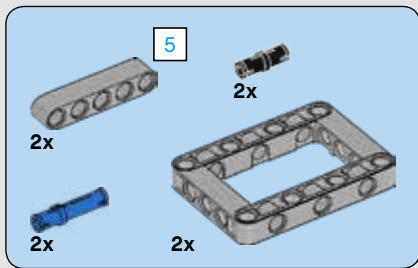
**2**



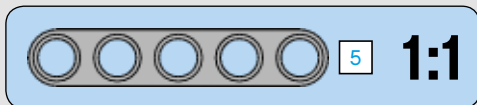
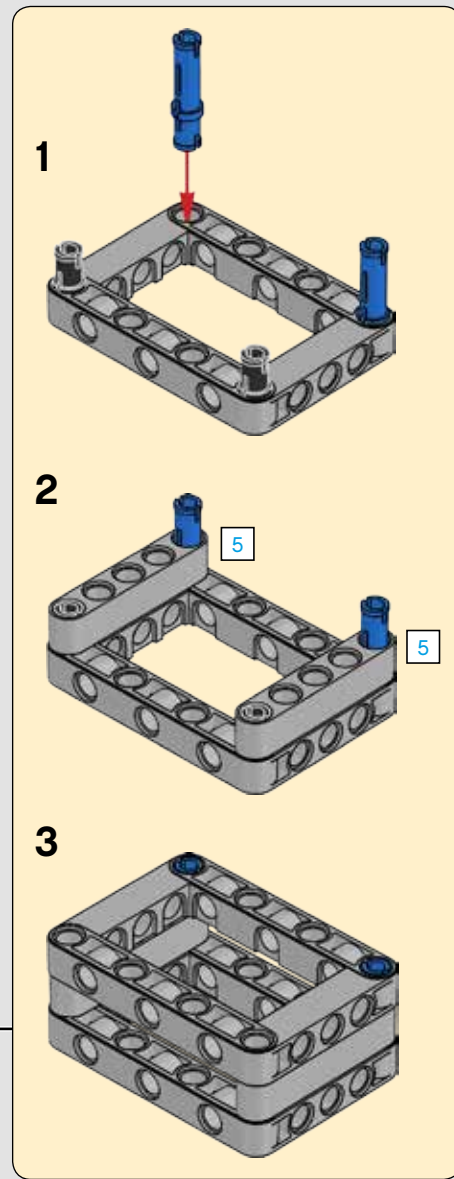
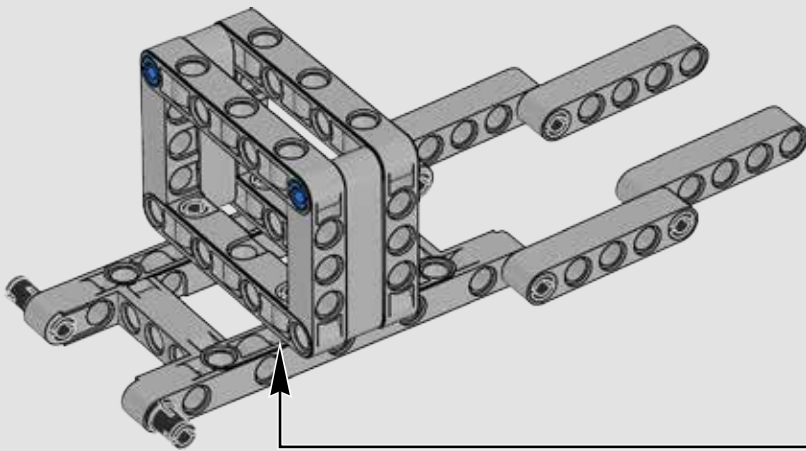


3

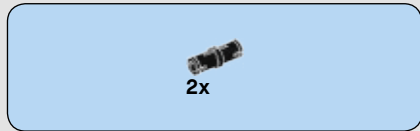
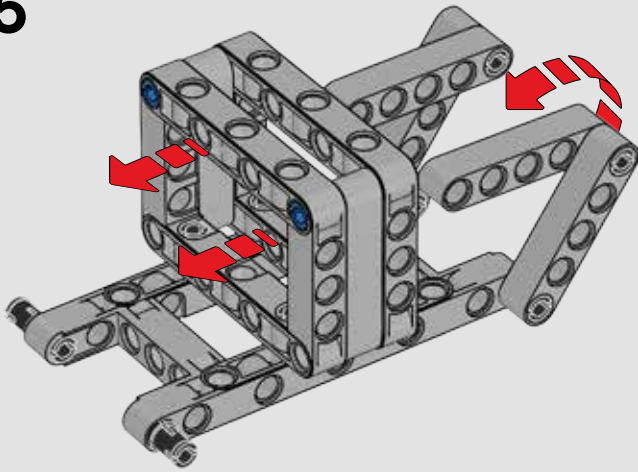




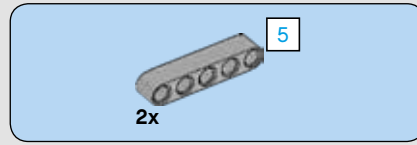
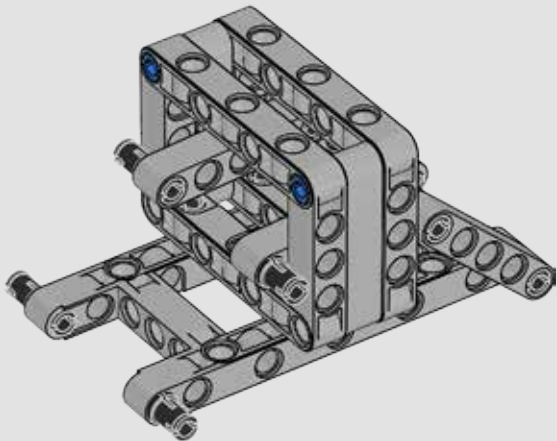
4



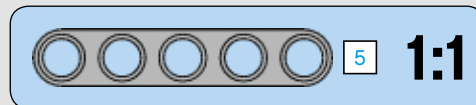
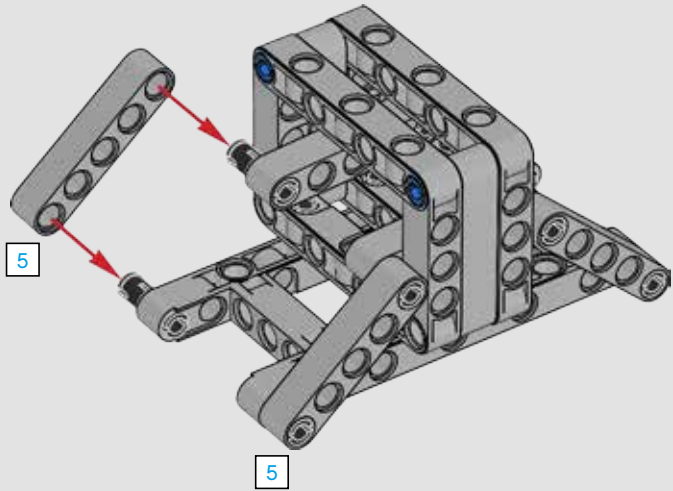
5

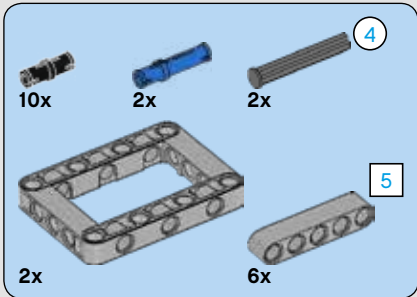


6

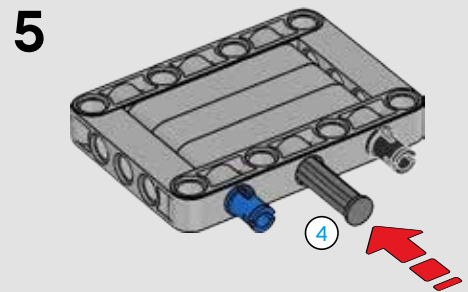
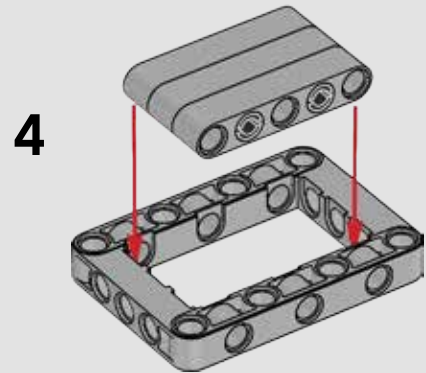
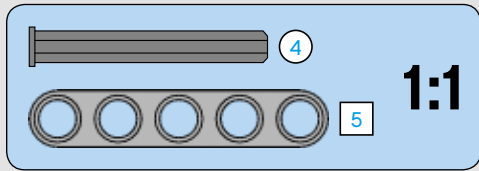
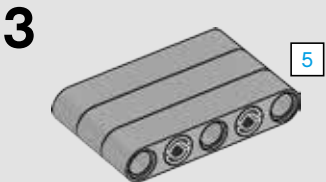
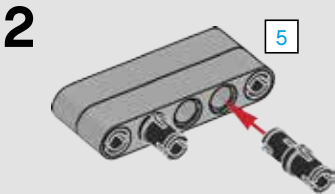
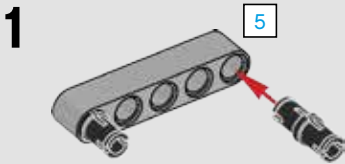


7

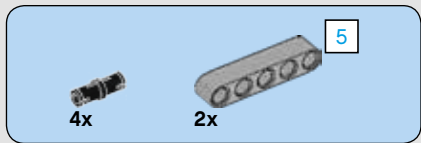
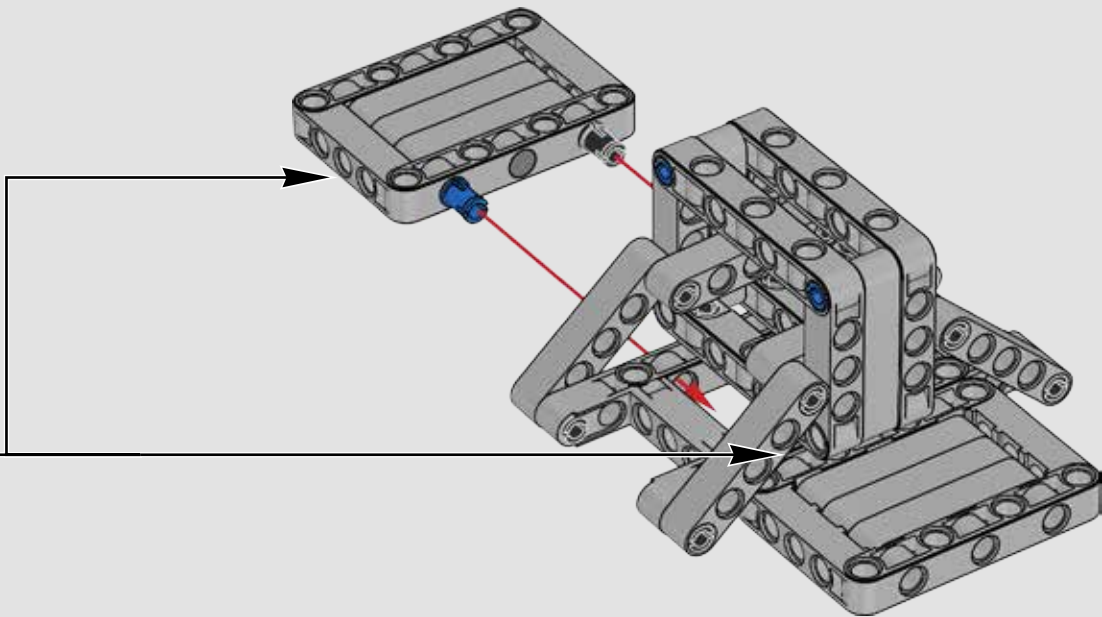




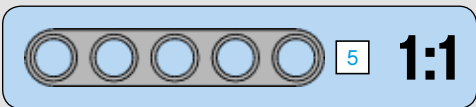
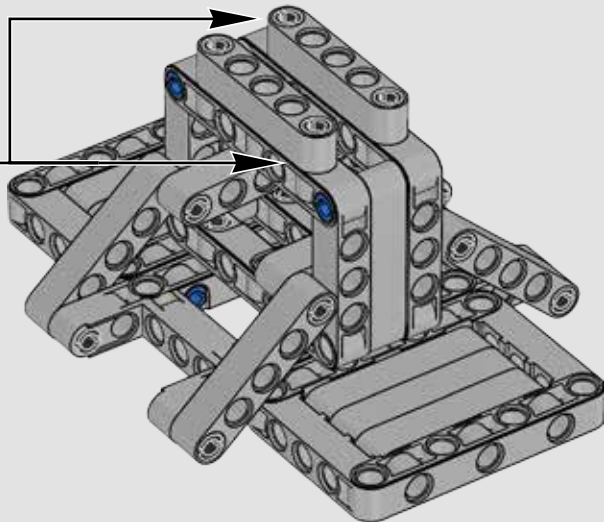
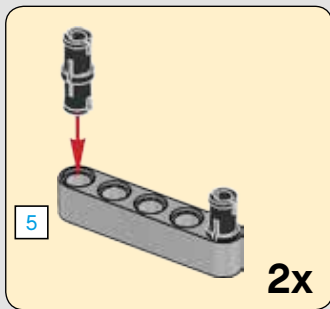
8



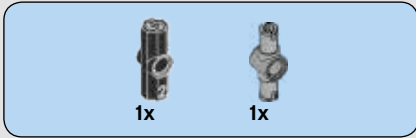
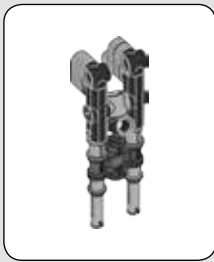
2x 103



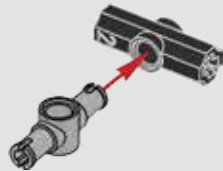
9



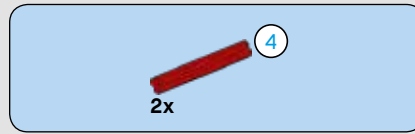
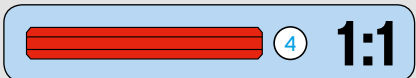




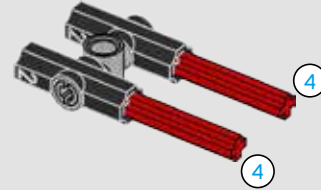
10



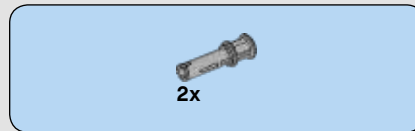
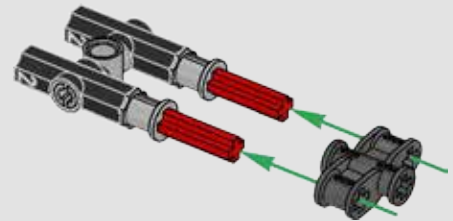
11



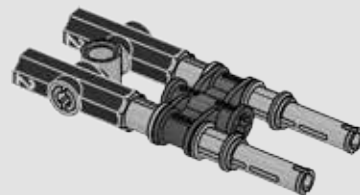
12



13



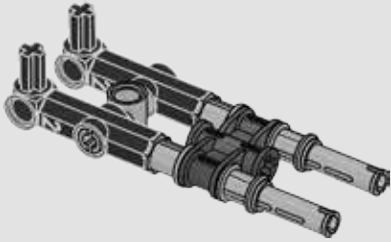
14





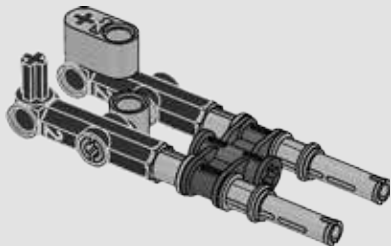
2x

15



1x

16

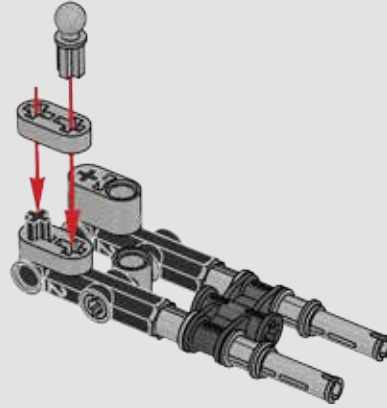


1x



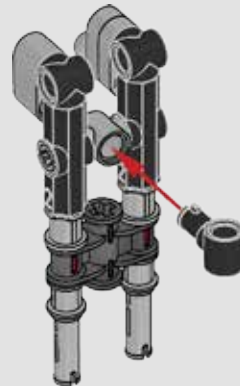
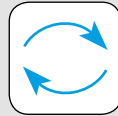
2x

17

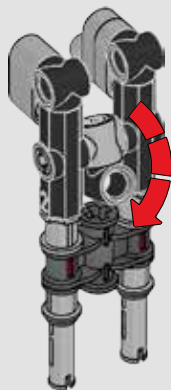


1x

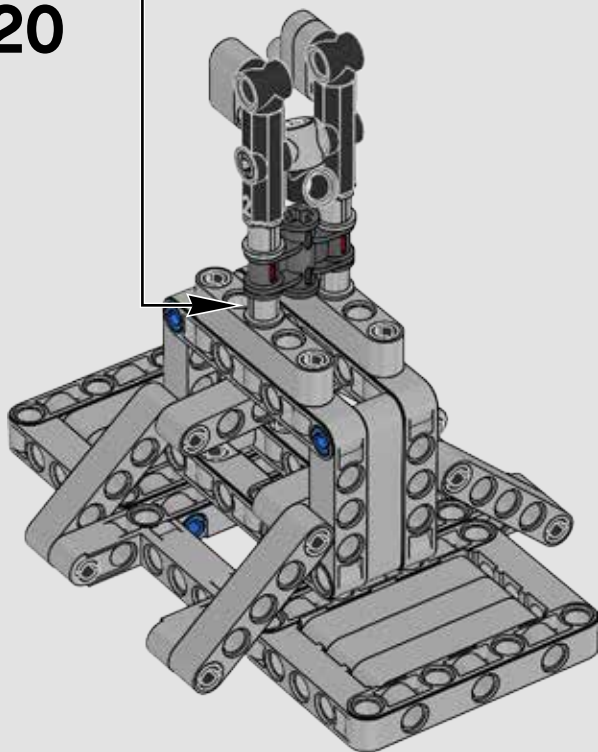
18



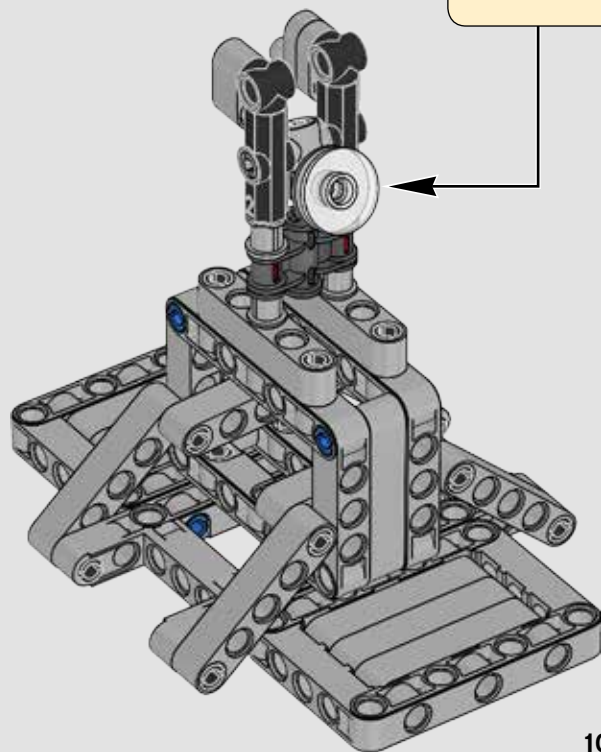
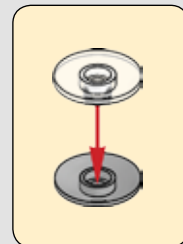
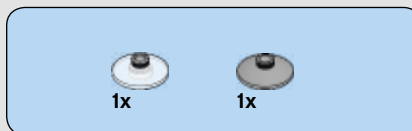
19



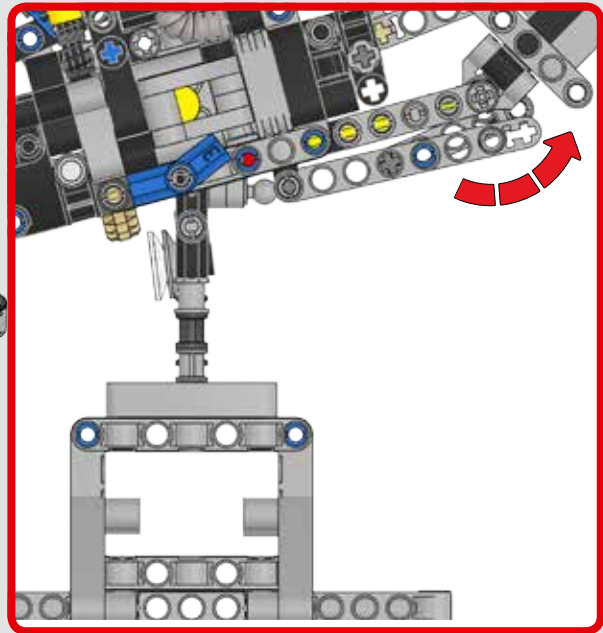
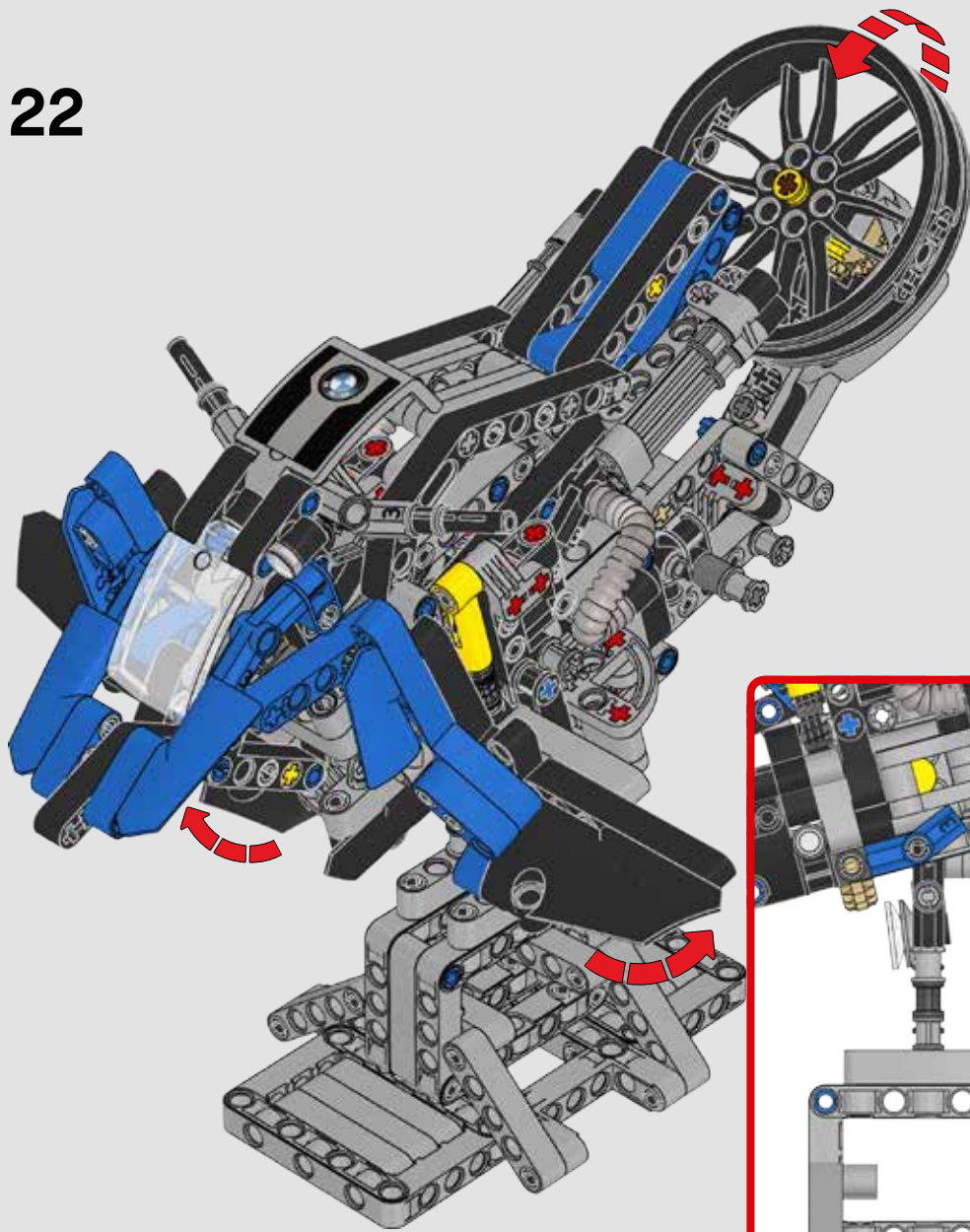
20

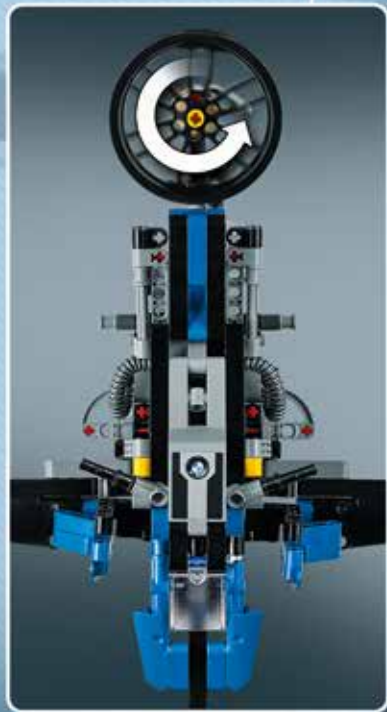
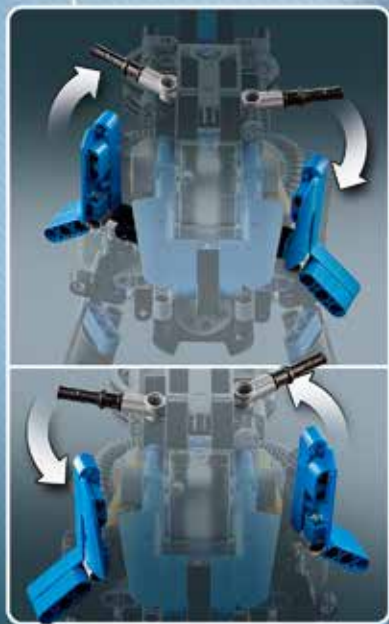
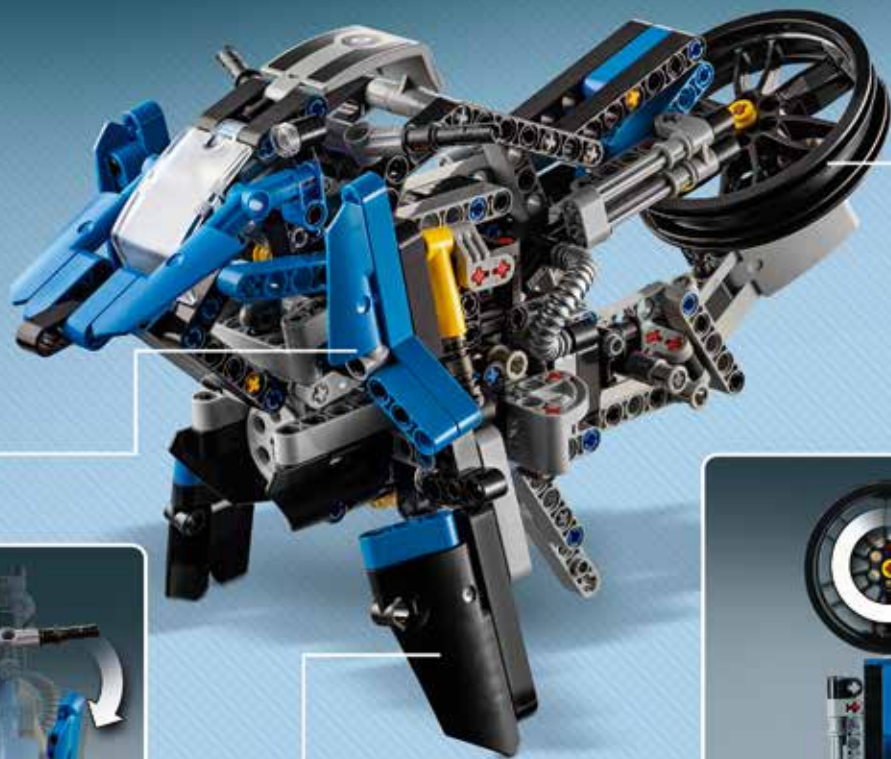


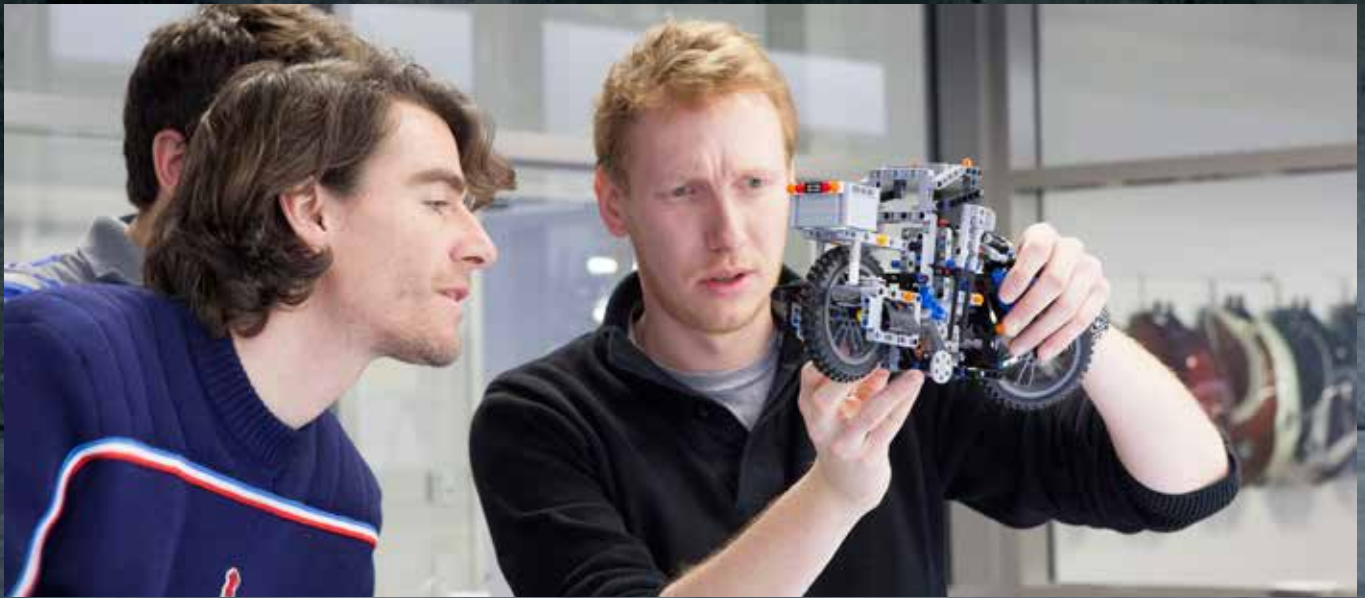
21



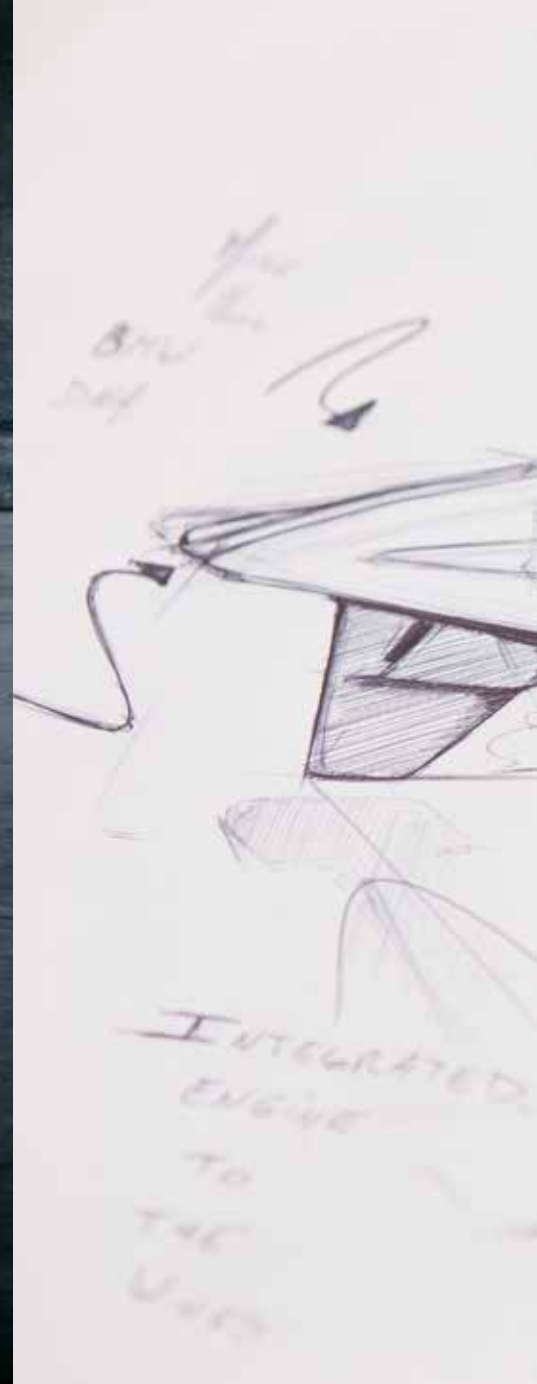
22





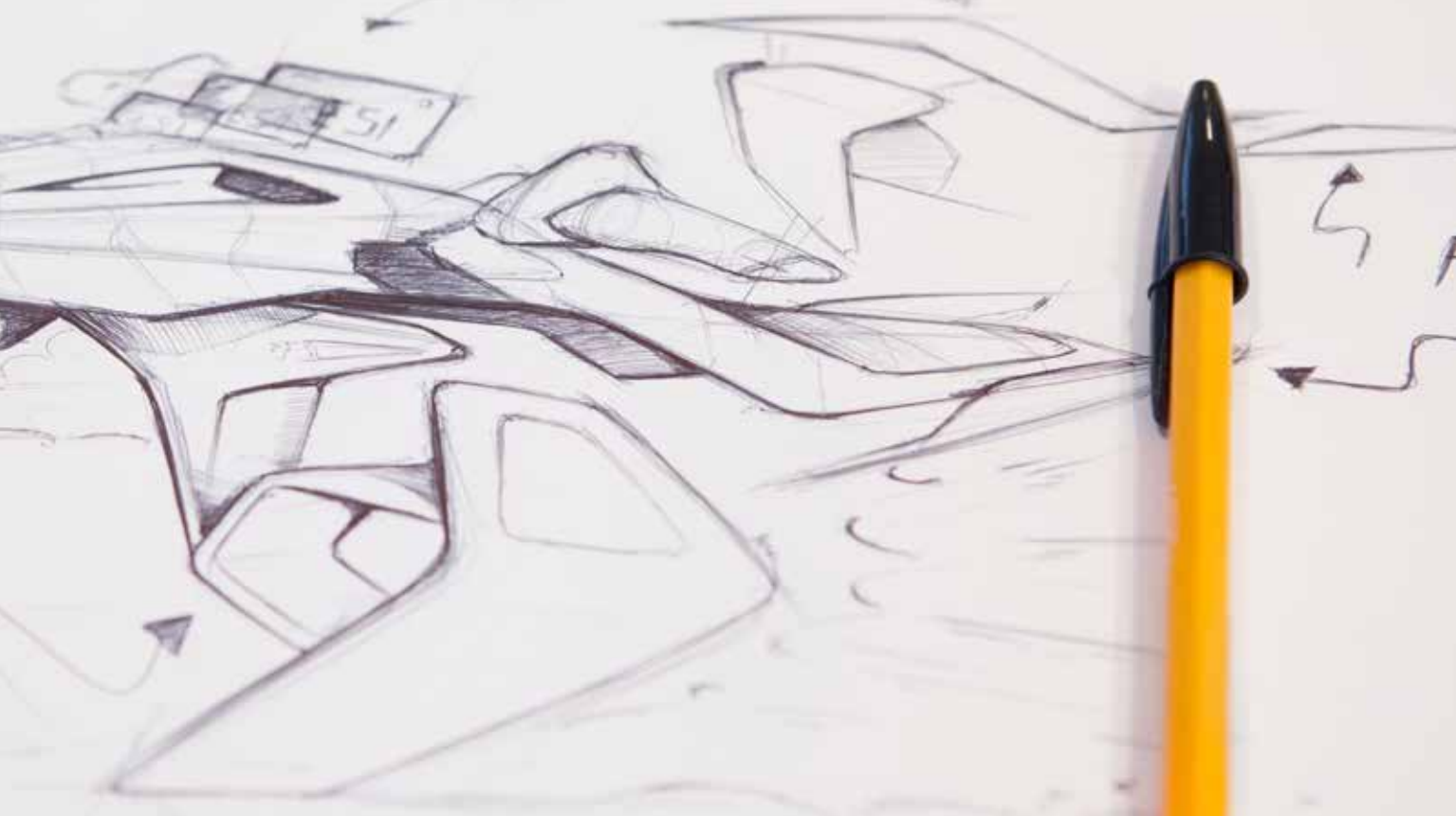








Hologram  
energy



5  
A







All your LEGO® fun in one app  
 Tout l'amusement LEGO® dans une appli  
 Toda la diversión LEGO® en una app

Minifigure yourself  
 Transforme-toi en figurine  
 Conviértete en una minifigura

Share  
 Partage  
 Comparte



Create  
 Crée  
 Crea



Check availability of LEGO LIFE in your country now on [LEGO.com/life](http://LEGO.com/life)  
 Vérifie la disponibilité de LEGO LIFE dans ton pays sur [LEGO.com/life](http://LEGO.com/life)  
 Consulta si LEGO LIFE está disponible en tu país en [LEGO.com/life](http://LEGO.com/life)



Ask parents' permission first.  
 Demande d'abord l'autorisation d'un parent.  
 Pide antes permiso a tus padres.

Apple and the Apple logo are trademarks of Apple Inc., registered in the U.S. and other countries. App Store is a service mark of Apple Inc. Google Play is a trademark of Google Inc.

LEGO, the LEGO logo, the Minifigure, the Brick and Knob configurations and the LIFE logo are trademarks and/or copyrights of the/ sont des marques de commerce et/ou copyrights du/son marcas registradas, algunas de ellas protegidas por derechos de autor, de LEGO Group. ©2017 The LEGO Group. All rights reserved/Tous droits réservés/Todos los derechos reservados. 6196566 / 6196567

## 1:1 MEASUREMENTS

Please print this document in 100%

## 1:1-ABBILDUNG

Diese Vorlage bitte in Originalgröße (100%) ausdrucken

## MESURES 1:1

Merci d'imprimer ce document à une échelle de 100%

## MEDIDAS 1:1

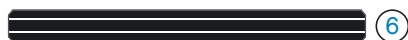
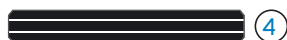
Por favor, imprima este documento al 100%

## DIMENSÕES 1:1












Imprima este documento a 100%












## 1:1 MÉRETEK







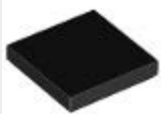





100%-os méretarányban nyomtassa ki ezt a dokumentumot!








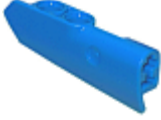






1:1













Image	Qty	Item No	Description	MID
<b>Regular Items:</b>				
<b>Parts:</b>				
	1	<a href="#">42063stk01</a>	<b>Sticker for Set 42063 - (31861/6179834)</b> Catalog: <a href="#">Parts: Sticker</a>	<a href="#">PG</a>
+	*			
	2	<a href="#">3706</a>	<b>Black Technic, Axle 6</b> Catalog: <a href="#">Parts: Technic, Axle</a> 370626	<a href="#">PG</a>
+	*			
	4	<a href="#">32034</a>	<b>Black Technic, Axle and Pin Connector Angled #2 - 180 degrees</b> Catalog: <a href="#">Parts: Technic, Connector</a> 3203426 or 4107783	<a href="#">PG</a>
+	*			
	2	<a href="#">32016</a>	<b>Black Technic, Axle and Pin Connector Angled #3 - 157.5 degrees</b> Catalog: <a href="#">Parts: Technic, Connector</a> 4107082	<a href="#">PG</a>
+	*			
	2	<a href="#">32014</a>	<b>Black Technic, Axle and Pin Connector Angled #6 - 90 degrees</b> Catalog: <a href="#">Parts: Technic, Connector</a> 4107767	<a href="#">PG</a>
+	*			
	6	<a href="#">10197</a>	<b>Black Technic, Axle and Pin Connector Hub with 2 Perpendicular Axles</b> Catalog: <a href="#">Parts: Technic, Connector</a> 6099801	<a href="#">PG</a>
+	*			
	12	<a href="#">6536</a>	<b>Black Technic, Axle and Pin Connector Perpendicular</b> Catalog: <a href="#">Parts: Technic, Connector</a> 4173668 or 653626	<a href="#">PG</a>
+	*			
	9	<a href="#">42003</a>	<b>Black Technic, Axle and Pin Connector Perpendicular 3L with 2 Pin Holes</b> Catalog: <a href="#">Parts: Technic, Connector</a> 4200326 or 4173970	<a href="#">PG</a>
+	*			
	2	<a href="#">32291</a>	<b>Black Technic, Axle and Pin Connector Perpendicular Double</b> Catalog: <a href="#">Parts: Technic, Connector</a> 4140430	<a href="#">PG</a>
+	*			
	3	<a href="#">63869</a>	<b>Black Technic, Axle and Pin Connector Perpendicular Triple</b> Catalog: <a href="#">Parts: Technic, Connector</a> 6007966	<a href="#">PG</a>
+	*			
	4	<a href="#">18651</a>	<b>Black Technic, Axle Pin 3L with Friction Ridges Lengthwise and 2L Axle</b> Catalog: <a href="#">Parts: Technic, Axle</a> 6089119	<a href="#">PG</a>
+	*			













+	 *	1	<a href="#">32270</a>	<b>Black Technic, Gear 12 Tooth Double Bevel</b> Catalog: <a href="#">Parts: Technic, Gear</a> 4177431	<a href="#">PG</a>
+	 *	11	<a href="#">32523</a>	<b>Black Technic, Liftarm 1 x 3 Thick</b> Catalog: <a href="#">Parts: Technic, Liftarm</a> 3252326 or 4142822	<a href="#">PG</a>
+	 *	6	<a href="#">32524</a>	<b>Black Technic, Liftarm 1 x 7 Thick</b> Catalog: <a href="#">Parts: Technic, Liftarm</a> 3252426 or 4495935 or 4155458	<a href="#">PG</a>
+	 *	1	<a href="#">6629</a>	<b>Black Technic, Liftarm 1 x 9 Bent (6 - 4) Thick</b> Catalog: <a href="#">Parts: Technic, Liftarm</a> 4112282	<a href="#">PG</a>
+	 *	2	<a href="#">32278</a>	<b>Black Technic, Liftarm 1 x 15 Thick</b> Catalog: <a href="#">Parts: Technic, Liftarm</a> 4542573 or 4128603	<a href="#">PG</a>
+	 *	2	<a href="#">32009</a>	<b>Black Technic, Liftarm 1 x 11.5 Double Bent Thick</b> Catalog: <a href="#">Parts: Technic, Liftarm</a> 4111998	<a href="#">PG</a>
+	 *	3	<a href="#">32140</a>	<b>Black Technic, Liftarm 2 x 4 L-Shape Thick</b> Catalog: <a href="#">Parts: Technic, Liftarm</a> 3214026 or 4120017	<a href="#">PG</a>
+	 *	4	<a href="#">60484</a>	<b>Black Technic, Liftarm 3 x 3 T-Shape Thick</b> Catalog: <a href="#">Parts: Technic, Liftarm</a> 4552347 or 4535771	<a href="#">PG</a>
+	 *	4	<a href="#">32526</a>	<b>Black Technic, Liftarm 3 x 5 L-Shape Thick</b> Catalog: <a href="#">Parts: Technic, Liftarm</a> 3252626 or 4142823	<a href="#">PG</a>
+	 *	1	<a href="#">87080</a>	<b>Black Technic, Panel Fairing # 1 Small Smooth Short, Side A</b> Catalog: <a href="#">Parts: Technic, Panel</a> 4566251	<a href="#">PG</a>
+	 *	1	<a href="#">87086</a>	<b>Black Technic, Panel Fairing # 2 Small Smooth Short, Side B</b> Catalog: <a href="#">Parts: Technic, Panel</a> 4566249	<a href="#">PG</a>
+	 *	1	<a href="#">64683</a>	<b>Black Technic, Panel Fairing # 3 Small Smooth Long, Side A</b> Catalog: <a href="#">Parts: Technic, Panel</a> 4541924	<a href="#">PG</a>







+		1	<a href="#">64391</a>	<b>Black Technic, Panel Fairing # 4 Small Smooth Long, Side B</b> <a href="#">Catalog: Parts: Technic, Panel</a> 4541325	<a href="#">PG</a>
*					
+		2	<a href="#">32054</a>	<b>Black Technic, Pin 3L with Friction Ridges Lengthwise and Stop Bush</b> <a href="#">Catalog: Parts: Technic, Pin</a> 3205426 or 4140801 or 4107742	<a href="#">PG</a>
*					
+		1	<a href="#">87408</a>	<b>Black Technic, Pin Connector Toggle Joint Smooth Double with Axle and Pin Holes</b> <a href="#">Catalog: Parts: Technic, Connector</a> 4558692	<a href="#">PG</a>
*					
+		16	<a href="#">15100</a>	<b>Black Technic, Pin with Friction Ridges Lengthwise and Pin Hole</b> <a href="#">Catalog: Parts: Technic, Pin</a> 6073231	<a href="#">PG</a>
*					
+		2	<a href="#">6628</a>	<b>Black Technic, Pin with Friction Ridges Lengthwise and Towball</b> <a href="#">Catalog: Parts: Technic, Pin</a> 662826 or 4184169	<a href="#">PG</a>
*					
+		123	<a href="#">2780</a>	<b>Black Technic, Pin with Friction Ridges Lengthwise WITH Center Slots</b> <a href="#">Catalog: Parts: Technic, Pin</a> 4121715 or 278026	<a href="#">PG</a>
*					
+		1	<a href="#">3068b</a>	<b>Black Tile 2 x 2 with Groove</b> <a href="#">Catalog: Parts: Tile</a> 306826	<a href="#">PG</a>
*					
+		2	<a href="#">11957</a>	<b>Black Tire 100.6mm D. Motorcycle</b> <a href="#">Catalog: Parts: Tire &amp; Tread</a> 6021952	<a href="#">PG</a>
*					
+		2	<a href="#">88517</a>	<b>Black Wheel 75mm D. x 17mm Motorcycle</b> <a href="#">Catalog: Parts: Wheel</a> 6176748	<a href="#">PG</a>
*					
+		6	<a href="#">32016</a>	<b>Blue Technic, Axle and Pin Connector Angled #3 - 157.5 degrees</b> <a href="#">Catalog: Parts: Technic, Connector</a> 6177396 or 4112204	<a href="#">PG</a>
*					
+		3	<a href="#">6536</a>	<b>Blue Technic, Axle and Pin Connector Perpendicular</b> <a href="#">Catalog: Parts: Technic, Connector</a> 6178359 or 4173987 or 653623	<a href="#">PG</a>
*					
+		10	<a href="#">43093</a>	<b>Blue Technic, Axle Pin with Friction Ridges Lengthwise</b> <a href="#">Catalog: Parts: Technic, Axle</a> 4309323 or 4206482	<a href="#">PG</a>
*					
















+		6	<a href="#">32523</a>	<b>Blue Technic, Liftarm 1 x 3 Thick</b> Catalog: <a href="#">Parts: Technic, Liftarm</a> 3252323 or 4509376 or 4144284	<a href="#">PG</a>
+		2	<a href="#">32316</a>	<b>Blue Technic, Liftarm 1 x 5 Thick</b> Catalog: <a href="#">Parts: Technic, Liftarm</a> 3231623 or 4142134	<a href="#">PG</a>
+		4	<a href="#">6629</a>	<b>Blue Technic, Liftarm 1 x 9 Bent (6 - 4) Thick</b> Catalog: <a href="#">Parts: Technic, Liftarm</a> 4112284 or 4182884 or 662923	<a href="#">PG</a>
+		2	<a href="#">32140</a>	<b>Blue Technic, Liftarm 2 x 4 L-Shape Thick</b> Catalog: <a href="#">Parts: Technic, Liftarm</a> 4124278 or 4168114	<a href="#">PG</a>
+		2	<a href="#">11946</a>	<b>Blue Technic, Panel Fairing #21 Very Small Smooth, Side B</b> Catalog: <a href="#">Parts: Technic, Panel</a> 6022764	<a href="#">PG</a>
+		2	<a href="#">11947</a>	<b>Blue Technic, Panel Fairing #22 Very Small Smooth, Side A</b> Catalog: <a href="#">Parts: Technic, Panel</a> 6023035	<a href="#">PG</a>
+		46	<a href="#">6558</a>	<b>Blue Technic, Pin 3L with Friction Ridges Lengthwise</b> Catalog: <a href="#">Parts: Technic, Pin</a> 4514553	<a href="#">PG</a>
+		3	<a href="#">87083</a>	<b>Dark Bluish Gray Technic, Axle 4 with Stop</b> Catalog: <a href="#">Parts: Technic, Axle</a> 6083620 or 4560177	<a href="#">PG</a>
+		2	<a href="#">32192</a>	<b>Dark Bluish Gray Technic, Axle and Pin Connector Angled #4 - 135 degrees</b> Catalog: <a href="#">Parts: Technic, Connector</a> 4210688	<a href="#">PG</a>
+		1	<a href="#">27940</a>	<b>Dark Bluish Gray Technic, Axle and Pin Connector Hub with 2 Axles</b> Catalog: <a href="#">Parts: Technic, Connector</a> 6167281	<a href="#">PG</a>
+		10	<a href="#">11214</a>	<b>Dark Bluish Gray Technic, Axle Pin 3L with Friction Ridges Lengthwise and 1L Axle</b> Catalog: <a href="#">Parts: Technic, Axle</a> 6015356	<a href="#">PG</a>
+		8	<a href="#">18654</a>	<b>Dark Bluish Gray Technic, Pin Connector Round 1L</b> Catalog: <a href="#">Parts: Technic, Connector</a> 6100030	<a href="#">PG</a>

+	 *	2	<a href="#">57515</a>	<b>Dark Bluish Gray Technic, Steering Arm 6 x 2 with Towball Socket Rounded, Chamfered</b> <a href="#">Catalog: Parts: Technic, Steering</a> 6074651 or 4523398	<a href="#">PG</a>
+	 *	2	<a href="#">78c07</a>	<b>Flat Silver Hose, Ribbed 7mm D. 7L</b> <a href="#">Catalog: Parts: Hose, Ribbed 7mm D.</a> 6083456 or 4141522 or 4495203	<a href="#">PG</a>
+	 *	1	<a href="#">4740</a>	<b>Light Bluish Gray Dish 2 x 2 Inverted (Radar)</b> <a href="#">Catalog: Parts: Dish</a> 4211512	<a href="#">PG</a>
+	 *	11	<a href="#">3713</a>	<b>Light Bluish Gray Technic Bush</b> <a href="#">Catalog: Parts: Technic</a> 4211622	<a href="#">PG</a>
+	 *	2	<a href="#">2852</a>	<b>Light Bluish Gray Technic Engine Connecting Rod</b> <a href="#">Catalog: Parts: Technic</a> 6000018 or 4211379 or 2852194	<a href="#">PG</a>
+	 *	2	<a href="#">2850b</a>	<b>Light Bluish Gray Technic Engine Cylinder without Side Slots</b> <a href="#">Catalog: Parts: Technic</a> 4234251	<a href="#">PG</a>
+	 *	2	<a href="#">4185</a>	<b>Light Bluish Gray Technic Wedge Belt Wheel (Pulley)</b> <a href="#">Catalog: Parts: Technic</a> 4211544 or 4494222	<a href="#">PG</a>
+	 *	13	<a href="#">32073</a>	<b>Light Bluish Gray Technic, Axle 5</b> <a href="#">Catalog: Parts: Technic, Axle</a> 32073194 or 4211639	<a href="#">PG</a>
+	 *	2	<a href="#">60485</a>	<b>Light Bluish Gray Technic, Axle 9</b> <a href="#">Catalog: Parts: Technic, Axle</a> 4535768	<a href="#">PG</a>
+	 *	2	<a href="#">32013</a>	<b>Light Bluish Gray Technic, Axle and Pin Connector Angled #1</b> <a href="#">Catalog: Parts: Technic, Connector</a> 4211550	<a href="#">PG</a>
+	 *	2	<a href="#">32016</a>	<b>Light Bluish Gray Technic, Axle and Pin Connector Angled #3 - 157.5 degrees</b> <a href="#">Catalog: Parts: Technic, Connector</a> 4211552	<a href="#">PG</a>
+	 *	3	<a href="#">22961</a>	<b>Light Bluish Gray Technic, Axle and Pin Connector Hub with 1 Axle</b> <a href="#">Catalog: Parts: Technic, Connector</a> 6123815	<a href="#">PG</a>


+	 *	6	<a href="#">32184</a>	<b>Light Bluish Gray Technic, Axle and Pin Connector Perpendicular 3L with Center Pin Hole</b> <a href="#">Catalog: Parts: Technic, Connector</a> 4211621	<a href="#">PG</a>
+	 *	4	<a href="#">41678</a>	<b>Light Bluish Gray Technic, Axle and Pin Connector Perpendicular Double Split</b> <a href="#">Catalog: Parts: Technic, Connector</a> 4211889	<a href="#">PG</a>
+	 *	4	<a href="#">92907</a>	<b>Light Bluish Gray Technic, Axle and Pin Connector Perpendicular Split</b> <a href="#">Catalog: Parts: Technic, Connector</a> 4630114	<a href="#">PG</a>
+	 *	1	<a href="#">2736</a>	<b>Light Bluish Gray Technic, Axle Towball</b> <a href="#">Catalog: Parts: Technic, Axle</a> 4211375	<a href="#">PG</a>
+	 *	12	<a href="#">60483</a>	<b>Light Bluish Gray Technic, Liftarm 1 x 2 Thick with Pin Hole and Axle Hole</b> <a href="#">Catalog: Parts: Technic, Liftarm</a> 6004888 or 4515184	<a href="#">PG</a>
+	 *	6	<a href="#">41677</a>	<b>Light Bluish Gray Technic, Liftarm 1 x 2 Thin</b> <a href="#">Catalog: Parts: Technic, Liftarm</a> 4211741	<a href="#">PG</a>
+	 *	2	<a href="#">2825</a>	<b>Light Bluish Gray Technic, Liftarm 1 x 4 Thin with Stud Connector</b> <a href="#">Catalog: Parts: Technic, Liftarm</a> 4211561	<a href="#">PG</a>
+	 *	45	<a href="#">32316</a>	<b>Light Bluish Gray Technic, Liftarm 1 x 5 Thick</b> <a href="#">Catalog: Parts: Technic, Liftarm</a> 4211651	<a href="#">PG</a>
+	 *	10	<a href="#">11478</a>	<b>Light Bluish Gray Technic, Liftarm 1 x 5 Thin with Axle Holes on Ends</b> <a href="#">Catalog: Parts: Technic, Liftarm</a> 6029206	<a href="#">PG</a>
+	 *	2	<a href="#">40490</a>	<b>Light Bluish Gray Technic, Liftarm 1 x 9 Thick</b> <a href="#">Catalog: Parts: Technic, Liftarm</a> 6102449 or 4211866	<a href="#">PG</a>
+	 *	2	<a href="#">32056</a>	<b>Light Bluish Gray Technic, Liftarm 3 x 3 L-Shape Thin</b> <a href="#">Catalog: Parts: Technic, Liftarm</a> 4211574	<a href="#">PG</a>
+	 *	2	<a href="#">32249</a>	<b>Light Bluish Gray Technic, Liftarm 3 x 3 L-Shape with Quarter Ellipse Thin</b> <a href="#">Catalog: Parts: Technic, Liftarm</a> 4263591 or 4531184	<a href="#">PG</a>


+	 *	3	<a href="#">32526</a>	<b>Light Bluish Gray Technic, Liftarm 3 x 5 L-Shape Thick</b> Catalog: <a href="#">Parts: Technic, Liftarm</a> 4211713	<a href="#">PG</a>
+	 *	2	<a href="#">14720</a>	<b>Light Bluish Gray Technic, Liftarm 3 X 5 Perpendicular H-Shape Thick</b> Catalog: <a href="#">Parts: Technic, Liftarm</a> 6055519	<a href="#">PG</a>
+	 *	6	<a href="#">64179</a>	<b>Light Bluish Gray Technic, Liftarm 5 x 7 Open Center Frame Thick</b> Catalog: <a href="#">Parts: Technic, Liftarm</a> 4539880	<a href="#">PG</a>
+	 *	1	<a href="#">64178</a>	<b>Light Bluish Gray Technic, Liftarm 5 x 11 Open Center Frame Thick</b> Catalog: <a href="#">Parts: Technic, Liftarm</a> 4540797	<a href="#">PG</a>
+	 *	2	<a href="#">24116</a>	<b>Light Bluish Gray Technic, Panel Curved 3 x 6 x 3</b> Catalog: <a href="#">Parts: Technic, Panel</a> 6176758	<a href="#">PG</a>
+	 *	5	<a href="#">4274</a>	<b>Light Bluish Gray Technic, Pin 1/2</b> Catalog: <a href="#">Parts: Technic, Pin</a> 4211483 or 4274194	<a href="#">PG</a>
+	 *	6	<a href="#">87082</a>	<b>Light Bluish Gray Technic, Pin 3L with Friction Ridges Lengthwise and Center Pin Hole</b> Catalog: <a href="#">Parts: Technic, Pin</a> 4560175	<a href="#">PG</a>
+	 *	12	<a href="#">32054</a>	<b>Light Bluish Gray Technic, Pin 3L with Friction Ridges Lengthwise and Stop Bush</b> Catalog: <a href="#">Parts: Technic, Pin</a> 4211865	<a href="#">PG</a>
+	 *	2	<a href="#">48989</a>	<b>Light Bluish Gray Technic, Pin Connector Perpendicular 3L with 4 Pins</b> Catalog: <a href="#">Parts: Technic, Connector</a> 4225033	<a href="#">PG</a>
+	 *	1	<a href="#">62462</a>	<b>Light Bluish Gray Technic, Pin Connector Round 2L with Slot (Pin Joiner Round)</b> Catalog: <a href="#">Parts: Technic, Connector</a> 6173127 or 4526985	<a href="#">PG</a>
+	 *	2	<a href="#">3673</a>	<b>Light Bluish Gray Technic, Pin without Friction Ridges Lengthwise</b> Catalog: <a href="#">Parts: Technic, Pin</a> 3673194 or 4211807	<a href="#">PG</a>
+	 *	2	<a href="#">62520c01(inv)</a>	<b>Light Bluish Gray Technic, Universal Joint 3L</b> Catalog: <a href="#">Parts: Technic, Connector</a> 4525904	<a href="#">PG</a>

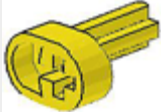
+		2	<a href="#">11272</a>	<b>Pearl Dark Gray Technic, Axle Connector 2 x 3 Quadruple</b> Catalog: <a href="#">Parts: Technic, Connector</a> 6022718	<a href="#">PG</a>
+		25	<a href="#">32062</a>	<b>Red Technic, Axle 2 Notched</b> Catalog: <a href="#">Parts: Technic, Axle</a> 4142865	<a href="#">PG</a>
+		13	<a href="#">3705</a>	<b>Red Technic, Axle 4</b> Catalog: <a href="#">Parts: Technic, Axle</a> 6129995 or 4265797	<a href="#">PG</a>
+		1	<a href="#">26287</a>	<b>Red Technic, Axle Connector 3L</b> Catalog: <a href="#">Parts: Technic, Connector</a> 6153686	<a href="#">PG</a>
+		1	<a href="#">15462</a>	<b>Reddish Brown Technic, Axle 5 with Stop</b> Catalog: <a href="#">Parts: Technic, Axle</a> 6159763	<a href="#">PG</a>
+		1	<a href="#">3749</a>	<b>Tan Technic, Axle Pin without Friction Ridges Lengthwise</b> Catalog: <a href="#">Parts: Technic, Axle</a> 4666579 or 65625 or 4186017	<a href="#">PG</a>
+		1	<a href="#">6589</a>	<b>Tan Technic, Gear 12 Tooth Bevel</b> Catalog: <a href="#">Parts: Technic, Gear</a> 4565452 or 4514556	<a href="#">PG</a>
+		1	<a href="#">32198</a>	<b>Tan Technic, Gear 20 Tooth Bevel</b> Catalog: <a href="#">Parts: Technic, Gear</a> 6031962 or 4514557	<a href="#">PG</a>
+		1	<a href="#">32269</a>	<b>Tan Technic, Gear 20 Tooth Double Bevel</b> Catalog: <a href="#">Parts: Technic, Gear</a> 6084724 or 4514555	<a href="#">PG</a>
+		1	<a href="#">4740</a>	<b>Trans-Clear Dish 2 x 2 Inverted (Radar)</b> Catalog: <a href="#">Parts: Dish</a> 4187750	<a href="#">PG</a>
+		2	<a href="#">4073</a>	<b>Trans-Clear Plate, Round 1 x 1 Straight Side</b> Catalog: <a href="#">Parts: Plate, Round</a> 3005740	<a href="#">PG</a>
+		1	<a href="#">24116</a>	<b>Trans-Clear Technic, Panel Curved 3 x 6 x 3</b> Catalog: <a href="#">Parts: Technic, Panel</a> 6133686	<a href="#">PG</a>


+	 *	1	<a href="#">3069b</a>	<b>Trans-Clear Tile 1 x 2 with Groove</b> Catalog: <a href="#">Parts: Tile</a> 4569297 or 4287288	<a href="#">PG</a>
---	---	---	-----------------------	---	--------------------


+	 *	1	<a href="#">98138</a>	<b>Trans-Clear Tile, Round 1 x 1</b> Catalog: <a href="#">Parts: Tile, Round</a> 4650498	<a href="#">PG</a>
---	--	---	-----------------------	--	--------------------

+	 *	1	<a href="#">32523pb11</a>	<b>White Technic, Liftarm 1 x 3 Thick with Black '40 1977 - 2017' and 24 Tooth Gear Pattern</b> Catalog: <a href="#">Parts: Technic, Liftarm, Decorated</a> 6170737	<a href="#">PG</a>
---	--	---	---------------------------	---	--------------------


+	 *	10	<a href="#">4265c</a>	<b>Yellow Technic Bush 1/2 Smooth</b> Catalog: <a href="#">Parts: Technic</a> 4239601 or 3212324	<a href="#">PG</a>
---	--	----	-----------------------	--	--------------------

+	 *	2	<a href="#">2853</a>	<b>Yellow Technic Engine Crankshaft</b> Catalog: <a href="#">Parts: Technic</a> 4119474	<a href="#">PG</a>
---	--	---	----------------------	---	--------------------


+	 *	2	<a href="#">2851</a>	<b>Yellow Technic Engine Piston Round</b> Catalog: <a href="#">Parts: Technic</a> 285124 or 4112203	<a href="#">PG</a>
---	--	---	----------------------	---	--------------------


+	 *	7	<a href="#">4519</a>	<b>Yellow Technic, Axle 3</b> Catalog: <a href="#">Parts: Technic, Axle</a> 6130007	<a href="#">PG</a>
---	--	---	----------------------	---	--------------------

+	 *	2	<a href="#">44294</a>	<b>Yellow Technic, Axle 7</b> Catalog: <a href="#">Parts: Technic, Axle</a> 6130009	<a href="#">PG</a>
---	--	---	-----------------------	---	--------------------

+	 *	2	<a href="#">731c04</a> (inv)	<b>Yellow Technic, Shock Absorber 6.5L, Complete Assembly - Hard Spring</b> Catalog: <a href="#">Parts: Technic, Shock Absorber</a> 6027566 or 4142622 or 7653726	<a href="#">PG</a>
---	--	---	------------------------------	---	--------------------

**Extra Items:**

+	 *	2	<a href="#">2780</a>	<b>Black Technic, Pin with Friction Ridges Lengthwise WITH Center Slots</b> Catalog: <a href="#">Parts: Technic, Pin</a> 4121715 or 278026	<a href="#">PG</a>
---	--	---	----------------------	--	--------------------


+	 *	1	<a href="#">18654</a>	<b>Dark Bluish Gray Technic, Pin Connector Round 1L</b> Catalog: <a href="#">Parts: Technic, Connector</a> 6100030	<a href="#">PG</a>
---	--	---	-----------------------	--	--------------------

+		1	<a href="#">3713</a>	<b>Light Bluish Gray Technic Bush</b> Catalog: <a href="#">Parts: Technic</a>	<a href="#">PG</a>
---	---	---	----------------------	--	--------------------



4211622


\*

+  1 [4274](#) **Light Bluish Gray Technic, Pin 1/2** [PG](#)  
 Catalog: [Parts: Technic, Pin](#)  
 4211483 or 4274194

\*

+  1 [3673](#) **Light Bluish Gray Technic, Pin without Friction Ridges Lengthwise** [PG](#)  
 Catalog: [Parts: Technic, Pin](#)  
 3673194 or 4211807


\*

+  1 [4073](#) **Trans-Clear Plate, Round 1 x 1 Straight Side** [PG](#)  
 Catalog: [Parts: Plate, Round](#)  
 3005740

\*


+  1 [98138](#) **Trans-Clear Tile, Round 1 x 1** [PG](#)  
 Catalog: [Parts: Tile, Round](#)  
 4650498

\*

+  1 [4265c](#) **Yellow Technic Bush 1/2 Smooth** [PG](#)  
 Catalog: [Parts: Technic](#)  
 4239601 or 3212324

\*

**Counterparts:**

+  2 [88517c02\(inv\)](#) **Black Wheel 75mm D. x 17mm Motorcycle with Black Tire 100.6mm D. Motorcycle (88517 / 11957)** [PG](#)  
 Catalog: [Parts: Wheel & Tire Assembly](#)  
 Part Color Code Missing

\*

**Summary:**

Type	Unique Lots	Total Qty
<b>Regular Items:</b>		
Parts	104	603
<b>Extra Items:</b>		
Parts	8	9
<b>Counterparts:</b>		
Parts	1	2

**Source:**

Sealed Set Contents

[Stern1977](#) (0) inventoried this Set on Jan 19, 2017, inventory last updated on Jan 30, 2017.