

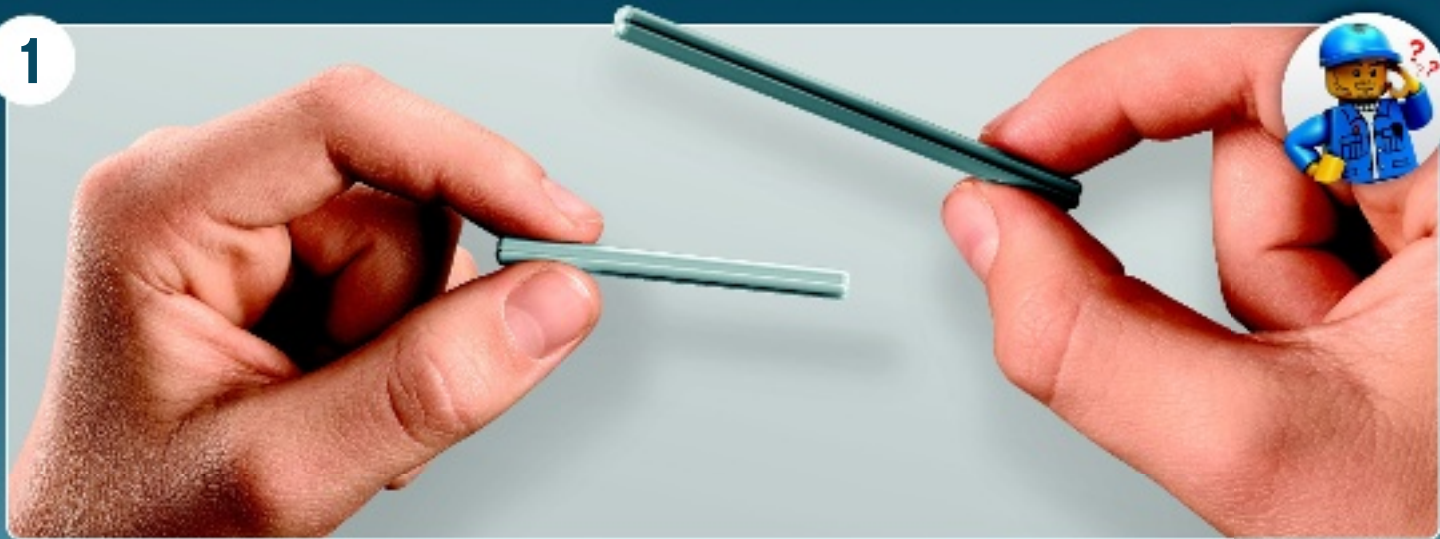


TECHNIC

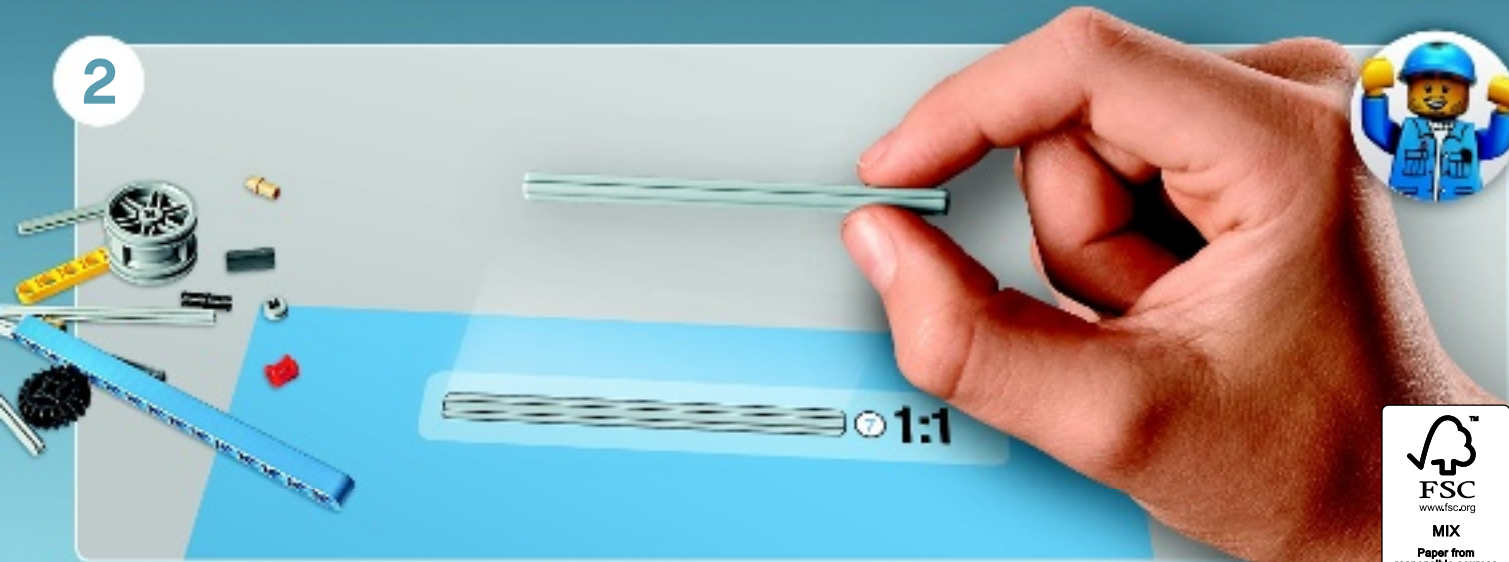
42036



1



2



1

LEGO.com/building-app



2



3



Available on the
App Store

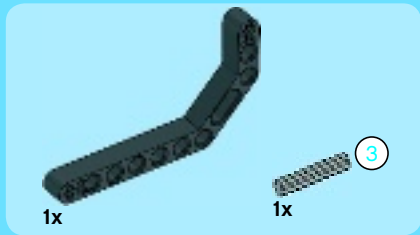
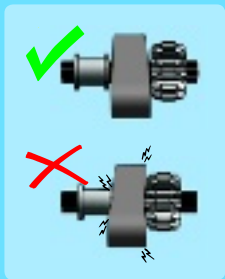
ANDROID APP ON
Google play



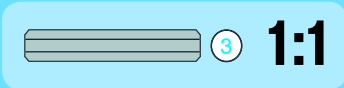
Apple, the Apple logo, iPad, iPhone and iPod touch are trademarks of Apple Inc., registered in the U.S. and other countries. App Store is a service mark of Apple Inc.
Apple, le logo Apple, iPad, iPhone et iPod touch sont des marques de commerce d'Apple Inc., déposées aux États-Unis et dans d'autres pays. App Store est une marque de service d'Apple Inc.
Apple, el logotipo de Apple, iPad, iPhone e iPod touch son marcas comerciales de Apple Inc. registradas en EE. UU. y otros países. App Store es una marca de servicio de Apple Inc.

Google Play is a trademark of Google Inc.
Google Play est une marque de commerce de Google Inc.
Google Play es una marca comercial de Google Inc.

LEGO **TECHNIC**



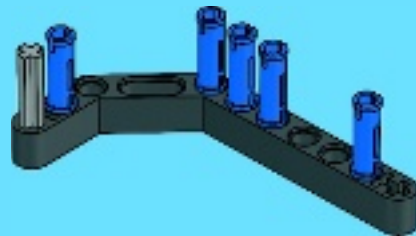
1



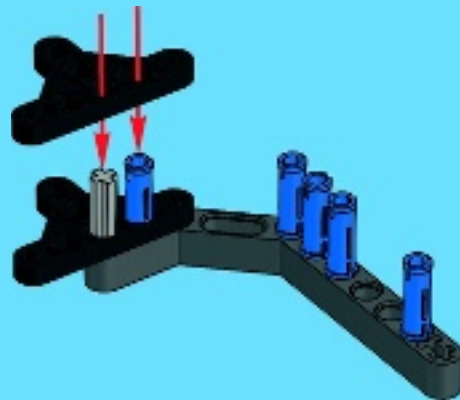
4



2

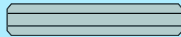
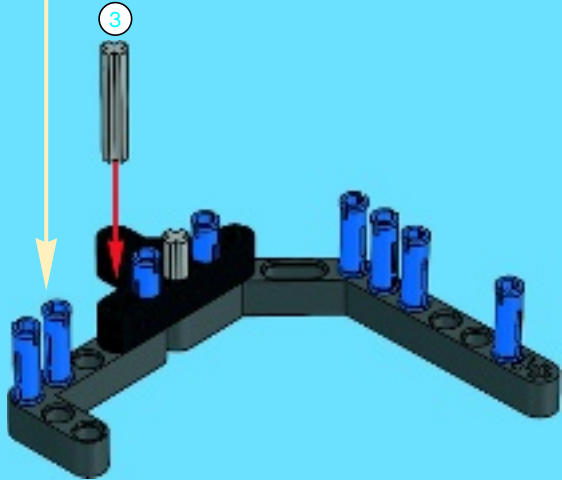
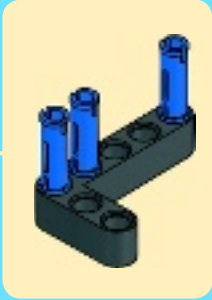


3

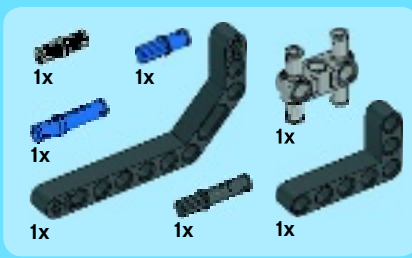




4

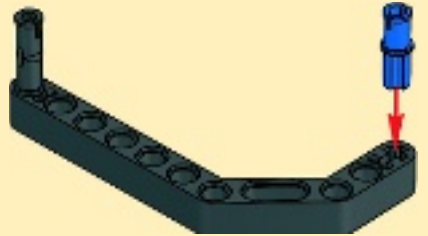


③ 1:1



5

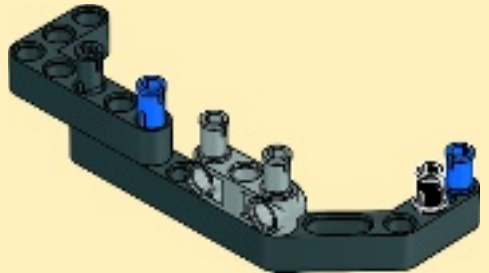
1

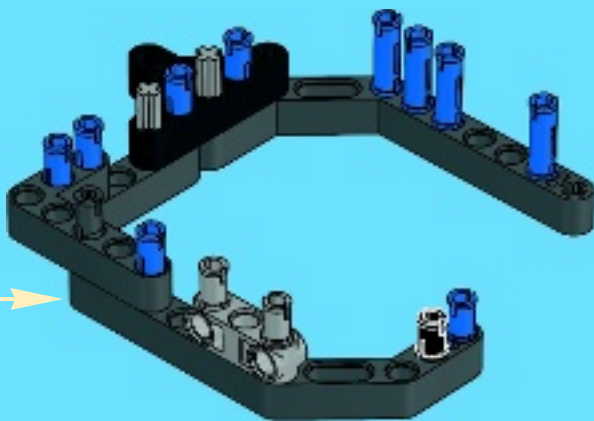


2

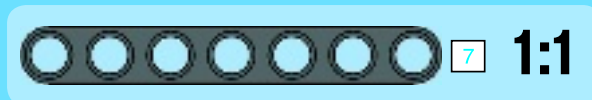
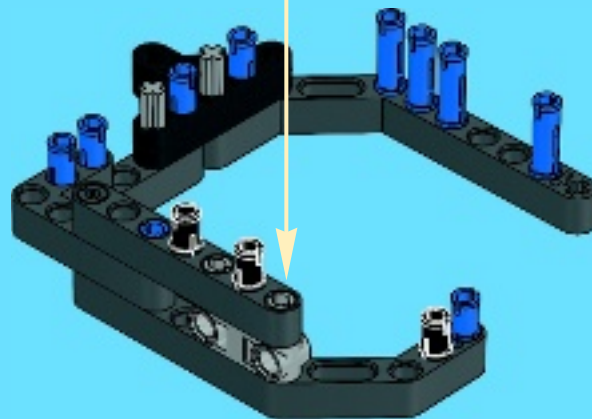
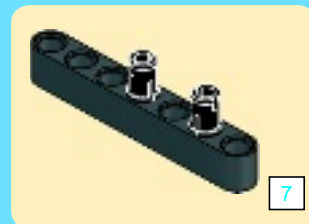


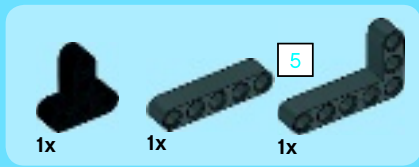
3



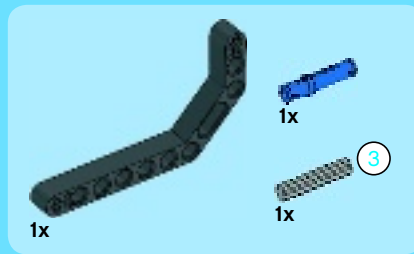
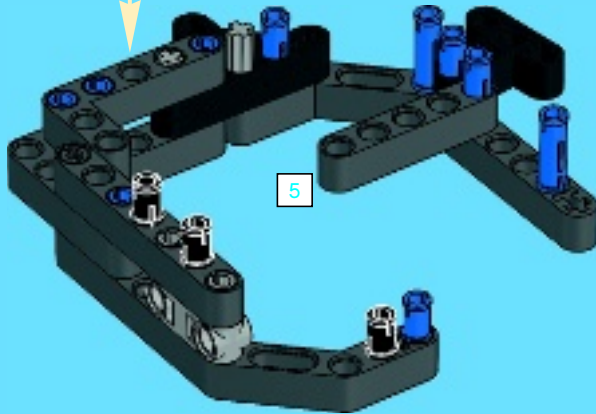
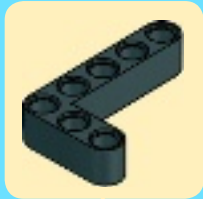


6

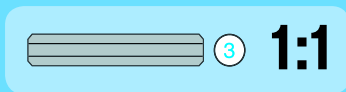
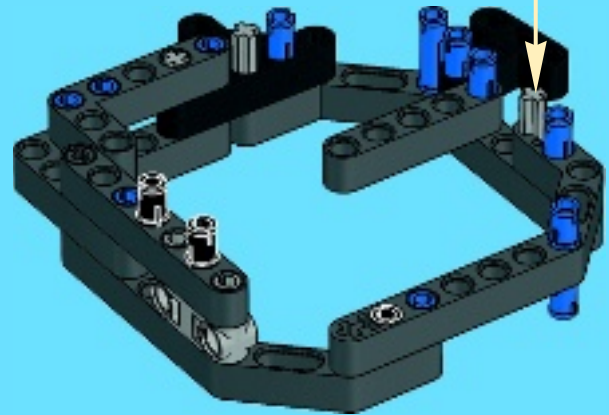
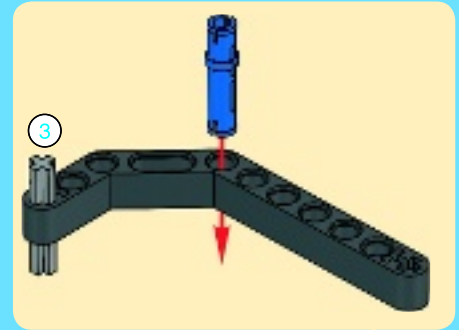




7



8



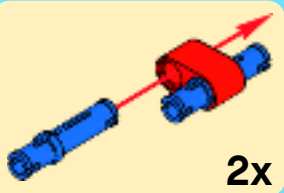


4x

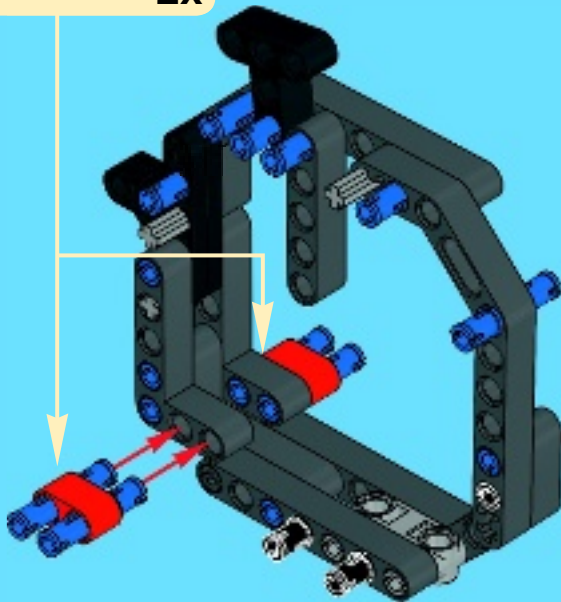


2x

9



2x



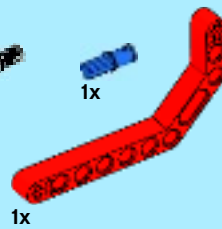
2x



1x



1x



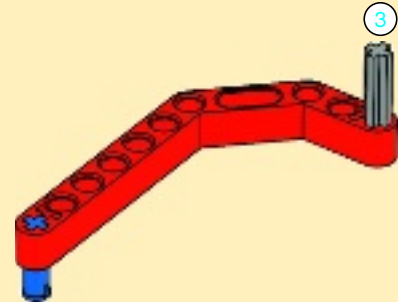
1x

3

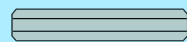
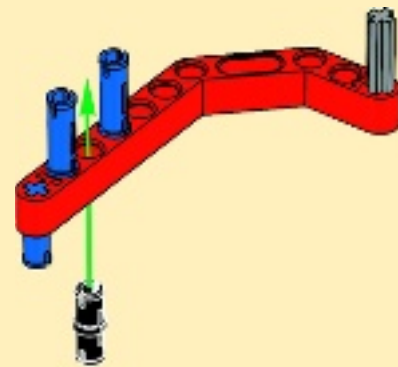
1x

10

1

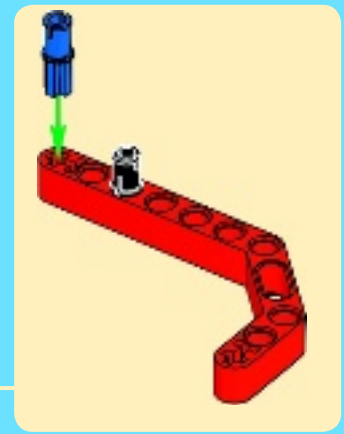
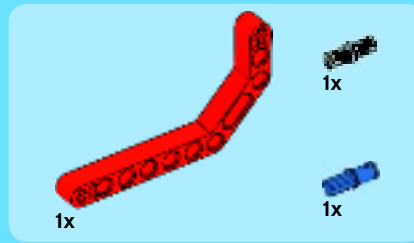
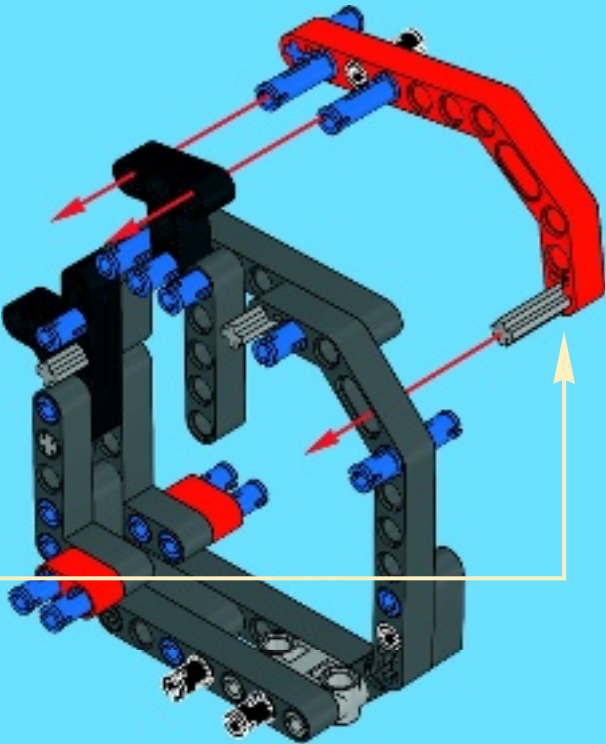


2

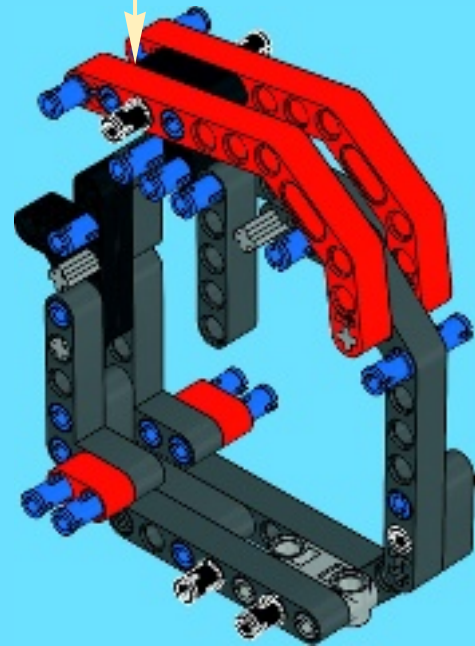


3

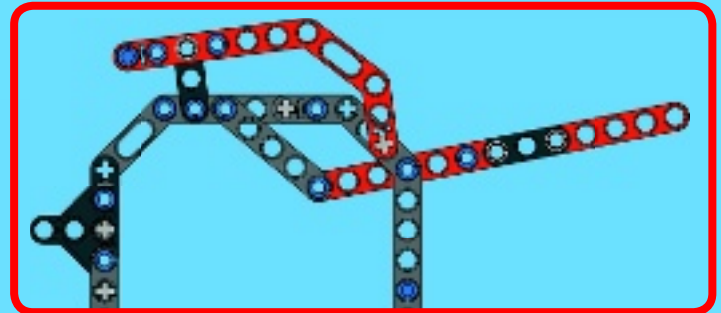
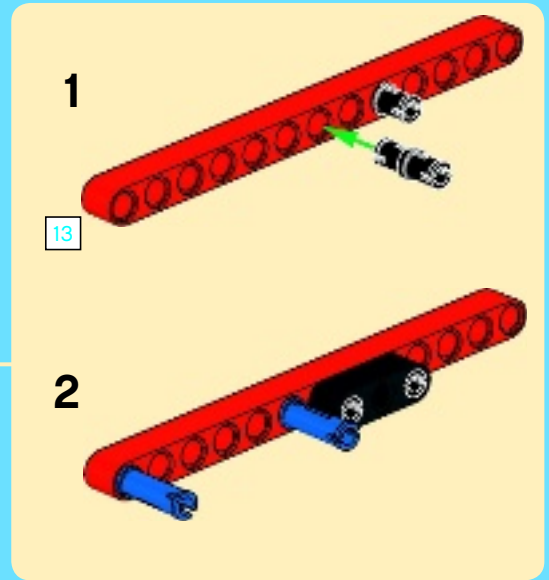
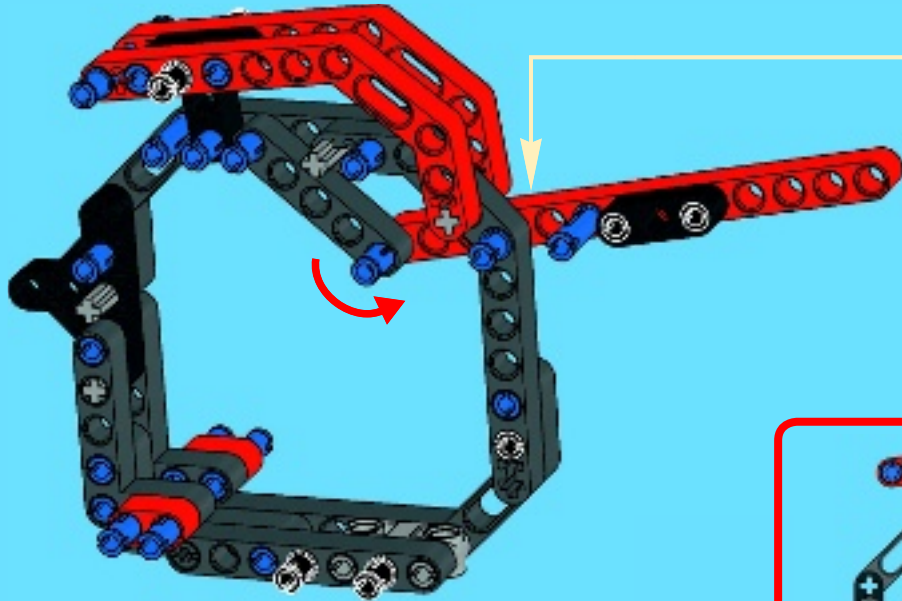
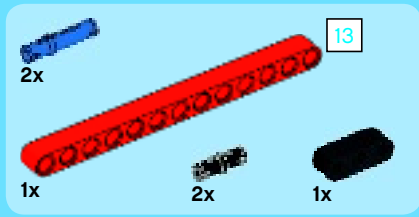
1:1

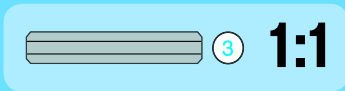
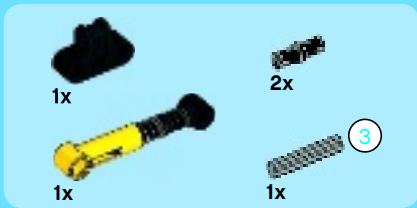


11

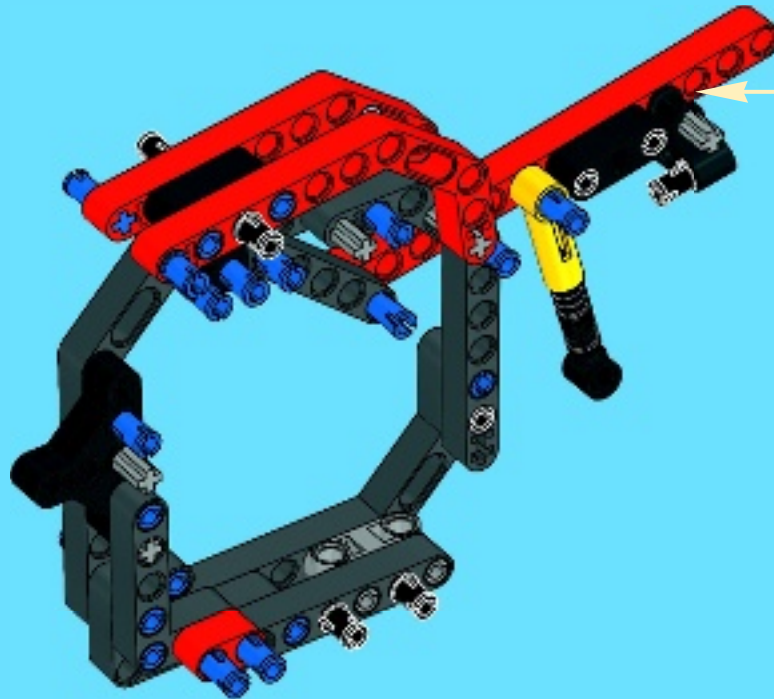
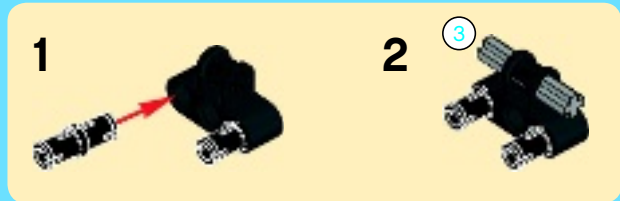


12



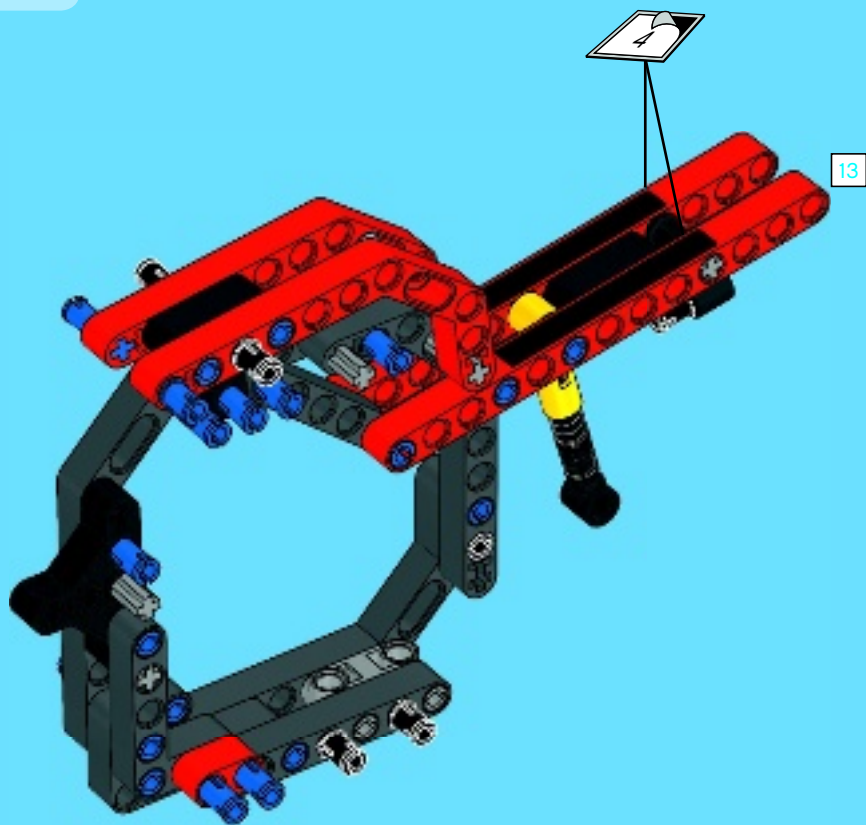


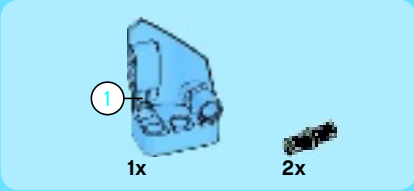
13



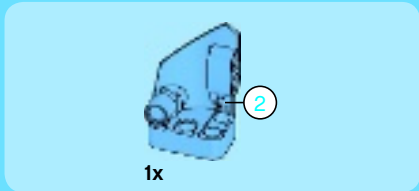
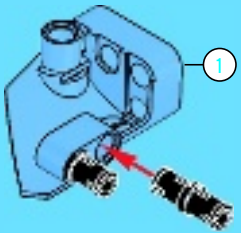


14

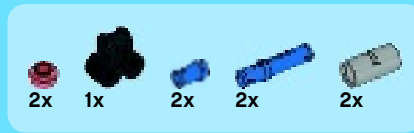
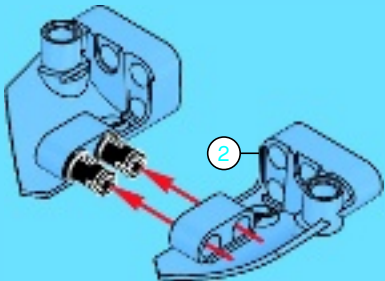




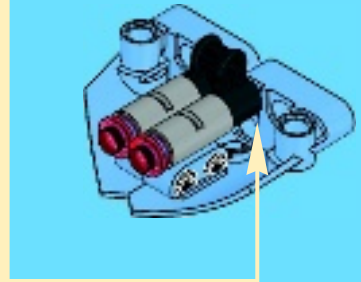
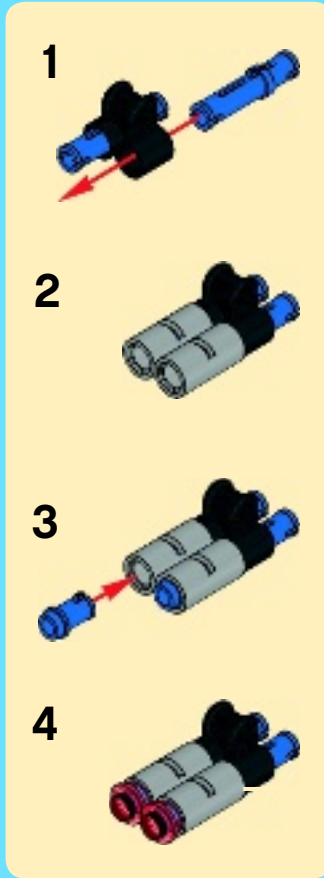
1



2



3





2x

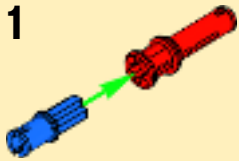


2x



2x

4

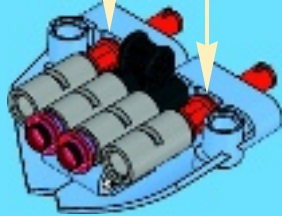


1

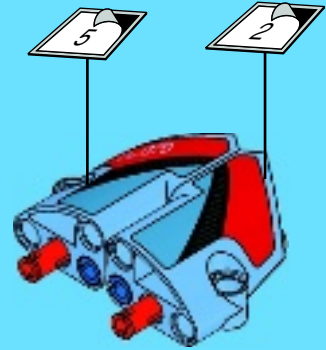


2

2x



5

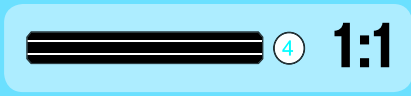
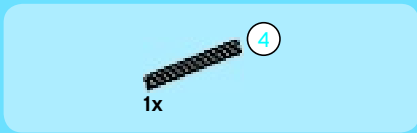


6

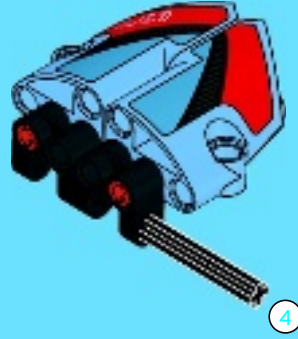


2x

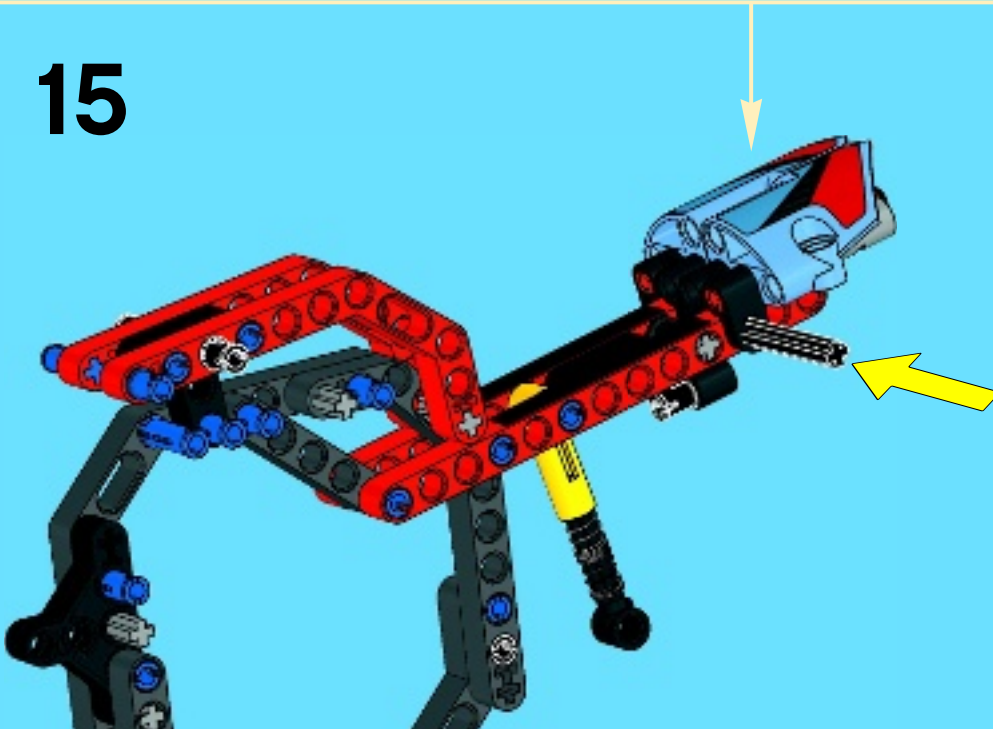


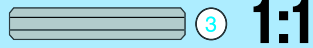


7

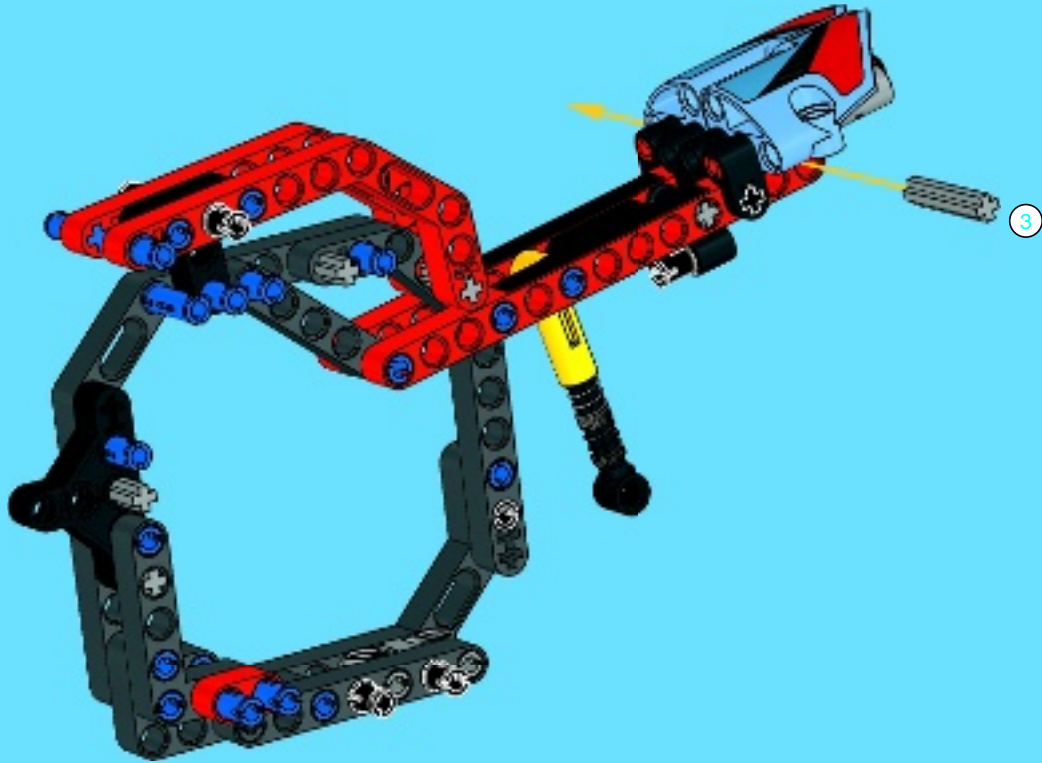


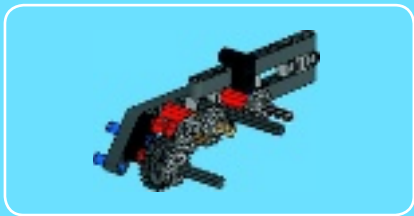
15



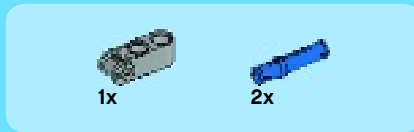
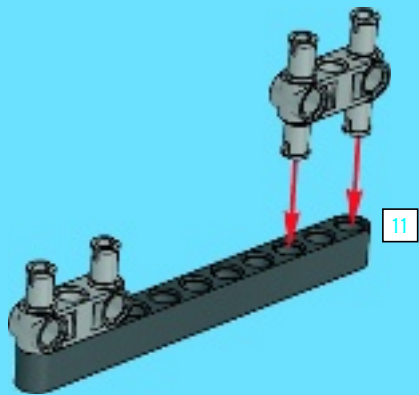


16

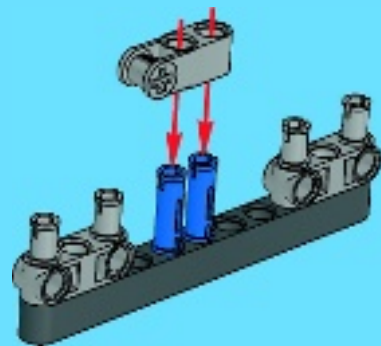




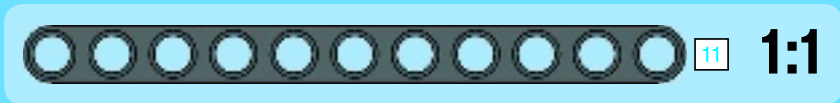
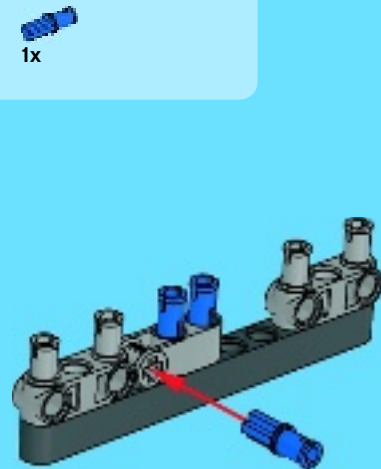
1

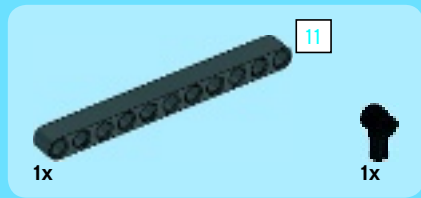


2

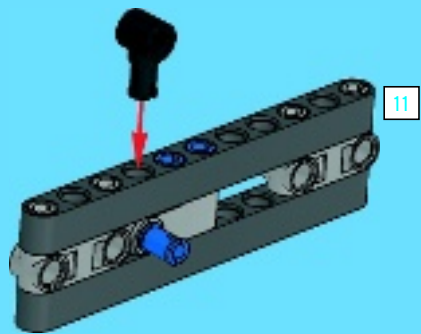


3

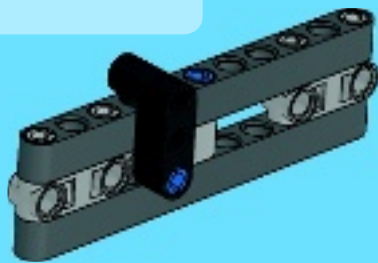




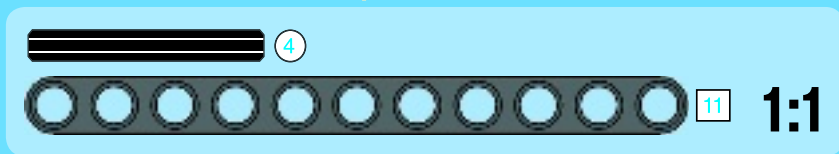
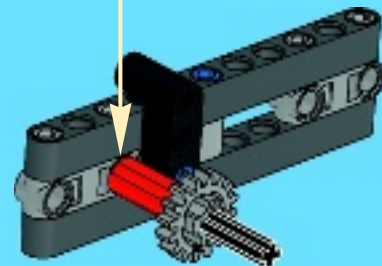
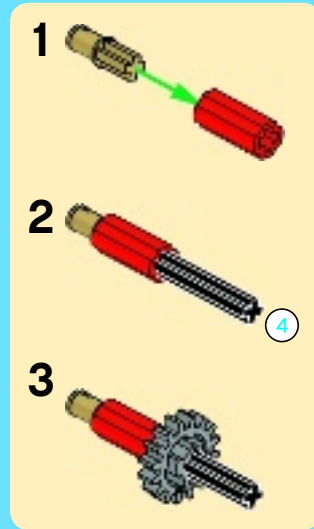
4



5

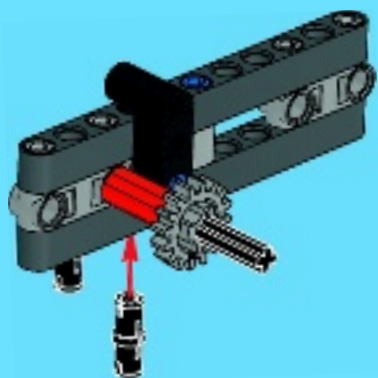


6

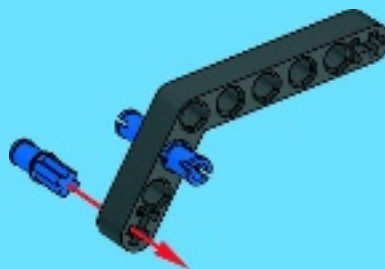




7



1





1x

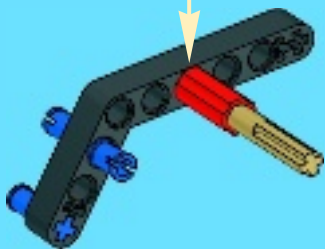
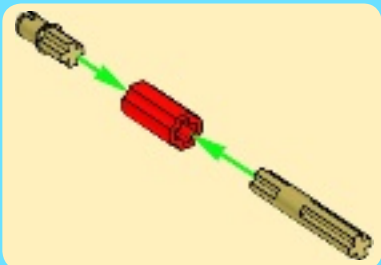


1x



1x

2



1x



1x

5



2x

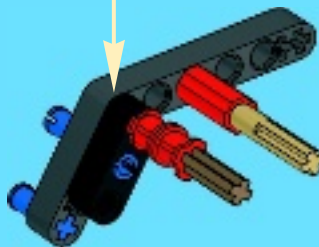
3

5

1

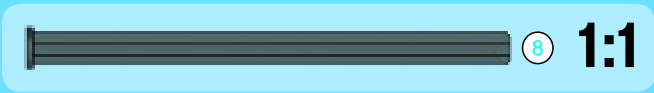
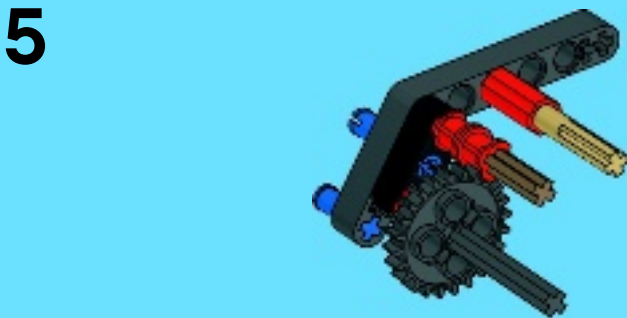
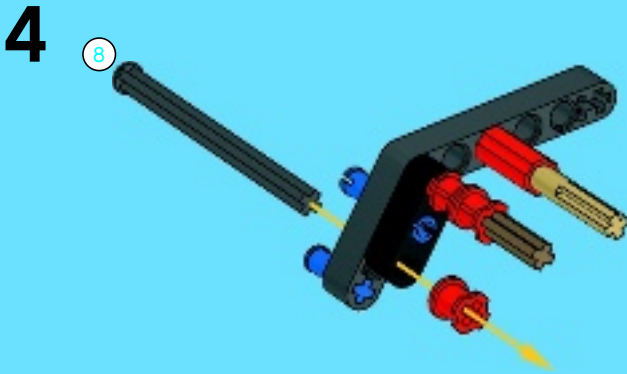


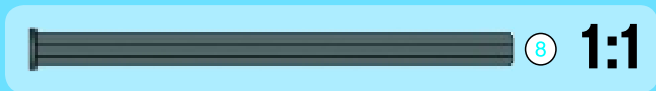
2



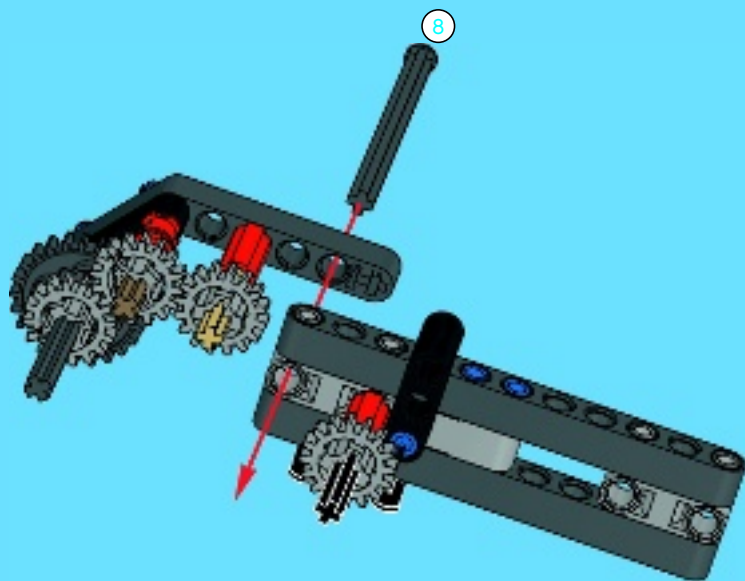
5

1:1

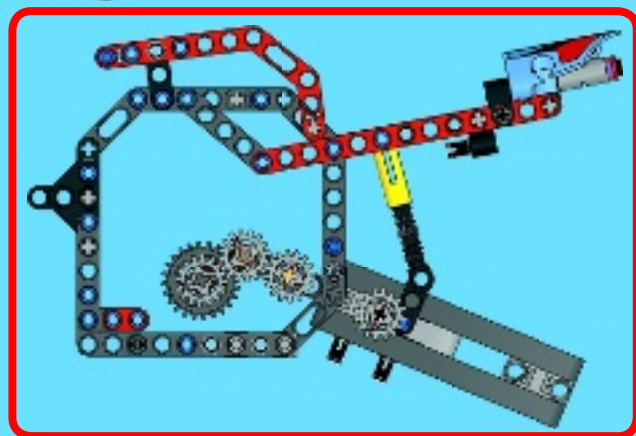
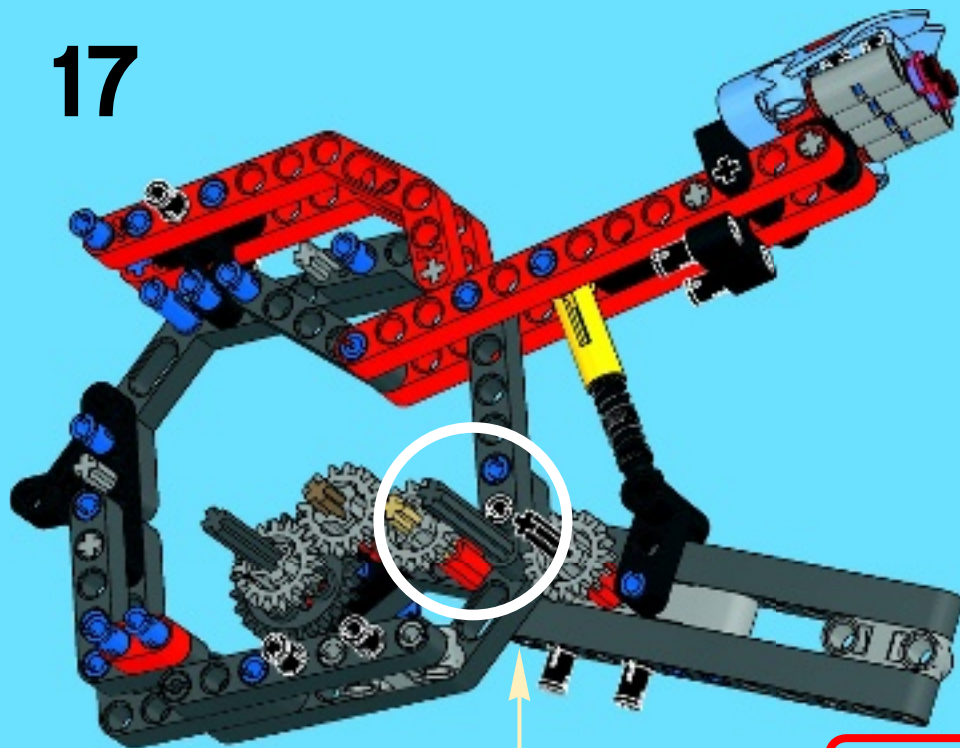


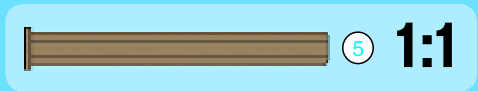
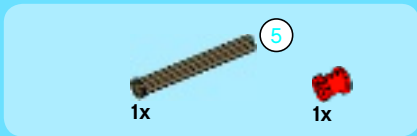


7

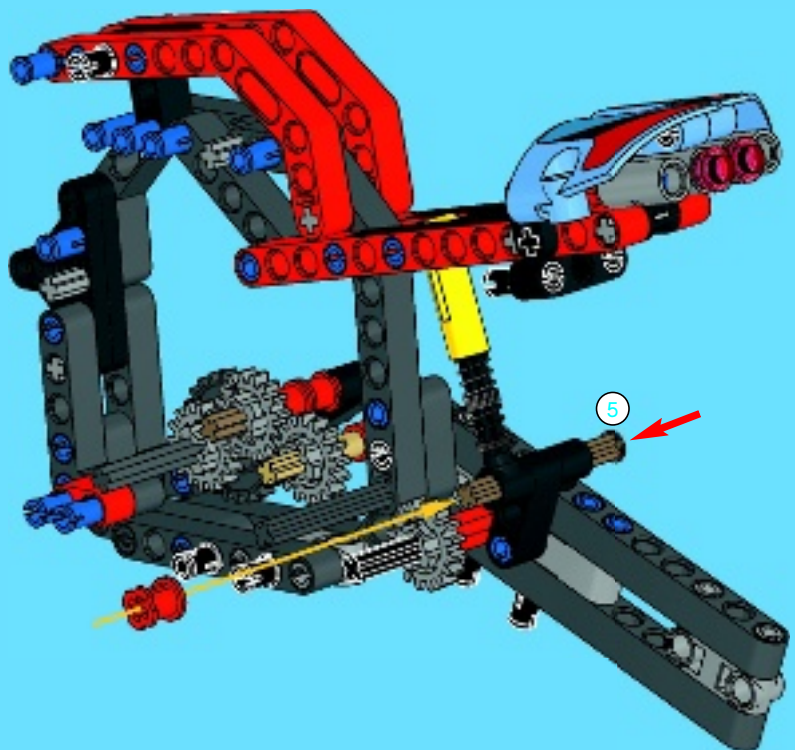


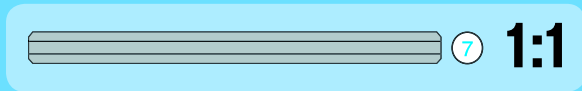
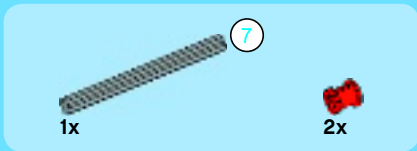
17



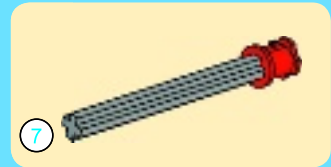
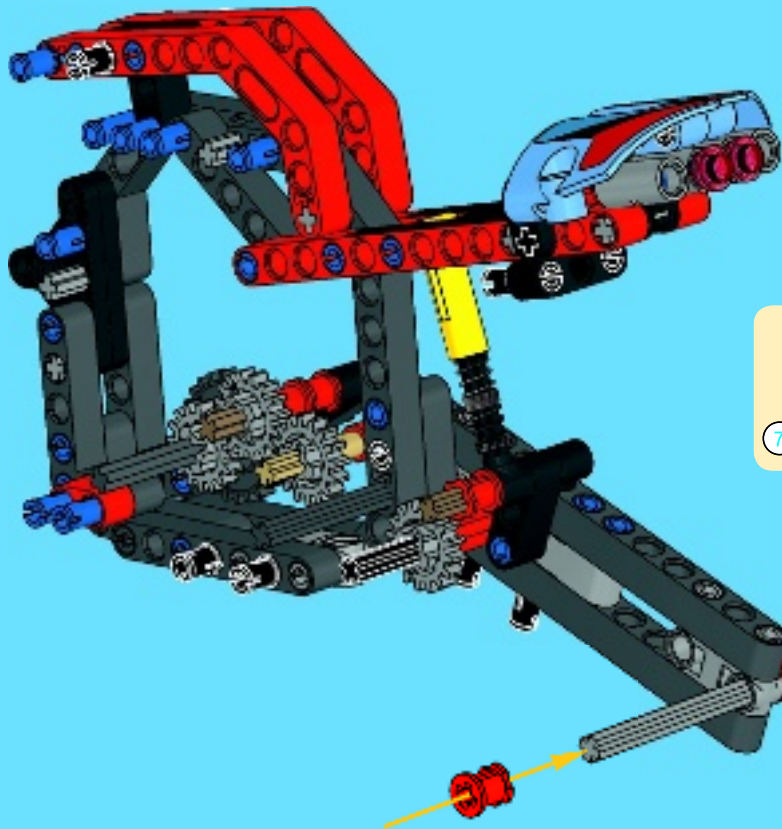


18



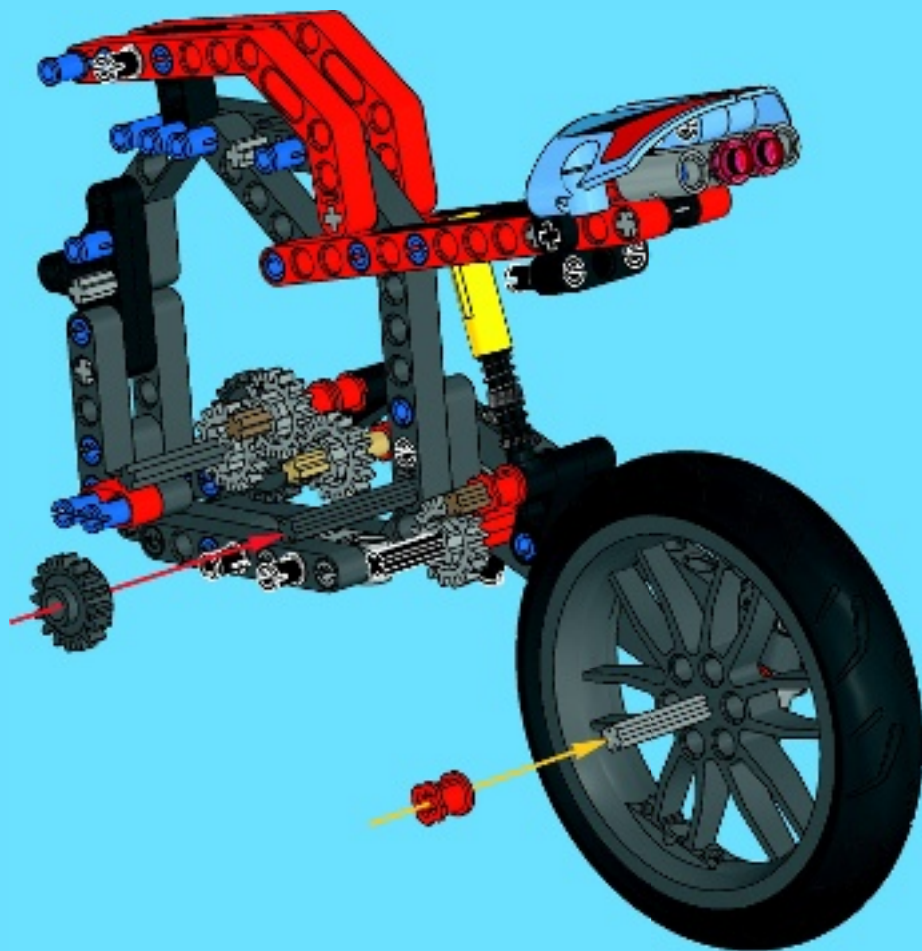


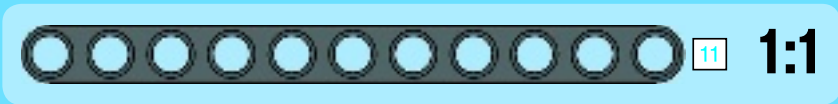
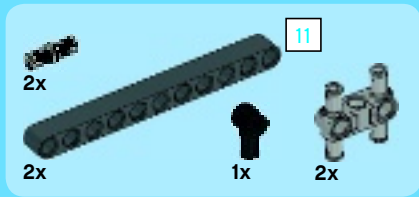
19



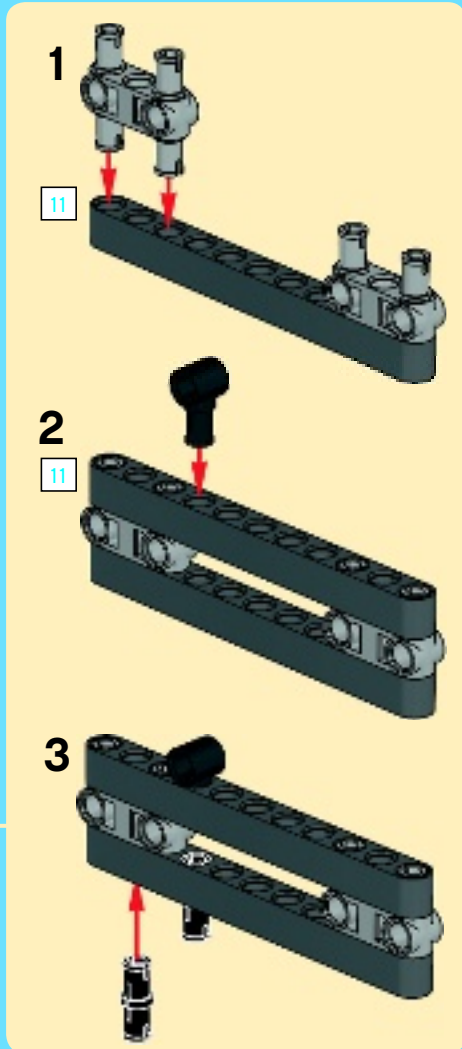
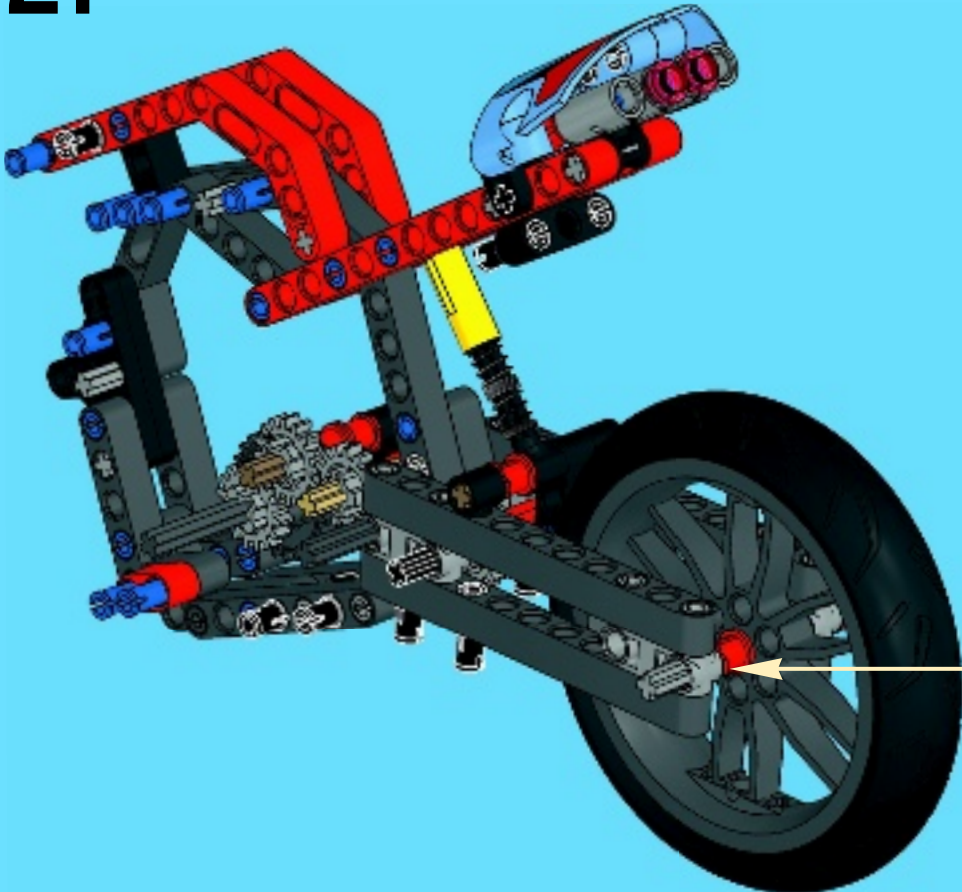


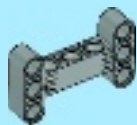
20





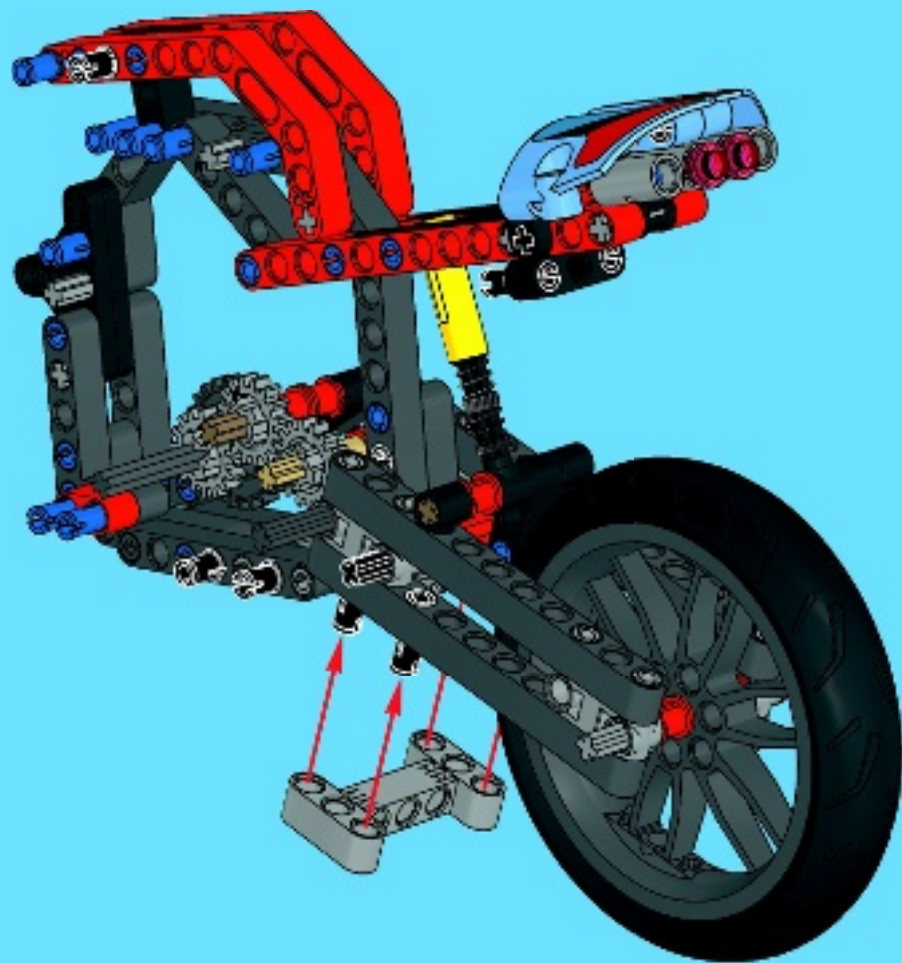
21





1x

22



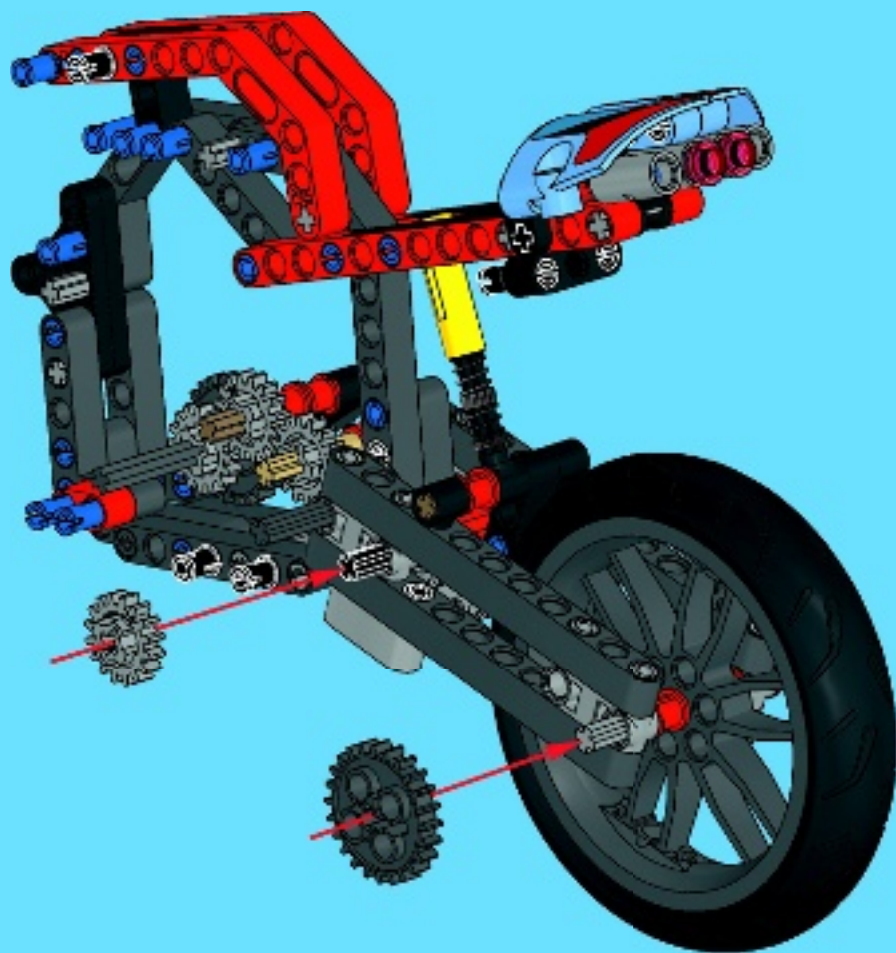


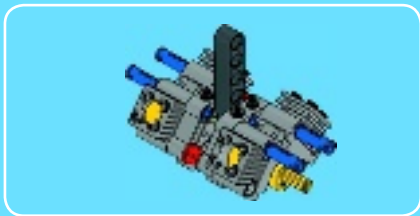
1x



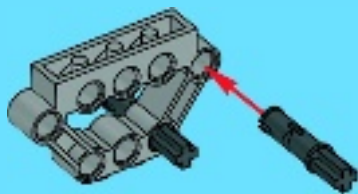
1x

23

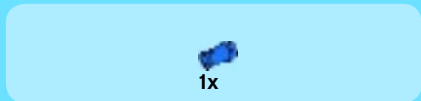
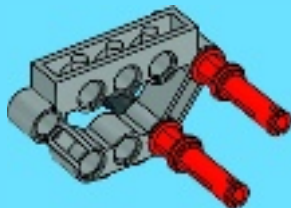




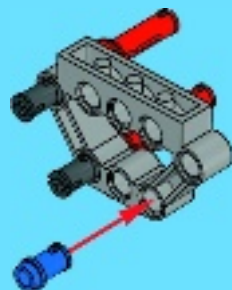
1



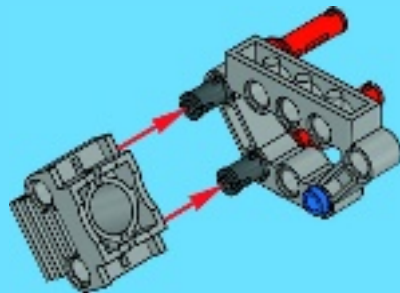
2



3



4





2x



2x



2x

5

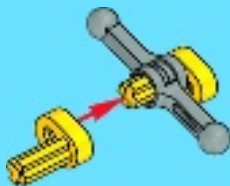
1



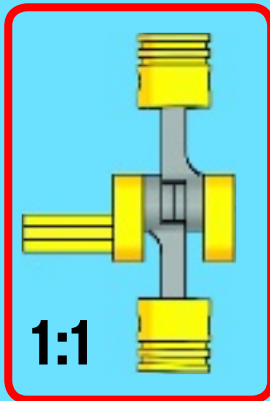
2



3

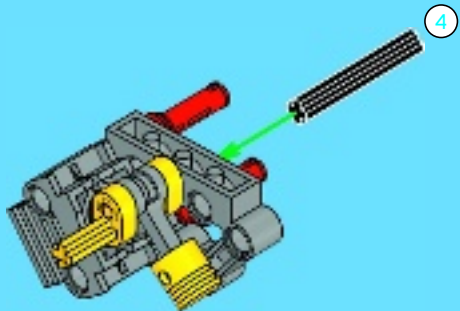


4

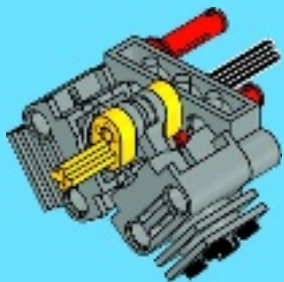




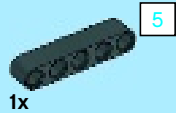
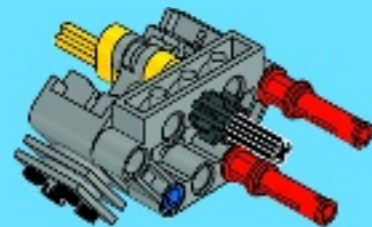
6



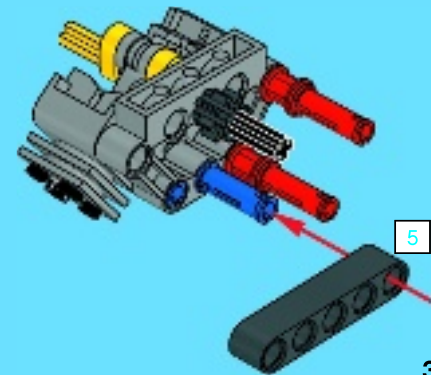
7

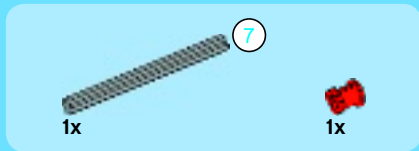


8

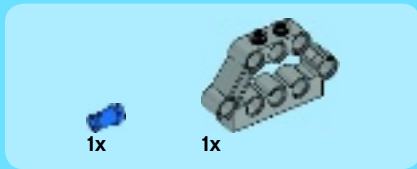
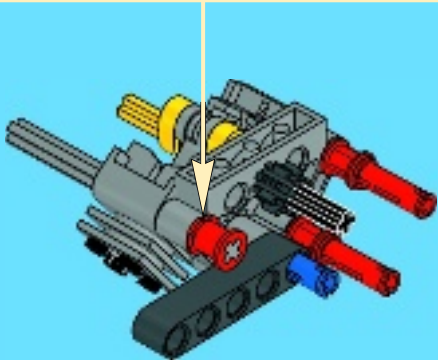
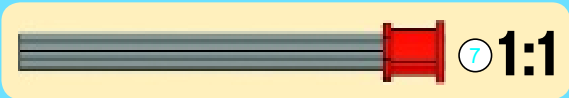


9

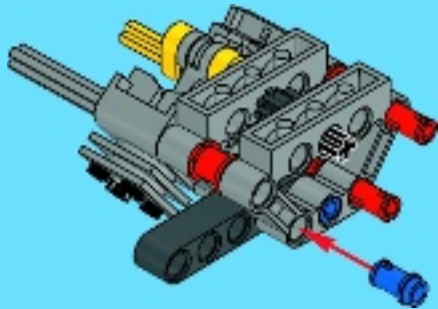




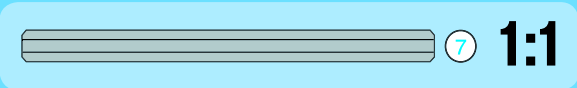
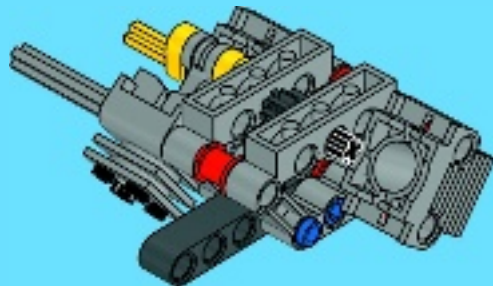
10



11



12





2x



2x



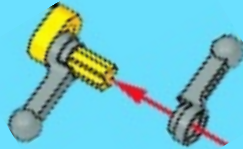
2x

13

1



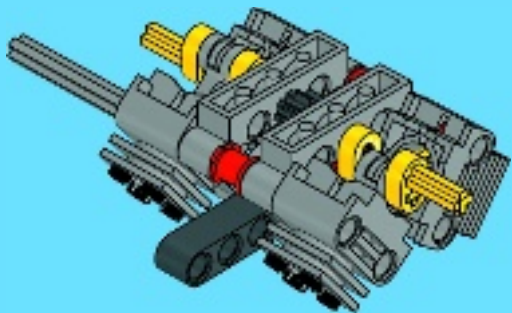
2



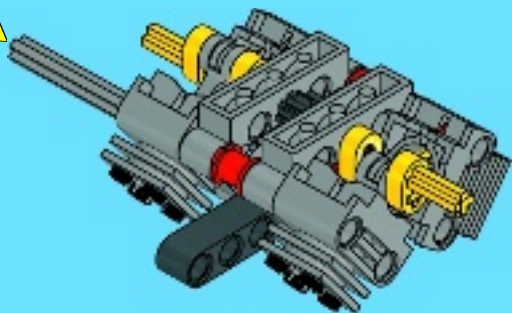
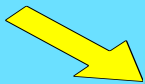


1x

14

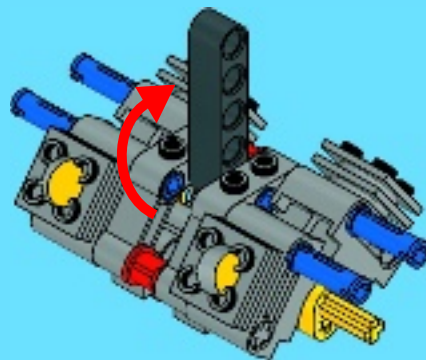


15

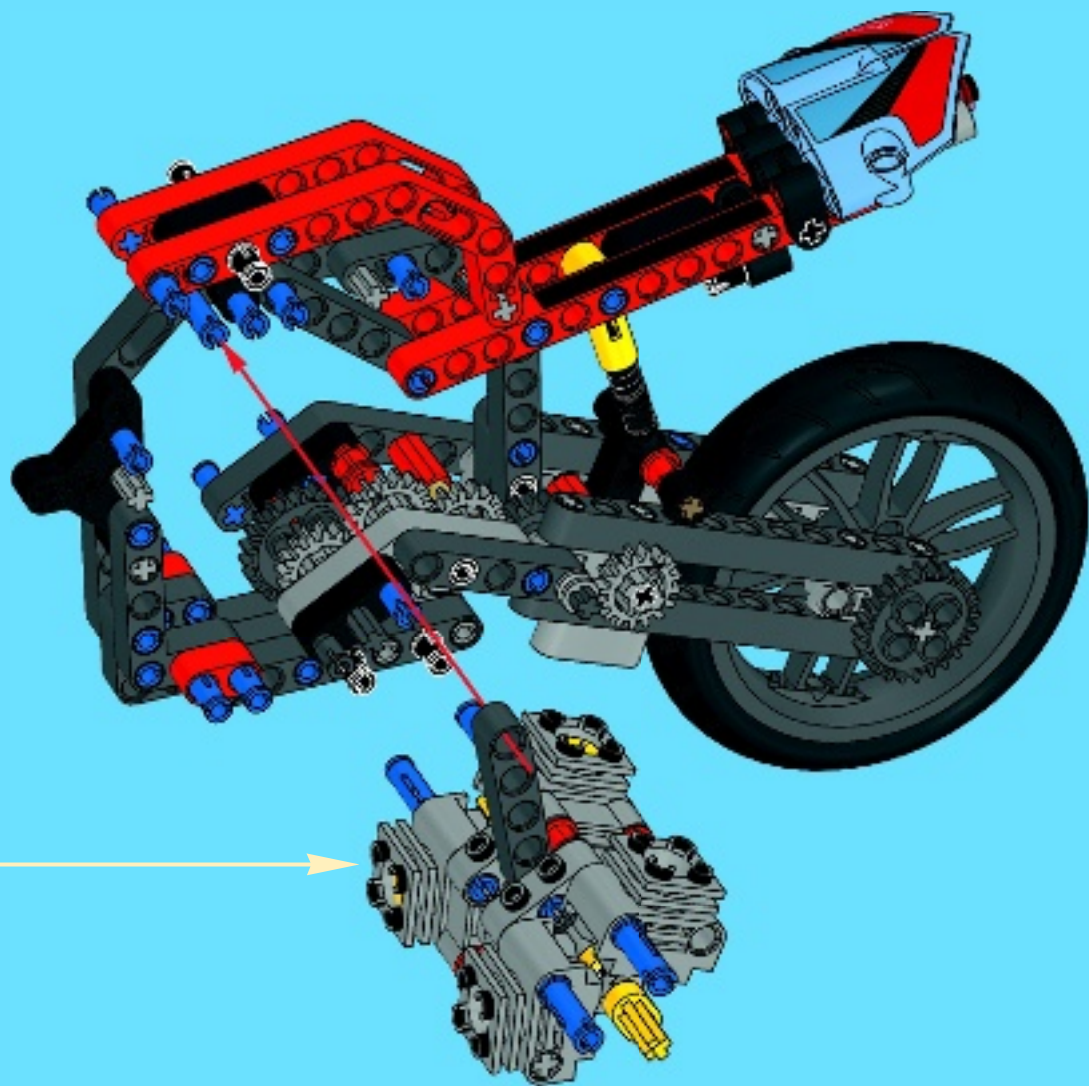


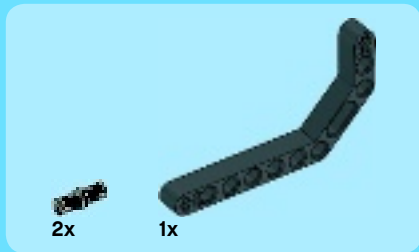
4x

16

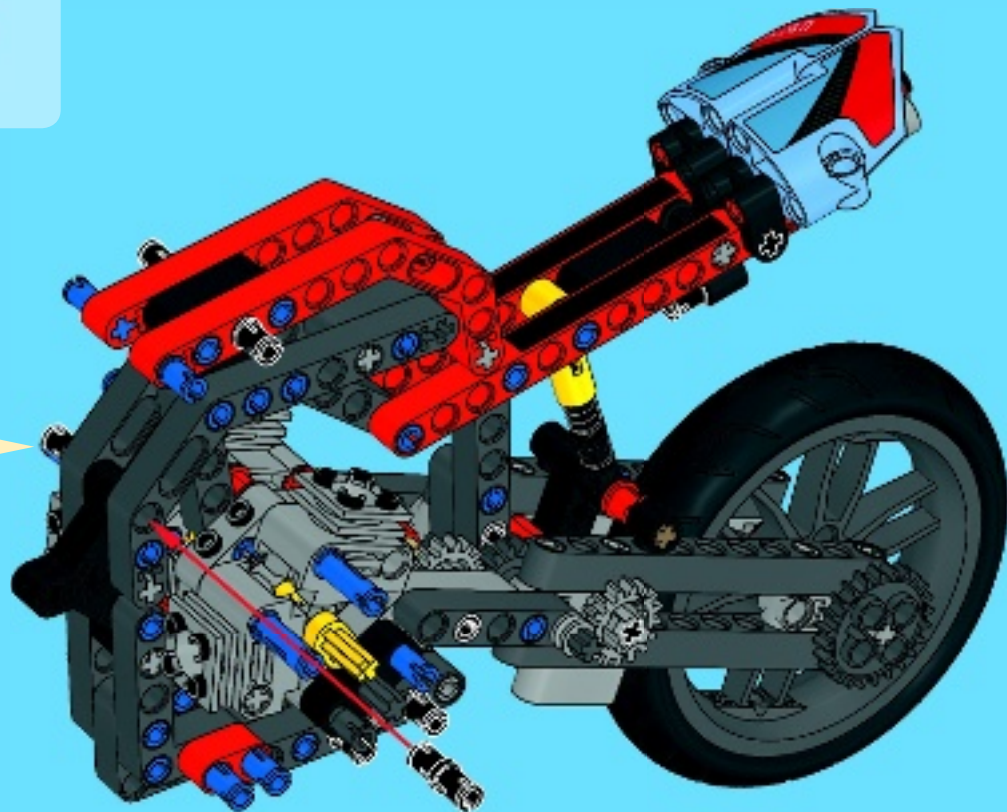


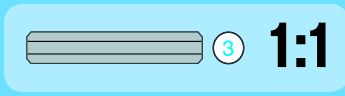
25



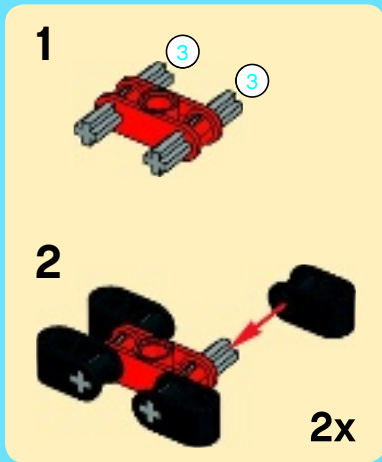
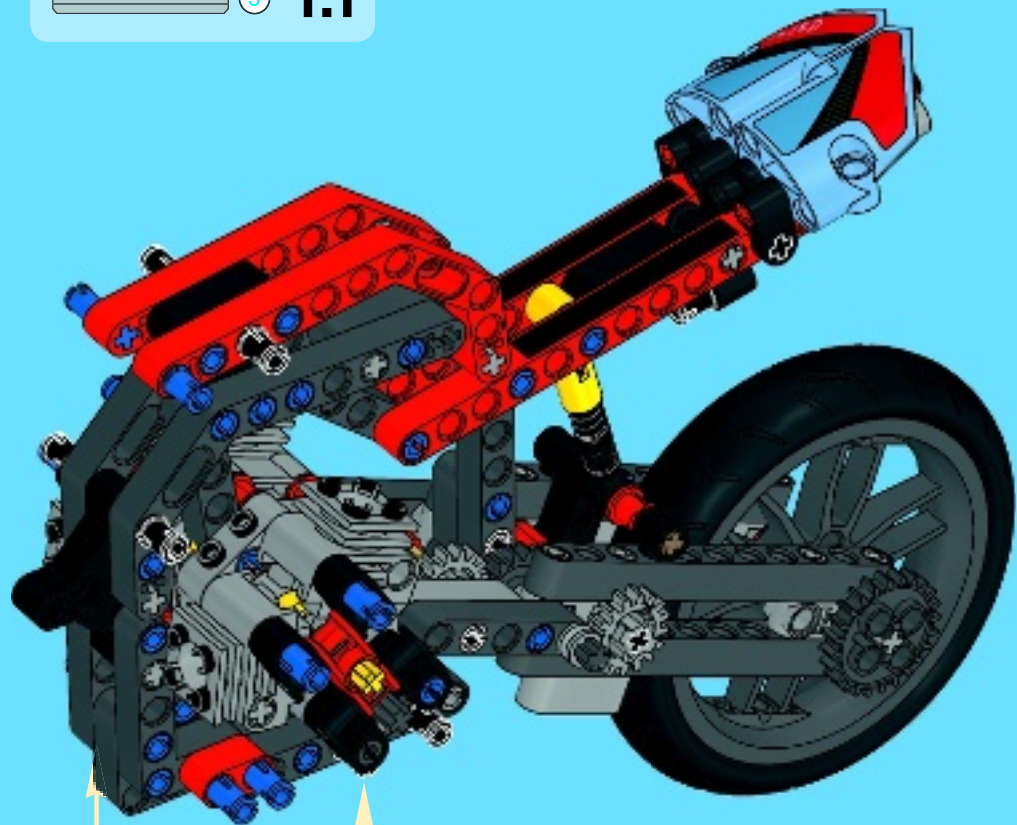


26





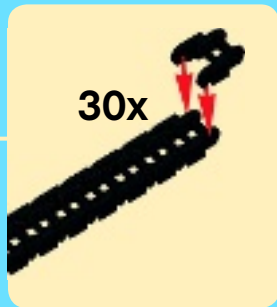
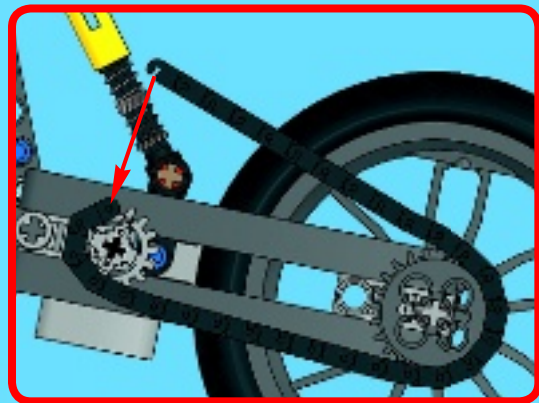
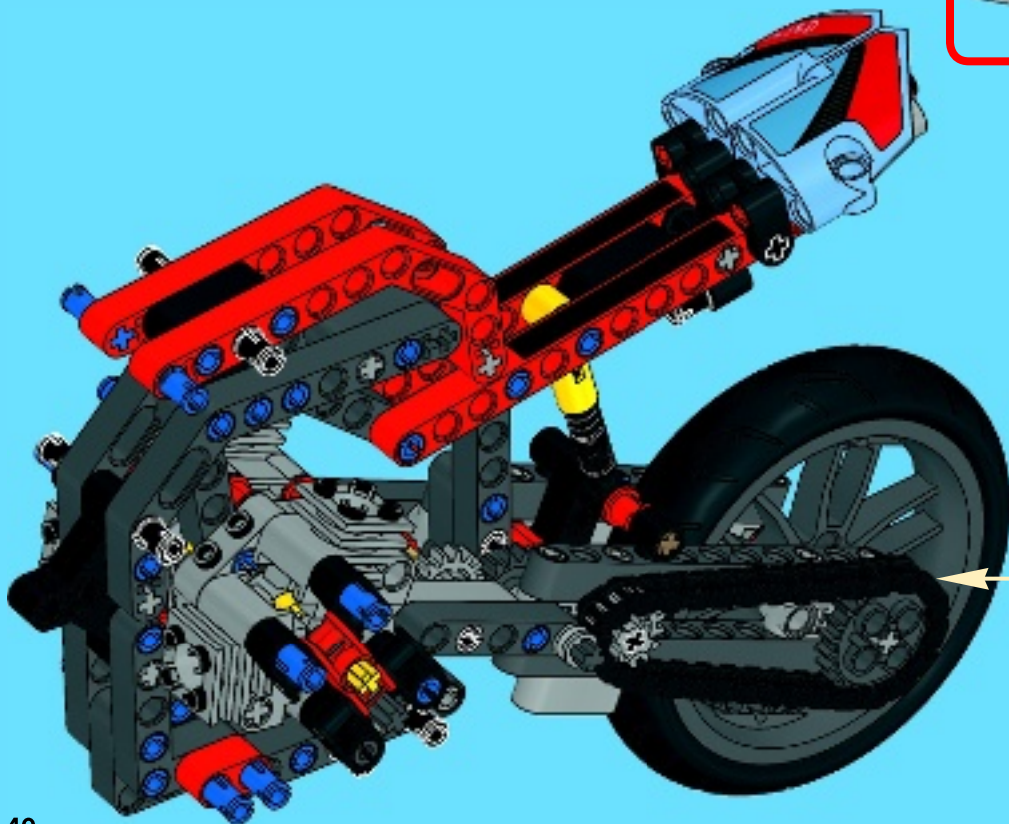
27



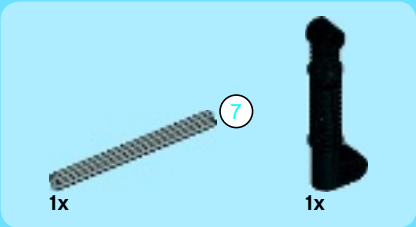
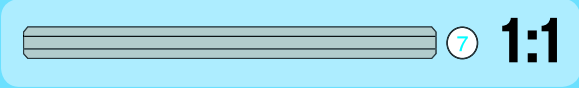


30x

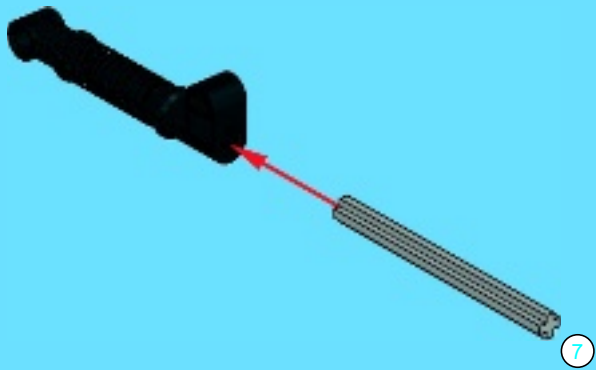
28



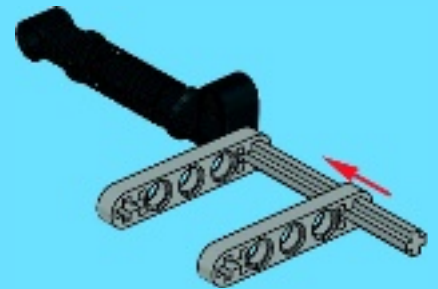
30x

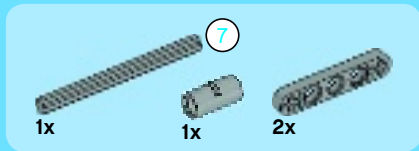


1

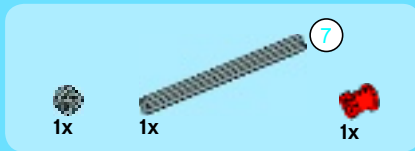
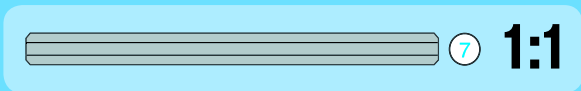
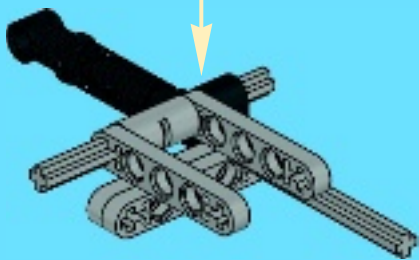
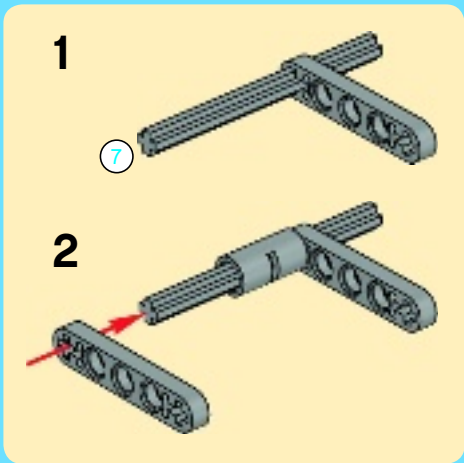


2

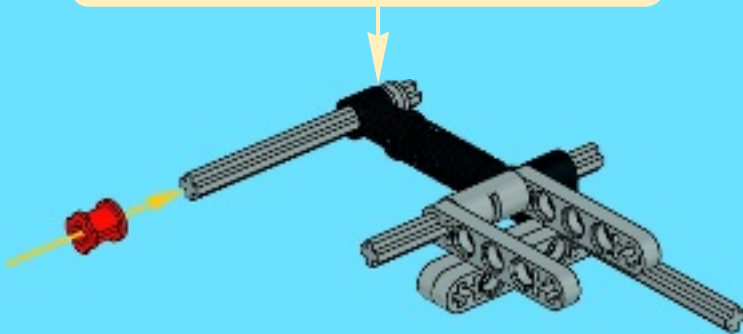




3

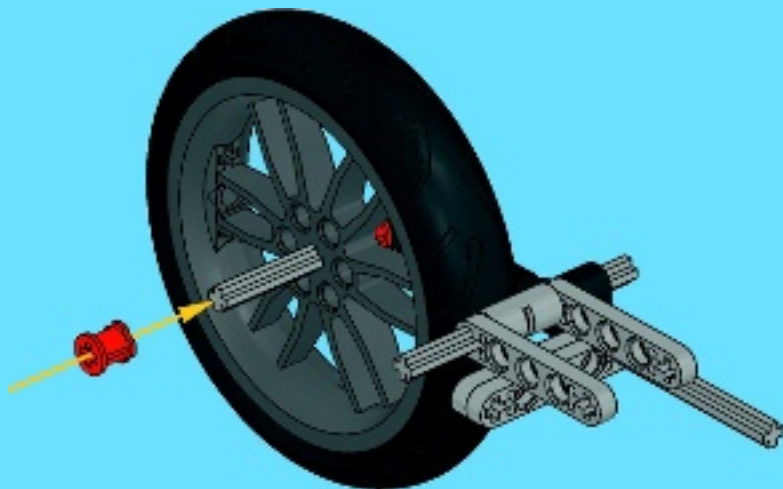


4



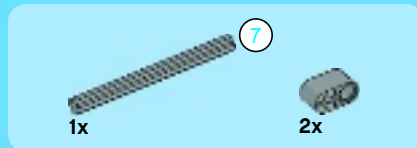
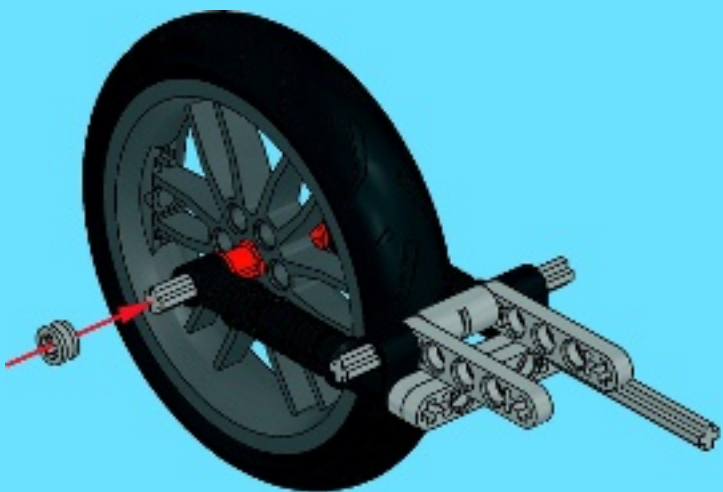


5

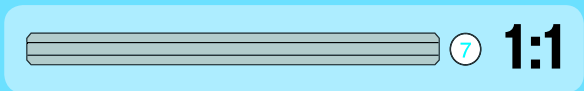
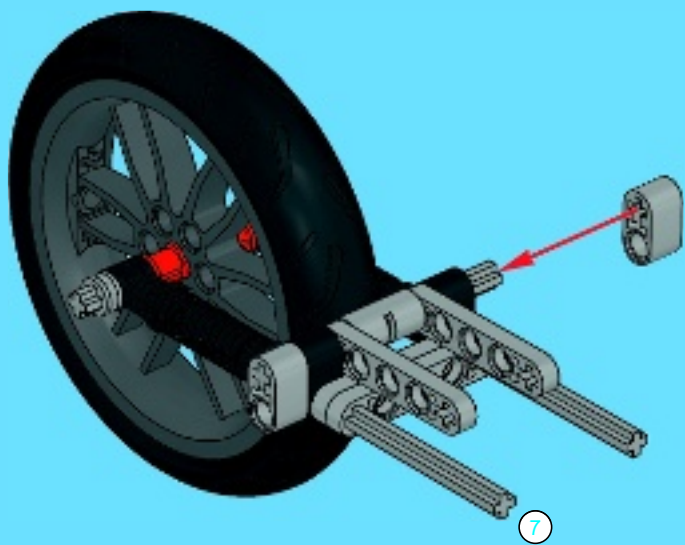




6



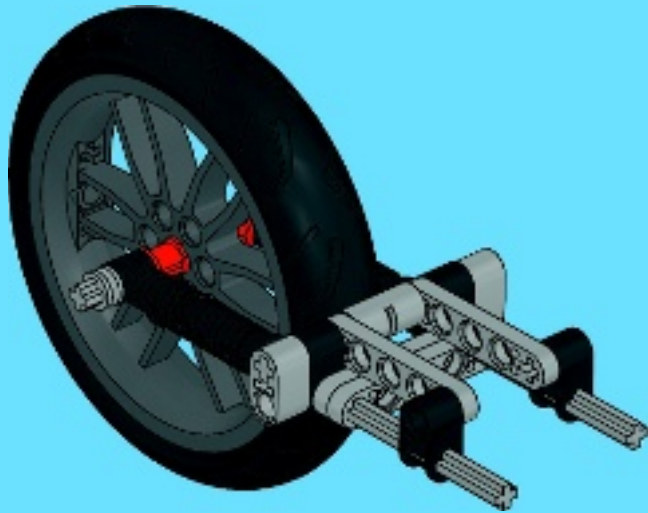
7





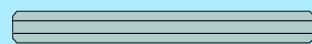
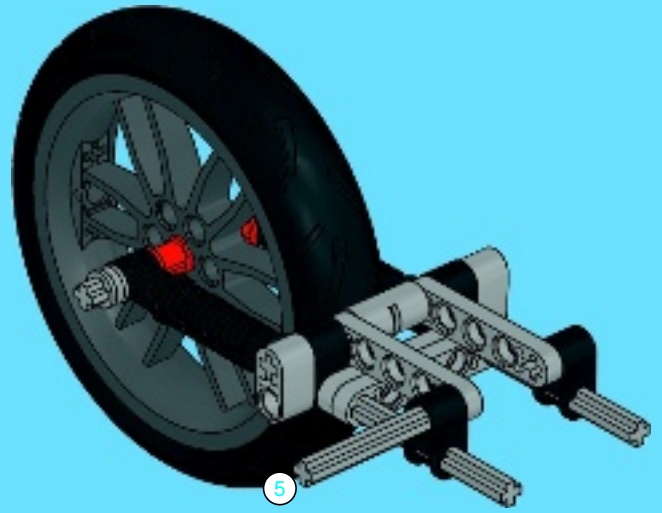
2x

8



1x

9

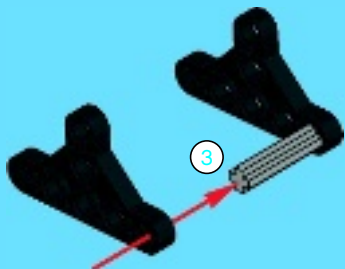


5

1:1



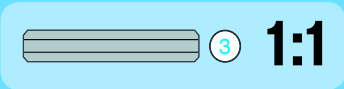
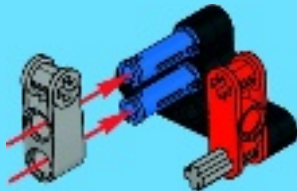
1



2



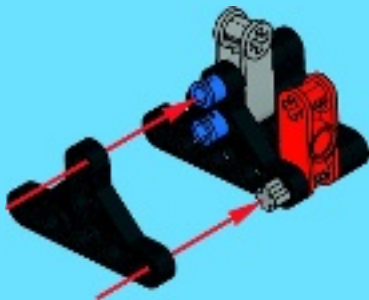
3





2x

4



2x

5



1x



1x

6



1x



1x

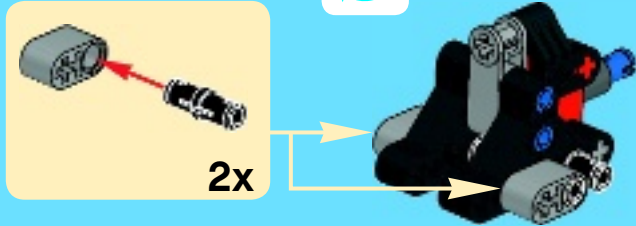
7



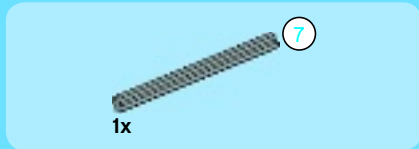
2x

2x

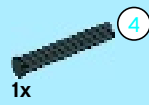
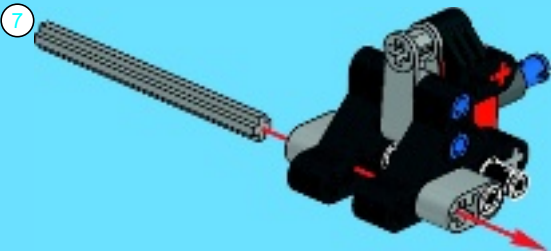
8



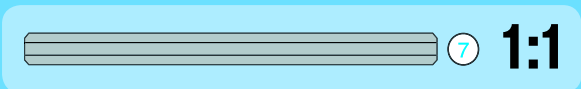
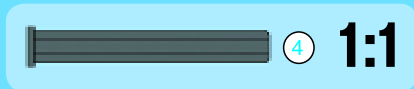
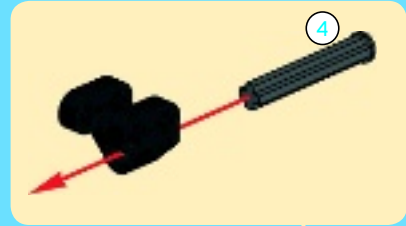
2x

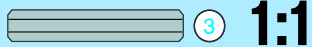


9



10





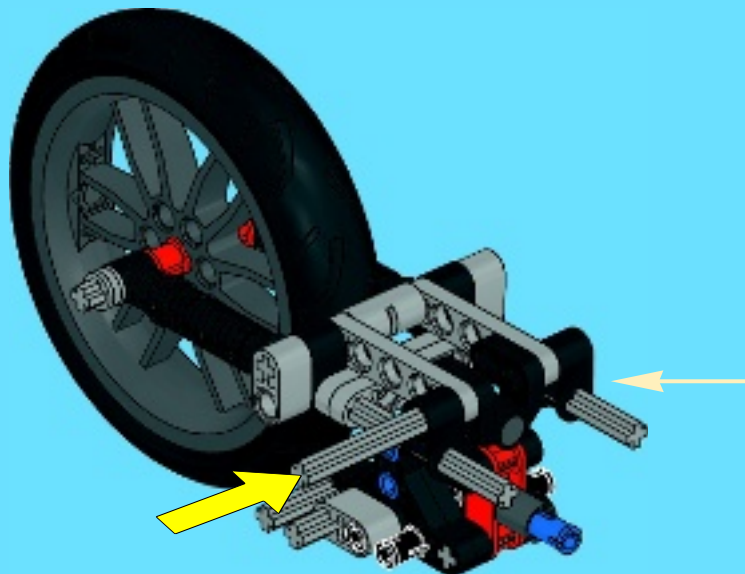
11

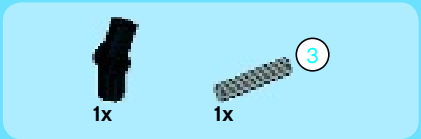


12

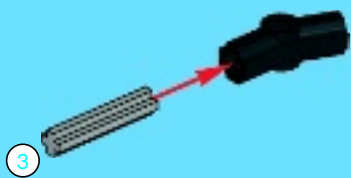


13

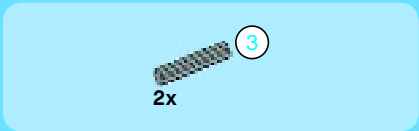
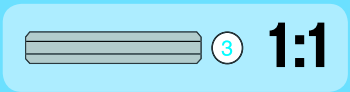
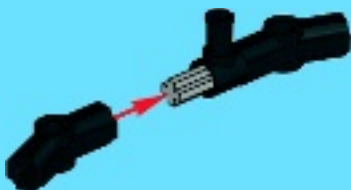




1



2



3



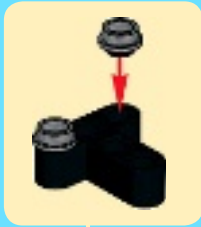
4



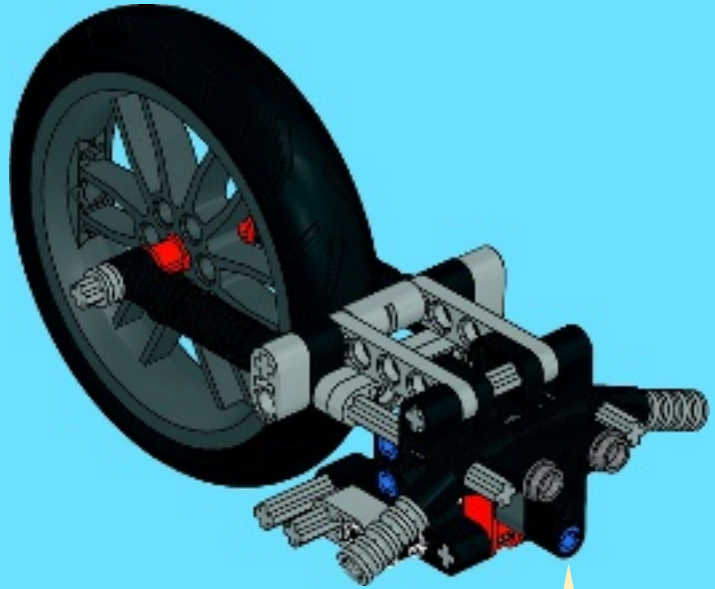
1x

2x

5



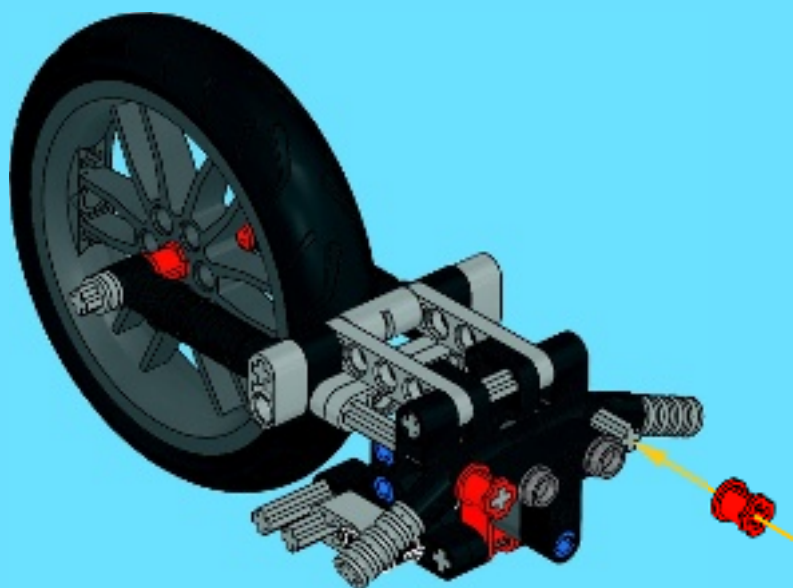
14



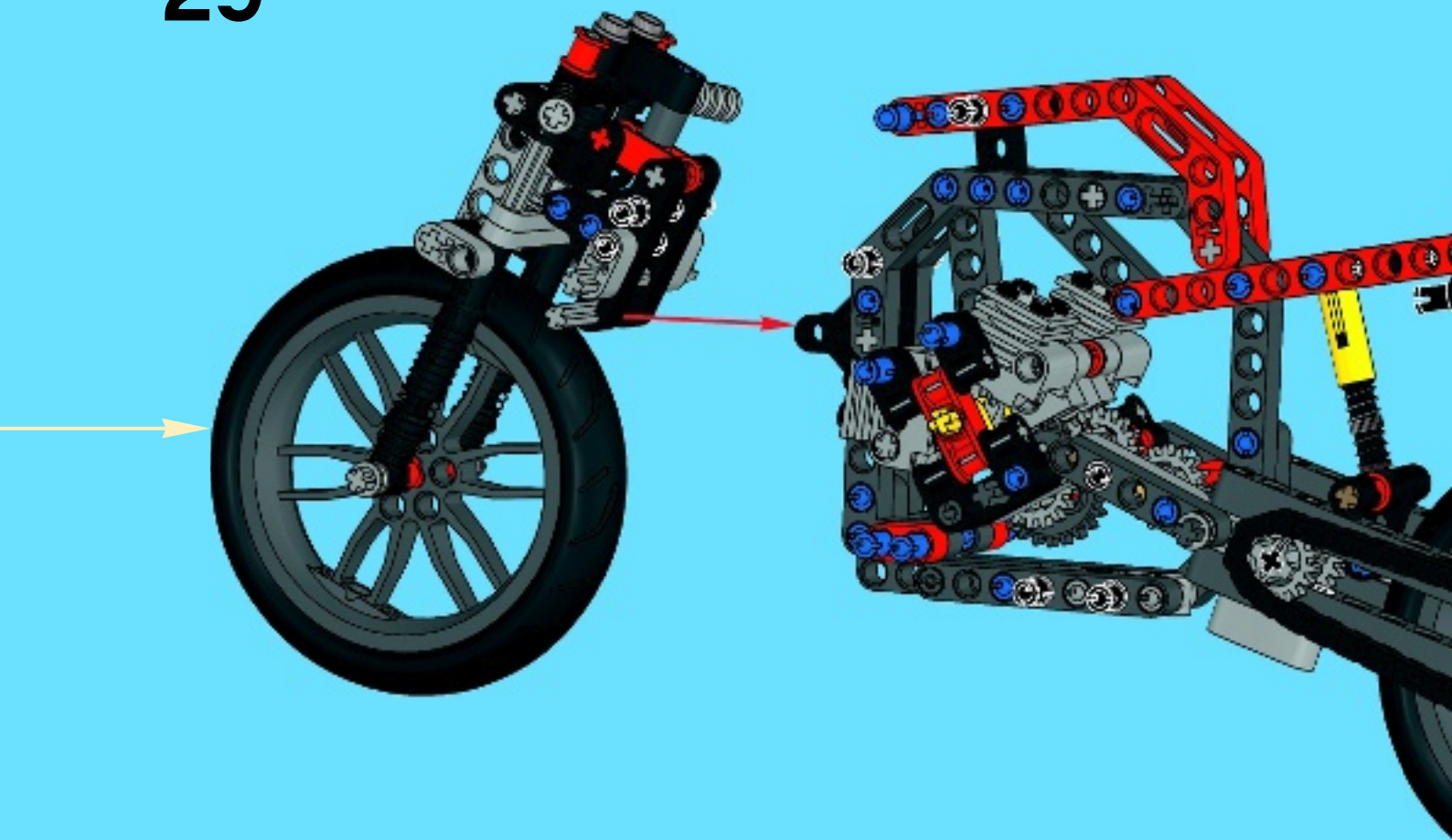


2x

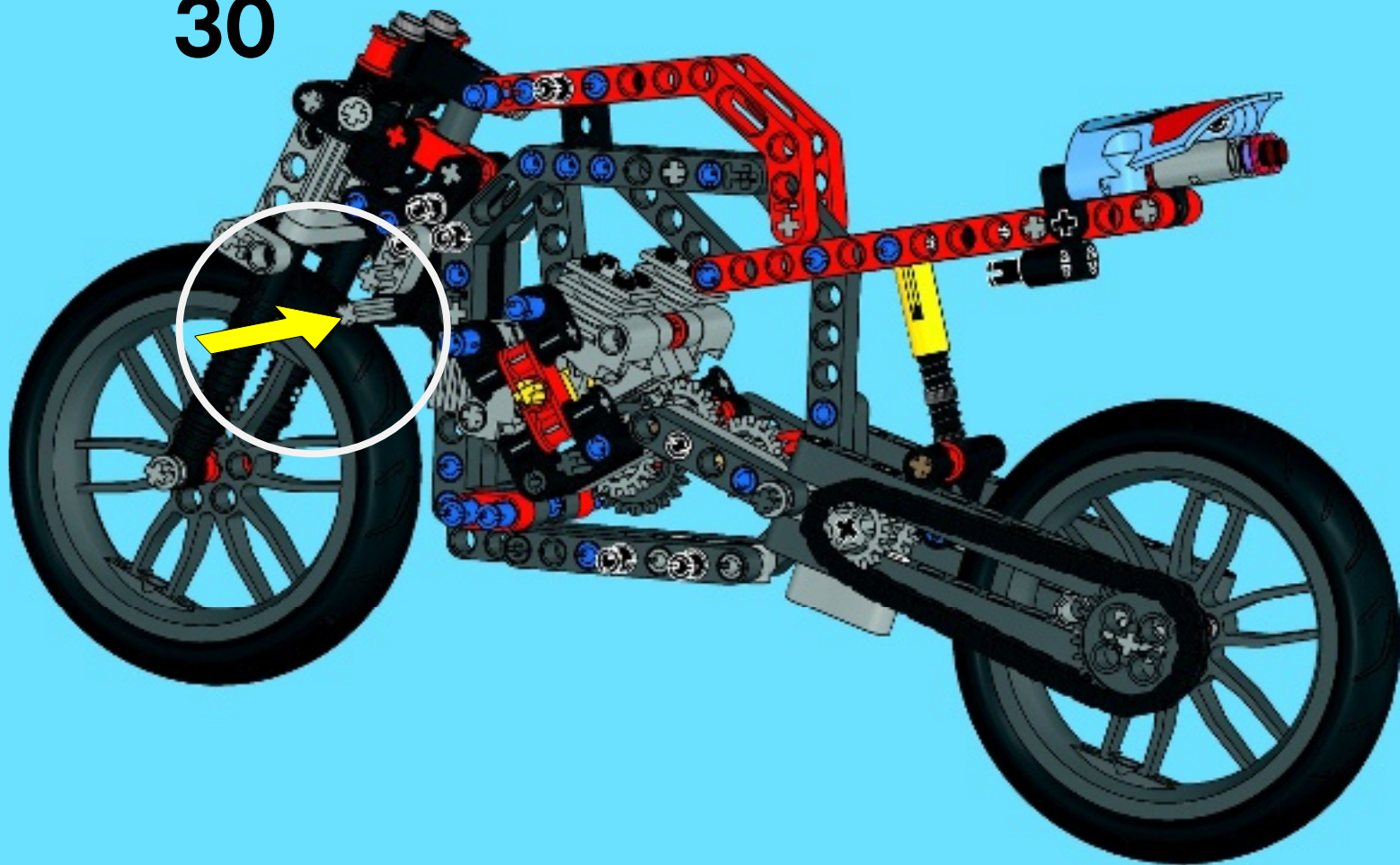
15



29



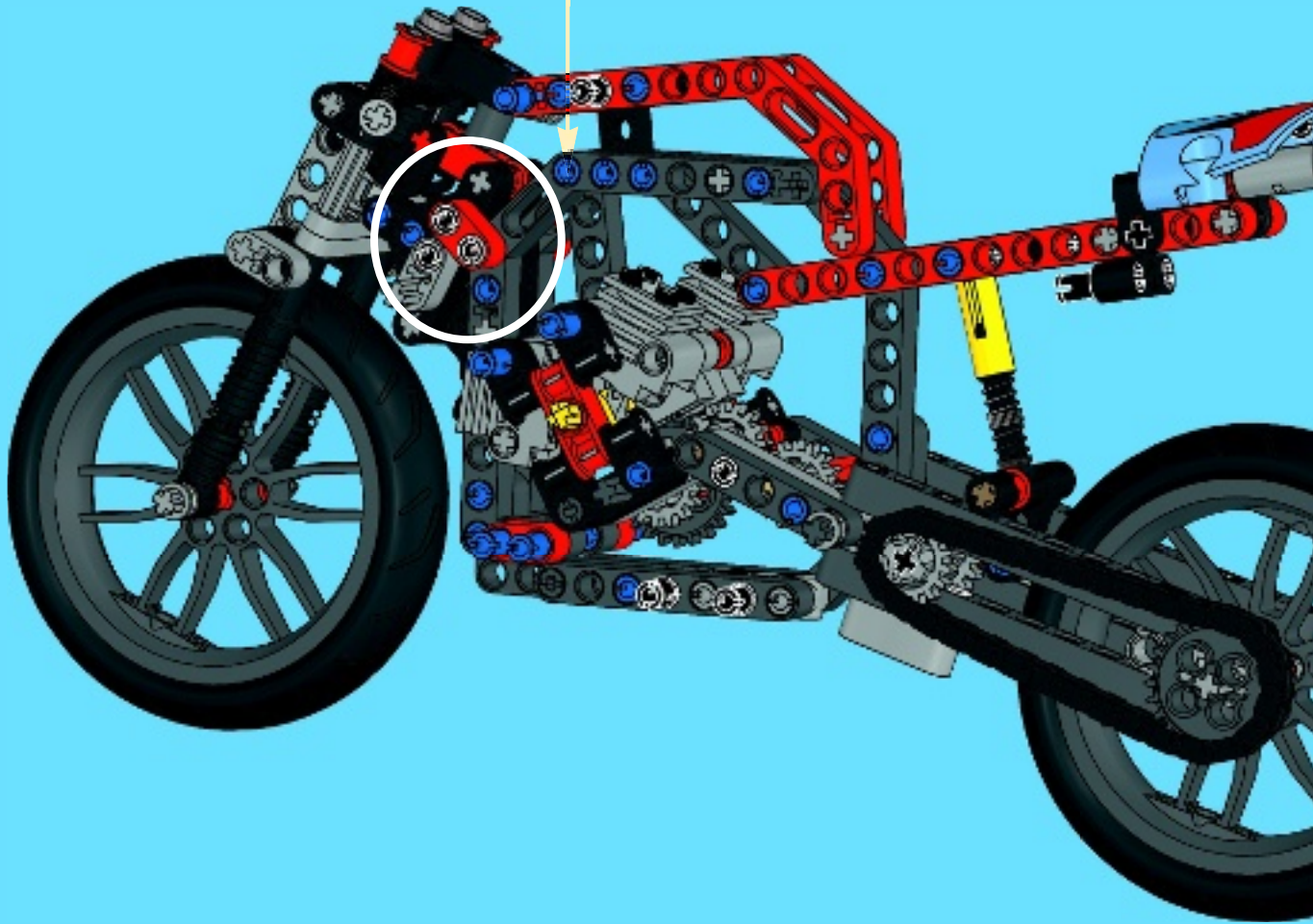
30

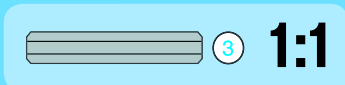
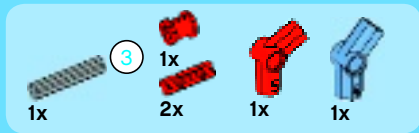




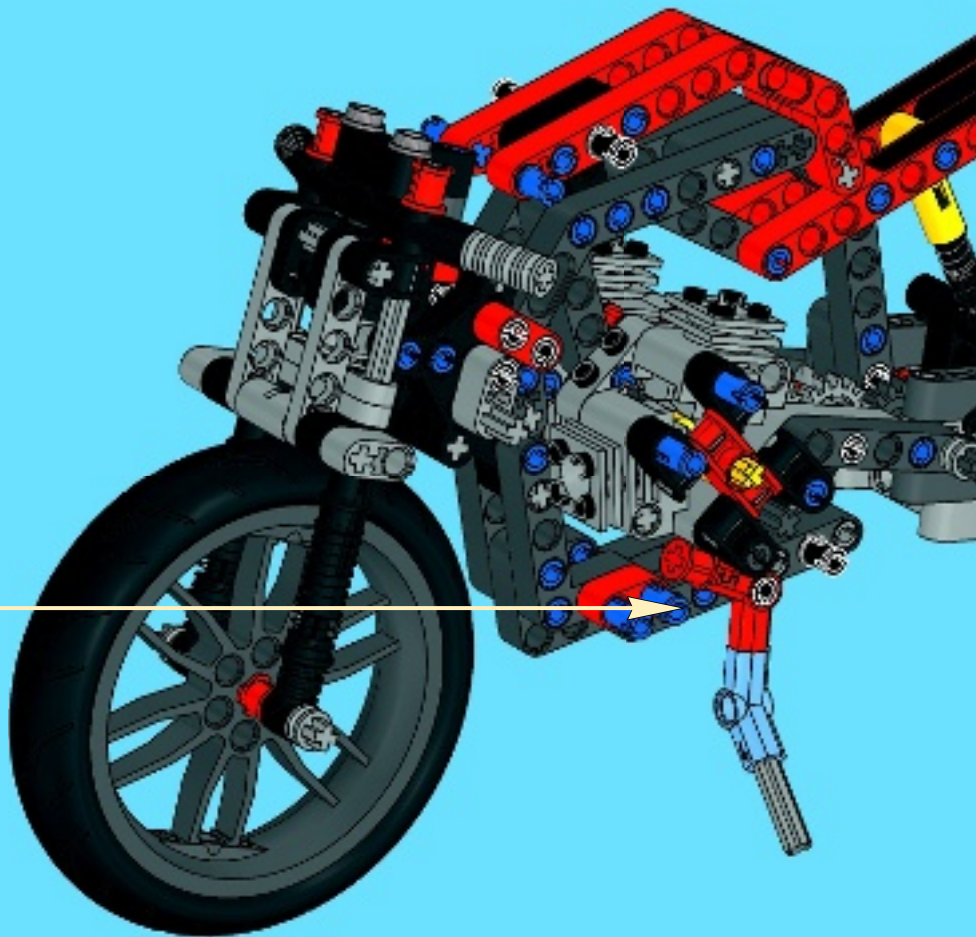
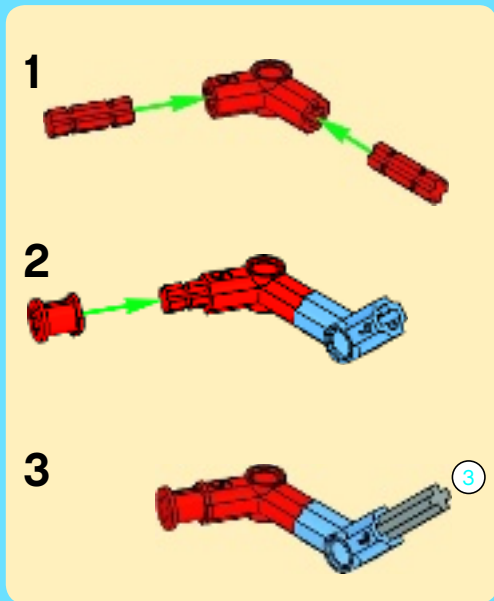
2x

31



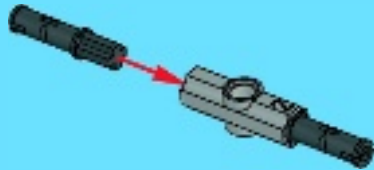


32





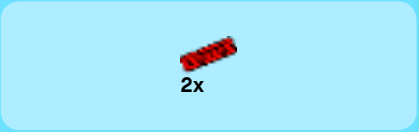
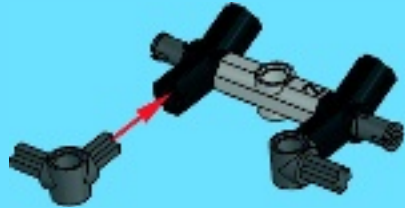
1



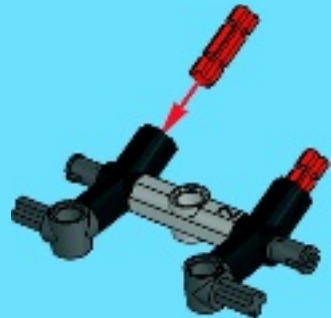
2



3



4





2x

5



3x

6



2x

3



2x



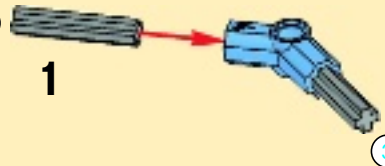
2x



1x

7

3



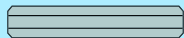
1

3

2



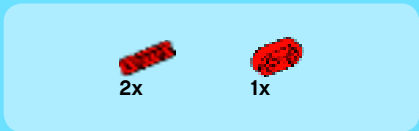
3



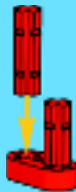
3

1:1

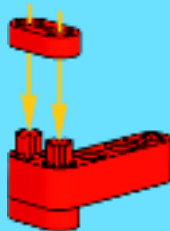




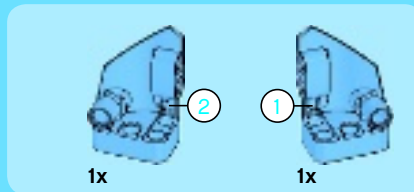
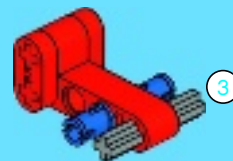
1



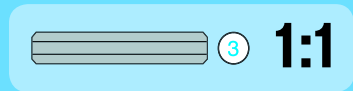
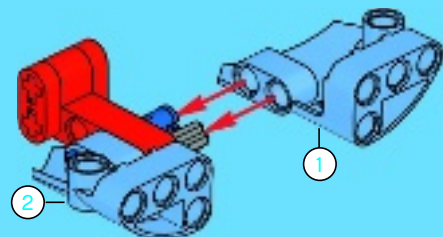
2



3



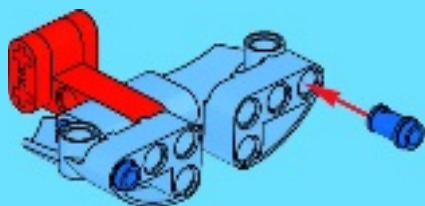
4





2x

5



2x



2x

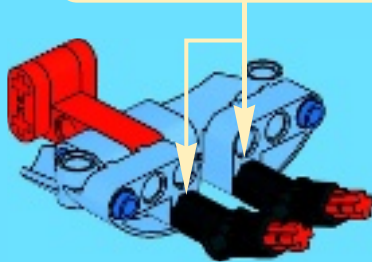


2x

6

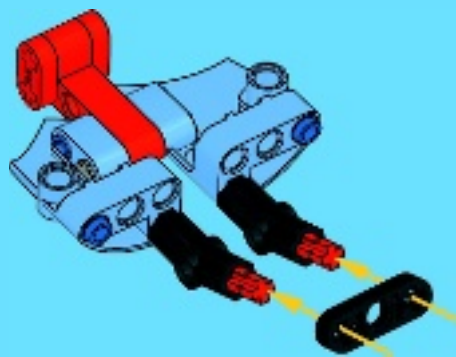


2x



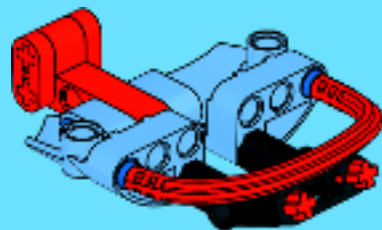
1x

7

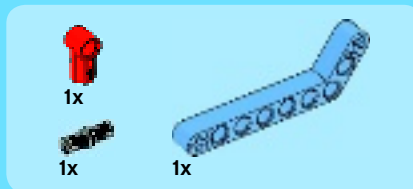
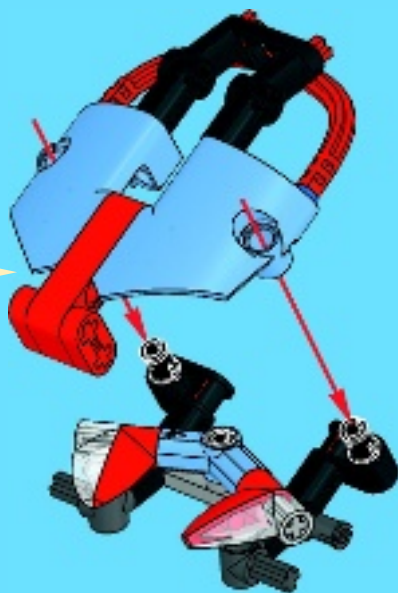


1x

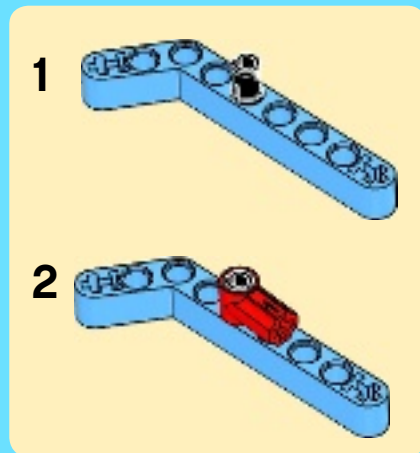
8



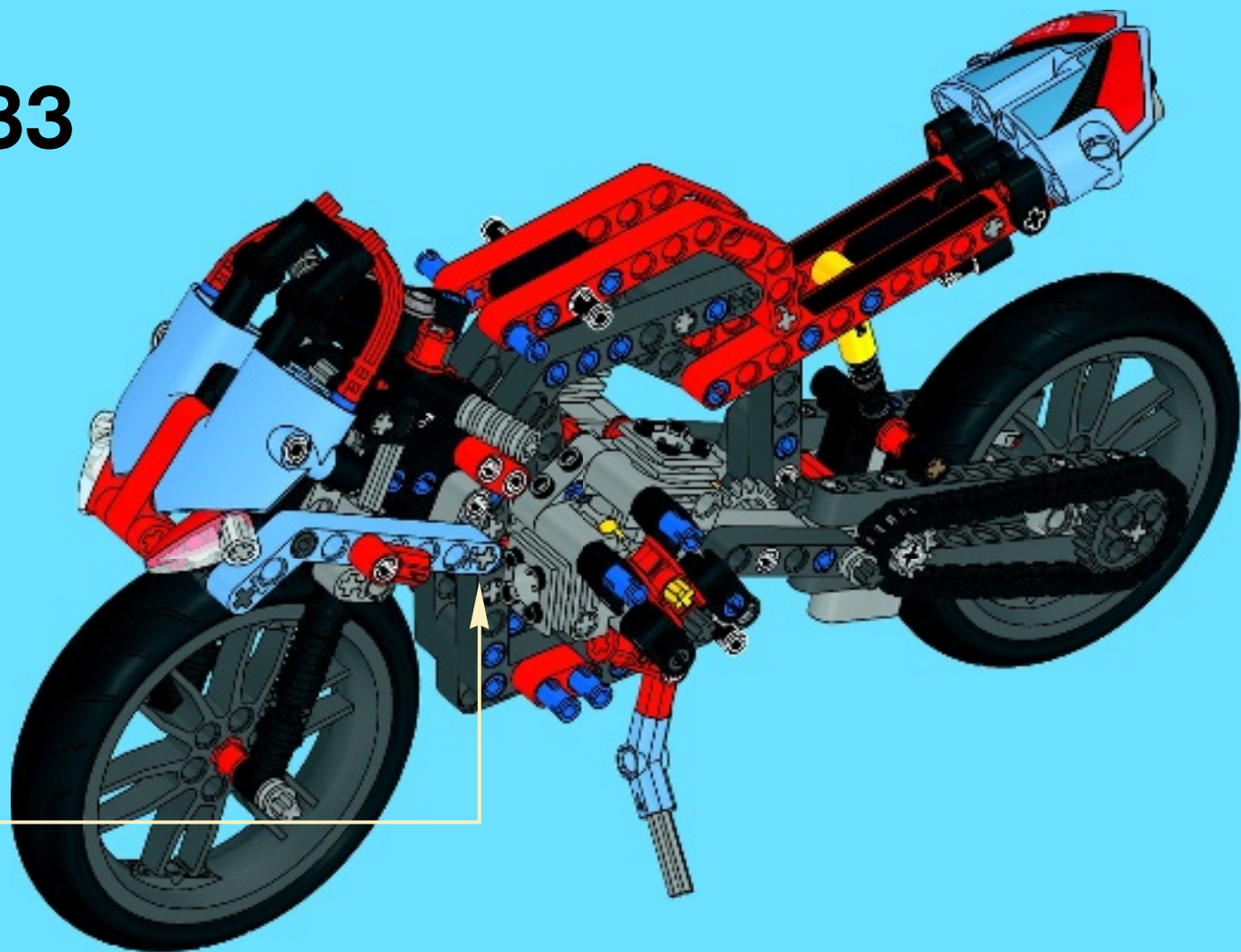
9

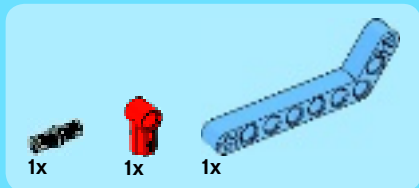


10

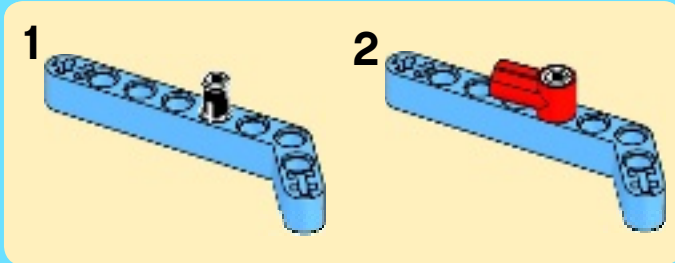
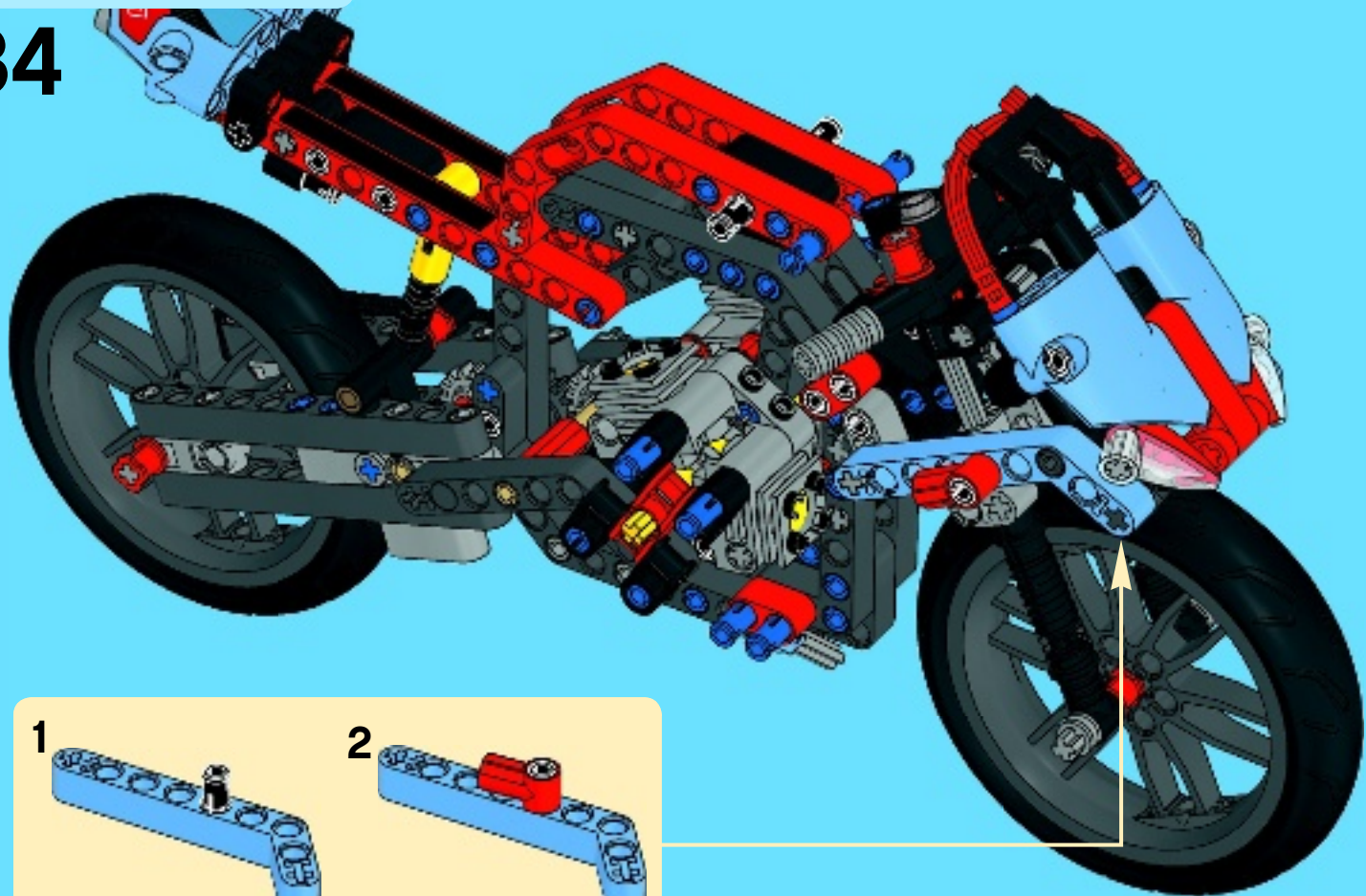


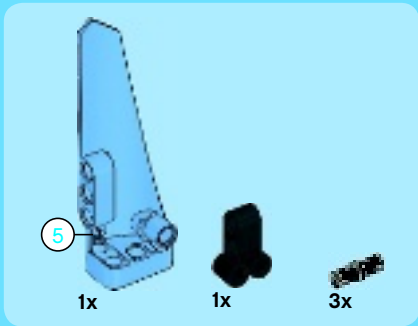
33



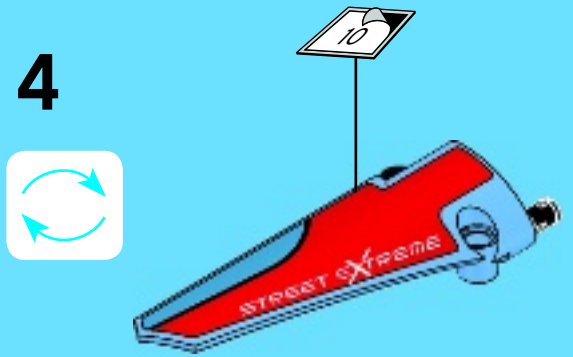
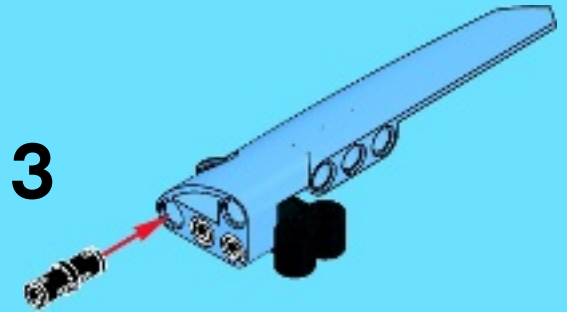
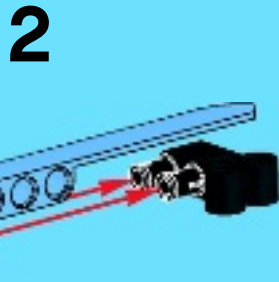


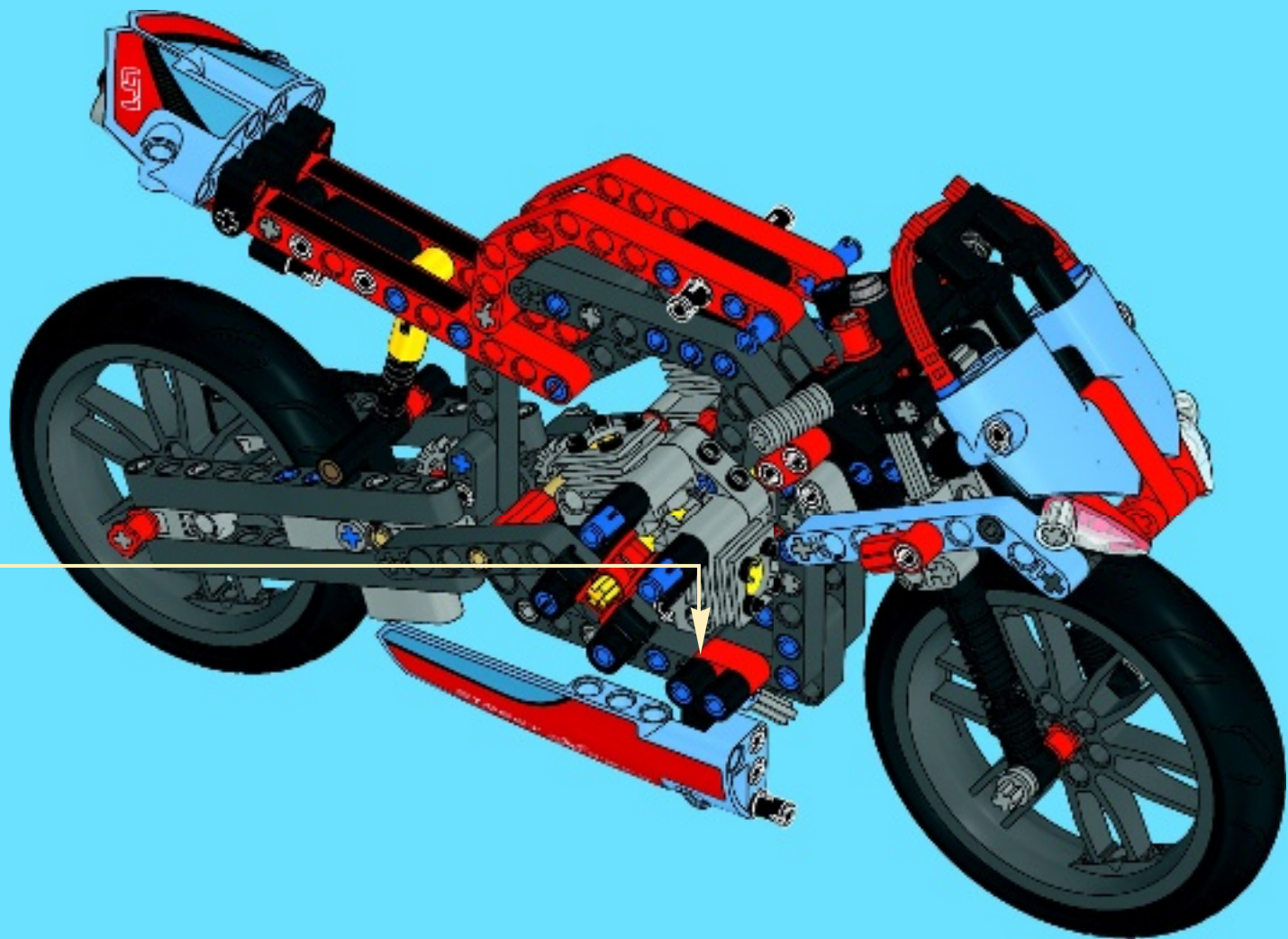
34

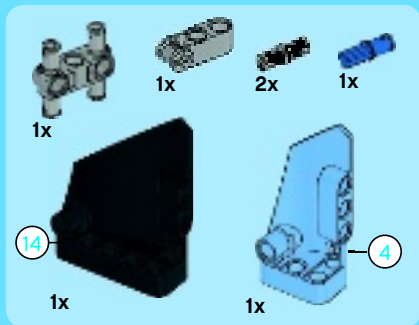




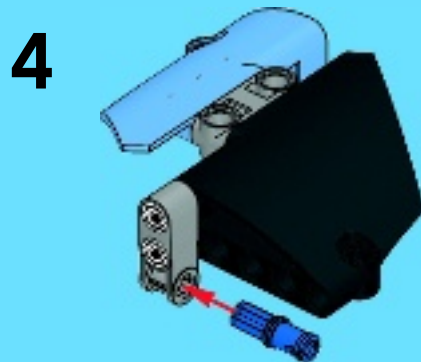
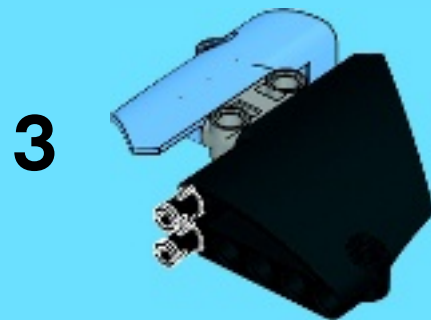
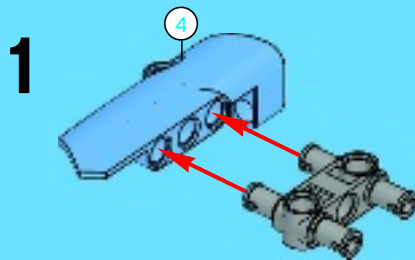
35



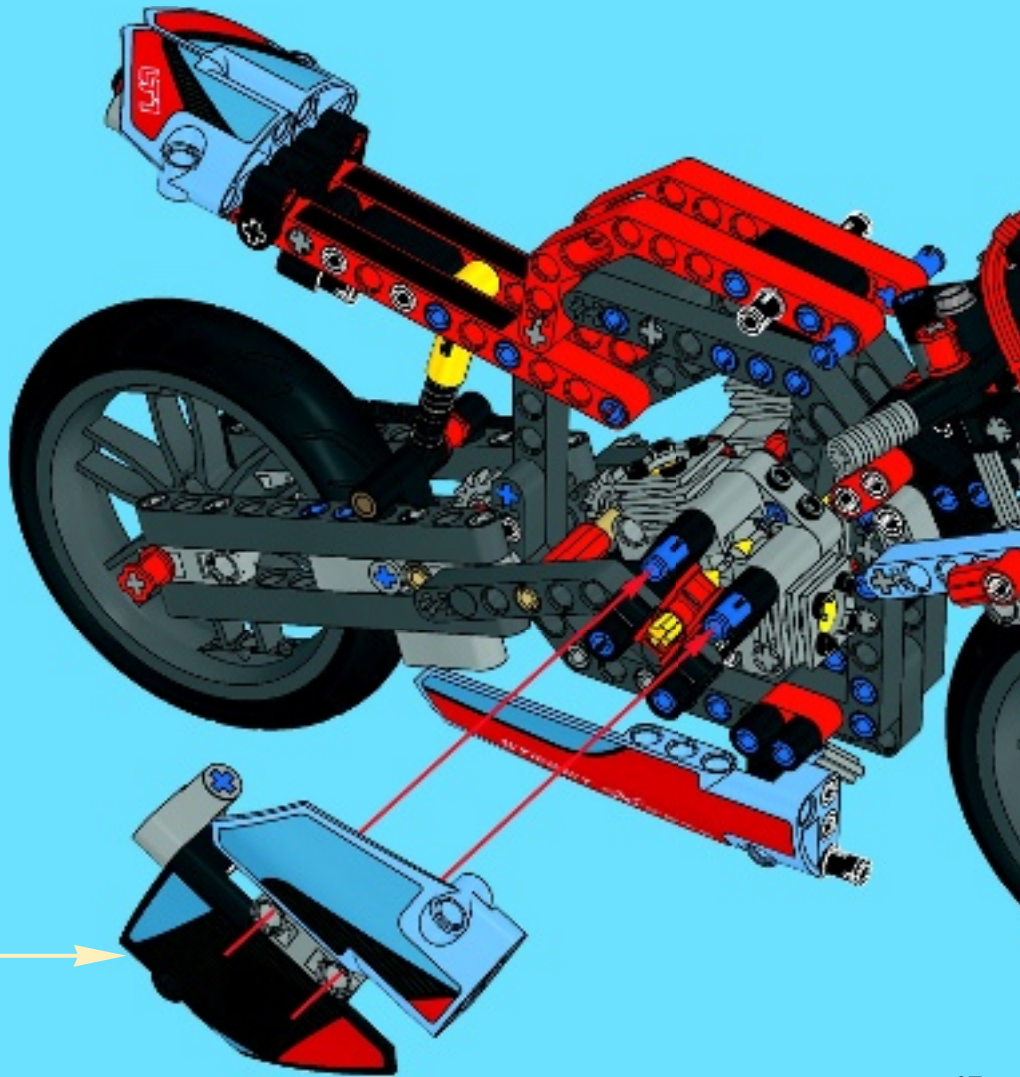
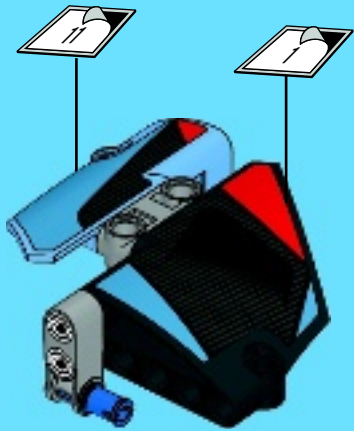


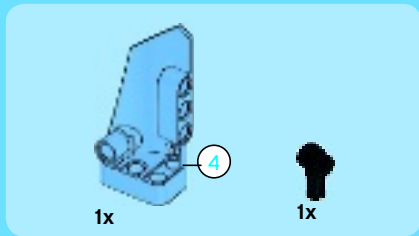


36

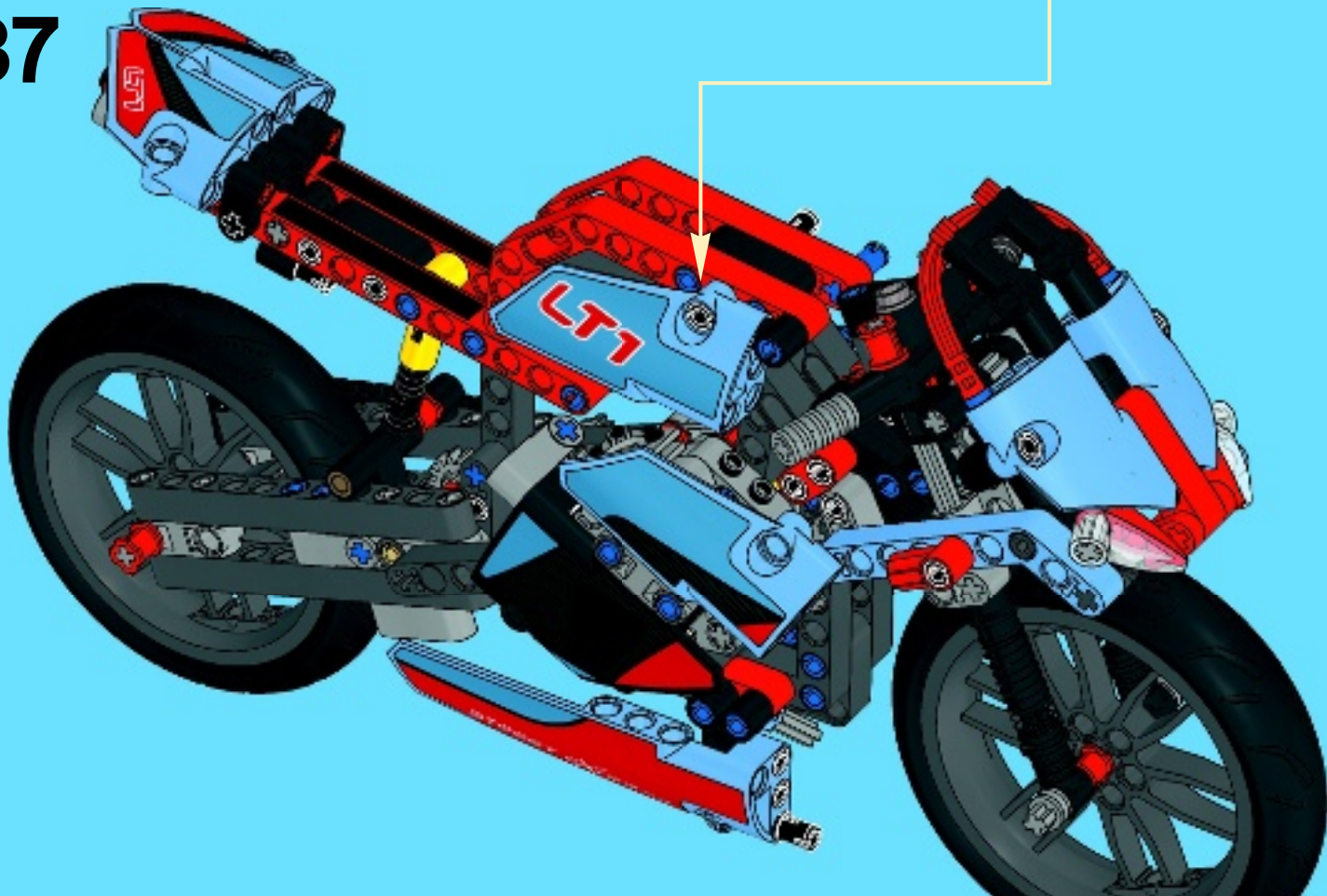


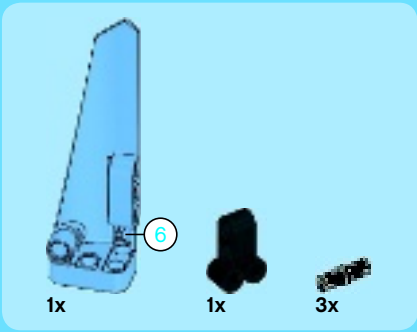
5





37



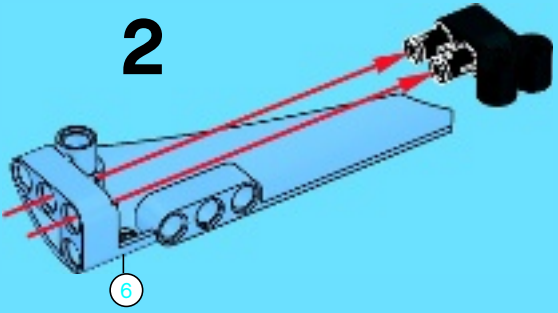


38

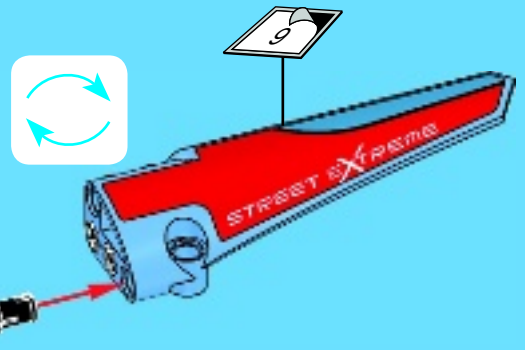
1



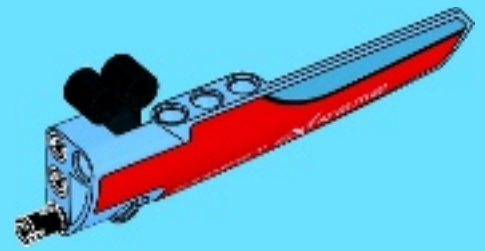
2

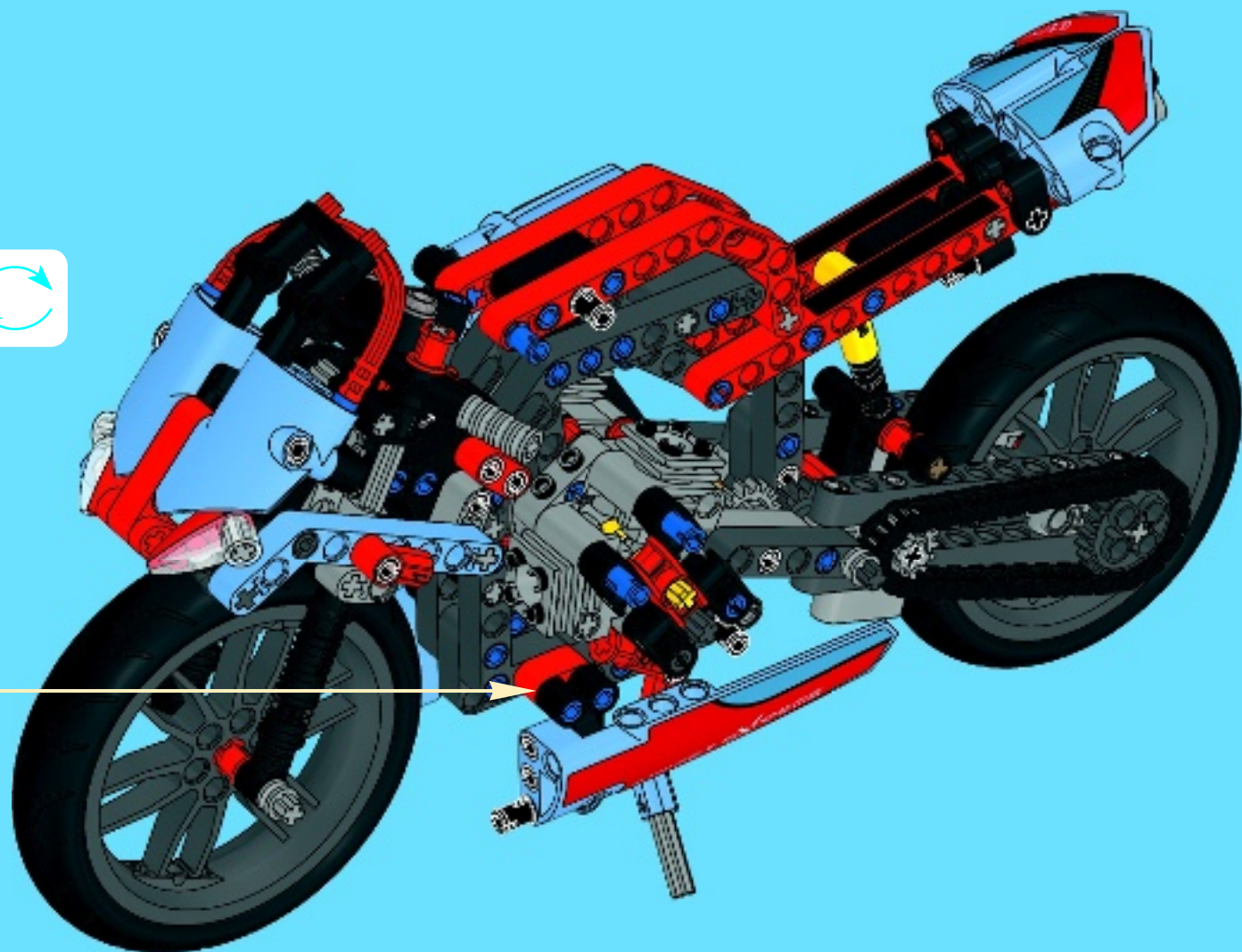


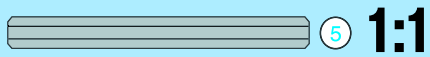
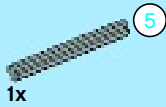
3



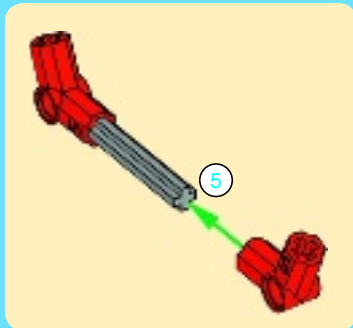
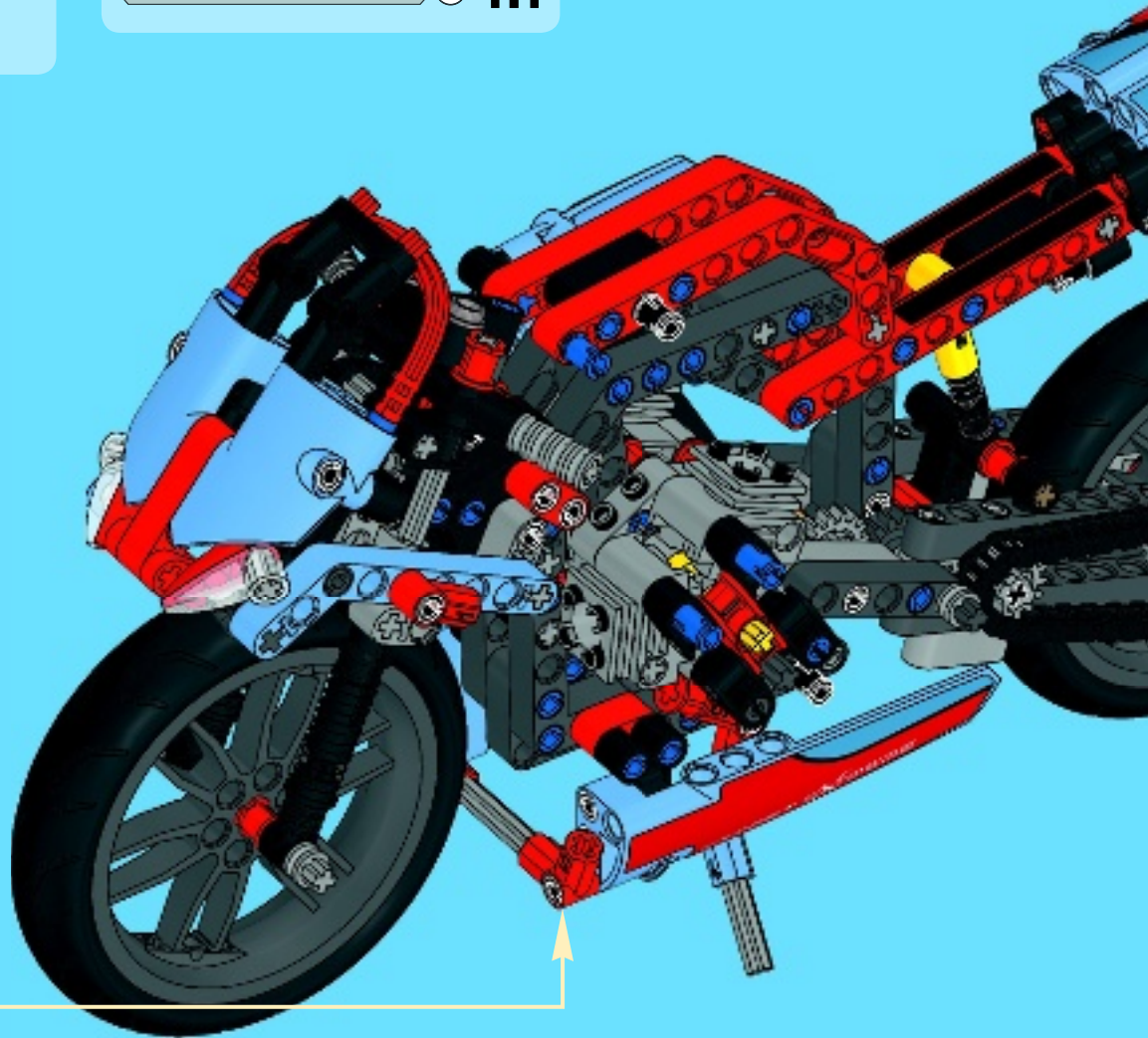
4





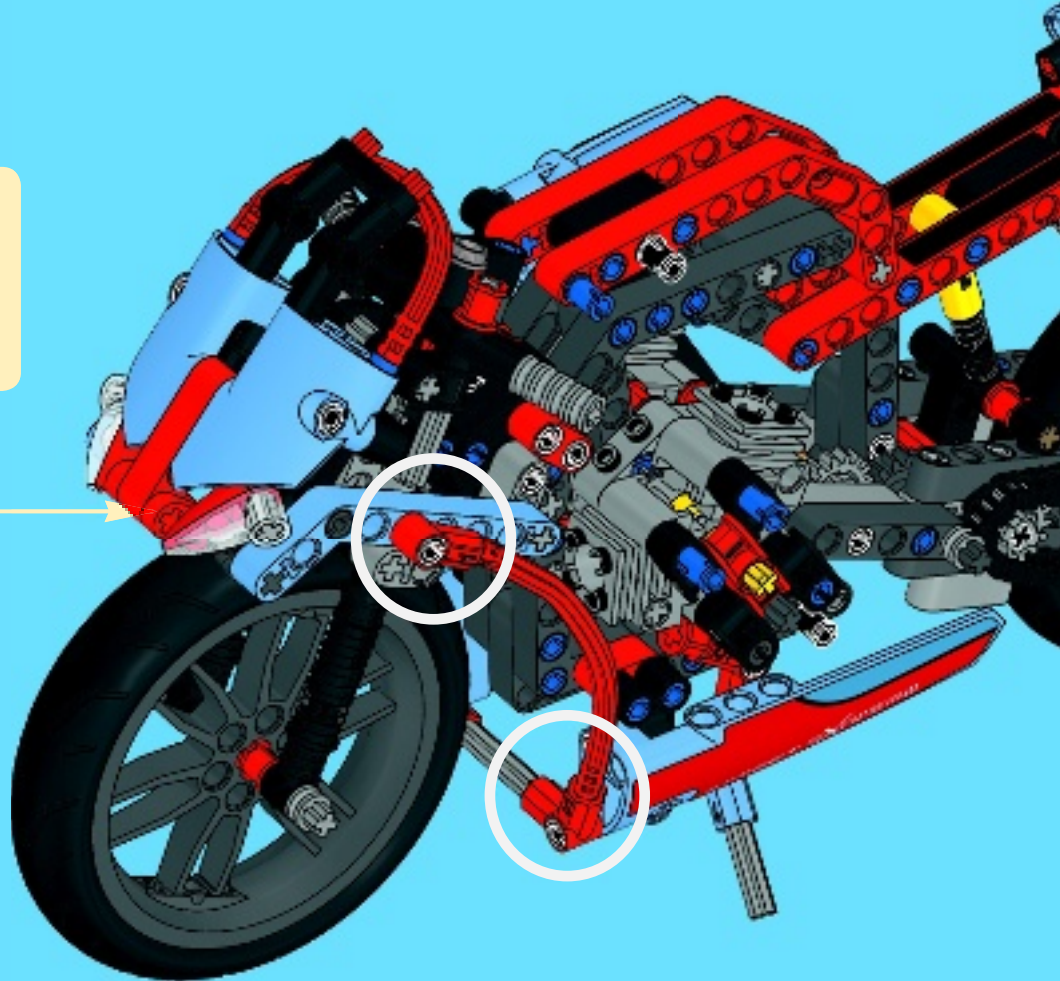


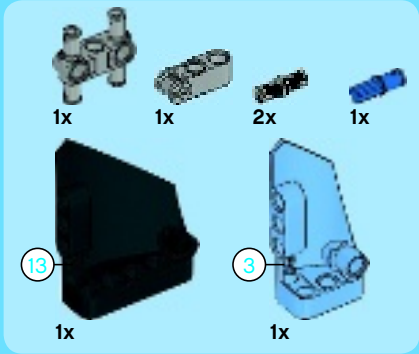
39



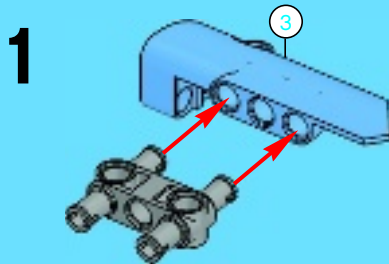
2x

40

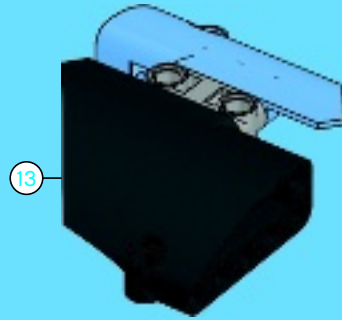




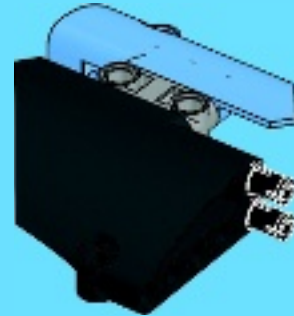
41



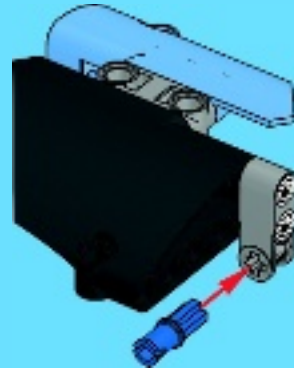
2



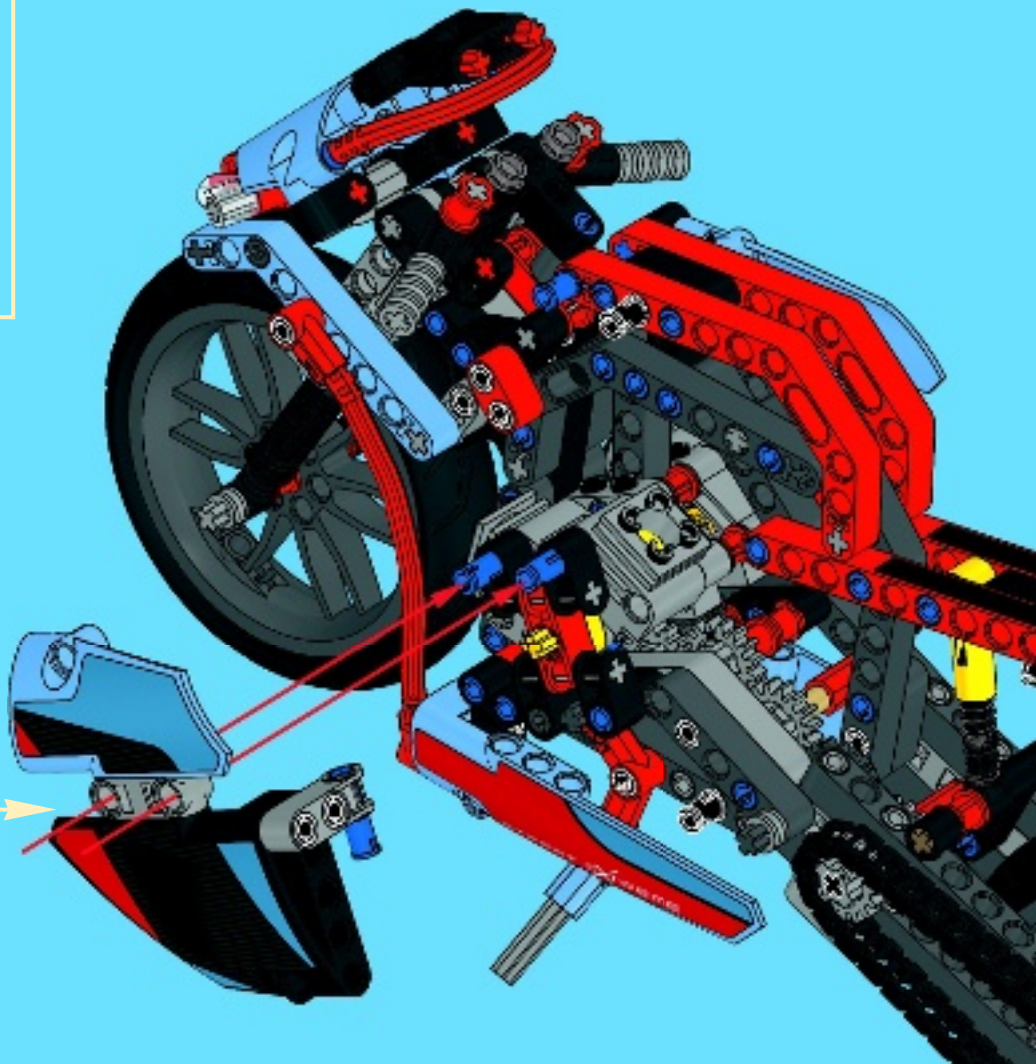
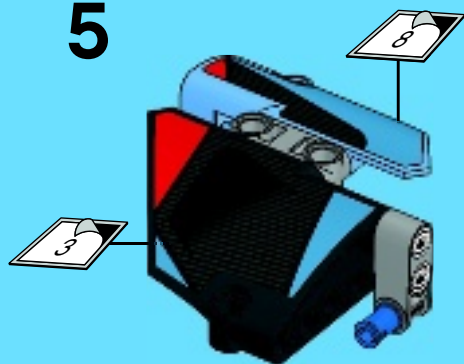
3



4

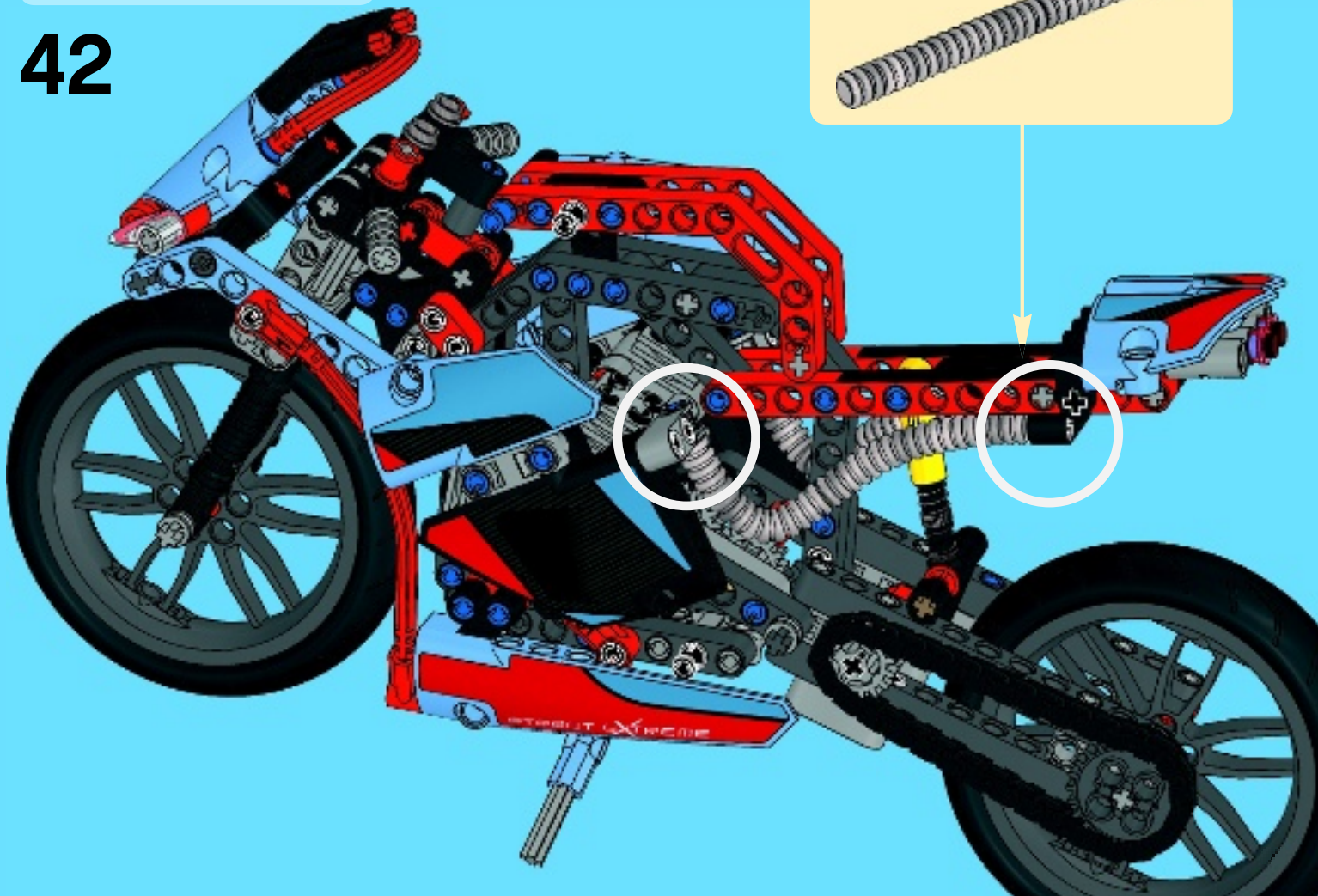
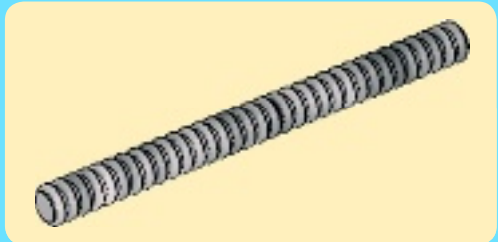


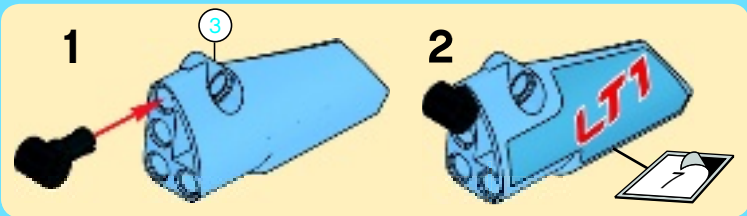
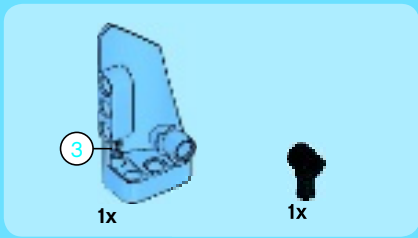
5



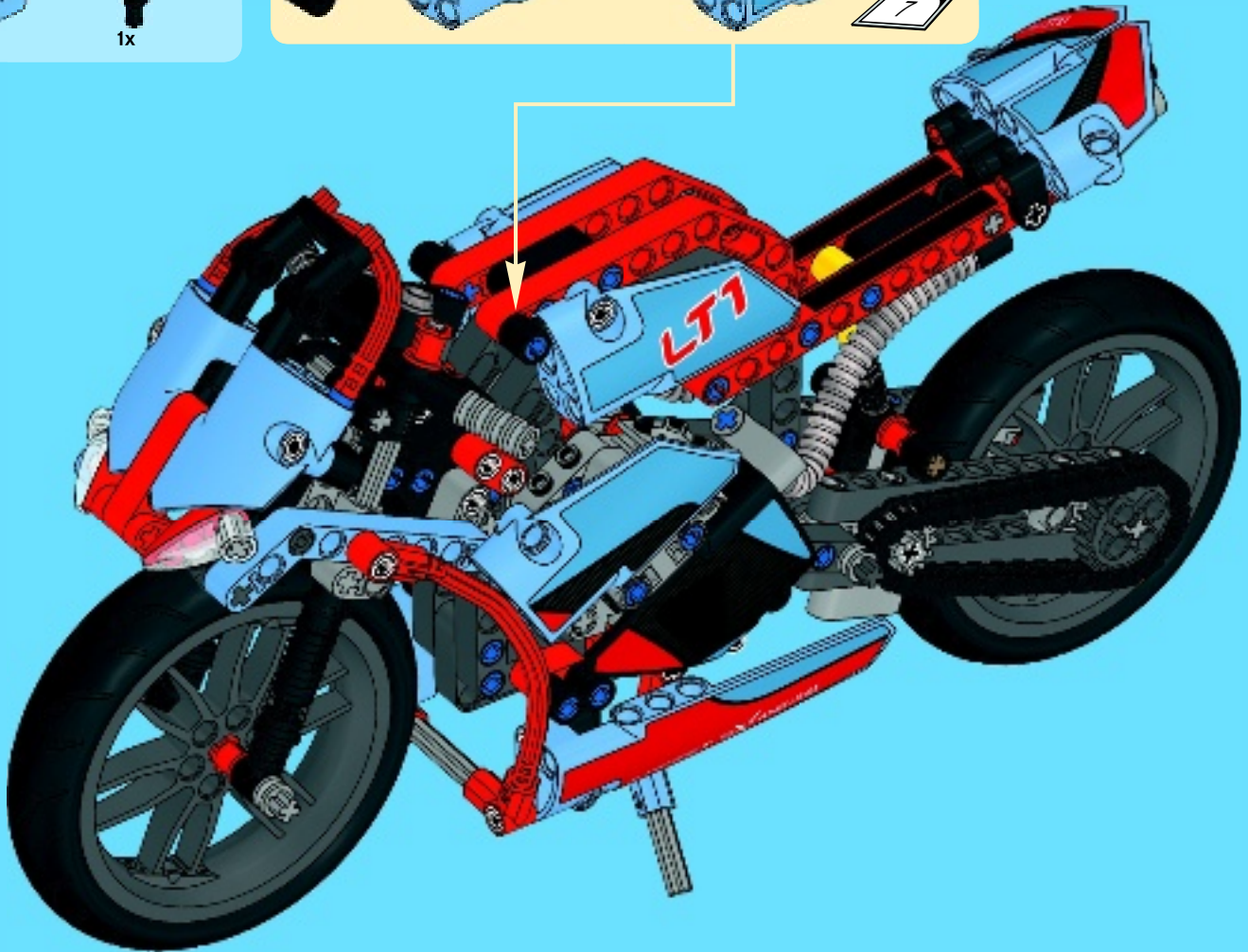


42



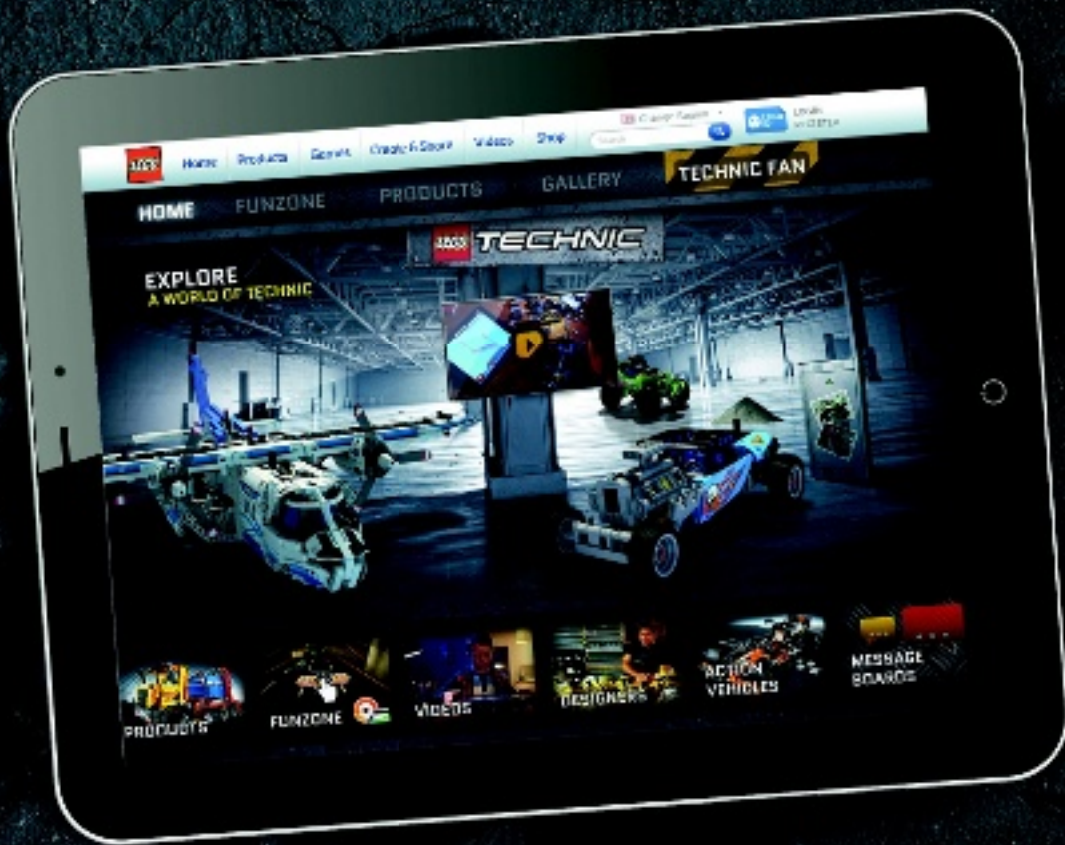


43





TECHNIC



LEGO.com/technic

LEGO *TECHNIC*



42037



42038

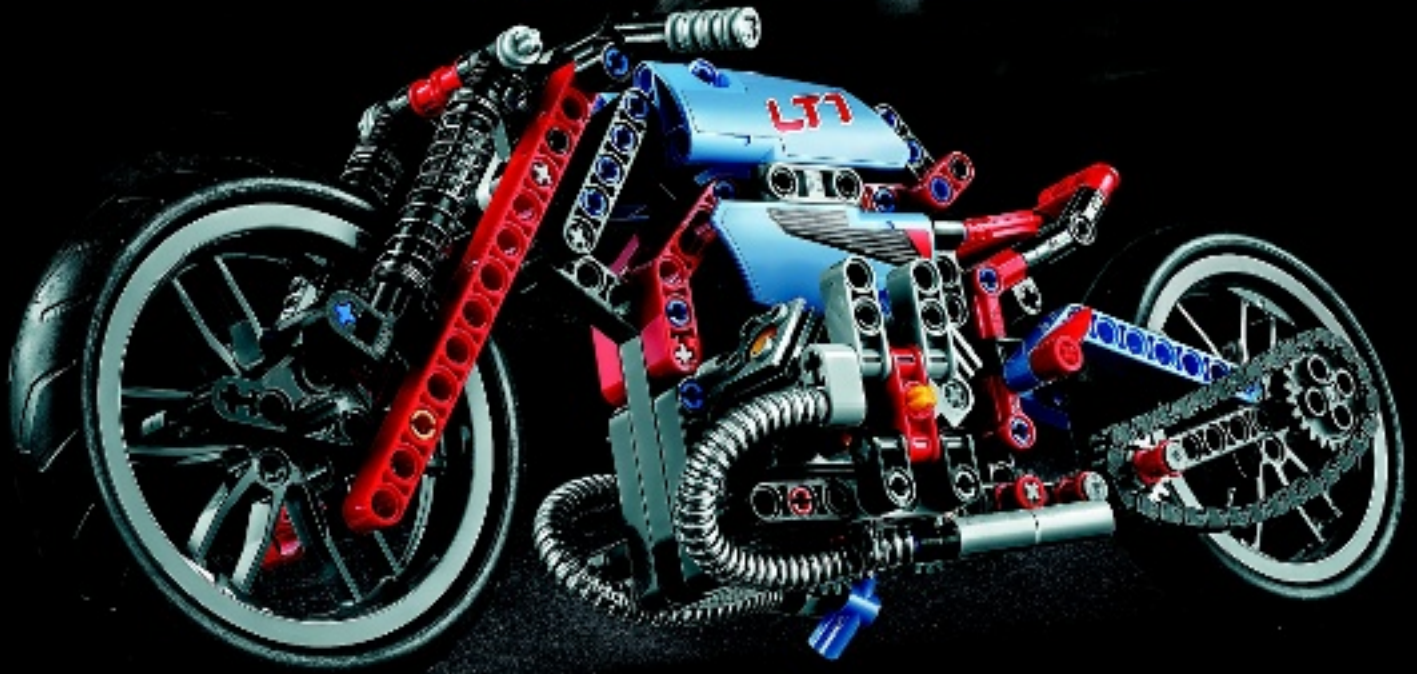


42039



TECHNIC

42036



1

LEGO.com/building-app



2



3



Available on the
App Store



ANDROID APP ON
Google play

Apple, the Apple logo, iPad, iPhone and iPod touch are trademarks of Apple Inc., registered in the U.S. and other countries. App Store is a service mark of Apple Inc.
Apple, le logo Apple, iPad, iPhone et iPod touch sont des marques de commerce d'Apple Inc., déposées aux États-Unis et dans d'autres pays. App Store est une marque de service d'Apple Inc.
Apple, el logotipo de Apple, iPad, iPhone e iPod touch son marcas comerciales de Apple Inc., registradas en EE. UU. y otros países. App Store es una marca de servicio de Apple Inc.

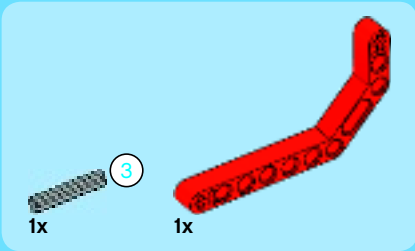
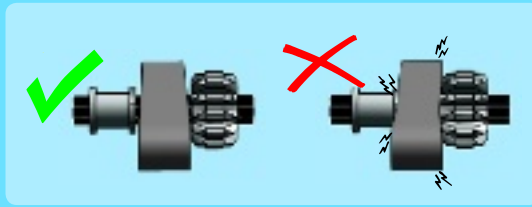
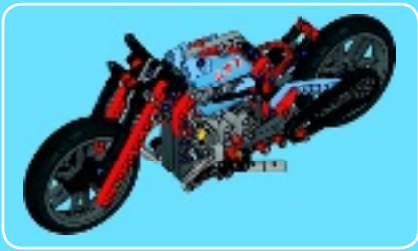
Google Play is a trademark of Google Inc.
Google Play est une marque de commerce de Google Inc.
Google Play es una marca comercial de Google Inc.



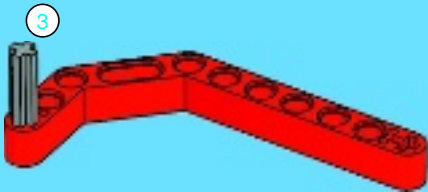
TECHNIC



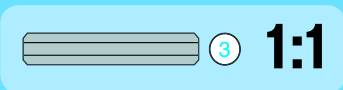
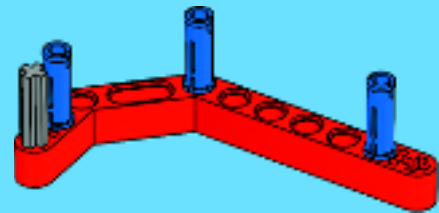
FSC
www.fsc.org
MIX
Paper from
responsible sources
FSC® C117818

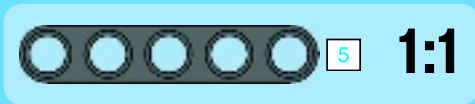
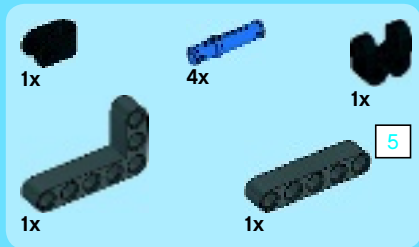


1

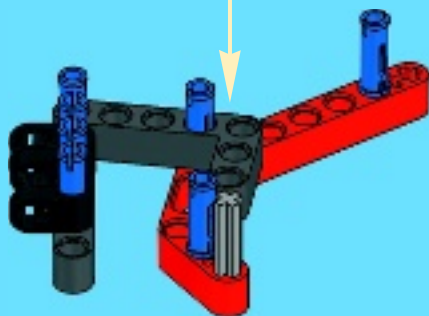
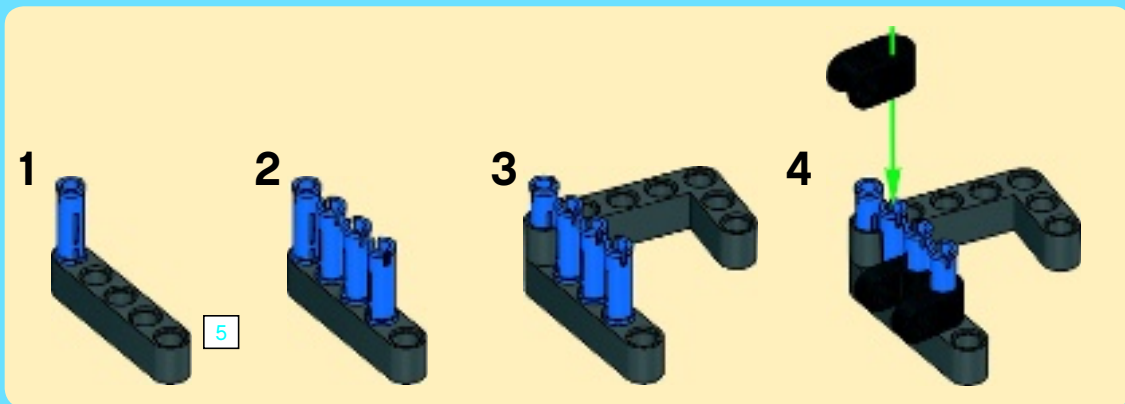


2

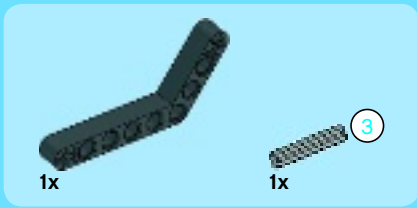




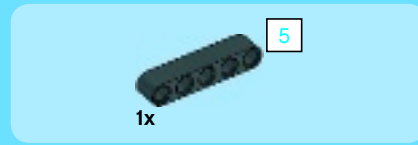
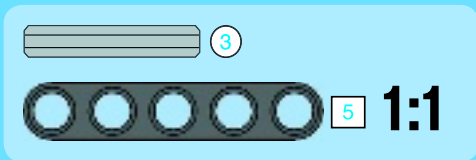
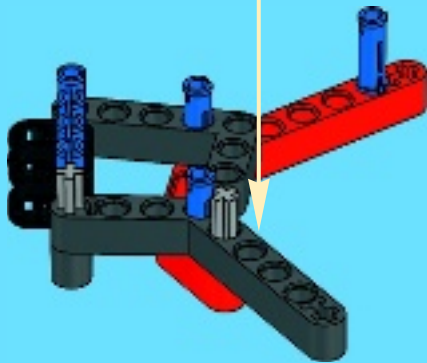
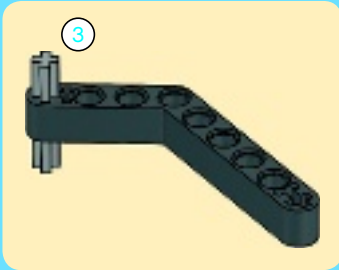
3



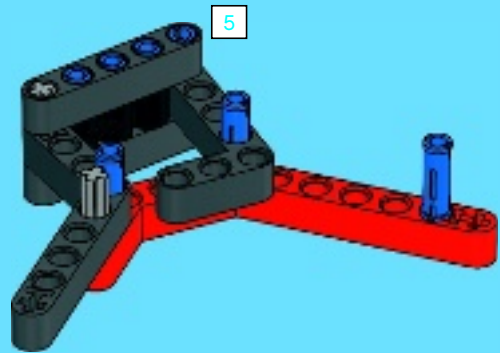
4



4

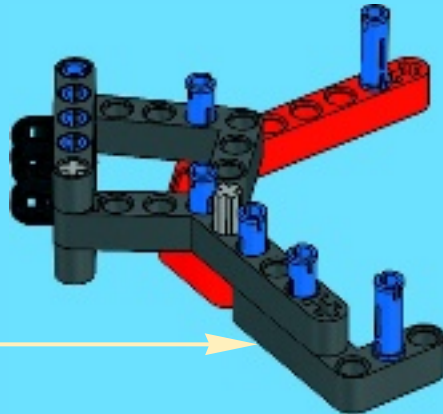
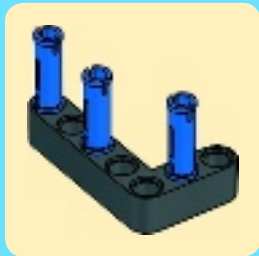


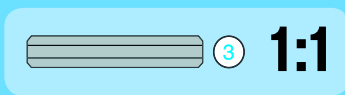
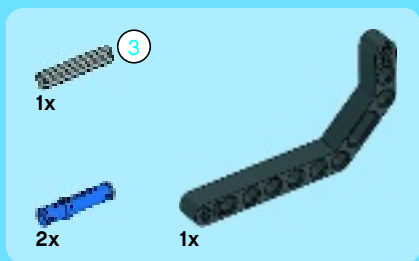
5



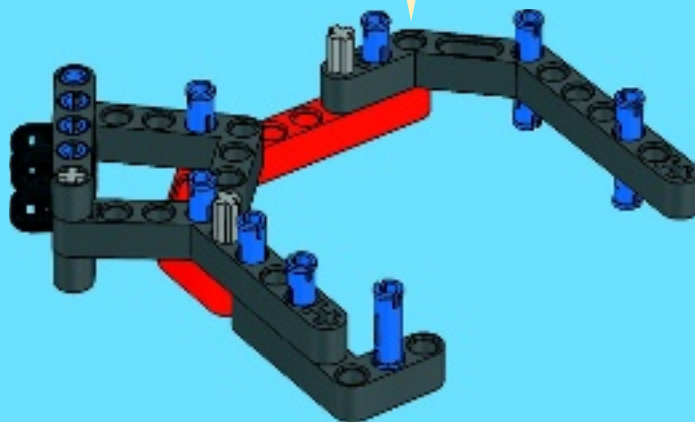
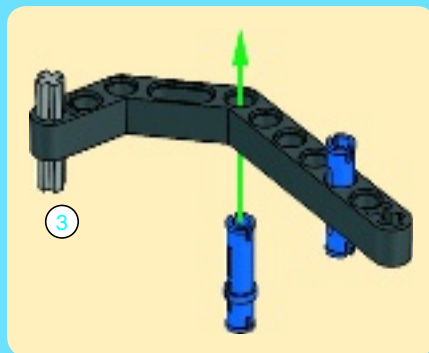


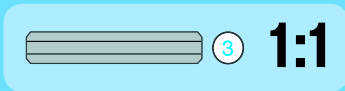
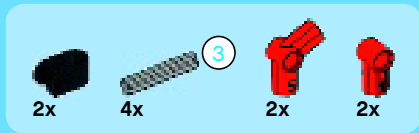
6



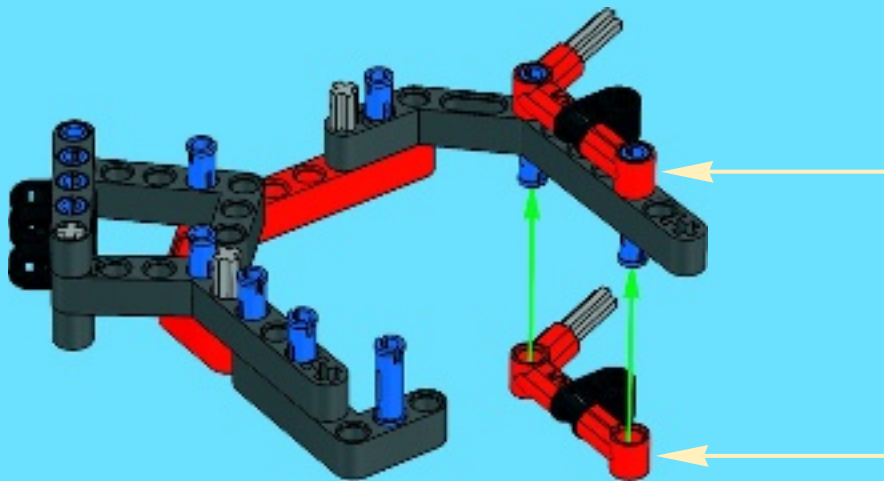
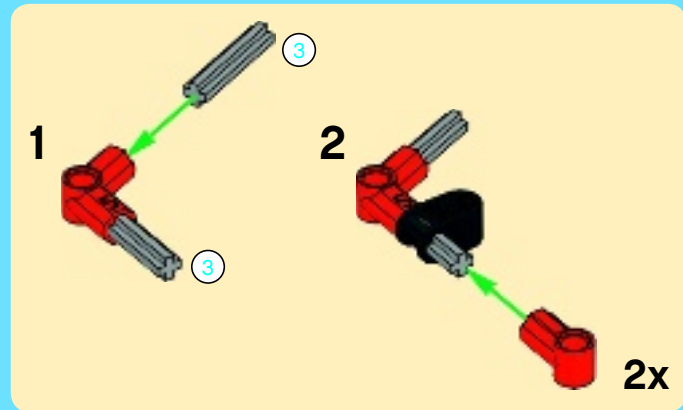


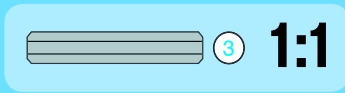
7



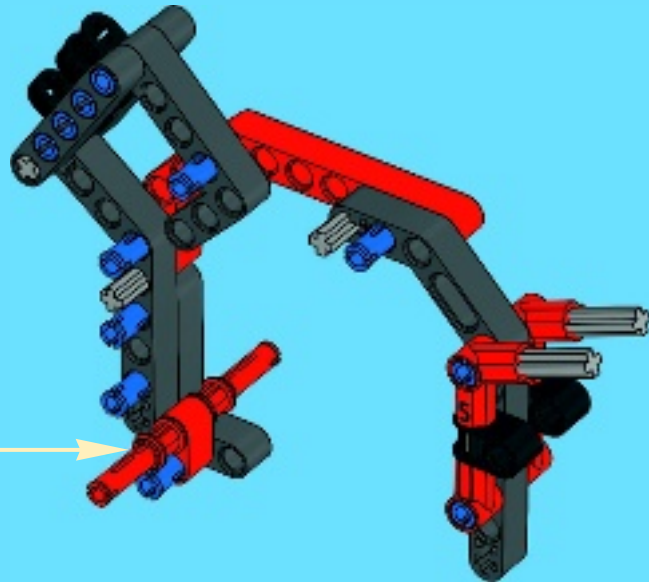
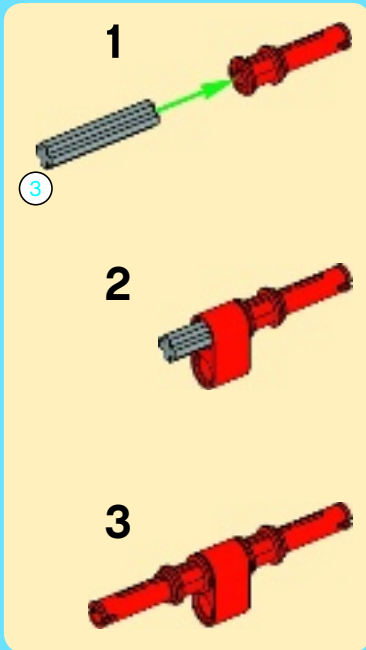


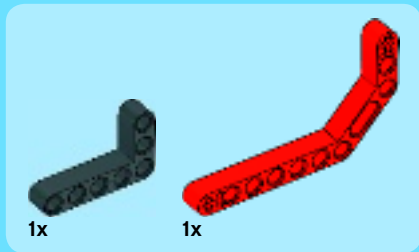
8



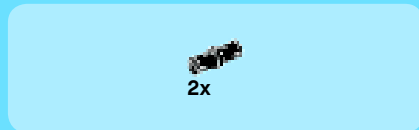
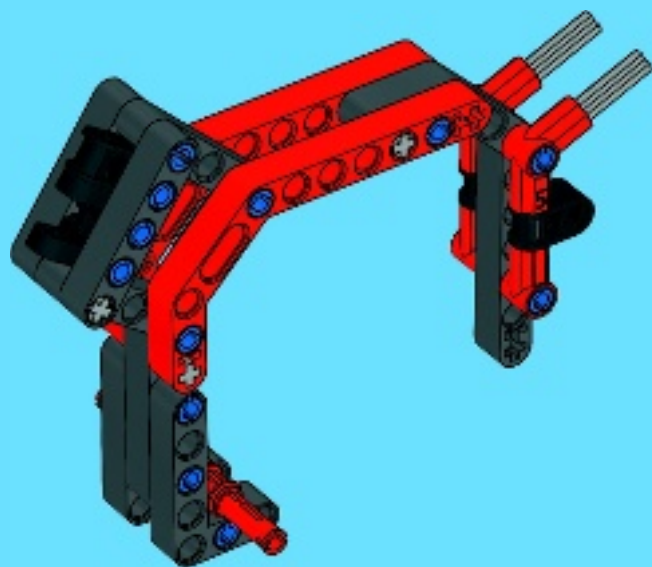


9

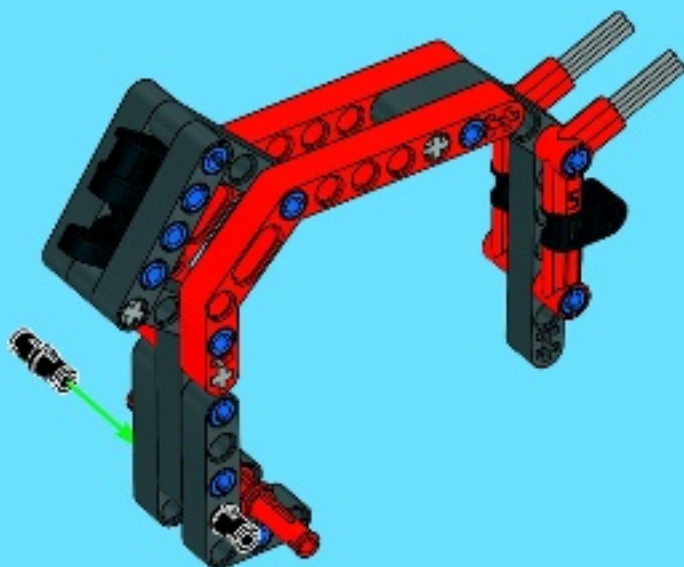


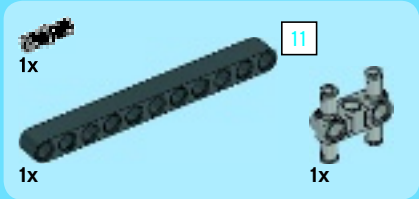


10

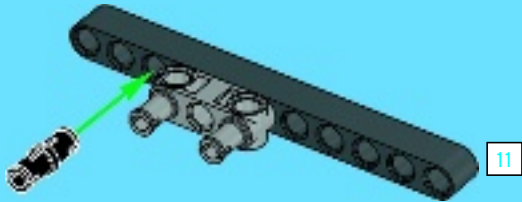


11

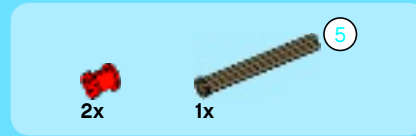




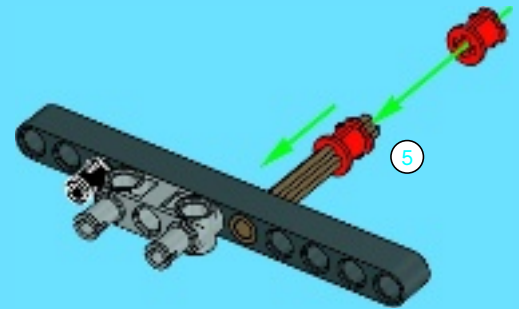
1

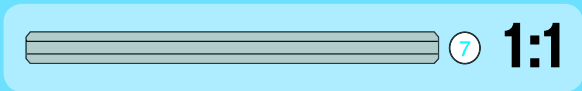
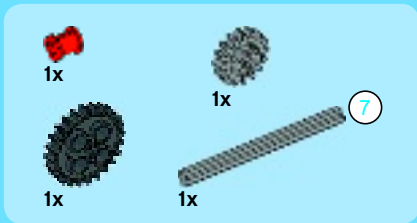


1:1

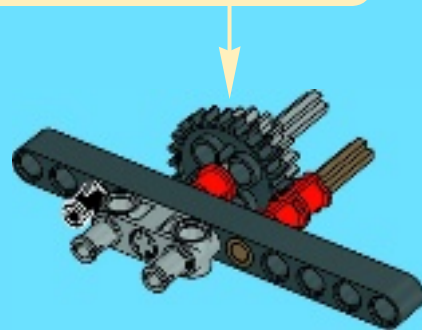
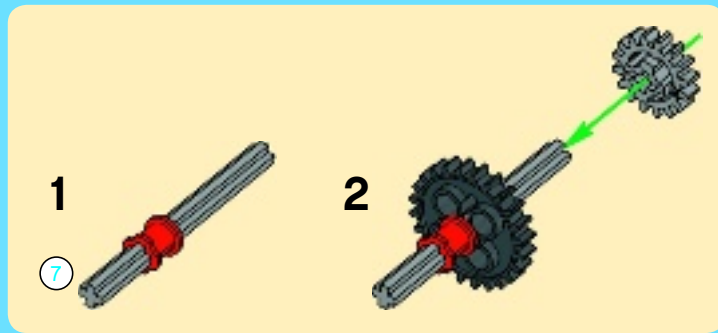


2





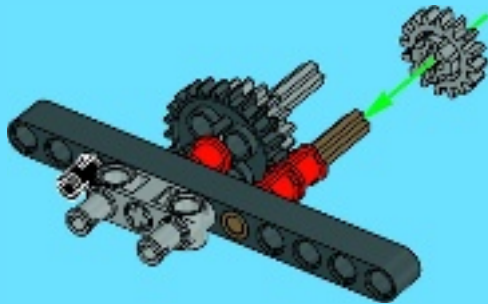
3





1x

4

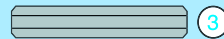
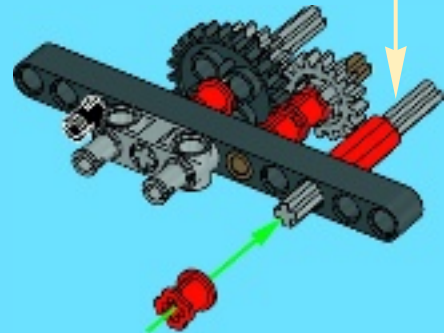
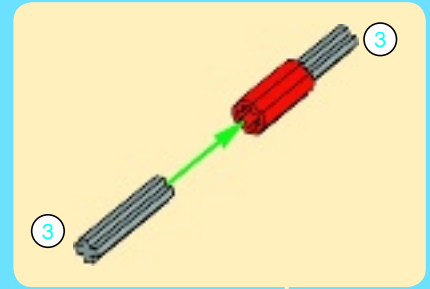


2x

1x

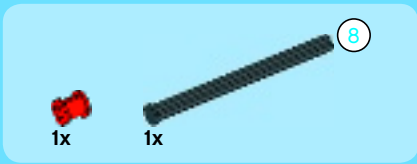
1x

5

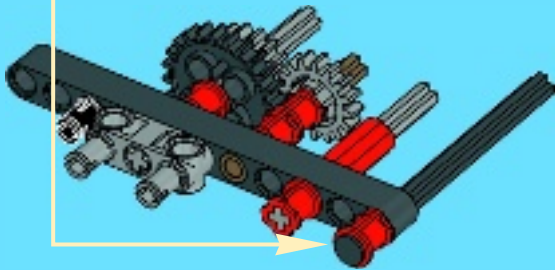
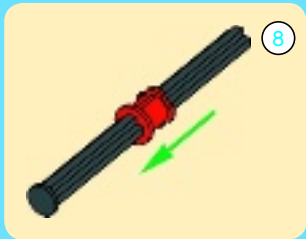


1x

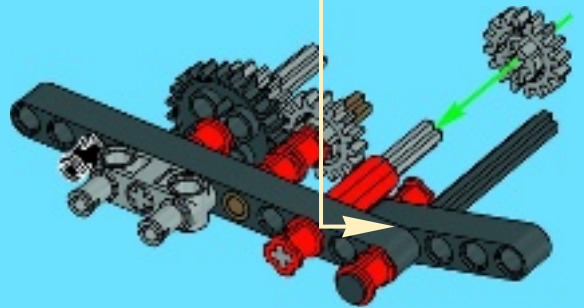
1:1



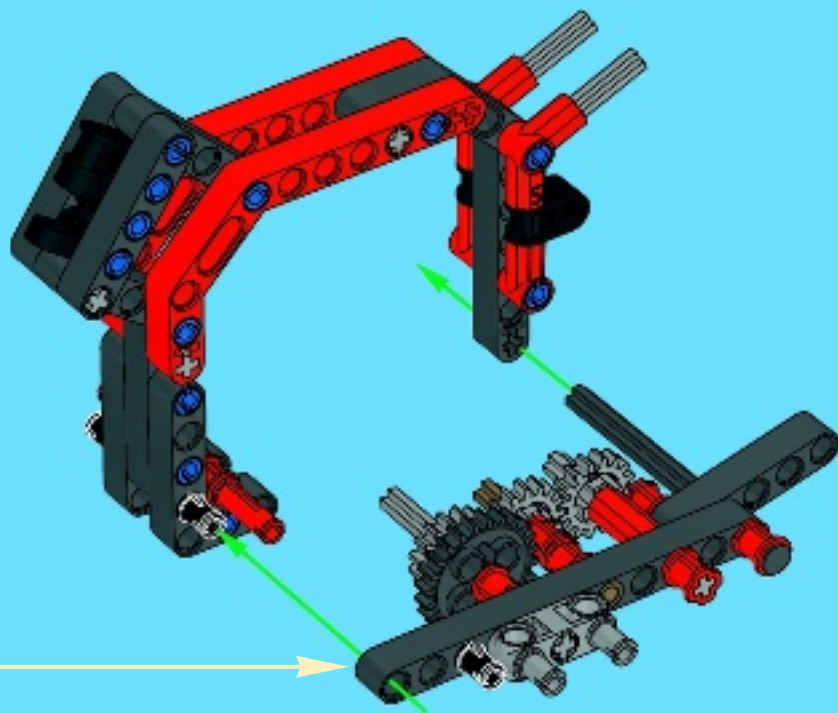
6



7



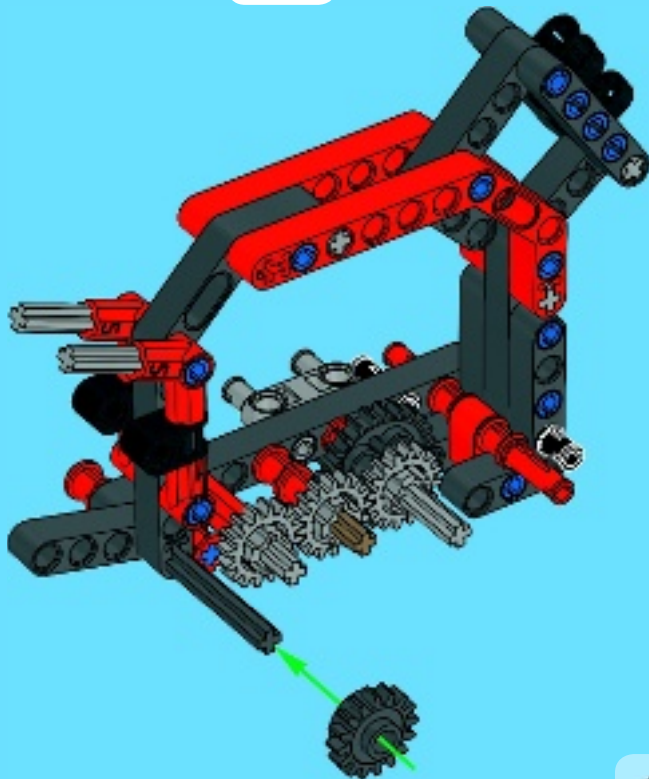
12





1x

13



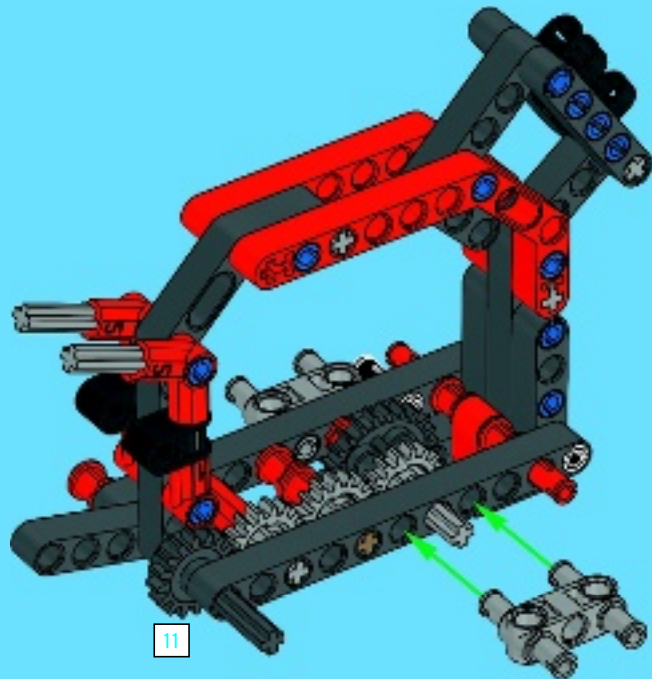
1x

11



1x

14



11



11

1:1



1x

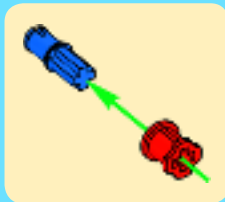
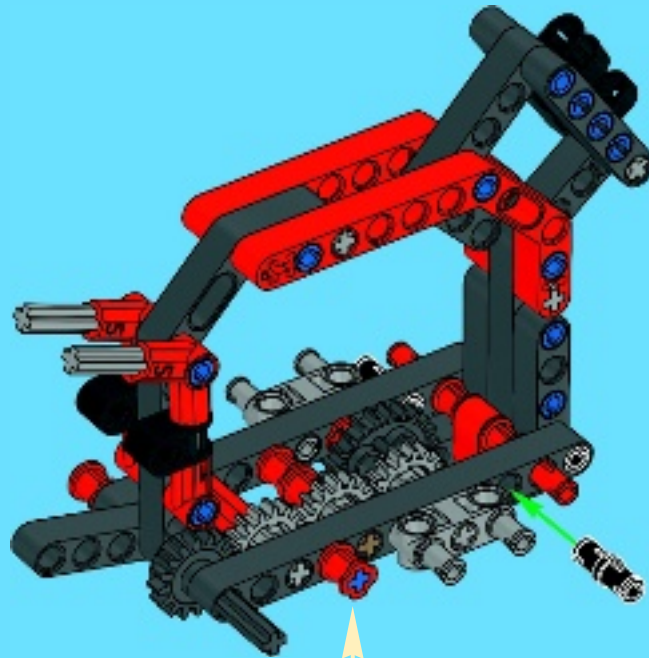


1x



1x

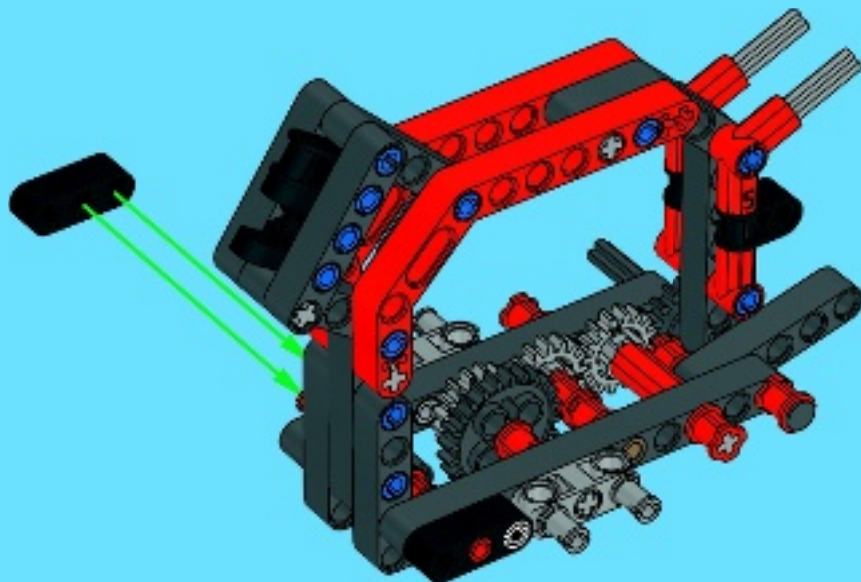
15





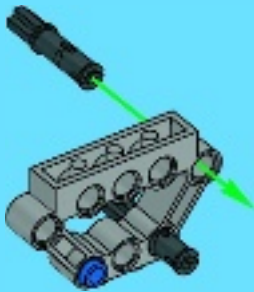
2x

16

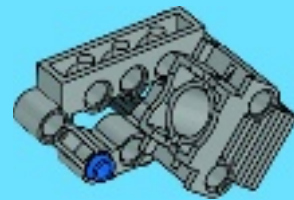




1



2





2x

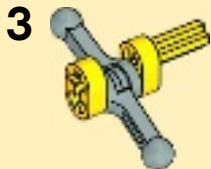


2x

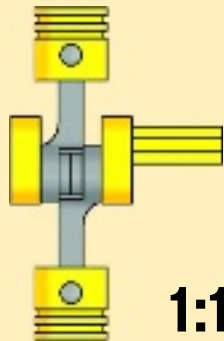


2x

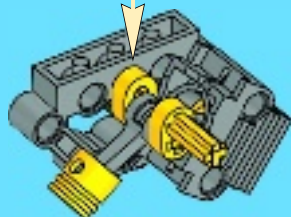
3



4



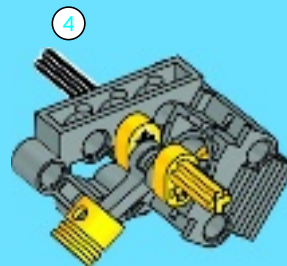
1:1



1x

4

4



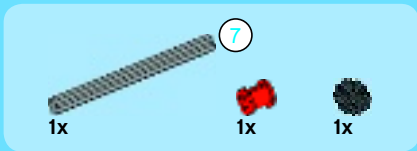
4



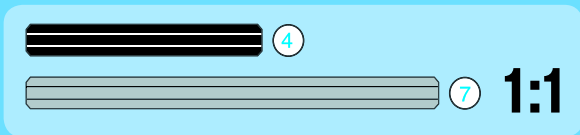
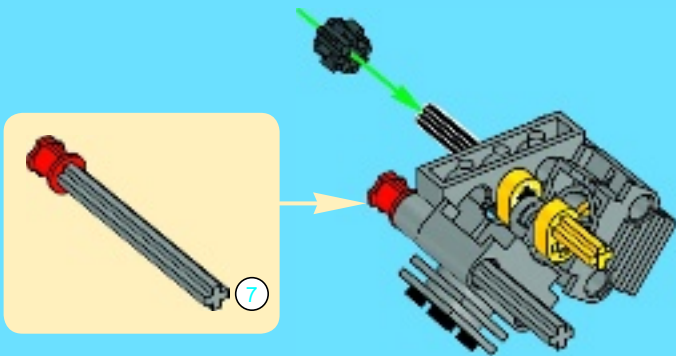
1x

5



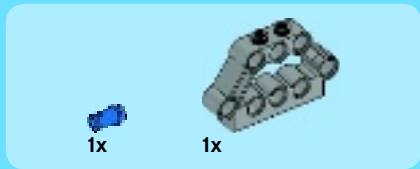


6

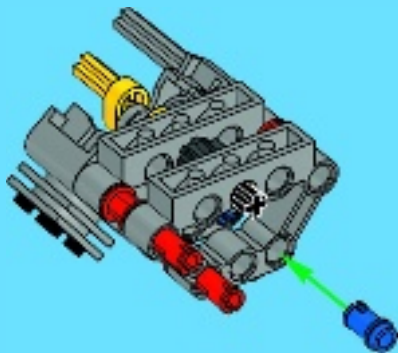


7

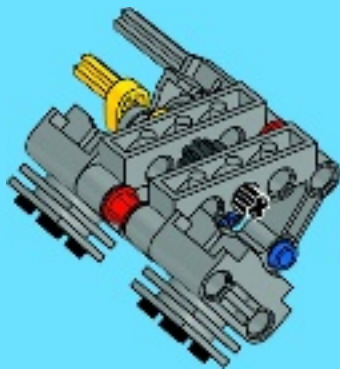




8



9





2x

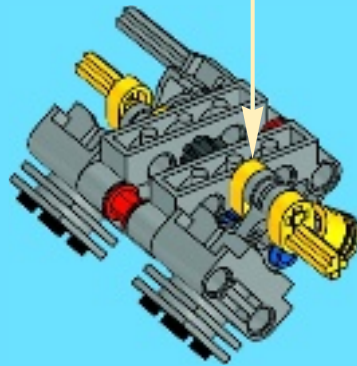
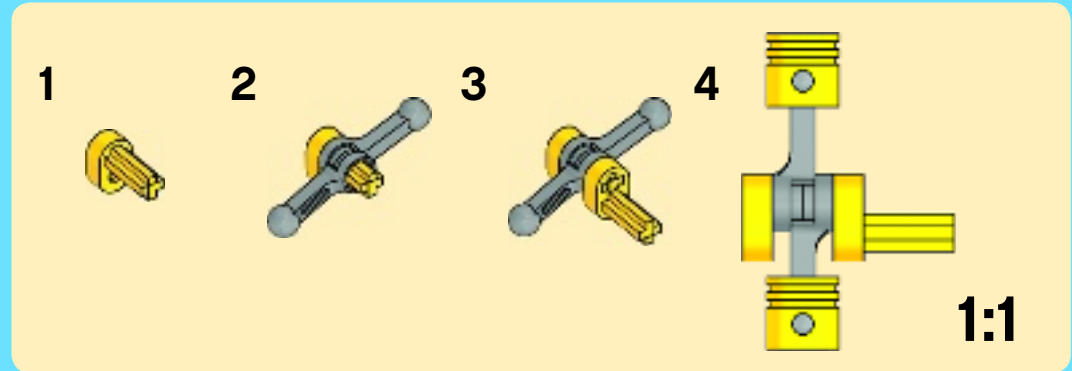


2x



2x

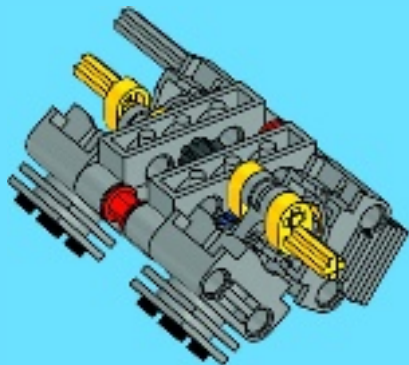
10



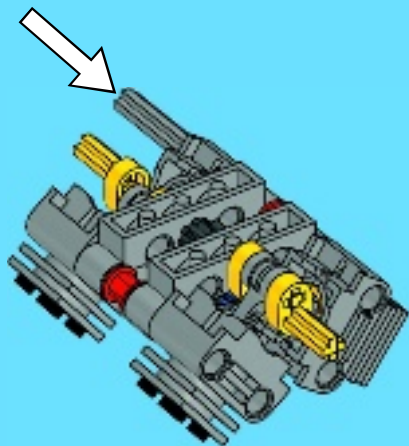


1x

11

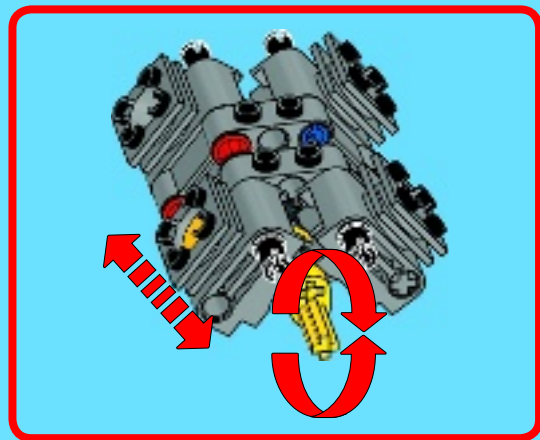
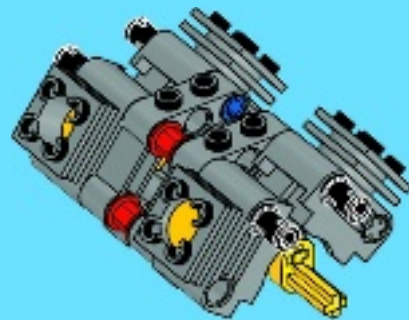


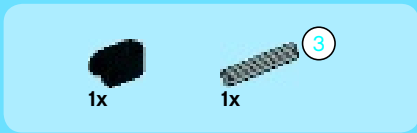
12



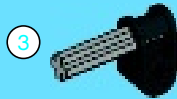
4x

13

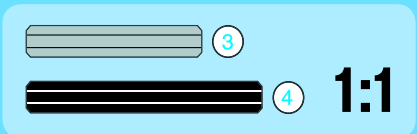
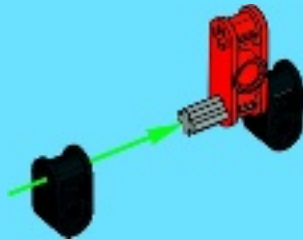




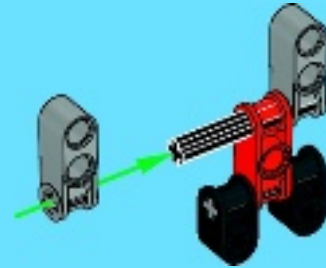
1



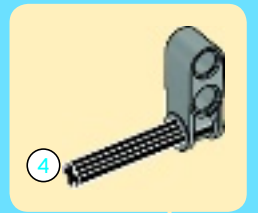
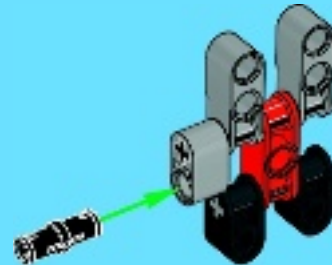
2



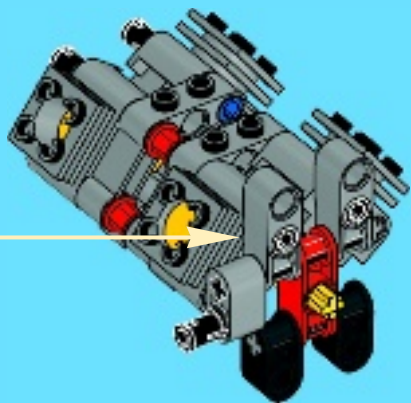
3



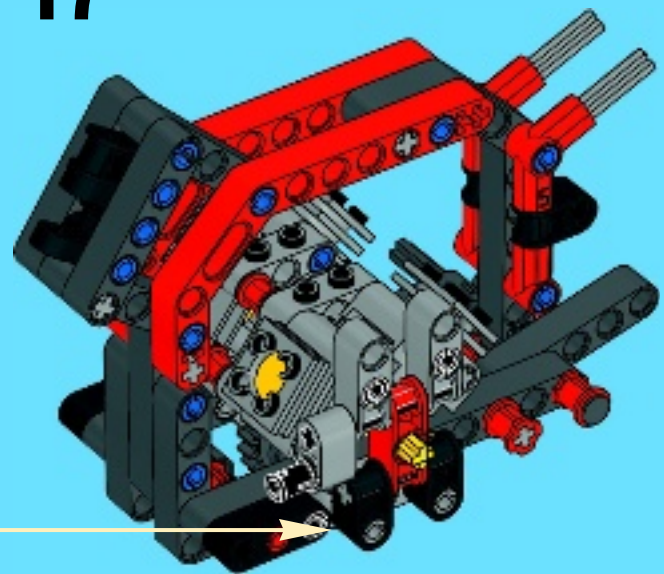
4

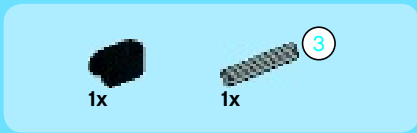


14

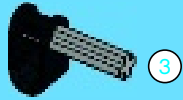


17

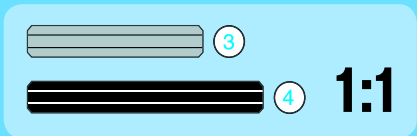
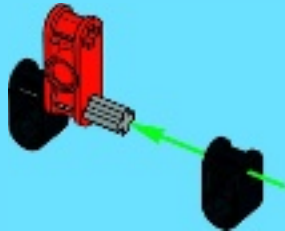




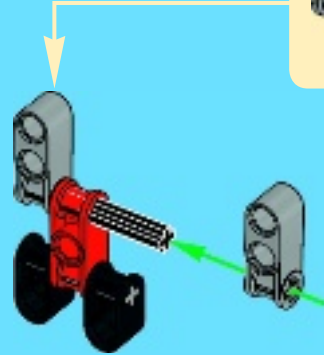
1



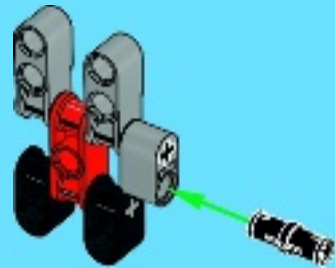
2



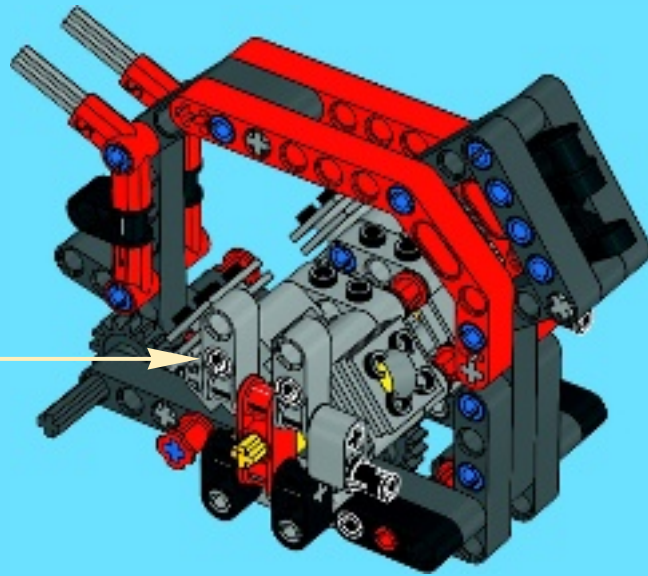
3



4



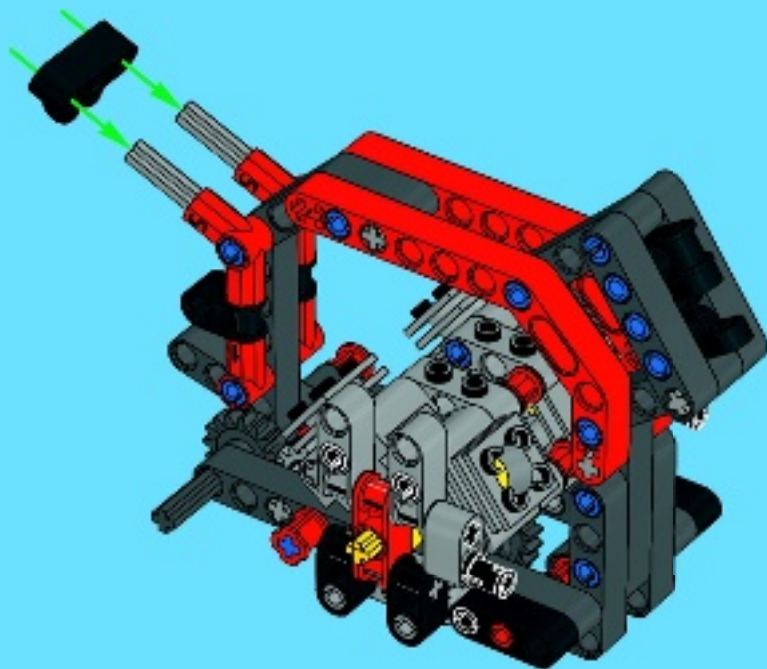
18

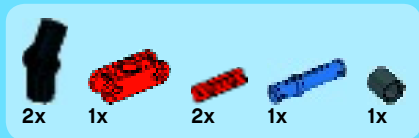




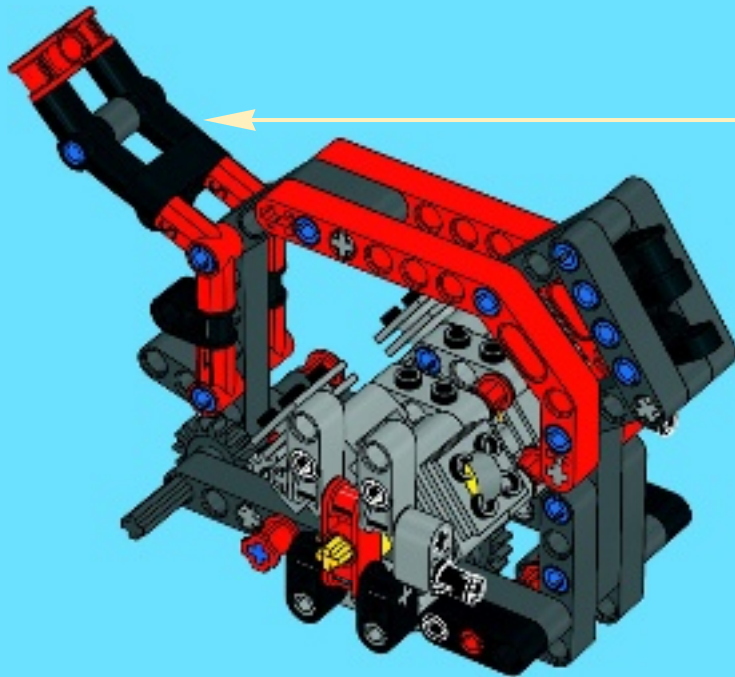
1x

19





20



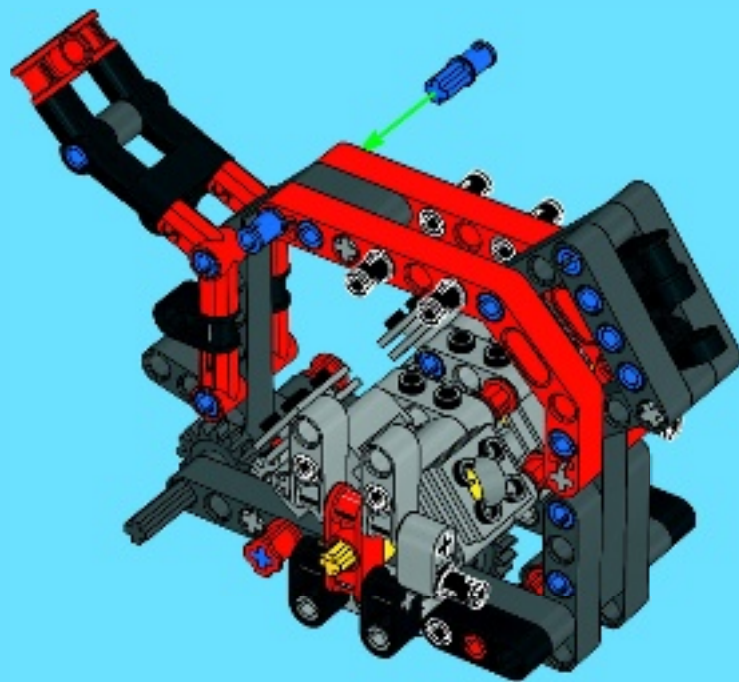


4x



2x

21





1x



1x

1



1x

2



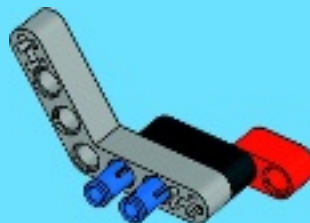
2x

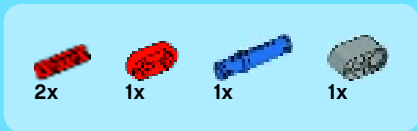
3



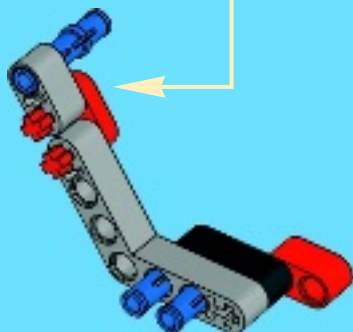
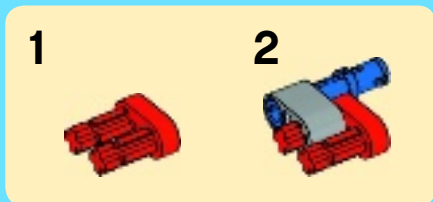
1x

4

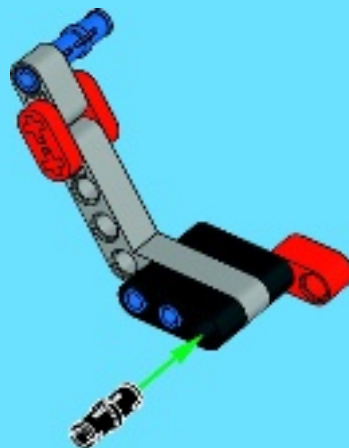




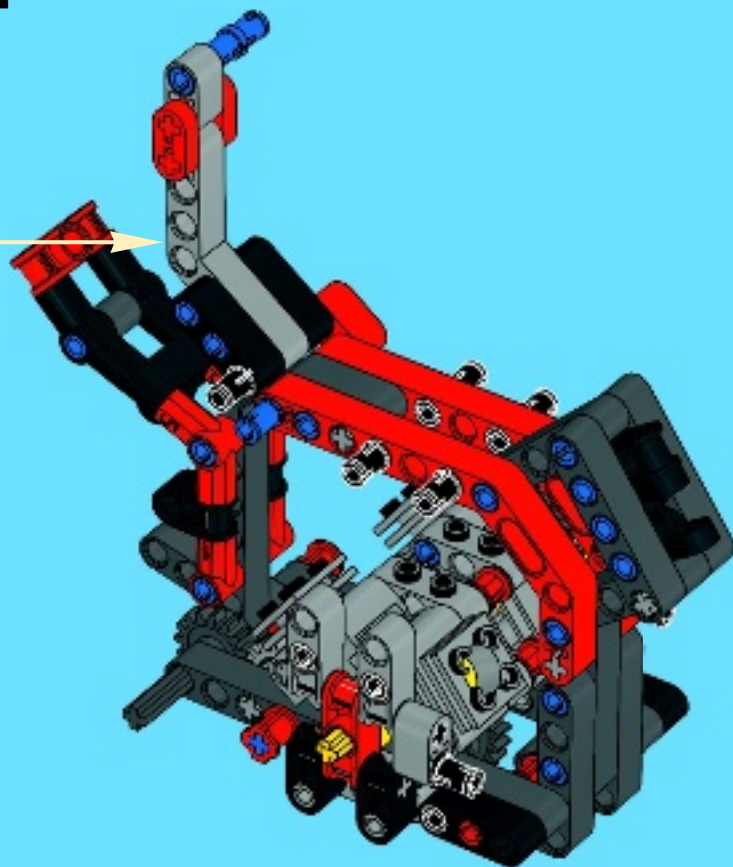
5



6



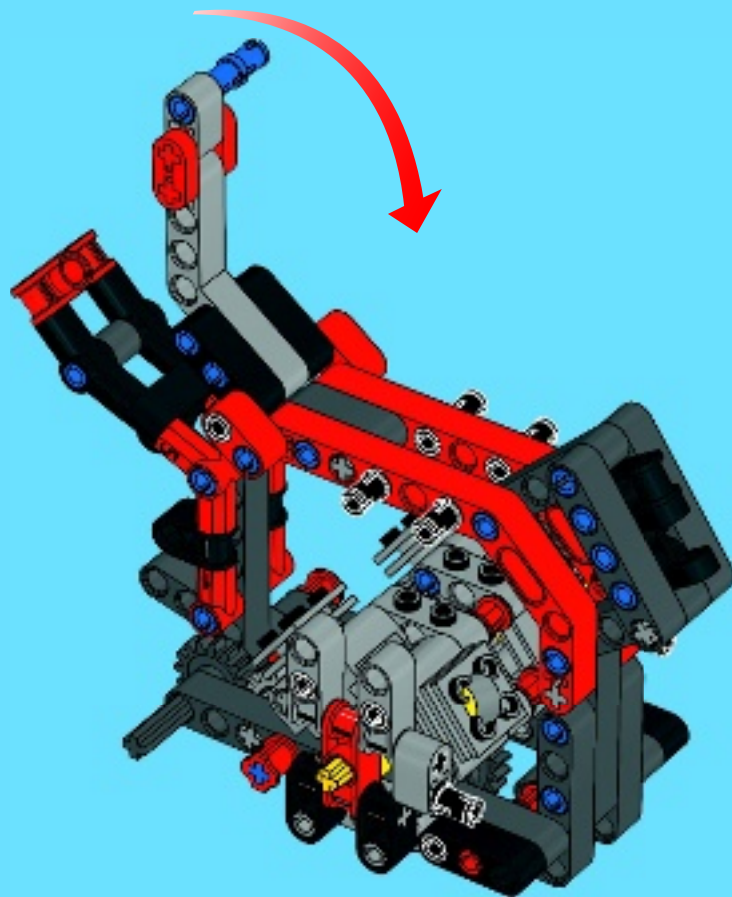
22





1x

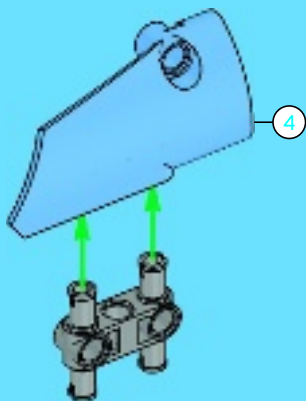
23



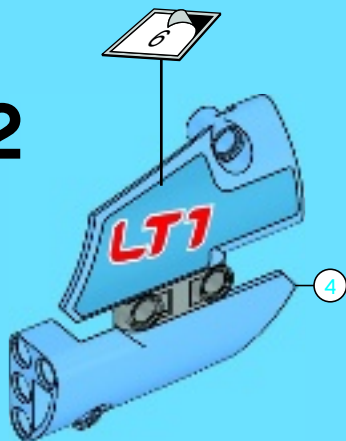


24

1

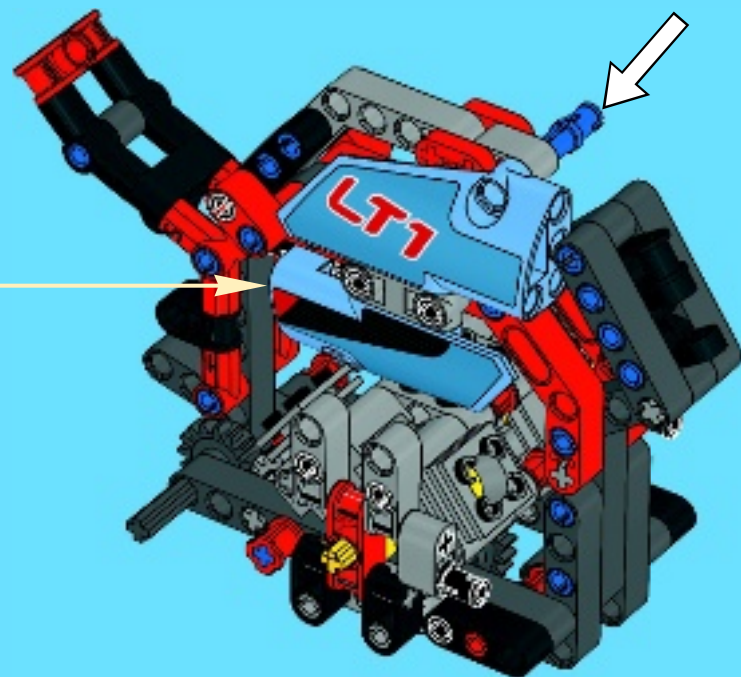


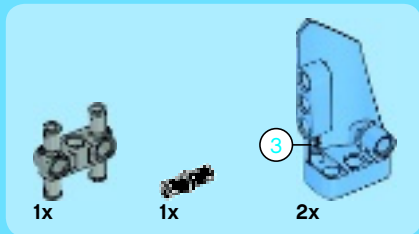
2



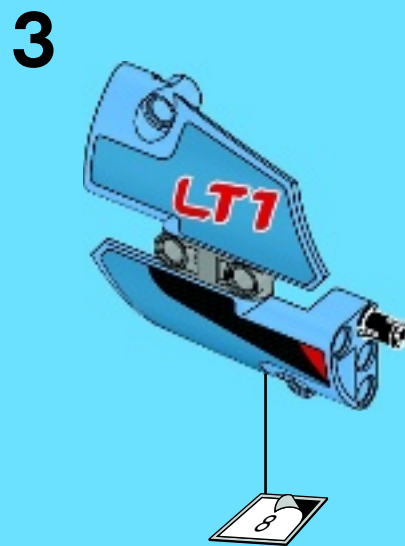
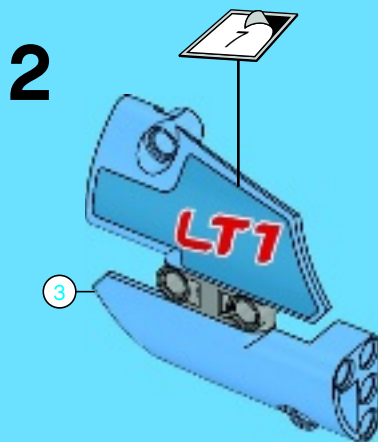
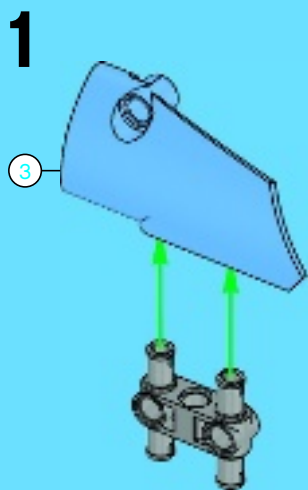
3

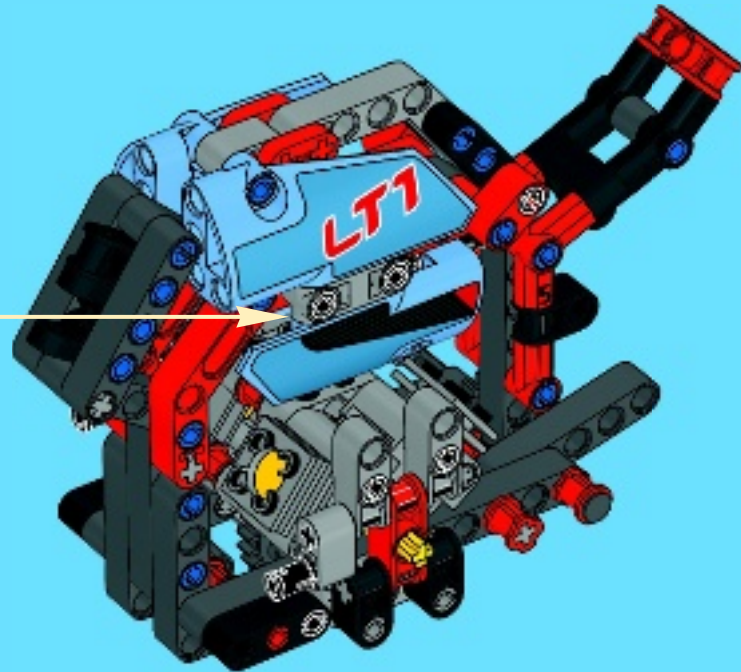






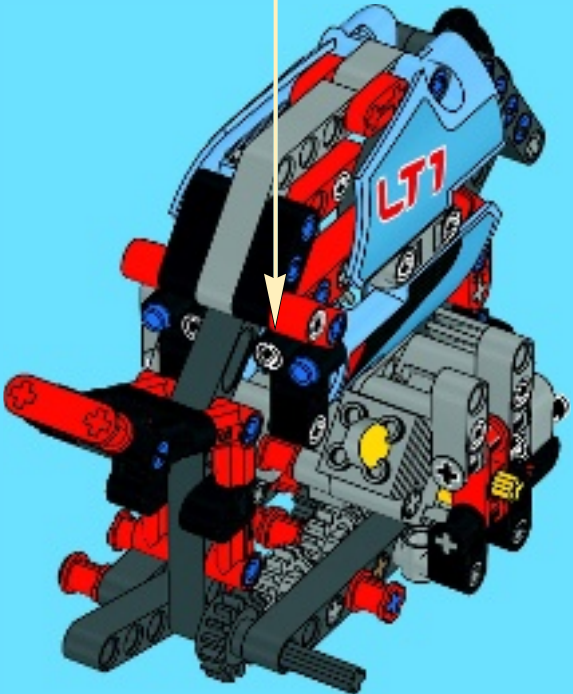
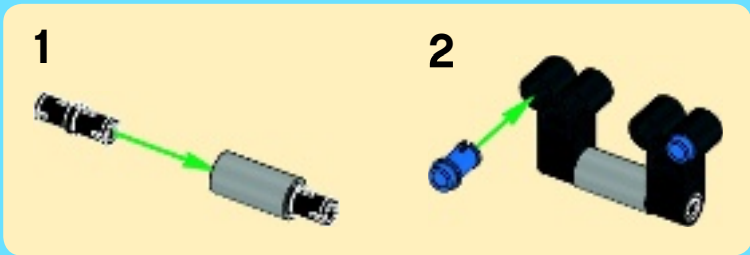
25





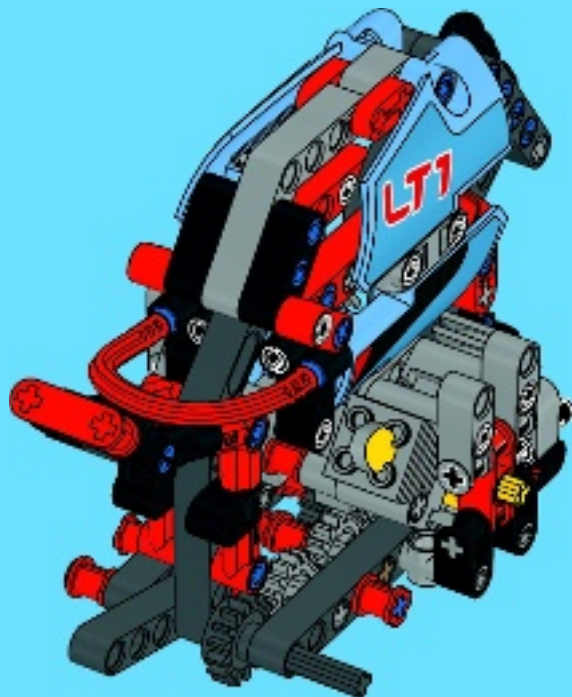


26





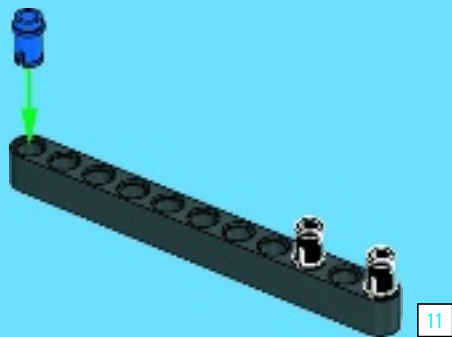
27



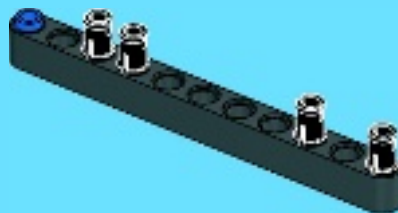


28

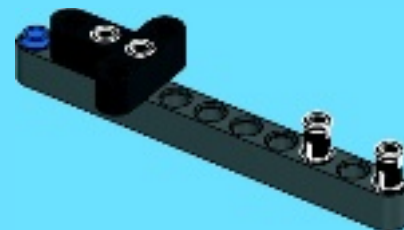
1

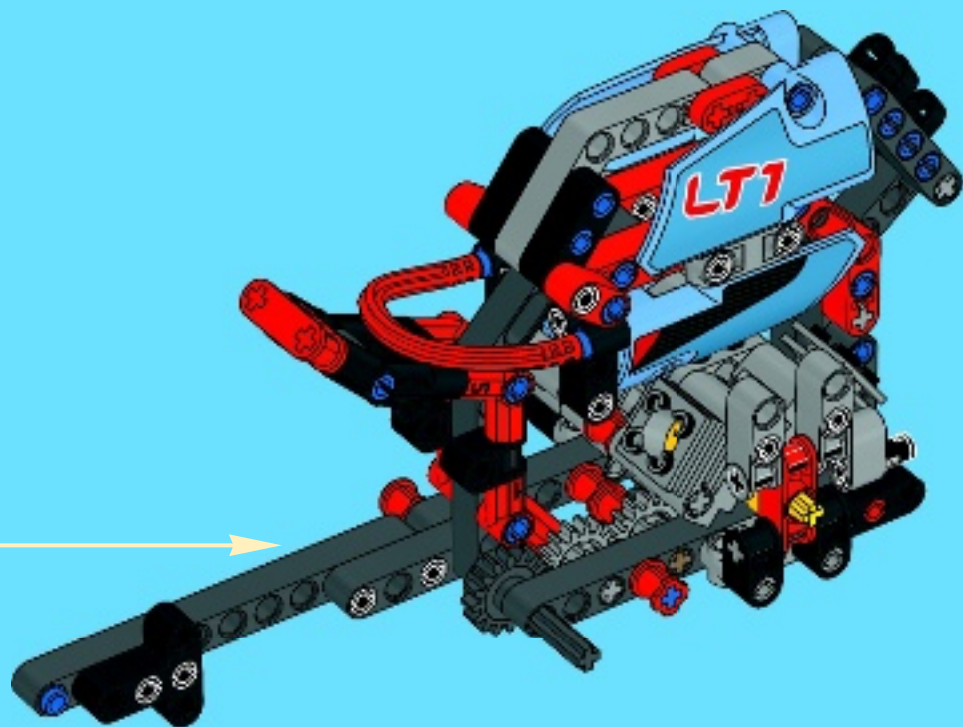


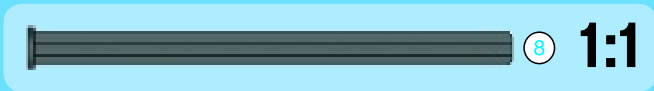
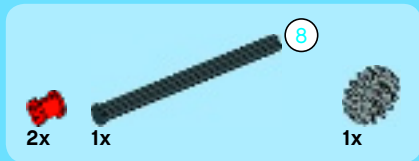
2



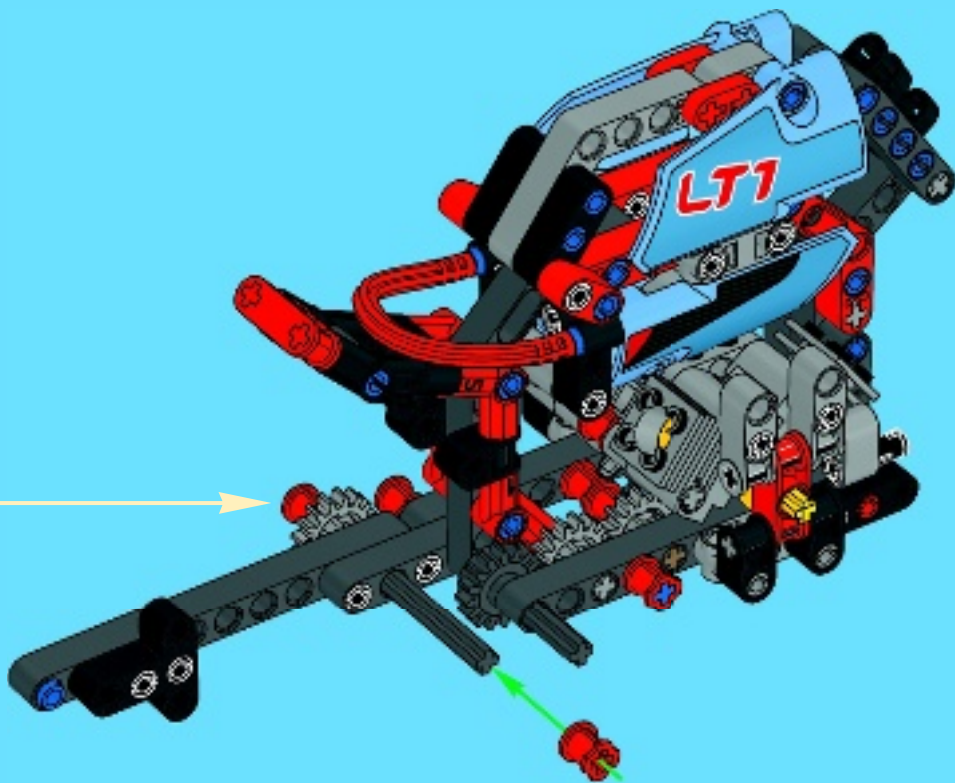
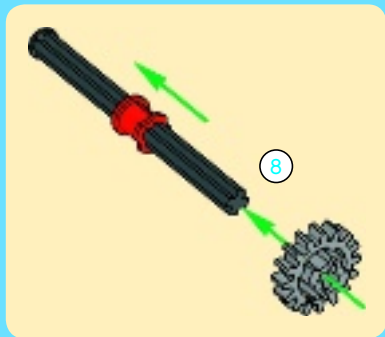
3







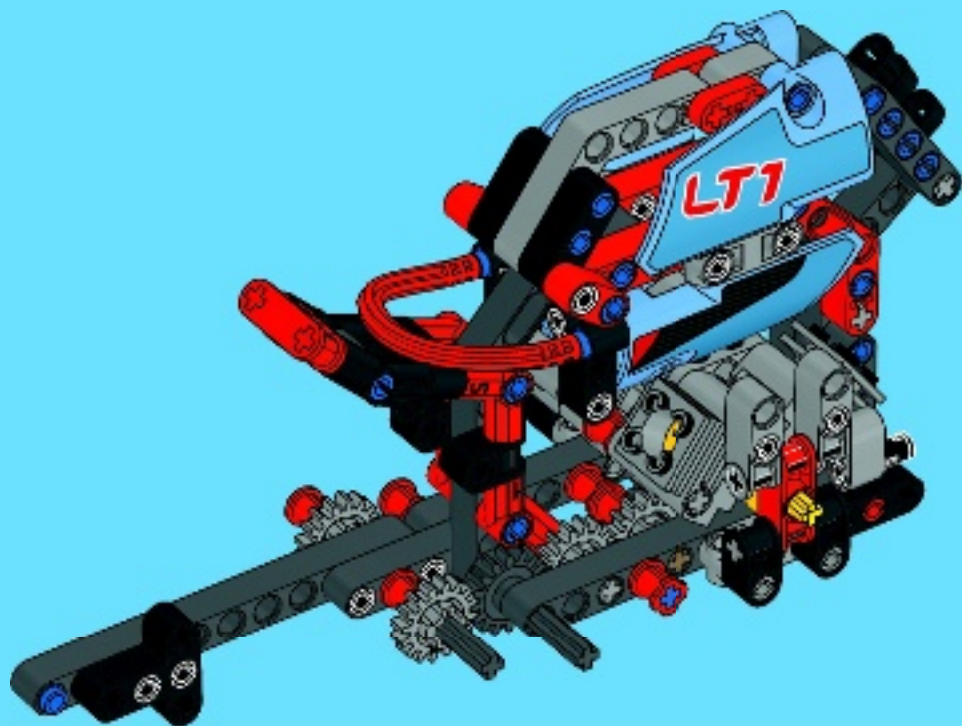
29

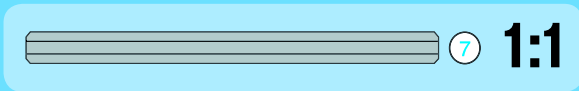
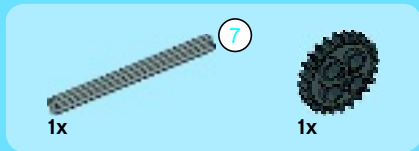




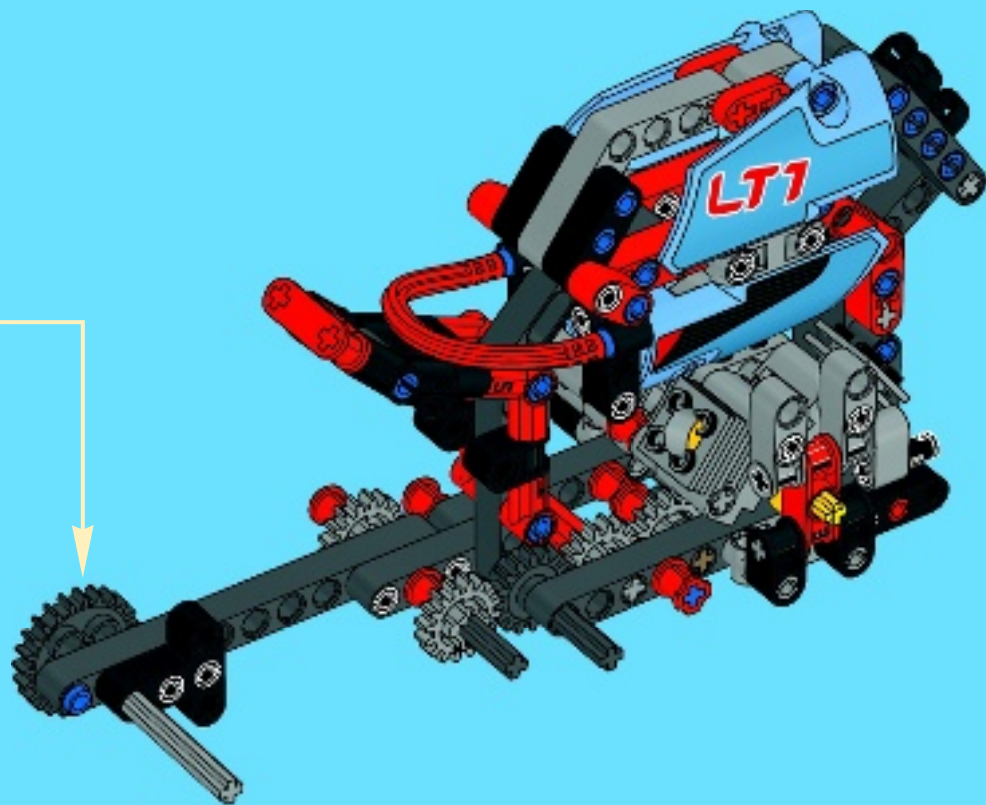
1x

30



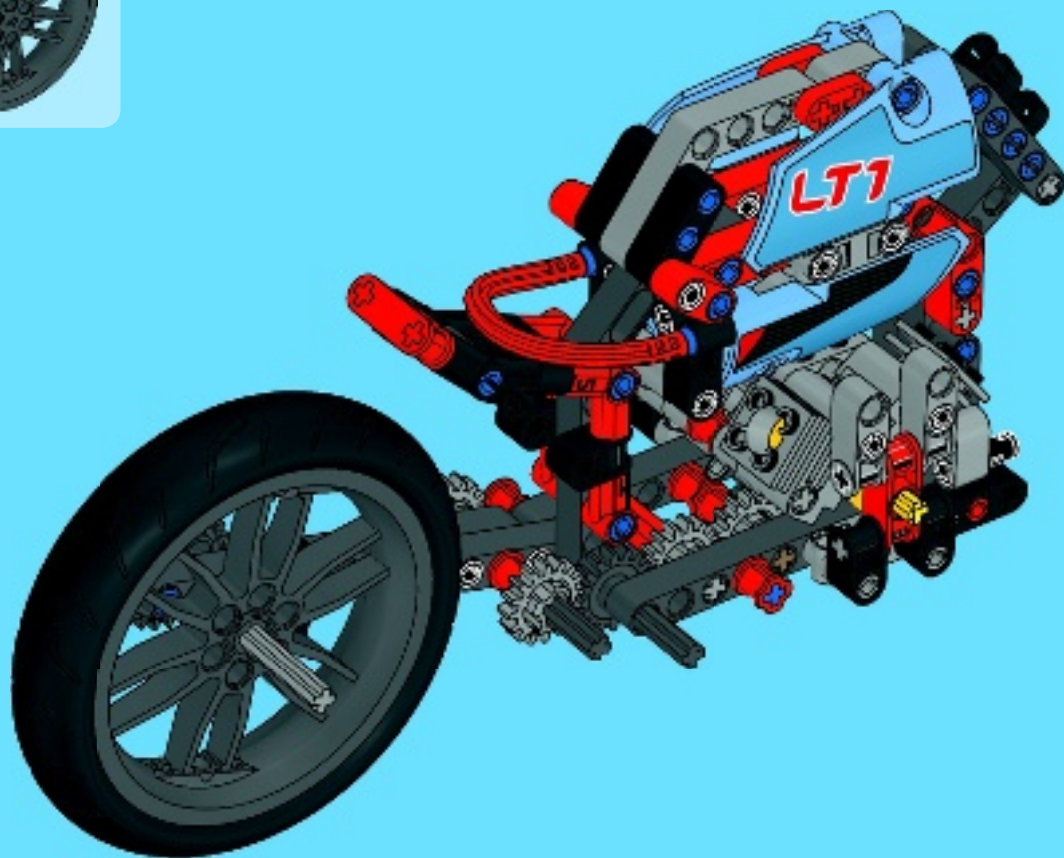


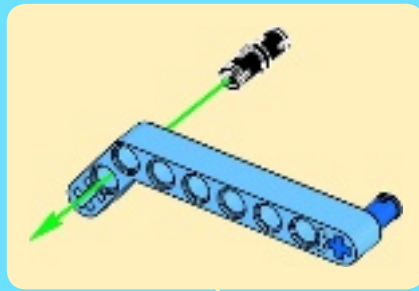
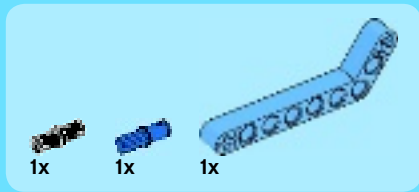
31



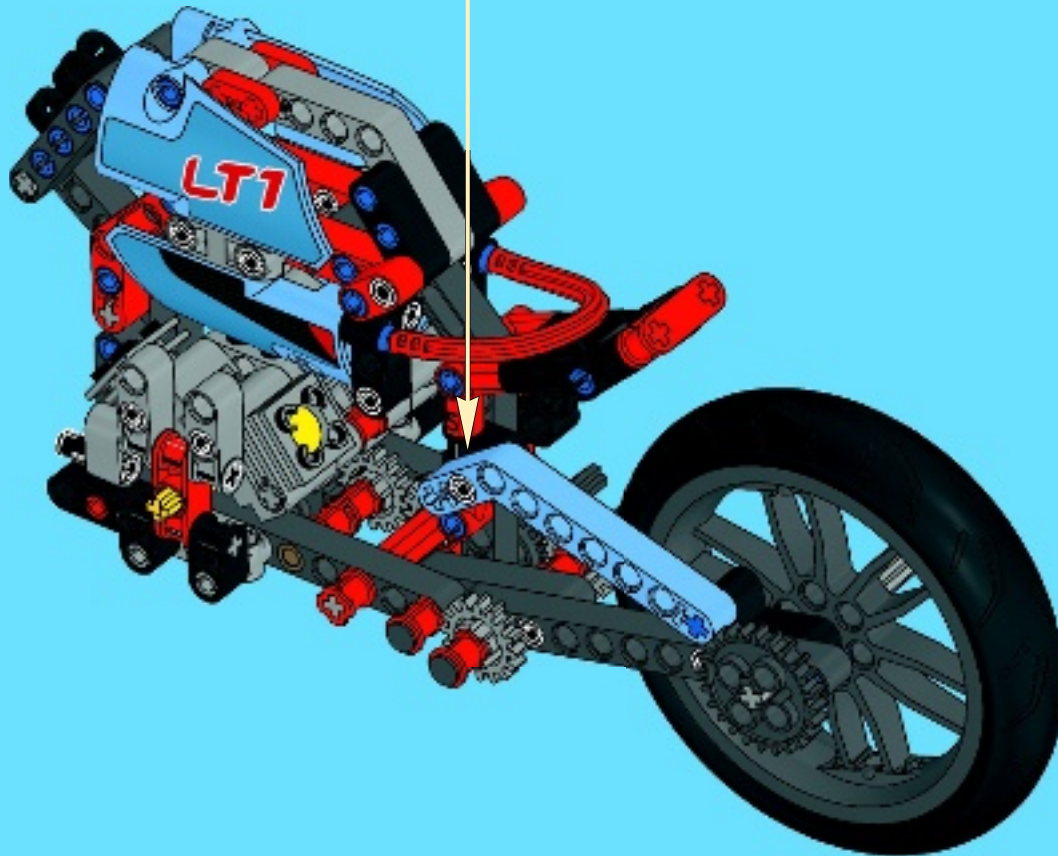


32





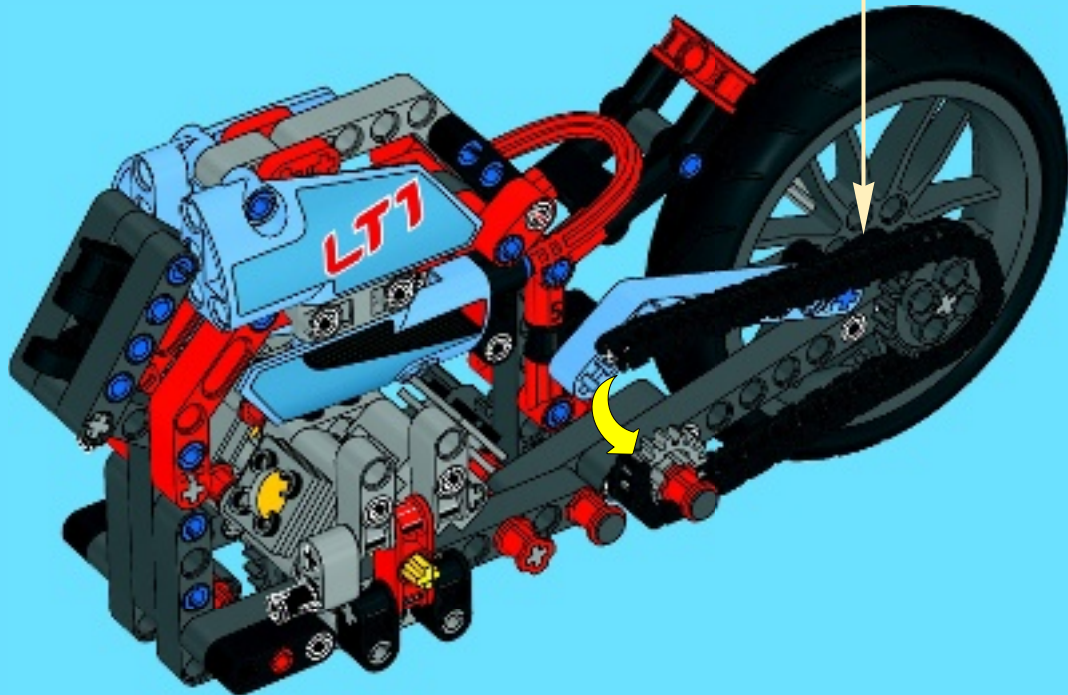
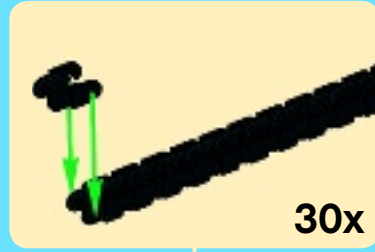
33





30x

34





1x



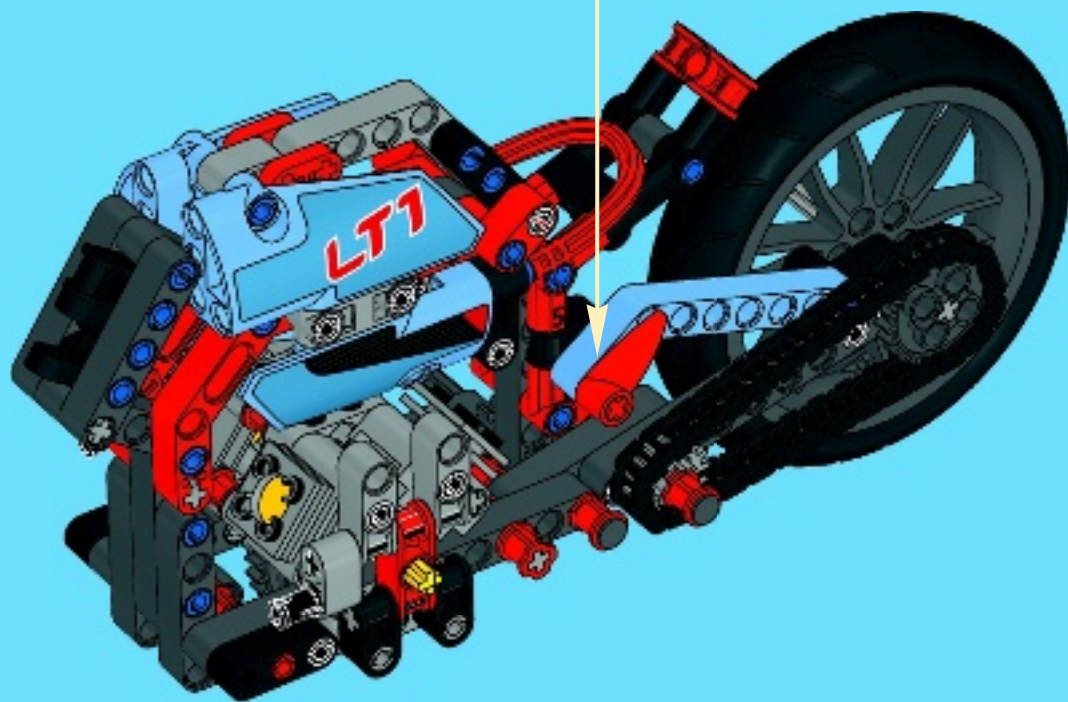
1x

35

1



2

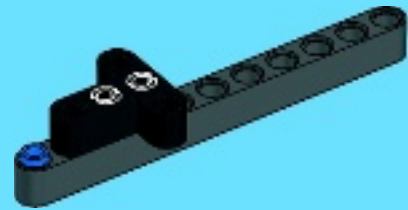




1

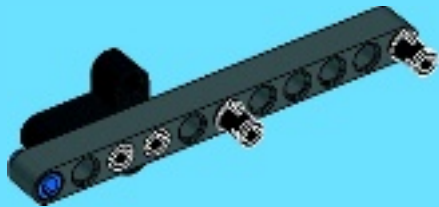


2

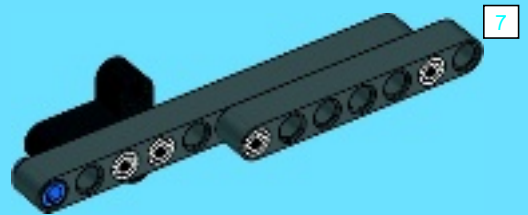




3

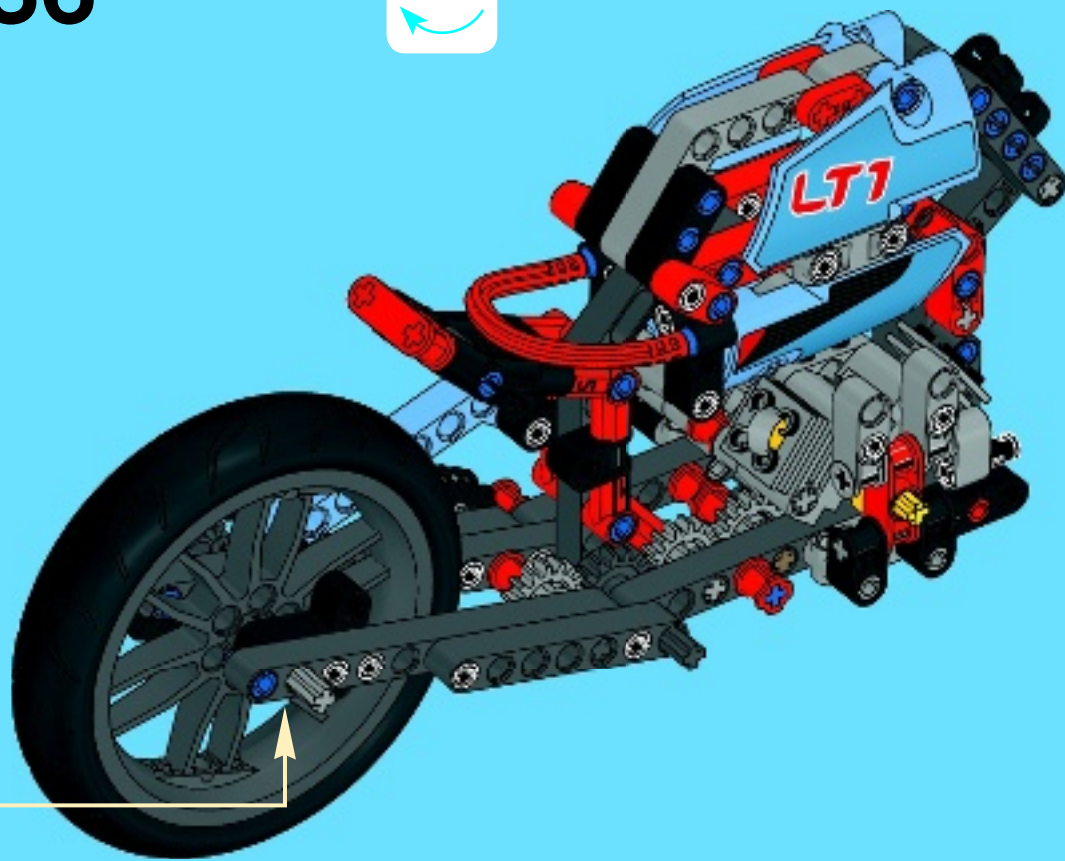


4



1:1

36



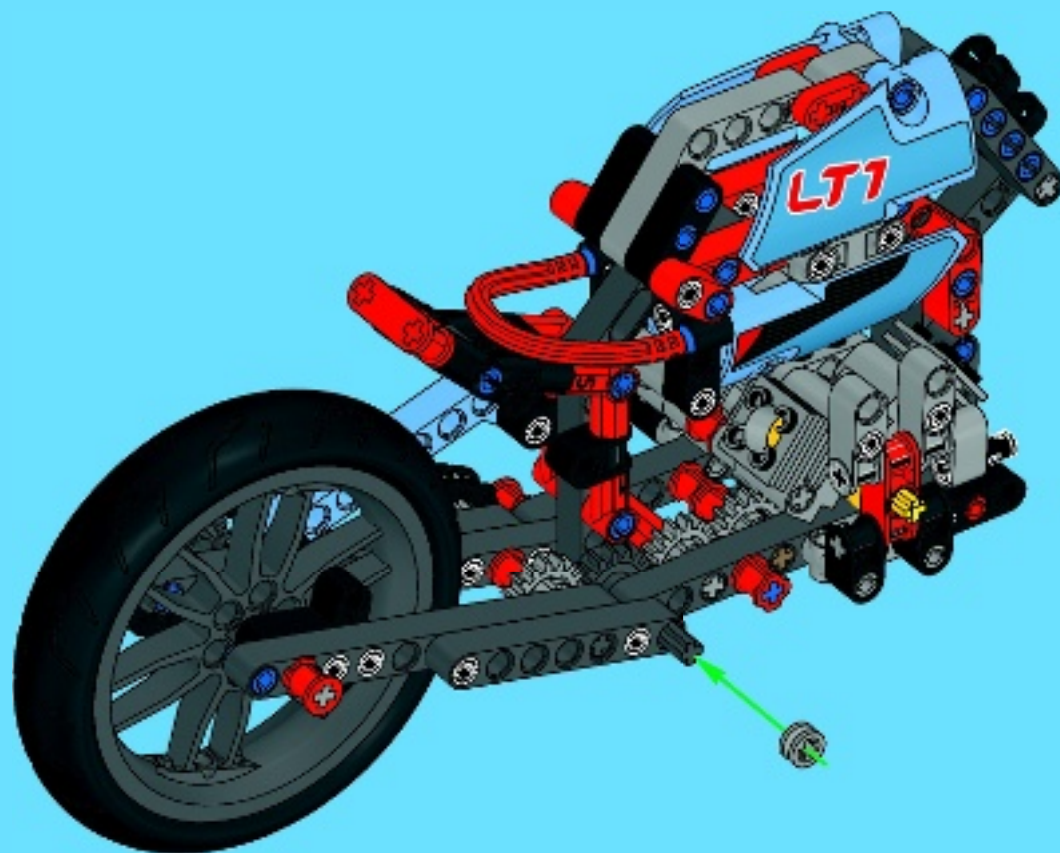


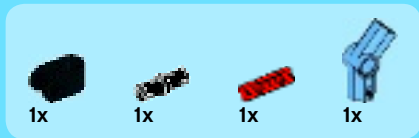
1x



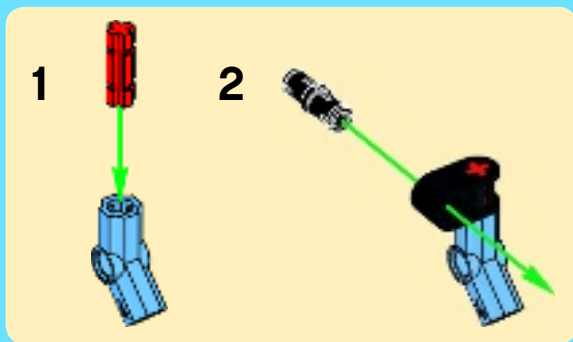
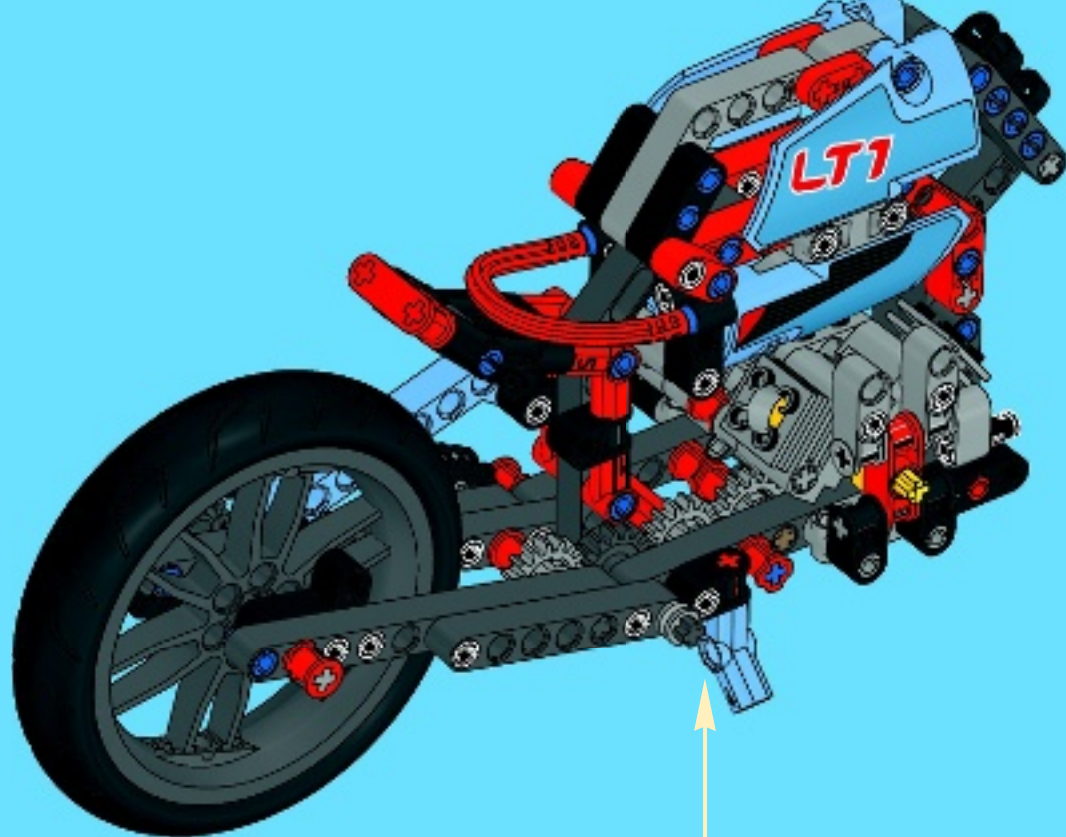
1x

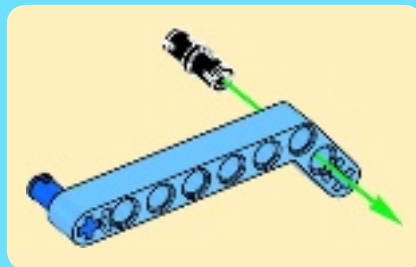
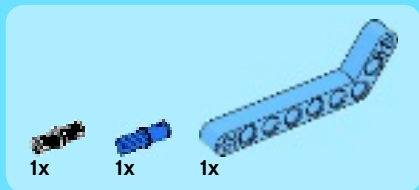
37



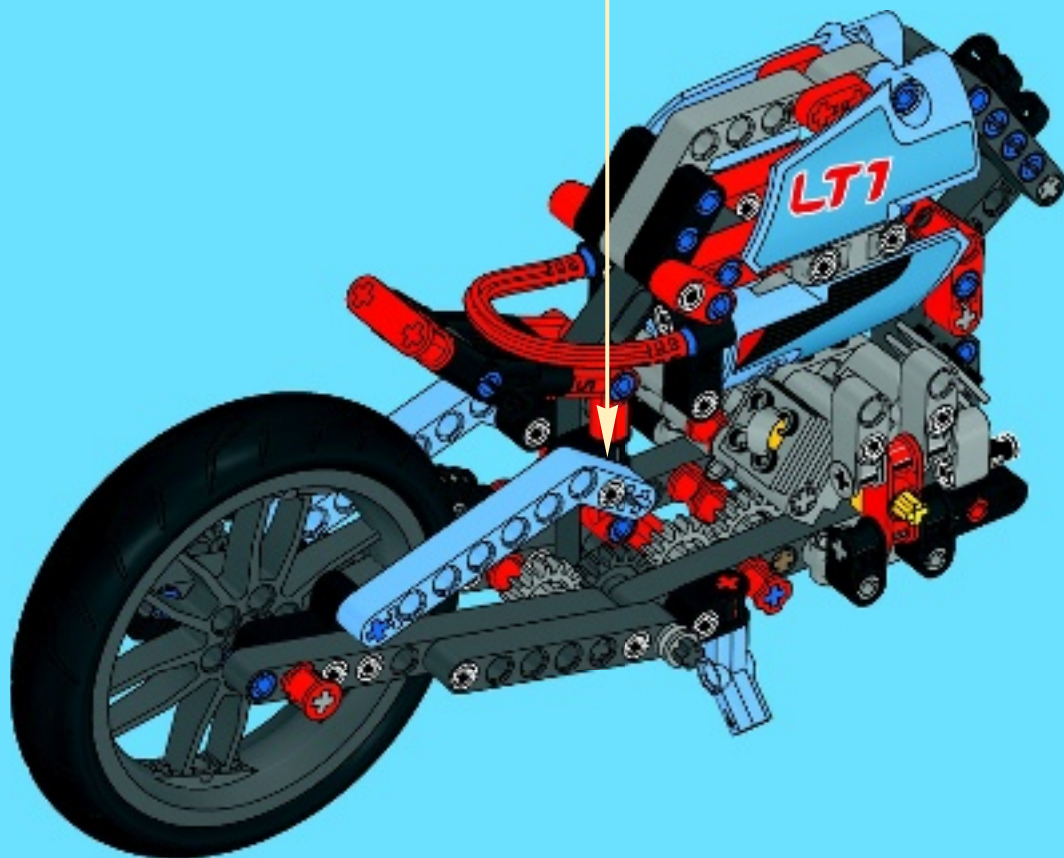


38





39



1x



1x



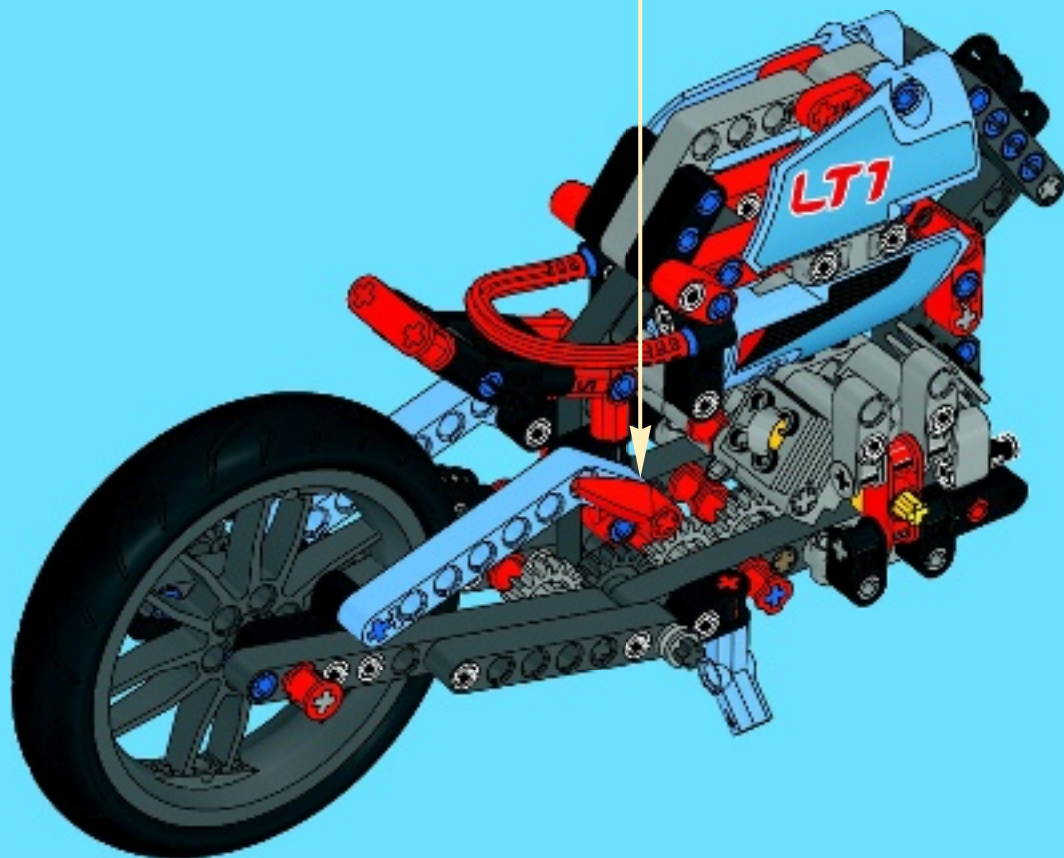
1



2



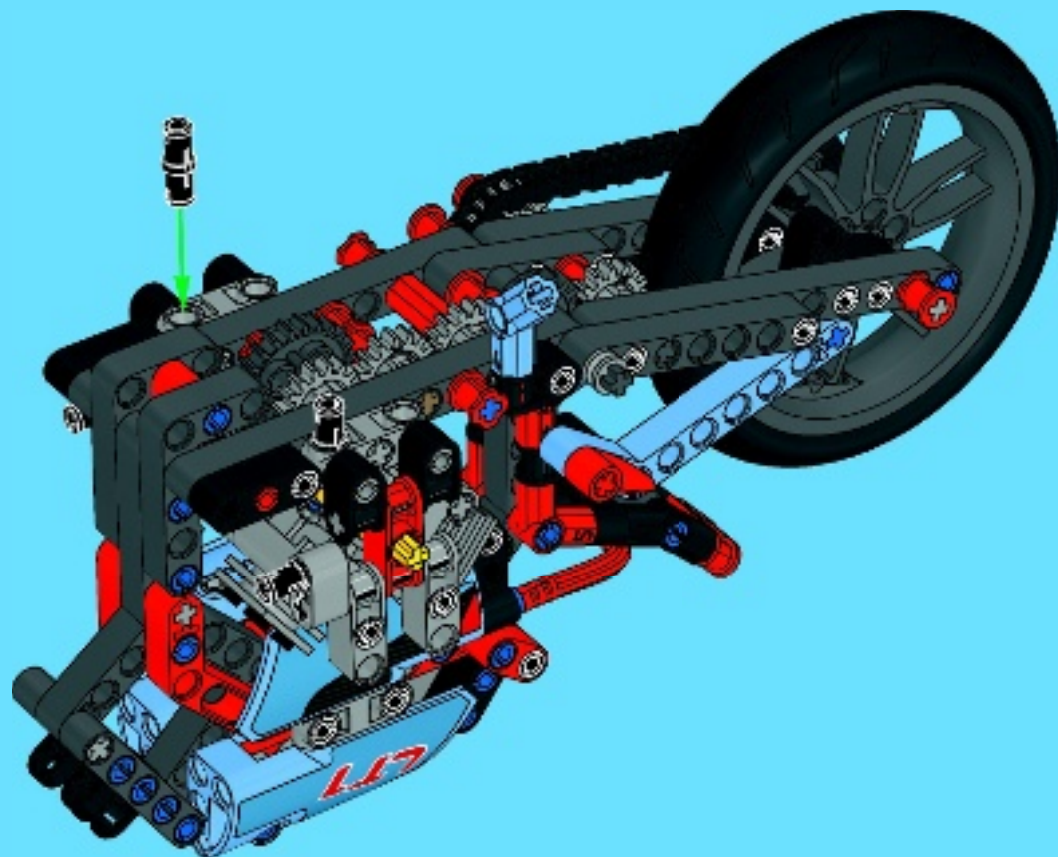
40





2x

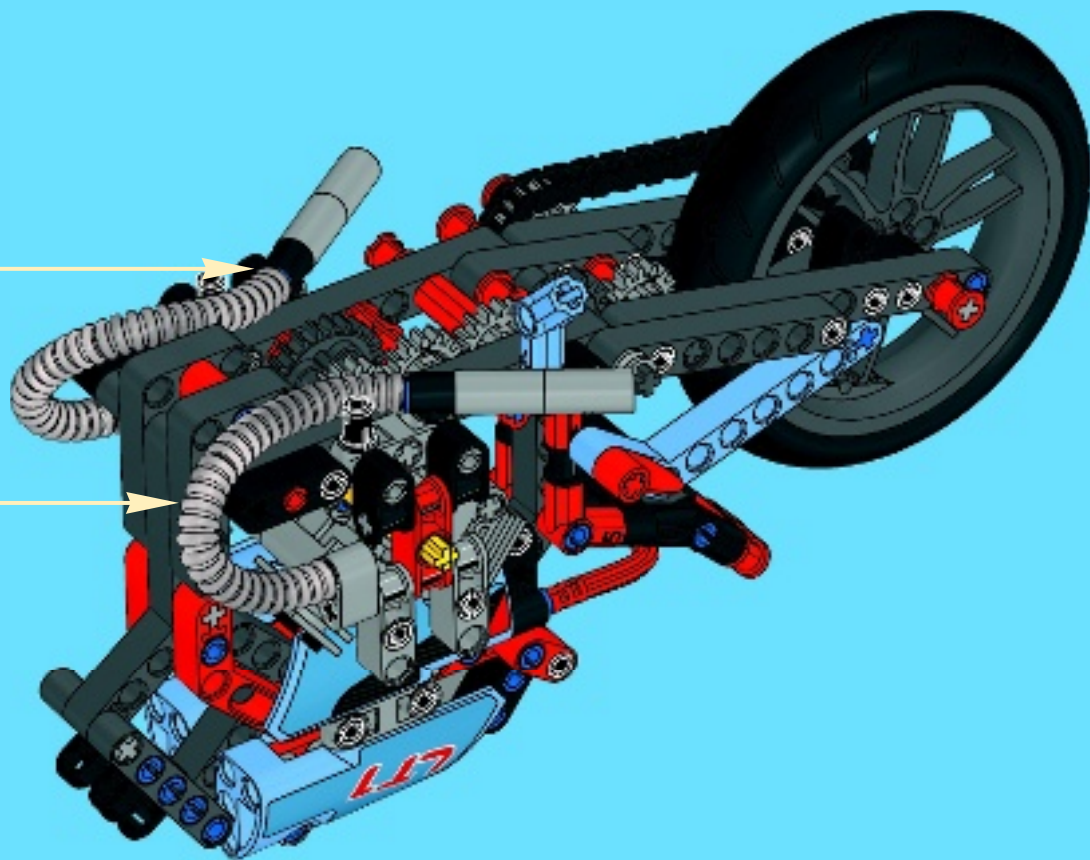
41

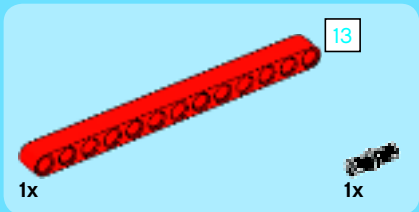




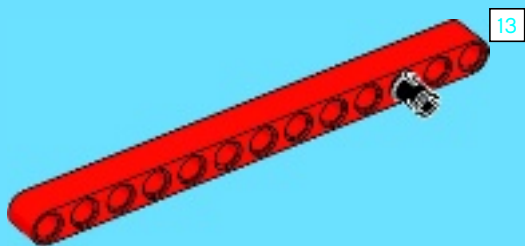
42



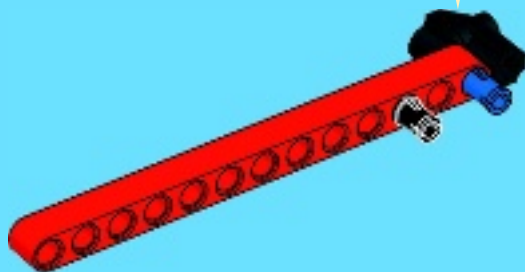




1



2



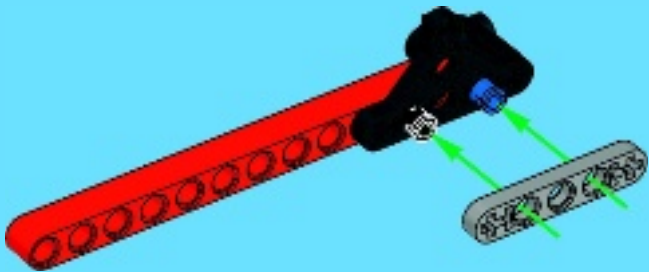


1x



1x

3

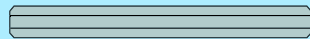
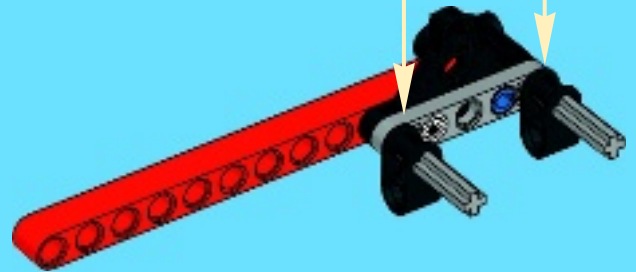
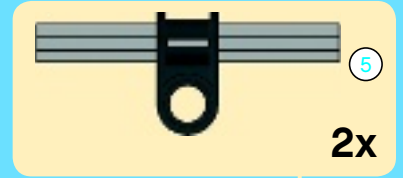


2x



2x

4

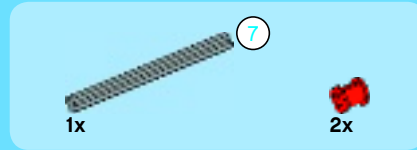
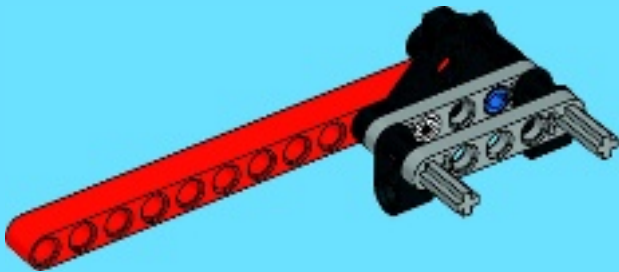


5

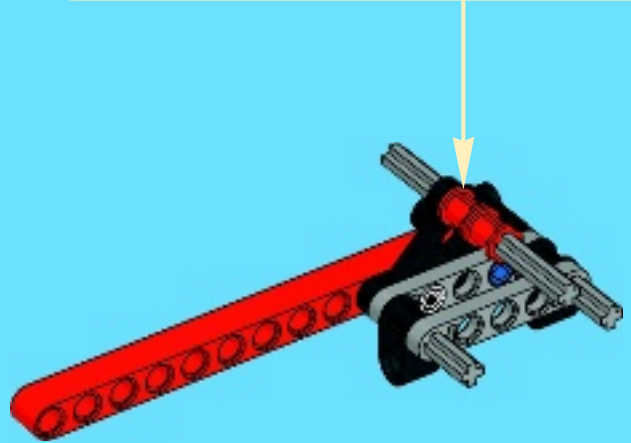
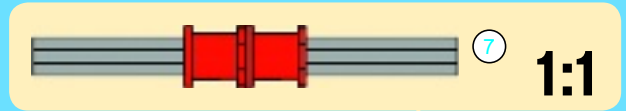
1:1



5



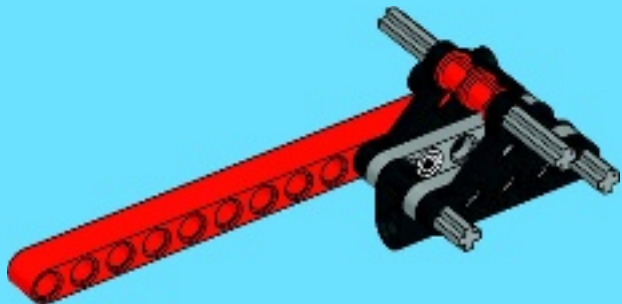
6





1x

7

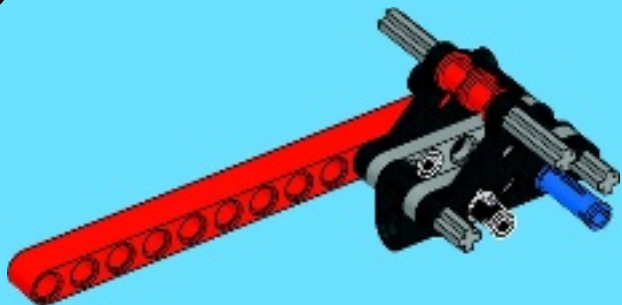


1x



1x

8



64



1x



1x

9





1x

10

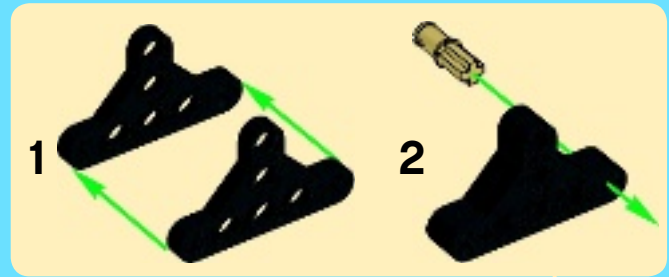


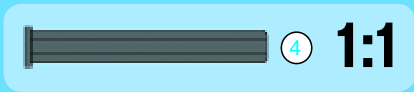
1x



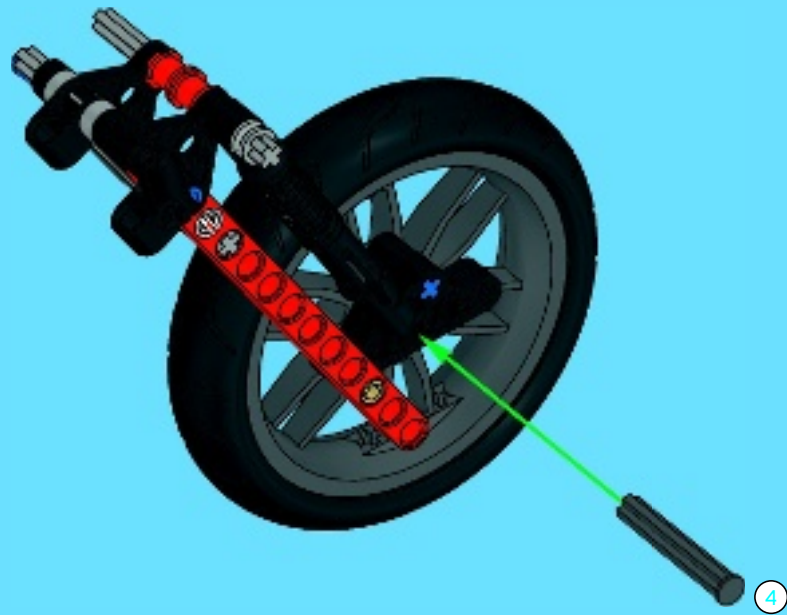
2x

11



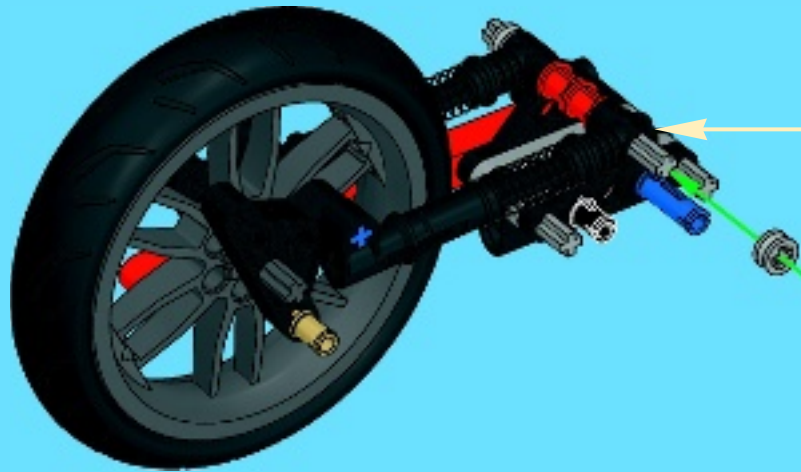
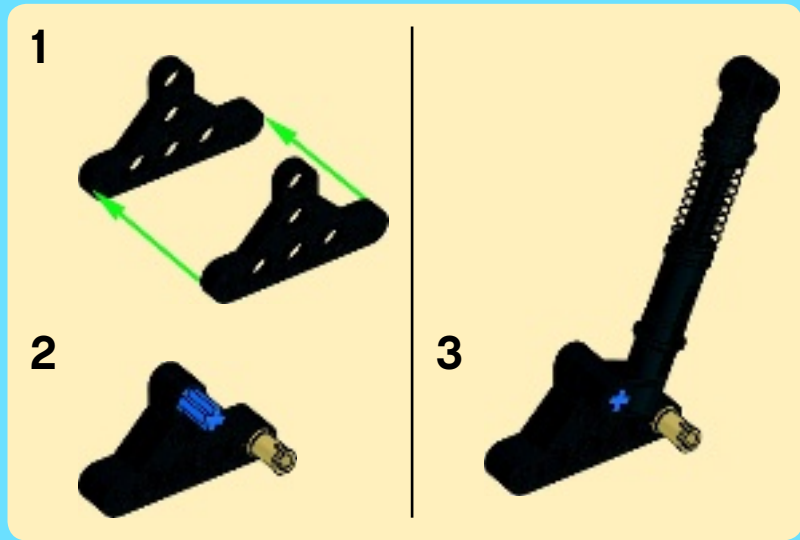


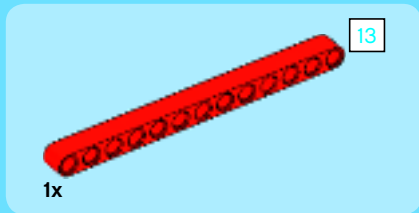
12



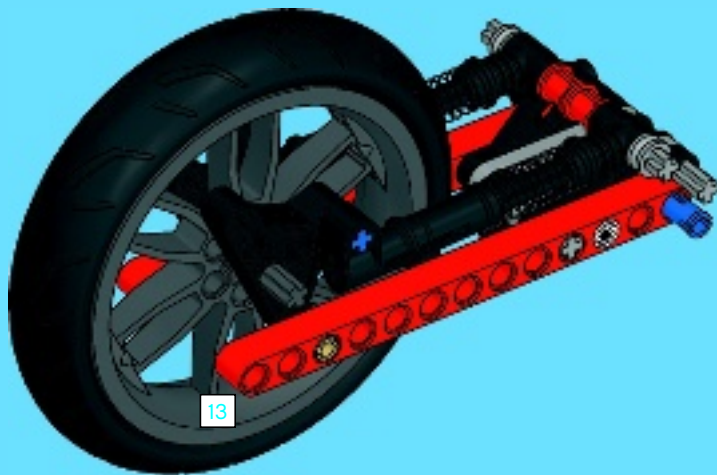


13





14



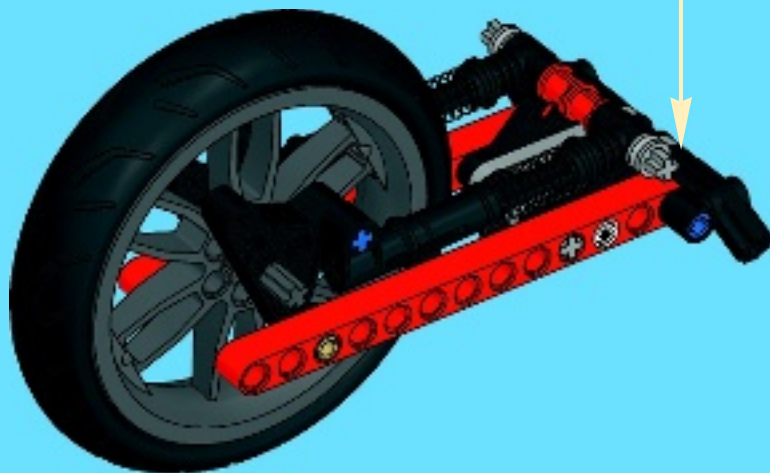
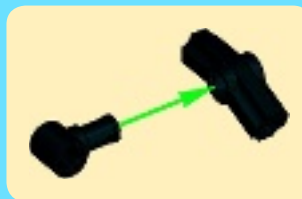


1x



1x

15



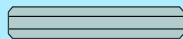


8x



2x

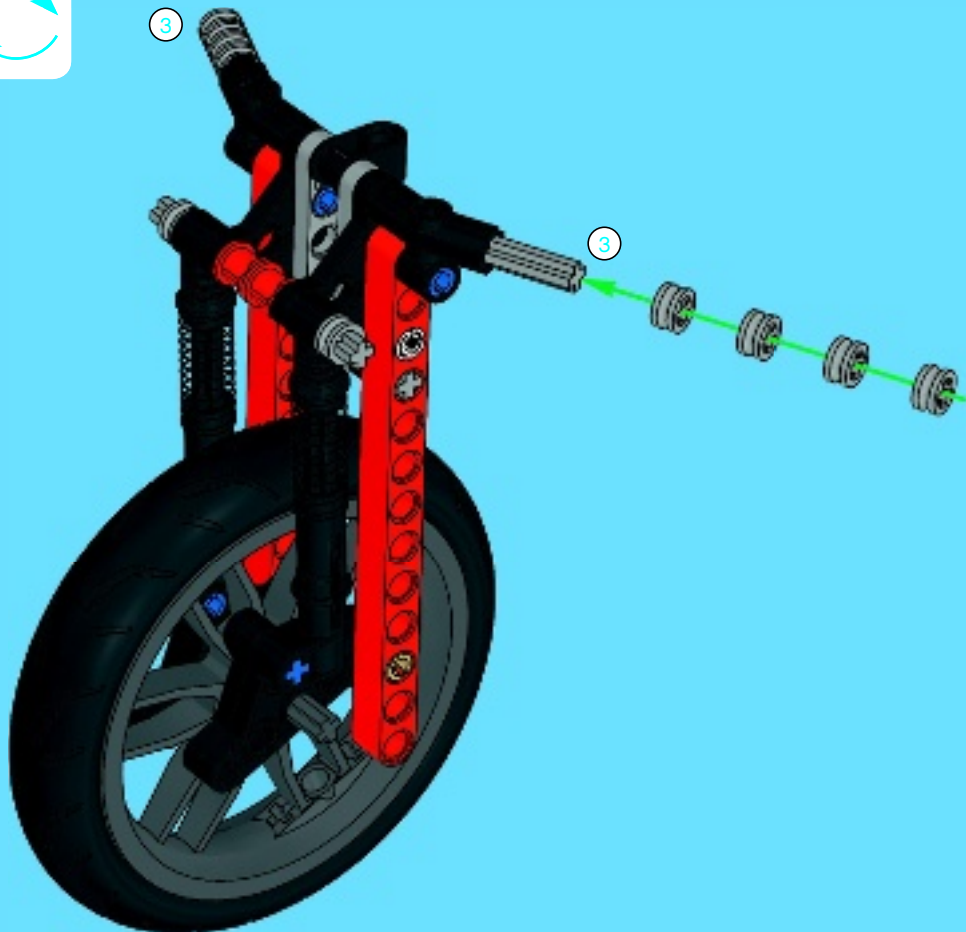
3

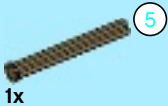


3

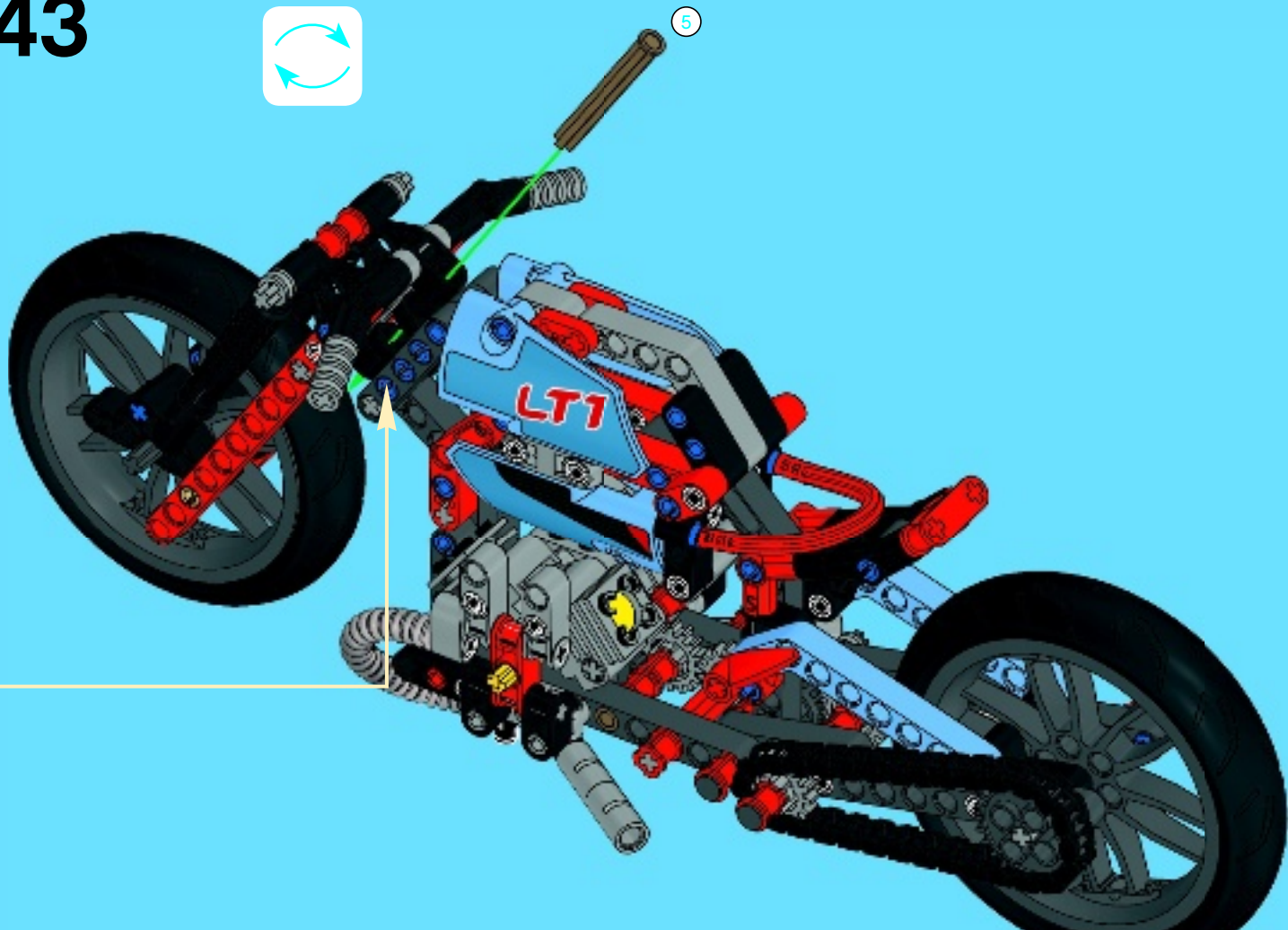
1:1

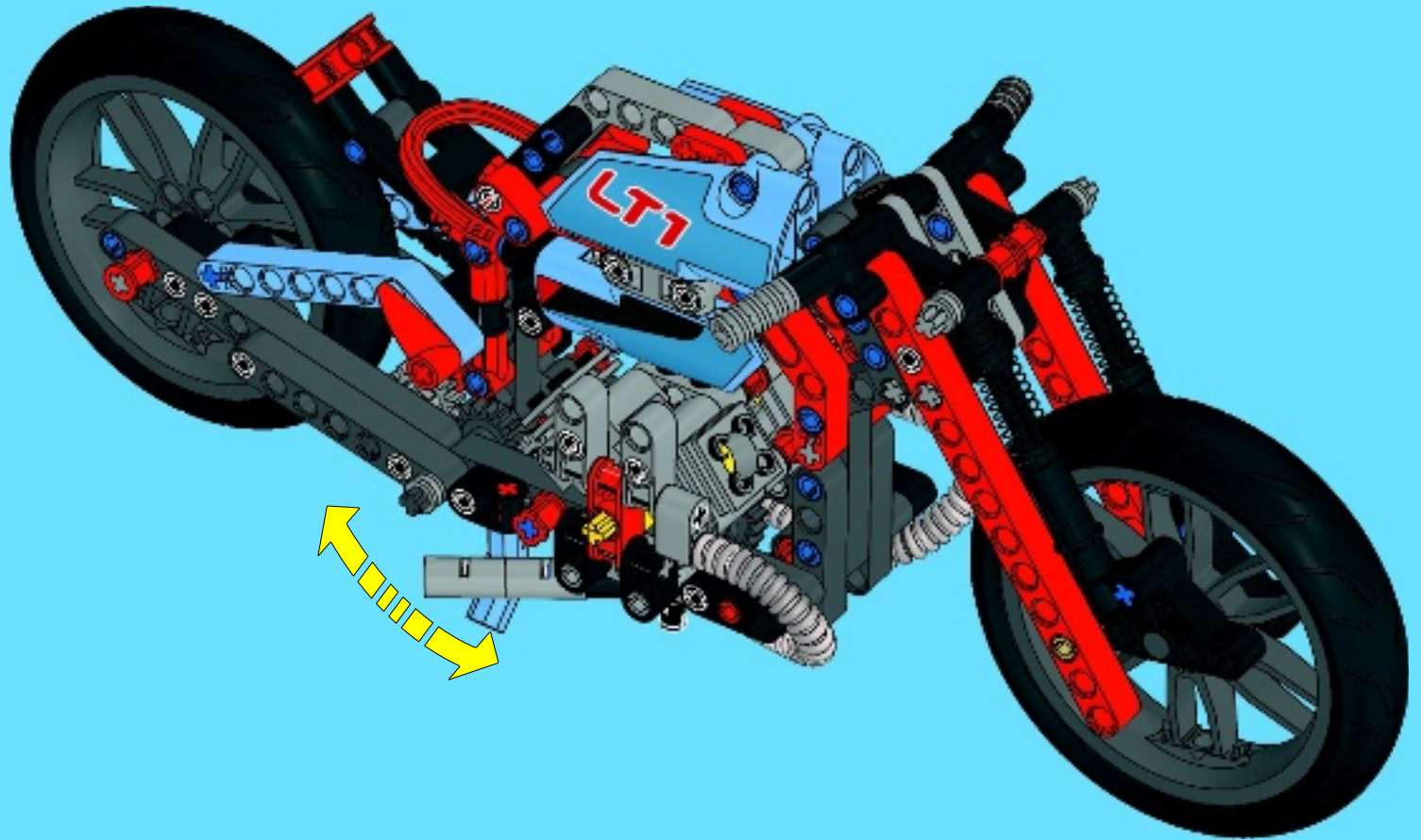
16

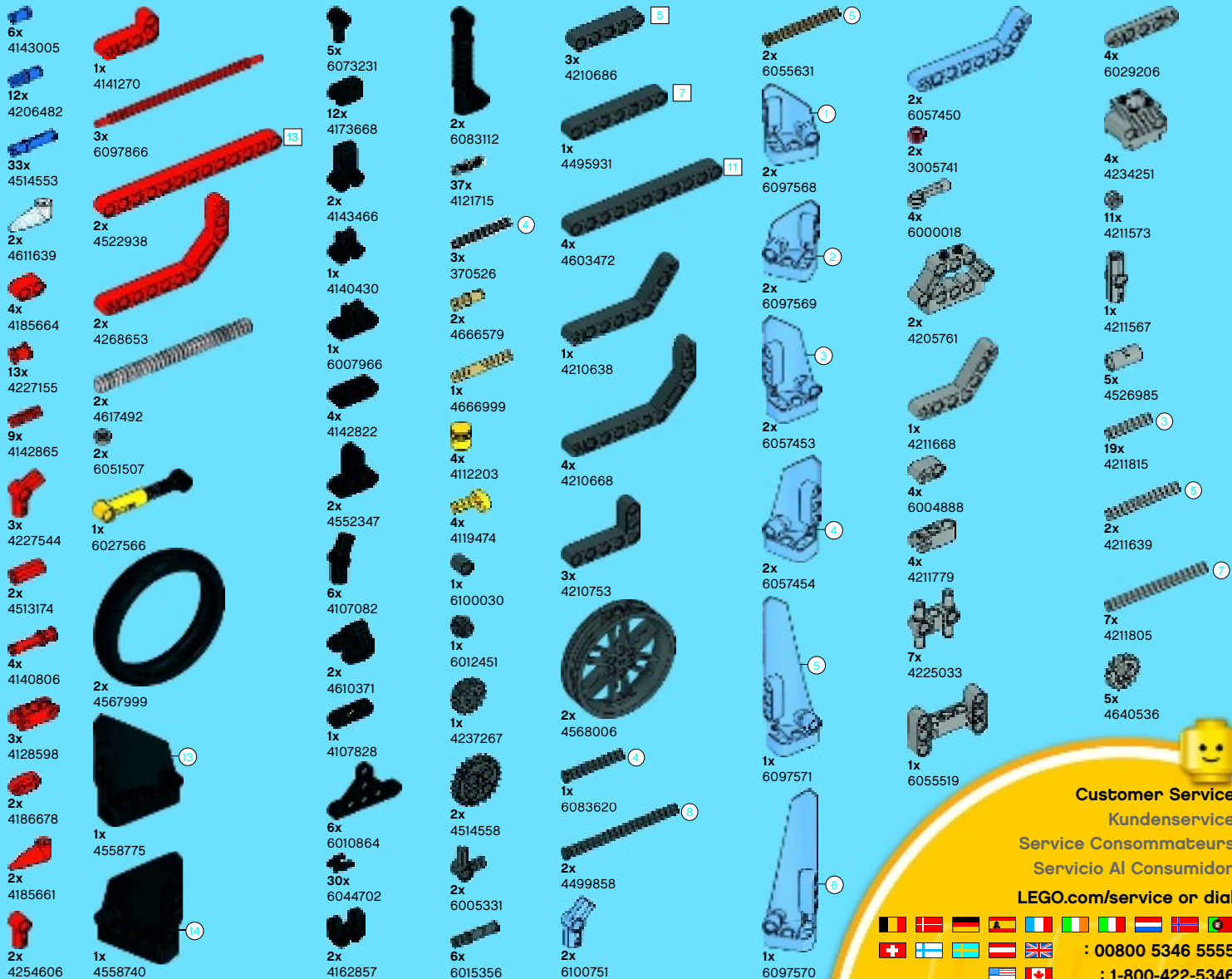




43







Customer Service
Kundenservice
Service Consommateurs
Servicio Al Consumidor
LEGO.com/service or dial

: 00800 5346 5555
 : 1-800-422-5346



TECHNIC



42039



42038



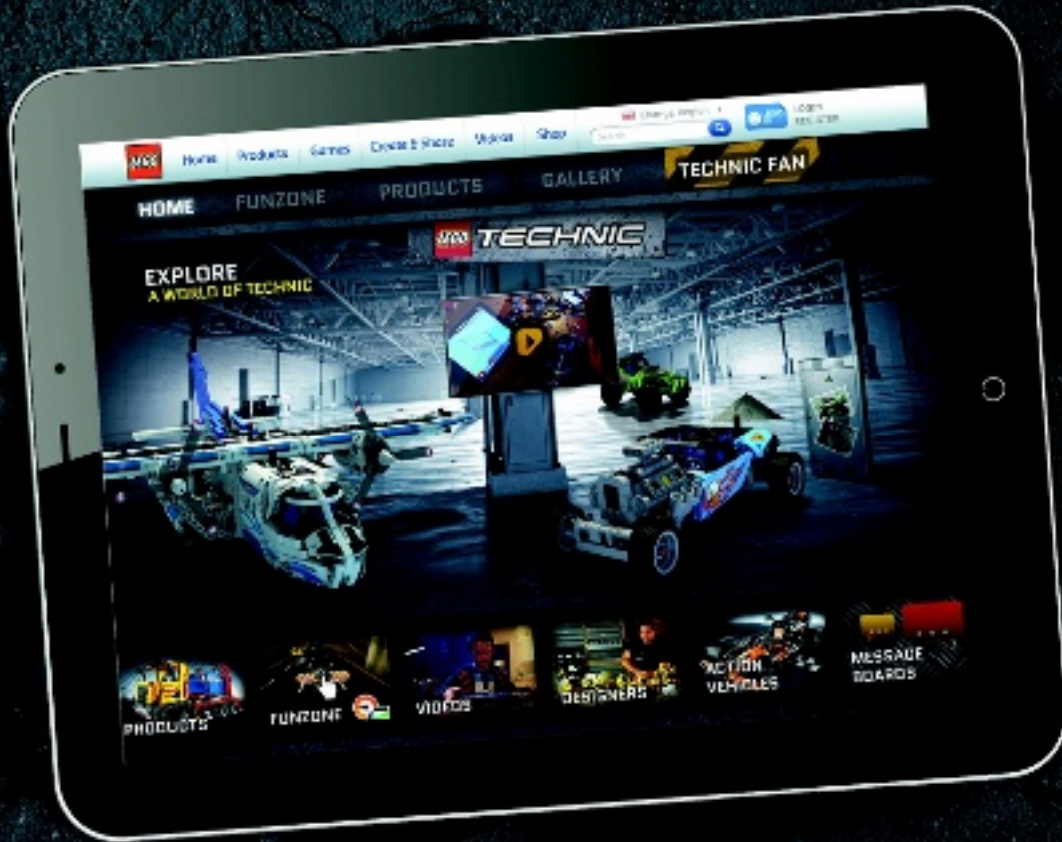
42033



42034



TECHNIC



LEGO.com/technic

buildinst

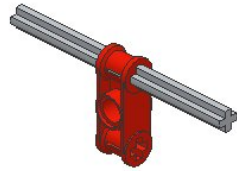
www.buildinst.cz

42036



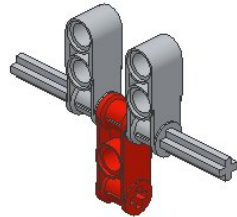
1

	7
1x	
1x	



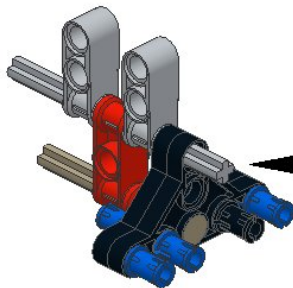
2

2x



3

1x	1x
2x	5
1x	2x
	1x



1	
2	
3	
4	

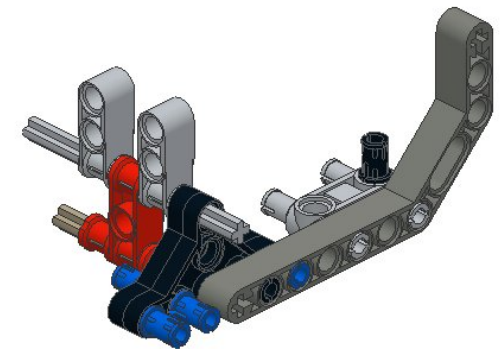
4

1x	1x

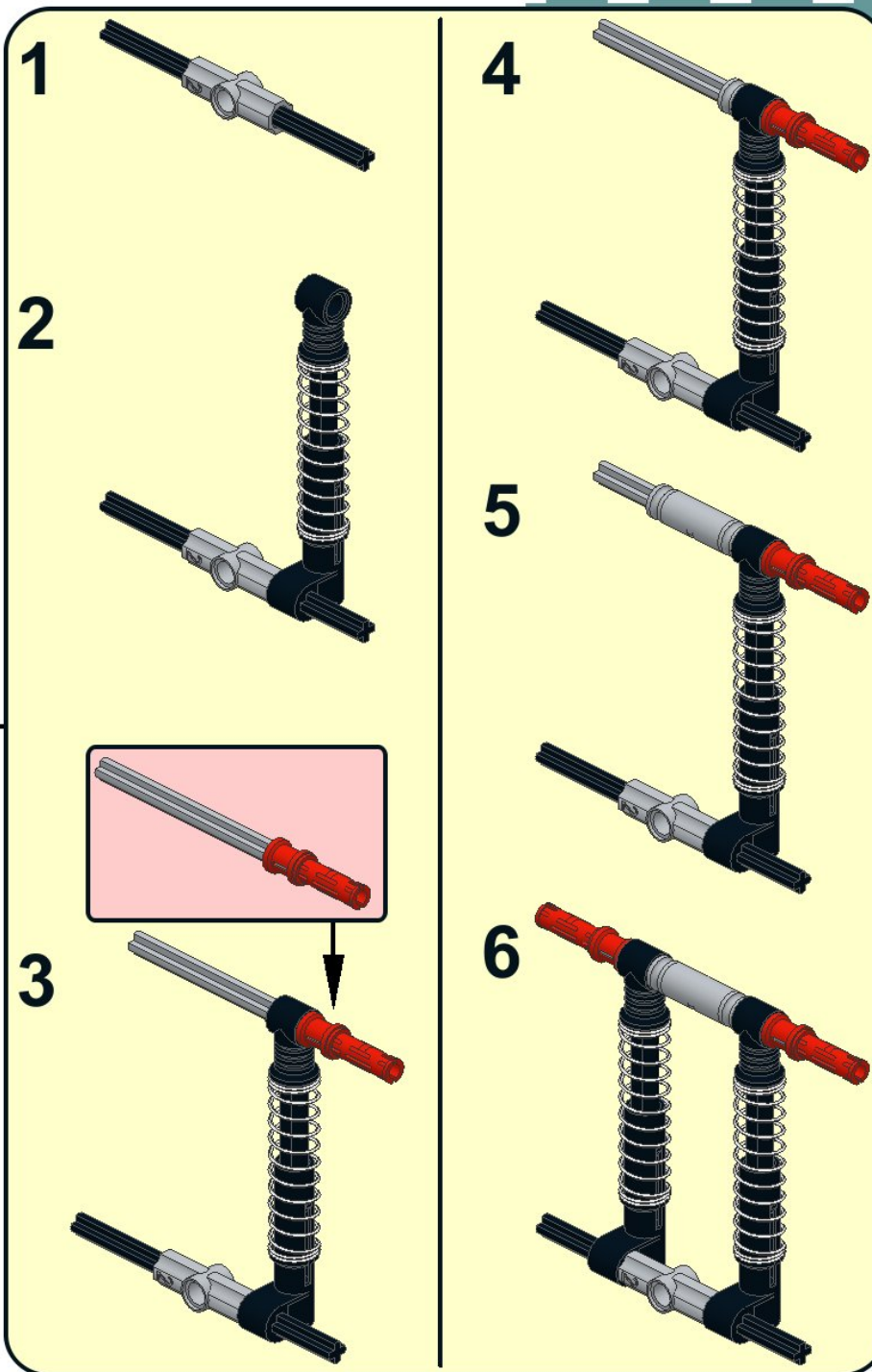
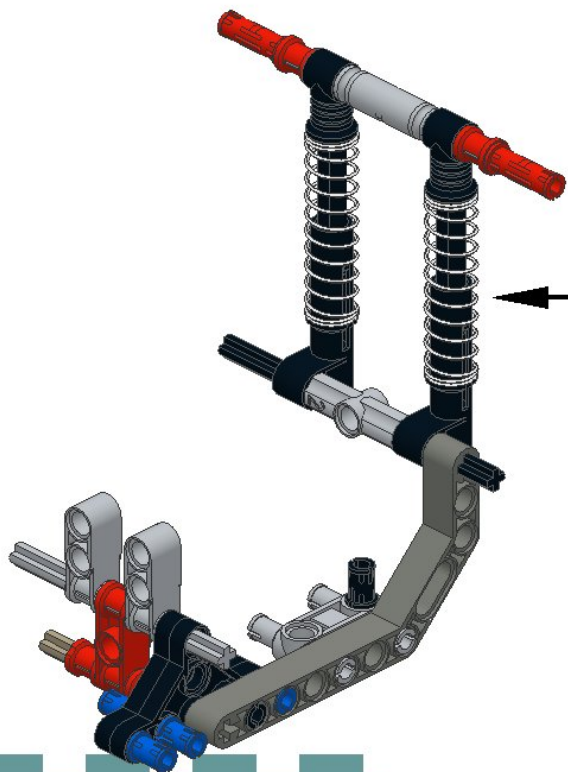
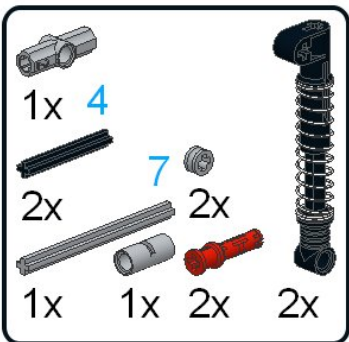


5

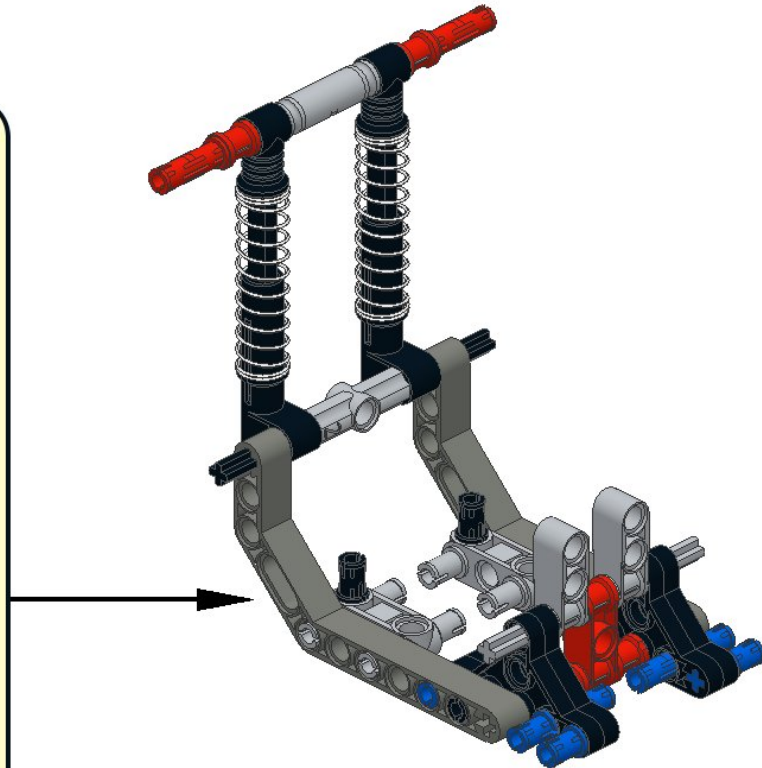
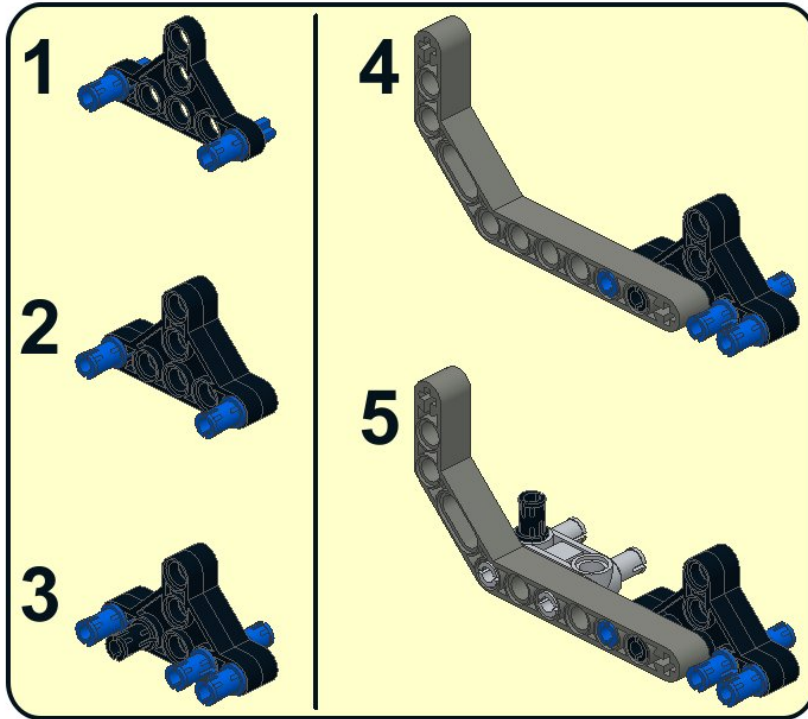
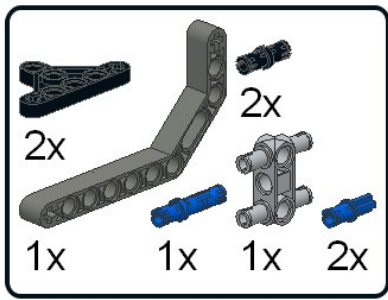
1x	1x



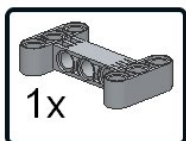
6





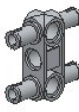













7

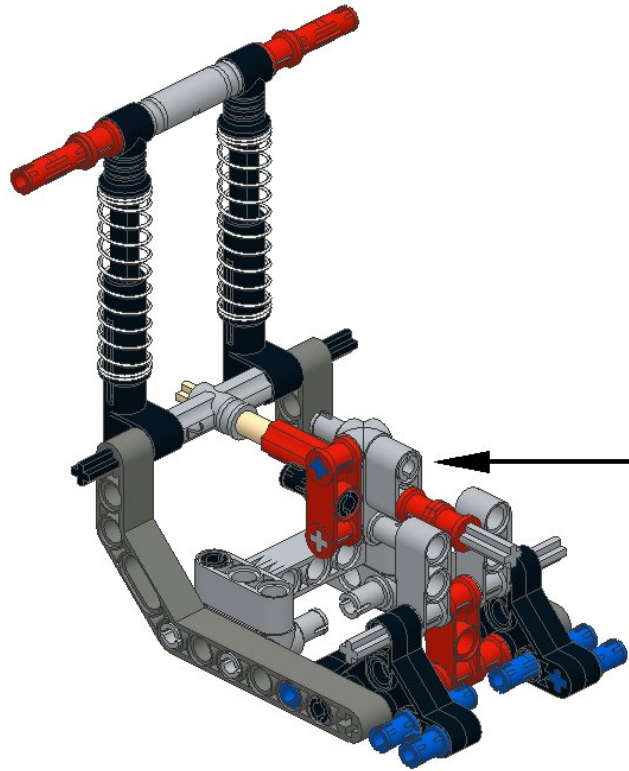


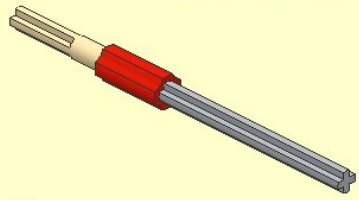
8

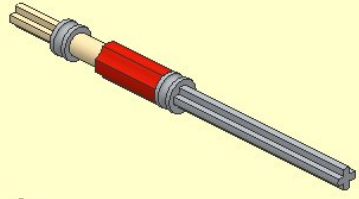


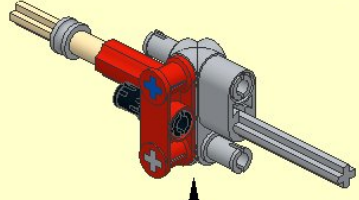
9

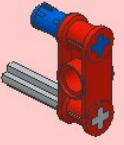
- 1x 4 
- 1x  7  1x  1x 
- 1x  1x  3  1x  2x 
- 1x  2x  1x  1x  1x  2x 

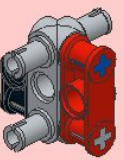


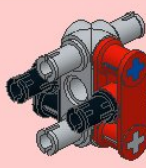
1 

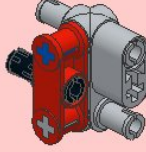
2 

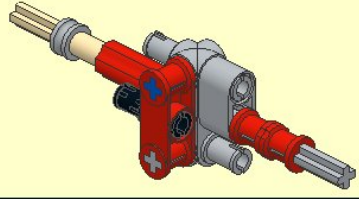
3 

1 

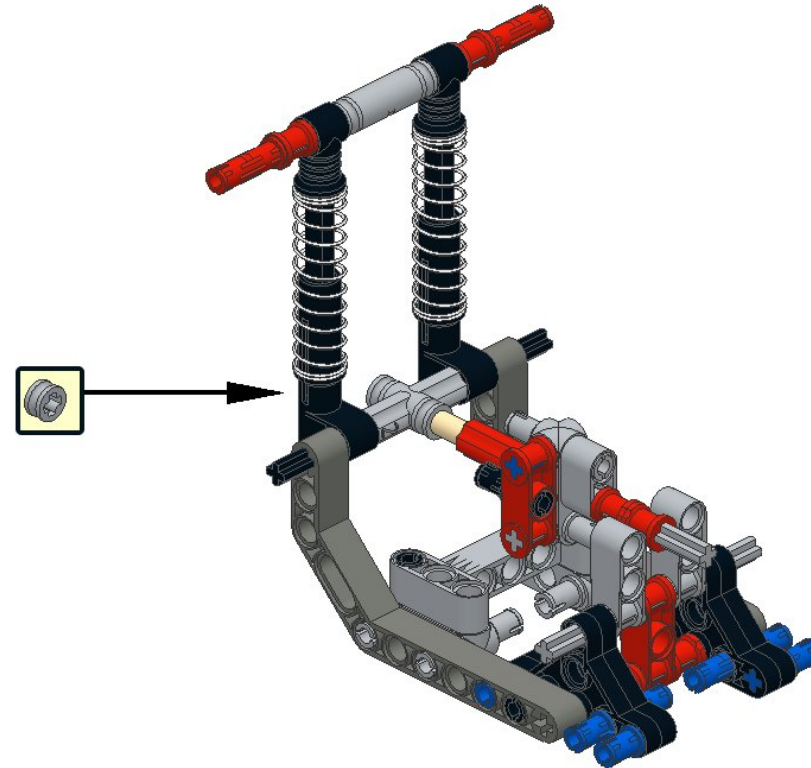
2 

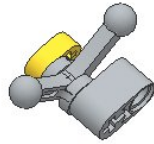
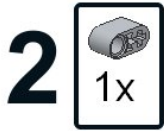
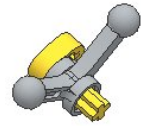
3 

4 

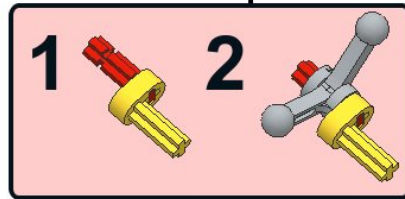
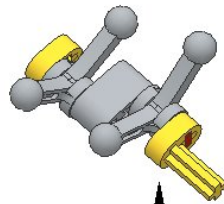
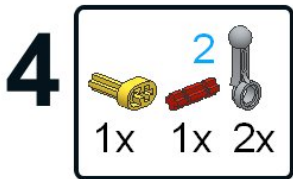
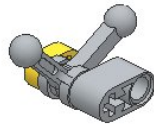
4 

10  1x

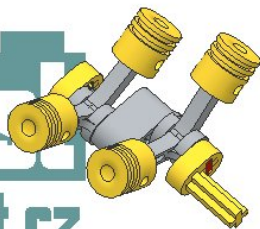




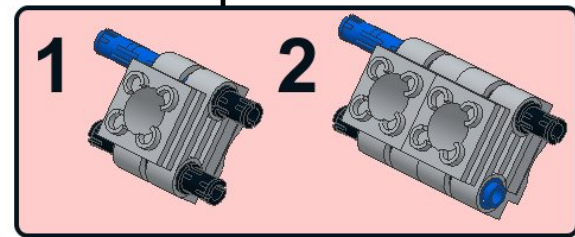
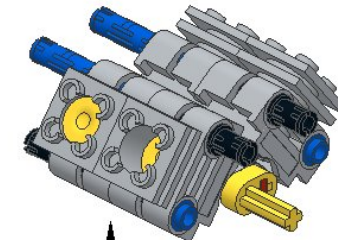
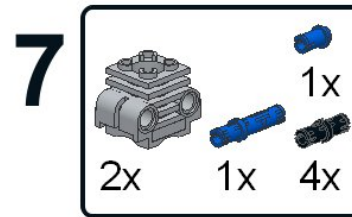
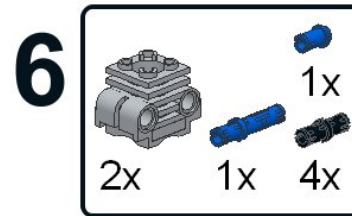
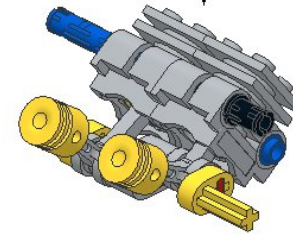
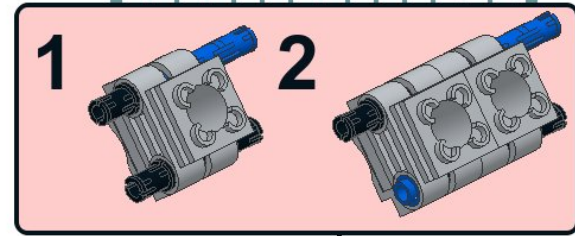
3



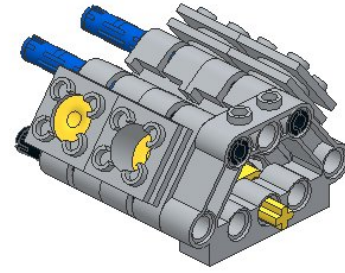
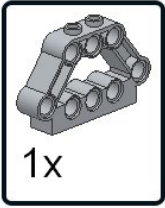
buildinst
www.buildinst.cz



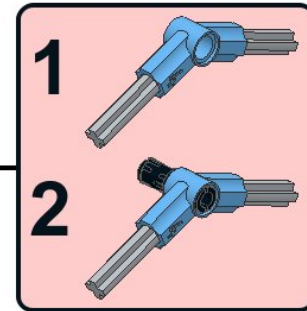
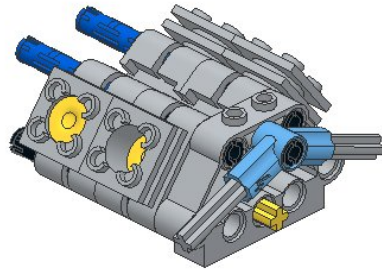
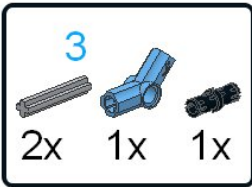
buildinst



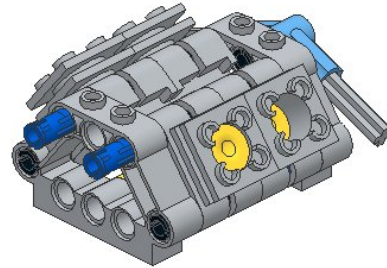
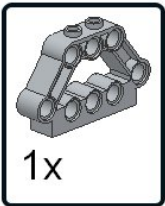
8



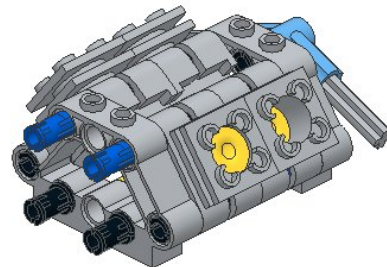
9

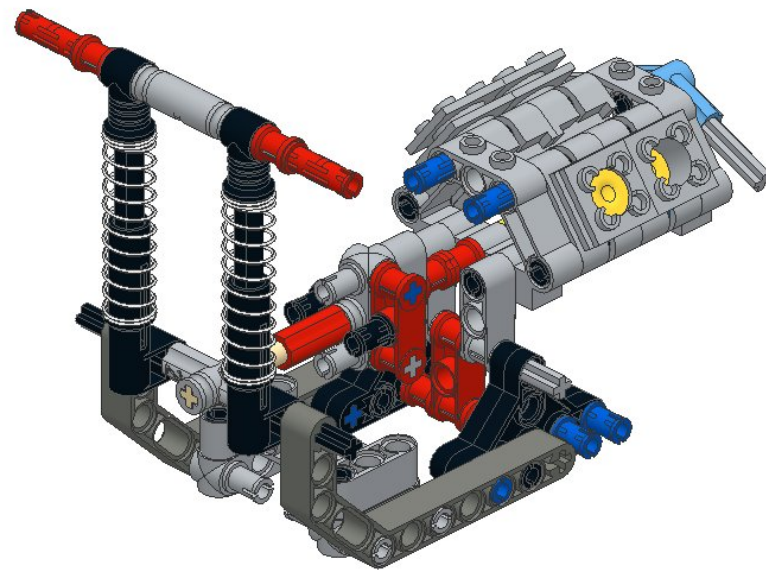


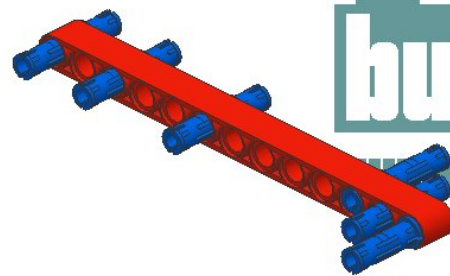
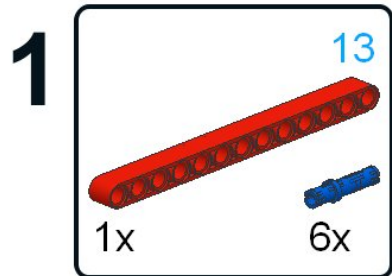
10



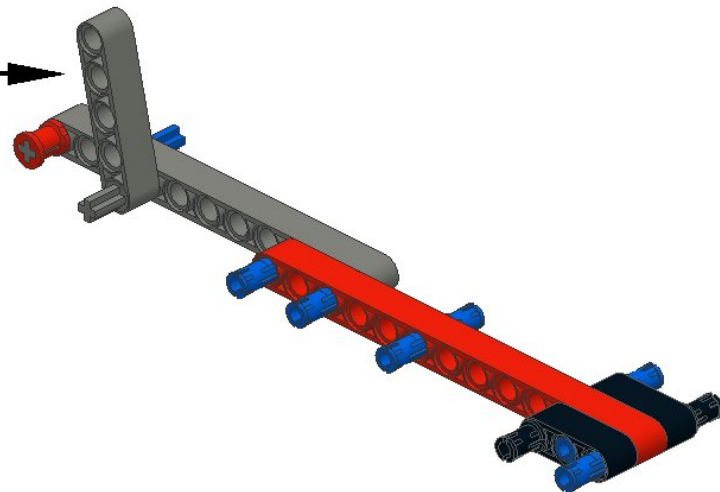
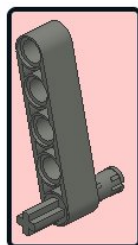
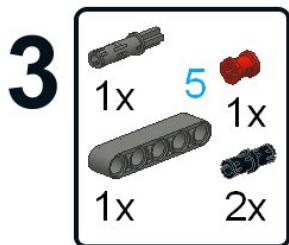
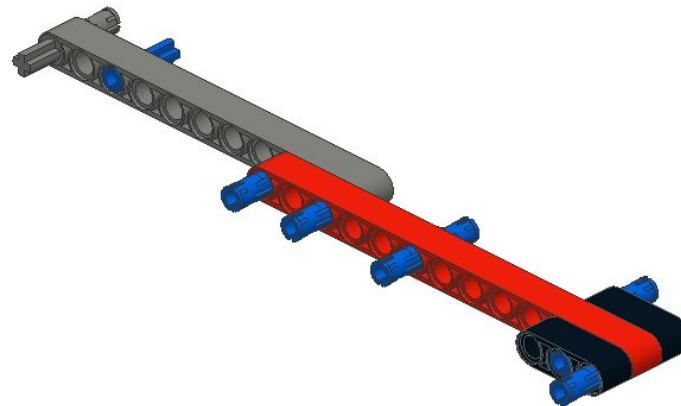
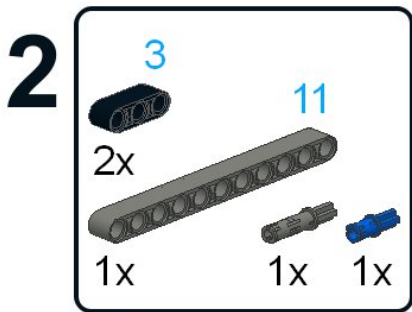
11





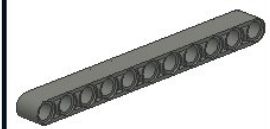


buildinst
www.buildinst.cz



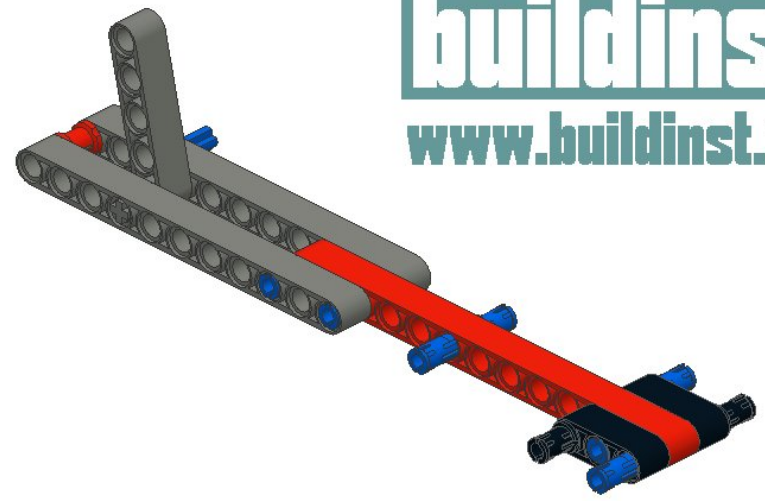
buildinst
www.buildinst.cz

4

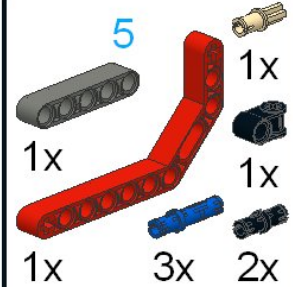


11

1x



5



5

1x

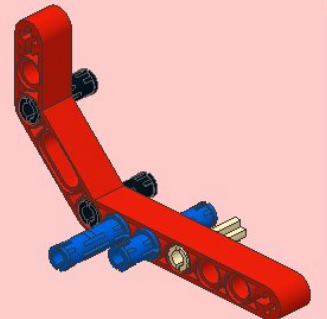
1x

1x

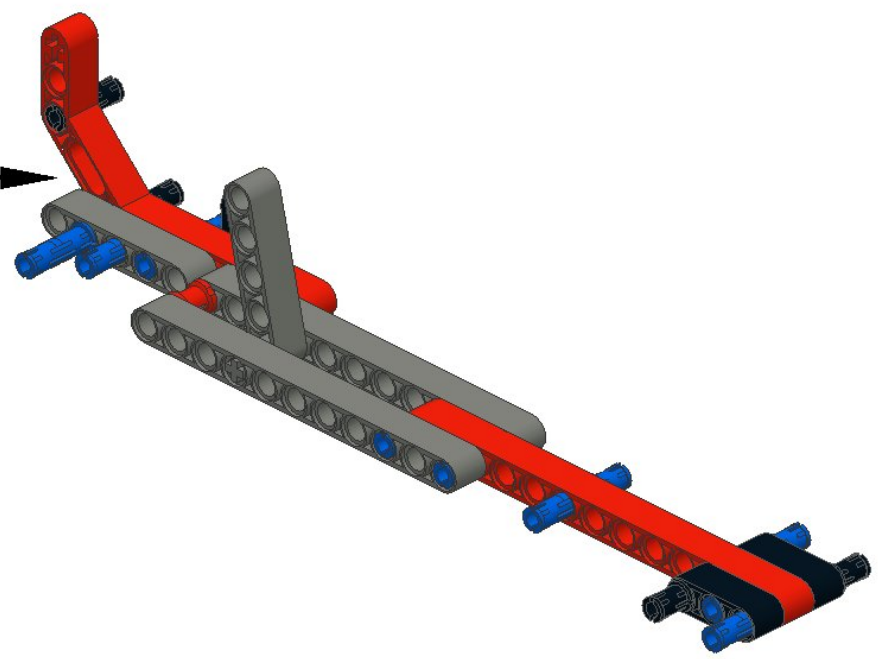
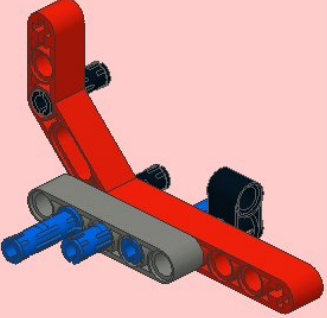
3x

2x

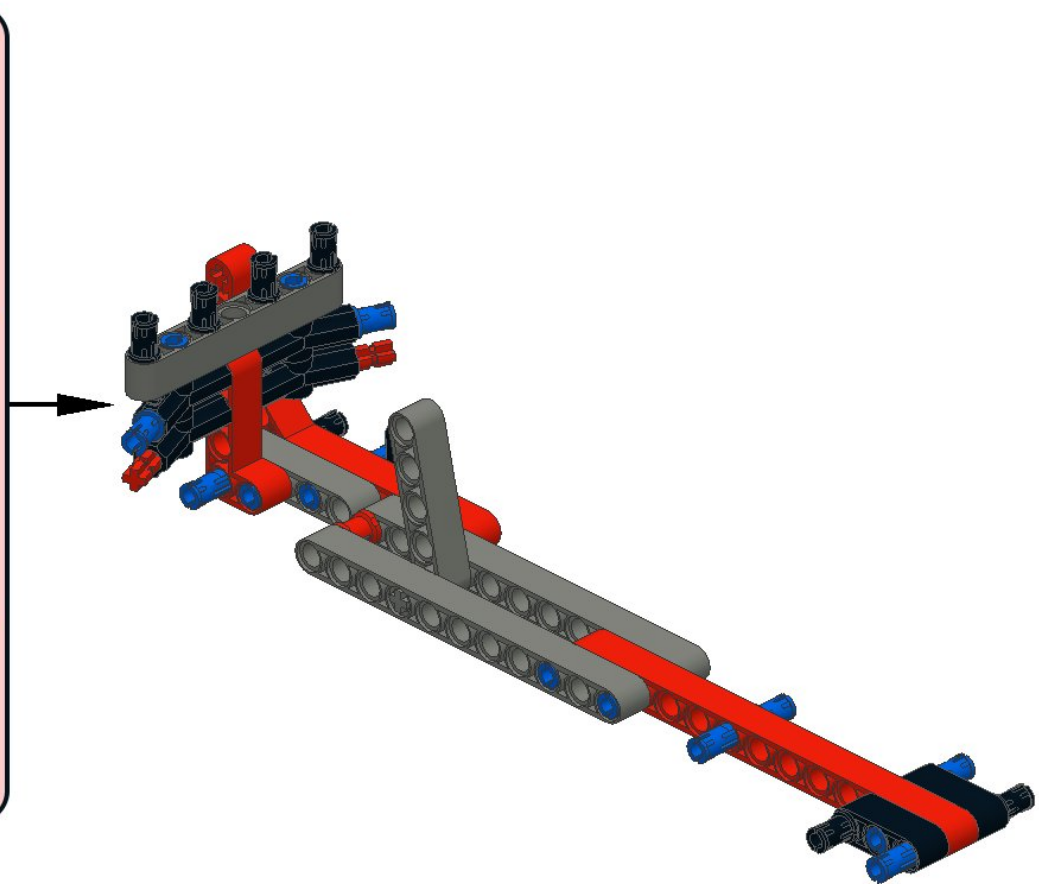
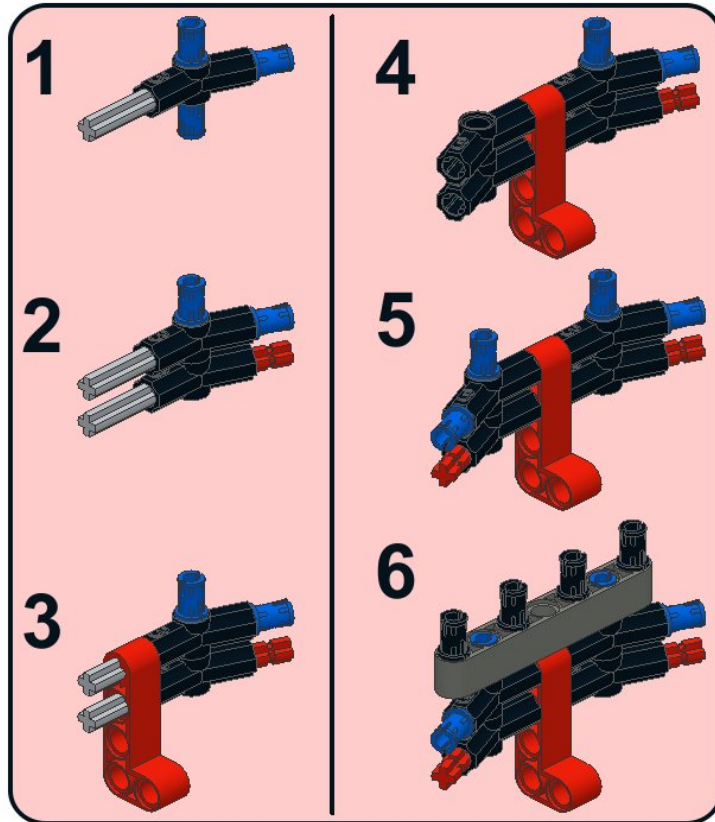
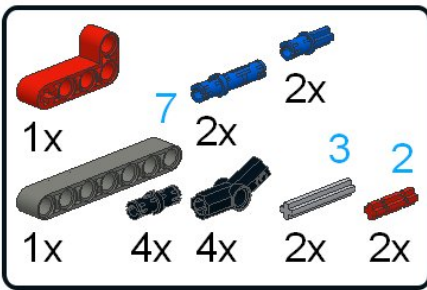
1



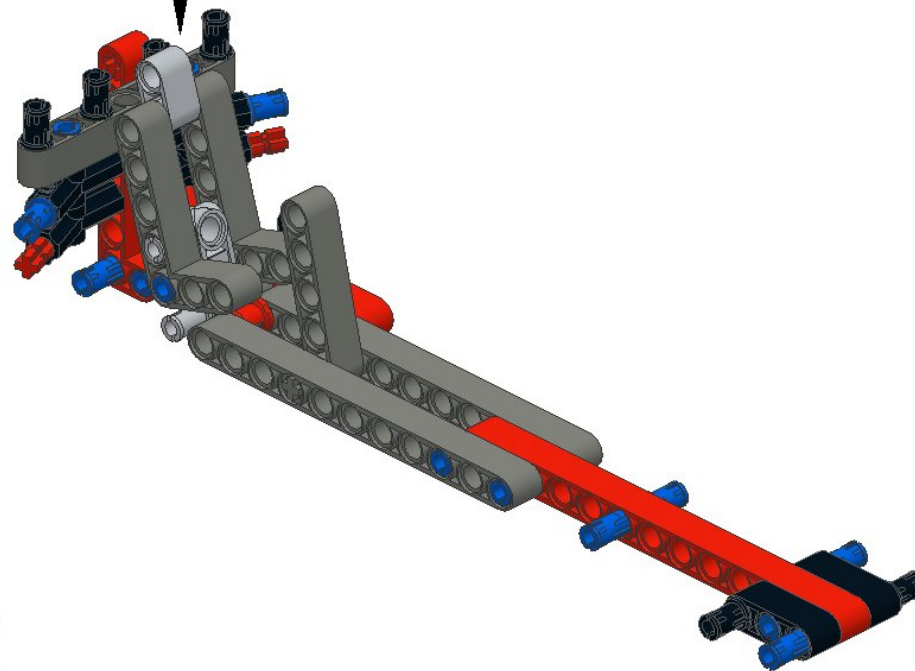
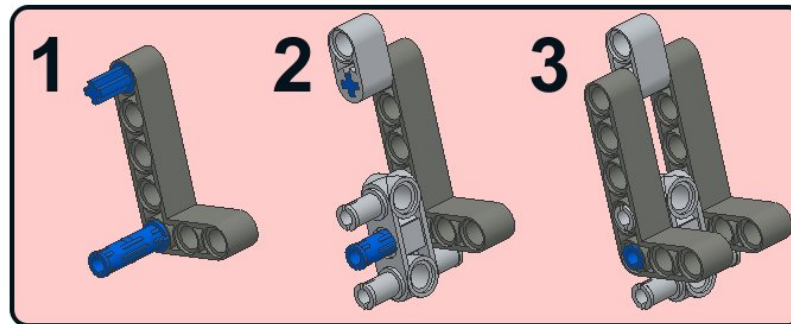
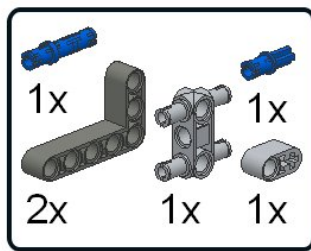
2



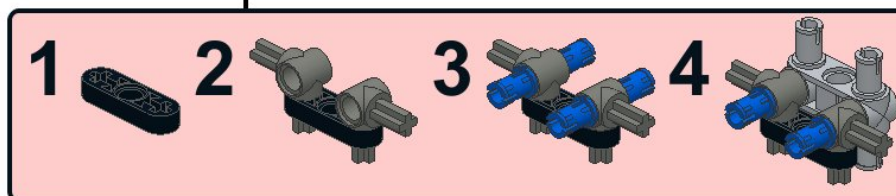
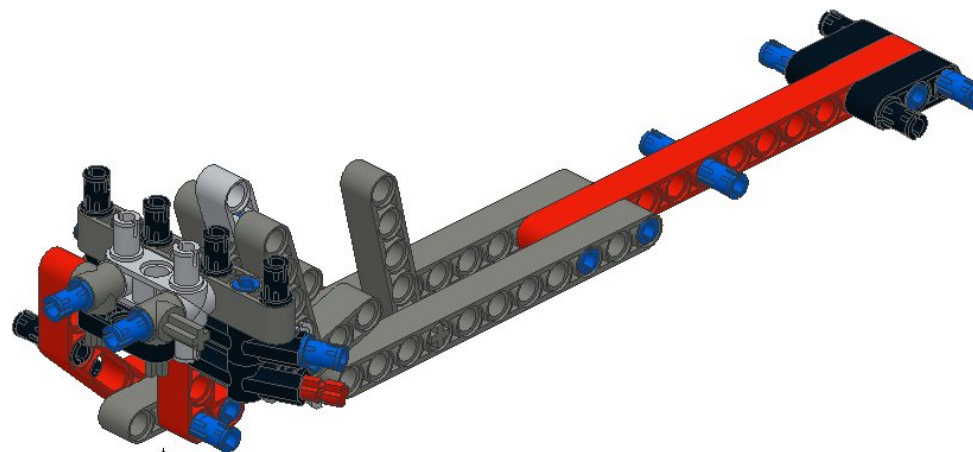
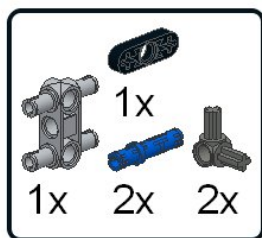
6



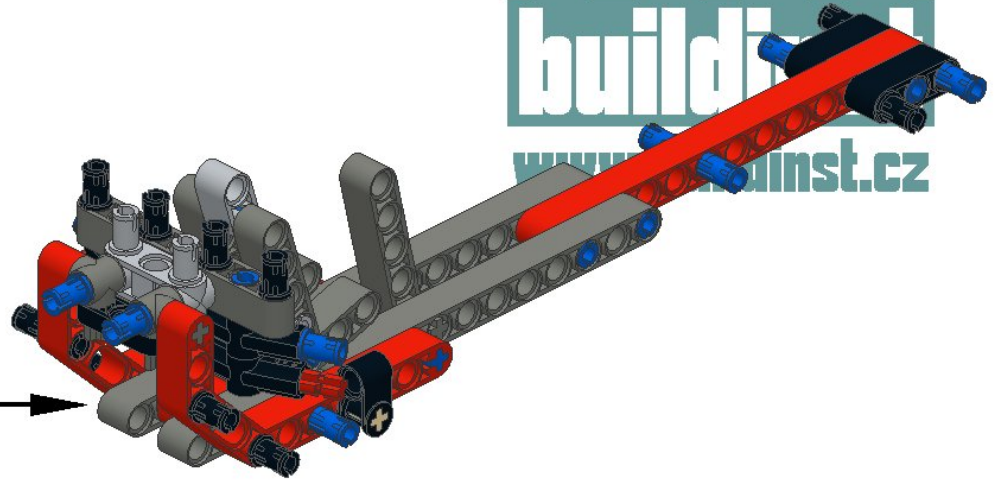
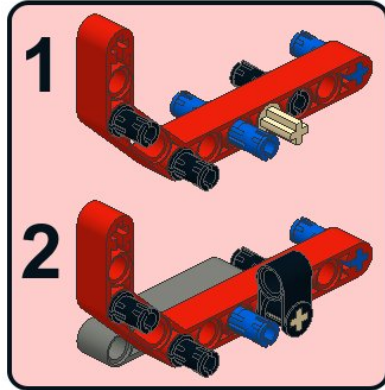
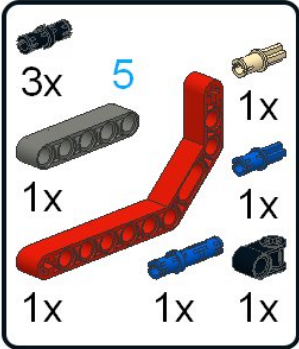
7



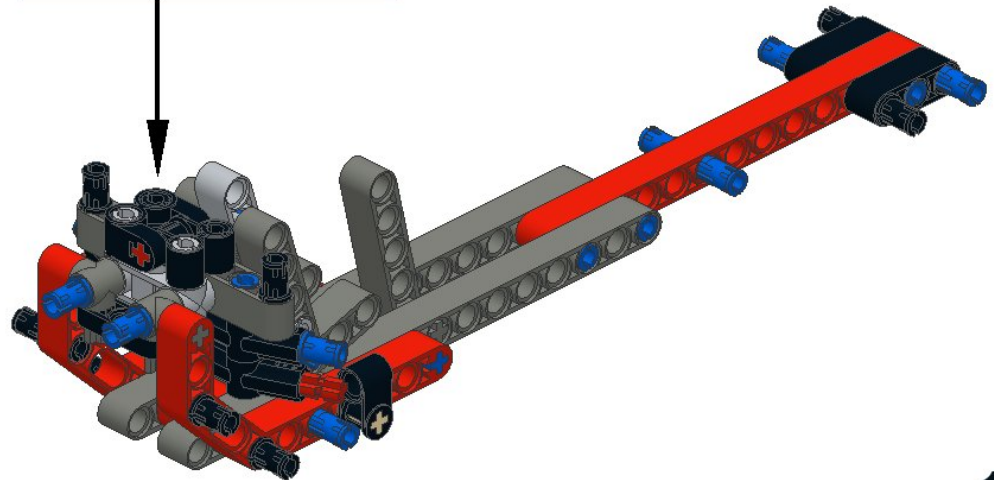
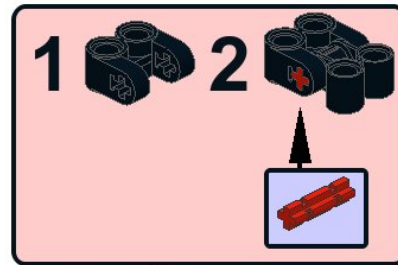
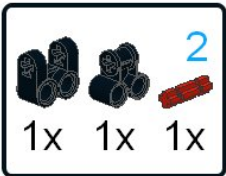
8



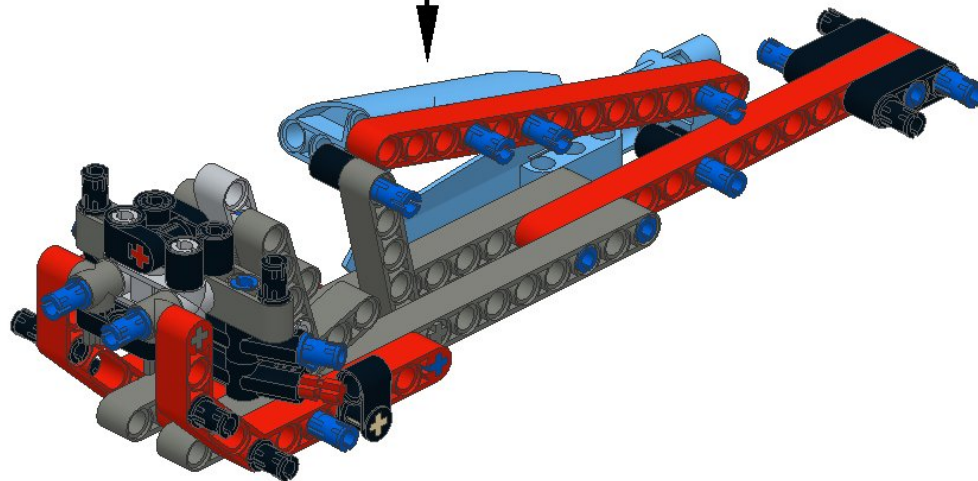
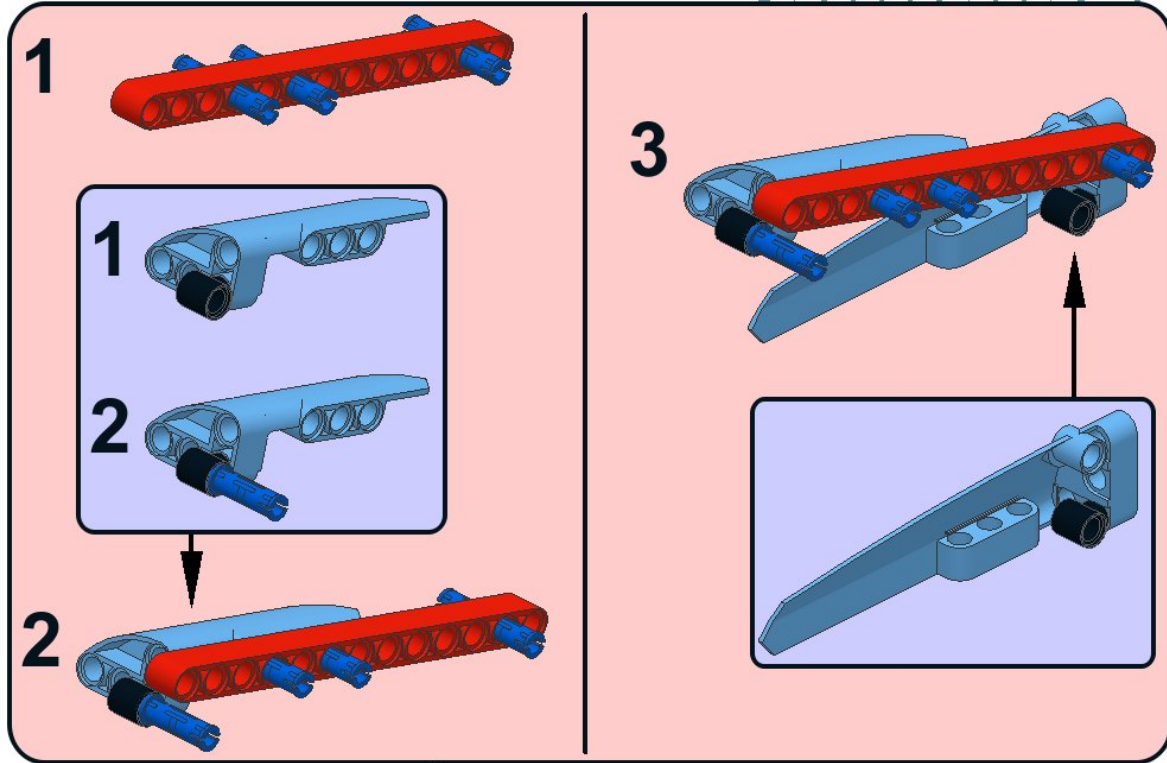
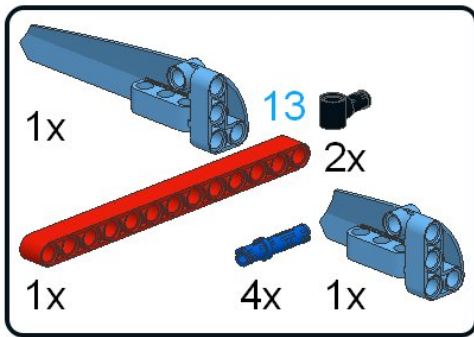
9



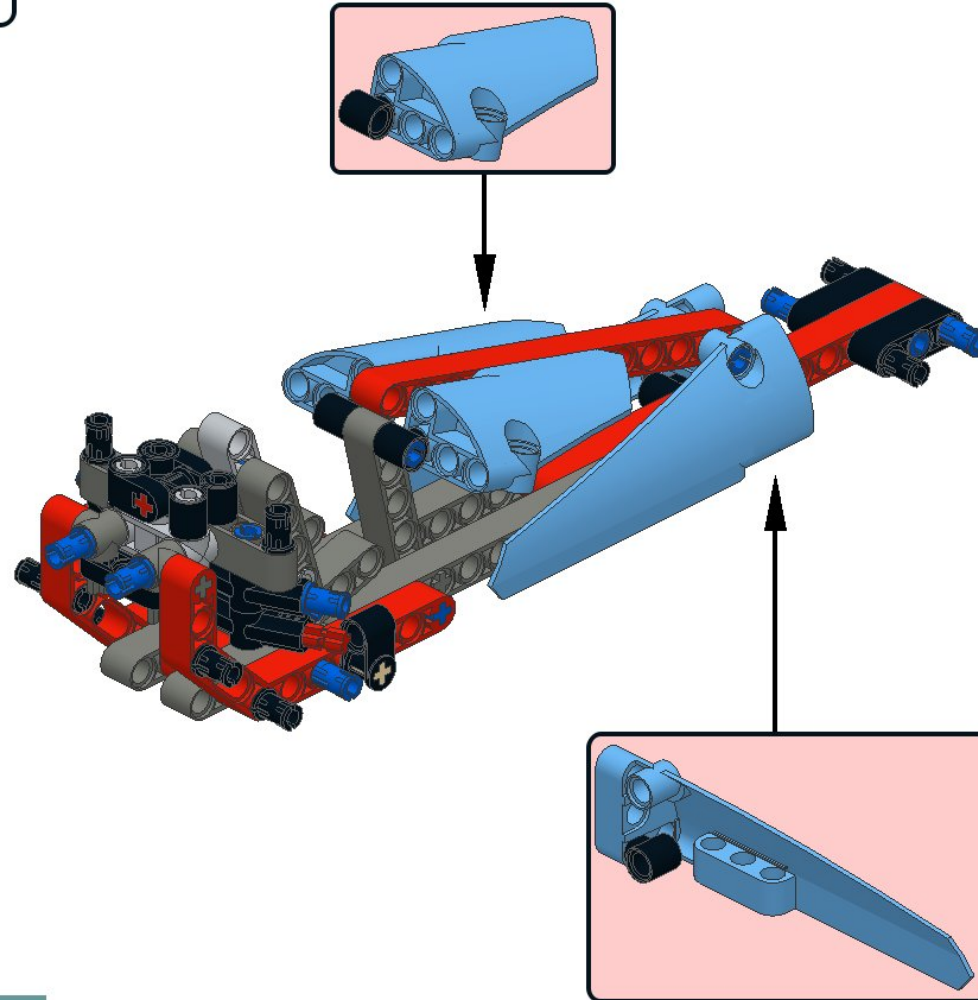
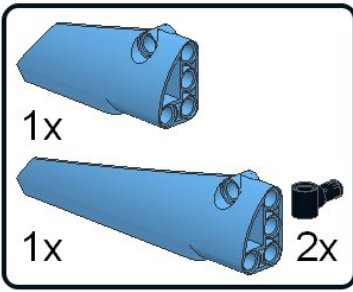
10



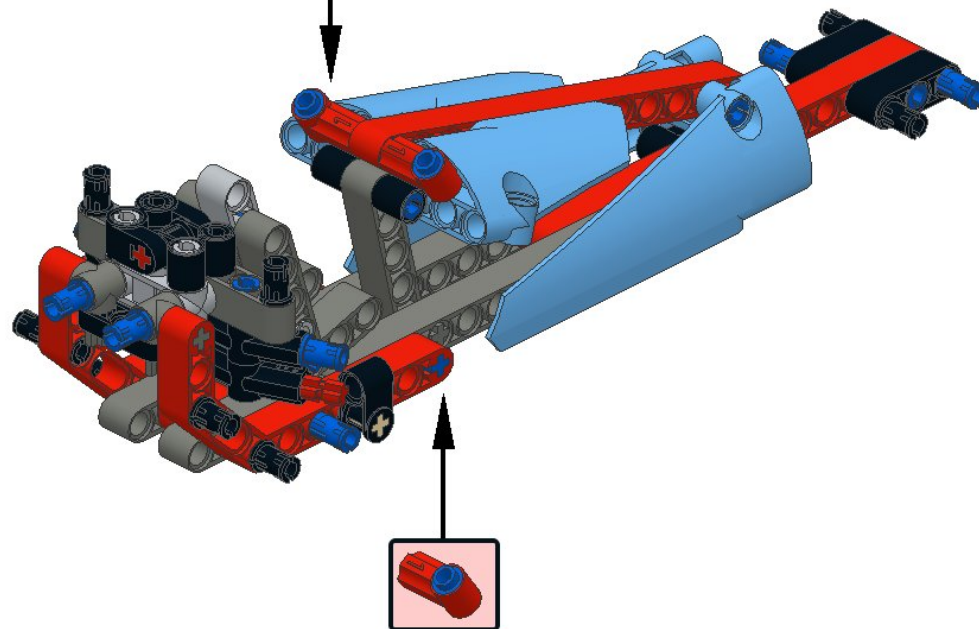
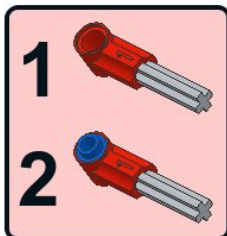
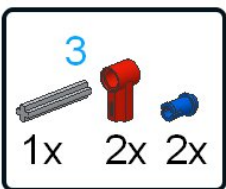
11



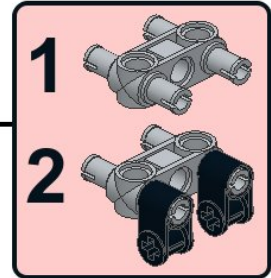
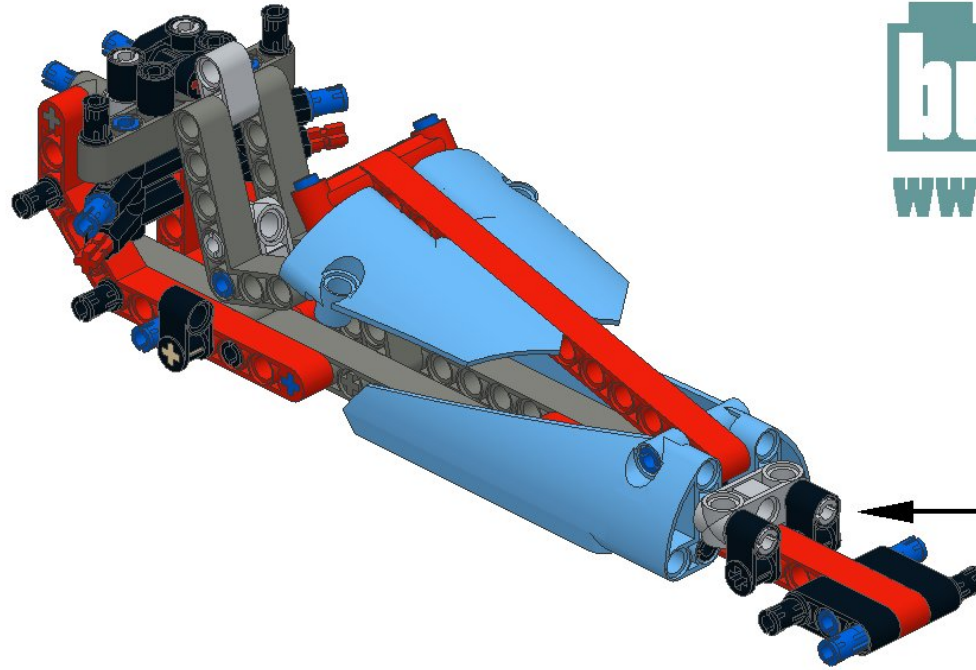
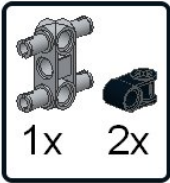
12



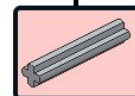
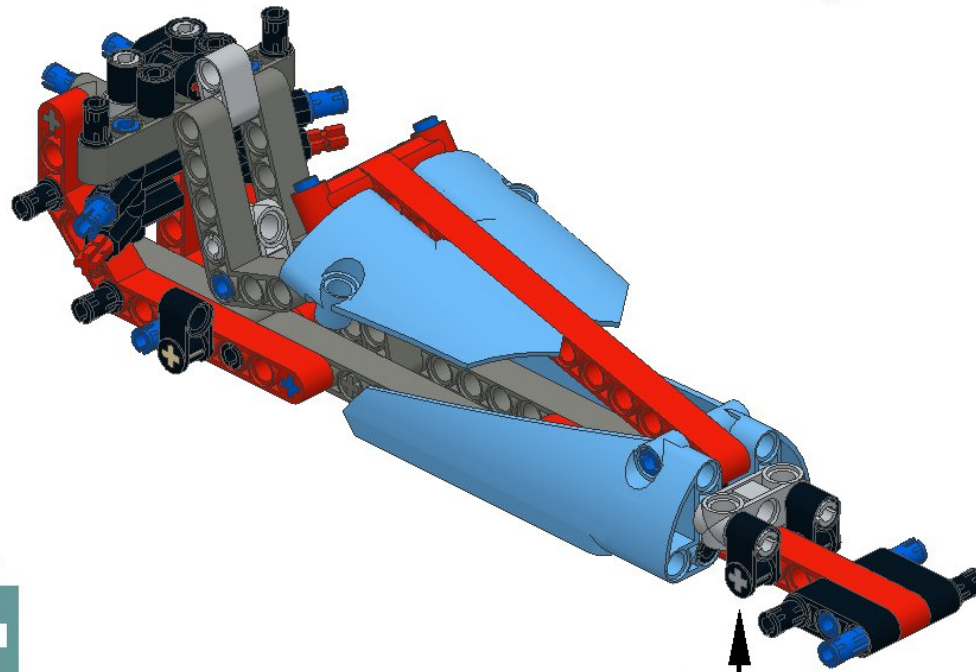
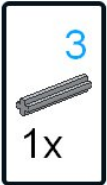
13



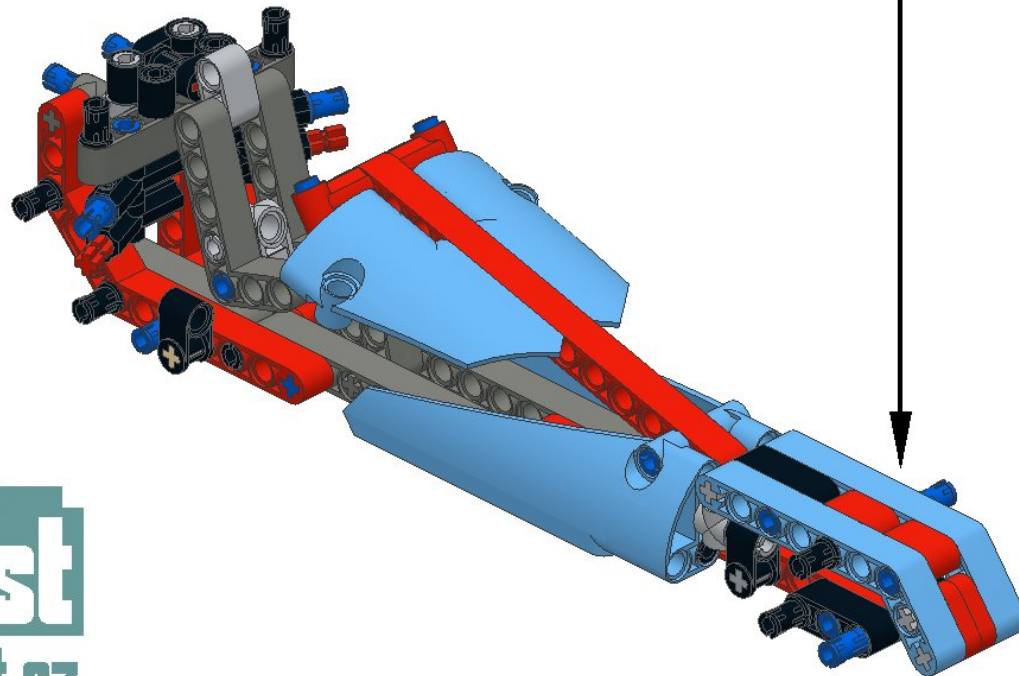
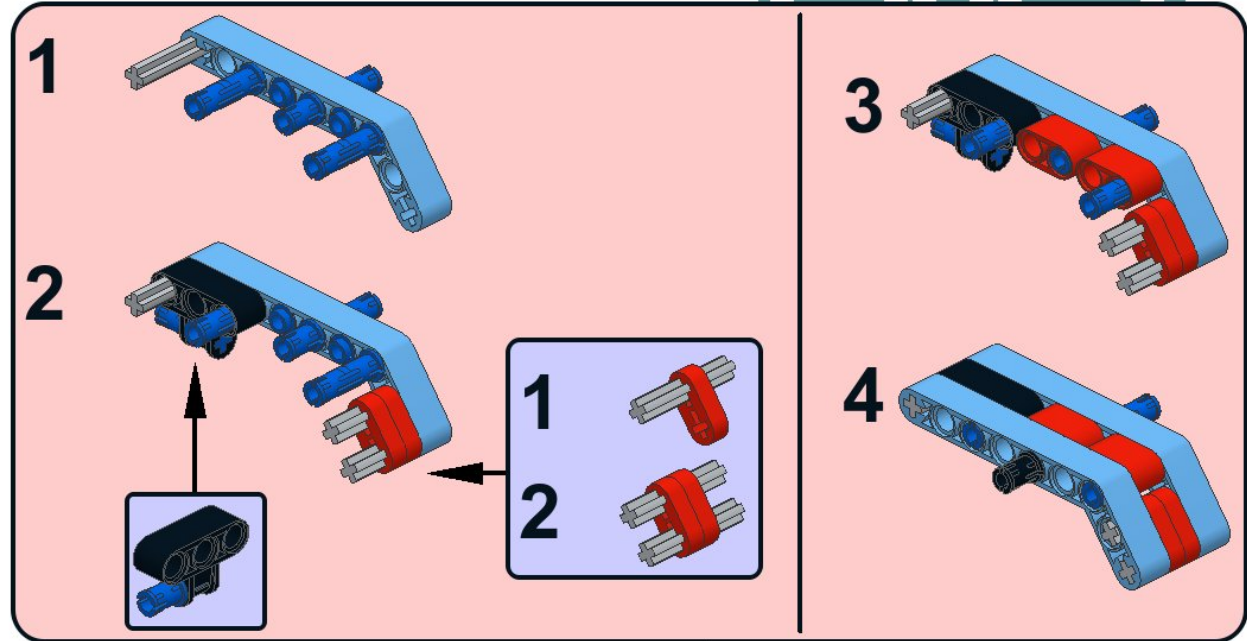
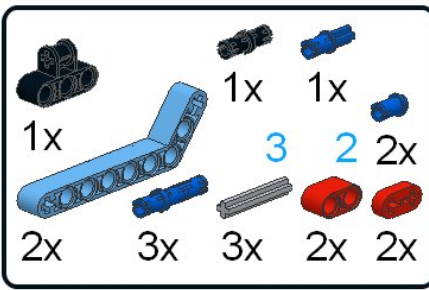
14



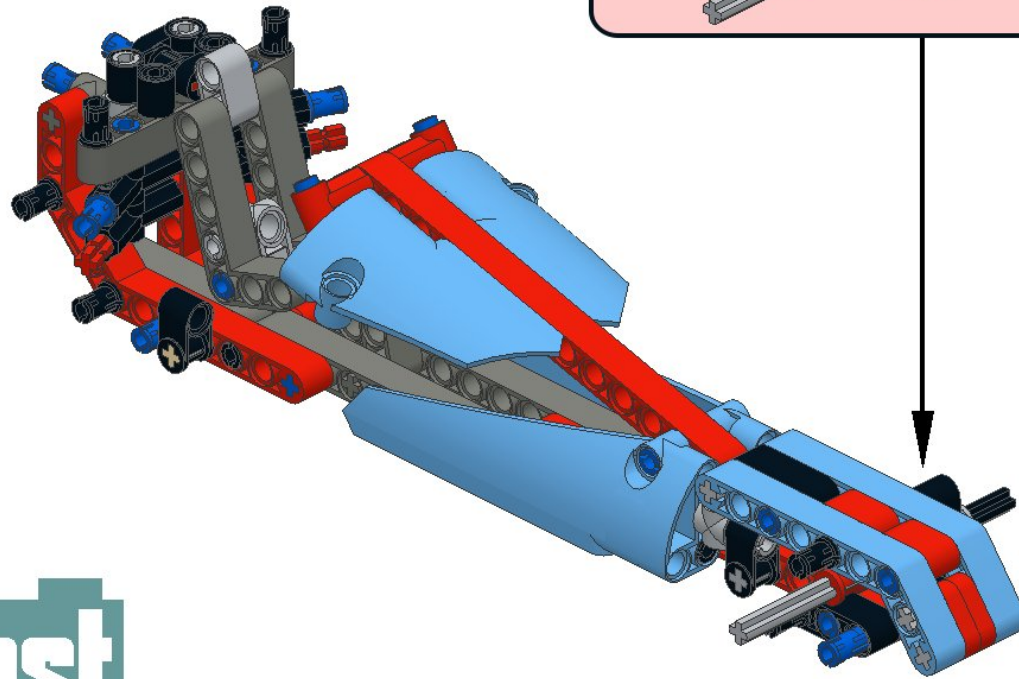
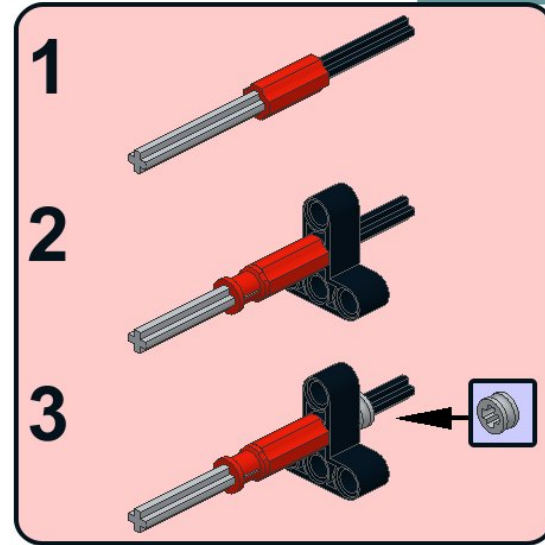
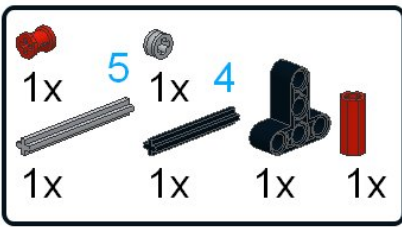
15



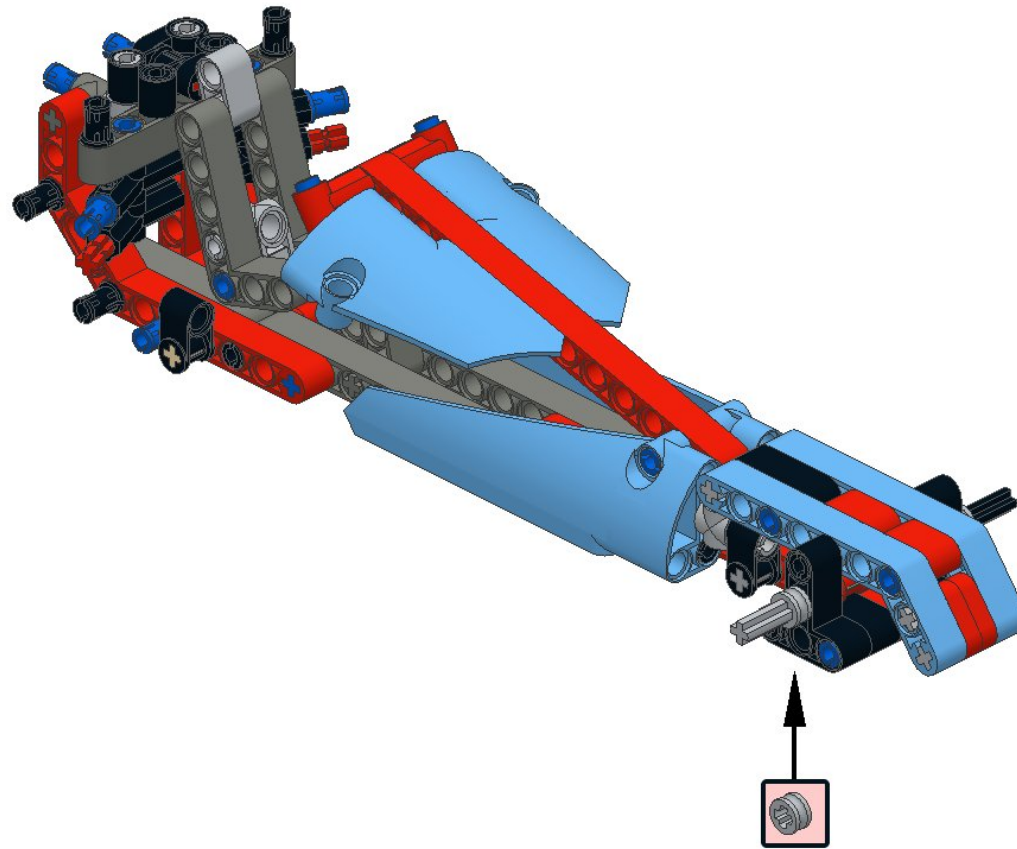
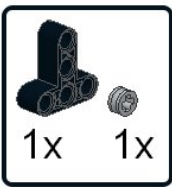
16



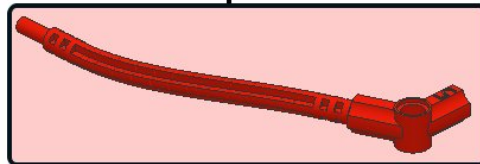
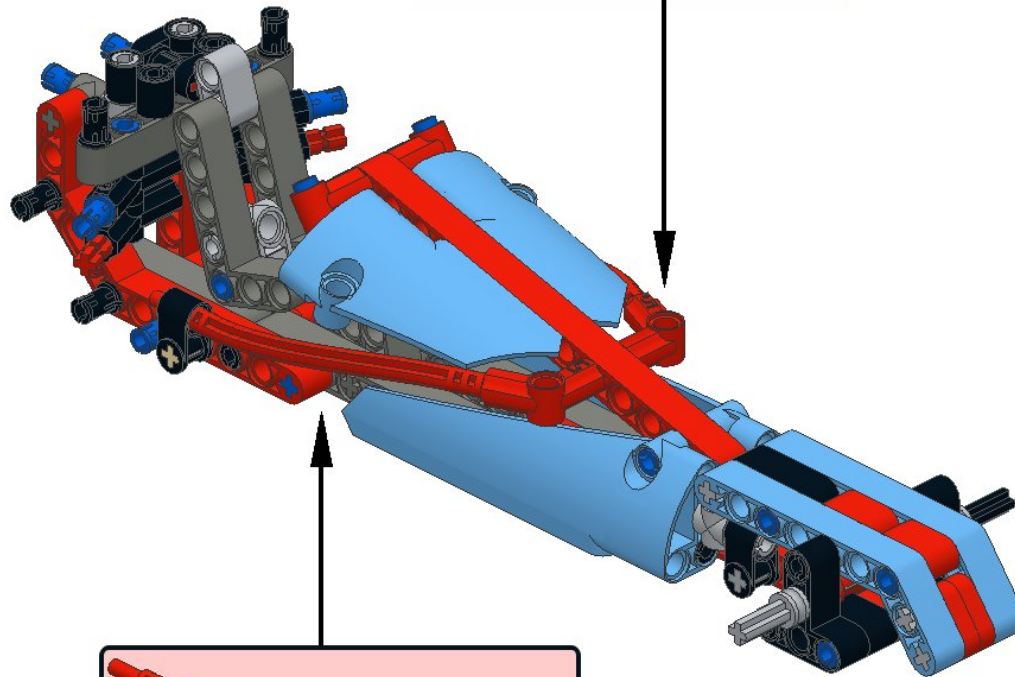
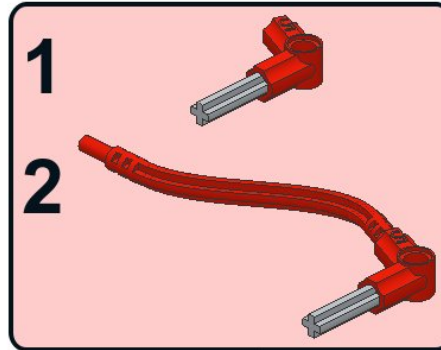
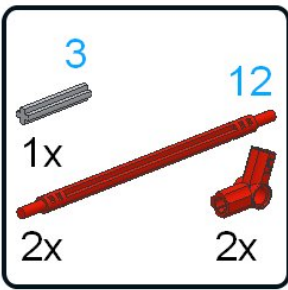
17



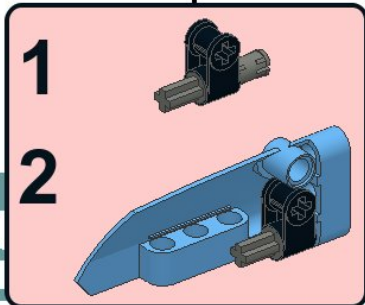
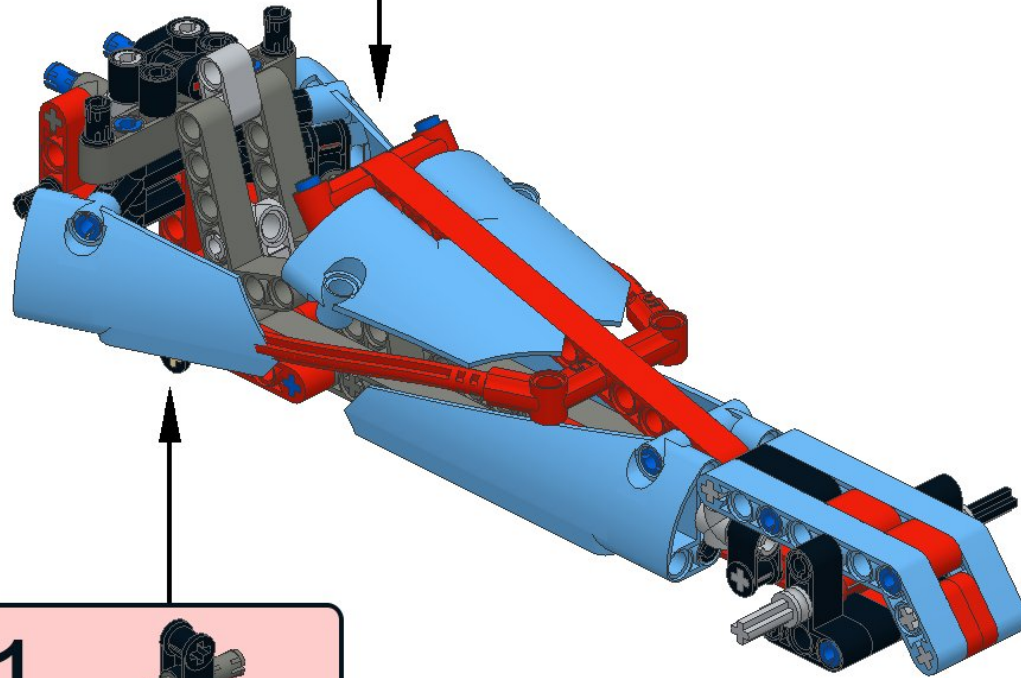
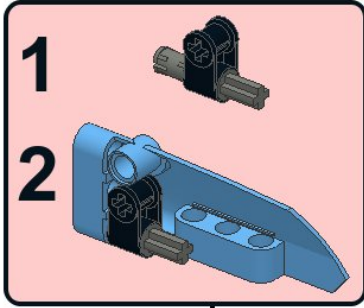
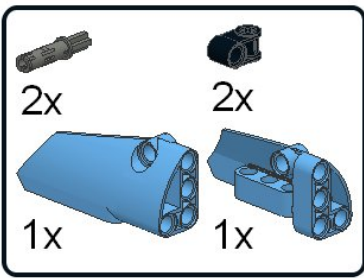
18



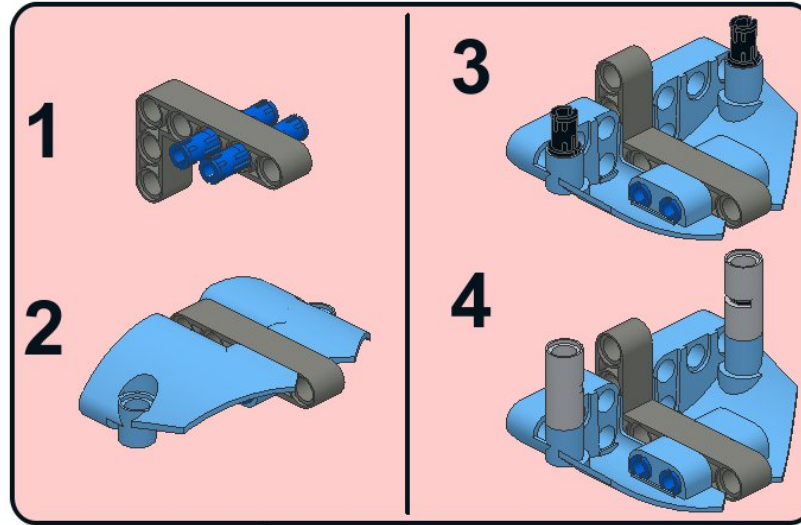
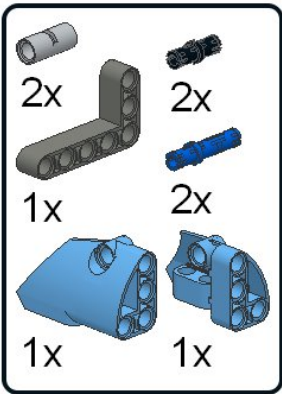
19



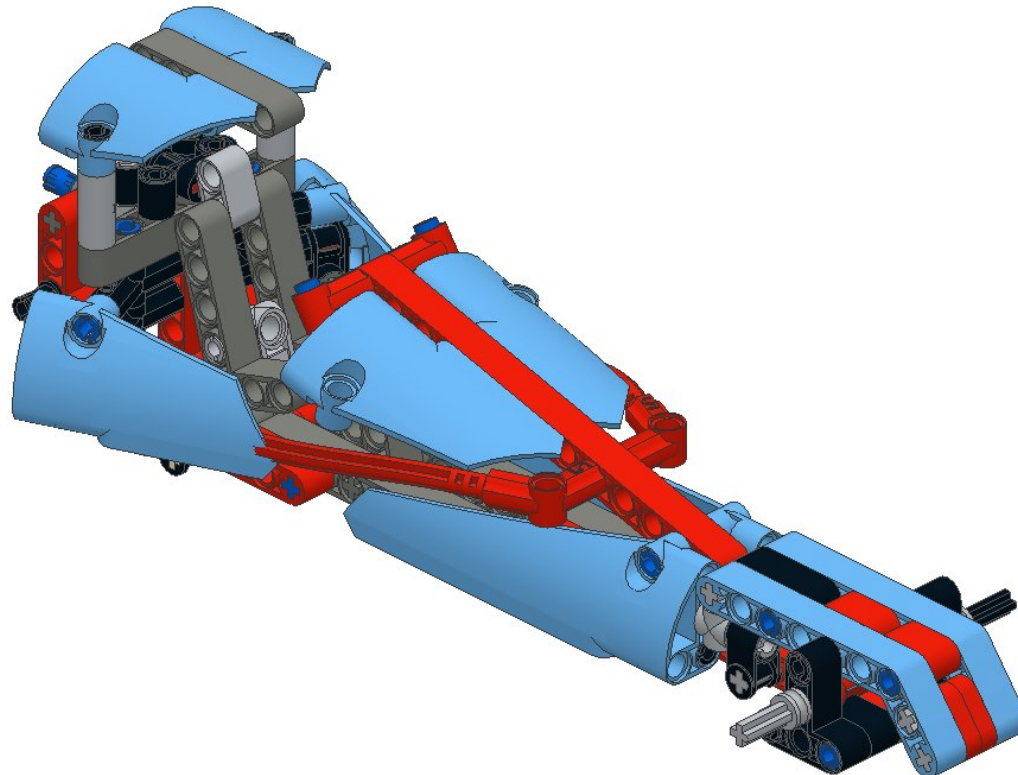
20



21

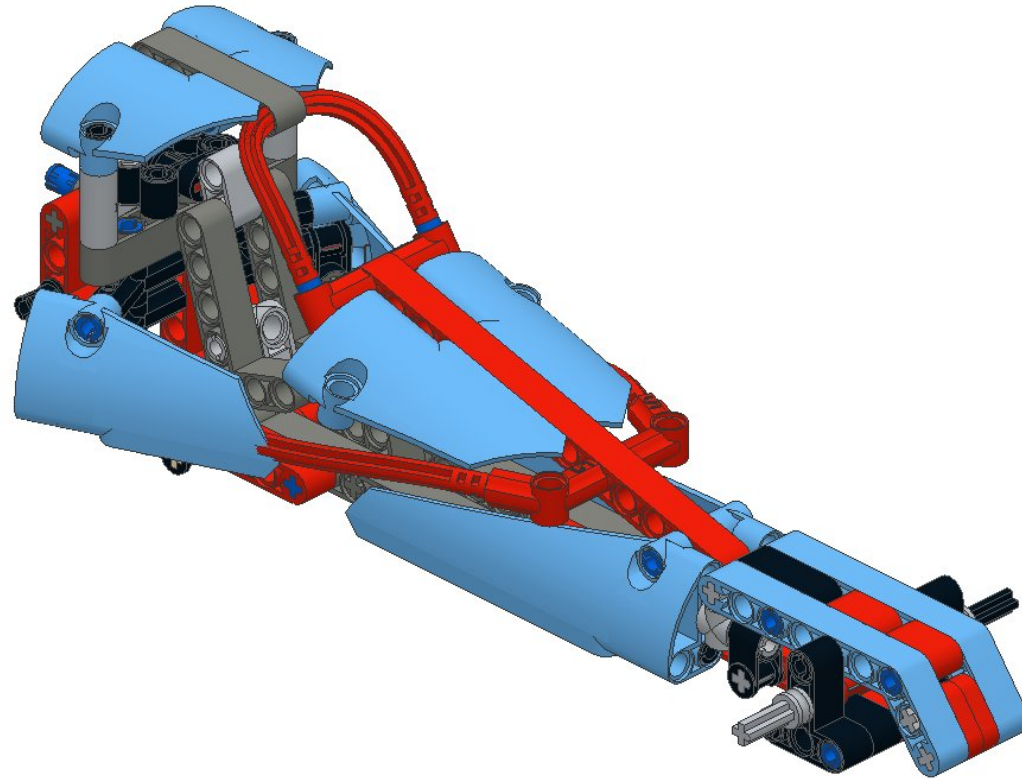
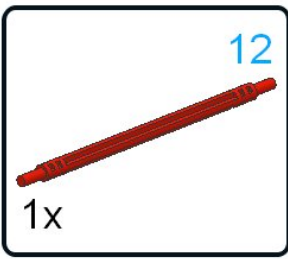


buildinst
www.buildinst.cz

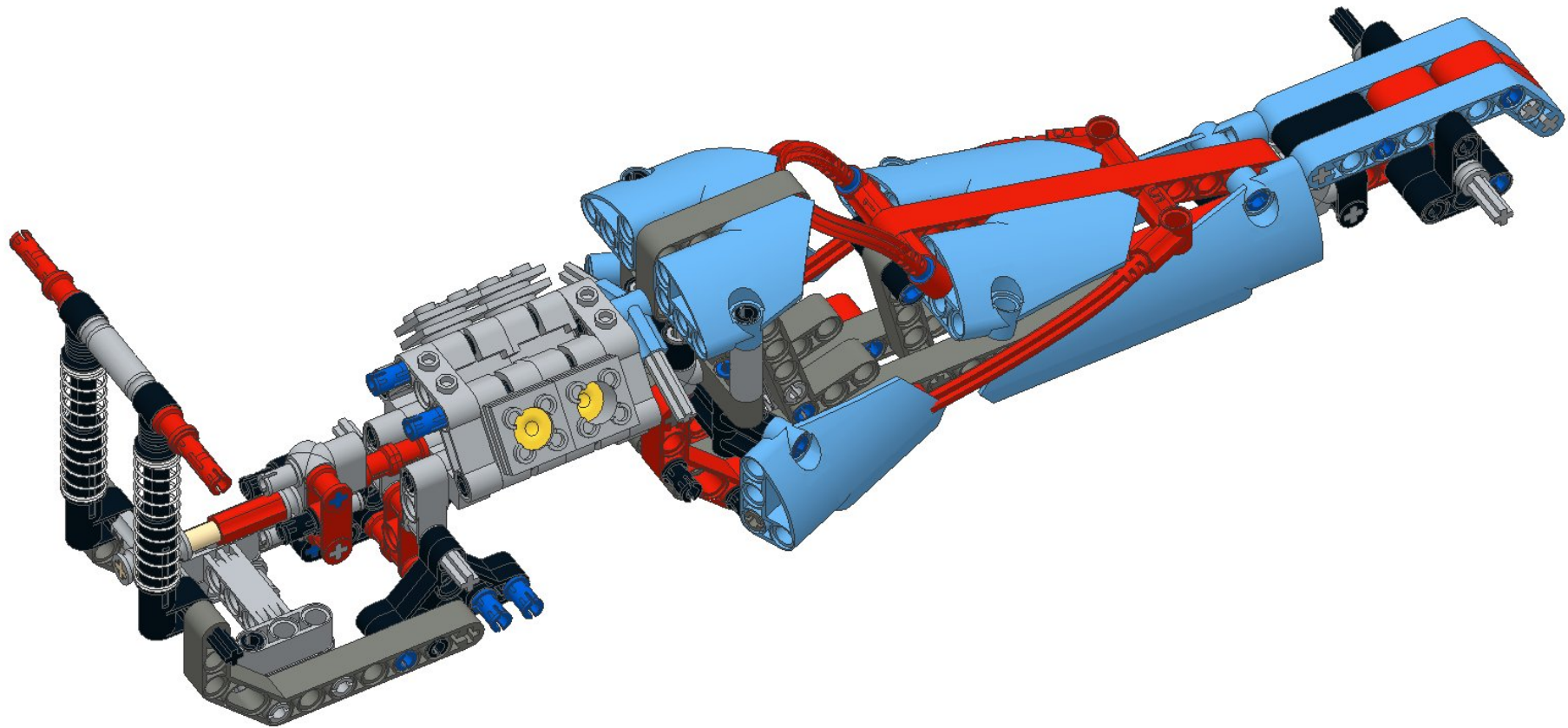


buildinst
www.buildinst.cz

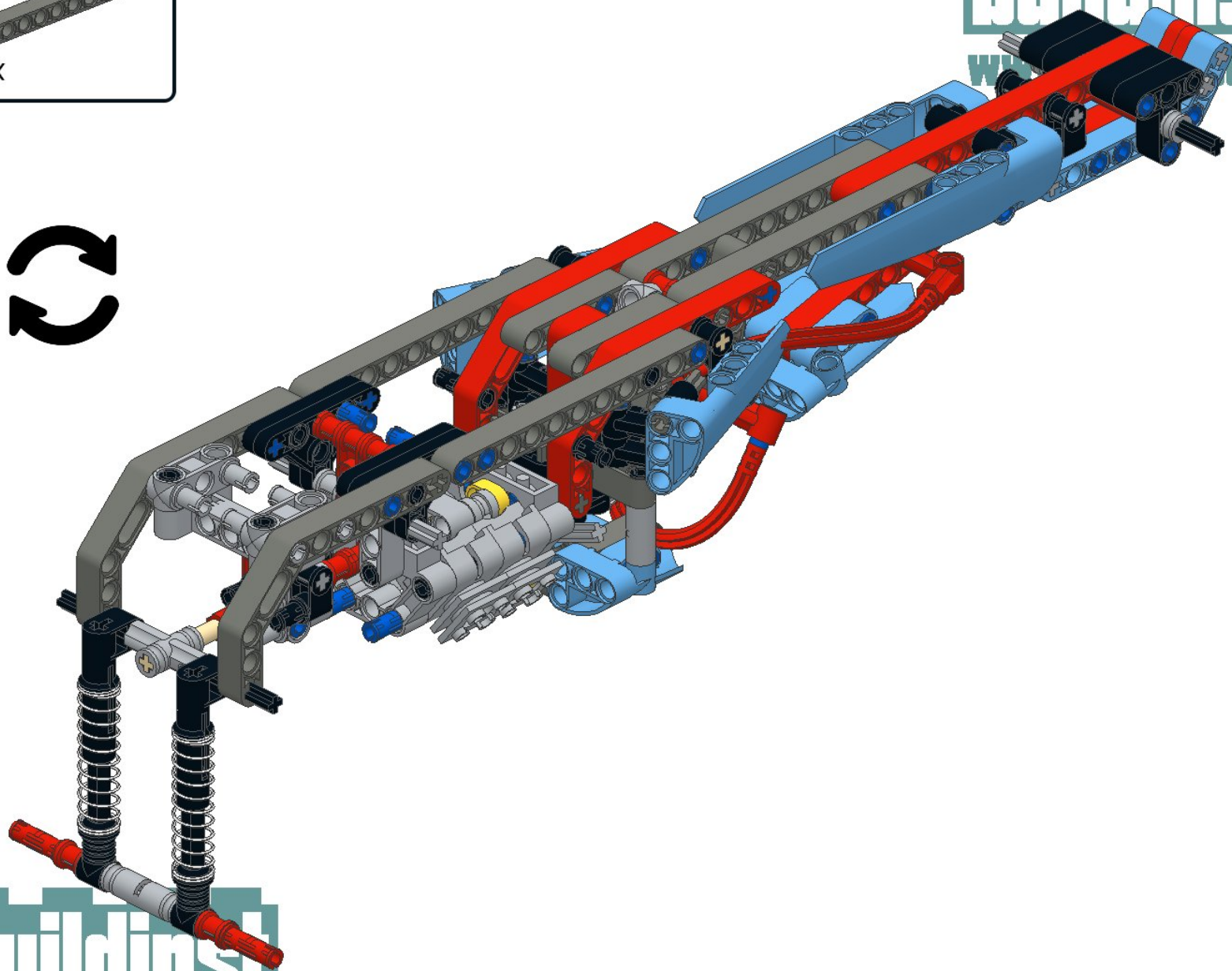
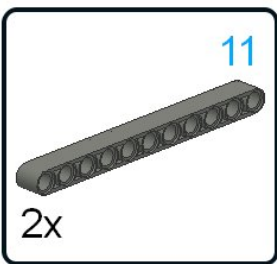
22



12



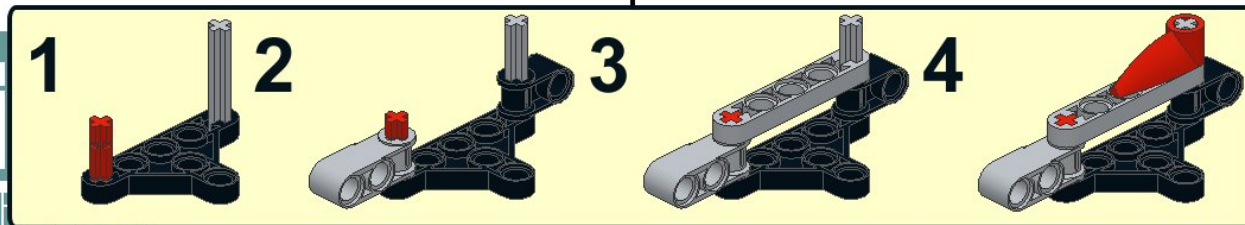
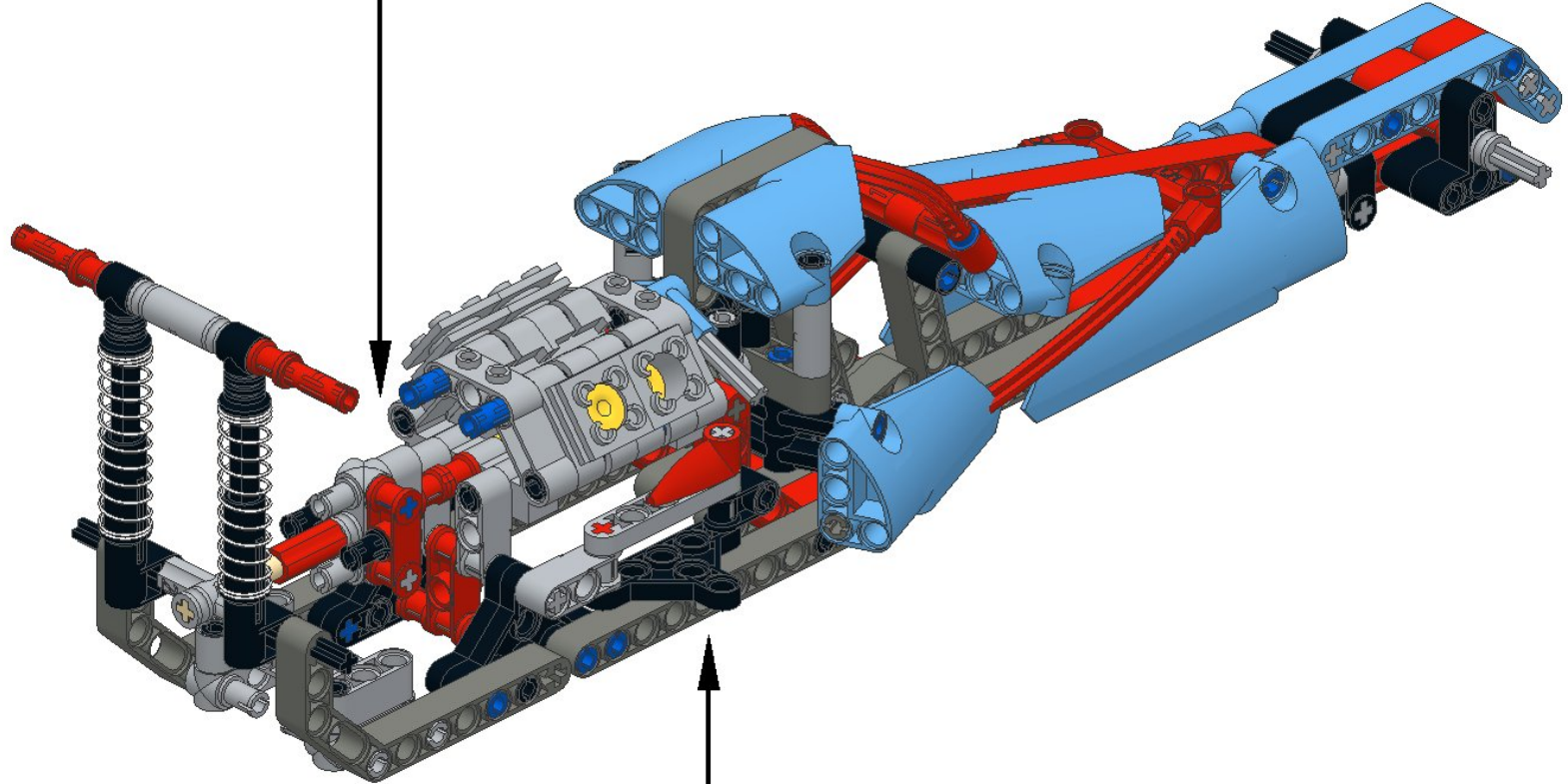
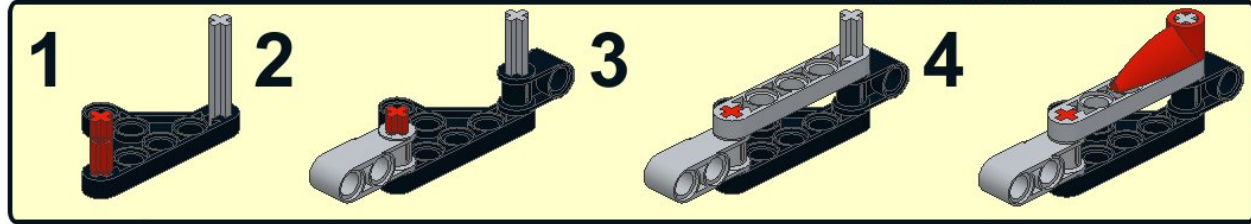
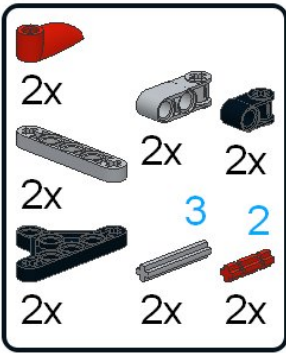
13

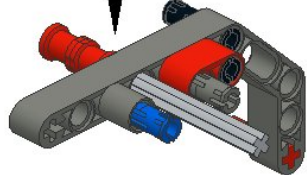
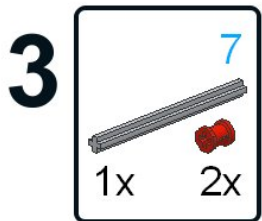
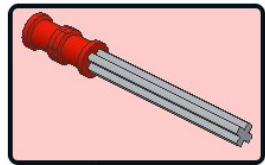
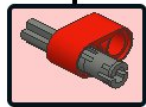
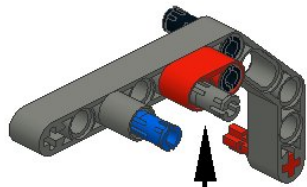
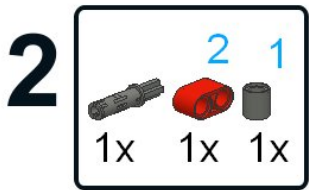
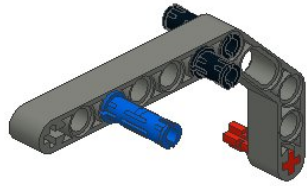
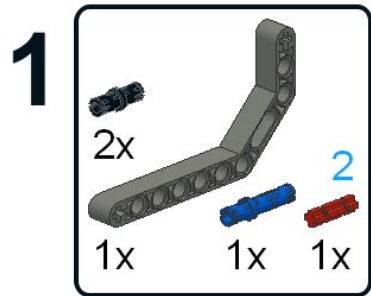


buildinst
www.buildinst.cz

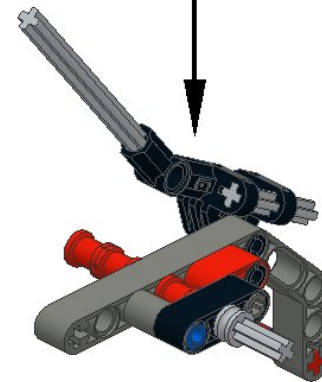
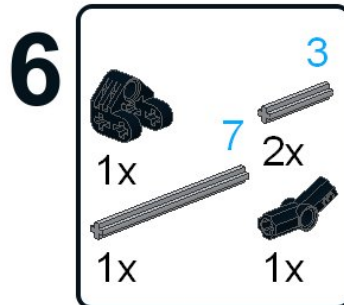
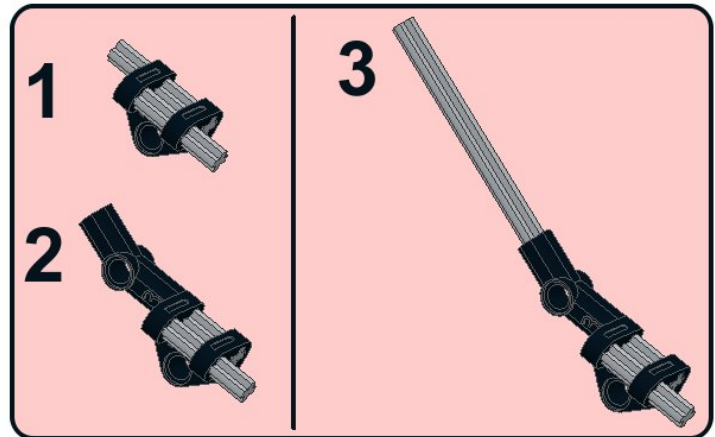
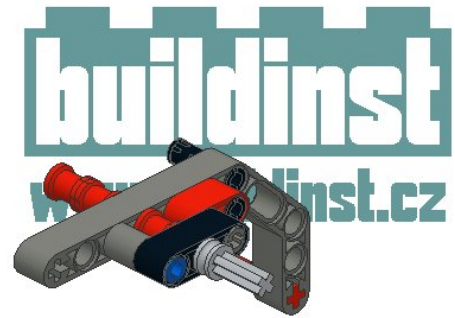
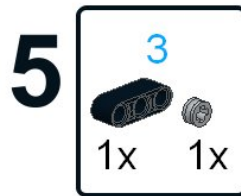
buildinst
www.buildinst.cz

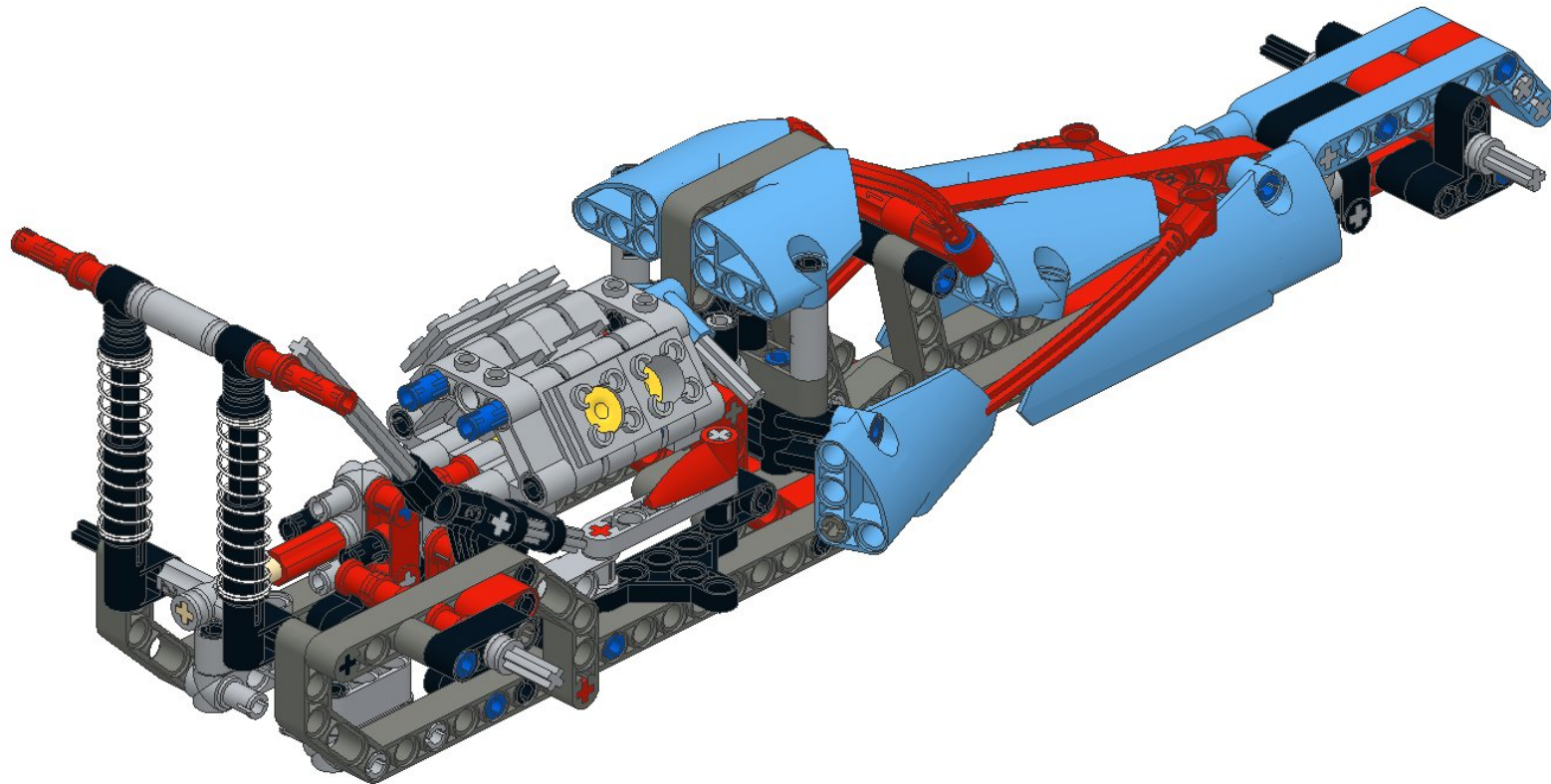
14



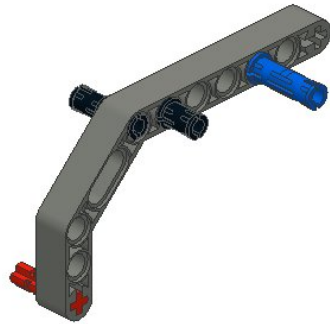
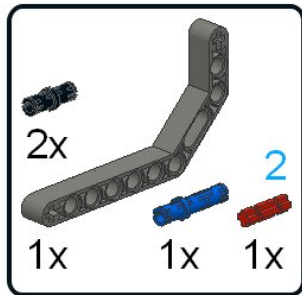


buildinst
www.buildinst.cz

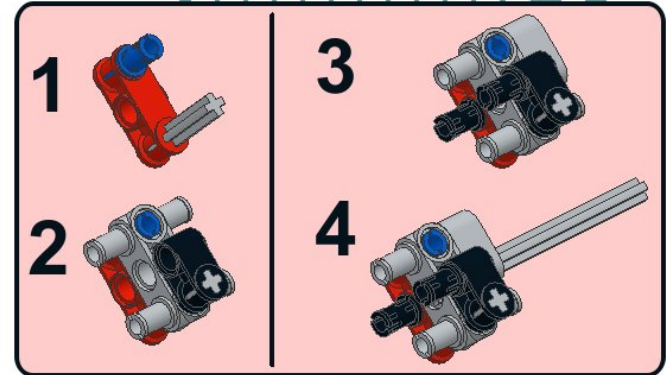
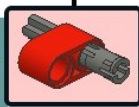
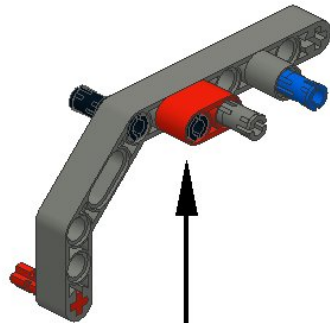
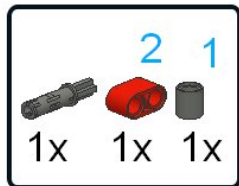




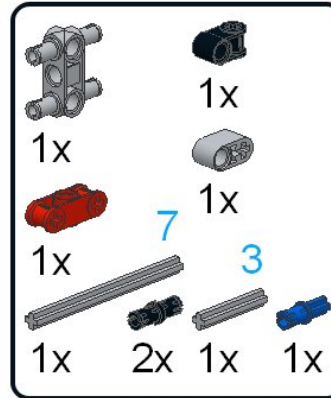
1



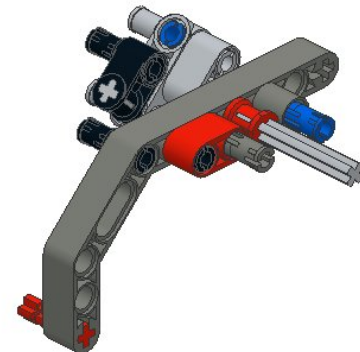
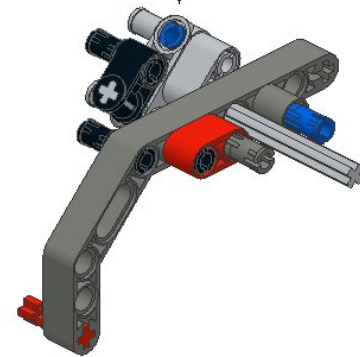
2

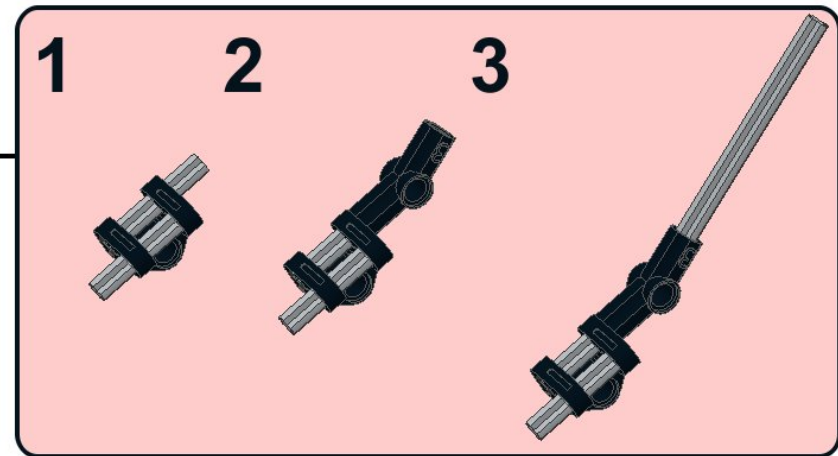
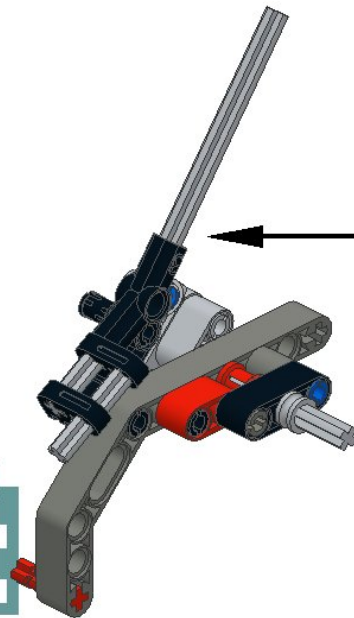
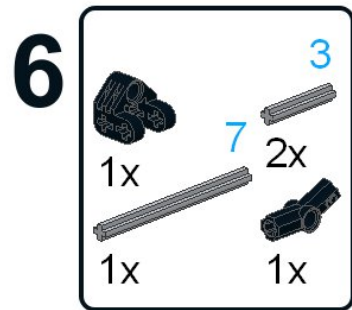
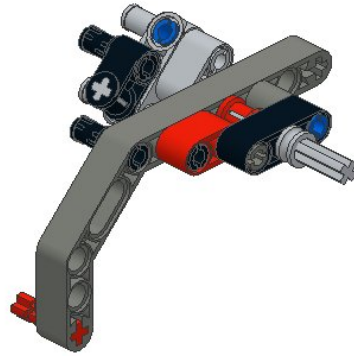
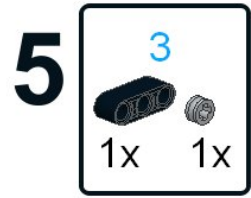


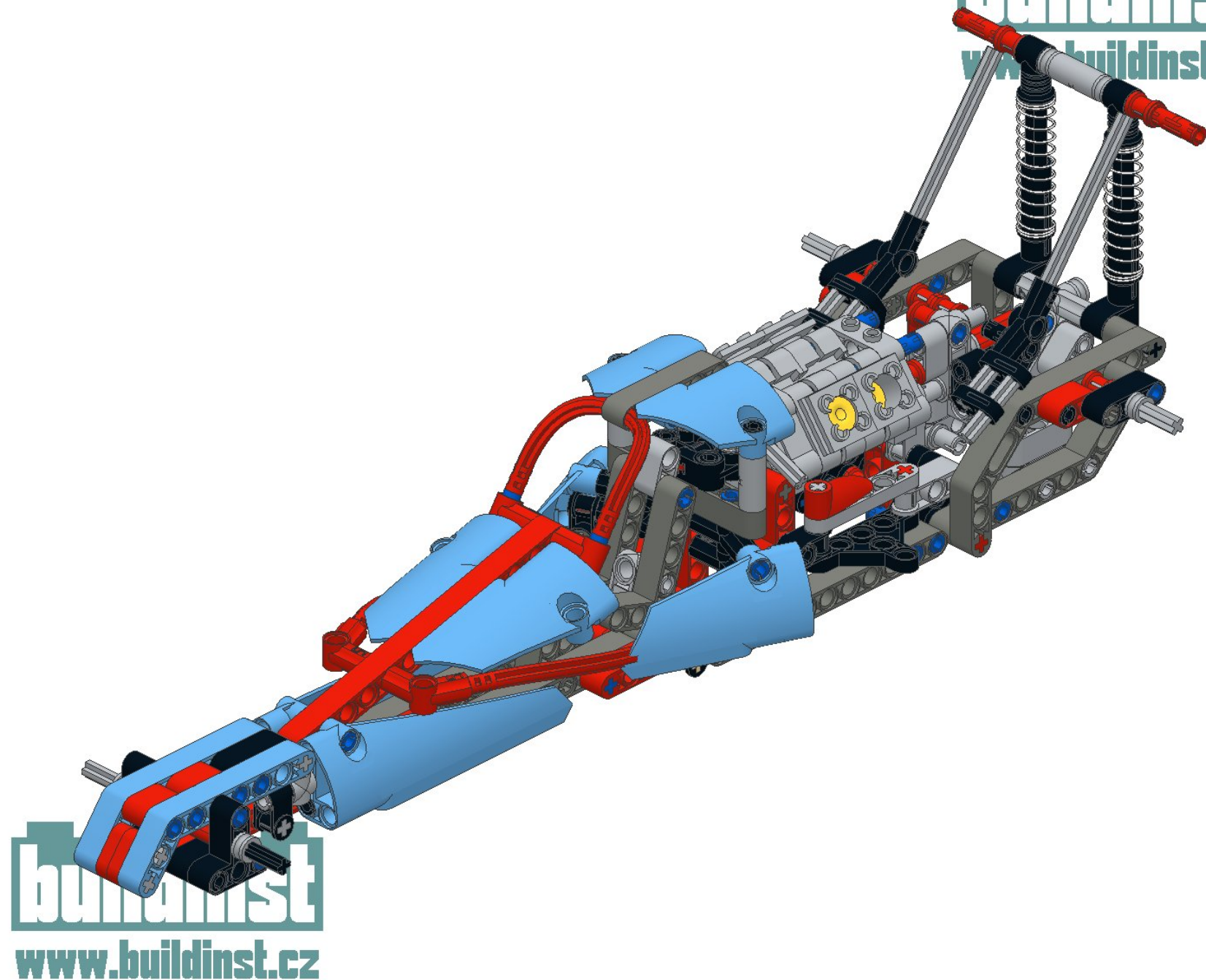
3



4





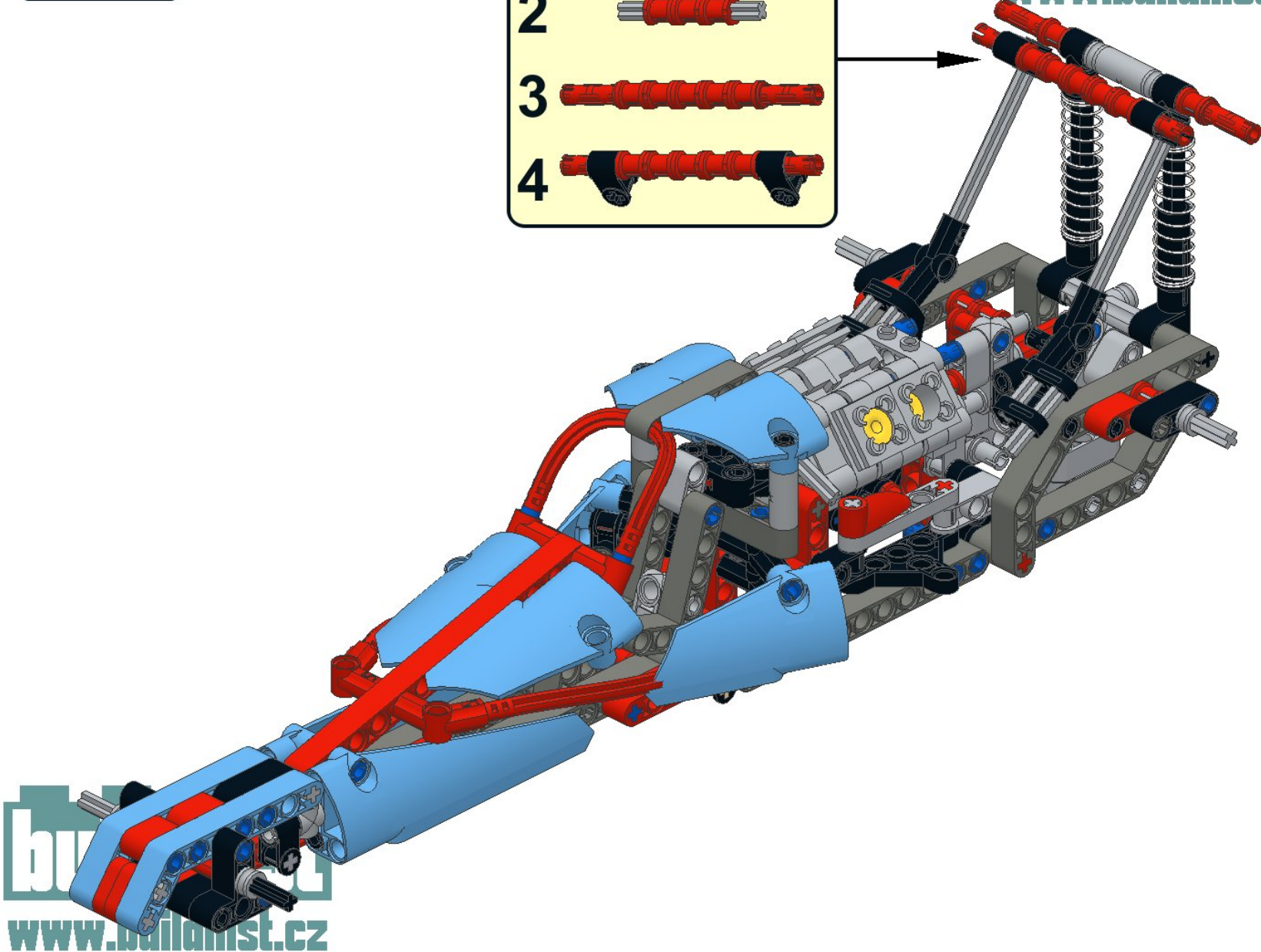


17

2x	5
1x	2x

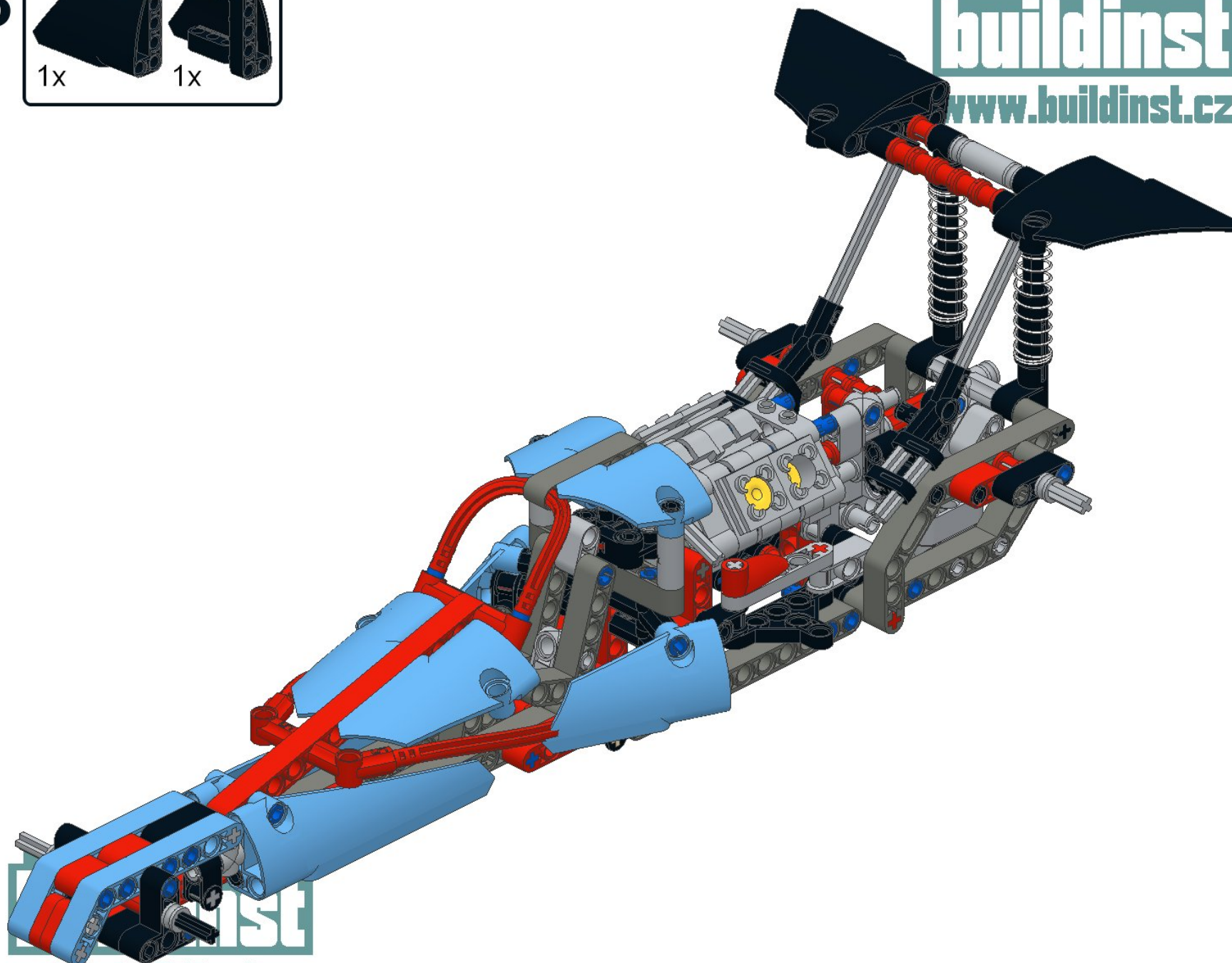
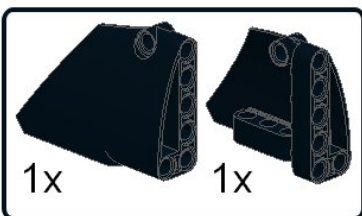
1	
2	
3	
4	

buildinst
www.buildinst.cz



buildinst
www.buildinst.cz

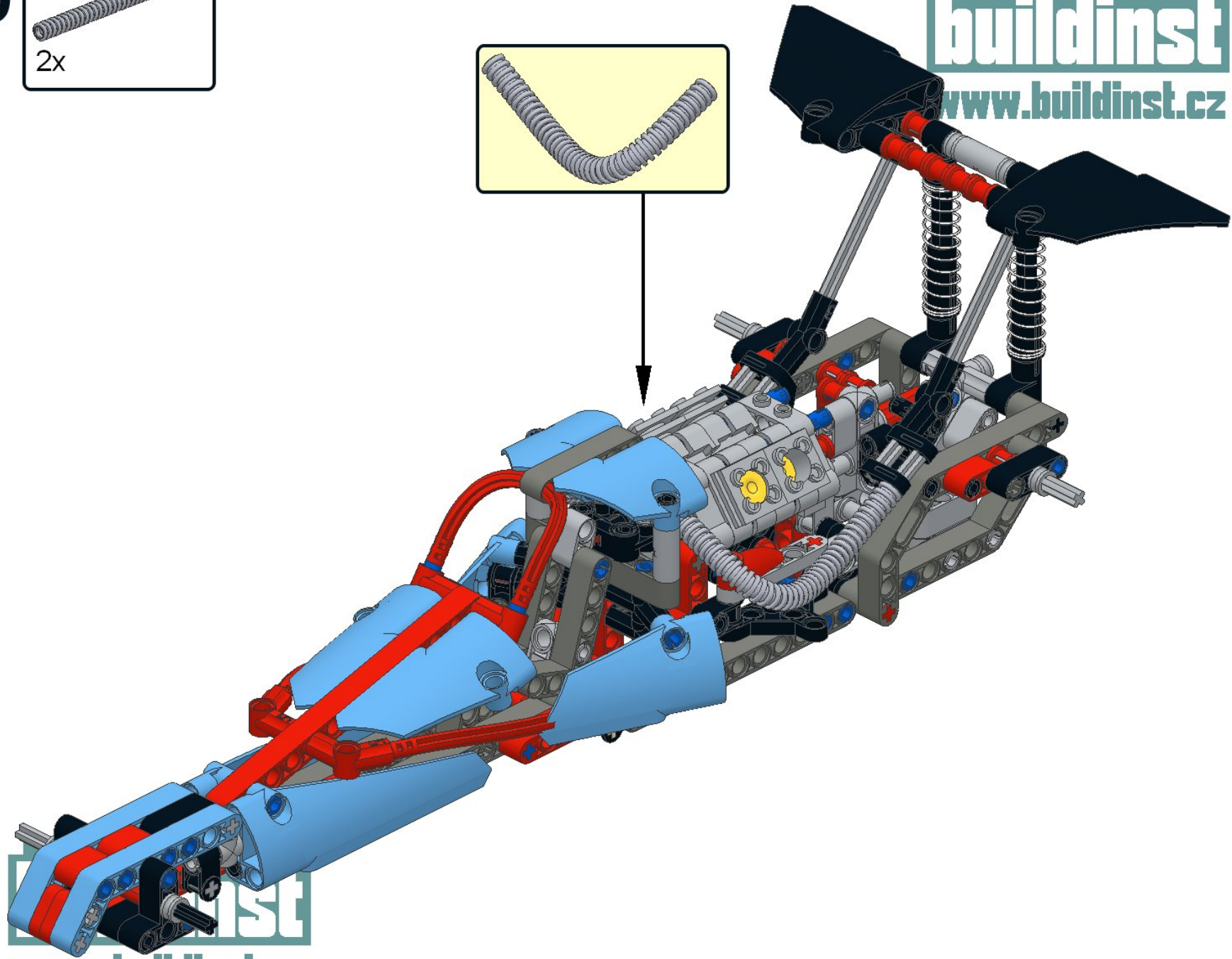
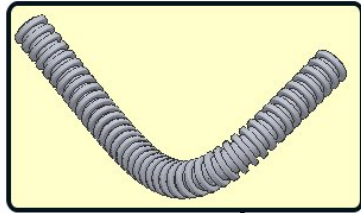
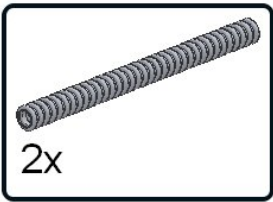
18



buildinst
www.buildinst.cz

buildinst
www.buildinst.cz

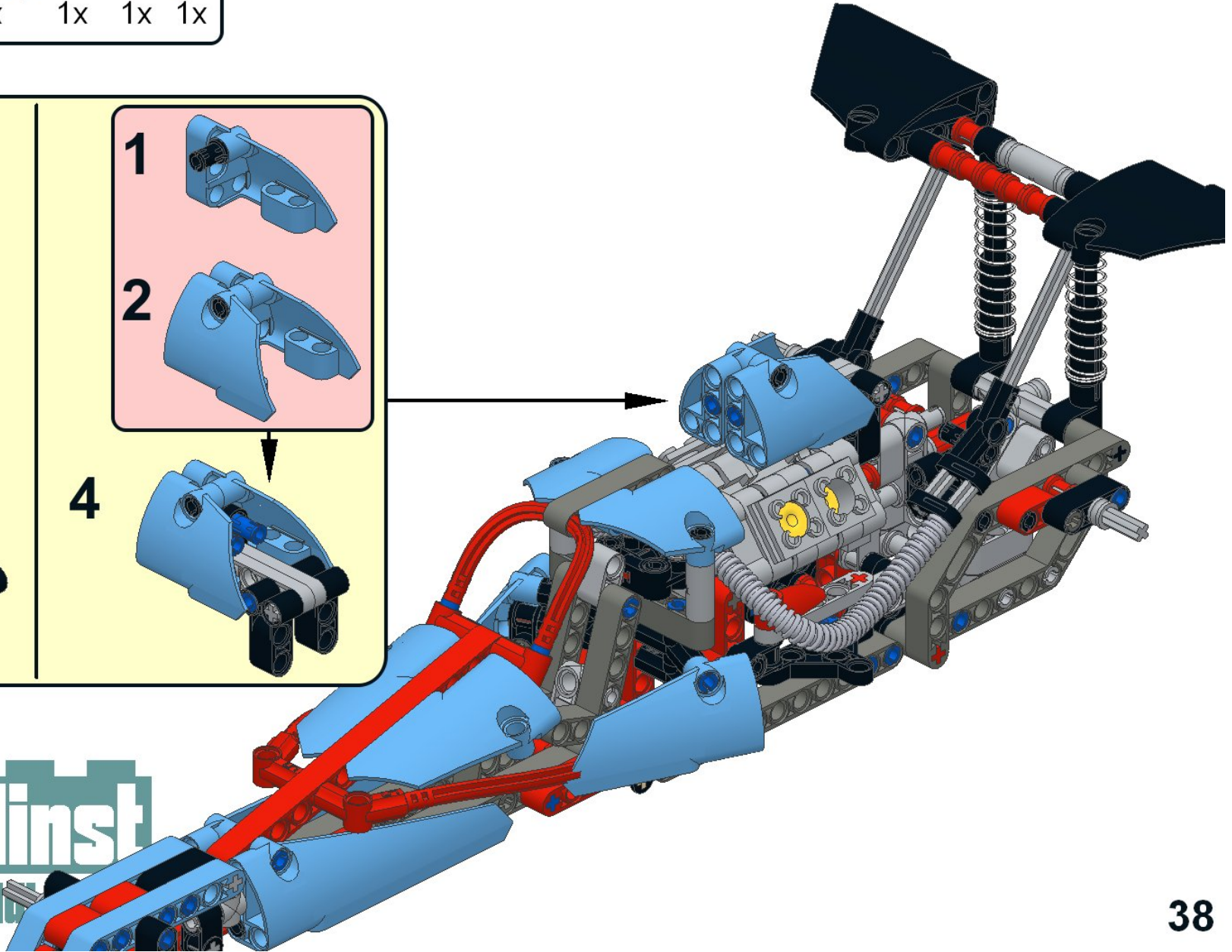
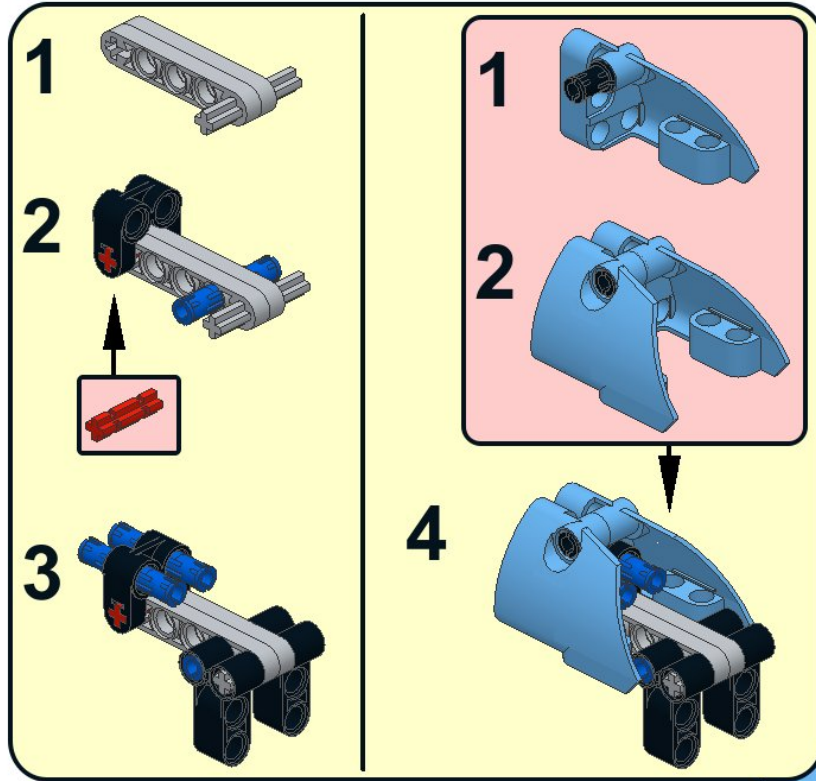
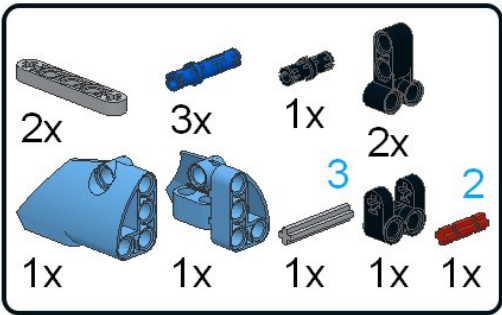
19



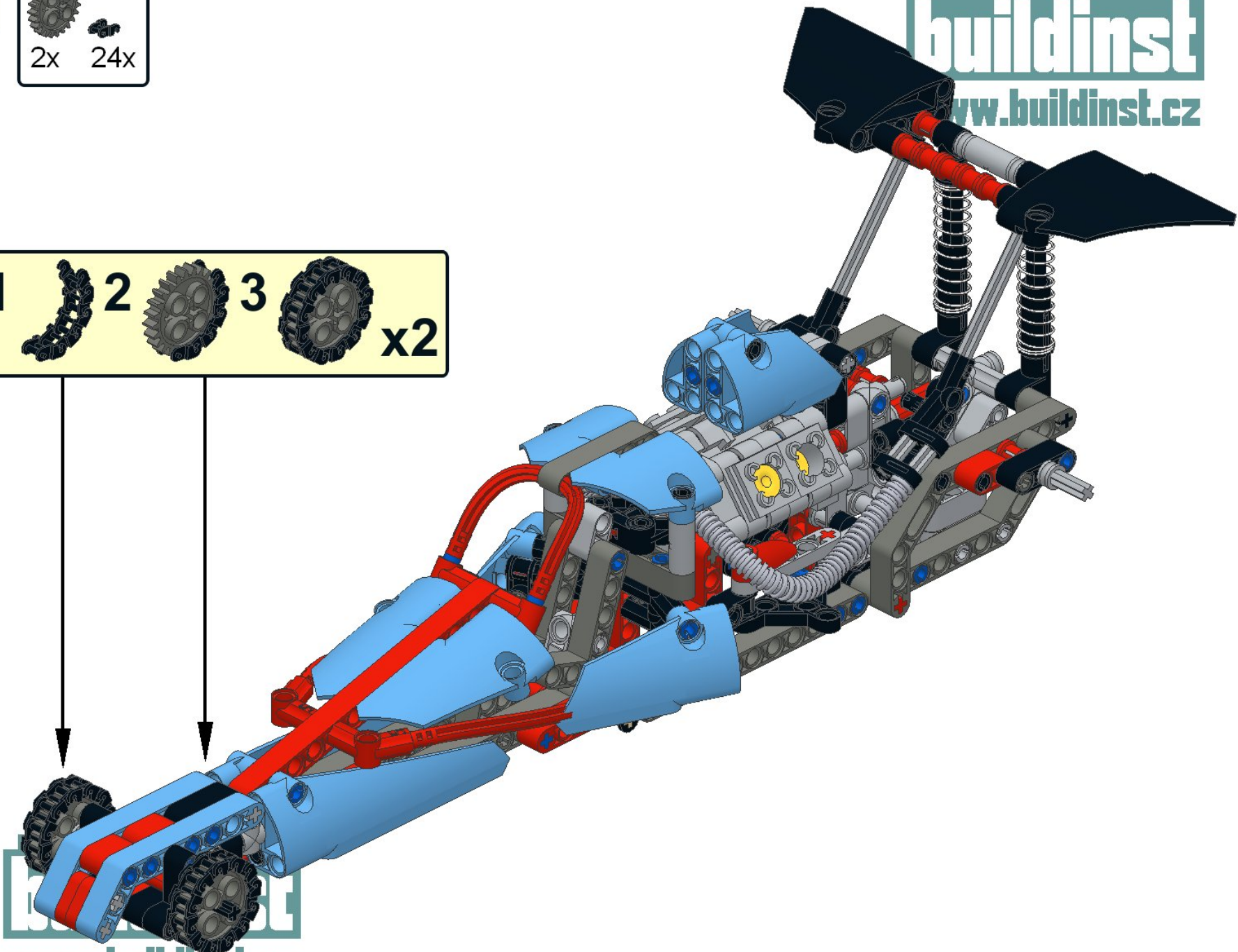
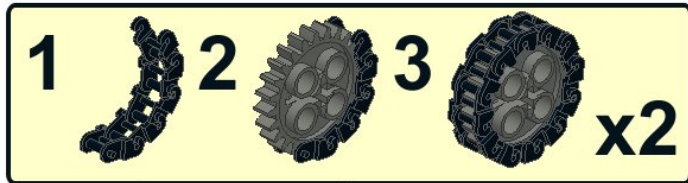
buildinst
www.buildinst.cz

buildinst
www.buildinst.cz

20



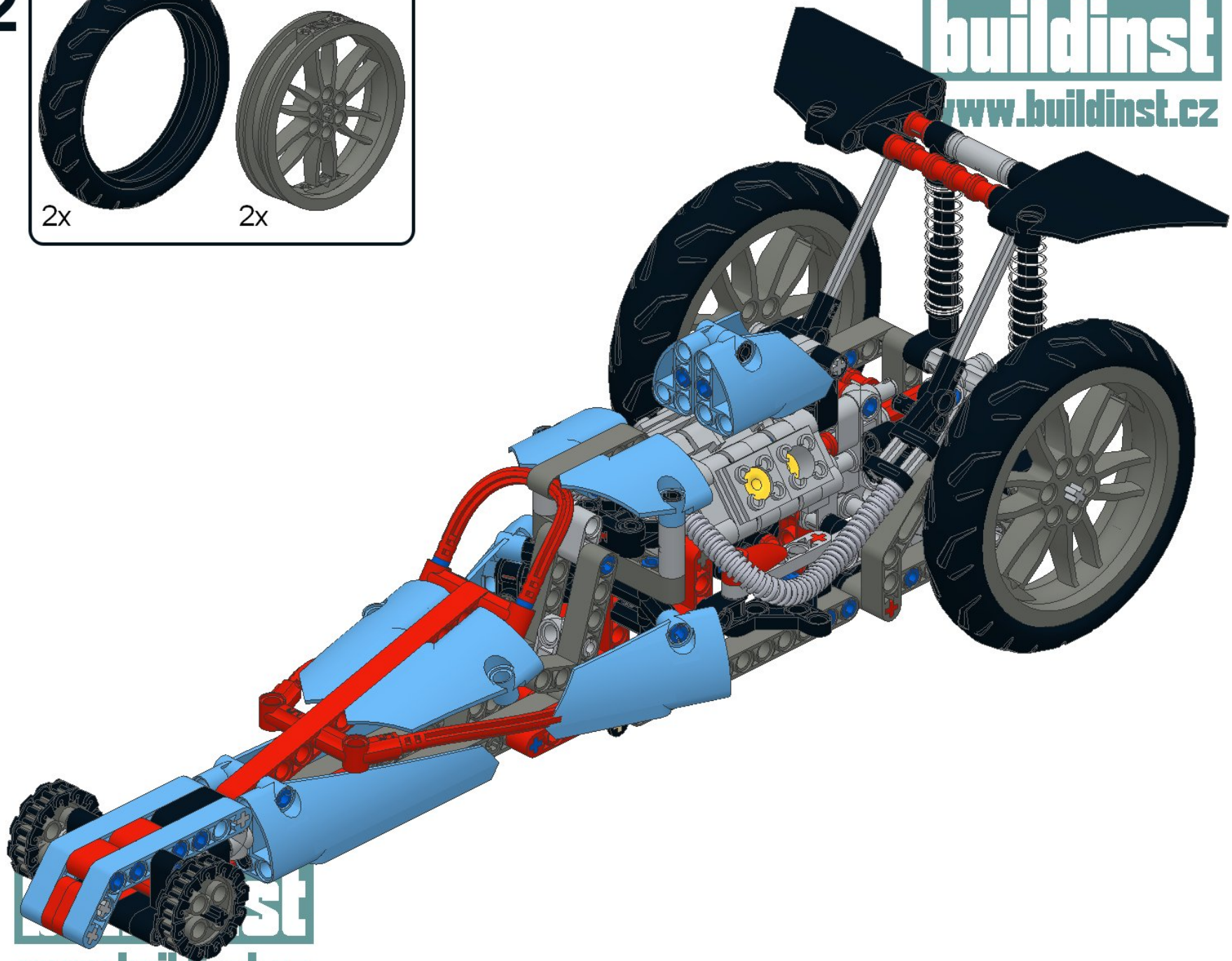
21














22



buildinst
www.buildinst.cz



www.buildinst.cz

Image	Qty	Item No	Description	MID
Regular Items:				
Parts:				
	1	42036stk01	Sticker for Set 42036 - (19091/6096189) Catalog: Parts : Sticker	
	3	3705	Black Technic, Axle 4 Catalog: Parts : Technic, Axle	
	6	32016	Black Technic, Axle and Pin Connector Angled #3 - 157.5 degrees Catalog: Parts : Technic, Connector	
	12	6536	Black Technic, Axle and Pin Connector Perpendicular Catalog: Parts : Technic, Connector	
	1	32291	Black Technic, Axle and Pin Connector Perpendicular Double Catalog: Parts : Technic, Connector	
	2	41678	Black Technic, Axle and Pin Connector Perpendicular Double Split Catalog: Parts : Technic, Connector	
	2	92907	Black Technic, Axle and Pin Connector Perpendicular Split Catalog: Parts : Technic, Connector	
	1	63869	Black Technic, Axle and Pin Connector Perpendicular Triple Catalog: Parts : Technic, Connector	
	4	32523	Black Technic, Liftarm 1 x 3 Thick Catalog: Parts : Technic, Liftarm	
	1	6632	Black Technic, Liftarm 1 x 3 Thin Catalog: Parts : Technic, Liftarm	
	2	60484	Black Technic, Liftarm 3 x 3 T-Shape Thick Catalog: Parts : Technic, Liftarm	



6 [99773](#)

Black Technic, Liftarm Triangle Thin, Type II

Catalog: [Parts](#): [Technic, Liftarm](#)

* !



30 [3711](#)

Black Technic, Link Chain

Catalog: [Parts](#): [Technic, Link](#)

* !



1 [64394](#)

Black Technic, Panel Fairing #13 Large Short Smooth, Side A

Catalog: [Parts](#): [Technic, Panel](#)

* !



1 [64680](#)

Black Technic, Panel Fairing #14 Large Short Smooth, Side B

Catalog: [Parts](#): [Technic, Panel](#)

* !



2 [32557](#)

Black Technic, Pin Connector Perpendicular Double 3L

Catalog: [Parts](#): [Technic, Connector](#)

* !



5 [15100](#)

Black Technic, Pin with Friction Ridges Lengthwise and Pin Hole

Catalog: [Parts](#): [Technic, Pin](#)

*



37 [2780](#)

Black Technic, Pin with Friction Ridges Lengthwise WITH Center Slots

Catalog: [Parts](#): [Technic, Pin](#)

* !



2 [2909c03](#) ([Inv](#))

Black Technic, Shock Absorber 9.5L, Complete Assembly (Soft Spring)

Catalog: [Parts](#): [Technic, Shock Absorber](#)

*



2 [88516](#)

Black Tire 94.2mm D. x 22mm Motorcycle Racing Tread

Catalog: [Parts](#): [Tire & Tread](#)

* !



12 [43093](#)

Blue Technic, Axle Pin with Friction Ridges Lengthwise

Catalog: [Parts](#): [Technic, Axle](#)

* !



6 [4274](#)

Blue Technic, Pin 1/2

Catalog: [Parts](#): [Technic, Pin](#)

* !



33 [6558](#)

Blue Technic, Pin 3L with Friction Ridges Lengthwise

Catalog: [Parts](#): [Technic, Pin](#)

* !



1 [87083](#)

Dark Bluish Gray Technic, Axle 4 with Stop

Catalog: [Parts](#): [Technic](#), [Axle](#)

* !



2 [55013](#)

Dark Bluish Gray Technic, Axle 8 with Stop

Catalog: [Parts](#): [Technic](#), [Axle](#)

* !



2 [10197](#)

Dark Bluish Gray Technic, Axle and Pin Connector Hub with 2 Perpendicular Axles

Catalog: [Parts](#): [Technic](#), [Connector](#)

* !



6 [11214](#)

Dark Bluish Gray Technic, Axle Pin 3L with Friction Ridges Lengthwise and 1L Axle

Catalog: [Parts](#): [Technic](#), [Axle](#)

*



1 [10928](#)

Dark Bluish Gray Technic, Gear 8 Tooth Type 2

Catalog: [Parts](#): [Technic](#), [Gear](#)

* !



1 [6542b](#)

Dark Bluish Gray Technic, Gear 16 Tooth with Clutch, Smooth

Catalog: [Parts](#): [Technic](#), [Gear](#)

* !



2 [3648](#)

Dark Bluish Gray Technic, Gear 24 Tooth (New Style with Single Axle Hole)

Catalog: [Parts](#): [Technic](#), [Gear](#)

* !



3 [32316](#)

Dark Bluish Gray Technic, Liftarm 1 x 5 Thick

Catalog: [Parts](#): [Technic](#), [Liftarm](#)

* !



1 [32524](#)

Dark Bluish Gray Technic, Liftarm 1 x 7 Thick

Catalog: [Parts](#): [Technic](#), [Liftarm](#)

* !



1 [6629](#)

Dark Bluish Gray Technic, Liftarm 1 x 9 Bent (6 - 4) Thick

Catalog: [Parts](#): [Technic](#), [Liftarm](#)

* !



4 [32525](#)

Dark Bluish Gray Technic, Liftarm 1 x 11 Thick

Catalog: [Parts](#): [Technic](#), [Liftarm](#)

* !



4 [32009](#)

Dark Bluish Gray Technic, Liftarm 1 x 11.5 Double Bent Thick

Catalog: [Parts](#): [Technic](#), [Liftarm](#)

* !



3 [32526](#)

Dark Bluish Gray Technic, Liftarm 3 x 5 L-Shape Thick
Catalog: [Parts: Technic, Liftarm](#)

* !



1 [18654](#)

Dark Bluish Gray Technic, Pin Connector Round 1L
Catalog: [Parts: Technic, Connector](#)

*



2 [88517](#)

Dark Bluish Gray Wheel 75mm D. x 17mm Motorcycle
Catalog: [Parts: Wheel](#)

* !



2 [15462](#)

Dark Tan Technic, Axle 5 with Stop
Catalog: [Parts: Technic, Axle](#)

*



2 [78c11](#)

Flat Silver Hose, Ribbed 7mm D. 11L
Catalog: [Parts: Hose, Ribbed 7mm D.](#)

*



11 [4265c](#)

Light Bluish Gray Technic Bush 1/2 Smooth
Catalog: [Parts: Technic](#)

* !



4 [2852](#)

Light Bluish Gray Technic Engine Connecting Rod
Catalog: [Parts: Technic](#)

* !



4 [2850b](#)

Light Bluish Gray Technic Engine Cylinder without Side Slots
Catalog: [Parts: Technic](#)

*



19 [4519](#)

Light Bluish Gray Technic, Axle 3
Catalog: [Parts: Technic, Axle](#)

* !



2 [32073](#)

Light Bluish Gray Technic, Axle 5
Catalog: [Parts: Technic, Axle](#)

* !



7 [44294](#)

Light Bluish Gray Technic, Axle 7
Catalog: [Parts: Technic, Axle](#)

* !



1 [32034](#)

Light Bluish Gray Technic, Axle and Pin Connector Angled #2 - 180 degrees
Catalog: [Parts: Technic, Connector](#)

* !



4 [42003](#)

Light Bluish Gray Technic, Axle and Pin Connector Perpendicular 3L with 2 Pin Holes

Catalog: [Parts](#): [Technic](#), [Connector](#)

* !



5 [94925](#)

Light Bluish Gray Technic, Gear 16 Tooth (New Style Reinforced)

Catalog: [Parts](#): [Technic](#), [Gear](#)

* !



4 [60483](#)

Light Bluish Gray Technic, Liftarm 1 x 2 Thick with Pin Hole and Axle Hole

Catalog: [Parts](#): [Technic](#), [Liftarm](#)

* !



4 [11478](#)

Light Bluish Gray Technic, Liftarm 1 x 5 Thin with Axle Holes on Ends

Catalog: [Parts](#): [Technic](#), [Liftarm](#)

* !



1 [32348](#)

Light Bluish Gray Technic, Liftarm 1 x 7 Bent (4 - 4) Thick

Catalog: [Parts](#): [Technic](#), [Liftarm](#)

* !

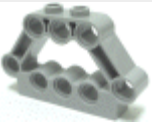


1 [14720](#)

Light Bluish Gray Technic, Liftarm 3 X 5 Perpendicular H-Shape Thick

Catalog: [Parts](#): [Technic](#), [Liftarm](#)

*



2 [32333](#)

Light Bluish Gray Technic, Pin Connector Block 1 x 5 x 3

Catalog: [Parts](#): [Technic](#), [Connector](#)

* !



7 [48989](#)

Light Bluish Gray Technic, Pin Connector Perpendicular 3L with 4 Pins

Catalog: [Parts](#): [Technic](#), [Connector](#)

* !



5 [62462](#)

Light Bluish Gray Technic, Pin Connector Round 2L with Slot (Pin Joiner Round)

Catalog: [Parts](#): [Technic](#), [Connector](#)

* !



2 [32192](#)

Medium Blue Technic, Axle and Pin Connector Angled #4 - 135 degrees

Catalog: [Parts](#): [Technic](#), [Connector](#)

* !



2 [32271](#)

Medium Blue Technic, Liftarm 1 x 9 Bent (7 - 3) Thick

Catalog: [Parts](#): [Technic](#), [Liftarm](#)

* !



2 [87080](#)

Medium Blue Technic, Panel Fairing # 1 Small Smooth Short, Side A

Catalog: [Parts](#): [Technic](#), [Panel](#)

* !



2 [87086](#)

Medium Blue Technic, Panel Fairing # 2 Small Smooth Short, Side B
Catalog: [Parts](#): [Technic, Panel](#)

* !



2 [64683](#)

Medium Blue Technic, Panel Fairing # 3 Small Smooth Long, Side A
Catalog: [Parts](#): [Technic, Panel](#)

* !



2 [64391](#)

Medium Blue Technic, Panel Fairing # 4 Small Smooth Long, Side B
Catalog: [Parts](#): [Technic, Panel](#)

* !



1 [64681](#)

Medium Blue Technic, Panel Fairing # 5 Long Smooth, Side A
Catalog: [Parts](#): [Technic, Panel](#)

* !



1 [64393](#)

Medium Blue Technic, Panel Fairing # 6 Long Smooth, Side B
Catalog: [Parts](#): [Technic, Panel](#)

* !



2 [4073](#)

Metallic Silver Plate, Round 1 x 1 Straight Side
Catalog: [Parts](#): [Plate, Round](#)

* !



2 [x346](#)

Red Bionicle 1 x 3 Tooth with Axle Hole
Catalog: [Parts](#): [Bionicle](#)

* !



3 [32200](#)

Red Hose, Soft Axle 12
Catalog: [Parts](#): [Hose, Soft Axle](#)

* !



13 [3713](#)

Red Technic Bush
Catalog: [Parts](#): [Technic](#)

* !



9 [32062](#)

Red Technic, Axle 2 Notched
Catalog: [Parts](#): [Technic, Axle](#)

* !



2 [32013](#)

Red Technic, Axle and Pin Connector Angled #1
Catalog: [Parts](#): [Technic, Connector](#)

* !



3 [32015](#)

Red Technic, Axle and Pin Connector Angled #5 - 112.5 degrees
Catalog: [Parts](#): [Technic, Connector](#)

* !



3 [32184](#)

Red Technic, Axle and Pin Connector Perpendicular 3L with Center Pin Hole
Catalog: [Parts](#): [Technic](#), [Connector](#)

* !



2 [6538c](#)

Red Technic, Axle Connector 2L (Smooth with x Hole + Orientation)
Catalog: [Parts](#): [Technic](#), [Connector](#)

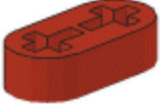
* !



4 [43857](#)

Red Technic, Liftarm 1 x 2 Thick
Catalog: [Parts](#): [Technic](#), [Liftarm](#)

* !



2 [41677](#)

Red Technic, Liftarm 1 x 2 Thin
Catalog: [Parts](#): [Technic](#), [Liftarm](#)

* !



2 [41239](#)

Red Technic, Liftarm 1 x 13 Thick
Catalog: [Parts](#): [Technic](#), [Liftarm](#)

* !



2 [32009](#)

Red Technic, Liftarm 1 x 11.5 Double Bent Thick
Catalog: [Parts](#): [Technic](#), [Liftarm](#)

*



1 [32140](#)

Red Technic, Liftarm 2 x 4 L-Shape Thick
Catalog: [Parts](#): [Technic](#), [Liftarm](#)

* !



4 [32054](#)

Red Technic, Pin 3L with Friction Ridges Lengthwise and Stop Bush
Catalog: [Parts](#): [Technic](#), [Pin](#)

* !



1 [99008](#)

Tan Technic, Axle 4 with Center Stop
Catalog: [Parts](#): [Technic](#), [Axle](#)

* !



2 [3749](#)

Tan Technic, Axle Pin without Friction Ridges Lengthwise
Catalog: [Parts](#): [Technic](#), [Axle](#)

* !



2 [x346](#)

Trans-Clear Bionicle 1 x 3 Tooth with Axle Hole
Catalog: [Parts](#): [Bionicle](#)

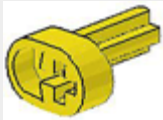
*



2 [4073](#)

Trans-Red Plate, Round 1 x 1 Straight Side
Catalog: [Parts](#): [Plate](#), [Round](#)

*



4 [2853](#)

Yellow Technic Engine Crankshaft

Catalog: [Parts](#): [Technic](#)

* !



4 [2851](#)

Yellow Technic Engine Piston Round

Catalog: [Parts](#): [Technic](#)

* !



1 [731c04](#) (Inv)

Yellow Technic, Shock Absorber 6.5L, Complete Assembly - Hard Spring

Catalog: [Parts](#): [Technic](#), [Shock Absorber](#)

*

Extra Items:

Parts:



1 [3711](#)

Black Technic, Link Chain

Catalog: [Parts](#): [Technic](#), [Link](#)

*



1 [2780](#)

Black Technic, Pin with Friction Ridges Lengthwise WITH Center Slots

Catalog: [Parts](#): [Technic](#), [Pin](#)

*



1 [4274](#)

Blue Technic, Pin 1/2

Catalog: [Parts](#): [Technic](#), [Pin](#)

*



1 [18654](#)

Dark Bluish Gray Technic, Pin Connector Round 1L

Catalog: [Parts](#): [Technic](#), [Connector](#)

*



1 [4265c](#)

Light Bluish Gray Technic Bush 1/2 Smooth

Catalog: [Parts](#): [Technic](#)

*



1 [4073](#)

Metallic Silver Plate, Round 1 x 1 Straight Side

Catalog: [Parts](#): [Plate](#), [Round](#)

*



1 [3713](#)

Red Technic Bush

Catalog: [Parts](#): [Technic](#)

*



1 [4073](#)

Trans-Red Plate, Round 1 x 1 Straight Side

Catalog: [Parts](#): [Plate](#), [Round](#)

*

Counterparts:

Parts:



1 [64394pb004](#)

Black Technic, Panel Fairing #13 Large Short Smooth, Side A with Carbon Fiber Air Intake Pattern (Sticker) - Set 42036

Catalog: [Parts: Technic, Panel, Decorated](#)

*



1 [64680pb004](#)

Black Technic, Panel Fairing #14 Large Short Smooth, Side B with Carbon Fiber Air Intake Pattern (Sticker) - Set 42036

Catalog: [Parts: Technic, Panel, Decorated](#)

*



2 [88517c01](#) (Inv)

Dark Bluish Gray Wheel 75mm D. x 17mm Motorcycle with Black Tire 94.2mm D. x 22mm Motorcycle Racing Tread (88517 / 88516)

Catalog: [Parts: Wheel & Tire Assembly](#)

* !



1 [87080pb022](#)

Medium Blue Technic, Panel Fairing # 1 Small Smooth Short, Side A with 'LT1', Red Stripe and Carbon Fiber Pattern (Sticker) - Set 42036

Catalog: [Parts: Technic, Panel, Decorated](#)

*



1 [87086pb022](#)

Medium Blue Technic, Panel Fairing # 2 Small Smooth Short, Side B with Red Stripe and Carbon Fiber Pattern (Sticker) - Set 42036

Catalog: [Parts: Technic, Panel, Decorated](#)

*



1 [64683pb015](#)

Medium Blue Technic, Panel Fairing # 3 Small Smooth Long, Side A with 'LT1' Pattern (Sticker) - Set 42036

Catalog: [Parts: Technic, Panel, Decorated](#)

*



1 [64683pb016](#)

Medium Blue Technic, Panel Fairing # 3 Small Smooth Long, Side A with Red Triangle and Carbon Fiber Pattern (Sticker) - Set 42036

Catalog: [Parts: Technic, Panel, Decorated](#)

*



1 [64391pb015](#)

Medium Blue Technic, Panel Fairing # 4 Small Smooth Long, Side B with 'LT1' Pattern (Sticker) - Set 42036

Catalog: [Parts: Technic, Panel, Decorated](#)

*



1 [64391pb016](#)

Medium Blue Technic, Panel Fairing # 4 Small Smooth Long, Side B with Red Triangle and Carbon Fiber Pattern (Sticker) - Set 42036

Catalog: [Parts: Technic, Panel, Decorated](#)

*



1 [64681pb014](#)

Medium Blue Technic, Panel Fairing # 5 Long Smooth, Side A with 'STREET EXTREME' on Red Background Pattern (Sticker) - Set 42036

Catalog: [Parts: Technic, Panel, Decorated](#)

*



1 [64393pb014](#)

Medium Blue Technic, Panel Fairing # 6 Long Smooth, Side B with 'STREET EXTREME' on Red Background Pattern (Sticker) - Set 42036

Catalog: [Parts: Technic, Panel, Decorated](#)

*



2 [41239pb005](#)

Red Technic, Liftarm 1 x 13 Thick with Black Rectangle Pattern (Sticker) - Set 42036

Catalog: [Parts: Technic, Liftarm, Decorated](#)

*

Summary:

Type	Unique Lots	Total Qty
Regular Items:		
Parts	86	375
Extra Items:		
Parts	8	8
Counterparts:		
Parts	12	14