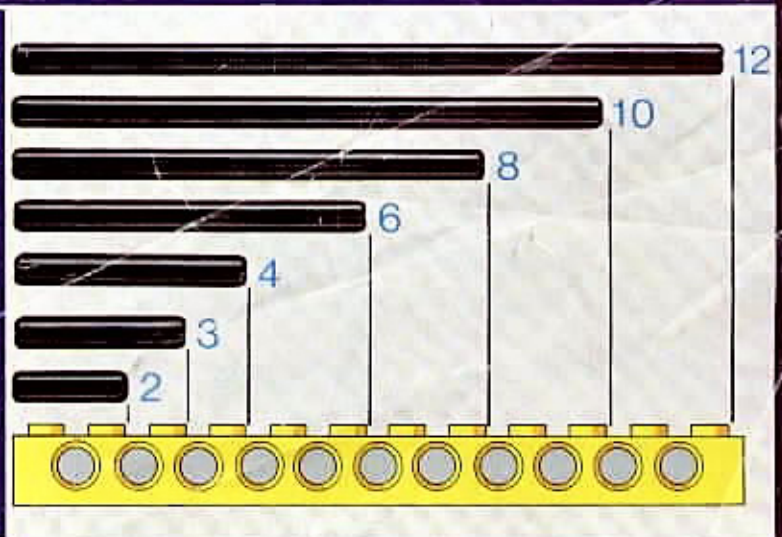
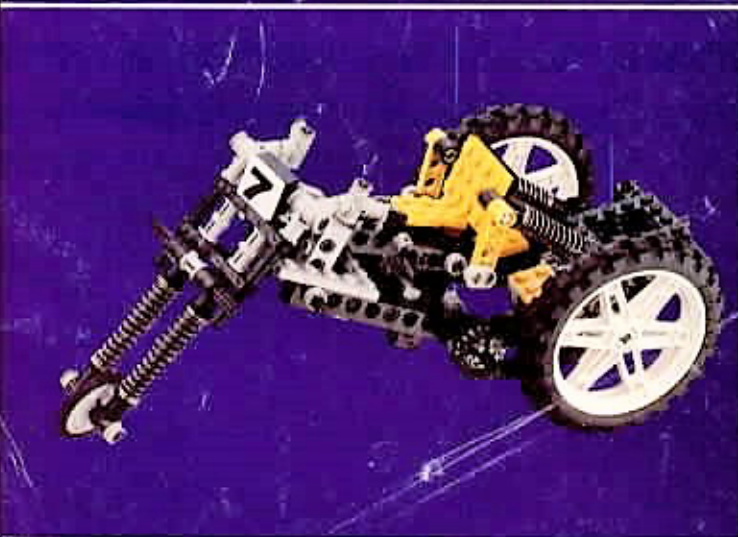
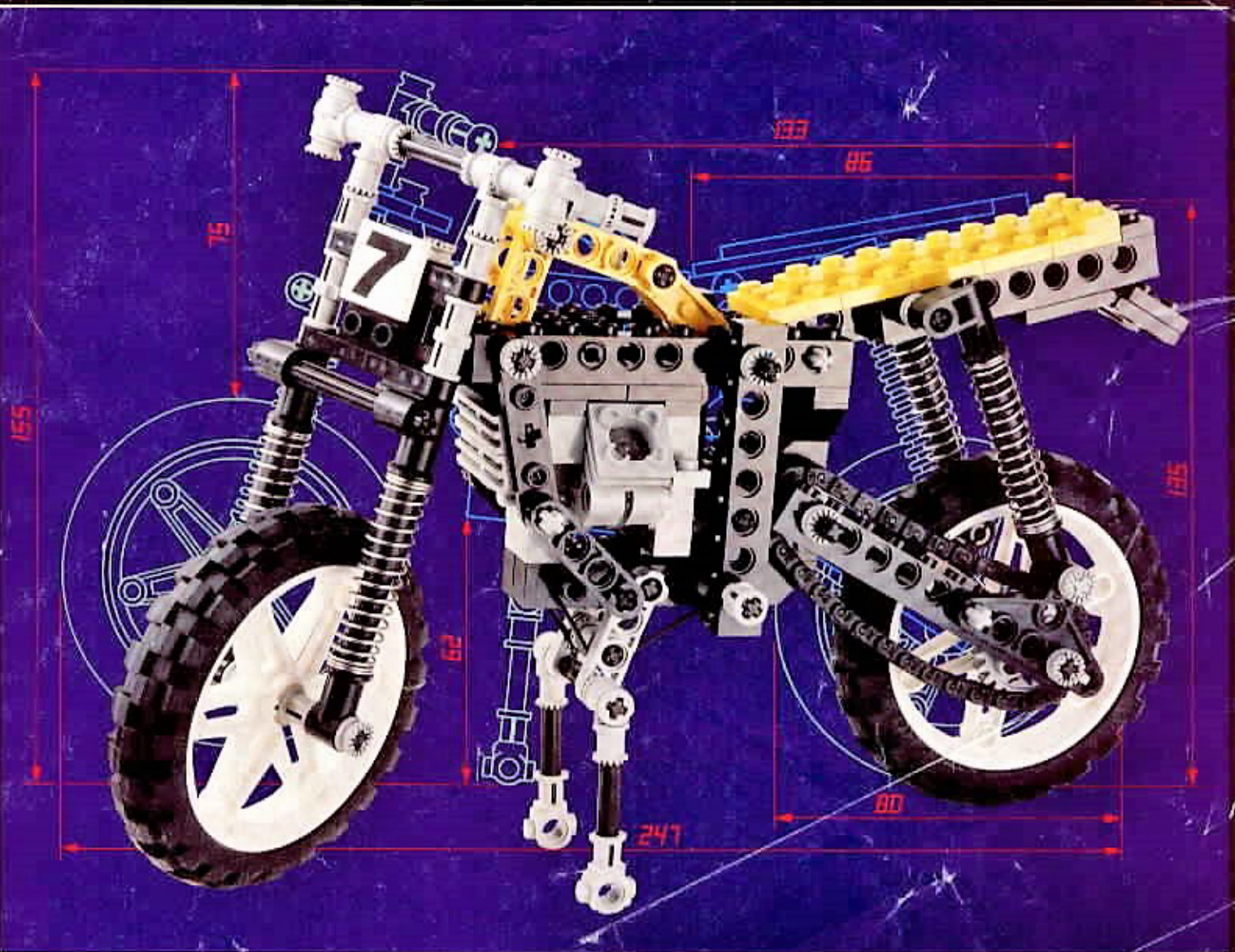




# Technic

8838





### Wichtige Tips:

Achte stets darauf, daß sich alle Achsen leicht drehen.  
– Überzeuge Dich, daß Zahnräder und Buchsen ausreichend Spiel zum benachbarten Lagerelement (z. B. Lochbalken) haben (siehe Abbildungen A + B).  
– Vergewissere Dich während des Bauens, daß alle Bewegungen leichtgängig funktionieren (z. B. Kurbelwellen).  
Die Abbildungen C–I zeigen einige nützliche Tips zum Trennen der TECHNIC Elemente (die Abbildungen zeigen auch Elemente, die nicht unbedingt Bestandteil dieses Kastens sind).

### Consigli utili:

Sistema tutti gli assali in modo che possano muoversi liberamente.  
– Fai attenzione che gli ingranaggi e le boccole non siano troppo vicini agli altri elementi. (Vedi figure A e B).  
– Controlla le funzioni regolarmente durante l'assemblaggio per verificare che funzionino.  
Osserva le illustrazioni C–I. Offrono utili informazioni su come separare gli elementi. (Alcuni elementi illustrati possono non essere inclusi nella tua confezione).

### Avant de commencer, lis ces quelques conseils :

Ajuste bien les axes pour qu'ils tournent en douceur.  
– Attention que les engrenages et les bagues ne soient pas trop serrés contre les briques (Regarde les illustrations A et B).  
– Fais des essais régulièrement pendant le montage pour t'assurer que les mouvements fonctionnent normalement.  
Examine attentivement les illustrations C à I. Elles te donnent des informations utiles sur la manière de séparer les éléments. (Attention : certaines pièces illustrées ici peuvent ne pas faire partie de ta boîte).

### Belangrijke tips:

Verzeker je ervan dat alle assen soepel draaien.  
– Schuif tandwielen en klembusjes niet te dicht tegen de techniebalken aan (zie afbeelding A en B).  
– Test tijdens het bouwen regelmatig alle functies om je ervan te verzekeren dat alles goed werkt.  
Bekijk alle afbeeldingen C t/m I. Hierop staat afgebeeld hoe je bepaalde elementen uit elkaar kunt halen. (Het is mogelijk, dat niet alle afgebeelde elementjes in jouw doos voorkomen).

### Algunos buenos consejos:

Ajusta bien todos los ejes para que funcionen de una manera suave.  
– Asegúrate de que los ladrillos no estén demasiado cerca de las vigas (véanse las instrucciones A y B).  
– Prueba las funciones regularmente durante el montaje para asegurar que funcionen.  
Estudia las instrucciones de montaje C–I. Estas instrucciones incluyen información que le ayudará la hora de separar los elementos. (Algunos de los elementos mostrados aquí no estarán incluidos en tu caja TECHNIC).

### Gode tips:

Justér alle aksler, så de går let.  
– Pas på, at tandhjul og bøsninger ikke sidder for tæt på bjælkerne (se tegning A & B).  
– Afprøv funktionerne regelmæssigt under bygningen for at sikre, at de fungerer.  
Se tegning C–I, som viser, hvordan man skiller elementerne ad. (Det er ikke sikkert, at alle de viste elementer er i din model.)

### Building Hints:

Adjust all axles so they run smoothly.  
– Ensure that gear wheels and bushes are not too close to the beams (see illustrations A and B).  
– Check technical functions regularly during assembly of the model.  
Illustrations C–I give useful information on how to separate elements. (Some elements shown may not be included in your set.)

### Kiinnitä akselit niin, että ne pyörivät hyvin ja esteettä.

– Huolehdi siitä, etteivät hammaspyörät ja holkit ole liian lähellä palikkaa (katso kuvia A ja B).  
– Kokeile toimintoja aina välillä kokoonpanon aikana varmistuaksesi, että kaikki toimii niin kuin pitää.  
Tutki kuvia C–I. Saat niistä hyödyllistä tietoa elementtien irrottamisesta toisistaan. (Kaikki kuvissa näkyvät elementit eivät välttämättä sisälly tähän rasiaan.)

### Några goda råd om din TECHNIC modell:

Justera alla axlar så att de fungerar utan att ta emot någonstans.  
– Se till att kugghjul och bussningar inte sitter för nära klossarna (se bilderna A och B).  
– Prova funktionerna då och då under monteringen för att vara säker på att de fungerar.  
Studera bilderna C–I. Där hittar du viktig information om hur du skall ta isär de olika delarna. (Det kan hända att din ask inte innehåller alla de delar som visas på bilderna.)

### Alguns bons conselhos: Ajuste bem todos os eixos para que se movam facilmente.

– Tenha cuidado para que as rodas dentadas e chumaceiras não fiquem demasiado perto das pedras (veja ilustrações A e B).  
– Ensaie regularmente as funções durante a montagem para se certificar que funcionam.  
Estude as ilustrações C–I. Elas incluem informações úteis sobre a maneira de separar os elementos. (Alguns dos elementos que se mostram podem não fazer parte do seu conjunto).

### Προσαρμόστε όλους, τους άξονες των τροχών έτσι ώστε να κινούνται ομαλά.

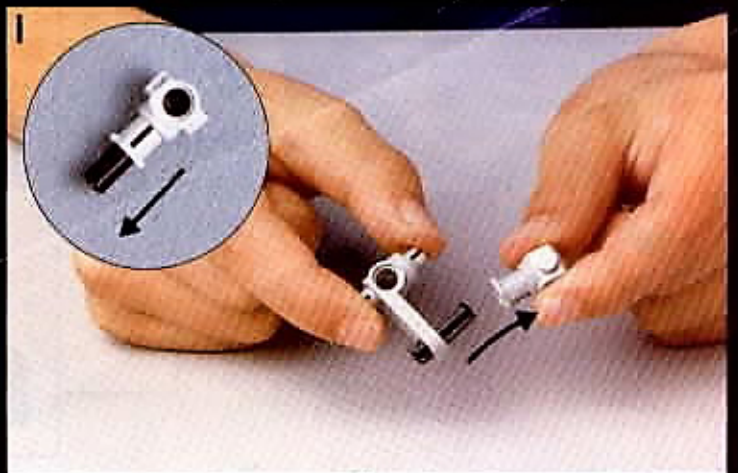
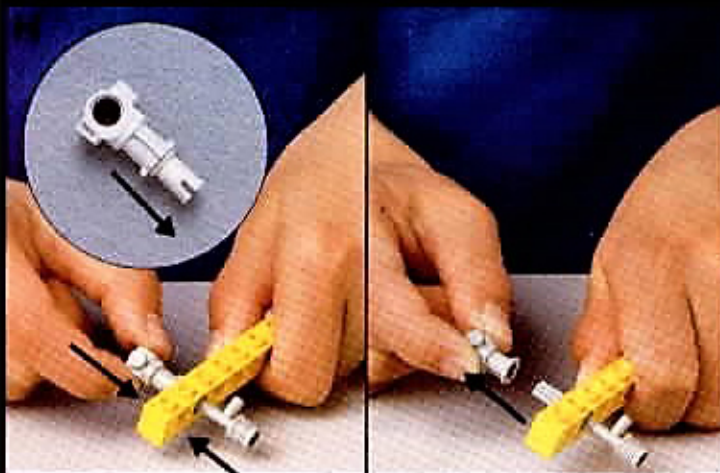
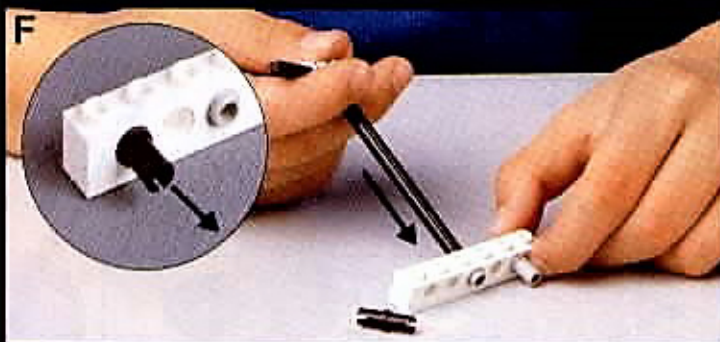
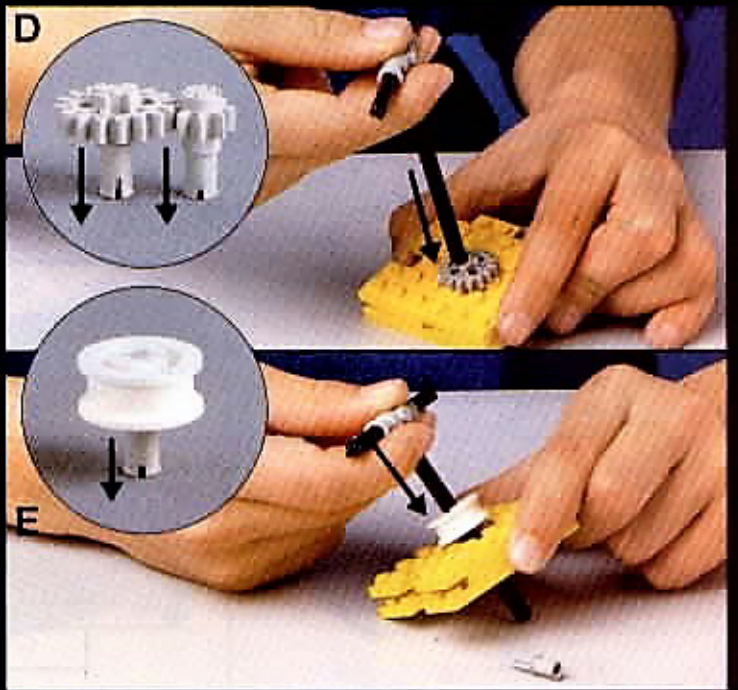
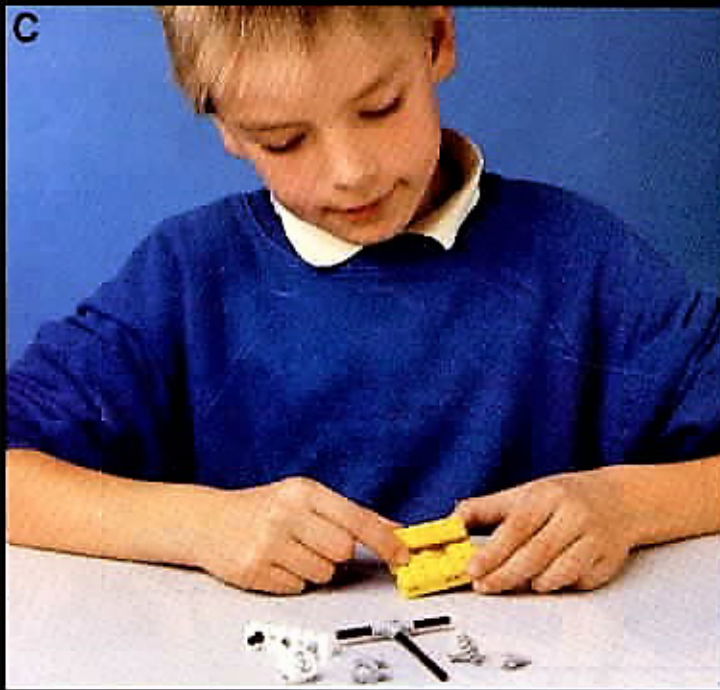
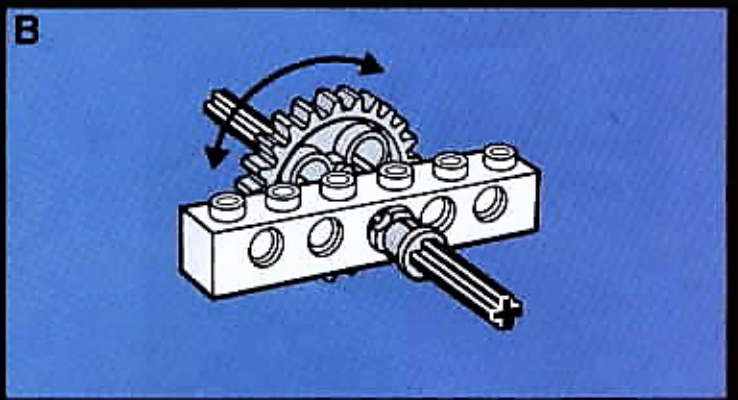
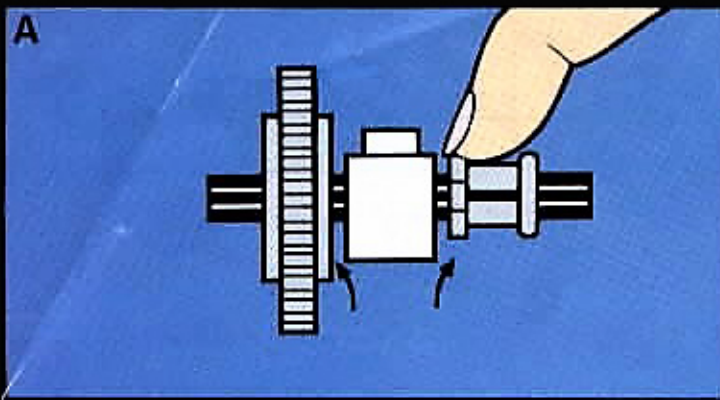
– Προσέχετε οι τροχοί και οι σύνδεσμοι να μη βρήσκονται πολύ κοντά στα τουβλάκια (βλέπε εικονογράφηση Α και Β).  
– Ελέγχετε τακτικά τις λειτουργίες κατά τη διάρκεια της κατασκευής ώστε να είστε σίγουροι ότι δουλεύουν.  
Μελετήστε τις εικονογραφήσεις C–I. Περιέχουν μερικές χρήσιμες πληροφορίες για το πως χωρίζονται τα στοιχεία. (Μερικά στοιχεία που φαίνονται, εδώ μπορεί να μην περιέχονται στο δικό σας κουτί.)

### レゴ・テニクをお買い上げいただきありがとうございます。

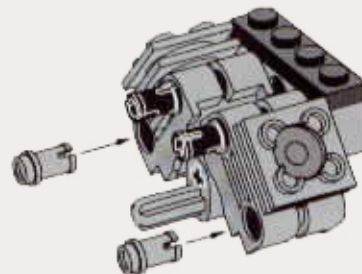
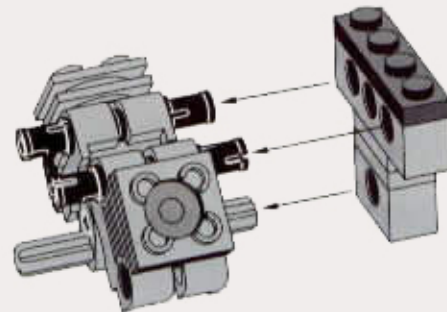
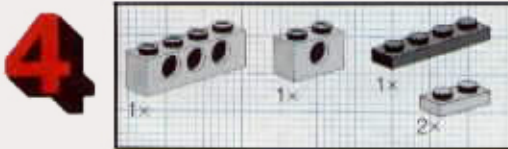
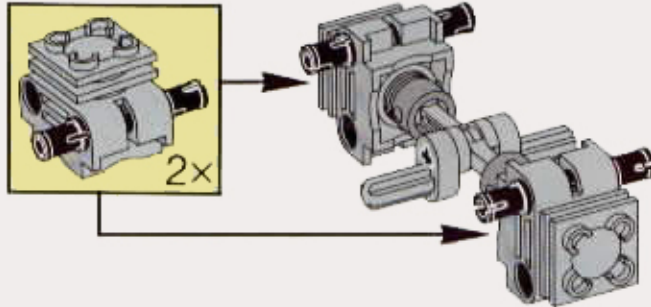
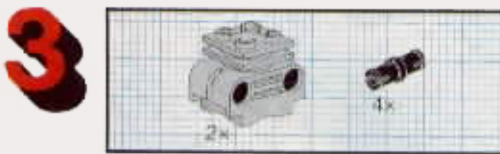
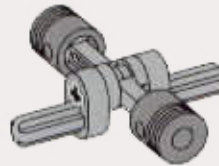
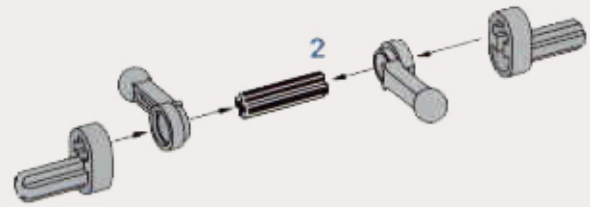
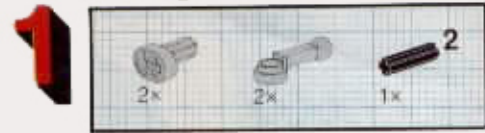
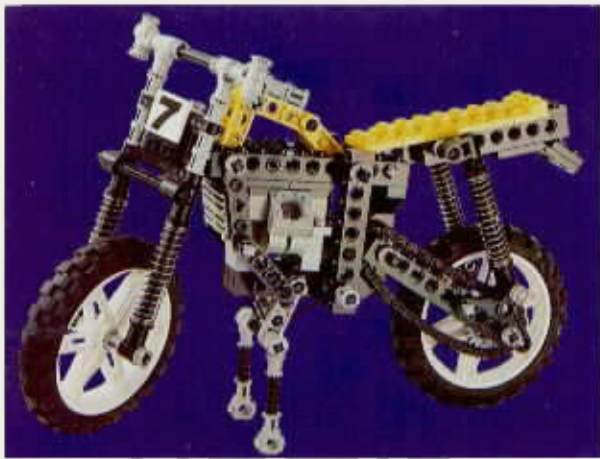
組み立てる前に次の注意事項をお読みください。  
モデルの機械的な機能に注意してください。  
軸棒がすべてスムーズに動くように取り付けてください。  
–ギアとストッパーはあまりブロックにくっつけて取り付けないようにしてください(図のAとBを参考)  
–組み立てた部分が正しく動くかチェックしながら、モデルを組み立ててください。  
パーツのはずし方のヒントとして、図のC–Iを参考にしてください。  
(この説明図には、このセットに含まれない部品も参考として使われています。)

恭喜你已經擁有這組最新的科技組模型。當你要開始玩之前，請先詳閱下列事項：  
請特別注意這組模型的各項運作功能是否正常，尤其是要隨時調整輪軸，讓它能夠順利地運作。  
– 注意大齒輪和軸棍不能太靠近顆粒。(請看圖A和B)  
– 在裝配組合時，隨時測試一下，以確定其功能能夠運作。  
請看圖C–I，圖中顯示了如何拆解這些組合零件的方法。  
(但圖中有些零件可能在你的模型裡並沒有)











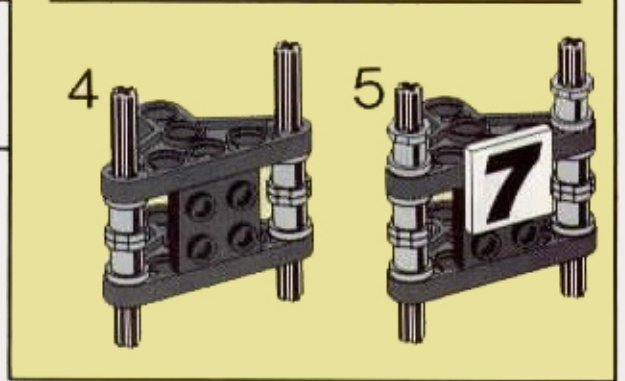
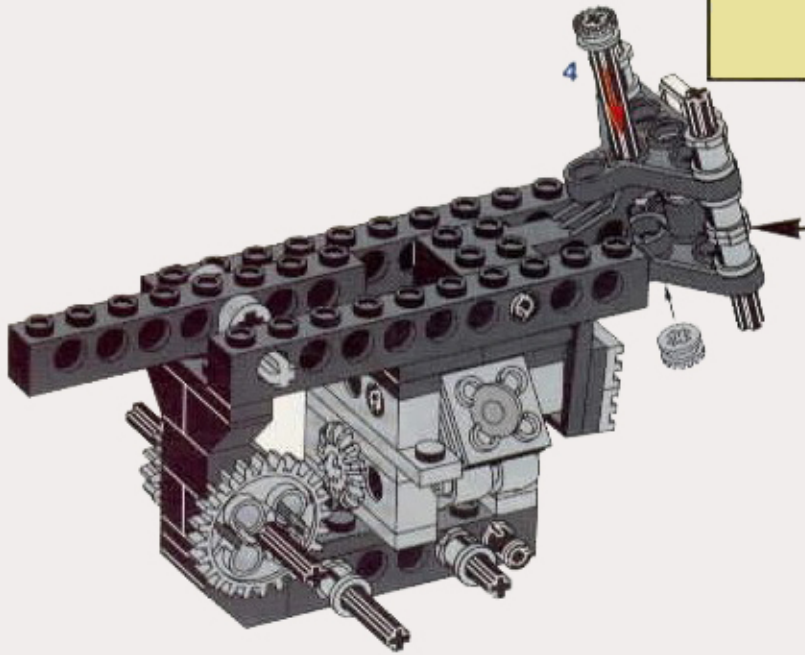
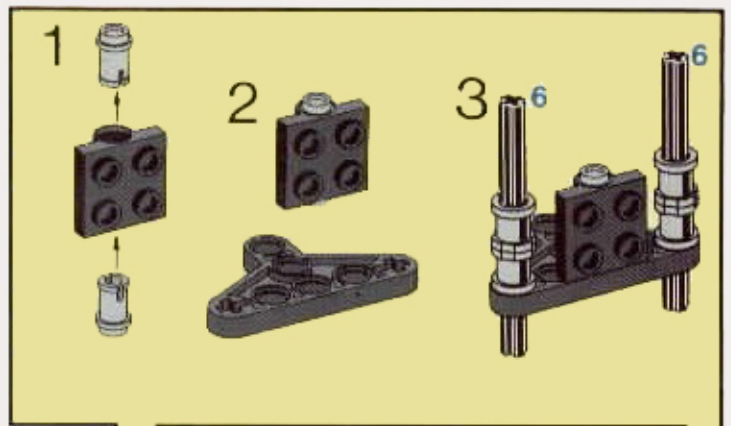
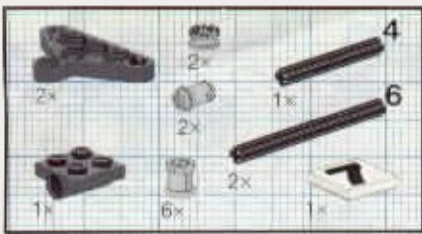




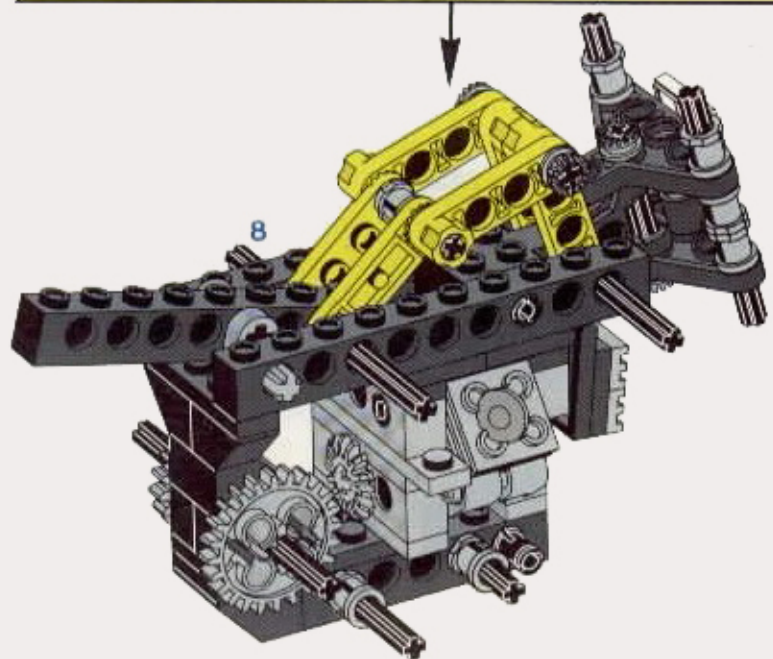
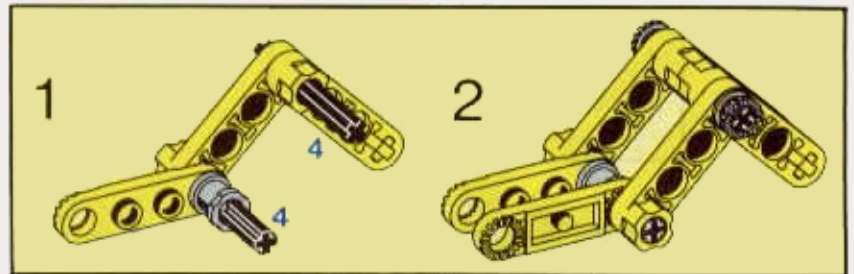




# 12

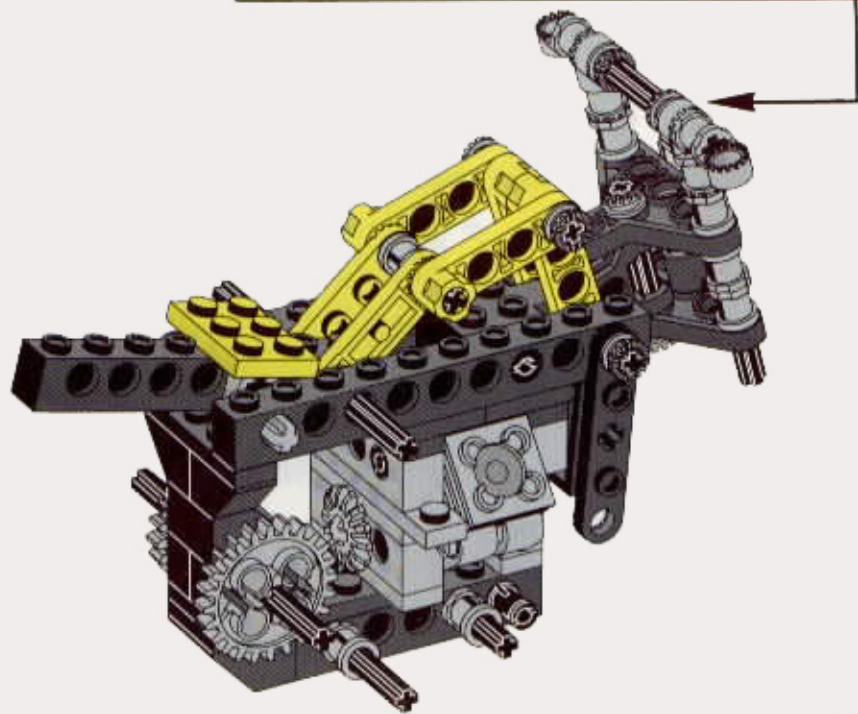
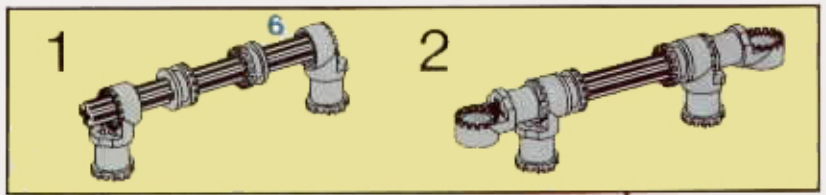
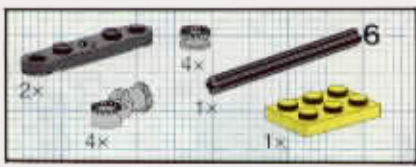


# 13

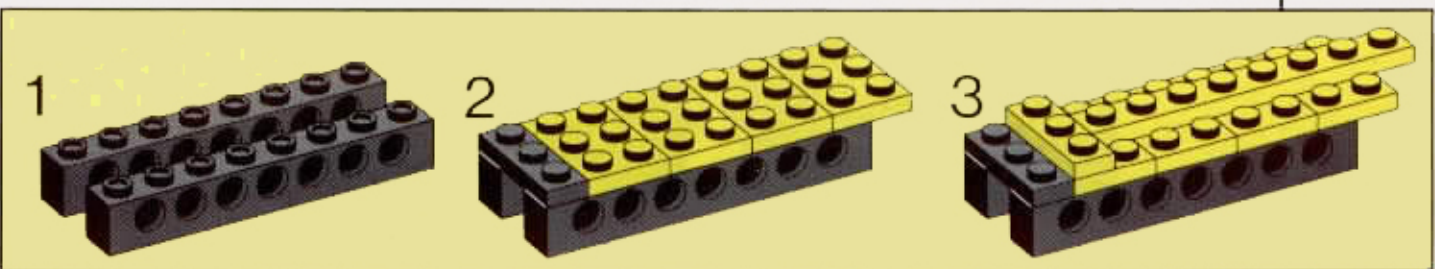
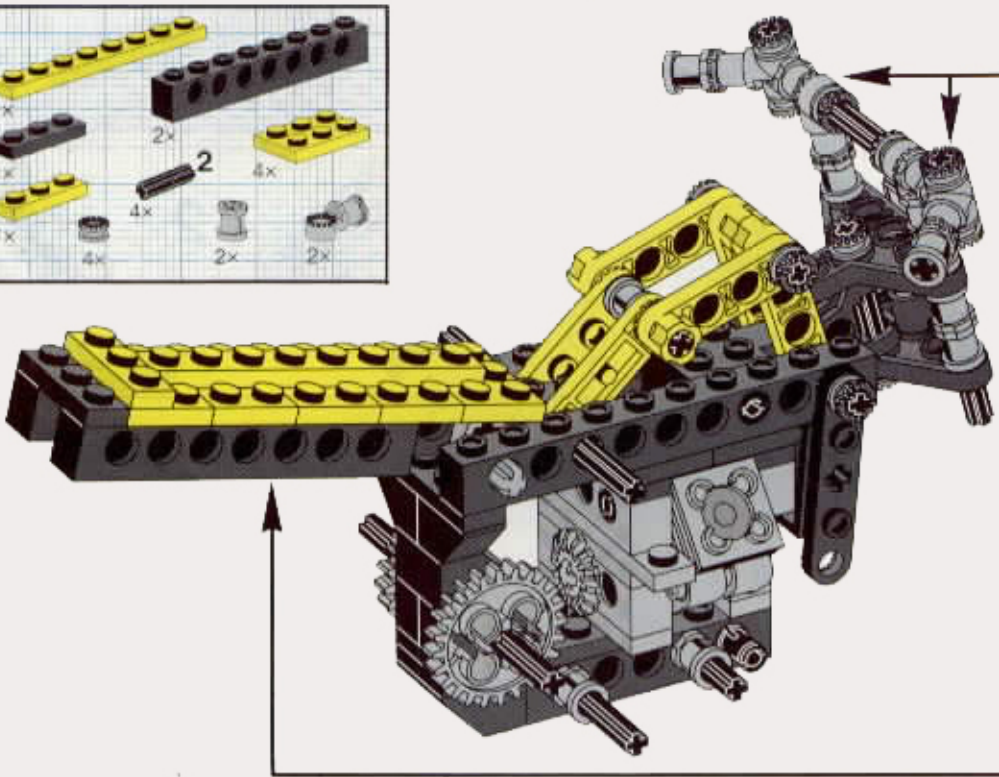
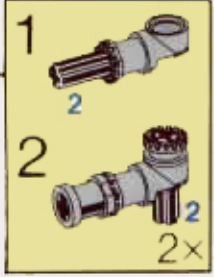
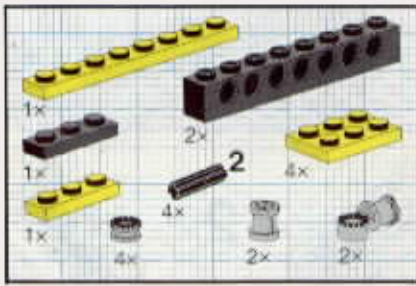




# 14

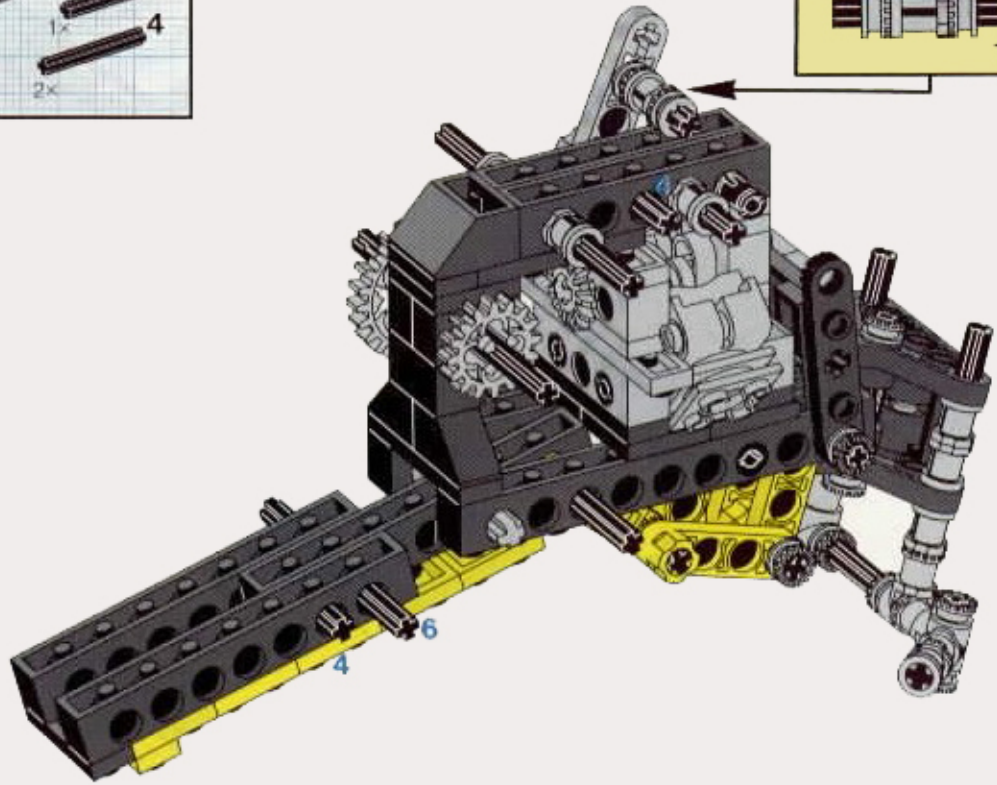
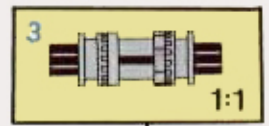
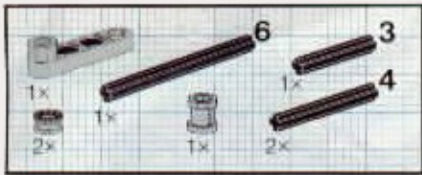


# 15

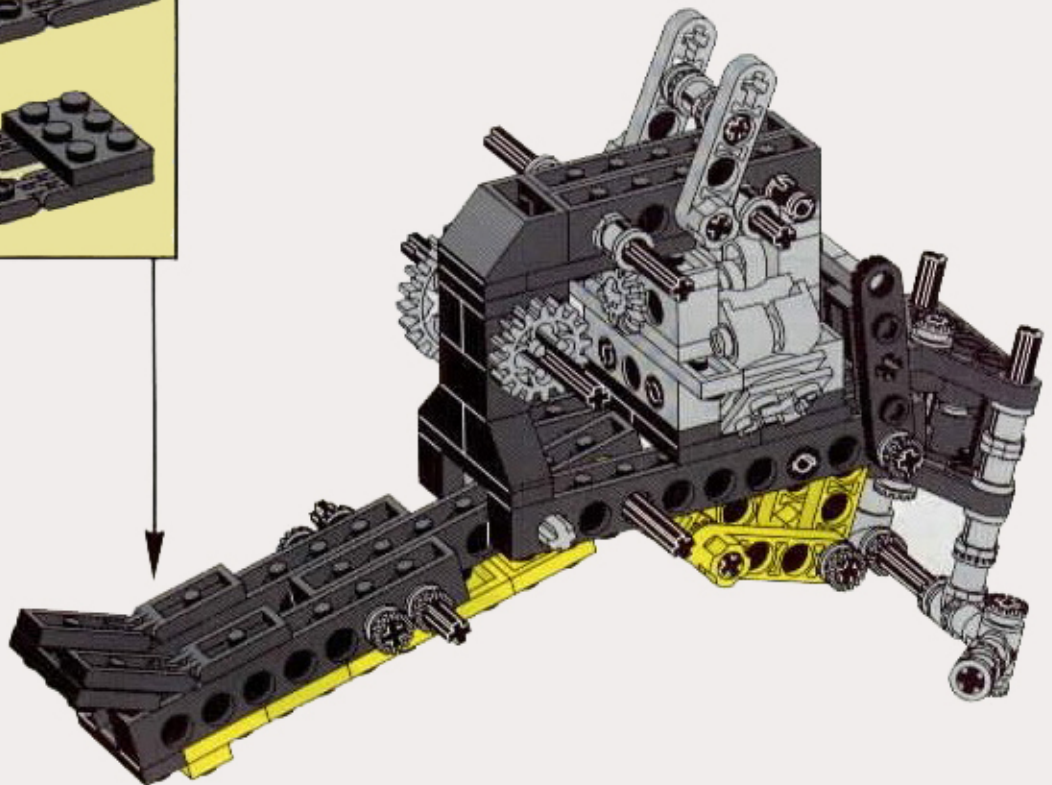
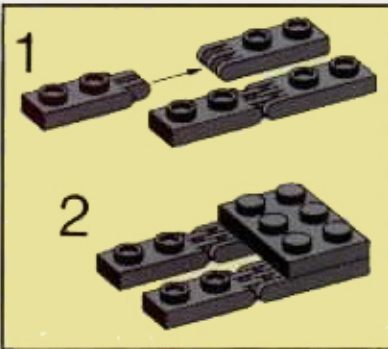
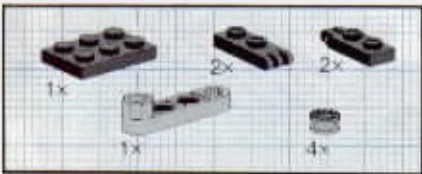




# 16

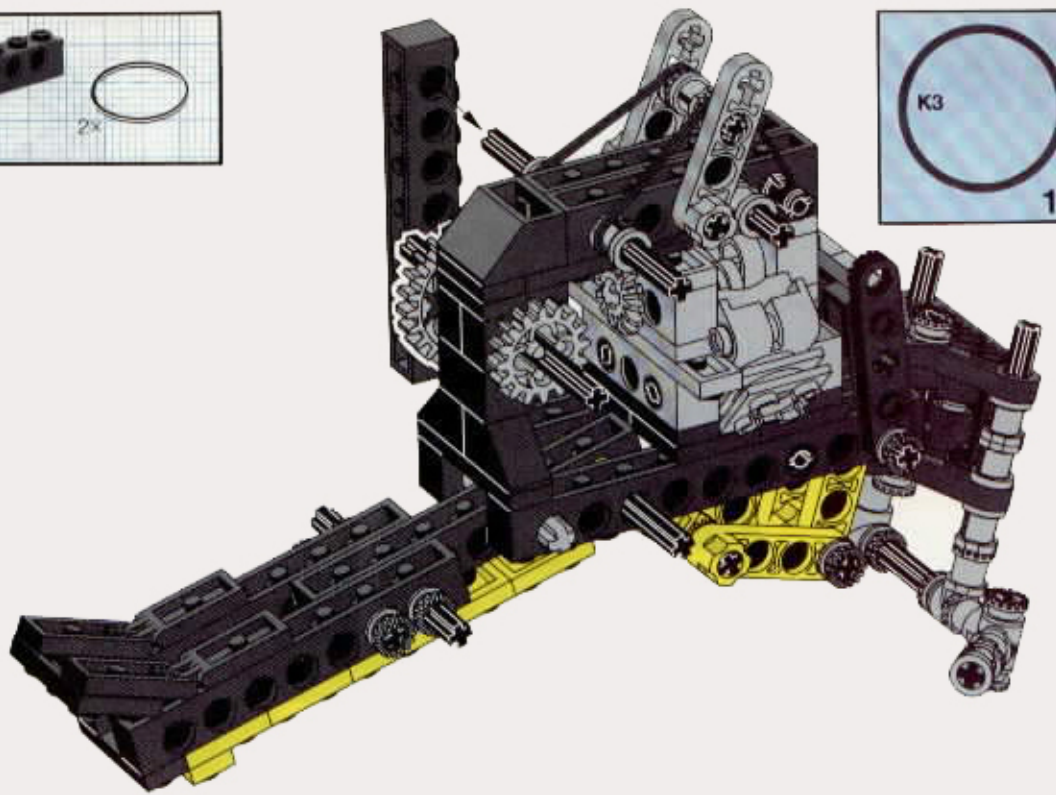
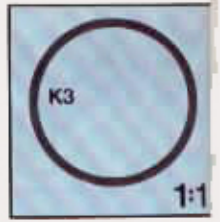


# 17

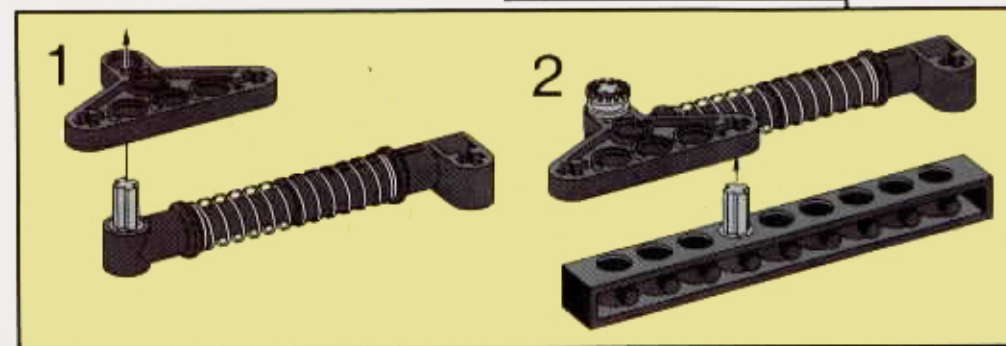
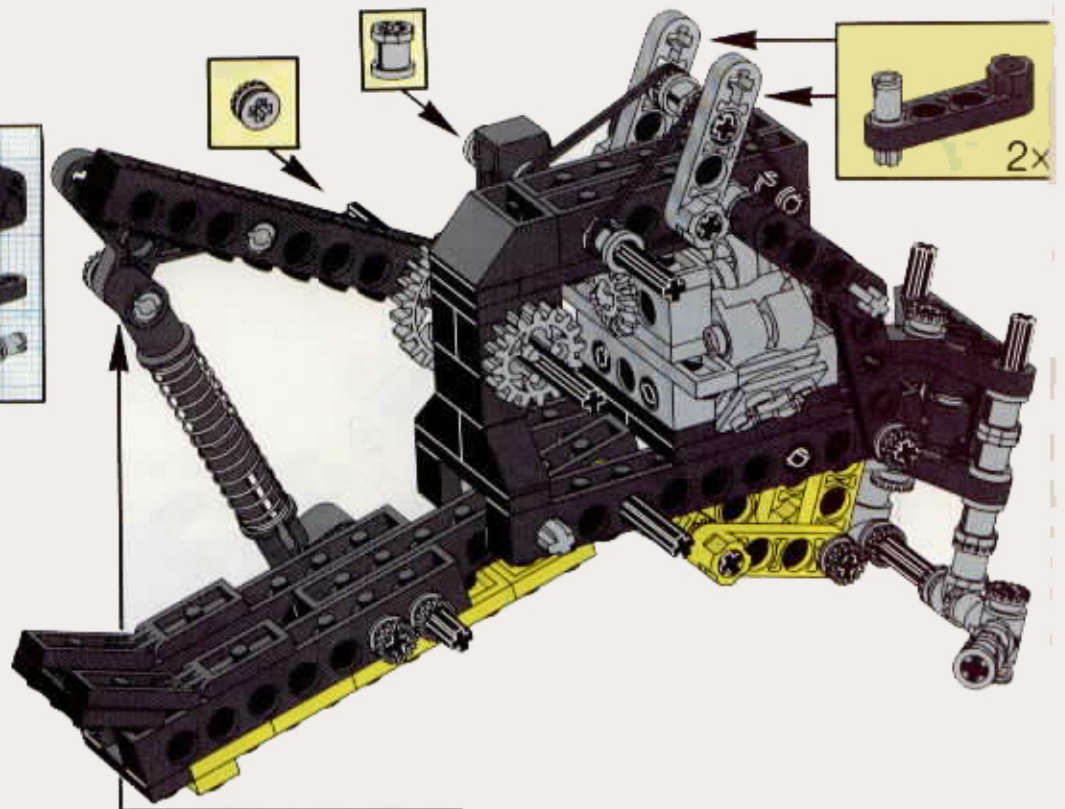
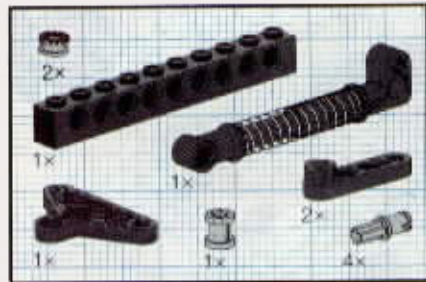




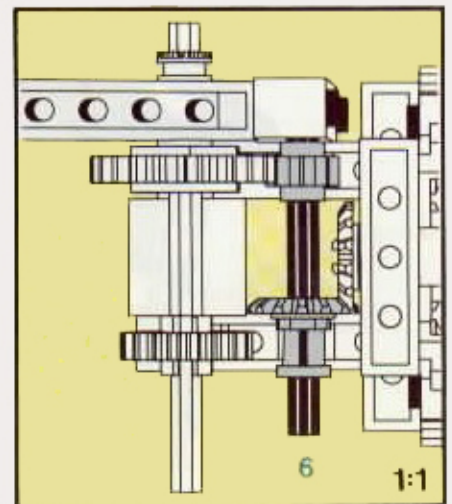
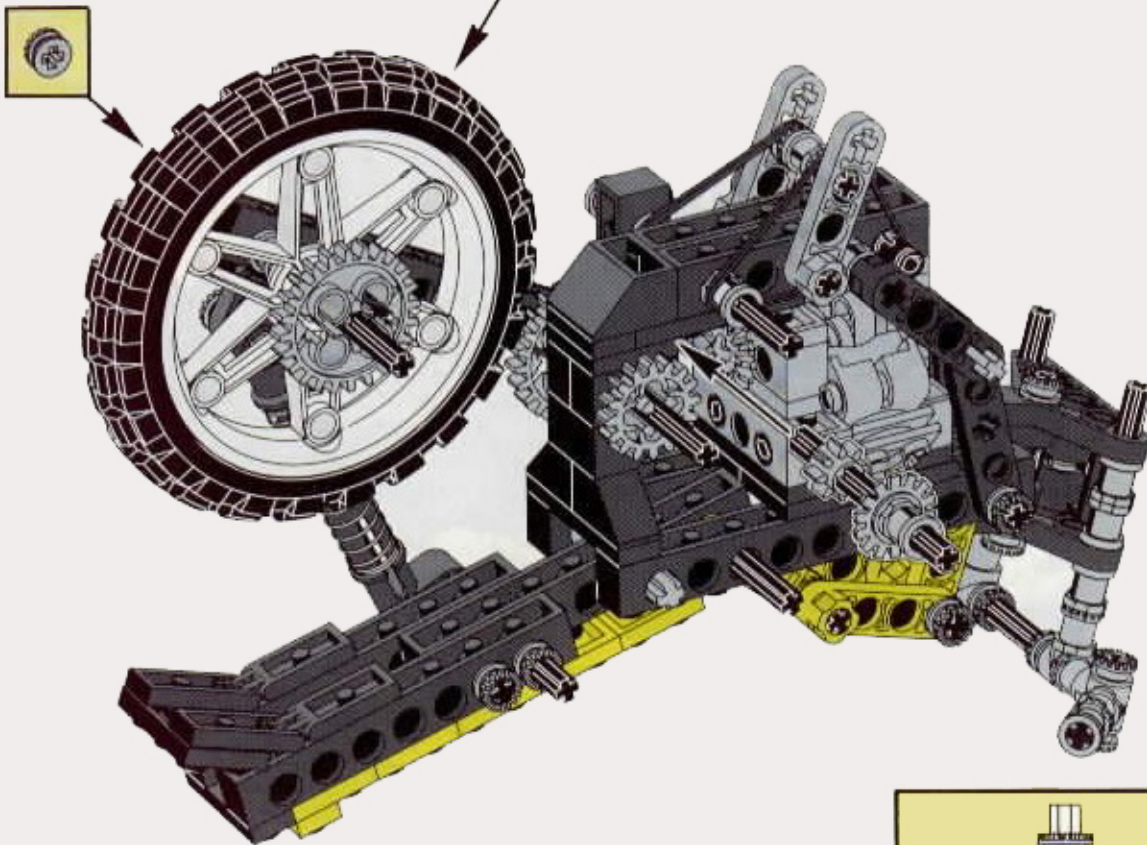
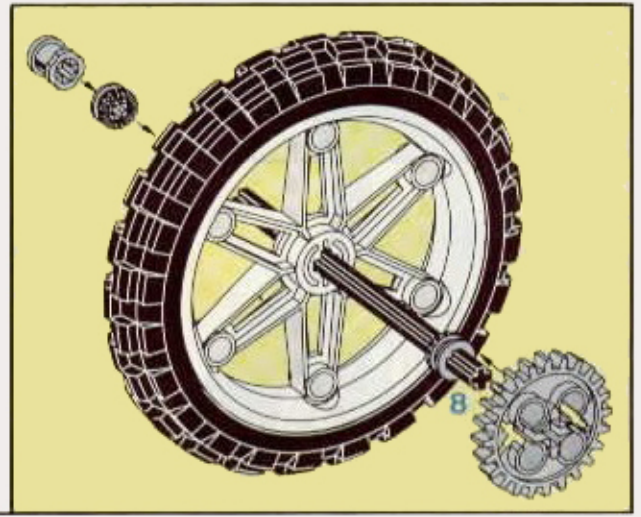
# 18



# 19

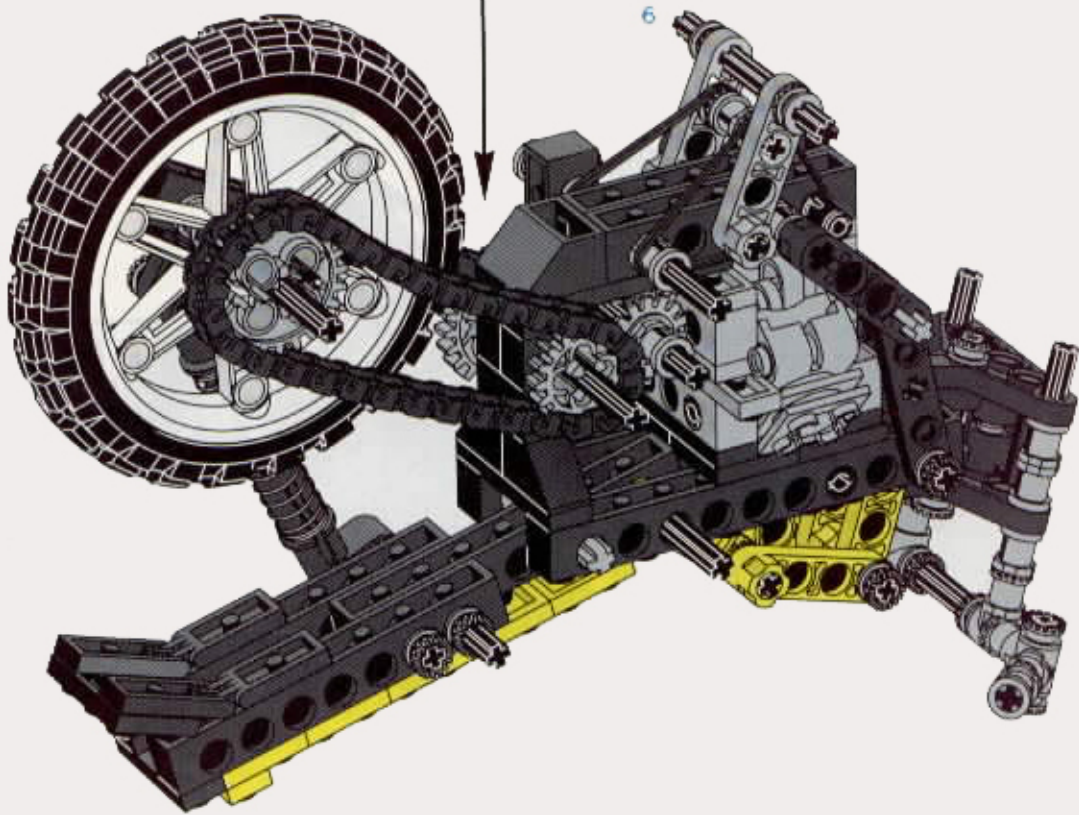
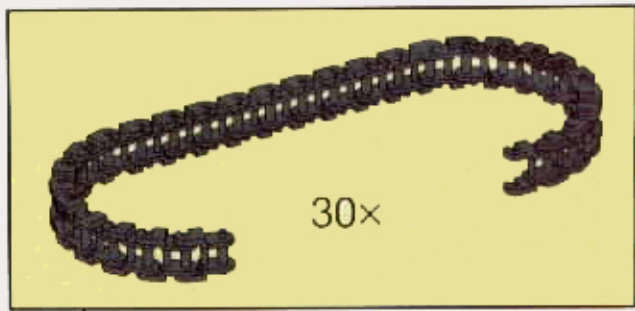








21



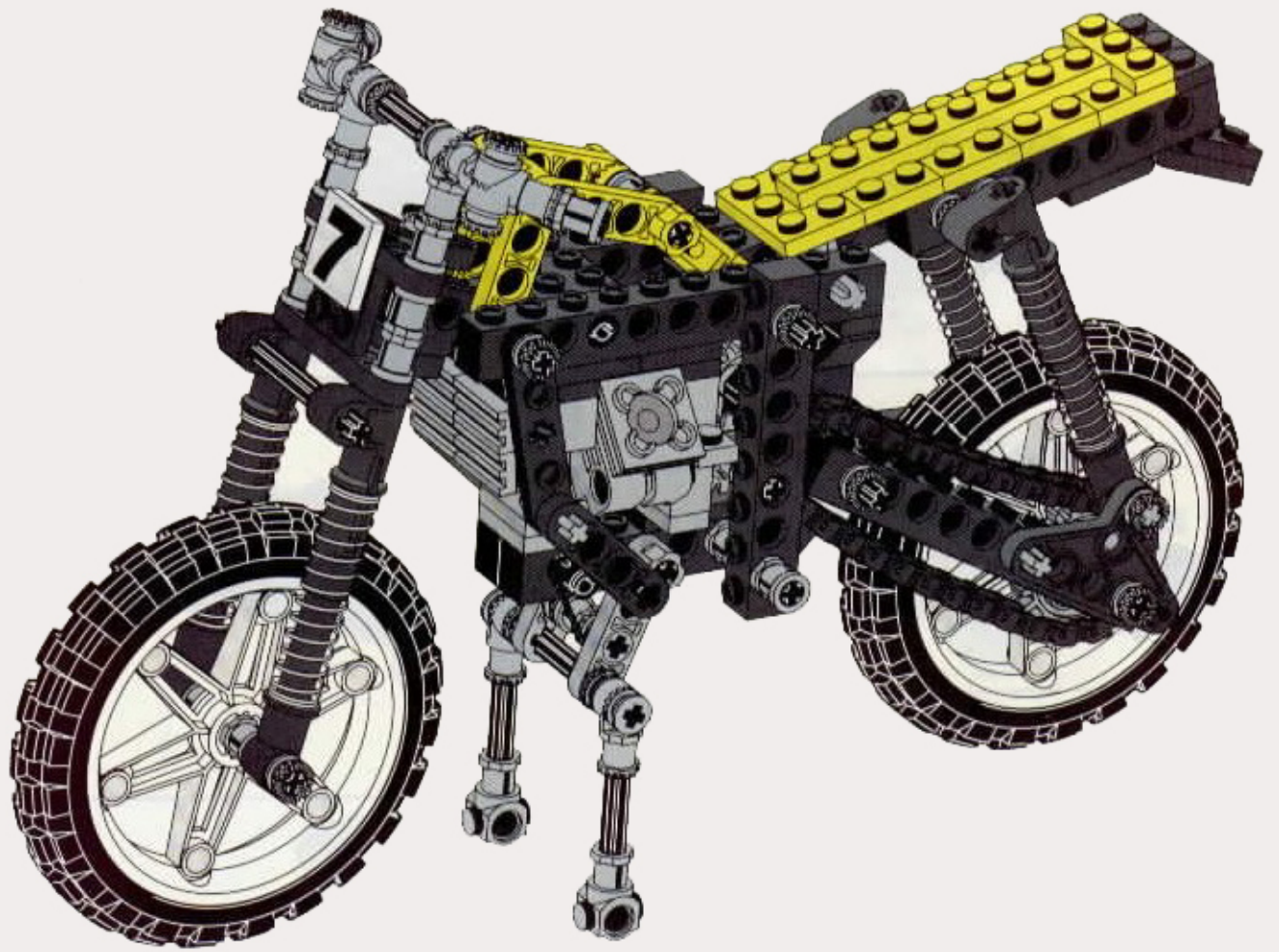




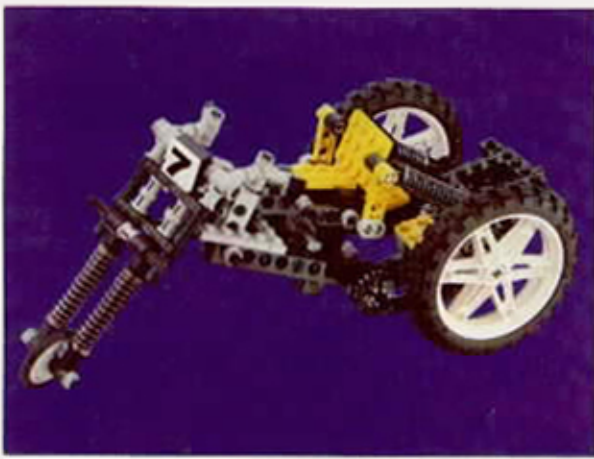




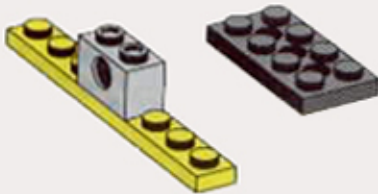




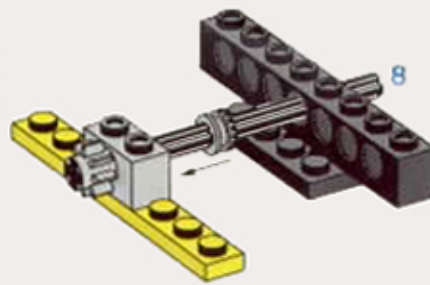




1



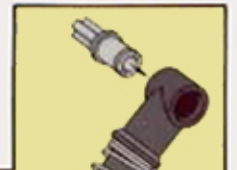
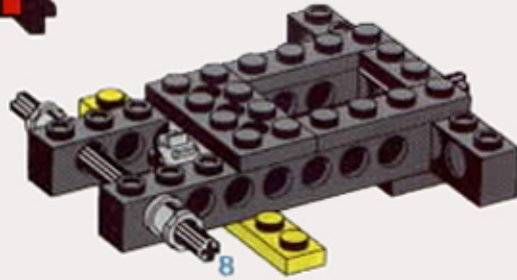
2



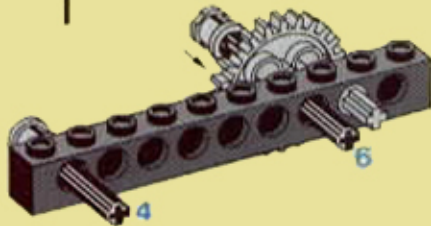
3



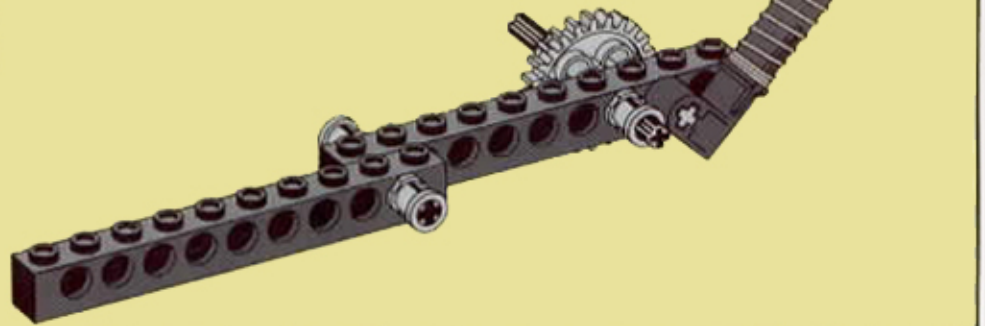
4



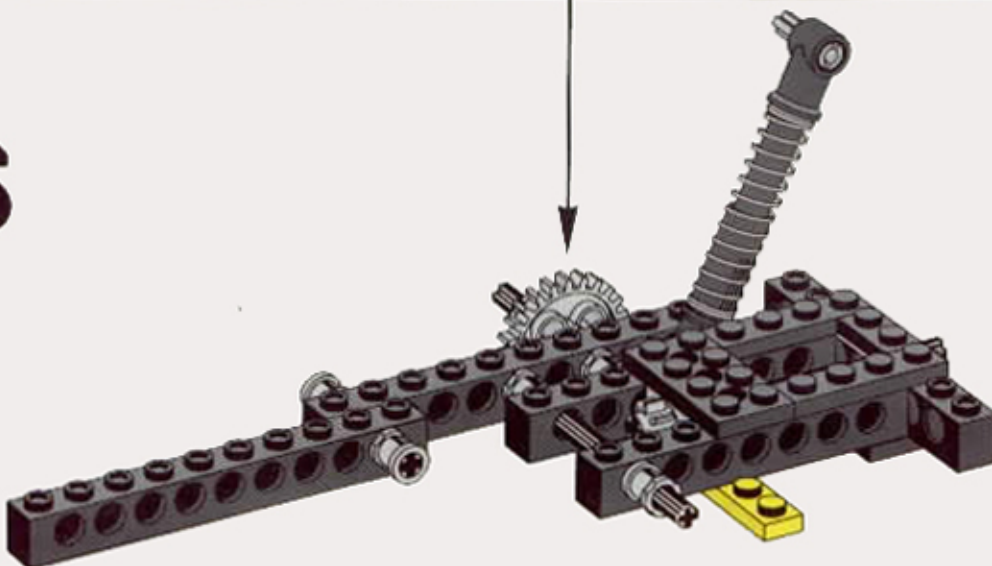
1



2

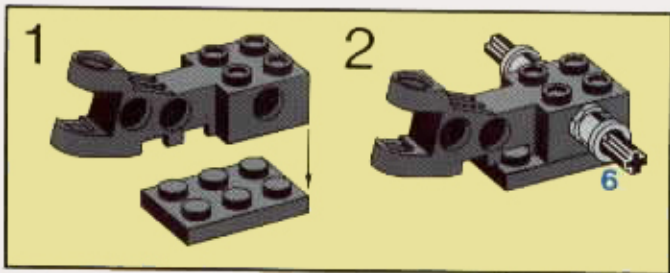


5

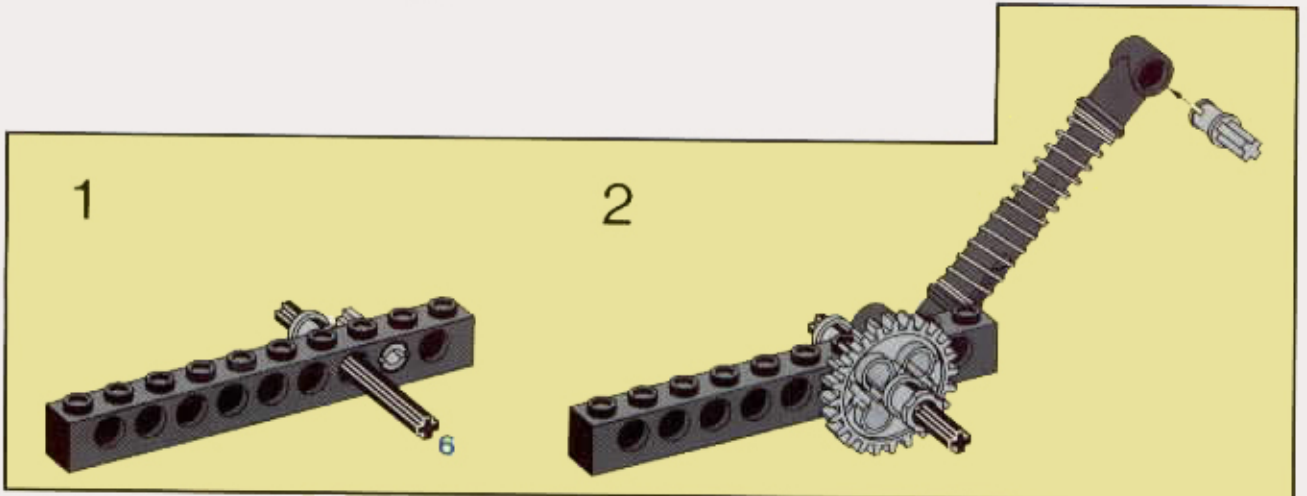
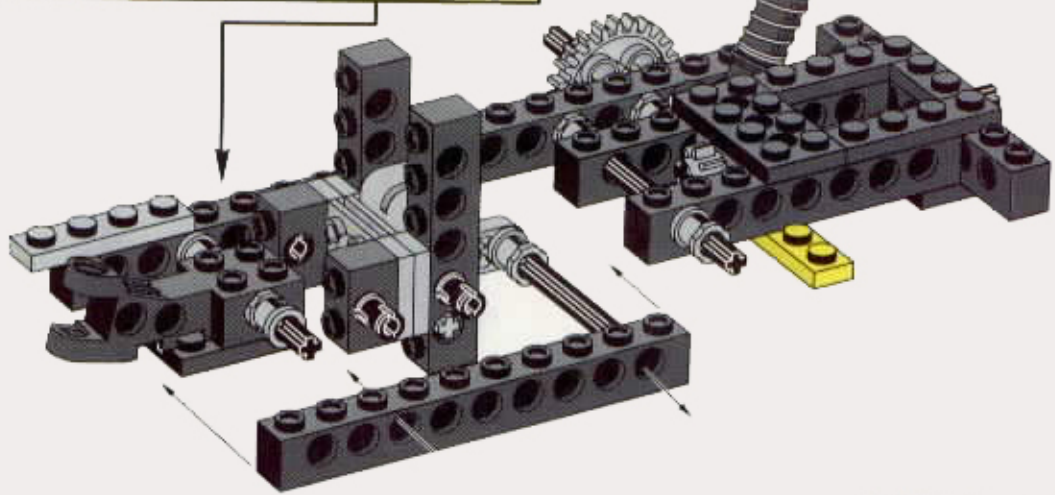




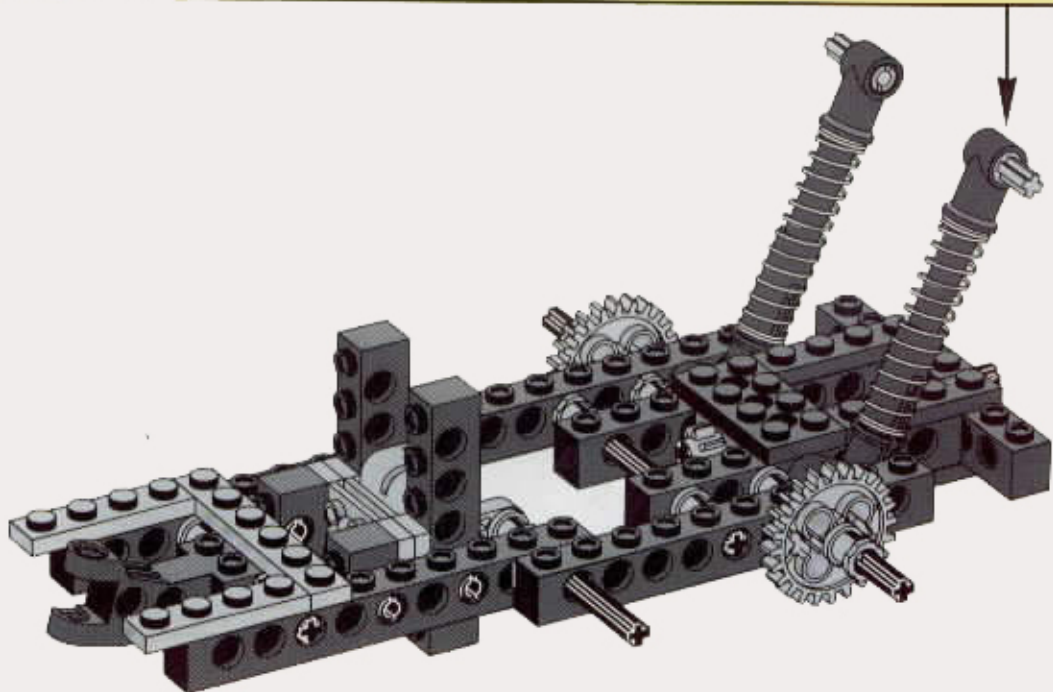


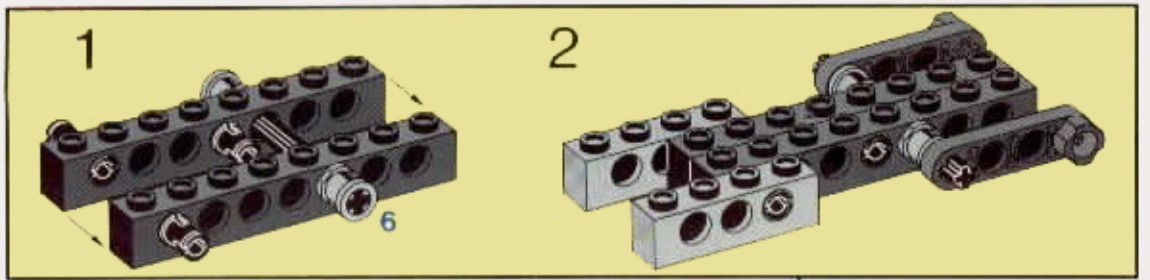


8

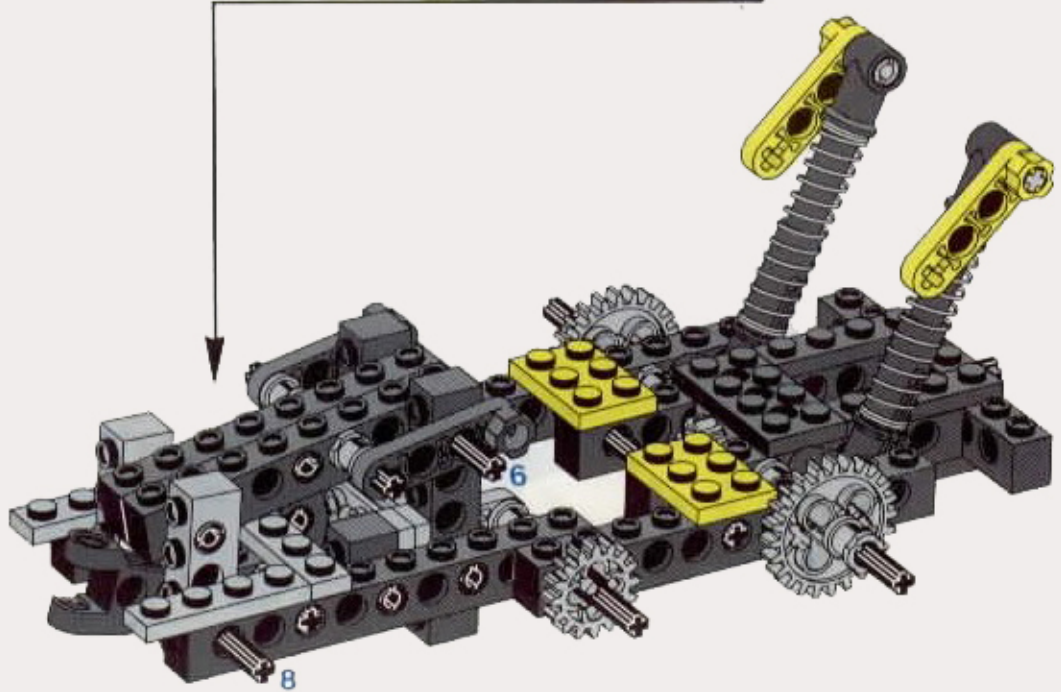


9

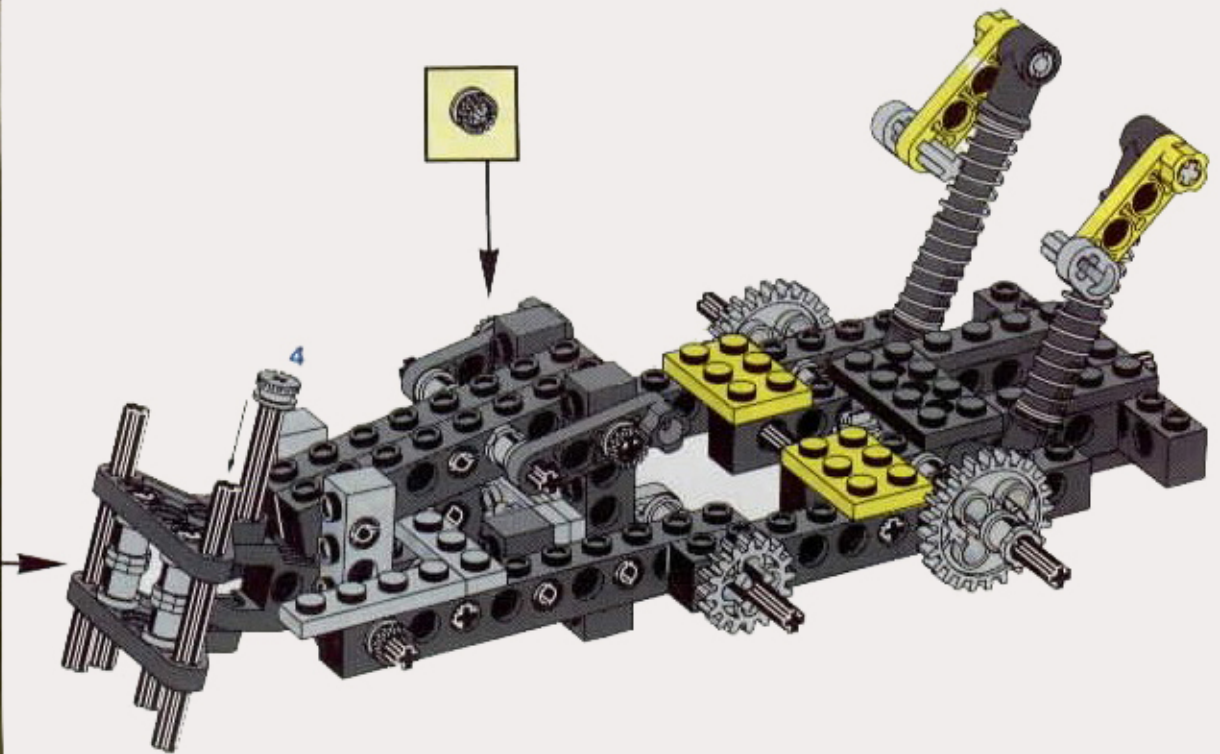
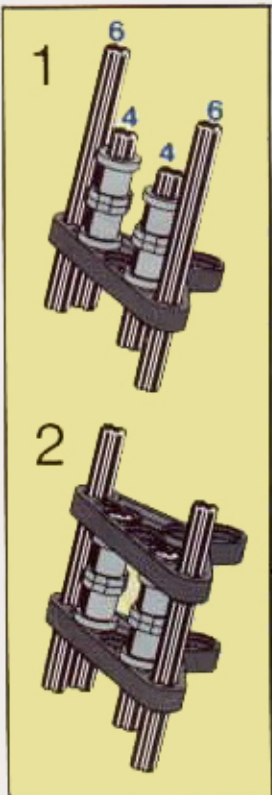




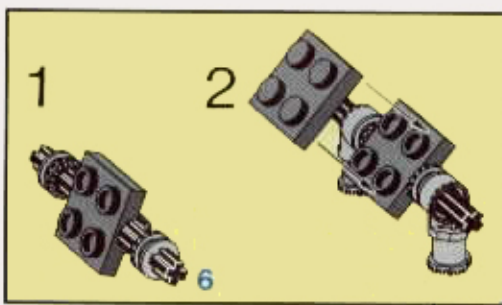
10



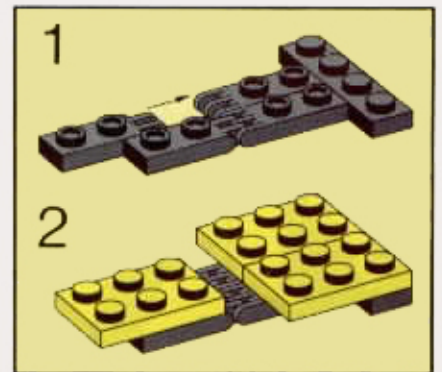
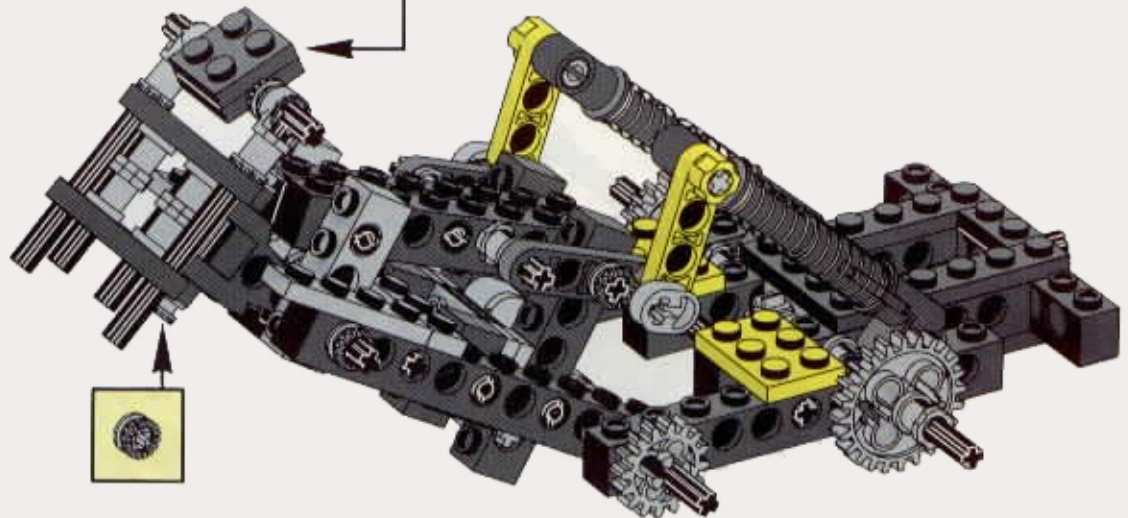
11



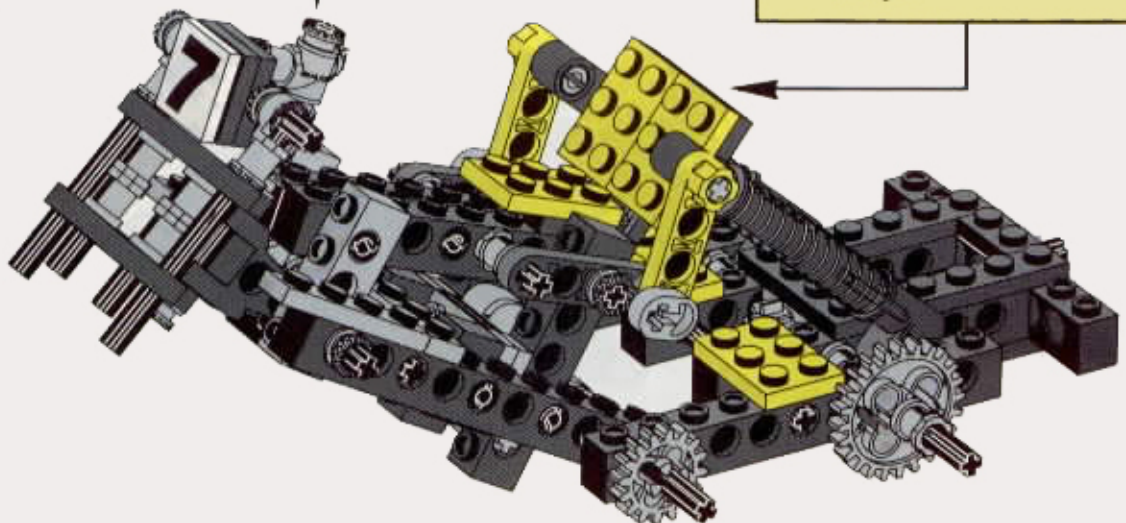


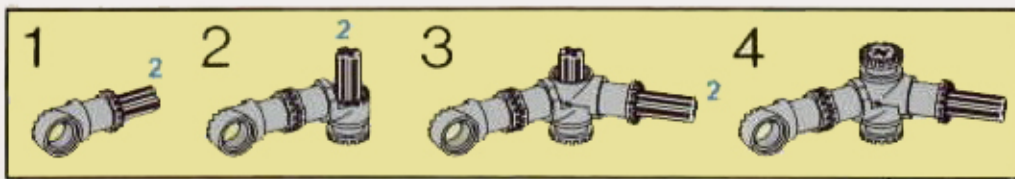


12

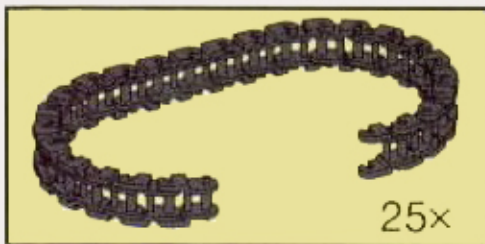
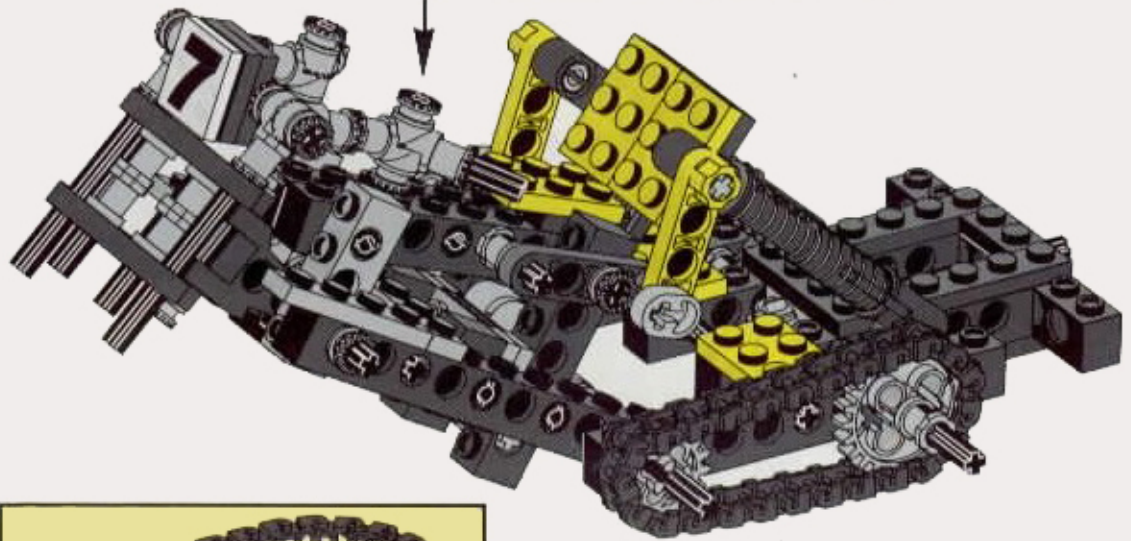


13

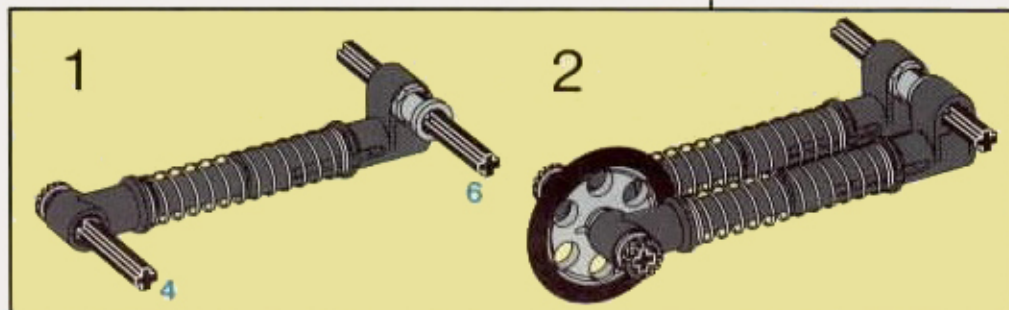
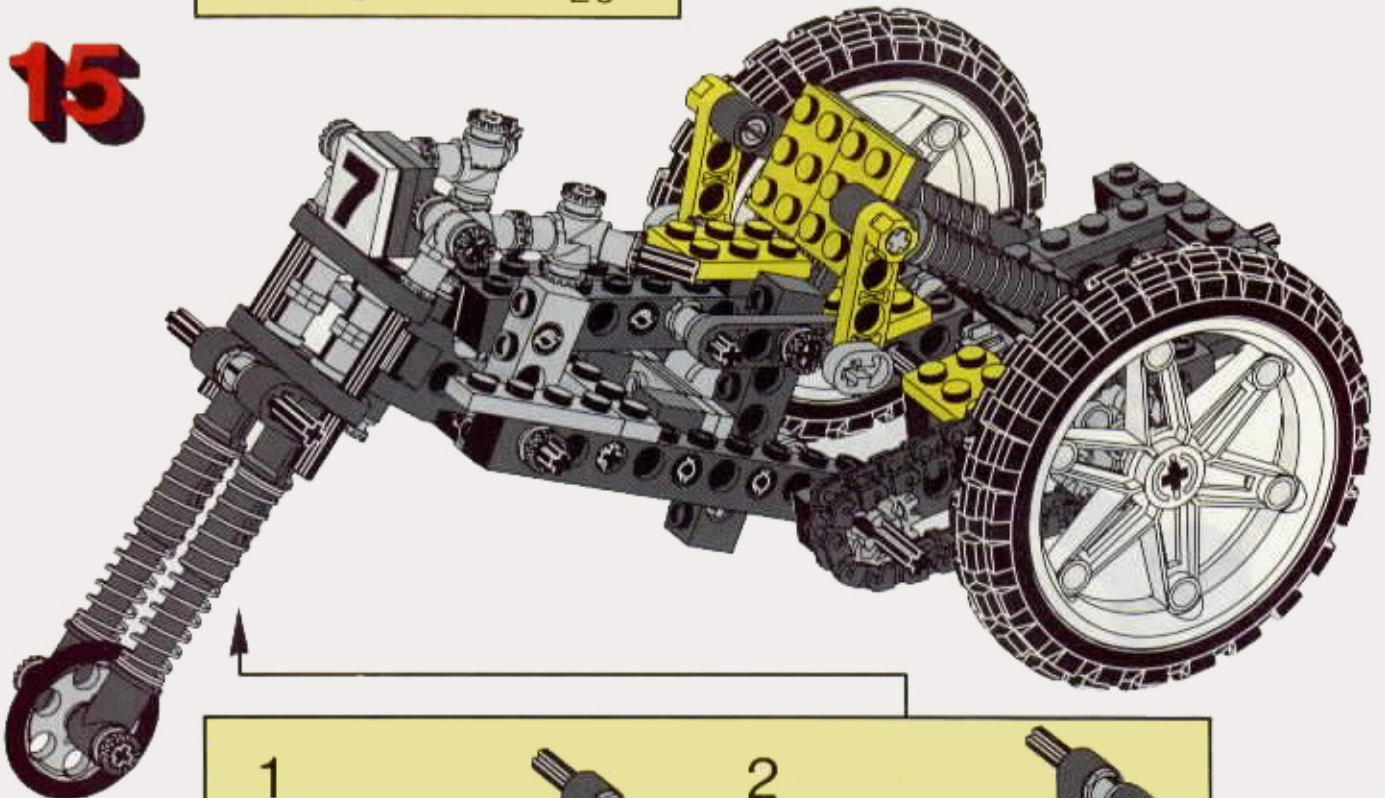




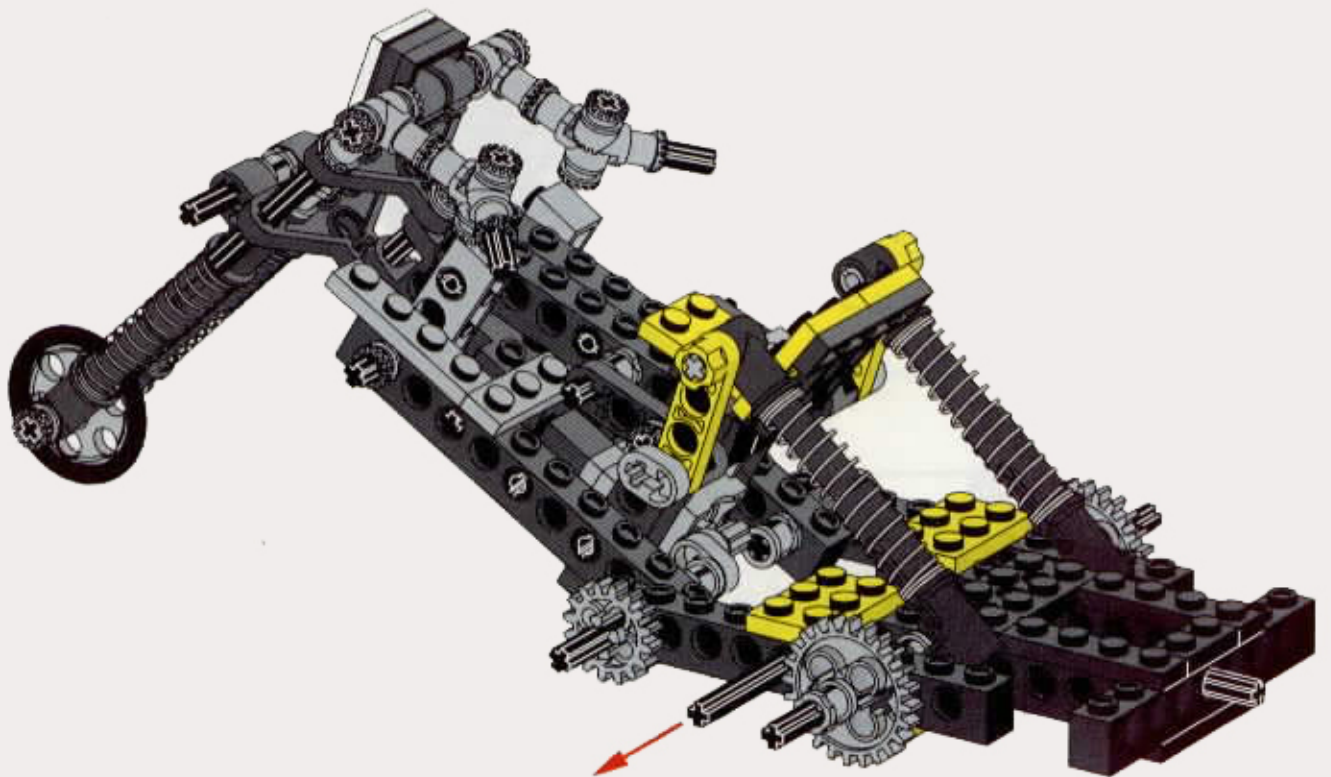
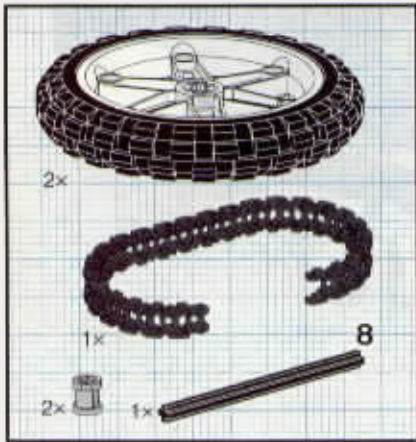
**14**

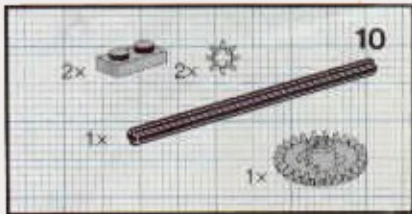


**15**

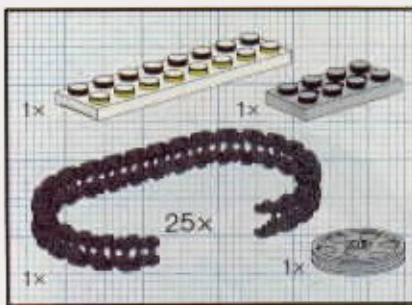
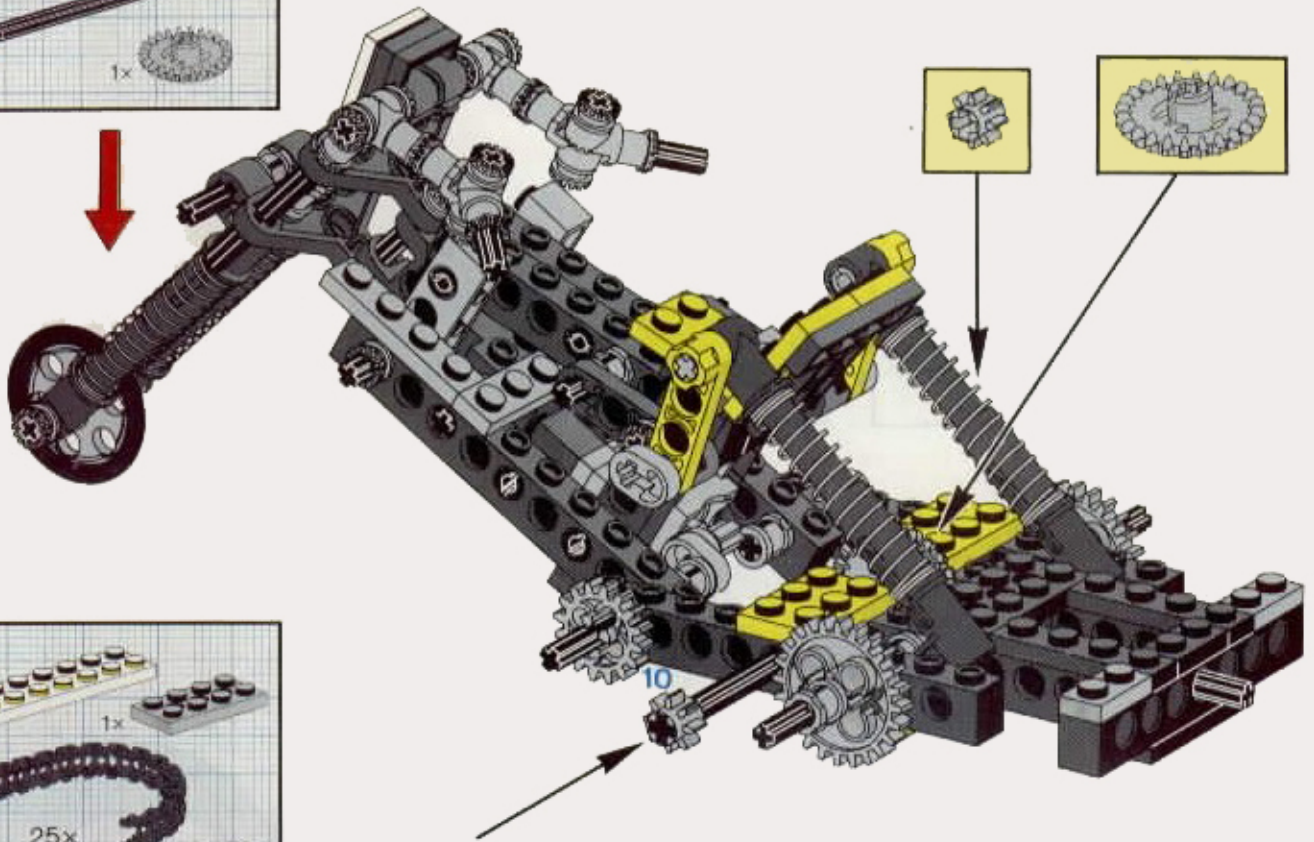




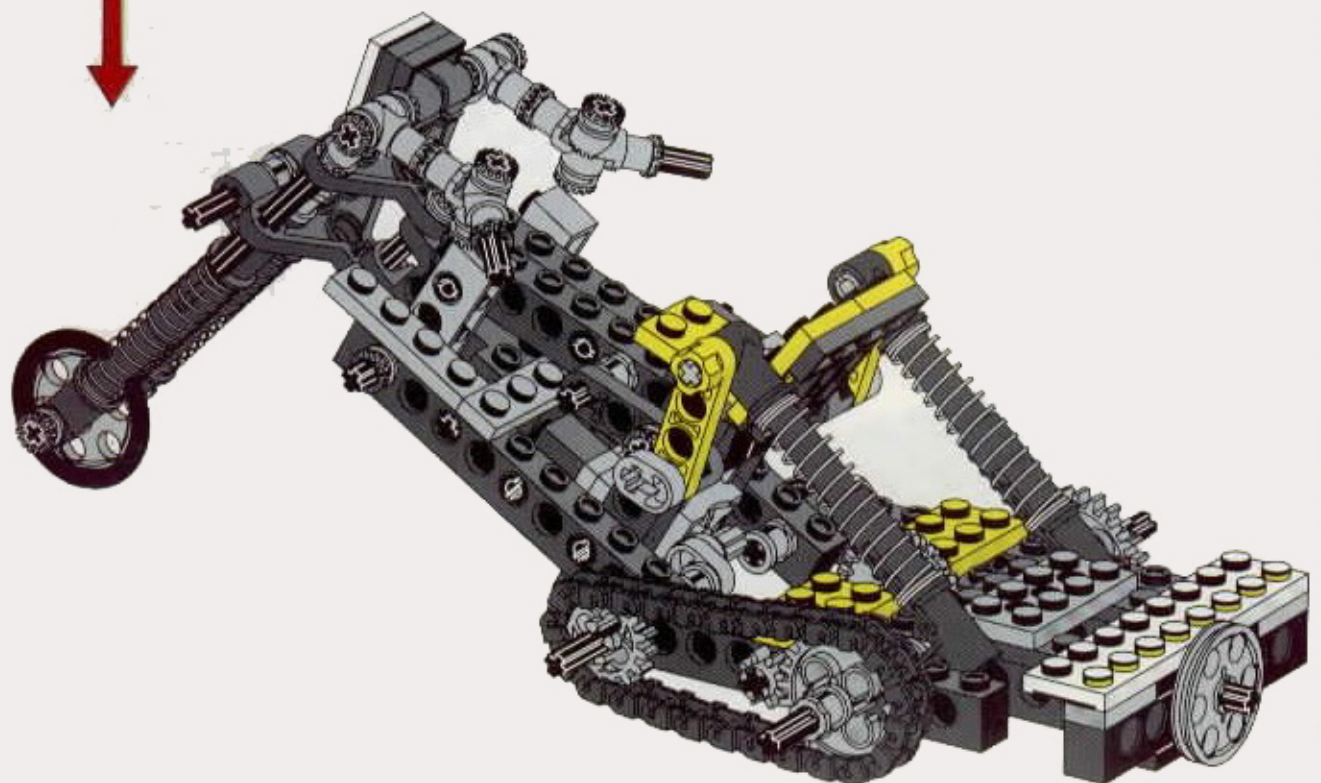




2














3









| Image                 | Qty   | Item No | Description  | MID                |
|-----------------------|---|---------|--|--------------------|
| <b>Regular Items:</b> |   |         |  |                    |
| <b>Parts:</b>         |   |         |  |                    |
| +                     |    | 4       | <a href="#">4276</a> <b>Black Hinge Plate 1 x 2 with 2 Fingers</b><br>Catalog: <a href="#">Parts: Hinge</a><br>Part Color Code Missing         | <a href="#">PG</a> |
|                       | *   |         |  |                    |
| +                     |    | 4       | <a href="#">4275</a> <b>Black Hinge Plate 1 x 2 with 3 Fingers</b><br>Catalog: <a href="#">Parts: Hinge</a><br>427526                          | <a href="#">PG</a> |
|                       | *   |         |  |                    |
| +                     |    | 1       | <a href="#">3023</a> <b>Black Plate 1 x 2</b><br>Catalog: <a href="#">Parts: Plate</a><br>302326   | <a href="#">PG</a> |
|                       | *   |         |  |                    |
| +                     |    | 1       | <a href="#">3623</a> <b>Black Plate 1 x 3</b><br>Catalog: <a href="#">Parts: Plate</a><br>362326   | <a href="#">PG</a> |
|                       | *   |         |  |                    |
| +                     |    | 3       | <a href="#">3710</a> <b>Black Plate 1 x 4</b><br>Catalog: <a href="#">Parts: Plate</a><br>371026   | <a href="#">PG</a> |
|                       | *   |         |  |                    |
| +                     |  | 1       | <a href="#">3022</a> <b>Black Plate 2 x 2</b><br>Catalog: <a href="#">Parts: Plate</a><br>302226   | <a href="#">PG</a> |
|                       | *   |         |  |                    |
| +                     |  | 2       | <a href="#">2420</a> <b>Black Plate 2 x 2 Corner</b><br>Catalog: <a href="#">Parts: Plate</a><br>242026  | <a href="#">PG</a> |
|                       | *   |         |  |                    |
| +                     |  | 1       | <a href="#">3021</a> <b>Black Plate 2 x 3</b><br>Catalog: <a href="#">Parts: Plate</a><br>302126   | <a href="#">PG</a> |
|                       | *   |         |  |                    |
| +                     |  | 1       | <a href="#">2817</a> <b>Black Plate, Modified 2 x 2 with Pin Holes</b><br>Catalog: <a href="#">Parts: Plate, Modified</a><br>281726            | <a href="#">PG</a> |
|                       | *   |         |  |                    |
| +                     |  | 2       | <a href="#">x88</a> <b>Black Rubber Band Small (Square Cross Section)</b><br>Catalog: <a href="#">Parts: Rubber Band &amp; Belt</a><br>4107153 | <a href="#">PG</a> |
|                       | *   |         |  |                    |
| +                     |  | 1       | <a href="#">3039</a> <b>Black Slope 45 2 x 2</b><br>Catalog: <a href="#">Parts: Slope</a><br>303926  | <a href="#">PG</a> |
|                       | *   |         |  |                    |





|   |   |   |                      |  |                    |
|---|---|---|----------------------|--|--------------------|
| + | <br>* | 2 | <a href="#">3665</a> | <b>Black Slope, Inverted 45 2 x 1</b><br><a href="#">Catalog:</a> <a href="#">Parts:</a> <a href="#">Slope, Inverted</a><br>366526 | <a href="#">PG</a> |
|---|---|---|----------------------|--|--------------------|


|   |  |   |                      |  |                    |
|---|--|---|----------------------|--|--------------------|
| + | <br>* | 1 | <a href="#">3660</a> | <b>Black Slope, Inverted 45 2 x 2</b><br><a href="#">Catalog:</a> <a href="#">Parts:</a> <a href="#">Slope, Inverted</a><br>366026 | <a href="#">PG</a> |
|---|--|---|----------------------|--|--------------------|


|   |  |   |                      |   |                    |
|---|--|---|----------------------|---|--------------------|
| + | <br>* | 1 | <a href="#">2904</a> | <b>Black Technic Motorcycle Pivot</b><br><a href="#">Catalog:</a> <a href="#">Parts:</a> <a href="#">Technic</a><br>6181757 or 4295131 or 4543263 | <a href="#">PG</a> |
|---|--|---|----------------------|---|--------------------|

|   |  |   |                       |  |                    |
|---|--|---|-----------------------|--|--------------------|
| + | <br>* | 1 | <a href="#">70162</a> | <b>Black Technic Wedge Belt Wheel Tire</b><br><a href="#">Catalog:</a> <a href="#">Parts:</a> <a href="#">Technic</a><br>6028041 or 281526 | <a href="#">PG</a> |
|---|--|---|-----------------------|--|--------------------|

|   |  |   |                      |  |                    |
|---|--|---|----------------------|--|--------------------|
| + | <br>* | 6 | <a href="#">3704</a> | <b>Black Technic, Axle 2</b><br><a href="#">Catalog:</a> <a href="#">Parts:</a> <a href="#">Technic, Axle</a><br>Part Color Code Missing | <a href="#">PG</a> |
|---|--|---|----------------------|--|--------------------|

|   |   |   |                      |   |                    |
|---|---|---|----------------------|---|--------------------|
| + | <br>* | 1 | <a href="#">4519</a> | <b>Black Technic, Axle 3</b><br><a href="#">Catalog:</a> <a href="#">Parts:</a> <a href="#">Technic, Axle</a><br>451926 | <a href="#">PG</a> |
|---|---|---|----------------------|---|--------------------|

|   |  |   |                      |   |                    |
|---|--|---|----------------------|---|--------------------|
| + | <br>* | 7 | <a href="#">3705</a> | <b>Black Technic, Axle 4</b><br><a href="#">Catalog:</a> <a href="#">Parts:</a> <a href="#">Technic, Axle</a><br>370526 | <a href="#">PG</a> |
|---|--|---|----------------------|---|--------------------|













|   |  |    |                      |   |                    |
|---|--|----|----------------------|---|--------------------|
| + | <br>* | 10 | <a href="#">3706</a> | <b>Black Technic, Axle 6</b><br><a href="#">Catalog:</a> <a href="#">Parts:</a> <a href="#">Technic, Axle</a><br>370626 | <a href="#">PG</a> |
|---|--|----|----------------------|---|--------------------|

|   |  |   |                      |   |                    |
|---|--|---|----------------------|---|--------------------|
| + | <br>* | 4 | <a href="#">3707</a> | <b>Black Technic, Axle 8</b><br><a href="#">Catalog:</a> <a href="#">Parts:</a> <a href="#">Technic, Axle</a><br>370726 | <a href="#">PG</a> |
|---|--|---|----------------------|---|--------------------|






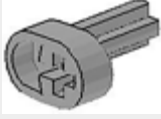



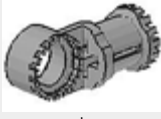




|   |  |   |                      |   |                    |
|---|--|---|----------------------|---|--------------------|
| + | <br>* | 2 | <a href="#">3700</a> | <b>Black Technic, Brick 1 x 2 with Hole</b><br><a href="#">Catalog:</a> <a href="#">Parts:</a> <a href="#">Technic, Brick</a><br>370026 | <a href="#">PG</a> |
|---|--|---|----------------------|---|--------------------|







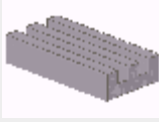





|   |  |   |                      |  |                    |
|---|--|---|----------------------|--|--------------------|
| + | <br>* | 2 | <a href="#">3894</a> | <b>Black Technic, Brick 1 x 6 with Holes</b><br><a href="#">Catalog:</a> <a href="#">Parts:</a> <a href="#">Technic, Brick</a><br>389426 | <a href="#">PG</a> |
|---|--|---|----------------------|--|--------------------|

|   |  |   |                      |  |                    |
|---|--|---|----------------------|--|--------------------|
| + | <br>* | 5 | <a href="#">3702</a> | <b>Black Technic, Brick 1 x 8 with Holes</b><br><a href="#">Catalog:</a> <a href="#">Parts:</a> <a href="#">Technic, Brick</a><br>370226 | <a href="#">PG</a> |
|---|--|---|----------------------|--|--------------------|

|   |   |    |                              |  |                    |
|---|---|----|------------------------------|--|--------------------|
| + |     | 4  | <a href="#">2730</a>         | <b>Black Technic, Brick 1 x 10 with Holes</b><br><a href="#">Catalog:</a> <a href="#">Parts:</a> <a href="#">Technic, Brick</a><br>273026  | <a href="#">PG</a> |
| + |    | 2  | <a href="#">2825</a>         | <b>Black Technic, Liftarm 1 x 4 Thin with Stud Connector</b><br><a href="#">Catalog:</a> <a href="#">Parts:</a> <a href="#">Technic, Liftarm</a><br>3200626 or 4107136                               | <a href="#">PG</a> |
| + |    | 4  | <a href="#">2905</a>         | <b>Black Technic, Liftarm Triangle Thin</b><br><a href="#">Catalog:</a> <a href="#">Parts:</a> <a href="#">Technic, Liftarm</a><br>4142543 or 290526   | <a href="#">PG</a> |
| + |    | 30 | <a href="#">3711</a>         | <b>Black Technic, Link Chain</b><br><a href="#">Catalog:</a> <a href="#">Parts:</a> <a href="#">Technic, Link</a><br>6044702 or 371126   | <a href="#">PG</a> |
| + |    | 8  | <a href="#">2780</a>         | <b>Black Technic, Pin with Friction Ridges Lengthwise WITH Center Slots</b><br><a href="#">Catalog:</a> <a href="#">Parts:</a> <a href="#">Technic, Pin</a><br>4121715 or 278026                     | <a href="#">PG</a> |
| + |   | 2  | <a href="#">2711</a>         | <b>Black Technic, Plate 1 x 5 with Toothed Ends, 2 Studs and Center Axle Hole</b><br><a href="#">Catalog:</a> <a href="#">Parts:</a> <a href="#">Technic, Plate</a><br>Part Color Code Missing       | <a href="#">PG</a> |
| + |  | 2  | <a href="#">3709b</a>        | <b>Black Technic, Plate 2 x 4 with 3 Holes</b><br><a href="#">Catalog:</a> <a href="#">Parts:</a> <a href="#">Technic, Plate</a><br>370926   | <a href="#">PG</a> |
| + |  | 4  | <a href="#">2909c03(inv)</a> | <b>Black Technic, Shock Absorber 9.5L, Complete Assembly (Soft Spring)</b><br><a href="#">Catalog:</a> <a href="#">Parts:</a> <a href="#">Technic, Shock Absorber</a><br>6083112 or 6028683 or 74741 | <a href="#">PG</a> |
| + |  | 2  | <a href="#">2902</a>         | <b>Black Tire 81.6 x 15 Motorcycle</b><br><a href="#">Catalog:</a> <a href="#">Parts:</a> <a href="#">Tire &amp; Tread</a><br>4562873 or 290226  | <a href="#">PG</a> |
| + |  | 2  | <a href="#">2851</a>         | <b>Dark Gray Technic Engine Piston Round</b><br><a href="#">Catalog:</a> <a href="#">Parts:</a> <a href="#">Technic</a><br>Part Color Code Missing   | <a href="#">PG</a> |
| + |  | 5  | <a href="#">3023</a>         | <b>Light Gray Plate 1 x 2</b><br><a href="#">Catalog:</a> <a href="#">Parts:</a> <a href="#">Plate</a><br>302302   | <a href="#">PG</a> |
| + |  | 2  | <a href="#">3710</a>         | <b>Light Gray Plate 1 x 4</b><br><a href="#">Catalog:</a> <a href="#">Parts:</a> <a href="#">Plate</a><br>371002   | <a href="#">PG</a> |



|   |  |    |  |  |                    |   |   |
|---|--|----|--|--|--------------------|---|---|
| + | <br>*    | 1  | <a href="#">3666</a><br><a href="#">Catalog: Parts: Plate</a><br><a href="#">366602</a>                                    | <b>Light Gray Plate 1 x 6</b>  | <a href="#">PG</a> |   |   |
| + | <br>*   | 21 | <a href="#">3713</a><br><a href="#">Catalog: Parts: Technic</a><br><a href="#">4125313</a>                                 | <b>Light Gray Technic Bush</b>   | <a href="#">PG</a> |   |   |
| + | <br>*   | 34 | <a href="#">4265b</a><br><a href="#">Catalog: Parts: Technic</a><br>Part Color Code Missing                                | <b>Light Gray Technic Bush 1/2 Toothed Type II</b>                     | <a href="#">PG</a> | 1 |    |
| + | <br>*   | 2  | <a href="#">2852</a><br><a href="#">Catalog: Parts: Technic</a><br><a href="#">285202</a>                                  | <b>Light Gray Technic Engine Connecting Rod</b>                        | <a href="#">PG</a> |   |   |
| + | <br>*   | 4  | <a href="#">2853</a><br><a href="#">Catalog: Parts: Technic</a><br><a href="#">4119475</a>                                 | <b>Light Gray Technic Engine Crankshaft</b>                            | <a href="#">PG</a> |   |   |
| + | <br>*  | 2  | <a href="#">2850</a><br><a href="#">Catalog: Parts: Technic</a><br>Part Color Code Missing                                 | <b>Light Gray Technic Engine Cylinder</b>                              | <a href="#">PG</a> |   |   |
| + | <br>* | 1  | <a href="#">4185</a><br><a href="#">Catalog: Parts: Technic</a><br><a href="#">4100502</a>                                 | <b>Light Gray Technic Wedge Belt Wheel (Pulley)</b>                    | <a href="#">PG</a> |   |   |
| + | <br>* | 2  | <a href="#">3651</a><br><a href="#">Catalog: Parts: Technic, Connector</a><br>Part Color Code Missing                      | <b>Light Gray Technic, Axle and Pin Connector</b>                      | <a href="#">PG</a> |   |   |
| + | <br>* | 8  | <a href="#">4273</a><br><a href="#">Catalog: Parts: Technic, Connector</a><br>Part Color Code Missing                      | <b>Light Gray Technic, Axle and Pin Connector Toggle Joint Toothed</b> | <a href="#">PG</a> | 2 |  |
| + | <br>* | 6  | <a href="#">3749</a><br><a href="#">Catalog: Parts: Technic, Axle</a><br><a href="#">4184168</a> or <a href="#">656202</a> | <b>Light Gray Technic, Axle Pin without Friction Ridges Lengthwise</b> | <a href="#">PG</a> |   |   |
| + | <br>* | 1  | <a href="#">3700</a><br><a href="#">Catalog: Parts: Technic, Brick</a><br><a href="#">370002</a>                           | <b>Light Gray Technic, Brick 1 x 2 with Hole</b>                       | <a href="#">PG</a> |   |   |
| + | <br>* | 3  | <a href="#">3701</a><br><a href="#">Catalog: Parts: Technic, Brick</a><br><a href="#">370102</a>                           | <b>Light Gray Technic, Brick 1 x 4 with Holes</b>                      | <a href="#">PG</a> |   |   |

|   |  |   |                          |  |                    |
|---|--|---|--------------------------|--|--------------------|
| + | <br>*    | 1 | <a href="#">3647</a>     | <b>Light Gray Technic, Gear 8 Tooth Type 1</b><br><a href="#">Catalog: Parts: Technic, Gear</a><br>364702  | <a href="#">PG</a> |
| + | <br>*   | 2 | <a href="#">4143</a>     | <b>Light Gray Technic, Gear 14 Tooth Bevel</b><br><a href="#">Catalog: Parts: Technic, Gear</a><br>Part Color Code Missing                             | <a href="#">PG</a> |
| + | <br>*   | 1 | <a href="#">4019</a>     | <b>Light Gray Technic, Gear 16 Tooth (Old Style with Round Holes)</b><br><a href="#">Catalog: Parts: Technic, Gear</a><br>Part Color Code Missing      | <a href="#">PG</a> |
| + | <br>*   | 2 | <a href="#">x187</a>     | <b>Light Gray Technic, Gear 24 Tooth (Old Style with Three Axle Holes)</b><br><a href="#">Catalog: Parts: Technic, Gear</a><br>Part Color Code Missing | <a href="#">PG</a> |
| + | <br>*   | 2 | <a href="#">2825</a>     | <b>Light Gray Technic, Liftarm 1 x 4 Thin with Stud Connector</b><br><a href="#">Catalog: Parts: Technic, Liftarm</a><br>4107133                       | <a href="#">PG</a> |
| + | <br>*   | 4 | <a href="#">4274</a>     | <b>Light Gray Technic, Pin 1/2</b><br><a href="#">Catalog: Parts: Technic, Pin</a><br>427402   | <a href="#">PG</a> |
| + | <br>* | 4 | <a href="#">2412a</a>    | <b>Light Gray Tile, Modified 1 x 2 Grille without Bottom Groove / Lip</b><br><a href="#">Catalog: Parts: Tile, Modified</a><br>Part Color Code Missing | <a href="#">PG</a> |
| + | <br>* | 1 | <a href="#">3068bp87</a> | <b>White Tile 2 x 2 with Number 7 Pattern</b><br><a href="#">Catalog: Parts: Tile, Decorated</a><br>Part Color Code Missing                            | <a href="#">PG</a> |
| + | <br>* | 2 | <a href="#">2903</a>     | <b>White Wheel 61.6mm D. x 13.6mm Motorcycle</b><br><a href="#">Catalog: Parts: Wheel</a><br>290301  | <a href="#">PG</a> |
| + | <br>* | 1 | <a href="#">3623</a>     | <b>Yellow Plate 1 x 3</b><br><a href="#">Catalog: Parts: Plate</a><br>362324   | <a href="#">PG</a> |
| + | <br>* | 1 | <a href="#">3460</a>     | <b>Yellow Plate 1 x 8</b><br><a href="#">Catalog: Parts: Plate</a><br>346024   | <a href="#">PG</a> |
| + | <br>* | 5 | <a href="#">3021</a>     | <b>Yellow Plate 2 x 3</b><br><a href="#">Catalog: Parts: Plate</a><br>302124   | <a href="#">PG</a> |



+



\*

4

[2825](#)**Yellow Technic, Liftarm 1 x 4 Thin with Stud Connector**
[Catalog](#): [Parts](#): [Technic](#): [Liftarm](#)  
4107135
[PG](#)

+



\*

2

[4263](#)**Yellow Technic, Plate 1 x 4 with Toothed Ends**
[Catalog](#): [Parts](#): [Technic](#): [Plate](#)  
4522090
[PG](#)**Extra Items:**

+



\*

2

[3711](#)**Black Technic, Link Chain**
[Catalog](#): [Parts](#): [Technic](#): [Link](#)  
6044702 or 371126
[PG](#)

+



\*

1

[4265b](#)**Light Gray Technic Bush 1/2 Toothed Type II**
[Catalog](#): [Parts](#): [Technic](#)  
Part Color Code Missing
[PG](#)

+



\*

1

[4274](#)**Light Gray Technic, Pin 1/2**
[Catalog](#): [Parts](#): [Technic](#): [Pin](#)  
427402
[PG](#)**Counterparts:**

+



\*

2

[2903c01](#) (inv)**White Wheel 61.6mm D. x 13.6mm Motorcycle, with Black Tire 81.6 x 15 Motorcycle (2903 / 2902)**
[Catalog](#): [Parts](#): [Wheel & Tire Assembly](#)  
Part Color Code Missing
[PG](#)**Alternate Items:**

+



\*

34

[4265a](#)**Light Gray Technic Bush 1/2 Toothed Type I**
[Catalog](#): [Parts](#): [Technic](#)  
Part Color Code Missing
[PG](#)

1

+



\*

8

[4273a](#)**Light Gray Technic, Axle and Pin Connector Toggle Joint Toothed - Without Slots**
[Catalog](#): [Parts](#): [Technic](#): [Connector](#)  
Part Color Code Missing
[PG](#)




2

**Summary:**

| Type                      | Unique Lots | Total Qty |
|---------------------------|-------------|-----------|
| <b>Regular Items:</b>     |             |           |
| Parts                     | 61          | 247       |
| <b>Extra Items:</b>       |             |           |
| Parts                     | 3           | 4         |
| <b>Counterparts:</b>      |             |           |
| Parts                     | 1           | 2         |
| <b>Alternative Items:</b> |             |           |
| Parts                     | 2           | 42        |

**Source:**  
Instructions

[Timothy Smith](#) (1537)   inventoried this Set on Dec 20, 2006, inventory last updated on Sep 1, 2012.

 [elias3](#) (3854)   confirmed accuracy of this inventory on Apr 18, 2011. (source: Parts List)