



RACERS

8646



SPEED SLAMMER BIKE

1
1

ATTENZIONE: Questo prodotto contiene parti che possono essere ingerite. Mantenere lontano dai bambini. Leggere attentamente le avvertenze. Questo prodotto è destinato all'uso previsto. Non utilizzare questo prodotto per scopi non previsti. Il costruttore non si assume alcuna responsabilità per danni o lesioni causate dall'uso improprio del prodotto. Per maggiori informazioni, consultare il manuale di istruzioni. ATTENZIONE: Questo prodotto è destinato all'uso previsto. Non utilizzare questo prodotto per scopi non previsti. Il costruttore non si assume alcuna responsabilità per danni o lesioni causate dall'uso improprio del prodotto. Per maggiori informazioni, consultare il manuale di istruzioni.

1

1

ATTENZIONE: Questo prodotto contiene parti che possono essere ingerite. Mantenere lontano dai bambini. Leggere attentamente le avvertenze. Questo prodotto è destinato all'uso previsto. Non utilizzare questo prodotto per scopi non previsti. Il costruttore non si assume alcuna responsabilità per danni o lesioni causate dall'uso improprio del prodotto. Per maggiori informazioni, consultare il manuale di istruzioni.

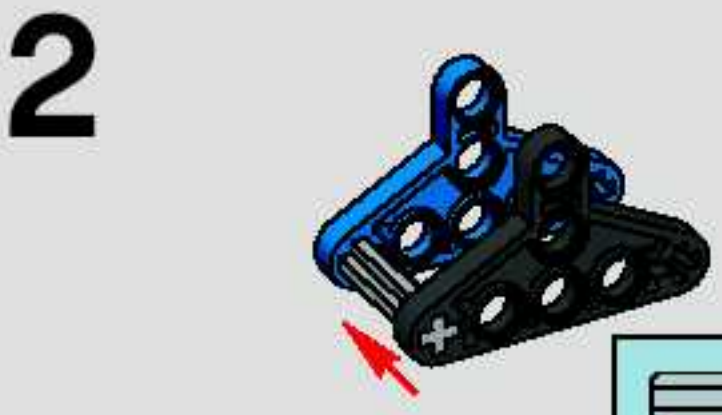
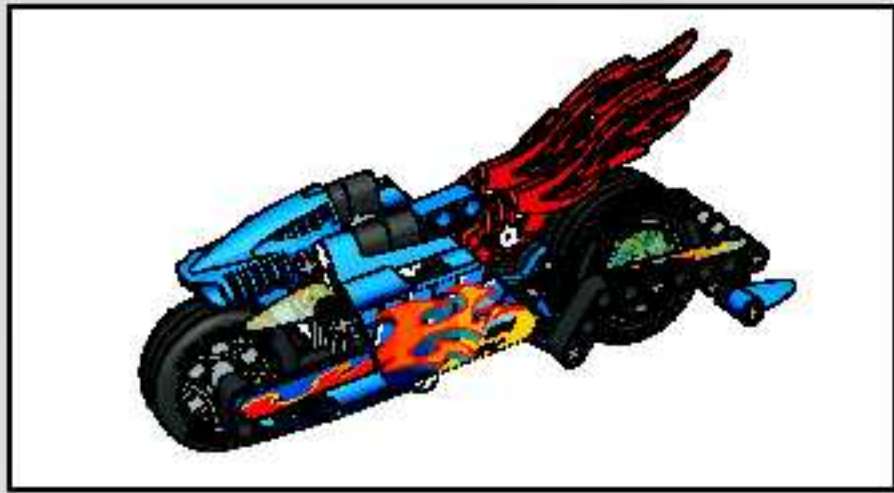
1


ATTENZIONE: Questo prodotto contiene parti che possono essere ingerite. Mantenere lontano dai bambini. Leggere attentamente le avvertenze. Questo prodotto è destinato all'uso previsto. Non utilizzare questo prodotto per scopi non previsti. Il costruttore non si assume alcuna responsabilità per danni o lesioni causate dall'uso improprio del prodotto. Per maggiori informazioni, consultare il manuale di istruzioni.

1

1

ATTENZIONE: Questo prodotto contiene parti che possono essere ingerite. Mantenere lontano dai bambini. Leggere attentamente le avvertenze. Questo prodotto è destinato all'uso previsto. Non utilizzare questo prodotto per scopi non previsti. Il costruttore non si assume alcuna responsabilità per danni o lesioni causate dall'uso improprio del prodotto. Per maggiori informazioni, consultare il manuale di istruzioni.



 (3) 1:1



3

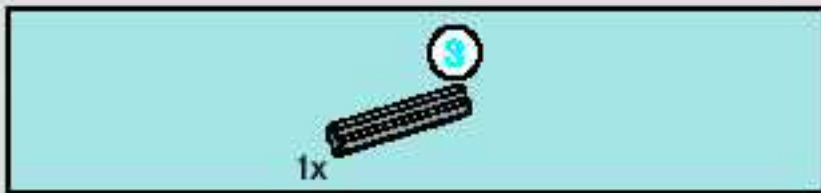
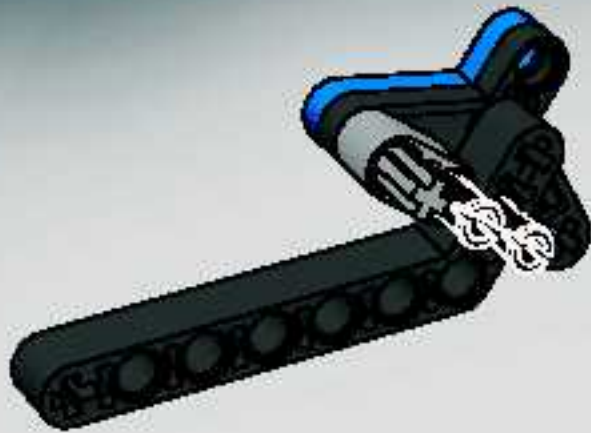


4

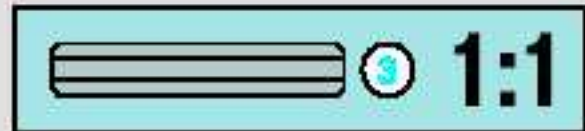
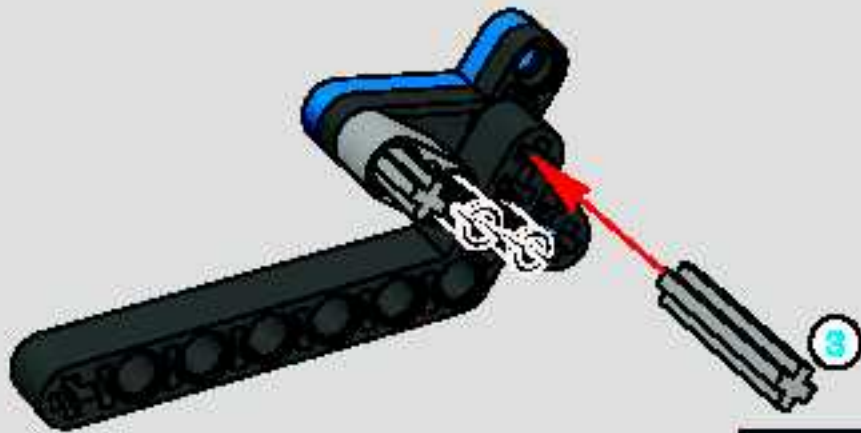


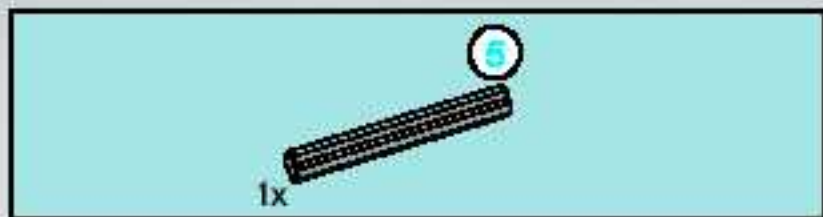


5

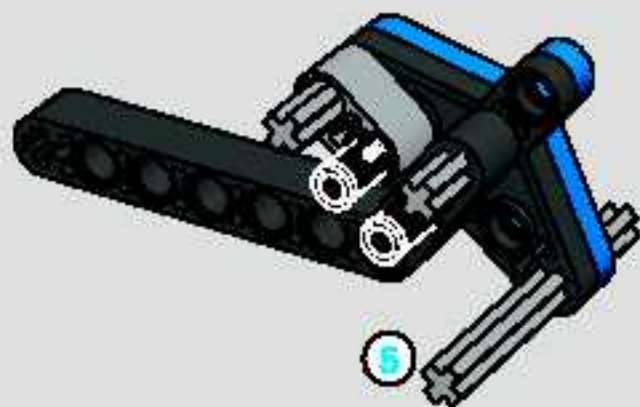


6

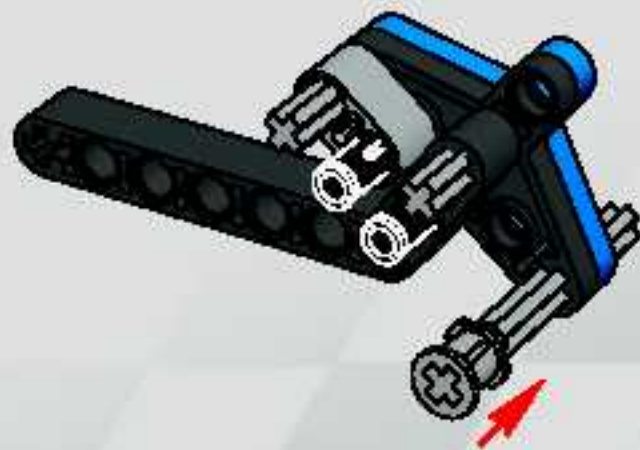




7

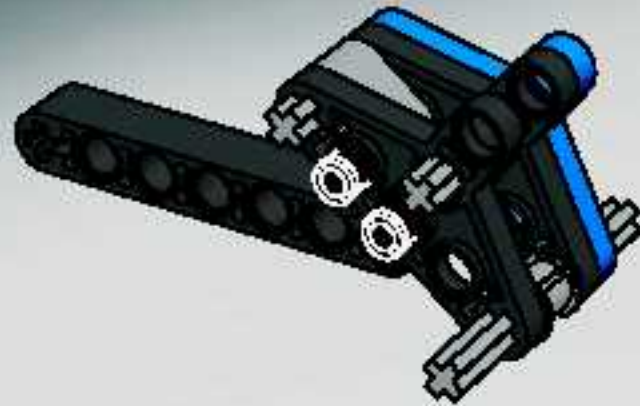


8

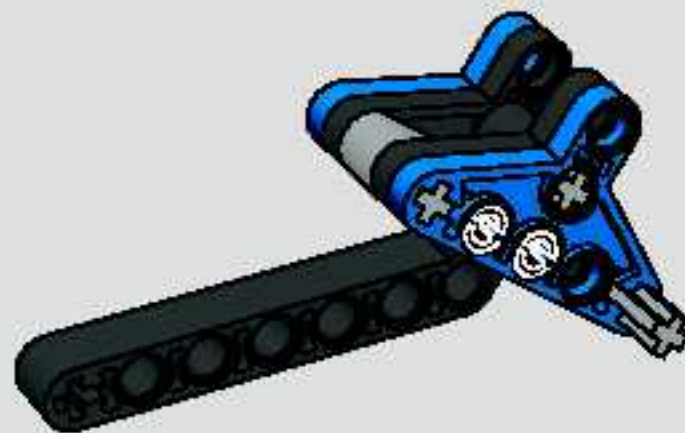




9

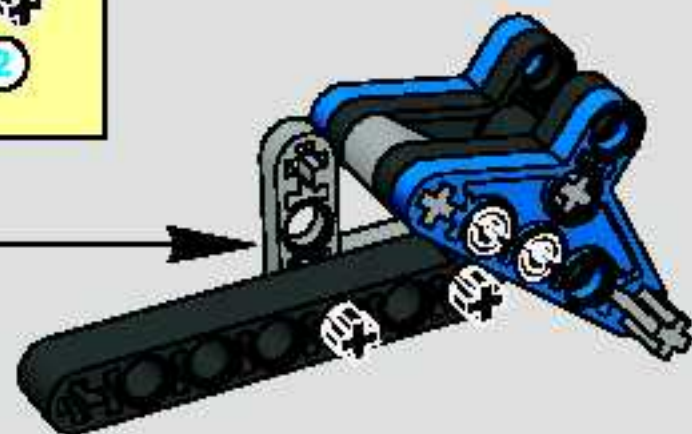
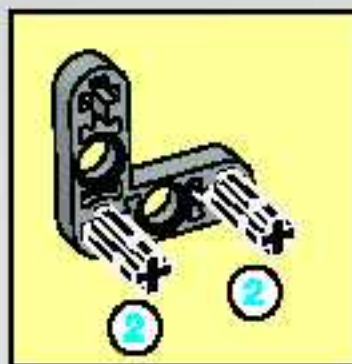


10

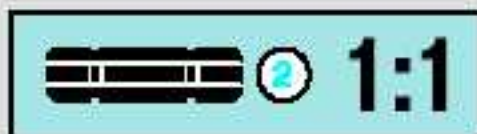
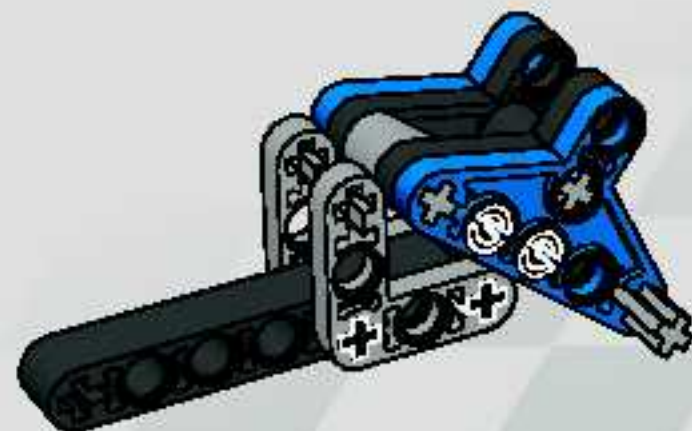




11

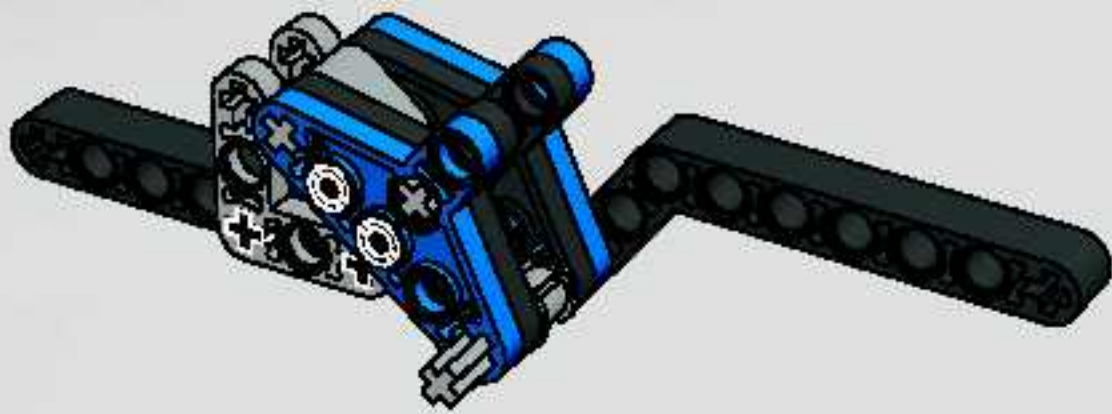


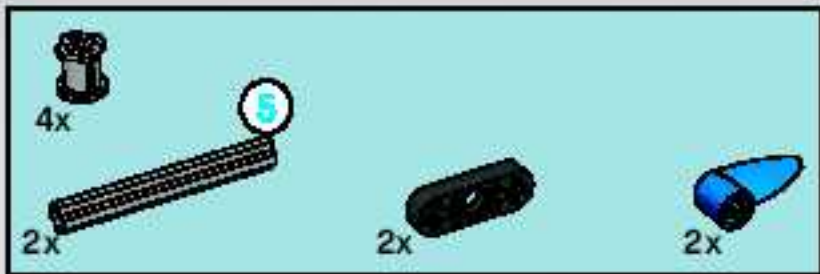
12



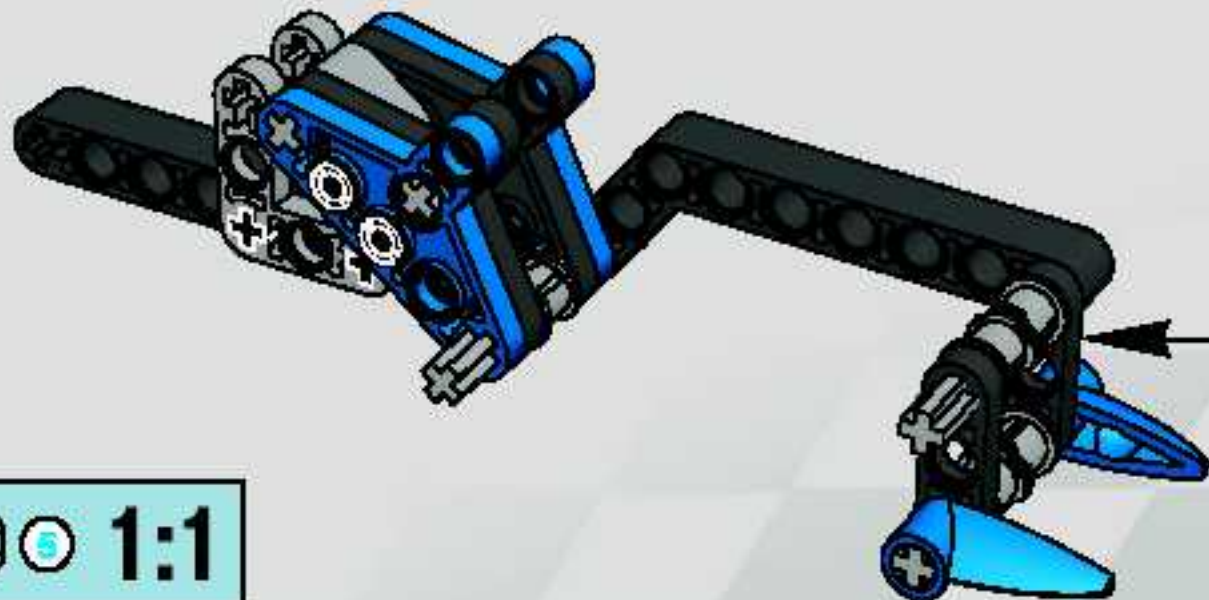
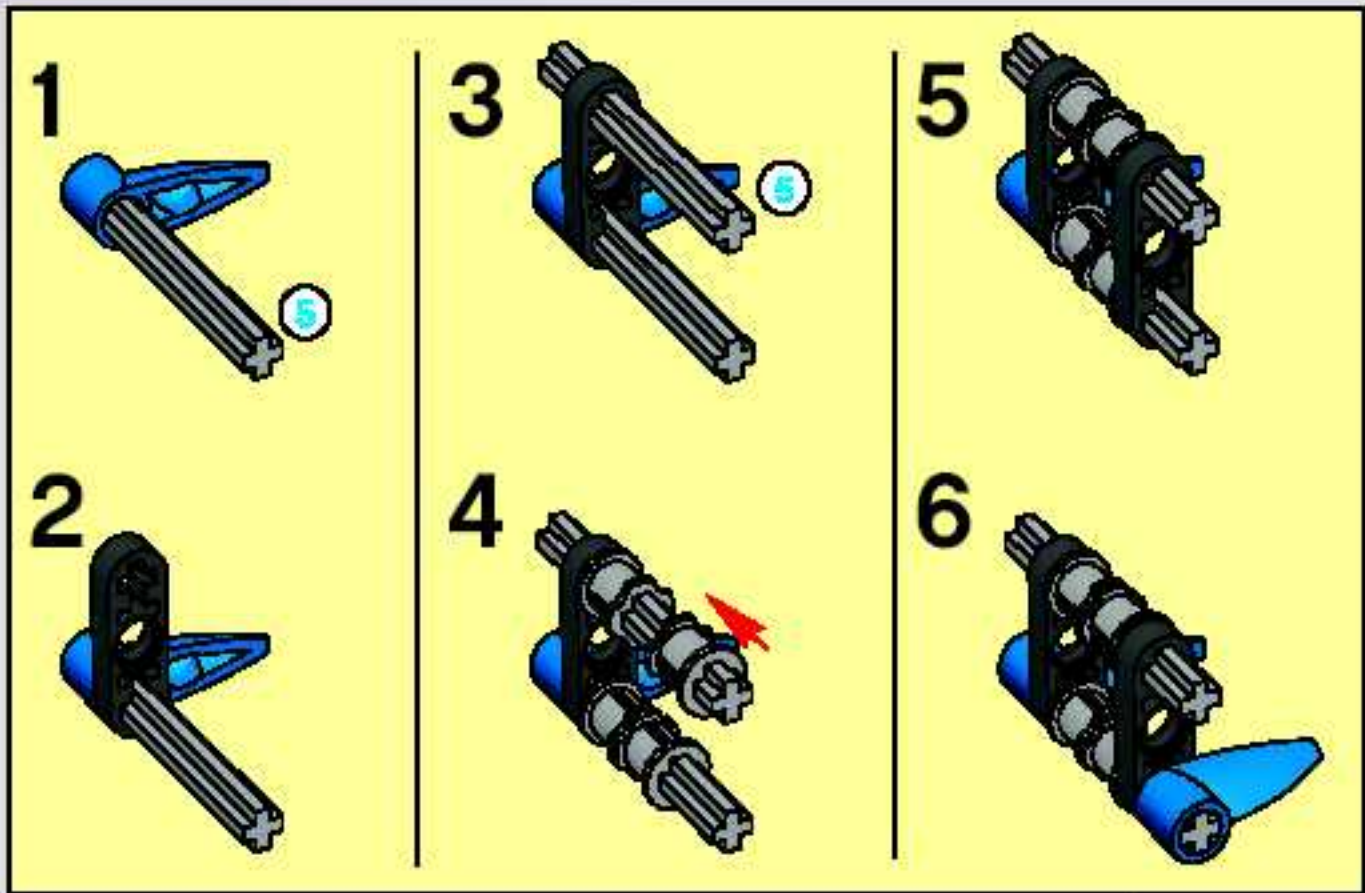


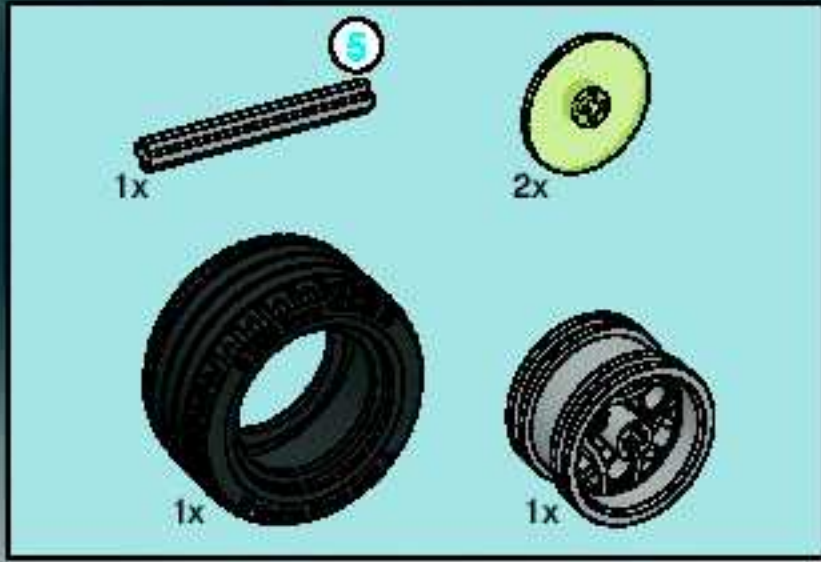
13



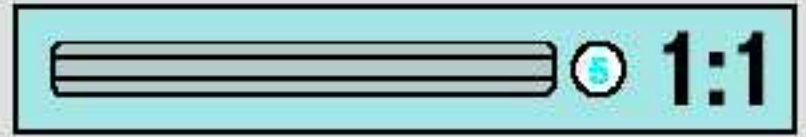
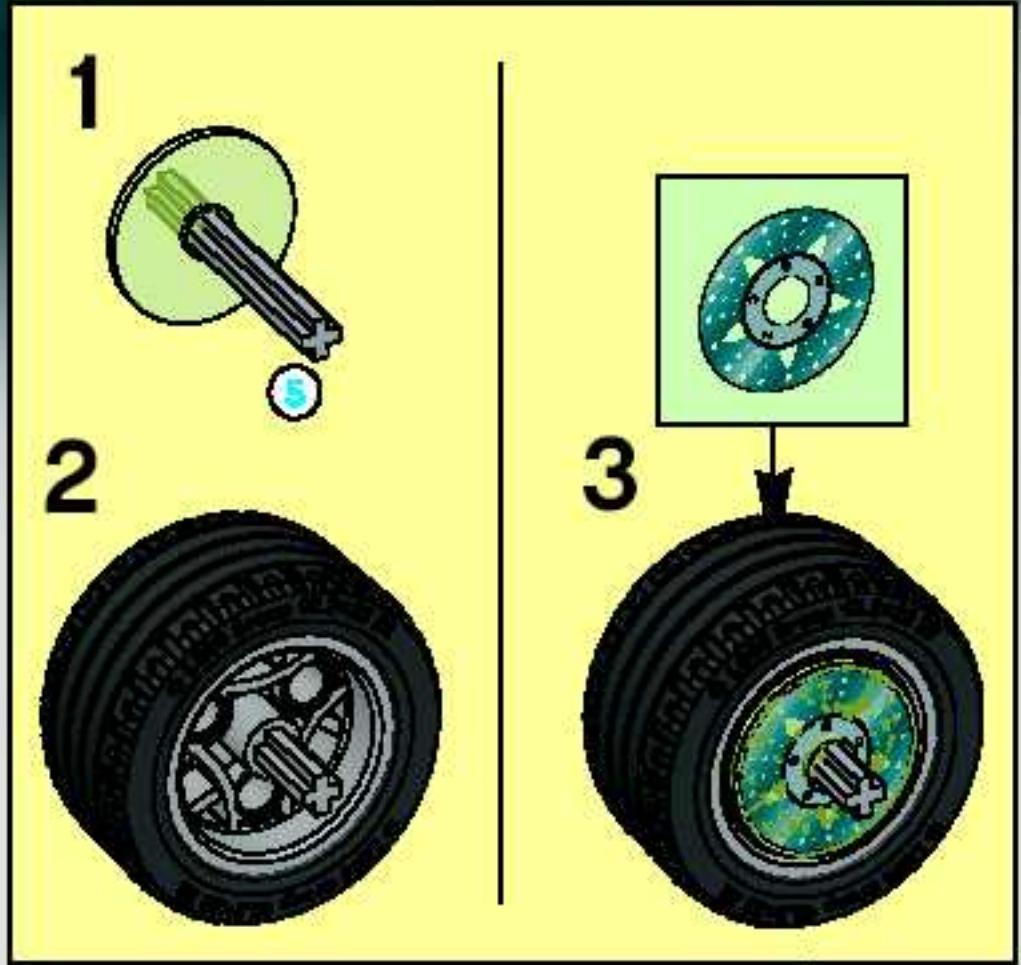


14



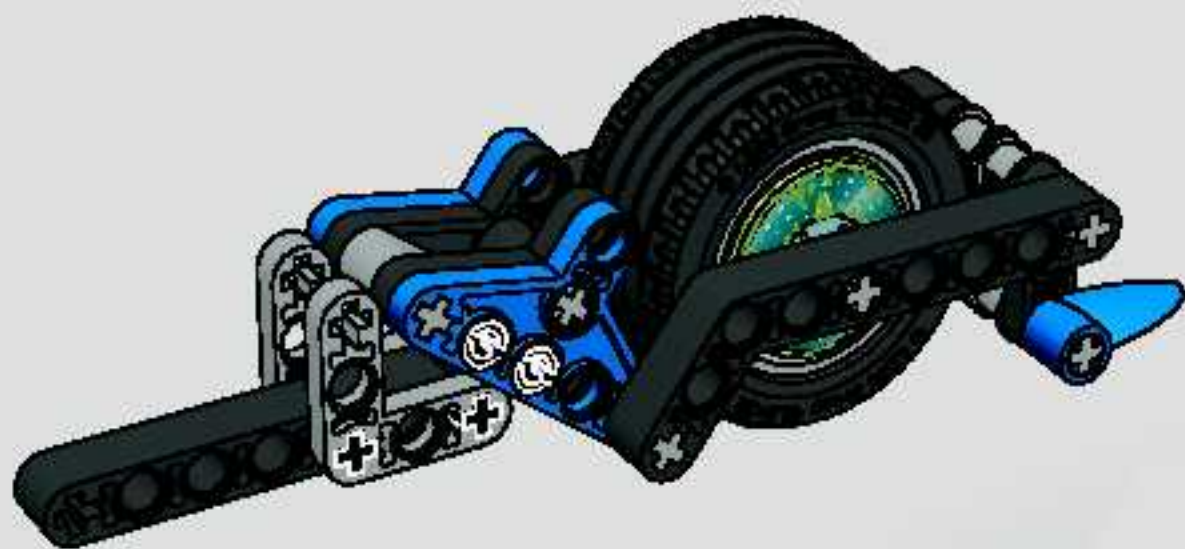


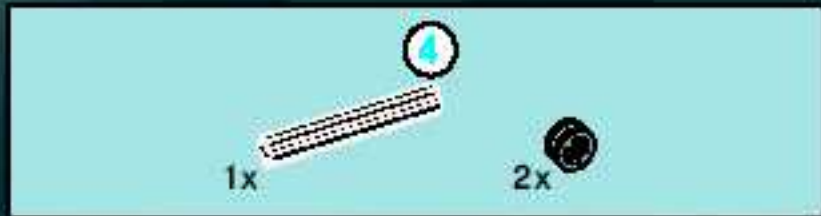
15



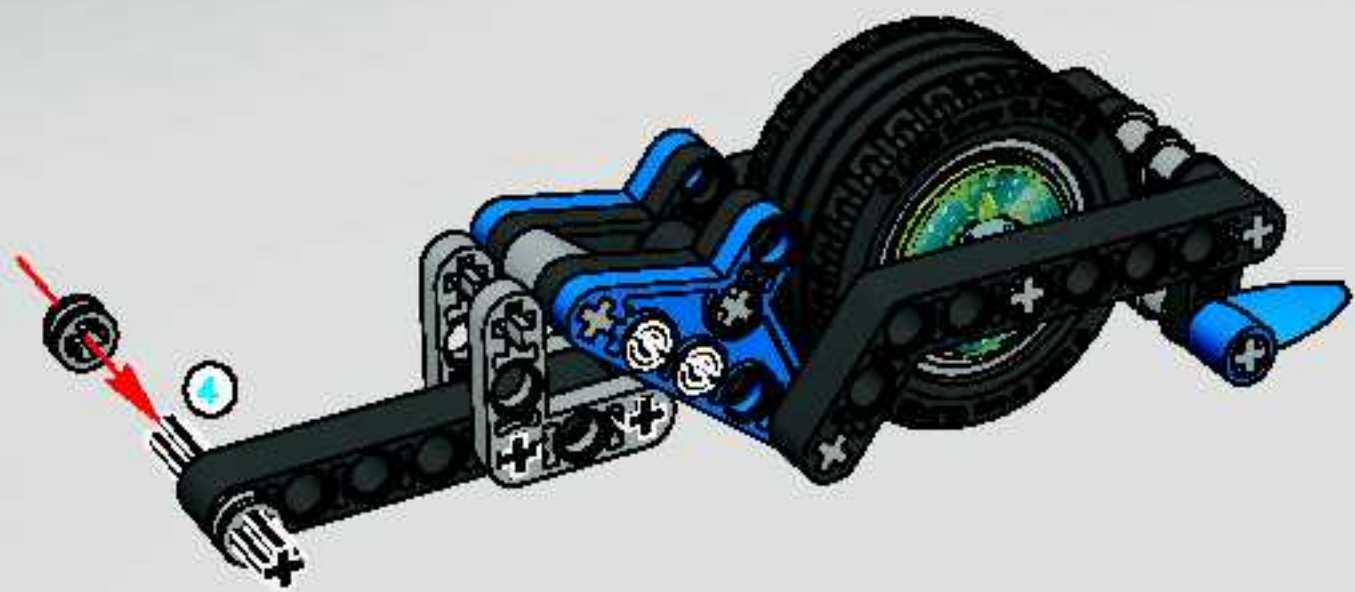


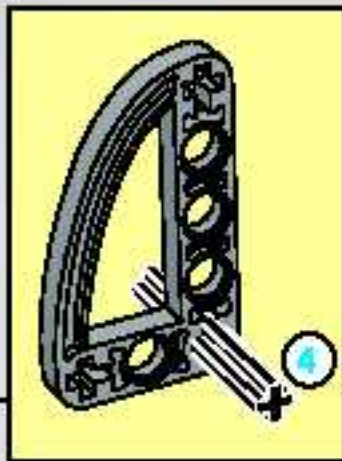
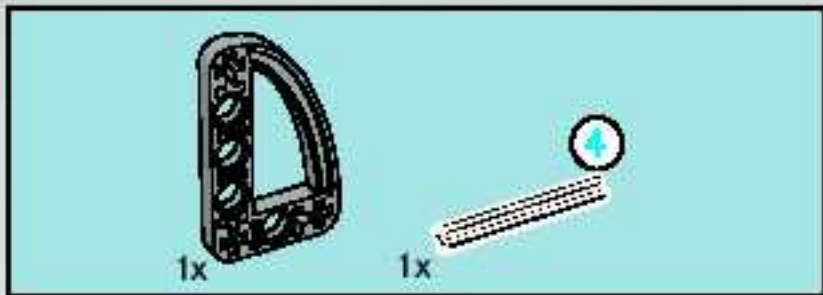
16



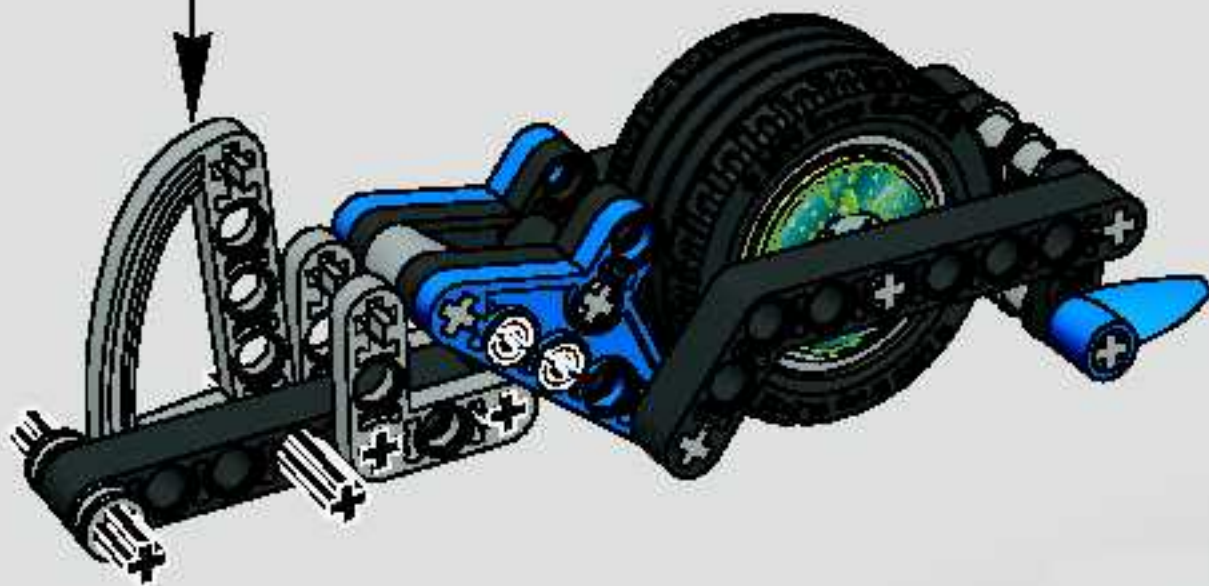


17



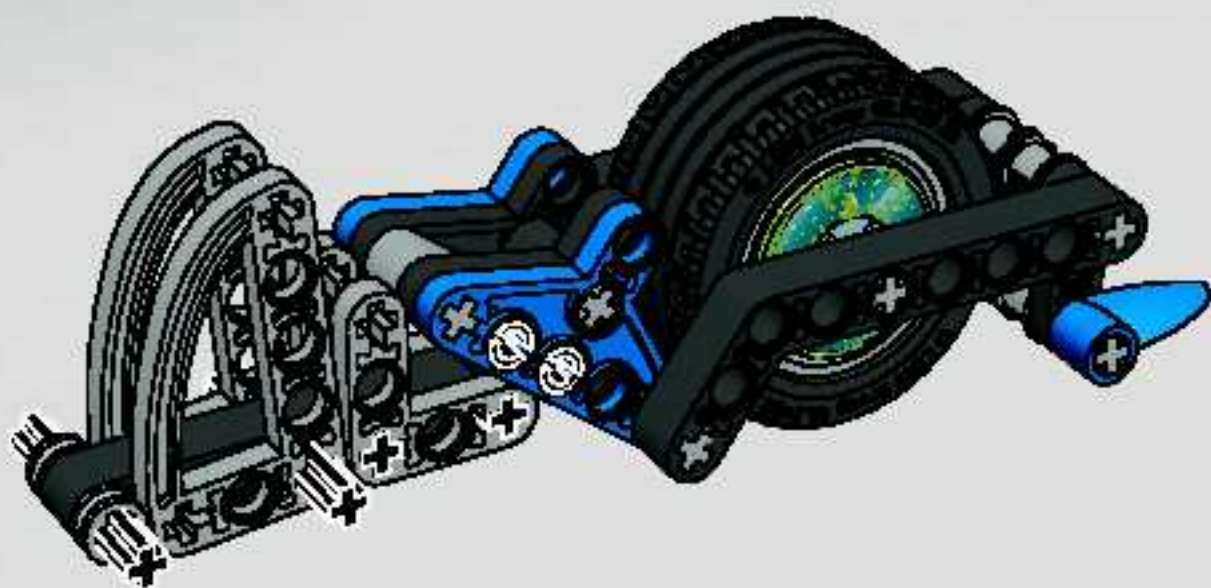


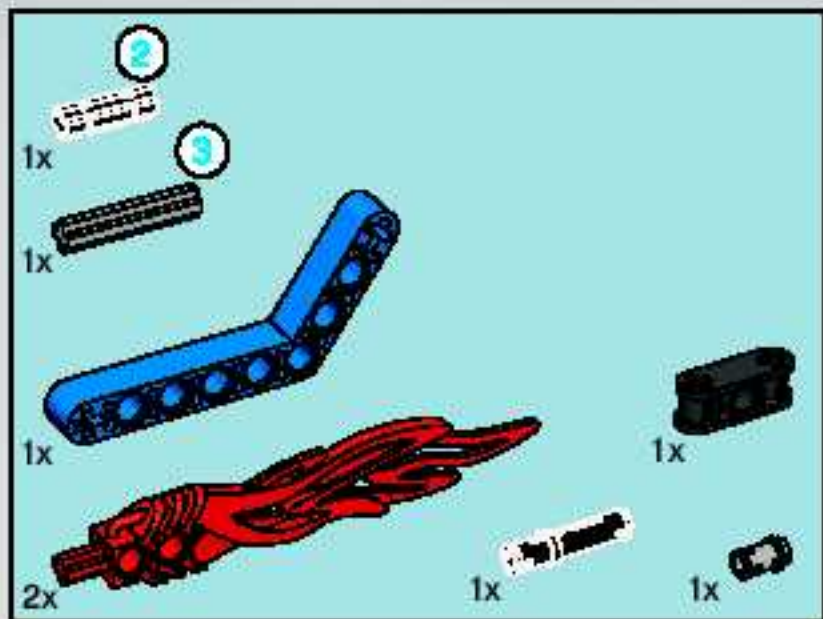
18





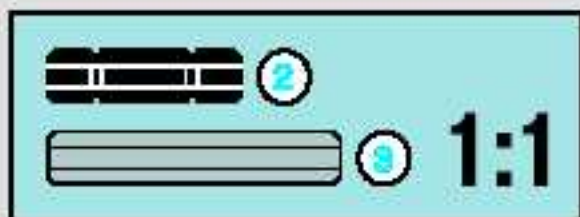
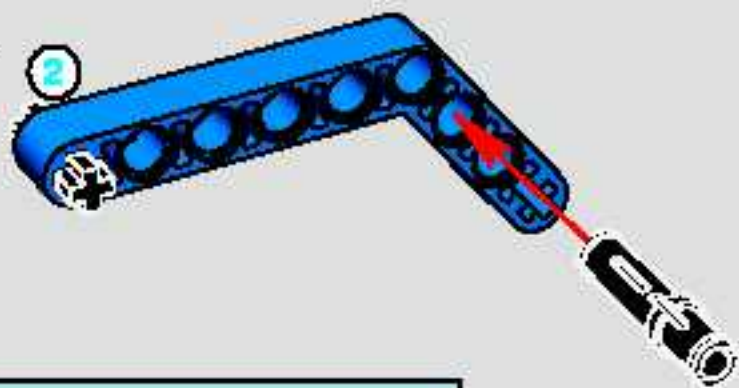
19



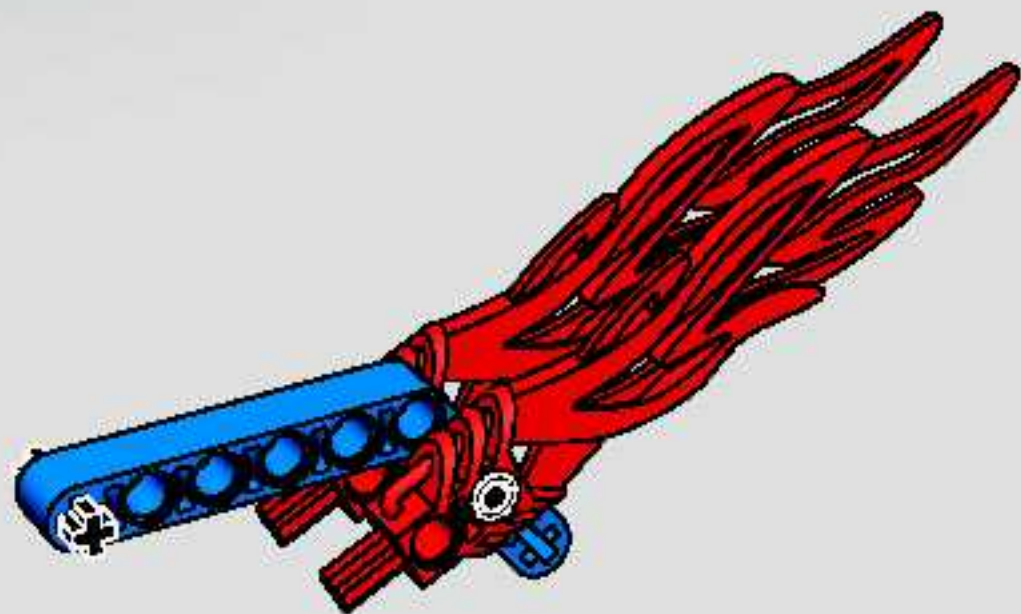


20

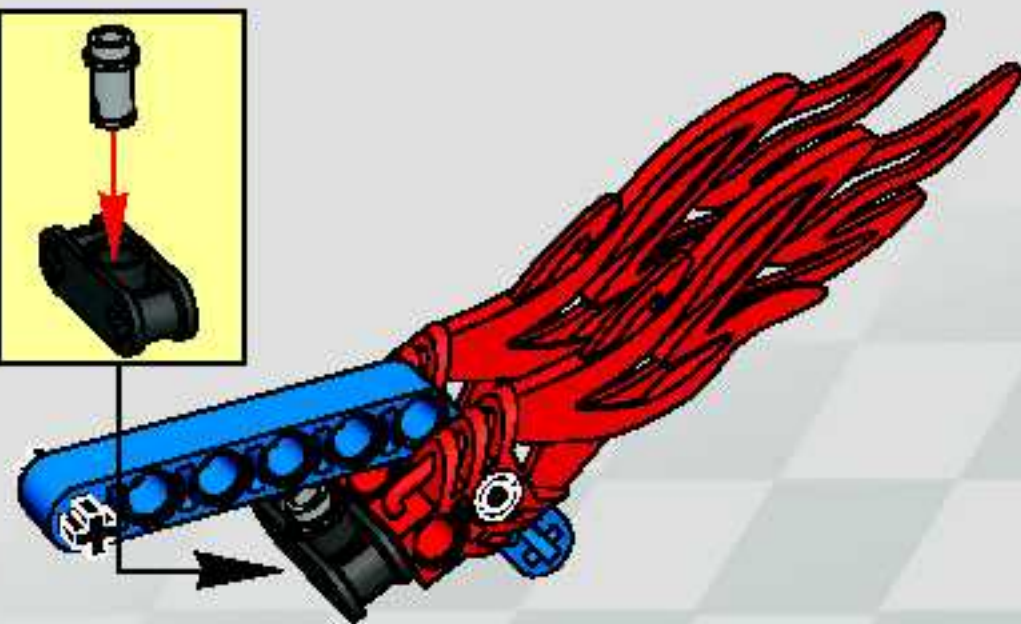
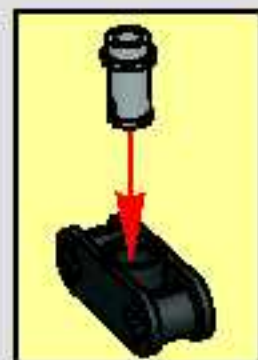
1

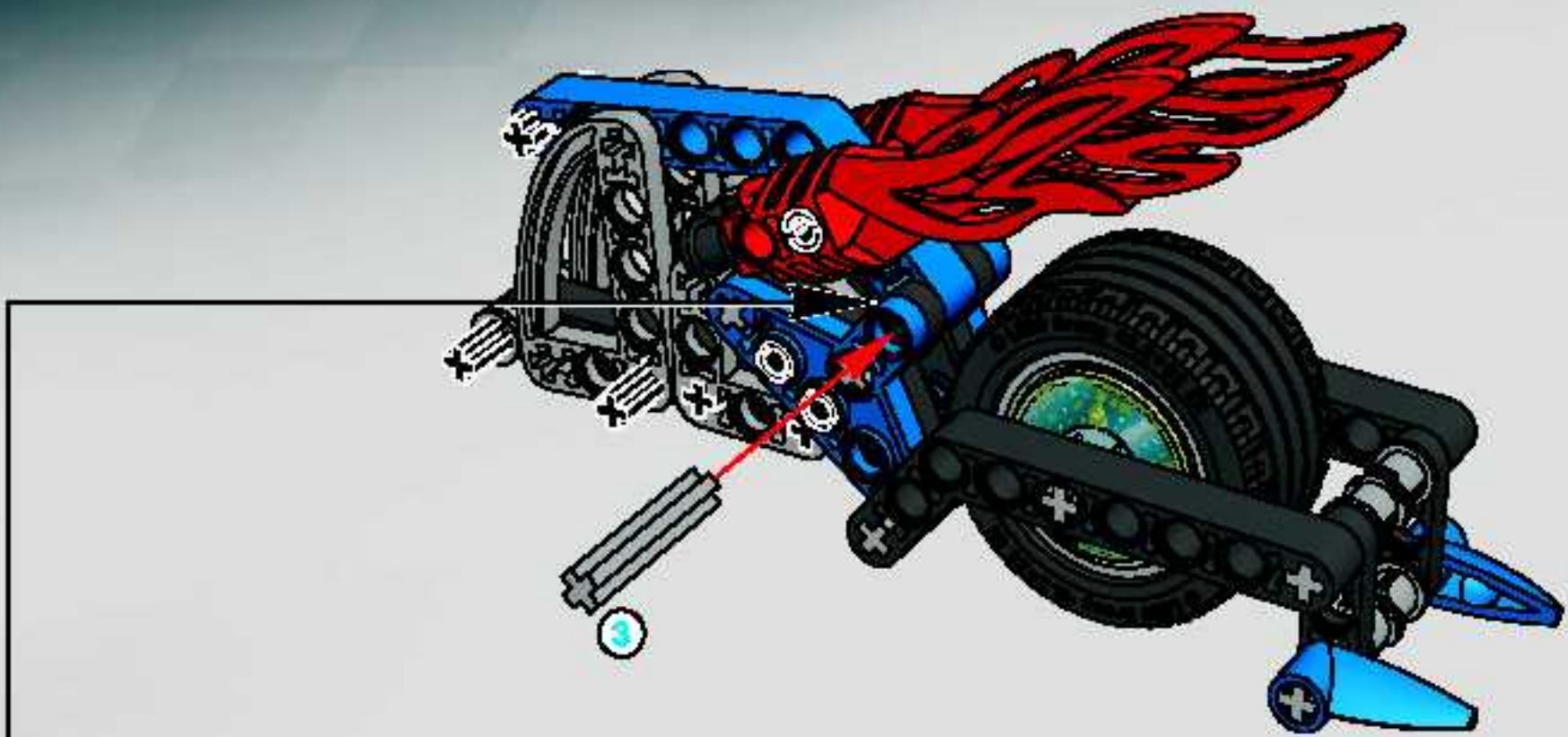


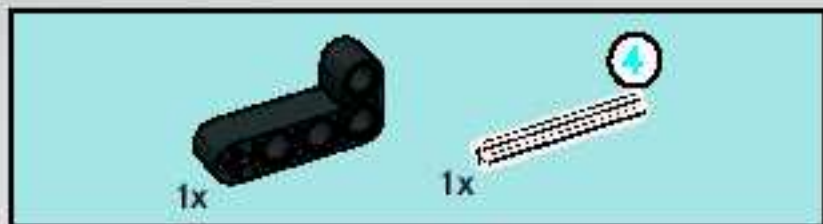
2



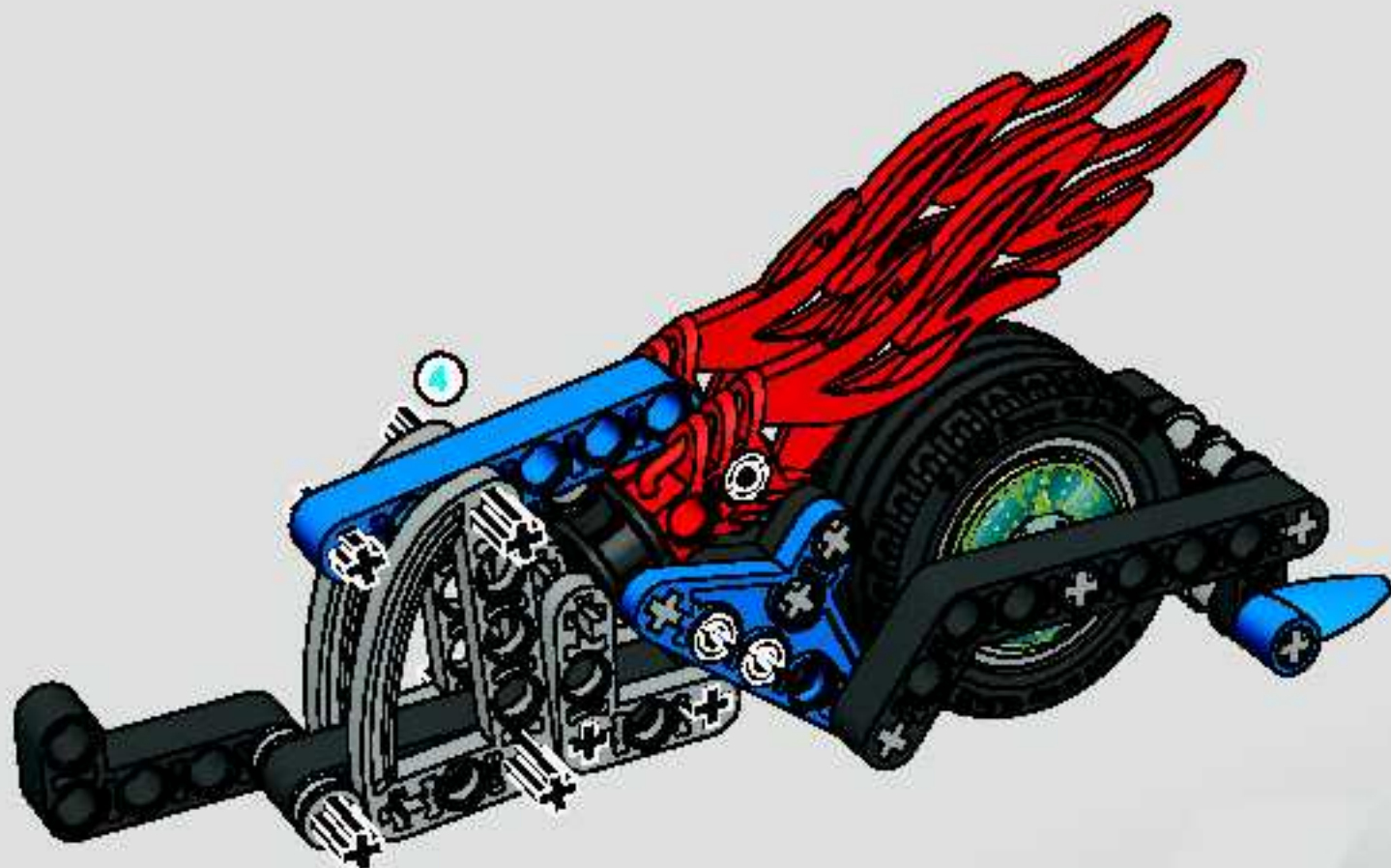
3

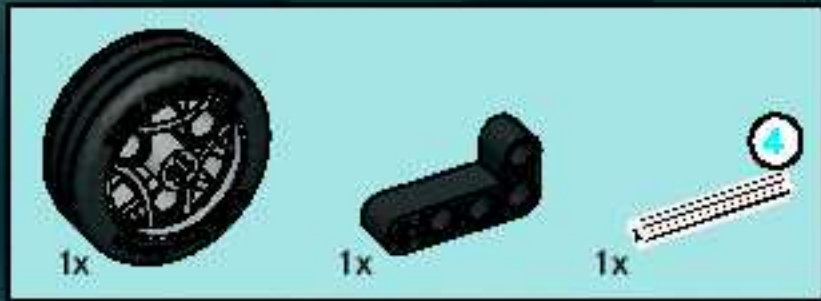




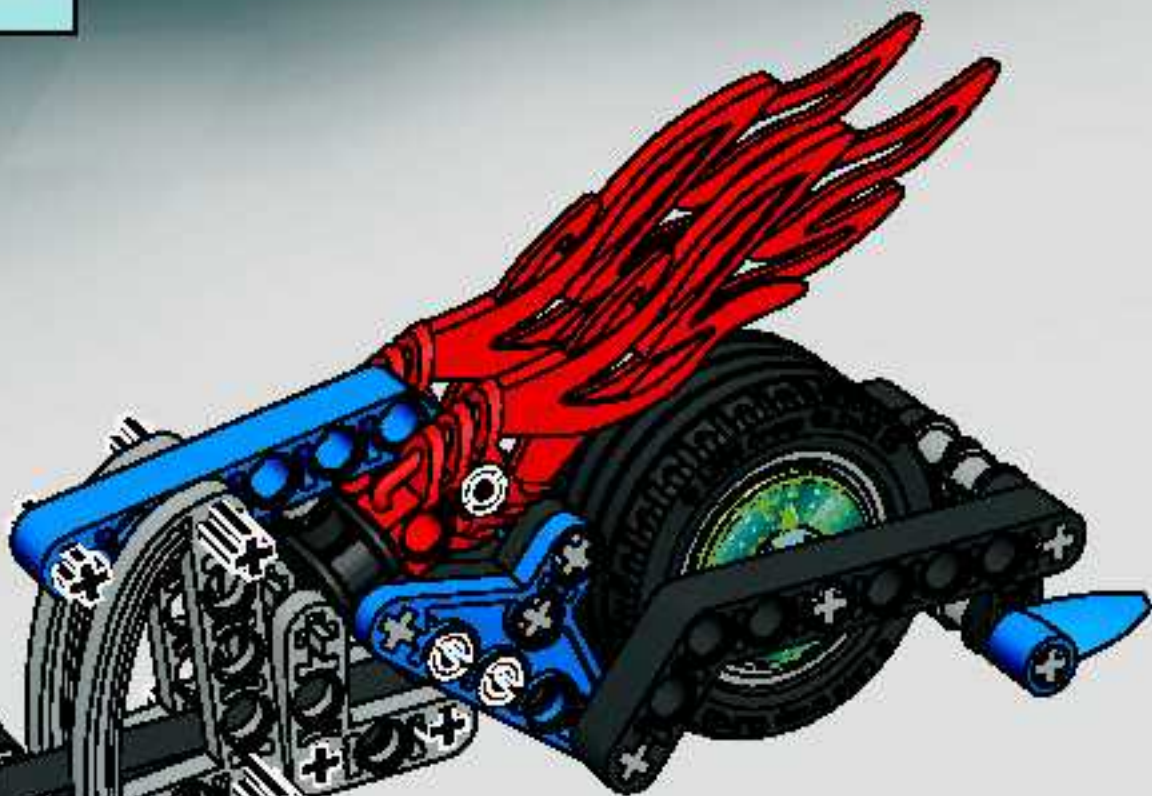


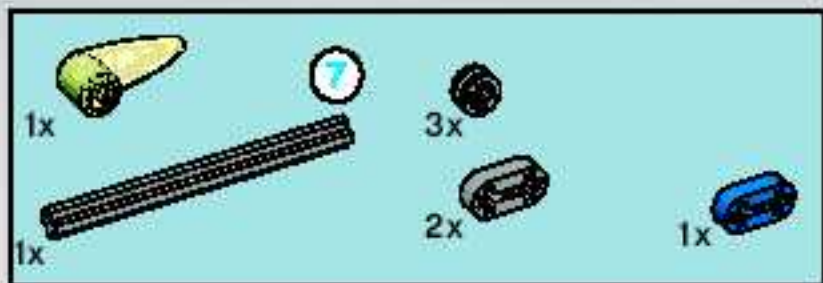
21





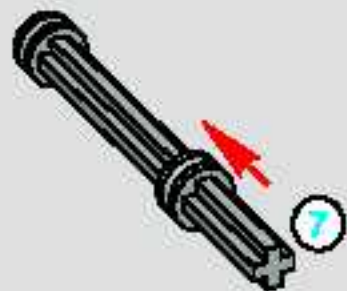
22





23

1



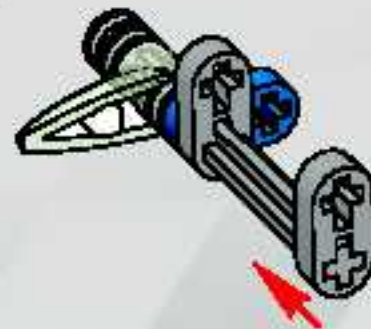
2

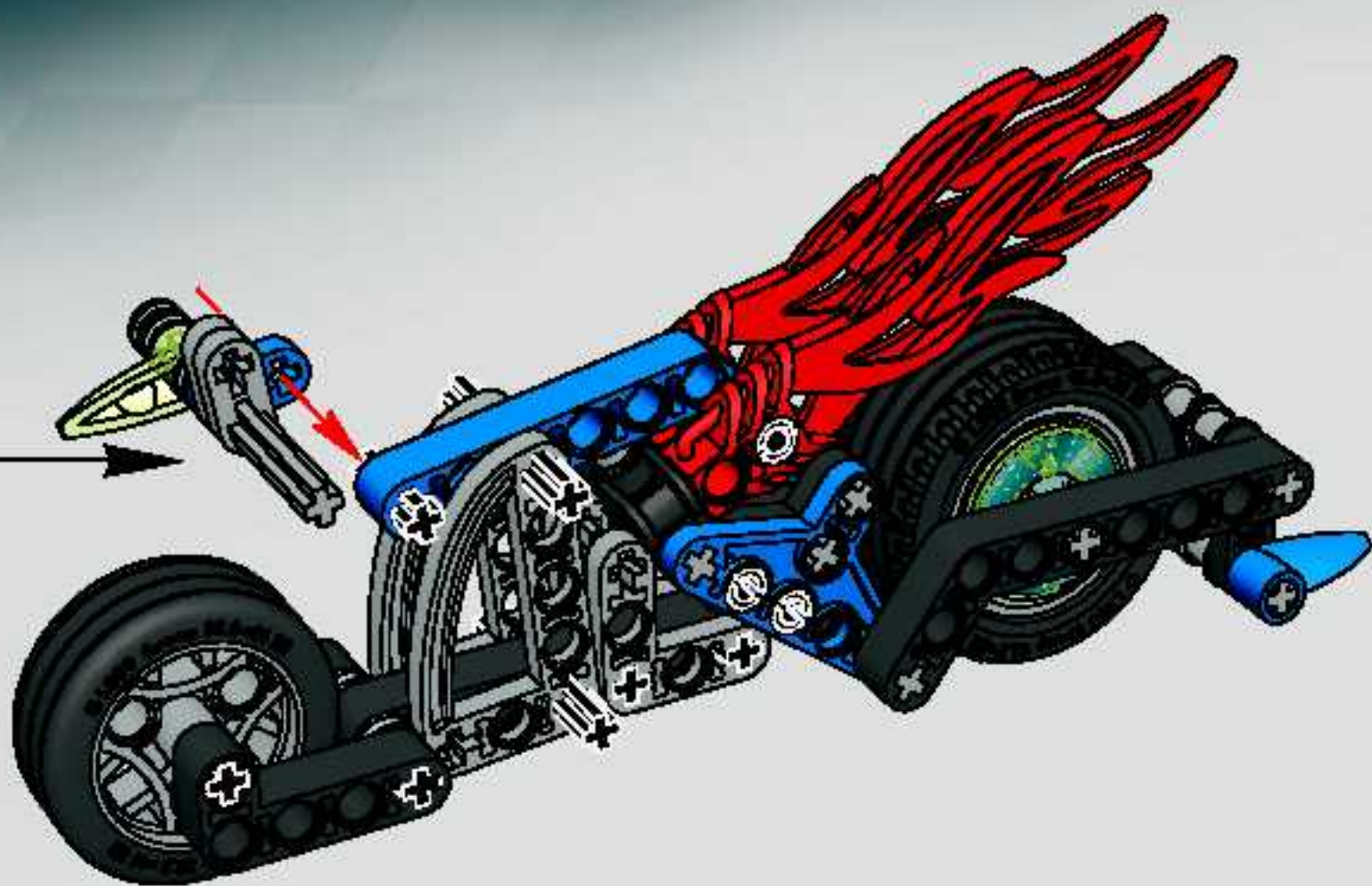


3



4

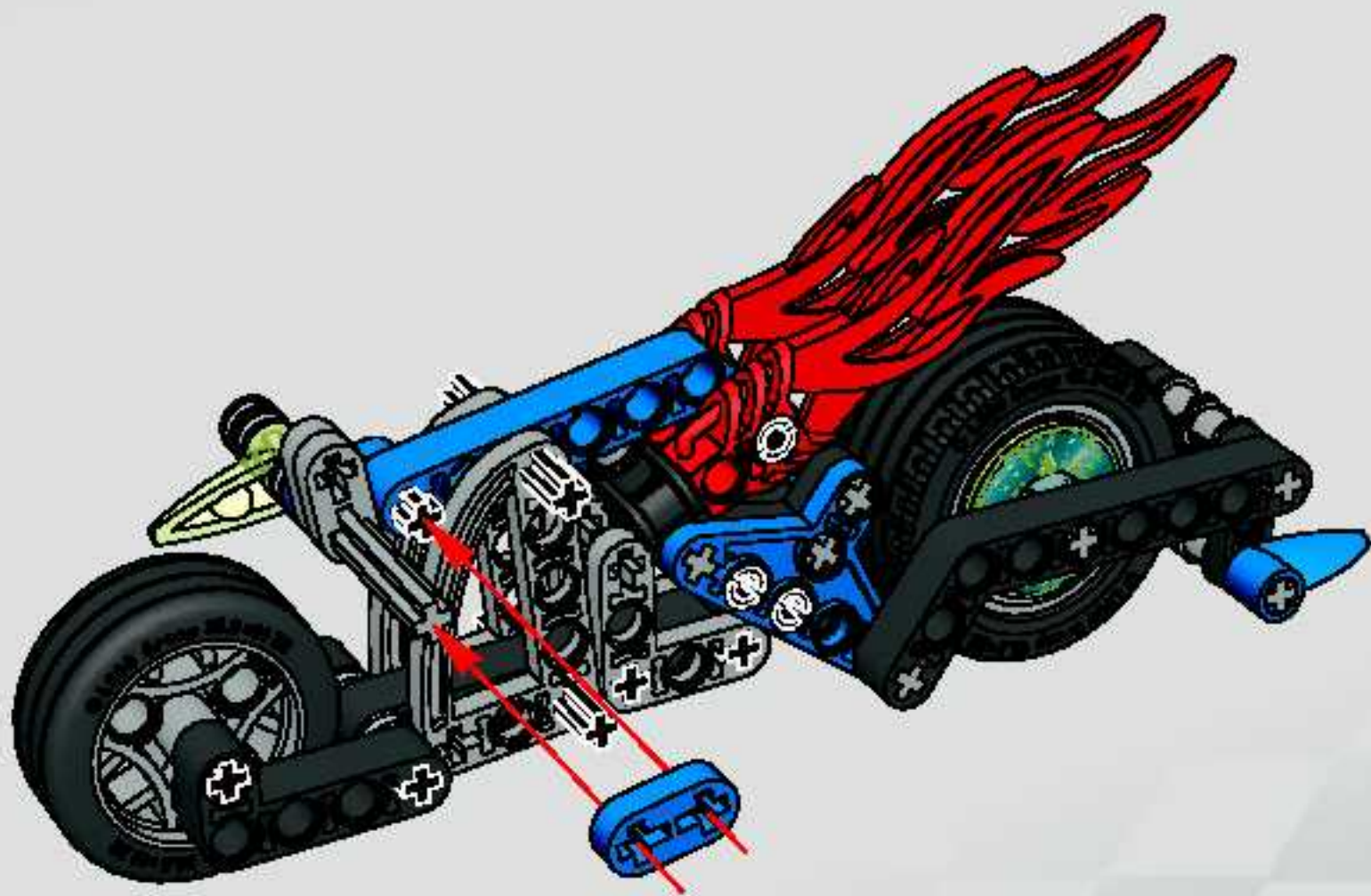






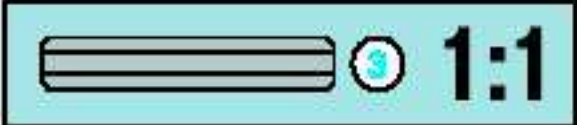
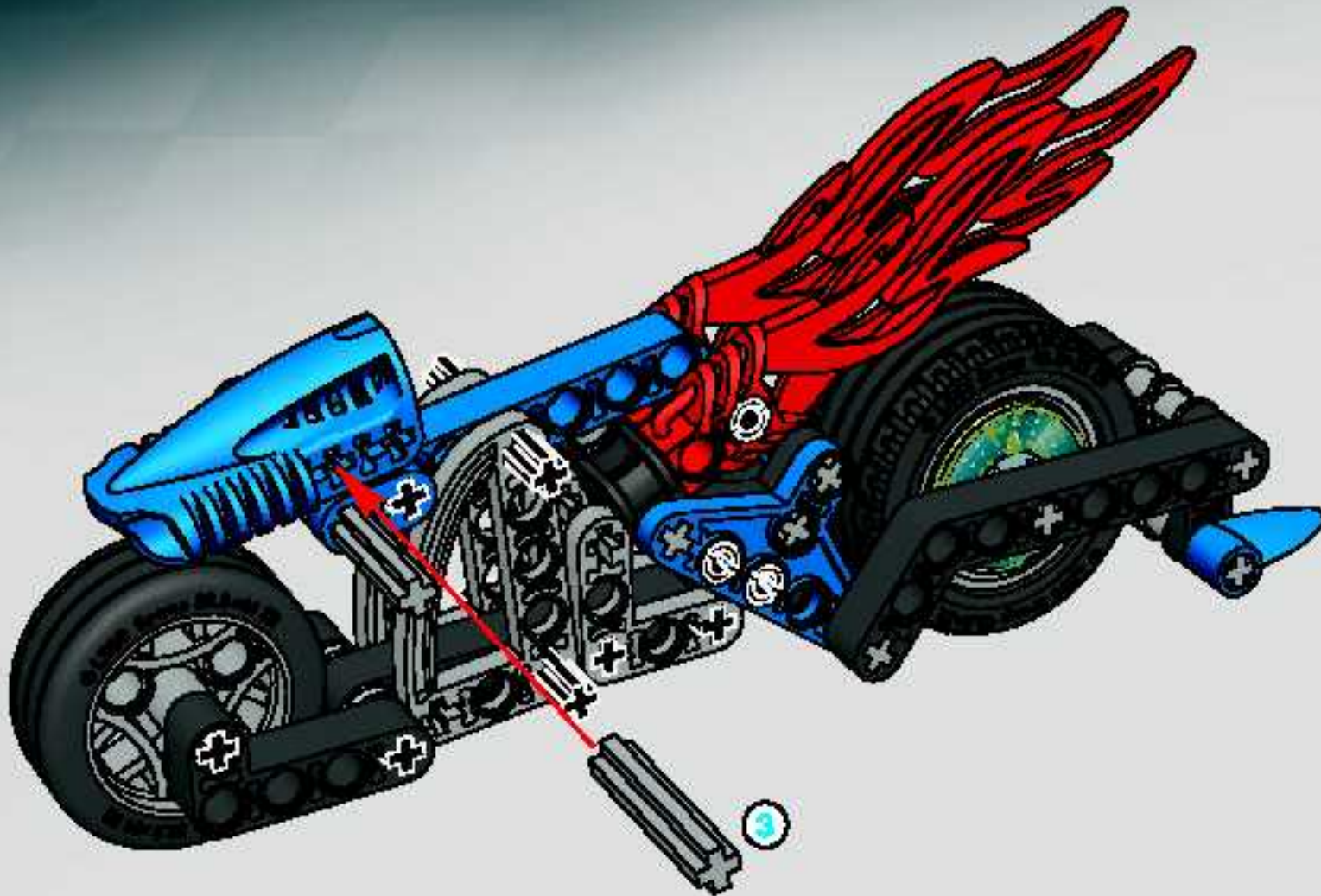
1x

24



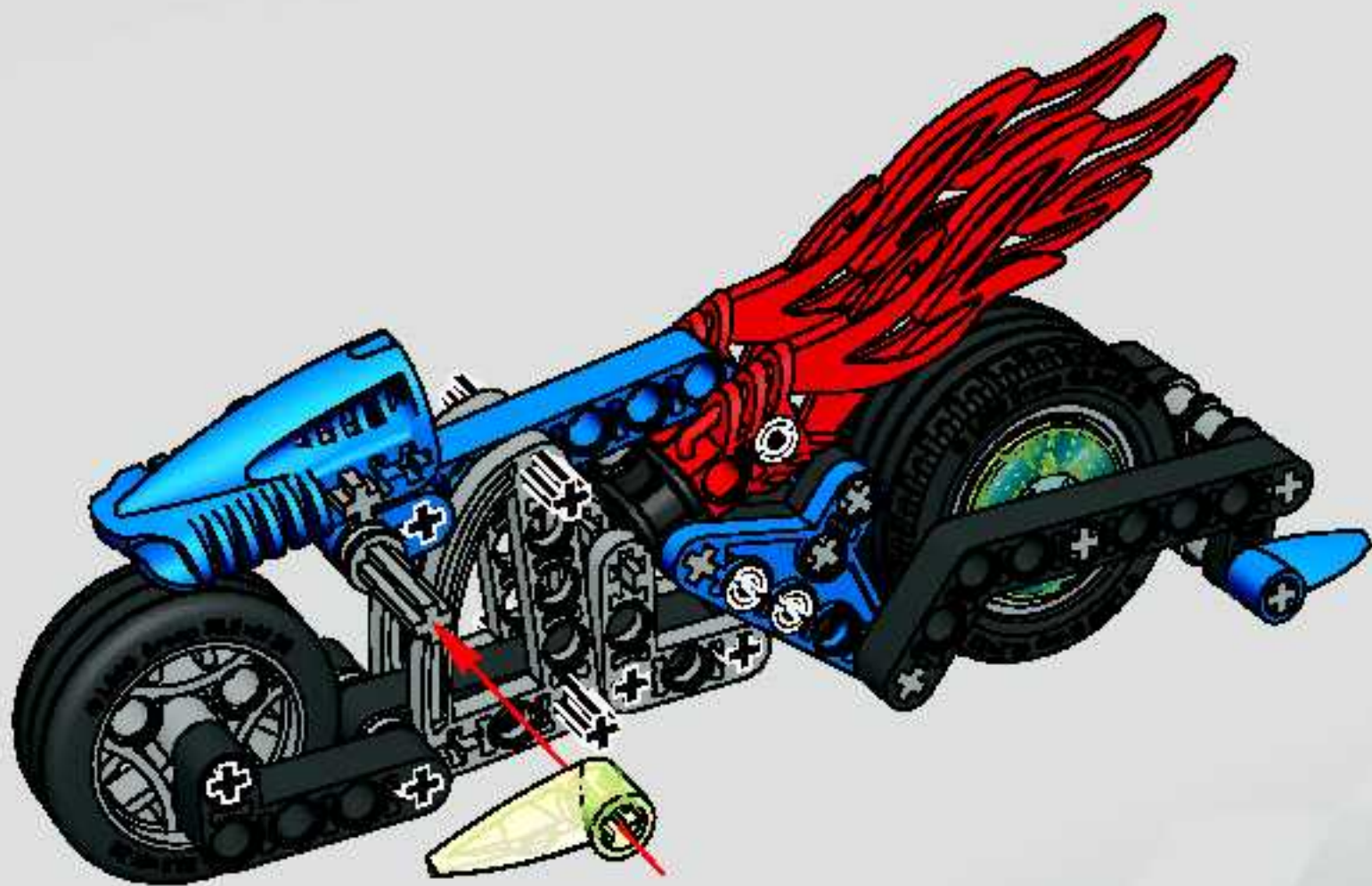


25



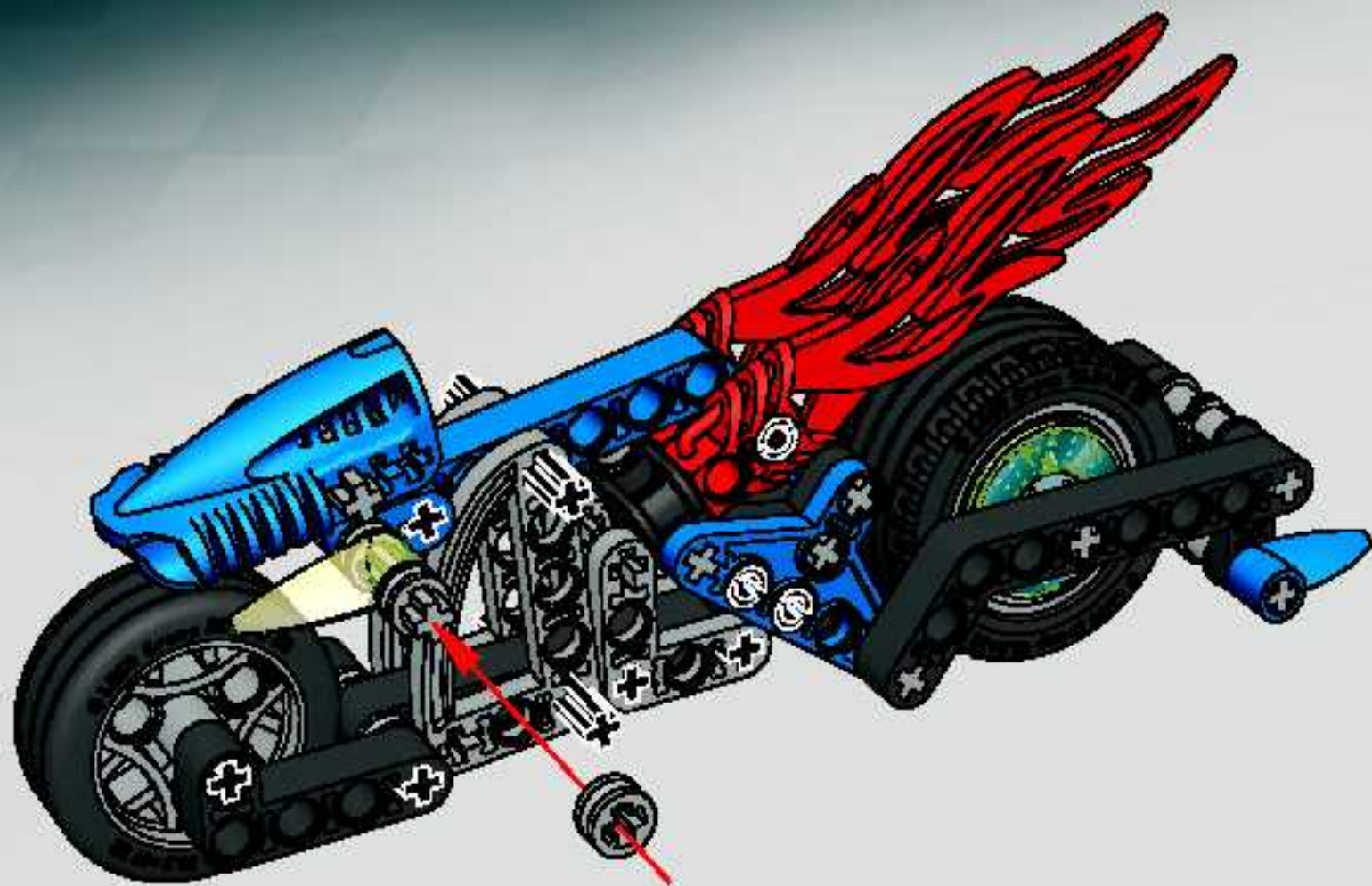


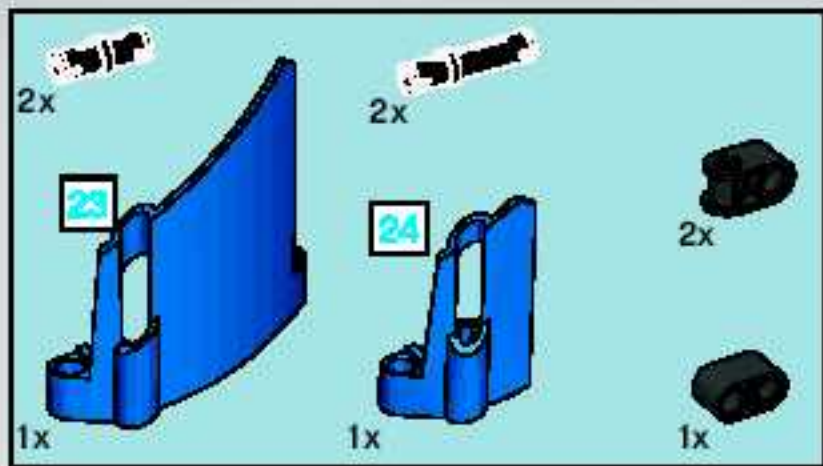
26



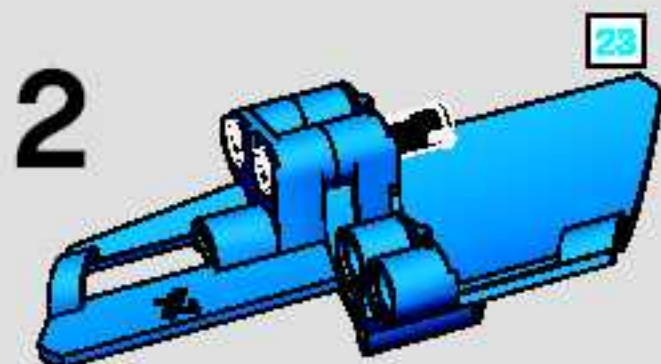
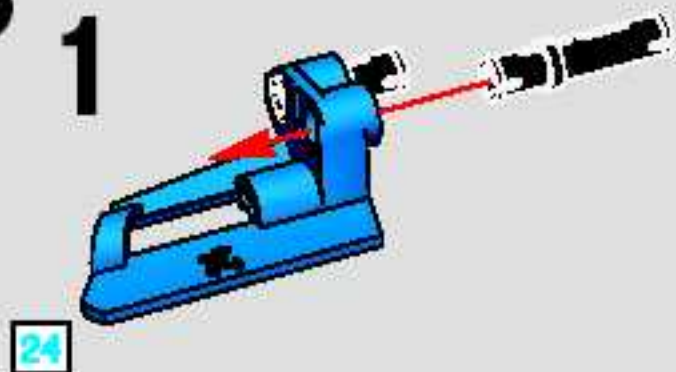
2x

27

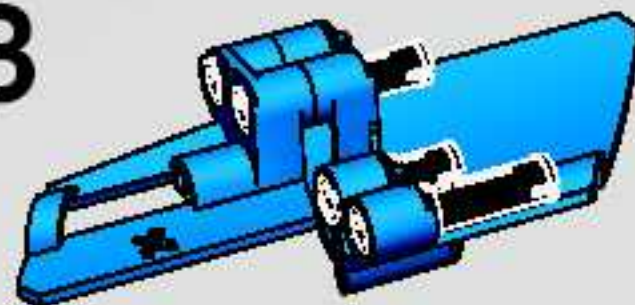




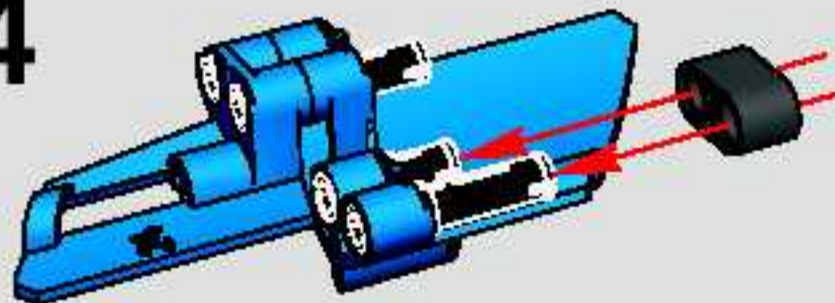
28



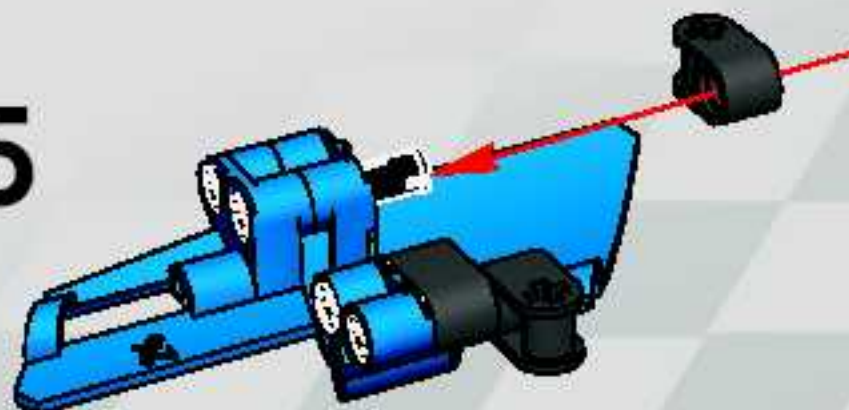
3

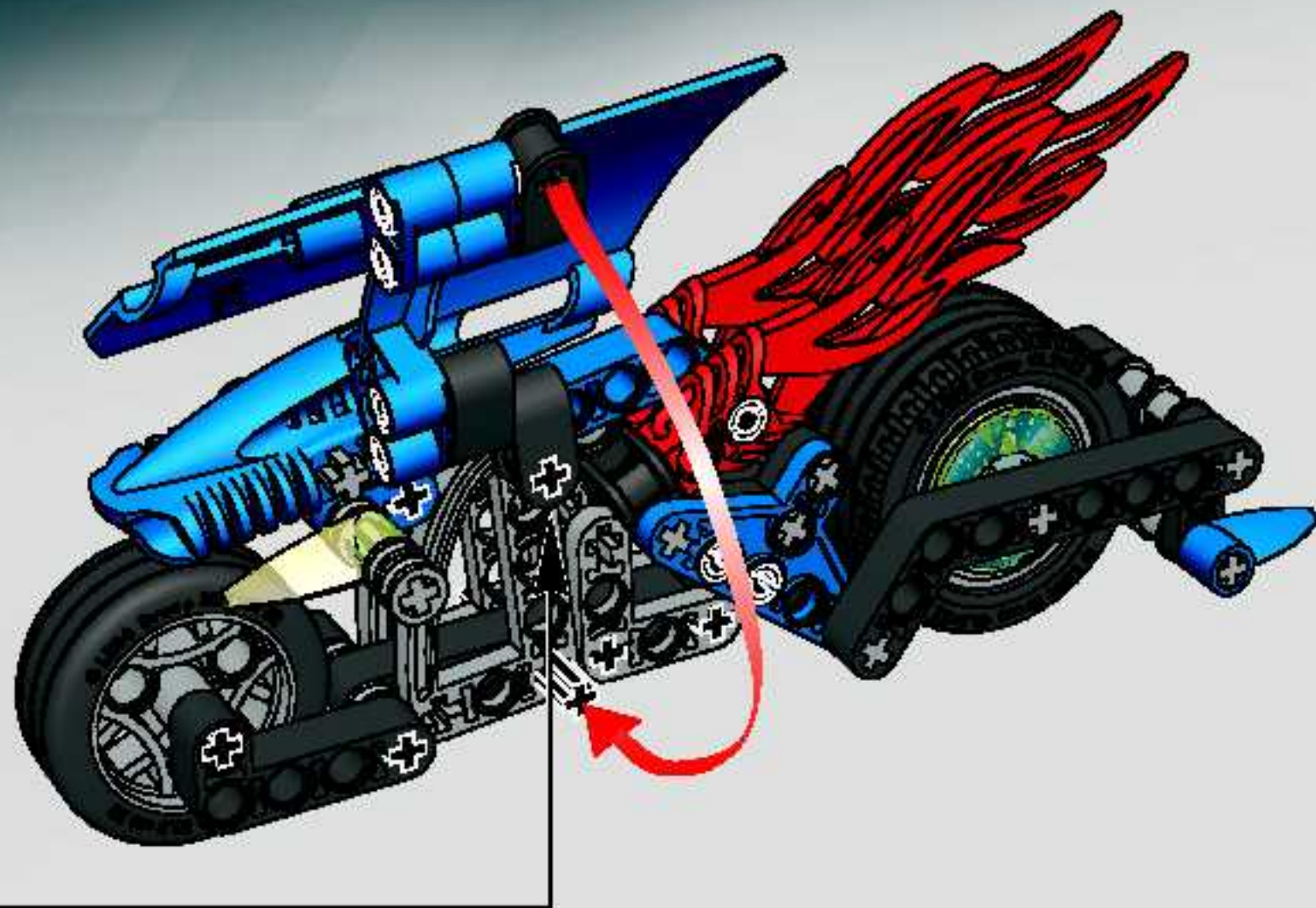


4

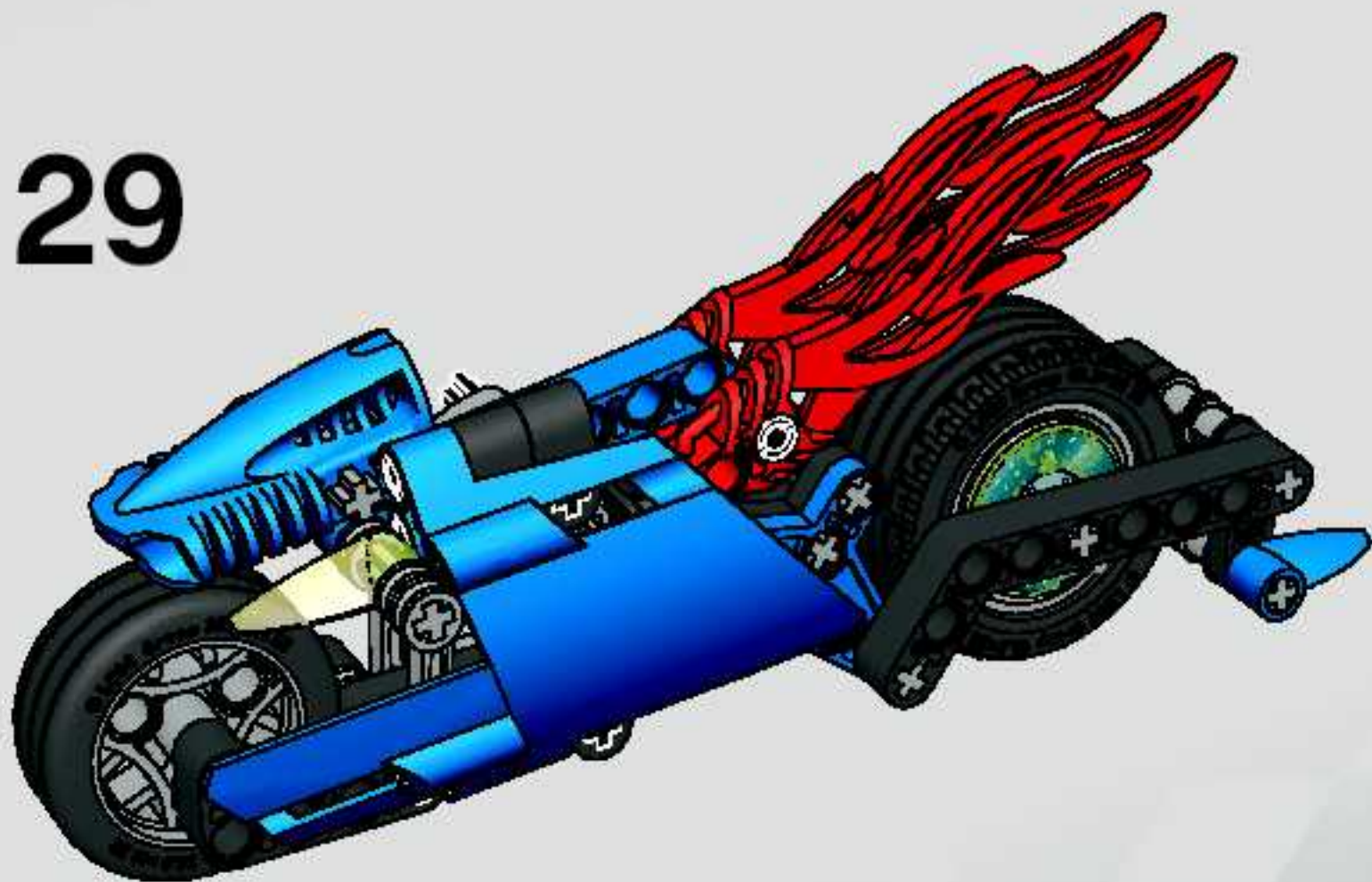


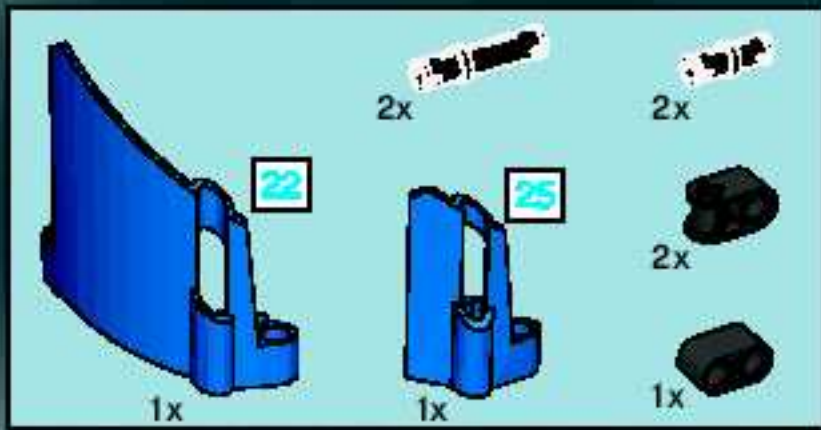
5





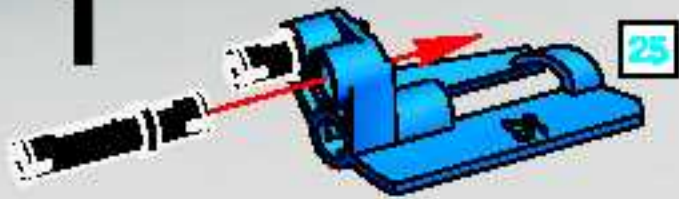
29



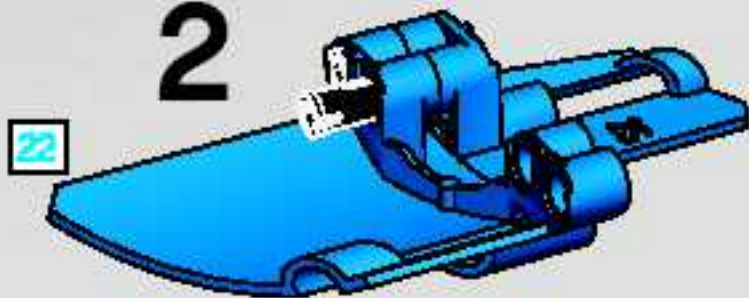


30

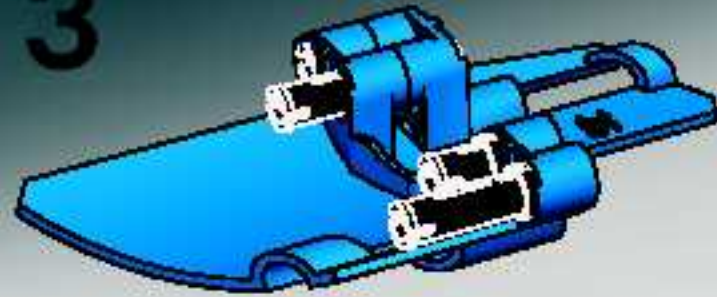
1



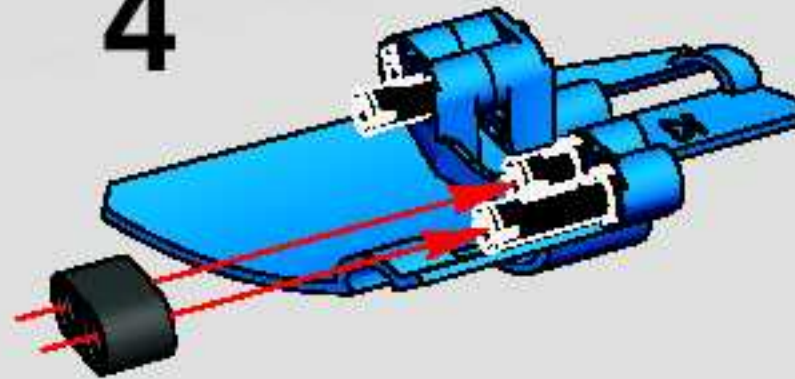
2



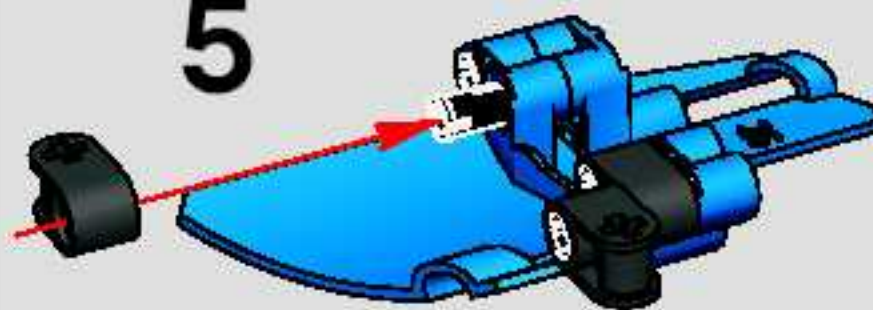
3

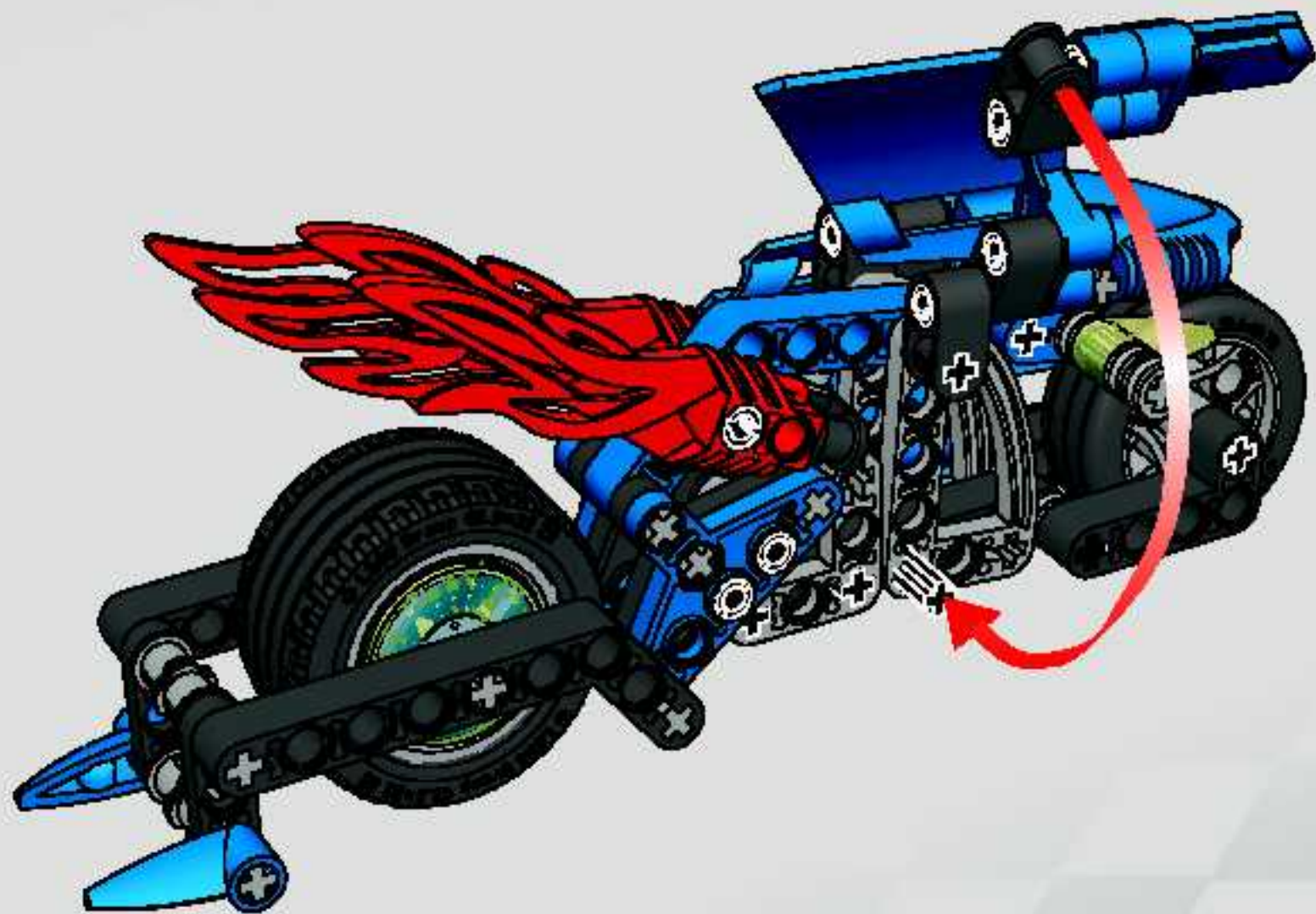


4

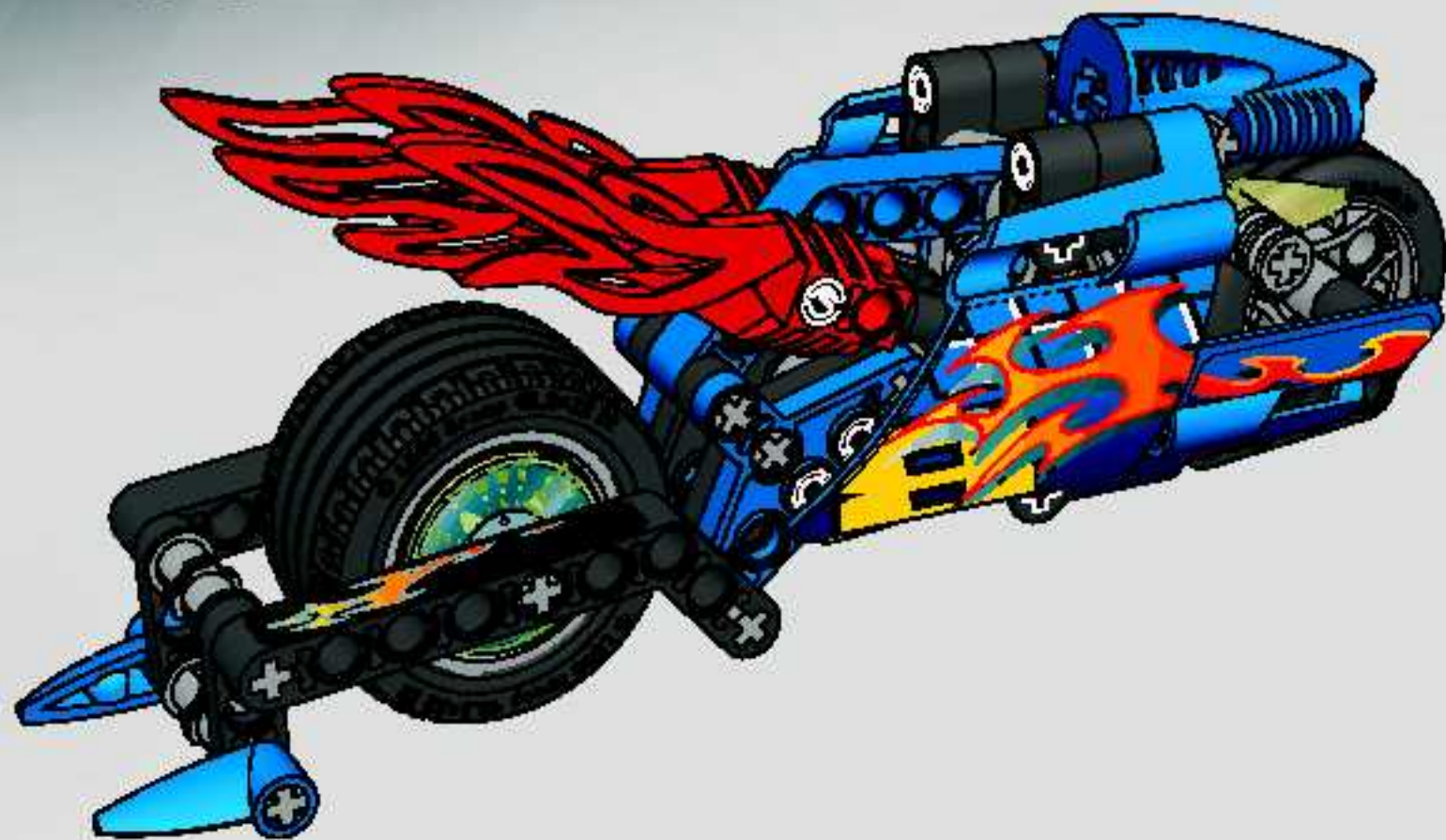


5

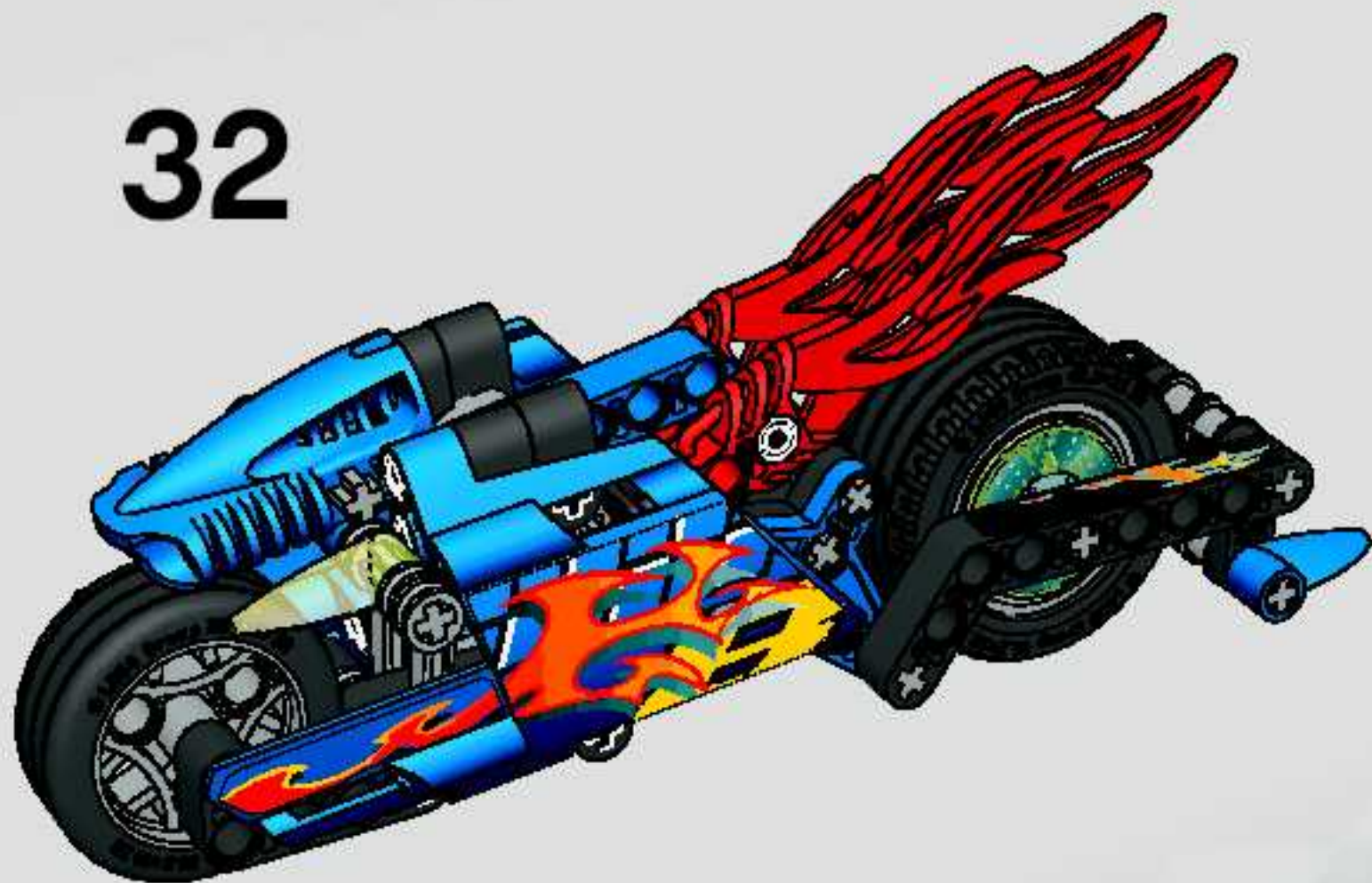




31

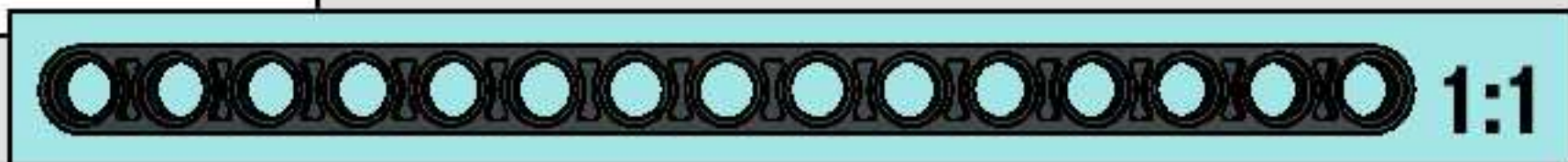
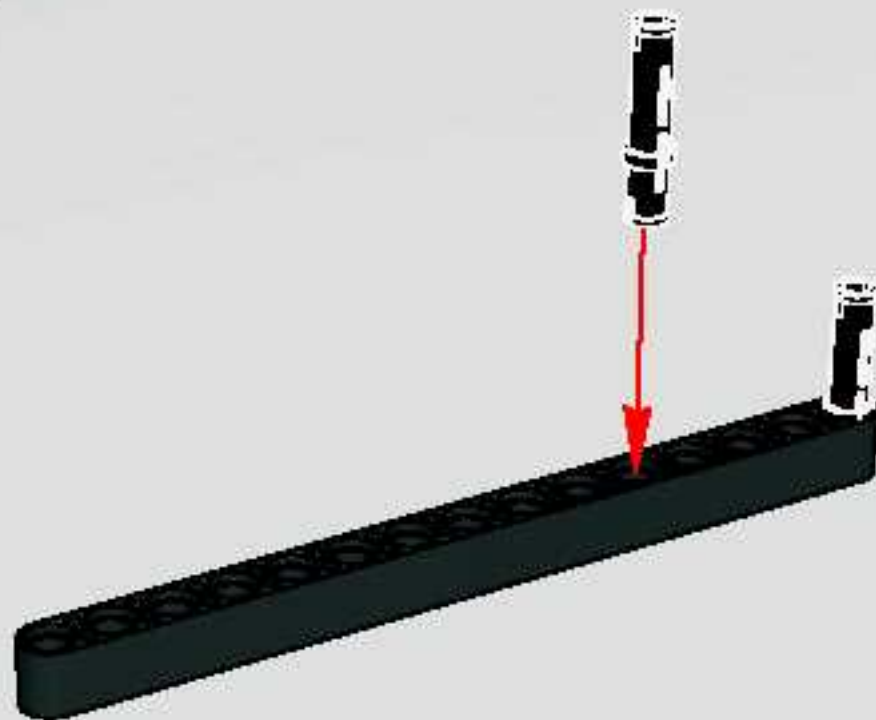


32



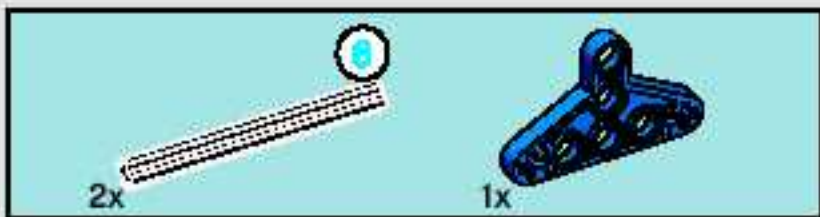
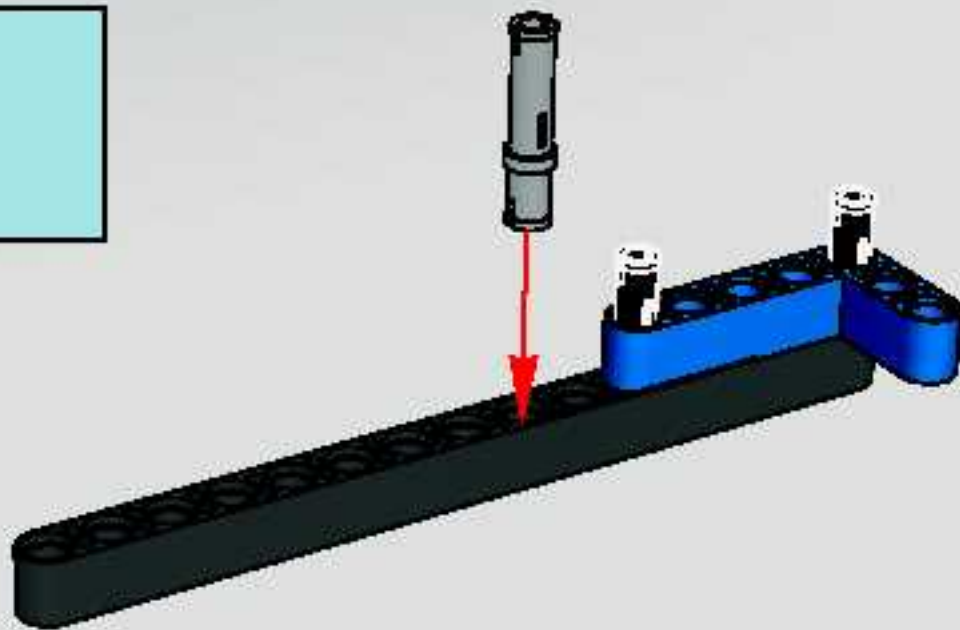


1

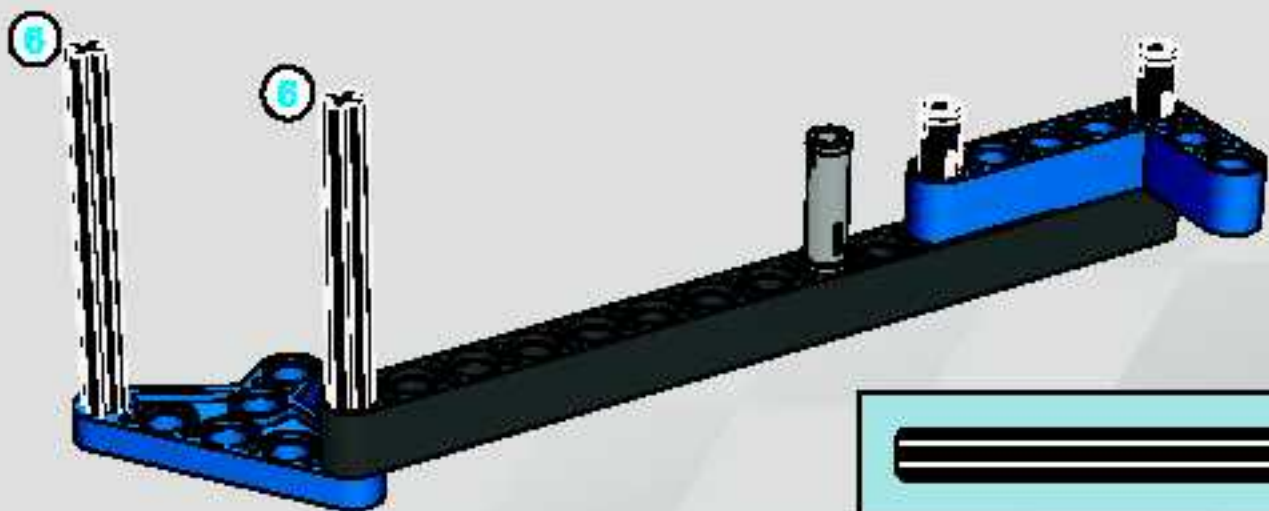


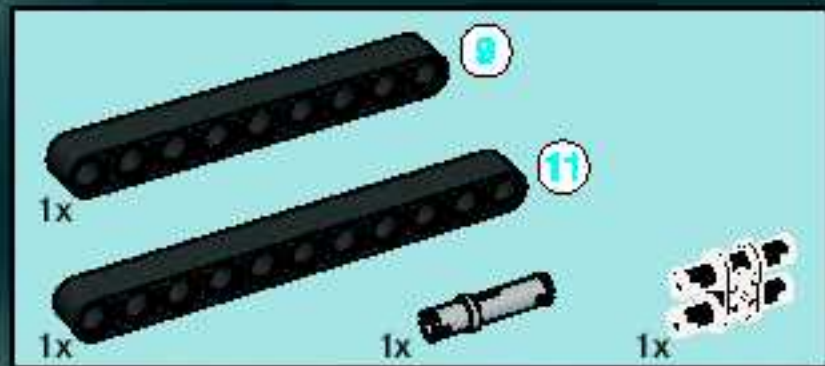


2

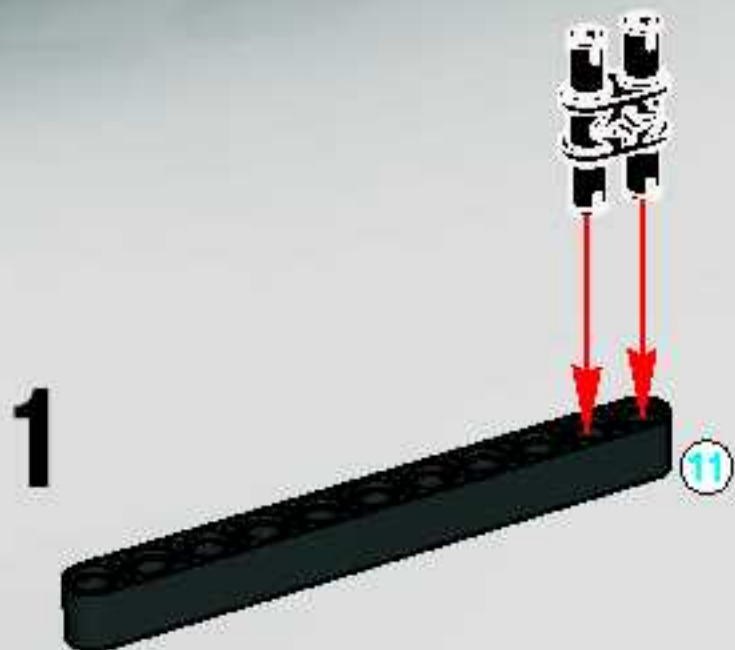


3

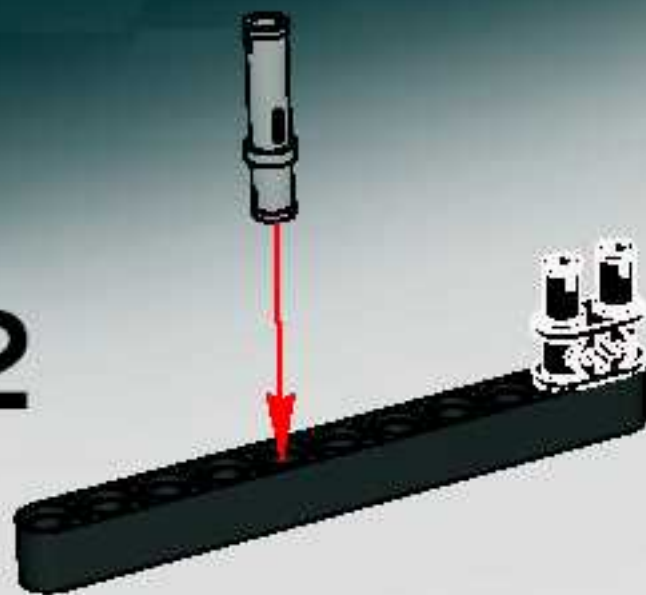




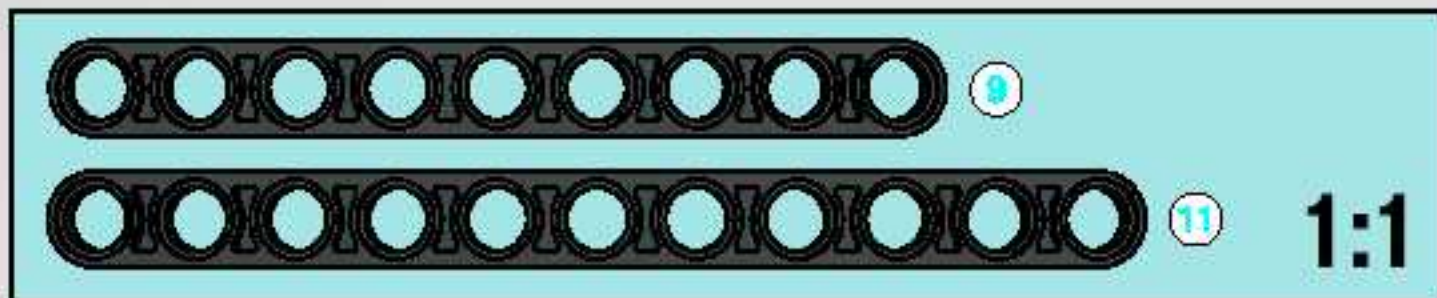
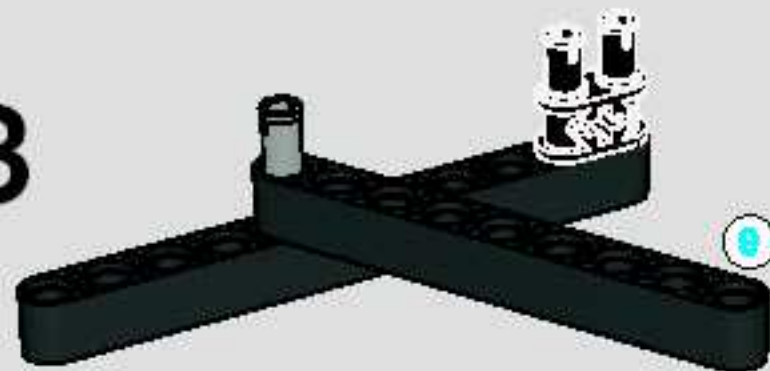
4

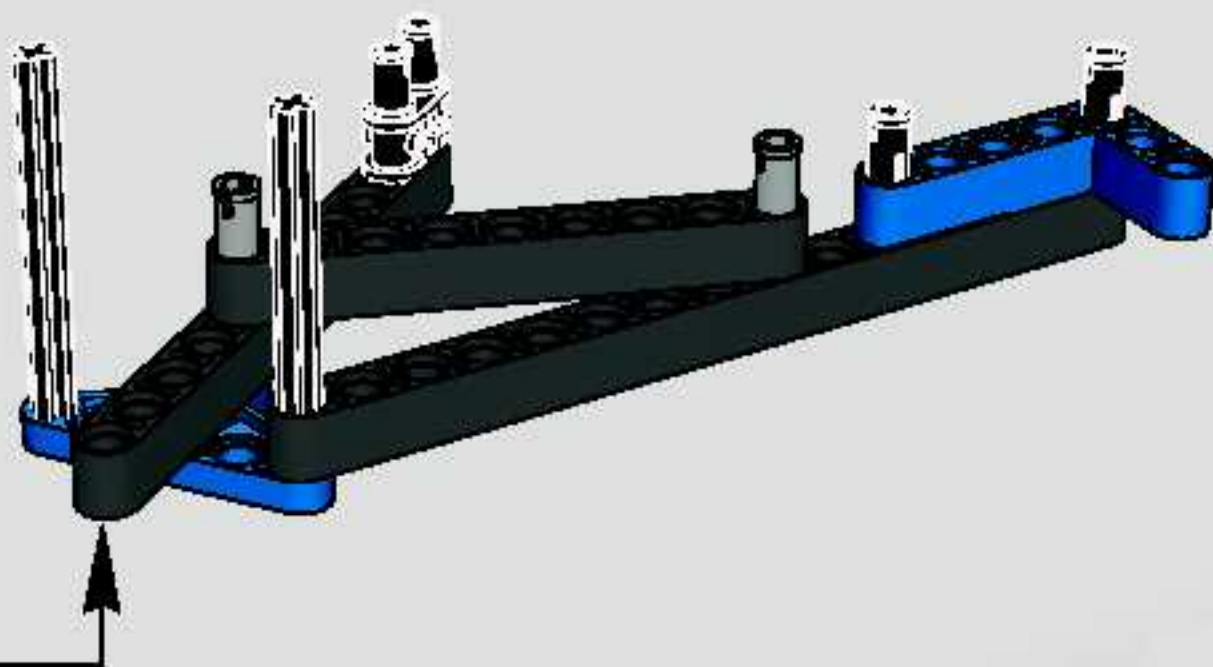


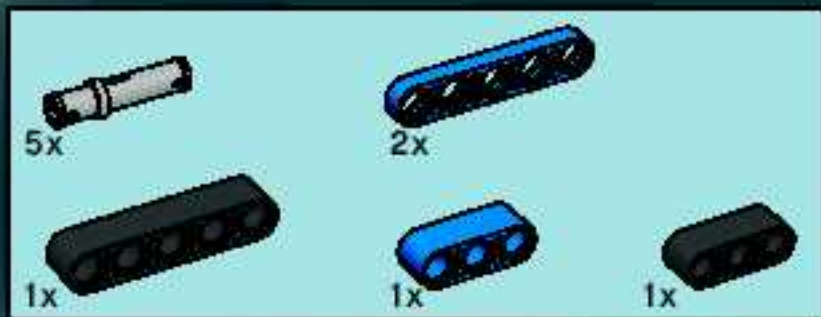
2



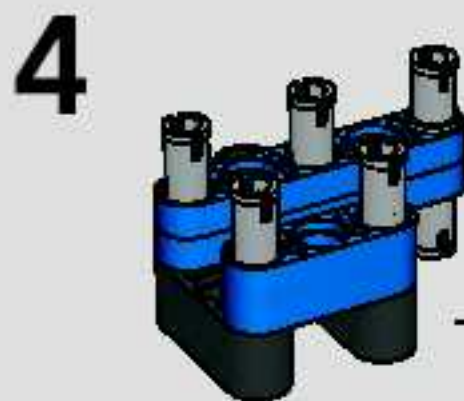
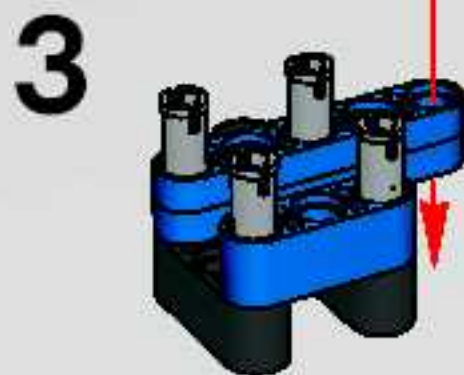
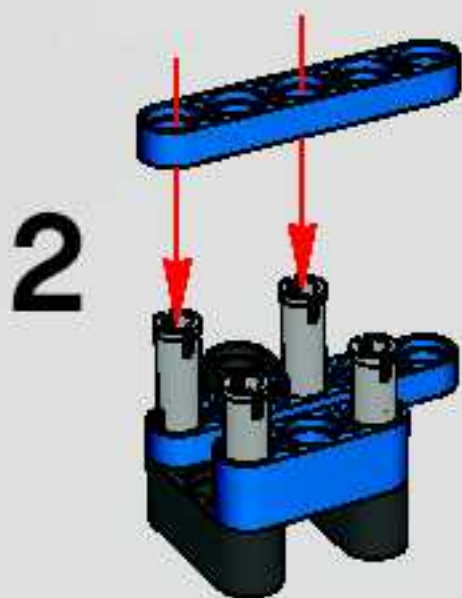
3

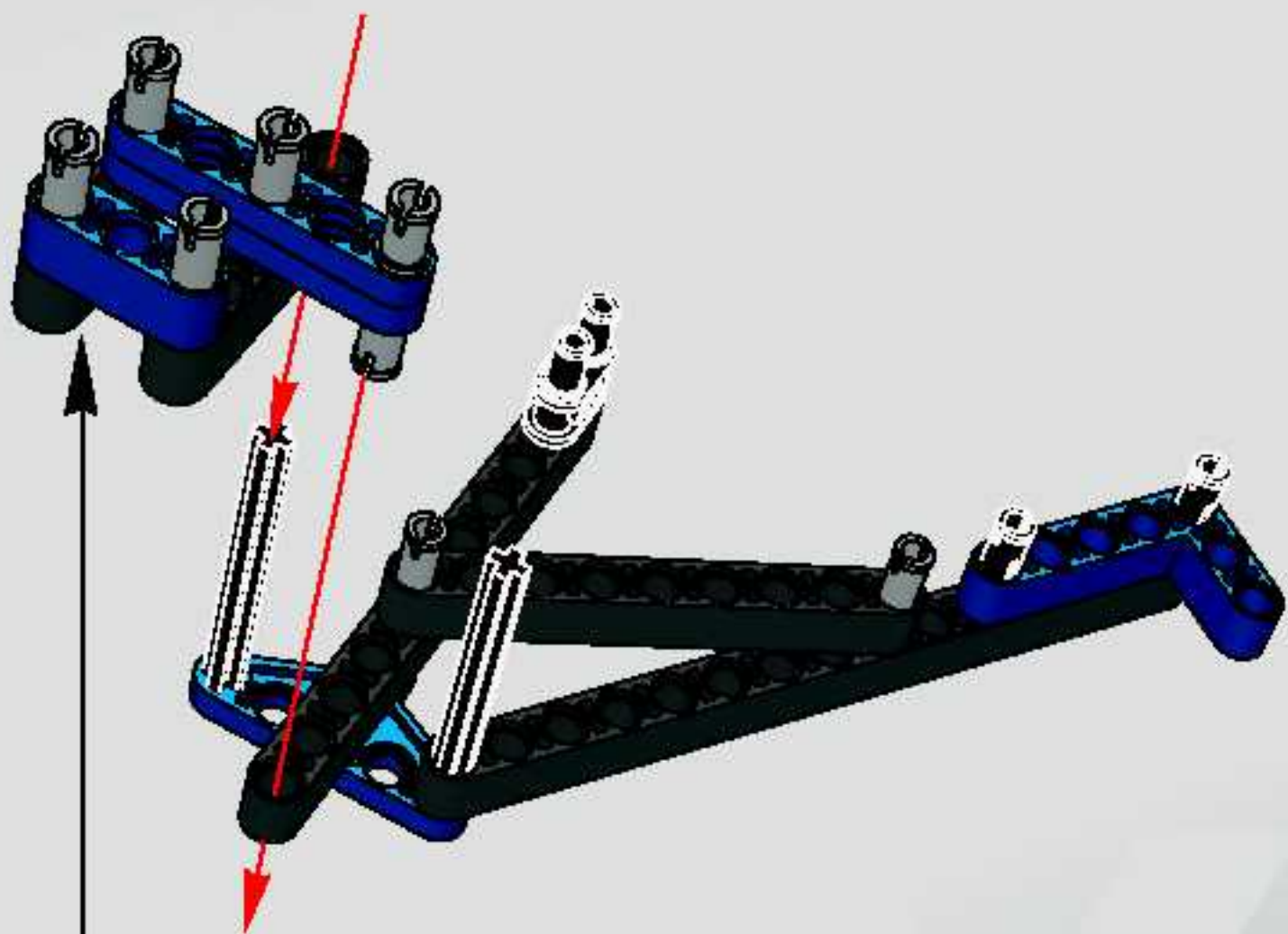






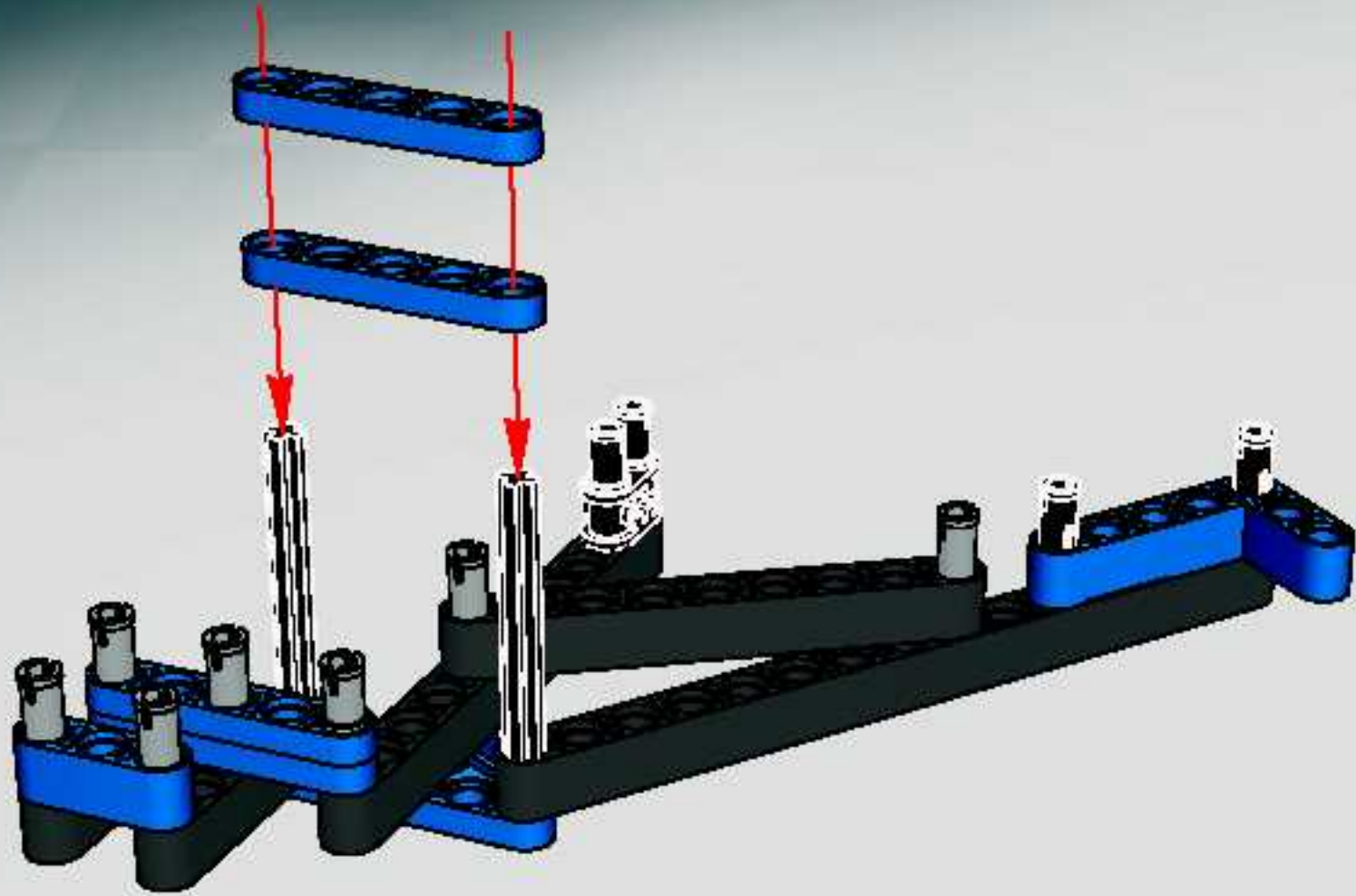
5

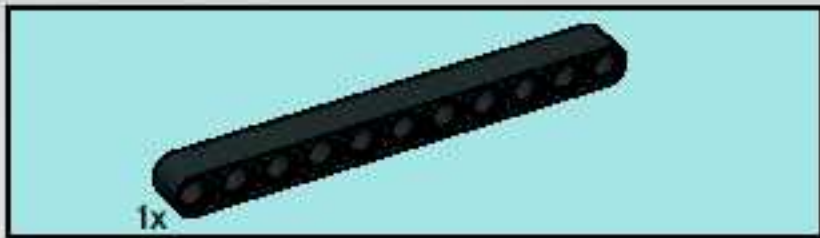




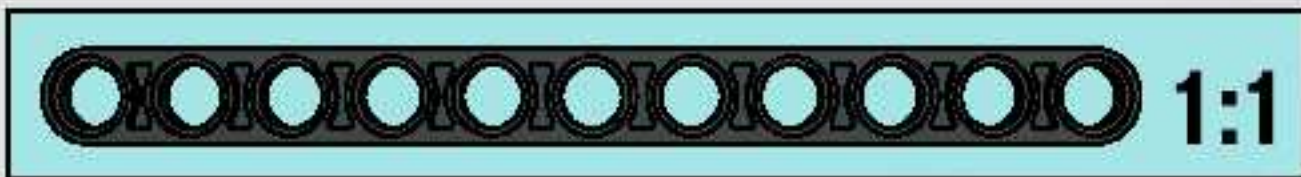
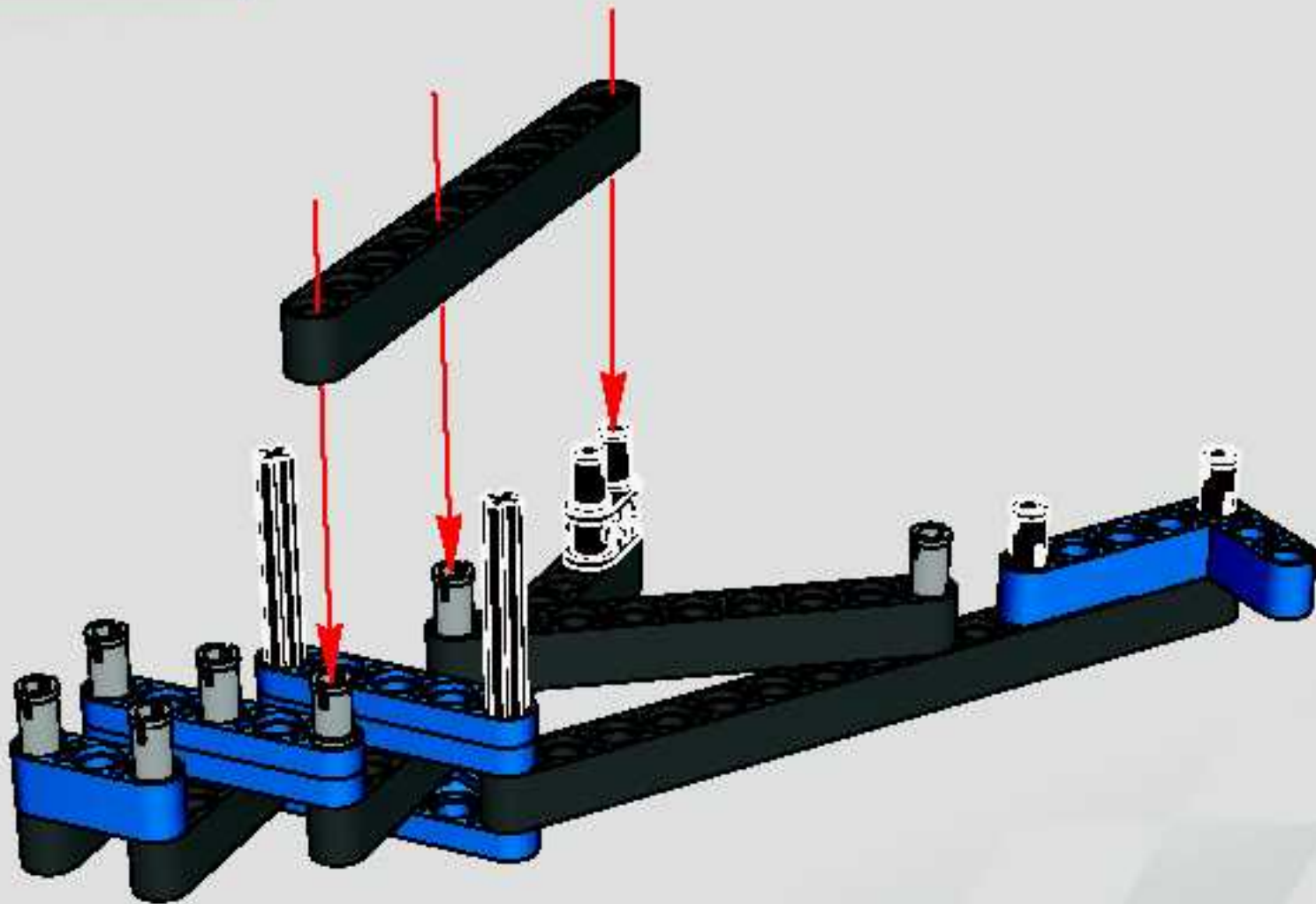


6



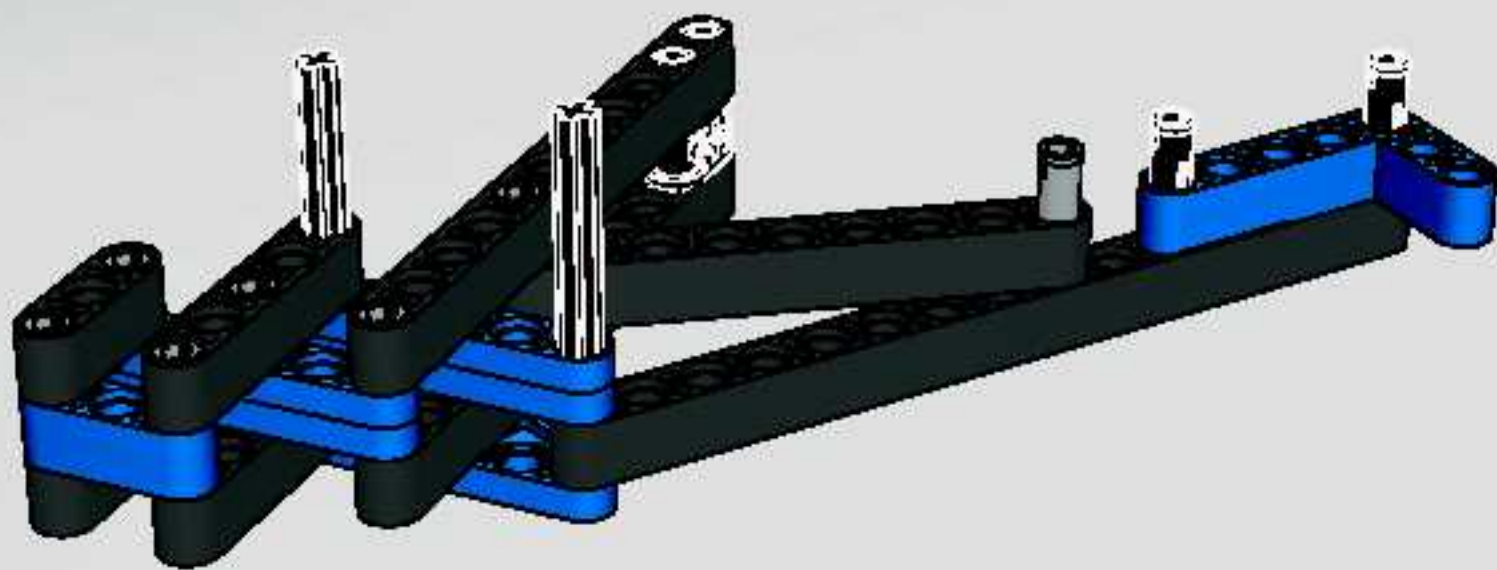


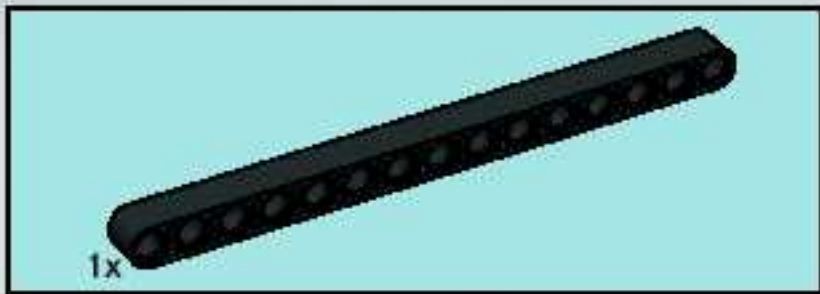
7



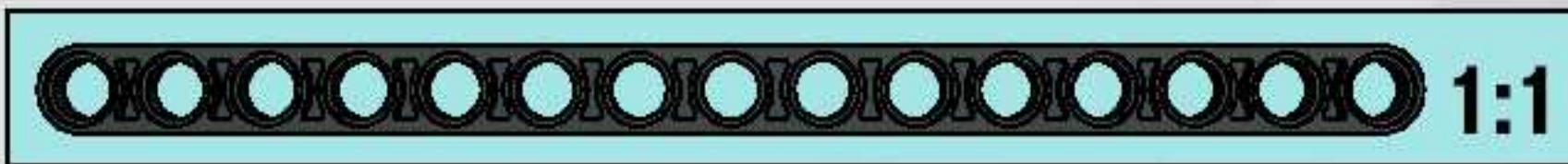
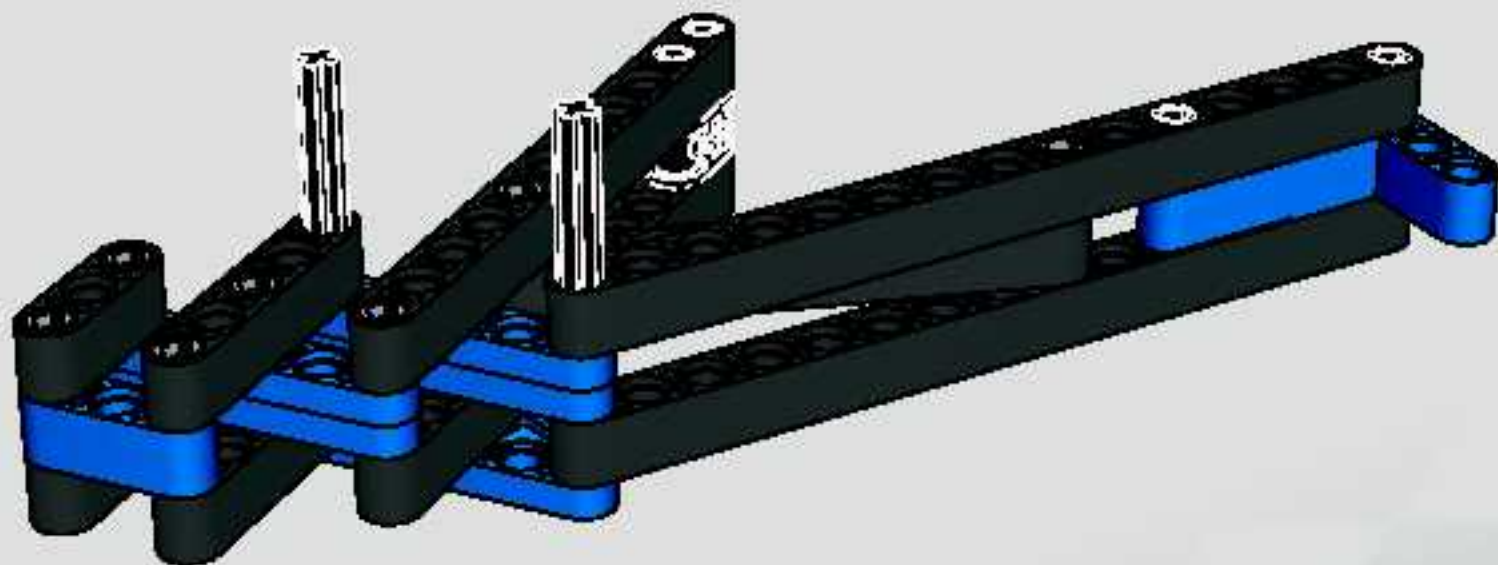


8



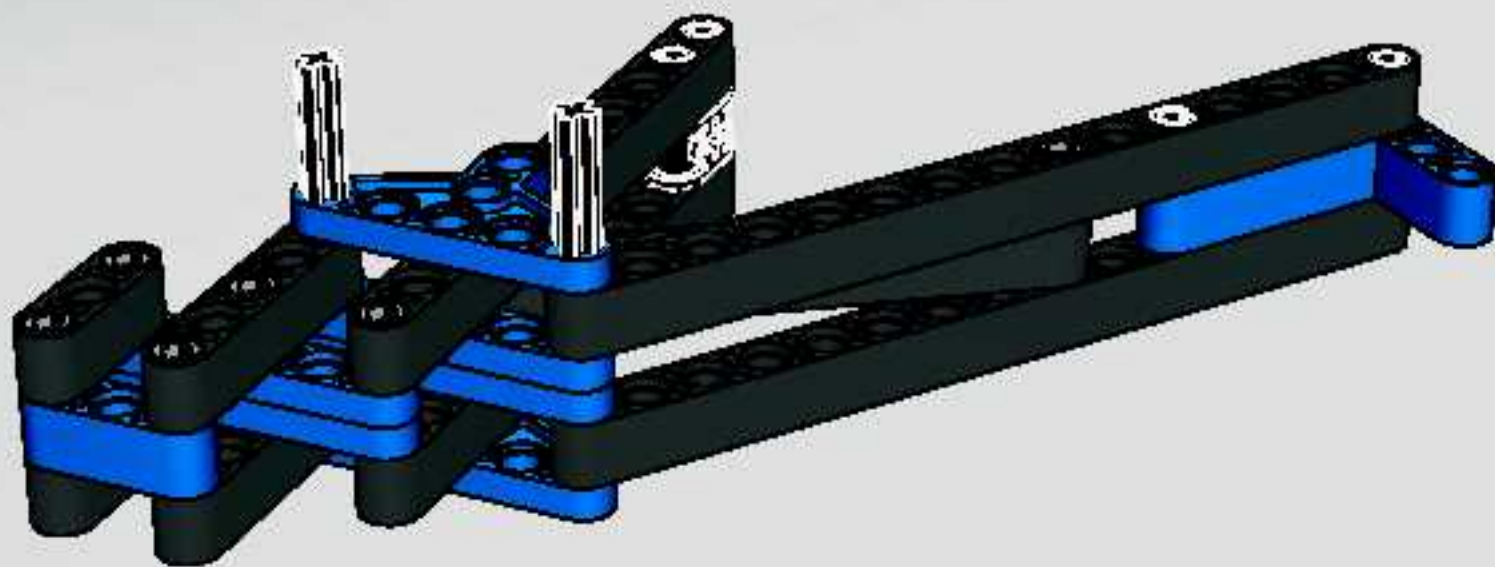


9



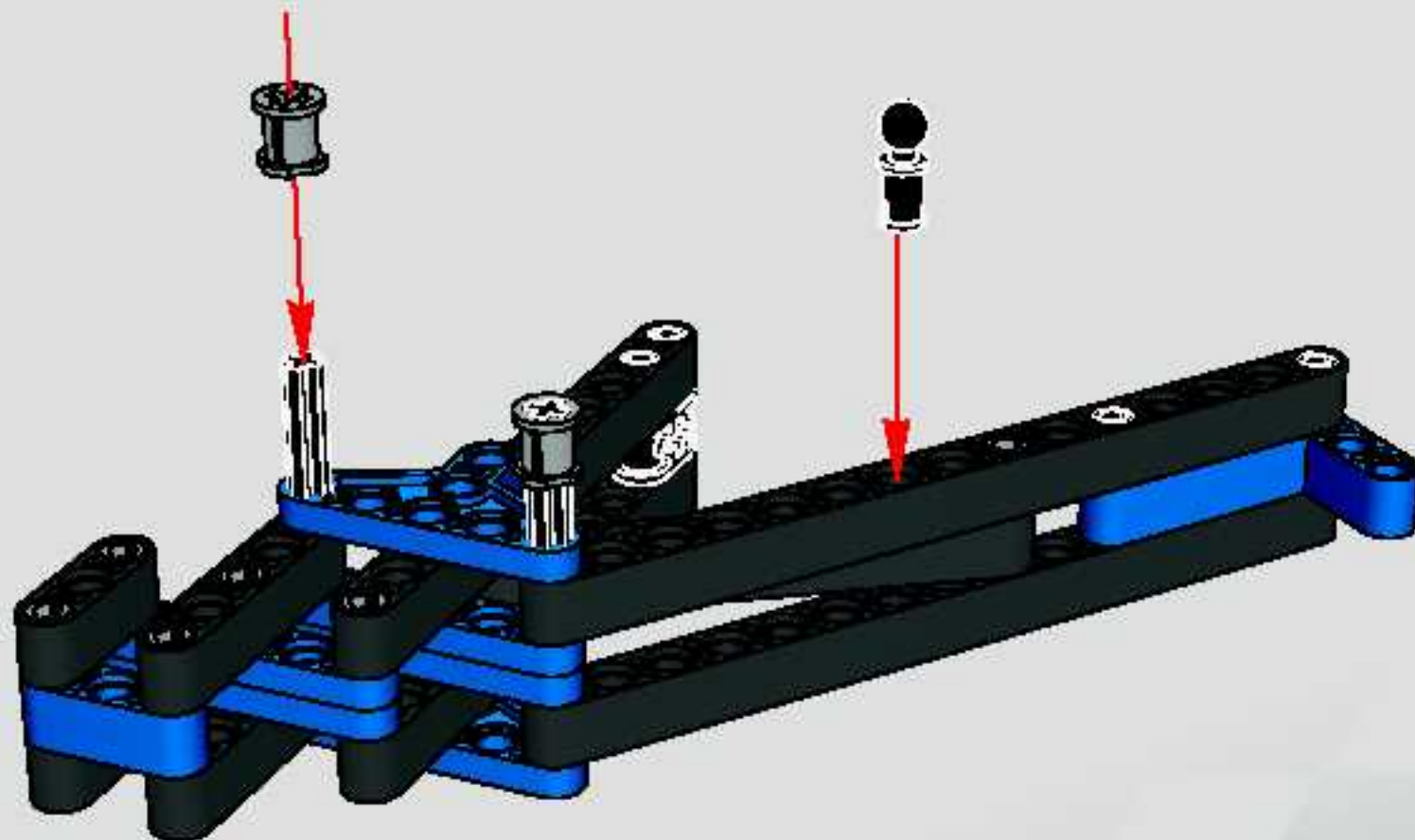


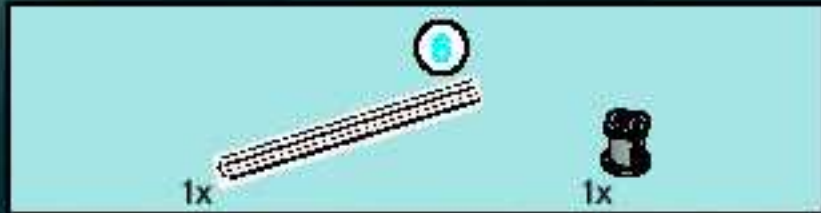
10



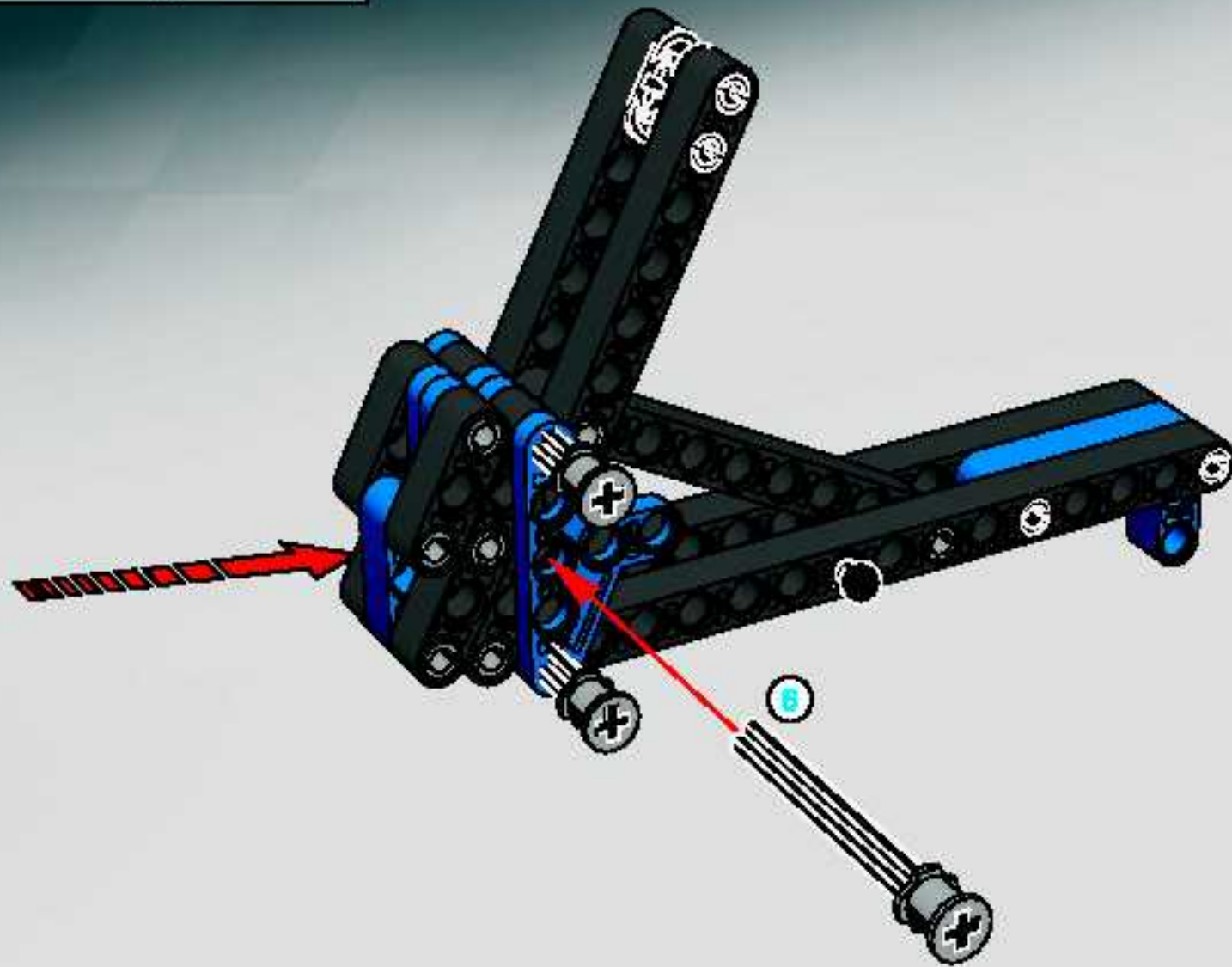


11

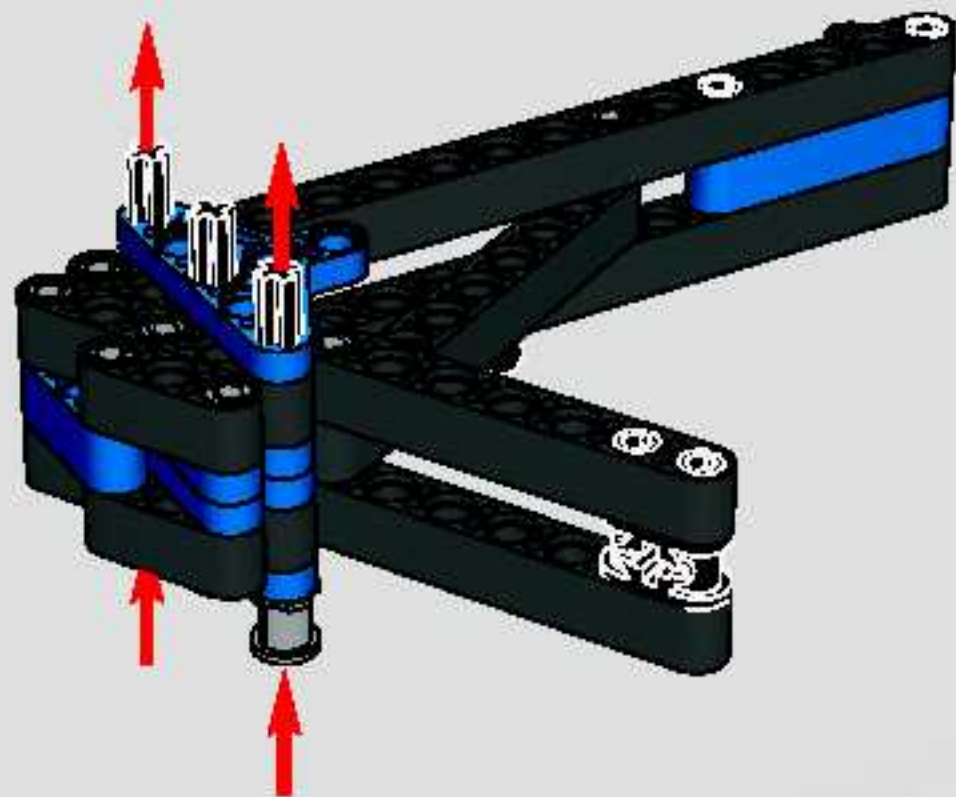




12



13



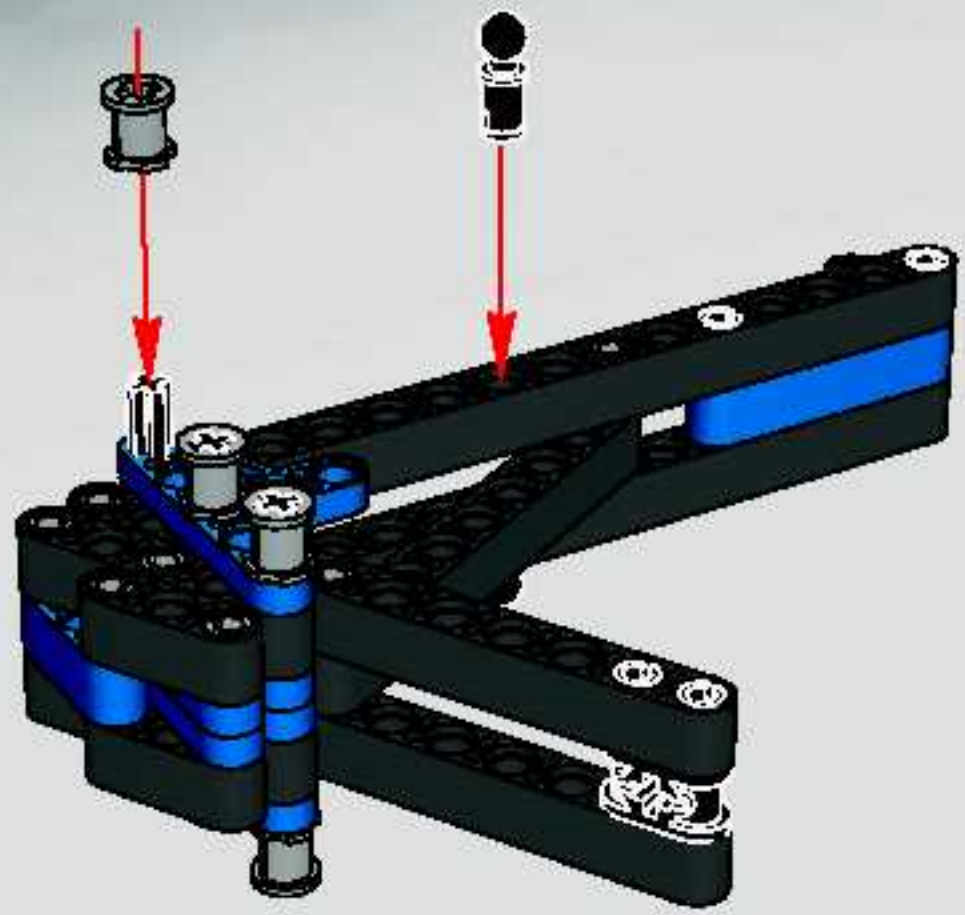


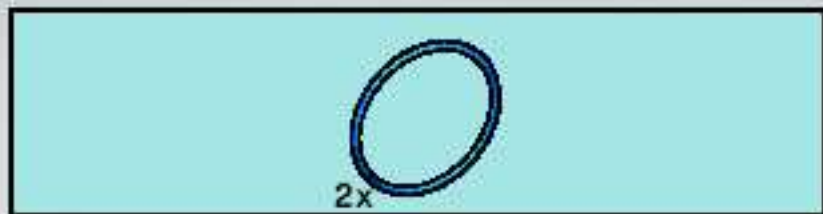
3x



1x

14





15





8645

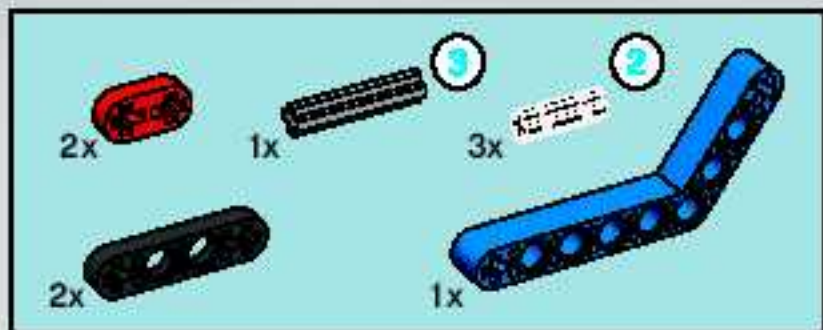
+



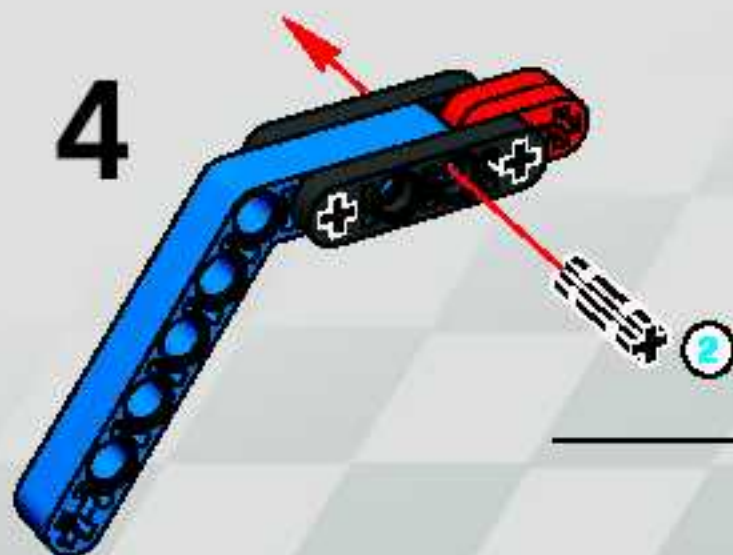
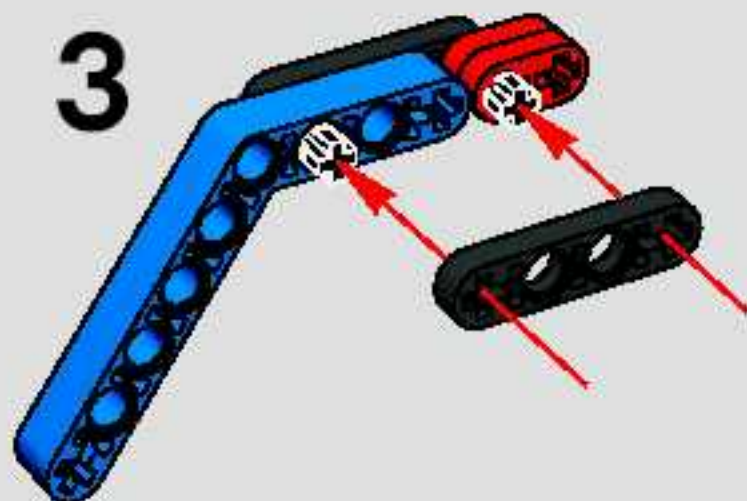
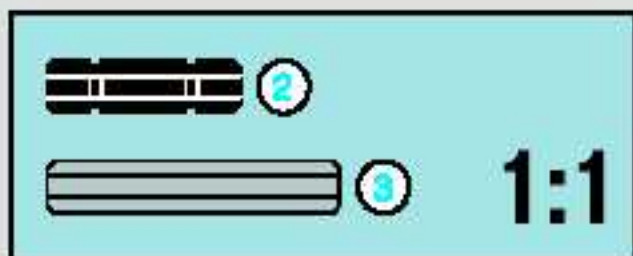
8646

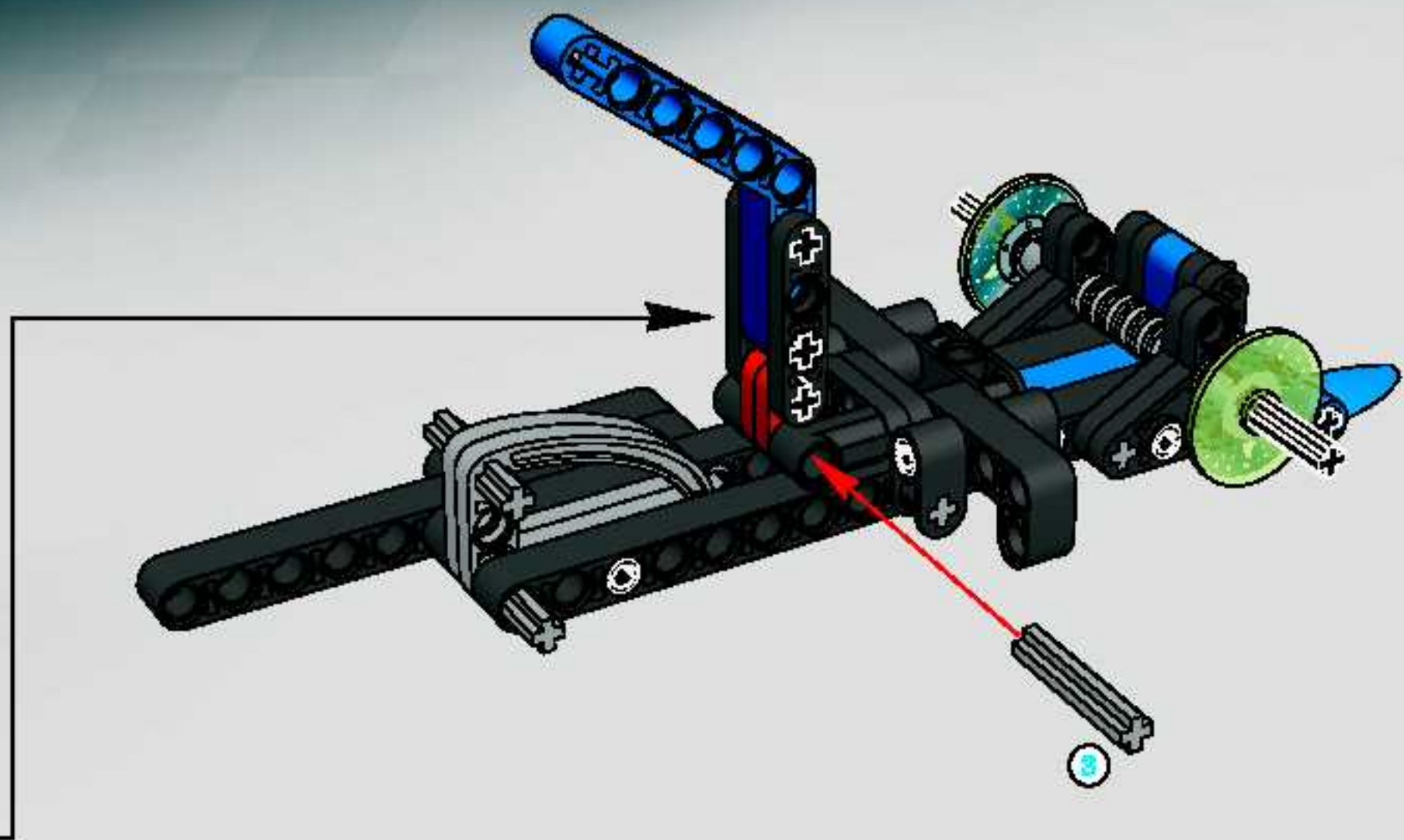
=

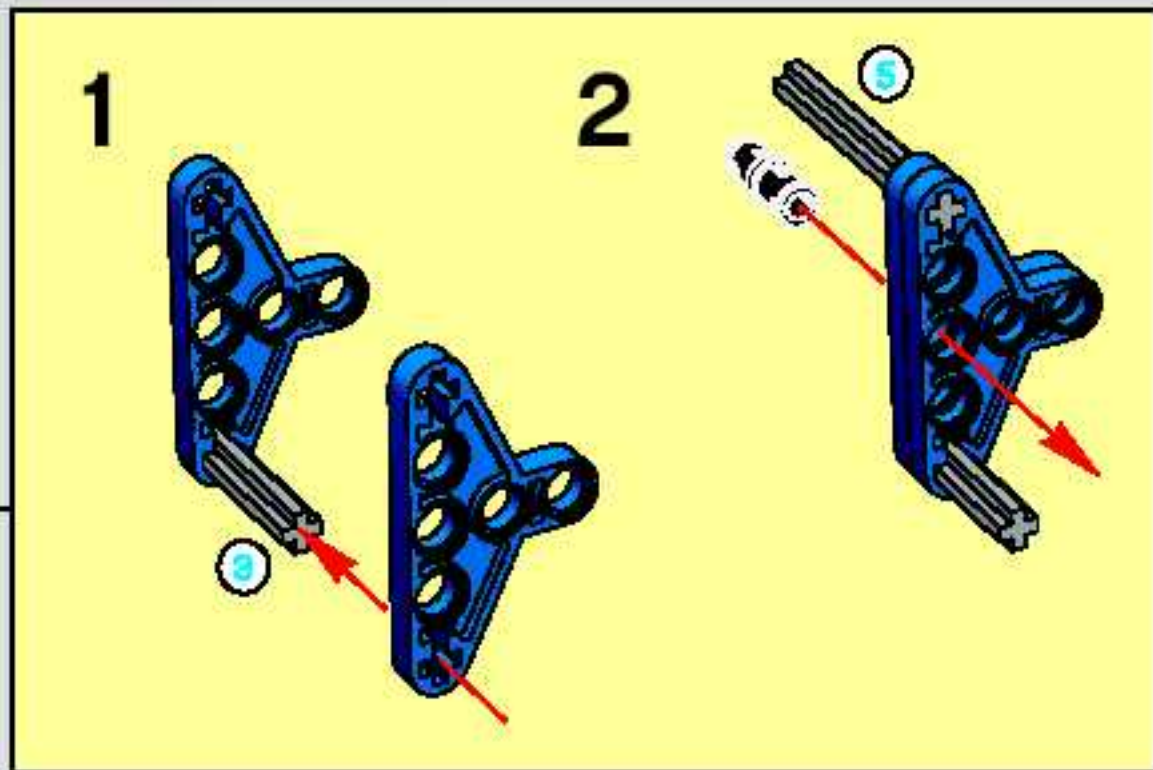
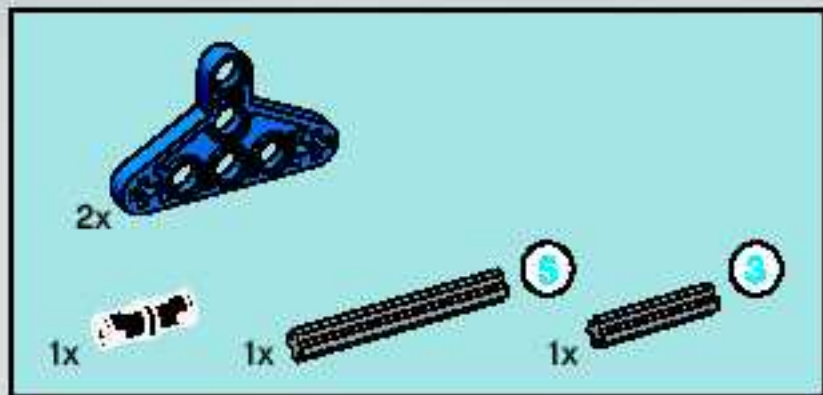




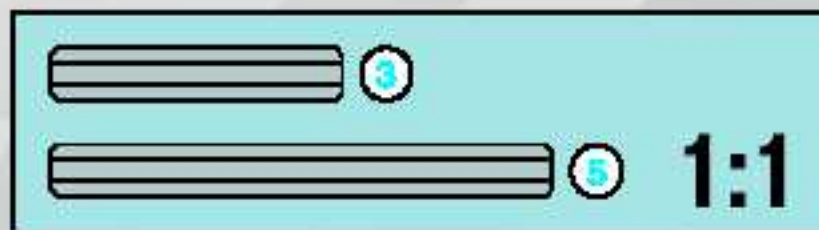
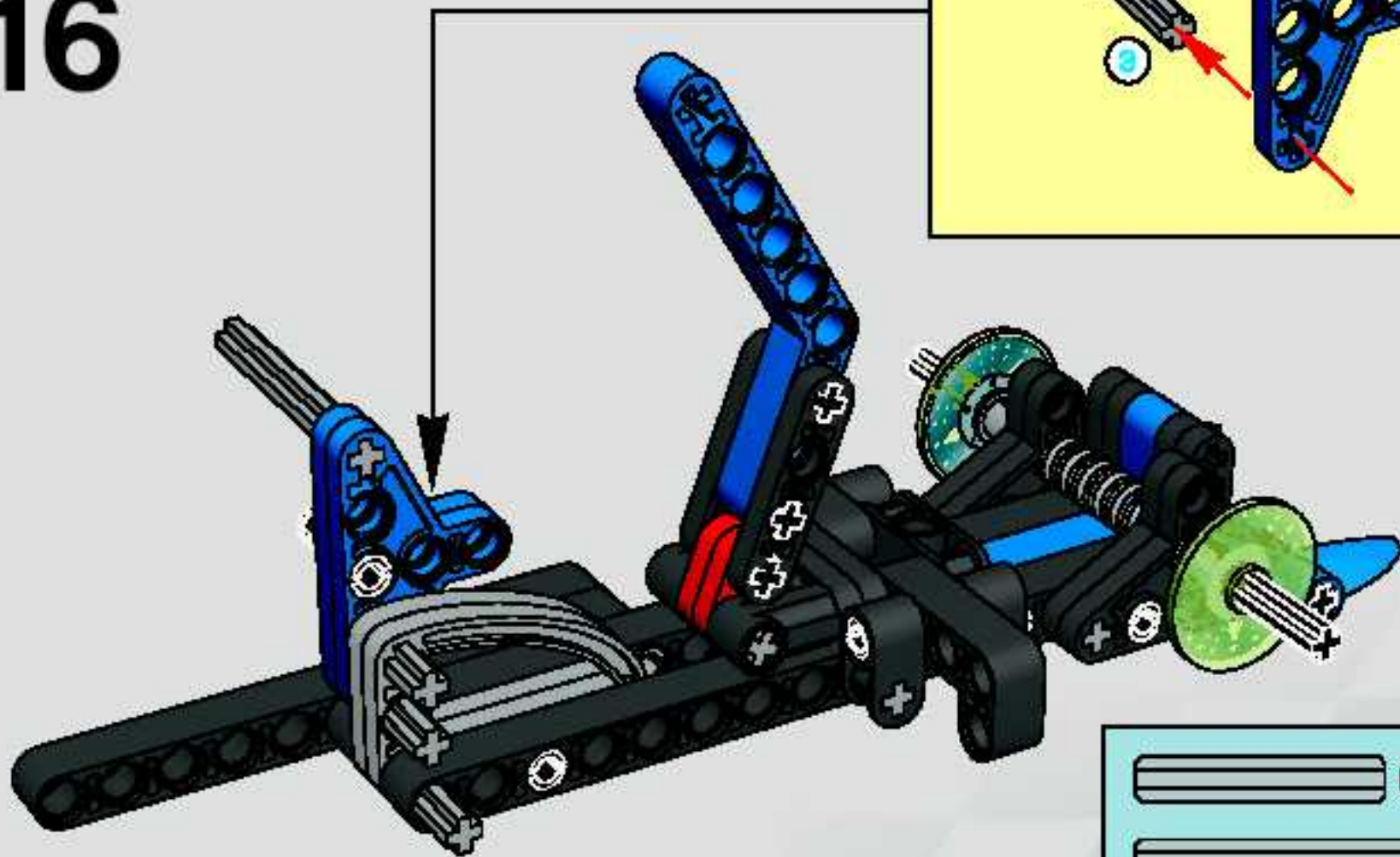
15



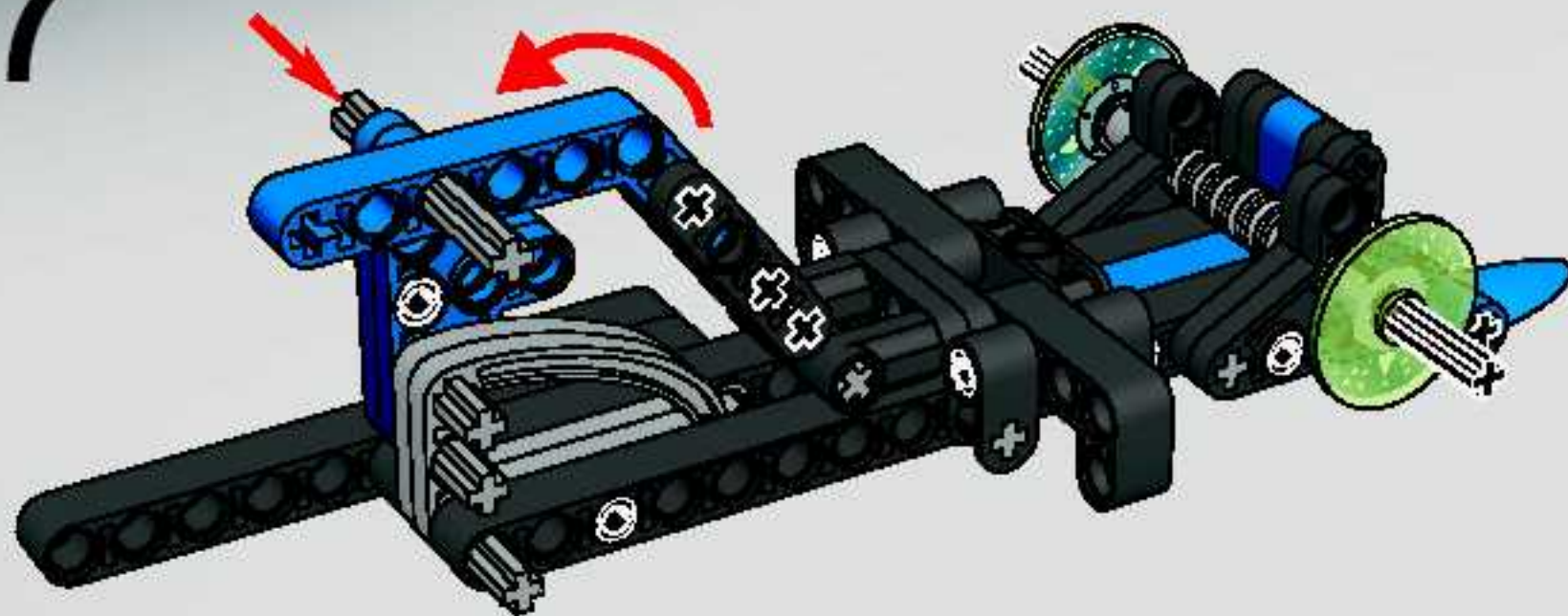




16

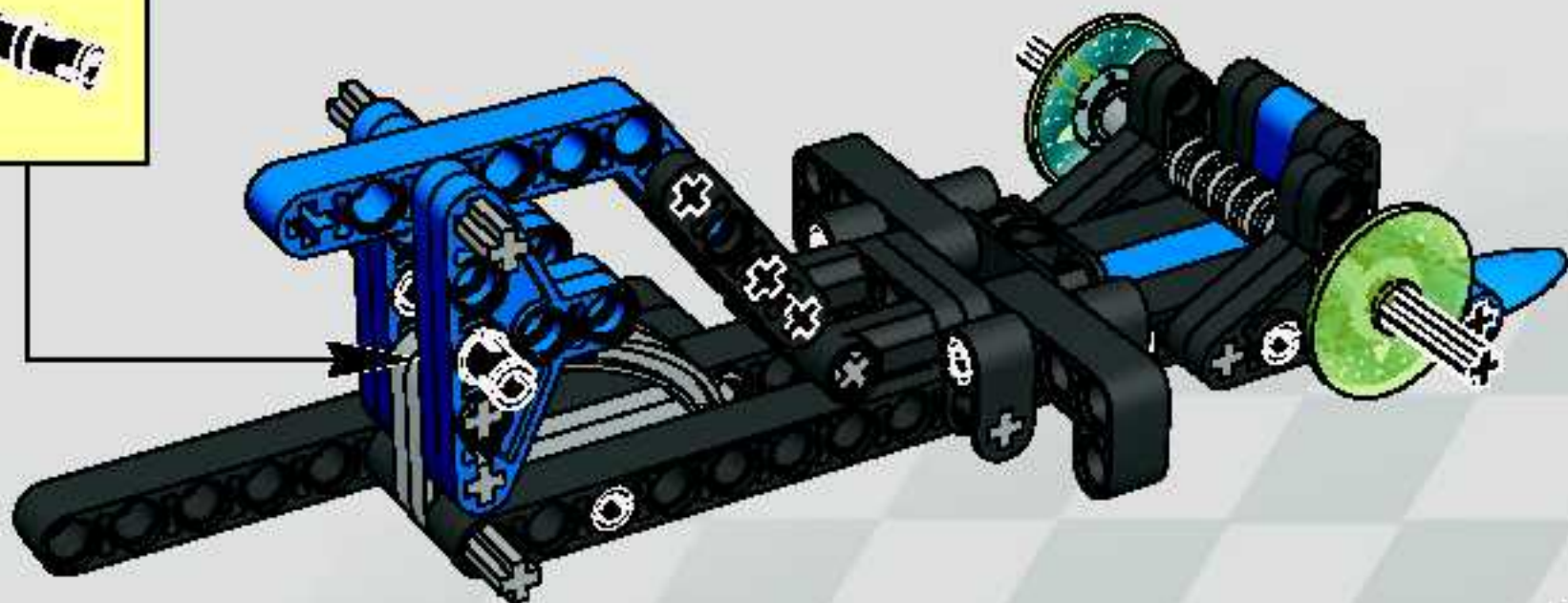
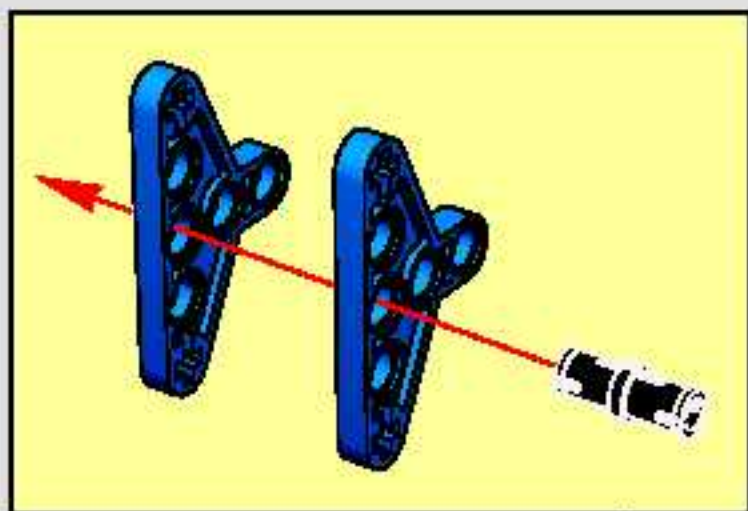


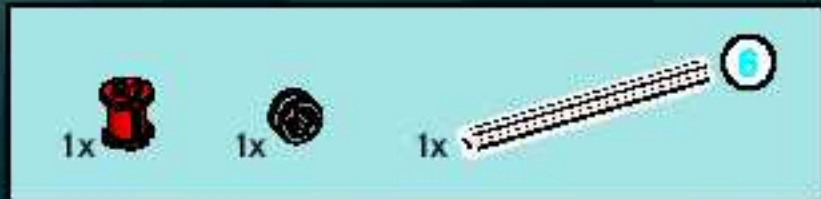
17



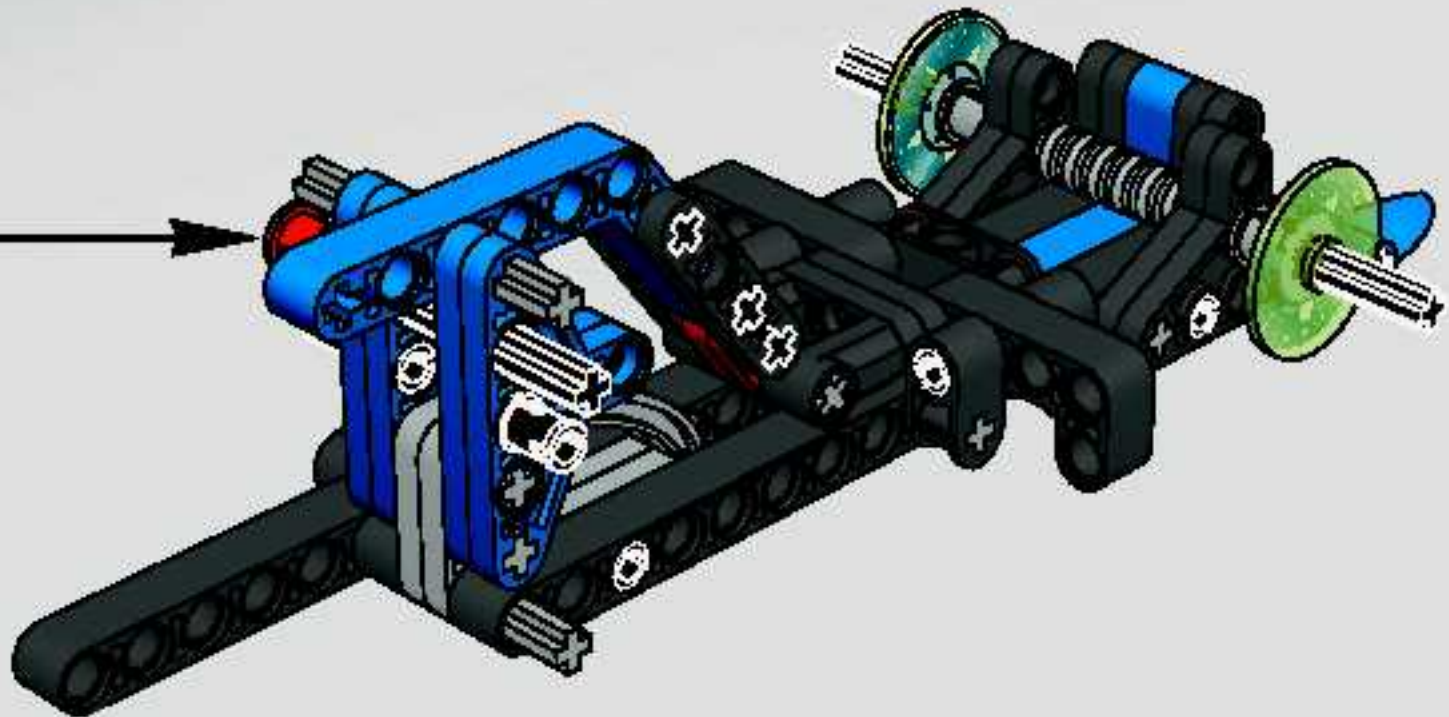
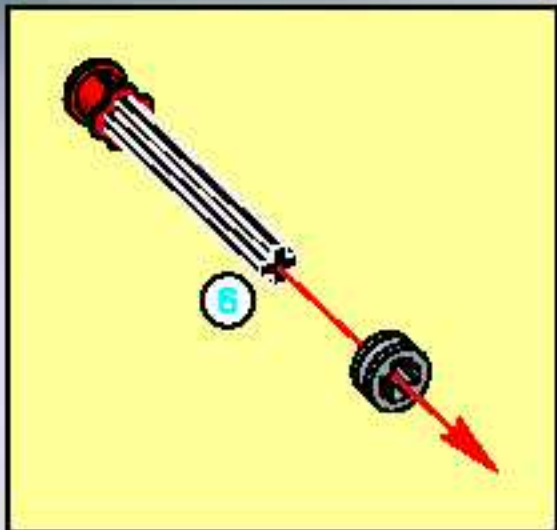


18



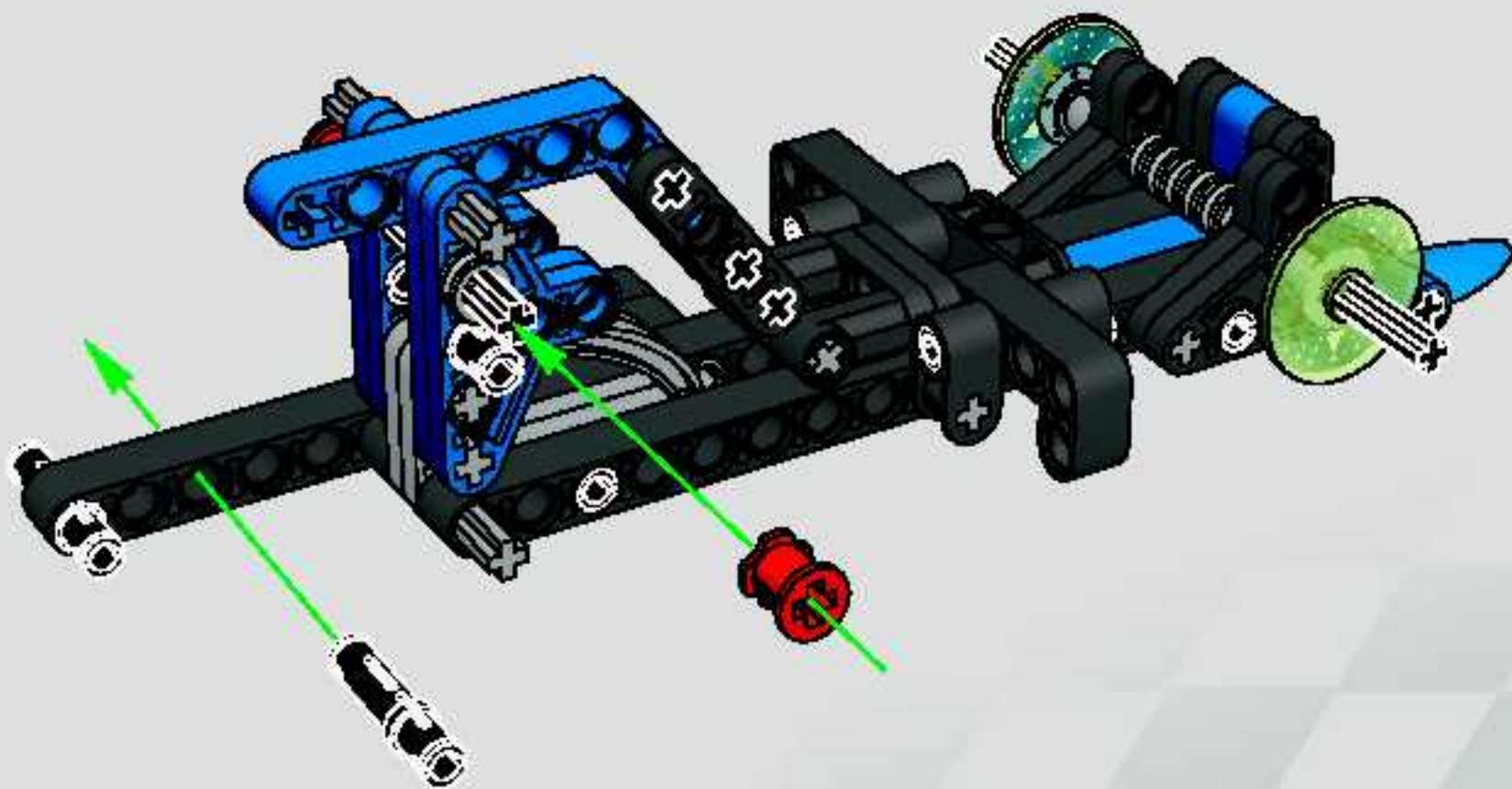


19



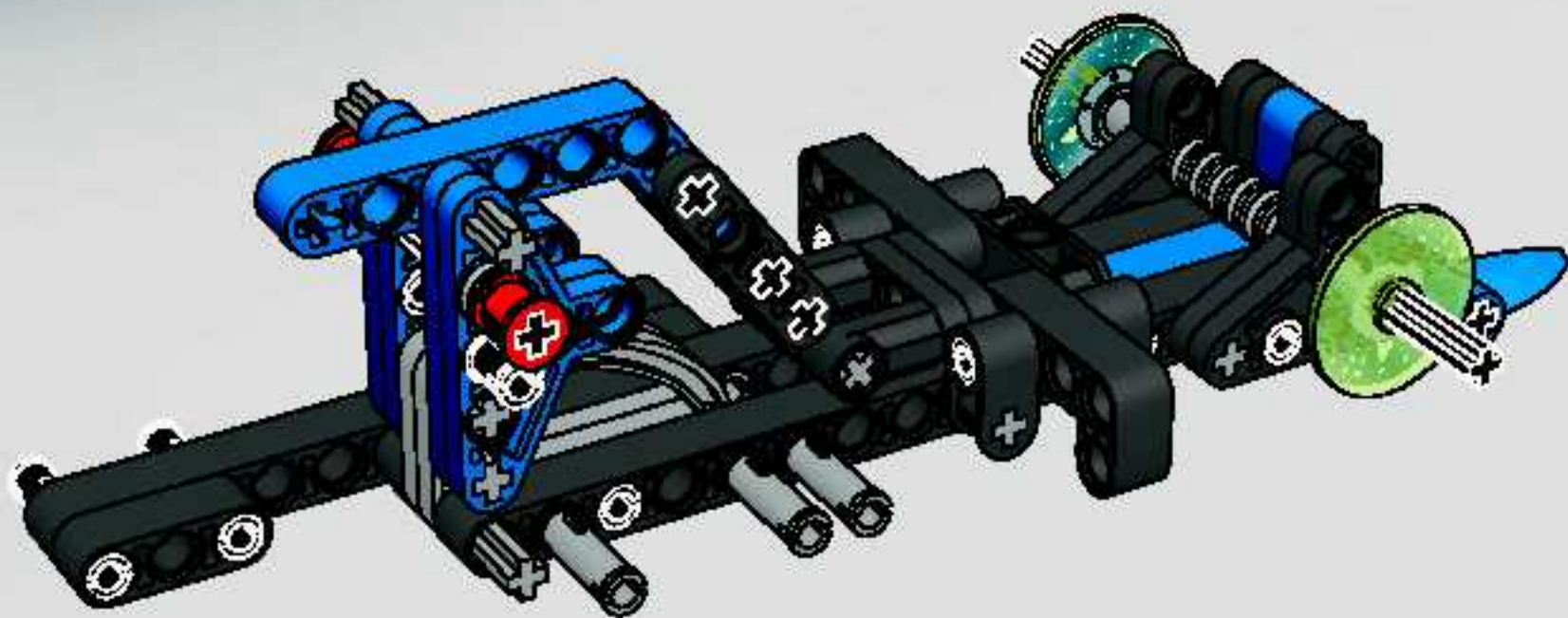


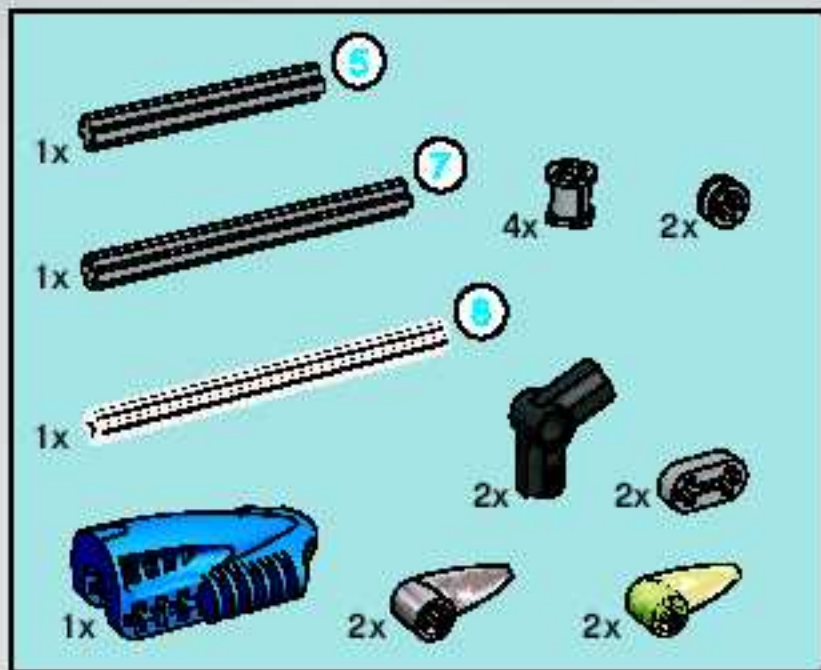
20



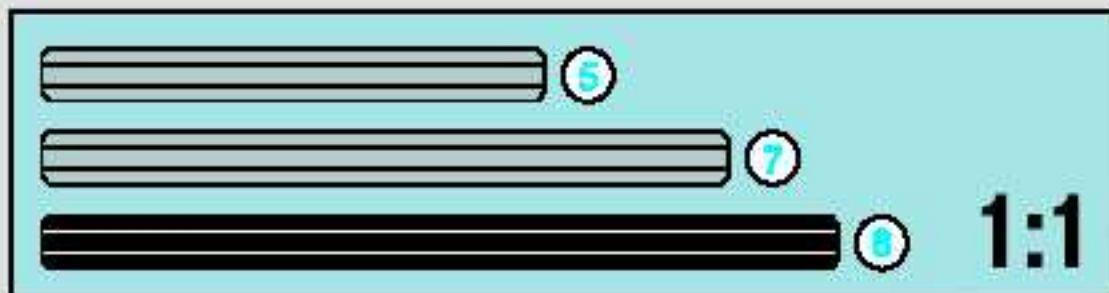
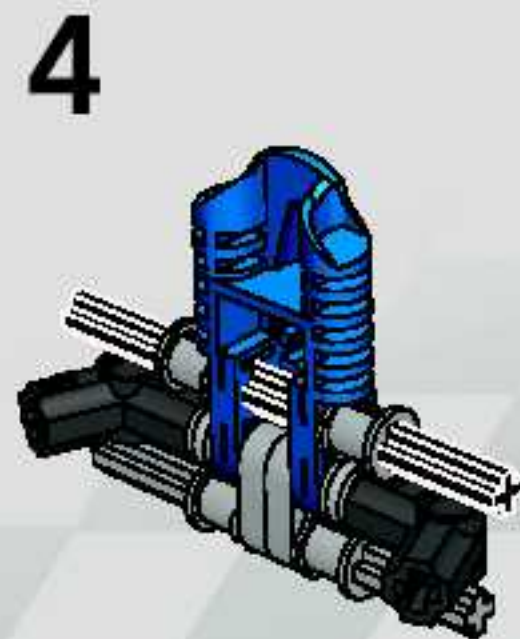
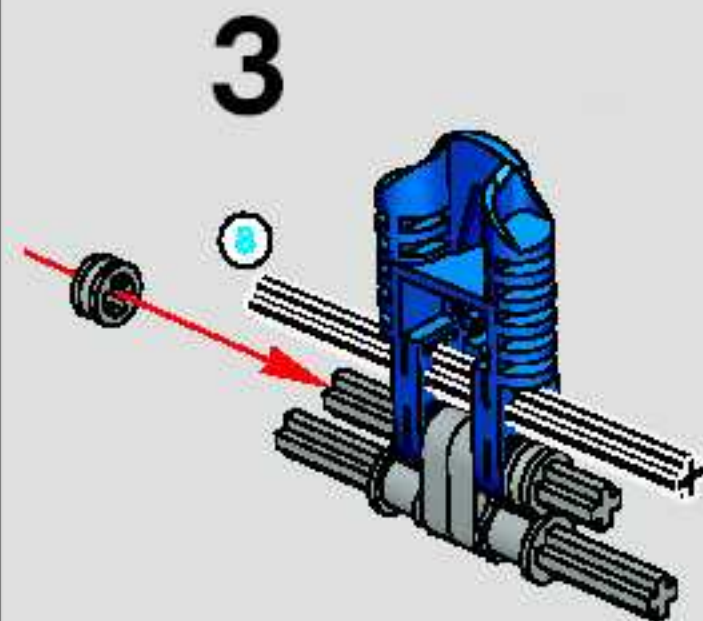
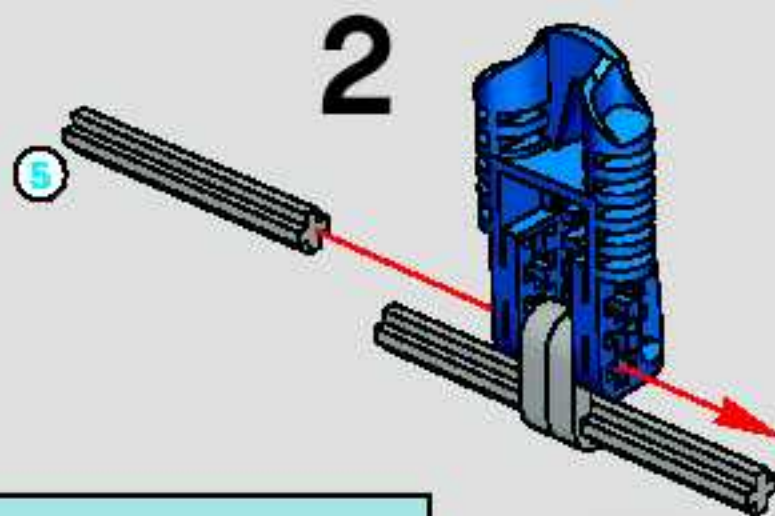
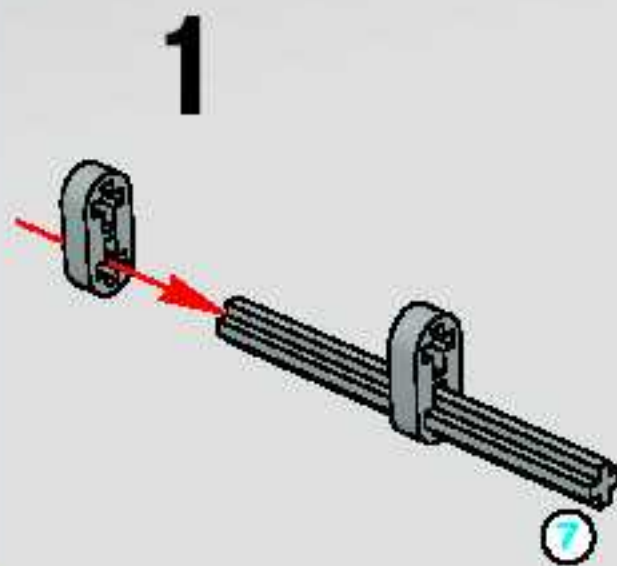


21

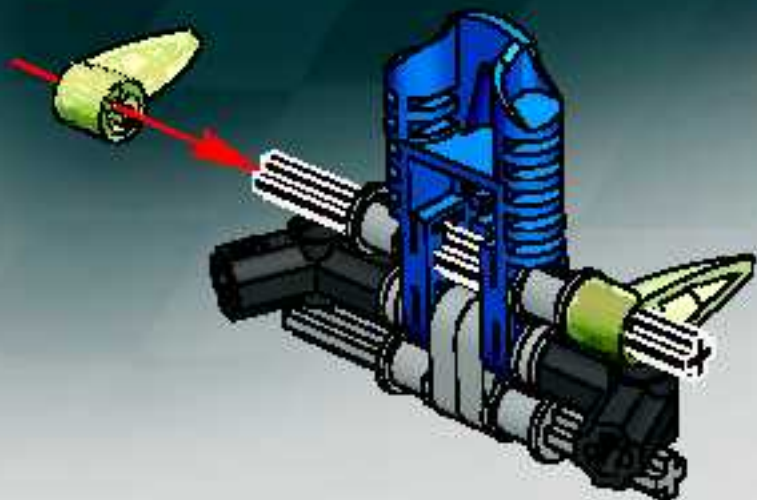




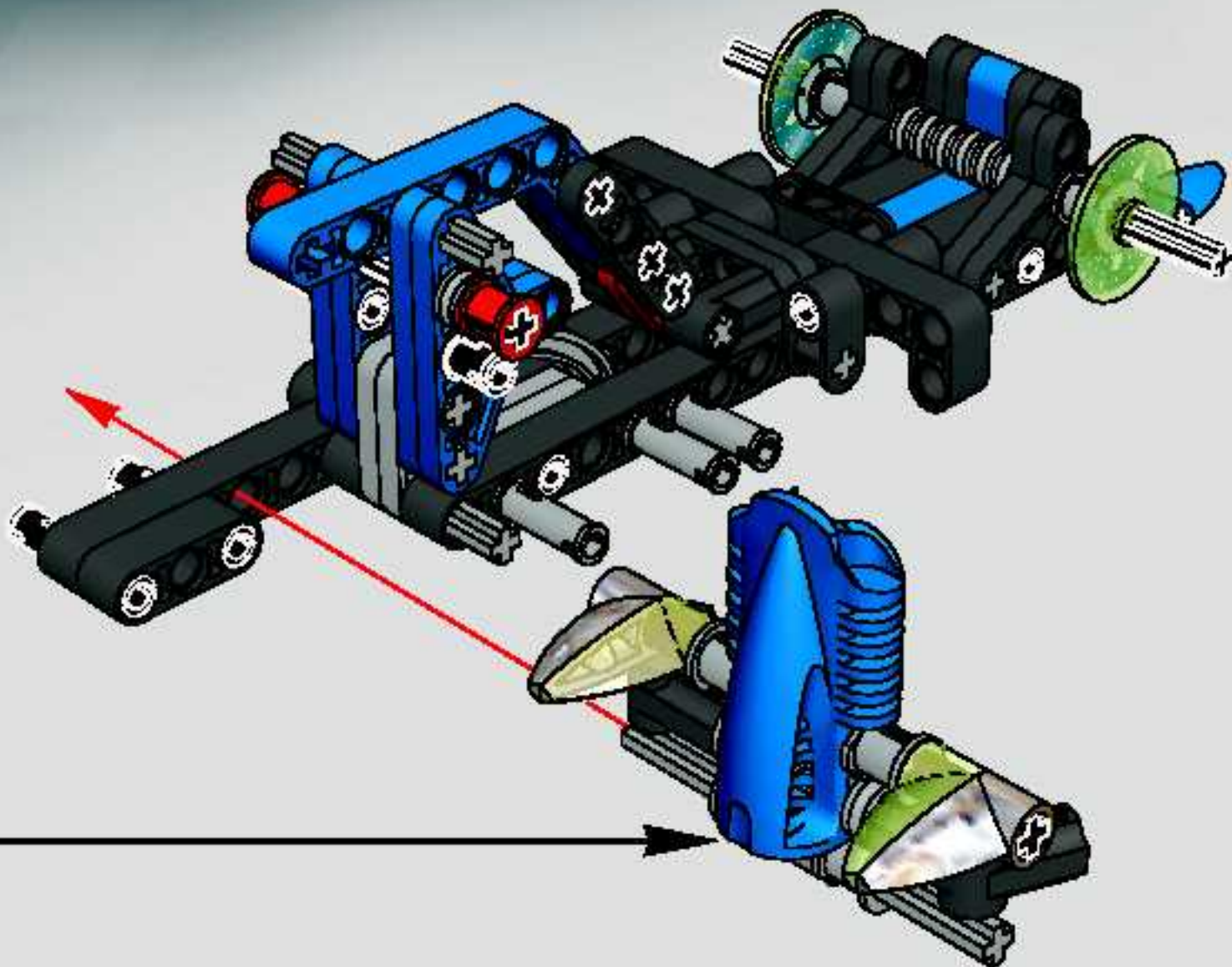
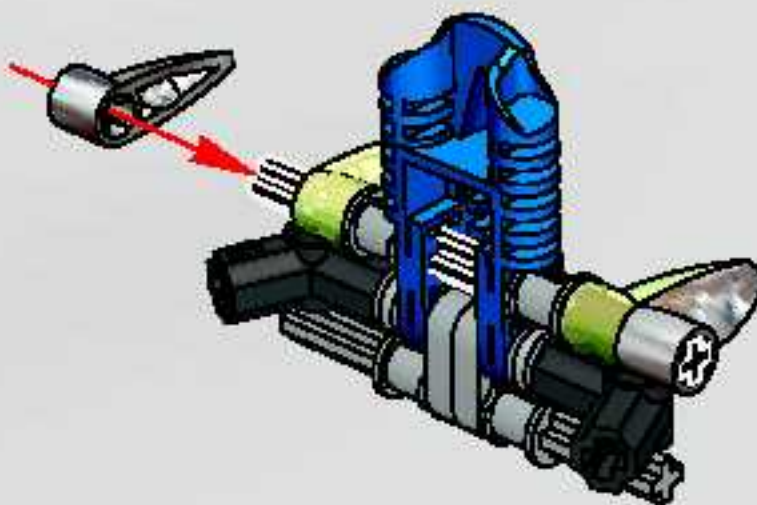
22

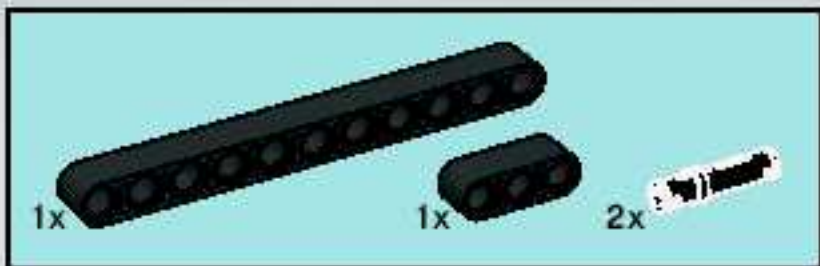


5

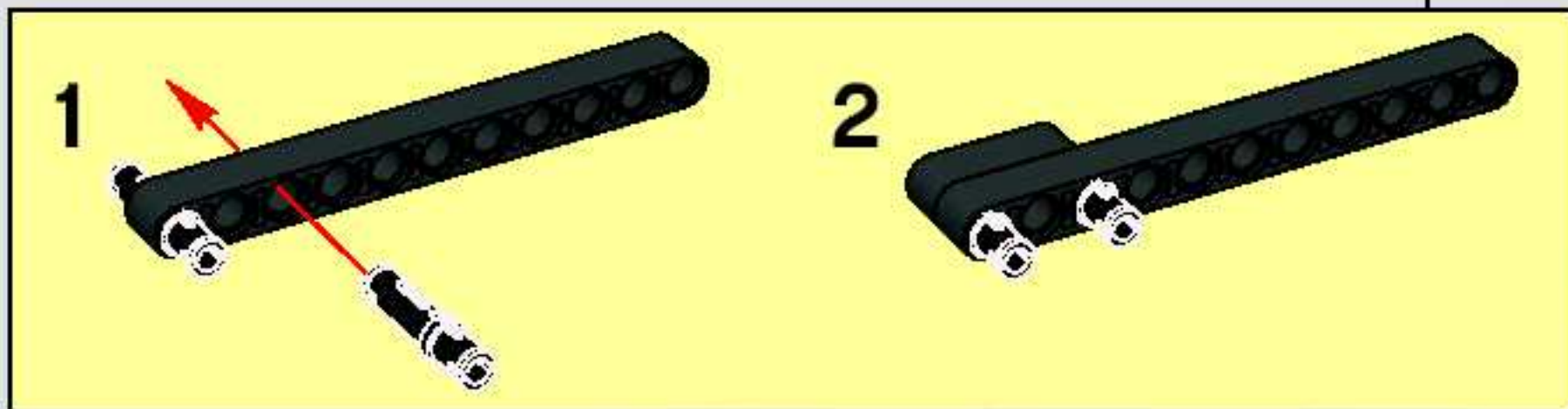
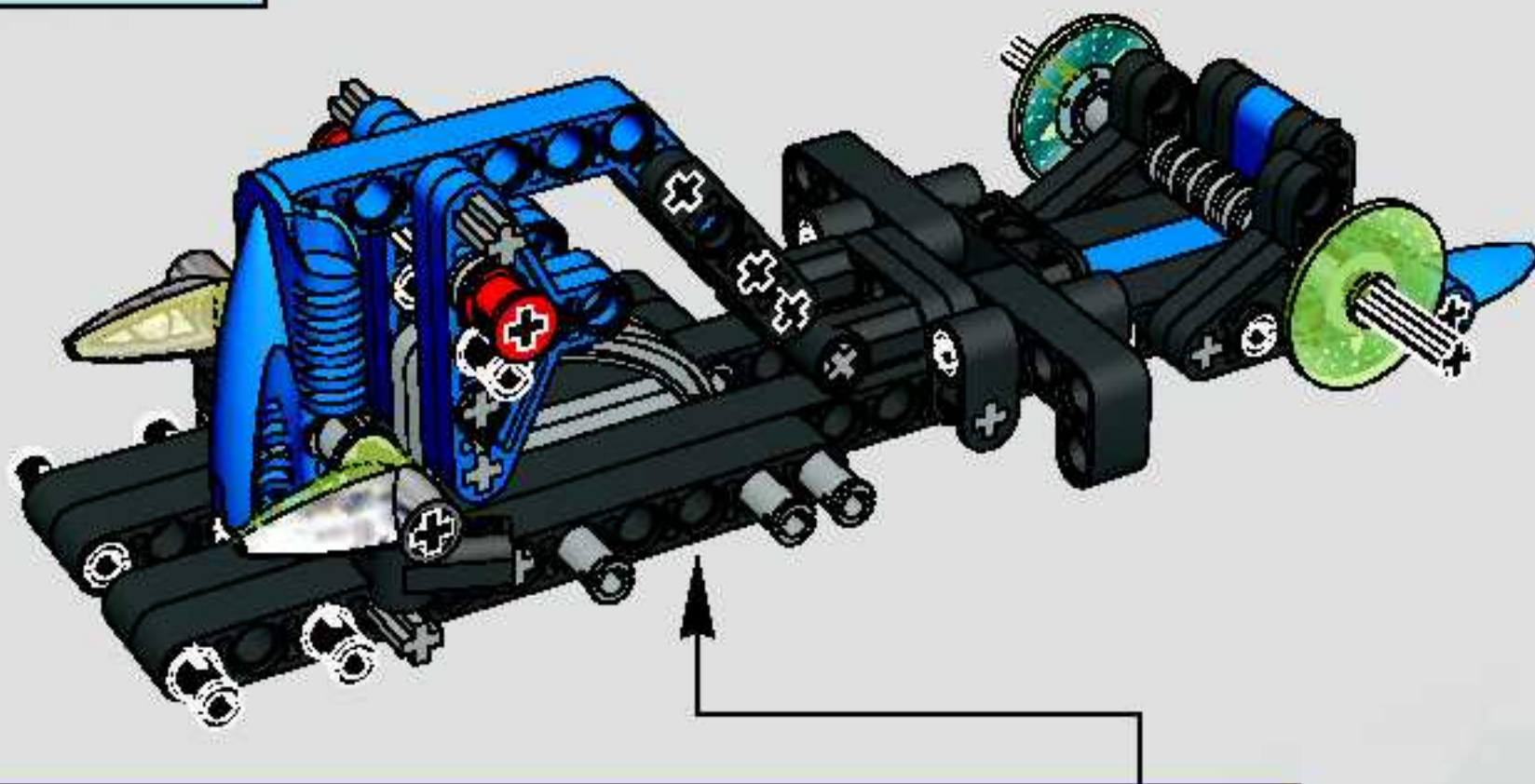


6



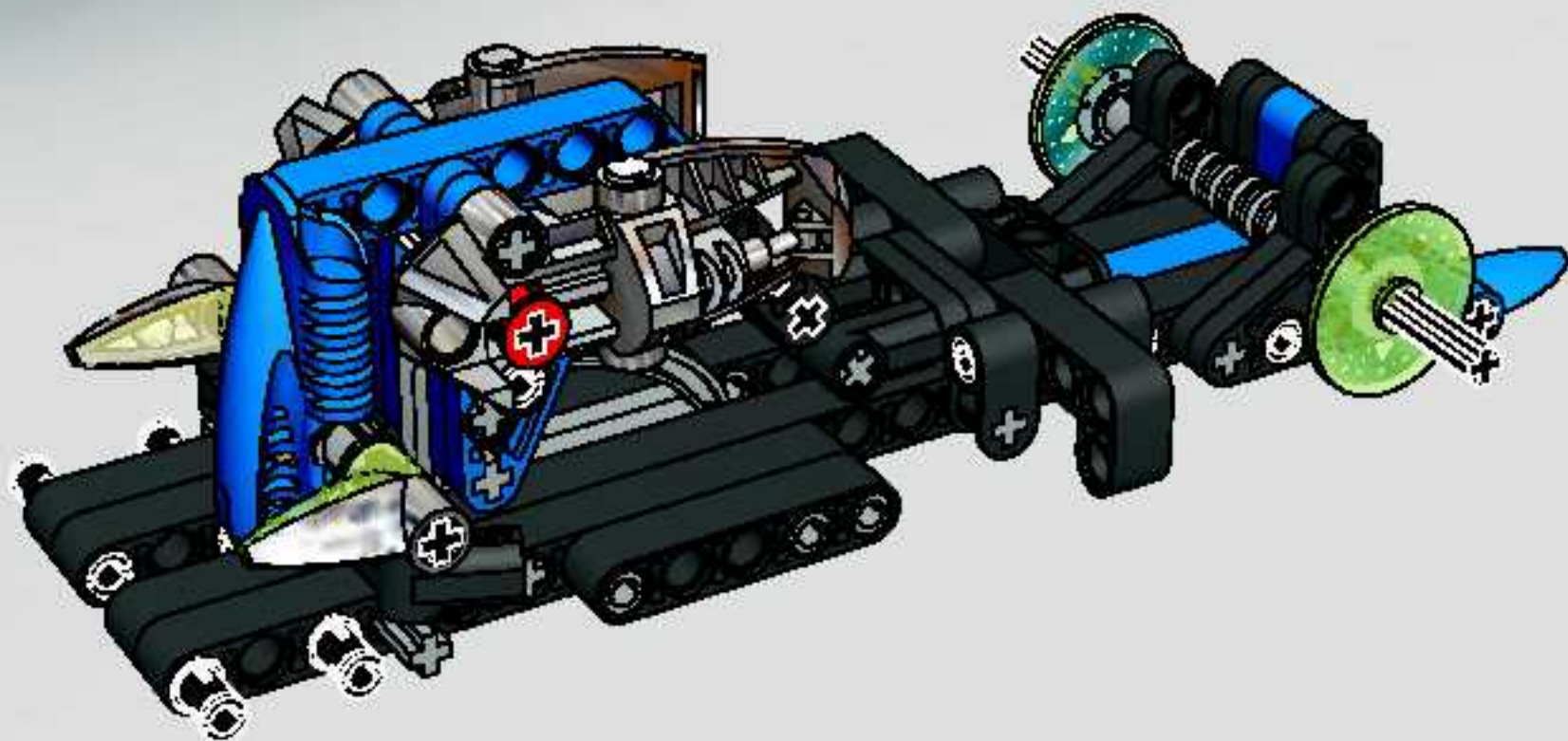


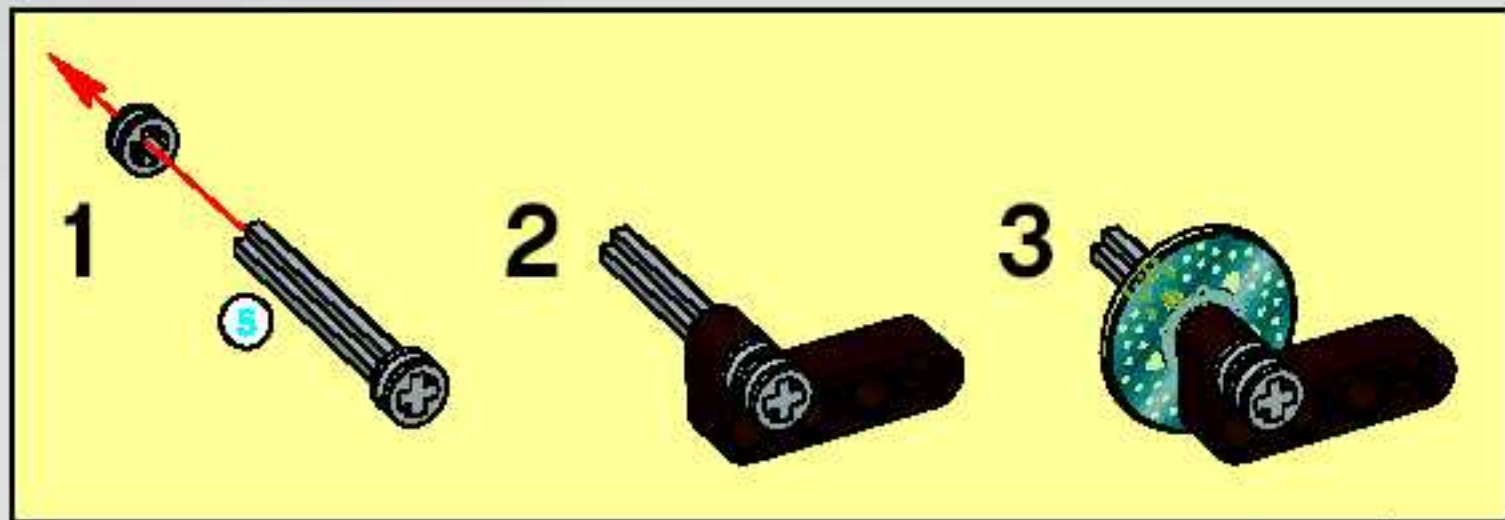
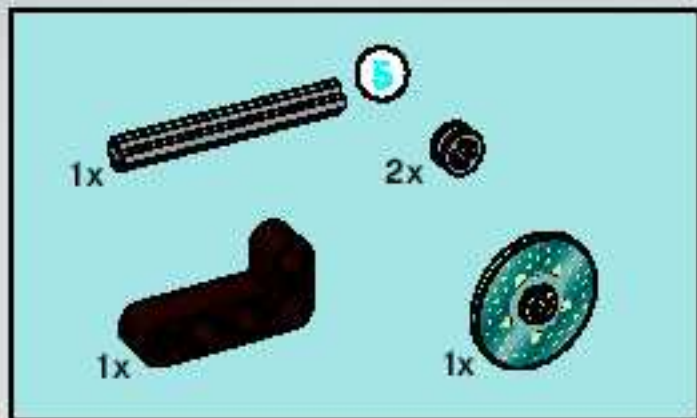
23



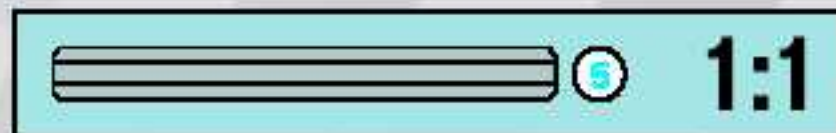
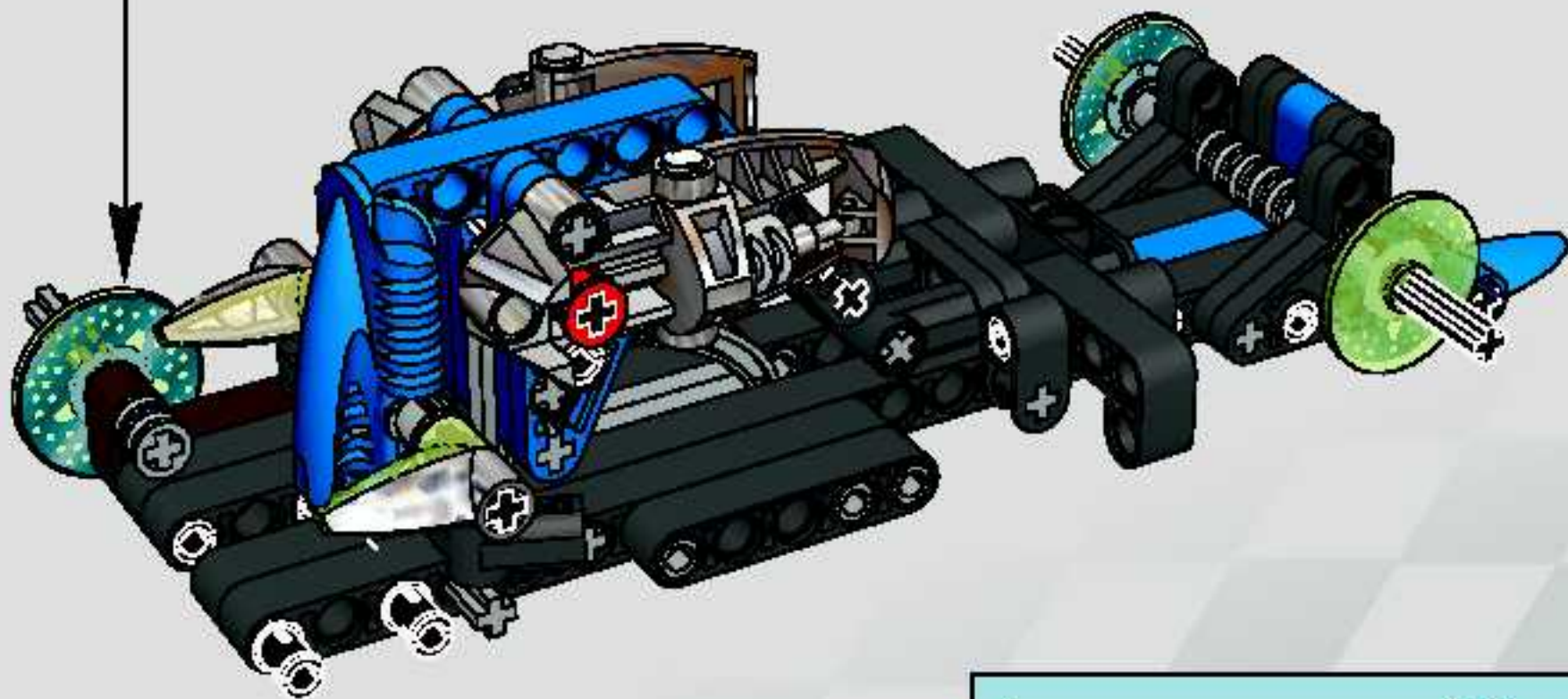


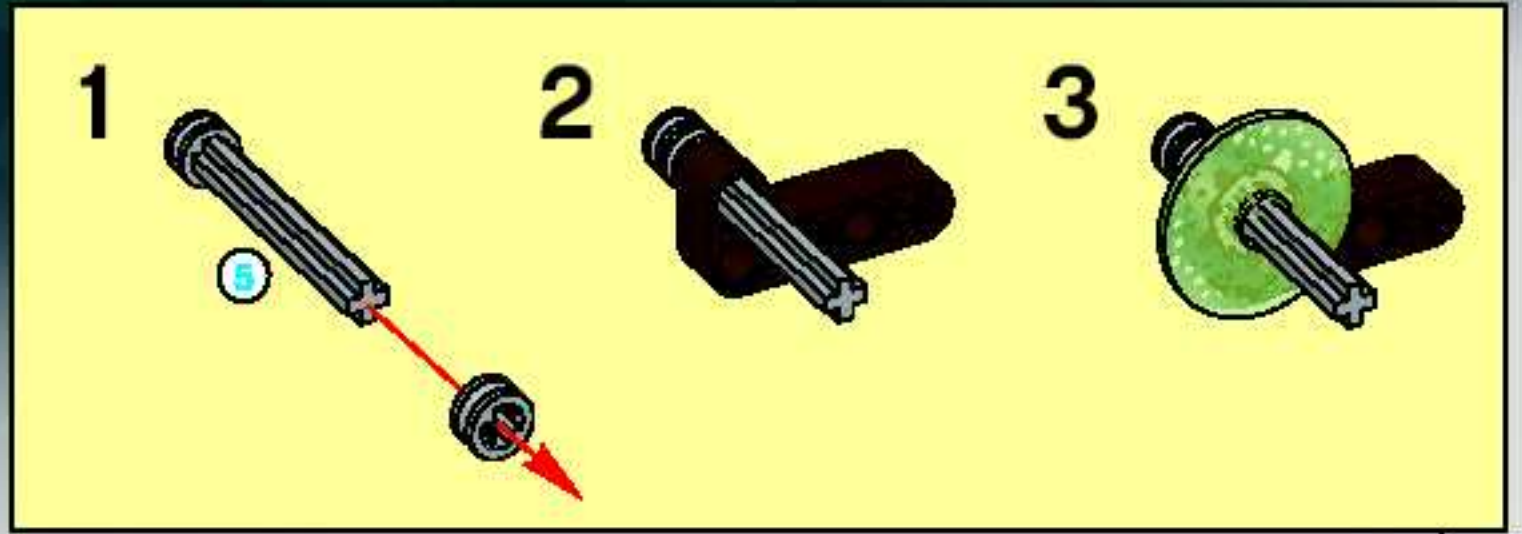
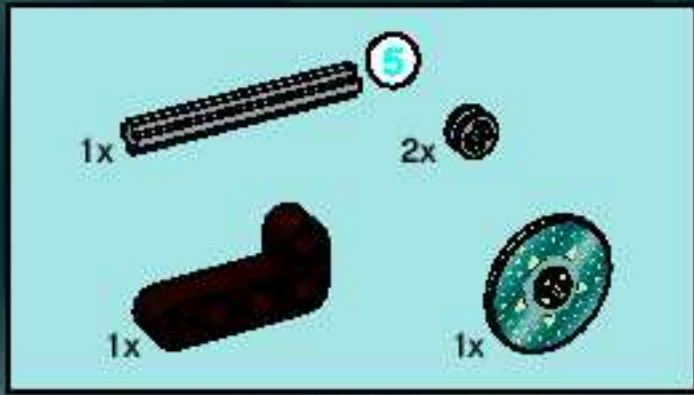
24



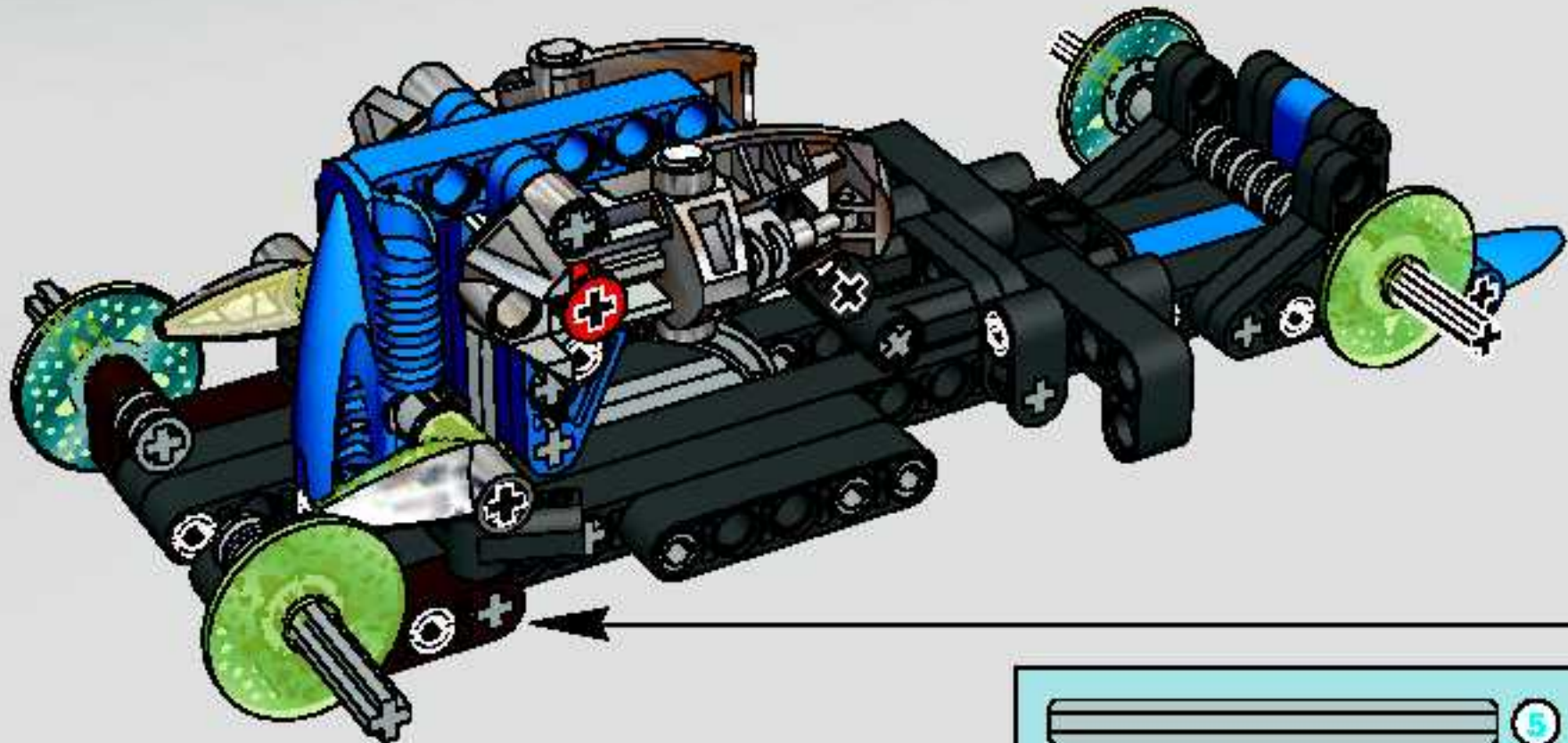


25



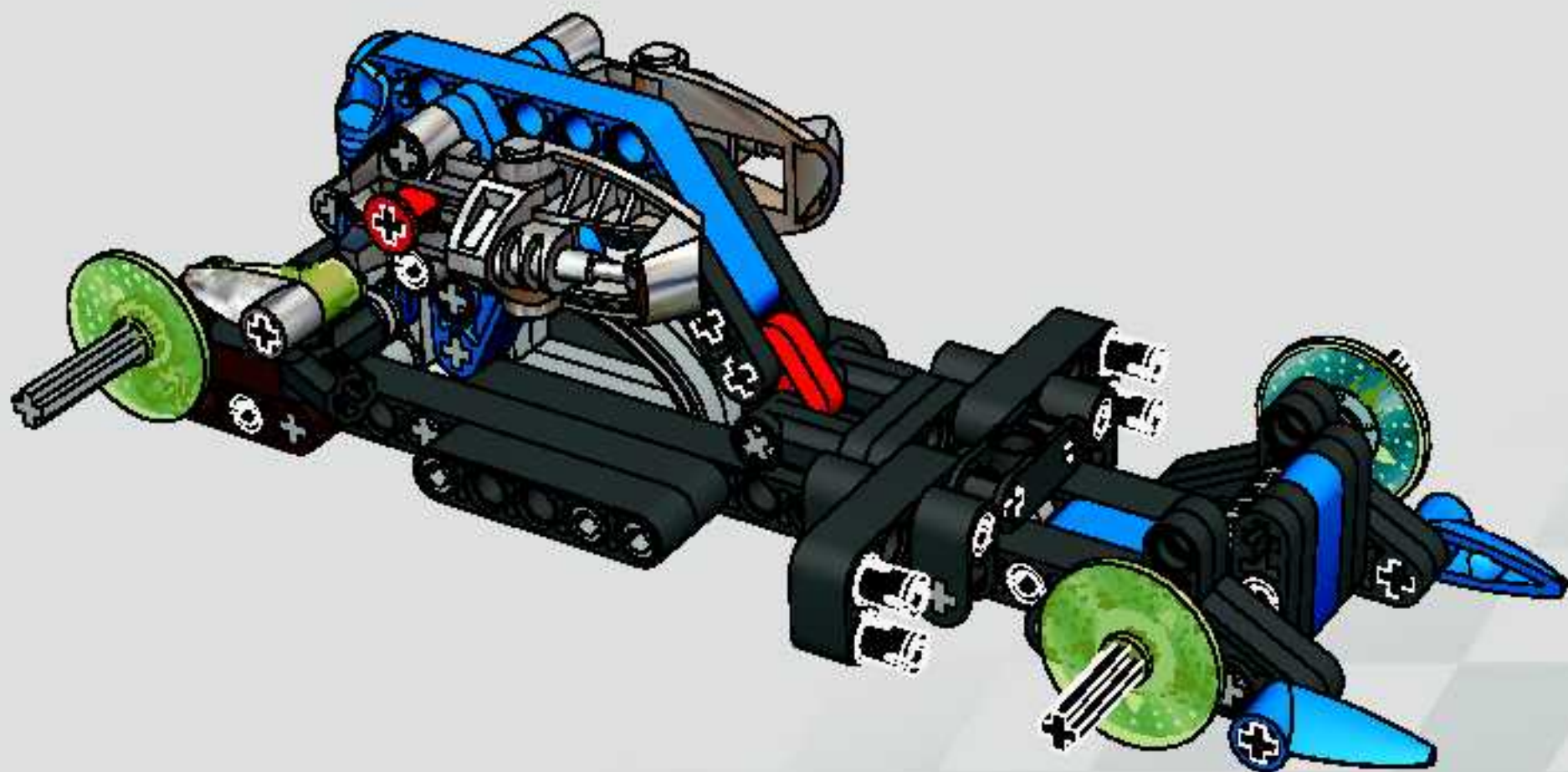


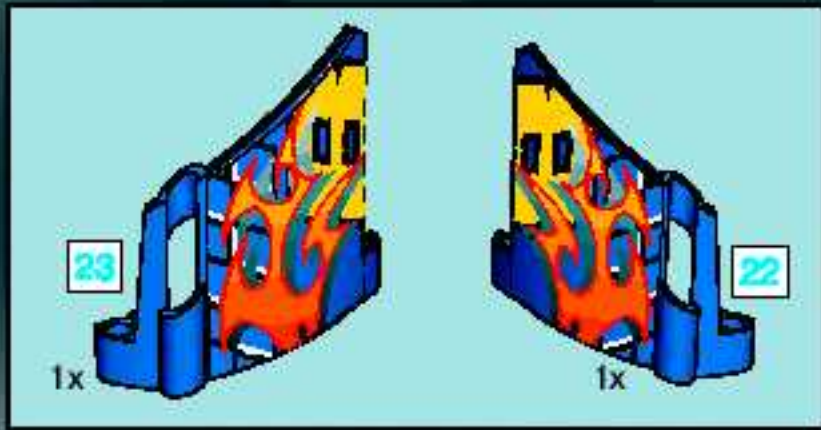
26



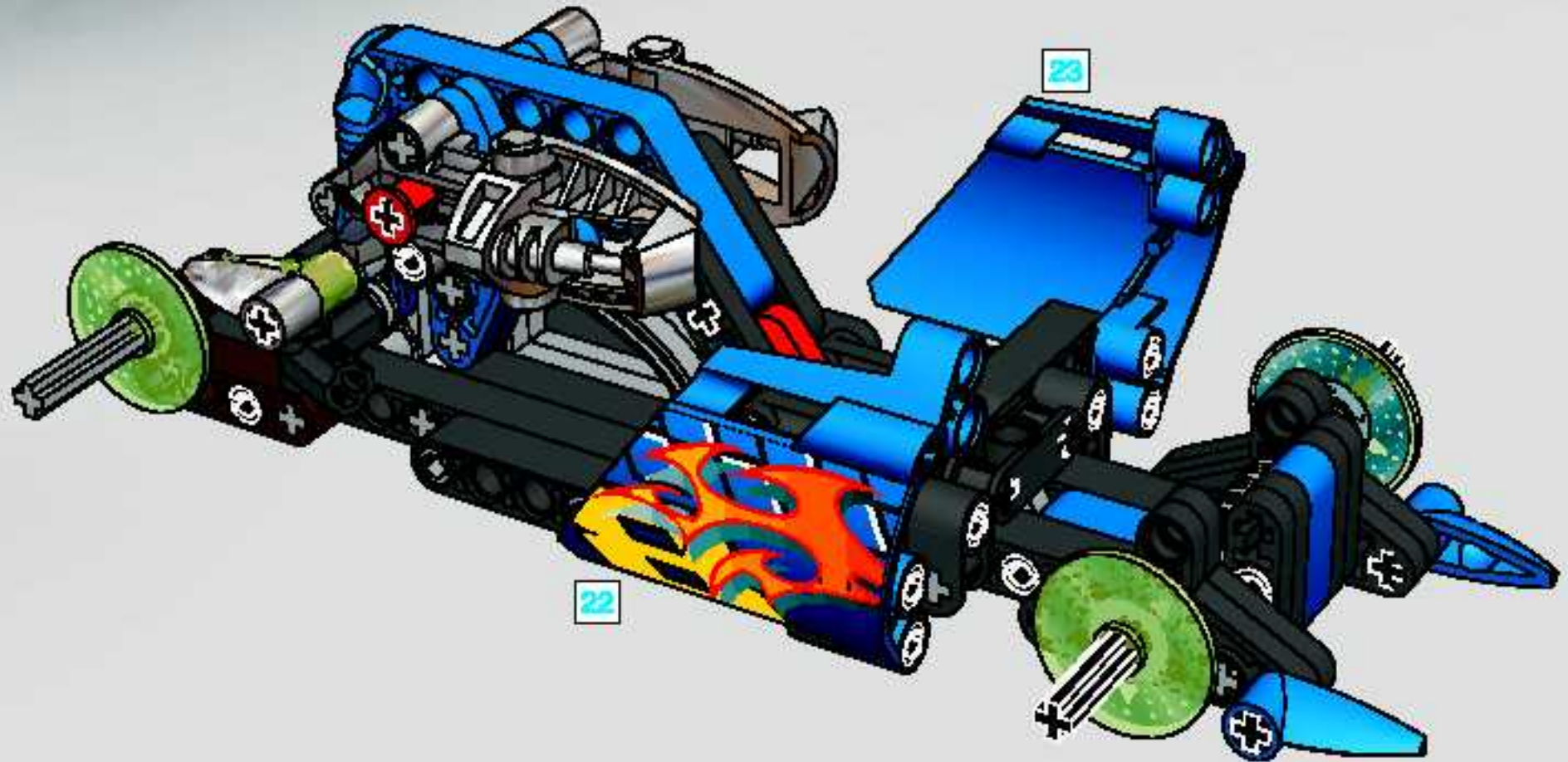
4x

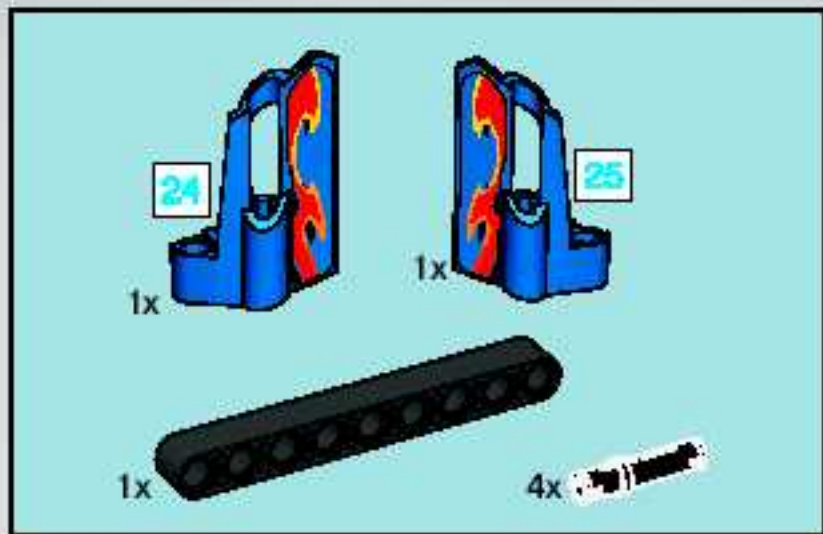
27



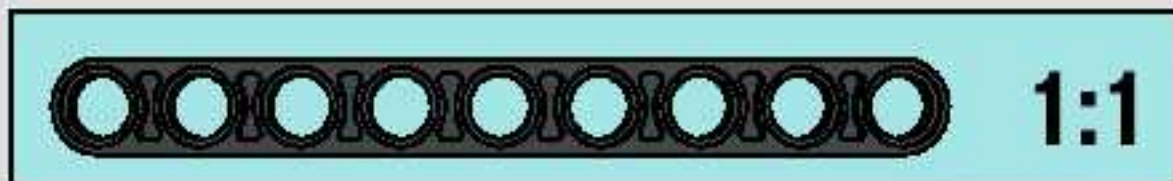
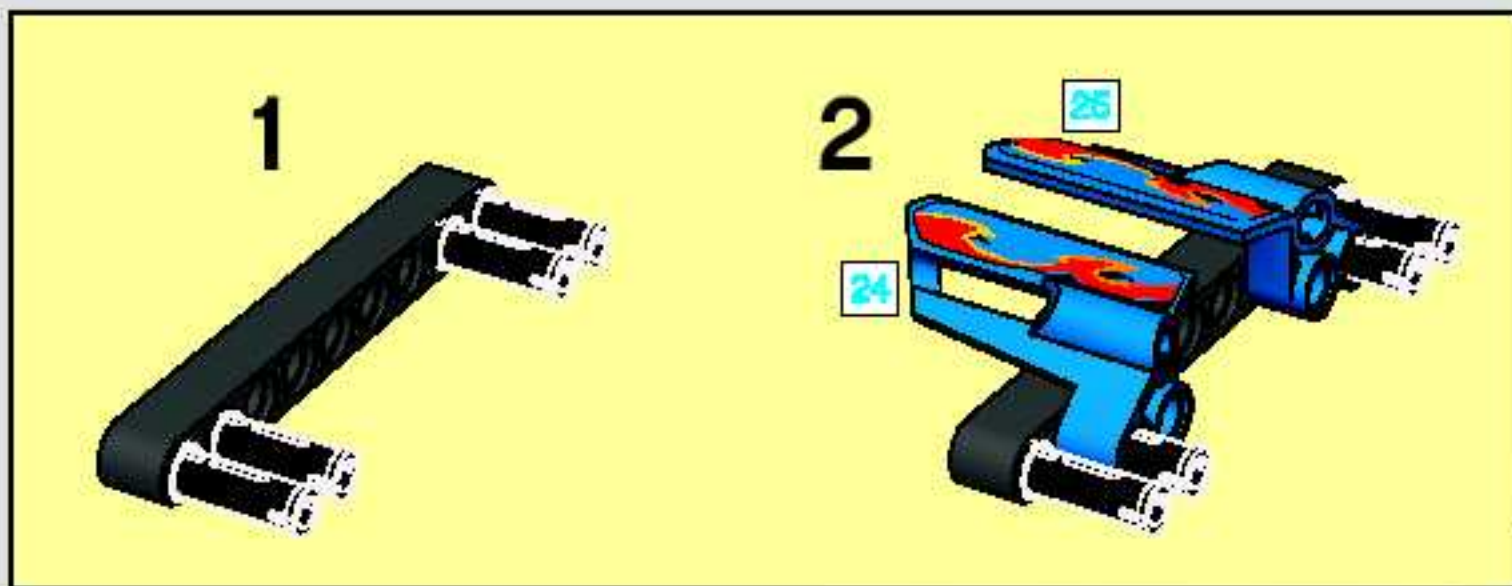


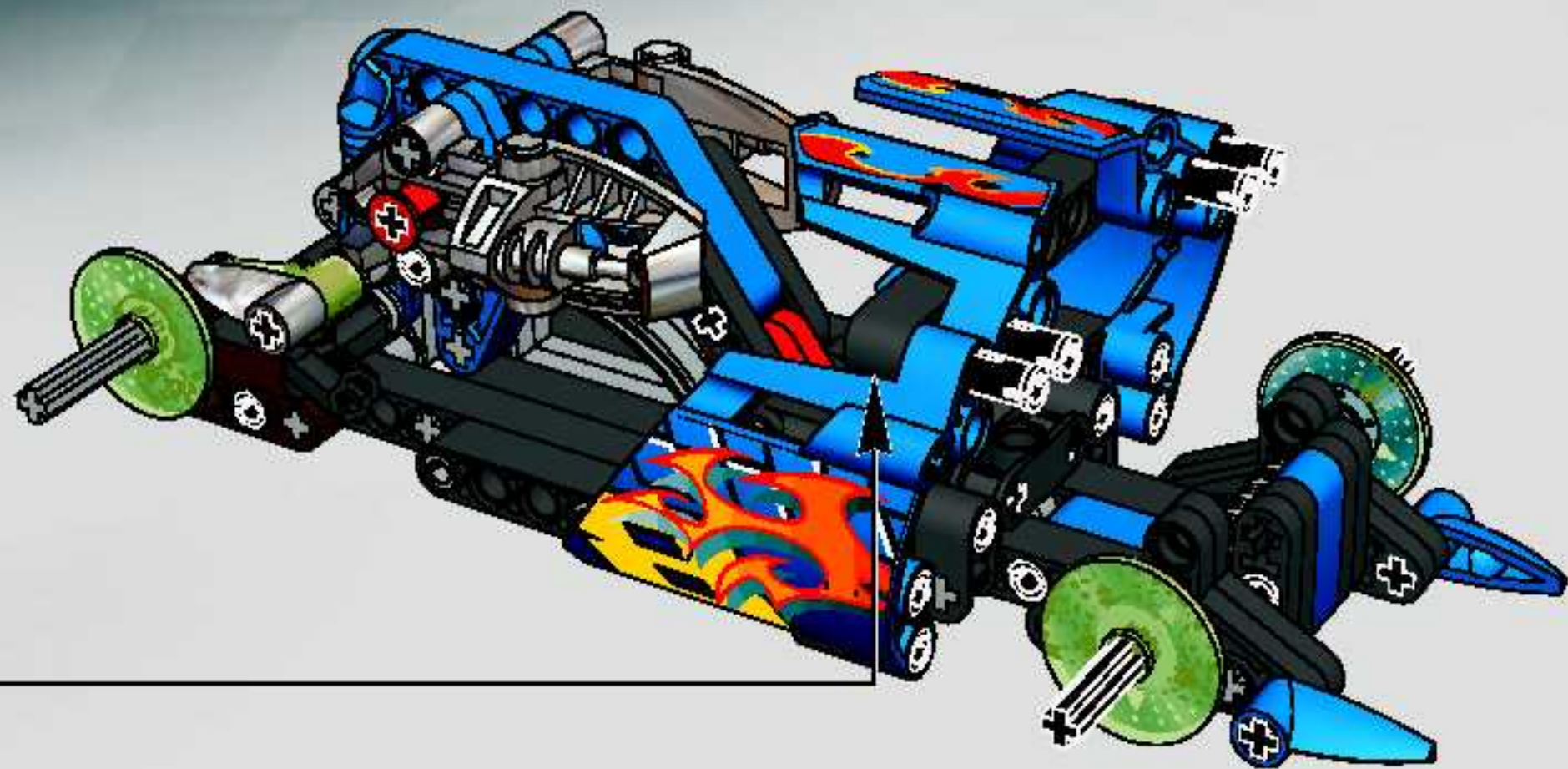
28

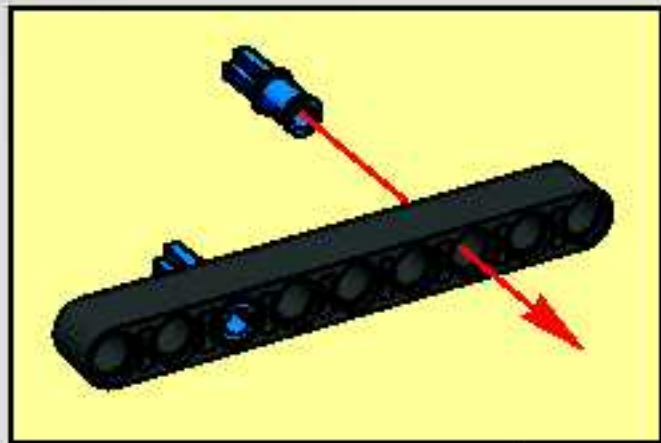
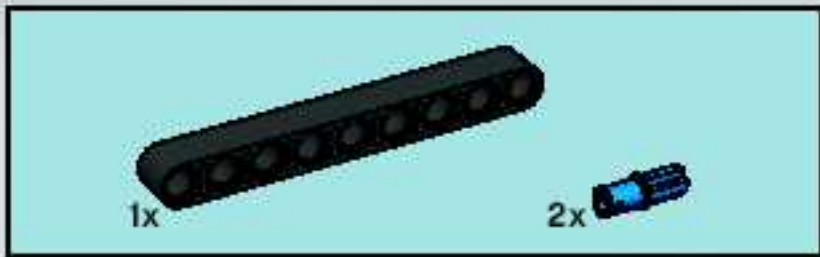




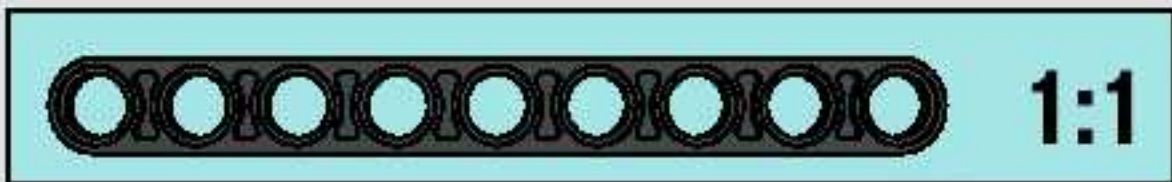
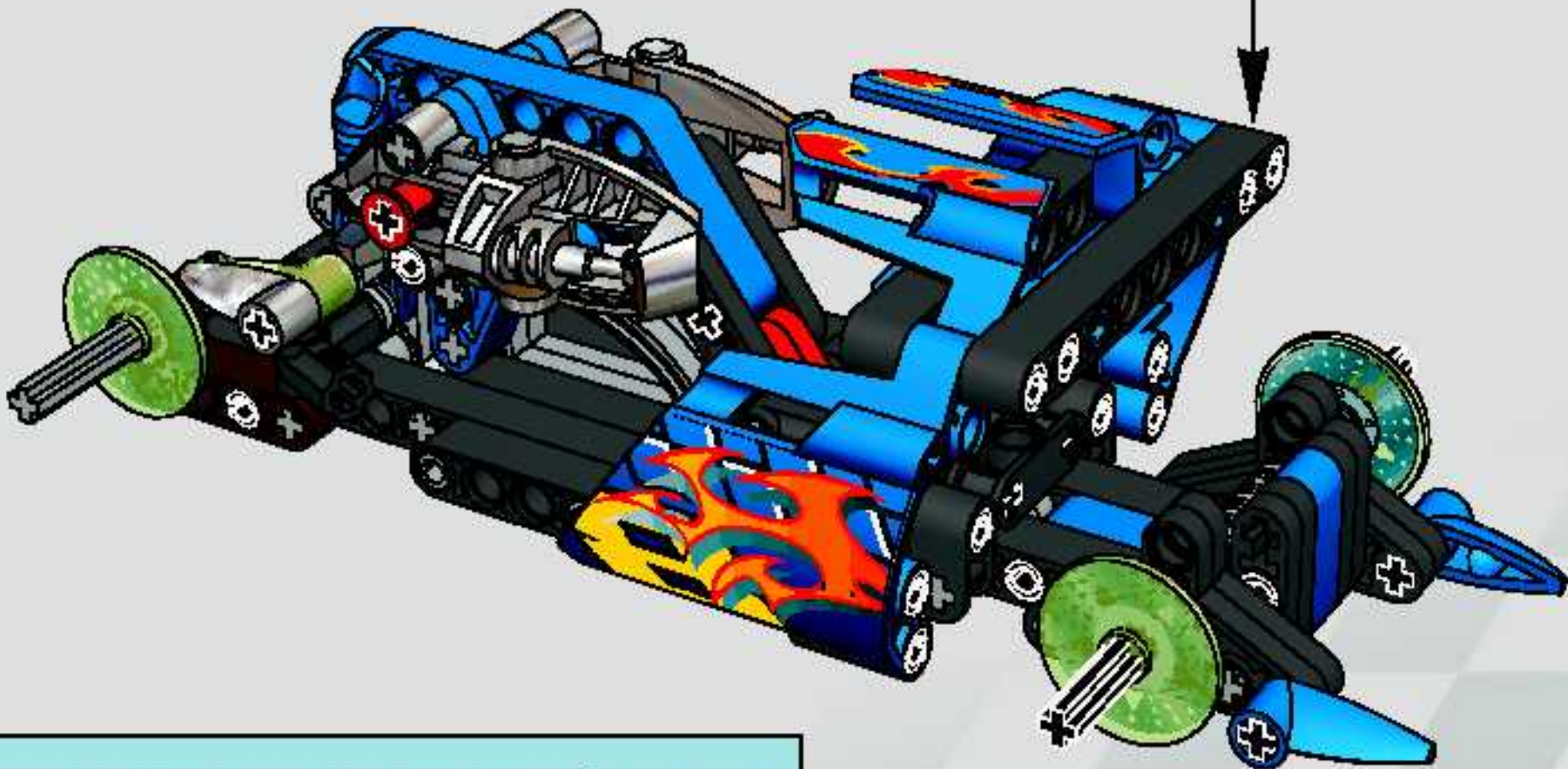
29





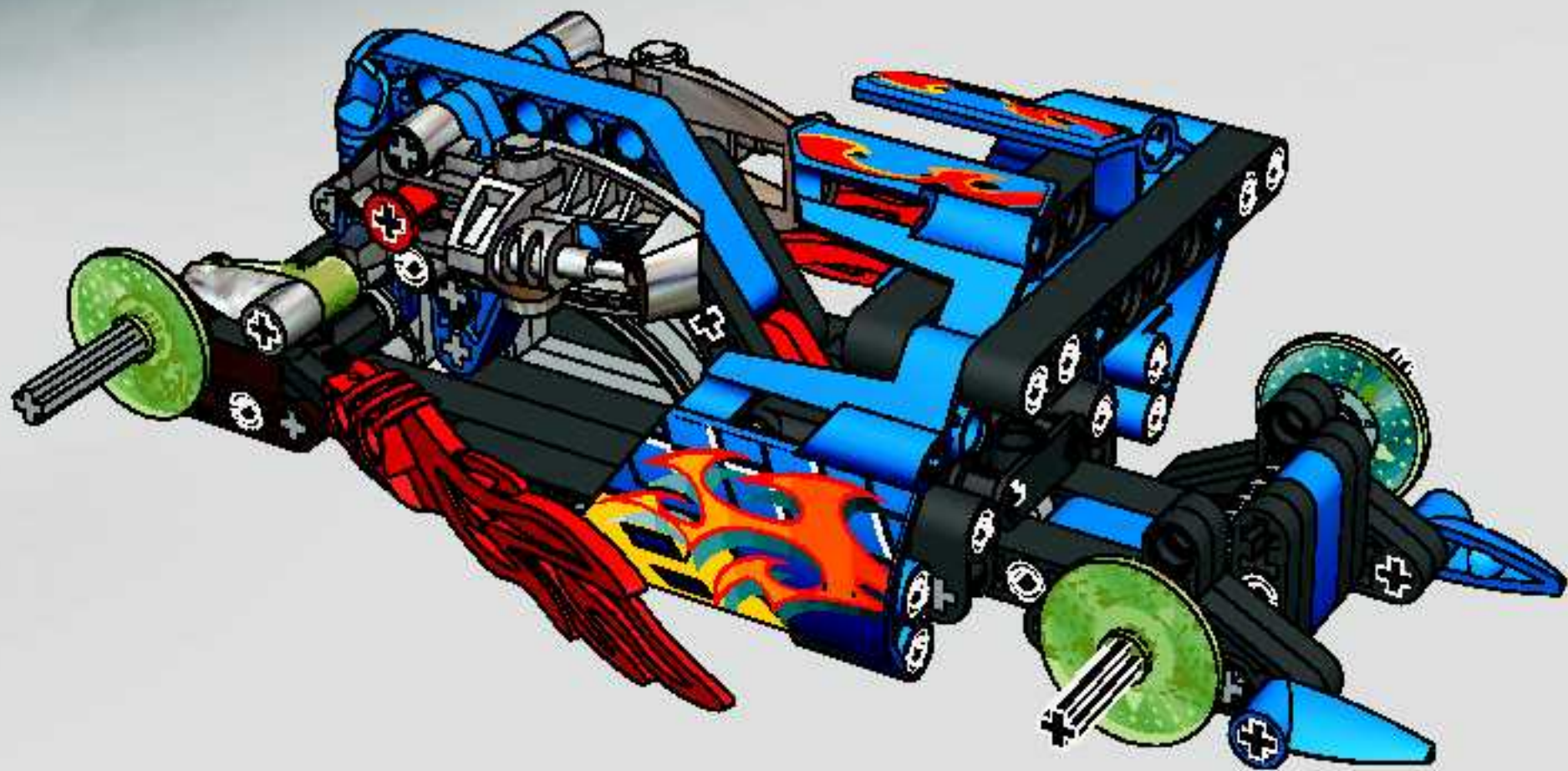


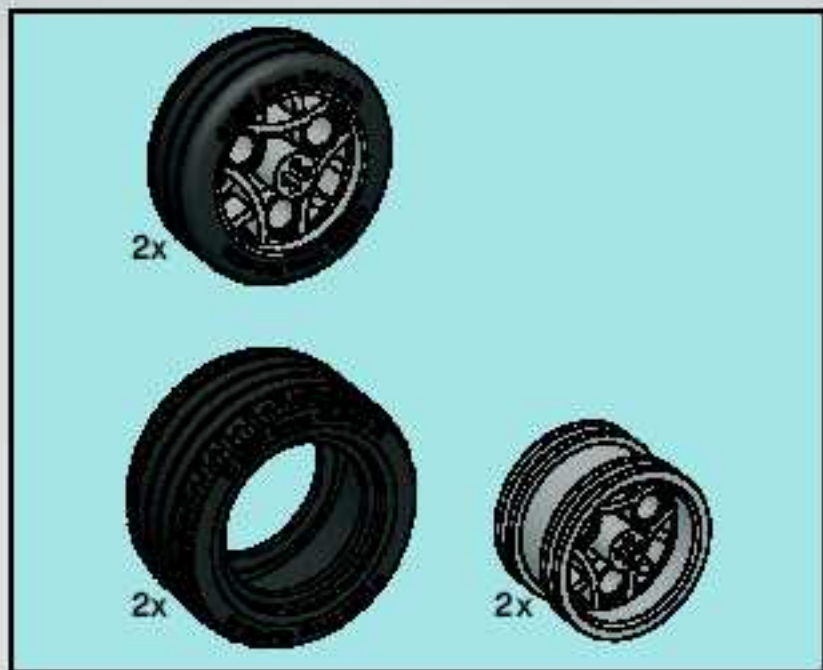
30



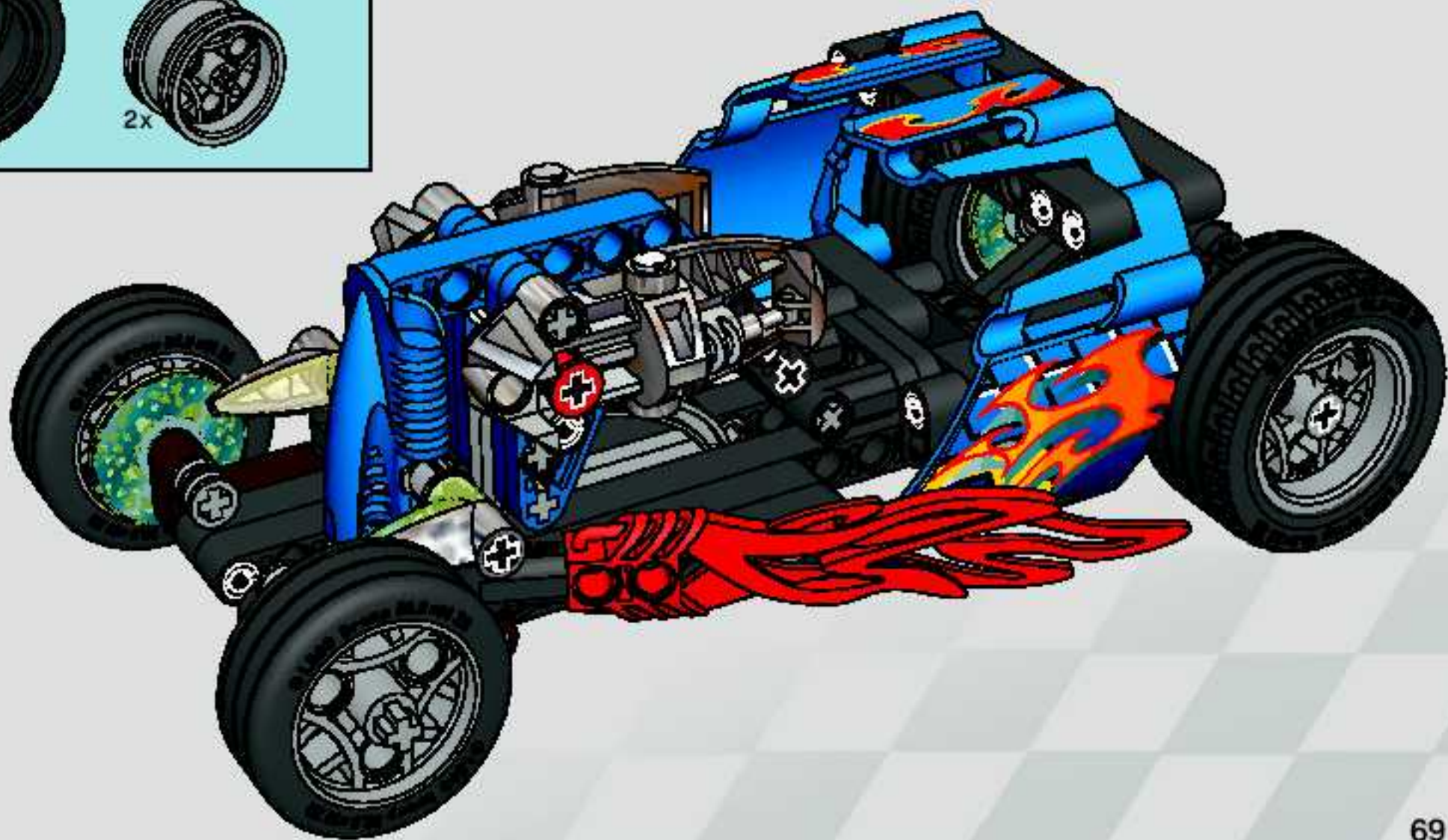


31





32





8645



8646



8647



8648



8650



www.LEGO.com/racers

Win! Gagne! Gewinne! 当たります



WIN LEGO® PRODUCTS

We would like to know what you think about our new LEGO® product. If you could help us by answering a few questions you are in with a chance of winning an exciting LEGO prize. It will only take you about 3 minutes! Log on to the web address below for further instructions.

We would really like to hear what you think about your new LEGO product. If you'd like to help us, go to the web address below for further instructions.



Estimada Usuario LEGO®

Al contestar algunas preguntas en inglés, francés, alemán o japonés, en el sitio www.acnielsen.aim.dk/lego, podrás participar en el sorteo de algunas valiosas premios LEGO®.



英語での商品が面白いです

私たちは、皆様から新しい商品についてのご意見を伺いたいと考えています。お客様のご意見を伺うことで、新しい商品を開発することができます。アンケートにご参加ください。英語で商品に関する質問やコメントをいただくことで、LEGO®の製品に関する質問やコメントをいただくことができます。



GAGNE DES PRODUITS LEGO®

Nous aimerions savoir ce que tu penses de ton nouveau produit LEGO®. Si tu veux bien nous aider en répondant à quelques questions, tu recevras peut-être bientôt un fantastique prix LEGO. Et cela ne te prendra que 3 minutes environ ! Tu obtiendras davantage d'informations en visitant le site Internet indiqué ci-dessous.

Nous aimerions savoir ce que tu penses de ton nouveau produit LEGO. Si tu souhaites nous aider, rends-toi à l'adresse Internet ci-dessous où tu trouveras des instructions supplémentaires.



Časť Zaujímavé o LEGO®

Ke odpovedi na niektoré otázky v angličtine, francúzštinu, nemčinu alebo japončine na stránke www.acnielsen.aim.dk/lego môžeš zúčastniť na súťaži o niektoré cenné ceny LEGO®.



GEWINNE LEGO® PRODUKTE

Wir sind sehr an deiner Meinung über dein neues LEGO® Produkt interessiert. Wenn du uns den Gefallen tust und ein paar Fragen beantwortest, kannst du einen tollen LEGO Preis gewinnen. Das Ganze dauert nur etwa 3 Minuten! Gehe einfach zu der unten angegebenen Webadresse - dort findest du weitere Informationen.

Wir möchten gerne wissen, was Sie von Ihrem neuen LEGO Produkt halten. Wenn Sie uns helfen möchten, besuchen Sie bitte die u.a. Website, auf der Sie alles Weitere erfahren.



Kedves LEGO® Vásárló!












Ha elítéled az új LEGO® termékünket néhány kérdés megválaszolásával, akkor részt vehetsz egy versenyben, amelyben értékes LEGO® díjakat nyerhetsz.

www.acnielsen.aim.dk/LEGO







www.LEGO.com/racers

Image	Qty	Item No	Description	MID
Regular Items:				
Parts:				
	2	32558	Red Bionicle Weapon Toa Flame Sword 2 x 12 with 2 Pin Holes Catalog: Parts: Bionicle 4260041 or 4143541 or 4520004	PG
+	*			
	2	x346	Blue Bionicle 1 x 3 Tooth with Axle Hole Catalog: Parts: Bionicle 4185662	PG
+	*			
	2	x346	Glow In Dark Trans Bionicle 1 x 3 Tooth with Axle Hole Catalog: Parts: Bionicle 4260439 or 4528345	PG
+	*			
	2	x89	Blue Rubber Belt Large (Round Cross Section) - Approx. 4 x 4 Catalog: Parts: Rubber Band & Belt 4544147 or 6049730 or 4286126 or 70904	PG
+	*			
	1	8646stk01	Sticker for Set 8646 - (52176/4254518) Catalog: Parts: Sticker 4254518	PG
+	*			
	11	3713	Light Bluish Gray Technic Bush Catalog: Parts: Technic 6275844 or 4211622	PG
+	*			
	8	4265c	Light Bluish Gray Technic Bush 1/2 Smooth Catalog: Parts: Technic 4211573	PG
+	*			
	1	32310	Blue Technic Block 3 x 5 x 1 2/3 Catalog: Parts: Technic 4185663	PG
+	*			
	4	3705	Black Technic, Axle 4 Catalog: Parts: Technic, Axle 370526	PG
+	*			
	3	3706	Black Technic, Axle 6 Catalog: Parts: Technic, Axle 370626	PG
+	*			
	4	4519	Light Bluish Gray Technic, Axle 3 Catalog: Parts: Technic, Axle 4211815	PG
+	*			


+	 *	3	32062	<p>Black Technic, Axle 2 Notched Catalog: Parts: Technic, Axle 3206226 or 4109810</p>	PG
---	---	---	-----------------------	--	--------------------

+	 *	4	32073	<p>Light Bluish Gray Technic, Axle 5 Catalog: Parts: Technic, Axle 32073194 or 4211639</p>	PG
---	--	---	-----------------------	---	--------------------


+	 *	1	44294	<p>Light Bluish Gray Technic, Axle 7 Catalog: Parts: Technic, Axle 44294194 or 4211805</p>	PG
---	--	---	-----------------------	---	--------------------


+	 *	1	32184	<p>Black Technic, Axle and Pin Connector Perpendicular 3L with Center Pin Hole Catalog: Parts: Technic, Connector 6276951 or 4121667</p>	PG
---	--	---	-----------------------	---	--------------------


+	 *	4	6536	<p>Black Technic, Axle and Pin Connector Perpendicular Catalog: Parts: Technic, Connector 6261371 or 4173668 or 653626</p>	PG
---	--	---	----------------------	---	--------------------


+	 *	2	2958	<p>Glow In Dark Trans Technic, Disk 3 x 3 Catalog: Parts: Technic, Disk 4263240</p>	PG
---	---	---	----------------------	--	--------------------

+	 *	1	32523	<p>Blue Technic, Liftarm 1 x 3 Thick Catalog: Parts: Technic, Liftarm 3252323 or 4509376 or 4144284</p>	PG
---	--	---	-----------------------	--	--------------------

+	 *	2	32523	<p>Black Technic, Liftarm 1 x 3 Thick Catalog: Parts: Technic, Liftarm 3252326 or 4142822</p>	PG
---	--	---	-----------------------	--	--------------------

+	 *	1	40490	<p>Black Technic, Liftarm 1 x 9 Thick Catalog: Parts: Technic, Liftarm 4049026 or 4542788 or 4645732 or 4154767</p>	PG
---	--	---	-----------------------	--	--------------------


+	 *	2	32316	<p>Black Technic, Liftarm 1 x 5 Thick Catalog: Parts: Technic, Liftarm 4142135</p>	PG
---	--	---	-----------------------	---	--------------------


+	 *	2	32278	<p>Black Technic, Liftarm 1 x 15 Thick Catalog: Parts: Technic, Liftarm 4542573 or 4128603</p>	PG
---	--	---	-----------------------	---	--------------------


+	 *	2	32250	<p>Light Bluish Gray Technic, Liftarm 3 x 5 L-Shape with Quarter Ellipse Thin Catalog: Parts: Technic, Liftarm 4234247</p>	PG
---	--	---	-----------------------	---	--------------------


+		1	32526	Blue Technic, Liftarm 3 x 5 L-Shape Thick Catalog: Parts: Technic, Liftarm 4158923	PG
---	--	---	-----------------------	---	--------------------


+		1	6629	Blue Technic, Liftarm 1 x 9 Bent (6 - 4) Thick Catalog: Parts: Technic, Liftarm 4112284 or 4182884 or 662923	PG
---	---	---	----------------------	---	--------------------


+		2	6632	Black Technic, Liftarm 1 x 3 Thin Catalog: Parts: Technic, Liftarm 4107828 or 663226	PG
---	---	---	----------------------	---	--------------------


+		3	32271	Black Technic, Liftarm 1 x 9 Bent (7 - 3) Thick Catalog: Parts: Technic, Liftarm 4140327	PG
---	---	---	-----------------------	---	--------------------


+		2	32140	Black Technic, Liftarm 2 x 4 L-Shape Thick Catalog: Parts: Technic, Liftarm 6271825 or 3214026 or 4120017	PG
---	---	---	-----------------------	--	--------------------


+		2	41677	Blue Technic, Liftarm 1 x 2 Thin Catalog: Parts: Technic, Liftarm 4186834	PG
---	--	---	-----------------------	--	--------------------


+		2	41677	Light Bluish Gray Technic, Liftarm 1 x 2 Thin Catalog: Parts: Technic, Liftarm 4211741	PG
---	---	---	-----------------------	---	--------------------













+		2	32525	Black Technic, Liftarm 1 x 11 Thick Catalog: Parts: Technic, Liftarm 6029578 or 3252526 or 4534909 or 4156150	PG
---	---	---	-----------------------	--	--------------------


+		2	43857	Black Technic, Liftarm 1 x 2 Thick Catalog: Parts: Technic, Liftarm 4385726 or 4177444	PG
---	---	---	-----------------------	---	--------------------


+		1	43857	Light Bluish Gray Technic, Liftarm 1 x 2 Thick Catalog: Parts: Technic, Liftarm 4211862	PG
---	---	---	-----------------------	--	--------------------


+		4	2905	Blue Technic, Liftarm Triangle Thin Catalog: Parts: Technic, Liftarm 4254627	PG
---	---	---	----------------------	---	--------------------

+		2	2905	Black Technic, Liftarm Triangle Thin Catalog: Parts: Technic, Liftarm 4142543 or 290526	PG
---	---	---	----------------------	--	--------------------


+		4	32017	Blue Technic, Liftarm 1 x 5 Thin Catalog: Parts: Technic, Liftarm 4125191 or 4254626	PG
+		2	32056	Light Bluish Gray Technic, Liftarm 3 x 3 L-Shape Thin Catalog: Parts: Technic, Liftarm 4211574	PG
+		1	47712	Blue Technic, Panel Fairing #24 Small Short, Small Hole, Side B Catalog: Parts: Technic, Panel 4256747	PG
+		1	47713	Blue Technic, Panel Fairing #25 Small Short, Small Hole, Side A Catalog: Parts: Technic, Panel 4256753	PG
+		1	44352	Blue Technic, Panel Fairing #22 Large Short, Small Hole, Side A Catalog: Parts: Technic, Panel 4183105 or 4254624	PG
+		1	44353	Blue Technic, Panel Fairing #23 Large Short, Small Hole, Side B Catalog: Parts: Technic, Panel 4183110 or 4254625	PG
+		1	32138	Black Technic, Pin Double with Axle Hole Catalog: Parts: Technic, Pin 4119589	PG
+		1	4274	Light Bluish Gray Technic, Pin 1/2 Catalog: Parts: Technic, Pin 4211483 or 4274194	PG
+		4	2780	Black Technic, Pin with Friction Ridges Lengthwise WITH Center Slots Catalog: Parts: Technic, Pin 4121715 or 278026	PG
+		9	6558	Black Technic, Pin 3L with Friction Ridges Lengthwise Catalog: Parts: Technic, Pin 655826	PG
+		7	32556	Light Bluish Gray Technic, Pin 3L without Friction Ridges Lengthwise Catalog: Parts: Technic, Pin 4211709	PG
+		2	6628	Black Technic, Pin with Friction Ridges Lengthwise and Towball Catalog: Parts: Technic, Pin 662826 or 4184169	PG


+	 *	1	44309	Black Tire 43.2 x 22 ZR Catalog: Parts: Tire & Tread 4184286	PG
---	---	---	-----------------------	---	--------------------

+	 *	1	44292	Light Bluish Gray Wheel 30.4mm D. x 20mm with 3 Pin Holes Catalog: Parts: Wheel 4211809	PG
---	--	---	-----------------------	--	--------------------


+	 *	1	44293c01	Light Gray Wheel 36.8 x 14 ZR with Axle Hole, 3 Pin Holes, and Black Rubber Tire Glued On Catalog: Parts: Wheel 4270685	PG 1
---	--	---	--------------------------	--	--


Extra Items:

+	 *	1	41753	Dark Bluish Gray Rubber Band / Belt Holder 2 x 6 x 2 1/3 Catalog: Parts: Rubber Band & Belt Part Color Code Missing	PG
---	--	---	-----------------------	--	--------------------


+	 *	1	4265c	Light Bluish Gray Technic Bush 1/2 Smooth Catalog: Parts: Technic 4211573	PG
---	--	---	-----------------------	--	--------------------

+	 *	1	3713	Light Bluish Gray Technic Bush Catalog: Parts: Technic 6275844 or 4211622	PG
---	---	---	----------------------	--	--------------------


+	 *	1	4274	Light Bluish Gray Technic, Pin 1/2 Catalog: Parts: Technic, Pin 4211483 or 4274194	PG
---	--	---	----------------------	---	--------------------

+	 *	1	2780	Black Technic, Pin with Friction Ridges Lengthwise WITH Center Slots Catalog: Parts: Technic, Pin 4121715 or 278026	PG
---	--	---	----------------------	--	--------------------


Counterparts:


+	 *	2	2958pb032	Glow In Dark Trans Technic, Disk 3 x 3 with Disk Brake Silver Hub 5-Bolt Star with Holes-in-Line Pattern (Sticker) - Set 8646 Catalog: Parts: Technic, Disk Part Color Code Missing	PG
---	--	---	---------------------------	--	--------------------

+	 *	1	32271pb004R	Black Technic, Liftarm 1 x 9 Bent (7 - 3) Thick with Flames Pattern Model Right (Sticker) - Set 8646 Catalog: Parts: Technic, Liftarm, Decorated Part Color Code Missing	PG
---	--	---	-----------------------------	---	--------------------


+	 *	1	32271pb004L	Black Technic, Liftarm 1 x 9 Bent (7 - 3) Thick with Flames Pattern Model Left (Sticker) - Set 8646 Catalog: Parts: Technic, Liftarm, Decorated Part Color Code Missing	PG
---	--	---	-----------------------------	--	--------------------


Black Technic, Liftarm 1 x 11 Thick with Yellow and Orange

+  1 [32525pb017L](#) **Flame Pattern Model Left Side (Sticker) - Set 8646** [PG](#)
 * [Catalog: Parts: Technic, Liftarm, Decorated](#)
 Part Color Code Missing


+  1 [32525pb017R](#) **Black Technic, Liftarm 1 x 11 Thick with Yellow and Orange Flame Pattern Model Right Side (Sticker) - Set 8646** [PG](#)
 * [Catalog: Parts: Technic, Liftarm, Decorated](#)
 Part Color Code Missing

+  1 [47712pb02](#) **Blue Technic, Panel Fairing #24 Small Short, Small Hole, Side B with Flame Pattern (Sticker) - Set 8646** [PG](#)
 * [Catalog: Parts: Technic, Panel, Decorated](#)
 Part Color Code Missing

+  1 [44353pb03](#) **Blue Technic, Panel Fairing #23 Large Short, Small Hole, Side B with Number 8, Flames and Checkered Pattern (Sticker) - Set 8646** [PG](#)
 * [Catalog: Parts: Technic, Panel, Decorated](#)
 Part Color Code Missing

+  1 [44352pb03](#) **Blue Technic, Panel Fairing #22 Large Short, Small Hole, Side A with Number 8, Flames and Checkered Pattern (Sticker) - Set 8646** [PG](#)
 * [Catalog: Parts: Technic, Panel, Decorated](#)
 Part Color Code Missing

+  1 [47713pb02](#) **Blue Technic, Panel Fairing #25 Small Short, Small Hole, Side A with Flame Pattern (Sticker) - Set 8646** [PG](#)
 * [Catalog: Parts: Technic, Panel, Decorated](#)
 Part Color Code Missing

+  1 [44292c02\(inv\)](#) **Light Bluish Gray Wheel 30.4mm D. x 20mm with 3 Pin Holes with Black Tire 43.2 x 22 ZR (44292 / 44309)** [PG](#)
 * [Catalog: Parts: Wheel & Tire Assembly](#)
 Part Color Code Missing

Alternate Items:



+  1 [44293c01](#) **Light Bluish Gray Wheel 36.8 x 14 ZR with Axle Hole, 3 Pin Holes, and Black Rubber Tire Glued On** [PG](#)
 * [Catalog: Parts: Wheel](#)
 4275422

Note:

Part 44293c01 Wheel 36.8 x 14 ZR with Axle Hole, 3 Pin Holes, and Black Rubber Tire Glued On is believed to be light gray/black in early copies of this set.

Summary:

Type	Unique Lots	Total Qty
Regular Items:		
Parts	50	126
Extra Items:		
Parts	5	5
Counterparts:		
Parts	10	11
Alternative Items:		

[tEoS \(4918\)](#)   inventoried this Set on Mar 21, 2005, inventory last updated on Jun 11, 2016.