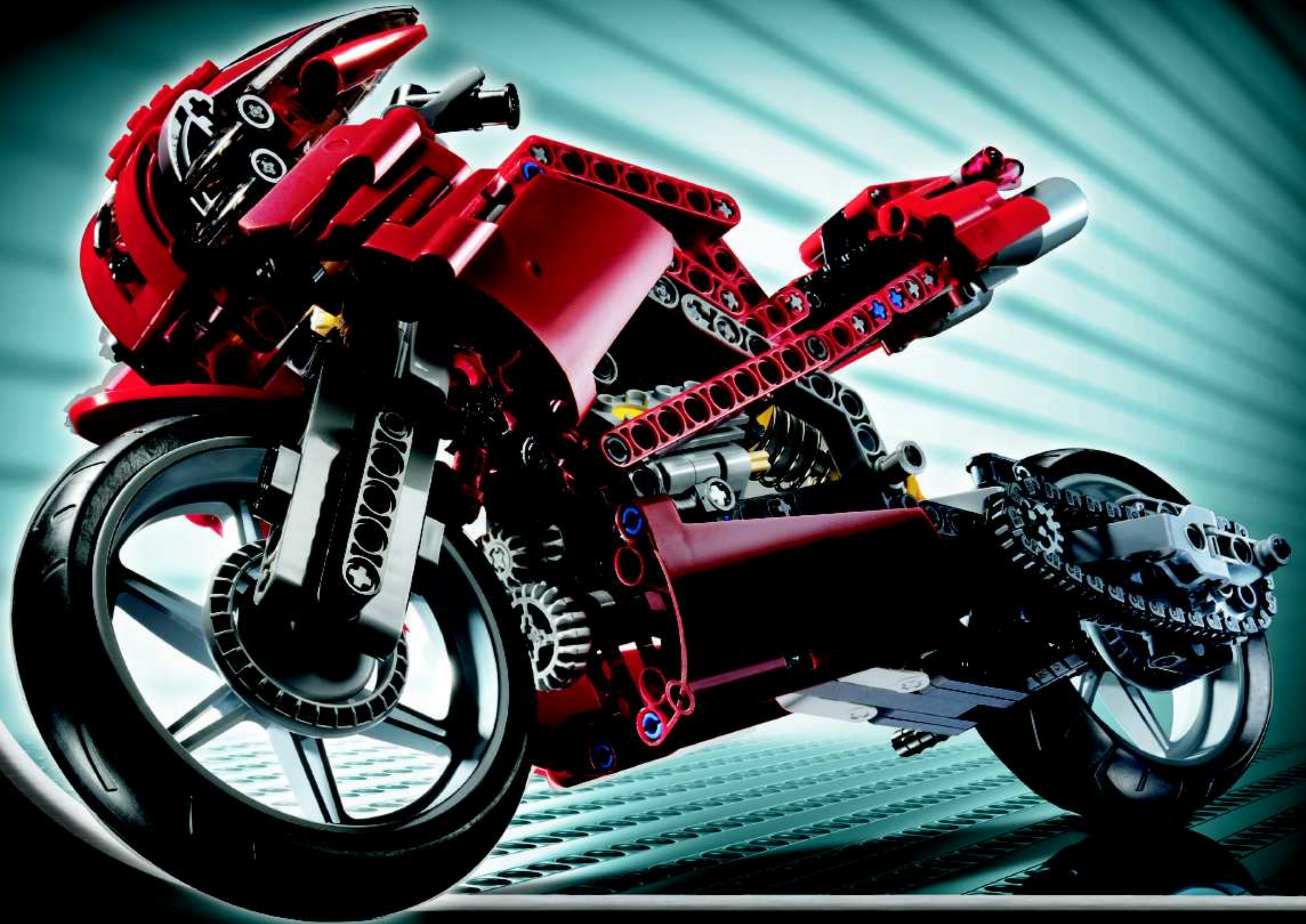


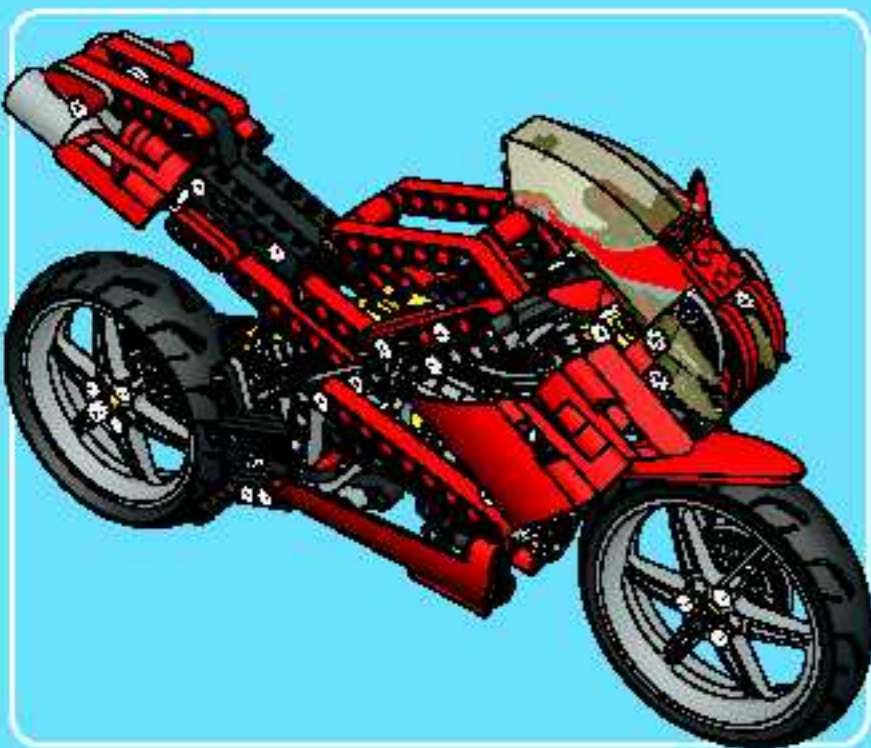
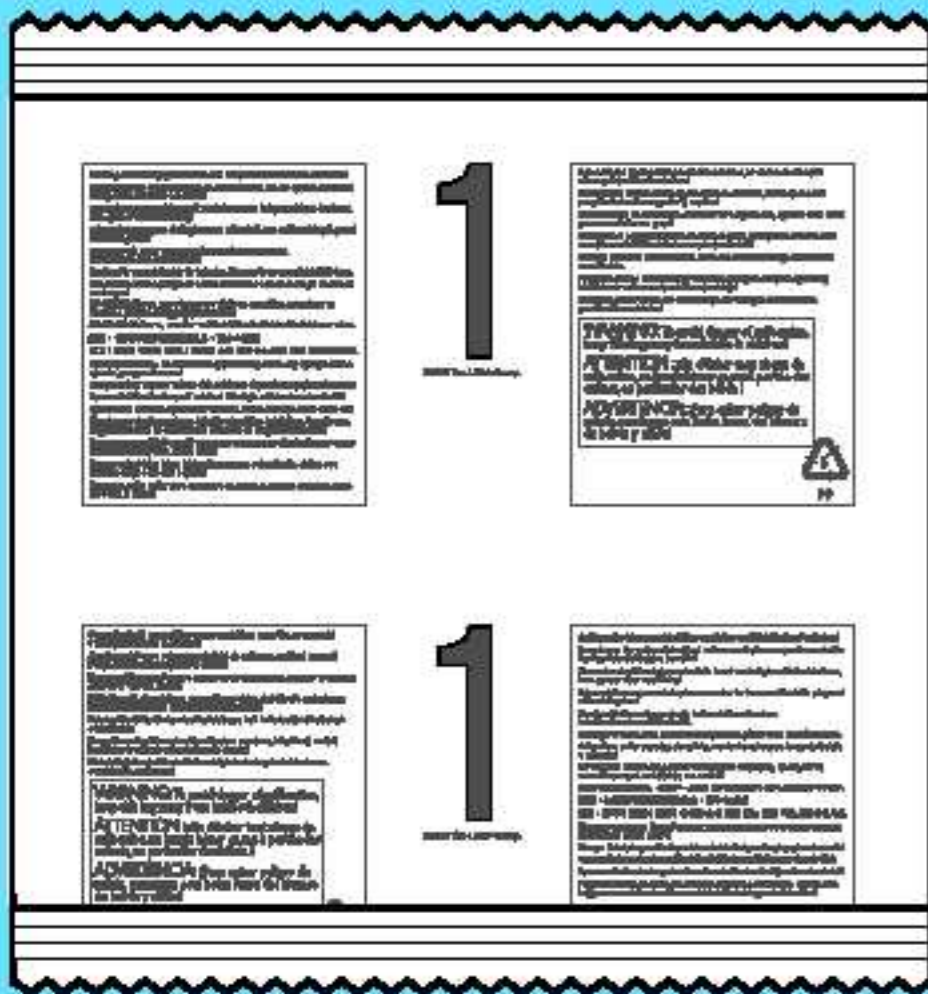
LEGO

TECHNIC

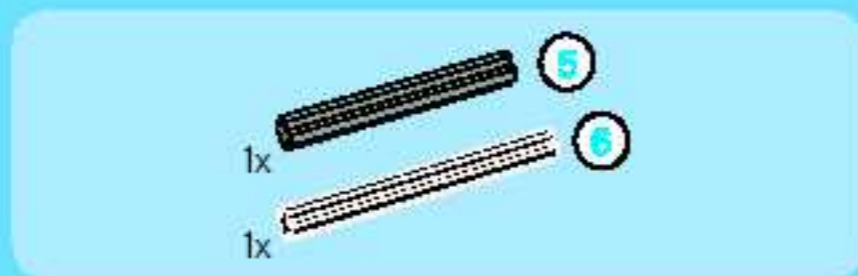
9-15

8420





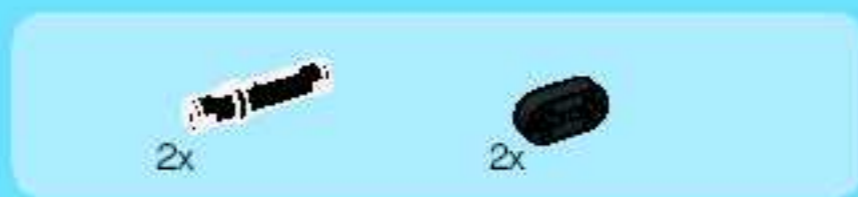
1



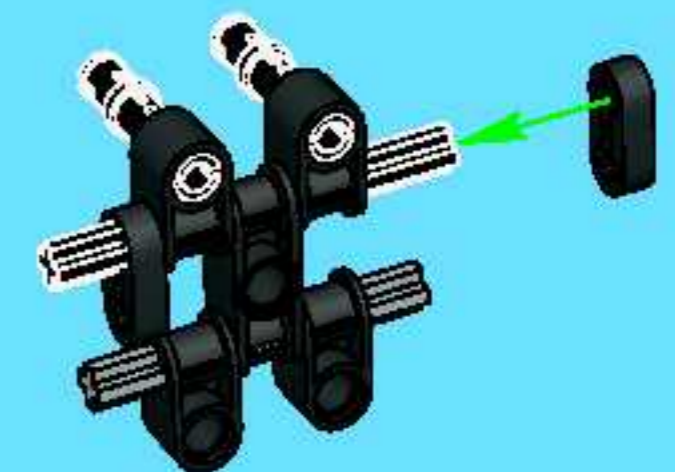
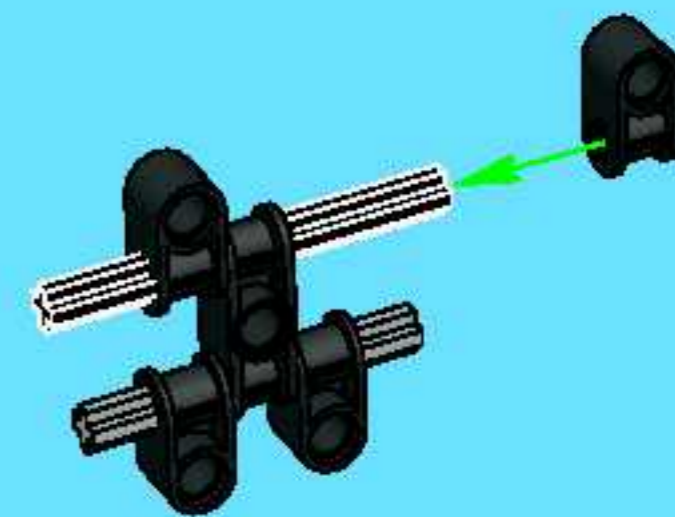
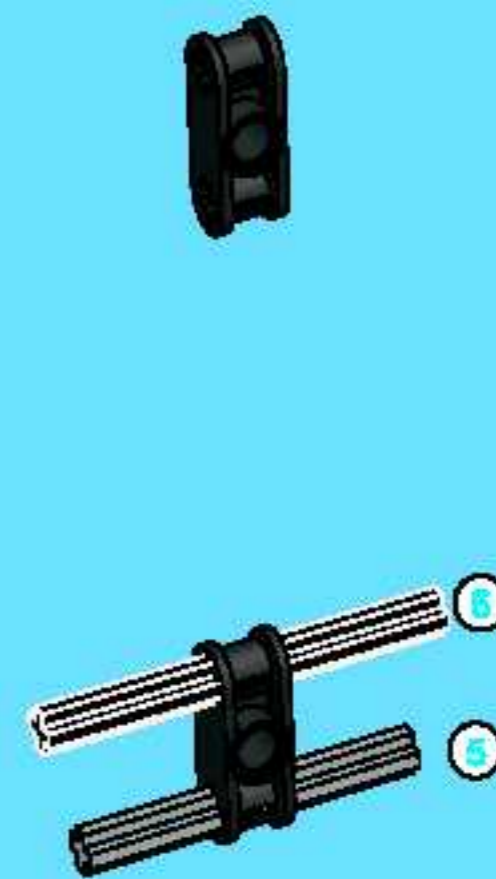
2

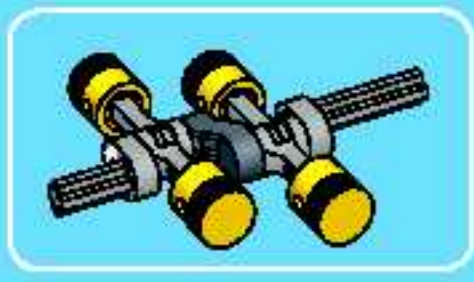


3

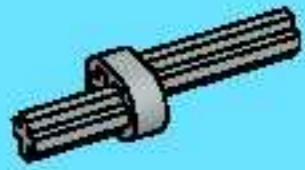
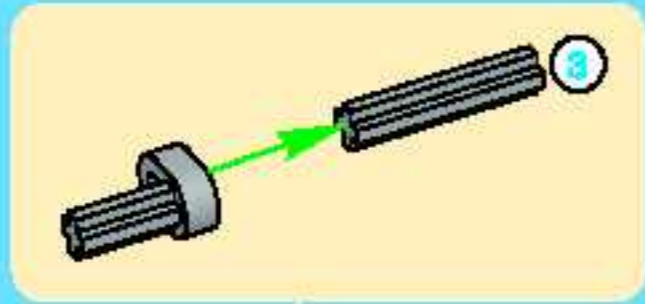


4

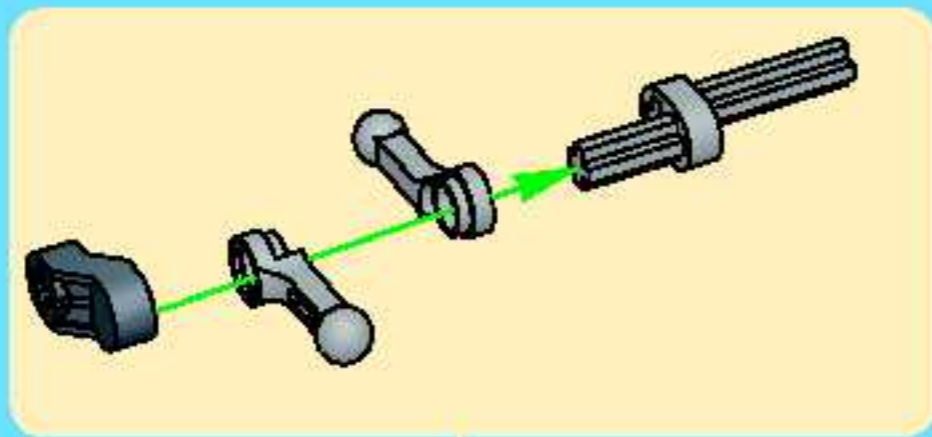




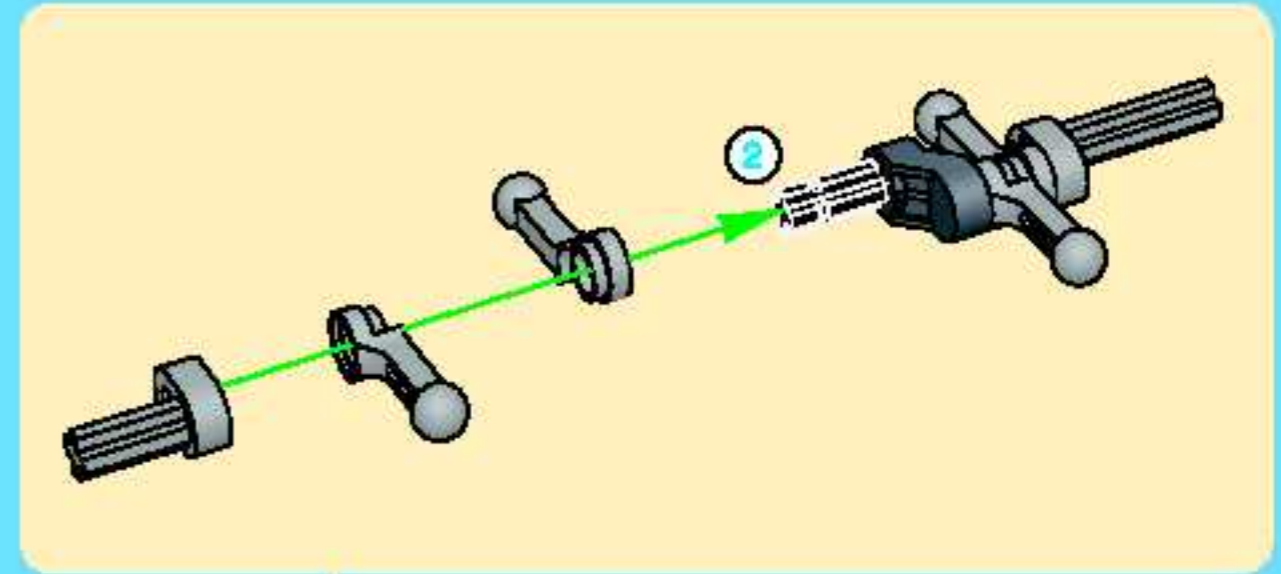
1



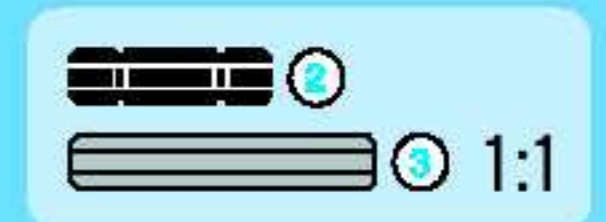
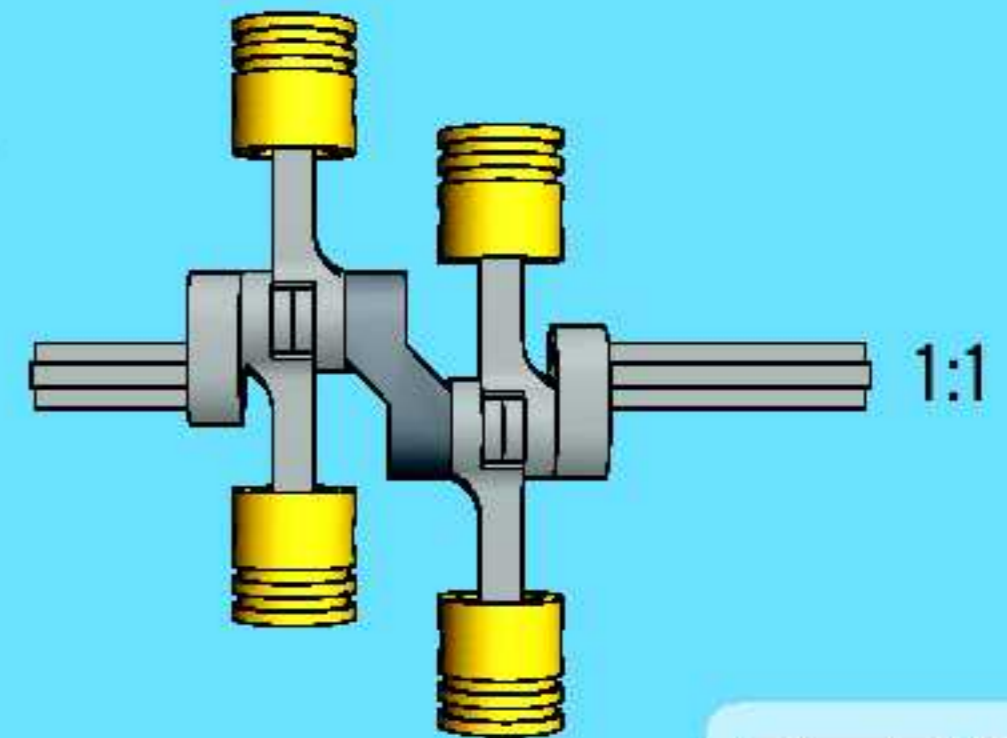
2



3

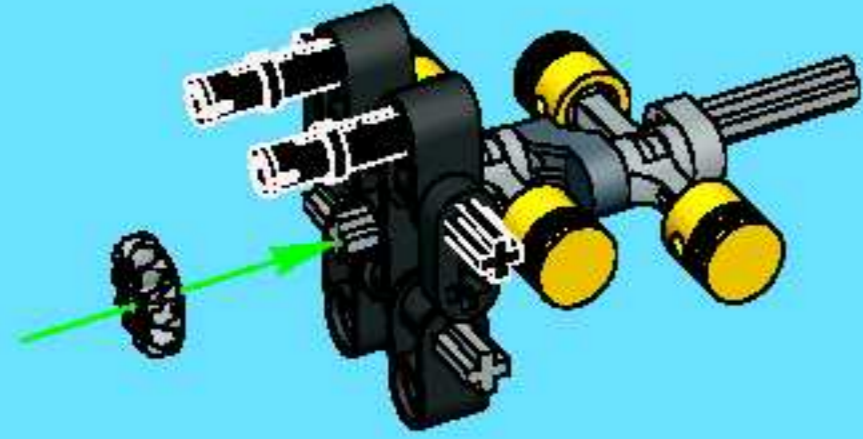


4

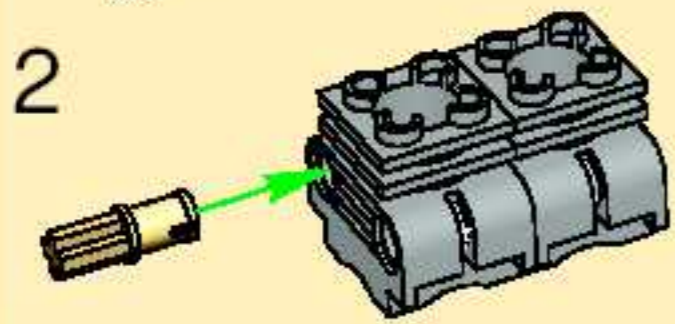
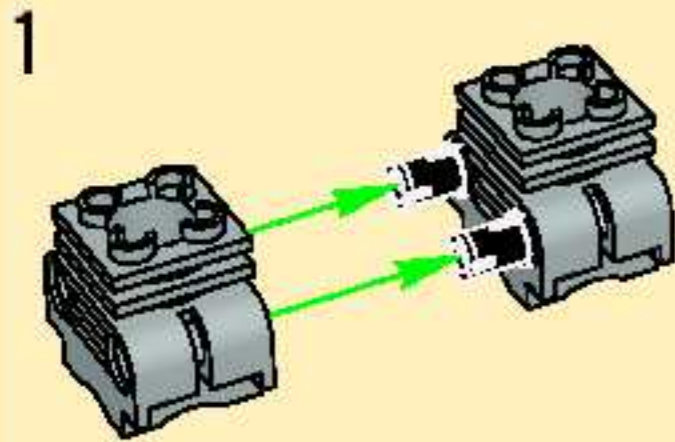




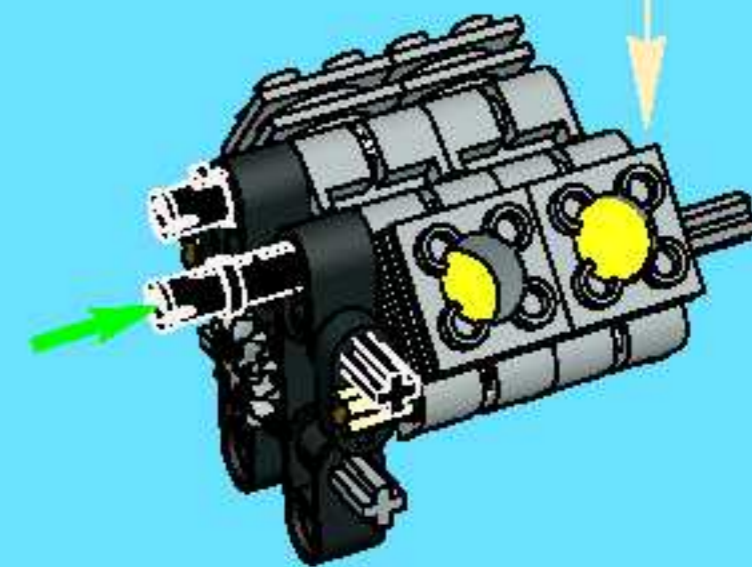
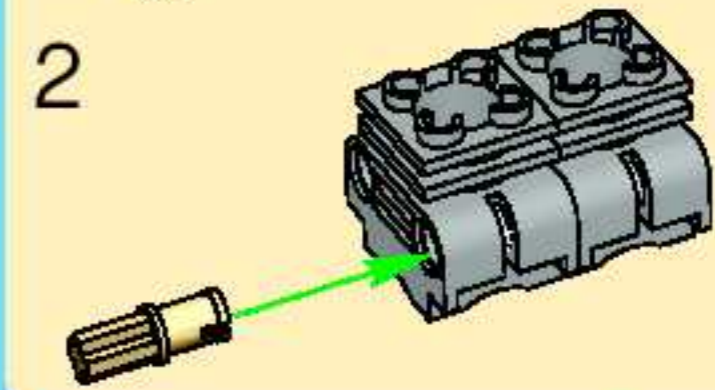
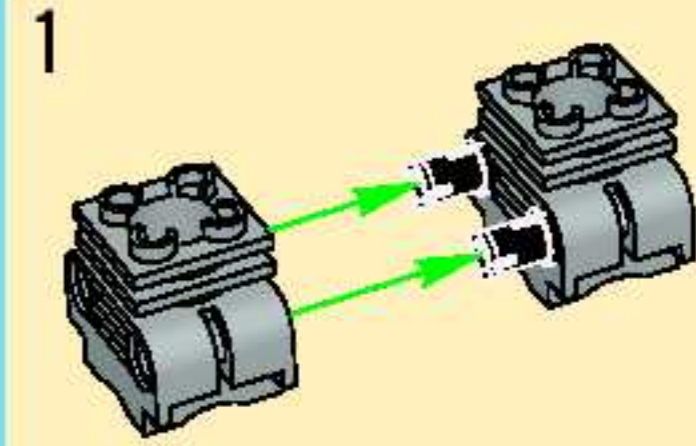
5

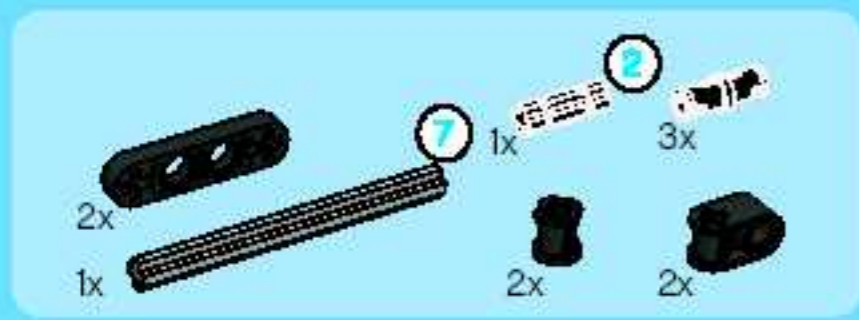


6

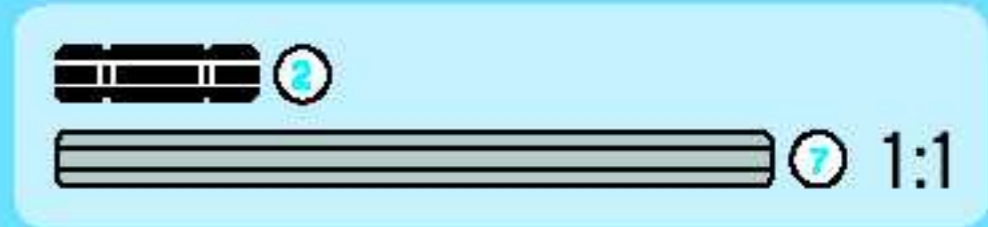
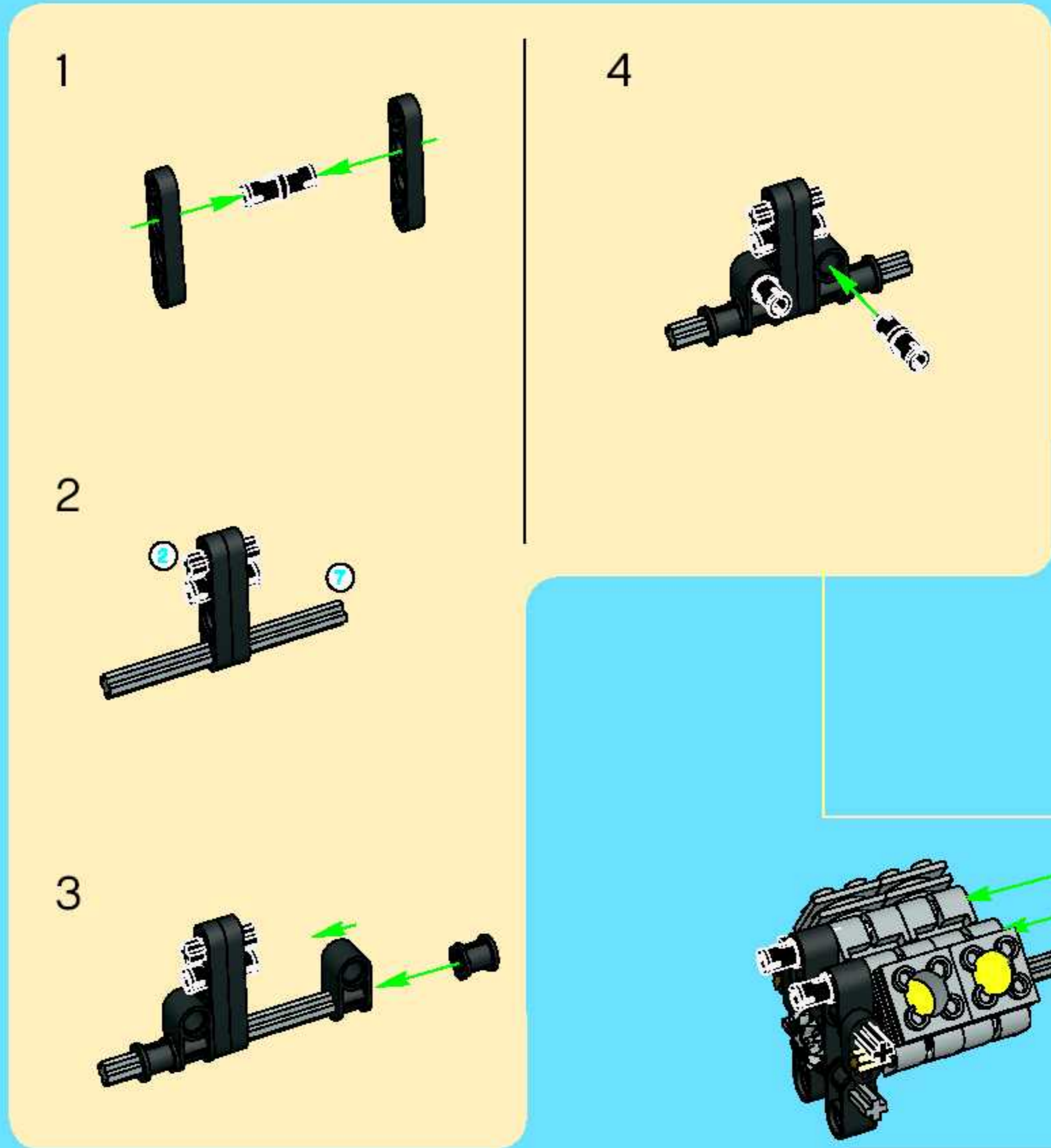


7

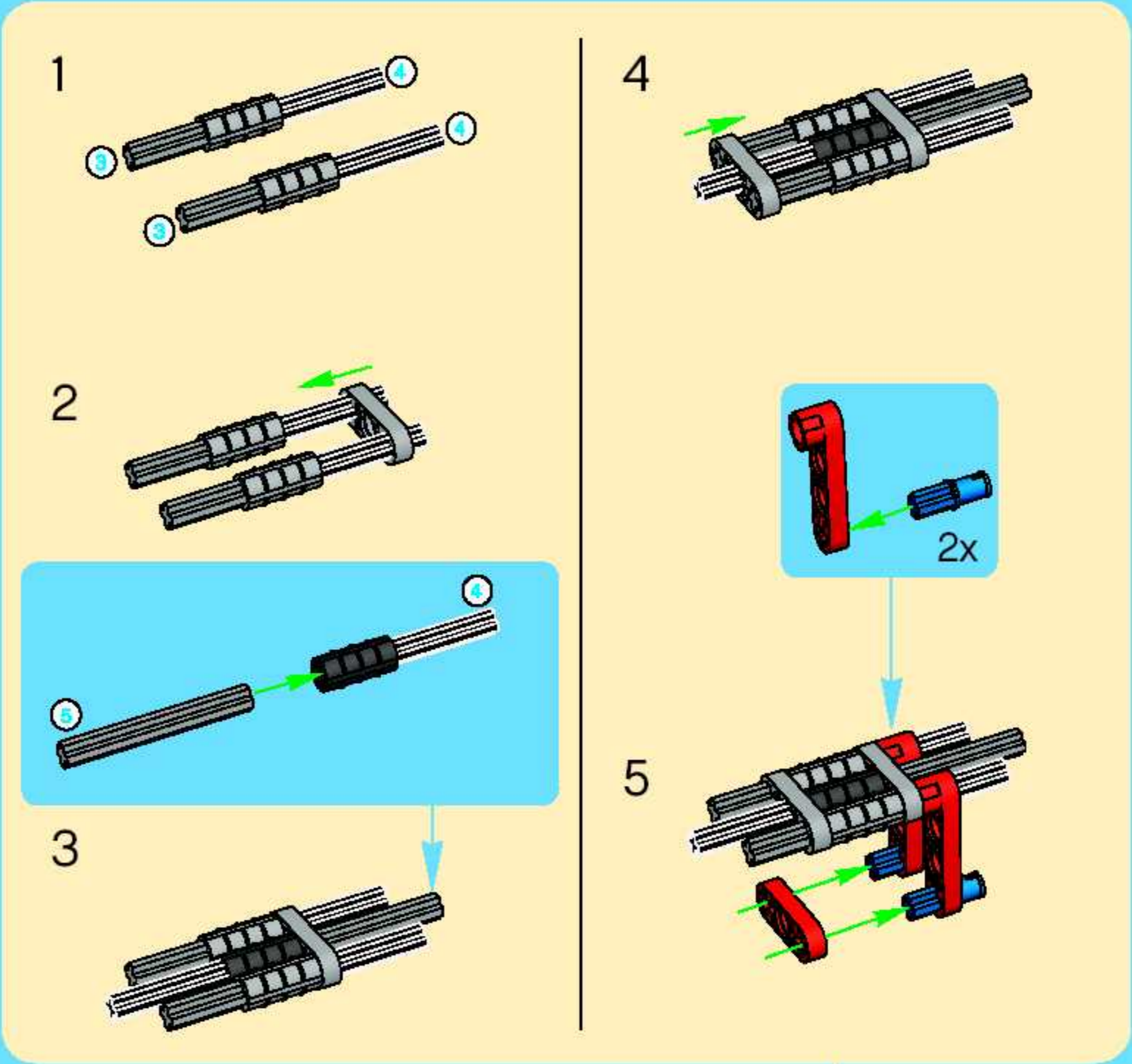
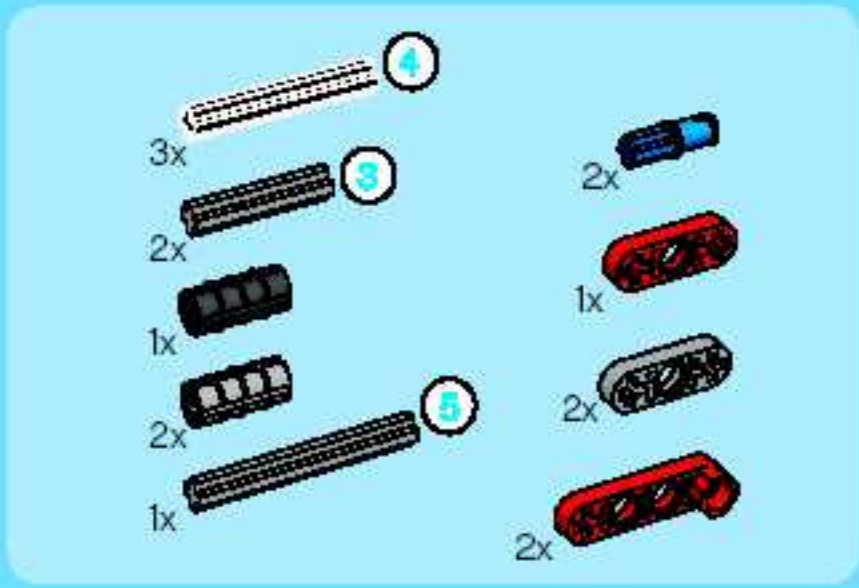




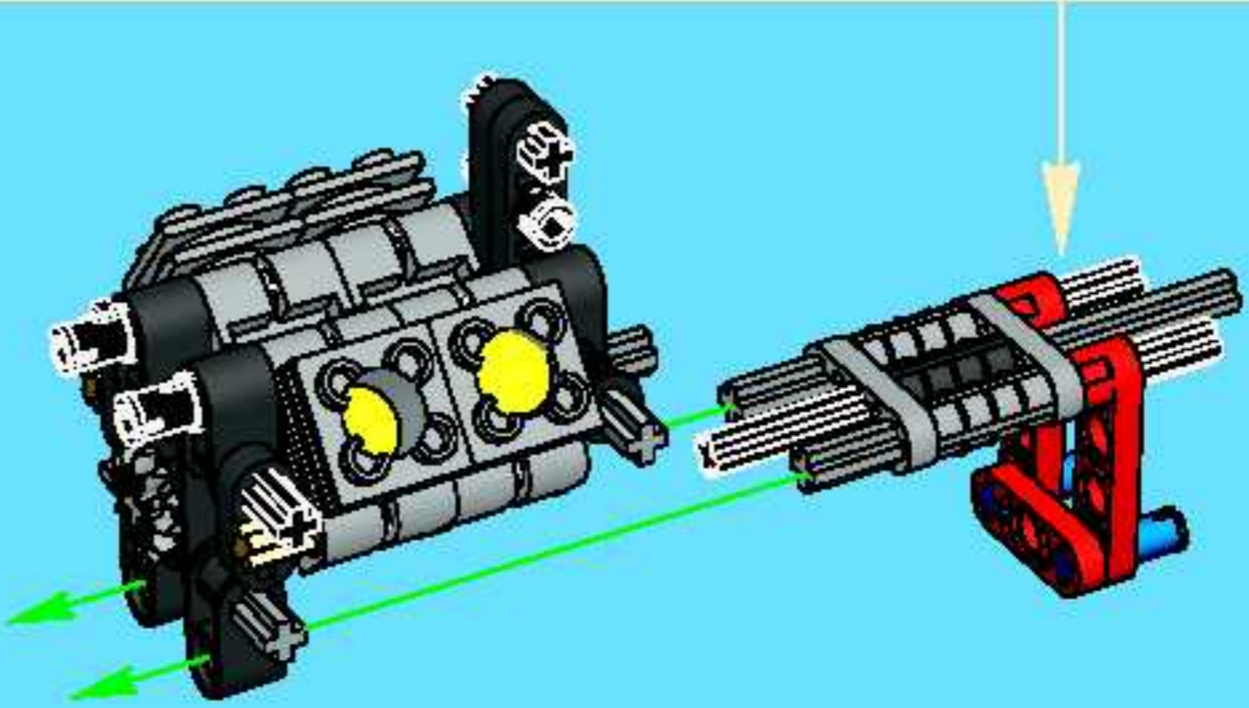
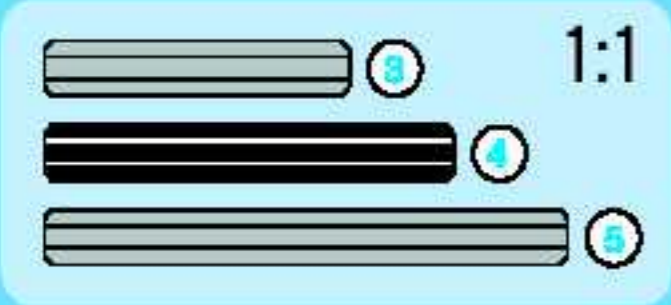
8



9



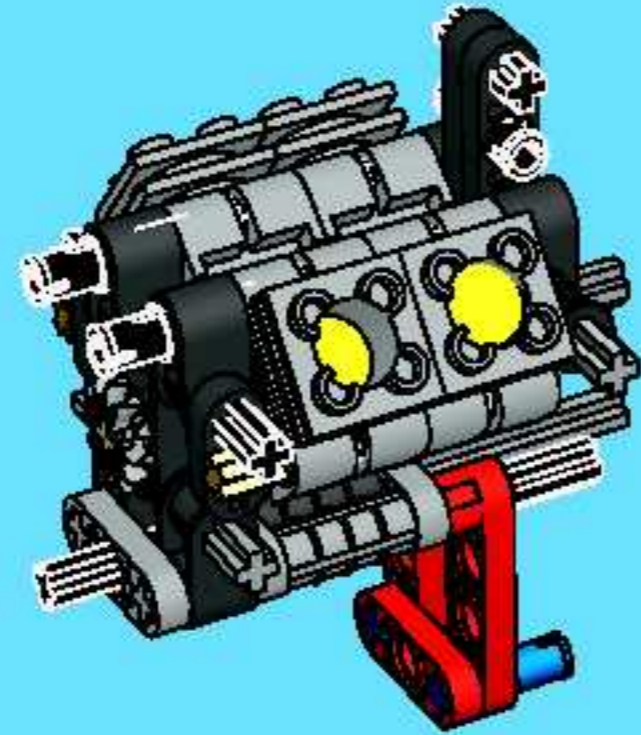
6





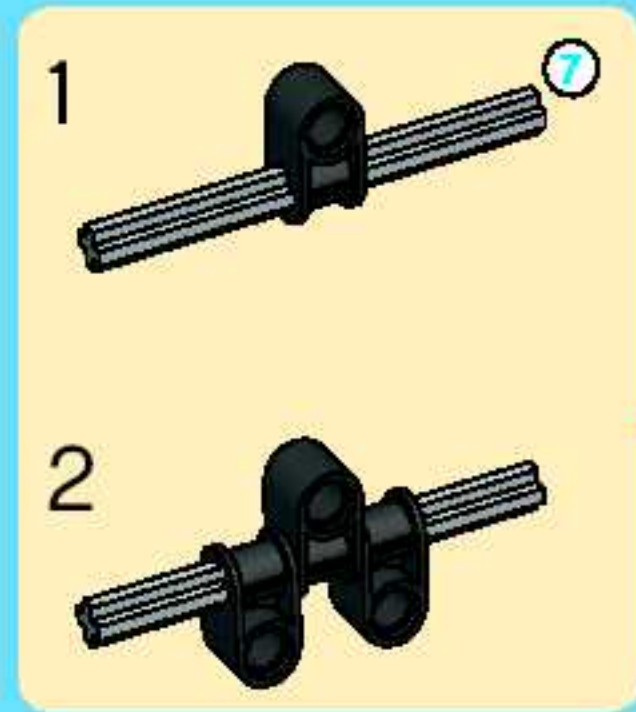
1x

10



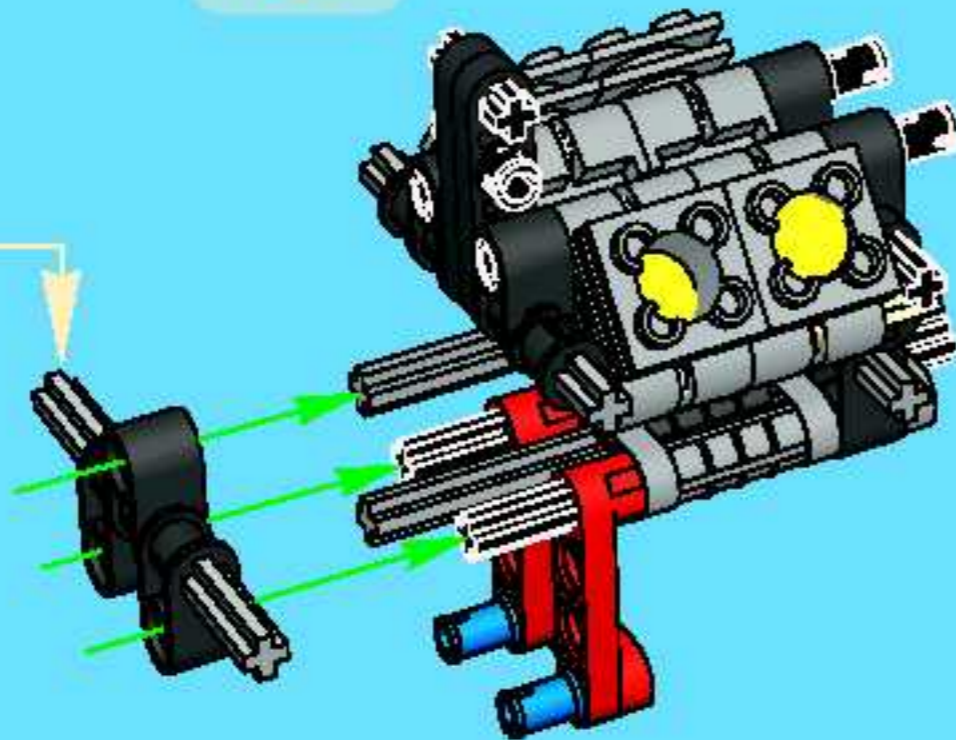
7

11



1

2



7 1:1

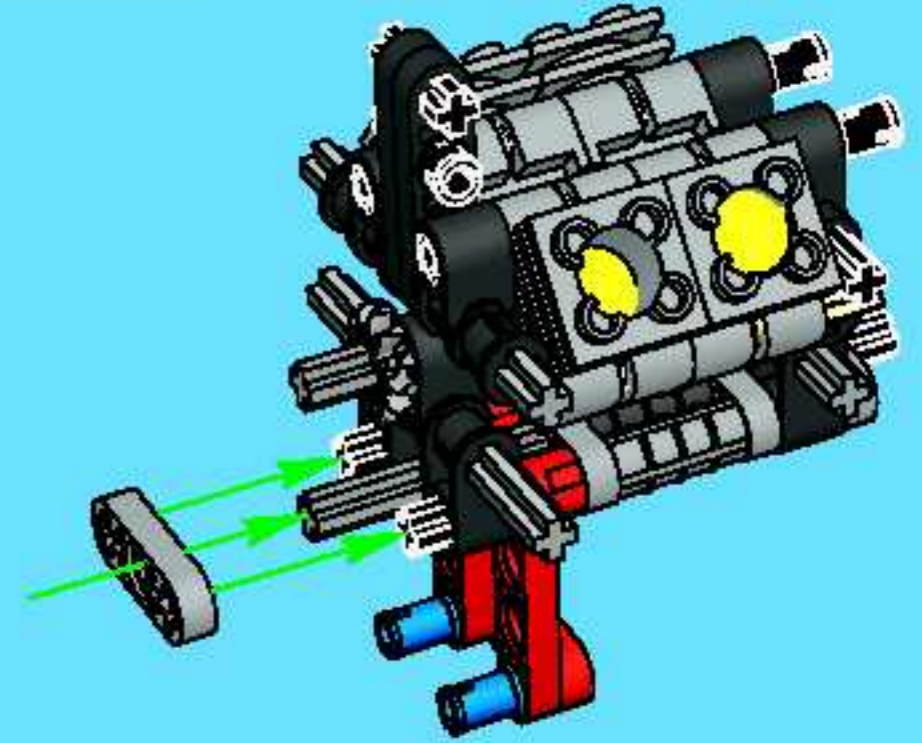


1x



1x

12

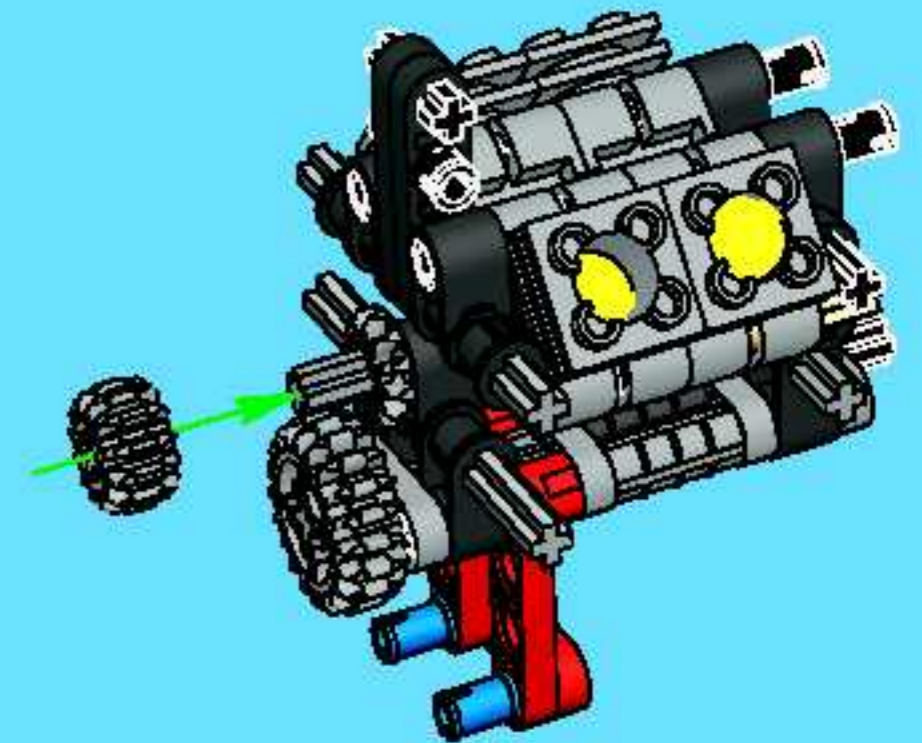


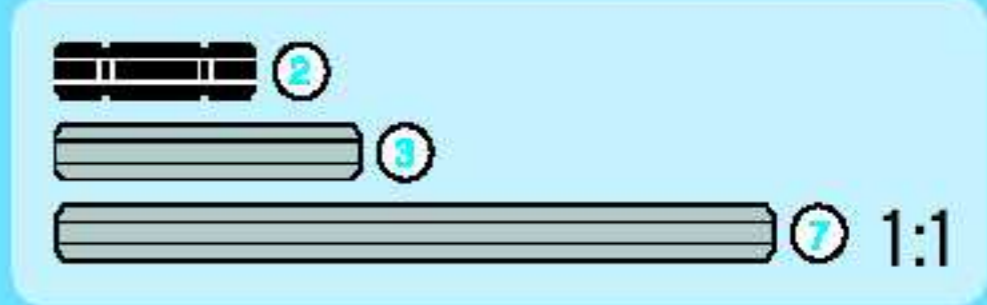
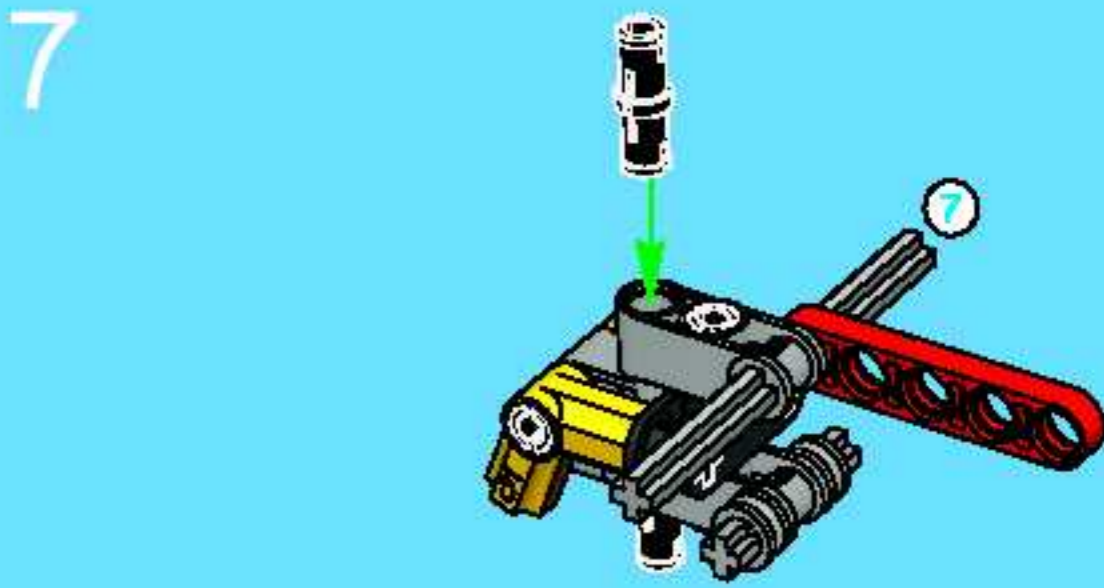
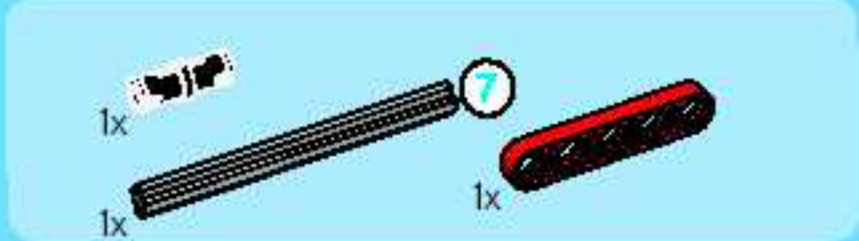
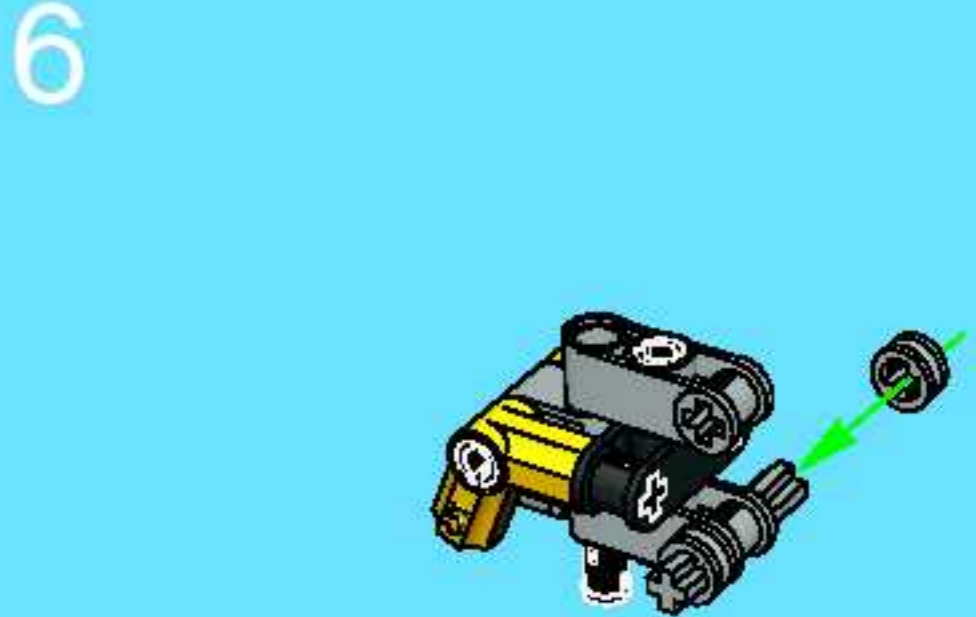
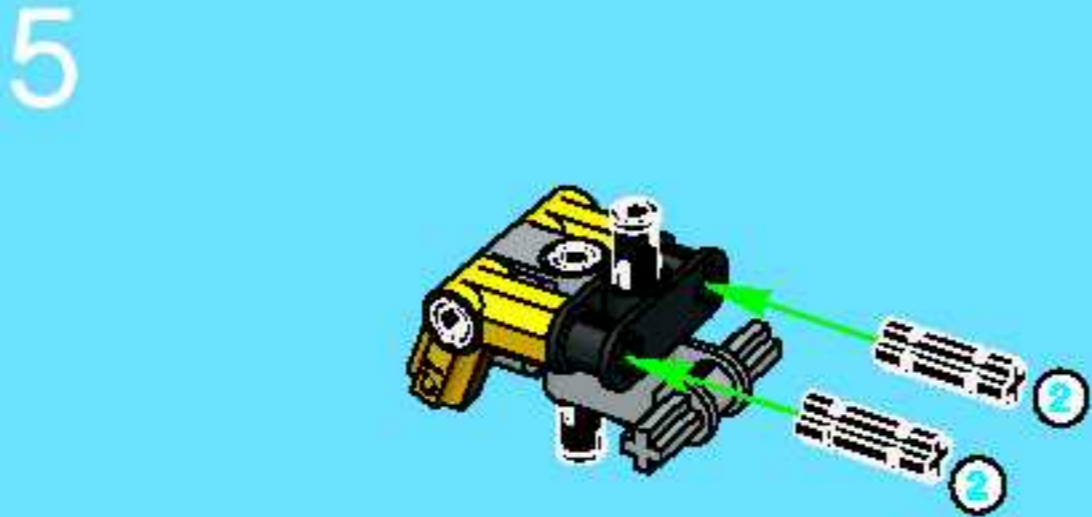
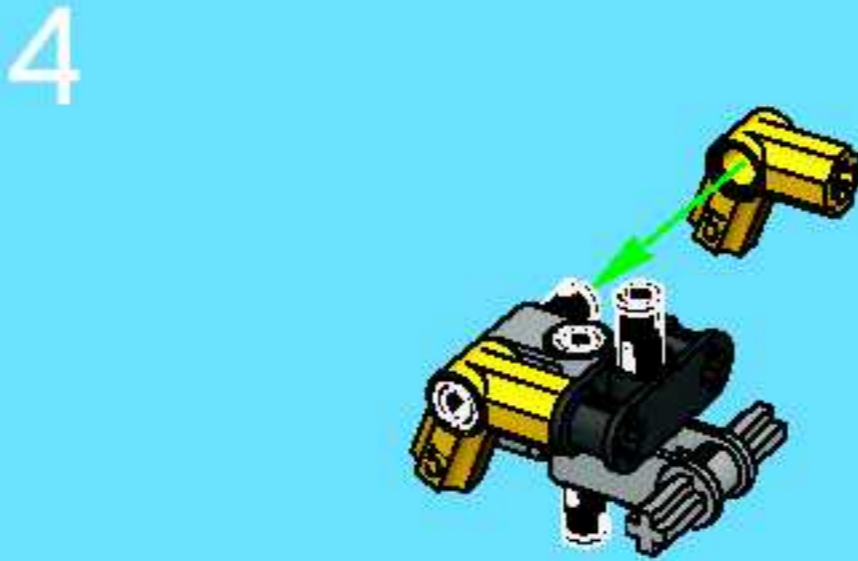
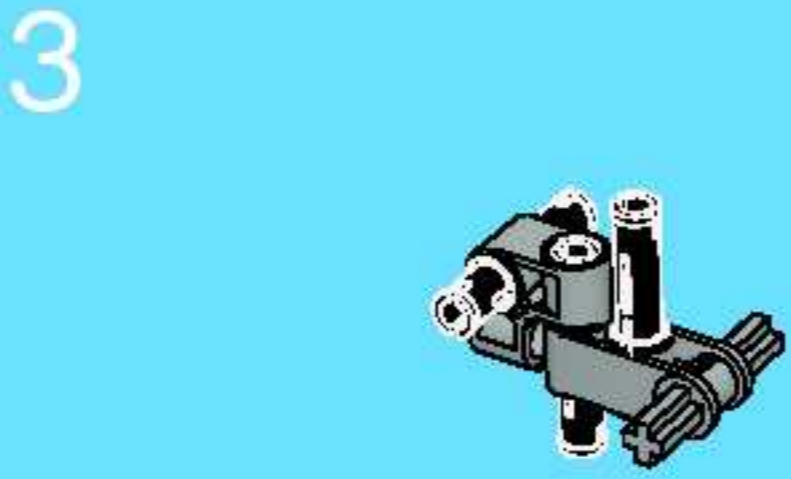
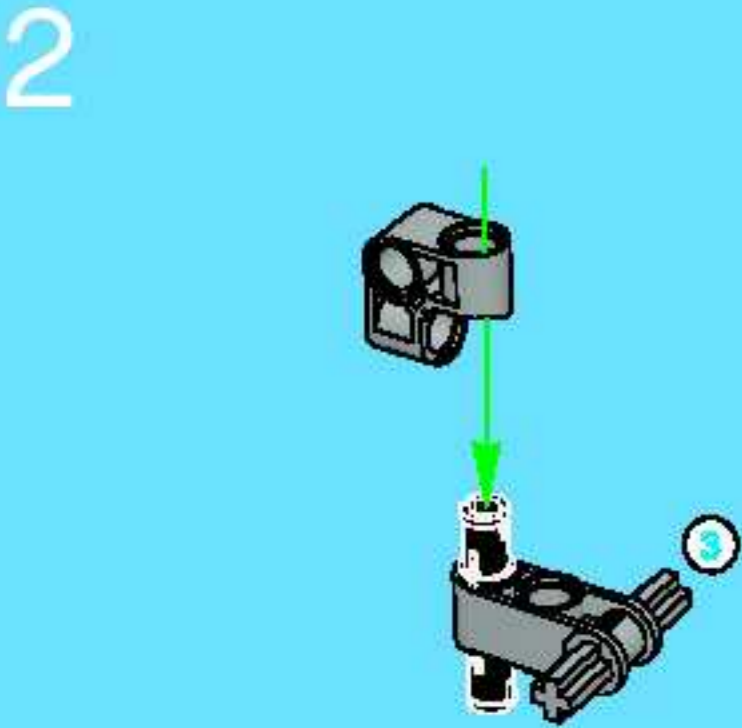
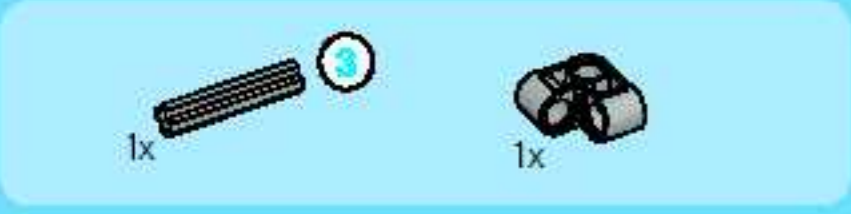
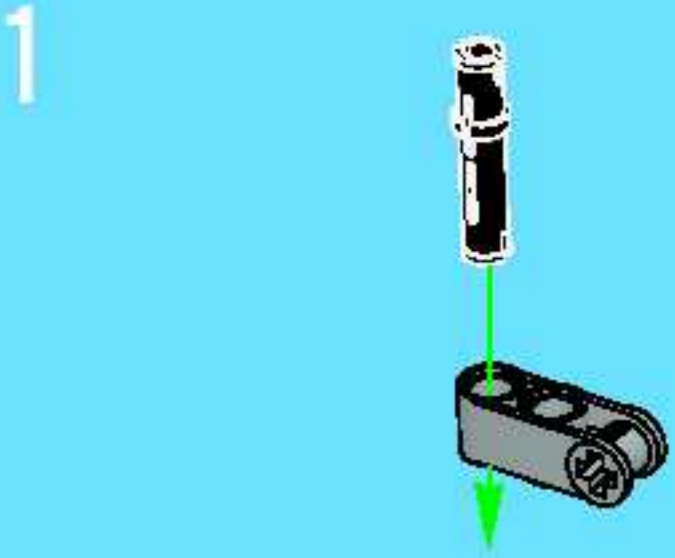
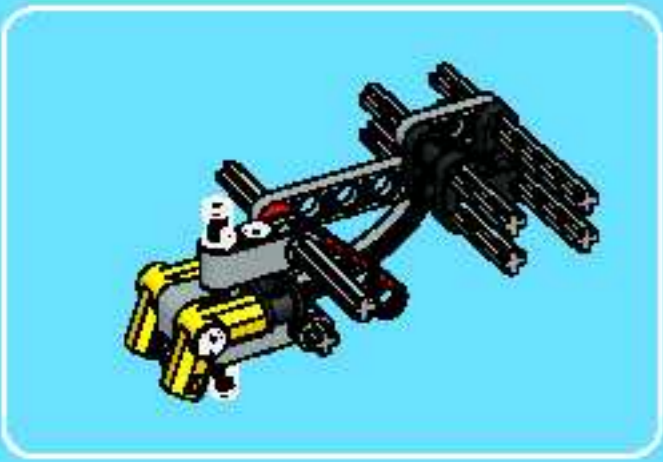
1x



1x

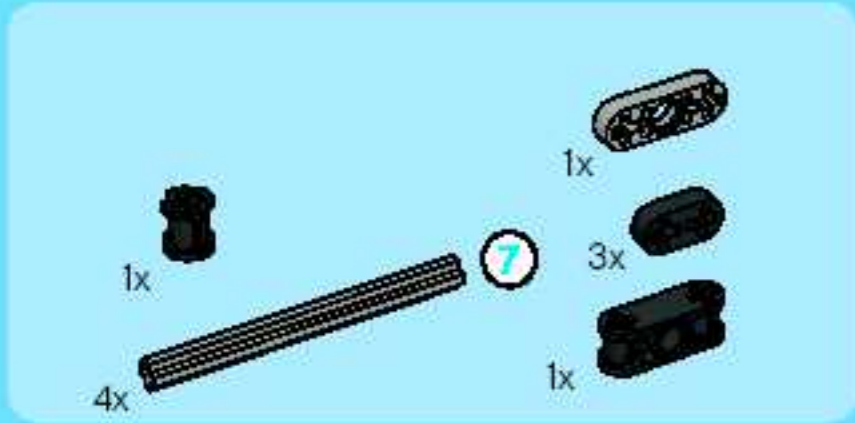
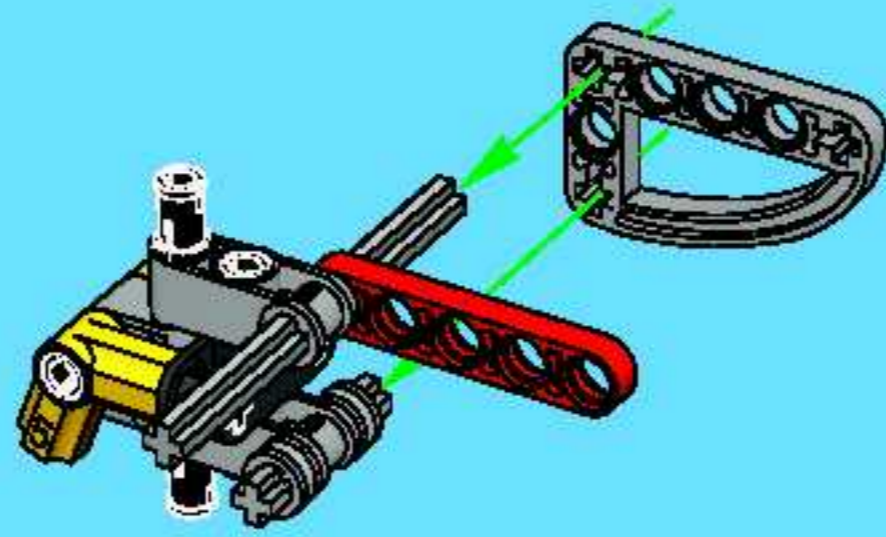
13



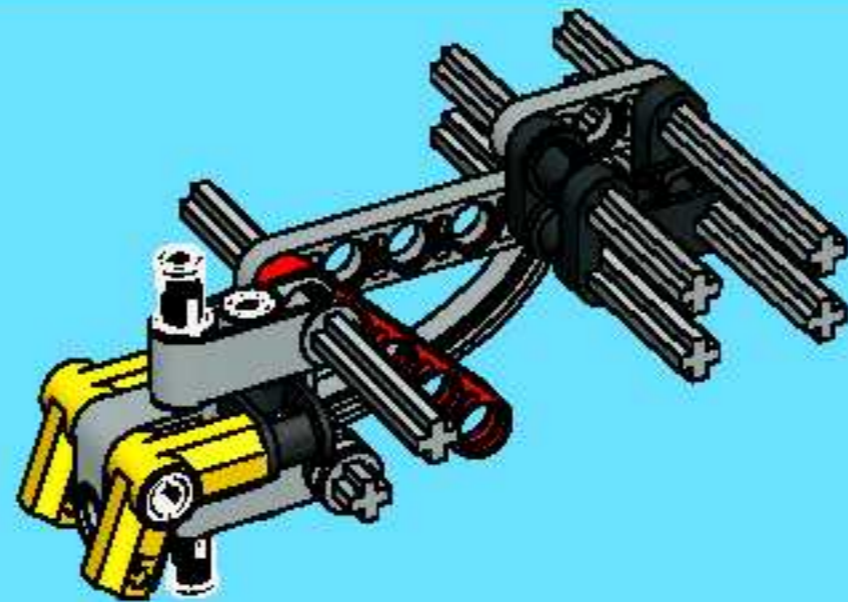
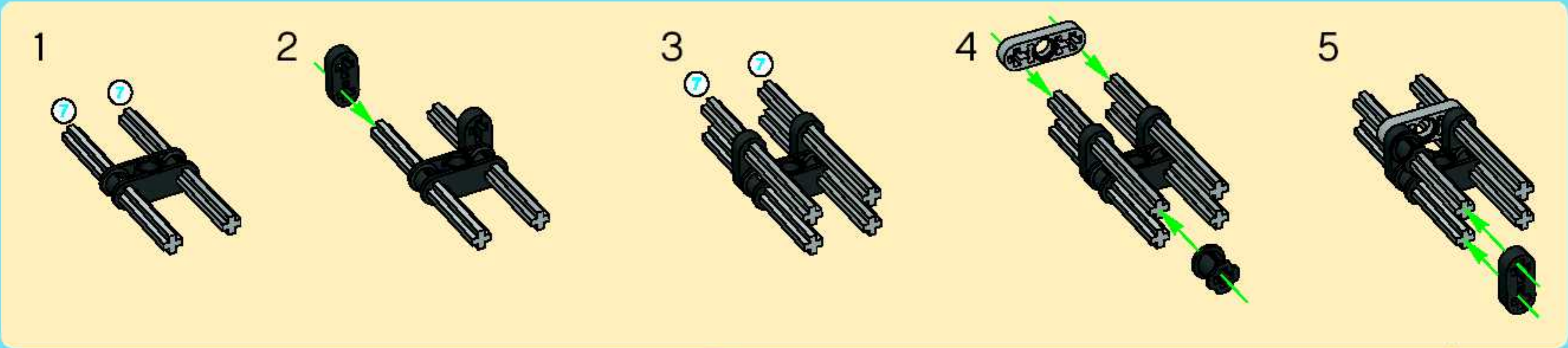




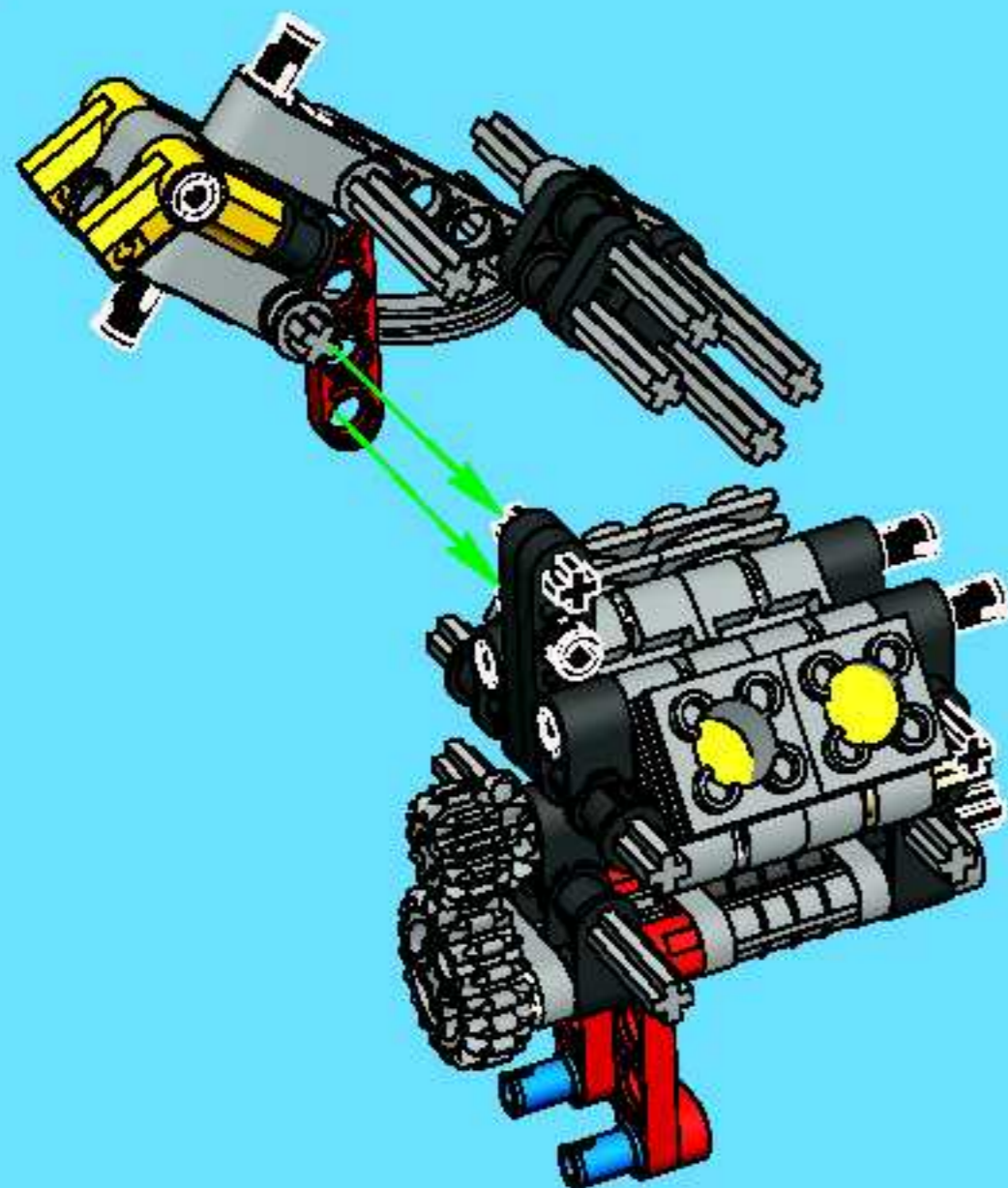
8



9

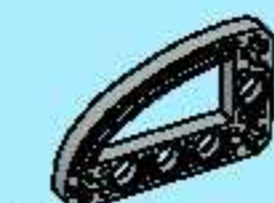
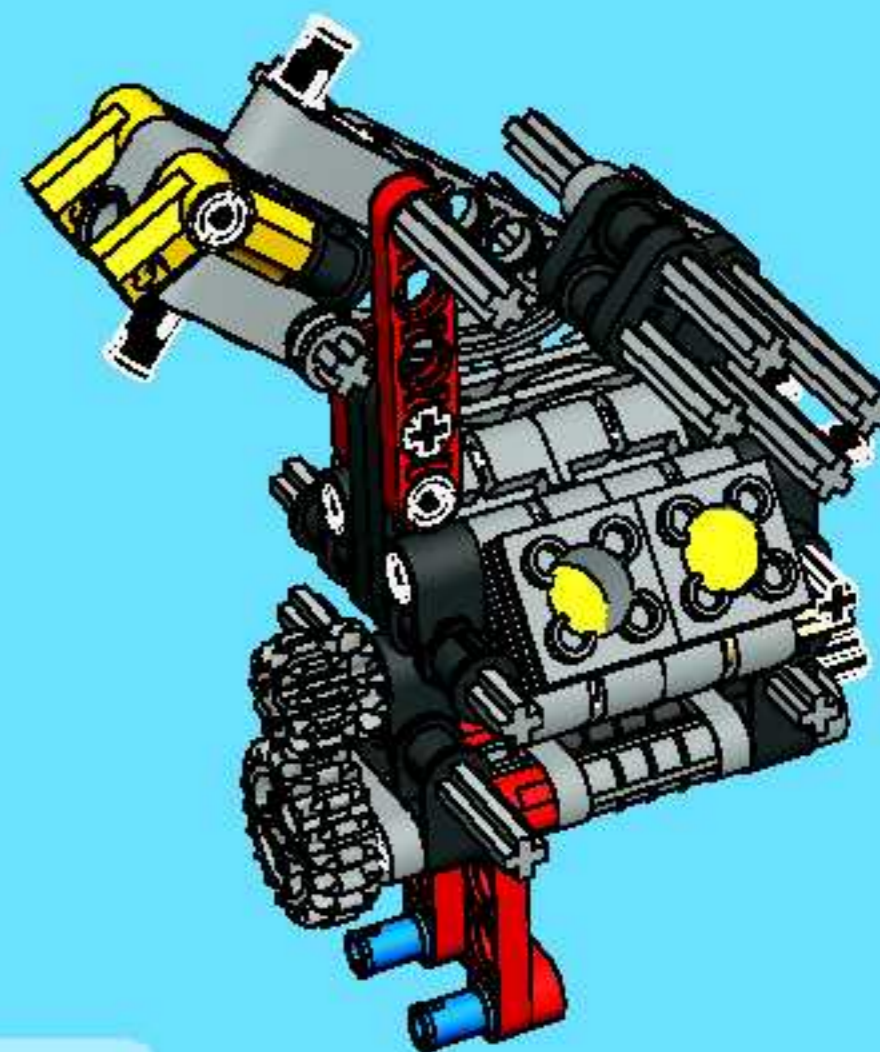


14



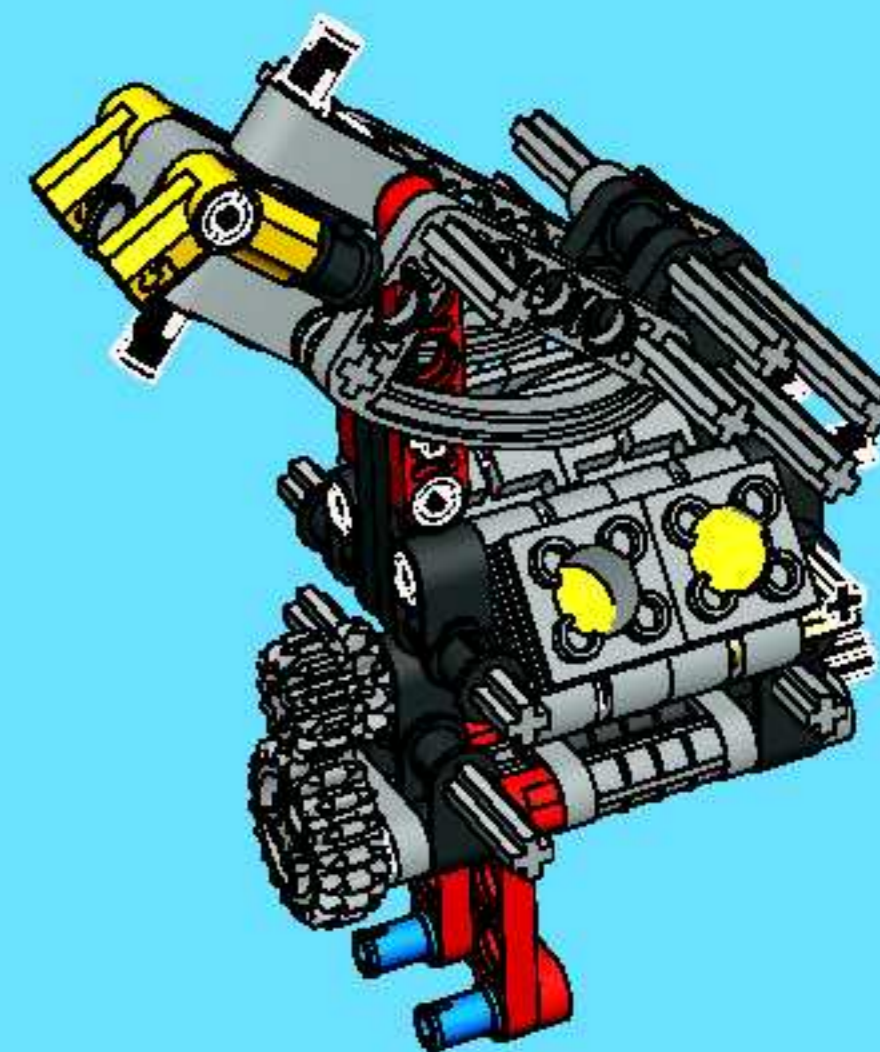
1x

15



1x

16



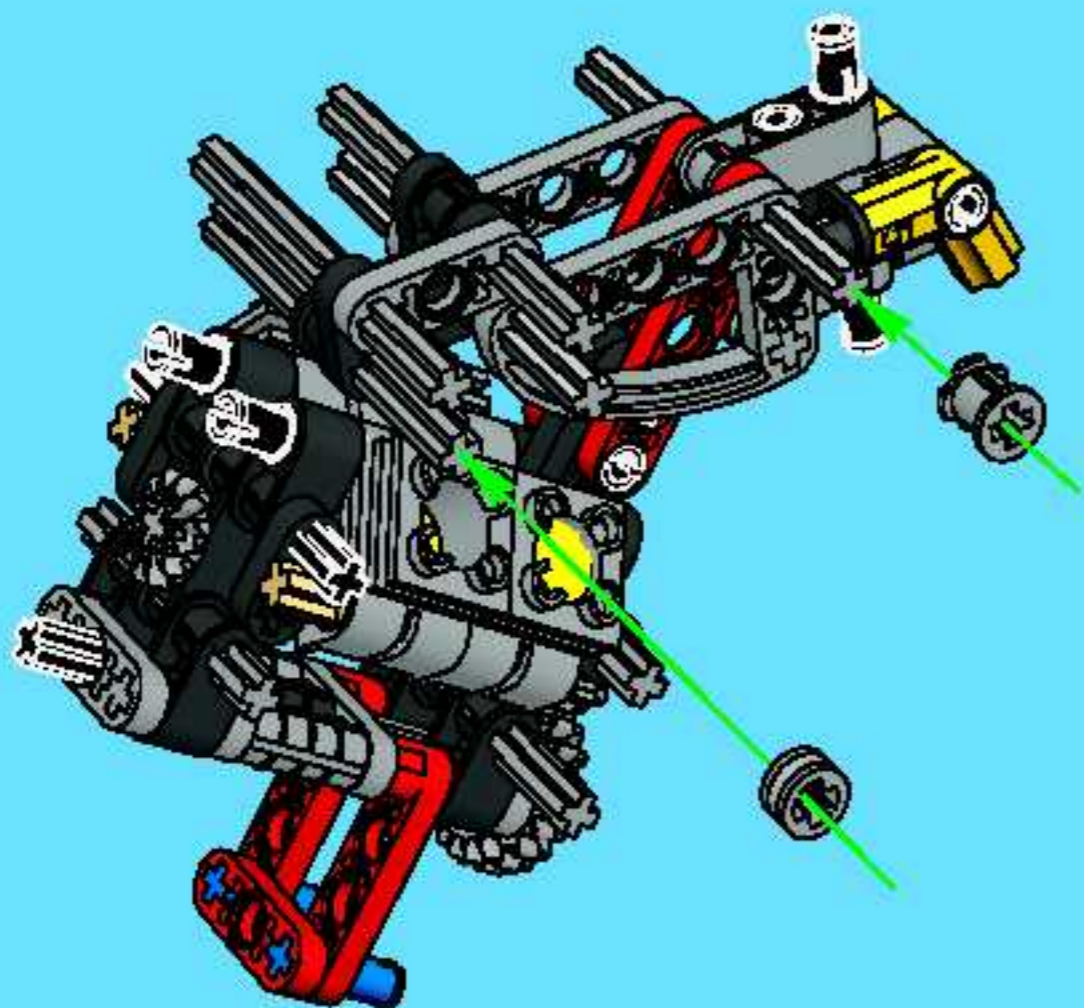


1x



1x

17



1x

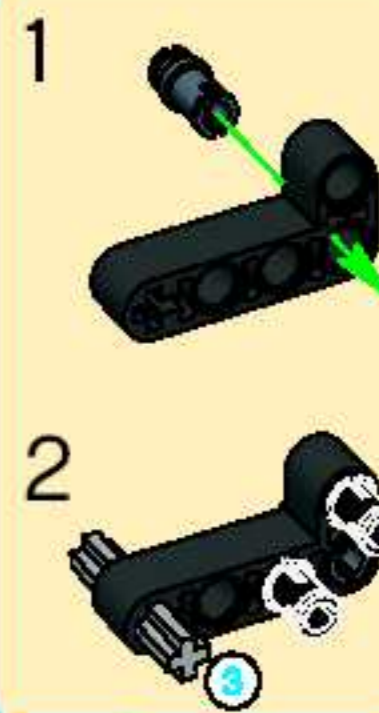
1x

2x

1x

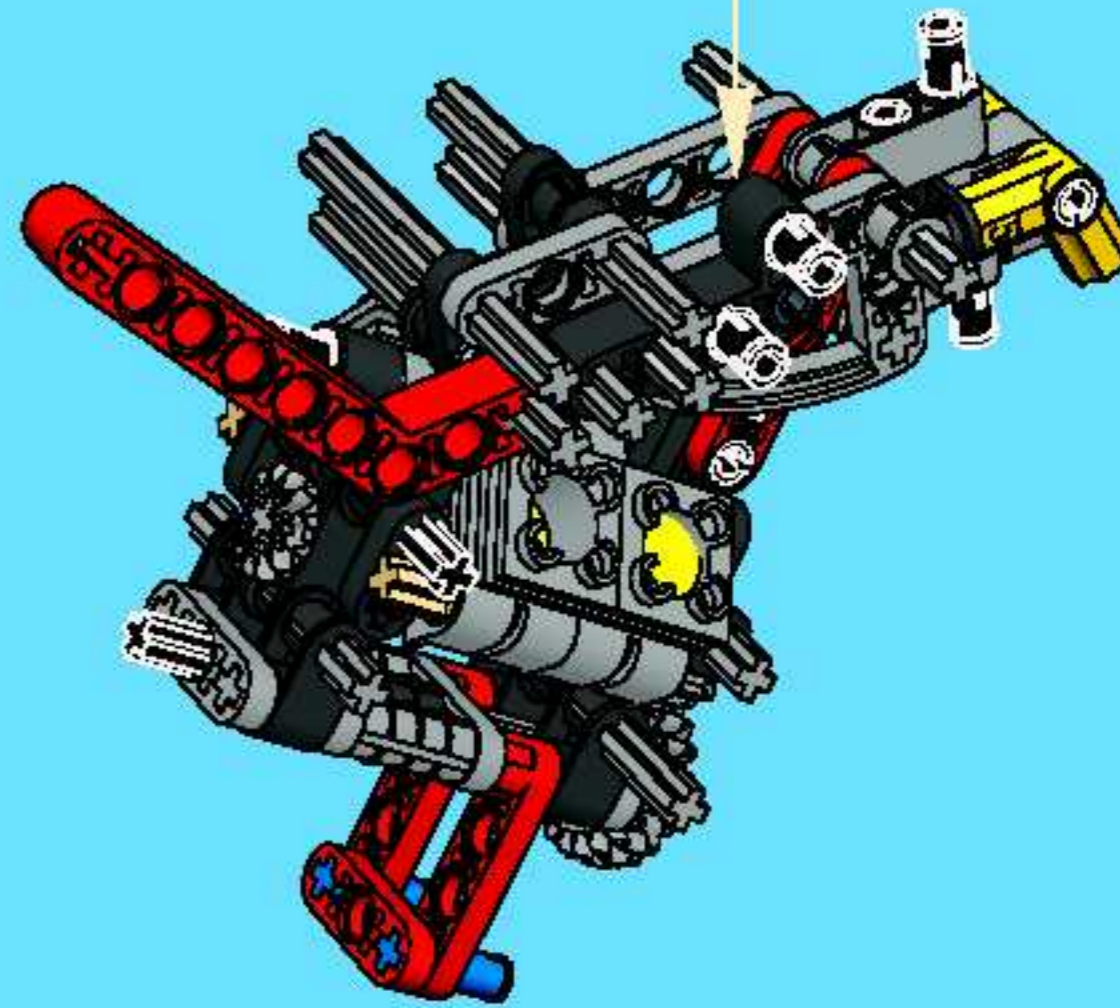
1x

18

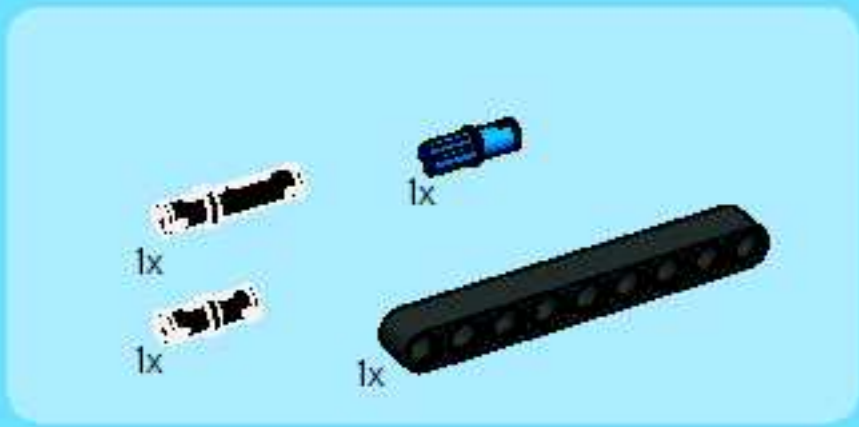


1

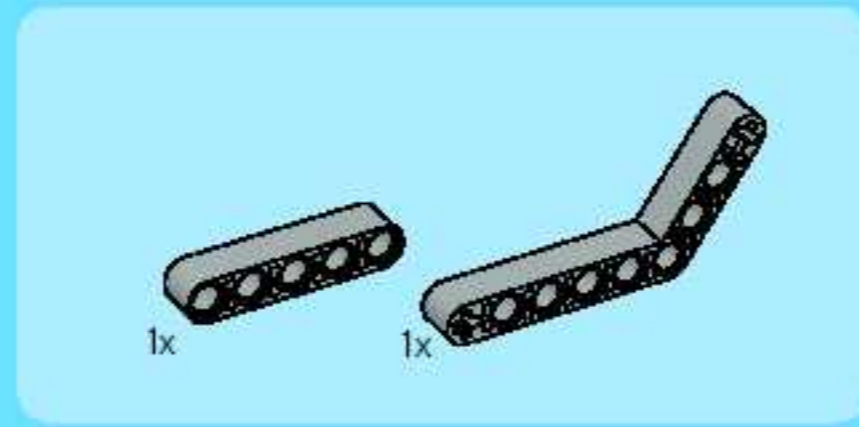
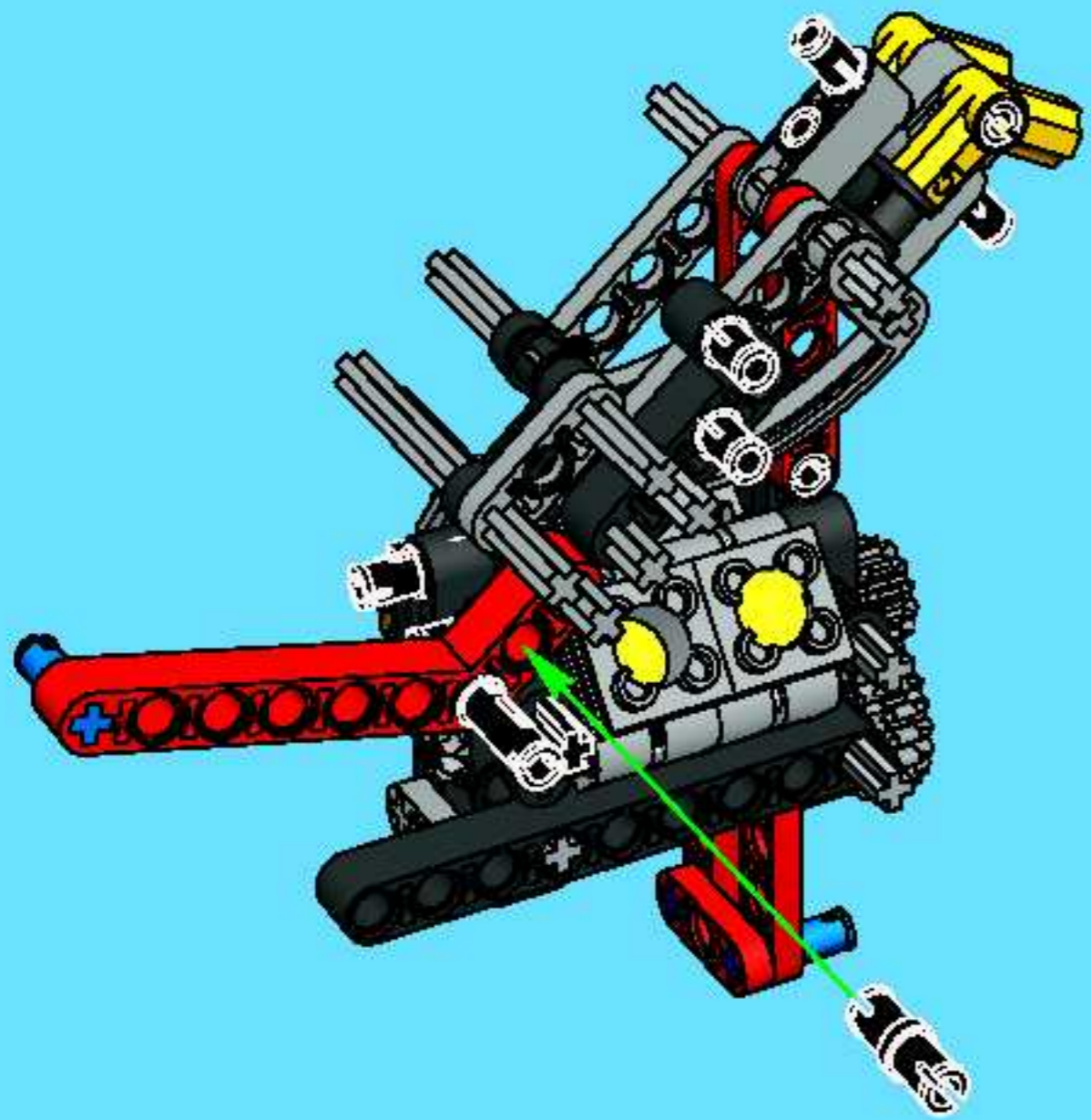
2



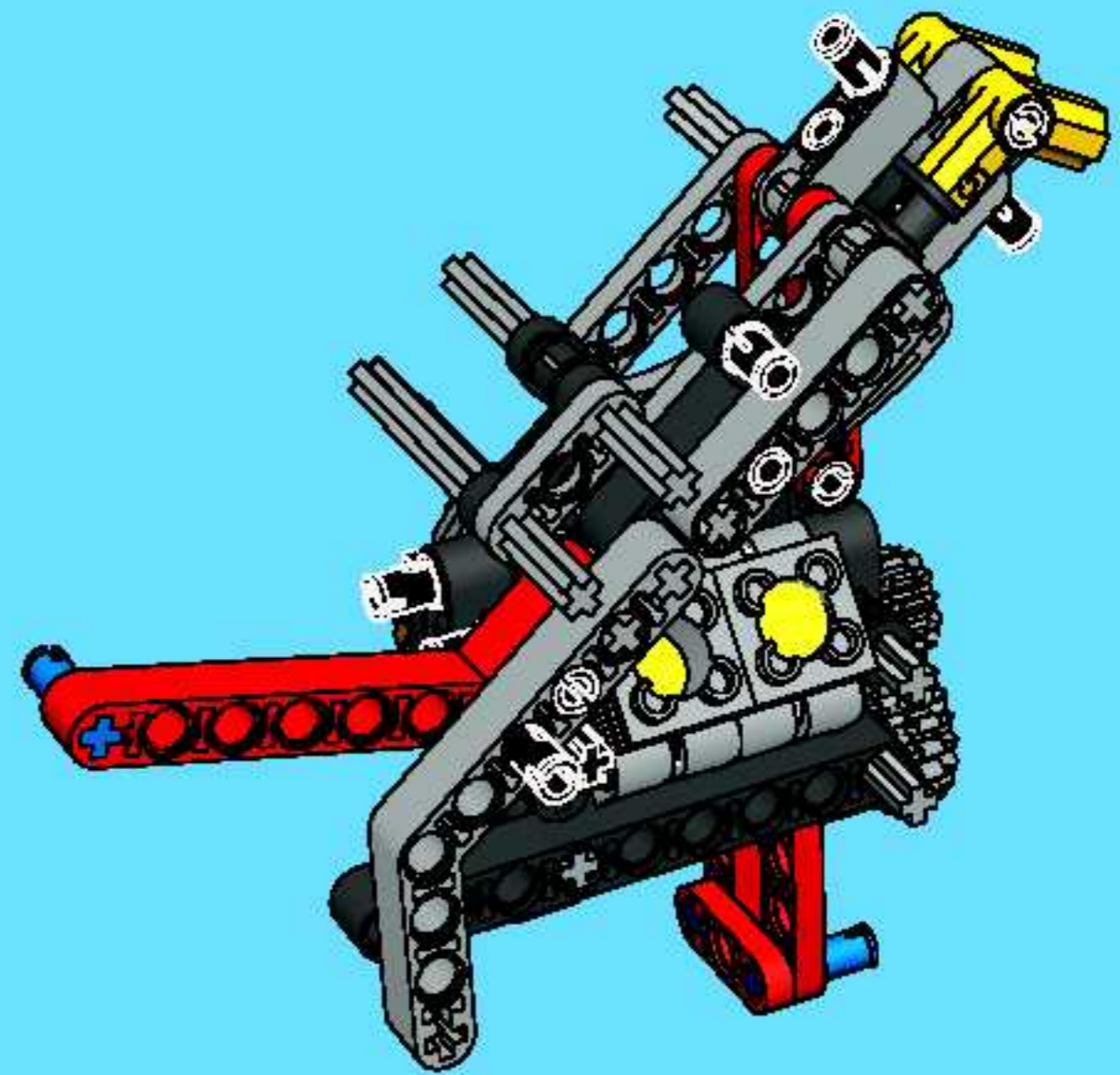
1:1

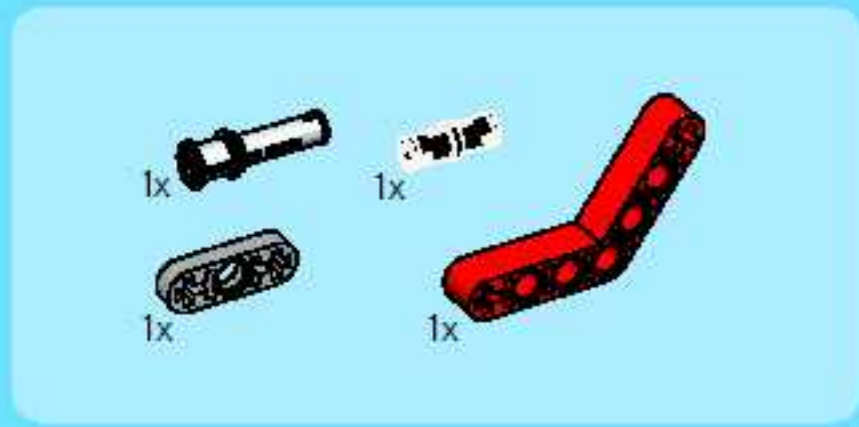


19

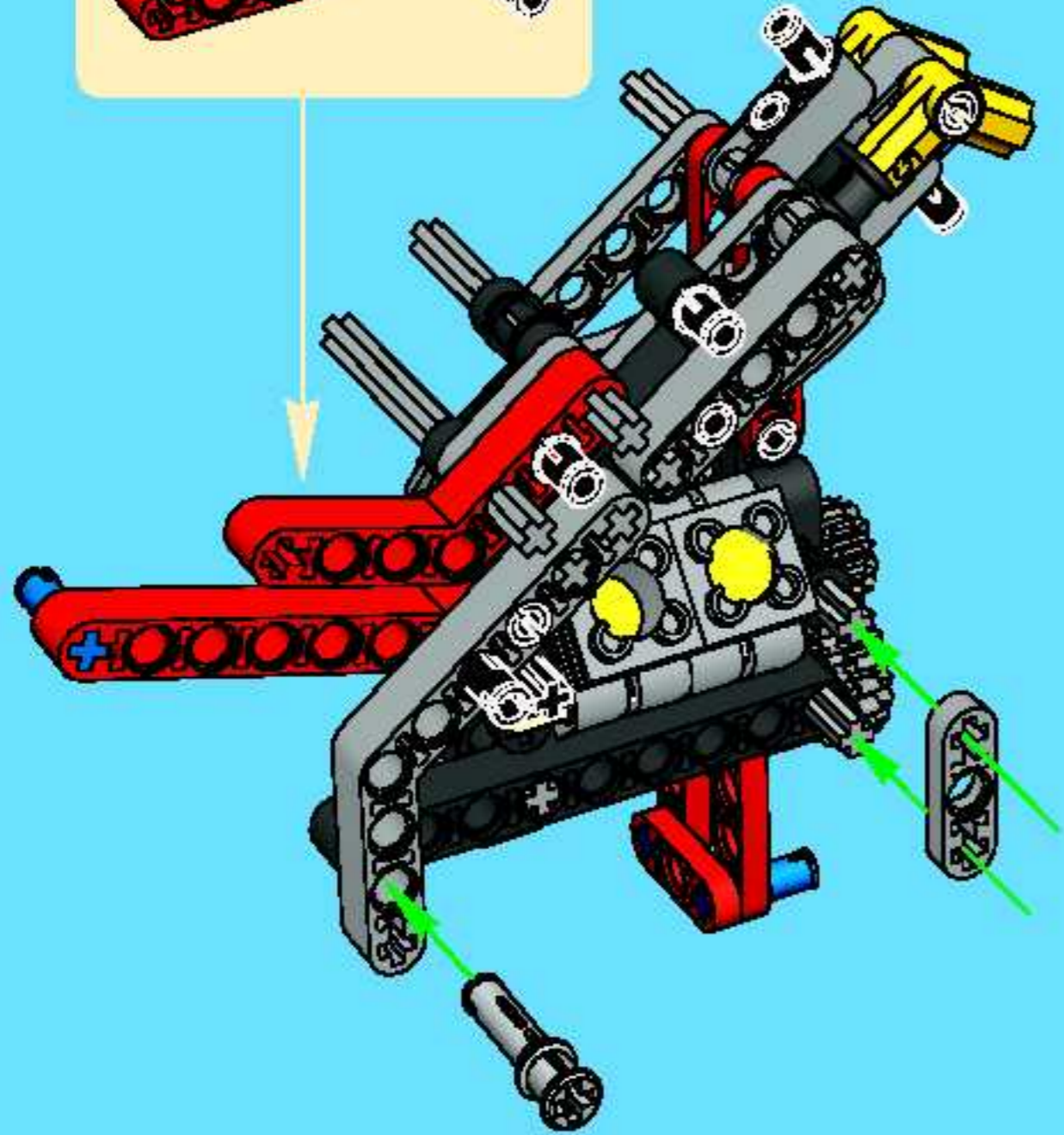
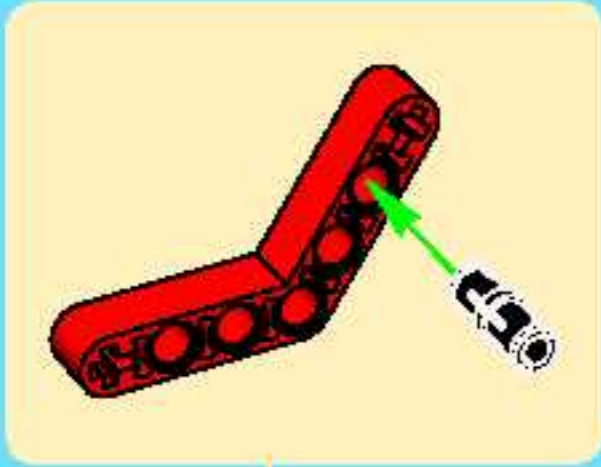


20

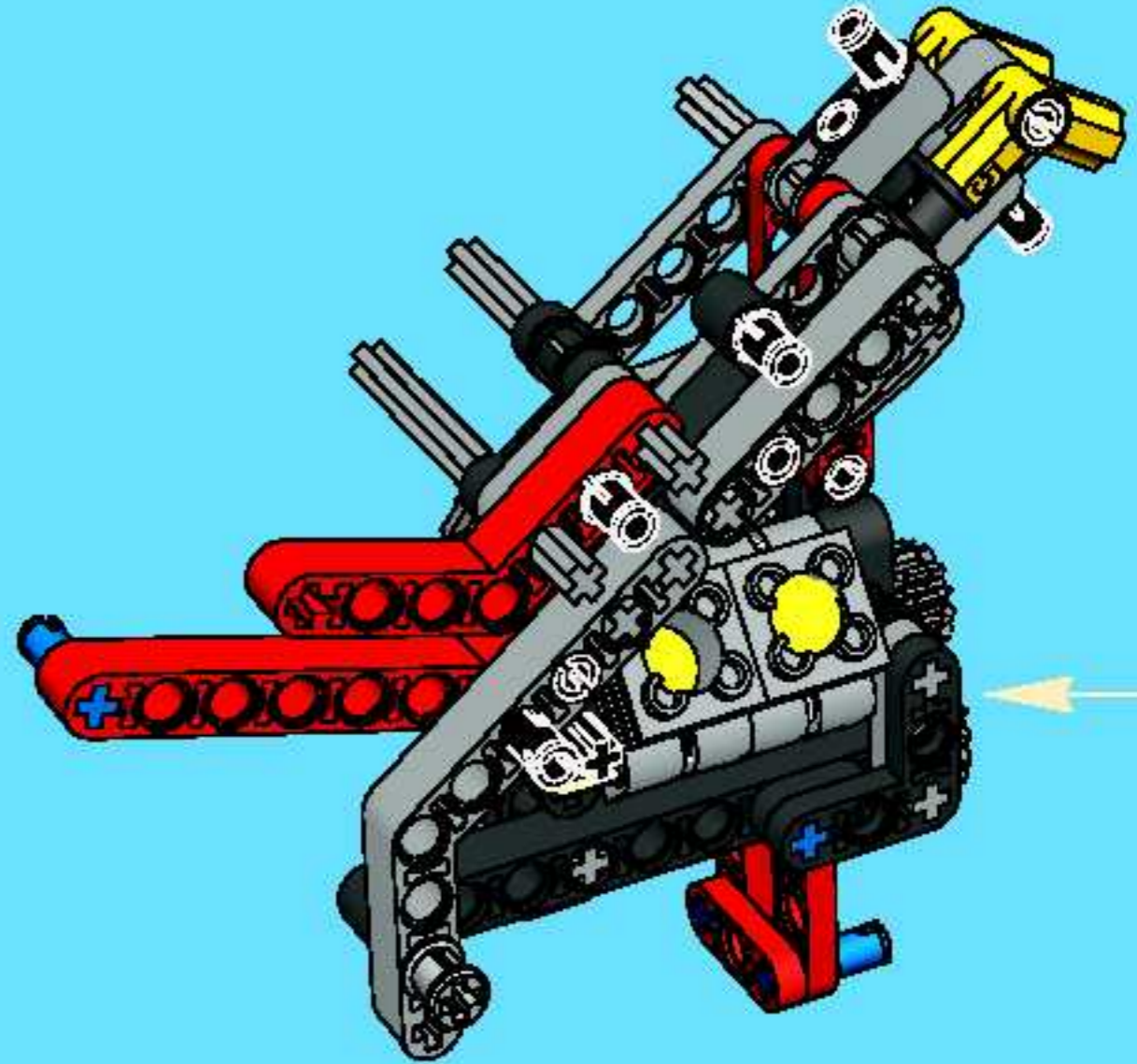
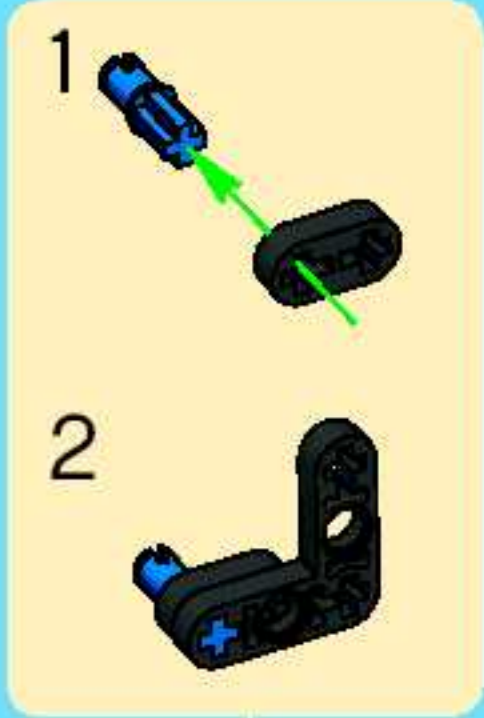




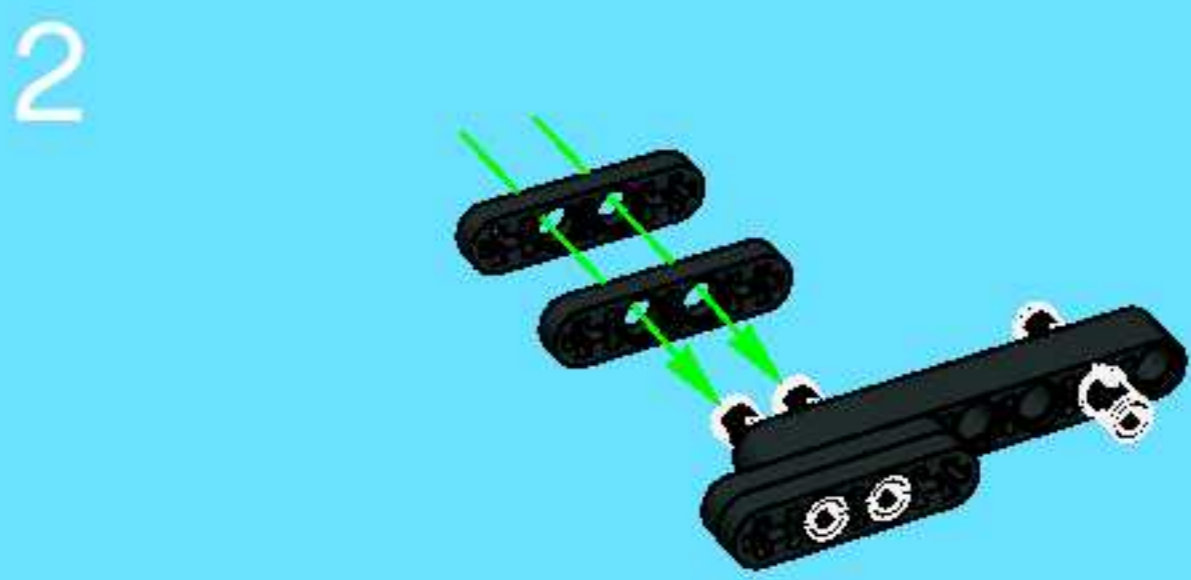
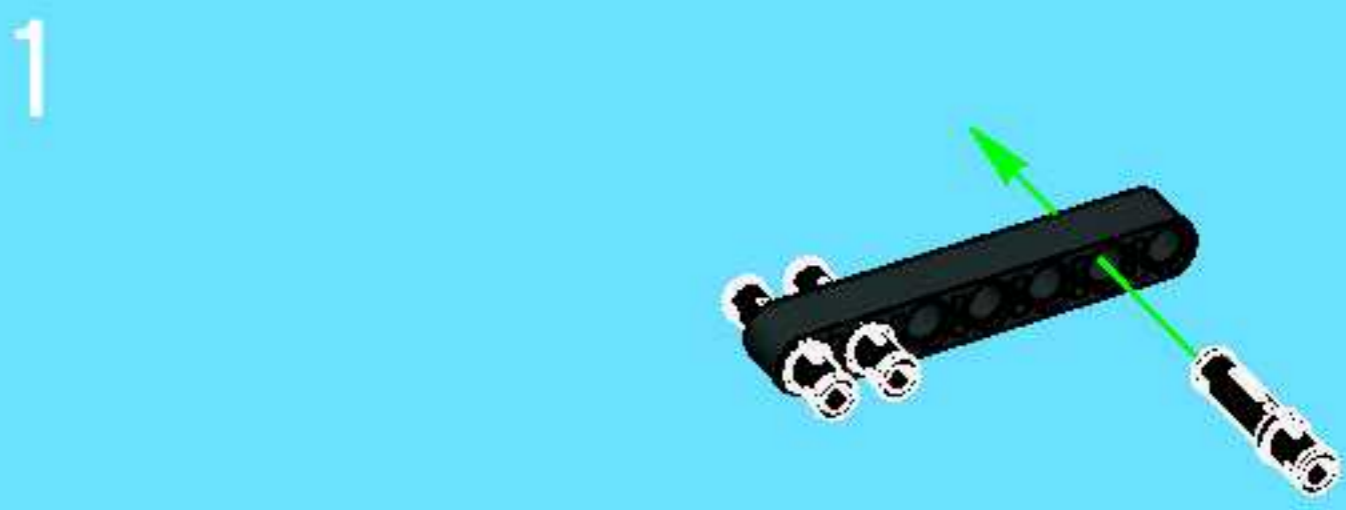
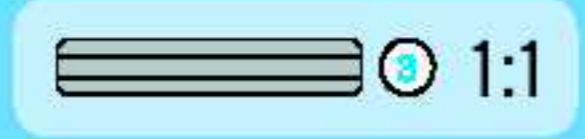
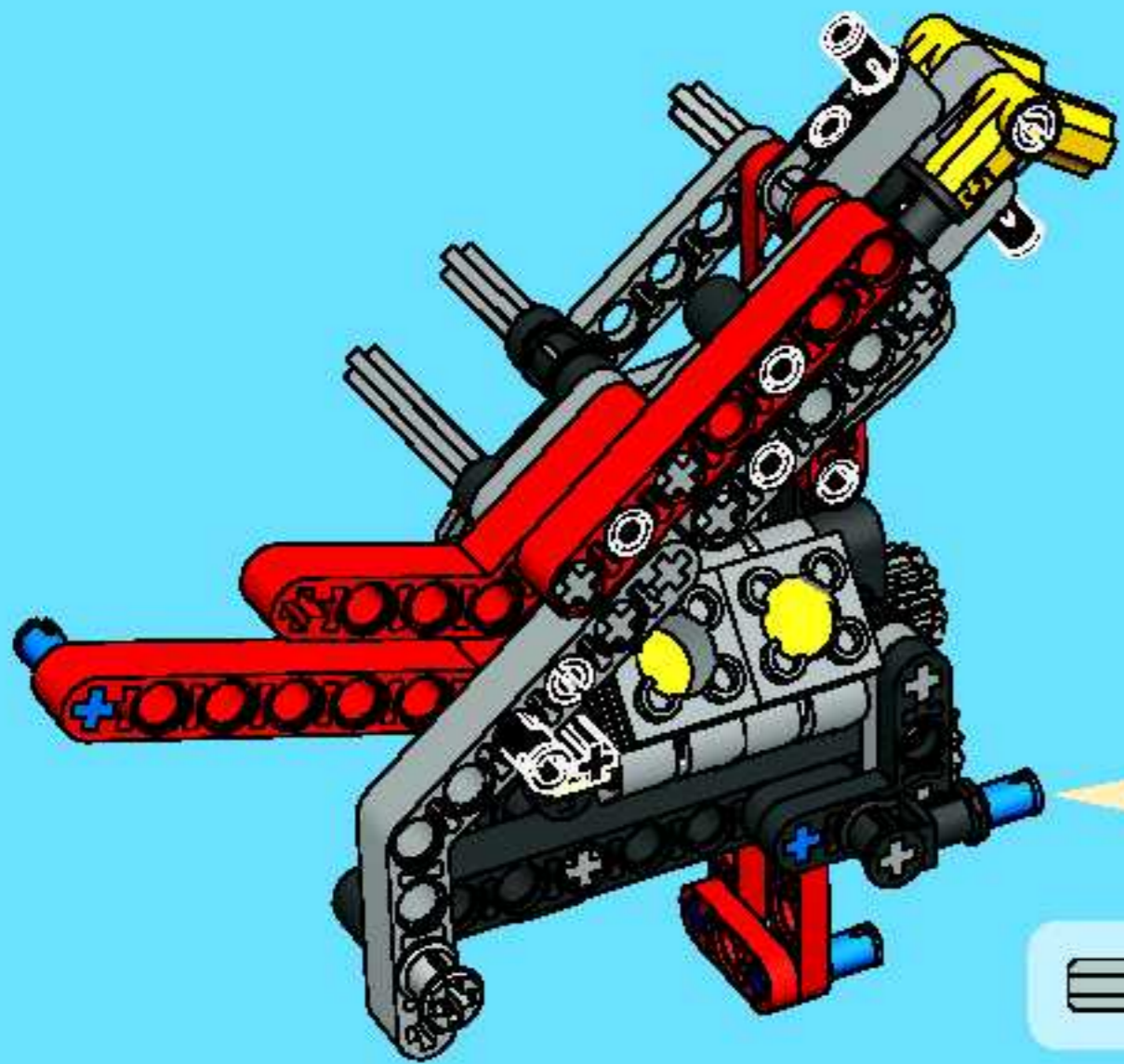
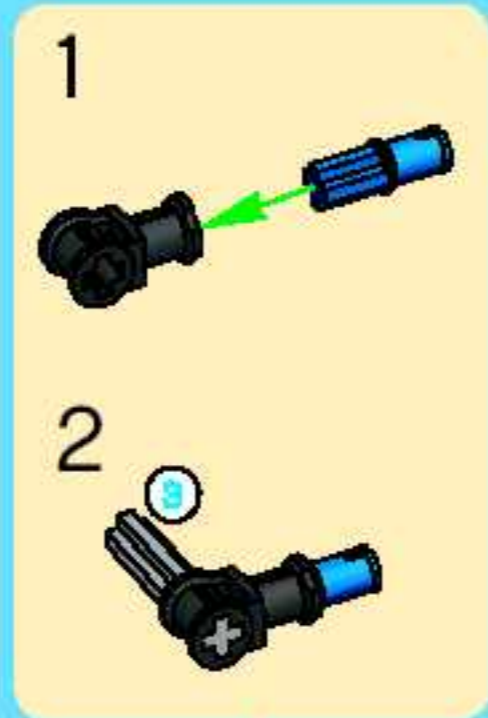
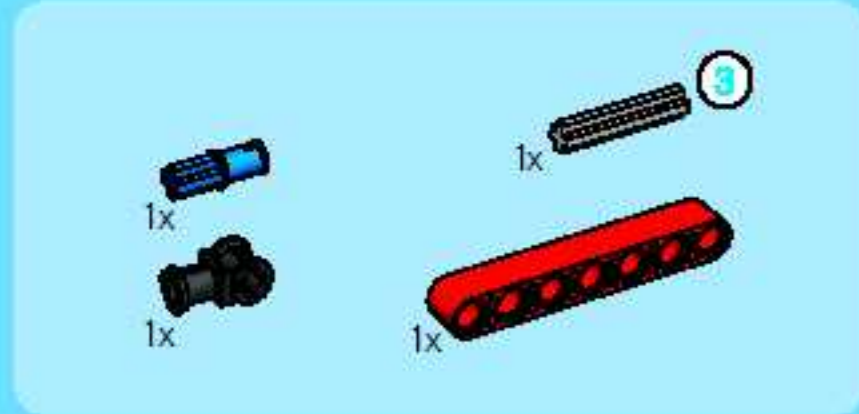
21



22

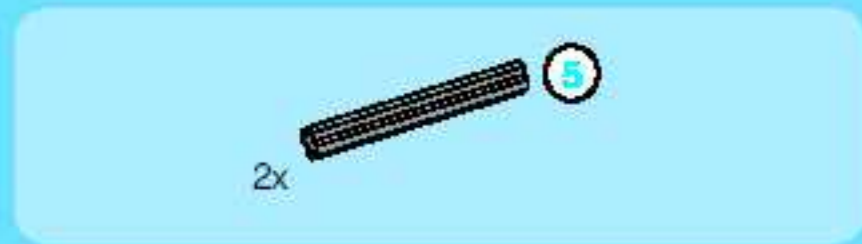
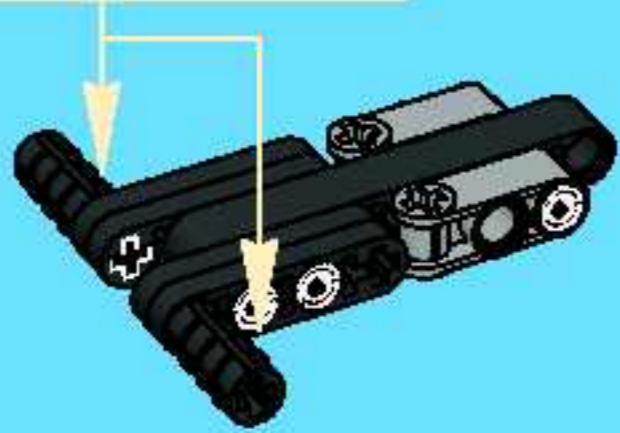
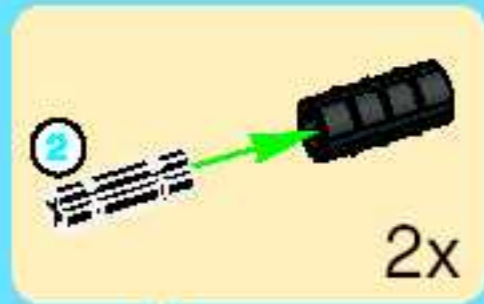


23

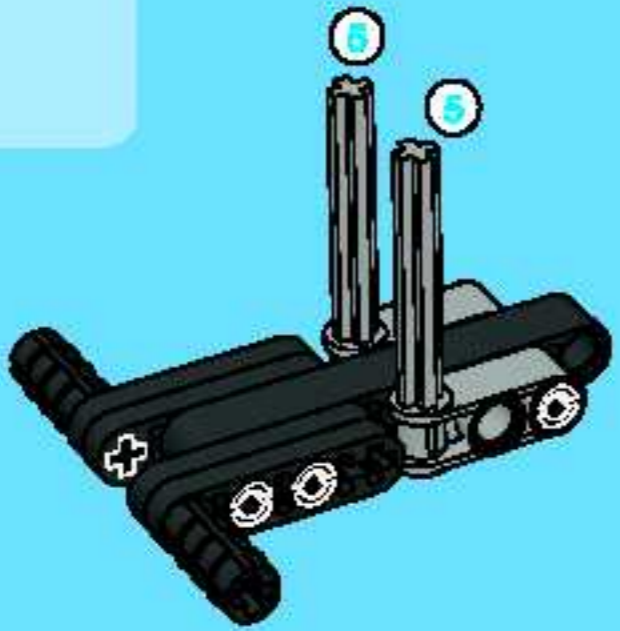




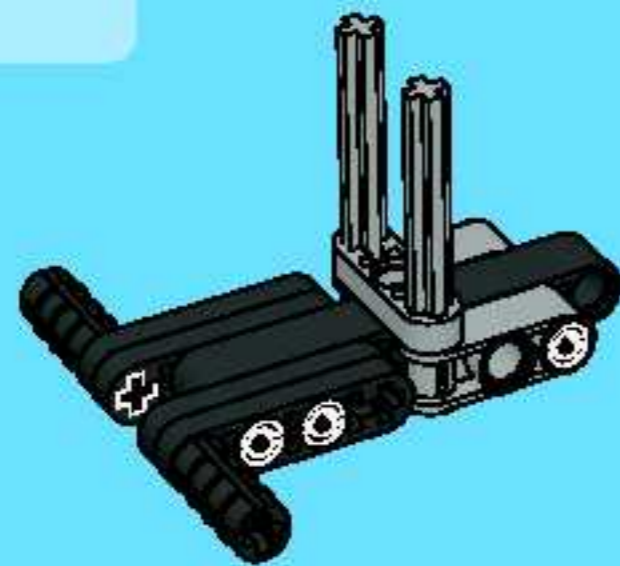
3



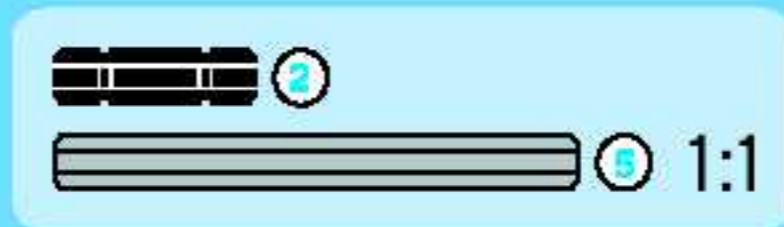
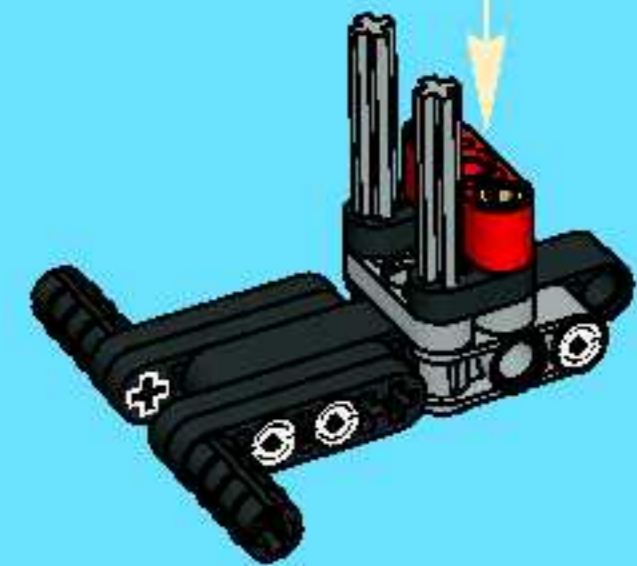
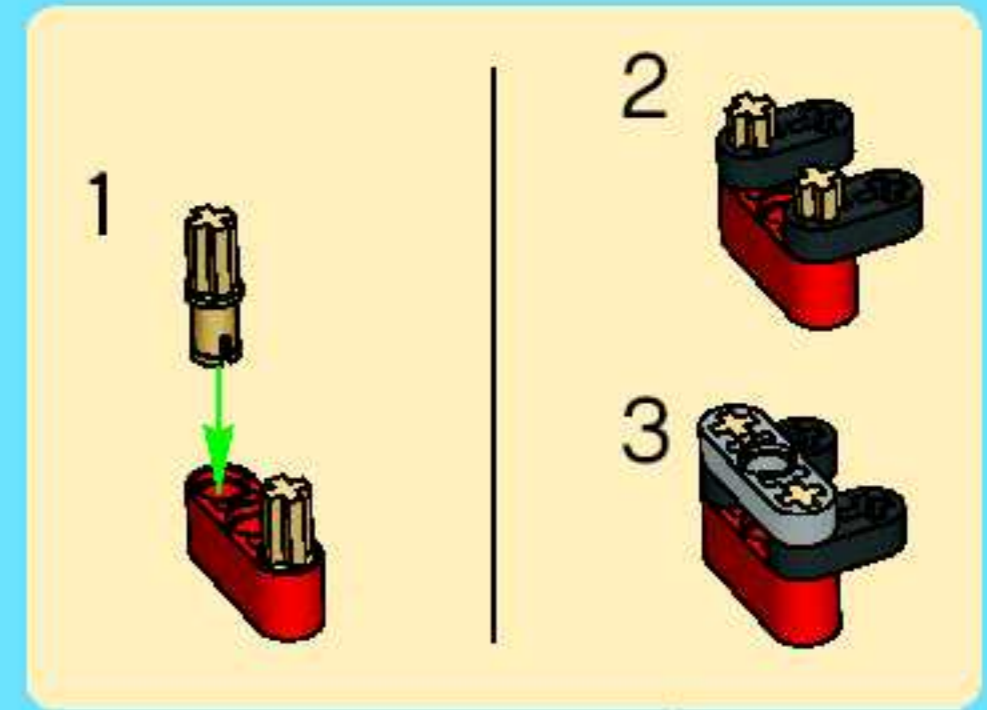
4



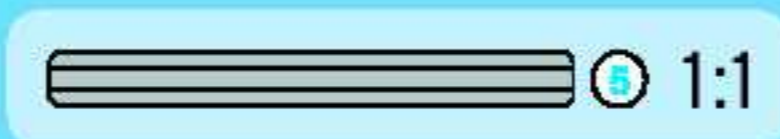
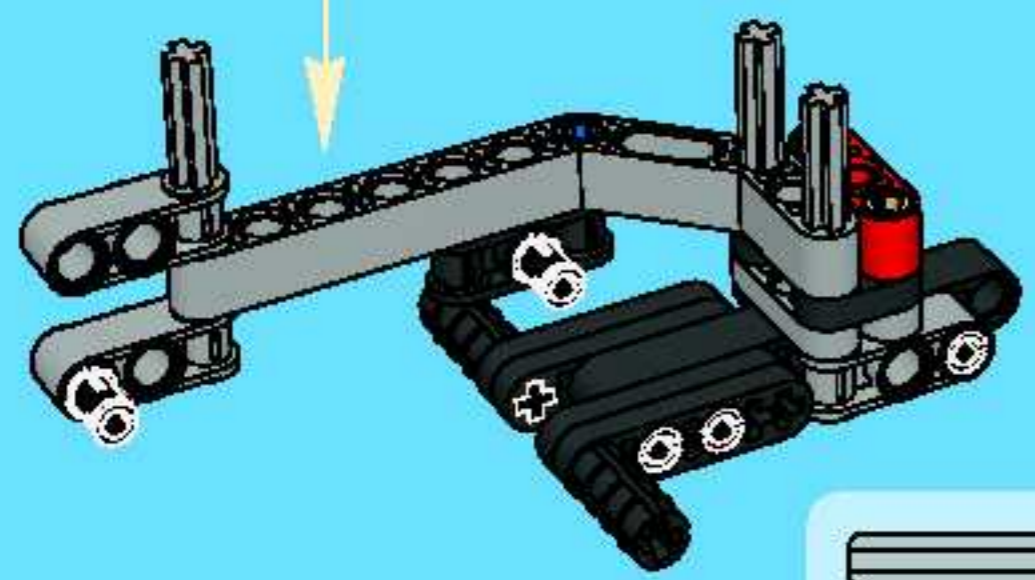
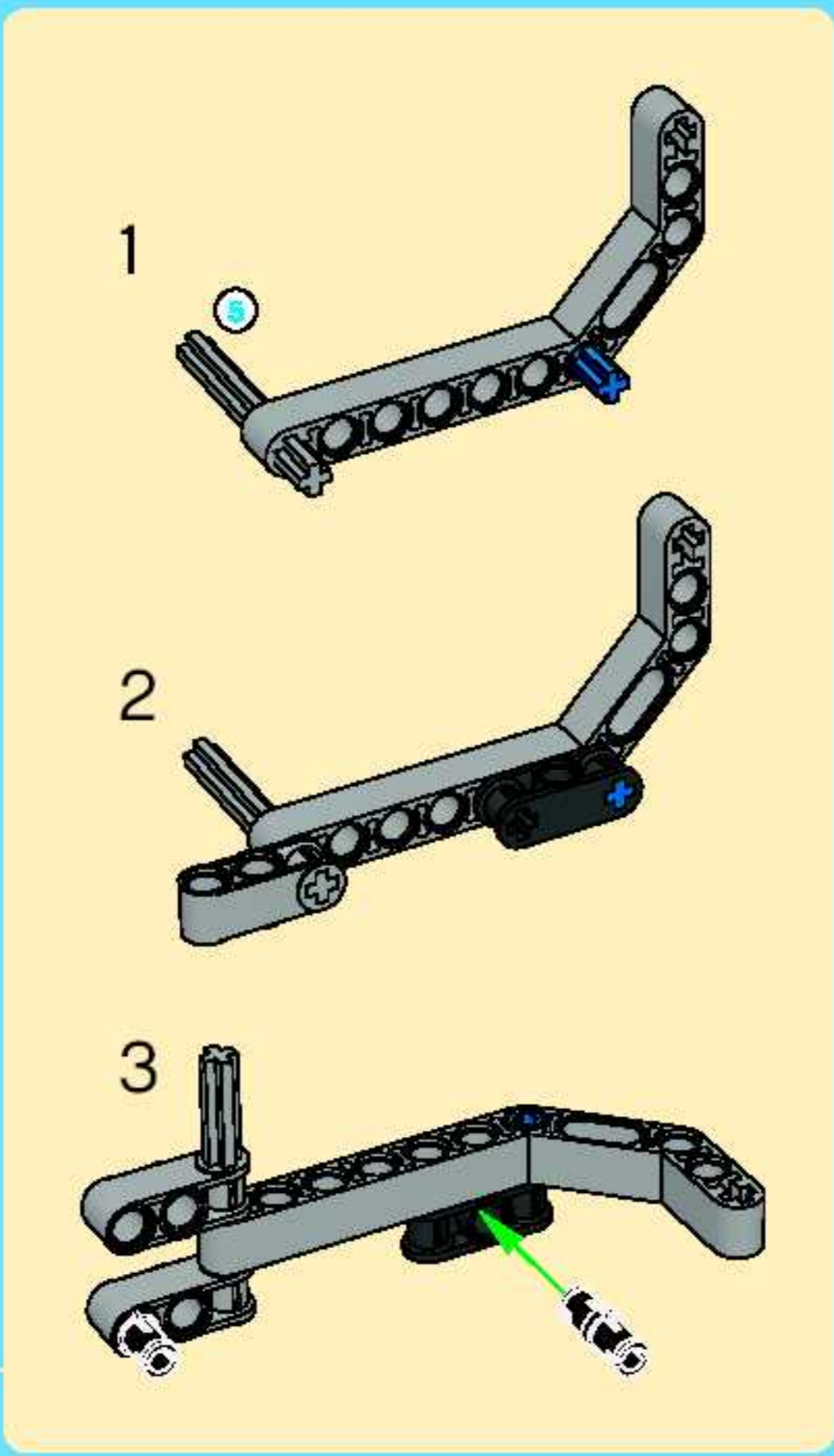
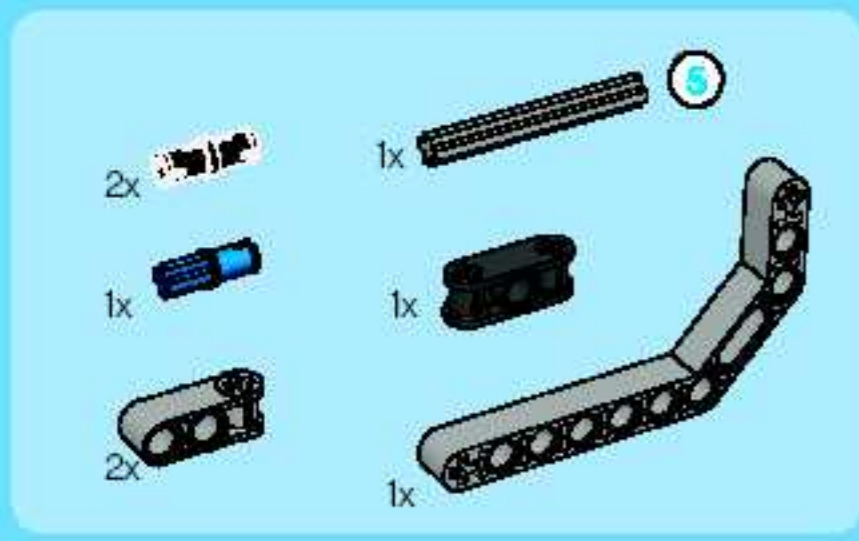
5



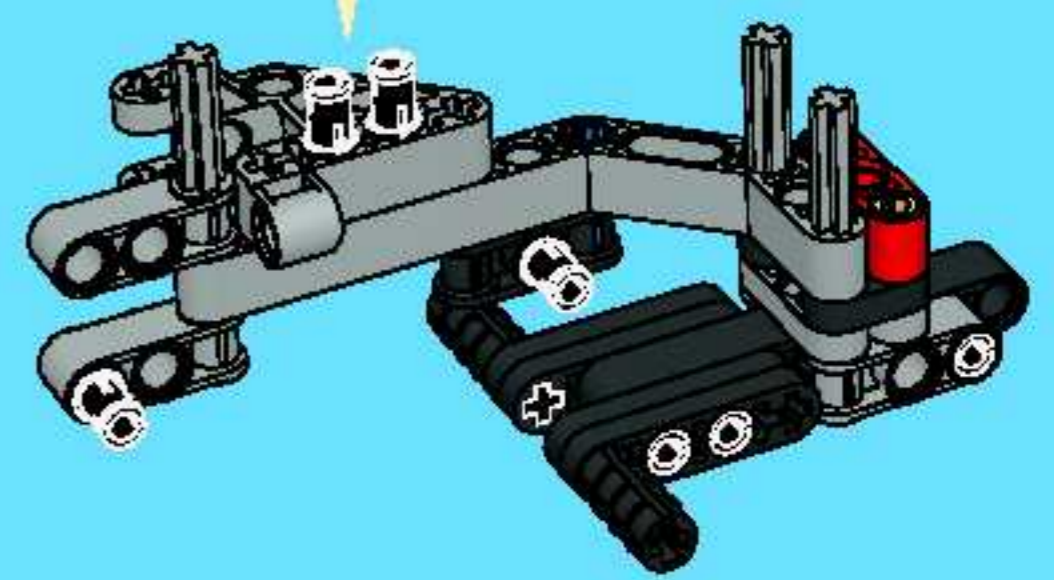
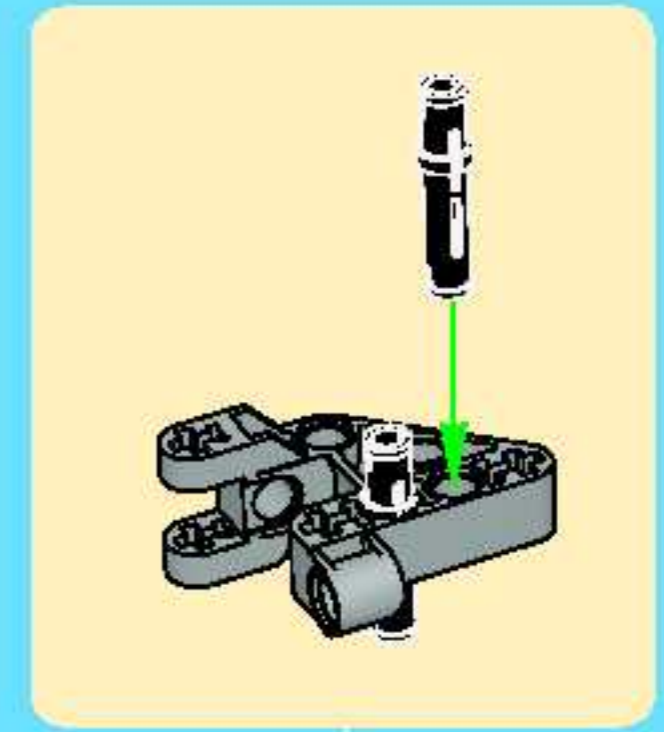
6

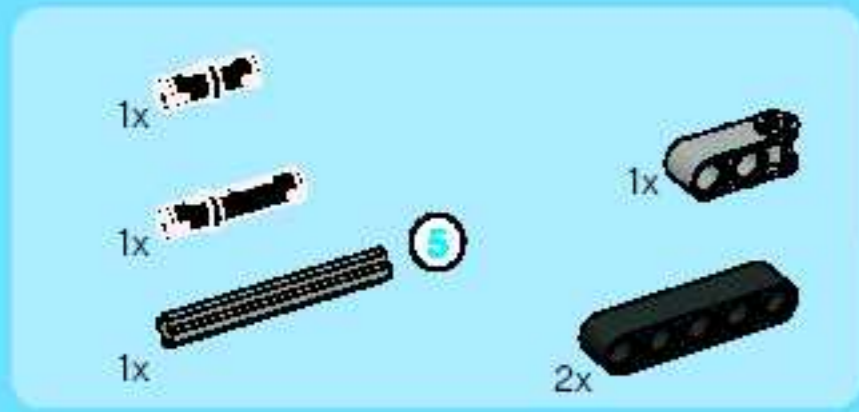


7

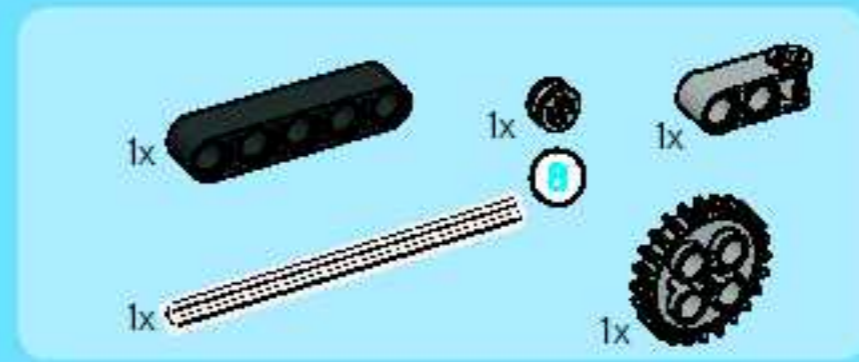
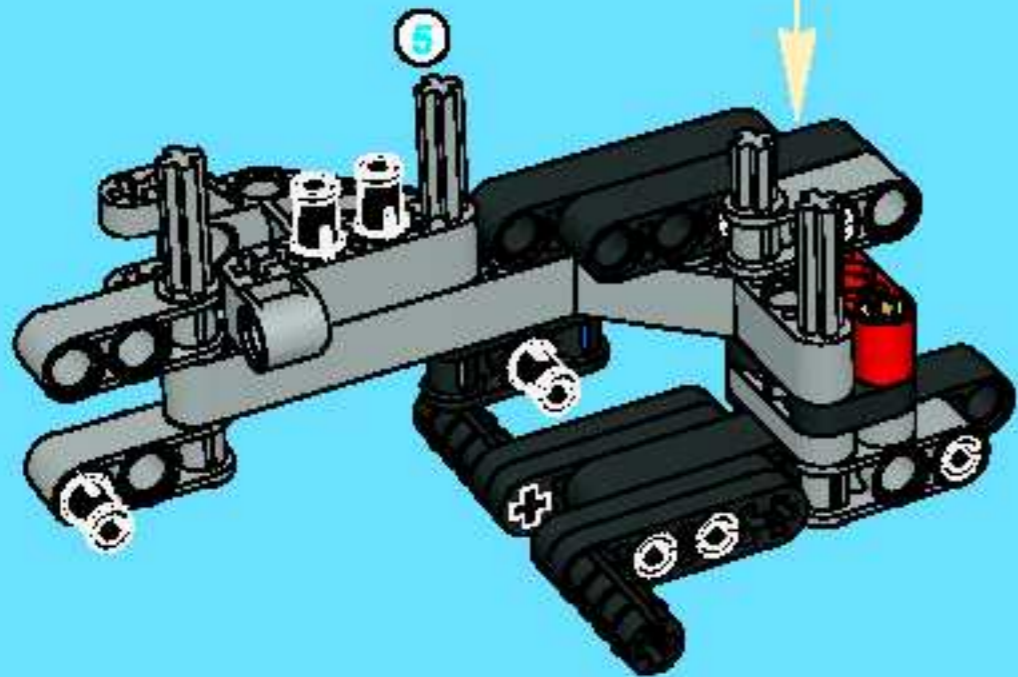
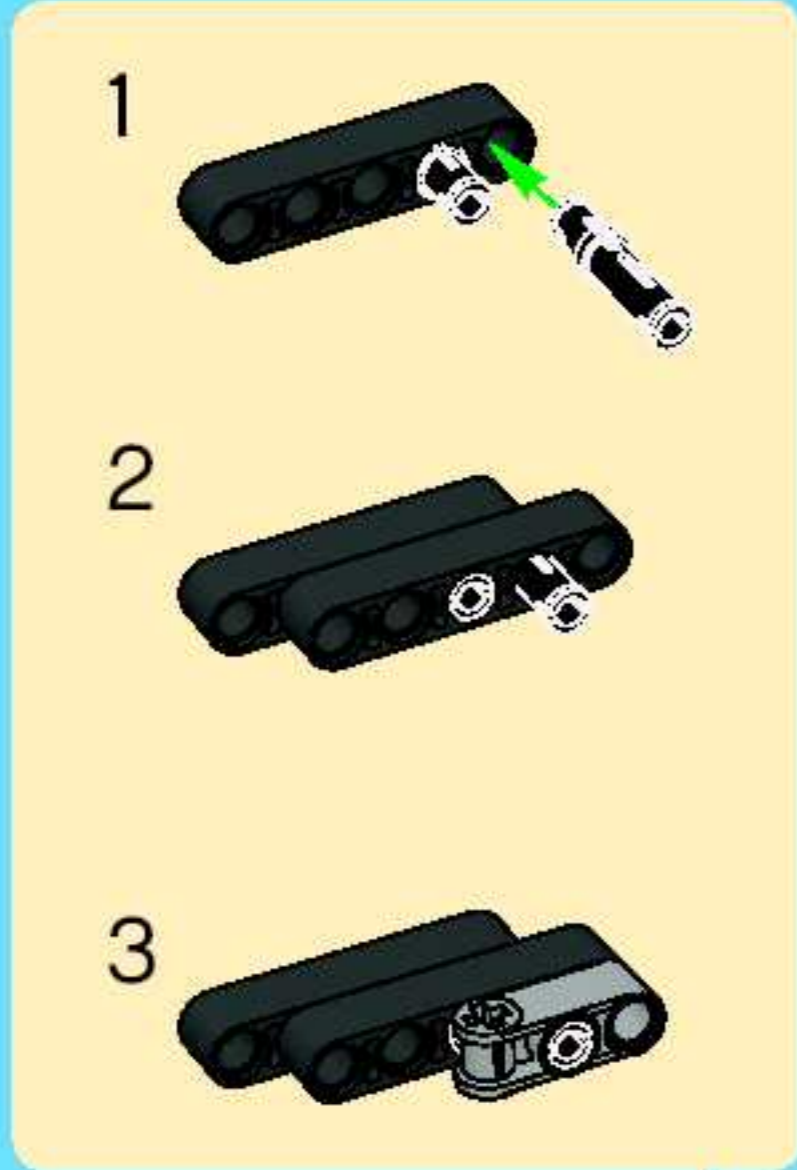


8

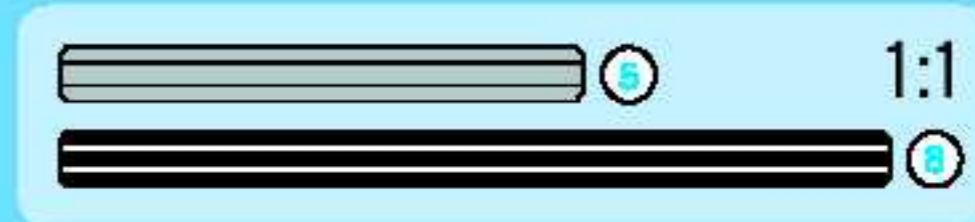
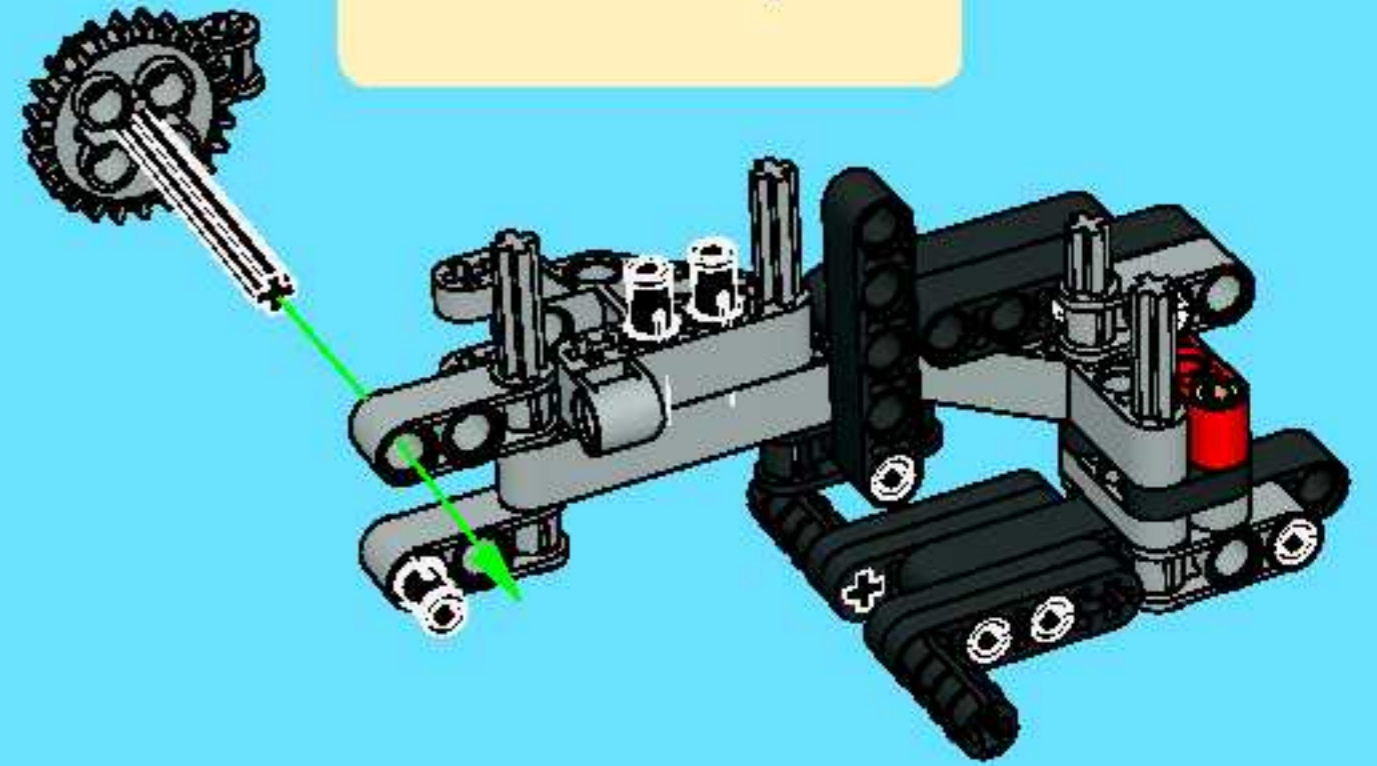
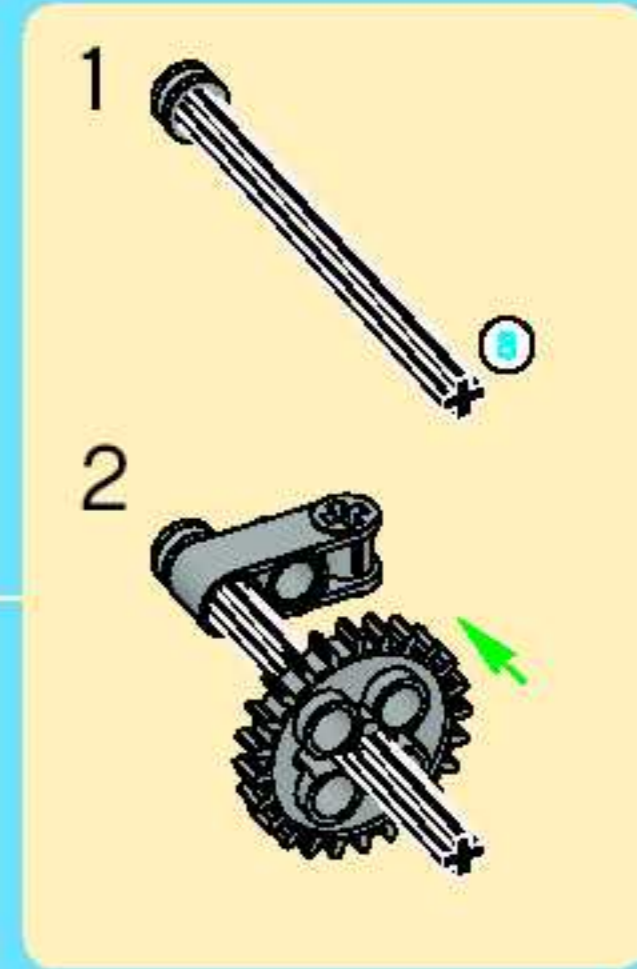




9

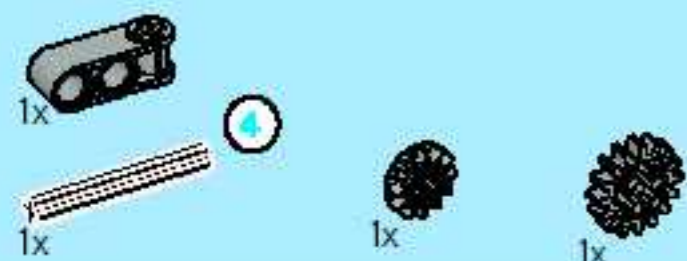
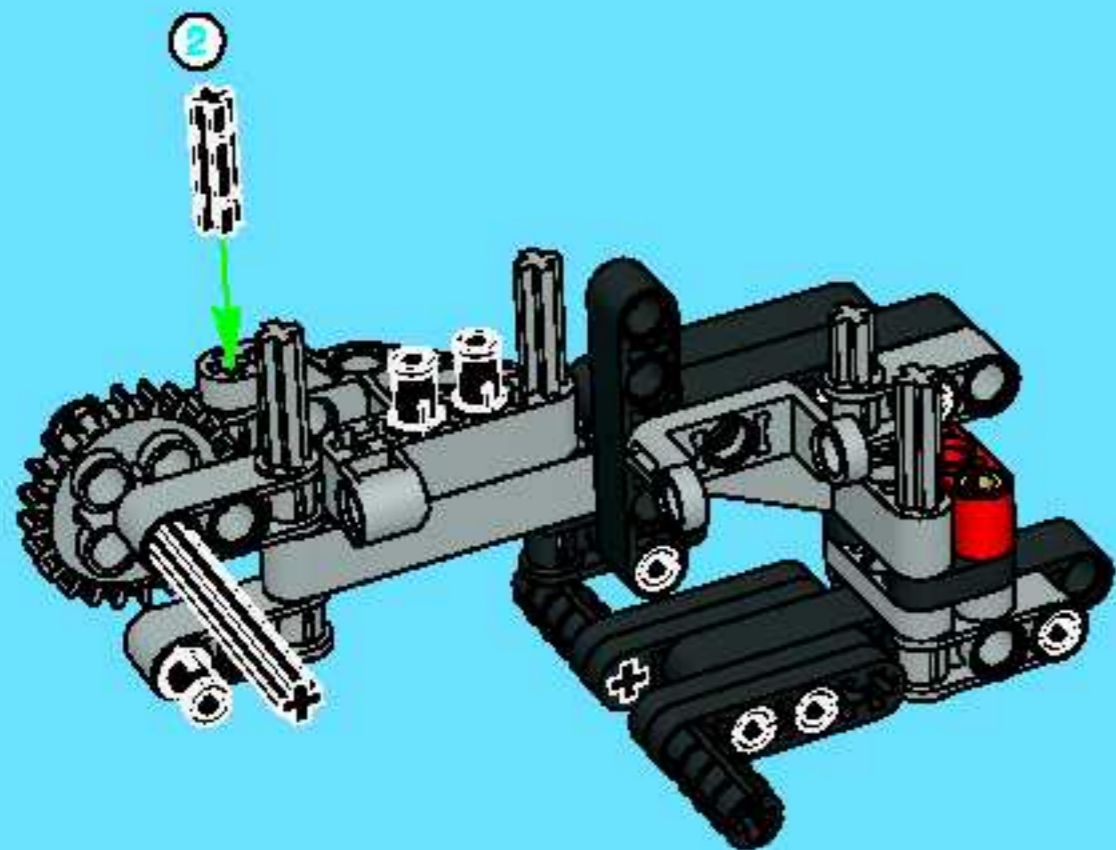


10

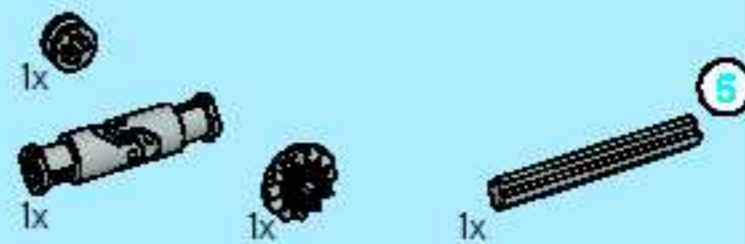
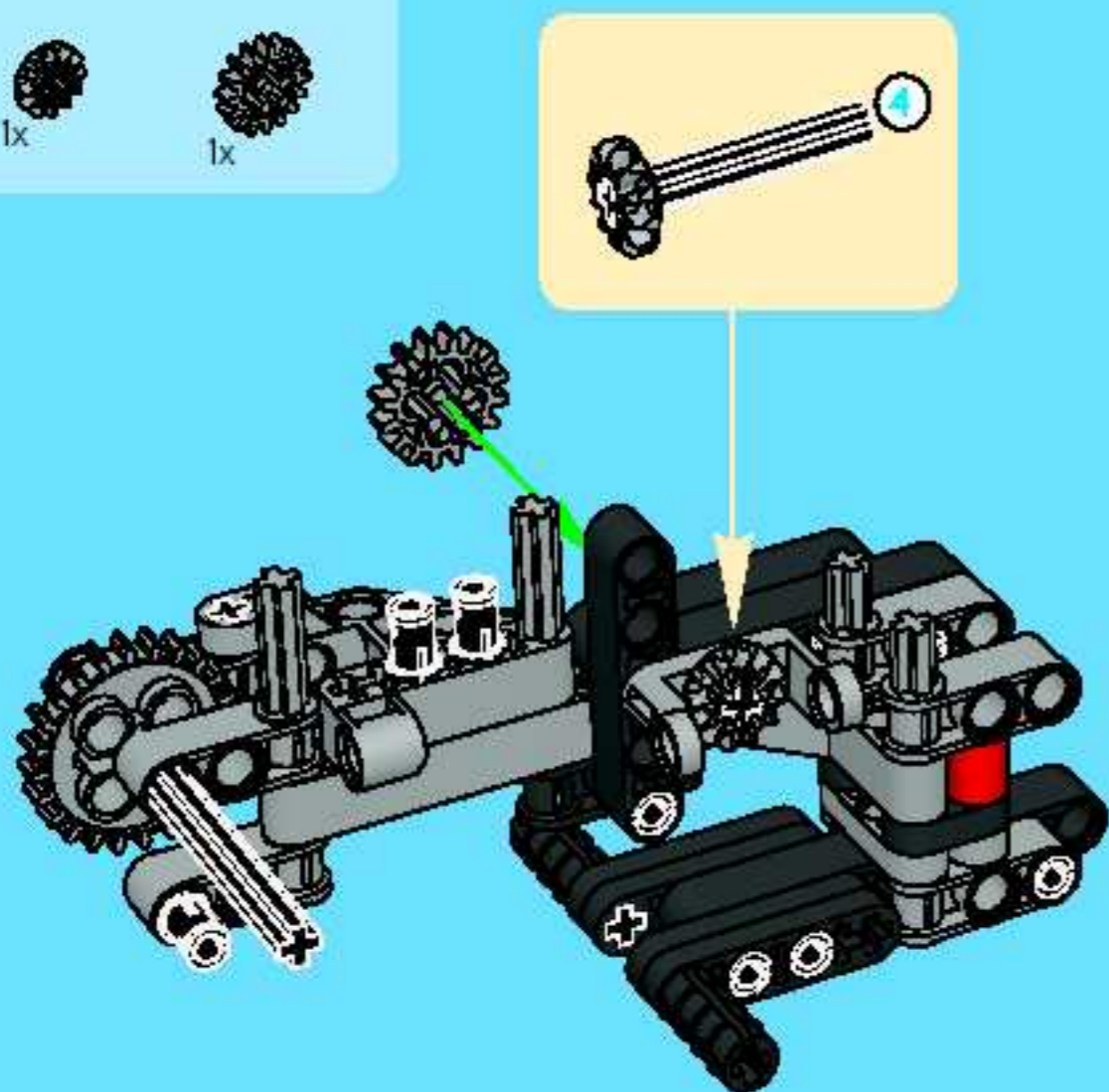




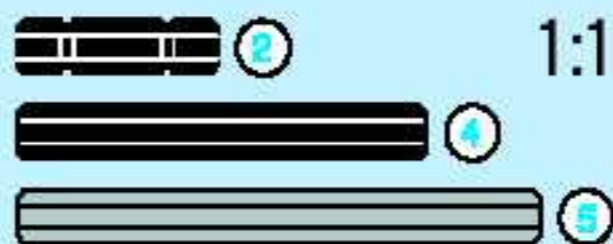
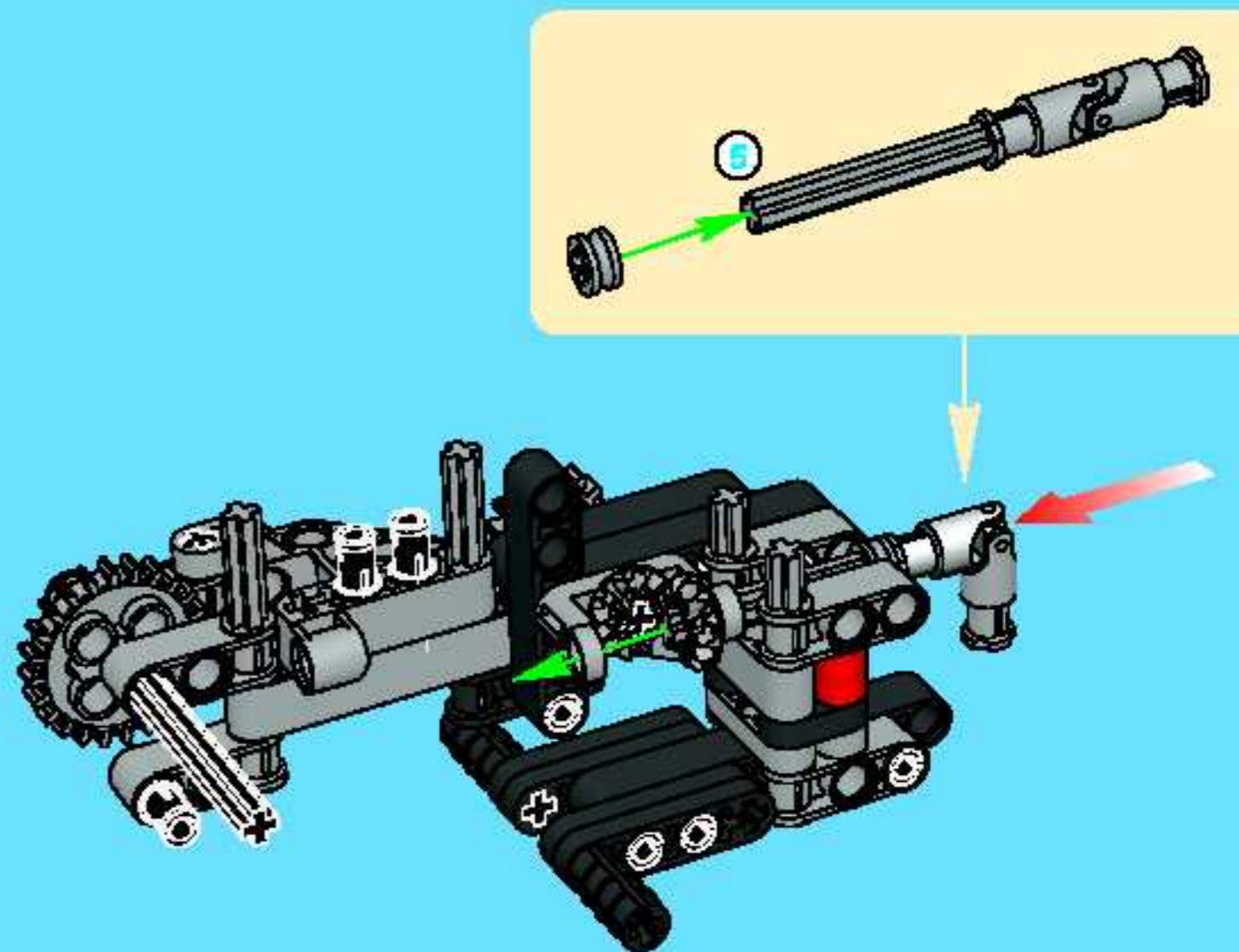
11

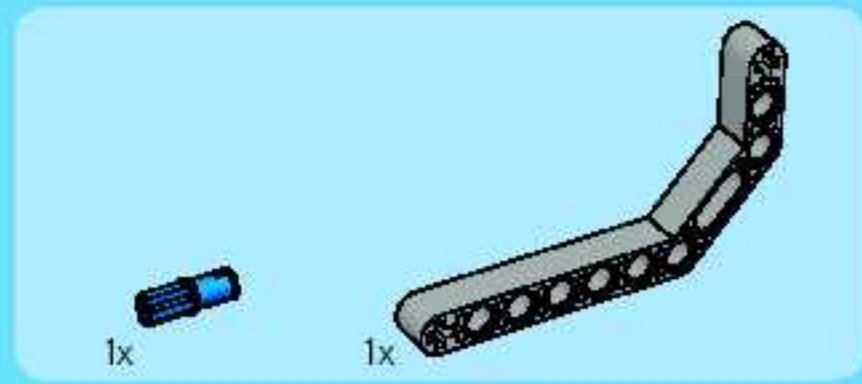


12

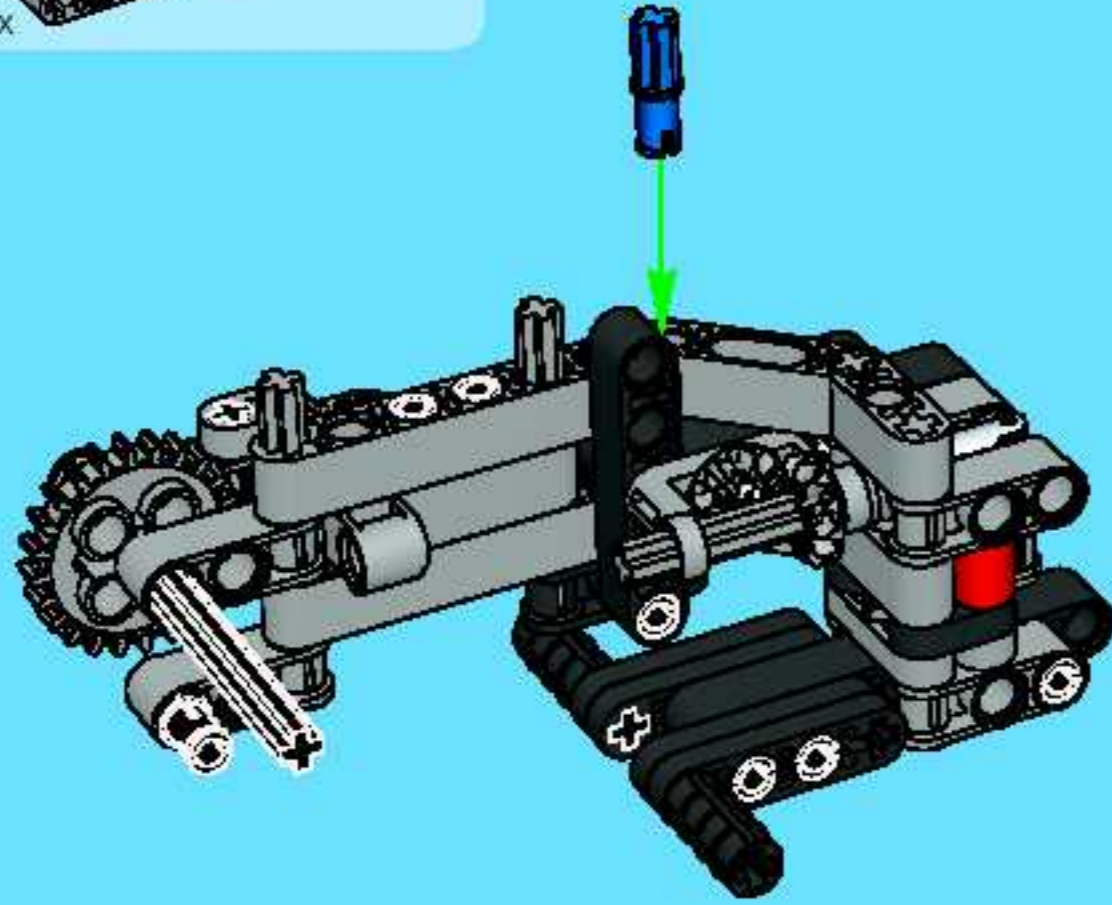


13

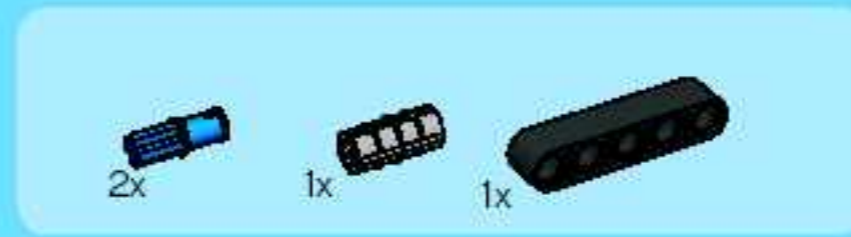
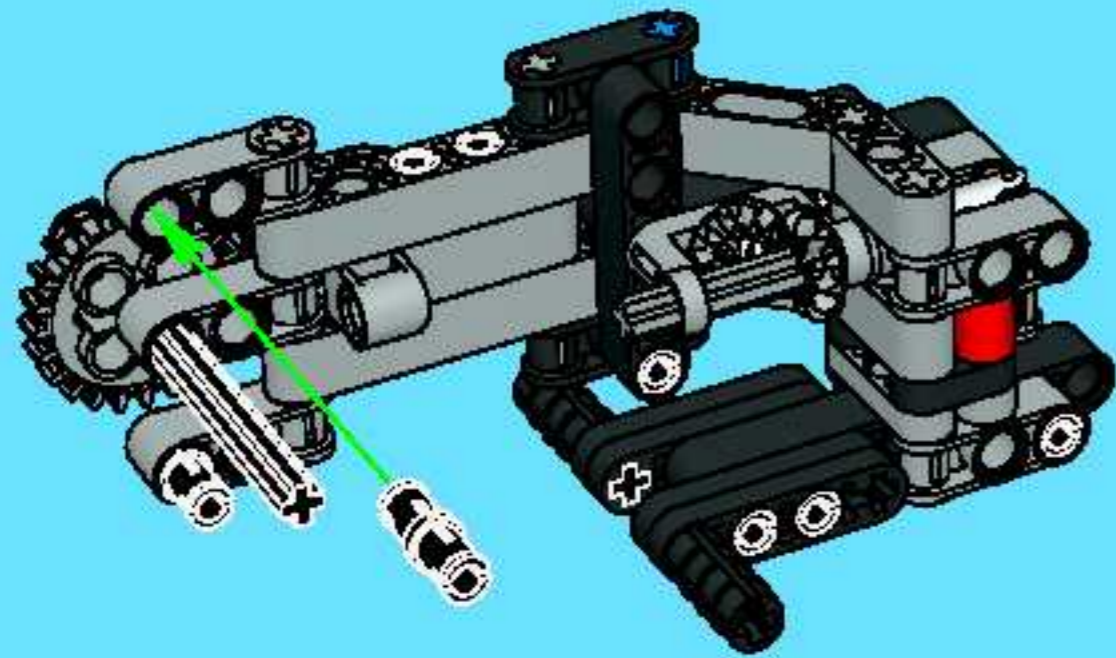




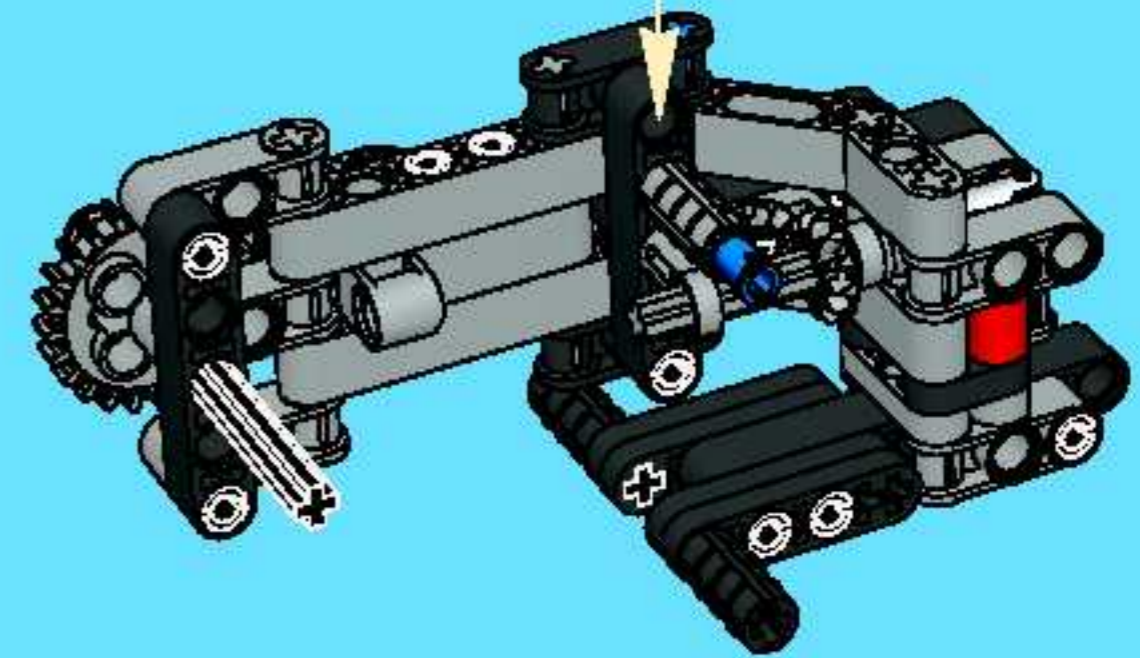
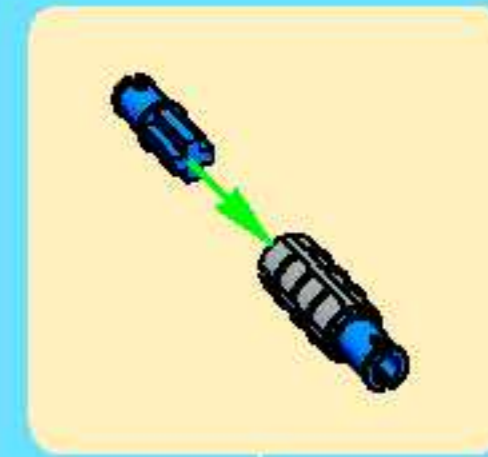
14



15

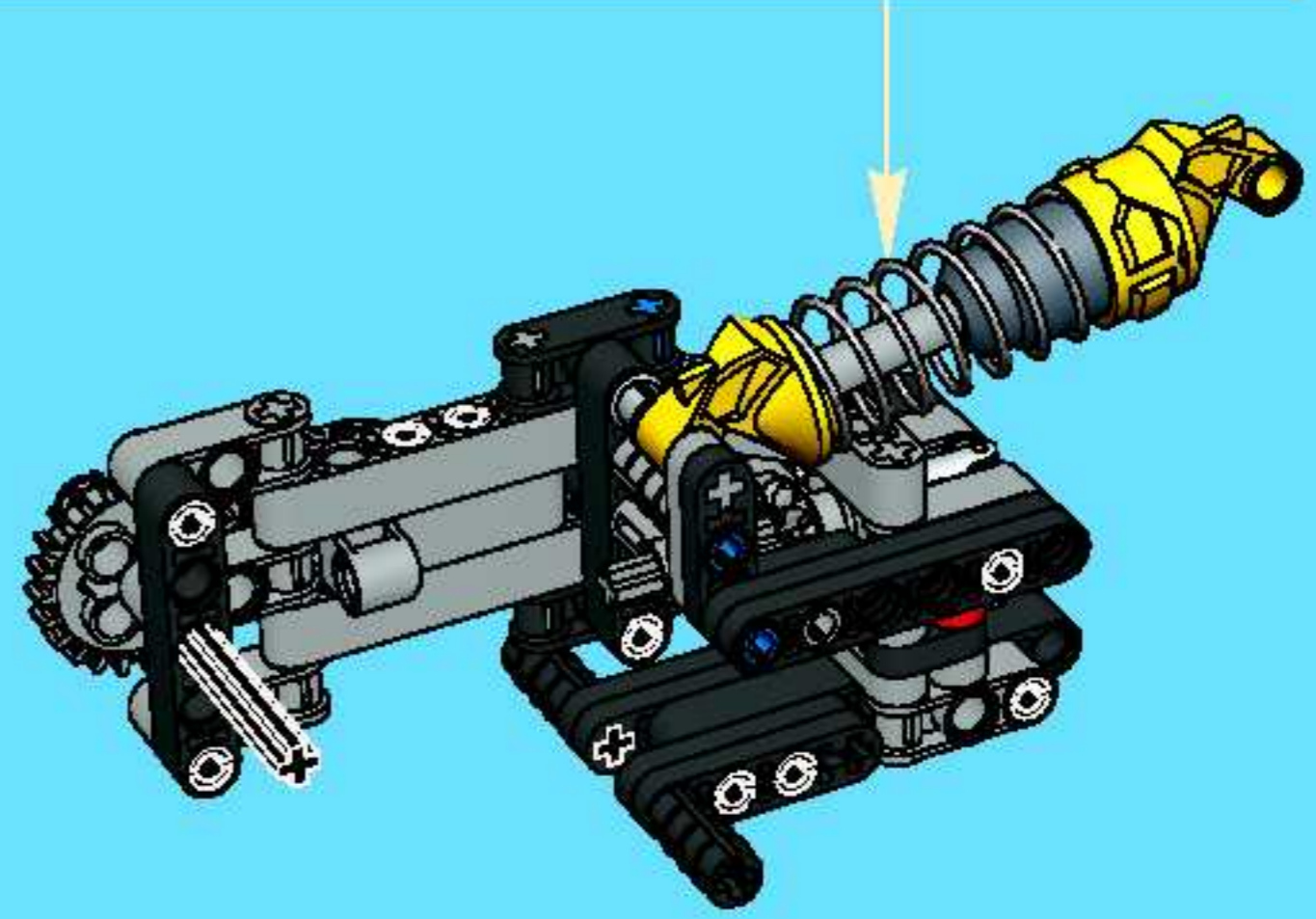
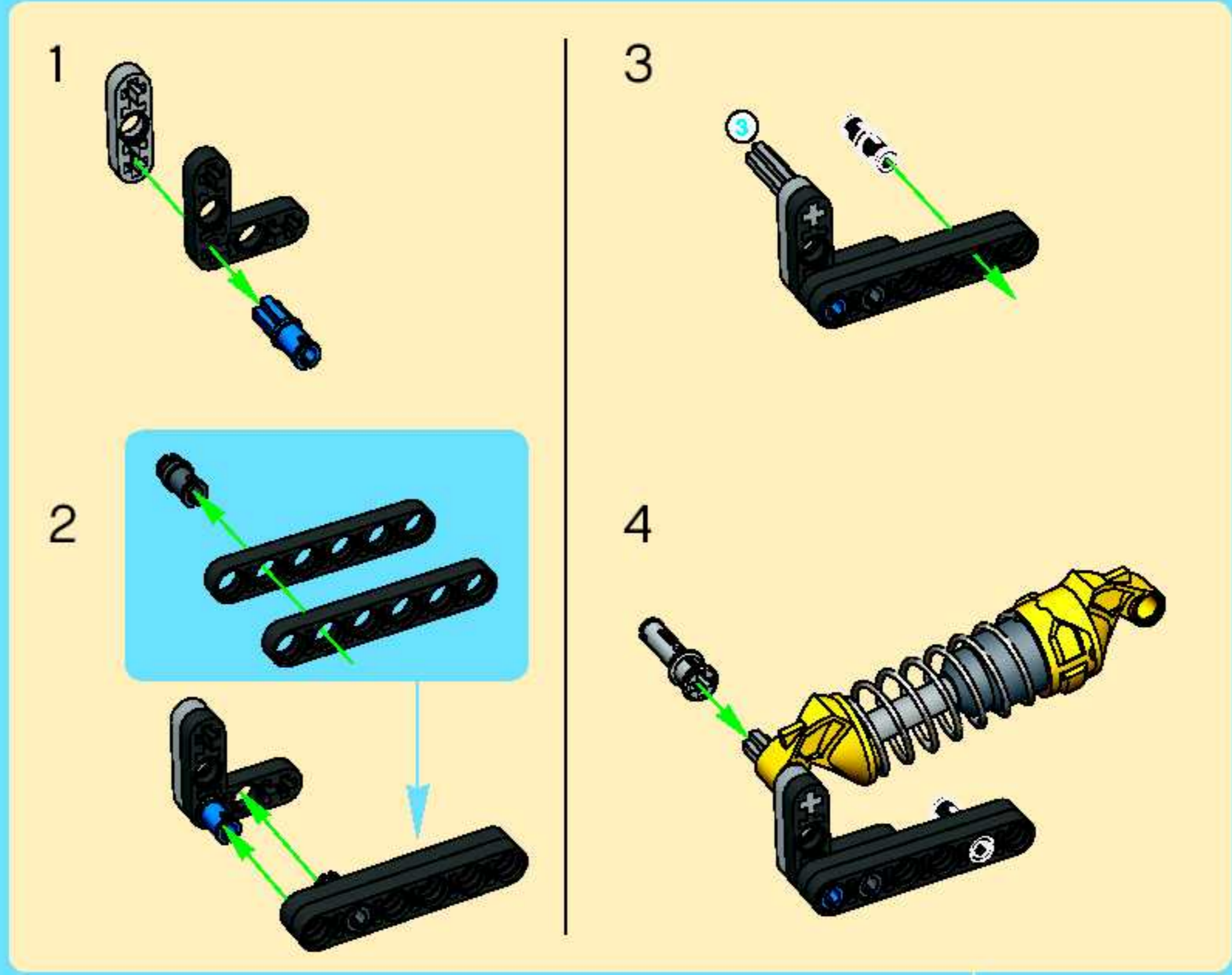
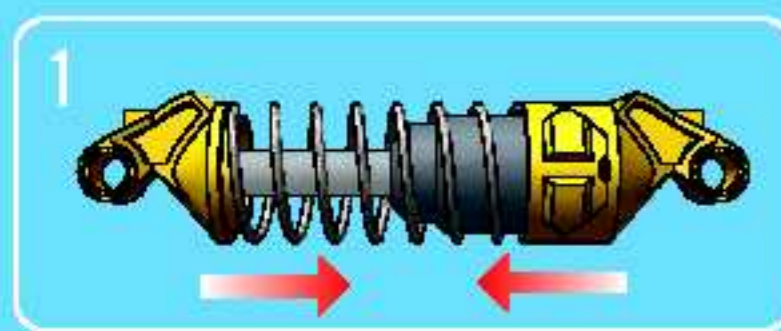


16



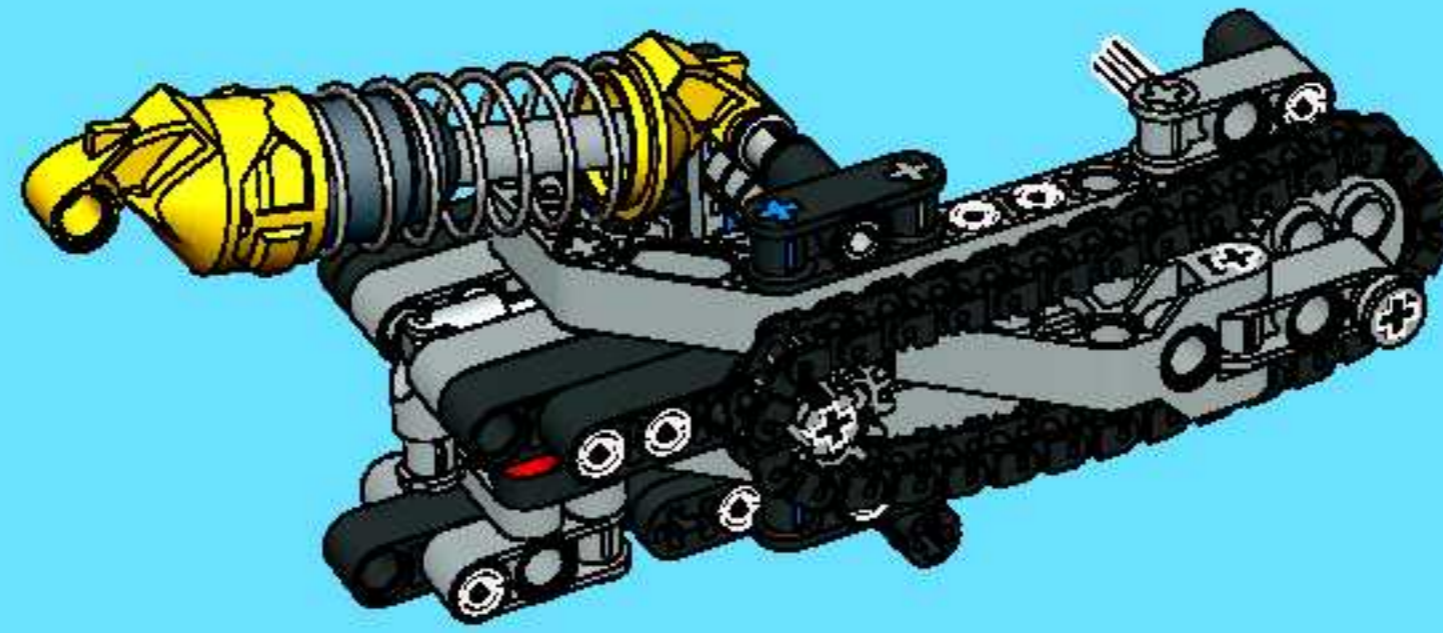
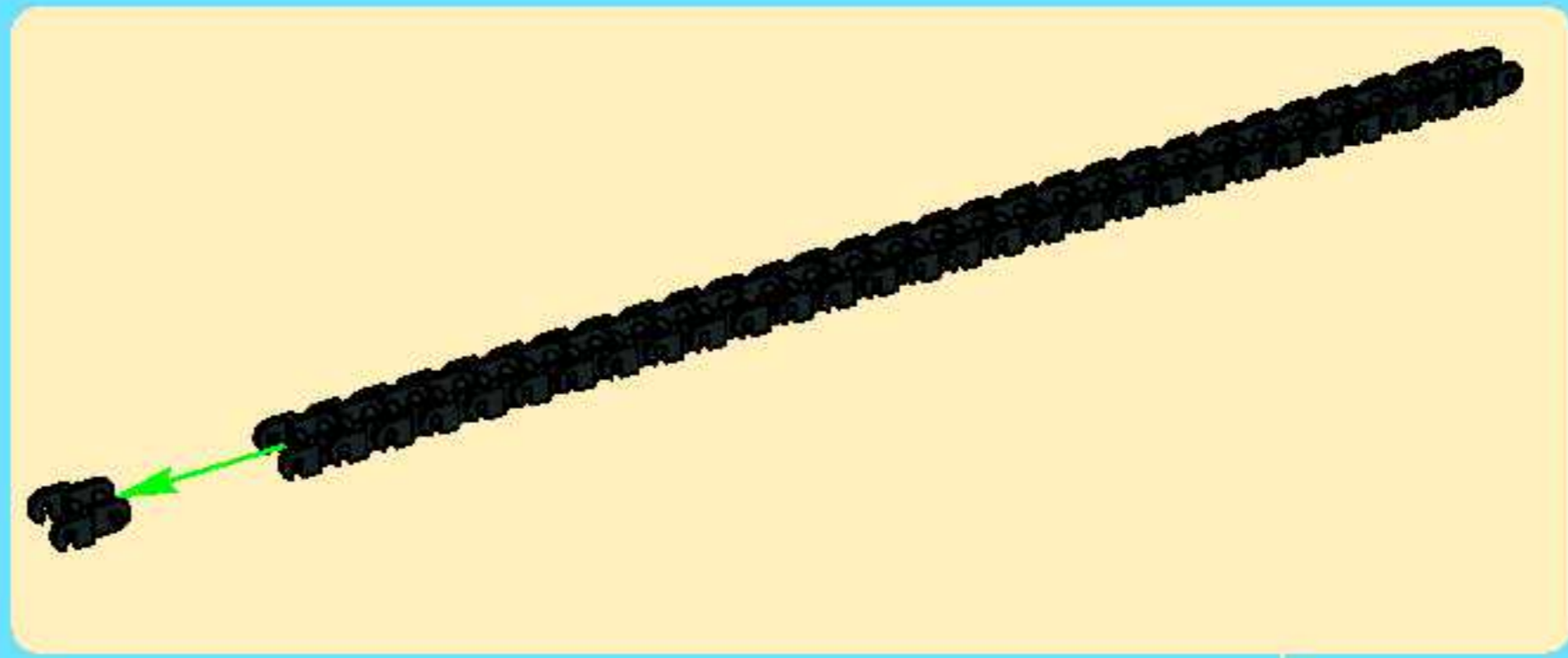


17

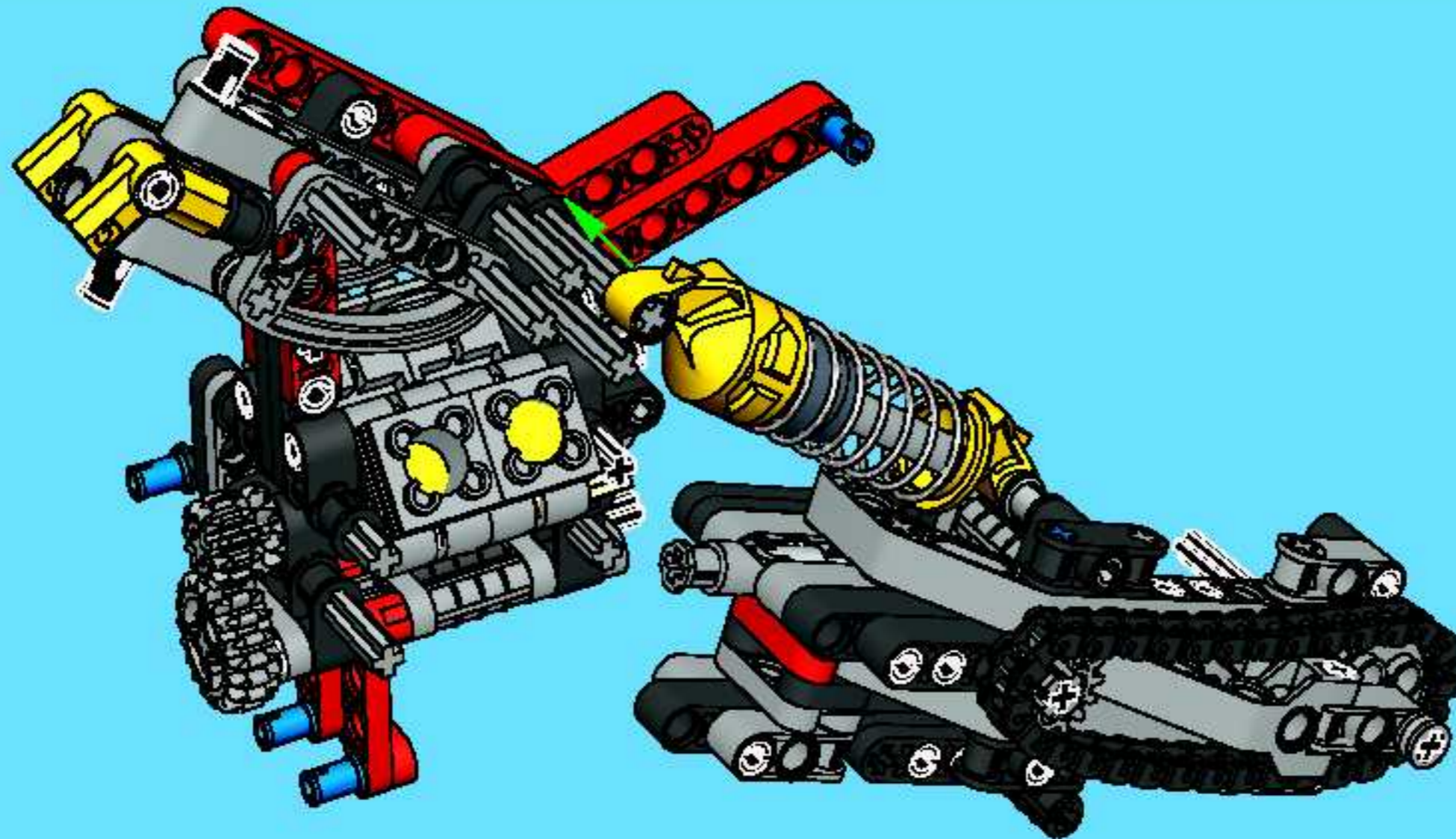


30x

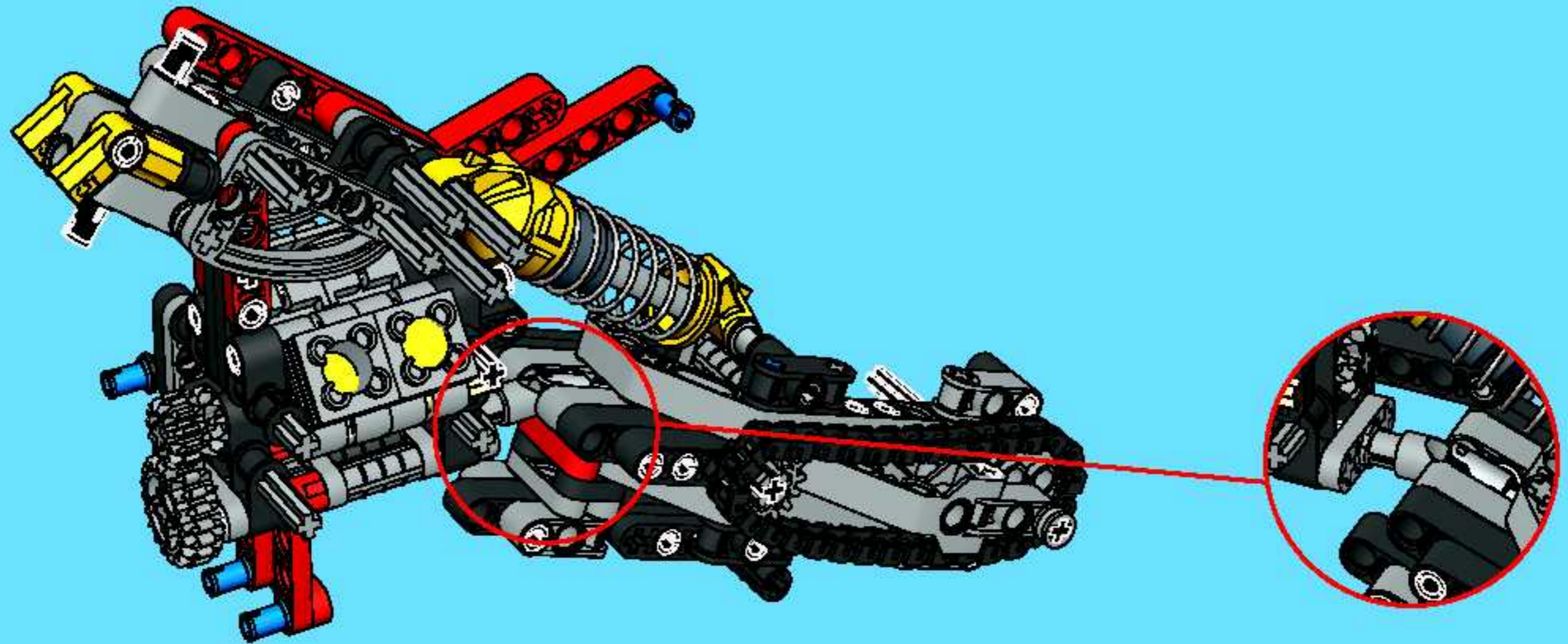
18



24

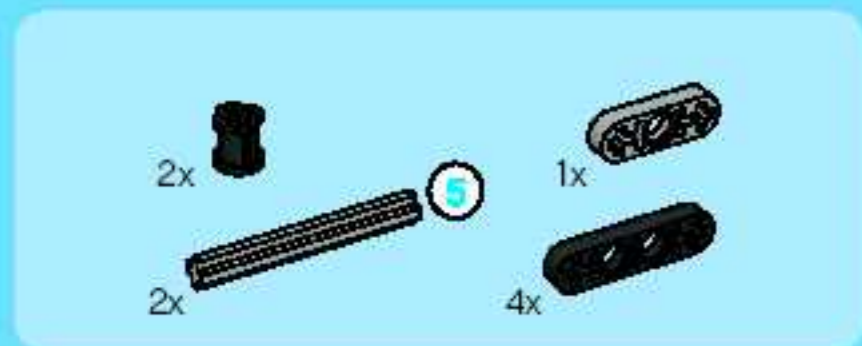
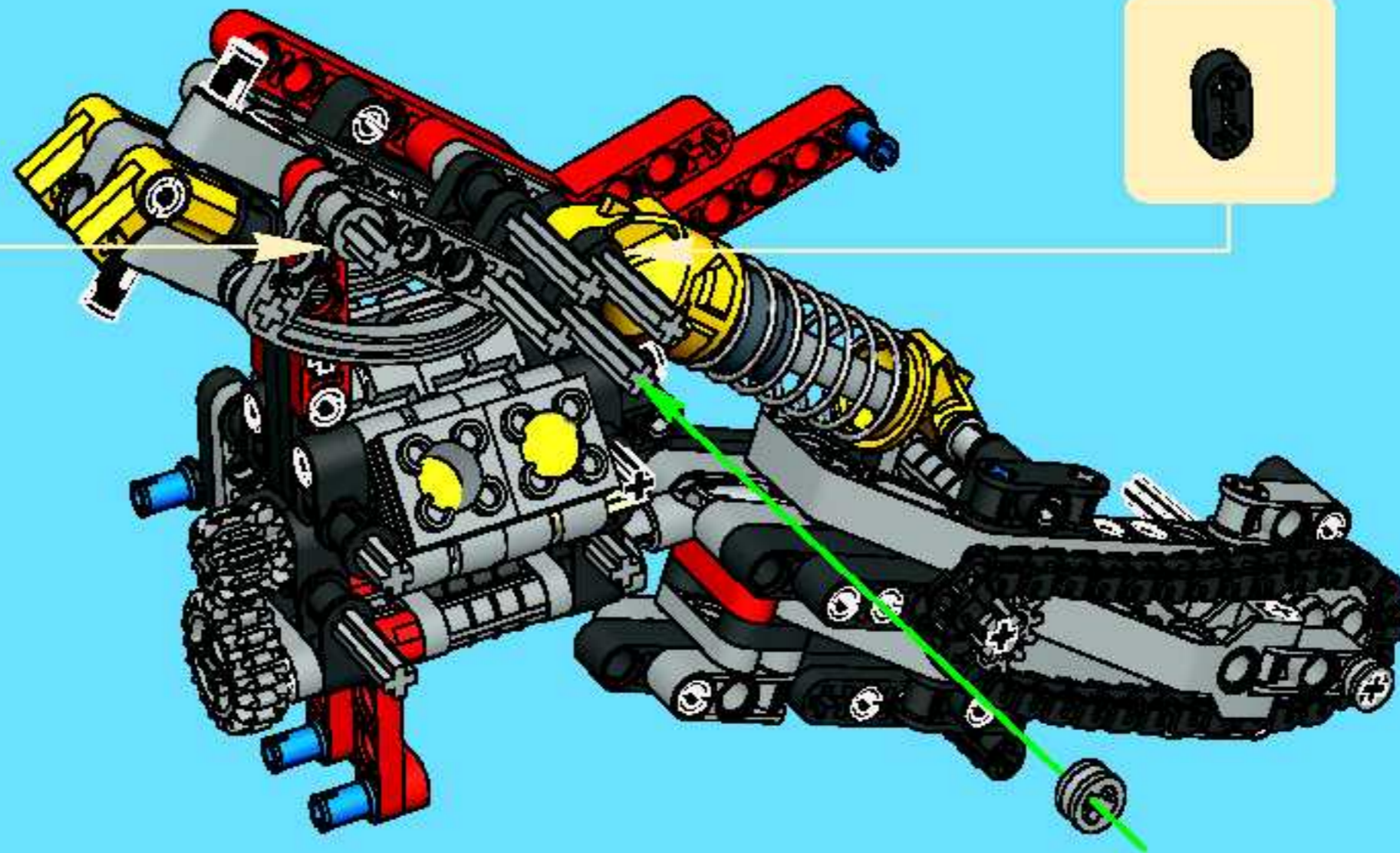


25

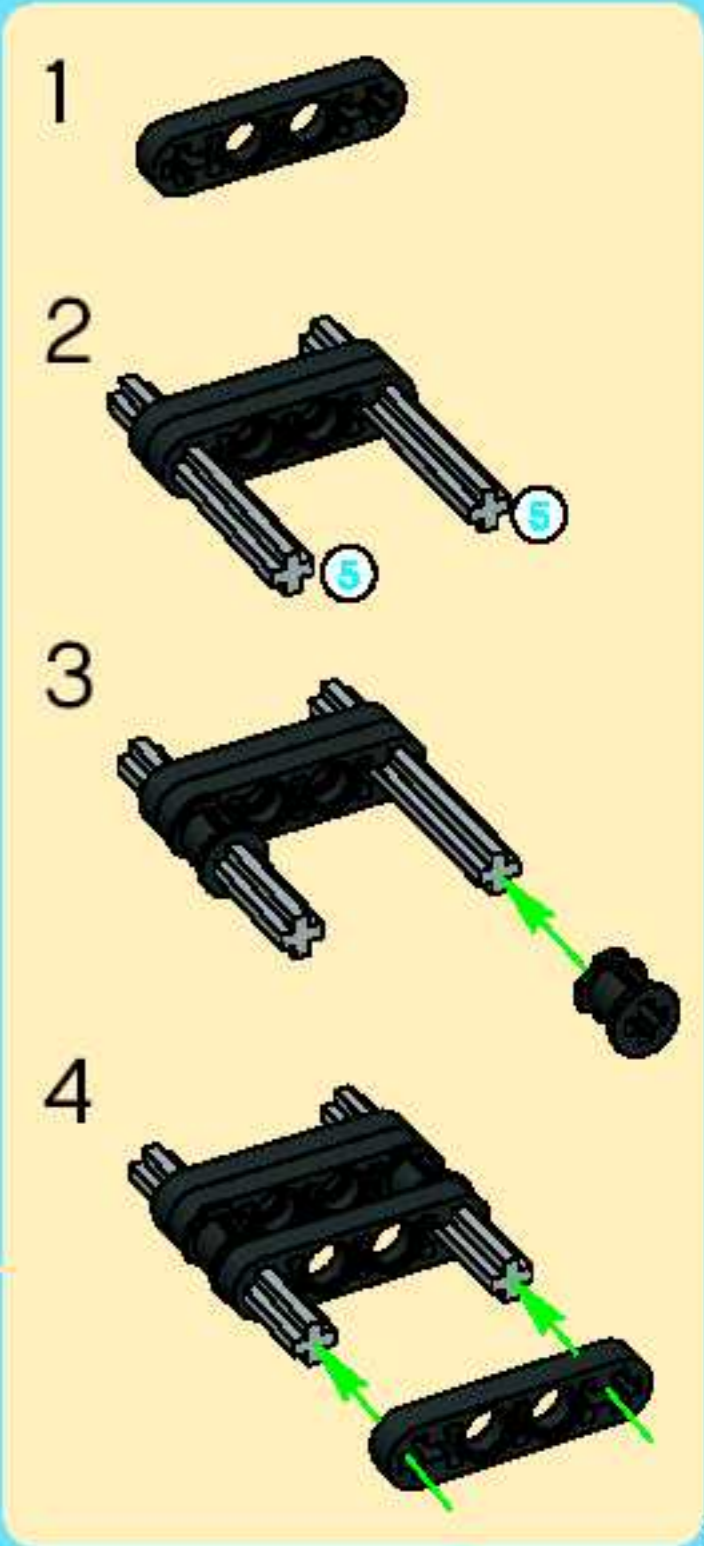
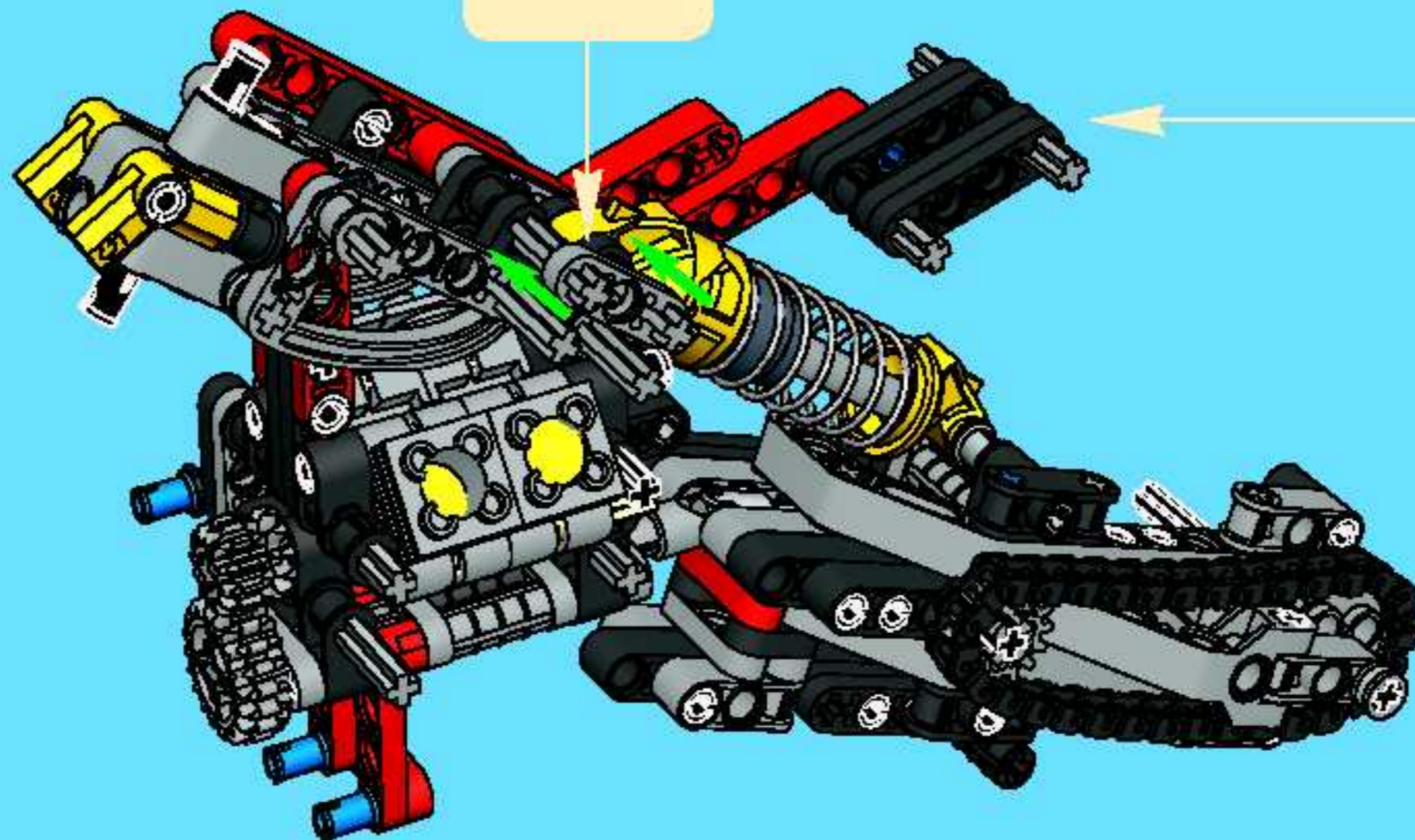




26

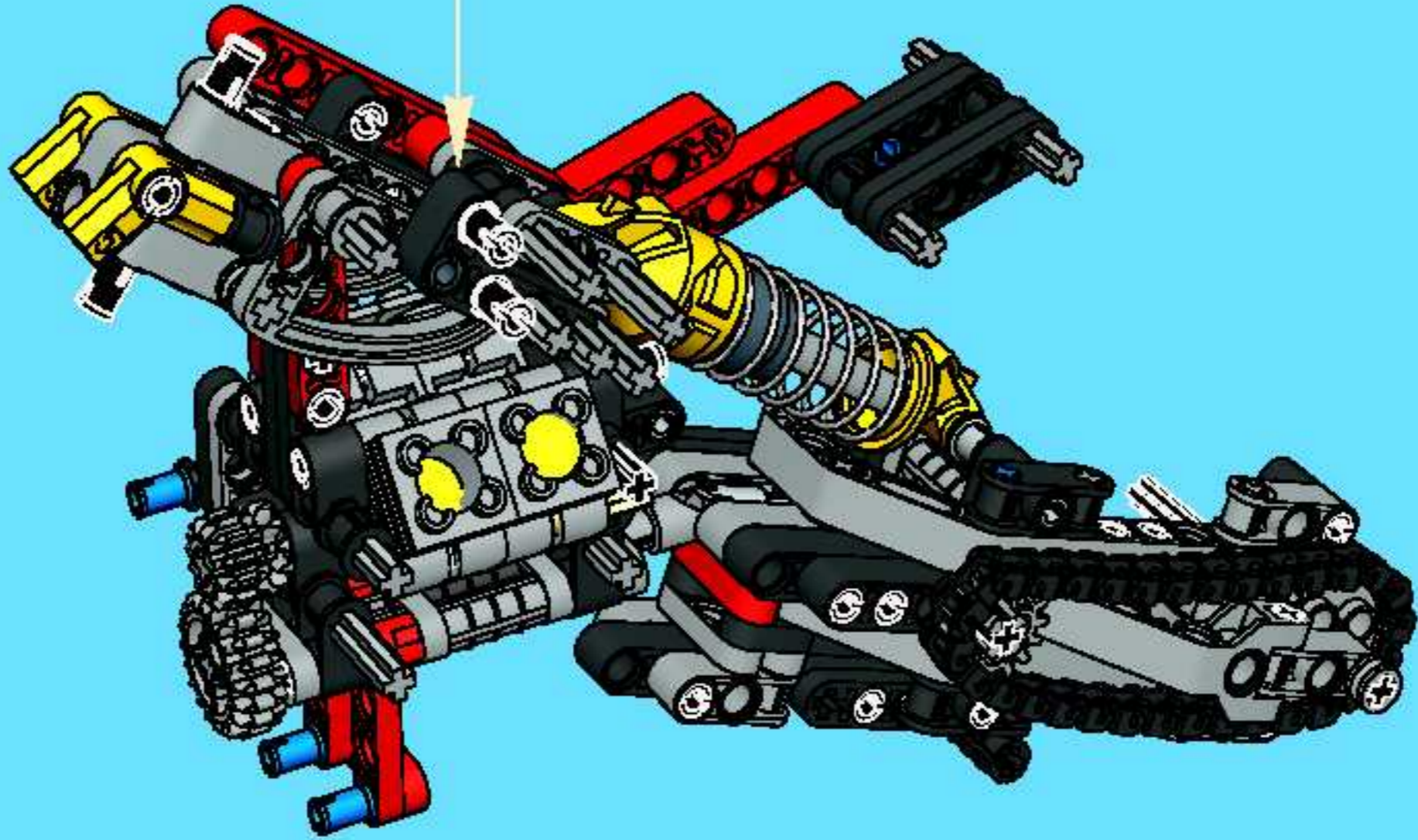
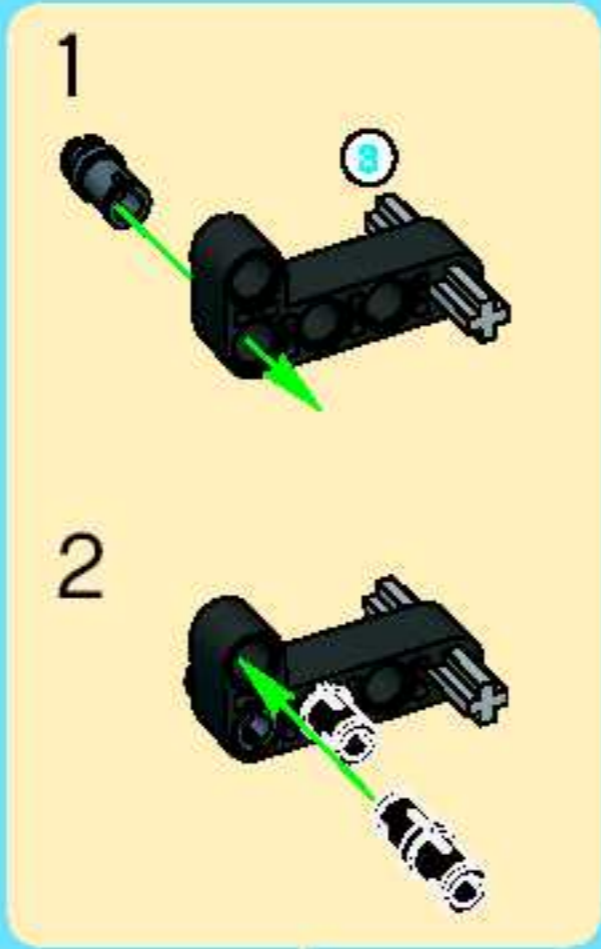


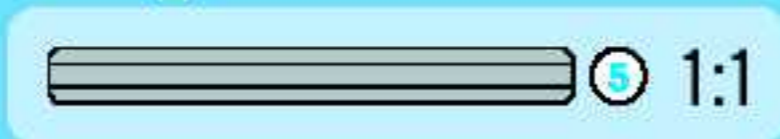
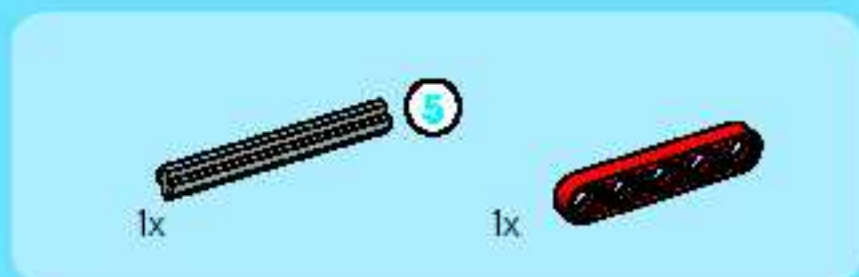
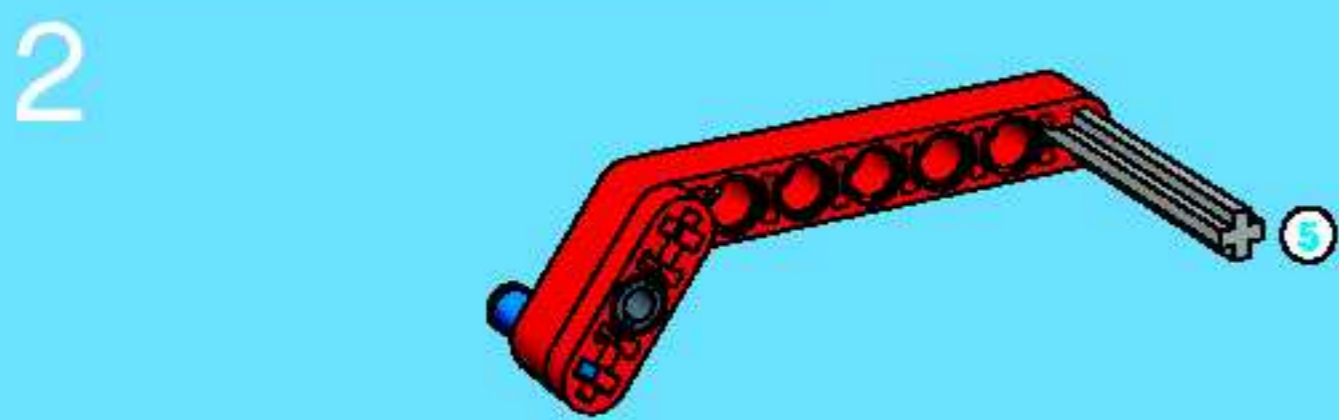
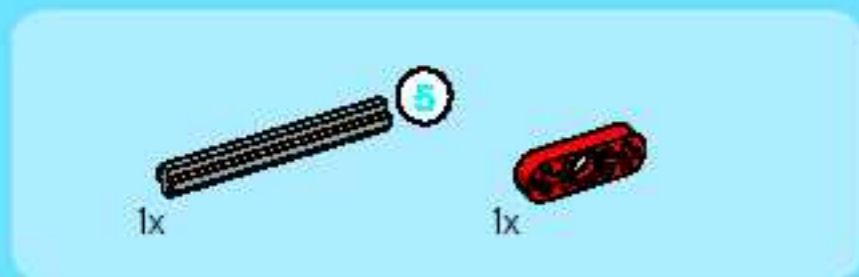
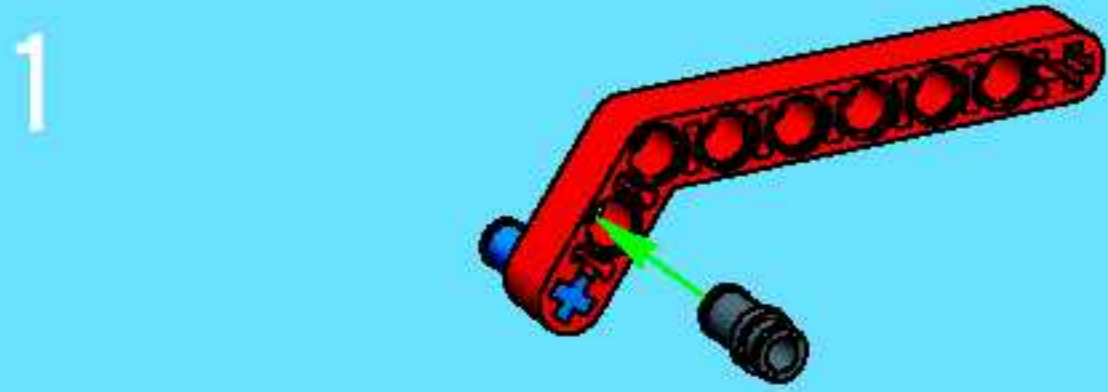
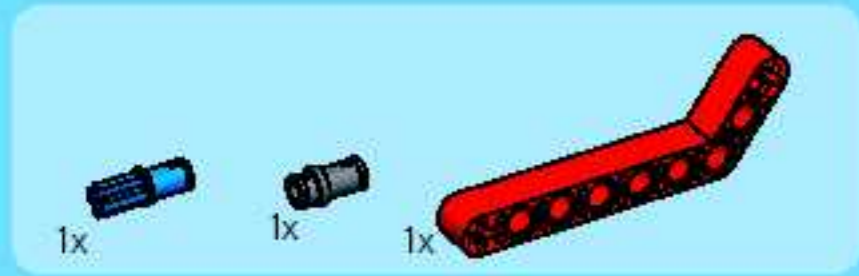
27



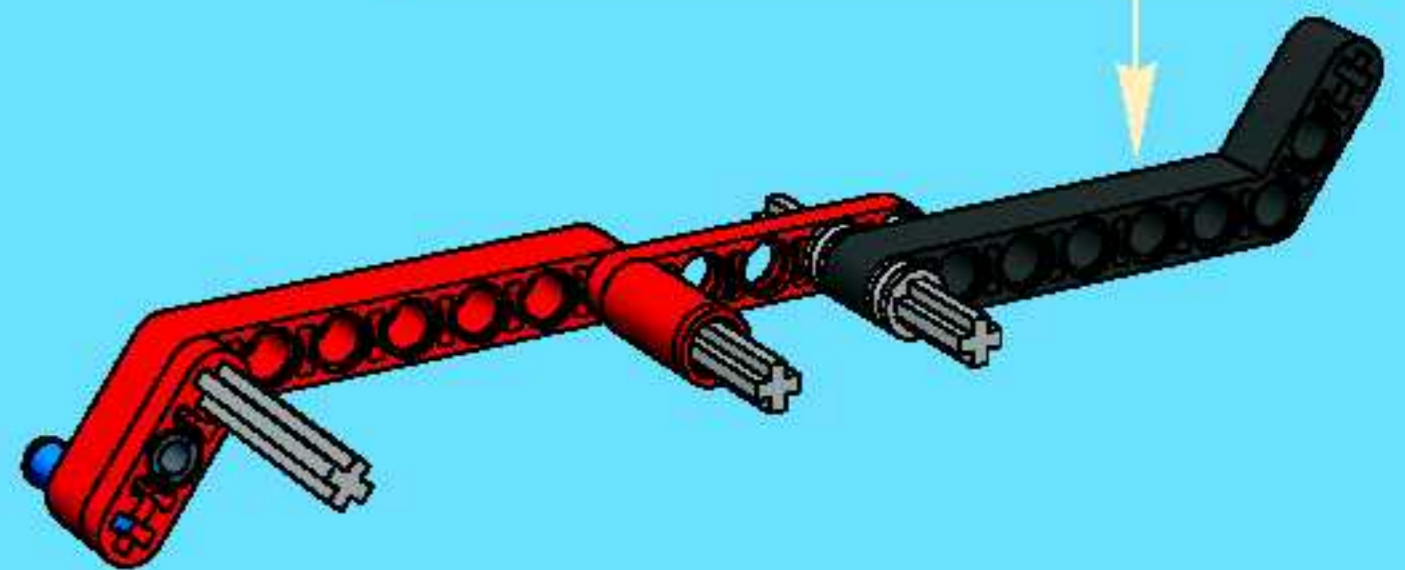
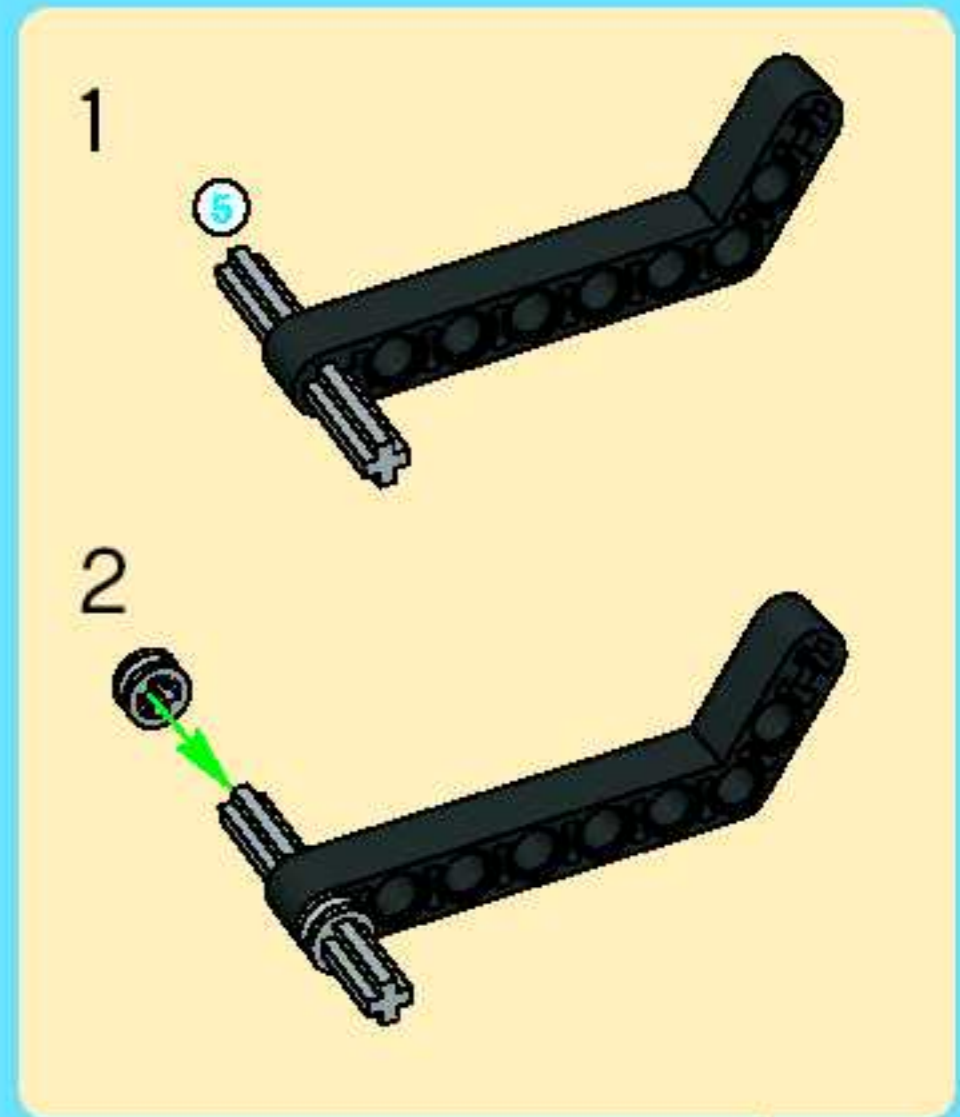


28

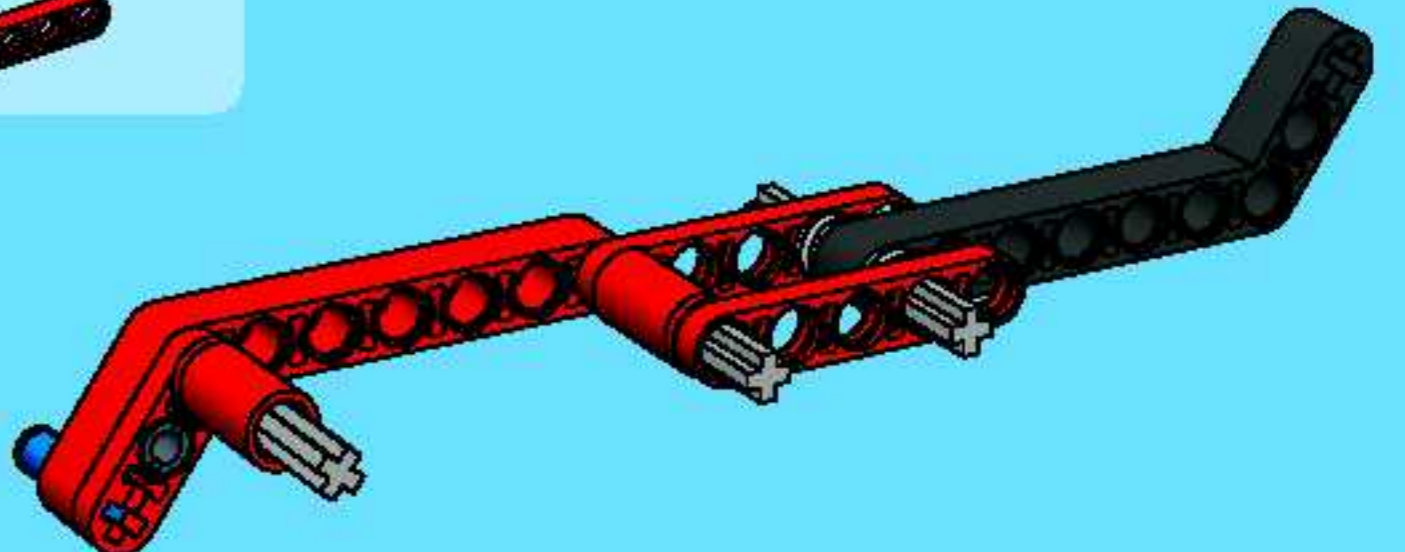




4

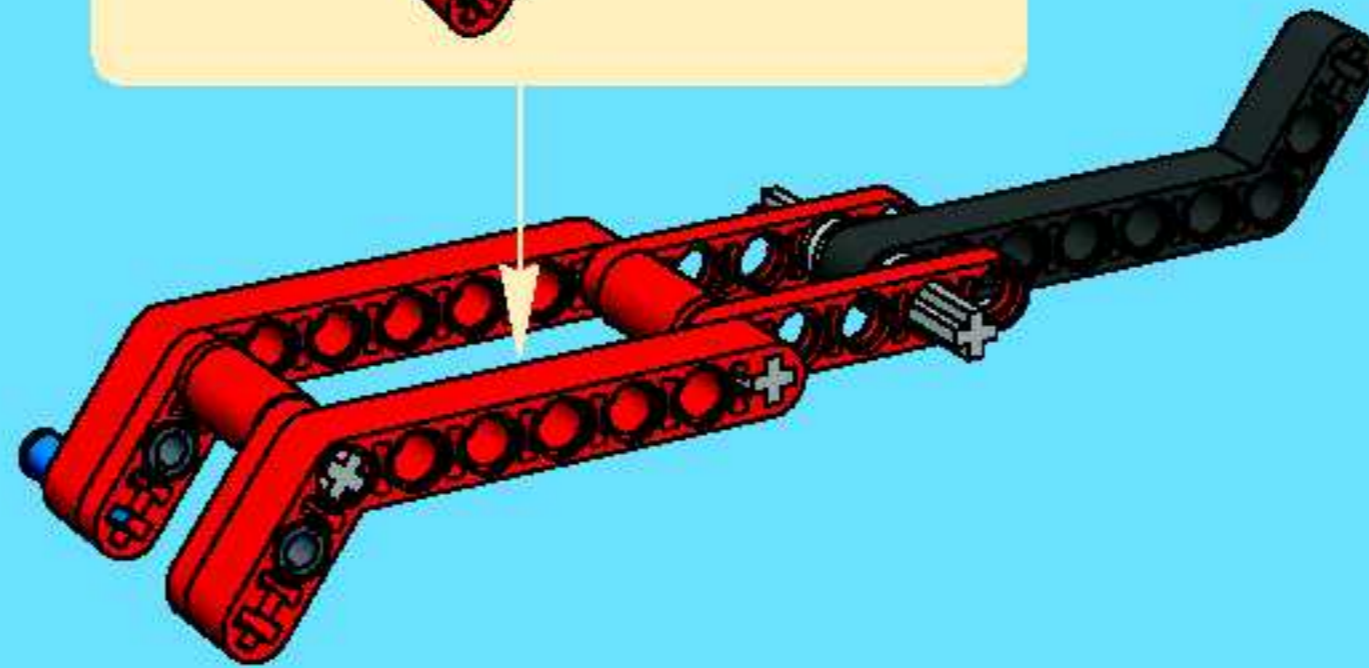
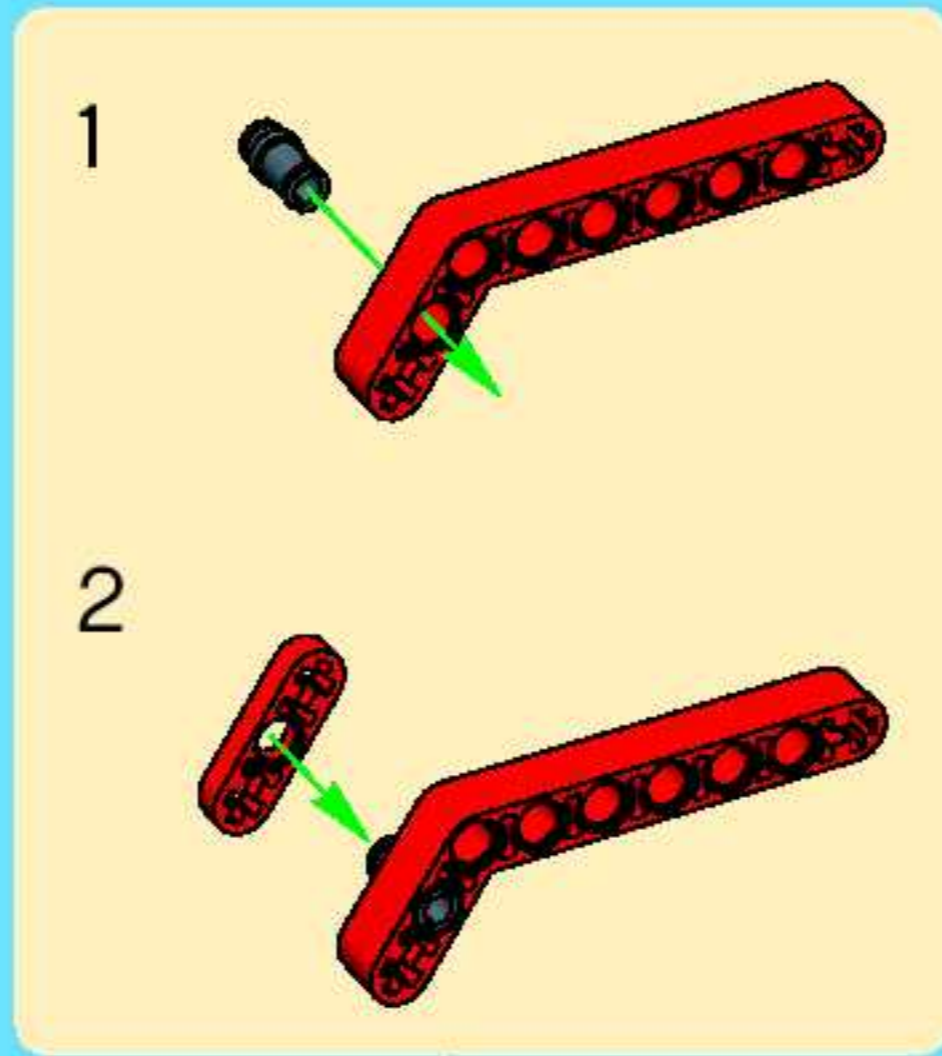


5

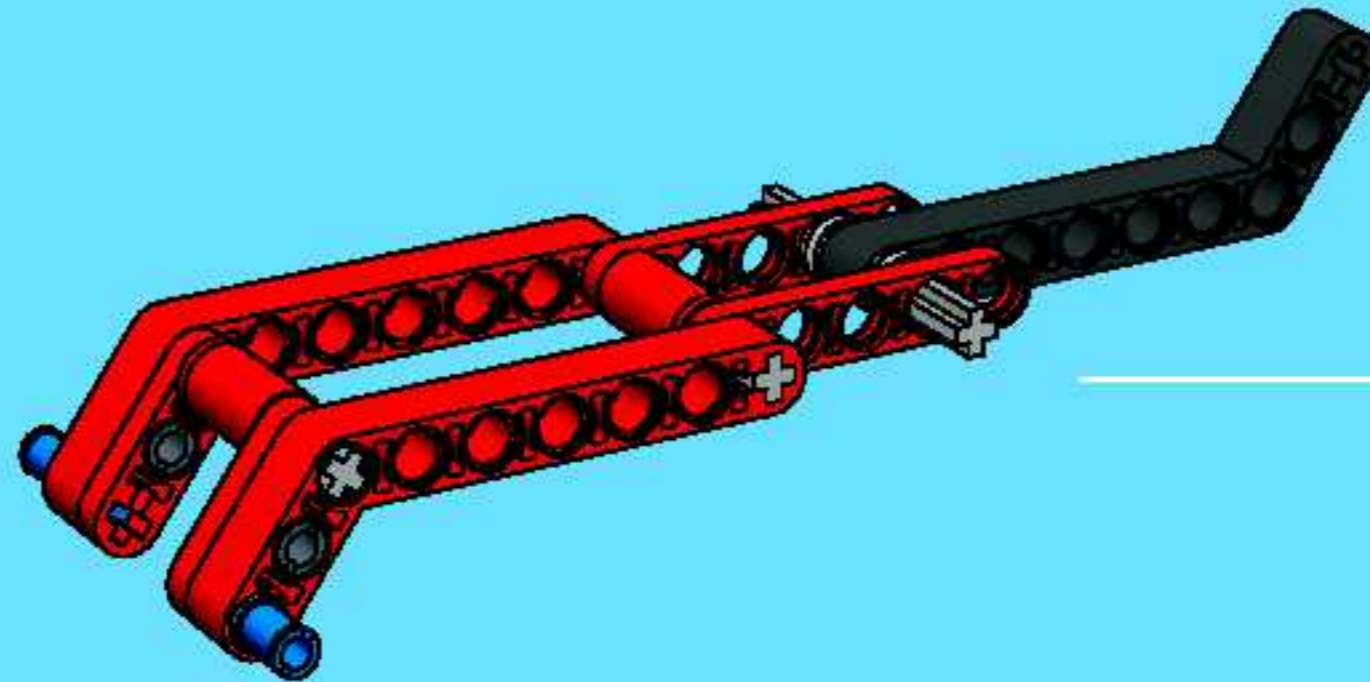




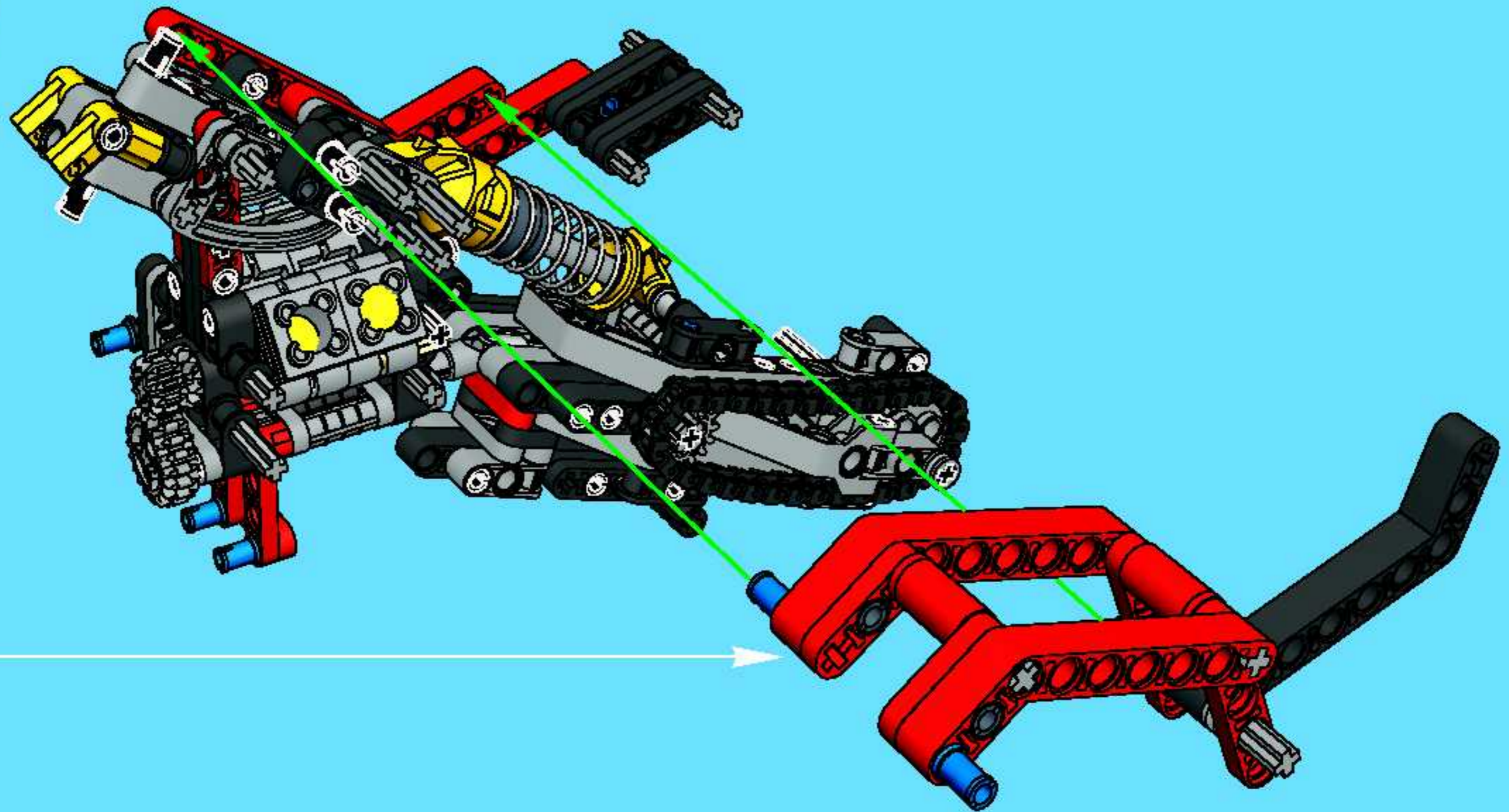
6

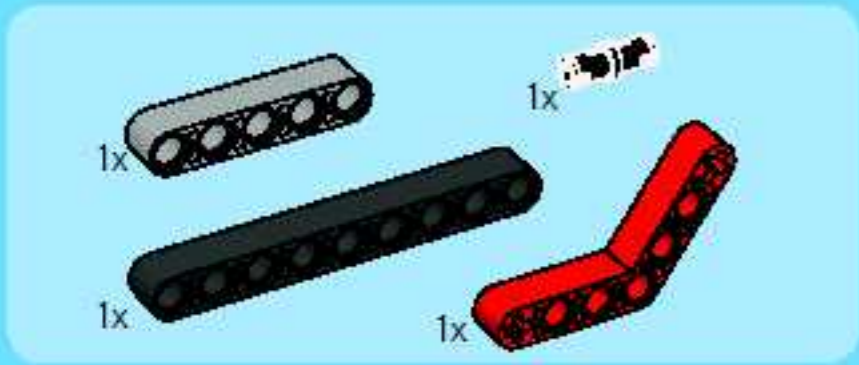


7

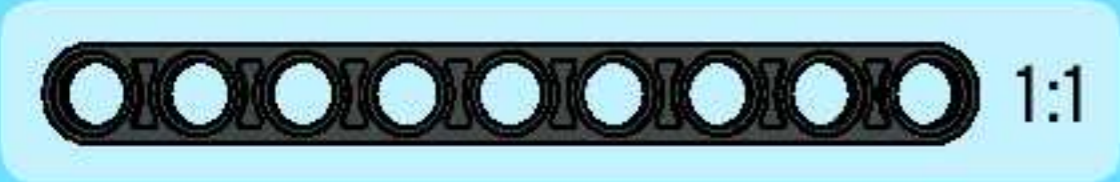
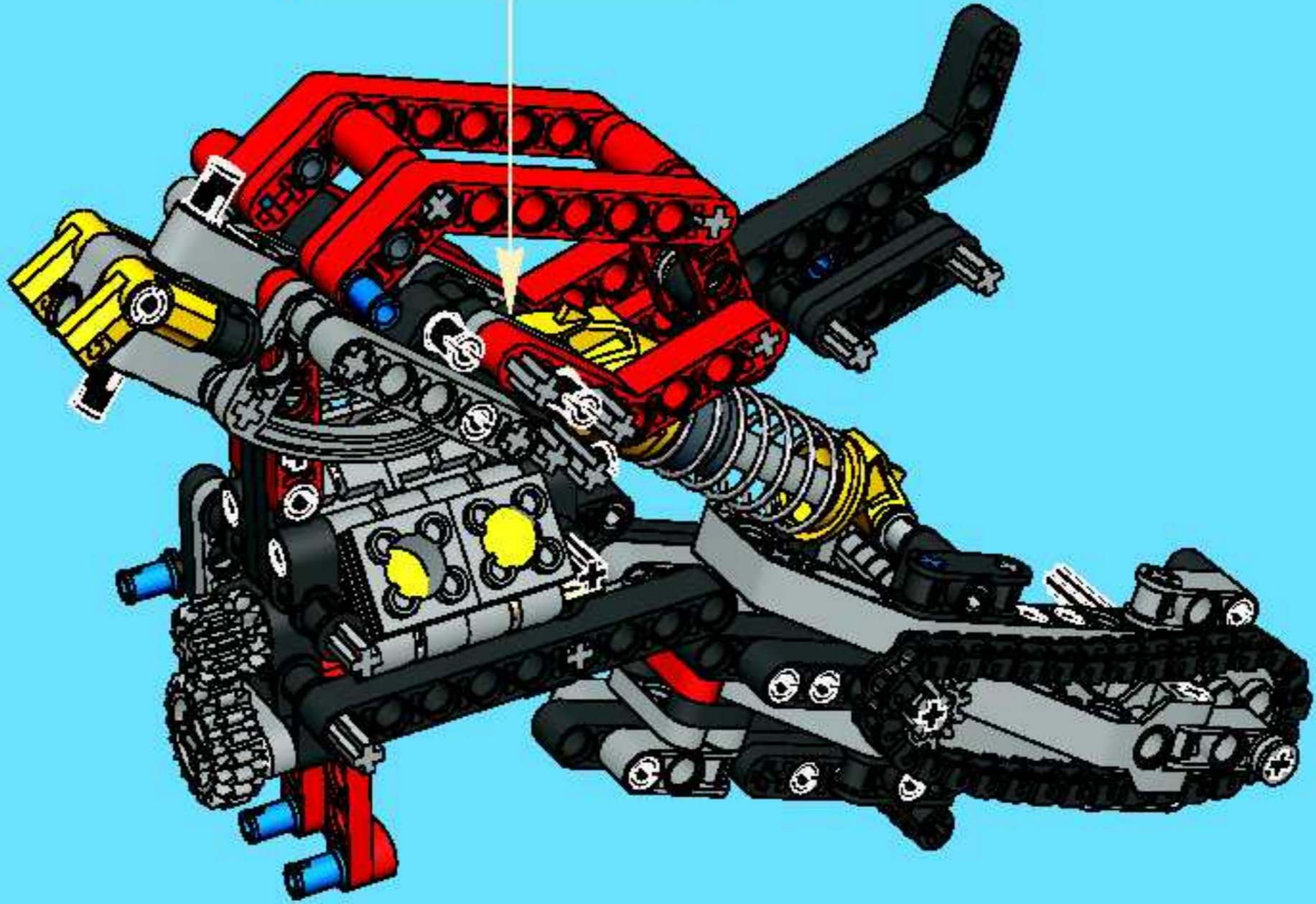


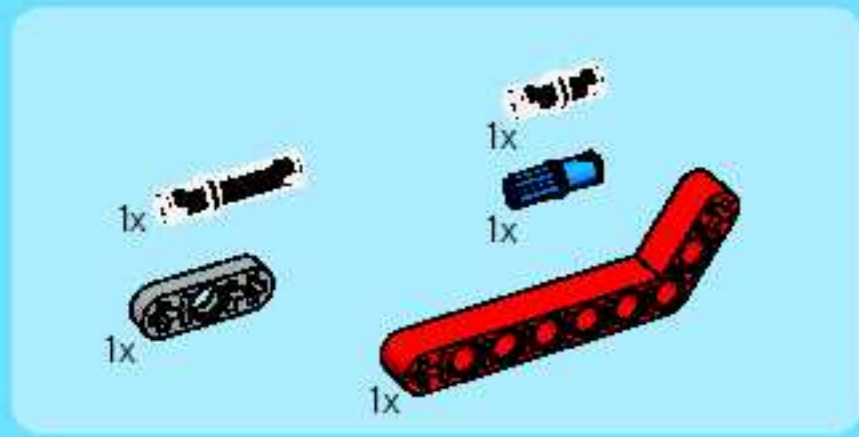
29



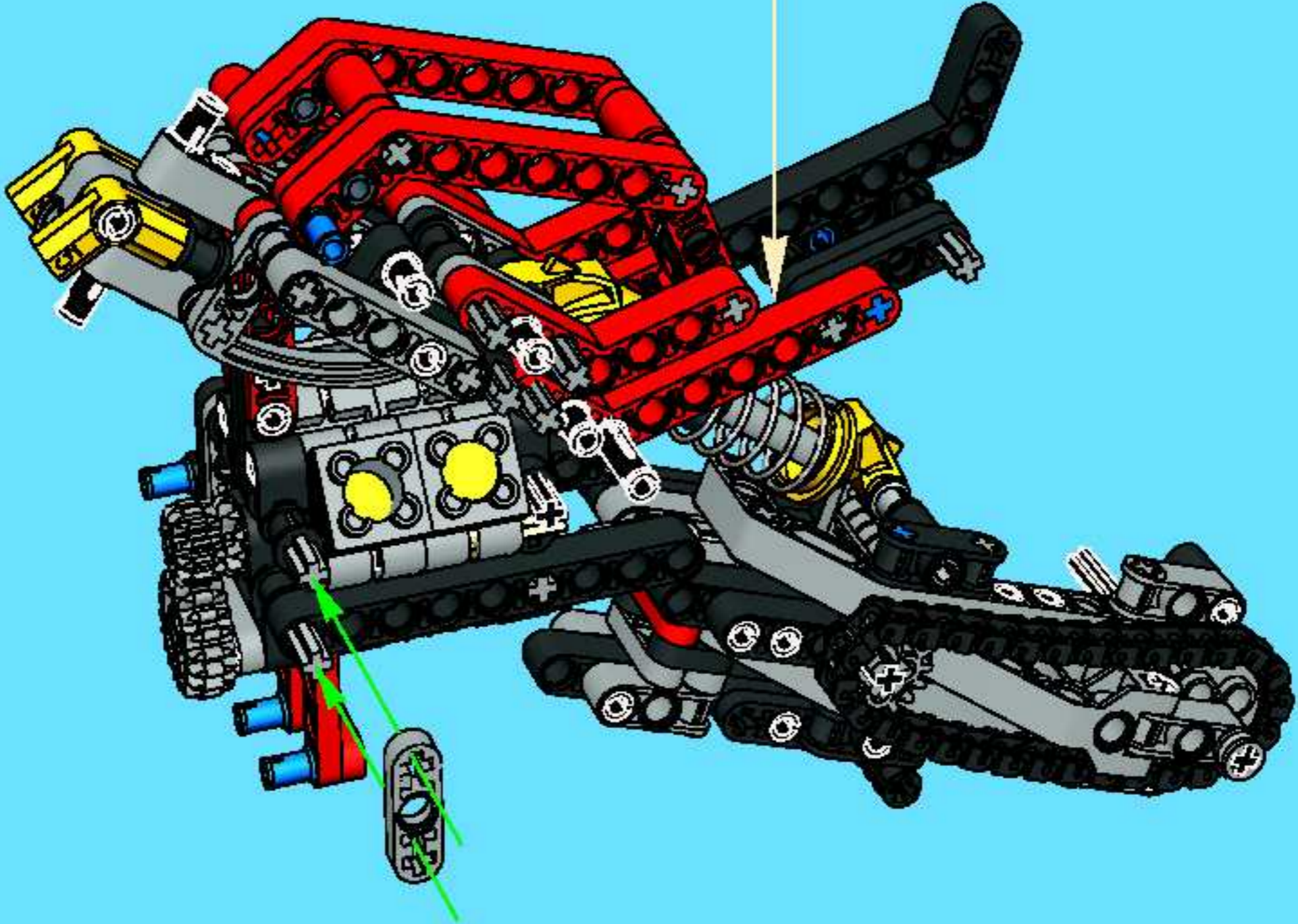
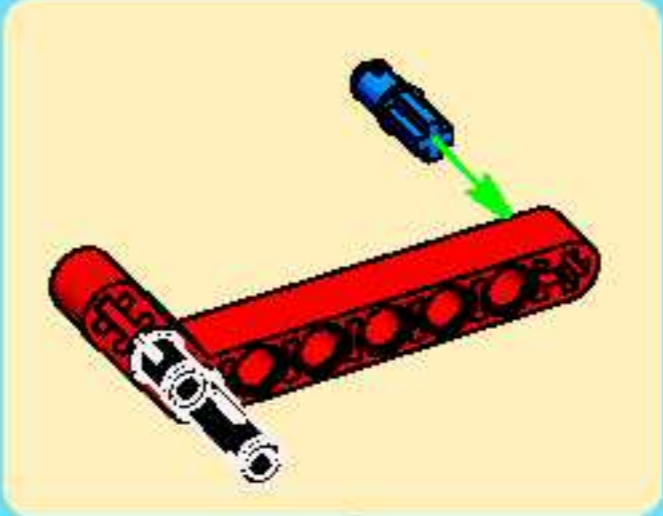


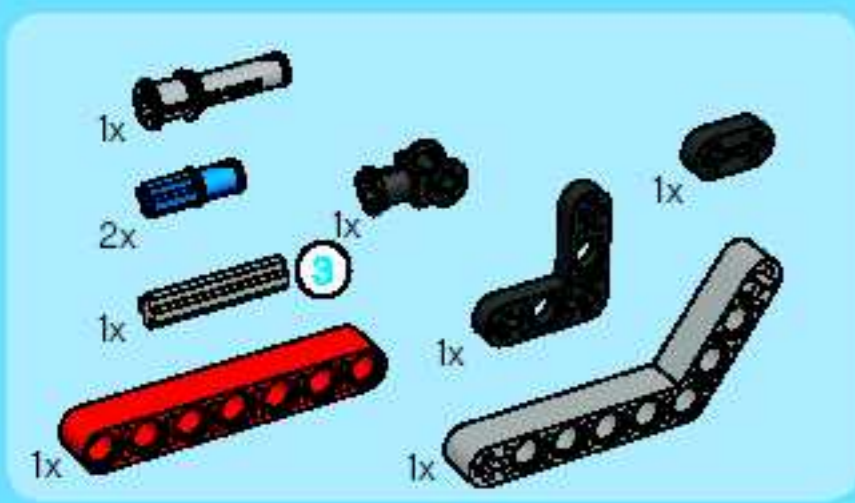
30



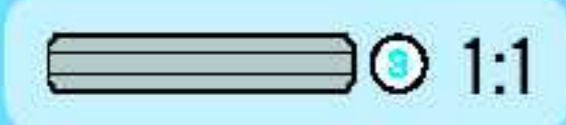
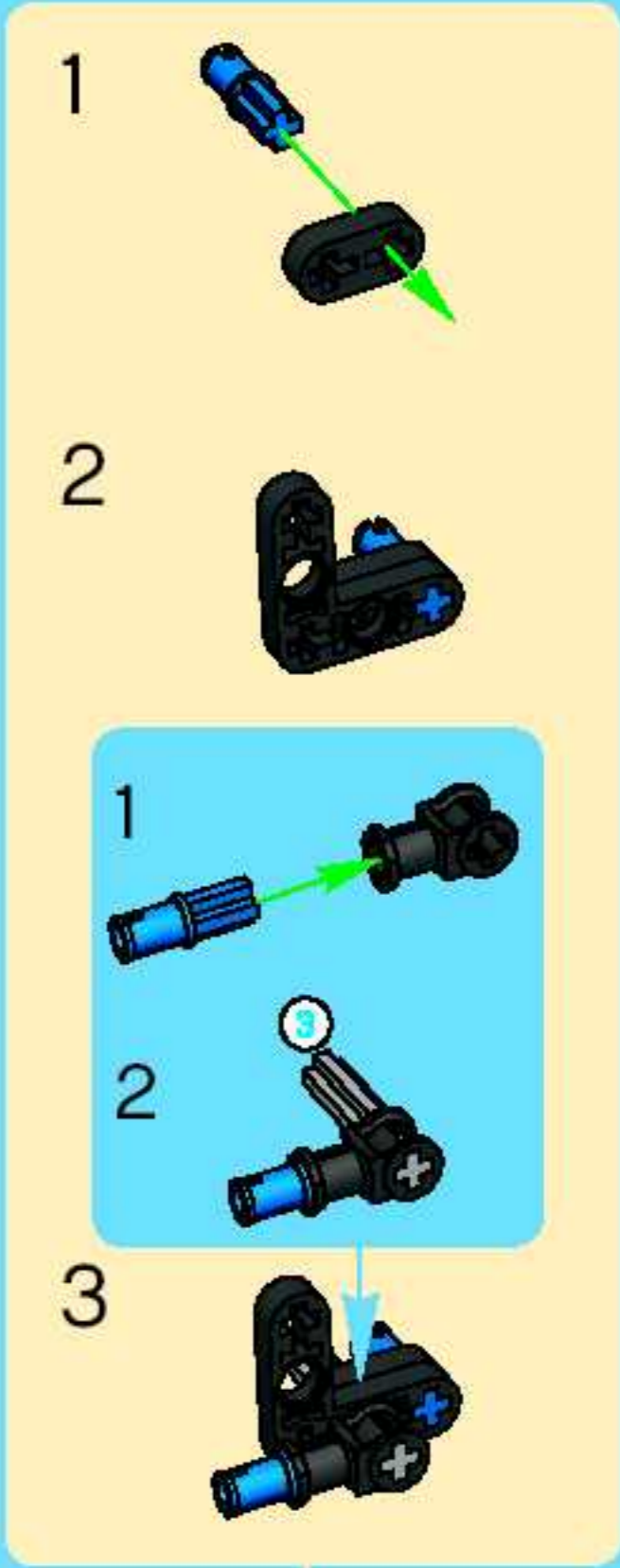
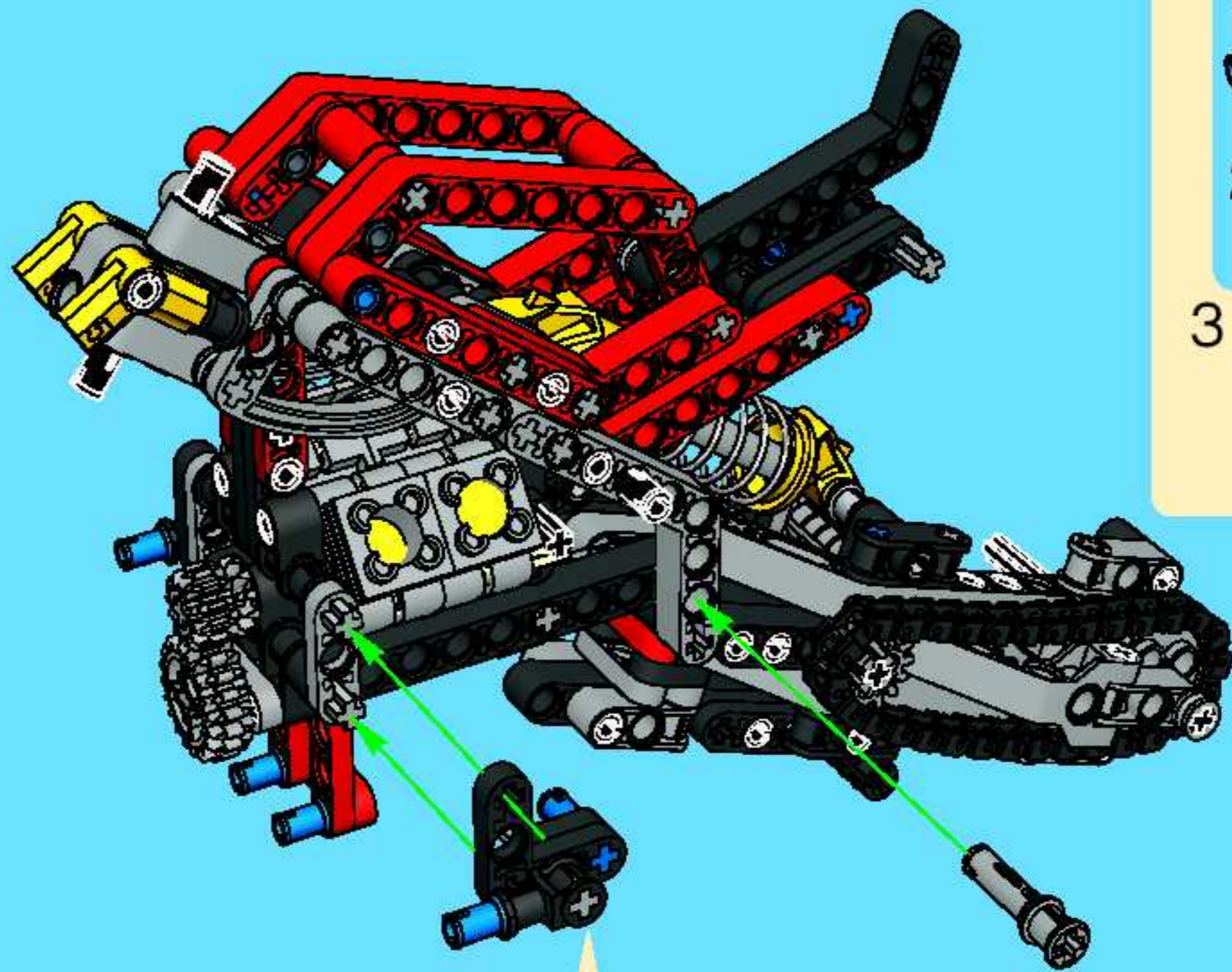


31





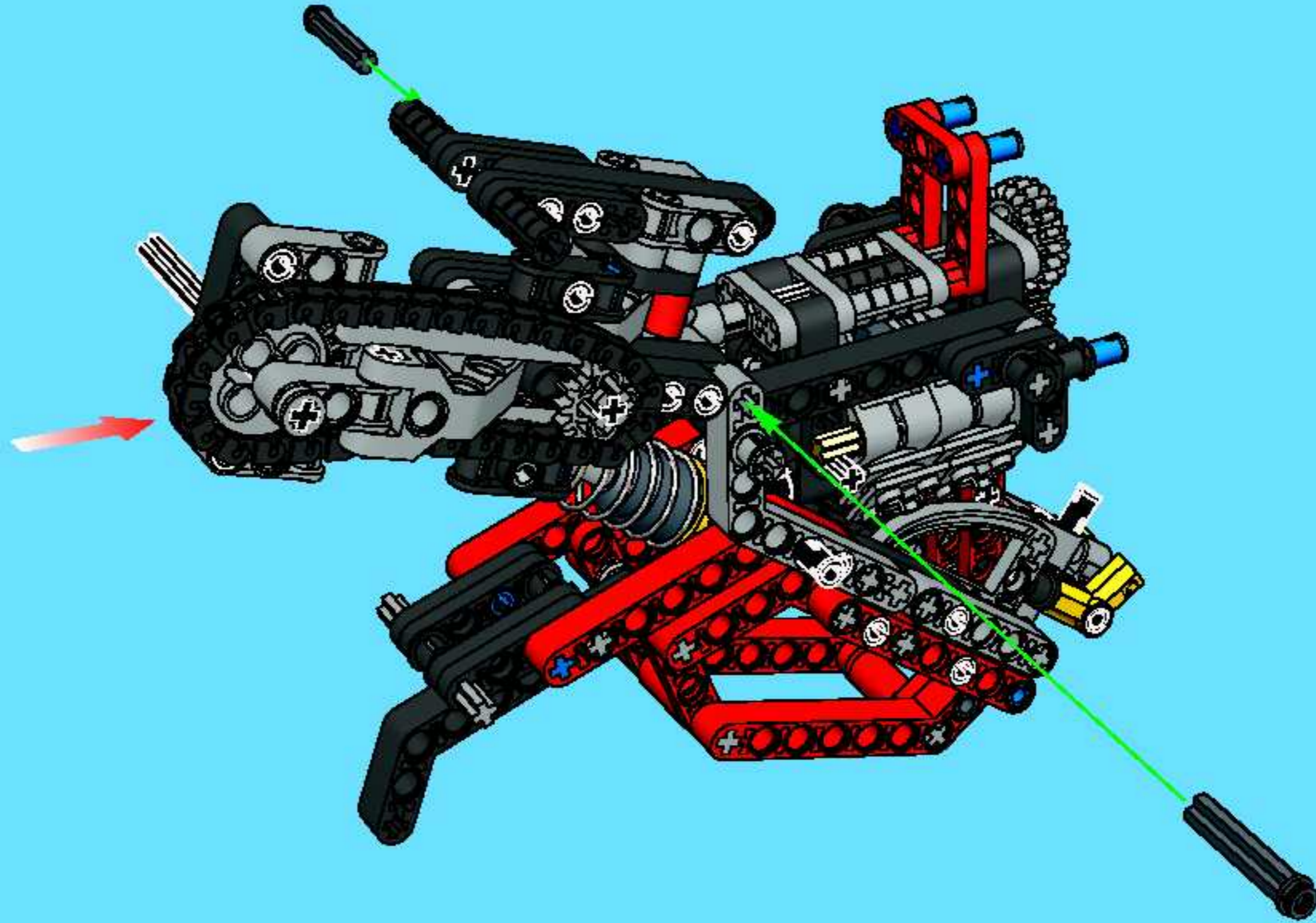
32

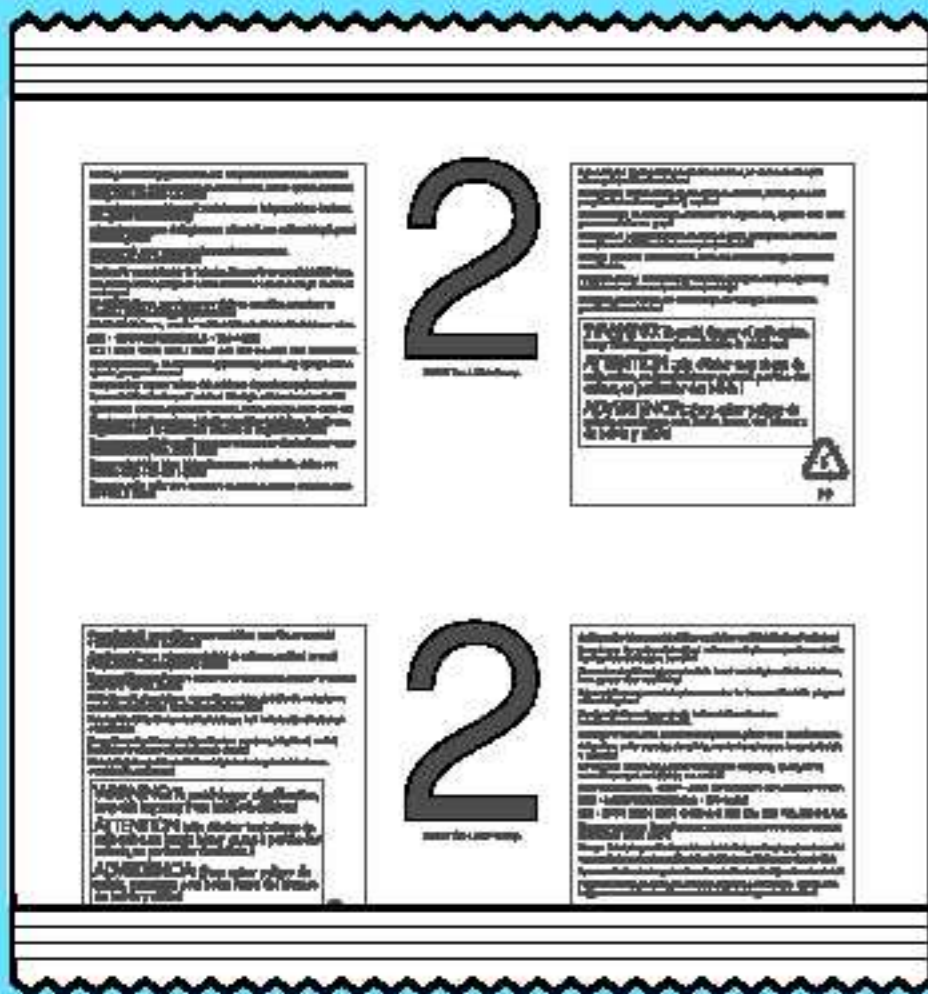




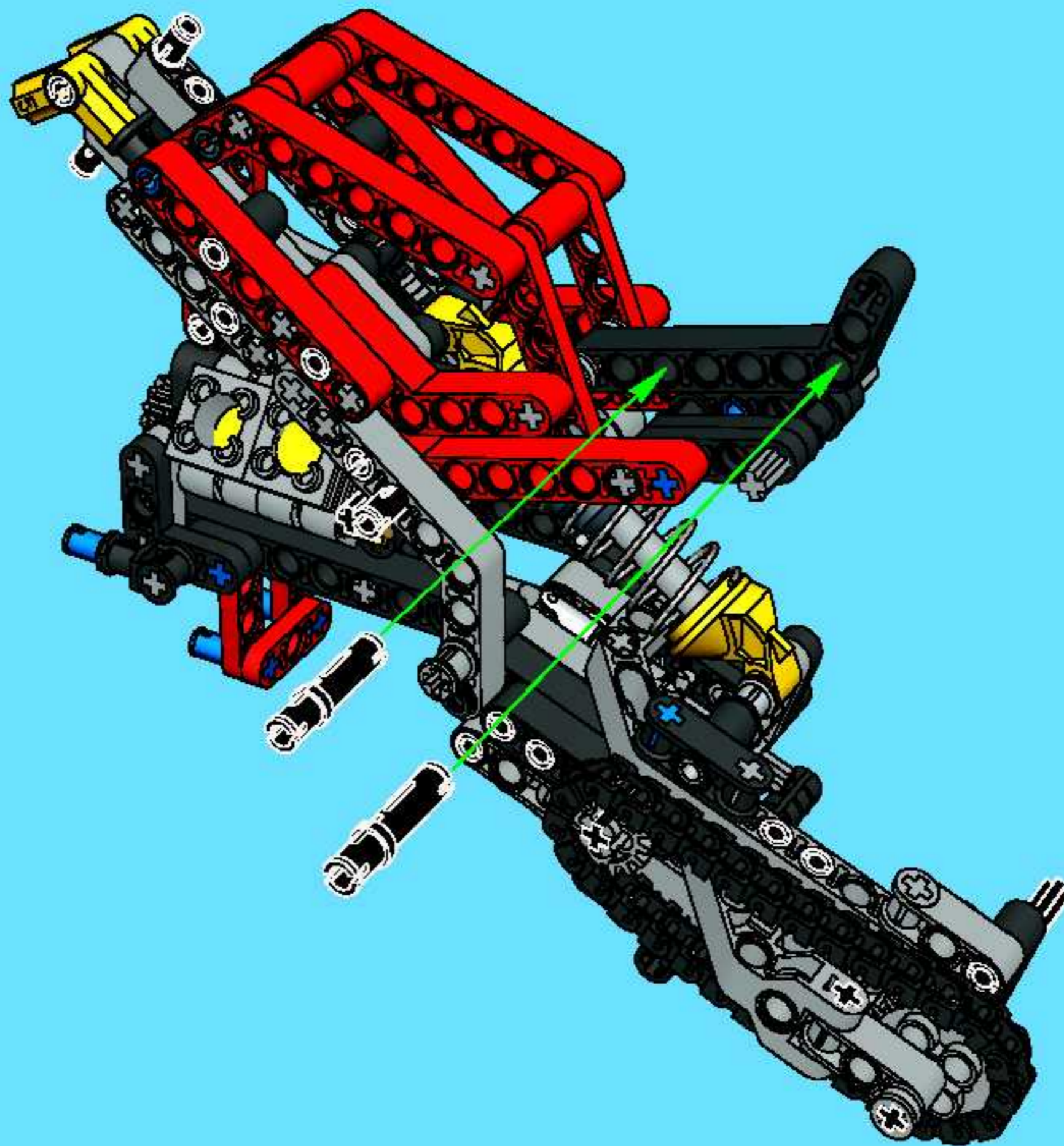
2x

33



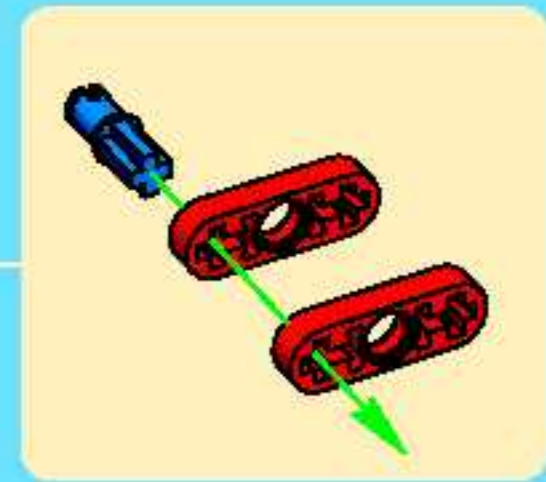
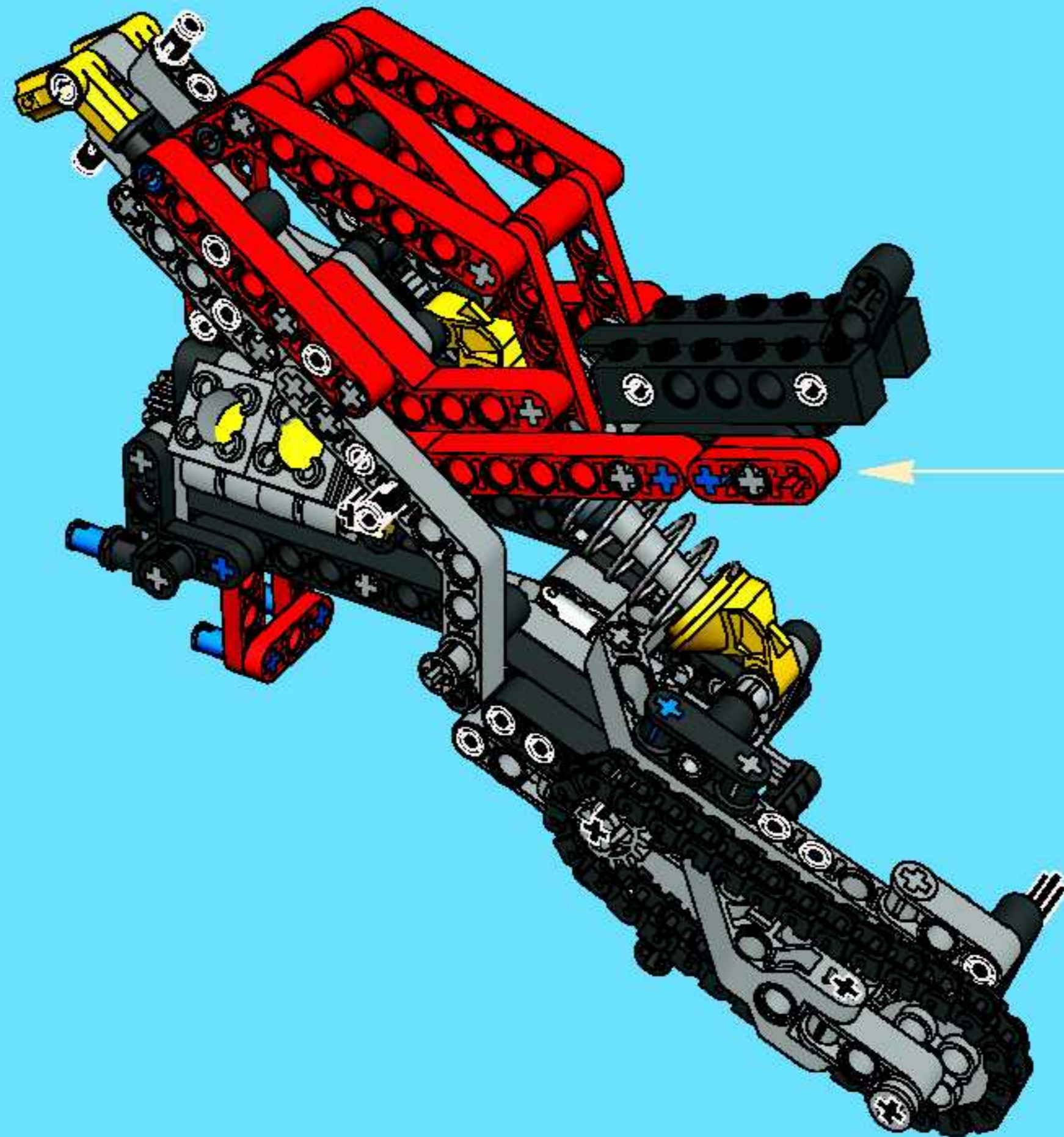


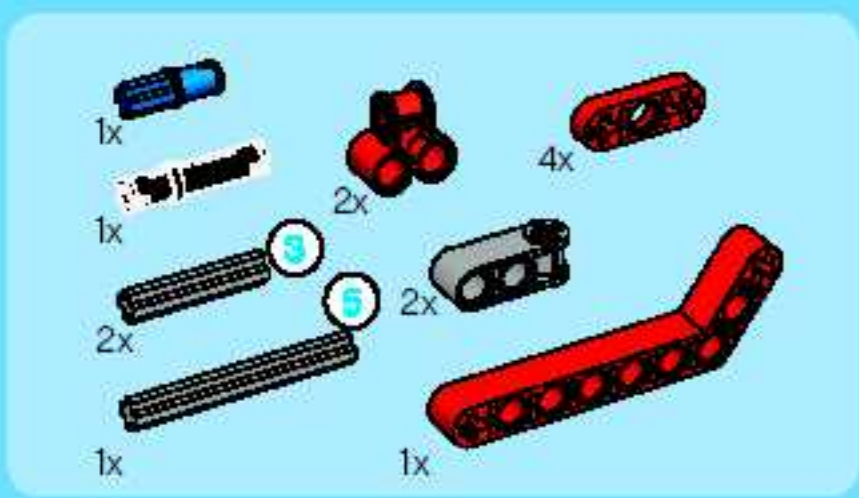
34



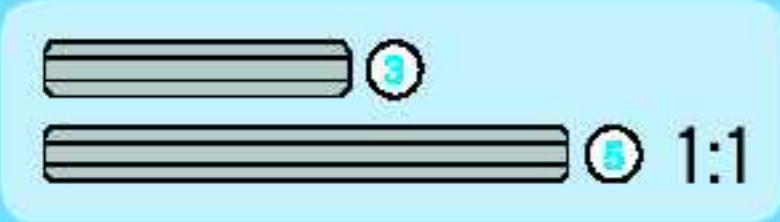
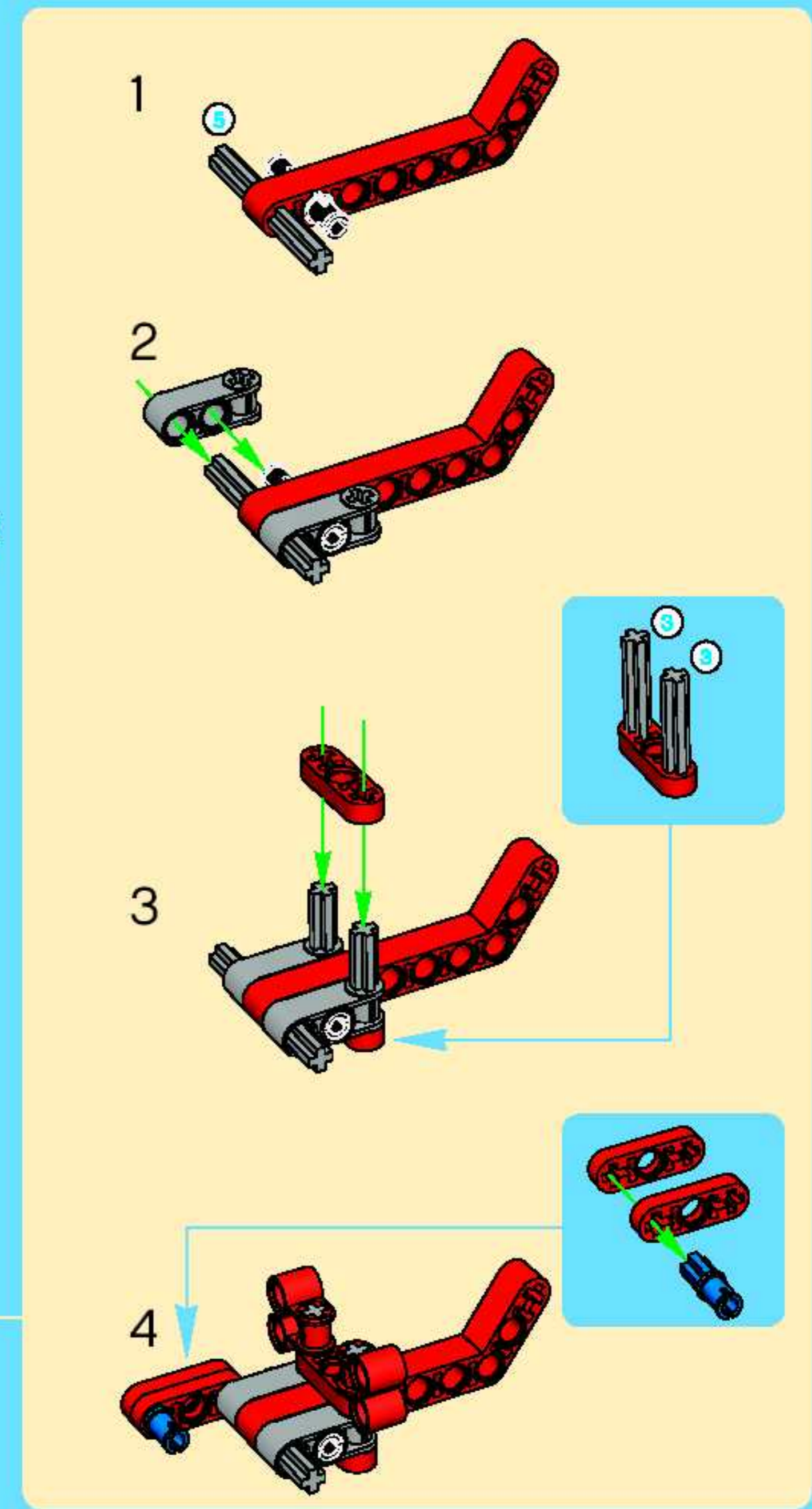
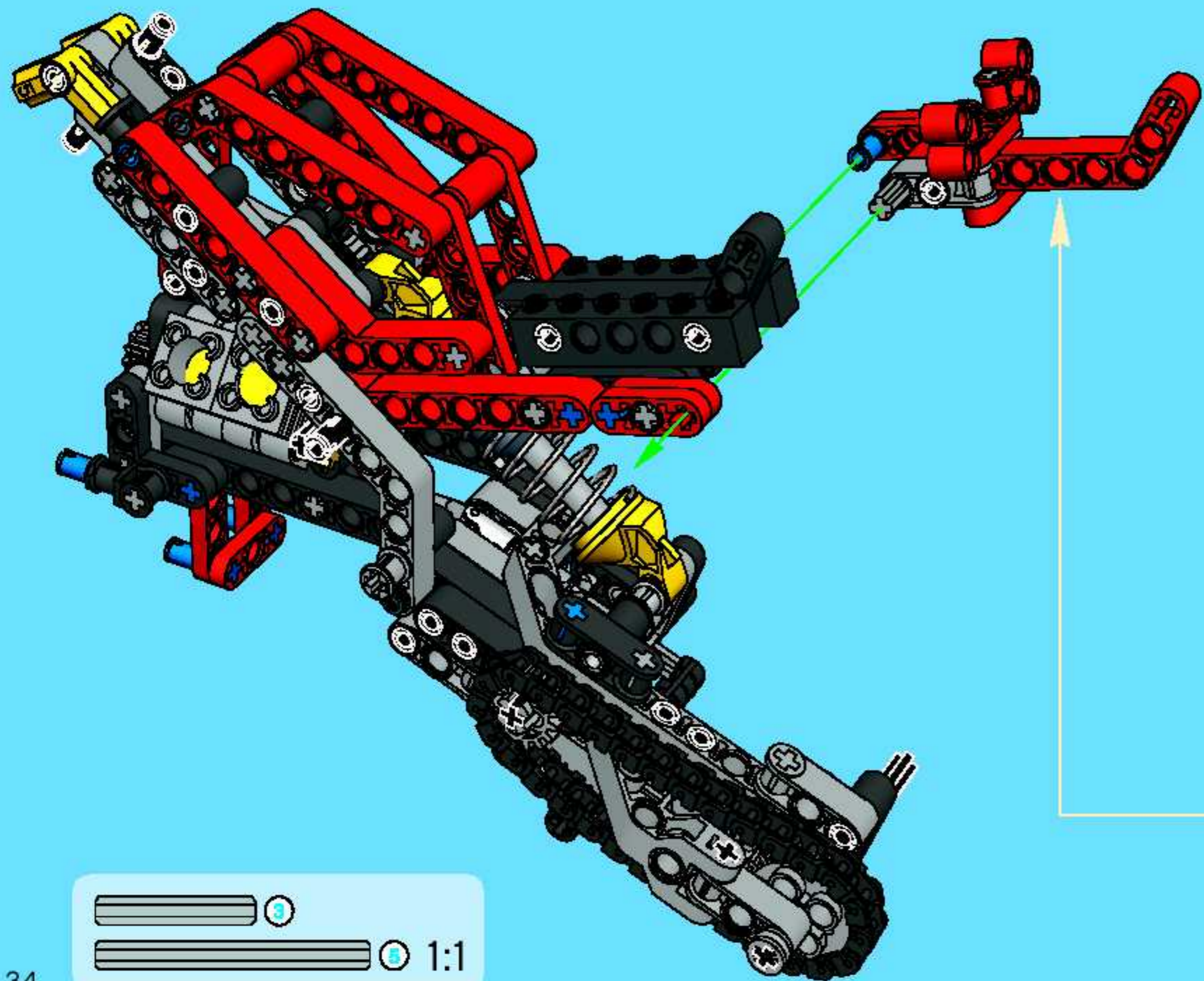


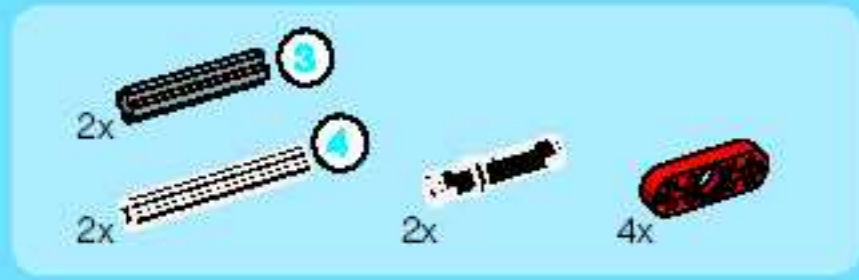
35



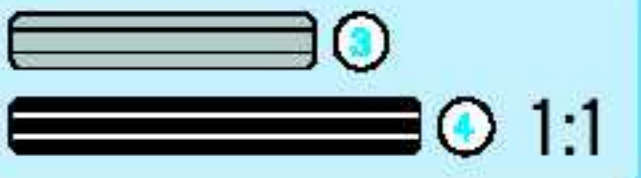
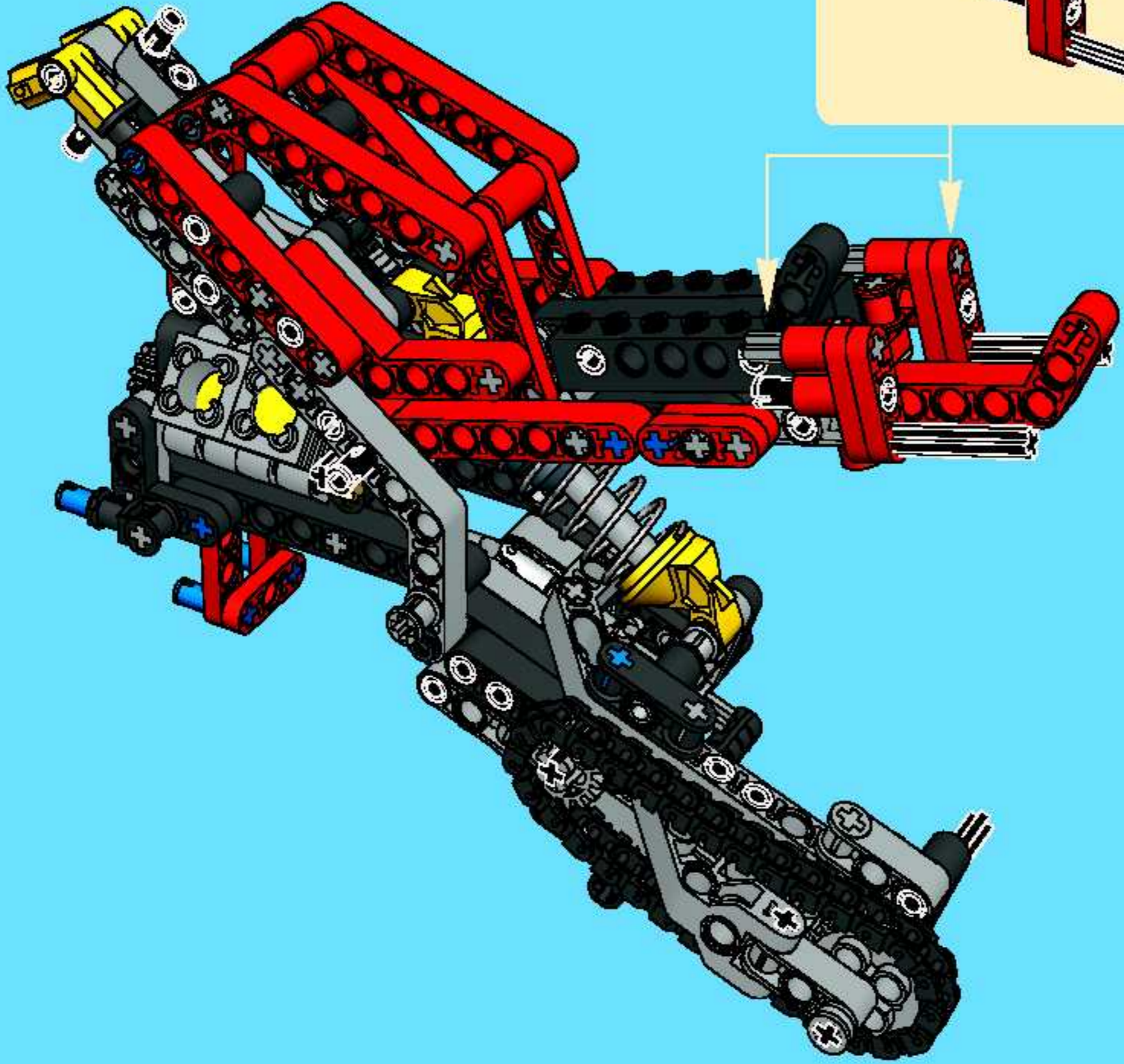
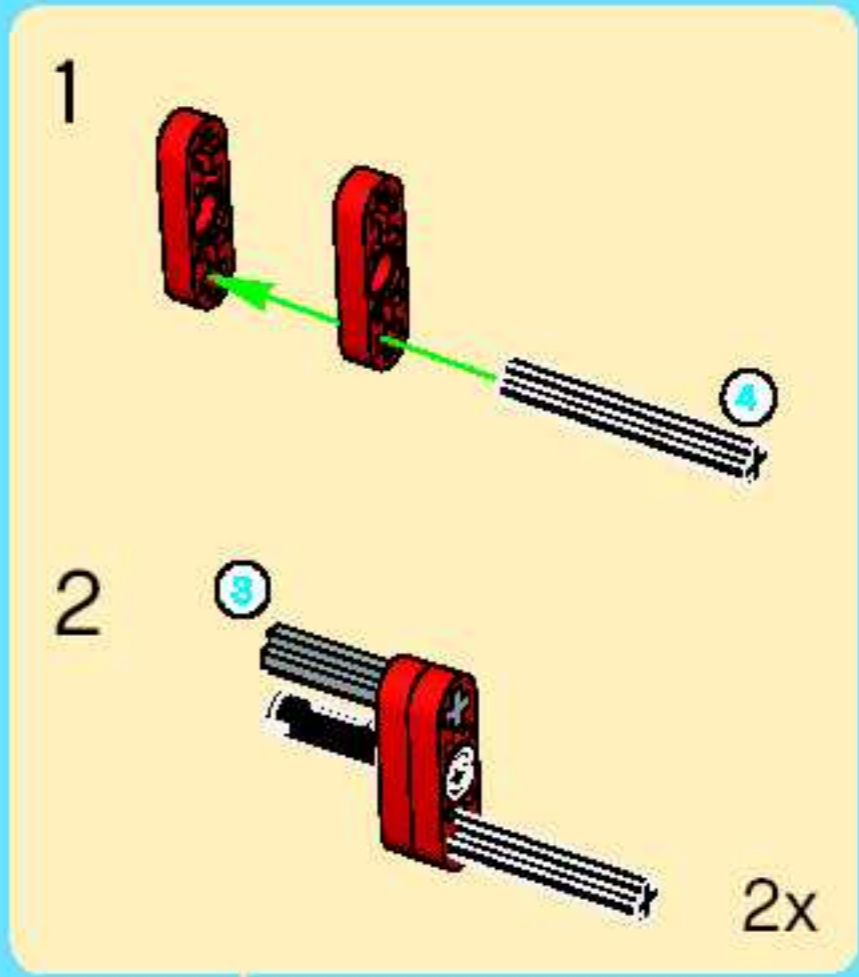


36



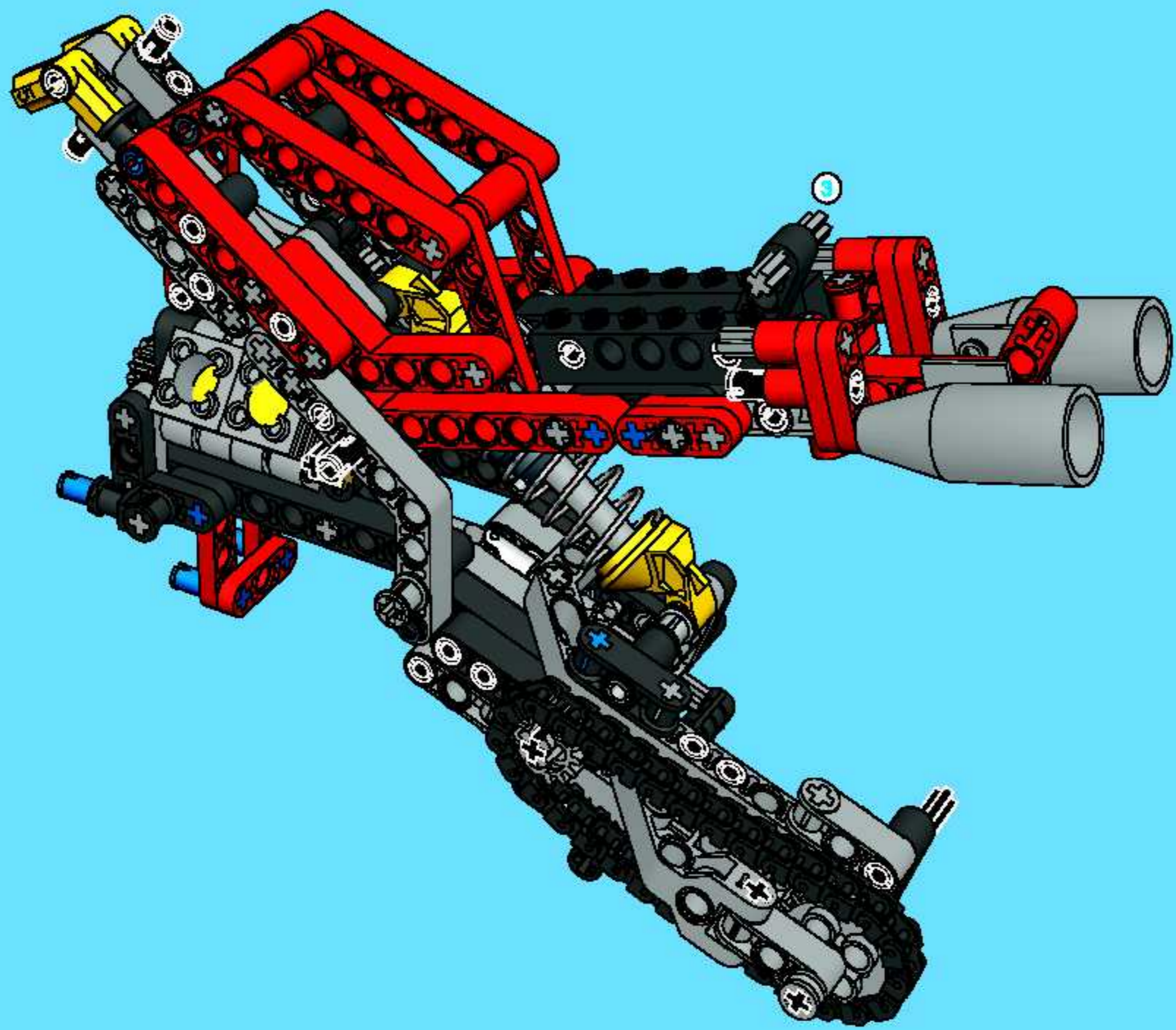


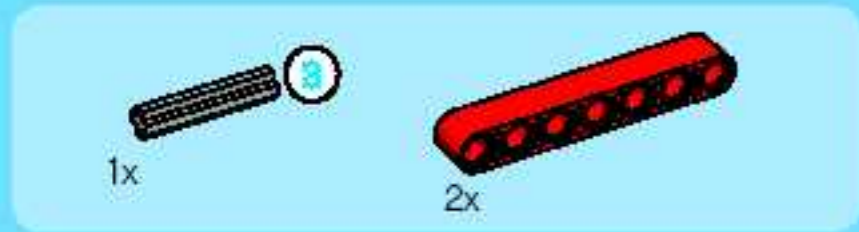
37



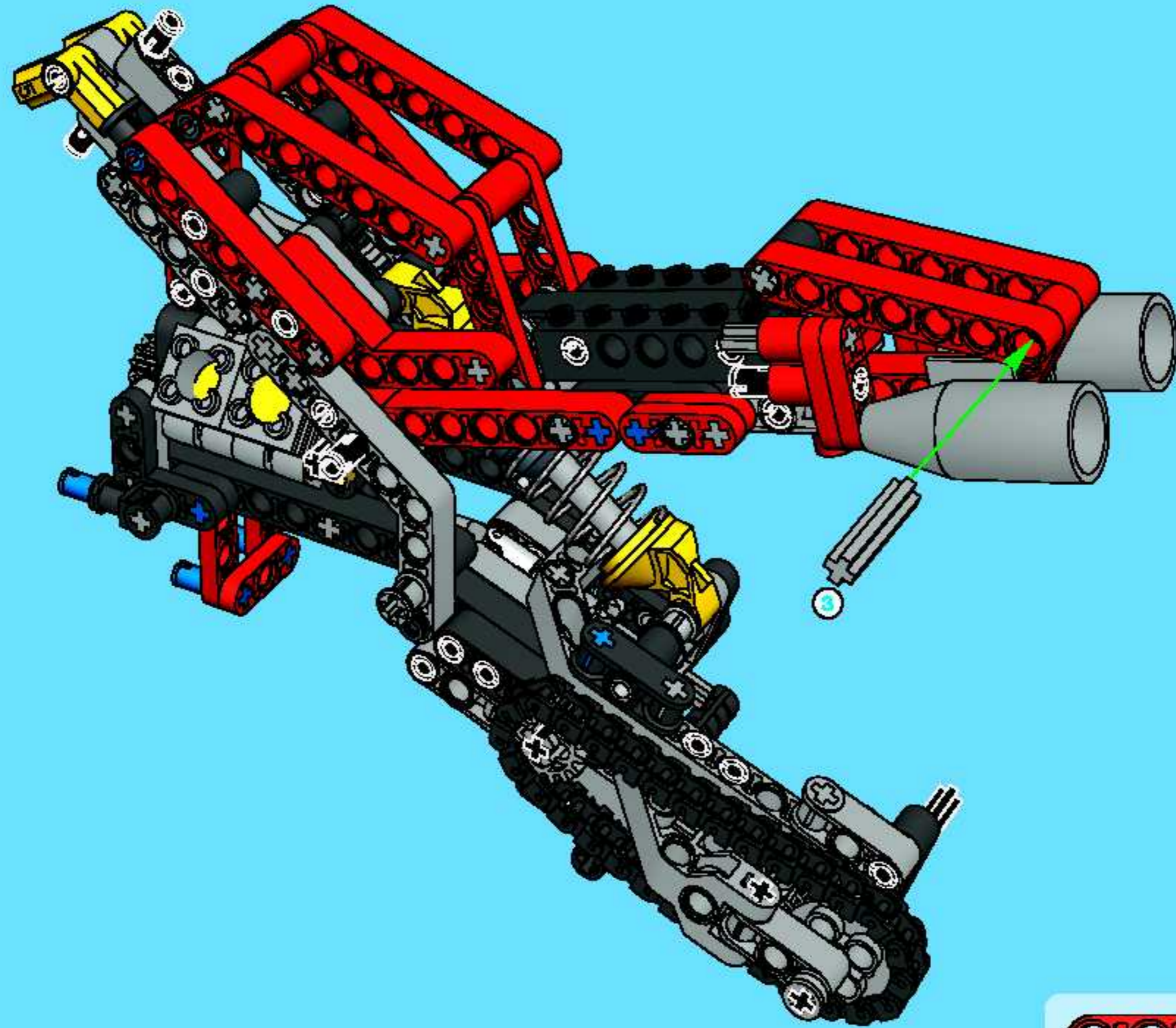





38





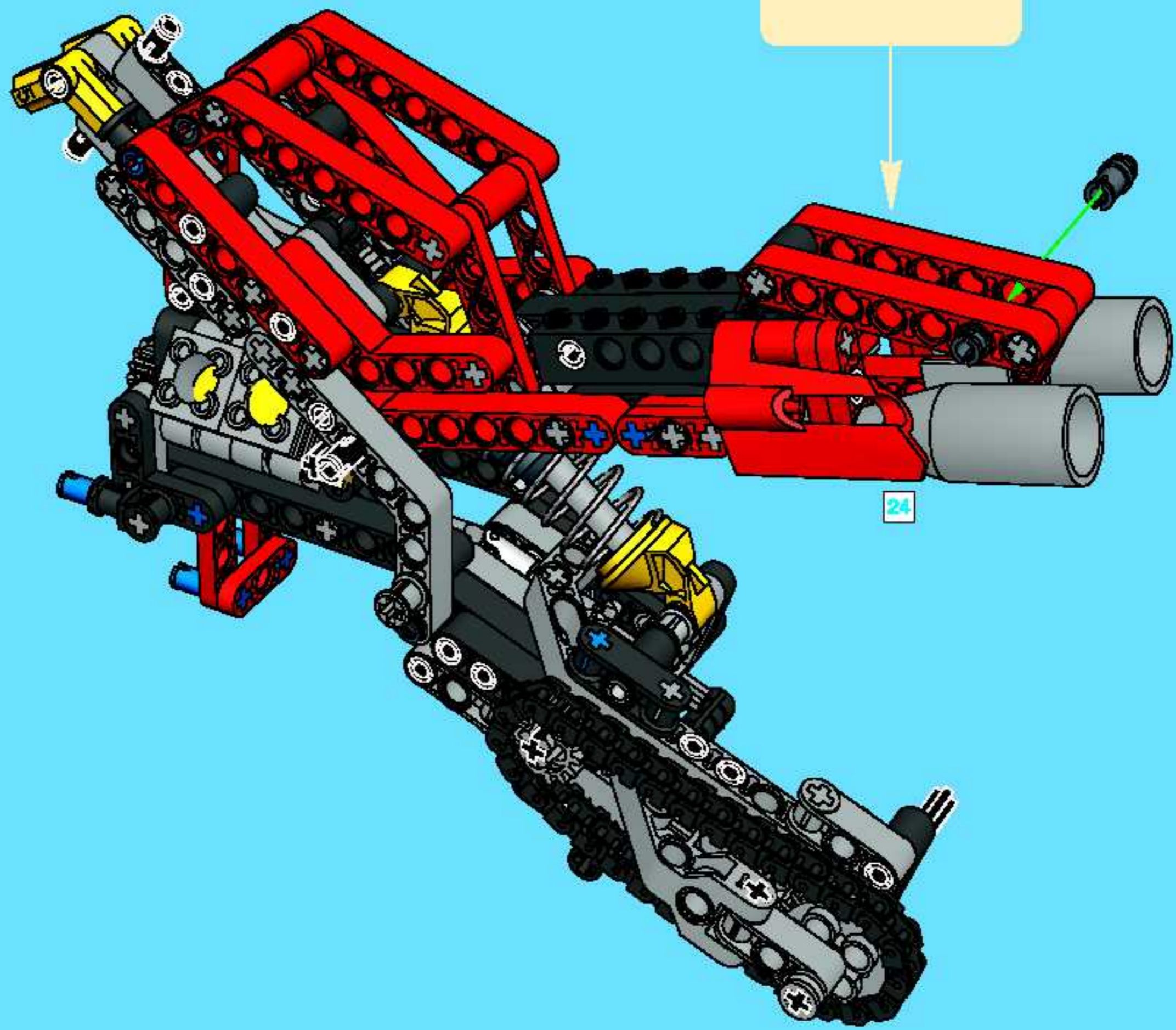
39

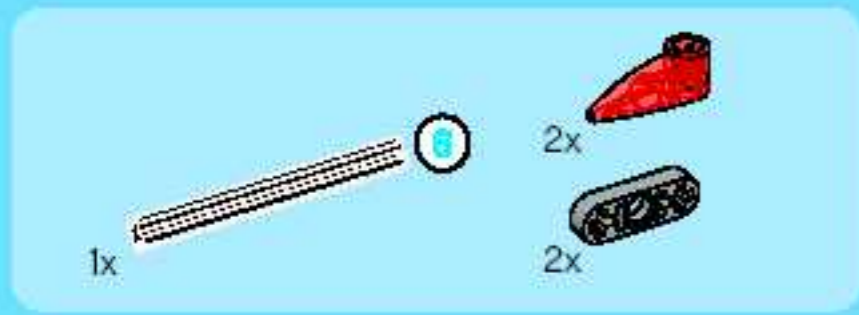


1x  1x  2x 

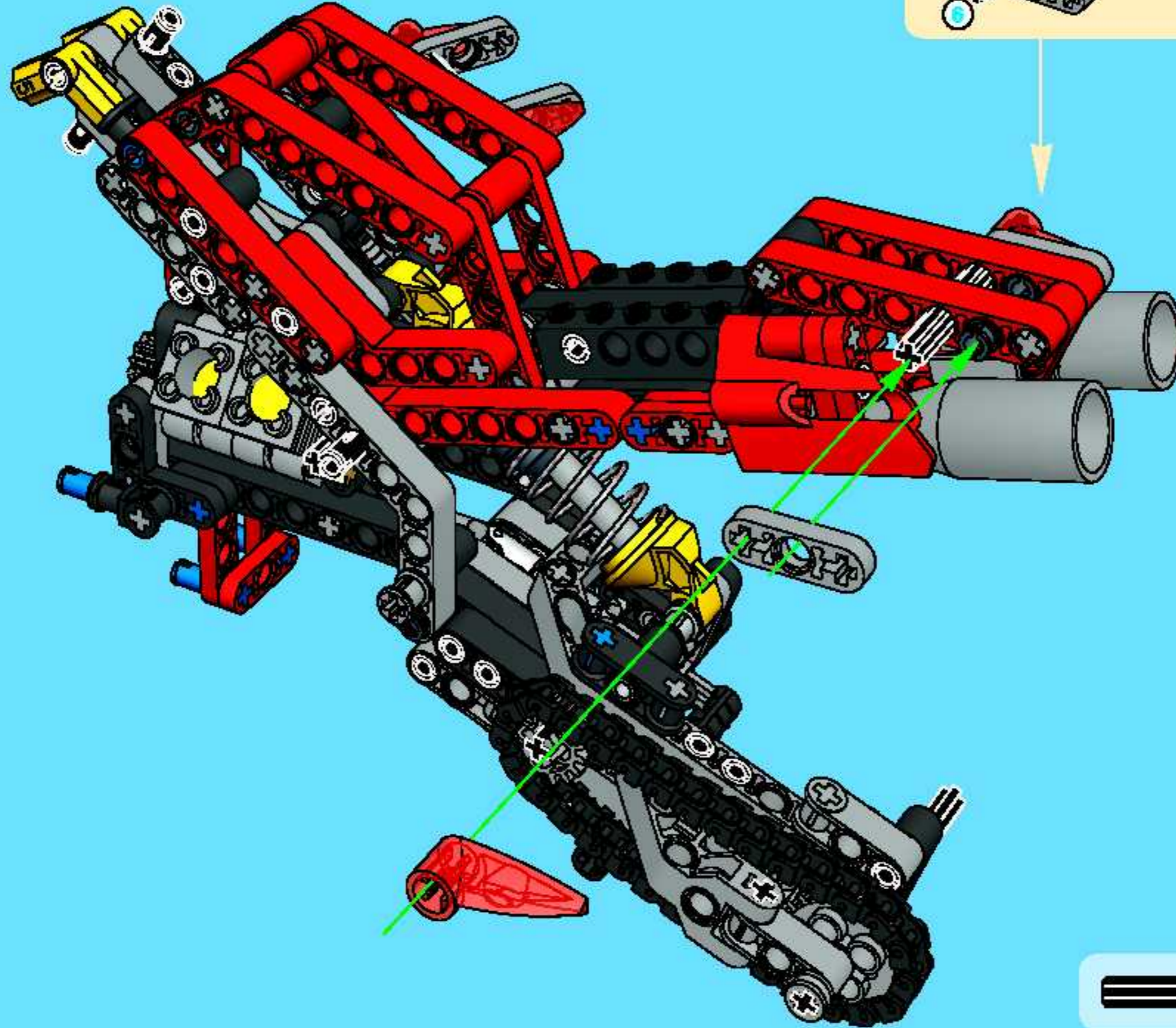
40

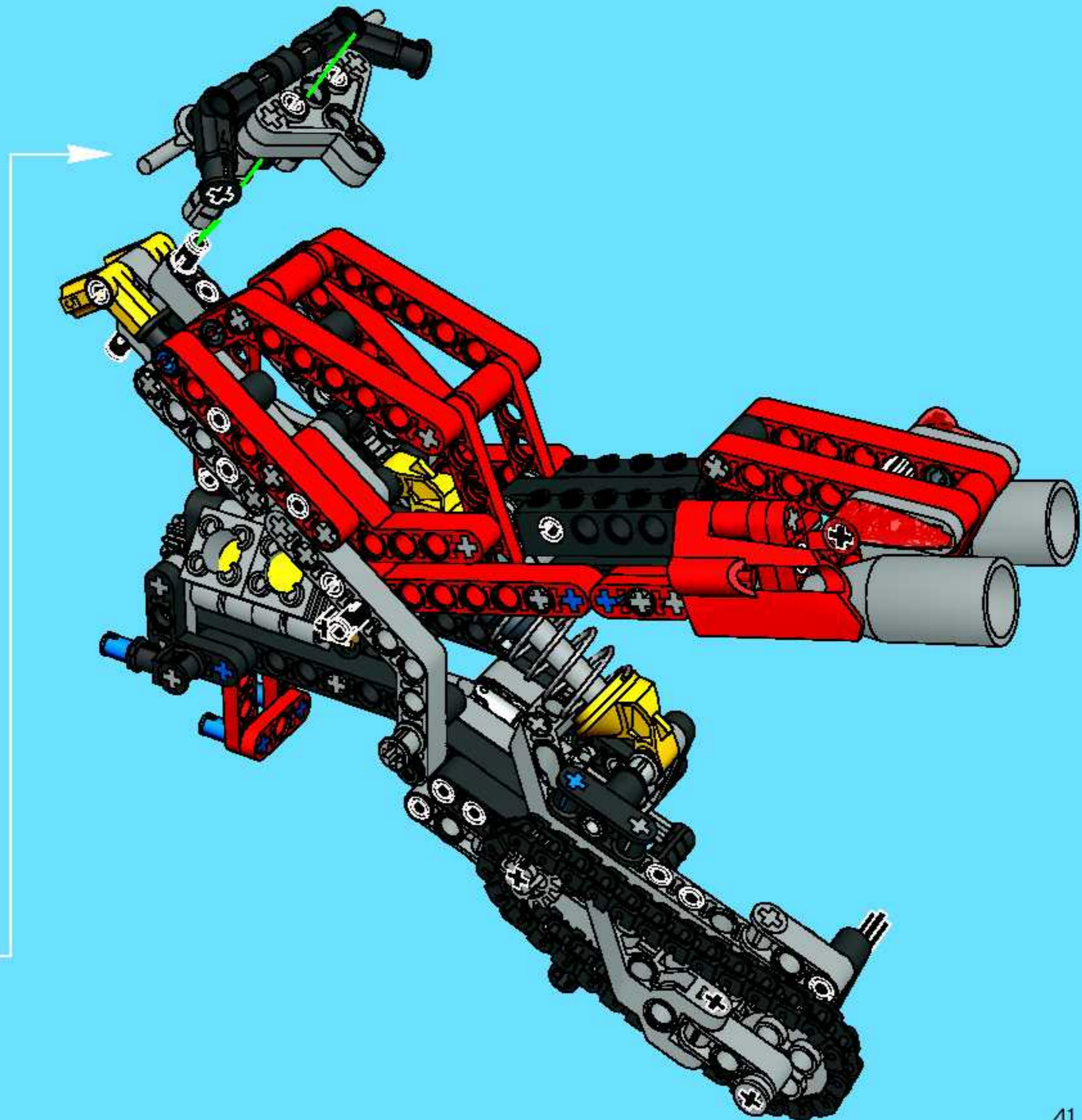
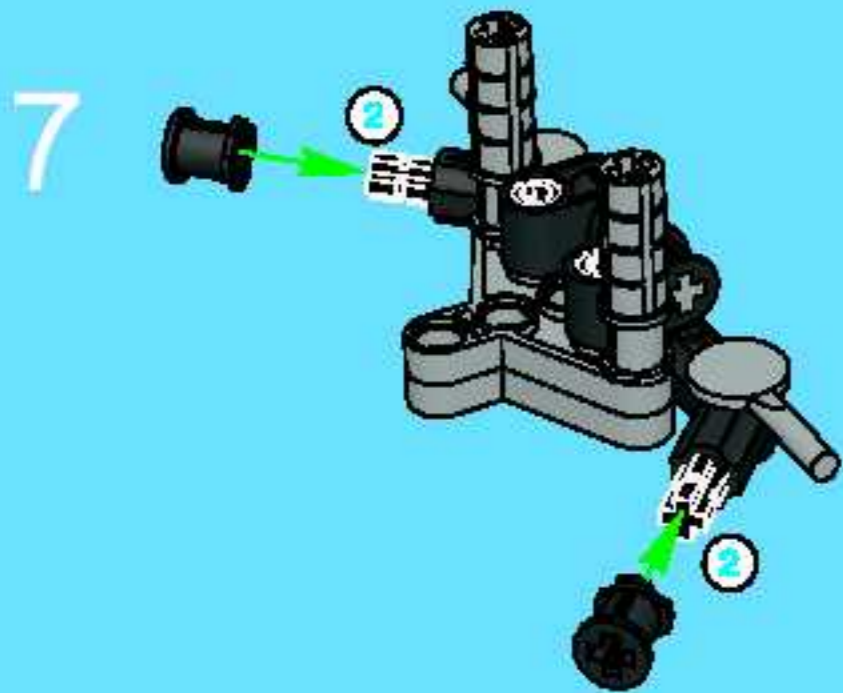
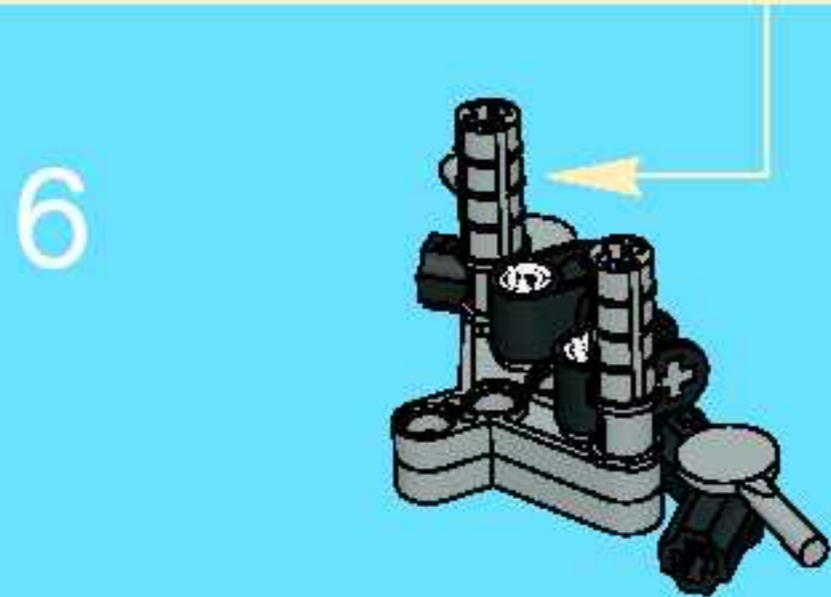
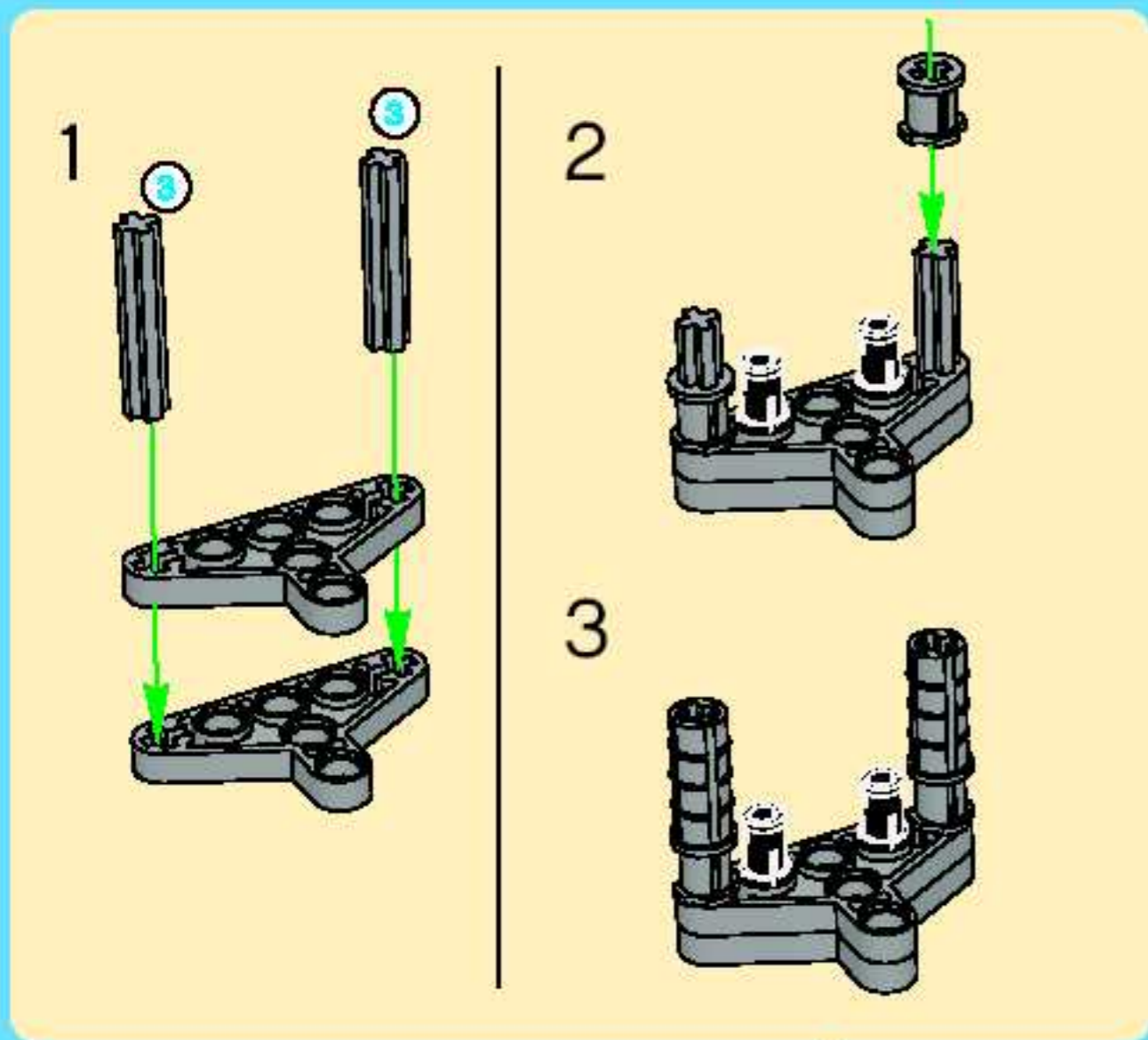
 25

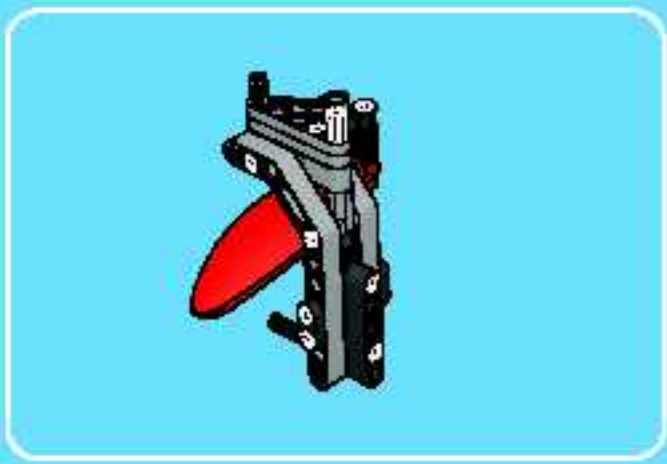




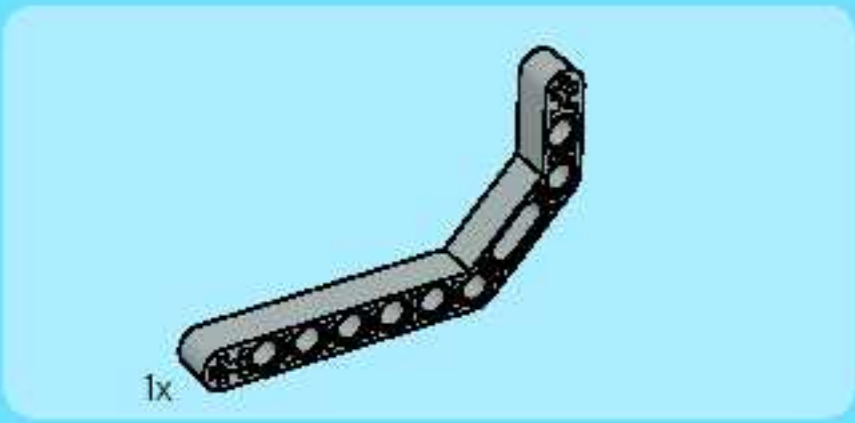
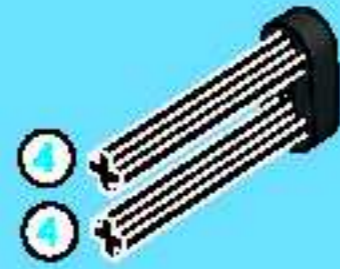
41



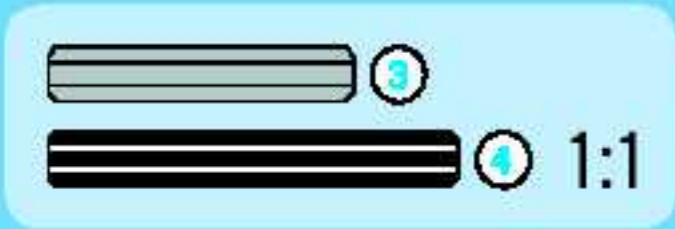
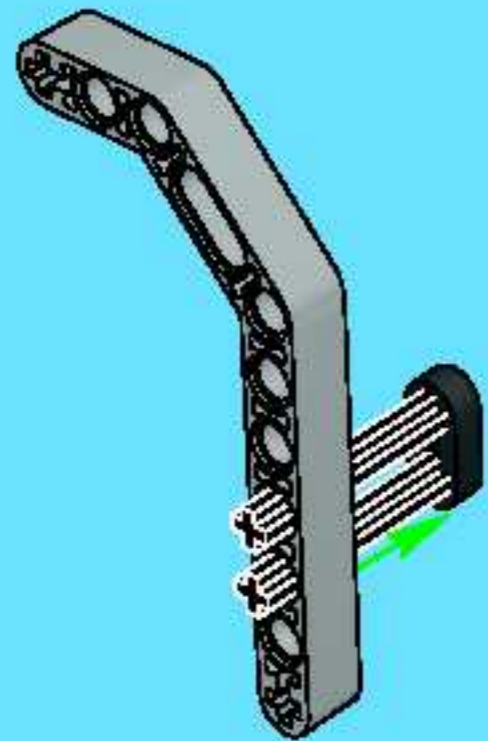




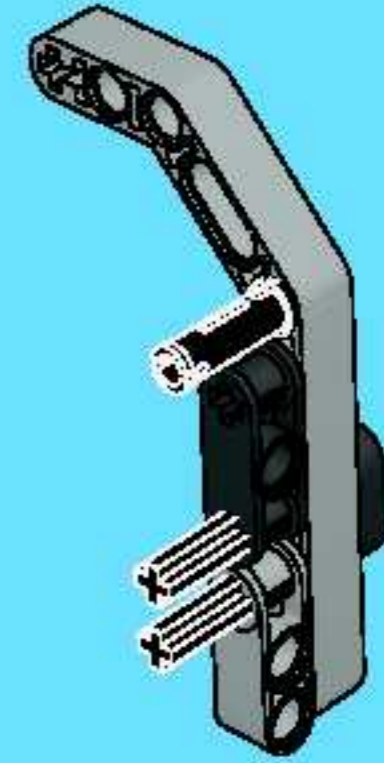
1



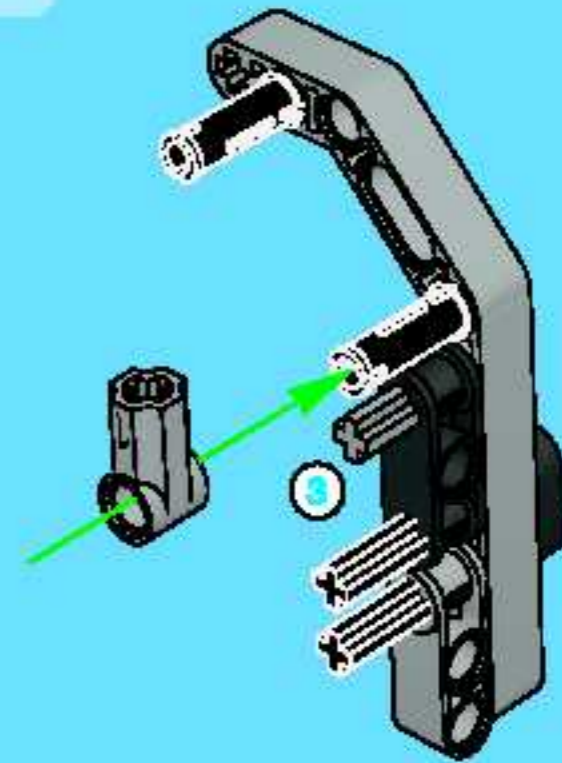
2



3

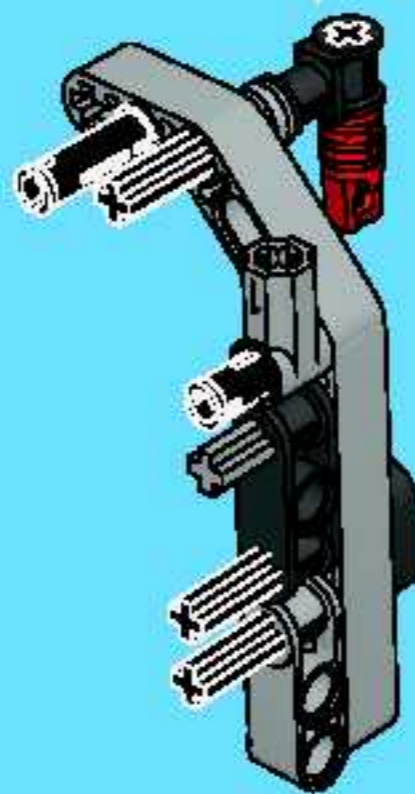
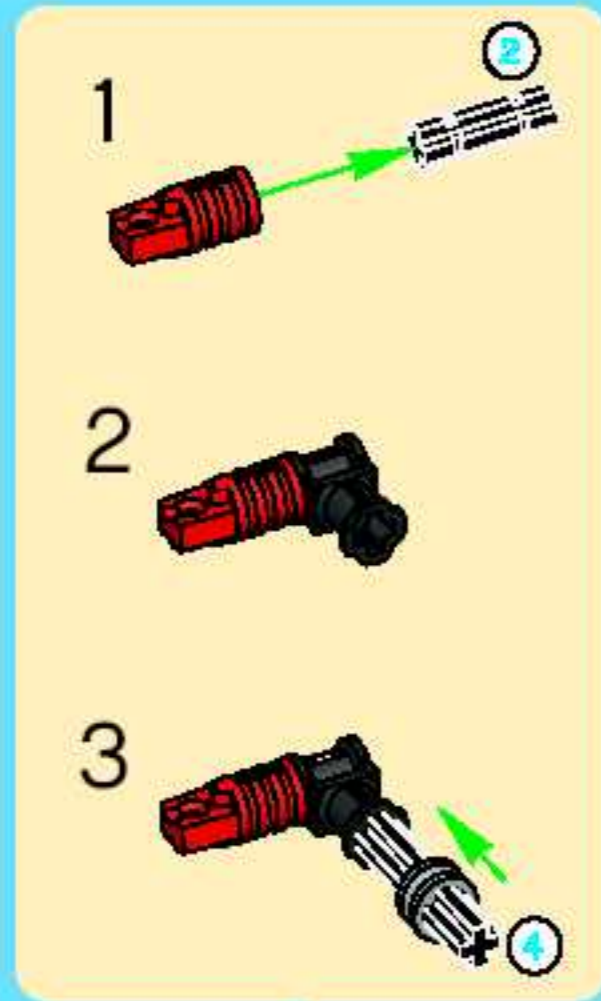


4

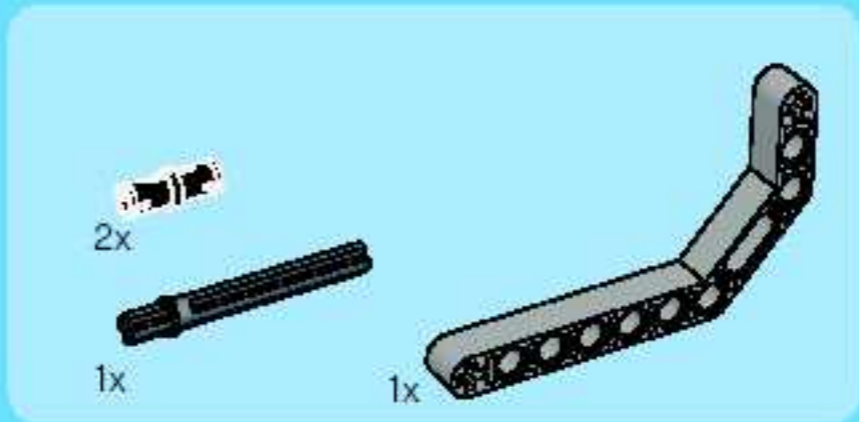
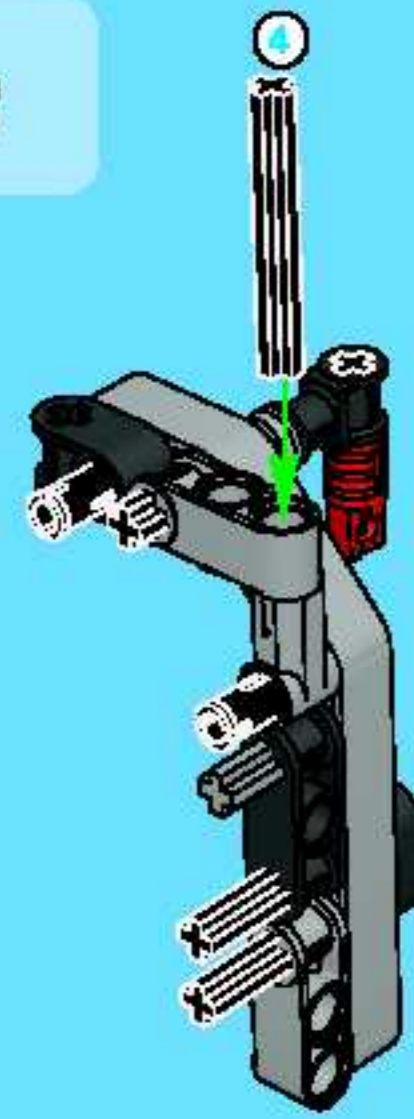




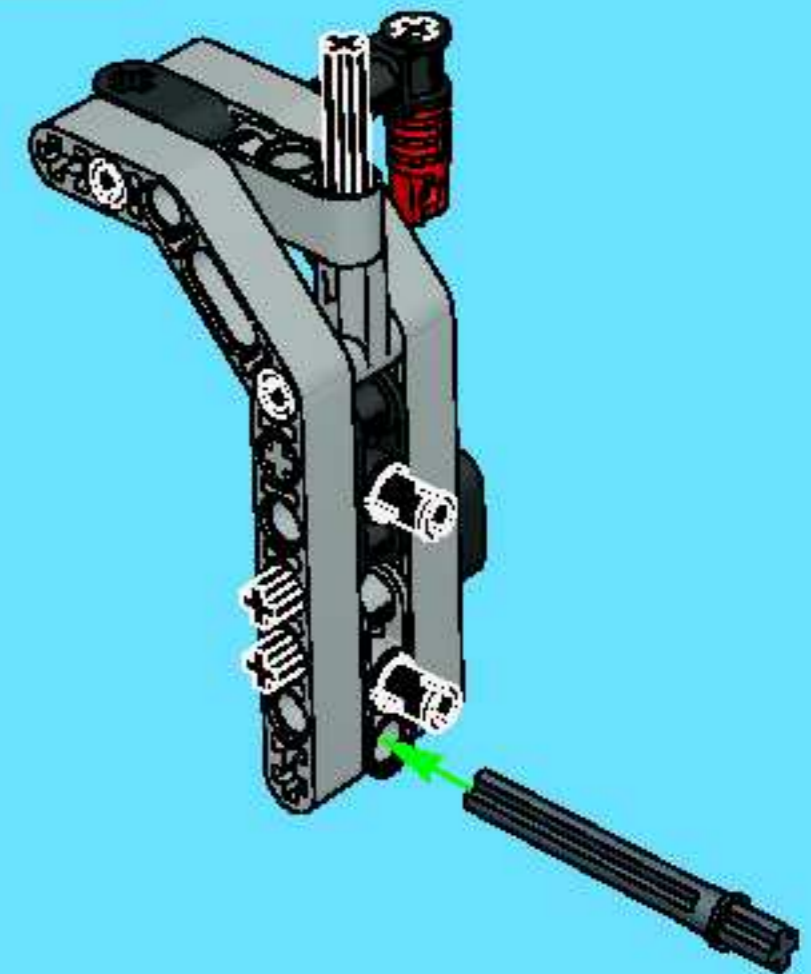
5

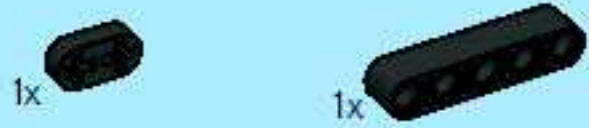


6

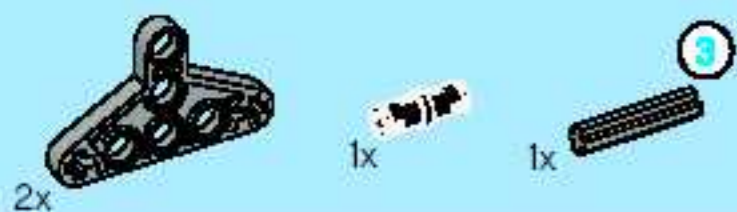
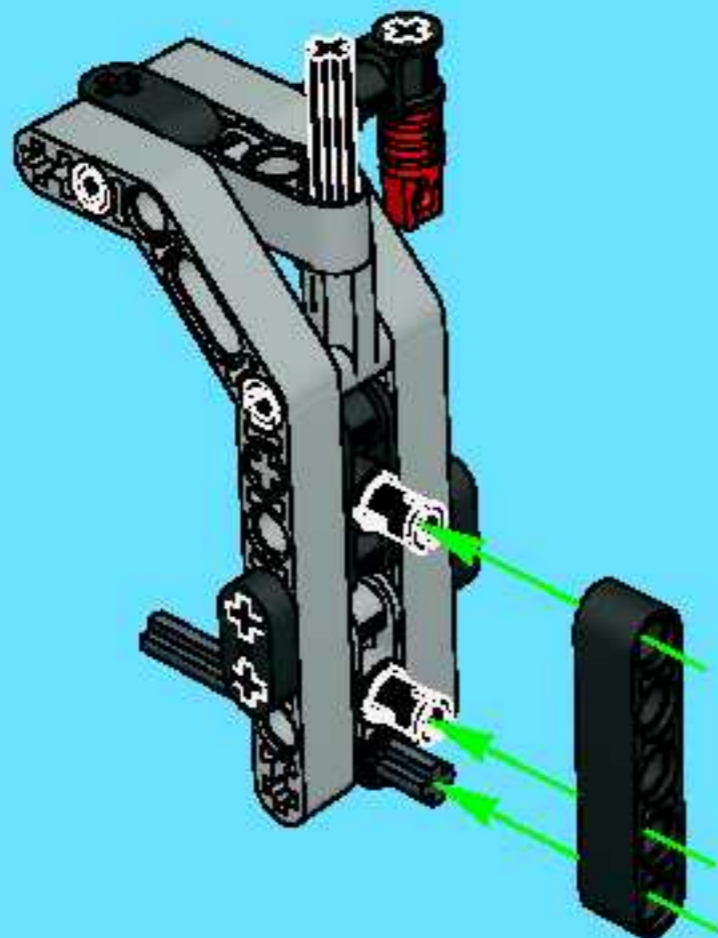


7

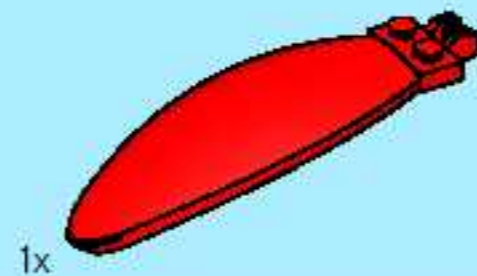
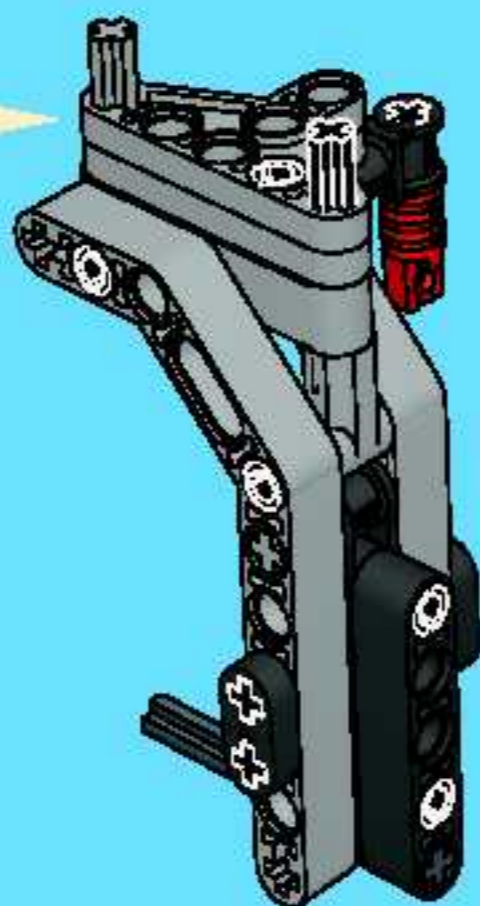
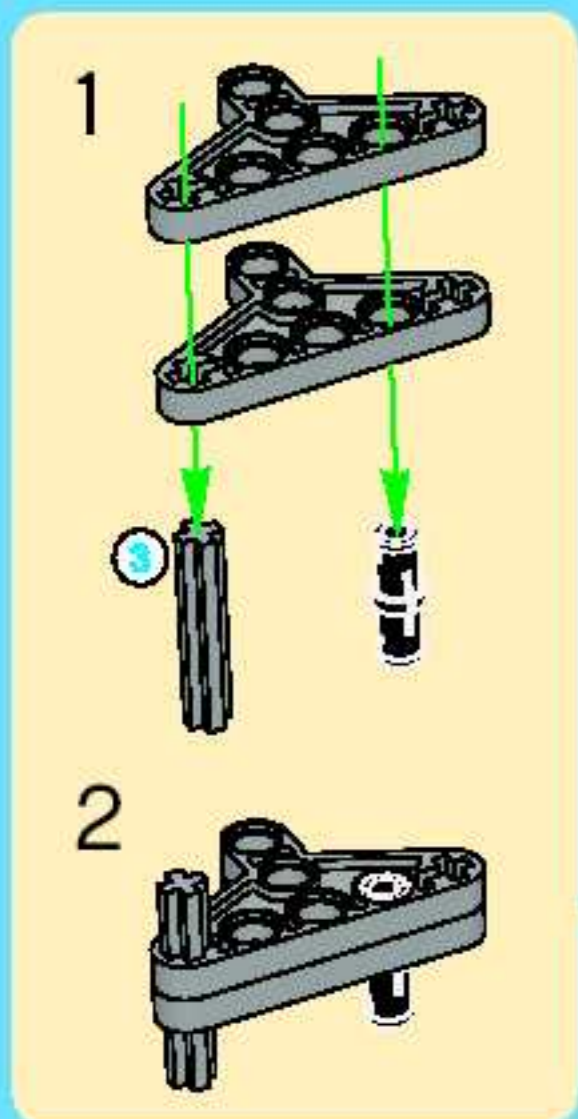




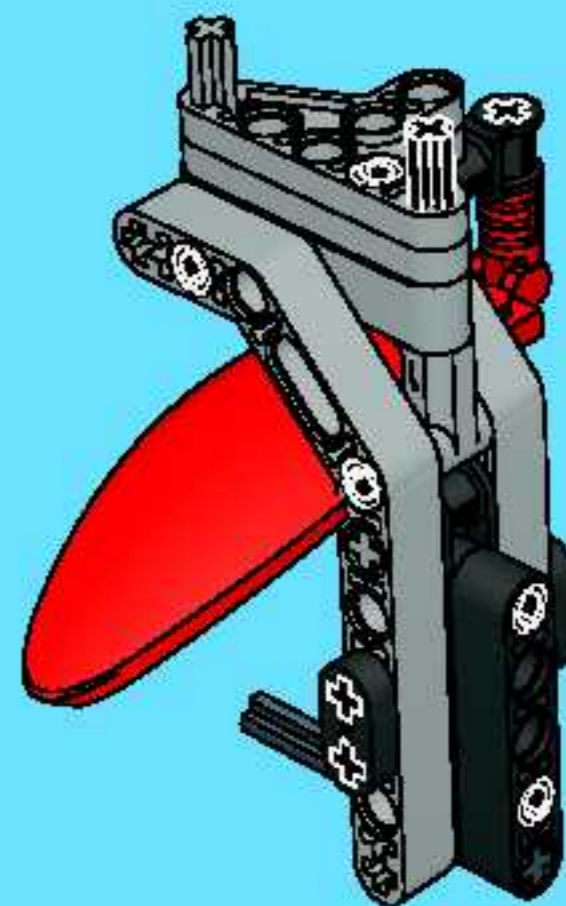
8



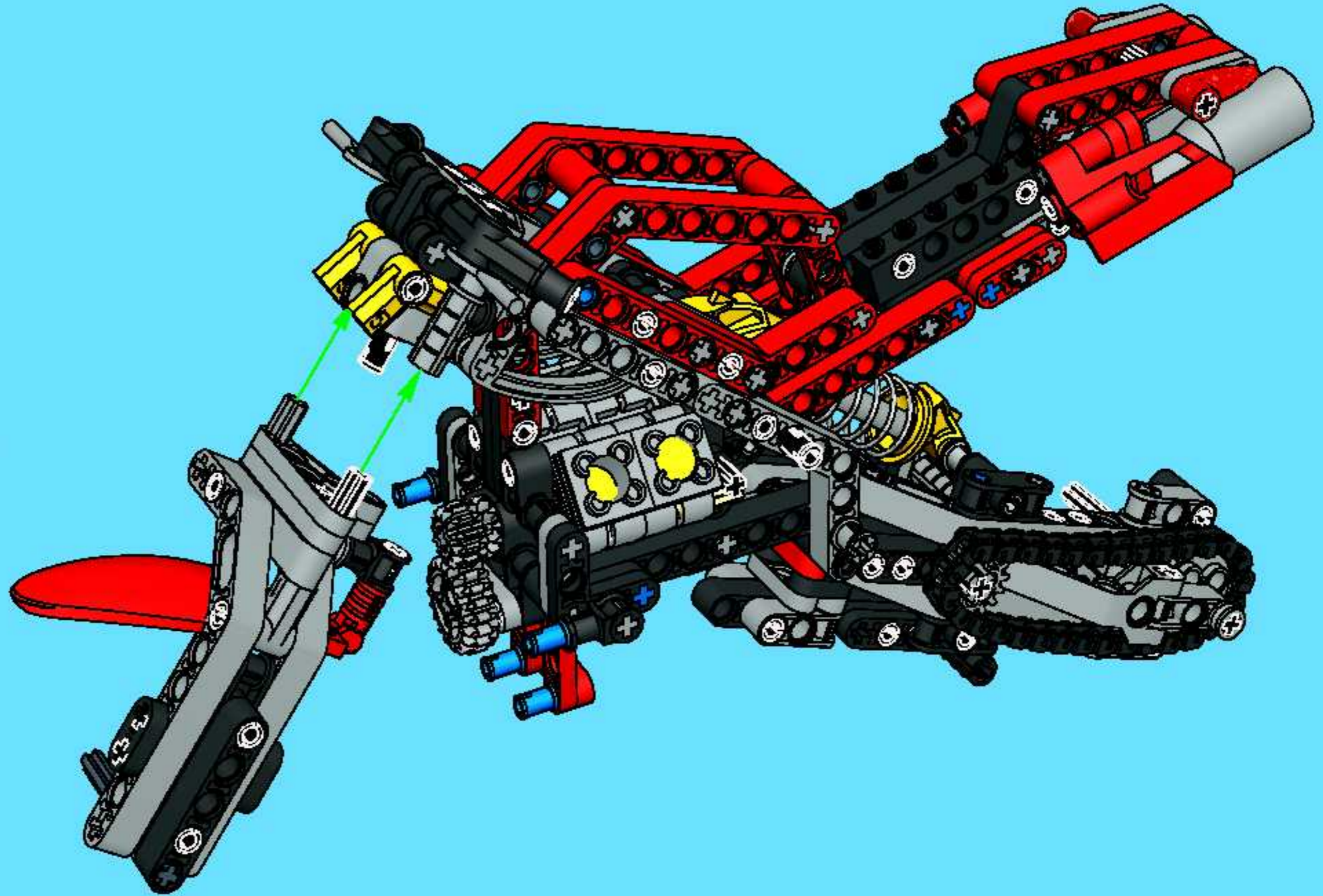
9



10



43

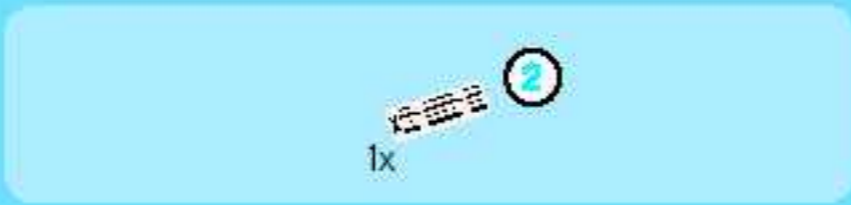
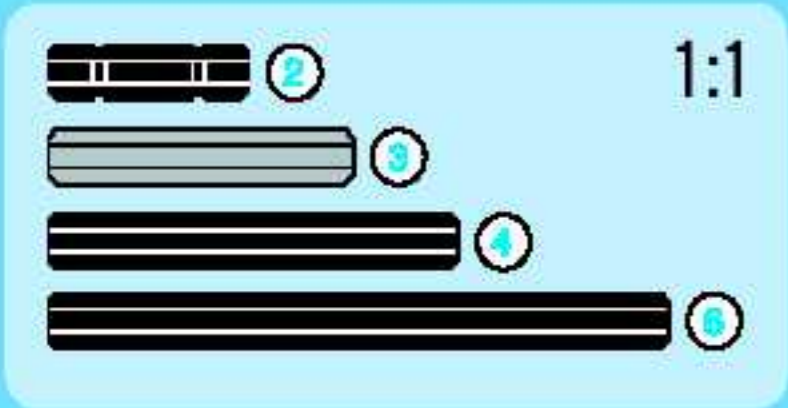




1



2



3



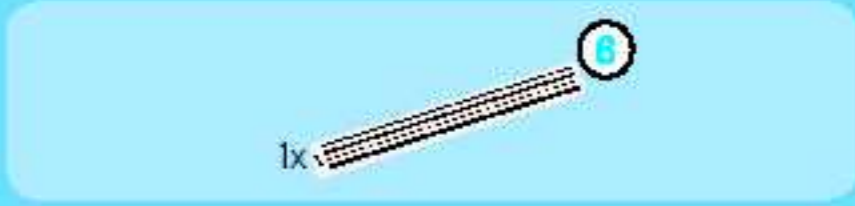
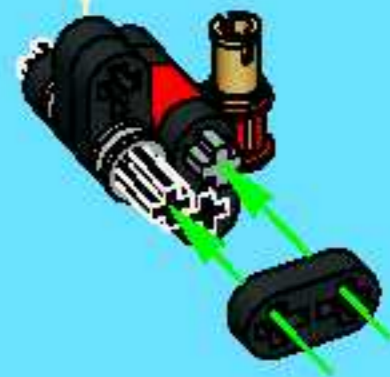
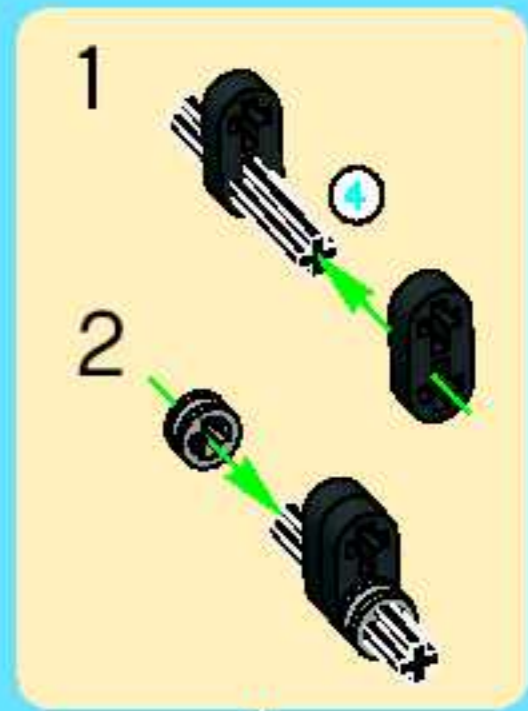
4



5



6



7





2x

8

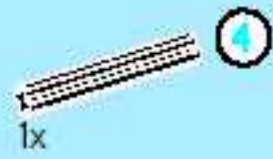
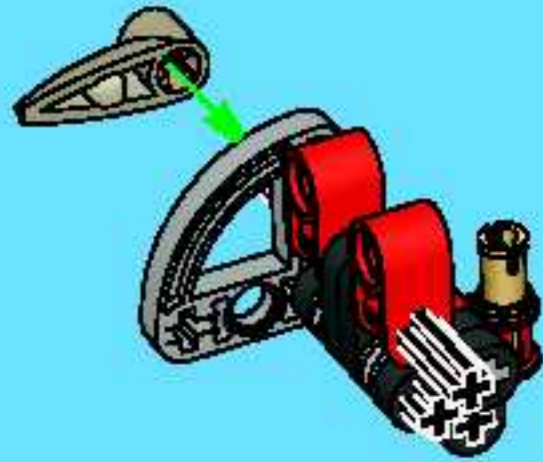


1x



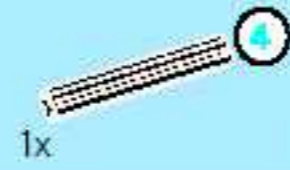
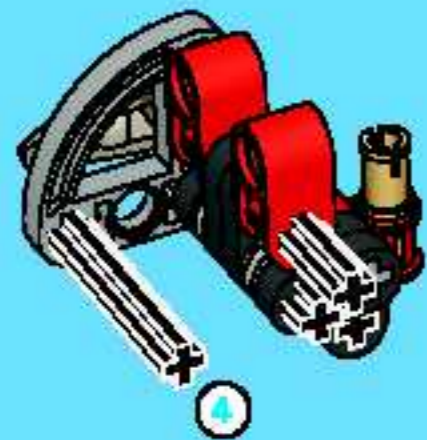
1x

9



1x

10



1x

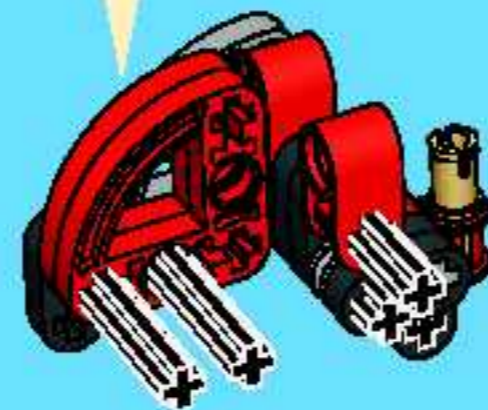
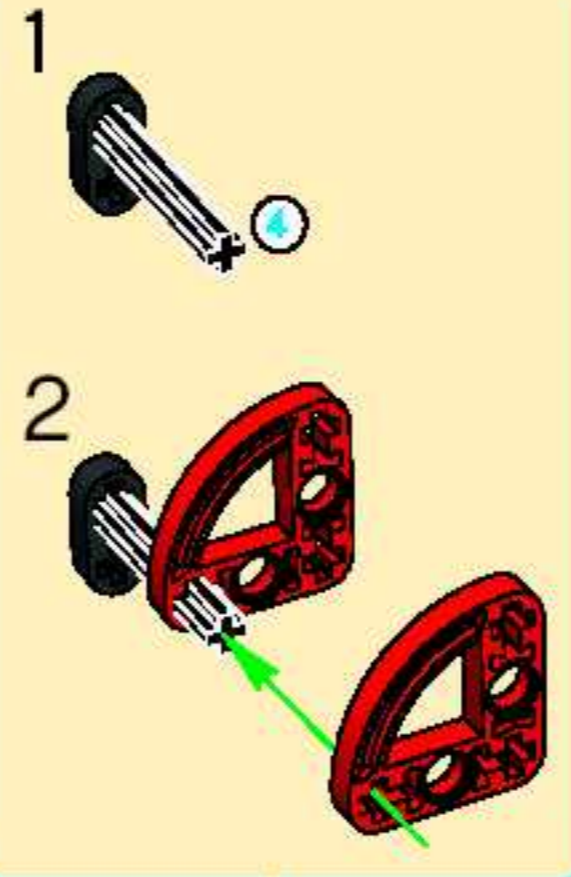


1x

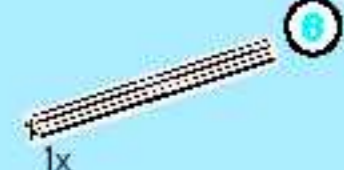


2x

11

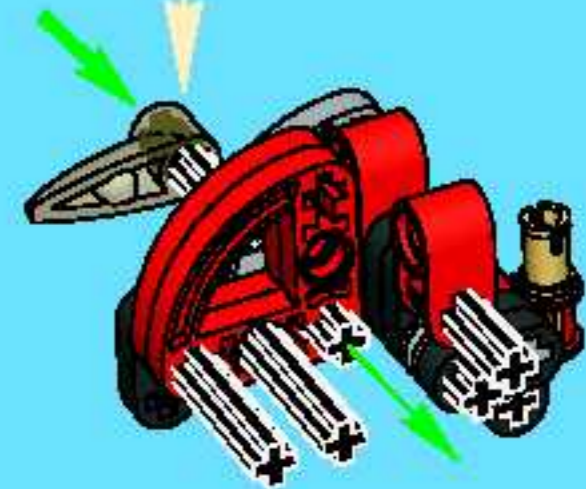
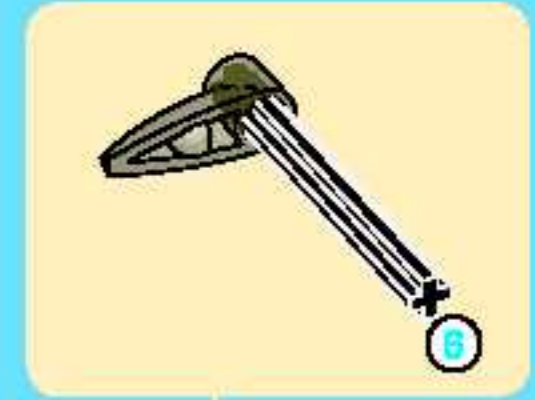


1x



1x

12

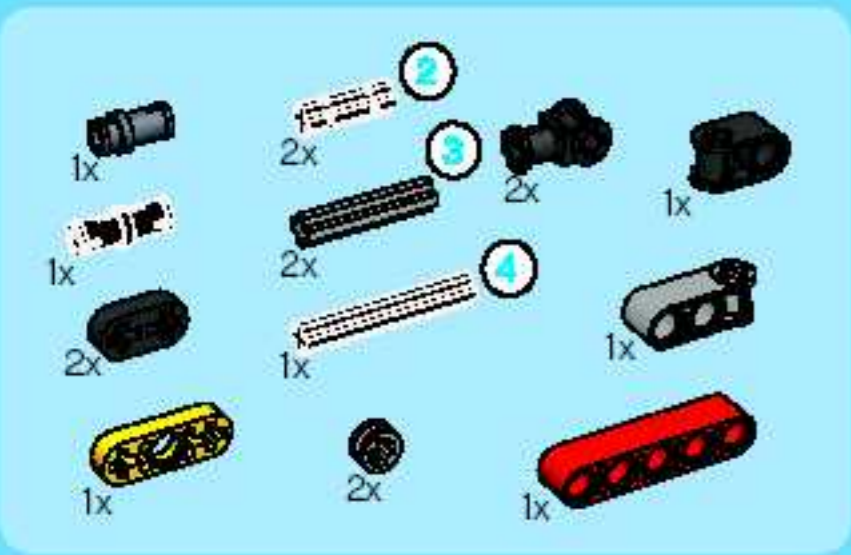


1x

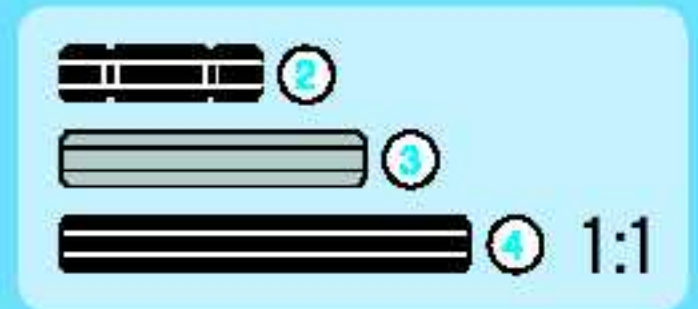
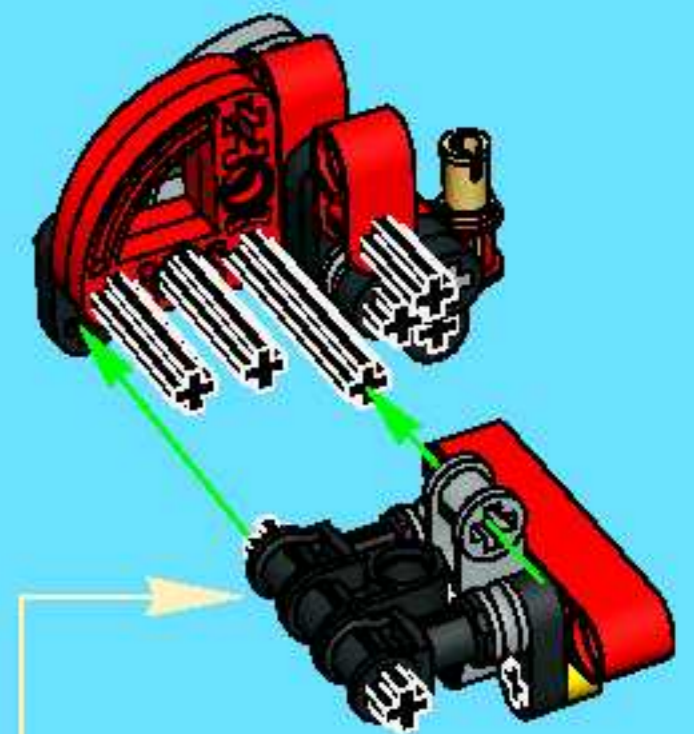
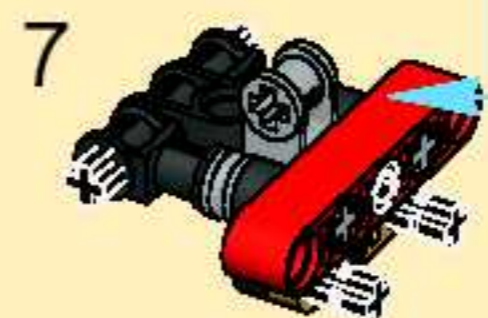
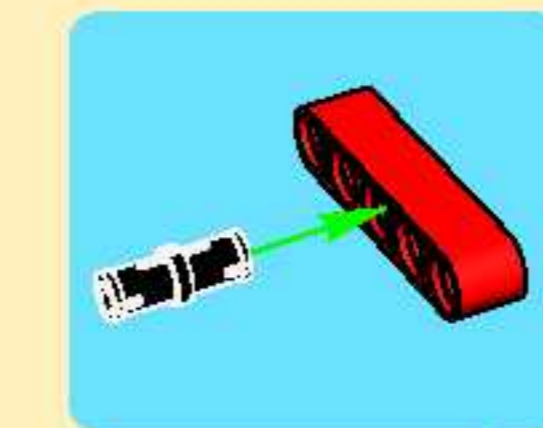
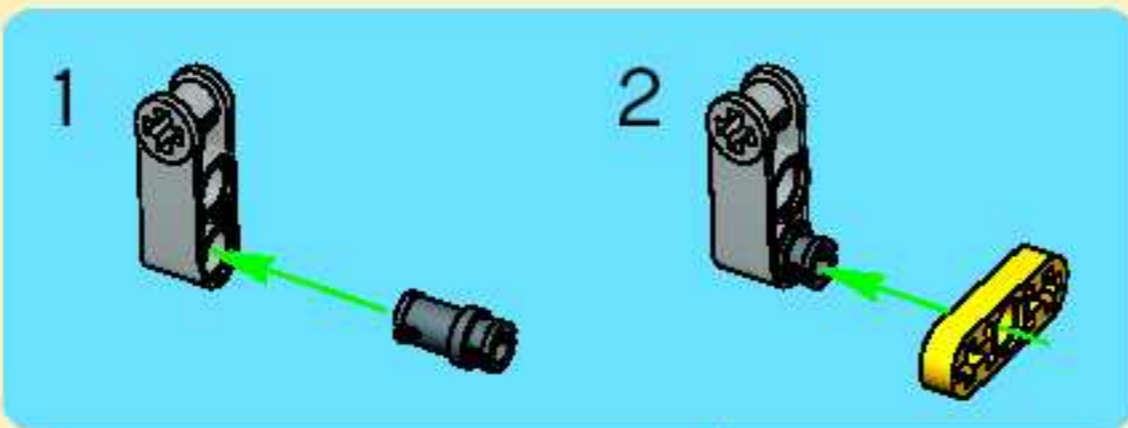
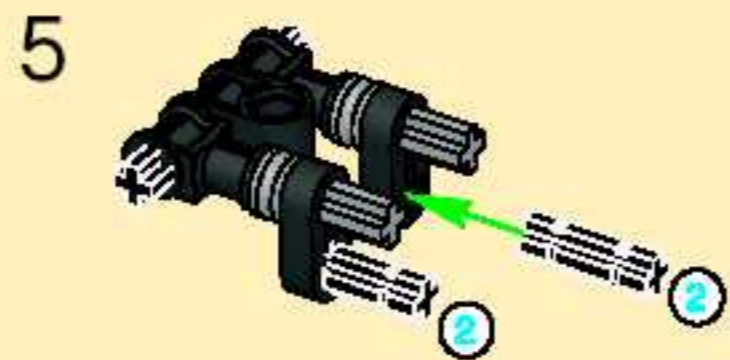
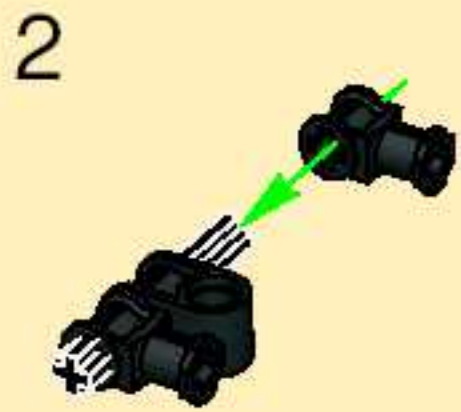


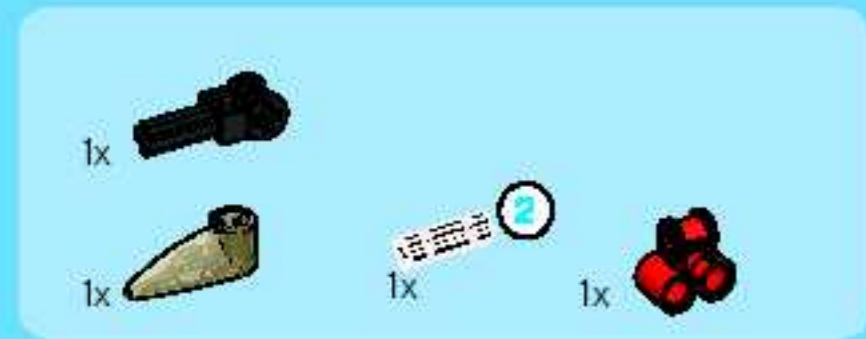
1x

1:1

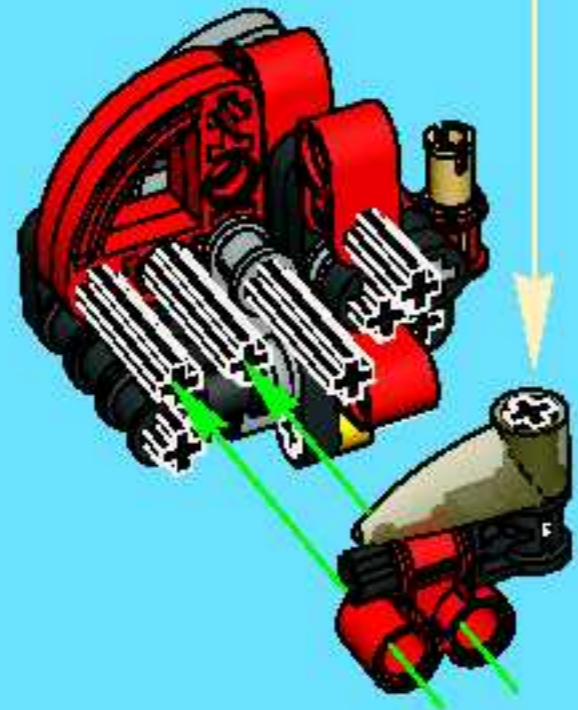
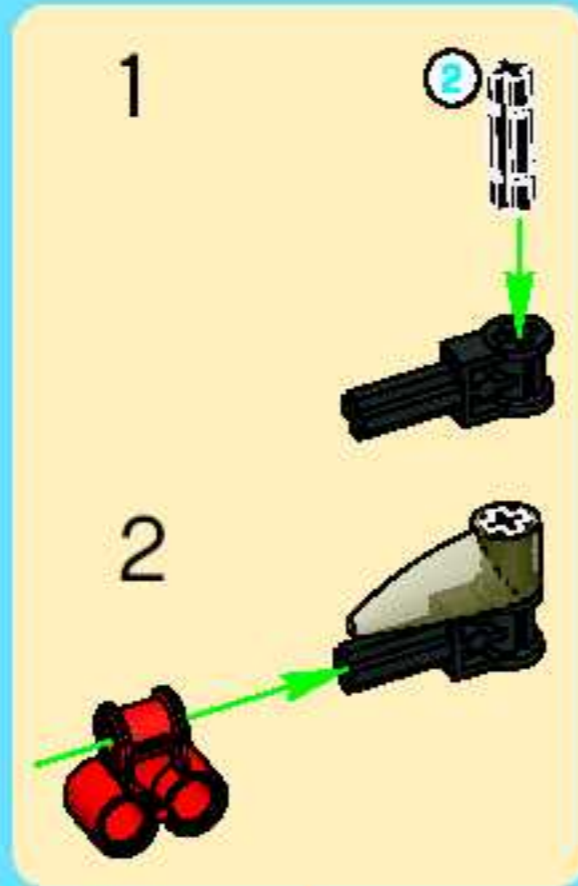


13

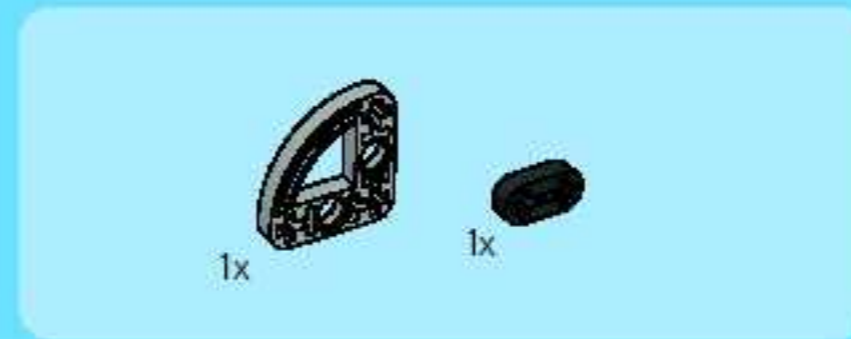
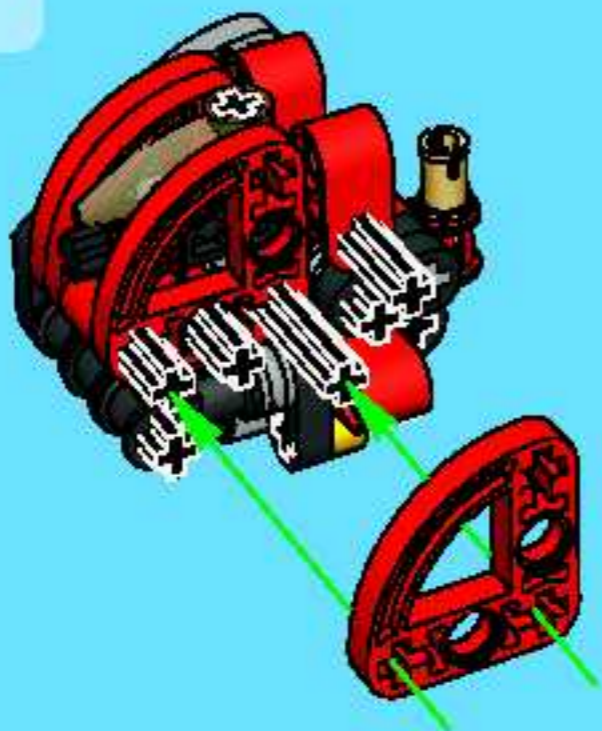




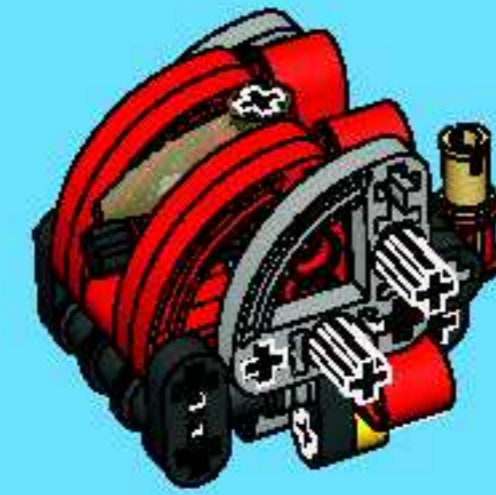
14



15



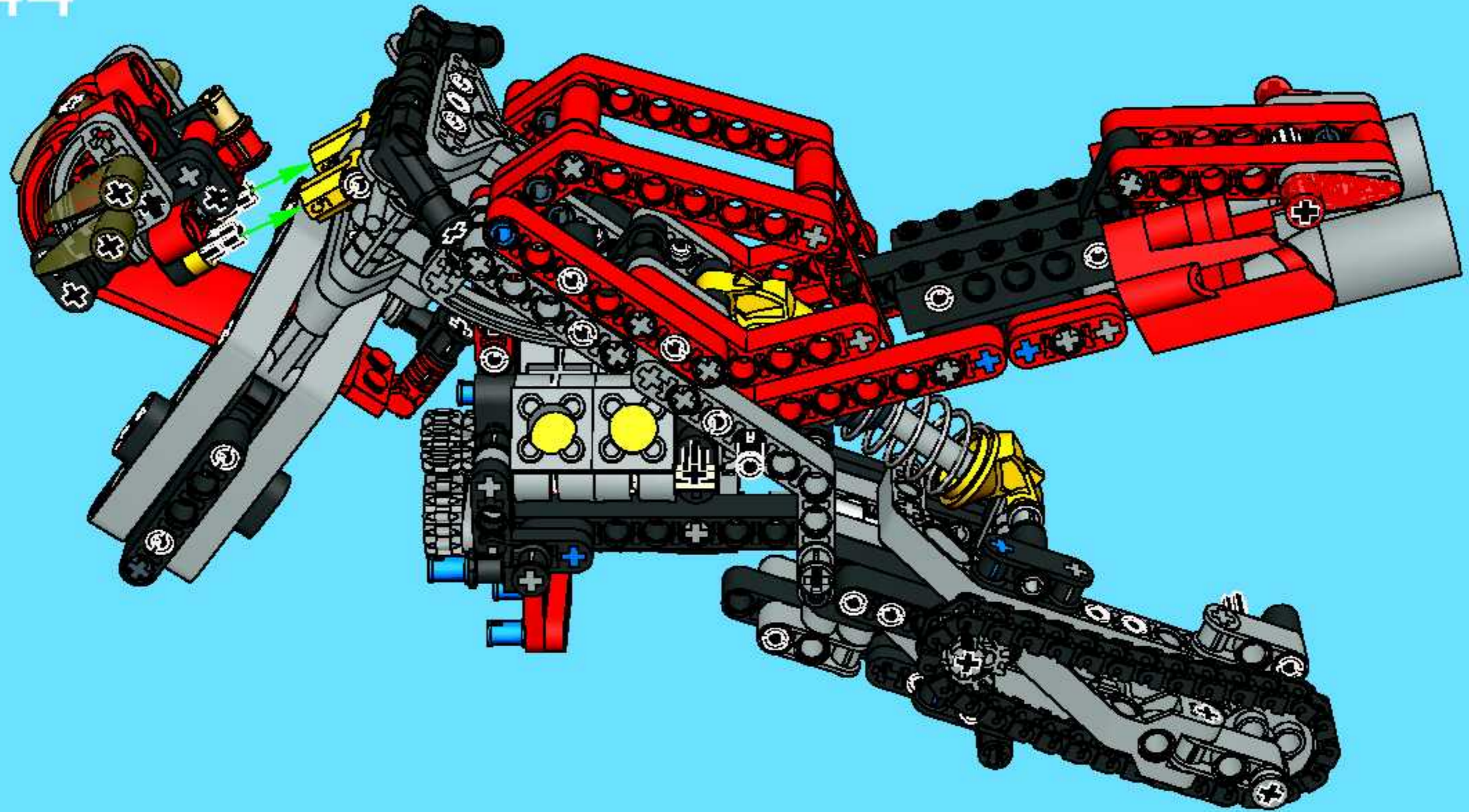
16



17

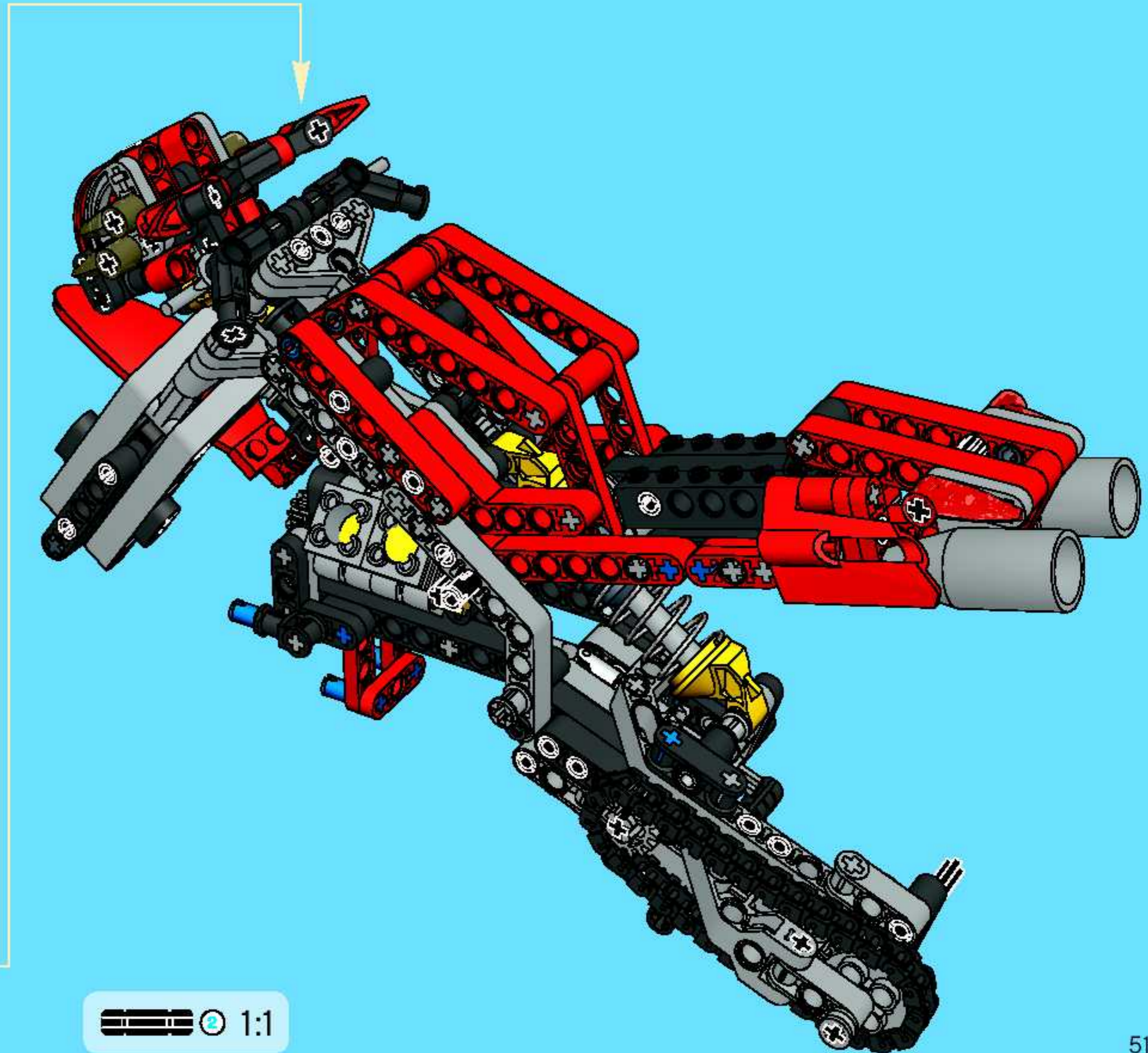
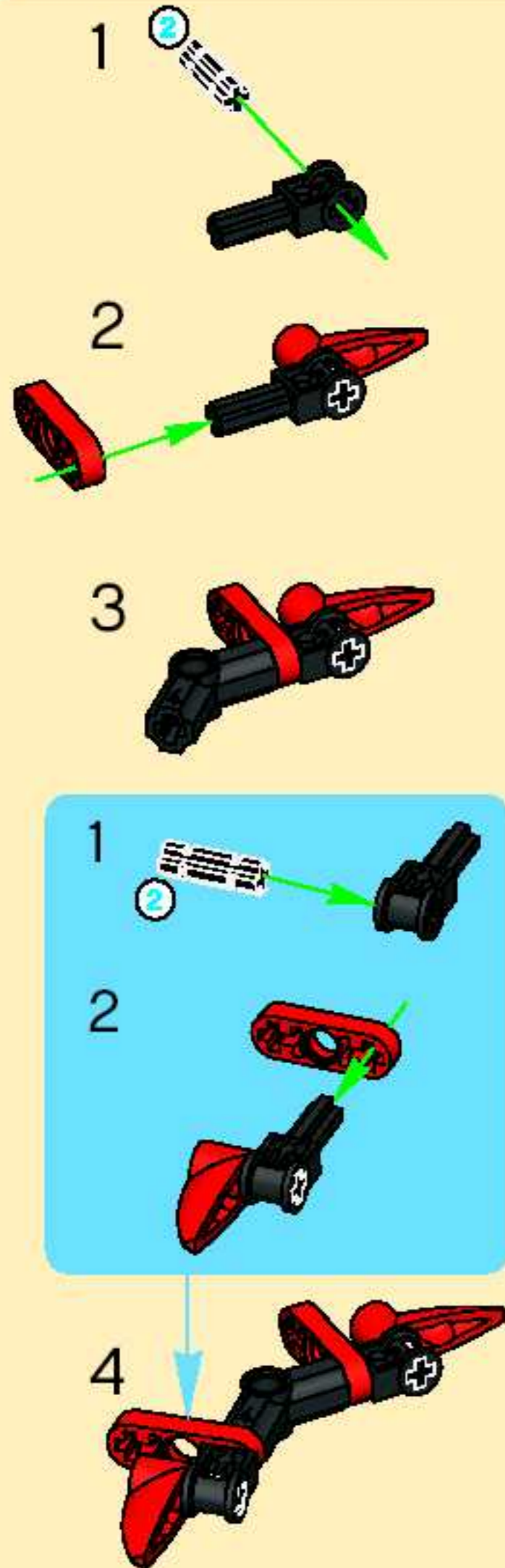


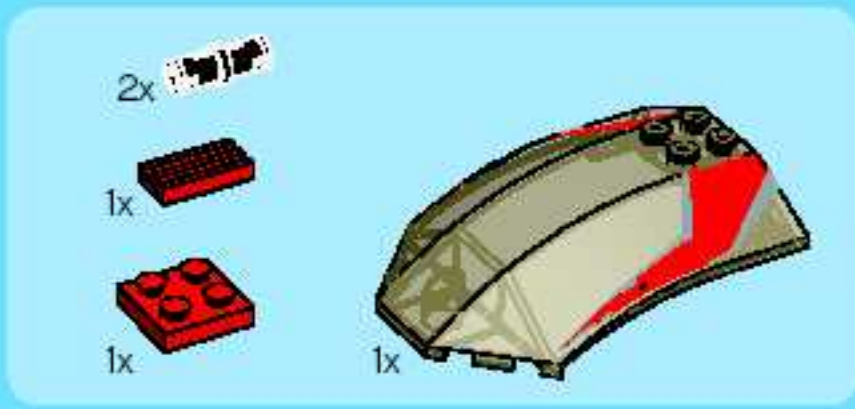
44



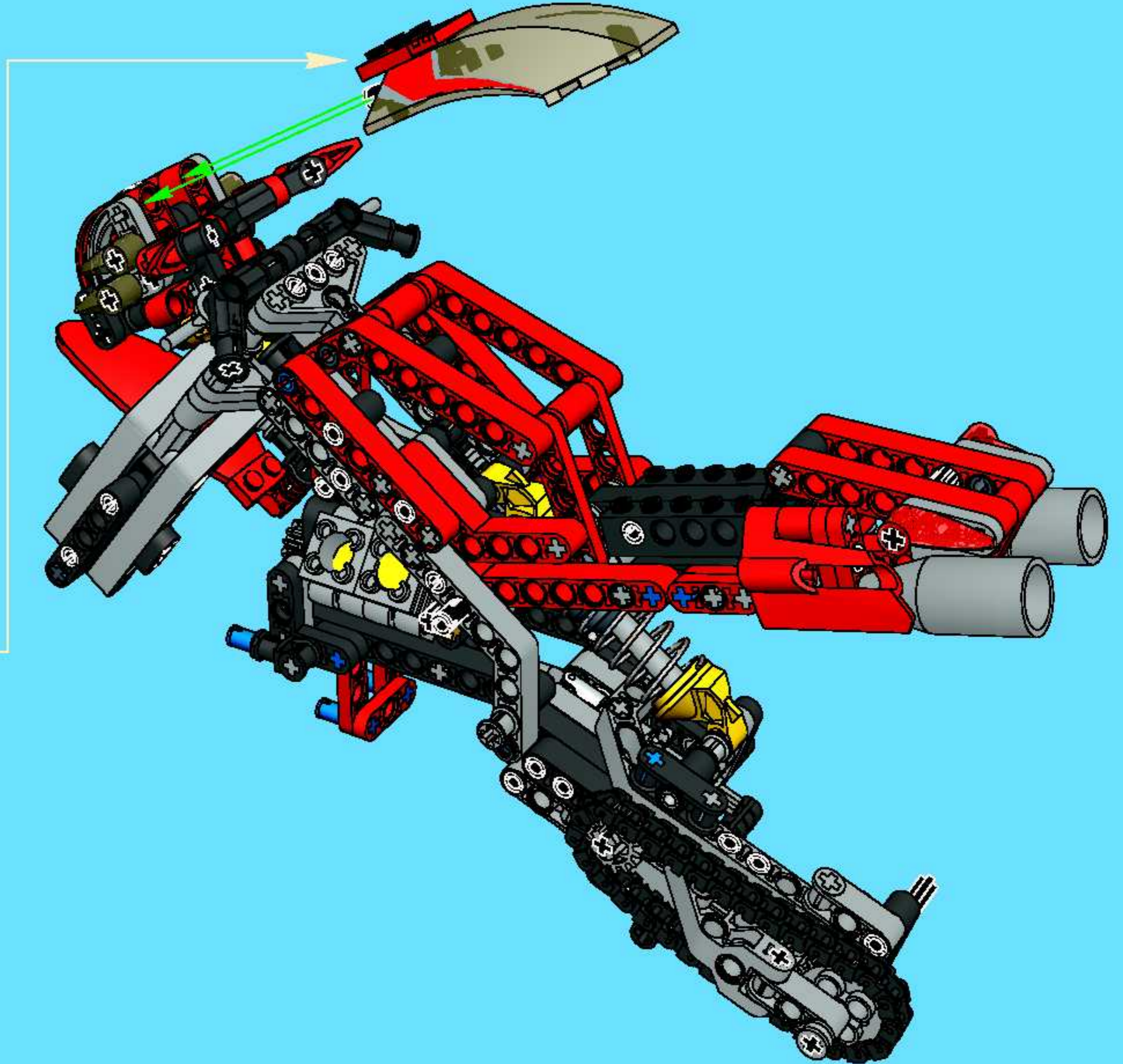
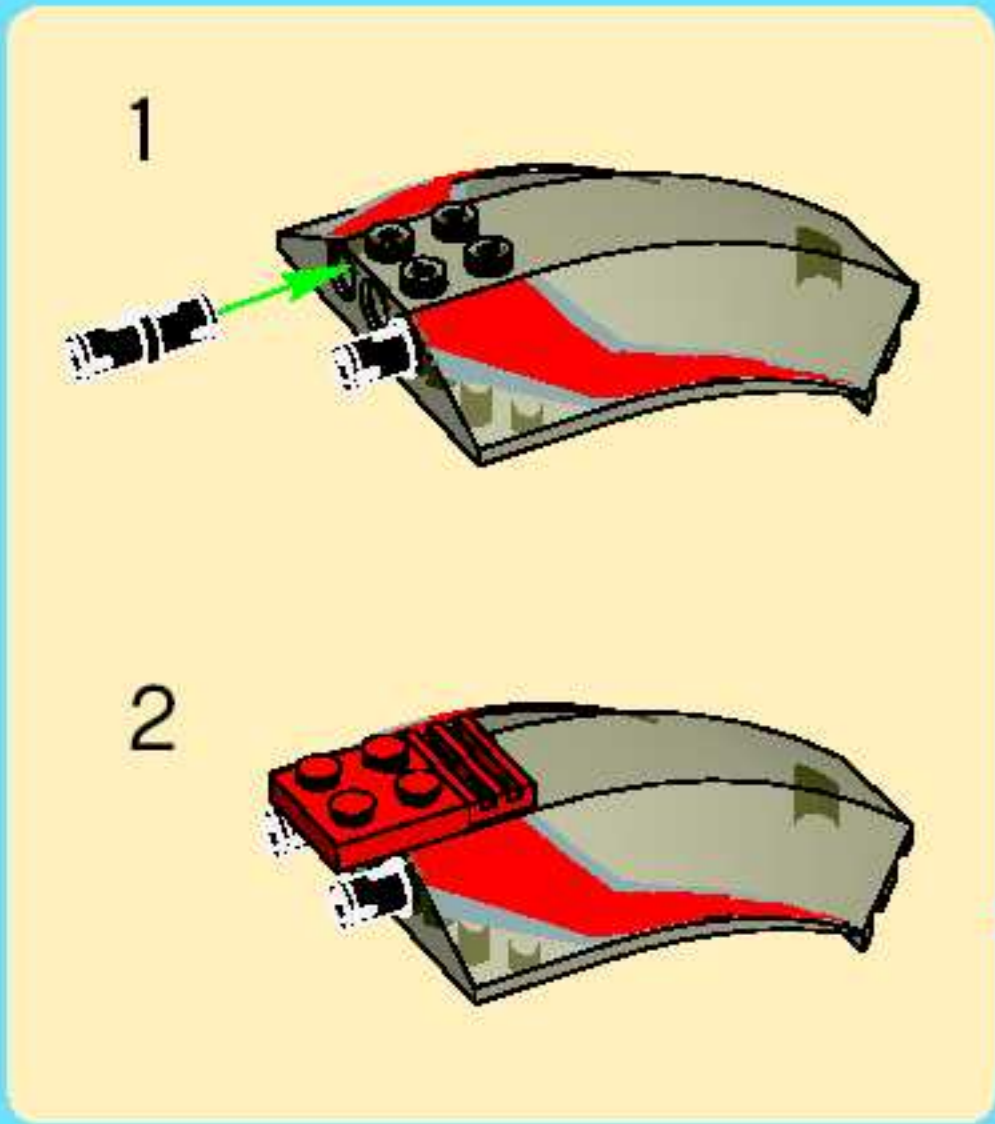


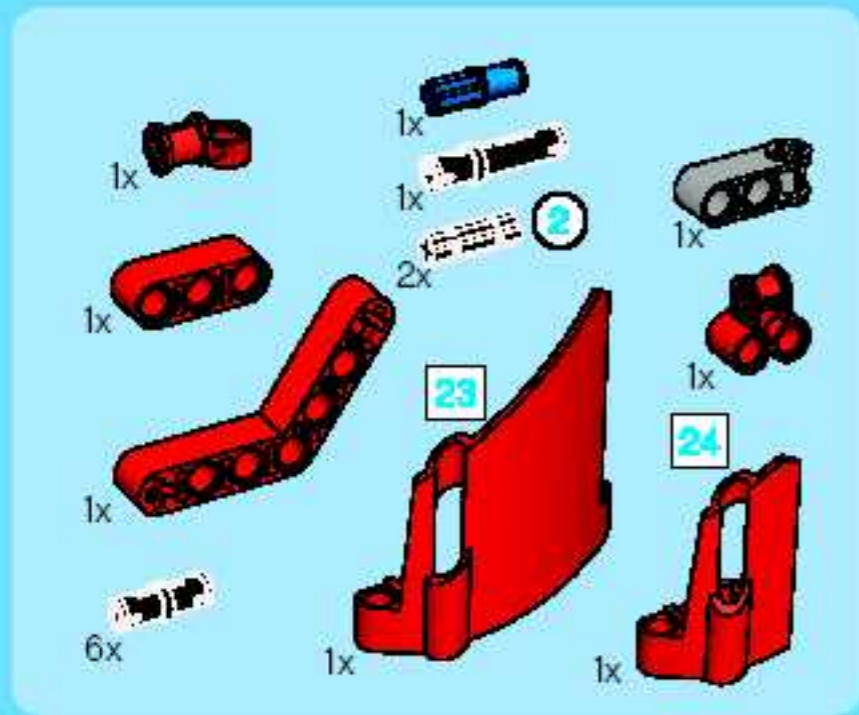
45



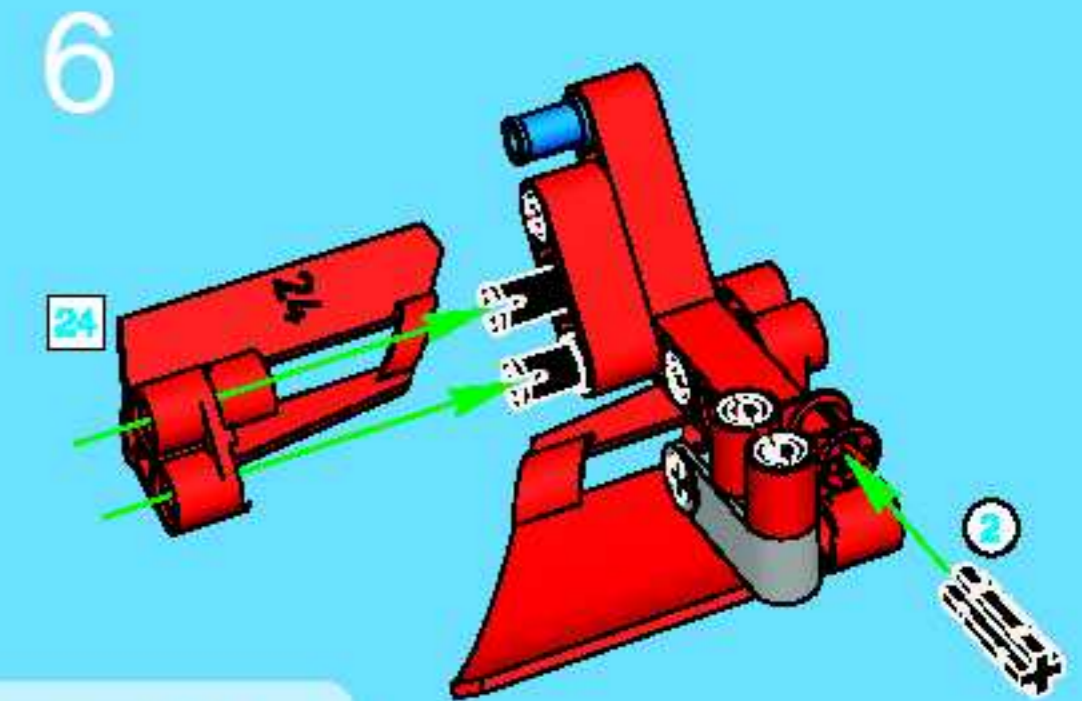
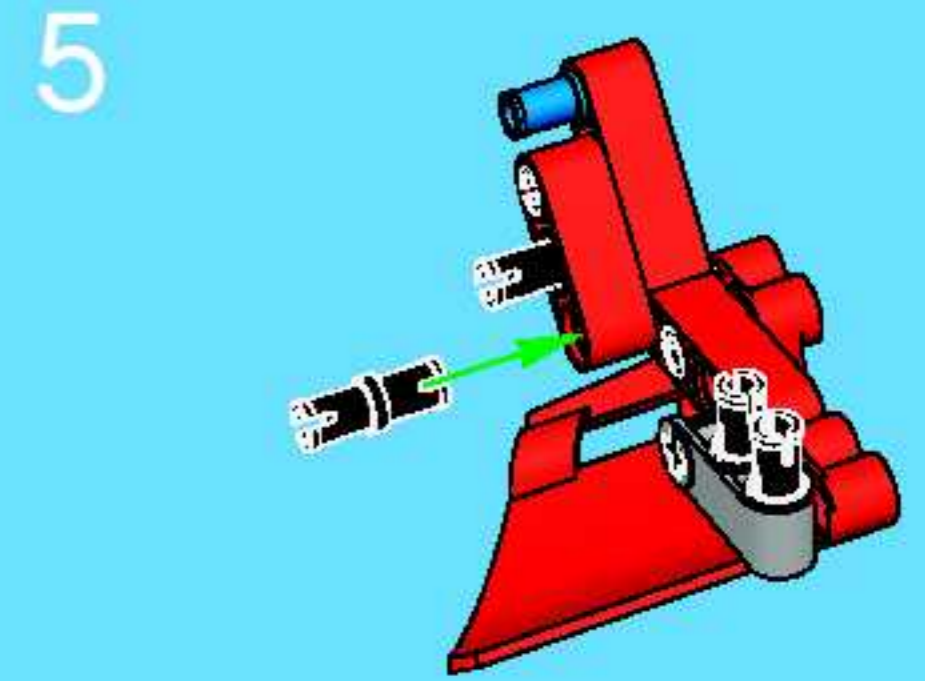
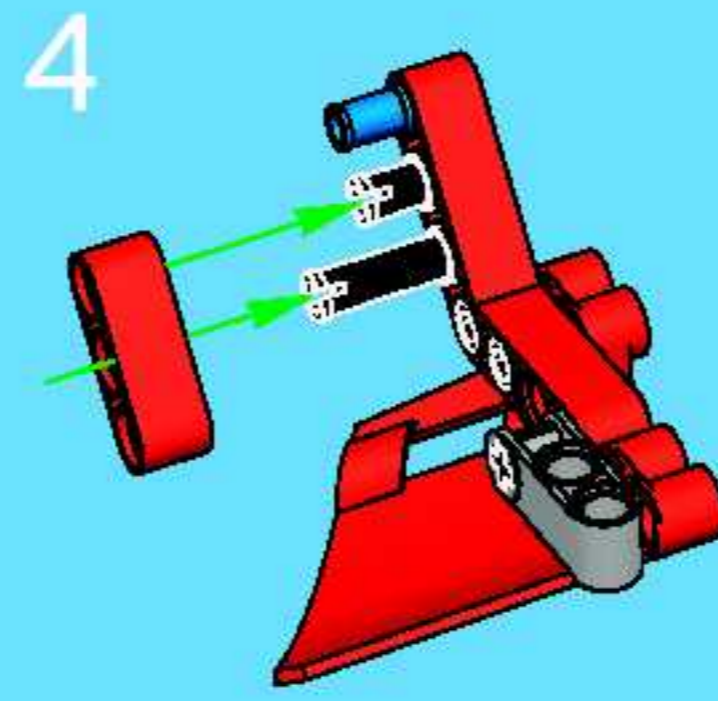
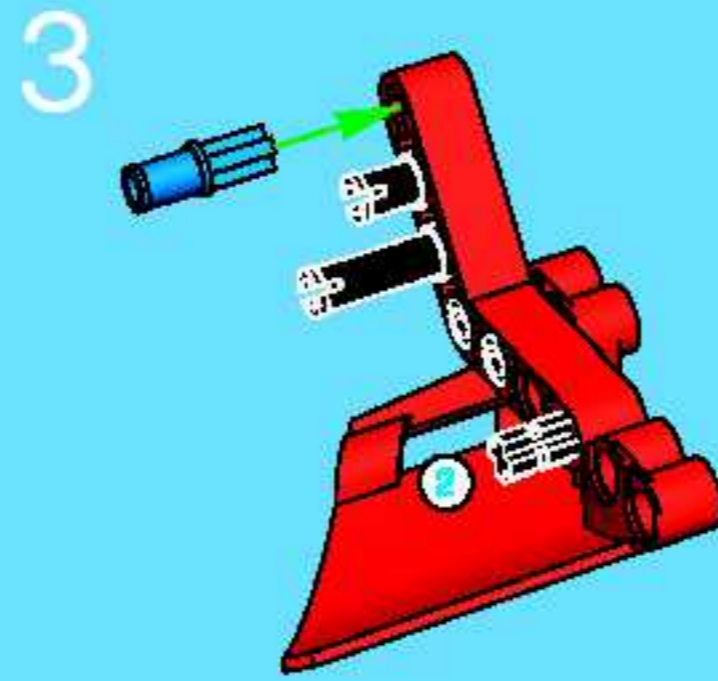
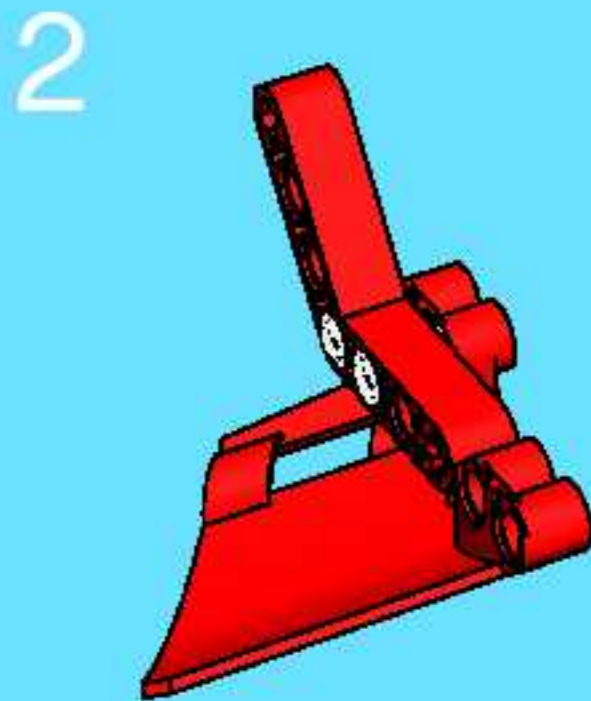
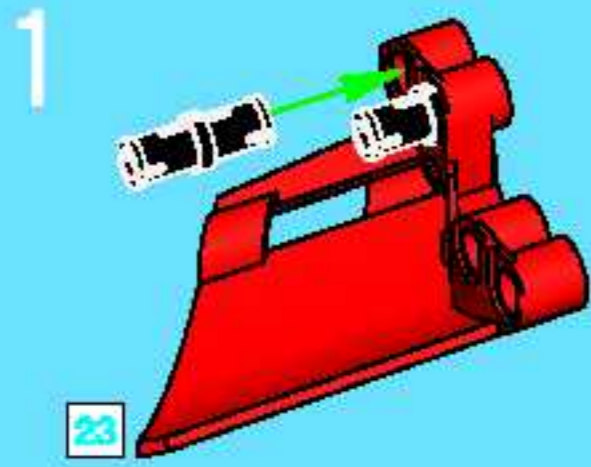


46

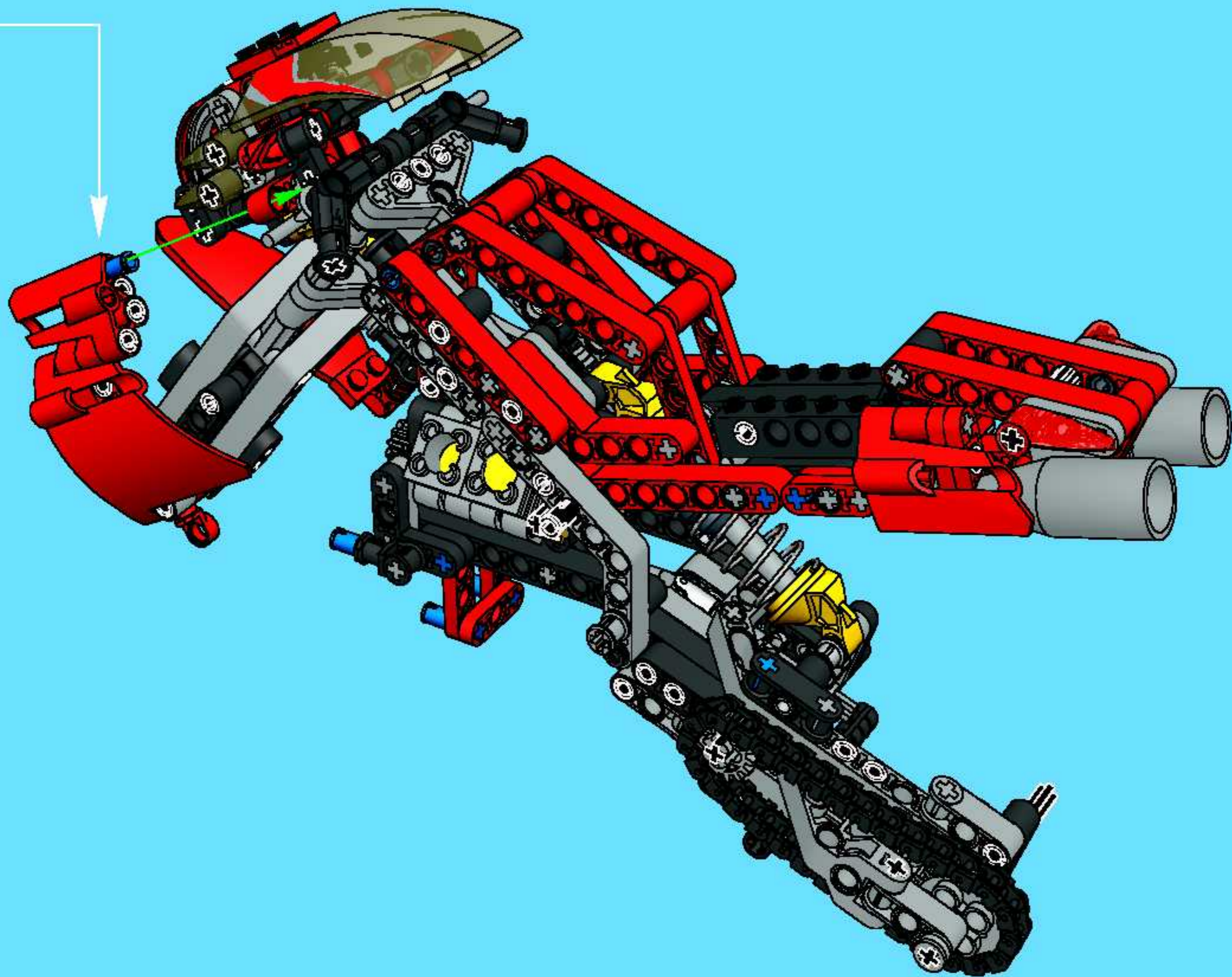
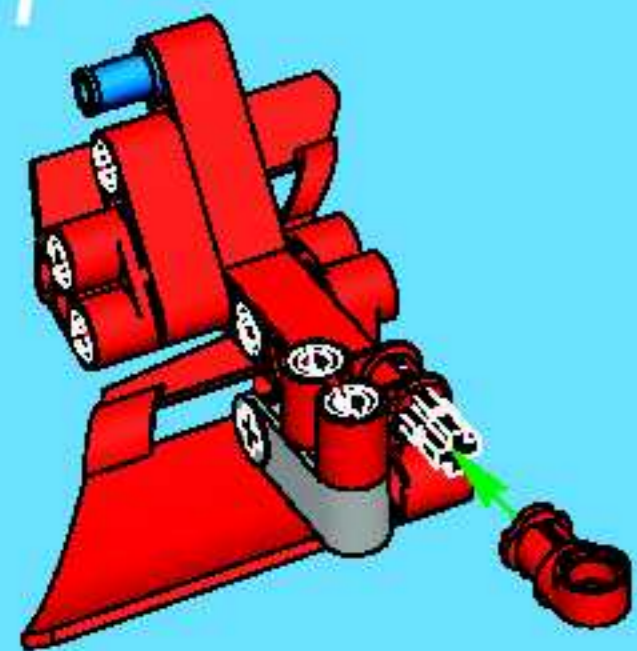


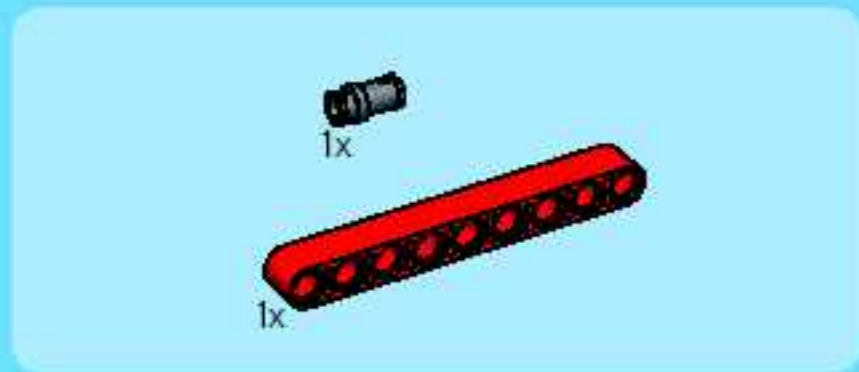


47

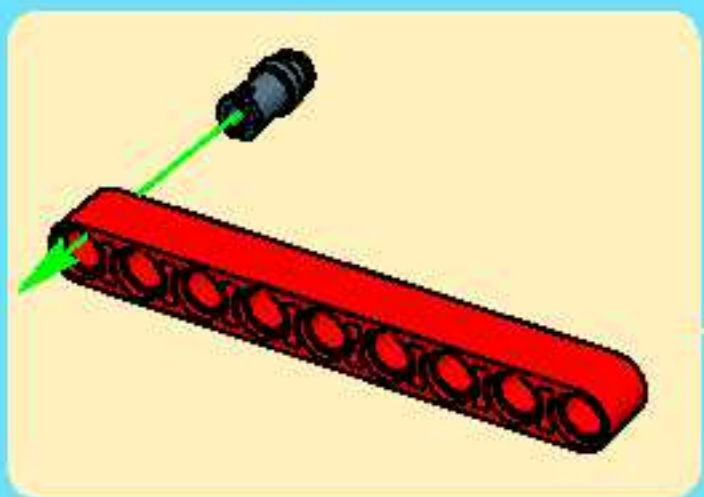
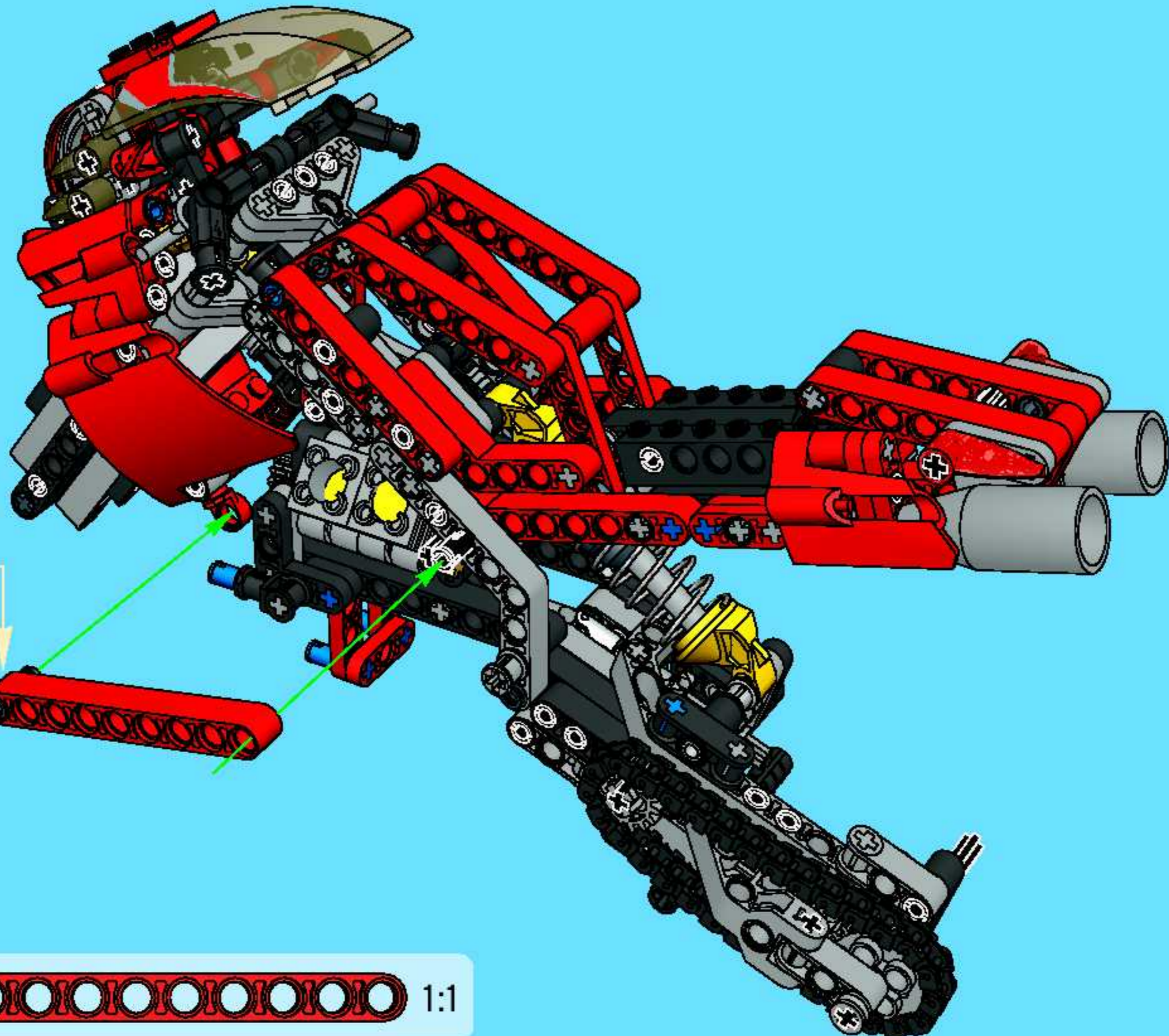


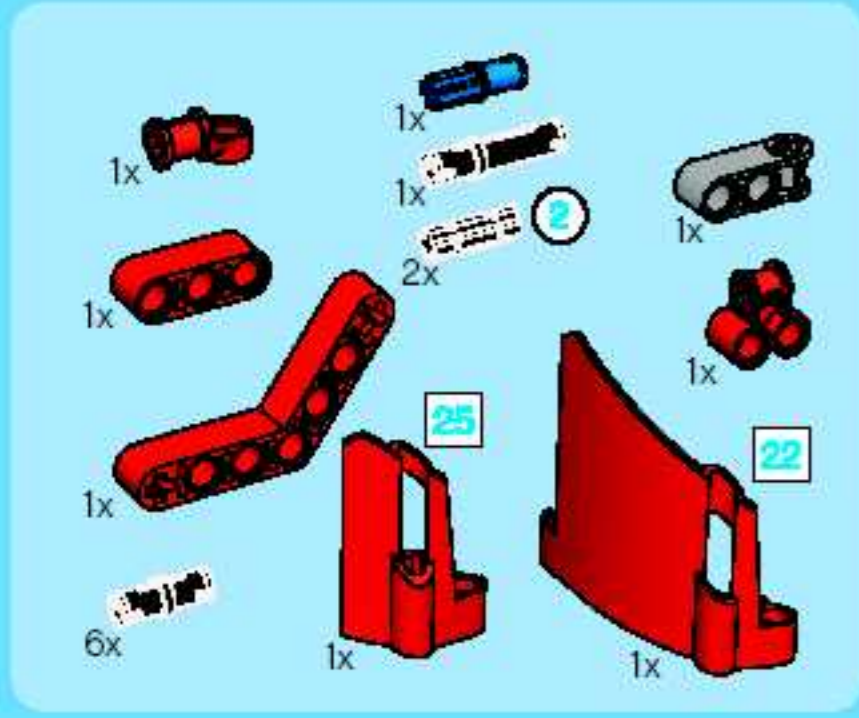
7



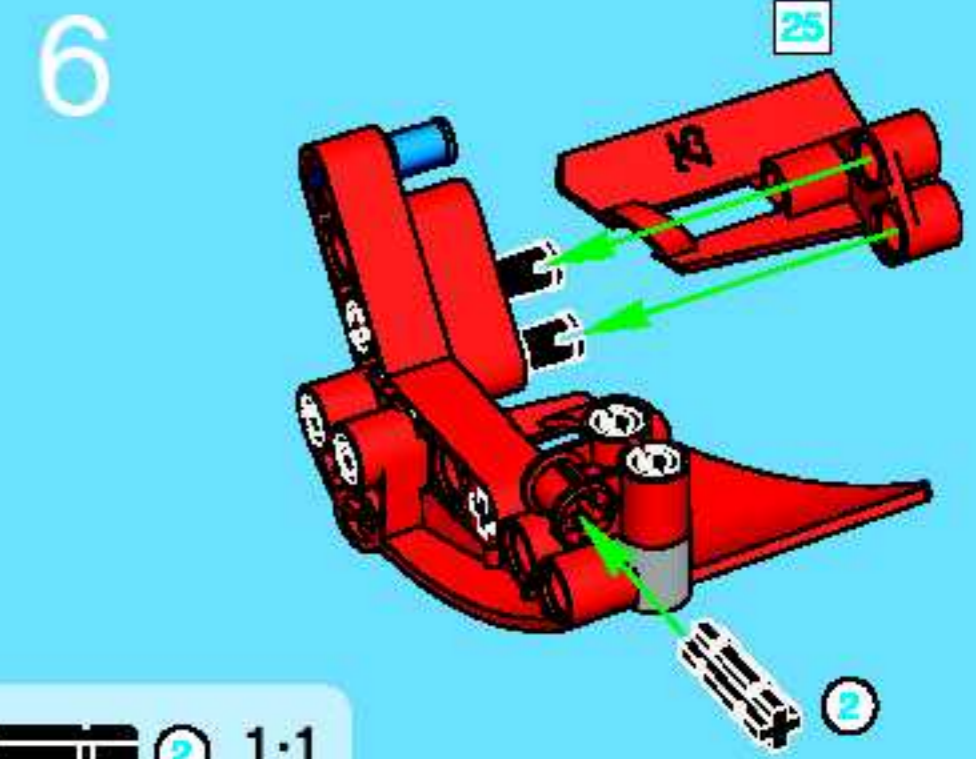
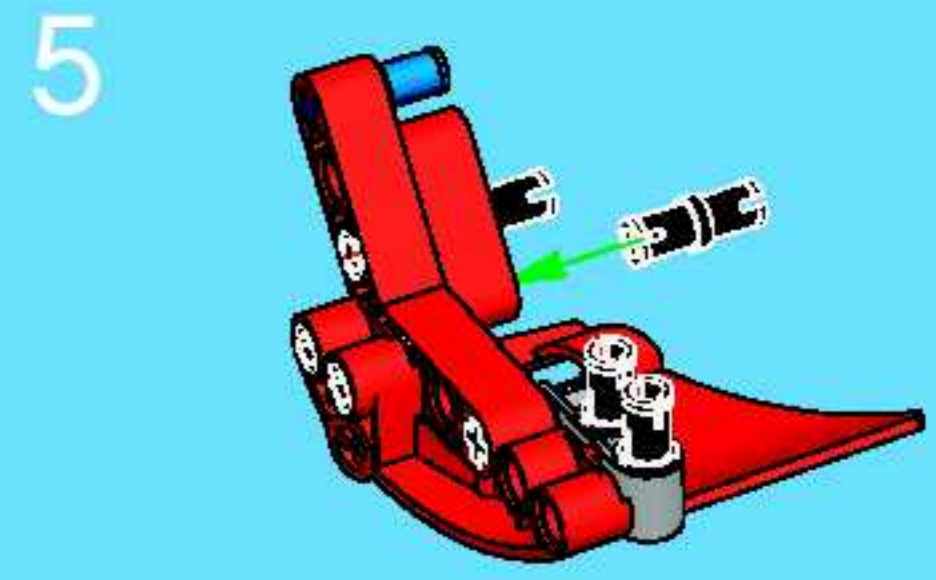
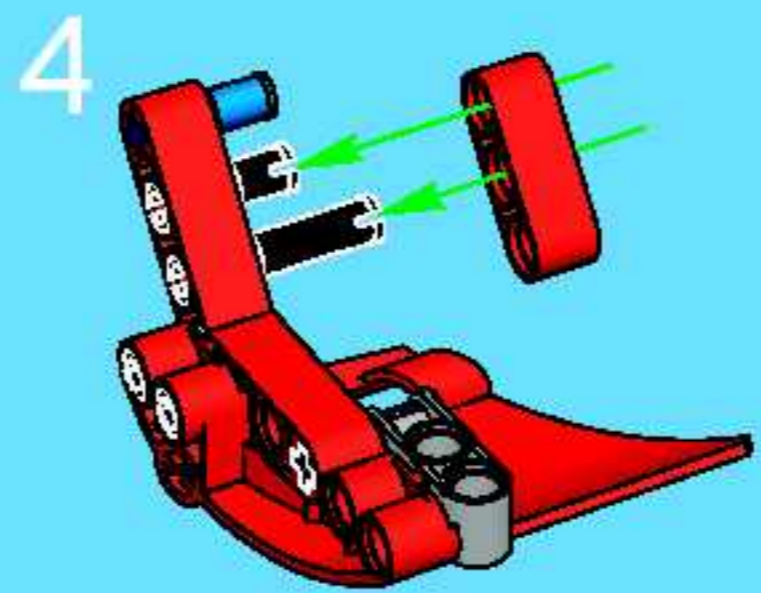
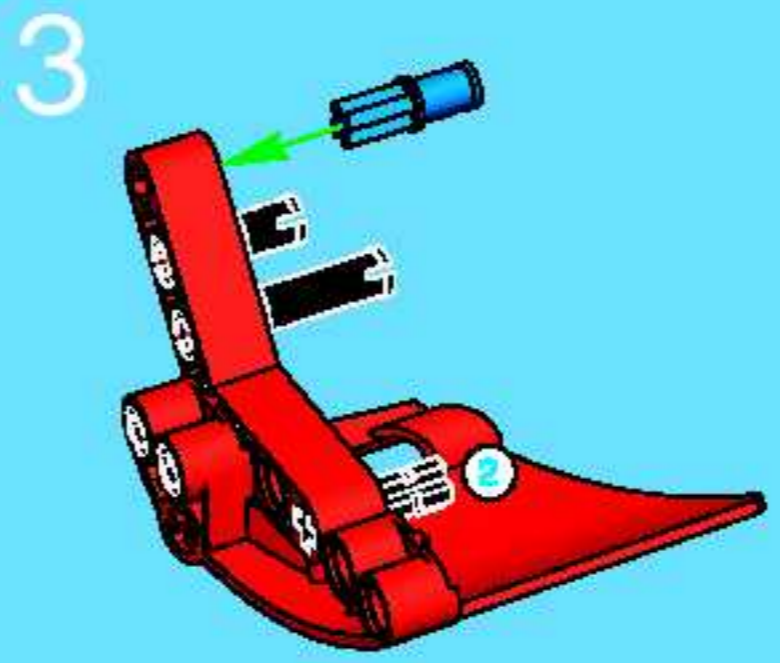
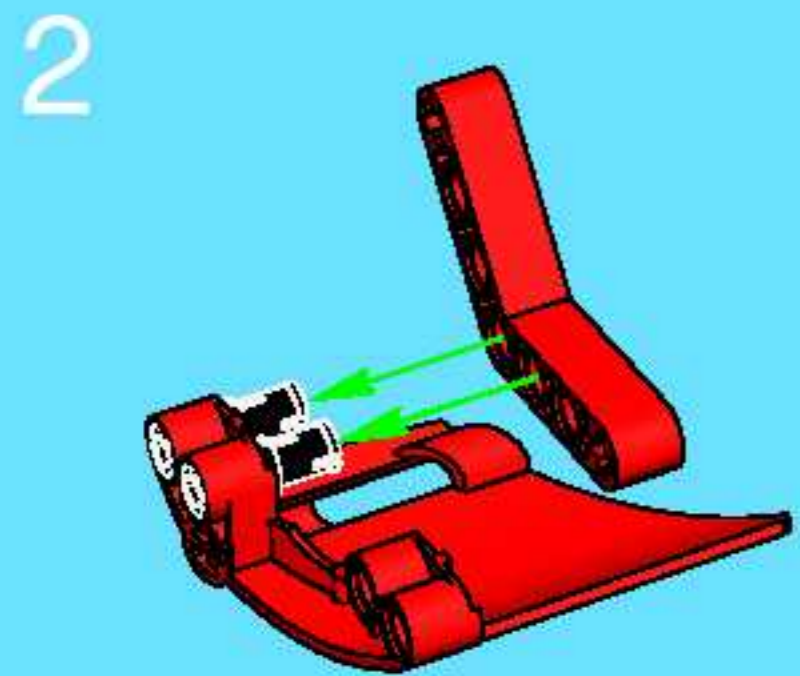
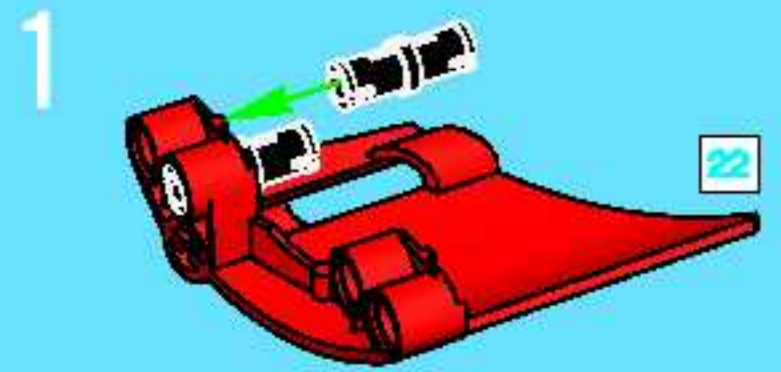


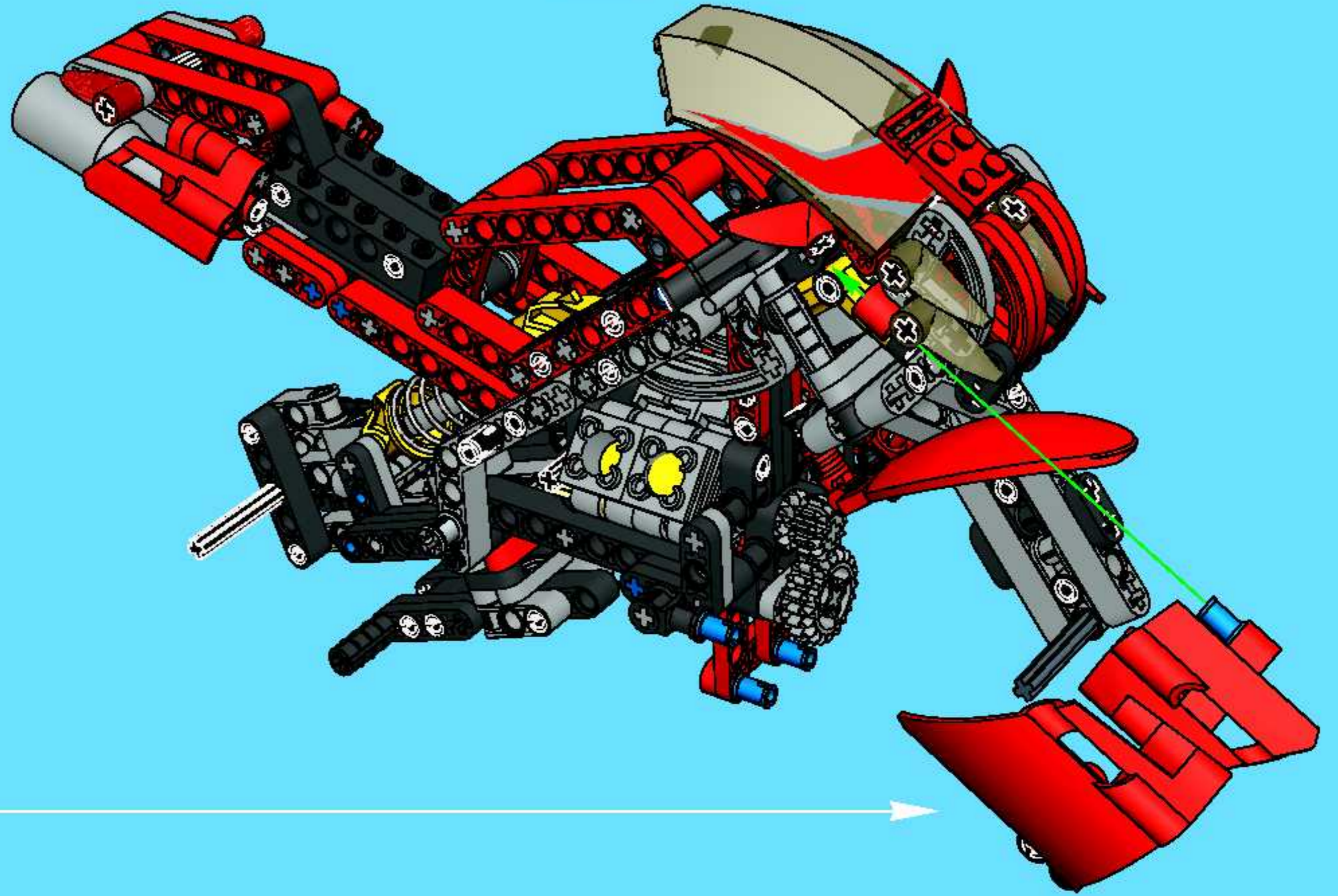
48



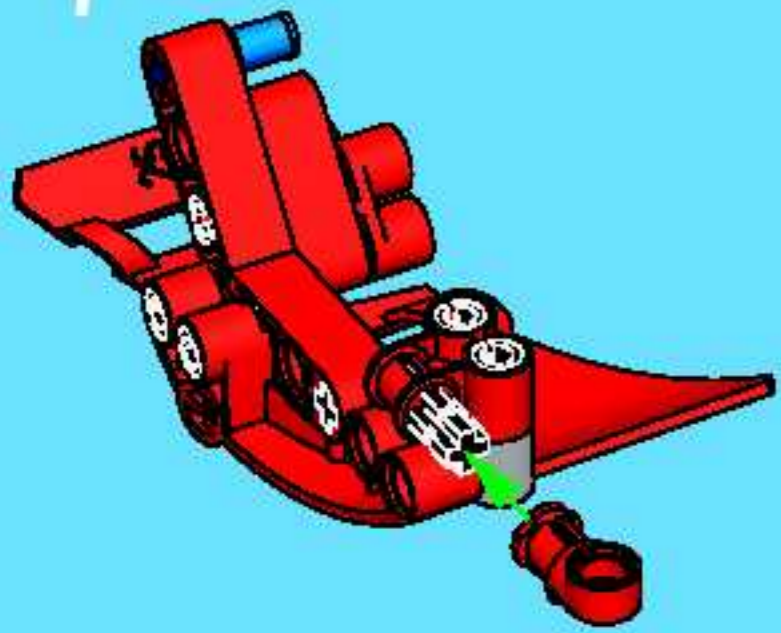


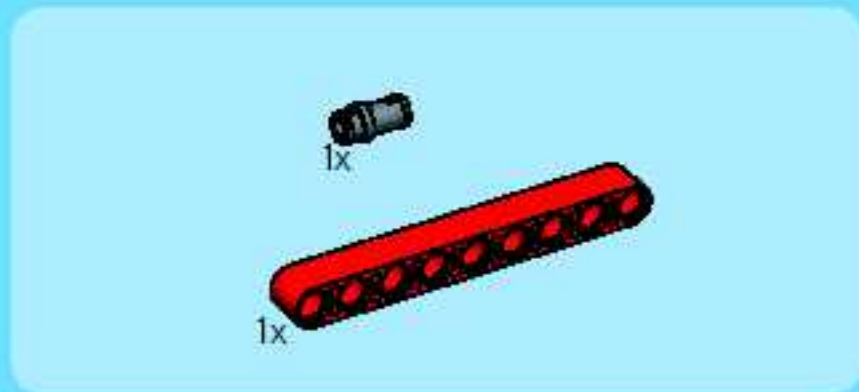
49



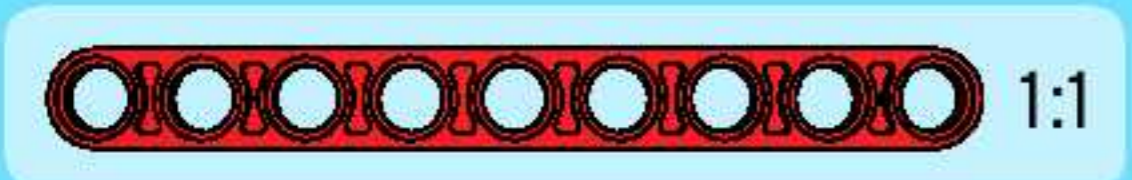
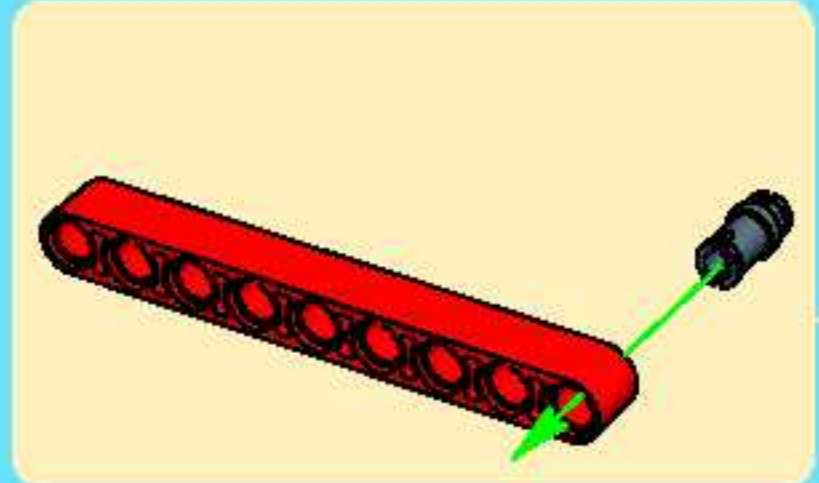
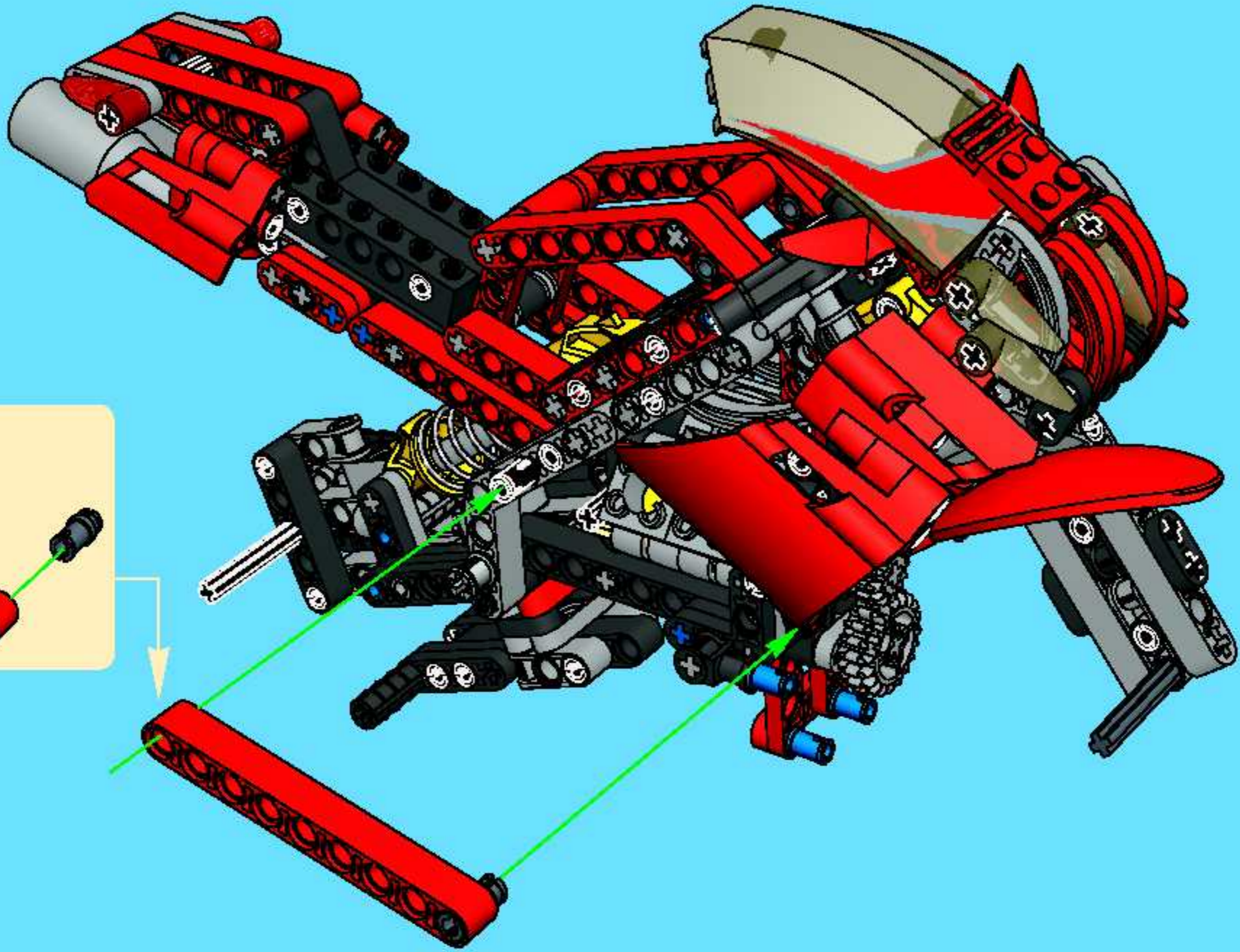


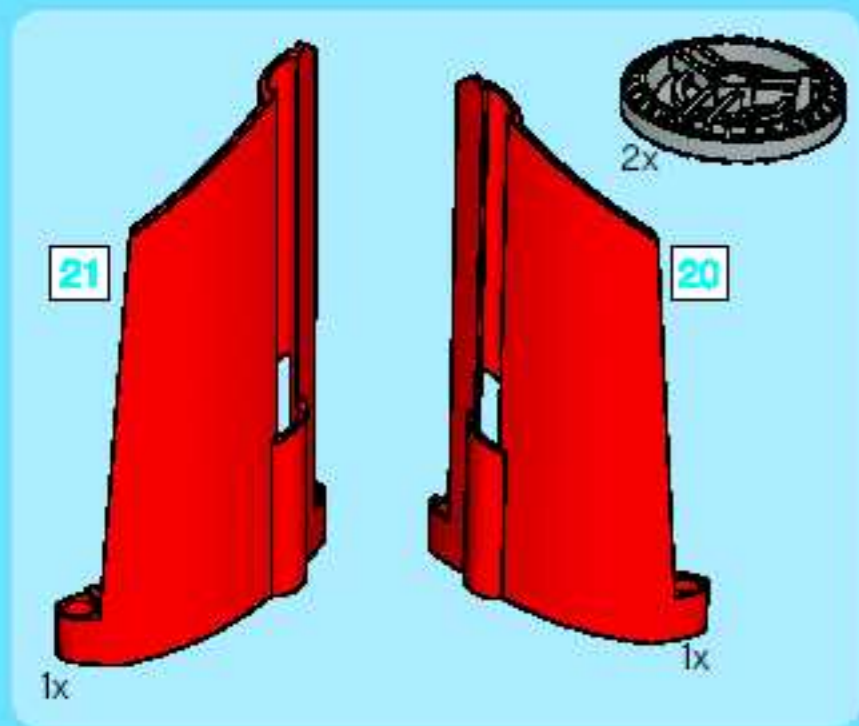
7



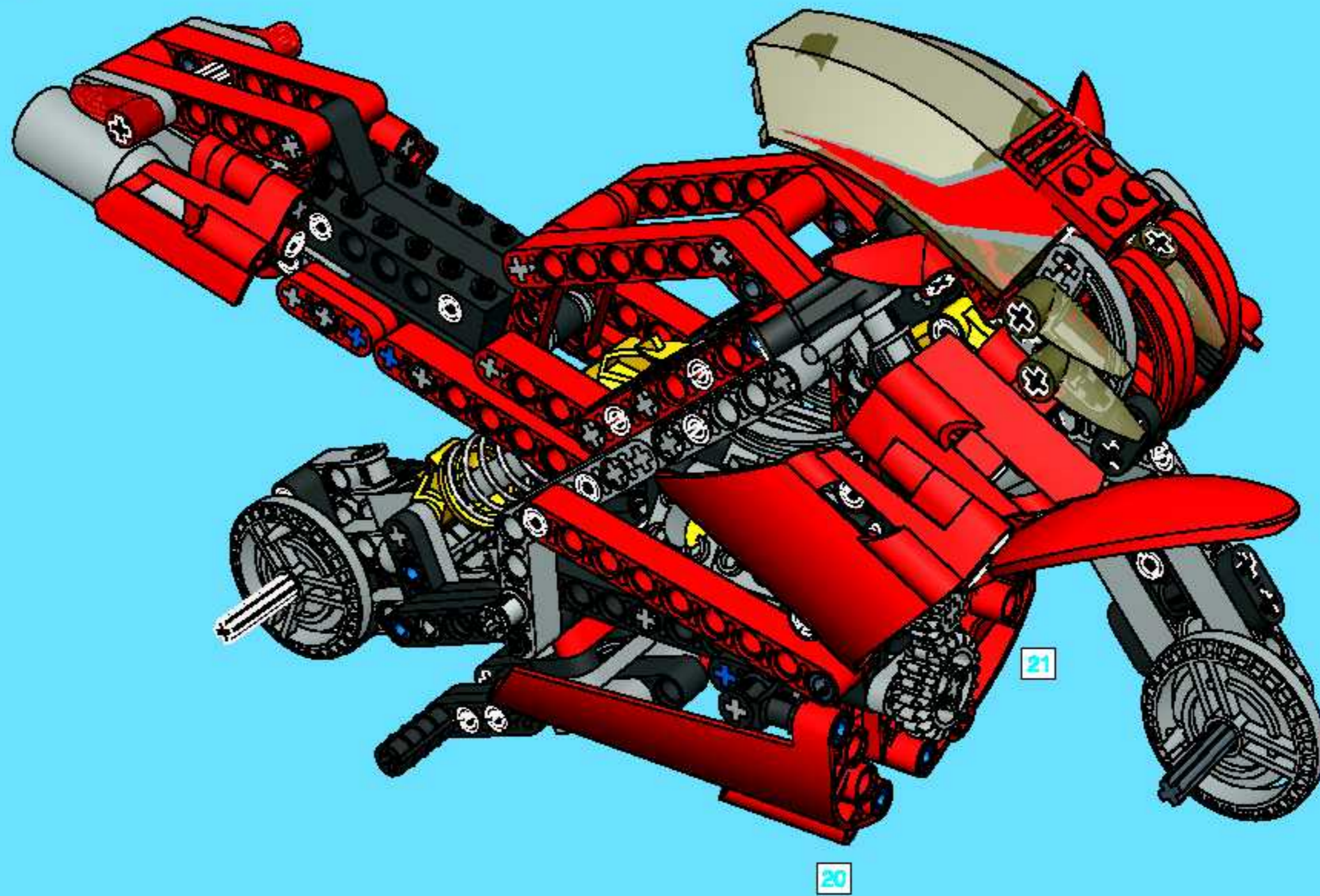


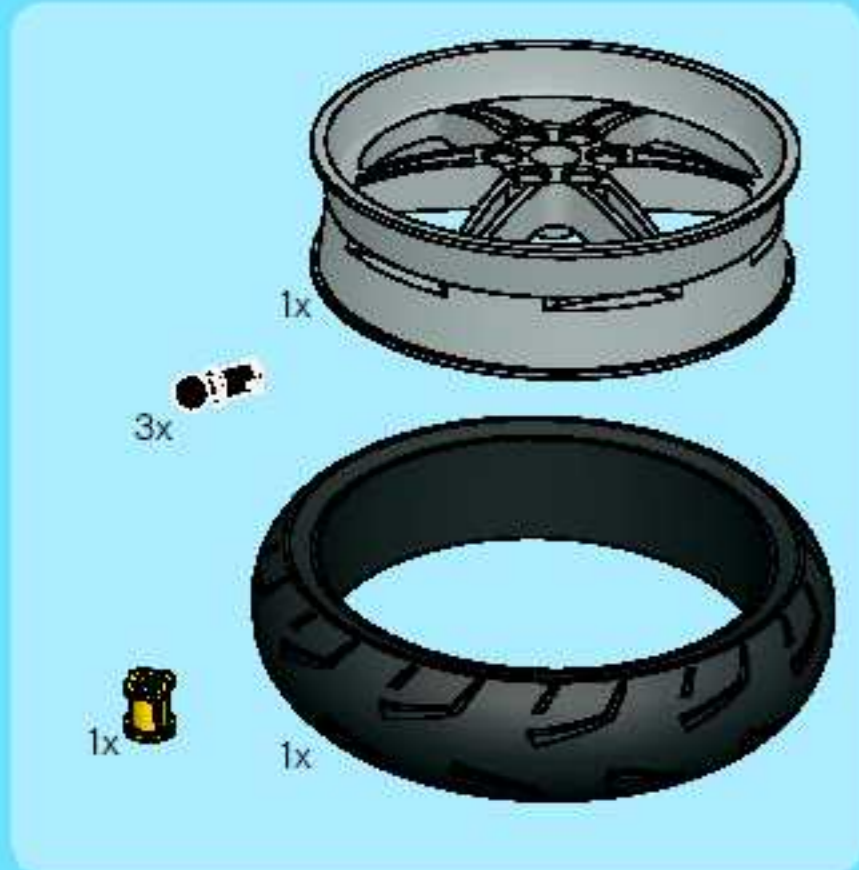
50



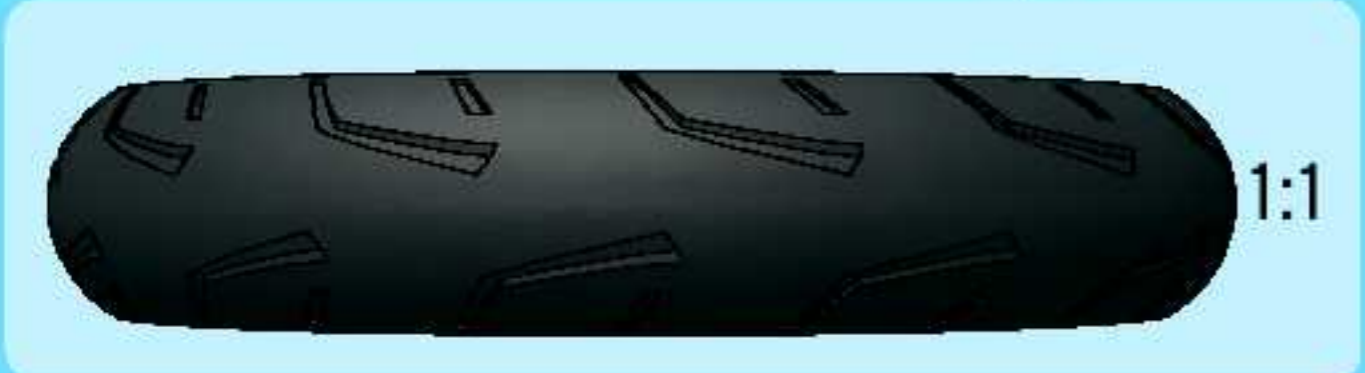
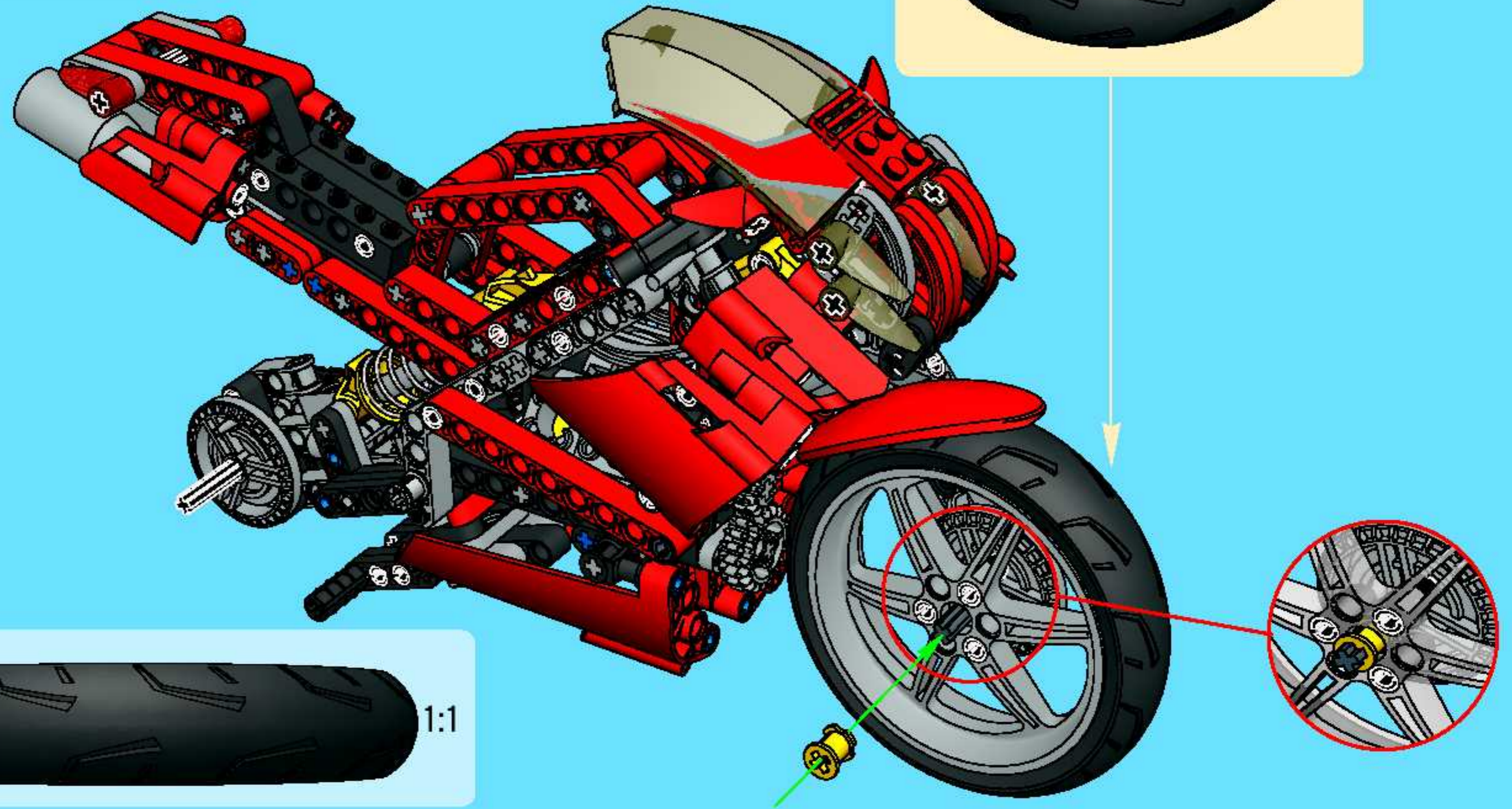
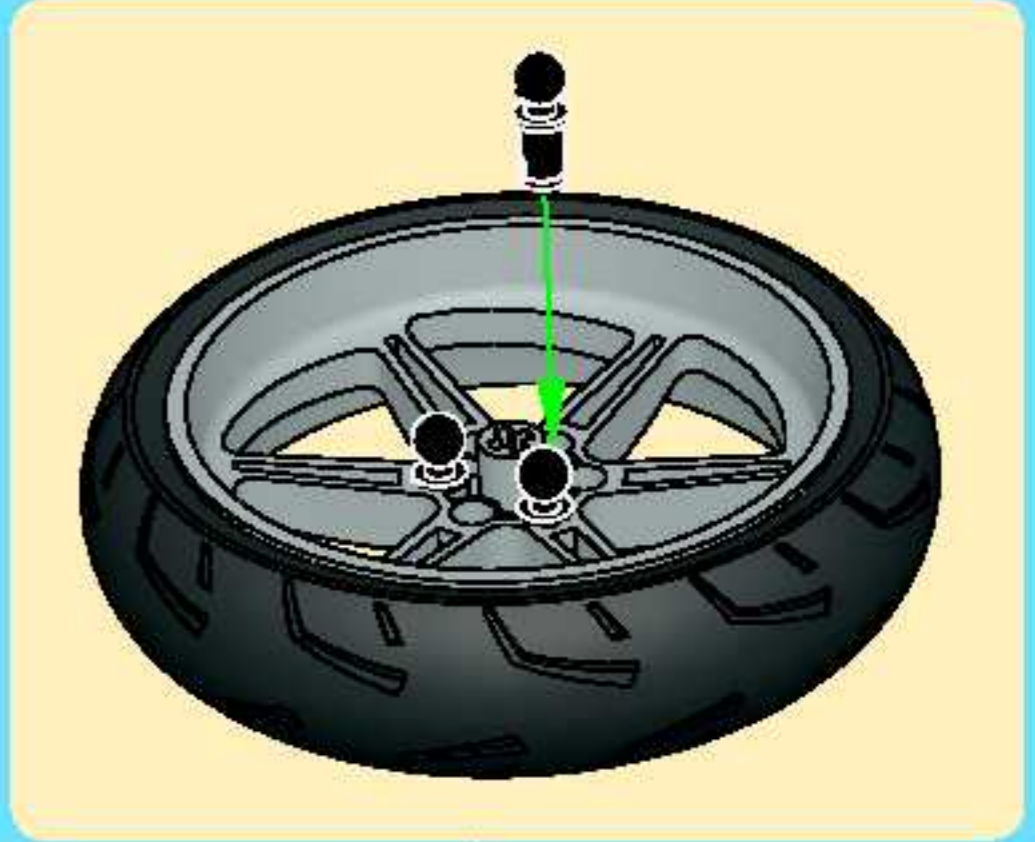


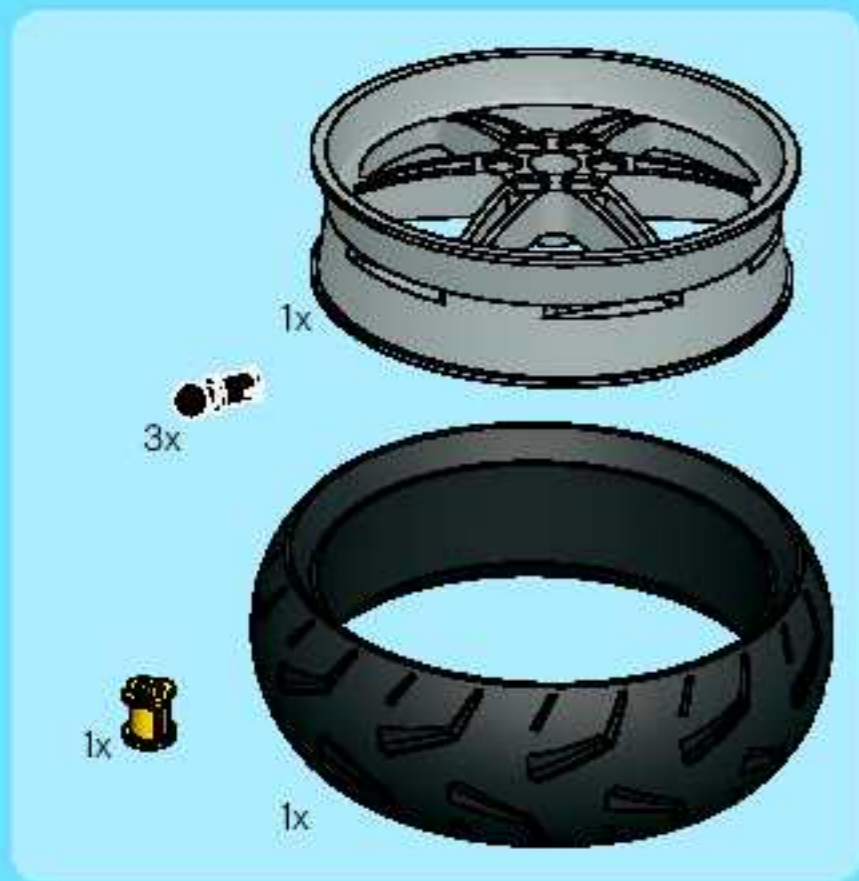
51



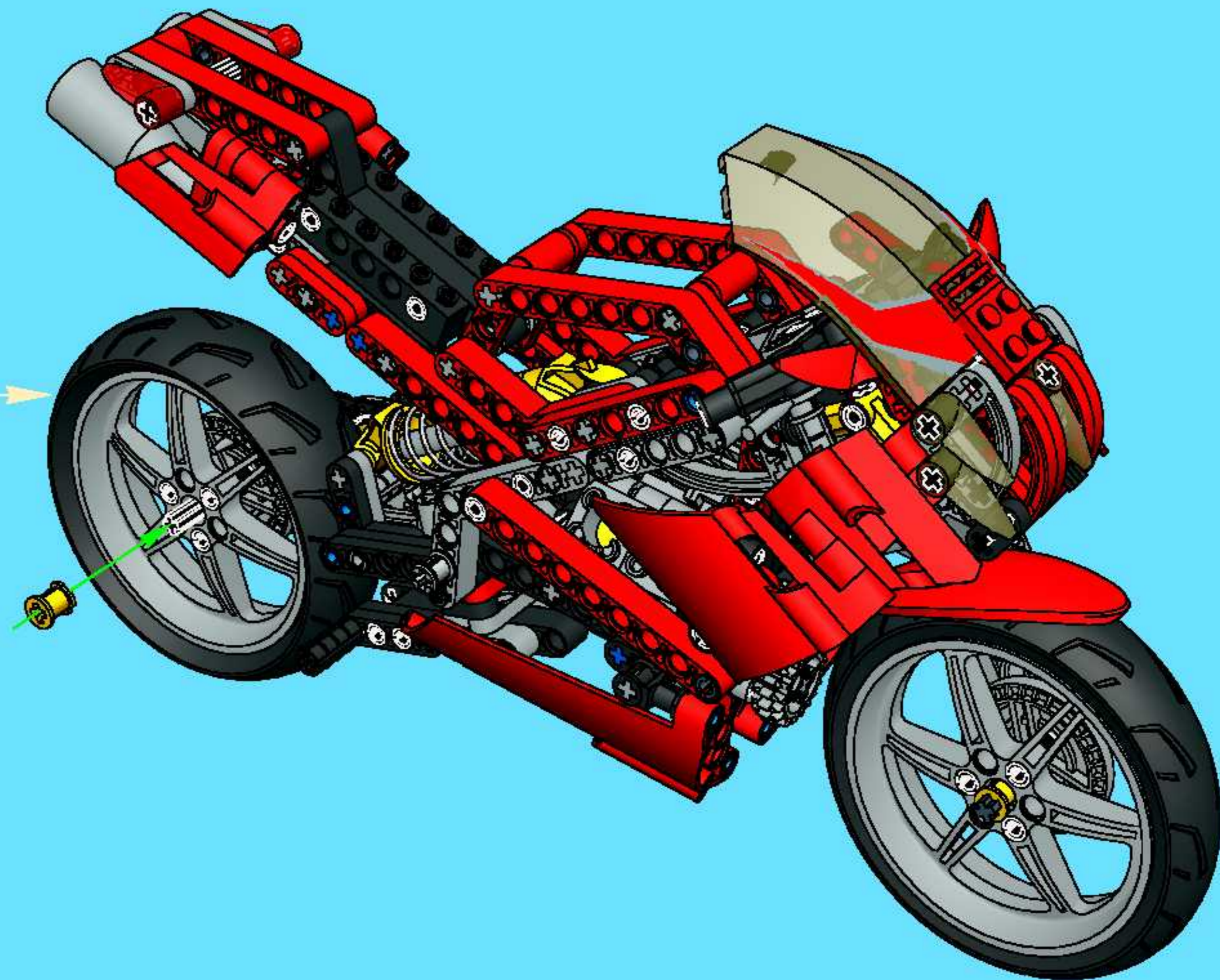
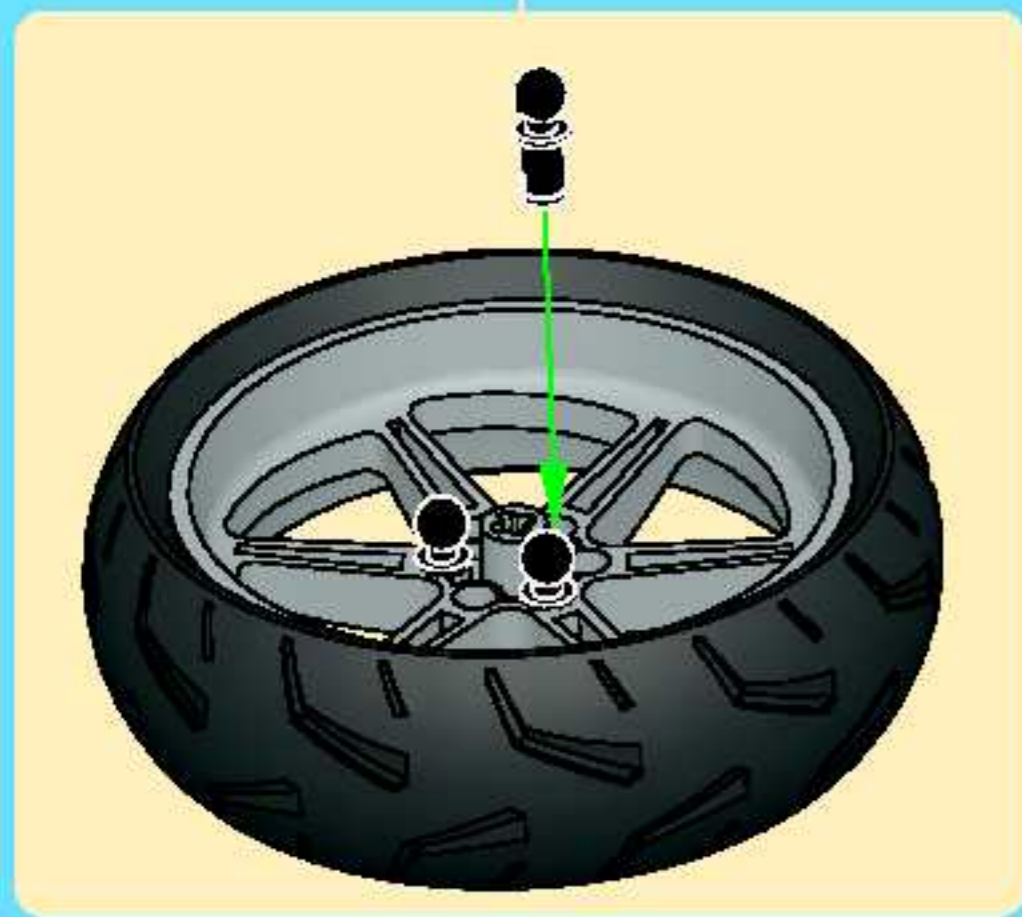


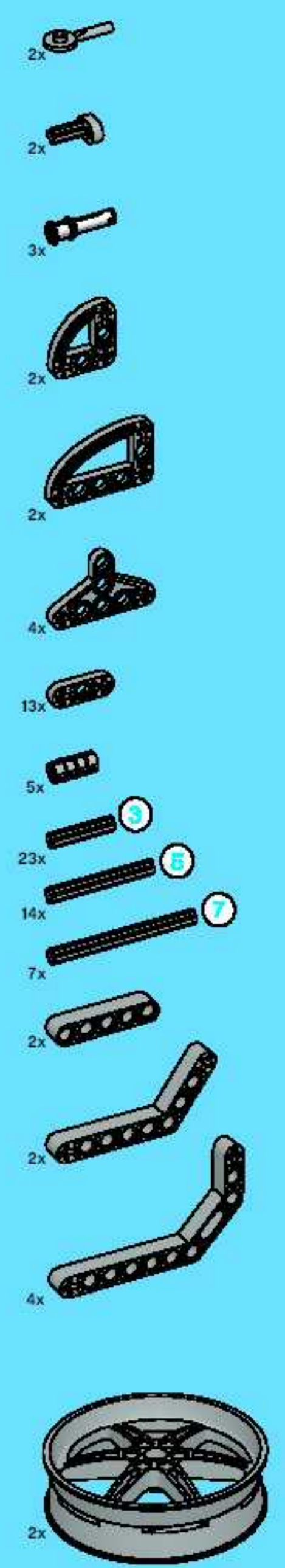
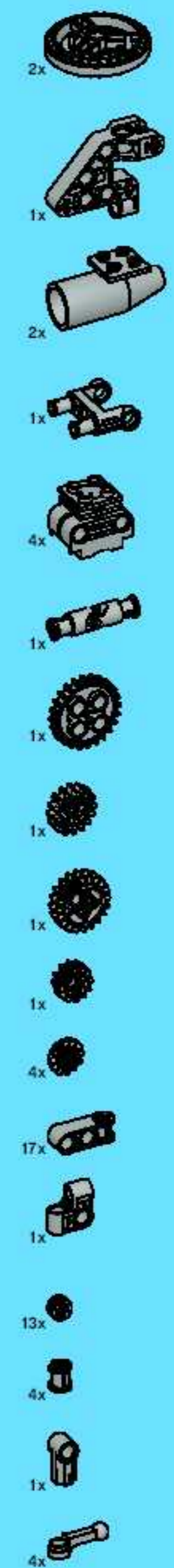
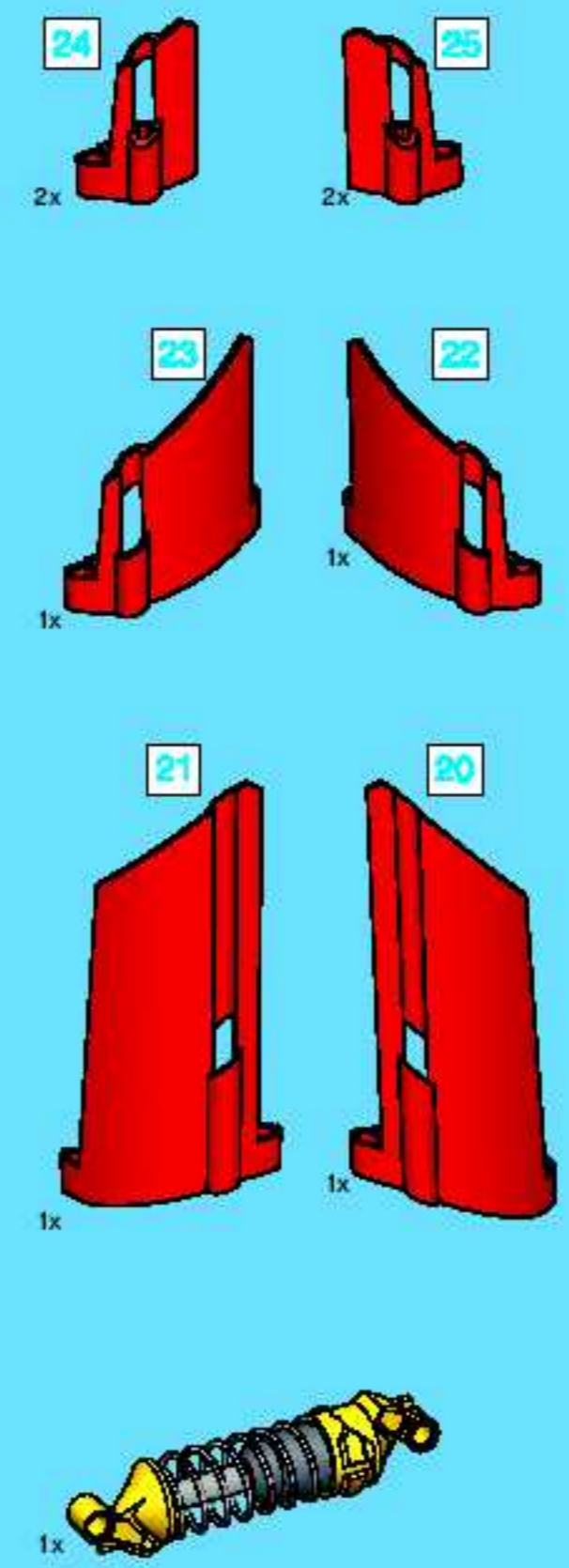
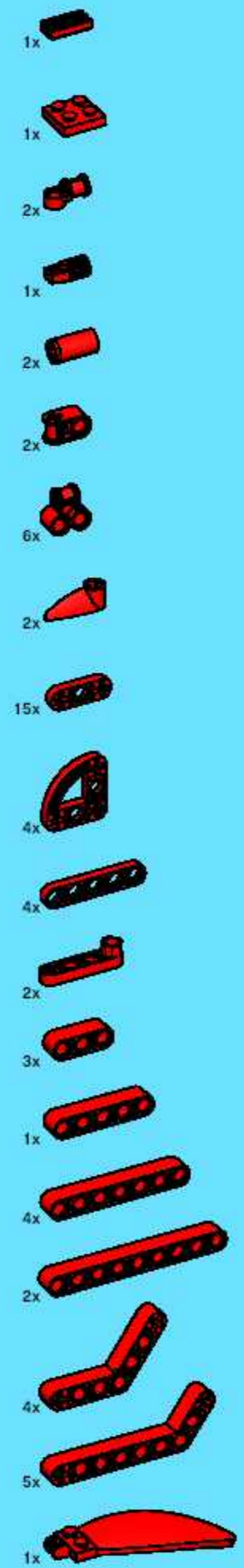
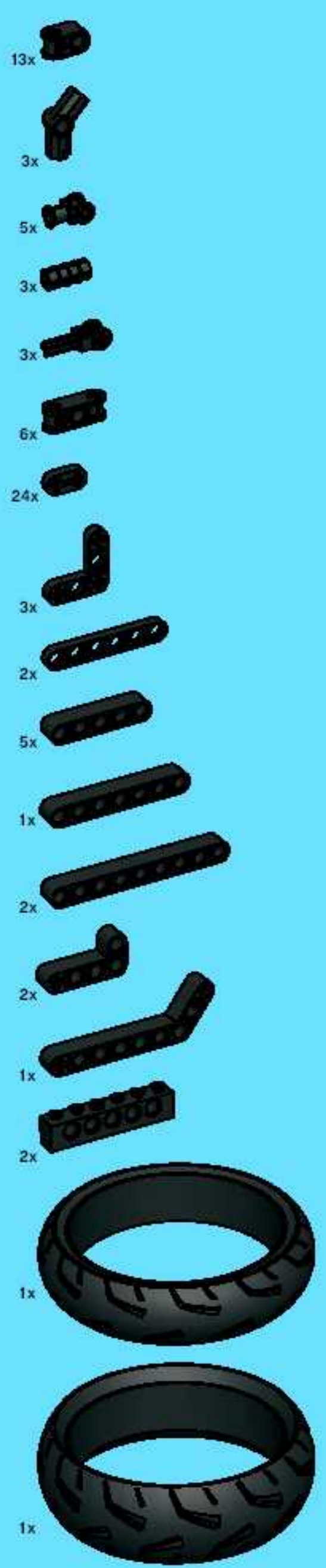
52



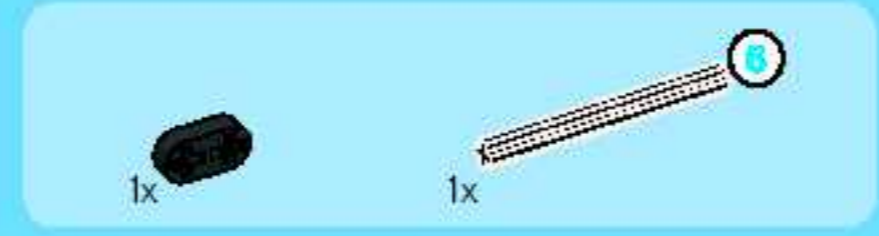
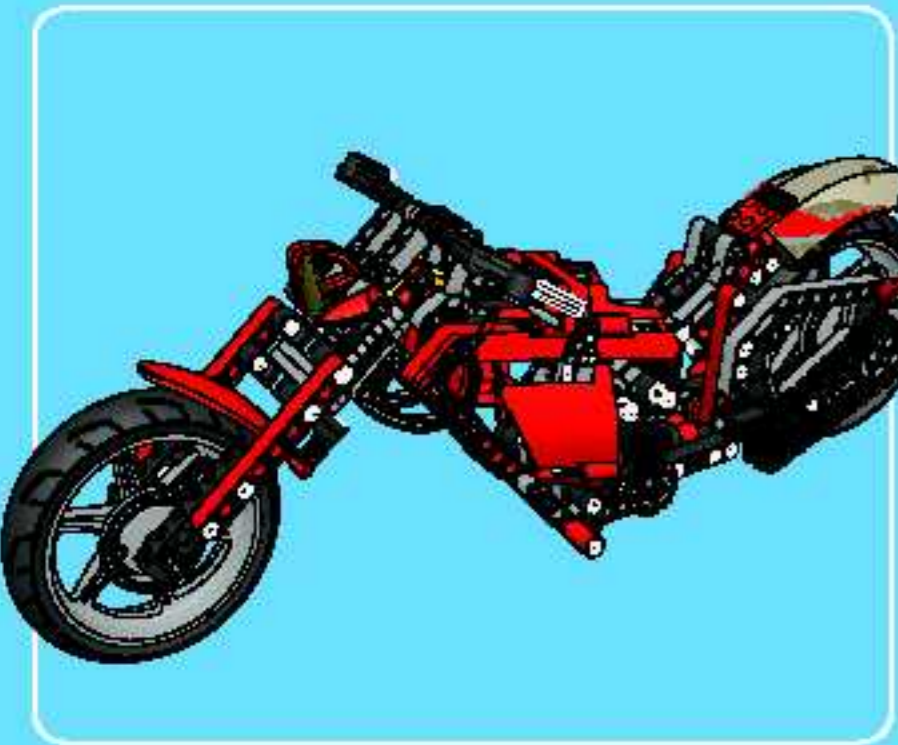


53

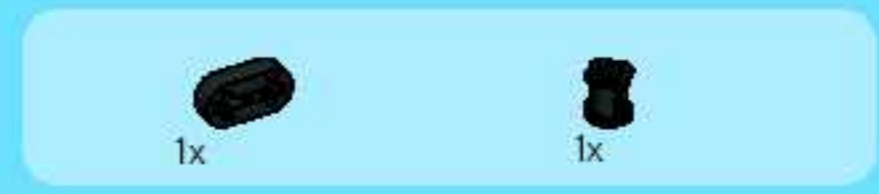
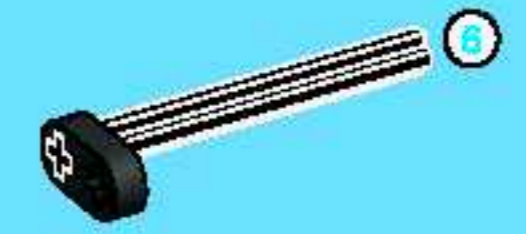




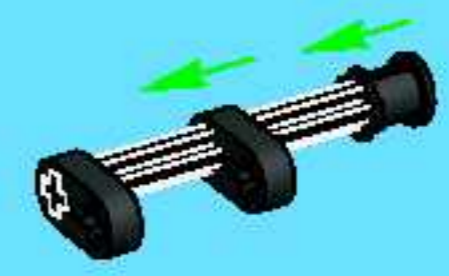




1



2

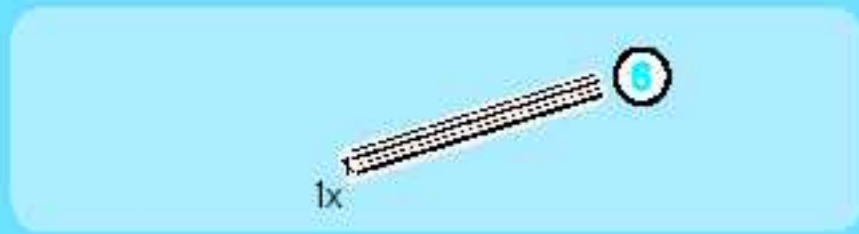


3

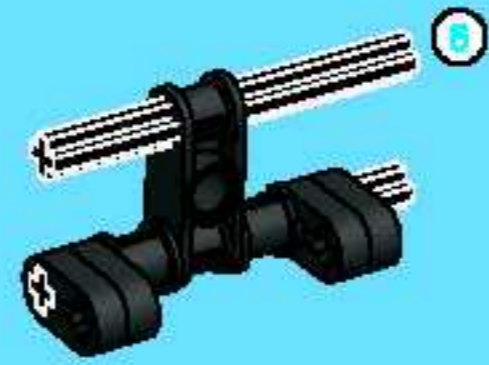


4

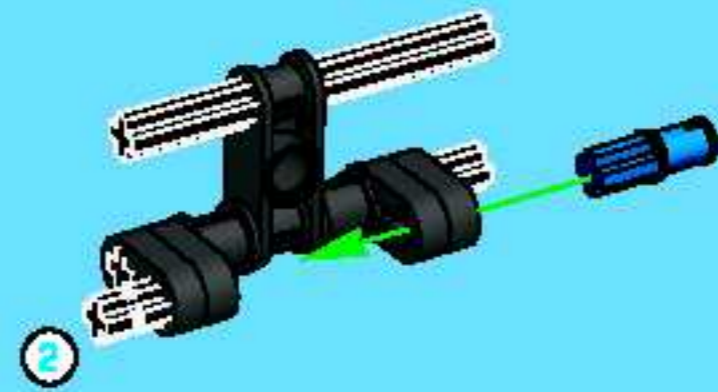




5



6



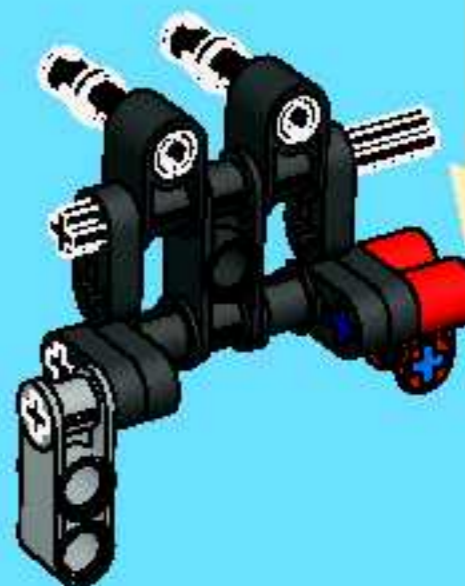
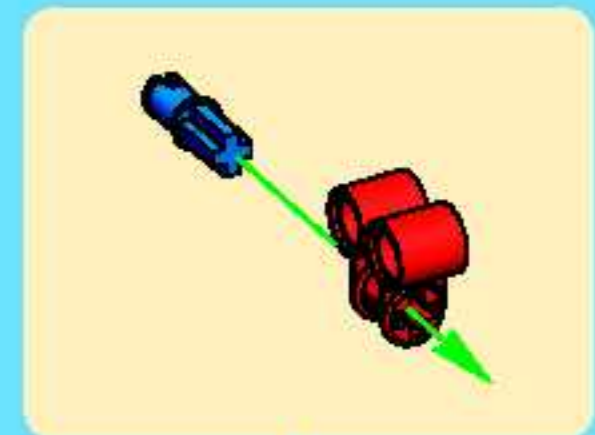
7

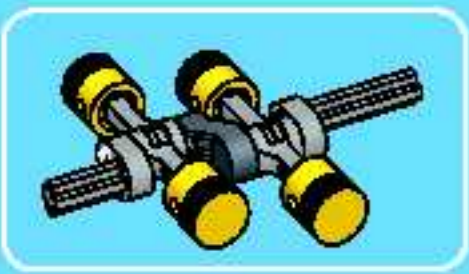


8

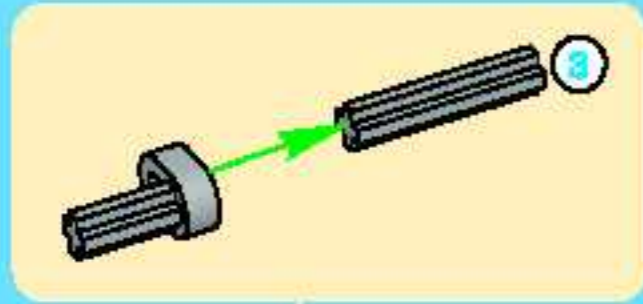


9

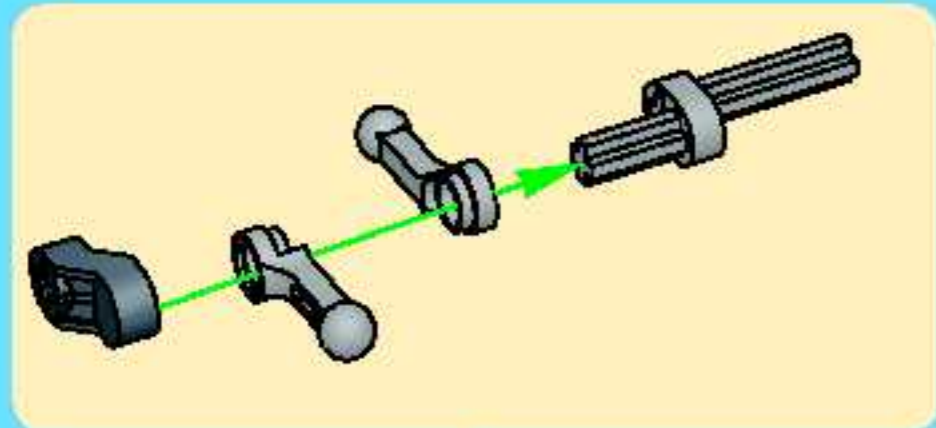




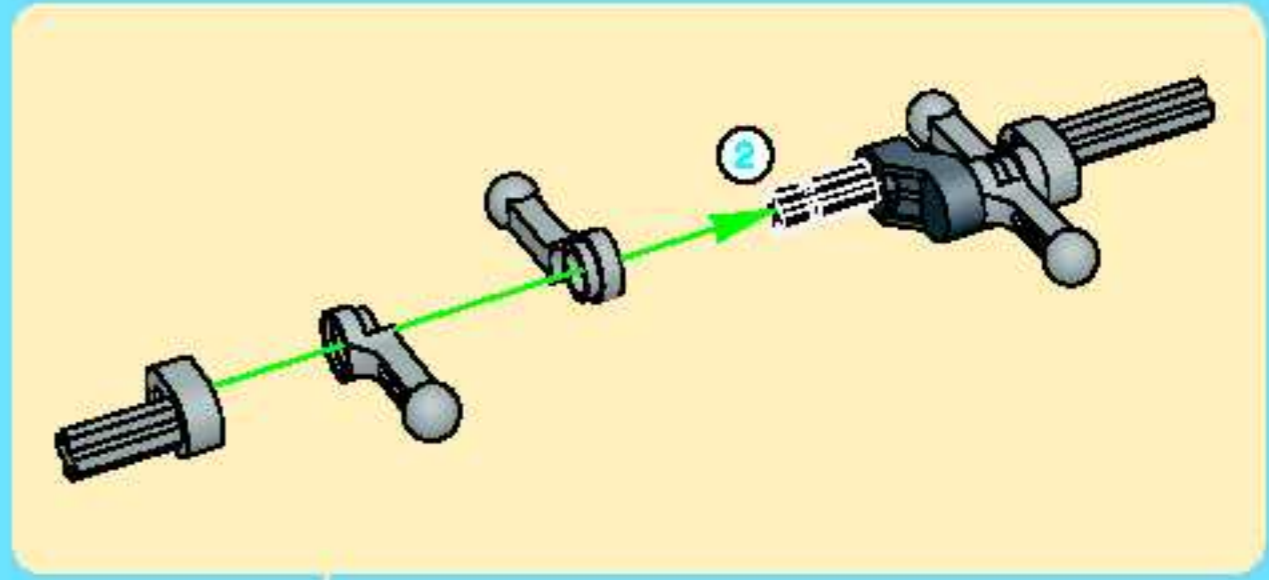
1



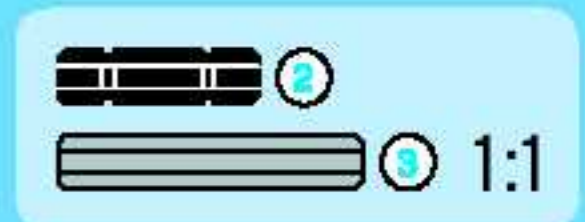
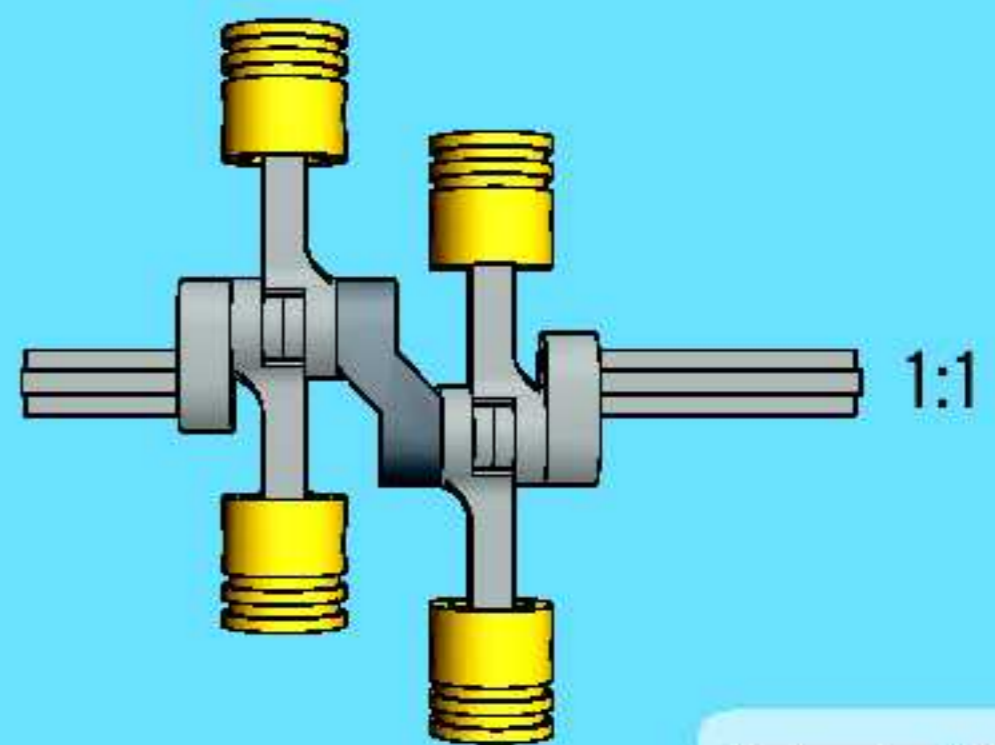
2



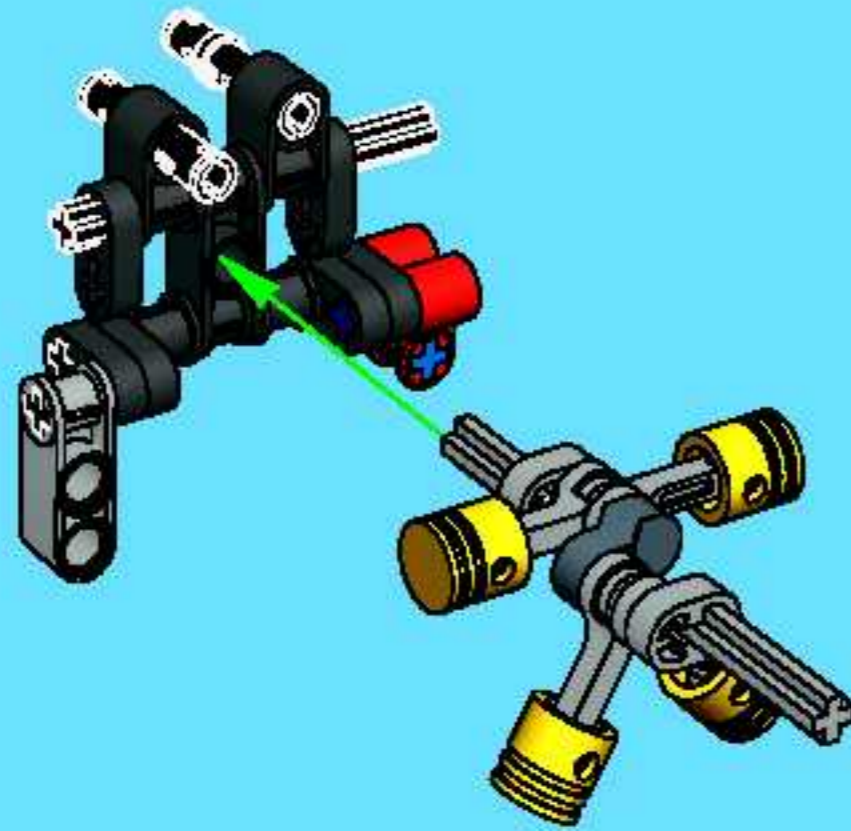
3



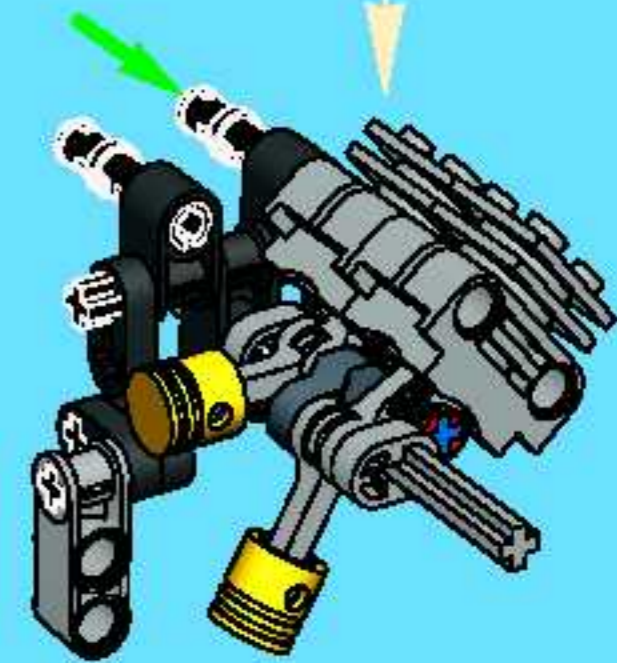
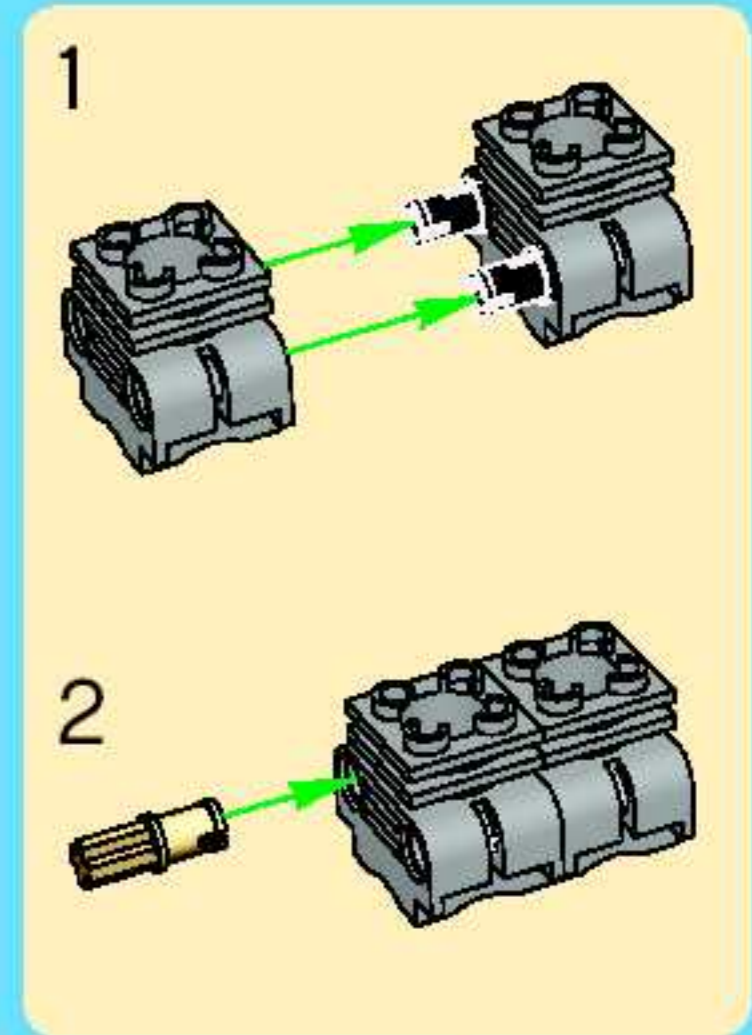
4



10



11

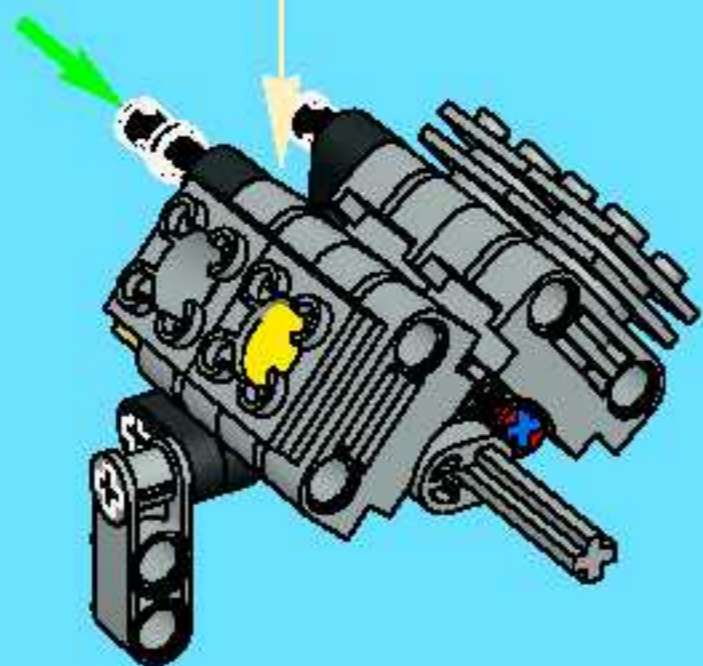
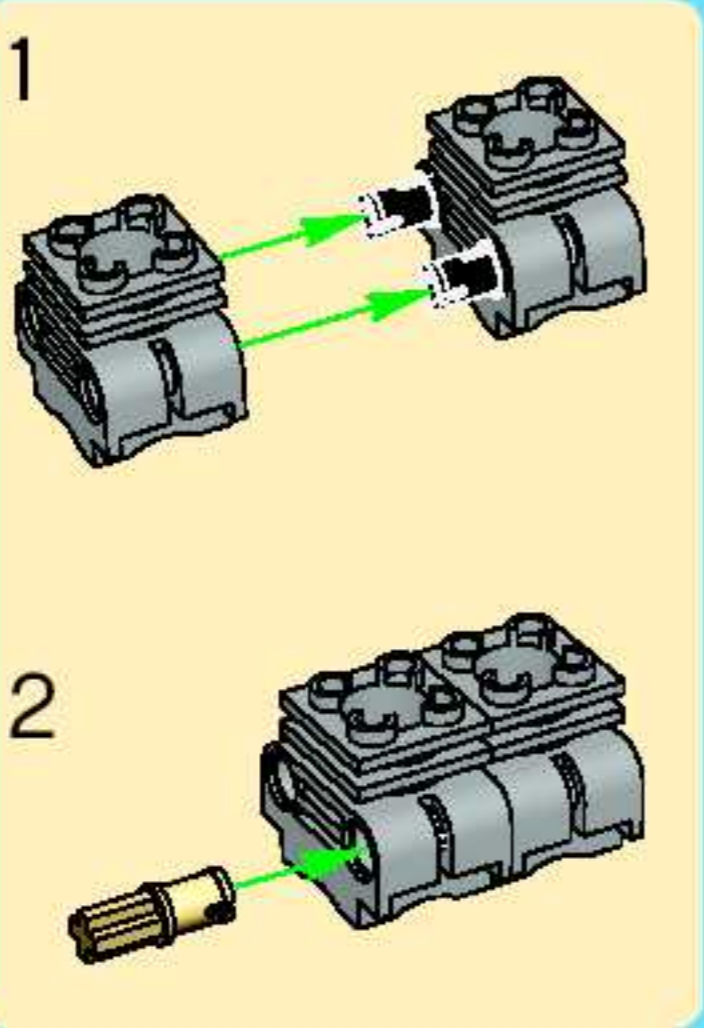


1x

2x



12



2x

5x

1x

1x

1x

1x

2x

4

1x

1x

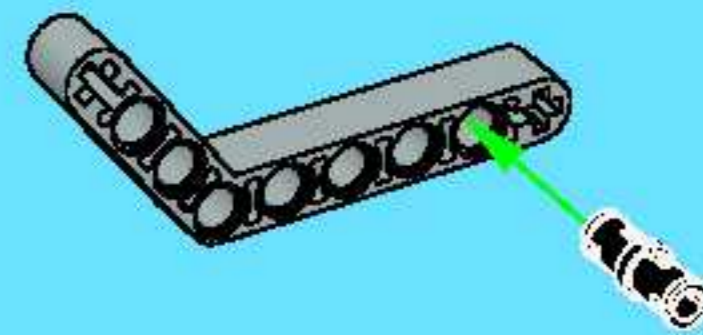
1x

1x

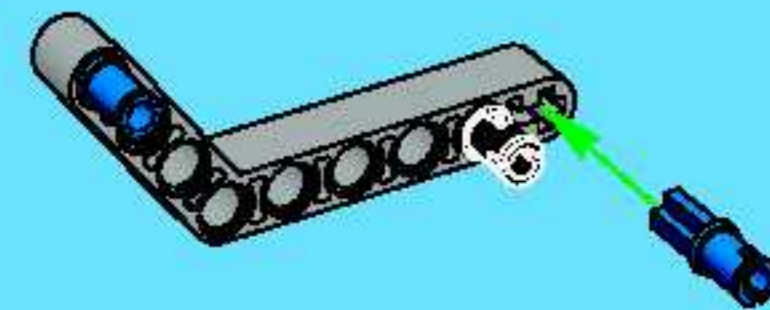
1x

13

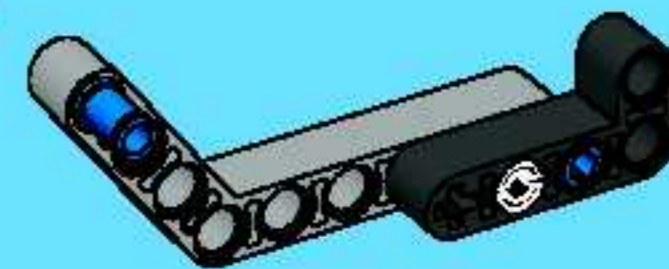
1

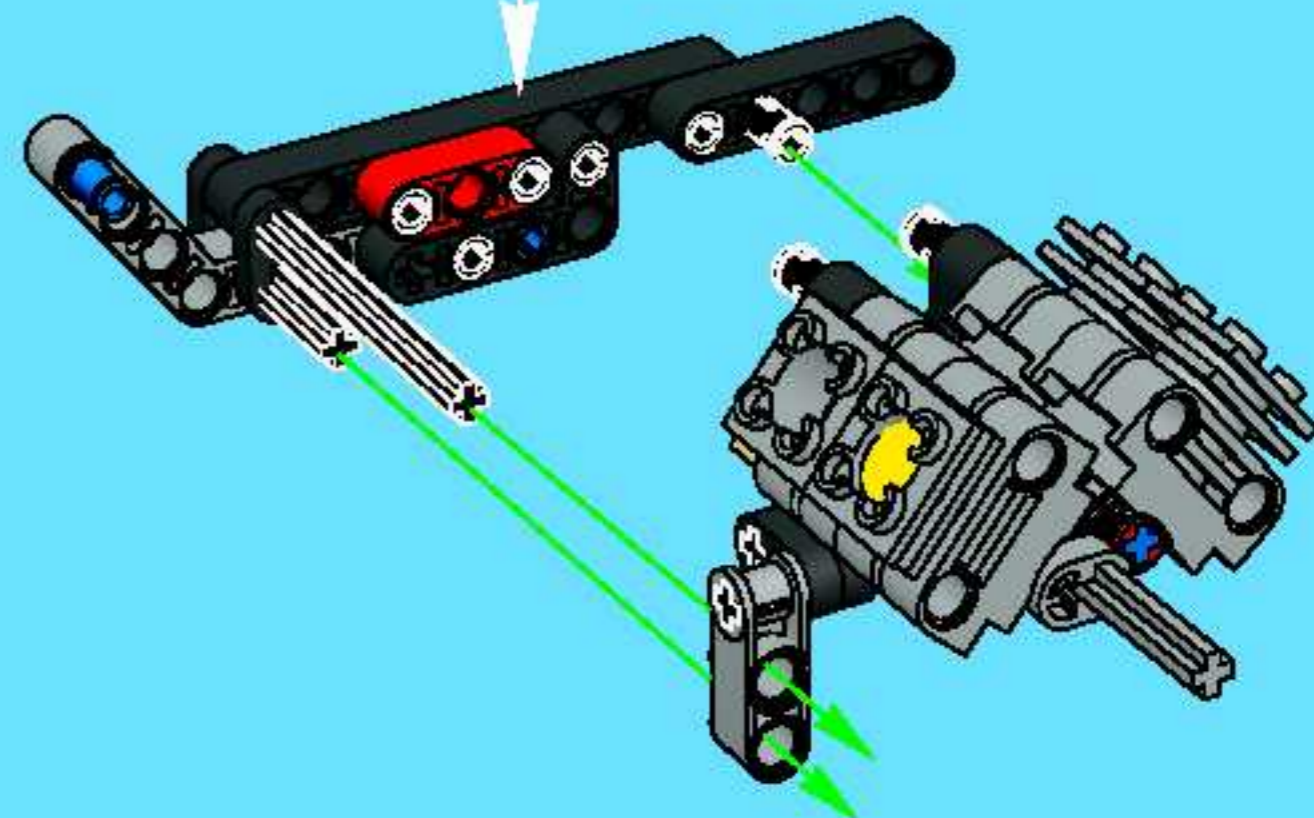
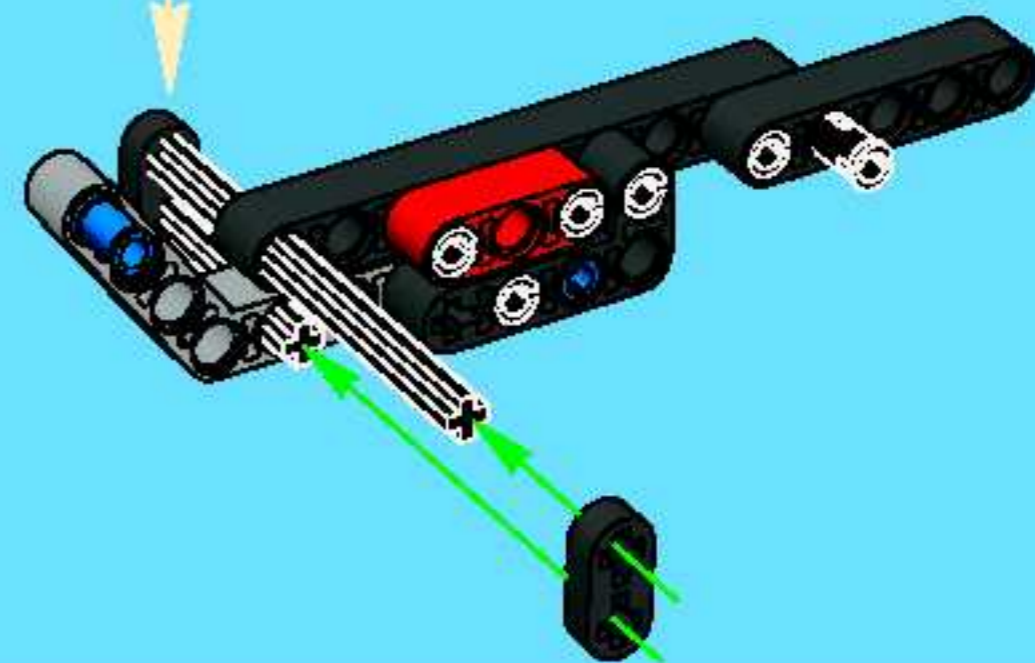
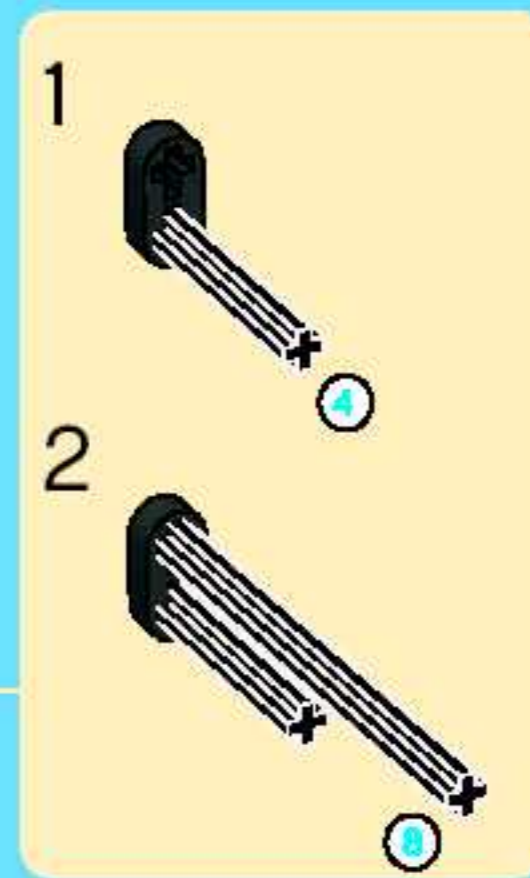
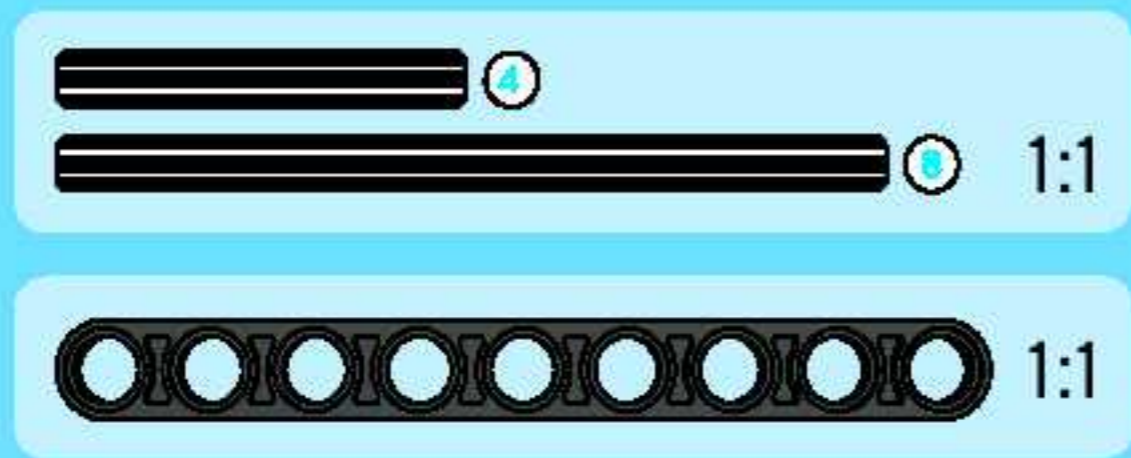
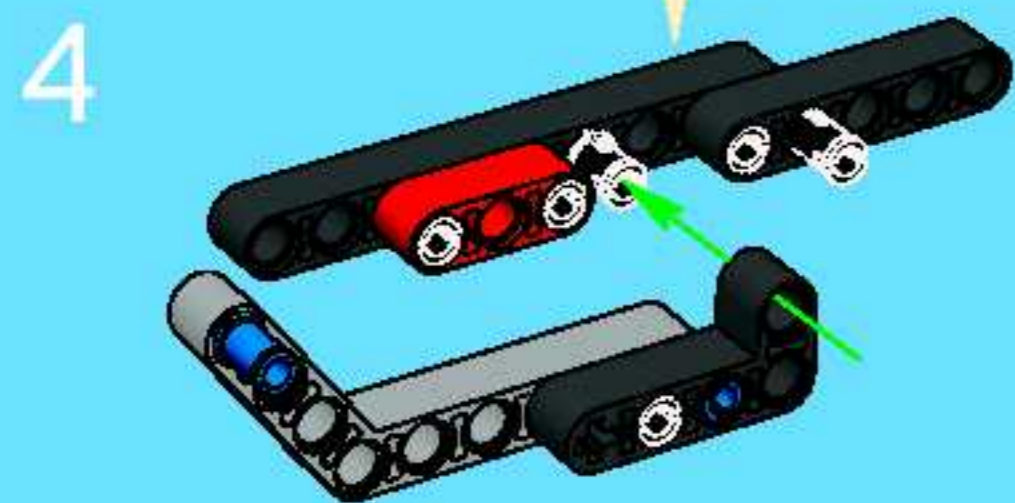
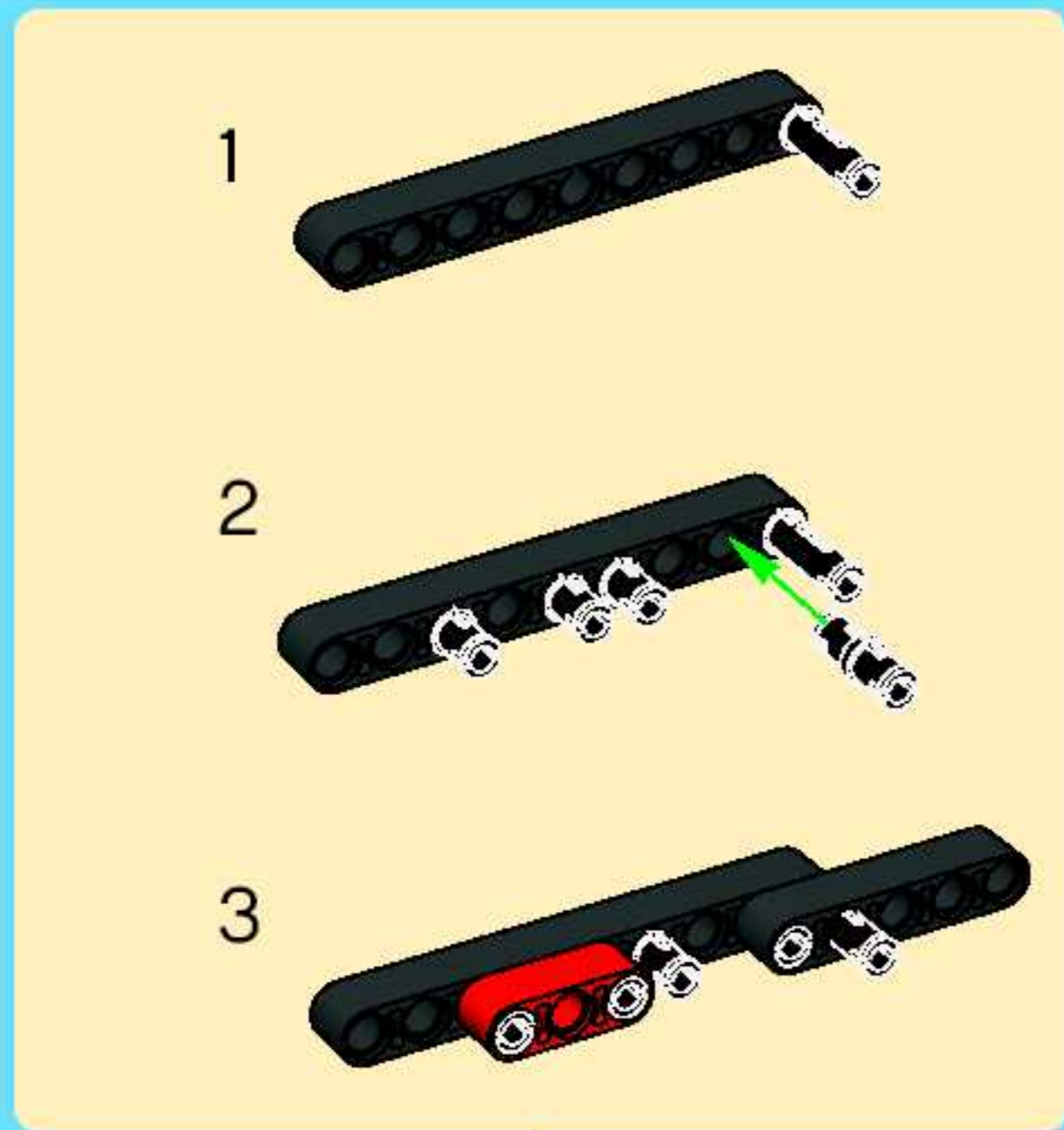


2

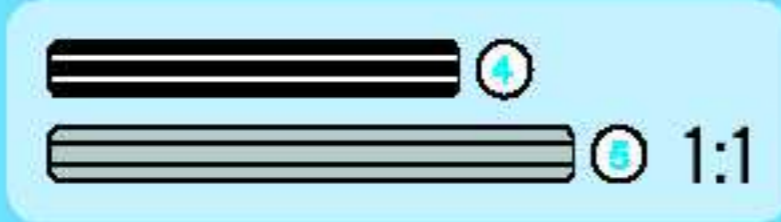
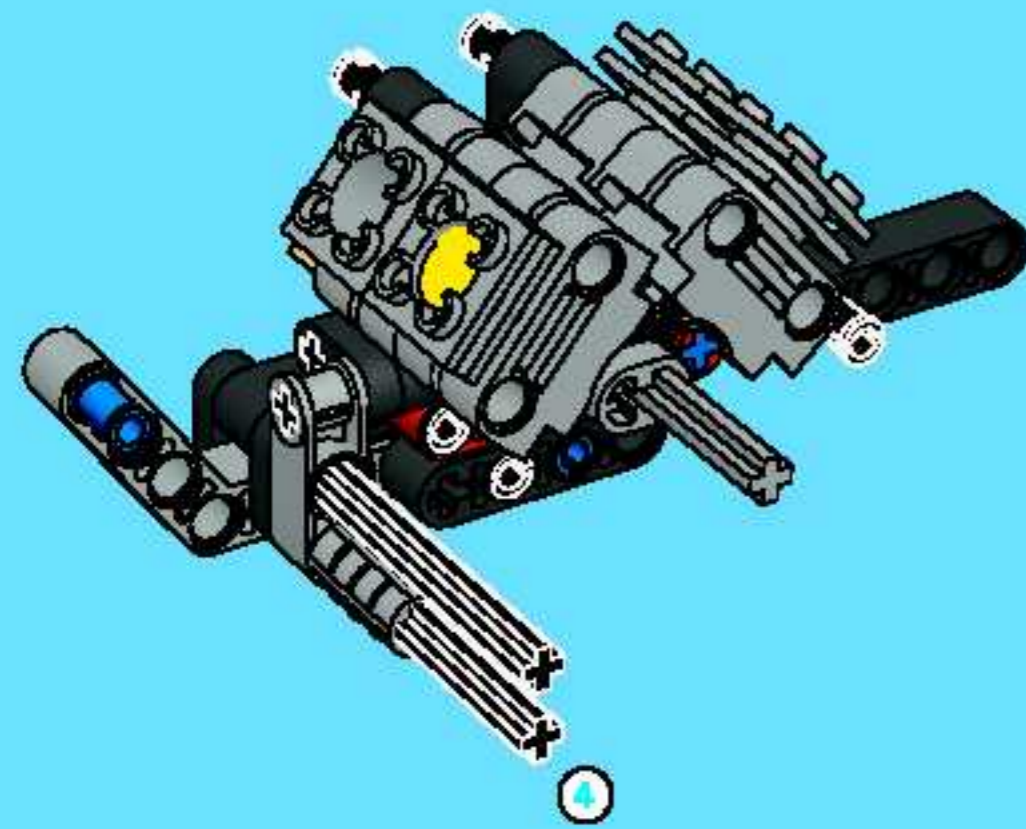


3

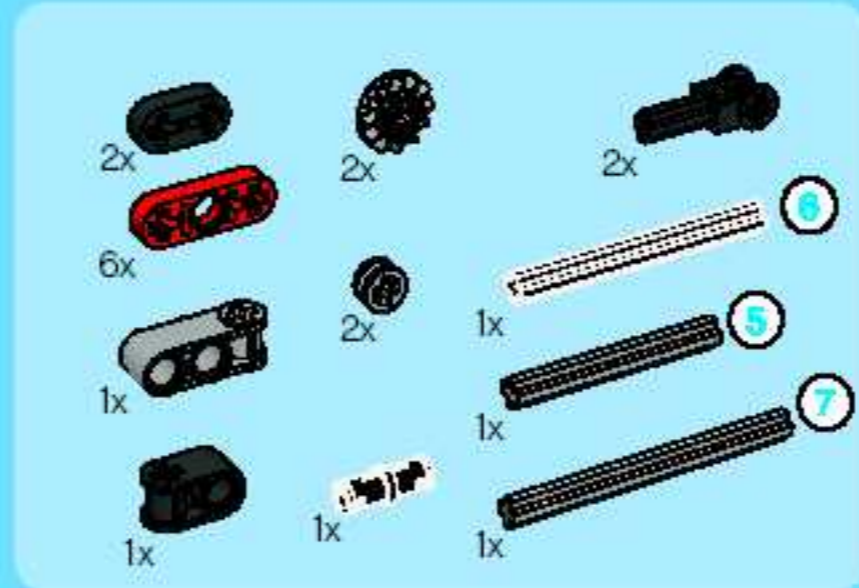




14



15



1



2



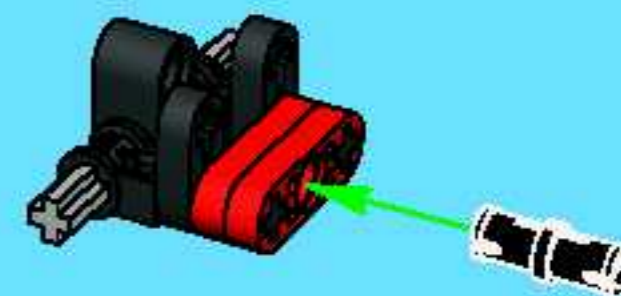
3

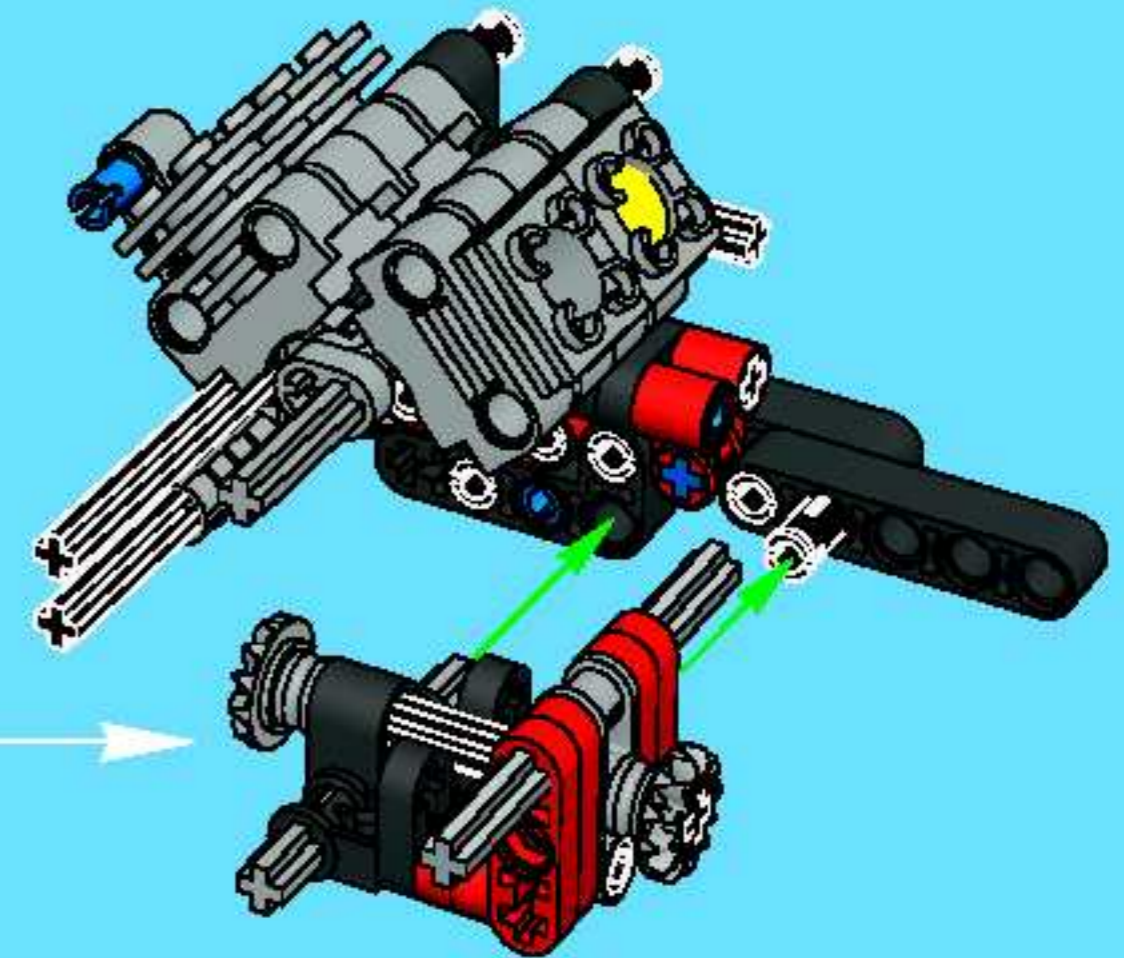
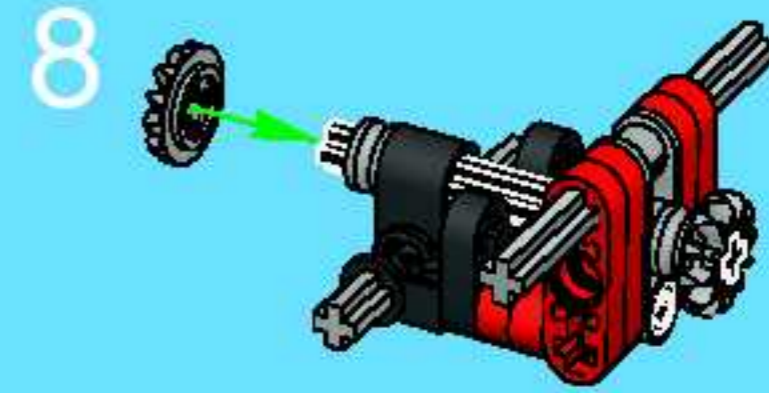
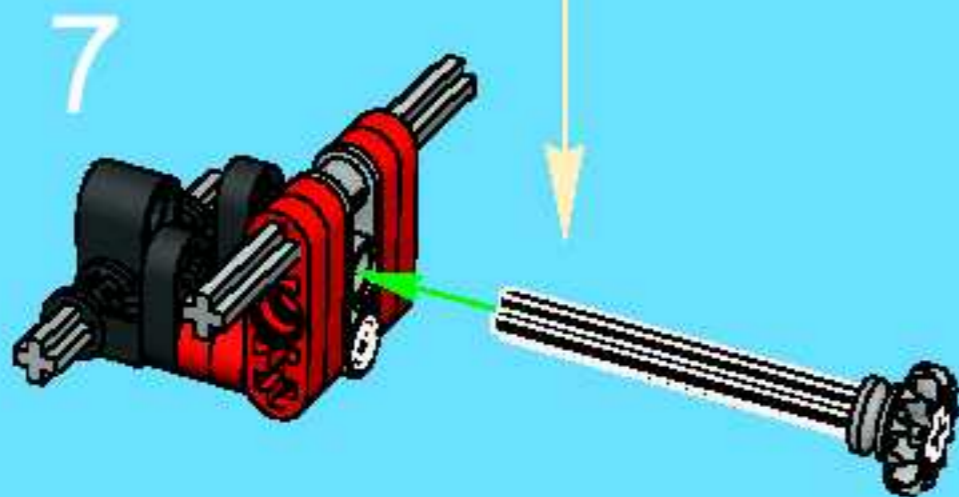
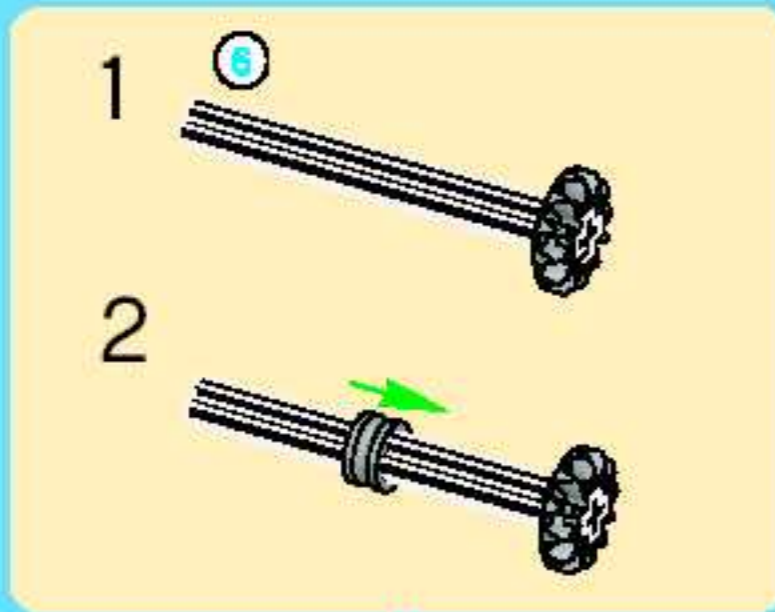
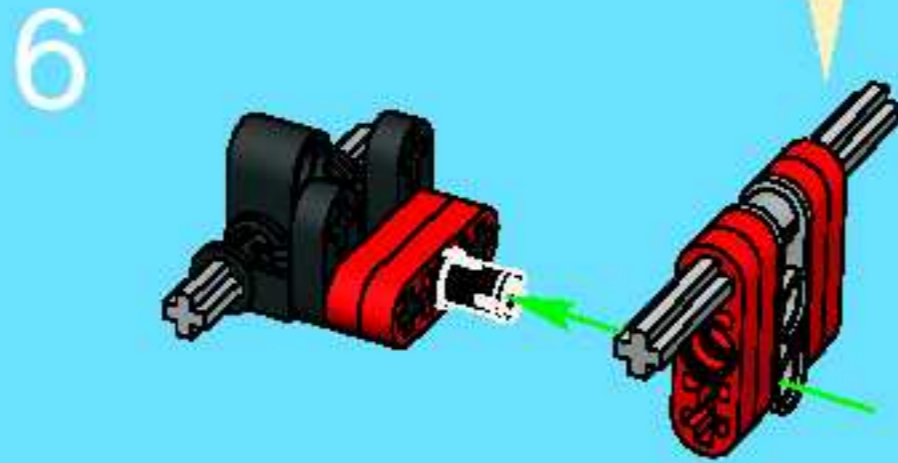
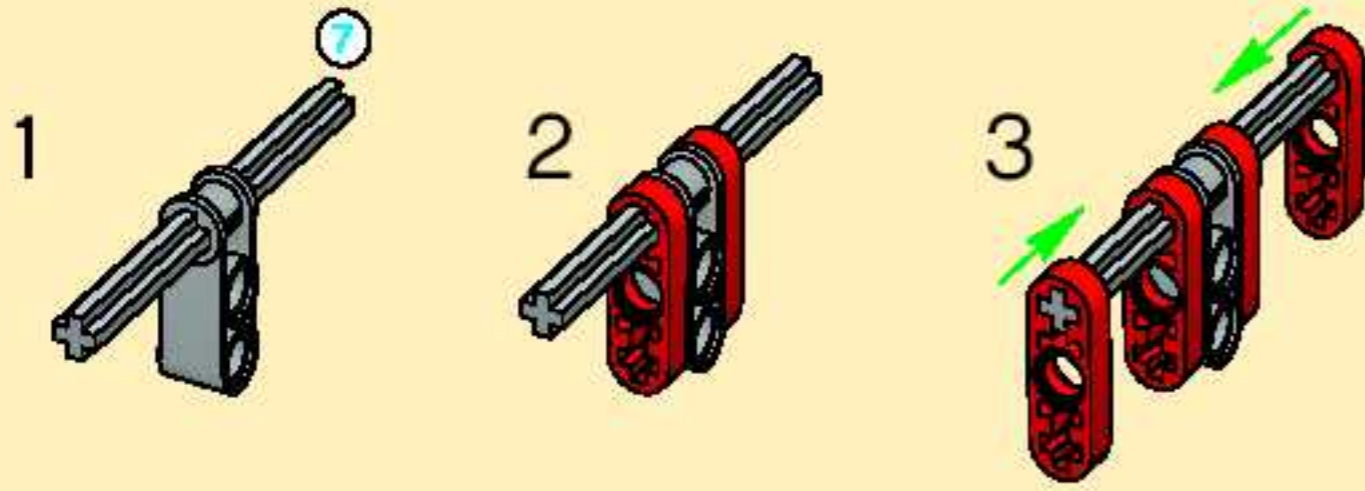


4

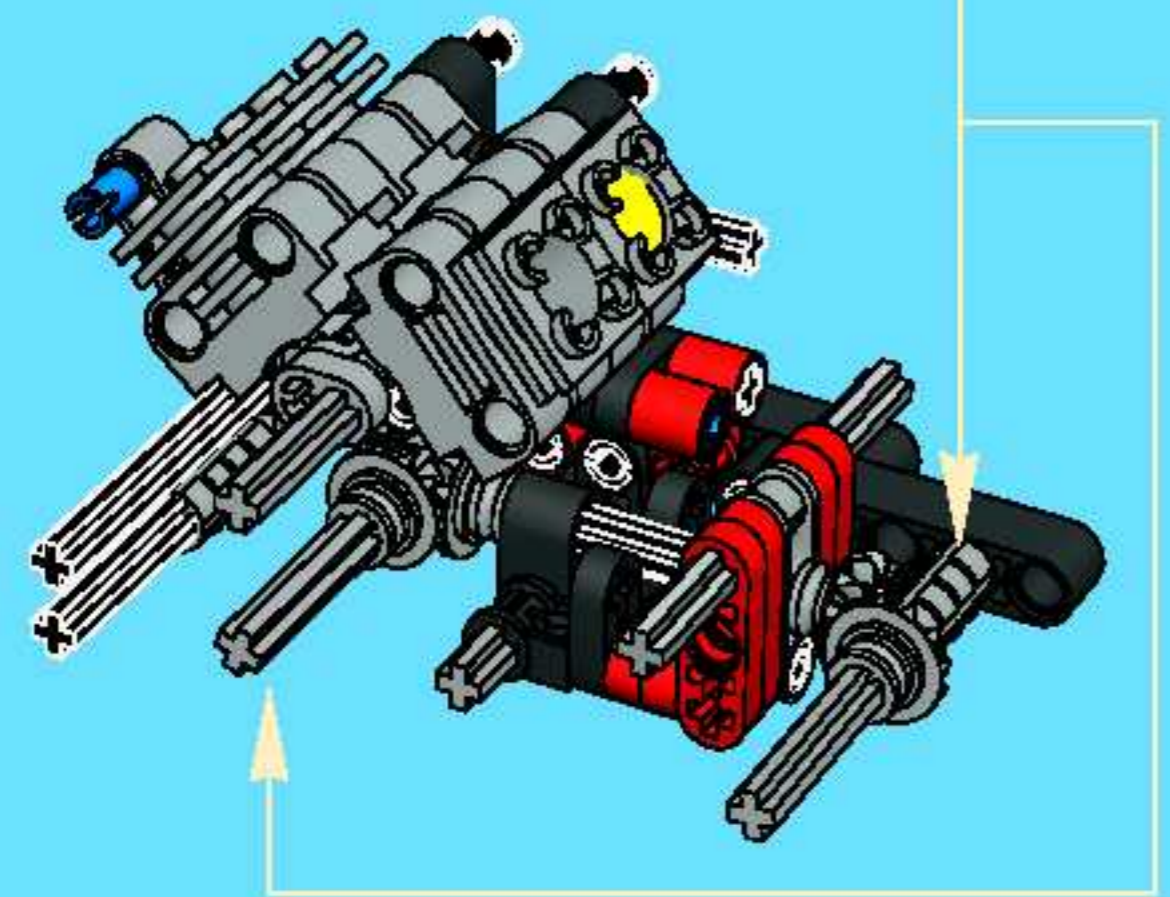
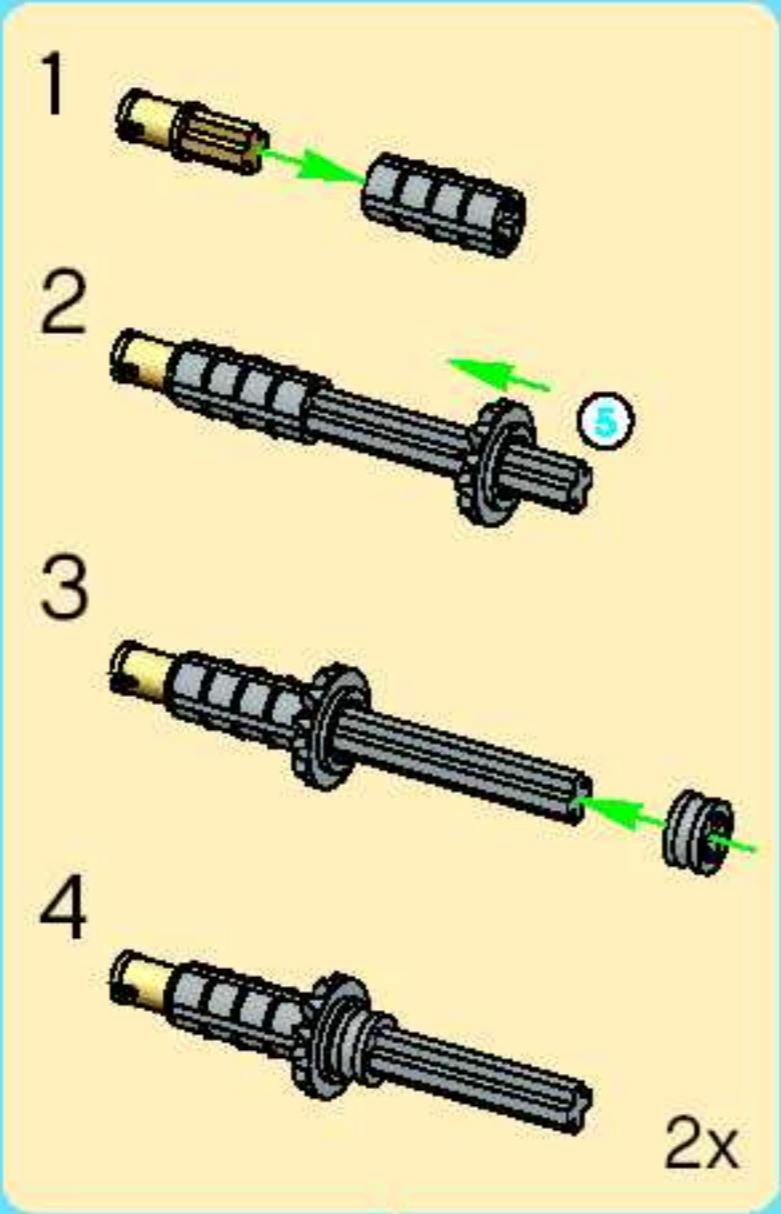
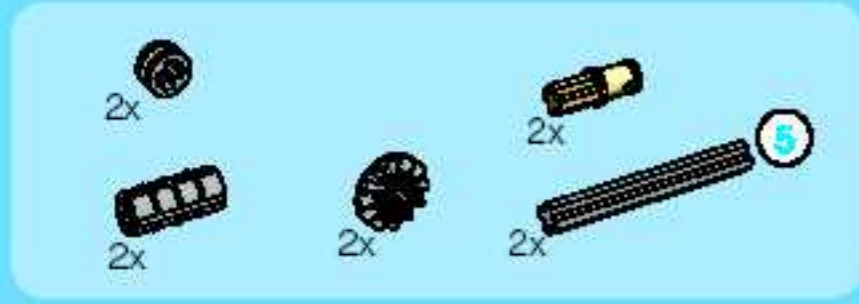


5

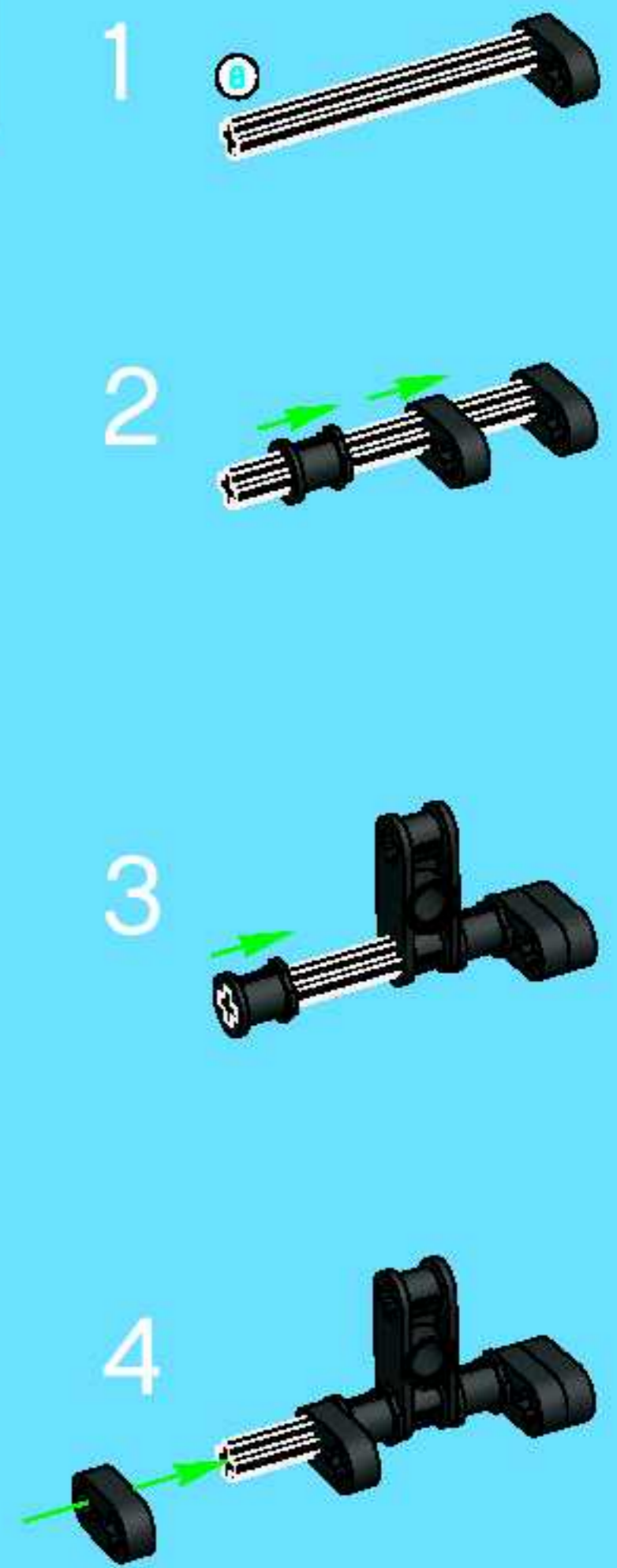
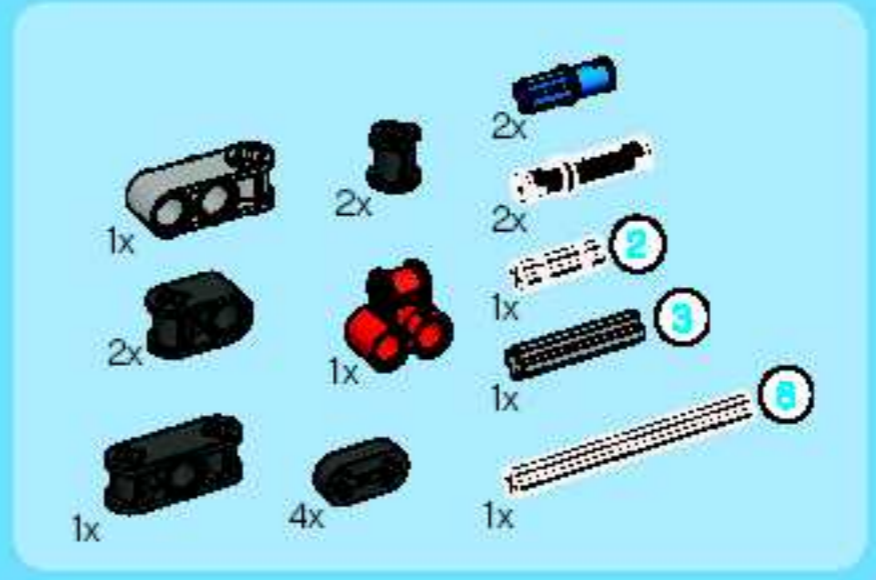


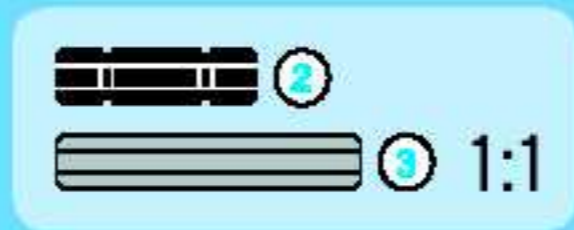
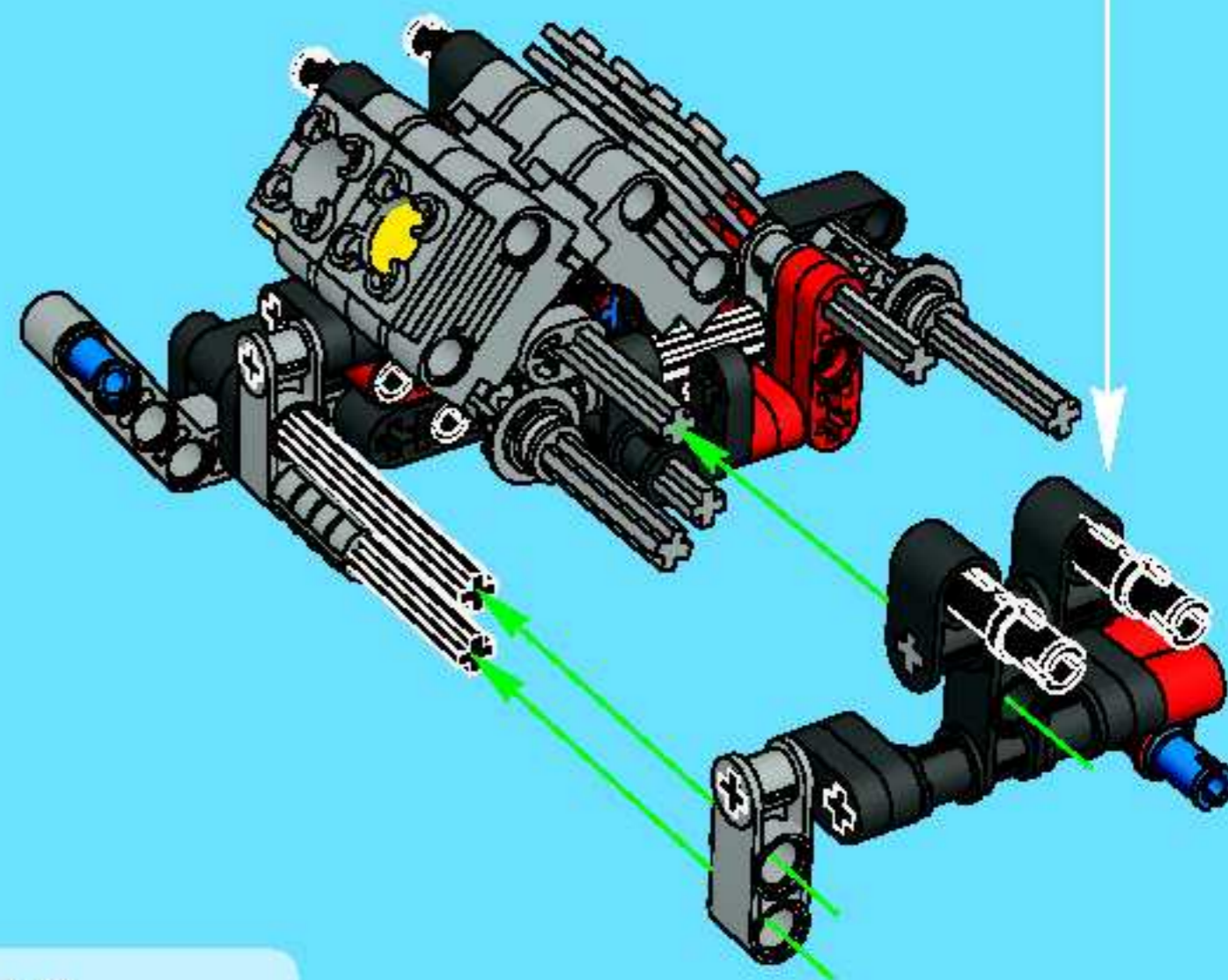
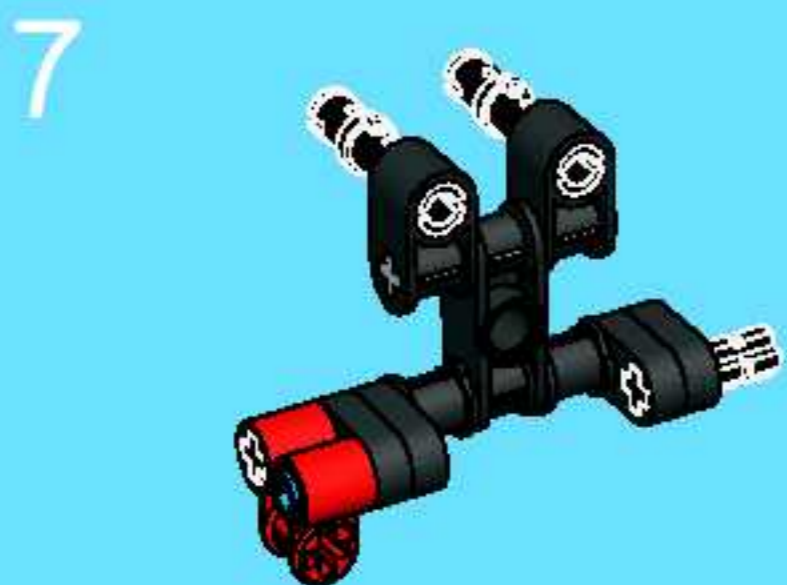
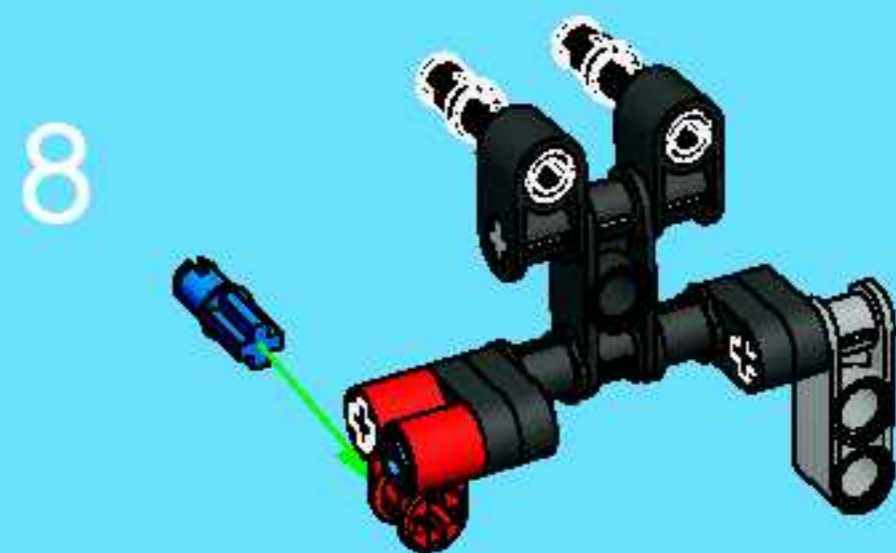
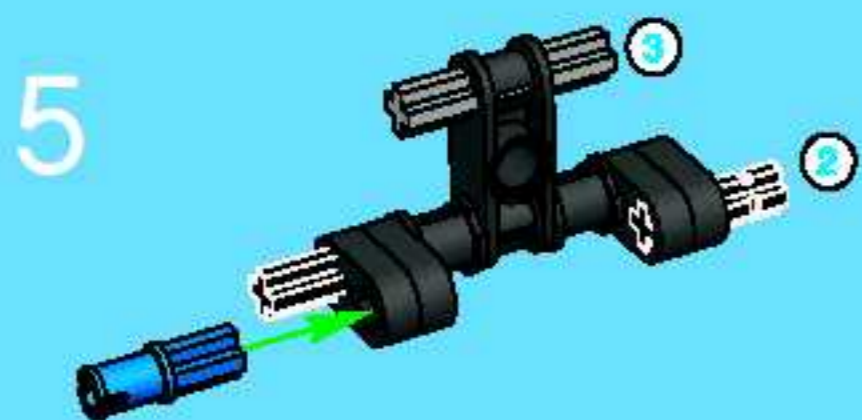


16

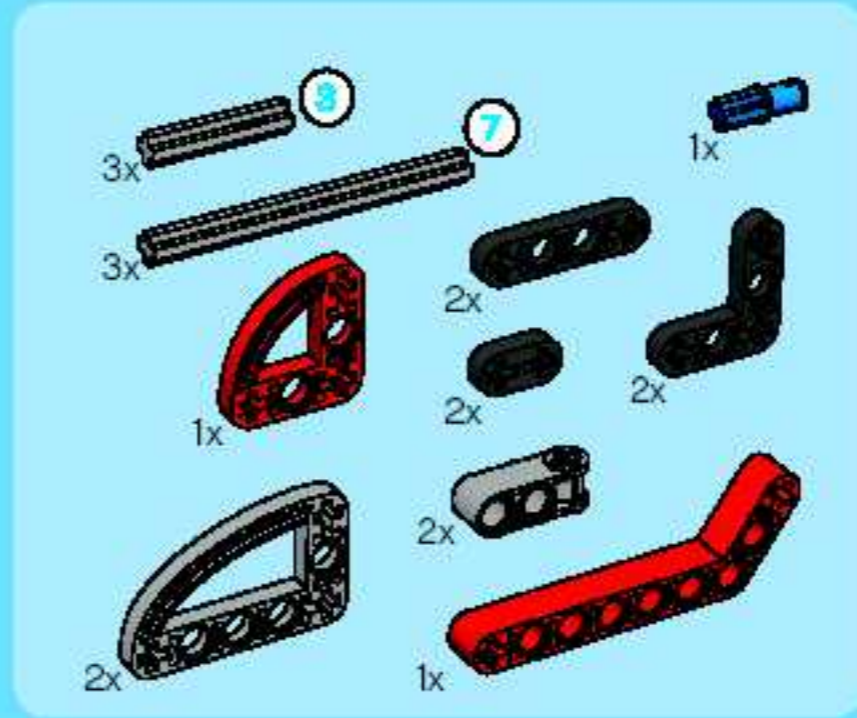
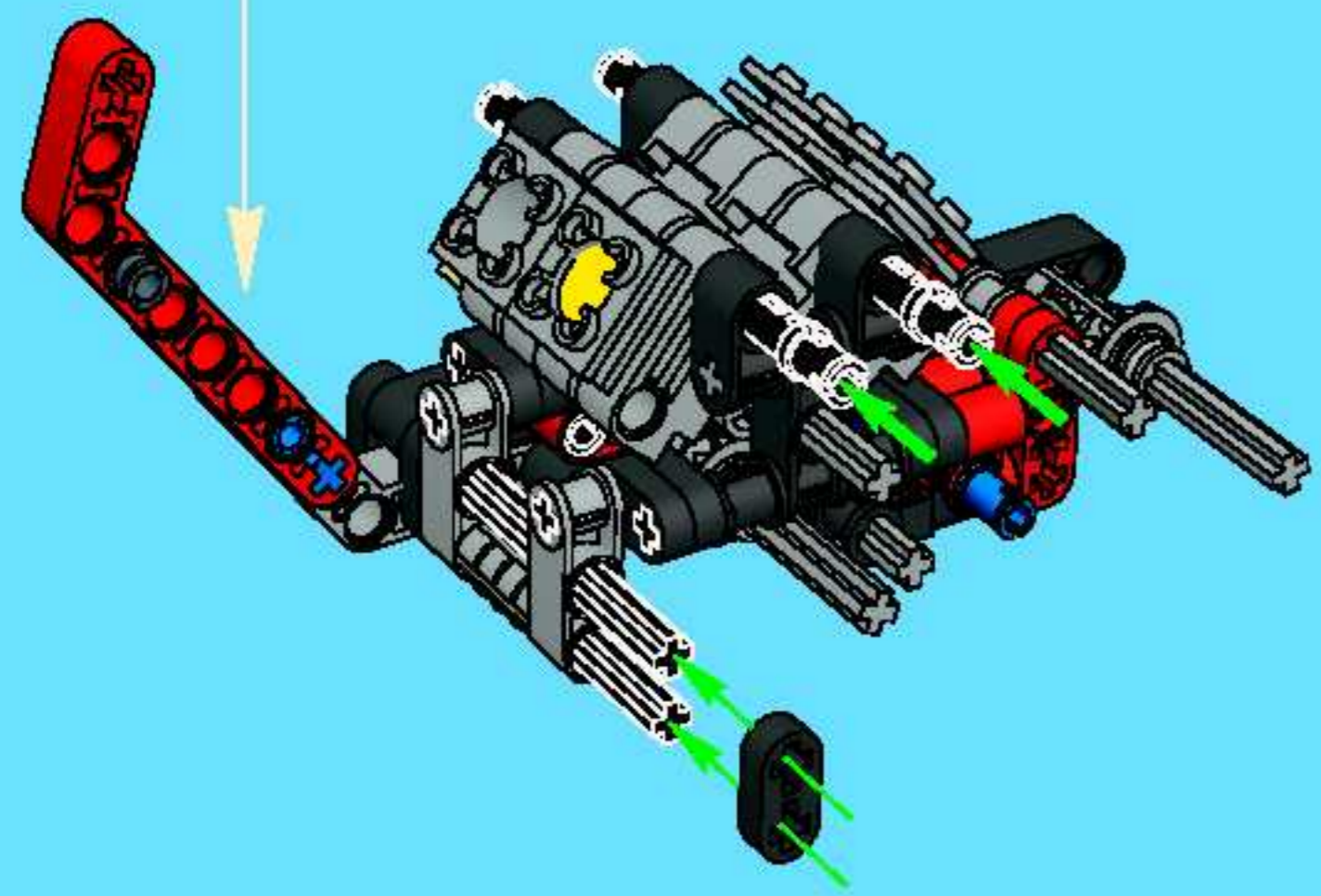
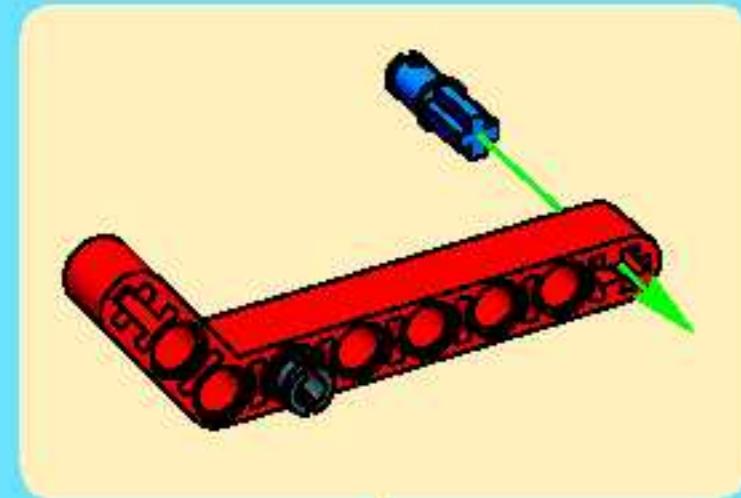
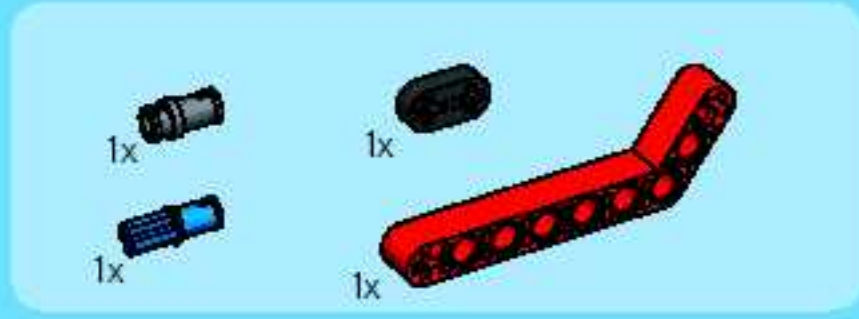


17





18

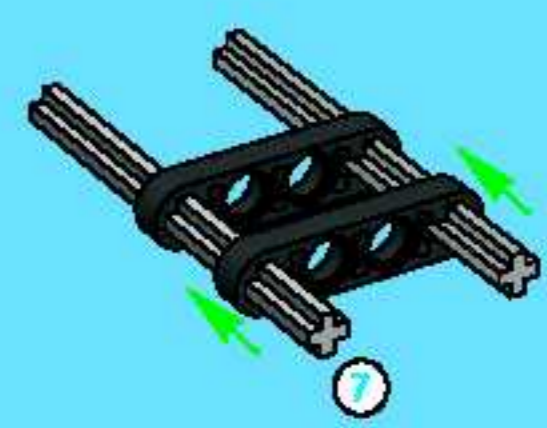


19

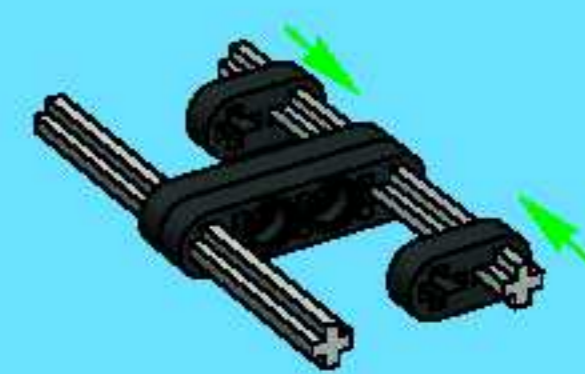
1

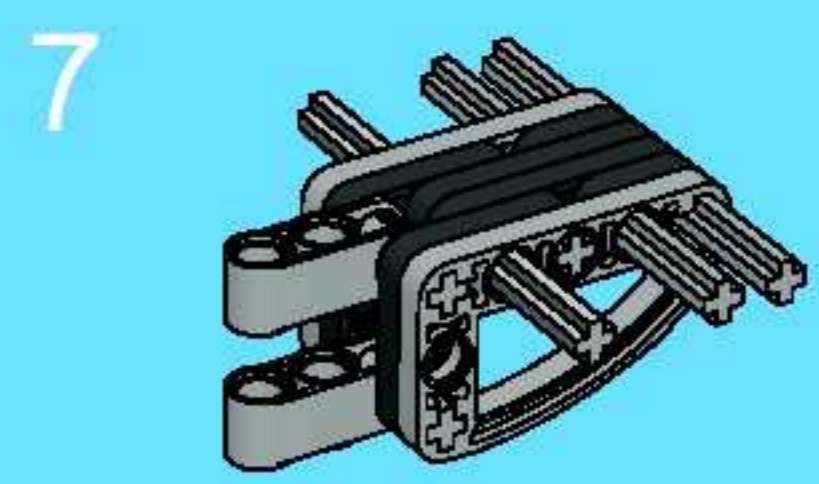
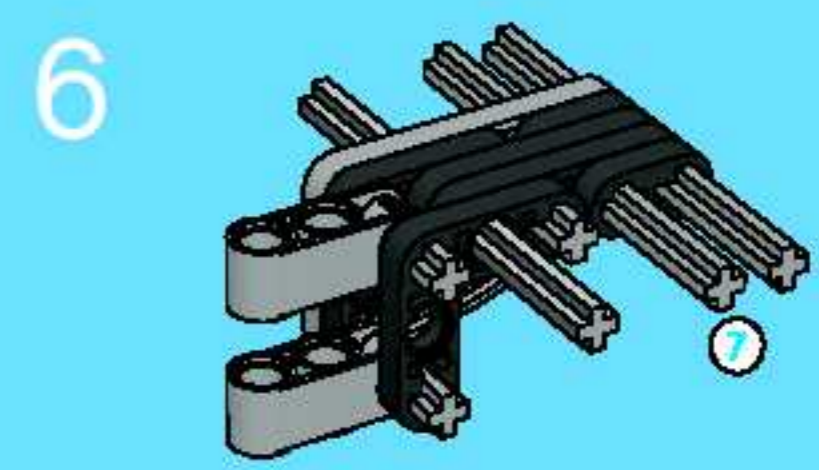
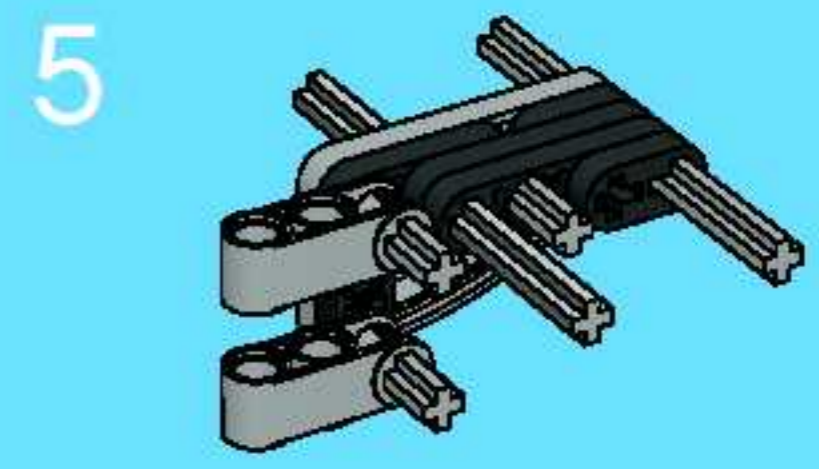
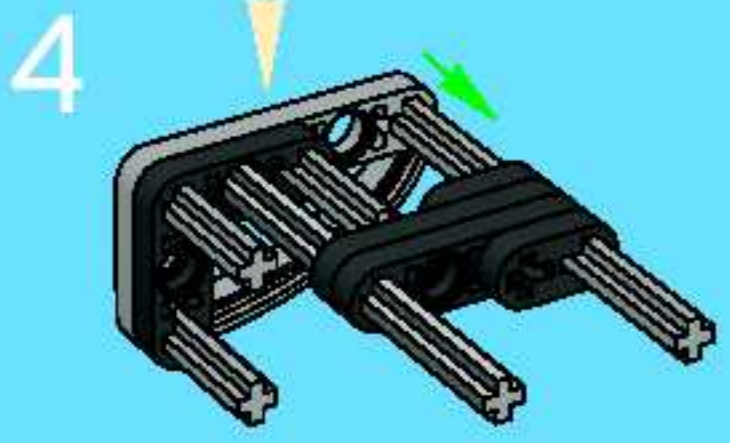
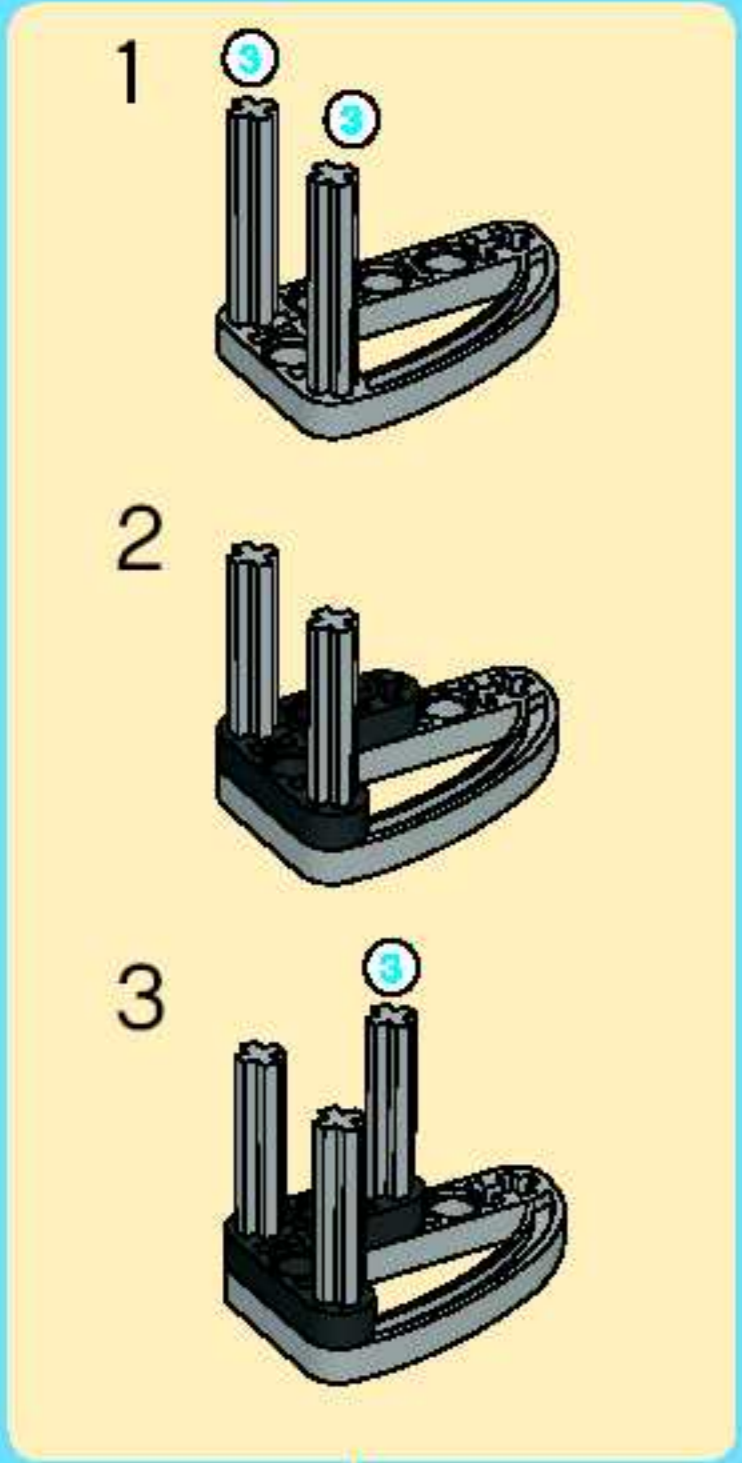


2

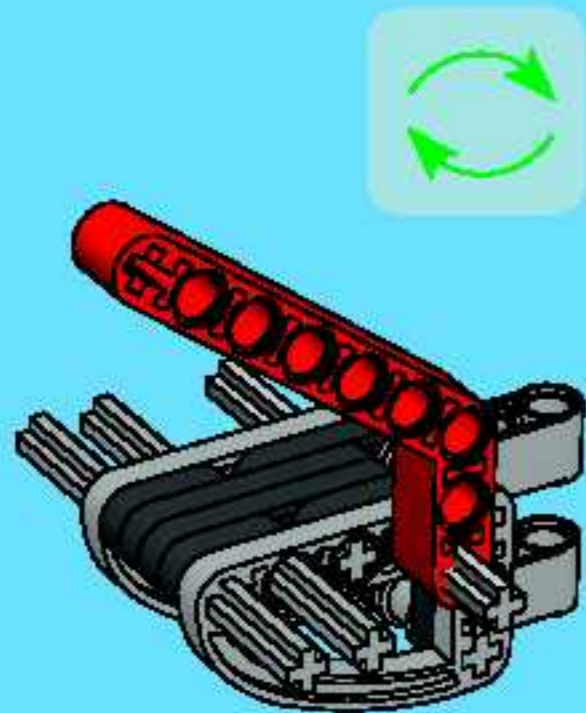


3

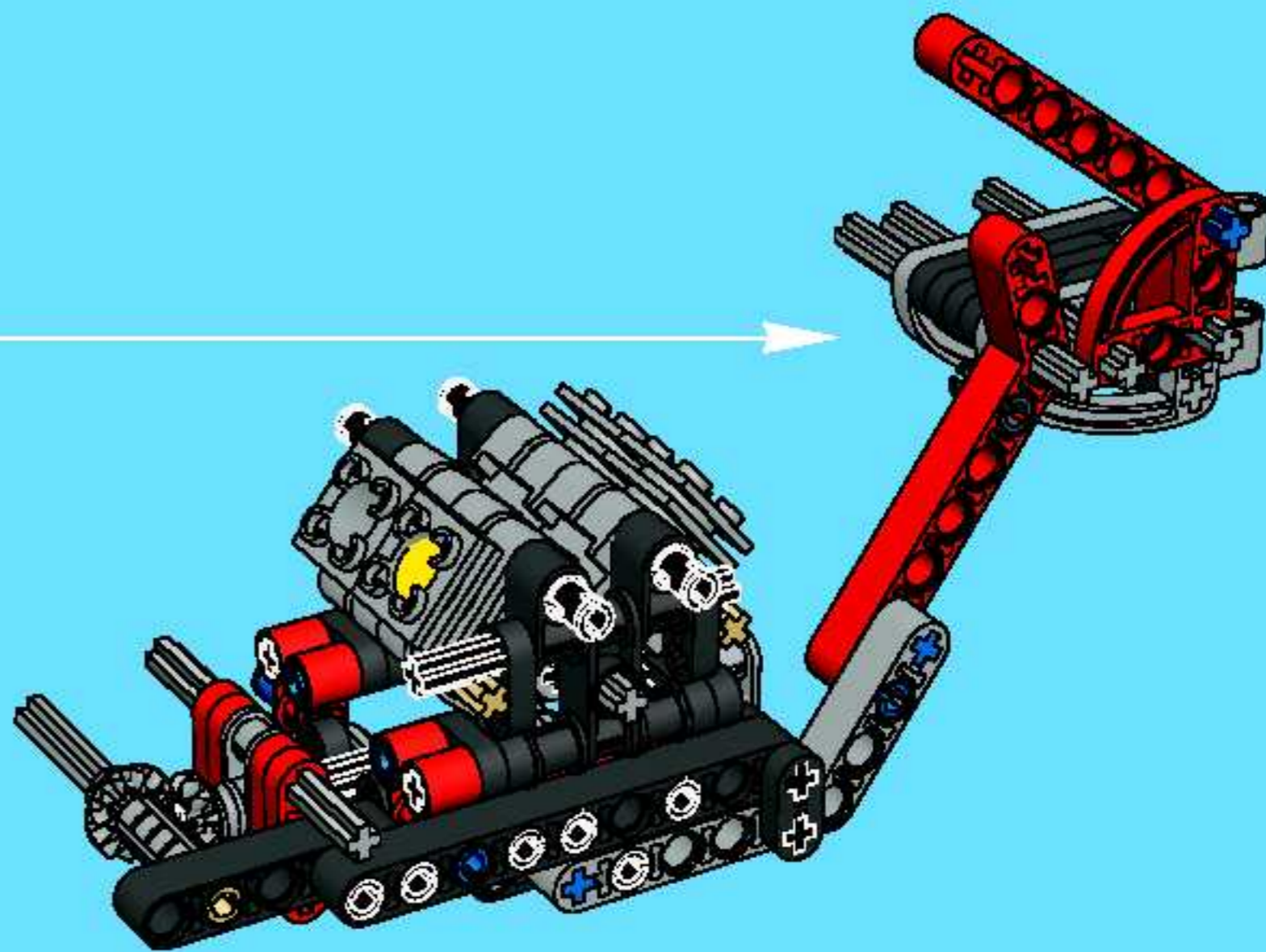
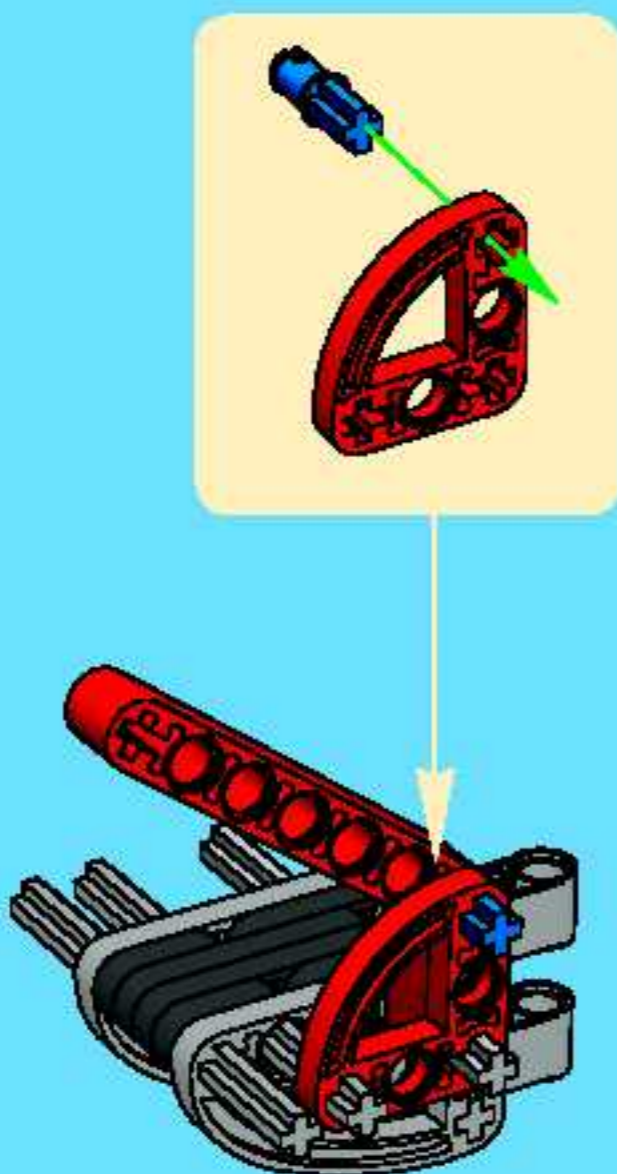




8

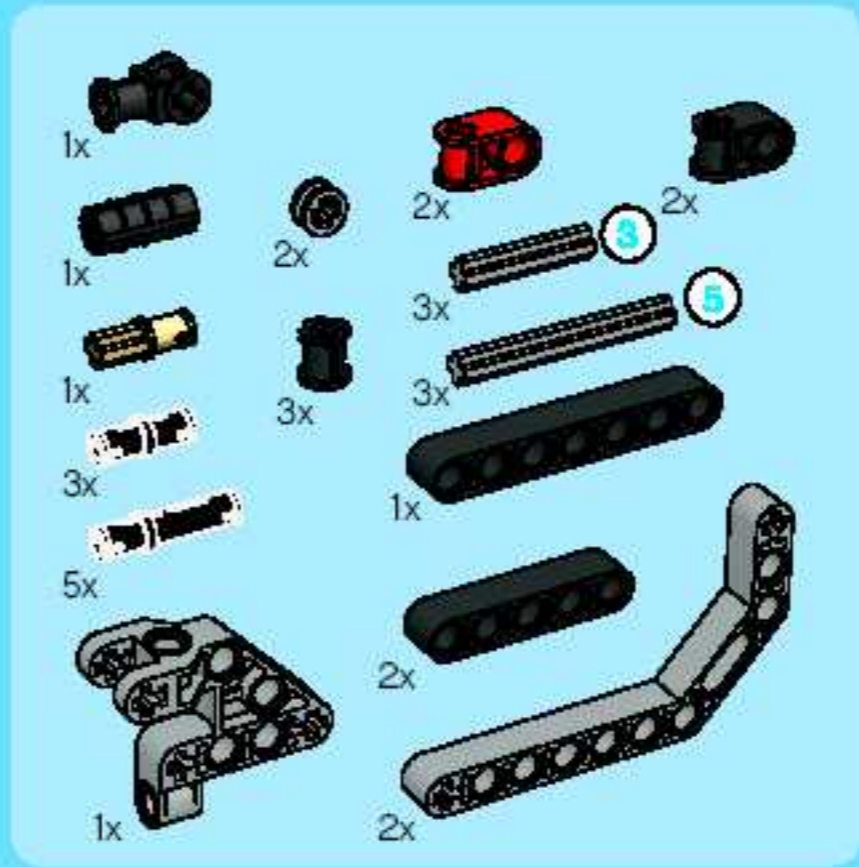
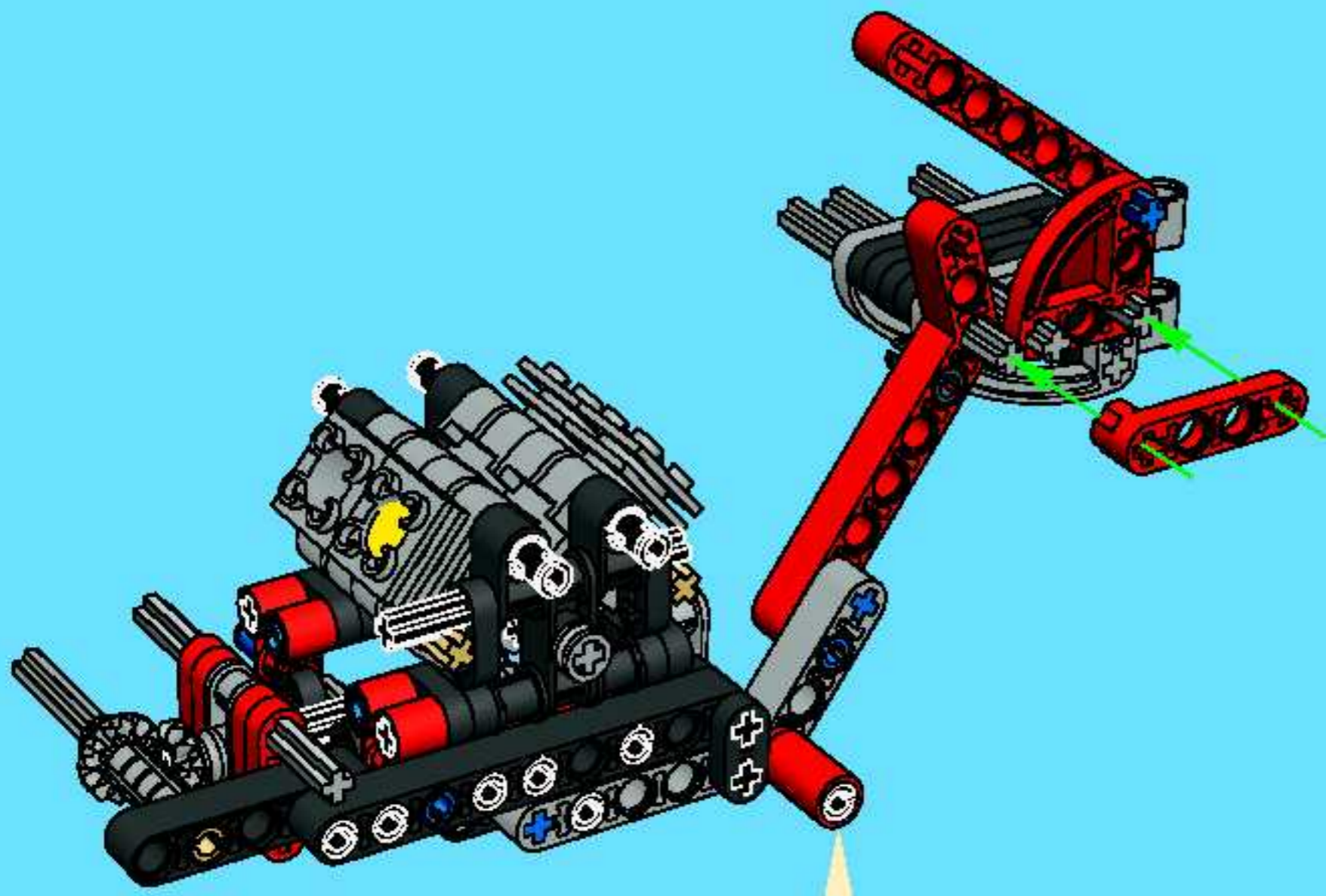


9

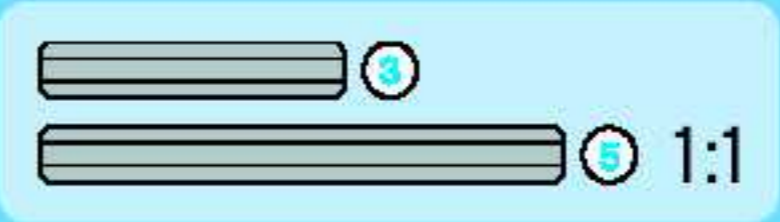
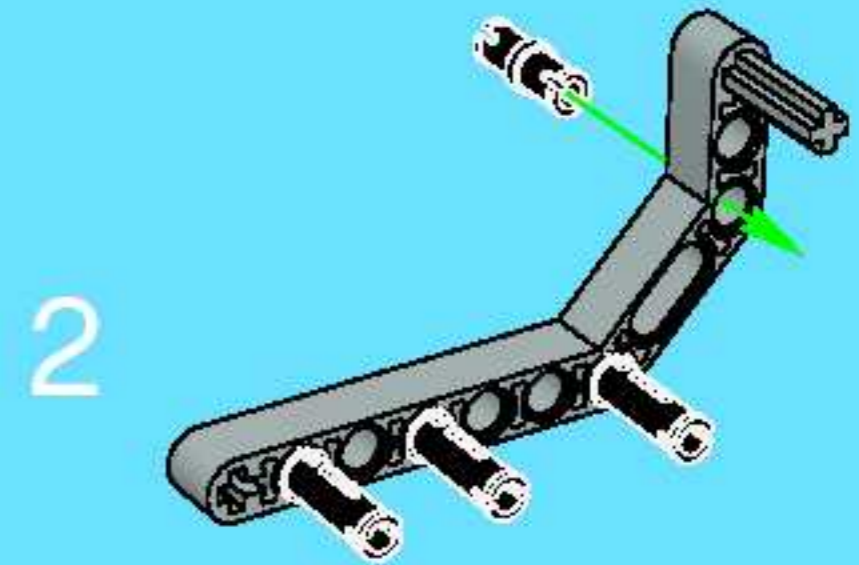
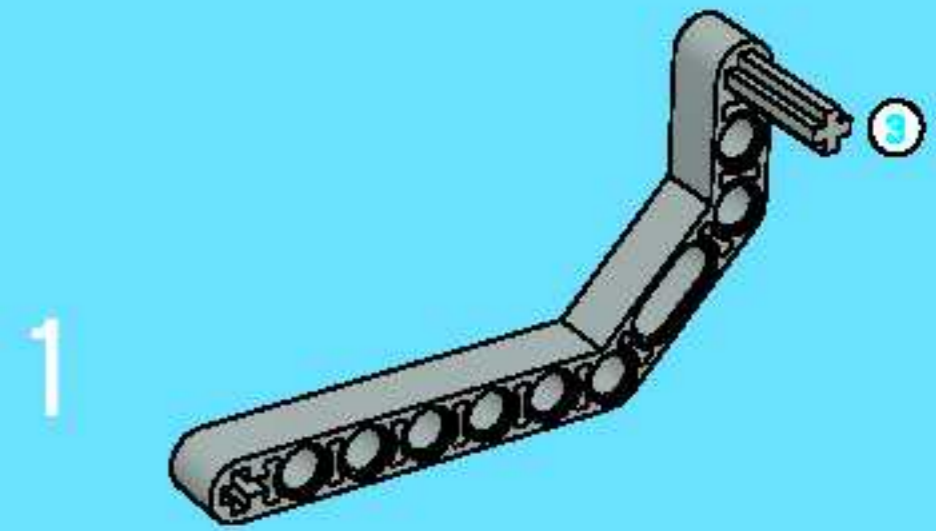


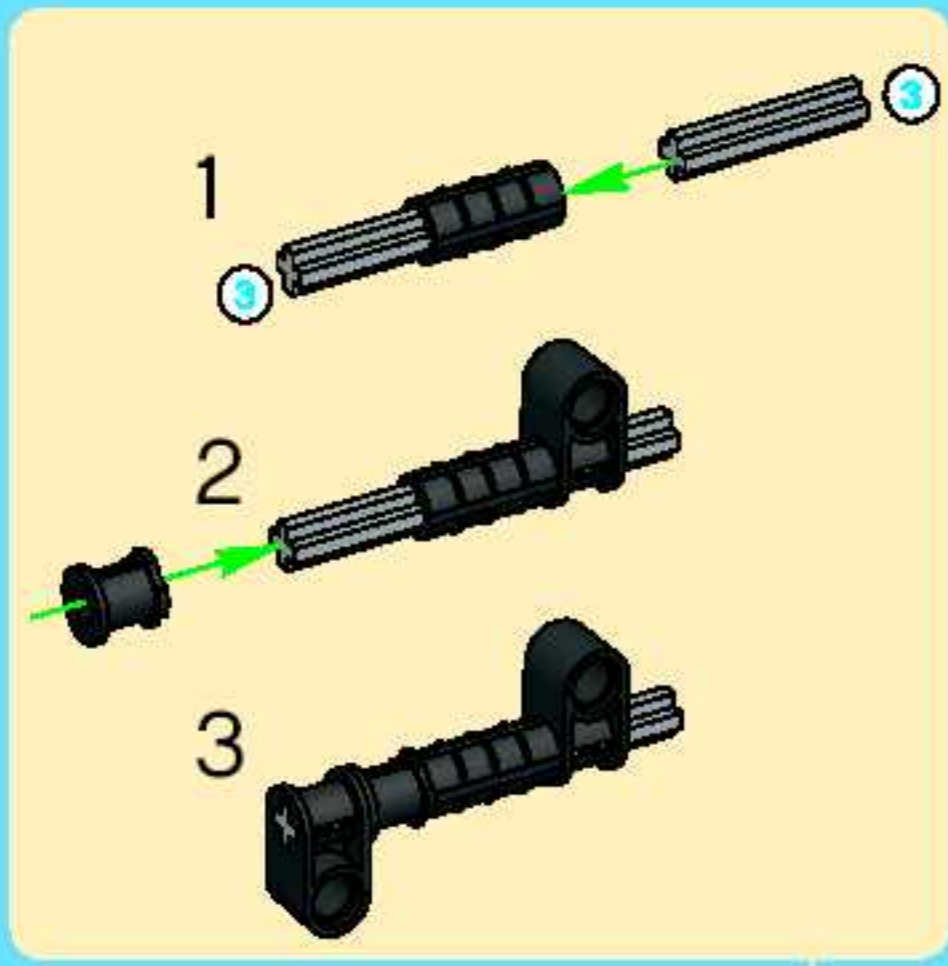


20

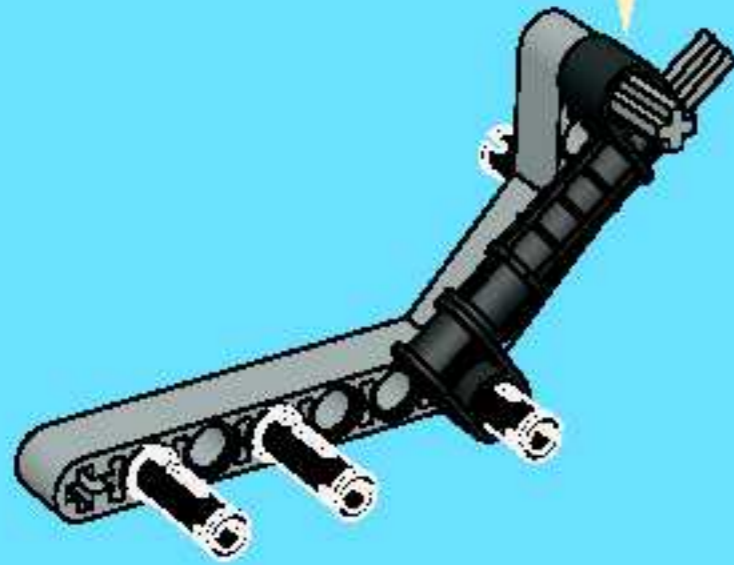


21

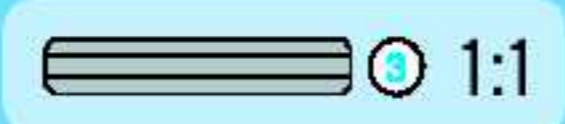
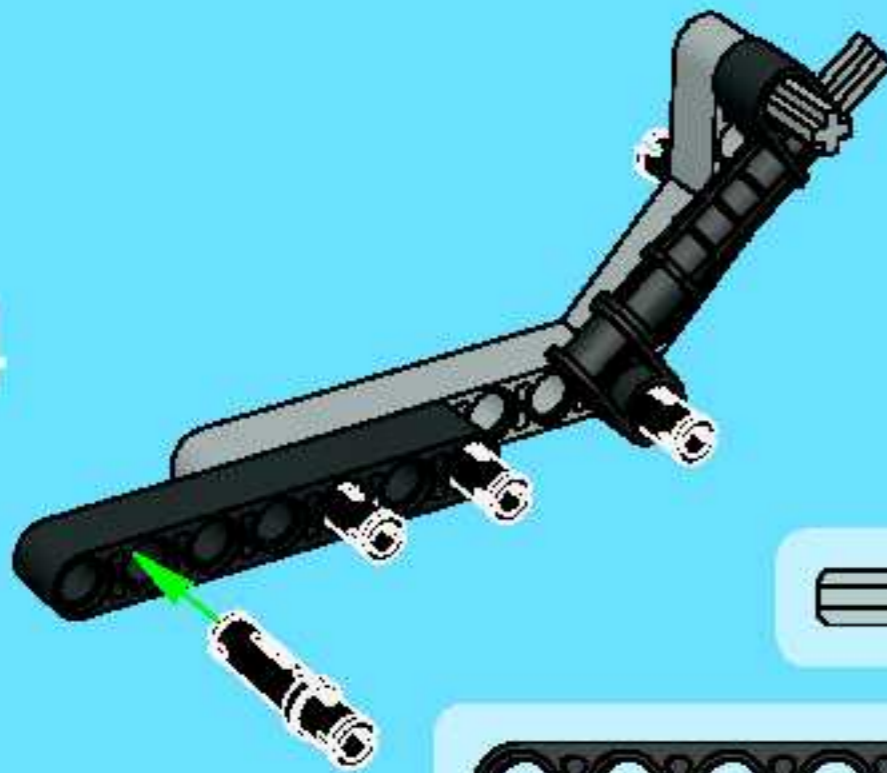




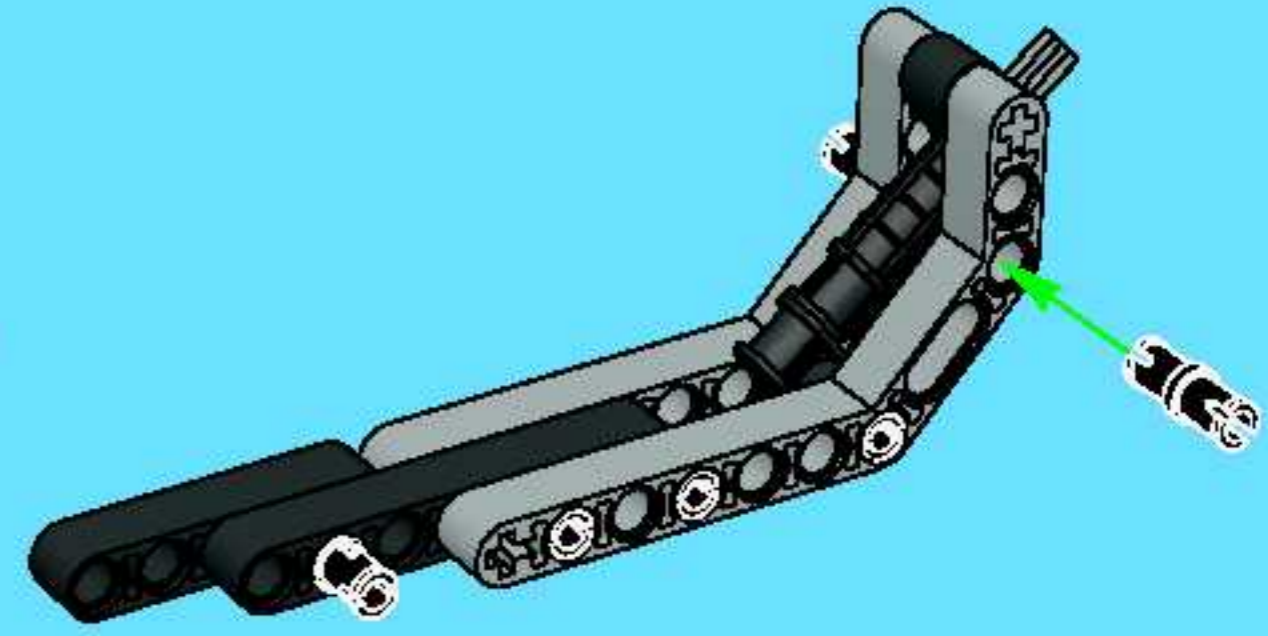
3



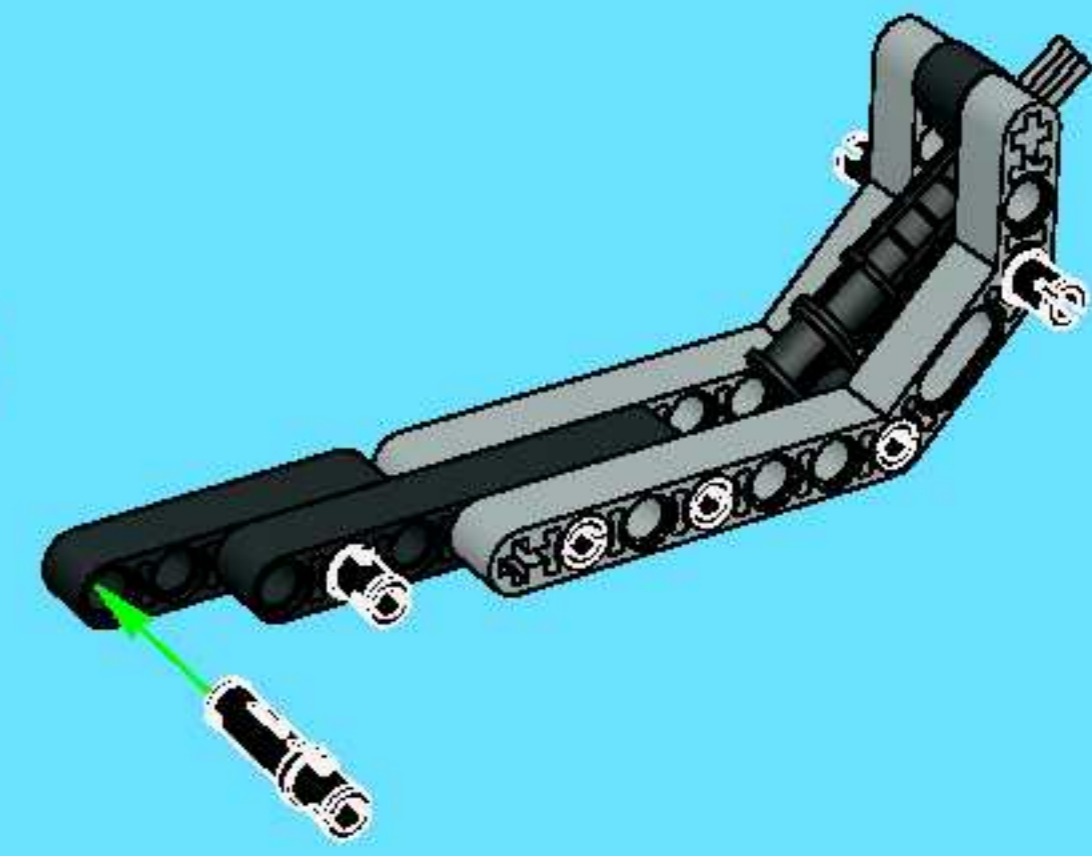
4



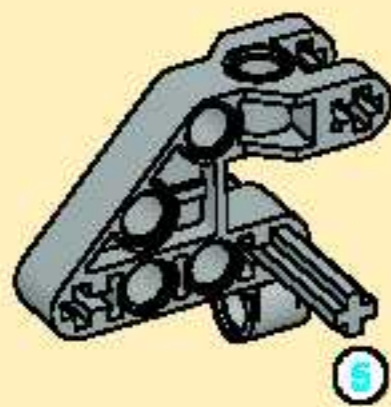
5



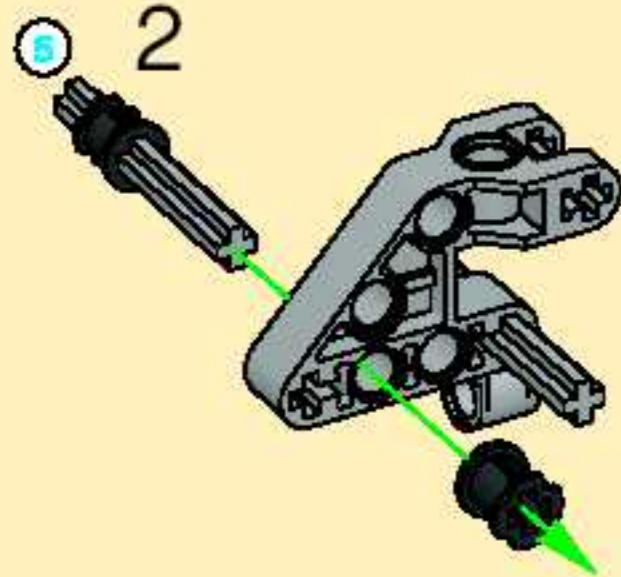
6



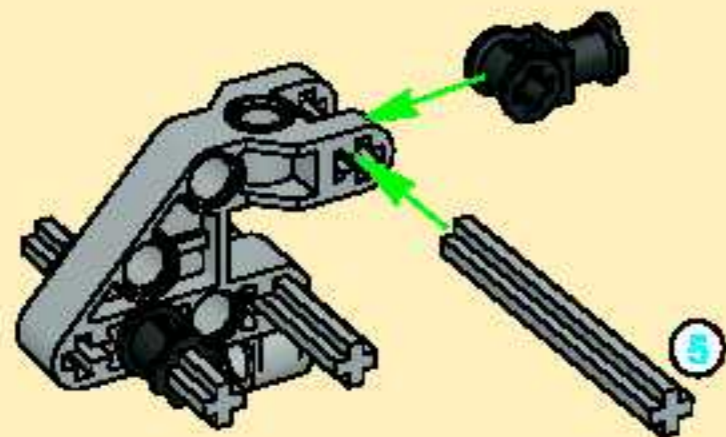
1



2



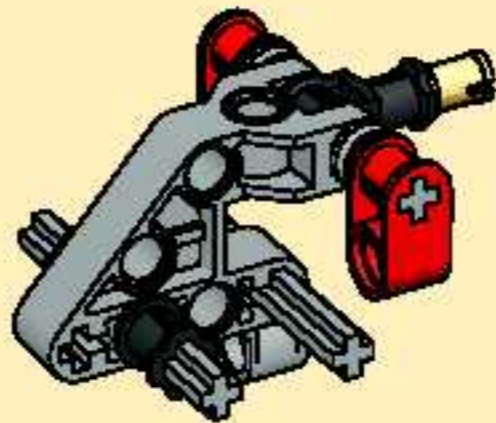
3



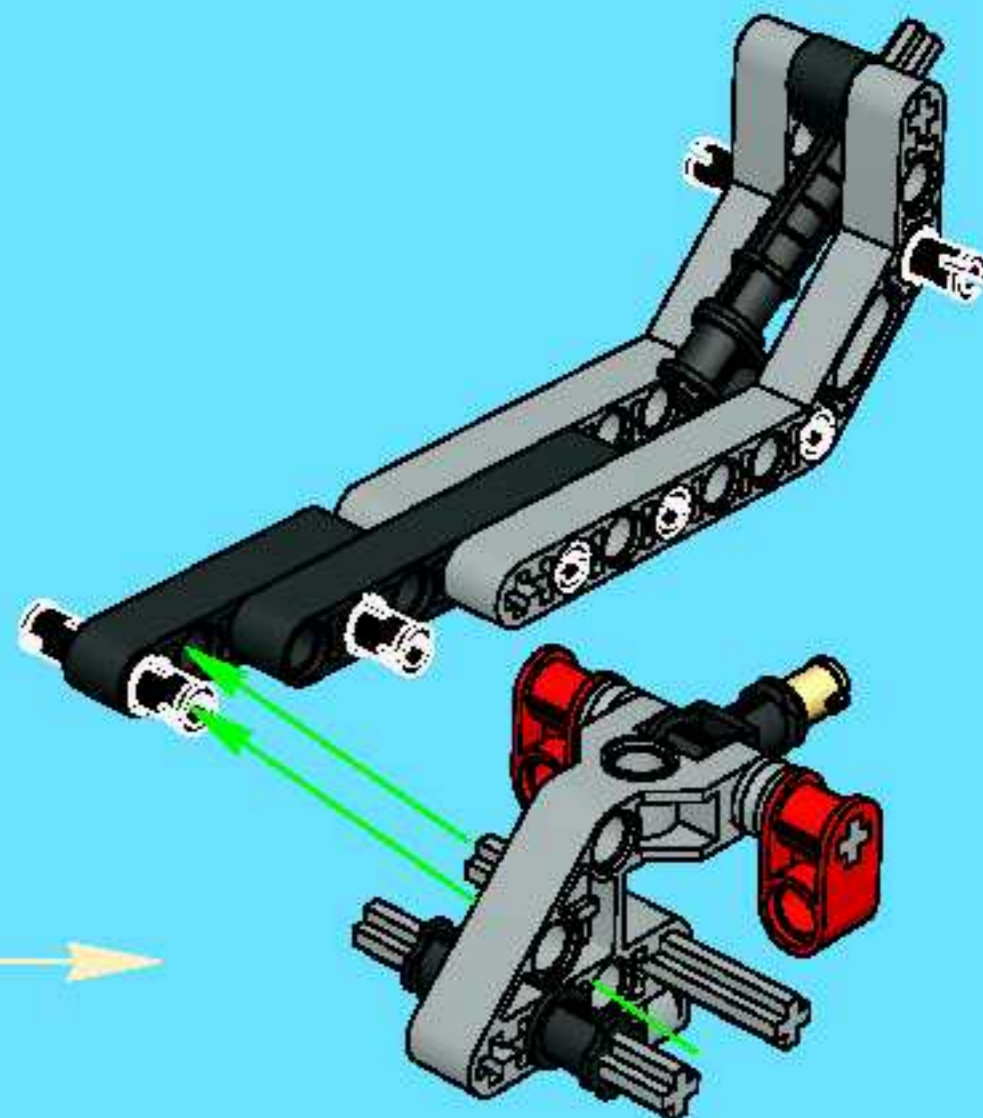
4



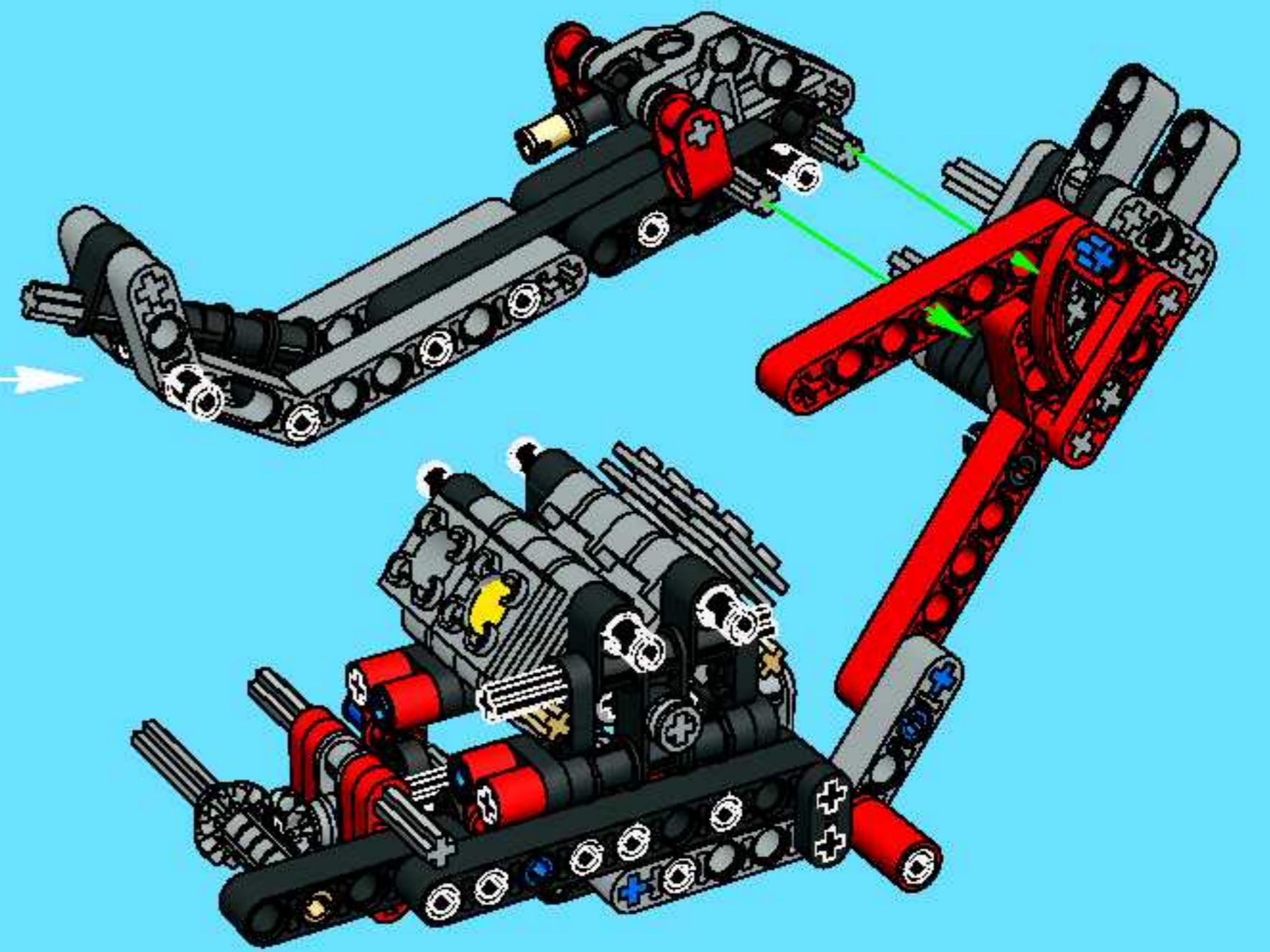
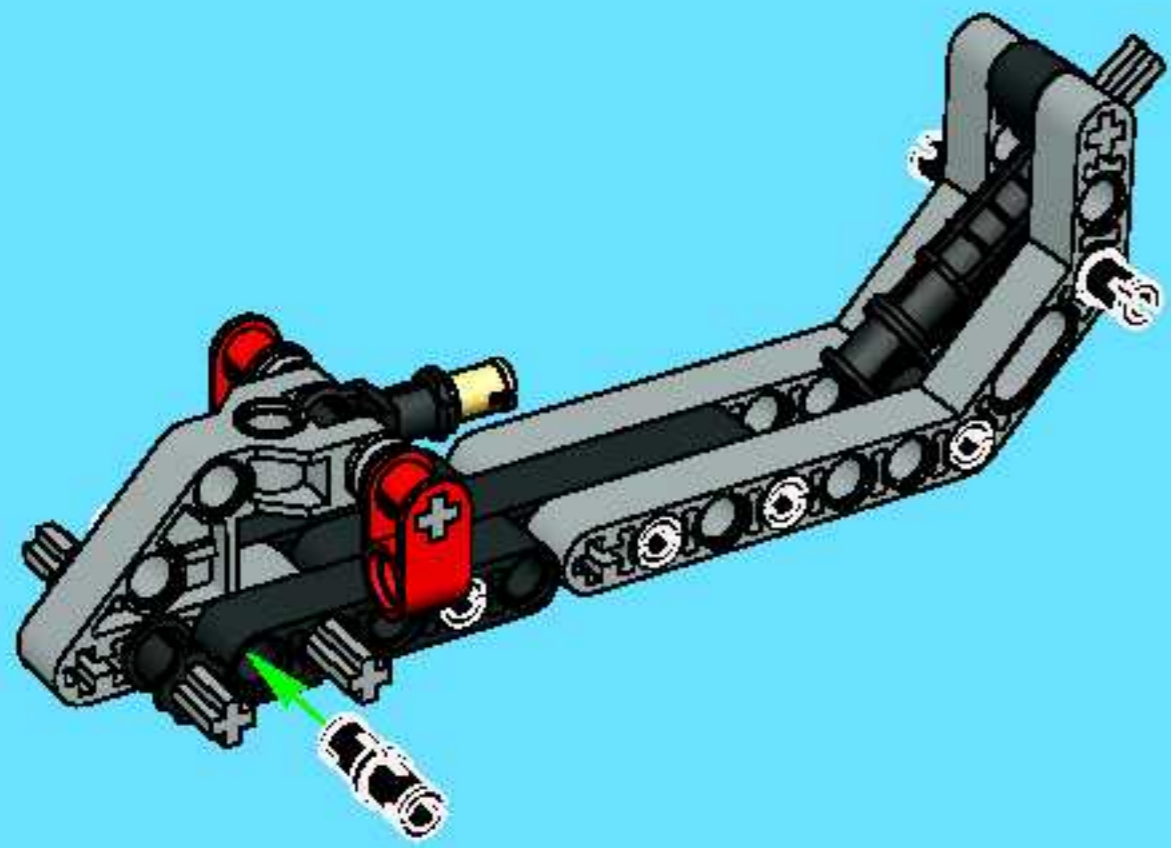
5



7



8



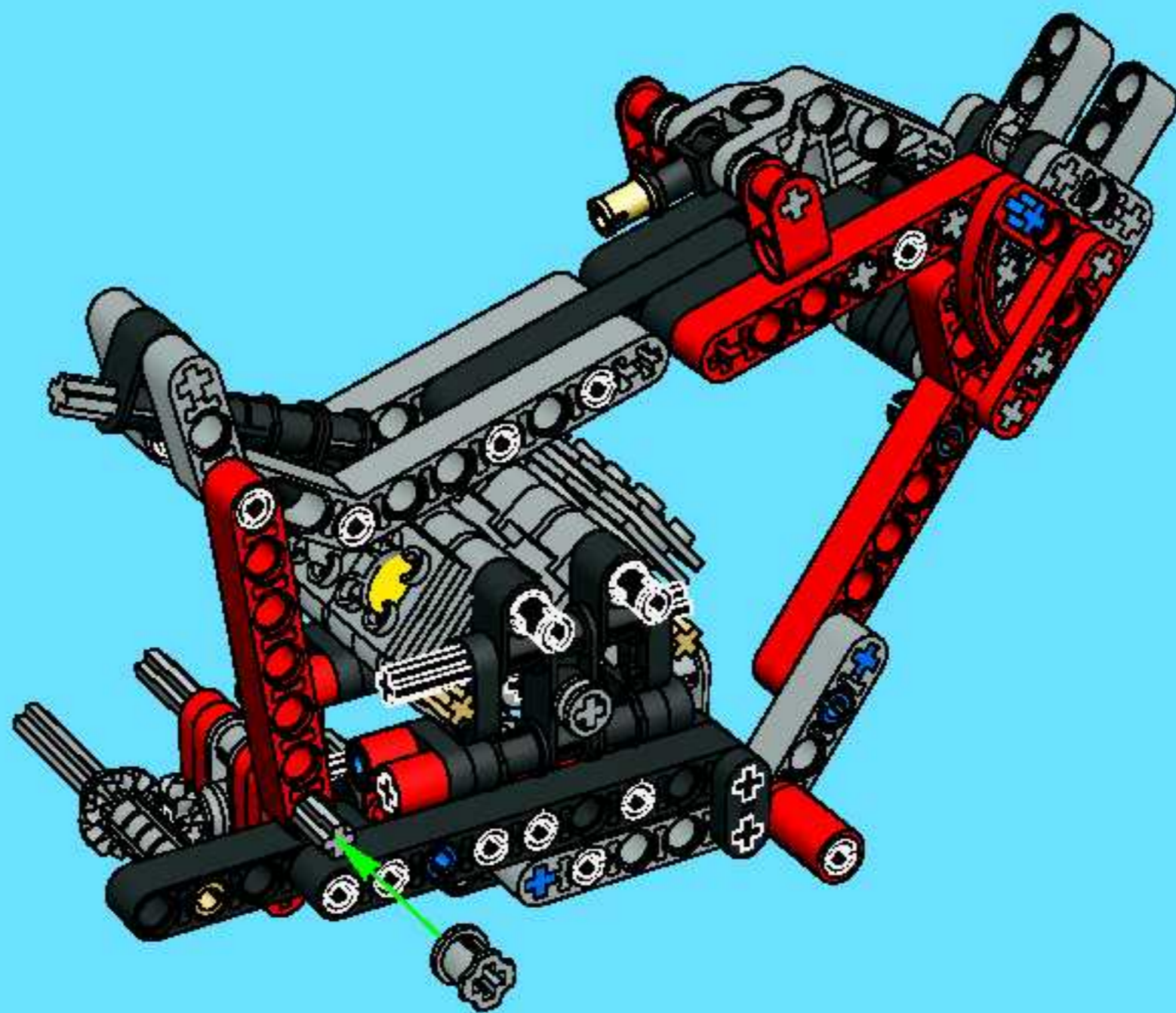


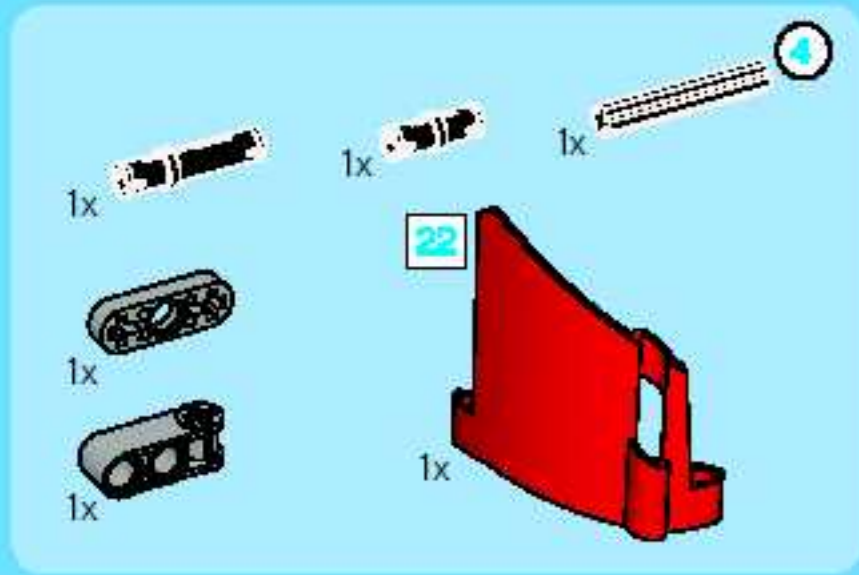
1x



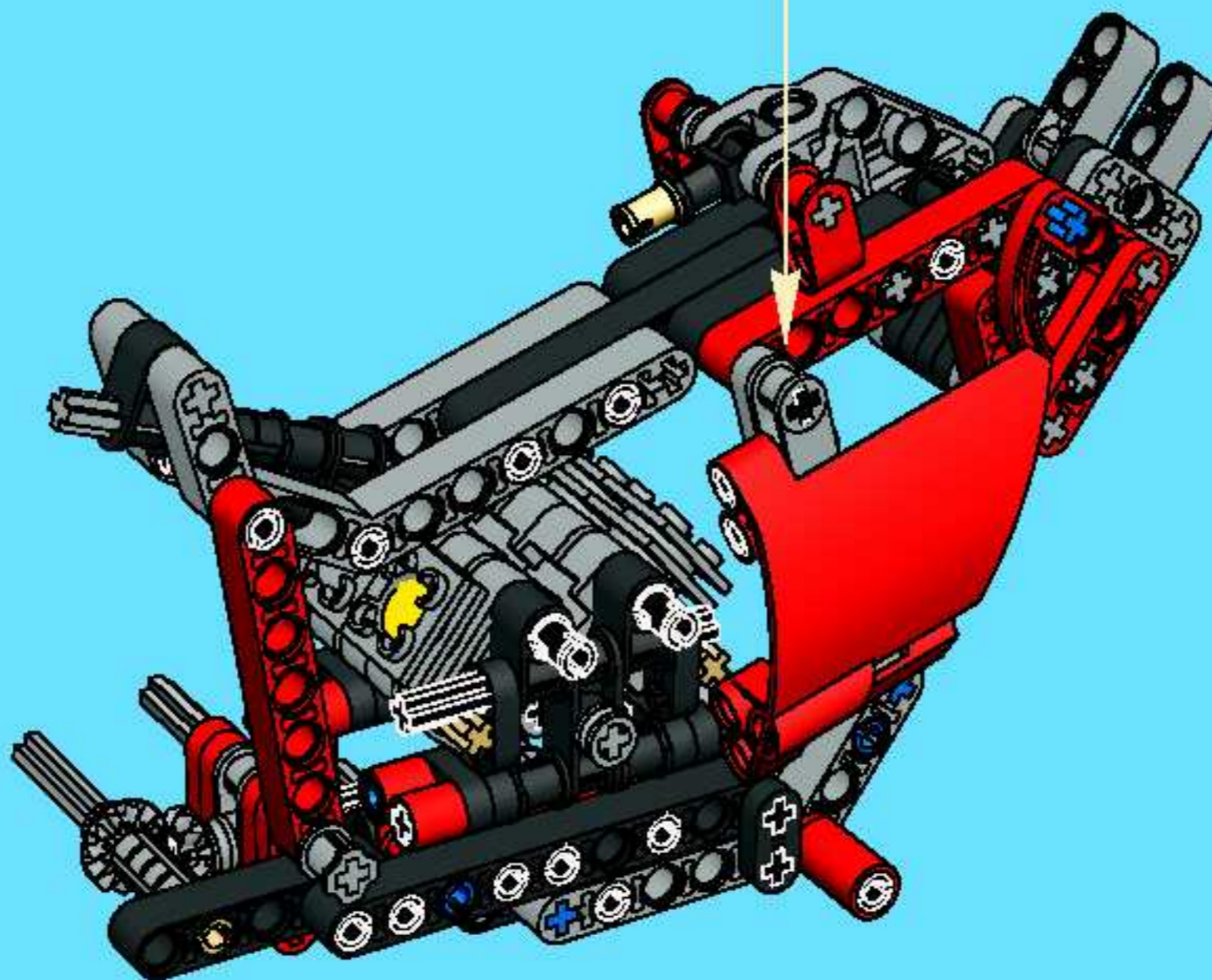
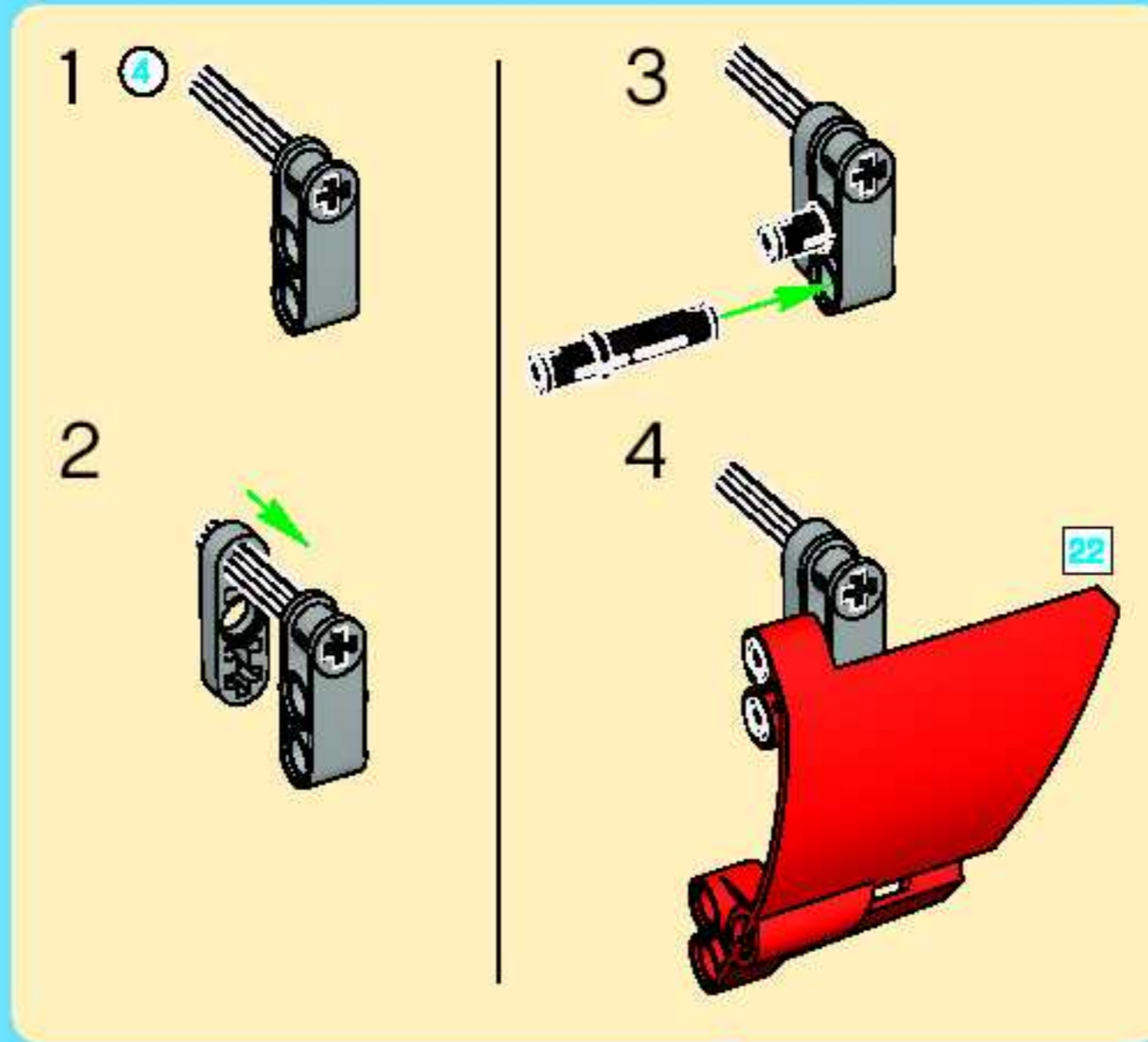
1x

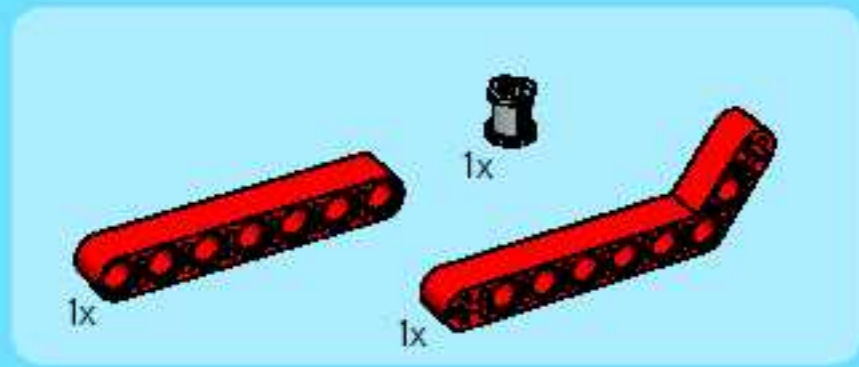
22



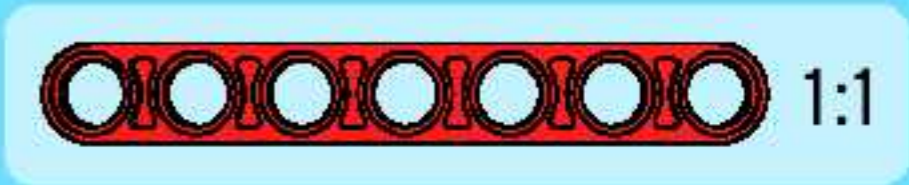
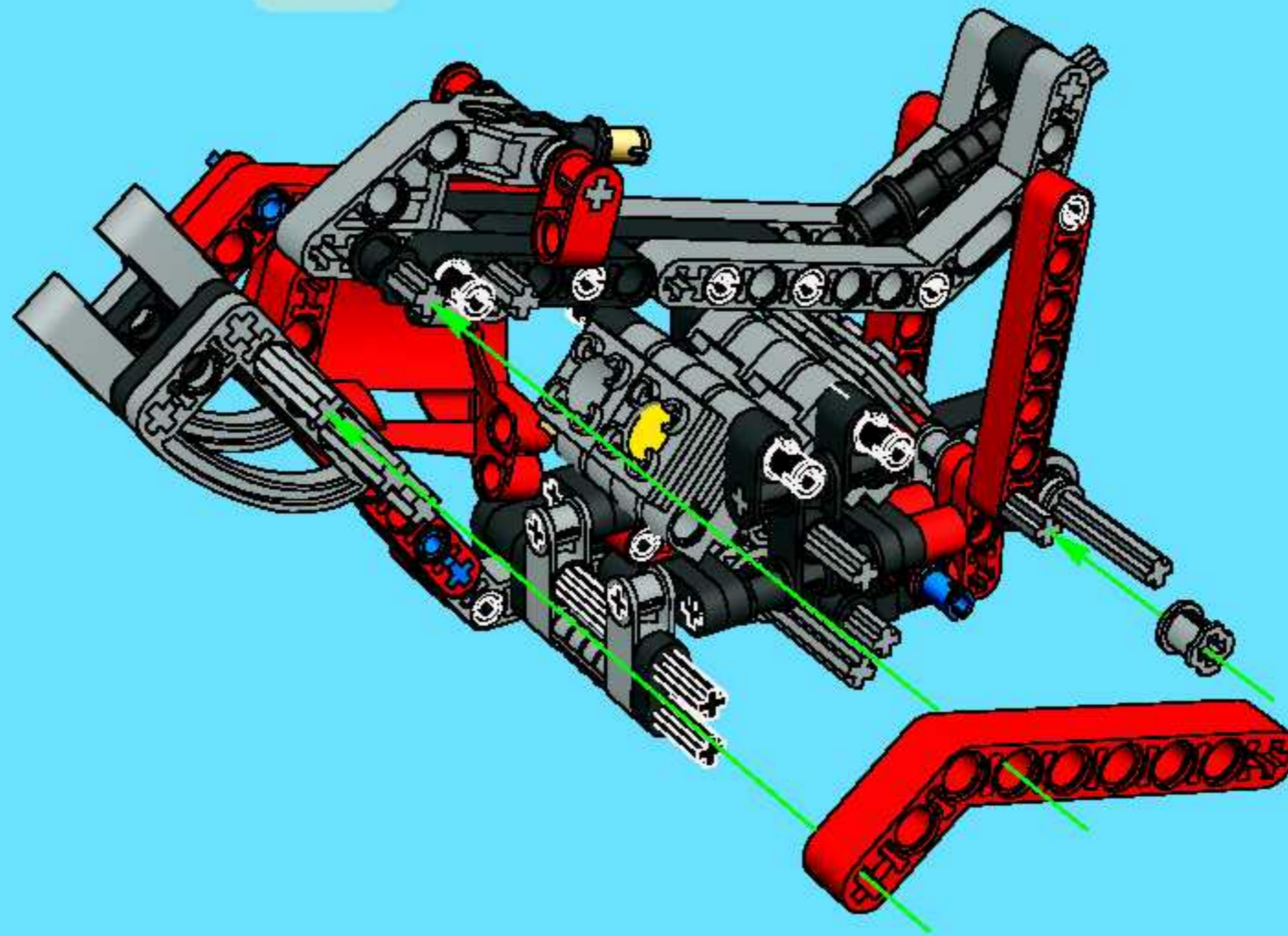


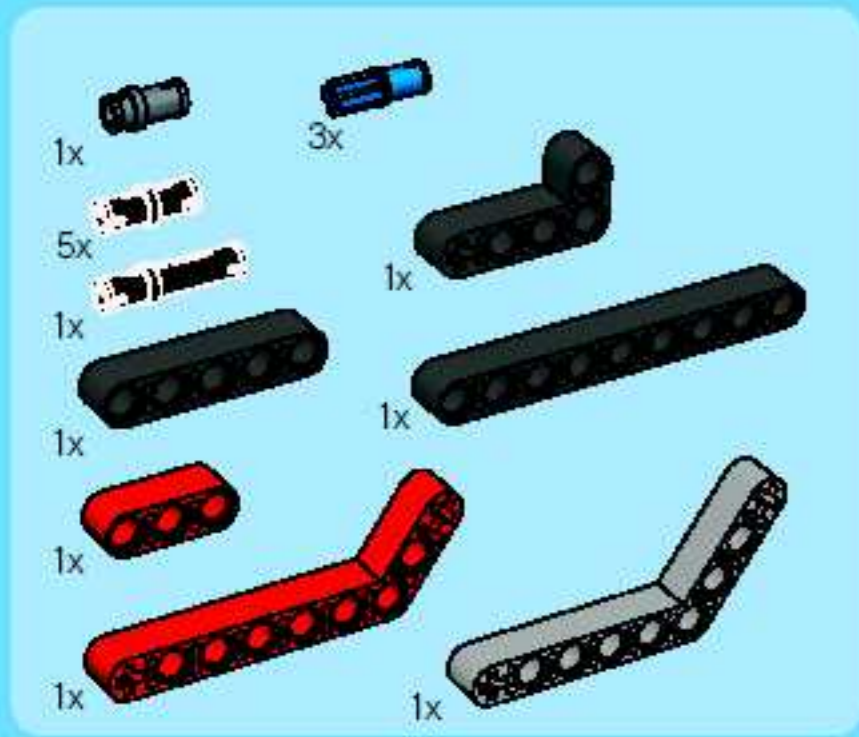
23





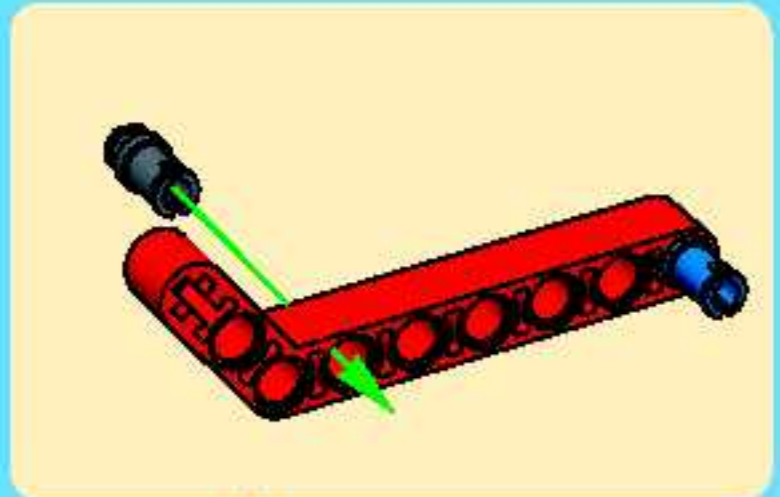
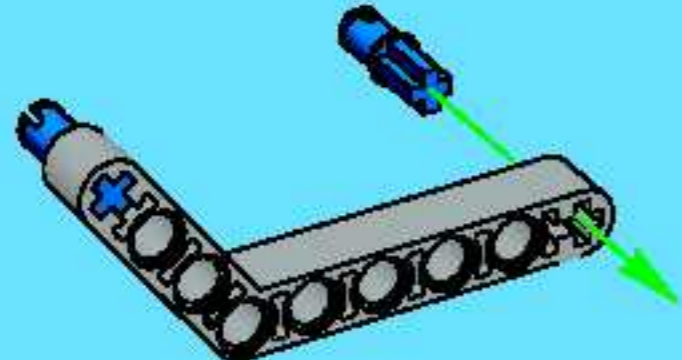
24



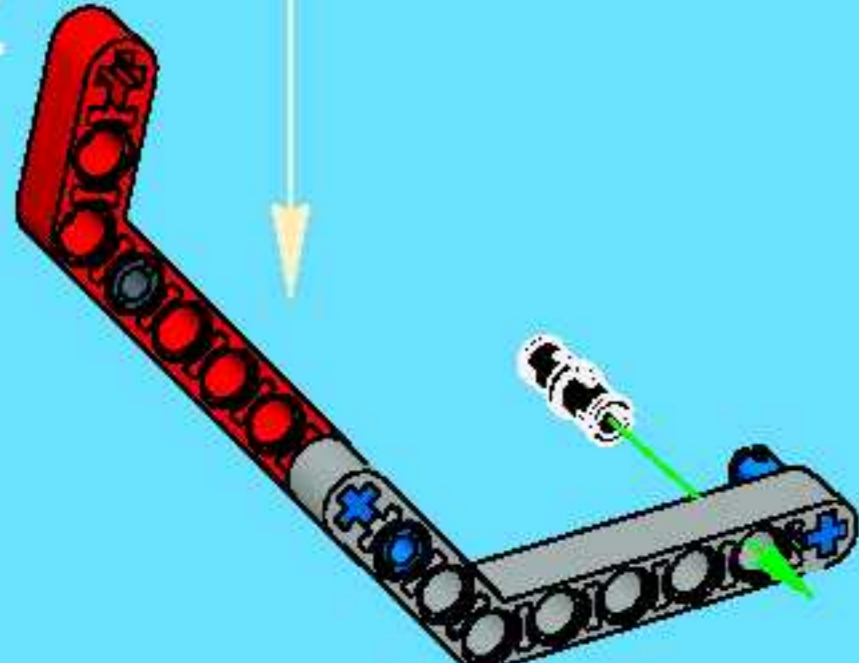


25

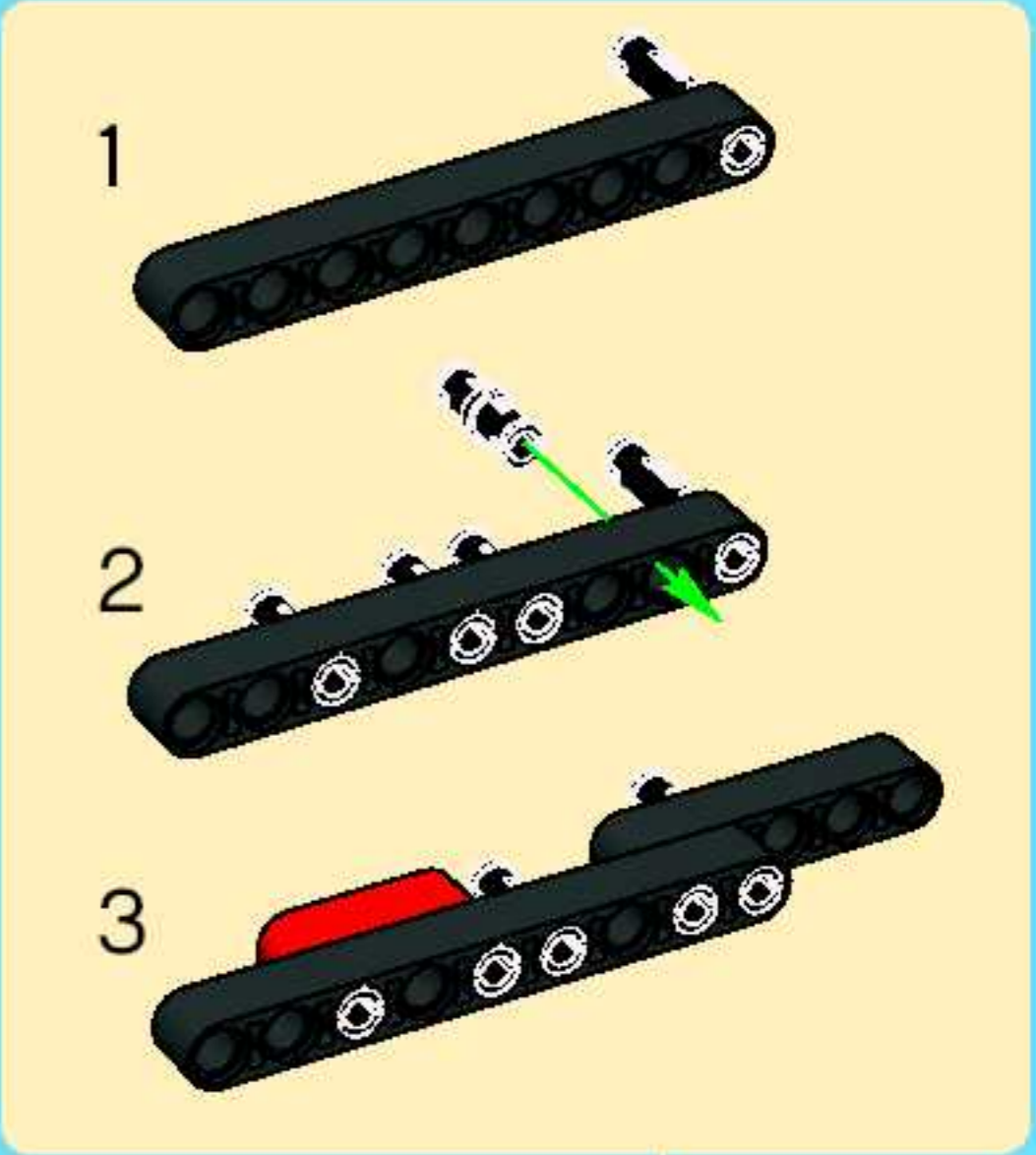
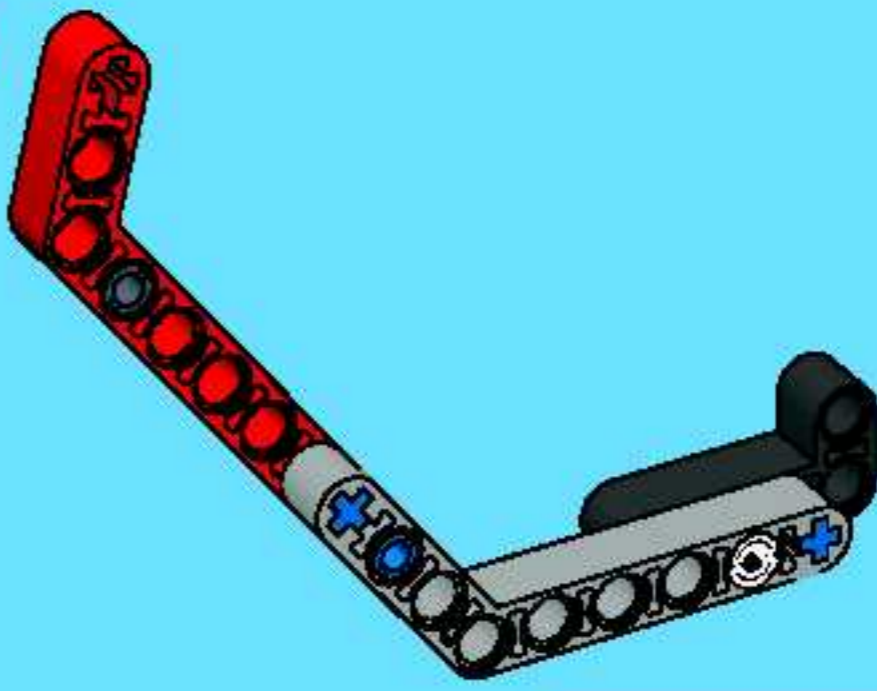
1



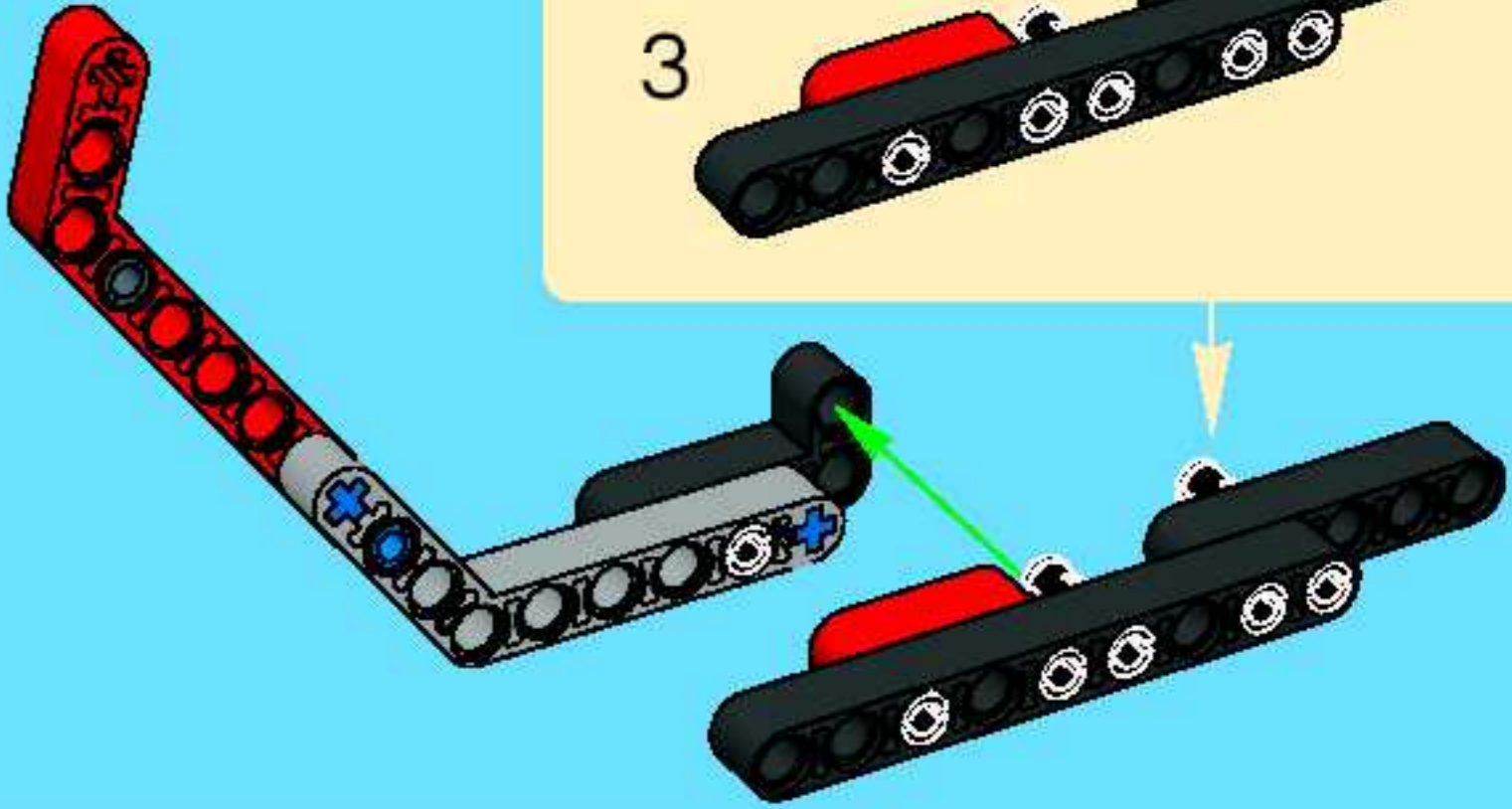
2

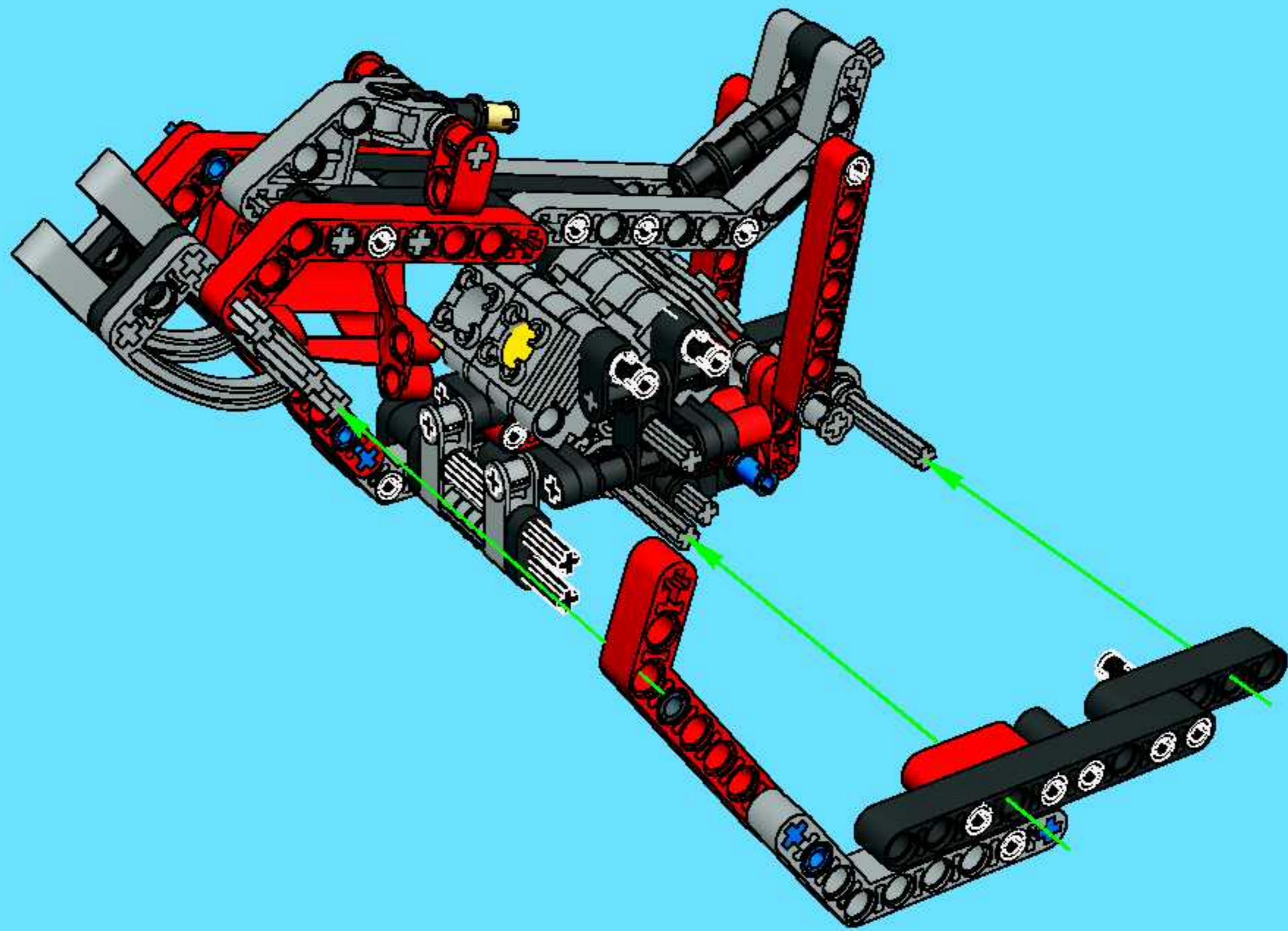


3



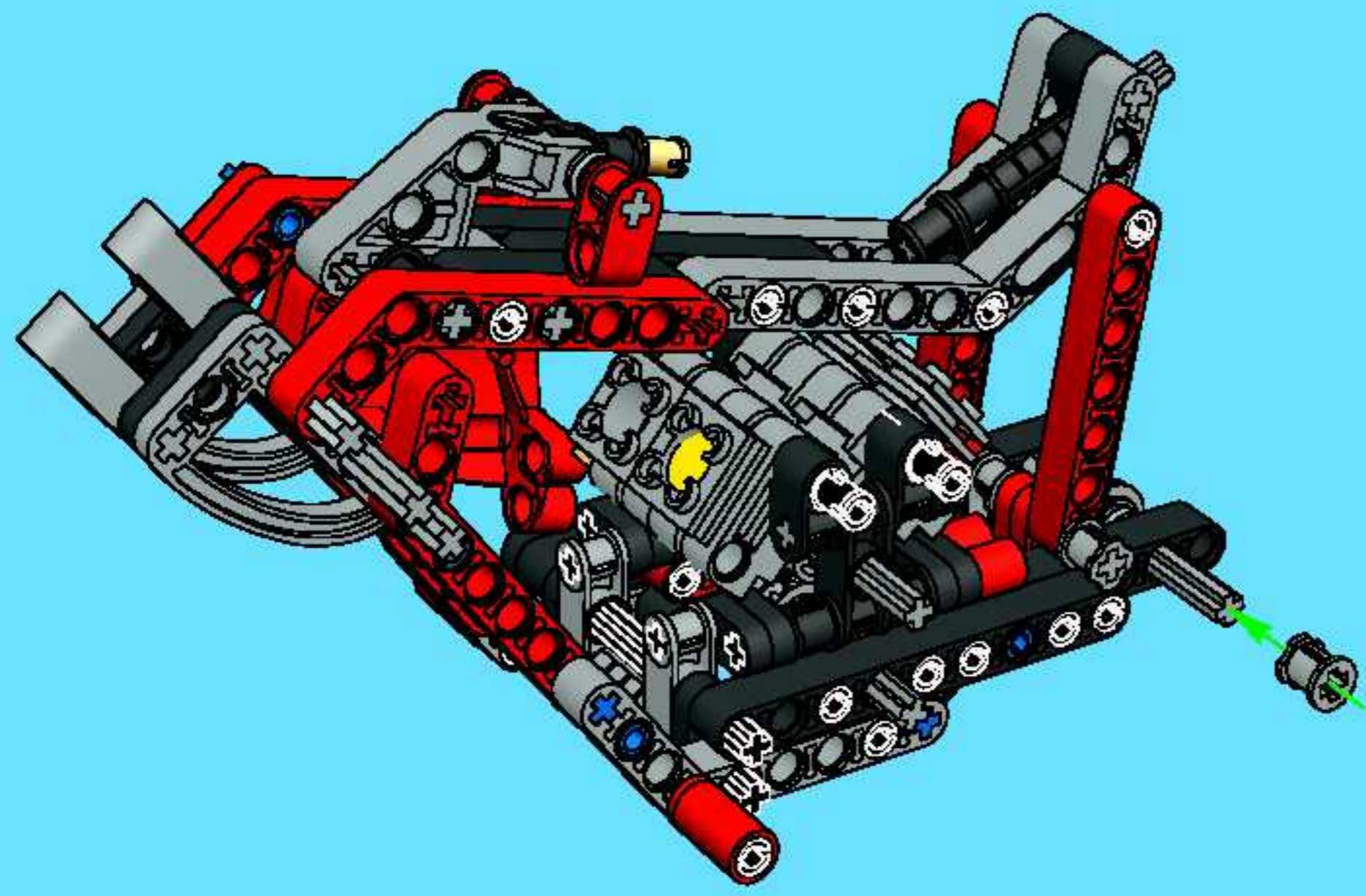
4



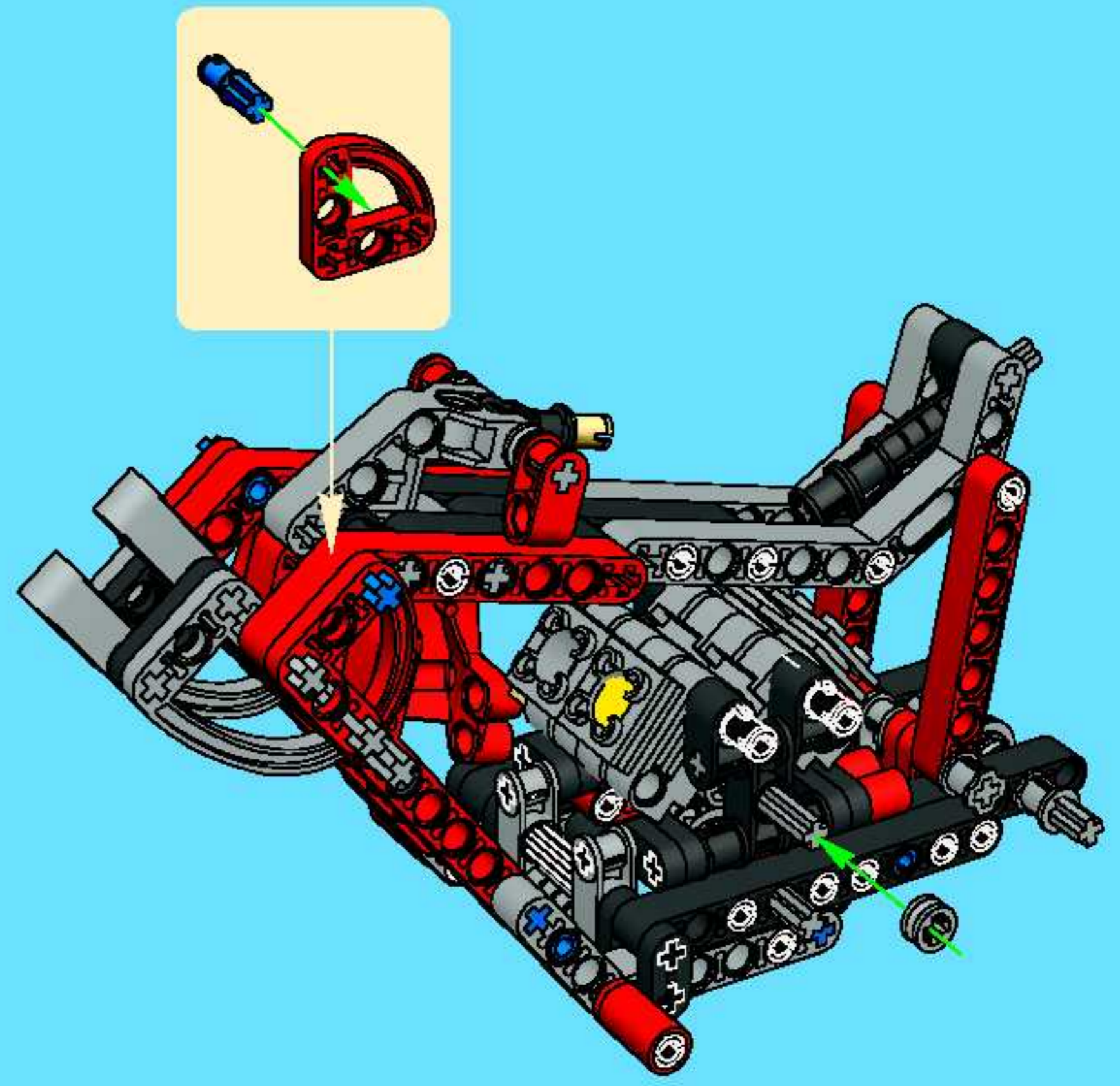




26

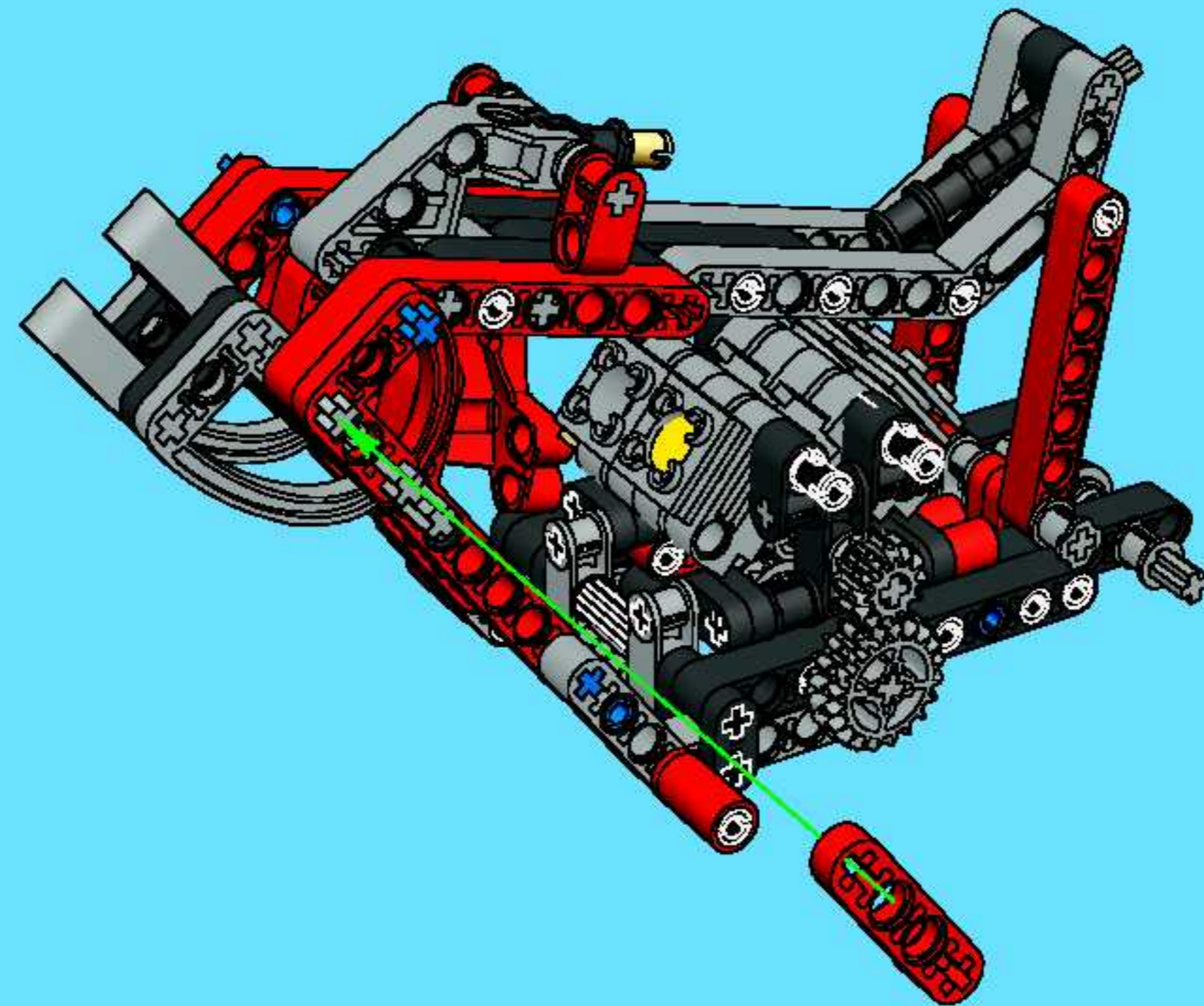


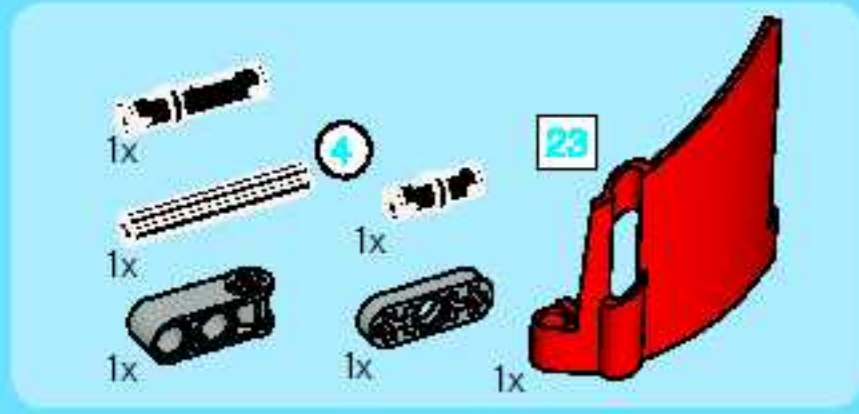
27



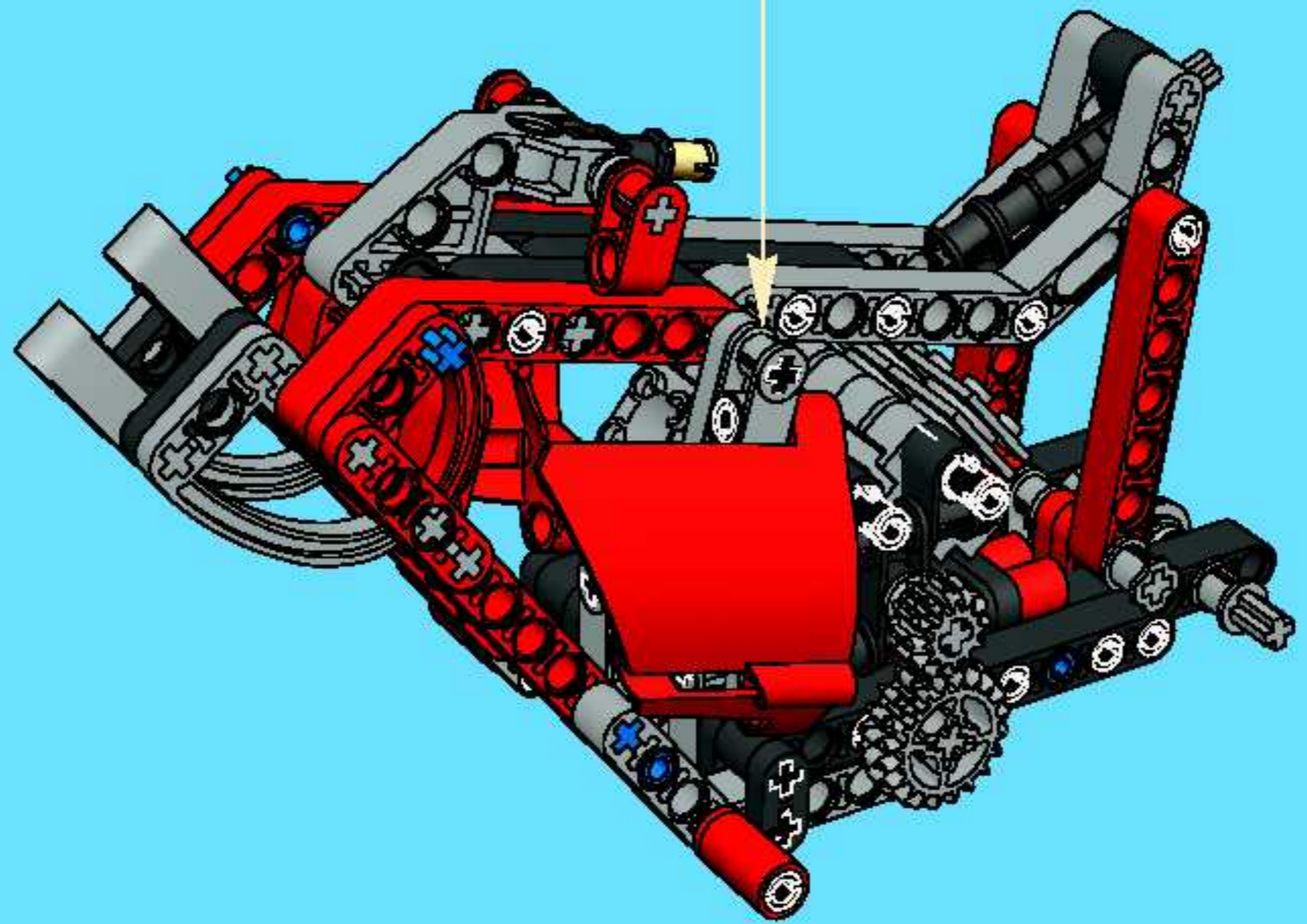
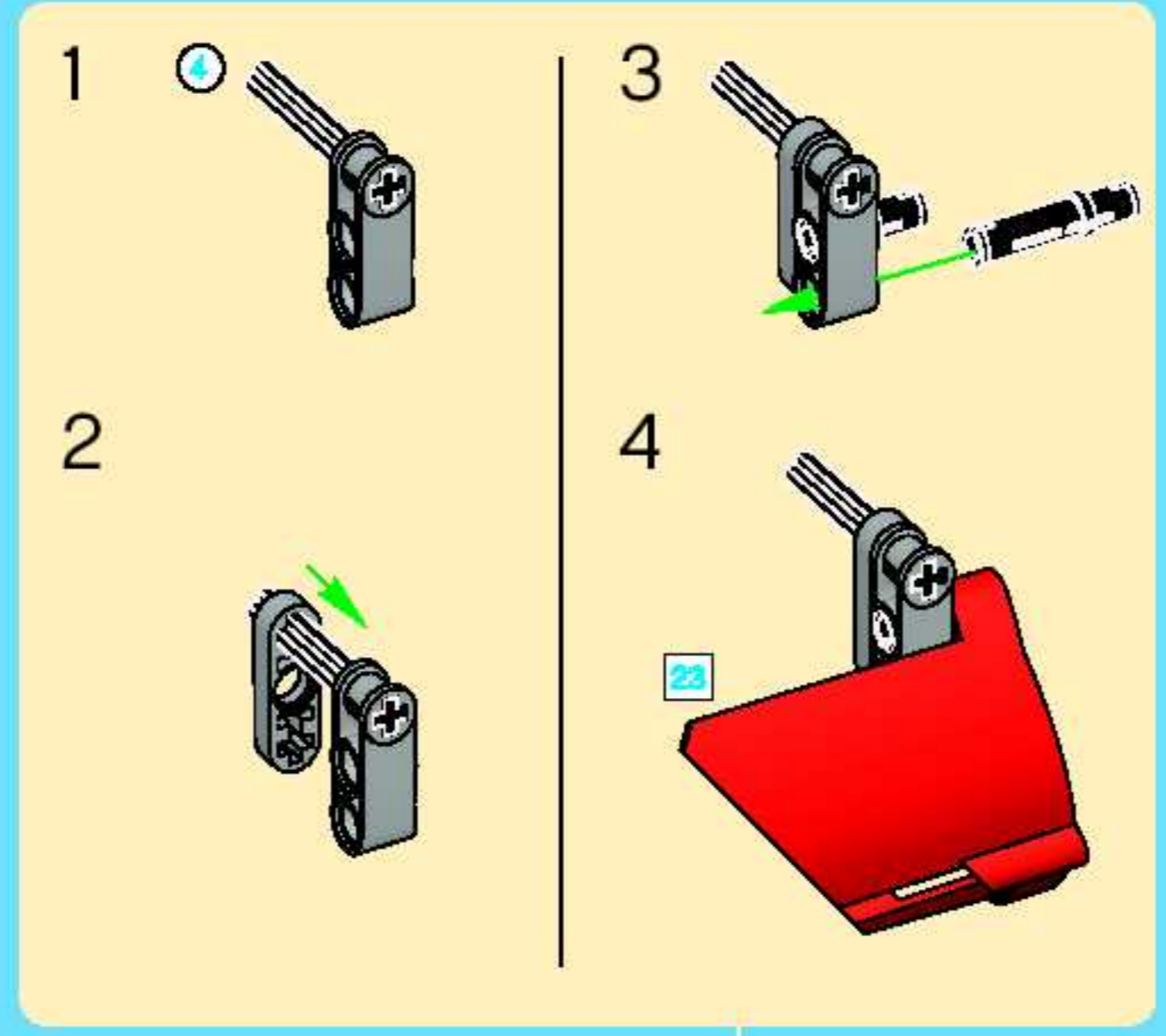


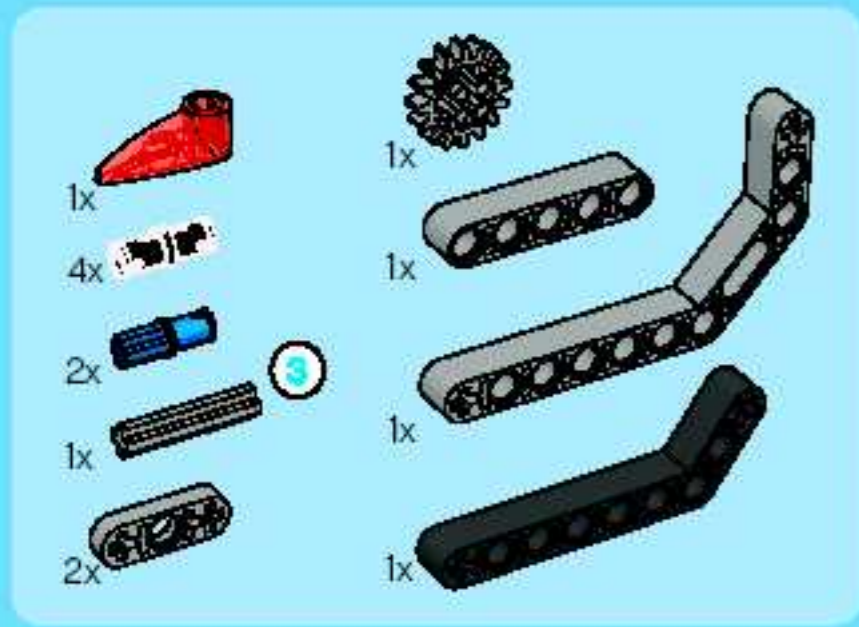
28



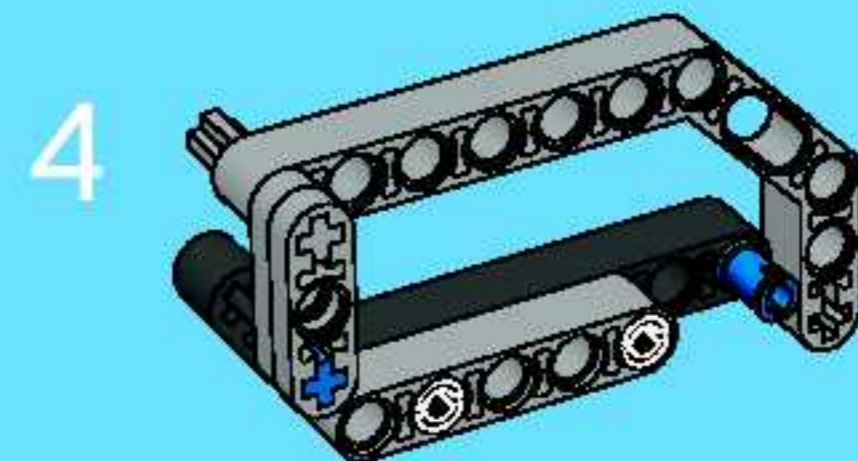
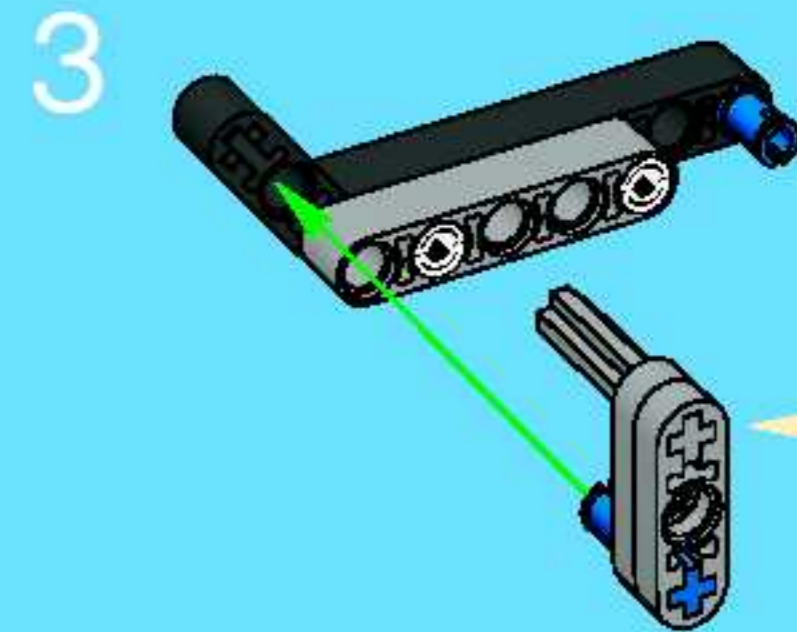
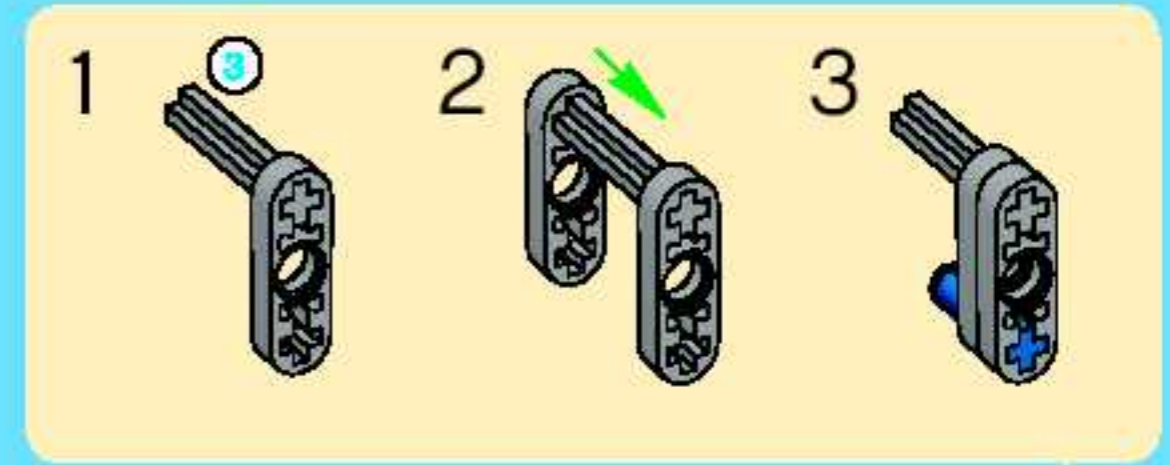
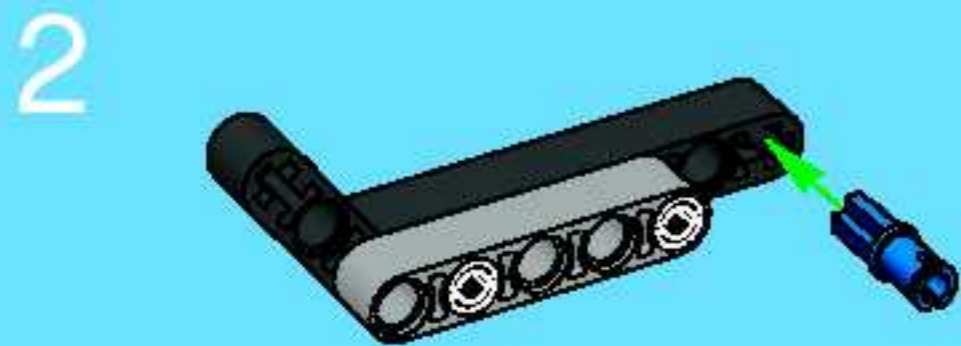


29

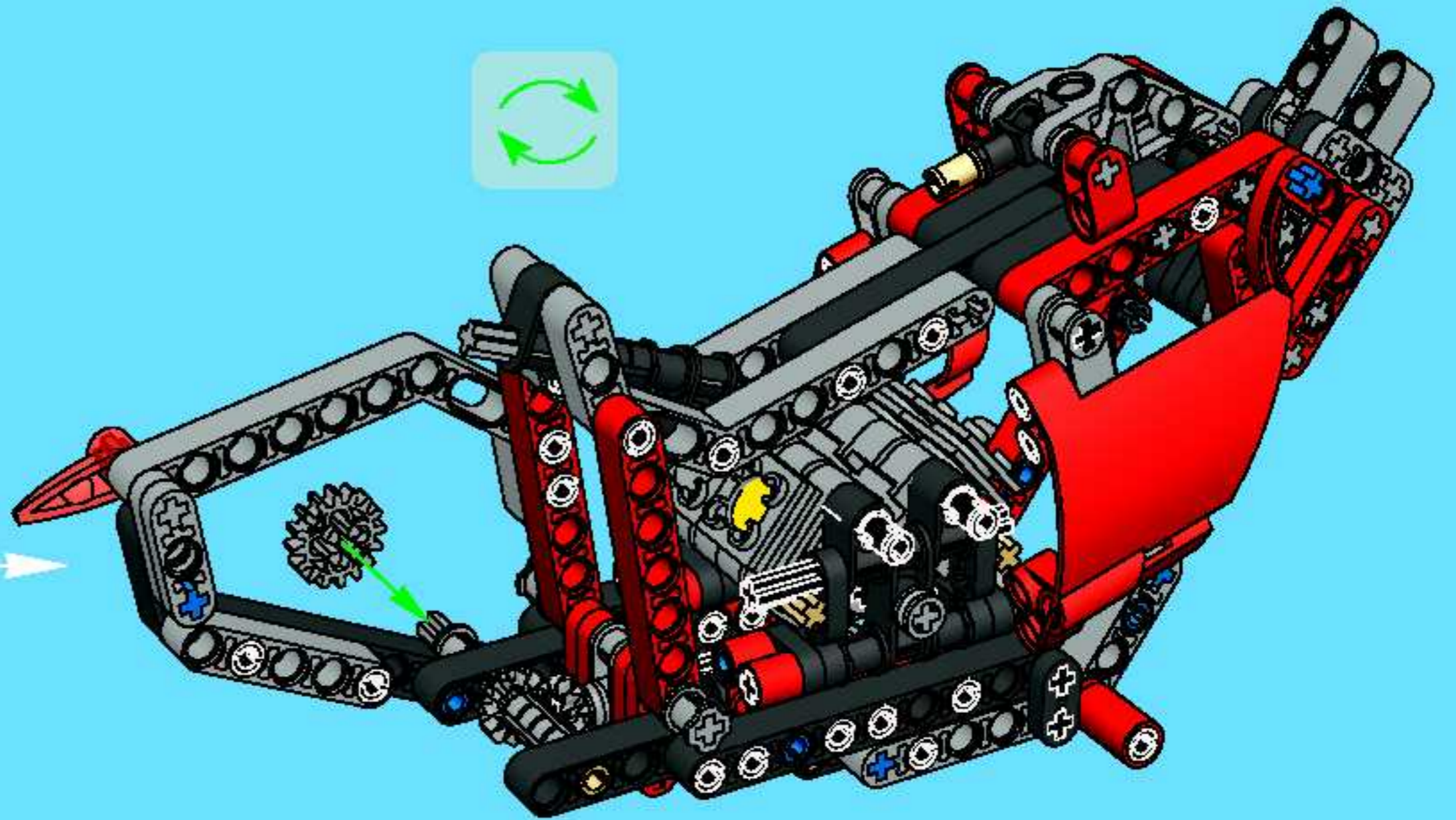
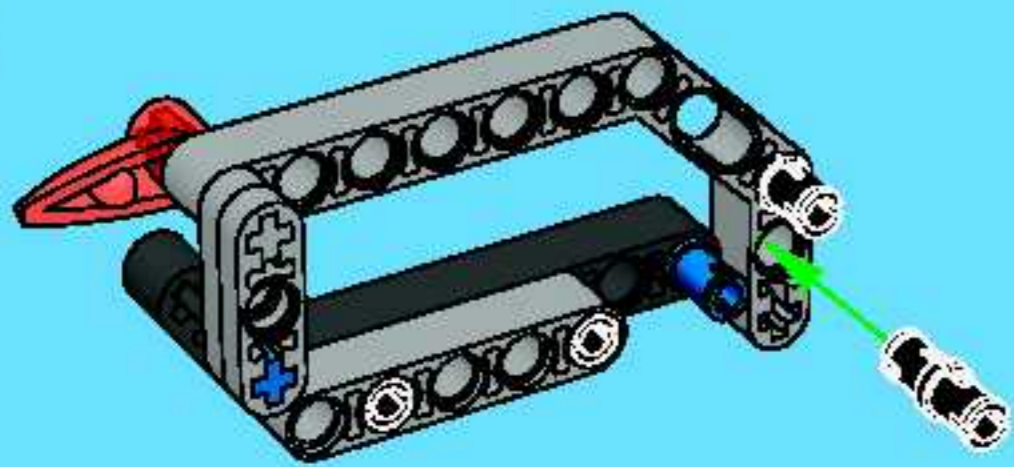


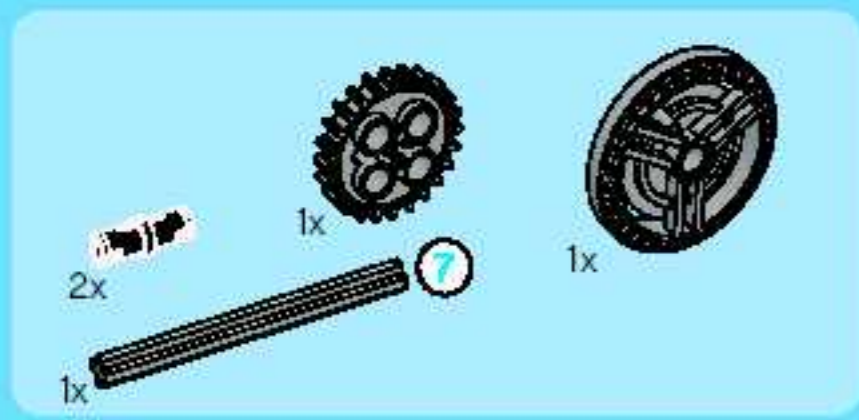


30

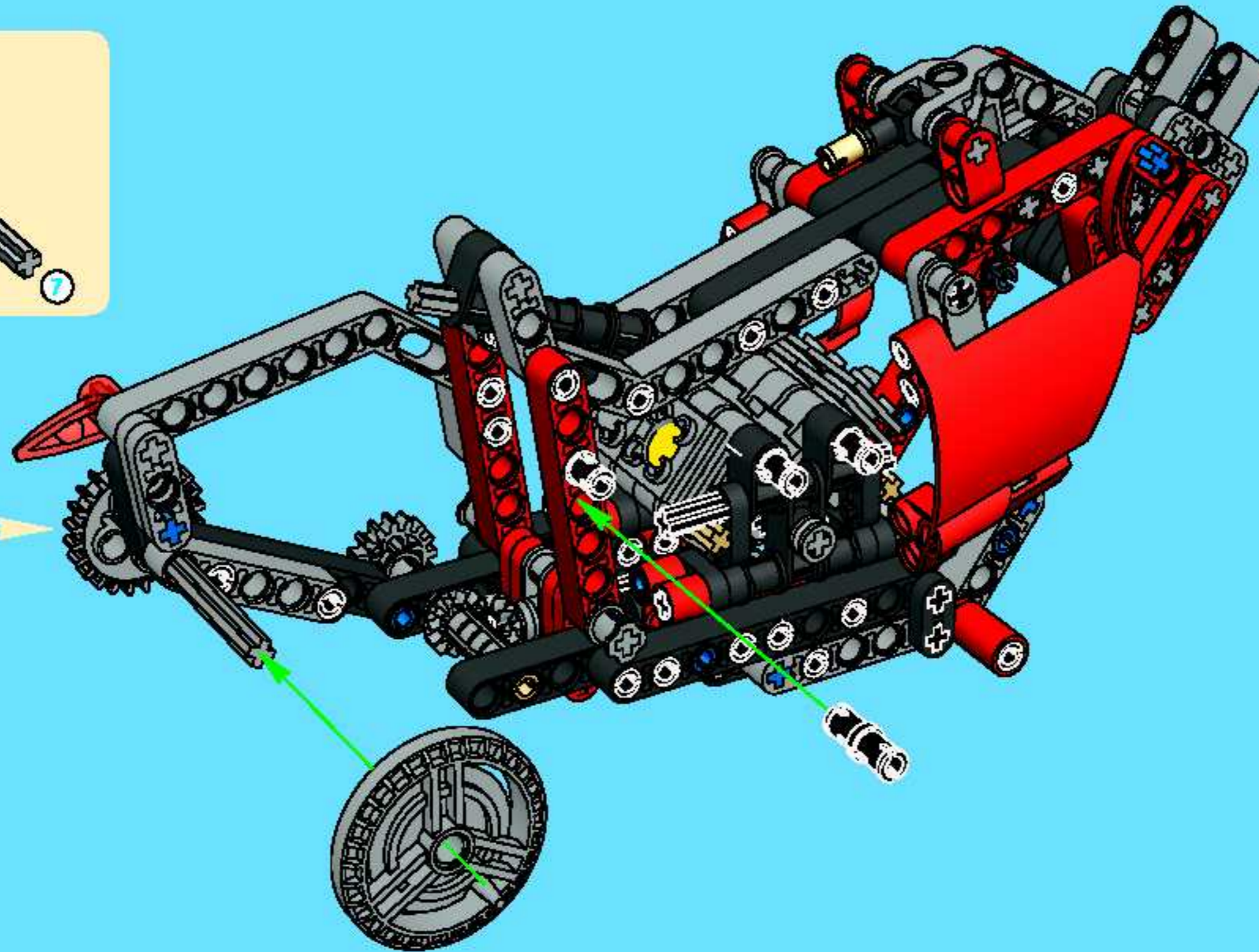
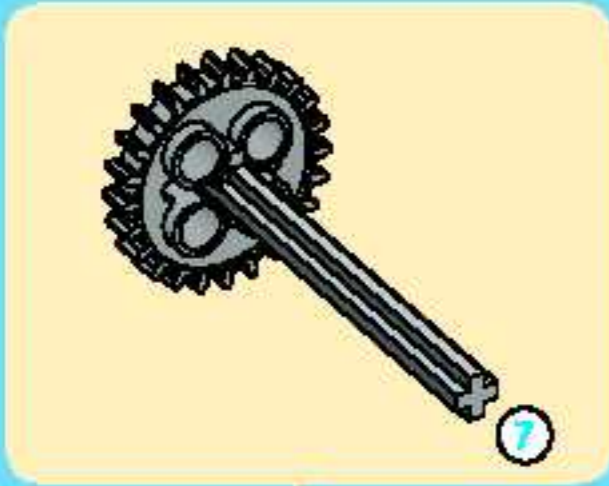


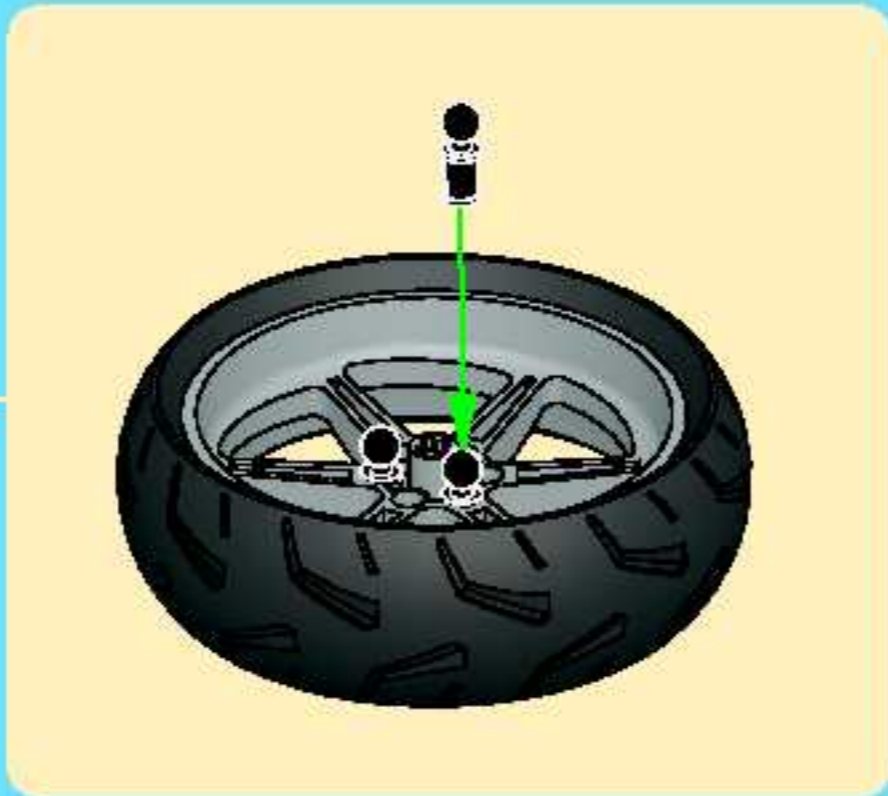
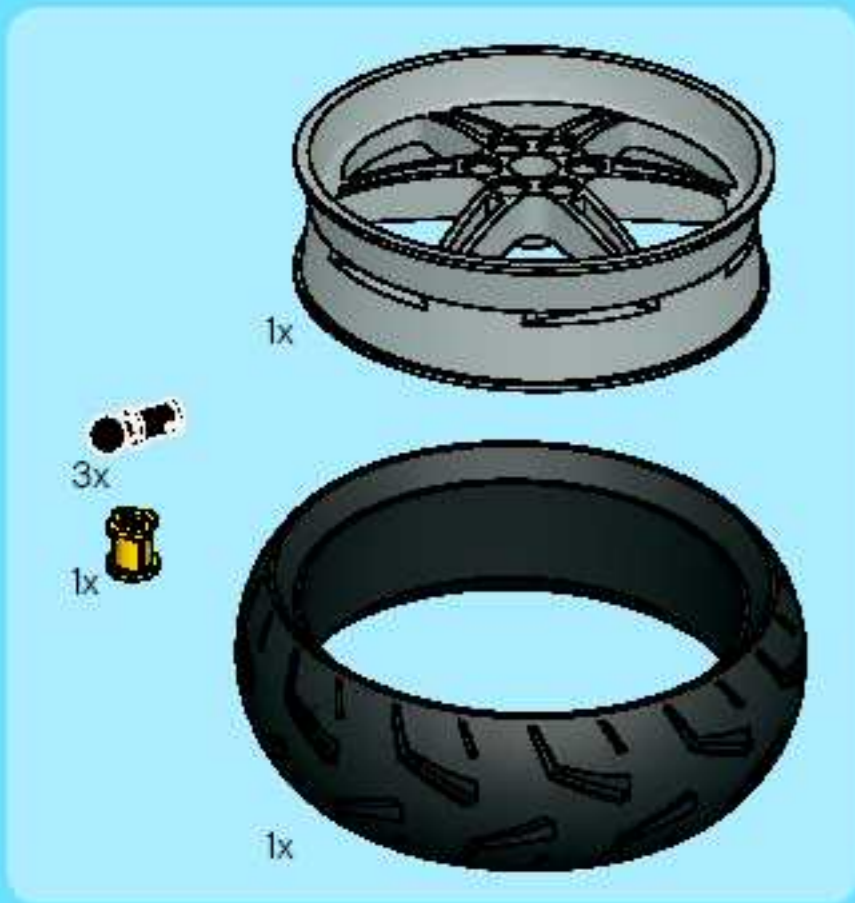
5



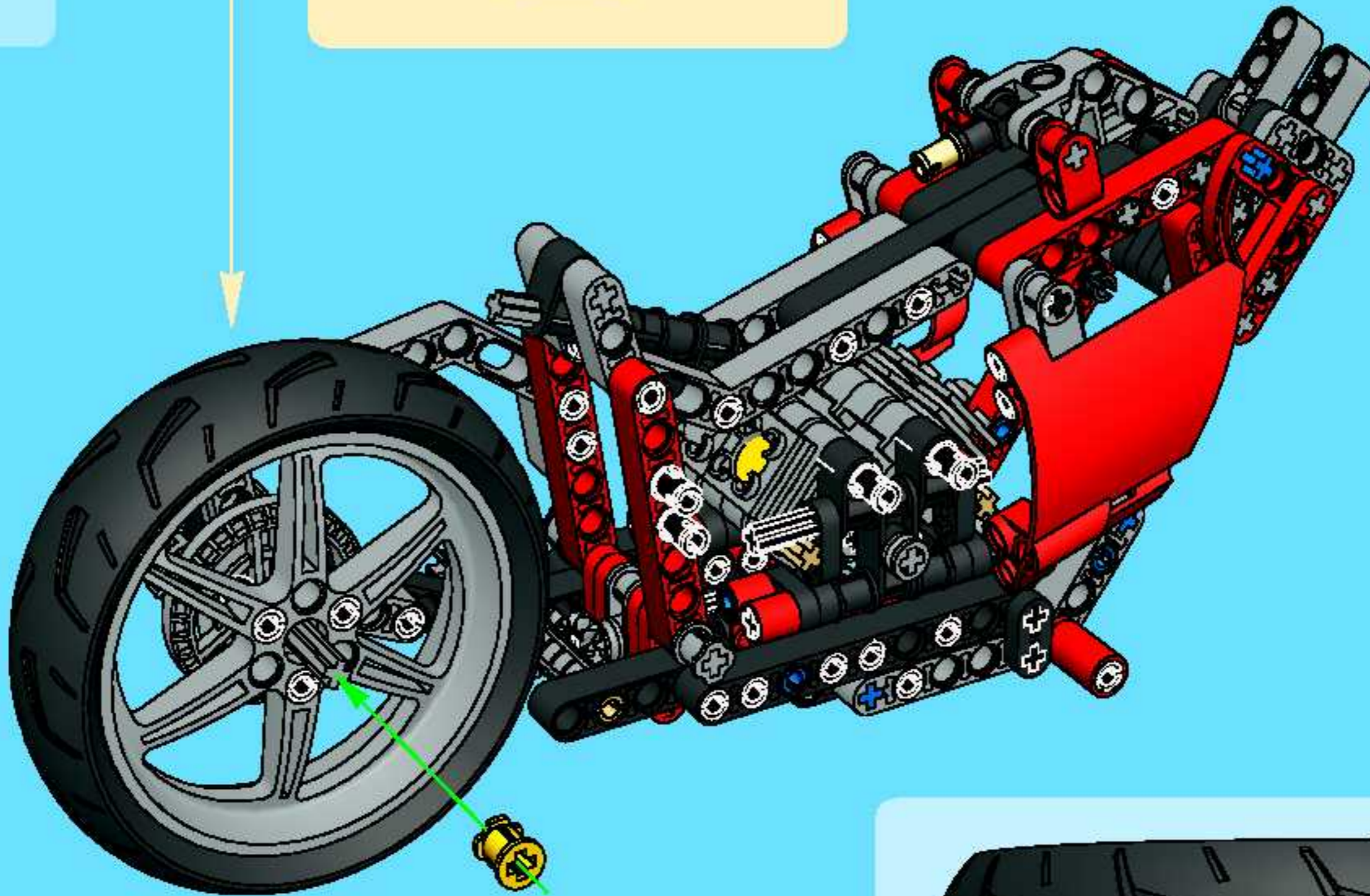


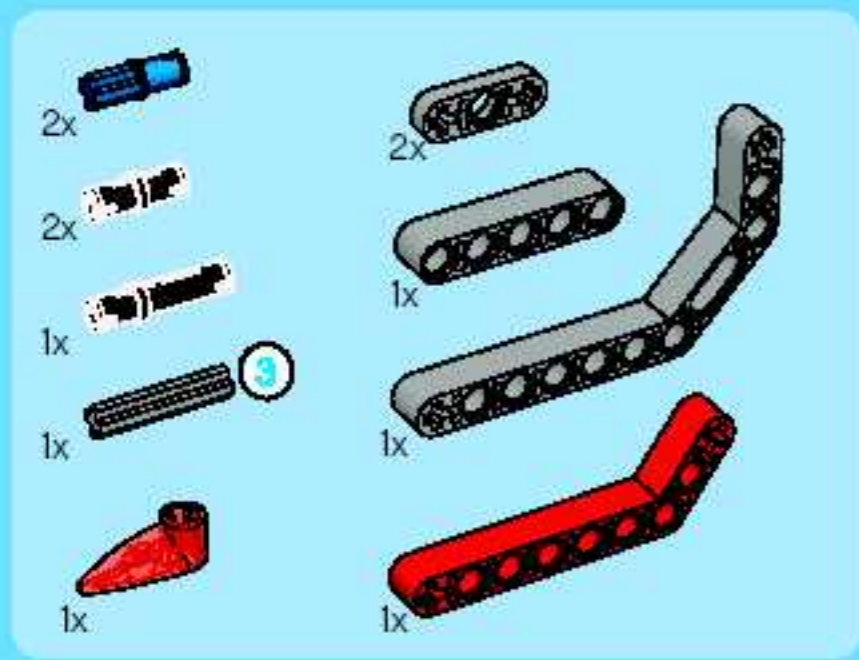
31





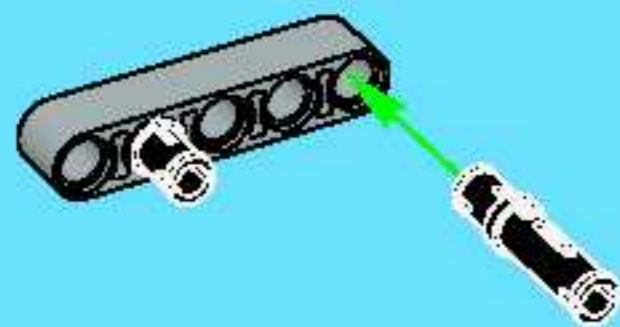
32



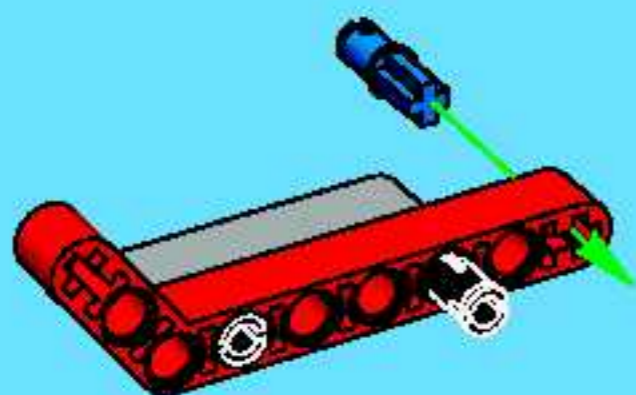


33

1



2



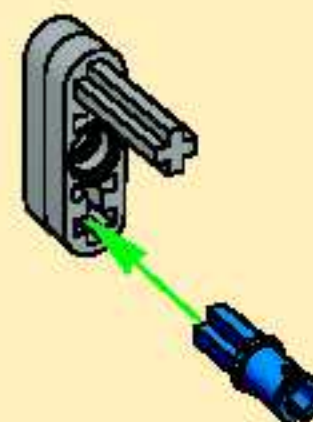
1



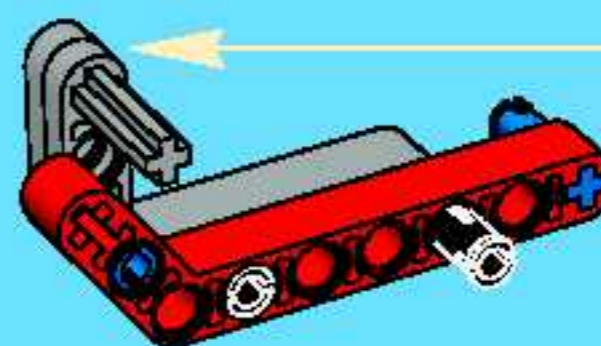
2



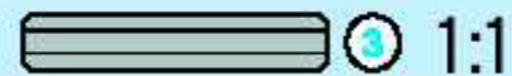
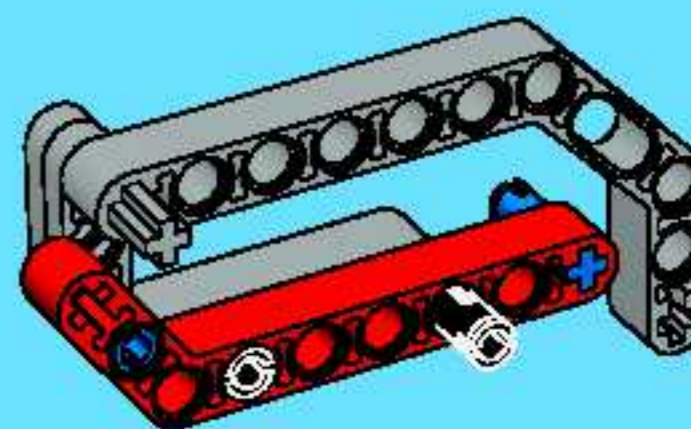
3



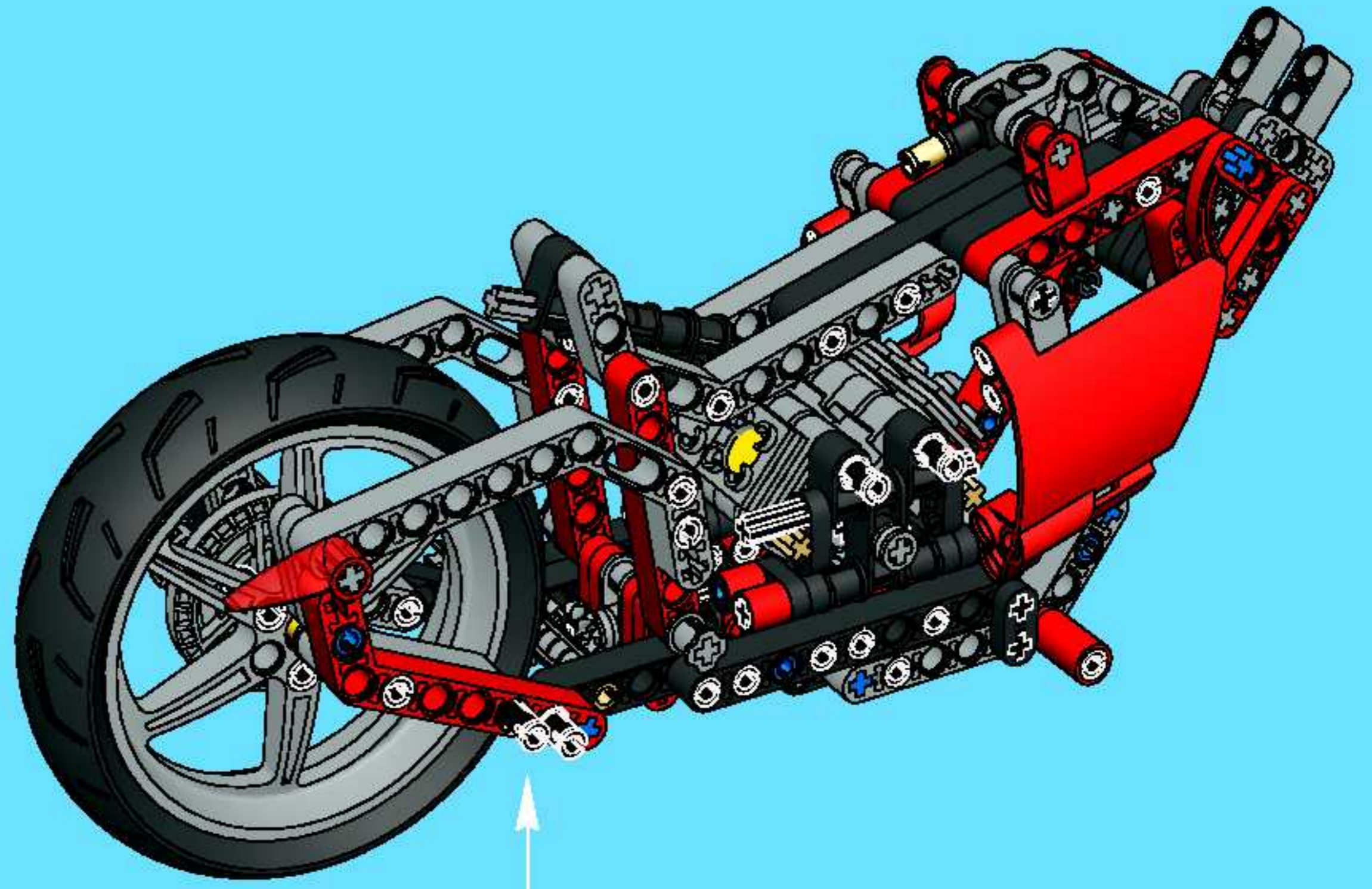
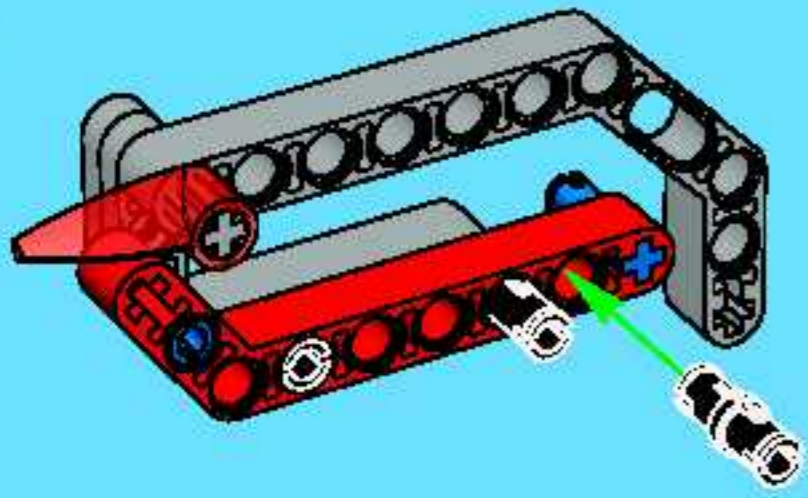
3

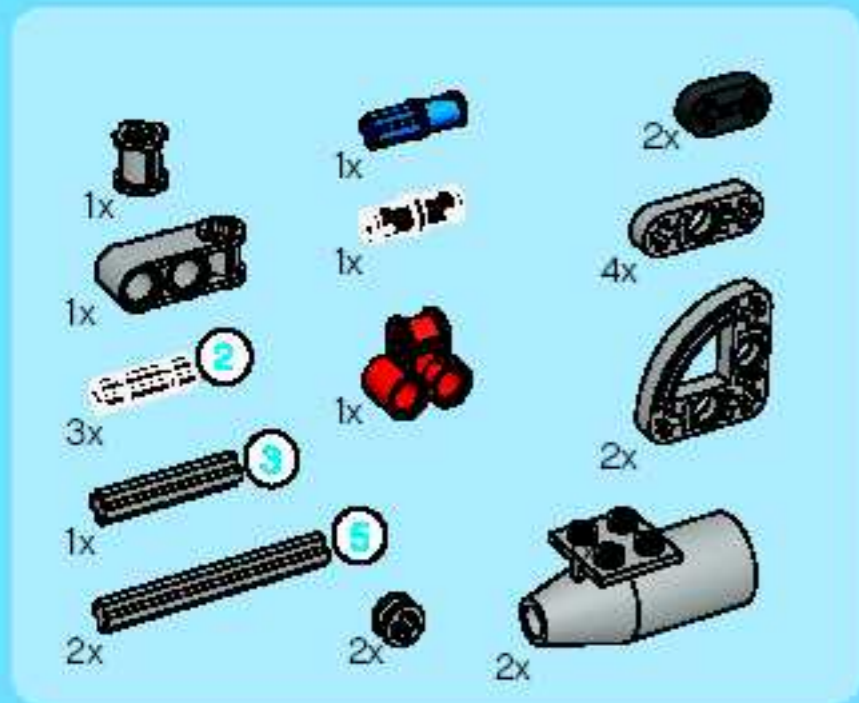


4

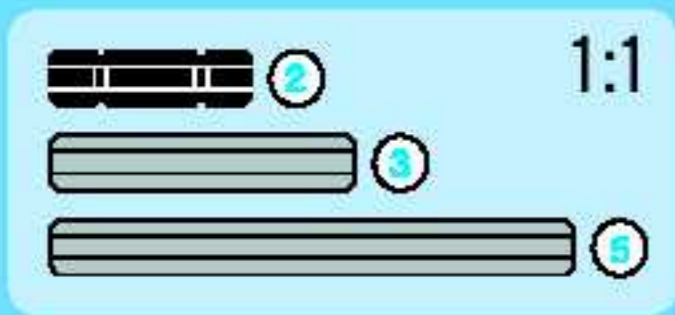
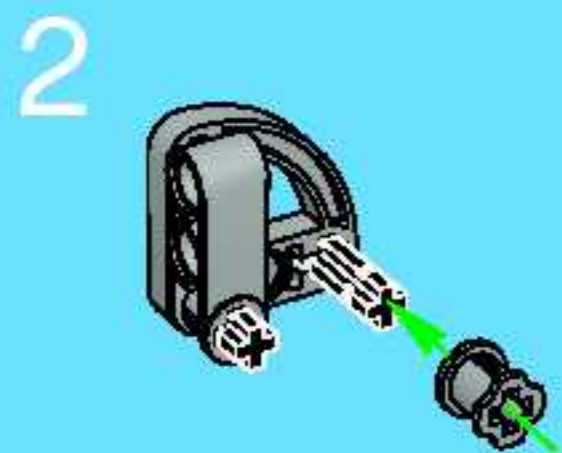
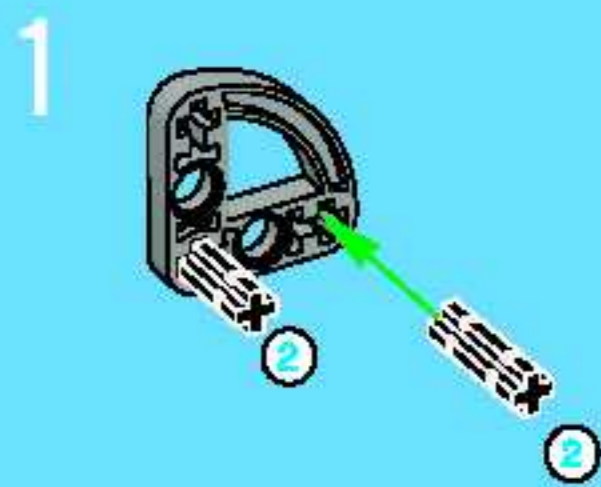


5

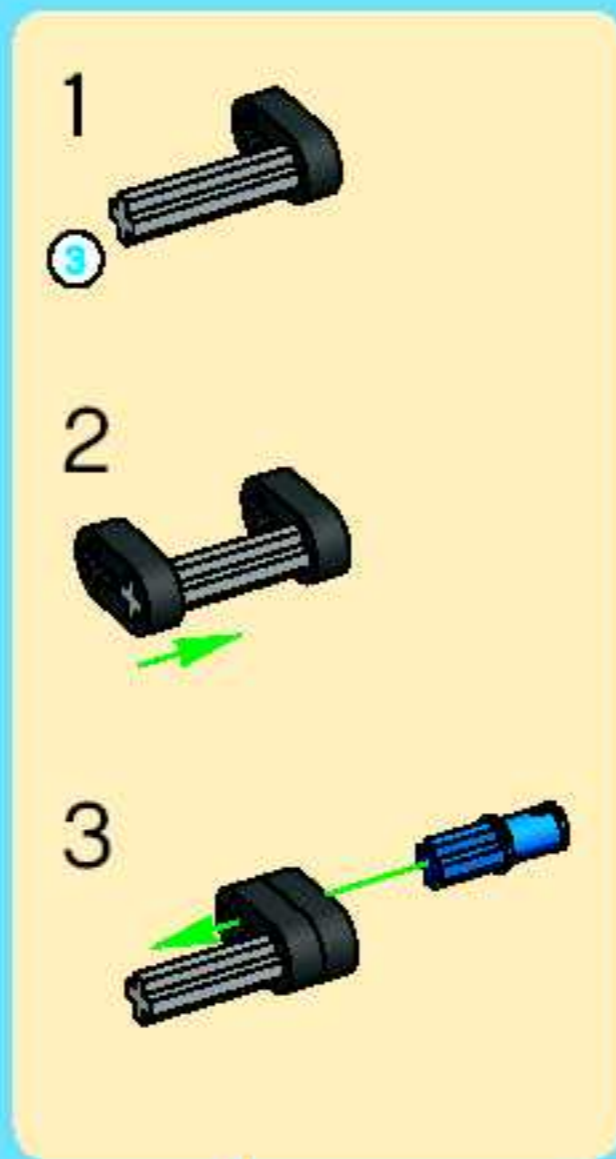
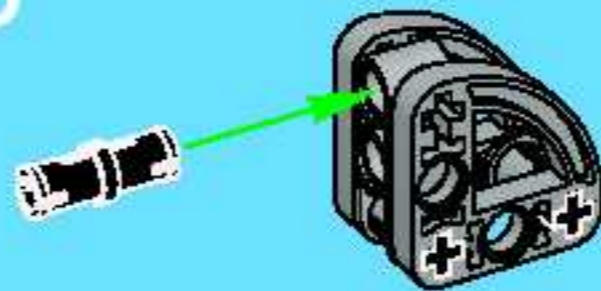




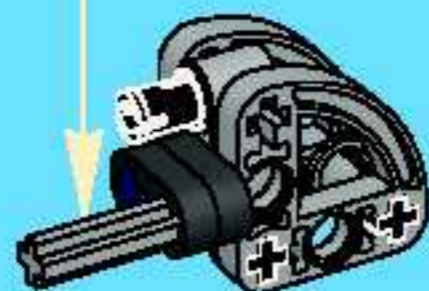
34



3



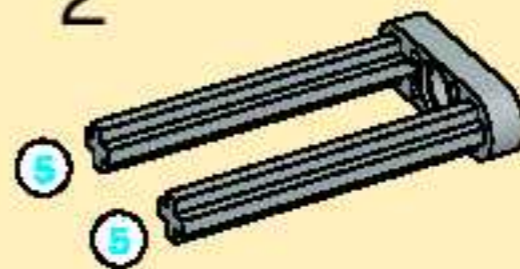
4



1



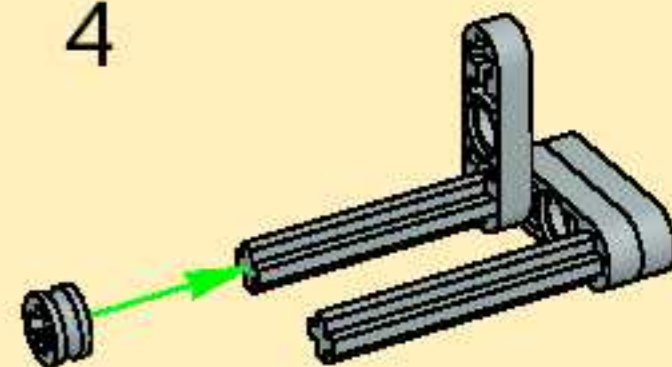
2



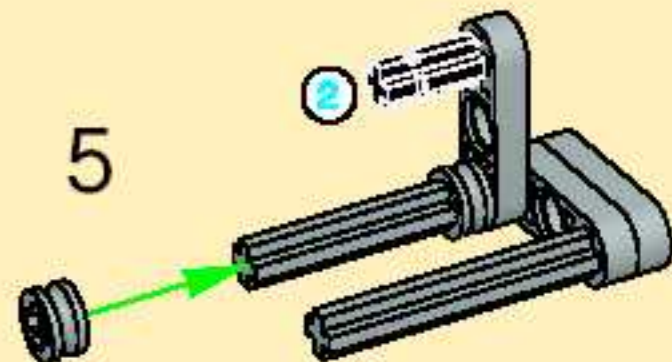
3



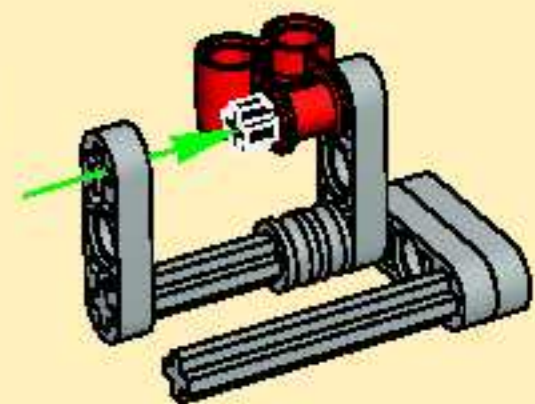
4



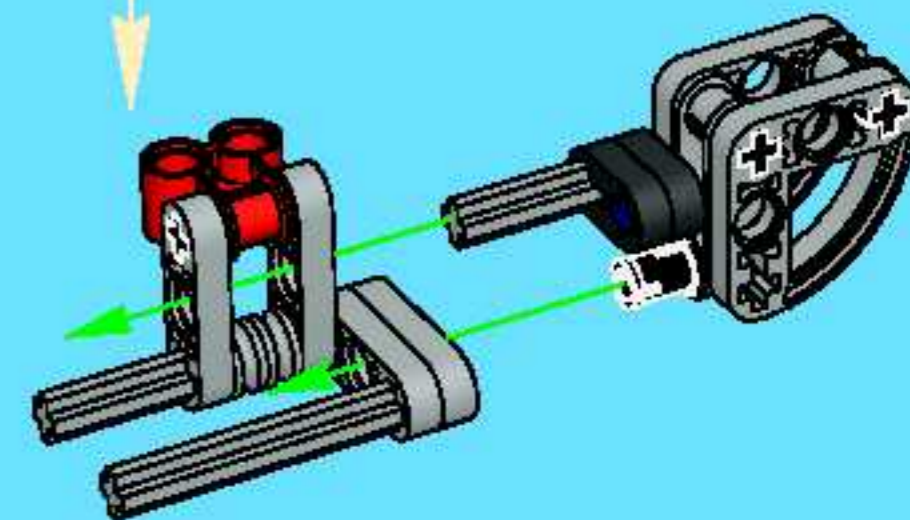
5



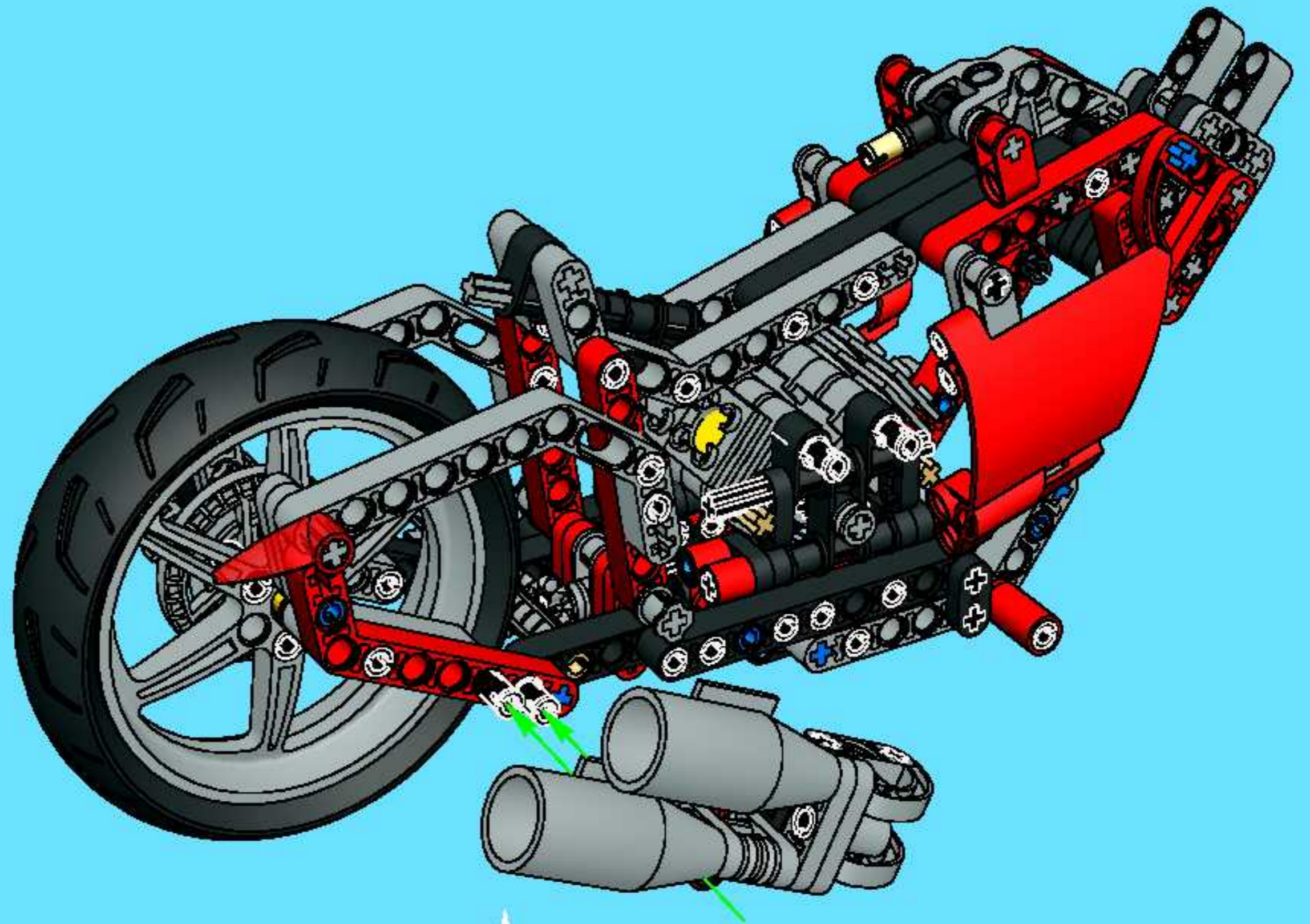
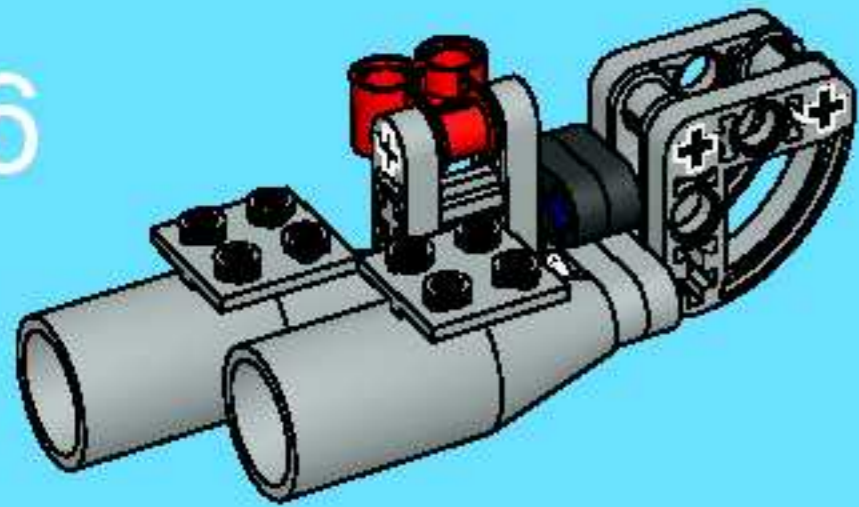
6



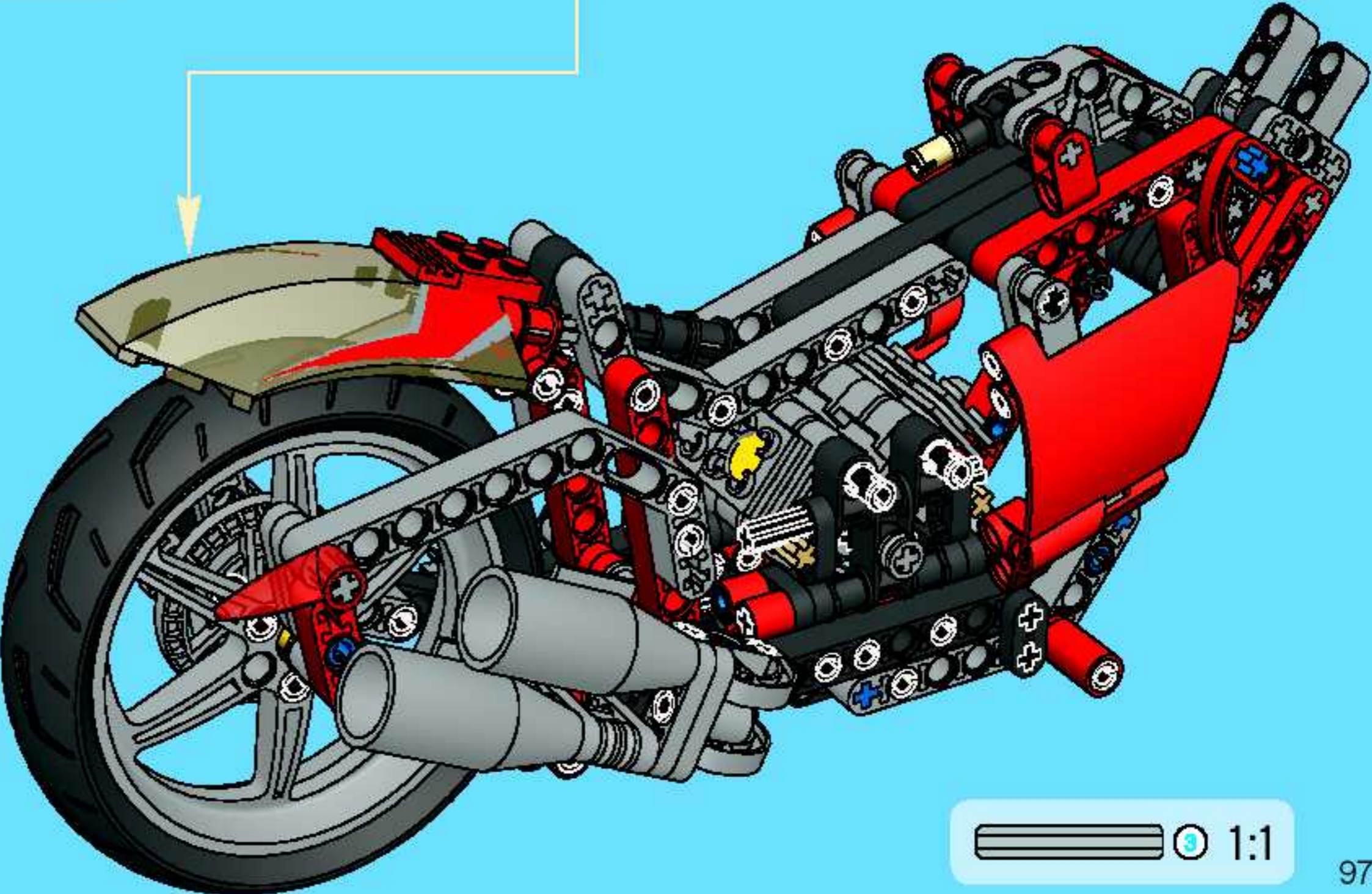
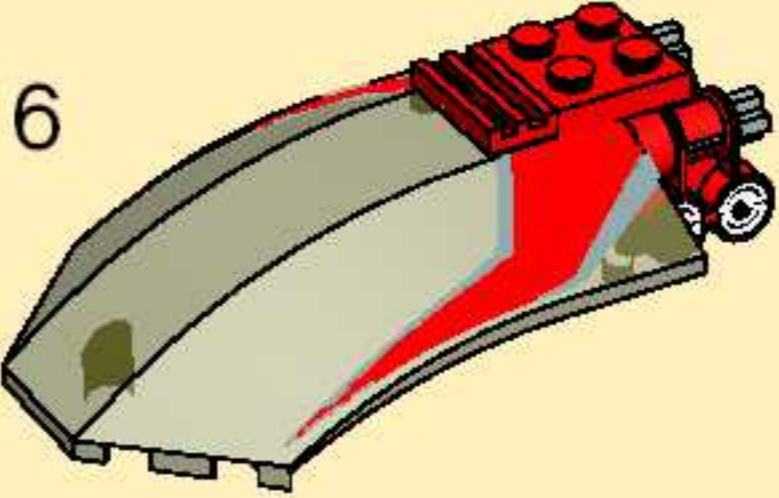
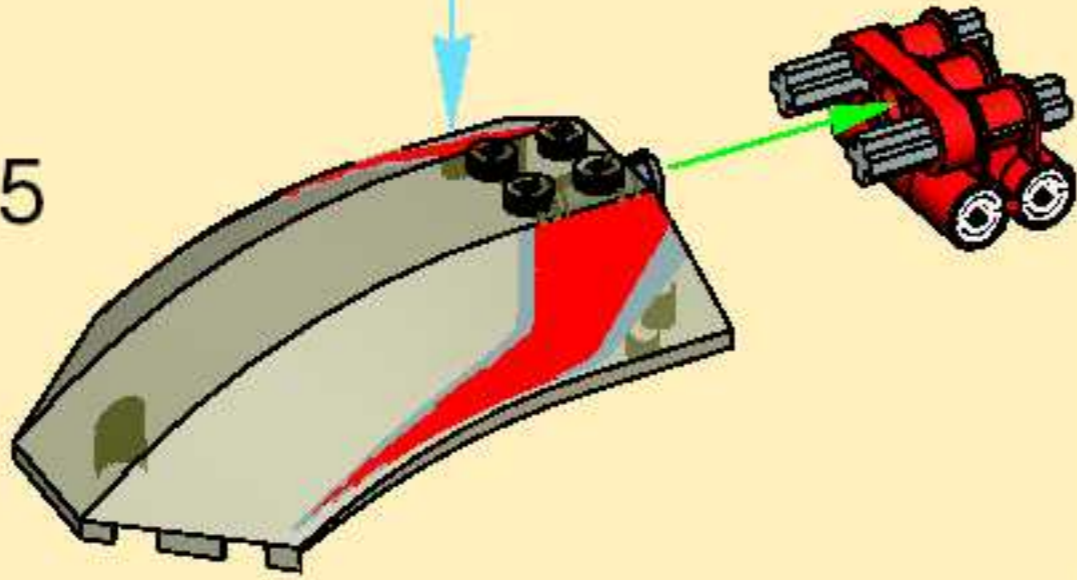
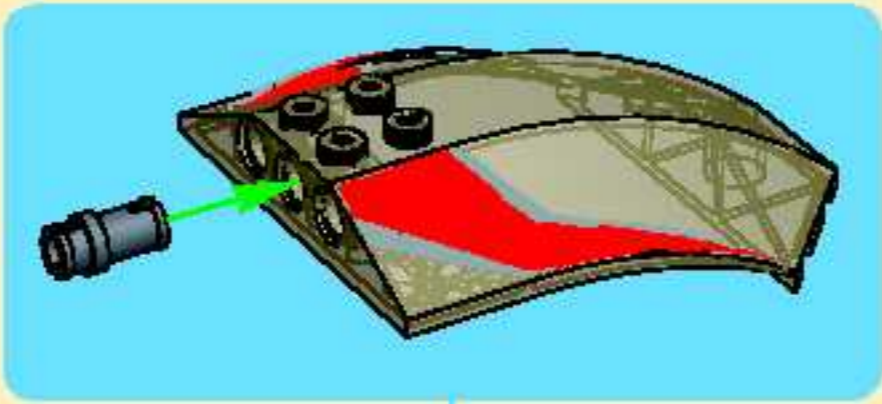
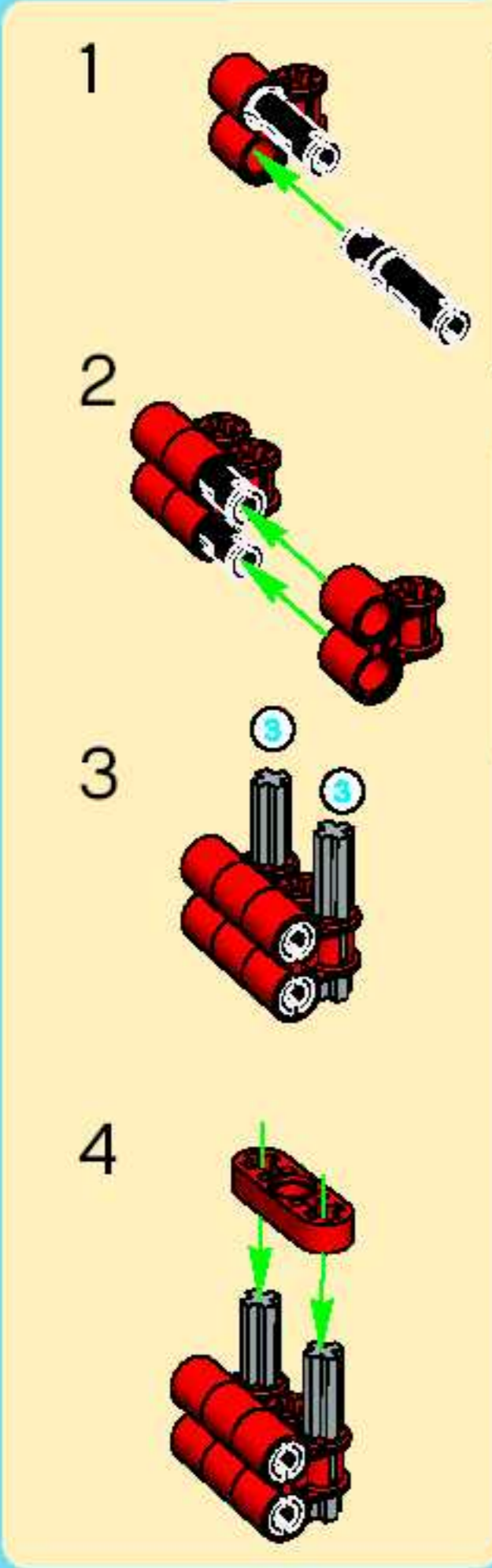
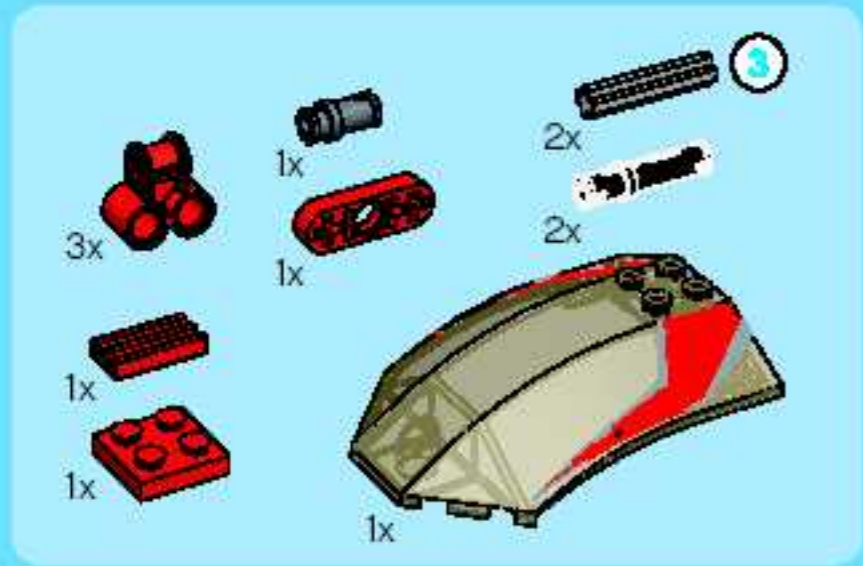
5

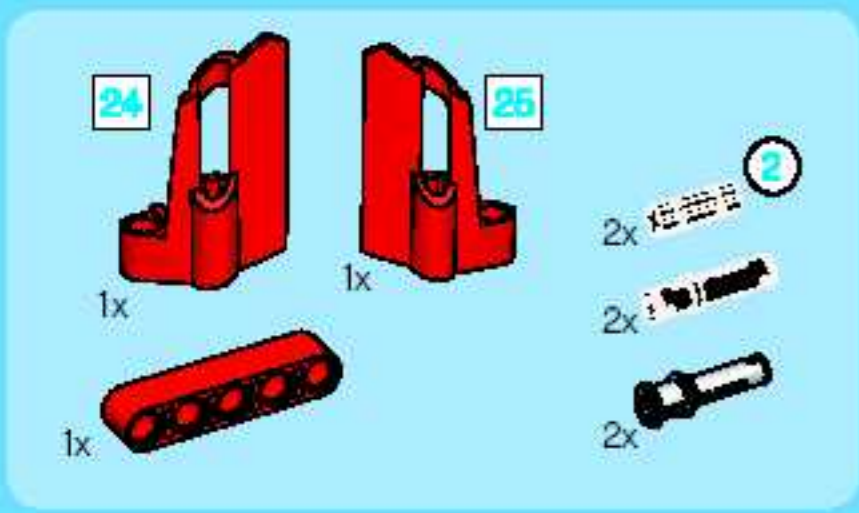


6

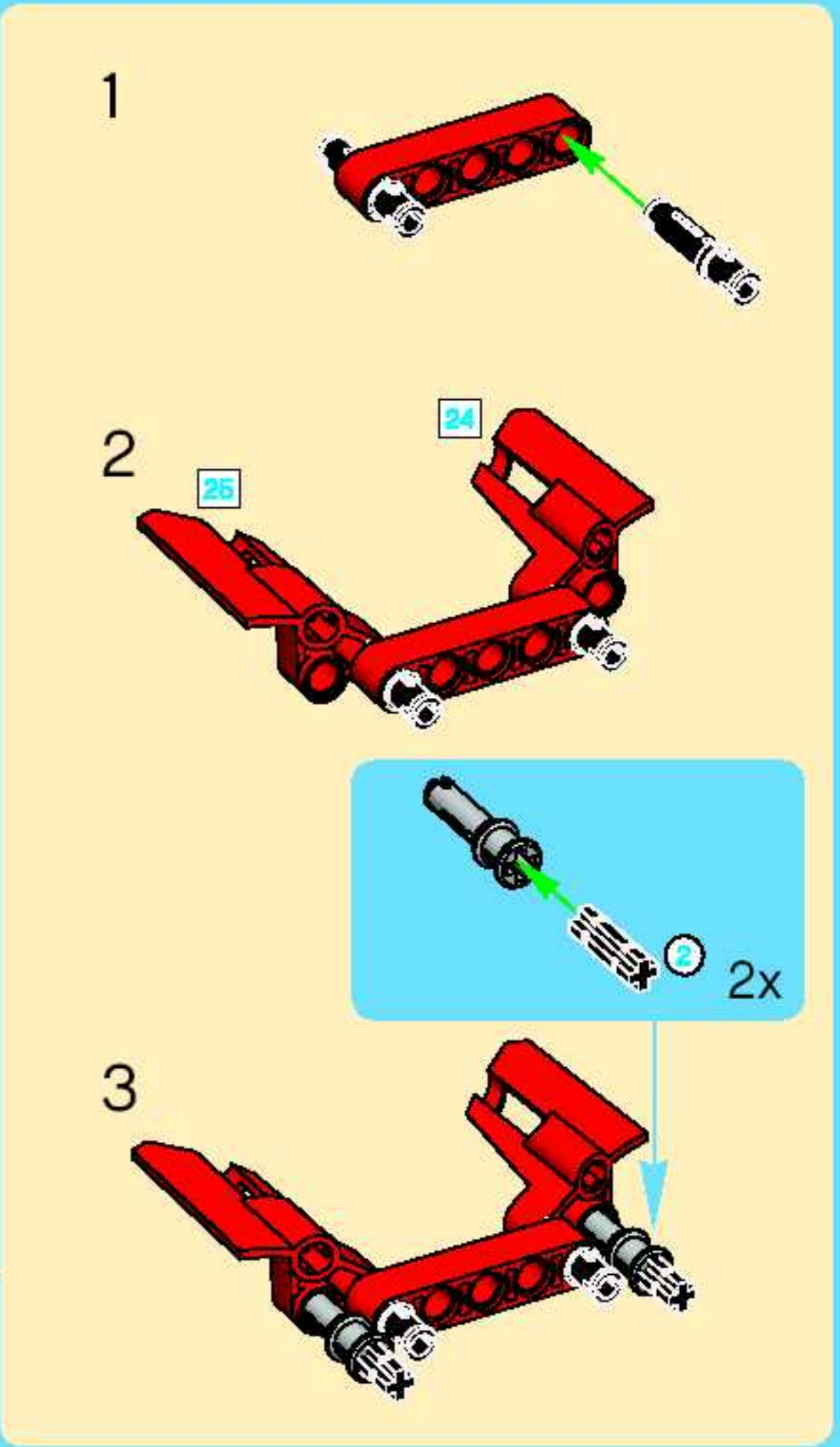
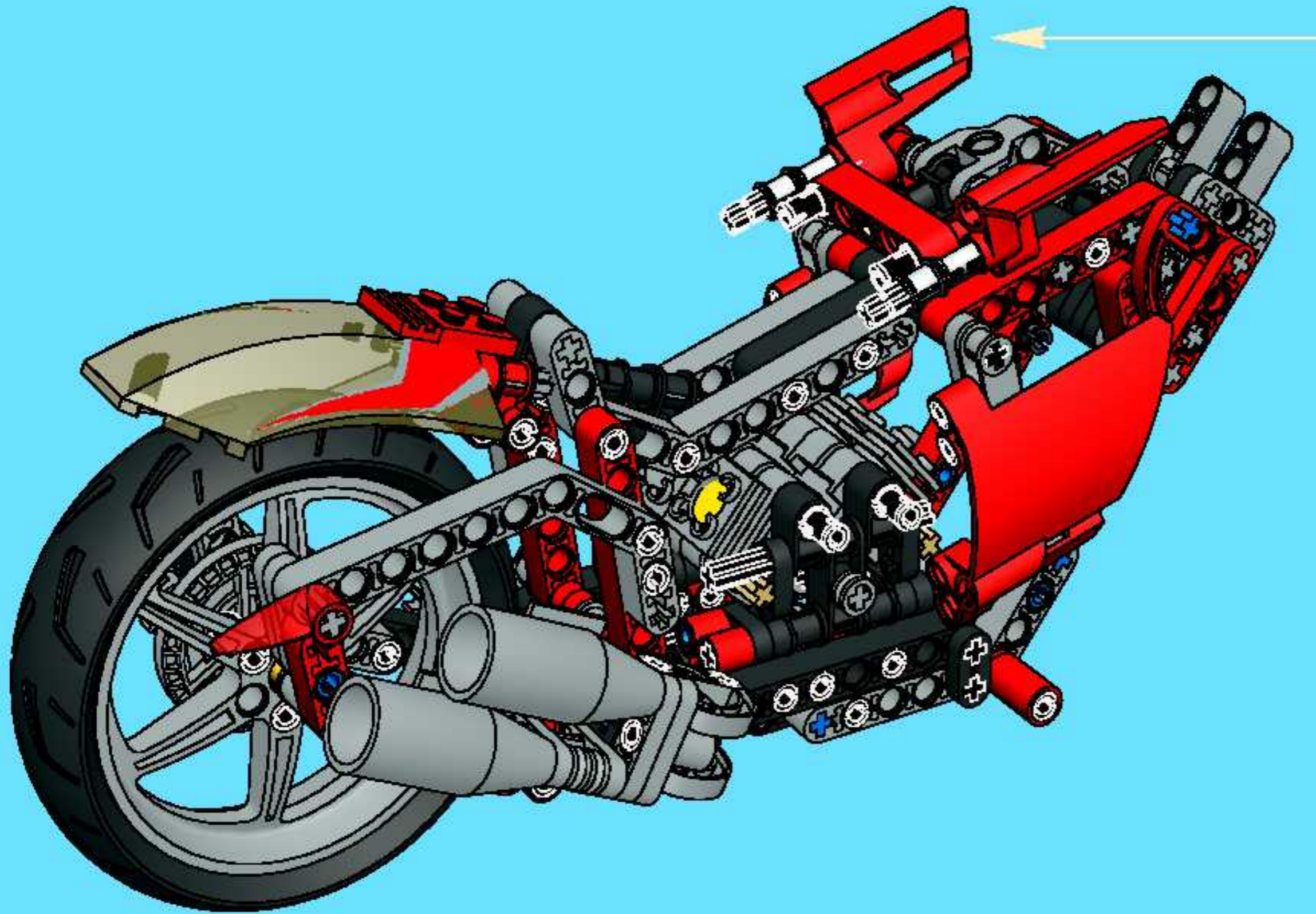


35

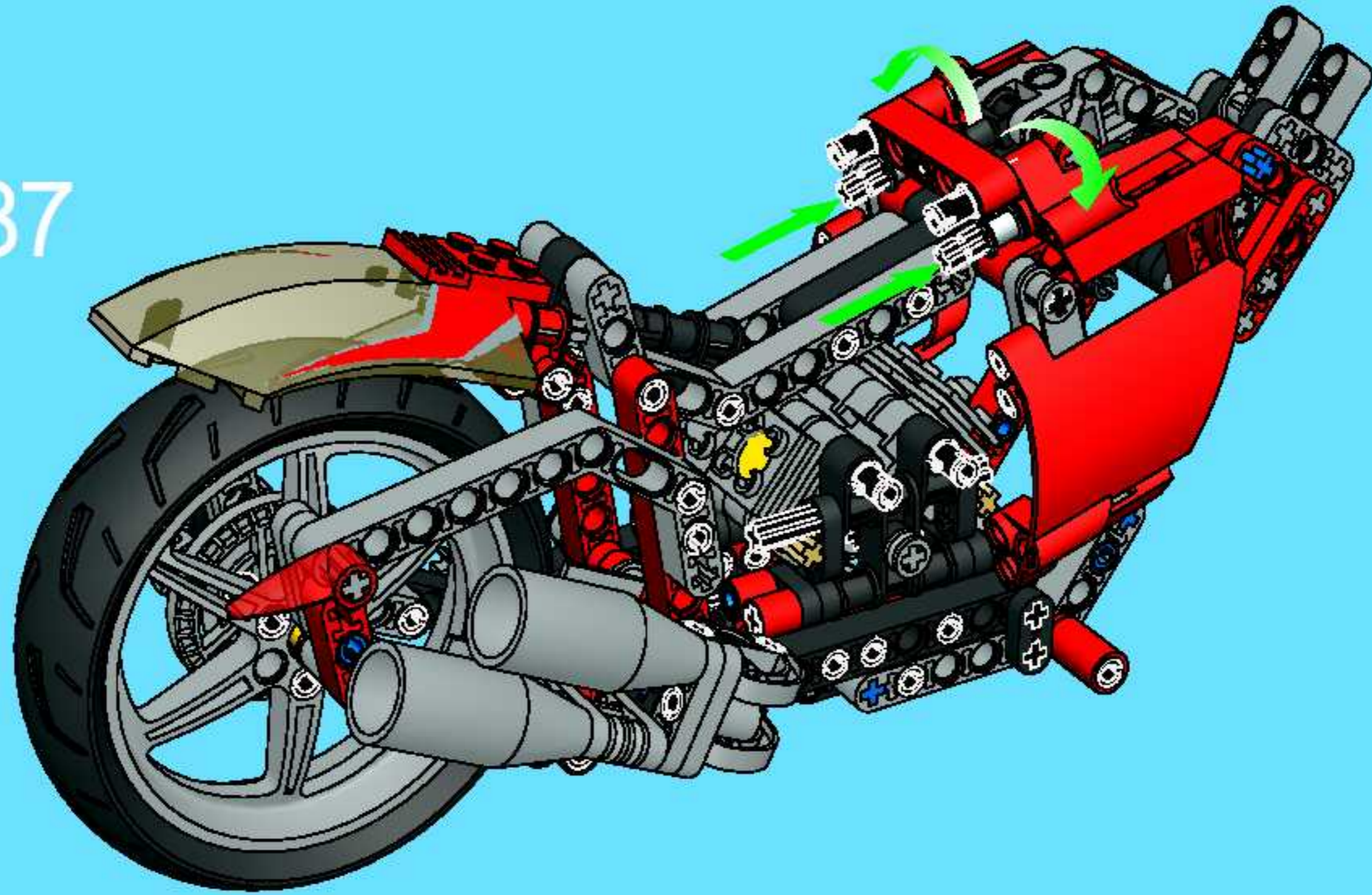




36



37



24

1x

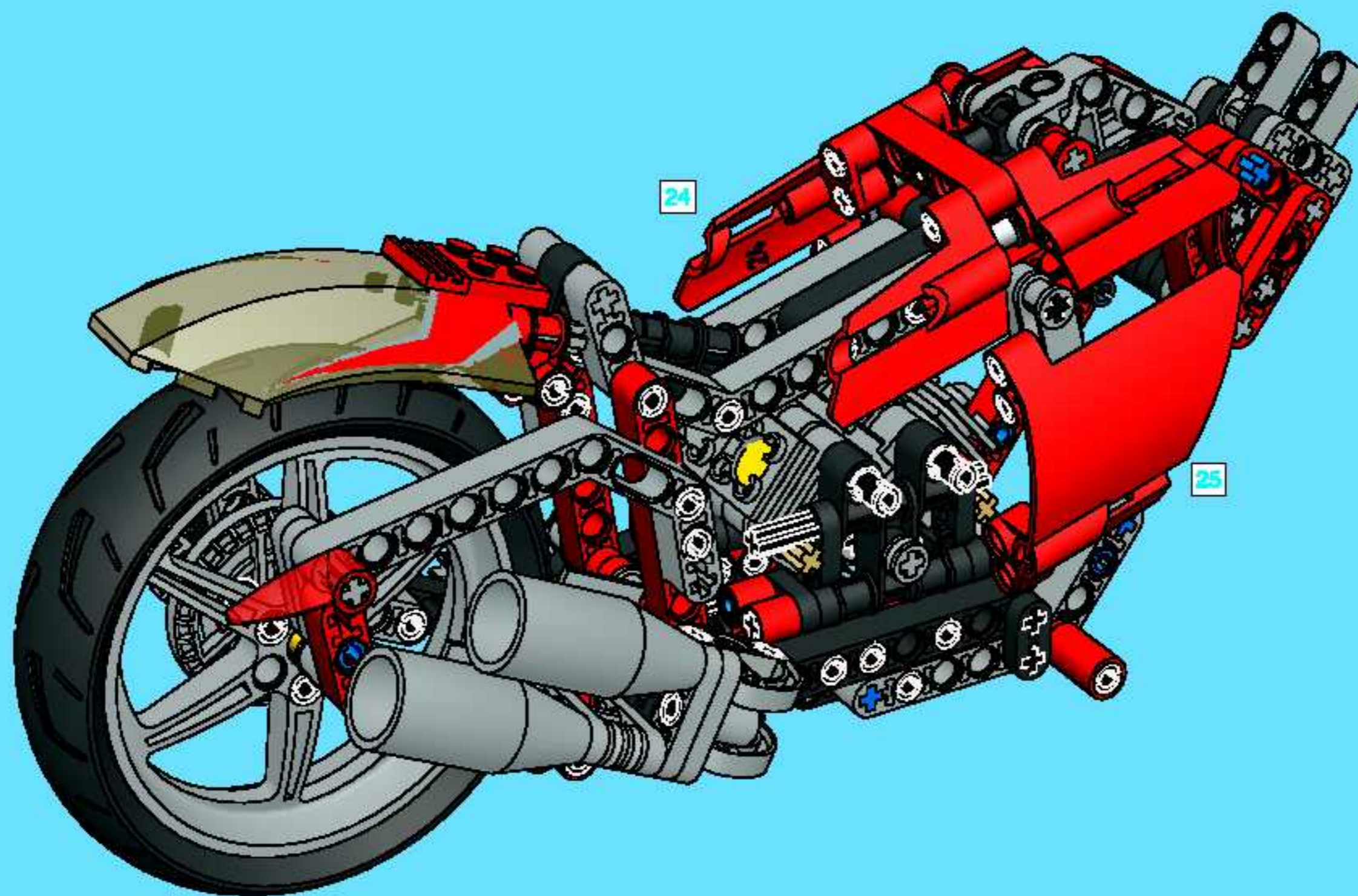


25

1x

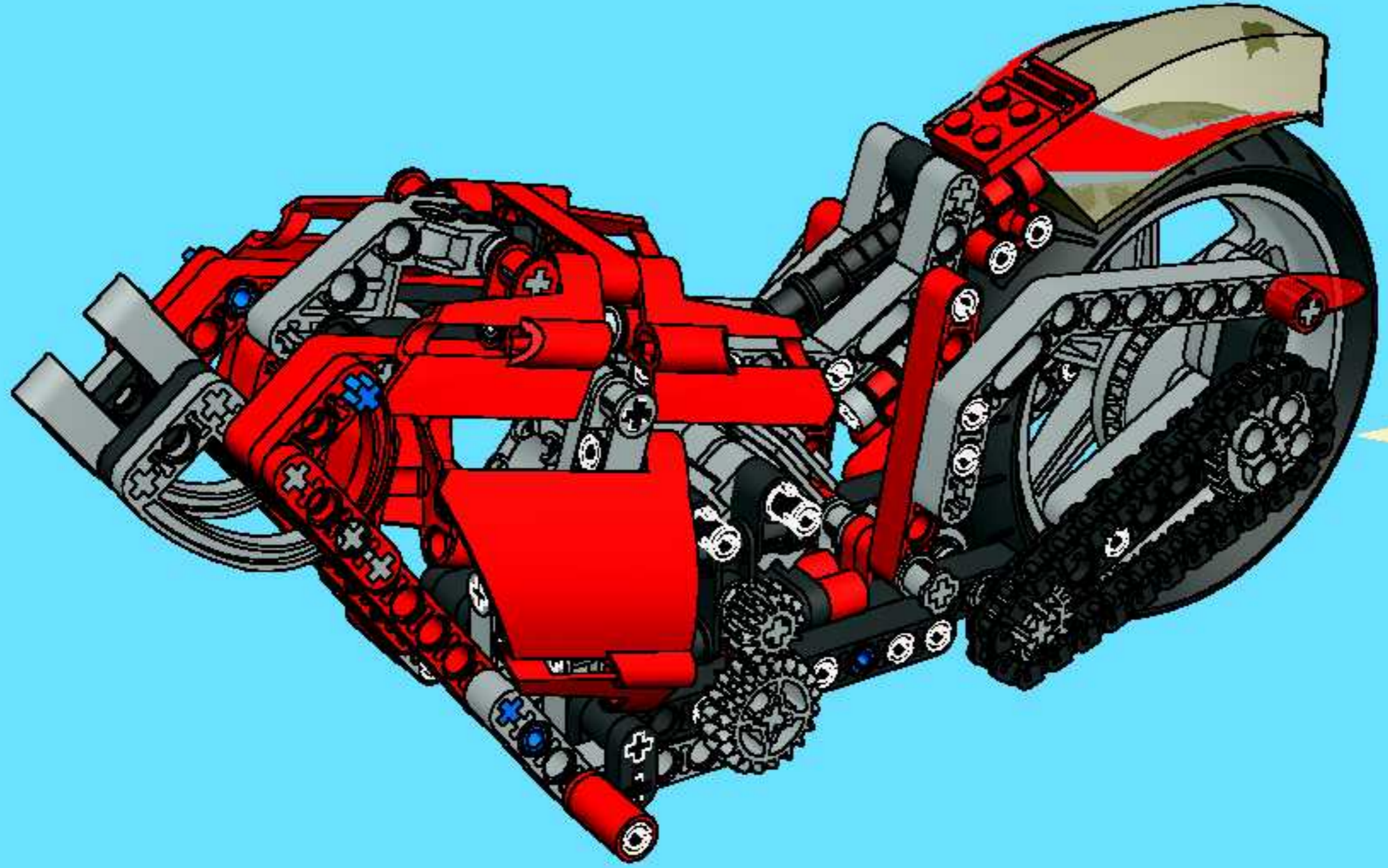
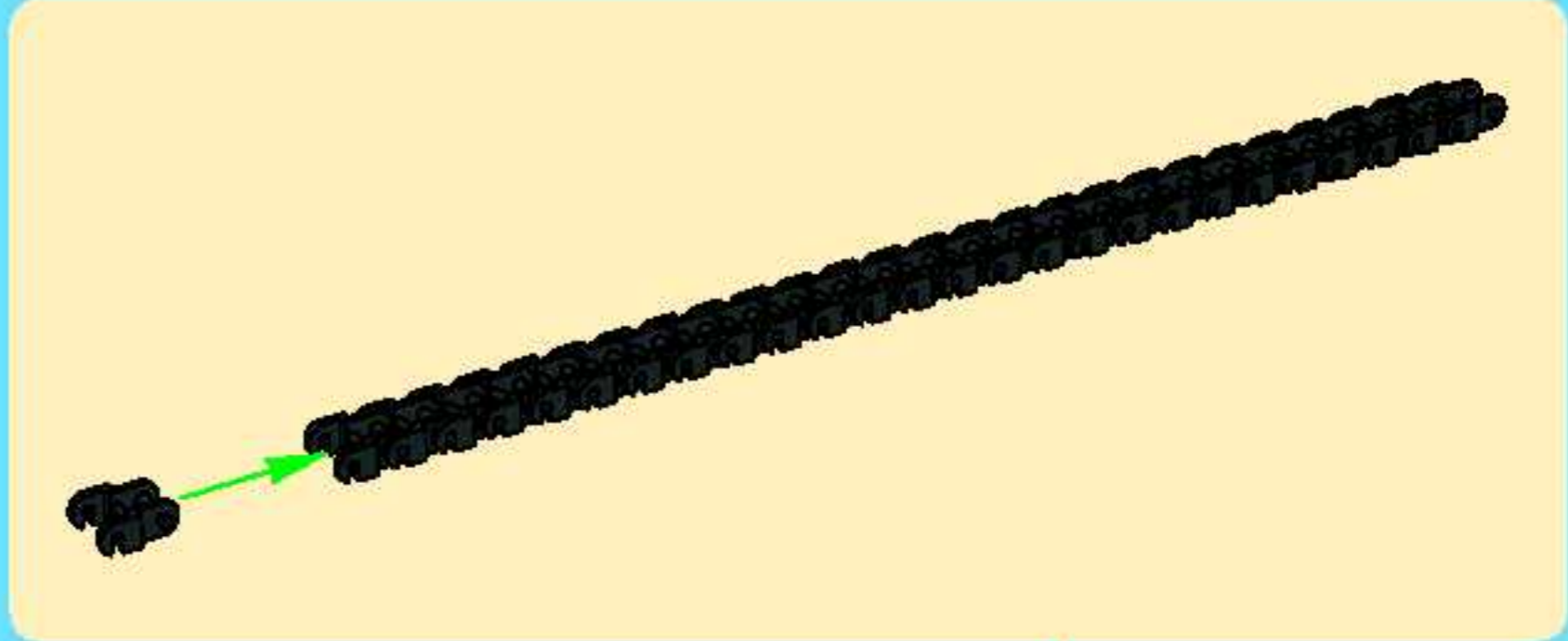


38



27x

39

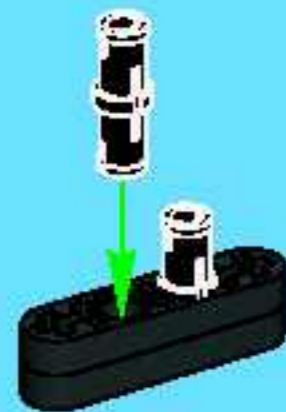




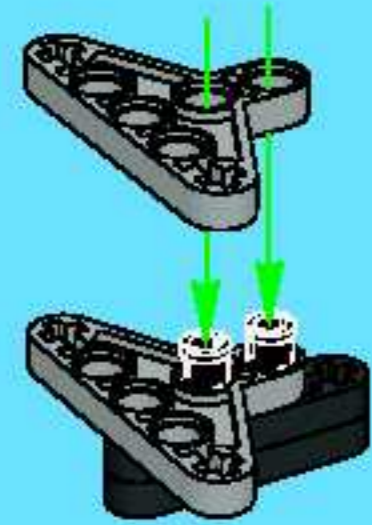
1



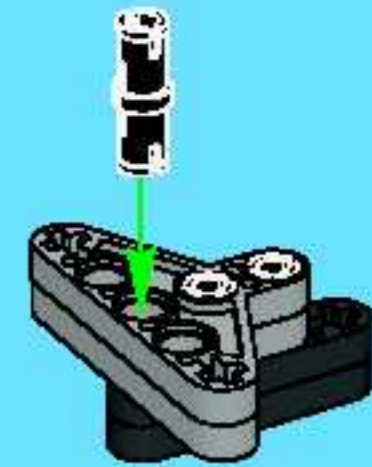
2



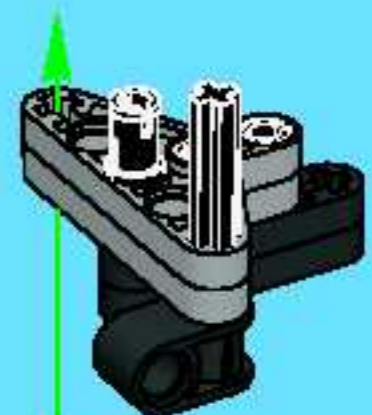
3



4

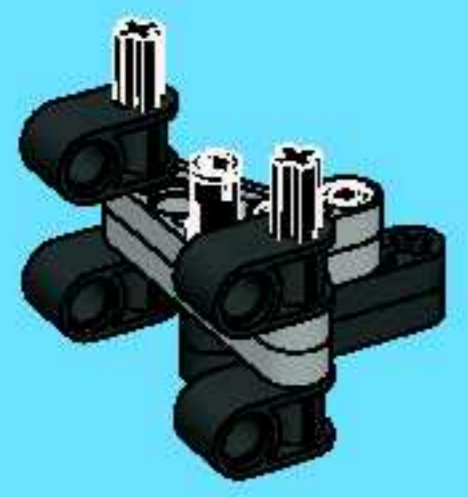


5

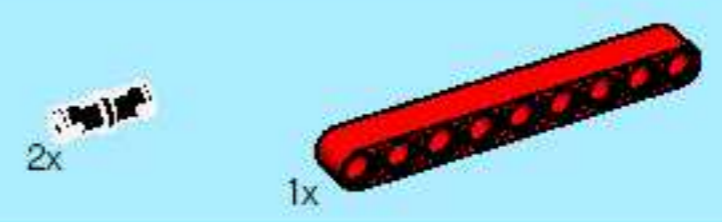
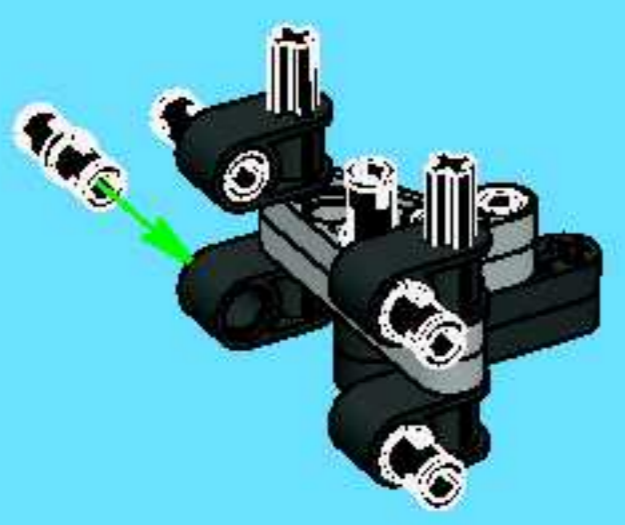




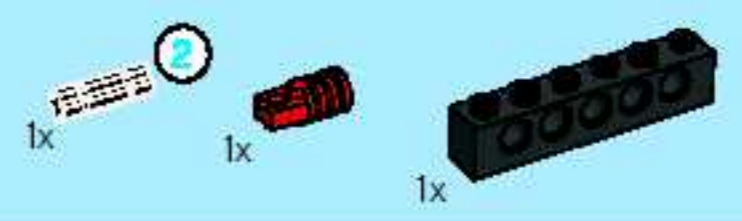
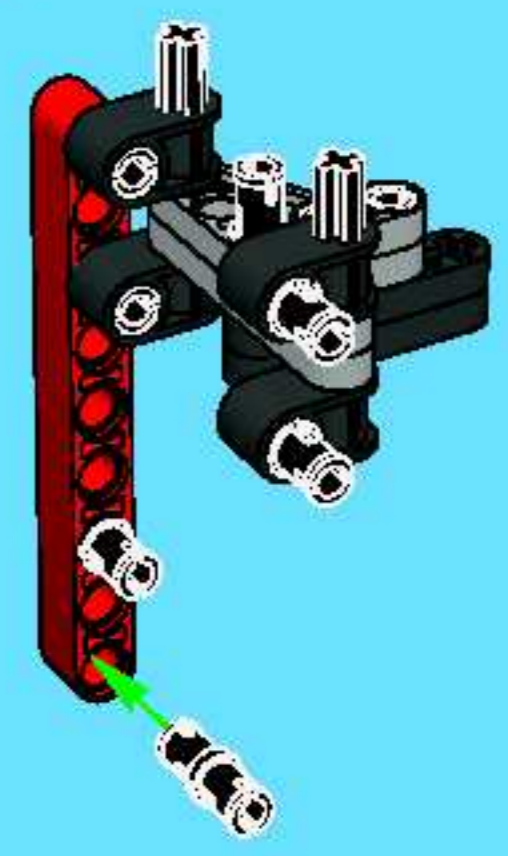
6



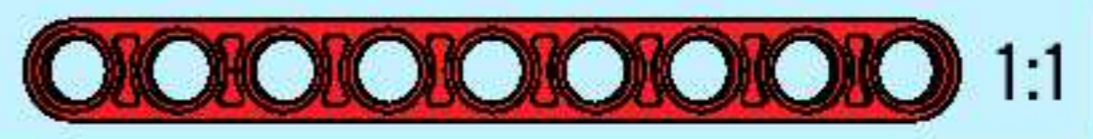
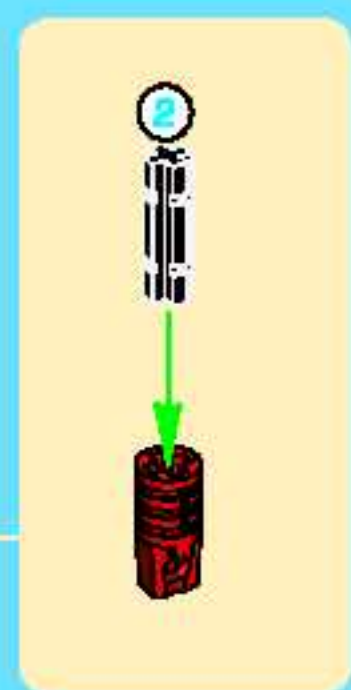
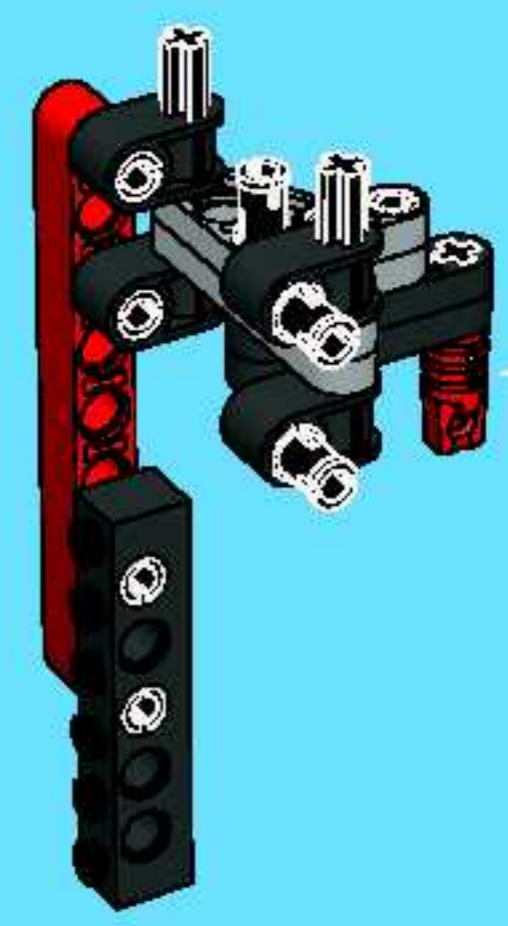
7

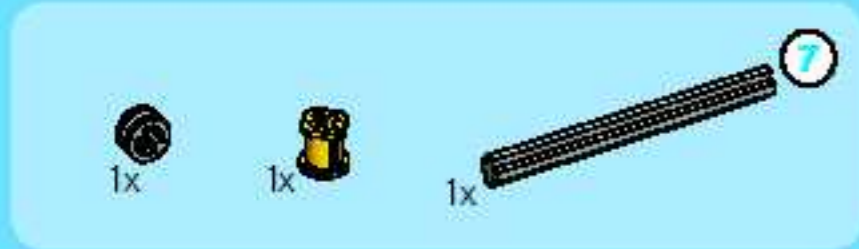


8

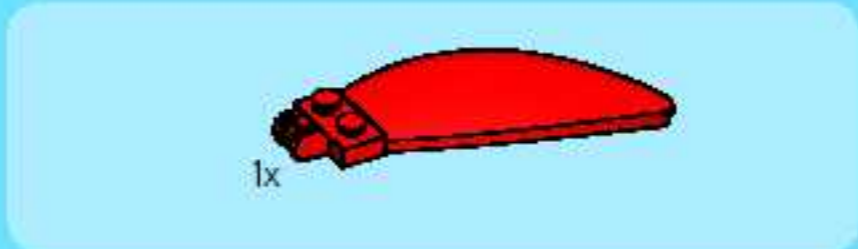
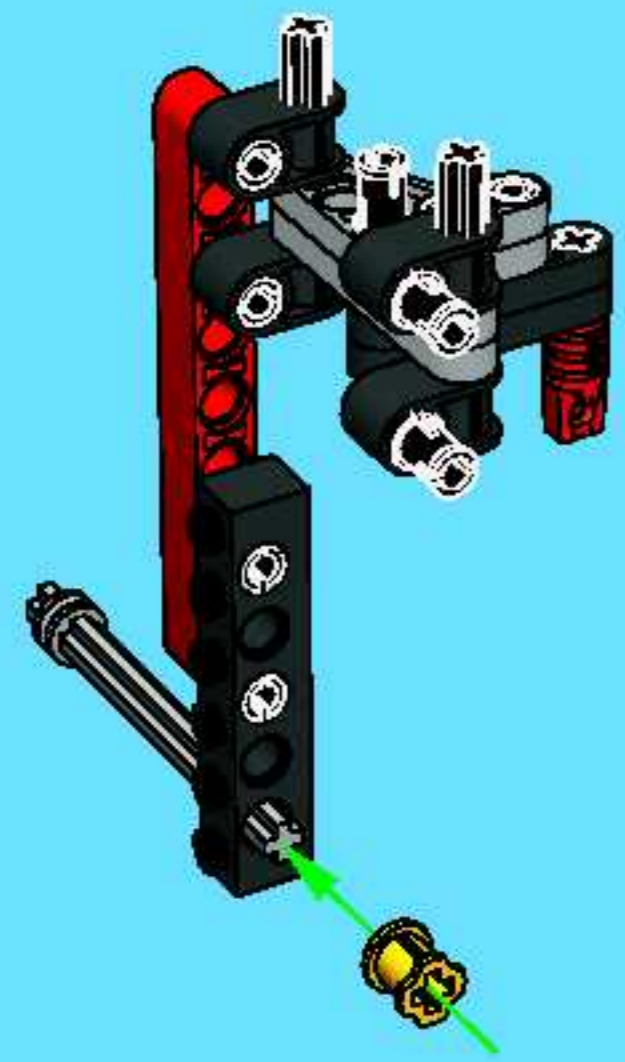


9

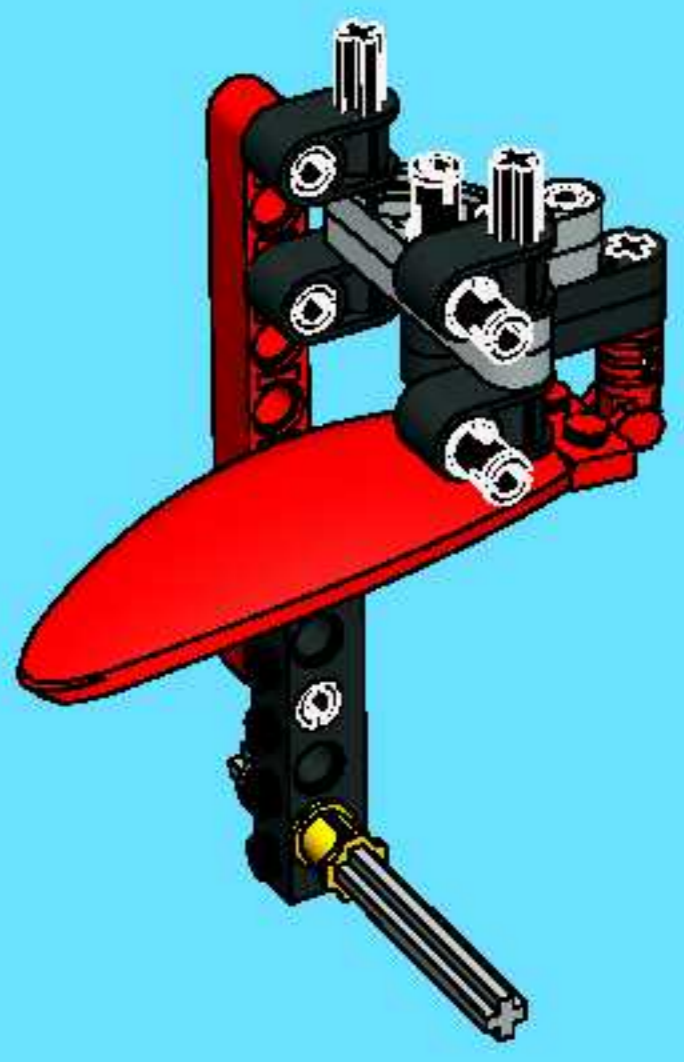




10

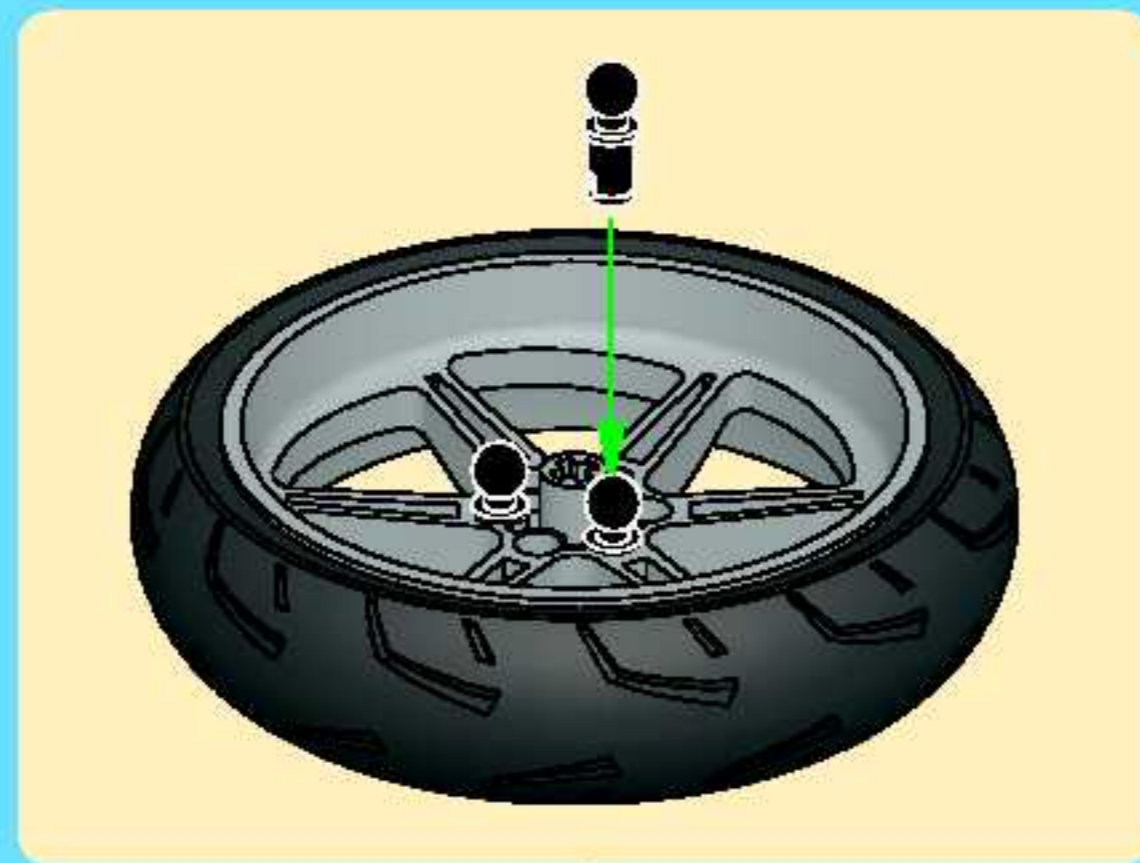


11





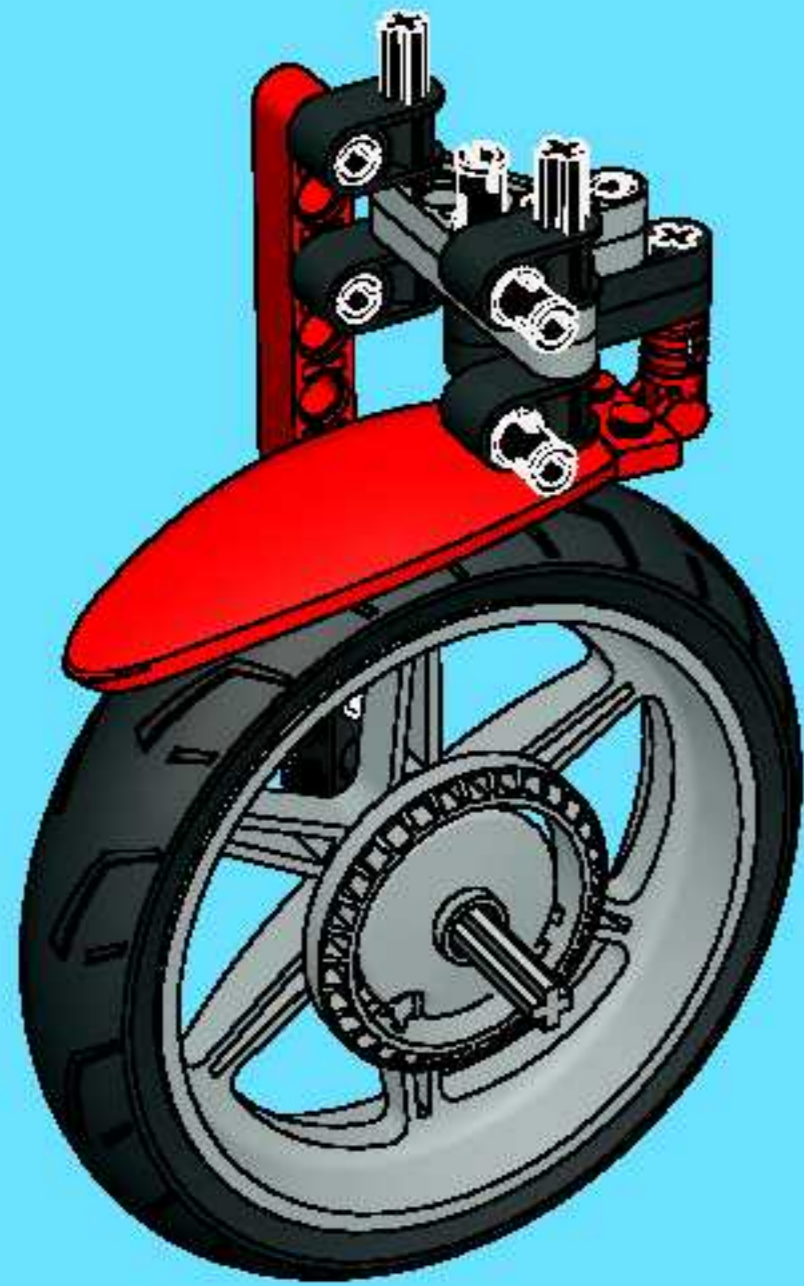
12





1x

13



1x

1x

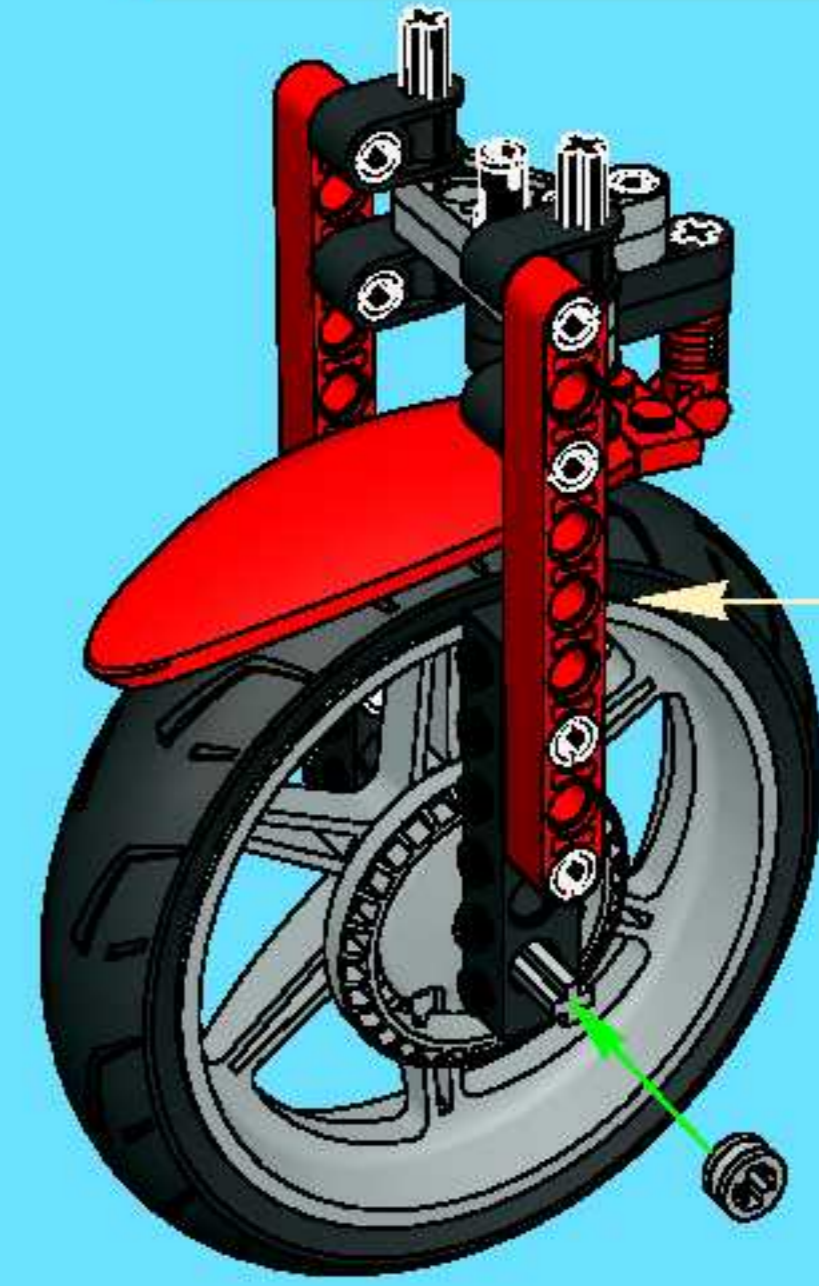
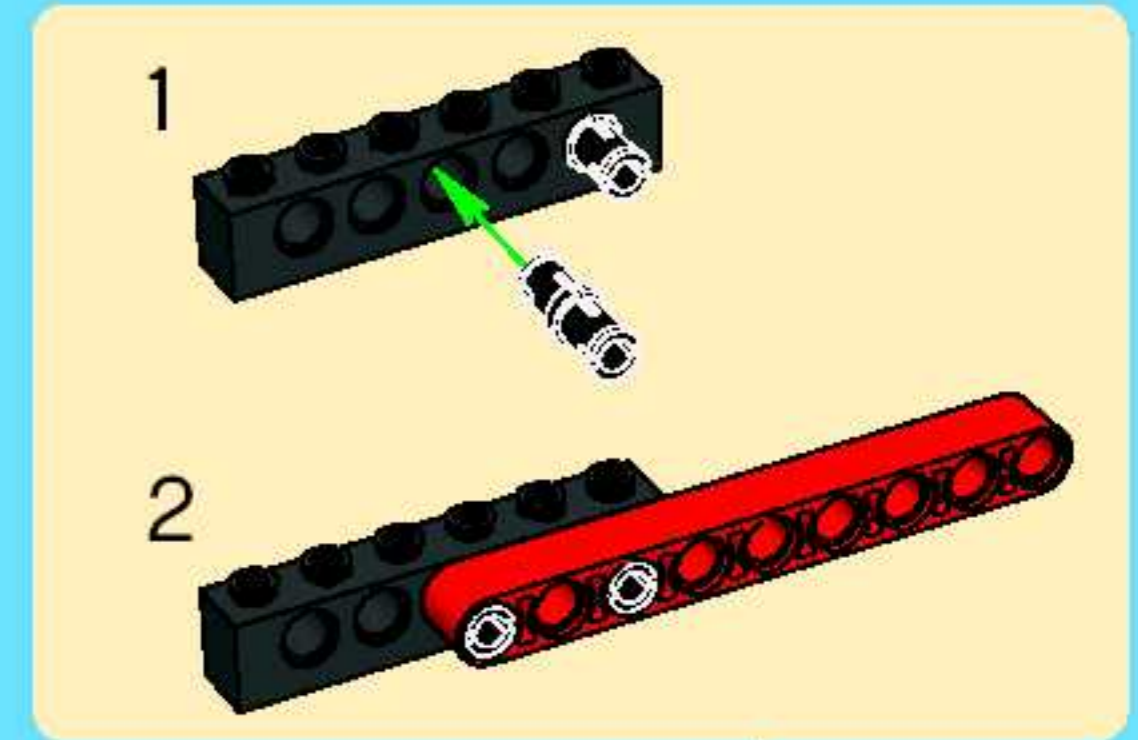


2x

1x

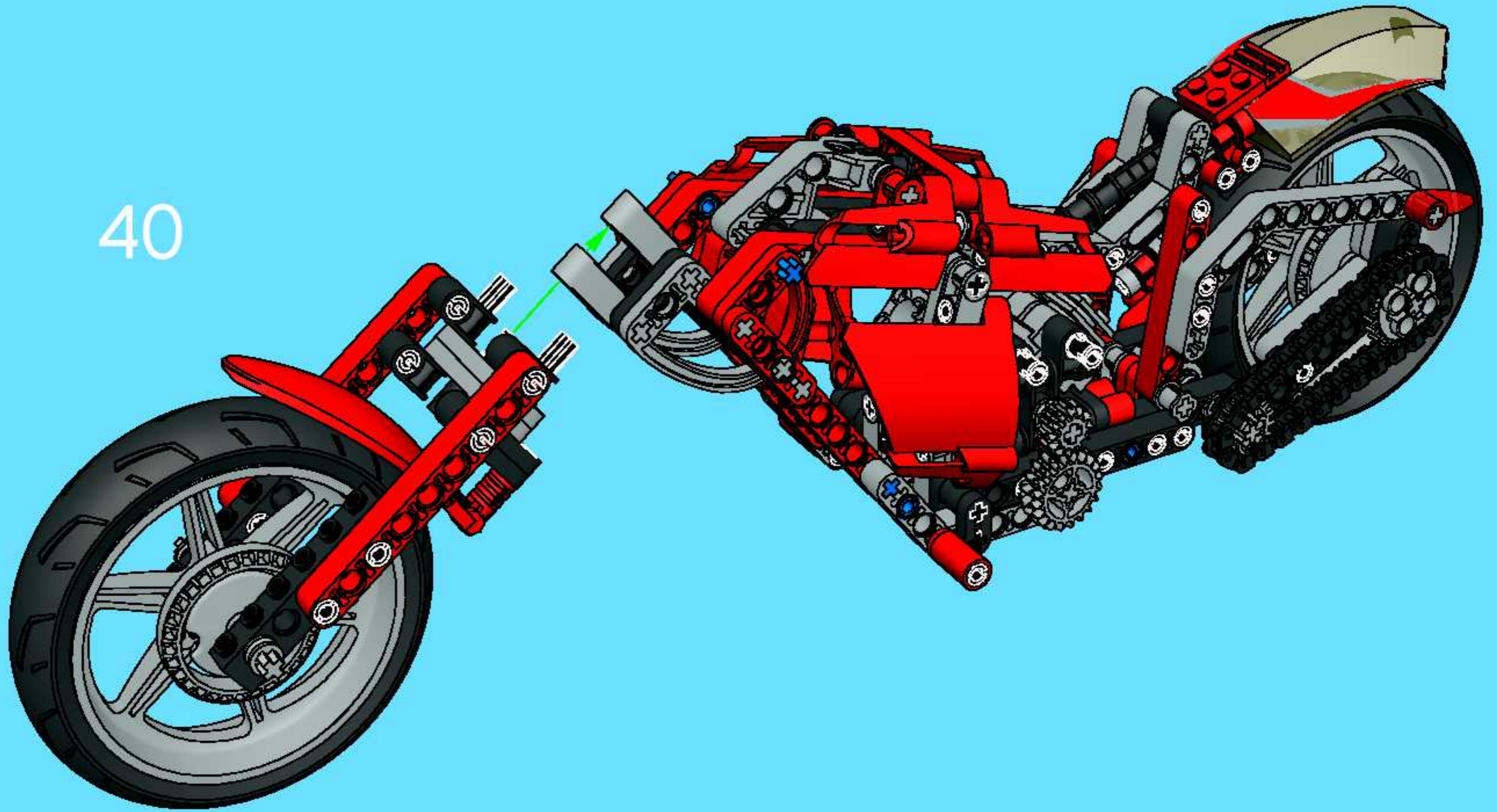


14



1:1

40

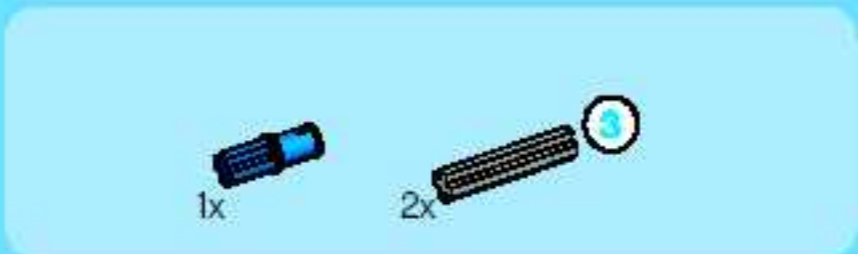




1



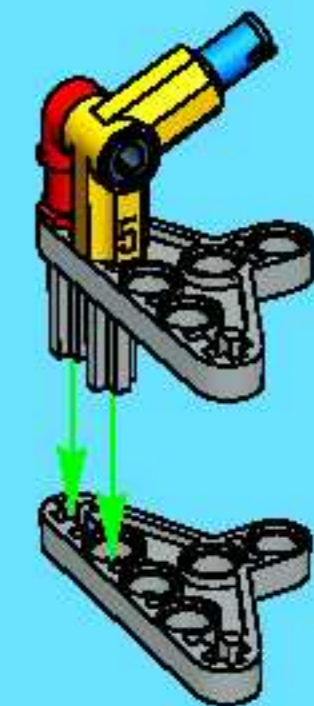
2



3

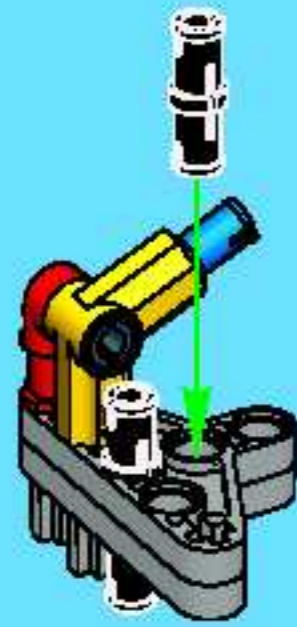


4





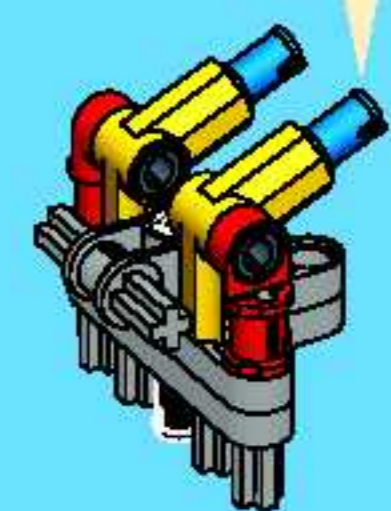
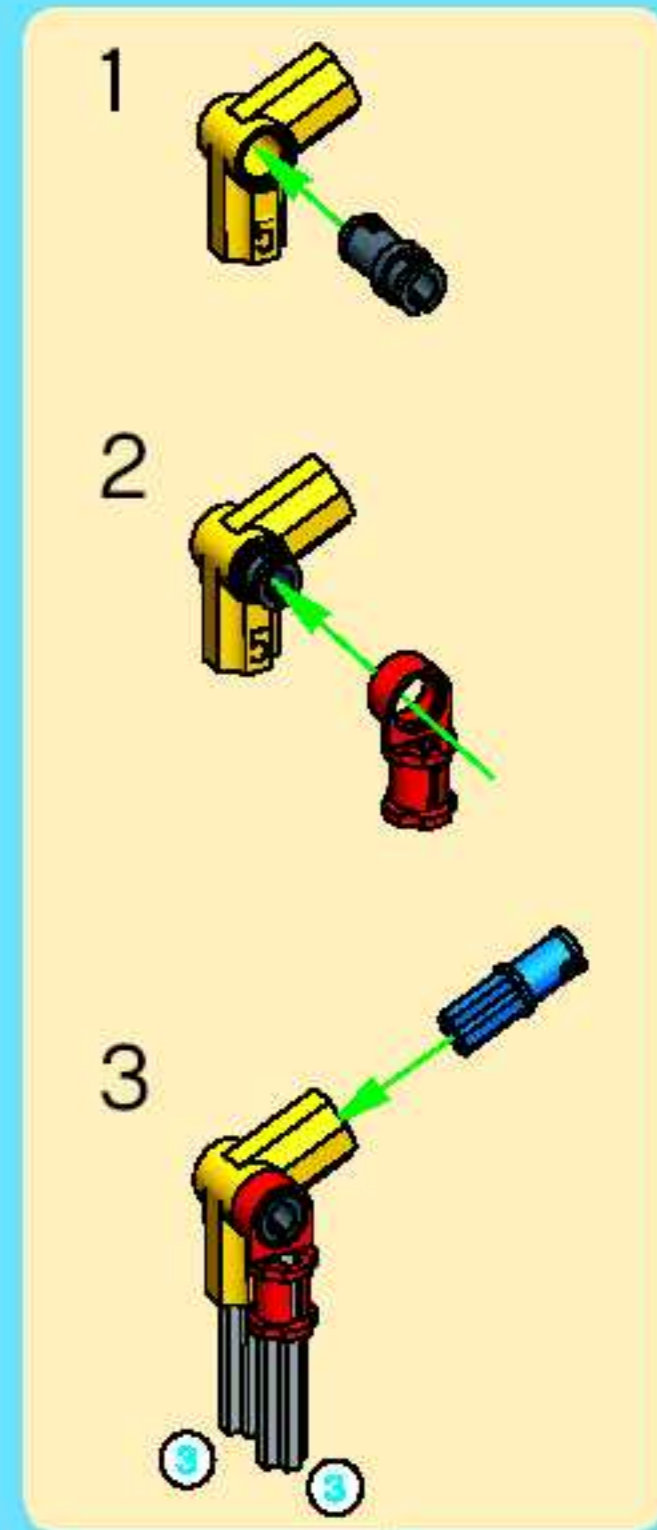
5



6

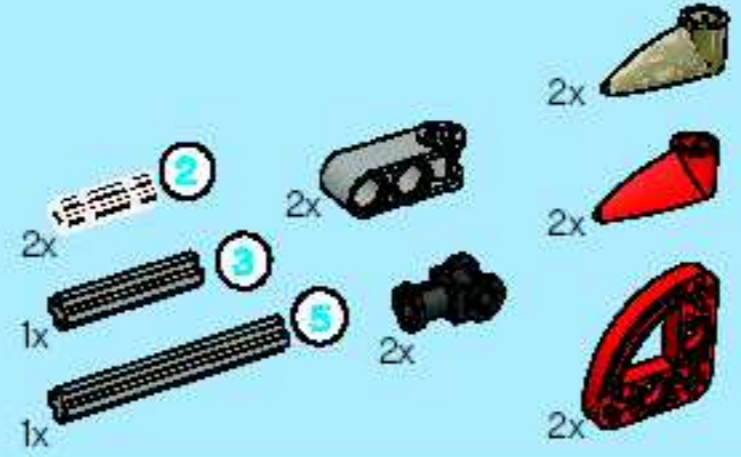
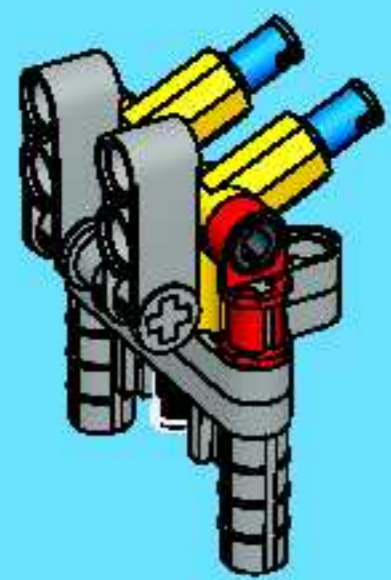


7

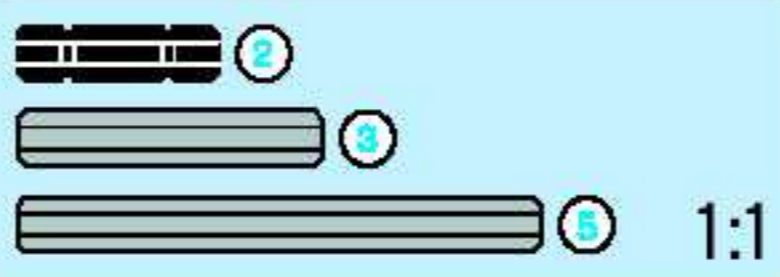
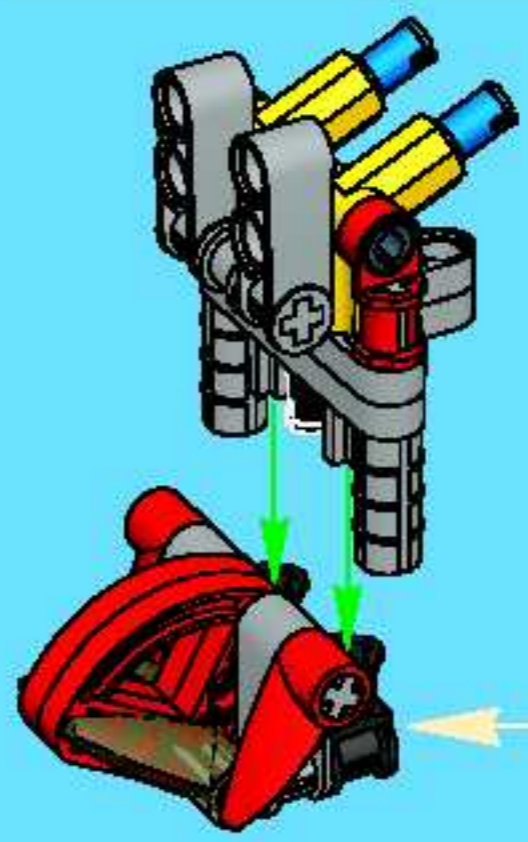
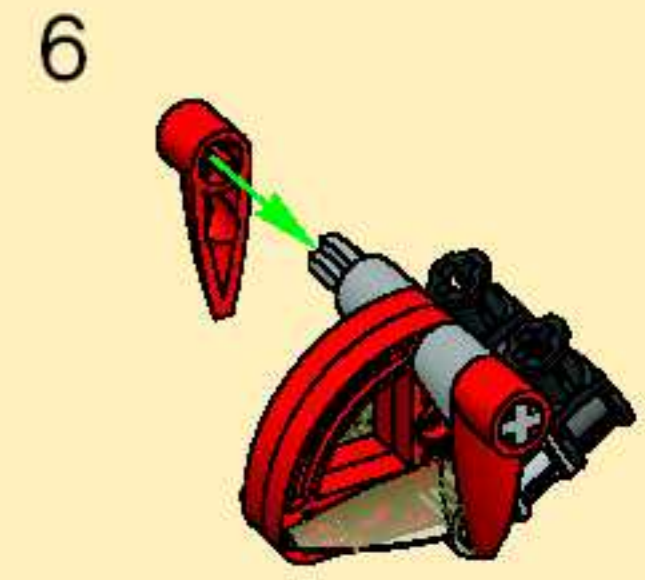
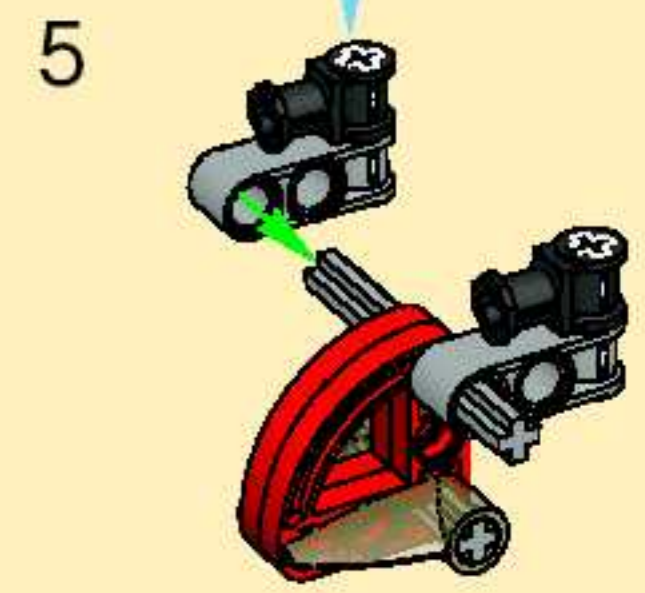
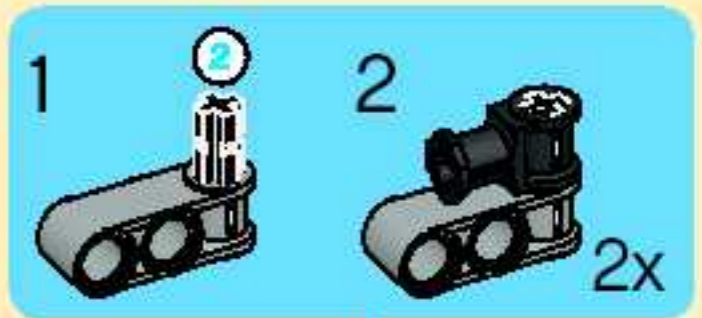
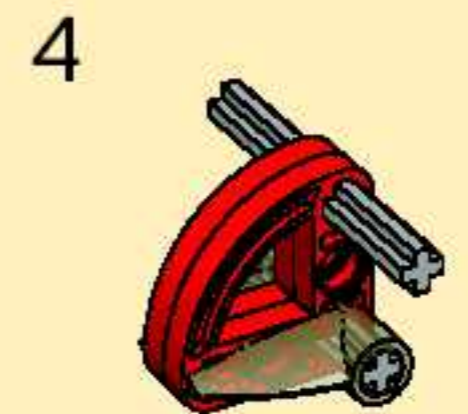
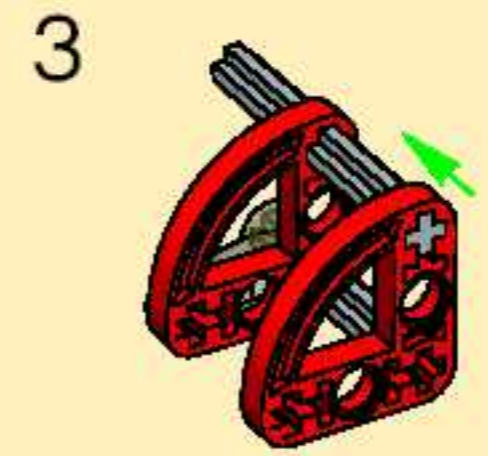
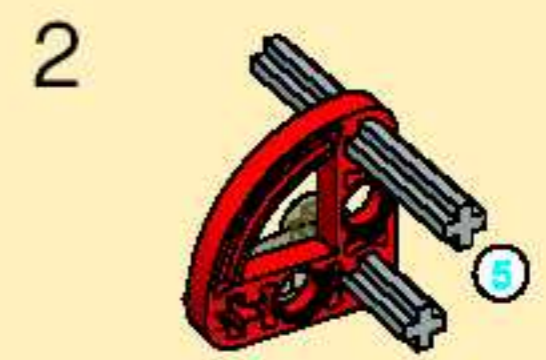


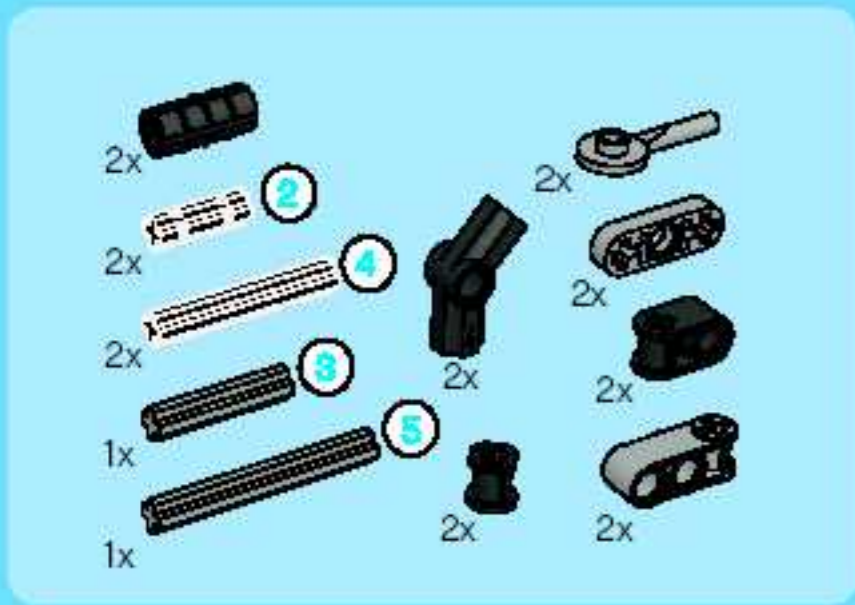


8

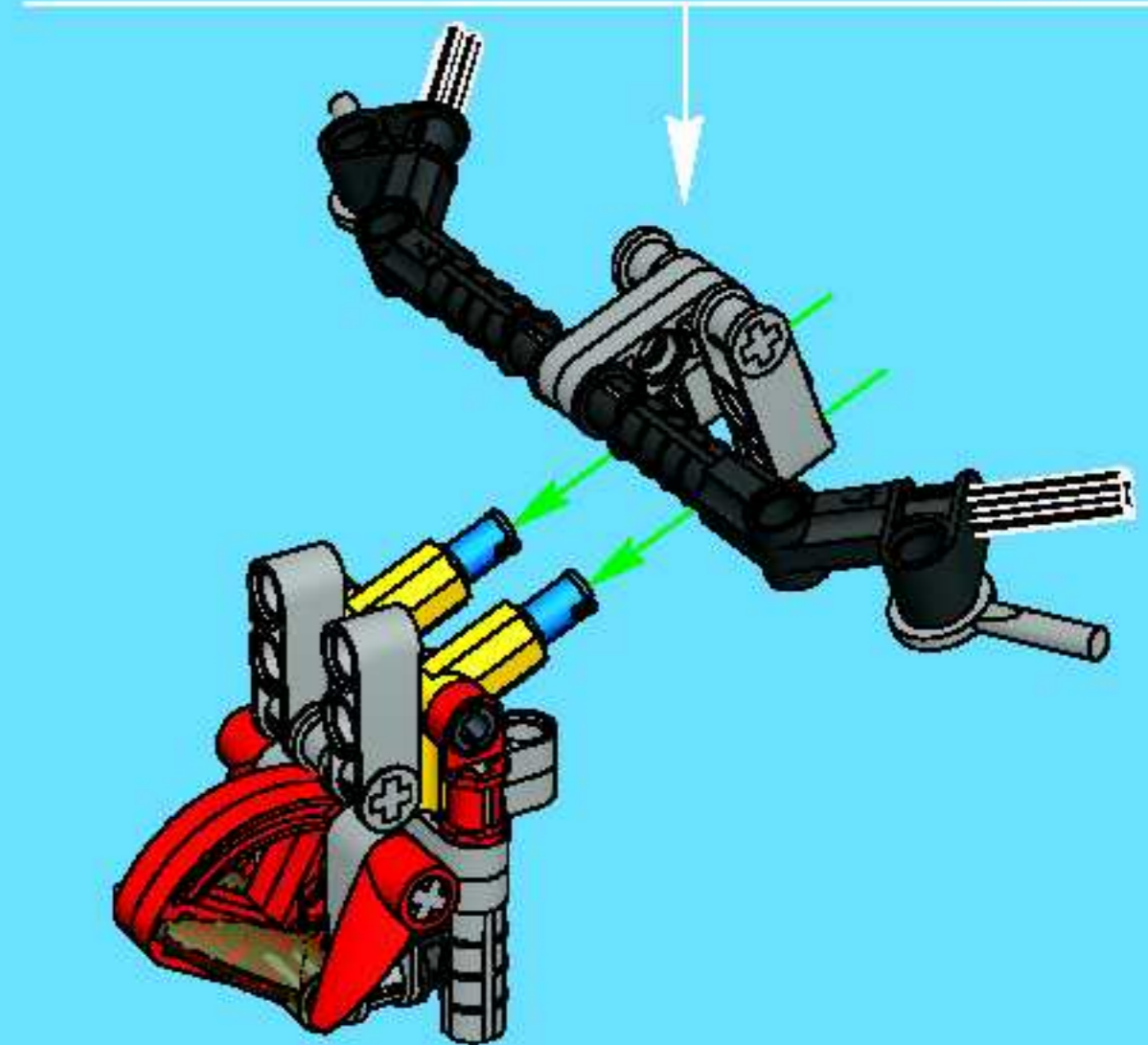
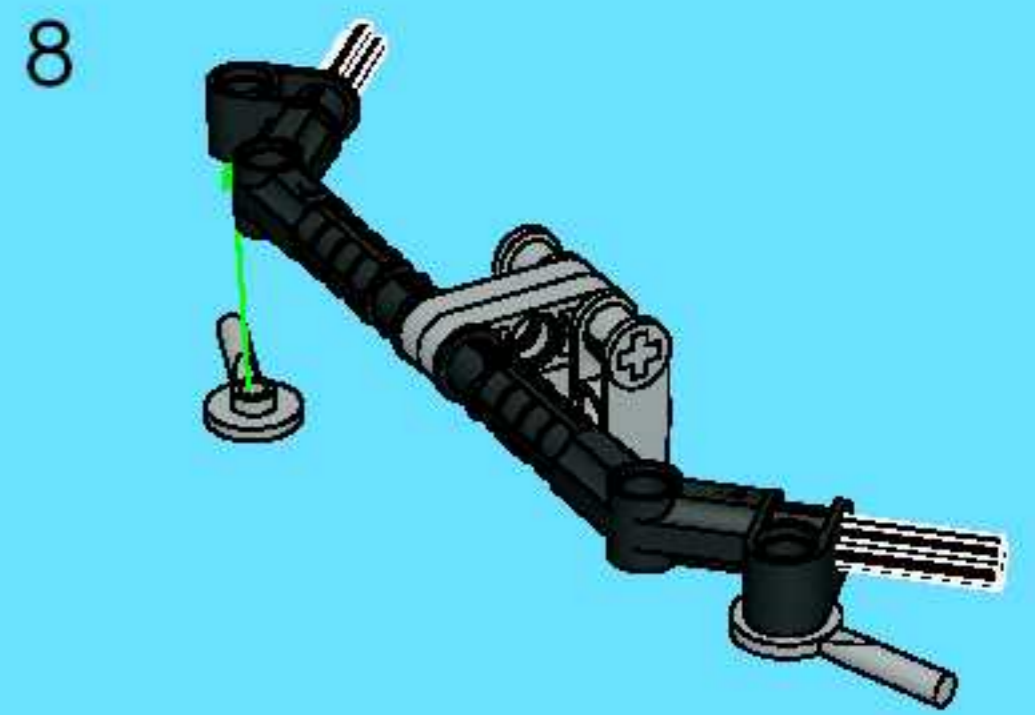
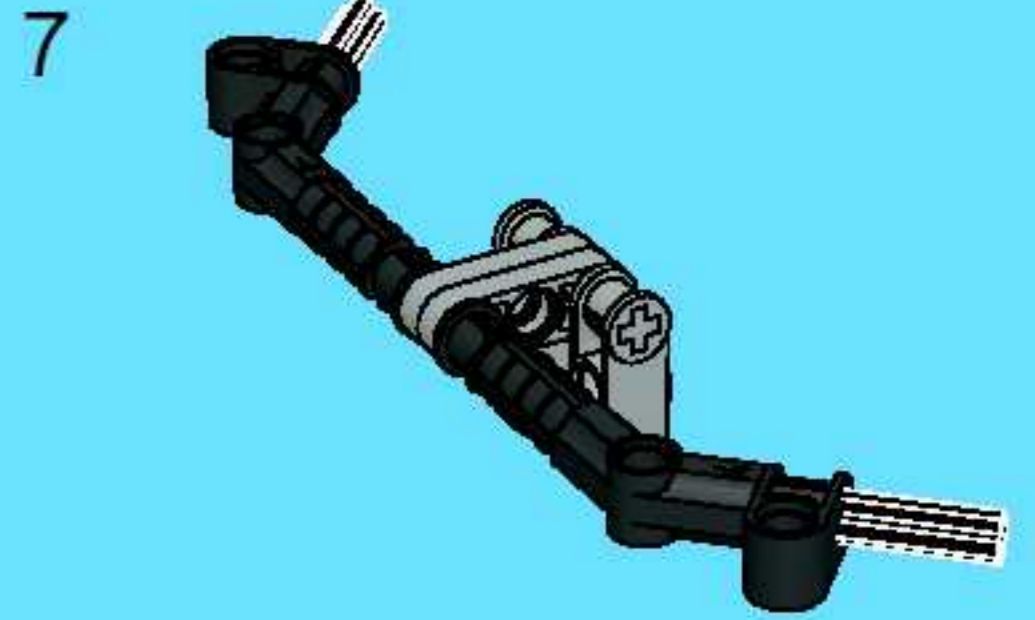
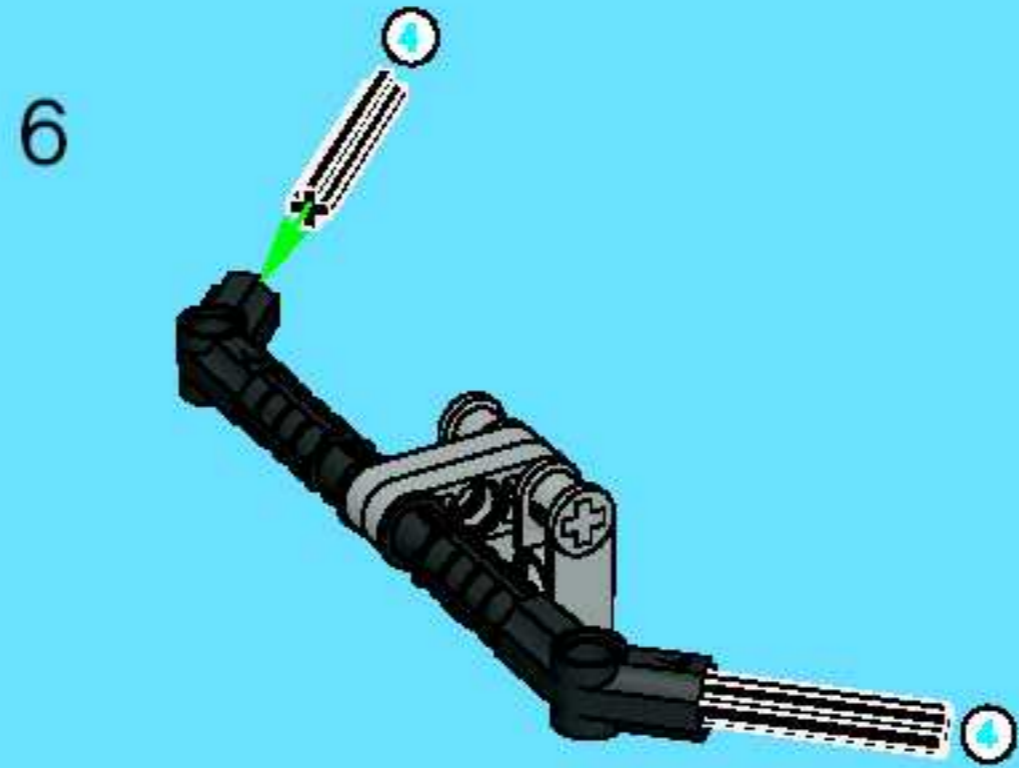
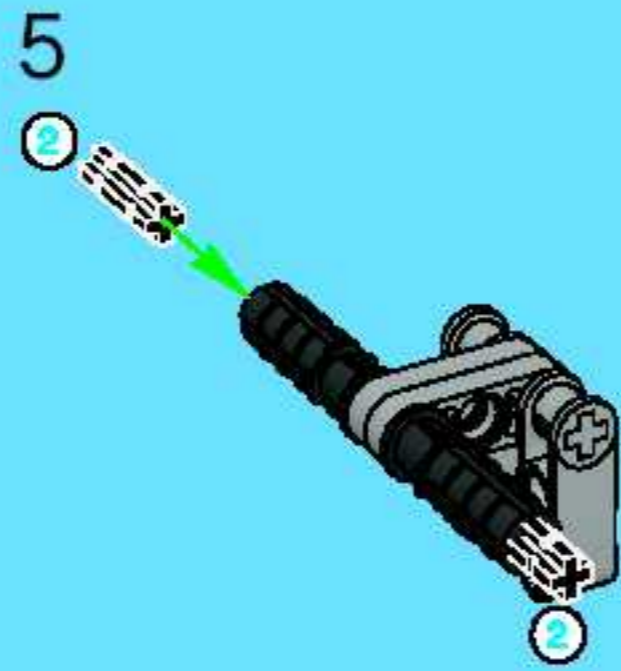
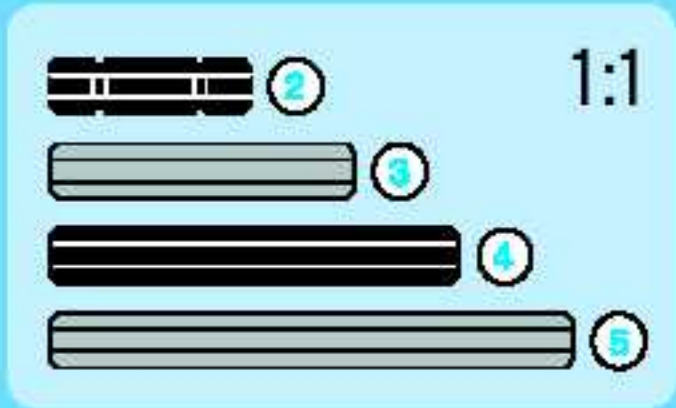
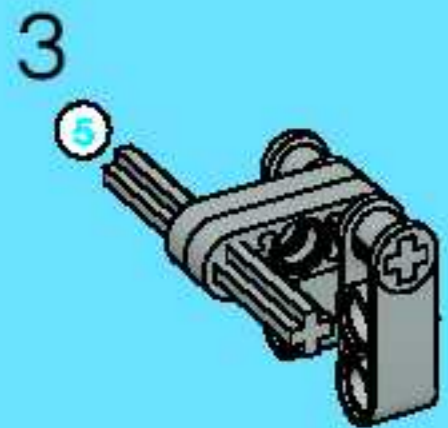
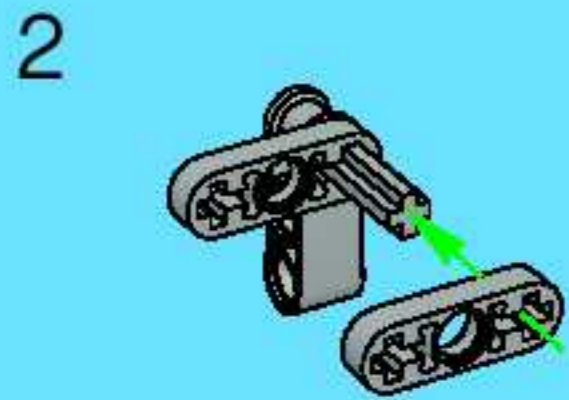
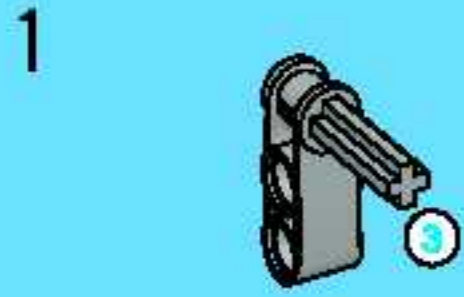


9

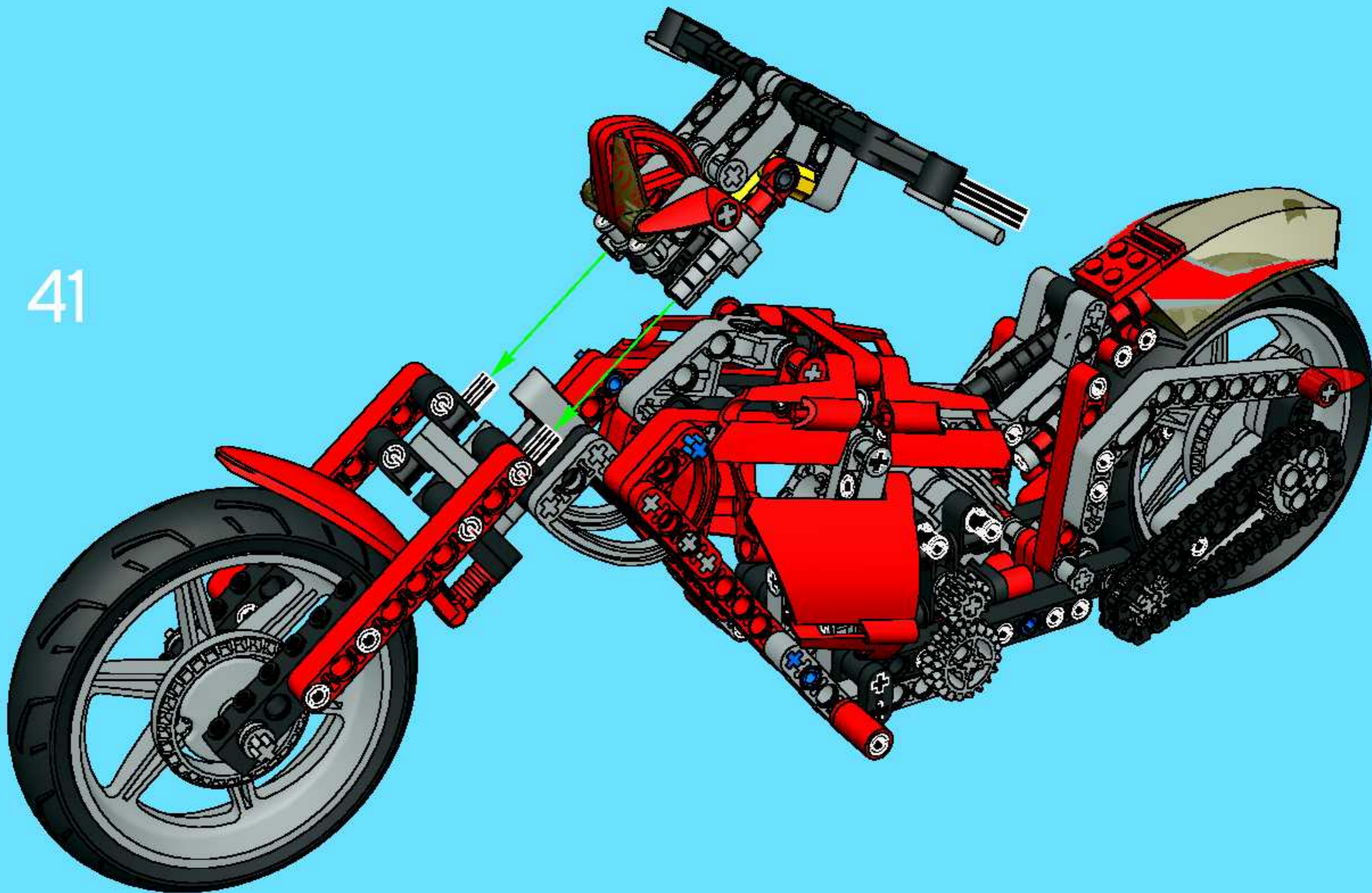




10



41



Win! Gagne! Gewinne! 当たります



WIN LEGO® PRODUCTS

We would like to know what you think about your new LEGO® product. If you could help us by answering a few questions you are in with a chance of winning an exciting LEGO prize. It will only take you about 3 minutes! Log on to the web address below for further instructions.

We would really like to hear what you think about your new LEGO product. If you'd like to help us, go to the web address below for further instructions.



Estimado usuario LEGO®

Al contestar algunas preguntas en Inglés, francés, alemán o japonés, en el sitio www.acnielsen.aim.dk/lego, podrás participar en el sorteo de algunos valiosos premios LEGO®.



抽選でレゴ®製品が当たります

私たちは、皆さんが買い求めのレゴ®製品についてどんな感想をお持ちか、知りたいと思っています。質問に答えて、楽しいレゴ®製品の抽選に応募しませんか。アンケートの回答には、ほんの3分ほどしかかかりません！詳しくは、以下のウェブアドレスまでアクセスしてください。



GAGNE DES PRODUITS LEGO®

Nous aimerions savoir ce que tu penses de ton nouveau produit LEGO®. Si tu veux bien nous aider en répondant à quelques questions, tu recevras peut-être bientôt un fantastique prix LEGO. Et cela ne te prendra que 3 minutes environ ! Tu obtiendras davantage d'informations en visitant le site Internet indiqué ci-dessous.

Nous aimerions savoir ce que tu penses de ton nouveau produit LEGO. Si tu souhaites nous aider, rends-toi à l'adresse Internet ci-dessous où tu trouveras des instructions supplémentaires.



Caro Consumidor da LEGO®

Ao responder a algumas perguntas em Inglês, Francês, Alemão ou Japonês no endereço www.acnielsen.aim.dk/lego irá participar num concurso para ganhar valiosos prémios da LEGO®.



GEWINNE LEGO® PRODUKTE

Wir sind sehr an deiner Meinung über dein neues LEGO® Produkt interessiert. Wenn du uns den Gefallen tust und ein paar Fragen beantwortest, kannst du einen tollen LEGO Preis gewinnen. Das Ganze dauert nur etwa 3 Minuten! Gehe einfach zu der unten angegebenen Webadresse - dort findest du weitere Informationen.

Wir möchten gerne wissen, was Sie von Ihrem neuen LEGO Produkt halten. Wenn Sie uns helfen möchten, besuchen Sie bitte die u.a. Website, auf der Sie alles Weitere erfahren.



Kedves Új LEGO® Vásárló

Ha ellátogat az www.acnielsen.aim.dk/lego honlapra és ott angol, francia, német vagy japán nyelven megválaszolja néhány kérdést, akkor részt vehet egy versenyben, amelyben értékes LEGO® díjakat nyerhet.

www.acnielsen.aim.dk/LEGO





8416



8421



Discover the LEGO® UNIVERSE!














 www.LEGOuniverse.com


LEGO SHOP at HOME


LEGO club


The World's Biggest LEGO Shop!




Image	Qty	Item No	Description	MID
Regular Items:				
Parts:				
	2	x346	Red Bionicle 1 x 3 Tooth with Axle Hole Catalog: Parts: Bionicle 4185661	PG
+	*			
	5	x346	Trans-Black Bionicle 1 x 3 Tooth with Axle Hole Catalog: Parts: Bionicle 6052989 or 4543608 or 4163581 or 4177440	PG
+	*			
	2	x346	Trans-Red Bionicle 1 x 3 Tooth with Axle Hole Catalog: Parts: Bionicle 6275769 or 4163567	PG
+	*			
	1	44135	Light Bluish Gray Bionicle Rahkshi Torso Lower Section Catalog: Parts: Bionicle 4192686	PG
+	*			
	2	4868b	Light Bluish Gray Engine, Smooth Large, 2 x 2 Thin Top Plate Catalog: Parts: Aircraft 4263610	PG
+	*			
	1	30552	Red Hinge Cylinder 1 x 2 Locking with 1 Finger and Axle Hole on Ends Catalog: Parts: Hinge 4263607	PG
+	*			
	2	3900	Light Bluish Gray Minifigure, Utensil Signal Paddle Catalog: Parts: Minifigure, Utensil 4211753	PG
+	*			
	1	3022	Red Plate 2 x 2 Catalog: Parts: Plate 4613974 or 302221	PG
+	*			
	9	3713	Black Technic Bush Catalog: Parts: Technic 6210506 or 4177421 or 659026	PG
+	*			
	4	3713	Light Bluish Gray Technic Bush Catalog: Parts: Technic 6275844 or 4211622	PG
+	*			
	2	3713	Yellow Technic Bush Catalog: Parts: Technic 4238814 or 659024	PG
+	*			


+	 *	13	4265c	Light Bluish Gray Technic Bush 1/2 Smooth Catalog: Parts: Technic 6271165 or 4211573	PG
---	---	----	-----------------------	---	--------------------


+	 *	4	2852	Light Bluish Gray Technic Engine Connecting Rod Catalog: Parts: Technic 6000018 or 4211379 or 2852194	PG
---	--	---	----------------------	--	--------------------

+	 *	2	2853	Light Bluish Gray Technic Engine Crankshaft Catalog: Parts: Technic 4211609 or 2853194	PG
---	--	---	----------------------	---	--------------------


+	 *	1	2854	Dark Bluish Gray Technic Engine Crankshaft Center Catalog: Parts: Technic 6007058 or 4210987 or 2854199	PG
---	--	---	----------------------	--	--------------------

+	 *	4	2850	Light Bluish Gray Technic Engine Cylinder Catalog: Parts: Technic 4234251	PG
---	--	---	----------------------	--	--------------------

+	 *	4	2851	Yellow Technic Engine Piston Round Catalog: Parts: Technic 285124 or 4112203	PG
---	---	---	----------------------	---	--------------------


+	 *	3	6553	Black Technic Pole Reverser Handle Catalog: Parts: Technic, Axle 655326 or 4107765	PG
---	--	---	----------------------	---	--------------------

+	 *	20	32062	Black Technic, Axle 2 Notched Catalog: Parts: Technic, Axle 3206226 or 4109810	PG
---	--	----	-----------------------	---	--------------------


+	 *	23	4519	Light Bluish Gray Technic, Axle 3 Catalog: Parts: Technic, Axle 4211815	PG
---	--	----	----------------------	--	--------------------


+	 *	2	6587	Dark Bluish Gray Technic, Axle 3 with Stud Catalog: Parts: Technic, Axle 6129590 or 6587199 or 4211086	PG
---	--	---	----------------------	---	--------------------


+	 *	14	3705	Black Technic, Axle 4 Catalog: Parts: Technic, Axle 370526	PG
---	--	----	----------------------	---	--------------------


+	 *	14	32073	Light Bluish Gray Technic, Axle 5 Catalog: Parts: Technic, Axle 32073194 or 4211639	PG
---	--	----	-----------------------	--	--------------------

+	 *	4	3706	Black Technic, Axle 6 Catalog: Parts: Technic, Axle 370626	PG
---	---	---	----------------------	--	--------------------


+	 *	7	44294	Light Bluish Gray Technic, Axle 7 Catalog: Parts: Technic, Axle 44294194 or 4211805	PG
---	--	---	-----------------------	---	--------------------


+	 *	1	3707	Black Technic, Axle 8 Catalog: Parts: Technic, Axle 370726	PG
---	--	---	----------------------	--	--------------------


+	 *	1	32209	Dark Bluish Gray Technic, Axle 5.5 with Stop Catalog: Parts: Technic, Axle 4263624 or 4508553	PG
---	--	---	-----------------------	---	--------------------


+	 *	1	32013	Light Bluish Gray Technic, Axle and Pin Connector Angled #1 Catalog: Parts: Technic, Connector 6296859 or 4211550	PG
---	--	---	-----------------------	---	--------------------


+	 *	3	32192	Black Technic, Axle and Pin Connector Angled #4 - 135 degrees Catalog: Parts: Technic, Connector 6262897 or 3219226 or 4121610	PG
---	---	---	-----------------------	--	--------------------


+	 *	2	32015	Yellow Technic, Axle and Pin Connector Angled #5 - 112.5 degrees Catalog: Parts: Technic, Connector 4107068 or 4521998	PG
---	--	---	-----------------------	--	--------------------













+	 *	13	6536	Black Technic, Axle and Pin Connector Perpendicular Catalog: Parts: Technic, Connector 6261371 or 4173668 or 653626	PG
---	--	----	----------------------	---	--------------------

+	 *	2	6536	Red Technic, Axle and Pin Connector Perpendicular Catalog: Parts: Technic, Connector 6261373 or 4118881 or 4188298	PG
---	--	---	----------------------	--	--------------------




+	 *	17	42003	Light Bluish Gray Technic, Axle and Pin Connector Perpendicular 3L with 2 Pin Holes Catalog: Parts: Technic, Connector 6273724 or 4211779	PG
---	--	----	-----------------------	---	--------------------













+	 *	6	32184	Black Technic, Axle and Pin Connector Perpendicular 3L with Center Pin Hole Catalog: Parts: Technic, Connector 6276951 or 4121667	PG
---	--	---	-----------------------	---	--------------------















+	 *	6	32291	Red Technic, Axle and Pin Connector Perpendicular Double Catalog: Parts: Technic, Connector 6280393 or 4128594	PG
---	--	---	-----------------------	--	--------------------

+		2	44	Red Technic, Axle and Pin Connector Toggle Joint Smooth	PG
	*			Catalog: Parts: Technic, Connector 4614799 or 4204710	
+		3	6538b	Black Technic, Axle Connector 2L (Ridged with x Hole x Orientation)	PG
	*			Catalog: Parts: Technic, Connector 4113805 or 653826	
+		5	6538b	Light Bluish Gray Technic, Axle Connector 2L (Ridged with x Hole x Orientation)	PG
	*			Catalog: Parts: Technic, Connector 4211543	
+		5	32039	Black Technic, Axle Connector with Axle Hole	PG
	*			Catalog: Parts: Technic, Connector 3203926 or 4107081	
+		19	43093	Blue Technic, Axle Pin with Friction Ridges Lengthwise	PG
	*			Catalog: Parts: Technic, Axle 4309323 or 4206482	
+		5	3749	Tan Technic, Axle Pin without Friction Ridges Lengthwise	PG
	*			Catalog: Parts: Technic, Axle 4666579 or 65625 or 4186017	
+		2	3894	Black Technic, Brick 1 x 6 with Holes	PG
	*			Catalog: Parts: Technic, Brick 389426	
+		2	32439b	Light Bluish Gray Technic, Disk 5 x 5 - Notched, No Pattern, WITH PIN	PG
	*			Catalog: Parts: Technic, Disk Part Color Code Missing	
+		4	6589	Light Bluish Gray Technic, Gear 12 Tooth Bevel	PG
	*			Catalog: Parts: Technic, Gear 4565450 or 6589194 or 4211539	
+		1	32270	Light Bluish Gray Technic, Gear 12 Tooth Double Bevel	PG
	*			Catalog: Parts: Technic, Gear 32270194 or 4211634	
+		1	4019	Light Bluish Gray Technic, Gear 16 Tooth (First Version - 4 Round Holes)	PG
	*			Catalog: Parts: Technic, Gear 4562487 or 4211563 or 4019194	
+		1	32269	Light Bluish Gray Technic, Gear 20 Tooth Double Bevel	PG
	*			Catalog: Parts: Technic, Gear 32269194 or 4211635	

+		1	3648	Light Bluish Gray Technic, Gear 24 Tooth (2nd Version - 1 Axle Hole) Catalog: Parts: Technic, Gear 4211565	PG
+		24	41677	Black Technic, Liftarm 1 x 2 Thin Catalog: Parts: Technic, Liftarm 4167726 or 4164133	PG
+		3	32523	Red Technic, Liftarm 1 x 3 Thick Catalog: Parts: Technic, Liftarm 4153718	PG
+		13	6632	Light Bluish Gray Technic, Liftarm 1 x 3 Thin Catalog: Parts: Technic, Liftarm 4211566	PG
+		15	6632	Red Technic, Liftarm 1 x 3 Thin Catalog: Parts: Technic, Liftarm 4107824	PG
+		1	6632	Yellow Technic, Liftarm 1 x 3 Thin Catalog: Parts: Technic, Liftarm 4107823 or 663224	PG
+		10	32449	Black Technic, Liftarm 1 x 4 Thin Catalog: Parts: Technic, Liftarm 3244926 or 4142236	PG
+		2	2825	Red Technic, Liftarm 1 x 4 Thin with Stud Connector Catalog: Parts: Technic, Liftarm 4128641 or 4227649	PG
+		5	32316	Black Technic, Liftarm 1 x 5 Thick Catalog: Parts: Technic, Liftarm 4142135	PG
+		2	32316	Light Bluish Gray Technic, Liftarm 1 x 5 Thick Catalog: Parts: Technic, Liftarm 4211651	PG 1 
+		1	32316	Red Technic, Liftarm 1 x 5 Thick Catalog: Parts: Technic, Liftarm 4142132	PG
+		4	32017	Red Technic, Liftarm 1 x 5 Thin Catalog: Parts: Technic, Liftarm 4107063 or 4163978 or 4503419	PG

+	 *	2	32063	Black Technic, Liftarm 1 x 6 Thin Catalog: Parts: Technic, Liftarm 4114634	PG
+	 *	4	32348	Red Technic, Liftarm 1 x 7 Bent (4 - 4) Thick Catalog: Parts: Technic, Liftarm 4174834 or 4263821	PG
+	 *	1	32524	Black Technic, Liftarm 1 x 7 Thick Catalog: Parts: Technic, Liftarm 3252426 or 4495935 or 4155458	PG
+	 *	4	32524	Red Technic, Liftarm 1 x 7 Thick Catalog: Parts: Technic, Liftarm 4162098 or 4495933	PG
+	 *	2	6629	Light Bluish Gray Technic, Liftarm 1 x 9 Bent (6 - 4) Thick Catalog: Parts: Technic, Liftarm 6279885 or 4255613	PG
+	 *	1	32271	Black Technic, Liftarm 1 x 9 Bent (7 - 3) Thick Catalog: Parts: Technic, Liftarm 4140327	PG
+	 *	5	32271	Red Technic, Liftarm 1 x 9 Bent (7 - 3) Thick Catalog: Parts: Technic, Liftarm 6188299 or 4141743	PG
+	 *	2	40490	Black Technic, Liftarm 1 x 9 Thick Catalog: Parts: Technic, Liftarm 4049026 or 4542788 or 4645732 or 4154767	PG
+	 *	2	40490	Red Technic, Liftarm 1 x 9 Thick Catalog: Parts: Technic, Liftarm 4645733 or 4192225	PG
+	 *	4	32009	Light Bluish Gray Technic, Liftarm 1 x 11.5 Double Bent Thick Catalog: Parts: Technic, Liftarm 4234240	PG
+	 *	2	32140	Black Technic, Liftarm 2 x 4 L-Shape Thick Catalog: Parts: Technic, Liftarm 6271825 or 3214026 or 4120017	PG
+	 *	3	32056	Black Technic, Liftarm 3 x 3 L-Shape Thin Catalog: Parts: Technic, Liftarm 4112287	PG

+		2	32249	Light Bluish Gray Technic, Liftarm 3 x 3 L-Shape with Quarter Ellipse Thin Catalog: Parts: Technic, Liftarm 4263591 or 4531184	PG
+		4	32249	Red Technic, Liftarm 3 x 3 L-Shape with Quarter Ellipse Thin Catalog: Parts: Technic, Liftarm 4566064 or 4254609	PG
+		2	32250	Light Bluish Gray Technic, Liftarm 3 x 5 L-Shape with Quarter Ellipse Thin Catalog: Parts: Technic, Liftarm 4234247	PG
+		4	2905	Light Bluish Gray Technic, Liftarm Triangle Thin Catalog: Parts: Technic, Liftarm 4211653	PG
+		30	3711	Black Technic, Link Chain Catalog: Parts: Technic, Link 6044702 or 371126	PG
+		1	44350	Red Technic, Panel Fairing #20 Large Long, Small Hole, Side A Catalog: Parts: Technic, Panel 4205036 or 4277095	PG
+		1	44351	Red Technic, Panel Fairing #21 Large Long, Small Hole, Side B Catalog: Parts: Technic, Panel 4205039 or 4277117	PG
+		1	44352	Red Technic, Panel Fairing #22 Large Short, Small Hole, Side A Catalog: Parts: Technic, Panel 4205040 or 4277113	PG
+		1	44353	Red Technic, Panel Fairing #23 Large Short, Small Hole, Side B Catalog: Parts: Technic, Panel 4205041 or 4276978	PG
+		2	47712	Red Technic, Panel Fairing #24 Small Short, Small Hole, Side B Catalog: Parts: Technic, Panel 4218893	PG
+		2	47713	Red Technic, Panel Fairing #25 Small Short, Small Hole, Side A Catalog: Parts: Technic, Panel 4218894	PG
+		10	32002	Dark Bluish Gray Technic, Pin 3/4 Catalog: Parts: Technic, Pin 32002199 or 4211050	PG

+	 *	22	6558	Black Technic, Pin 3L with Friction Ridges Lengthwise Catalog: Parts: Technic, Pin 655826	PG
+	 *	3	32054	Light Bluish Gray Technic, Pin 3L with Friction Ridges Lengthwise and Stop Bush Catalog: Parts: Technic, Pin 4211865	PG
+	 *	1	44809	Light Bluish Gray Technic, Pin Connector Perpendicular 2 x 2 Bent Catalog: Parts: Technic, Connector 4211880	PG
+	 *	2	75535	Red Technic, Pin Connector Round 2L without Slot (Pin Joiner Round) Catalog: Parts: Technic, Connector 75854 or 4526984	PG
+	 *	1	48496	Light Bluish Gray Technic, Pin Connector Toggle Joint Smooth Double with 2 Pins Catalog: Parts: Technic, Connector 4255618	PG
+	 *	6	6628	Black Technic, Pin with Friction Ridges Lengthwise and Towball Catalog: Parts: Technic, Pin 662826 or 4184169	PG
+	 *	41	2780	Black Technic, Pin with Friction Ridges Lengthwise WITH Center Slots Catalog: Parts: Technic, Pin 4121715 or 278026	PG 2 
+	 *	1	48912c01	Dark Bluish Gray Technic, Shock Absorber 11.5L Catalog: Parts: Technic, Shock Absorber 4224154	PG 3 
+	 *	1	9244c01 (inv)	Light Bluish Gray Technic, Universal Joint 4L Catalog: Parts: Technic, Connector 4240416 or 9244194	PG
+	 *	1	2412b	Red Tile, Modified 1 x 2 Grille with Bottom Groove / Lip Catalog: Parts: Tile, Modified 241221	PG
+	 *	1	51380	Black Tire Technic Street Bike (8420) - Narrow, Front Catalog: Parts: Tire & Tread Part Color Code Missing	PG
+	 *	1	51379	Black Tire Technic Street Bike (8420) - Wide, Rear Catalog: Parts: Tire & Tread Part Color Code Missing	PG

+	 *	2	51378	Light Bluish Gray Wheel Technic Street Bike 81mm D. x 28 (8420) Catalog: Parts: Wheel Part Color Code Missing	PG
---	-------	---	-----------------------	--	--------------------

+	 *	1	x224pb005	Trans-Black Windscreen 8 x 6 x 2 Curved with Red and Silver Racing Stripes Pattern Catalog: Parts: Windscreen, Decorated 4263436	PG
---	-------	---	---------------------------	---	--------------------

+	 *	1	47844	Red Windscreen 9 x 3 x 1 2/3 Bubble Canopy Catalog: Parts: Windscreen 4263632	PG
---	-------	---	-----------------------	--	--------------------

Extra Items:

+	 *	2	3713	Black Technic Bush Catalog: Parts: Technic 6210506 or 4177421 or 659026	PG
---	-------	---	----------------------	--	--------------------

+	 *	1	3713	Light Bluish Gray Technic Bush Catalog: Parts: Technic 6275844 or 4211622	PG
---	-------	---	----------------------	--	--------------------

+	 *	1	3713	Yellow Technic Bush Catalog: Parts: Technic 4238814 or 659024	PG
---	-------	---	----------------------	--	--------------------

+	 *	2	4265c	Light Bluish Gray Technic Bush 1/2 Smooth Catalog: Parts: Technic 6271165 or 4211573	PG
---	-------	---	-----------------------	---	--------------------

+	 *	1	3711	Black Technic, Link Chain Catalog: Parts: Technic, Link 6044702 or 371126	PG
---	-------	---	----------------------	--	--------------------

+	 *	2	32002	Dark Bluish Gray Technic, Pin 3/4 Catalog: Parts: Technic, Pin 32002199 or 4211050	PG
---	-------	---	-----------------------	---	--------------------

+	 *	2	2780	Black Technic, Pin with Friction Ridges Lengthwise WITH Center Slots Catalog: Parts: Technic, Pin 4121715 or 278026	PG
---	-------	---	----------------------	--	--------------------

Counterparts:

+	 *	1	51378c01(inv)	Light Bluish Gray Wheel Technic Street Bike (8420) with Black Tire Technic Street Bike (8420) - Narrow, Front (51378 / 51380) Catalog: Parts: Wheel & Tire Assembly Part Color Code Missing	PG
---	-------	---	-------------------------------	--	--------------------

Light Bluish Gray Wheel Technic Street Bike (8420) with

+



*

1 [51378c02\(inv\)](#)

Black Tire Technic Street Bike (8420) - Wide, Rear (51378 / 51379)

Catalog: [Parts: Wheel & Tire Assembly](#)

Part Color Code Missing

[PG](#)

Alternate Items:

+



*

2 [32316](#)

Light Gray Technic, Liftarm 1 x 5 Thick

Catalog: [Parts: Technic, Liftarm](#)

Part Color Code Missing

[PG](#)

1



+



*

6 [32002](#)

Dark Bluish Gray Technic, Pin 3/4

Catalog: [Parts: Technic, Pin](#)

32002199 or 4211050

[PG](#)

2



+



*

45

[2780](#)

Black Technic, Pin with Friction Ridges Lengthwise WITH Center Slots

Catalog: [Parts: Technic, Pin](#)

4121715 or 278026

[PG](#)

2



+



*

1 [48912c01](#)

Yellow Technic, Shock Absorber 11.5L

Catalog: [Parts: Technic, Shock Absorber](#)

4262815

[PG](#)

3



Note:

Redesigned during production.

There are at least 2 different versions of instructions for this set. The differences for the second version are indicated in this inventory in the Alternate Items section with Match ID 99.

Quick overview of redesign: Four dark bluish gray 32002 Technic, Pin 3/4 are replaced by four black 2780 Technic, Pin with Friction Ridges Lengthwise WITH Center Slots.

Summary:

Type	Unique Lots	Total Qty
Regular Items:		
Parts	98	506
Extra Items:		
Parts	7	11
Counterparts:		
Parts	2	2
Alternative Items:		
Parts	4	54

[evansar](#) (656) inventoried this Set on Jun 23, 2005, inventory last updated on May 27, 2019.