



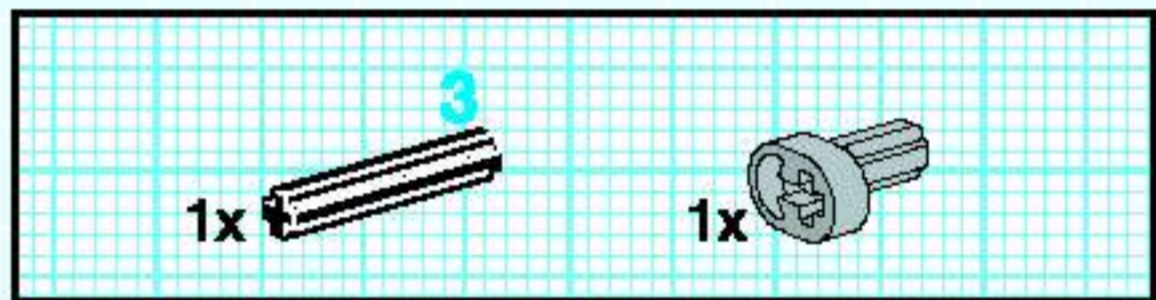
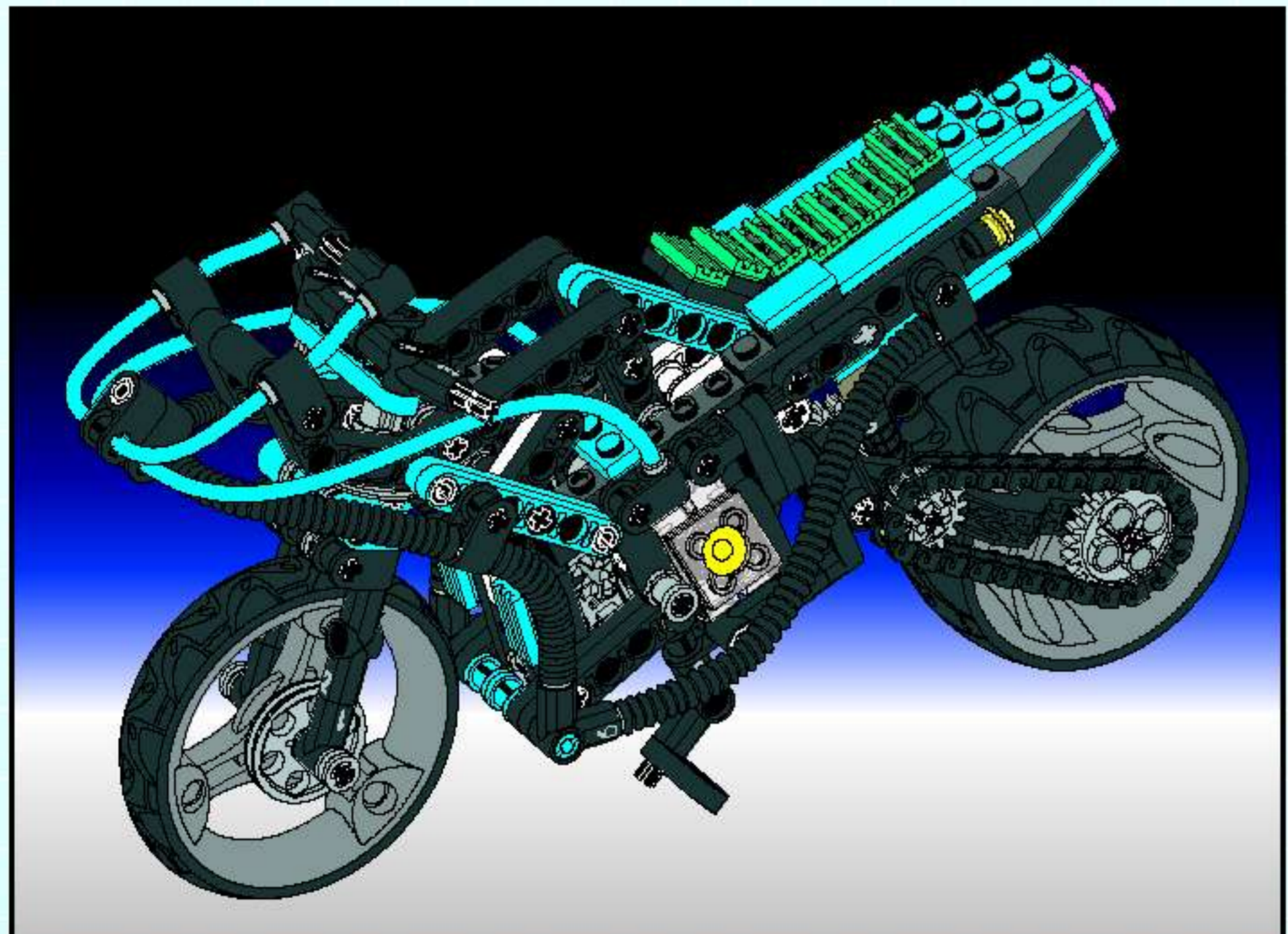
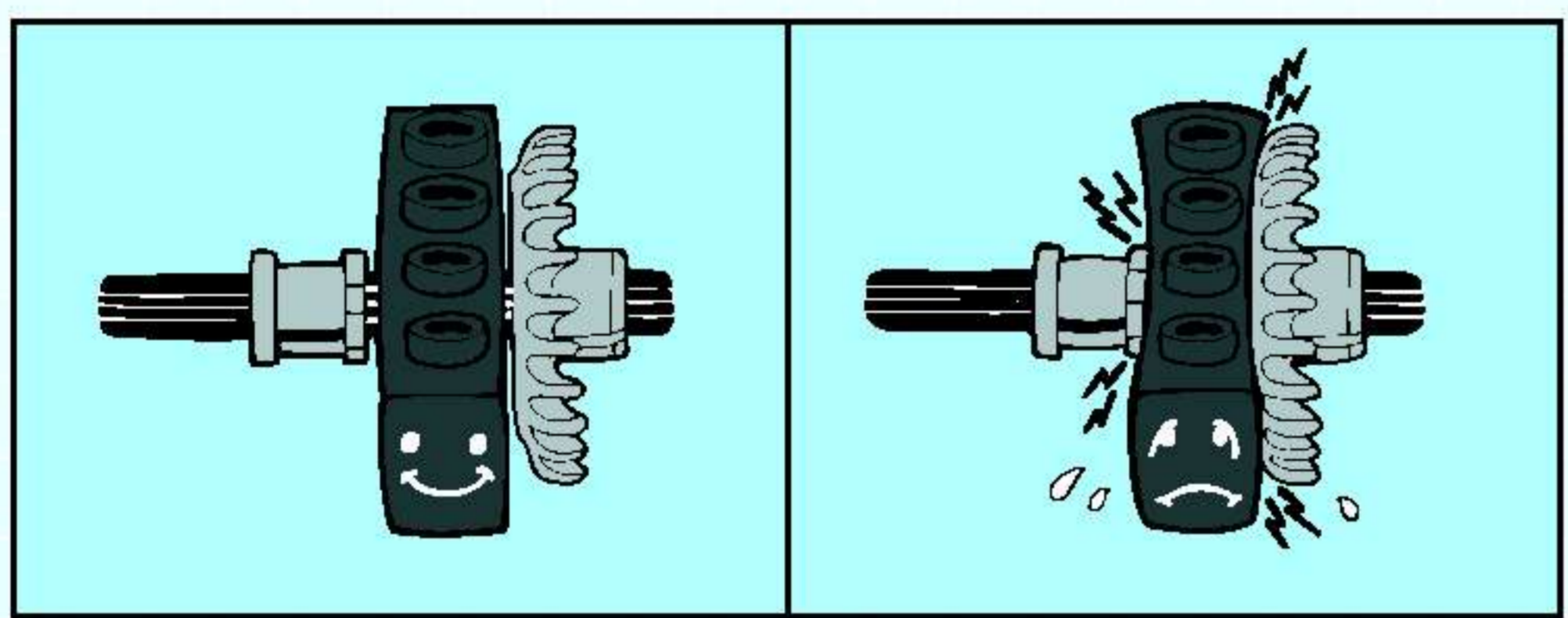
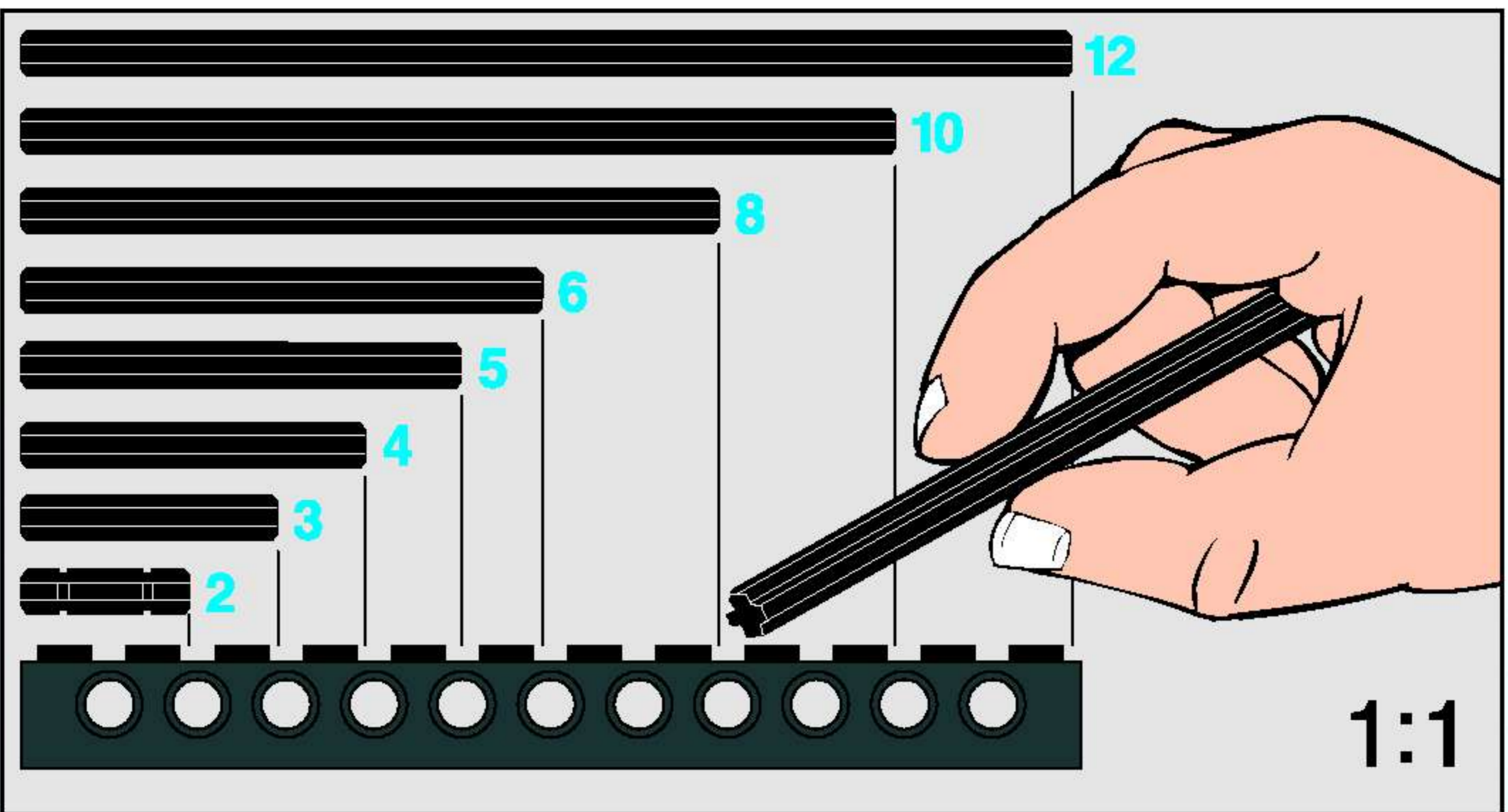
# TECHNIC



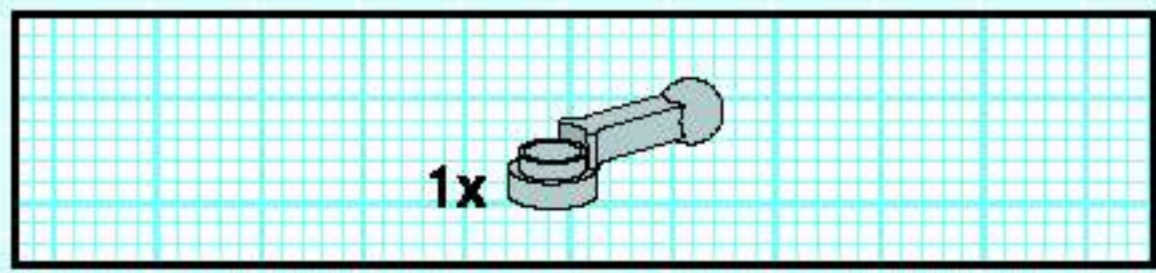
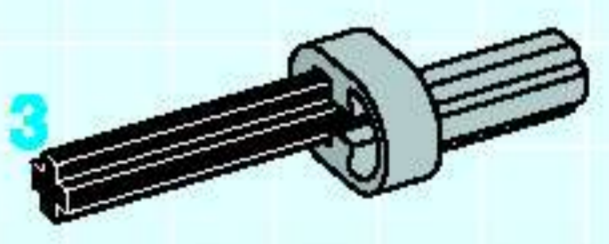
8430

4193458

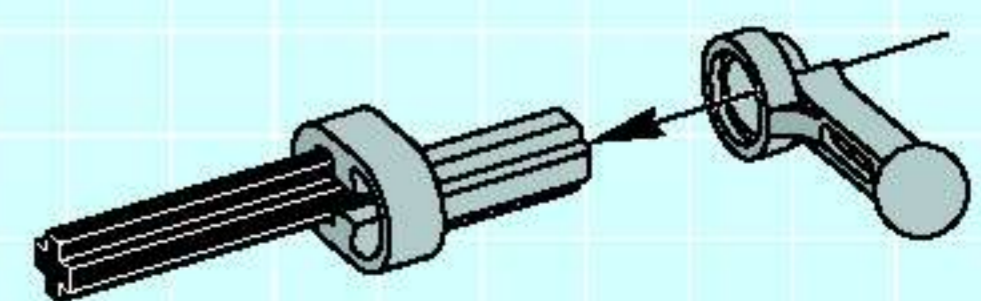
0 1 2 3 4 5 6 7 8 9 10 11 12 13 14 15 16 17 18 19 20 21 22 23 CM

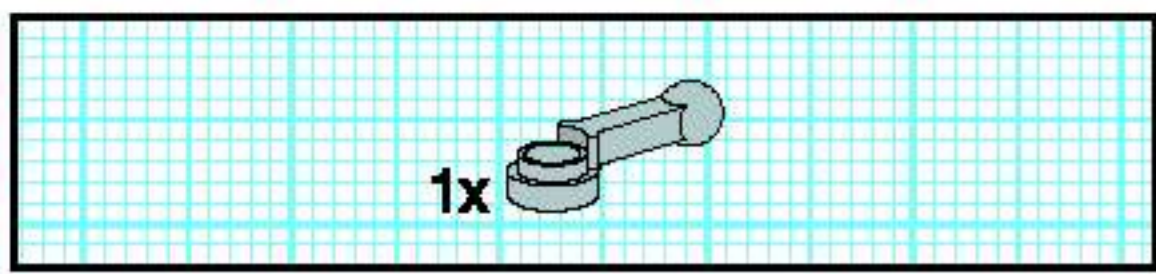


1

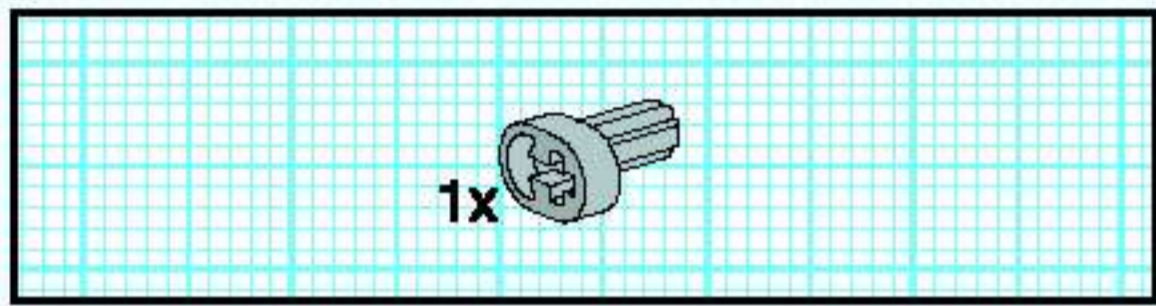
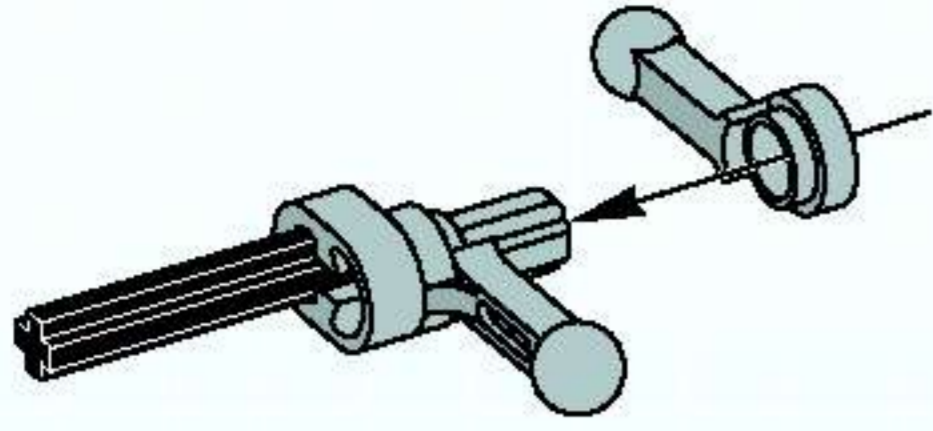


2

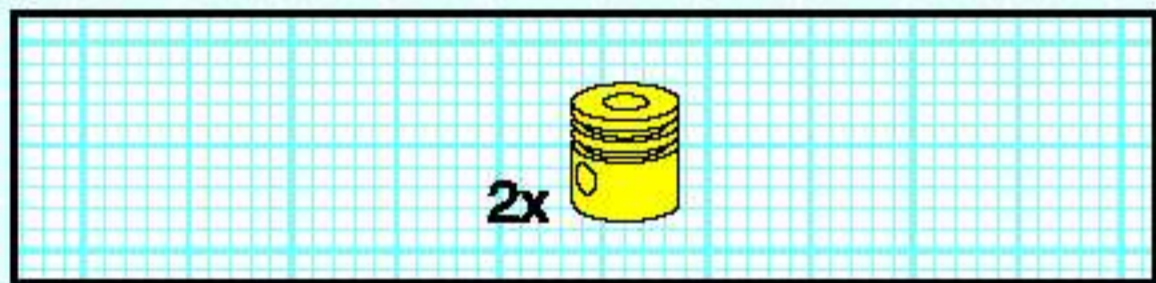
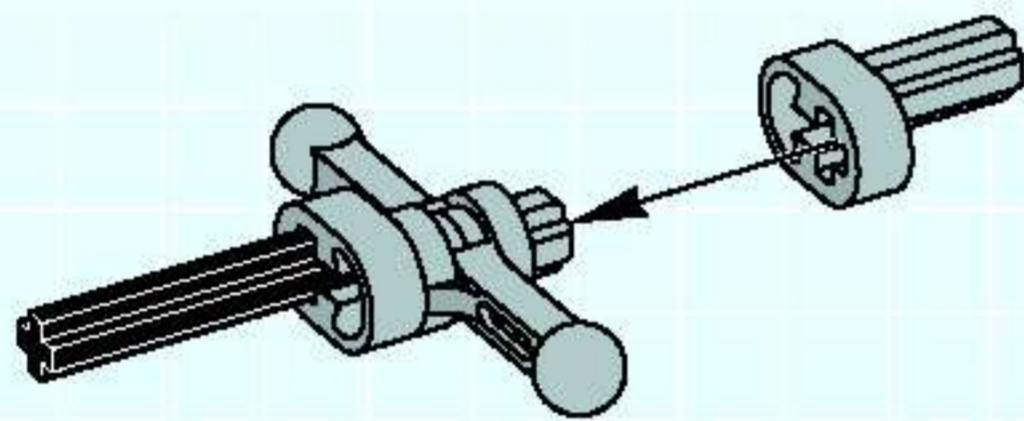




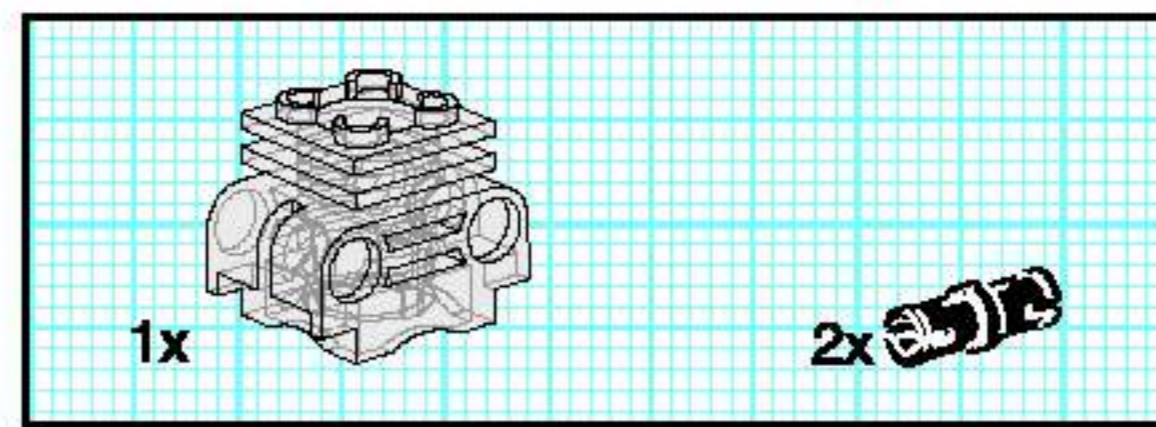
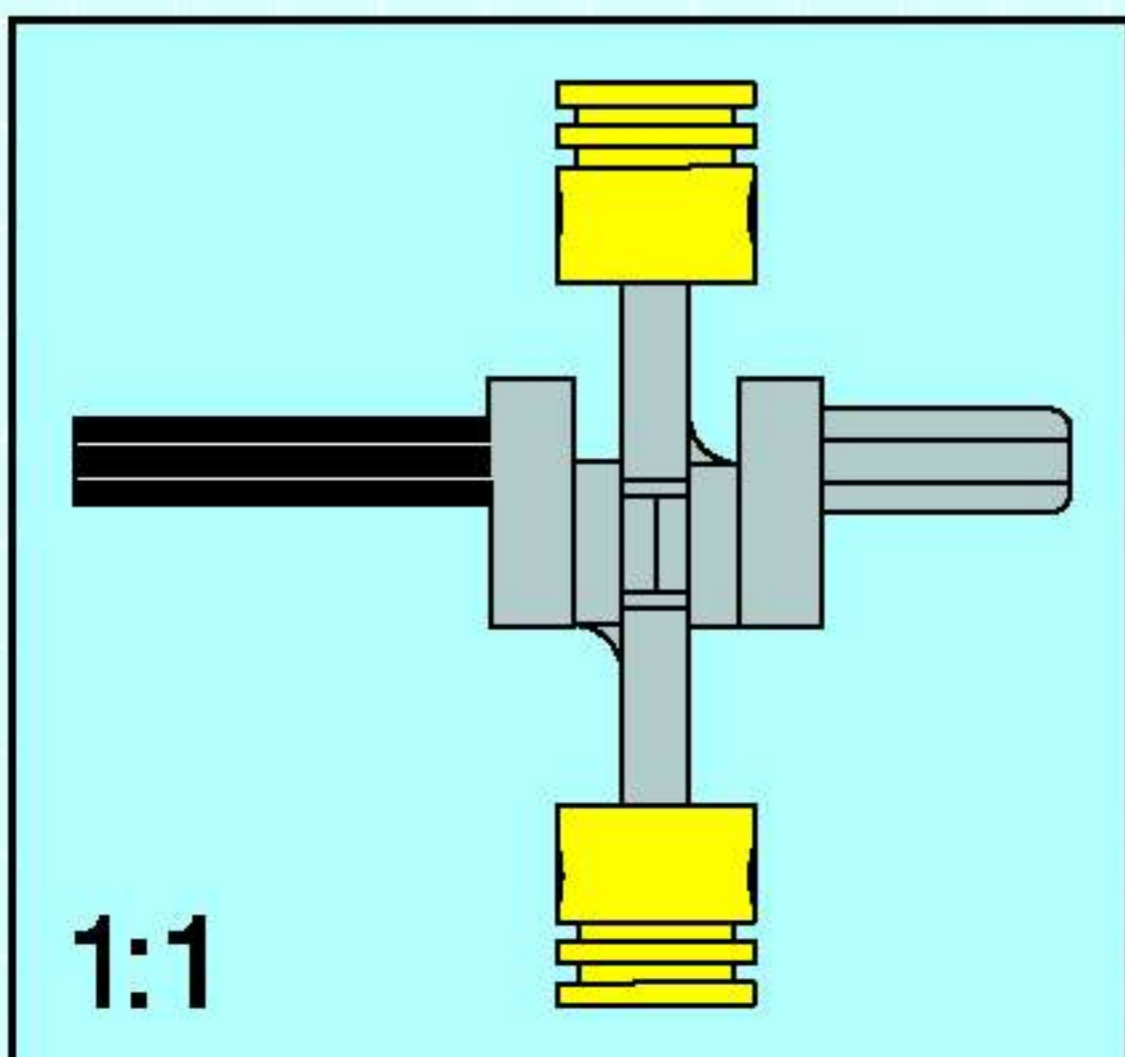
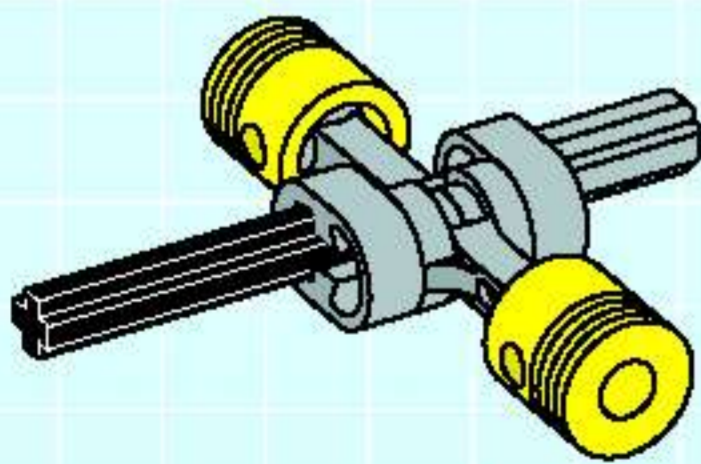
3



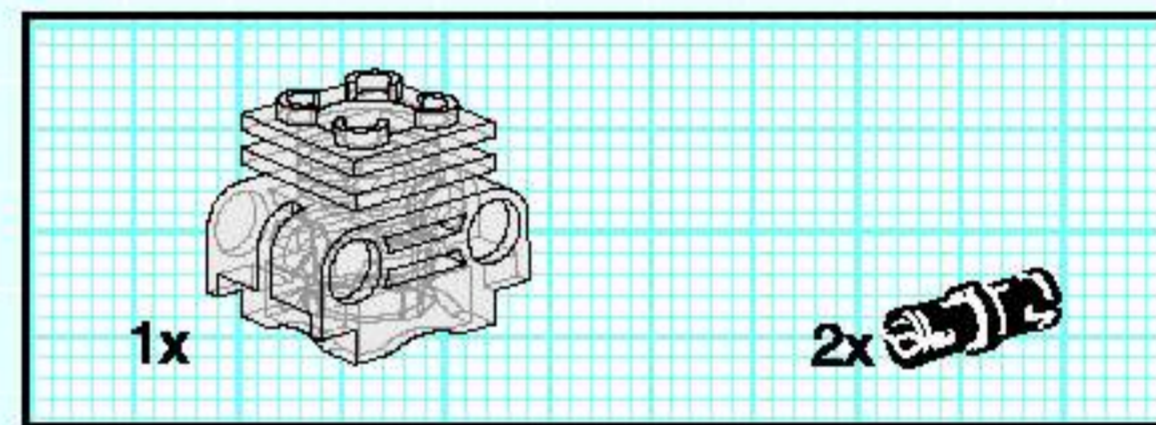
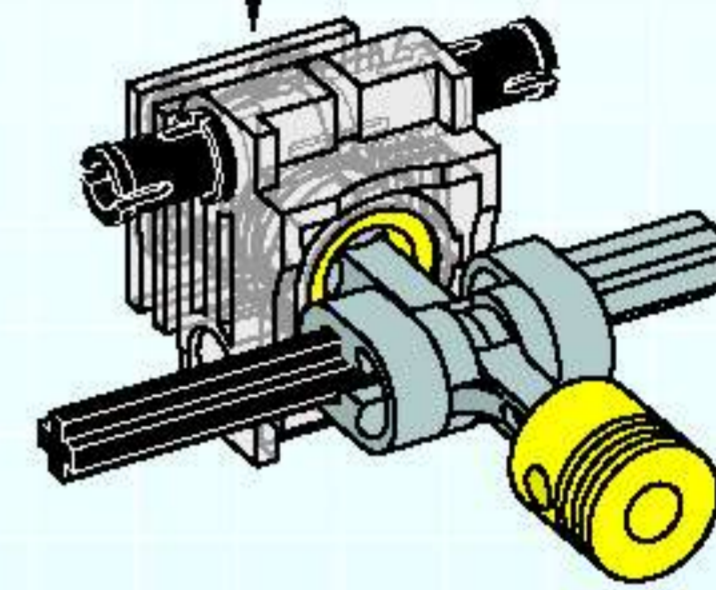
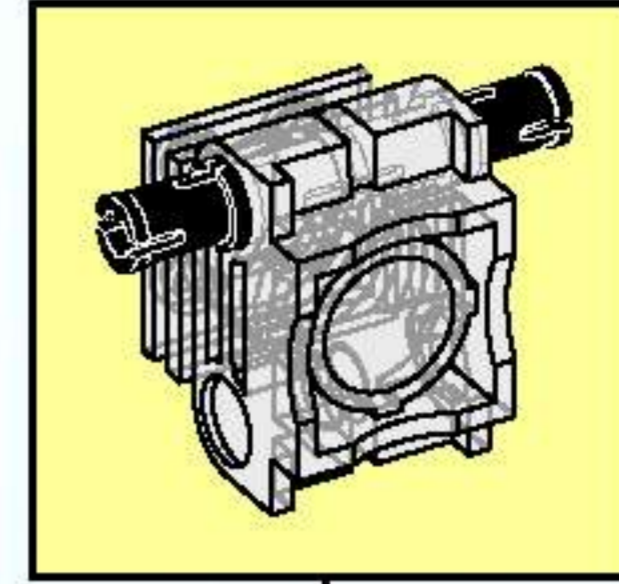
4



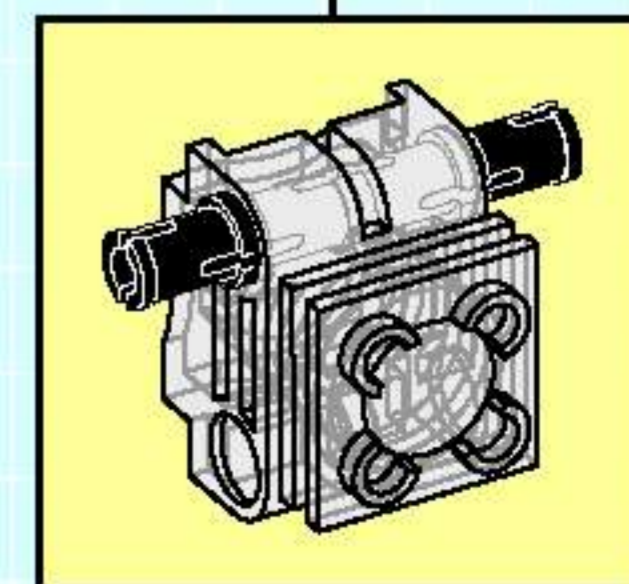
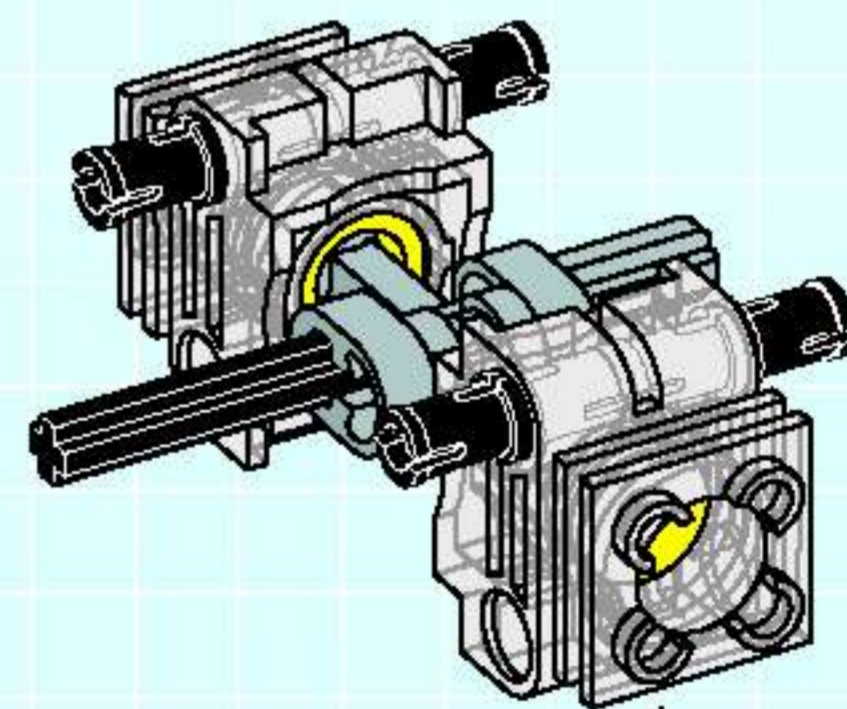
5

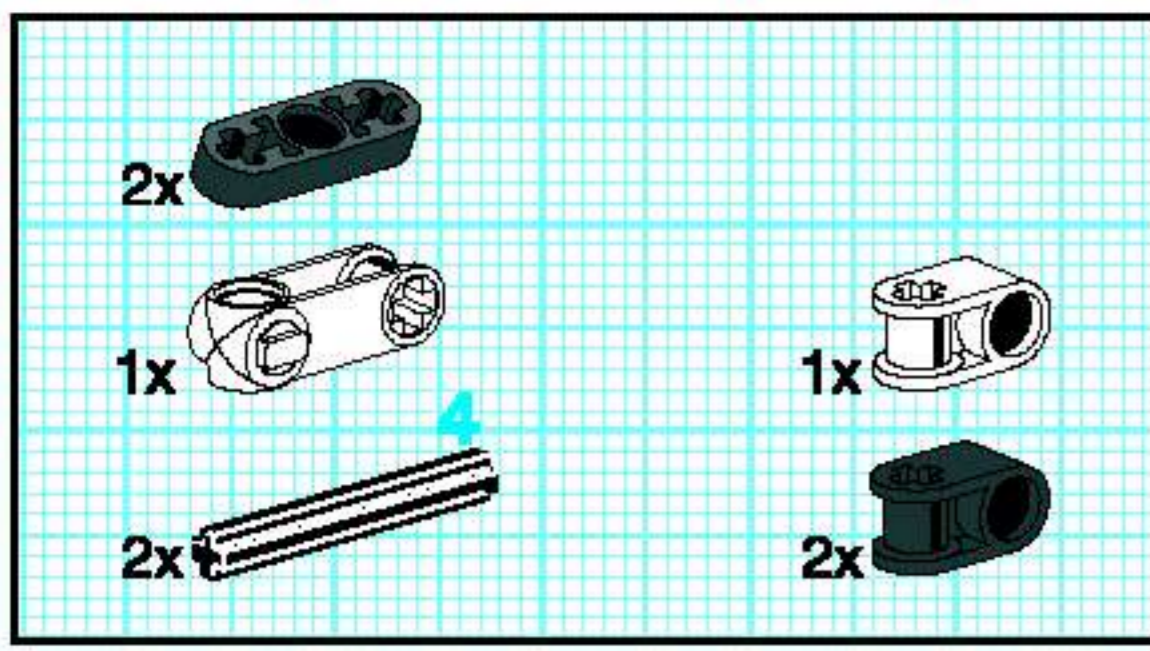


6

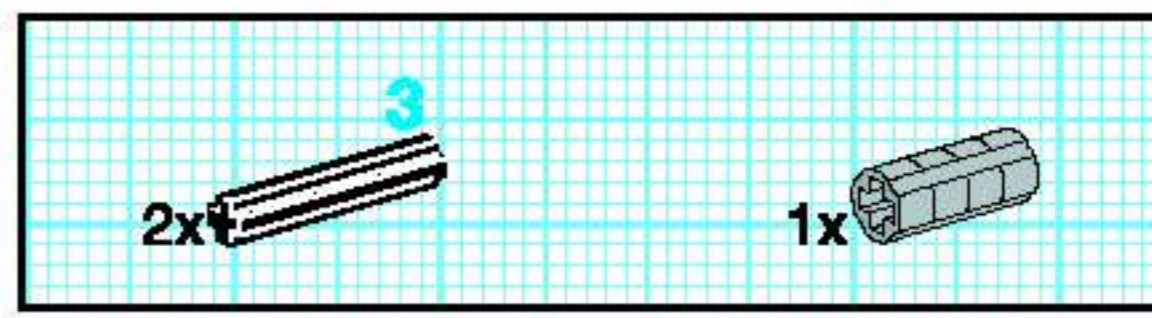
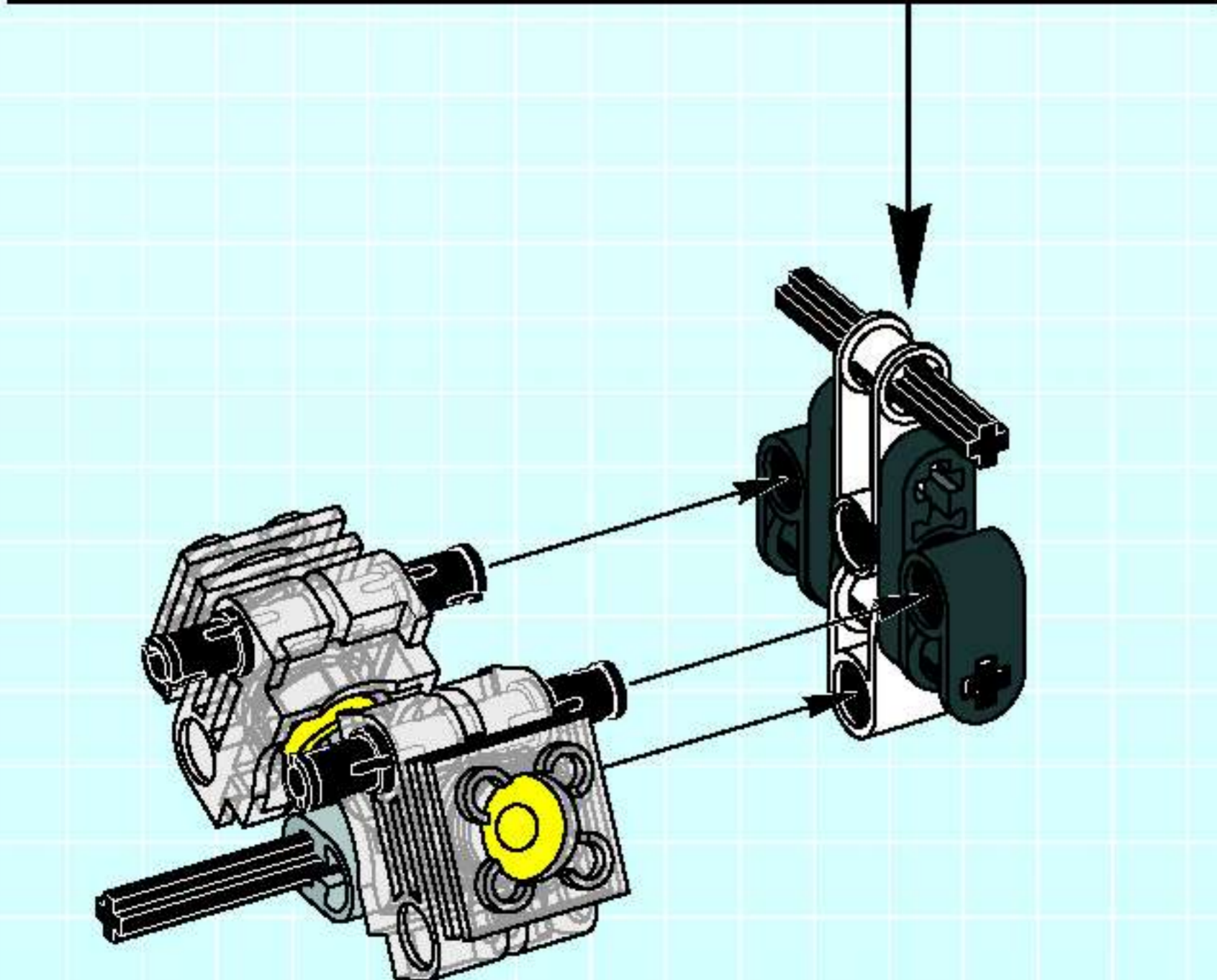
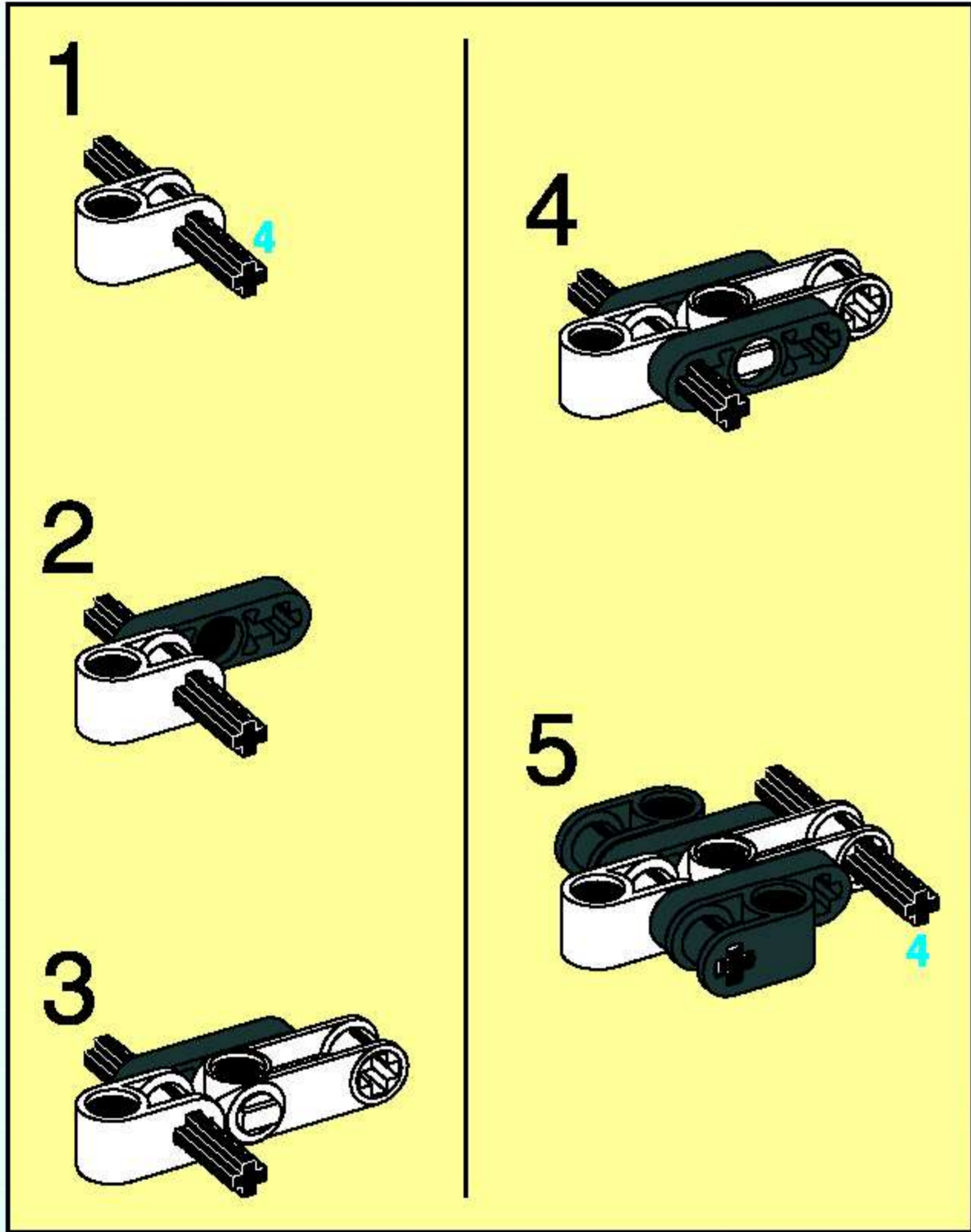


7

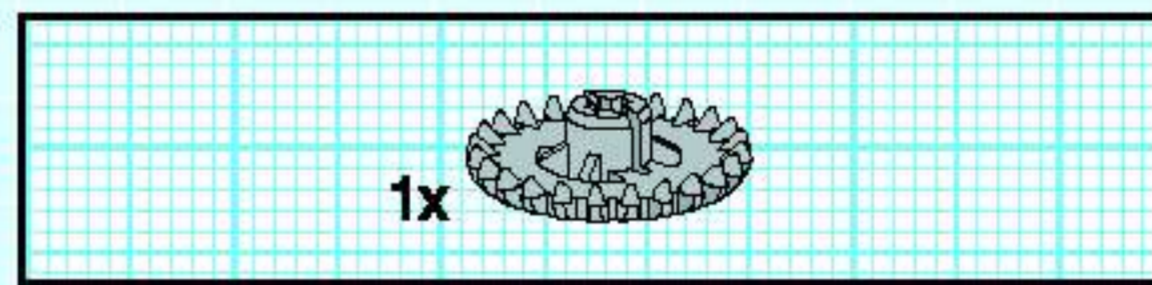
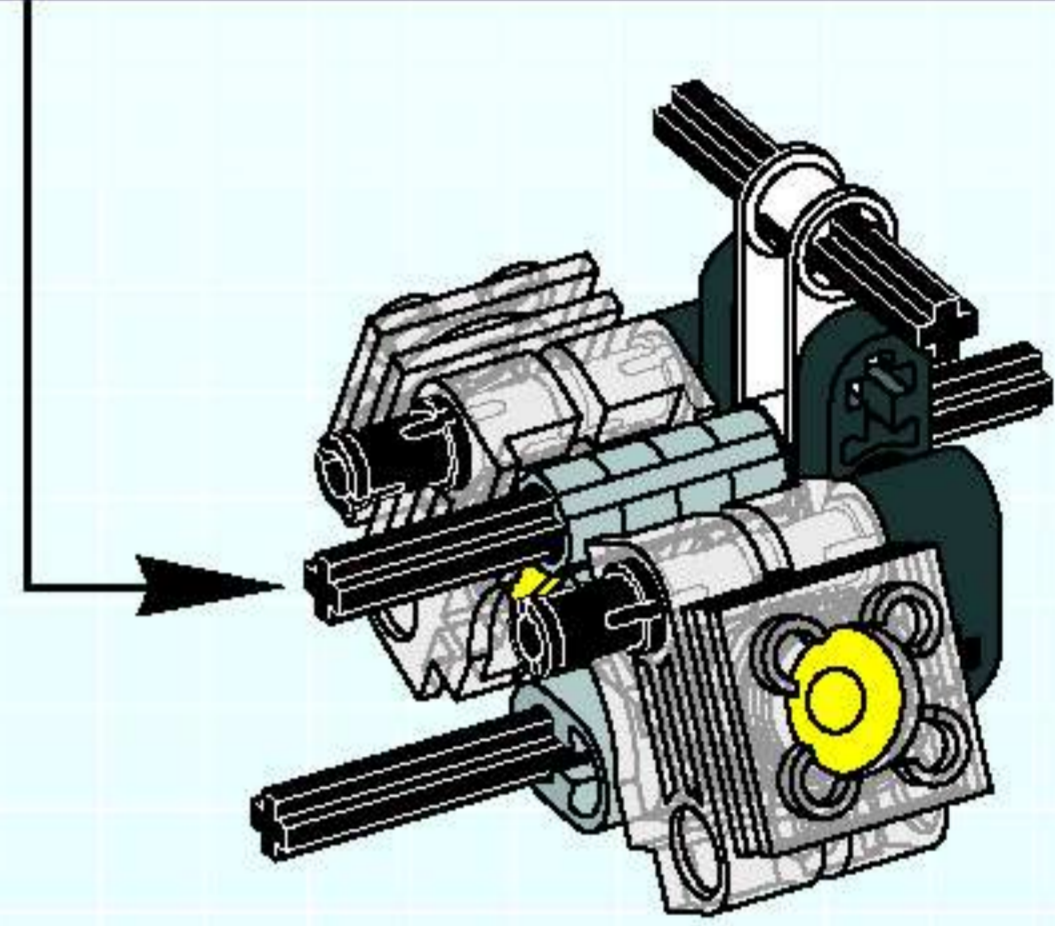
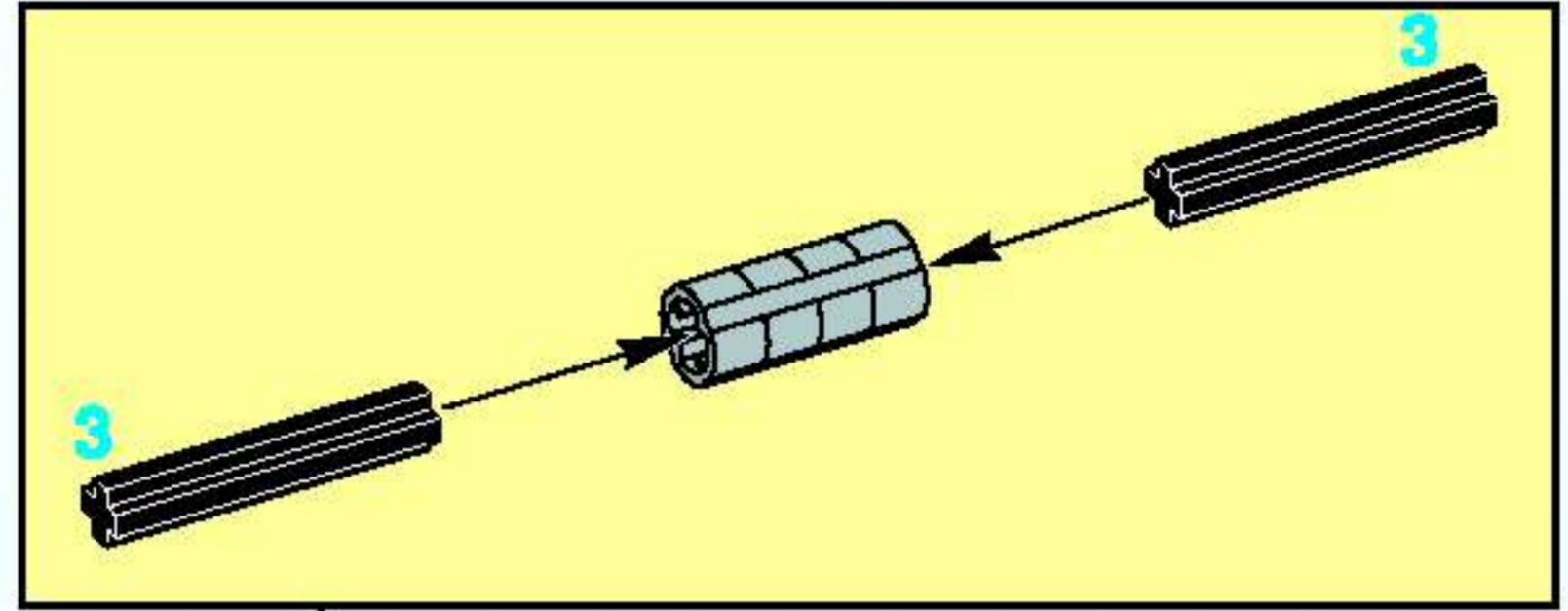




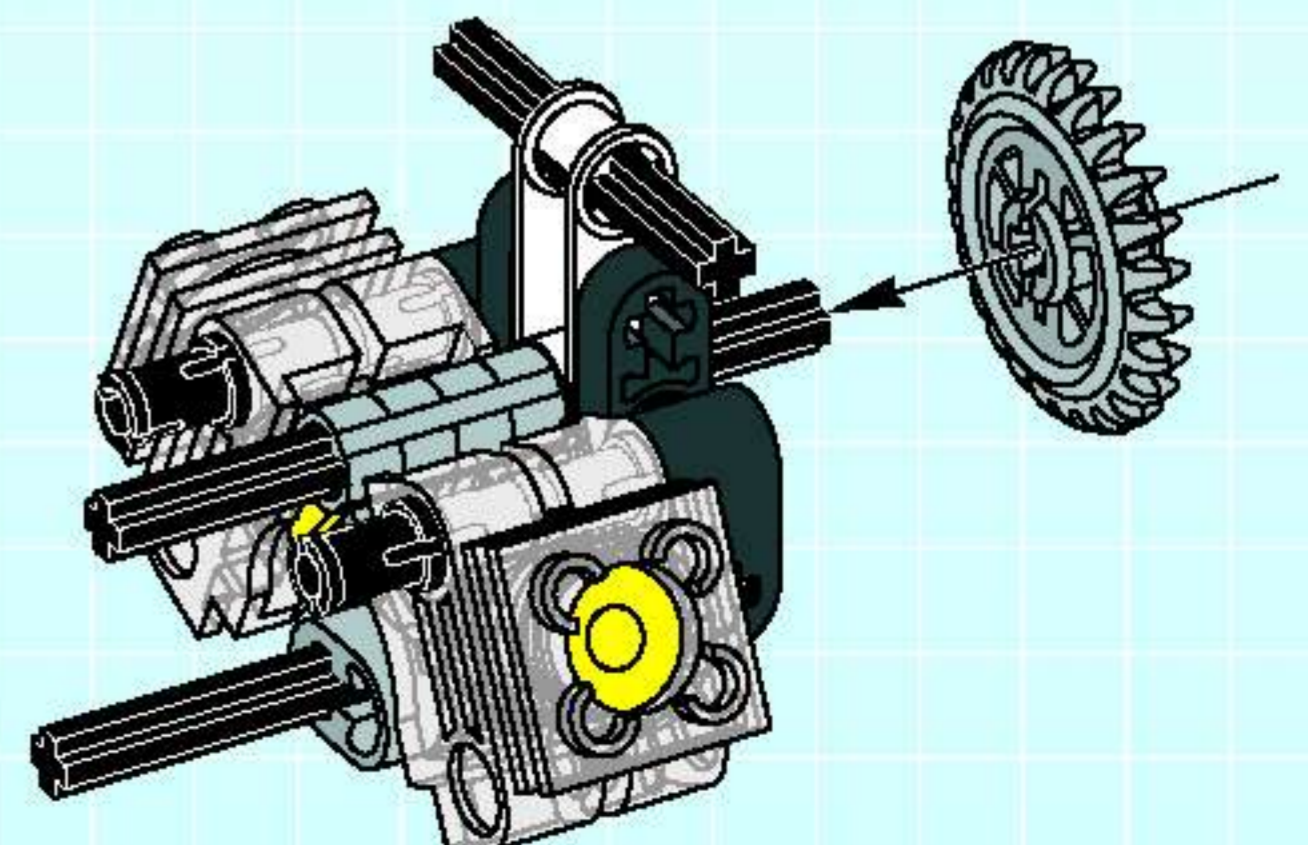
8

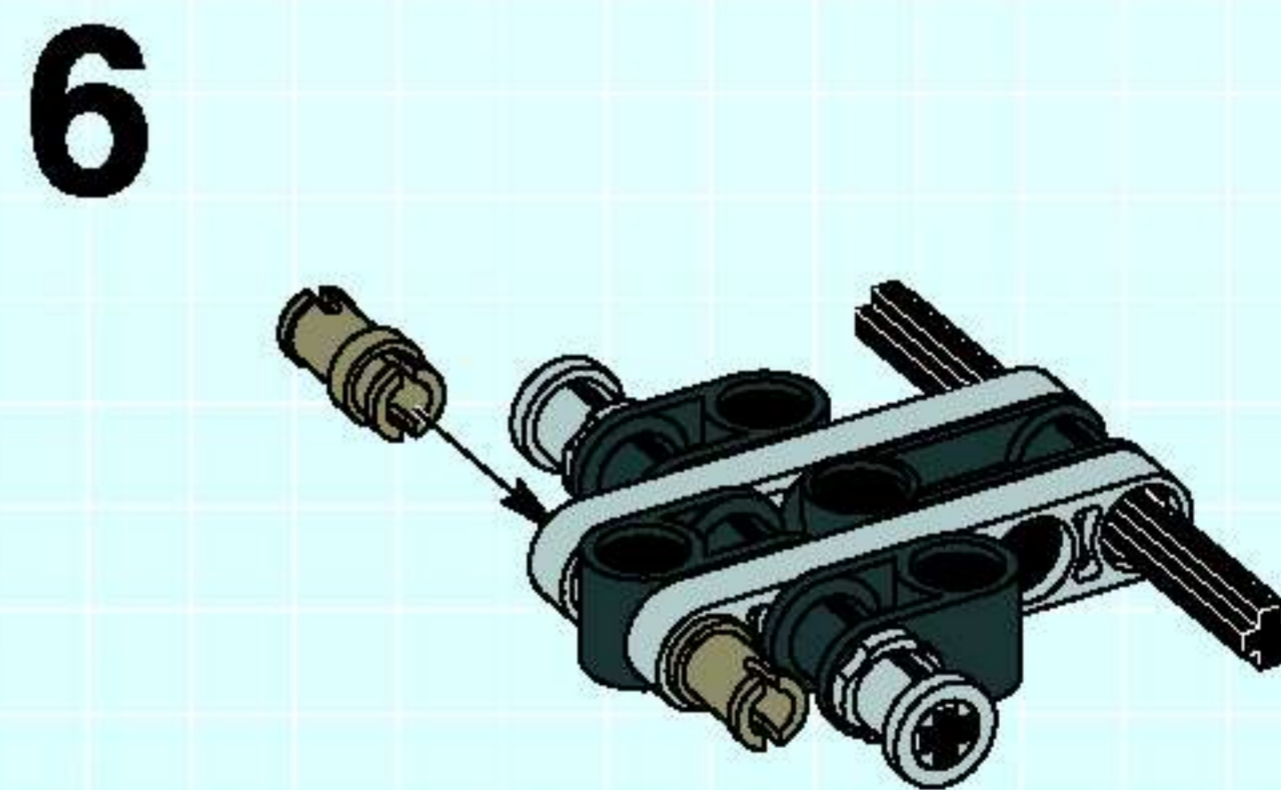
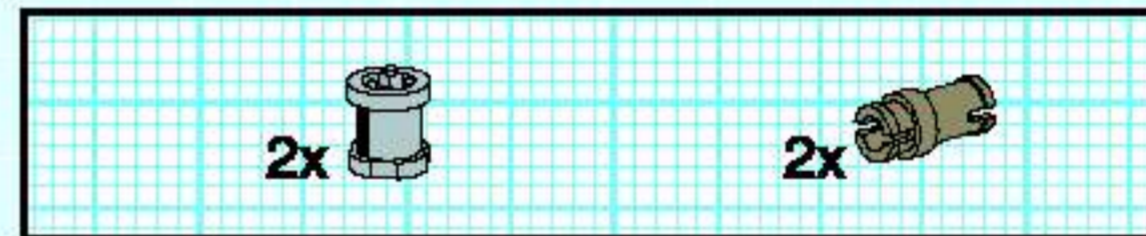
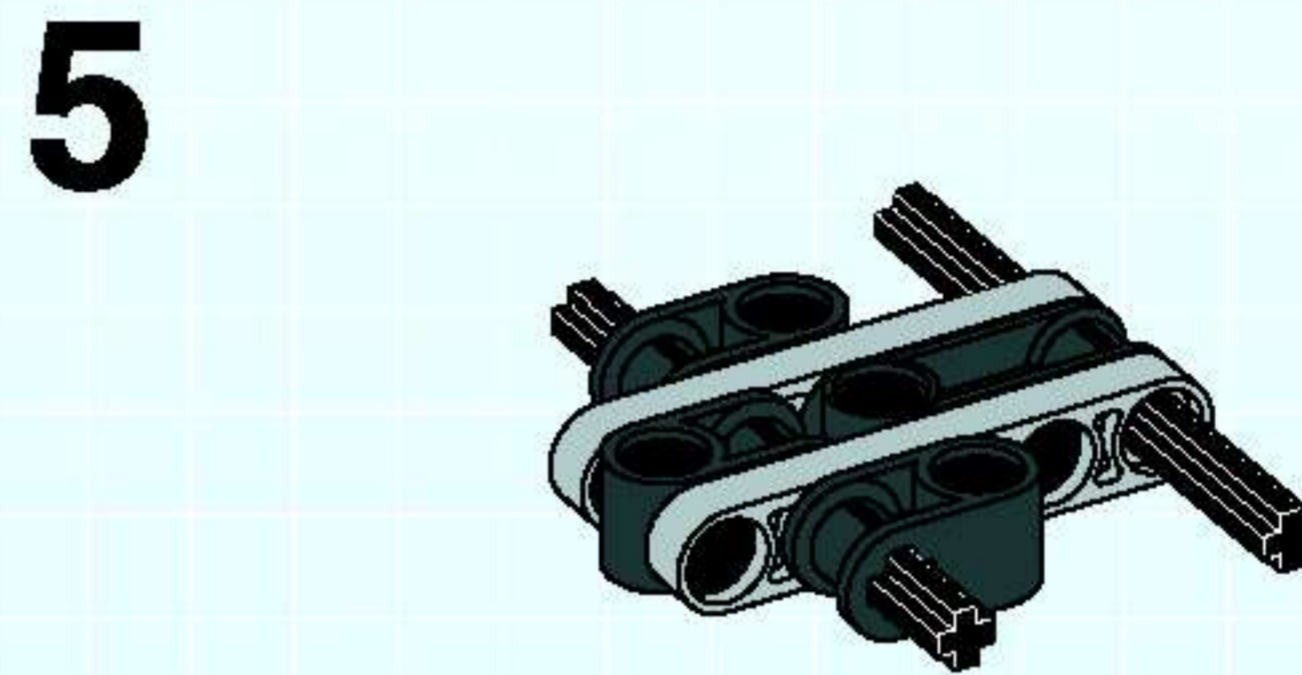
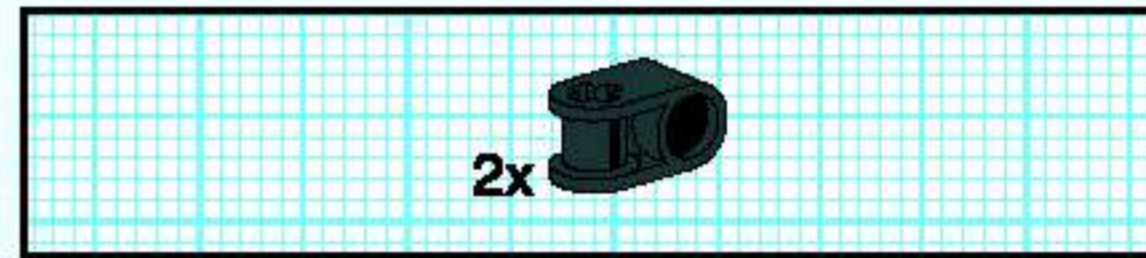
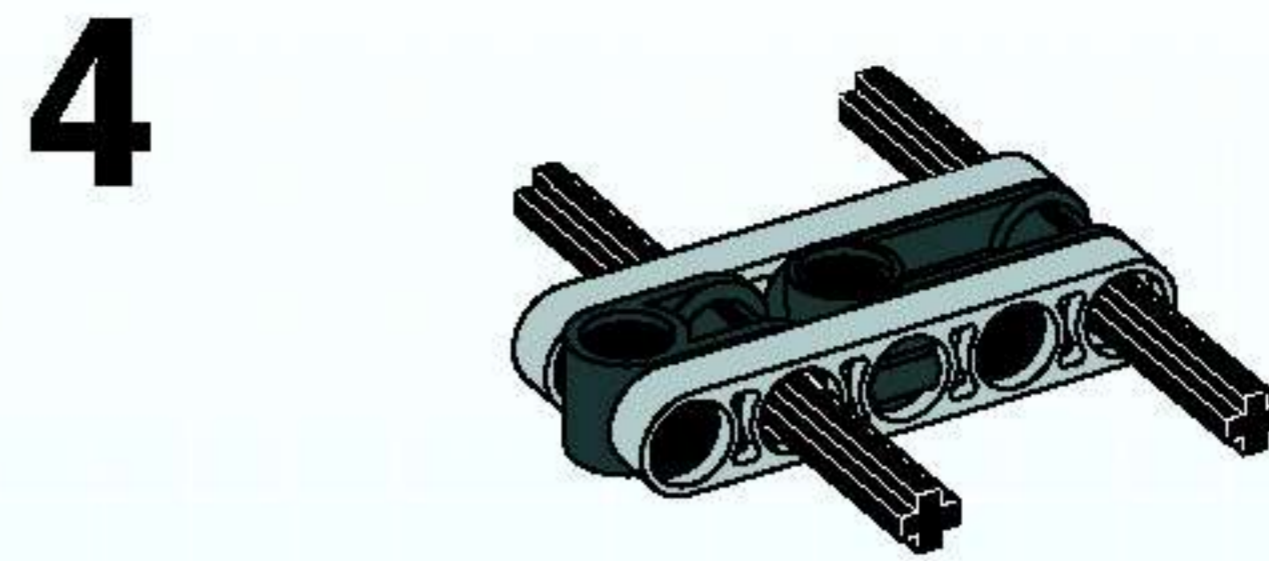
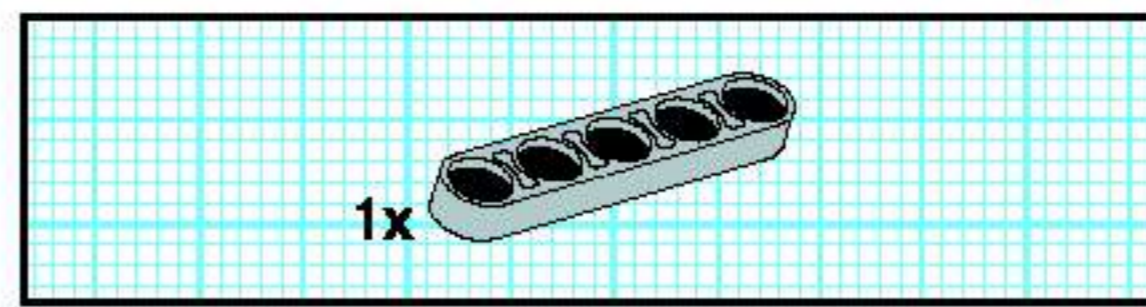
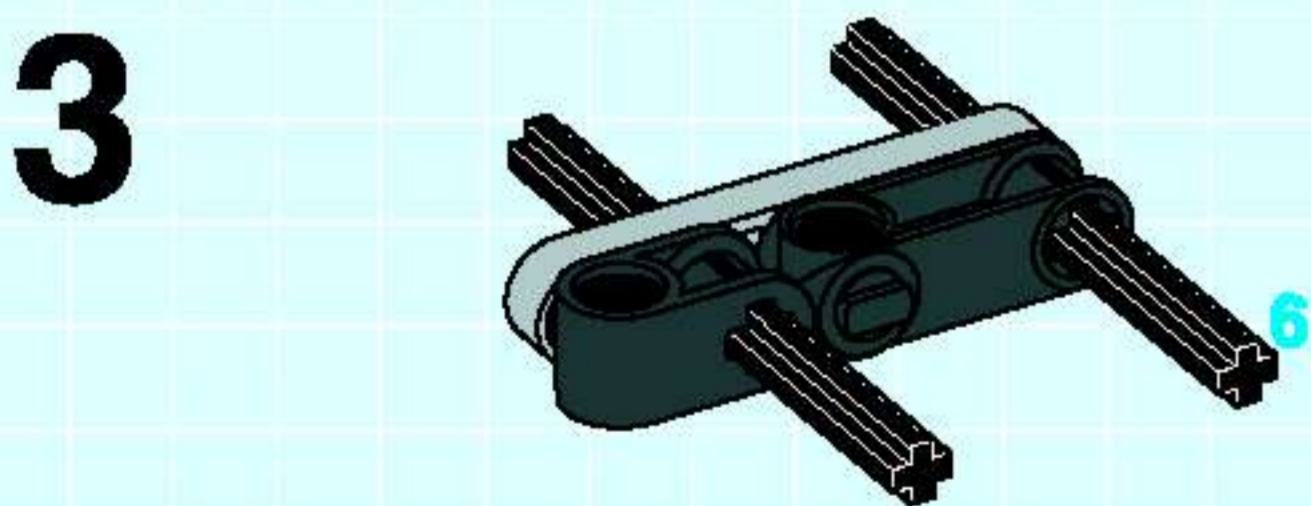
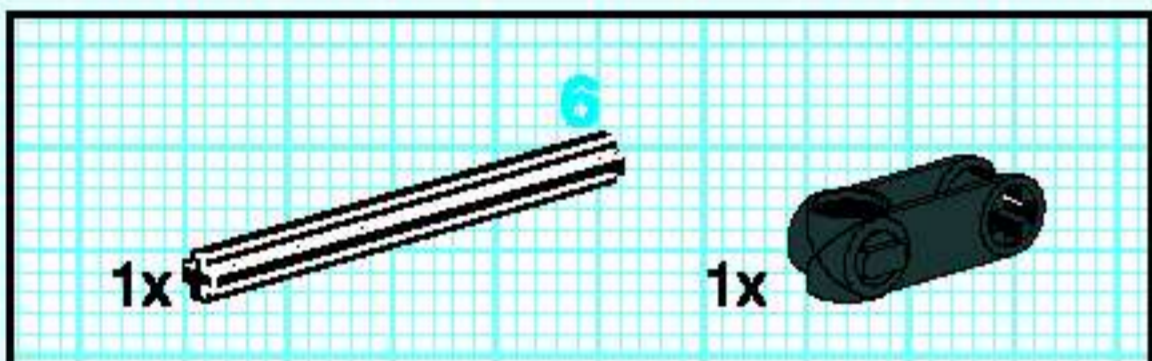
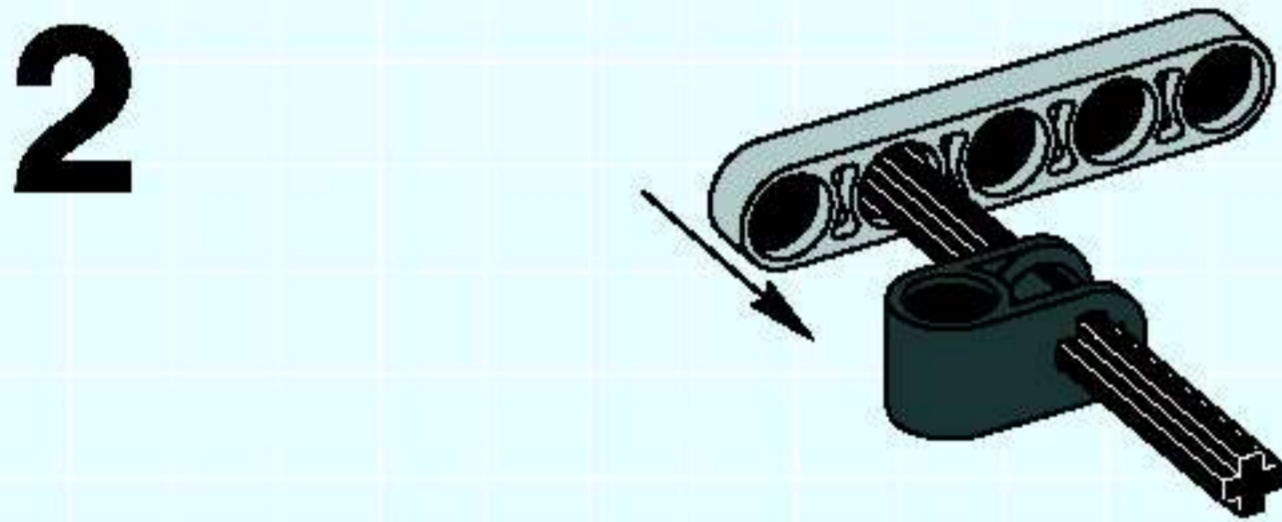
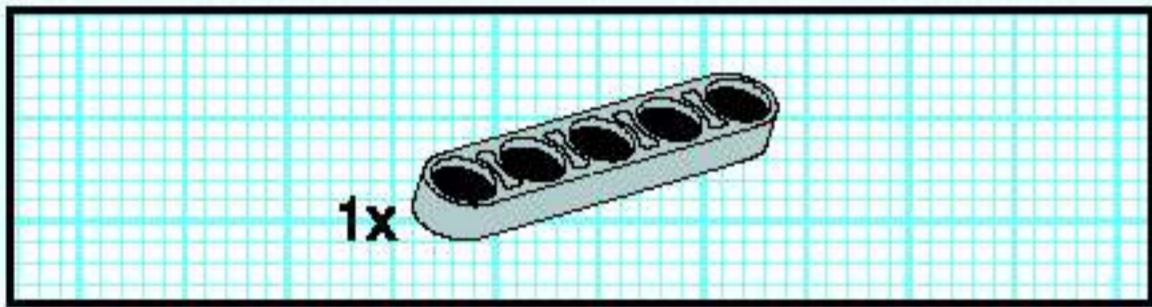
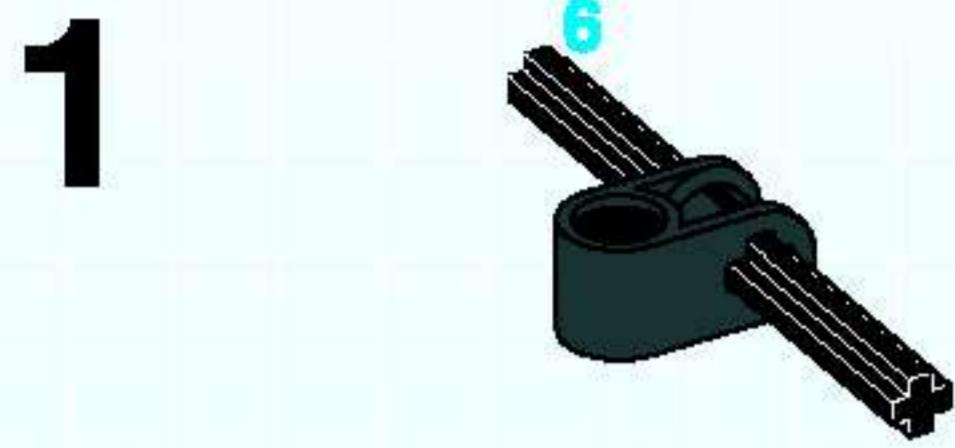
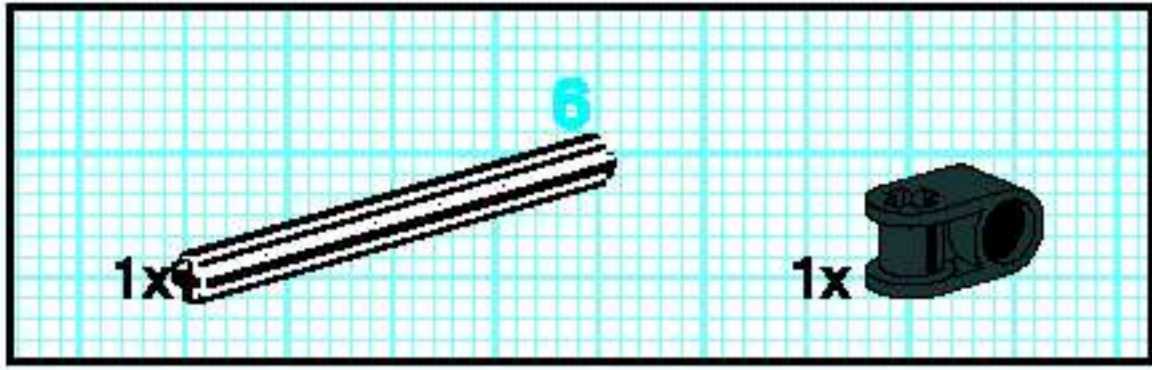
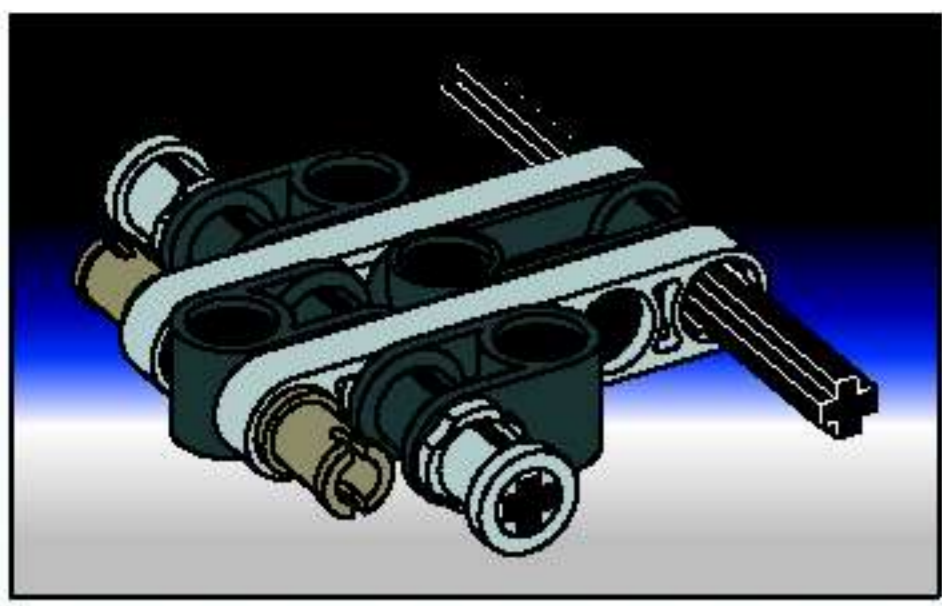


9

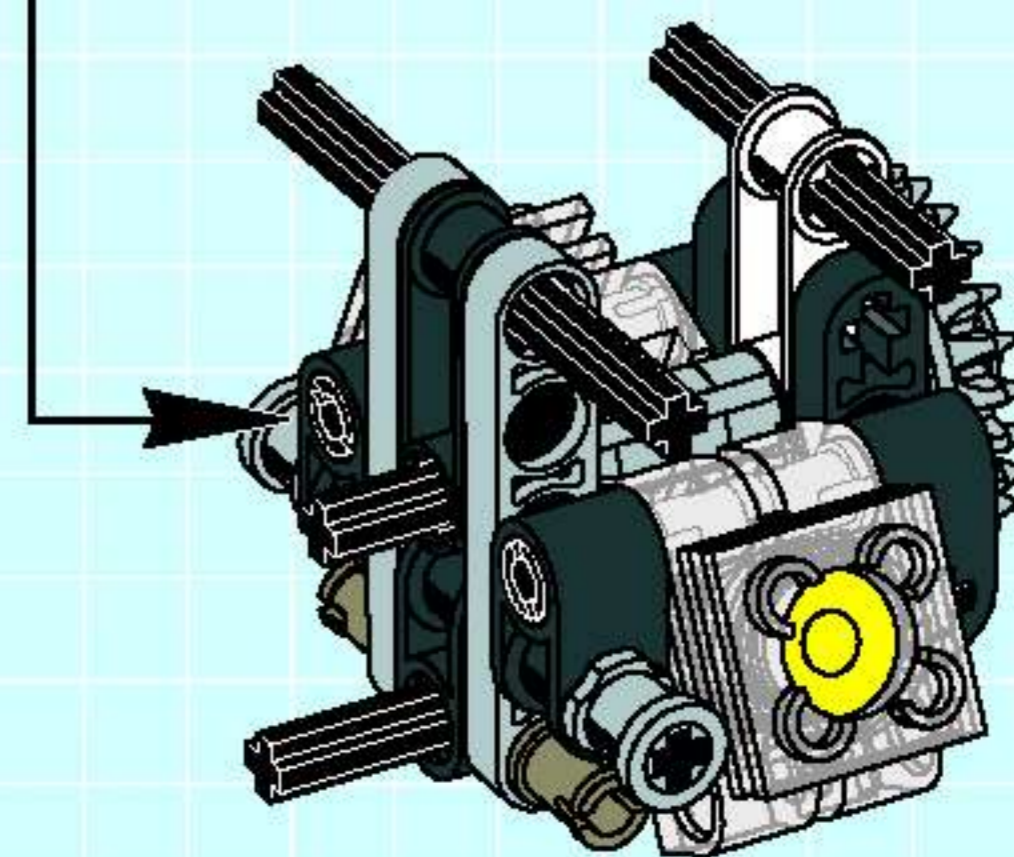


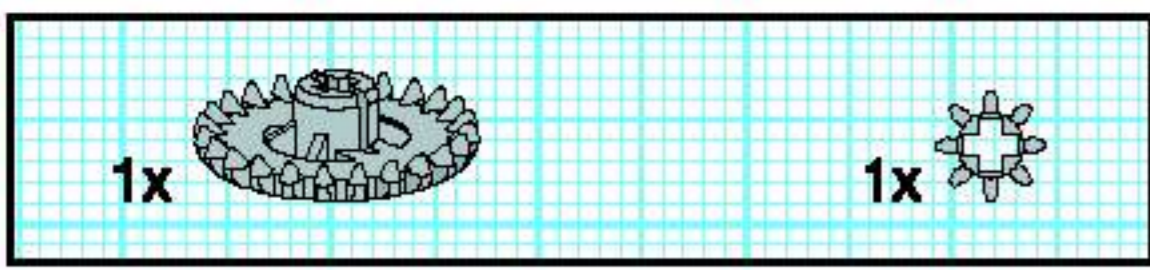
10



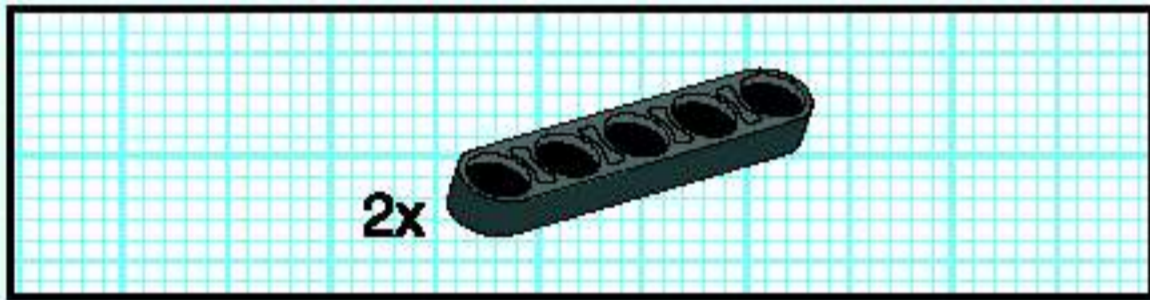
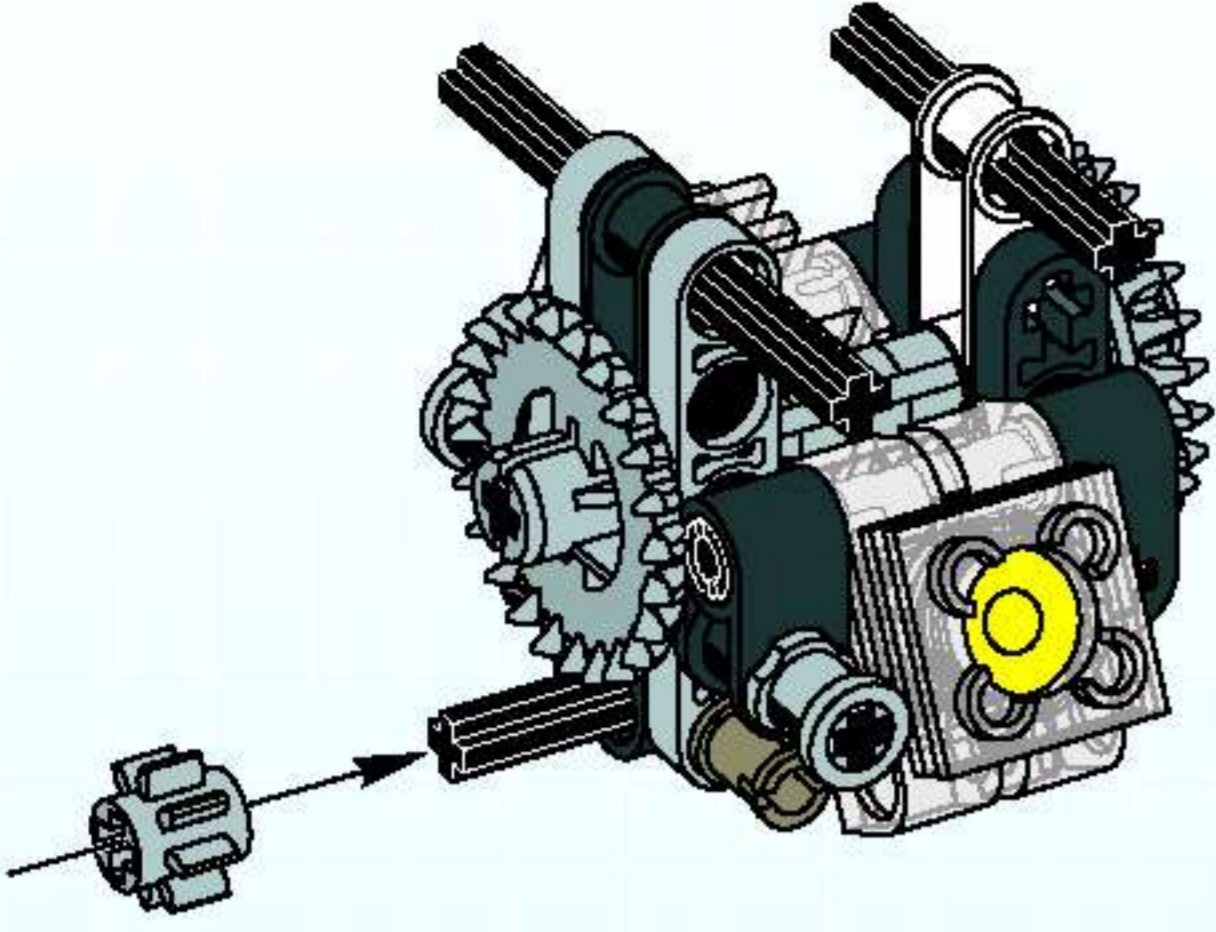


11

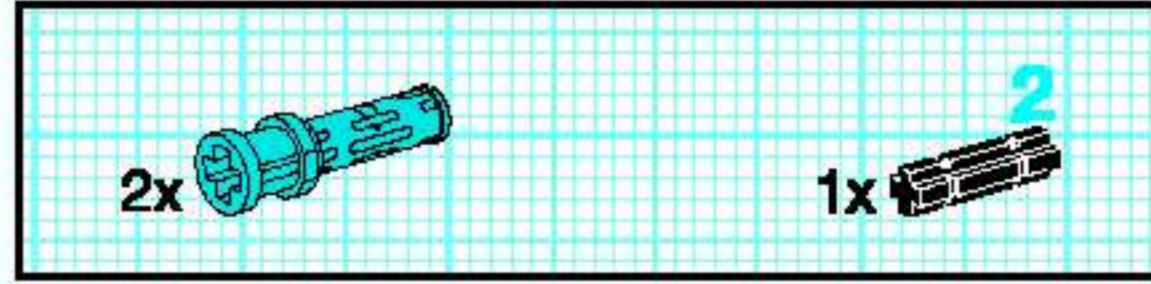
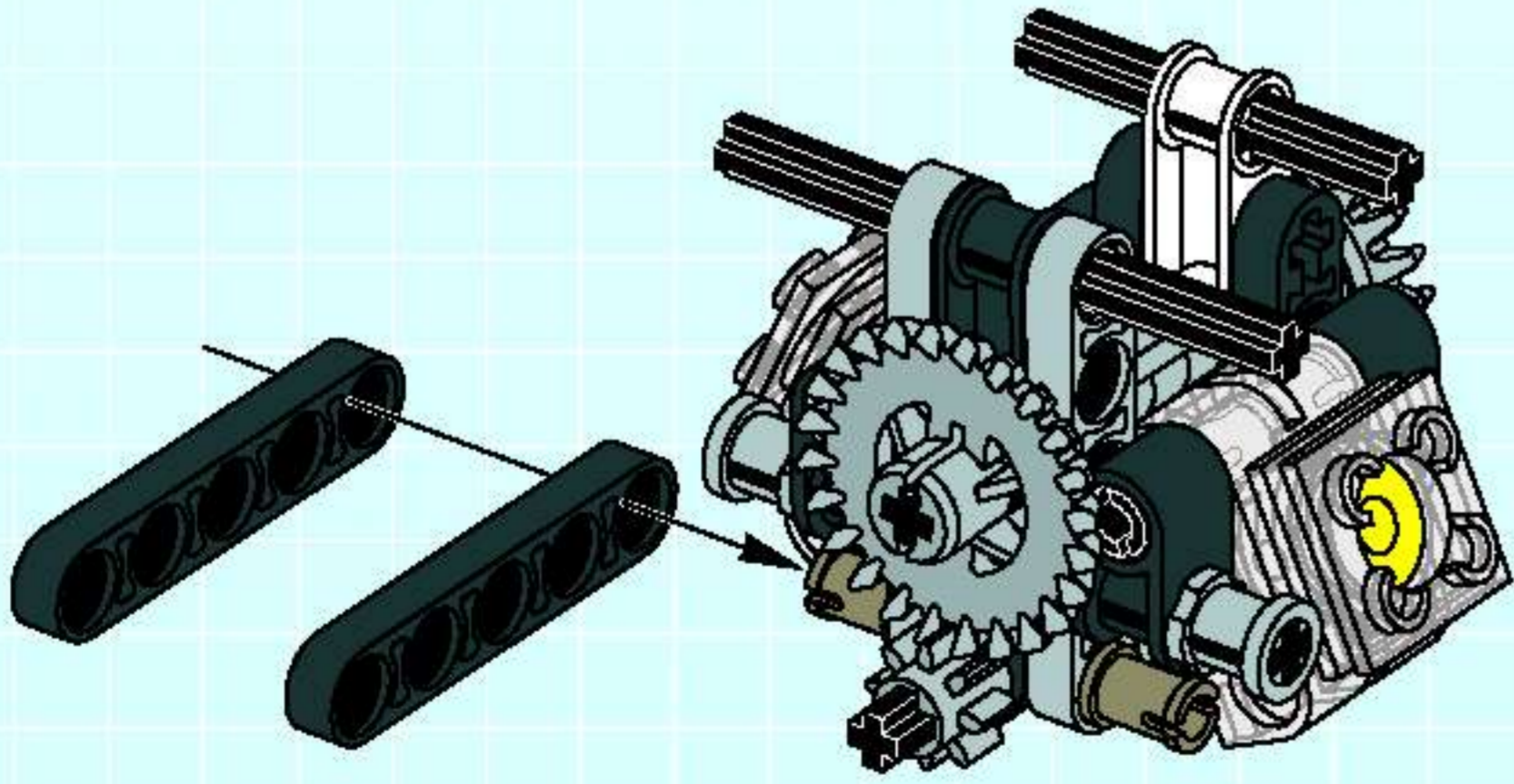




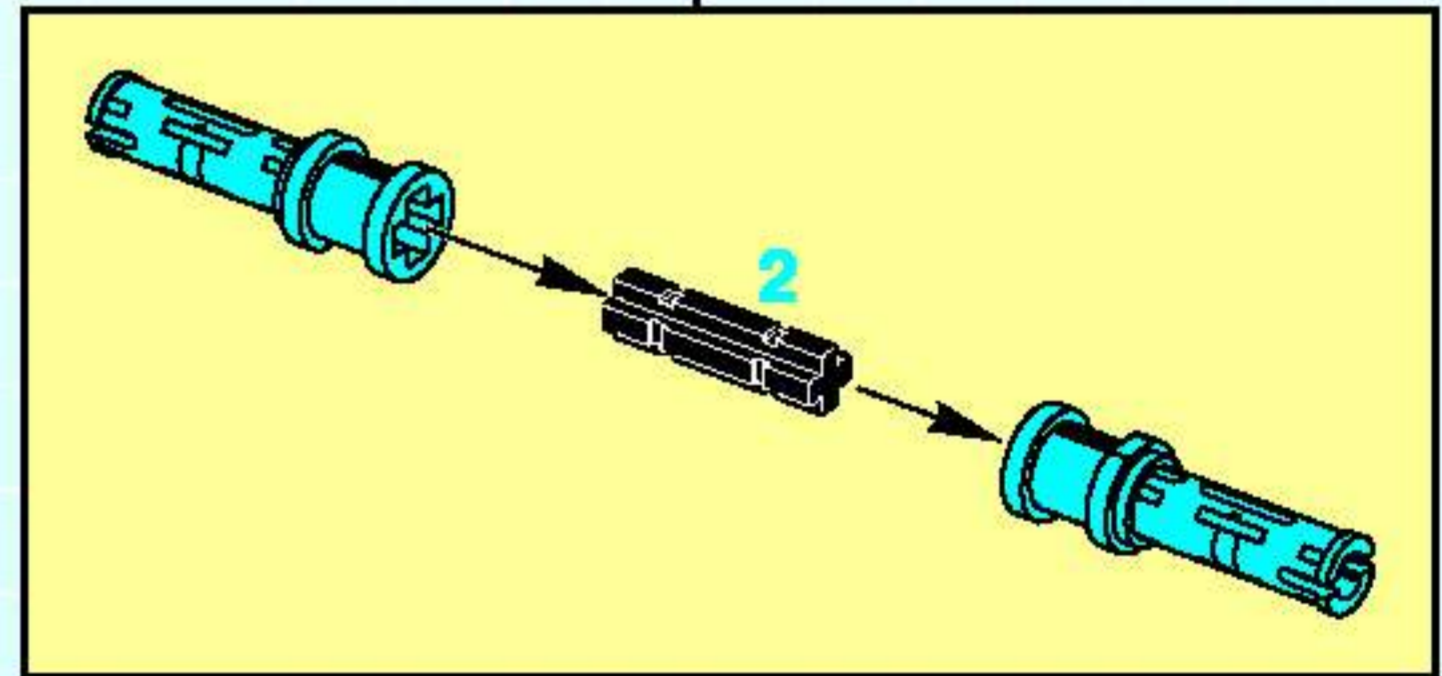
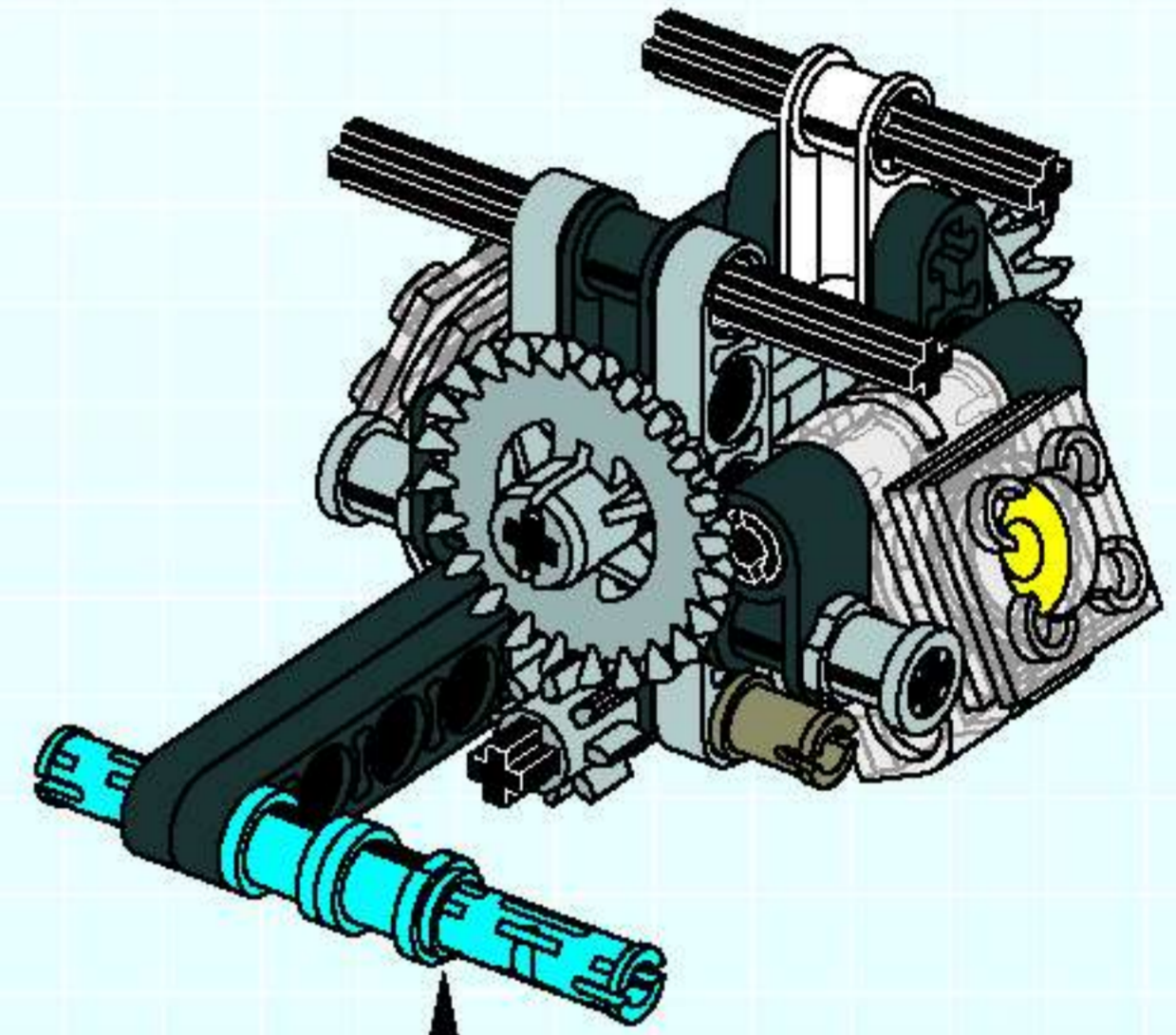
12

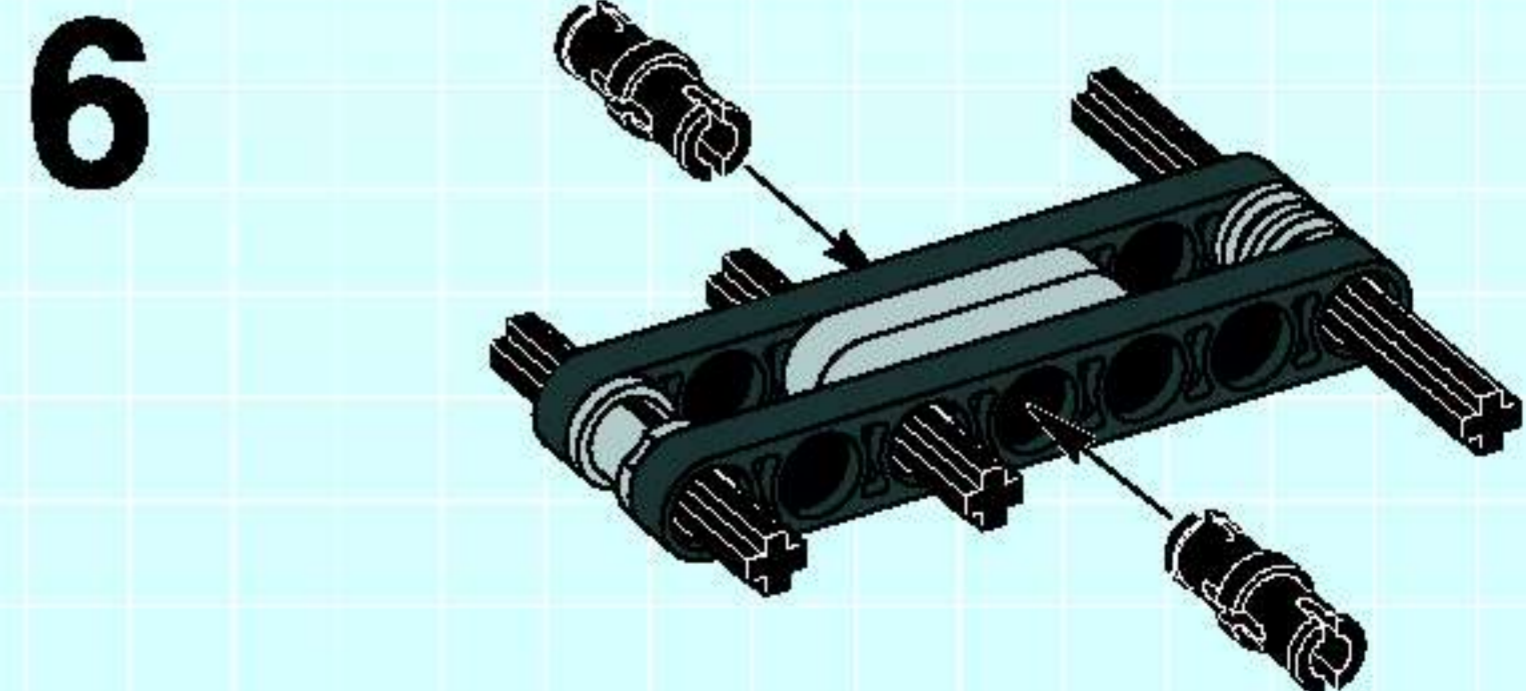
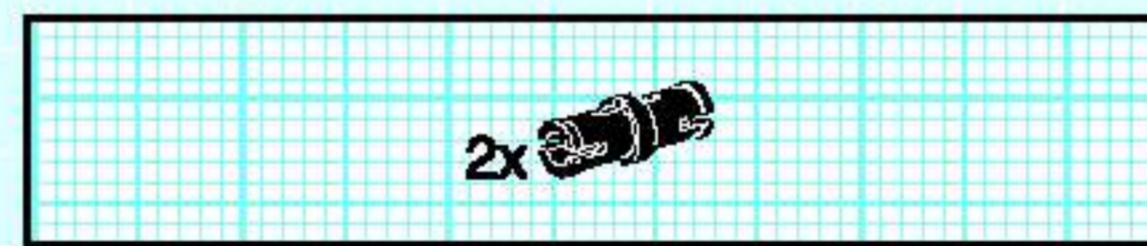
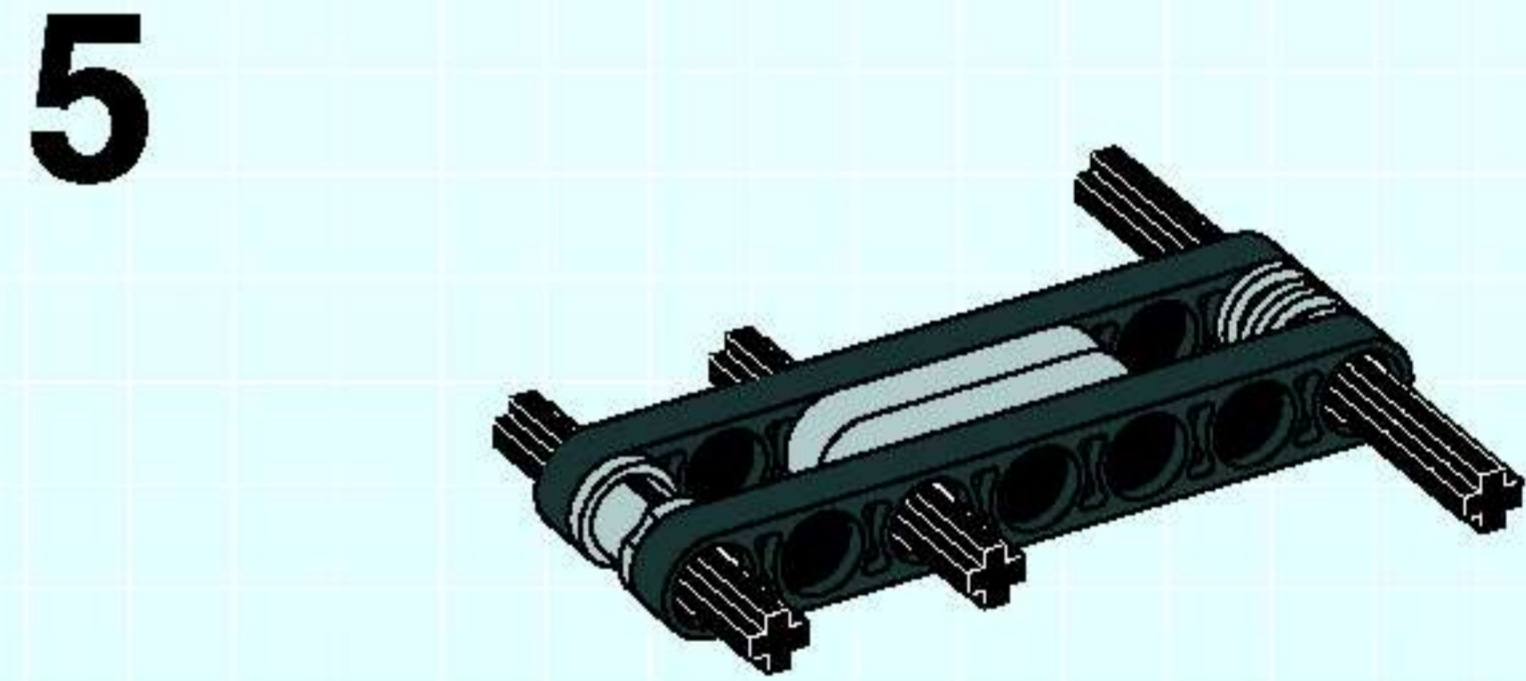
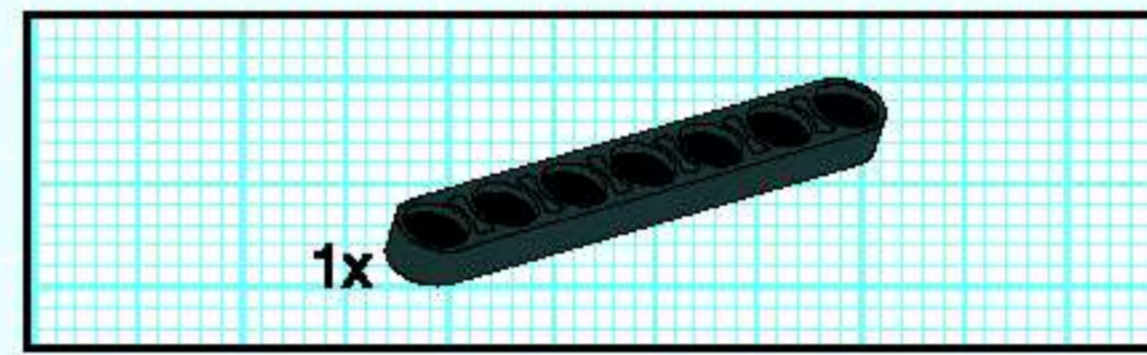
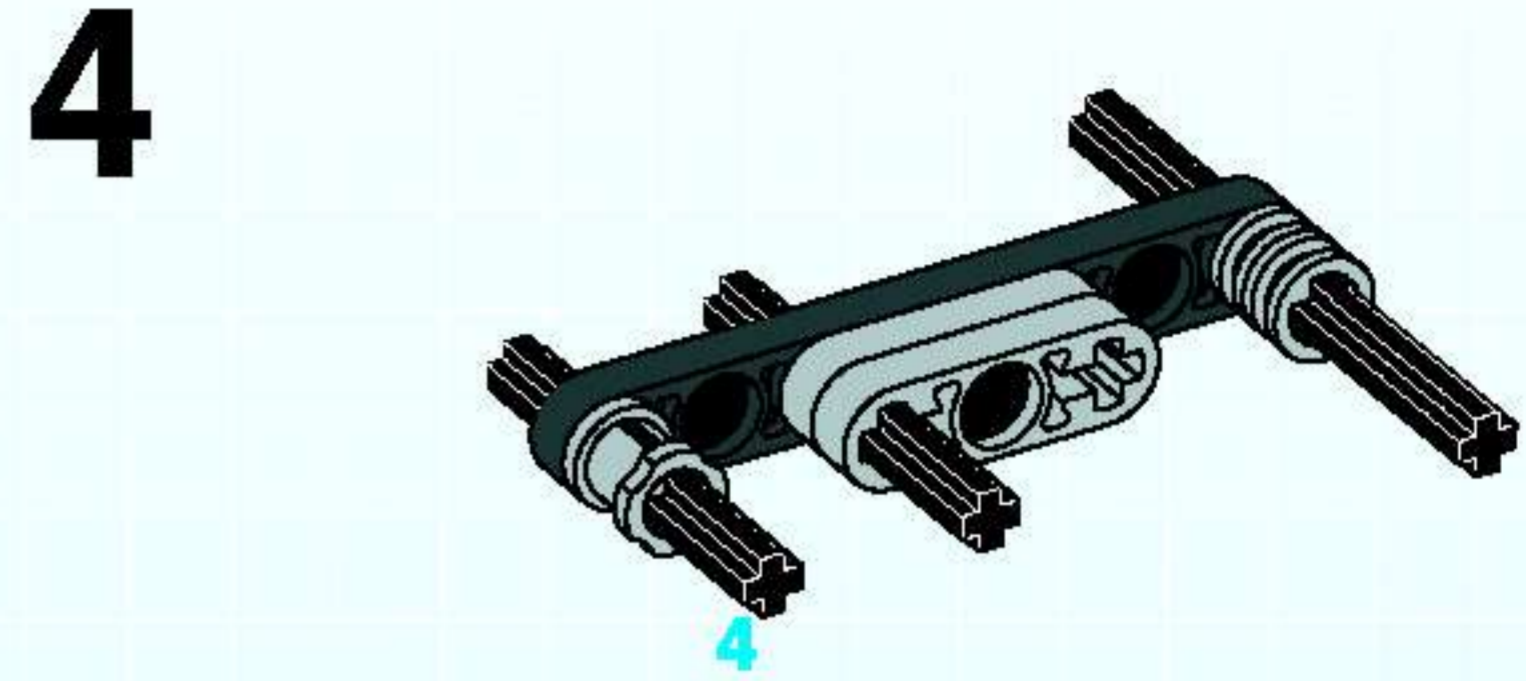
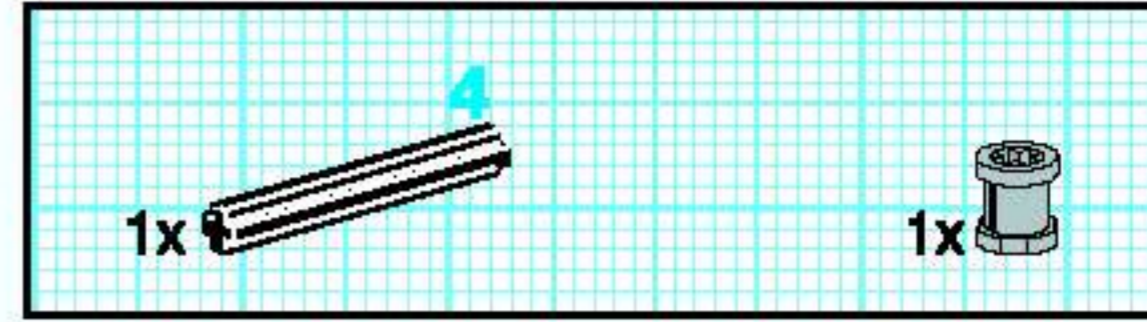
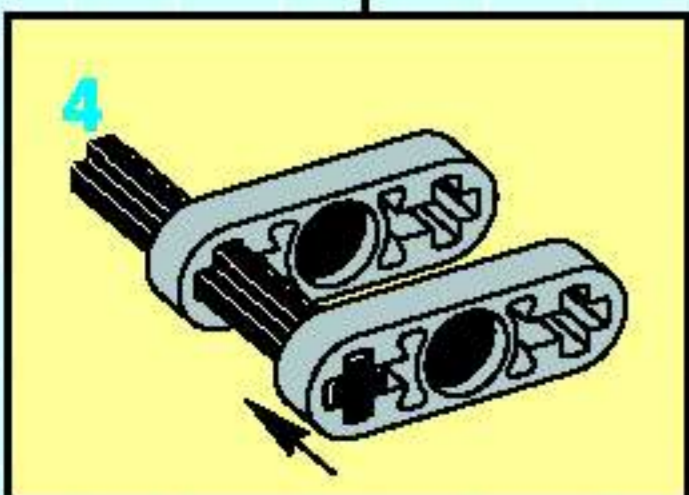
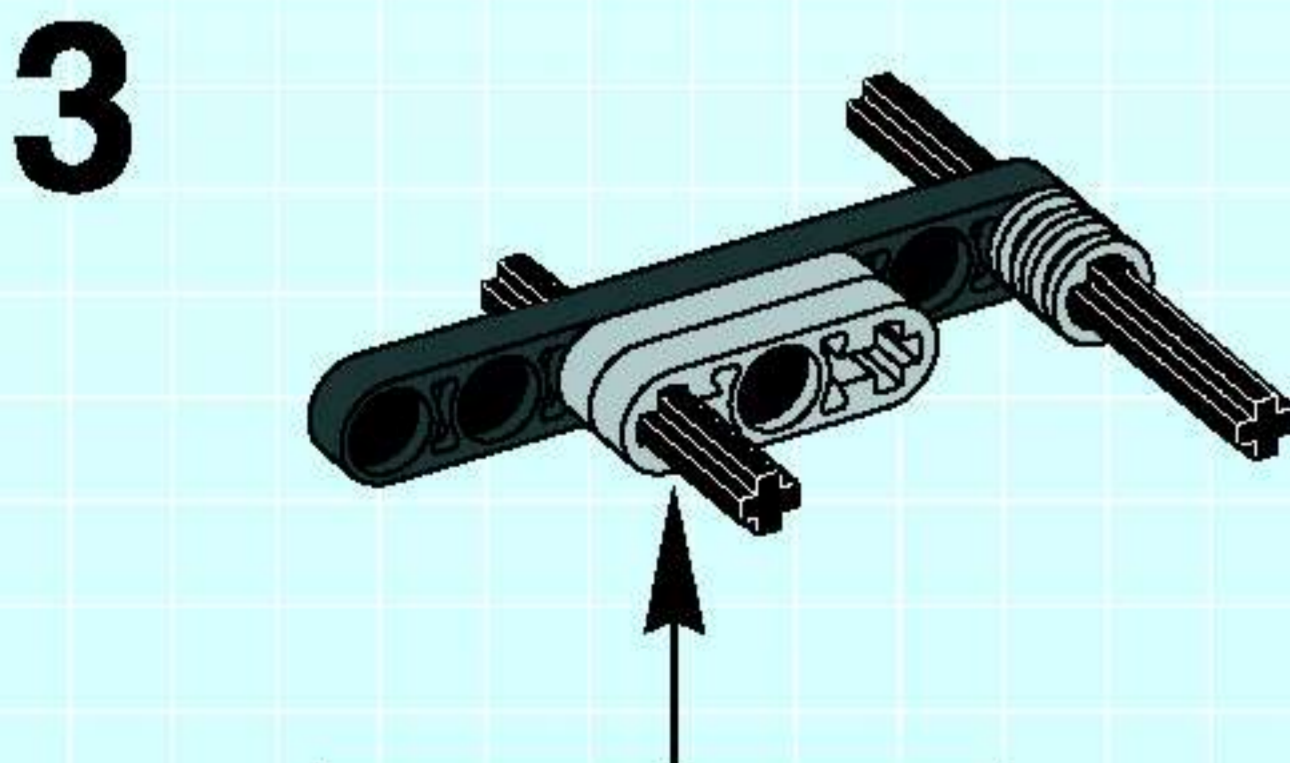
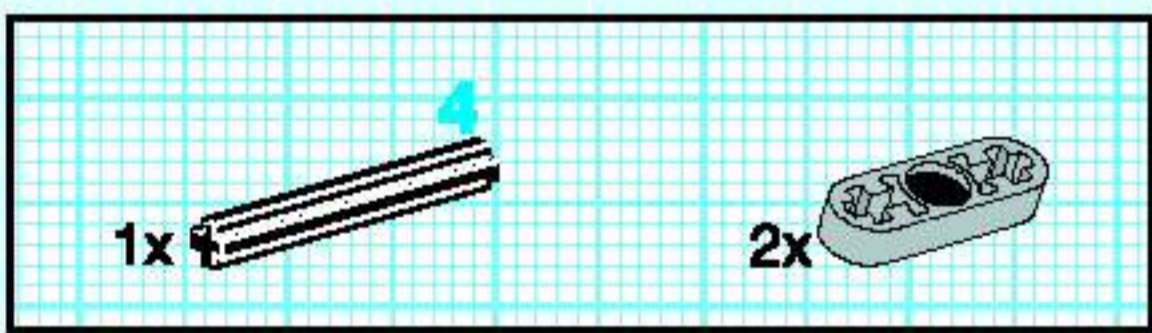
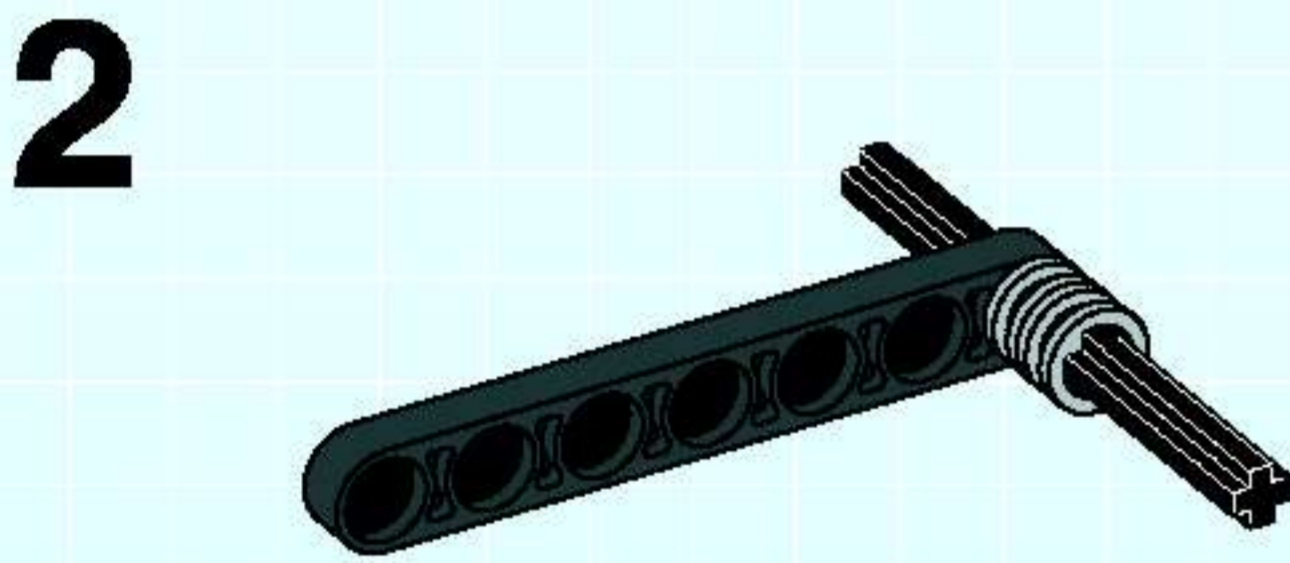
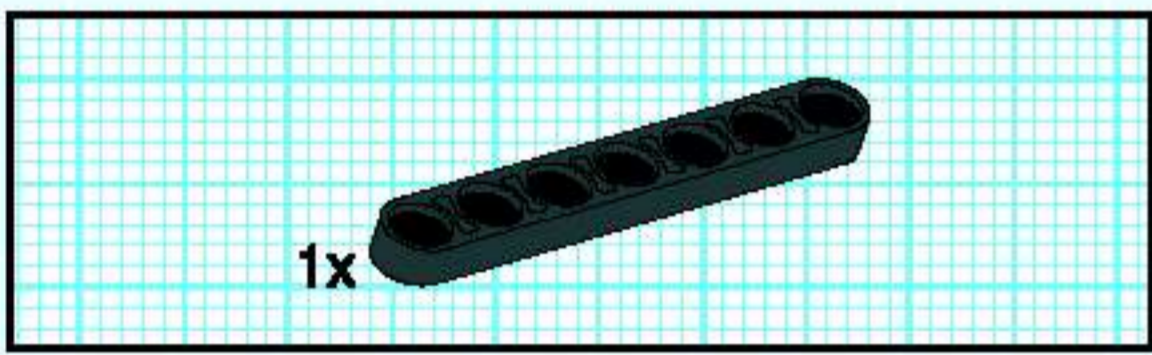
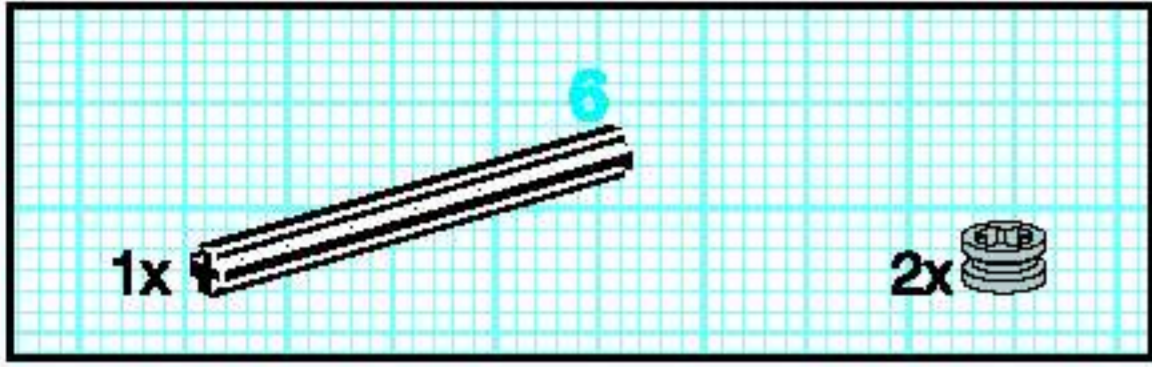
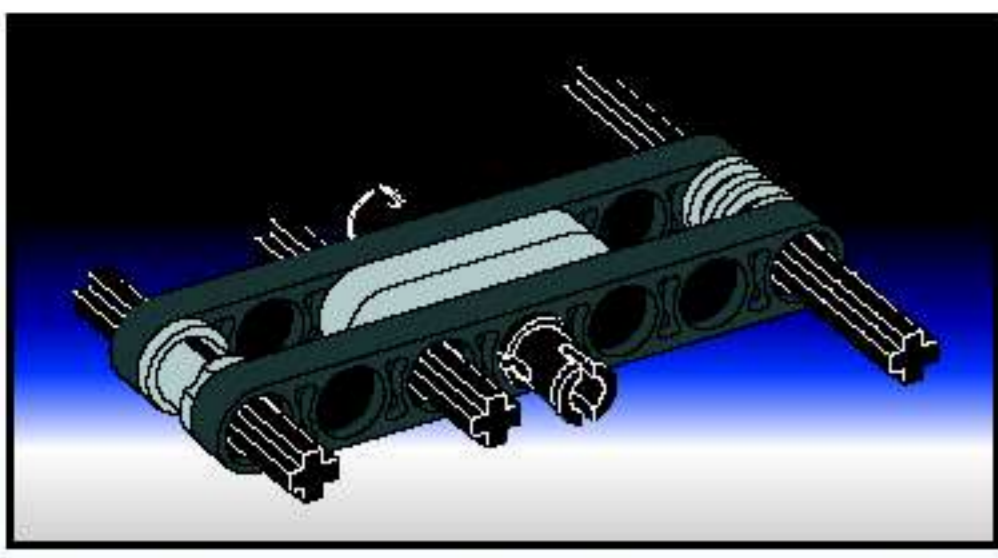


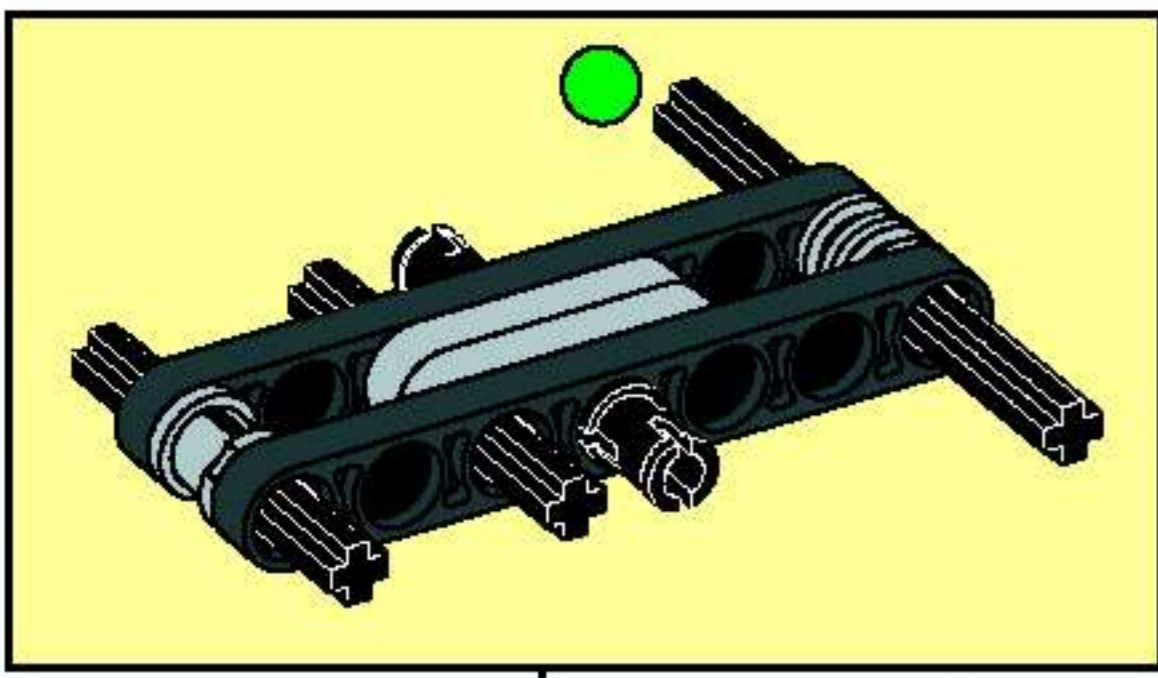
13



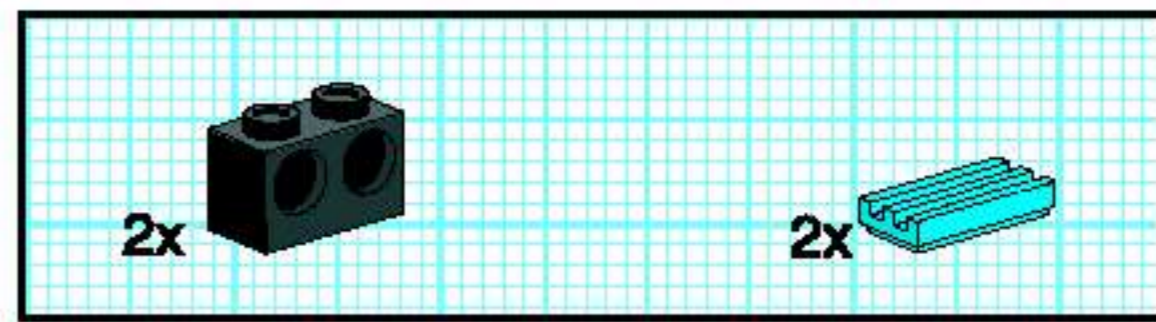
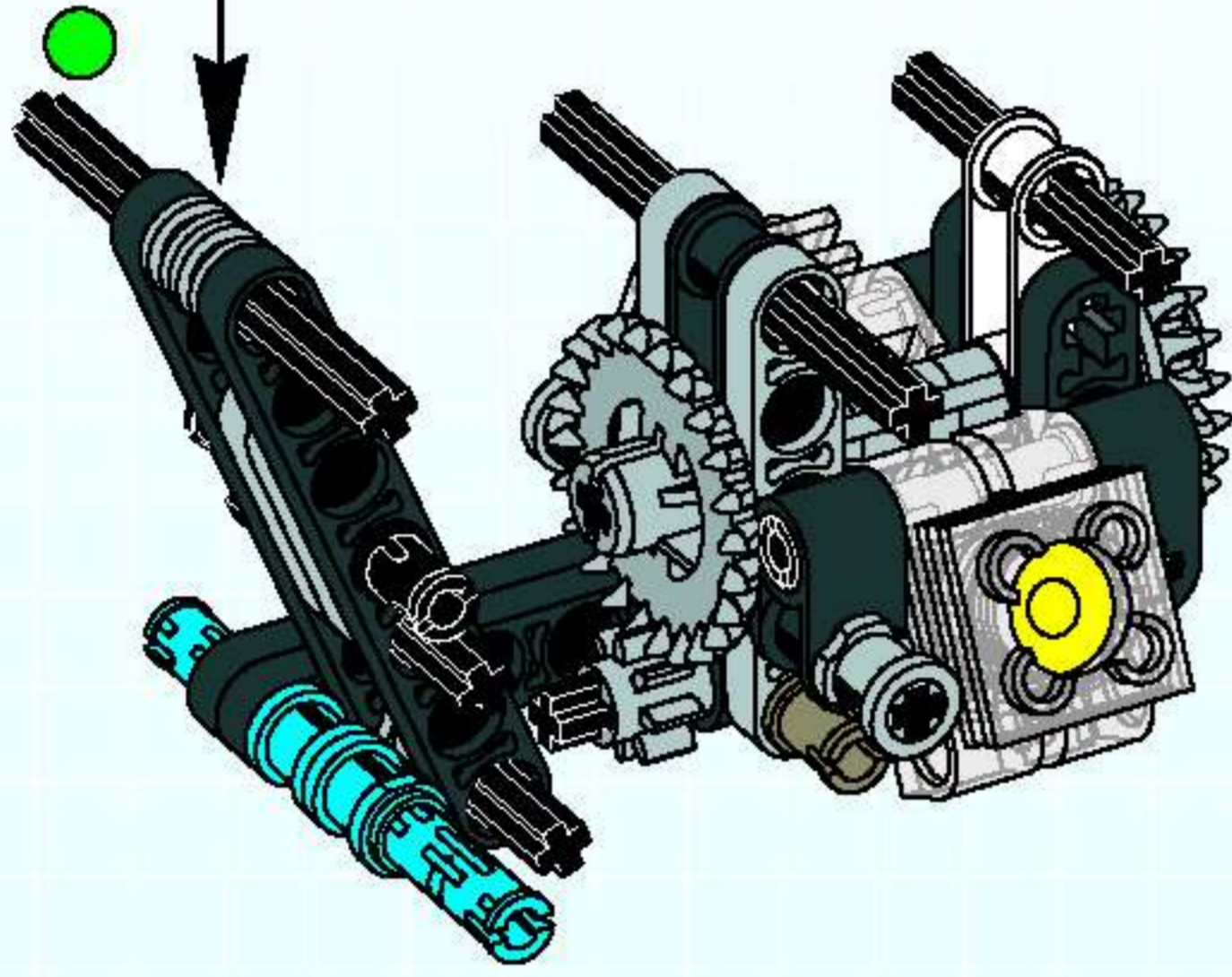
14



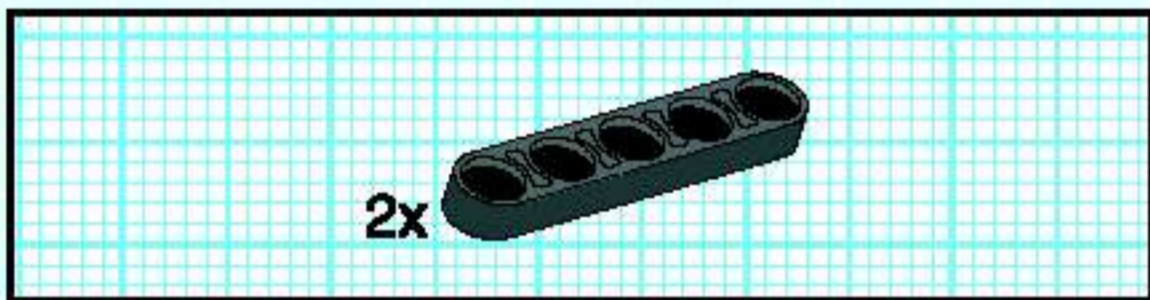
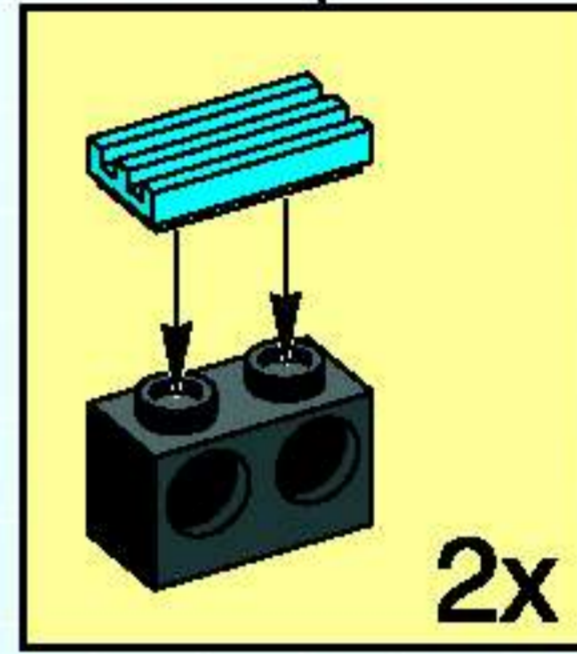
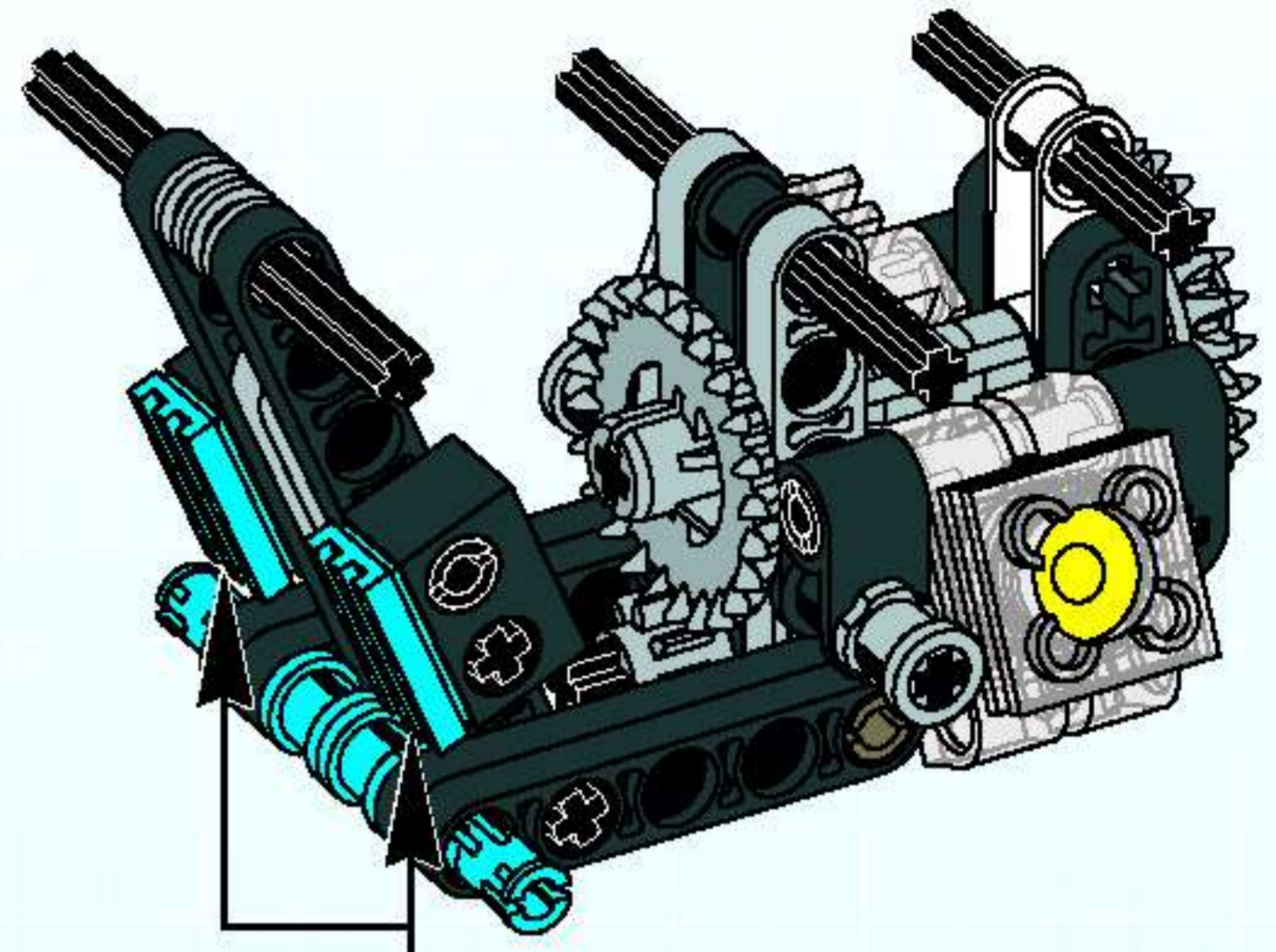




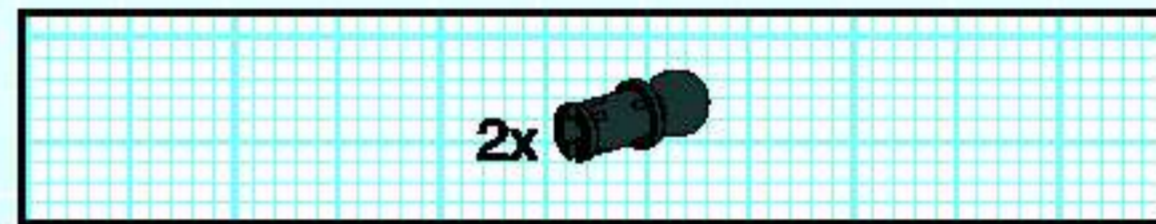
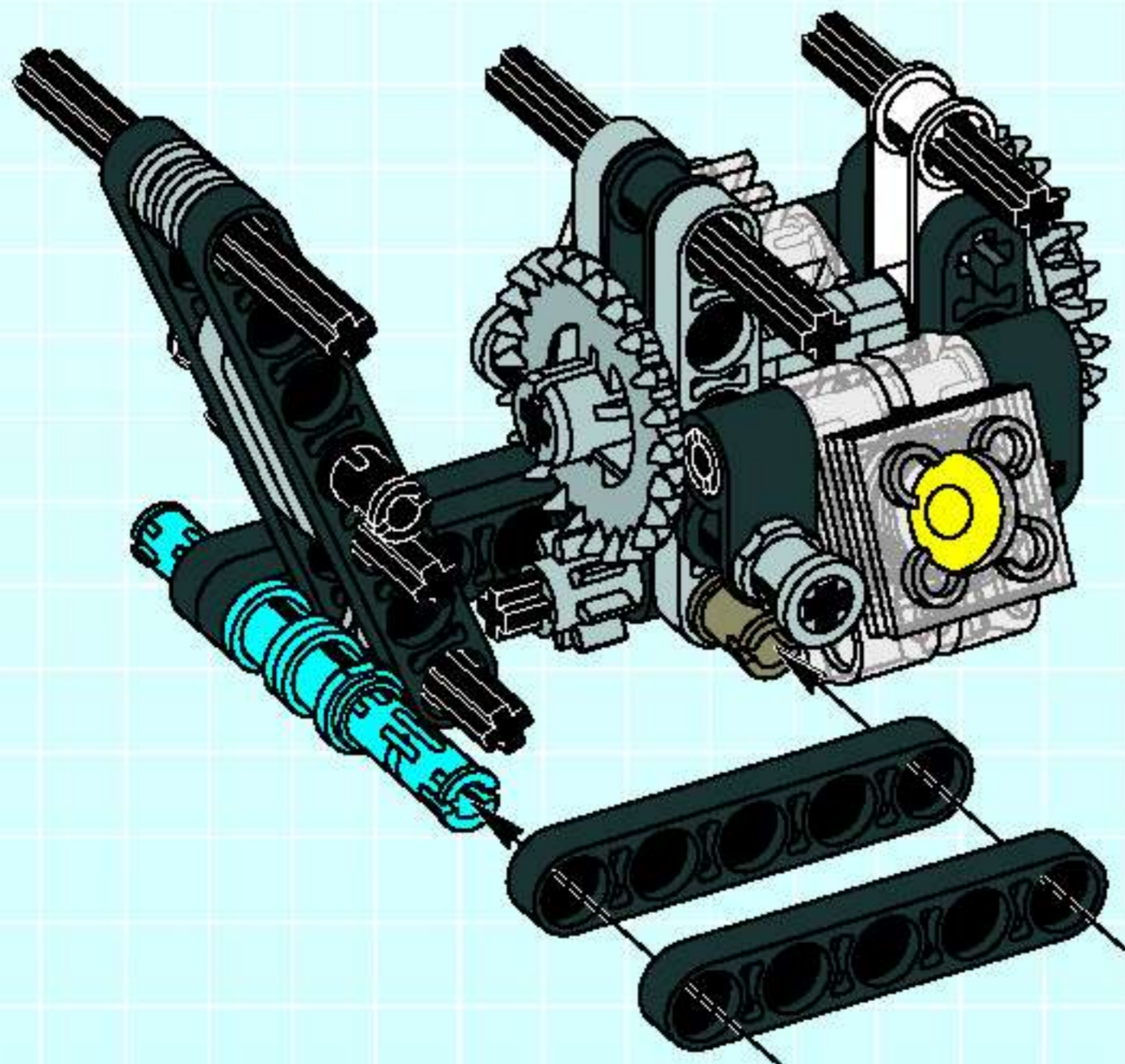
15



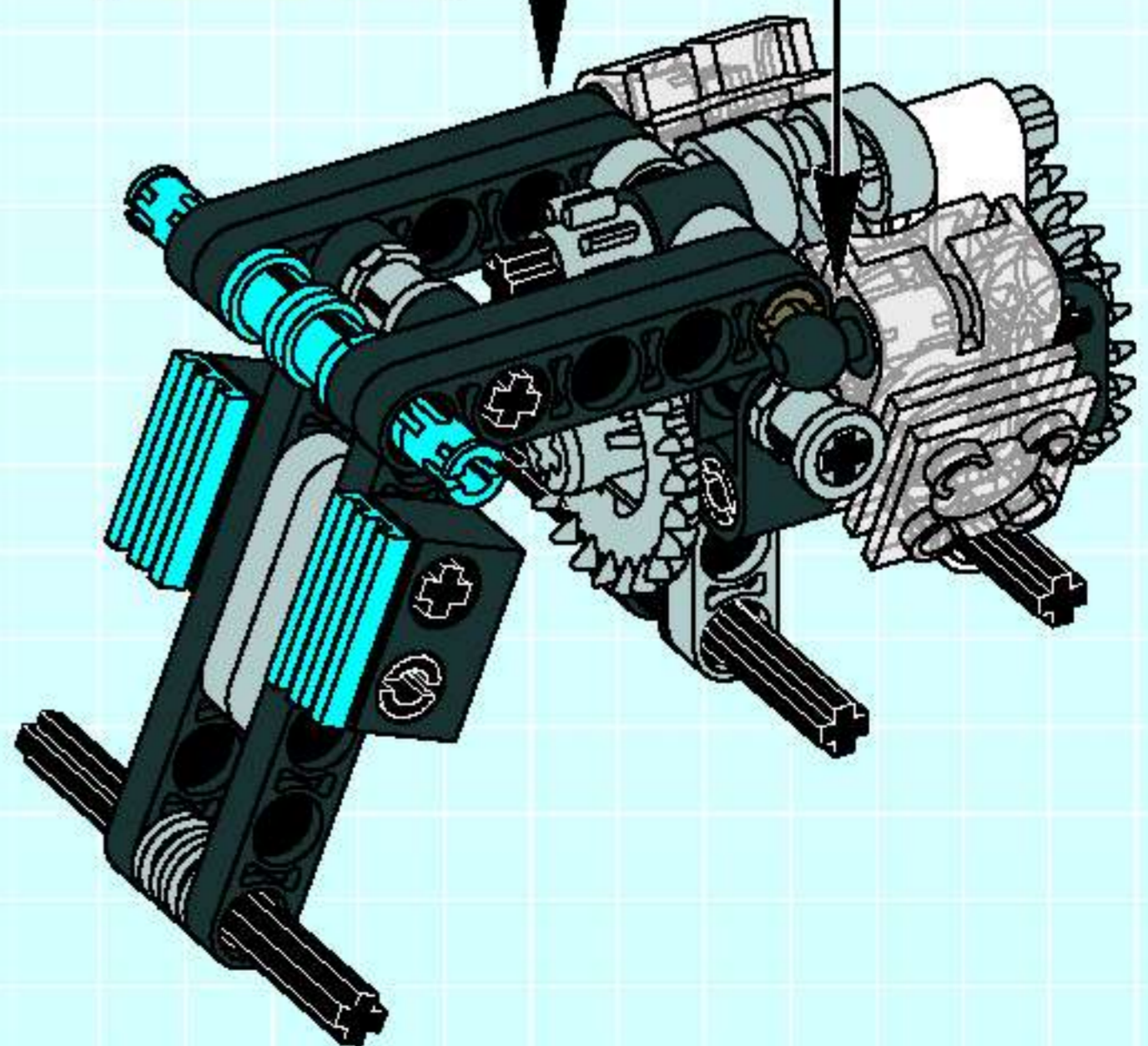
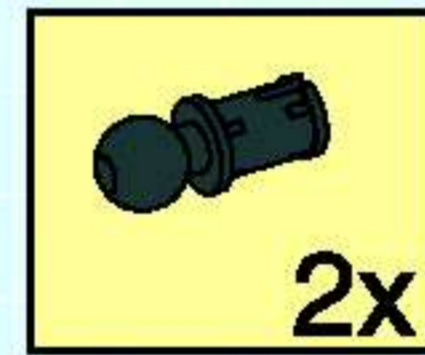
17



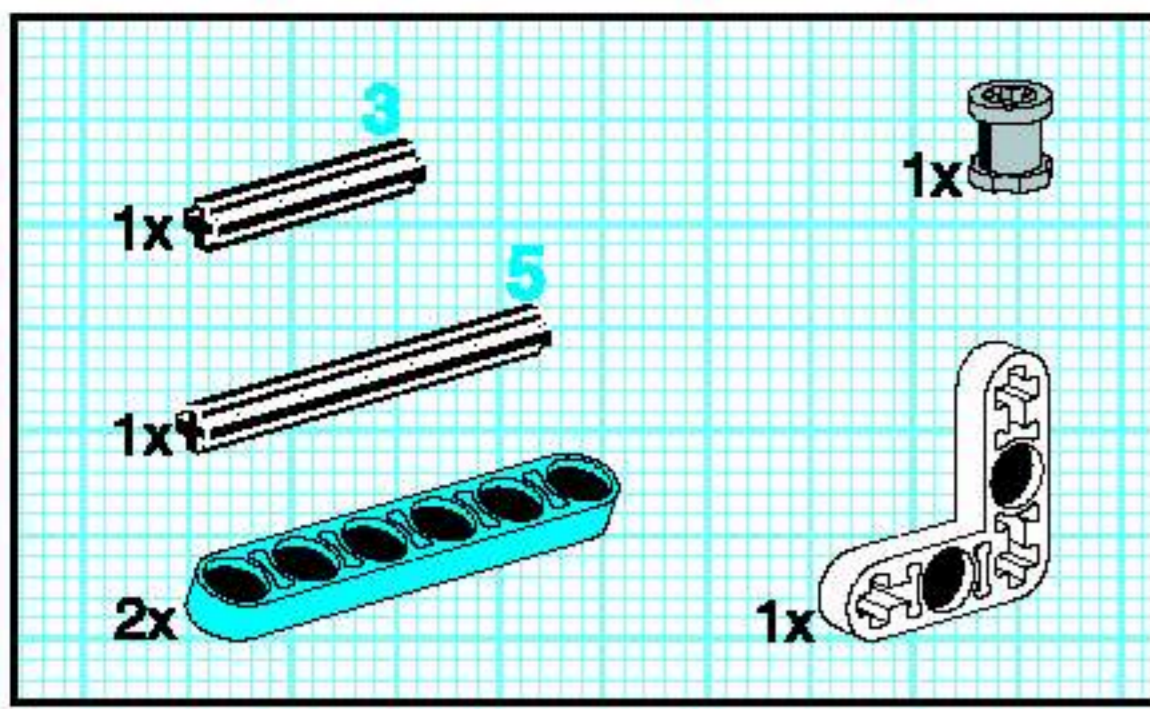
16



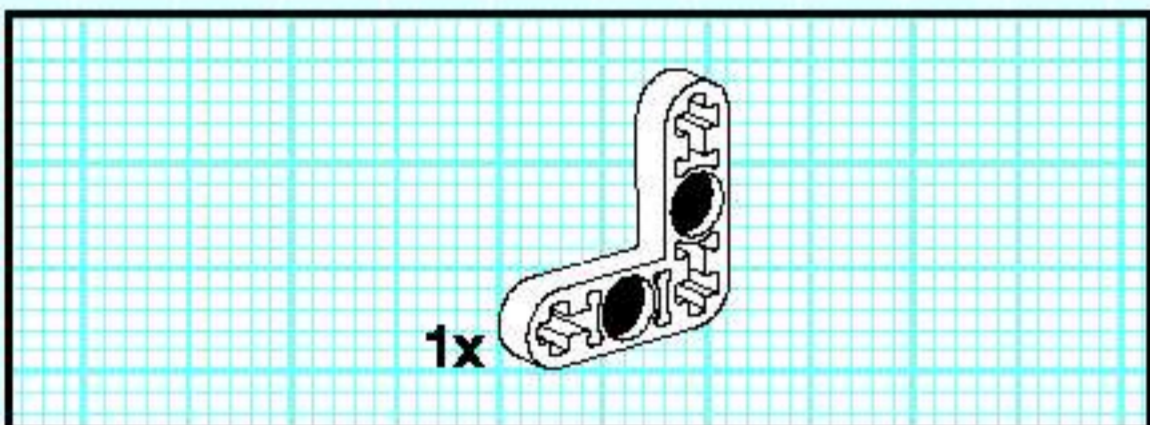
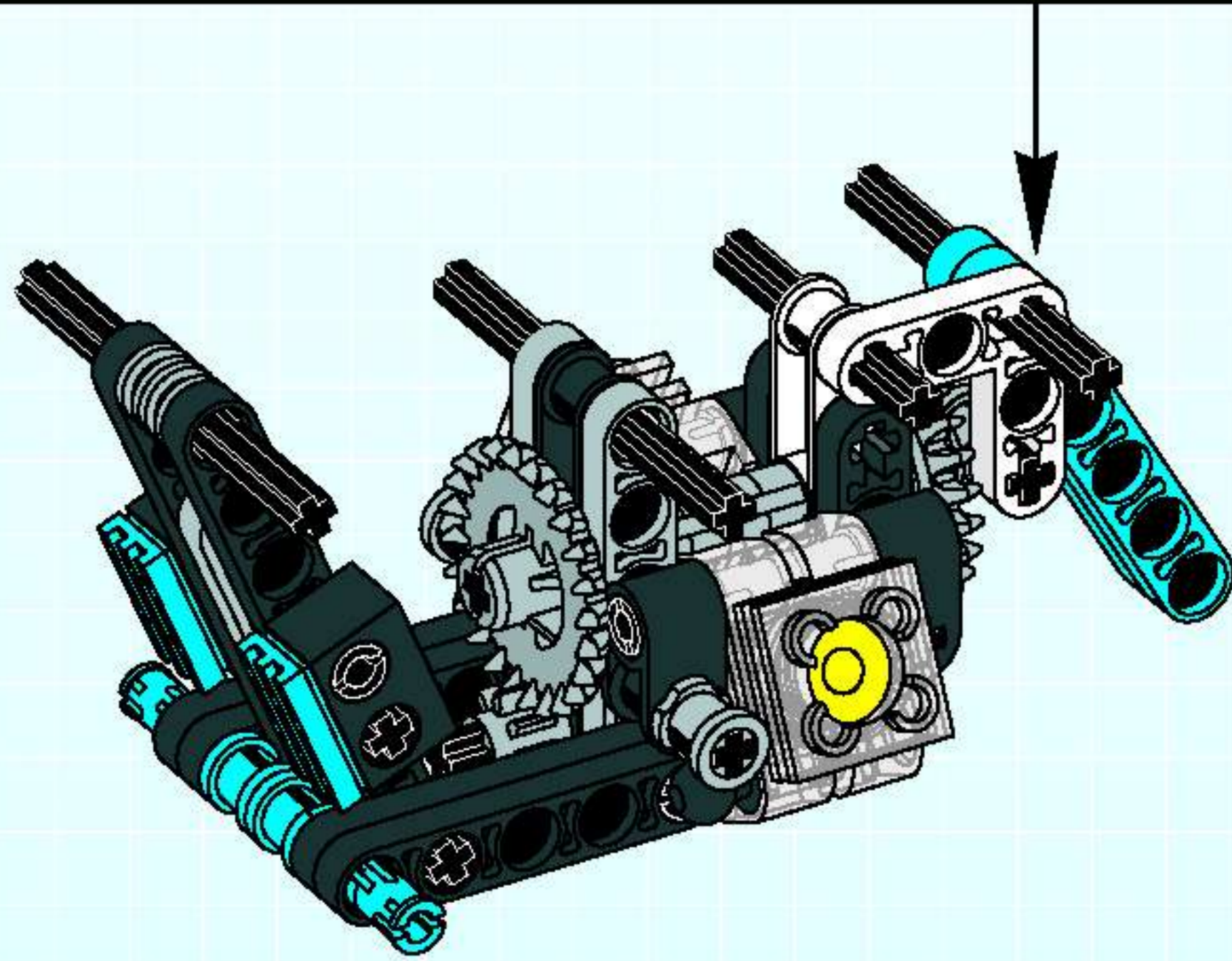
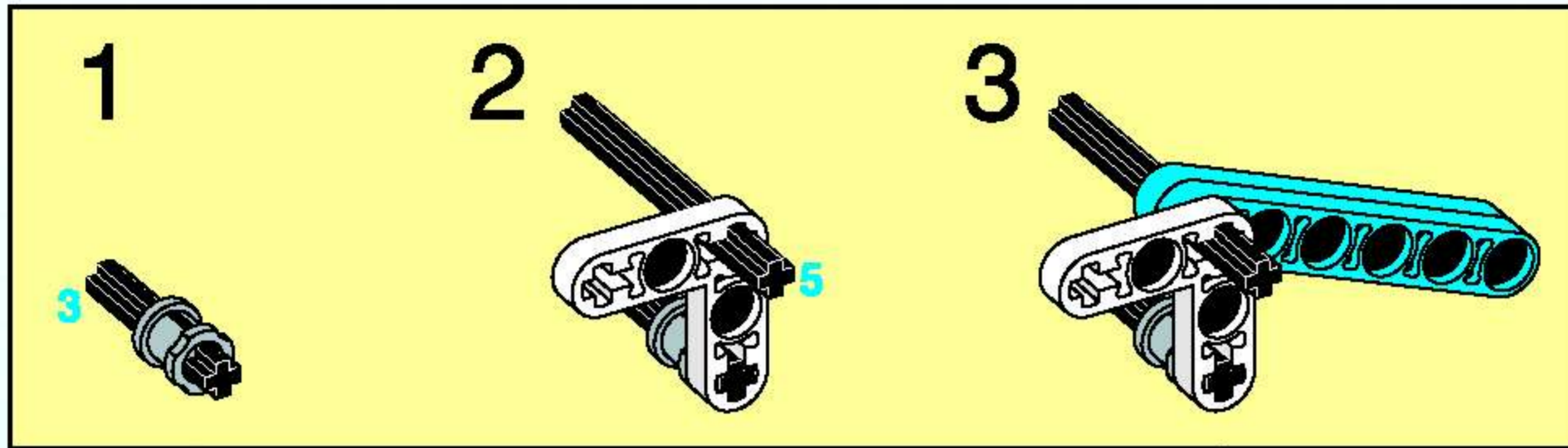
18



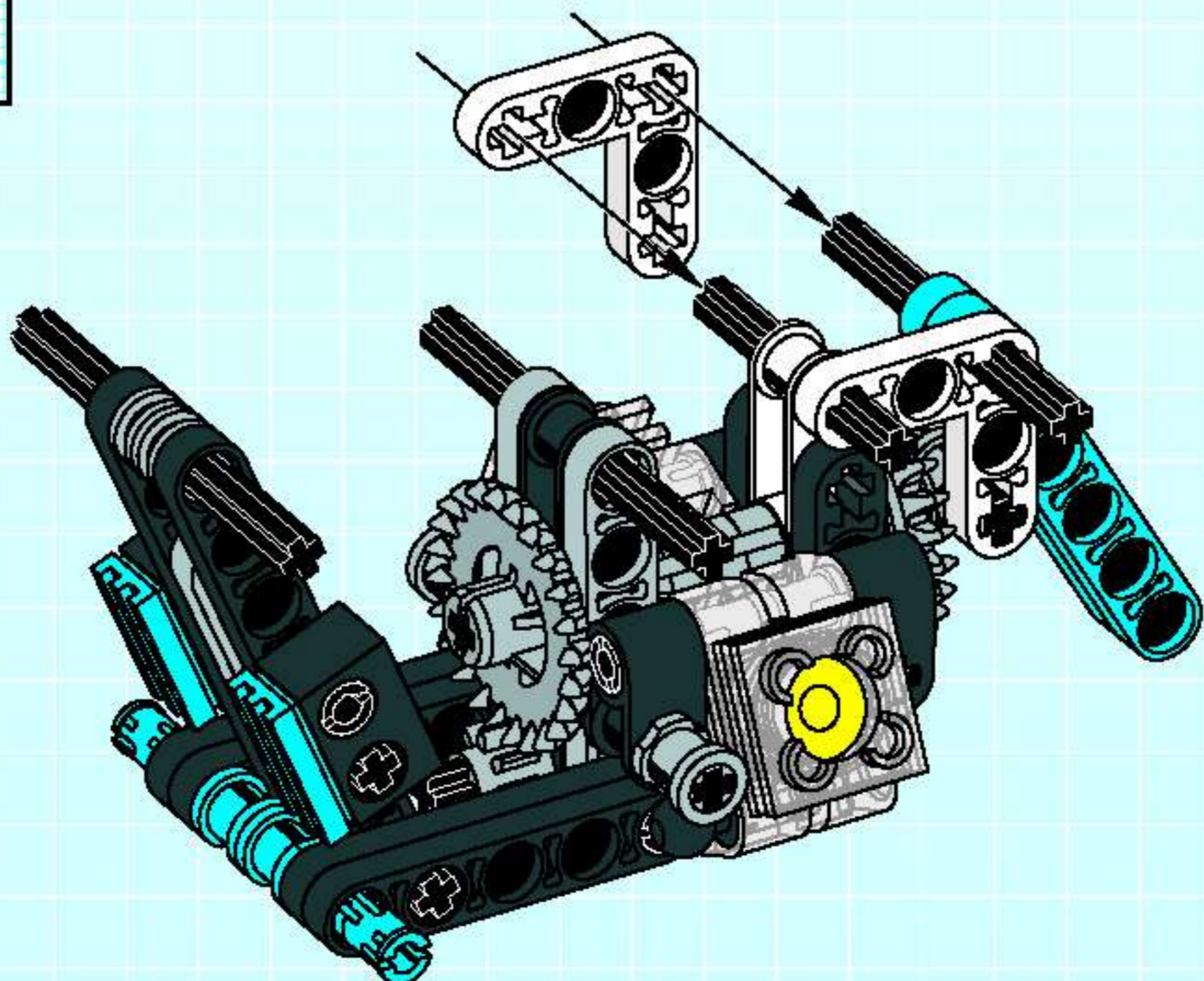


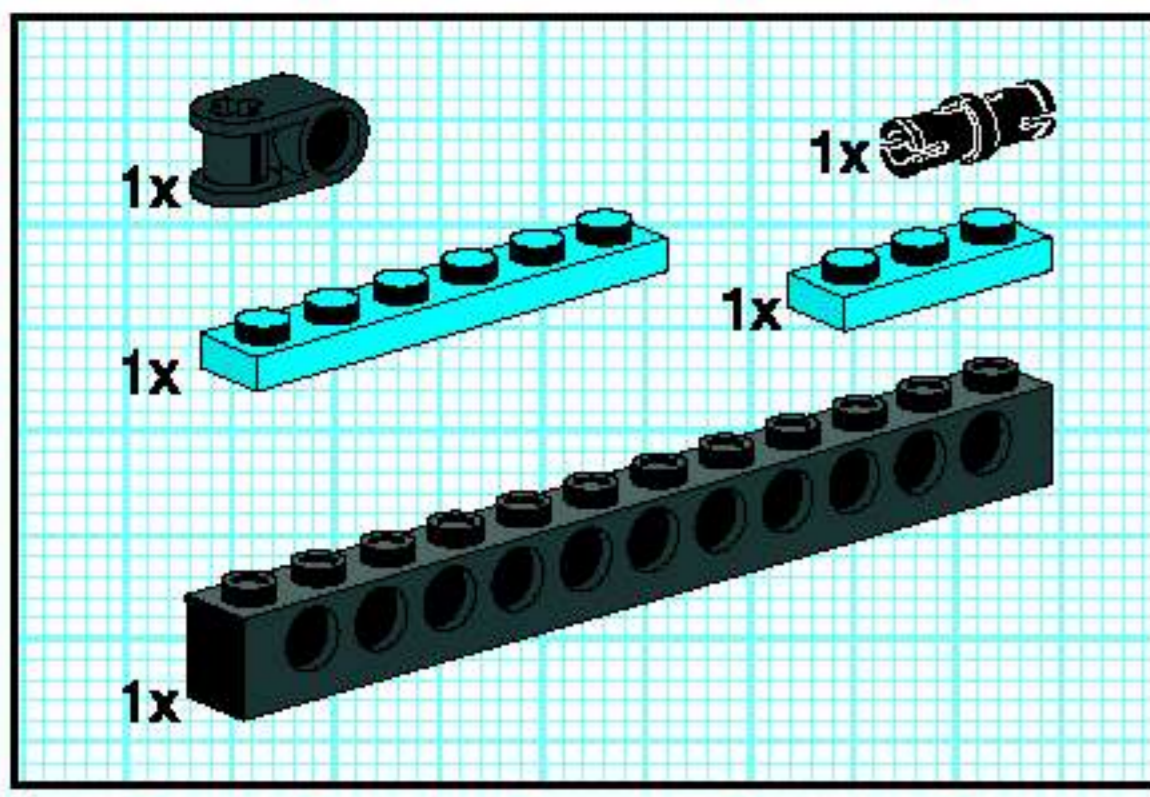


19

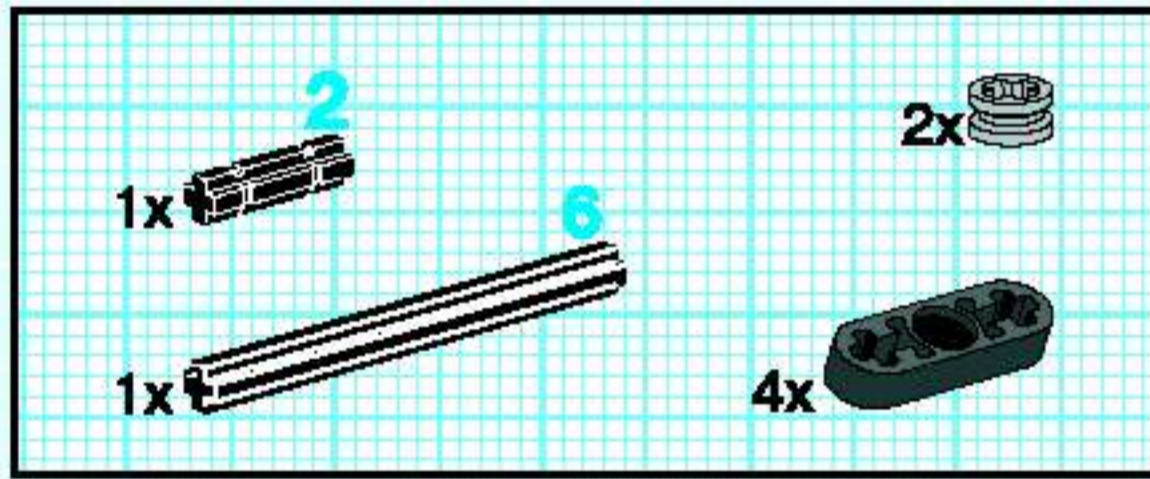
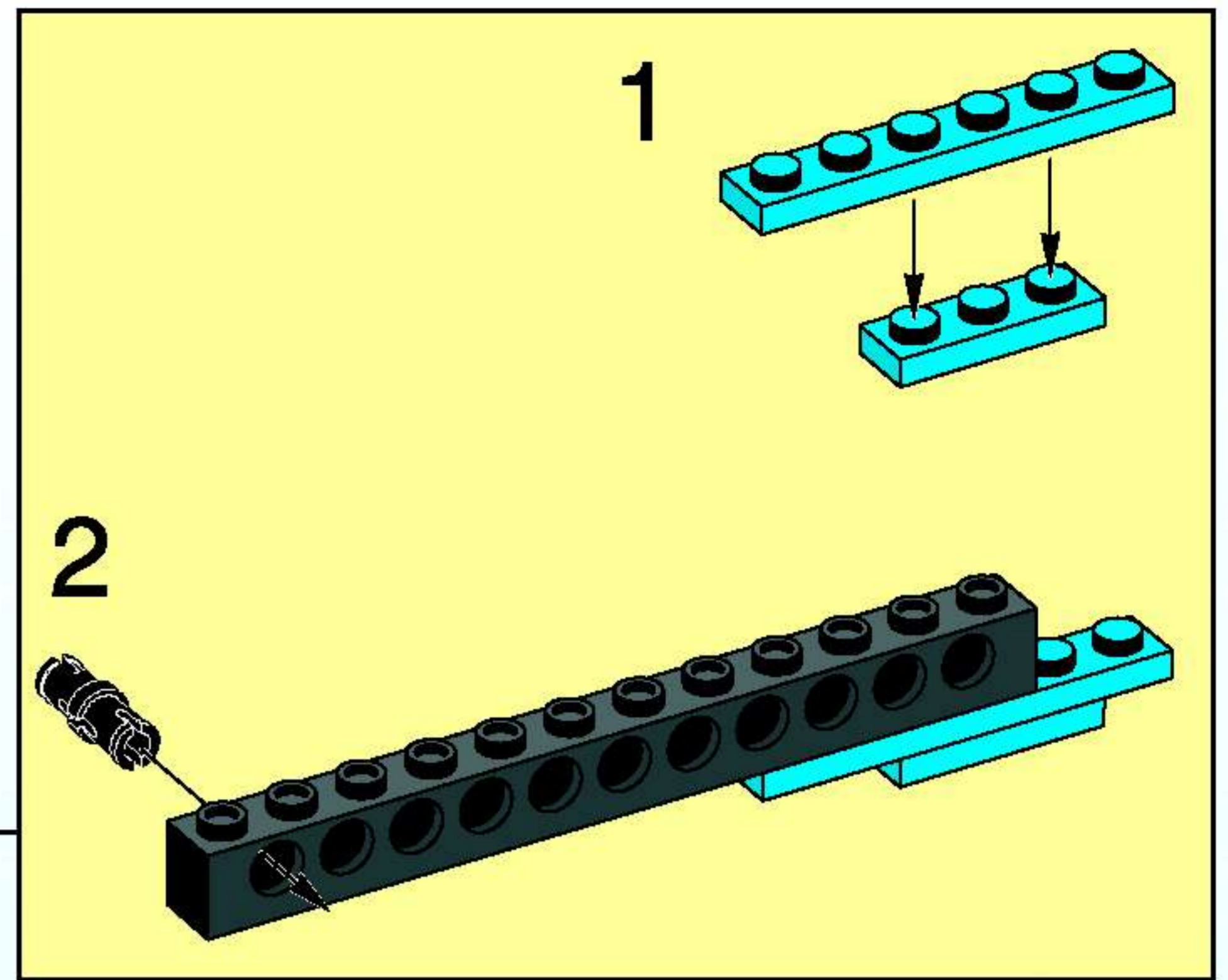
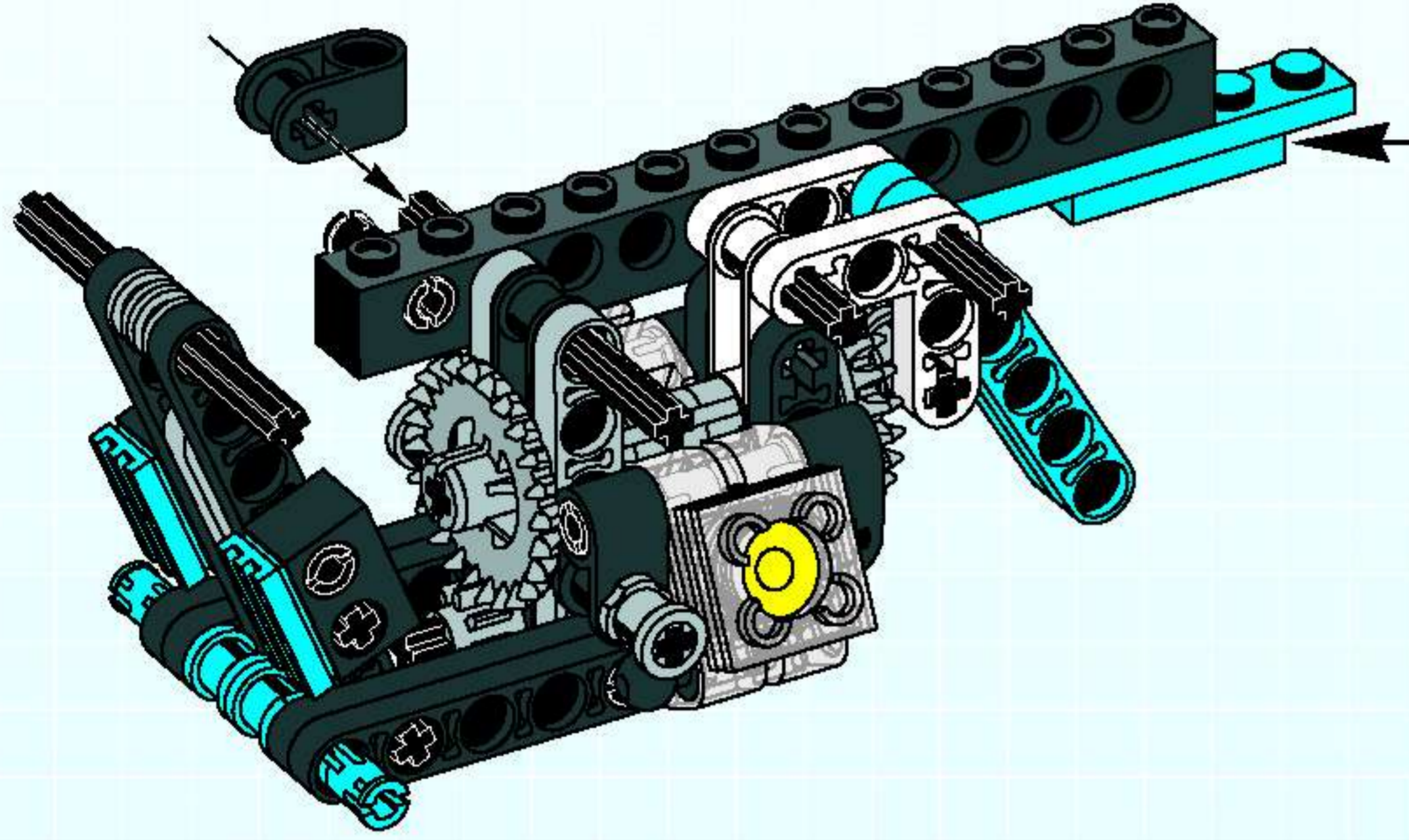


20

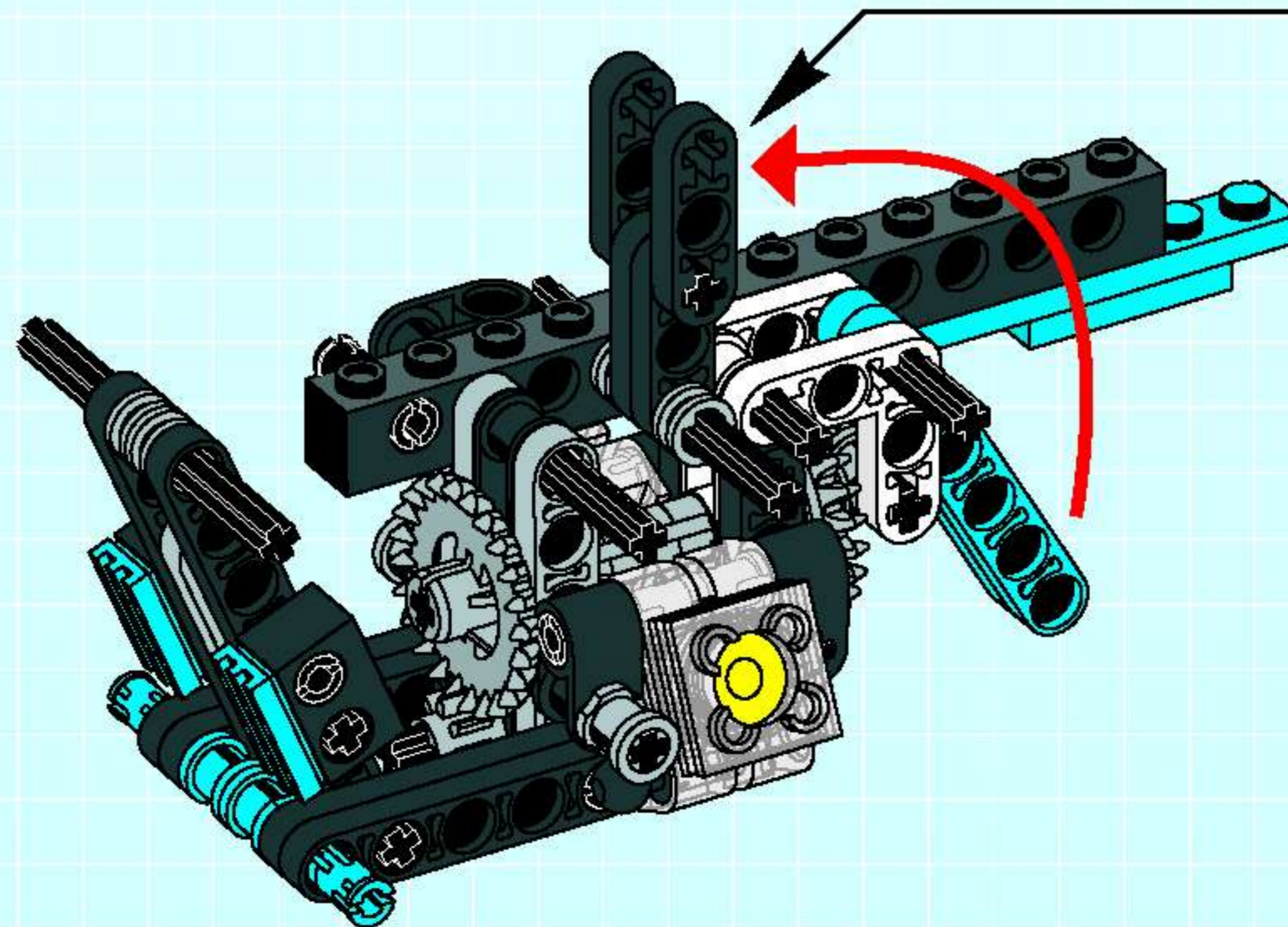
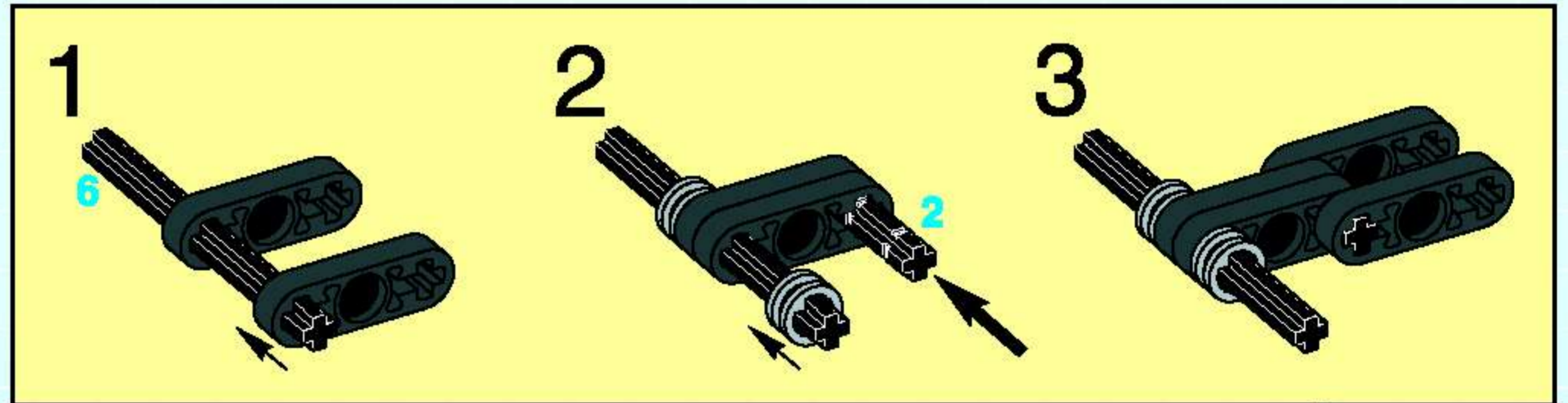


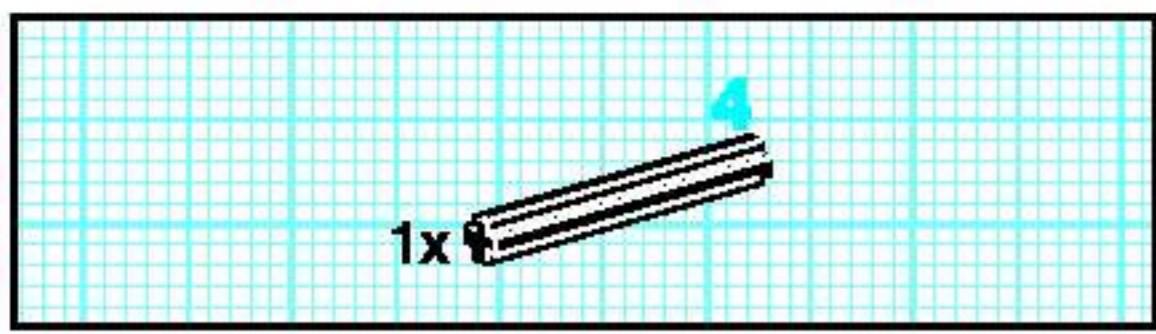


21

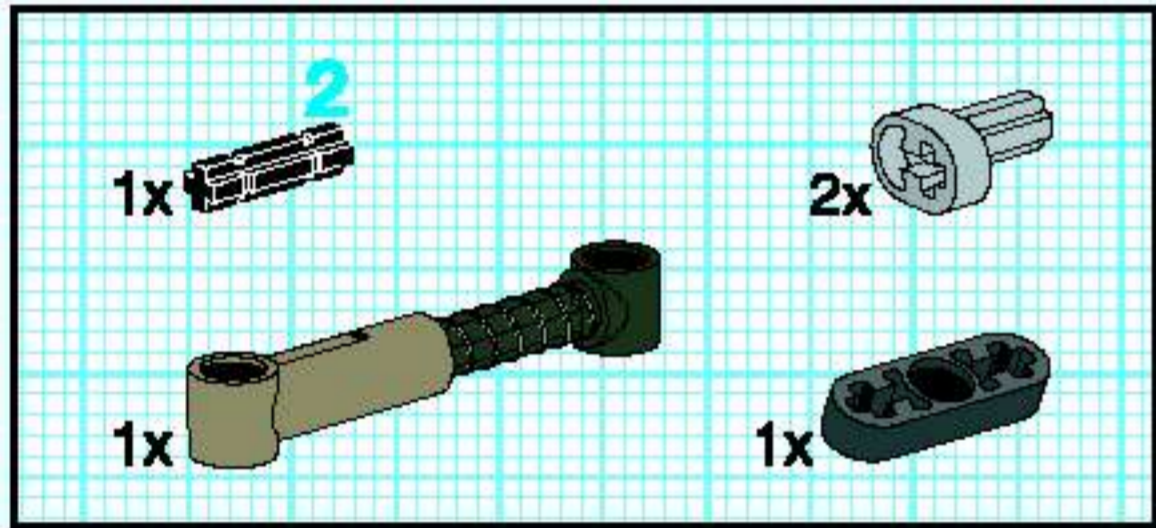
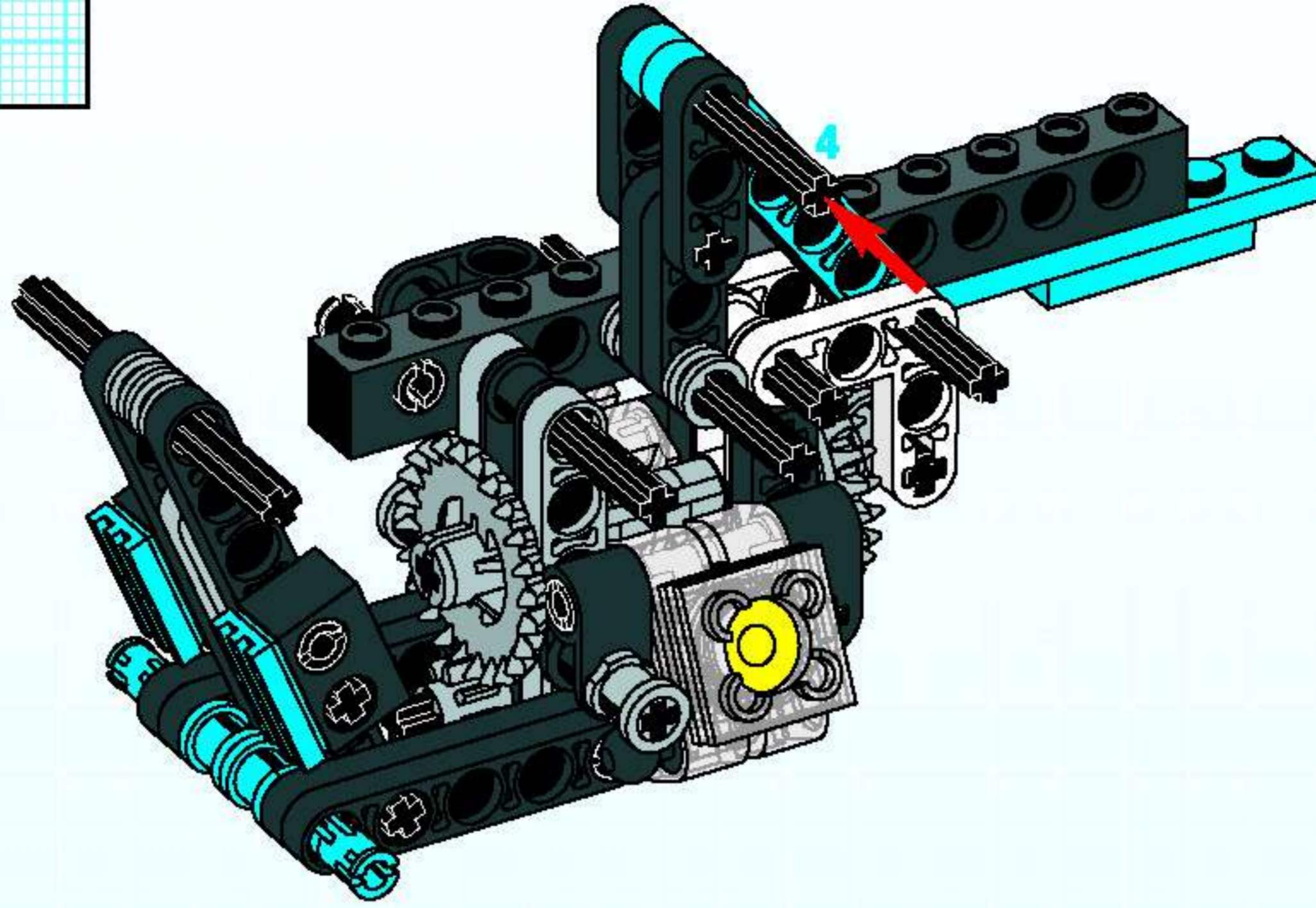


22

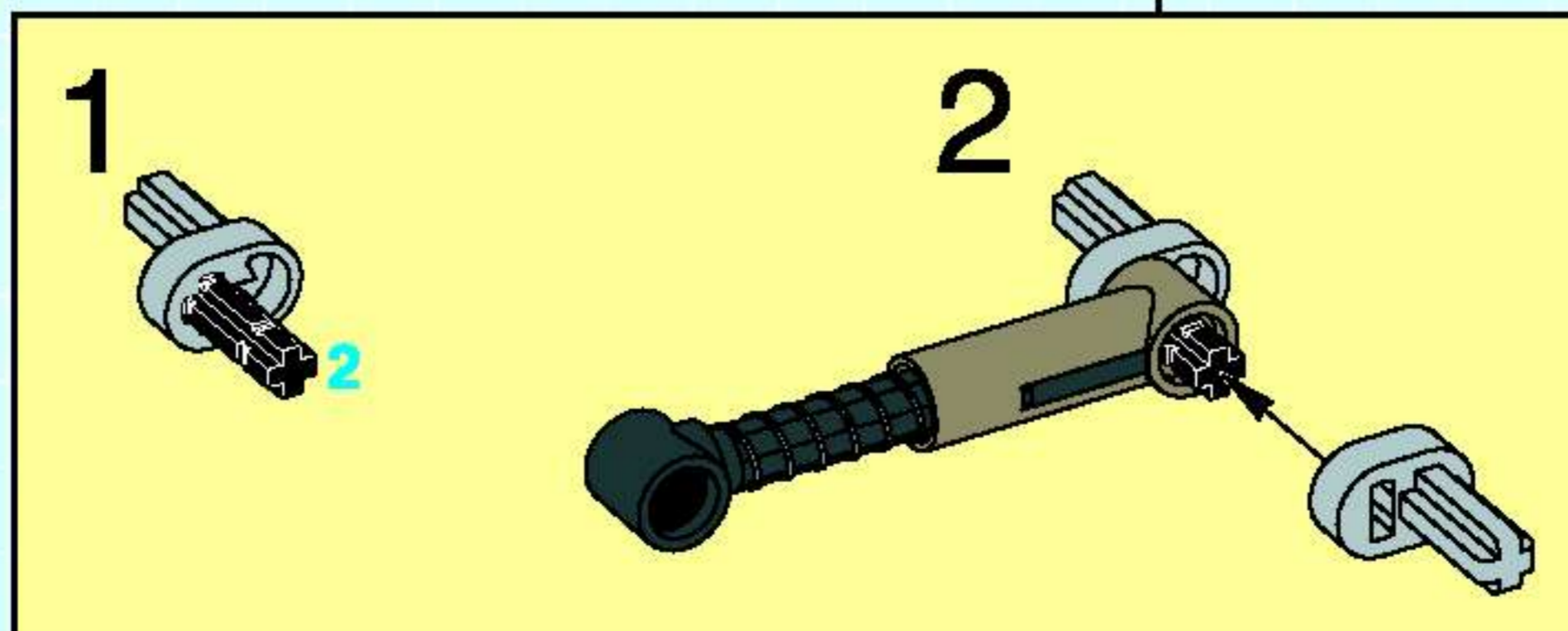
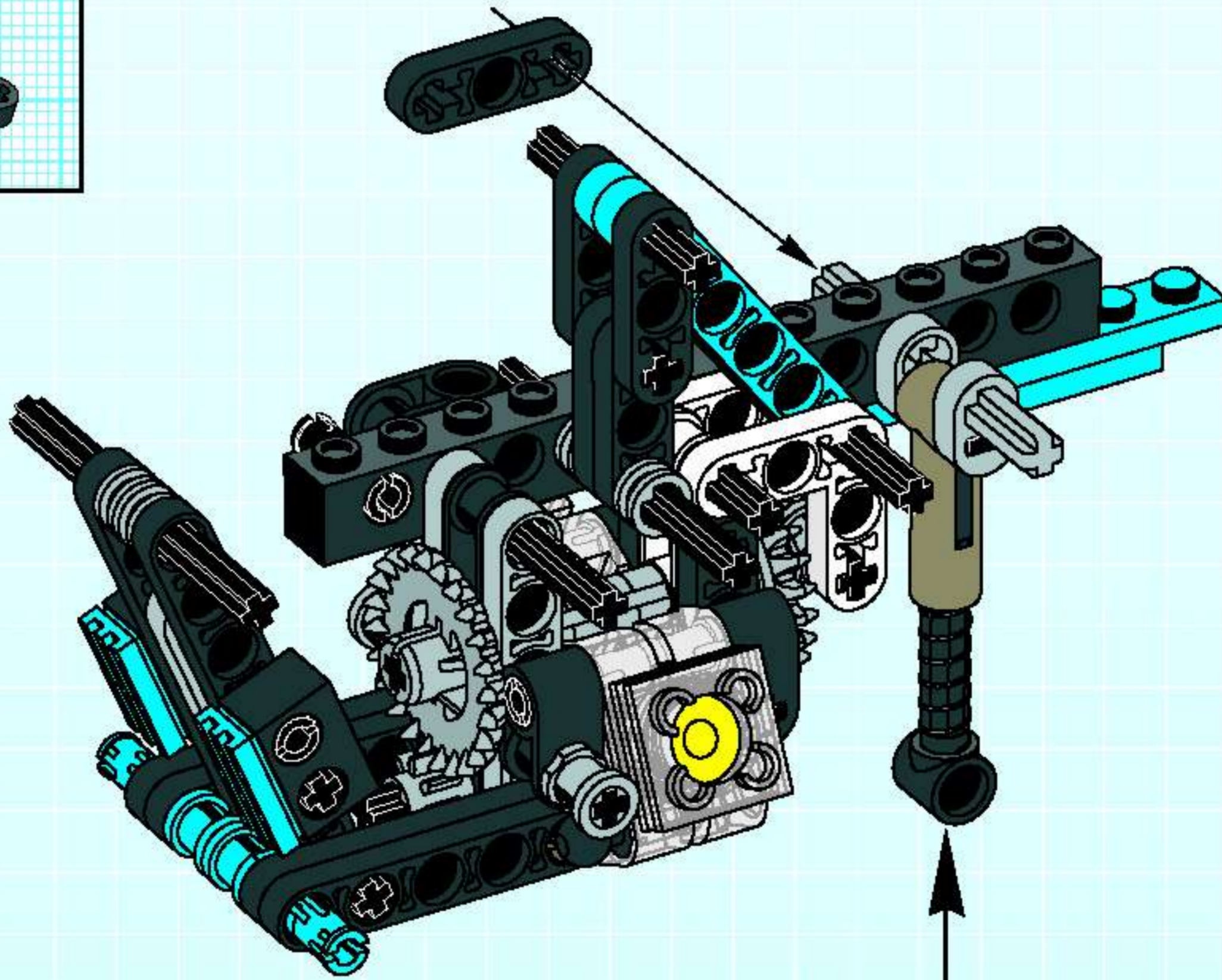


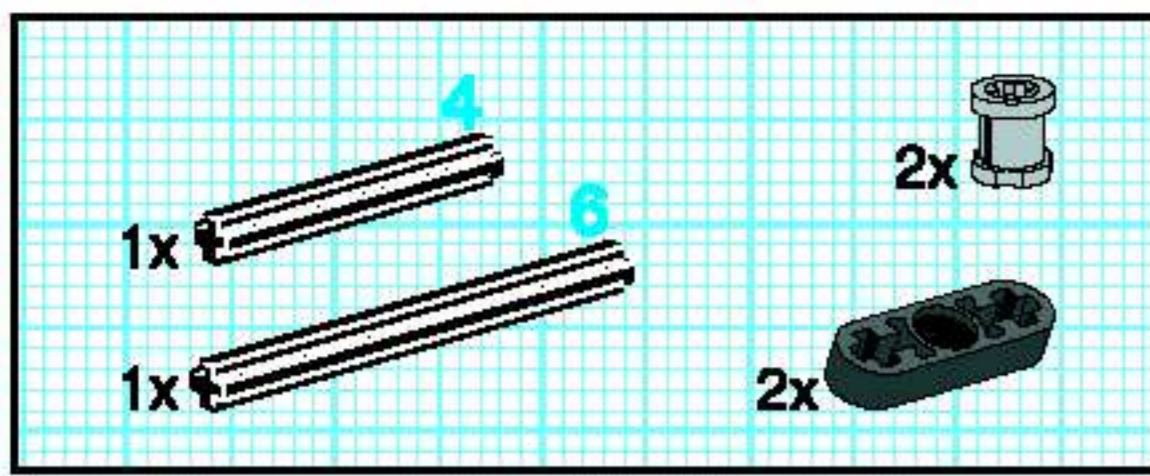


23

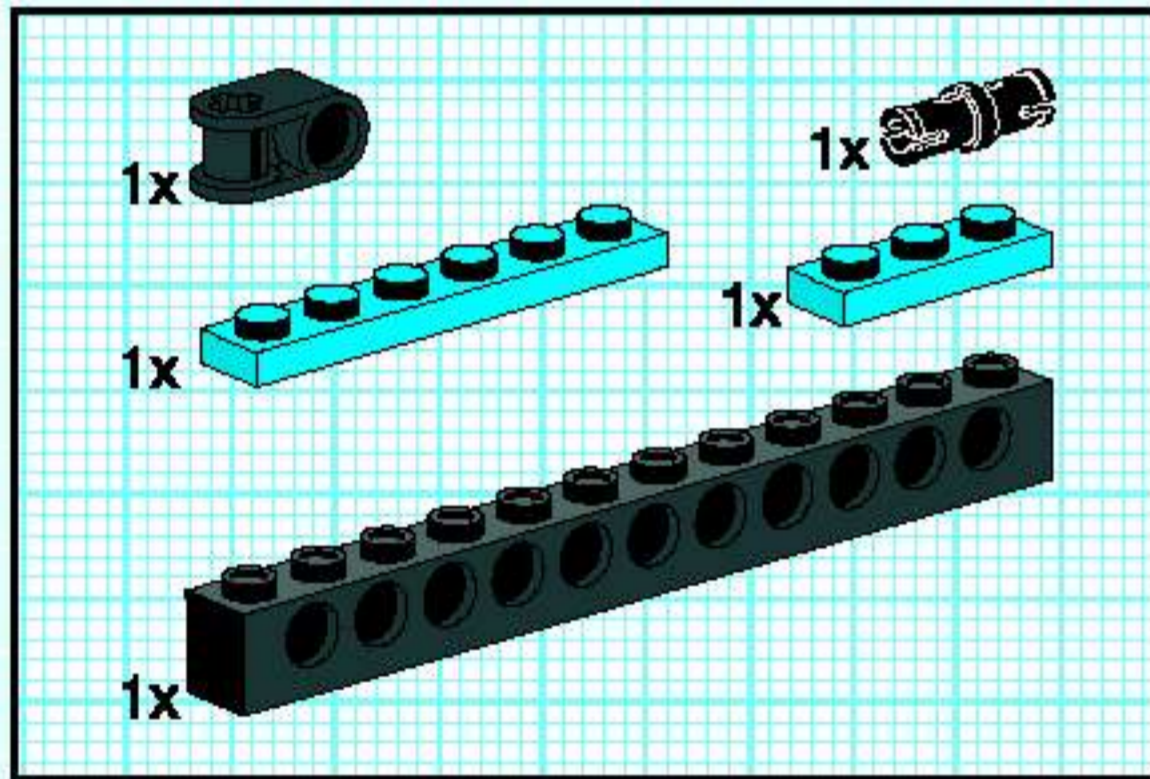
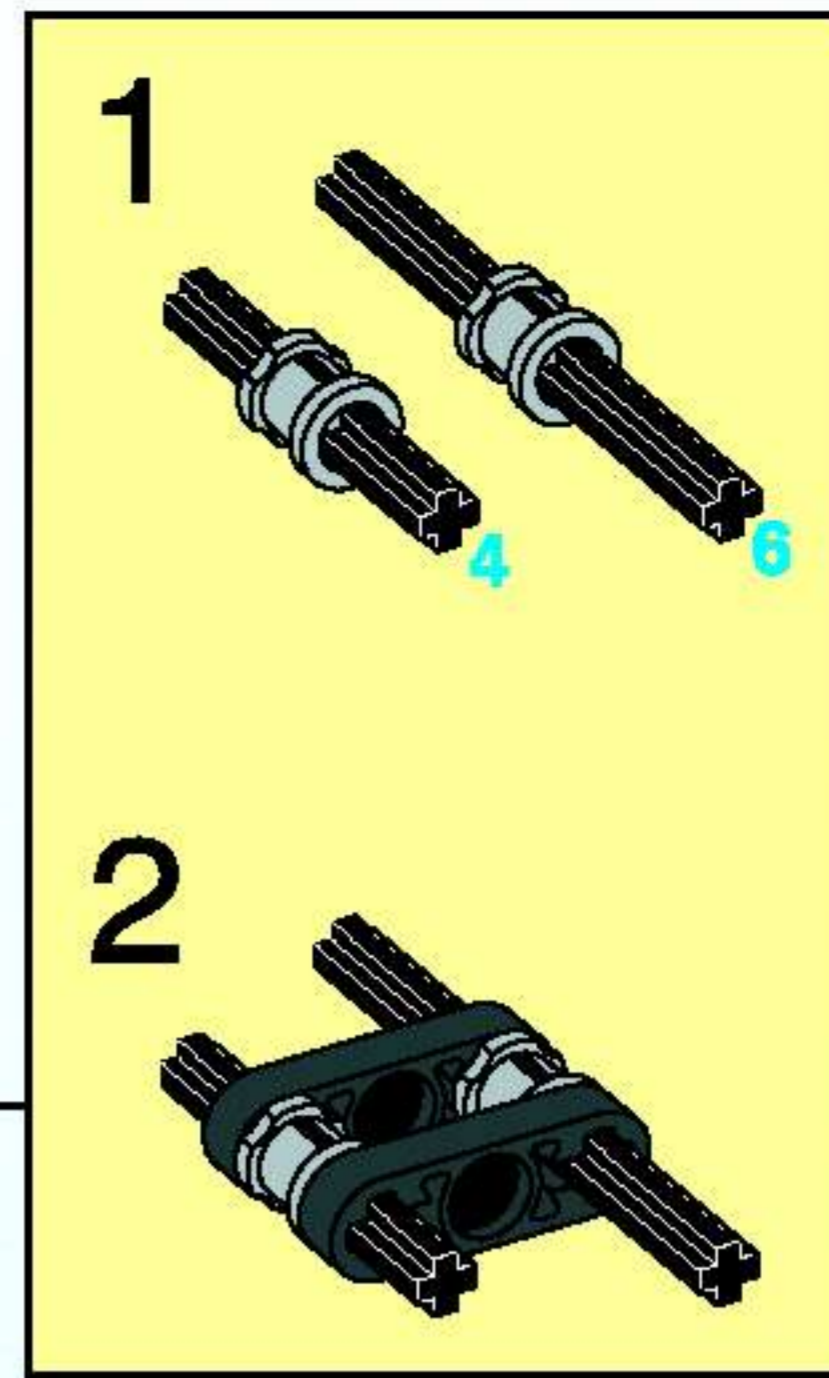
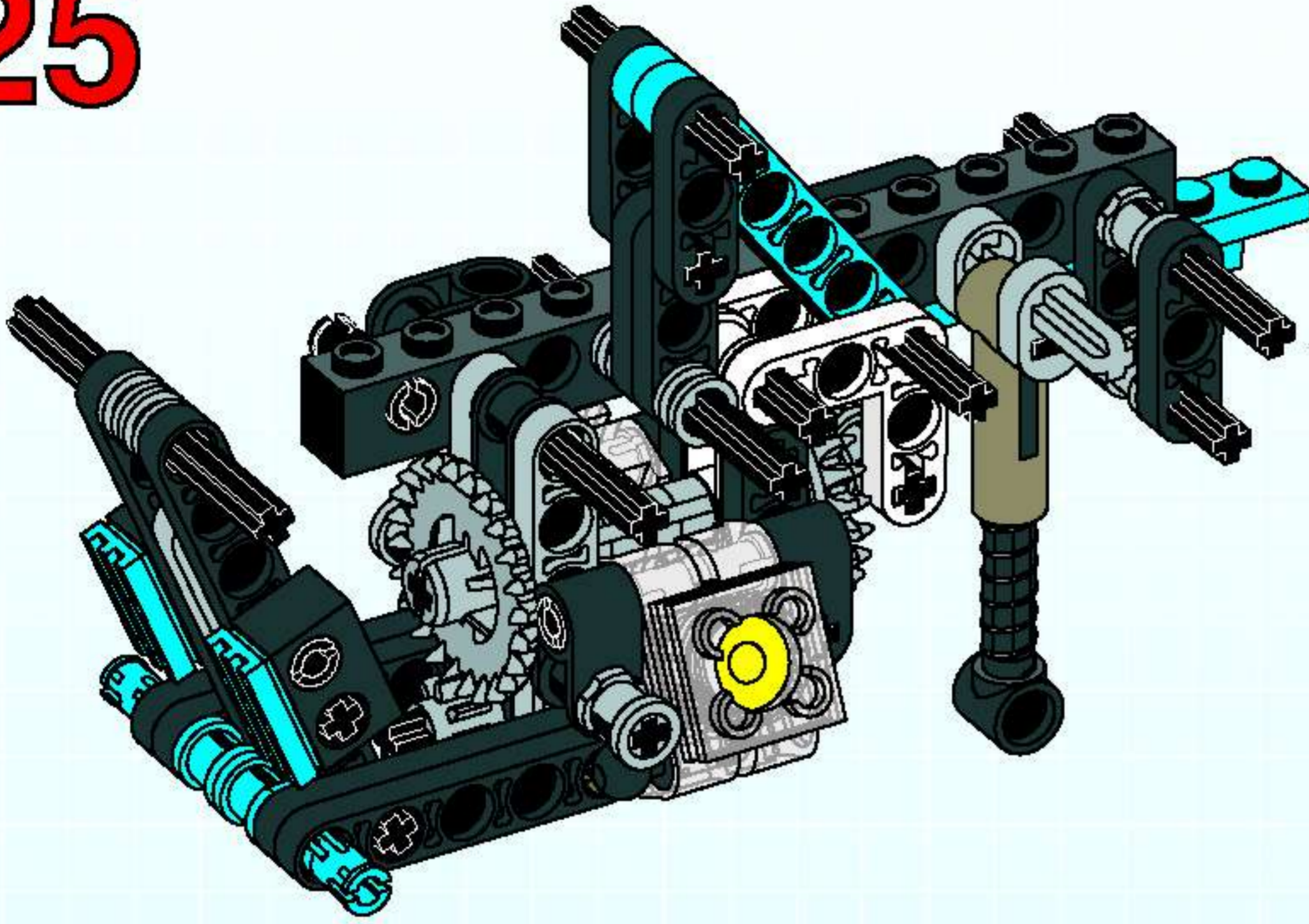


24

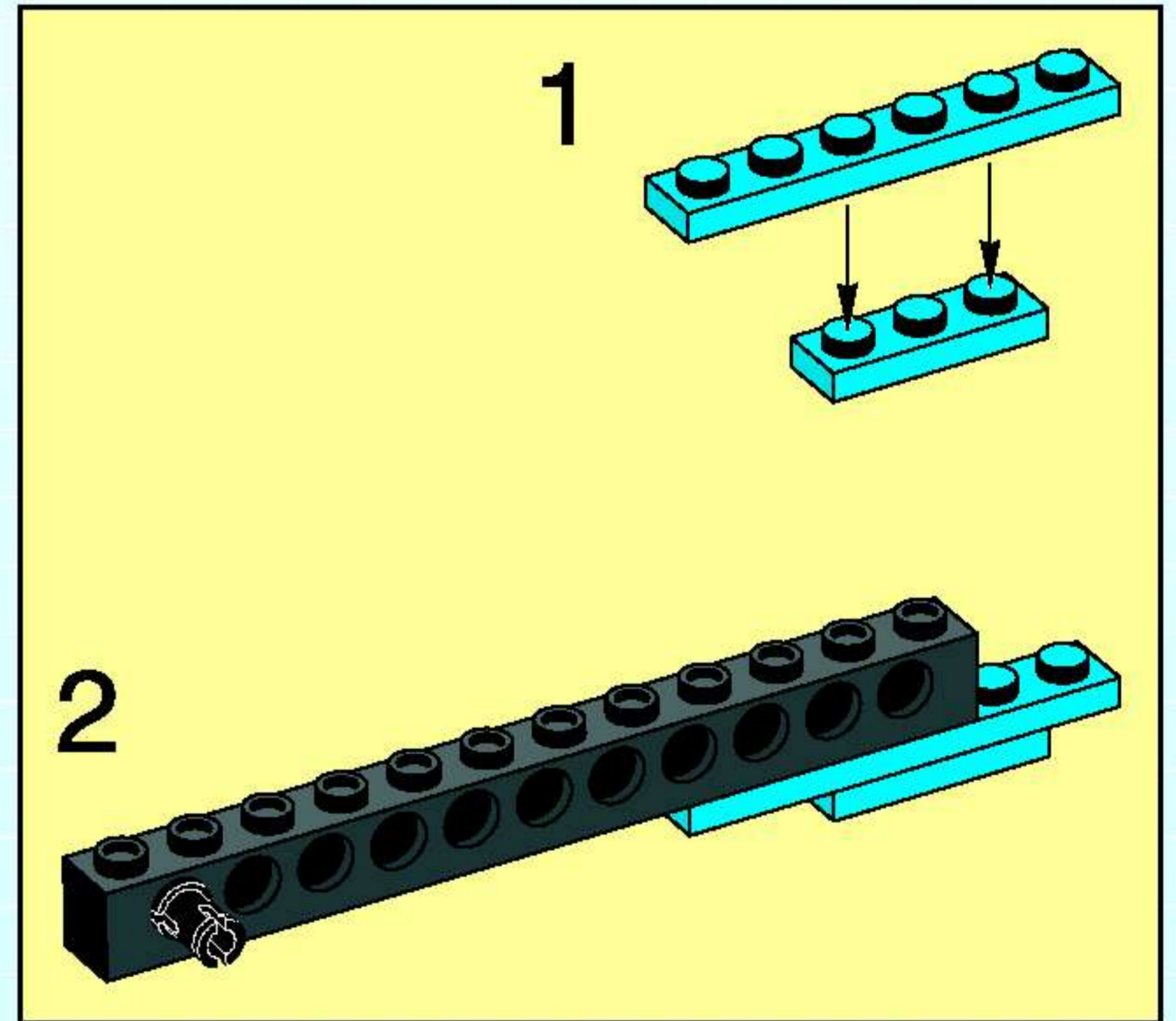
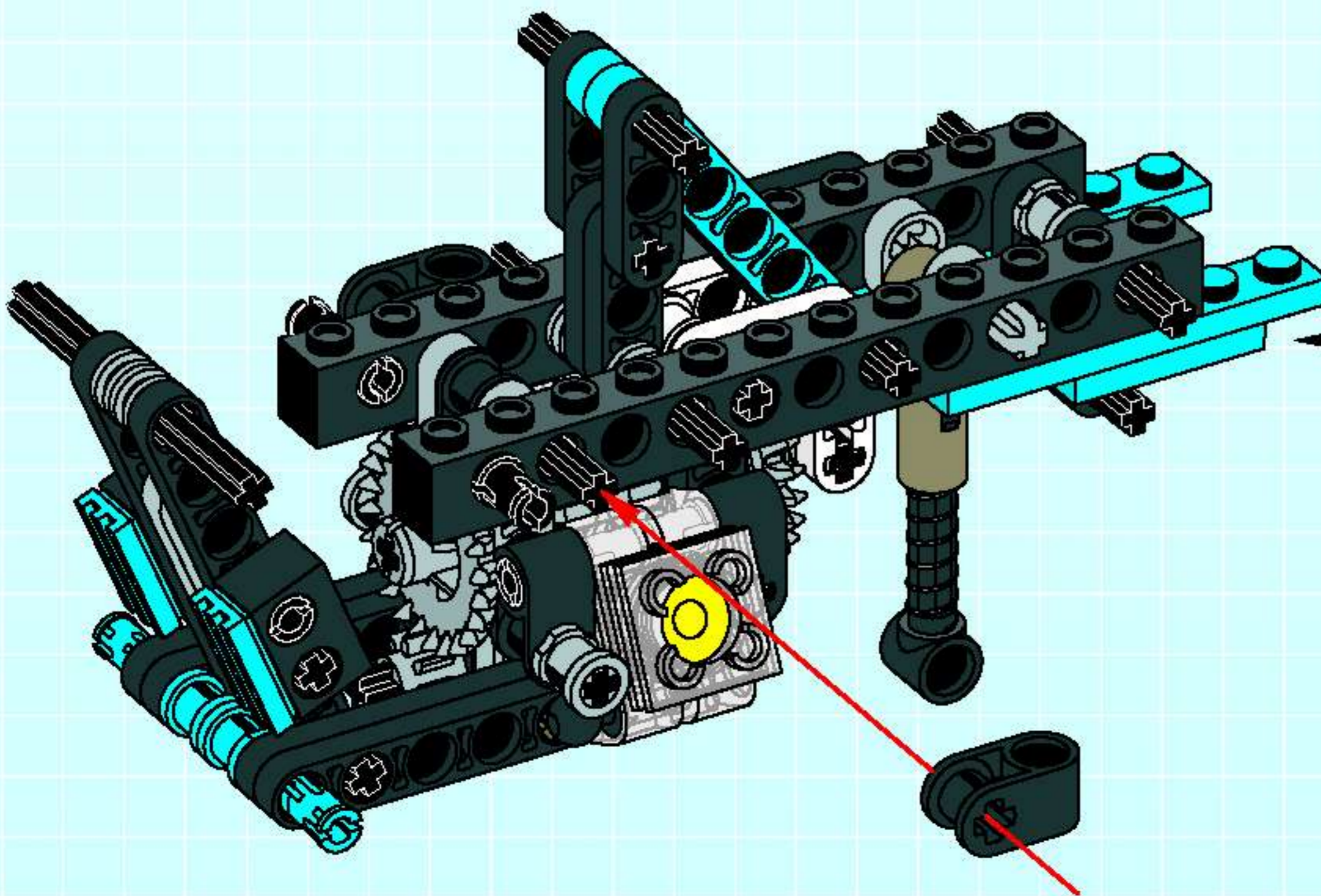


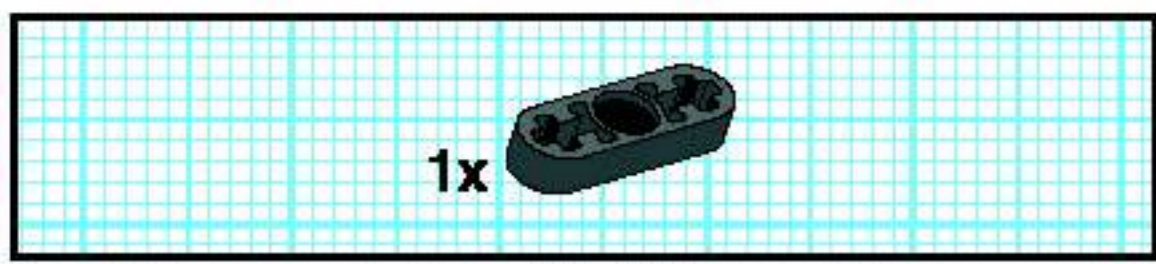


25

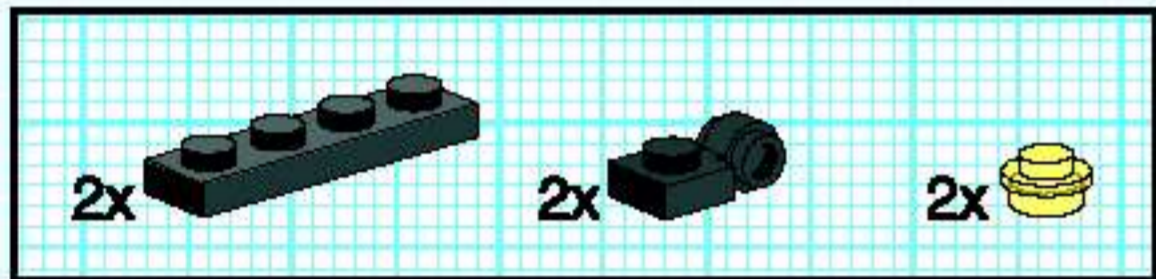
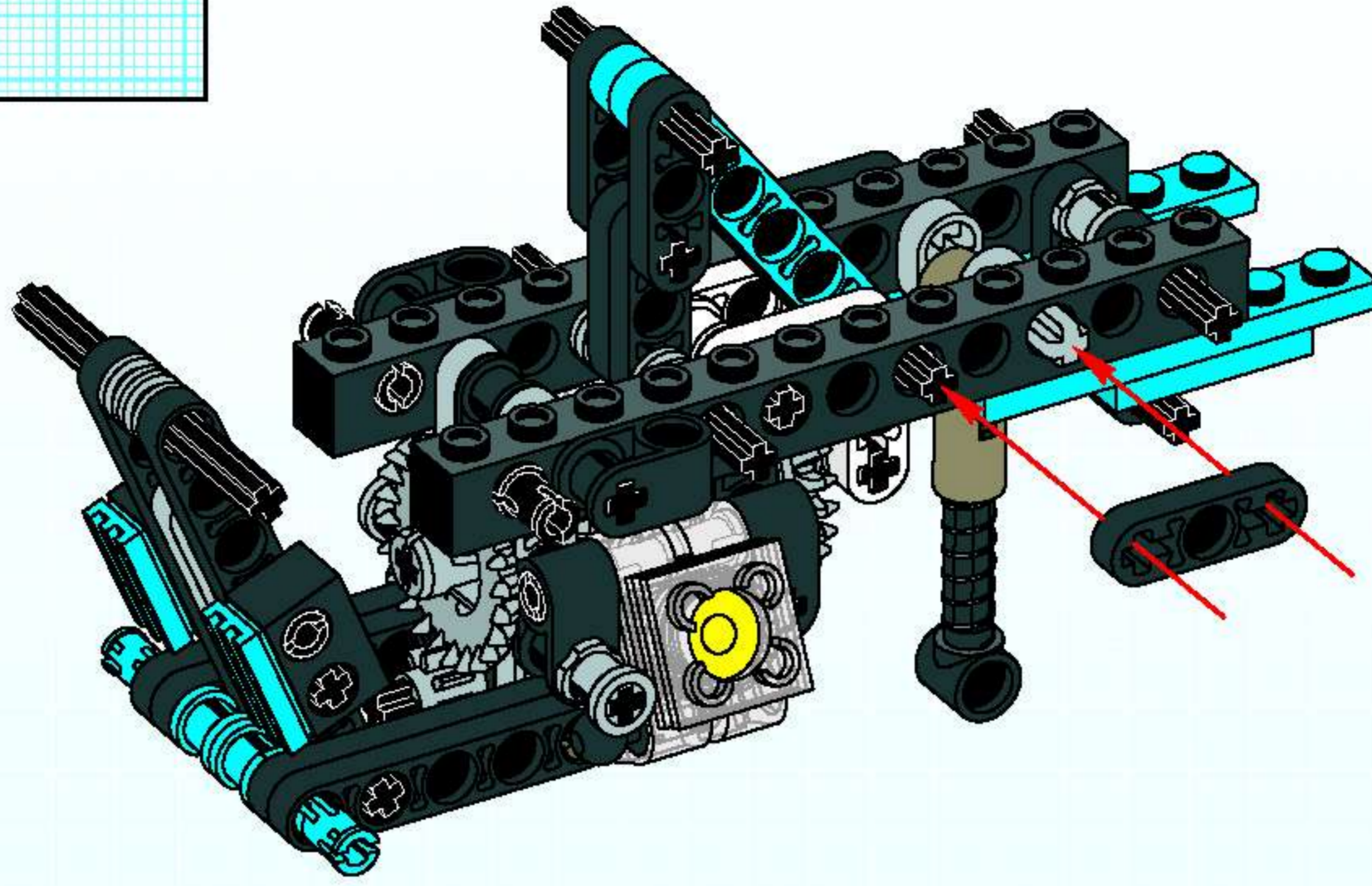


26

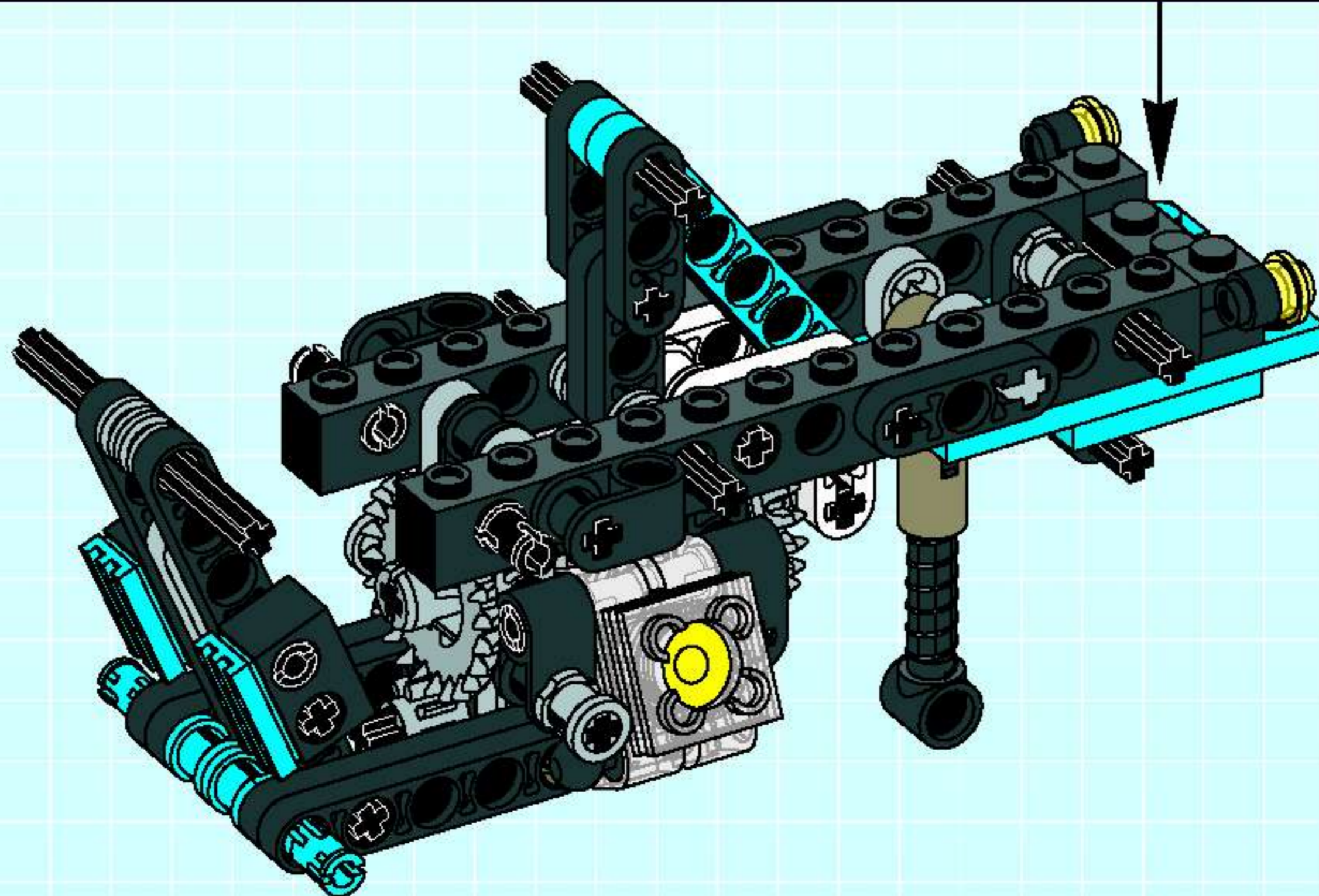
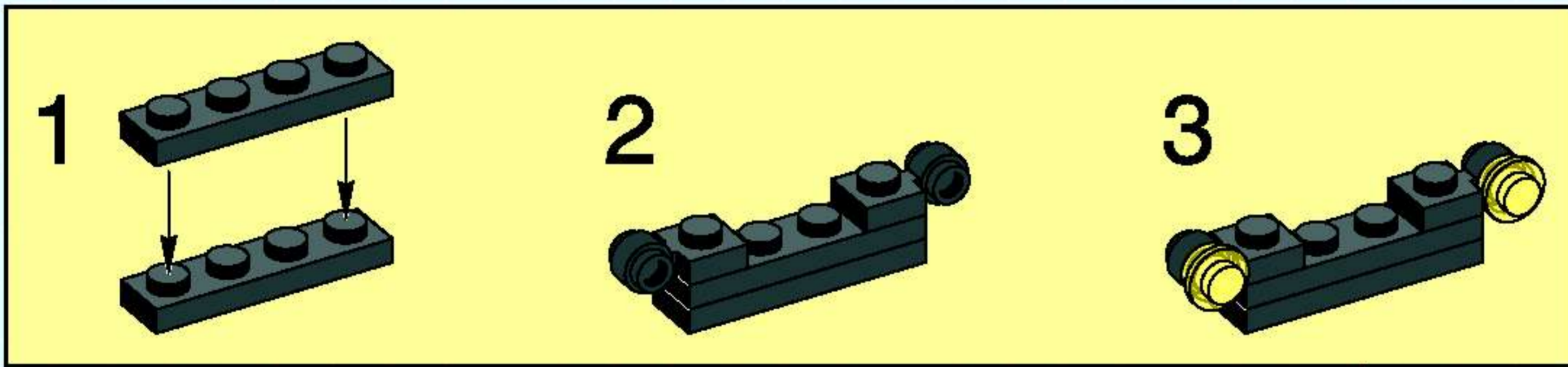


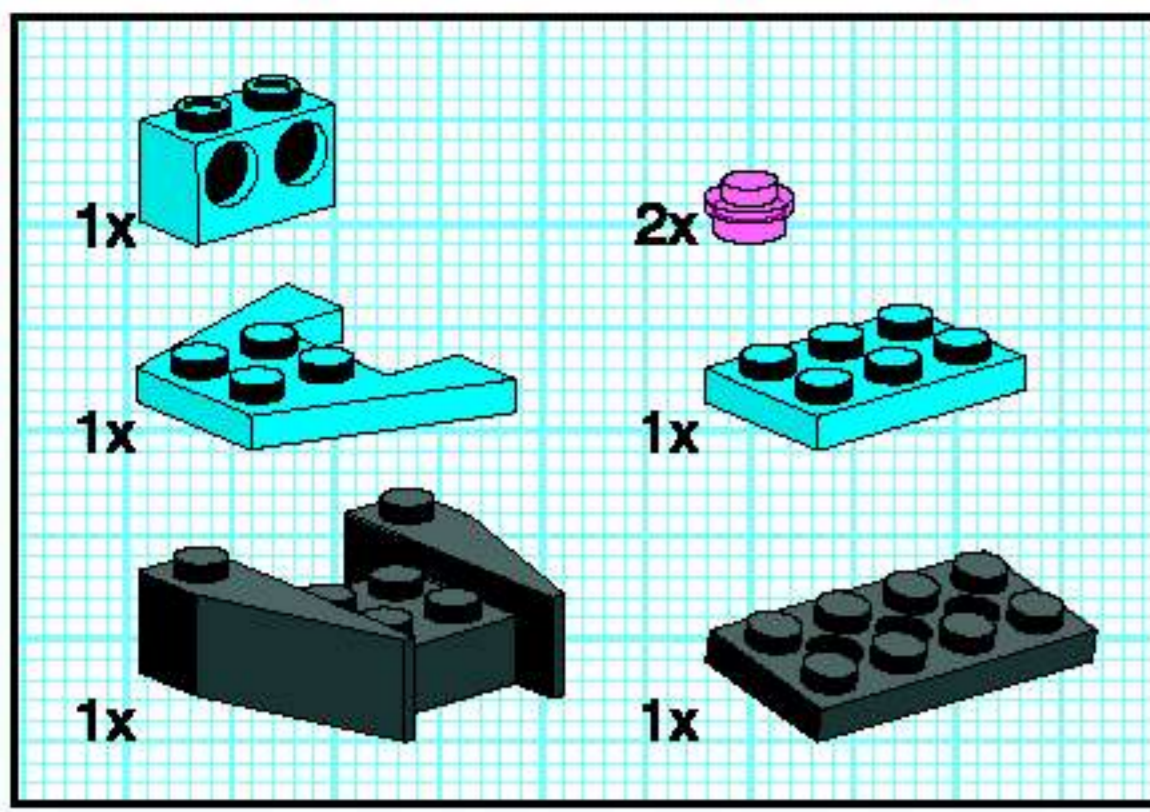


27

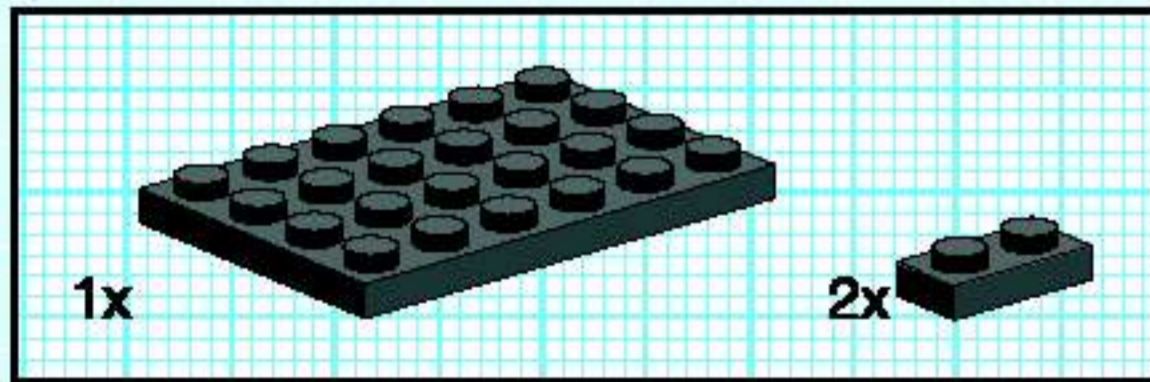
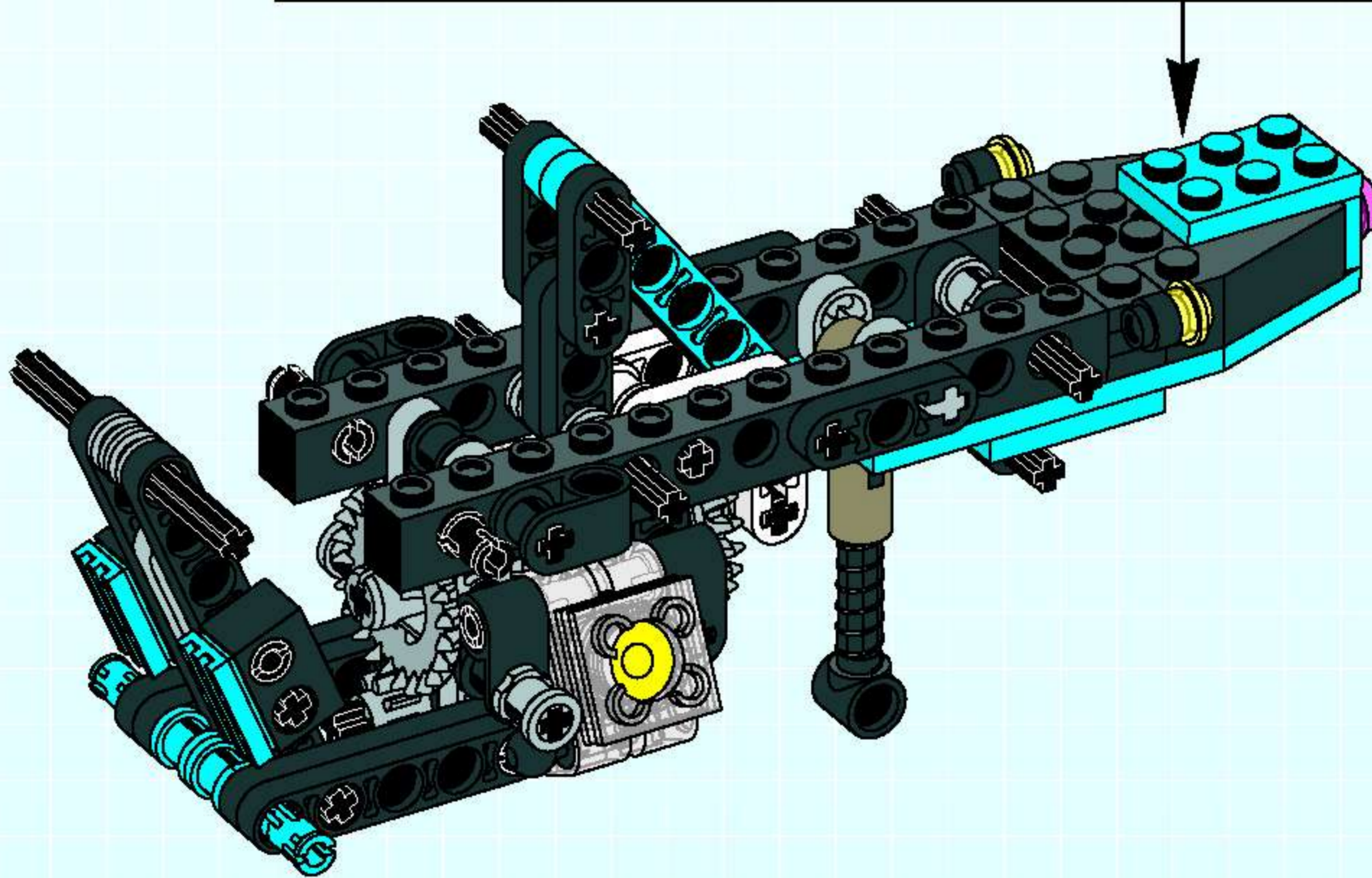
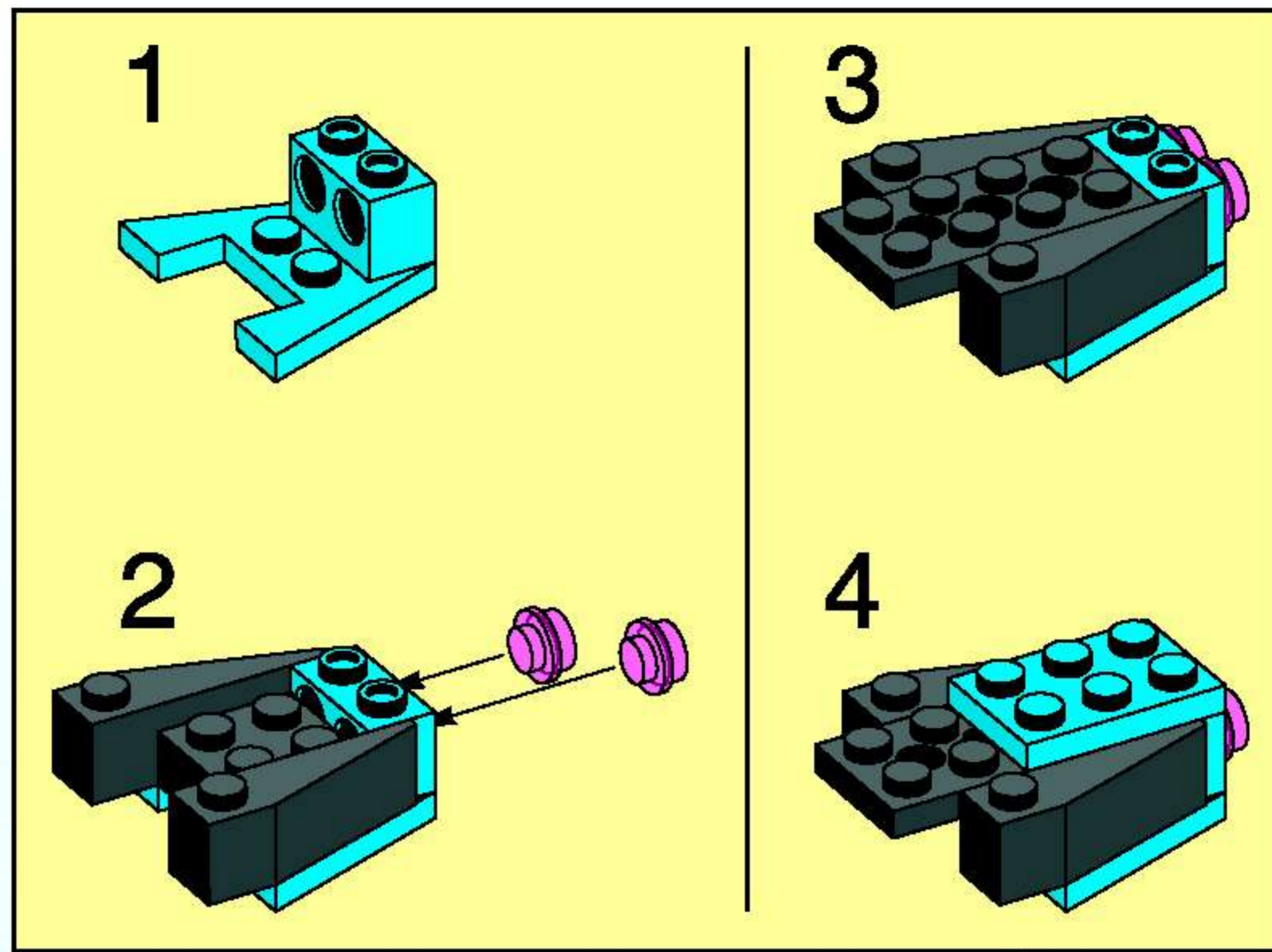


28

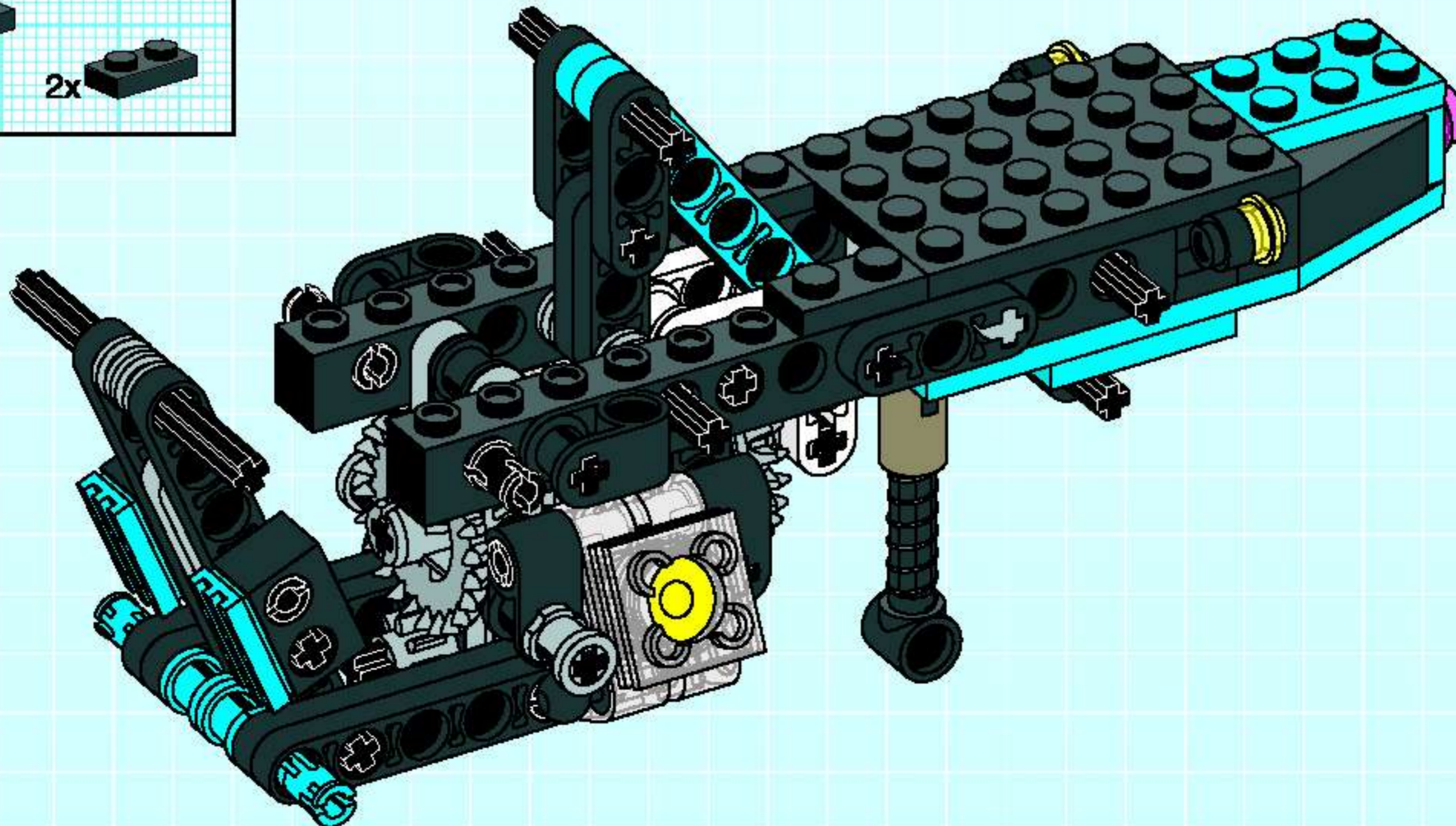


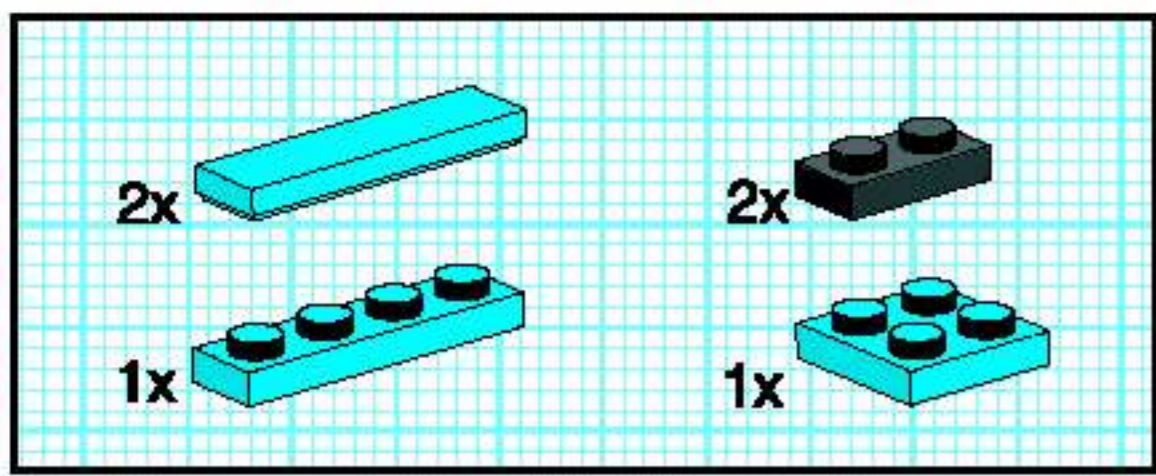


**29**

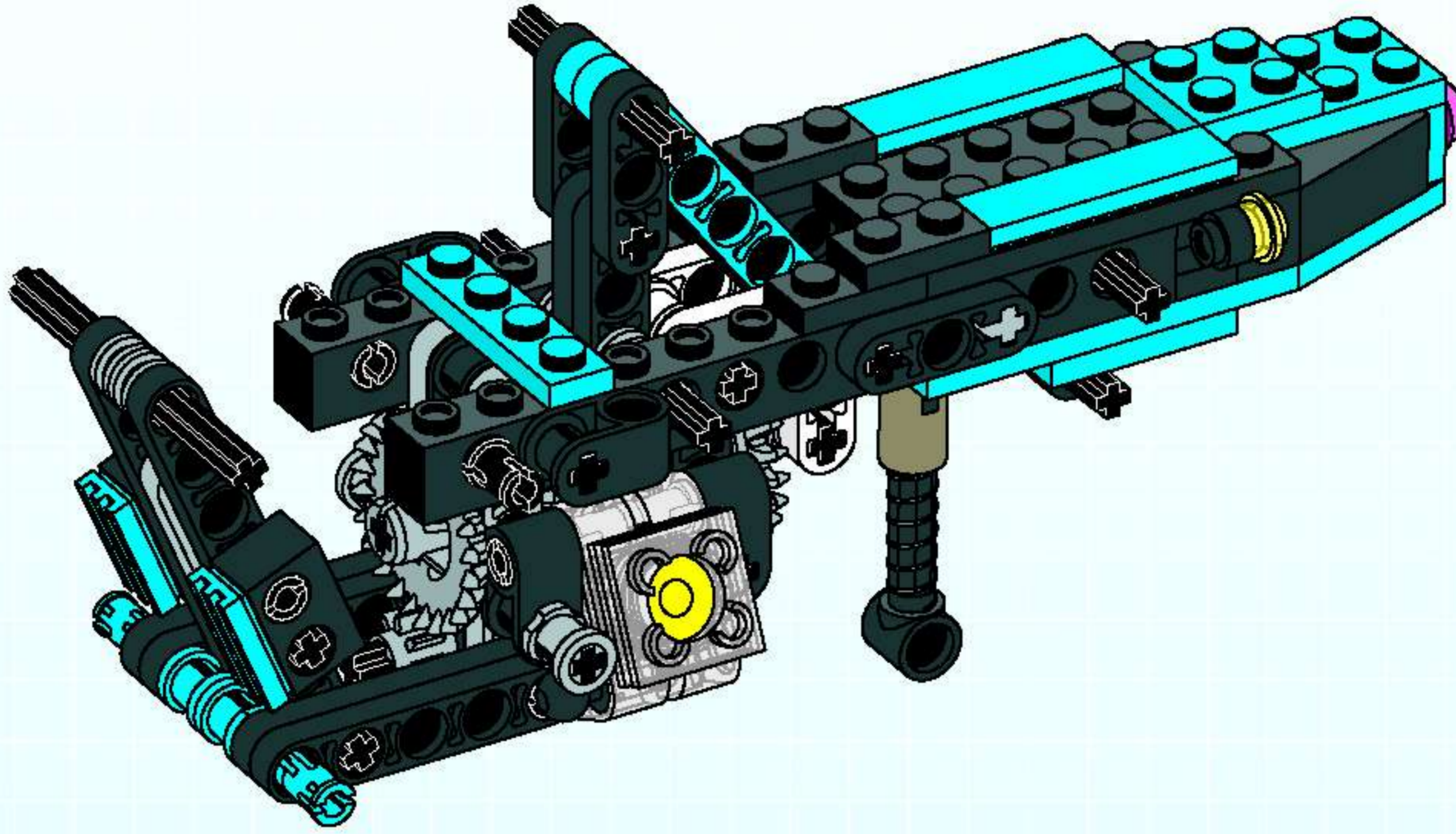


**30**

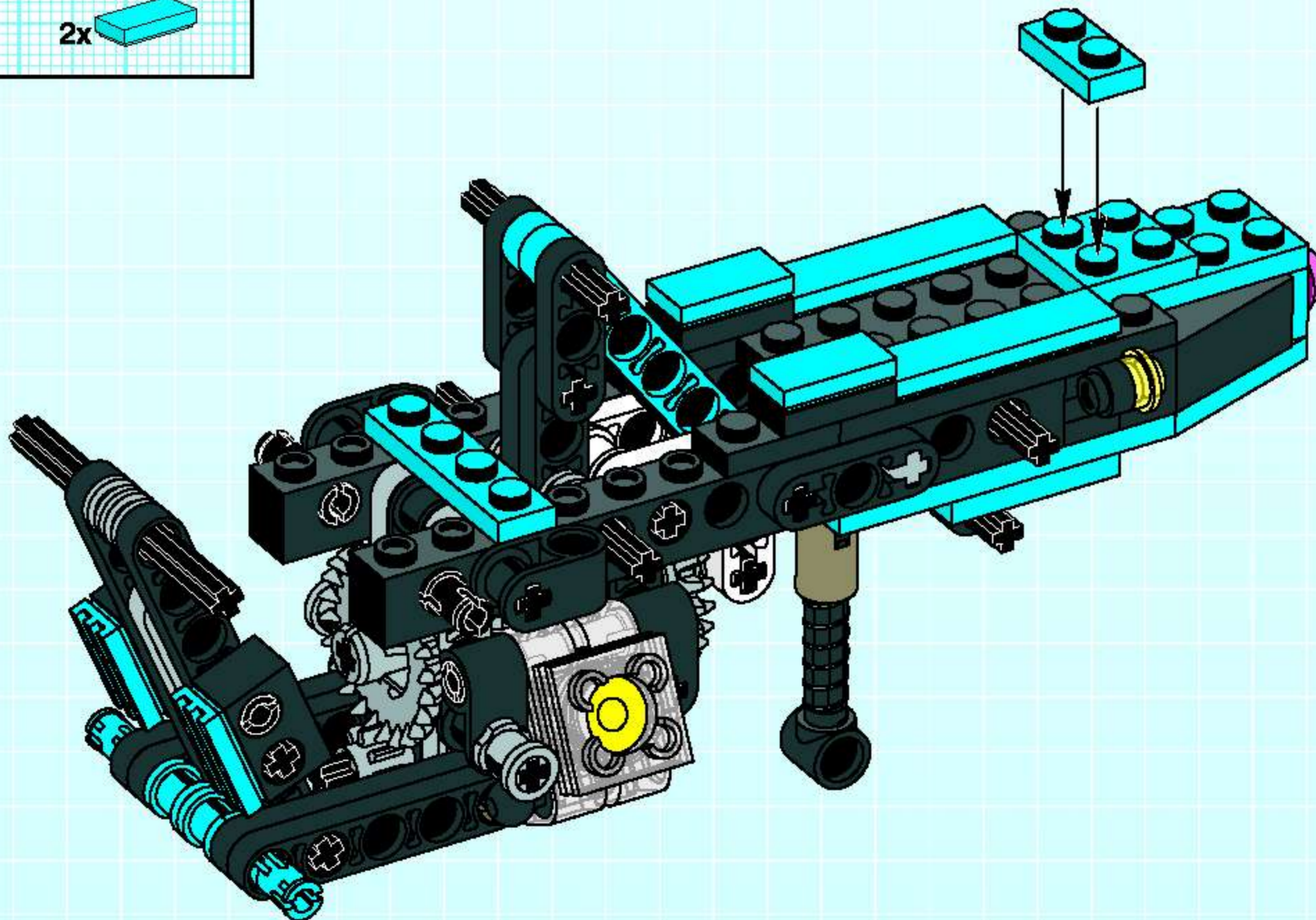


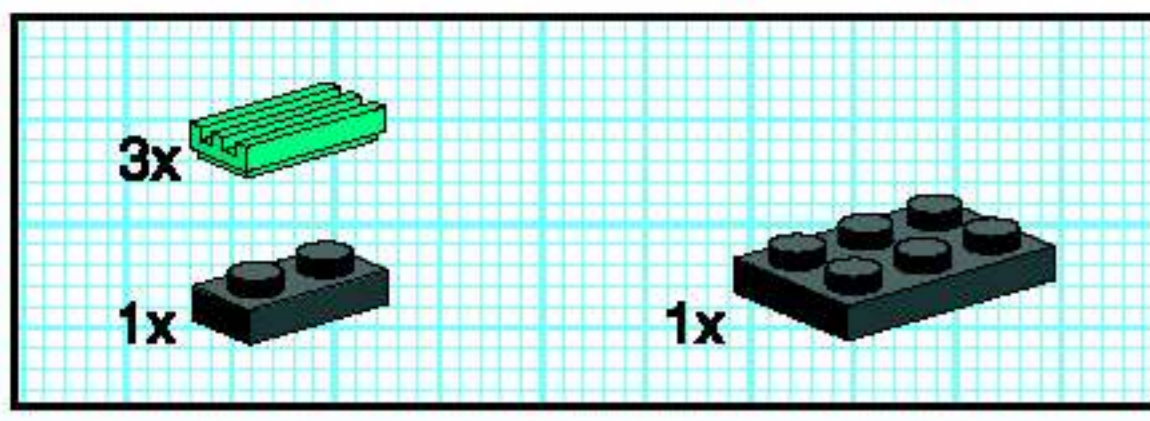


31

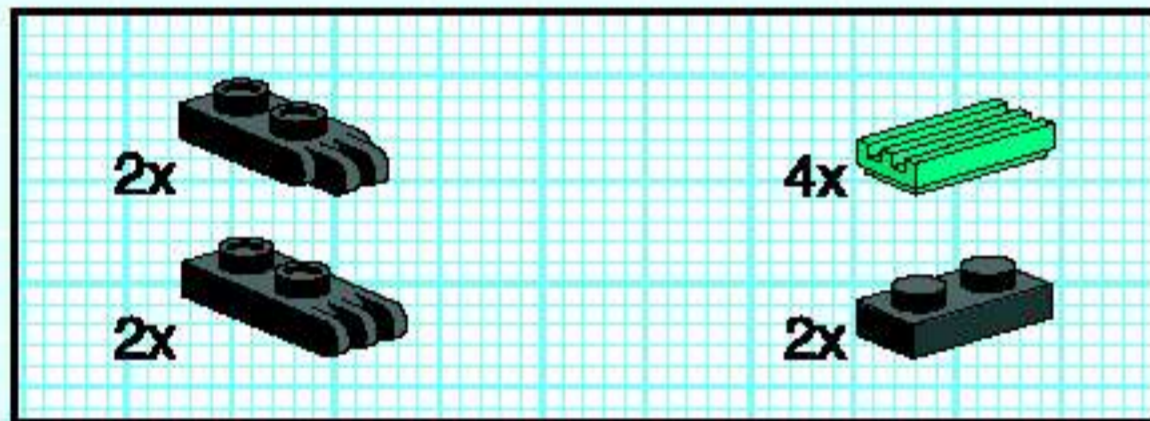
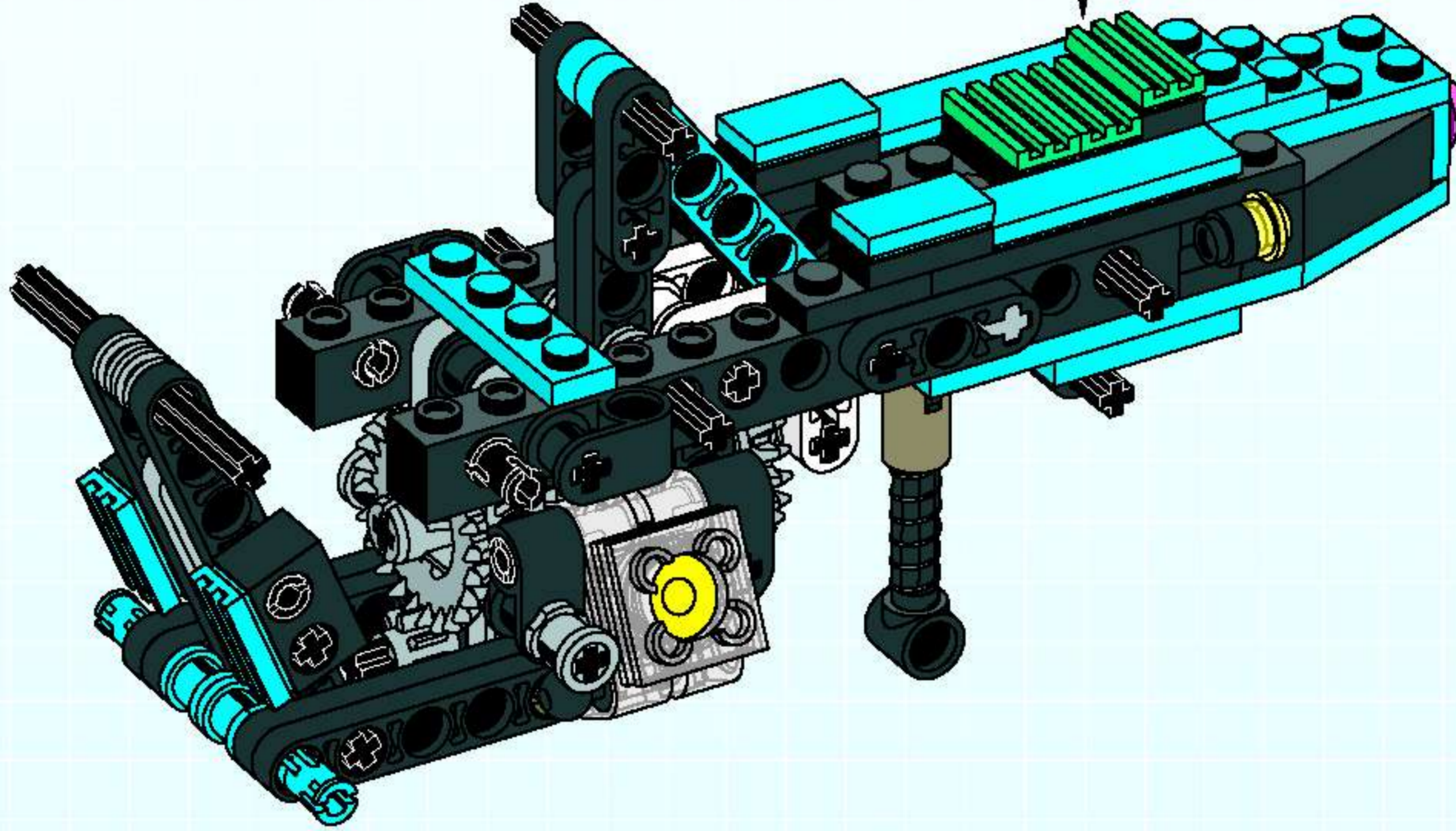
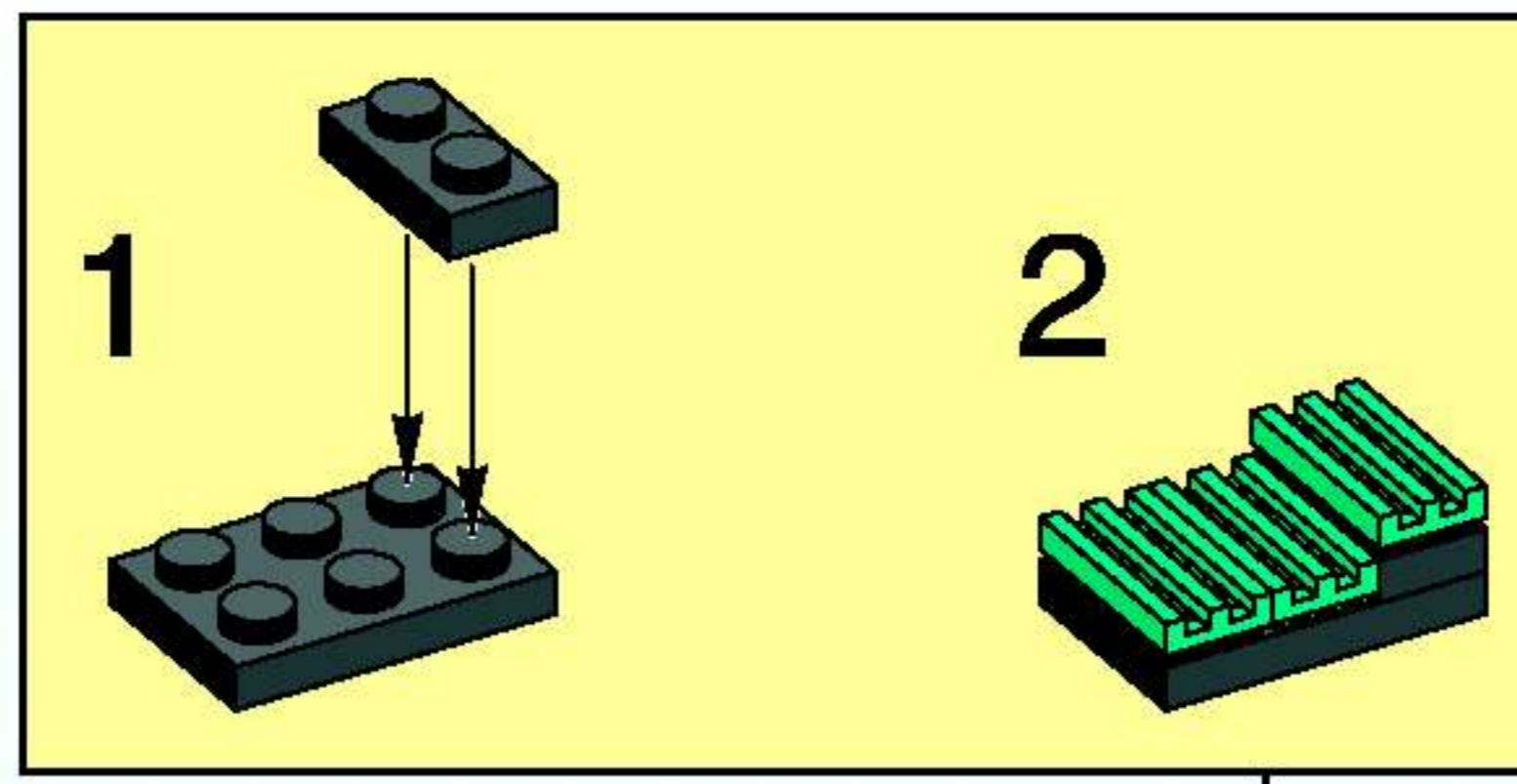


32

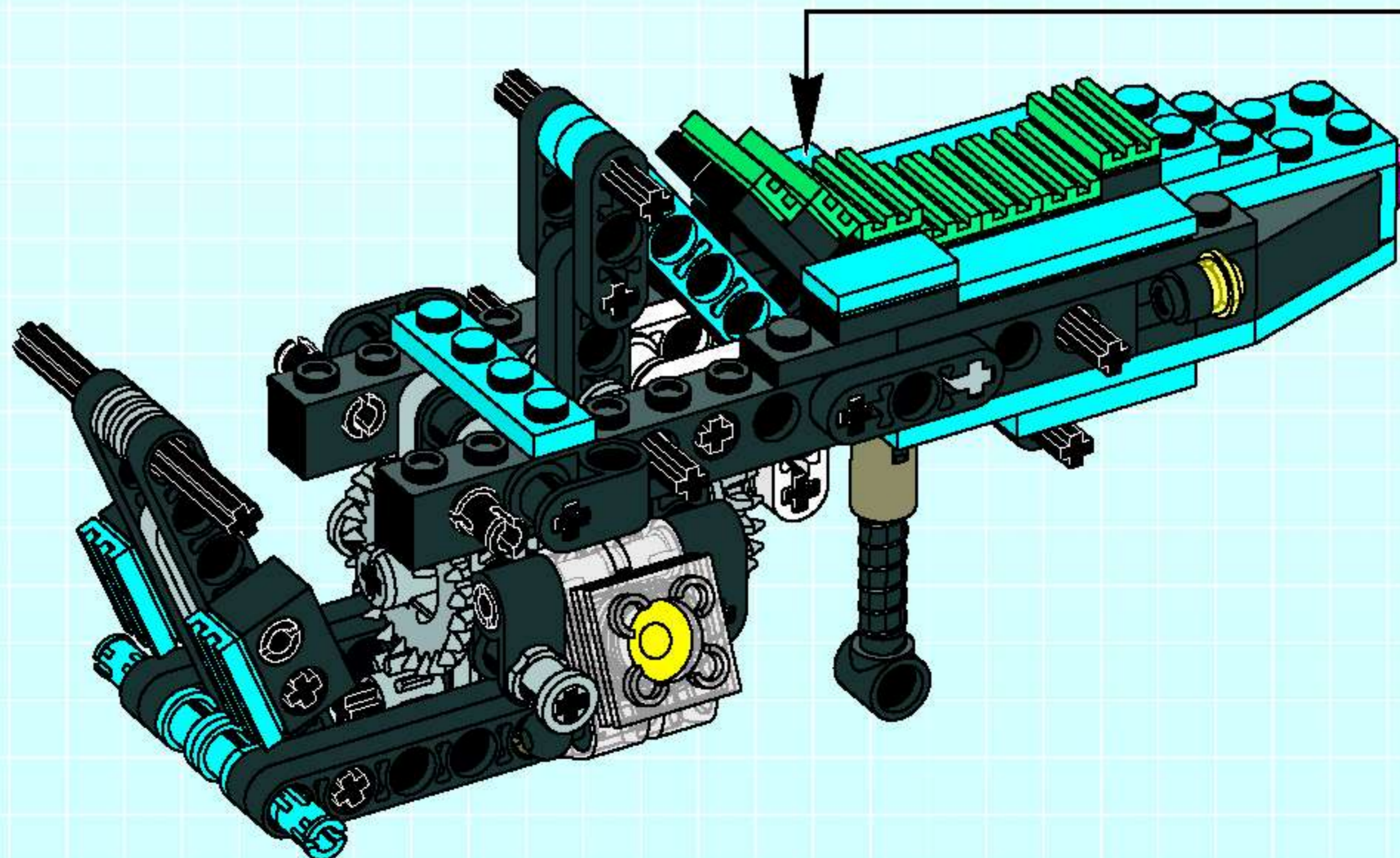
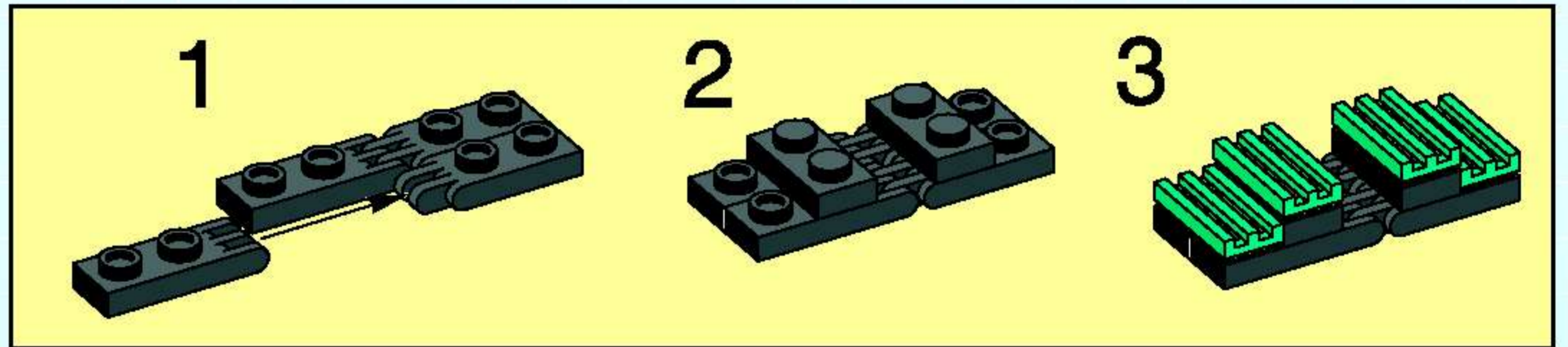




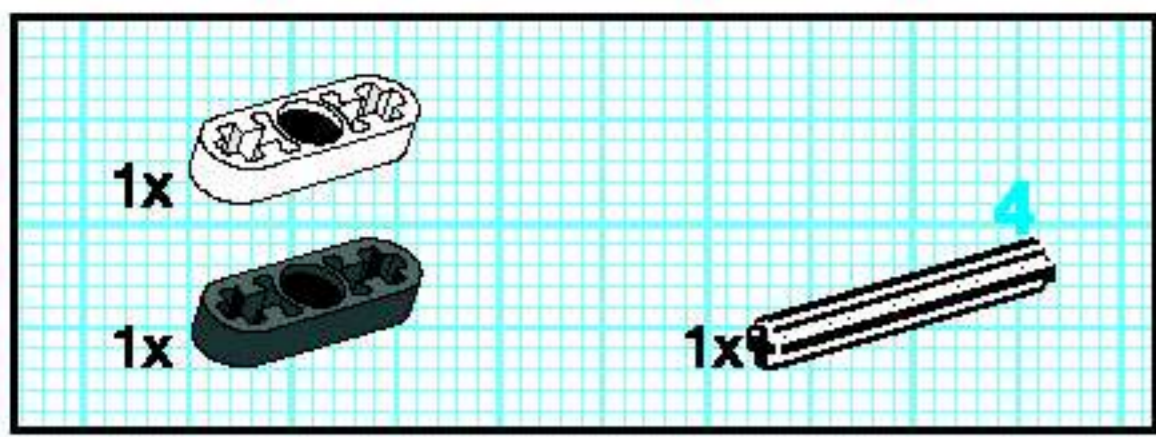
33



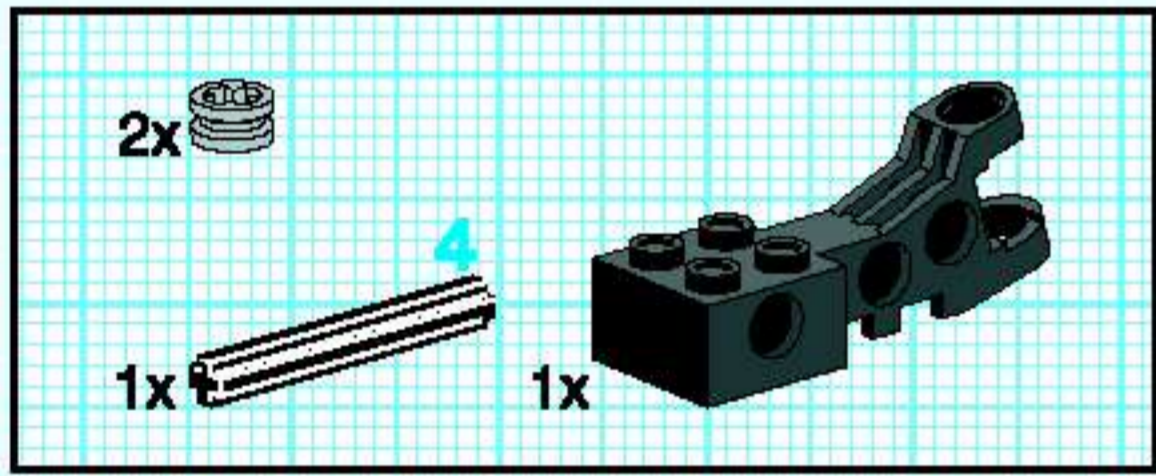
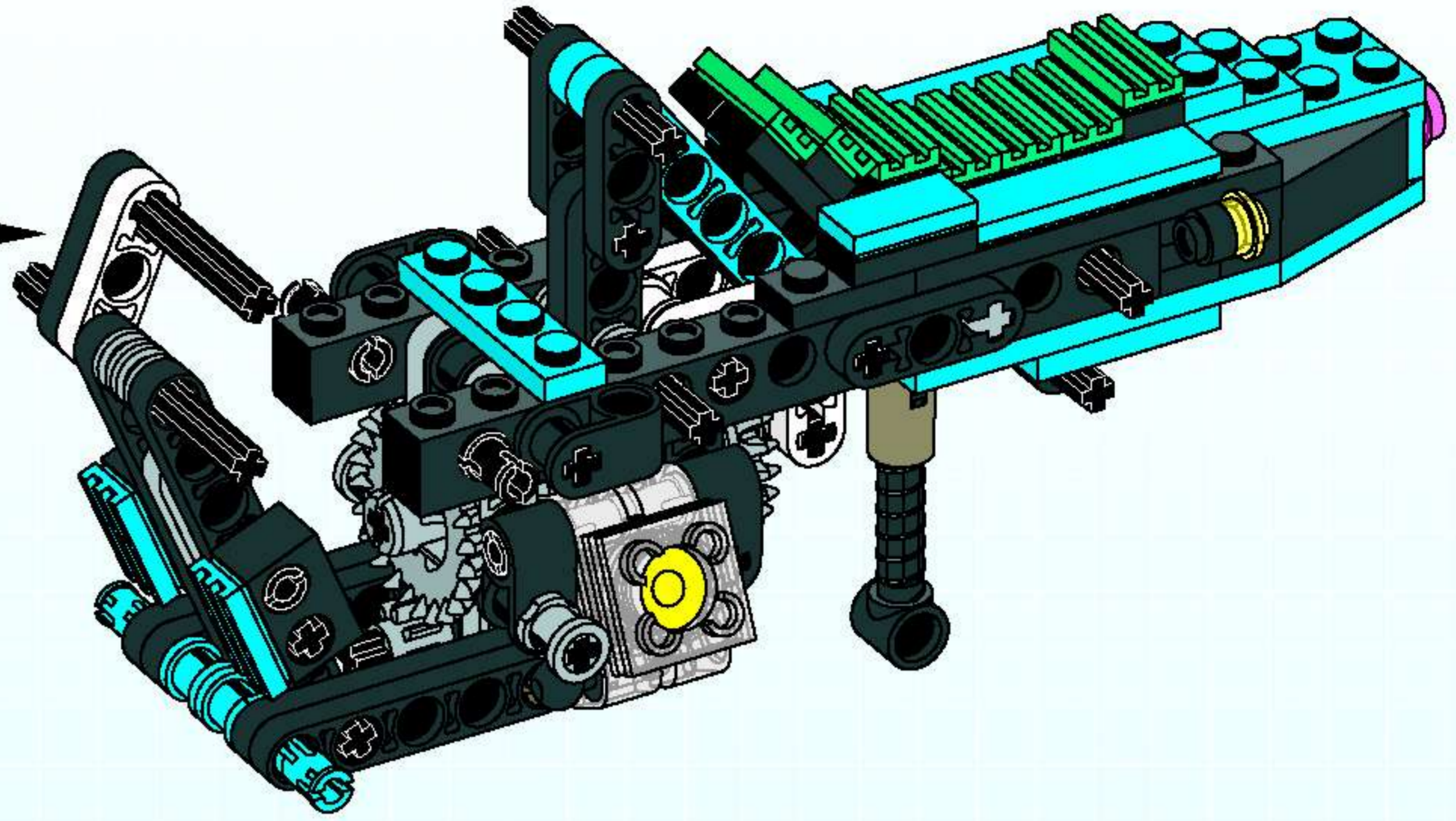
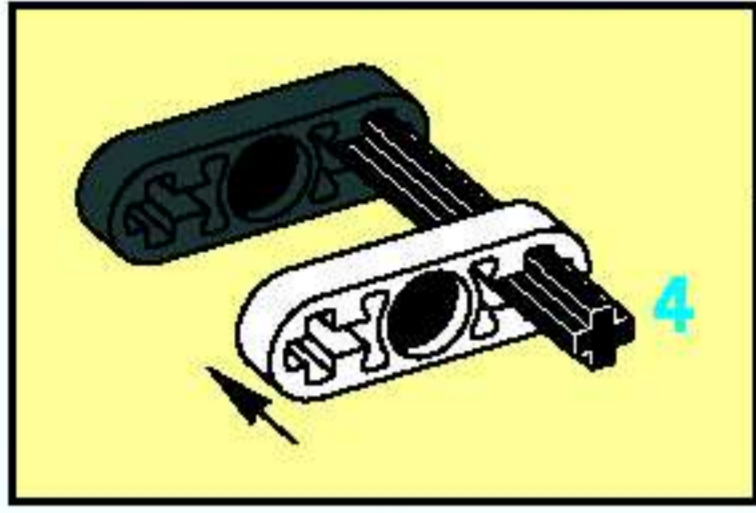
34



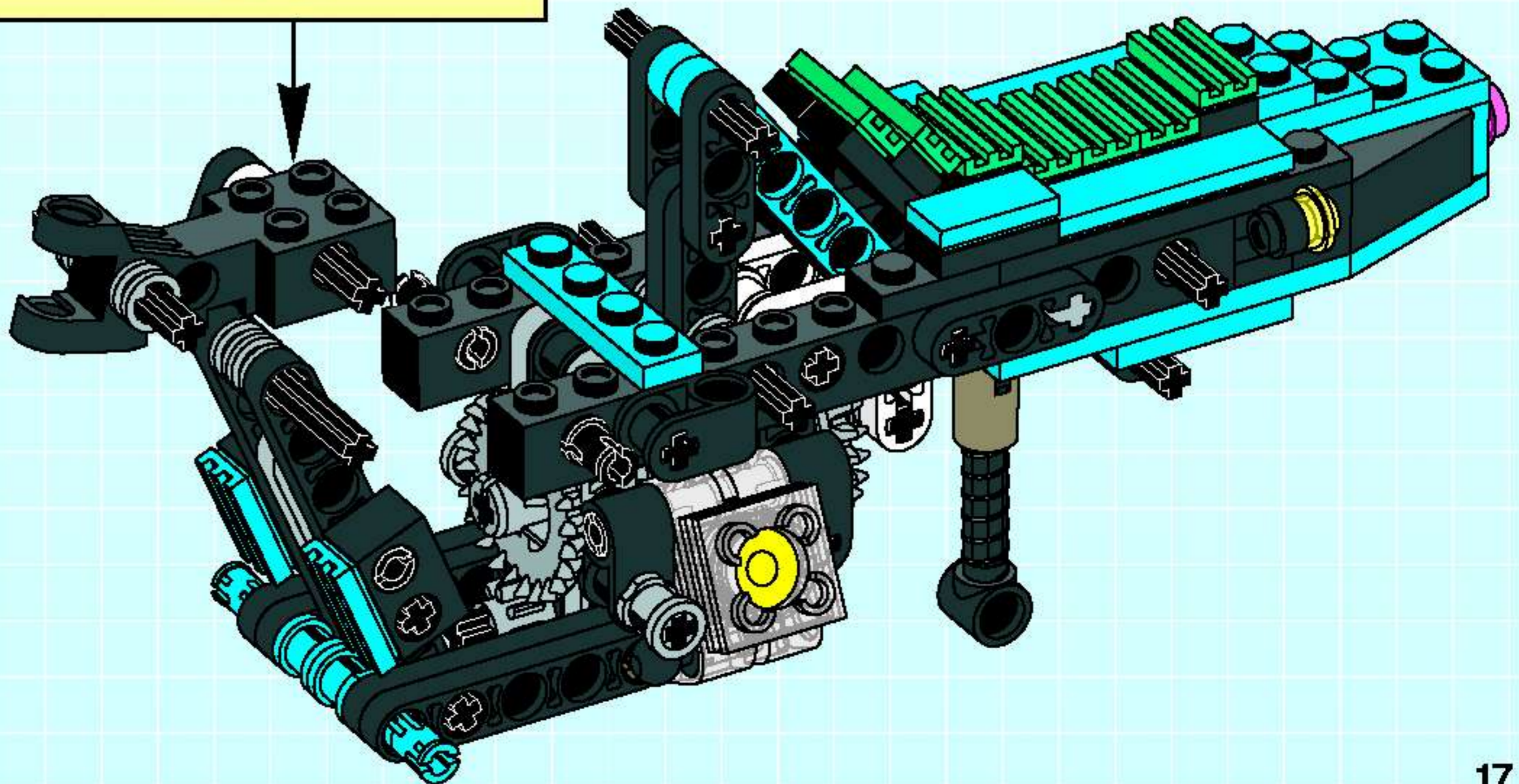
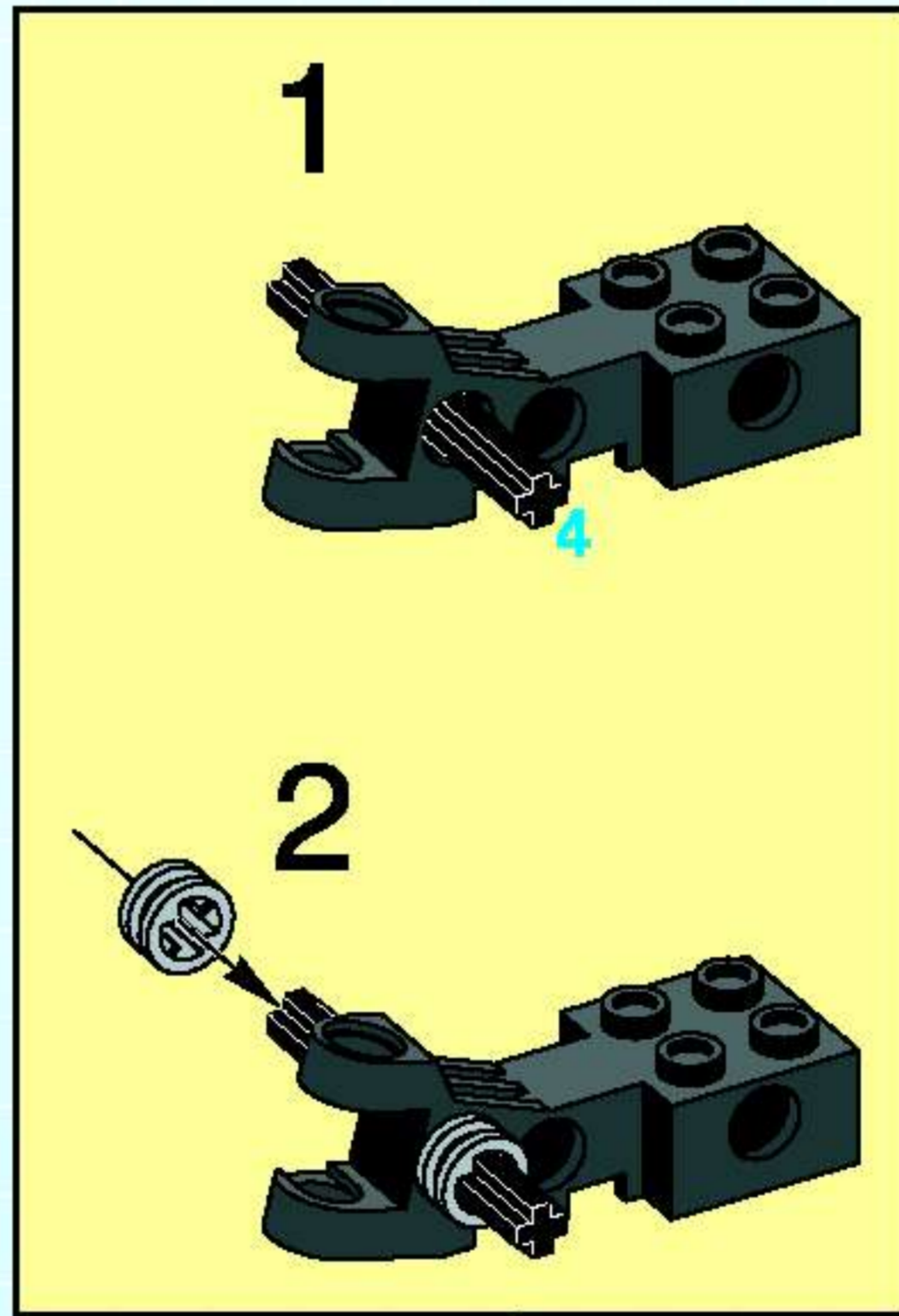


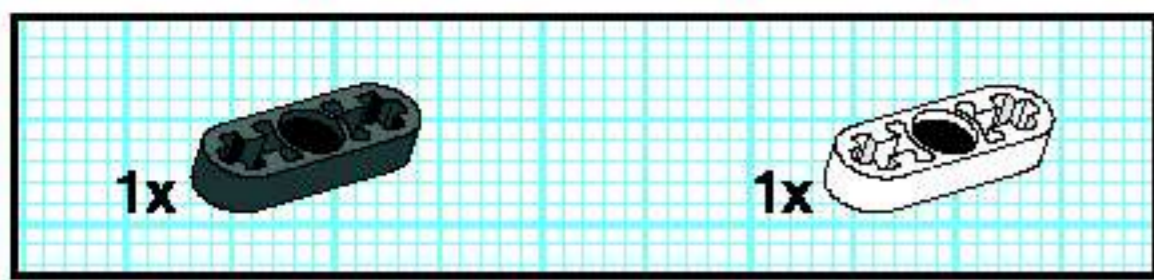


35

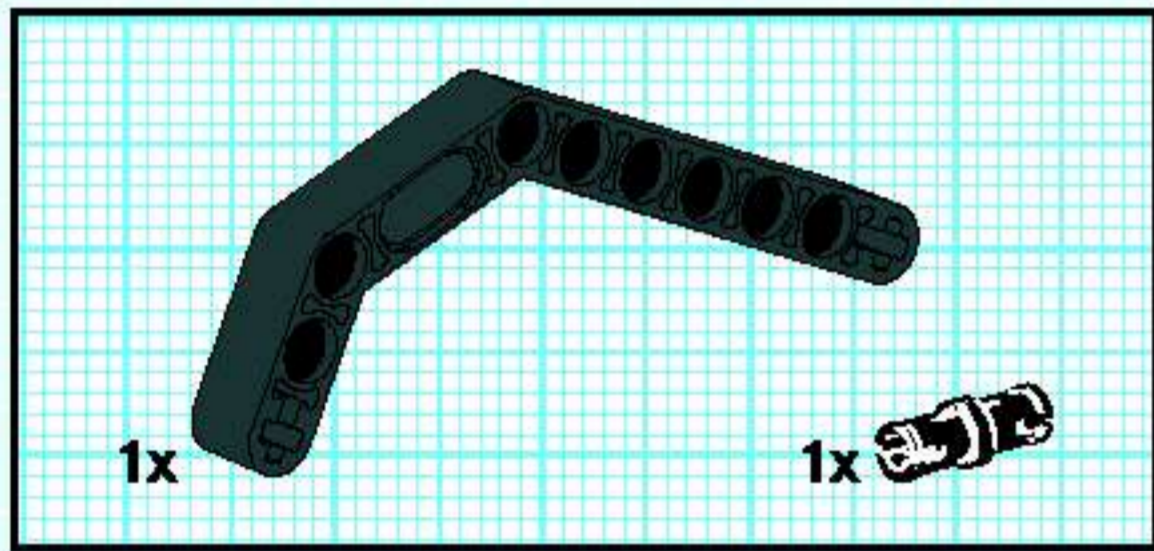
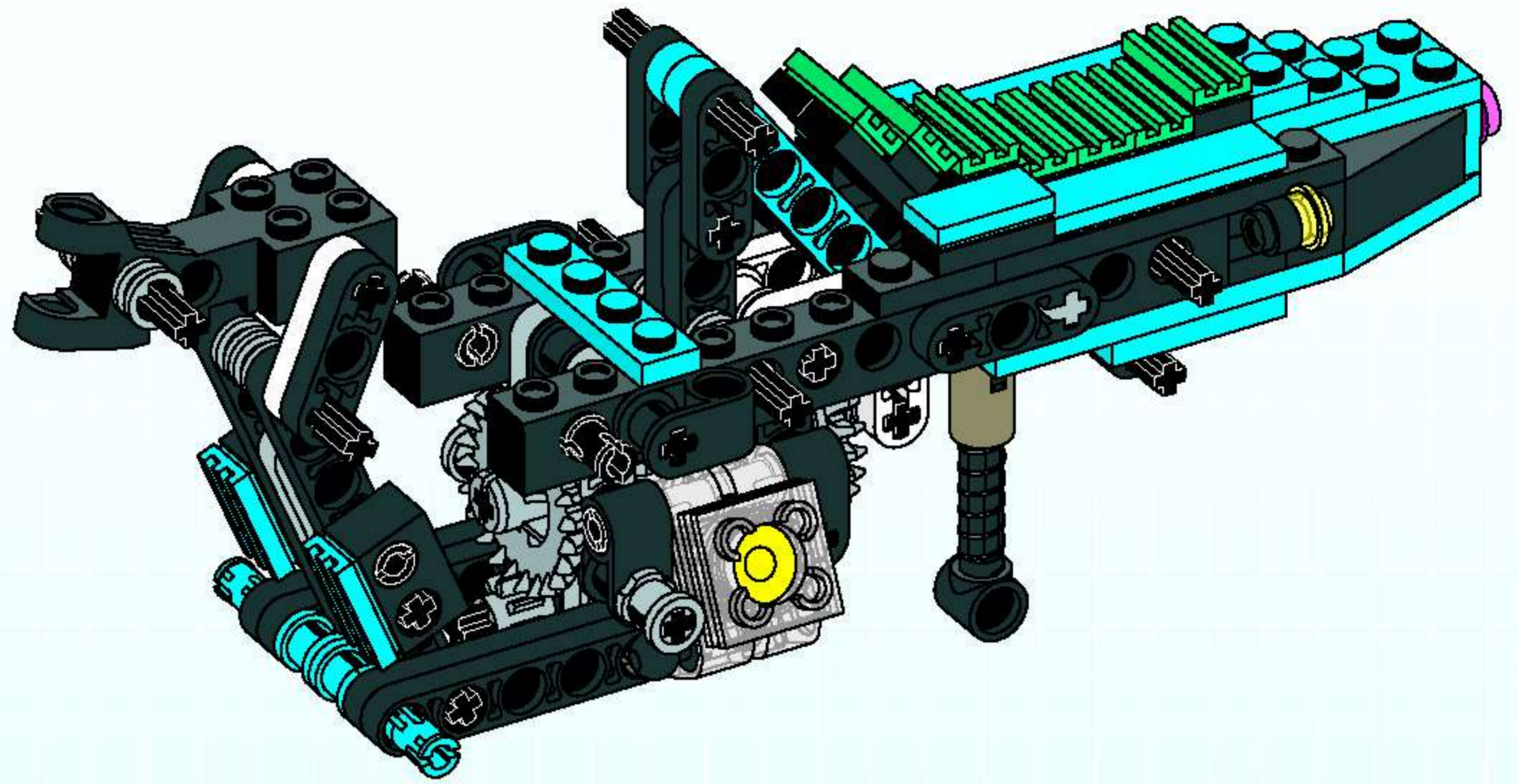


36

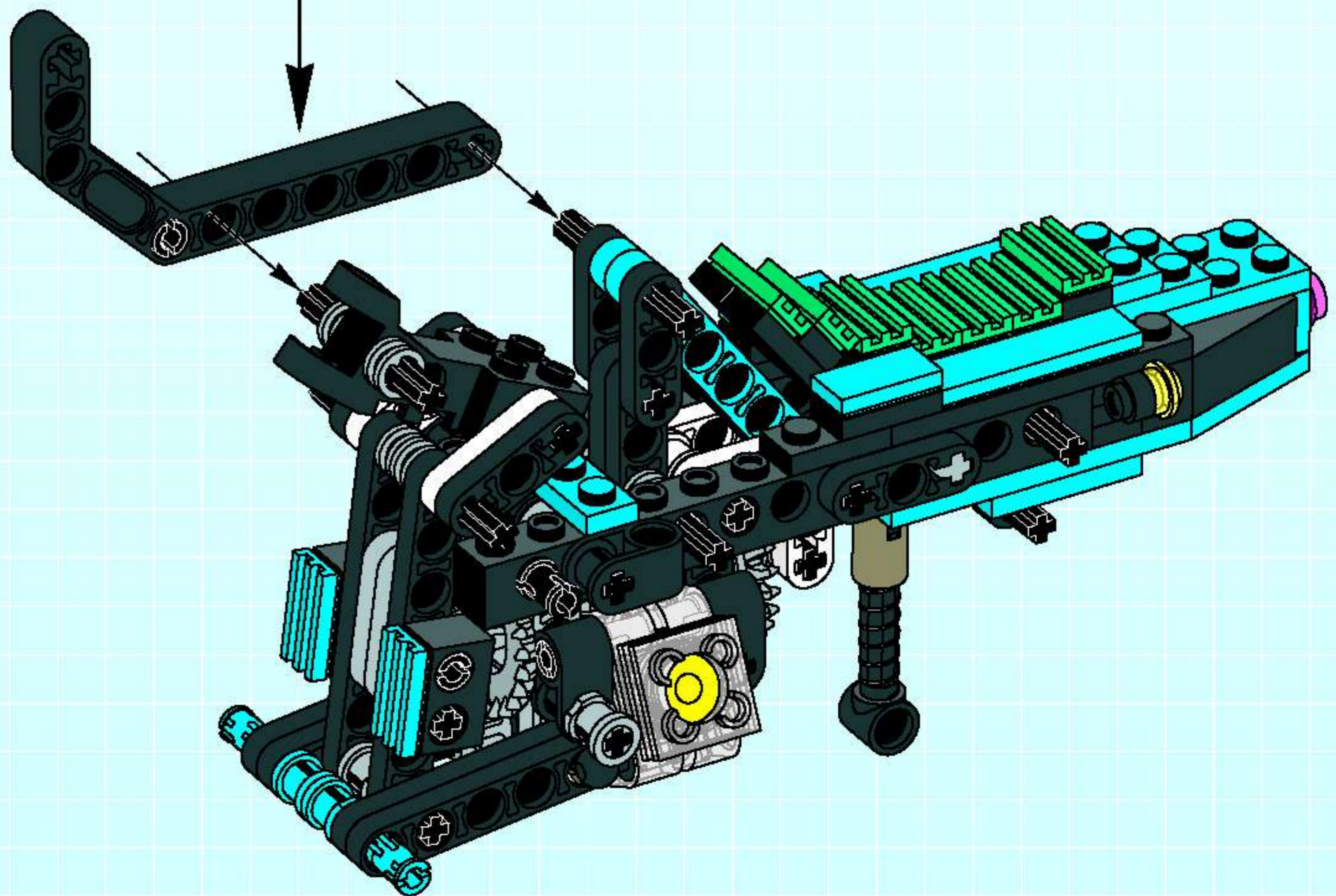
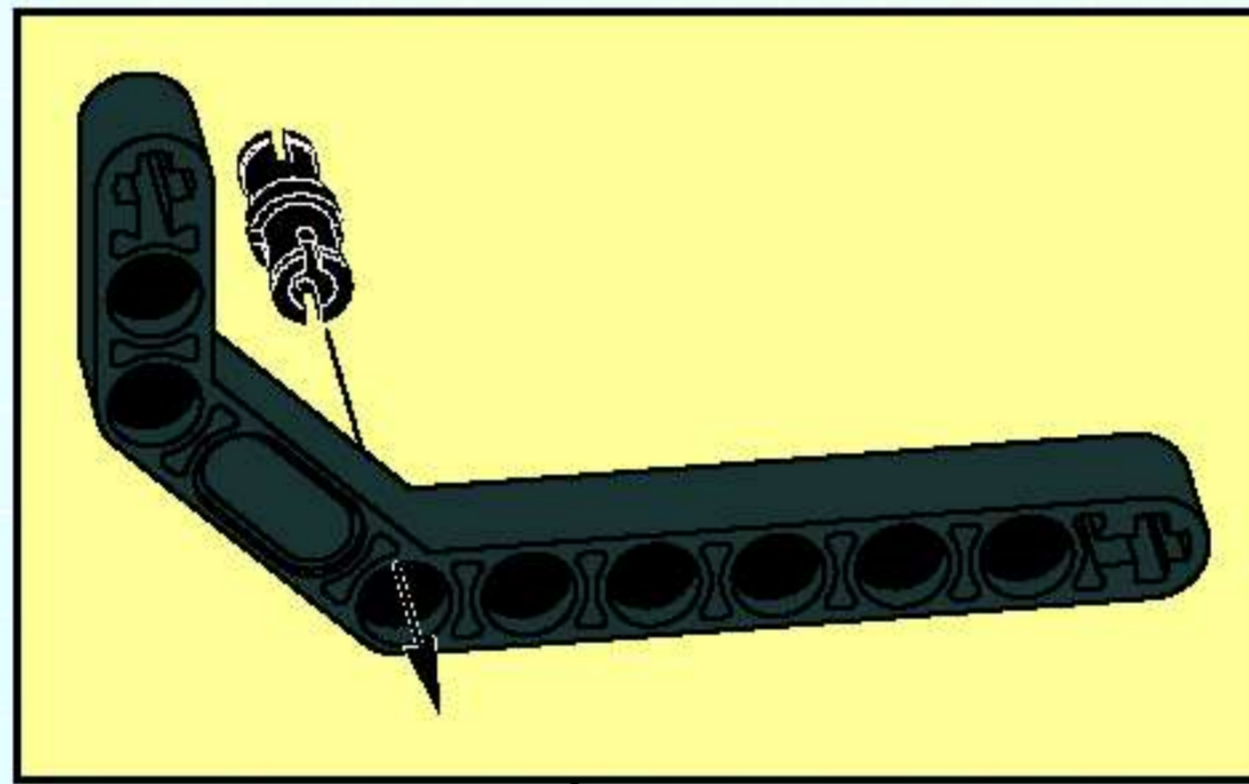


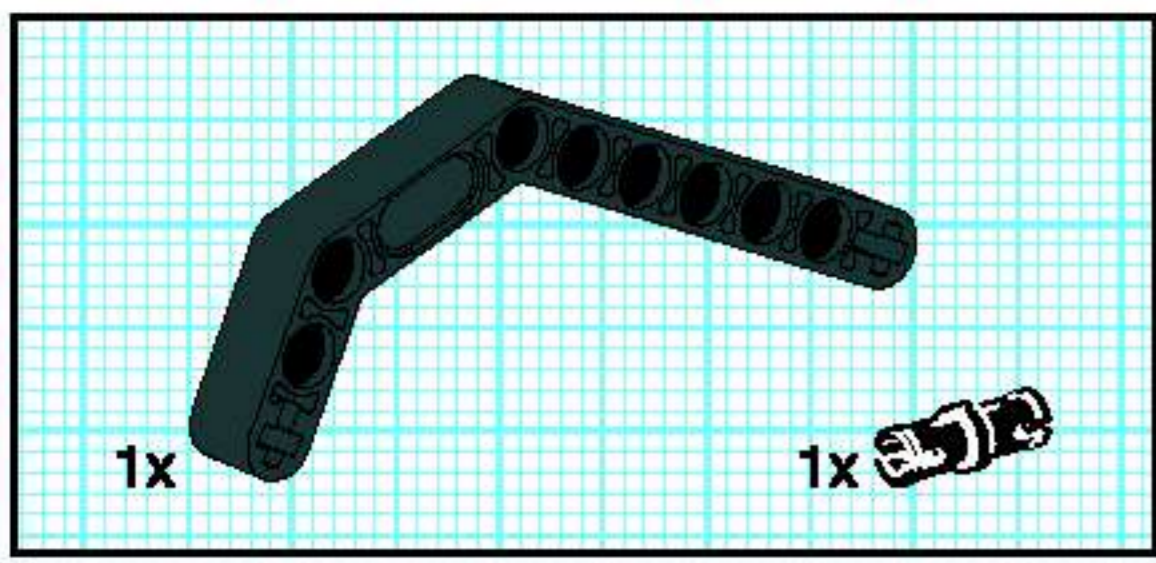


37

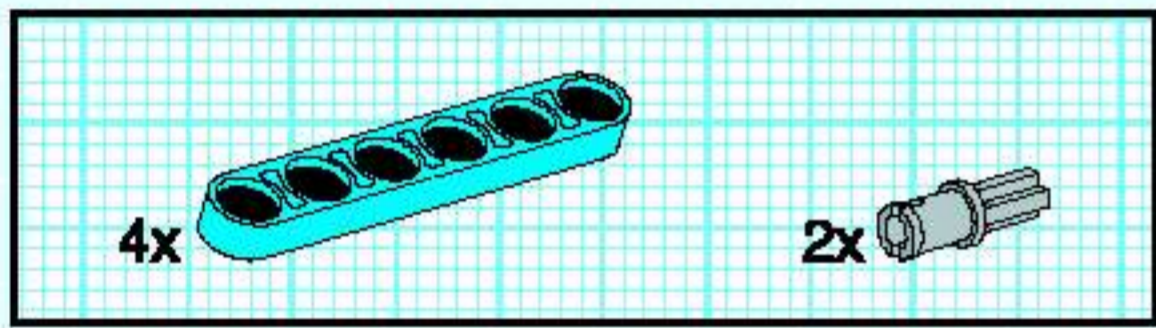
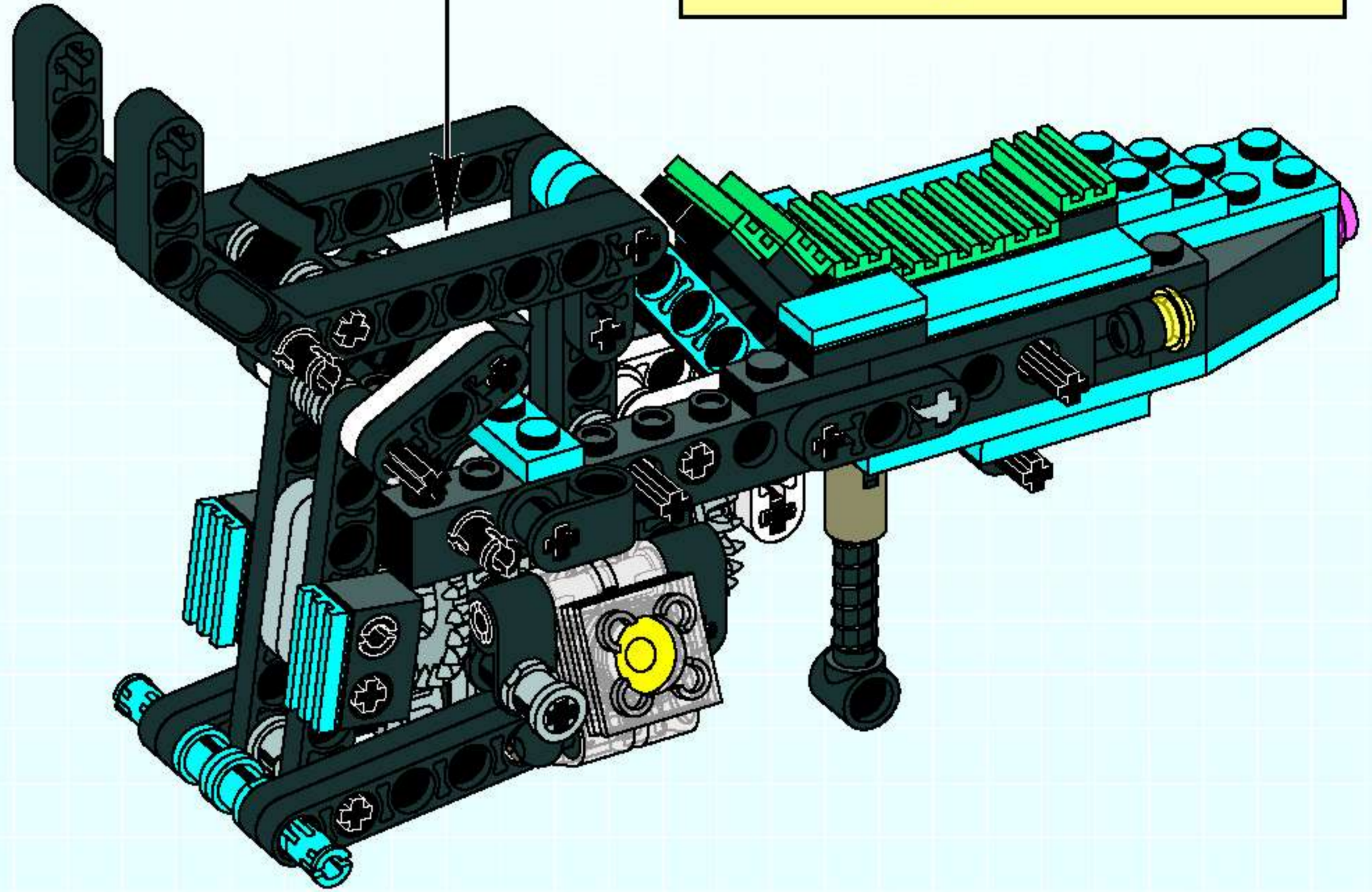
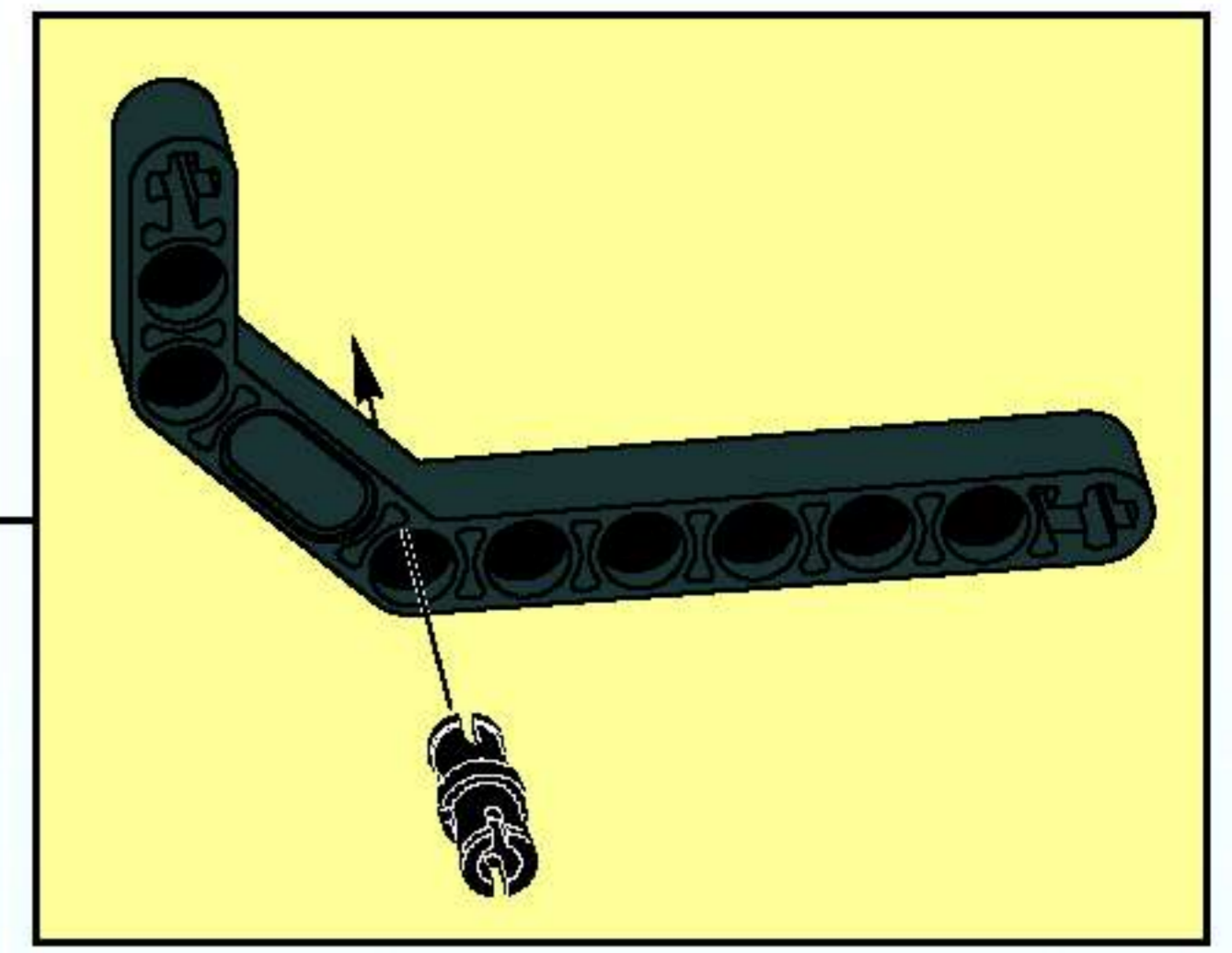


38

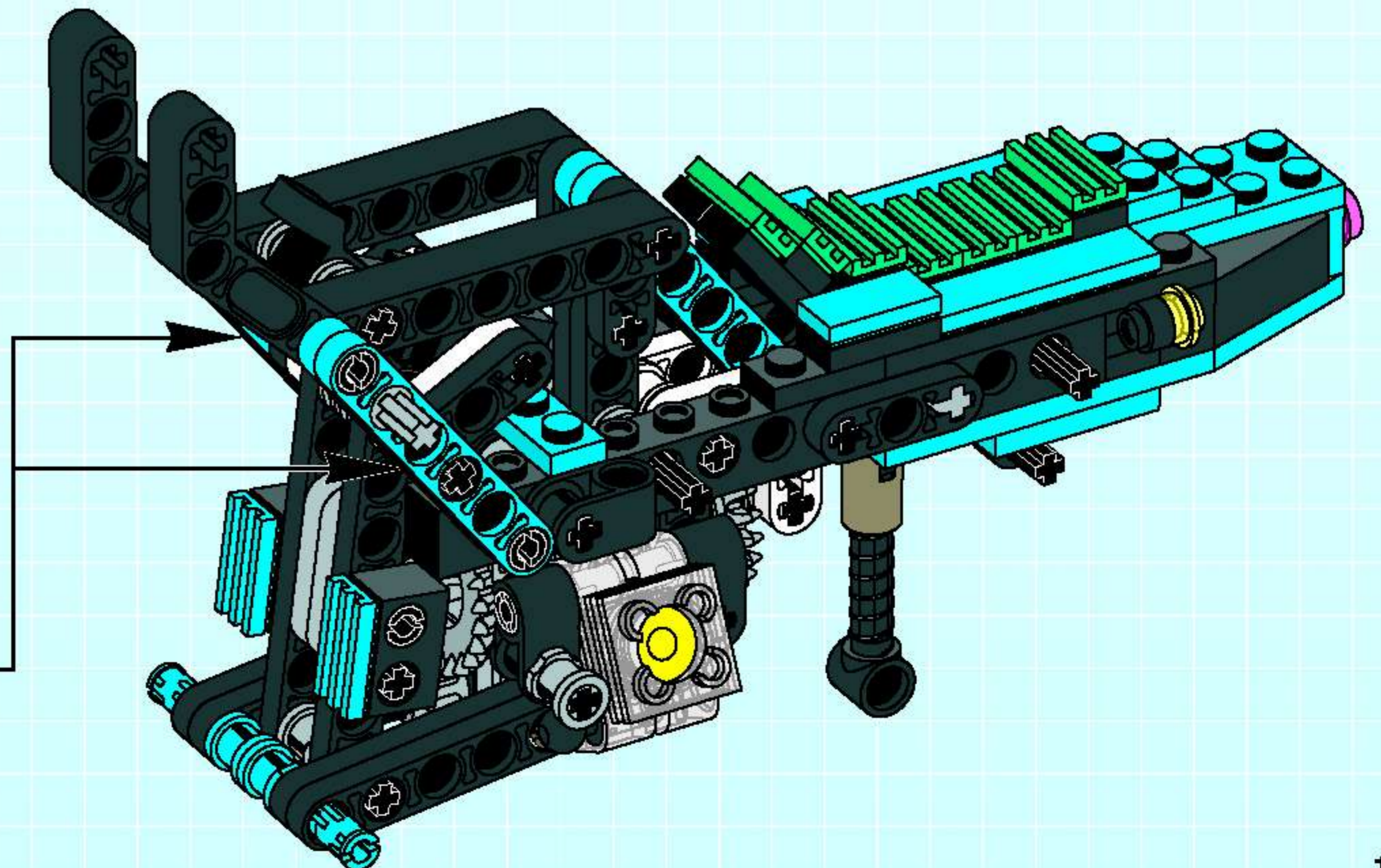
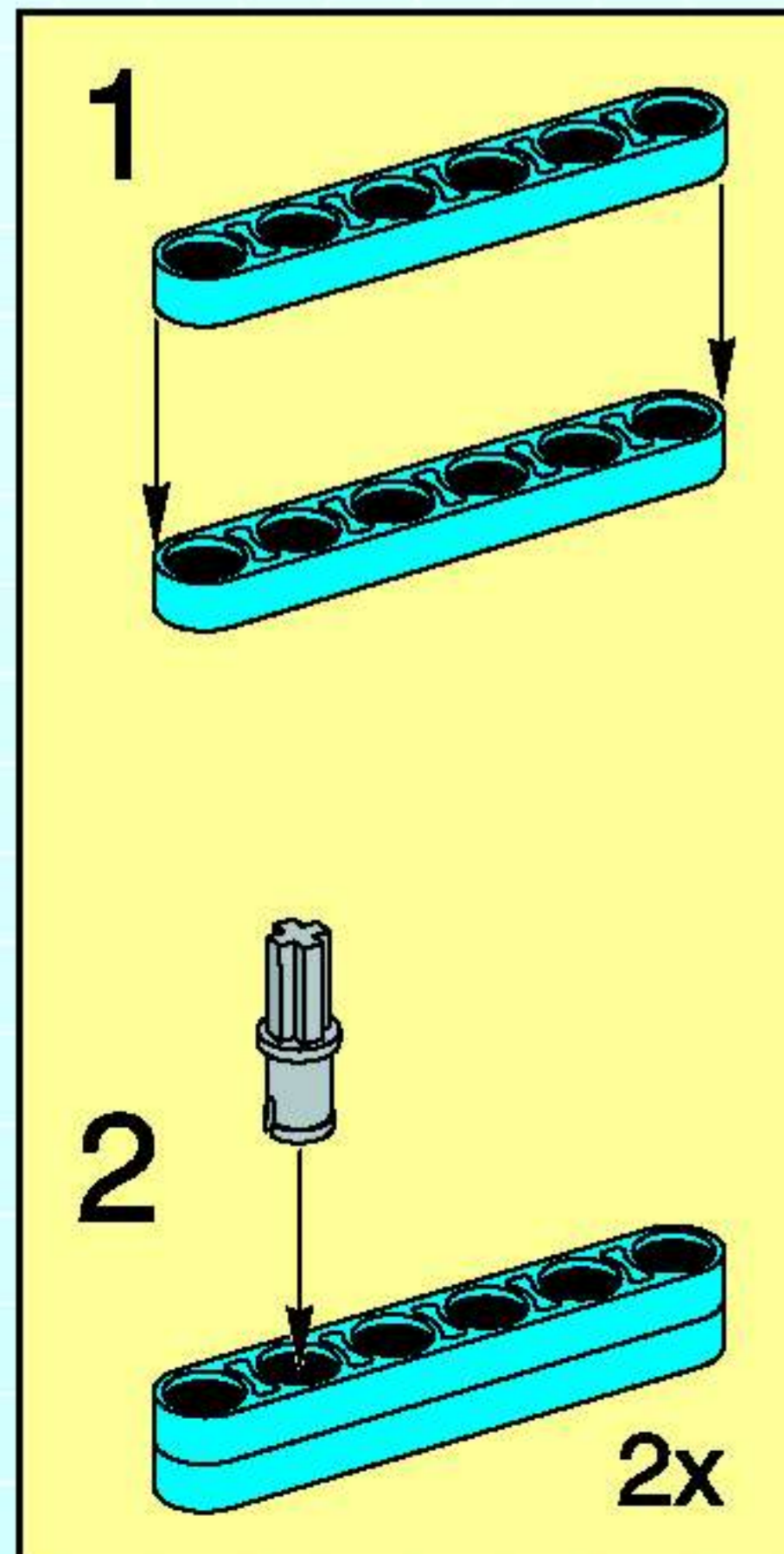


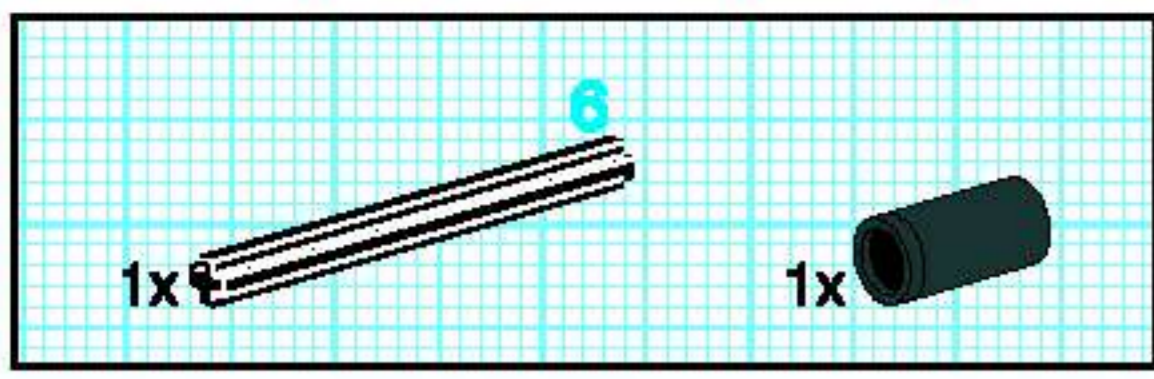


39

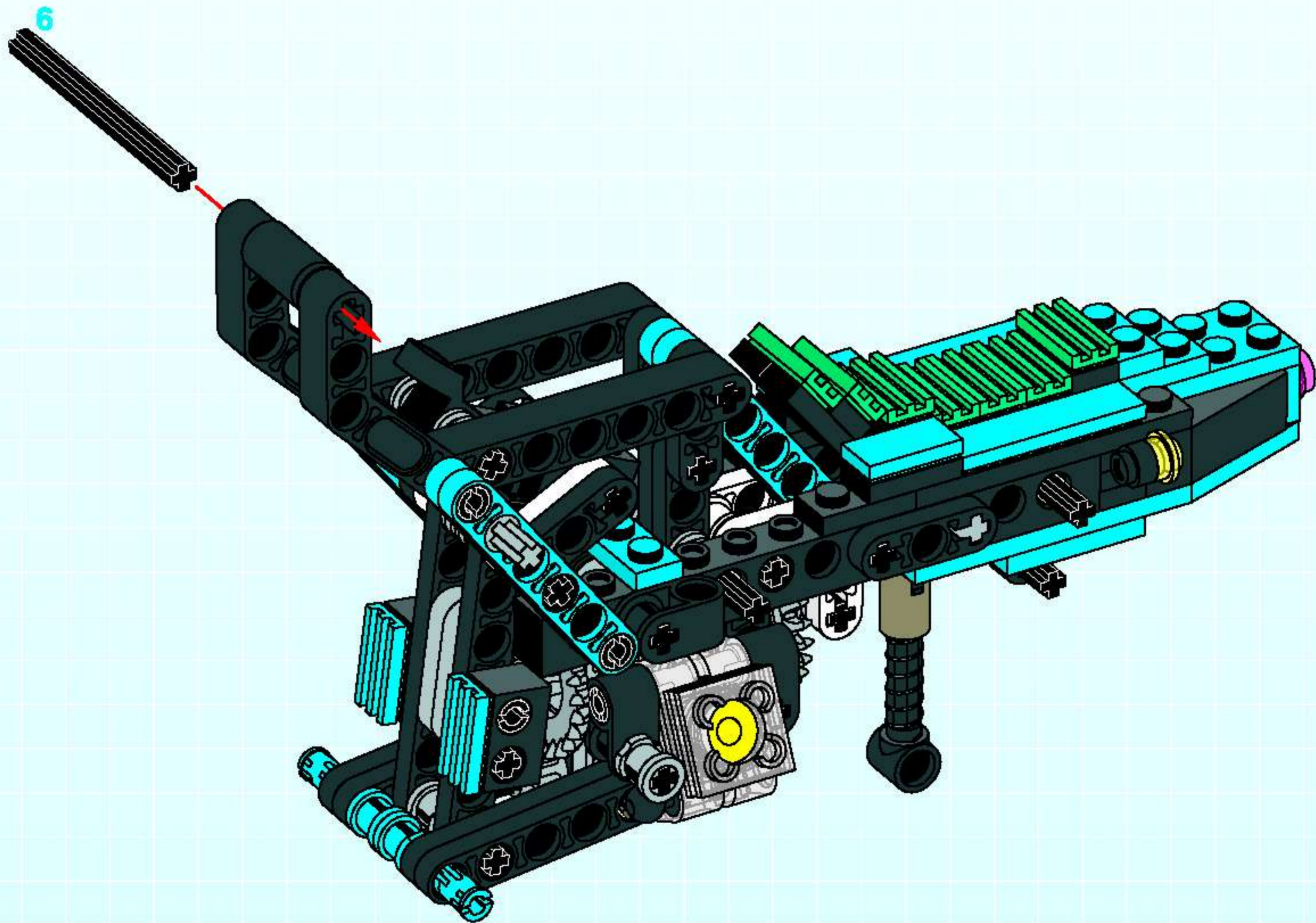


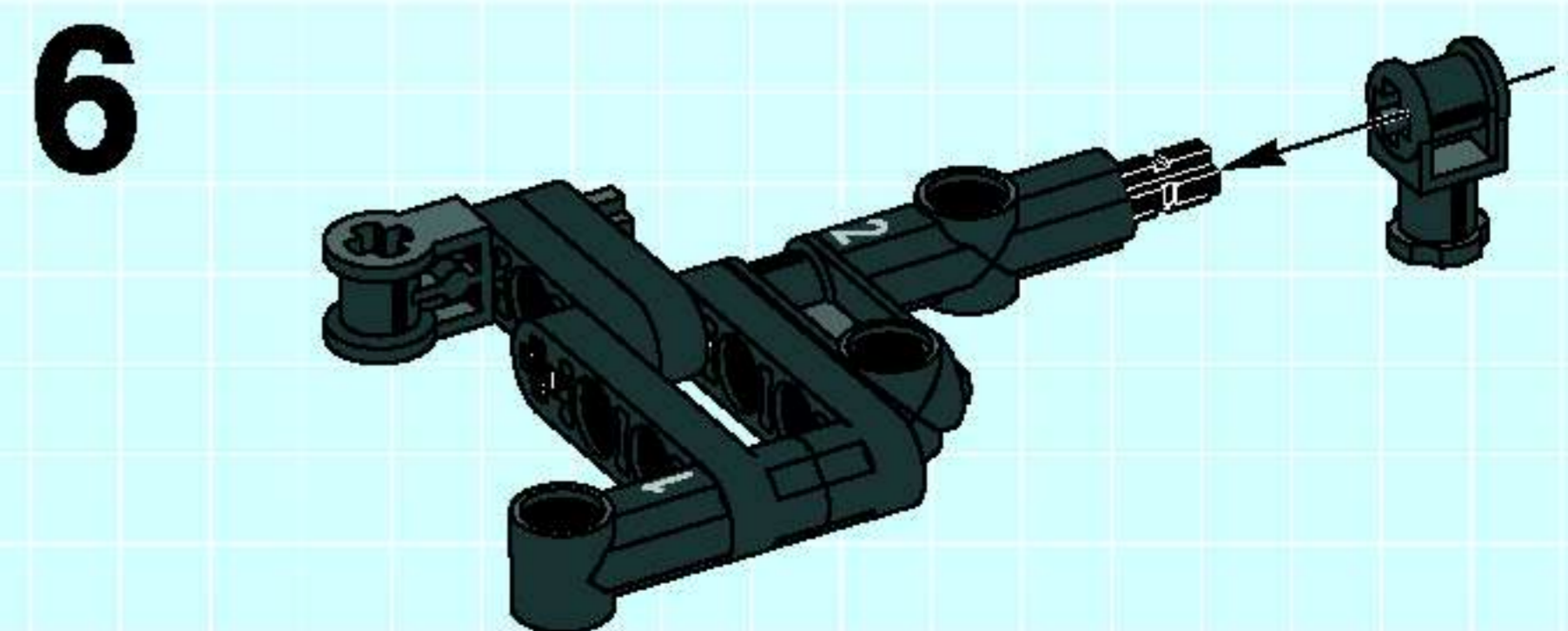
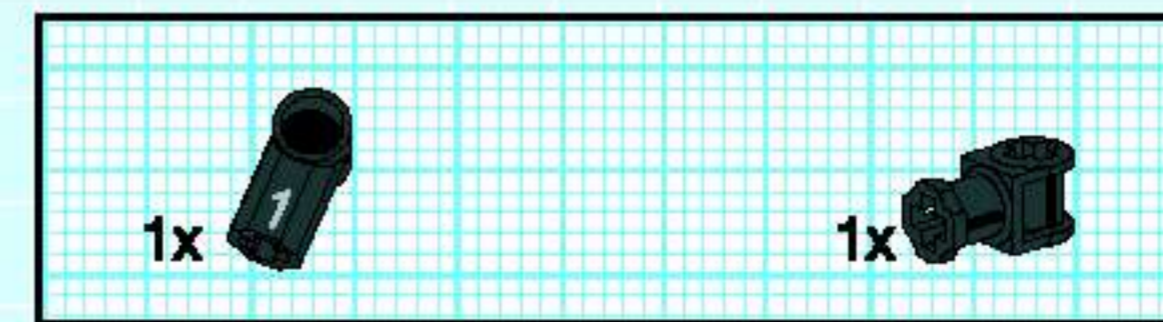
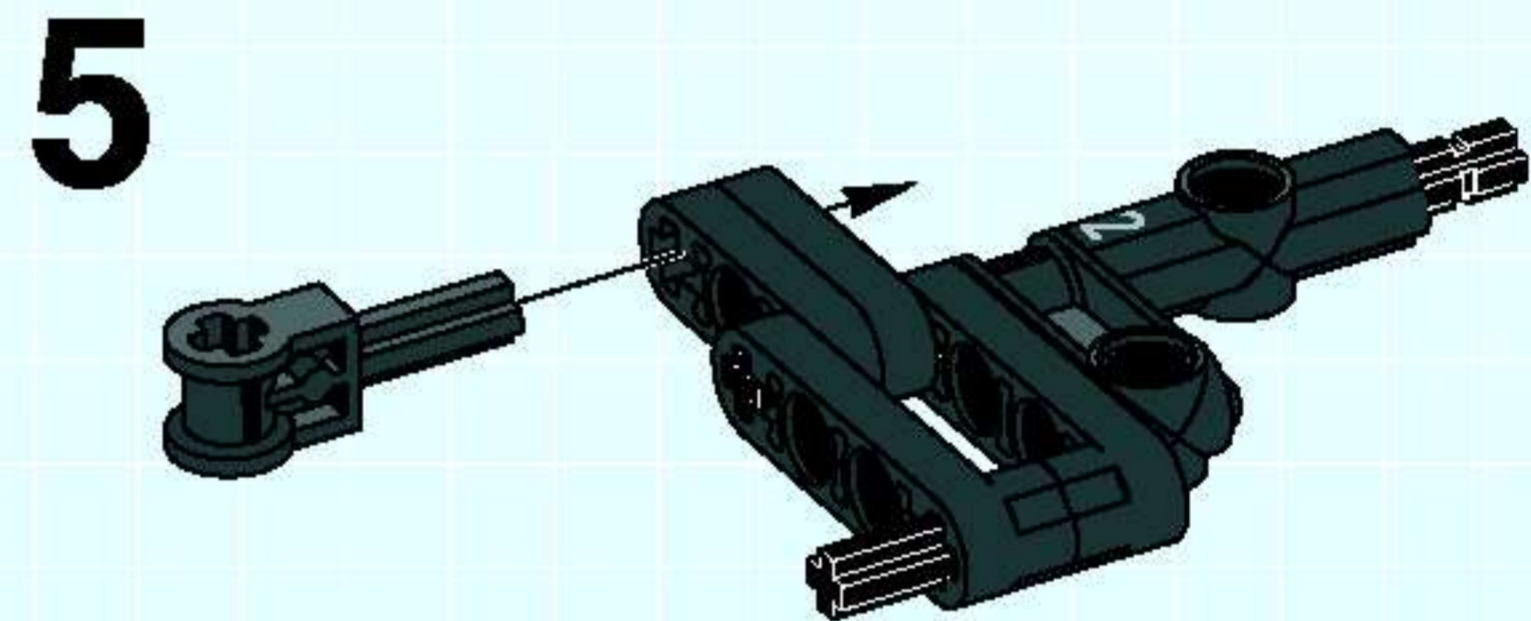
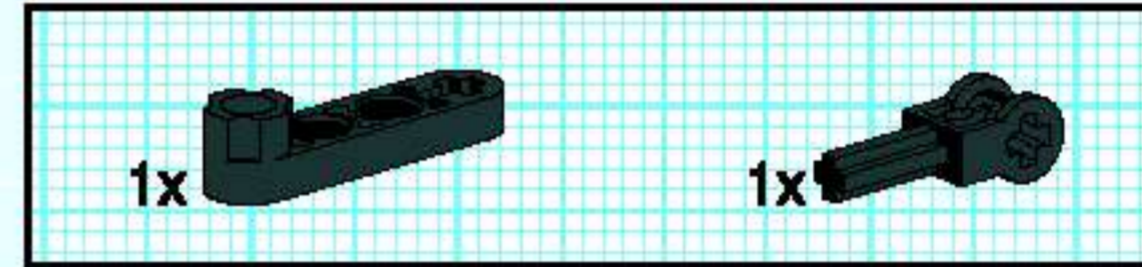
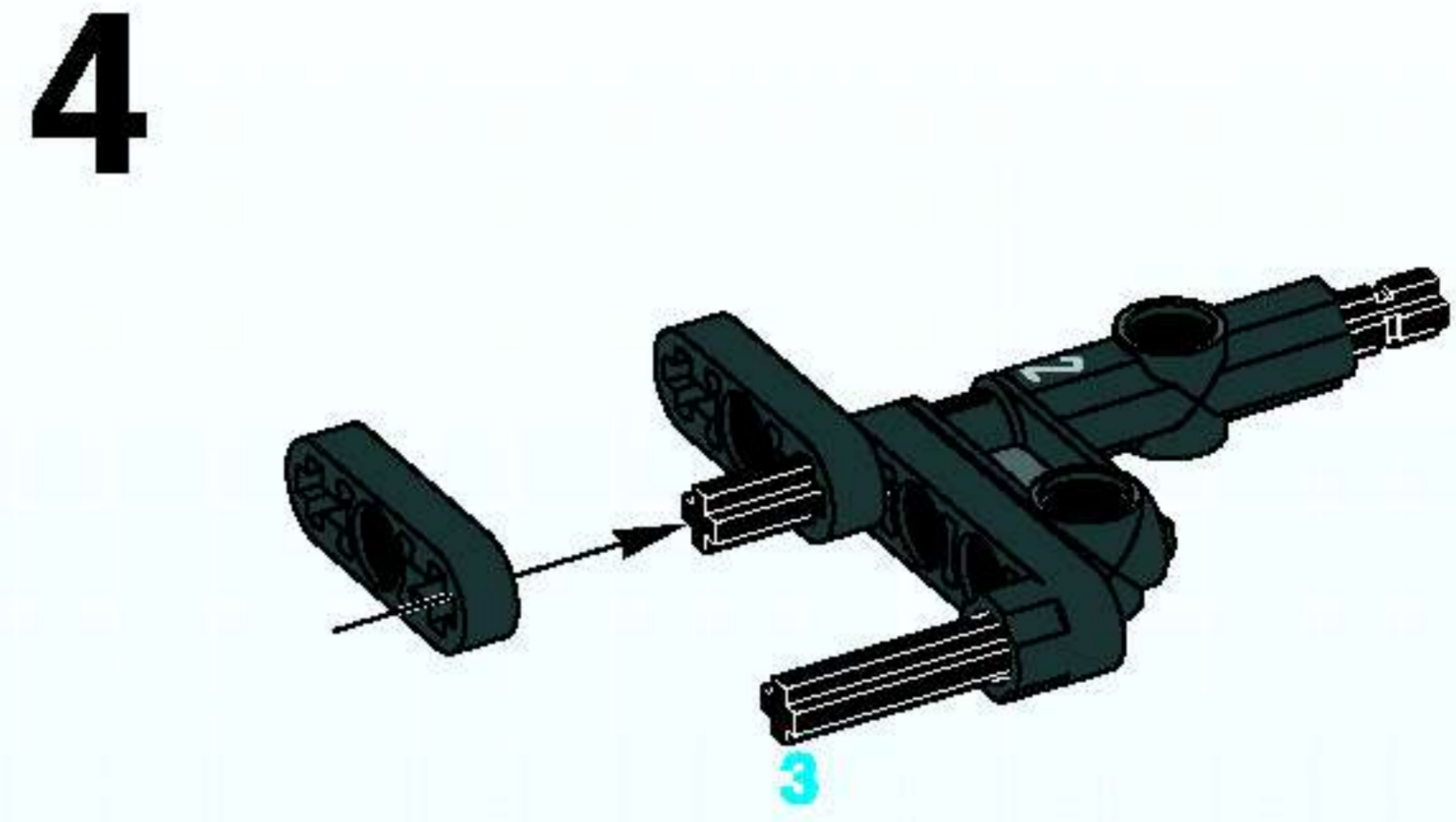
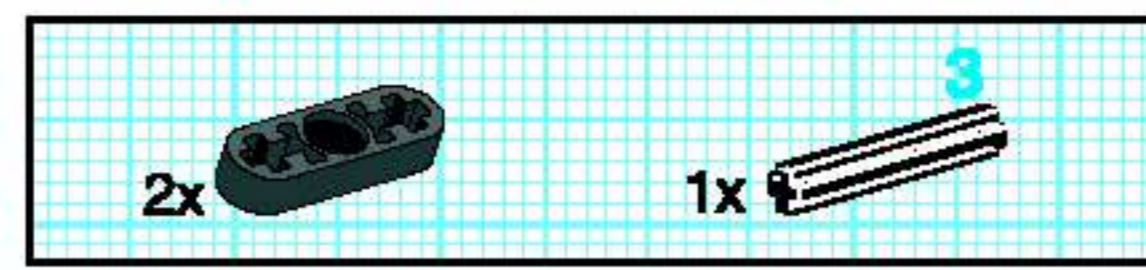
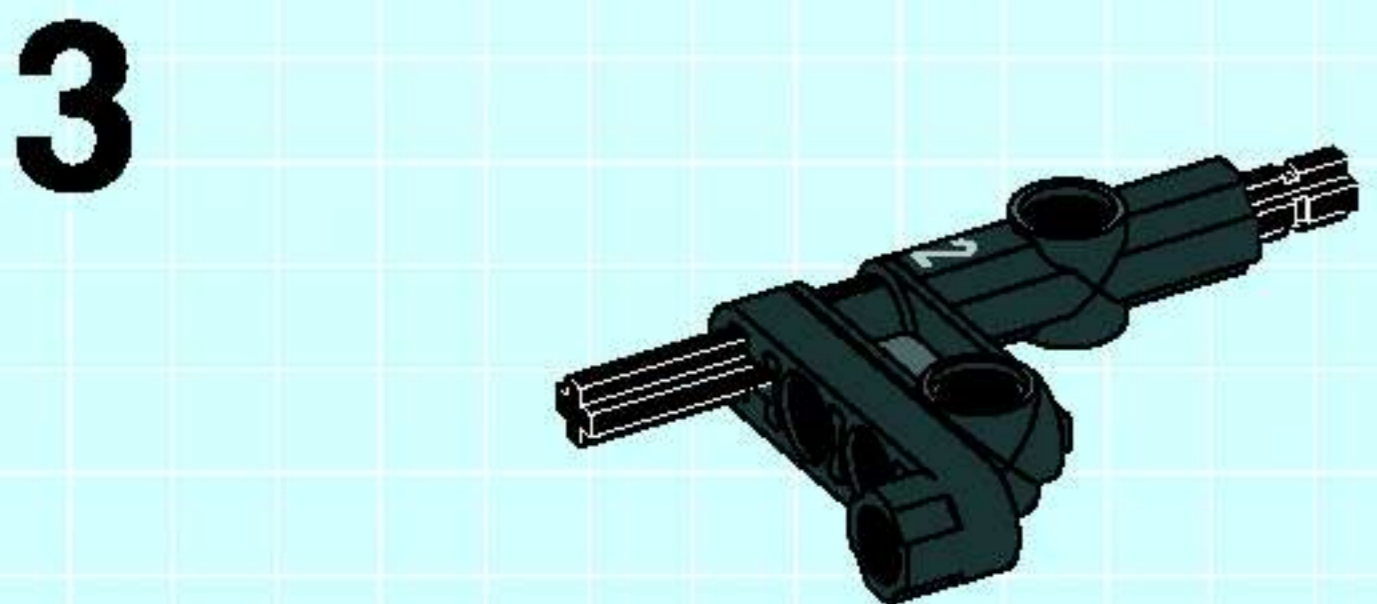
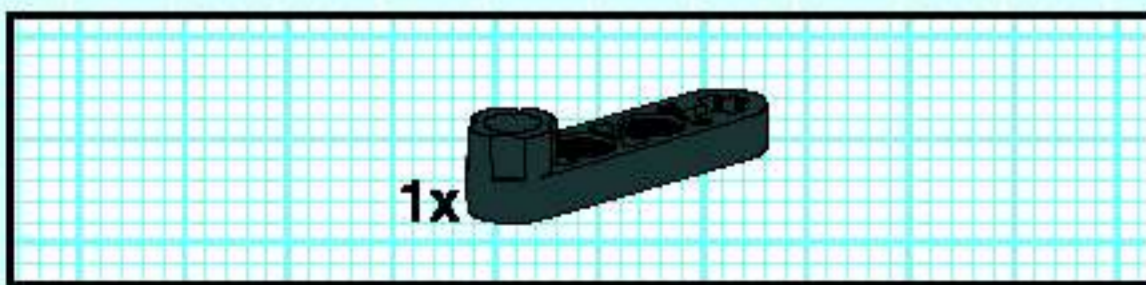
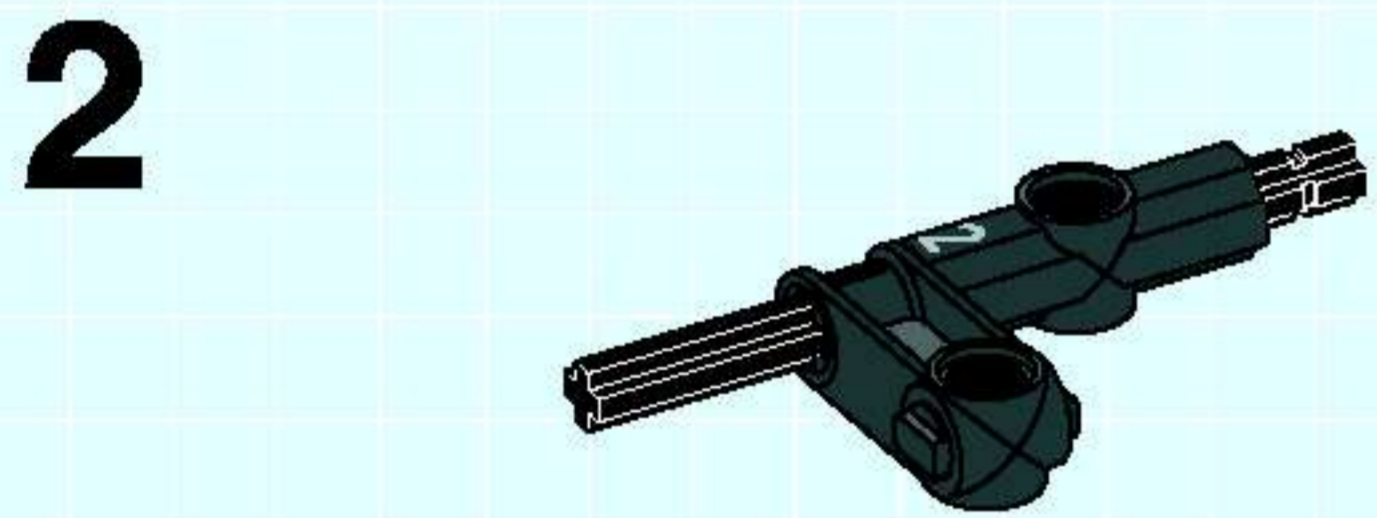
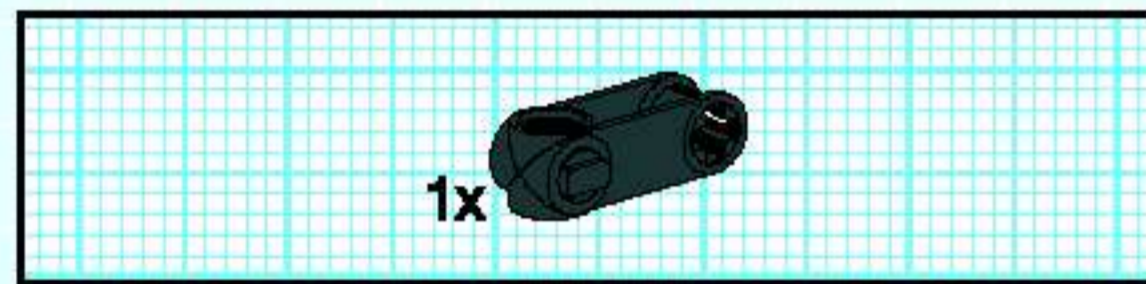
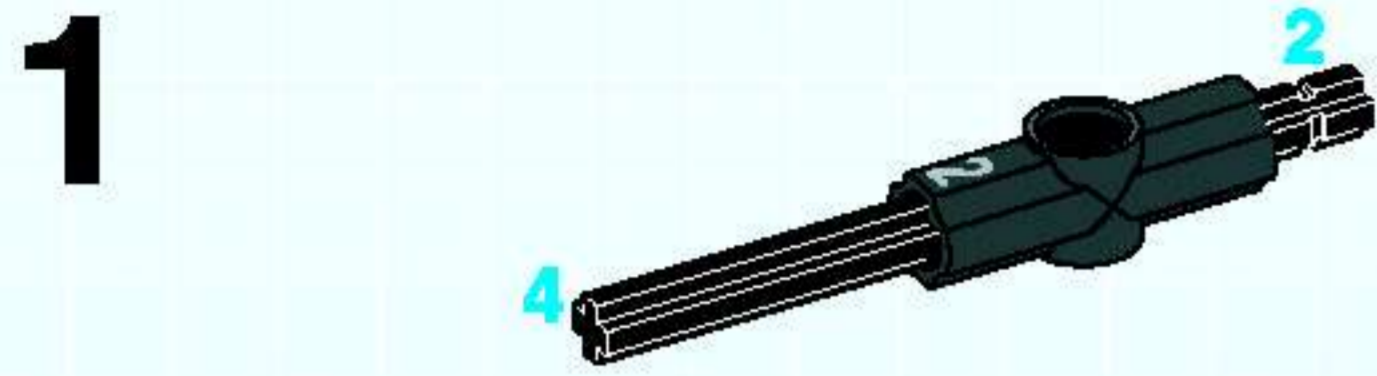
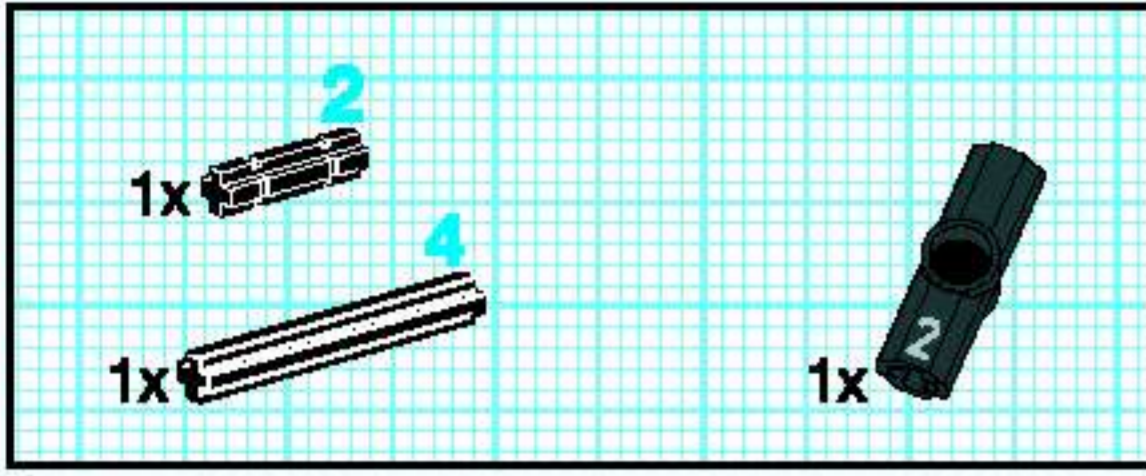
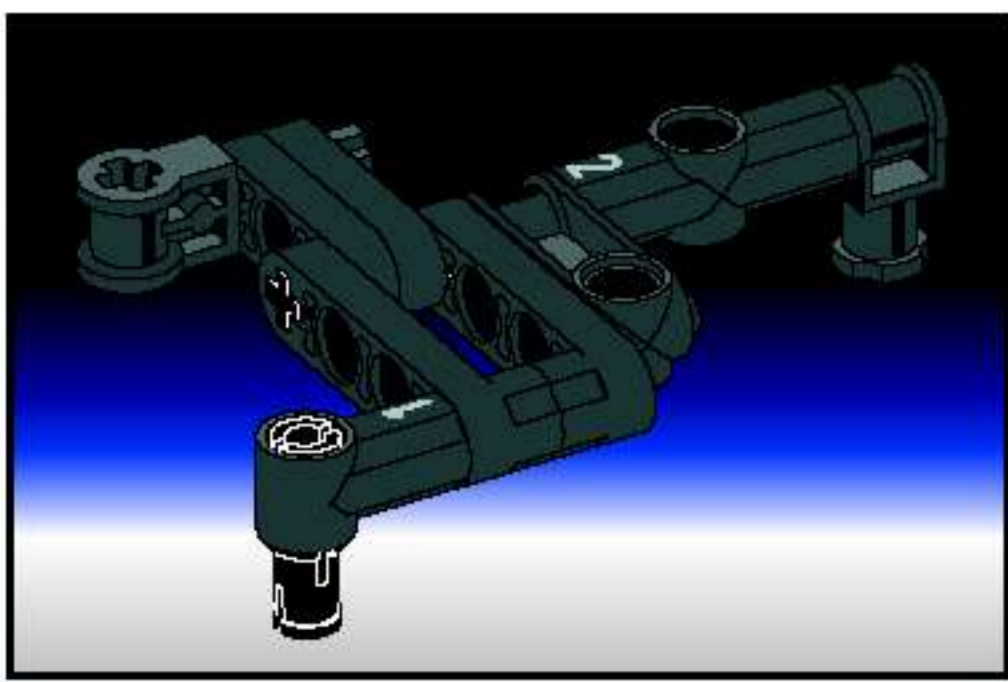
40

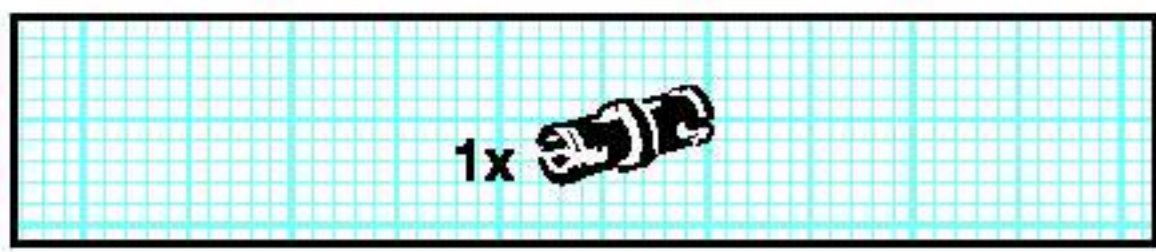




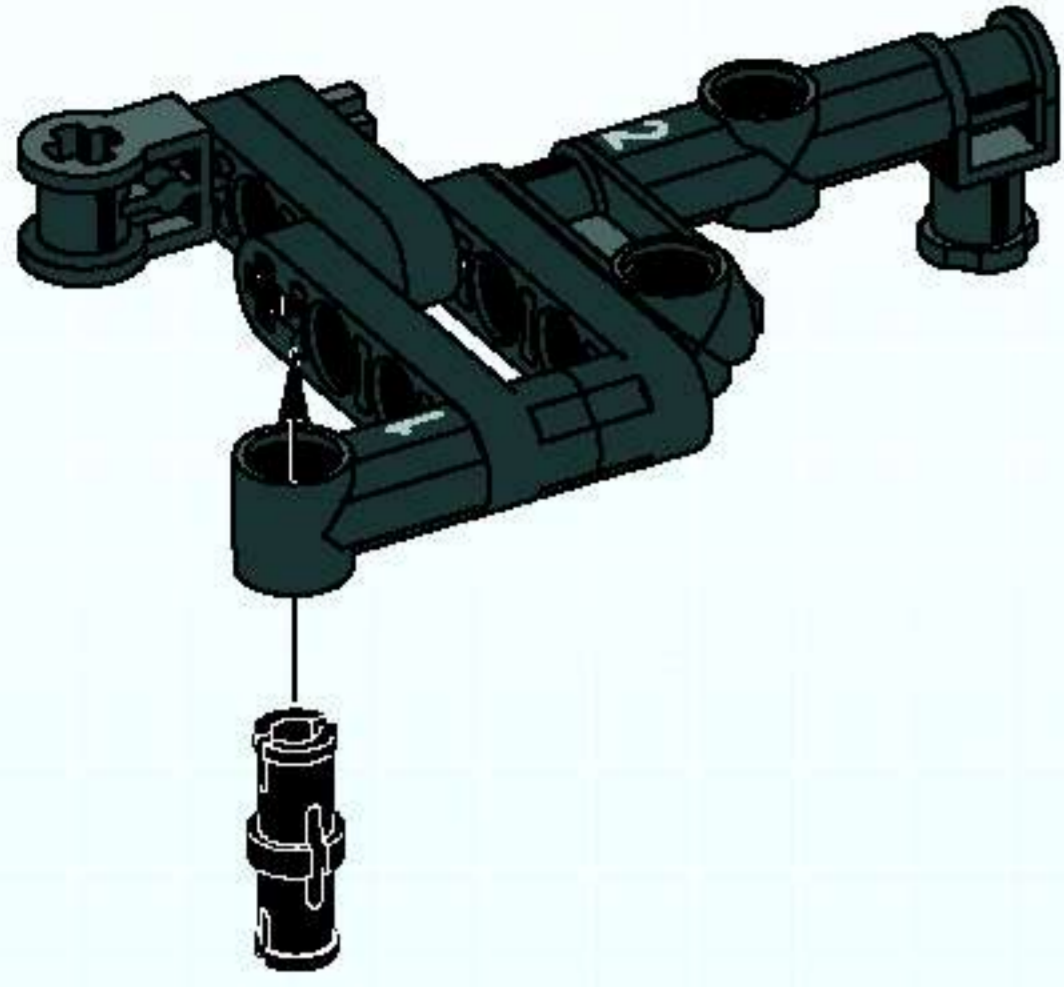
41



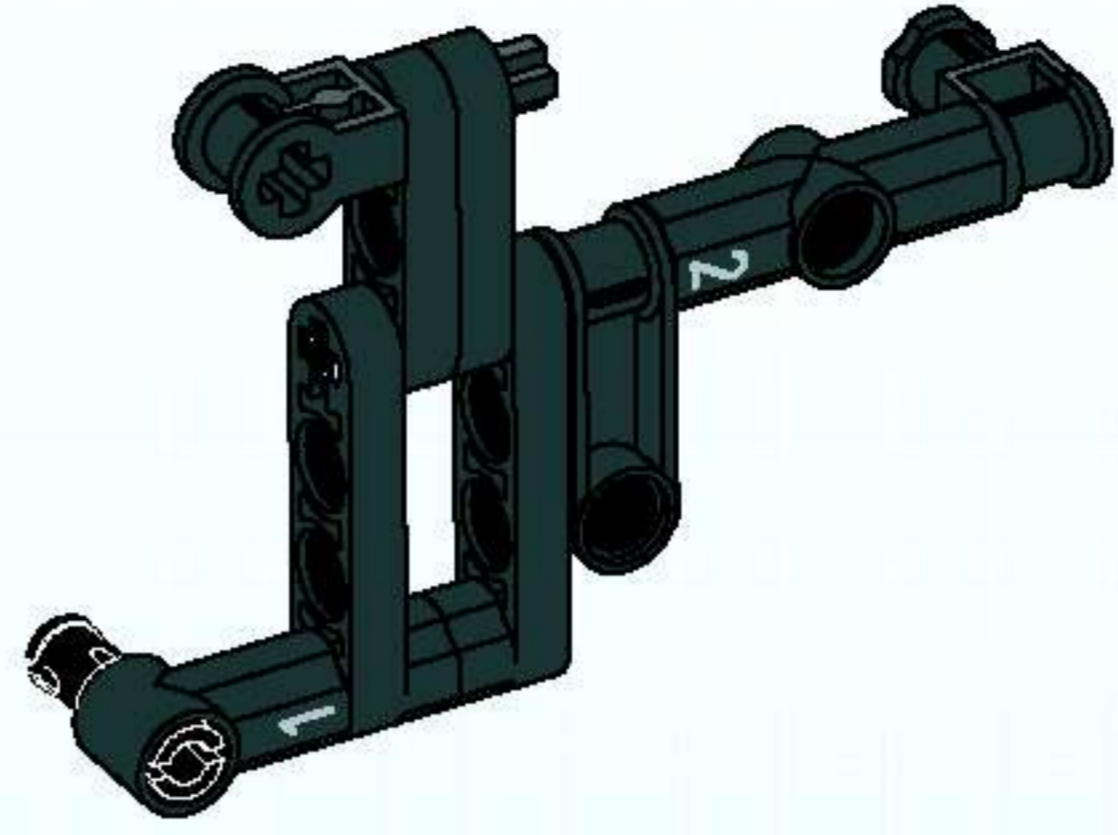




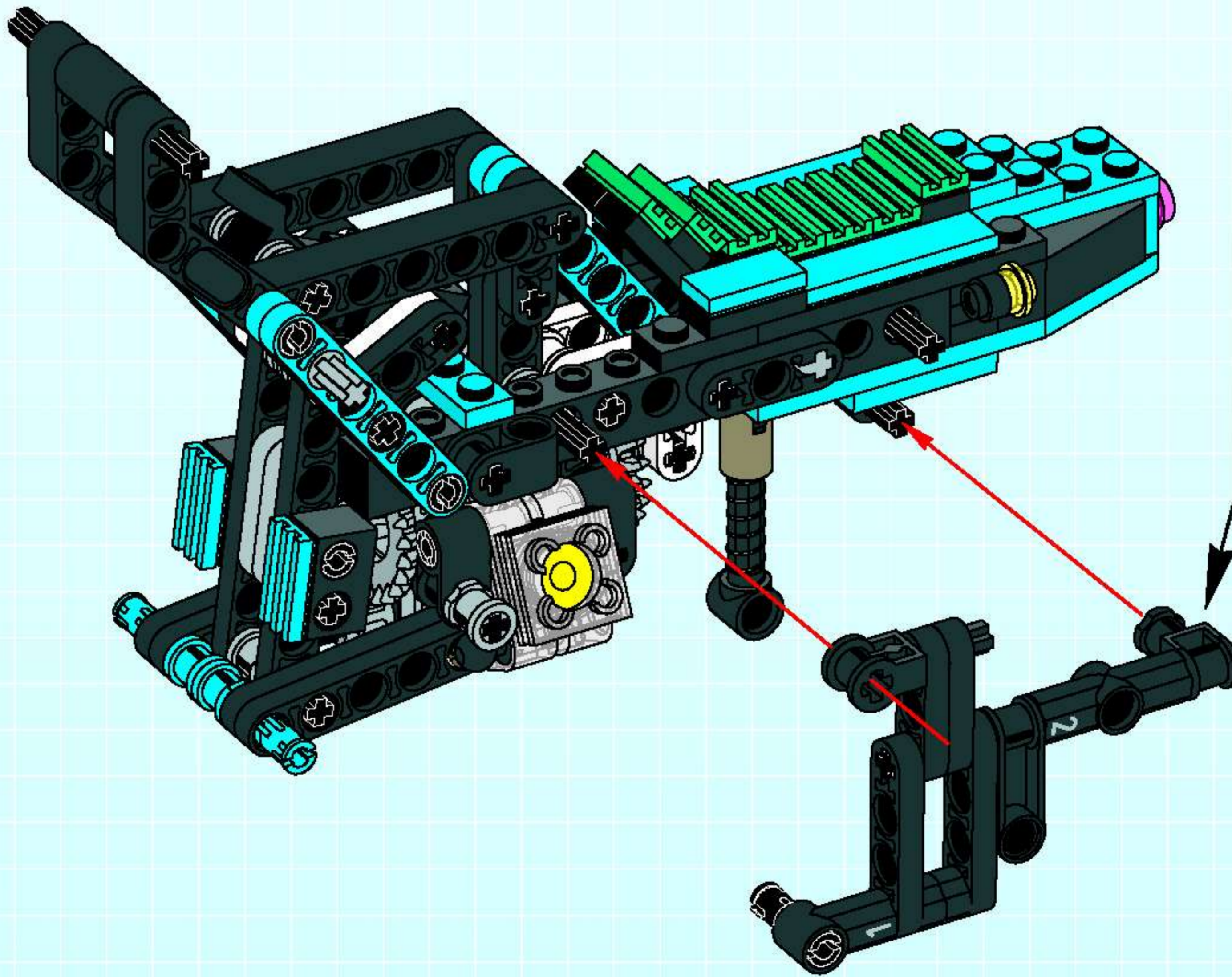
7

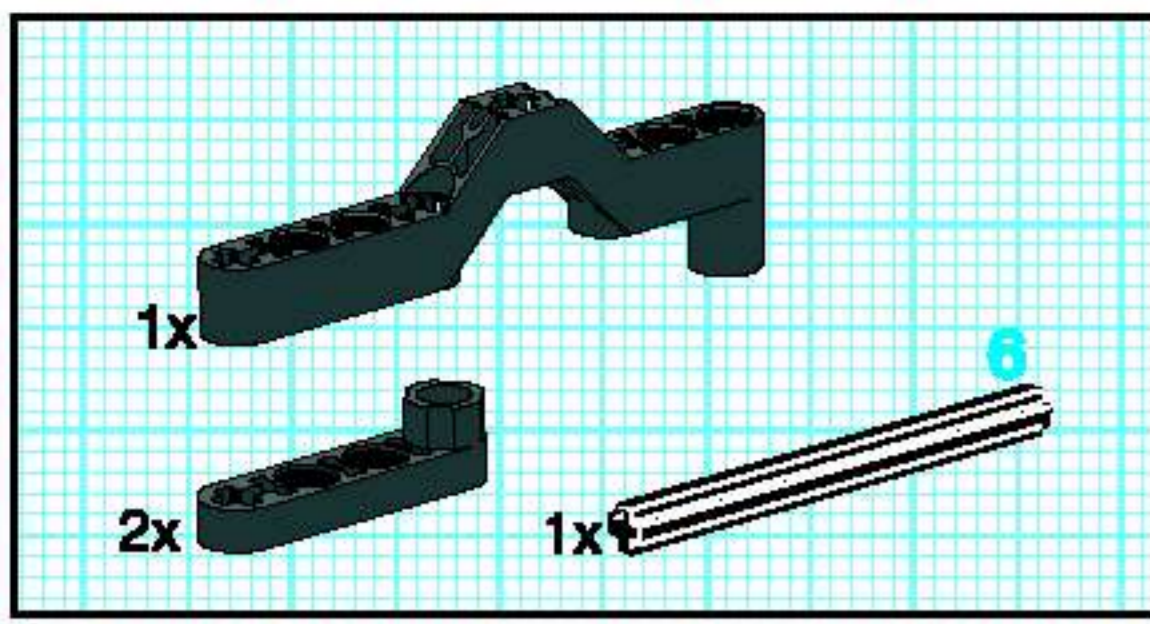


8

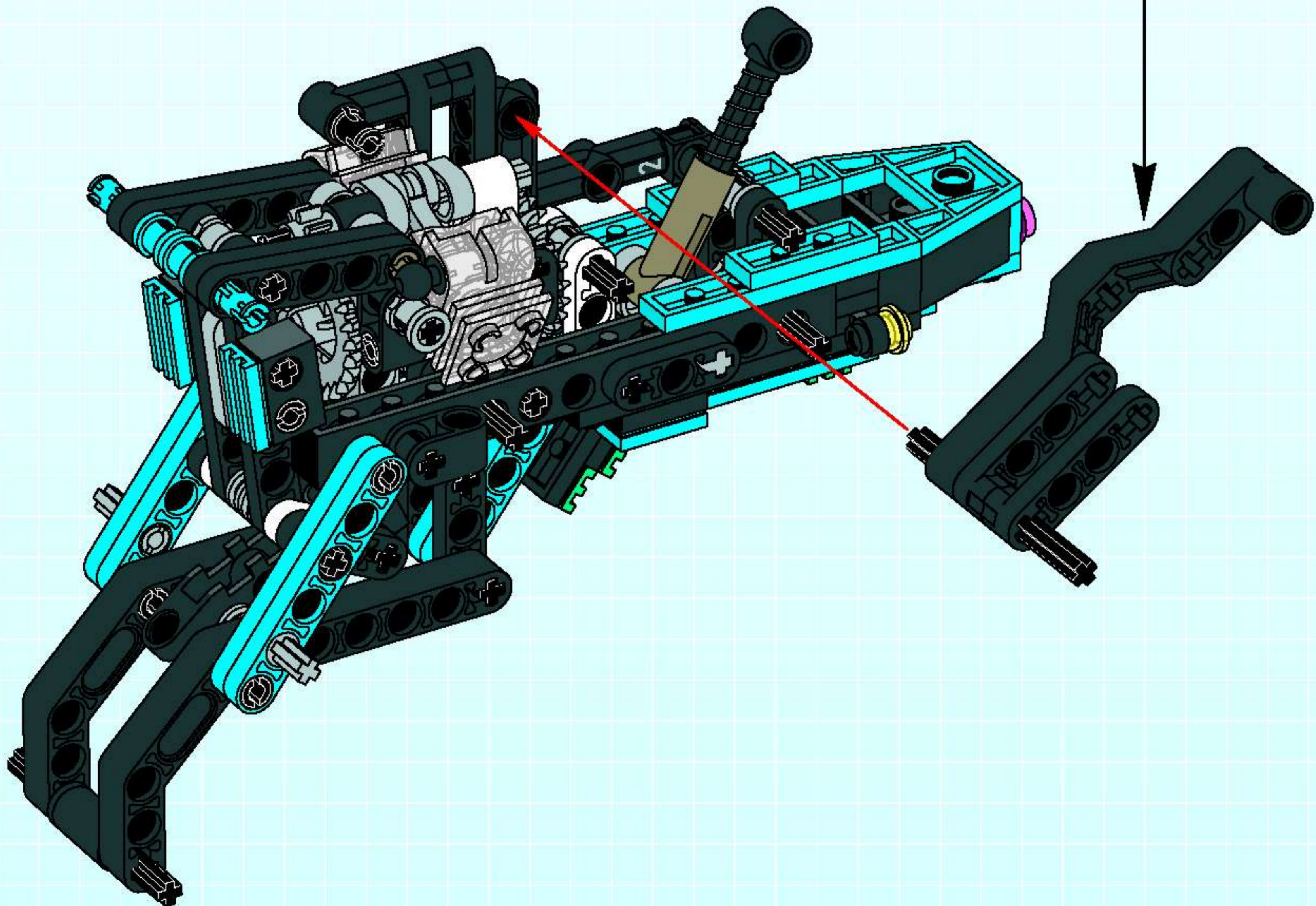
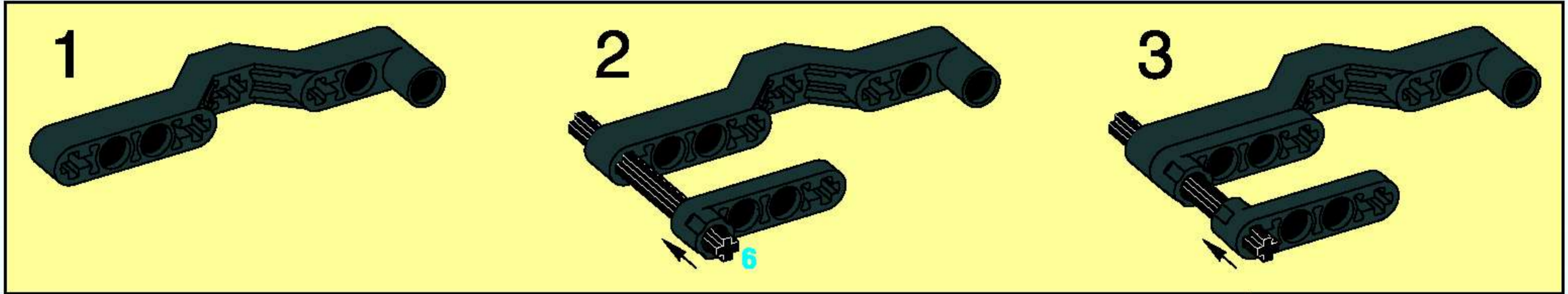


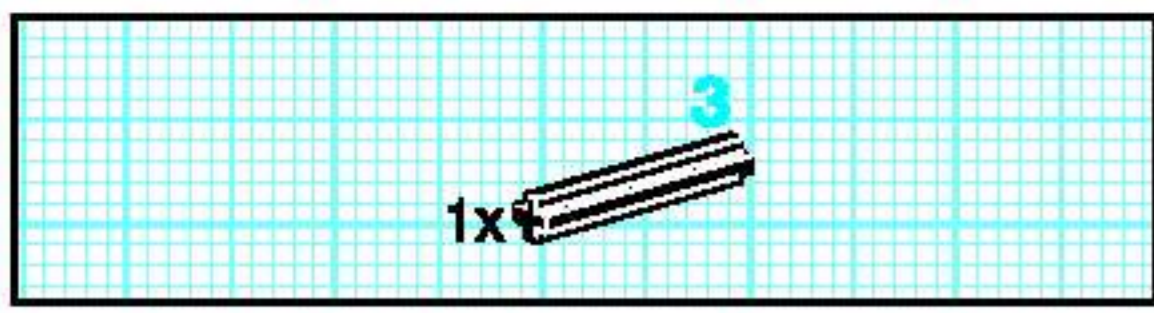
42



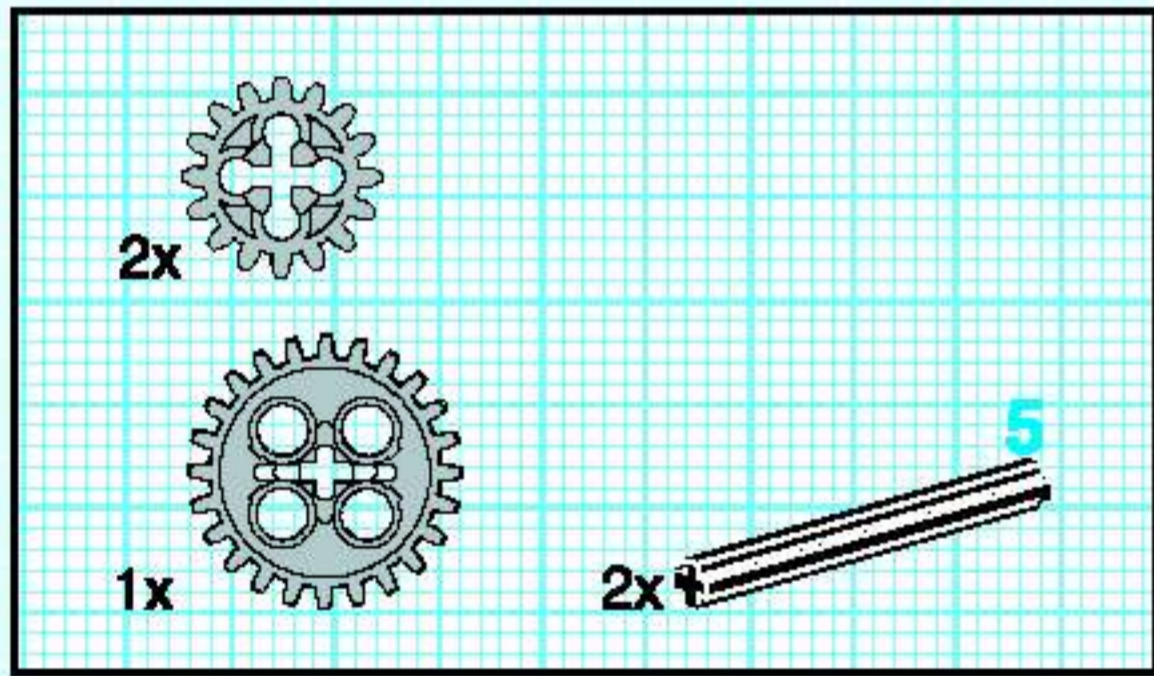
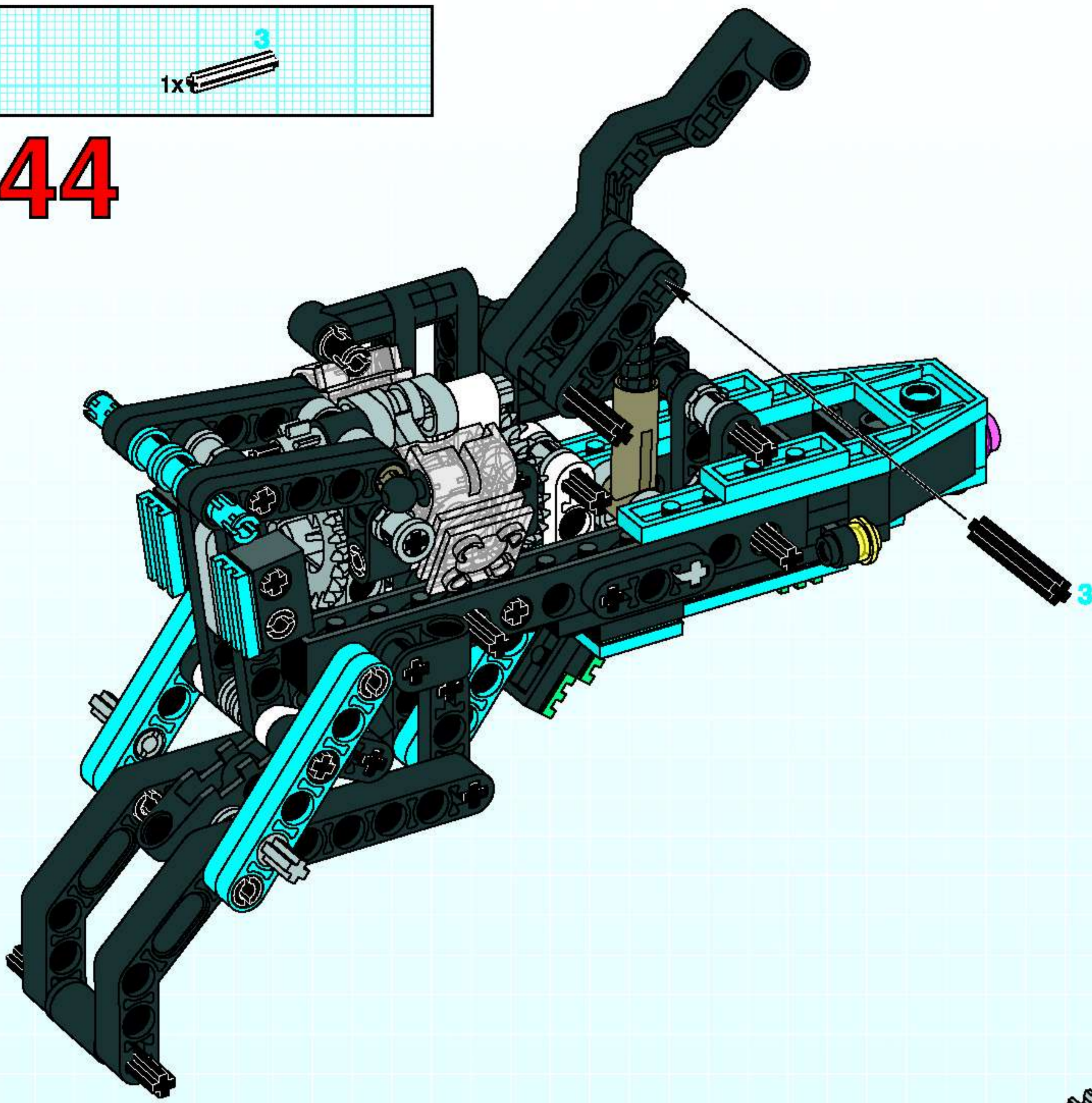


# 43

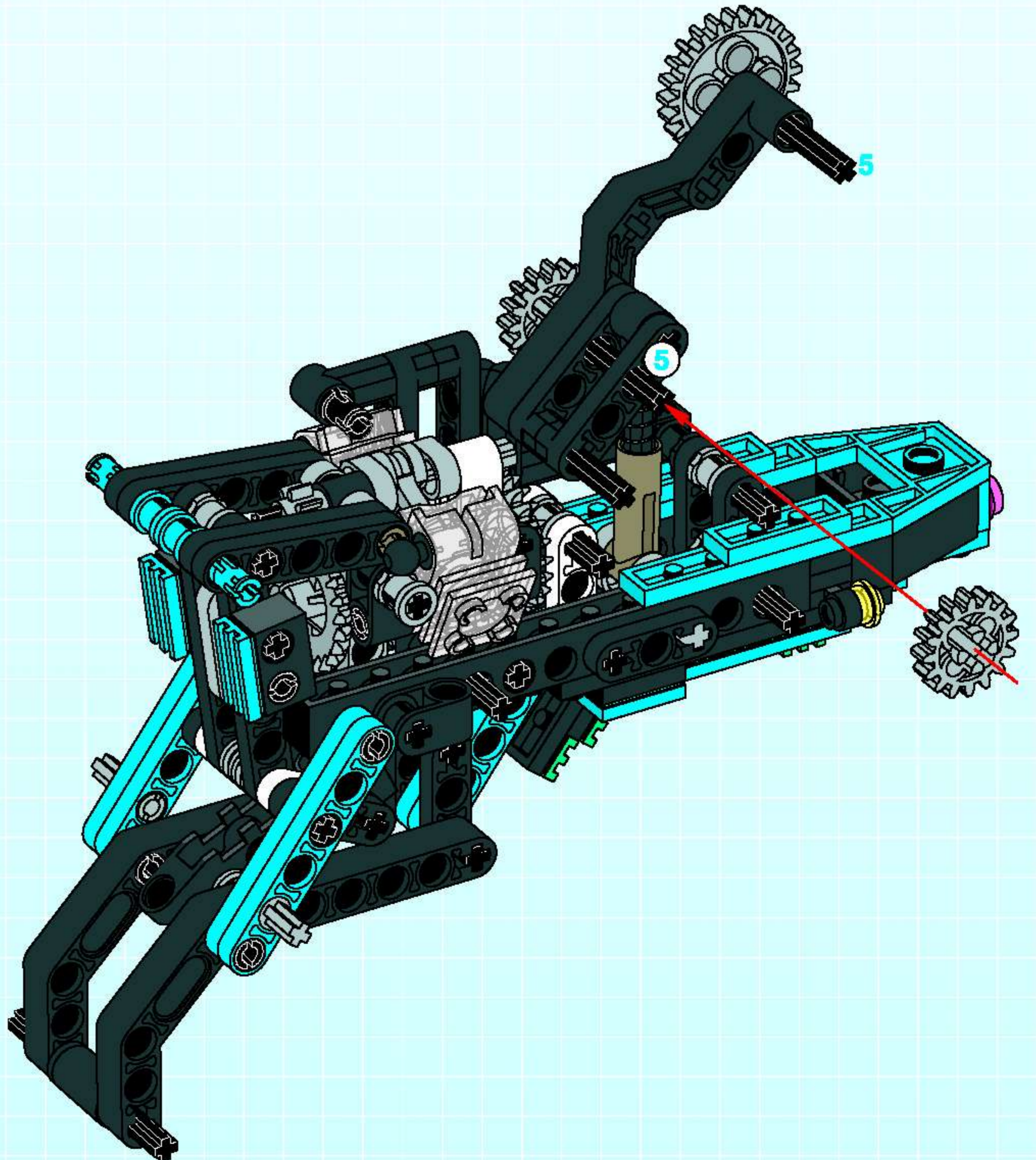





44



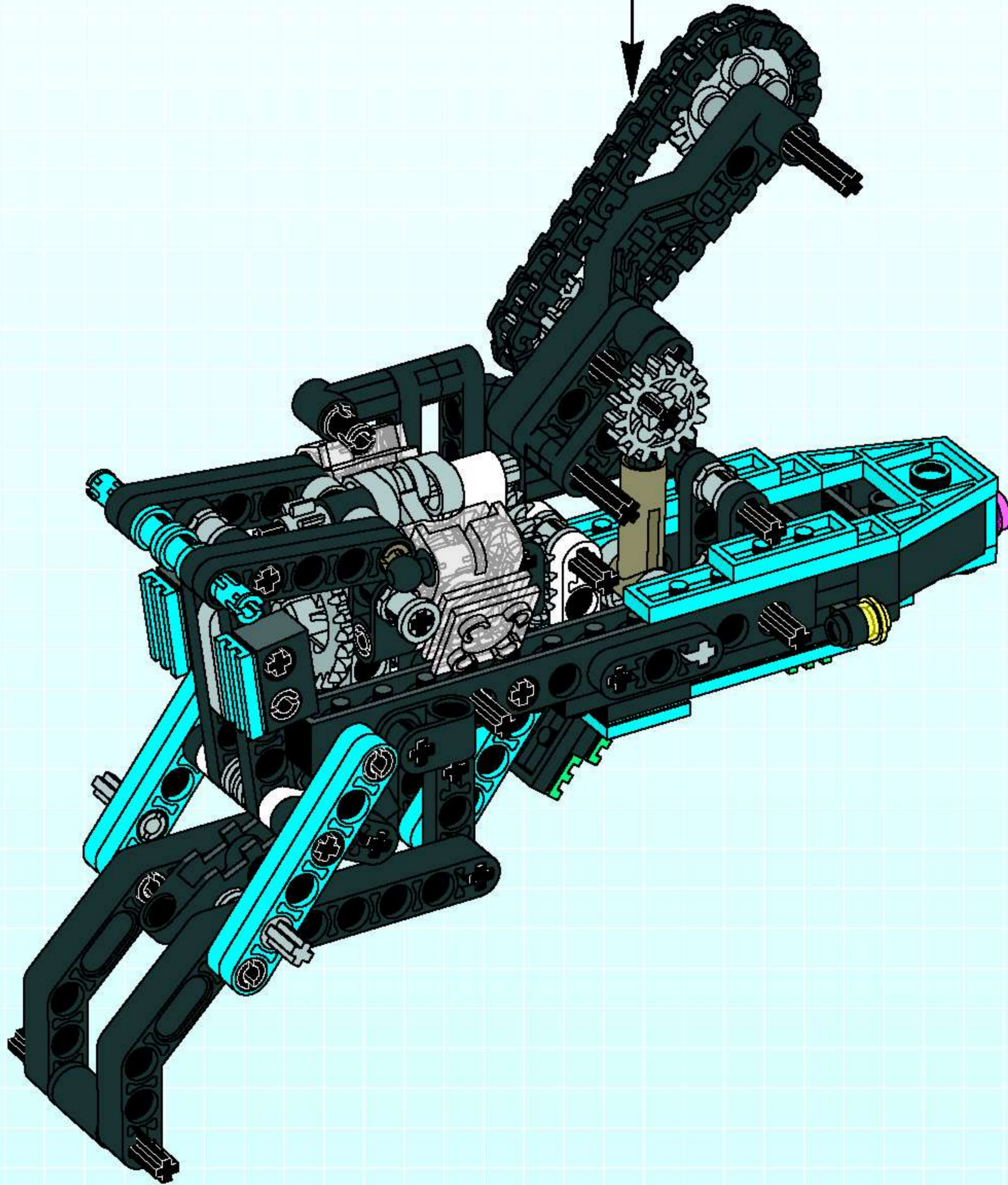
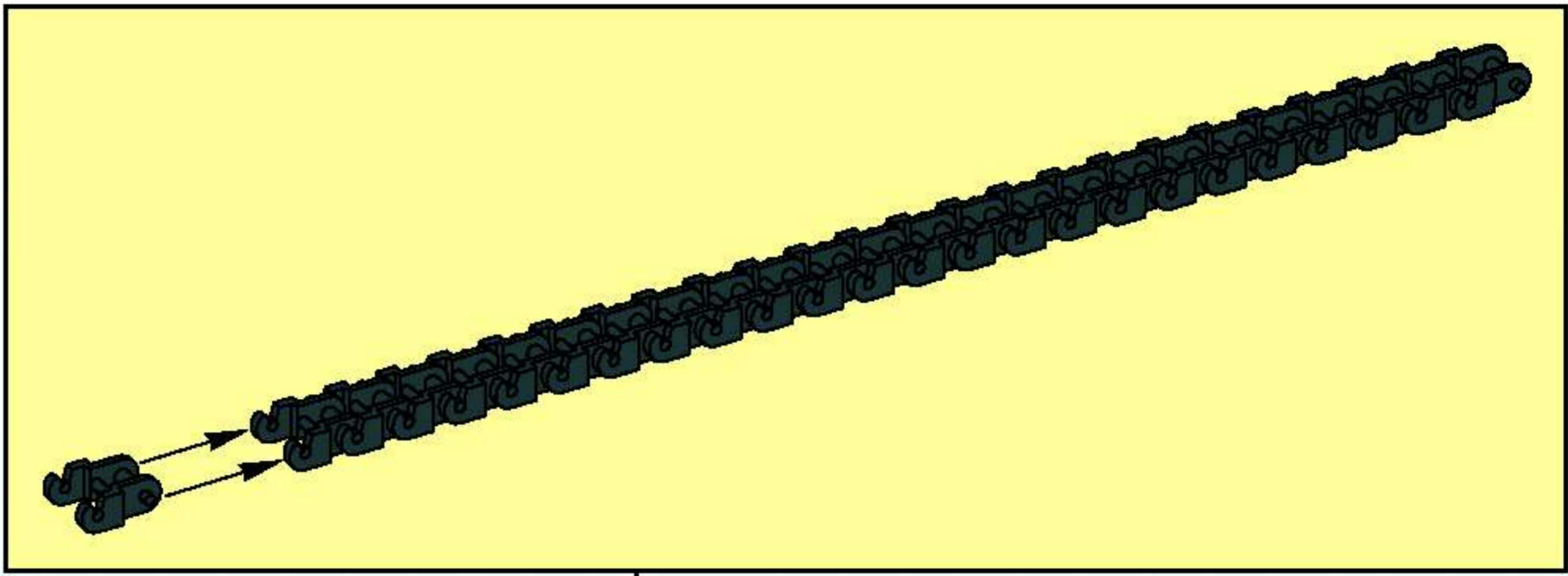
45

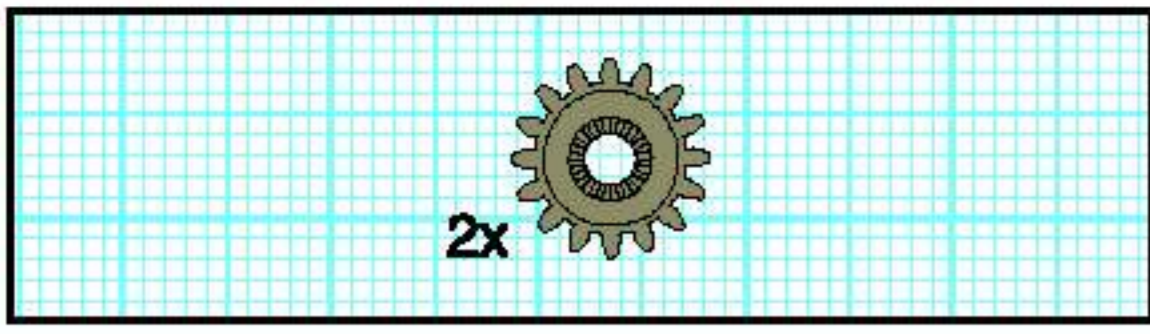




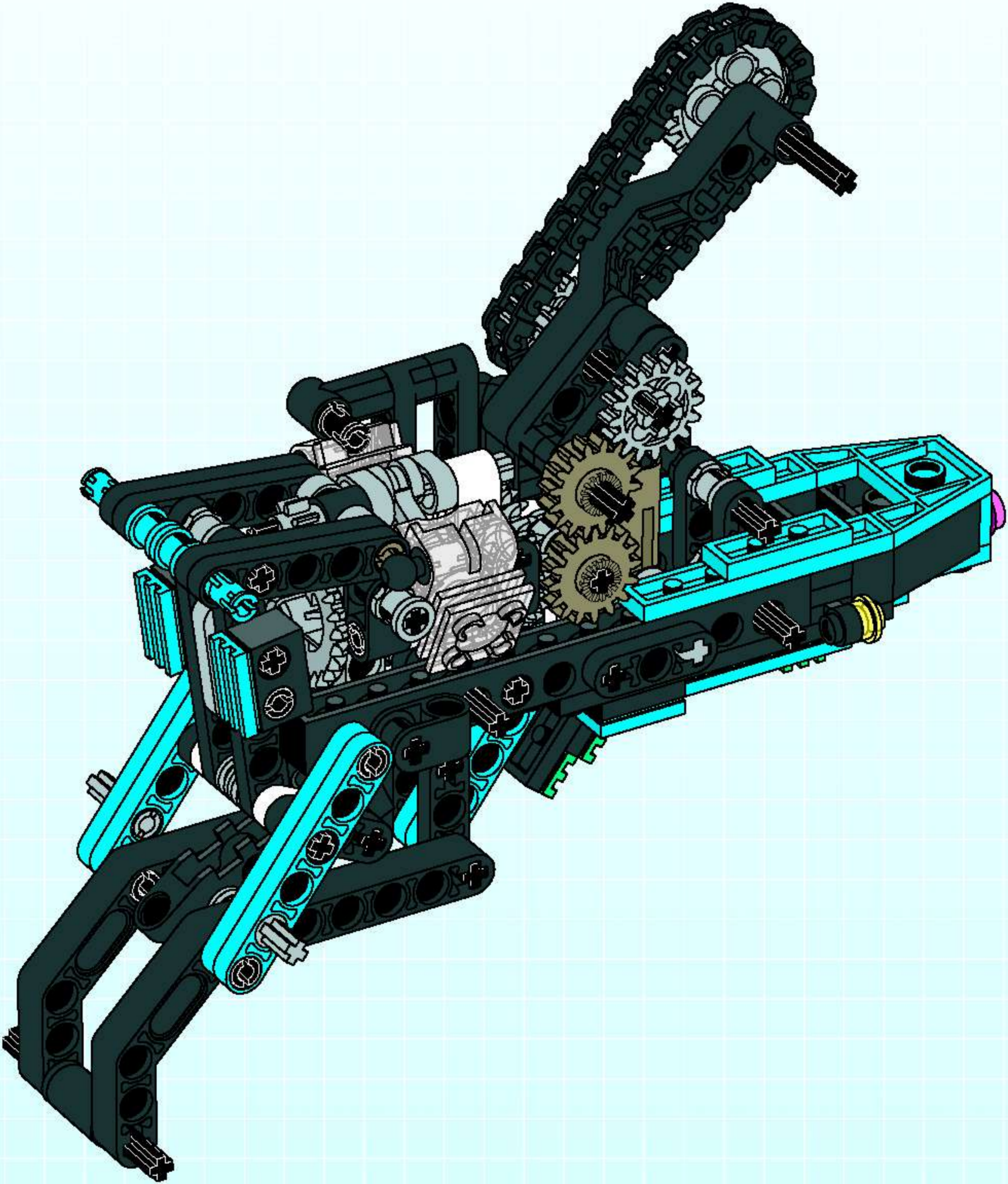
25x 

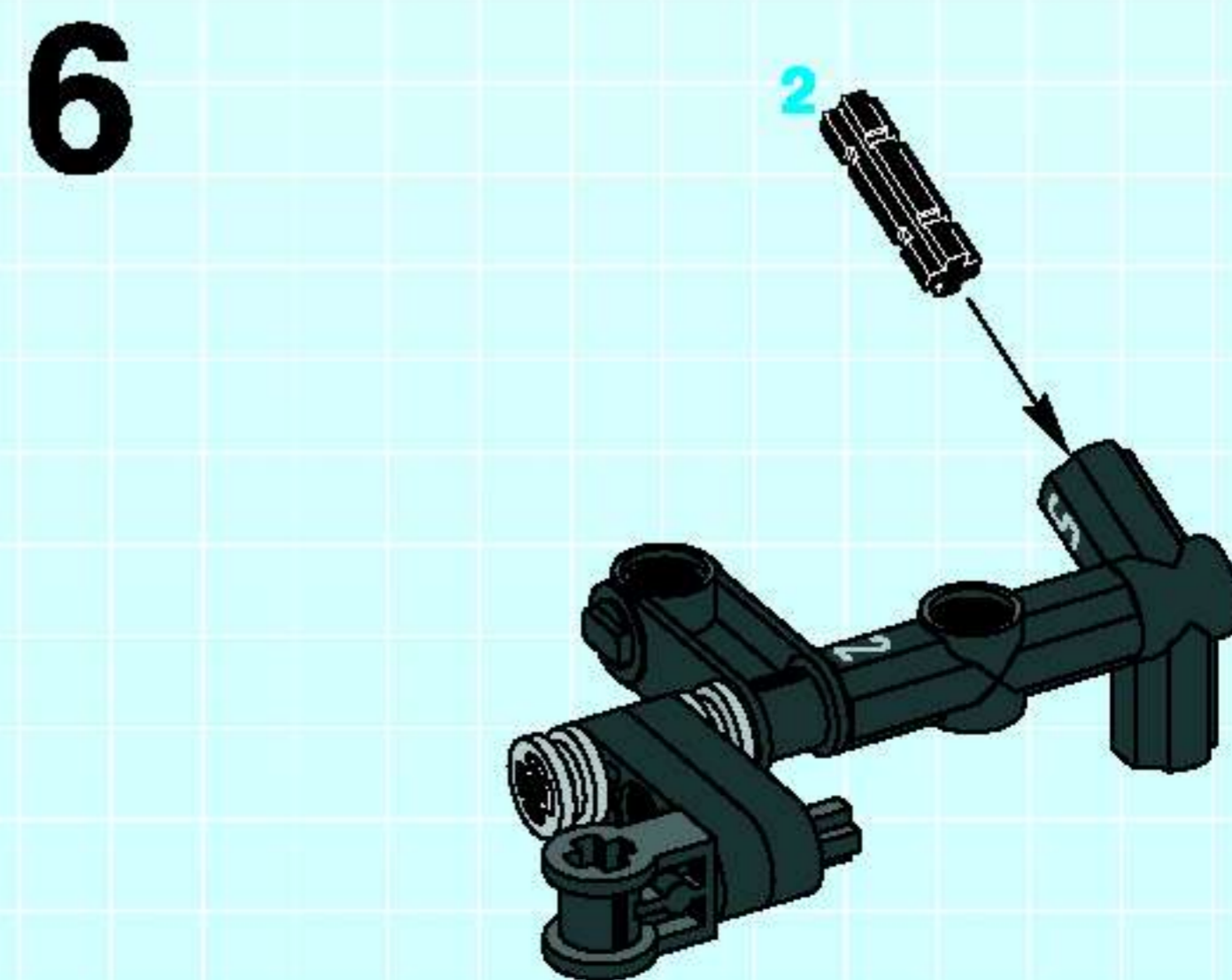
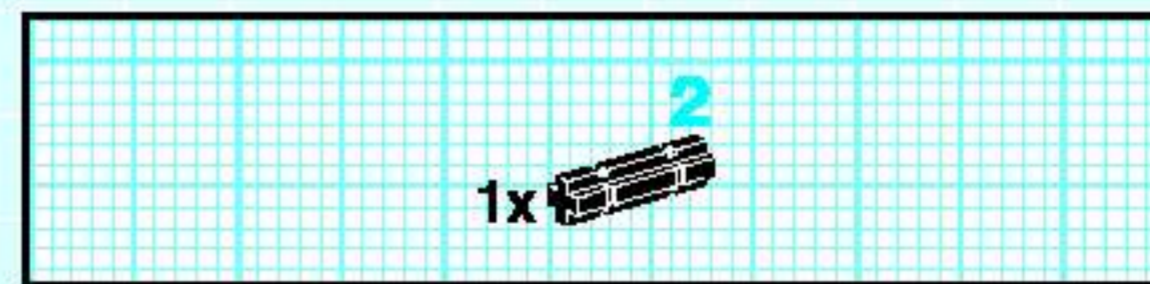
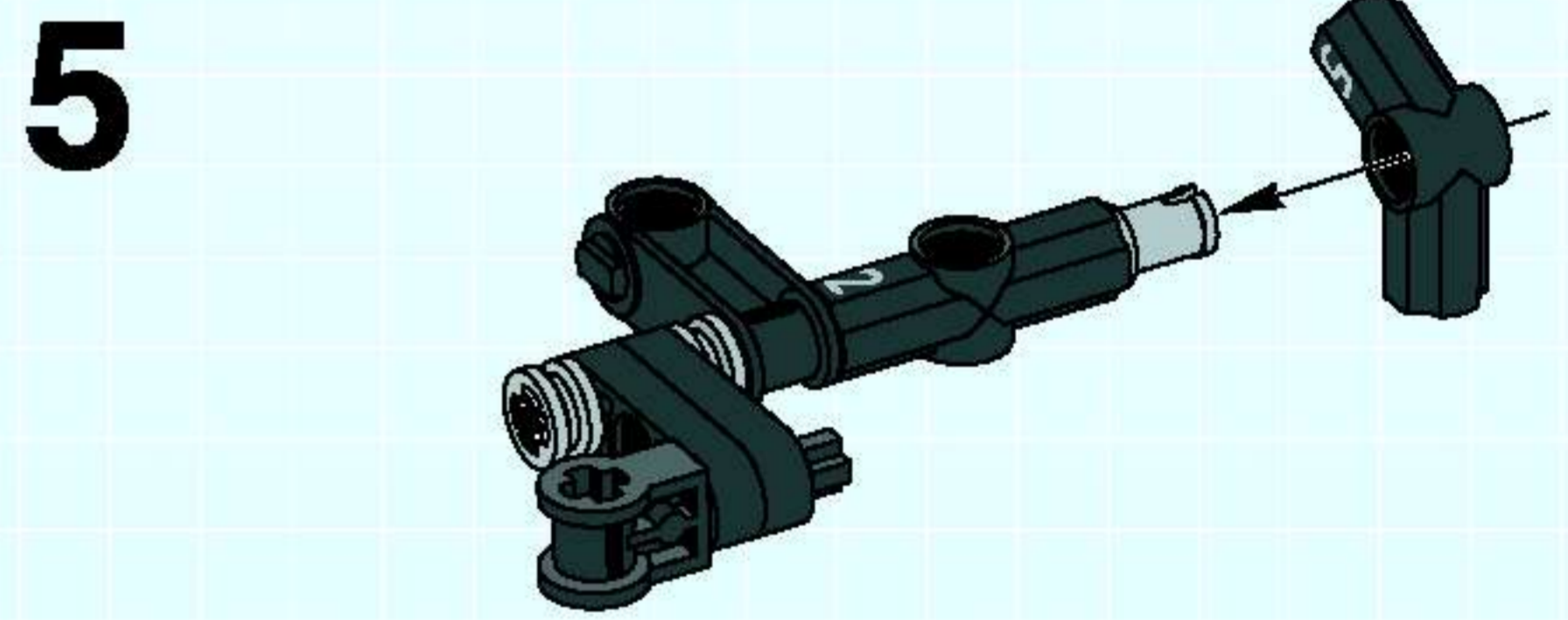
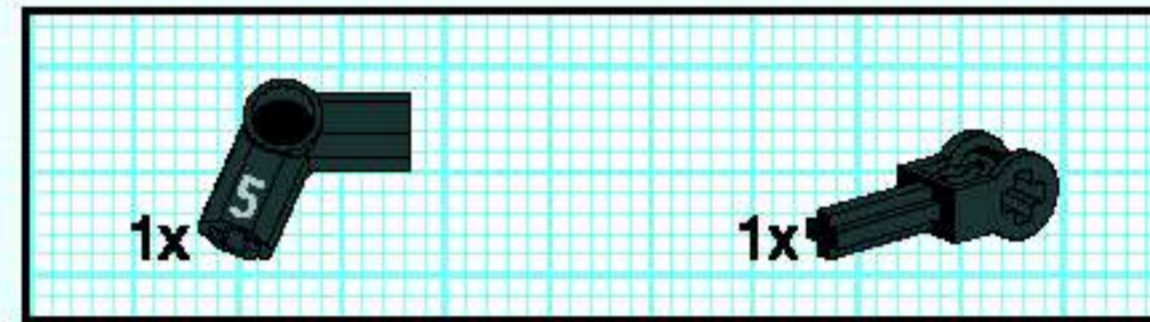
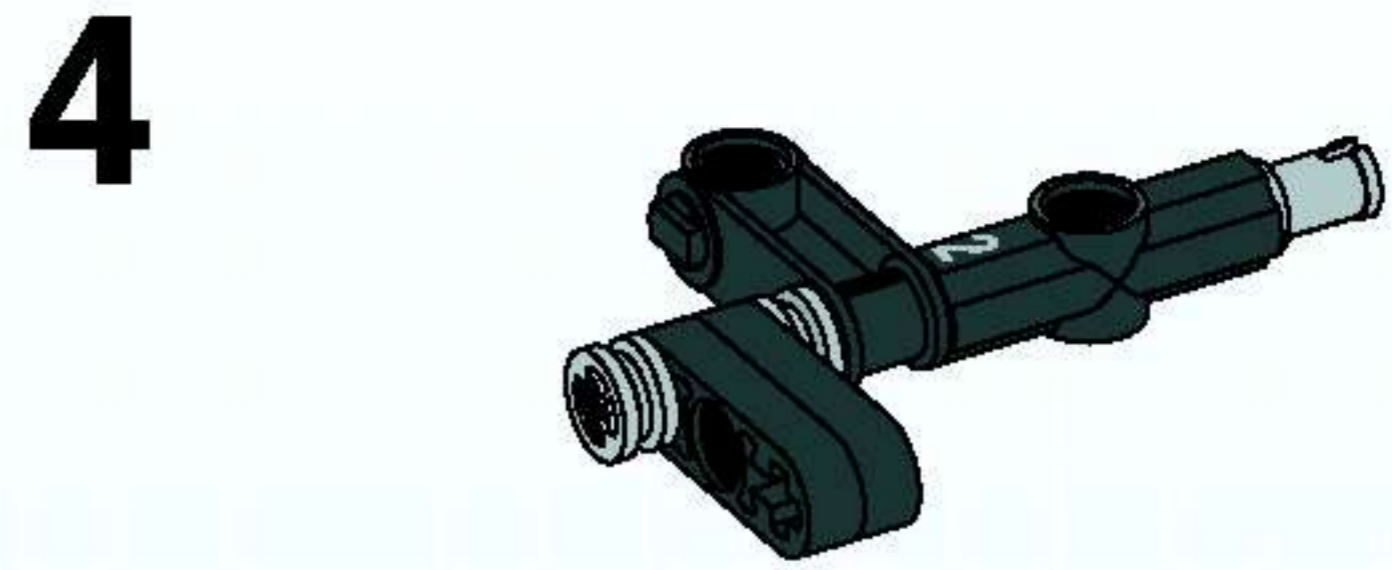
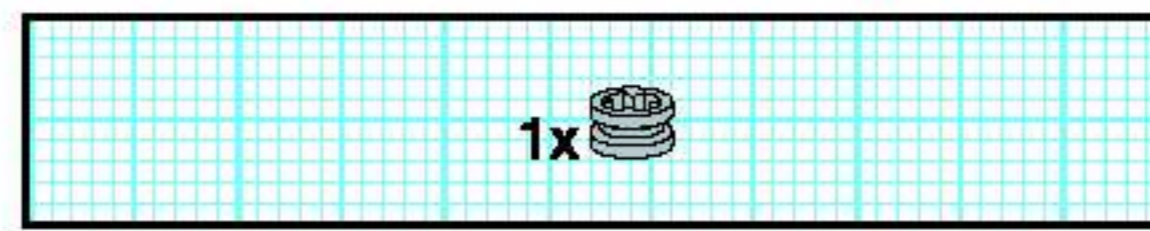
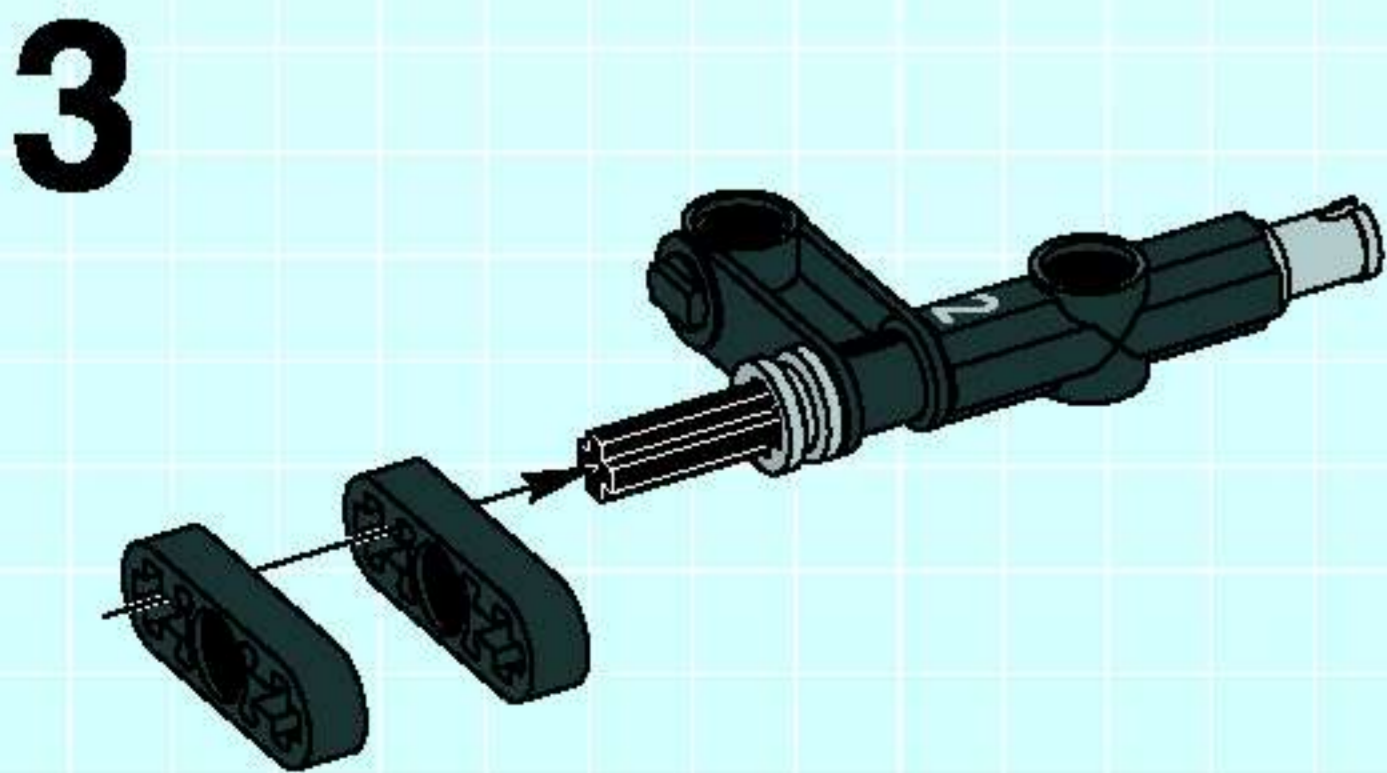
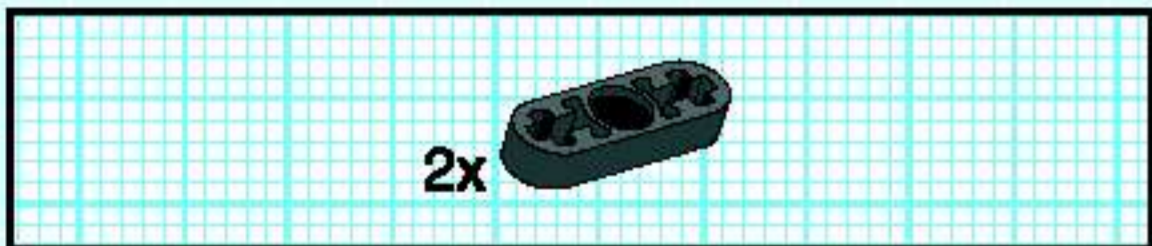
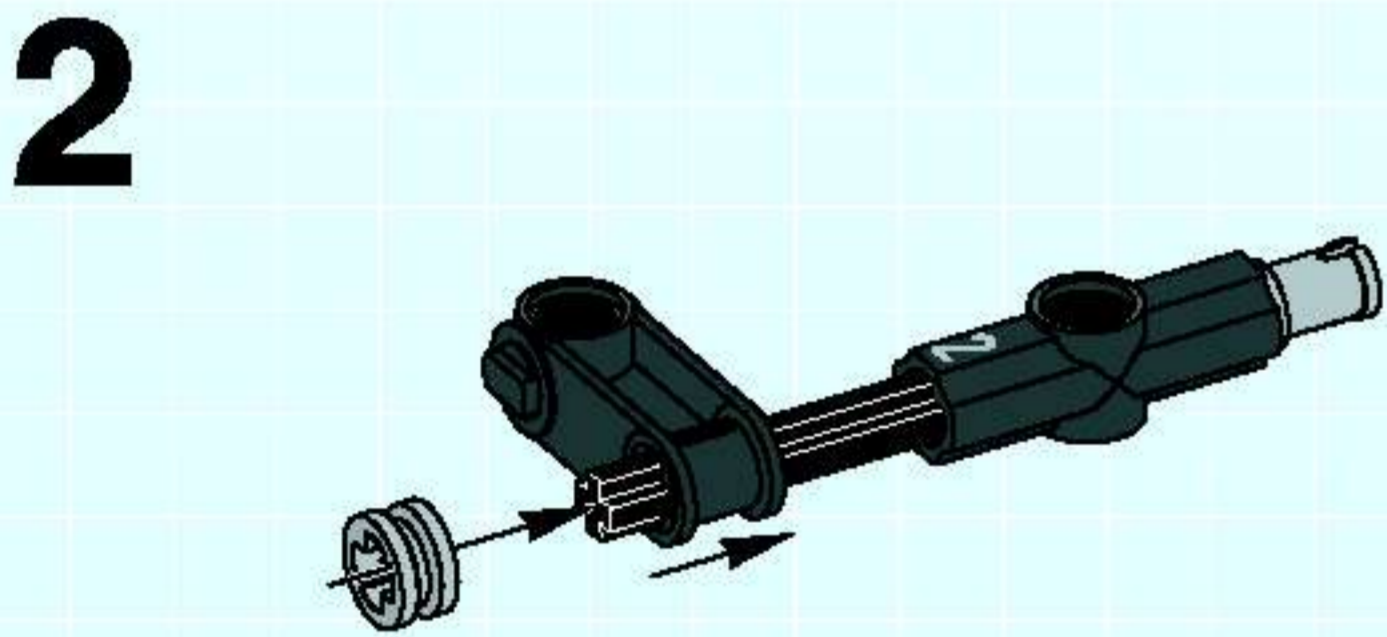
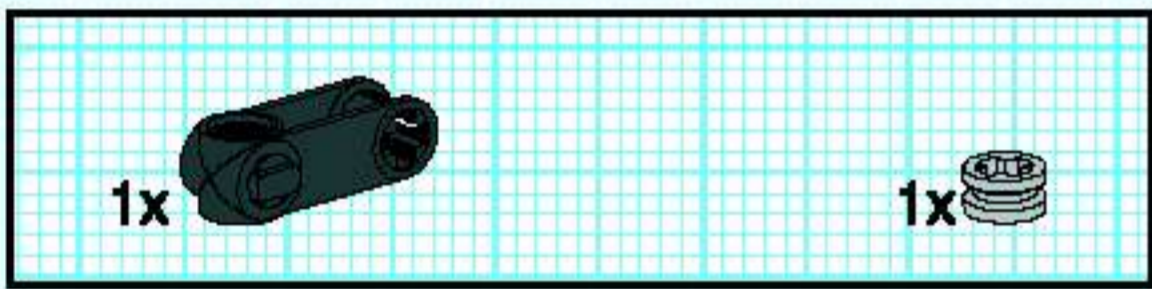
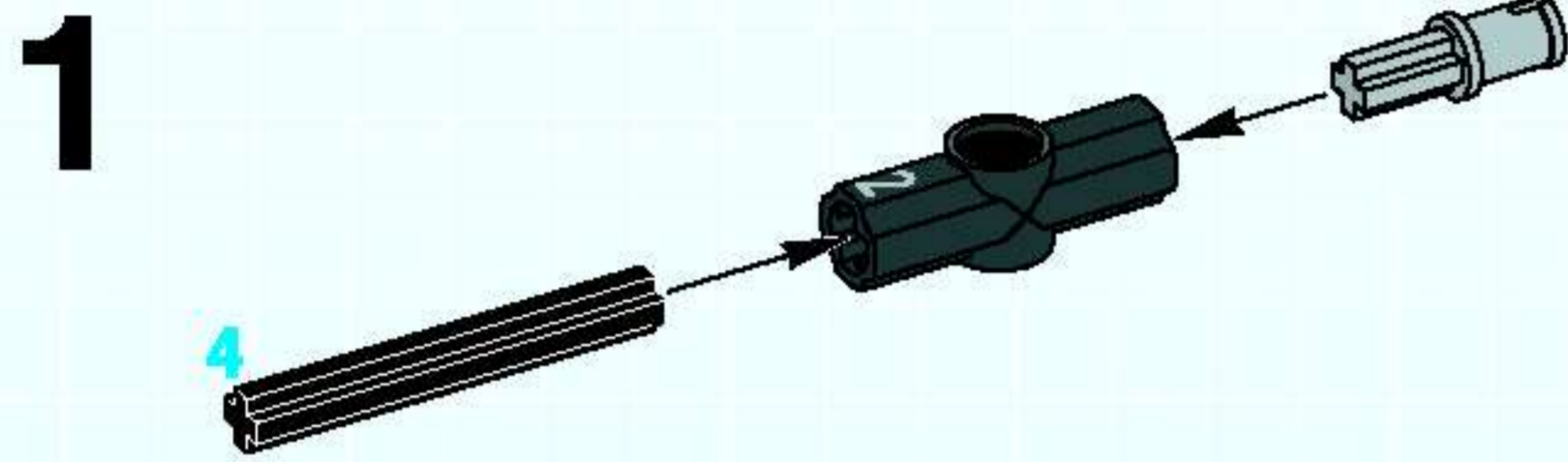
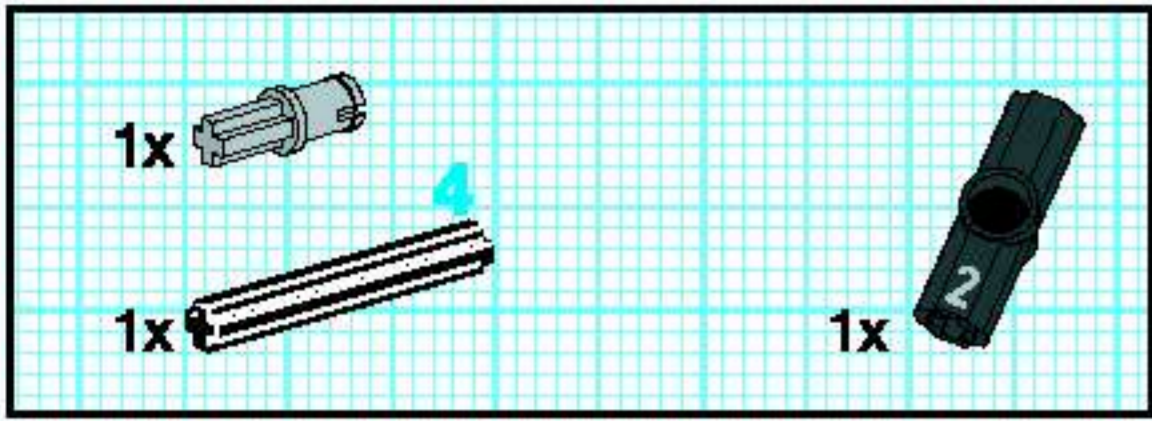
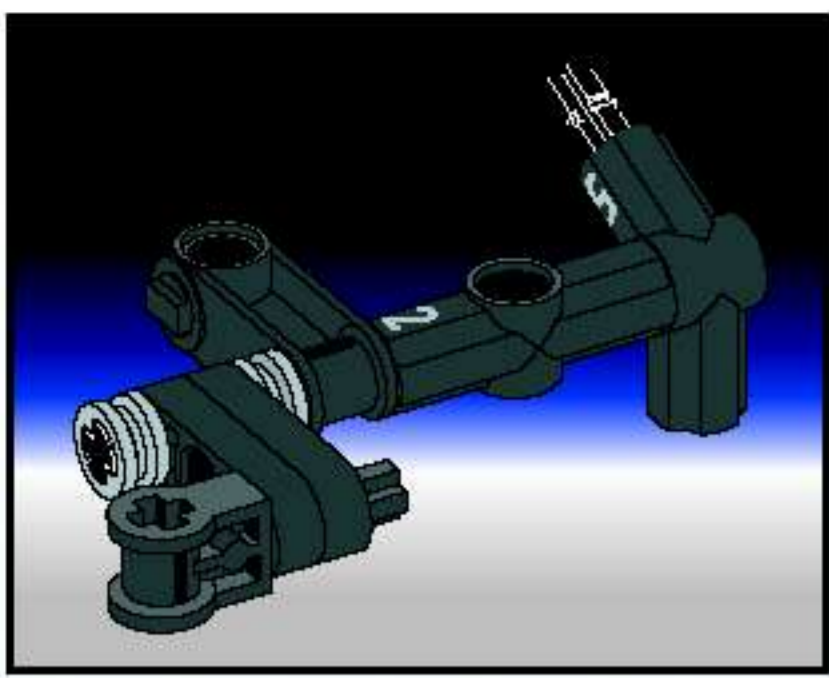
46



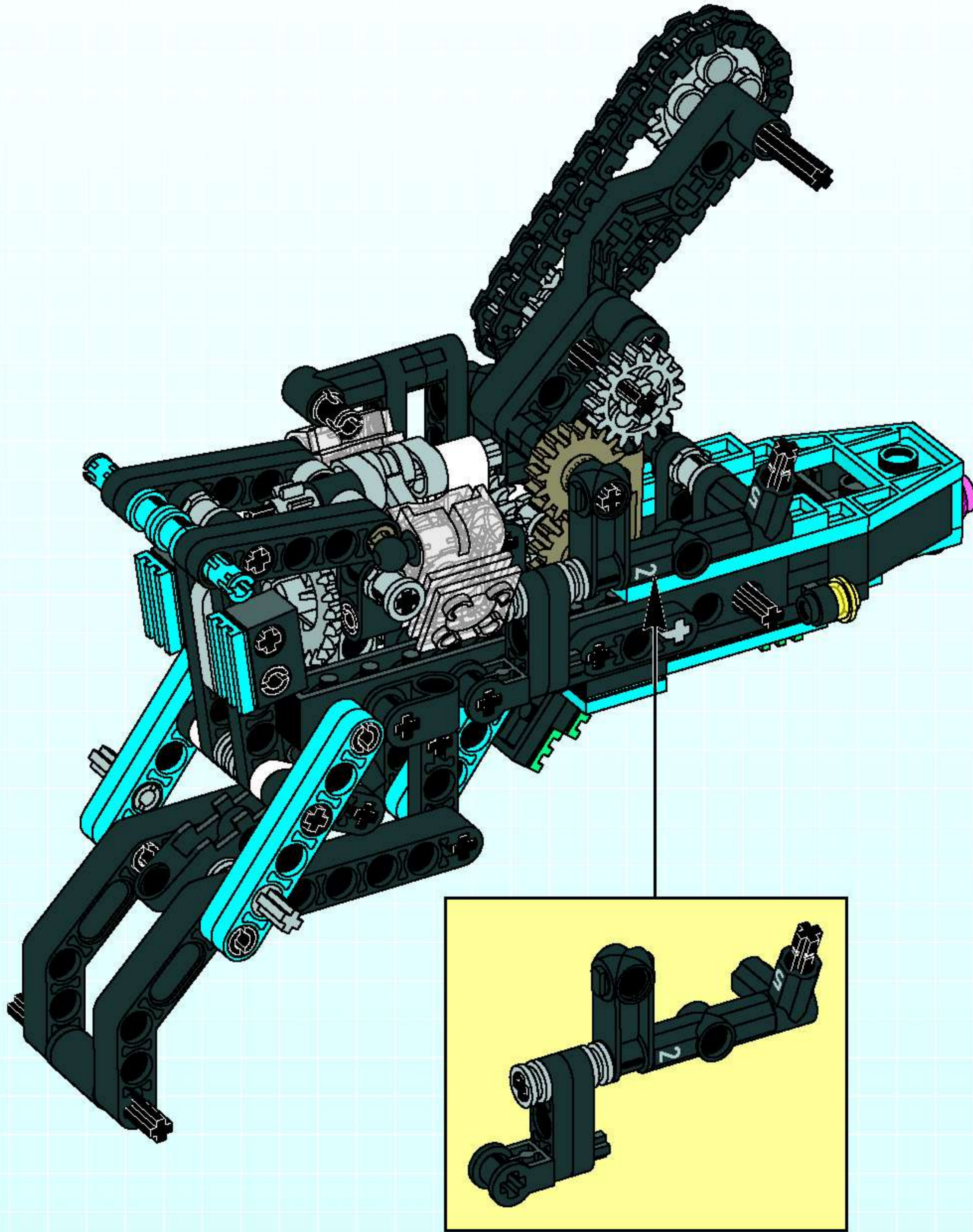


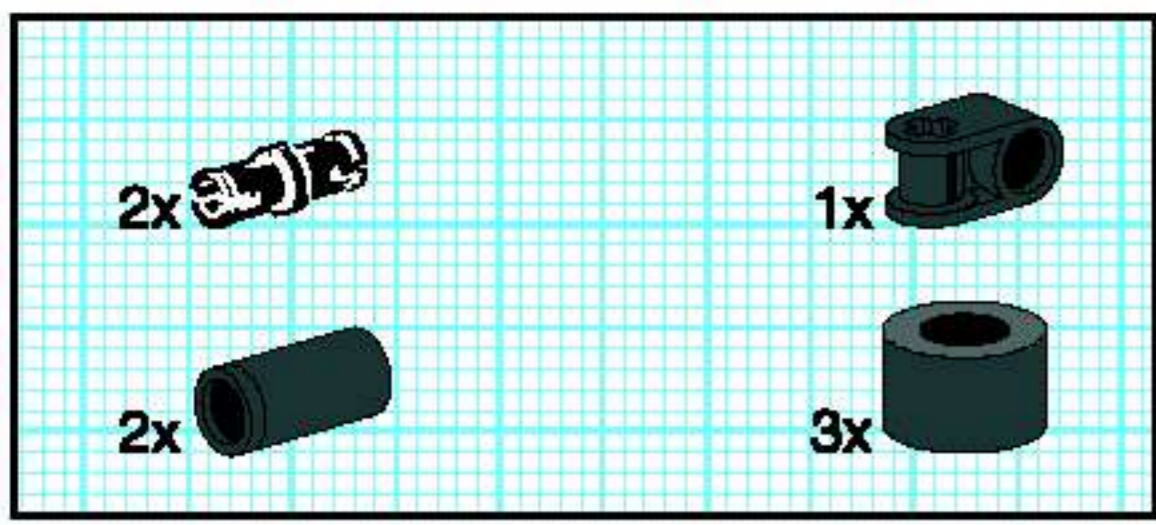
47



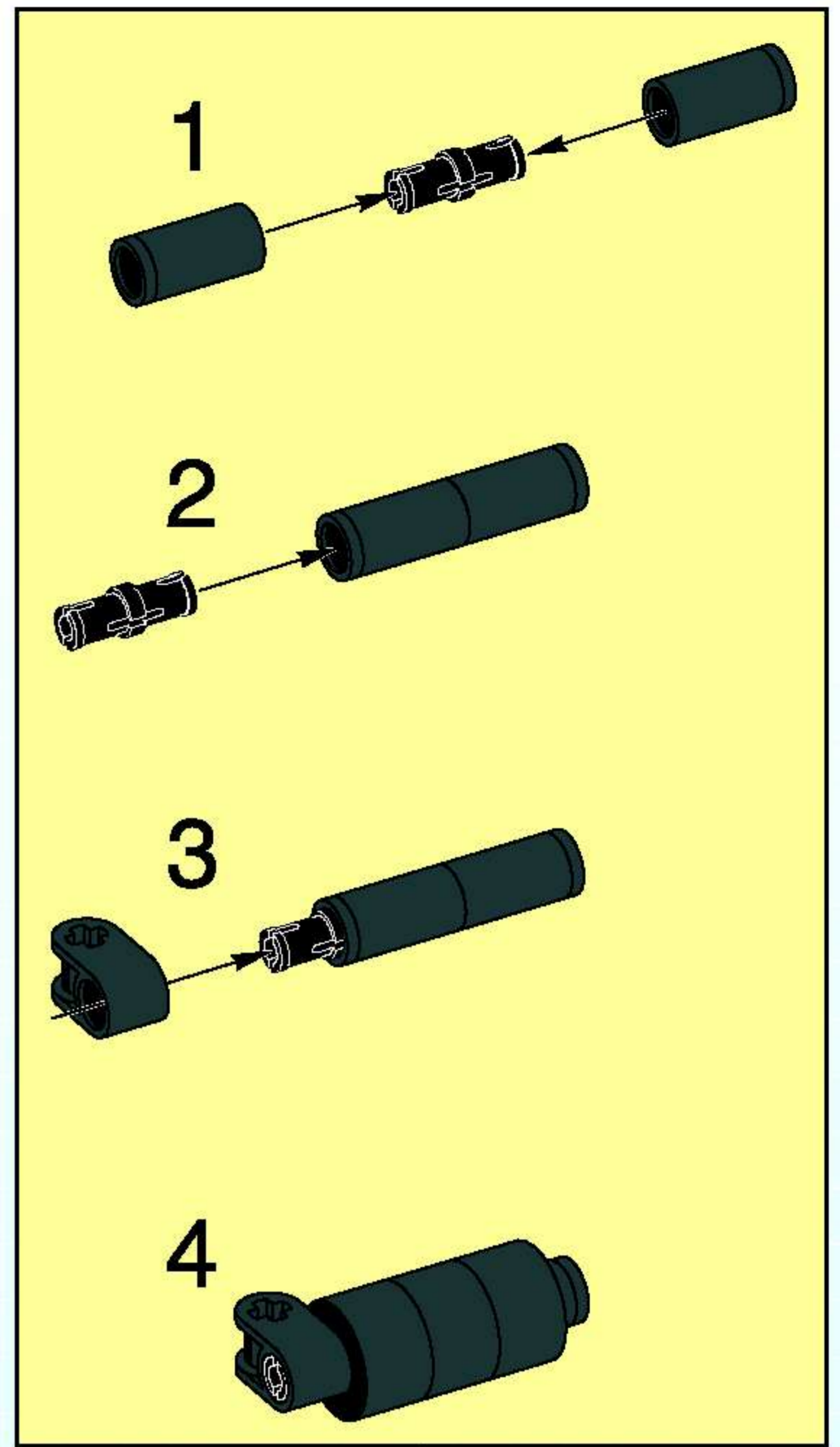
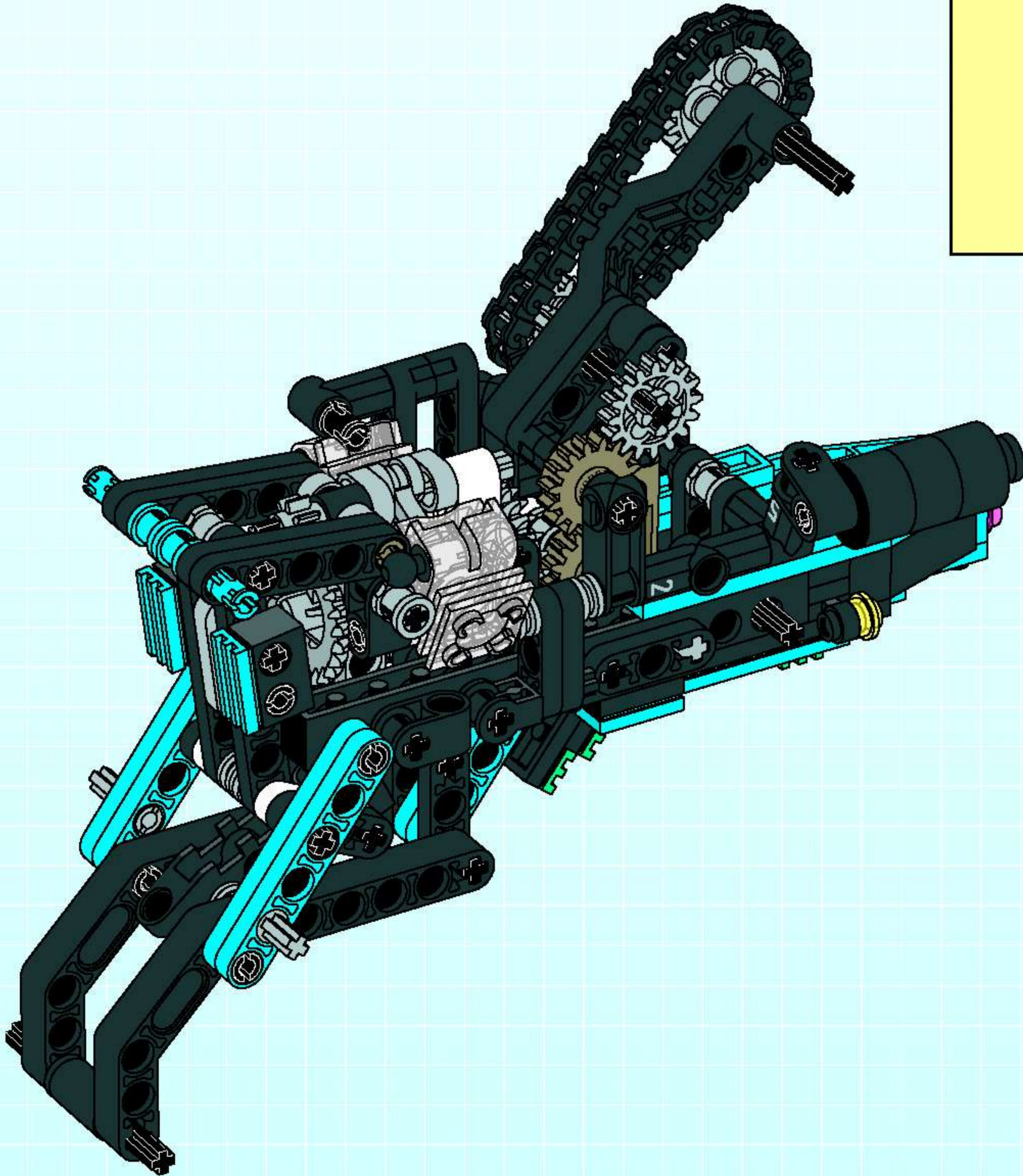


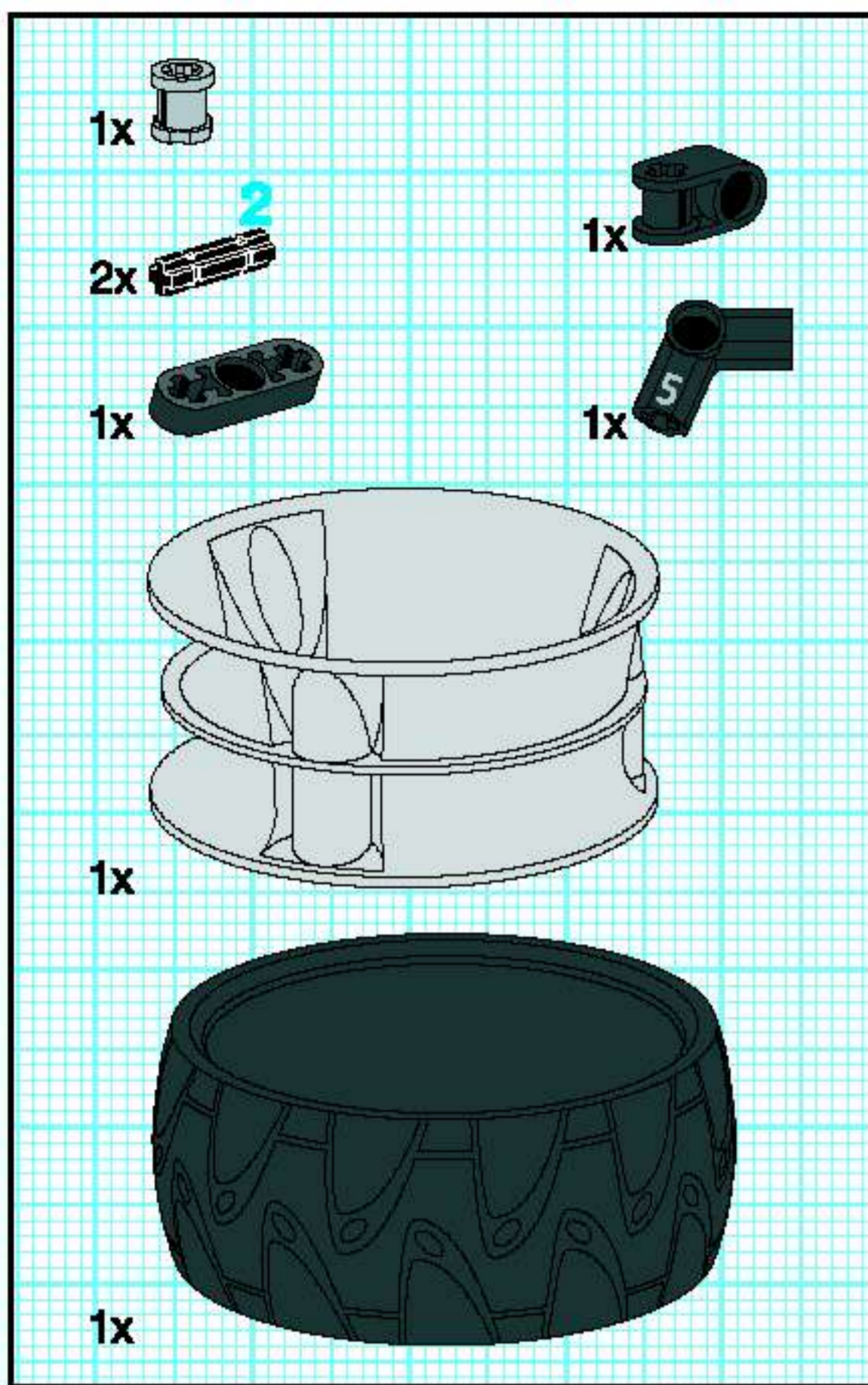
48



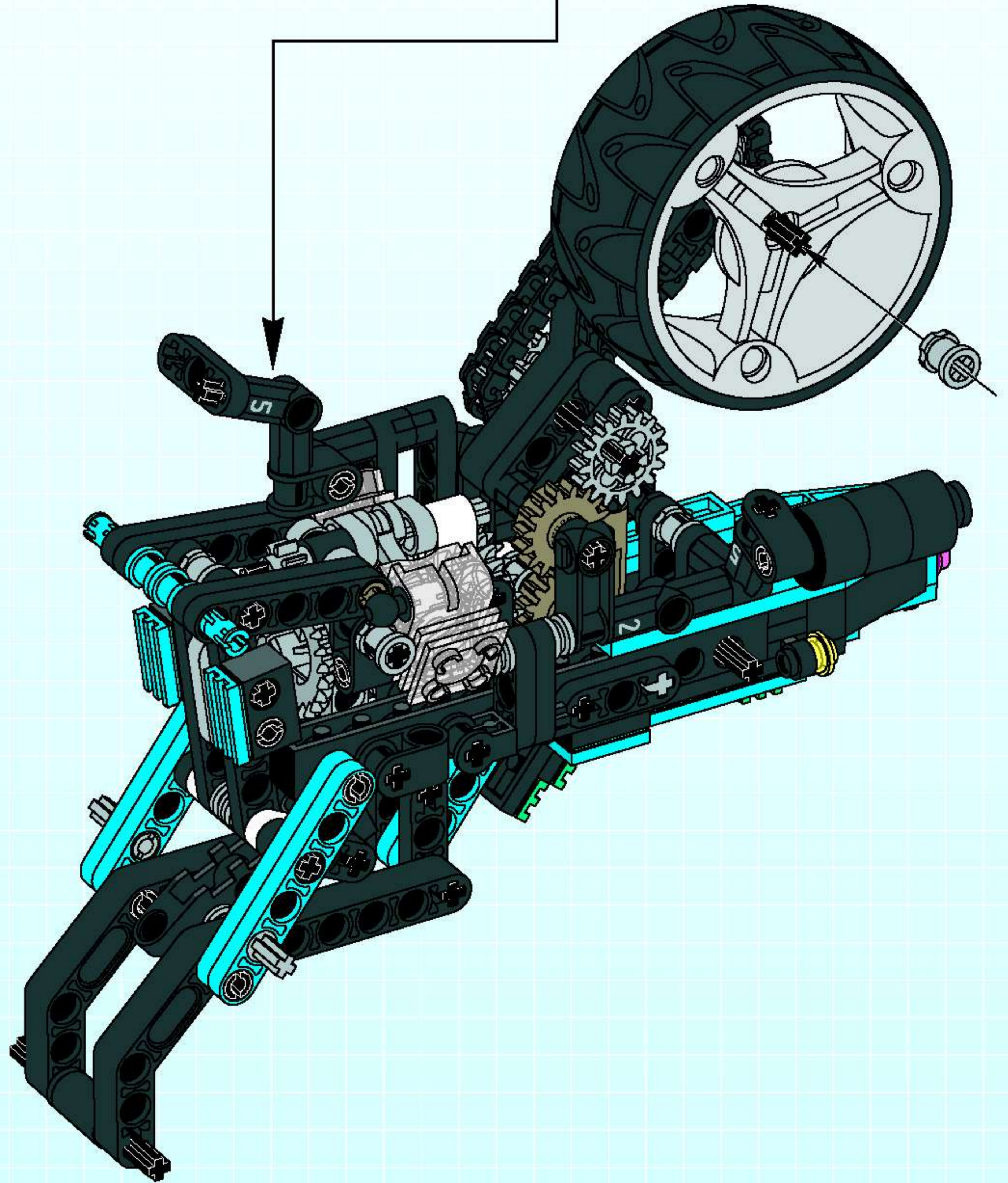
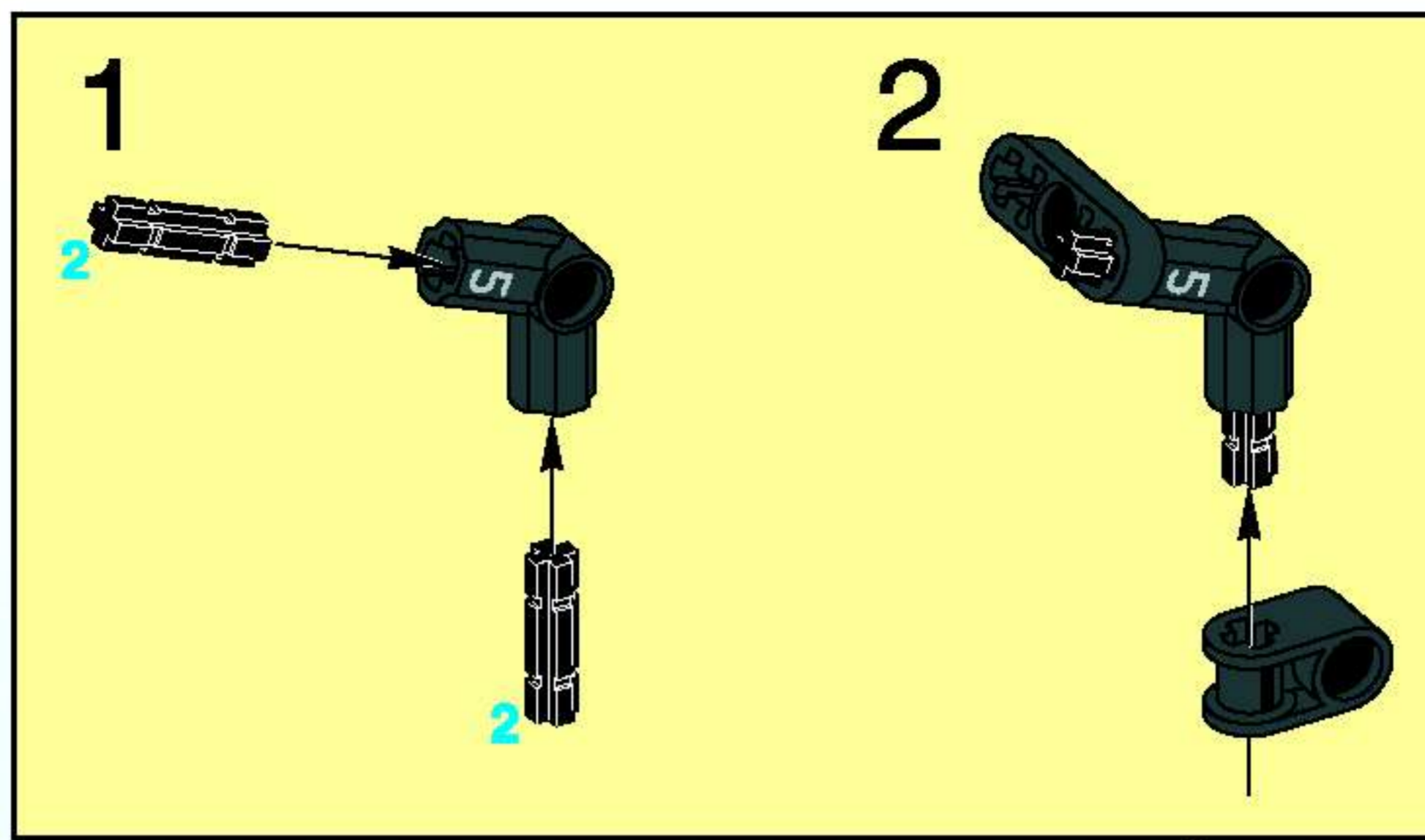


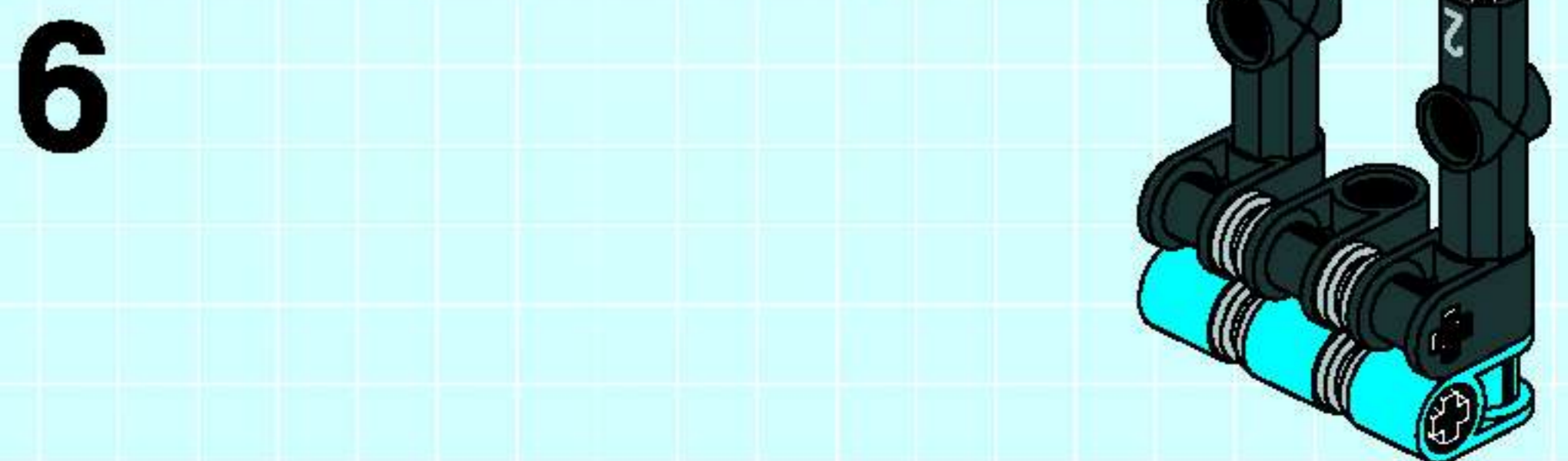
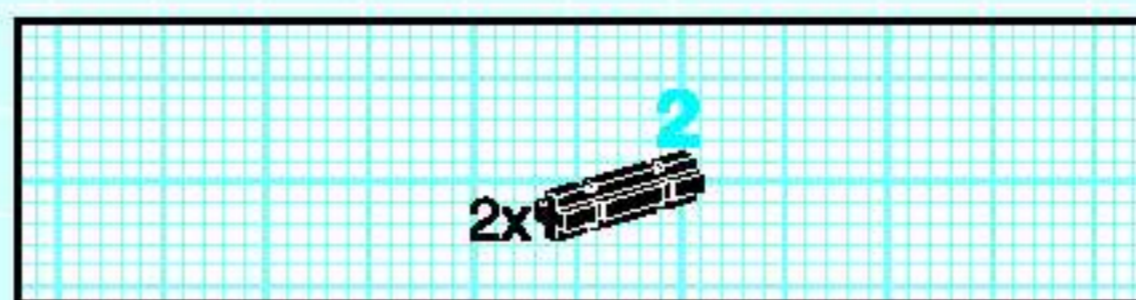
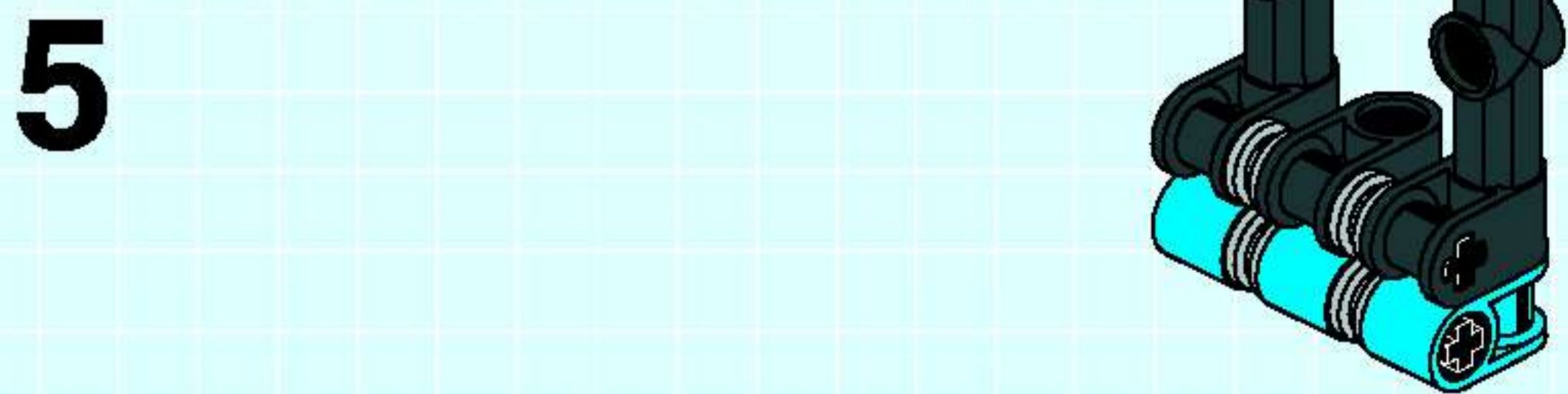
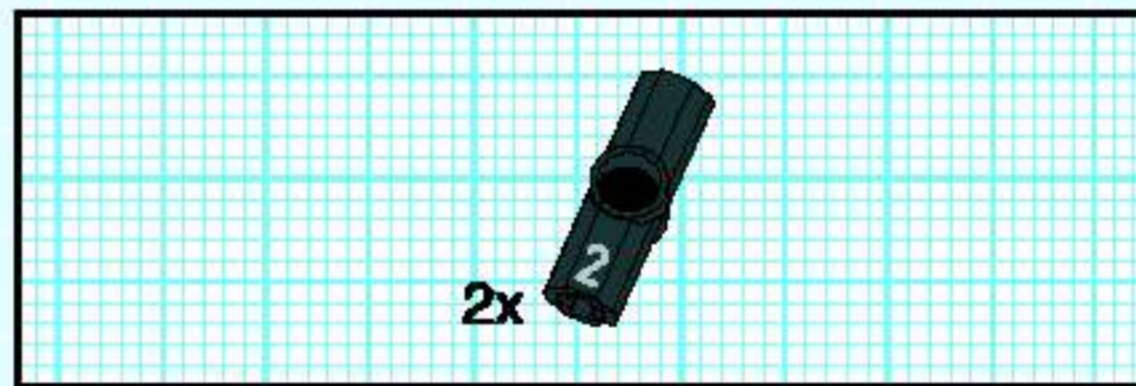
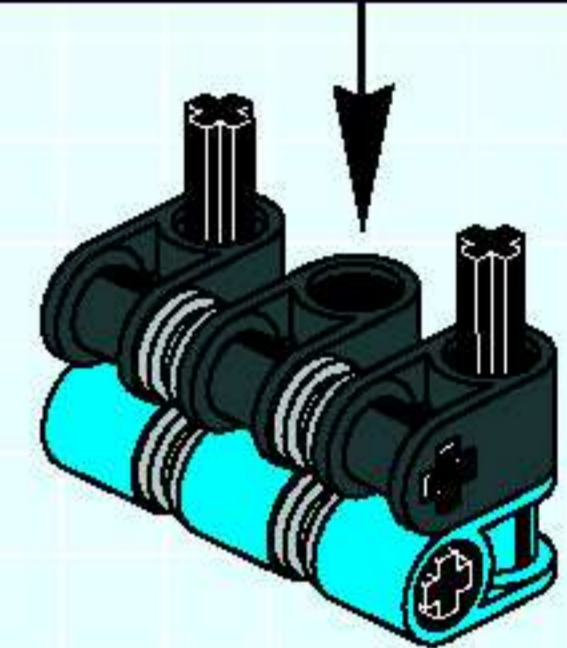
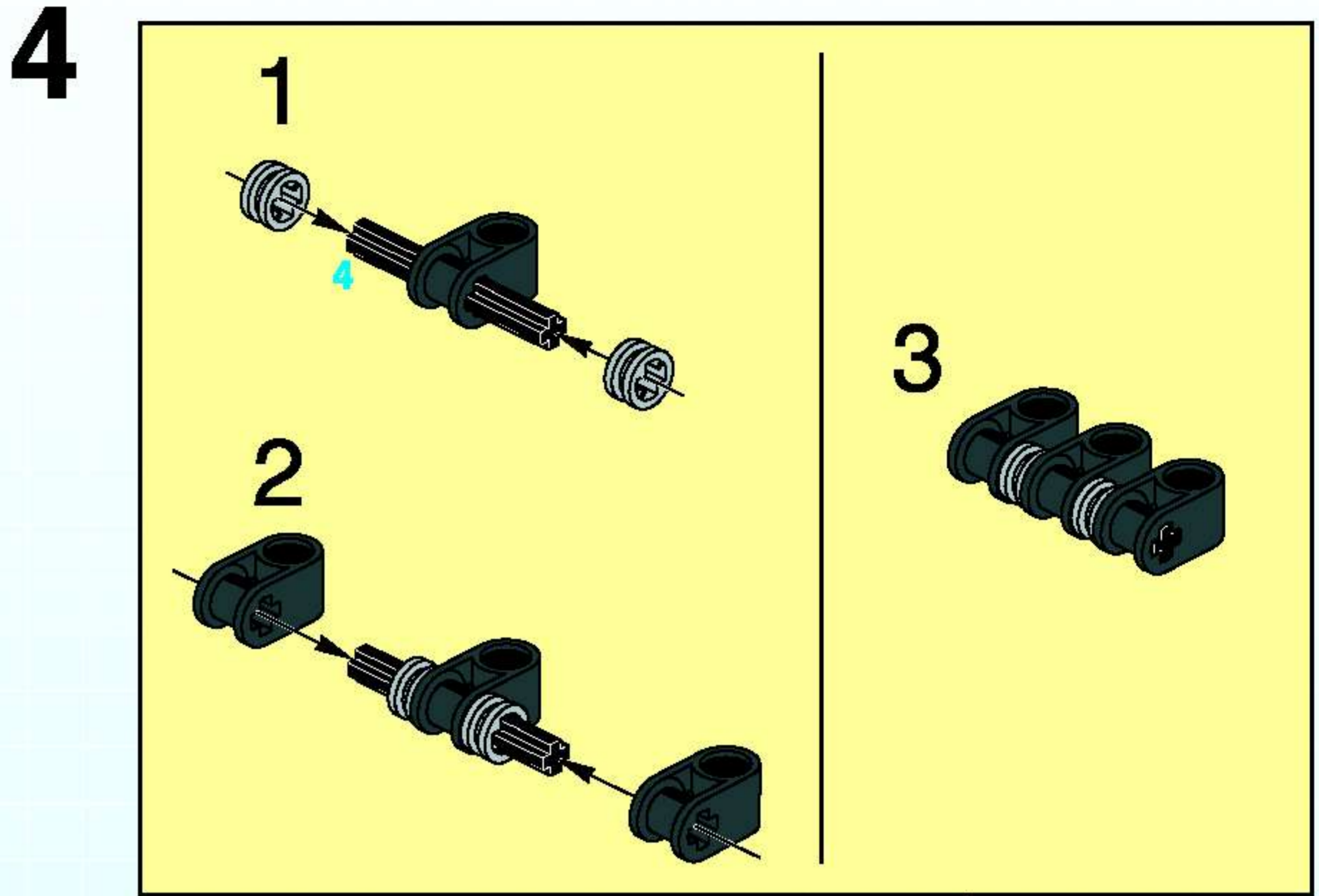
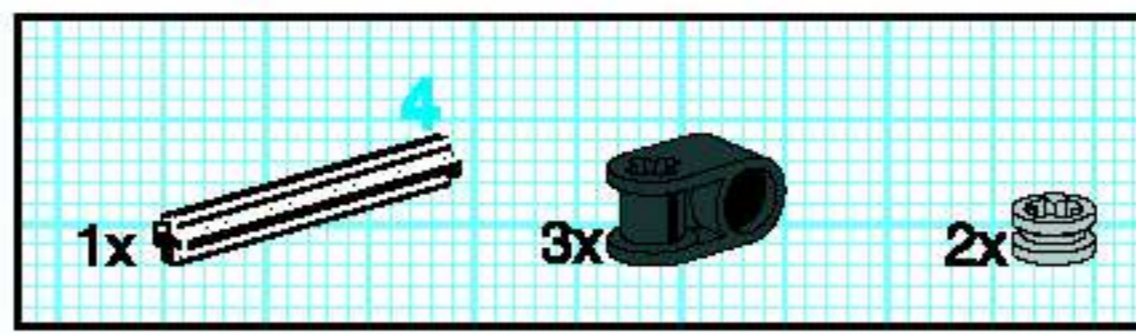
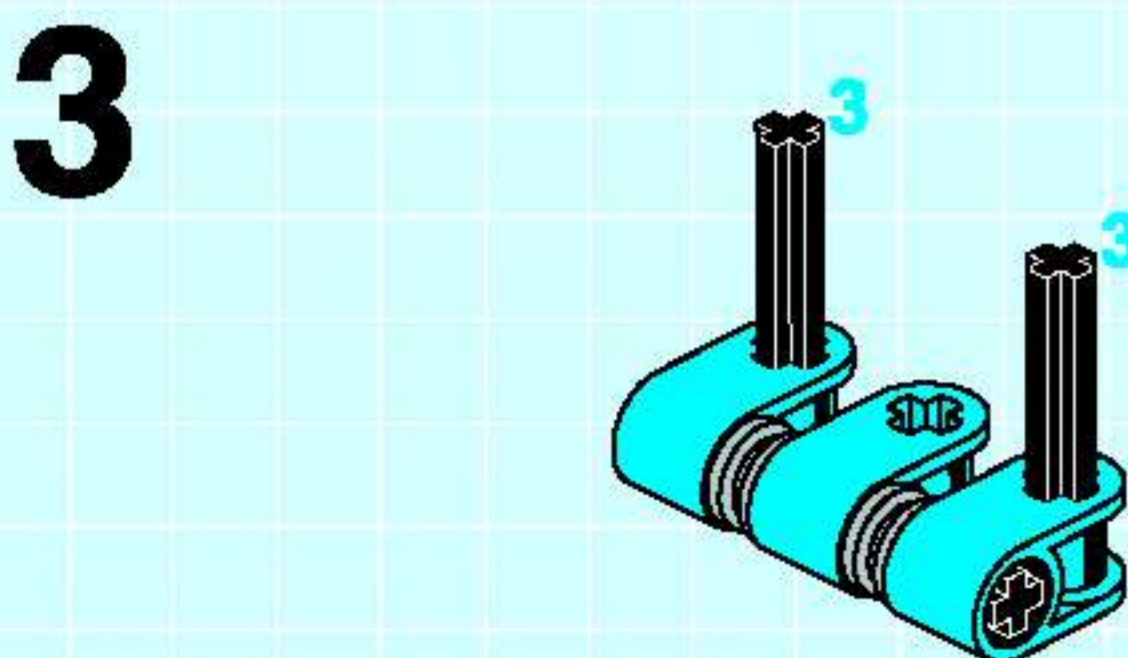
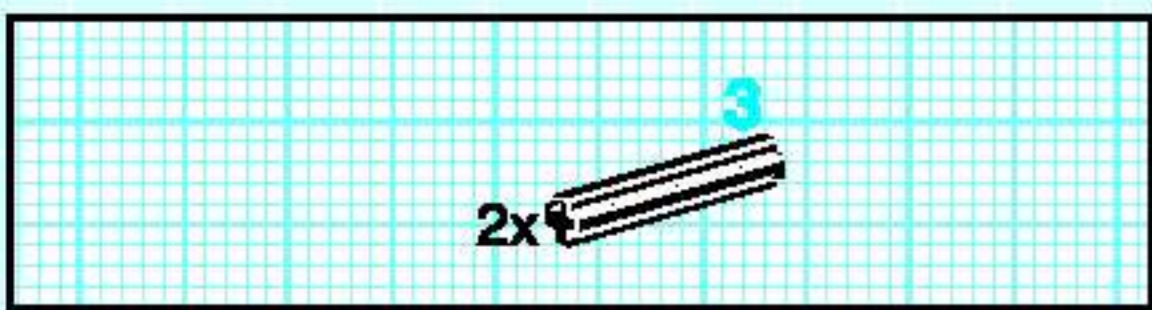
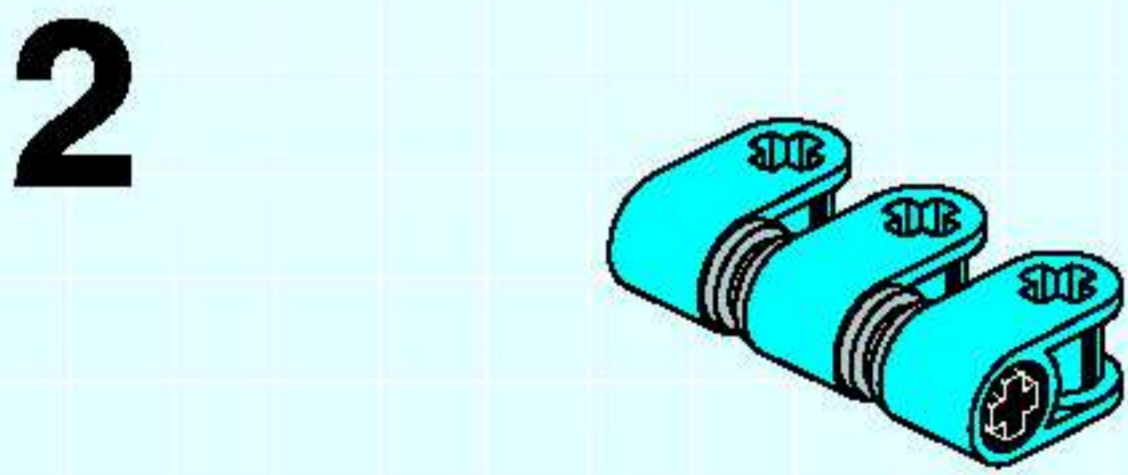
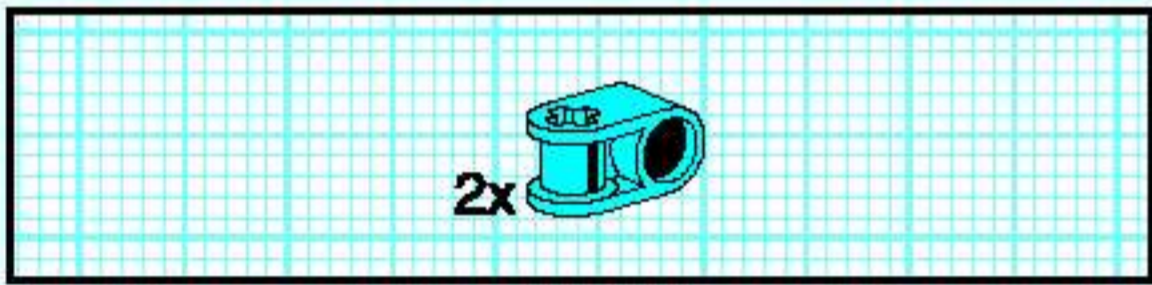
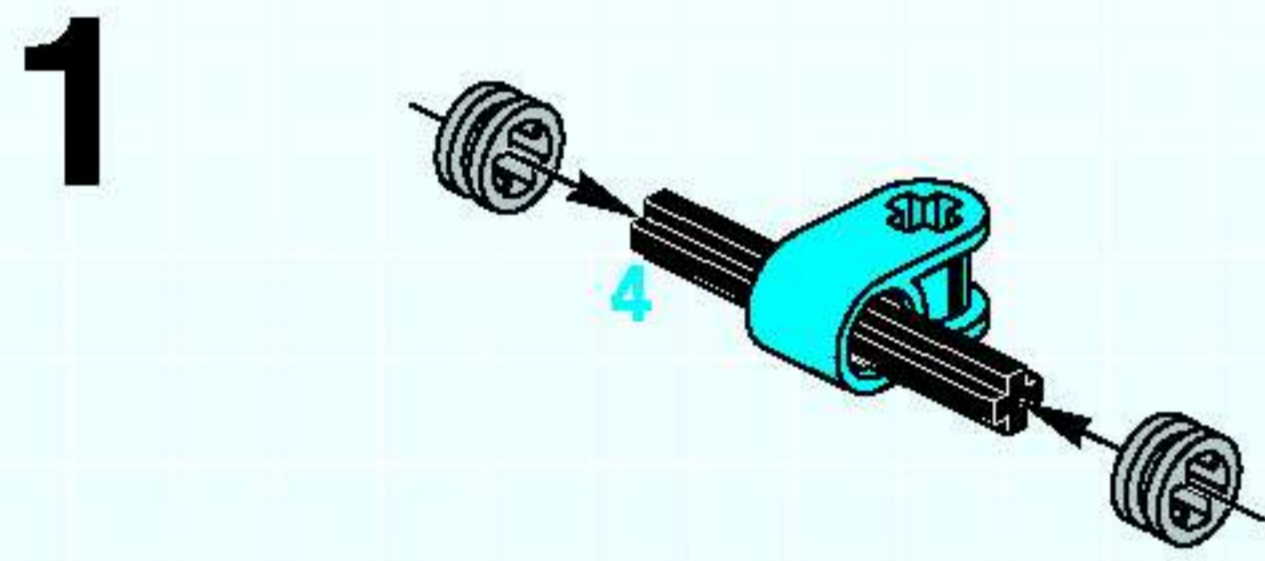
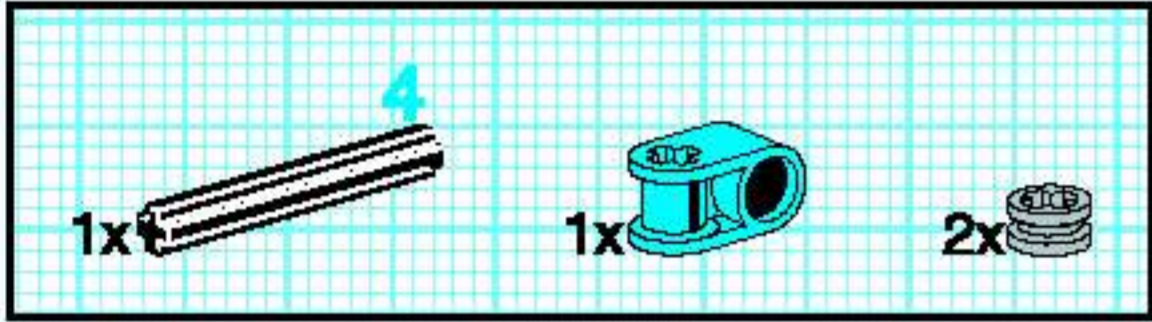
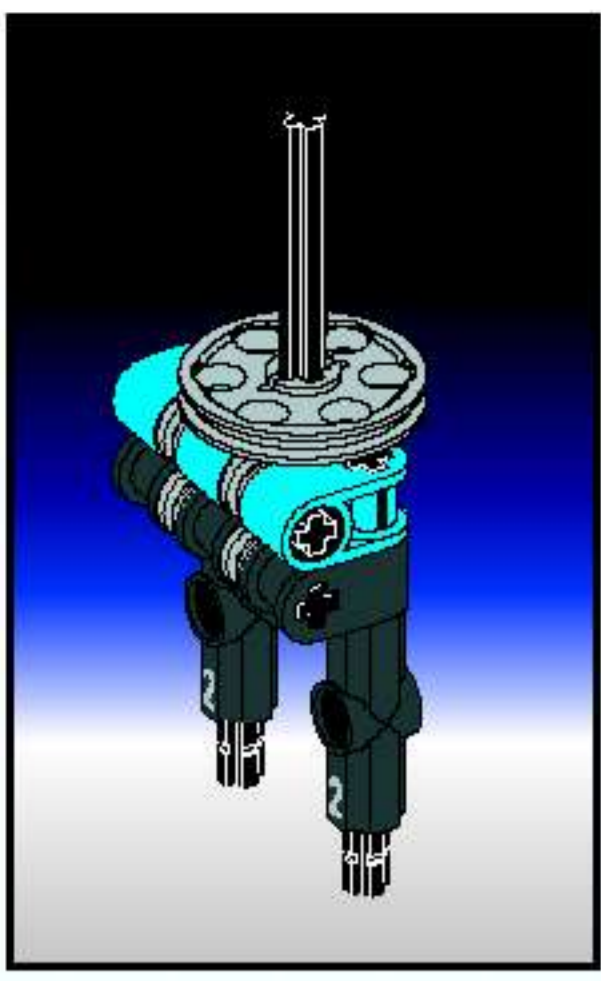
49

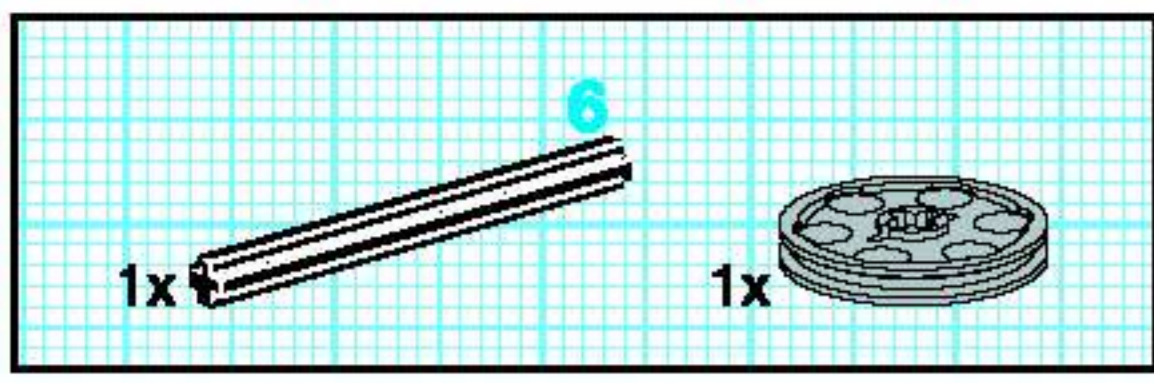




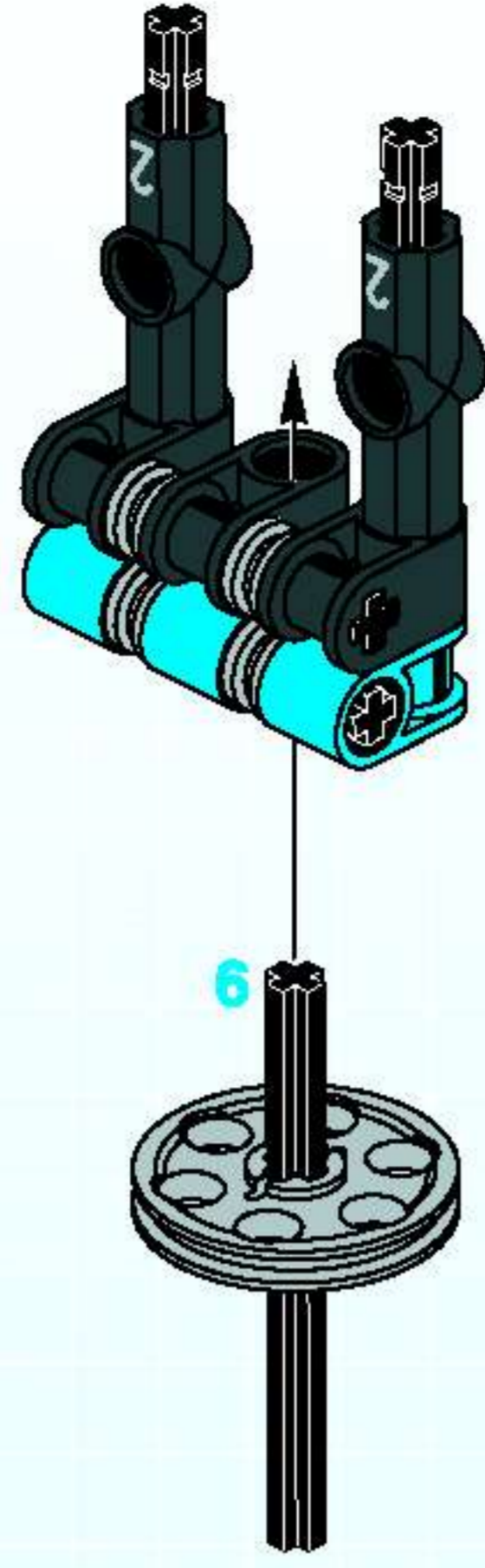
50



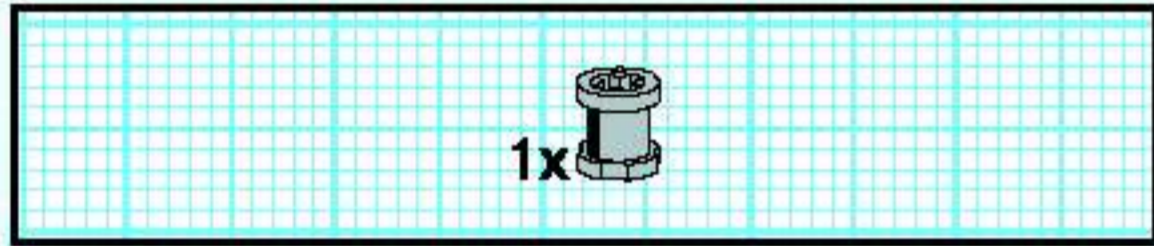
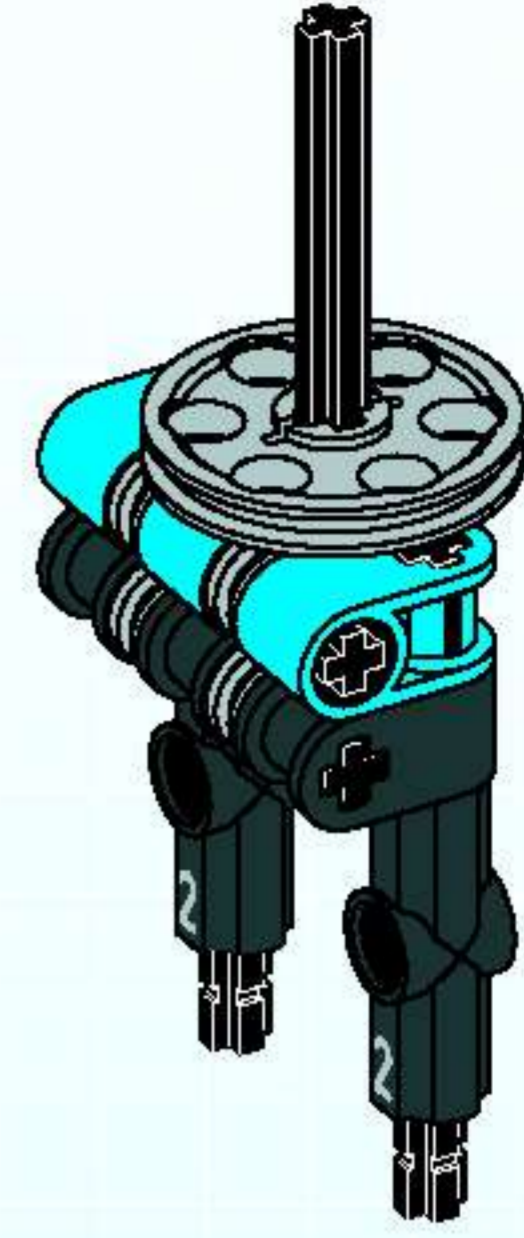




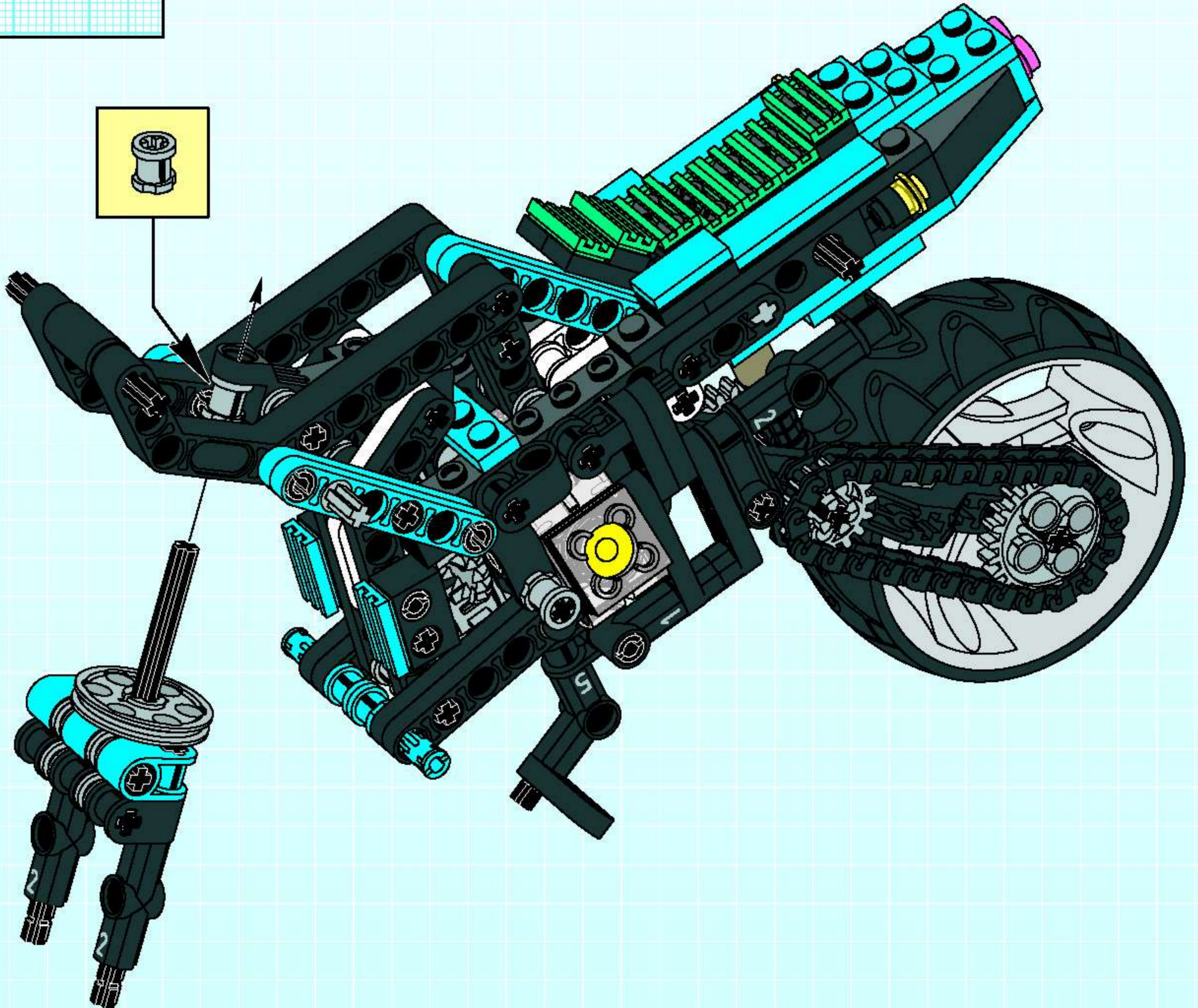
7



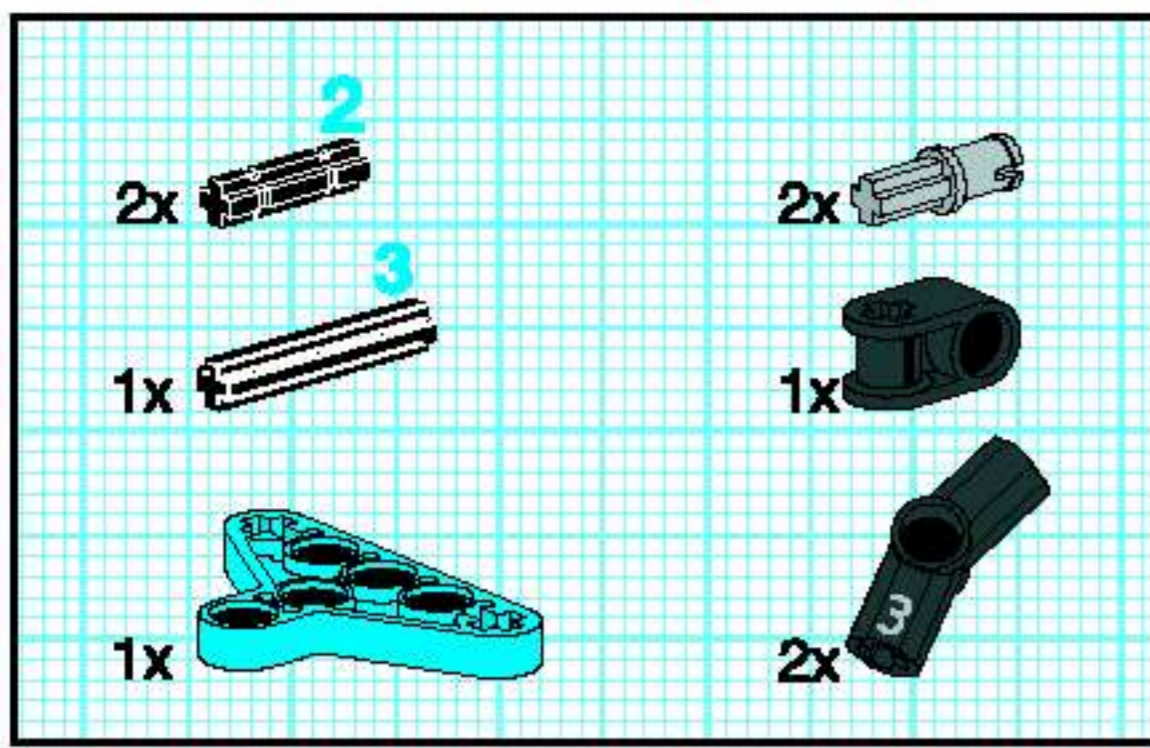
8



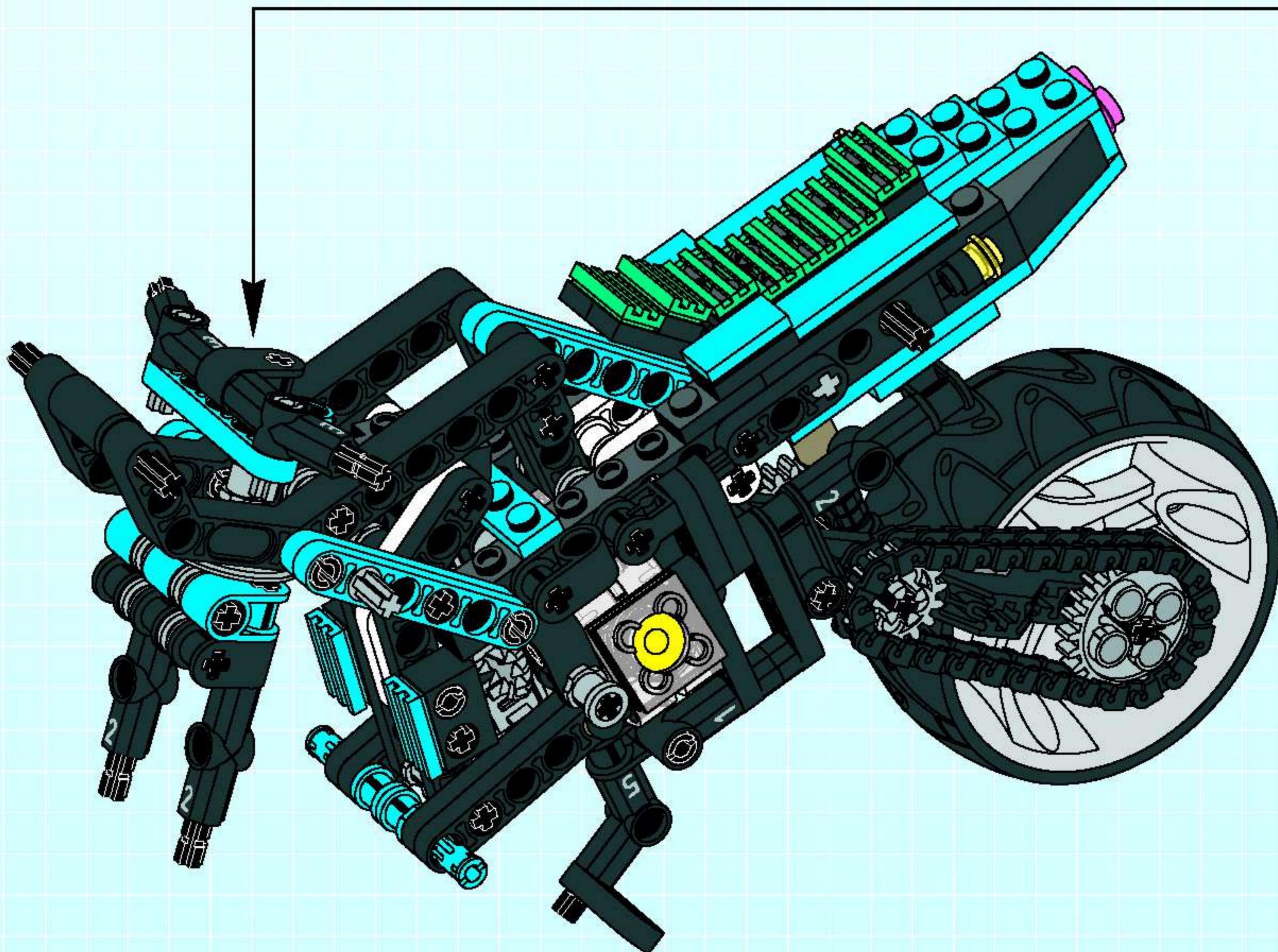
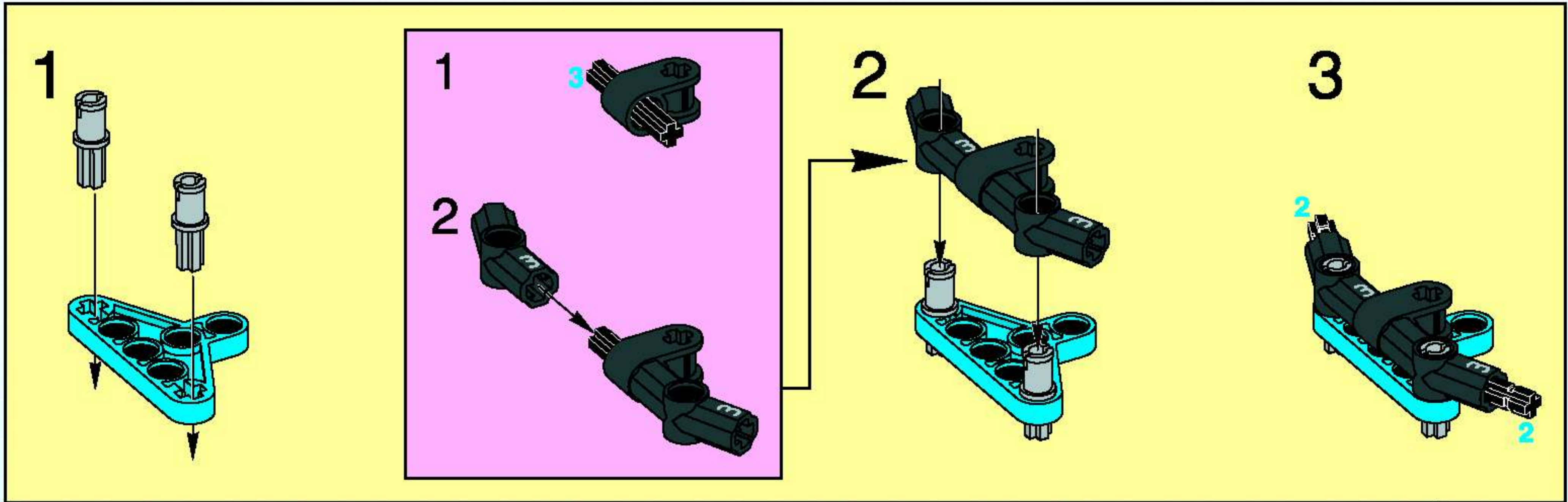
51

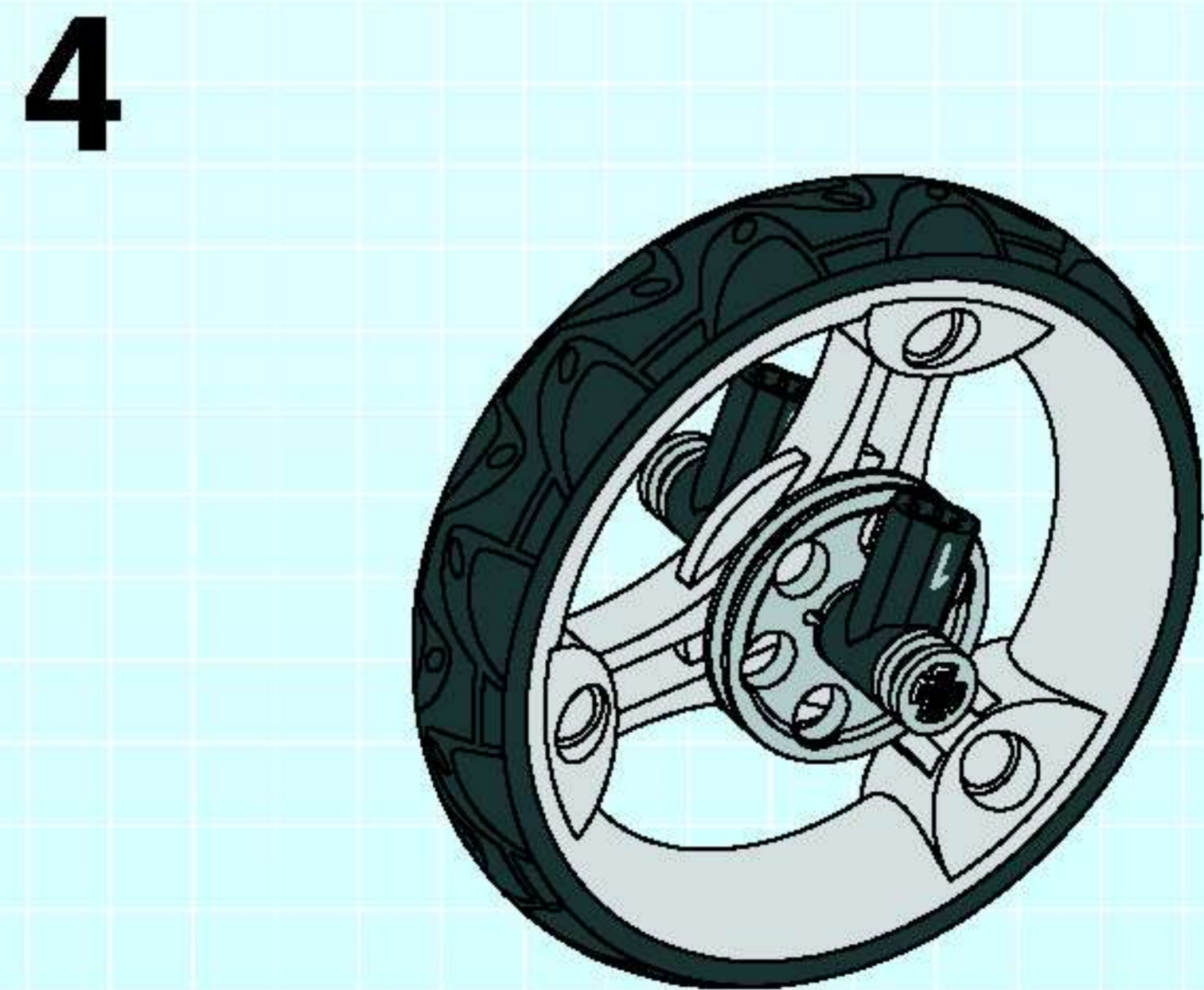
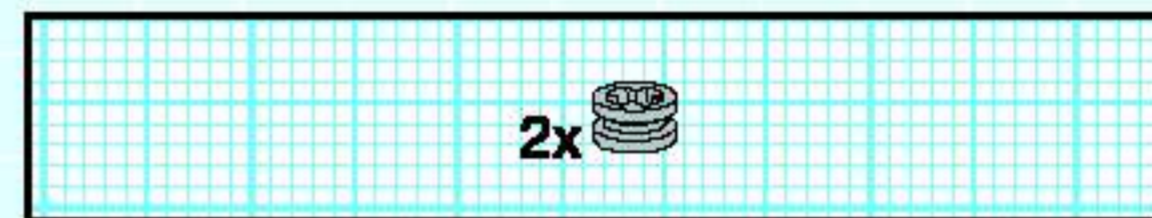
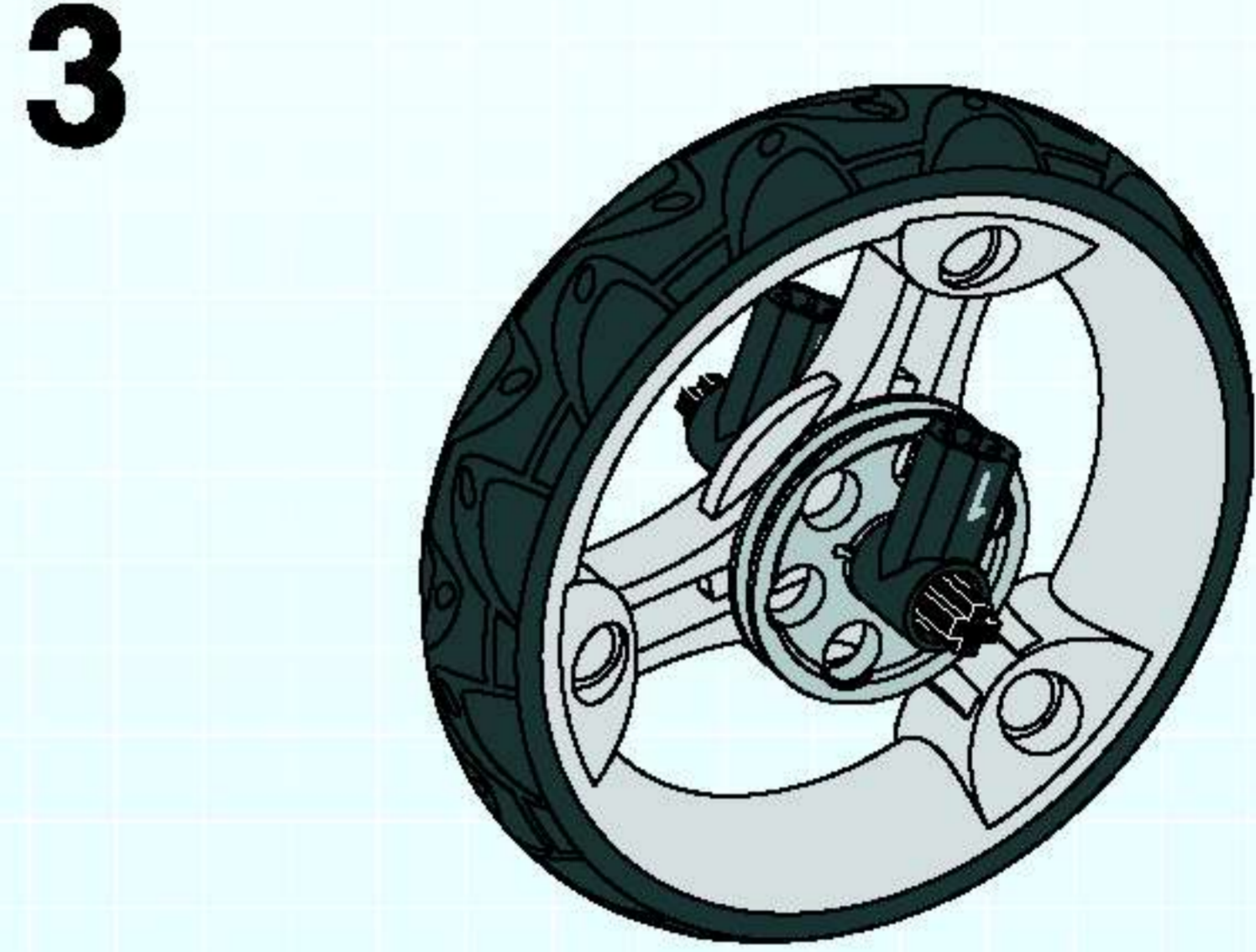
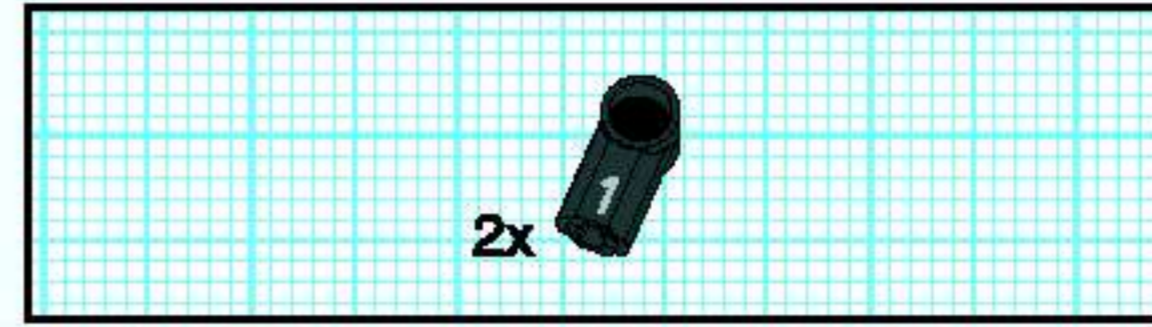
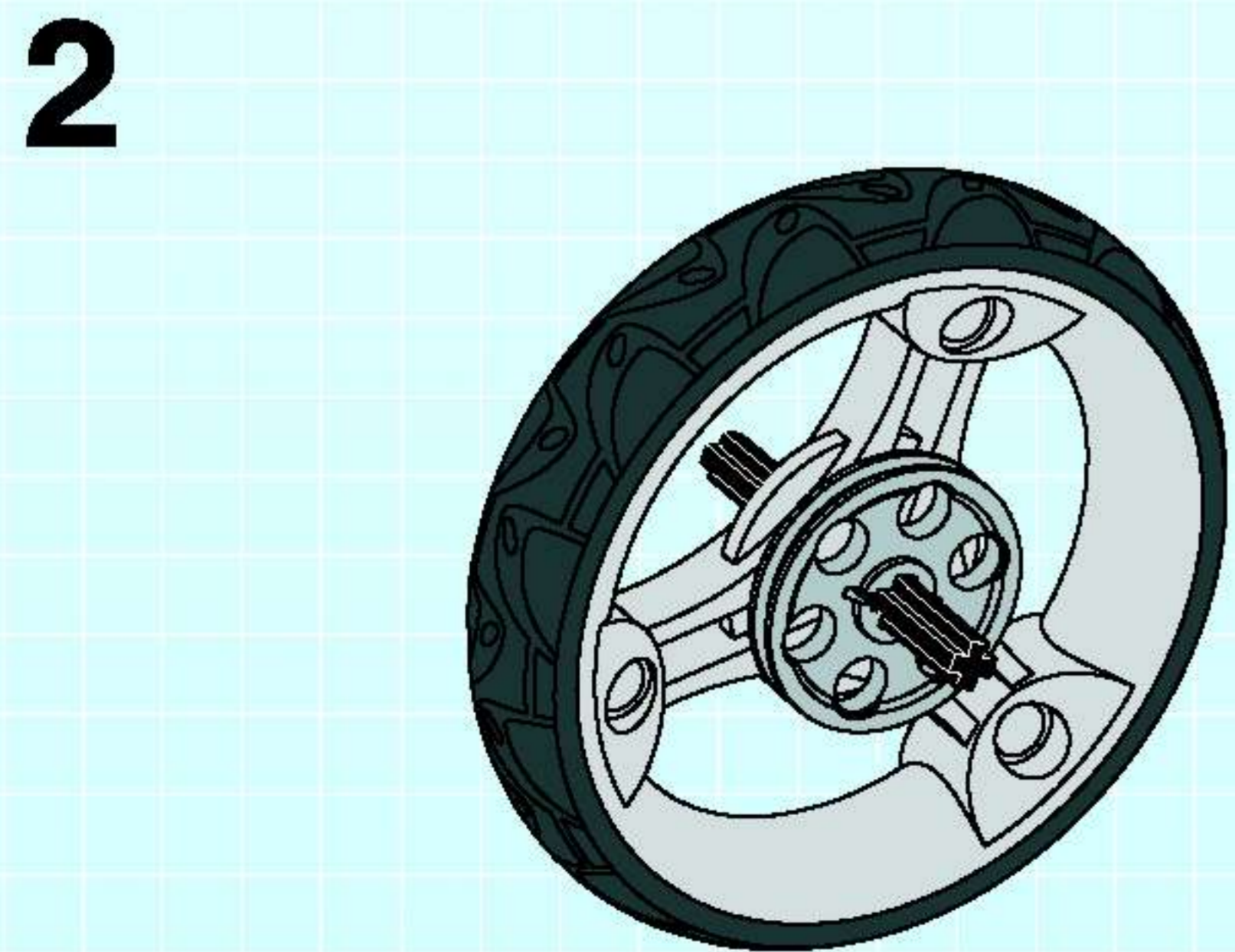
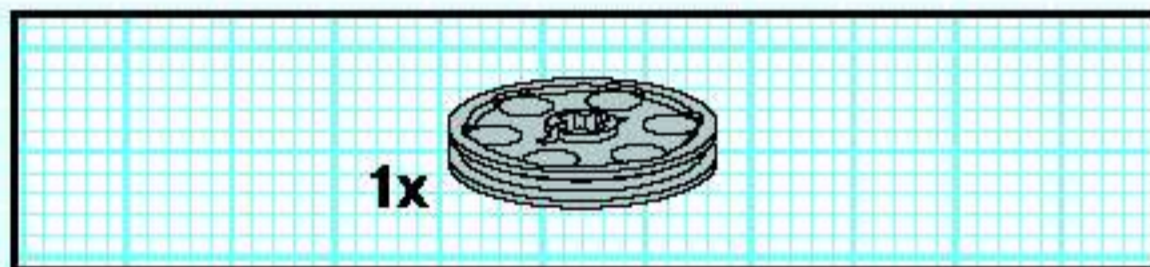
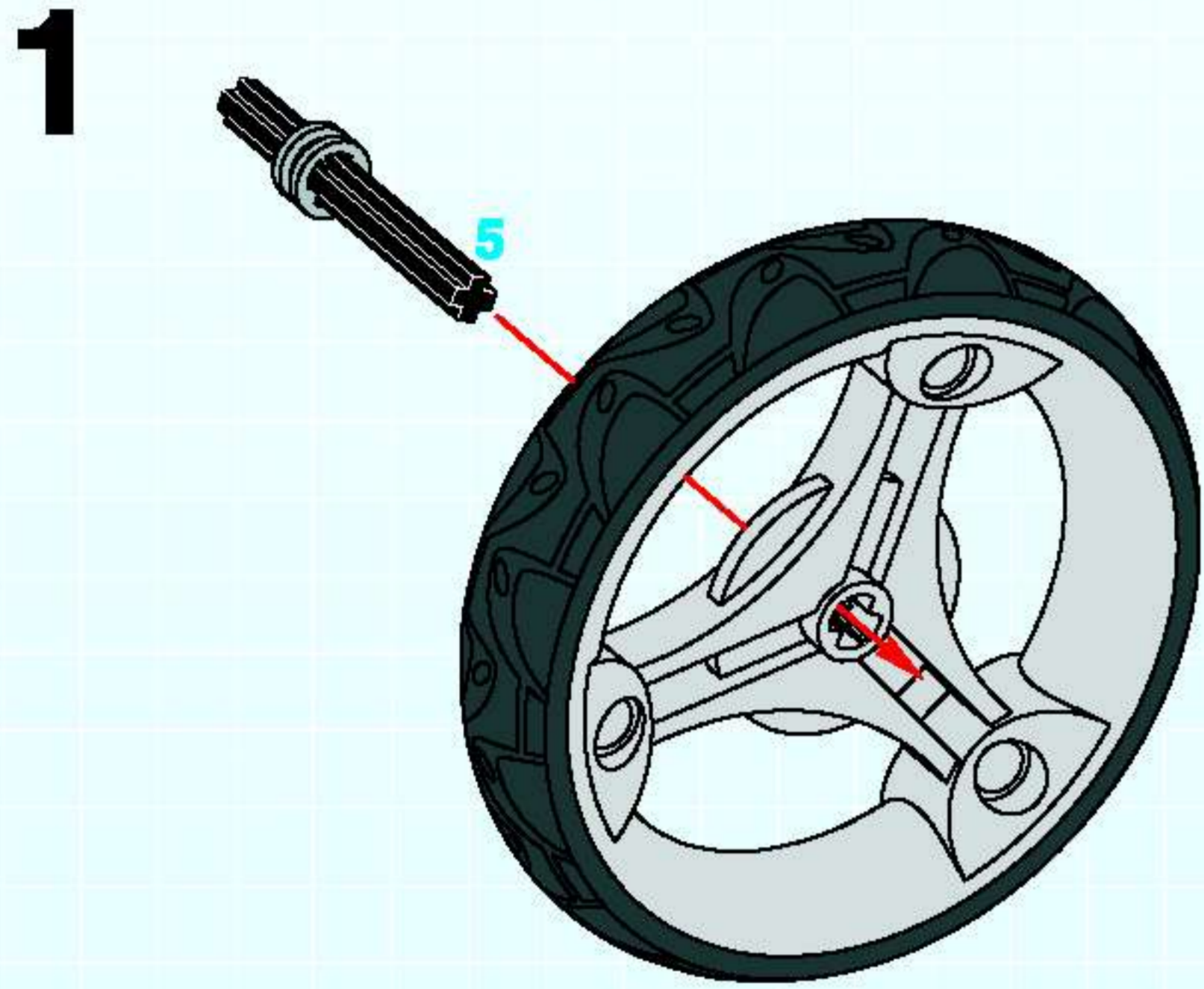
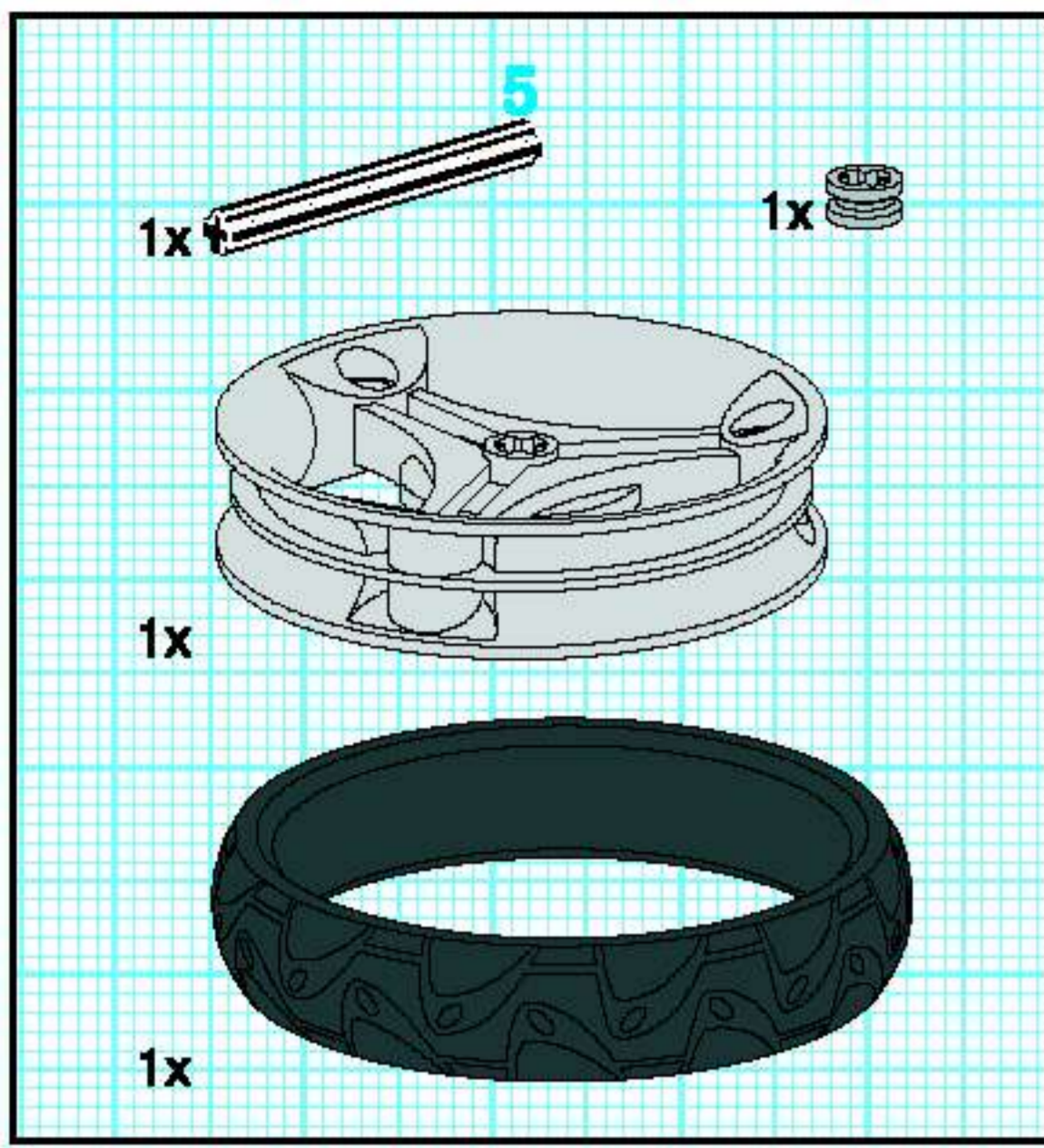




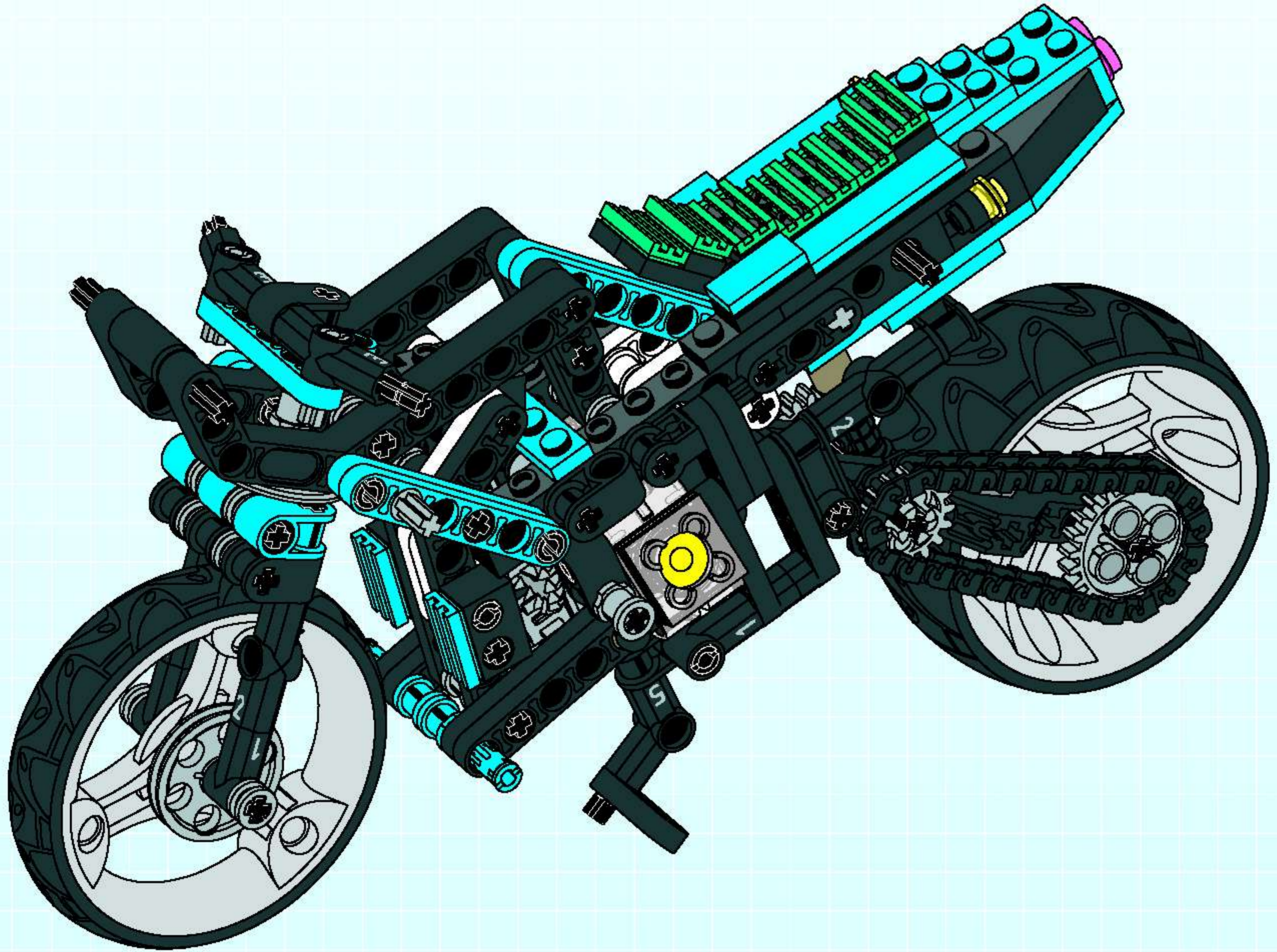


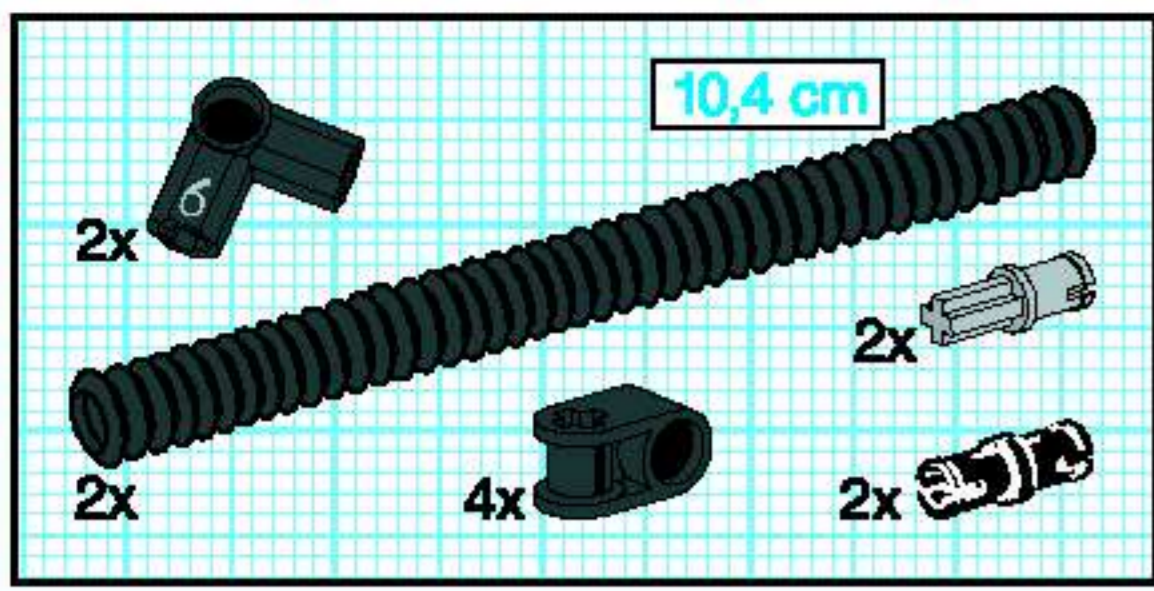
# 52



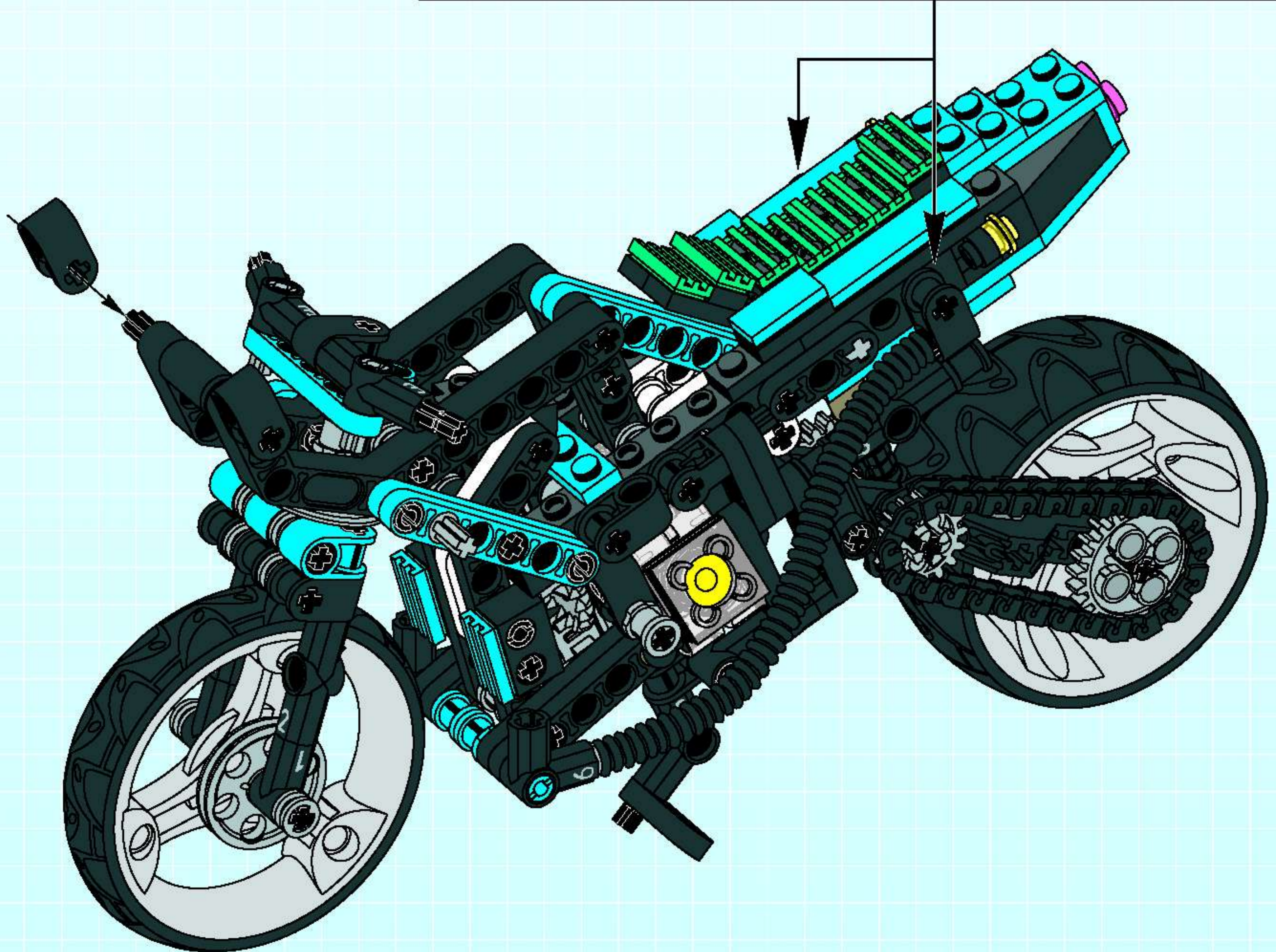
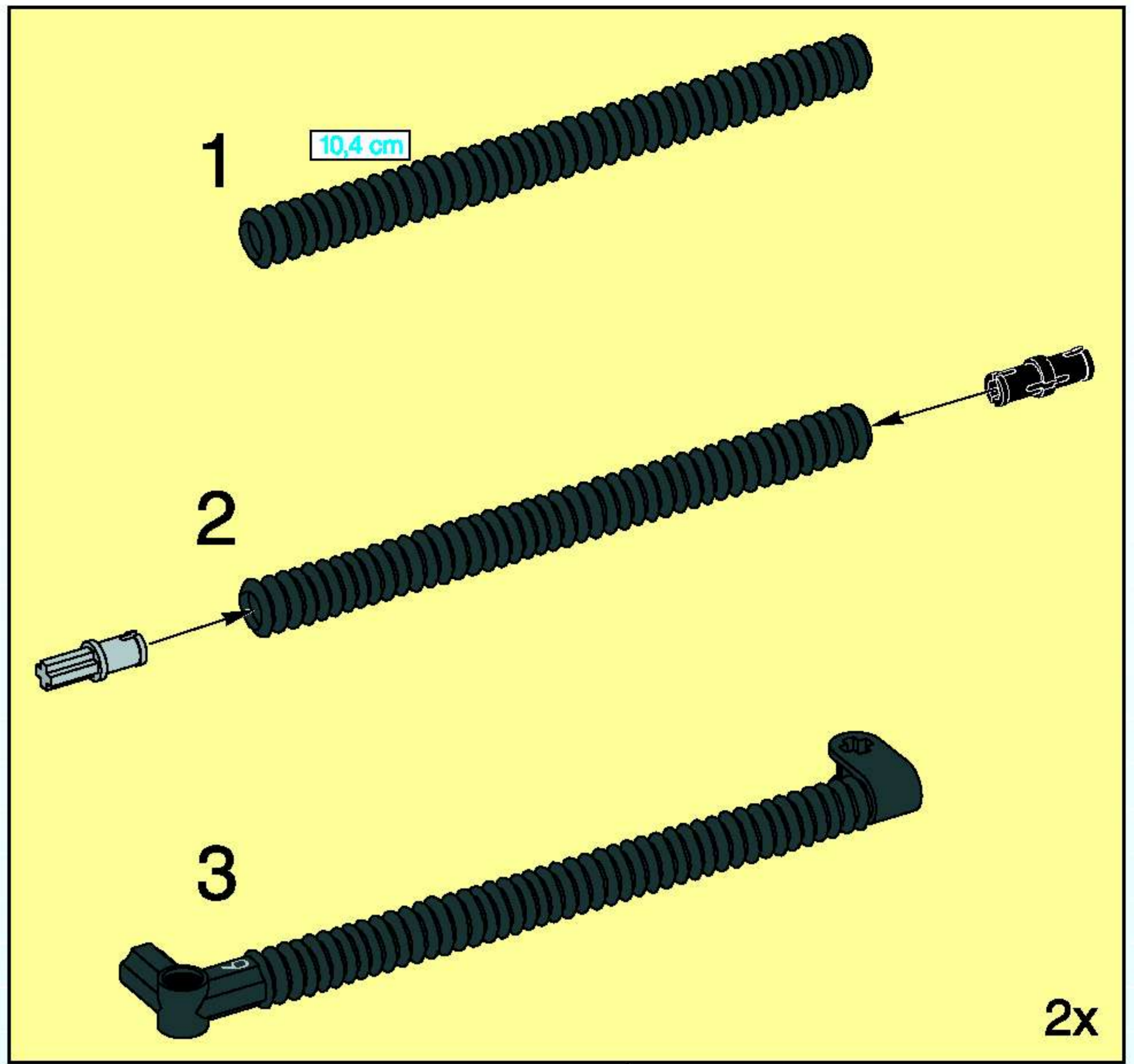


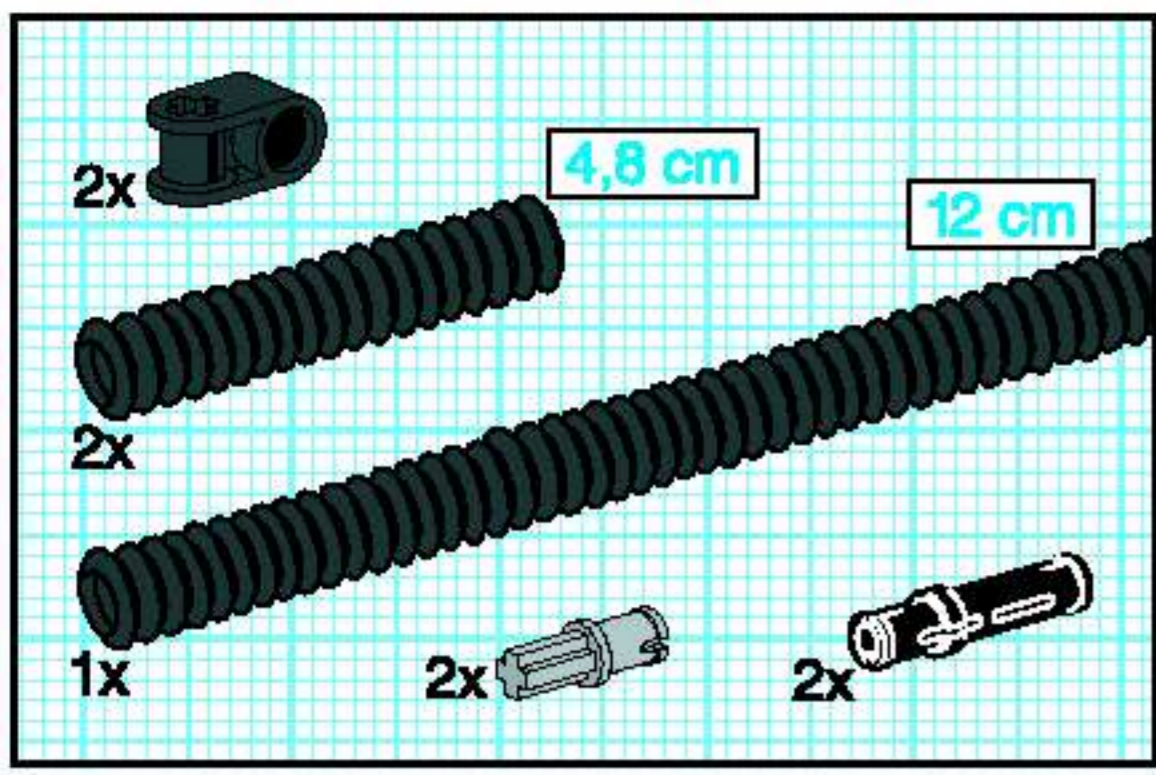
53



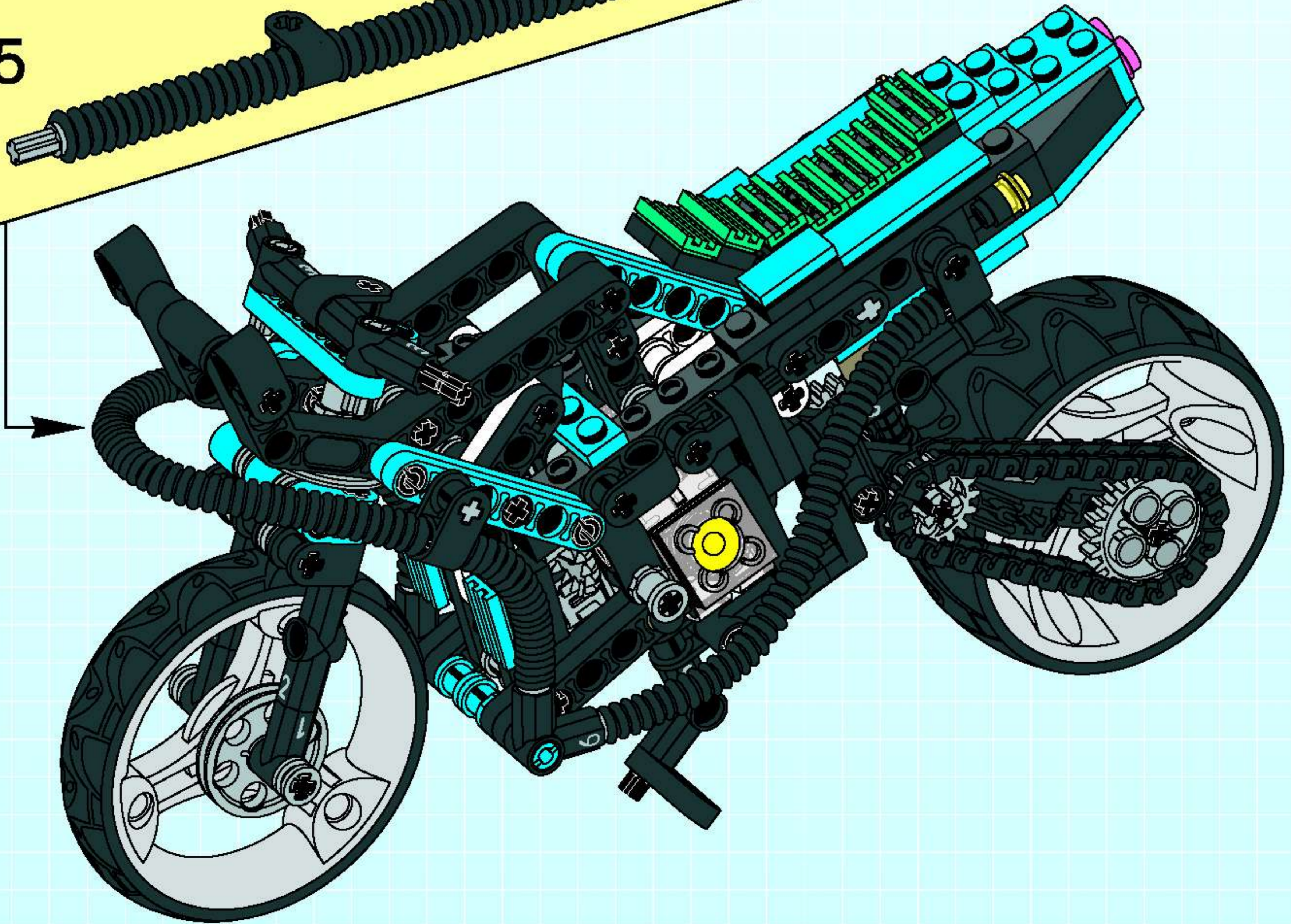
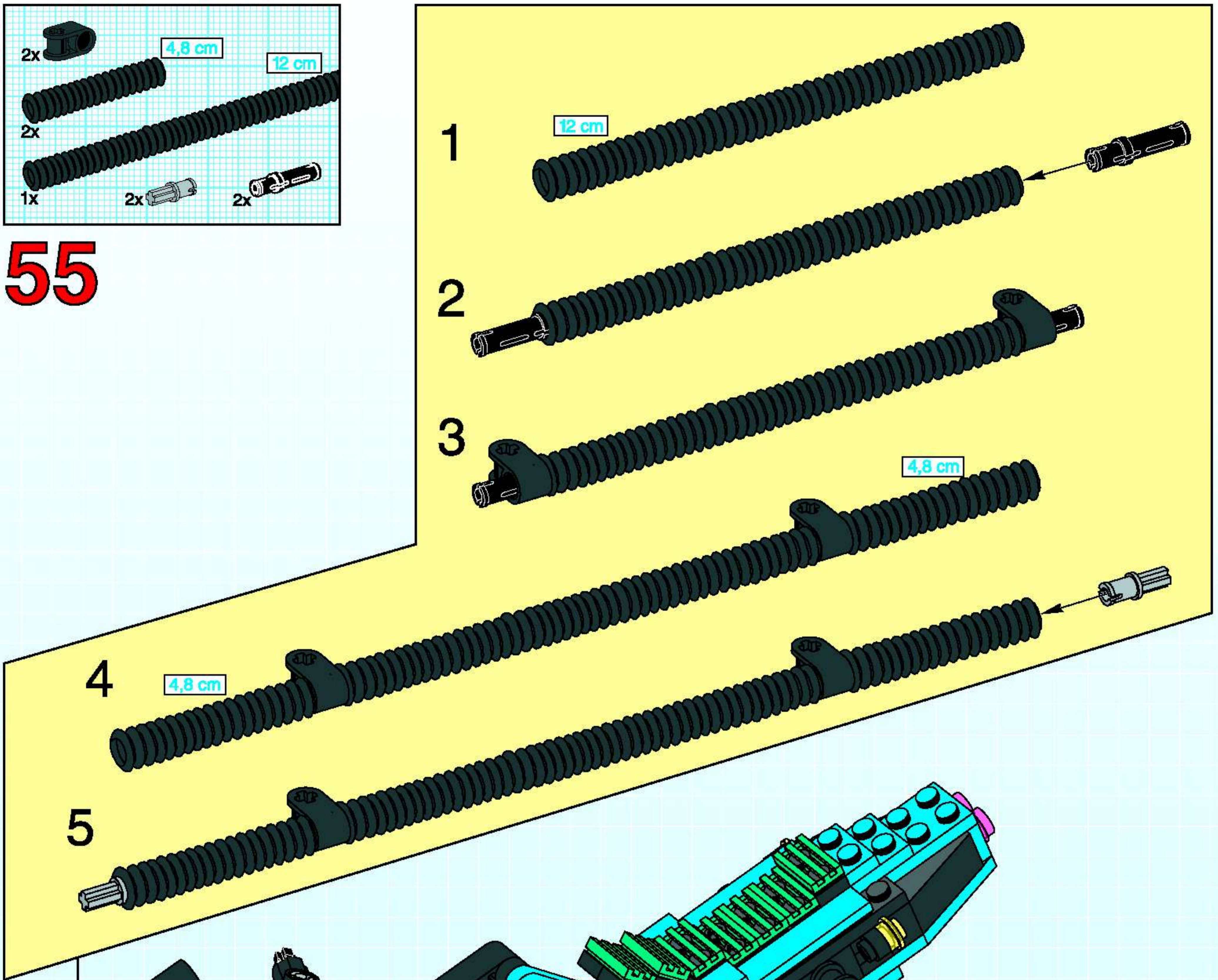


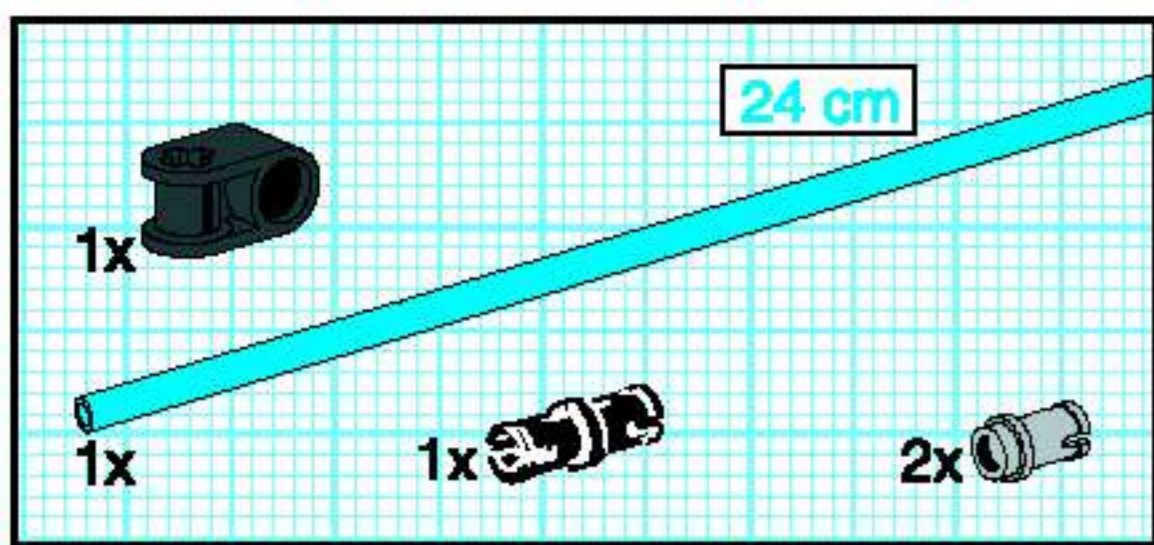
54



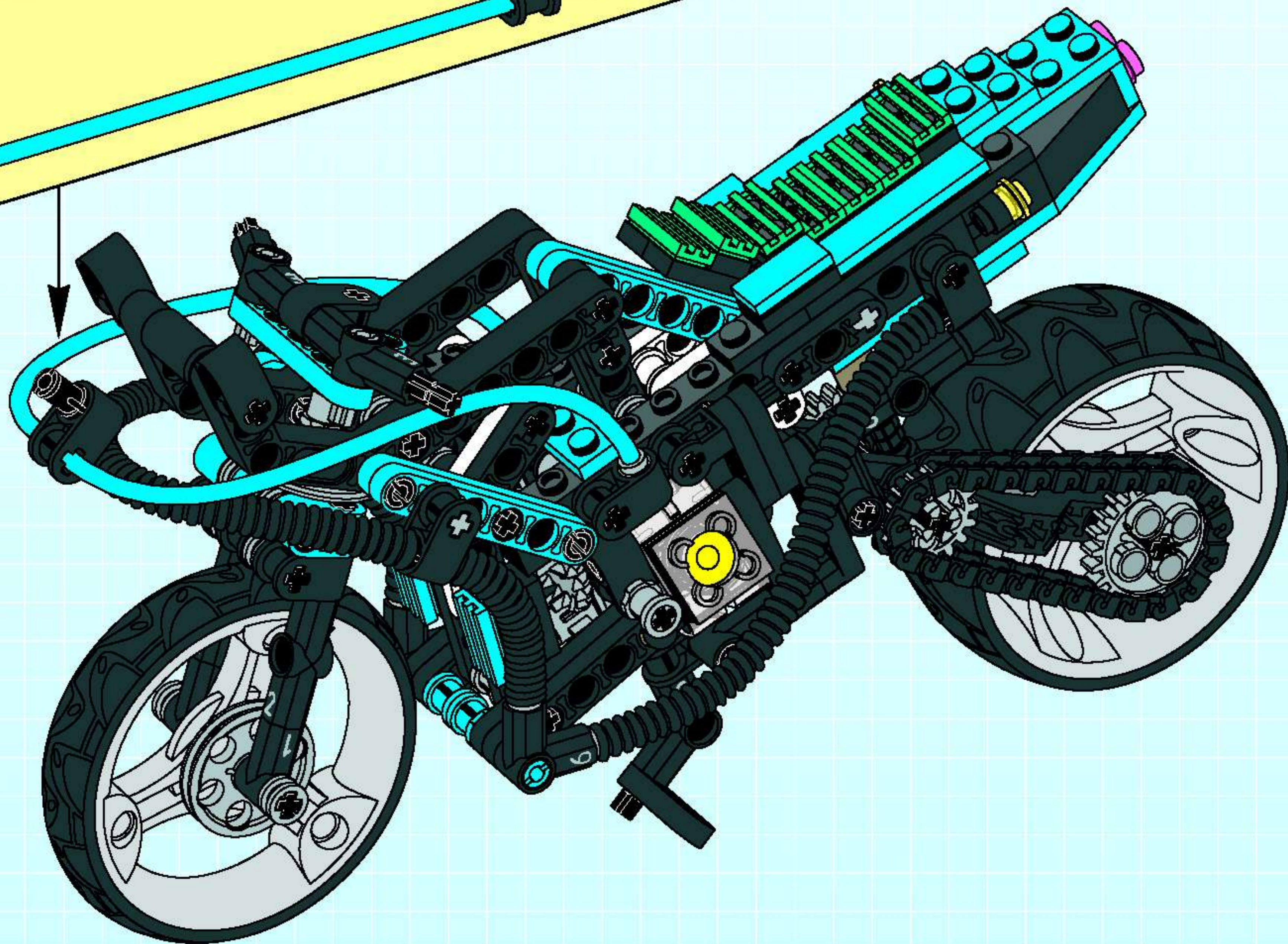
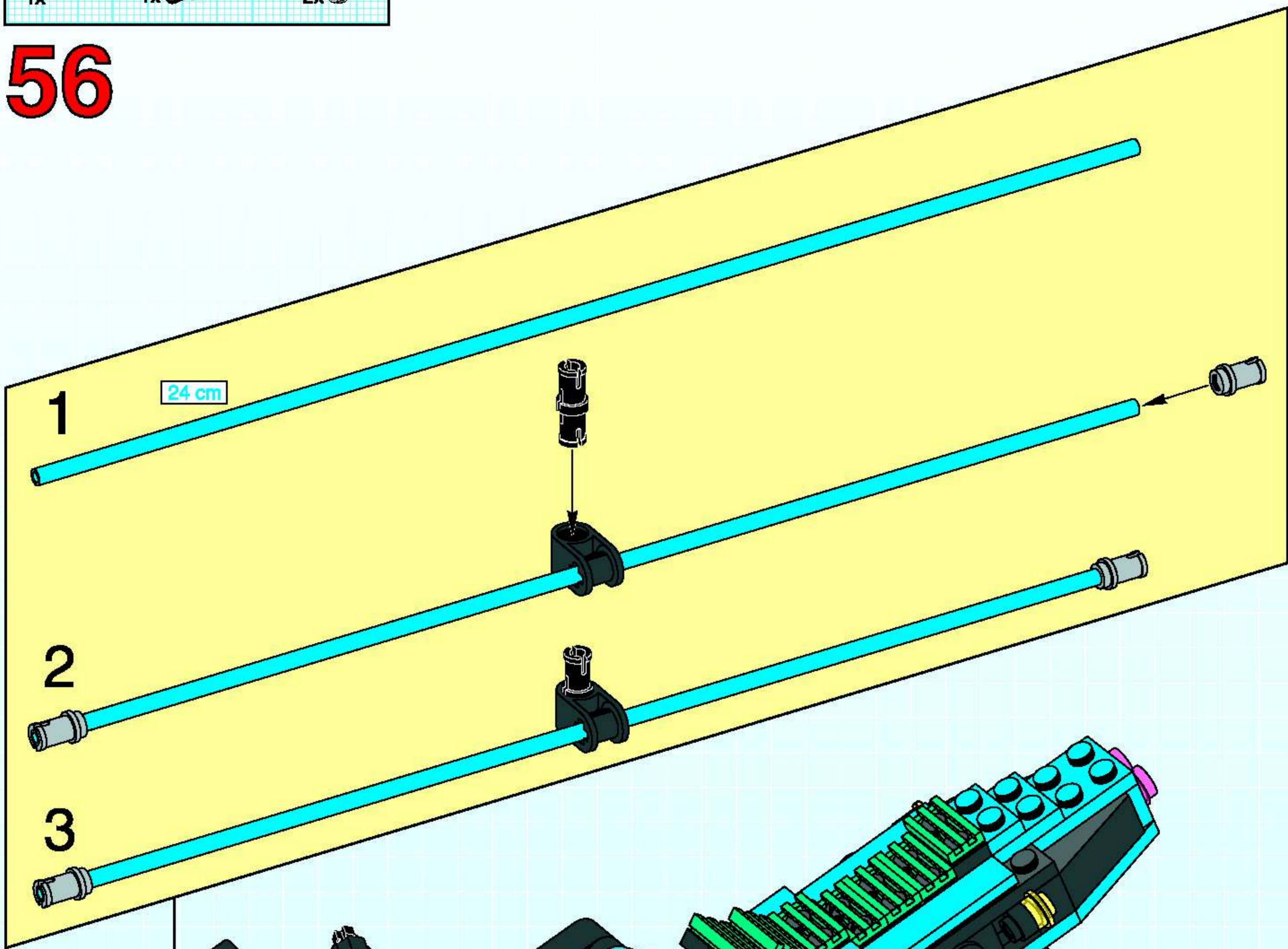


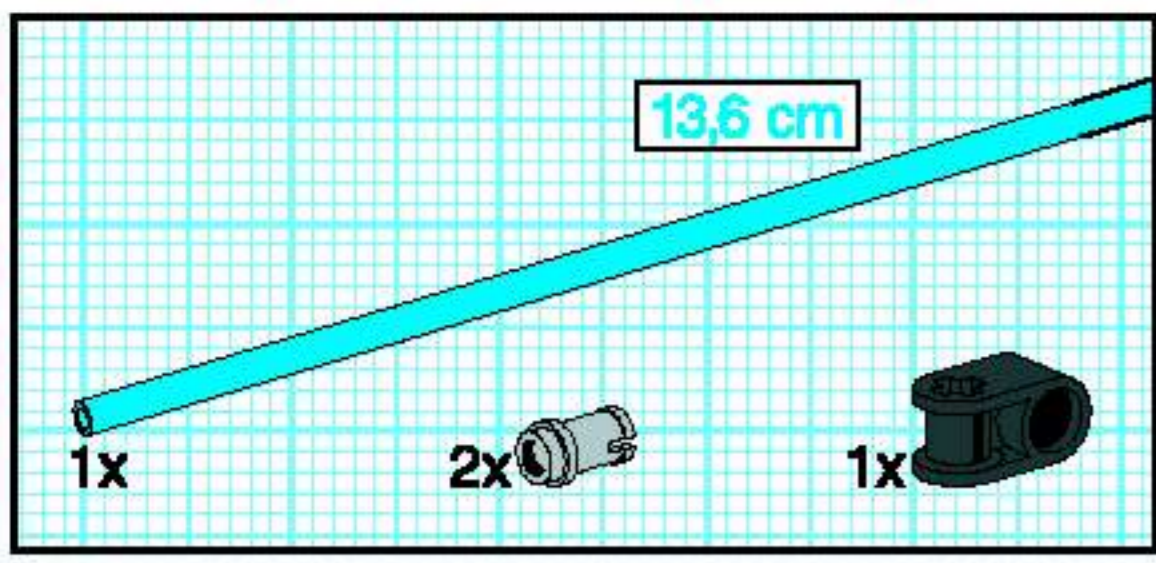
55



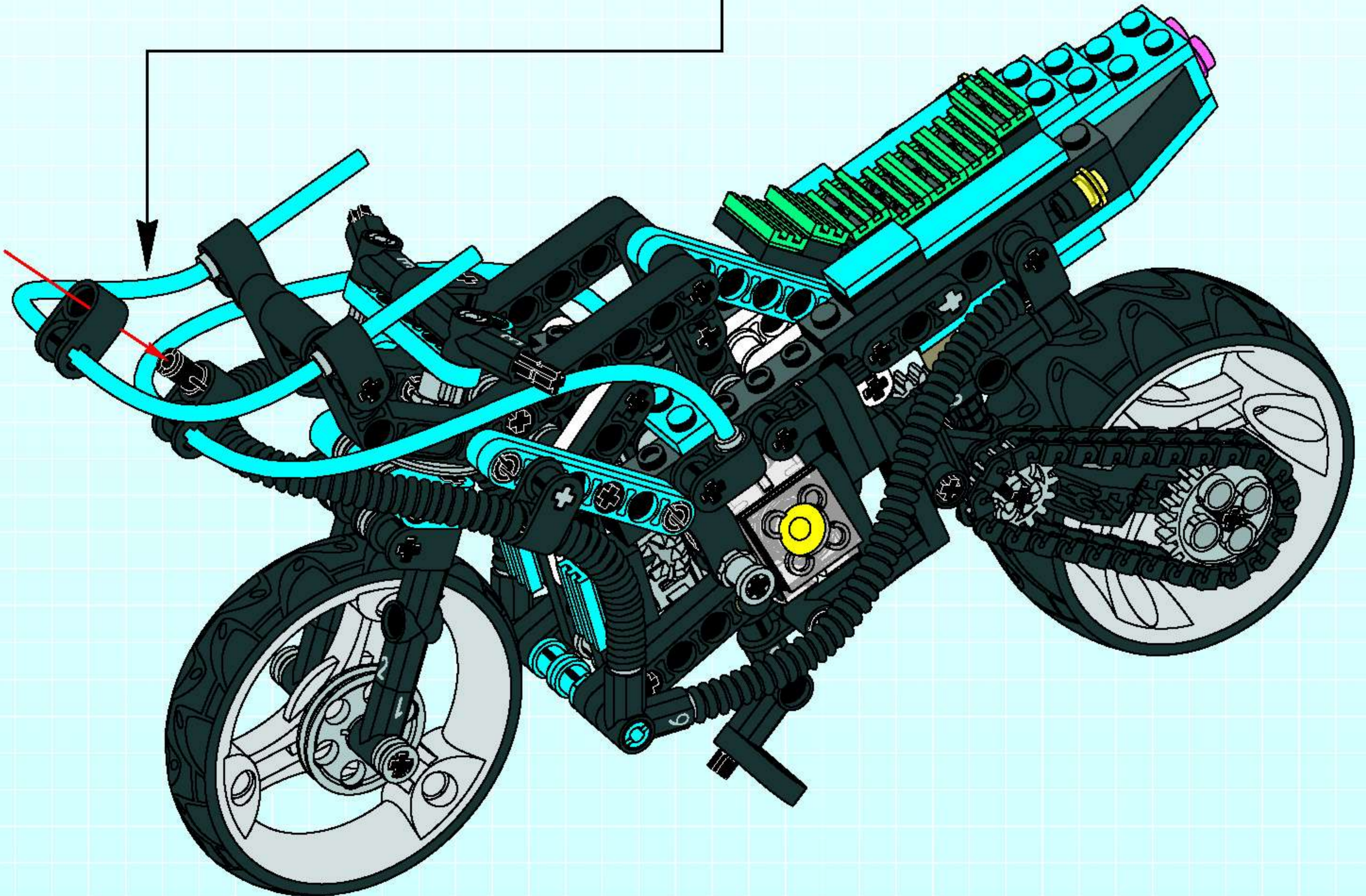
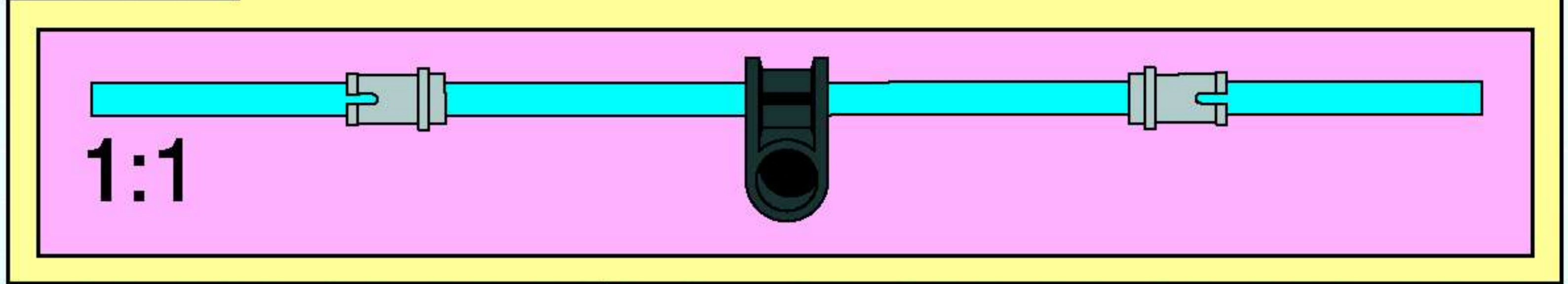
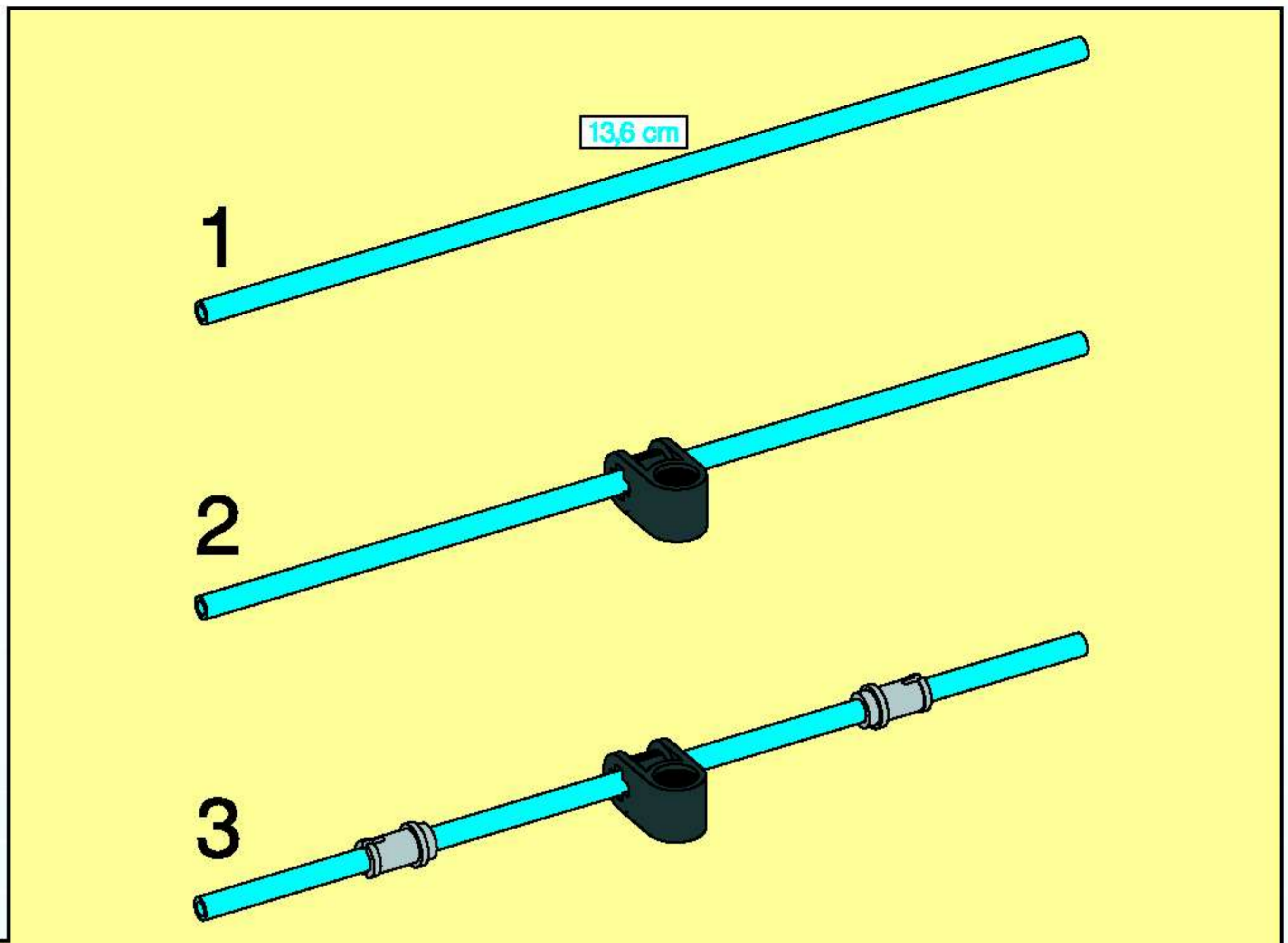


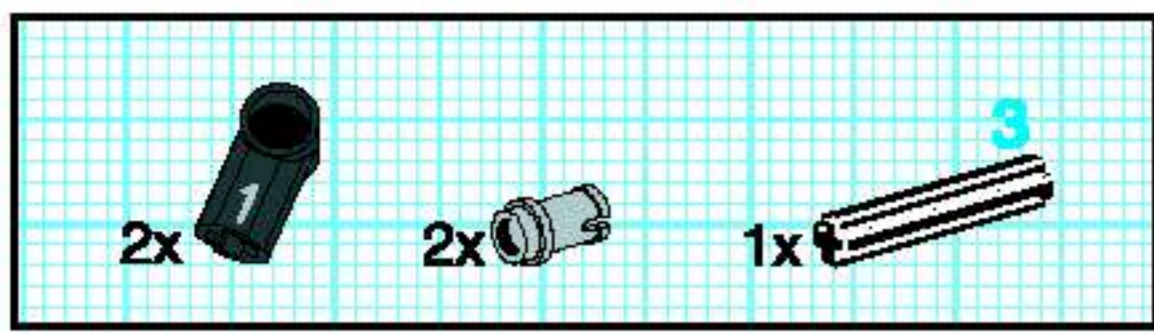
56



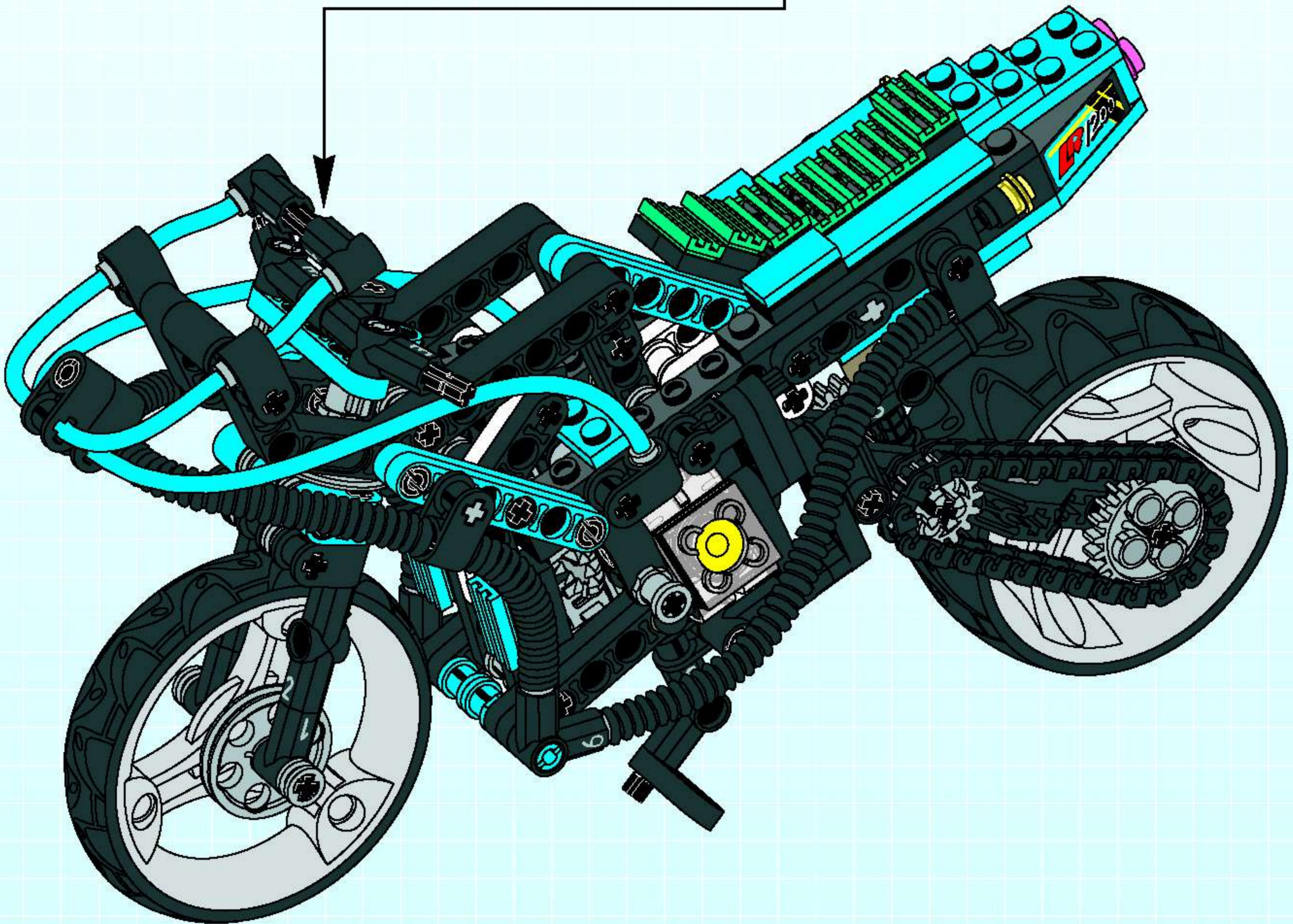
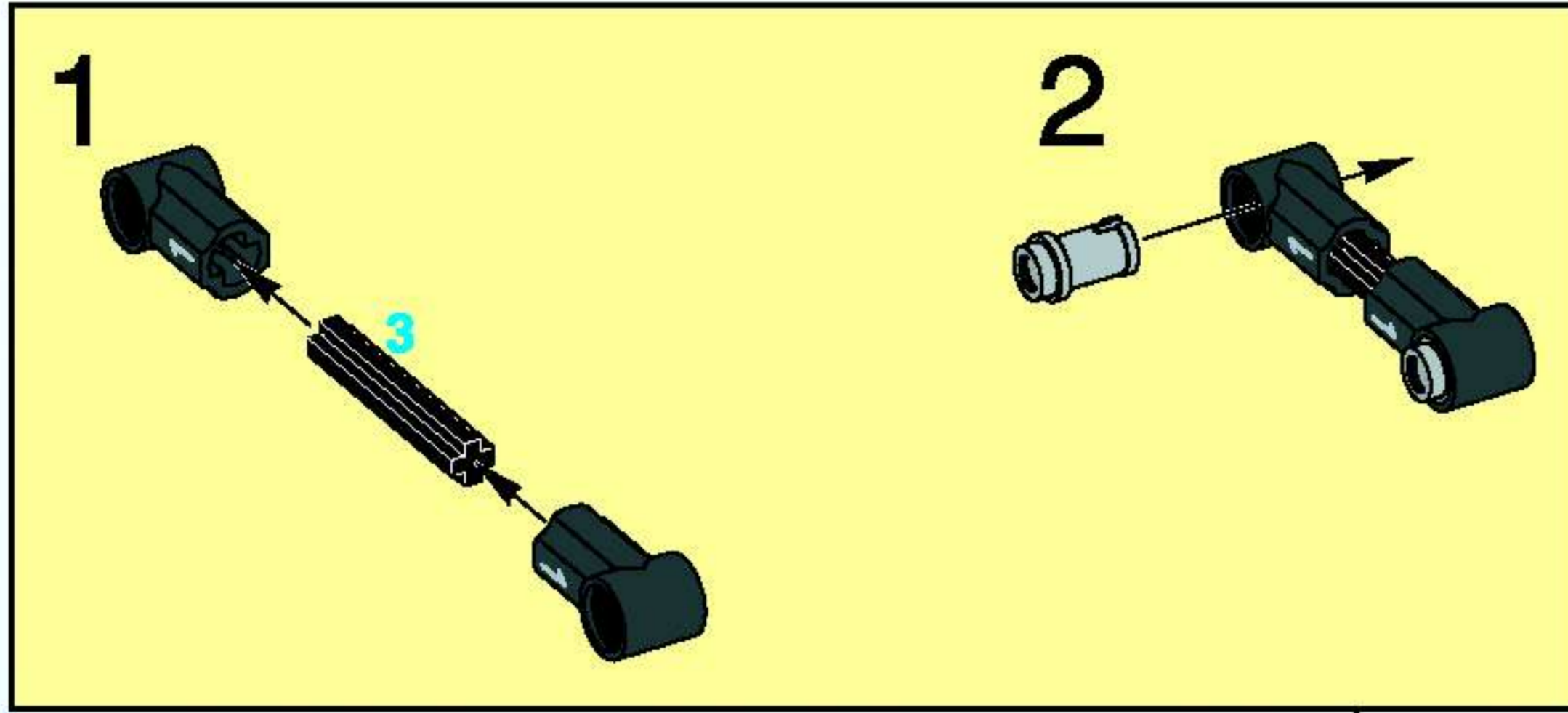


57

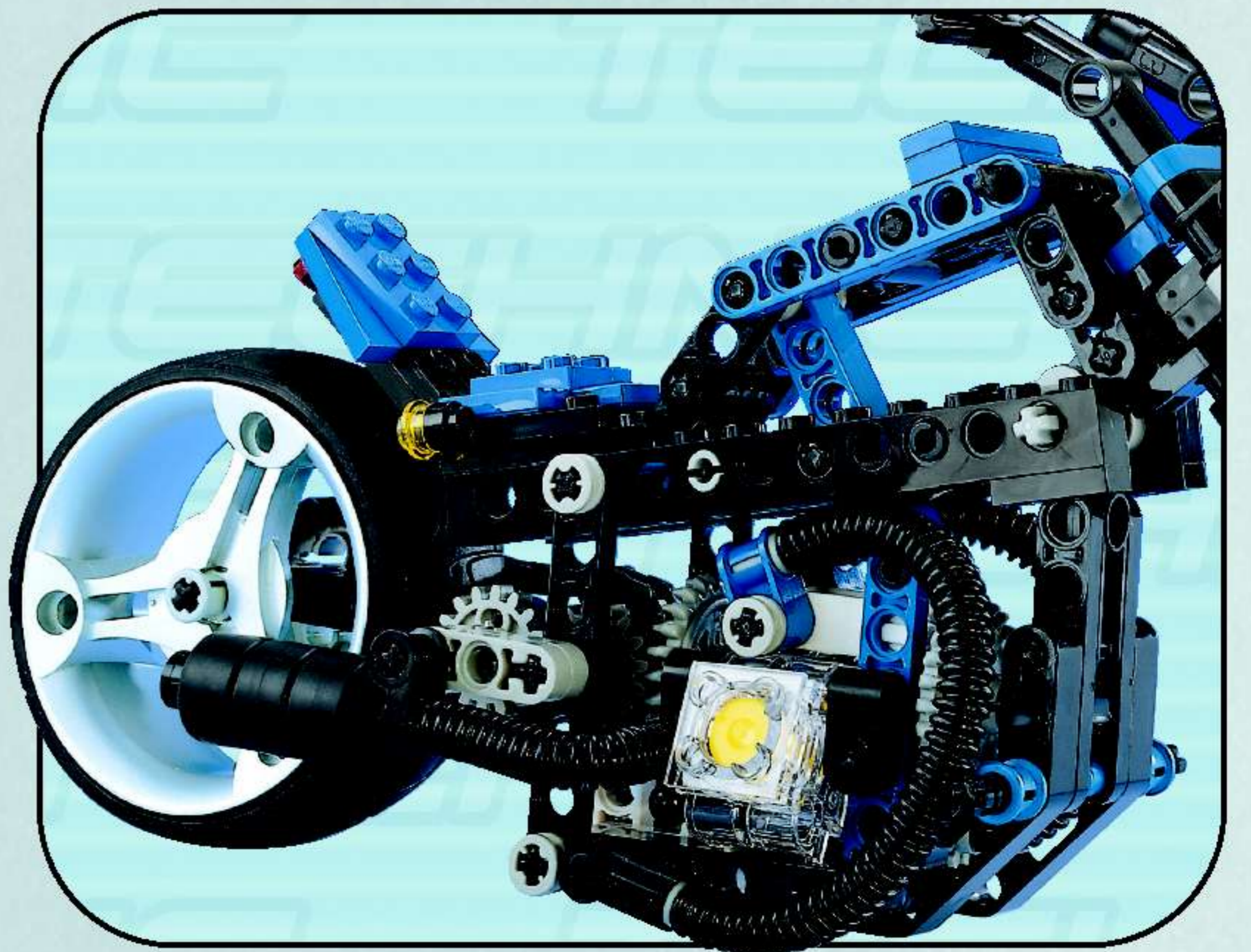
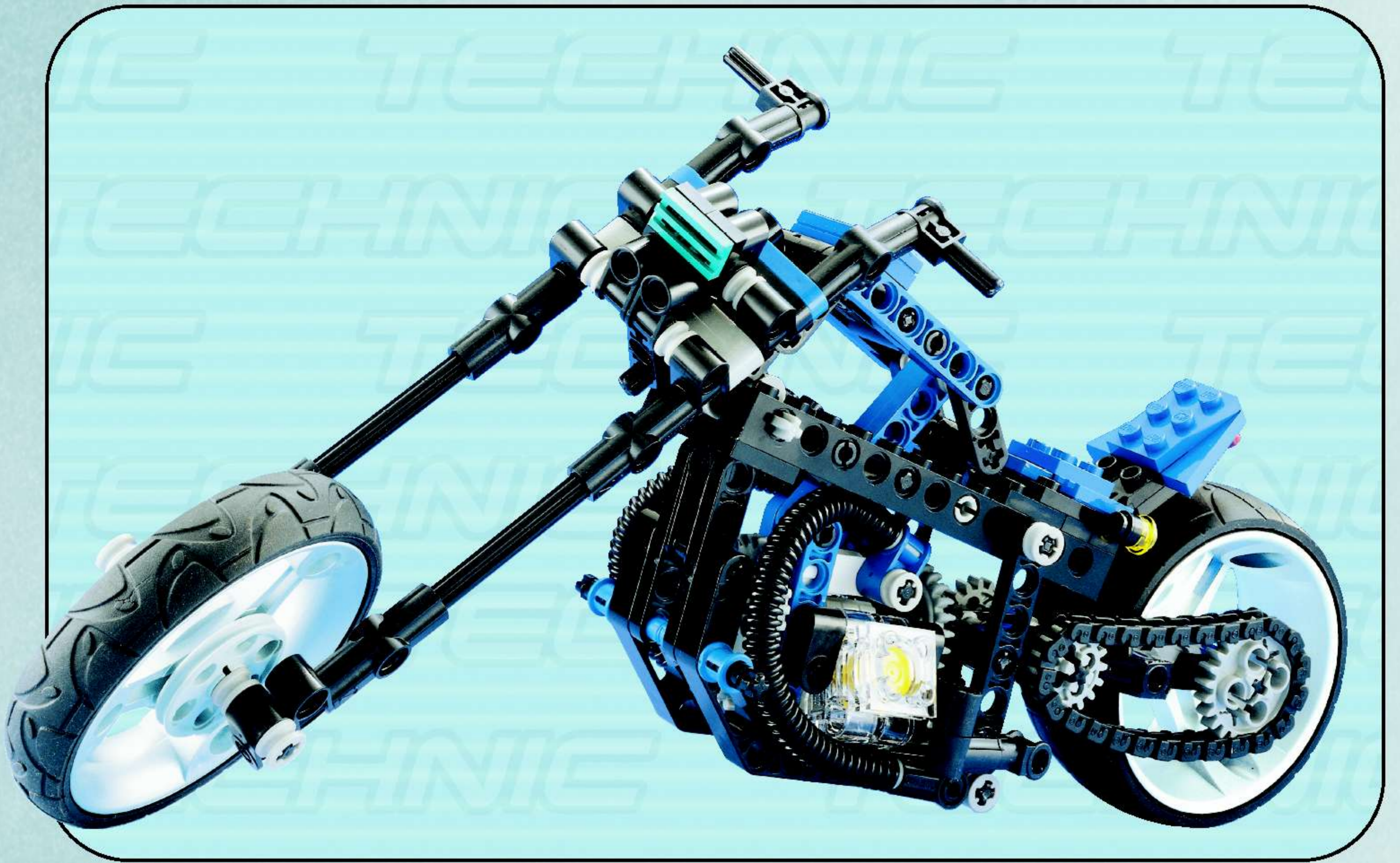


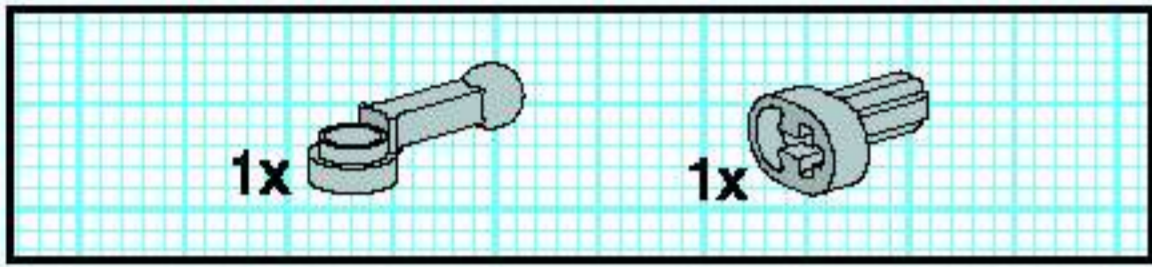
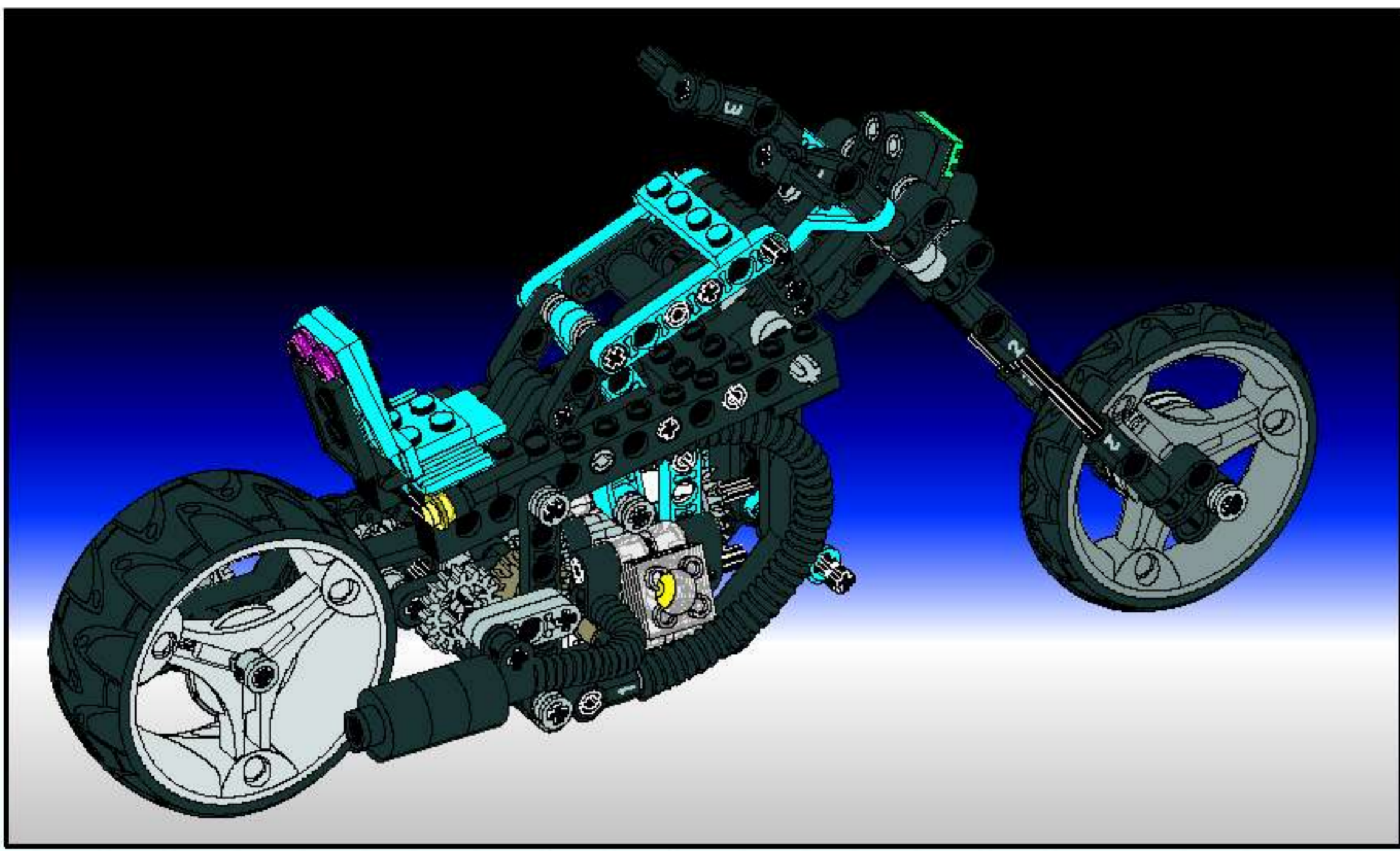


58

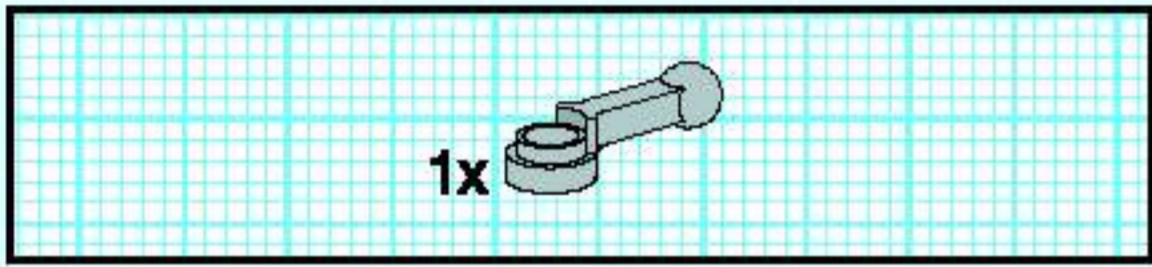
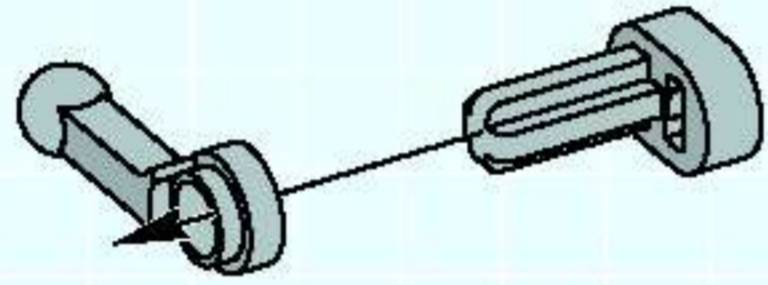




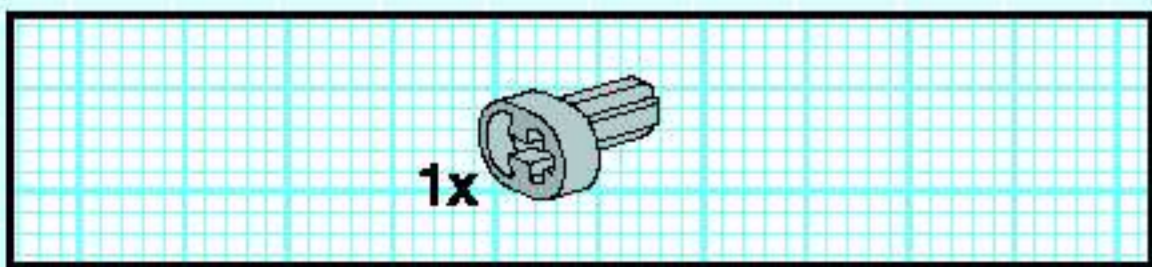
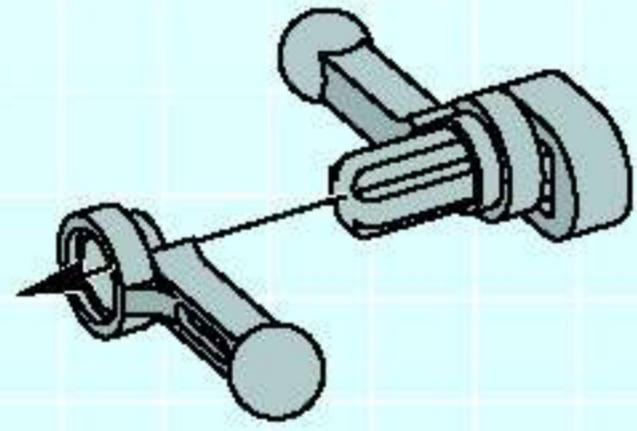




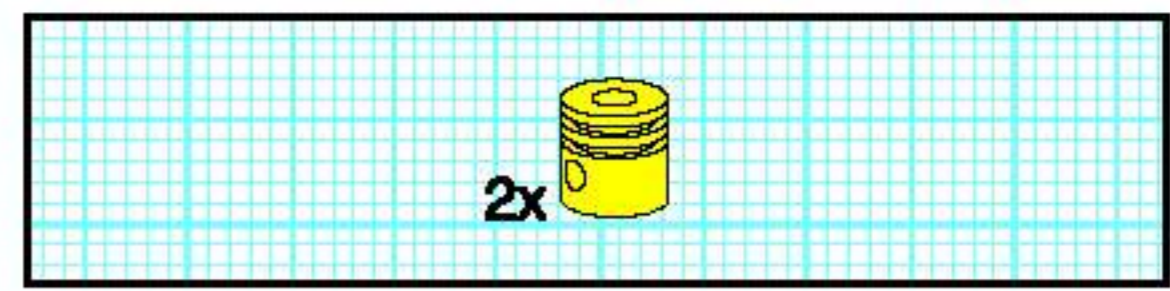
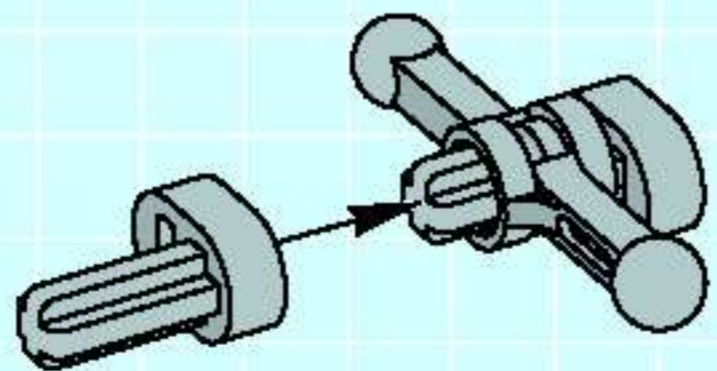
1



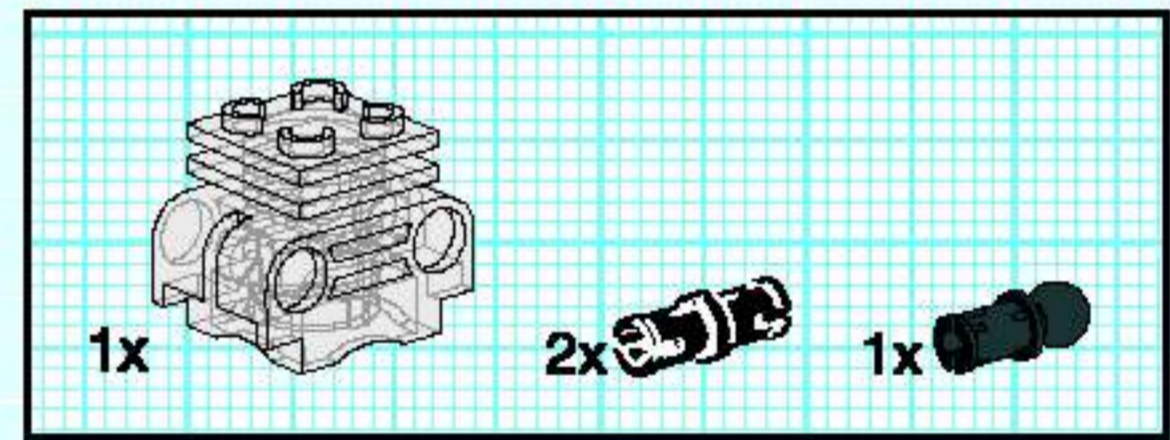
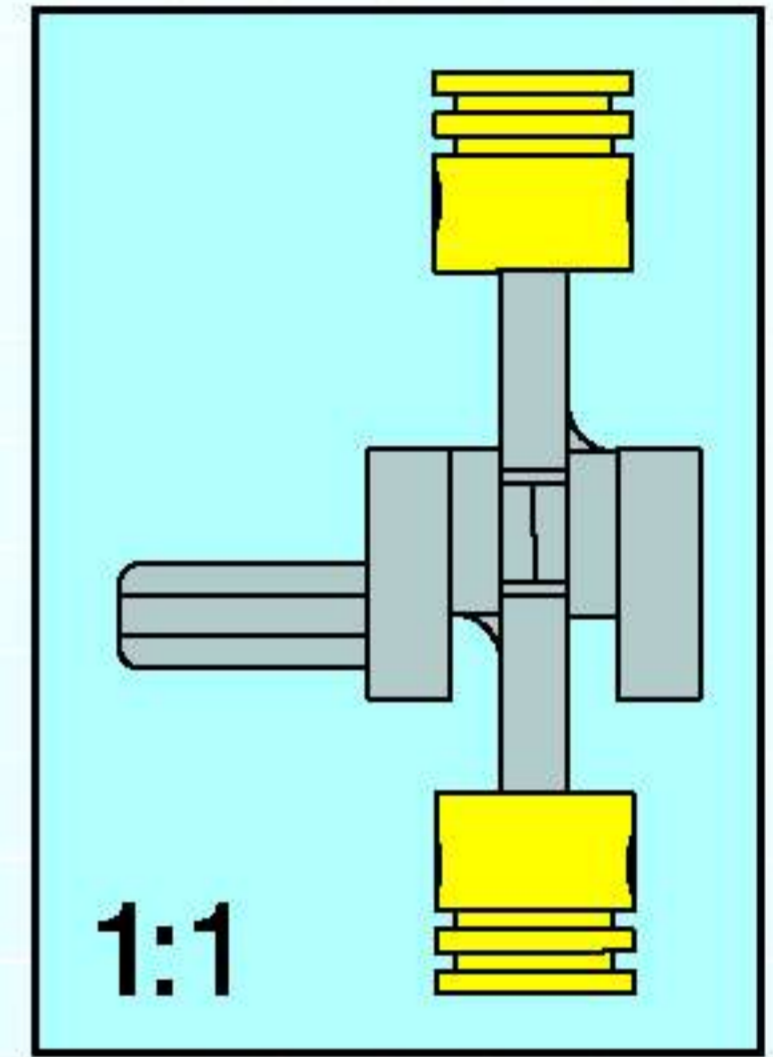
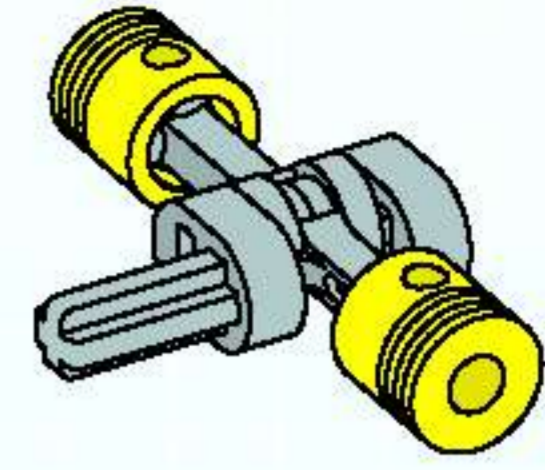
2



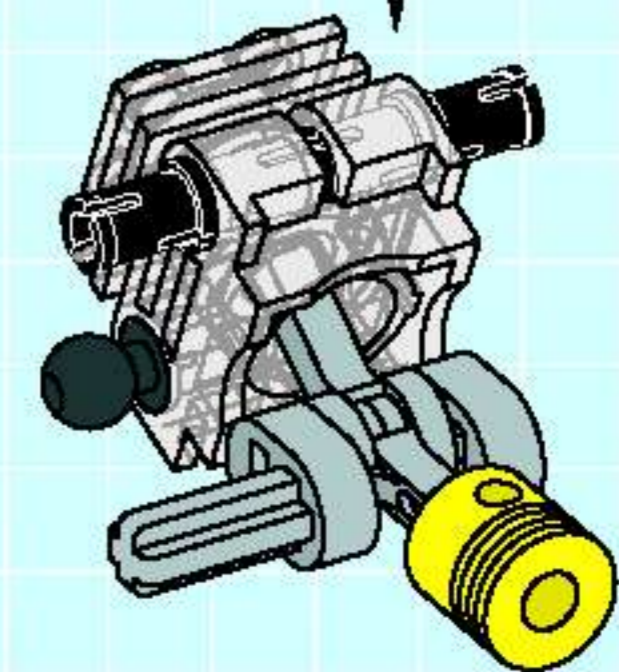
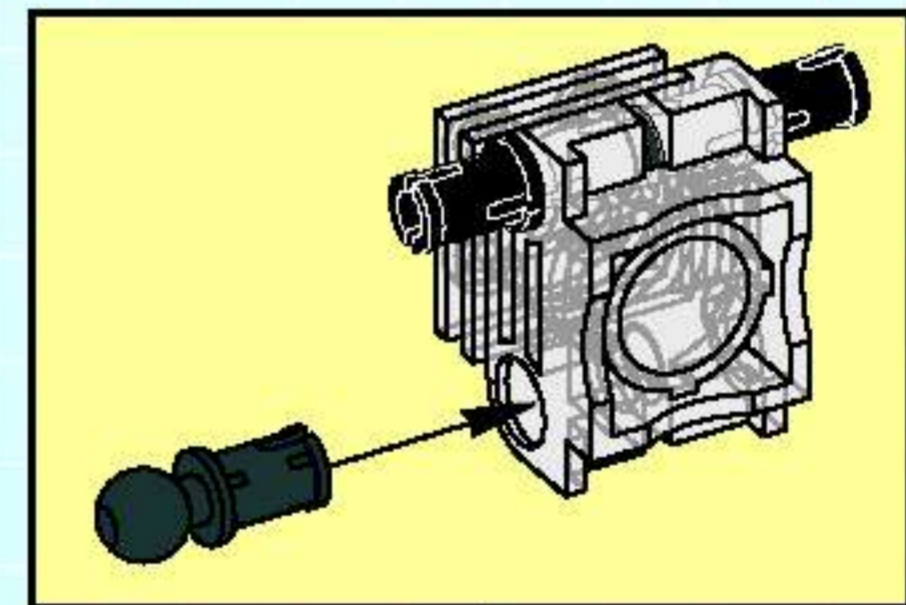
3

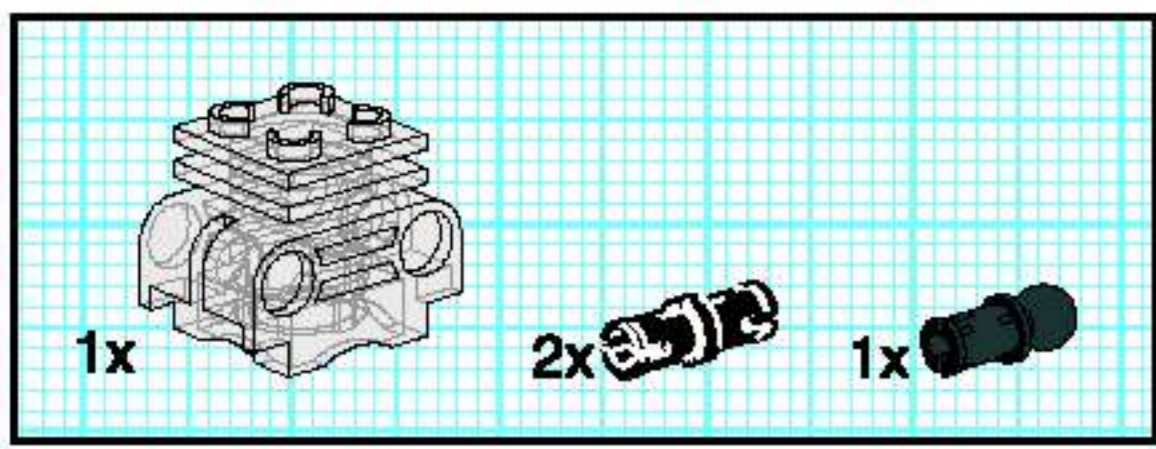


4

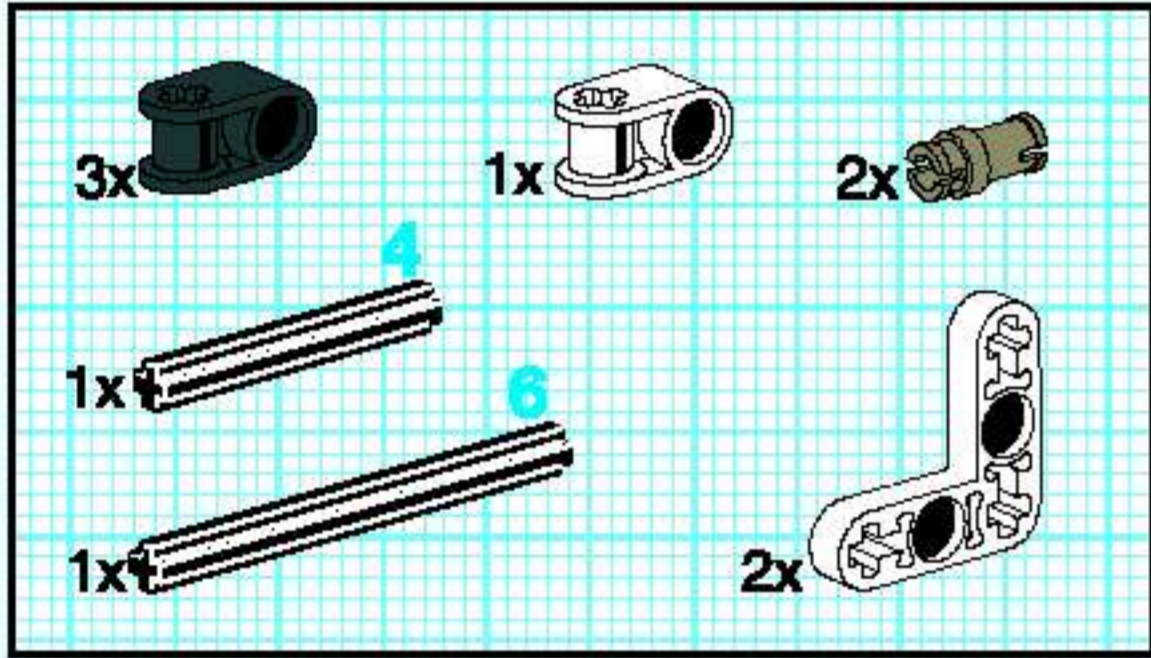
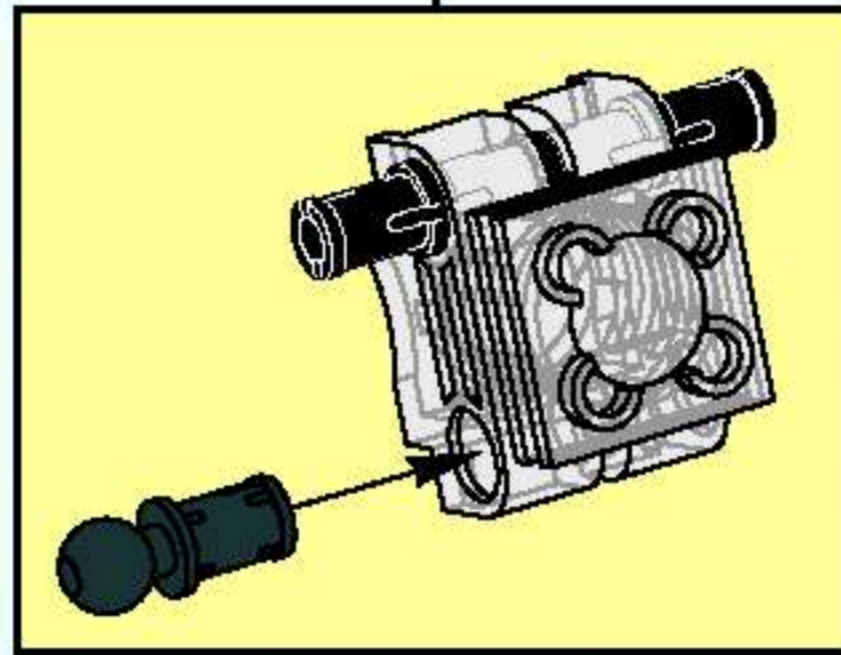
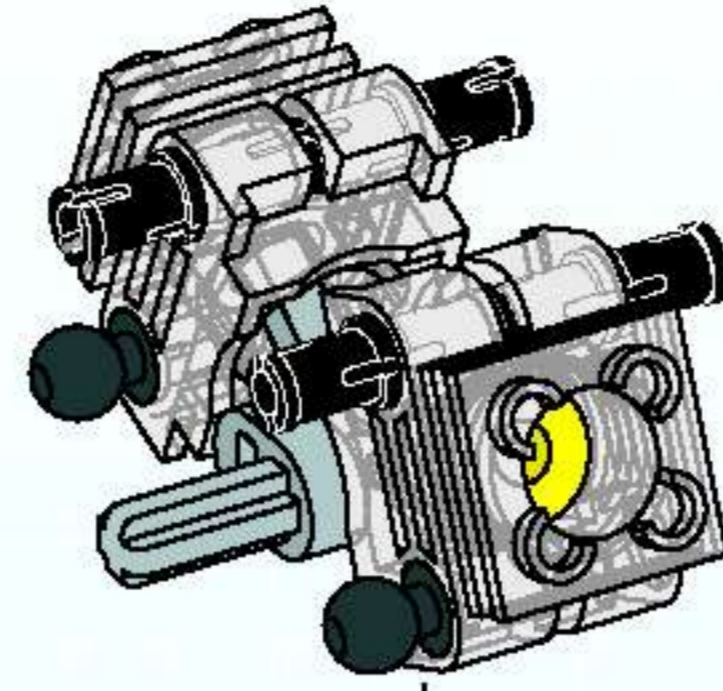


5

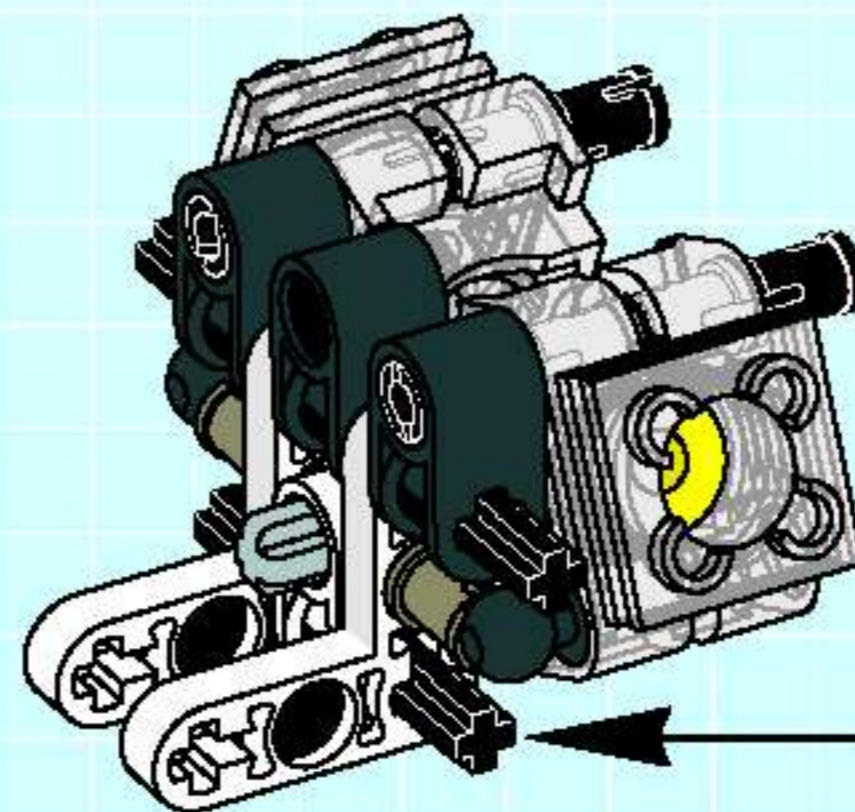
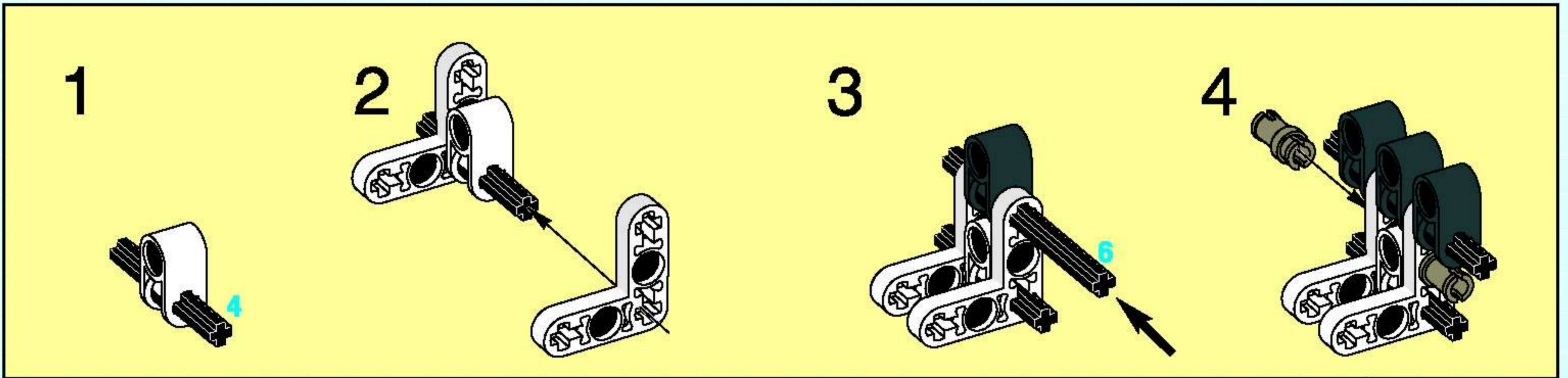


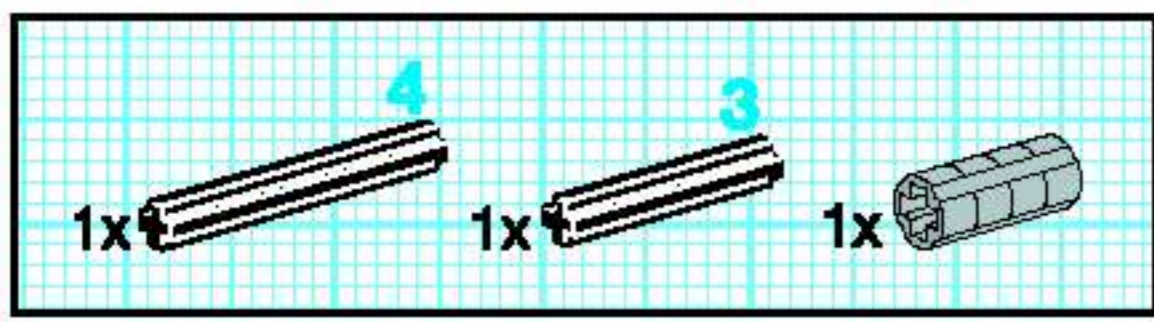


6

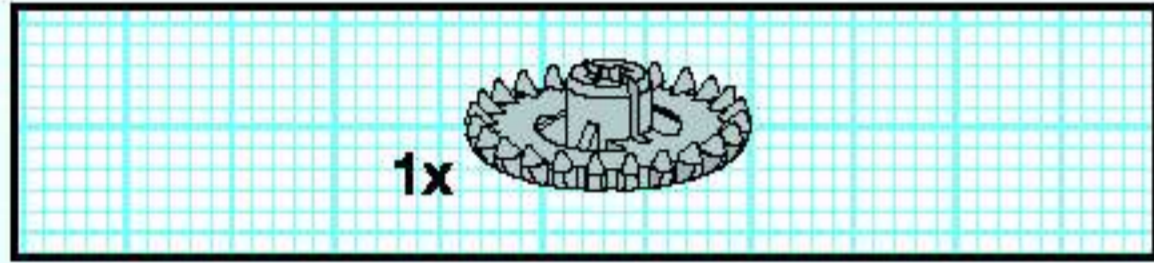
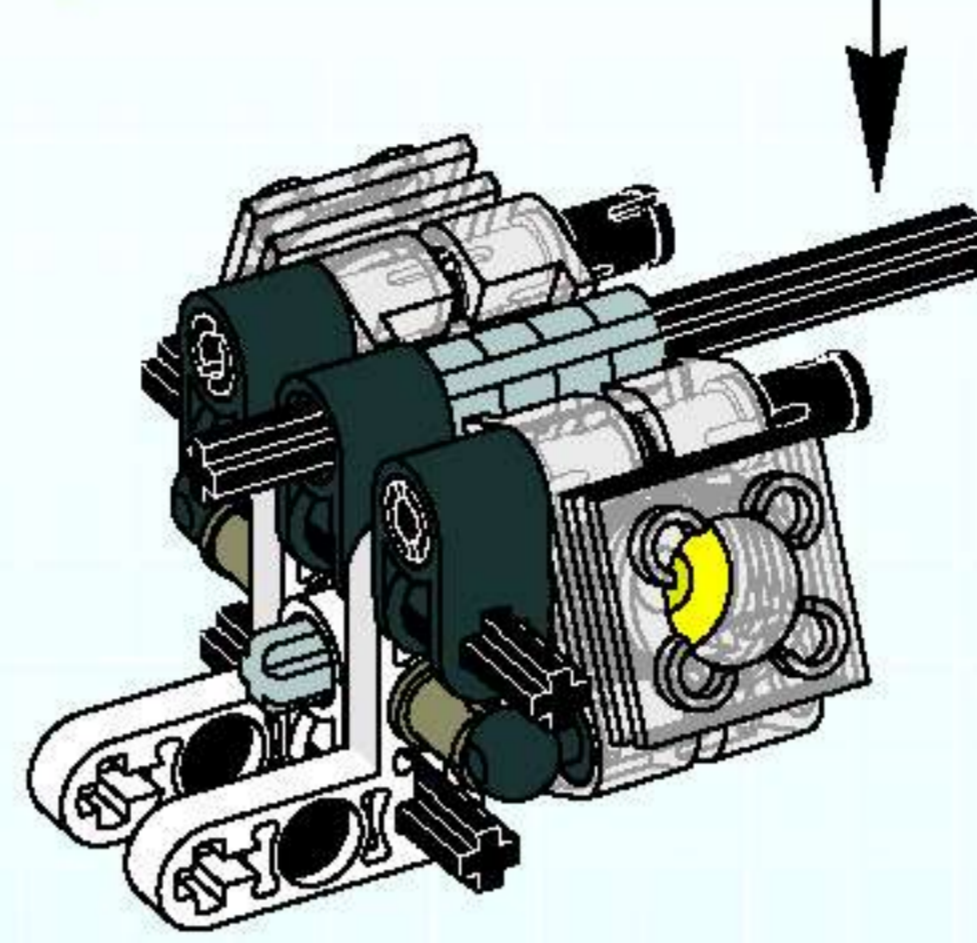
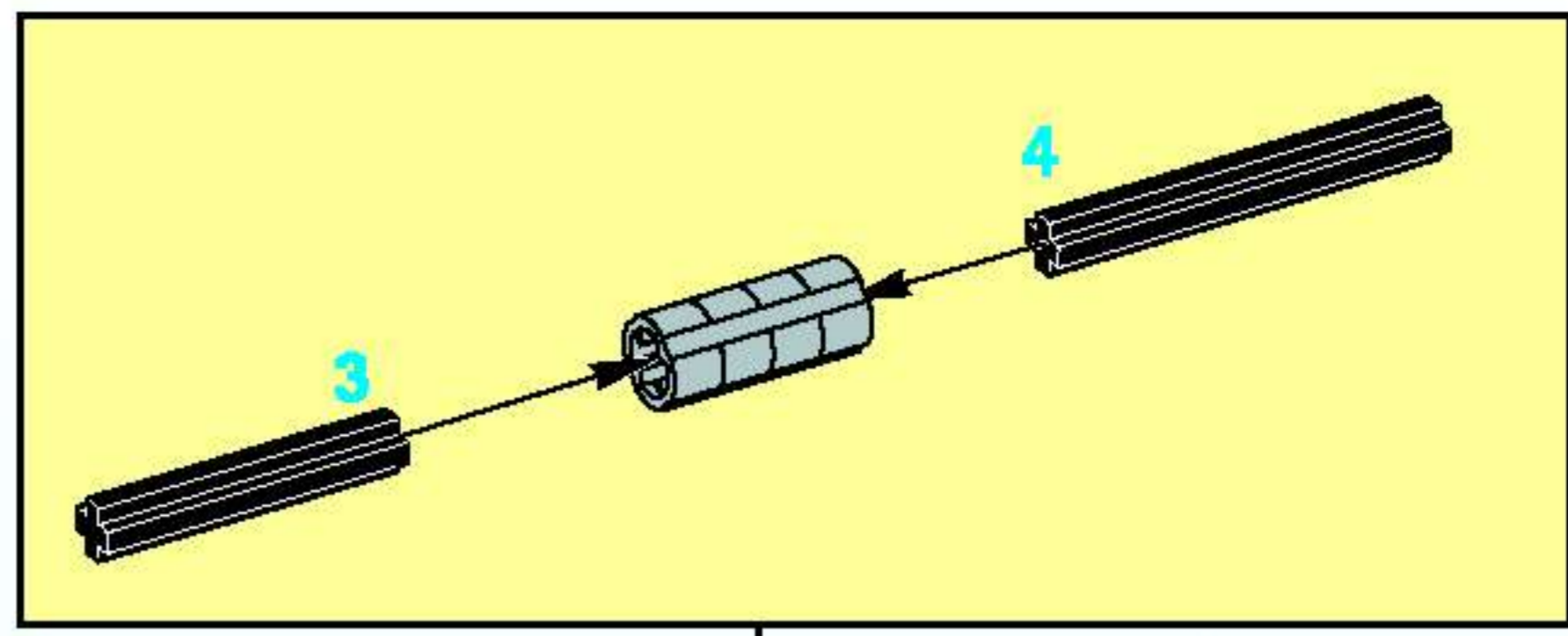


7

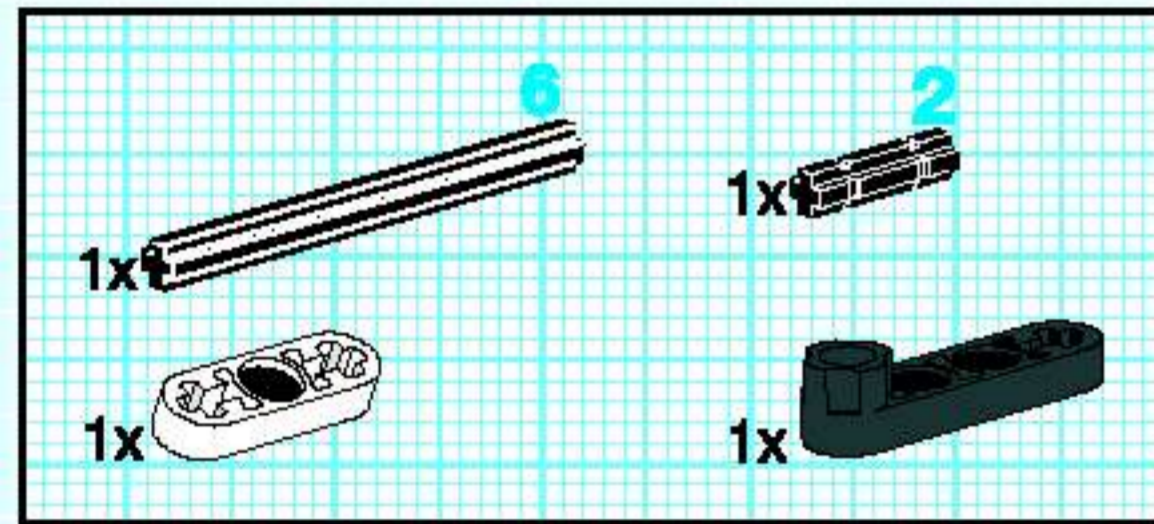
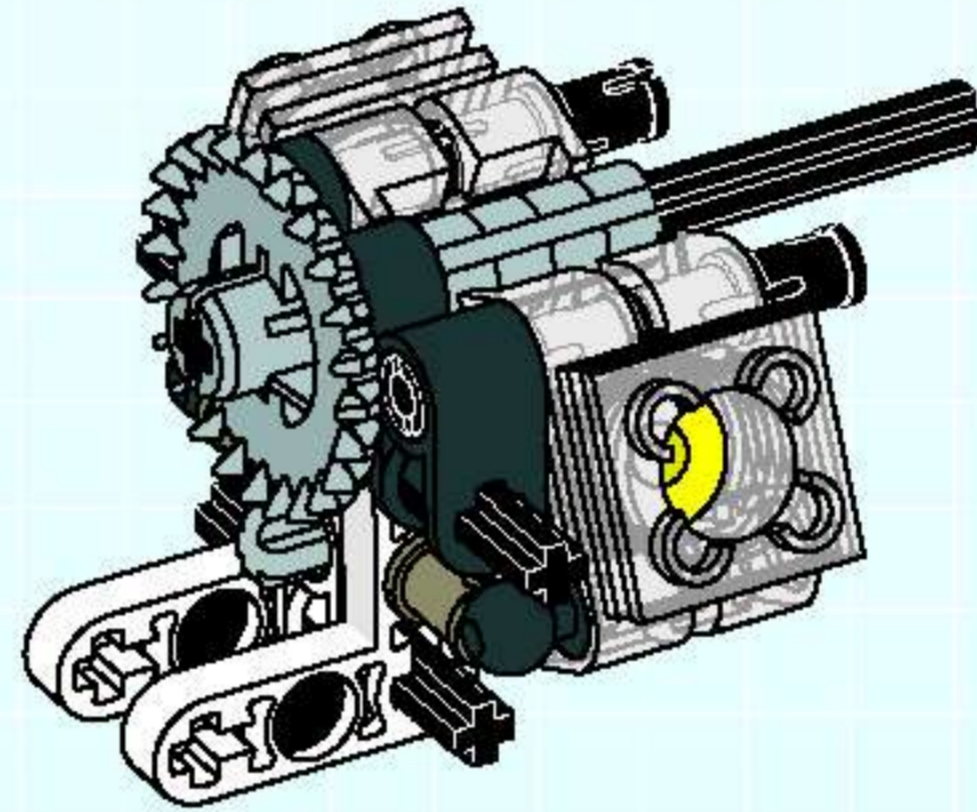




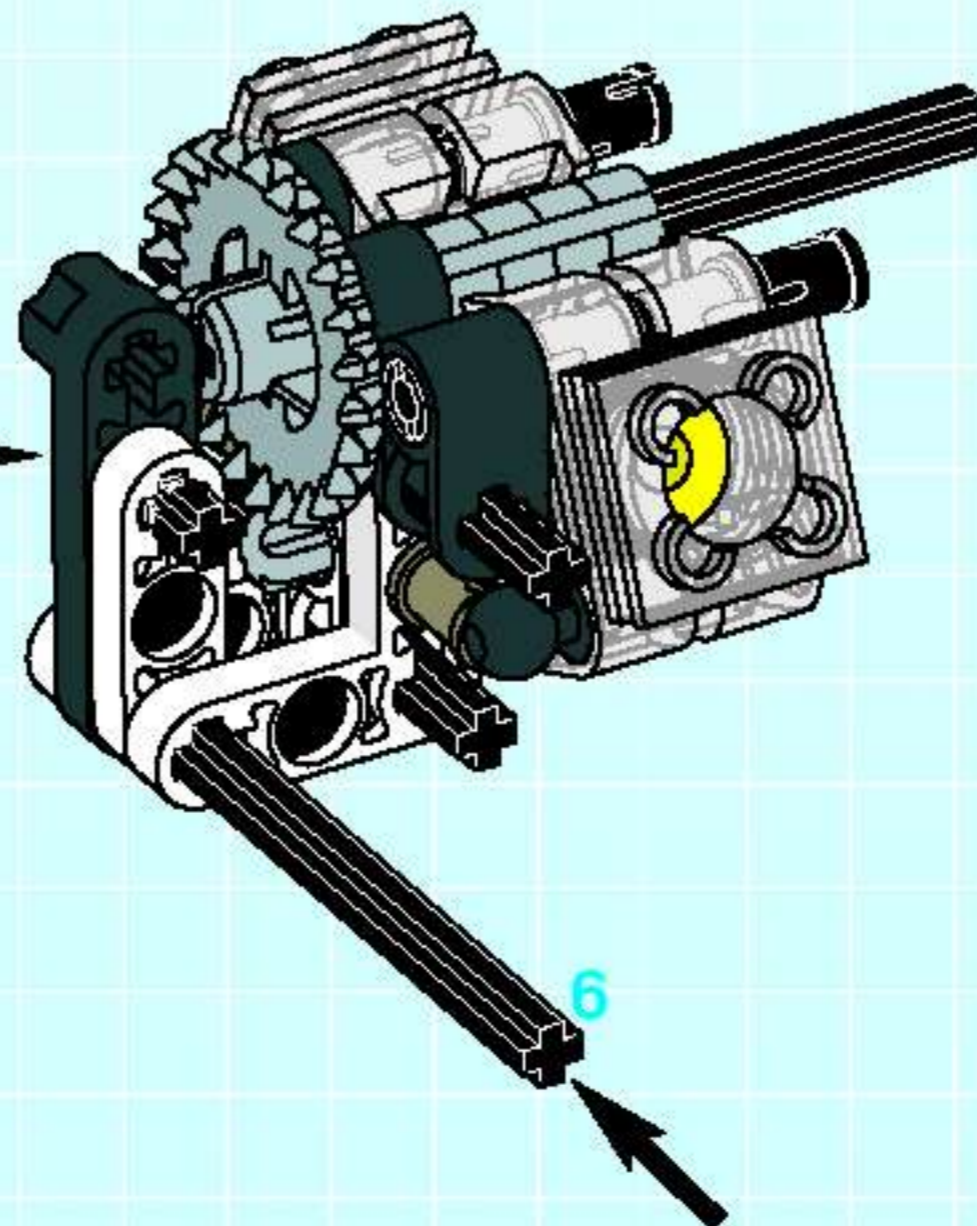
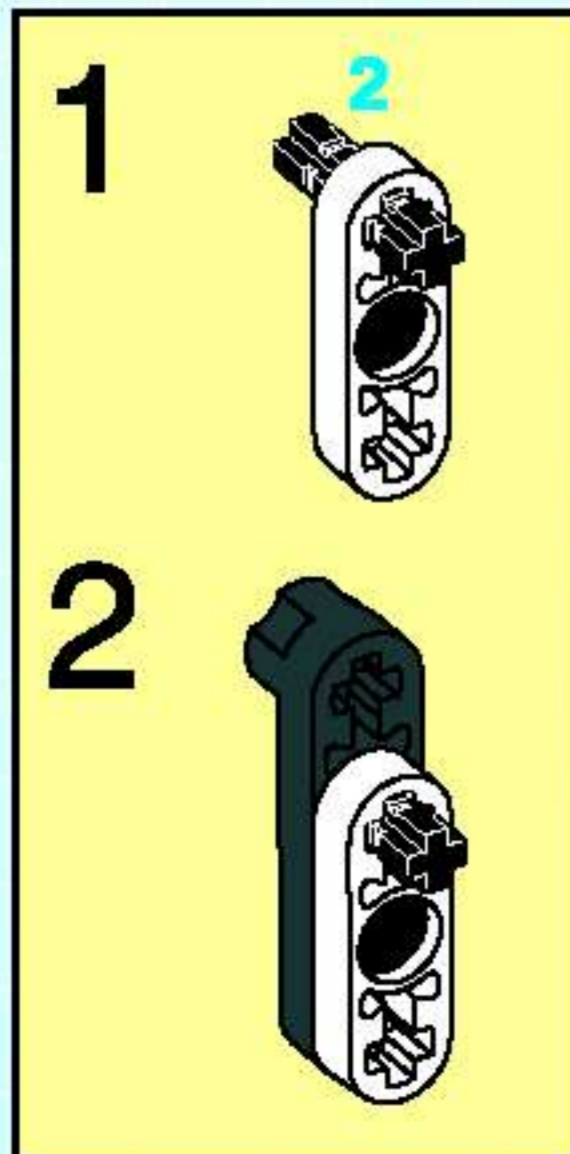
8

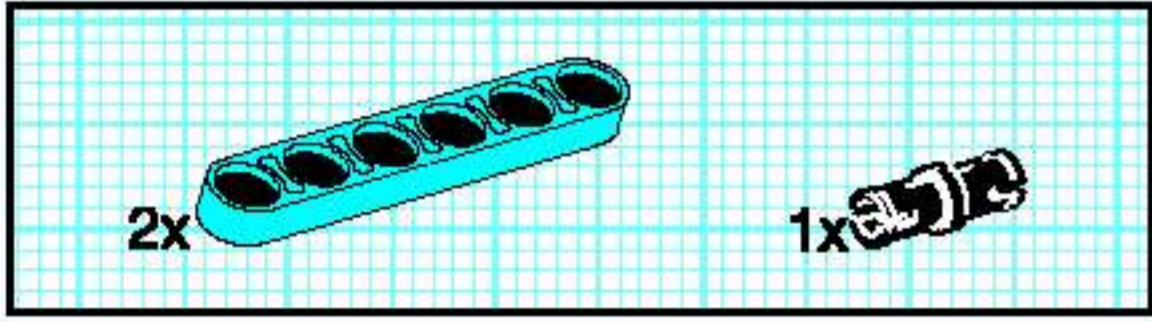
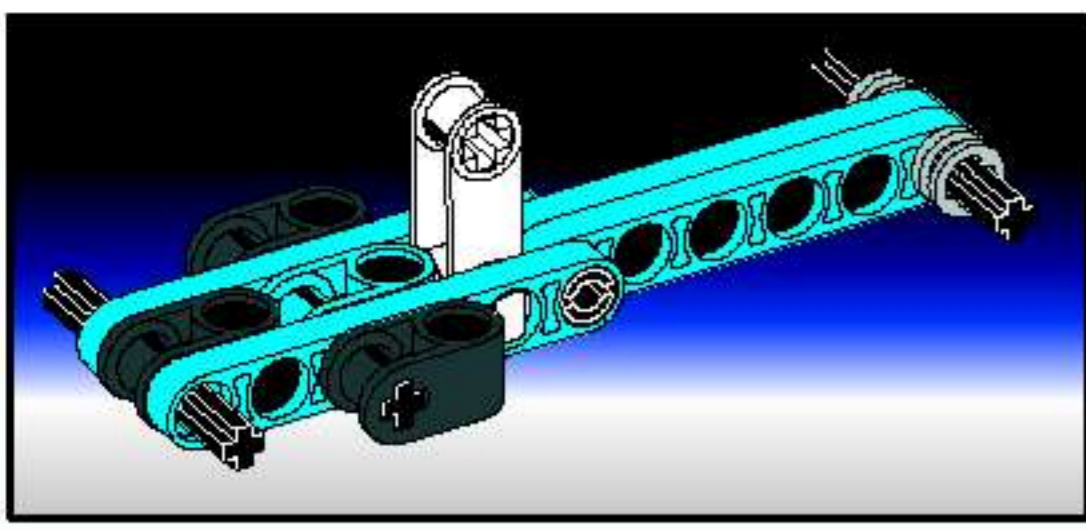


9

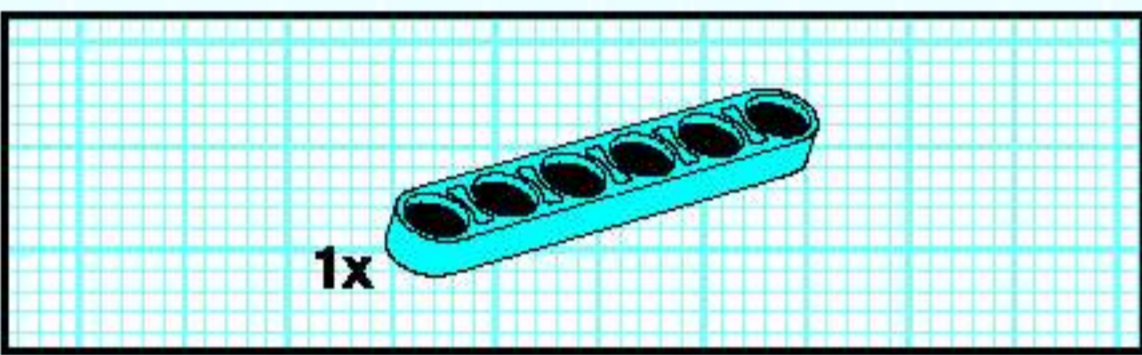
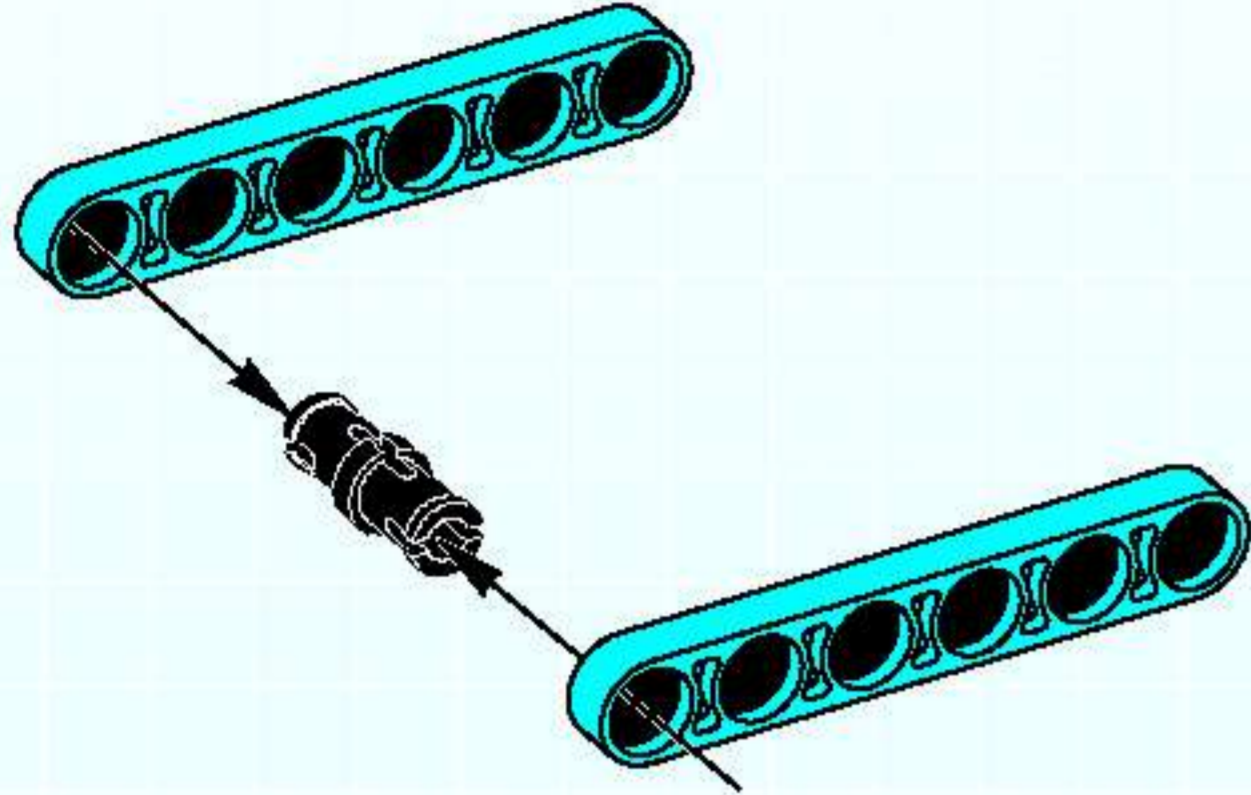


10

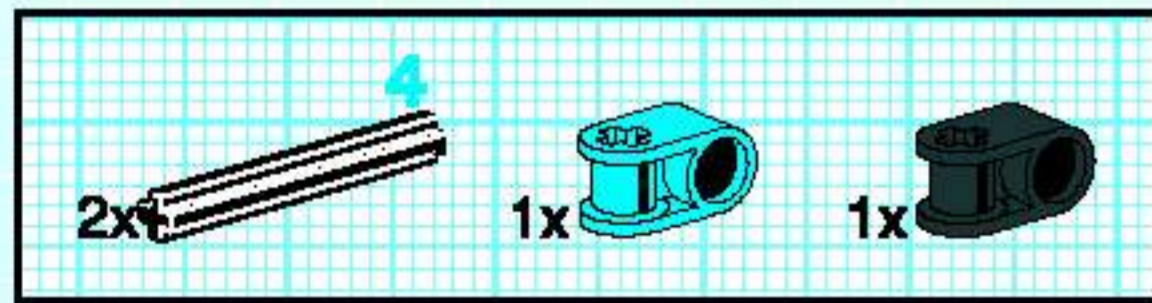
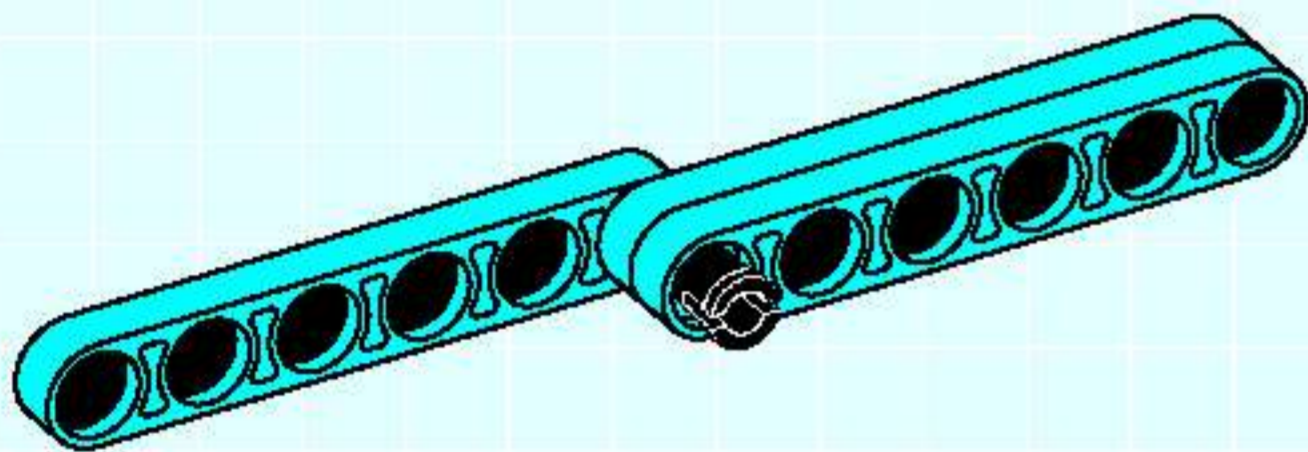




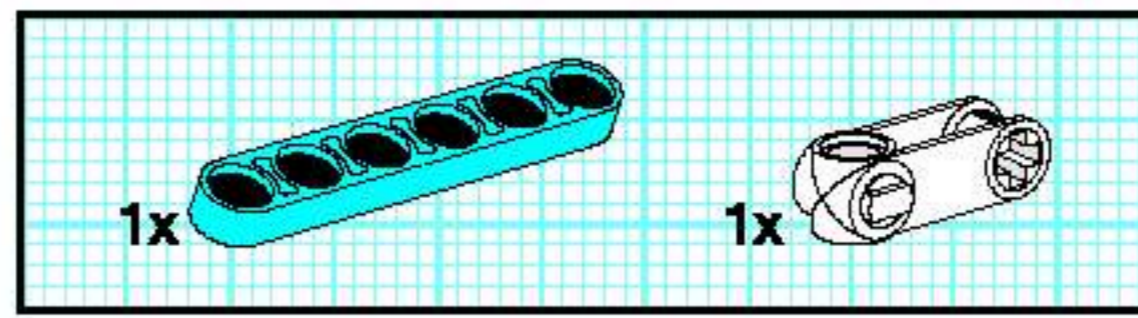
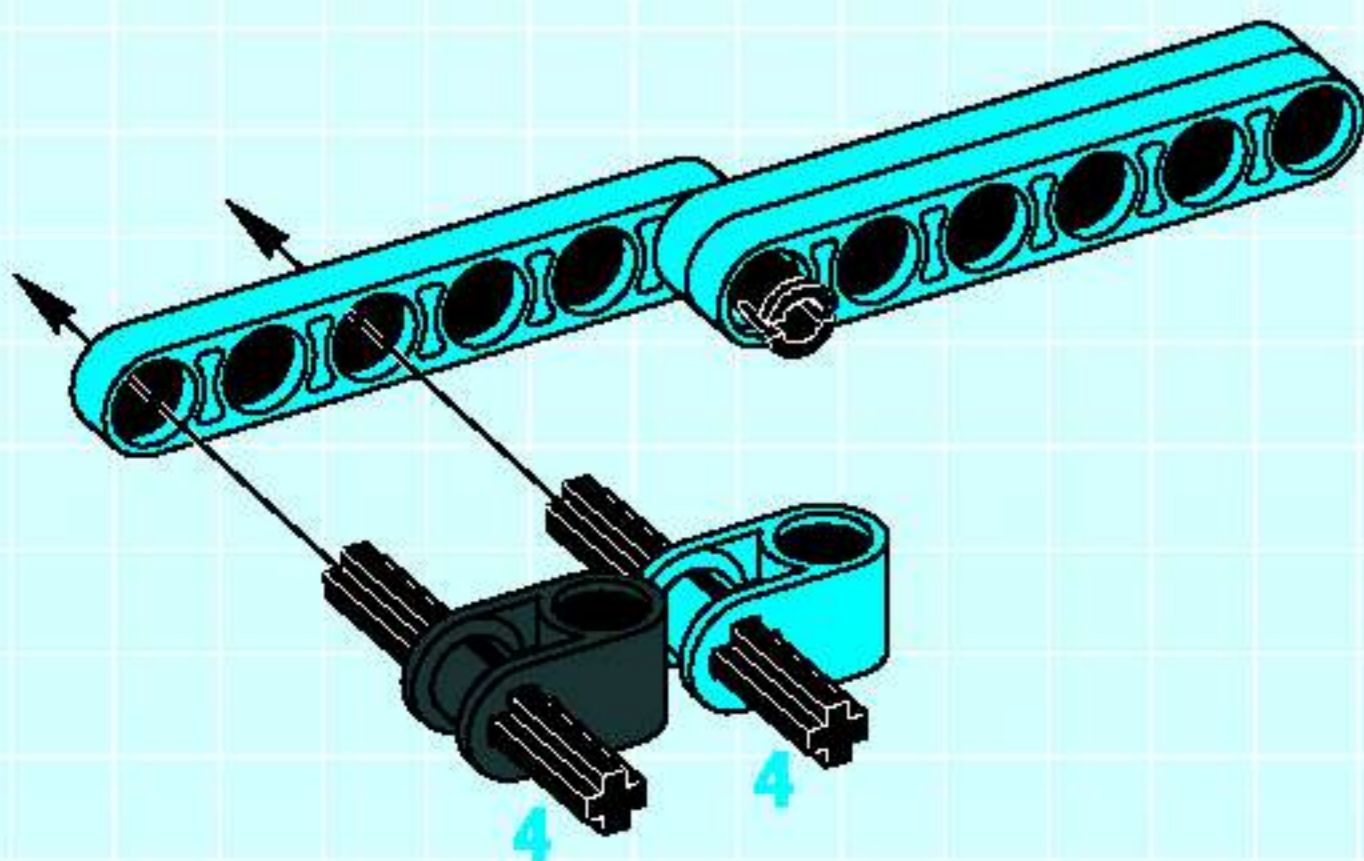
1



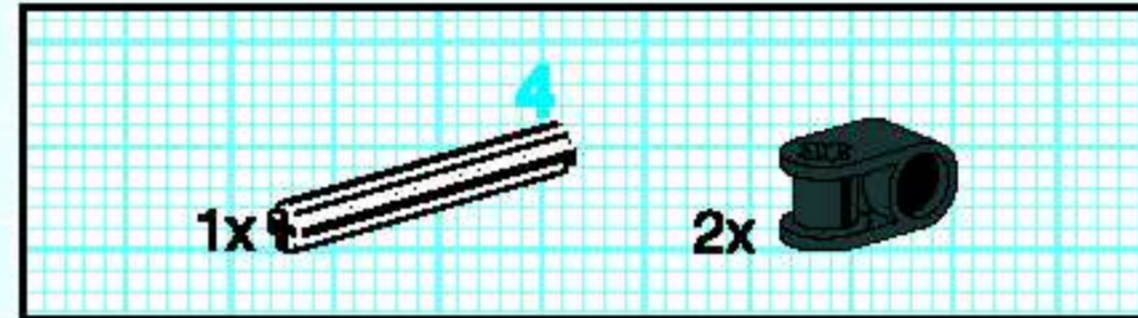
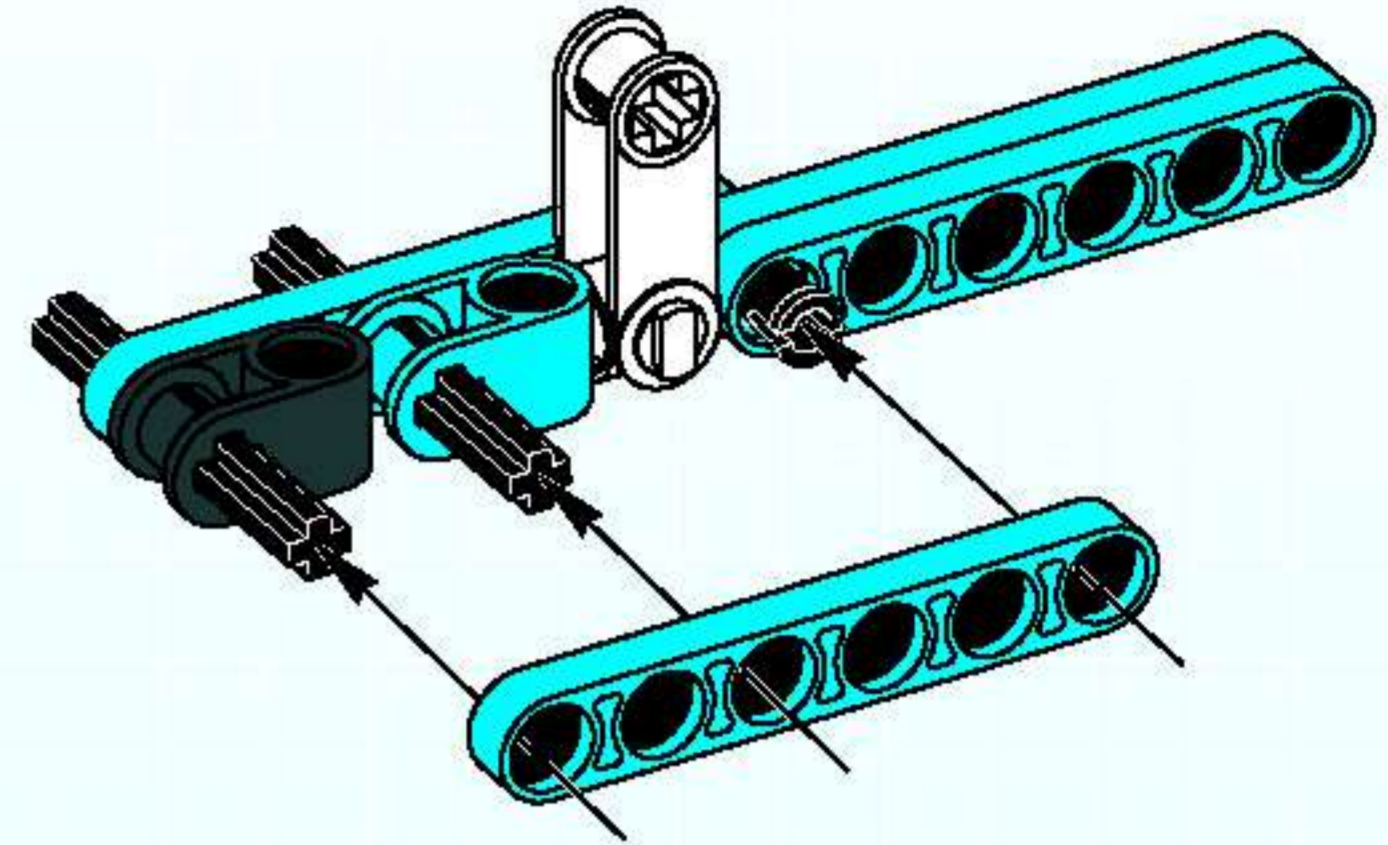
2



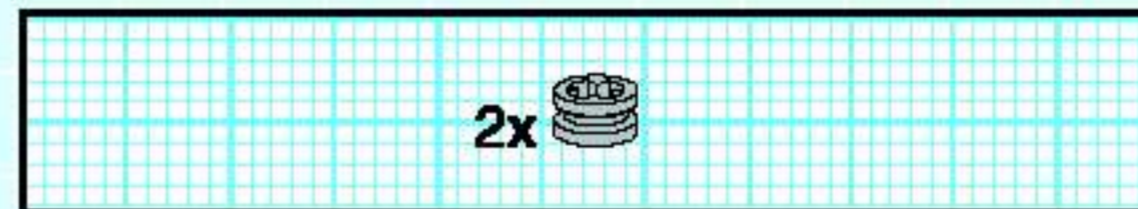
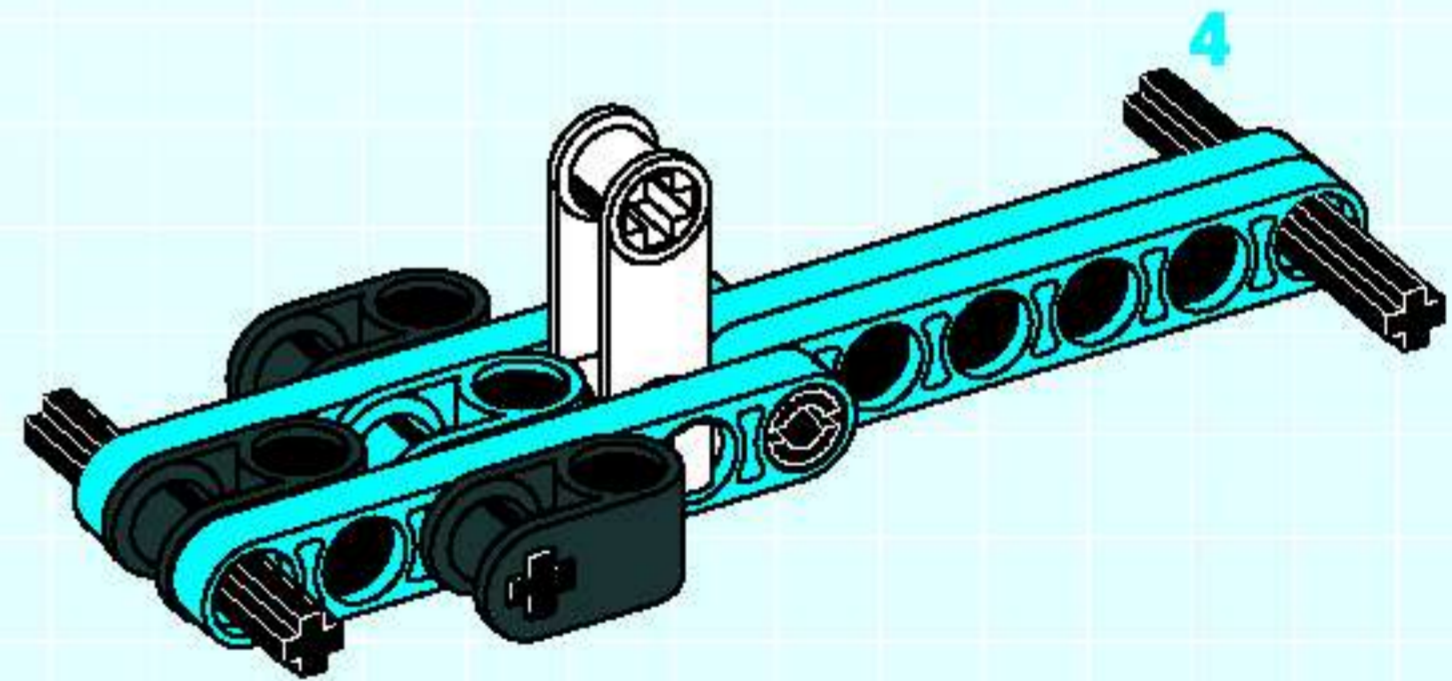
3



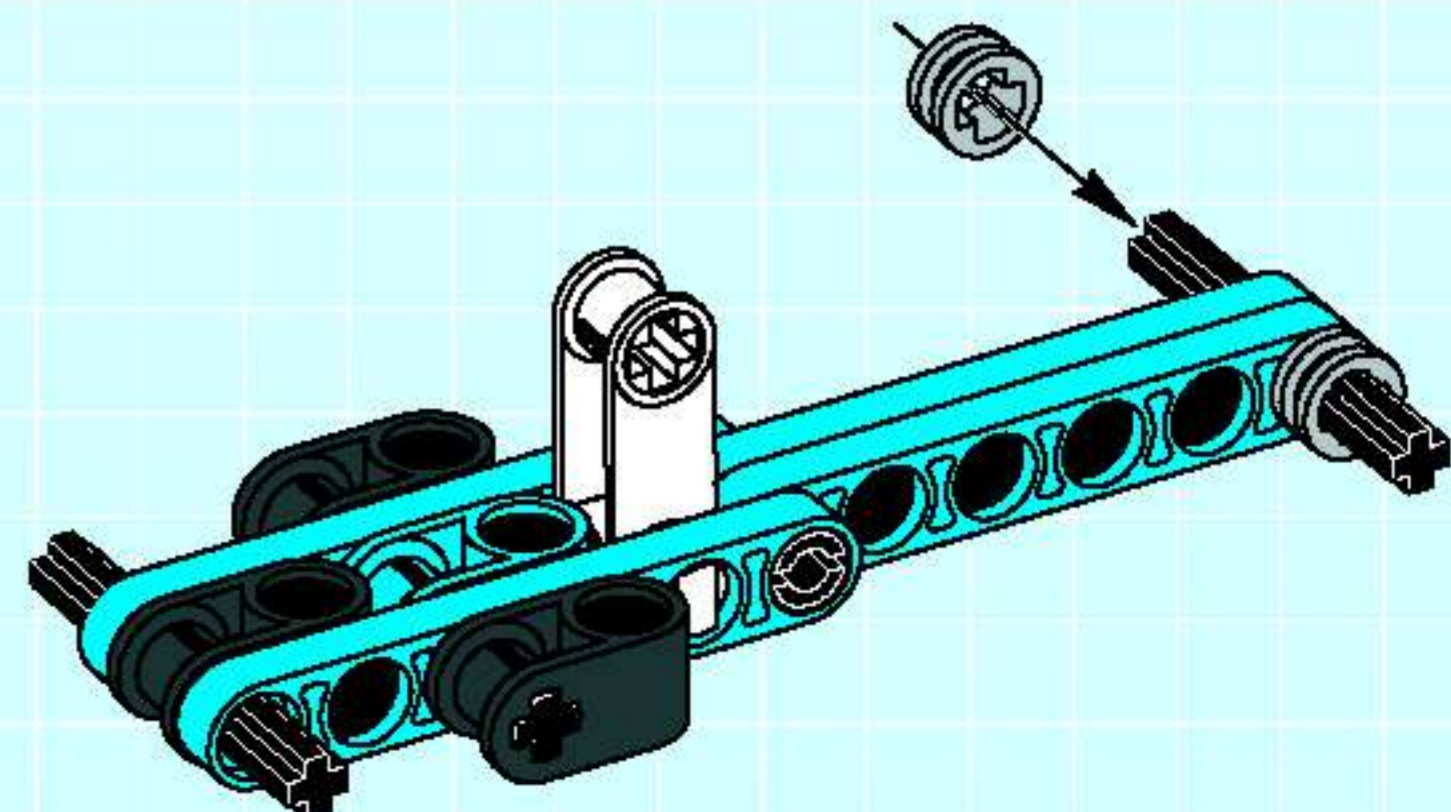
4



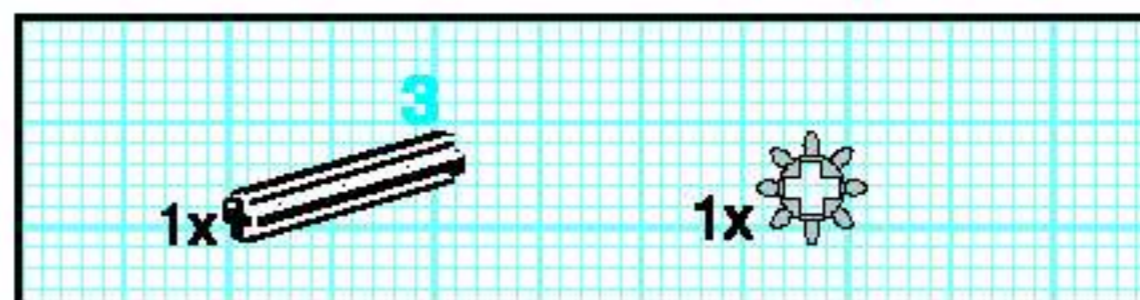
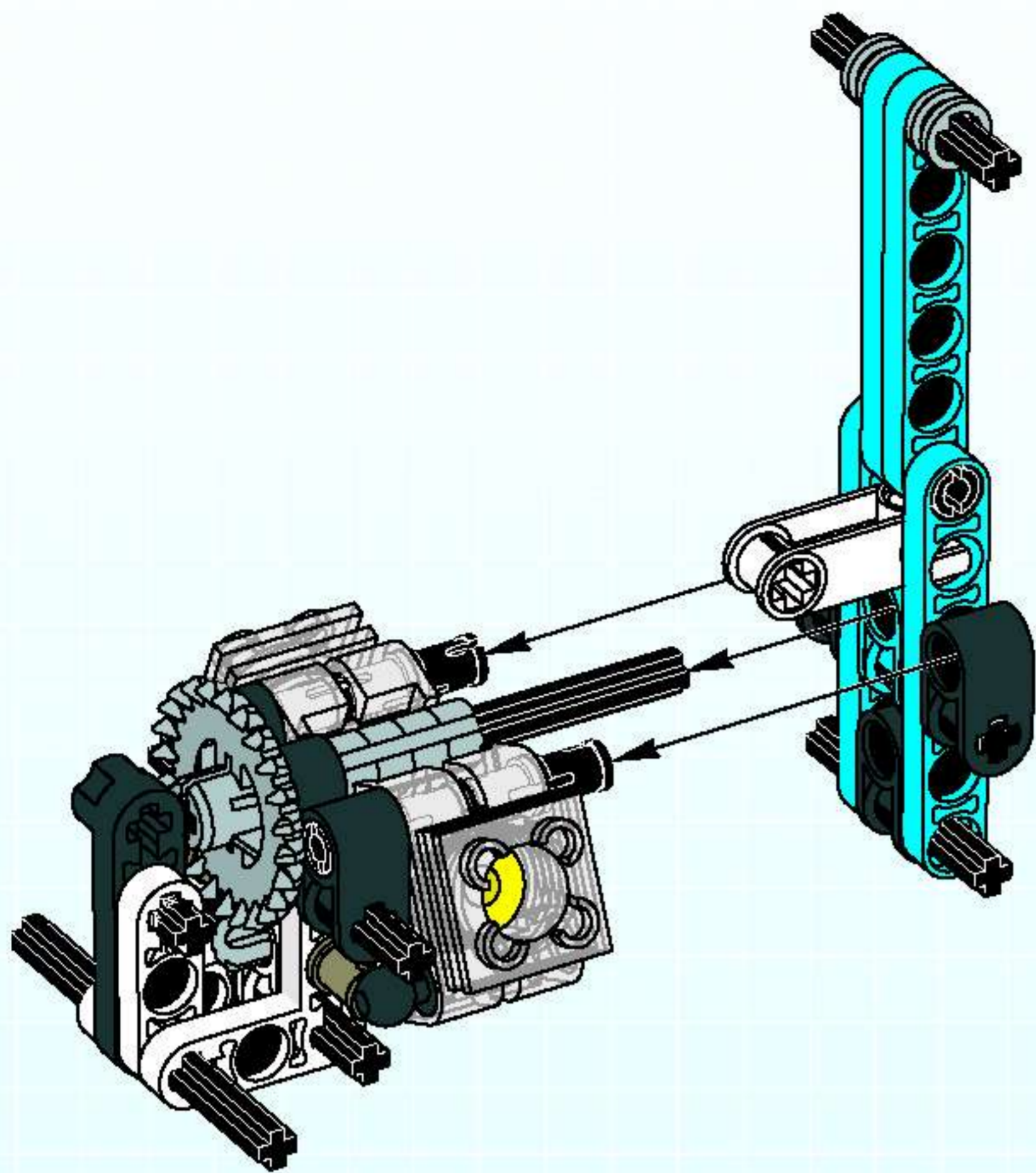
5



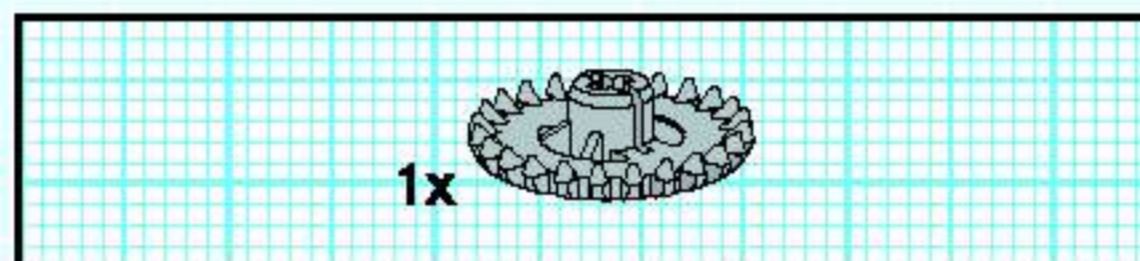
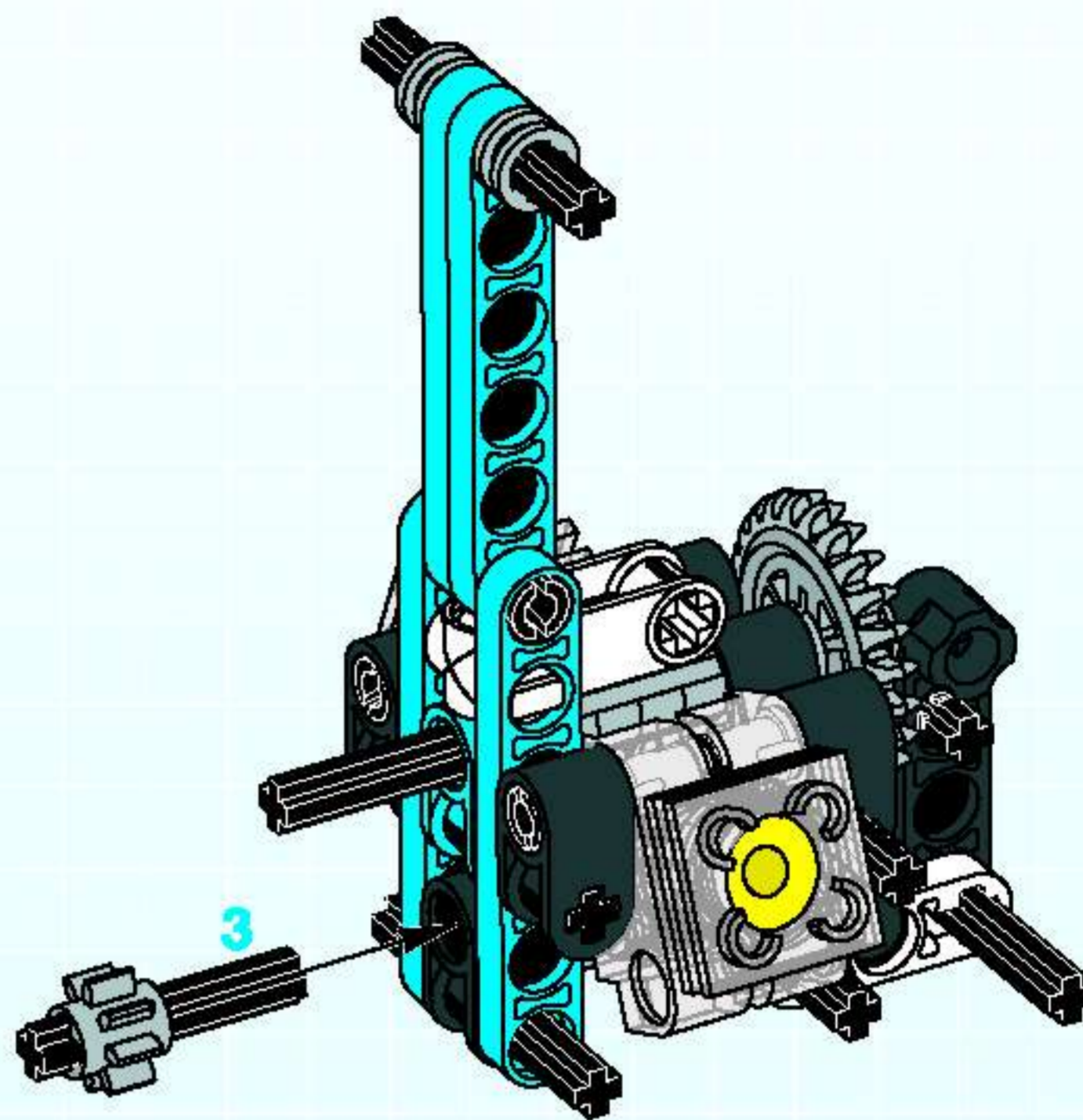
6



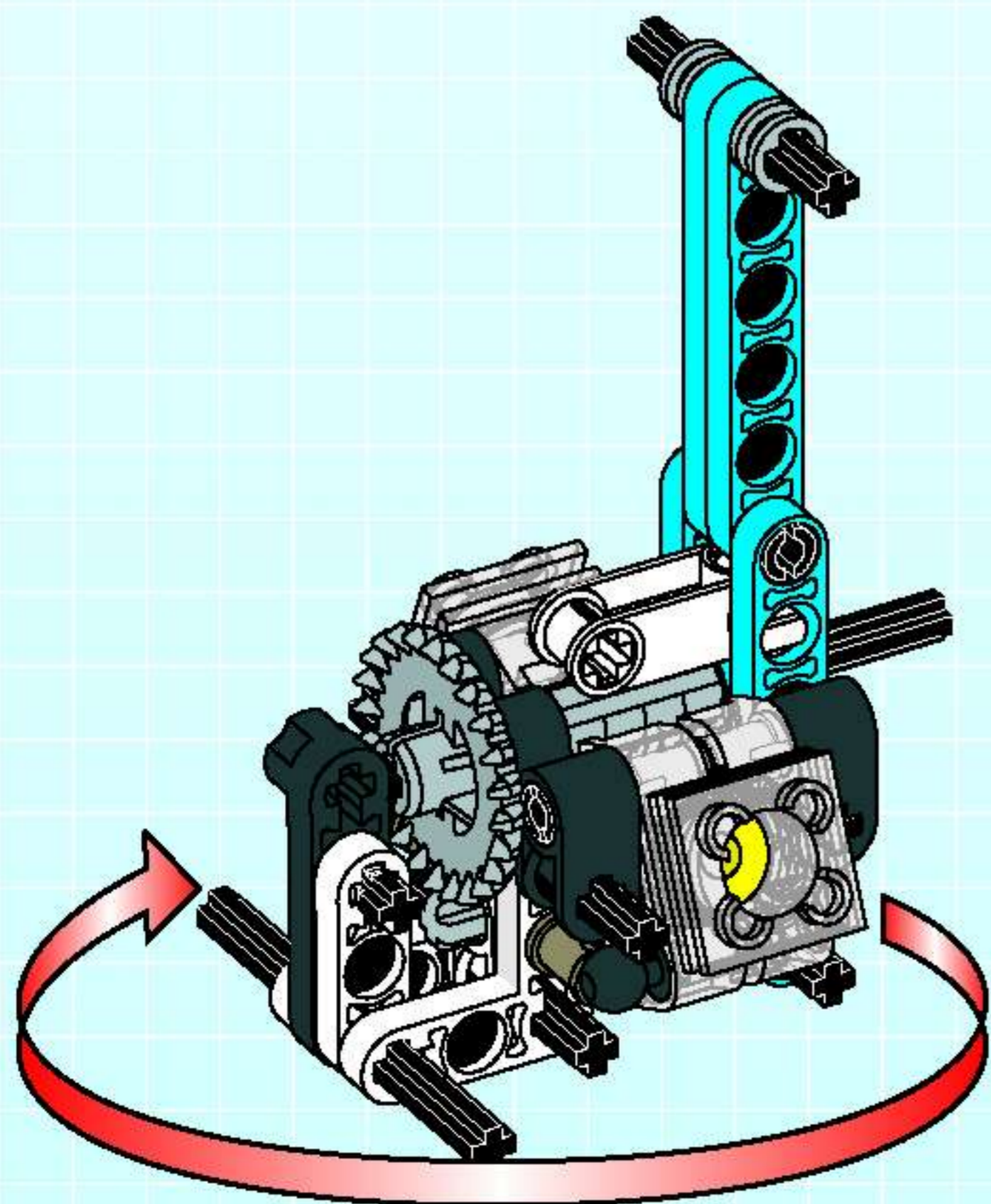
# 11



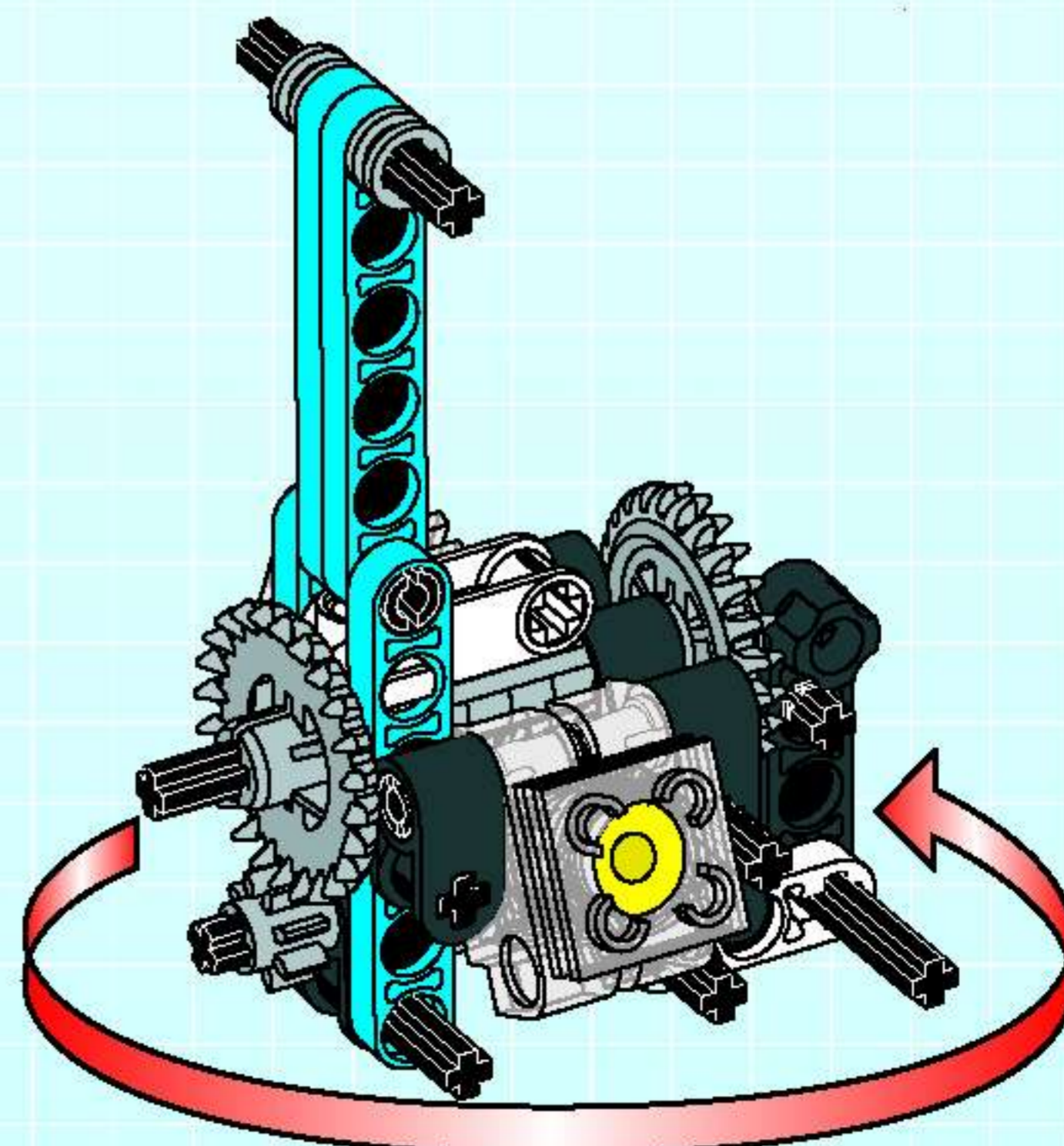
# 13



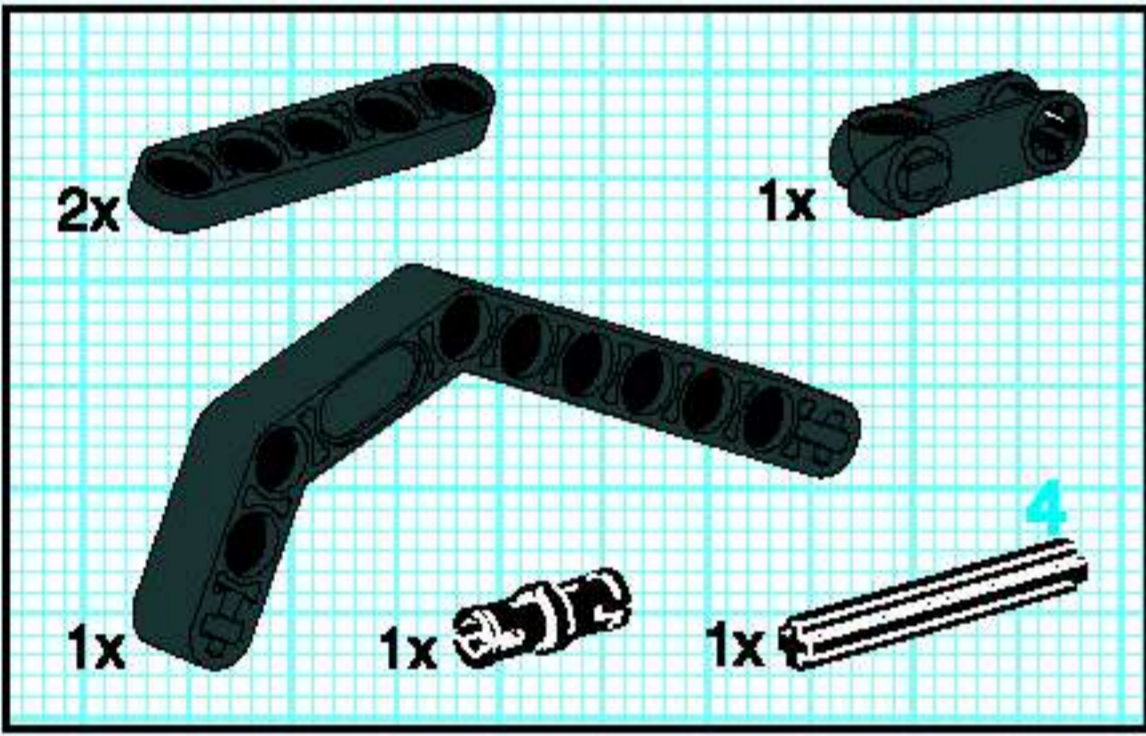
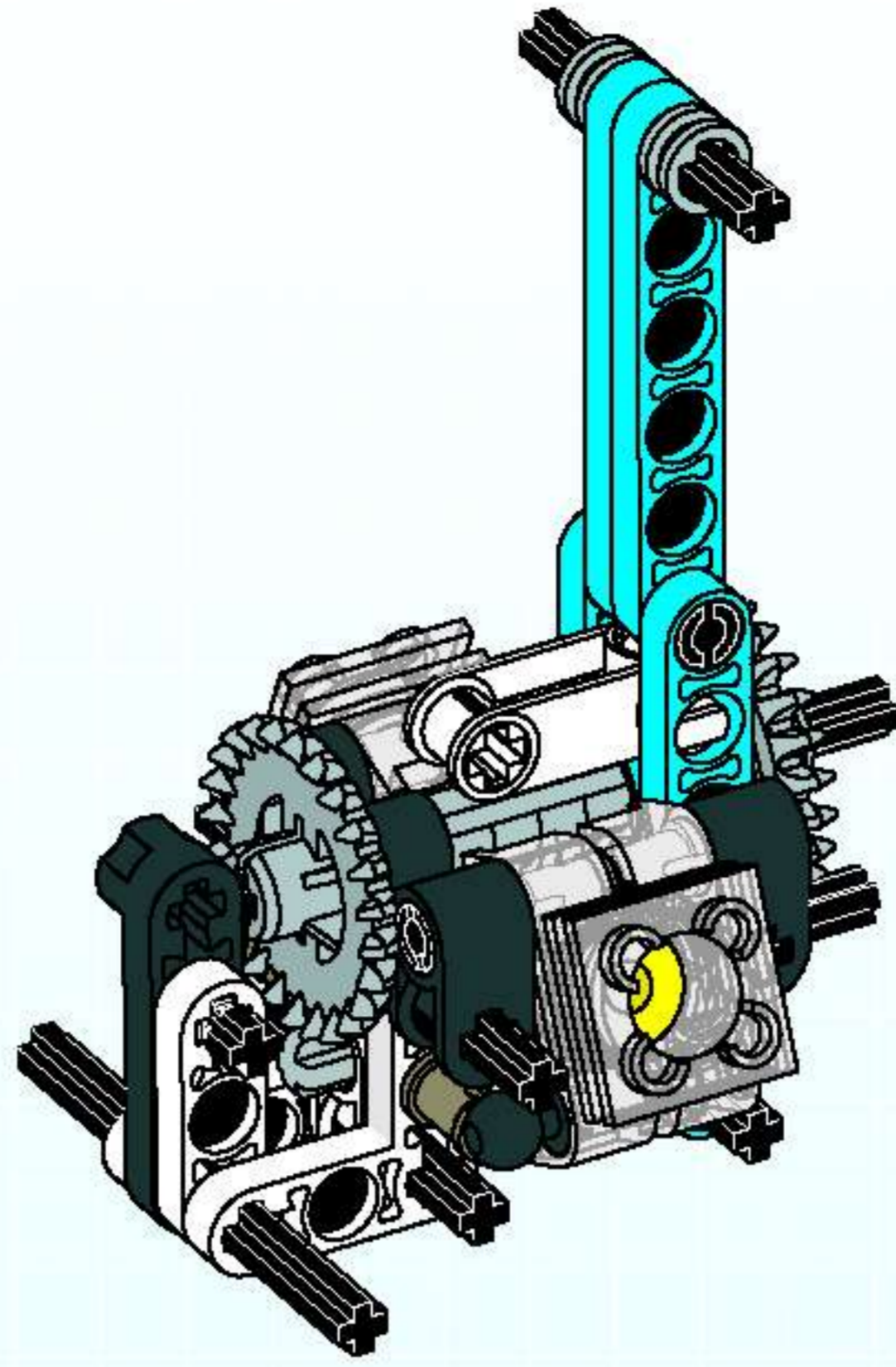
# 12



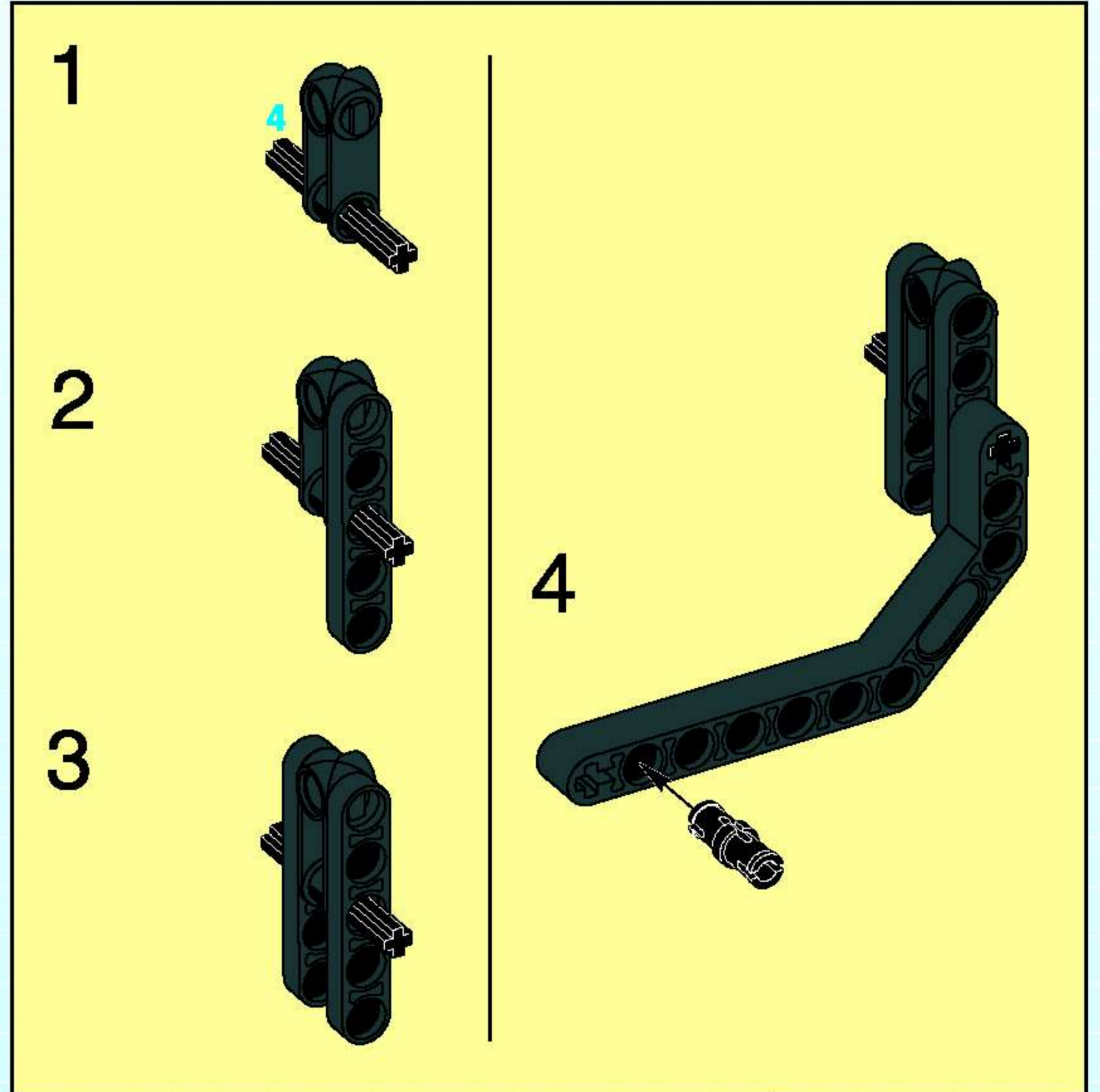
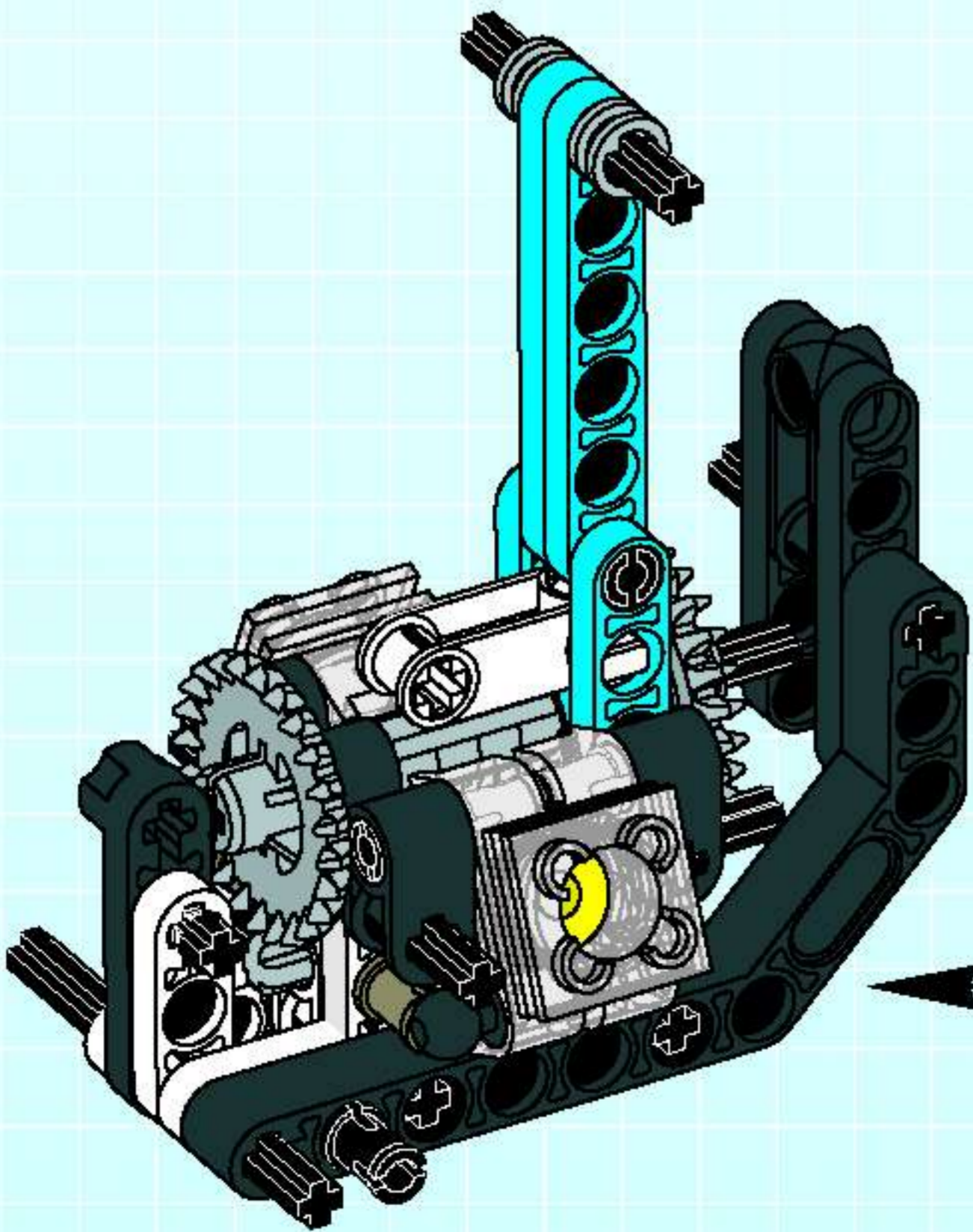
# 14

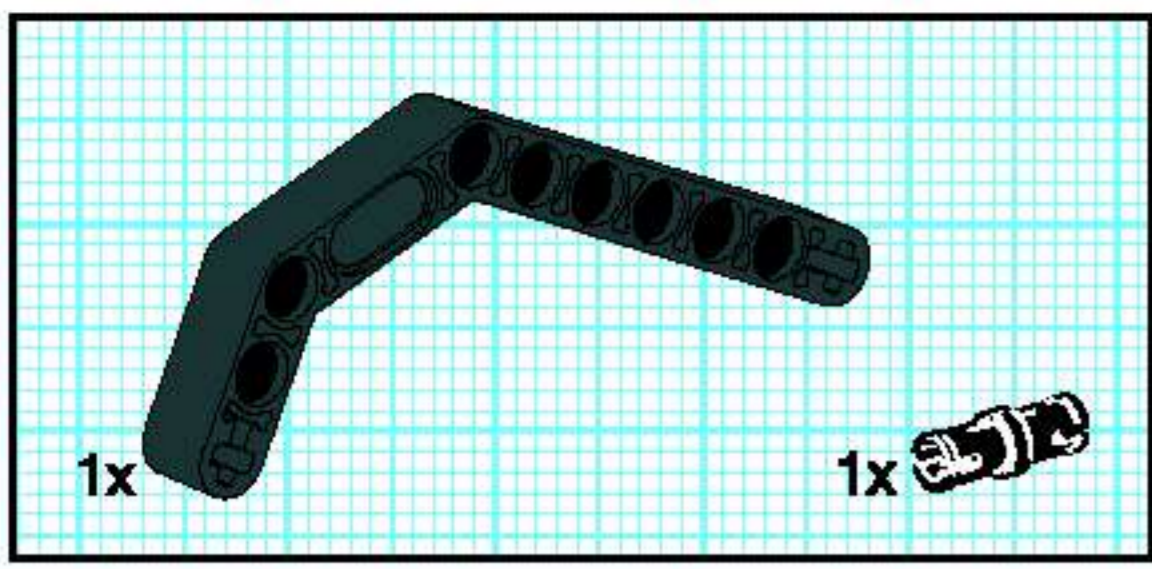


# 15

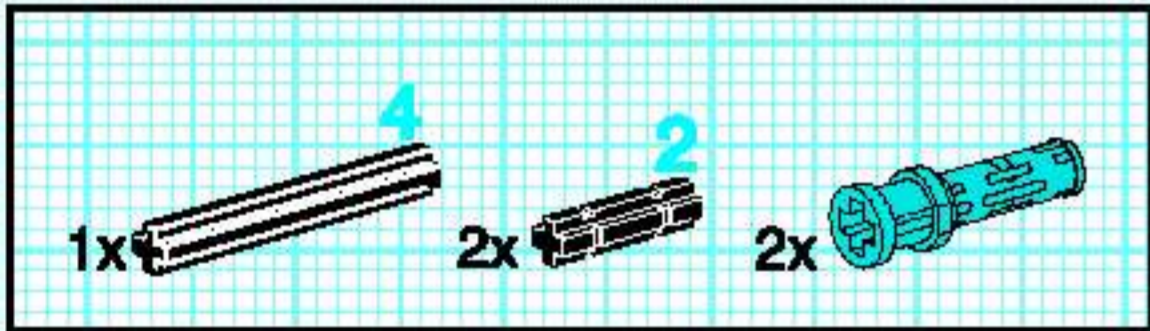
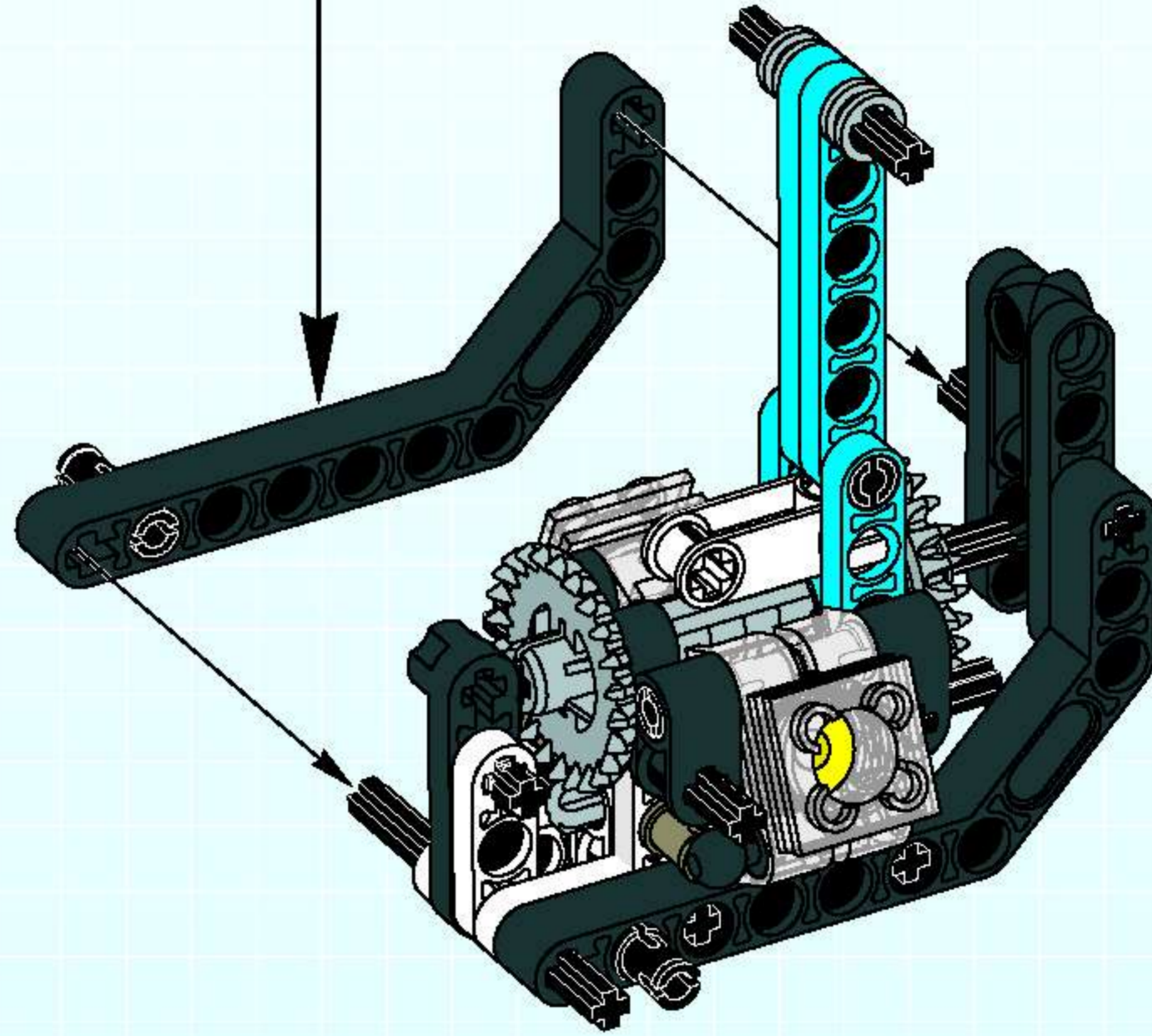
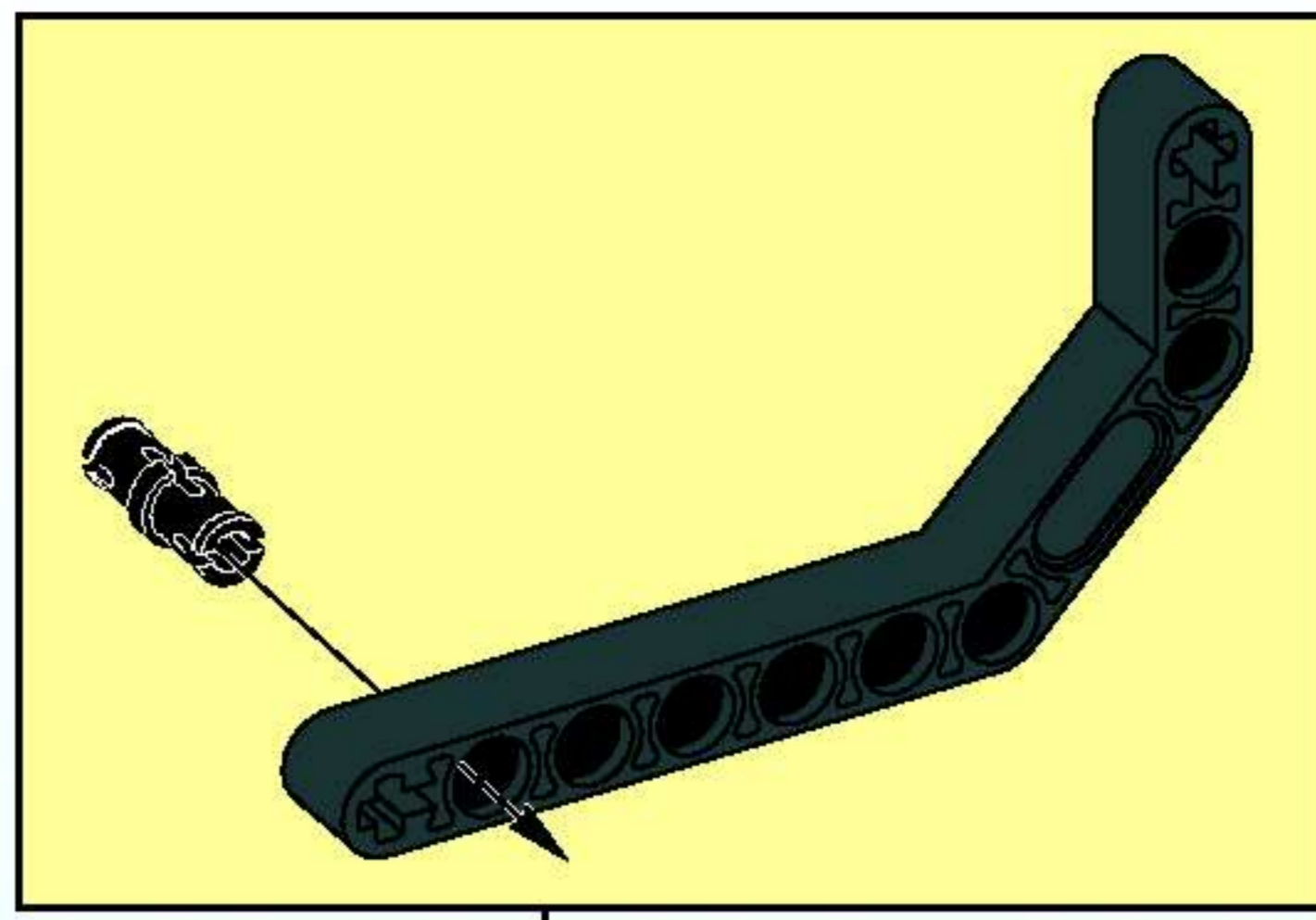


# 16

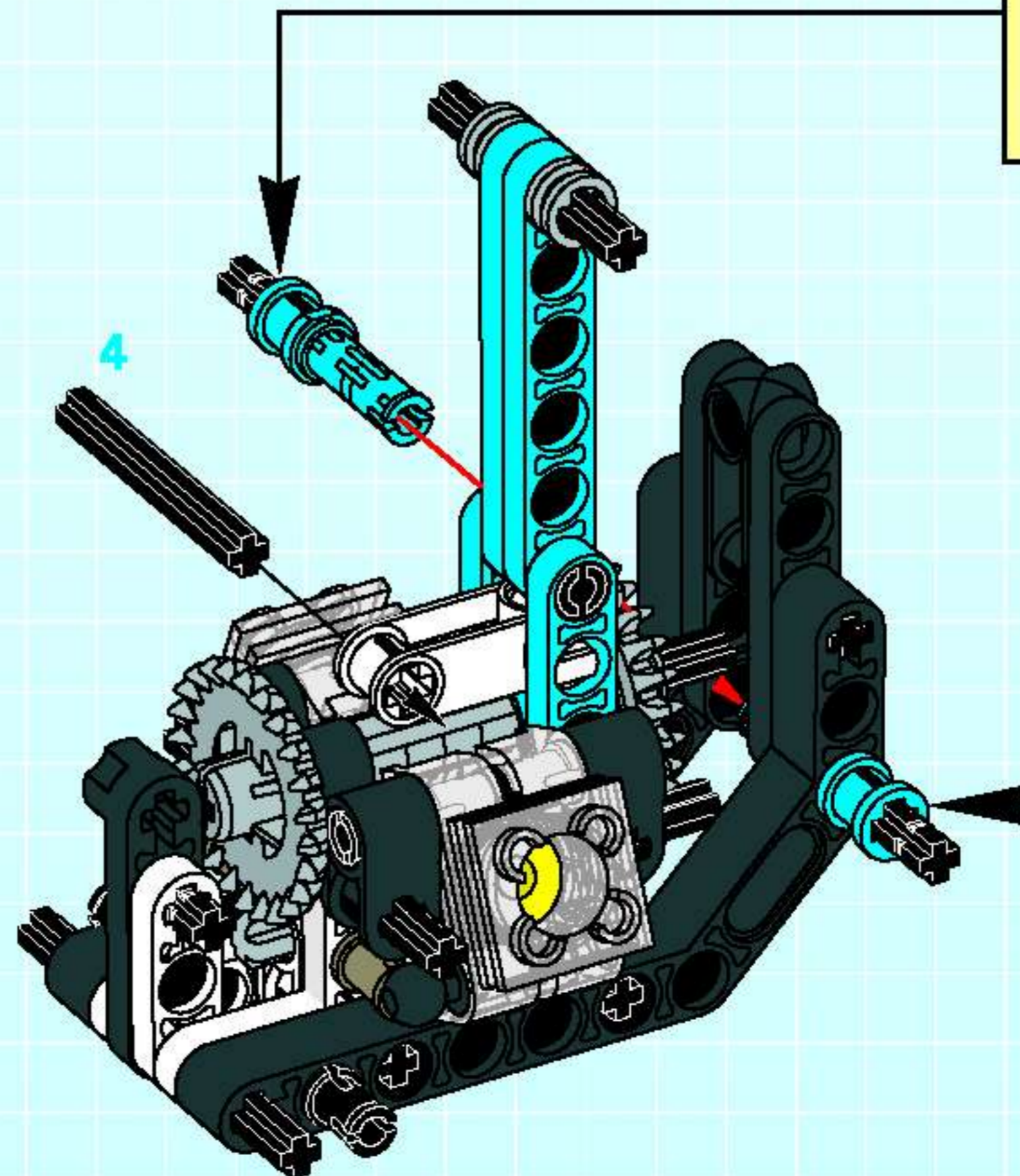
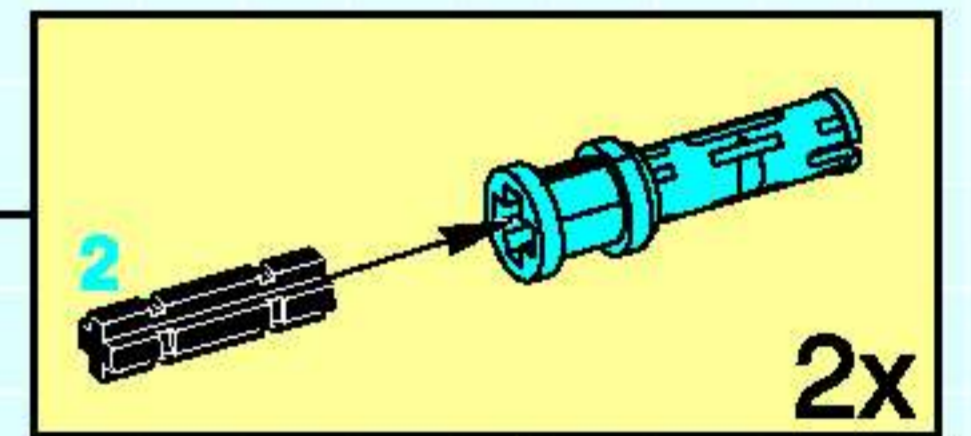




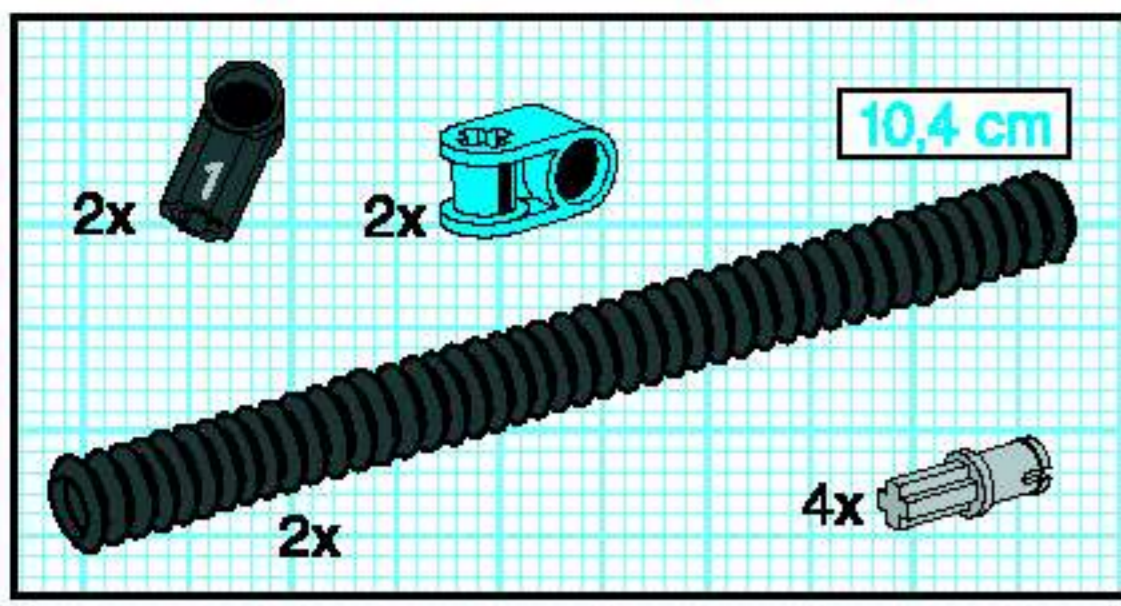
17



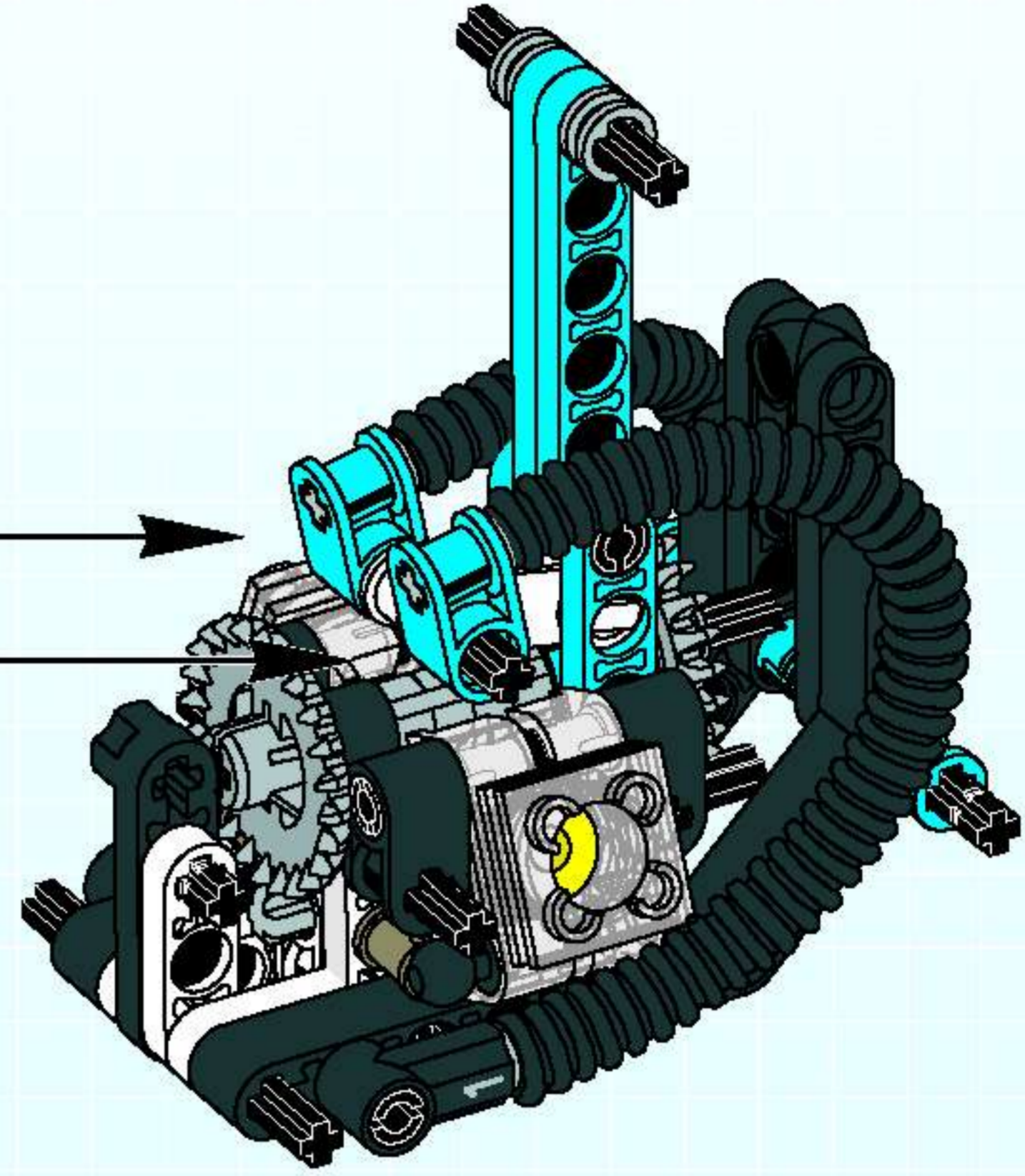
18



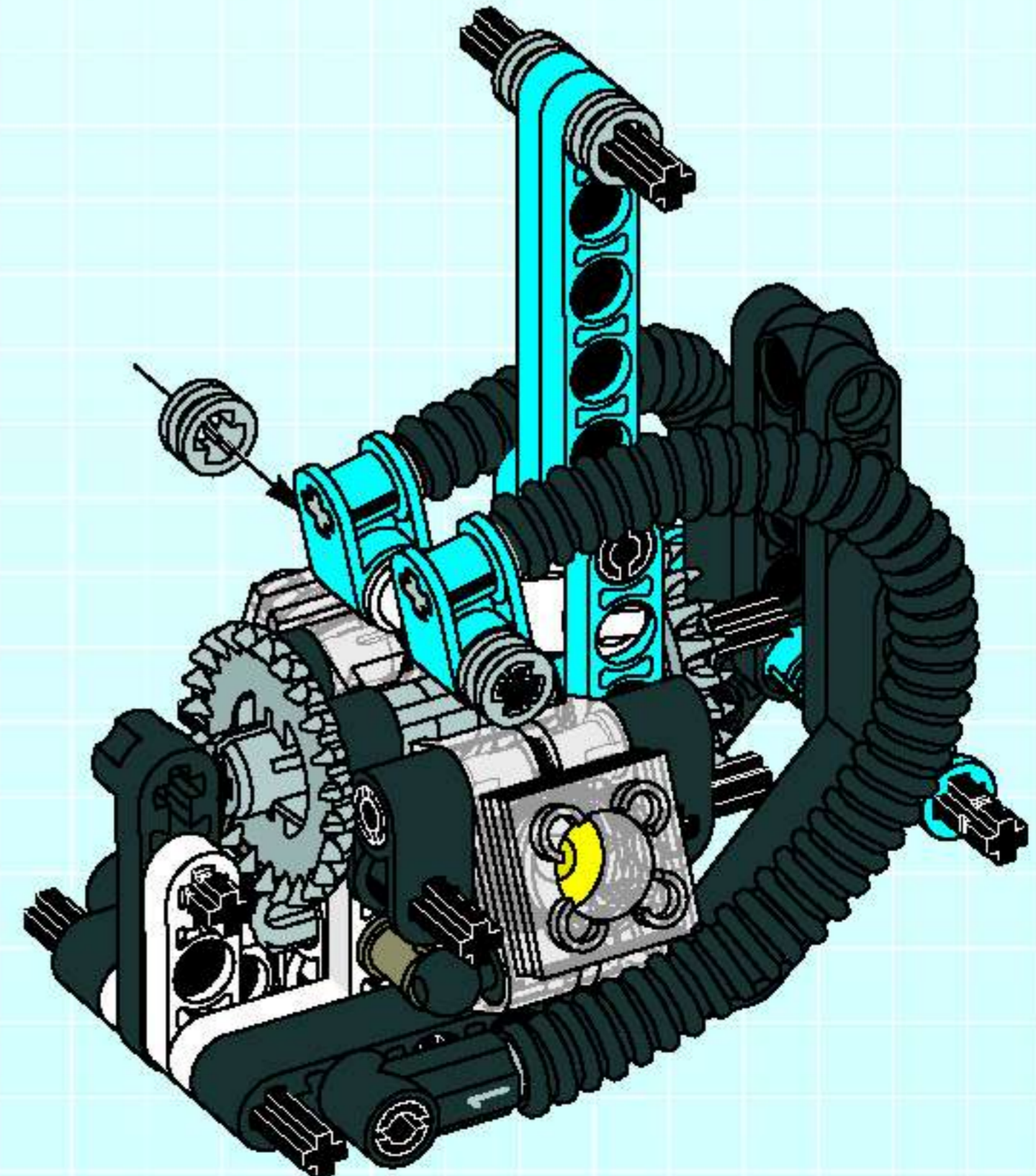


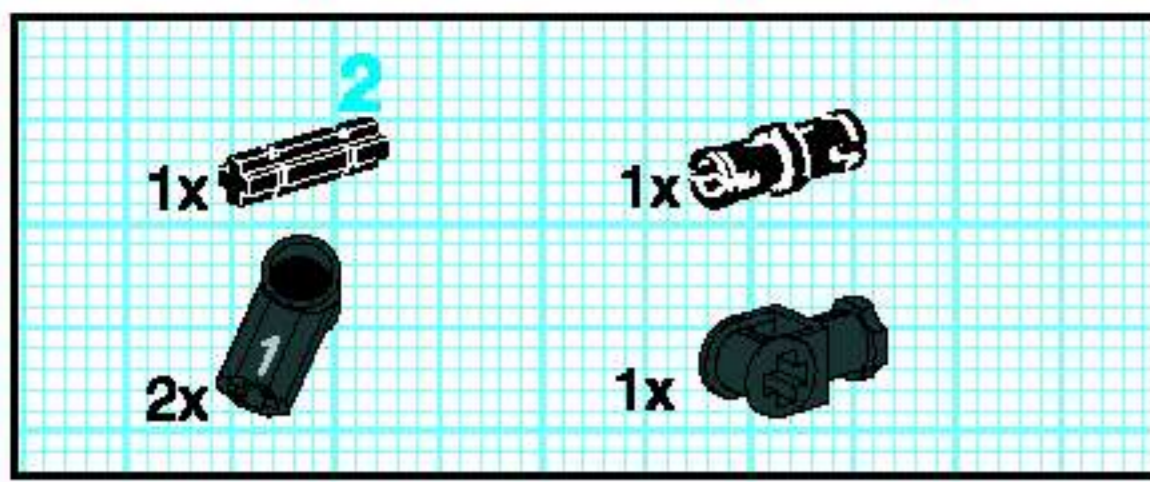


19

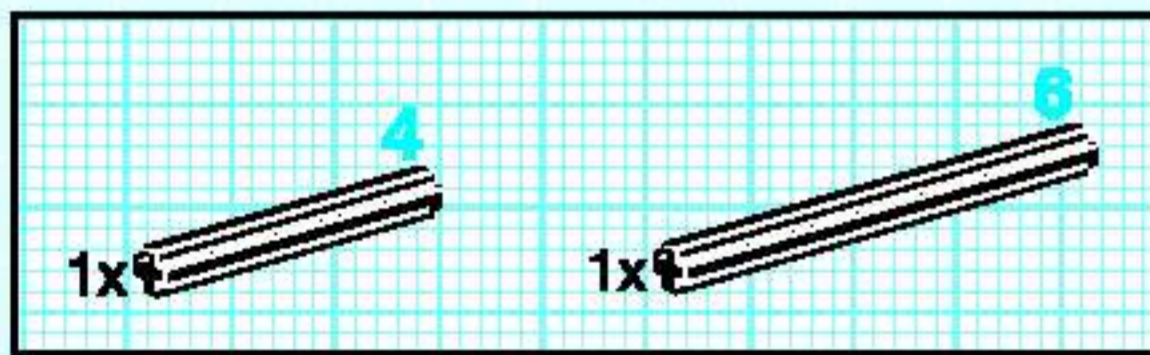
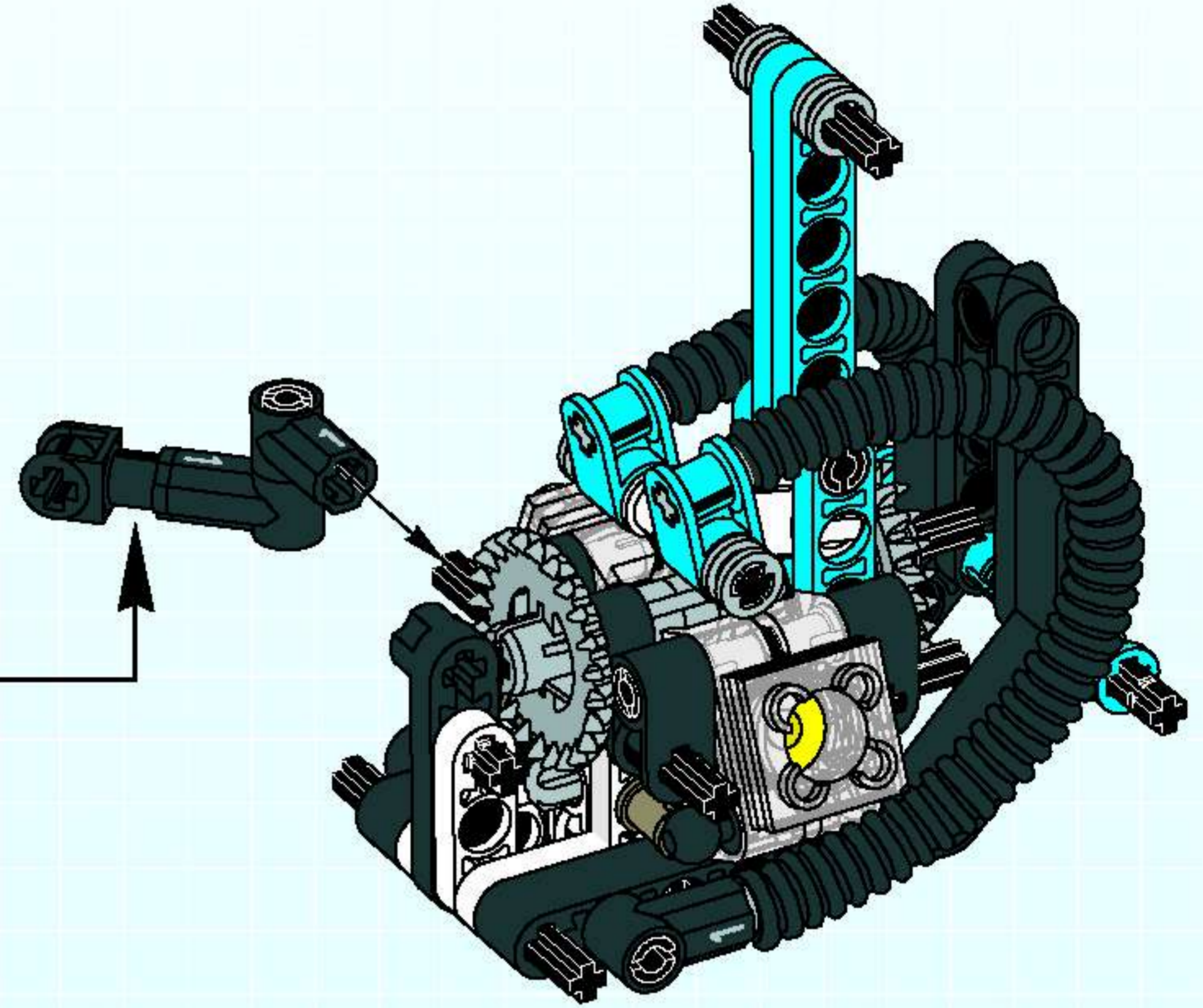
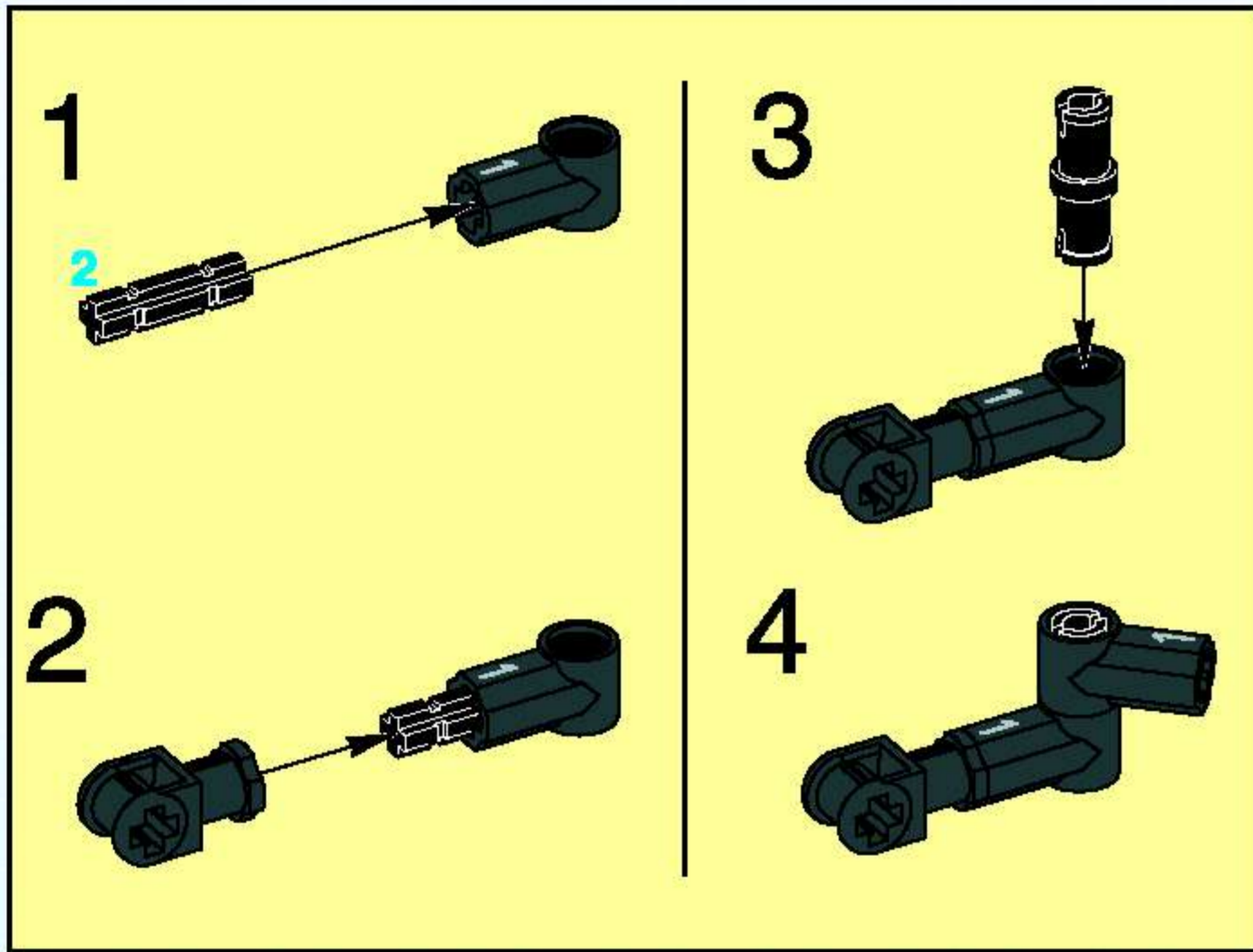


20

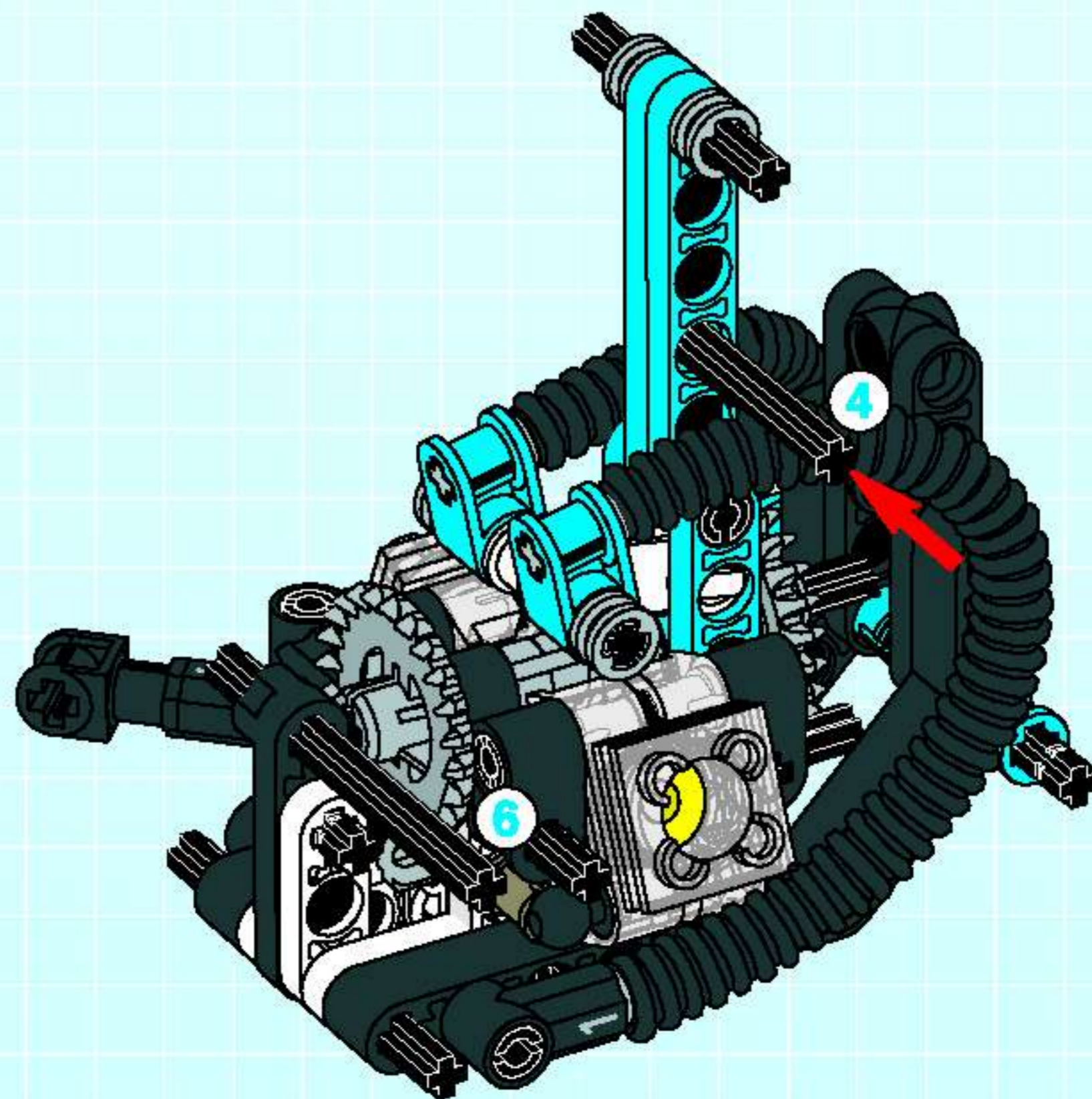


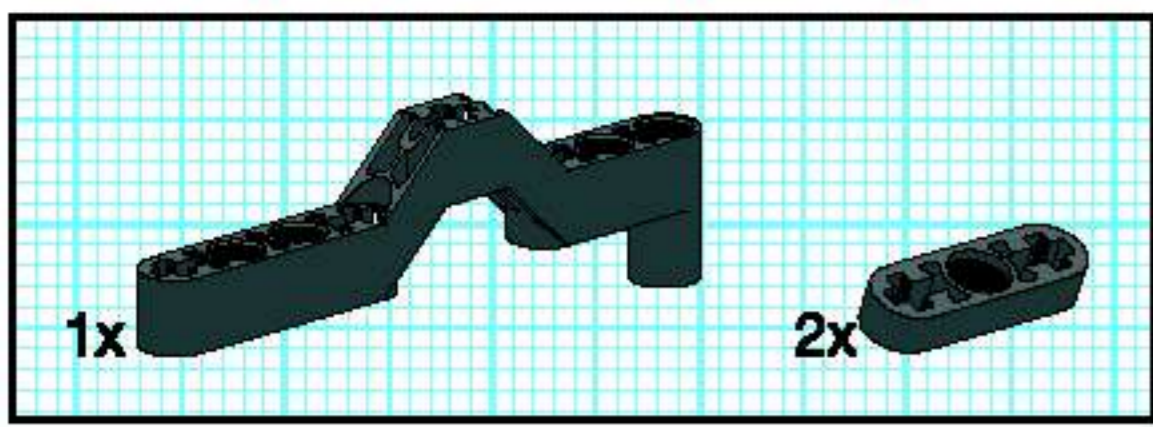


# 21

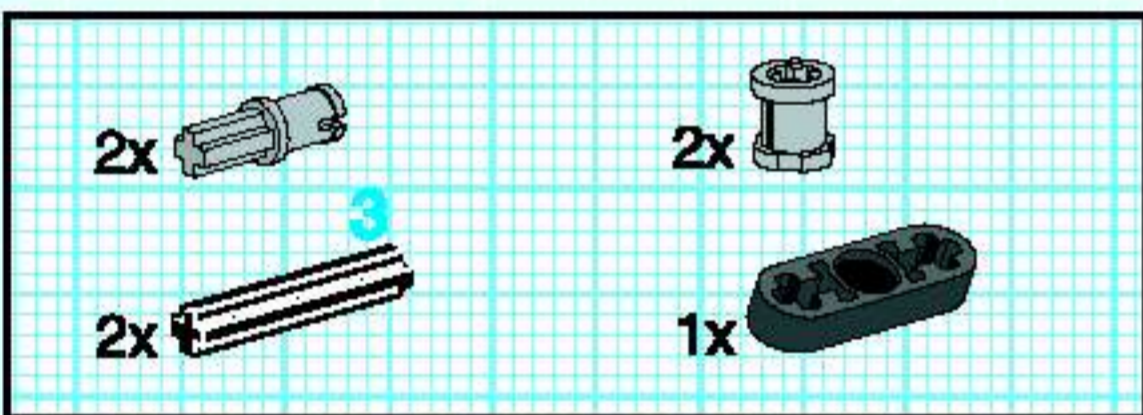
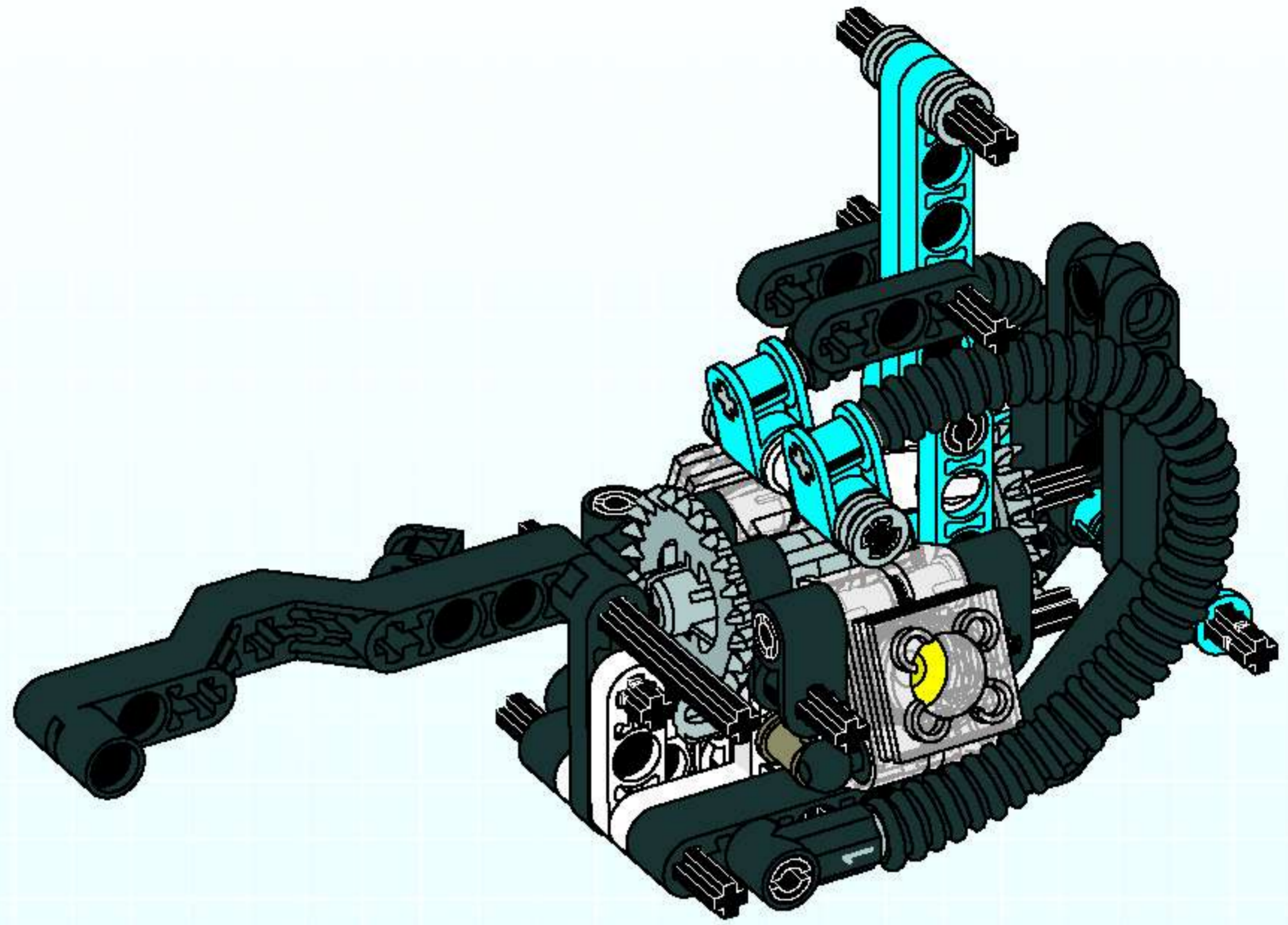


# 22

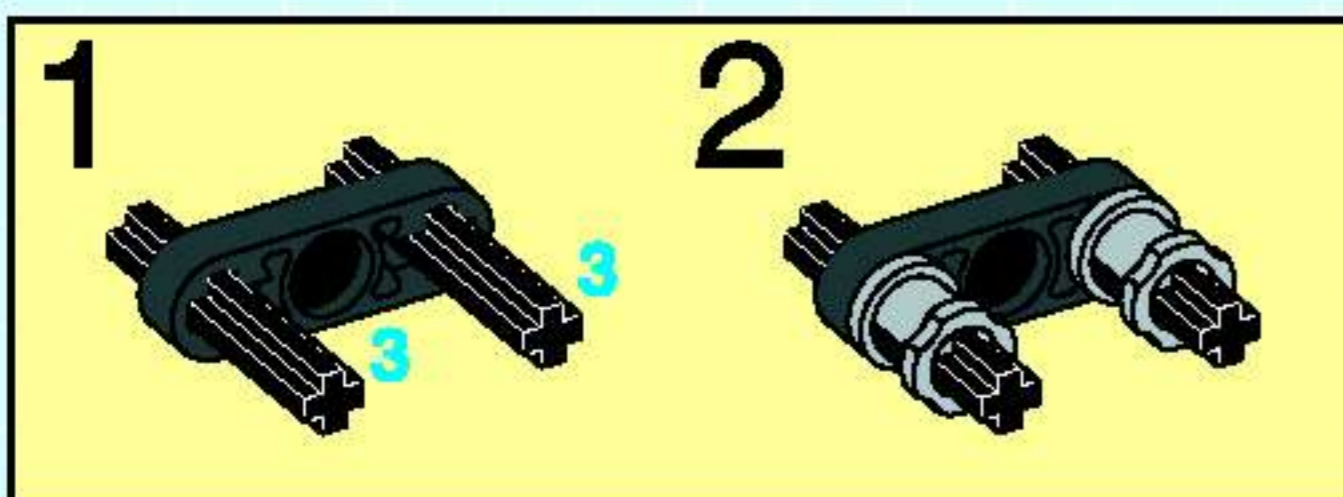
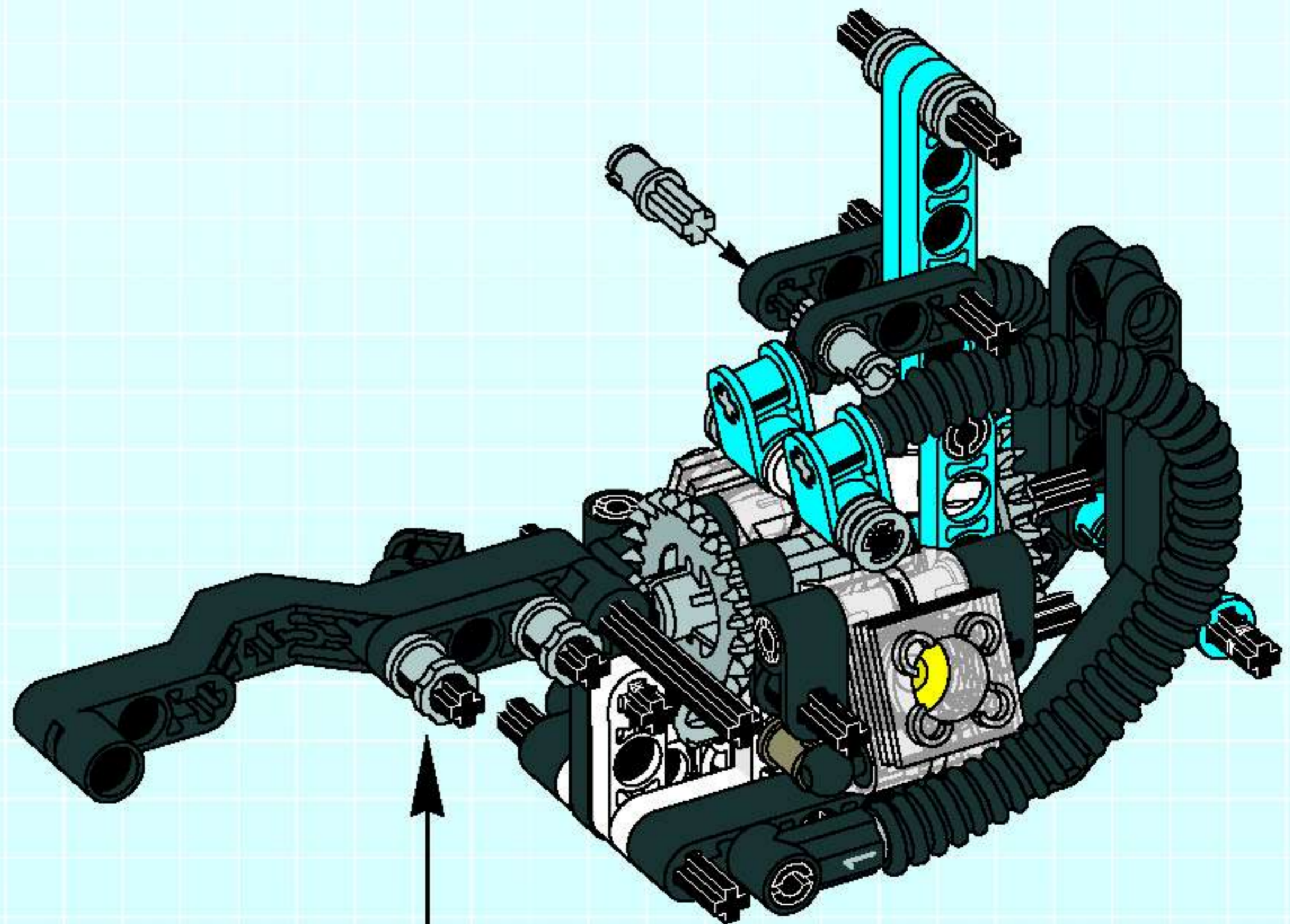


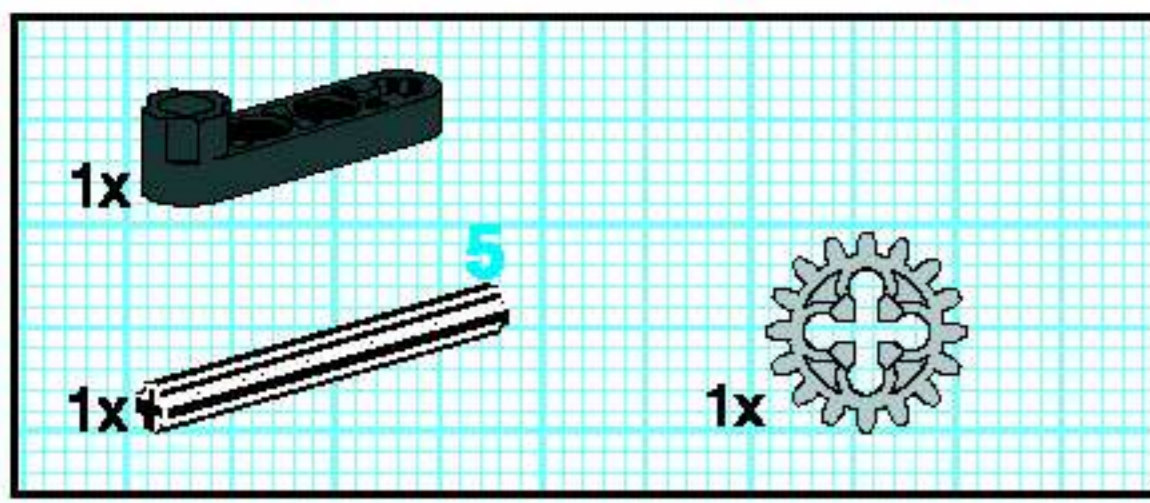


23

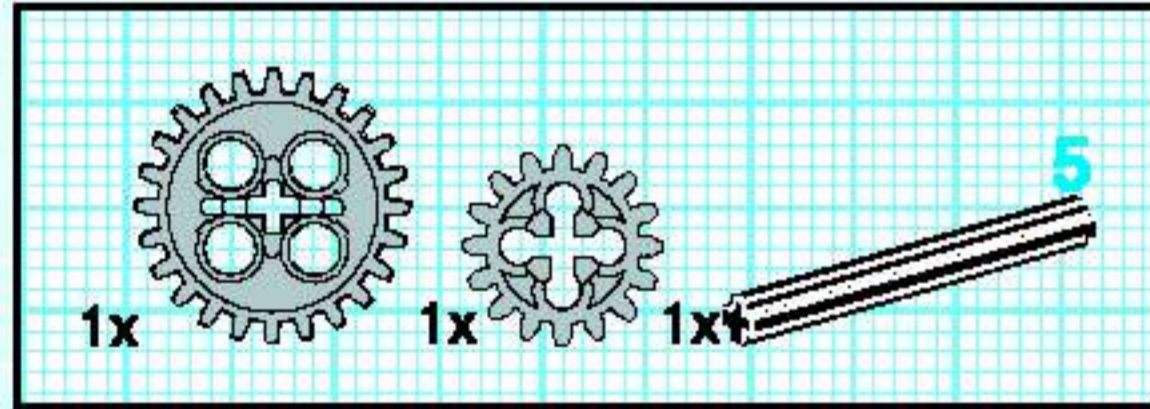
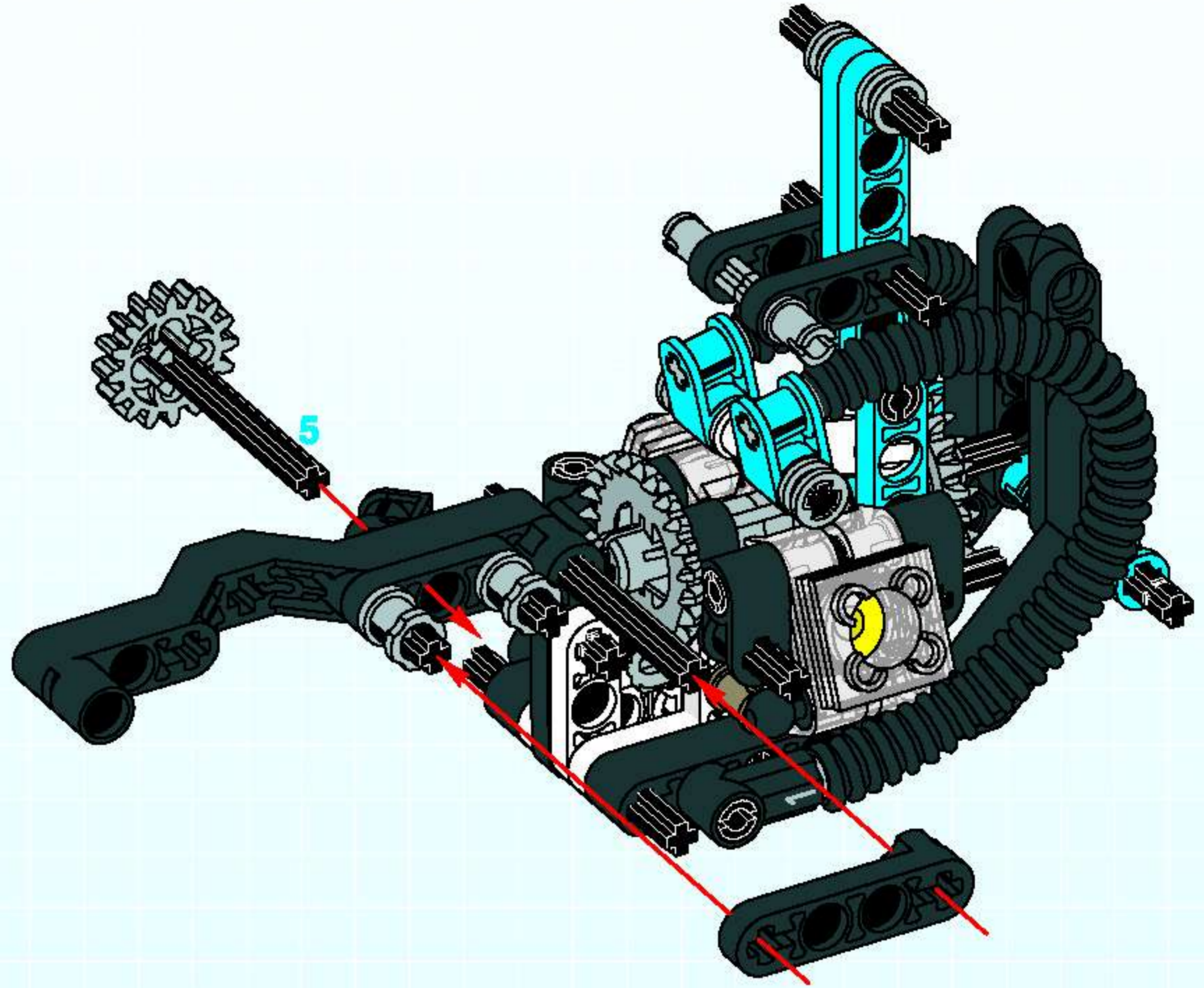


24

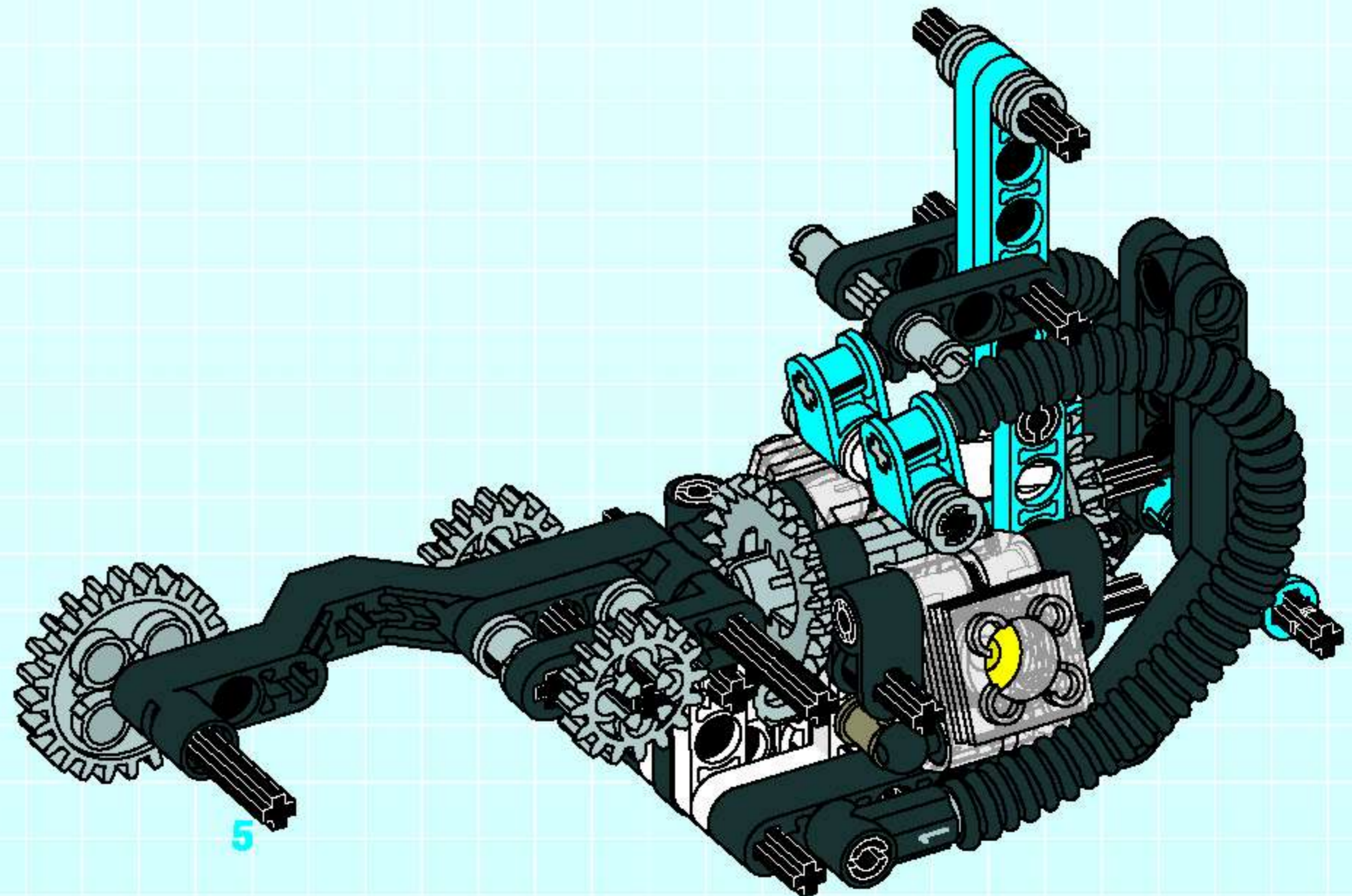




25

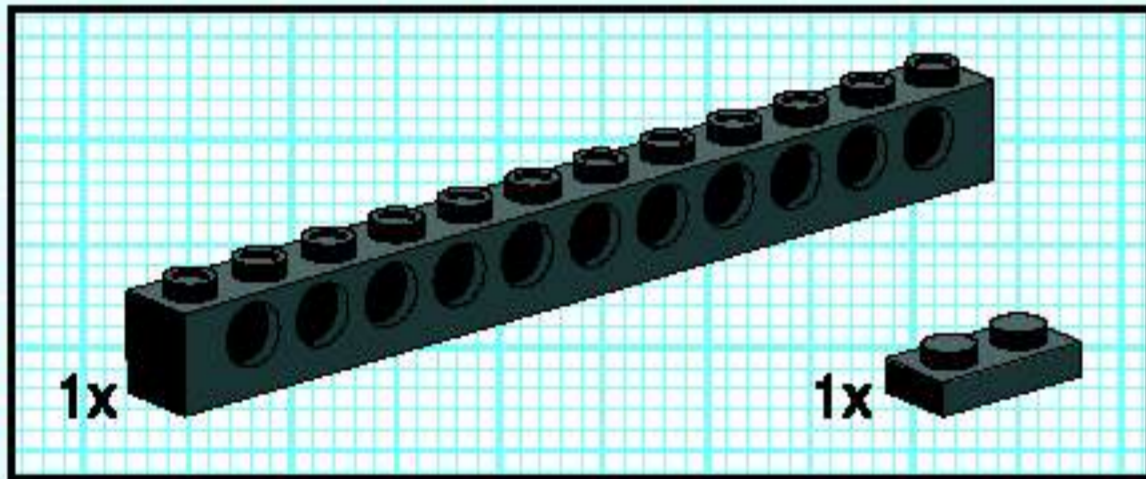
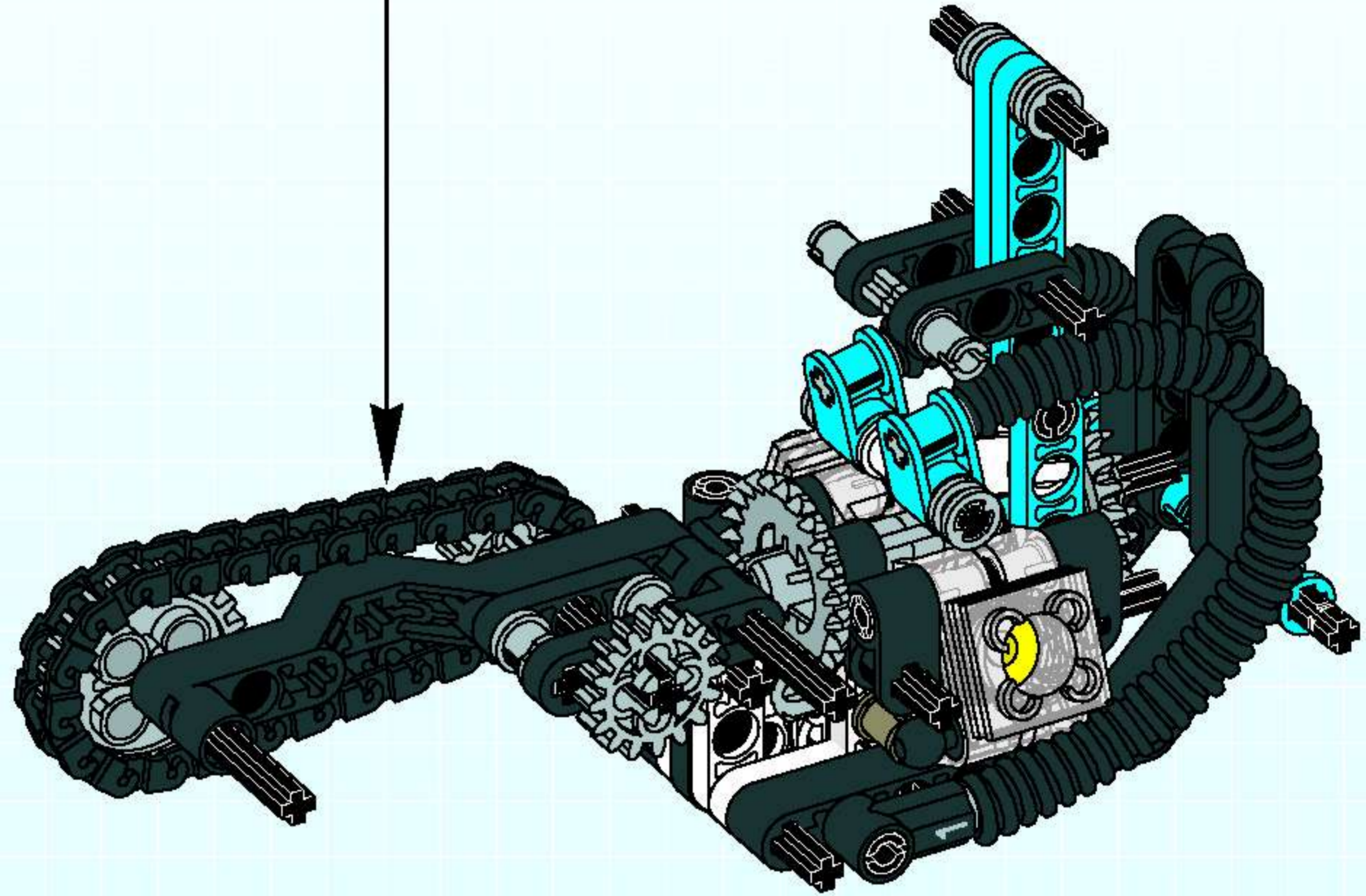
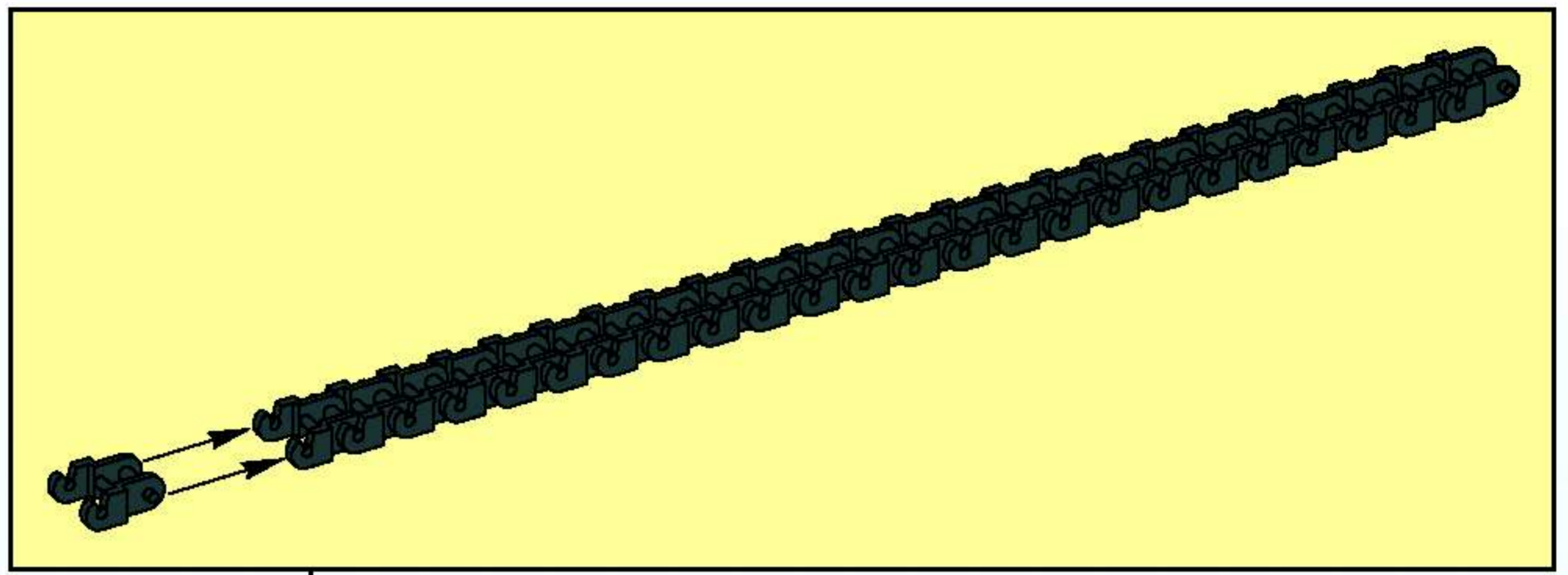


26

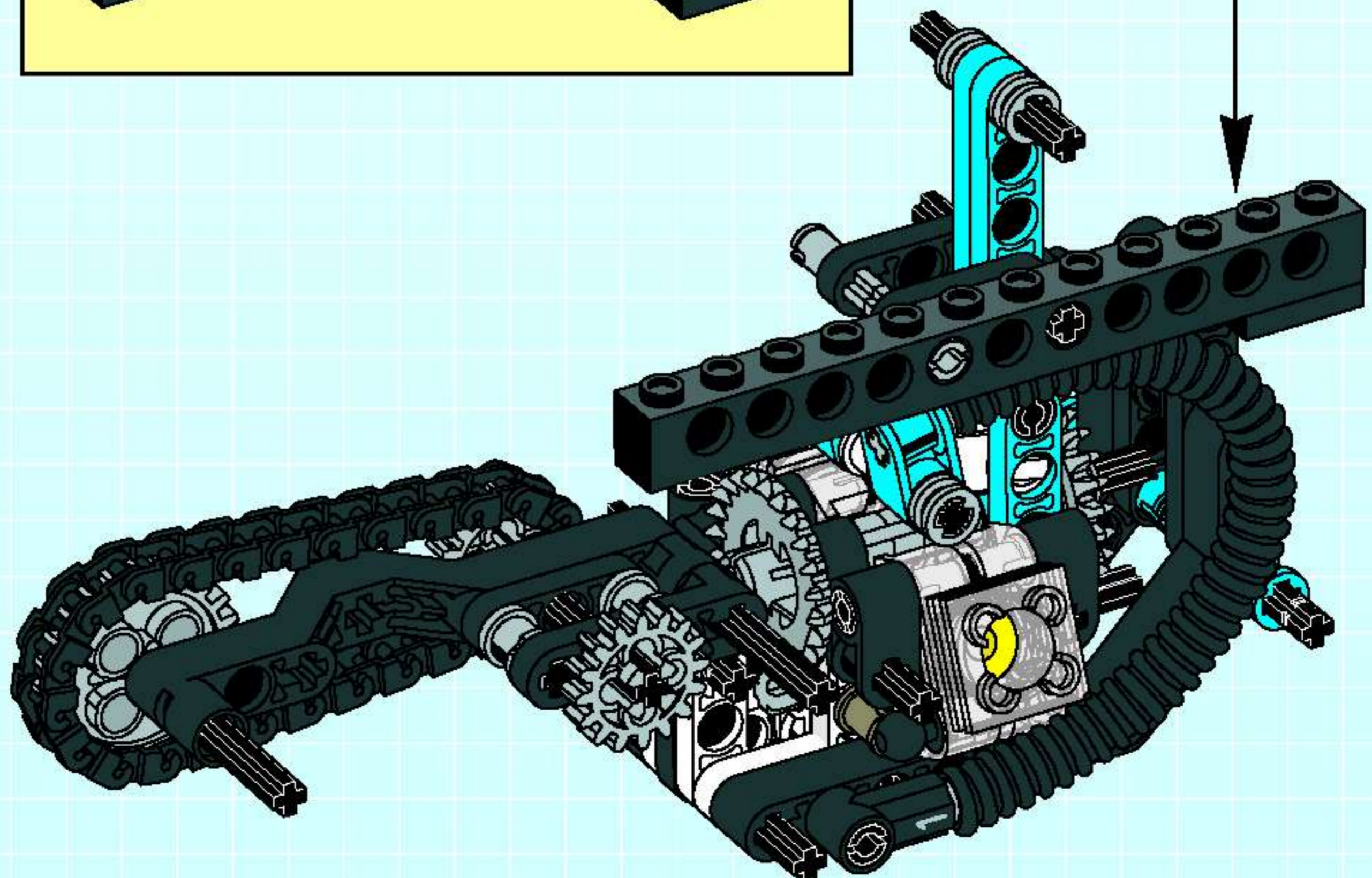
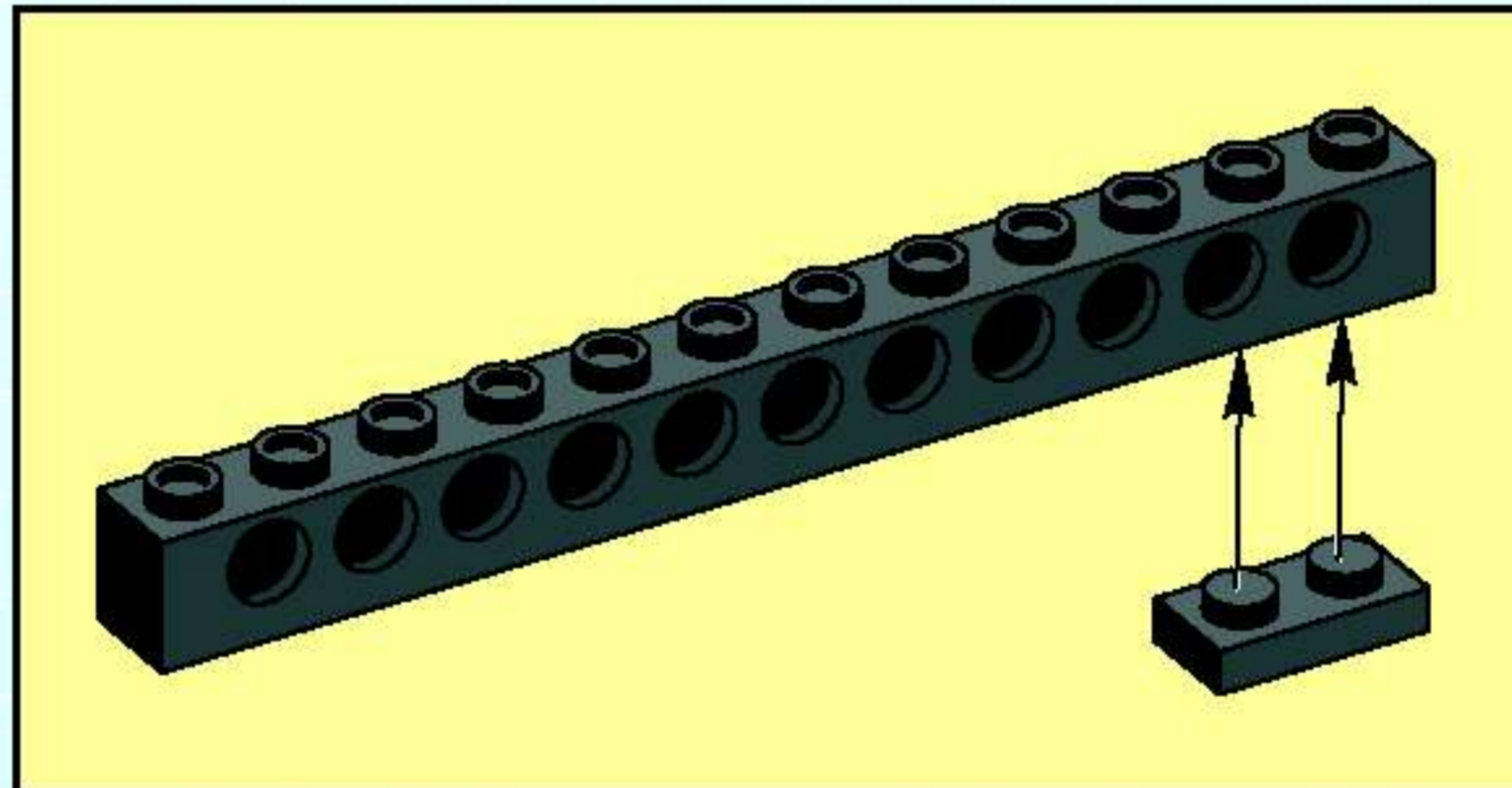


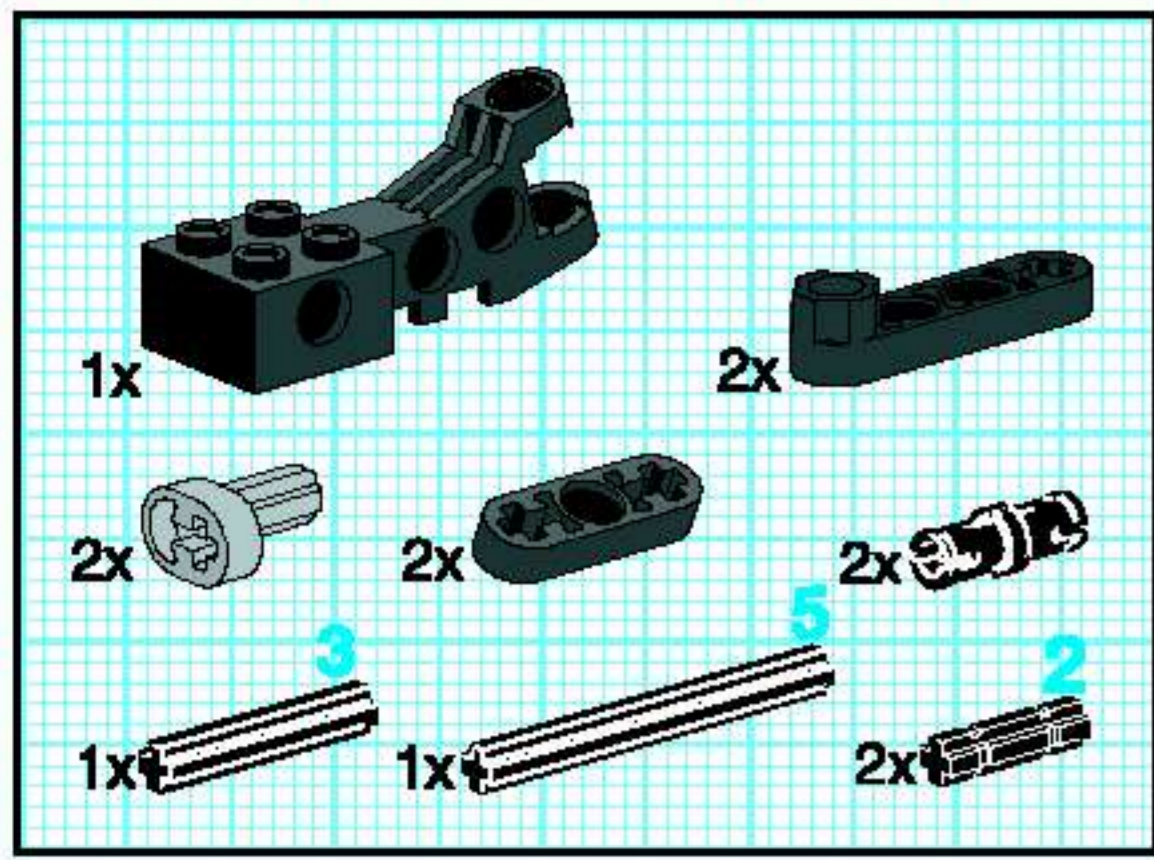
25x 

# 27

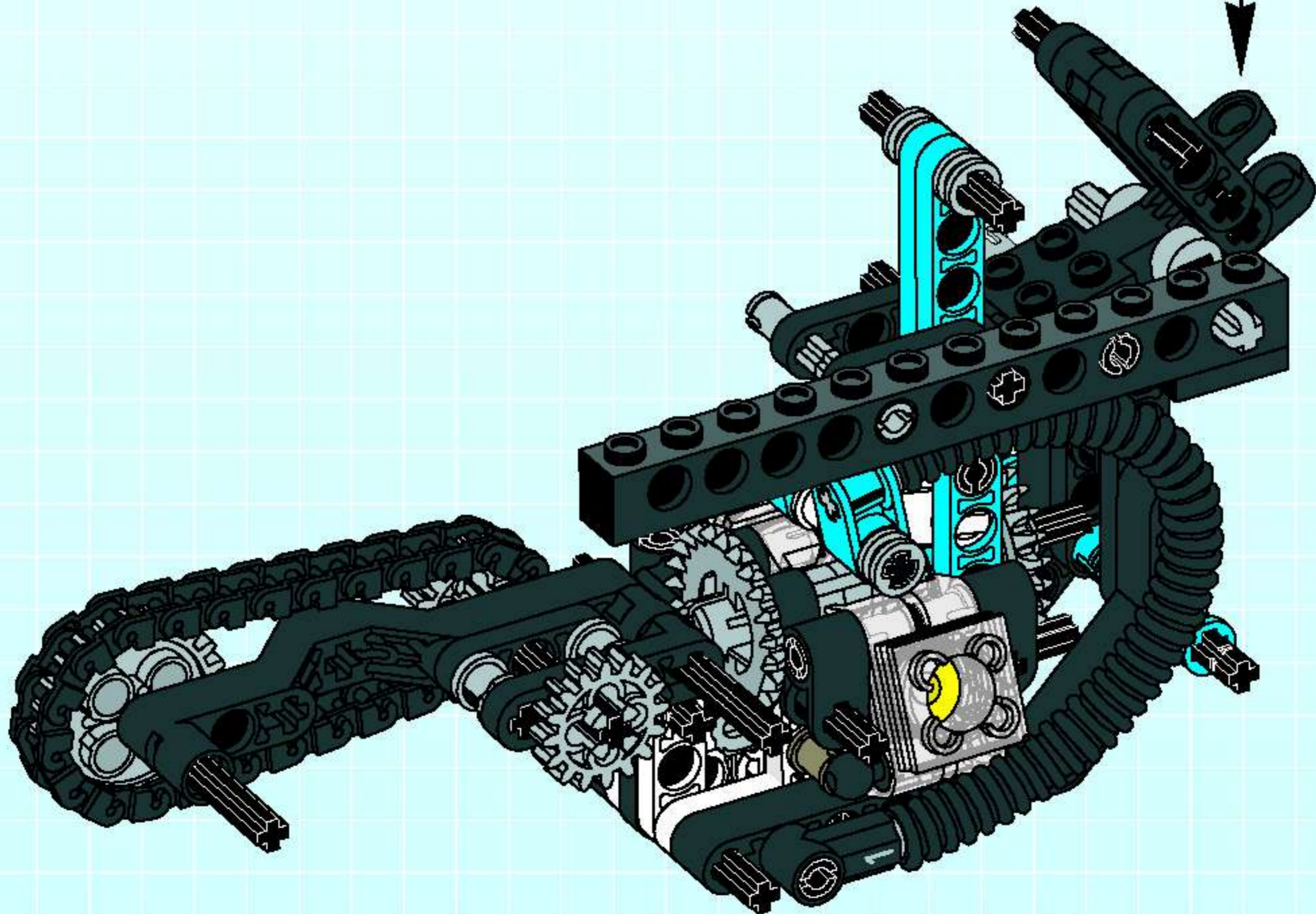
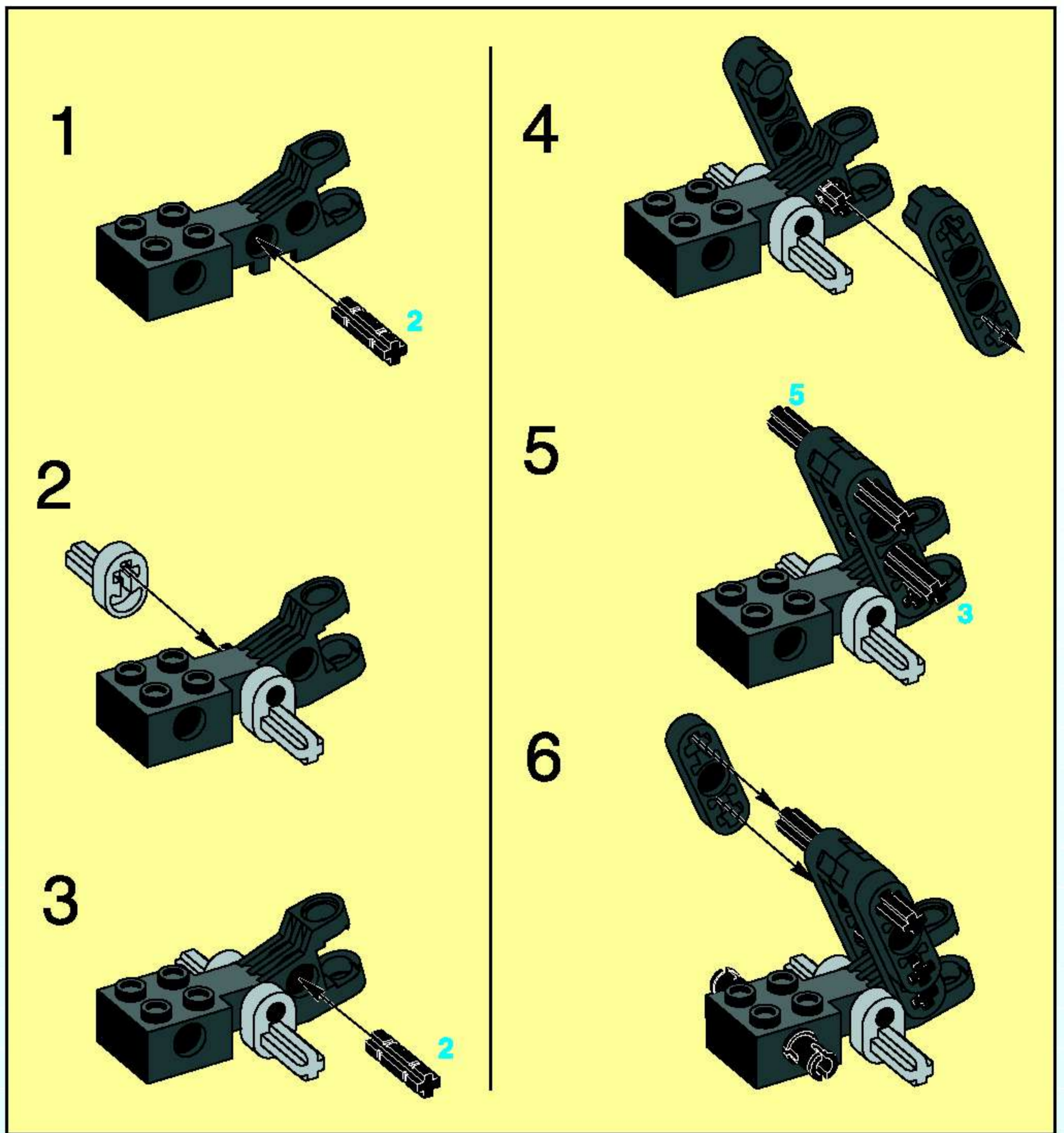


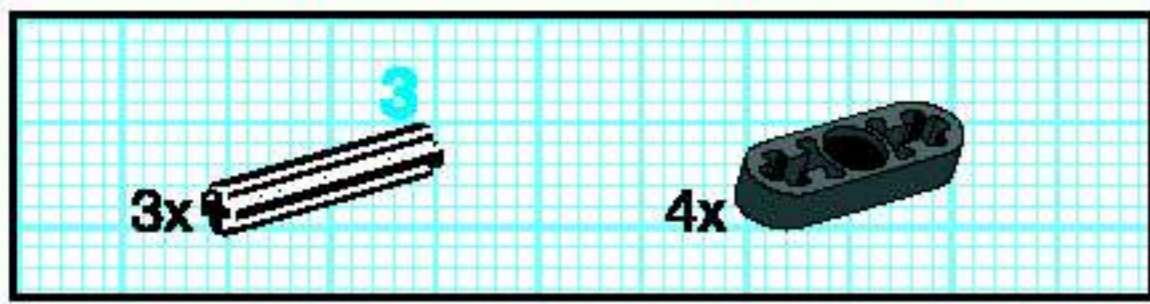
# 28



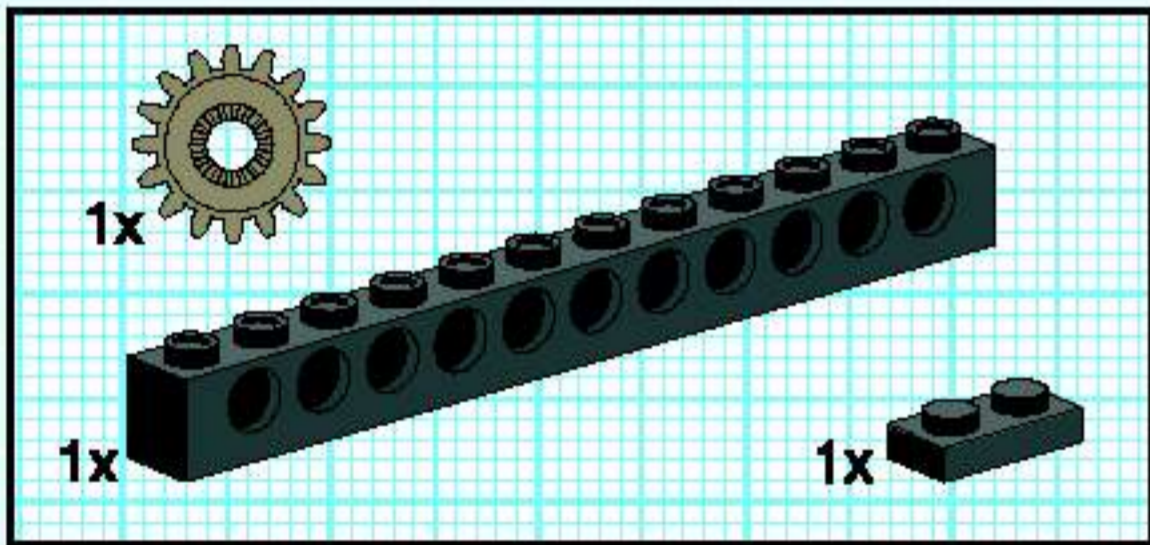
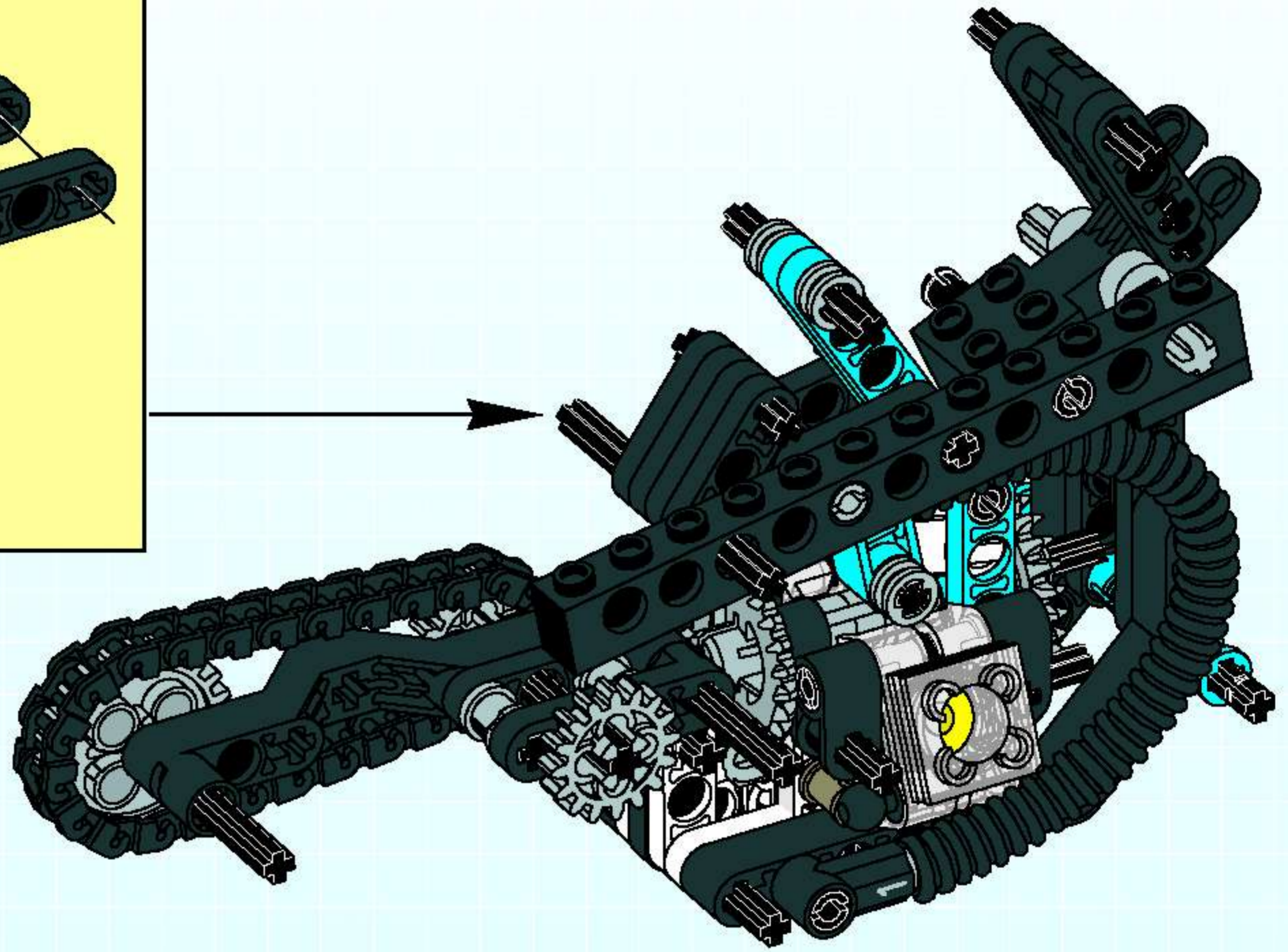
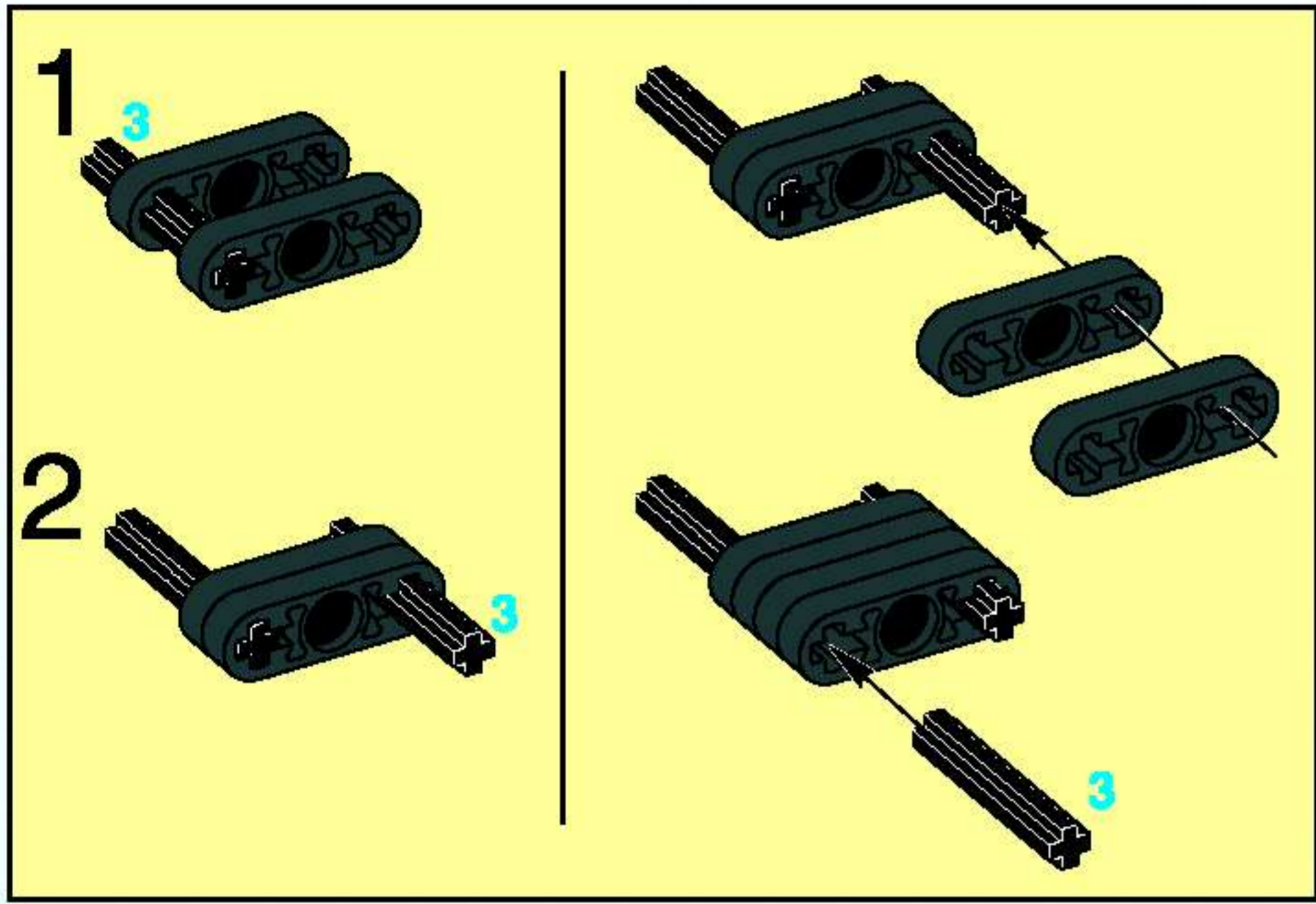


# 29

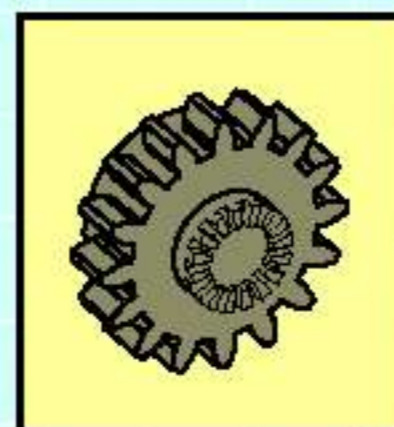
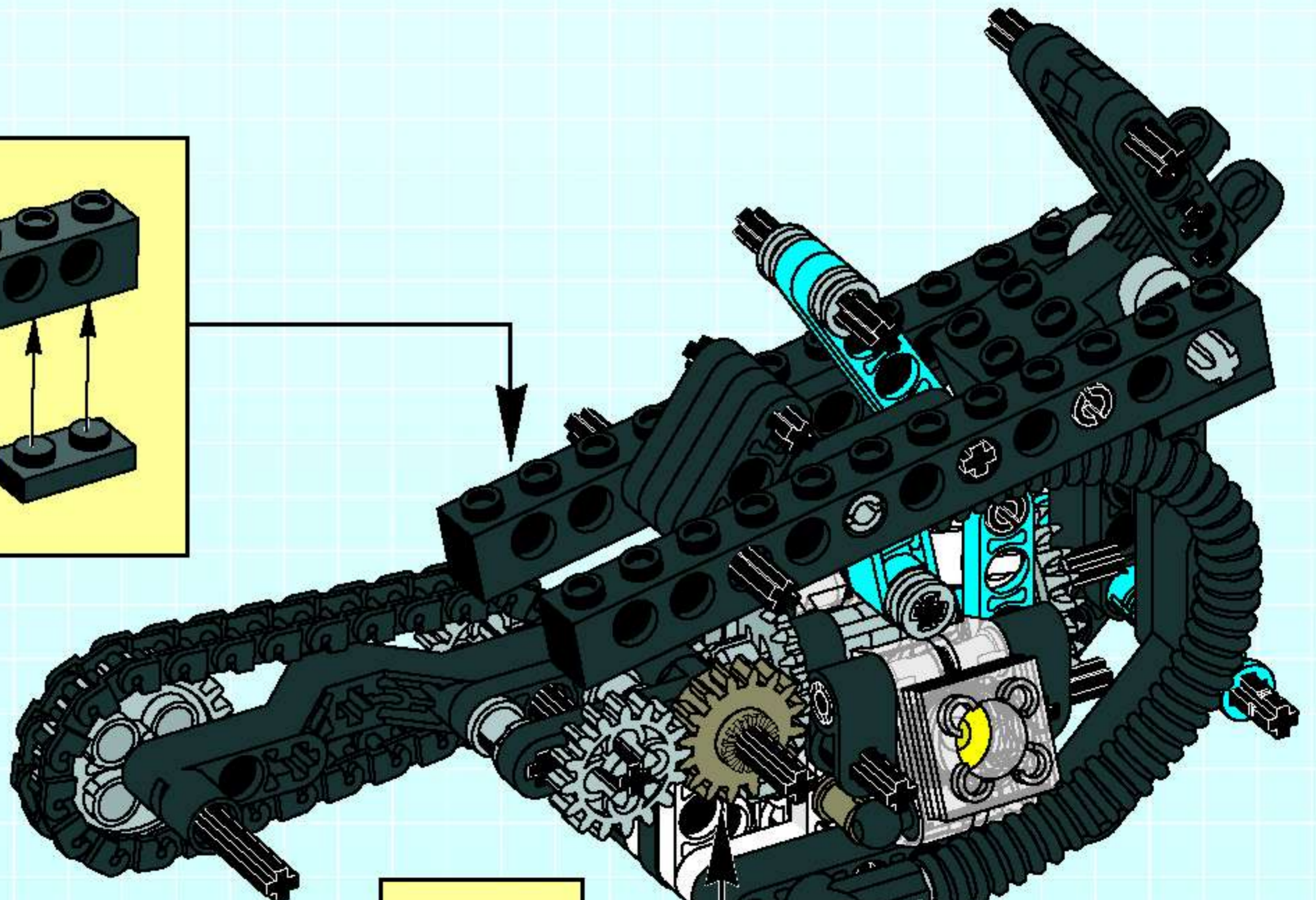
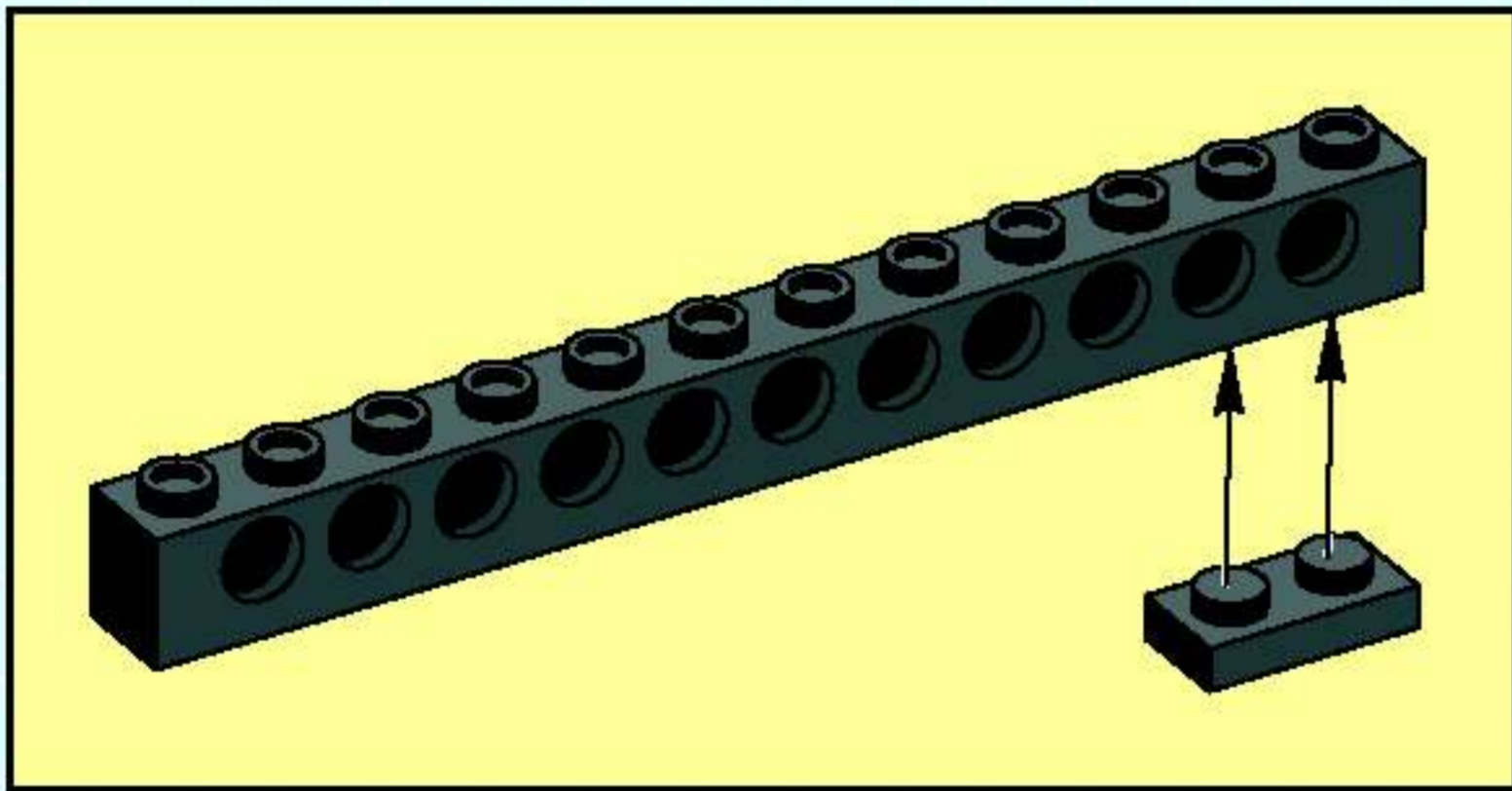


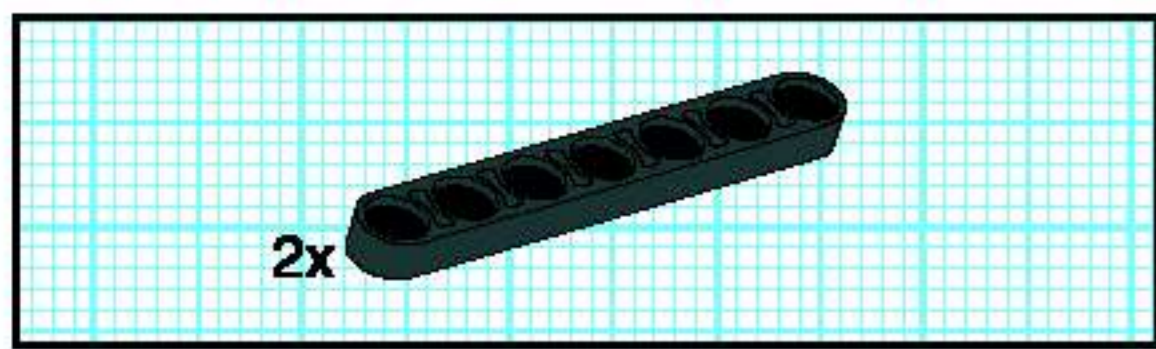


# 30

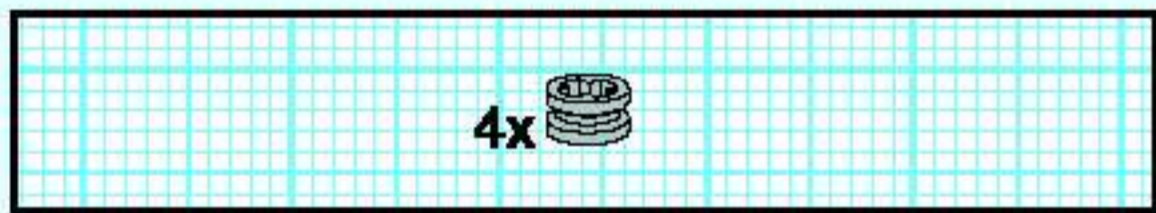
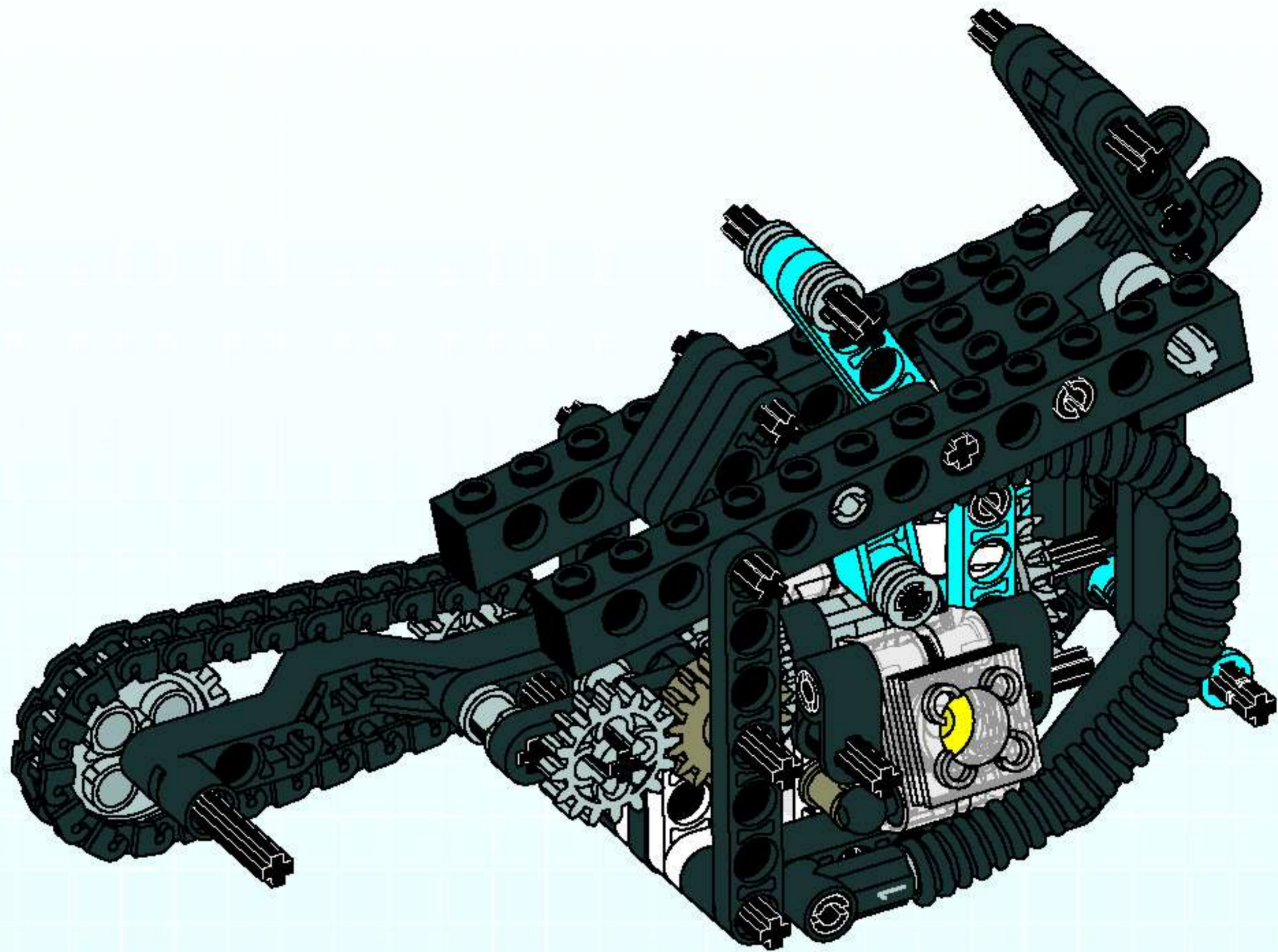


# 31

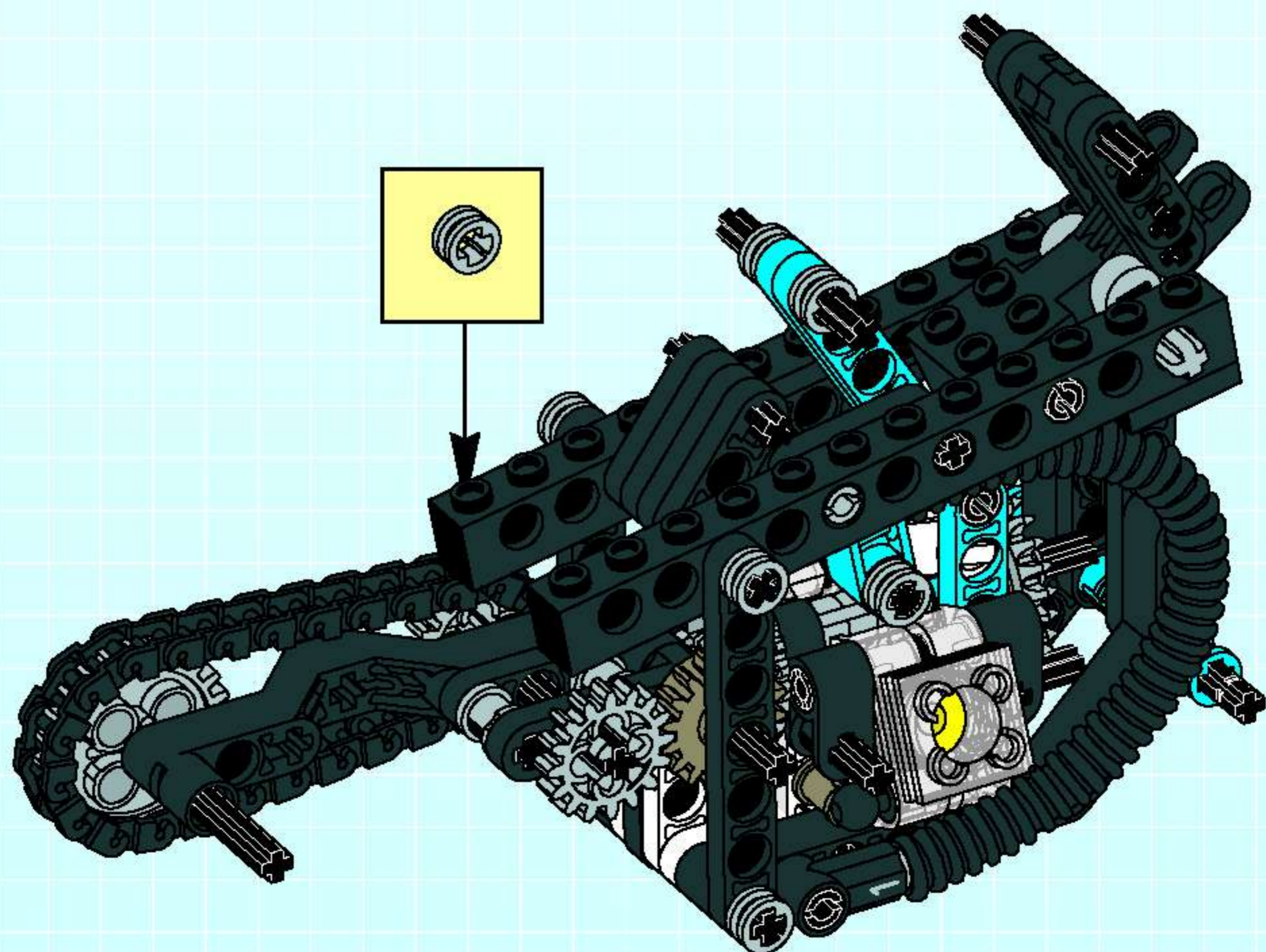




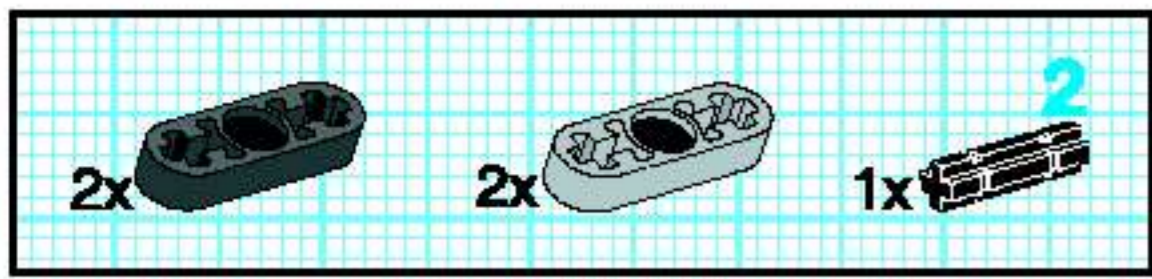
32



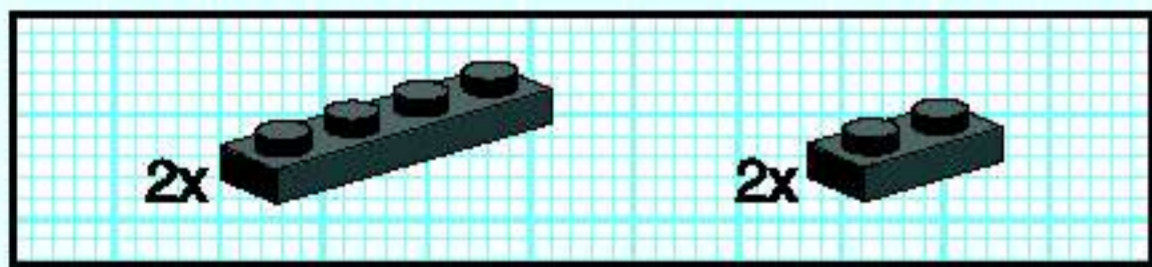
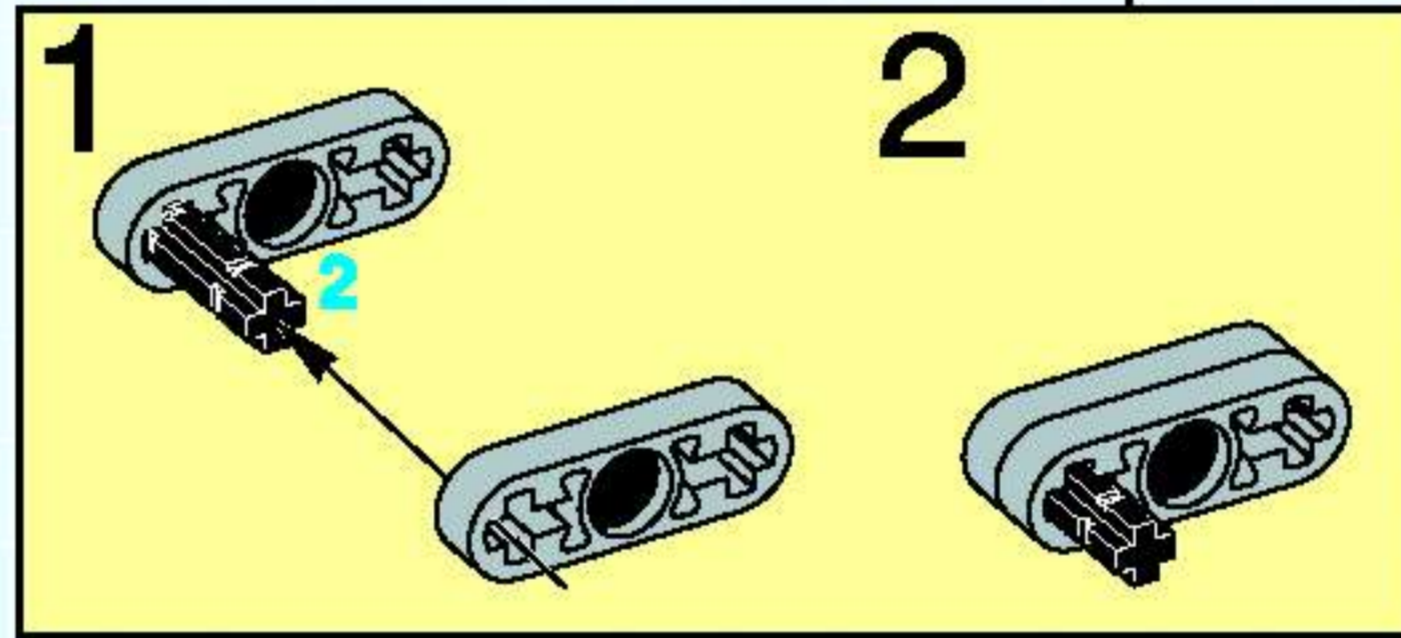
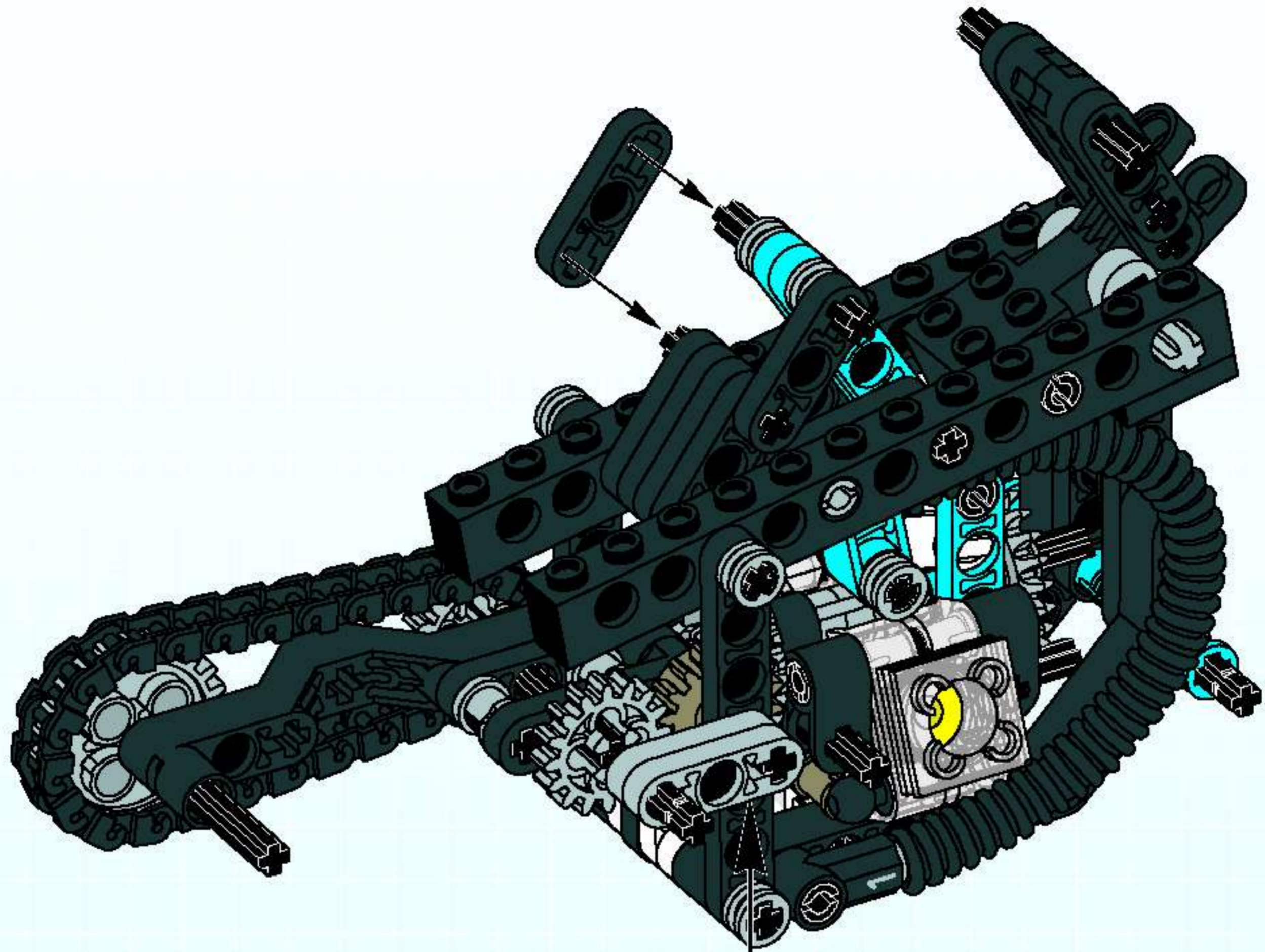
33



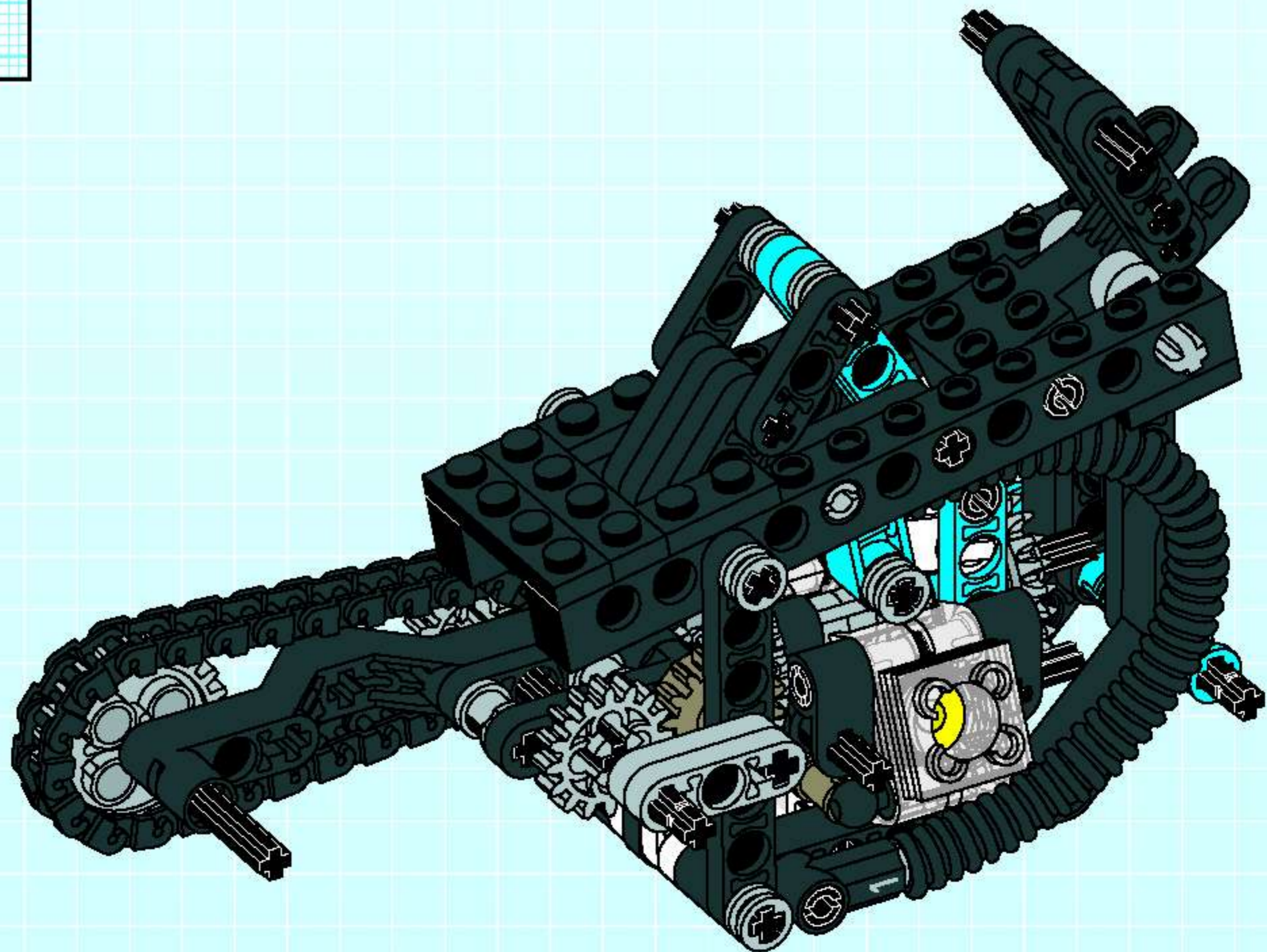


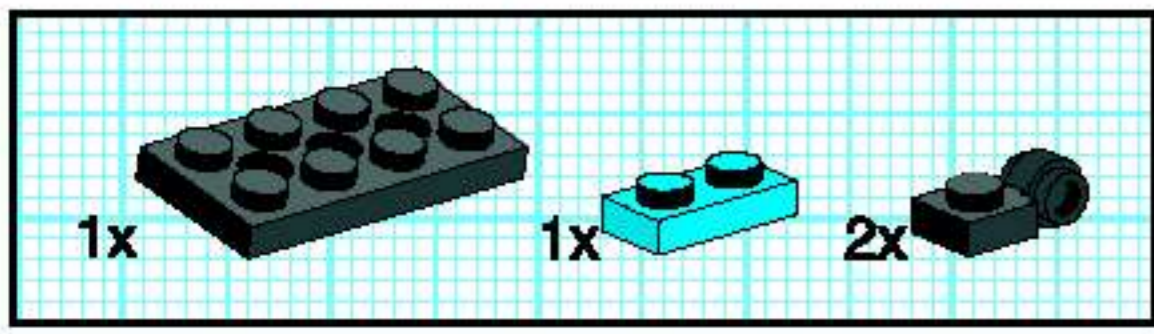


34

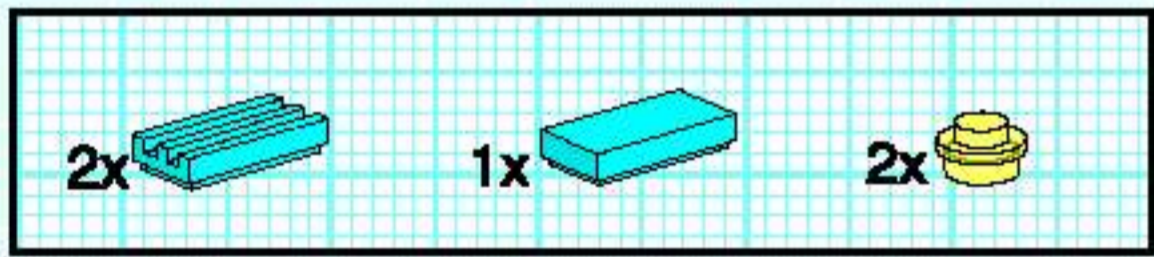
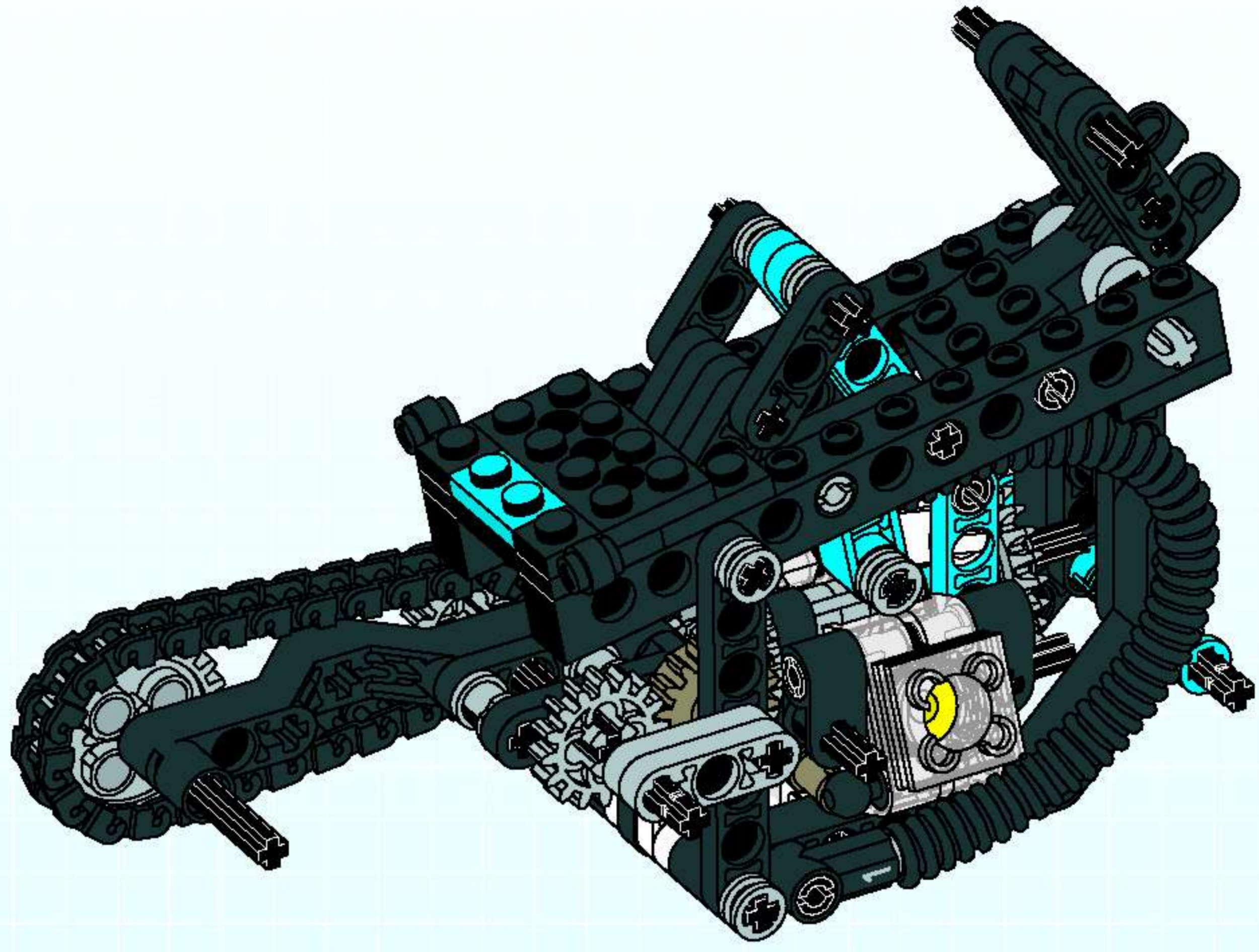


35

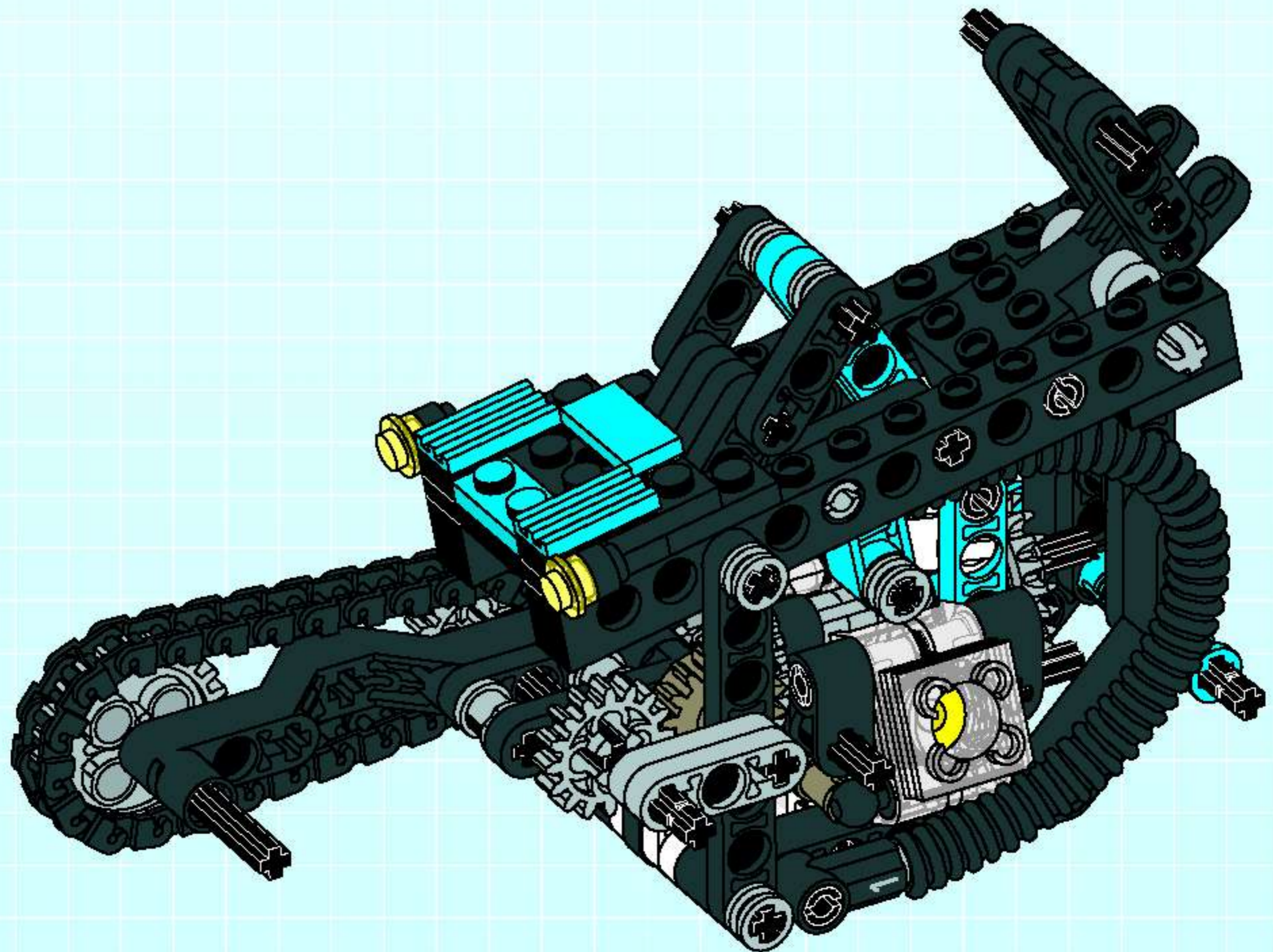


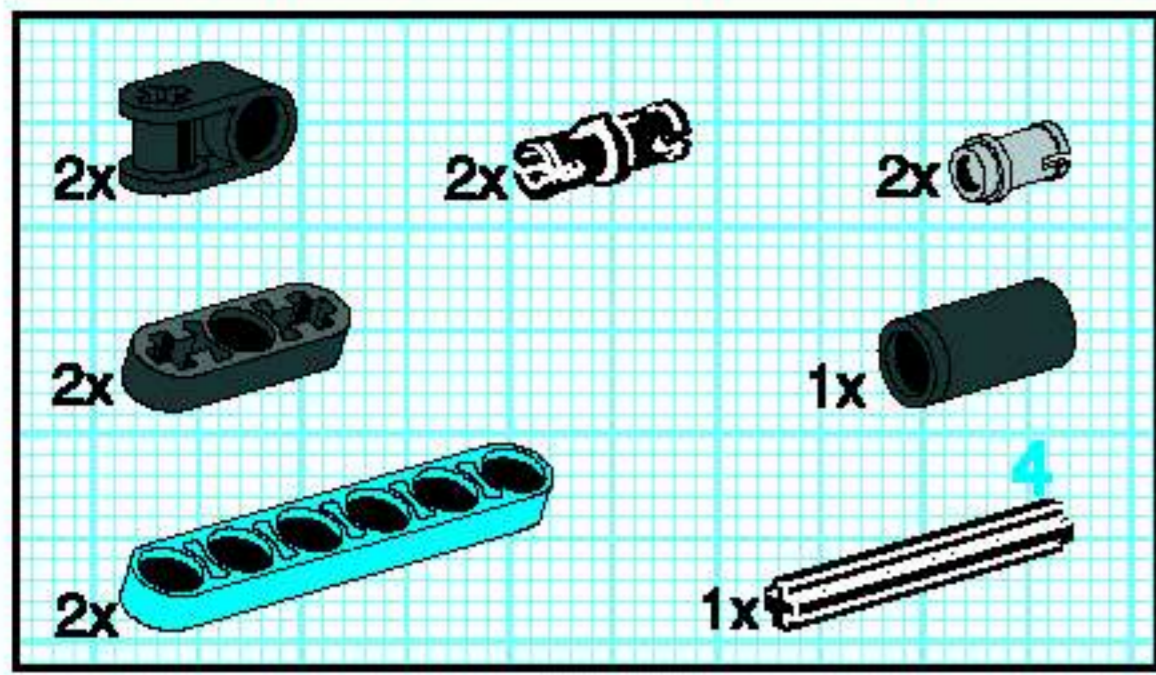


36

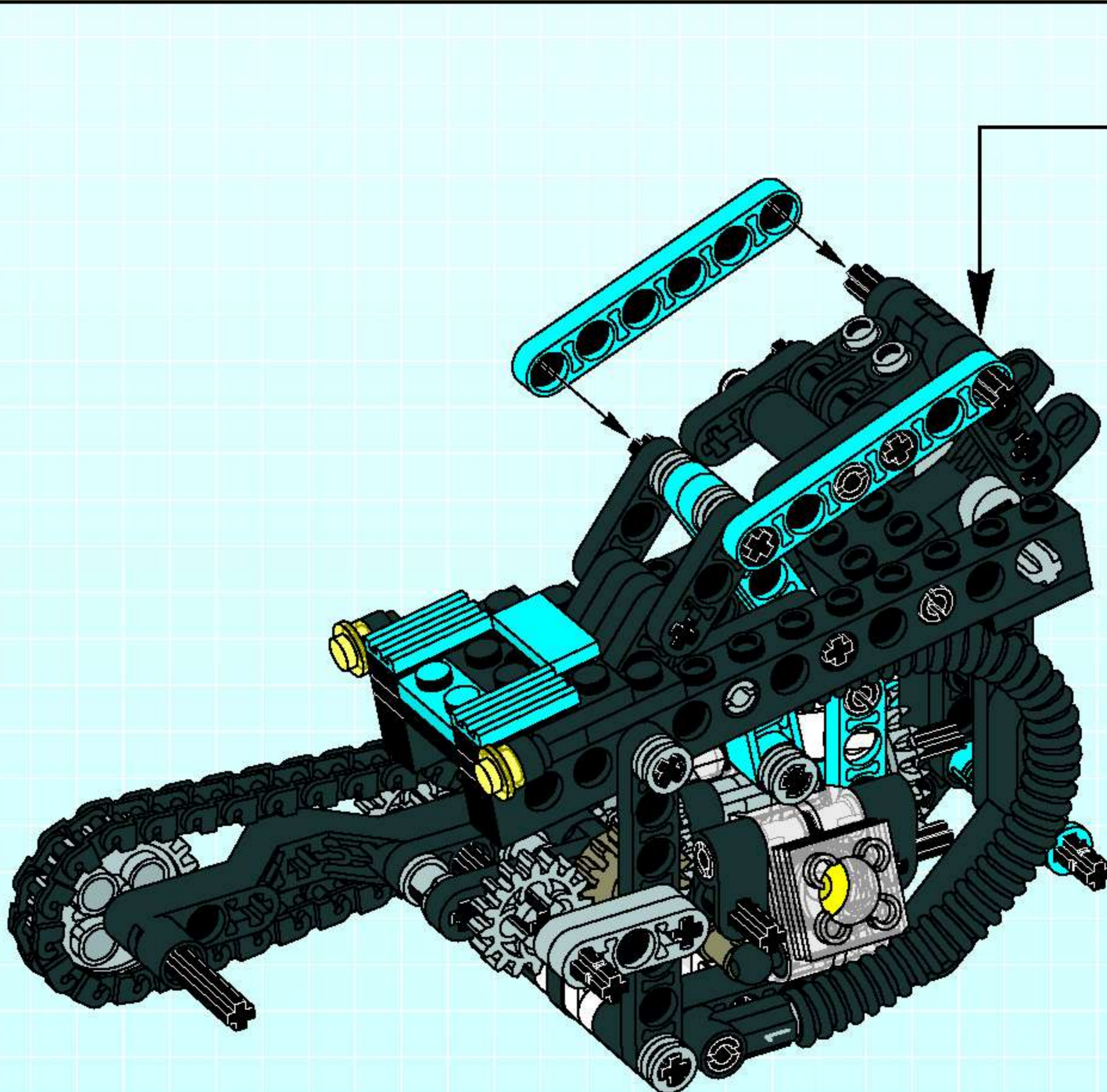
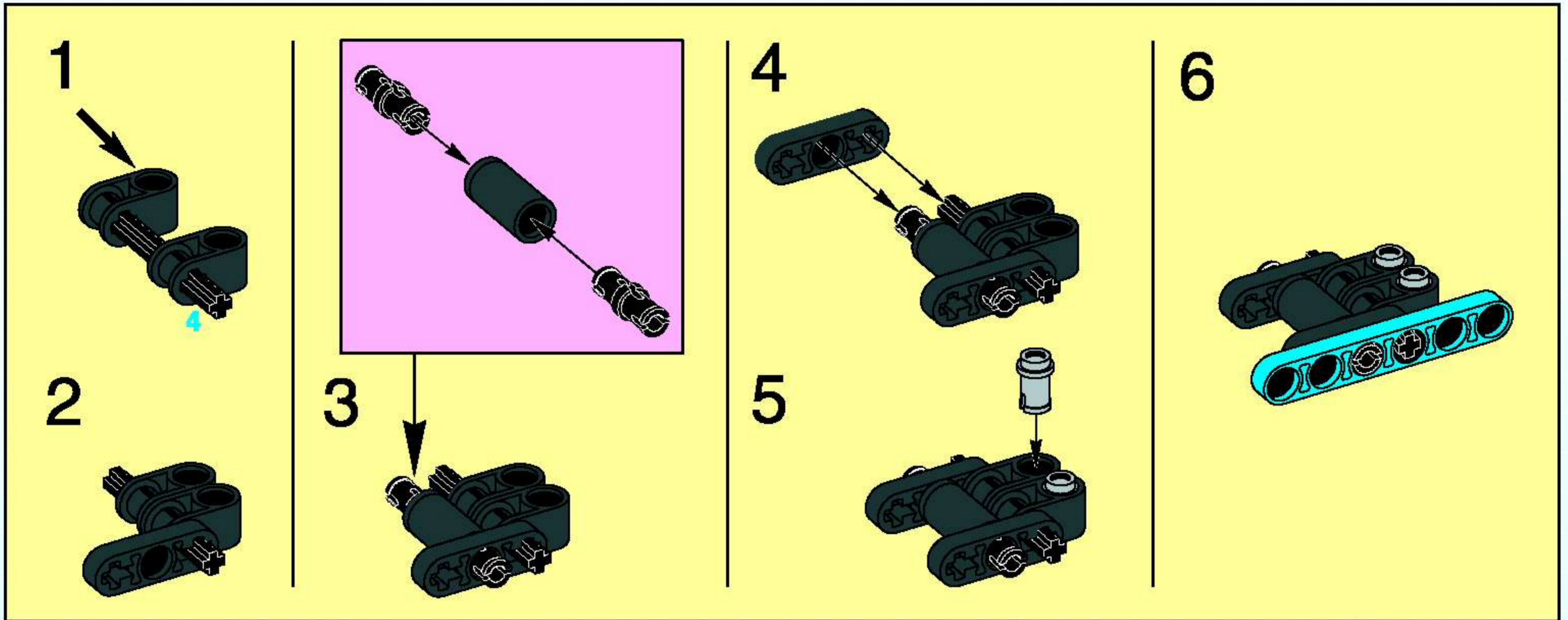


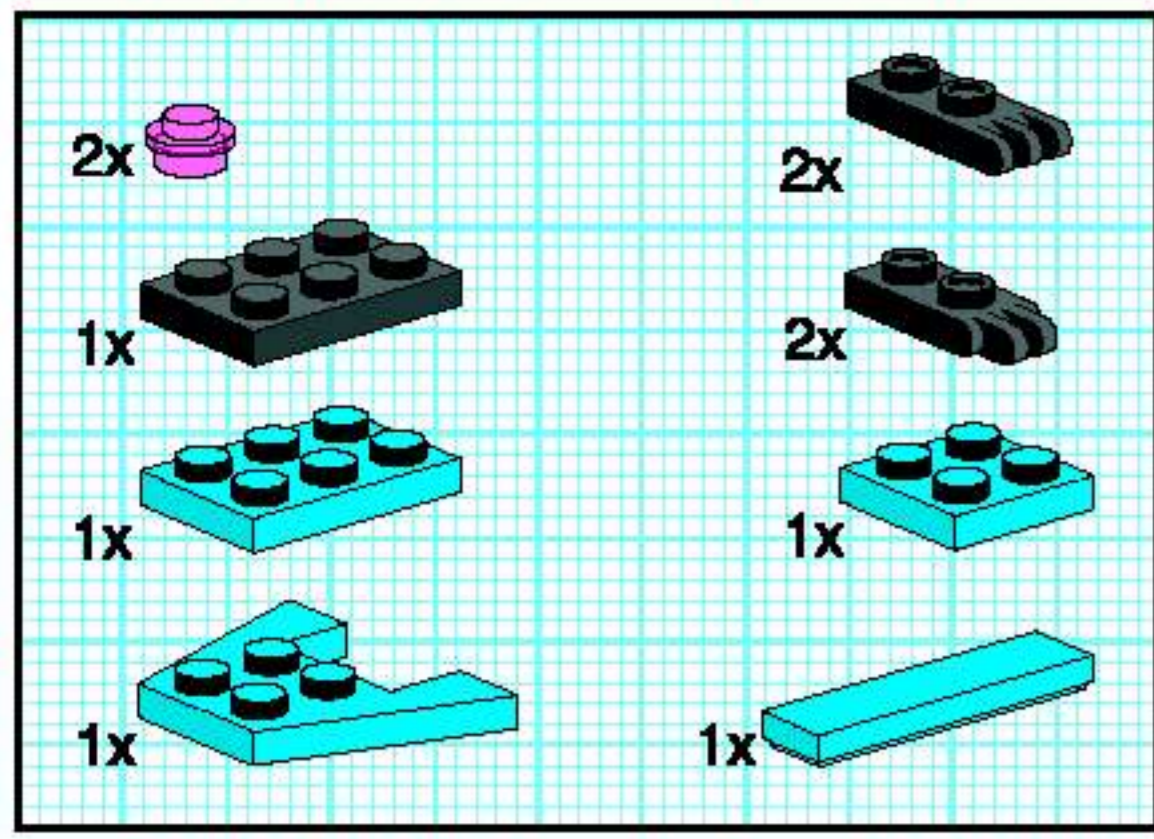
37



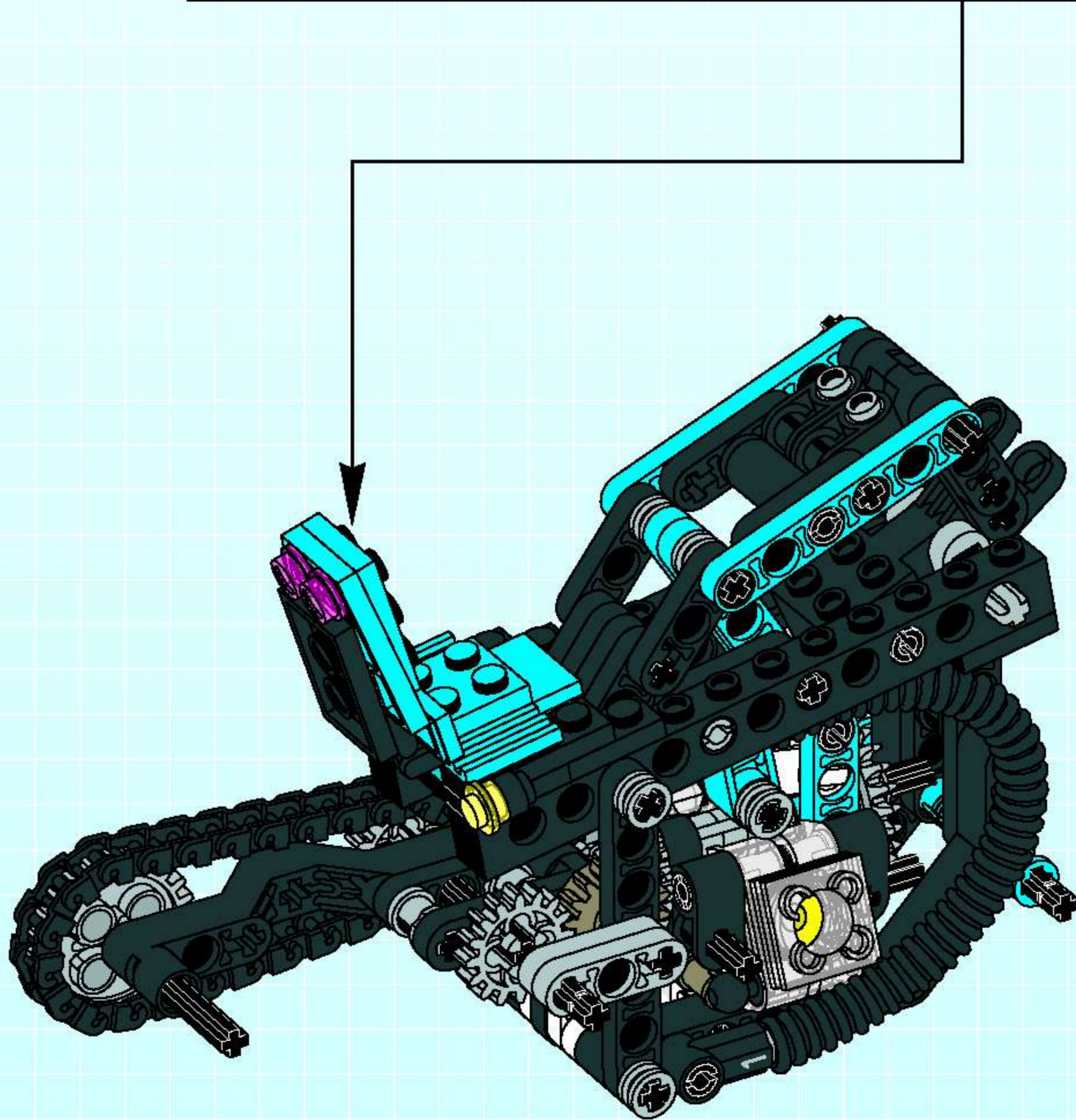
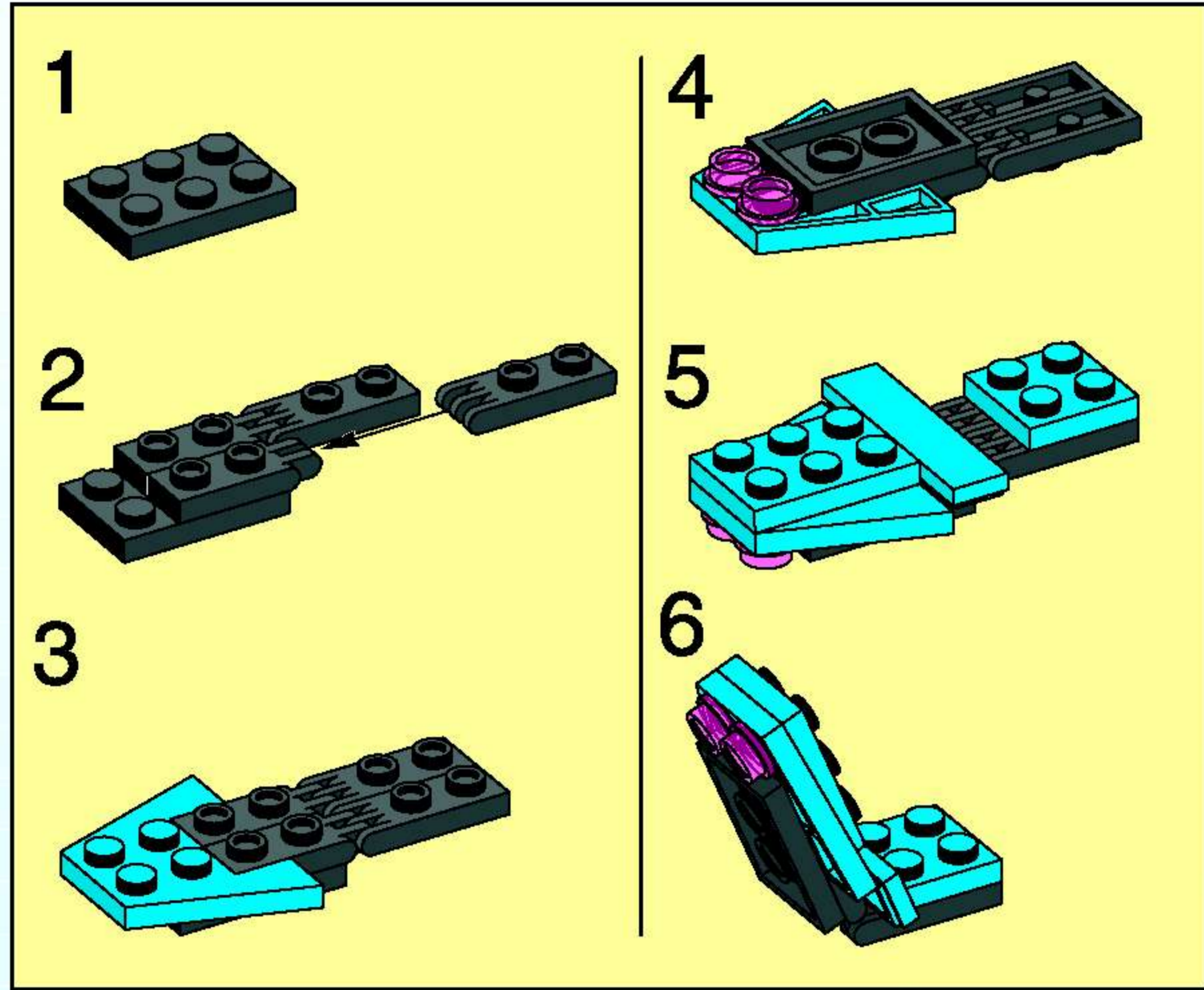


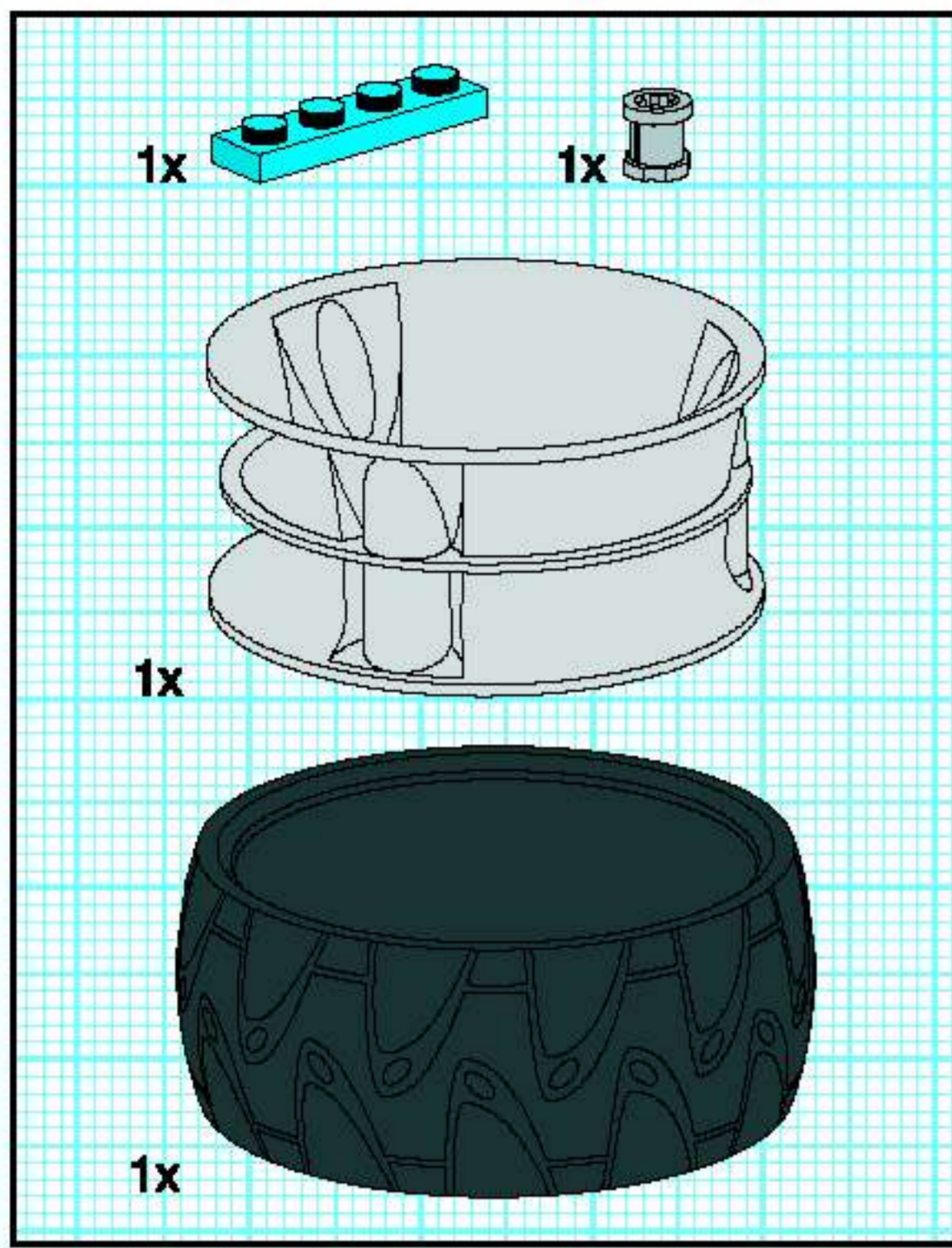
# 38



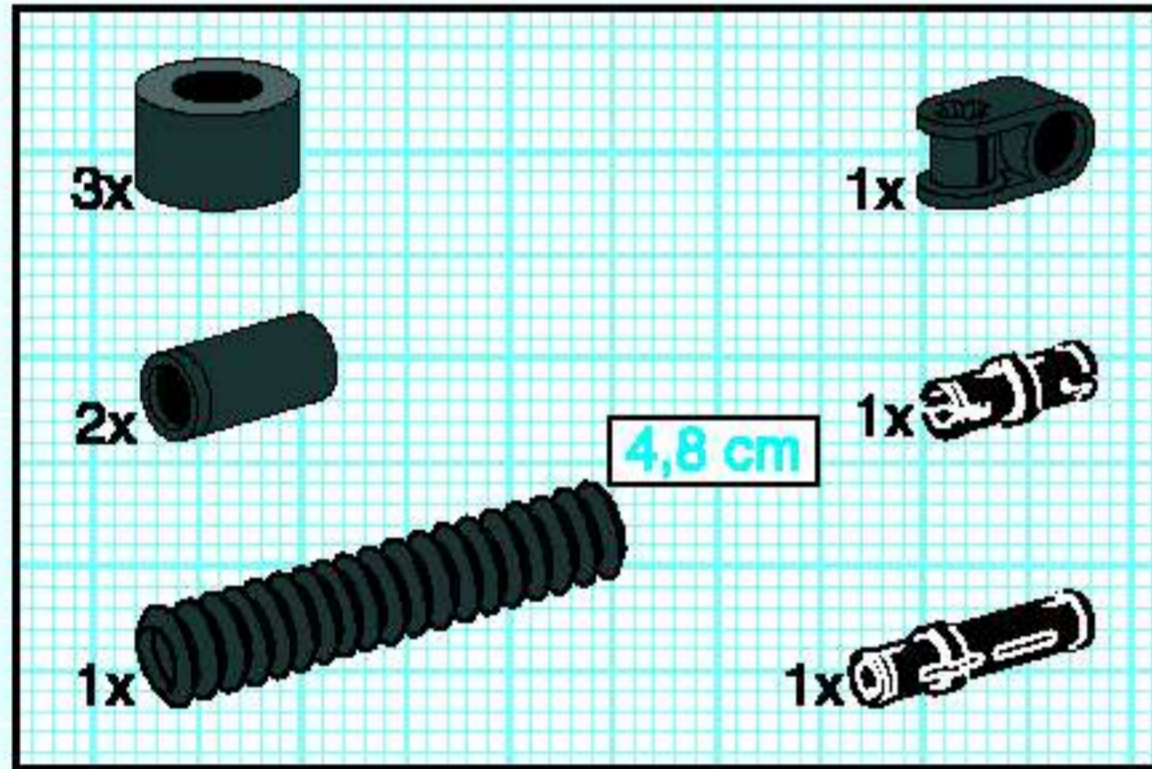
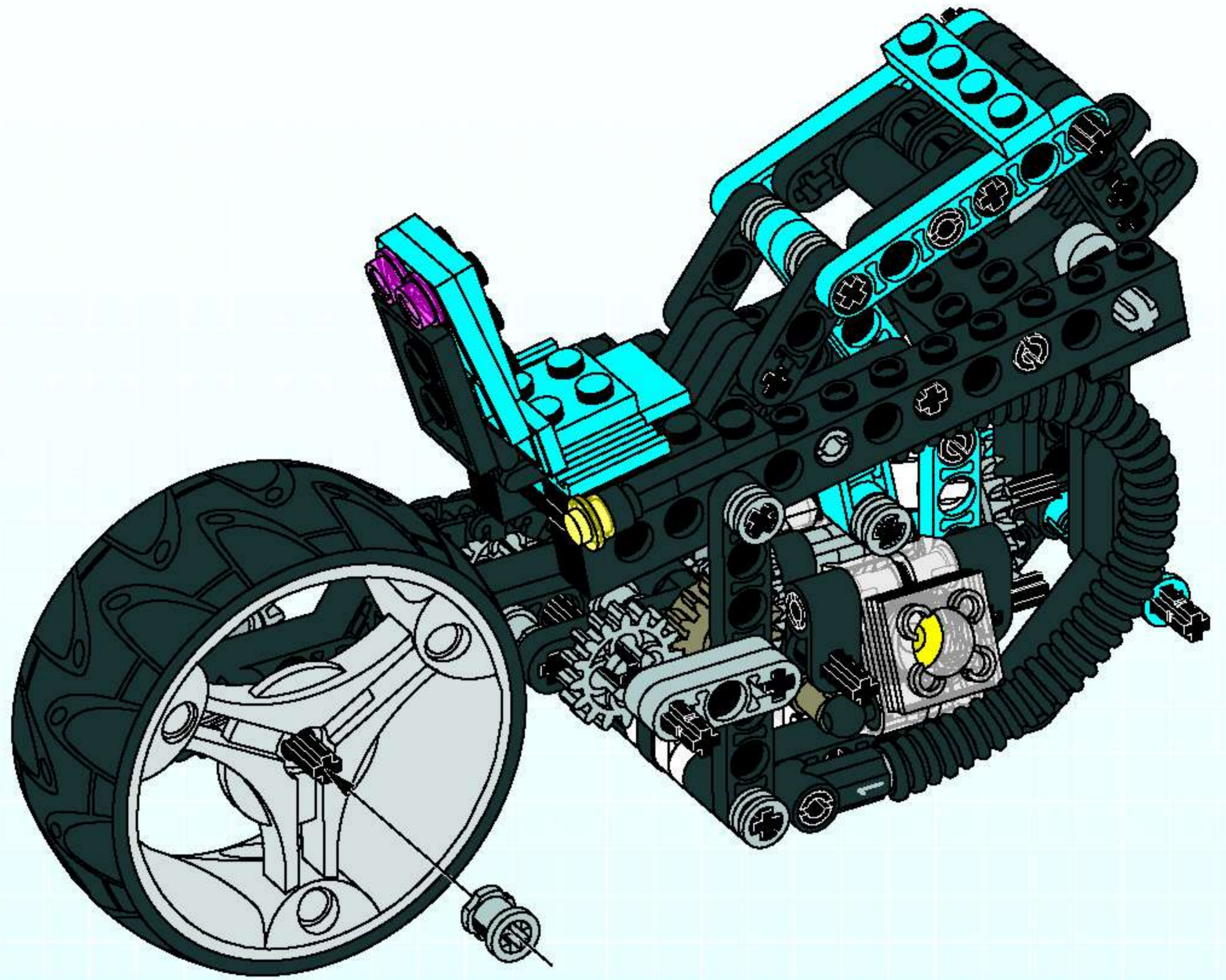


**39**

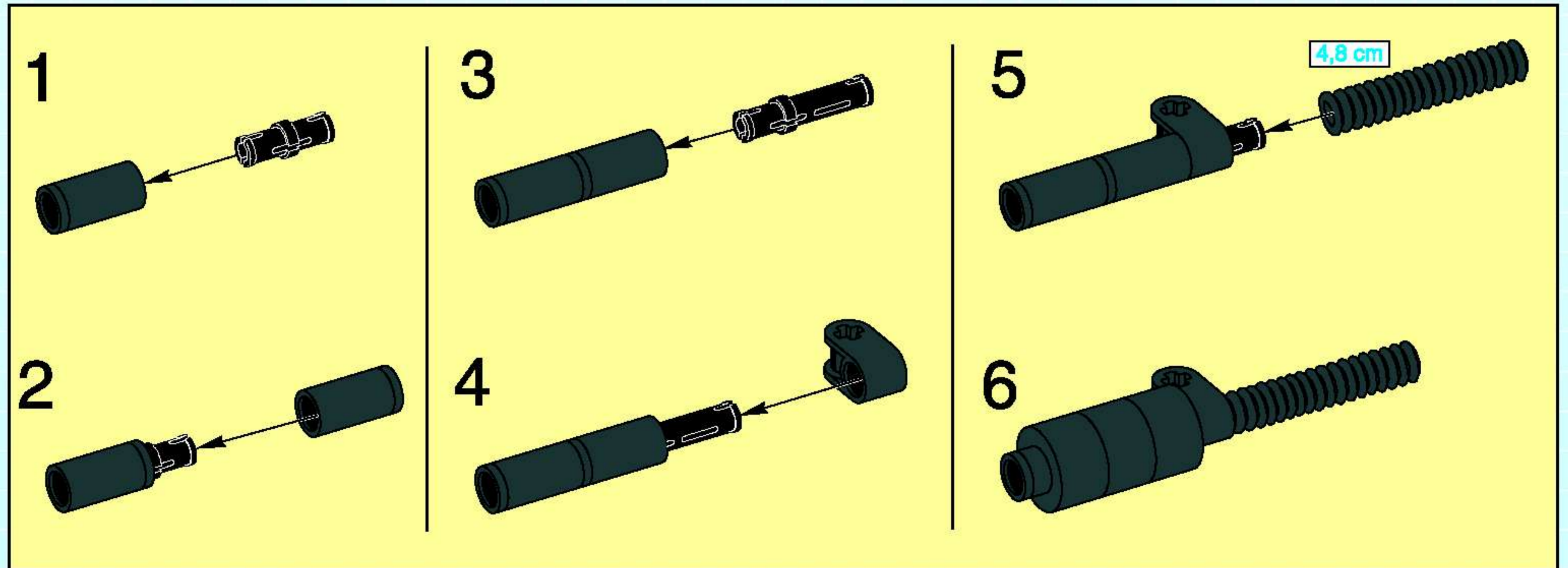


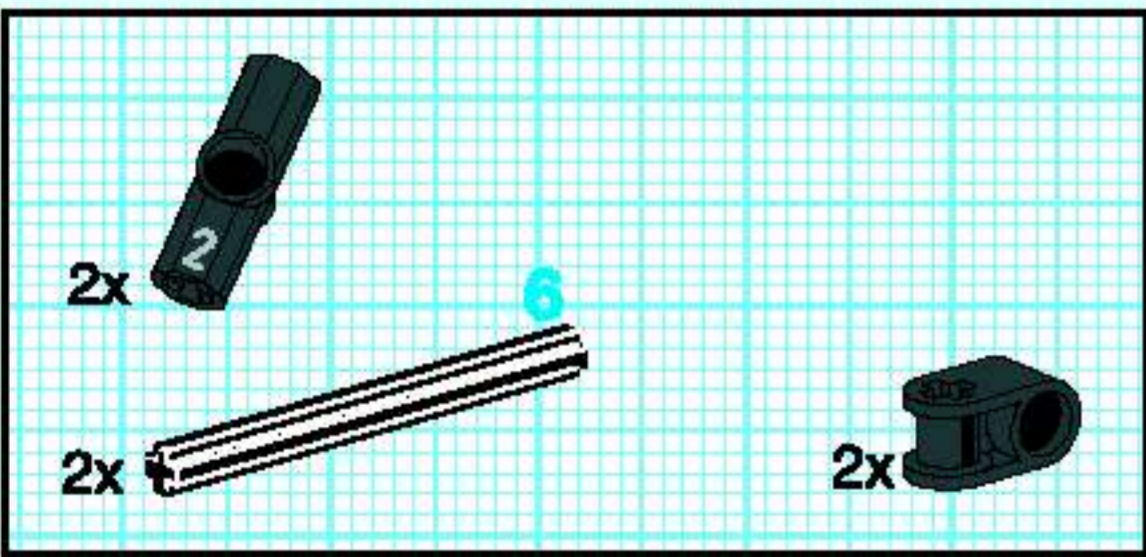
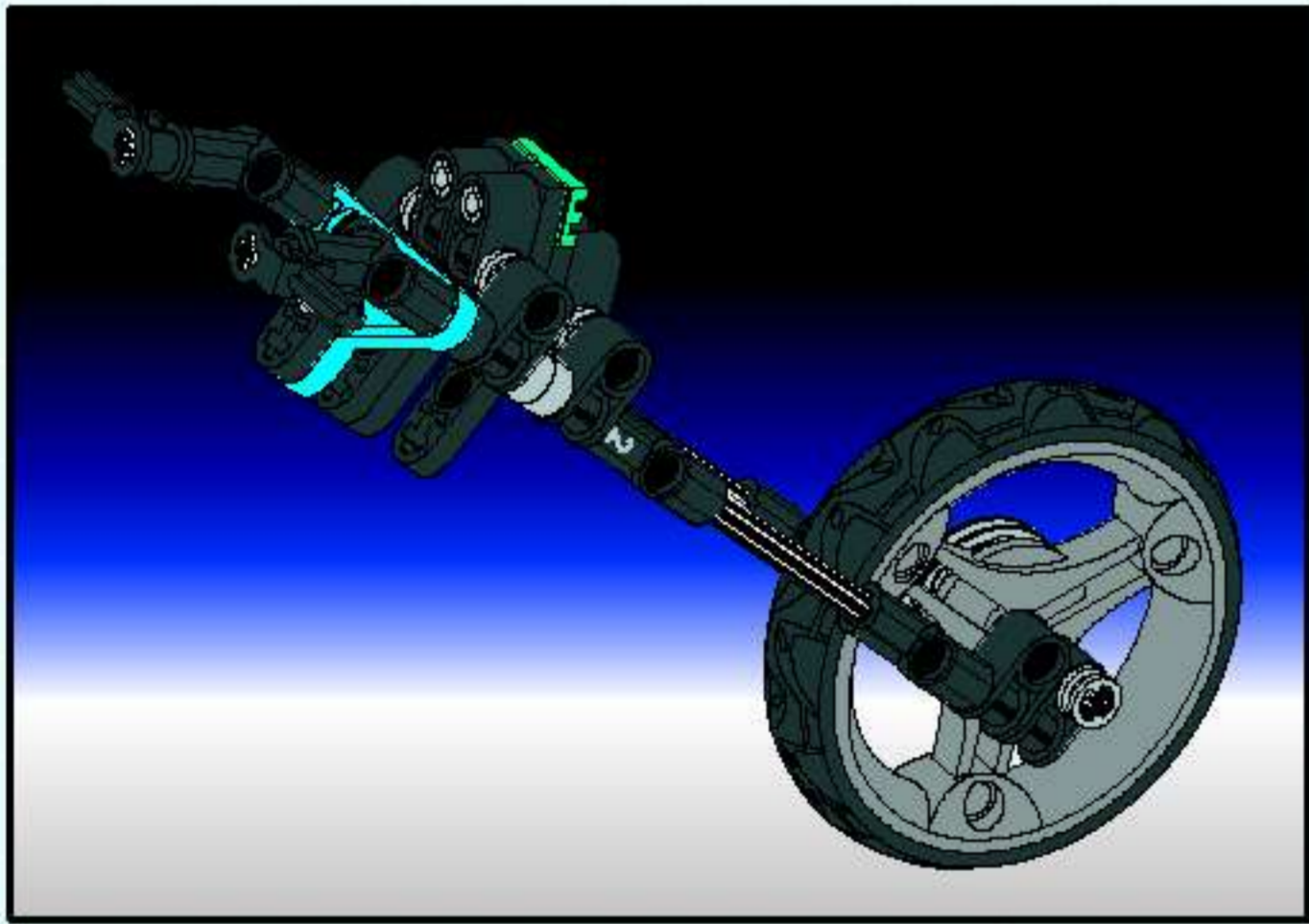
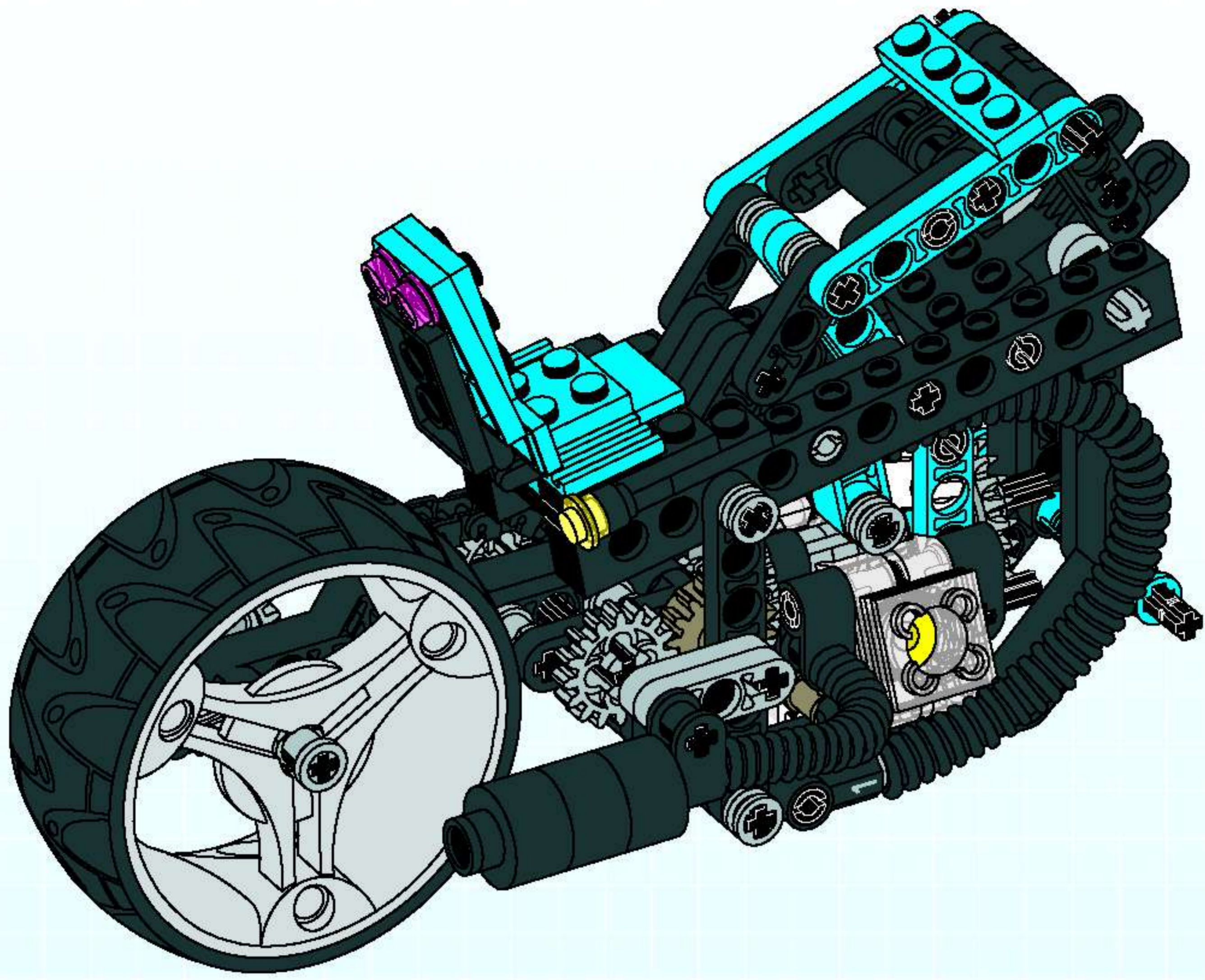


40

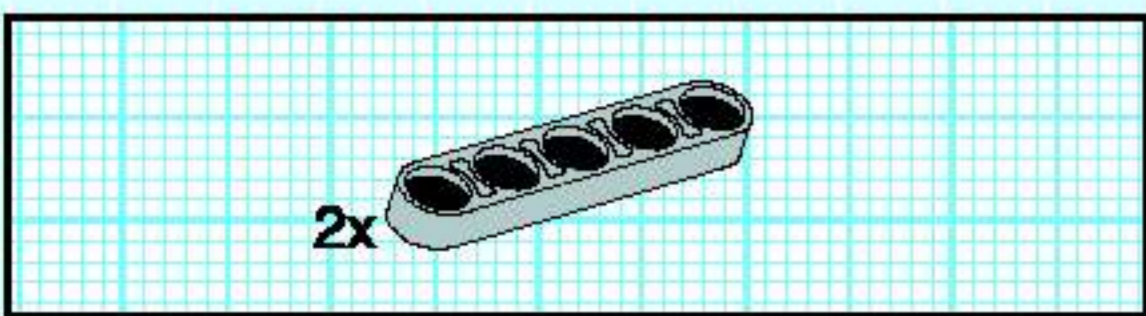


41

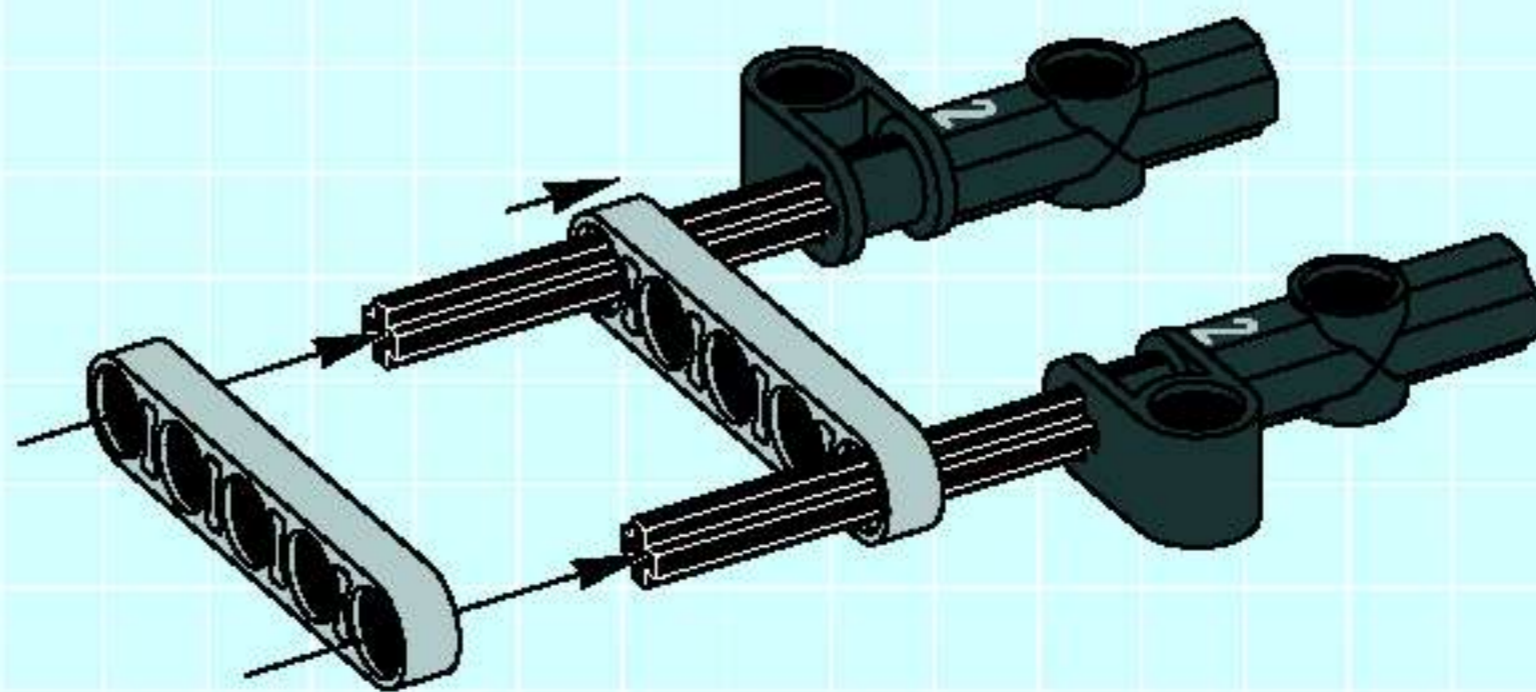
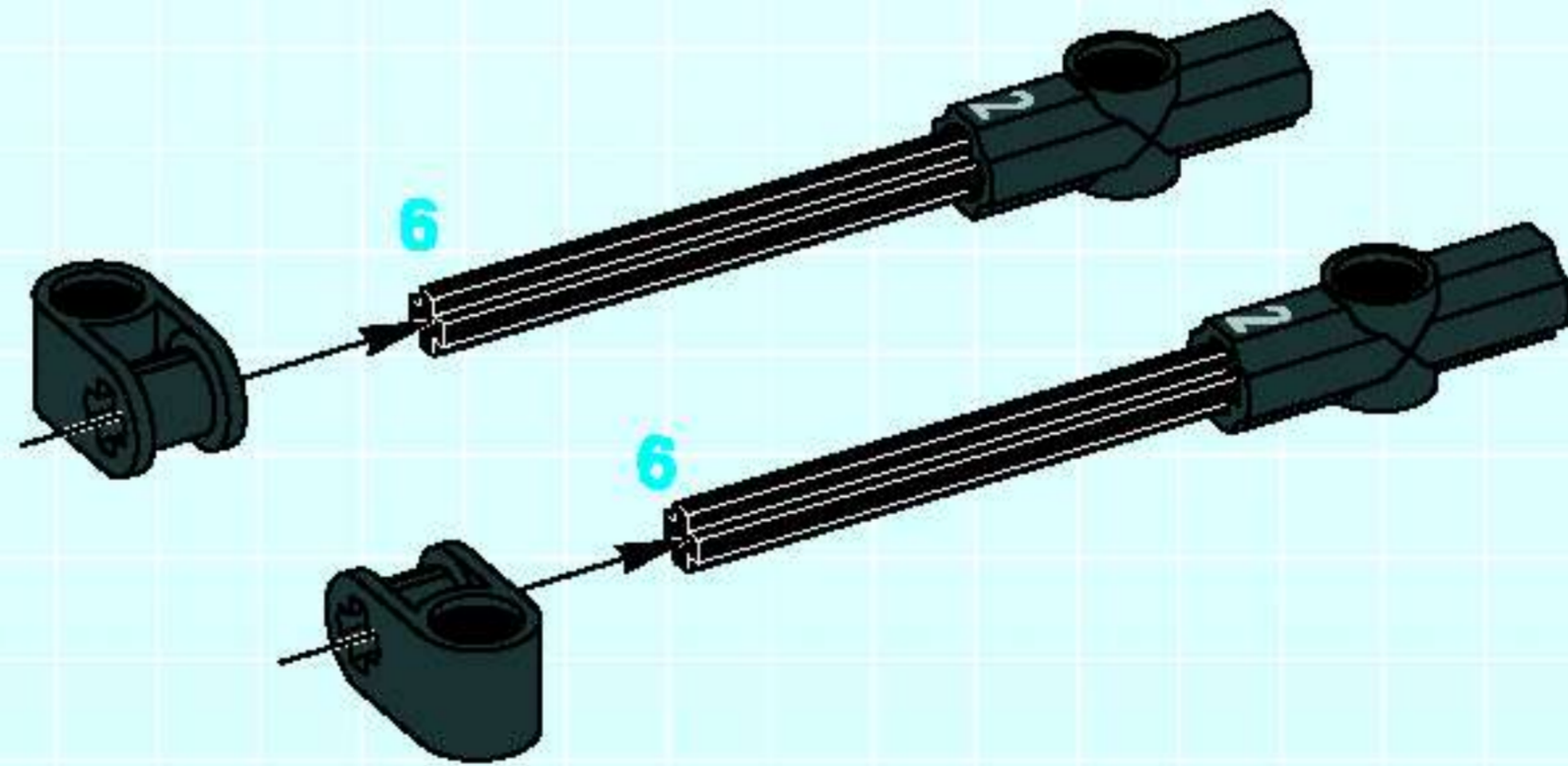


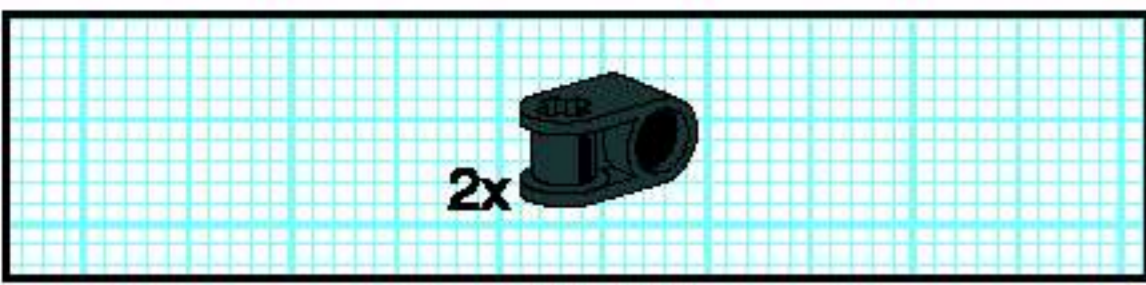


1

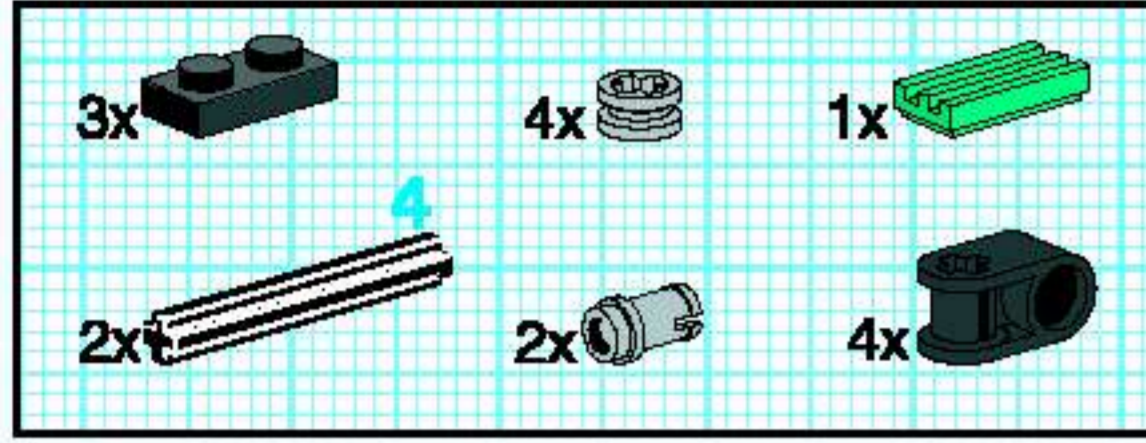
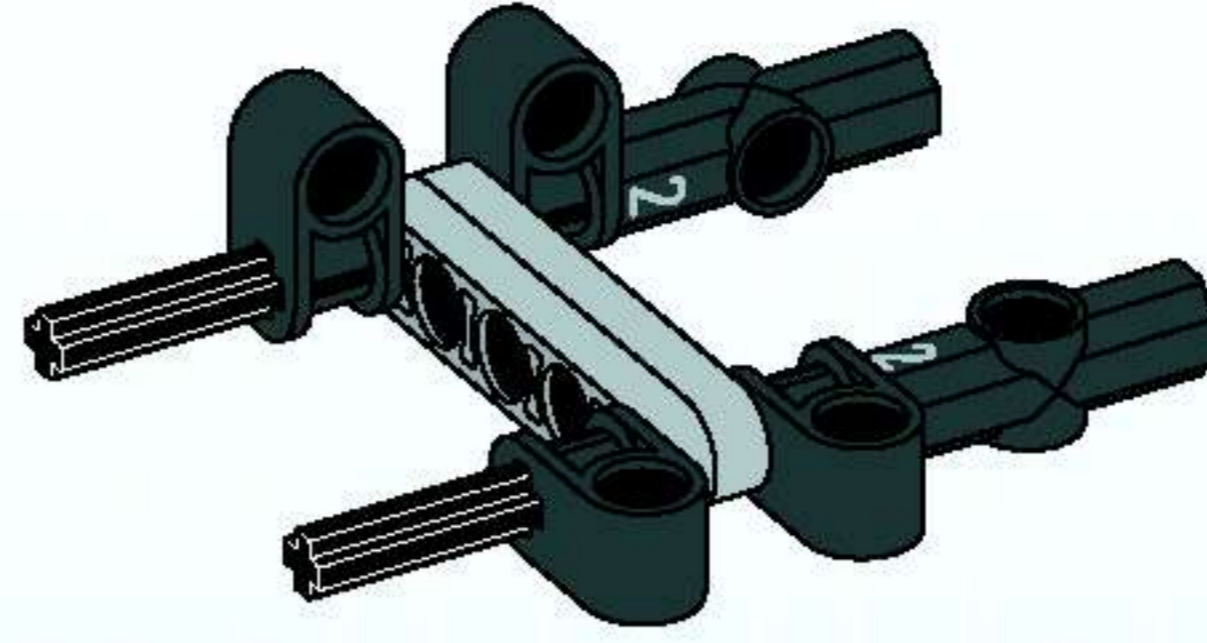


2

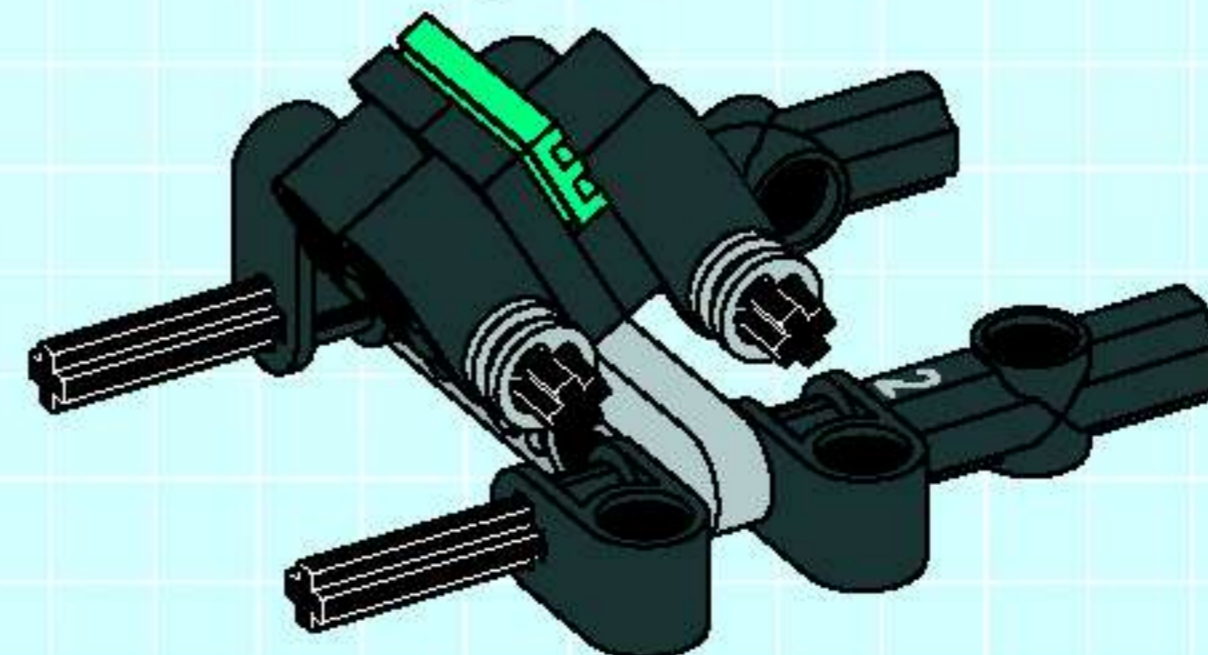
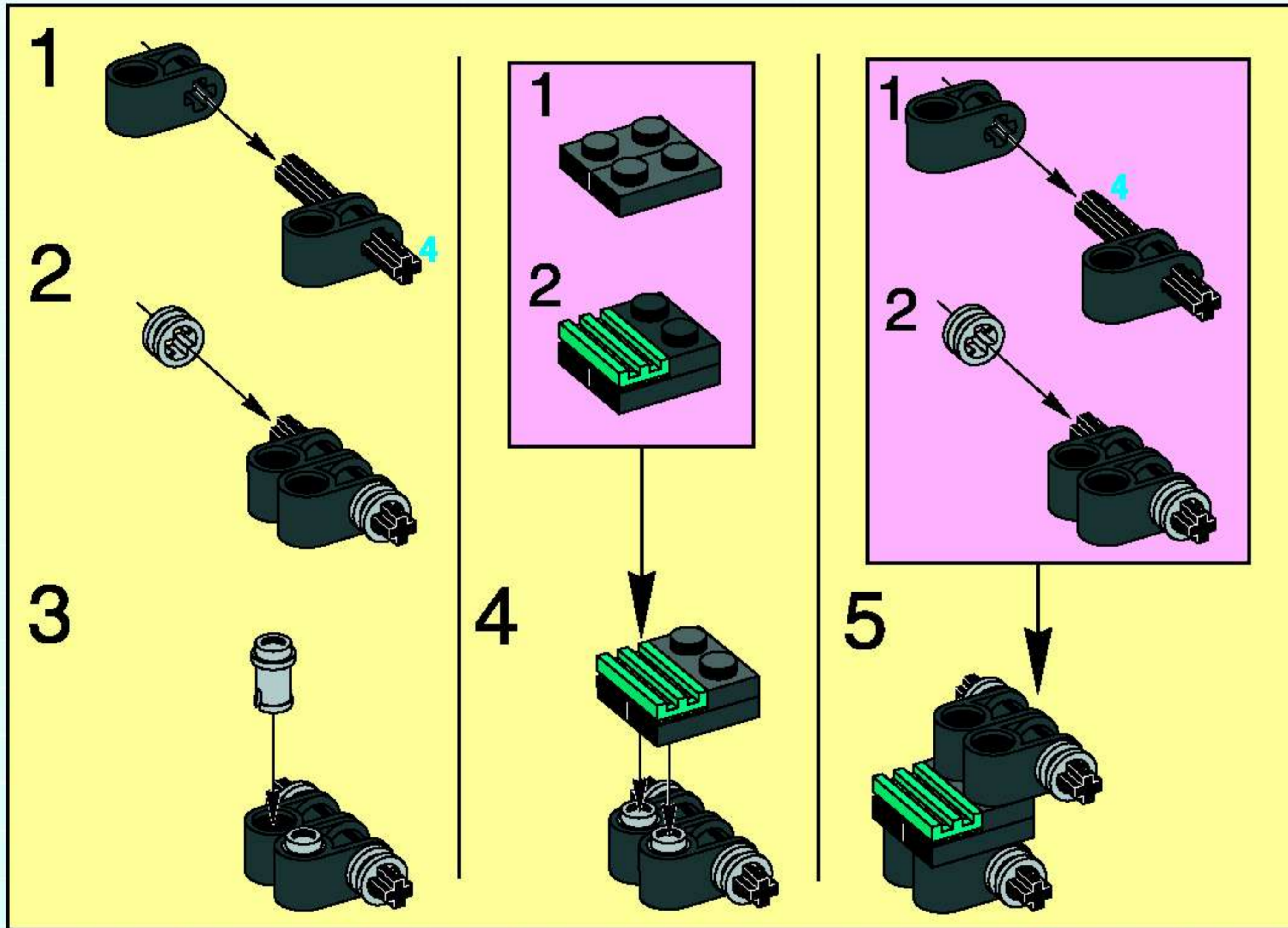




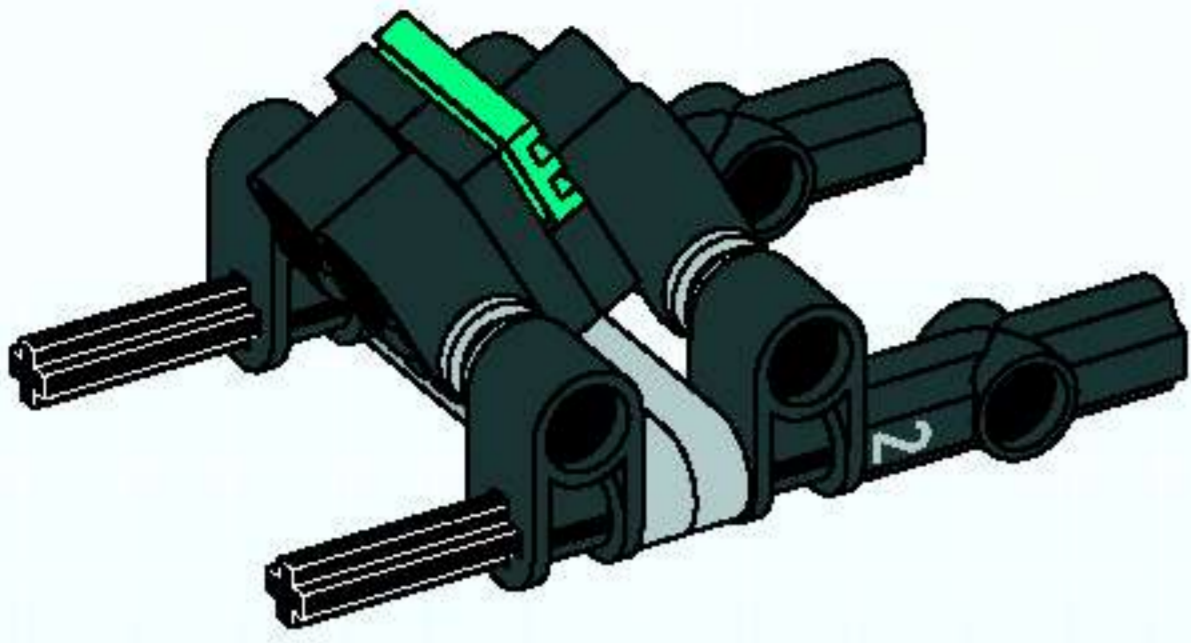
3



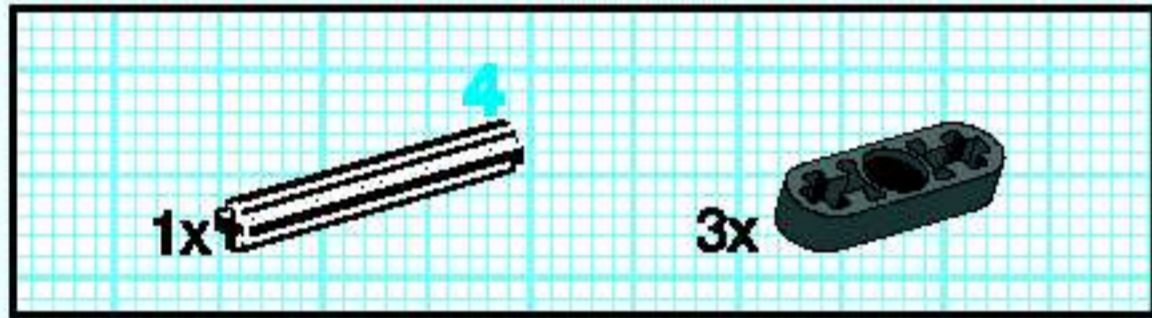
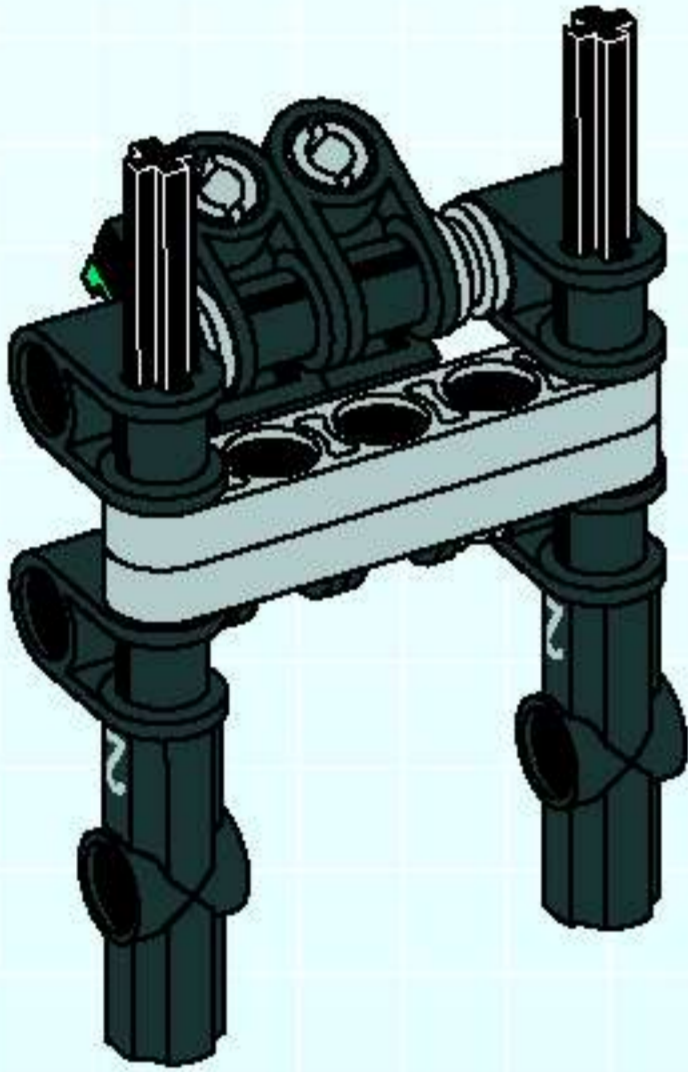
4



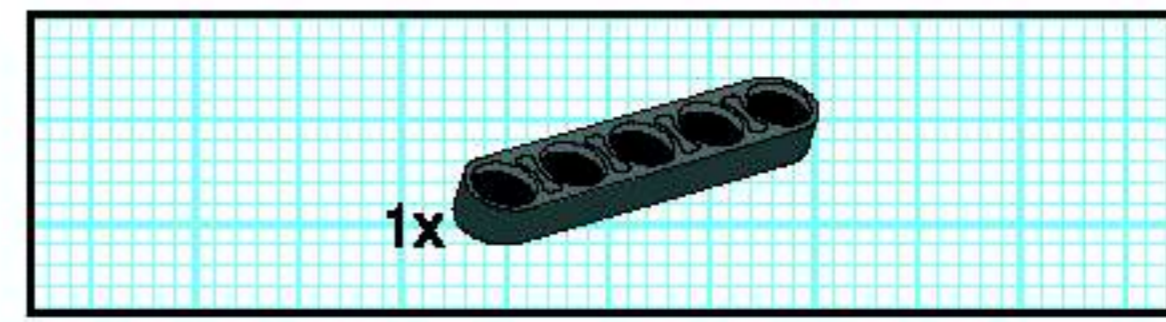
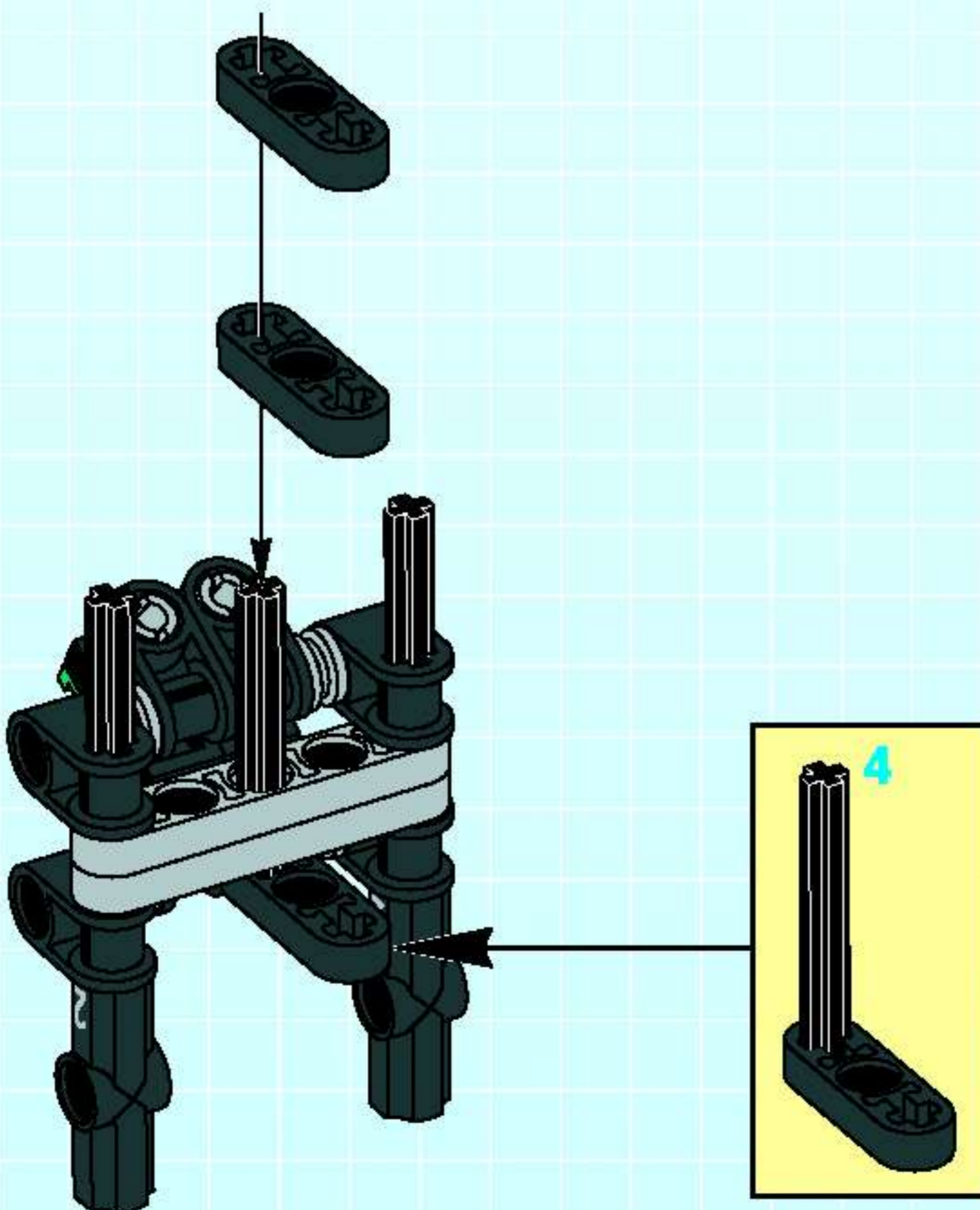
5



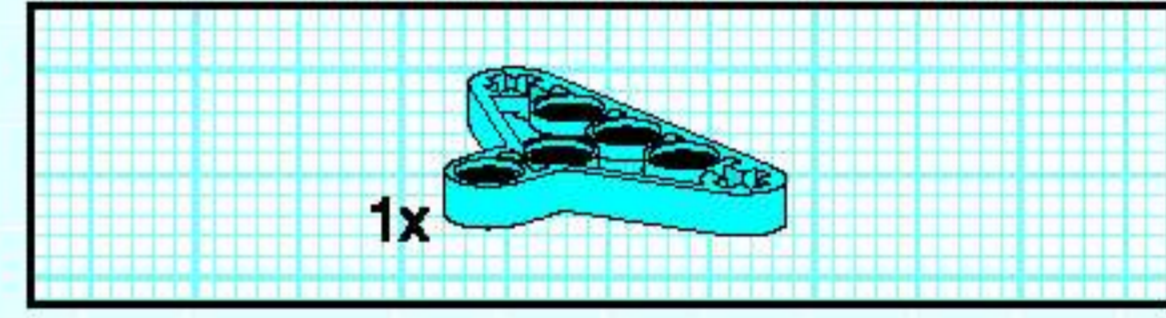
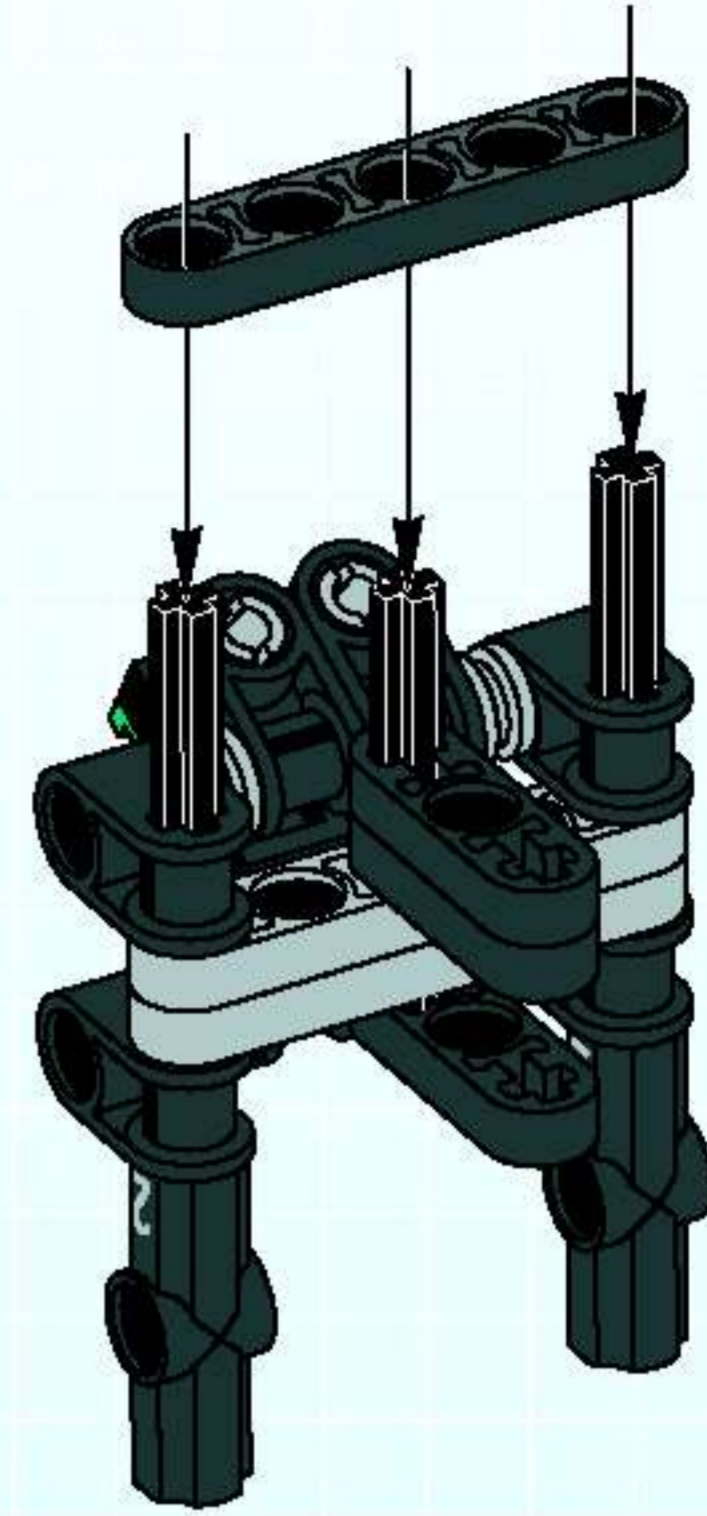
6



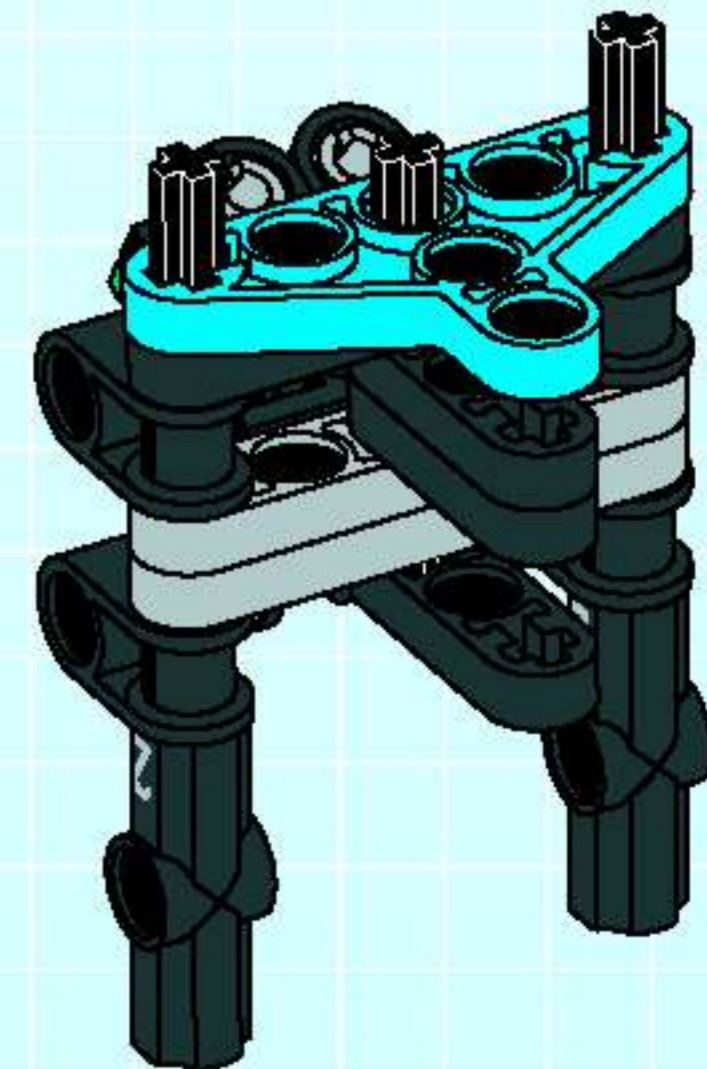
7



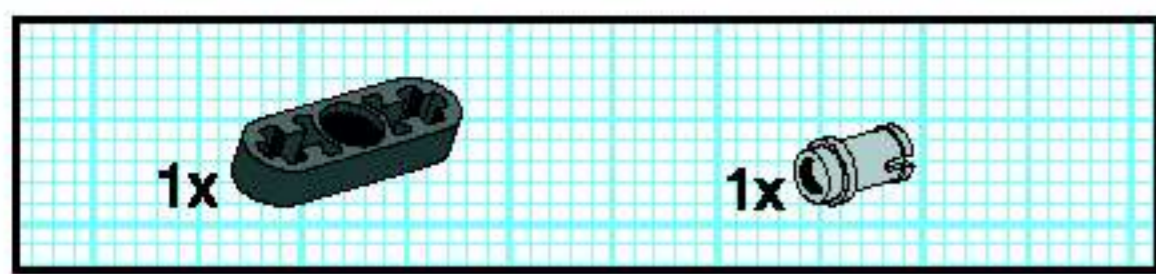
8



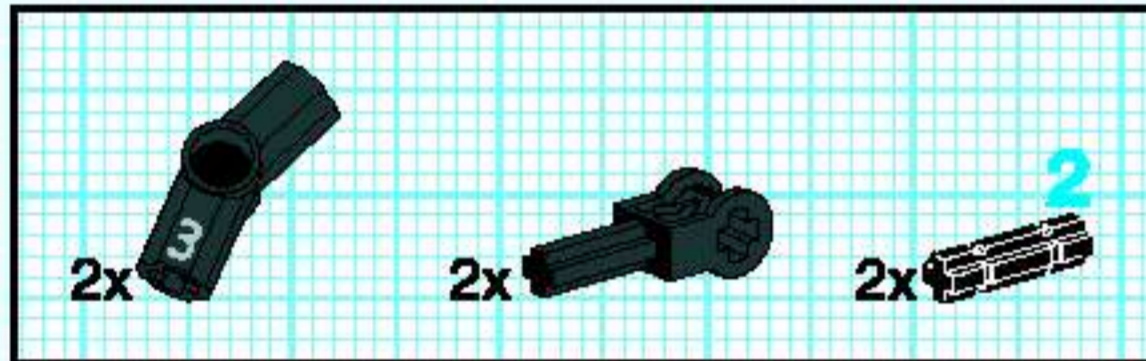
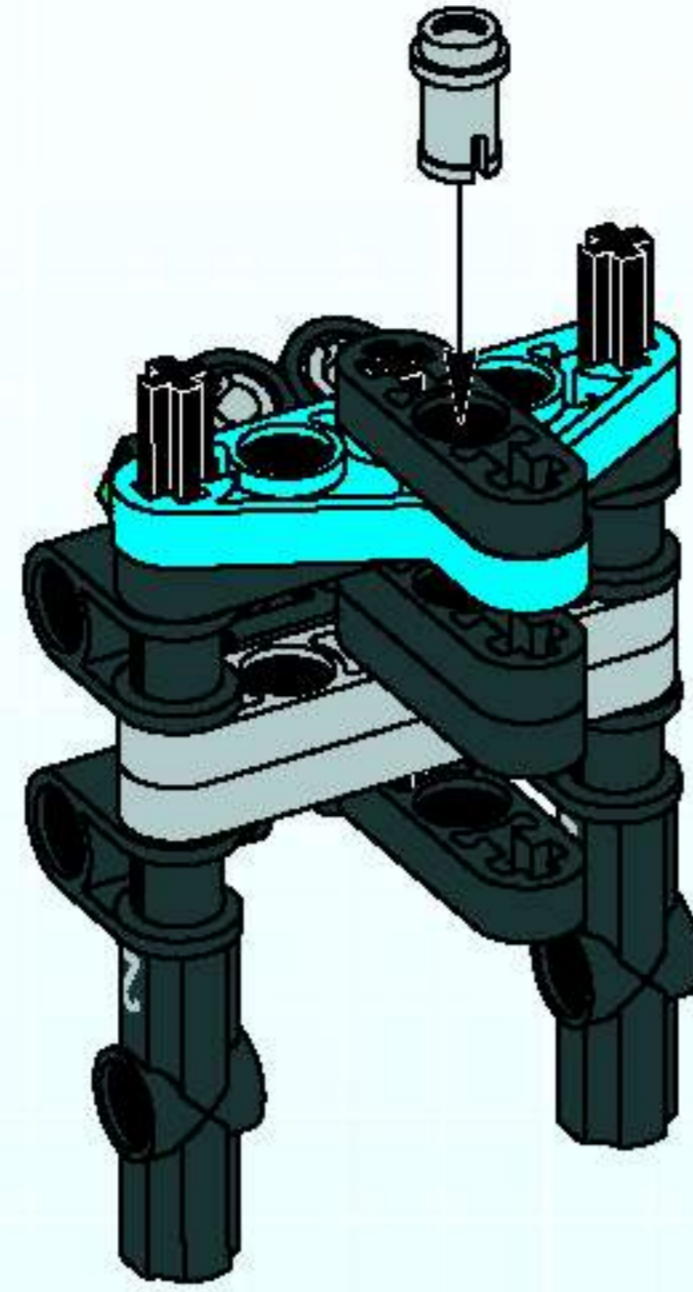
9



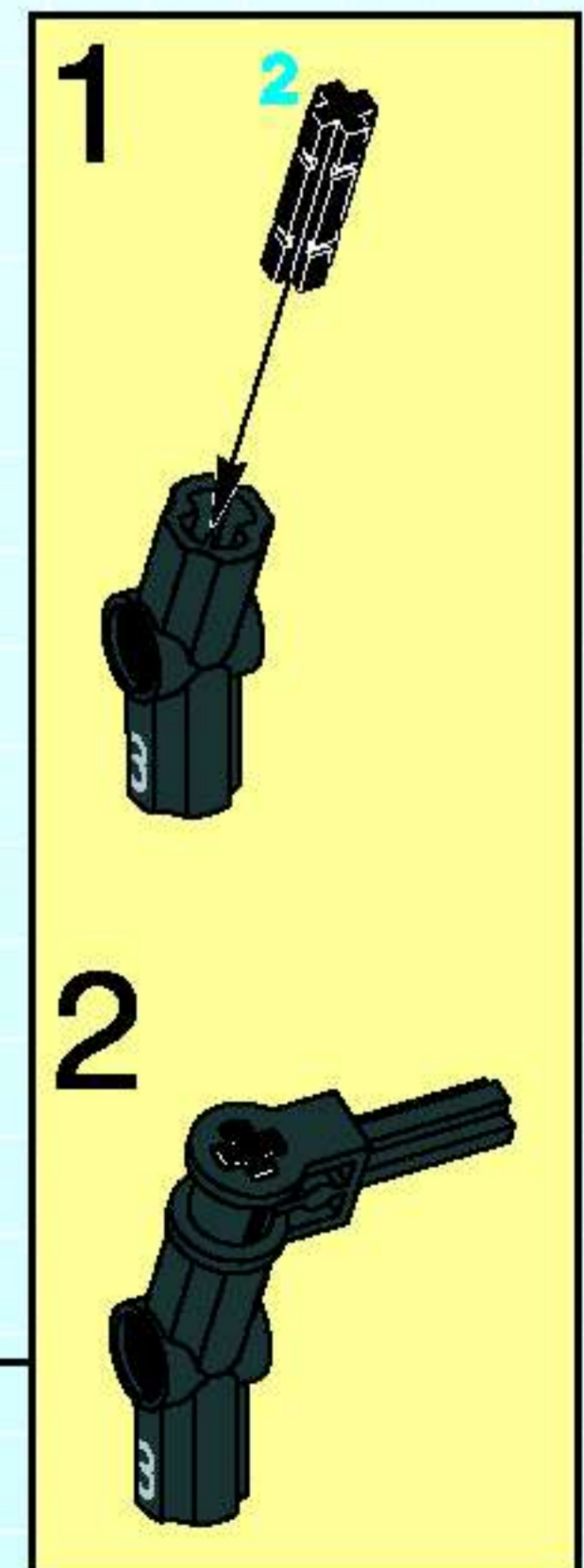
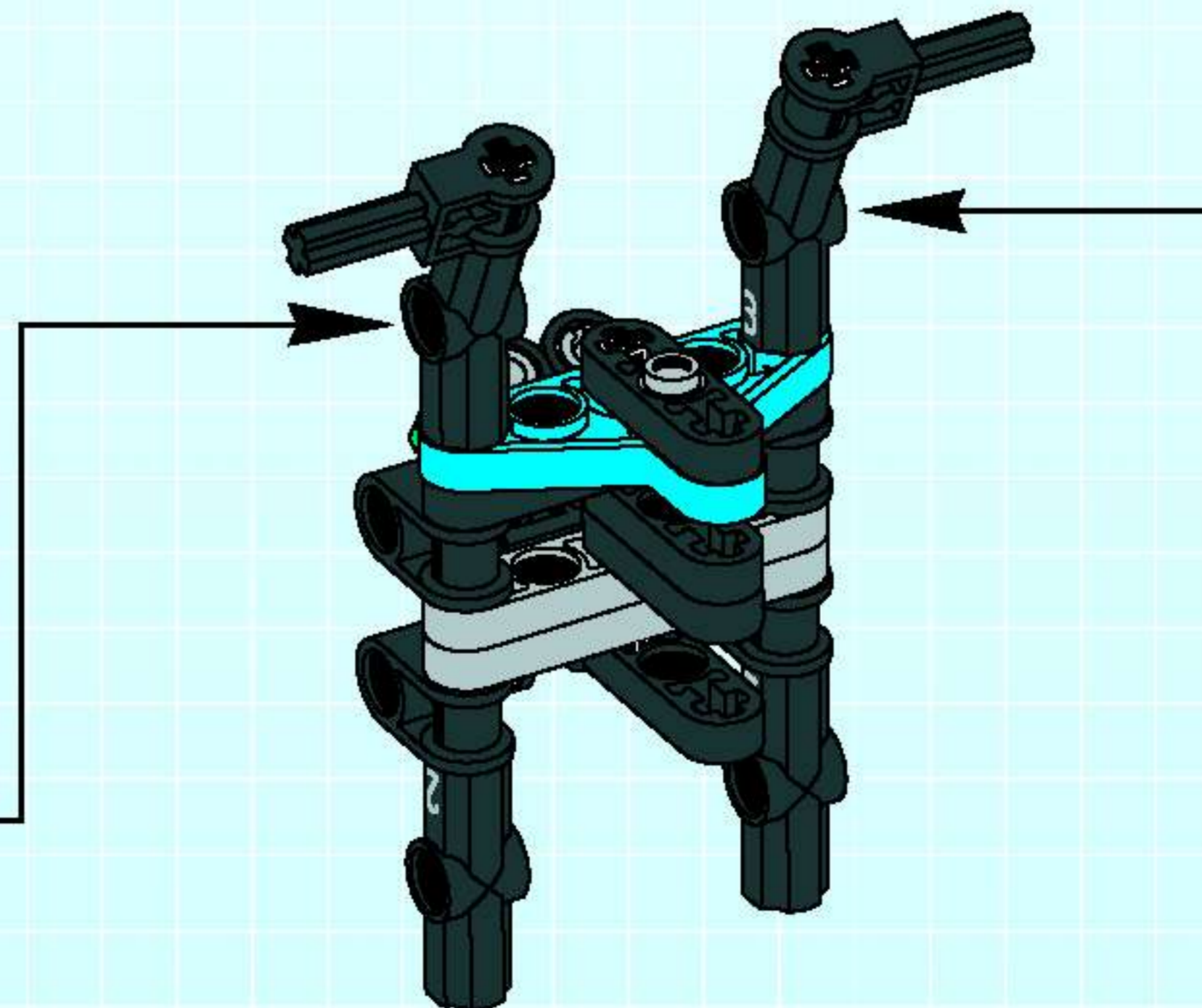
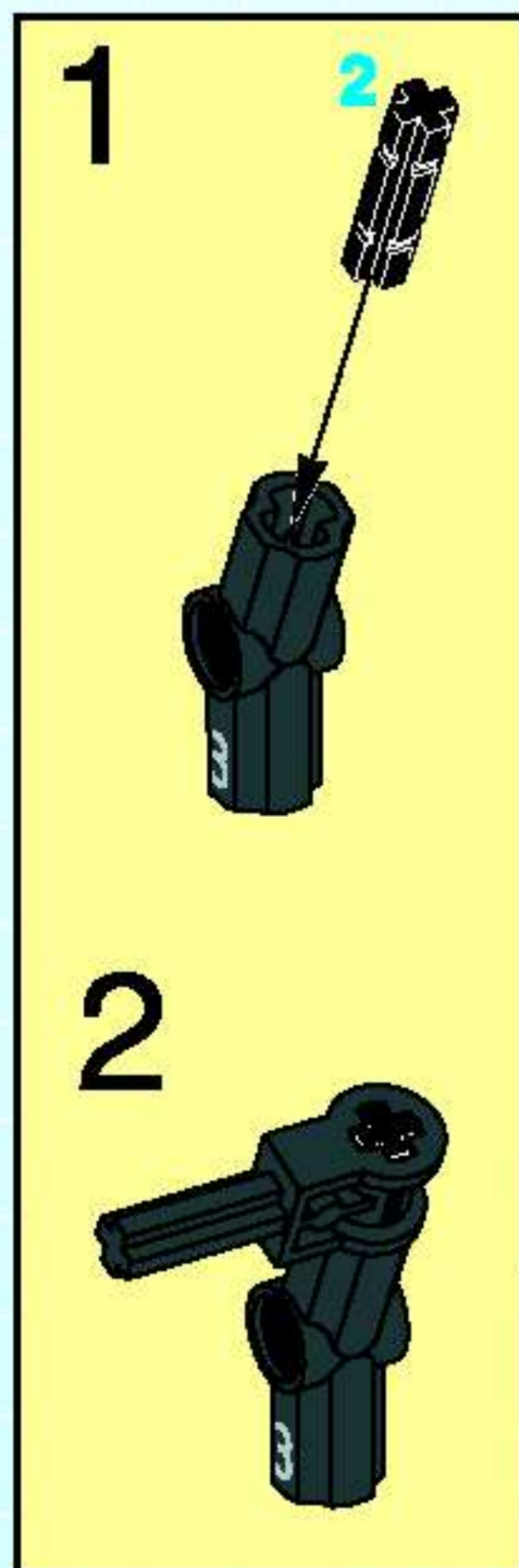


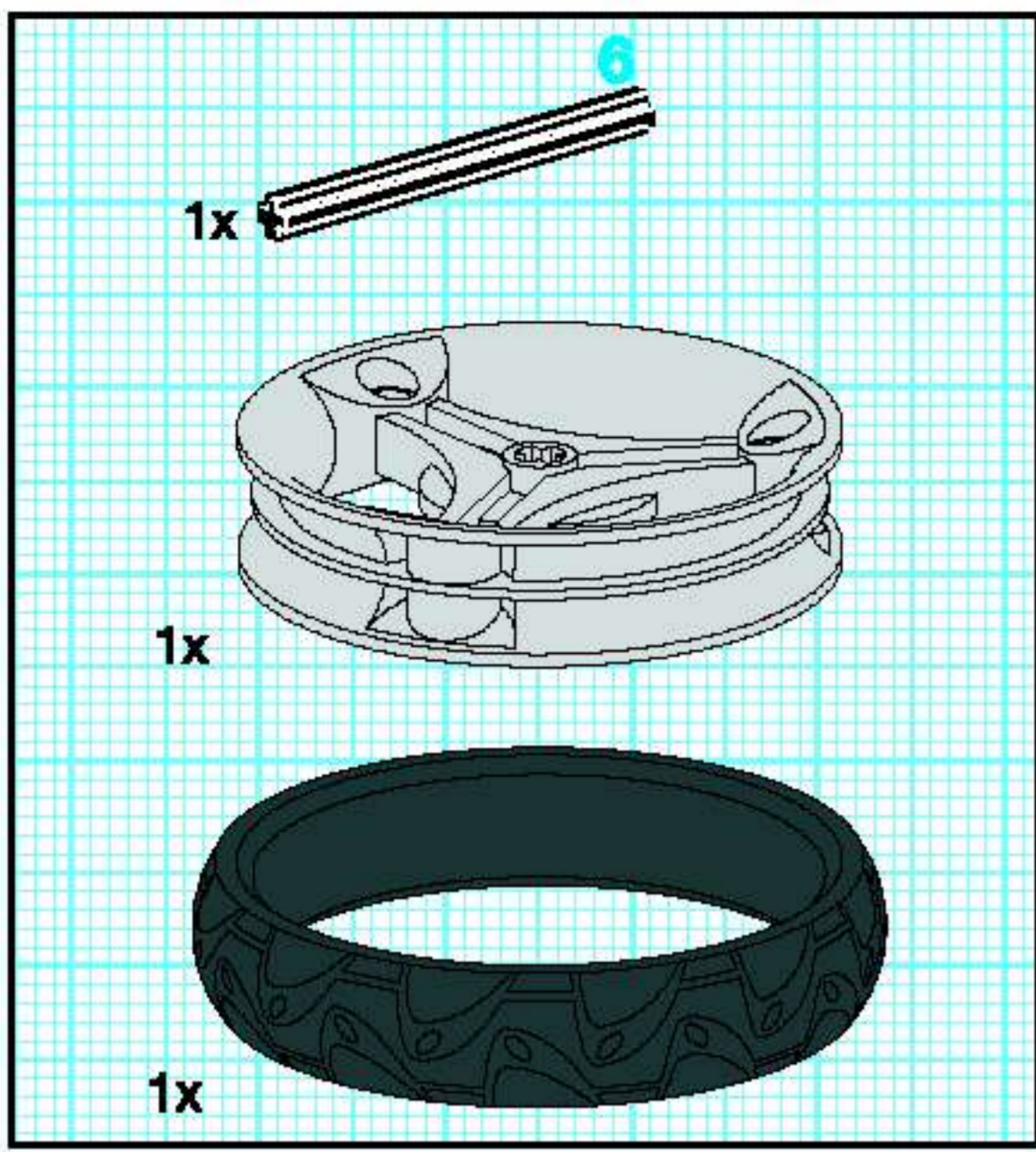


# 10

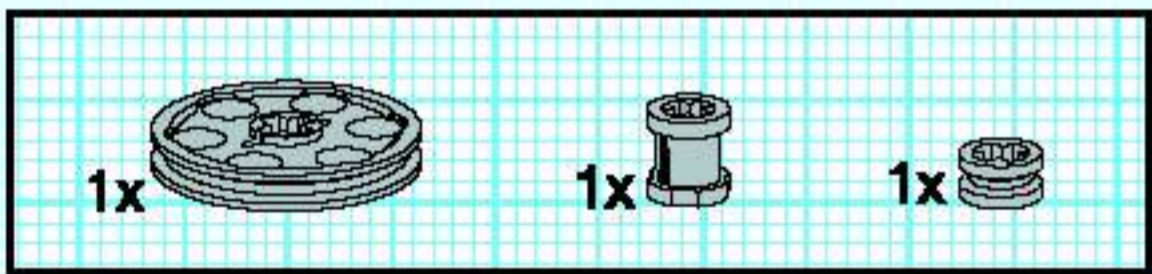
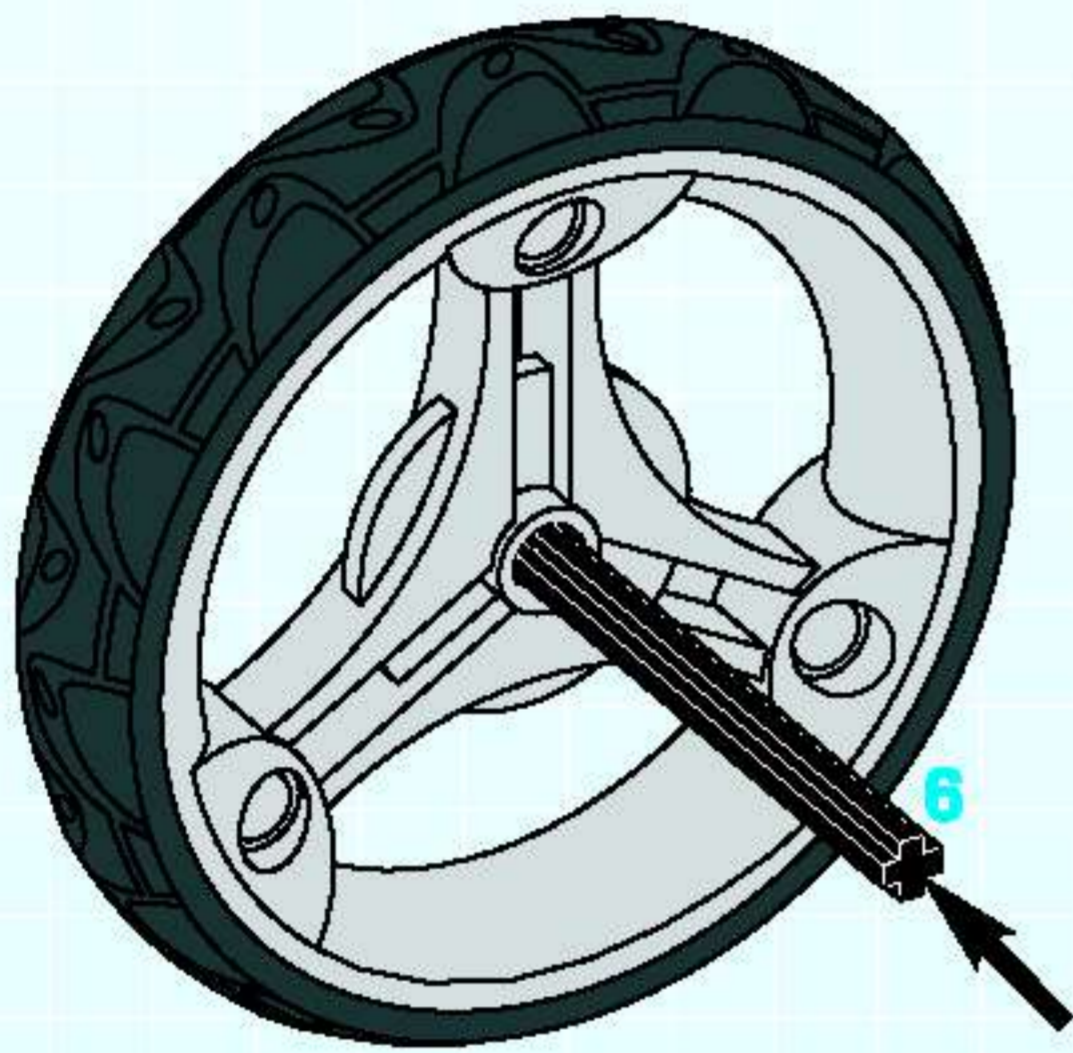


# 11

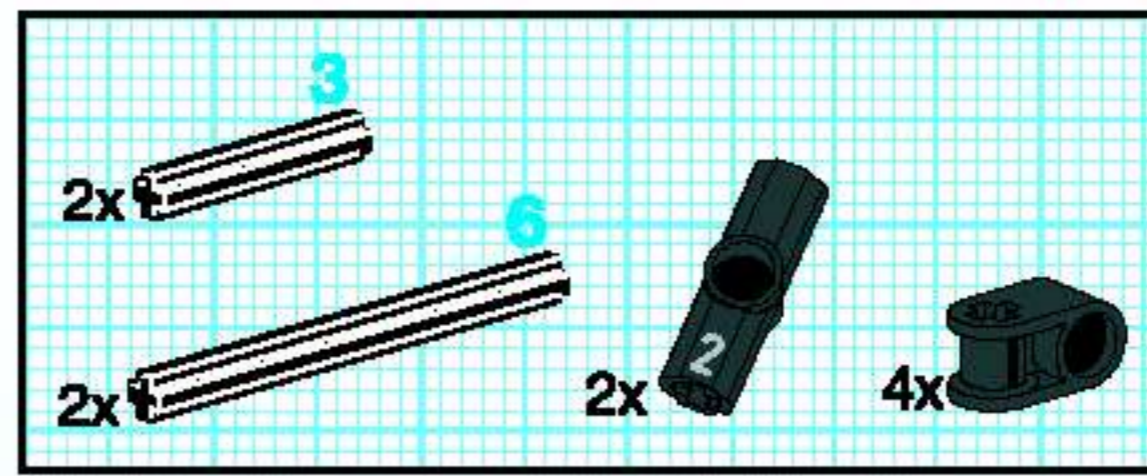
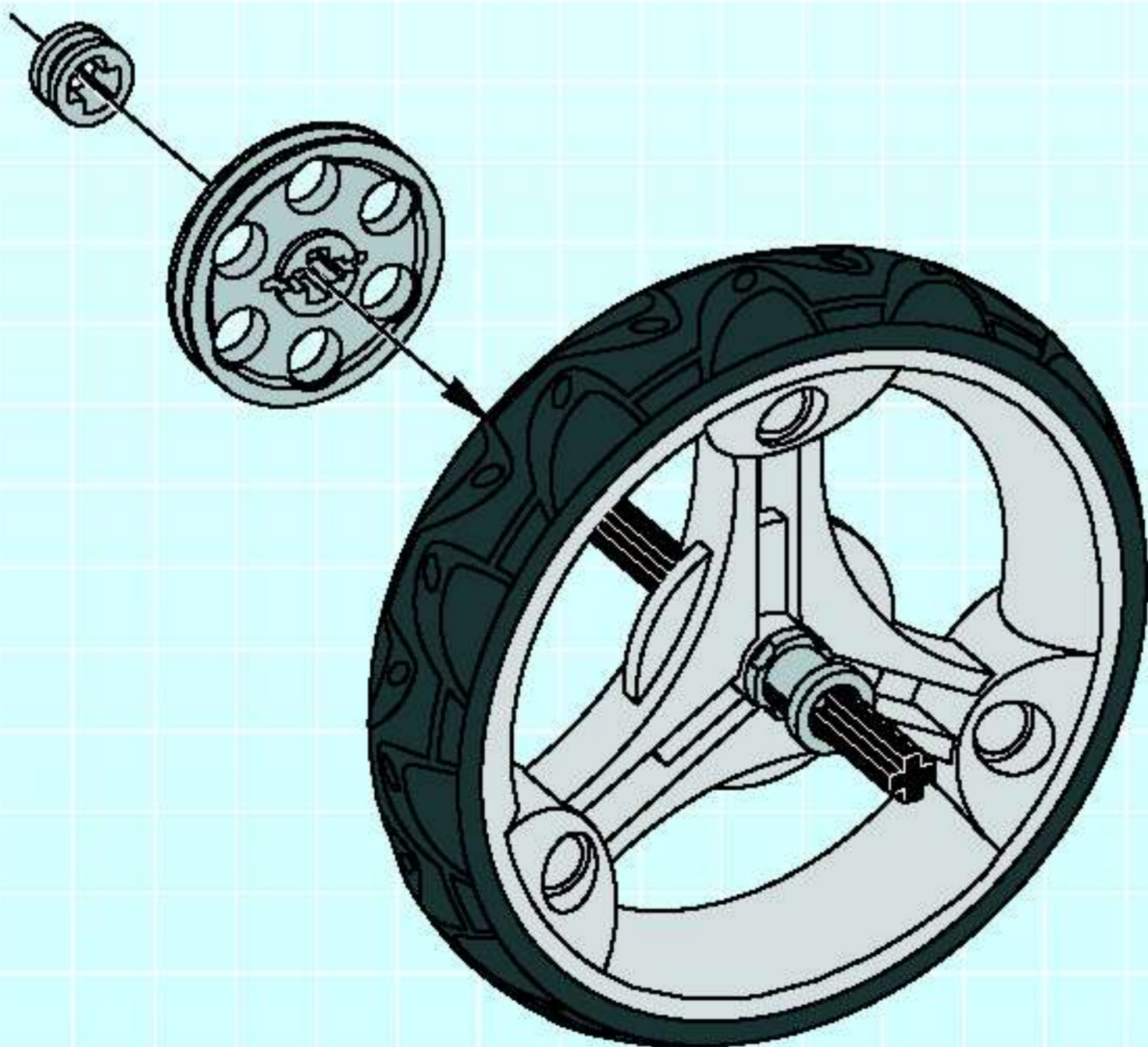




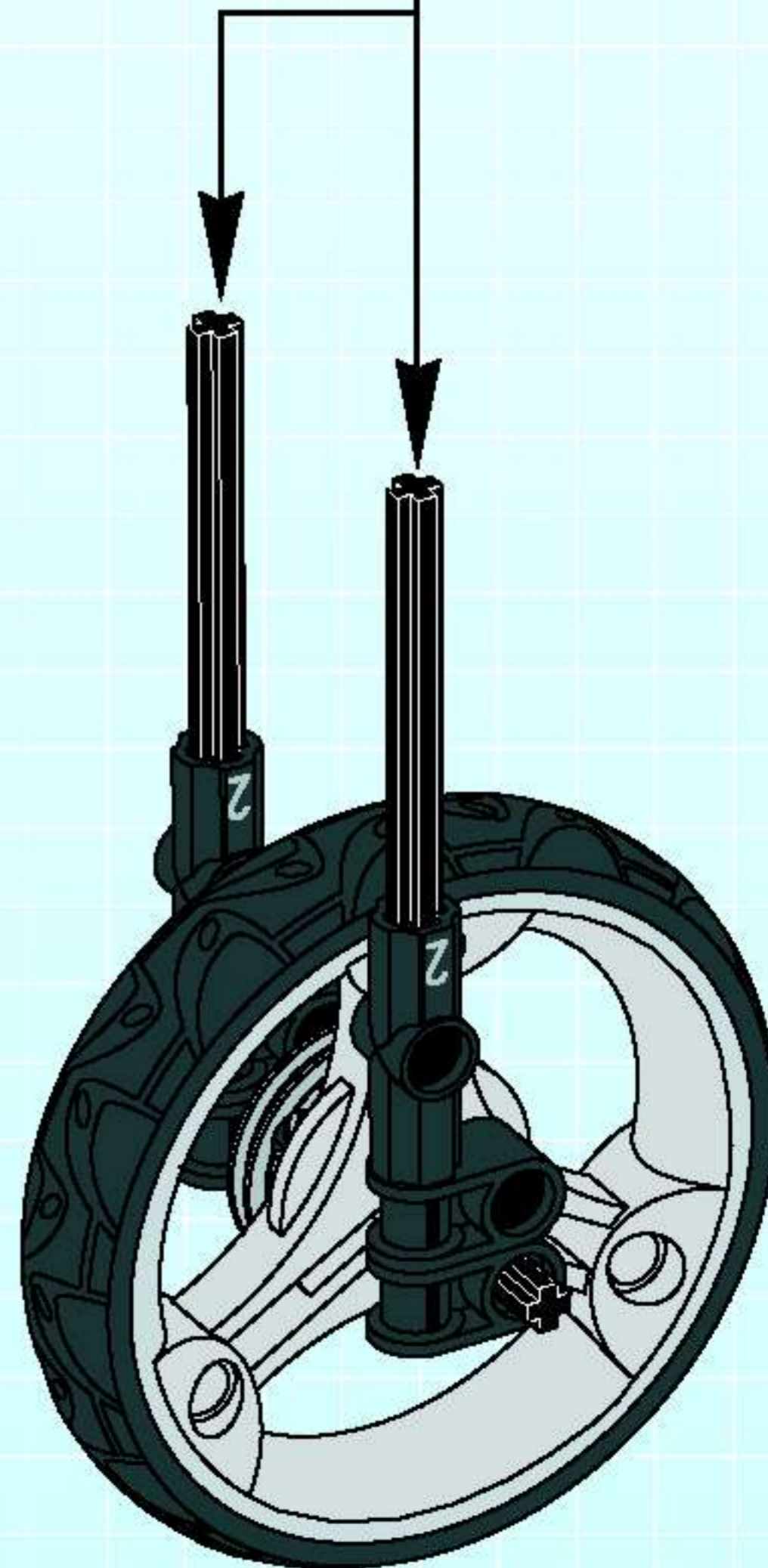
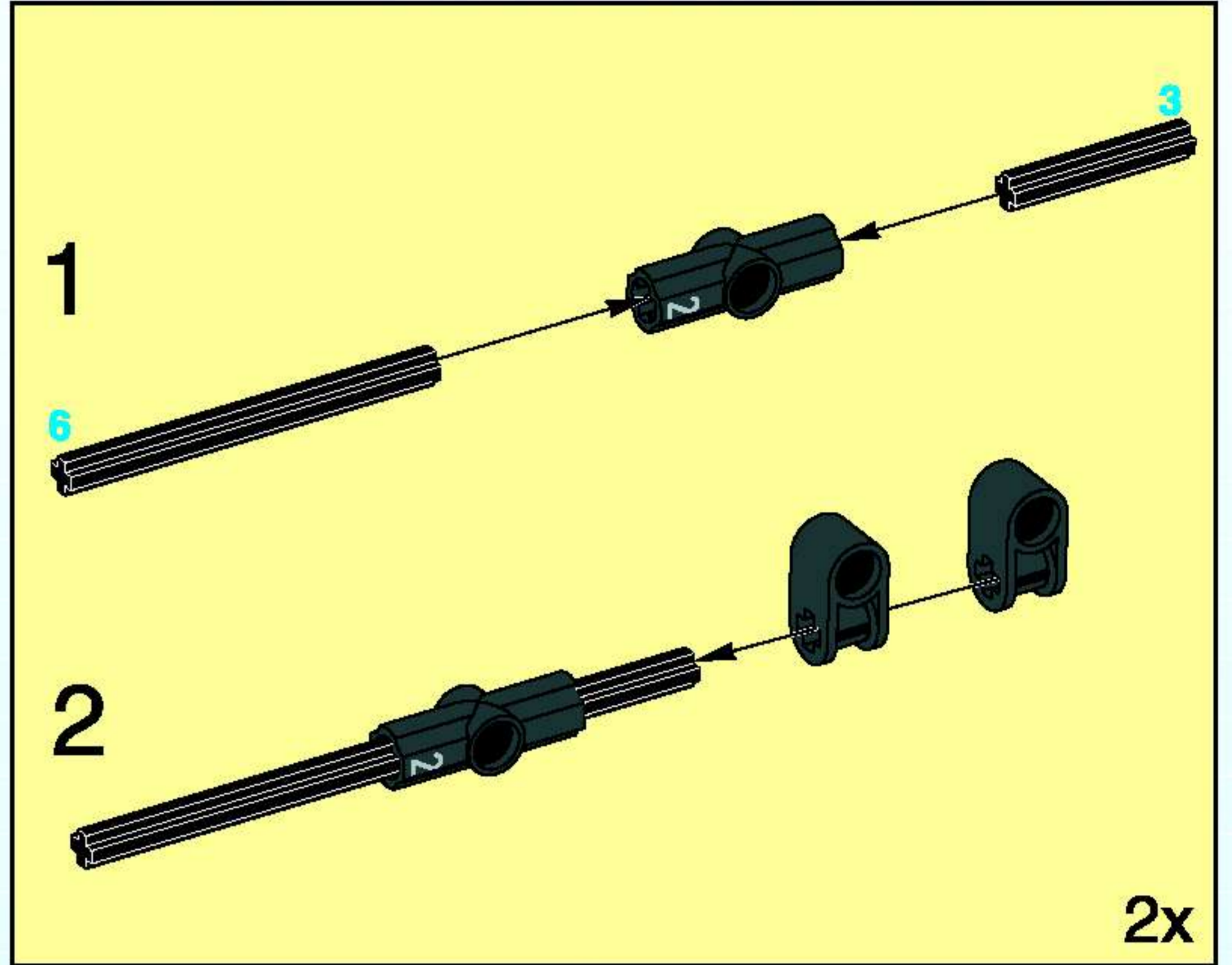
**1**

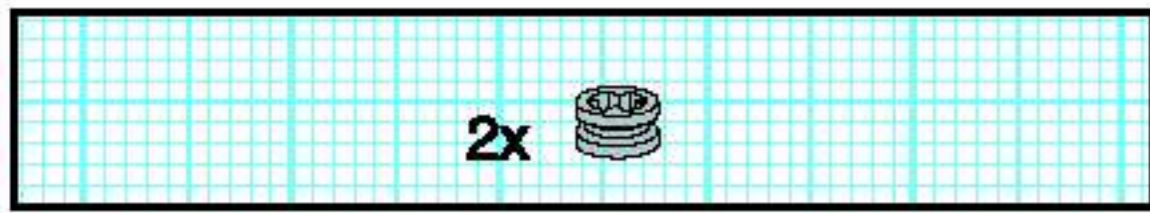


**2**

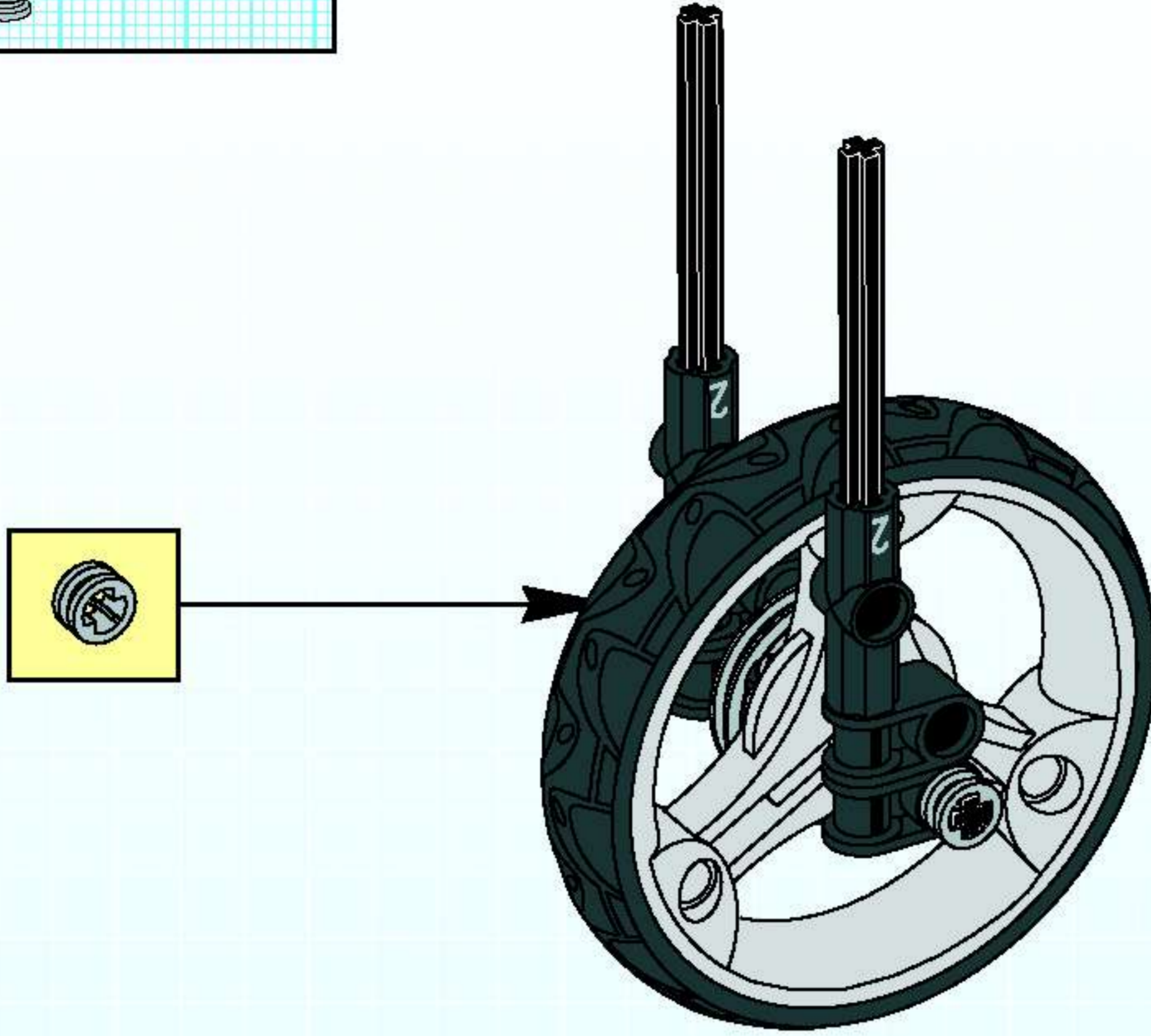


**3**

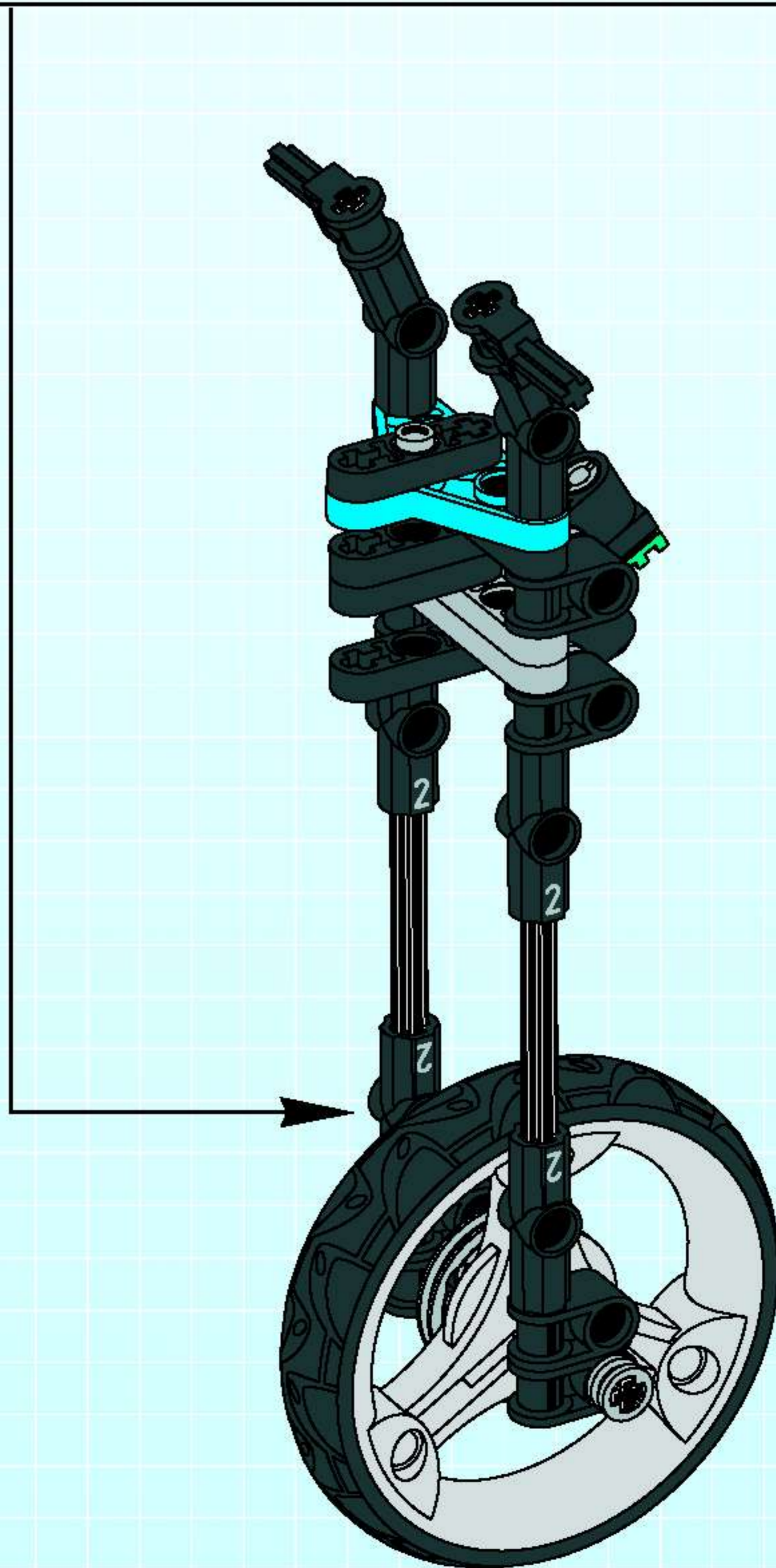


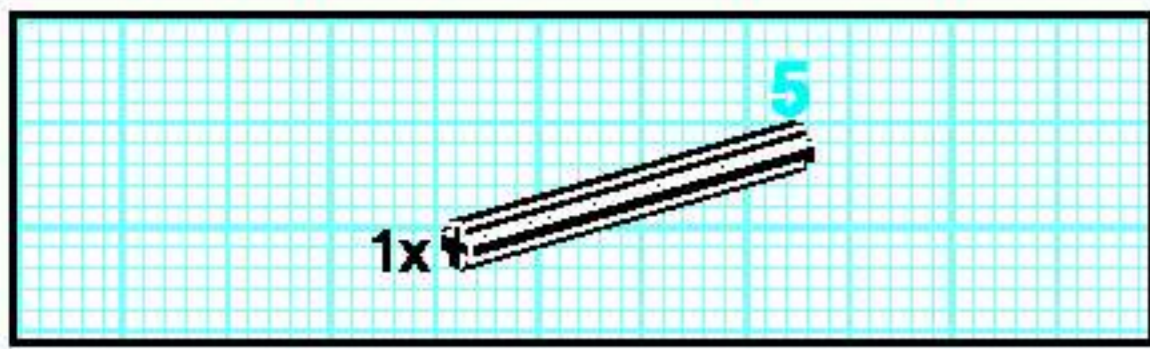


4



12





42

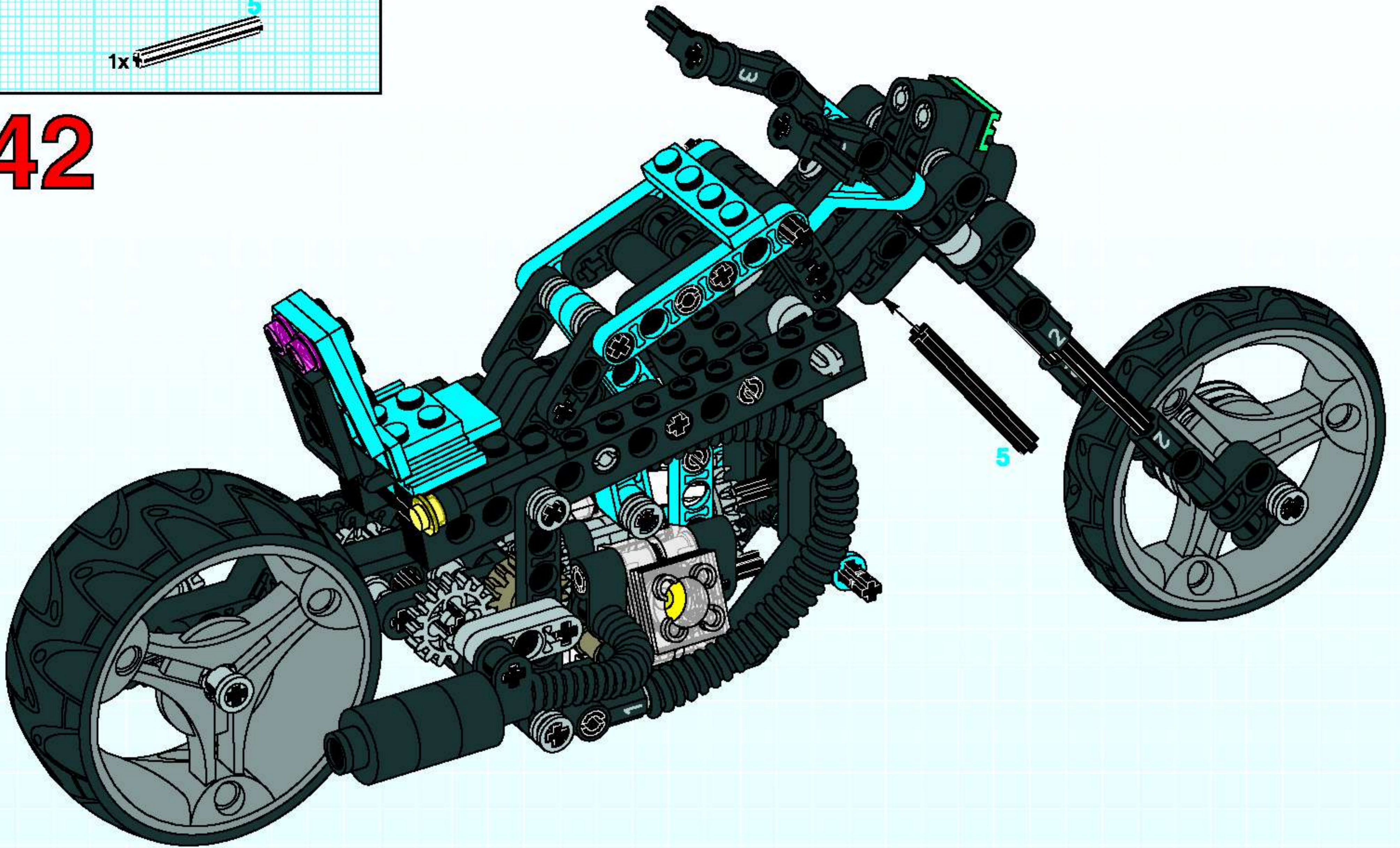












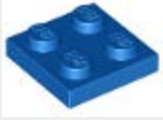


Image	Qty	Item No	Description	MID
<b>Regular Items:</b>				
<b>Parts:</b>				
	2	<a href="#">4276</a>	<b>Black Hinge Plate 1 x 2 with 2 Fingers</b> Catalog: <a href="#">Parts: Hinge</a> Part Color Code Missing	<a href="#">PG</a>
*				
	2	<a href="#">4275</a>	<b>Black Hinge Plate 1 x 2 with 3 Fingers</b> Catalog: <a href="#">Parts: Hinge</a> 427526	<a href="#">PG</a>
*				
	2	<a href="#">78c06</a>	<b>Black Hose, Ribbed 7mm D. 6L</b> Catalog: <a href="#">Parts: Hose, Ribbed 7mm D.</a> 4189286 or 4111942	<a href="#">PG</a>
*				
	2	<a href="#">78c13</a>	<b>Black Hose, Ribbed 7mm D. 13L</b> Catalog: <a href="#">Parts: Hose, Ribbed 7mm D.</a> 4189289 or 4111943	<a href="#">PG</a>
*				
	1	<a href="#">78c15</a>	<b>Black Hose, Ribbed 7mm D. 15L</b> Catalog: <a href="#">Parts: Hose, Ribbed 7mm D.</a> 4189297 or 4111944 or 4297950	<a href="#">PG</a>
*				
	1	<a href="#">75c17</a>	<b>Blue Hose, Rigid 3mm D. 17L / 13.6cm</b> Catalog: <a href="#">Parts: Hose, Rigid 3mm D.</a> 4517521	<a href="#">PG</a>
*				
	1	<a href="#">75c30</a>	<b>Blue Hose, Rigid 3mm D. 30L / 24.0cm</b> Catalog: <a href="#">Parts: Hose, Rigid 3mm D.</a> Part Color Code Missing	<a href="#">PG</a>
*				
	7	<a href="#">3023</a>	<b>Black Plate 1 x 2</b> Catalog: <a href="#">Parts: Plate</a> 302326	<a href="#">PG</a>
*				
	1	<a href="#">3023</a>	<b>Blue Plate 1 x 2</b> Catalog: <a href="#">Parts: Plate</a> 302323	<a href="#">PG</a>
*				
	2	<a href="#">3623</a>	<b>Blue Plate 1 x 3</b> Catalog: <a href="#">Parts: Plate</a> 362323	<a href="#">PG</a>
*				
	2	<a href="#">3710</a>	<b>Black Plate 1 x 4</b> Catalog: <a href="#">Parts: Plate</a> 371026	<a href="#">PG</a>
*				

+		1	<a href="#">3710</a>	<b>Blue Plate 1 x 4</b> Catalog: <a href="#">Parts: Plate</a> 371023	<a href="#">PG</a>
---	--	---	----------------------	--	--------------------


+		2	<a href="#">3666</a>	<b>Blue Plate 1 x 6</b> Catalog: <a href="#">Parts: Plate</a> 366623	<a href="#">PG</a>
---	---	---	----------------------	--	--------------------


+		1	<a href="#">3022</a>	<b>Blue Plate 2 x 2</b> Catalog: <a href="#">Parts: Plate</a> 4613973 or 302223	<a href="#">PG</a>
---	---	---	----------------------	---	--------------------

+		1	<a href="#">3021</a>	<b>Black Plate 2 x 3</b> Catalog: <a href="#">Parts: Plate</a> 302126	<a href="#">PG</a>
---	---	---	----------------------	---	--------------------

+		1	<a href="#">3021</a>	<b>Blue Plate 2 x 3</b> Catalog: <a href="#">Parts: Plate</a> 302123	<a href="#">PG</a>
---	---	---	----------------------	--	--------------------


+		1	<a href="#">3032</a>	<b>Black Plate 4 x 6</b> Catalog: <a href="#">Parts: Plate</a> 303226	<a href="#">PG</a>
---	--	---	----------------------	---	--------------------


+		2	<a href="#">4081b</a>	<b>Black Plate, Modified 1 x 1 with Clip Light - Thick Ring</b> Catalog: <a href="#">Parts: Plate, Modified</a> 4632571 or 6281993 or 408126	<a href="#">PG</a>
---	---	---	-----------------------	--	--------------------


+		2	<a href="#">4073</a>	<b>Trans-Red Plate, Round 1 x 1</b> Catalog: <a href="#">Parts: Plate, Round</a> 6208450 or 3005741	<a href="#">PG</a>
---	---	---	----------------------	---	--------------------

+		2	<a href="#">4073</a>	<b>Trans-Yellow Plate, Round 1 x 1</b> Catalog: <a href="#">Parts: Plate, Round</a> 6240216 or 3005744	<a href="#">PG</a>
---	---	---	----------------------	--	--------------------

+		1	<a href="#">8417stk01</a>	<b>Sticker for Set 8417 - (71825/4114355)</b> Catalog: <a href="#">Parts: Sticker</a> 4114355	<a href="#">PG</a>
---	---	---	---------------------------	---	--------------------













+		8	<a href="#">3713</a>	<b>Light Gray Technic Bush</b> Catalog: <a href="#">Parts: Technic</a> 4125313	<a href="#">PG</a>
---	---	---	----------------------	--	--------------------


+		15	<a href="#">4265c</a>	<b>Light Gray Technic Bush 1/2 Smooth</b> Catalog: <a href="#">Parts: Technic</a> 4110050	<a href="#">PG</a>
---	---	----	-----------------------	---	--------------------


+	 *	2	<a href="#">2852</a>	<b>Light Gray Technic Engine Connecting Rod</b> <a href="#">Catalog: Parts: Technic</a> 285202	<a href="#">PG</a>
+	 *	4	<a href="#">2853</a>	<b>Light Gray Technic Engine Crankshaft</b> <a href="#">Catalog: Parts: Technic</a> 4119475	<a href="#">PG</a>
+	 *	2	<a href="#">2850</a>	<b>Trans-Clear Technic Engine Cylinder</b> <a href="#">Catalog: Parts: Technic</a> 4109610	<a href="#">PG</a>
+	 *	2	<a href="#">2851</a>	<b>Yellow Technic Engine Piston Round</b> <a href="#">Catalog: Parts: Technic</a> 285124 or 4112203	<a href="#">PG</a>
+	 *	1	<a href="#">2904</a>	<b>Black Technic Motorcycle Pivot</b> <a href="#">Catalog: Parts: Technic</a> 6181757 or 4295131 or 4543263	<a href="#">PG</a>
+	 *	2	<a href="#">6553</a>	<b>Black Technic Pole Reverser Handle</b> <a href="#">Catalog: Parts: Technic, Axle</a> 655326 or 4107765	<a href="#">PG</a>
+	 *	2	<a href="#">4185</a>	<b>Light Gray Technic Wedge Belt Wheel (Pulley)</b> <a href="#">Catalog: Parts: Technic</a> 4100502	<a href="#">PG</a>
+	 *	11	<a href="#">32062</a>	<b>Black Technic, Axle 2 Notched</b> <a href="#">Catalog: Parts: Technic, Axle</a> 3206226 or 4109810	<a href="#">PG</a>
+	 *	10	<a href="#">4519</a>	<b>Black Technic, Axle 3</b> <a href="#">Catalog: Parts: Technic, Axle</a> 451926	<a href="#">PG</a>
+	 *	12	<a href="#">3705</a>	<b>Black Technic, Axle 4</b> <a href="#">Catalog: Parts: Technic, Axle</a> 370526	<a href="#">PG</a>
+	 *	4	<a href="#">32073</a>	<b>Black Technic, Axle 5</b> <a href="#">Catalog: Parts: Technic, Axle</a> 4114740	<a href="#">PG</a>
+	 *	8	<a href="#">3706</a>	<b>Black Technic, Axle 6</b> <a href="#">Catalog: Parts: Technic, Axle</a> 370626	<a href="#">PG</a>

+		5	<a href="#">32013</a>	<b>Black Technic, Axle and Pin Connector Angled #1</b> Catalog: <a href="#">Parts: Technic, Connector</a> 6284699 or 4107085	<a href="#">PG</a>
+		4	<a href="#">32034</a>	<b>Black Technic, Axle and Pin Connector Angled #2 - 180 degrees</b> Catalog: <a href="#">Parts: Technic, Connector</a> 6271869 or 3203426 or 4107783	<a href="#">PG</a>
+		2	<a href="#">32016</a>	<b>Black Technic, Axle and Pin Connector Angled #3 - 157.5 degrees</b> Catalog: <a href="#">Parts: Technic, Connector</a> 6261386 or 4107082	<a href="#">PG</a>
+		2	<a href="#">32015</a>	<b>Black Technic, Axle and Pin Connector Angled #5 - 112.5 degrees</b> Catalog: <a href="#">Parts: Technic, Connector</a> 6271346 or 4107084	<a href="#">PG</a>
+		2	<a href="#">32014</a>	<b>Black Technic, Axle and Pin Connector Angled #6 - 90 degrees</b> Catalog: <a href="#">Parts: Technic, Connector</a> 6268905 or 4107767	<a href="#">PG</a>
+		21	<a href="#">6536</a>	<b>Black Technic, Axle and Pin Connector Perpendicular</b> Catalog: <a href="#">Parts: Technic, Connector</a> 6261371 or 4173668 or 653626	<a href="#">PG</a>
+		3	<a href="#">6536</a>	<b>Blue Technic, Axle and Pin Connector Perpendicular</b> Catalog: <a href="#">Parts: Technic, Connector</a> 6178359 or 4173987 or 653623	<a href="#">PG</a>
+		1	<a href="#">6536</a>	<b>White Technic, Axle and Pin Connector Perpendicular</b> Catalog: <a href="#">Parts: Technic, Connector</a> 6261372 or 653601 or 4173670 or 65361	<a href="#">PG</a>
+		3	<a href="#">32068</a>	<b>Black Technic, Axle and Pin Connector Perpendicular 3L with Pin Hole</b> Catalog: <a href="#">Parts: Technic, Connector</a> 4114670	<a href="#">PG</a>
+		1	<a href="#">32068</a>	<b>White Technic, Axle and Pin Connector Perpendicular 3L with Pin Hole</b> Catalog: <a href="#">Parts: Technic, Connector</a> 4167337 or 4112072	<a href="#">PG</a>
+		1	<a href="#">6538b</a>	<b>Light Gray Technic, Axle Connector 2L (Ridged with x Hole x Orientation)</b> Catalog: <a href="#">Parts: Technic, Connector</a> 4113804	<a href="#">PG</a>
+		1	<a href="#">32039</a>	<b>Black Technic, Axle Connector with Axle Hole</b> Catalog: <a href="#">Parts: Technic, Connector</a> 3203926 or 4107081	<a href="#">PG</a>




+	 *	9	<a href="#">3749</a>	<b>Light Gray Technic, Axle Pin without Friction Ridges Lengthwise</b> <a href="#">Catalog: Parts: Technic, Axle</a> 4184168 or 656202	<a href="#">PG</a>
+	 *	2	<a href="#">32000</a>	<b>Black Technic, Brick 1 x 2 with Holes</b> <a href="#">Catalog: Parts: Technic, Brick</a> 3200026	<a href="#">PG</a>
+	 *	1	<a href="#">32000</a>	<b>Blue Technic, Brick 1 x 2 with Holes</b> <a href="#">Catalog: Parts: Technic, Brick</a> Part Color Code Missing	<a href="#">PG</a>
+	 *	2	<a href="#">3895</a>	<b>Black Technic, Brick 1 x 12 with Holes</b> <a href="#">Catalog: Parts: Technic, Brick</a> 389526	<a href="#">PG</a>
+	 *	1	<a href="#">3647</a>	<b>Light Gray Technic, Gear 8 Tooth Type 1</b> <a href="#">Catalog: Parts: Technic, Gear</a> 364702	<a href="#">PG</a>
+	 *	2	<a href="#">4019</a>	<b>Light Gray Technic, Gear 16 Tooth (First Version - 4 Round Holes)</b> <a href="#">Catalog: Parts: Technic, Gear</a> Part Color Code Missing	<a href="#">PG</a>
+	 *	2	<a href="#">6542</a>	<b>Dark Gray Technic, Gear 16 Tooth with Clutch</b> <a href="#">Catalog: Parts: Technic, Gear</a> 654227	<a href="#">PG</a>
+	 *	1	<a href="#">3648</a>	<b>Light Gray Technic, Gear 24 Tooth (2nd Version - 1 Axle Hole)</b> <a href="#">Catalog: Parts: Technic, Gear</a> 4107543	<a href="#">PG</a>
+	 *	2	<a href="#">3650b</a>	<b>Light Gray Technic, Gear 24 Tooth Crown (2nd Version - Reinforced)</b> <a href="#">Catalog: Parts: Technic, Gear</a> 365002	<a href="#">PG</a>
+	 *	17	<a href="#">6632</a>	<b>Black Technic, Liftarm 1 x 3 Thin</b> <a href="#">Catalog: Parts: Technic, Liftarm</a> 4107828 or 663226	<a href="#">PG</a>
+	 *	2	<a href="#">6632</a>	<b>Light Gray Technic, Liftarm 1 x 3 Thin</b> <a href="#">Catalog: Parts: Technic, Liftarm</a> 4107825	<a href="#">PG</a>
+	 *	2	<a href="#">6632</a>	<b>White Technic, Liftarm 1 x 3 Thin</b> <a href="#">Catalog: Parts: Technic, Liftarm</a> 4107826	<a href="#">PG</a>

+		4	<a href="#">2825</a>	<b>Black Technic, Liftarm 1 x 4 Thin with Stud Connector</b>	<a href="#">PG</a>
	*			Catalog: <a href="#">Parts</a> : <a href="#">Technic</a> , <a href="#">Liftarm</a> 3200626 or 4107136	

+		4	<a href="#">32017</a>	<b>Black Technic, Liftarm 1 x 5 Thin</b>	<a href="#">PG</a>
	*			Catalog: <a href="#">Parts</a> : <a href="#">Technic</a> , <a href="#">Liftarm</a> 6114935 or 4106380 or 4503423	

+		2	<a href="#">32017</a>	<b>Light Gray Technic, Liftarm 1 x 5 Thin</b>	<a href="#">PG</a>
	*			Catalog: <a href="#">Parts</a> : <a href="#">Technic</a> , <a href="#">Liftarm</a> 4106885	

+		6	<a href="#">32063</a>	<b>Blue Technic, Liftarm 1 x 6 Thin</b>	<a href="#">PG</a>
	*			Catalog: <a href="#">Parts</a> : <a href="#">Technic</a> , <a href="#">Liftarm</a> 4114673 or 4160897	


+		2	<a href="#">32065</a>	<b>Black Technic, Liftarm 1 x 7 Thin</b>	<a href="#">PG</a>
	*			Catalog: <a href="#">Parts</a> : <a href="#">Technic</a> , <a href="#">Liftarm</a> 6253293 or 4114295	


+		1	<a href="#">32079</a>	<b>Black Technic, Liftarm 1 x 9 Offset Crossover</b>	<a href="#">PG</a>
	*			Catalog: <a href="#">Parts</a> : <a href="#">Technic</a> , <a href="#">Liftarm</a> Part Color Code Missing	


+		2	<a href="#">32009</a>	<b>Black Technic, Liftarm 1 x 11.5 Double Bent Thick</b>	<a href="#">PG</a>
	*			Catalog: <a href="#">Parts</a> : <a href="#">Technic</a> , <a href="#">Liftarm</a> 6271152 or 4111998	













+		2	<a href="#">32056</a>	<b>White Technic, Liftarm 3 x 3 L-Shape Thin</b>	<a href="#">PG</a>
	*			Catalog: <a href="#">Parts</a> : <a href="#">Technic</a> , <a href="#">Liftarm</a> 4112174	


+		1	<a href="#">2905</a>	<b>Blue Technic, Liftarm Triangle Thin</b>	<a href="#">PG</a>
	*			Catalog: <a href="#">Parts</a> : <a href="#">Technic</a> , <a href="#">Liftarm</a> 4254627	

+		25	<a href="#">3711</a>	<b>Black Technic, Link Chain</b>	<a href="#">PG</a>
	*			Catalog: <a href="#">Parts</a> : <a href="#">Technic</a> , <a href="#">Link</a> 6044702 or 371126	


+		6	<a href="#">4274</a>	<b>Light Gray Technic, Pin 1/2</b>	<a href="#">PG</a>
	*			Catalog: <a href="#">Parts</a> : <a href="#">Technic</a> , <a href="#">Pin</a> 427402	


+		2	<a href="#">32002</a>	<b>Dark Gray Technic, Pin 3/4</b>	<a href="#">PG</a>
	*			Catalog: <a href="#">Parts</a> : <a href="#">Technic</a> , <a href="#">Pin</a> 4109854	


+	 *	2	<a href="#">6558</a>	<b>Black Technic, Pin 3L with Friction Ridges Lengthwise</b> Catalog: <a href="#">Parts: Technic, Pin</a> 655826	<a href="#">PG</a>
+	 *	2	<a href="#">32054</a>	<b>Blue Technic, Pin 3L with Friction Ridges Lengthwise and Stop Bush</b> Catalog: <a href="#">Parts: Technic, Pin</a> 3205423 or 4140800 or 4107741	<a href="#">PG</a>
+	 *	3	<a href="#">75535</a>	<b>Black Technic, Pin Connector Round 2L without Slot (Pin Joiner Round)</b> Catalog: <a href="#">Parts: Technic, Connector</a> 75619	<a href="#">PG</a>
+	 *	2	<a href="#">6628</a>	<b>Black Technic, Pin with Friction Ridges Lengthwise and Towball</b> Catalog: <a href="#">Parts: Technic, Pin</a> 662826 or 4184169	<a href="#">PG</a>
+	 *	16	<a href="#">2780</a>	<b>Black Technic, Pin with Friction Ridges Lengthwise WITH Center Slots</b> Catalog: <a href="#">Parts: Technic, Pin</a> 4121715 or 278026	<a href="#">PG</a>
+	 *	1	<a href="#">3709b</a>	<b>Black Technic, Plate 2 x 4 with 3 Holes</b> Catalog: <a href="#">Parts: Technic, Plate</a> 370926	<a href="#">PG</a>
+	 *	1	<a href="#">731c06</a>	<b>Dark Gray Technic, Shock Absorber 6.5L - Soft Spring</b> Catalog: <a href="#">Parts: Technic, Shock Absorber</a> Part Color Code Missing	<a href="#">PG</a>
+	 *	2	<a href="#">3069b</a>	<b>Blue Tile 1 x 2 with Groove</b> Catalog: <a href="#">Parts: Tile</a> 306923	<a href="#">PG</a>
+	 *	2	<a href="#">2431</a>	<b>Blue Tile 1 x 4</b> Catalog: <a href="#">Parts: Tile</a> 243123	<a href="#">PG</a>
+	 *	2	<a href="#">2412b</a>	<b>Blue Tile, Modified 1 x 2 Grille with Bottom Groove / Lip</b> Catalog: <a href="#">Parts: Tile, Modified</a> 241223	<a href="#">PG</a>
+	 *	7	<a href="#">2412b</a>	<b>Dark Turquoise Tile, Modified 1 x 2 Grille with Bottom Groove / Lip</b> Catalog: <a href="#">Parts: Tile, Modified</a> Part Color Code Missing	<a href="#">PG</a>
+	 *	1	<a href="#">32076</a>	<b>Black Tire 70 x 14 mm Futuristic</b> Catalog: <a href="#">Parts: Tire &amp; Tread</a> Part Color Code Missing	<a href="#">PG</a>


+	 *	1	<a href="#">32078</a>	<b>Black Tire 70 x 28 mm Futuristic</b> <a href="#">Catalog: Parts: Tire &amp; Tread</a> Part Color Code Missing	<a href="#">PG</a>
---	---	---	-----------------------	--	--------------------

+	 *	3	<a href="#">30028</a>	<b>Black Tire 14mm D. x 9mm Smooth Small Wide Slick</b> <a href="#">Catalog: Parts: Tire &amp; Tread</a> 3002826 or 4508215	<a href="#">PG</a>
---	--	---	-----------------------	---	--------------------

+	 *	1	<a href="#">2399</a>	<b>Black Wedge 3 x 4 without Stud Notches</b> <a href="#">Catalog: Parts: Wedge</a> Part Color Code Missing	<a href="#">PG</a>
---	--	---	----------------------	---	--------------------

+	 *	1	<a href="#">4859</a>	<b>Blue Wedge, Plate 3 x 4 without Stud Notches</b> <a href="#">Catalog: Parts: Wedge, Plate</a> Part Color Code Missing	<a href="#">PG</a>
---	--	---	----------------------	--	--------------------


+	 *	1	<a href="#">32057</a>	<b>Metallic Silver Wheel 70 x 14 mm Futuristic</b> <a href="#">Catalog: Parts: Wheel</a> Part Color Code Missing	<a href="#">PG</a>
---	--	---	-----------------------	--	--------------------


+	 *	1	<a href="#">32077</a>	<b>Metallic Silver Wheel 70 x 28 mm Futuristic</b> <a href="#">Catalog: Parts: Wheel</a> Part Color Code Missing	<a href="#">PG</a>
---	--	---	-----------------------	--	--------------------

**Extra Items:**

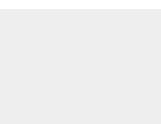
+	 *	1	<a href="#">4073</a>	<b>Trans-Red Plate, Round 1 x 1</b> <a href="#">Catalog: Parts: Plate, Round</a> 6208450 or 3005741	<a href="#">PG</a>
---	--	---	----------------------	---	--------------------

+	 *	1	<a href="#">4073</a>	<b>Trans-Yellow Plate, Round 1 x 1</b> <a href="#">Catalog: Parts: Plate, Round</a> 6240216 or 3005744	<a href="#">PG</a>
---	--	---	----------------------	--	--------------------

+	 *	1	<a href="#">3713</a>	<b>Light Gray Technic Bush</b> <a href="#">Catalog: Parts: Technic</a> 4125313	<a href="#">PG</a>
---	--	---	----------------------	--	--------------------

+	 *	1	<a href="#">4265c</a>	<b>Light Gray Technic Bush 1/2 Smooth</b> <a href="#">Catalog: Parts: Technic</a> 4110050	<a href="#">PG</a>
---	--	---	-----------------------	---	--------------------

+	 *	1	<a href="#">3647</a>	<b>Light Gray Technic, Gear 8 Tooth Type 1</b> <a href="#">Catalog: Parts: Technic, Gear</a> 364702	<a href="#">PG</a>
---	--	---	----------------------	---	--------------------

+		1	<a href="#">3711</a>	<b>Black Technic, Link Chain</b> <a href="#">Catalog: Parts: Technic, Link</a> 6044702 or 371126	<a href="#">PG</a>
---	---	---	----------------------	--	--------------------



\*



\*

+

1

[4274](#)**Light Gray Technic, Pin 1/2**Catalog: [Parts: Technic, Pin 427402](#)[PG](#)

\*

+

1

[32002](#)**Dark Gray Technic, Pin 3/4**Catalog: [Parts: Technic, Pin 4109854](#)[PG](#)**Counterparts:**

\*

+

1

[2399pb02](#)**Black Wedge 3 x 4 without Stud Notches with 'LR1200' Pattern on Both Sides (Stickers) - Set 8417**Catalog: [Parts: Wedge, Decorated](#)  
Part Color Code Missing[PG](#)

\*

+

1

[32057c01](#)(inv)**Metallic Silver Wheel 70 x 14 mm Futuristic with Black Tire 70 x 14 mm Futuristic (32057 / 32076)**Catalog: [Parts: Wheel & Tire Assembly](#)  
Part Color Code Missing[PG](#)

\*

+

1

[32077c01](#)(inv)**Metallic Silver Wheel 70 x 28 mm Futuristic with Black Tire 70 x 28 mm Futuristic (32077 / 32078)**Catalog: [Parts: Wheel & Tire Assembly](#)  
Part Color Code Missing[PG](#)**Summary:**

Type	Unique Lots	Total Qty
<b>Regular Items:</b>		
Parts	89	315
<b>Extra Items:</b>		
Parts	8	8
<b>Counterparts:</b>		
Parts	3	3

[bobko](#) (182) inventoried this Set on Apr 14, 2003, inventory last updated on Oct 30, 2016.