

LEGO

# Technic

8250/8299

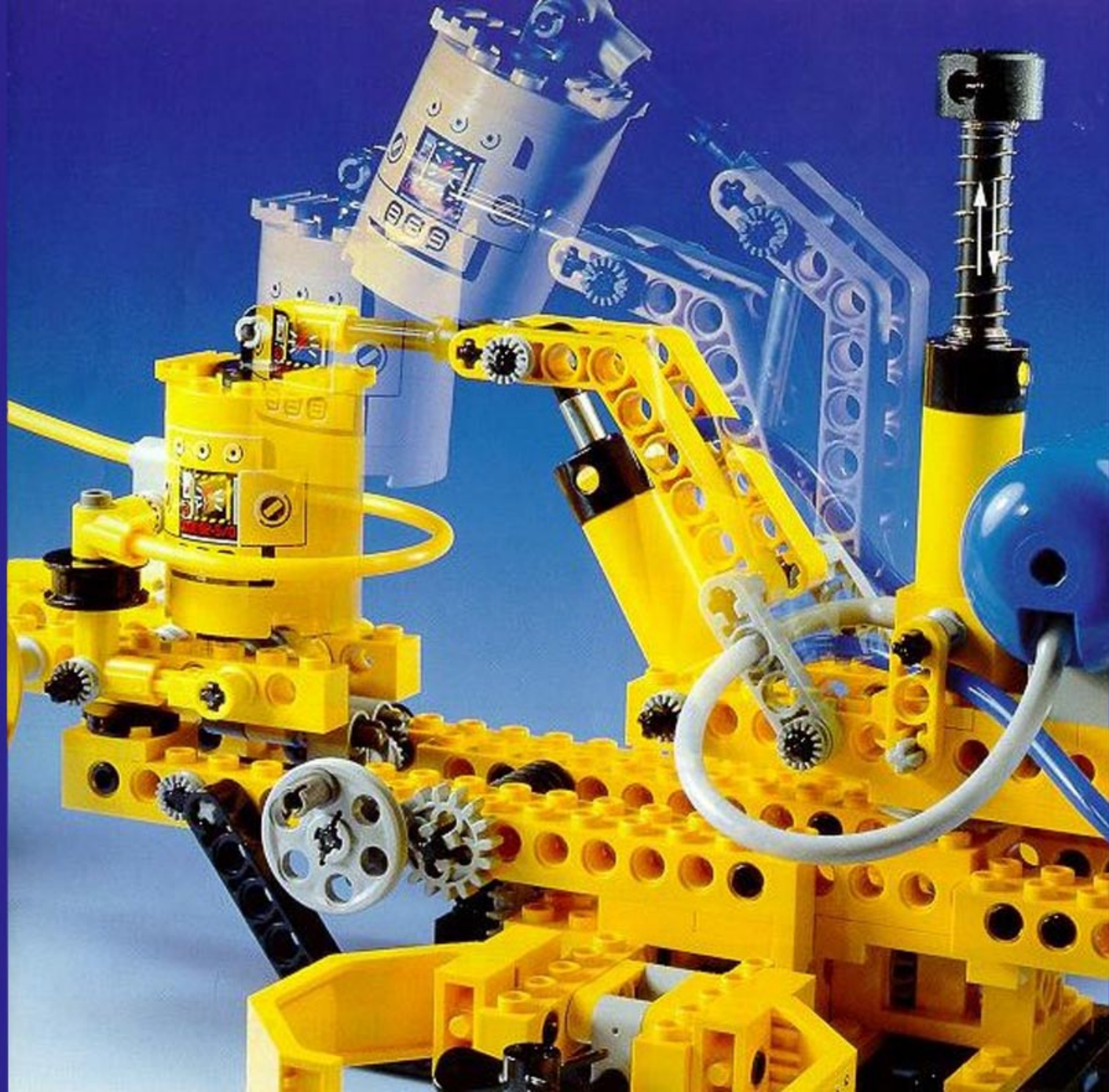


Pneumatic

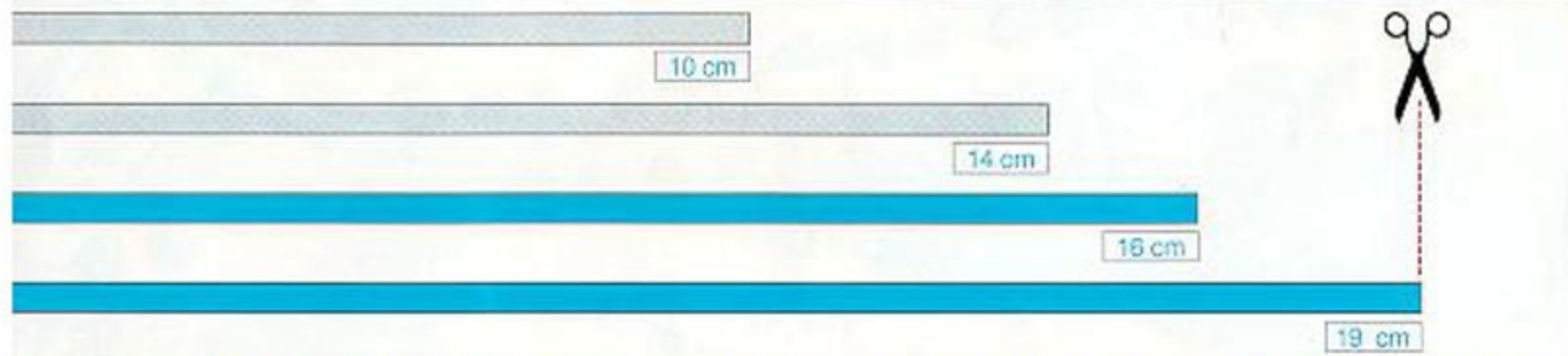
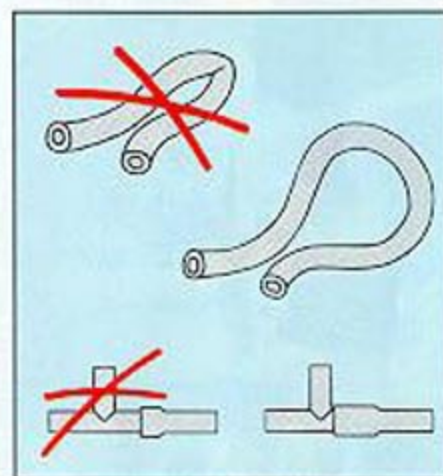
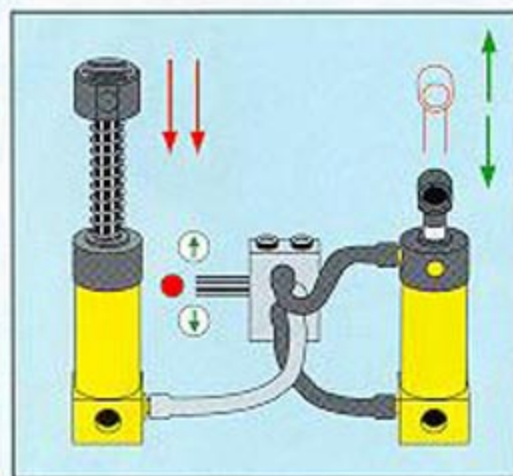
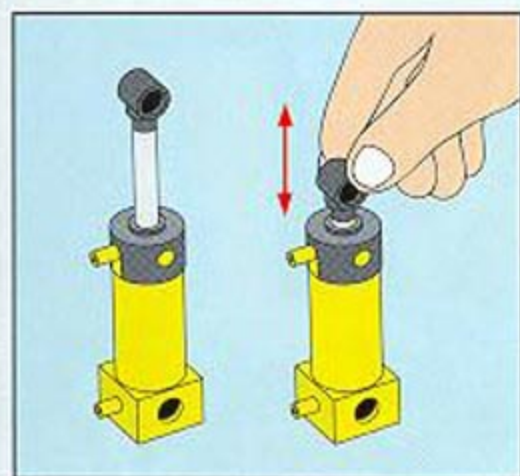
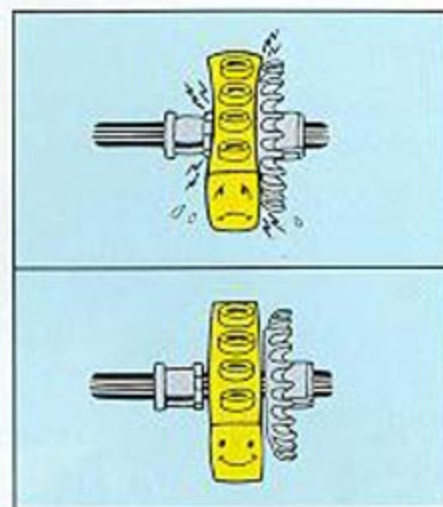
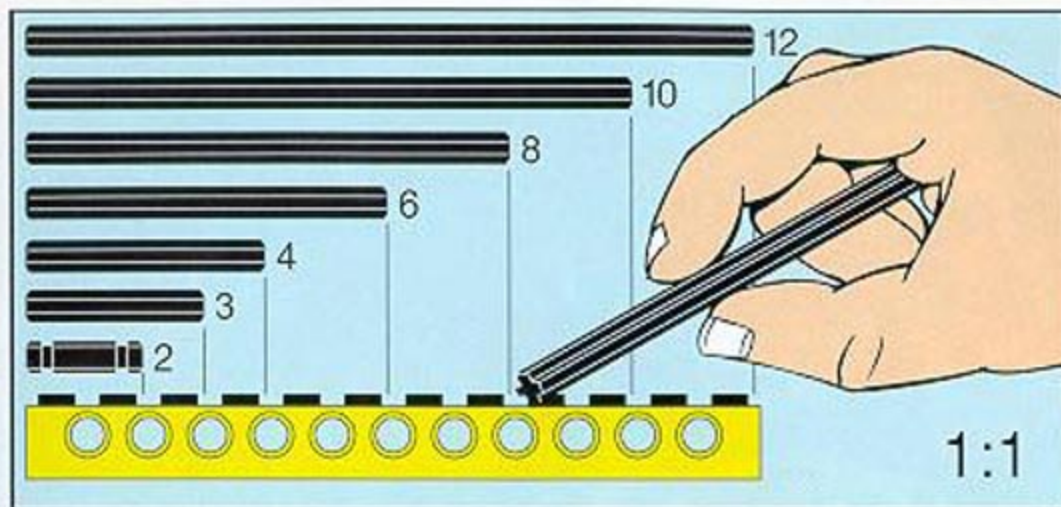


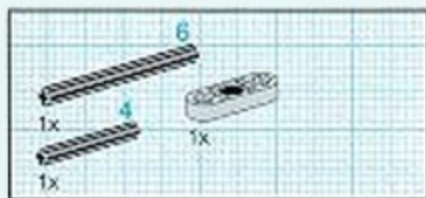
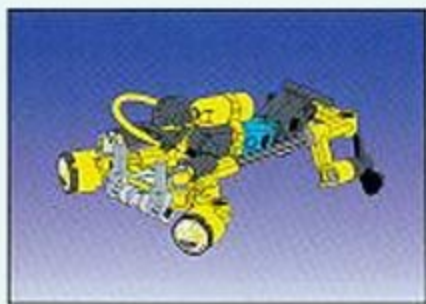
376



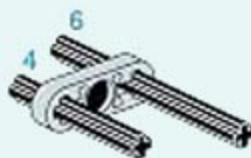








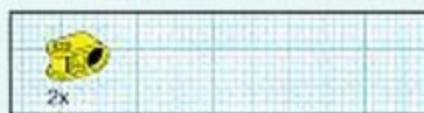
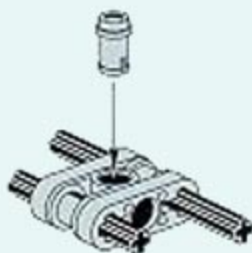
1



2



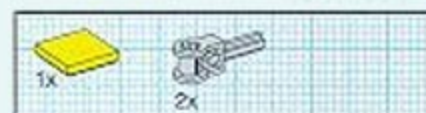
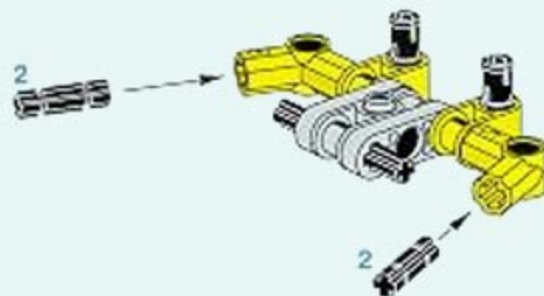
3



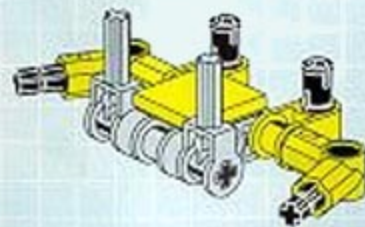
4



5



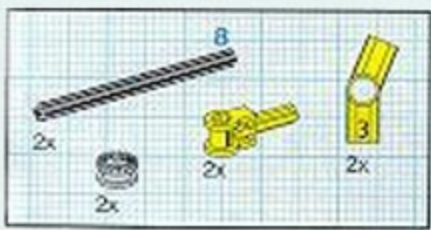
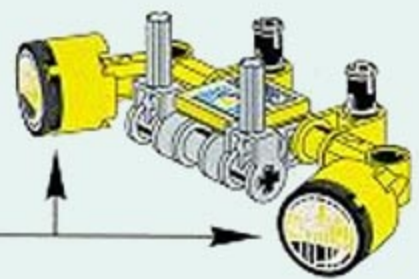
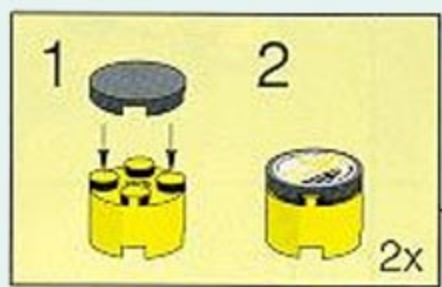
6



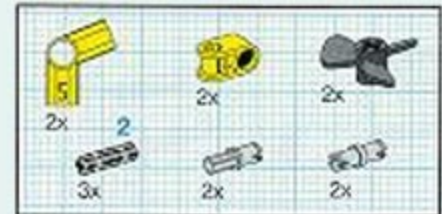
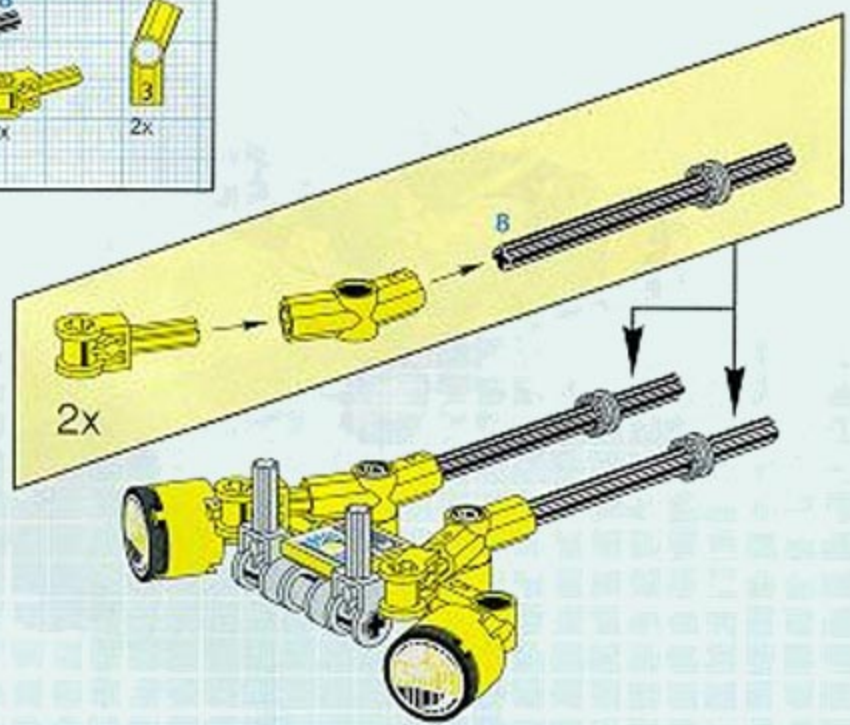




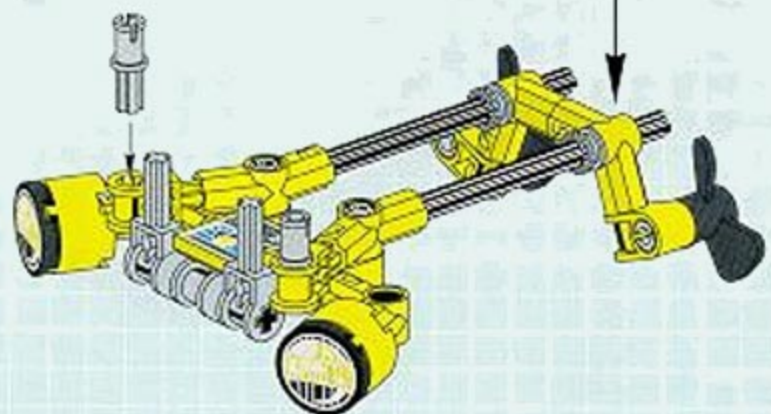
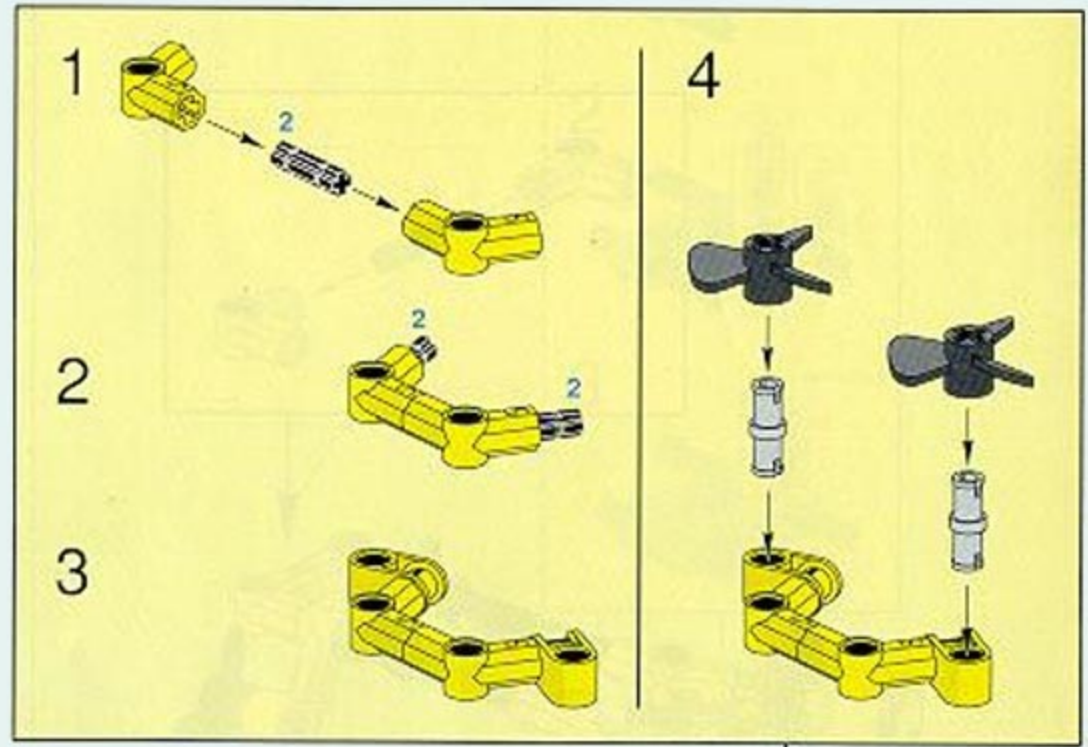
7



8



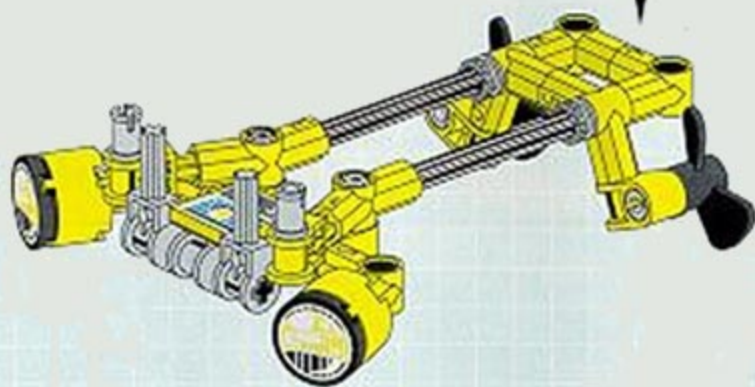
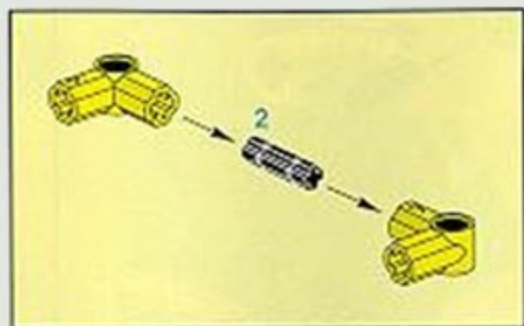
9



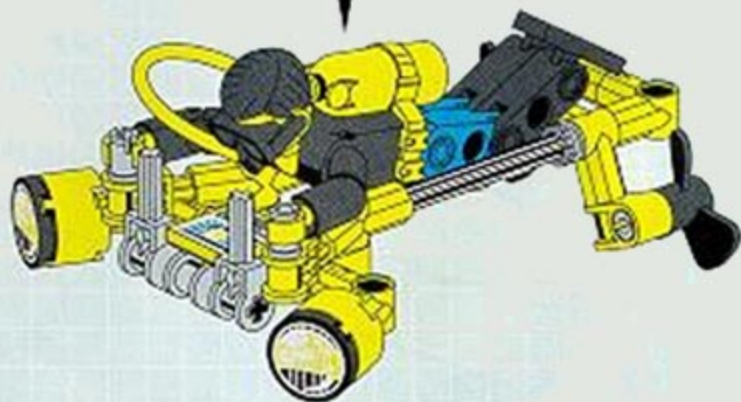
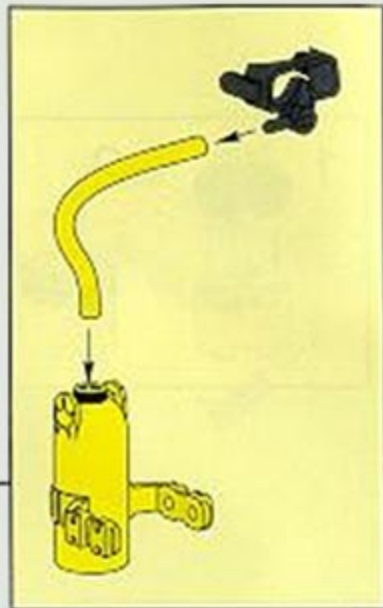




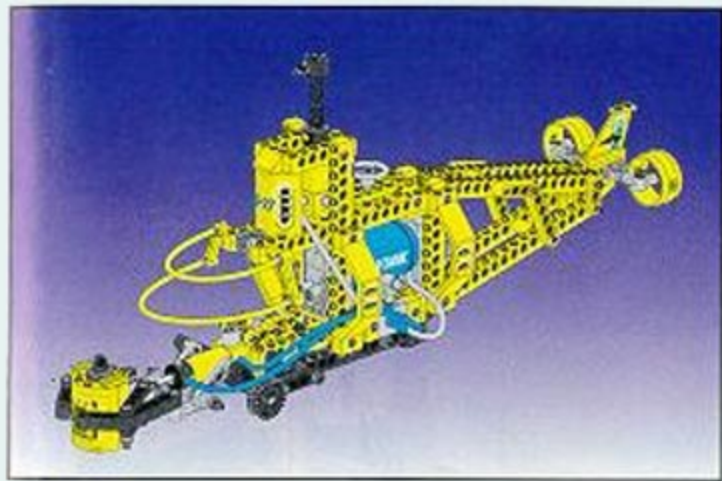
10



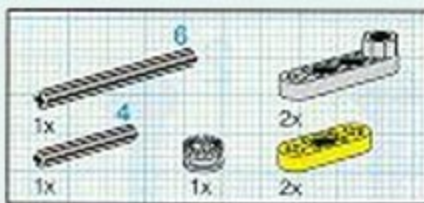
11



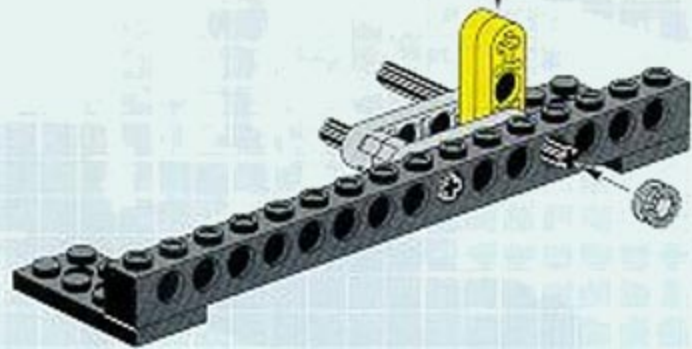
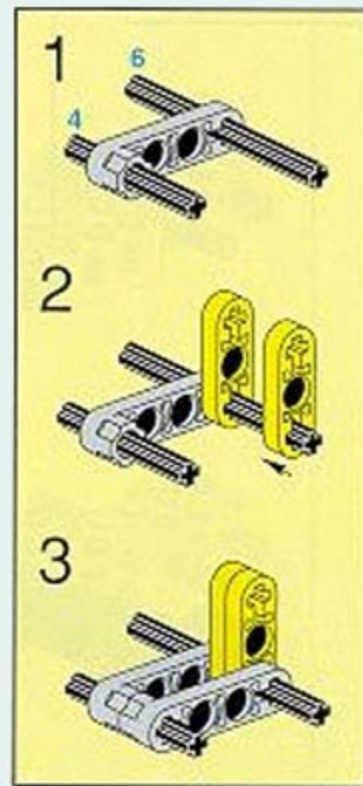




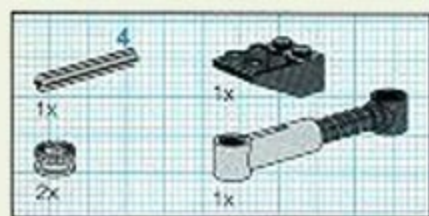
**1**



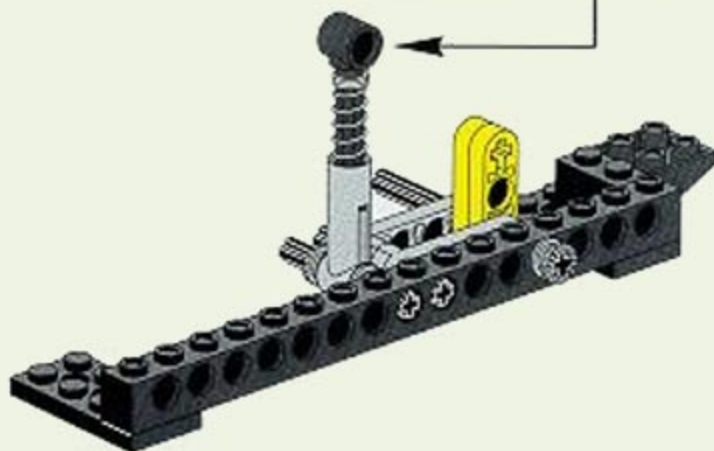
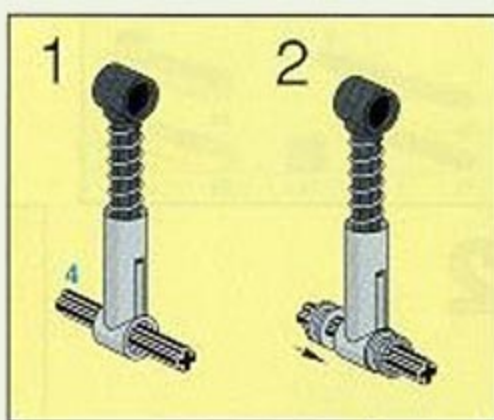
**2**



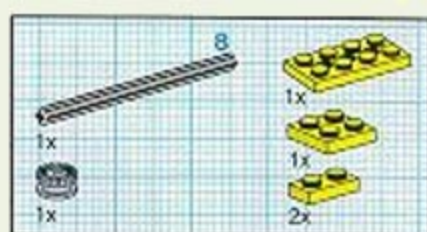
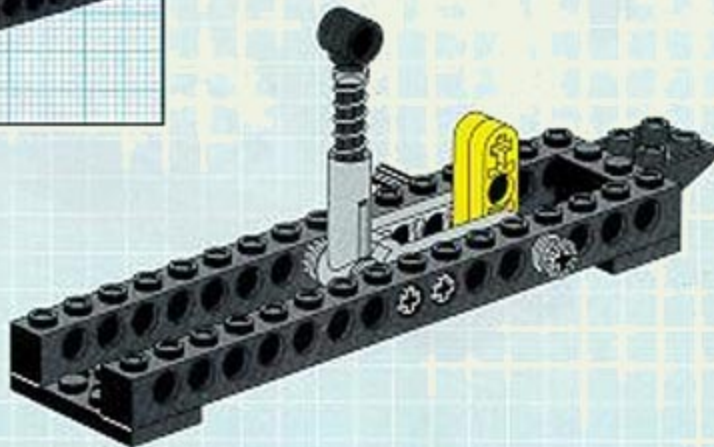




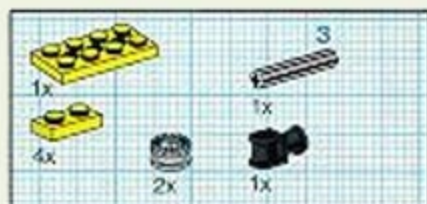
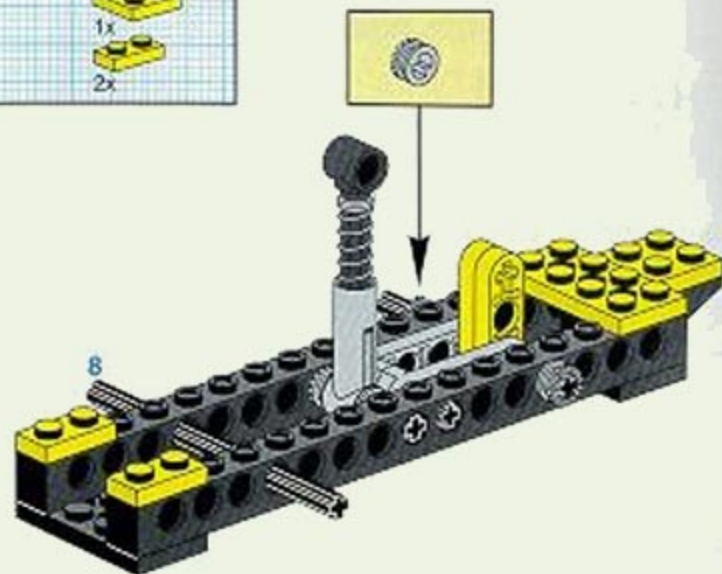
**3**



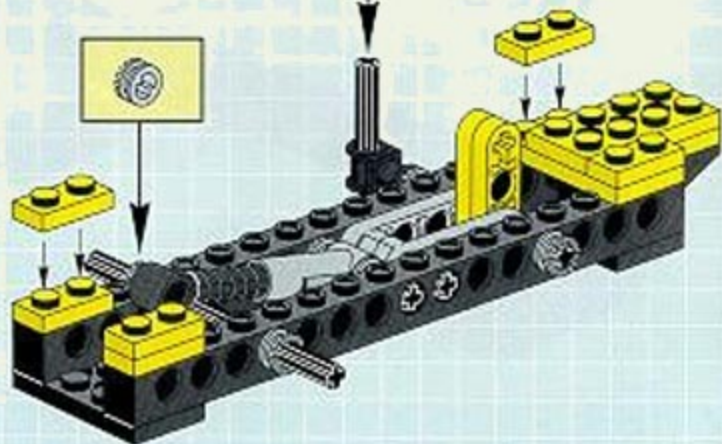
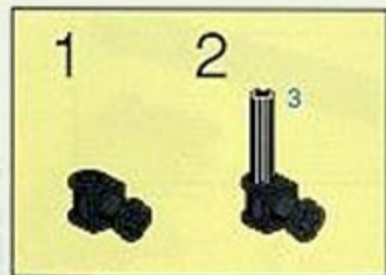
**4**



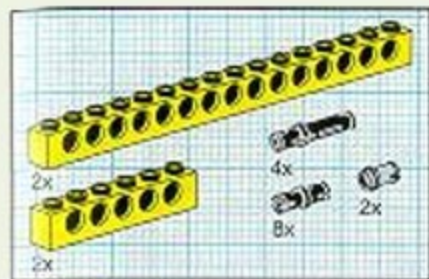
**5**



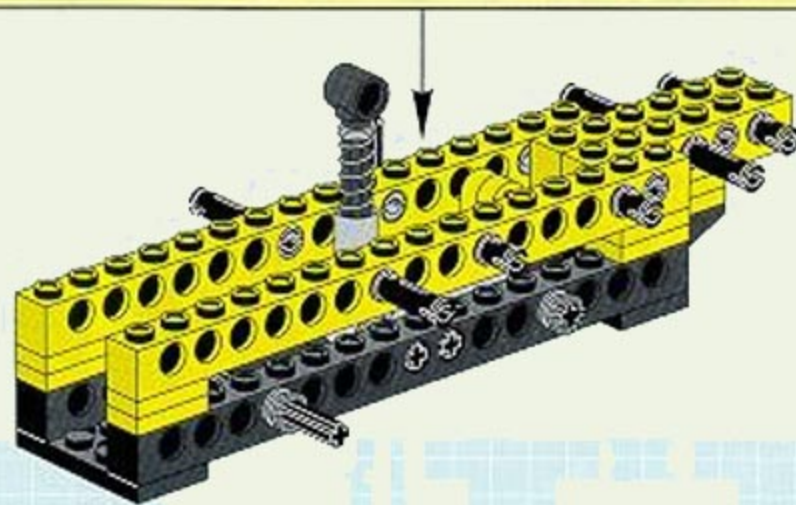
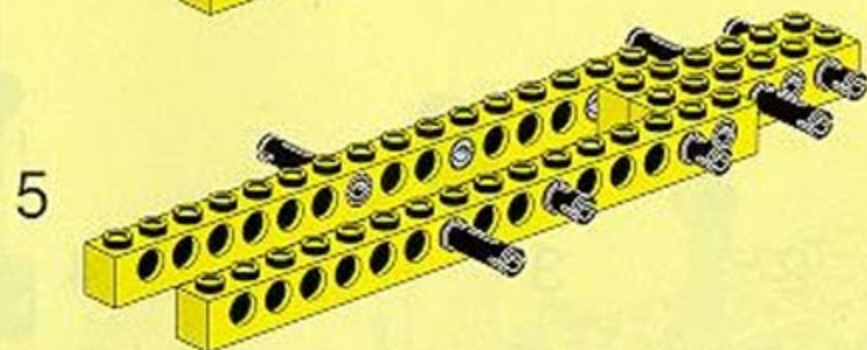
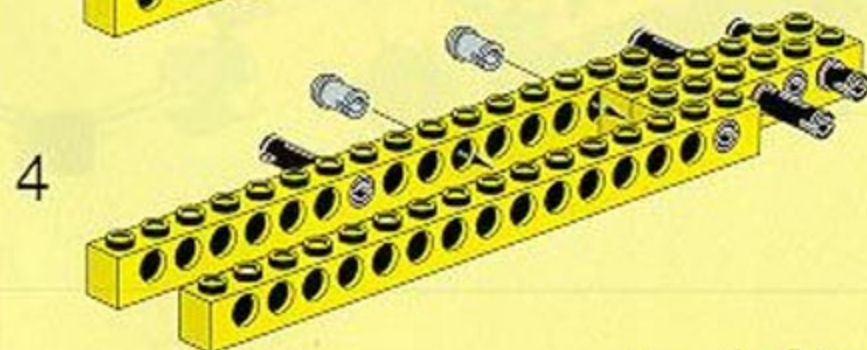
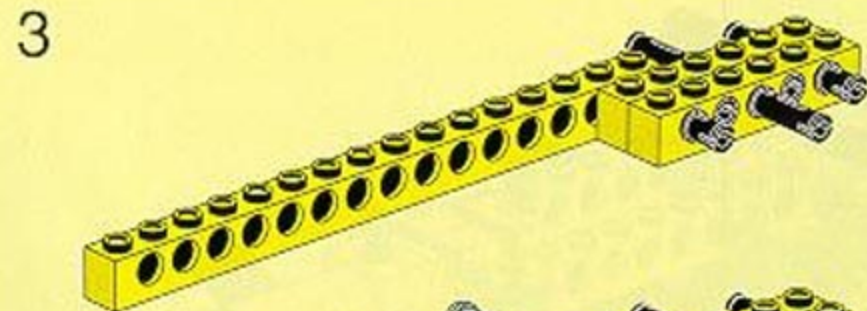
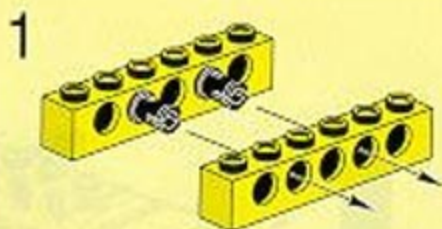
**6**







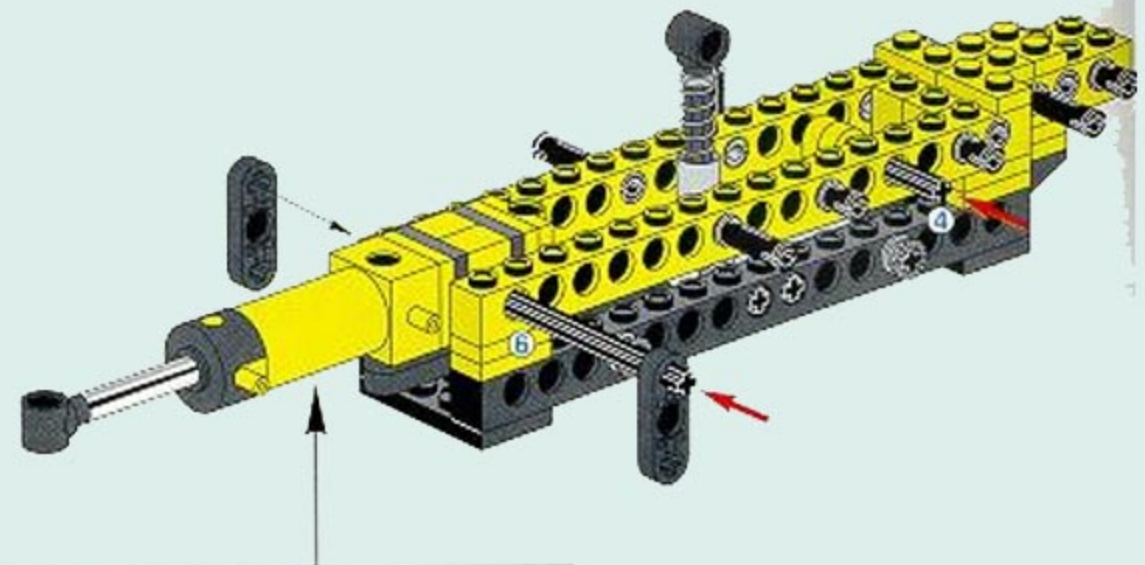
7





Parts list for step 8:

- 1x Yellow Technic Axle Pin
- 1x Black Technic Axle Pin
- 1x Yellow Technic Pin
- 1x Black Technic Pin
- 1x Yellow Technic Bush
- 1x Yellow Technic Connector
- 2x Yellow Technic Connector
- 2x Black Technic Connector
- 2x Yellow Technic Connector
- 2x Yellow Technic Connector
- 2x Yellow Technic Connector
- 2x Black Technic Connector
- 2x Yellow Technic Connector
- 1x Yellow Technic Connector
- 2x Yellow Technic Connector

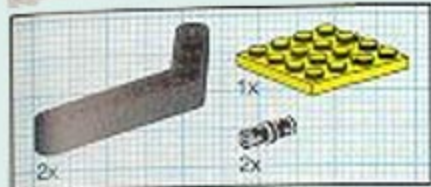


**8**

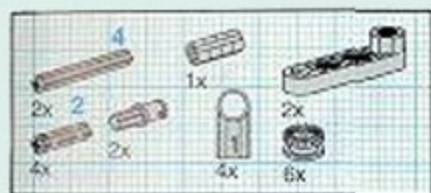
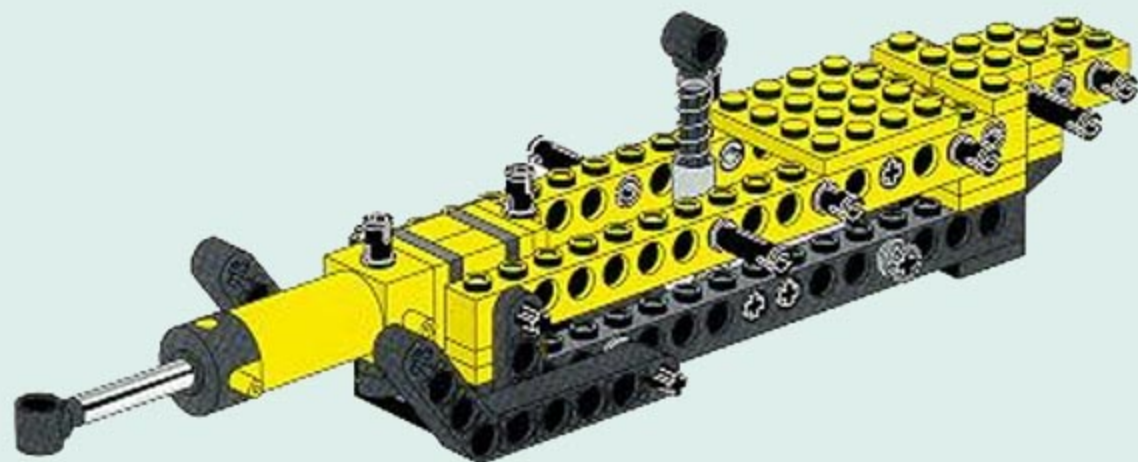
Detailed assembly sequence for step 8, showing five numbered stages:

1. The bottom yellow connector is joined to the black connector.
2. A second yellow connector is added on top of the black connector.
3. The yellow actuator body is attached to the top of the yellow connector.
4. The black Technic pin is inserted through the side of the actuator assembly.
5. The black Technic bush is slid onto the pin, completing the sub-assembly.

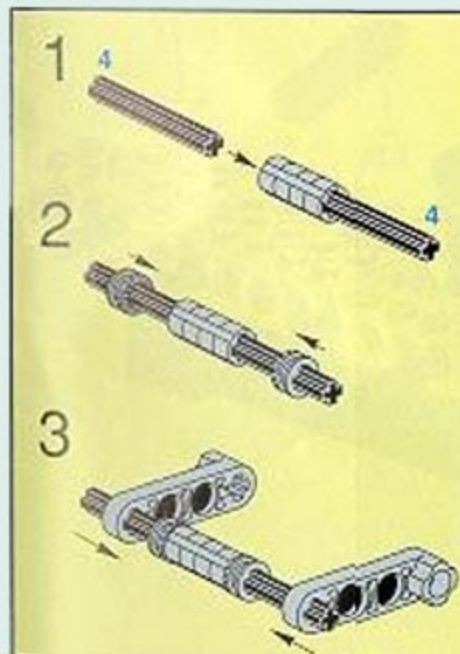




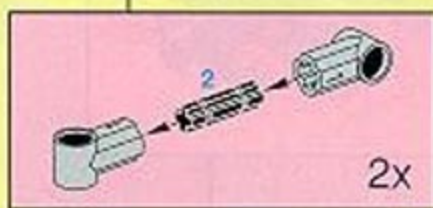
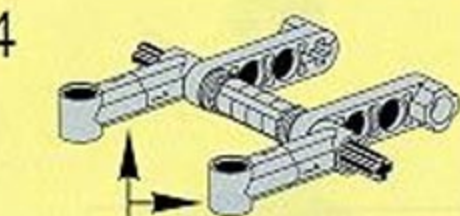
9



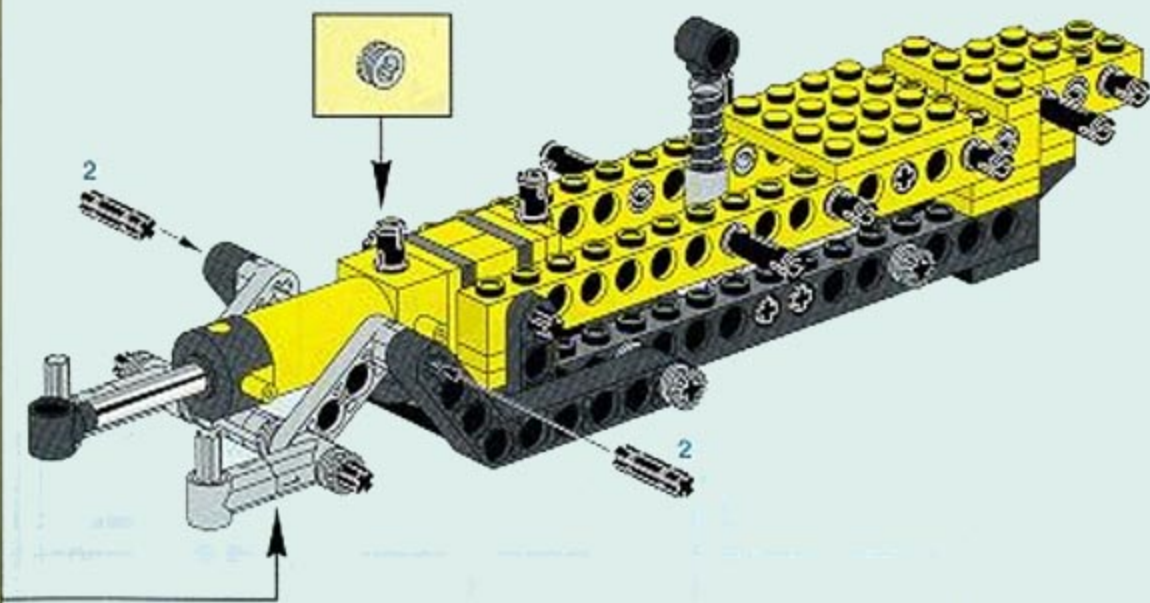
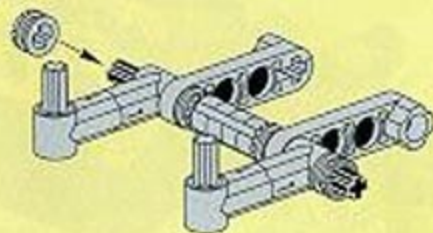
10



4

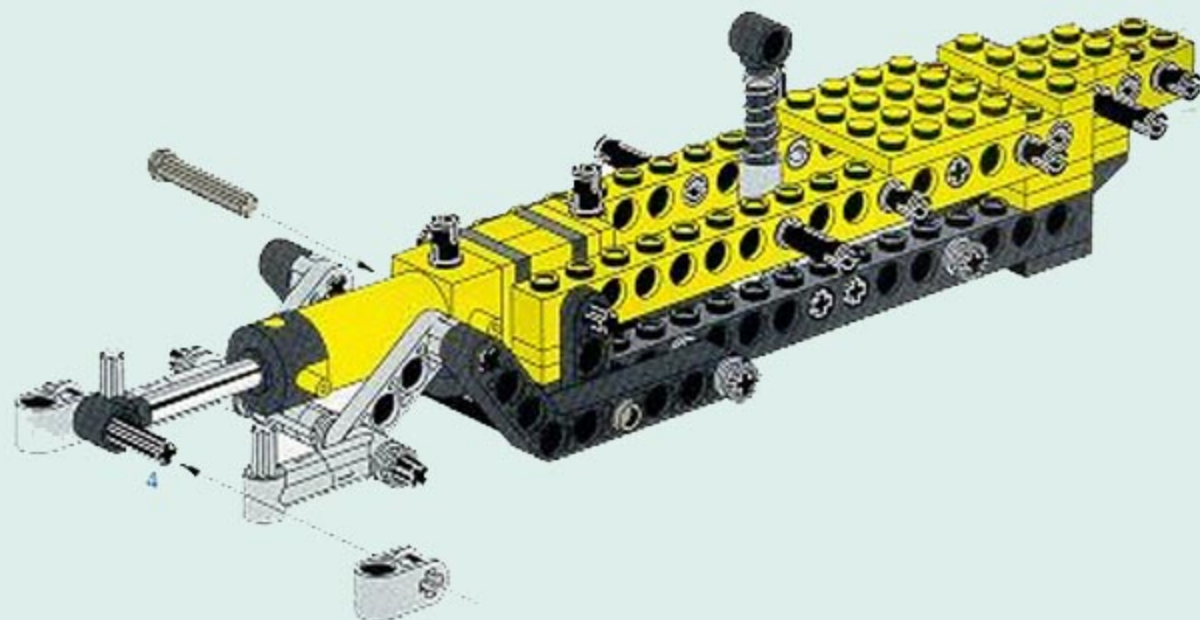
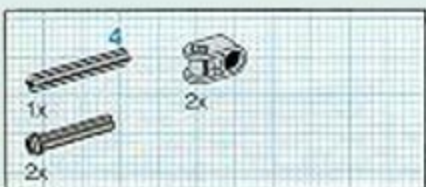


5

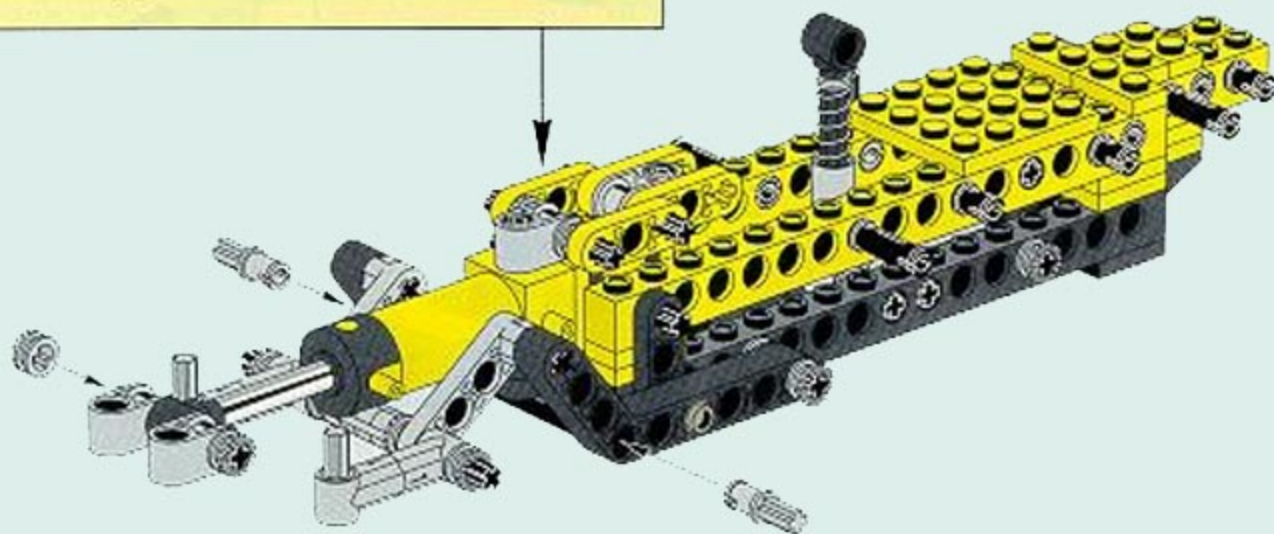
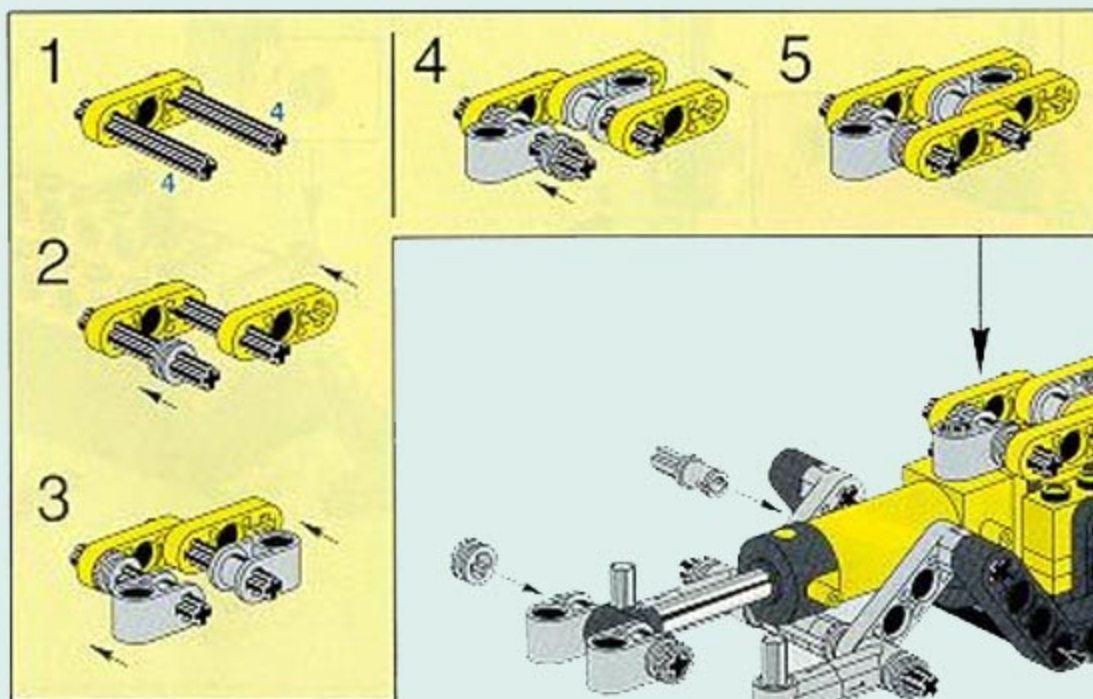
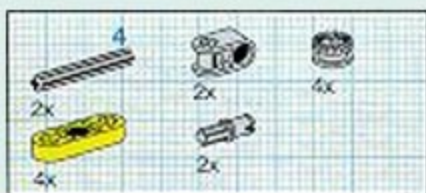




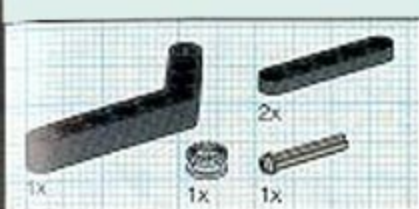
# 11



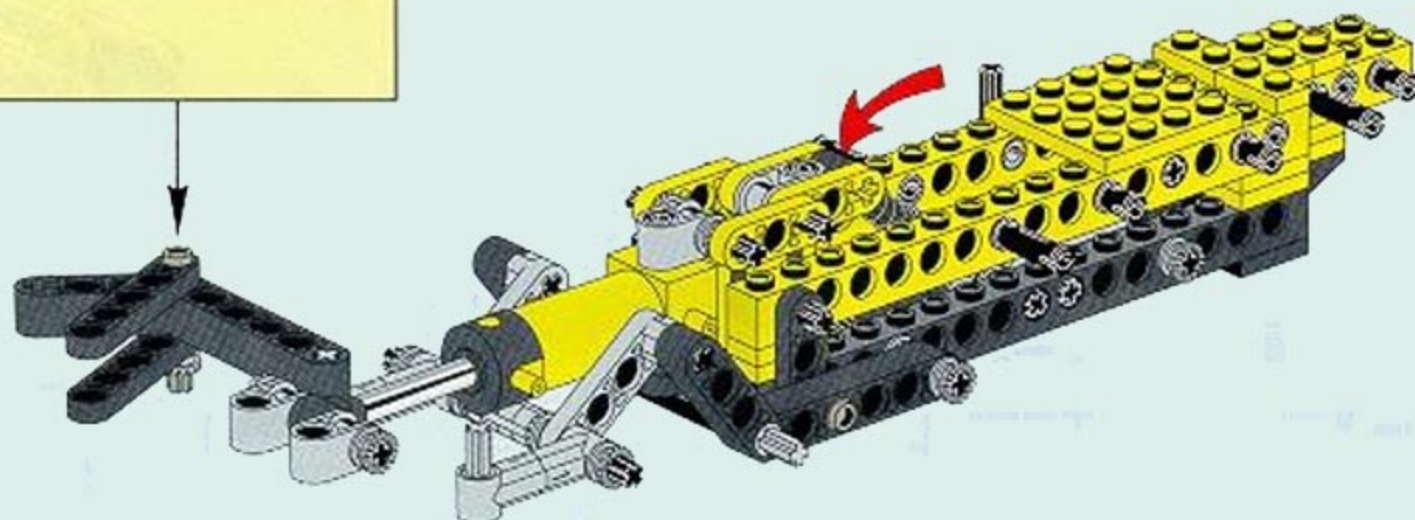
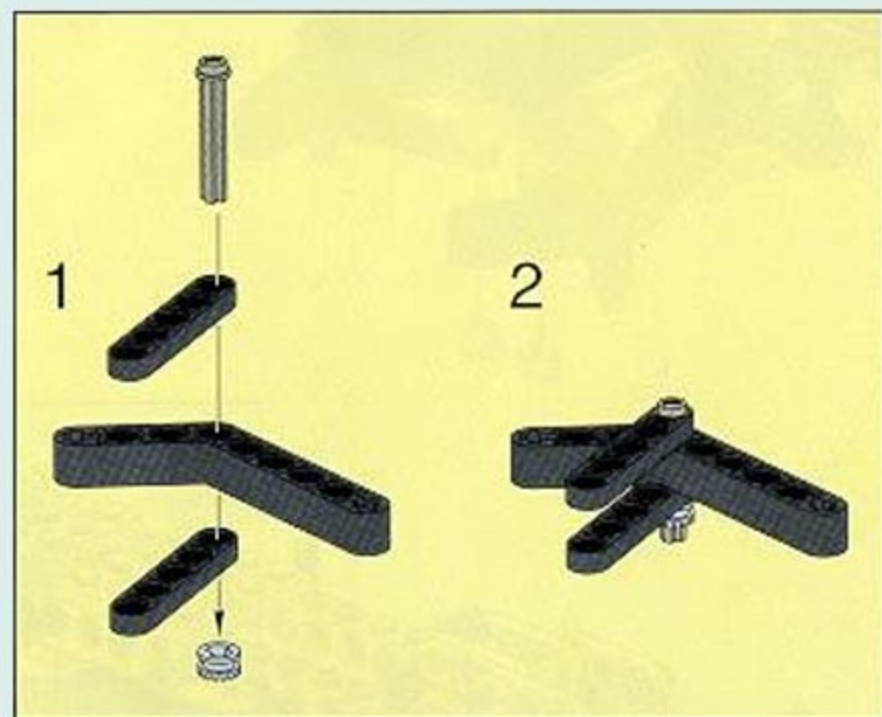
# 12







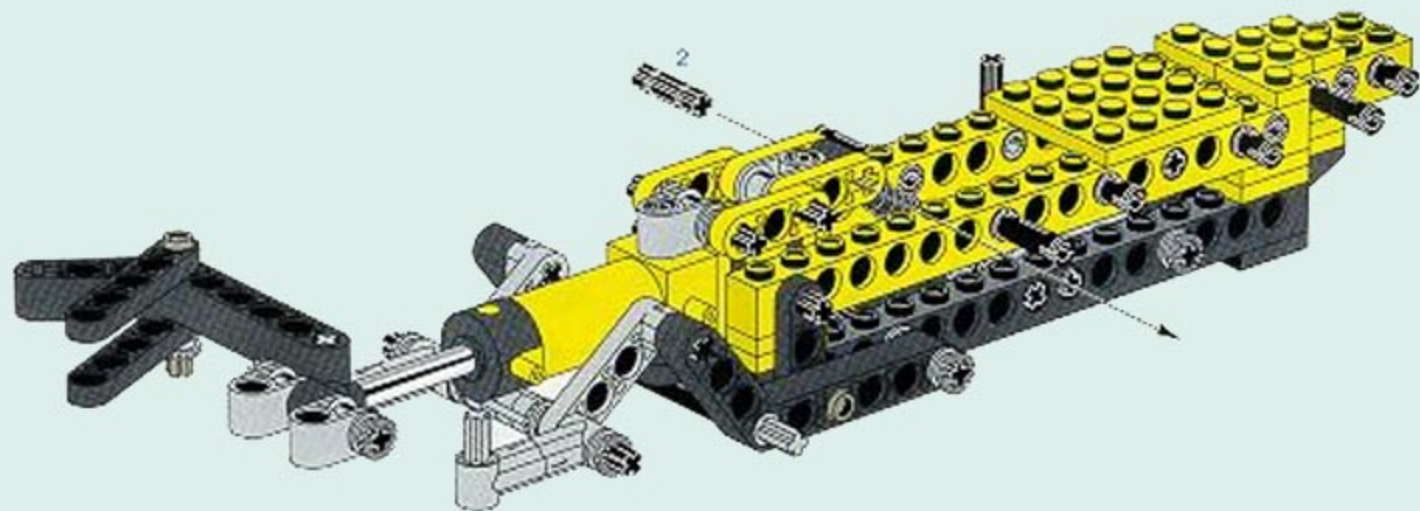
13



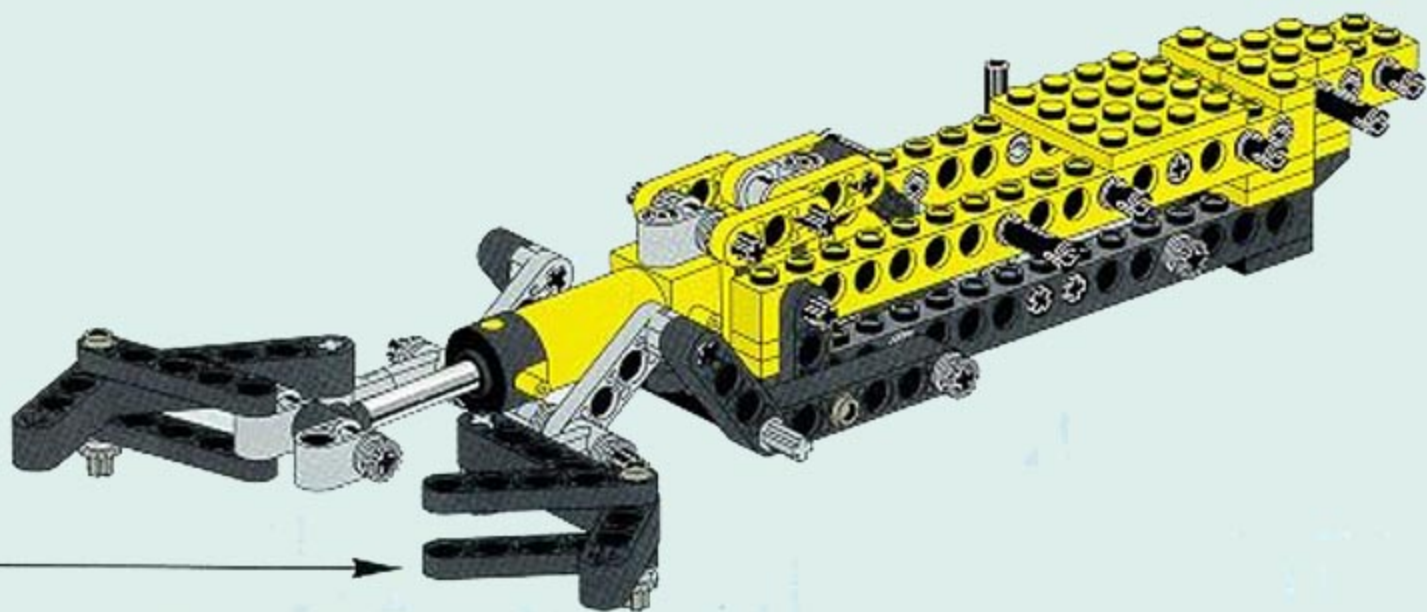
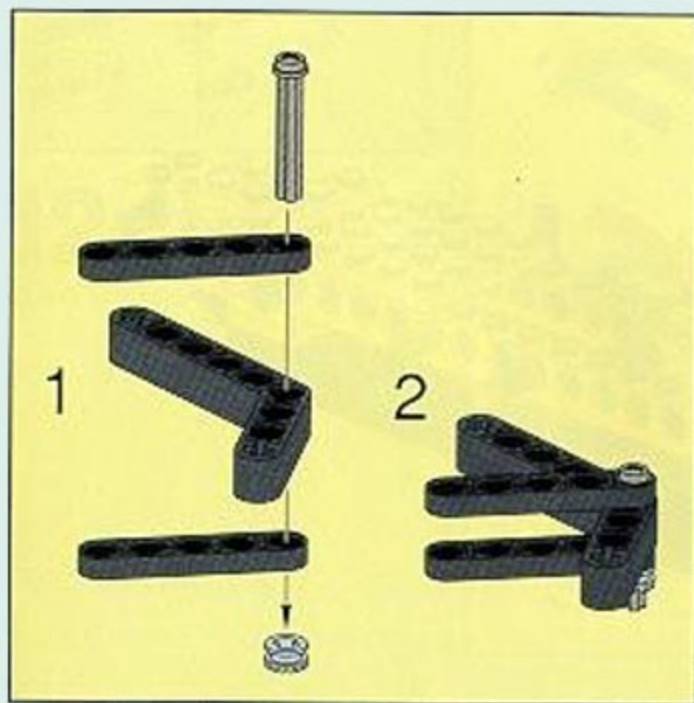




14



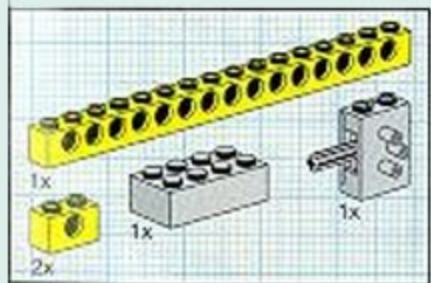
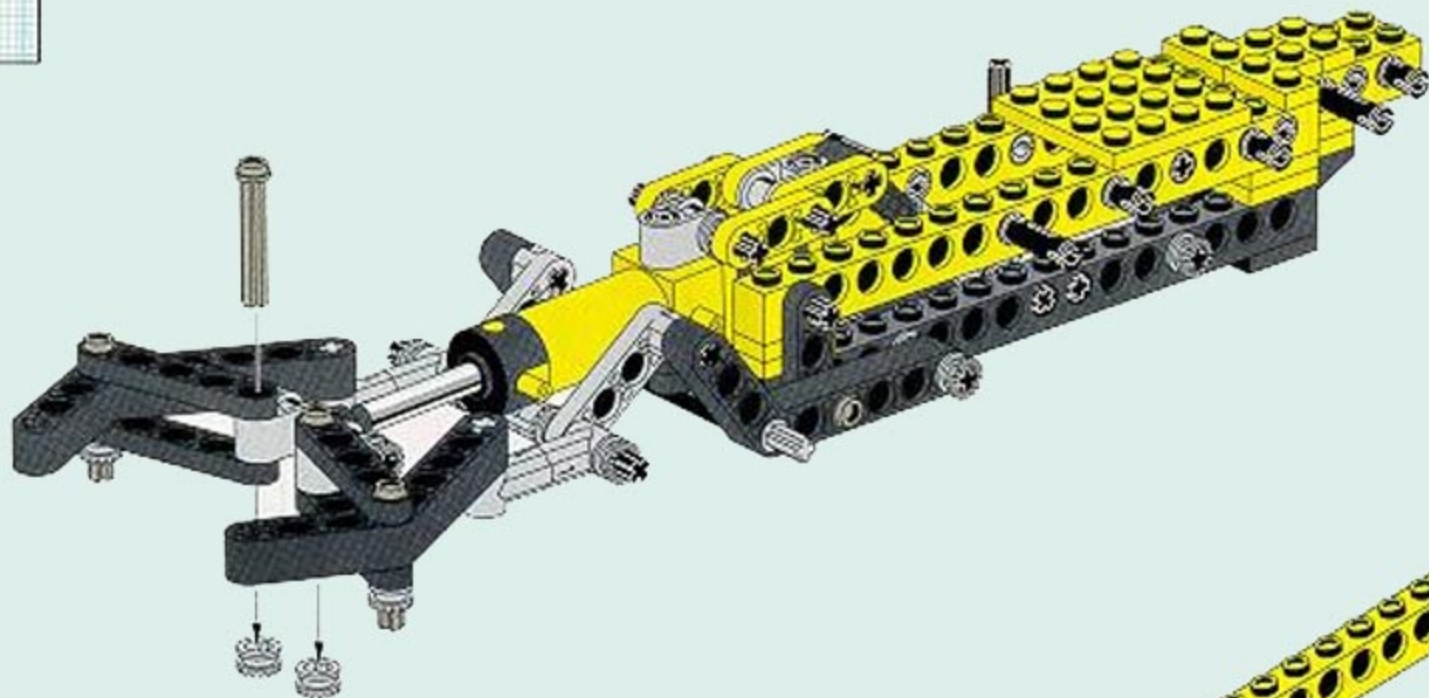
15



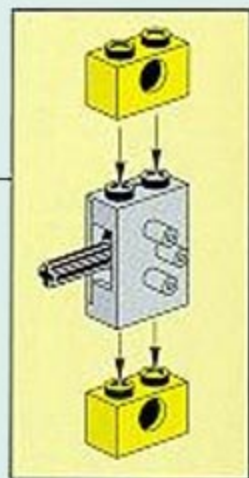
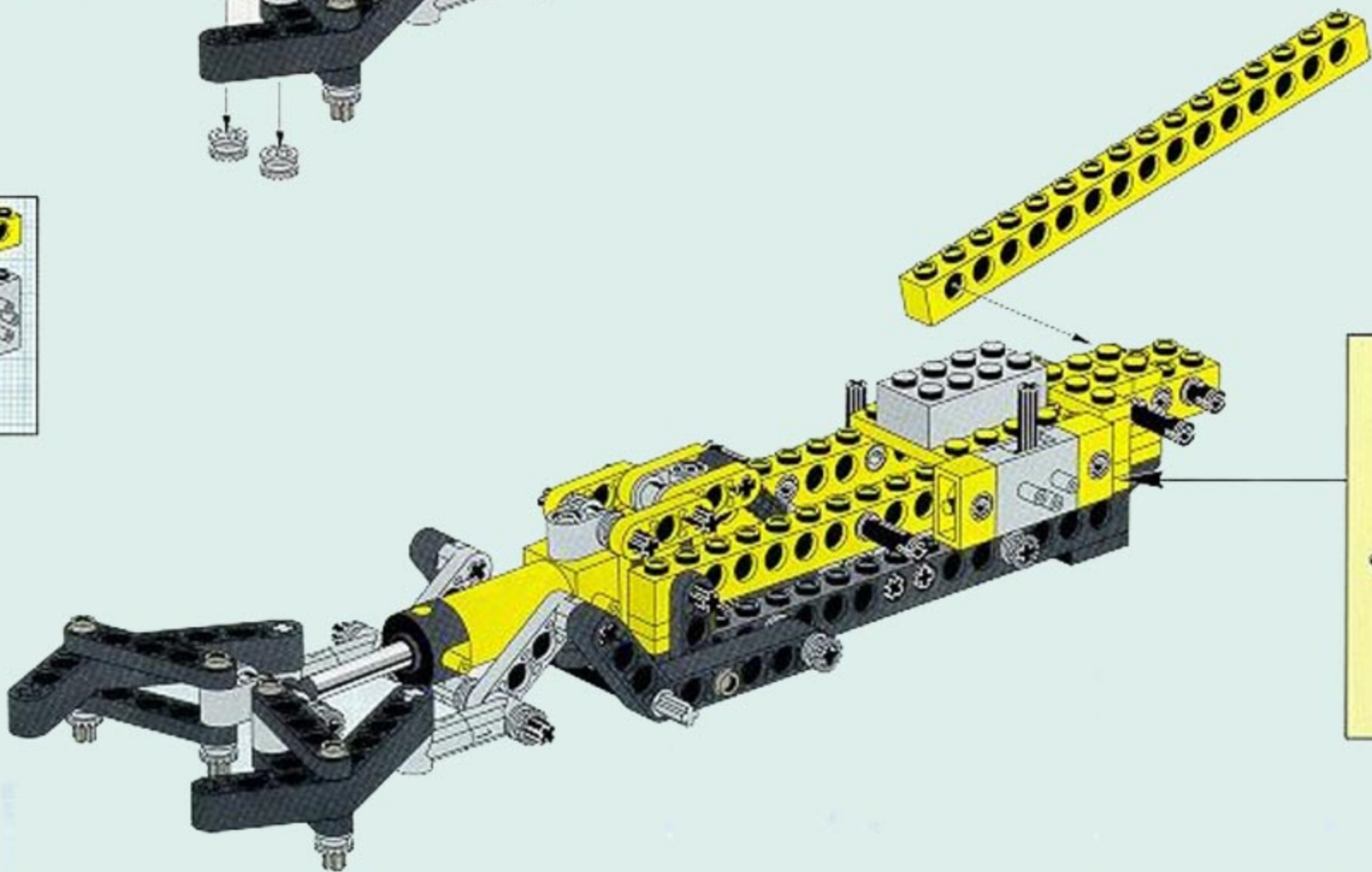




16



17



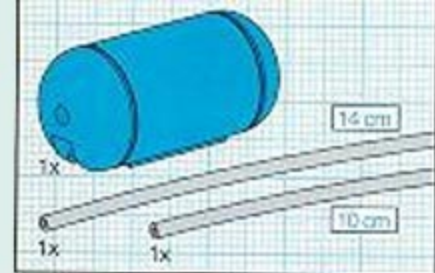




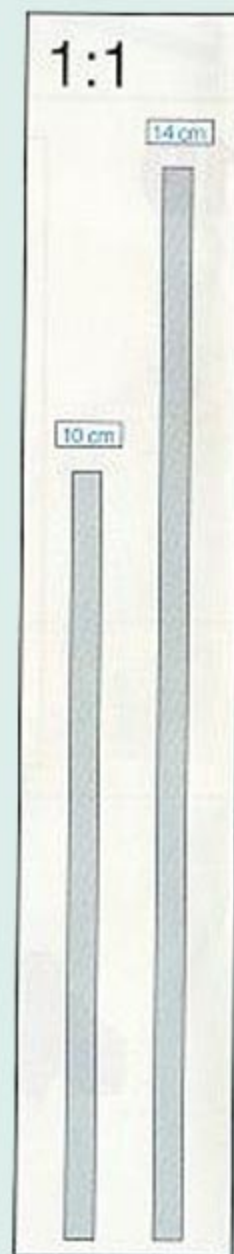
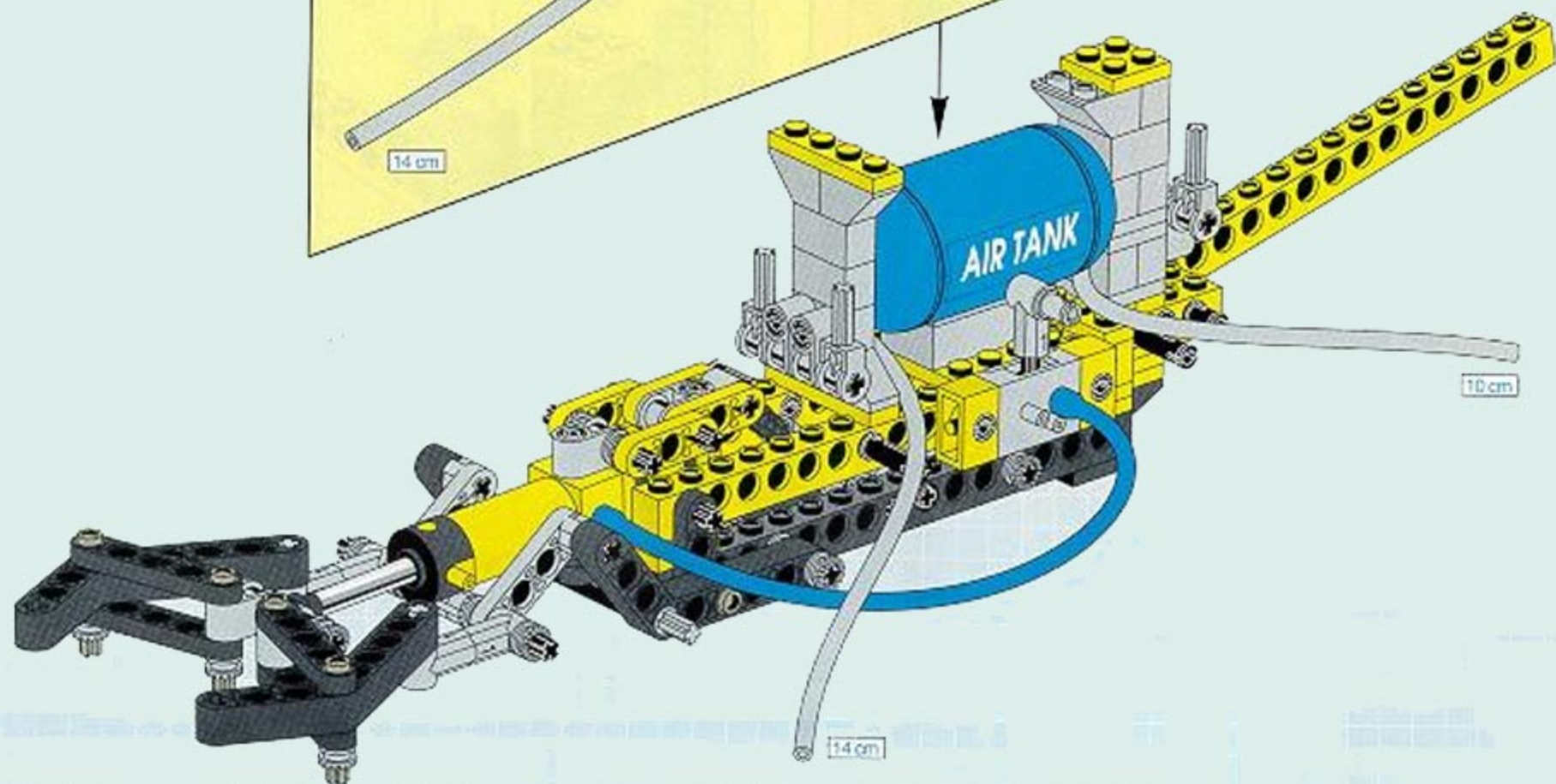
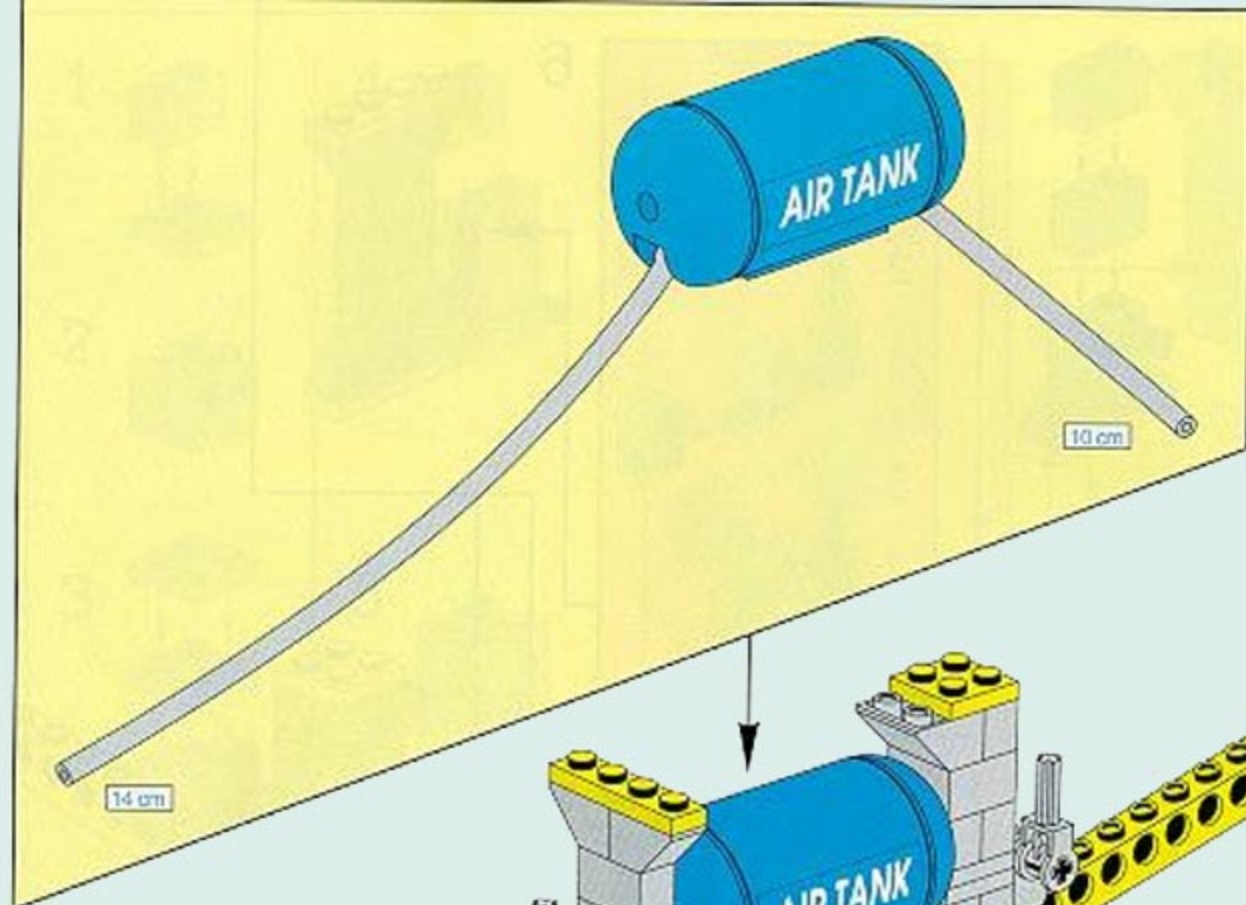




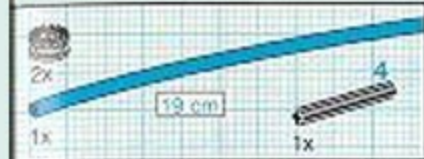




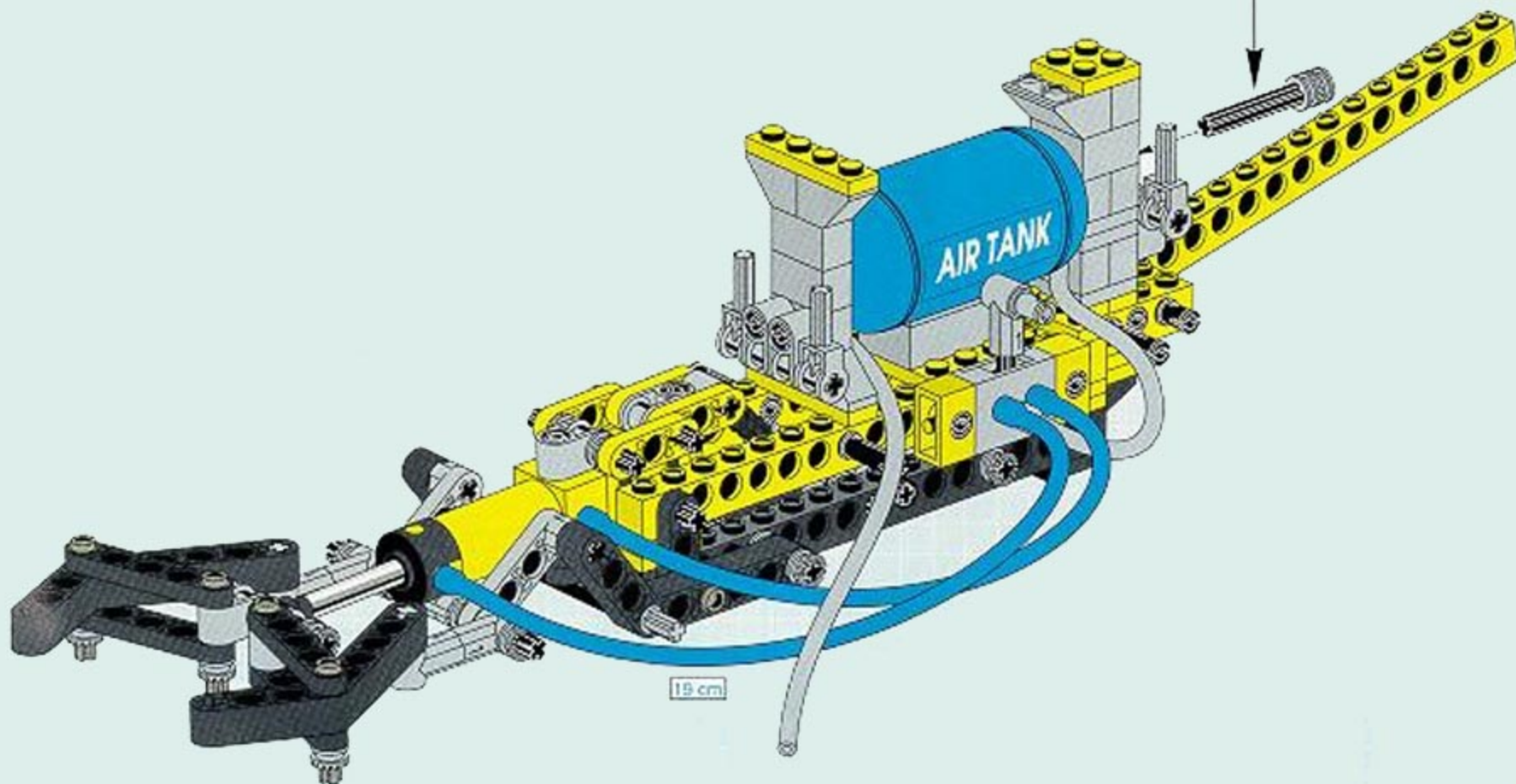
20







21



1:1

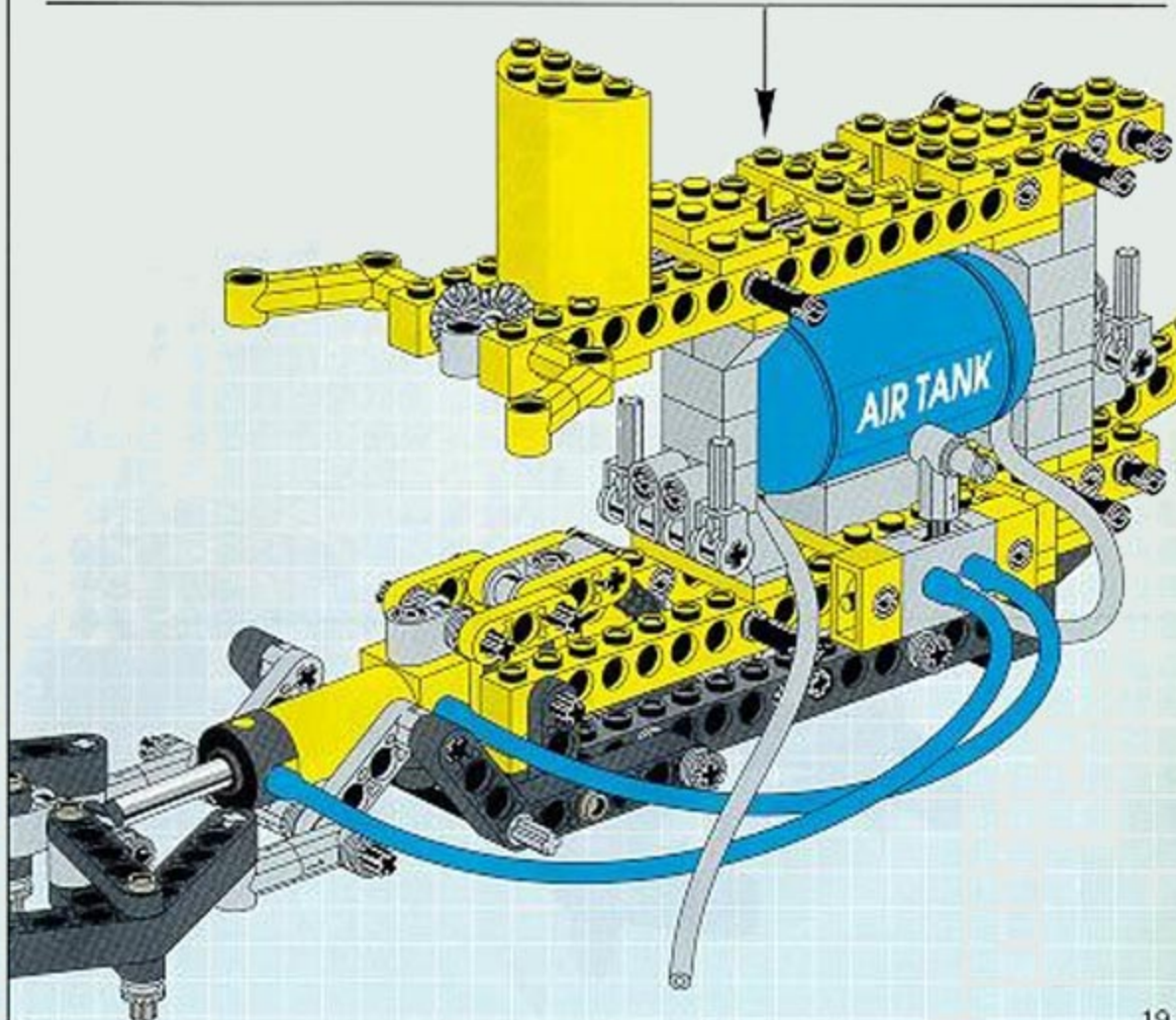
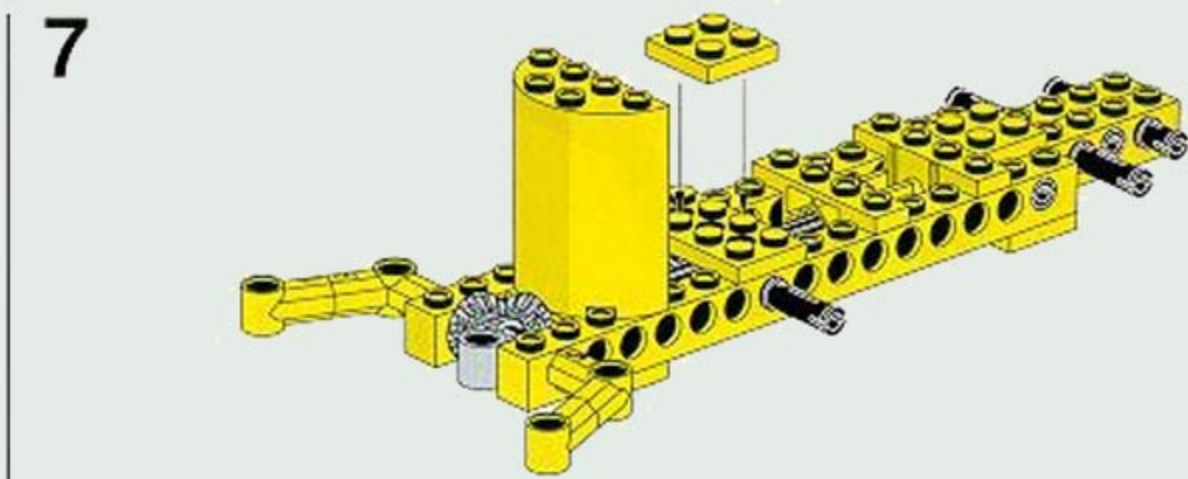
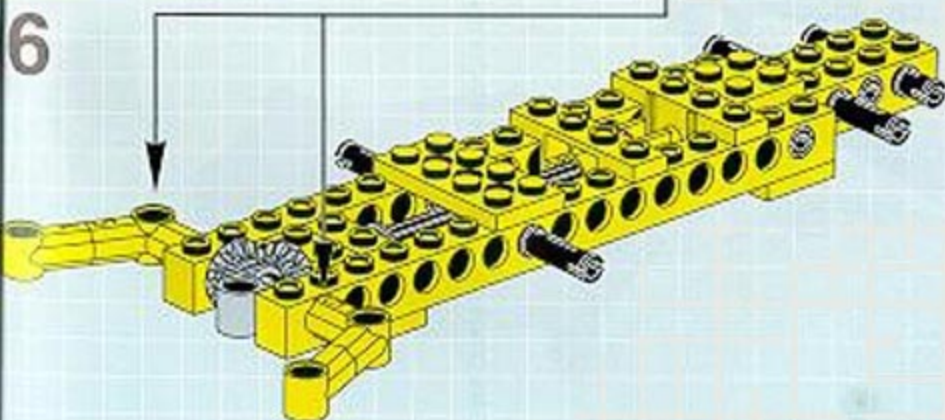
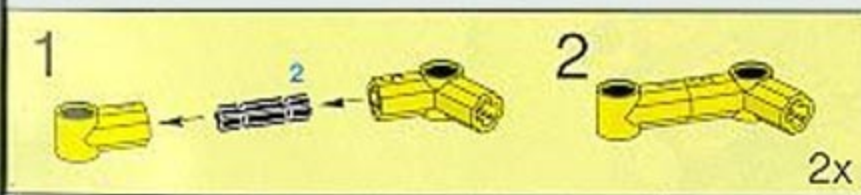
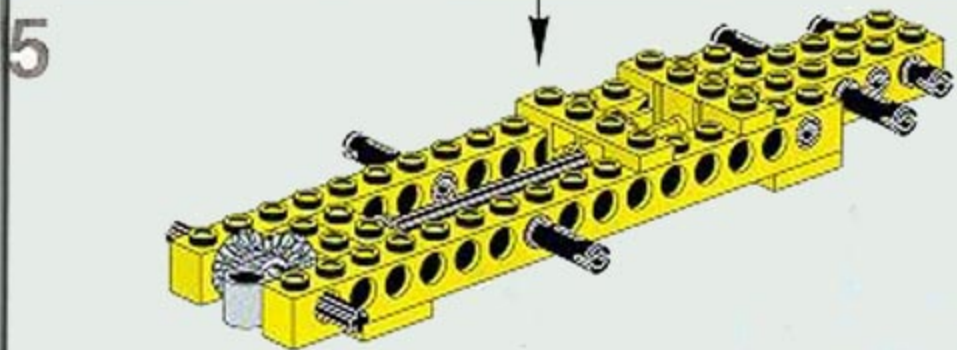
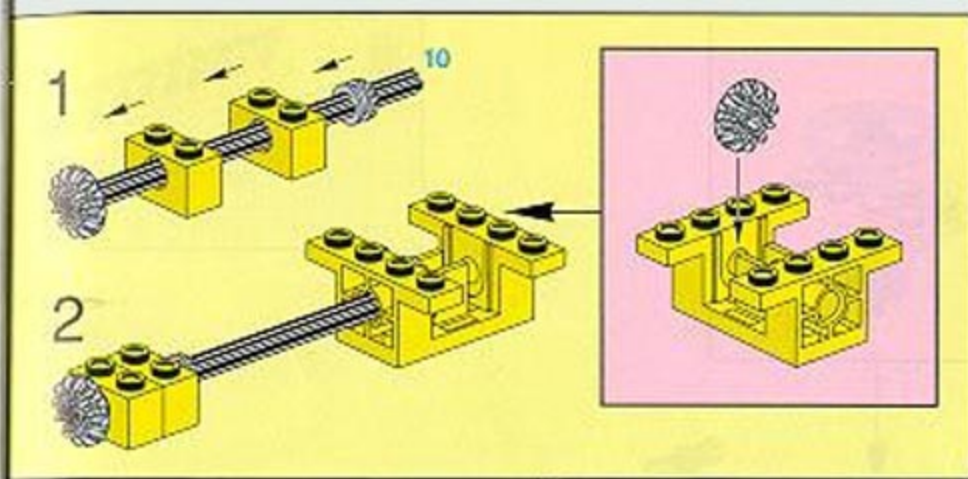


19 cm

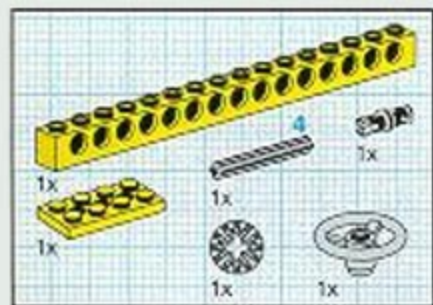




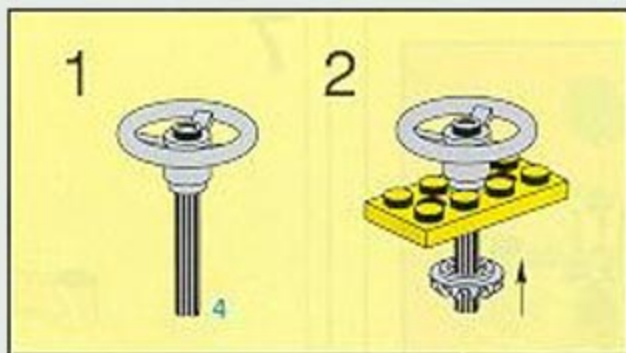






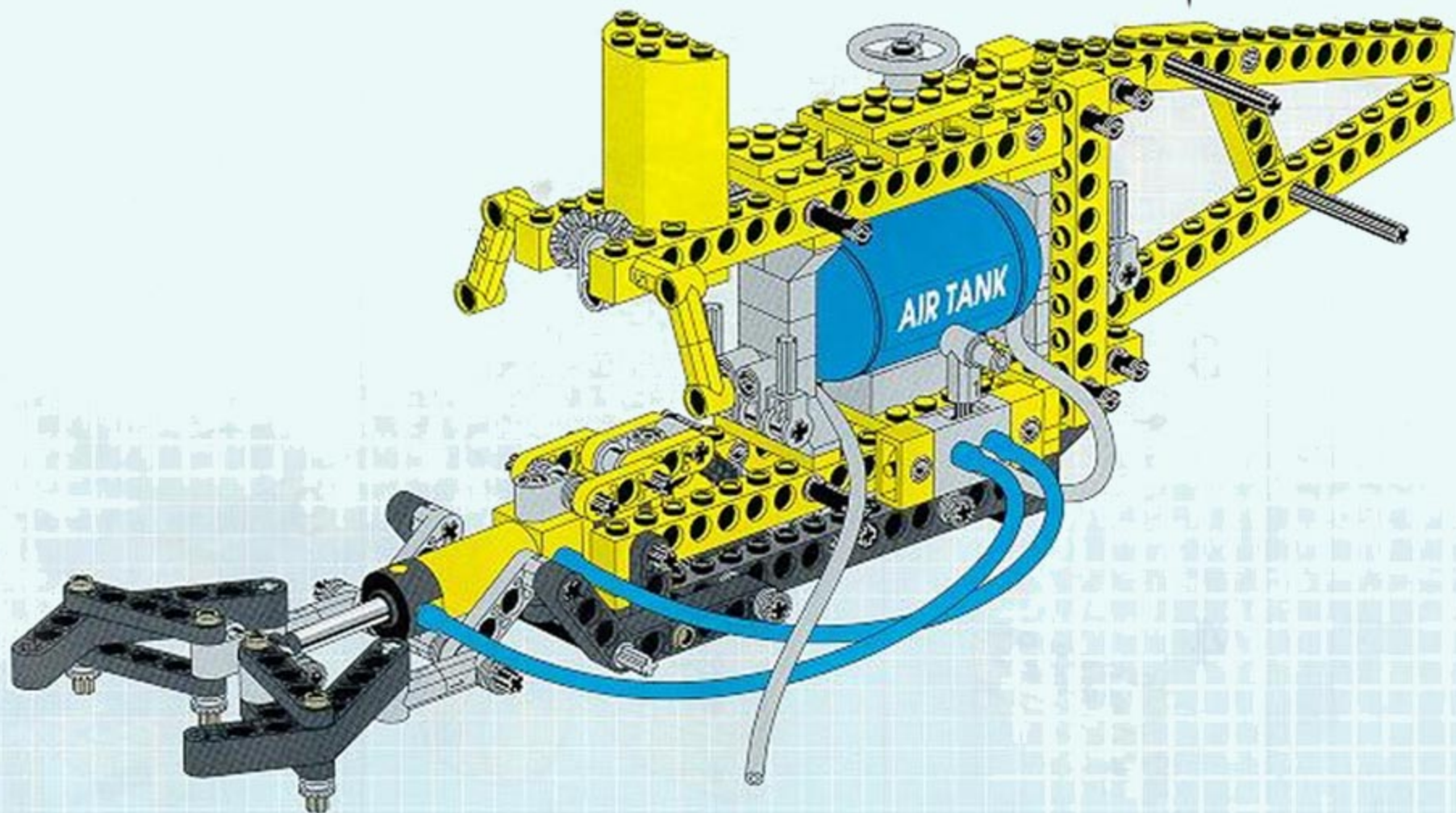
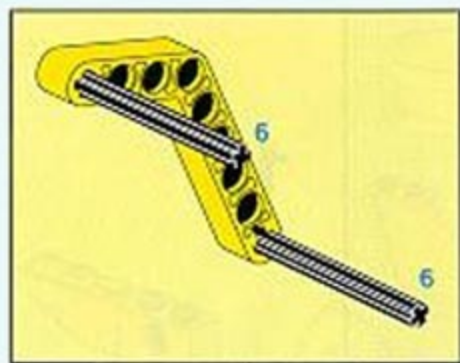
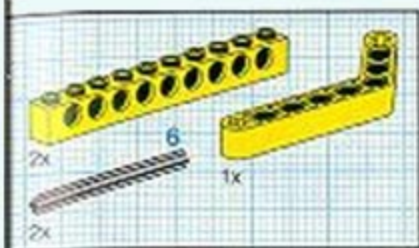


23





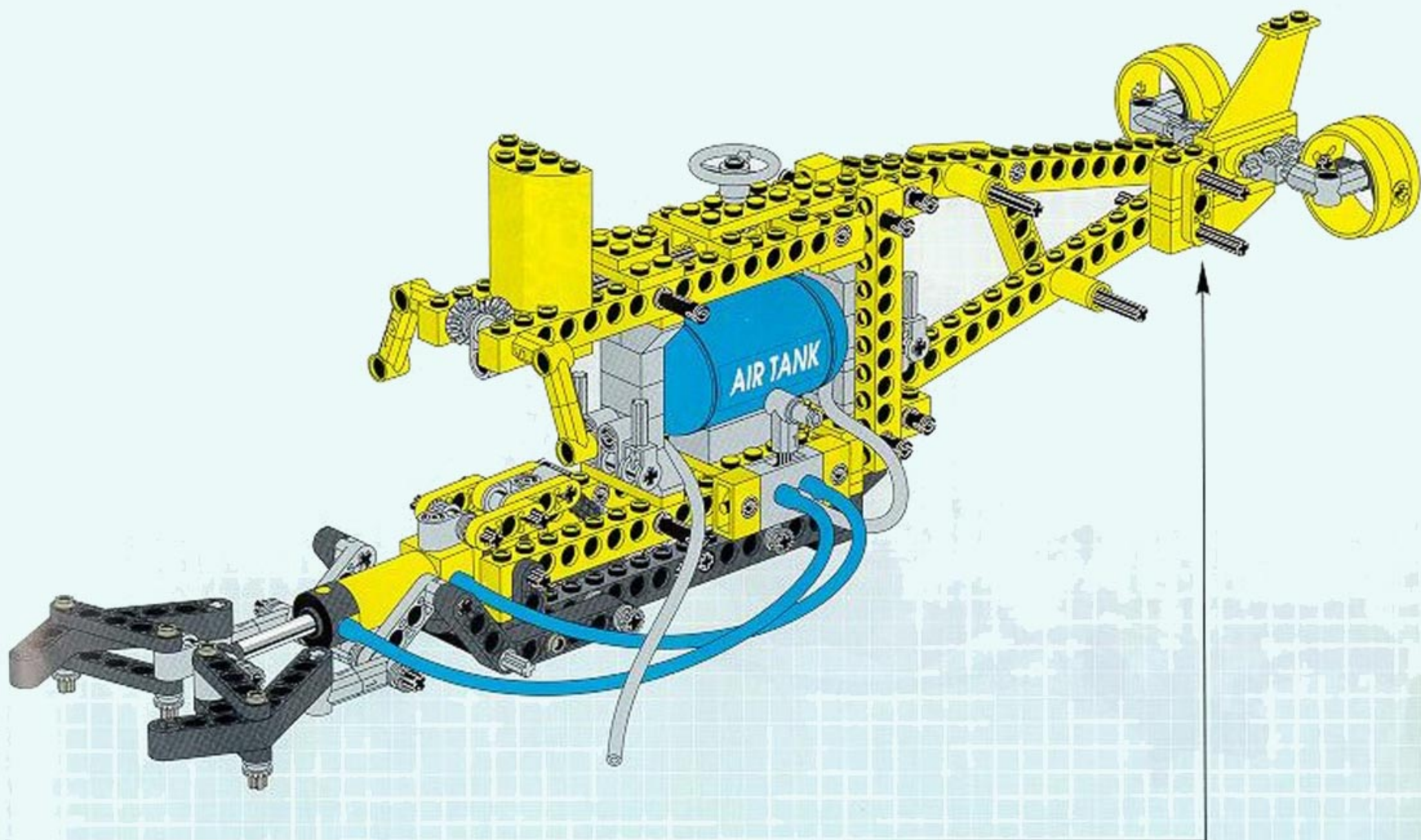
24



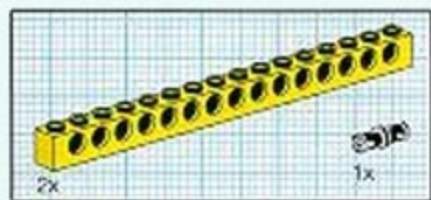




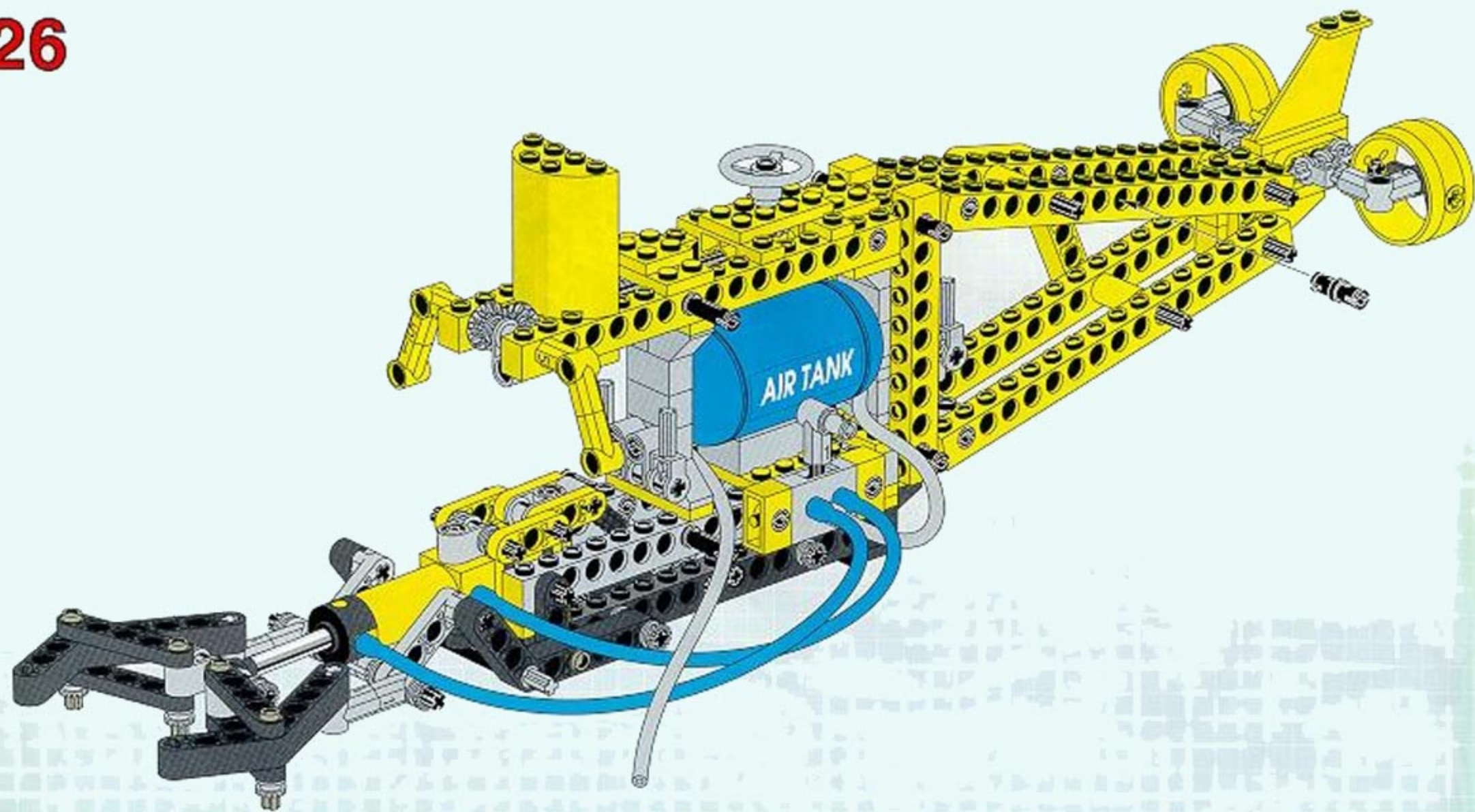




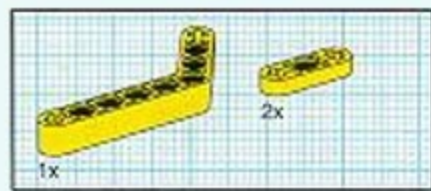




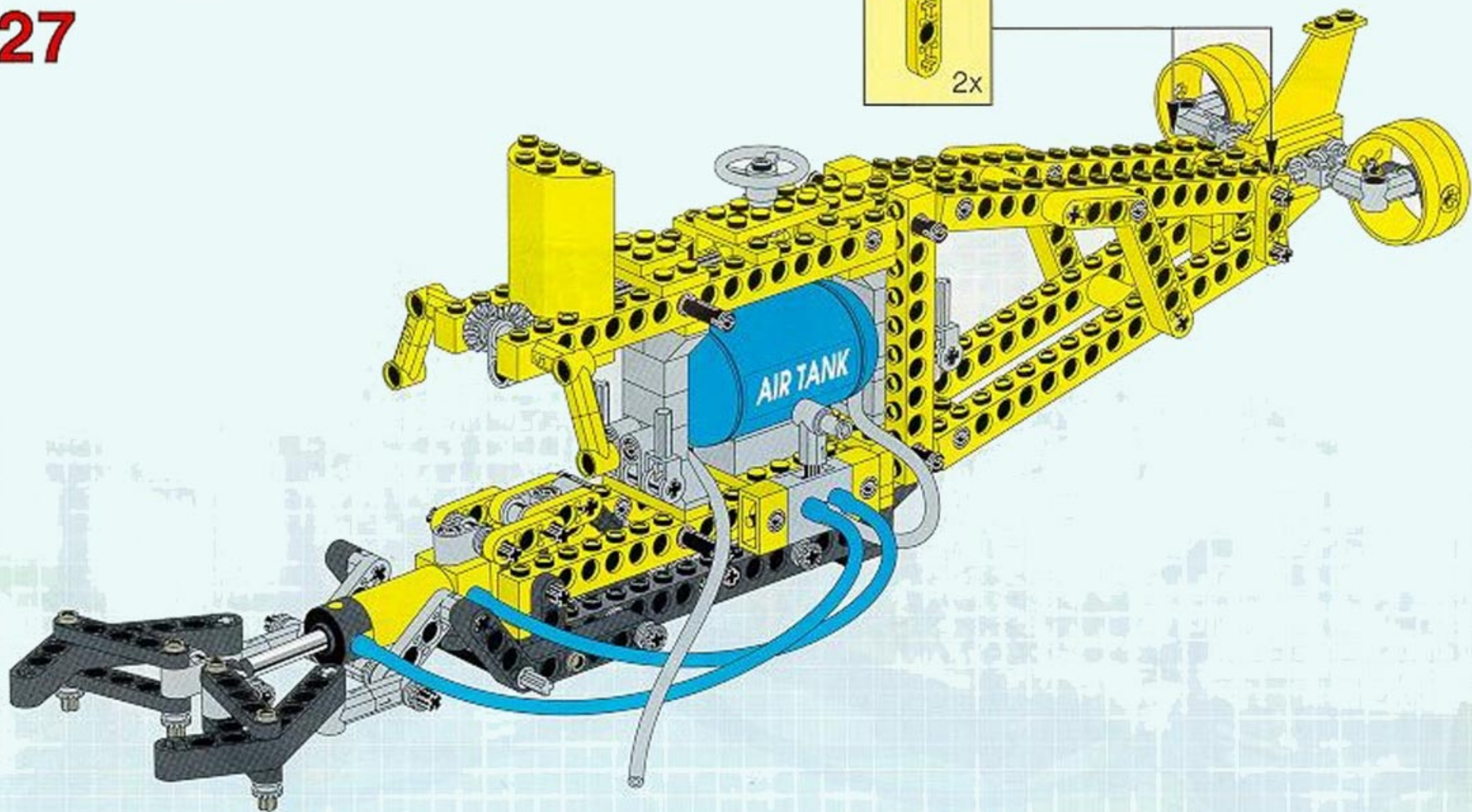
26



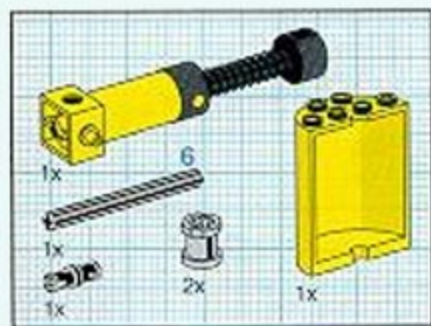




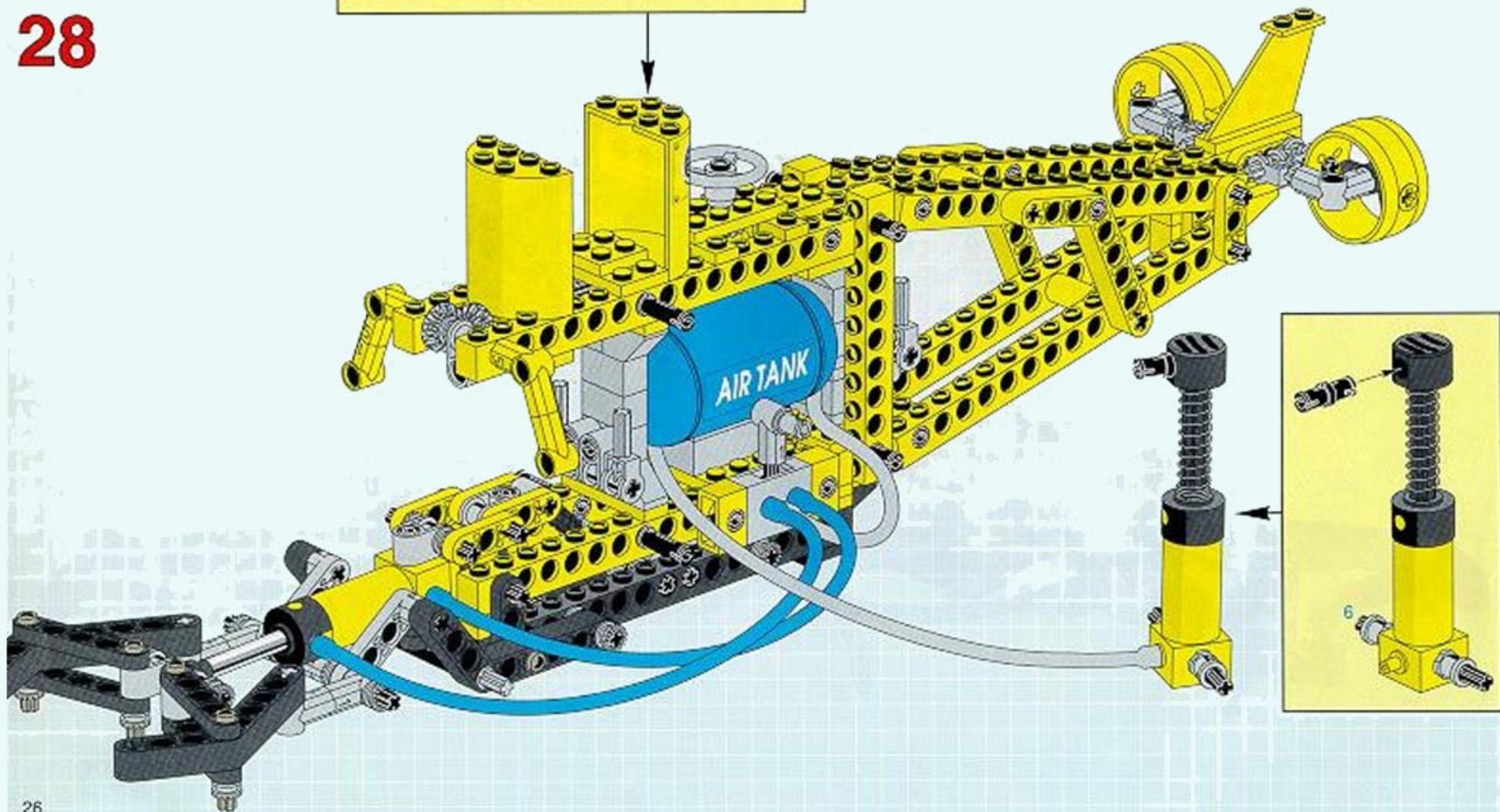
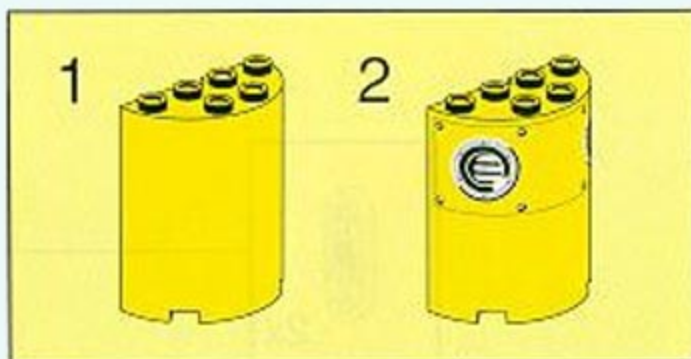
27





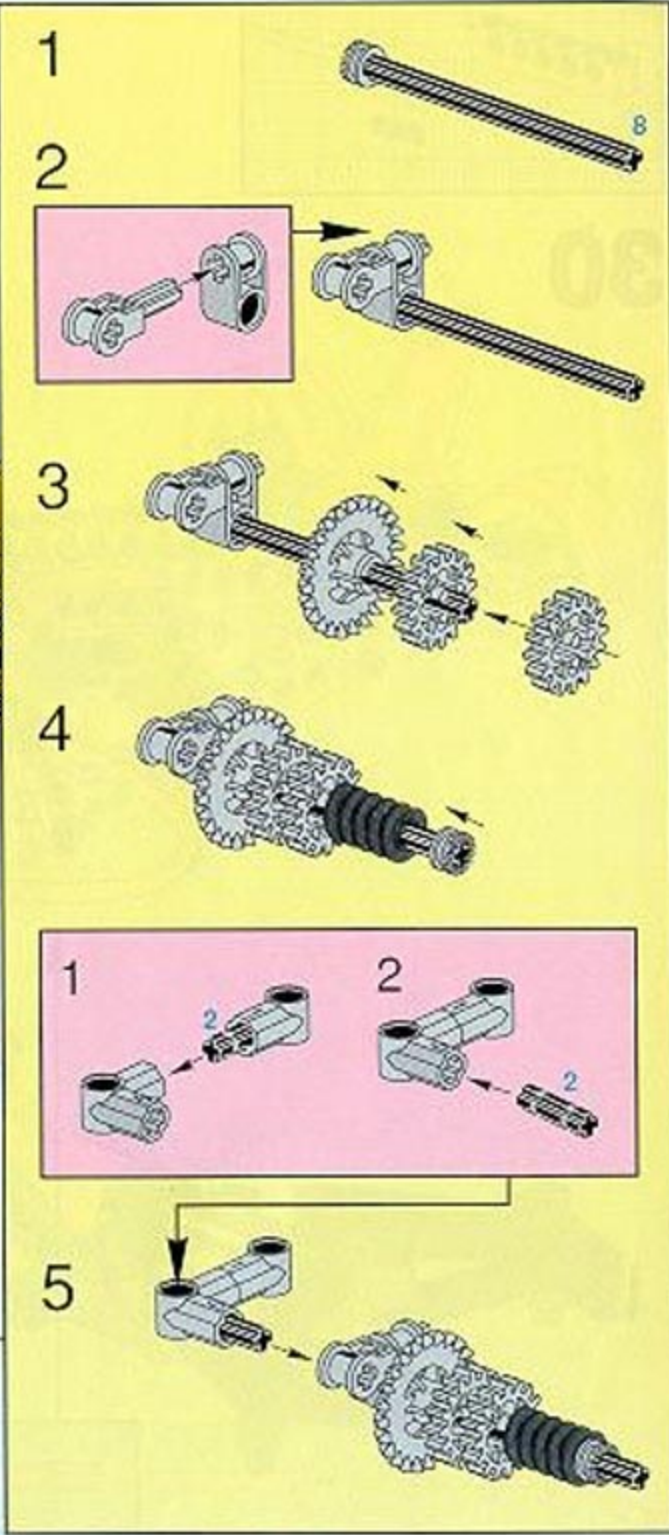
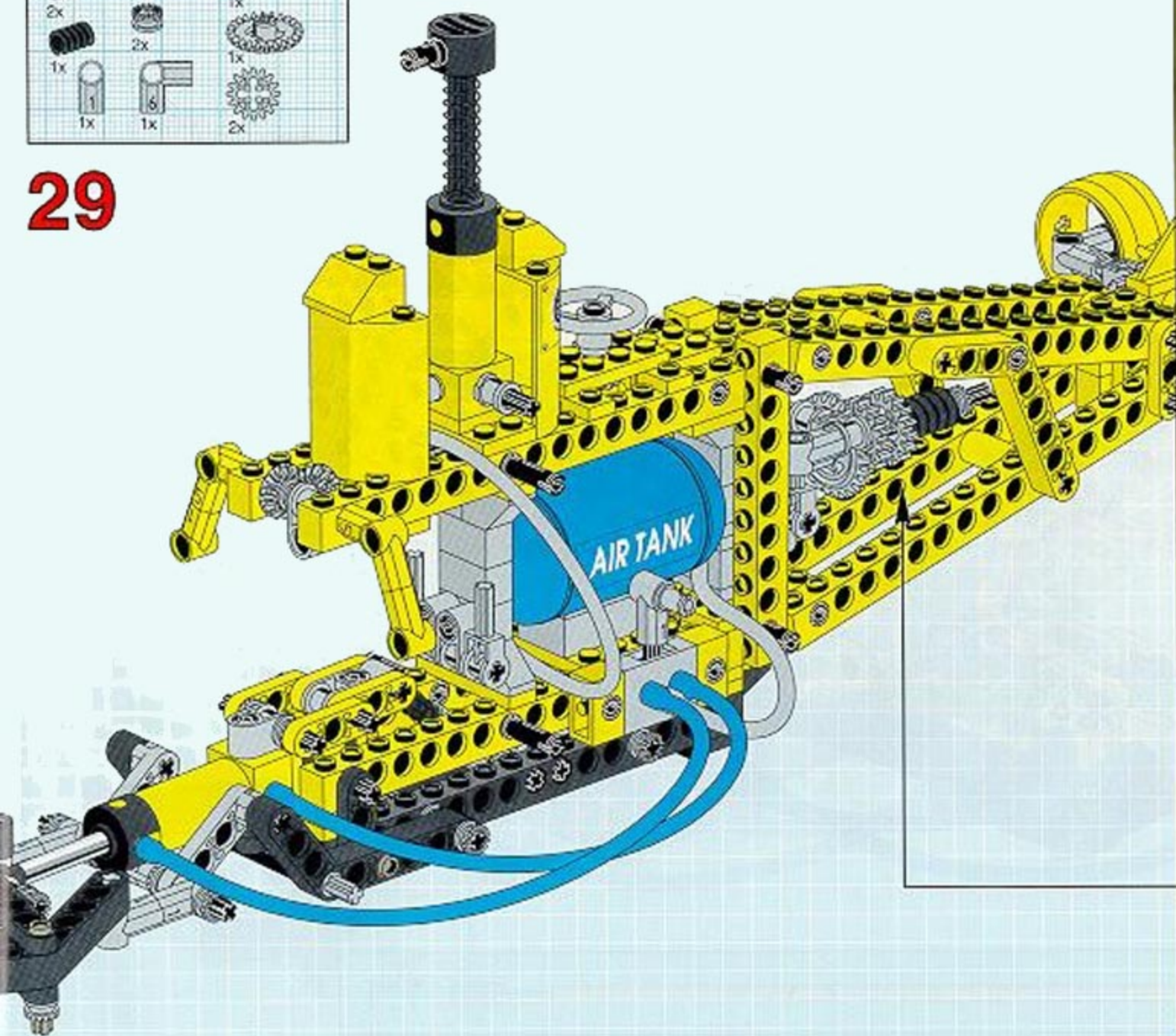
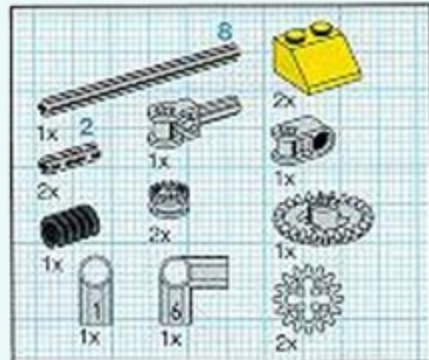


28





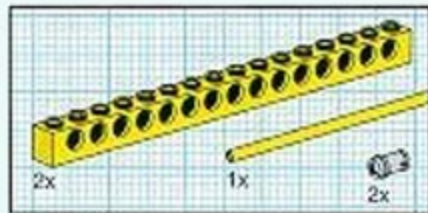
# 29



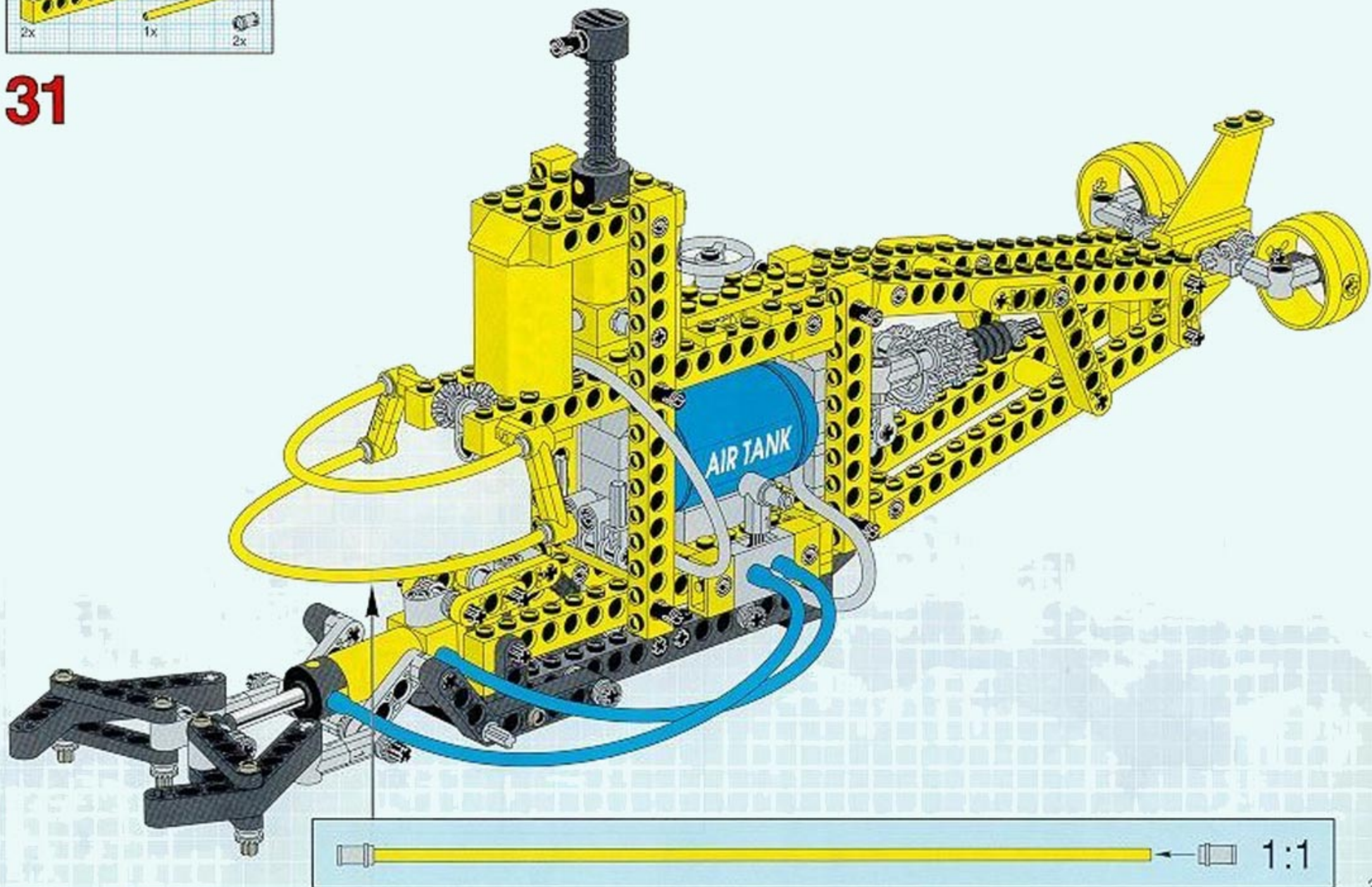




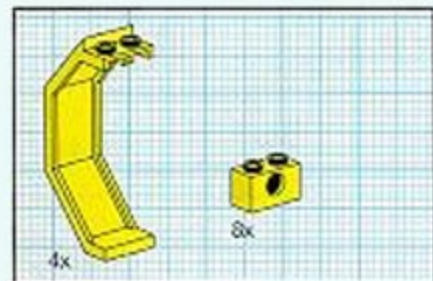




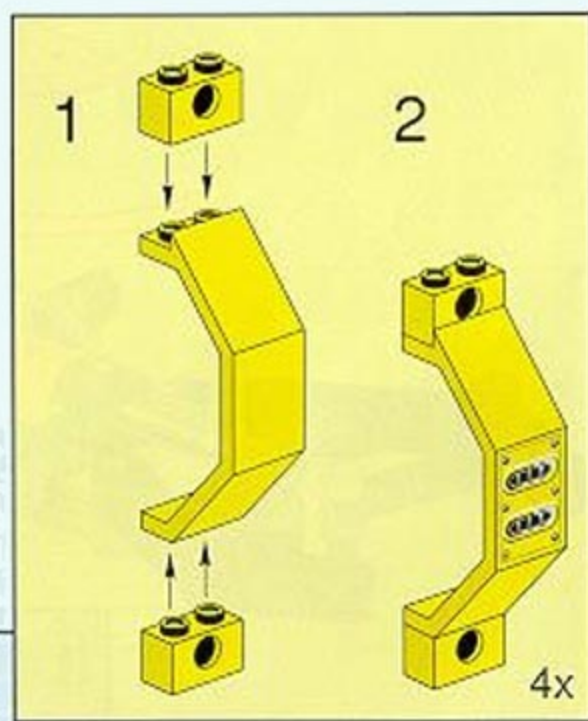
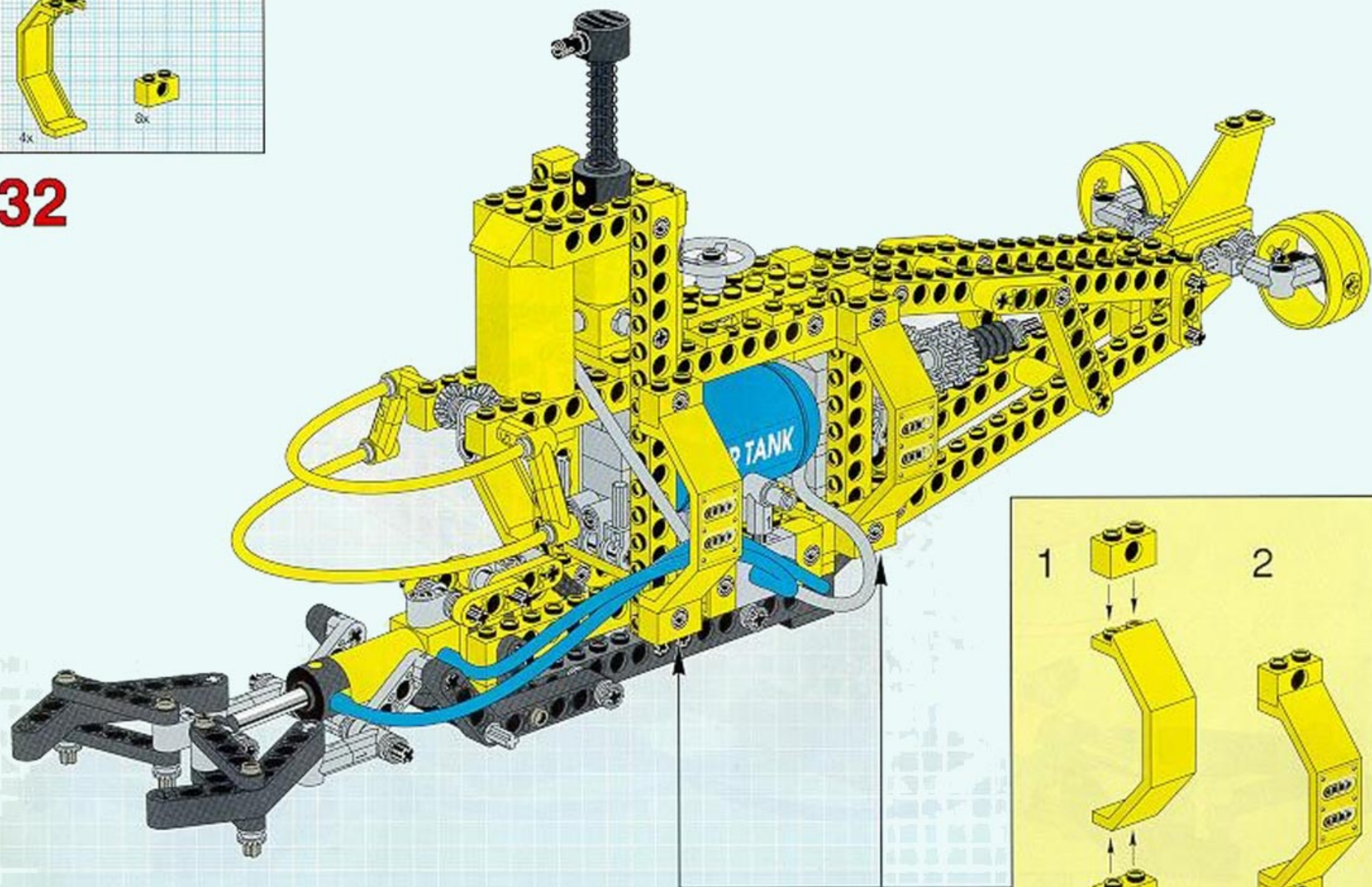
31



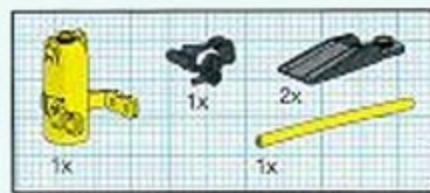




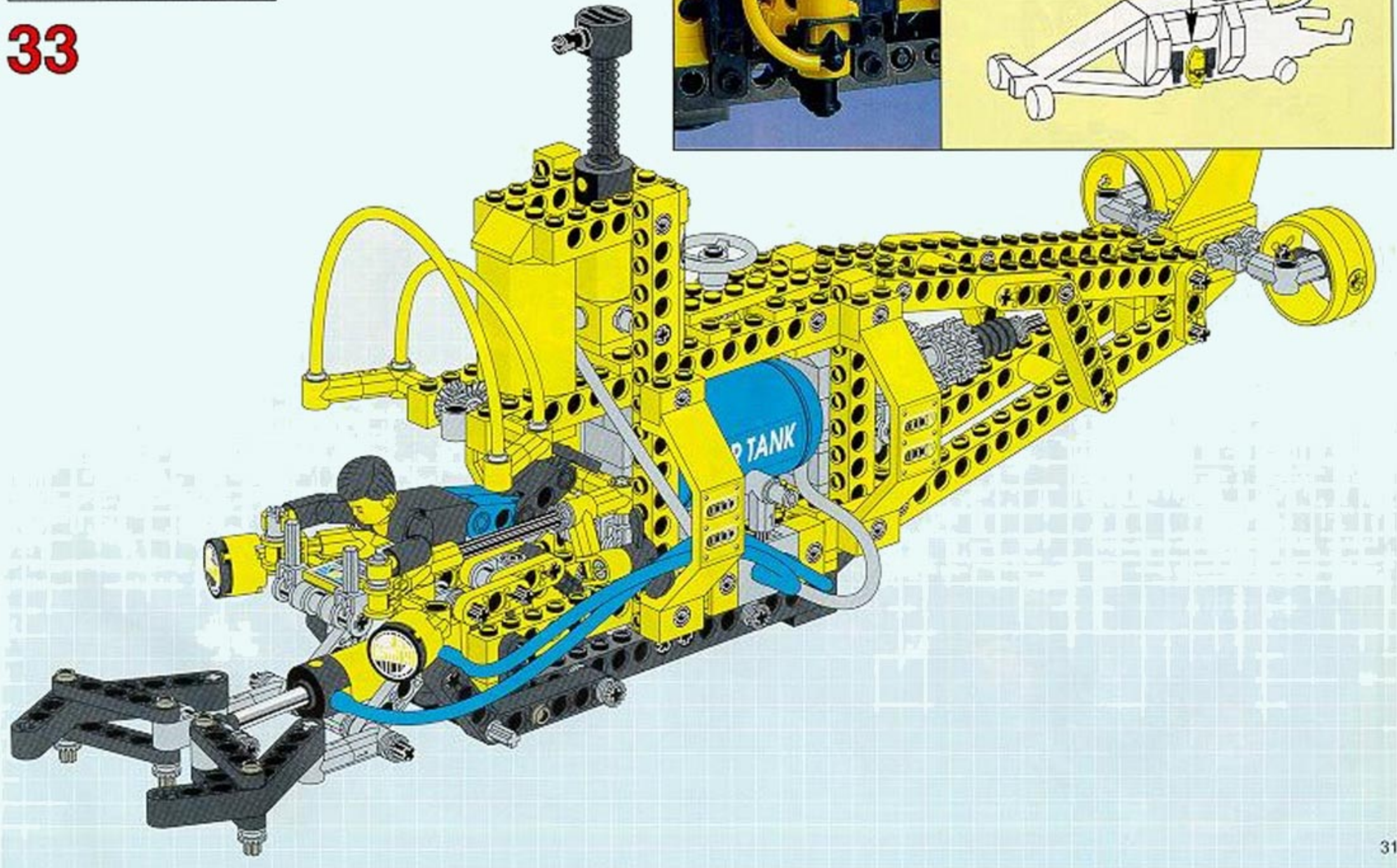
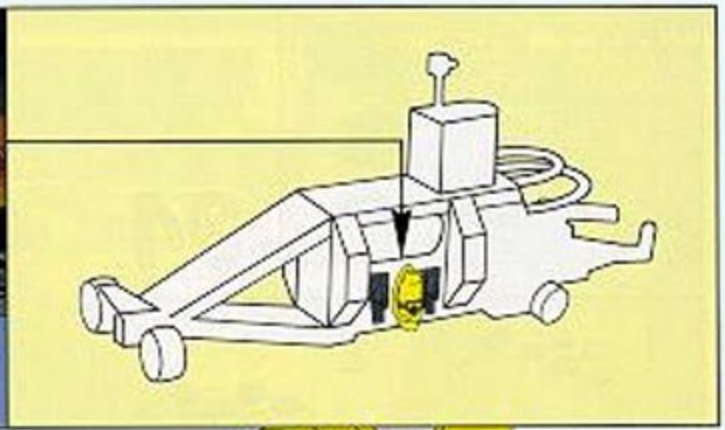
32



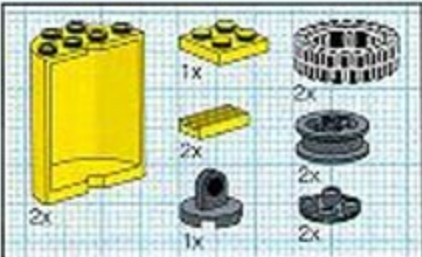




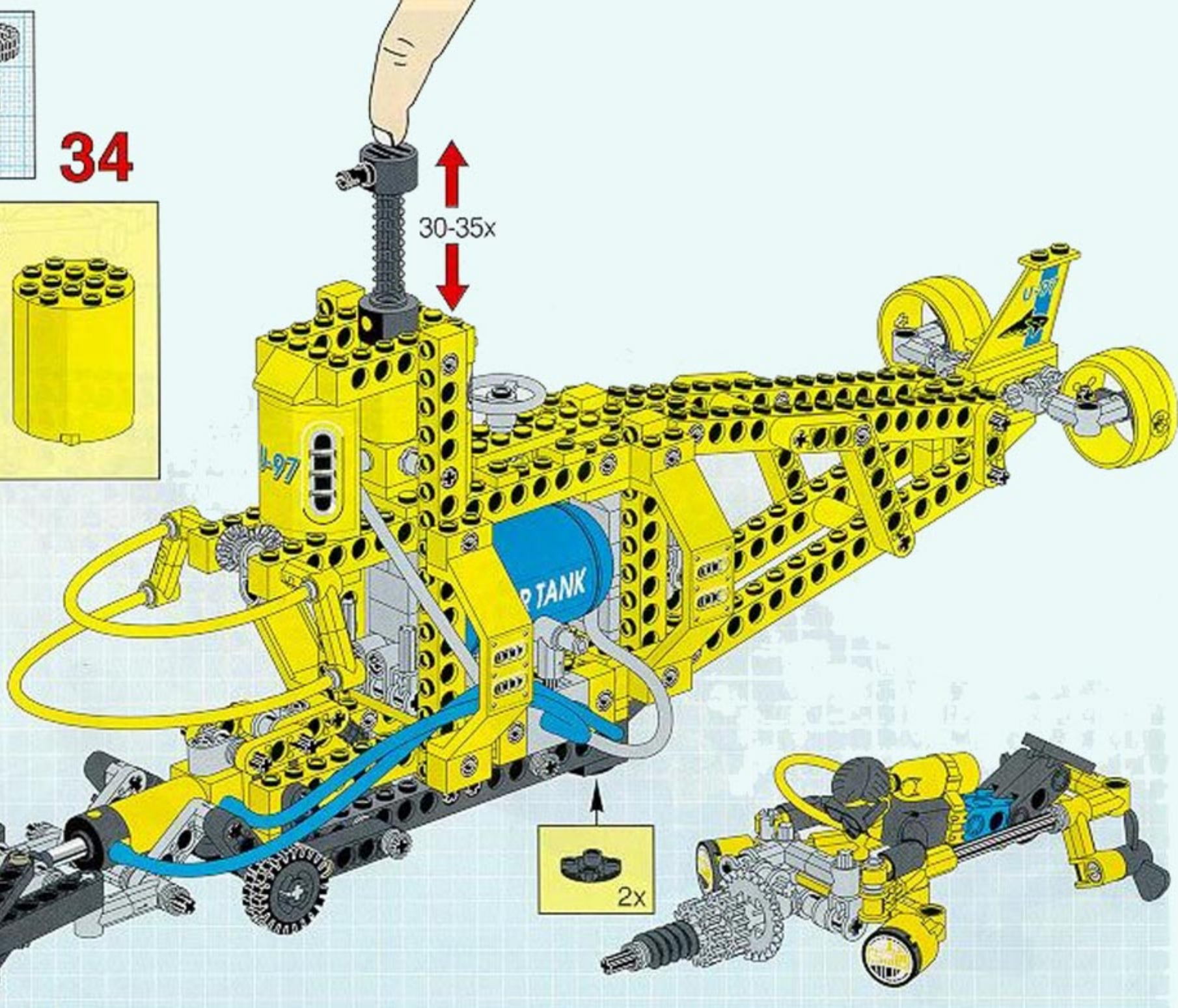
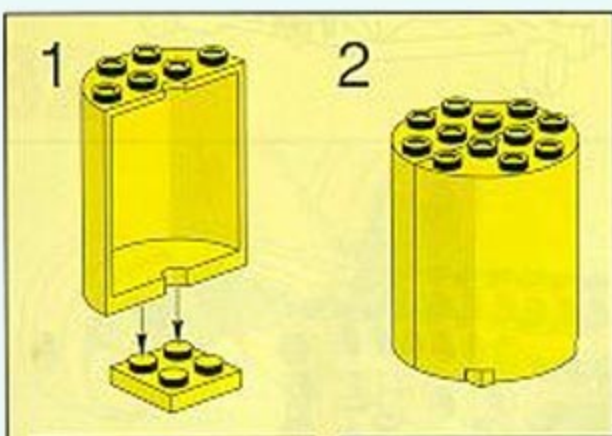
33







34

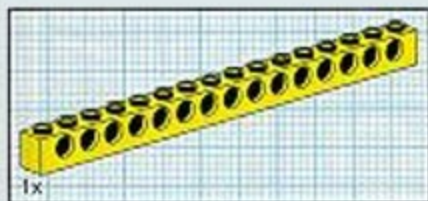
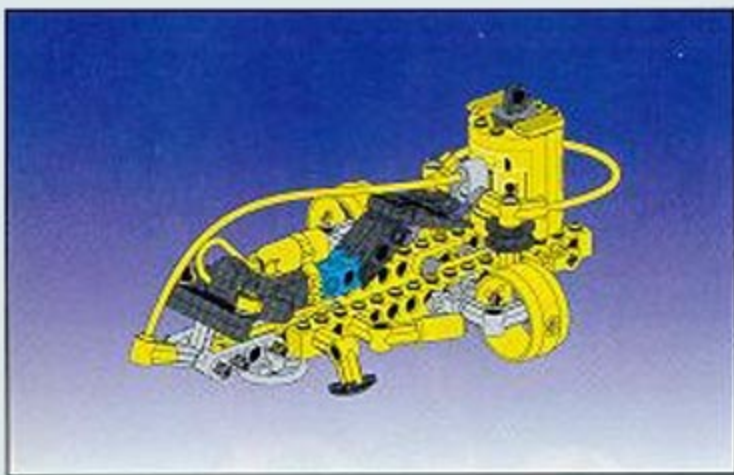




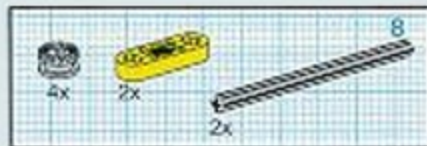
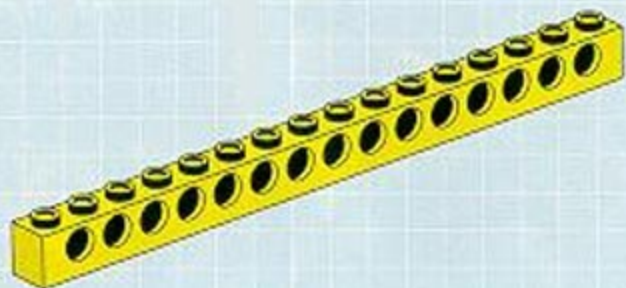
# Pneumatic



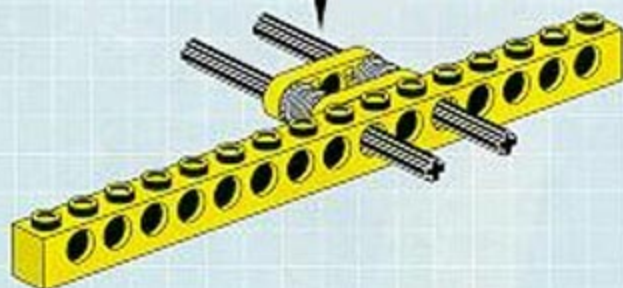
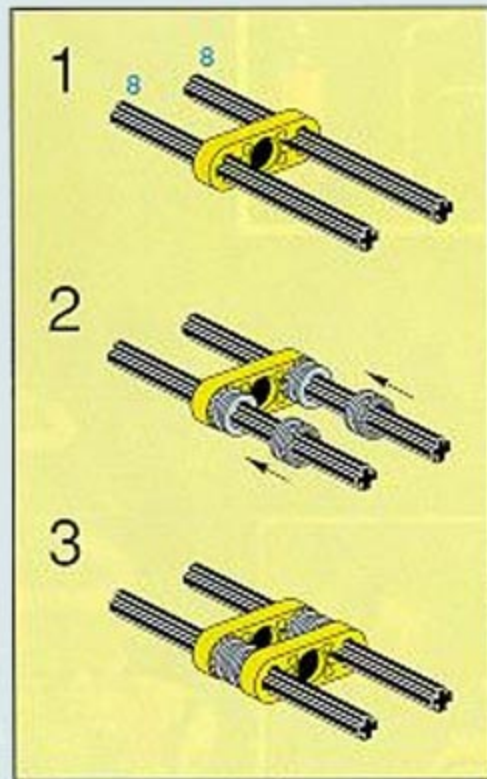




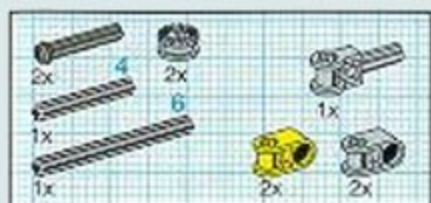
1



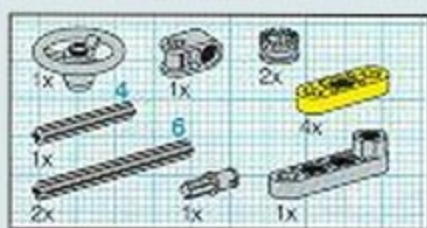
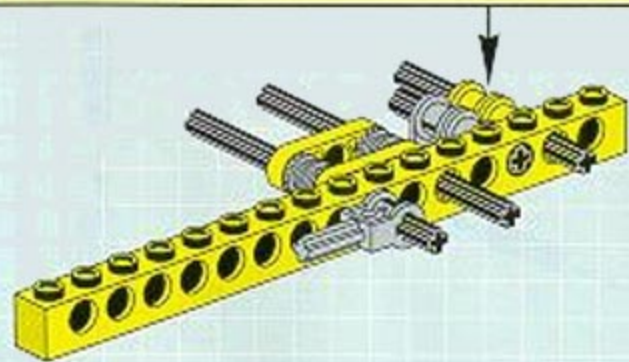
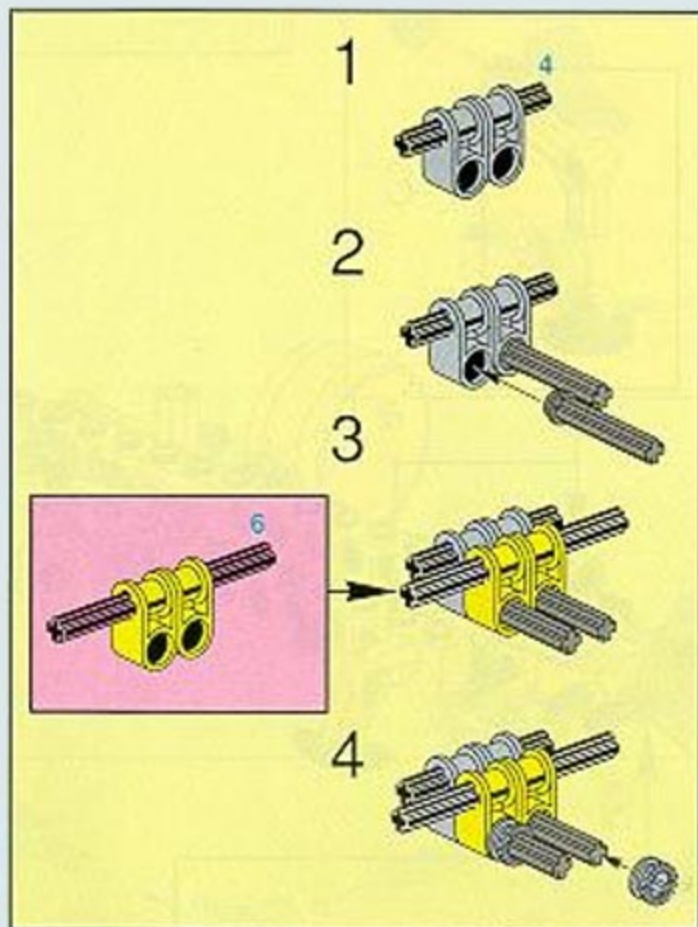
2



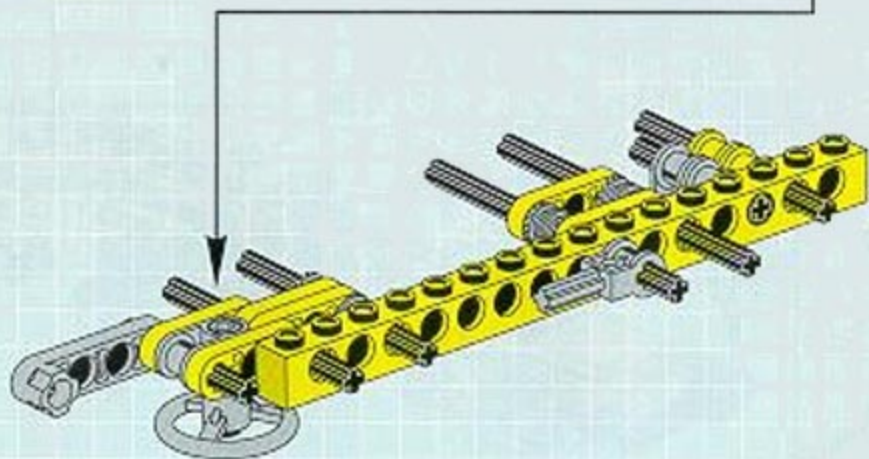
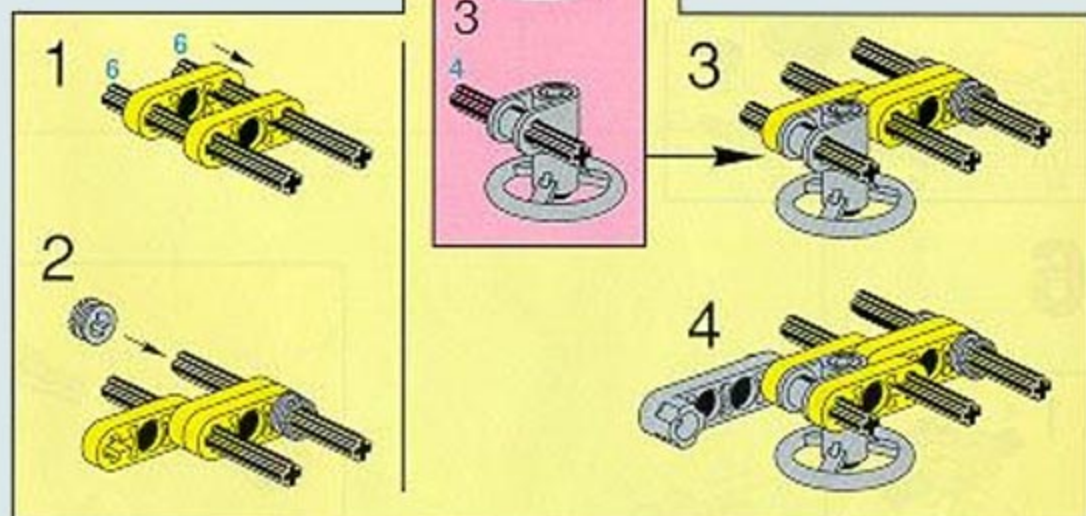




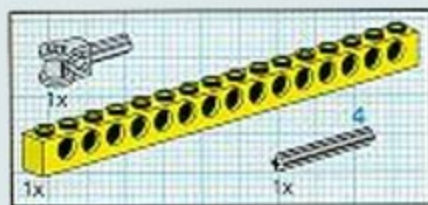
3



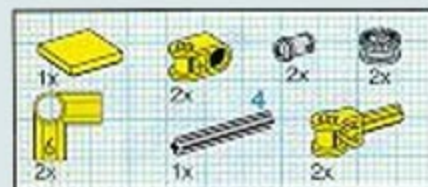
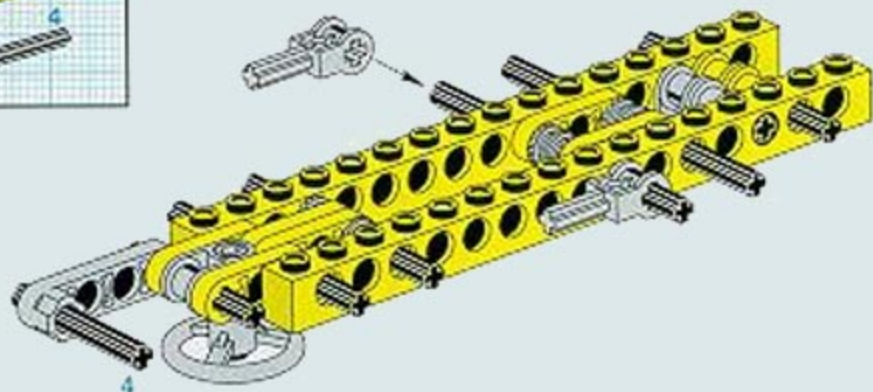
4



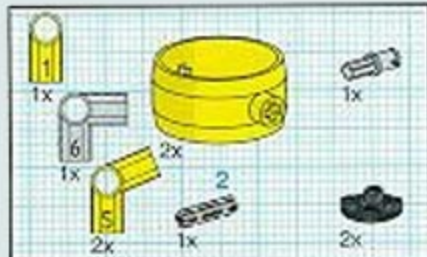
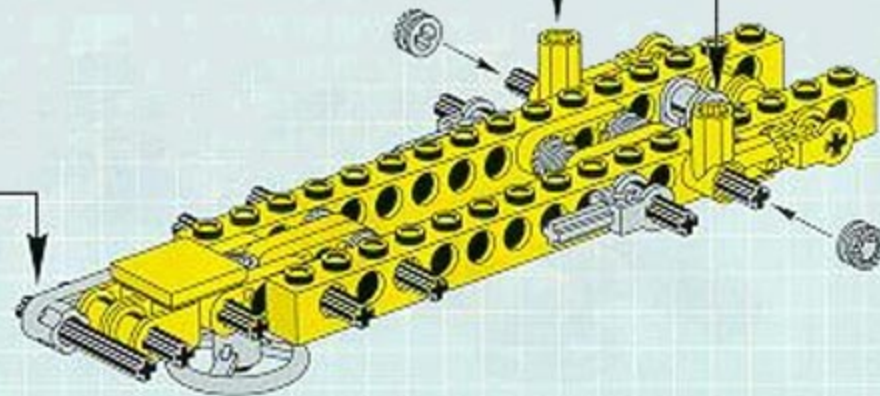
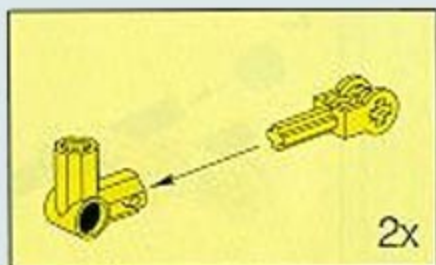




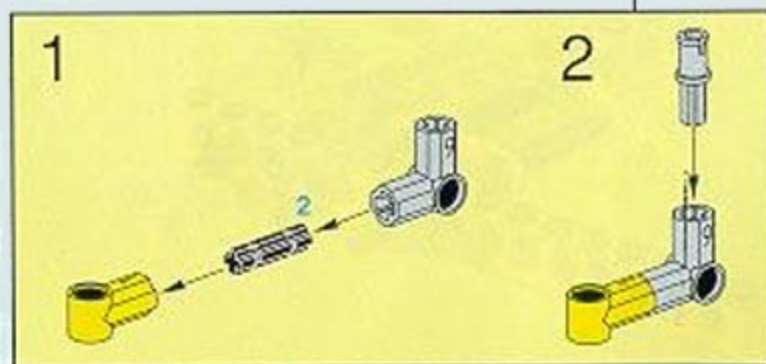
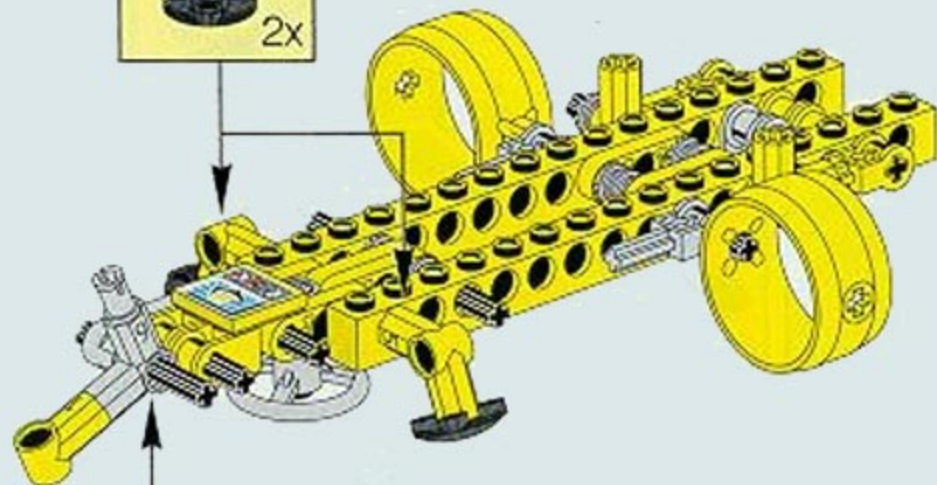
5



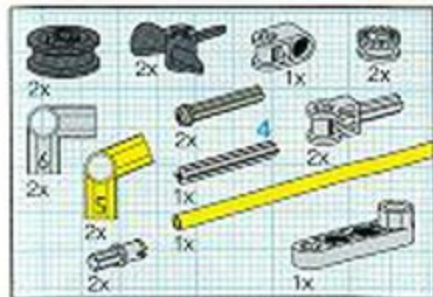
6



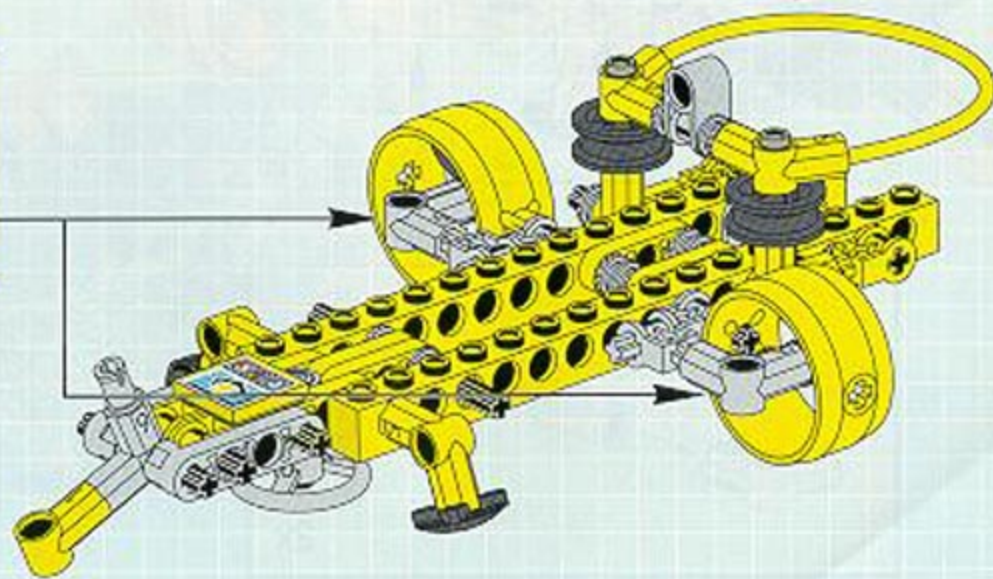
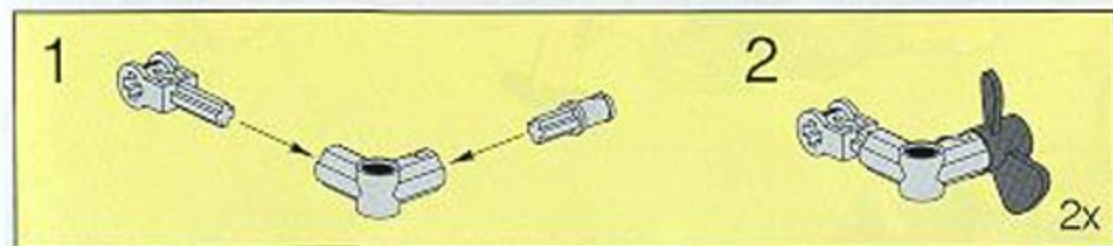
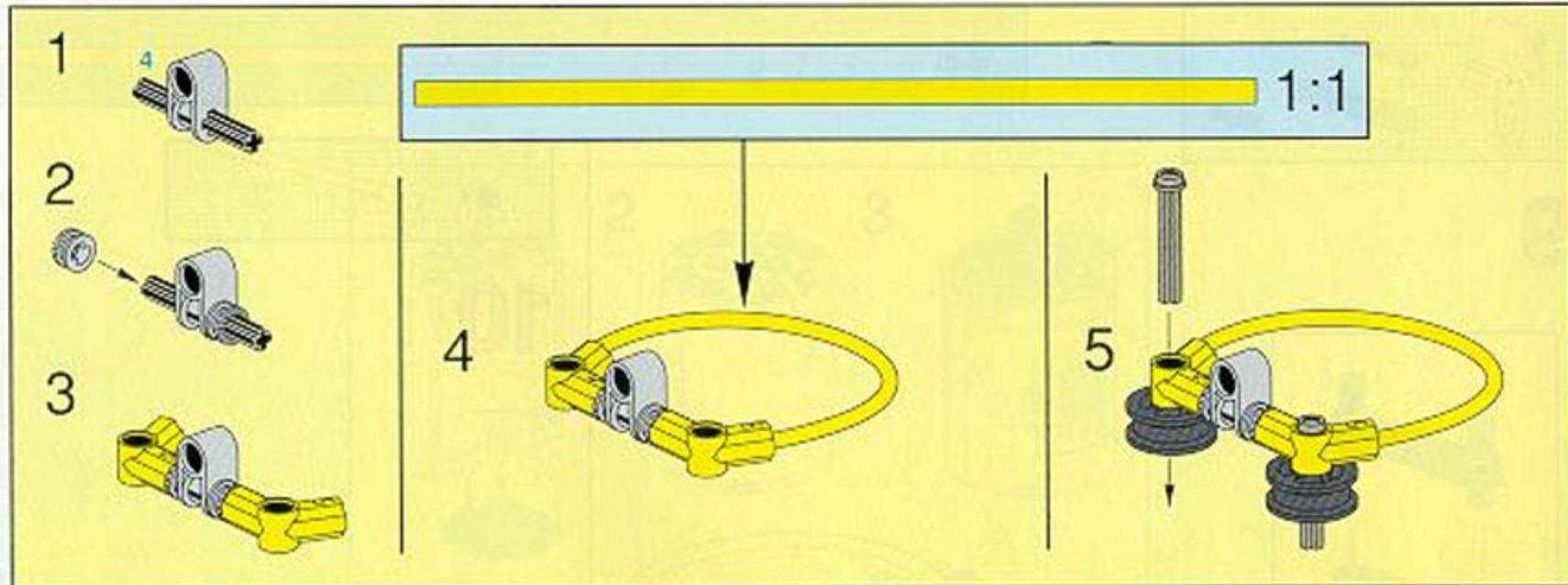
7







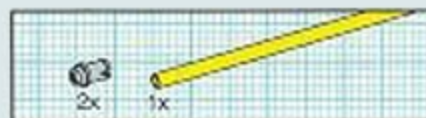
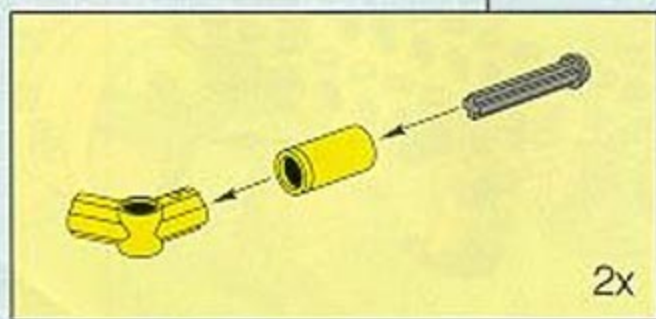
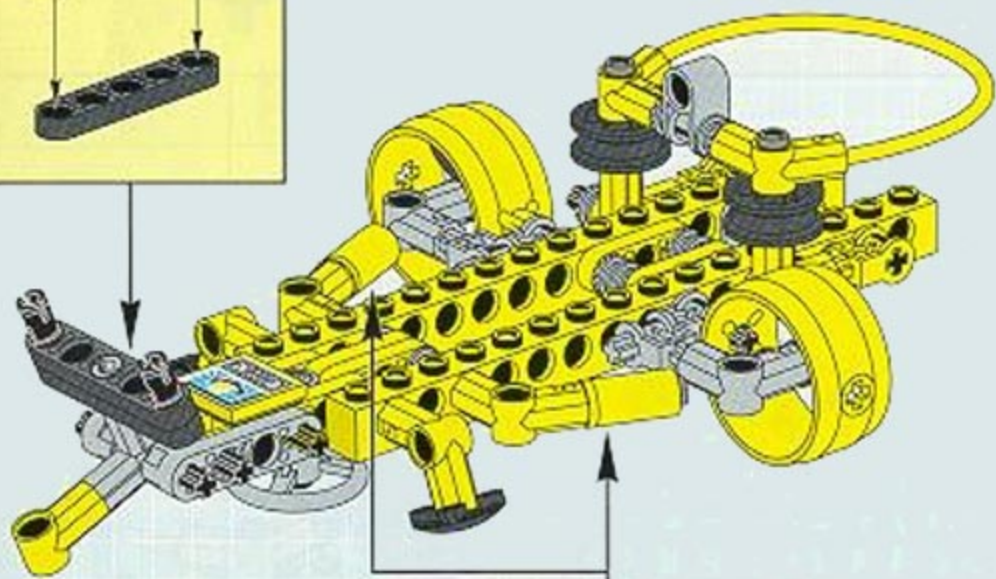
8



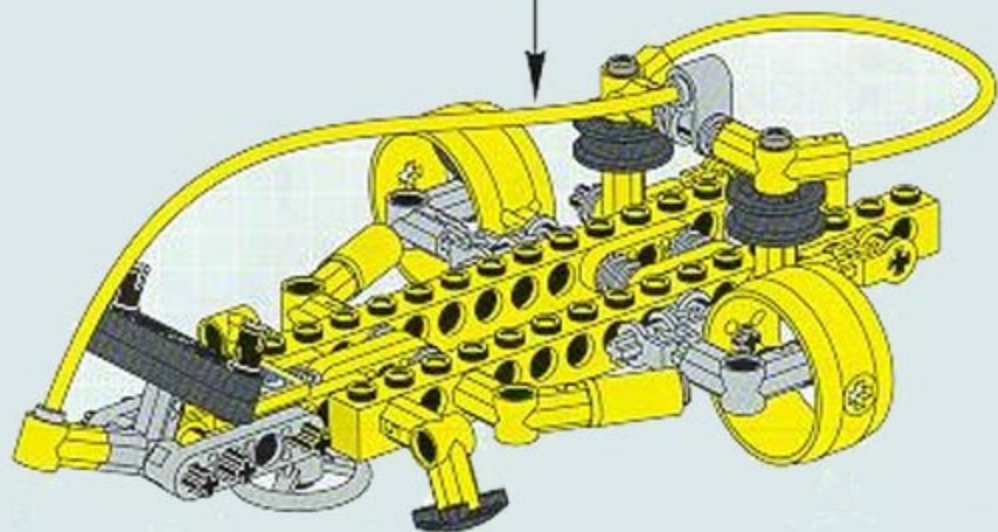




9



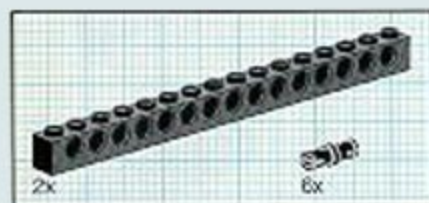
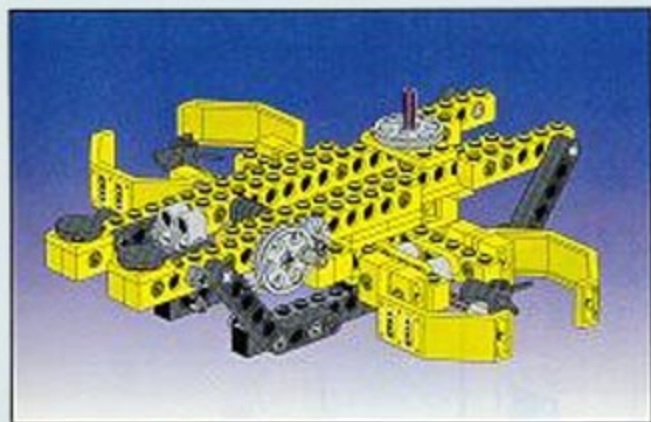
10



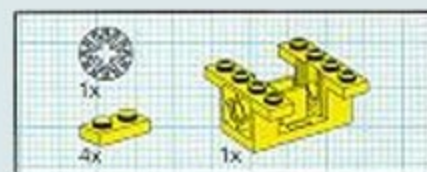
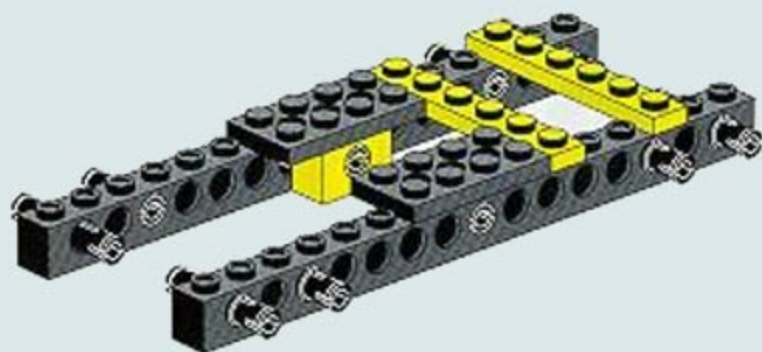




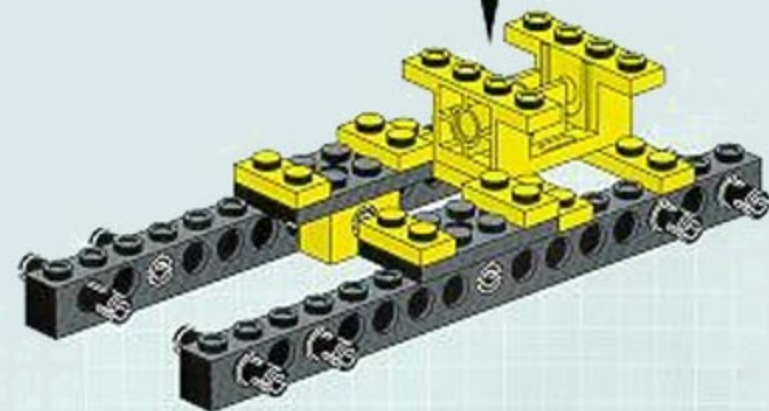
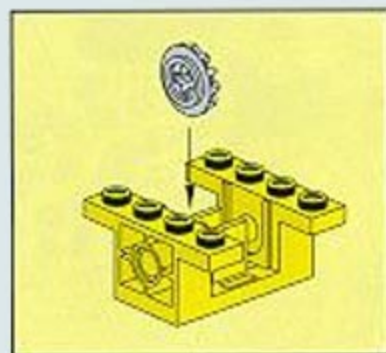




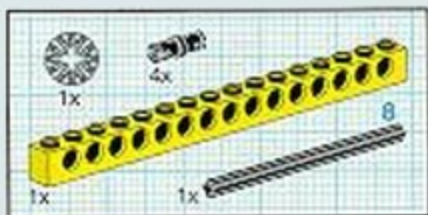
**3**



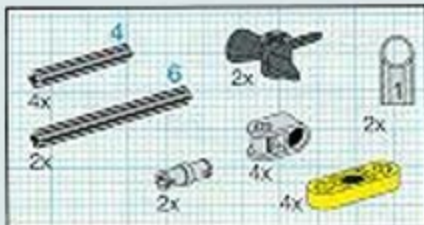
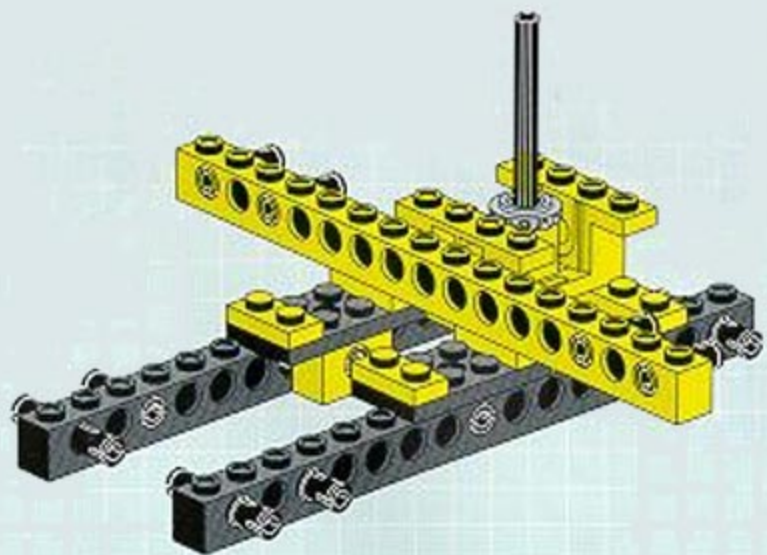
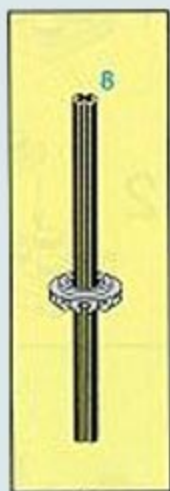
**4**



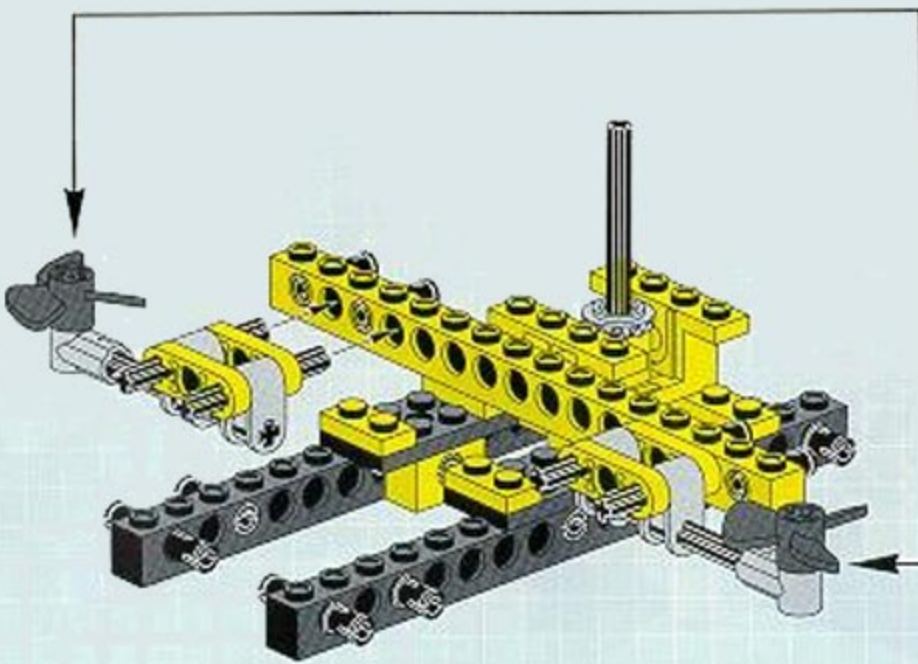




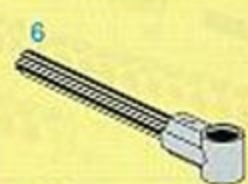
5



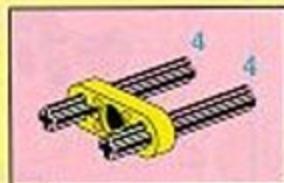
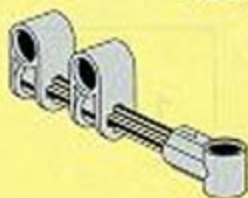
6



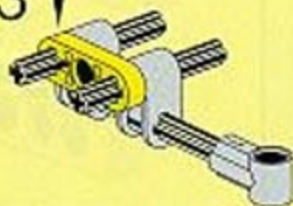
1



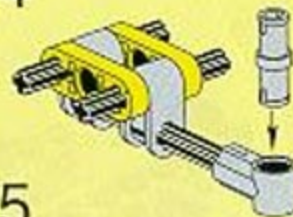
2



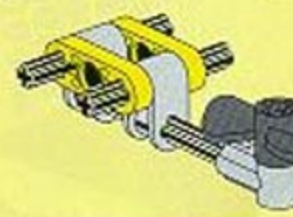
3



4

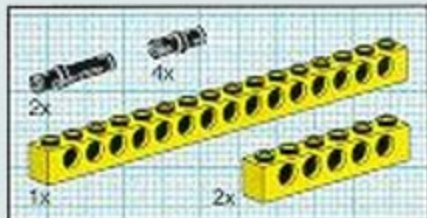


5

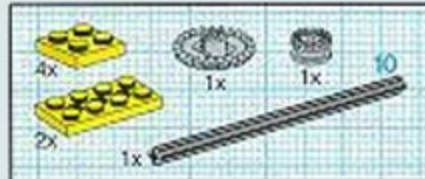
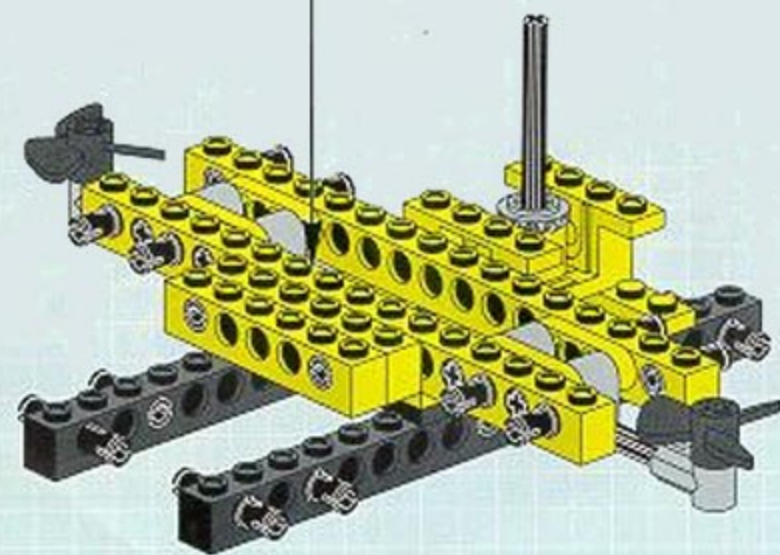
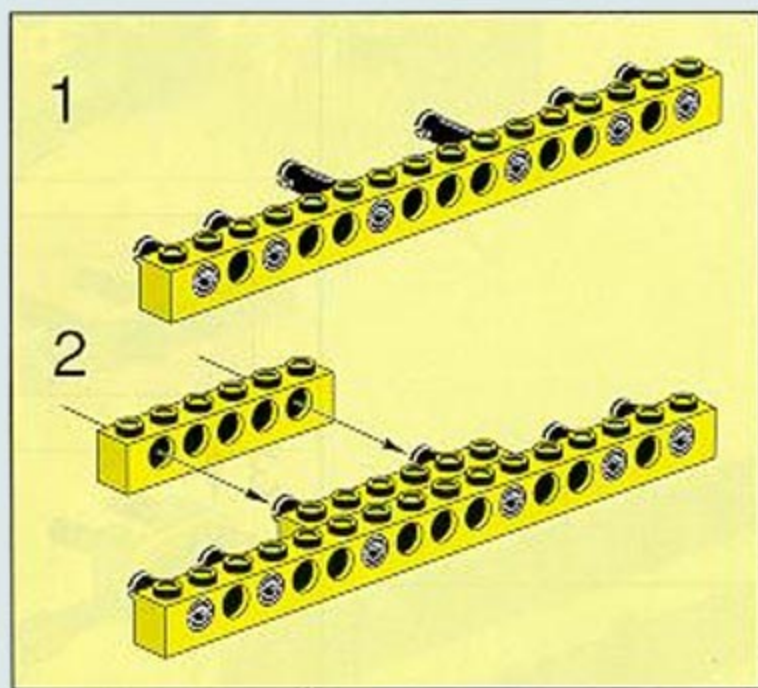


2x

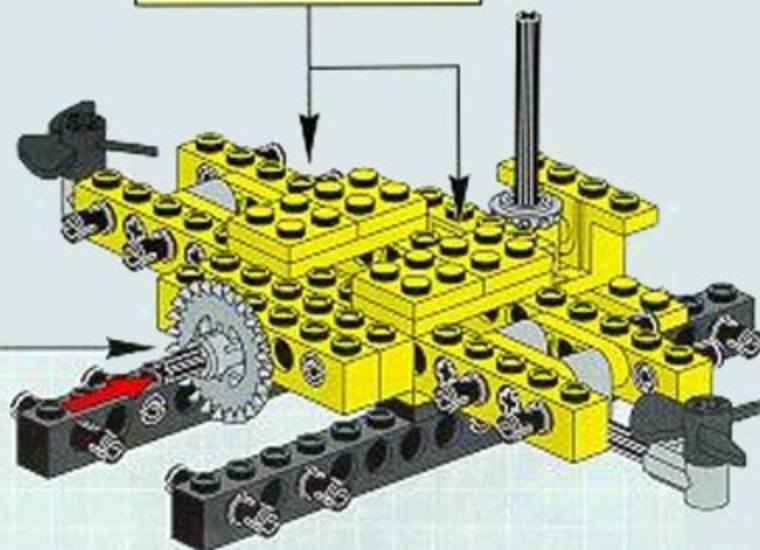
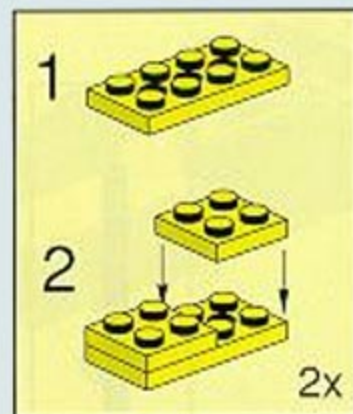
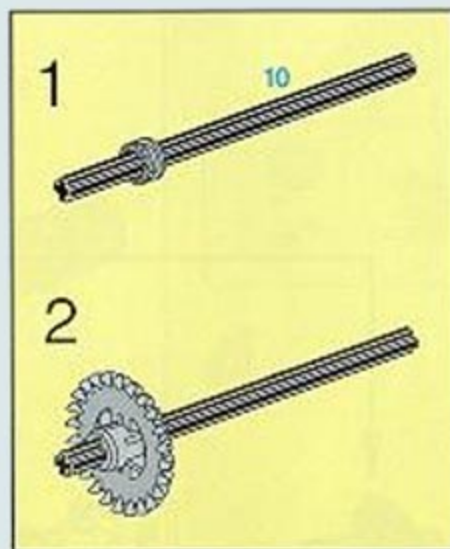




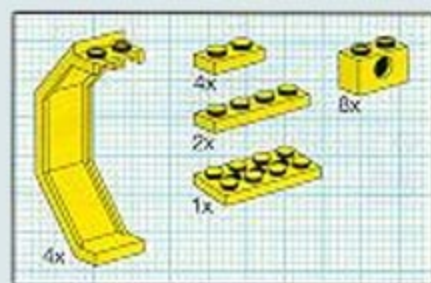
7



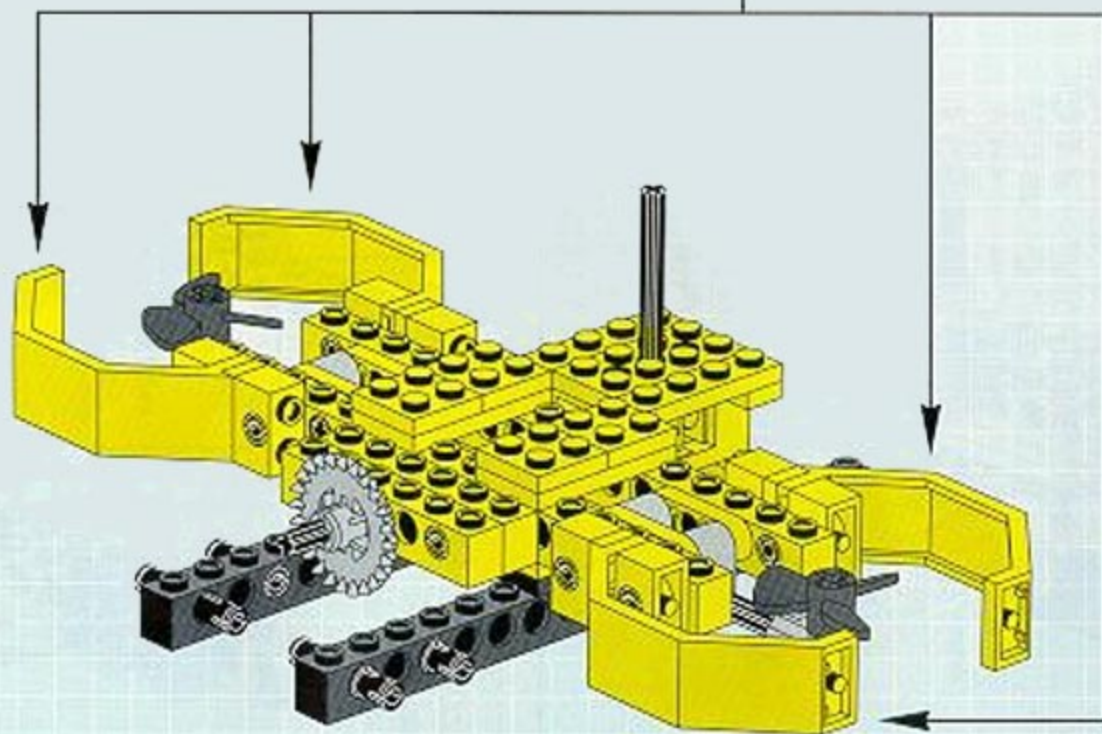
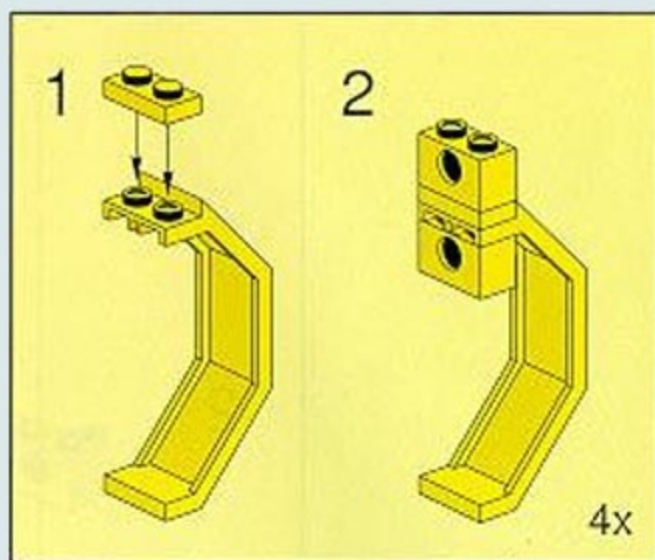
8



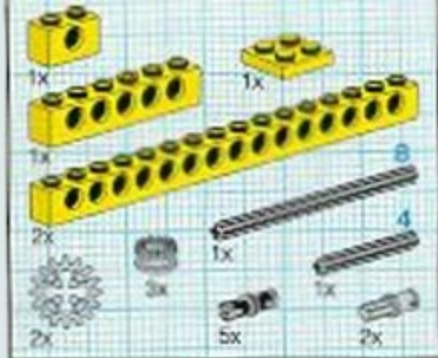




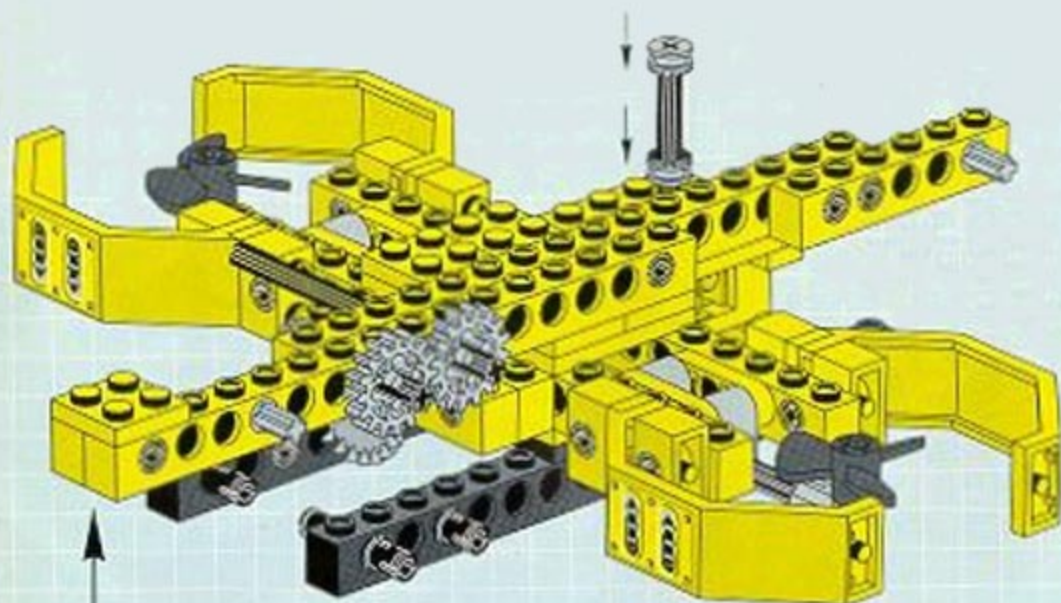
9



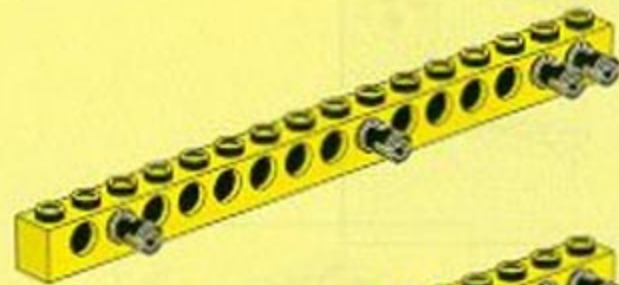




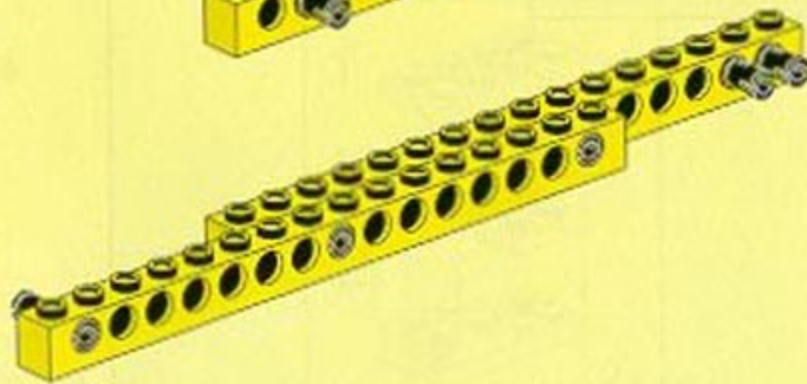
# 10



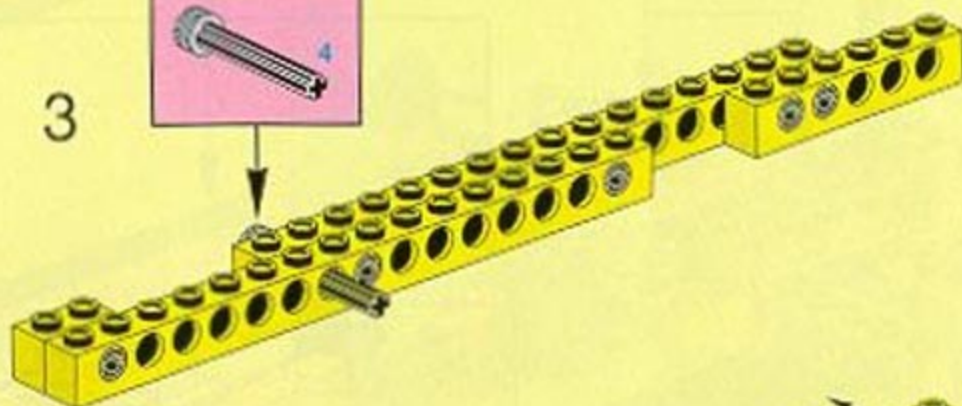
1



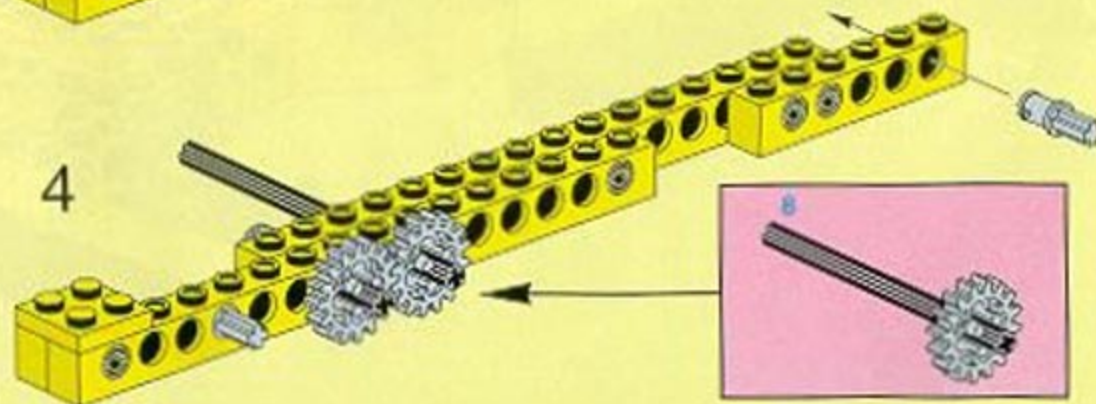
2



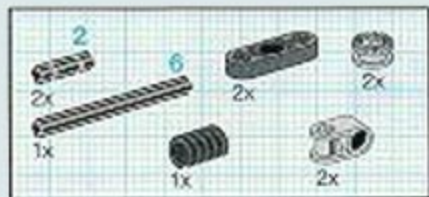
3



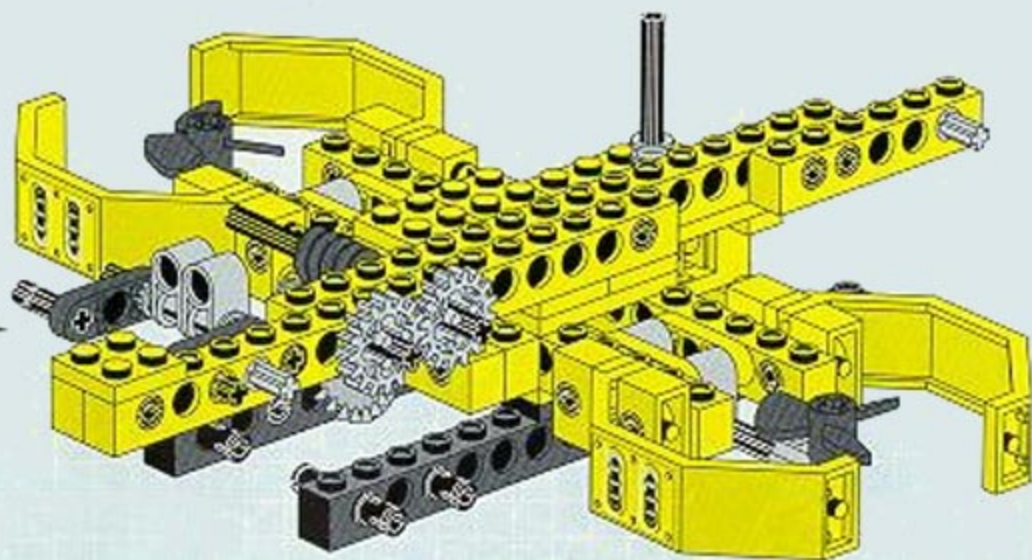
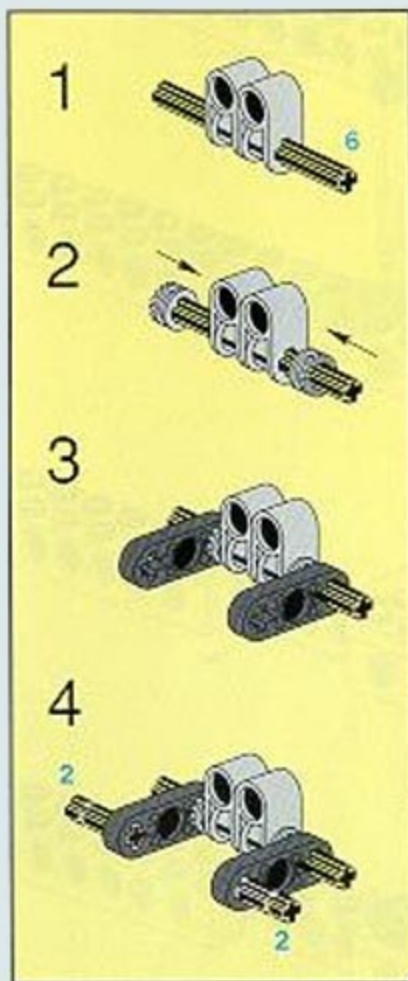
4



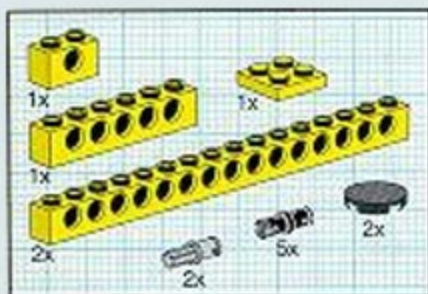




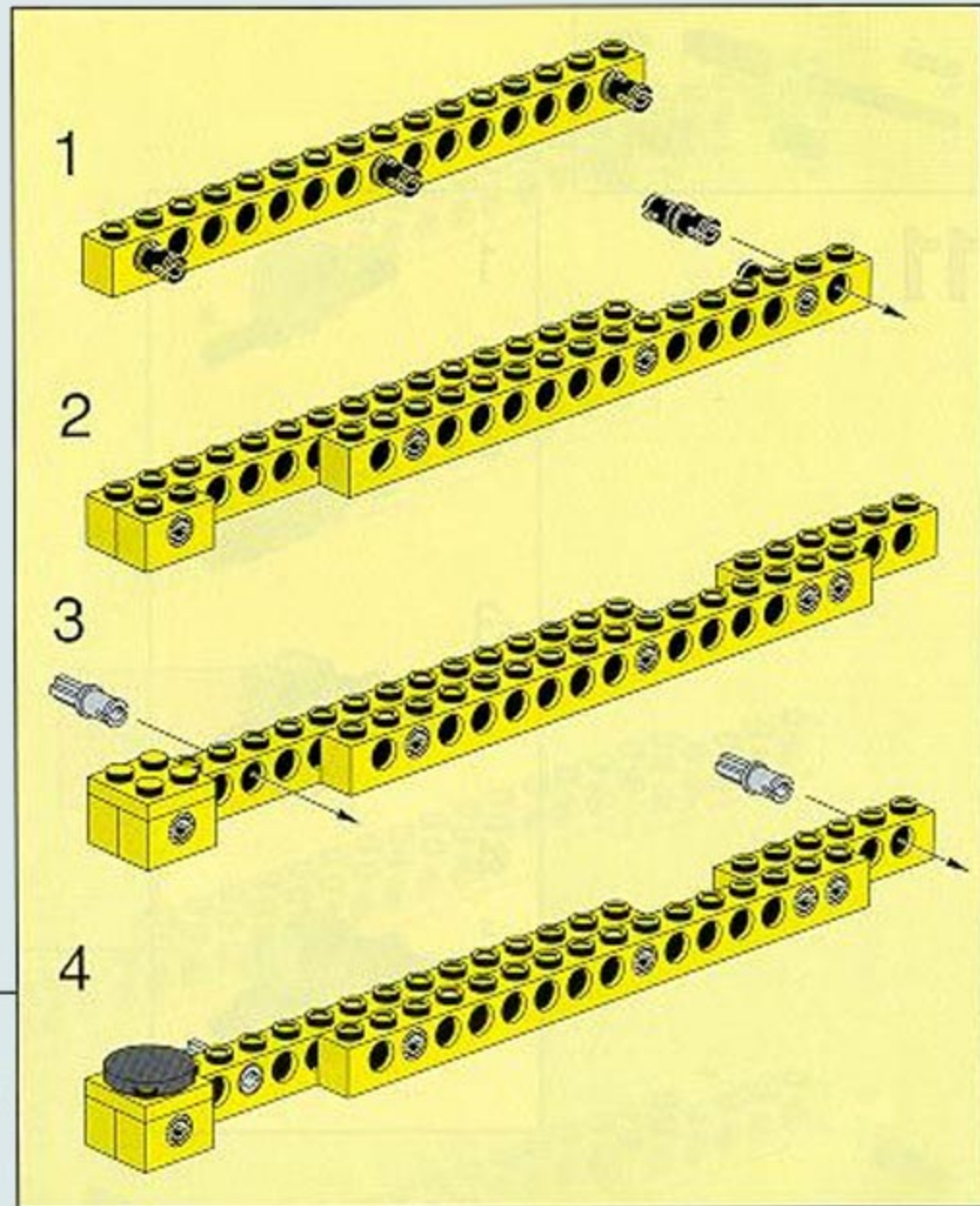
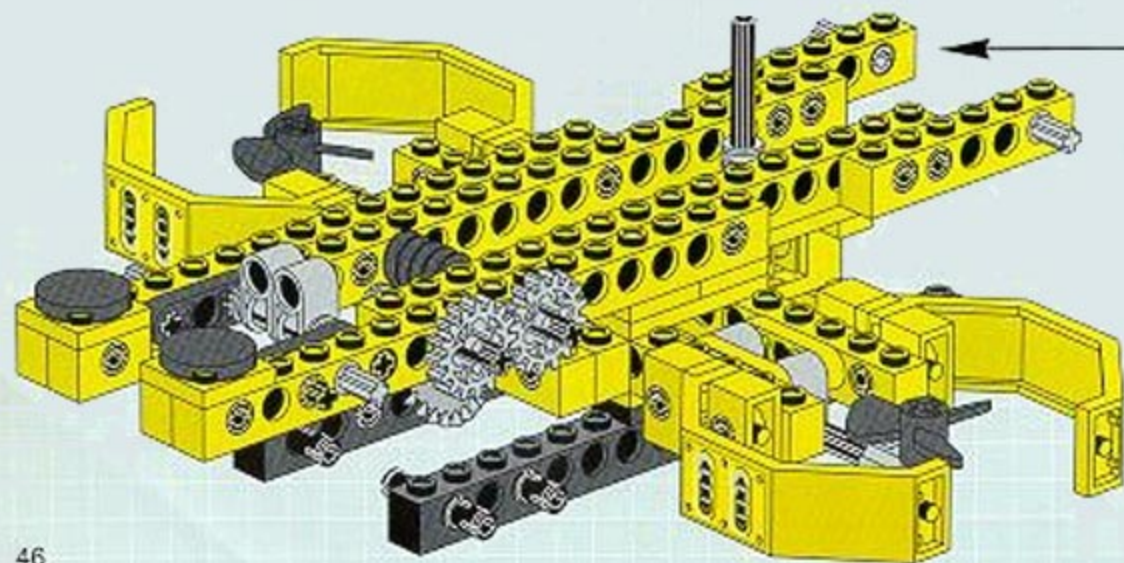
11







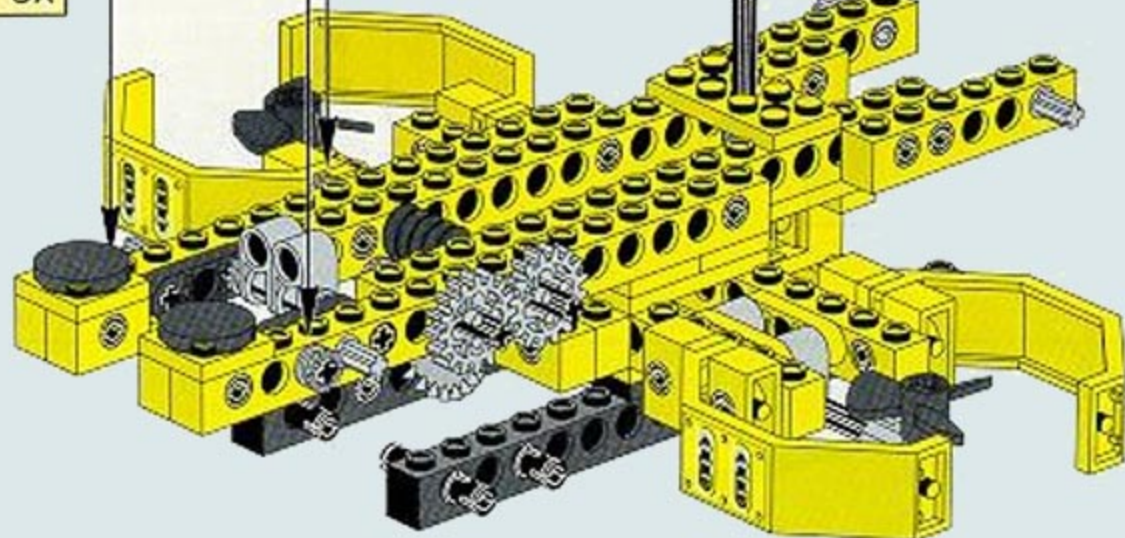
12



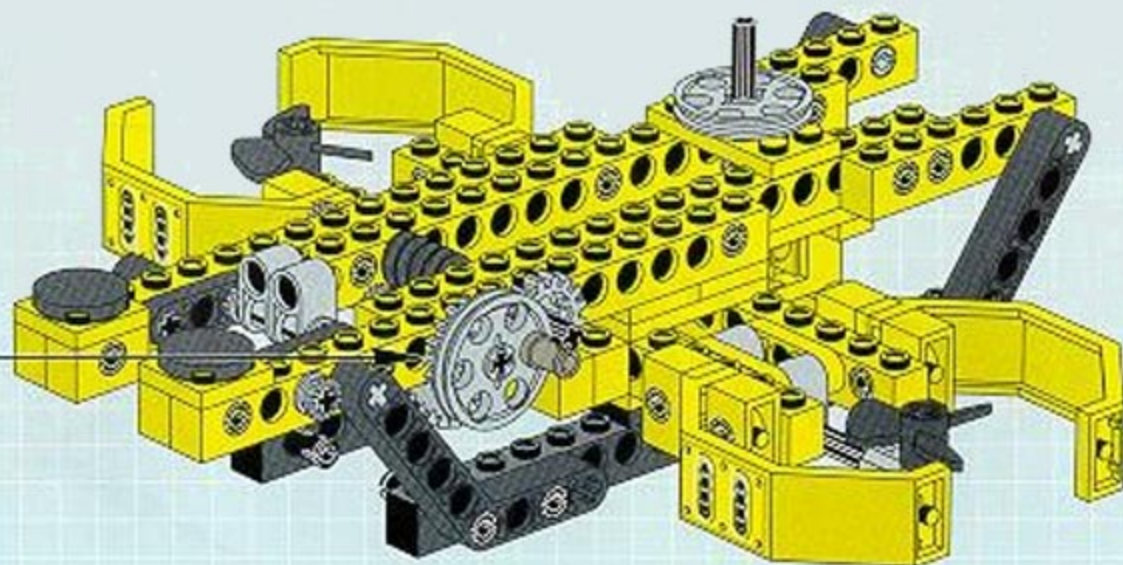
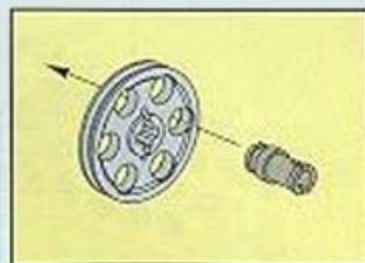




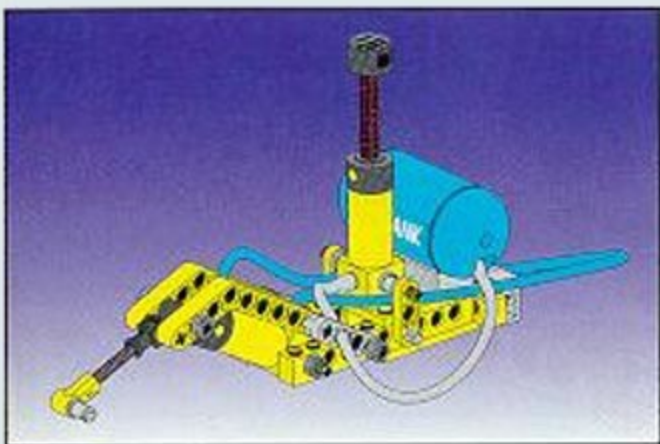
13



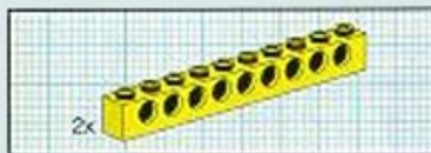
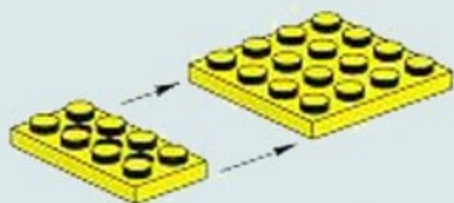
14



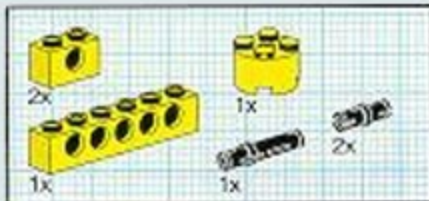
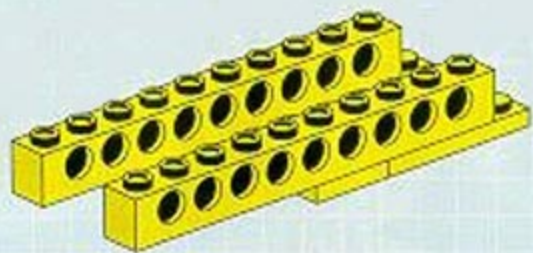




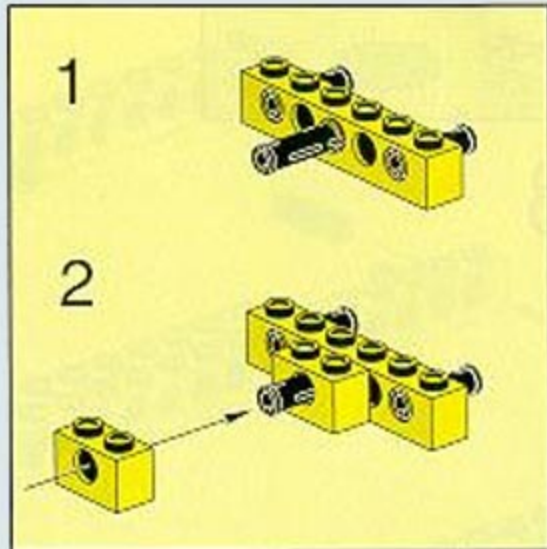
1



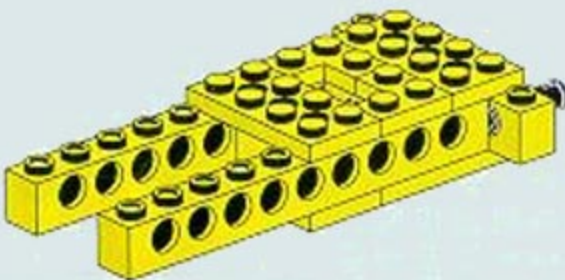
2



3



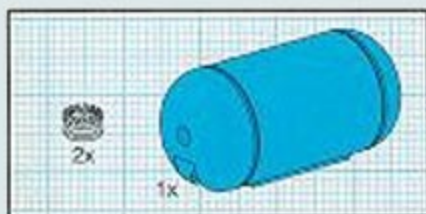
4



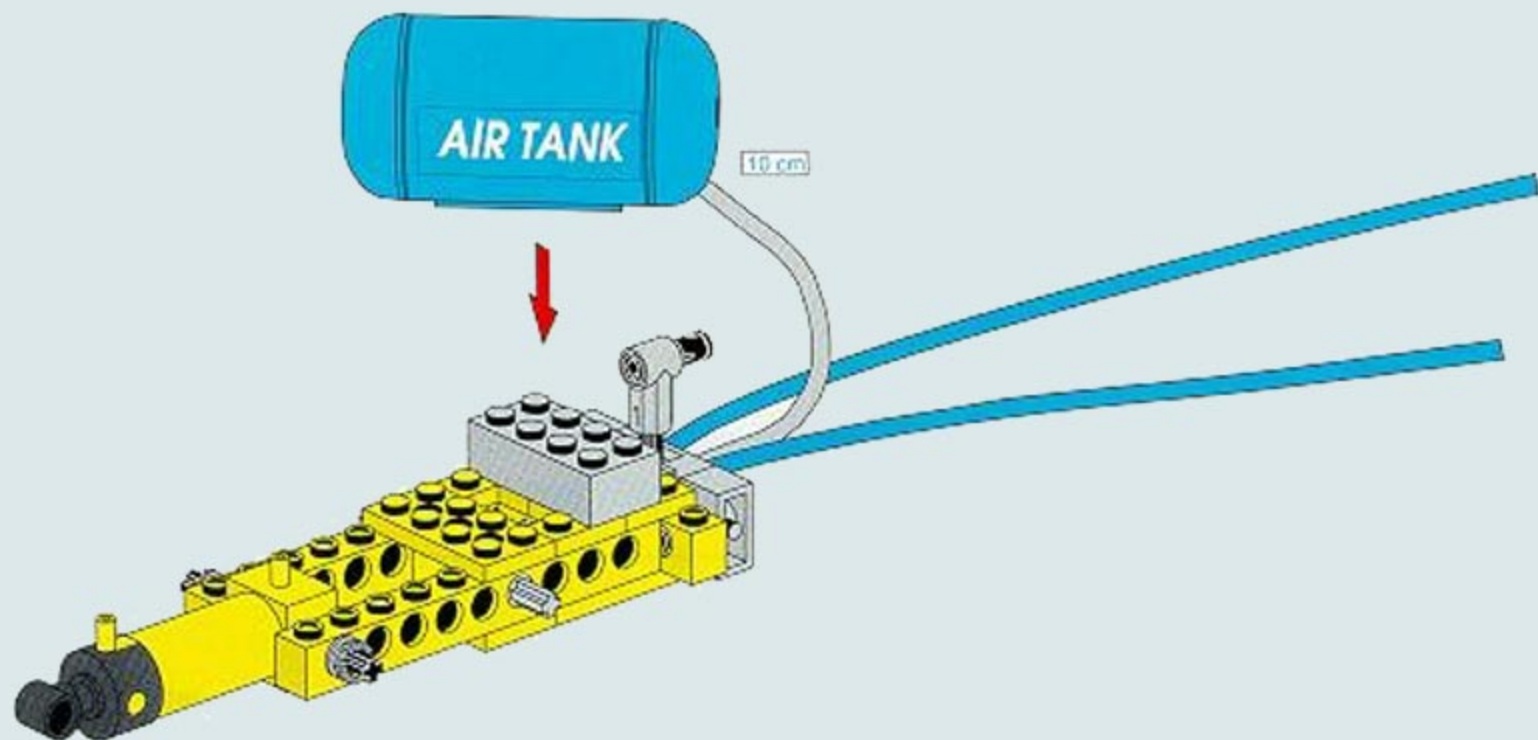




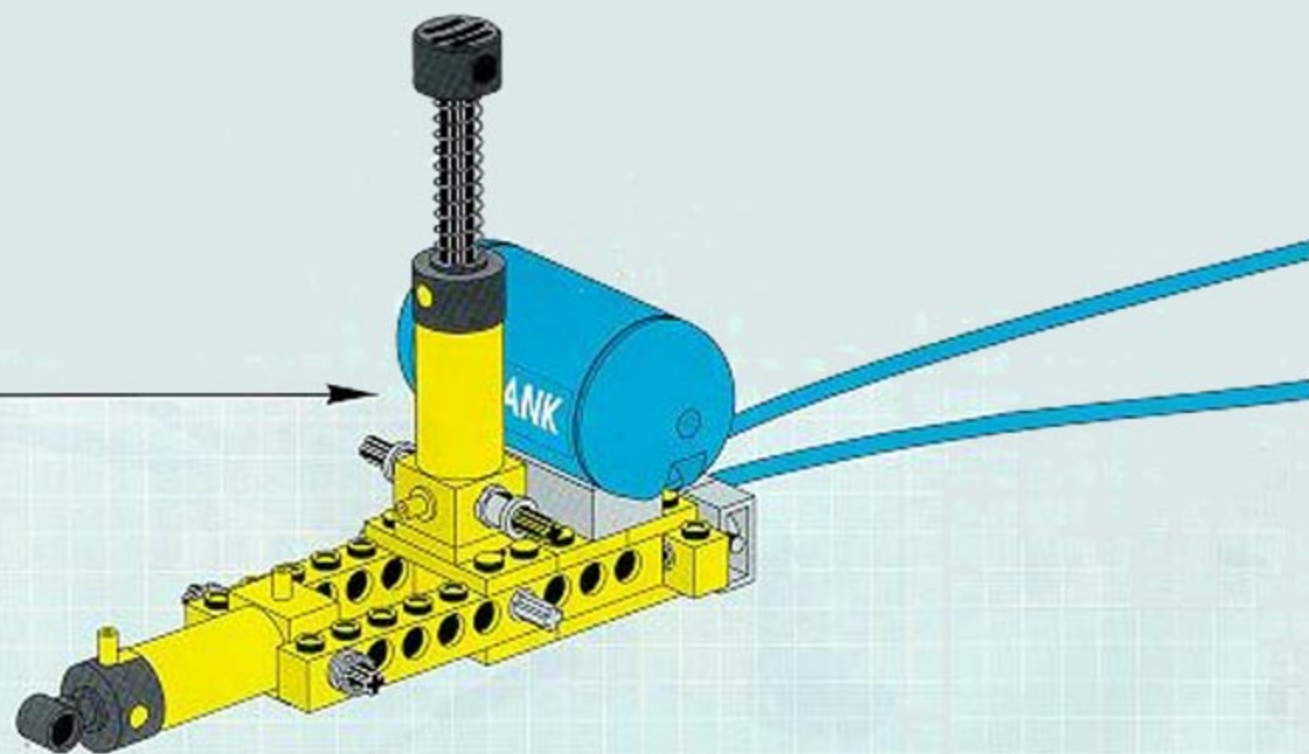
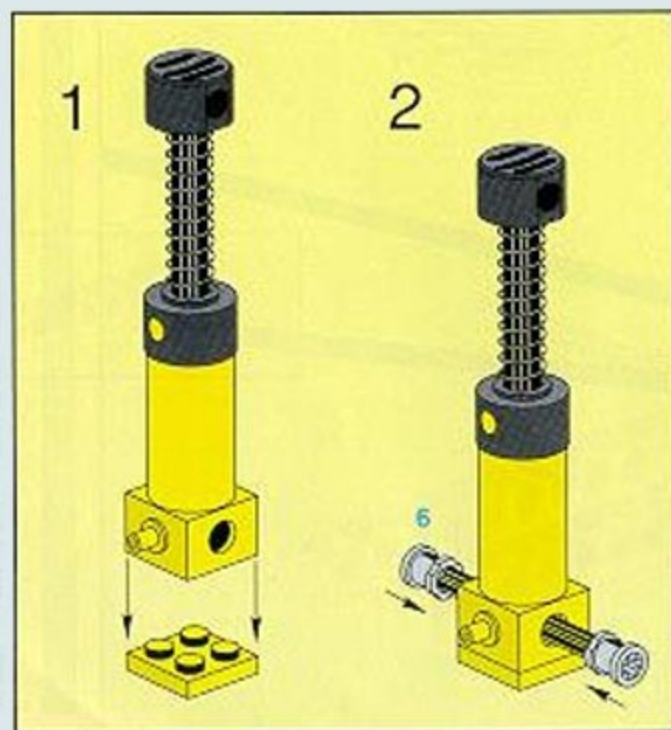




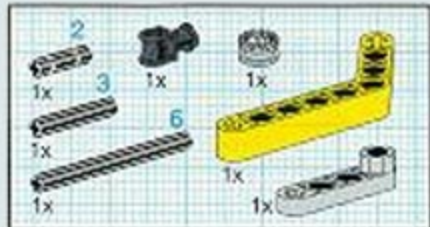
7



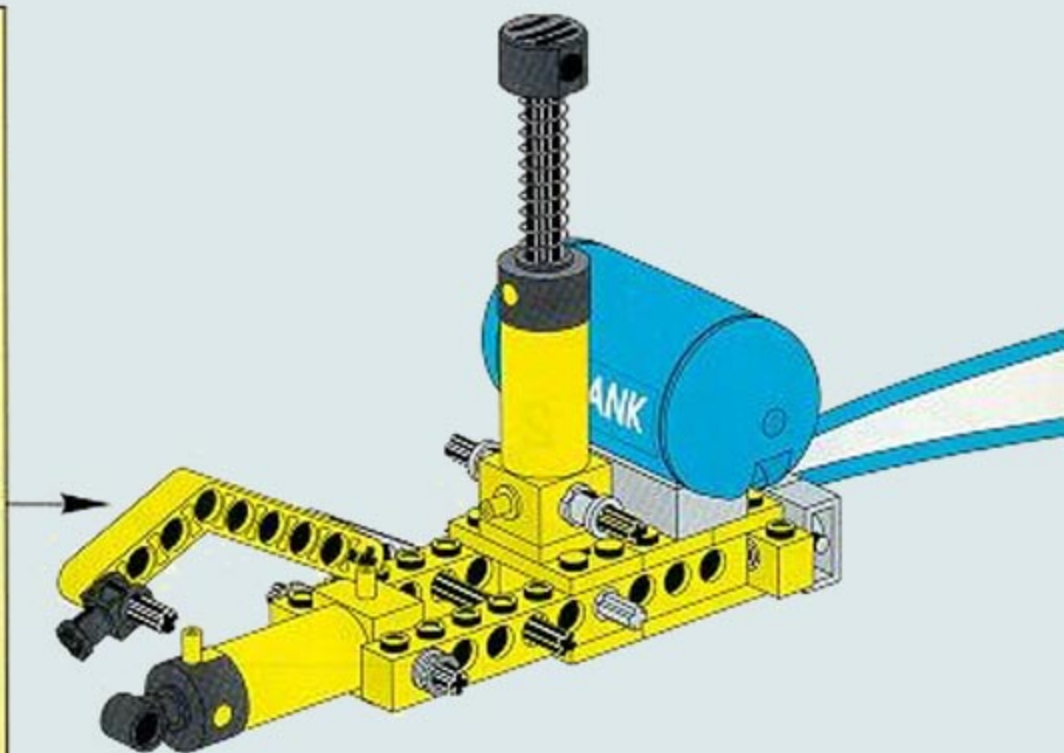
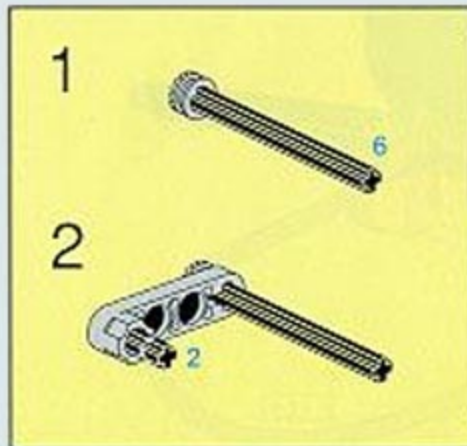
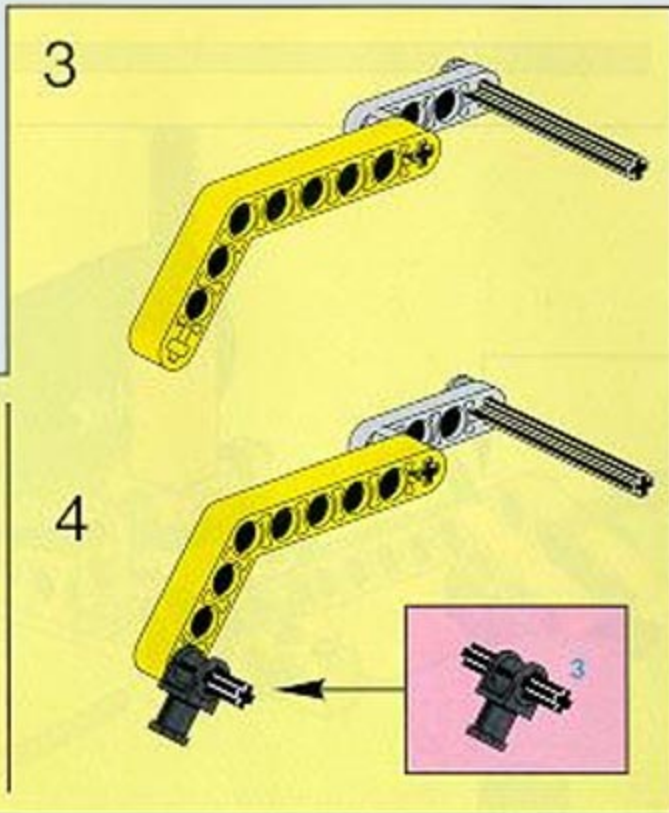
8



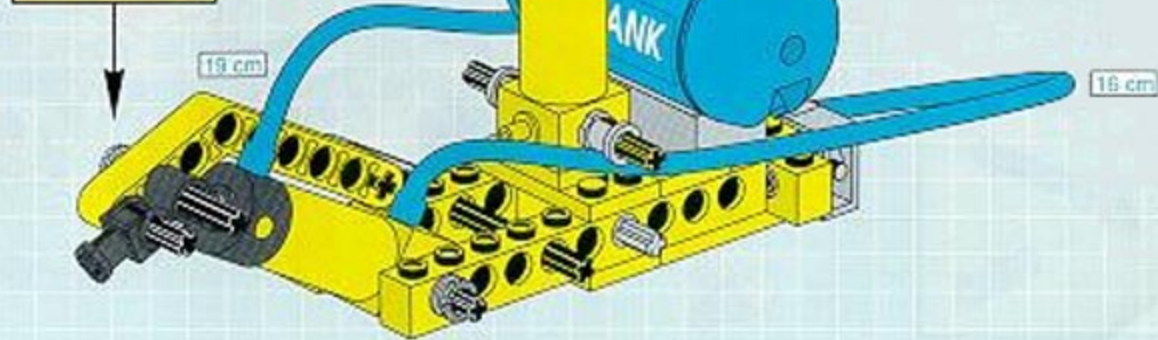




9



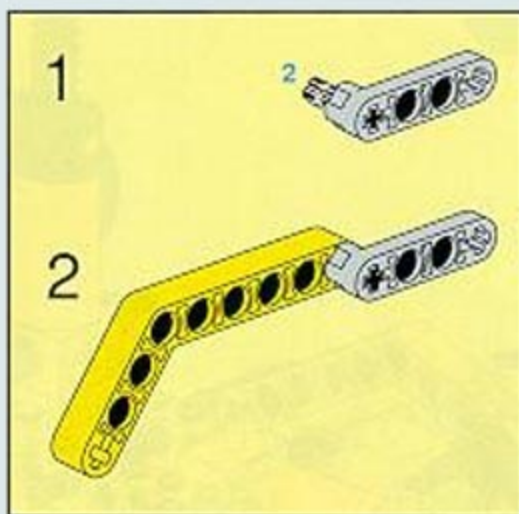
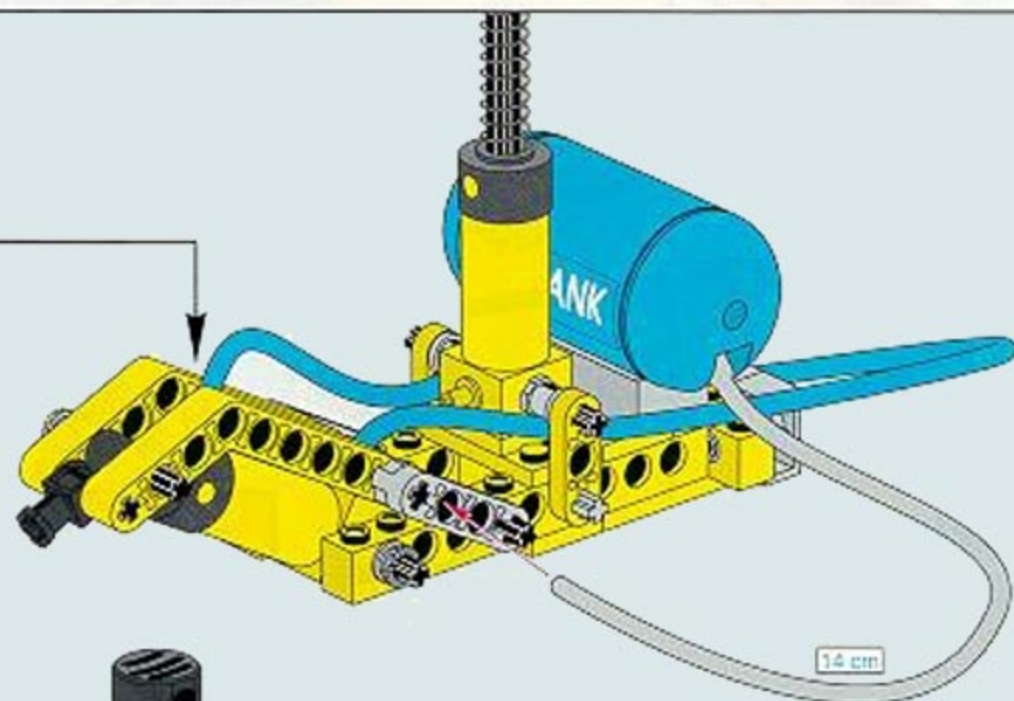
10





1:1

14 cm

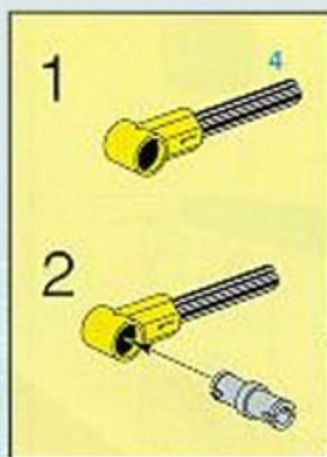
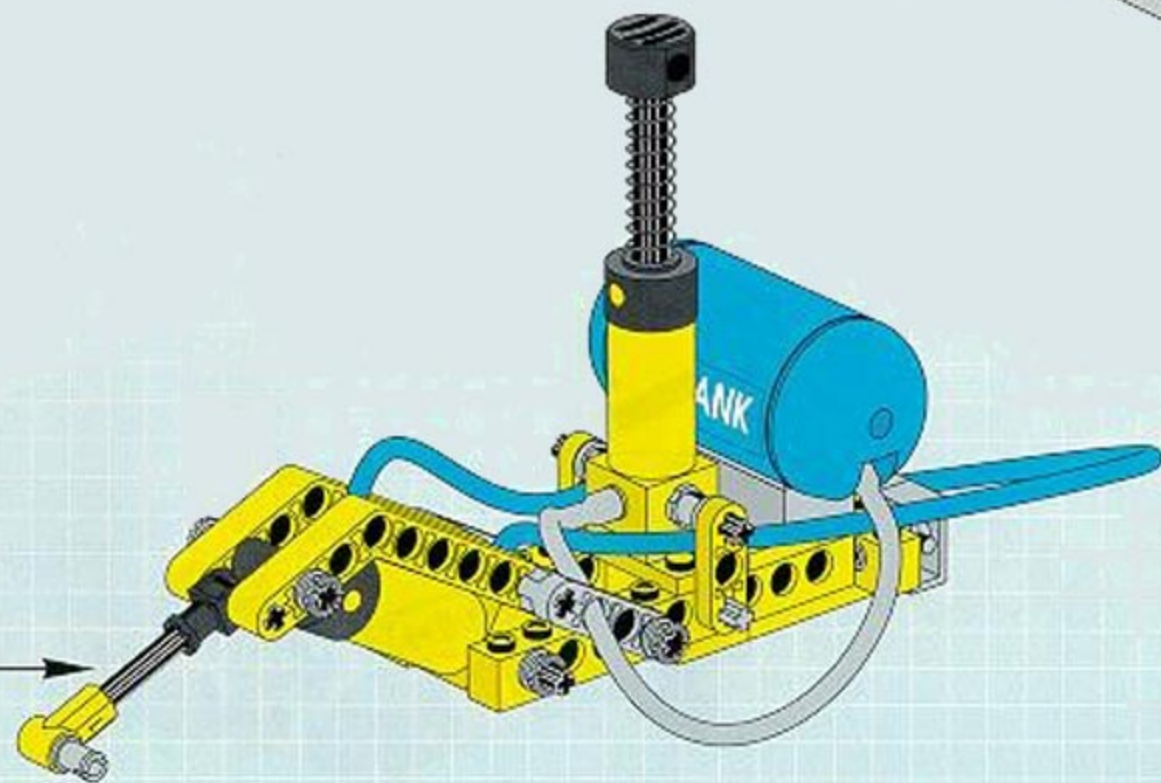


1

2

2

14 cm



1

4

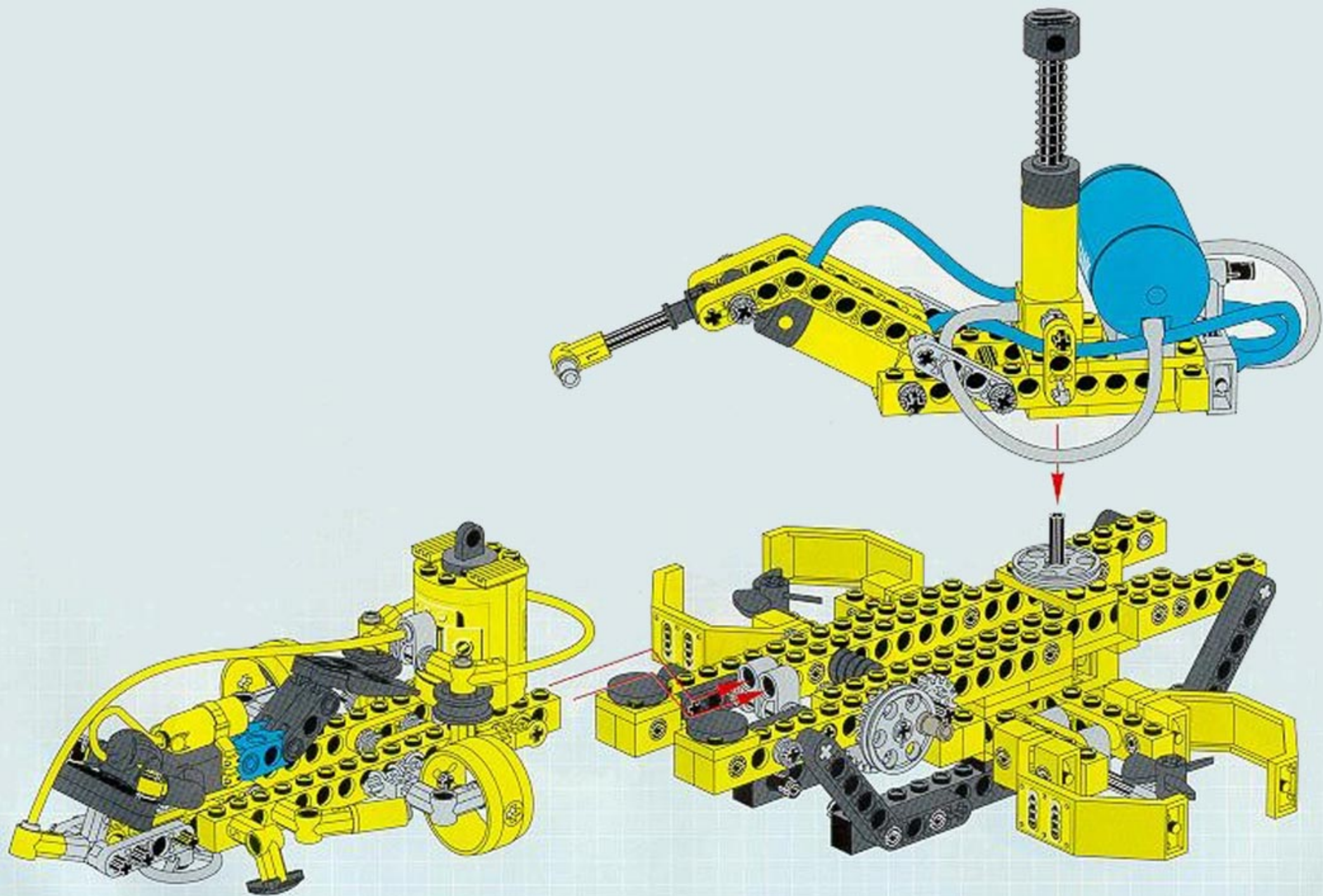
2

4

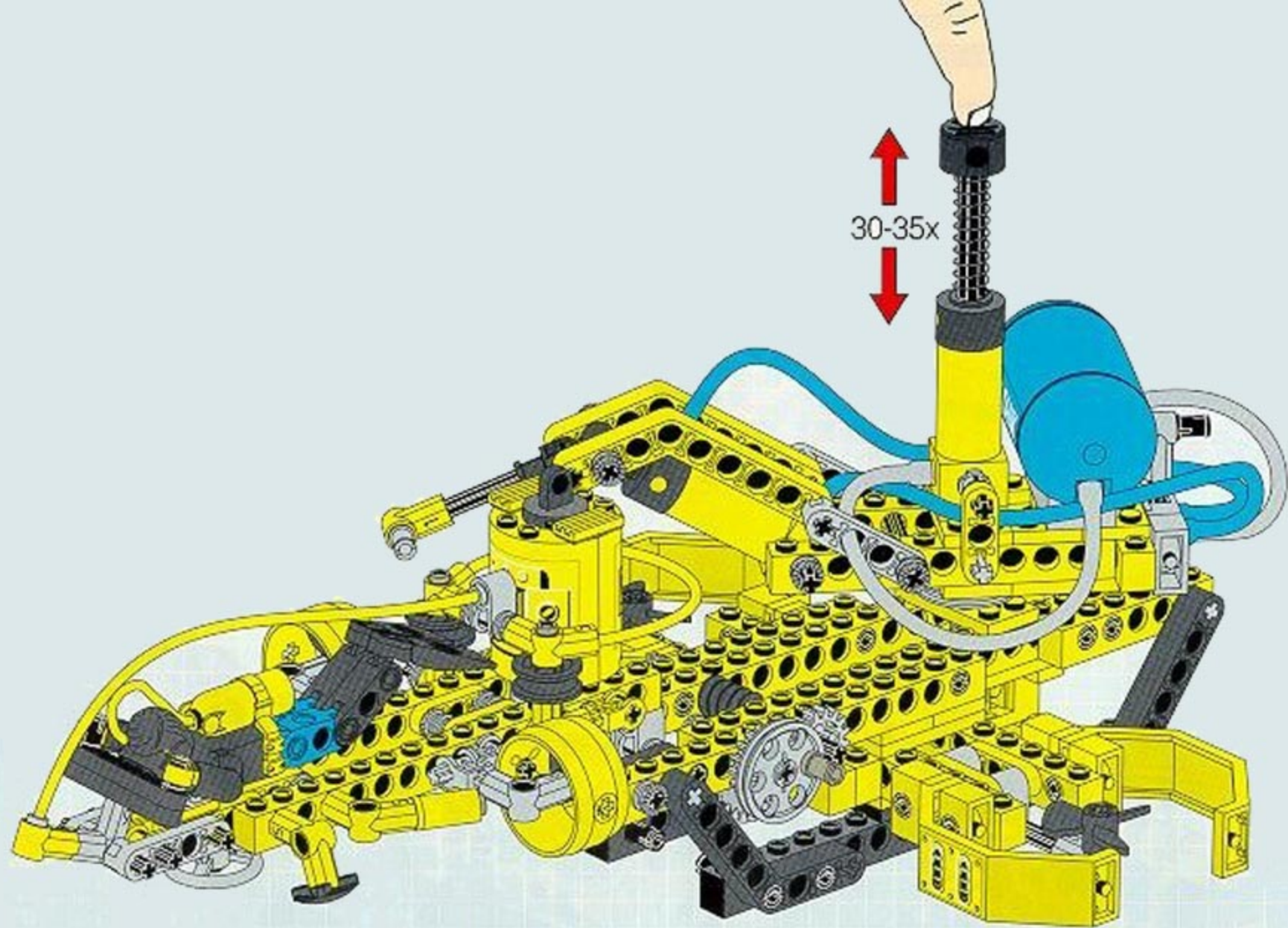
11

12





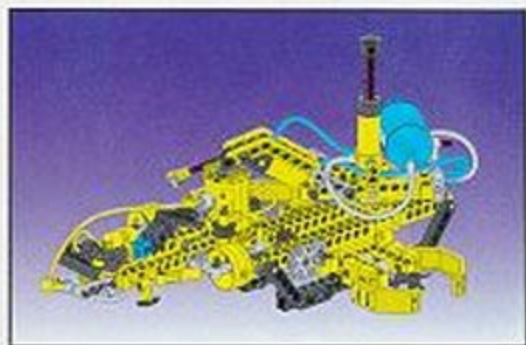








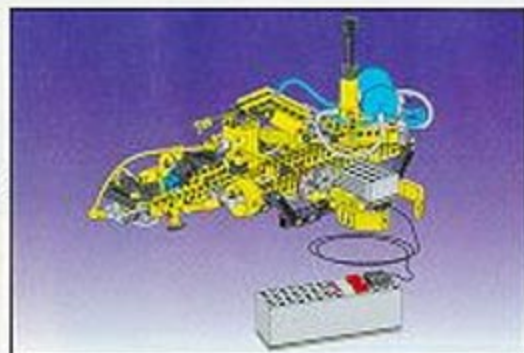




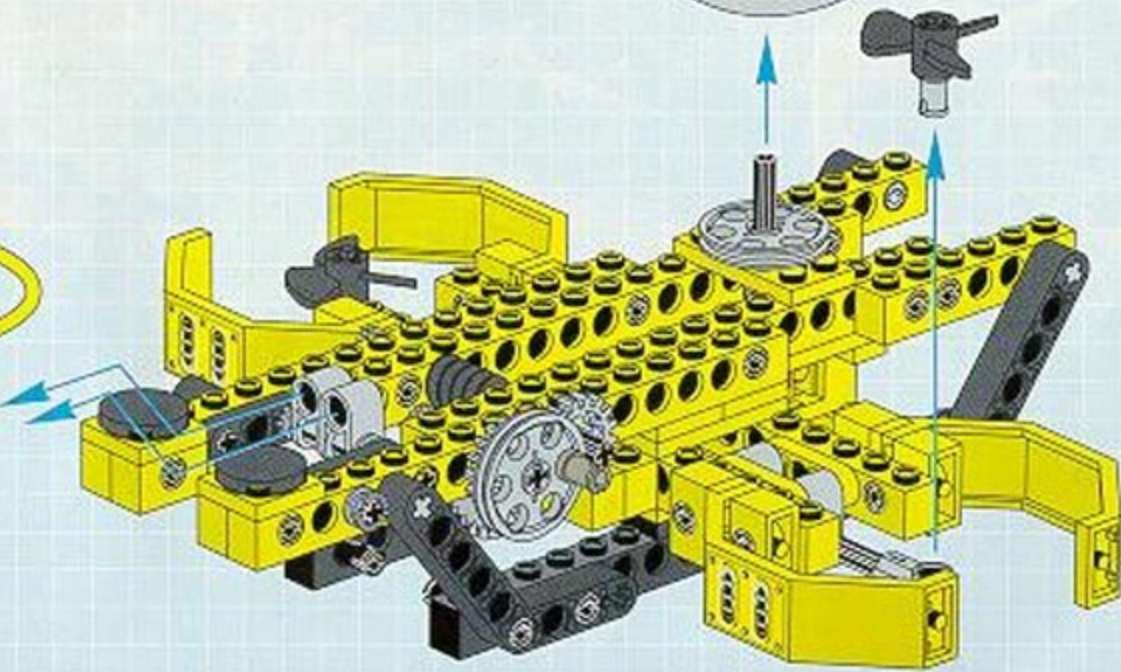
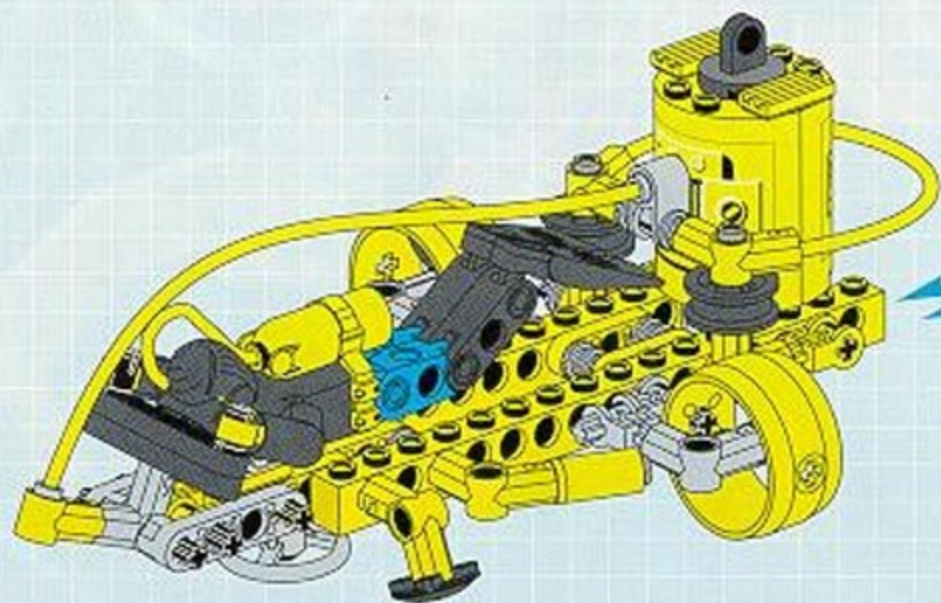
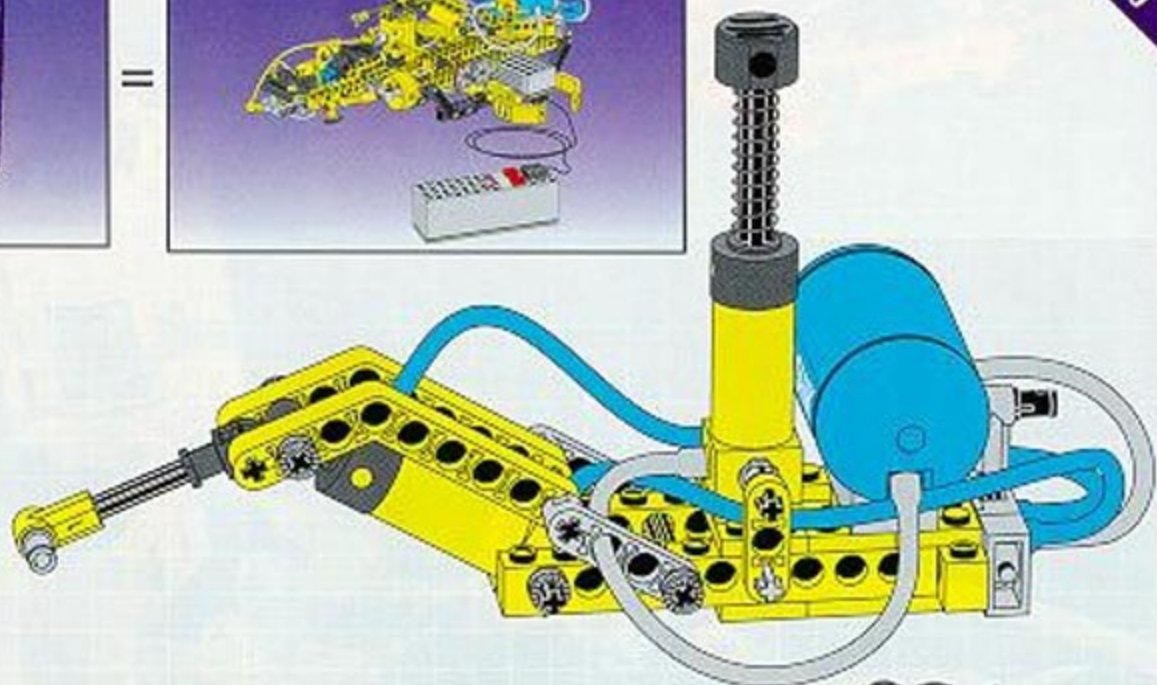
+



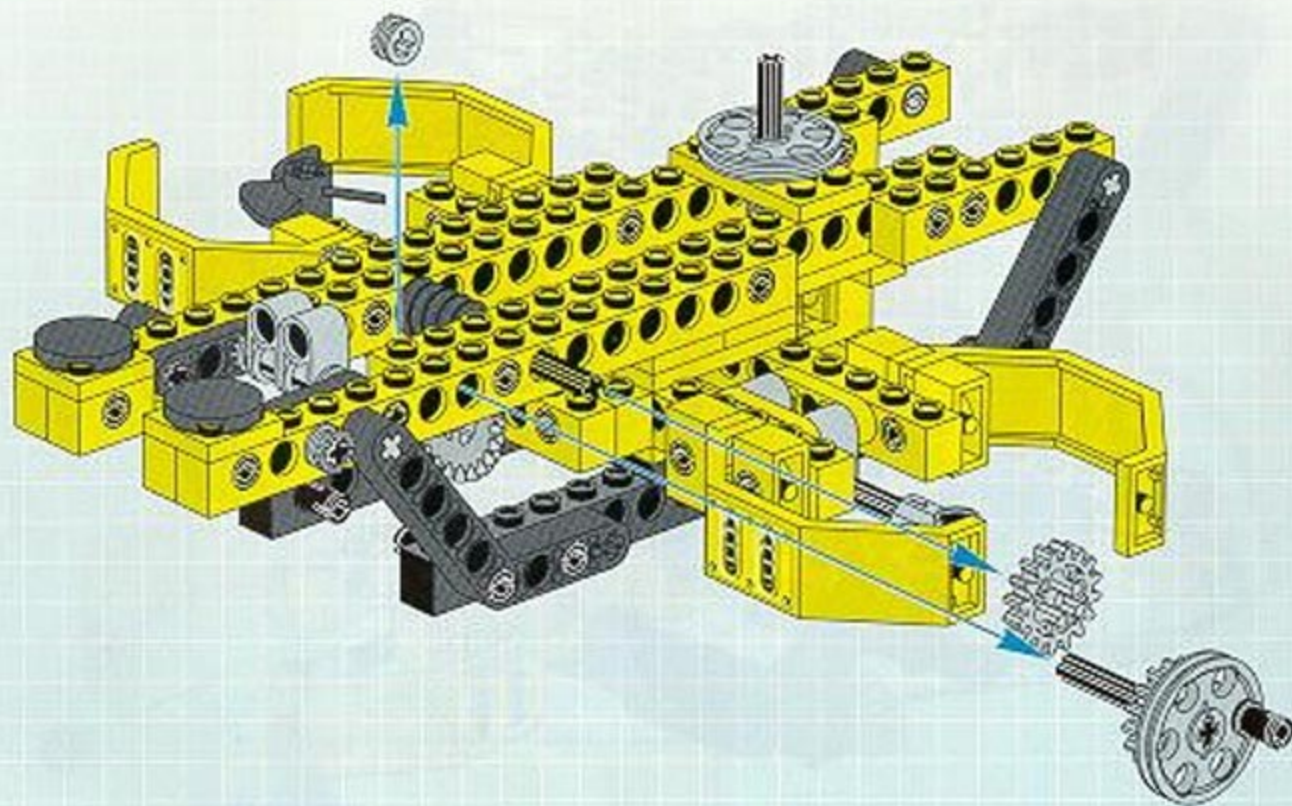
=



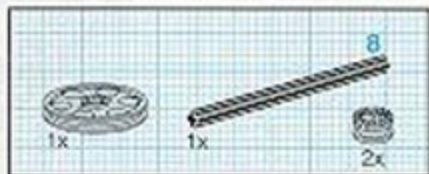
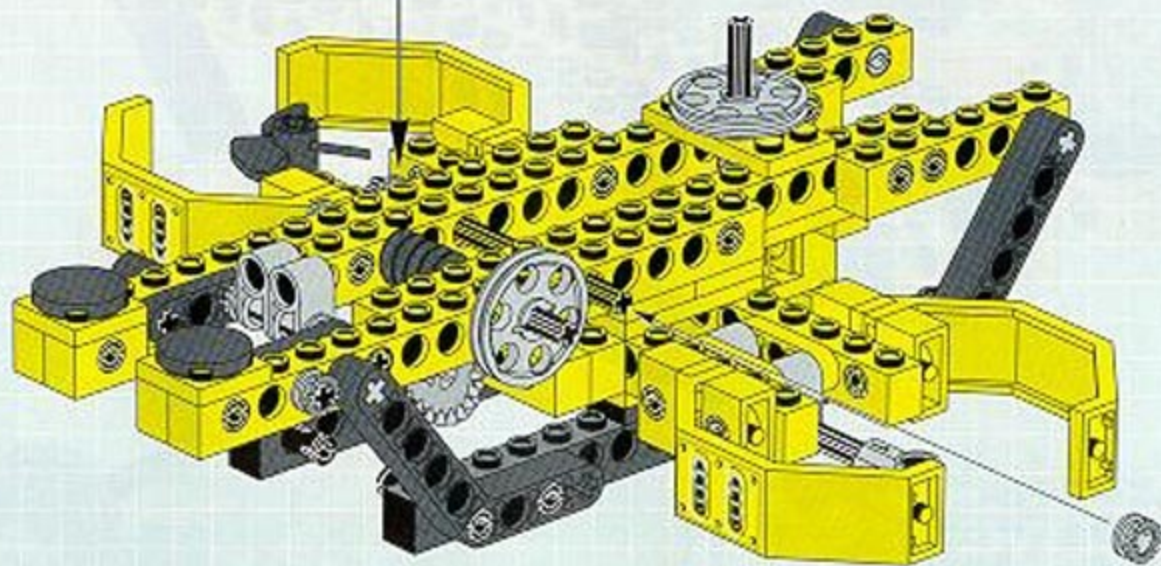
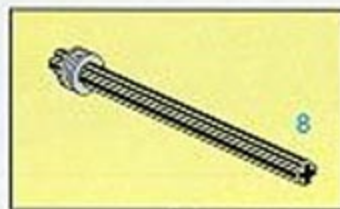
1



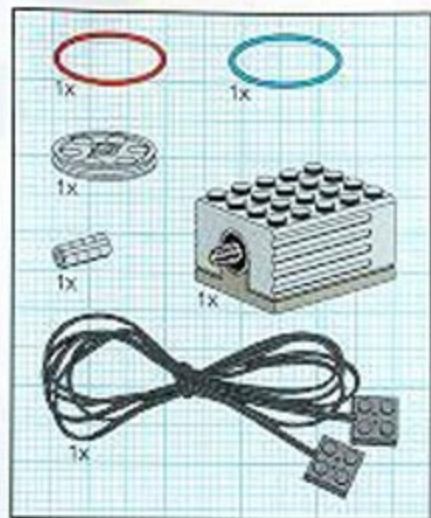




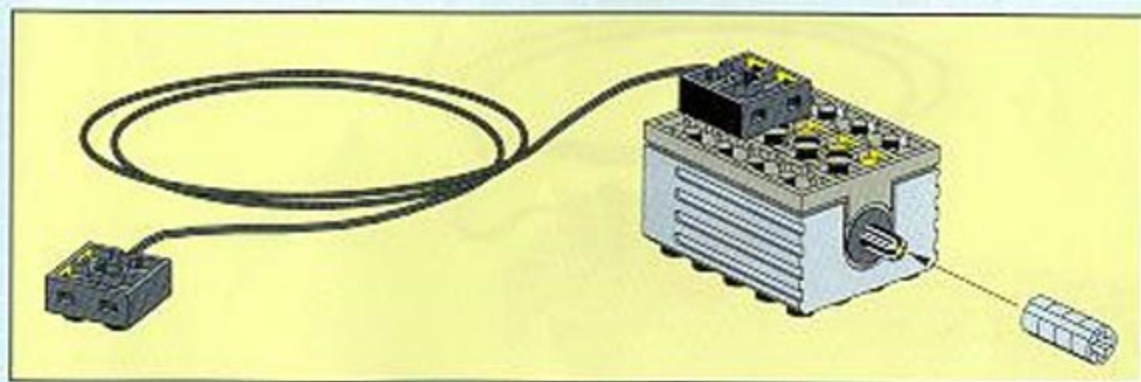
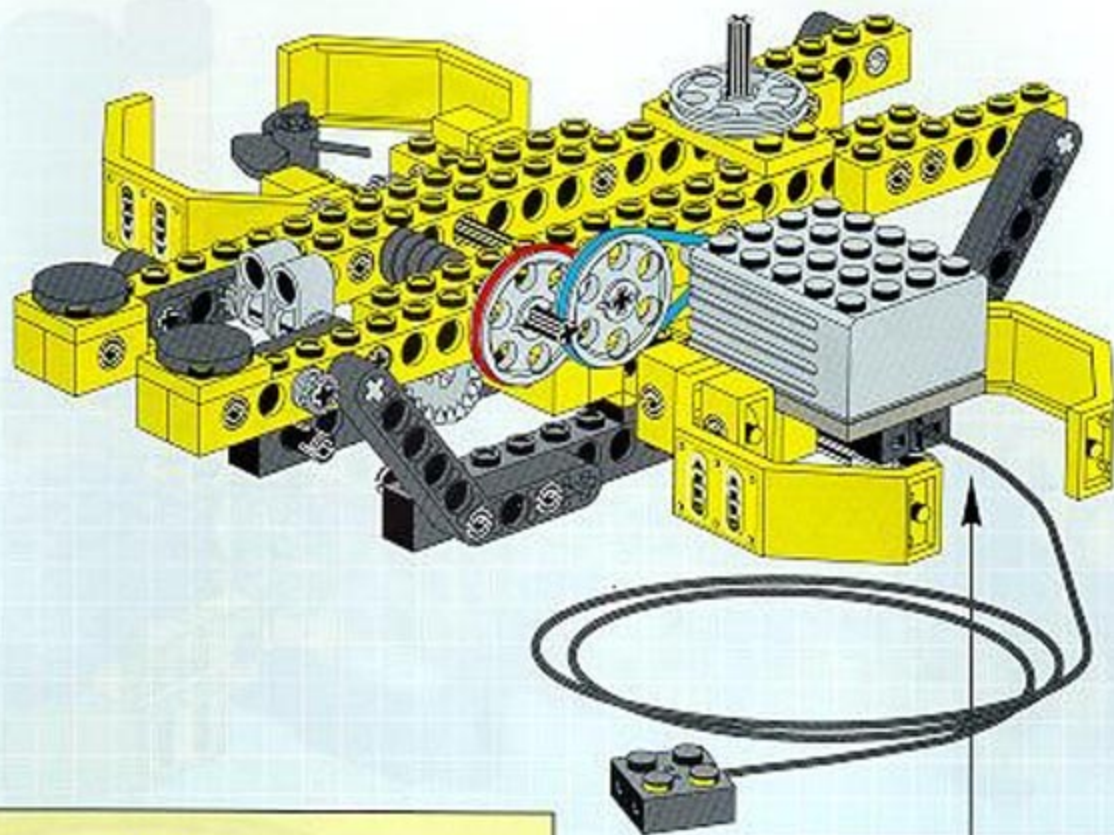


**3**

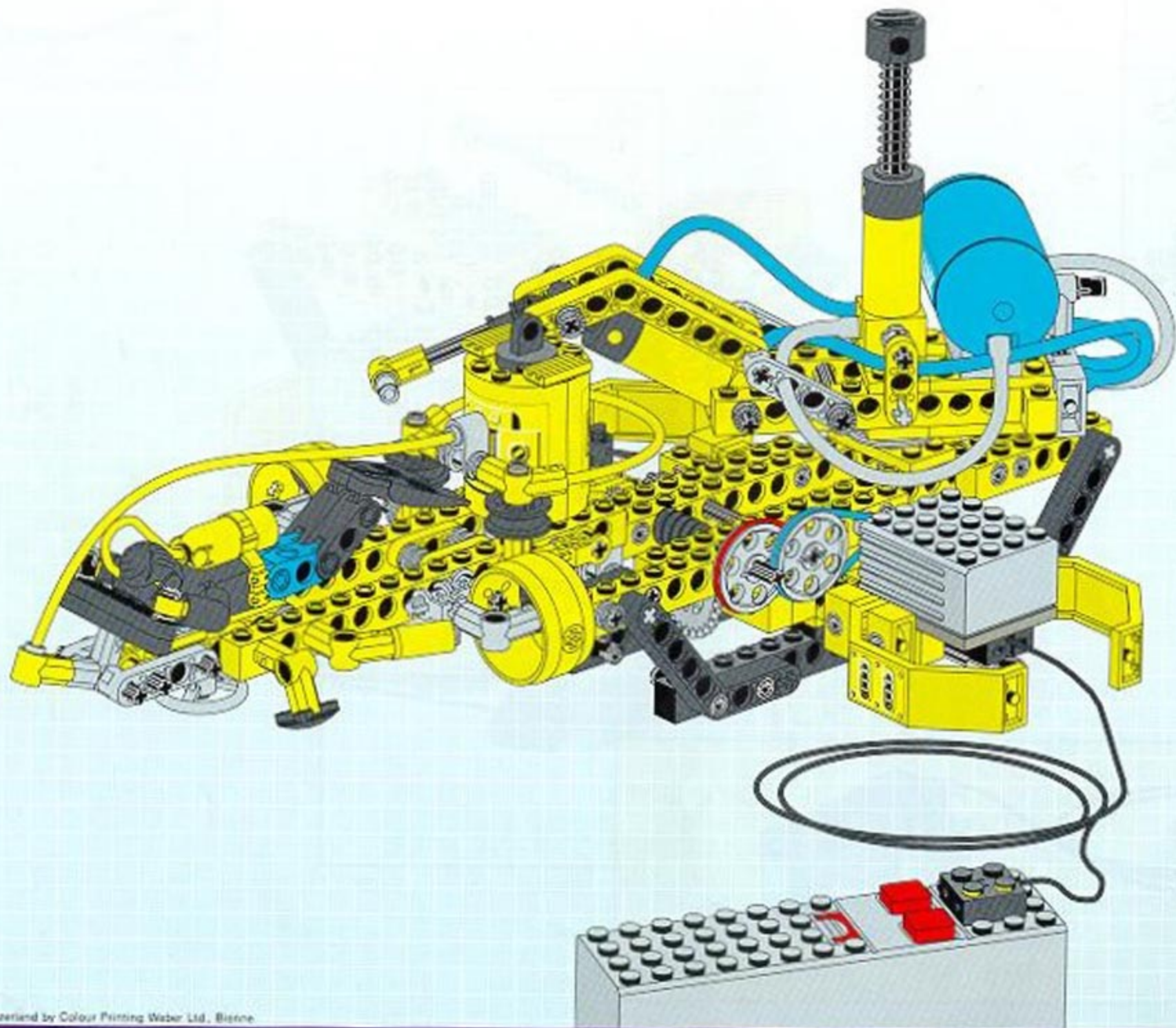




4









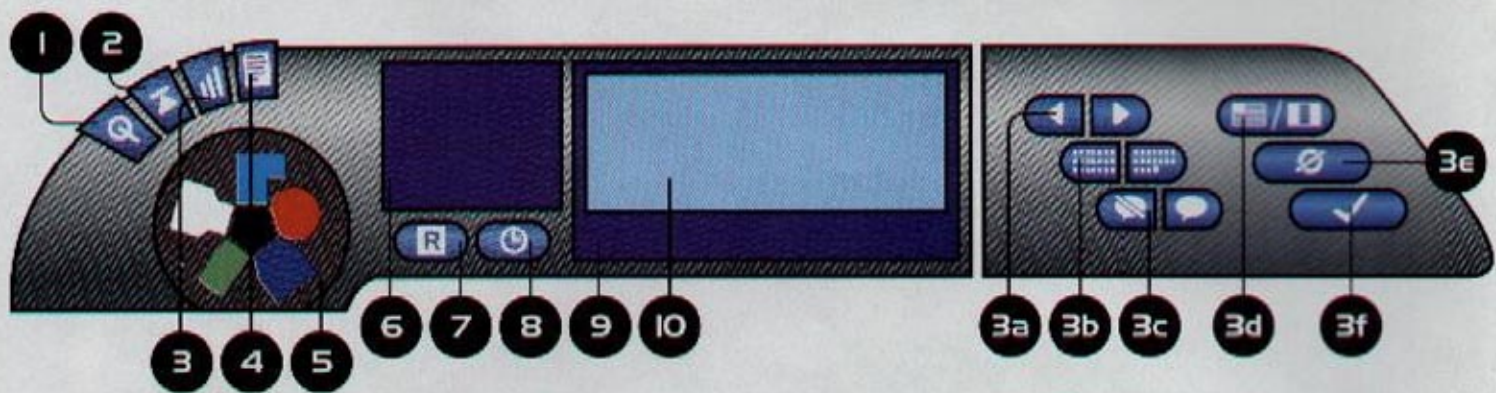
**LEGO**

# Technic

8299







**B**

**D**

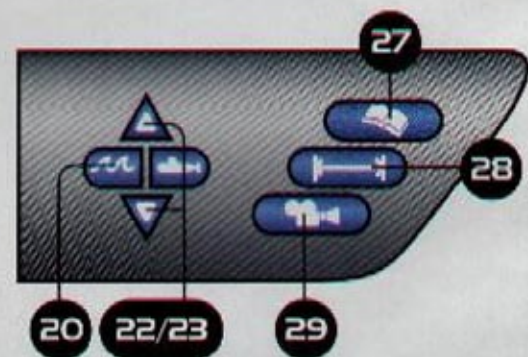
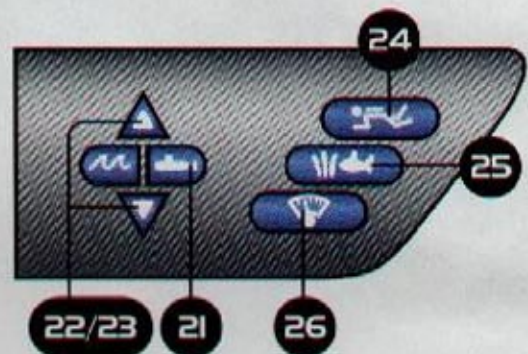
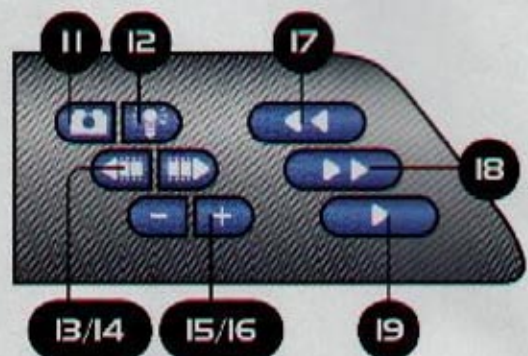


**E**



**A**

**C**





**UK: Instructions on page 4**

**D: Benutzeranleitung auf Seite 6**

**F: Guide d'utilisation en page 8**

**I: Manuale di istruzione a pagina 10**

**NL: Handleiding op pagina 12**

**DK: Brugervejledning på side 14**

**FIN: Käyttöohje oppaan sivulla 16**

**P: Manual do utilizador na pagina 18**



© 1997 LEGO Group and its licensors. All rights reserved. This application was developed using SuperCard, Macromedia Director, QuickTime and Y&W's KAD/Tools.™ (hereinafter referred to as "KAD/Tools") 1989-1995 Allegiant Technologies, Inc.  
© 1991 Macromedia, Inc. © 1989-1996 Apple Computer, Inc.  
© 1995 Christopher Yastrow.  
SuperCard, Macromedia Director, QuickTime, Y&W and the respective logos are trademarks used under license.  
LEGO is a trademark of the LEGO Group.  
The program code of this product is developed by Y&W.

**Credits:**  
Concept, Design and Multimedia Content: The LEGO Group.  
Programming and Compression: Y&W, The Netherlands.  
User Interface and Print Design: The LEGO Group and The Phoenix, Denmark.  
Human Factors: The LEGO Group and Y&W, The Netherlands.  
3D Animation: The LEGO Group and Spike Ltd, UK.  
Music and Sound: Sound Venture P/s, Denmark.  
Narration: Sun Studio A/S, Denmark.



## Some Important Information

The LEGO® Software on this Disc is the result of a great deal of work. To help us bring you high quality programs in the future it is important as a legal requirement to read the following:

### First Rule:

Following the purchase of the LEGO program you are permitted to copy the program to your own computer. However, it is illegal to allow other users to gain access to your program either via the Internet or by uploading the program to a network from which it can be copied. It is not a problem should you lose the original but have the program copied on your computer.

### Second rule:

If you sell or pass the program on it is illegal to use the program yourself. It is also illegal to lend or rent computer programs. It is important to know that the LEGO trademarks should not be used freely. An ® or a ™ following a name identifies the name as being a trademark.

If you need to know anything else about the legal requirements, then more information can be found on the CD-ROM. If you are connected to the Internet you can also look at our homepage on <http://www.LEGO.com> for more information about the use of the trademarks of the LEGO Group.

## Instructions

### Apple Users

1. After inserting the LEGO CD-ROM into the machine, *double click* on the LEGO icon and then on the icon called LEGO Setup to install the CD-ROM on your computer.
2. A "LEGO" folder will be created at the top level of your boot-up drive. This folder will be used to store user names, "book-marks", and temporary files. You should have 10MB free on your hard drive for this folder.
3. This LEGO Software requires QuickTime and/or SoundManager. If installation is required then the LEGO CD-ROM will have to be restarted.
4. Next time you want to use your LEGO CD-ROM, insert the CD-ROM into your machine, go to the LEGO folder (LEGOTECH) on your harddrive and *double click* on the Start PPC/Start GSk icon.

### Windows 3.11 Users

1. Make sure Windows 3.11 is running.
2. Check that your CD-ROM and sound card drivers are loaded.
3. After inserting the LEGO CD-ROM, use either the File Manager program (look in Group MAIN in the Program Manager) or BROWSE and *click* on the letter of your CD-ROM drive (usually "D").
4. *Double click* on the SETUP.EXE program.
5. This LEGO software requires QuickTime for Windows. If installation is required then the LEGO CD-ROM will have to be restarted.
6. Points 3, 4 and 5 only occur the first time you run the LEGO CD-ROM.
7. *Double click* the LEGO Icon in the LEGO TECHNIC Program Group to run the LEGO CD-ROM.

### Windows 95 Users

1. Your Windows 95 package should start up automatically. Check that your CD-ROM and sound card drivers are loaded.
2. After inserting the LEGO CD-ROM into your drive wait for the Autoplay screen to appear and then *click* on the OK button to continue.
3. Follow the instruction which may require you to install QuickTime for Windows, if not already installed. If installation is required then the LEGO CD-ROM will have to be restarted. The next time you want to use the LEGO CD-ROM, you can simply insert the CD-ROM.

### Additional Notes for Windows 3.11 and 95 Users

The LEGO CD-ROM creates a directory called LEGO on the boot drive of your computer. This directory will be used to store user-names, "book-marks", and temporary files. You should have 10MB free on your hard drive for this directory. Don't panic if you accidentally delete this directory.

The LEGO CD-ROM will create a new one if it doesn't find the original one, however, you will have lost your bookmarks and saved user-log files.

## Trouble shooting

### Windows 3.11 Users

GPF (General Protection Fault): Usually this error is caused by the video driver conflicts. If you experience this error, try installing the SVGA 640 by 480, 256-colour driver.

If your colours still look strange, make sure that your video drivers and monitor are capable of displaying 256 colours and are configured to do so.

### Windows 95 Users

If you do not see the "AutoRun" screen after you insert the CD-ROM, please use the right-hand mouse button to "Open" the CD-ROM and then *double click* on the LEGO\_CD.SCP icon.

### Apple Users

If you experience problems, please disable Virtual Memory or RAM Doubler if you are running either of these. As a last resort, use Extensions Manager to restart your computer with only the QuickTime extension running (selecting System 7.x from the Extension Manager menu should configure your computer to be compatible with the LEGO CD-ROM in any case).

## User Guide

### Introduction

Welcome to the LEGO TECHNIC Underwater Base! The base has five rooms:-

### 3 FOR CONSTRUCTING MODELS

- 1 BRIEFING ROOM
- 1 SHOWROOM

This guide will help you, but you can experiment yourself by clicking onto any button to see what it does. The guide may give you some useful hints and information which will make your visits to the base more interesting.

Just dive in and have fun!

### General control panel functions

When you start up the program, you will see a log-in screen where you will be asked to type in your log-in name and choose a language. When you have done this, *click* the OK button. The LEGO TECHNIC logo will then appear on your screen and then the intro-animation will begin. If you have entered your name earlier, you can just *click* on it and then *click* the OK button. The program can have up to five different users. Each can have their name on the log-in screen. (The program will save separate settings and bookmarks for each of the five users). After the intro-animation ends you will find yourself in the Submarine Room. If you click on the intro-animation you can skip this intro.

The left and middle part of the control panel is the same in all five rooms, the right side of the control panel changes according to which room you are in. The general controls are:-

- ① QUIT BUTTON. Exits the program.
- ② MAIN BUTTON. Clicking this button restarts the program.
- ③ This is the SETTINGS-BUTTON. Clicking this will reveal the buttons for controlling the GENERAL SETTINGS:-
  - Ⓐ Volume down / up
  - Ⓑ Text 'Telex' Off / On
  - Ⓒ Diver video link Off / On
  - Ⓓ Switch between languages
  - Ⓔ Cancel
  - Ⓕ OK
- ④ PRINT BUTTON. By pressing this button, once you have built your model, it will print out your diploma provided you are linked to a printer and have the necessary driver(s) present.
- ⑤ ROOM NAVIGATOR. This shows a small 'map' of the Underwater Base where you can click on the room you want to visit.
- ⑥ Video-link to the diver who will help you out from time to time. You can stop the video link by clicking on the diver.
- ⑦ Repeats the last message from the Diver.
- ⑧ Displays the building time in the information display. If you click it again the timer will disappear. If you have the timer visible, the building time will appear on your diplomas when they are printed.



- ⑨ This INFORMATION DISPLAY (Telex) will give you important information. If you click on the display you will see all the text at once.
- ⑩ 'HELP-LINE' displays which function you are currently pointing at.

### Submarine room (A) and mobile base room (B)

In these two rooms you can construct the two larger models, the Submarine and the Mobile Base. You can see what functions these models perform by clicking on them.

- ⑪ By pressing this button you will switch to building mode.
- ⑫ Brings you back to the room.
- ⑬ & ⑭ "Step-menu" shows all the building steps. If you click on the 'Build' button ⑪ or in the information display ⑨ within 5 seconds you will go to the step you see in the information display. Otherwise you will stay on the current step.
- ⑮ / ⑯ One frame back / one frame forward.
- ⑰ Go to previous step.
- ⑱ Go to next step.
- ⑲ Play animation/pause.

#### PLEASE NOTE

If you need to measure the LEGO elements during construction (such as the length of the black axle for example), it is very important that you use the measurement diagram which is found at the back of this User Guide. Please note that the step-numbering in the software does not correspond directly to the steps in the paper building instructions. The Mobile Base (B) has the possibility to be motorised. To do this you need set number 8720 LEGO TECHNIC Motor Set.

### Tips and tricks room (C)

In this room you can build a number of exciting smaller models. By clicking on the models you can see their different functions. The model that you choose will show up in the information display ⑨. Then you can choose to build the model by choosing 'Build' button ⑪ or see a secret tip by choosing ⑫. Each model contains at least one handy building tip which you can use when you construct your own LEGO TECHNIC models. Some of these smaller models have extra options, which will be presented after you have finished building the main model.

#### PLEASE NOTE

You can build only one of the five models at a time, unless you have more LEGO TECHNIC elements at home. You can use the technical functions shown to construct your own models.

### Briefing room (D)

This is the Underwater base's information centre, where you can get background information about the LEGO TECHNIC models, submarines and underwater life in general.

- ⑳ Switch to Underwater Facts section
- ㉑ Switch to LEGO Models section
- ㉒ Go up
- ㉓ Go down

#### Underwater Facts:

- ㉔ Human Activity
- ㉕ Nature
- ㉖ Science

#### LEGO TECHNIC Models:

- ㉗ General information
- ㉘ Technical Specification
- ㉙ Video Archive

#### PLEASE NOTE

Why not try to build one of the real-life submarines shown in the 'Underwater Facts' section?

### Showroom (E)

In this room you can check out all the other LEGO TECHNIC models. You can operate the scanner-camera by remote control. The camera's position is shown in the Information Display ⑨.

- ㉚ These four buttons move the camera.
- ㉛ Scans the model which the camera is pointing at.
- ㉜ Shows model function.
- ㉝ Zoom.
- ㉞ Shows the alternative model (only works on certain models).

#### PLEASE NOTE

There are many more models than you can see on the screen. If you type in 4,10 and 3,1 the screen will move to other areas showing more models.

Some of the models shown may not be available in your country or only by direct mail. Please check by looking in the catalogue which you should find at most good toy stockists. If you cannot find one, then write to us at LEGO UK Ltd, Ruthin Road, Wrexham, LL13 7TQ and we will send one through to you, or e-mail us on UK@LEGO.com.

## Help line details

If you have any problems with this LEGO software, please refer to the Troubleshooting section on page 4.

If this does not solve your problem, you might need some help from us. Here are the details of how you can do that:-

**UK:** Telephone Number:- 0990 329 493  
(National Charge) 1  
E-mail:- UK@LEGO.com

**Australia:** Telephone Number:- 1 800 683 100  
(9.00 a.m. to 5.00 p.m. Sydney Time  
Monday to Friday)  
Fax number: 02 9428 9610

**New Zealand:** Telephone Number:- 0800 534643/0800 LEGO HELP  
(11.00 a.m. to 7.00 p.m.  
Monday to Friday)

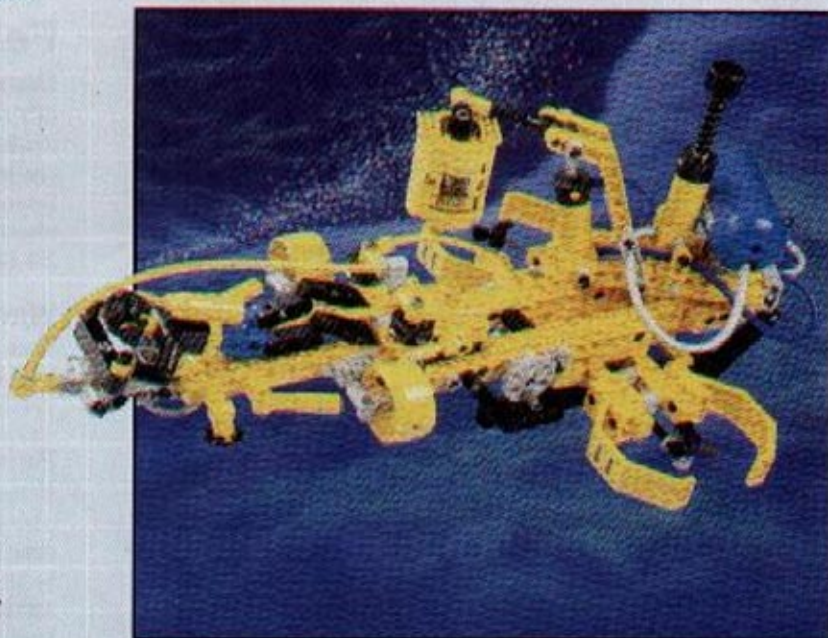
**Sweden:** Telephone Number:- 30 222 447  
E-mail:- Helpdesk@LEGO.com

**U.S.A.:** Telephone Number:- 1-800-453-4677

To provide you with the best help possible, can you have the following information available when you call:

1. The correct number and version of your CD-ROM, *double-click* on the CD-ROM icon and note the version of your file versx.xxx
2. The type of computer you have.
3. Your version of Windows (PC) or Finder (Mac).
4. How much RAM your computer has.
5. How much free hard disc space your computer has.
6. The exact error message (if any).

It will also be helpful to be near your computer when you call.





## Willkommen in einer neuen LEGO® Welt!

In diesem Artikel findest du eine LEGO® Software auf einer CD-ROM, die du auf deinem Computer nutzen kannst. Bevor du dich intensiver damit beschäftigst, möchten wir dich über einige rechtliche Regeln für diese Computer Software informieren.

Wie alle Produkte der LEGO Gruppe ist auch diese Software sehr sorgfältig mit viel Aufwand entwickelt worden. Sie hat daher einen Wert – für dich und für uns.

Aus diesem Grund ist es rechtlich verboten, Software zu kopieren. Du mußt zwei Regeln beachten:

**1. Regel:** Du darfst diese Software auf deinen eigenen Computer kopieren. Wenn du das Programm startest, wird dieses für einen Teil der Software automatisch durchgeführt. Wenn du dieses Programm bezahlt hast oder es anderweitig legal erhalten hast, ist diese Art der Kopie OK, ebenso wie eine Backup-Kopie als Sicherungskopie. Wenn dein Computer vernetzt ist (lokal oder mit dem Internet), dürfen andere Nutzer keinen Zugang und keine Möglichkeit zum Kopieren erhalten. Natürlich dürfen andere Personen die Software auf deinem Computer nutzen.

**2. Regel:** Wenn du das Programm anderen zur Verfügung stellst, verlierst du selbst das Nutzungsrecht. Du darfst das Programm verschenken oder verkaufen. In diesem Falle darfst du es nicht mehr nutzen, auch keine Kopien, die eventuell auf deinem Computer verblieben sind. Auch das Verleihen oder Vermieten ist nicht zulässig.

Zusätzlich möchten wir dich darauf hinweisen, daß du die geschützten Warenzeichen der LEGO Gruppe nicht frei nutzen darfst. Warenzeichen können nicht nur Wörter, sondern auch Symbole wie Logos, Designs oder sogar eine Produktpräsentation sein. Die LEGO Gruppe betrachtet z.B. den LEGO Stein als Warenzeichen. Du erkennst diese Warenzeichen daran, daß sie meist durch ein ® oder ™ gekennzeichnet sind.

Zu den rechtlichen Bestimmungen findest du weitere Informationen auf der CD-ROM. Du kannst sie über das Menü auf dem Bildschirm abrufen. Unsere Homepage im Internet (<http://www.LEGO.com>) enthält weitere Informationen zu den Warenzeichen der LEGO Gruppe.

Wir wünschen dir viel Spaß mit dieser LEGO TECHNIC CD-ROM.

### Macintosh Benutzer

- Schalte deinen Macintosh ein.
  - Schließe alle laufenden Anwendungen.
  - Lege die LEGO CD-ROM in das CD-ROM Laufwerk ein.
  - Doppelklicke auf das „LEGO“ Symbol und danach auf das LEGO Setup Symbol zur Installation der CD-ROM auf deinem Computer.
  - Ein „LEGO“ Ordner entwickelt sich auf dem obersten Level deines „Bootup“ Laufwerks. Dieser Ordner dient zur Speicherung von Benutzernamen, „Lesezeichen“ (book-marks) und temporären Dateien. Du solltest dafür auf deiner Festplatte 10 MB Platz haben.
  - Wenn auf deinem Macintosh die geeignete Software installiert ist, kann's losgehen. Falls vorher noch „QuickTime“ installiert werden muss, erfolgt dieses automatisch. Der Computer muß in diesem Falle neu gestartet werden. Bitte folge den Installationshinweisen. Die Bestätigung der vorgegebenen Option führt in der Regel zum Erfolg. Doppelklicke dann auf das „Start-PPC“ (Für Power-Mac) oder das „Start-68k“ Symbol.
  - Beim nächsten Mal brauchst du nur die CD-ROM einlegen und kannst sofort auf den LEGO Ordner (LEGO TECH) auf der Festplatte zugreifen und über die Symbole „Start-PPC“ bzw. „Start-68k“ starten. Wie es jetzt weitergeht, kannst du unter „Benutzeranleitung“ nachlesen.
- Beachte:** Die Punkte 4, 5, und 6 sind nur bei der ersten Benutzung der LEGO CD-ROM erforderlich.

### Benutzer von Windows 3.11

- Schalte deinen Computer ein.
- Starte Windows 3.11 und vergewissere dich, daß deine CD-ROM und Soundkarten-Treiber geladen sind.
- Lege die CD-ROM in das Laufwerk ein.
- Wähle über den Programm-Manager und den Dateimanager (siehe Hauptgruppe) oder im Programm-Manager unter dem Menüpunkt Datei/Ausführen/Durchsuchen dein CD-ROM Laufwerk an. Klicke den entsprechenden Buchstaben (normalerweise „D“) an.
- Doppelklicke auf die Datei „SETUP.EXE“. Über „README“ erfährst du, wie du über die Tastatur einige Einstellungen ändern kannst.

6. Es ist möglich, daß du zuerst „QuickTime“ für Windows installieren mußt, bevor du deine LEGO CD-ROM benutzen kannst. Bitte folge den Installationshinweisen. Die Bestätigung der vorgegebenen Option führt in der Regel zum Erfolg. Wählst du die Option „Play sample“, so kannst du sie wie bei einem Recorder über „play“ starten. Wenn du sie dann schließt, kann es losgehen. Die Installation erfordert ein erneutes Starten der LEGO CD-ROM.

7. Doppelklicke auf das LEGO TECHNIC Symbol in der LEGO TECHNIC Programm Gruppe, um die LEGO CD-ROM zu starten. Wie es jetzt weitergeht, kannst du unter „Benutzeranleitung“ nachlesen.

**Beachte:** Die Punkte 4, 5, und 6 sind nur bei der ersten Benutzung der LEGO CD-ROM erforderlich.

### Benutzer von Windows 95

- Schalte deinen Computer ein.
- Windows 95 sollte sich automatisch starten. Vergewissere dich, daß deine CD-ROM und Soundkarten-Treiber geladen sind.
- Lege die CD-ROM in das Laufwerk ein.
- Das Startbild erscheint automatisch. Über „README“ erfährst du, wie du über die Tastatur einige Einstellungen ändern kannst.
- Klicke auf den OK Knopf und folge den Hinweisen auf dem Bildschirm. Es ist möglich, daß du zuerst „QuickTime“ für Windows installieren mußt, bevor du deine LEGO CD-ROM benutzen kannst. Bitte folge den Installationshinweisen. Die Bestätigung der vorgegebenen Option führt in der Regel zum Erfolg. Wählst du die Option „Play sample“, so kannst du sie bei einem Recorder über „play“ starten. Wenn du sie dann schließt, kann es losgehen. Die Installation erfordert ein erneutes Starten der LEGO CD-ROM.
- Beim nächsten Mal brauchst du dann einfach nur noch die LEGO CD-ROM einzulegen. Wie es jetzt weitergeht, kannst du unter „Benutzeranleitung“ nachlesen.

### Zusätzliche Bemerkungen für Benutzer von Windows 3.11 und 95:

Die LEGO CD-ROM richtet ein Verzeichnis namens LEGO auf dem Boot-Laufwerk deines Computers ein. Dieses Verzeichnis dient zur Speicherung von Benutzernamen, „Lesezeichen“ (book-marks) und temporären Dateien. Für dieses Verzeichnis sollten dir 10 MB auf deiner Festplatte zur Verfügung stehen. Gerade nicht in Panik, solltest du mal aus Versehen dieses Verzeichnis löschen. Die LEGO CD-ROM wird ein neues einrichten, wenn sie das original Verzeichnis nicht wiederfindet; allerdings sind in diesem Fall deine Lesezeichen verloren gegangen. Die Dateien der Benutzeraufzeichnungen bleiben aber bestehen.

## Fehlersuche:

### Benutzer von Windows:

**GPF (allgemeiner Schutzfehler):** Normalerweise wird dieser Fehler durch den Konflikt mit Video-Treibern verursacht. Wenn dieser Fehler bei dir auftaucht, versuche bitte die SVGA 640 x 480, 256-Farben-Treiber zu installieren. Wenn deine Farben dann immer noch eigenartig aussehen, vergewissere dich, daß dein Video-Treiber und dein Monitor in der Lage sind, 256 Farben anzuzeigen und auch dementsprechend konfiguriert sind.

### Windows 95:

Wenn der „AutoRun“ Bildschirm nicht erscheint, nachdem du die CD-ROM eingelegt hast, benutze bitte die rechte Maustaste, um die CD-ROM zu öffnen und doppelklicke dann auf das Symbol LEGO\_CD.SCP.

### Benutzer von Macintosh:

Stellst du Probleme haben, schalte bitte den virtuellen Arbeitsspeicher oder den RAM Doppler aus, wenn du einen von beiden gerade in Anwendung hast. Als letzte Möglichkeit kannst du den Extensions Manager benutzen, um deinen Computer erneut zu starten und diesmal nur die Anwendung QuickTime zu öffnen (wenn du das System 7.x aus deinem Extensions Manager-Menü wählst, sollte dieses deinen Computer so konfigurieren, daß er mit der LEGO CD-ROM auf jeden Fall kompatibel ist).

## Benutzeranleitung

### Einführung

Willkommen in der LEGO TECHNIC Unterwasserbasis. Die Basis besteht aus 6 Räumen: 3 Modellbauräumen, einem Informationsraum und einem Ausstellungsraum. Es ist nicht unbedingt notwendig, daß du diese Anlei-



tung liest, um das Programm benutzen zu können. Du kannst auch einfach beliebige Knöpfe anklicken und abwarten, was geschieht. Aber beim Lesen dieser Anleitung erhältst du aber einige nützliche Hinweise und Informationen, die deine Besuche auf der Basis noch interessanter machen.

Also: Tauch ein und viel Spaß dabei!

## Allgemeine Funktionen des Bedienungsfeldes

Wenn du das Programm startest, kannst du deinen Namen eingeben und eine Sprache auswählen. Anschließend klickst du auf den OK-Knopf und der Vorspann beginnt. Du kannst ihn durch Anklicken überspringen. Das Programm kann bis zu fünf verschiedene Benutzer haben. Das Programm speichert sie sowie alle Einstellungen und Lesezeichen (book-marks) für jeden einzelnen Namen. Nach dem Ende des Vorspanns wirst du dich in der U-Boot-Halle befinden.

Der linke und der mittlere Teil des Bedienungsfeldes ist in allen fünf Räumen gleich, der rechte Teil verändert sich, je nachdem, in welchem Raum du dich befindest. Die wichtigsten Steuerungsknöpfe sind:

- ① „Abschließen“: Beendet das Programm.
- ② „Start“: Das Programm wird neu gestartet.
- ③ „Einstellungen“: Beim Anklicken dieses Knopfs erscheinen die Knöpfe für die Steuerung der wichtigsten Einstellungen:
  - ⓐ Lautstärke leise / laut
  - ⓑ Text im Info-Display: Aus / An
  - ⓒ Taucher Videoverknüpfung Aus / An
  - ⓓ Umschalten zwischen verschiedenen Sprachen
  - ⓔ Abbrechen
  - ⓕ OK
- ④ „Drucken“: Nachdem du ein Modell gebaut hast, wird durch Anklicken ein Diplom ausgedruckt, vorausgesetzt natürlich, du besitzt einen Drucker und den, bzw. die, dazugehörigen Treiber.
- ⑤ „Raum-Navigator“: Er zeigt dir einen Grundriß der Unterwasserbasis, auf dem du den Raum anklicken kannst, den du aufsuchen möchtest.
- ⑥ Videoverknüpfung zum Taucher, der dir von Zeit zu Zeit helfen wird. Wenn du auf den Taucher klickst, wird sie beendet.
- ⑦ „Wiederholung“: Wiederholt die letzte Nachricht des Tauchers.
- ⑧ „Zeitmessung“: Zeigt die Bau-Zeituhr im Info-Display. Klickst du die Zeituhr nochmals an, verschwindet sie. Ist die Zeituhr sichtbar, wird beim Ausdrucken von Diplomen die Bauzeit erscheinen.
- ⑨ „Info-Display“: Zeigt dir wichtige Informationen. Wenn du darauf klickst erscheint sofort der gesamte Text.
- ⑩ „Hilfe-Zeile“: Erklärt die Funktion, auf die dein Cursor gerade zeigt.

## U-Boot-Halle (A, blau) & Mobilbasis-Halle (B, hellblau)

In diesen beiden Räumen kannst du die zwei großen Modelle bauen: das U-Boot und die Mobilbasis. Du kannst die verschiedenen Modellfunktionen ganz einfach durch Anklicken ausprobieren.

- ⑪ „Bauen“: Dieser wichtige Knopf schaltet auf den „Baumodus“ um.
- ⑫ Bringt dich wieder zurück zum vorherigen Raum.
- ⑬ & ⑭ „Schritte-Ment“, das alle Bauschritte anzeigt. Klickst du innerhalb von 5 Sekunden auf den Knopf „Bauen“ ⑪ oder in das Info-Display ⑨, dann kommst du zu dem Bauschritt, den du im Info-Display siehst. Ansonsten bleibst du im gegenwärtigen Bauschritt.
- ⑮ & ⑯ Ein Bild zurück / Ein Bild vorwärts.
- ⑰ Gehe zurück zum vorherigen Bauschritt.
- ⑱ Gehe vorwärts zum nächsten Bauschritt.
- ⑲ Triekfilm / Pause

**Achtung!** Wenn du beim Bauen LEGO Elemente abmessen willst (wie zum Beispiel die Längen der schwarzen Achsen, Rohre usw.), ist es sehr wichtig, daß du das Maßstab-Diagramm auf der Rückseite dieser Benutzeranleitung verwendest.

**Achtung!** Bitte beachte, daß die Numerierung der Elappen im Computer nicht dieselben sein müssen wie die Elappen in der Bauanleitung.

**Achtung!** Es besteht die Möglichkeit, die Mobilbasis (B) mit einem Motor auszustatten. Dafür benötigst Du das LEGO TECHNIC Set, Art. Nr. 8720.

## Tips & Tricks-Halle (C, grün)

In diesem Raum kannst du jede Menge aufregender kleiner Modelle bauen. Klicke einfach die Modelle an, um ihre Funktionen herauszubekommen. Das angeklickte Modell wird dann im Info-Display ⑨ erscheinen. Anschließend kannst du dir aussuchen, ob du dieses Modell bauen willst – klicke auf den Knopf „Bauen“ ⑪ – oder ob du dir durch Anklicken einen Secret Tip ⑳ ansehen möchtest. Jedes Modell enthält

einen oder mehrere nützliche Bautips, die du beim Bauen deiner eigenen LEGO TECHNIC Modelle verwenden kannst.

Für einige der Tips & Tricks Modelle gibt es extra Funktionen, die nach der Fertigstellung des Hauptmodells aufgezeigt werden.

**Achtung!** Du kannst nur eins der fünf Modelle zur Zeit bauen. Solltest du jedoch noch andere LEGO TECHNIC Sets besitzen, können es auch zwei oder mehr sein.

**Hinweis:** Du kannst die gezeigten technischen Funktionen dafür verwenden, deine eigenen Modelle zu bauen. Versuche es einfach, es ist leichter als du denkst!

## Informationsraum (D, weiß)

Dies ist das Informationszentrum der Unterwasserbasis, wo du Hintergrundinformationen über die LEGO TECHNIC Modelle und die Unterwasserwelt bekommst.

⑳ Wechselt zum Kapitel Unterwasserwelt

㉑ Wechselt zum Kapitel LEGO Modelle

㉒ / ㉓ Aufwärts / Abwärts

### Unterwasserwelt:

㉔ Menschliche Aktivität

㉕ Natur

㉖ Wissenschaft

### LEGO TECHNIC Modelle:

㉗ Allgemeine Informationen

㉘ Technische Daten

㉙ Video-Archiv

**Hinweis:** Warum versuchst du nicht einmal, eines der echten U-Boote zu bauen, die du im Kapitel „Unterwasserwelt“ findest?

## Ausstellungsraum (E, rot)

In diesem Raum kannst du all die anderen LEGO TECHNIC Modelle überprüfen. Du bedienst die ferngesteuerte Scanner-Kamera. Die Position der Kamera wird im Info-Display ⑨ angezeigt.

㉚ Mit diesen vier Knöpfen steuerst du die Kamera zur Auswahl eines Modells.

㉛ „Scann“ das Modell, auf das die Kamera gerichtet ist

㉜ Zeigt die Modellfunktion an

㉝ Zoom

㉞ Zeigt das Alternativmodell (funktioniert nur bei bestimmten Modellen)

**Hinweis:** Es gibt noch viel mehr Modelle als diejenigen, die du auf dem Bildschirm sehen kannst. Überprüfe zum Beispiel Position 4,10 und 3,1.

**Achtung!** Es ist möglich, daß einige der gezeigten Modelle in deinem Land nicht im Handel erhältlich sind.

## Verbraucherservice

Solltest du irgendwelche Schwierigkeiten mit dieser LEGO Software haben, sieh bitte zuerst unter „Fehlersuche“ auf Seite 6 nach.

Wenn damit das Problem nicht gelöst werden kann, brauchst du vielleicht Hilfe von uns.

**Deutschland: Servicenummer: 0180 - 526 26 66 (0,48 DM pro Minute)**

**Österreich: Servicenummer: 0660 5502**

**E-Mail: Helpdesk@LEGO.com**

**Schweiz: Servicenummer: 022 700 7600**

**E-Mail: Helpdesk@LEGO.com**

Um dich schneller und besser beraten zu können, bitten wir dich, bei deinem Anruf folgende Informationen für uns parat zu haben:

1. Richtige Nummer und Version der CD-ROM
  - Doppelklicke auf CD-ROM Ikon
  - Notiere die Version der Datei versx.xxx
2. Auf welchem Computer nutzt du die CD-ROM
3. Welche Version von Windows (PC) oder des Mac-Betriebssystems verwendest du
4. Wieviel RAM hat dein Computer
5. Wieviel freien Festplattenspeicher hat dein Computer
6. die genaue Fehlermeldung (falls angezeigt)

Es wird außerdem hilfreich sein, wenn du dich während des Anrufs in der Nähe deines Computers befindest.



# Bienvenue dans un nouveau monde LEGO®

Dans cette boîte, vous trouverez un programme EDP que vous pourrez utiliser avec votre ordinateur. Avant que vous ne démarriez ce programme, nous souhaitons vous donner des informations sur certains éléments légaux relatifs aux logiciels.

Comme pour tous les produits du Groupe LEGO, le développement de ce logiciel accompagnant votre nouvelle boîte LEGO TECHNIC a été réalisé avec le plus grand soin. Il a fallu beaucoup de temps et d'efforts pour le rendre le plus performant possible. Il correspond au haut niveau de qualité requis pour tous les produits du Groupe LEGO. En d'autres termes, c'est un produit de grande valeur, et pour vous, et pour nous. Compte tenu de cela, et en conformité avec la loi, il vous est interdit de copier les logiciels EDP. Par conséquent, vous devez observer les deux règles suivantes :

**Première règle :** vous êtes autorisé à copier le logiciel LEGO® sur votre propre ordinateur. Lorsque vous démarrez, une partie du programme est automatiquement transférée dans la mémoire de votre appareil. Ce type de copie est admis si vous avez acheté ce logiciel, ou que vous l'avez reçu en cadeau légalement par d'autres biais. Vous pouvez même faire une copie de ce logiciel pour la conserver en cas de perte de l'original. Mais si votre ordinateur est connecté à d'autres ordinateurs, par exemple à un réseau local ou à Internet, vous n'avez pas le droit de laisser d'autres utilisateurs avoir accès à ce logiciel ou le copier. Bien sûr, d'autres que vous peuvent s'en servir avec votre propre ordinateur.

**Deuxième règle :** si vous donnez le logiciel à quelqu'un d'autre, vous perdez le droit de vous en servir vous-même. Vous pouvez l'offrir ou le revendre, mais, dans ce cas, vous ne devez plus utiliser la copie que vous en avez faite sur votre ordinateur. La loi interdit également de prêter ou de louer les logiciels EDP. Vous n'avez donc pas le droit de le faire.

Sachez aussi que les marques du Groupe LEGO ne peuvent pas être utilisées librement. Il ne s'agit pas uniquement des mots. Cela concerne également les symboles, les designs et même les présentations des produits. Ainsi, le Groupe LEGO considère la brique LEGO comme une marque. Même si ce n'est pas toujours le cas, les marques se reconnaissent souvent au signe <sup>®</sup> ou <sup>™</sup> qui y est accolé. Vous trouverez des informations supplémentaires à propos de la législation sur votre CD-ROM. Pour cela, suivez les instructions figurant sur l'écran. Vous pouvez avoir accès à d'autres renseignements concernant le Groupe LEGO et ses marques sur Internet par notre code <http://www.LEGO.com>

Nous vous souhaitons un agréable moment avec votre CD-ROM LEGO TECHNIC !

## Guide d'utilisation pour le CD ROM

### Installation pour Macintosh :

- 1) Allumez votre ordinateur.
  - 2) Quittez les applications en cours.
  - 3) Insérez votre disque LEGO dans le lecteur de CD-ROM.
  - 4) Double-cliquez sur l'icône «LEGO» puis sur l'icône «LEGO Setup» pour installer le CD-ROM dans votre ordinateur.
  - 5) Un dossier LEGO de démarrage LEGO va se créer au premier niveau de votre disque de démarrage. Il est destiné à enregistrer les noms des utilisateurs, des signets et des documents provisoires. Il doit y avoir 10 Mo disponibles dans votre disque dur.
  - 6) Si votre Macintosh possède les applications appropriées, vous serez prêt à démarrer. Dans le cas contraire, il vous sera demandé d'installer QuickTime et/ou SoundManager dans le dossier EXTENSIONS. Quand vous aurez installé ces éléments, redémarrez votre ordinateur avant d'ouvrir le CD-ROM LEGO.
  - 7) Quand vous voudrez vous servir de nouveau de votre CD-ROM LEGO, insérez votre CD-ROM dans l'ordinateur, allez dans le dossier de démarrage de votre disque dur et double-cliquez sur l'icône Start PPC/Start 68k.
- Nota :** ne tenez compte des § 4, 5 et 6 ci-dessus que si vous faites fonctionner votre CD-ROM LEGO pour la première fois.

### Installation pour Windows 3.11 :

- 1) Allumez votre ordinateur.
  - 2) Lancez Windows 3.11 et assurez-vous que les applications pour le CD-ROM et la carte «son» sont chargées (si vous avez déjà utilisé des CD-ROM, ces applications sont certainement en fonction).
  - 3) Insérez votre disque LEGO dans le lecteur de CD-ROM.
  - 4) Double-cliquez sur l'icône GROUPE PRINCIPAL, puis sur GESTIONNAIRE DE PROGRAMME.
  - 5) Sélectionnez EXECUTER, puis double-cliquez sur D.:SETUP.EXE (D est la lettre de référence de votre CD-ROM).
  - 6) Avant de faire fonctionner votre CD-ROM, assurez-vous que QuickTime pour Windows est installé. En cas de doute, quand on vous présentera cette option, cliquez dessus. Si vous effectuez cette installation, redémarrez votre ordinateur.
- Nota :** ne tenez compte des § 4, 5 et 6 ci-dessus que si vous faites fonctionner votre CD-ROM LEGO pour la première fois.
- 7) Double-cliquez sur l'icône LEGO, dans le groupe LEGO TECHNIC pour démarrer votre CD-Rom.

### Pour ceux qui utilisent Windows 95 :

- 1) Allumez votre ordinateur.
- 2) Windows 95 se mettra en place automatiquement. Assurez-vous que les applications CD-ROM et carte son sont chargées (si vous avez déjà utilisé des CD-ROM, ces applications sont certainement en fonction).
- 3) Insérez votre disque LEGO dans le lecteur de CD-ROM.
- 4) Attendez que l'écran AUTOPLAY apparaisse.
- 5) Cliquez sur le bouton OK pour continuer.
- 6) Suivez les instructions : il peut vous être demandé d'installer l'application QuickTime pour Windows si nécessaire. Si vous n'êtes pas sûr que c'est fait, cliquez sur cette option quand elle apparaîtra. Dans ce cas, quand QuickTime est installé, redémarrez le programme LEGO.
- 7) Quand vous voudrez vous servir de nouveau de votre CD-ROM LEGO, insérez simplement le disque.

### Instructions complémentaires pour les utilisateurs de Windows 3.11 et 95 :

Le CD-ROM LEGO crée un répertoire LEGO dans le Gestionnaire de programmes. Il servira à enregistrer les noms des utilisateurs, des signets et les documents provisoires. Il doit y avoir 10 Mo disponibles dans votre disque dur. Ne vous inquiétez pas si vous effacez accidentellement le répertoire. Le CD-ROM LEGO en créera un autre s'il ne trouve pas l'original ; vous aurez cependant perdu vos fichiers temporaires, mais conservé vos fichiers de notes.

## En cas de problème :

### Utilisateurs de Windows :

Erreur GPF. Cette erreur se produit généralement lorsqu'il y a un problème de carte vidéo. Si vous la rencontrez, essayez d'installer un driver d'écran SVGA 640 par 480, application couleur 256. Si les couleurs sont toujours anormales, assurez-vous que votre application vidéo et votre moniteur acceptent 256 couleurs et sont configurés pour cela. Si vous ne voyez pas l'écran AUTORUN après avoir inséré le CD-ROM, appuyez sur la touche droite de la souris pour ouvrir le CD-ROM et double-cliquez sur l'icône «LEGO-CD.SCF».

### Utilisateurs de Macintosh :

Si vous rencontrez des problèmes, désactivez la Mémoire virtuelle ou la RAM si vous l'utilisez. En dernier ressort, allez dans le menu du Gestionnaire d'extensions et désactivez toutes les applications sauf QuickTime. Puis redémarrez l'ordinateur. (En sélectionnant le Système 7.x dans le menu du Gestionnaire d'extensions, vous rendrez votre ordinateur compatible avec le CD-ROM LEGO dans tous les cas.)

## Guide d'utilisation Introduction

Bienvenue dans la base sous-marine LEGO Technic ! La base est constituée de cinq salles : trois pour la construction de modèles, une salle de réunion et une salle d'exposition. Il n'est pas nécessaire de lire ce guide pour utiliser le programme ; le meilleur moyen de connaître la base



est l'expérimentation. Il vous suffit de cliquer sur n'importe quel bouton pour voir ce qui se passe. Mais, en lisant ce guide, vous trouverez des indications et des informations qui rendront votre visite encore plus intéressante.

Amusez-vous bien !

## Fonctions générales du tableau de bord

Quand vous commencez le programme, vous voyez un écran de présentation sur lequel vous devez inscrire votre nom et choisir une langue. Quand c'est fait, cliquez sur OK : le logo LEGO TECHNIC apparaît. Cliquez dessus pour que le générique commence. Si votre nom est déjà enregistré, cliquez dessus puis cliquez sur OK. Le programme peut avoir jusqu'à cinq utilisateurs différents. Chacun d'eux peut enregistrer son nom (le programme conservera les réglages et les fichiers temporaires pour chacun des cinq utilisateurs). À la fin du générique, vous serez dans la salle du sous-marin. Vous pouvez arrêter le générique en cliquant dessus. Les commandes situées à gauche et au milieu du tableau de bord sont les mêmes dans les cinq salles ; celles de droite changent selon la salle où l'on se trouve. Les commandes sont :

- ① Bouton Q : pour quitter le programme.
- ② Bouton général : pour redémarrer le programme.
- ③ Bouton de réglage : cliquer dessus pour faire apparaître les boutons de réglage.
  - ③a Volume + / -
  - ③b Texte «Télex» A / M
  - ③c Liaison vidéo plongeur A / M
  - ③d Choix de la langue
  - ③e Annuler
  - ③f OK
- ④ Bouton d'impression : quand vous avez fini de construire un modèle, il permet de lancer l'impression d'un diplôme (à condition que vous ayez une imprimante et le ou les logiciels appropriés).
- ⑤ Bouton de navigation : il fait apparaître un petit plan de la base sous-marine et vous pouvez cliquer sur la salle où vous voulez aller.
- ⑥ Liaison vidéo avec le plongeur qui vous aidera de temps en temps. Vous pouvez arrêter la liaison vidéo en cliquant sur le plongeur.
- ⑦ Pour répéter le dernier message du plongeur.
- ⑧ Pour afficher le chronomètre de construction sur l'écran d'informations ⑨. Si vous cliquez de nouveau, le chronomètre disparaît. Si le chronomètre est visible au moment de l'impression, le temps de construction apparaîtra sur les diplômes.
- ⑨ Cet écran d'informations vous donnera des infos importantes en mode Télex. Si vous cliquez sur l'écran, vous verrez tout le texte s'afficher en une fois.
- ⑩ Bouton d'aide : pour afficher les fonctions des boutons de commande.

## Salle du sous-marin (A) et salle de la base mobile (B)

Dans ces salles, vous pouvez construire les deux grands modèles, le sous-marin et la base mobile. Vous pouvez essayer les fonctions des modèles en cliquant dessus.

- ⑪ Bouton de construction : c'est lui qui permet d'accéder au mode construction.
- ⑫ Pour revenir à la salle.
- ⑬ et ⑭ Boutons séquences pour accéder aux étapes de construction. Si vous cliquez sur le bouton de construction ⑪ ou sur l'écran d'informations ⑨ pendant 5 secondes, vous irez à l'étape visible sur l'écran d'informations. Autrement, vous resterez à l'étape en cours.
  - ⑮ / ⑯ Une image en arrière / Une image en avant.
  - ⑰ Étape précédente
  - ⑱ Étape suivante
  - ⑲ Animation/pause

**Important !** Quand vous faites une construction et que vous devez mesurer des éléments LEGO (comme la longueur des essieux noirs, des tubes, etc.), il est indispensable d'utiliser le diagramme de mesure au dos de ce guide d'utilisation.

**Nota 1 :** les étapes de construction du logiciel ne correspondent pas exactement à celles sur papier.

**Nota 2 :** la base mobile (B) peut être motorisée. Pour cela, il vous faut la boîte LEGO Technic n° 8720.

## Salle des astuces (C)

Dans cette salle, vous pouvez construire de nombreux petits modèles. Cliquez sur les modèles pour voir leurs fonctions. Le modèle sur lequel

vous cliquez apparaîtra sur l'écran d'informations ⑨. Vous pouvez alors choisir de construire le modèle en cliquant sur le bouton de construction ⑪ ou de voir une astuce secrète en cliquant sur le bouton ⑫. Chaque modèle a une ou plusieurs astuces de construction très utiles que vous pouvez utiliser pour vos propres modèles LEGO Technic. Certains des modèles de cette salle ont des options qui seront présentées quand vous aurez fini de construire le modèle principal.

**Nota :** vous ne pouvez construire qu'un seul des cinq modèles à la fois.

Si vous avez aussi d'autres boîtes LEGO Technic, vous pouvez construire deux ou plusieurs modèles en même temps.

**Suggestion :** vous pouvez utiliser les fonctions techniques montrées pour construire vos propres modèles. Essayez, ce n'est vraiment pas difficile !

## Salle de réunion (D)

C'est le centre d'informations de la base sous-marine, où vous trouverez plein d'infos sur les modèles LEGO Technic, les sous-marins, la vie sous-marine, etc.

- ⑳ Accès aux infos sous-marines
- ㉑ Accès aux infos sur les modèles LEGO
- ㉒ / ㉓ Monter / Descendre

### Infos sous-marines

- ㉔ Activité humaine
- ㉕ Nature
- ㉖ Science

### Infos modèles LEGO Technic

- ㉗ Infos générales
- ㉘ Spécifications techniques
- ㉙ Archives vidéo

**Suggestion :** pourquoi ne pas essayer de construire un des vrais sous-marins montrés dans la section des infos sous-marines ?

## Salle d'exposition (E)

Dans cette salle vous pouvez voir tous les autres modèles LEGO Technic. Vous dirigez la caméra-scanner. La position de la caméra est montrée sur l'écran d'informations ⑨.

- ㉚ Ces quatre boutons dirigent la caméra.
- ㉛ Pour détailler les modèles visés par la caméra.
- ㉜ Démonstration des fonctions des modèles.
- ㉝ Zoom.
- ㉞ Montre le modèle alternatif (ne fonctionne que pour certains modèles).

**Suggestion :** il y a de nombreux autres modèles que vous pouvez voir sur l'écran. Par exemple, mettez la caméra en position 4,10 et 3,1.

**Nota :** certains des modèles montrés ne sont disponibles que sur commande dans votre pays.

## Service Consommateurs

Si vous éprouvez des difficultés avec ce logiciel LEGO, merci de vous reporter à la page 8 "En cas de problème"

Si vous n'arrivez pas à résoudre le problème, alors vous avez besoin de notre aide.

**France :** Numéro de téléphone: 02 37 91 08 80

**Suisse :** Numéro de téléphone: 022 700 7800  
E-Mail: [Helpdesk@LEGO.com](mailto:Helpdesk@LEGO.com)

**Belgique :** Numéro de téléphone: 03 / 2318768  
E-Mail: [Helpdesk@LEGO.com](mailto:Helpdesk@LEGO.com)

Pour vous apporter un service rapide et efficace, nous vous remercions de bien vouloir nous fournir les informations suivantes, lors de votre appel:

1. Chiffre correct et version du CD-ROM
  - Cliquez deux fois sur l'icône CD-ROM
  - Notez la version du dossier versX.XXX
2. Type d'ordinateur sur lequel vous êtes
3. Votre version de Windows (PC) ou Finder (Mac)
4. Quelle est la capacité mémoire vive de votre ordinateur?
5. Quel est l'espace disque disponible sur votre ordinateur?
6. Quel est le code erreur que vous avez noté? (si existant)

Nous vous recommandons d'être prêt de votre ordinateur lorsque vous nous appellerez.



# Benvenuto nel nuovo mondo LEGO<sup>®</sup>

In questa confezione hai trovato un programma edp che puoi usare con il tuo PC. Prima che tu inizi a leggere il programma, vorremmo informarti su alcune norme di legge, che riguardano i programmi del computer. Come per ogni attività del Gruppo LEGO siamo stati molto attenti nello sviluppo di questo programma per il computer per il nuovo LEGO TECHNIC set. Abbiamo speso molto tempo e ci siamo sforzati di creare questo programma nel miglior modo possibile. Dovrebbe essere adeguato agli elevati standard qualitativi richiesti ai prodotti LEGO<sup>®</sup>. In altre parole questo programma è di grande valore per te e per noi. Perciò è proibito copiare i programmi edp conformemente alle norme di legge. Ricorda che ci sono due regole cui dovrai attenerti:

**Prima regola:** ti è permesso copiare il programma LEGO sul tuo pc: quando apri il programma una sua parte è automaticamente trasferita sul tuo pc. Se hai comprato il programma, o lo hai ricevuto legalmente in qualche altro modo, puoi farne la copia. Inoltre ti è permesso fare il backup del programma se vuoi salvaguardarti nel caso dovessi perdere l'originale. Se il tuo pc è collegato con altri computer, in rete o attraverso Internet, non puoi lasciare che altri utilizzatori usufruiscano della connessione al programma e non devi salvare il programma e lasciare che altri lo copino. Naturalmente altre persone possono usare il programma sul tuo pc.

**Seconda regola:** quando passi il programma ad un'altra persona, perdi il diritto di usarlo: ti è permesso dare il tuo programma LEGO ad altri o venderlo. Ma se lo farai non ti sarà più permesso usare le copie del programma che potrebbero essere ancora sul tuo pc. La legge proibisce il prestito e il noleggio dei programmi edp! E questo è valido anche per te.

Inoltre devi sapere che i marchi registrati del Gruppo LEGO non possono essere utilizzati liberamente. I marchi non sono solo parole, ma possono essere anche simboli, disegni e perfino la presentazione di un prodotto. Per esempio, il Gruppo LEGO considera i mattoncini LEGO come un marchio. Anche se non sempre è così, i marchi possono essere riconosciuti tipicamente per il fatto di avere <sup>®</sup> e <sup>™</sup> uniti al marchio. Ci sono altre informazioni riguardanti le norme di legge sui CD-rom. Tu puoi trovare tali informazioni seguendo le istruzioni sullo schermo. Se sei collegato ad Internet tu puoi anche visitare il nostro sito all'indirizzo <http://www.LEGO.com>, per ulteriori chiarimenti sull'utilizzo dei marchi del Gruppo LEGO.

E buon divertimento con il LEGO TECHNIC CD-Rom!

## Guida di Installazione per l'utilizzo

### Utilizzatori Macintosh:

1. Accendi il tuo Macintosh.
2. Esci da tutte le applicazioni correnti.
3. Inserisci il tuo CD-Rom nel lettore di CD-Rom.
4. Doppio click sull'icona LEGO e poi sull'icona di installazione per l'utilizzo del CD-Rom sul tuo computer.
5. Una cartella LEGO verrà creata sul tuo disco fisso. Questa cartella verrà utilizzata per inserire i nomi dell'utilizzatore, i «bookmarks» e i files temporanei. Per creare questa cartella sono necessari 10MB liberi sul tuo disco fisso.
6. Se nel tuo Macintosh è stato installato il software appropriato, potrai andare avanti. Altrimenti dovrai installare QuickTime e/o SoundManager. Dopo aver caricato questi elementi, dovrai «riavviare» il tuo Mac prima di inserire il LEGO CD-Rom.
7. La prossima volta che volessi utilizzare il LEGO CD-Rom, inseriscilo sul drive di lettura, vai alla cartella LEGO (LEGOTECH) di avviamento sul disco fisso e fai doppio click sull'icona Start PPC/Start 8Sk.

**Nota:** i punti 4, 5 e 6 sopramenzionati si riferiscono solo alla prima volta che avvi il LEGO CD-Rom.

### Utilizzatori di Windows 3.11:

1. Accendi il tuo PC.
2. Apri Windows 3.11 e assicurati che il tuo CD-Rom e la scheda audio siano caricati (se hai già utilizzato un CD-Rom, sono già caricati).
3. Inserisci il LEGO CD-Rom nel lettore di CD.

4. Utilizza il programma File Manager (che trovi all'interno del Menù Principale in Program Manager) o il Browse e clicca sulla lettera «D» del tuo lettore di CD-Rom.

5. Fai doppio click su SETUP.EXE program.

6. Prima di iniziare la lettura del CD-Rom, potresti avere bisogno di installare QuickTime per Windows se questo software non è già installato. Quando si presenta l'opzione, clicca l'Install QuickTime per Windows se non sei sicuro. Dopo l'installazione di QuickTime dovrai «riavviare» il tuo PC.

**Nota:** i punti 4, 5 e 6 sopramenzionati necessitano, solo per la prima volta, che tu avvi il LEGO CD-Rom.

7. Fai doppio click sull'icona LEGO nel LEGO TECHNIC Program Group per avviare il LEGO CD-Rom.

### Utilizzatori di Windows 95

1. Accendi il tuo computer.
2. Windows 95 dovrebbe partire automaticamente. Assicurati che il tuo lettore di CD-Rom e la tua scheda audio siano caricati (se hai precedentemente utilizzato un CD-rom, allora probabilmente sono già caricati).
3. Inserisci il LEGO CD-rom nel lettore CD-Rom.
4. Attendi che appaia l'Autoplay screen.
5. Clicca il comando OK per continuare.
6. Segui le istruzioni, che possono richiedere che tu installi il QuickTime per Windows se non hai già installato questo software. Quando si presenta l'opzione, clicca l'install QuickTime per Windows se non sei sicuro. Se è richiesta l'installazione poi dovrai riavviare il LEGO CD-Rom.
7. Le volte successive che volessi usare il LEGO CD-rom, inserisci semplicemente il CD-Rom.

### Note aggiuntive per Windows 3.11 e 95 Users

Il LEGO CD-Rom crea una directory chiamata LEGO sul disco fisso del tuo computer. Questa directory verrà utilizzata per immagazzinare i nomi dell'utilizzatore, i «bookmarks», e i files temporanei. Tu devi avere 10MB liberi sull'hard disc per creare questa directory. Non preoccuparti se accidentalmente la cancellassi. Il LEGO CD-Rom automaticamente ne creerà una nuova se non trova l'originale, tuttavia tu perderai i tuoi «bookmarks» e i files salvati dagli utenti.

## Problemi e soluzioni

### Utilizzatori Windows:

GPF (General Protection Fault): di solito questo errore è causato dal lettore video. Se incorri in questo errore, per favore cerca di installare il SVGA 640 by 480, 256 - lettore video a colori.

Se i tuoi colori sono ancora strani, assicurati che il tuo lettore video ed il monitor siano in grado di mostrare 256 colori e configurati opportunamente.

### Windows 95:

Se non vedi la videata «AutoRun» dopo aver inserito il CD-Rom, utilizza il corretto pulsante del mouse per aprire il CD-Rom e poi fai doppio click sull'icona LEGO CD.SCP.

### Utilizzatori Macintosh:

Se incontri qualche problema, disattiva la memoria virtuale o RAM Doubler se li stai utilizzando. Come ultima risorsa, usa «Gestione Estensioni» (Extensions Manager) dal pannello di controllo, abilita solo QuickTime e SoundManager, quindi riavvia il computer. In ogni caso selezionando «System 7.x» dal menu «Gestione Estensioni» dovresti comunque riuscire a rendere compatibile il tuo computer con il LEGO CD-Rom.

## Manuale di istruzione

### Introduzione

Benvenuti nella base sottomarina di LEGO TECHNIC. La base ha 5 siti: 3 officine per la costruzione dei modelli, 1 per lo studio e l'ideazione, ed 1 per la presentazione. In realtà tu puoi non seguire questa guida, perché il miglior modo di conoscere la base è di giocarci e sperimentarla. Facendo click su qualsiasi tasto puoi vedere che cosa succede. Ma ti suggeriamo di seguire la guida se vuoi ottenere dei suggerimenti ed utili informazioni che renderanno la tua permanenza alla base sottomarina molto più entusiasmante.

Trattieni il respiro, tuffati e divertiti!



## Funzioni generali del pannello di controllo

Quando accendi il programma, vedrai la videata principale dove ti si chiede di scrivere il tuo nome in sigla e scegliere la lingua. Quando avrai fatto ciò, clicca il comando OK e sul logo LEGO TECHNIC che apparirà sullo schermo e l'introduzione animata comincerà. Se sei entrato precedentemente con il tuo nome, puoi cliccarlo direttamente e poi clicca il tasto dell'OK.

Il programma può avere fino a 5 diversi utilizzatori. Ognuno può avere il suo nome sulla videata principale (il programma salverà distinte configurazioni e "bookmarks" per ognuno degli utilizzatori). Dopo la fine dell'introduzione animata, ti troverai nella stanza del sottomarino. Se clicchi sull'introduzione animata, salterai l'introduzione stessa. La parte sinistra e centrale del pannello di controllo sono uguali per tutti i 5 siti, la parte destra invece varia a seconda del locale in cui ti trovi.

I comandi generali sono:

- ① Tasto d'uscita: per uscire dal programma
- ② Tasto principale: cliccandolo riparte il programma
- ③ Tasto di preparazione: cliccandolo ti indica i tasti per il controllo del pannello generale:
  - ⑳ Livello volume
  - ㉑ Text «Telex» off / on
  - ㉒ Collegamento video sub spegnimento ed accensione
  - ㉓ Cambiamento della lingua
  - ㉔ Azzeramento
  - ㉕ OK
- ④ Tasto di stampa. Dopo aver costruito un modello, questo comando stamperà un diploma, a condizione che tu abbia una stampante ed un drivers adeguato.
- ⑤ Stanza del navigatore. Questa mostra una piccola mappa della base sottomarina dove puoi scegliere e cliccare la stanza che vuoi visitare.
- ⑥ Collegamento al sub che ti aiuterà in ogni momento. Puoi fermare il collegamento video cliccando sul sub.
- ⑦ Ripete l'ultimo messaggio del sub.
- ⑧ Rivela il tempo di costruzione sul display informativo.  
Se tu lo clicchi di nuovo, il timer scomparirà. Se il timer resta visibile, il tempo di costruzione apparirà se stampi il diploma.
- ⑨ Questo display informativo (Telex) ti darà importanti dettagli. Se clicchi sul display vedrai subito tutto il testo.
- ⑩ Displays di soccorso sulle funzioni che tu correntemente stai utilizzando.

## Sito del sottomarino (A) e base mobile (B)

In questi due siti puoi costruire due grandi modelli: il sottomarino e la base mobile. Puoi provare dei modelli semplicemente cliccando questi tasti.

- ⑪ Questo comando ti sposta al modulo di costruzione.
- ⑫ Ti riporta al sito iniziale.
- ⑬ e ⑭ «Step-menu», mostra tutti i passaggi di costruzione. Se clicchi il "tasto di costruzione" ⑪ o il display delle informazioni ⑨ in 5 secondi andrai al passaggio che vedi nel display delle informazioni. Altrimenti rimarrai al passaggio corrente.
- ⑮ / ⑯ Un fotogramma indietro / uno avanti.
- ⑰ Torna al punto precedente.
- ⑱ Vai al prossimo.
- ⑲ Tasto di animazione/pausa

**NB:** Quando stai costruendo e vuoi misurare gli elementi LEGO (come la lunghezza degli assali neri, le condutture, etc.) è importante che utilizzi lo schema di misurazione all'ultima pagina della guida all'utilizzo.

**NB:** Stai attento che la numerazione dei passaggi nel programma non corrisponde direttamente a quella del libretto delle istruzioni.

**NB:** La base mobile (B) ha la possibilità di essere motorizzata. Per fare ciò ti serve l'art. 8720 di LEGO TECHNIC.

## Stanza dei trucchi e stratagemmi (C)

In questo sito puoi costruire alcuni piccoli entusiasmanti modelli. Clicca su un modello per vedere le sue funzioni. Il modello su cui clicchi apparirà sul display informativo ⑨. Poi puoi scegliere tra costruire il modello cliccando il comando «costruzione» ⑪ o vedere un trucco segreto cliccando il comando ⑲.

Ogni modello contiene uno o più trucchi che puoi usare per costruire da solo i modelli di LEGO TECHNIC. Alcuni trucchi e stratagemmi hanno delle opzioni extra, che saranno presentate dopo che avrai terminato di costruire il modello principale.

**NB:** Puoi costruire solo uno alla volta dei 5 modelli. Comunque se hai altre confezioni di LEGO TECHNIC, potrai costruire due o più modelli allo stesso tempo.

**Attenzione:** Puoi usare le funzioni tecniche mostrate per costruire i tuoi modelli. Provale, non è difficile.

## Sito dello studio e dell'ideazione (D)

È il centro delle informazioni della base sottomarina, dove trovi le spiegazioni sui modelli di LEGO TECHNIC, i sottomarini, la vita delle profondità oceaniche etc.

- ㉖ Vai alla sezione «Vita nelle profondità marine»
- ㉗ Vai alla sezione «Modelli LEGO»
- ㉘ / ㉙ Vai su / giù

«Vita nelle profondità marine»:

- ㉚ Attività dell'uomo
- ㉛ Natura
- ㉜ Scienze

**Modelli LEGO TECHNIC:**

- ㉝ Informazioni generali
- ㉞ Specifiche tecniche
- ㉟ Archivio Video

**Attenzione:** perché non costruisci uno dei sottomarini esistenti mostrati nella sezione «Vita nelle profondità marine»?

## Showroom (E)

In questo luogo puoi provare tutti i modelli LEGO TECHNIC. Puoi comandare la telecamera scanner. La sua posizione è indicata nel display delle informazioni ⑨.

- ㊱ Questi 4 comandi controllano la telecamera
- ㊲ Analizza il modello su cui punta la telecamera
- ㊳ Illustra le funzioni del modello
- ㊴ Zoom
- ㊵ Mostra modelli alternativi (funziona solo con alcuni modelli)

**Attenzione:** ci sono molti altri modelli che puoi vedere sullo schermo. Ad esempio prova le posizioni 4, 10 e 3, 1.

**NB:** Alcuni dei modelli illustrati sono disponibili nel tuo paese solo su richiesta postale.

## Servizio Consumatori

Se incontri qualche difficoltà con questo software LEGO, per favore consulta la sezione dei «Problemi e Soluzioni» alla pagina 10.

Se questo non dovesse risolvere il tuo problema, puoi rivolgerti al «Servizio Consumatori On Line LEGO» al seguente numero:

**Italia:** Numero di telefono: 02 - 93.1.95.333  
Indirizzo e-mail: Helpdesk@LEGO.com

**Schweiz:** Numero di telefono: 022 700 7474  
Indirizzo e-mail: Helpdesk@LEGO.com

Il servizio è fornito in Italiano.

Per offrirti un servizio migliore e più rapido, prima di chiamare devi raccogliere le seguenti informazioni:

- 1) Corretto numero e versione del CD-ROM  
- doppio click sull'icona del CD-ROM  
- annotazione della versione del file verax.xxxxx
- 2) Il tipo di computer che stai utilizzando
- 3) La tua versione di Windows (PC) o Finder (Mac)
- 4) Quanta RAM ha il tuo computer
- 5) Quanta memoria libera ha l'harddisk del tuo PC
- 6) L'esatto messaggio di errore (se ce ne fosse uno)

Se possibile stai vicino al tuo computer quando telefoni.



O.K. | Ben je er klaar voor? Zuurstofflessen aangesloten? Duikbril op? Daar ga je dan! Veel plezier!

## Algemene functietoetsen

Als je het programma opstart zie je een log-in scherm waarop je gevraagd wordt je naam in te toetsen en een taal te kiezen. Als je dit gedaan hebt, klik je op OK en op het LEGO TECHNIC logo dat op het scherm verschijnt, waarna de intro-animatie start. Mocht je al eerder je naam hebben ingevoerd, dan hoef je alleen nog maar hierop te klikken en daarna de OK toets aan te klikken. Het programma kan maximaal 5 verschillende gebruikers aan. Elke gebruiker kan zijn eigen naam op het log-in scherm zien (het programma slaat alle instellingen en „bookmarks“ apart op voor de verschillende gebruikers). Na deze intro bevindt je je in de Onderzeeboot Ruimte. Als je met je muis op de intro-animatie klikt, sla je deze over. Het bedieningsmenu heeft drie toetsen. De linker en de middelste toets zijn in alle vijf ruimtes gelijk. De rechtertoets is in iedere ruimte weer anders.

- ① Stop toets: hiermee verlaat je het programma.
- ② Hoofd toets: als je deze aanklikt, start het programma (opnieuw).
- ③ Instel toets: hiermee kun je allerlei functies instellen, zoals:
  - Ⓜ geluid: harder/zachter
  - Ⓝ tekst-telex: aan / uit
  - Ⓞ video-verbinding met duiker: aan / uit
  - Ⓟ verschillende talen
  - Ⓠ annuleren
  - Ⓡ o.k.
- ④ Print-toets. Nadat je een model hebt gebouwd, kun je met je printer-toets een diploma laten uitprinten. Dat kan natuurlijk alleen als je een printer hebt die op het LEGO programma aansluit.
- ⑤ Ruimte-kiezer: je ziet een kleine plattegrond van het Onderwater Station. Door op de gewenste ruimte te klikken bepaal je zelf waar je heen gaat.
- ⑥ Video-verbinding met de duiker die jou af en toe kan helpen. Je kunt de video-verbinding stoppen door met je muis op de duiker te klikken.
- ⑦ Herhaalt telkens de laatste boodschap van de duiker.
- ⑧ Laat een klokje zien, dat bijhoudt hoeveel tijd je bezig bent om iets te bouwen. Als je er nog een keer op klikt, verdwijnt het weer. Als je het klokje in beeld laat, verschijnt het ook nog op het diploma dat je uitprint.
- ⑨ Dit informatiescherm (Telex) geeft je belangrijke informatie. Als je op display klikt, zie je alle tekst direct.
- ⑩ Help toets: geeft informatie over alles wat je op dat moment aanwijst.

## Onderzeeboot Ruimte (A) en Mobiel Station Ruimte (B)

In deze twee ruimtes kun je twee grote modellen bouwen: een Onderzeeboot en een Mobiel Station. Wat ze kunnen, ontdek je door er gewoon met de muis op te klikken.

- ⑪ Als je op deze belangrijke toets drukt, begin je met bouwen.
- ⑫ Brengt je terug naar de ruimte.
- ⑬ en ⑭ Stap-voor-Stap toets: hier zie je alle bouwfasen. Als je op de Bouw-toets ⑪ klikt of op het informatiescherm ⑨, kom je binnen 5 seconden in de bouwfase die je ziet op het informatiescherm. Anders blijf je gewoon in de bouwfase waarin je bezig bent.
- ⑮ / ⑯ Eén venster terug / Eén venster vooruit.
- ⑰ Ga naar de vorige Stap.
- ⑱ Ga naar de volgende Stap.
- ⑲ Laat een tekenfilm zien / pauze.

### Let op!

Als je aan het bouwen bent en je moet LEGO onderdelen opmeten (bijvoorbeeld de lengte van de zwarte TECHNIC balken of de kruisassen) is het heel belangrijk dat je de meettabel op de achterkant van deze handleiding gebruikt.

### Let op!

De nummers van de bouwstappen in dit programma zijn anders dan de nummers op de bouwvoorbeelden in de dozen.

### Let op!

Het Mobile Station (B) kan gemotoriseerd worden. Daarvoor heb je LEGO TECHNIC doos 8720 nodig.

## Tips & Trucs Ruimte (C)

In deze ruimte kun je een aantal kleine, spannende modellen bouwen. Om te zien wat ze allemaal kunnen, klik je er gewoon even op. Het model dat je aanklikt verschijnt op het informatiescherm ⑨. Daarna kun je kiezen of je het wilt bouwen (klik op Bouw toets ⑪) of dat je een geheime

tip wilt zien (klik toets ⑫ aan). Elk model geeft een of meer handige bouw-tips. Die kun je goed gebruiken voor het bouwen van je eigen LEGO TECHNIC model. Sommige tips en trucs-modellen hebben extra mogelijkheden.

Die krijg je pas te zien als je het hoofdmodel helemaal hebt afgebouwd.

### Let op!

Je kunt per keer maar één van de vijf modellen bouwen. Tenzij je natuurlijk nog andere LEGO TECHNIC dozen hebt, dan kun je aan twee of meerdere modellen tegelijk bouwen.

### Tip:

Je kunt de getoonde technische functies gebruiken om je eigen modellen te bouwen. Probeer het maar eens uit. Je zult zien dat het heel gemakkelijk gaat.

## Informatie Ruimte (D)

Dit is het Informatiecentrum van de Onderwaterbasis. Hier krijg je alle benodigde achtergrondinformatie over LEGO TECHNIC modellen, onderzeeboten, het leven onder water, enzovoort.

- ⑳ Schakel over naar de Onderwater Informatie.
- ㉑ Schakel over naar de Informatie over LEGO modellen.
- ㉒ / ㉓ Ga naar boven / naar beneden.

### Onderwater Informatie:

- ㉔ De mens onder water
- ㉕ De natuur onder water
- ㉖ De wetenschap onder water

### LEGO TECHNIC modellen:

- ㉗ Algemene informatie
- ㉘ Technische specificaties
- ㉙ Video-archief

### Tip:

Probeer eens één van de levensechte onderzeeboten te bouwen zoals die zijn afgebeeld in de Onderwater Informatie.

## Showroom (E)

In deze ruimte zie je alle andere LEGO TECHNIC modellen. Gebruik daarvoor de Scanner Camera met de afstandsbediening. Op het Informatiescherm ⑨ zie je waar de camera zich bevindt.

- ㉚ Met deze vier knoppen beweeg je de camera.
- ㉛ Bekijk het model waar je naar wijst.
- ㉜ Toon de functie van het model.
- ㉝ Zoom in.
- ㉞ Laat het andere model zien (werkt alleen voor bepaalde modellen).

### Tip:

Er zijn veel meer modellen dan je op het scherm kunt zien. Probeer positie 4,10 en 3,1 maar eens.

## Consumenten Service

Mocht je problemen hebben met deze LEGO software, kijk dan op pagina 12 van de gebruikershandleiding.

Lost dit je probleem niet op, dan kun je contact opnemen met ons:

Nederland: Telefoonnummer: 076 - 5718008

(nationaal telefoontarief)  
E-Mail adres: Helpdesk@LEGO.com

België: Telefoonnummer: 03 / 2318714 (Nederlands)

E-Mail adres: Helpdesk@LEGO.com

Om je snel en goed van dienst te kunnen zijn, vragen we je om de volgende informatie bij de hand te hebben als je belt:

- 1) het nummer en de versie van de CD-ROM
  - dubbelklikken op het CD-ROM icoontje
  - noteer de versie van file versx.xxx
- 2) het computertype waarop je de CD-ROM draait
- 3) jouw versie van Windows (PC) of Finder (Mac)
- 4) hoeveel RAM je computer heeft
- 5) hoeveel vrije ruimte de harddisk van je computer heeft
- 6) de exacte foutmelding (als die gegeven wordt)

Het is ook handig om in de buurt van je computer te zitten als je ons belt.



# Velkommen til en ny LEGO® verden

Her i pakken finder du et edb-program, som du kan bruge på din computer. Inden du starter med at læse om selve programmet, vil vi gerne fortælle om nogle af de juridiske regler, der gælder for computerprogrammer.

Som med alt andet fra LEGO Gruppen har vi også været meget grundige med udviklingen af computerprogrammet til dit nye LEGO TECHNIC® sæt. Vi har brugt megen tid og indsats for at gøre programmet så godt som overhovedet muligt. Det har skullet leve op til de sædvanlige, høje kvalitetskrav for produkter fra LEGO Gruppen. Programmet er med andre ord værdifuldt – både for dig og for os.

Derfor er det også forbudt ifølge loven at kopiere edb-programmer. I den forbindelse er der 2 regler, du skal kende.

## Første regel:

Du må gerne kopiere LEGO programmet til dig selv: Når du starter programmet, overføres en del automatisk til din computer. Hvis du har betalt for programmet eller i øvrigt fået det på lovlig vis, er den slags kopier OK. Du må også gerne tage en reservekopi af programmet, så du er sikret, hvis du skulle miste originalen. Hvis din computer er forbundet med andre computere, Leks. gennem et lokalt netværk eller på Internettet, må du ikke lade andre brugere på nettet få adgang til programmet, og du må ikke lagre programmet og overlade til andre at kopiere det. Men i må selvfølgelig gerne være flere om at bruge programmet ved din computer.

## Anden regel:

Når du giver spillet til en anden, mister du retten til selv at bruge det: Du må gerne give dit LEGO program til andre eller sælge det. Men hvis du gør det, må du ikke længere bruge de kopier af programmet, der fortsat måtte ligge på din computer. Loven forbyder udlån og udlejning af edb-programmer, så det må du heller ikke.

Udover disse regler bør du vide, at LEGO Gruppens varemærker ikke frit må benyttes. Varemærker er ikke blot ord. Det kan bl.a. også være symboler, design og et produkts udformning. F.eks. anser LEGO Gruppen LEGO klodsen for et varemærke. Selv om det ikke gælder altid, kan varemærker typisk kendes på, at der står ® eller ™ bagefter.

Der er flere oplysninger om de juridiske spilleregler på CD-ROM'en. Oplysningerne kan du finde ved at følge anvisningerne på skærmen. Hvis du er på Internettet, kan du slå op på vores hjemmeside på <http://www.LEGO.com>, hvor der står mere om, hvordan man må bruge LEGO Gruppens varemærker.

God fornøjelse med LEGO TECHNIC CD-ROM'en.

## Macintosh brugere

- 1) Tænd din Macintosh.
  - 2) Afslut alle kørende programmer.
  - 3) Indsæt LEGO CD-ROM'en i dit CD-ROM drev.
  - 4) Dobbelt-klik på LEGO ikonet og derefter på ikonet „LEGO Setup” for at installere CD-ROM'en på din computer.
  - 5) En „LEGO” mappe vil nu blive oprettet på din opstarts-harddisk. Denne mappe vil blive brugt til at gemme brugernavne, bogmærker og midlertidige filer. Denne mappe kræver, at du har 10 MB fri plads på din harddisk.
  - 6) Hvis din Macintosh har det nødvendige software installeret, vil programmet nu starte. Hvis ikke, vil du blive spurgt om tilladelse til at programmet installerer Quicktime og/eller SoundManager. Hvis disse udvidelser installeres, er du nødt til at genstarte din Macintosh, før du kan starte din LEGO CD-ROM første gang.
- NB:** punkterne 4, 5 og 6 sker kun første gang, du starter din LEGO CD-ROM.

## Windows 3.11 brugere

- 1) Tænd din computer.
- 2) Start Windows 3.11 og sørg for, at dine CD-ROM- og lydskortdrivere er indlæst (hvis du tidligere har brugt en CD-ROM på din computer, findes disse drivere formentlig allerede).
- 3) Indsæt LEGO CD-ROM'en i dit CD-ROM drev.
- 4) Brug „Filhåndtering” programmet (kig i „Systemgruppe”-vinduet) og klik på det bogstav, som dit CD-ROM drev har (normalt „D” drevet).

5) Dobbelt-klik på SETUP.EXE programmet.

6) Det er muligt, at det er nødvendigt at installere Quicktime for Windows, hvis du ikke tidligere har installeret dette software. Er du i tvivl om dette, så klik på „Install QuickTime for Windows”.

**NB:** punkterne 5 og 6 sker kun første gang, du starter din LEGO CD-ROM.

7) Dobbelt-klik på LEGO ikonet i LEGO TECHNIC program-gruppen for at starte LEGO CD-ROM'en.

## Windows 95 brugere:

- 1) Tænd din computer.
- 2) Windows 95 skulle nu starte op. Sørg for, at dine CD-ROM- og lydskortdrivere er indlæst (hvis du tidligere har brugt en CD-ROM på din computer, findes disse drivere formentlig allerede).
- 3) Indsæt LEGO CD-ROM'en i dit CD-ROM drev.
- 4) Vent til Autoplay billedet kommer frem.
- 5) Klik på OK knappen for at fortsætte.
- 6) Følg instruktionerne, som muligvis vil bede om, at du installerer Quicktime for Windows, hvis du ikke allerede har installeret dette software. Er du i tvivl om dette, så klik på „Install QuickTime for Windows”.
- 7) Næste gang du vil bruge din LEGO CD-ROM, indsætter du den blot i dit CD-ROM drev.

## Yderligere bemærkninger til Windows 3.11 og 95

LEGO CD-ROM'en opretter en mappe kaldet „LEGO” på din harddisk (C-drevet). Denne mappe vil blive brugt til at gemme brugernavne, bogmærker og midlertidige filer. Denne mappe kræver, at du har 10 MB fri plads på din harddisk.

Det gør ikke noget, hvis du kommer til at slette denne mappe. LEGO CD-ROM'en vil automatisk oprette en ny, hvis den oprindelige ikke kan findes. Dog vil du miste dine bogmærker og gemte brugernavne.

## Fejl-finding

### Windows 3.11 brugere:

GPF (General Protection Fault): Denne fejl skyldes som regel en video-driver konflikt. Skulle du komme ud for denne fejl, så prøv at installere SVGA 640 x 480 256-farvers driveren.

Hvis farverne på din skærm stadig ser underlige ud, så sørg for, at din video-driver og din monitor er i stand til at vise 256 eller flere farver, og at de er konfigureret til dette.

### Windows 95:

Hvis „Autorun” billedet dukker op, når du indsætter LEGO CD-ROM'en, så brug den højre muse-knap til at åbne LEGO CD-ROM'en og dobbelt-klik derefter på „LEGO\_CD.SCP” ikonet.

### Macintosh brugere:

Hvis LEGO CD-ROM'en ikke vil starte eller kører i ryk, så slå Virtual Memory fra. Hvis du benytter RAM Doubler, så slå denne fra. Som en sidste udvej så brug kontrolpanelet „Udvidelseskontrol” til at slå alle udvidelser fra, undtagen Quicktime og genstart din computer. (Vælger du System 7.x i „Udvidelseskontrol”, skulle dette under alle omstændigheder sikre, at din computer kan køre LEGO CD-ROM'en).

## Funktionsvejledning:

### Indledning:

Velkommen til LEGO TECHNIC Undervandsbasen! Basen har fem rum, – 3 hvor du kan se hvordan du kan bygge modeller med klodserne fra art. nr. 8209, et briefingrum og et udstillingslokale. Det er ikke nødvendigt, at du læser denne guide for at kunne bruge programmet – den bedste måde at lære basen at kende, er ved at eksperimentere. Prøv at klikke på knapperne og se, hvad der sker. Du kan dog få nogle gode tips og informationer ved at læse denne vejledning, som vil gøre dine besøg på basen mere spændende.

Bare spring ud i det – god fornøjelse!



## Generelle kontrolpanelfunktioner

Når du starter programmet, vil du se et „log-in“ skærbillede, hvor du bliver bedt om at skrive dit navn og vælge et sprog. Når du har gjort dette, så klik på OK knappen og LEGO TECHNIC logoet, som kommer frem på skærmen, og introduktionsfilmen vil starte. Hvis du har skrevet dit navn tidligere, kan du bare klikke på det og så klikke på OK knappen. Programmet kan gemme op til fem forskellige brugernavne. Hver bruger kan have deres navn på „log-in“ skærbilledet. (Programmet vil gemme de forskellige opsætninger og bogmærker for hver af de fem brugere.) Efter introduktionsfilmen vil du være i rummet med undervandsbåden. Hvis du klikker på introduktionsfilmen, kan du springe denne over. Den venstre og midterste del af kontrolpanelet er det samme i alle fem rum, højre side ændrer sig alt efter hvilket rum, du befinder dig i. De generelle funktioner er:

- ① Ud / exit-knappen – afslutter programmet.
- ② Hoved-knappen – klik på denne knap for at genstarte programmet.
- ③ Opsætnings-knappen – klik på denne knap for at se de knapper, der bruges til de generelle indstillinger:
- ④ Lydstyrke – op / ned.
- ⑤ Tekst „telex“ til / fra.
- ⑥ Dykkervideo-link til / fra.
- ⑦ Skift mellem forskellige sprog.
- ⑧ Fortryd / Slet.
- ⑨ OK.
- ⑩ Udskrivnings-knap – når du har bygget en model, kan du udskrive et diplom. Dette forudsætter dog, at du har en printer og de relevante printerdrivere.
- ⑪ Oversigtskort – et lille „kort“ over undervandsbasen, hvor du kan klikke på det rum, du gerne vil besøge.
- ⑫ Video-link til dykkeren, som hjælper dig af og til. Du kan stoppe video-linket ved at klikke på dykkeren.
- ⑬ Gentager den sidste besked fra dykkeren.
- ⑭ Viser bygge-uret i informationsdisplayet. Hvis du klikker igen, vil uret forsvinde. Hvis uret er synligt på skærmen, vil din byggetid også være påført diplommet, når du skriver dette ud.
- ⑮ Dette informationsdisplay (TELEX) vil give dig vigtige informationer. Hvis du klikker på displayet, kan du straks se hele teksten.
- ⑯ Hjælpelinie, som vil vise, hvilken funktion du peger på.

## Undervandsbåden (A) & Mobilbasen (B)

I disse to rum finder du byggevejledning til de to store modeller. Undervandsbåden og mobilbasen. Du kan også afprøve modellernes funktioner ved at klikke på dem.

- ⑰ Tryk på denne knap, når du vil se byggevejledningen.
- ⑱ Bringer dig tilbage til rummet.
- ⑲ & ⑳ „Trit-menu“ – der viser alle byggetrinen. Hvis du klikker på byggeknapen ⑲ eller i informationsdisplayet ⑲ indenfor 5 sekunder, vil du komme til det trin, som du ser i informationsdisplayet. Ellers vil du blive på det nuværende trin.
- ㉑ / ㉒ Et billede tilbage / et billede fremad.
- ㉓ Gå til forrige trin.
- ㉔ Gå til næste trin.
- ㉕ Afspil „film“/pause.

**NB:** Når du bygger, og du er nødt til at måle LEGO elementerne (så som længden af den sorte aksel, rør etc.), er det meget vigtigt, at du bruger måleskitzen, som er placeret på bagsiden af denne brugervejledning.

**NB!** Vær også opmærksom på, at nummereringen af trinene på CD-ROM'en ikke passer direkte til trinene i den trykte byggevejledning.

**NB!** Det er muligt at motorisere mobilbasen (B). For at gøre dette behøver du LEGO TECHNIC æske nr. 8720.

## Tips og Tricks rummet (C)

I dette rum kan du bygge en række spændende, små modeller. Klik på modellerne for at se deres funktioner. Den model, du klikker på, vil vise sig i informationsdisplayet ⑨. Du kan derefter vælge, om du vil bygge modellen ved at klikke på „bygge“ knappen ⑲, eller om du vil se et henholdsvis tip ved at klikke på tips-knappen ㉖. Hver model indeholder et eller flere byggetips, som du kan bruge, når du konstruerer dine egne LEGO TECHNIC modeller. Nogle af tips og tricks modellerne har flere muligheder, som vil blive præsenteret, efter du har færdiggjort hovedmodellen.

**NB!** Du kan kun bygge en af de fem modeller ad gangen. Hvis du har nogle andre LEGO TECHNIC æsker, er det muligt, at du kan bygge to eller flere modeller på samme tid.

**Tip:** Du kan bruge de tekniske funktioner, der er vist i Tips og Tricks rummet, til at konstruere dine egne modeller. Prøv det, – det er faktisk ikke så svært!

## Briefingrum (D)

Dette er undervandsbasens informationscenter, hvor du kan få baggrunds information om LEGO TECHNIC modeller, undervandsbåde, liv under vandet osv.

- ㉗ Skifter til „Undervandsliv“.
- ㉘ Skifter til LEGO model-sektionen.
- ㉙ / ㉚ Gå op / ned.

### Undervandsliv:

- ㉛ Menneskelig aktivitet.
- ㉜ Naturen.
- ㉝ Videnskab.

### LEGO TECHNIC modeller:

- ㉞ Generel information.
- ㉟ Tekniske specifikationer.
- ㊱ Videoklip.

**Tip:** Prøv om du kan bygge en af de undervandsbåde, som er vist i sektionen om undervandsliv.

## Udstillingslokale: (E)

I dette lokale kan du se alle de andre LEGO TECHNIC modeller. Du kan fjernstyre scanner-kameraet. Kameraets placering er vist i informationsdisplayet ⑨.

- ㊲ Disse 4 knapper bevæger kameraet.
- ㊳ Scanner modellen som kameraet peger på.
- ㊴ Viser modellens funktioner.
- ㊵ Zoom.
- ㊶ Viser den alternative model (virker kun ved enkelte modeller).

**Tip:** Der er mange flere modeller, end du kan se på din skærm. Prøv for eksempel at kigge på position 4,10 og 3,1.

**NB:** Det er muligt, at enkelte modeller ikke kan købes i det land du bor i.

## Kundeservice

Hvis du oplever problemer med din LEGO software, så læs venligst afsnittet „Fejl-finding“ på side 12.

Hvis du stadig ikke kan løse problemet, så kan du få hjælp hos os:

**Danmark:** Tlf. 79 50 69 79 (normal takst)  
mandag-fredag 8.00–16.00  
E-Mail [Danmark@LEGO.com](mailto:Danmark@LEGO.com)

**Norge:** Tlf. 67 13 1200  
E-Mail [Helpdesk@LEGO.com](mailto:Helpdesk@LEGO.com)

For at kunne give den bedste og hurtigste service beder vi dig have følgende oplysninger klar, når du ringer:

1. Nummer og version på din CD-ROM, som findes ved at:
  - dobbelt-klikke på CD-ROM ikonet
  - se versionsnummeret på filen versx.xxx
2. Hvilken type computer du har: PC (386, 486 el. Pentium) eller Mac.
3. Din version af Windows (PC) eller Finder (Mac).
4. Hvor meget RAM din computer har.
5. Hvor meget fri diskplads der er på din harddisk.
6. Den nøjagtige fejlmeddelelse (hvis du har fået en).

Det vil være en fordel, hvis du har mulighed for at betjene computeren, når du ringer.



# Tervetuloa uuteen LEGO® maailmaan

Tässä palkkauksessa on ohjelma, jota voit käyttää tietokoneessasi. Ennen kuin alat tutustua siihen, haluamme kertoa sinulle muutamista lakisääteisistä ohjeista, joita sovelletaan tietokoneohjelmiin. Sinun on hyvä tietää kaksi seuraavaa sääntöä:

## 1. sääntö:

Voit kopioida LEGO ohjelman omaan tietokoneeseesi: Kun aloitat ohjelman, osa siitä siirtyy automaattisesti tietokoneeseesi. Jos olet ostanut ohjelman tai saanut sen jollain muulla laillisella tavalla, tällaiset kopiot ovat OK. Saat myös ottaa ohjelmasta turvakopion, että et joudu pulaan, jos alkuperäinen ohjelma häviää. Jos tietokoneestasi on yhteys muihin tietokoneisiin esimerkiksi paikallisen verkon tai Internetin kautta, et saa päästää muita verkkoa käyttäjiä käyttämään tätä ohjelmaa eikä kopioida sitä muille. Tietysti useampi henkilö voi käyttää ohjelmaa sinun tietokoneessasi.

## 2. sääntö:

Jos luovutat ohjelman toiselle henkilölle, menetät oikeutesi käyttää sitä itse: Sinä saat antaa LEGO ohjelman toiselle henkilölle tai myydä sen. Mutta jos teet niin, et enää saa käyttää tämän ohjelman kopioita, joita saattaa vielä olla tietokoneessasi.

Sinun pitää myös olla tietoinen siitä, että LEGO Ryhmän tavaramerkkejä ei saa käyttää vapaasti. Tavaramerkit eivät ole pelkästään sanoja. Tavaramerkki voi olla myös symboli, taiteellinen malli, konstruktio tai tuotteen esitystapa. Esimerkiksi LEGO Ryhmä pitää LEGO palikkaa tavaramerkkinä. Vaikka asia ei olekaan näin aina, tavaramerkit voi tyypillisesti tunnistaa siitä, että niihin on liitetty ® tai ™. Lisätietoja lakisäännöksistä saat CD-ROM:ista. Löydät tiedot seuraamalla näyttöruudun ohjeita. Jos tietokoneestasi on yhteys Internetiin, voit myös katsoa lisätietoja LEGO tavaramerkin käytöstä kotisivuiltamme, jonka osoite on <http://www.LEGO.com>.

## Käyttöohje

Ohjeissa on käytetty PC ja Macintosh käyttöjärjestelmien suomenkielisten versioiden termejä. Vastaavat englanninkieliset termit on mainittu suluissa.

### Windows 3.11 käyttäjät:

- 1) Käynnistä koneesi.
- 2) Käynnistä Windows 3.11. CD-ROM-aseman ja äänikortin tulee olla asennettuina ja toiminnassa.
- 3) Aseta LEGO CD-ROM-levy CD-ROM-asemaasi.
- 4) Käynnistä Tiedostohallinta (File Manager) ja napäytä CD-ROM asemasi tunnusta (esim. D:).
- 5) Kaksoisnäpätä SETUP.EXE ohjelmaa.
- 6) Jollei koneeseesi ole asennettu QuickTime for Windows apuohjelmaa, valitse kohta "Install QuickTime for Windows" asennusohjelmasta. Tällöin kone täytyy asennuksen jälkeen käynnistää uudelleen.
- 7) Käynnistä LEGO ohjelma kaksoisnäpättämällä LEGO kuvaketta LEGO ohjelmaryhmästä.

**Kohdat 4, 5 ja 6** suoritetaan vain ohjelman ensimmäisen käyttökerran yhteydessä.

### Windows 95 käyttäjät:

- 1) Käynnistä koneesi.
- 2) Windows 95:n tulisi käynnistyä automaattisesti. CD-ROM-aseman ja äänikortin tulee olla asennettuina ja toiminnassa.
- 3) Aseta LEGO CD-ROM-levy CD-ROM-asemaasi.
- 4) Jollei asennusohjelma käynnisty automaattisesti, kaksoisnäpätä näyttöllä olevaa Oma kone (My Computer) kuvaketta. Kaksoisnäpätä avautuvasta listasta CD-ROM-aseman kuvaketta ja edelleen LEGO\_CD.SCF tiedoston kuvaketta. Asennusohjelman pitäisi tämän jälkeen käynnistyä.
- 5) Napäytä OK jatkaaksesi.
- 6) Jollei koneeseesi ole asennettu QuickTime for Windows apuohjelmaa, valitse kohta "Install QuickTime for Windows" asennusohjelmasta. Apuohjelman asennuksen jälkeen kone voidaan joutua käynnistämään uudelleen LEGO ohjelman käyttämiseksi.

Mikäli Windows 95:n automaattinen CD-ROM käynnistys on käytössä, käynnistyy LEGO ohjelma seuraavilla kerroilla suoraan, kun LEGO CD-ROM laitetaan CD-ROM-asemaan.

### Lisähuomautus Windows 3.11 ja 95 käyttäjille:

Asennuksen yhteydessä koneesi syntyy LEGO hakemisto, jota käytetään käyttäjänimien, "kirjanmerkkien" ja tilapäistiedostojen tallentamiseen. Hakemisto tarvitsee noin 10 Mt vapaata tilaa kiintolevyltäsi. Mikäli hakemisto poistetaan, luo LEGO ohjelma sen uudelleen käynnistyksen yhteydessä. Tällöin aikaisemmin tallennetut kirjanmerkit ja käyttäjätiedot häviävät.

### Ongelmien selvitys Windows käytössä:

GPF (General Protection Fault): Yleensä virheilmoituksen syy on näyttöajurin ohjelma. Ongelma voi poistua asentamalla Windowsin SVGA ohjain 640 x 480, 256 väriä.

Mikäli virrit eivät toistu oikein, varmista että näyttöohjain ja näyttö tukevat 256 väriä ja asenna ohjain 256 värille.

### Macintosh käyttäjät:

- 1) Käynnistä koneesi.
- 2) Sulje kaikki muut käynnissä olevat ohjelmat.
- 3) Laita LEGO CD-ROM-levy CD-ROM-asemaasi.
- 4) Kaksoisnäpätä LEGO kuvaketta ja sen jälkeen LEGO Setup kuvaketta asentaaksesi LEGO ohjelman koneeseesi.
- 5) Koneeseesi syntyy LEGO kansio, jota käytetään käyttäjänimien, "kirjanmerkkien" ja väliaikustiedostojen talletukseen. Kansio tarvitsee noin 10 Mt vapaata tilaa kiintolevyiltäsi.
- 6) LEGO ohjelma käynnistyy normaalisti, mikäli koneessasi on tarvittavat apuohjelmat asennettuina. Muutoin lupaasi voidaan kysyä QuickTime ja/tai SoundManager apuohjelmien asennukseen. Apuohjelmien asennuksen jälkeen kone voidaan joutua käynnistämään uudelleen LEGO ohjelman käyttämiseksi.
- 7) Seuraavan kerran, kun haluat käyttää LEGO ohjelmaa, aseta CD-ROM levy koneeseesi, mene LEGO kansioon ja kaksoisnäpätä käynnistyskuvaketta.

**Kohdat 4, 5 ja 6** tapahtuvat vain ohjelman ensimmäisellä käyttökerralla. Halutessasi voit kopioida tiedostot kiintolevyillesi. Ohjelma voi toimia tällöin hieman nopeammin.

### Ongelmien selvitys Macintosh käytössä:

Ongelmatilanteissa kytke pois Virtuaalimuisti tai RAM Doubler, jos jompi kumpi näistä on päällä. Mikäli ongelmat jatkuvat, käynnistä koneesi laajennusten hallinnan (Extensions Manager) avulla niin, että vain QuickTime laajennus on käynnissä (mikäli valitset laajennusten hallinnasta System 7.x:n, pitäisi koneesi jo sinällään olla yhteensopiva LEGO CD-ROMin kanssa).

## Käyttäjän opas

### Johdanto

Tervetuloa vedenalaisen LEGO TECHNIC tukikohtaan. Tukikohdassa on viisi huonetta: kolme huonetta mallien rakentamiseen, opastuhuone ja näyttelyhuone. Sinun ei tarvitse välttämättä lukea tätä opasta käyttäaksesi ohjelmaa. Paras tapa tutustua tukikohtaan on kokeileminen. Näppää mitä tahansa näppäintä ja katso, mitä tapahtuu. Mutta jos luet tämän oppaan ensin, saatat saada hyödyllisiä vinkkejä ja tietoa, joka tekee tukikohtavierailustasi mielenkiintoisemman.

Siispä sukolla ja pidä hauskaa!

### Ohjauspaneelin yleiset toiminnot

Ohjelma voi tallentaa asetustiedot useammalle käyttäjälle. Tämän vuoksi sinua pyydetään ensimmäisen käyttökertasi yhteydessä kirjoittamaan käyttäjänimi ja valitsemaan kieli. Tämän tehtyäsi napäytä OK-painiketta. Jatkossa ohjelmaa käynnistettäessä valitse käyttäjänimesi listasta ja napäytä OK-painiketta. Ohjelma käynnistää seuraavaksi esittelyanimaatio, jonka päätyttyä olet Sukellusalusluoneessa. Saat ohitettua esittelyanimaation näppäyttämällä siihen hiirellä.

Sekä ohjauspaneelin vasen että keskiosa on sama kaikissa viidessä huoneessa, oikea sivu muuttuu sen mukaan, missä huoneessa olet.

Yleiskomennot ovat:

- ① Lopeta (Quit) -painike. Lopettaa ohjelman.
- ② Pääpainike (Main). Tämän näppäilyminen aloittaa ohjelman uudelleen.



③ Tämä on Asetukset (Settings) -painike. Tämä painike tuo esiin yleisten asetusten painikkeet:

- ④ Äänen voimakkuuden säätö (Volume down / up)
- ⑤ Teksti "Telex" Pois / Päälle (Off / On)
- ⑥ Sukellusvideolinkki Pois / Päälle (Off / On)
- ⑦ Kielenvalintapainike
- ⑧ Peruuta
- ⑨ OK

⑩ Tulostusnäppäin. Kun olet rakentanut mallin, tämä painike tulostaa diplomin, jos käytettävissäsi on tulostin ja asiaankuuluvat ohjaimet (ajurit).

⑪ Huonenavigaattori. Tämä näyttää pienen "kartan" vedenalaisesta tukikohdasta, josta voit nappamalla valita huoneen, jossa haluat käydä.

⑫ Videoyhteys sukeltajaan, joka voi auttaa sinua silloin tällöin. Saat keskeytettyä videoyhteyden näpäyttämällä sukeltajaan.

⑬ Toistaa sukeltajan viimeisimmän viestin.

⑭ Näytä rakentamisaika tiedotenäytöllä. Jos painat sitä uudelleen, ajastin häviää. Jos pidät ajastimen näkyvässä, rakennusaika näkyy tulostamassasi diplomissa.

⑮ Tästä tiedotenäytöstä saat tärkeitä tietoja. Mikäli näpäytät tiedotenäytöllä hiirellä, saat tekstin näkyviin nopeammin.

⑯ Opastin-rivi näyttää osoittaruusi toiminnon.

## Sukellusalushuone (A) & Liikkuva Tukikohtahuone (B)

Näissä kahdessa huoneessa voit rakentaa kaksi suurta mallia: Sukellusaluksen ja Liikkuvan Tukikohdan. Voit kokeilla mallien toimintoja yksinkertaisesti näpäyttämällä niitä.

① Tällä tärkeällä painikkeella pääset rakentamistilaan.

② Paluu takaisin huoneeseen.

③ & ④ "Vaihevalikko" joka näyttää kaikki rakennusvaiheet. Jos painat Rakenna (Build) -painiketta ③ tai tiedotenäytöllä ④ viiden sekunnin kuluessa, siirryt tiedotenäytön osoittamaan vaiheeseen. Muuten pysyt nykyisessä vaiheessa.

⑤ / ⑥ Ruutu taaksepäin / Ruutu eteenpäin.

⑦ Palaa edelliseen vaiheeseen

⑧ Siirry seuraavaan vaiheeseen

⑨ Käynnistä animaatio / Pysäytä (Play animation / pause)

**Huom!** Jos sinun rakentaessasi pitää mitata LEGO elementtejä (esim. mustien aksellen tai putkien pituudet), on erittäin tärkeää, että käytät tämän Käyttäjän oppaan takana olevaa mittadiagrammia.

**Huom!** Huomaa, että vaiheiden numerointi ohjelmassa ei vastaa suoraan paperilla olevien rakennusohjeiden numerointia.

**Huom!** Liikkuvan Tukikohdan (B) voi moottoroida. Sitä varten tarvitset LEGO TECHNIC rasian n:o 8720.

## Vinkit ja Jekut (Tips & Tricks) -huone (C)

Tässä huoneessa voit rakentaa erilaisia jännittäviä pieniä malleja. Näppää malleja, niin näet toiminnot. Malli, jota näppäät, tulee näkyviin tiedotenäytöllä ①.

Sitten voit valita: joko rakennat mallin näppäämällä Rakenna (Build) -painiketta ③ tai katsot "salaisen vinkin" (secret tip) painamalla ⑫.

Jokaisessa mallissa on yksi tai useampia hyödyllisiä rakenteluvinkkejä, joita voit käyttää rakentaessasi omia LEGO TECHNIC mallejasi. Joissakin Vinkit ja Jekut -malleissa on lisämahdollisuuksia, jotka esitetään, kun olet lopettanut päämallin rakentamisen.

**Huom!** Yhdellä kertaa voit rakentaa vain yhden viidestä mallista. Jos sinulla on muitakin LEGO TECHNIC rasioita, saatat voida rakentaa kaksi tai useampia malleja samaan aikaan.

**Vinkki:** Voit käyttää esitetyjä teknisiä toimintoja rakentaessasi omia mallejasi. Kokeile, se ei todellakaan ole kovin vaikeaa!

## Opastushuone (D)

Tämä on Vedenalaisen Tukikohdan tietokeskus, josta saat laustatietoja LEGO TECHNIC malleista, sukellusaluksista, vedenalaisesta elämästä jne.

① Vaihda "Vedenalaiset faktat" -osastolle

② Vaihda "LEGO Mallit" -osastolle

③ / ④ Ylös / Alas (Go up / down)

**Vedenalaiset faktat:**

⑤ Inhimilliset toiminnot

⑥ Luonto

⑦ Tiede

**LEGO TECHNIC mallit:**

⑧ Yleistieto

⑨ Tekniset yksityiskohdat

⑩ Videoarkisto

**Vinkki:** Miksi et rakentaisi itse jotakin "Vedenalaiset faktat" -osaston esittelemistä todellisuudenmukaisista sukellusaluksista?

## Näyttelyhuone (E)

Tässä huoneessa voit tutkia muita LEGO TECHNIC malleja. Kauko-ohjaat tähtystys (scanner) -kamera. Kameran sijainti näkyy Tiedotenäytöllä ①.

② Nämä neljä painiketta liikkuvat kameraa.

③ Tähtystää mallin, jota kamera osoittaa

④ Esittää mallin toiminnot

⑤ Suurena / Pienenä (Zoom)

⑥ Näyttää vaihtoehtoisen mallin (toimii vain tietyissä malleissa)

**Vinkki:** Ohjelmassa on monia muitakin malleja kuin mitä näytöllä näkyy. Kurkista esim. sijaintiin 4,10 ja 3,1.

**Huom!** Ellet löydä jotain ohjelmassa näkyvää mallia kaupasta, tiedustele sen saatavuutta paikallisesta nyyntiyhtiöstänne (nyynnin puhelinnumero Suomessa (09) 520 533 klo 9-15).

## Kuluttajapalvelu

Jos sinulla ilmenee vaikeuksia tämän LEGO ohjelman käyttämisessä, ole hyvä ja tutustu osan "Käyttöohje" kohtaan "Ongelma selvitys". Jos ongelmiasi ei ratkea, saatat tarvita palvelukeskuksemme apua.

**Puhelin:**

(09) 455 0033

**Sähköposti:**

Helpdesk@LEGO.com

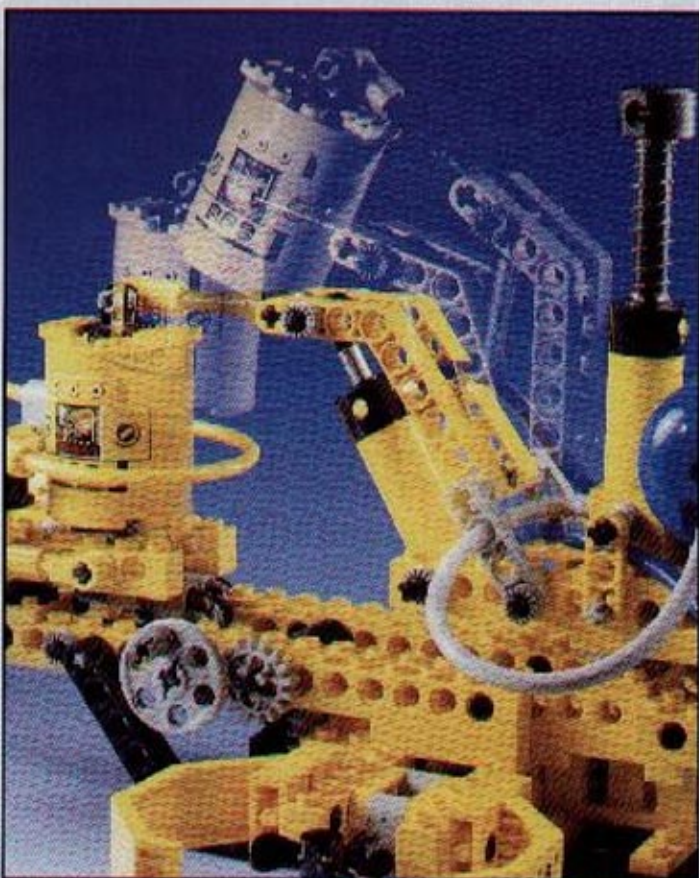
**Palvelukieli:**

englanti, ruotsi, saksa tai ranska

Voimme auttaa sinua tehokkaammin ja nopeammin, mikäli saat seuraavia tietoja selville ennen soittoa:

- 1) Tiedoston versx.xxx nimi, mikäli löydät sellaisen CD-ROM levytäs
- 2) Tietokoneen tyyppi, jossa käytät ohjelmaa
- 3) Windows- (PC) tai Pincer- (Mac) versiosi
- 4) Tietokoneesi keskusmuistin (RAM) määrä
- 5) Vapaan kiintolevytilan määrä
- 6) Tarkka virheilmoitus (jos sellaista on)

On myös hyödyksi, että olet tietokoneesi lähellä soittaessasi.





# Bem-Vindo a um novo mundo LEGO®

Encontrará neste pacote um programa informático que pode usar no seu computador. Antes de começar a ler sobre o programa, gostaríamos de o informar sobre algumas regras legais que se aplicam aos programas do computador.

Como com qualquer outra coisa do Grupo LEGO temos sido muito cuidadosos com o desenvolvimento deste programa para computador para o seu novo conjunto LEGO TECHNIC. Dispendemos muito tempo e esforços para fazer o programa tão bom quanto possível. Ele teria que estar à altura dos habituais requisitos de qualidade dos produtos do Grupo LEGO. Por outras palavras, este programa é valioso – tanto para si como para nós.

Assim, de acordo com a lei, também é proibido copiar programas informáticos. A este respeito há duas regras que deve observar:

**Primeira regra:** Está autorizado a copiar o programa LEGO® para o seu computador: quando começar o programa uma parte dele é automaticamente transferida para o seu computador. Se pagou pelo programa, ou o recebeu legalmente de qualquer outra forma, este tipo de cópias está correcto. Também está autorizado a fazer uma reserva de segurança do programa, para que fique salvaguardado no caso de perder o original. Se o seu computador estiver ligado a outros computadores, por exemplo, através de uma rede local ou na Internet, não está autorizado a deixar outros utilizadores da rede a terem acesso ao programa e não deve fazer uma segurança do programa e deixar outros copiá-la. É evidente que outras pessoas podem utilizar o programa no seu computador.

**Segunda regra:** Quando passa o programa para outra pessoa, perde o seu direito de utilização. Está autorizado a dar ou vender o seu programa LEGO a outras pessoas. Mas se o fizer, deixa de estar autorizado a utilizar as cópias do programa que possam estar ainda no seu computador. A lei proíbe o empréstimo ou aluguer de programas informáticos, por isso, também não está autorizado a fazê-lo.

Também deve saber que as marcas registadas do Grupo LEGO não podem ser usadas livremente. Marcas registadas não são apenas palavras. Podem também ser símbolos, desenhos, e até a apresentação de um produto. Por exemplo, o Grupo LEGO considera a pedra LEGO como uma marca registada. E ainda que não seja sempre o caso, as marcas registadas podem ser tipicamente reconhecidas pelo facto de existir sempre um ® ou ™ junto à marca registada.

Há no CD-Rom mais informação sobre as regras legais. Pode encontrar a informação seguindo as instruções no ecrã. Se estiver ligado à Internet pode também ver no seu «homepage» em <http://www.LEGO.com> para mais informações sobre a utilização das marcas registadas no Grupo LEGO.

Divirta-se utilizando o CD-Rom LEGO TECHNIC.

## Utilizadores Macintosh:

1. Ligue o seu Macintosh.
  2. Saia de todas as aplicações que estiver a utilizar.
  3. Insira o LEGO CD-Rom no seu drive CD-Rom.
  4. Faça 2 vezes «click» no ícone LEGO e depois no ícone «LEGO Setup» para instalar o CD-ROM no seu computador.
  5. Um ficheiro LEGO será criado na parte superior da sua memória. Este ficheiro será utilizado para armazenar nomes de utilizadores, marcadores, e ficheiros temporários. Para este ficheiro deve ter livres 16MB no seu disco rígido.
  6. Se o seu Macintosh tiver instalado o software adequado, poderá começar imediatamente. Caso contrário poderá ser-lhe pedida autorização para instalar QuickTime e/ou SoundManager. Se for necessário instalar estes itens, terá que desligar/ligar o seu computador antes de utilizar o LEGO CD-Rom pela primeira vez.
  7. Da próxima vez que quiser usar o seu LEGO CD-ROM, insira o CD-ROM na sua máquina, vá para o ficheiro LEGO inicial (LEGOTECH) no seu disco rígido e faça 2 vezes «click» no ícone Start PPC/Start 68k.
- Nota:** Pontos 4, 5 e 6 apenas acontecem da primeira vez que utilizar o LEGO CD-Rom.

## Utilizadores Windows 3.11:

1. Ligue o seu computador.
  2. Inicie Windows 3.11 e certifique-se de que o seu CD-Rom e placa de som estão carregados (se já alguma vez utilizou com sucesso um CD-Rom, provavelmente já estão presentes e carregados).
  3. Insira o LEGO CD-Rom no seu drive CD-Rom.
  4. Utilize o programa File Manager (veja no Grupo Principal no Gestor de Programas) ou apague e faça click na letra do seu CD-Rom (normalmente «D»).
  5. Faça duas vezes click no SETUP.EXE program.
  6. Antes de usar o LEGO CD-Rom pode precisar de instalar QuickTime para Windows se ainda não estiver instalado este software. Quando a opção se lhe apresentar, faça click no «Install QuickTime for Windows» se não tiver a certeza.
- A instalação de QuickTime requer que desligue/ligue o seu computador.
- Nota:** Itens 4, 5 e 6 acima mencionados apenas ocorrem da primeira vez que usar o LEGO CD-Rom.
7. Para usar o LEGO CD-Rom faça duas vezes click no ícone LEGO no Grupo de Programas LEGO TECHNIC.

## Utilizadores Windows 95:

1. Ligue o seu computador.
2. Windows 95 deve começar automaticamente. Certifique-se de que os seus drivers CD-Rom e placa de som estão carregados (se já alguma vez utilizou com sucesso um CD-Rom, provavelmente já estão presentes e carregados).
3. Insira o LEGO CD-Rom no seu drive CD-Rom.
4. Espere até Autoplay aparecer no ecrã.
5. Faça «click» no botão OK para continuar.
6. Siga as instruções, que podem pedir para instalar QuickTime for Windows se ainda não tiver instalado este software. Quando se lhe apresentar a opção, faça click em «Install QuickTime for Windows» se não tiver a certeza. Se for pedida instalação, então o LEGO CD-ROM tem de ser desligado/ligado.
7. Da próxima vez que quiser usar o LEGO CD-Rom basta inserir o CD-Rom.

## Notas Adicionais para os utilizadores Windows 3.11 e 95:

O LEGO CD-Rom cria no computador um directório chamado LEGO. Este directório será utilizado para armazenar nomes de utilizadores, marcadores e ficheiros temporários. Para este directório deve ter livres 16MB no seu disco rígido. Não se preocupe se acidentalmente apagar este directório. O LEGO CD-Rom criará um novo se não encontrar o original, contudo, terá perdido os seus marcadores e guardado os ficheiros de utilizadores.

## Resolução de problemas:

### Utilizadores Windows:

GPF (General Protection Fault): Normalmente o erro é causado por conflitos na placa de vídeo. Se lhe acontecer este erro, tente instalar o SVGA 640 por 480, placa de 256 cores. Se as suas cores ainda tiverem um aspecto estranho, certifique-se que a placa de vídeo e o monitor mostram 256 cores e estão configurados para tal.

### Utilizadores Windows 95:

Se não lhe aparecer o ecrã «AutoRun» depois de ter inserido o CD-Rom, utilize o botão do lado direito do rato para abrir o CD-Rom e faça duas vezes click no ícone LEGO\_CD.SCP.

### Utilizadores Macintosh:

Se tiver problemas desligue Memória Virtual ou RAM se estiver a utilizar qualquer um destes. Como último recurso utilize Gestor de Extensões para recomendar o seu computador somente com extensões QuickTime. (de qualquer modo, seleccionando 7.x do menu Gestor de Extensões, deve configurar o seu computador para ser compatível com o LEGO CD-Rom).

## Manual do utilizador

### Introdução

Bem-Vindo à Base Subaquática LEGO TECHNIC! A base tem 5 salas: 3 para construir modelos, uma sala de conferências e uma sala de exposições. Na realidade, para usar o programa não precisa de ler este manual.



A melhor maneira de conhecer a base é experimentando-a. Basta «clickar» qualquer botão para ver o que faz. Mas lendo este manual pode apanhar algumas pistas e informações úteis que tornarão mais interessantes as suas visitas à base.

Mergulhe e divirta-se!

## Painel geral de comando de funções

Quando começar o programa verá um écran de «log-in» onde lhe pedem para escrever o seu nome «log-in» e escolher um idioma. Depois de fazer isto, faça «click» no botão OK e no logo LEGO TECHNIC que aparecerá no écran, e a intro-animação começará. Se já tiver introduzido o seu nome anteriormente basta «clickar» nele e depois no botão OK. O programa pode ter até 5 utilizadores diferentes. Cada um pode ter o seu nome no écran de «log-in» (O programa guardará marcadores e ficheiros separados para cada um dos 5 utilizadores). Quando a intro-animação acabar encontrar-se-á na Sala do Submarino. Se fizer «click» na intro-animação omitirá este intro.

A parte esquerda e central do painel de comando é a mesma em todas as 5 salas, o lado direito muda consoante a sala em que se encontra.

Os comandos gerais são:

- ① Botão «Quit». Sai do programa.
- ② Botão principal. Carregando neste botão o programa recomeça.
- ③ Este é botão dos menús. Carregando neste botão aparecerão os botões para comandar os menús gerais.
- Ⓜ Volume: baixo/alto
- Ⓝ Texto: «Telex» Desligado / Ligado
- Ⓞ Ligação ao vídeo de mergulho: Desligado / Ligado
- Ⓟ Mudança de idiomas
- Ⓠ Cancelar
- Ⓡ OK
- ④ Botão de impressão. Depois de ter construído um modelo este botão imprimirá um diploma, desde que tenha uma impressora e driver(s) necessários.
- ⑤ Sala do Navegador. Mostra um pequeno «Mapa» da Base Subaquática onde pode carregar na sala que quer visitar.
- ⑥ Ligação vídeo para o mergulhador que o irá ajudar de vez em quando. Poderá parar a ligação vídeo fazendo «click» no mergulho.
- ⑦ Repete a última mensagem do mergulhador.
- ⑧ Mostra o cronómetro de construção no painel informativo. Se carregar outra vez o cronómetro desaparecerá. Se o cronómetro estiver visível, aparecerá o tempo de construção se imprimir diplomas.
- ⑨ Este mostrador informativo (Telex) dar-lhe-á informações importantes. Se «clickar» no mostrador verá imediatamente todo o texto.
- Ⓢ Linha de Ajuda, mostra qual a função para a qual está a apontar.

## Sala do Submarino (A) & Sala de Base Móvel (B)

Nestas duas salas pode construir os dois modelos grandes:

O Submarino e a Base Móvel. Pode experimentar as funções dos modelos carregando neles simplesmente.

- ⑪ Este importante botão mudará para o modo de construção.
- ⑫ Leva-o de volta à sala.
- ⑬ & ⑭ «Menu de Fases», mostrando todas as fases da construção. Se «clickar» no botão «Build» ⑪ ou no mostrador informativo ⑨ em 5 segundos irá para a fase que vê no mostrador informativo. Caso contrário ficará na fase que estiver a correr.
- ⑮ / ⑯ Uma imagem para trás / uma imagem para a frente.
- ⑰ Vai para a fase anterior.
- ⑱ Vai para a fase seguinte.
- ⑲ Movimento / pausa

**NB!** Quando estiver a construir e tiver necessidade de medir os elementos LEGO (tal como, comprimento dos eixos pretos, tubos, etc.) é muito importante que use o diagrama de medidas na parte de trás deste Manual do Utilizador.

**NB!** Tome nota que a numeração das fases no software não corresponde directamente às fases nas instruções de construção em papel.

**NB!** A Base Móvel (B) pode ser motorizada. Para isso necessita do conjunto LEGO TECHNIC número 8720.

## Sala de Sugestões e Truques (C)

Nesta sala pode construir uma quantidade de emocionantes modelos pequenos. Carregue no botão «modelos» para ver a sua função. O modelo que escolher aparecerá no mostrador informativo ⑨. Então pode escolher

entre construir o modelo carregando no botão «Build» ⑪ ou ver uma informação secreta carregando ⑫. Cada modelo contém uma ou mais sugestões úteis para a construção que pode utilizar quando construir os seus próprios modelos LEGO TECHNIC. Alguns dos modelos «Sugestões e Truques» têm opções extra, que serão apresentadas depois de ter terminado de construir o modelo principal.

**NB!** Só se pode construir um dos cinco modelos de cada vez. Se também tiver alguns outros conjuntos LEGO TECHNIC, poderá ser capaz de construir dois ou mais modelos ao mesmo tempo.

**Pista:** Pode usar as funções técnicas que se mostram para construir os seus próprios modelos. Experimente, na realidade não é assim tão difícil!

## Sala de Conferências (D)

Este é o centro de informação da Base Subaquática onde poderá obter informações sobre os modelos LEGO TECHNIC, submarinos, vida subaquática, etc.

- Ⓣ Interruptor para a secção de Assuntos Subaquáticos
- Ⓤ Interruptor para a secção de Modelos LEGO
- Ⓡ / Ⓢ Para cima / para baixo

### Assuntos Subaquáticos

- Ⓣ Actividade Humana
- Ⓤ Natureza
- Ⓡ Ciência

### Modelos TECHNIC:

- Ⓣ Informação Geral
- Ⓤ Especificações Técnicas
- Ⓡ Arquivo de vídeo

**Sugestão:** Porque não experimentar construir um dos submarinos autênticos que se mostram na secção «Assuntos Subaquáticos»?

## Sala de Exposições (E)

Nesta sala pode ver todos os outros modelos LEGO TECHNIC.

Pode comandar à distancia o «scanner-camera».

O visor de informação mostra a posição da camera.

- Ⓣ Estes quatro botões movem a camera
- Ⓤ Procura o modelo para o qual a camera aponta
- Ⓡ Mostra o funcionamento do modelo
- Ⓢ Zoom
- Ⓣ Mostra o modelo alternativo (funciona apenas em certos modelos).

**Sugestão:** Há muito mais modelos do que os que pode ver no ecrã.

Por exemplo vá para a posição 4,10 e 3,1.

**NB!** Alguns dos modelos que se mostram poderão estar disponíveis no seu país apenas através de encomenda por correio.

## Serviço de Clientes

Se tiver dificuldades com este software LEGO recorra à secção

«Resolução de Problemas» na página 18.

Se não conseguir resolver o seu problema, precisará de alguma ajuda nossa.

Telefone no. 351 1 8421469

Endereço E-mail Helpdesk@LEGO.com

Serviço em Inglês

Para lhe proporcionar um serviço mais rápido e melhor, agradecemos que tenha disponível a seguinte informação quando nos contactar:

- 1) Número e versão correctas do CD-ROM
  - «Clickar» duas vezes ao ícone CD-ROM
  - Observar a versão do ficheiro versx.xxx
- 2) O tipo de computador em que está a usá-lo
- 3) A sua versão de Windows (PC) ou Finder (Mac)
- 4) Que RAM tem o seu computador
- 5) Quanta memória livre no disco rígido tem o seu computador
- 6) A mensagem de erro exacta (se houver)

Também será conveniente estar junto do seu computador quando nos contactar.



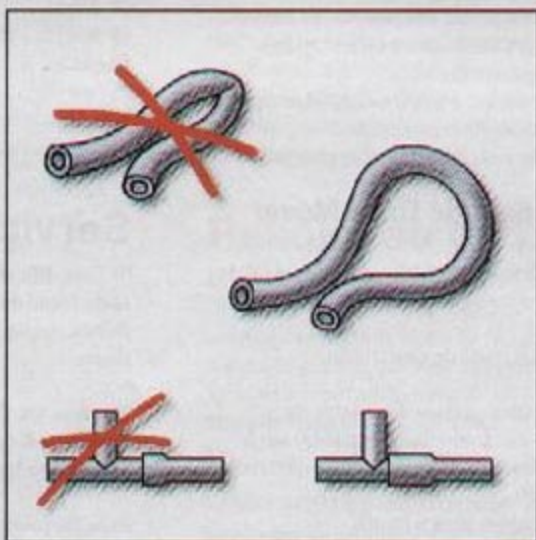
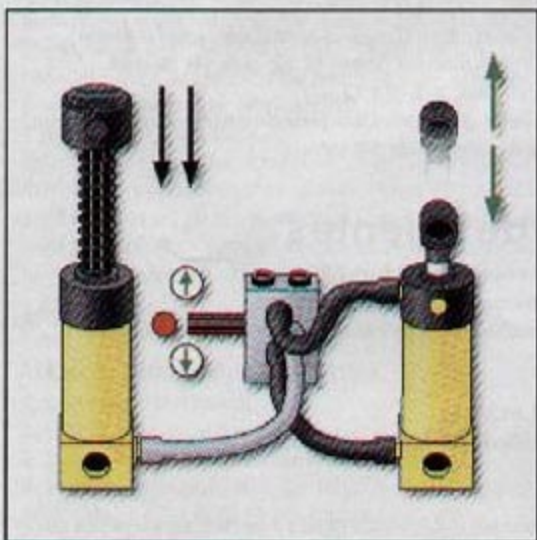
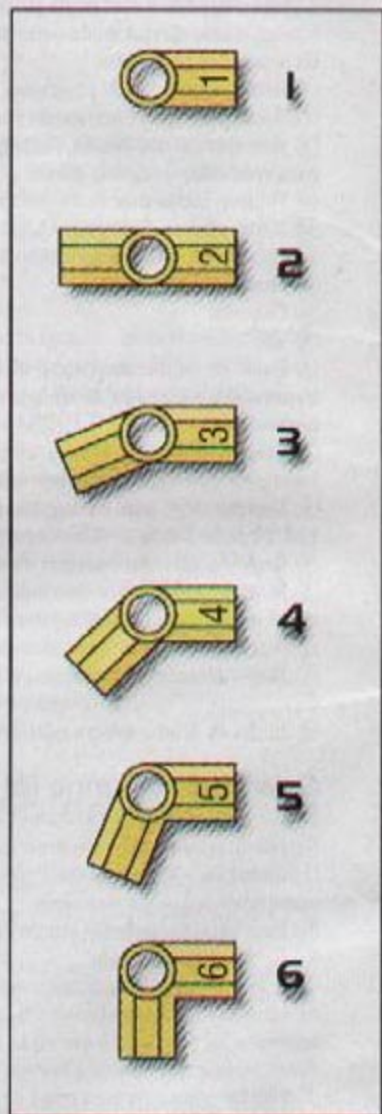
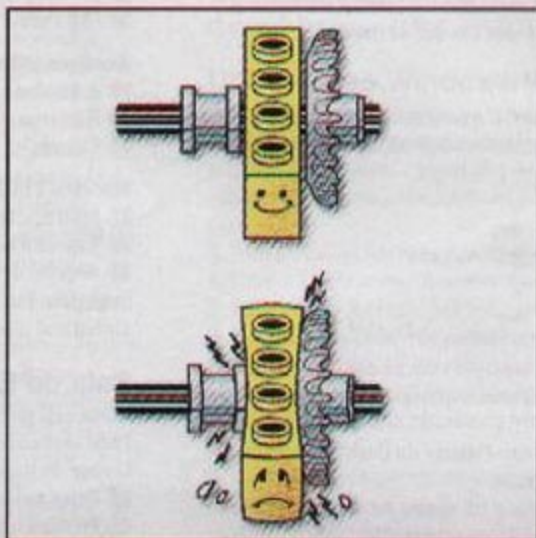
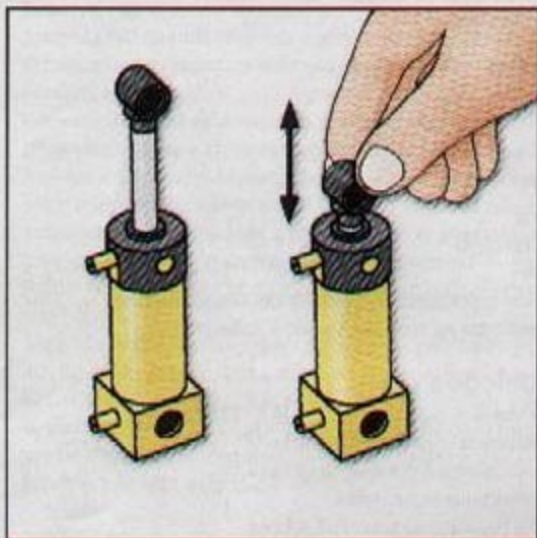
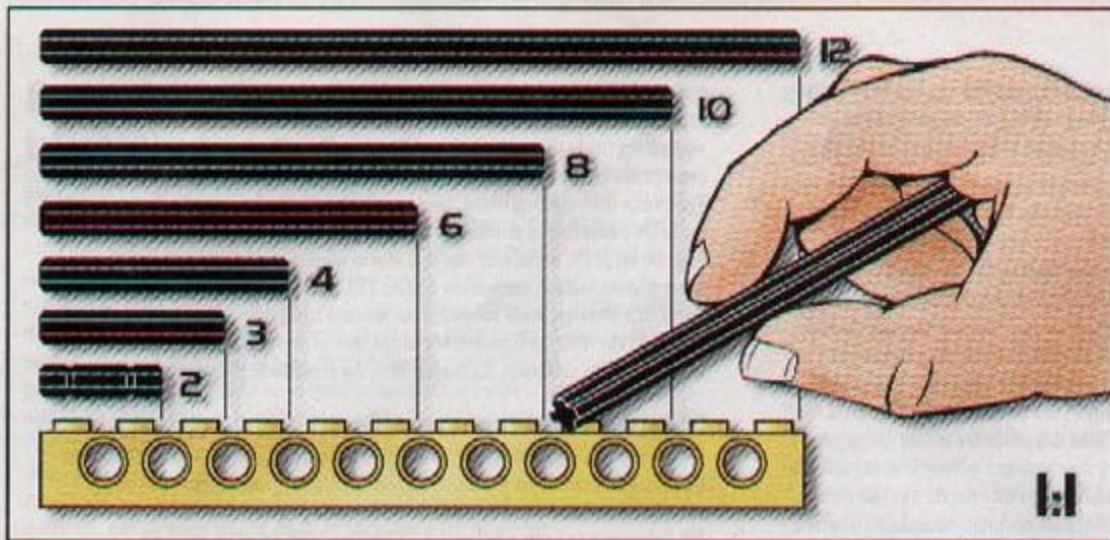










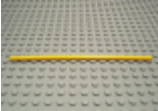


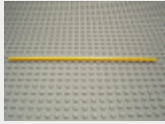


Image	Qty	Item No	Description	MID
<b>Regular Items:</b>				
<b>Parts:</b>				
	1	<a href="#">3001</a>	<b>Light Gray Brick 2 x 4</b> <a href="#">Catalog:</a> <a href="#">Parts:</a> <a href="#">Brick</a> 300102	<a href="#">PG</a>
+				
	1	<a href="#">3003</a>	<b>Light Gray Brick 2 x 2</b> <a href="#">Catalog:</a> <a href="#">Parts:</a> <a href="#">Brick</a> 300302	<a href="#">PG</a>
+				
	4	<a href="#">3004</a>	<b>Light Gray Brick 1 x 2</b> <a href="#">Catalog:</a> <a href="#">Parts:</a> <a href="#">Brick</a> 300402	<a href="#">PG</a>
+				
	2	<a href="#">3941</a>	<b>Yellow Brick, Round 2 x 2 with Axle Hole</b> <a href="#">Catalog:</a> <a href="#">Parts:</a> <a href="#">Brick, Round</a> 614324	<a href="#">PG</a>
+				
	4	<a href="#">6259</a>	<b>Yellow Cylinder Half 2 x 4 x 4</b> <a href="#">Catalog:</a> <a href="#">Parts:</a> <a href="#">Cylinder</a> 4550074	<a href="#">PG</a>
+				
	2	<a href="#">2745</a>	<b>Yellow Cylinder 4 x 4 x 1 2/3 with Axle Holes</b> <a href="#">Catalog:</a> <a href="#">Parts:</a> <a href="#">Cylinder</a> Part Color Code Missing	<a href="#">PG</a>
+				
	1	<a href="#">5102c13</a>	<b>Light Gray Hose, Pneumatic 4mm D. 13L / 10.4cm</b> <a href="#">Catalog:</a> <a href="#">Parts:</a> <a href="#">Hose, Pneumatic 4mm D.</a> Part Color Code Missing	<a href="#">PG</a>
+				
	1	<a href="#">5102c18</a>	<b>Light Gray Hose, Pneumatic 4mm D. 18L / 14.4cm</b> <a href="#">Catalog:</a> <a href="#">Parts:</a> <a href="#">Hose, Pneumatic 4mm D.</a> Part Color Code Missing	<a href="#">PG</a>
+				
	1	<a href="#">5102c20</a>	<b>Blue Hose, Pneumatic 4mm D. 20L / 16.0cm</b> <a href="#">Catalog:</a> <a href="#">Parts:</a> <a href="#">Hose, Pneumatic 4mm D.</a> Part Color Code Missing	<a href="#">PG</a>
+				
	1	<a href="#">5102c24</a>	<b>Blue Hose, Pneumatic 4mm D. 24L / 19.2cm</b> <a href="#">Catalog:</a> <a href="#">Parts:</a> <a href="#">Hose, Pneumatic 4mm D.</a> 4529098	<a href="#">PG</a>
+				
	1	<a href="#">75c15</a>	<b>Yellow Hose, Rigid 3mm D. 15L / 12cm</b> <a href="#">Catalog:</a> <a href="#">Parts:</a> <a href="#">Hose, Rigid 3mm D.</a> Part Color Code Missing	<a href="#">PG</a>
+				



\*

+



1

[75c21](#)

**Yellow Hose, Rigid 3mm D. 21L / 16.8cm**

[Catalog](#): [Parts](#): [Hose, Rigid 3mm D.](#)  
Part Color Code Missing

[PG](#)

\*

+



1

[bb145c07](#)

**Yellow Hose, Soft 3mm D. 7L / 5.6cm**

[Catalog](#): [Parts](#): [Hose, Soft 3mm D.](#)  
Part Color Code Missing

[PG](#)

\*

+



4

[2466](#)

**Yellow Panel 3 x 2 x 6**

[Catalog](#): [Parts](#): [Panel](#)  
Part Color Code Missing

[PG](#)

\*

+



2

[2420](#)

**Yellow Plate 2 x 2 Corner**

[Catalog](#): [Parts](#): [Plate](#)  
242024

[PG](#)

\*

+



2

[3710](#)

**Yellow Plate 1 x 4**

[Catalog](#): [Parts](#): [Plate](#)  
371024

[PG](#)

\*

+



2

[3666](#)

**Yellow Plate 1 x 6**

[Catalog](#): [Parts](#): [Plate](#)  
366624

[PG](#)

\*

+



7

[3022](#)

**Yellow Plate 2 x 2**

[Catalog](#): [Parts](#): [Plate](#)  
4613978 or 302224

[PG](#)

\*

+



3

[3022](#)

**Light Gray Plate 2 x 2**

[Catalog](#): [Parts](#): [Plate](#)  
302202

[PG](#)

\*

+



2

[3022](#)

**Black Plate 2 x 2**

[Catalog](#): [Parts](#): [Plate](#)  
302226

[PG](#)

\*

+



8

[3023](#)

**Yellow Plate 1 x 2**

[Catalog](#): [Parts](#): [Plate](#)  
302324

[PG](#)

\*

+



1

[3024](#)

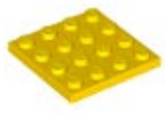
**Trans-Red Plate 1 x 1**

[Catalog](#): [Parts](#): [Plate](#)  
6252042 or 3000841

[PG](#)

\*

+



1

[3031](#)

**Yellow Plate 4 x 4**

[Catalog](#): [Parts](#): [Plate](#)  
303124 or 4243817

[PG](#)



+



\*

1

[3623](#)

**Yellow Plate 1 x 3**

[Catalog](#): [Parts](#): [Plate](#)  
362324

[PG](#)

+



\*

1

[2817](#)

**Yellow Plate, Modified 2 x 2 with Pin Holes**

[Catalog](#): [Parts](#): [Plate, Modified](#)  
4219766

[PG](#)

+



\*

2

[2654](#)

**Black Plate, Round 2 x 2 with Rounded Bottom (Boat Stud)**

[Catalog](#): [Parts](#): [Plate, Round](#)  
4617551 or 265426 or 4278359

[PG](#)

+



\*

1

[4694c01](#)

**Light Gray Pneumatic Switch with Top Studs**

[Catalog](#): [Parts](#): [Pneumatic](#)  
Part Color Code Missing

[PG](#)

+



\*

1

[67c01](#)

**Blue Pneumatic Airtank**

[Catalog](#): [Parts](#): [Pneumatic](#)  
Part Color Code Missing

[PG](#)

+



\*

1

[2797c02](#)

**Yellow Pneumatic Pump Second Version with Black Top**

[Catalog](#): [Parts](#): [Pneumatic](#)  
4563134 or 74720

[PG](#)

+



\*

1

[2793c01](#)

**Yellow Pneumatic Cylinder with 2 Inlets Medium (48mm) with Black Top**

[Catalog](#): [Parts](#): [Pneumatic](#)  
Part Color Code Missing

[PG](#)

+



\*

4

[6041](#)

**Black Propeller 3 Blade 3 Diameter**

[Catalog](#): [Parts](#): [Propeller](#)  
604126

[PG](#)

+



\*

2

[3039](#)

**Yellow Slope 45 2 x 2**

[Catalog](#): [Parts](#): [Slope](#)  
303924

[PG](#)

+



\*

2

[3040](#)

**Light Gray Slope 45 2 x 1**

[Catalog](#): [Parts](#): [Slope](#)  
4121933

[PG](#)

+



\*

1

[3660](#)

**Light Gray Slope, Inverted 45 2 x 2**

[Catalog](#): [Parts](#): [Slope, Inverted](#)  
366002

[PG](#)

+



\*

2


[3665](#)

**Light Gray Slope, Inverted 45 2 x 1**


[Catalog](#): [Parts](#): [Slope, Inverted](#)  
366502

[PG](#)




+	 *	1	<a href="#">3747a</a>	<b>Black Slope, Inverted 33 3 x 2 without Connections between Studs</b> <a href="#">Catalog:</a> <a href="#">Parts:</a> <a href="#">Slope, Inverted</a> 4500458 or 374726	<a href="#">PG</a>
---	---	---	-----------------------	---	--------------------


+	 *	1	<a href="#">4287</a>	<b>Yellow Slope, Inverted 33 3 x 1</b> <a href="#">Catalog:</a> <a href="#">Parts:</a> <a href="#">Slope, Inverted</a> 428724	<a href="#">PG</a>
---	--	---	----------------------	---	--------------------

+	 *	1	<a href="#">8250stk01</a>	<b>Sticker for Set 8250 - (71465/4106749)</b> <a href="#">Catalog:</a> <a href="#">Parts:</a> <a href="#">Sticker</a> 4106749	<a href="#">PG</a>
---	--	---	---------------------------	---	--------------------

+	 *	1	<a href="#">2340</a>	<b>Yellow Tail 4 x 1 x 3</b> <a href="#">Catalog:</a> <a href="#">Parts:</a> <a href="#">Tail</a> 4258348	<a href="#">PG</a>
---	--	---	----------------------	---	--------------------


+	 *	3	<a href="#">3713</a>	<b>Light Gray Technic Bush</b> <a href="#">Catalog:</a> <a href="#">Parts:</a> <a href="#">Technic</a> 4125313	<a href="#">PG</a>
---	--	---	----------------------	--	--------------------

+	 *	2	<a href="#">4185</a>	<b>Light Gray Technic Wedge Belt Wheel (Pulley)</b> <a href="#">Catalog:</a> <a href="#">Parts:</a> <a href="#">Technic</a> 4100502	<a href="#">PG</a>
---	---	---	----------------------	---	--------------------


+	 *	28	<a href="#">4265b</a>	<b>Light Gray Technic Bush 1/2 Toothed Type II</b> <a href="#">Catalog:</a> <a href="#">Parts:</a> <a href="#">Technic</a> <span style="color: red;">Part Color Code Missing</span>	<a href="#">PG</a>
---	--	----	-----------------------	---	--------------------

+	 *	1	<a href="#">3737</a>	<b>Black Technic, Axle 10</b> <a href="#">Catalog:</a> <a href="#">Parts:</a> <a href="#">Technic, Axle</a> 373726	<a href="#">PG</a>
---	--	---	----------------------	--	--------------------













+	 *	1	<a href="#">4519</a>	<b>Black Technic, Axle 3</b> <a href="#">Catalog:</a> <a href="#">Parts:</a> <a href="#">Technic, Axle</a> 451926	<a href="#">PG</a>
---	--	---	----------------------	---	--------------------

+	 *	10	<a href="#">3749</a>	<b>Light Gray Technic, Axle Pin without Friction Ridges Lengthwise</b> <a href="#">Catalog:</a> <a href="#">Parts:</a> <a href="#">Technic, Axle</a> 4184168 or 656202	<a href="#">PG</a>
---	--	----	----------------------	--	--------------------

+	 *	13	<a href="#">3705</a>	<b>Black Technic, Axle 4</b> <a href="#">Catalog:</a> <a href="#">Parts:</a> <a href="#">Technic, Axle</a> 370526	<a href="#">PG</a>
---	--	----	----------------------	---	--------------------

+	 *	10	<a href="#">3706</a>	<b>Black Technic, Axle 6</b> <a href="#">Catalog:</a> <a href="#">Parts:</a> <a href="#">Technic, Axle</a> 370626	<a href="#">PG</a>
---	--	----	----------------------	---	--------------------















+	 *	4	<a href="#">3707</a>	<b>Black Technic, Axle 8</b> <a href="#">Catalog</a> : <a href="#">Parts</a> : <a href="#">Technic, Axle</a> 370726	<a href="#">PG</a>
+	 *	2	<a href="#">6553</a>	<b>Yellow Technic Pole Reverser Handle</b> <a href="#">Catalog</a> : <a href="#">Parts</a> : <a href="#">Technic, Axle</a> 655324	<a href="#">PG</a>
+	 *	11	<a href="#">6553</a>	<b>Light Gray Technic Pole Reverser Handle</b> <a href="#">Catalog</a> : <a href="#">Parts</a> : <a href="#">Technic, Axle</a> 655302	<a href="#">PG</a>
+	 *	6	<a href="#">6587</a>	<b>Dark Gray Technic, Axle 3 with Stud</b> <a href="#">Catalog</a> : <a href="#">Parts</a> : <a href="#">Technic, Axle</a> 4113884	<a href="#">PG</a>
+	 *	16	<a href="#">32062</a>	<b>Black Technic, Axle 2 Notched</b> <a href="#">Catalog</a> : <a href="#">Parts</a> : <a href="#">Technic, Axle</a> 3206226 or 4109810	<a href="#">PG</a>
+	 *	15	<a href="#">3700</a>	<b>Yellow Technic, Brick 1 x 2 with Hole</b> <a href="#">Catalog</a> : <a href="#">Parts</a> : <a href="#">Technic, Brick</a> 370024	<a href="#">PG</a>
+	 *	2	<a href="#">3700</a>	<b>Light Gray Technic, Brick 1 x 2 with Hole</b> <a href="#">Catalog</a> : <a href="#">Parts</a> : <a href="#">Technic, Brick</a> 370002	<a href="#">PG</a>
+	 *	10	<a href="#">3703</a>	<b>Yellow Technic, Brick 1 x 16 with Holes</b> <a href="#">Catalog</a> : <a href="#">Parts</a> : <a href="#">Technic, Brick</a> 370324	<a href="#">PG</a>
+	 *	2	<a href="#">3703</a>	<b>Black Technic, Brick 1 x 16 with Holes</b> <a href="#">Catalog</a> : <a href="#">Parts</a> : <a href="#">Technic, Brick</a> 370326	<a href="#">PG</a>
+	 *	2	<a href="#">32000</a>	<b>Light Gray Technic, Brick 1 x 2 with Holes</b> <a href="#">Catalog</a> : <a href="#">Parts</a> : <a href="#">Technic, Brick</a> 3200002	<a href="#">PG</a>
+	 *	7	<a href="#">3894</a>	<b>Yellow Technic, Brick 1 x 6 with Holes</b> <a href="#">Catalog</a> : <a href="#">Parts</a> : <a href="#">Technic, Brick</a> 389424	<a href="#">PG</a>
+	 *	2	<a href="#">2730</a>	<b>Yellow Technic, Brick 1 x 10 with Holes</b> <a href="#">Catalog</a> : <a href="#">Parts</a> : <a href="#">Technic, Brick</a> 4225500 or 4251460	<a href="#">PG</a>















+		2	<a href="#">75535</a>	<b>Yellow Technic, Pin Connector Round 2L without Slot (Pin Joiner Round)</b> <a href="#">Catalog:</a> <a href="#">Parts:</a> <a href="#">Technic, Connector</a> 75644	<a href="#">PG</a>
+		1	<a href="#">6538b</a>	<b>Light Gray Technic, Axle Connector 2L (Ridged with x Hole x Orientation)</b> <a href="#">Catalog:</a> <a href="#">Parts:</a> <a href="#">Technic, Connector</a> 4113804	<a href="#">PG</a>
+		4	<a href="#">6536</a>	<b>Yellow Technic, Axle and Pin Connector Perpendicular</b> <a href="#">Catalog:</a> <a href="#">Parts:</a> <a href="#">Technic, Connector</a> 4107078 or 4173666	<a href="#">PG</a>
+		11	<a href="#">6536</a>	<b>Light Gray Technic, Axle and Pin Connector Perpendicular</b> <a href="#">Catalog:</a> <a href="#">Parts:</a> <a href="#">Technic, Connector</a> 653602 or 4173667	<a href="#">PG</a>
+		2	<a href="#">32013</a>	<b>Yellow Technic, Axle and Pin Connector Angled #1</b> <a href="#">Catalog:</a> <a href="#">Parts:</a> <a href="#">Technic, Connector</a> 4107066	<a href="#">PG</a>
+		6	<a href="#">32013</a>	<b>Light Gray Technic, Axle and Pin Connector Angled #1</b> <a href="#">Catalog:</a> <a href="#">Parts:</a> <a href="#">Technic, Connector</a> 4106376	<a href="#">PG</a>
+		1	<a href="#">32039</a>	<b>Black Technic, Axle Connector with Axle Hole</b> <a href="#">Catalog:</a> <a href="#">Parts:</a> <a href="#">Technic, Connector</a> 3203926 or 4107081	<a href="#">PG</a>
+		2	<a href="#">32014</a>	<b>Yellow Technic, Axle and Pin Connector Angled #6 - 90 degrees</b> <a href="#">Catalog:</a> <a href="#">Parts:</a> <a href="#">Technic, Connector</a> 6072968 or 4107069	<a href="#">PG</a>
+		3	<a href="#">32014</a>	<b>Light Gray Technic, Axle and Pin Connector Angled #6 - 90 degrees</b> <a href="#">Catalog:</a> <a href="#">Parts:</a> <a href="#">Technic, Connector</a> 4106377 or 4143353	<a href="#">PG</a>
+		6	<a href="#">32015</a>	<b>Yellow Technic, Axle and Pin Connector Angled #5 - 112.5 degrees</b> <a href="#">Catalog:</a> <a href="#">Parts:</a> <a href="#">Technic, Connector</a> 4107068 or 4521998	<a href="#">PG</a>
+		2	<a href="#">32016</a>	<b>Yellow Technic, Axle and Pin Connector Angled #3 - 157.5 degrees</b> <a href="#">Catalog:</a> <a href="#">Parts:</a> <a href="#">Technic, Connector</a> 4107067 or 4285186	<a href="#">PG</a>
+		2	<a href="#">32008</a>	<b>Black Technic, Figure Accessory Scuba Flipper</b> <a href="#">Catalog:</a> <a href="#">Parts:</a> <a href="#">Technic, Figure Accessory</a> Part Color Code Missing	<a href="#">PG</a>




+	 *	1	<a href="#">32038</a>	<b>Yellow Technic, Figure Accessory Airtank</b> <a href="#">Catalog: Parts: Technic, Figure Accessory</a> Part Color Code Missing	<a href="#">PG</a>
+	 *	1	<a href="#">32037</a>	<b>Black Technic, Figure Accessory Scuba Mask</b> <a href="#">Catalog: Parts: Technic, Figure Accessory</a> Part Color Code Missing	<a href="#">PG</a>
+	 *	1	<a href="#">3650b</a>	<b>Light Gray Technic, Gear 24 Tooth Crown (2nd Version - Reinforced)</b> <a href="#">Catalog: Parts: Technic, Gear</a> 365002	<a href="#">PG</a>
+	 *	4	<a href="#">6589</a>	<b>Light Gray Technic, Gear 12 Tooth Bevel</b> <a href="#">Catalog: Parts: Technic, Gear</a> 658902	<a href="#">PG</a>
+	 *	1	<a href="#">6585</a>	<b>Yellow Technic, Gearbox 4 x 4 x 1 2/3</b> <a href="#">Catalog: Parts: Technic, Gear</a> 4107096	<a href="#">PG</a>
+	 *	1	<a href="#">4716</a>	<b>Black Technic, Gear Worm Screw, Long</b> <a href="#">Catalog: Parts: Technic, Gear</a> 6037533 or 471626	<a href="#">PG</a>
+	 *	2	<a href="#">4019</a>	<b>Light Gray Technic, Gear 16 Tooth (First Version - 4 Round Holes)</b> <a href="#">Catalog: Parts: Technic, Gear</a> Part Color Code Missing	<a href="#">PG</a>
+	 *	2	<a href="#">6629</a>	<b>Yellow Technic, Liftarm 1 x 9 Bent (6 - 4) Thick</b> <a href="#">Catalog: Parts: Technic, Liftarm</a> 4112281 or 4188311	<a href="#">PG</a>
+	 *	4	<a href="#">6629</a>	<b>Black Technic, Liftarm 1 x 9 Bent (6 - 4) Thick</b> <a href="#">Catalog: Parts: Technic, Liftarm</a> 4112282	<a href="#">PG</a>
+	 *	12	<a href="#">6632</a>	<b>Yellow Technic, Liftarm 1 x 3 Thin</b> <a href="#">Catalog: Parts: Technic, Liftarm</a> 4107823 or 663224	<a href="#">PG</a>
+	 *	2	<a href="#">6632</a>	<b>Light Gray Technic, Liftarm 1 x 3 Thin</b> <a href="#">Catalog: Parts: Technic, Liftarm</a> 4107825	<a href="#">PG</a>
+	 *	2	<a href="#">6632</a>	<b>Black Technic, Liftarm 1 x 3 Thin</b> <a href="#">Catalog: Parts: Technic, Liftarm</a> 4107828 or 663226	<a href="#">PG</a>




+	 *	6	<a href="#">32017</a>	<b>Black Technic, Liftarm 1 x 5 Thin</b> <a href="#">Catalog:</a> <a href="#">Parts:</a> <a href="#">Technic, Liftarm</a> 6114935 or 4106380 or 4503423	<a href="#">PG</a>
+	 *	4	<a href="#">2825</a>	<b>Light Gray Technic, Liftarm 1 x 4 Thin with Stud Connector</b> <a href="#">Catalog:</a> <a href="#">Parts:</a> <a href="#">Technic, Liftarm</a> 4107133	<a href="#">PG</a>
+	 *	1	<a href="#">32002</a>	<b>Dark Gray Technic, Pin 3/4</b> <a href="#">Catalog:</a> <a href="#">Parts:</a> <a href="#">Technic, Pin</a> 4109854	<a href="#">PG</a>
+	 *	8	<a href="#">6558</a>	<b>Black Technic, Pin 3L with Friction Ridges Lengthwise</b> <a href="#">Catalog:</a> <a href="#">Parts:</a> <a href="#">Technic, Pin</a> 655826	<a href="#">PG</a>
+	 *	29	<a href="#">2780</a>	<b>Black Technic, Pin with Friction Ridges Lengthwise WITH Center Slots</b> <a href="#">Catalog:</a> <a href="#">Parts:</a> <a href="#">Technic, Pin</a> 4121715 or 278026	<a href="#">PG</a>
+	 *	7	<a href="#">4274</a>	<b>Light Gray Technic, Pin 1/2</b> <a href="#">Catalog:</a> <a href="#">Parts:</a> <a href="#">Technic, Pin</a> 427402	<a href="#">PG</a>
+	 *	3	<a href="#">3673</a>	<b>Light Gray Technic, Pin without Friction Ridges Lengthwise</b> <a href="#">Catalog:</a> <a href="#">Parts:</a> <a href="#">Technic, Pin</a> 4184166	<a href="#">PG</a>
+	 *	7	<a href="#">3709b</a>	<b>Yellow Technic, Plate 2 x 4 with 3 Holes</b> <a href="#">Catalog:</a> <a href="#">Parts:</a> <a href="#">Technic, Plate</a> 370924	<a href="#">PG</a>
+	 *	2	<a href="#">3709b</a>	<b>Black Technic, Plate 2 x 4 with 3 Holes</b> <a href="#">Catalog:</a> <a href="#">Parts:</a> <a href="#">Technic, Plate</a> 370926	<a href="#">PG</a>
+	 *	1	<a href="#">731c05</a>	<b>Light Gray Technic, Shock Absorber 6.5L, Complete Assembly - Normal Spring</b> <a href="#">Catalog:</a> <a href="#">Parts:</a> <a href="#">Technic, Shock Absorber</a> Part Color Code Missing	<a href="#">PG</a>
+	 *	1	<a href="#">2819</a>	<b>Light Gray Technic, Steering Wheel Small, 3 Studs Diameter</b> <a href="#">Catalog:</a> <a href="#">Parts:</a> <a href="#">Technic, Steering</a> Part Color Code Missing	<a href="#">PG</a>
+	 *	1	<a href="#">3068b</a>	<b>Yellow Tile 2 x 2 with Groove</b> <a href="#">Catalog:</a> <a href="#">Parts:</a> <a href="#">Tile</a> 306824	<a href="#">PG</a>




+	 *	2	<a href="#">2412b</a>	<b>Yellow Tile, Modified 1 x 2 Grille with Bottom Groove / Lip</b> <a href="#">Catalog:</a> <a href="#">Parts:</a> <a href="#">Tile, Modified</a> <a href="#">241224</a>	<a href="#">PG</a> 1 <span style="background-color: #4a69bd; color: white; padding: 2px 5px;"> </span>
---	---	---	-----------------------	--	--

+	 *	1	<a href="#">2376</a>	<b>Black Tile, Round 2 x 2 with Lifting Ring Thin</b> <a href="#">Catalog:</a> <a href="#">Parts:</a> <a href="#">Tile, Round</a> <a href="#">237626</a>	<a href="#">PG</a>
---	--	---	----------------------	--	--------------------

+	 *	2	<a href="#">4150</a>	<b>Black Tile, Round 2 x 2</b> <a href="#">Catalog:</a> <a href="#">Parts:</a> <a href="#">Tile, Round</a> <a href="#">415026</a>	<a href="#">PG</a>
---	--	---	----------------------	---	--------------------

+	 *	2	<a href="#">3483</a>	<b>Black Tire 24mm D. x 8mm Offset Tread</b> <a href="#">Catalog:</a> <a href="#">Parts:</a> <a href="#">Tire &amp; Tread</a> <a href="#">348326</a> or <a href="#">4501048</a>	<a href="#">PG</a>
---	--	---	----------------------	---	--------------------


+	 *	2	<a href="#">3482</a>	<b>Black Wheel with Split Axle hole</b> <a href="#">Catalog:</a> <a href="#">Parts:</a> <a href="#">Wheel</a> <b>Part Color Code Missing</b>	<a href="#">PG</a>
---	--	---	----------------------	--	--------------------


**Minifigs:**

+	 *	1	<a href="#">tech002</a>	<b>Technic Figure Blue Legs, Black Top with Zippered Wetsuit Pattern (Diver)</b> <a href="#">Catalog:</a> <a href="#">Minifigs:</a> <a href="#">Technic</a>	<a href="#">PG</a>
---	---	---	-------------------------	--	--------------------

**Counterparts:**


**Parts:**

+	 *	1	<a href="#">6259pb002</a>	<b>Yellow Cylinder Half 2 x 4 x 4 with Vent Holes Pattern (Sticker) - Set 8250</b> <a href="#">Catalog:</a> <a href="#">Parts:</a> <a href="#">Cylinder, Decorated</a> <b>Part Color Code Missing</b>	<a href="#">PG</a>
---	--	---	---------------------------	---	--------------------

+	 *	1	<a href="#">6259pb003</a>	<b>Yellow Cylinder Half 2 x 4 x 4 with 'U-97' &amp; Vent Holes Pattern (Sticker) - Set 8250</b> <a href="#">Catalog:</a> <a href="#">Parts:</a> <a href="#">Cylinder, Decorated</a> <b>Part Color Code Missing</b>	<a href="#">PG</a>
---	--	---	---------------------------	--	--------------------

+	 *	2	<a href="#">6259pb001</a>	<b>Yellow Cylinder Half 2 x 4 x 4 with Control Panel 'CODE 82-5/0' Pattern (Sticker) - Sets 8250 / 8299</b> <a href="#">Catalog:</a> <a href="#">Parts:</a> <a href="#">Cylinder, Decorated</a> <b>Part Color Code Missing</b>	<a href="#">PG</a>
---	--	---	---------------------------	--	--------------------

+	 *	4	<a href="#">2466pb01</a>	<b>Yellow Panel 3 x 2 x 6 with 6 Dots and 2 Vent Openings Pattern (Sticker) - Sets 8250 / 8299</b> <a href="#">Catalog:</a> <a href="#">Parts:</a> <a href="#">Panel, Decorated</a> <b>Part Color Code Missing</b>	<a href="#">PG</a>
---	--	---	--------------------------	--	--------------------


+	 *	1	<a href="#">67c01pb01</a>	<b>Blue Pneumatic Airtank with 'AIR TANK' Pattern (Sticker) - Set 8250</b> <a href="#">Catalog:</a> <a href="#">Parts:</a> <a href="#">Pneumatic</a> <b>Part Color Code Missing</b>	<a href="#">PG</a>
---	--	---	---------------------------	---	--------------------



\*

+  1 [2340pb013](#) **Yellow Tail 4 x 1 x 3 with Blue 'U-97' and Stripe and Black Shark Pattern on Both Sides (Stickers)** [PG](#)  
[Catalog:](#) [Parts:](#) [Tail, Decorated](#)  
 Part Color Code Missing


\*

+  1 [3068bpb0072](#) **Yellow Tile 2 x 2 with Gauges and Crane Grab Pattern (Sticker) - Set 8250** [PG](#)  
[Catalog:](#) [Parts:](#) [Tile, Decorated](#)  
 Part Color Code Missing

\*

+  2 [4150pb010](#) **Black Tile, Round 2 x 2 with Headlamp Yellow and Black Pattern (Sticker) - Set 8250** [PG](#)  
[Catalog:](#) [Parts:](#) [Tile, Round, Decorated](#)  
 Part Color Code Missing

\*

+  2 [3482c01\(inv\)](#) **Black Wheel with Split Axle hole, with Black Tire Offset Tread (3482 / 3483)** [PG](#)  
[Catalog:](#) [Parts:](#) [Wheel & Tire Assembly](#)  
 Part Color Code Missing

\*

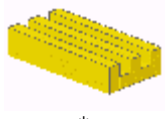

**Minifigs:**

+  1 [tech002s](#) **Technic Figure Blue Legs, Black Top with Zippered Wetsuit and Knife and 'Diving' Pattern (Stickers) - Diver** [PG](#)  
[Catalog:](#) [Minifigs:](#) [Technic](#)

\*

**Alternate Items:**

**Parts:**

+  2 [2412a](#) **Yellow Tile, Modified 1 x 2 Grille without Bottom Groove / Lip** [PG](#) 1   
[Catalog:](#) [Parts:](#) [Tile, Modified](#)  
 Part Color Code Missing

\*

**Summary:**

Type	Unique Lots	Total Qty
<b>Regular Items:</b>		
Parts	100	377
Minifigs	1	1
<b>Counterparts:</b>		
Parts	9	15
Minifigs	1	1
<b>Alternative Items:</b>		
Parts	1	2

[Moonlight \(0\)](#) inventoried this Set on Oct 19, 2003, inventory last updated on Jan 3, 2015.