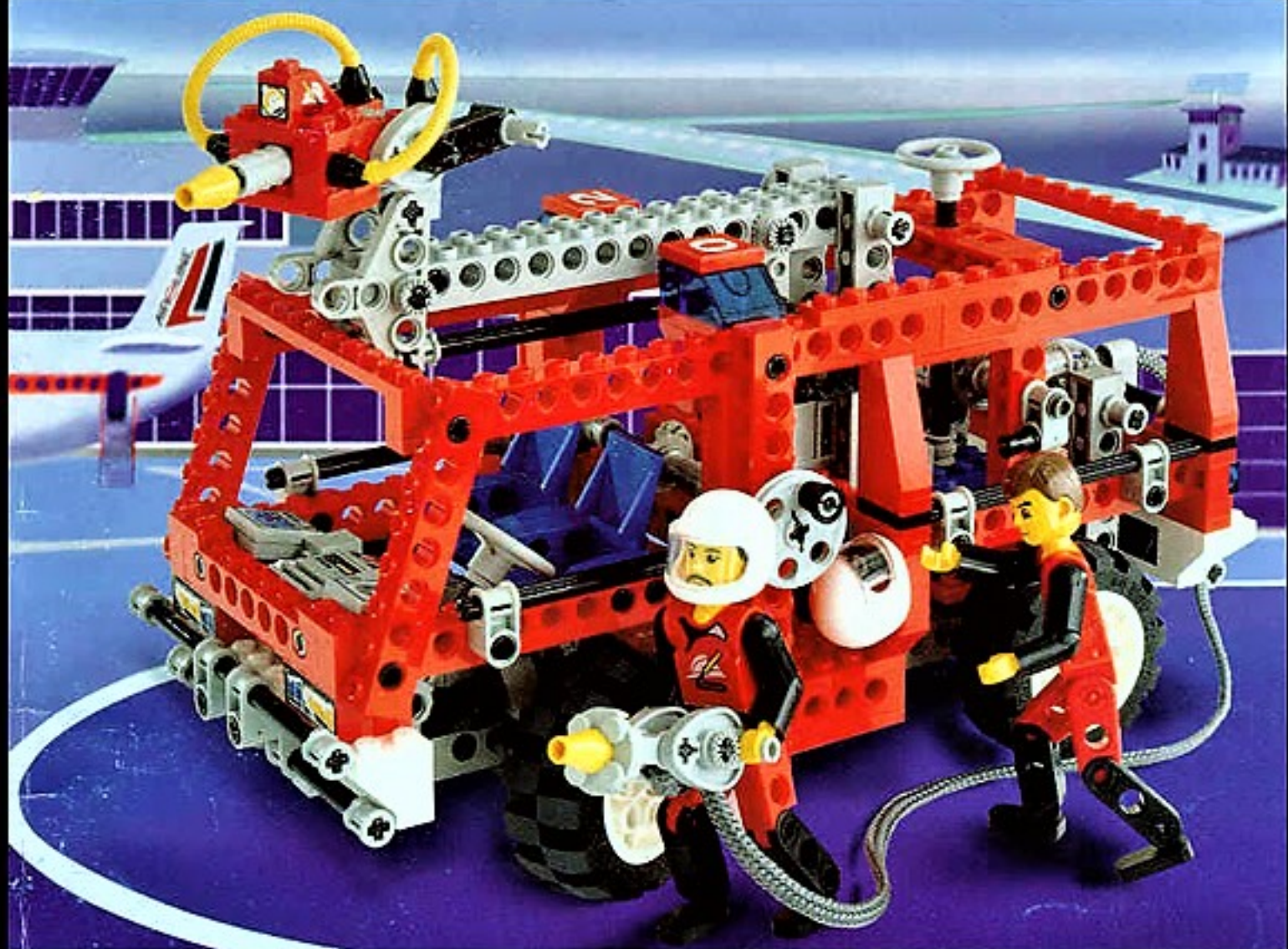
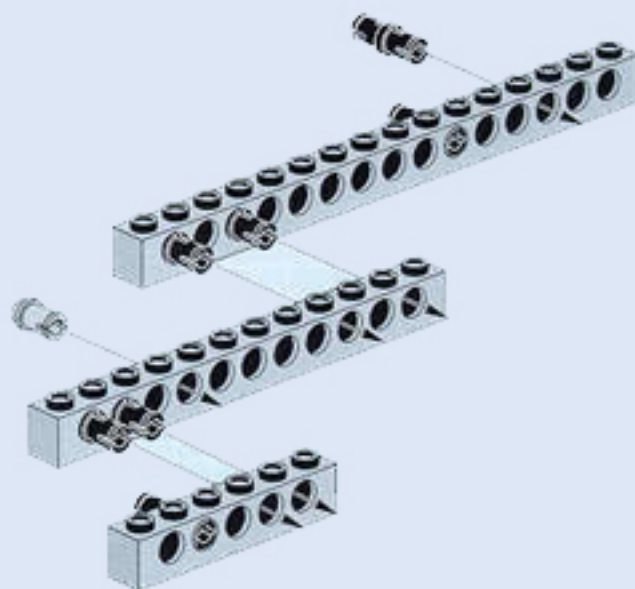
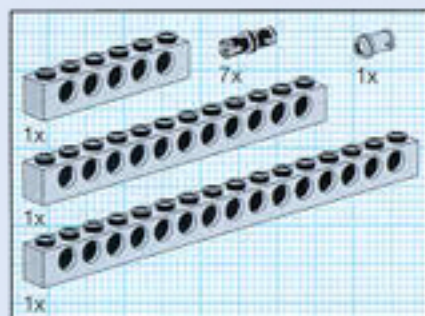
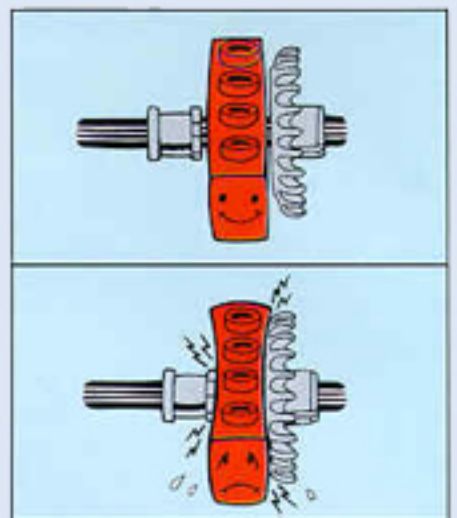
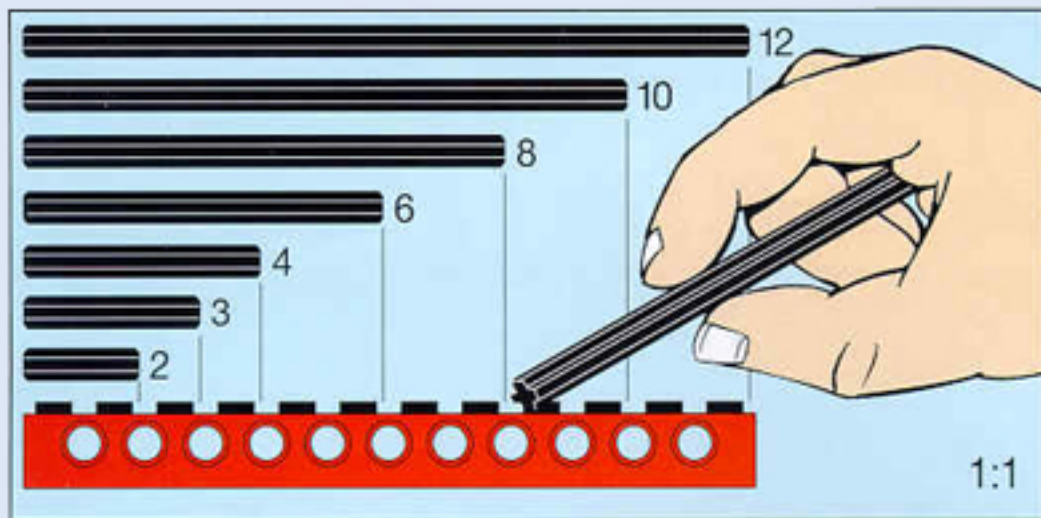


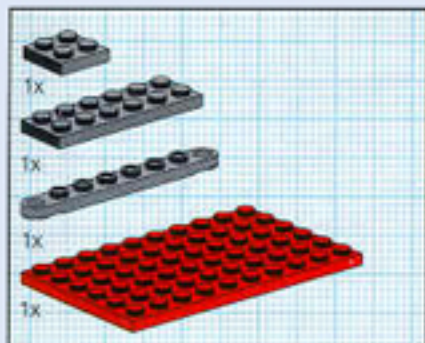
LEGO

Technic

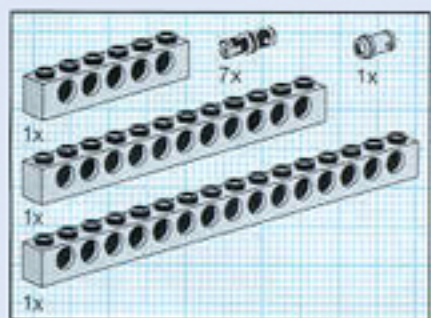
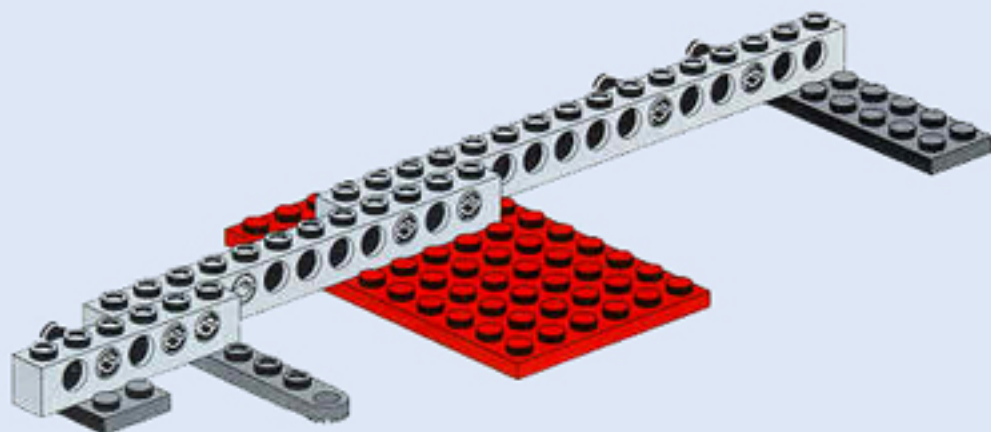


82800

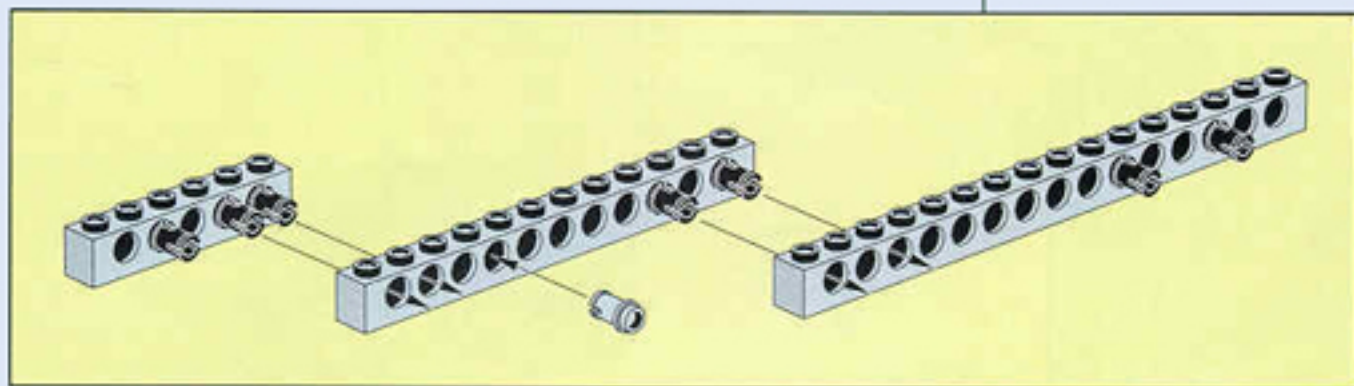
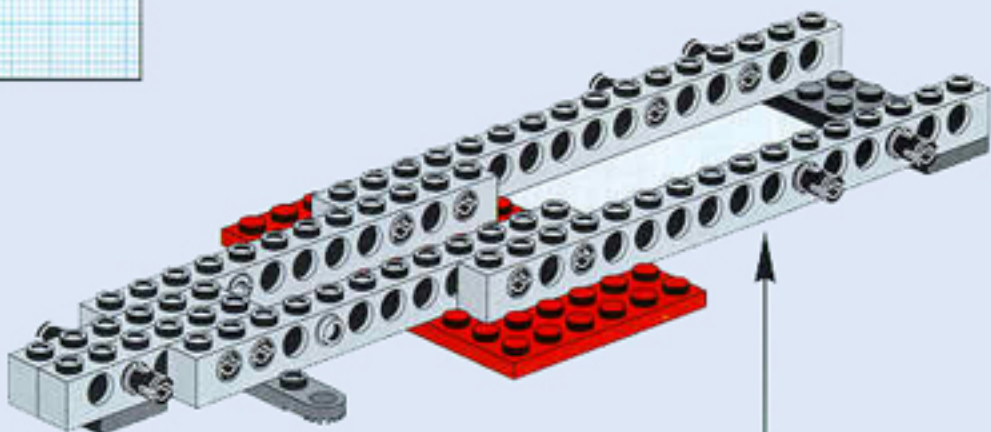


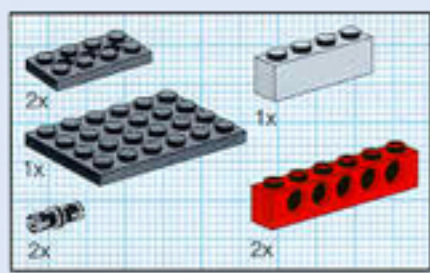


2

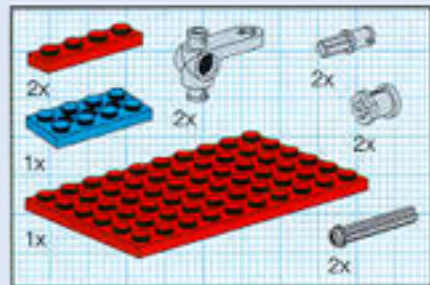
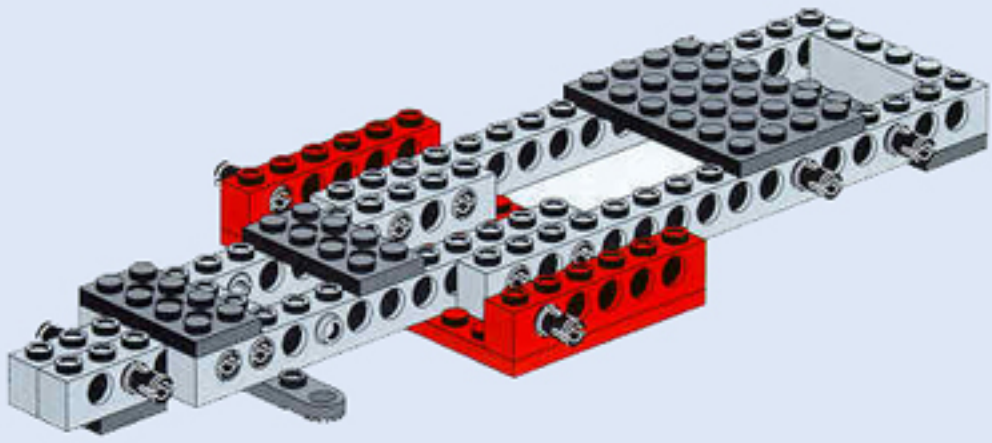


3

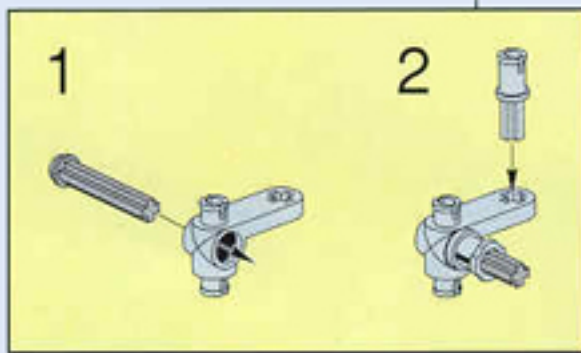
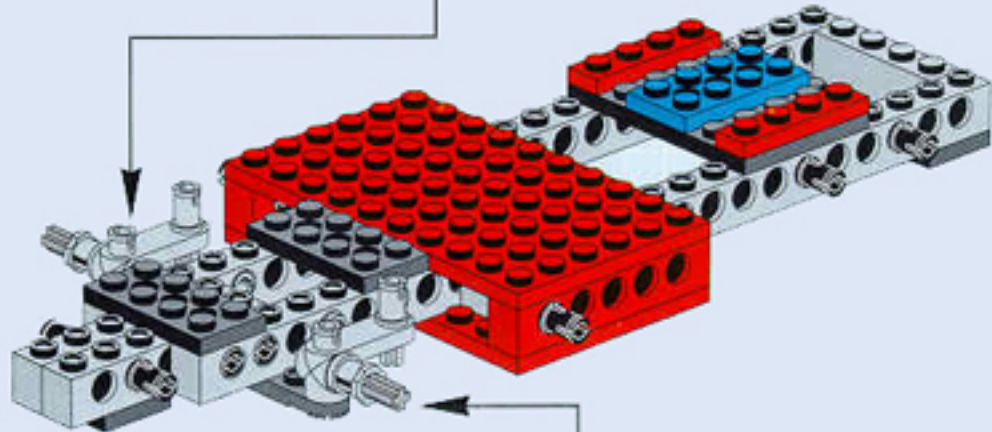
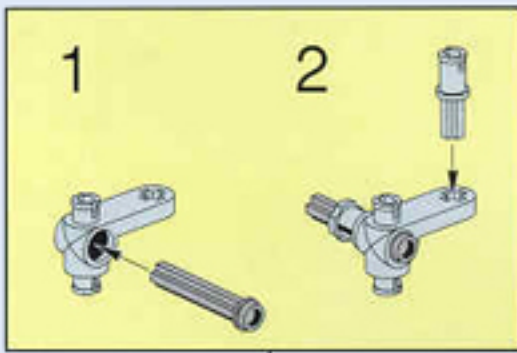


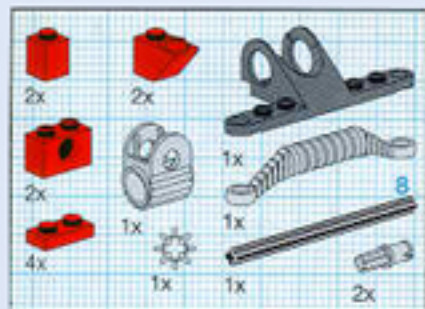


4

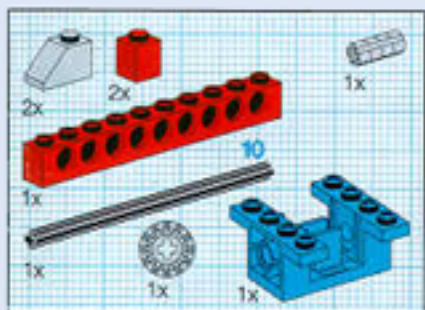
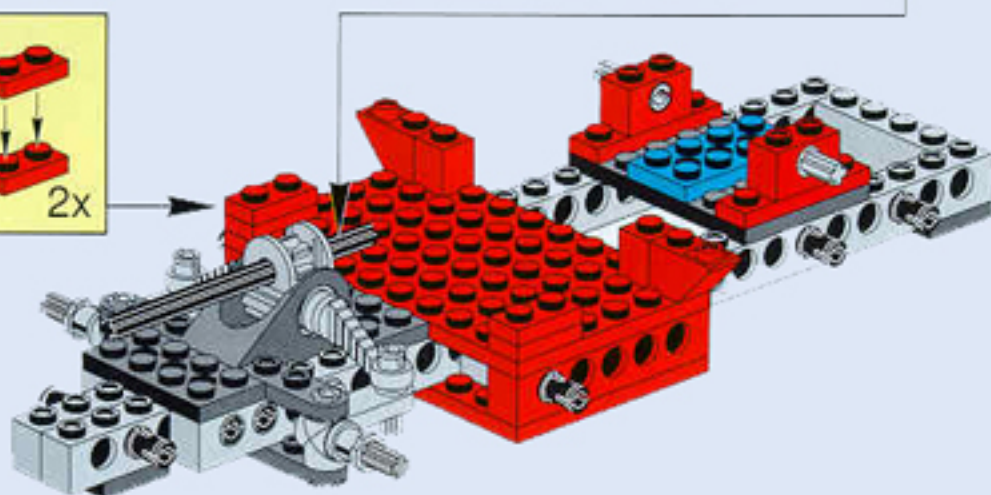
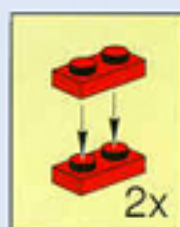
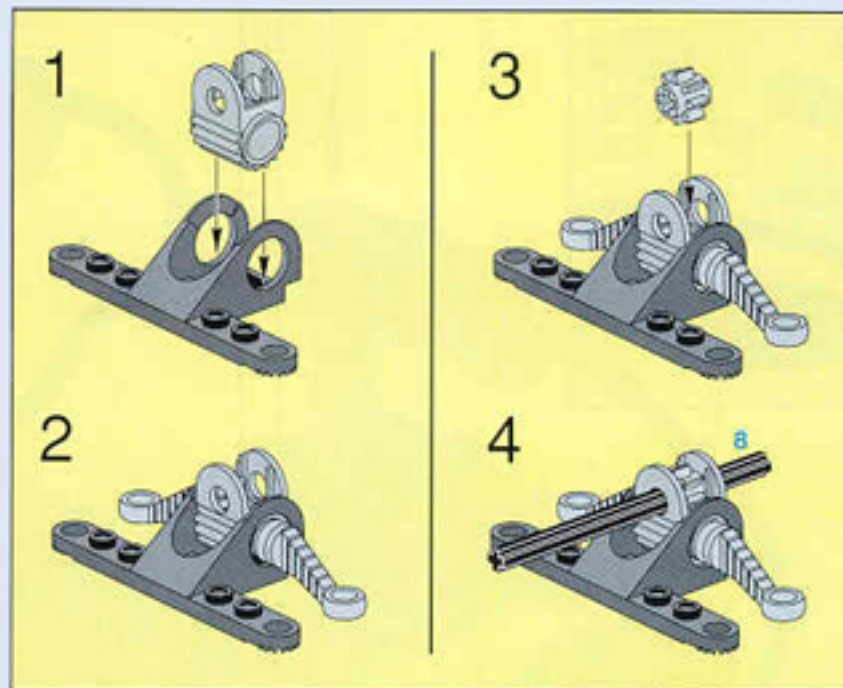


5

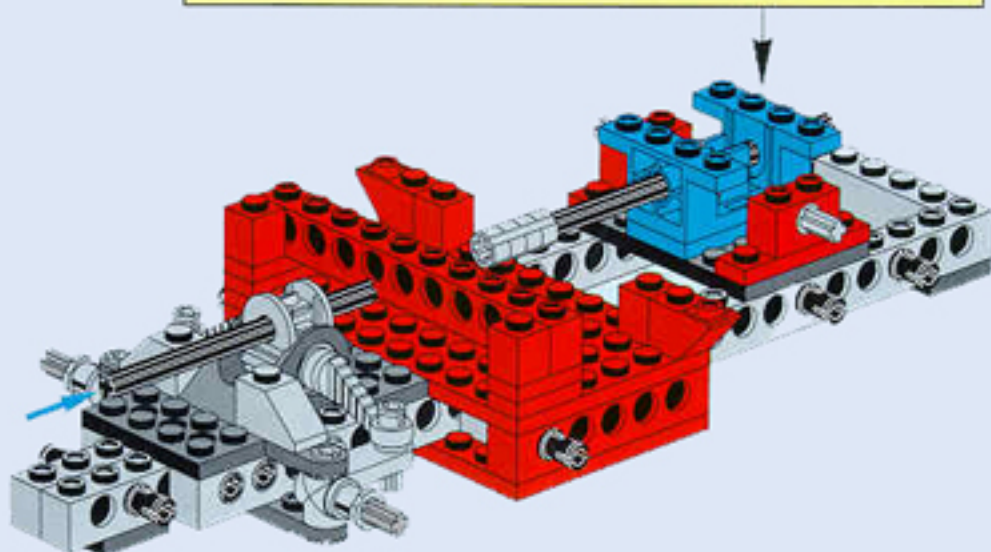
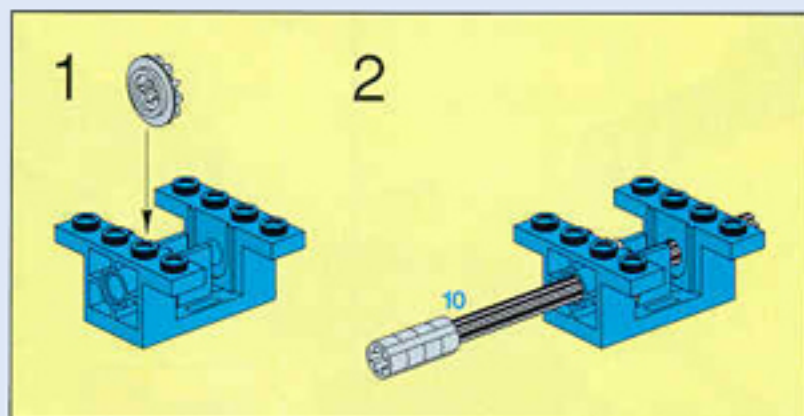


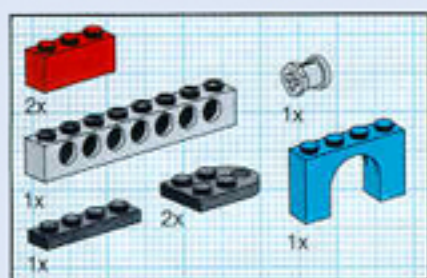
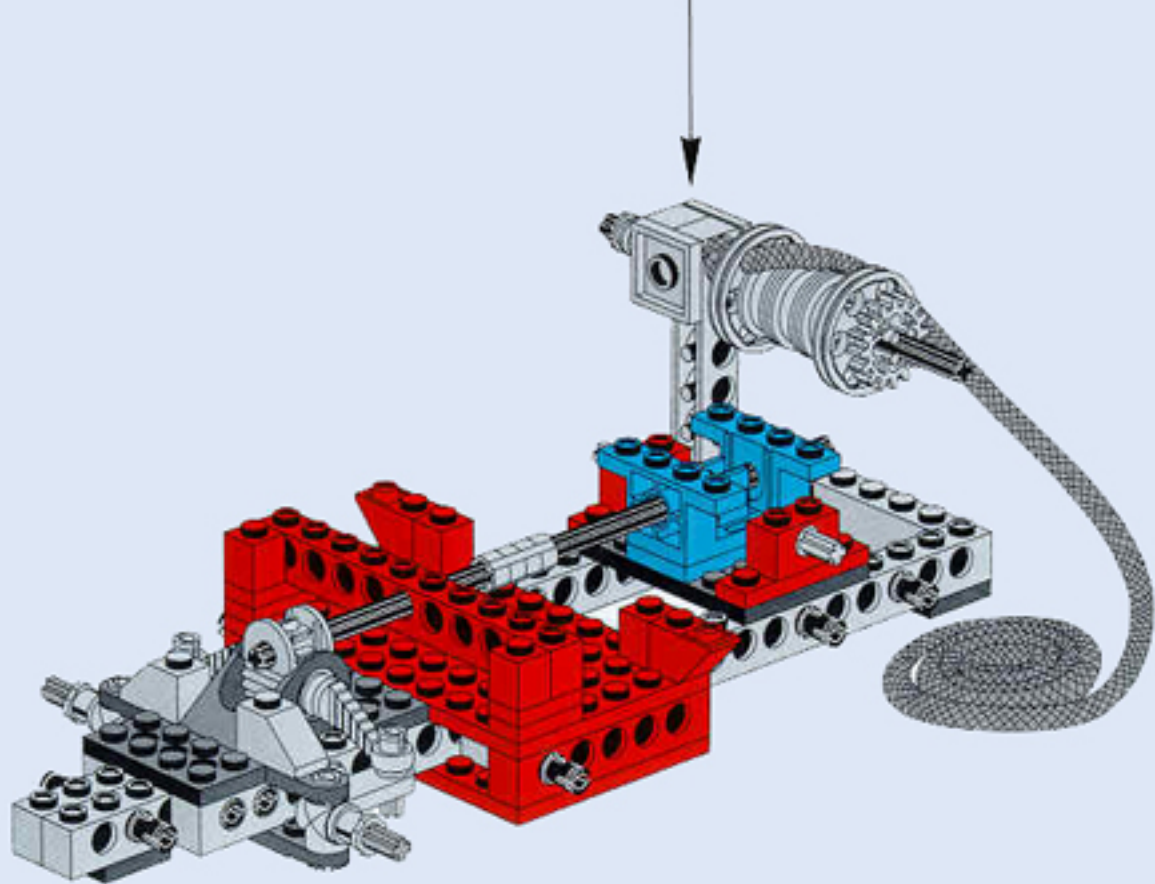


6

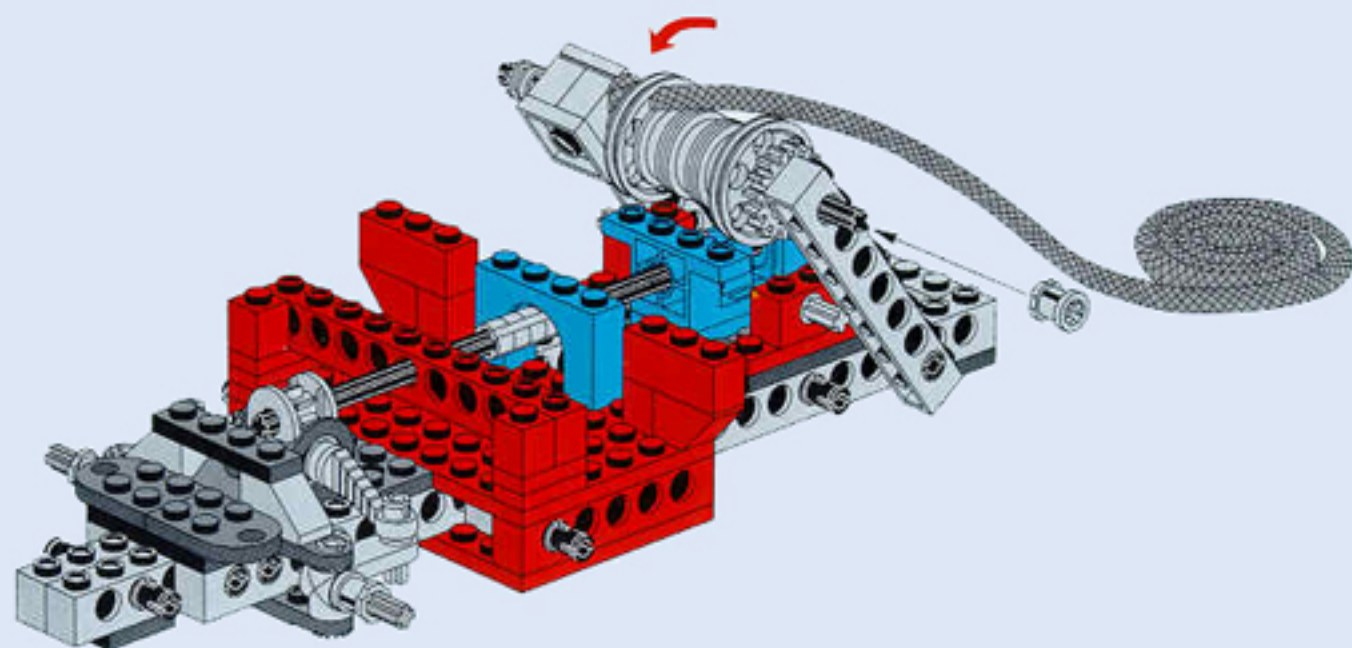


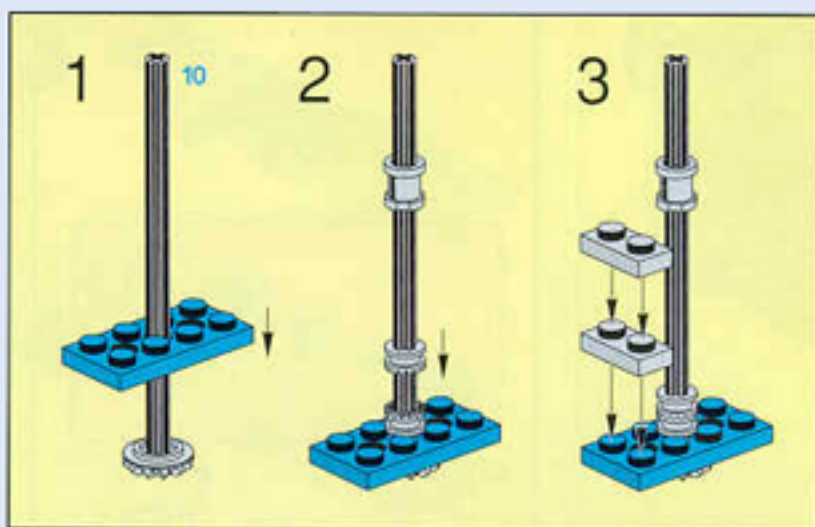
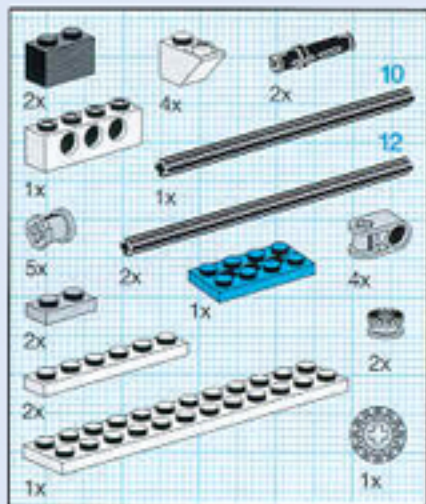
7



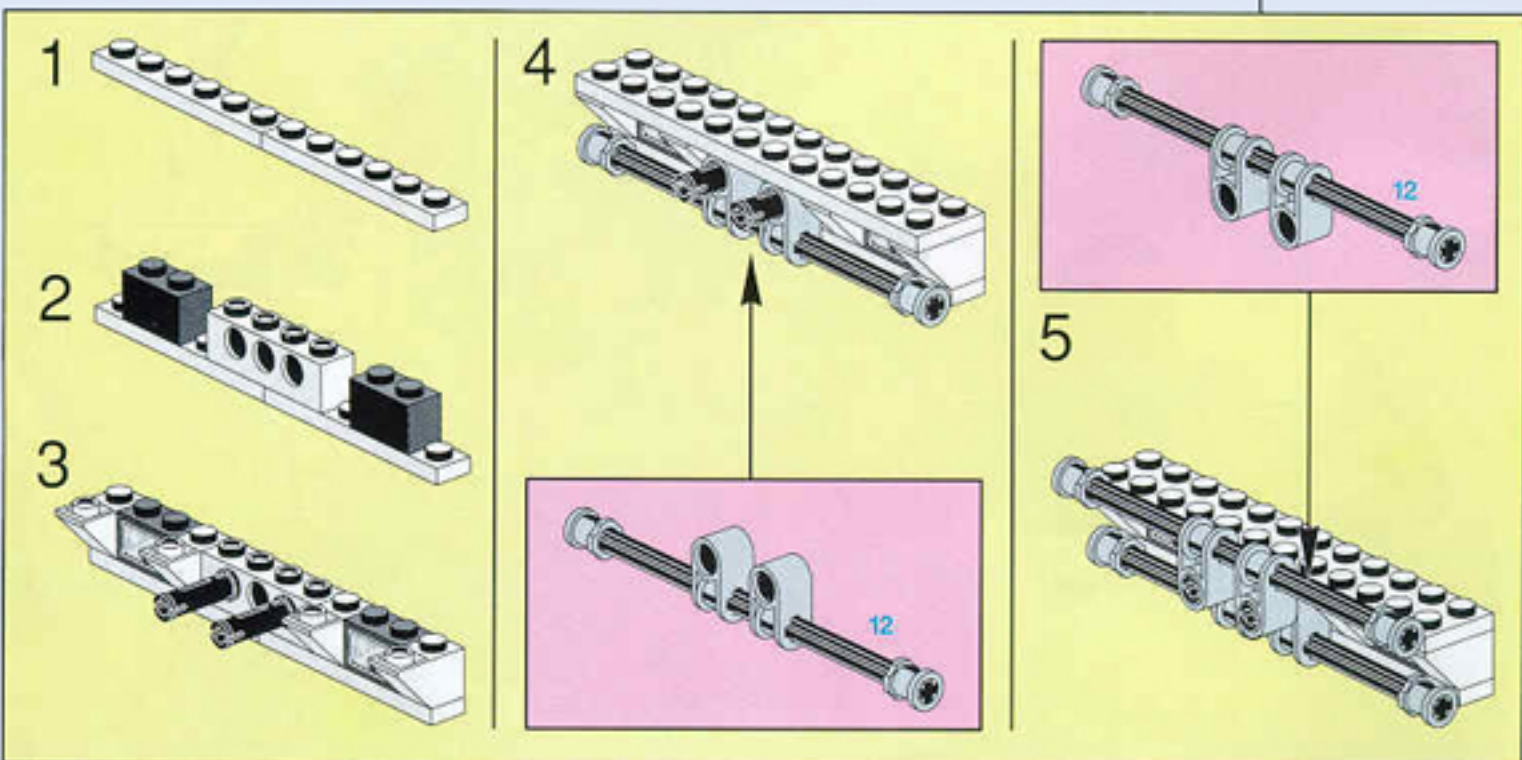
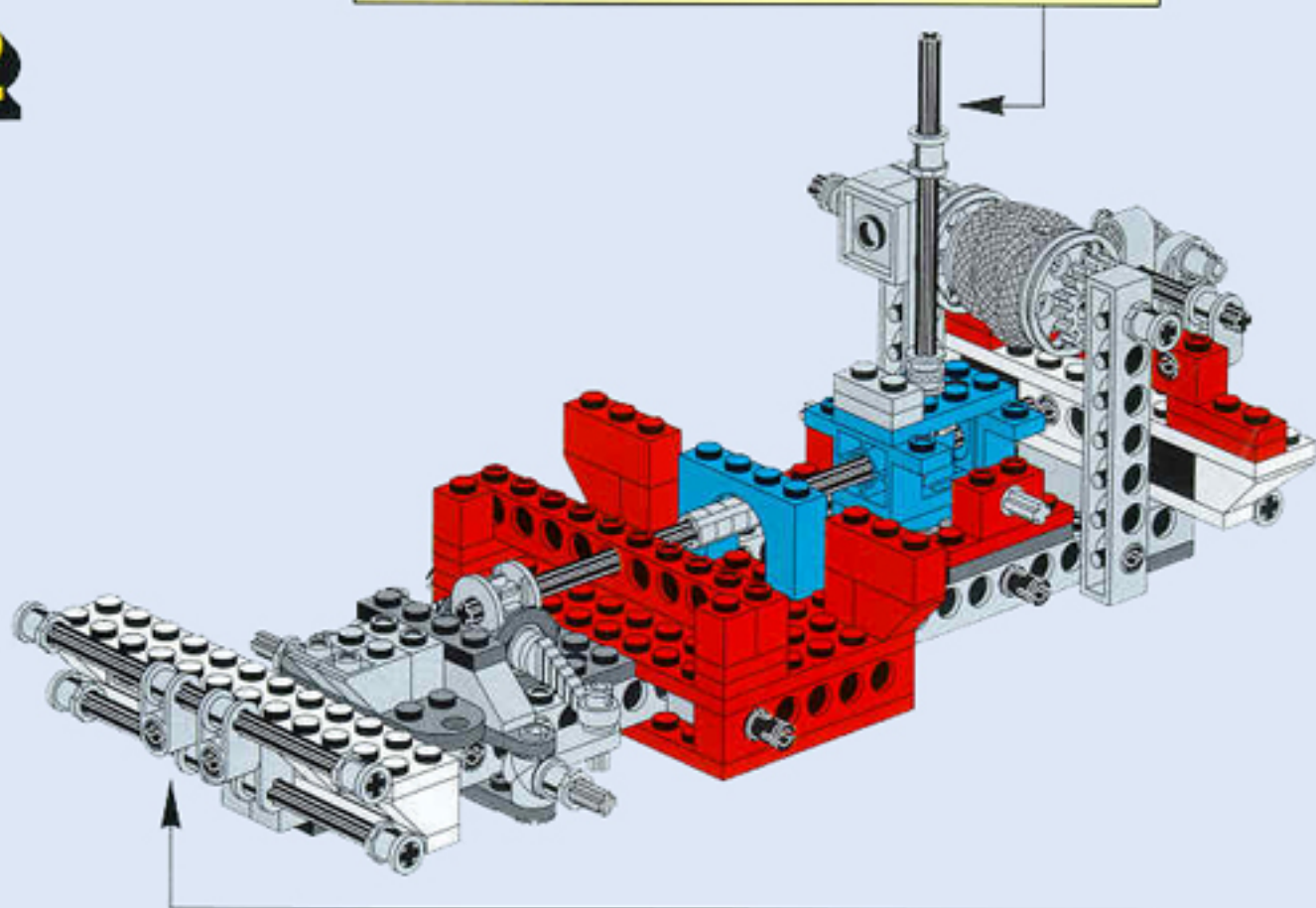


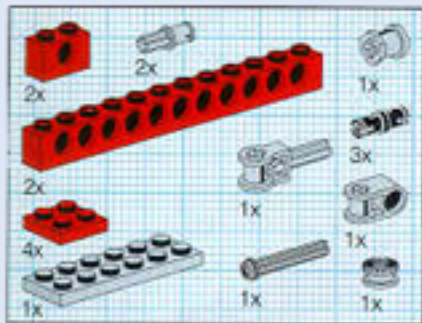
9



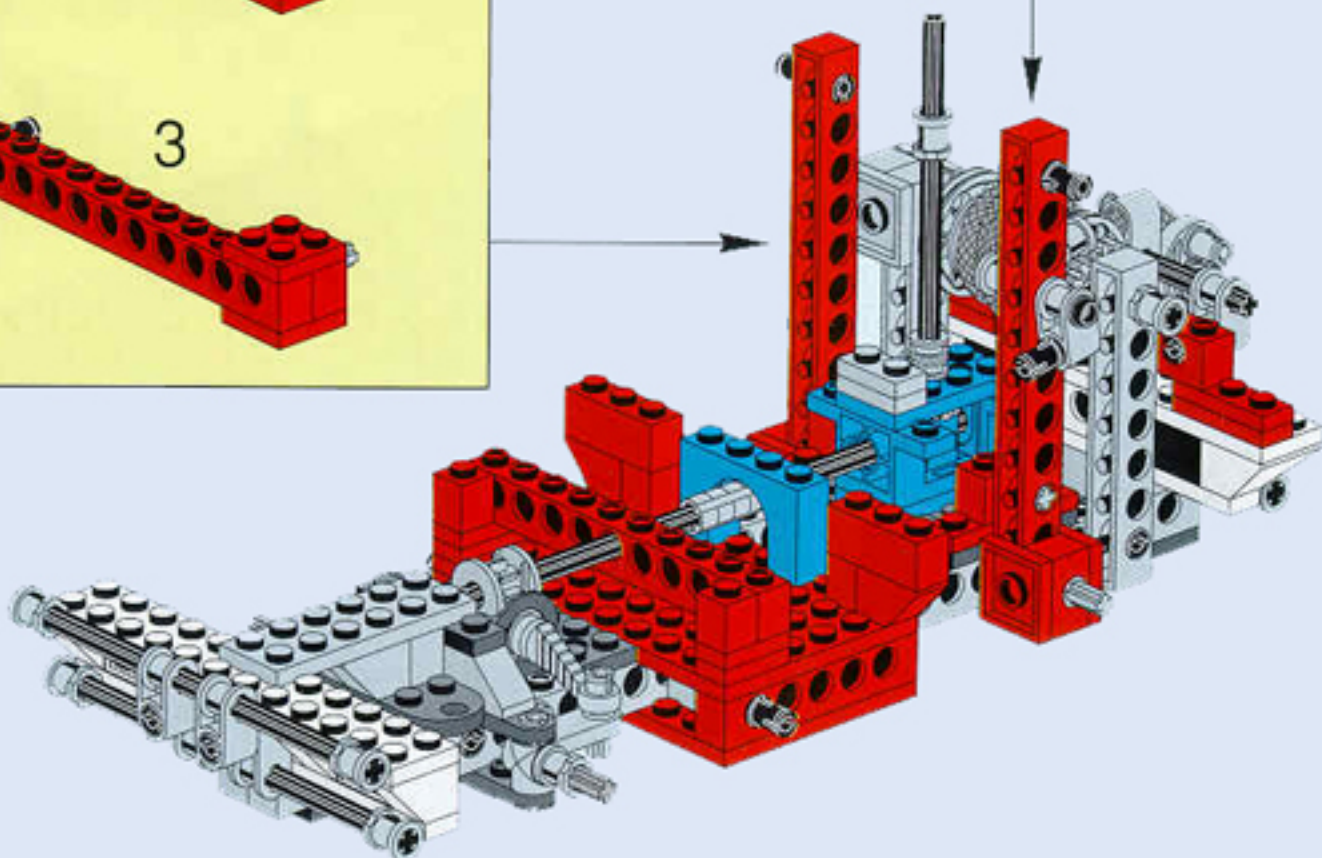
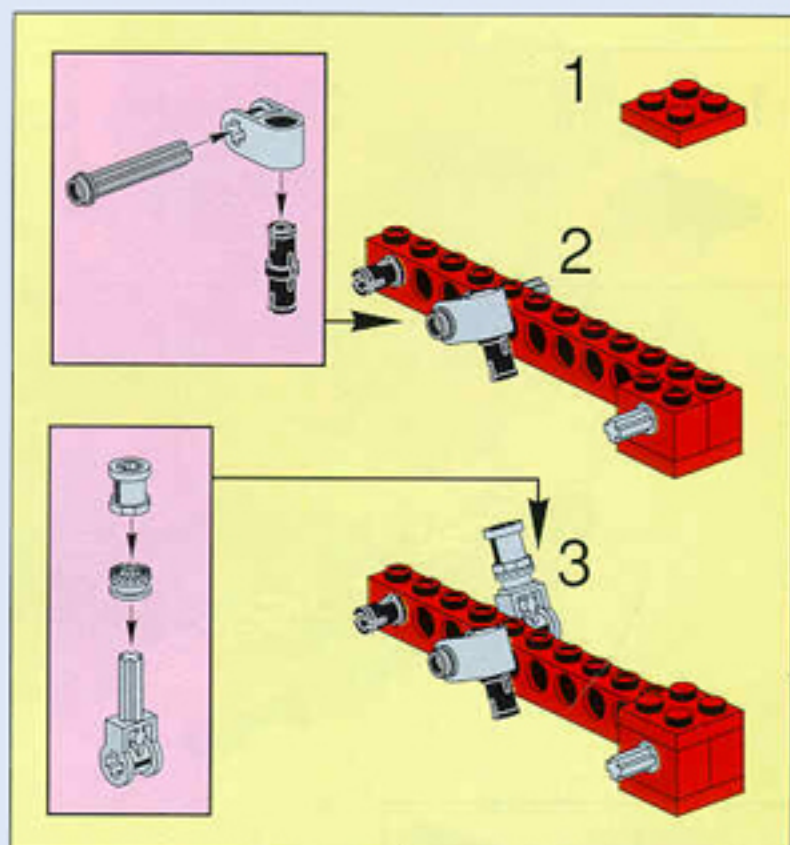
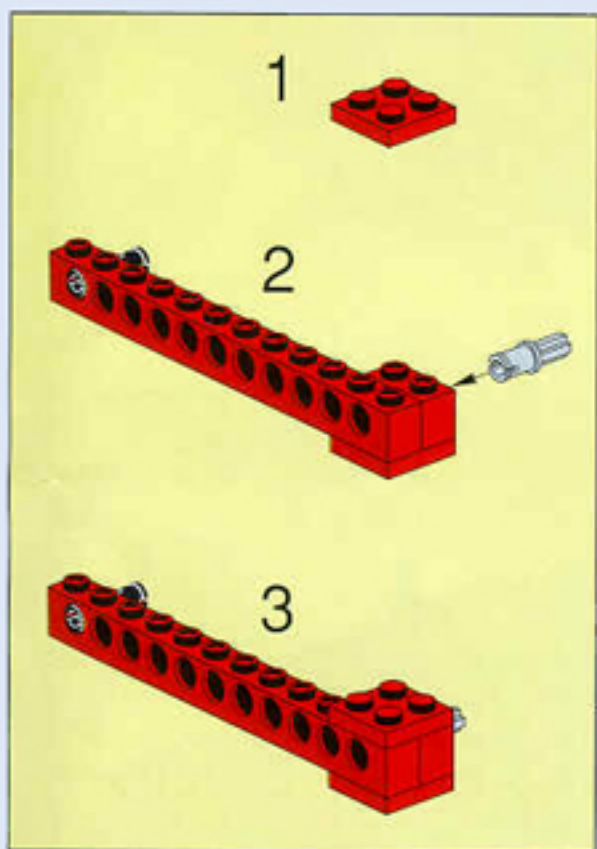


12

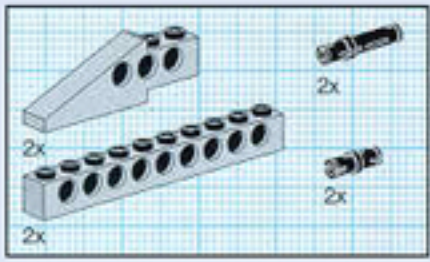
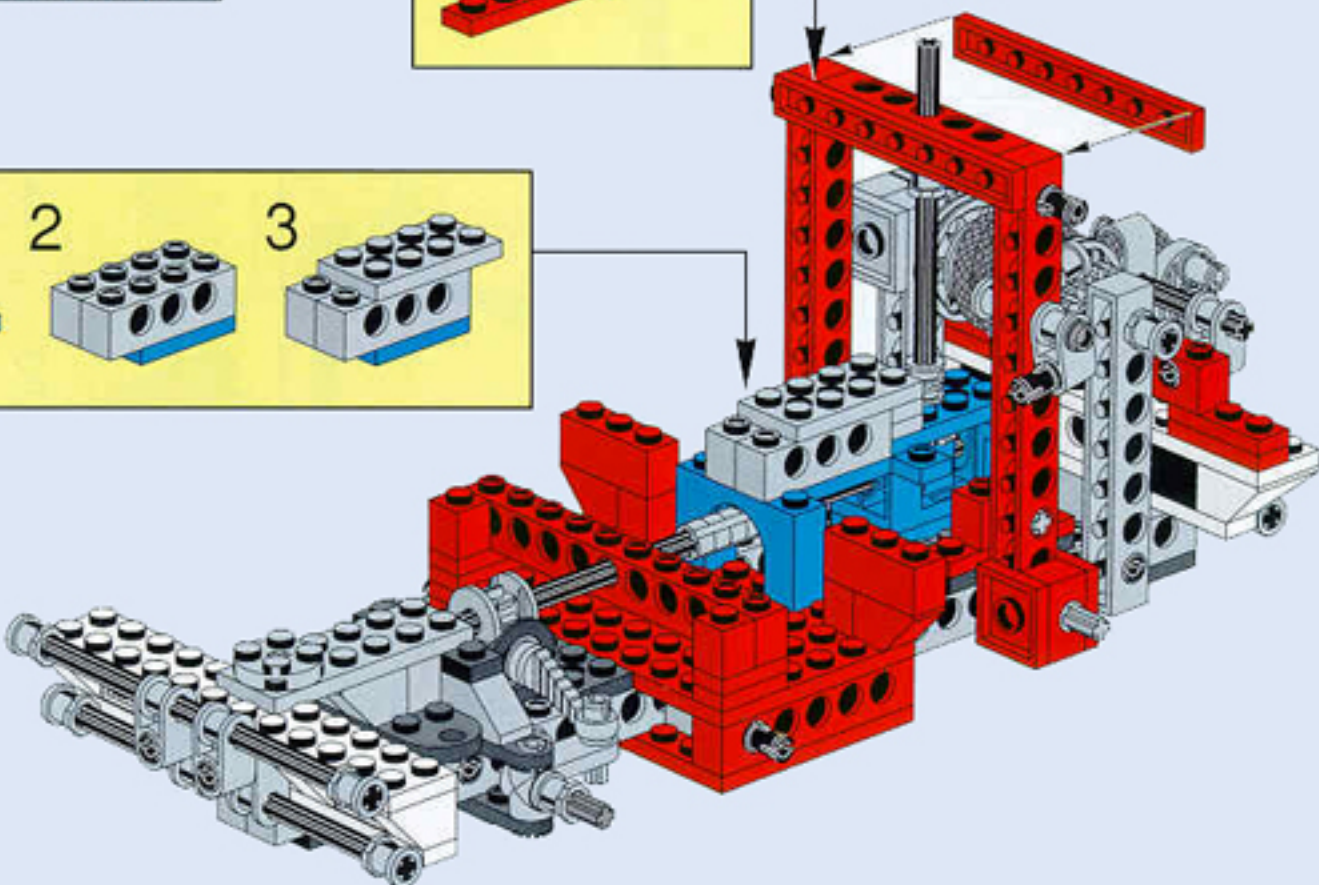
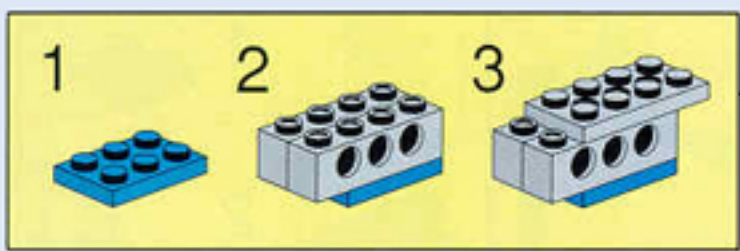
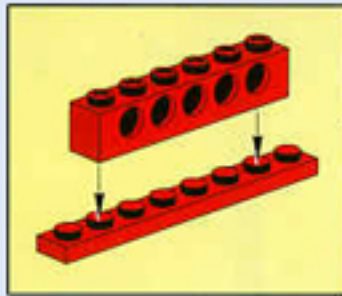
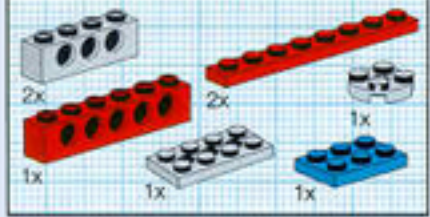




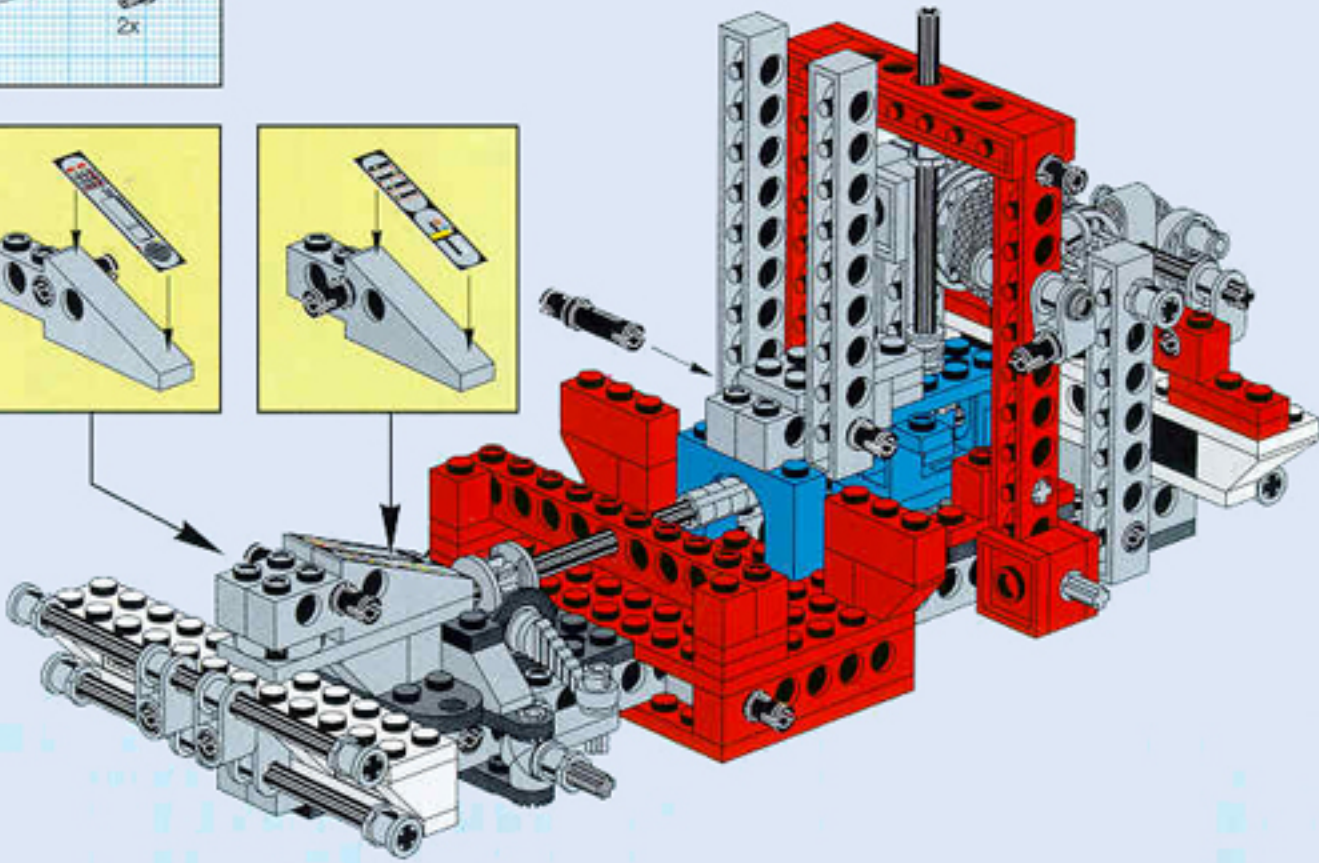
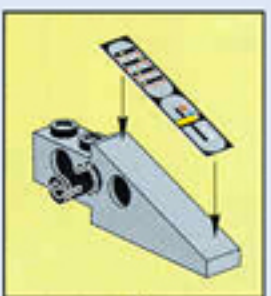
13

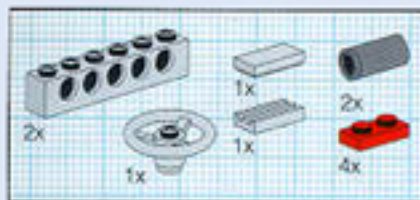


14

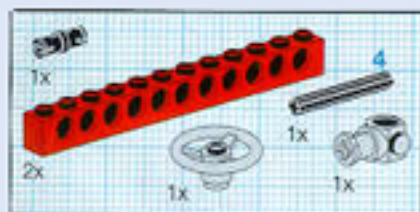
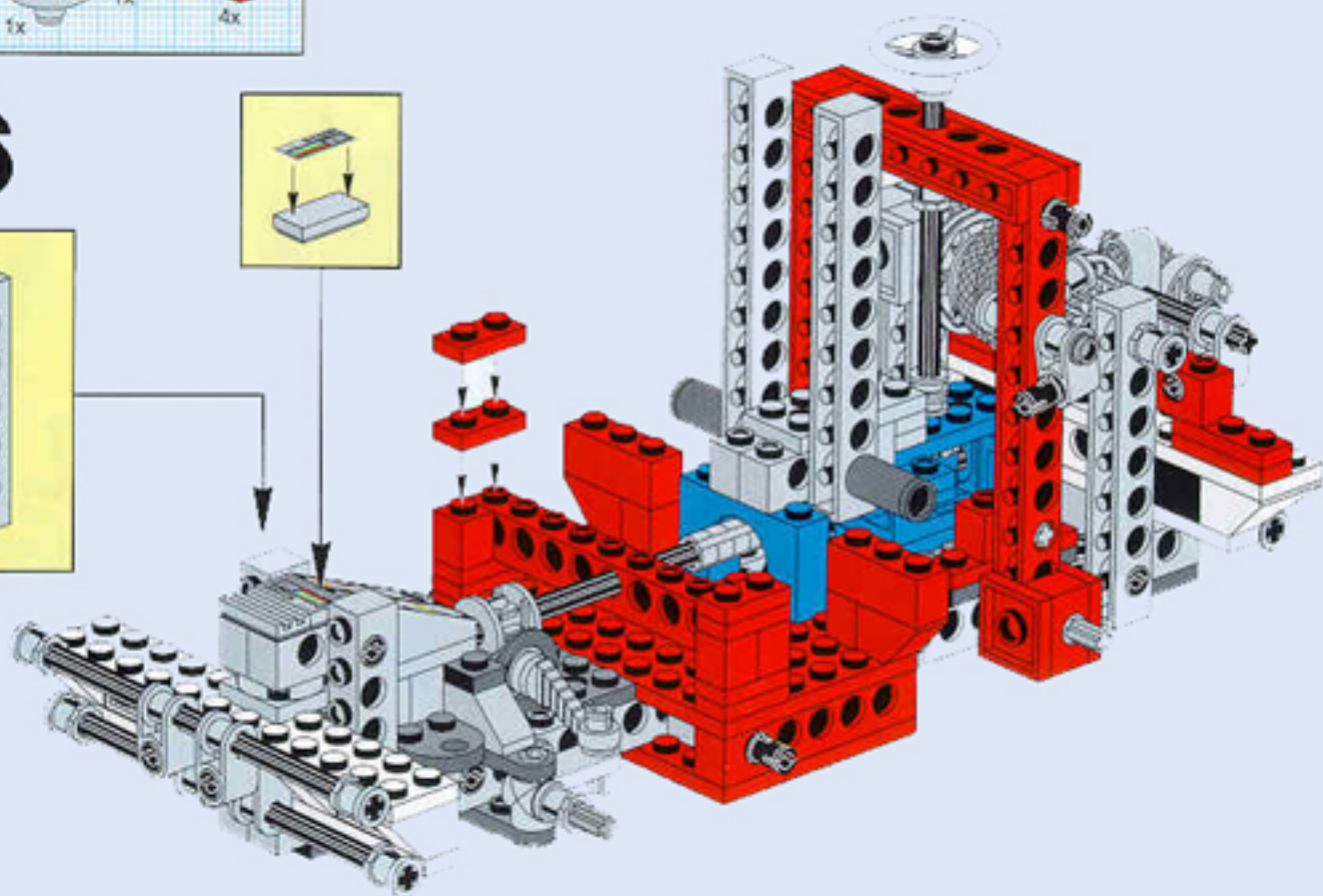


15

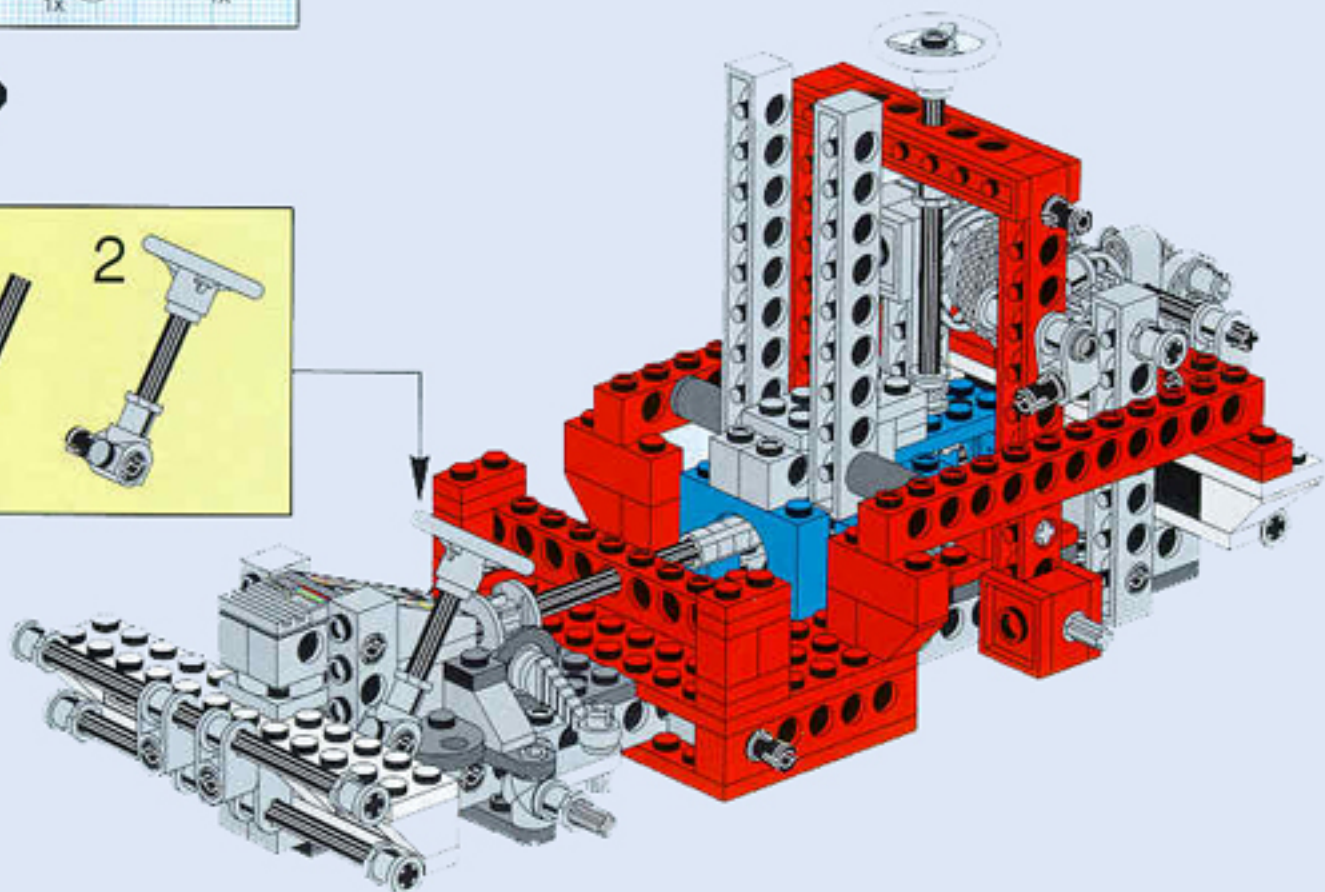
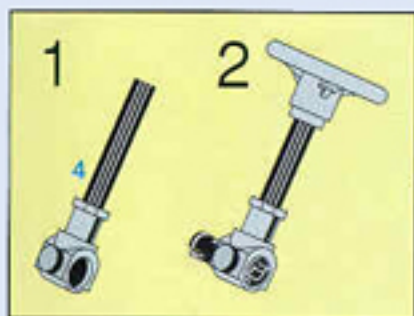


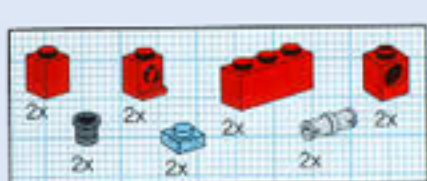


16

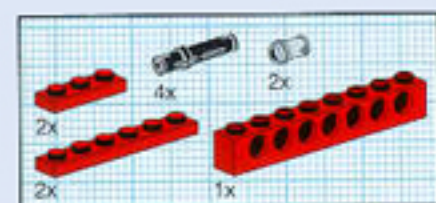
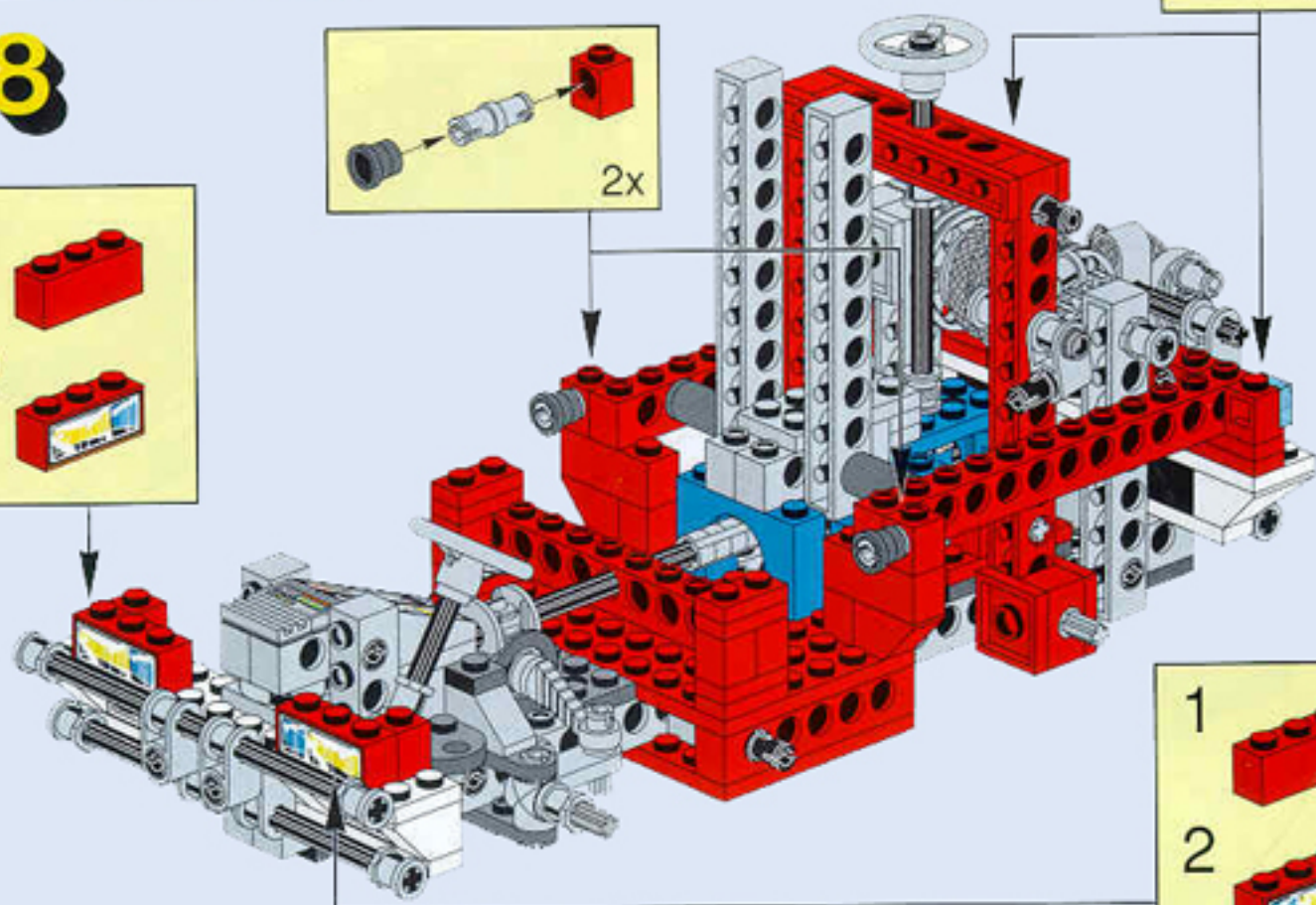
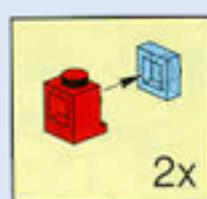
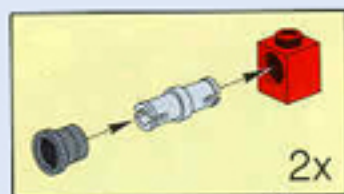
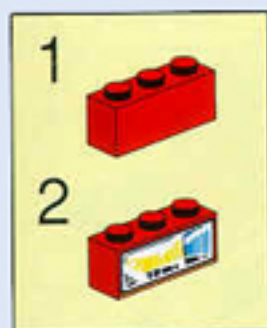


17

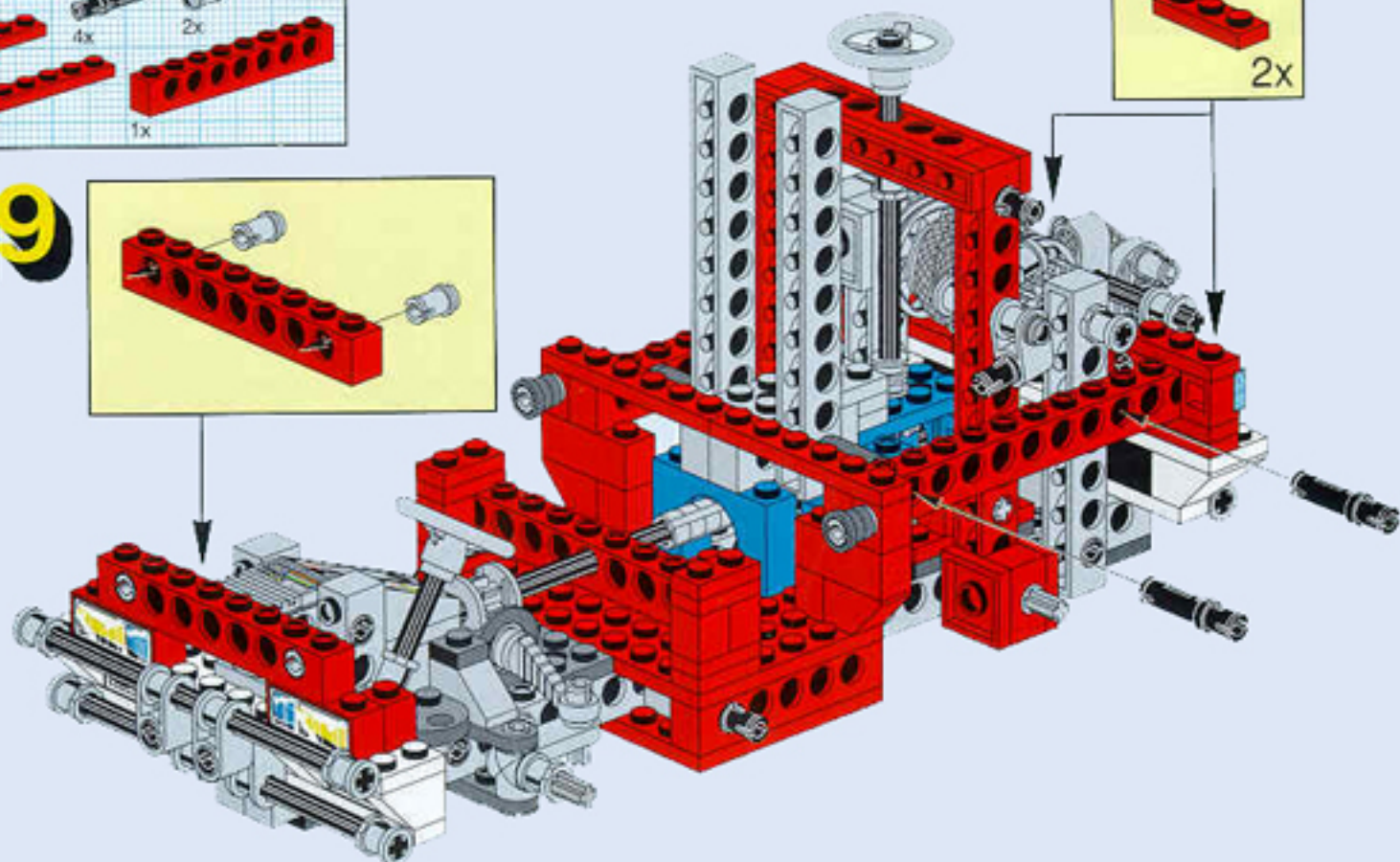
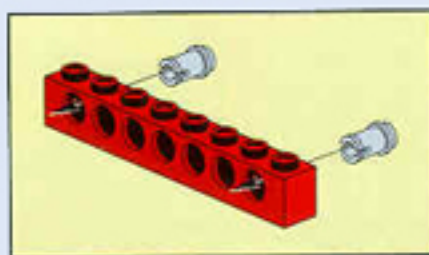


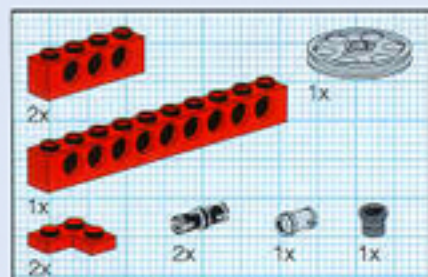


18

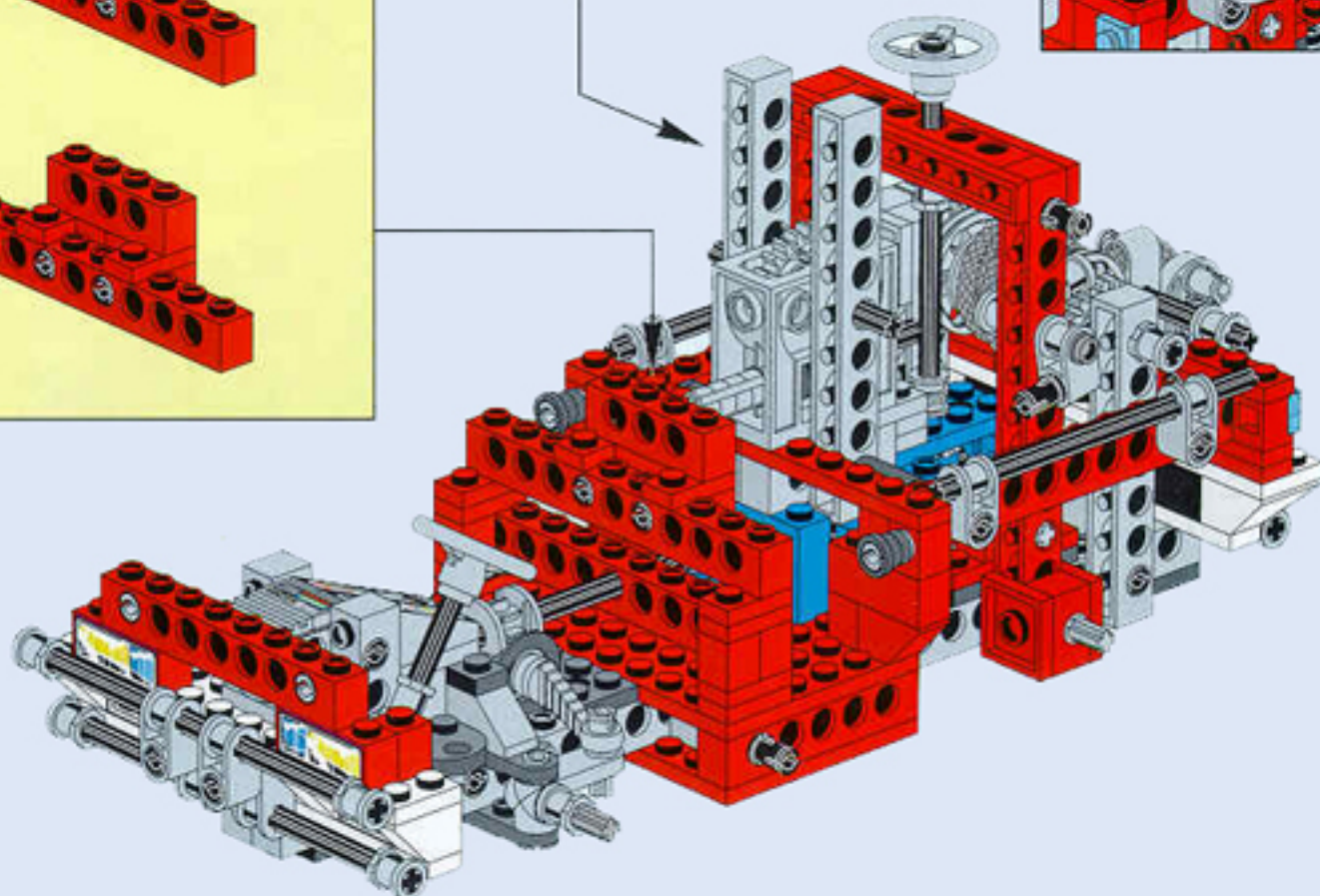
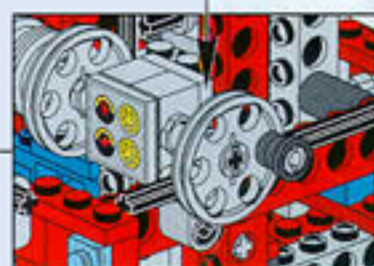
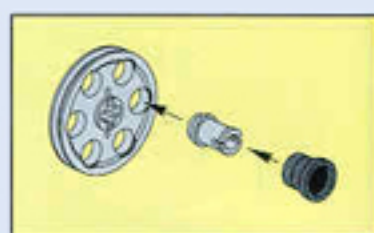
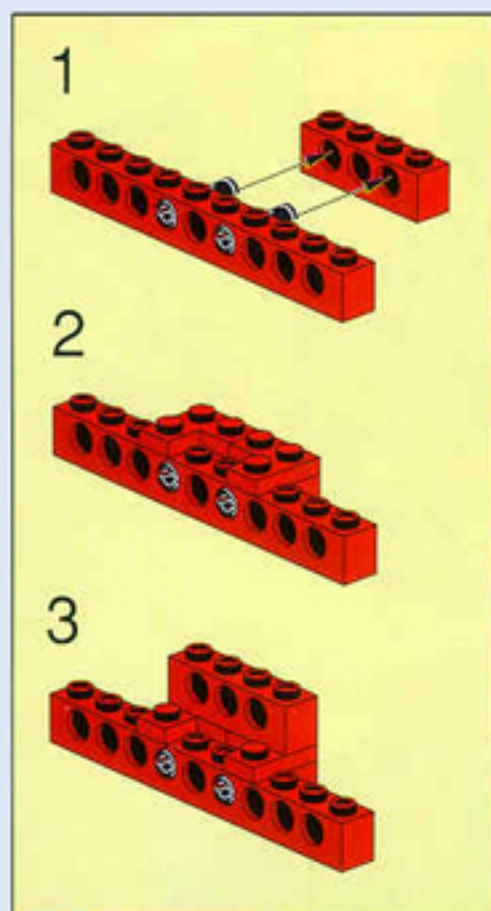


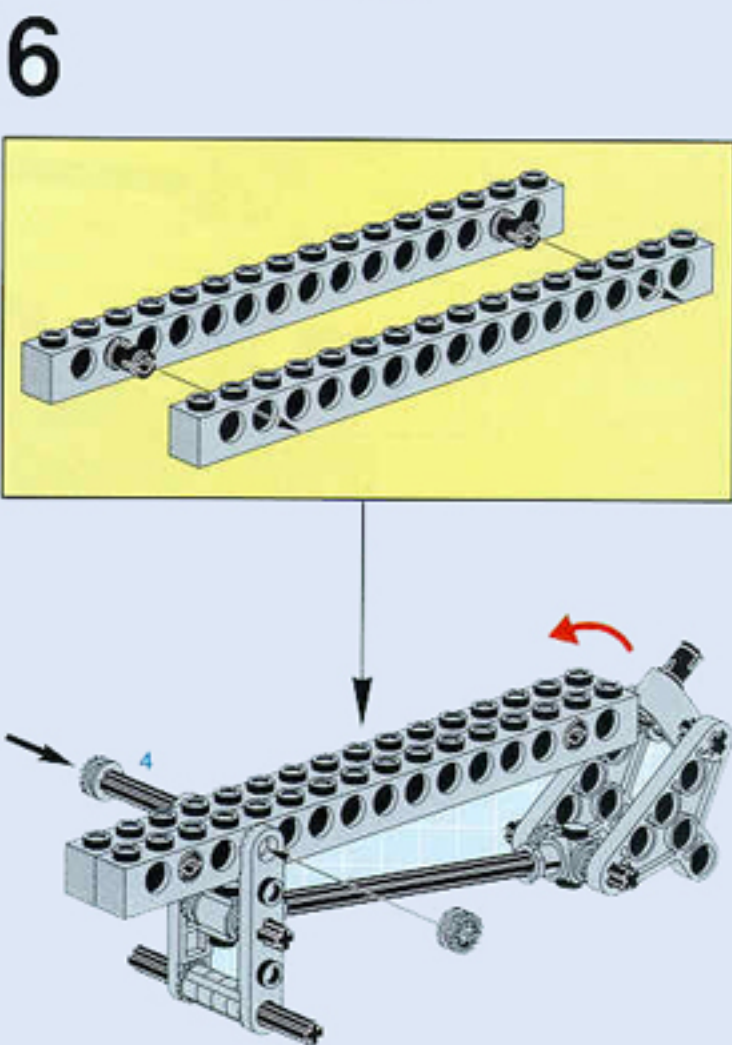
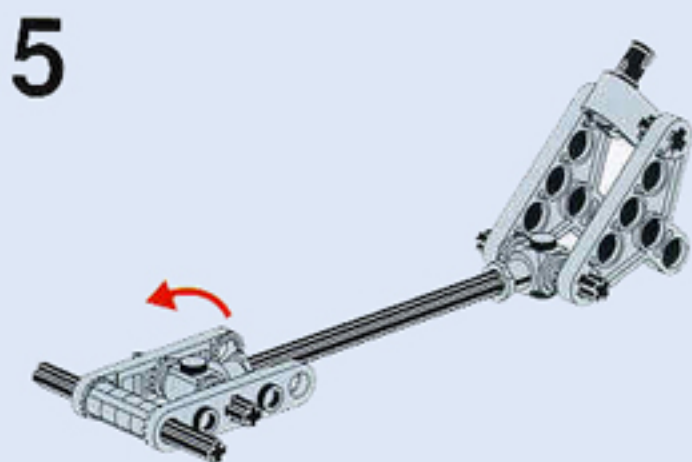
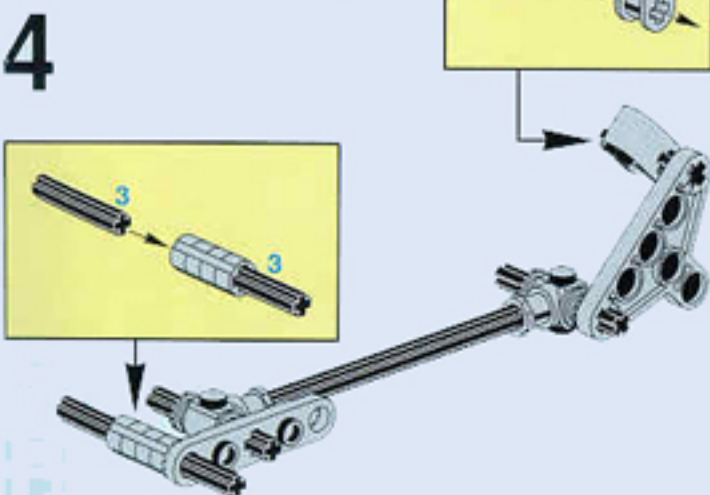
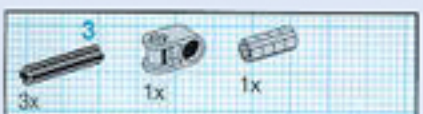
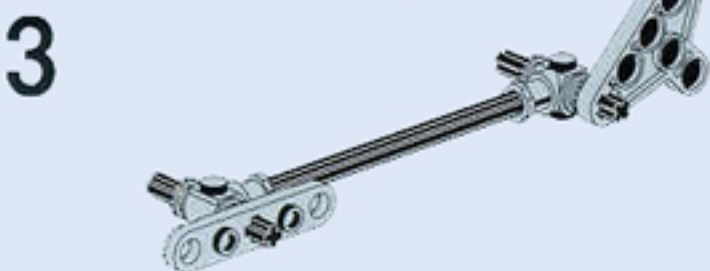
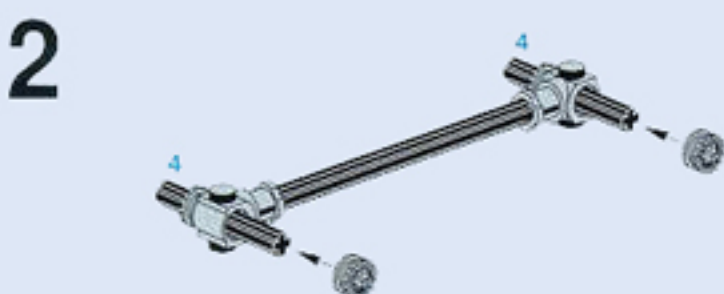
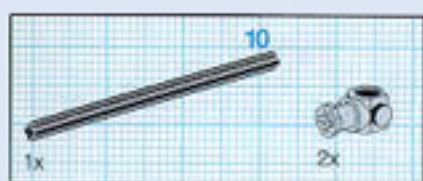
19





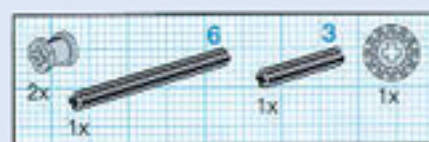
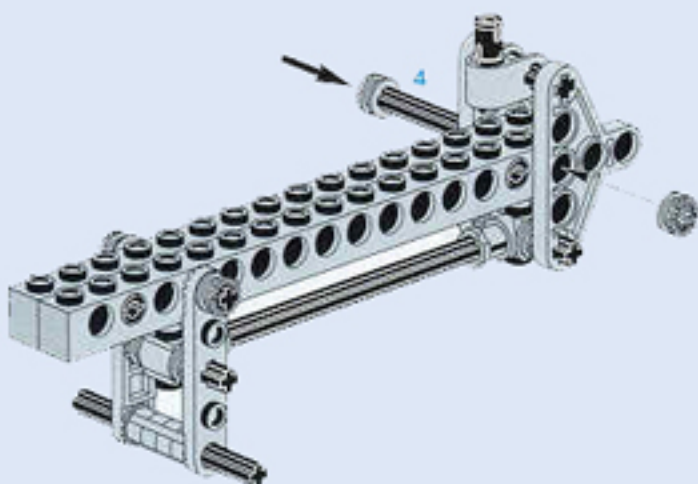
21



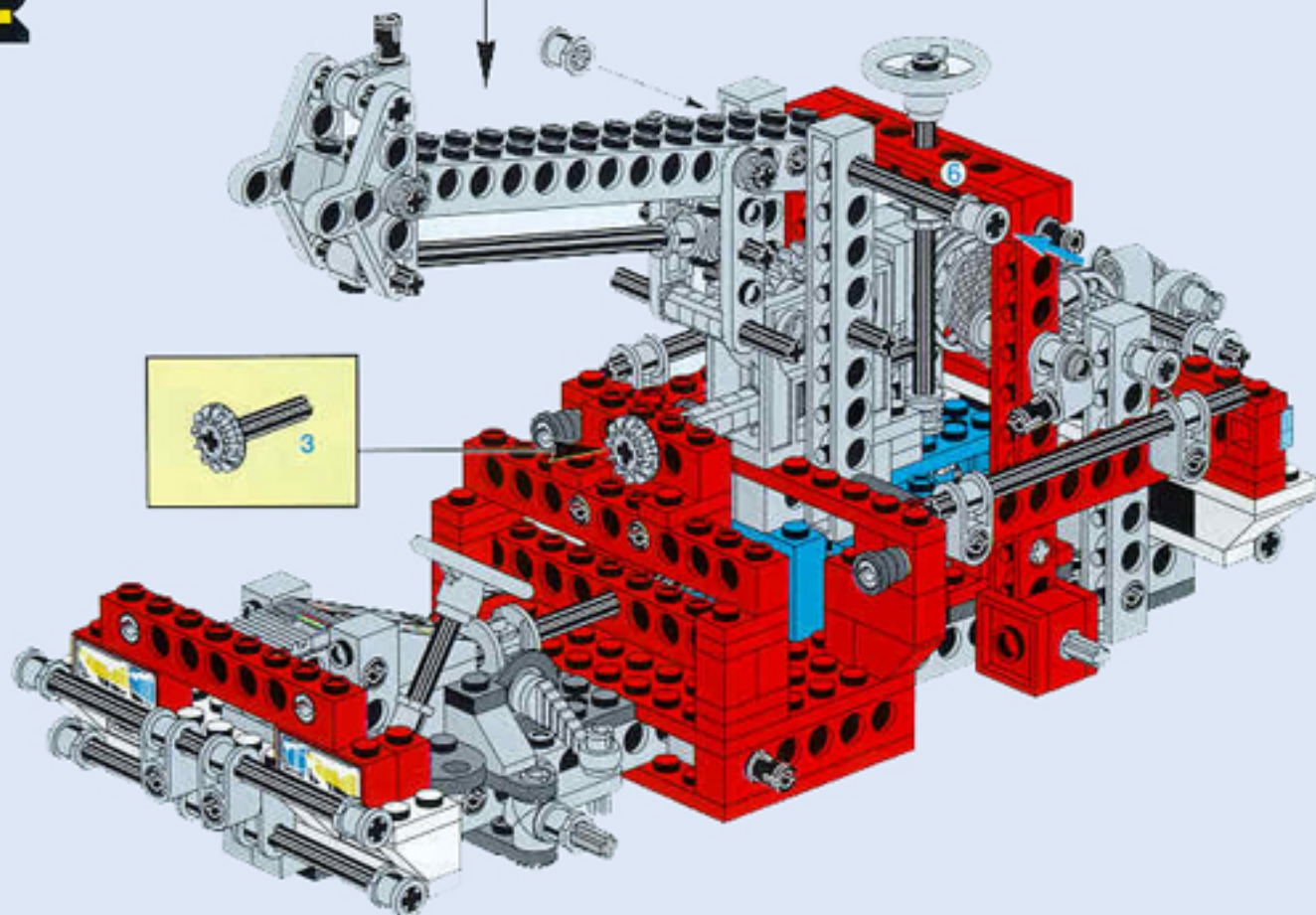


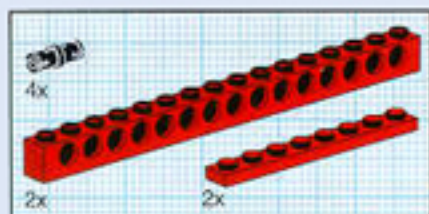


7

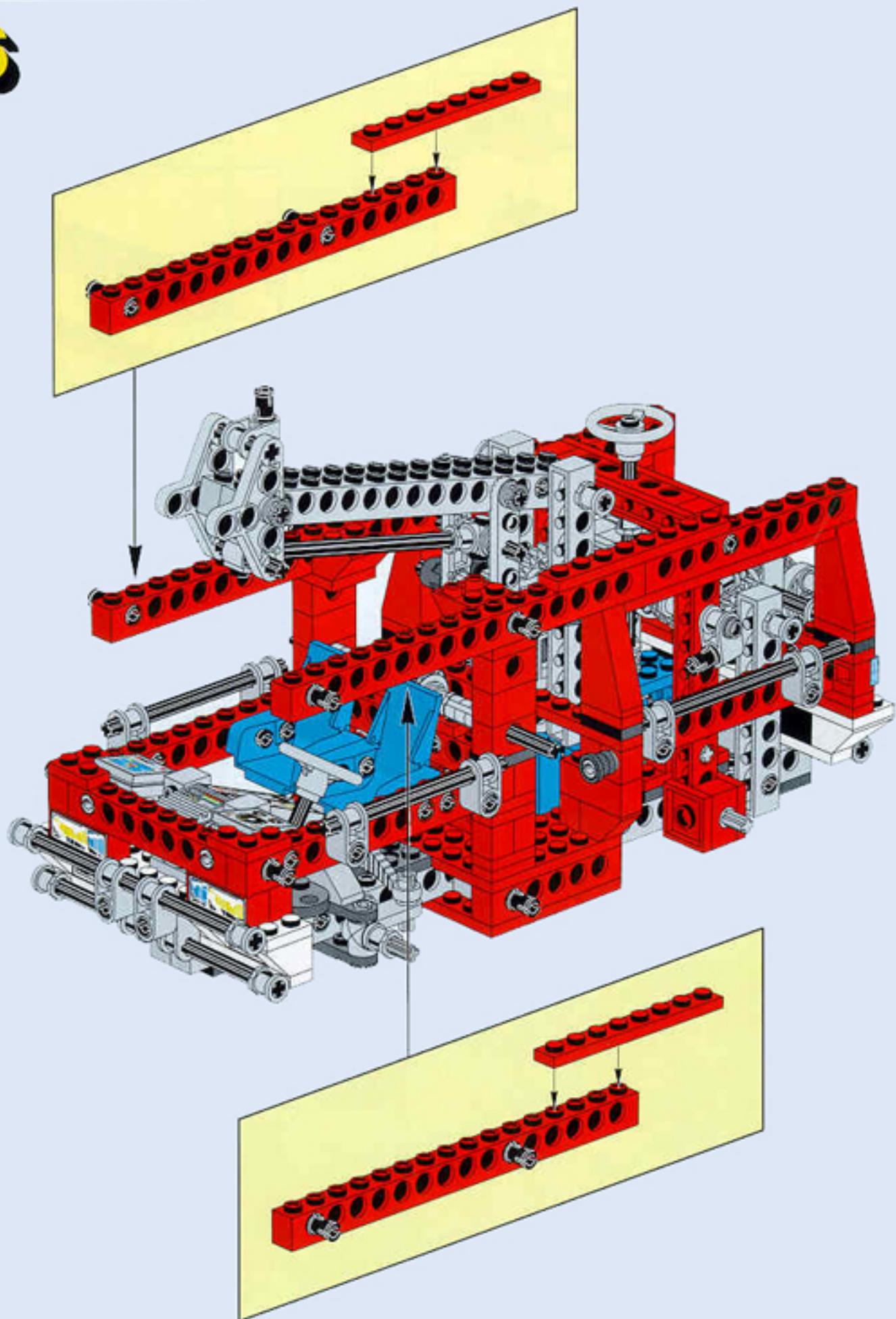


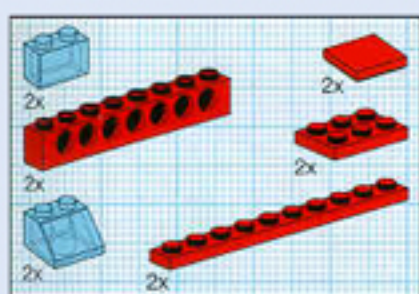
22



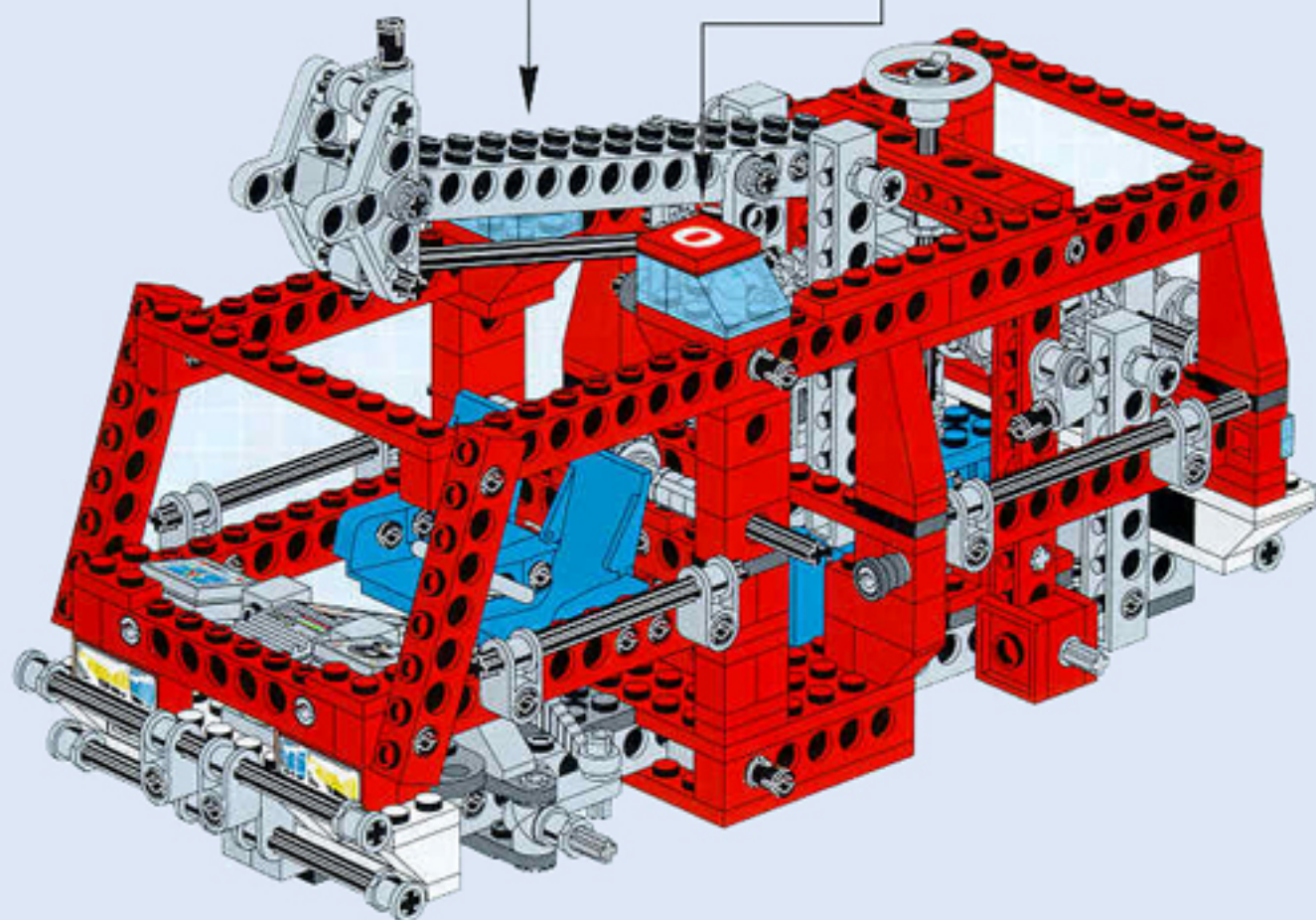
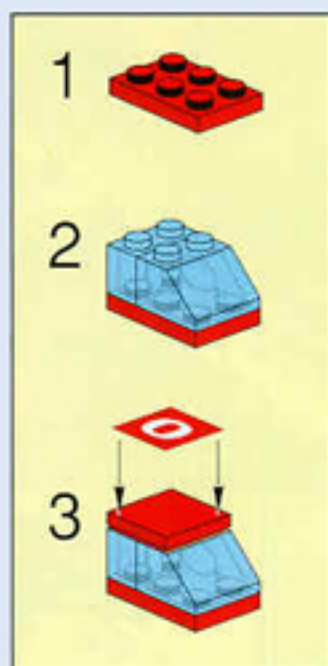
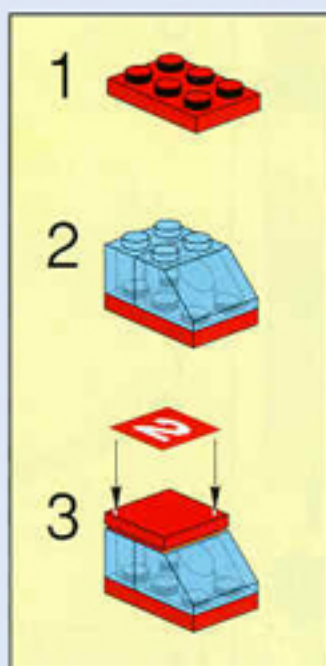


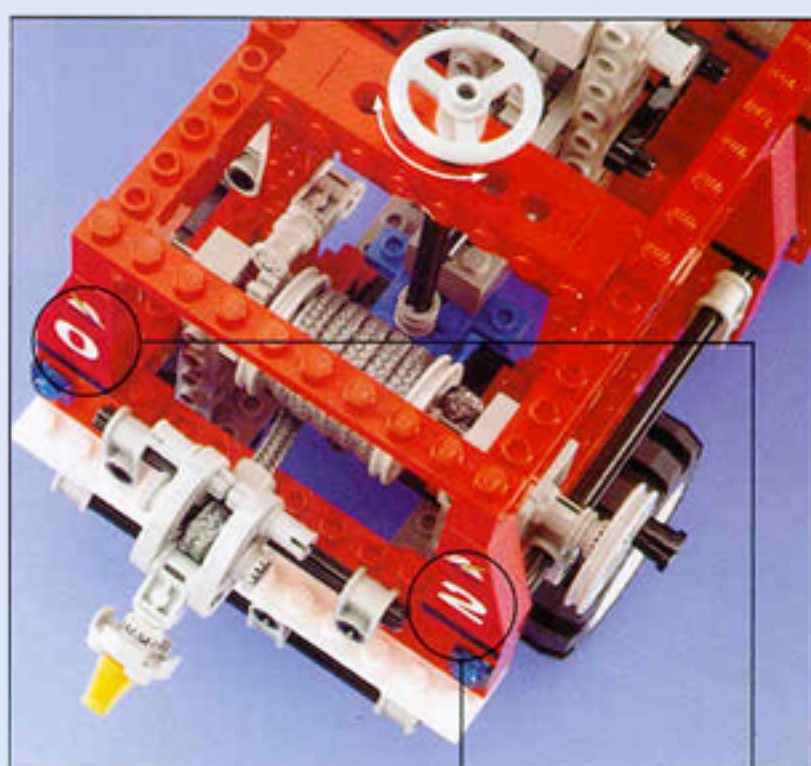
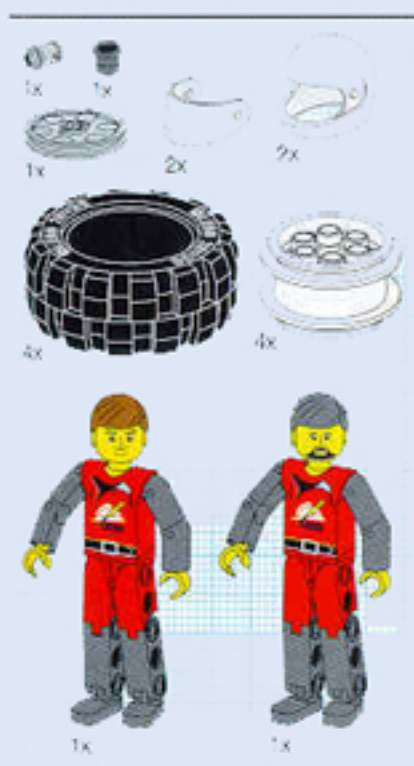
26



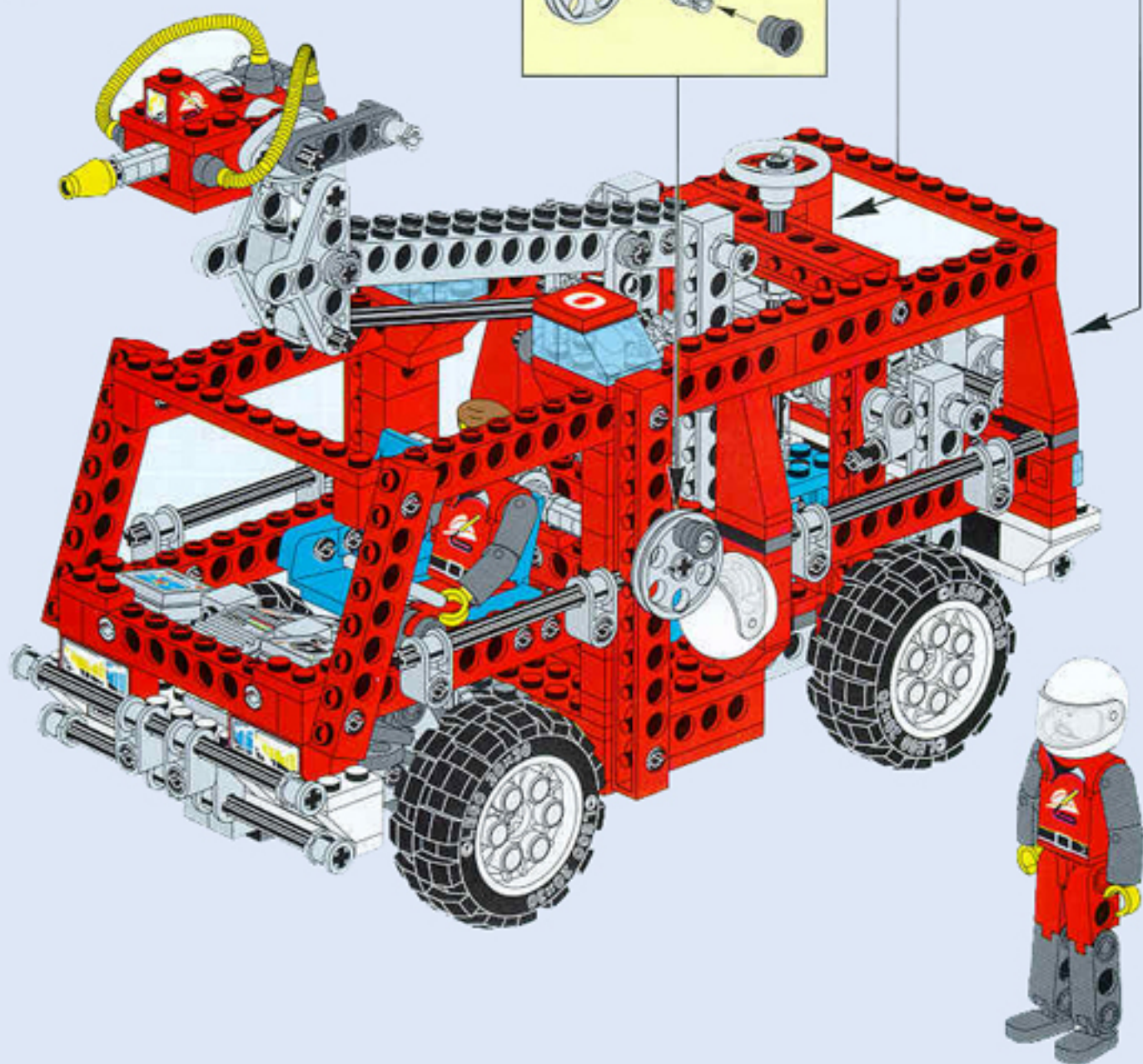
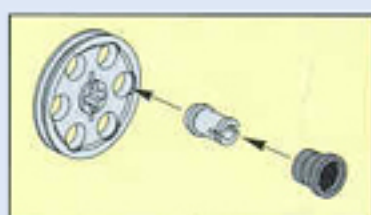


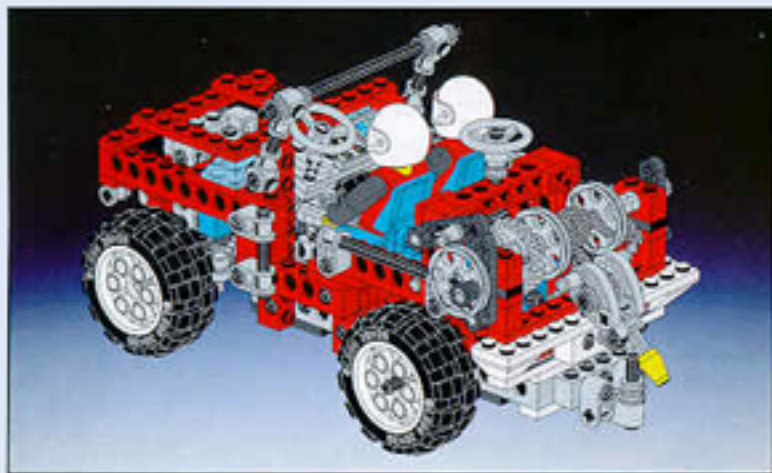
27



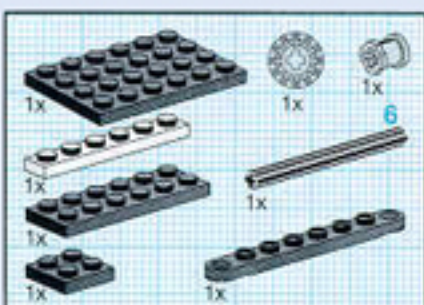
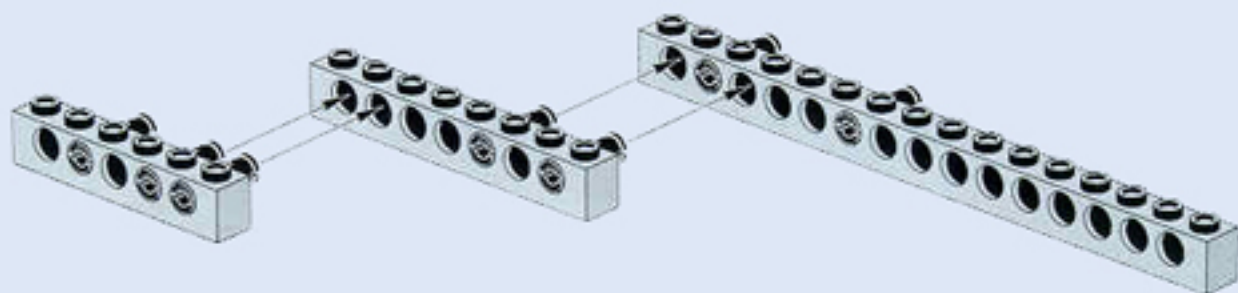


29

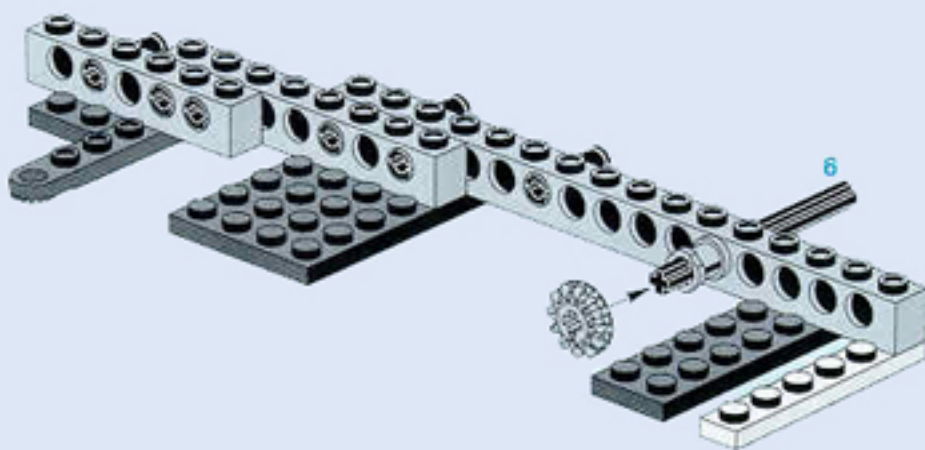


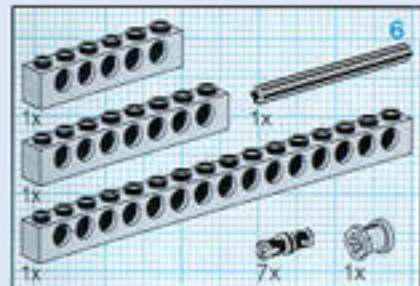


1

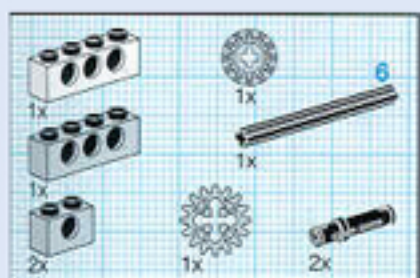
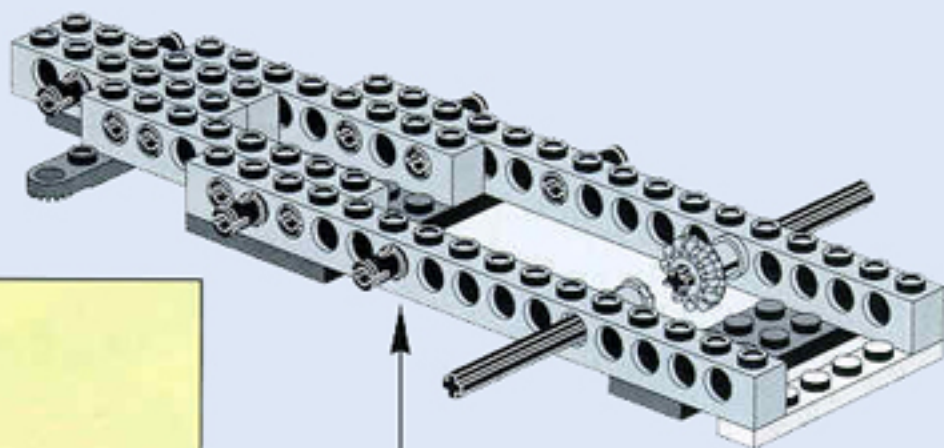
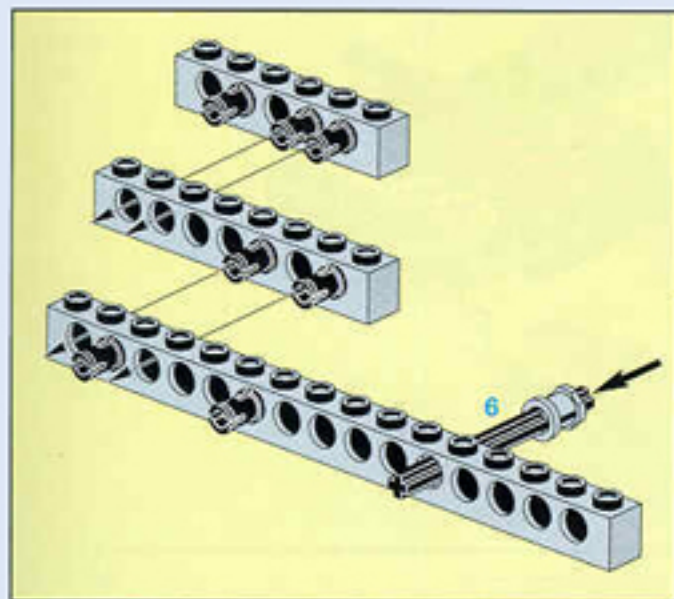


2

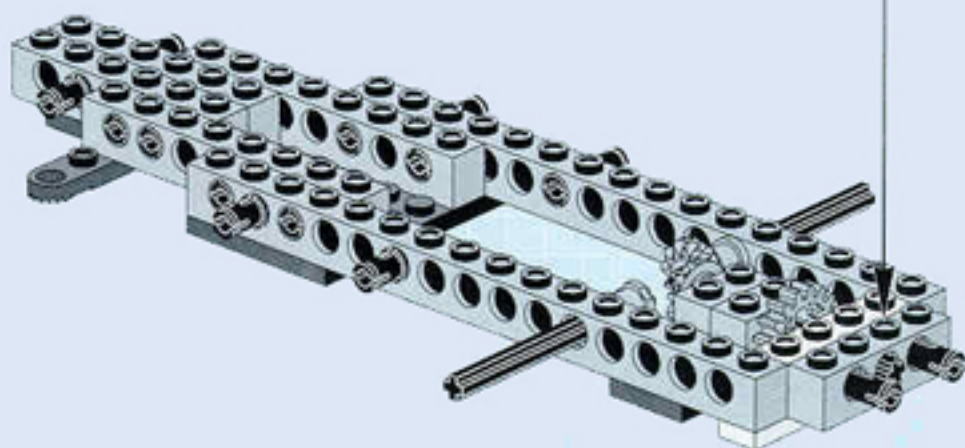
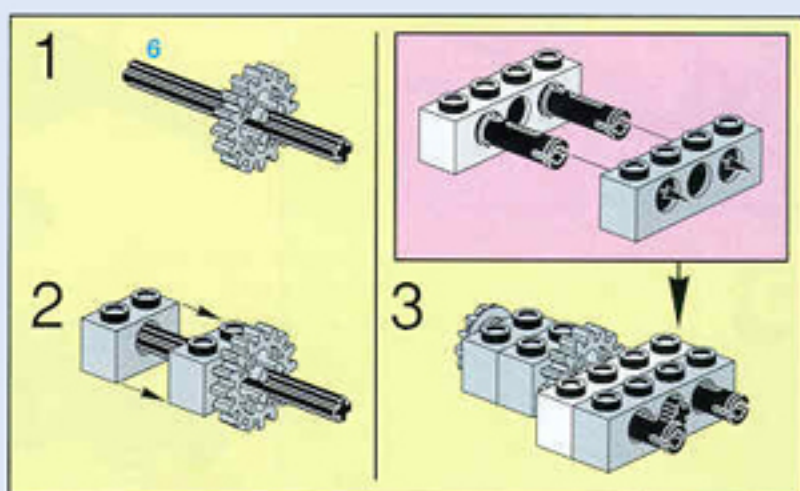


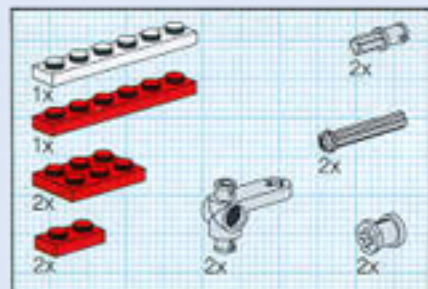


3

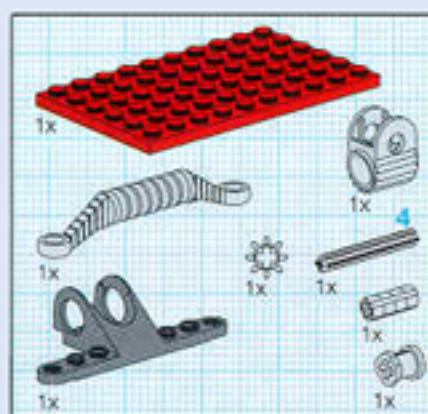
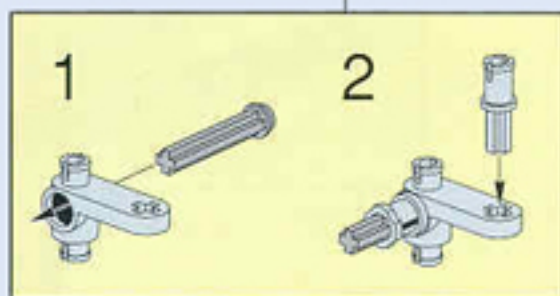
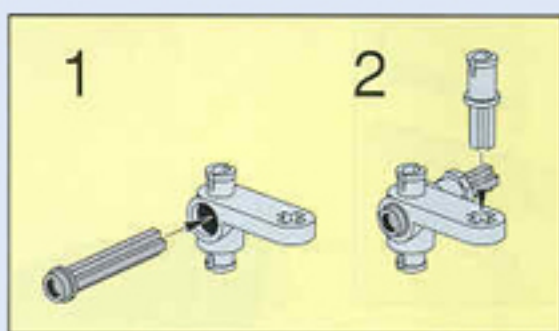
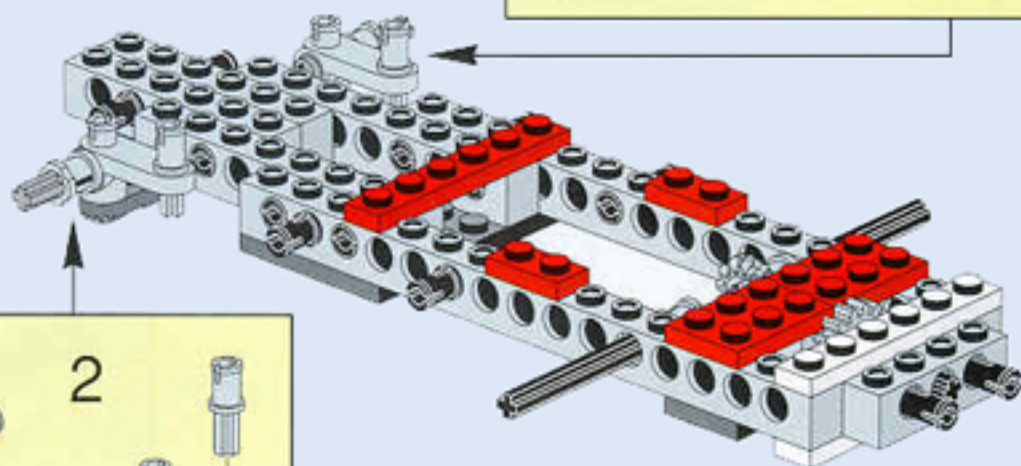


4

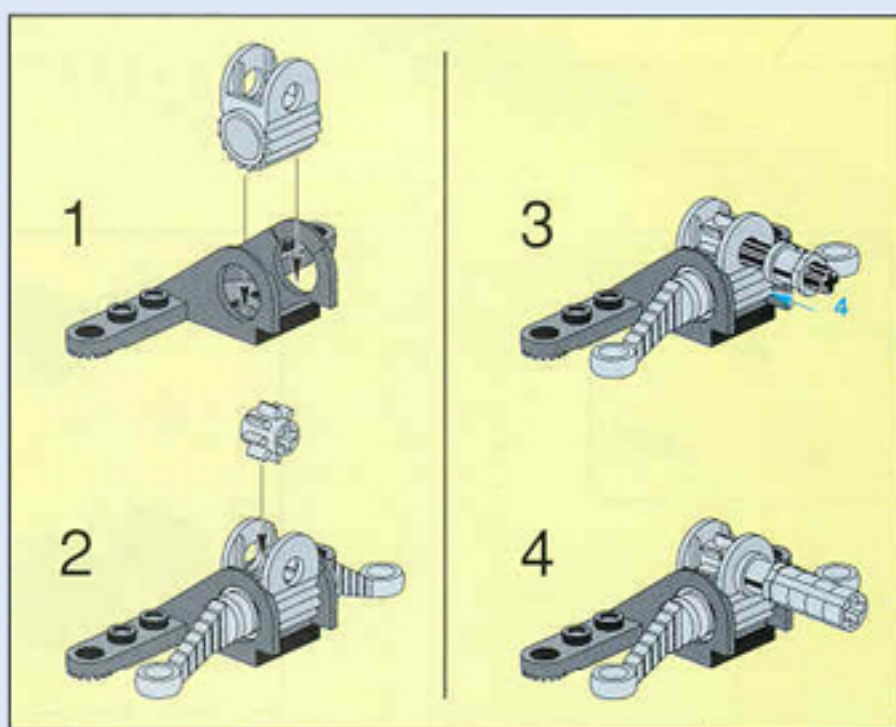
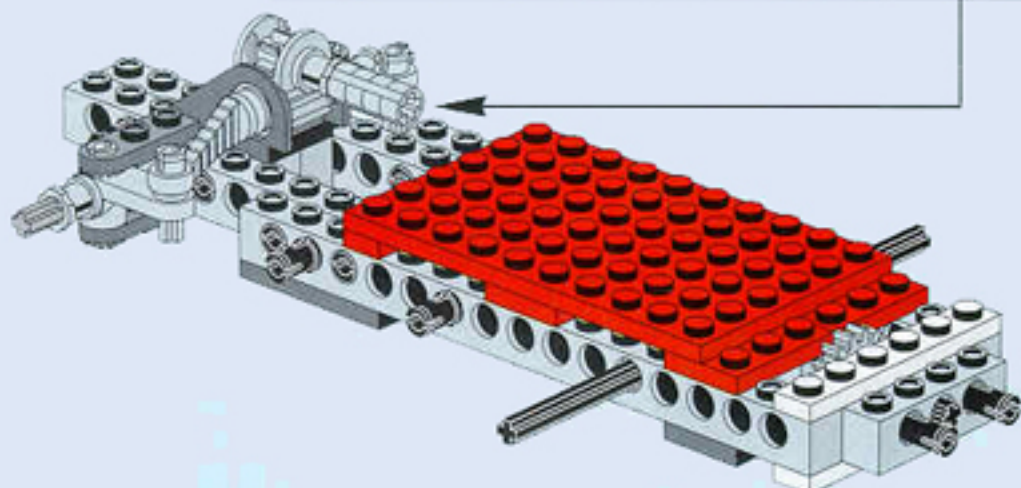


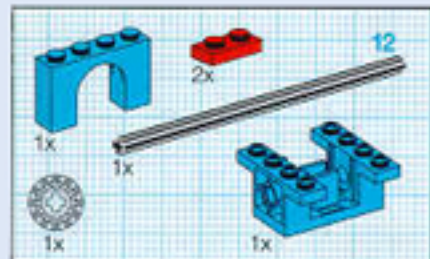


5

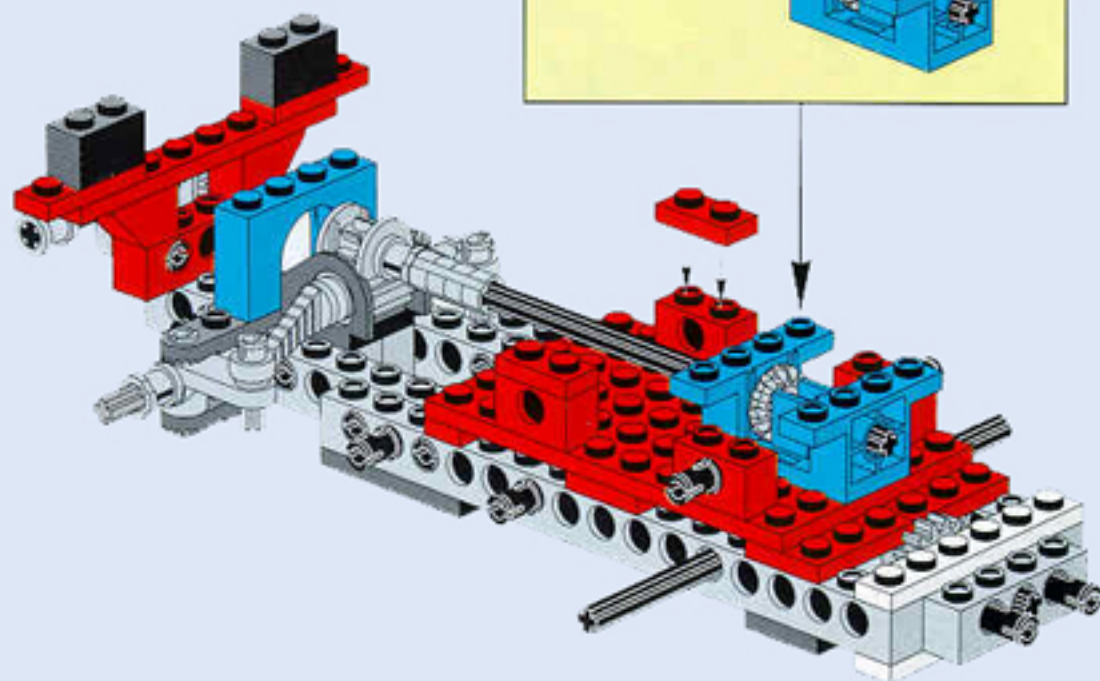
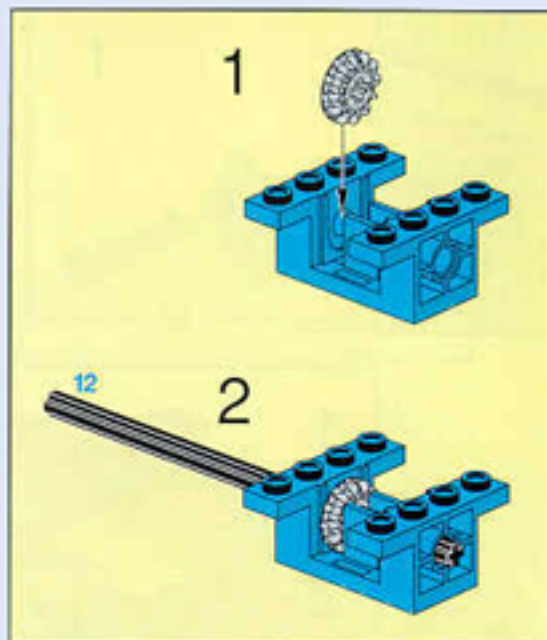


6

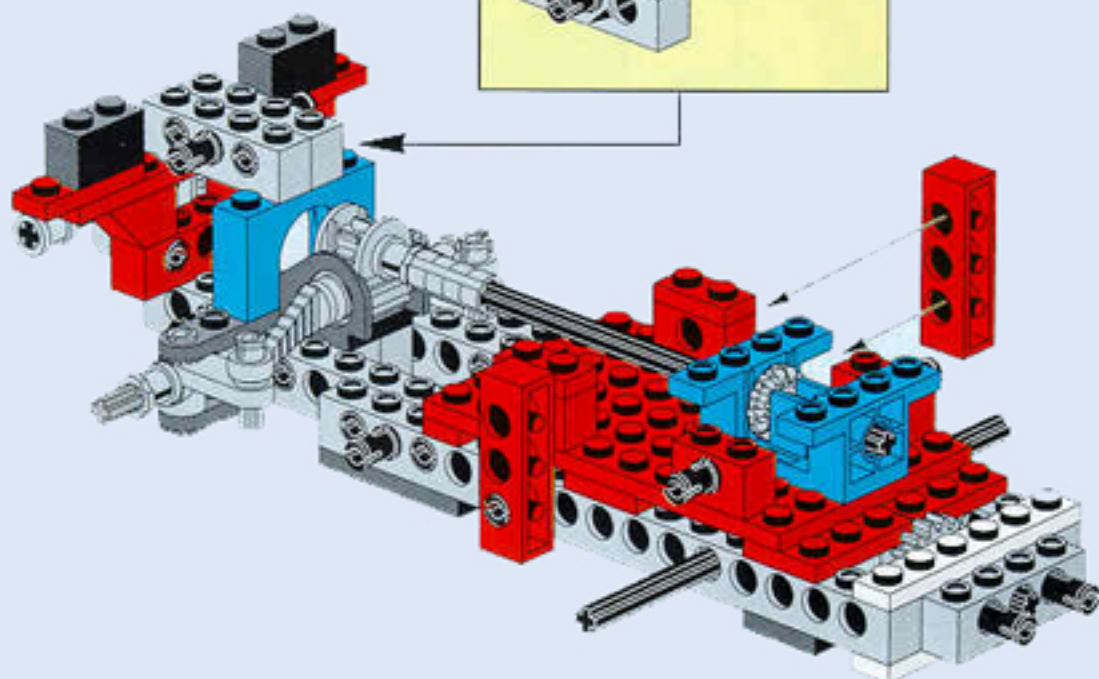
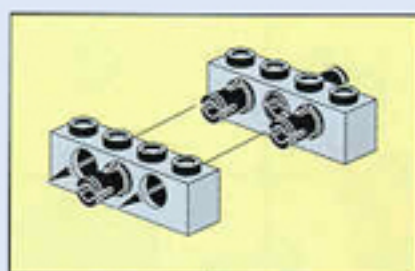




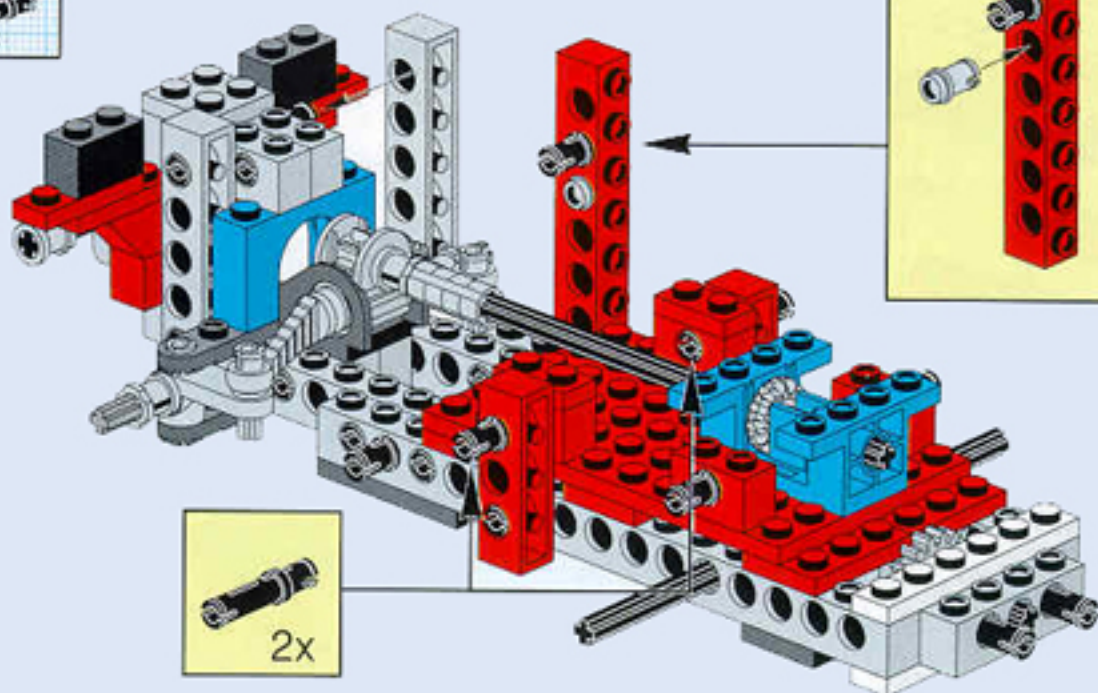
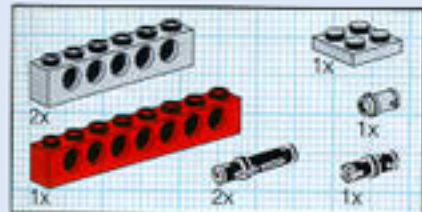
8



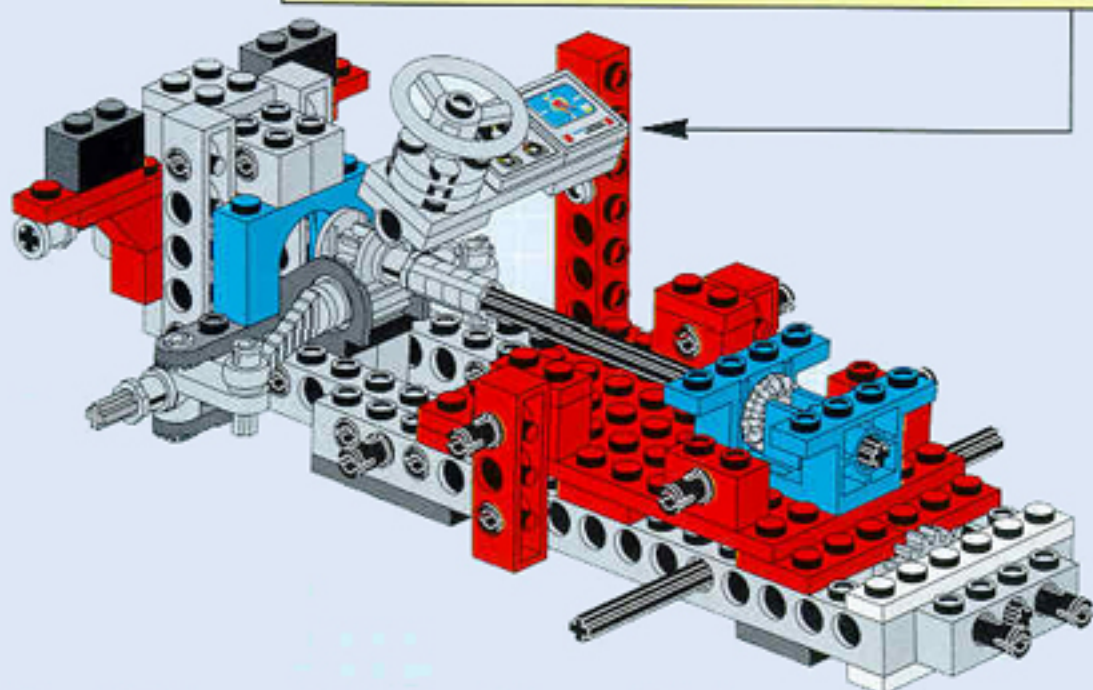
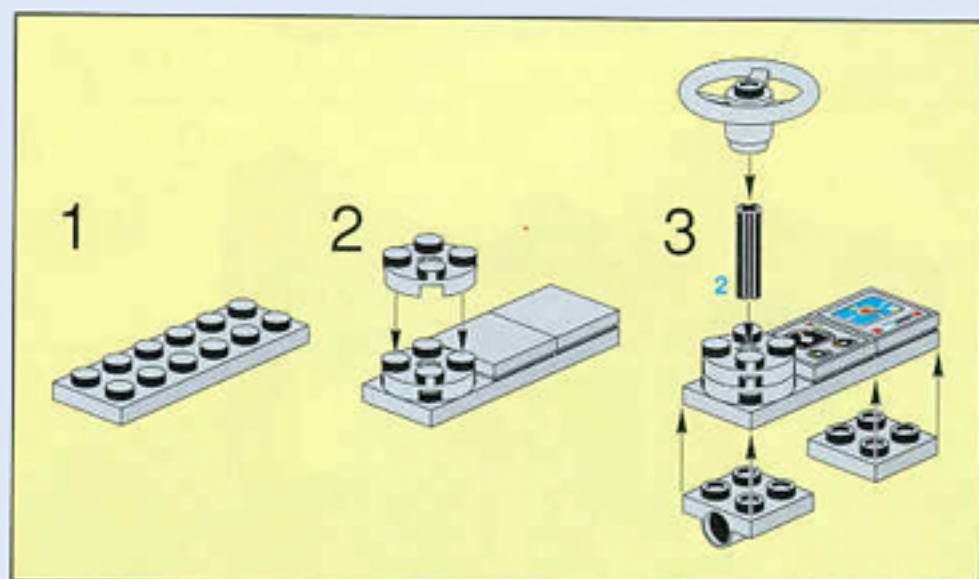
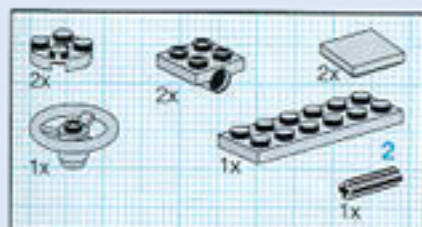
9

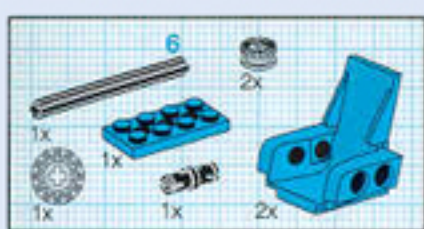


10

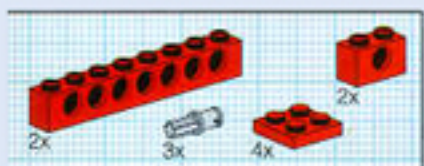
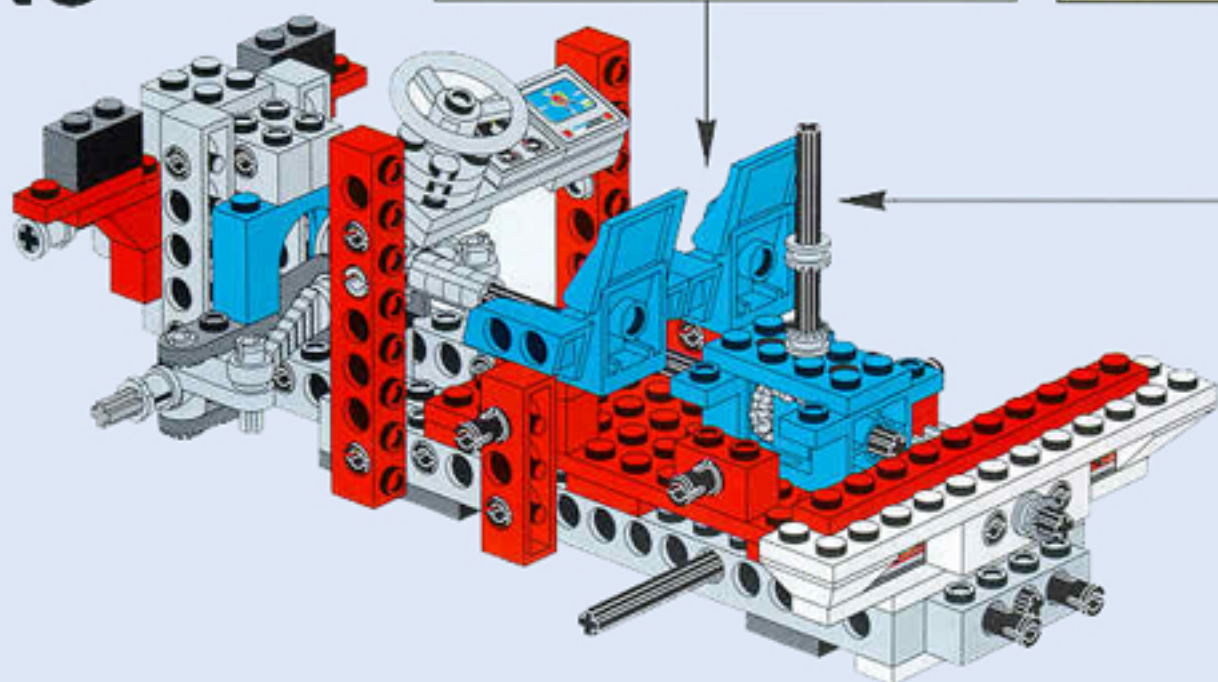
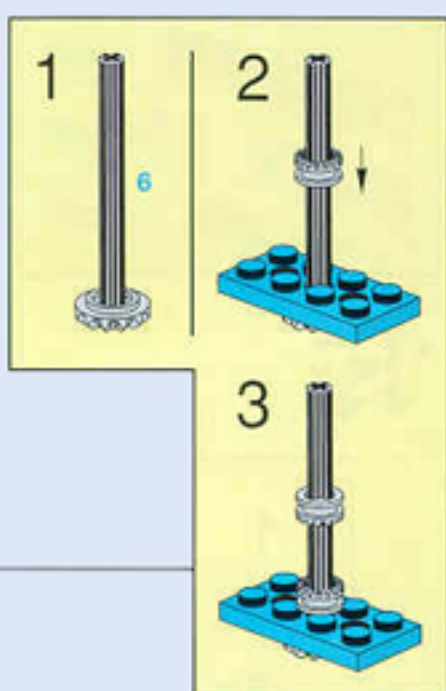
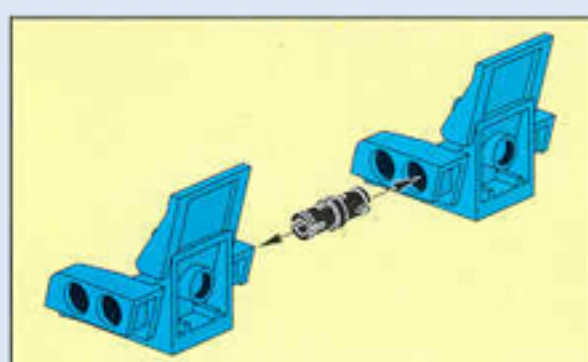


11

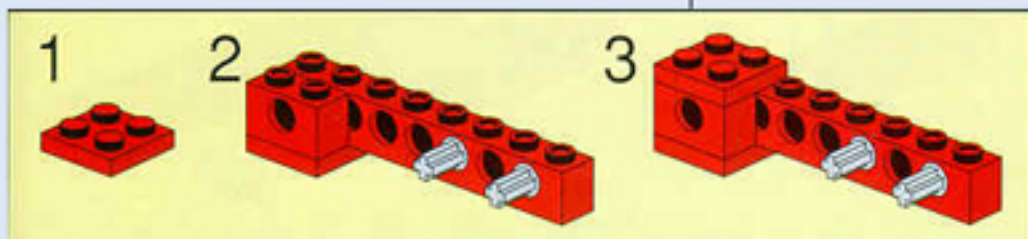
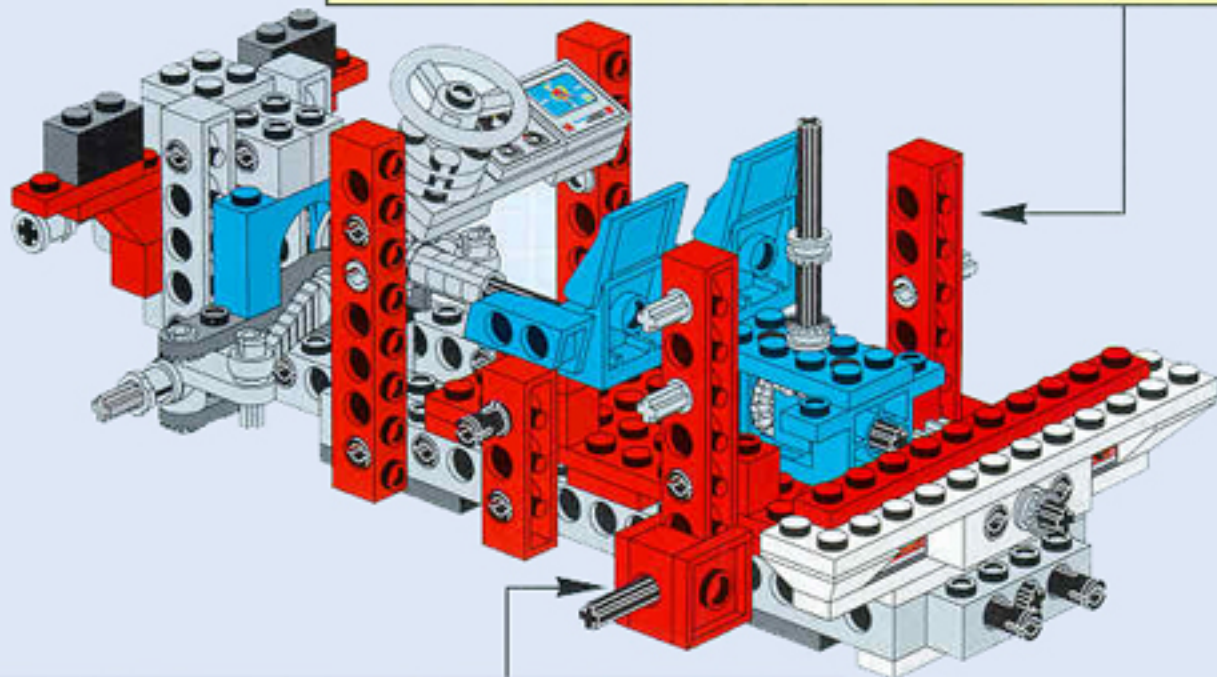
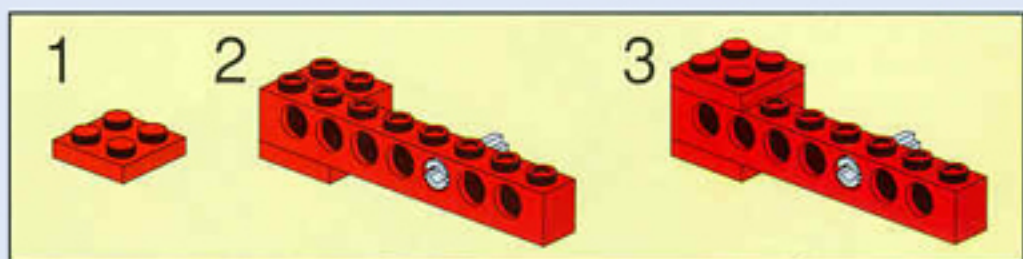


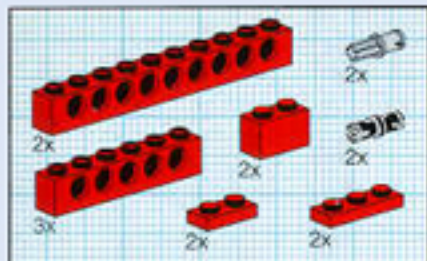


13

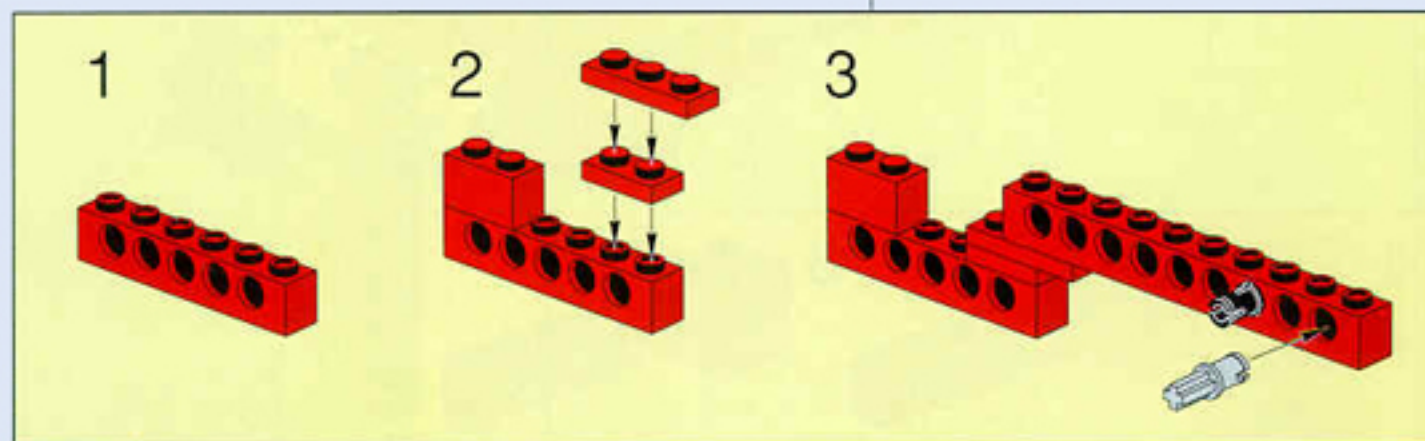
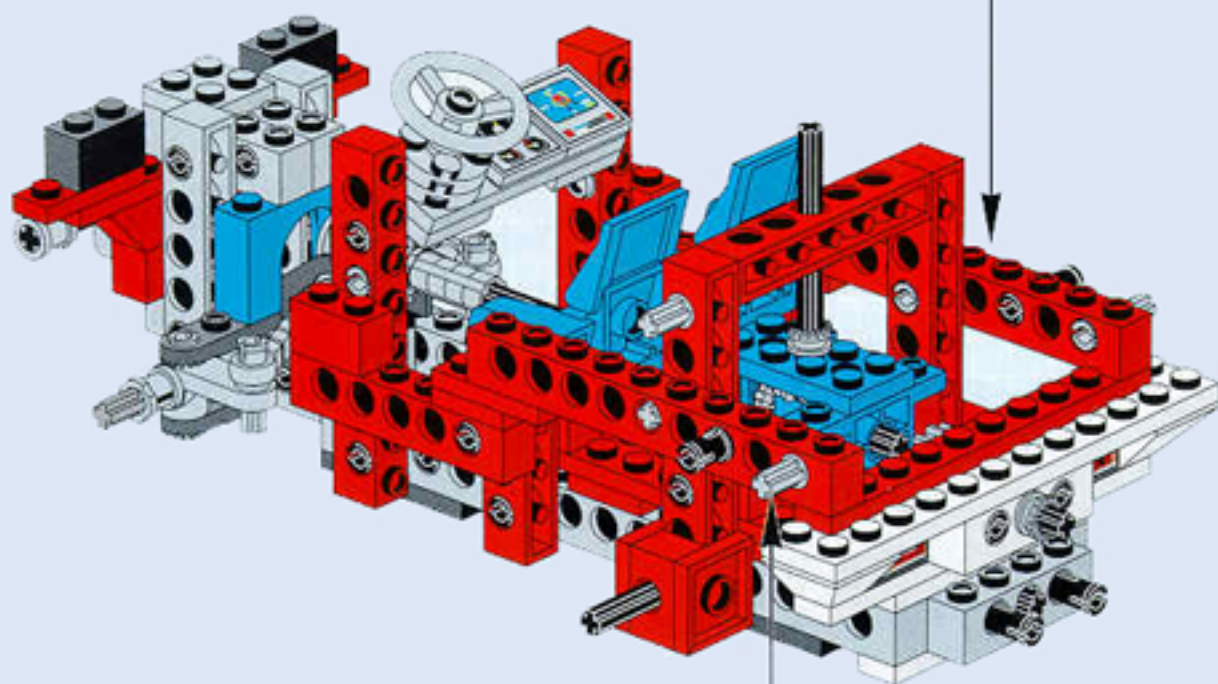
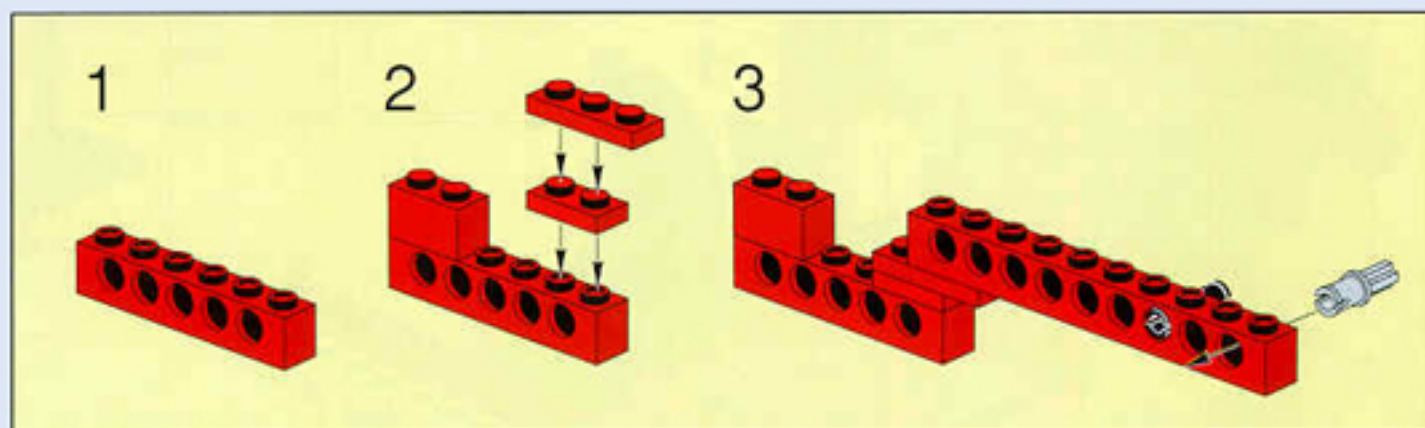


14



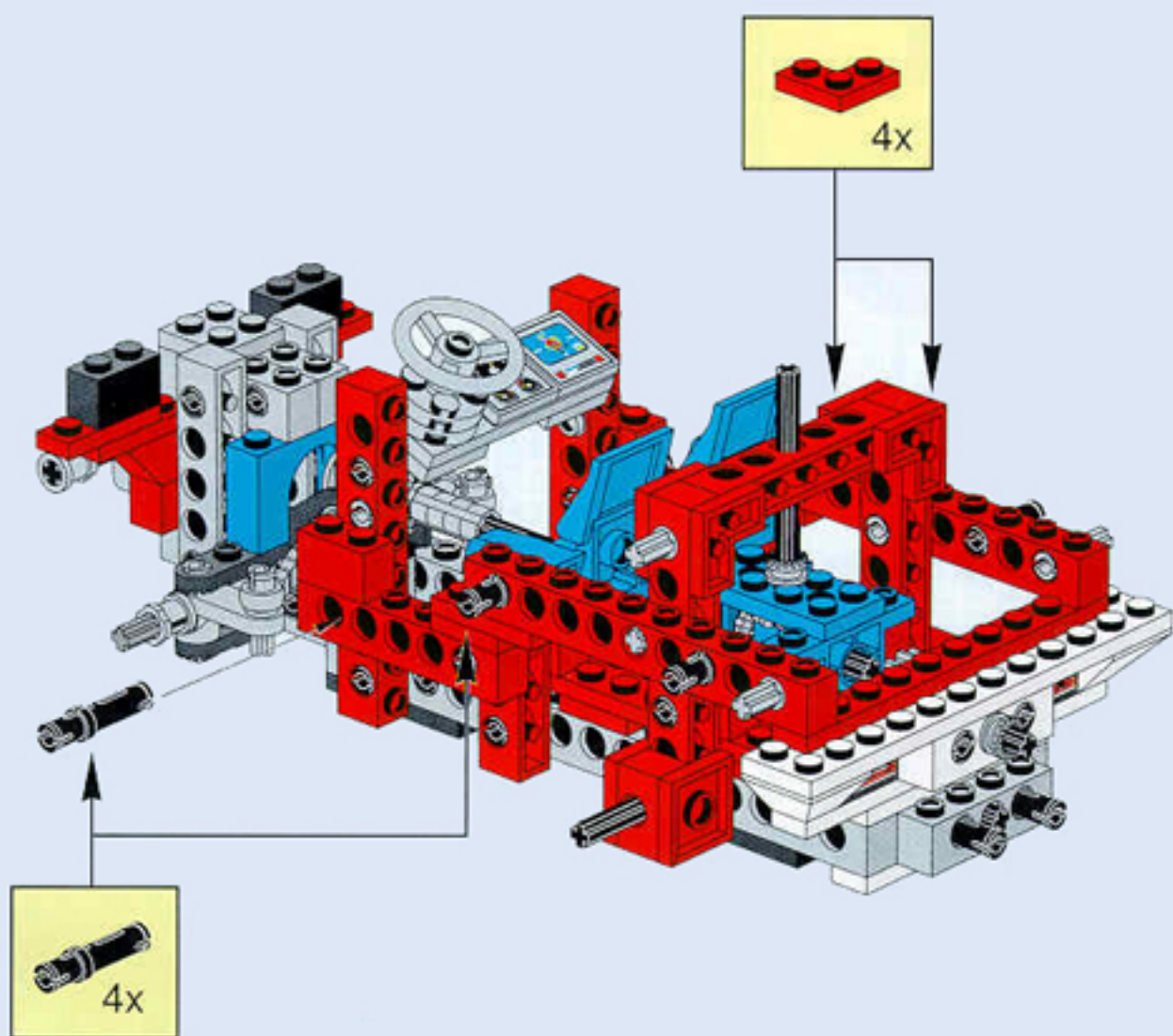


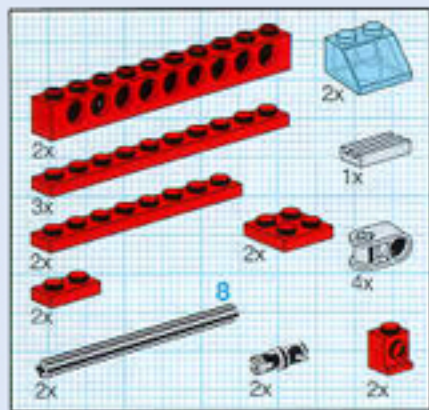
15



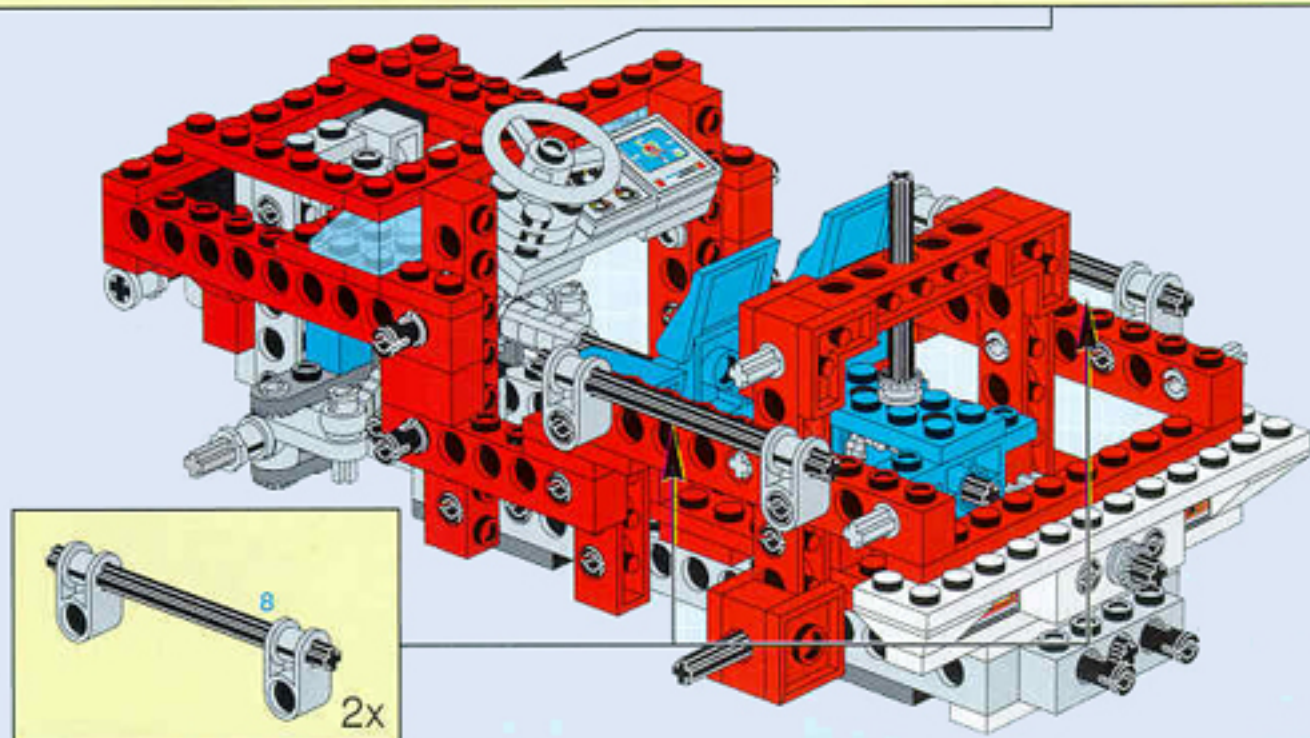
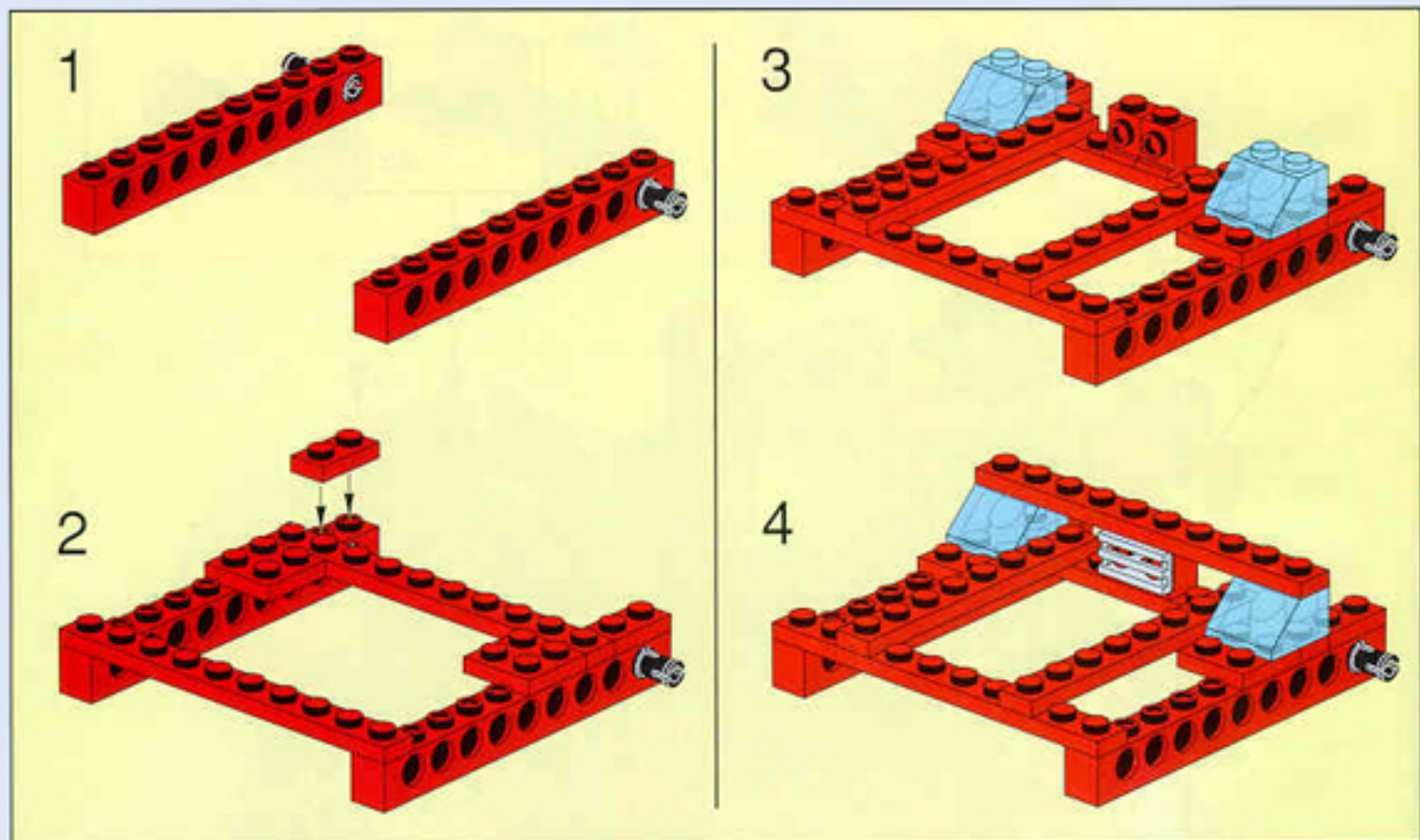


16



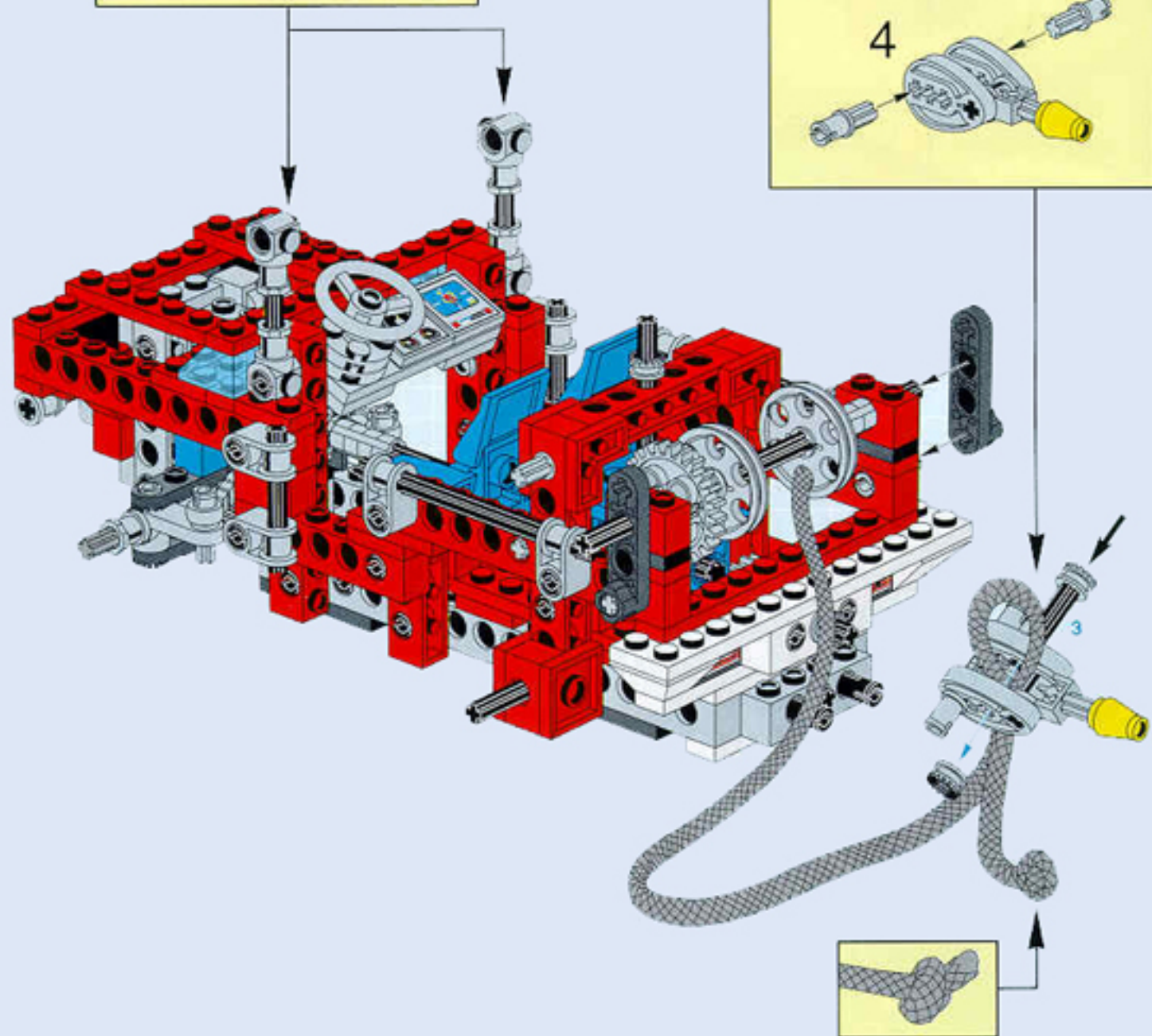
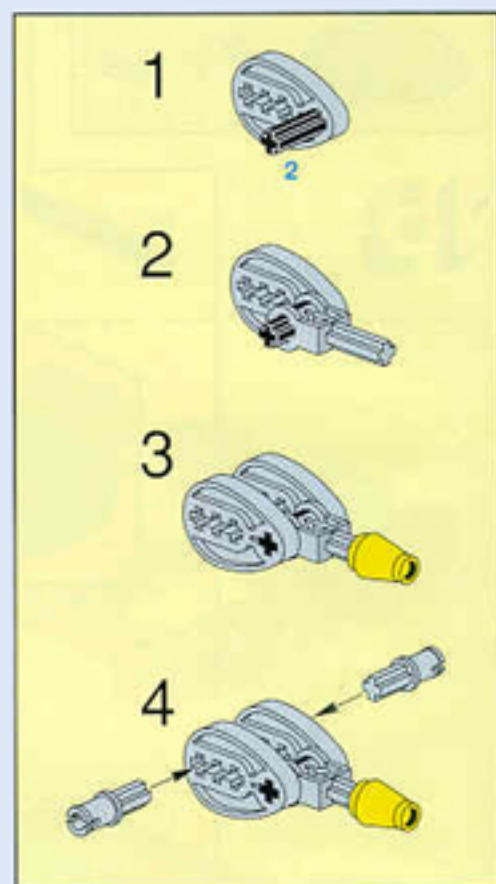
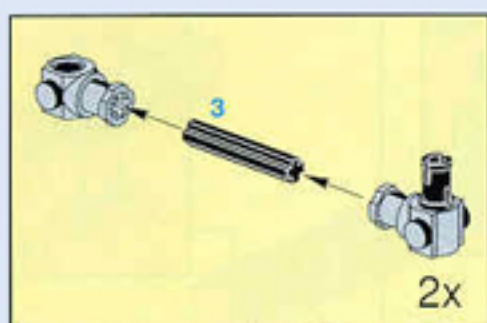


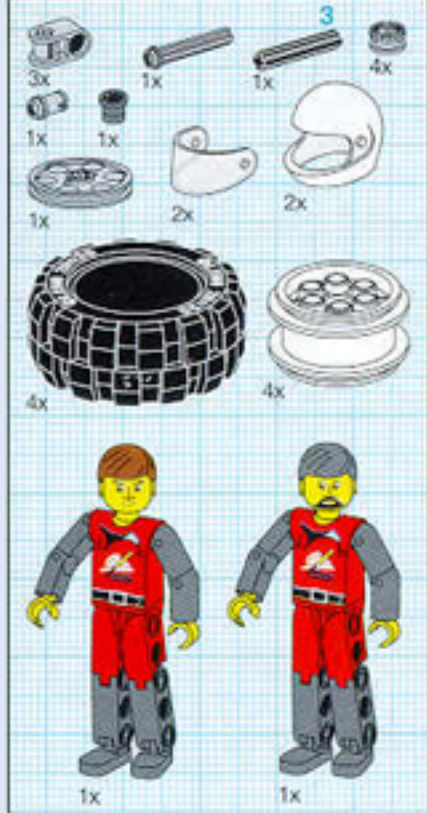
17



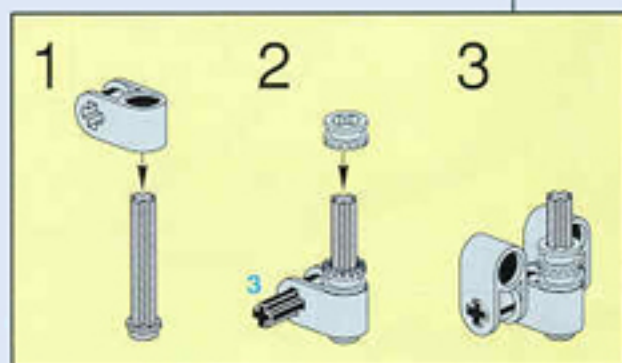
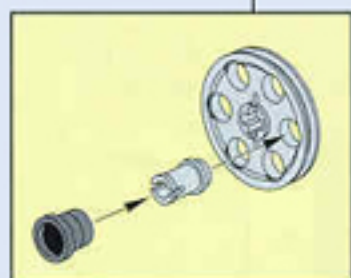
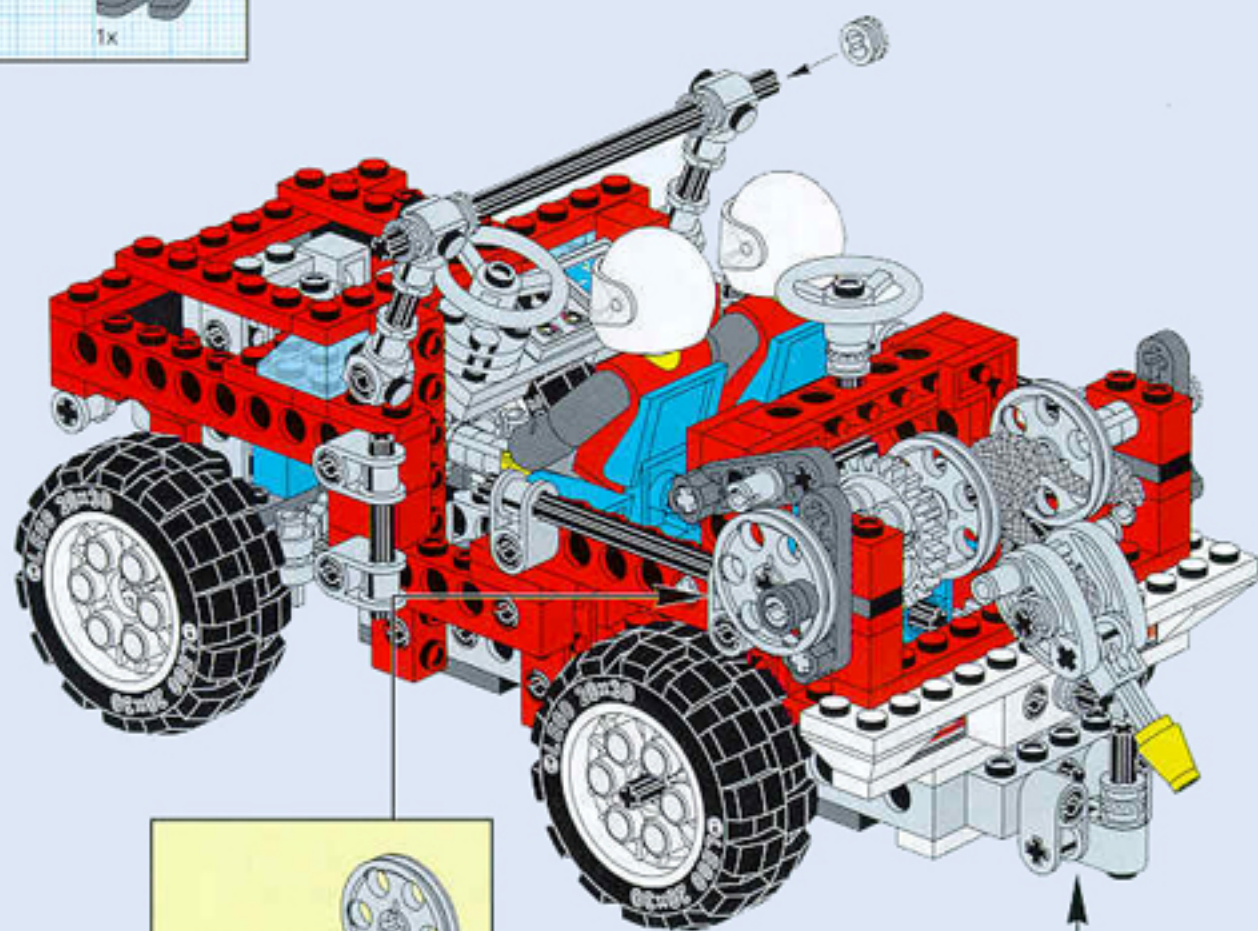


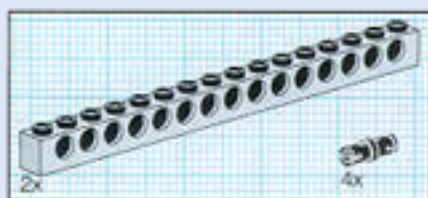
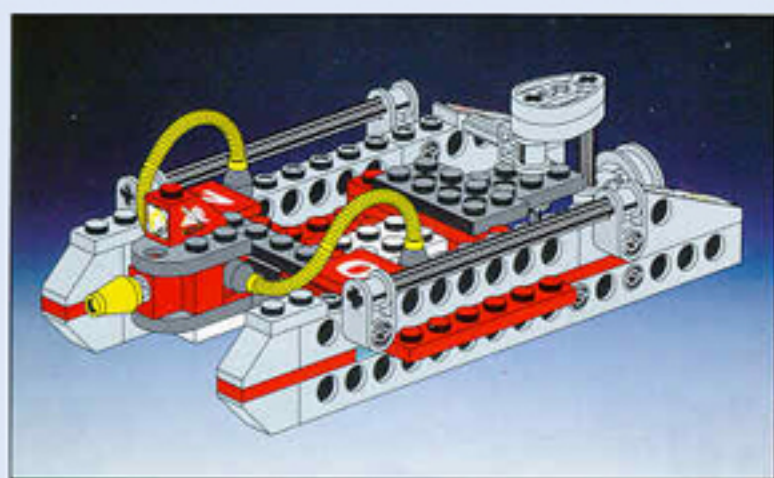
19



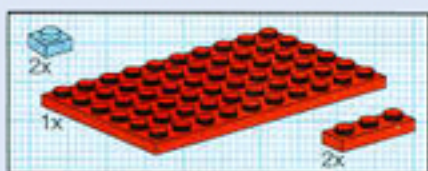
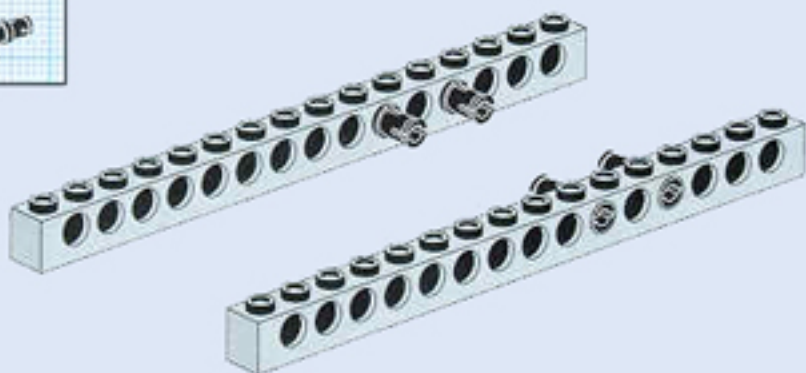


21

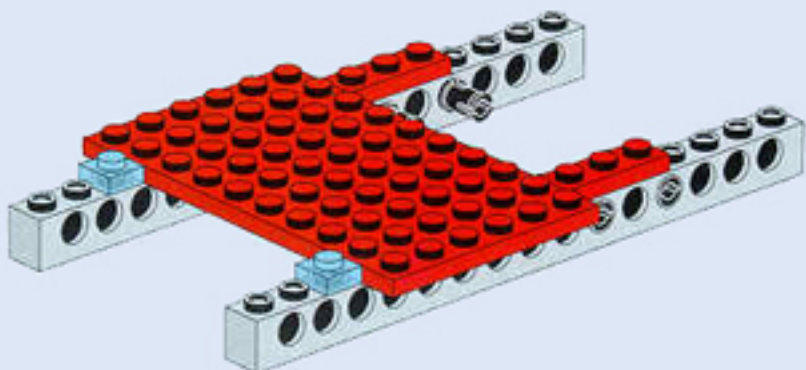


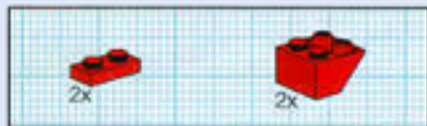


1

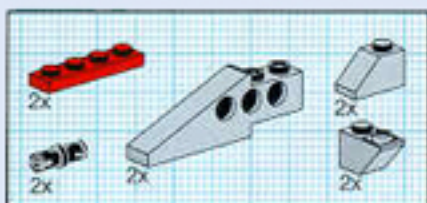
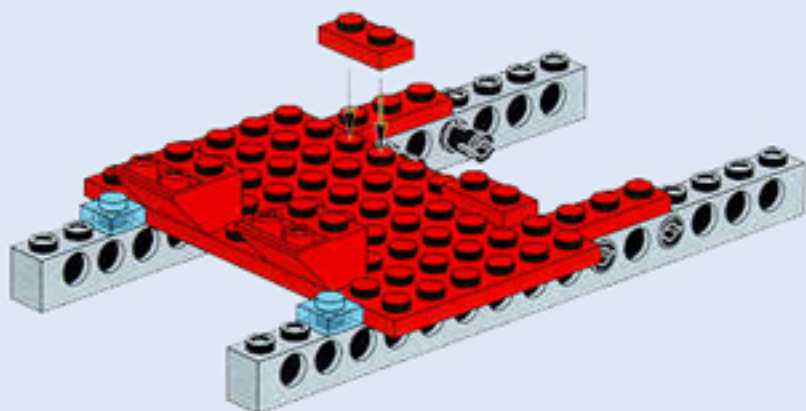


2

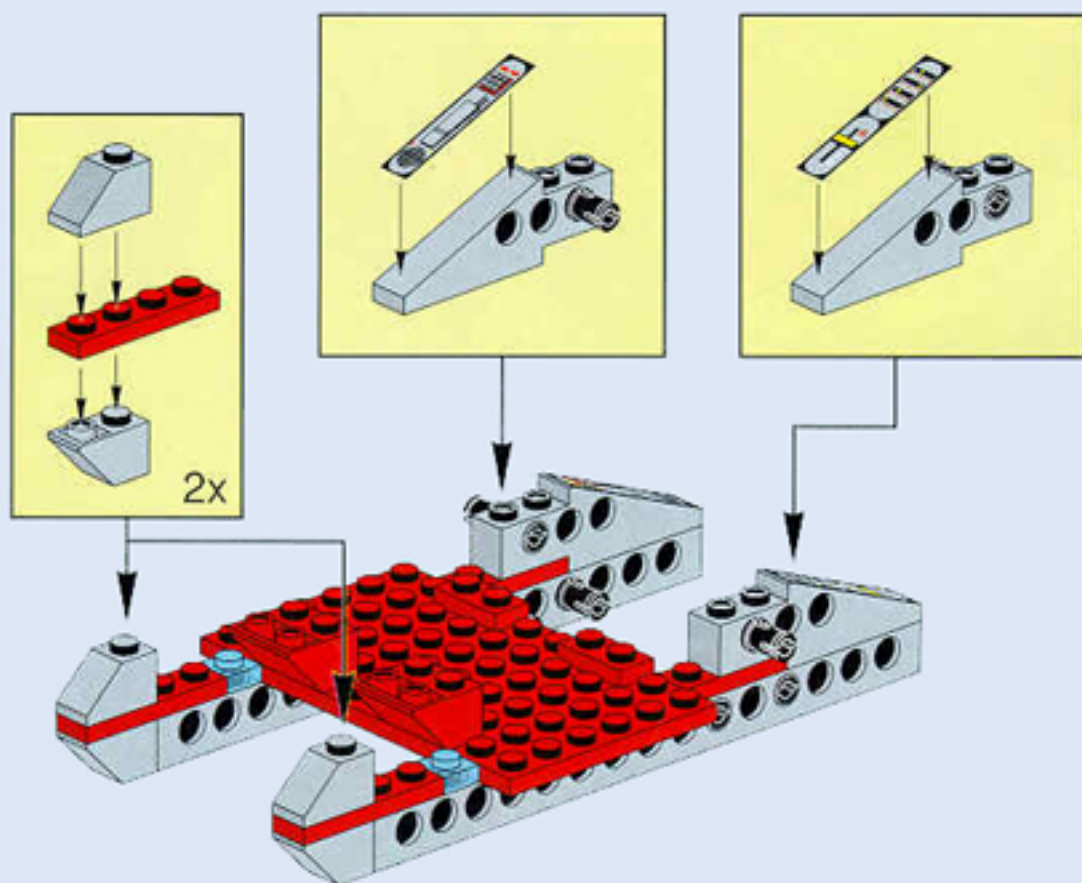


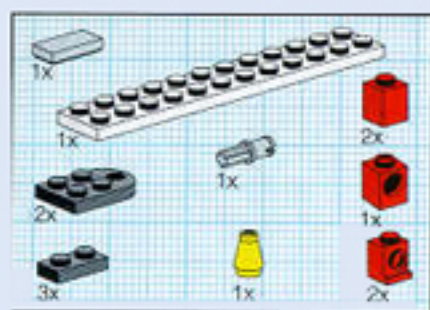


3

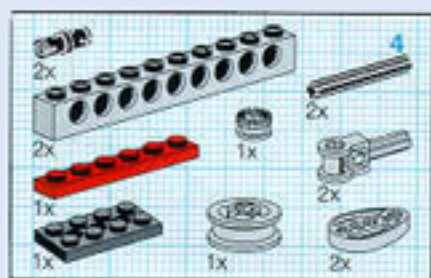
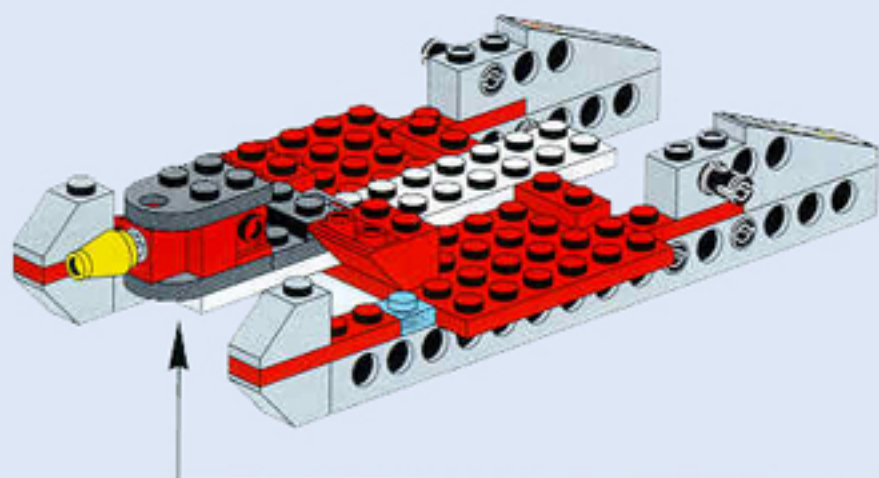
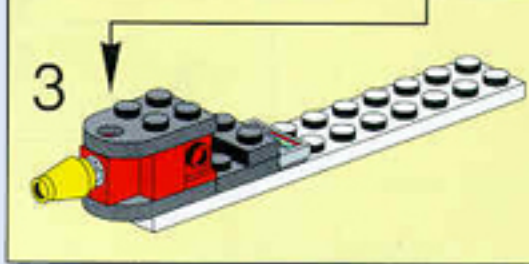
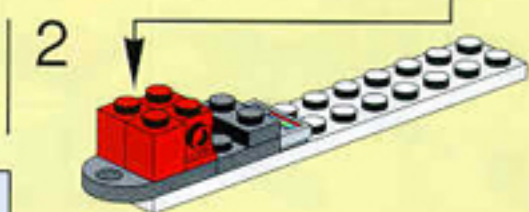
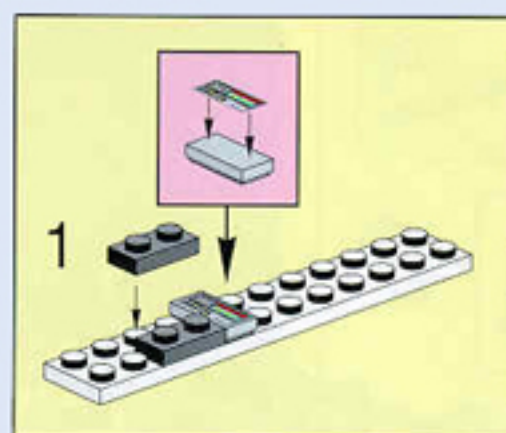


4

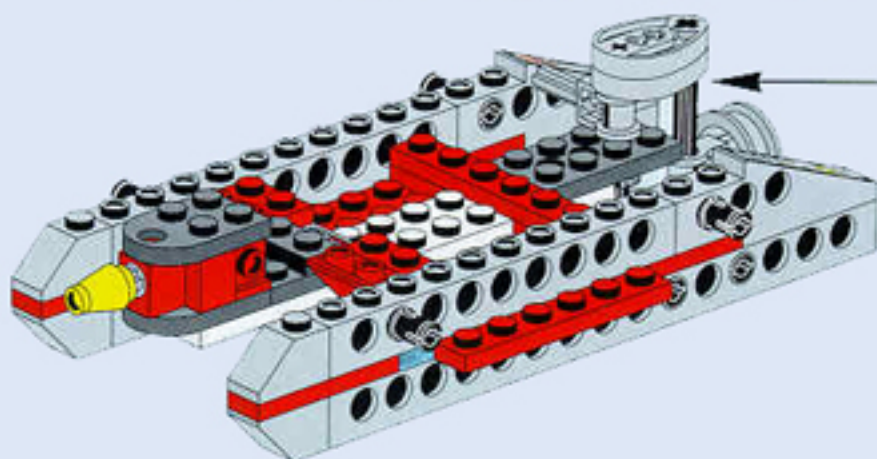
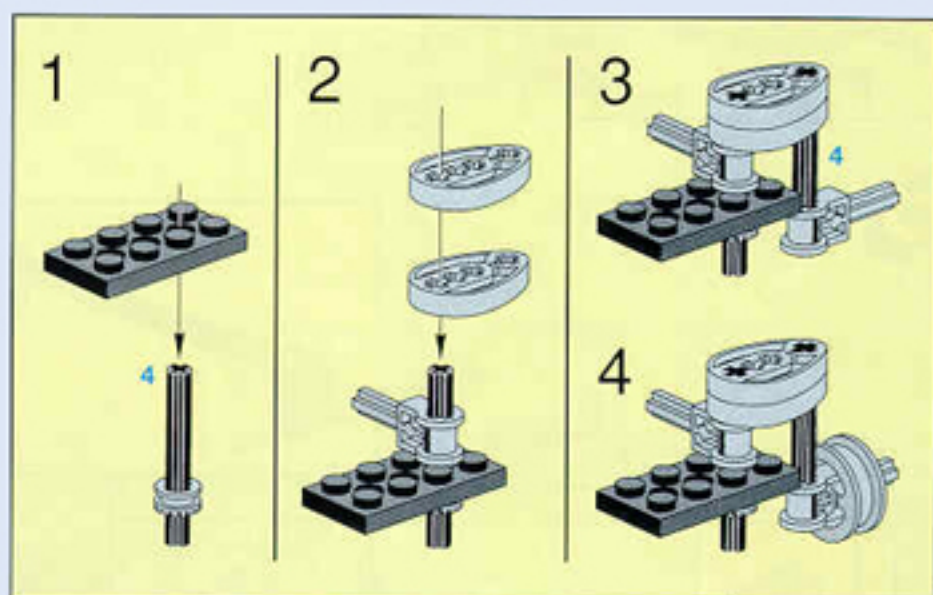




5

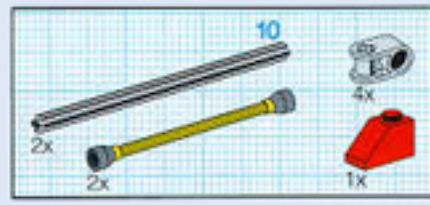
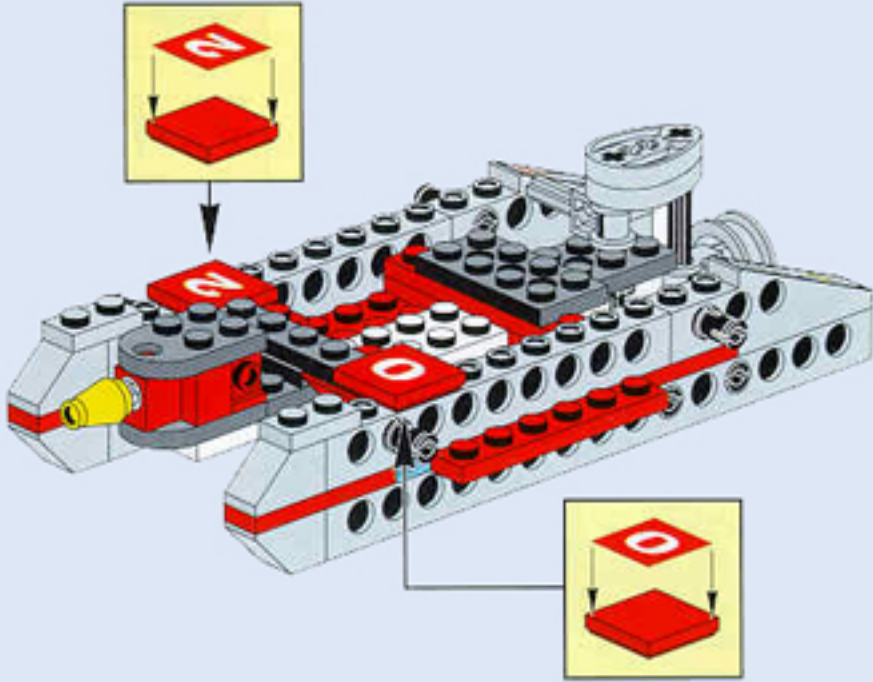


6

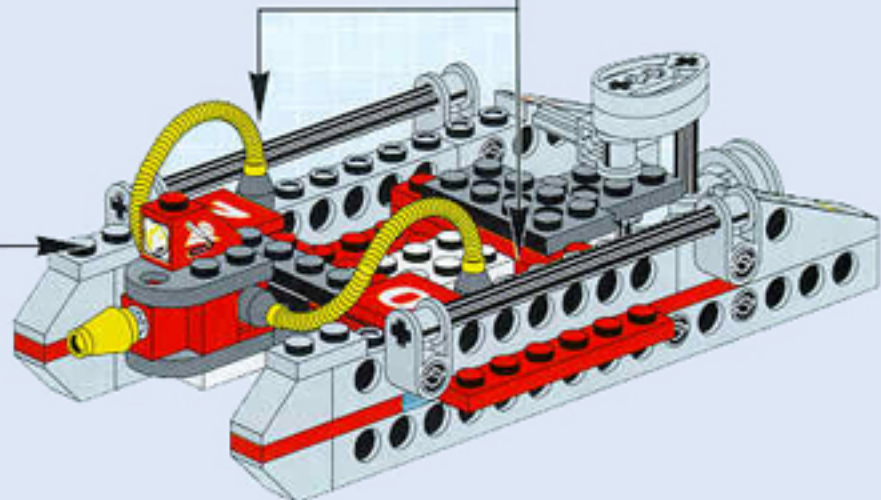
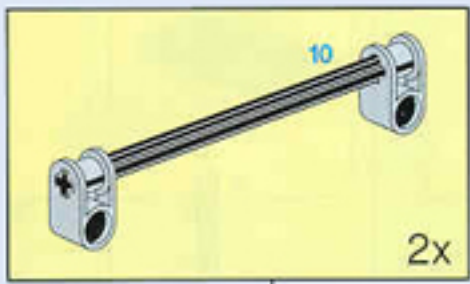


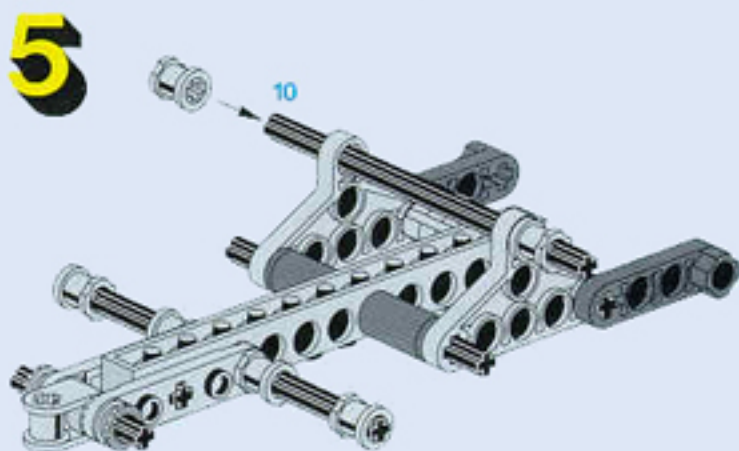
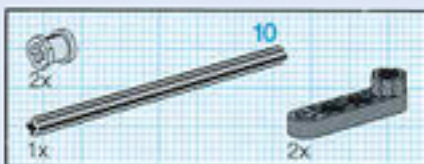
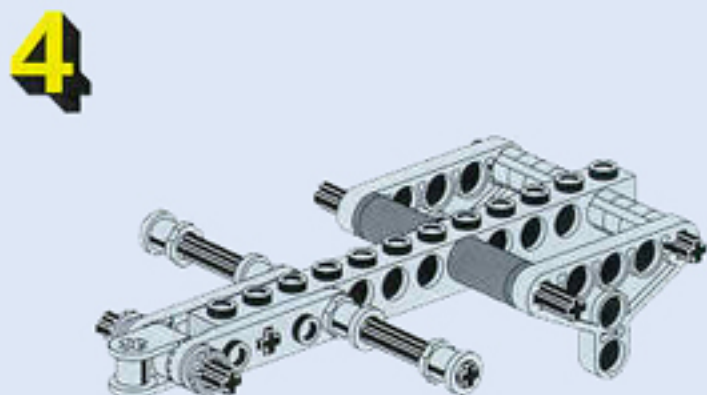
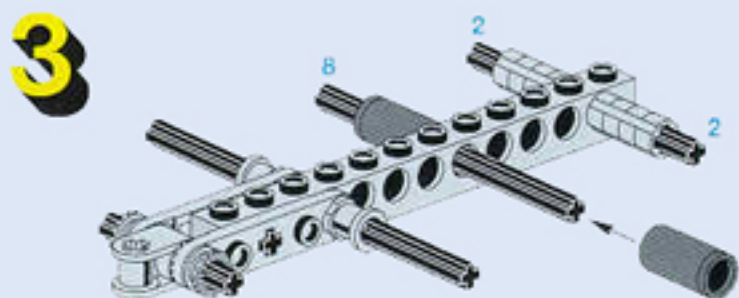
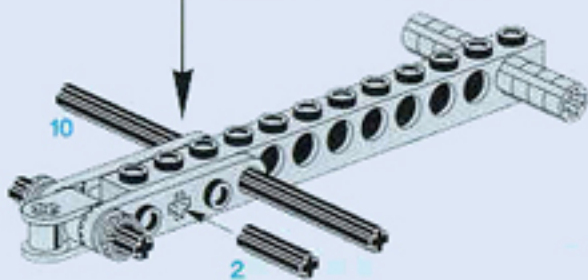
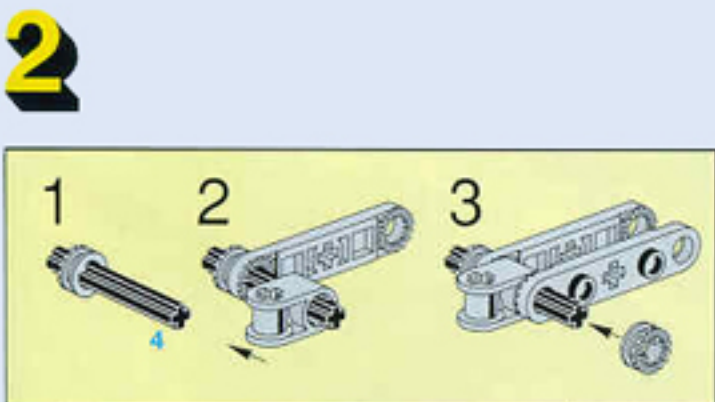
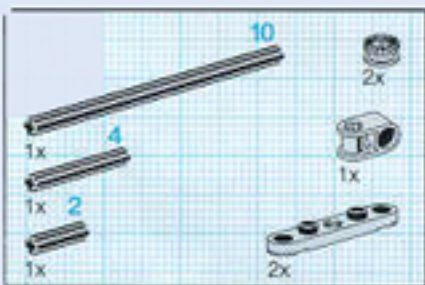
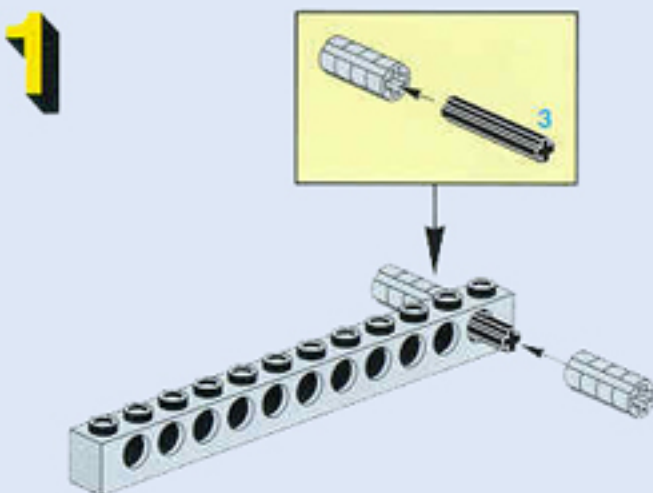
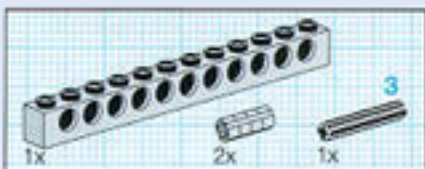


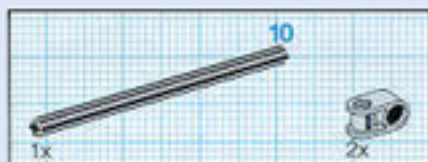
7



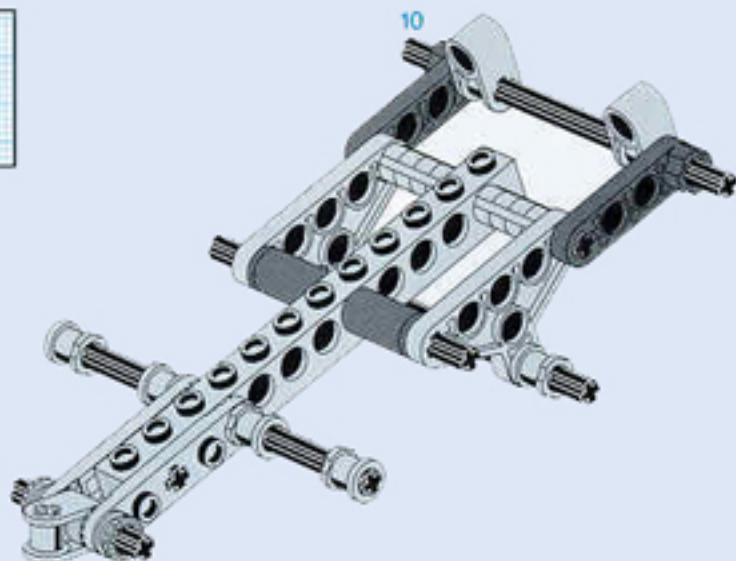
8



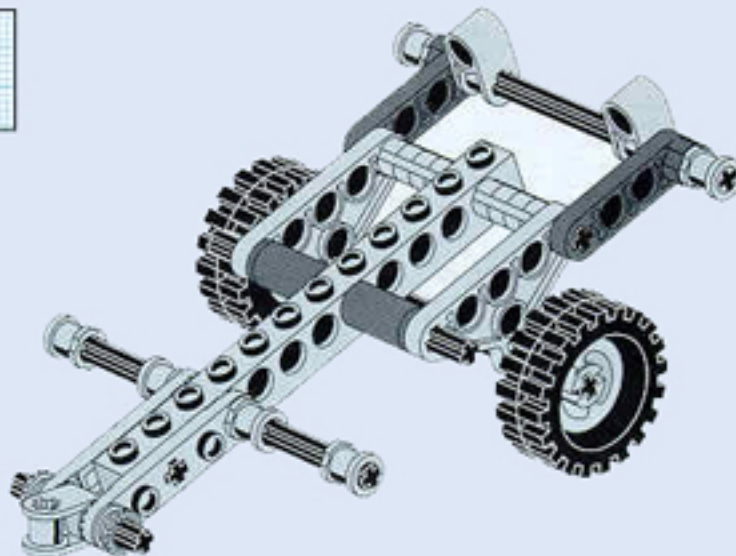




6



7





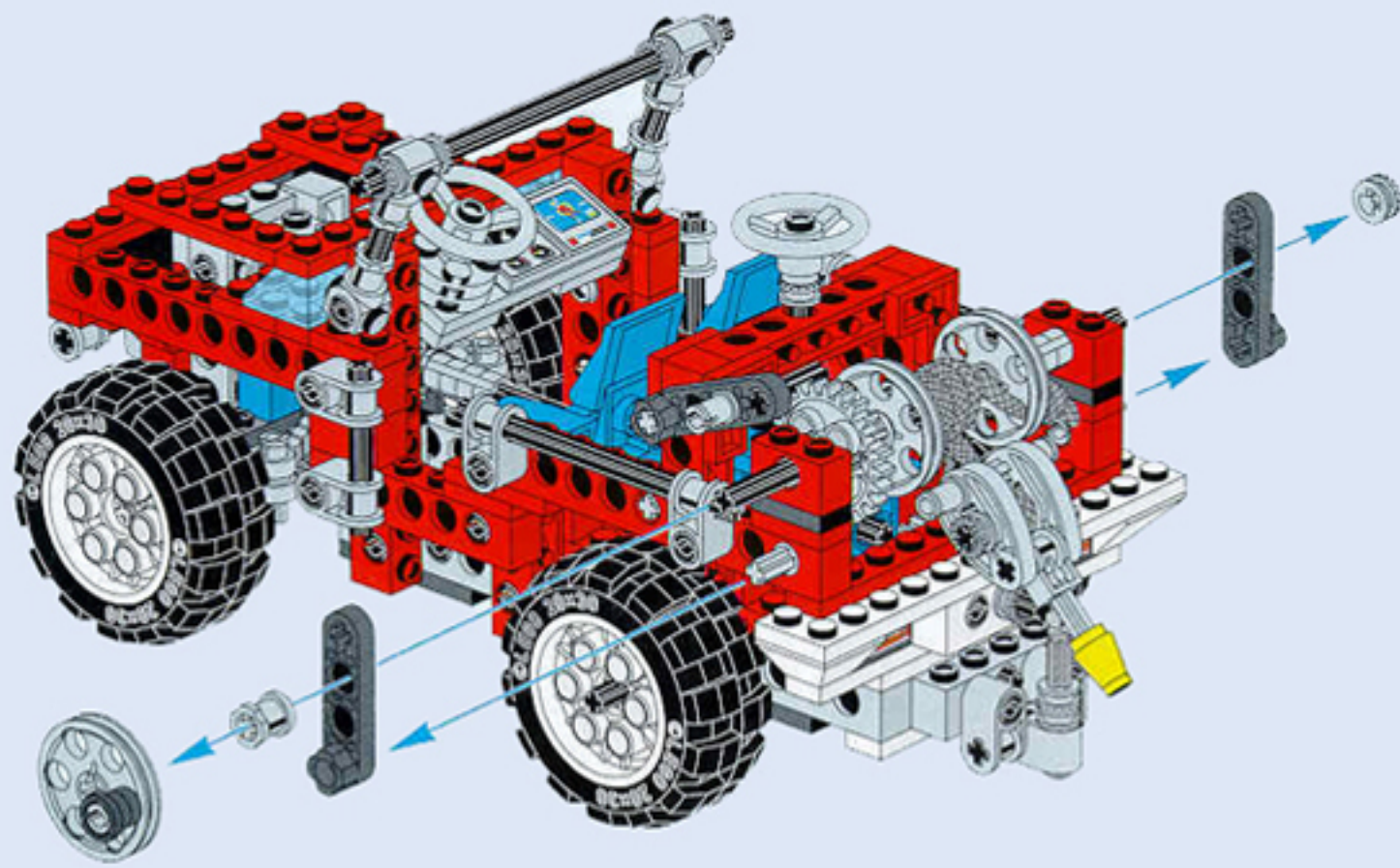
+



=

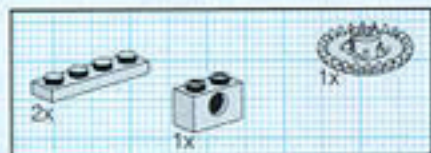
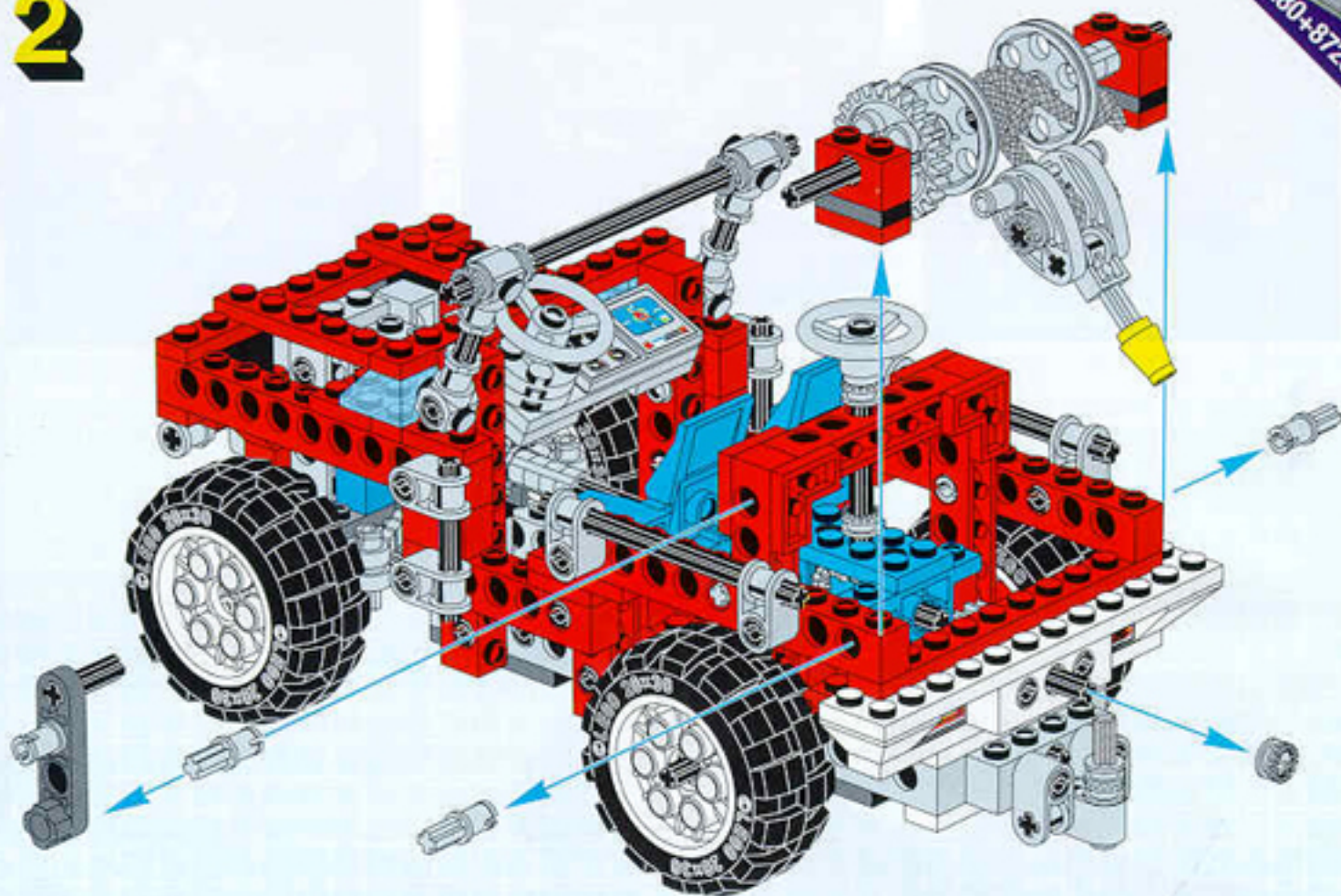
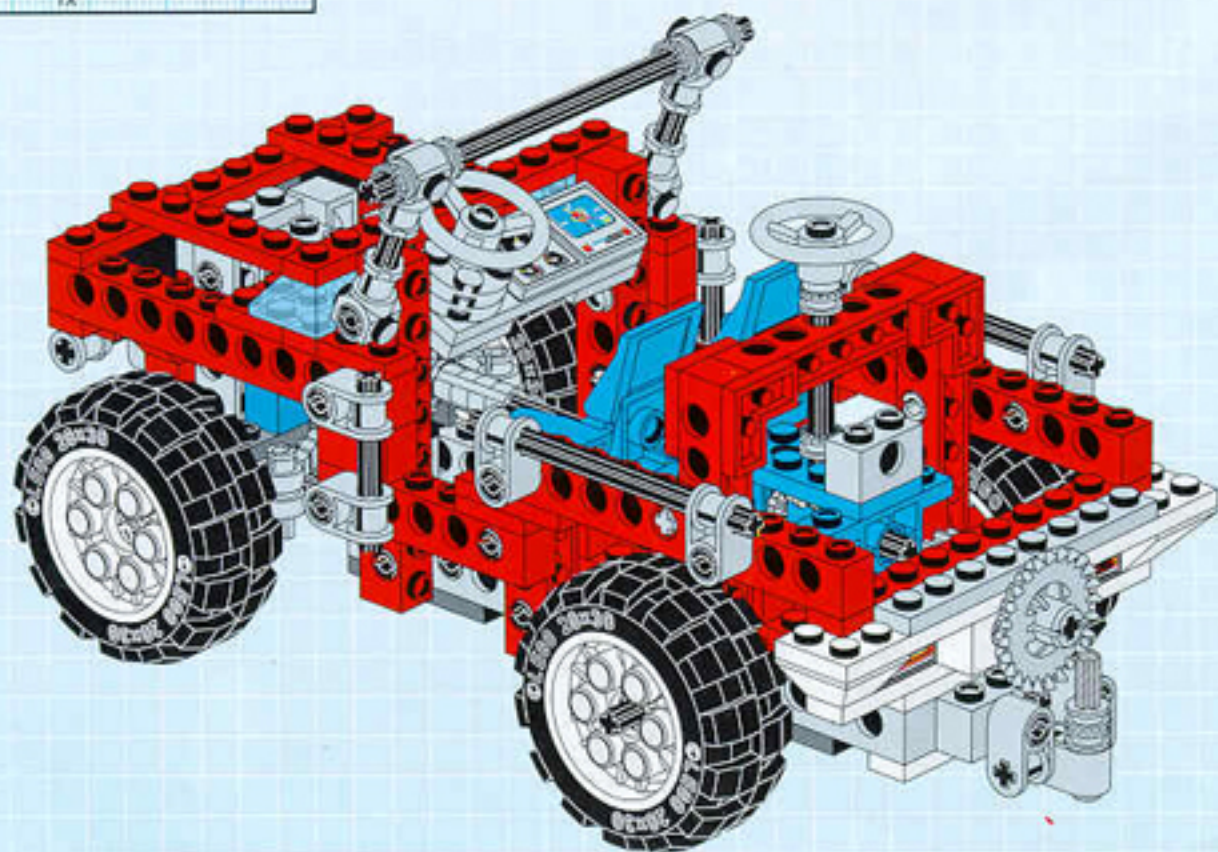


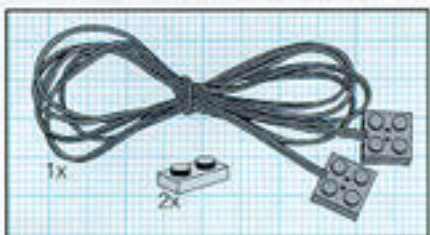
1



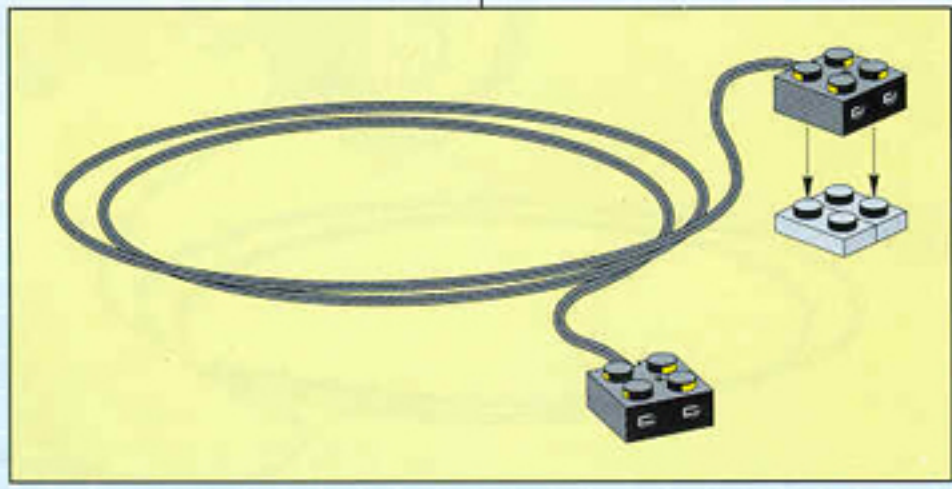
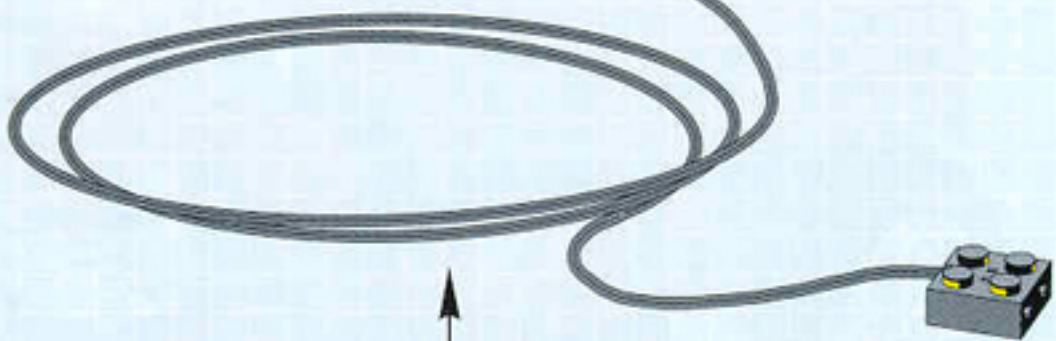
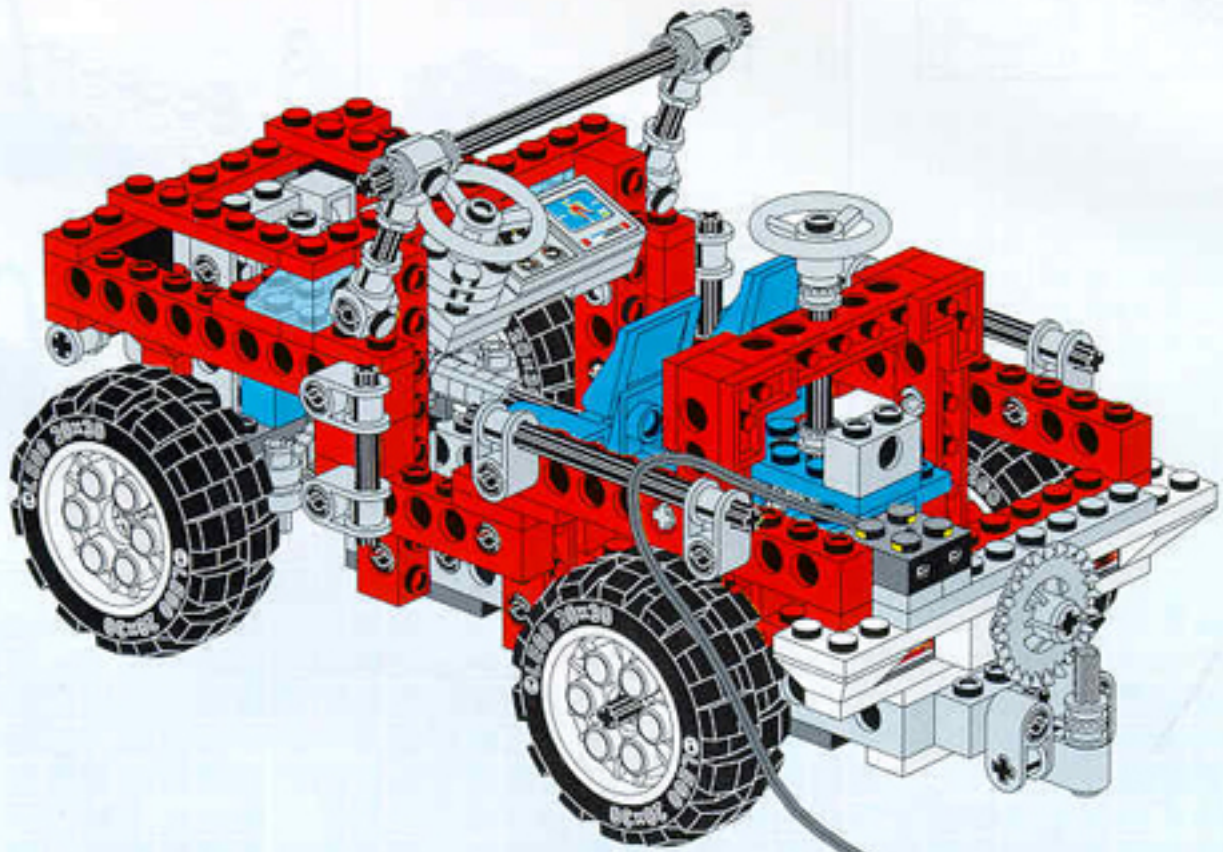
2

8280+8720

**3**

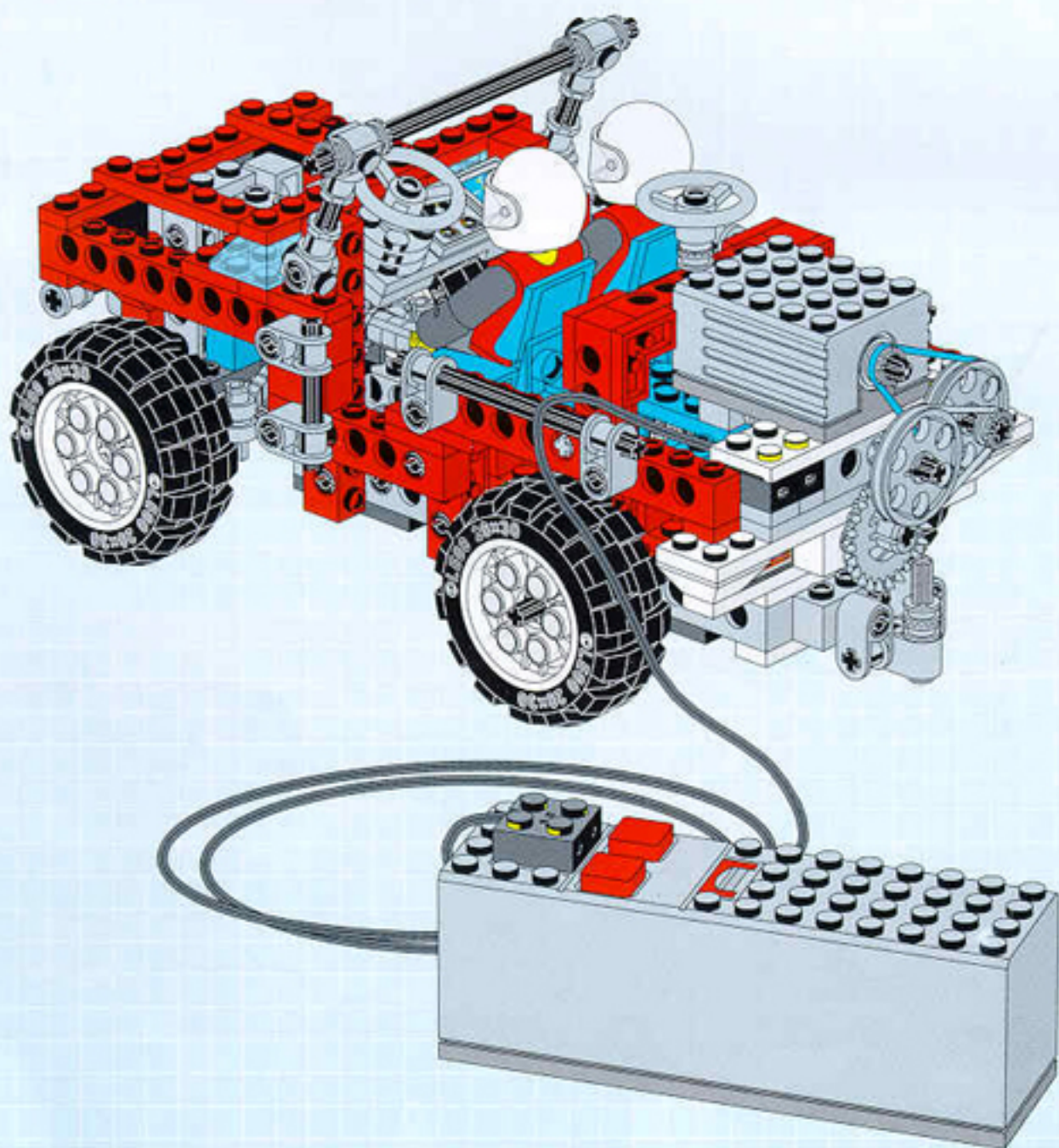


4





6



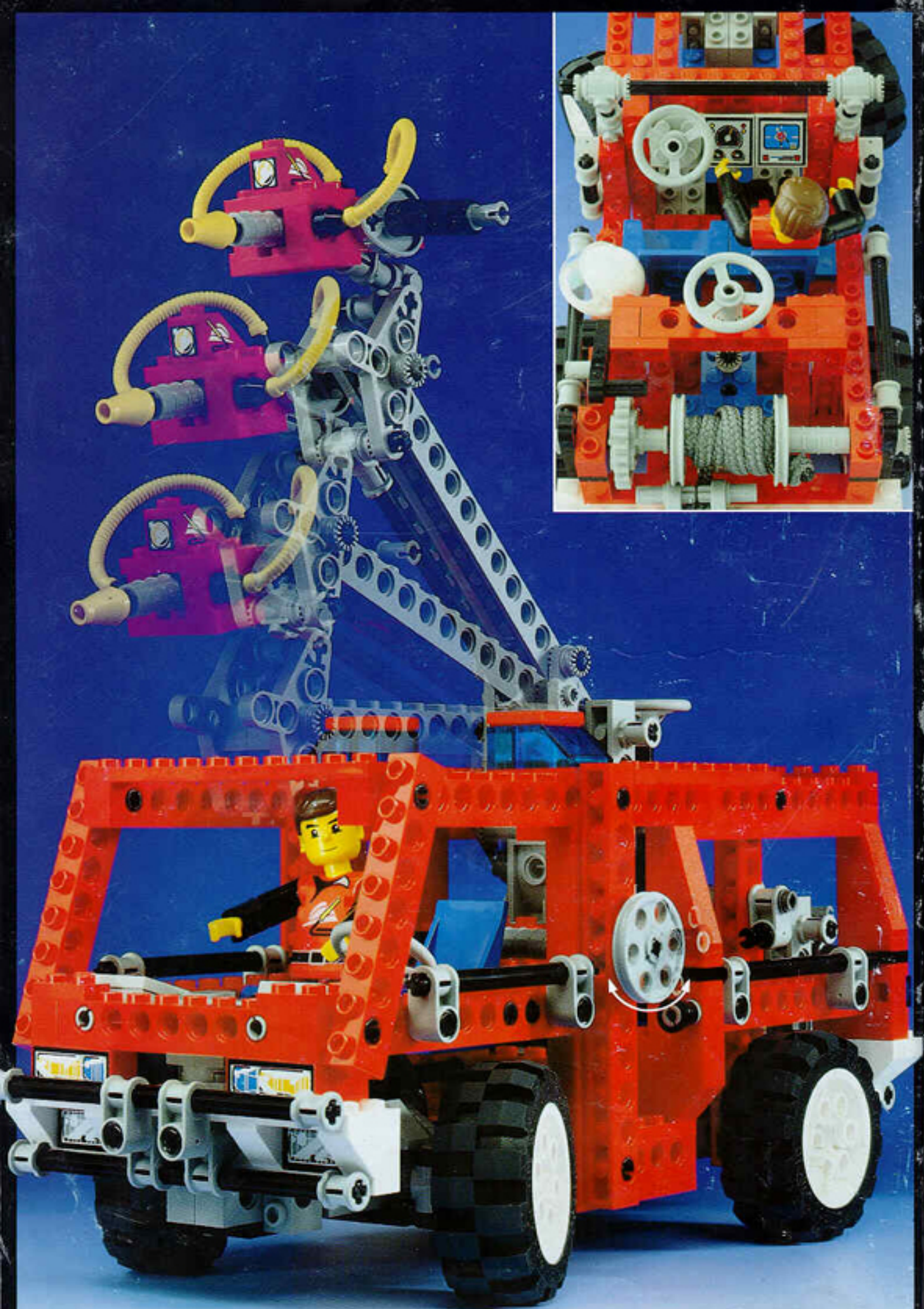



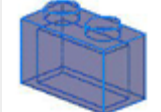









Image	Qty	Item No	Description	MID
Regular Items:				
Parts:				
+ 	6	3005	Red Brick 1 x 1 Catalog: Parts: Brick 300521	PG
*				
+ 	4	3004	Black Brick 1 x 2 Catalog: Parts: Brick 300426	PG
*				
+ 	2	3004	Red Brick 1 x 2 Catalog: Parts: Brick 4613961 or 300421	PG
*				
+ 	2	3065	Trans-Dark Blue Brick 1 x 2 without Bottom Tube Catalog: Parts: Brick 6244906 or 306543	PG
*				
+ 	4	3622	Red Brick 1 x 3 Catalog: Parts: Brick 362221	PG
*				
+ 	1	3010	Light Gray Brick 1 x 4 Catalog: Parts: Brick 301002	PG
*				
+ 	1	6182	Blue Brick, Arch 1 x 4 x 2 Catalog: Parts: Brick, Arch 4142235	PG
*				
+ 	4	4070	Red Brick, Modified 1 x 1 with Headlight Catalog: Parts: Brick, Modified 407021	PG
*				
+ 	2	4589	Yellow Cone 1 x 1 without Top Groove Catalog: Parts: Cone 4525464 or 458924	PG
*				
+ 	2	73590c02b	Yellow Hose, Flexible 8.5L with Tabbed Ends Black (Ends different color than Tube) Catalog: Parts: Hose 621133 or 4501980	PG
*				
+ 	2	3024	Trans-Dark Blue Plate 1 x 1 Catalog: Parts: Plate 6252044 or 302443 or 4247000 or 4266417	PG
*				

+



*

6

[3023](#)

Black Plate 1 x 2

[Catalog](#): [Parts](#): [Plate](#)
302326

[PG](#)

+



*

2

[3023](#)

Light Gray Plate 1 x 2

[Catalog](#): [Parts](#): [Plate](#)
302302

[PG](#)

+



*

12

[3023](#)

Red Plate 1 x 2

[Catalog](#): [Parts](#): [Plate](#)
302321

[PG](#)

+



*

6

[3623](#)

Red Plate 1 x 3

[Catalog](#): [Parts](#): [Plate](#)
362321

[PG](#)

+



*

1

[3710](#)

Black Plate 1 x 4

[Catalog](#): [Parts](#): [Plate](#)
371026

[PG](#)

+



*

2

[3710](#)

Red Plate 1 x 4

[Catalog](#): [Parts](#): [Plate](#)
371021

[PG](#)

+



*

2

[3666](#)

Red Plate 1 x 6

[Catalog](#): [Parts](#): [Plate](#)
366621

[PG](#)

+



*

2

[3666](#)

White Plate 1 x 6

[Catalog](#): [Parts](#): [Plate](#)
366601

[PG](#)

+



*

4

[3460](#)

Red Plate 1 x 8

[Catalog](#): [Parts](#): [Plate](#)
346021

[PG](#)

+



*

4

[4477](#)

Red Plate 1 x 10

[Catalog](#): [Parts](#): [Plate](#)
447721

[PG](#)

+



*

1

[4477](#)

White Plate 1 x 10

[Catalog](#): [Parts](#): [Plate](#)
447701

[PG](#)

+



*

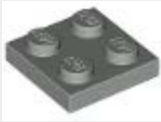
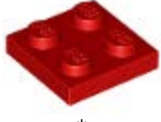

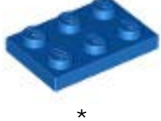





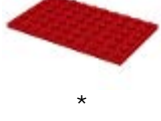


1




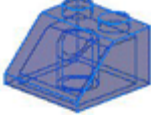


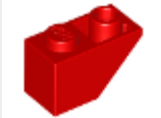

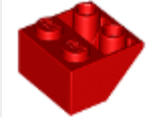



[3022](#)













Black Plate 2 x 2

[Catalog](#): [Parts](#): [Plate](#)
302226

[PG](#)

+		1	3022	Light Gray Plate 2 x 2 Catalog : Parts : Plate 302202	PG
	*				
+		6	3022	Red Plate 2 x 2 Catalog : Parts : Plate 4613974 or 302221	PG
	*				
+		4	2420	Red Plate 2 x 2 Corner Catalog : Parts : Plate 242021	PG
	*				
+		1	3021	Blue Plate 2 x 3 Catalog : Parts : Plate 302123	PG
	*				
+		4	3021	Red Plate 2 x 3 Catalog : Parts : Plate 302121	PG
	*				
+		1	3795	Black Plate 2 x 6 Catalog : Parts : Plate 379526	PG
	*				
+		1	3795	Light Gray Plate 2 x 6 Catalog : Parts : Plate 379502	PG
	*				
+		2	2445	White Plate 2 x 12 Catalog : Parts : Plate 244501	PG
	*				
+		1	3032	Black Plate 4 x 6 Catalog : Parts : Plate 303226	PG
	*				
+		2	3033	Red Plate 6 x 10 Catalog : Parts : Plate 6249097 or 303321 or 4506961	PG
	*				
+		2	2444	Light Gray Plate, Modified 2 x 2 with Pin Hole Catalog : Parts : Plate , Modified Part Color Code Missing	PG
	*				
+		2	3176	Black Plate, Modified 3 x 2 with Hole Catalog : Parts : Plate , Modified 317626	PG
	*				

+		2	4032	Light Gray Plate, Round 2 x 2 with Axle Hole Catalog: Parts: Plate, Round Part Color Code Missing	PG
	*				
+		2	3040	Light Gray Slope 45 2 x 1 Catalog: Parts: Slope 4121933	PG
	*				
+		1	3040	Red Slope 45 2 x 1 Catalog: Parts: Slope 304021 or 4121934	PG
	*				
+		2	3039	Trans-Dark Blue Slope 45 2 x 2 Catalog: Parts: Slope 6244887 or 622743	PG
	*				
+		4	4460a	Red Slope 75 2 x 1 x 3 - Open Stud Catalog: Parts: Slope 4162628	PG
	*				
+		2	3665	Light Gray Slope, Inverted 45 2 x 1 Catalog: Parts: Slope, Inverted 366502	PG
	*				
+		2	3665	Red Slope, Inverted 45 2 x 1 Catalog: Parts: Slope, Inverted 366521	PG
	*				
+		4	3665	White Slope, Inverted 45 2 x 1 Catalog: Parts: Slope, Inverted 366501	PG
	*				
+		2	3660	Red Slope, Inverted 45 2 x 2 Catalog: Parts: Slope, Inverted 366021	PG
	*				
+		2	3676	White Slope, Inverted 45 2 x 2 Double Convex Catalog: Parts: Slope, Inverted 6138740 or 367601 or 4253858 or 4240165	PG
	*				
+		1	8280stk01	Sticker for Set 8280 - (169735) Catalog: Parts: Sticker	PG
	*				
+		1	x77b	Dark Gray String, Cord Thick (Undetermined Length) Catalog: Parts: String Part Color Code Missing	PG
	*				


+	 *	17	3713	Light Gray Technic Bush Catalog: Parts: Technic 4125313	PG
+	 *	16	4265b	Light Gray Technic Bush 1/2 Toothed Type II Catalog: Parts: Technic Part Color Code Missing	PG
+	 *	4	6575	Light Gray Technic Cam Catalog: Parts: Technic 657502	PG
+	 *	4	424	Black Technic Hub / Handle 1 x 1 Catalog: Parts: Technic 622126	PG
+	 *	3	6553	Light Gray Technic Pole Reverser Handle Catalog: Parts: Technic, Axle 655302	PG
+	 *	2	2717	Blue Technic Seat 3 x 2 Base Catalog: Parts: Technic Part Color Code Missing	PG
+	 *	2	2744	Light Gray Technic Slope 33 6 x 1 x 1 2/3 Long (Wing Back) Catalog: Parts: Technic Part Color Code Missing	PG
+	 *	4	4185	Light Gray Technic Wedge Belt Wheel (Pulley) Catalog: Parts: Technic 4100502	PG
+	 *	3	3704	Black Technic, Axle 2 Catalog: Parts: Technic, Axle Part Color Code Missing	PG
+	 *	6	4519	Black Technic, Axle 3 Catalog: Parts: Technic, Axle 451926	PG
+	 *	3	6587	Dark Gray Technic, Axle 3 with Stud Catalog: Parts: Technic, Axle 4113884	PG
+	 *	7	3705	Black Technic, Axle 4 Catalog: Parts: Technic, Axle 370526	PG


+		5	3706	Black Technic, Axle 6 Catalog: Parts: Technic, Axle 370626	PG
---	--	---	----------------------	---	--------------------


+		4	3707	Black Technic, Axle 8 Catalog: Parts: Technic, Axle 370726	PG
---	---	---	----------------------	---	--------------------


+		6	3737	Black Technic, Axle 10 Catalog: Parts: Technic, Axle 373726	PG
---	---	---	----------------------	--	--------------------

+		3	3708	Black Technic, Axle 12 Catalog: Parts: Technic, Axle 370826	PG
---	---	---	----------------------	--	--------------------


+		4	3651	Light Gray Technic, Axle and Pin Connector Catalog: Parts: Technic, Connector Part Color Code Missing	PG
---	---	---	----------------------	--	--------------------

+		20	6536	Light Gray Technic, Axle and Pin Connector Perpendicular Catalog: Parts: Technic, Connector 653602 or 4173667	PG
---	---	----	----------------------	--	--------------------


+		6	6538a	Light Gray Technic, Axle Connector 2L (Ridged with + Hole + Orientation) Catalog: Parts: Technic, Connector Part Color Code Missing	PG
---	---	---	-----------------------	--	--------------------

+		10	3749	Light Gray Technic, Axle Pin without Friction Ridges Lengthwise Catalog: Parts: Technic, Axle 4184168 or 656202	PG
---	---	----	----------------------	--	--------------------













+		2	6541	Red Technic, Brick 1 x 1 with Hole Catalog: Parts: Technic, Brick 654121	PG
---	---	---	----------------------	---	--------------------













+		2	3700	Light Gray Technic, Brick 1 x 2 with Hole Catalog: Parts: Technic, Brick 370002	PG
---	---	---	----------------------	--	--------------------

+		8	3700	Red Technic, Brick 1 x 2 with Hole Catalog: Parts: Technic, Brick 370021	PG
---	---	---	----------------------	---	--------------------

+		2	3701	Light Gray Technic, Brick 1 x 4 with Holes Catalog: Parts: Technic, Brick 370102	PG
---	---	---	----------------------	---	--------------------

+	 *	4	3701	Red Technic, Brick 1 x 4 with Holes Catalog: Parts: Technic, Brick 370121	PG
+	 *	2	3701	White Technic, Brick 1 x 4 with Holes Catalog: Parts: Technic, Brick 370101	PG
+	 *	4	3894	Light Gray Technic, Brick 1 x 6 with Holes Catalog: Parts: Technic, Brick 389402	PG
+	 *	3	3894	Red Technic, Brick 1 x 6 with Holes Catalog: Parts: Technic, Brick 389421	PG
+	 *	2	3702	Light Gray Technic, Brick 1 x 8 with Holes Catalog: Parts: Technic, Brick 370202	PG
+	 *	4	3702	Red Technic, Brick 1 x 8 with Holes Catalog: Parts: Technic, Brick 370221	PG
+	 *	2	2730	Light Gray Technic, Brick 1 x 10 with Holes Catalog: Parts: Technic, Brick 273002	PG
+	 *	4	2730	Red Technic, Brick 1 x 10 with Holes Catalog: Parts: Technic, Brick 273021	PG
+	 *	2	3895	Light Gray Technic, Brick 1 x 12 with Holes Catalog: Parts: Technic, Brick 4195006	PG
+	 *	8	3895	Red Technic, Brick 1 x 12 with Holes Catalog: Parts: Technic, Brick 389521	PG
+	 *	4	3703	Light Gray Technic, Brick 1 x 16 with Holes Catalog: Parts: Technic, Brick Part Color Code Missing	PG
+	 *	2	3703	Red Technic, Brick 1 x 16 with Holes Catalog: Parts: Technic, Brick 370321	PG

+	 *	2	2715	White Technic, Figure Accessory Helmet Catalog: Parts: Technic, Figure Accessory Part Color Code Missing	PG
+	 *	2	2716	Trans-Clear Technic, Figure Accessory Helmet Visor Catalog: Parts: Technic, Figure Accessory Part Color Code Missing	PG
+	 *	1	3647	Light Gray Technic, Gear 8 Tooth Type 1 Catalog: Parts: Technic, Gear 364702	PG
+	 *	4	6589	Light Gray Technic, Gear 12 Tooth Bevel Catalog: Parts: Technic, Gear 658902	PG
+	 *	2	4019	Light Gray Technic, Gear 16 Tooth (First Version - 4 Round Holes) Catalog: Parts: Technic, Gear Part Color Code Missing	PG
+	 *	1	x187	Light Gray Technic, Gear 24 Tooth (1st Version - 3 Axle Holes) Catalog: Parts: Technic, Gear Part Color Code Missing	PG
+	 *	1	4716	Black Technic, Gear Worm Screw, Long Catalog: Parts: Technic, Gear 6037533 or 471626	PG
+	 *	1	6588	Light Gray Technic, Gearbox 2 x 4 x 3 1/3 Catalog: Parts: Technic, Gear Part Color Code Missing	PG
+	 *	1	6585	Blue Technic, Gearbox 4 x 4 x 1 2/3 Catalog: Parts: Technic, Gear 658523	PG
+	 *	4	2825	Black Technic, Liftarm 1 x 4 Thin with Stud Connector Catalog: Parts: Technic, Liftarm 3200626 or 4107136	PG
+	 *	2	2905	Light Gray Technic, Liftarm Triangle Thin Catalog: Parts: Technic, Liftarm 4142539	PG
+	 *	6	4274	Light Gray Technic, Pin 1/2 Catalog: Parts: Technic, Pin 427402	PG

+	 *	9	6558	Black Technic, Pin 3L with Friction Ridges Lengthwise Catalog: Parts: Technic, Pin 655826	PG
+	 *	2	75535	Black Technic, Pin Connector Round 2L without Slot (Pin Joiner Round) Catalog: Parts: Technic, Connector 75619	PG
+	 *	48	2780	Black Technic, Pin with Friction Ridges Lengthwise WITH Center Slots Catalog: Parts: Technic, Pin 4121715 or 278026	PG
+	 *	2	3673	Light Gray Technic, Pin without Friction Ridges Lengthwise Catalog: Parts: Technic, Pin 4184166	PG
+	 *	2	2711	Light Gray Technic, Plate 1 x 5 with Toothed Ends, 2 Studs and Center Axle Hole Catalog: Parts: Technic, Plate 4195723	PG
+	 *	1	4442	Black Technic, Plate 1 x 8 with Toothed Ends Catalog: Parts: Technic, Plate Part Color Code Missing	PG
+	 *	2	3709b	Black Technic, Plate 2 x 4 with 3 Holes Catalog: Parts: Technic, Plate 370926	PG
+	 *	2	3709b	Blue Technic, Plate 2 x 4 with 3 Holes Catalog: Parts: Technic, Plate 370923	PG
+	 *	1	3709b	Light Gray Technic, Plate 2 x 4 with 3 Holes Catalog: Parts: Technic, Plate 370902	PG
+	 *	2	4261	Light Gray Technic, Steering Arm Catalog: Parts: Technic, Steering Part Color Code Missing	PG
+	 *	1	2790	Light Gray Technic, Steering Gear Holder Catalog: Parts: Technic, Steering Part Color Code Missing	PG
+	 *	1	2791	Light Gray Technic, Steering Rack Catalog: Parts: Technic, Steering Part Color Code Missing	PG

+



*

1

[2792](#)

Black Technic, Steering Rack Top

[Catalog:](#) [Parts:](#) [Technic, Steering](#)

Part Color Code Missing

[PG](#)

+



*

2

[2819](#)

Light Gray Technic, Steering Wheel Small, 3 Studs Diameter

[Catalog:](#) [Parts:](#) [Technic, Steering](#)

Part Color Code Missing

[PG](#)

+



*

1

[3069b](#)

Light Gray Tile 1 x 2 with Groove

[Catalog:](#) [Parts:](#) [Tile](#)

306902

[PG](#)

+



*

3

[3068b](#)

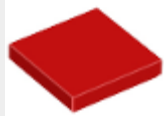
Light Gray Tile 2 x 2 with Groove

[Catalog:](#) [Parts:](#) [Tile](#)

306802

[PG](#)

+



*

2

[3068b](#)

Red Tile 2 x 2 with Groove

[Catalog:](#) [Parts:](#) [Tile](#)

306821

[PG](#)

+



*

1

[2412b](#)

Light Gray Tile, Modified 1 x 2 Grille with Bottom Groove / Lip

[Catalog:](#) [Parts:](#) [Tile, Modified](#)

241202

[PG](#)

+



*

4

[6581](#)

Black Tire 20 x 30 Balloon Medium

[Catalog:](#) [Parts:](#) [Tire & Tread](#)

658126

[PG](#)

+



*

2

[2346](#)

Black Tire 30 x 10.5 Offset Tread

[Catalog:](#) [Parts:](#) [Tire & Tread](#)

234626

[PG](#)

+



*

4

[6582](#)

White Wheel 20 x 30 Balloon Medium

[Catalog:](#) [Parts:](#) [Wheel](#)

4193785

[PG](#)

+



*

3

[3482](#)

Light Gray Wheel with Split Axle Hole

[Catalog:](#) [Parts:](#) [Wheel](#)

Part Color Code Missing

[PG](#)

Minifigs:

+



*

1

[tech008](#)

Technic Figure Red/Black Legs, Red Top, Black Hair (Fireman)

[Catalog:](#) [Minifigs:](#) [Technic](#)

[PG](#)

+



1

[tech009](#)

Technic Figure Red/Black Legs, Red Top, Brown Hair (Fireman)

[Catalog: Minifigs: Technic](#)

[PG](#)

*

Counterparts:

Parts:

+



2

[3004pb030](#)

Black Brick 1 x 2 with Headlight Light Gray Pattern (Sticker) - Set 8280

[Catalog: Parts: Brick, Decorated](#)

Part Color Code Missing

[PG](#)

*

+



1

[3004pb031L](#)

Black Brick 1 x 2 with Taillight Left Pattern (Sticker) - Set 8280

[Catalog: Parts: Brick, Decorated](#)

Part Color Code Missing

[PG](#)

*

+



1

[3004pb031R](#)

Black Brick 1 x 2 with Taillight Right Pattern (Sticker) - Set 8280

[Catalog: Parts: Brick, Decorated](#)

Part Color Code Missing

[PG](#)

*

+



1

[3622pb011](#)

Red Brick 1 x 3 with Front Headlight Left Pattern (Sticker) - Set 8280

[Catalog: Parts: Brick, Decorated](#)

Part Color Code Missing

[PG](#)

*

+



1

[3622pb012](#)

Red Brick 1 x 3 with Front Headlight Right Pattern (Sticker) - Set 8280

[Catalog: Parts: Brick, Decorated](#)

Part Color Code Missing

[PG](#)

*

+



1

[3040pb004](#)

Red Slope 45 2 x 1 with Fire Helmet & Hose on Both Sides and Light Pattern on Back (Stickers) - Set 8280

[Catalog: Parts: Slope, Decorated](#)

Part Color Code Missing

[PG](#)

+



1

[4460pb004](#)

Red Slope 75 2 x 1 x 3 with Firefighter Logo and 0 Pattern Right (Sticker) - Set 8280

[Catalog: Parts: Slope, Decorated](#)

Part Color Code Missing

[PG](#)

*

+



1

[4460pb003](#)

Red Slope 75 2 x 1 x 3 with Firefighter Logo and 2 Pattern Left (Sticker) - Set 8280

[Catalog: Parts: Slope, Decorated](#)

Part Color Code Missing

[PG](#)

*

+



1

[2744pb015](#)

Light Gray Technic Slope Long with Gearstick and Controls Pattern (Sticker) - Set 8280

[Catalog: Parts: Technic](#)

Part Color Code Missing

[PG](#)

*

+



1

[2744pb016](#)

Light Gray Technic Slope Long with Telephone and Buttons Pattern (Sticker) - Set 8280









[Catalog: Parts: Technic](#)

Part Color Code Missing

[PG](#)

*

Light Gray Tile 1 x 2 with Groove with Light Gray, Black

- +

1
[3069bpb067](#)
Controls, '8280' Pattern (Sticker) - Set 8280
[PG](#)
[Catalog: Parts: Tile, Decorated](#)
Part Color Code Missing
- +

1
[3068bpb0075](#)
Light Gray Tile 2 x 2 with Groove with 2 Gauges and 2 Steering Wheels Pattern (Sticker) - Set 8280
[PG](#)
[Catalog: Parts: Tile, Decorated](#)
Part Color Code Missing
- +

1
[3068bpb0339](#)
Light Gray Tile 2 x 2 with Groove with Blue Screen in Gray Panel Pattern (Sticker) - Set 8280
[PG](#)
[Catalog: Parts: Tile, Decorated](#)
Part Color Code Missing
- +

1
[3068bpb0111](#)
Red Tile 2 x 2 with Groove with Number 0 White on Red Background Pattern (Sticker) - Set 8280
[PG](#)
[Catalog: Parts: Tile, Decorated](#)
Part Color Code Missing
- +

1
[3068bpb0113](#)
Red Tile 2 x 2 with Groove with Number 2 White on Red Background Pattern (Sticker) - Set 8280
[PG](#)
[Catalog: Parts: Tile, Decorated](#)
Part Color Code Missing
- +

1
[3068bpb0204](#)
Light Gray Tile 2 x 2 with Groove with Speedometer & Gauges Pattern (Sticker) - Set 8280
[PG](#)
[Catalog: Parts: Tile, Decorated](#)
Part Color Code Missing
- +

4
[6582c01](#) *(inv)*
White Wheel 20 x 30 Balloon Medium, with Black Tire 20 x 30 Balloon Medium (6582 / 6581)
[PG](#)
[Catalog: Parts: Wheel & Tire Assembly](#)
Part Color Code Missing
- +

2
[3482c02](#) *(inv)*
Light Gray Wheel with Split Axle Hole with Black Tire 30 x 10.5 Offset Tread (3482 / 2346)
[PG](#)
[Catalog: Parts: Wheel & Tire Assembly](#)
Part Color Code Missing

Note:

Part 2346 Tire 30 x 10.5 Offset Tread in black and one of part 4019 Technic, Gear 16 Tooth (Old Style with Round Holes) in light gray are used only in the alternate model in the instructions.

Summary:

Type	Unique Lots	Total Qty
Regular Items:		
Parts	117	432
Minifigs	2	2
Counterparts:		
Parts	18	23

Source:
Instructions

[Admin](#) inventoried this Set on Apr 16, 2007, inventory last updated on Feb 20, 2017.