

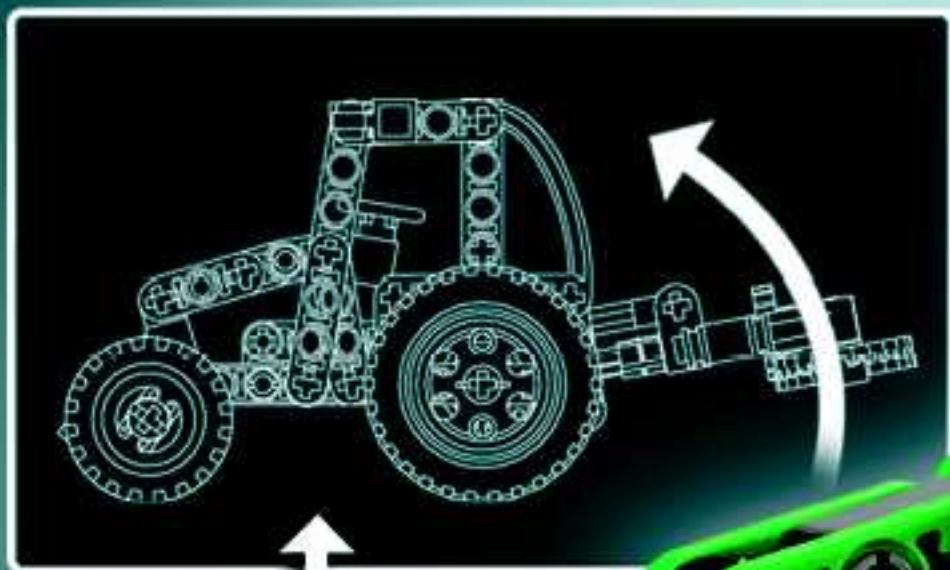
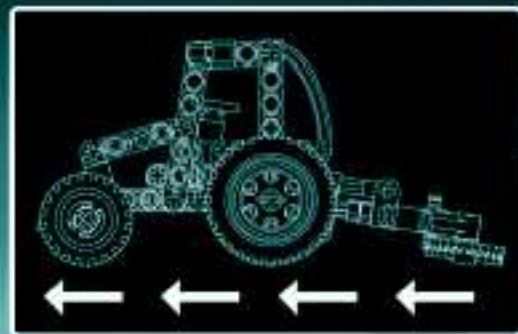
LEGO

8281-1



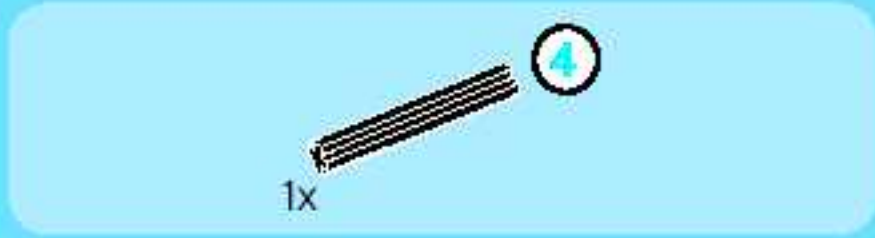
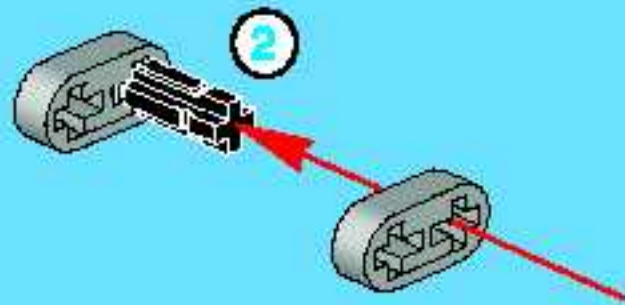
TECHNIC







1

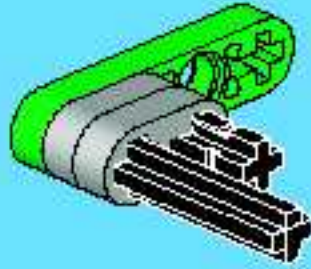


2

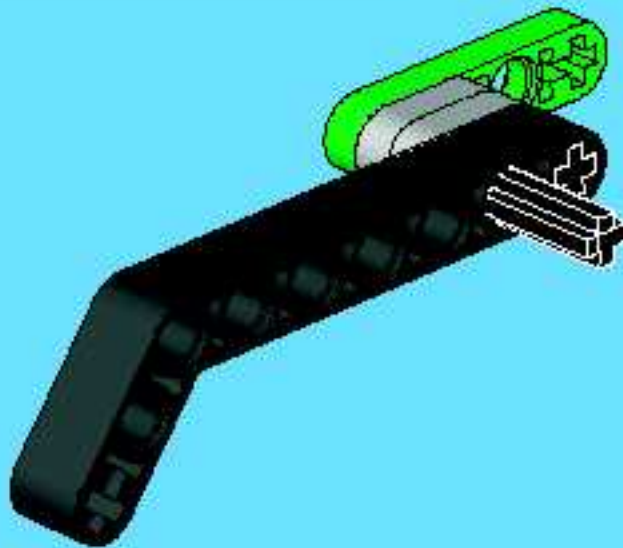




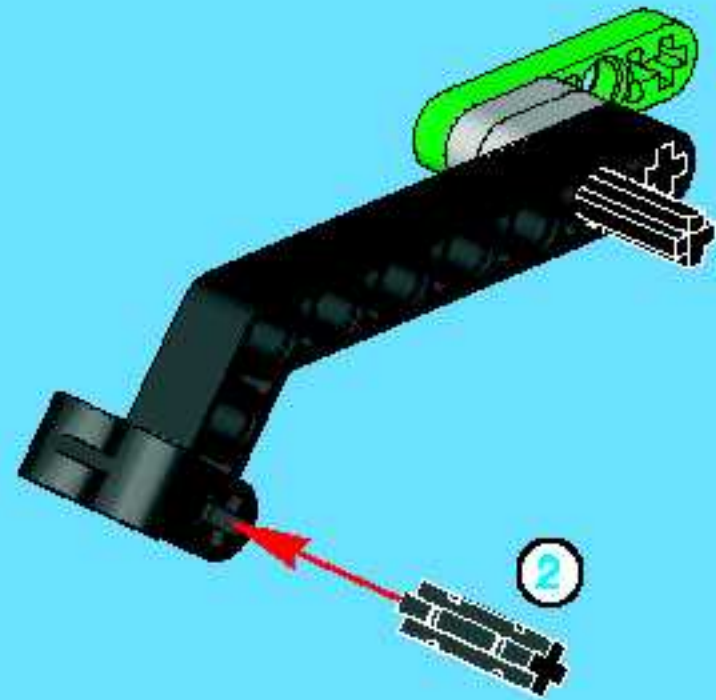
3



4



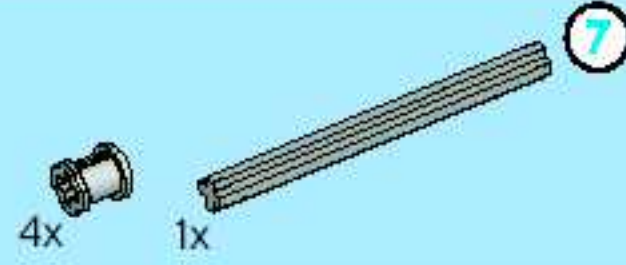
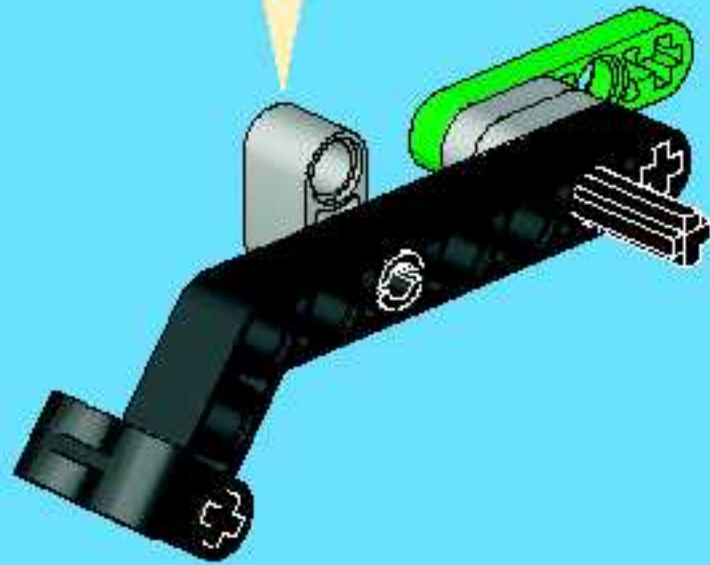
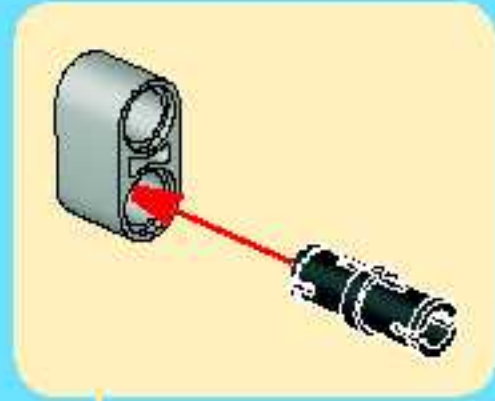
5



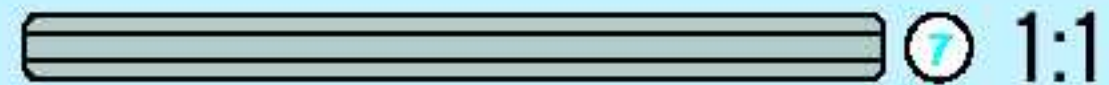
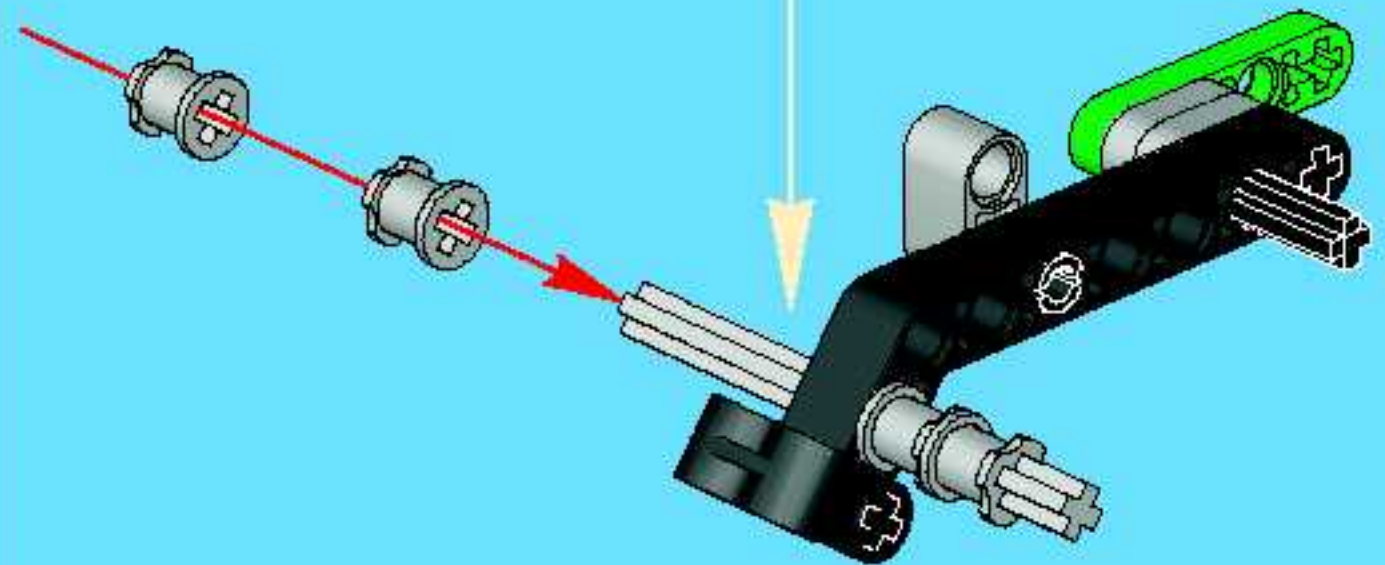
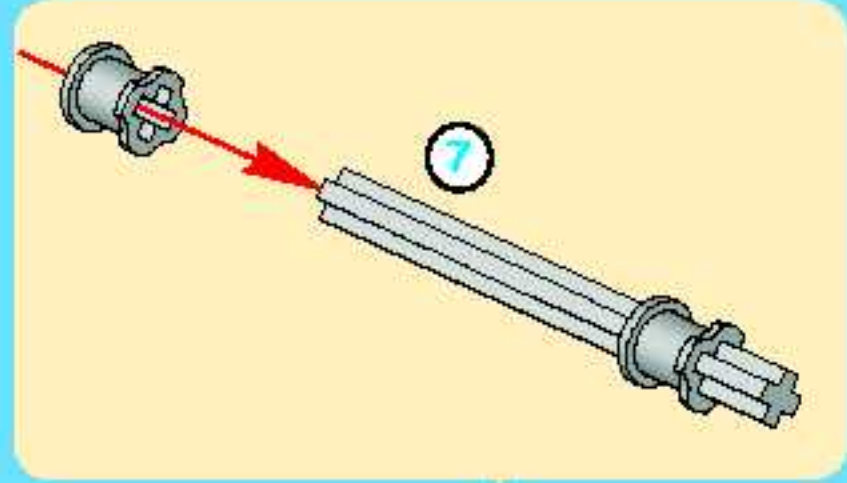
1:1

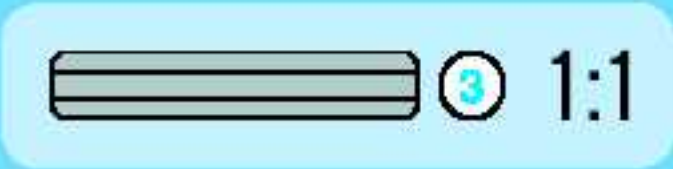
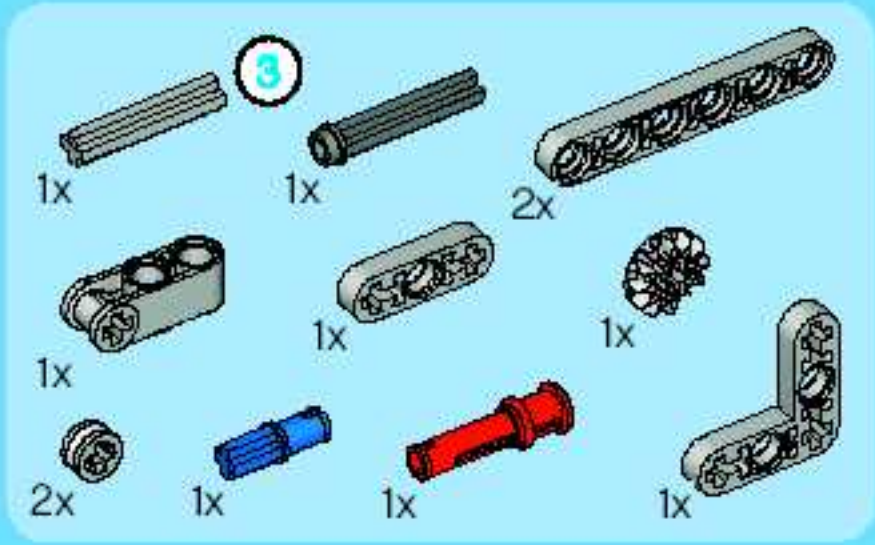


6

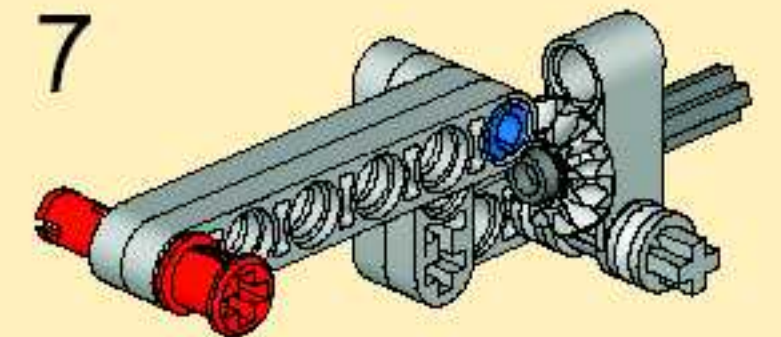
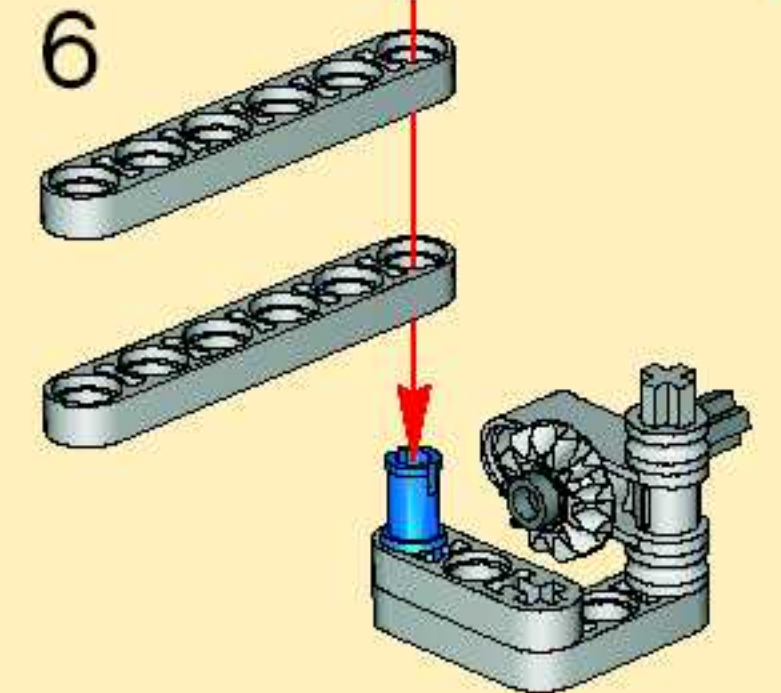
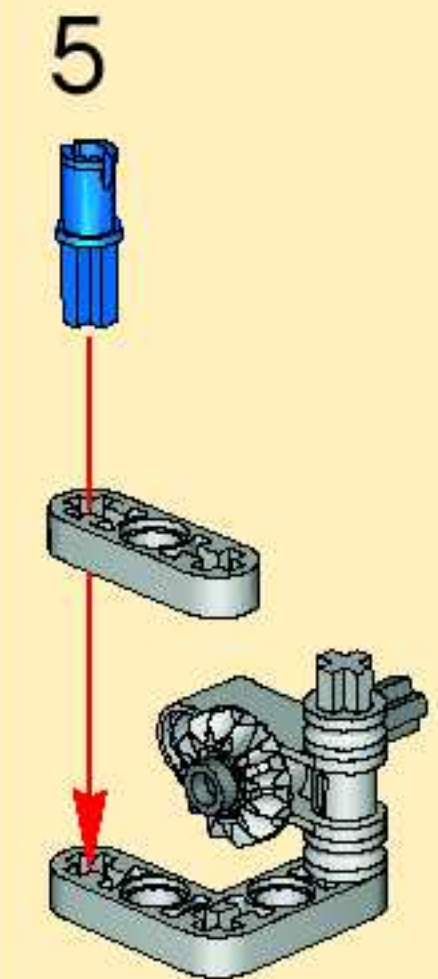
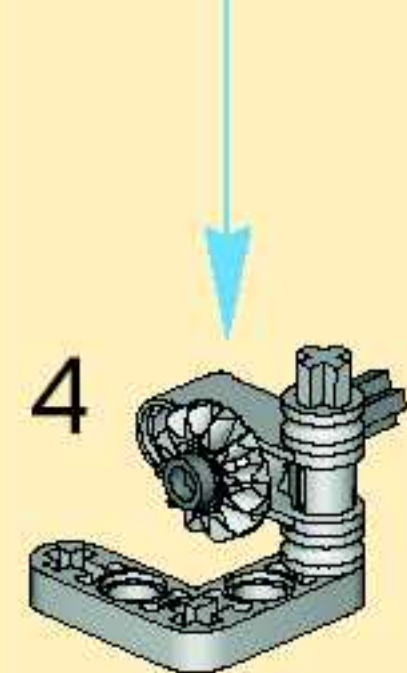
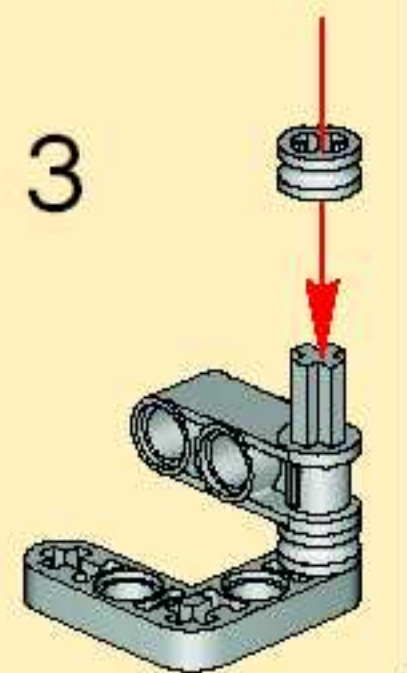
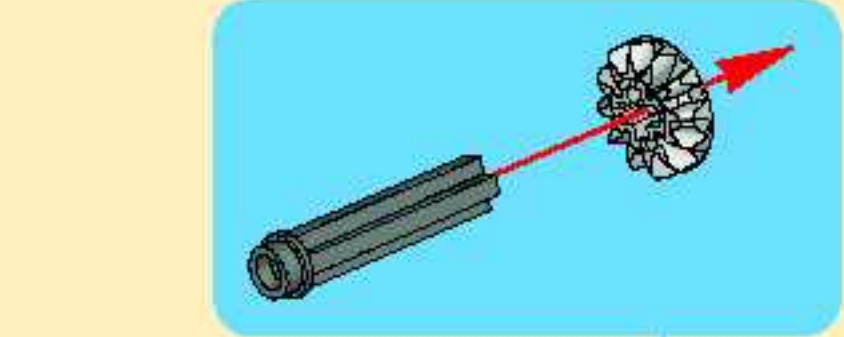
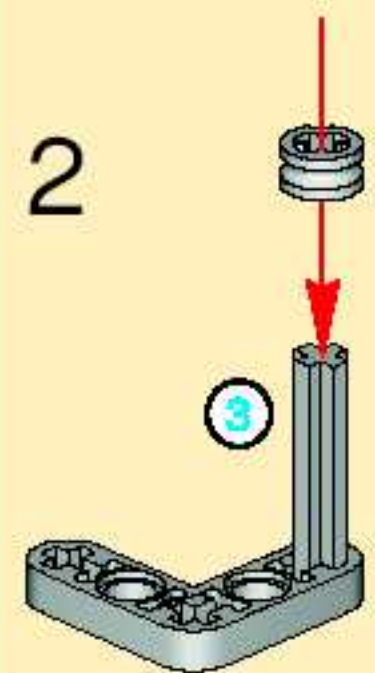
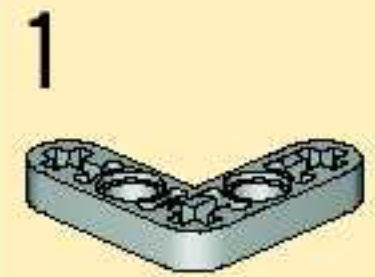


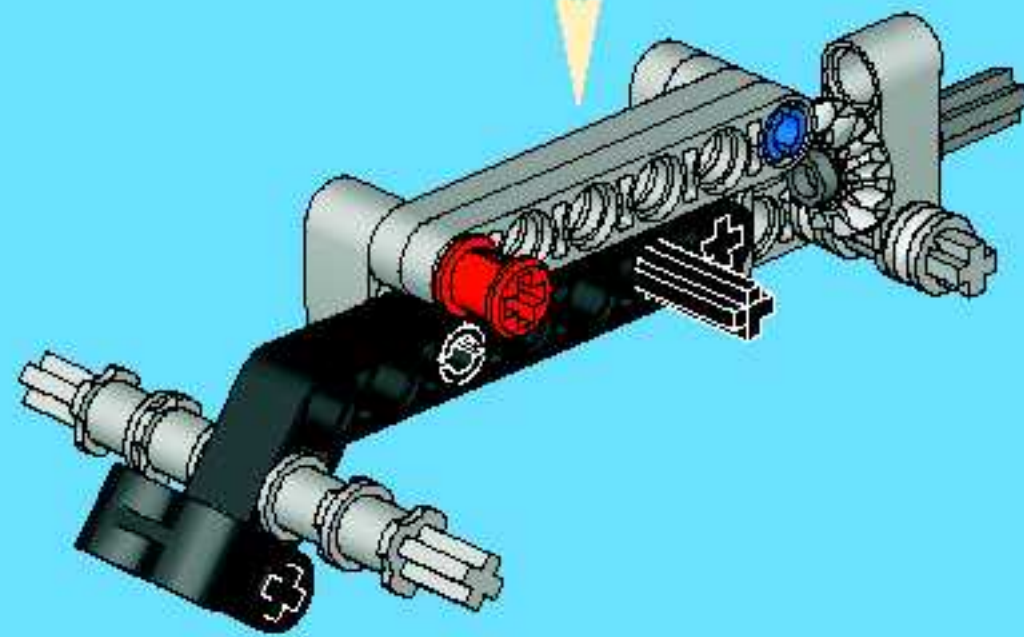
7

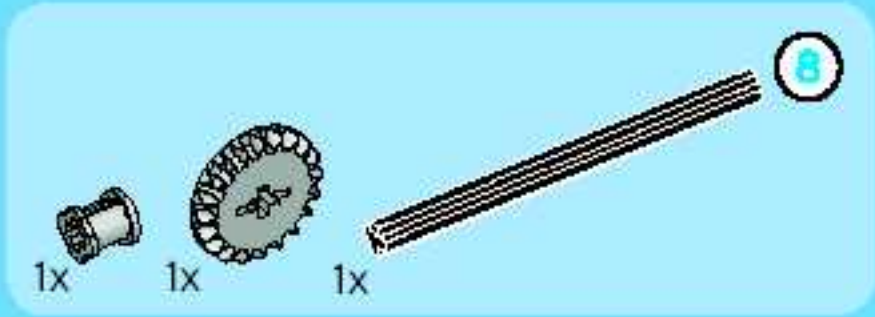




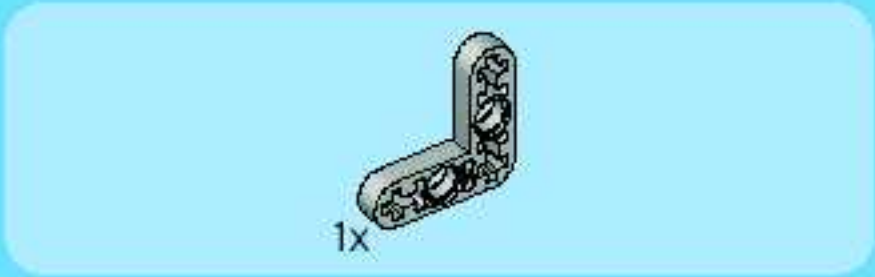
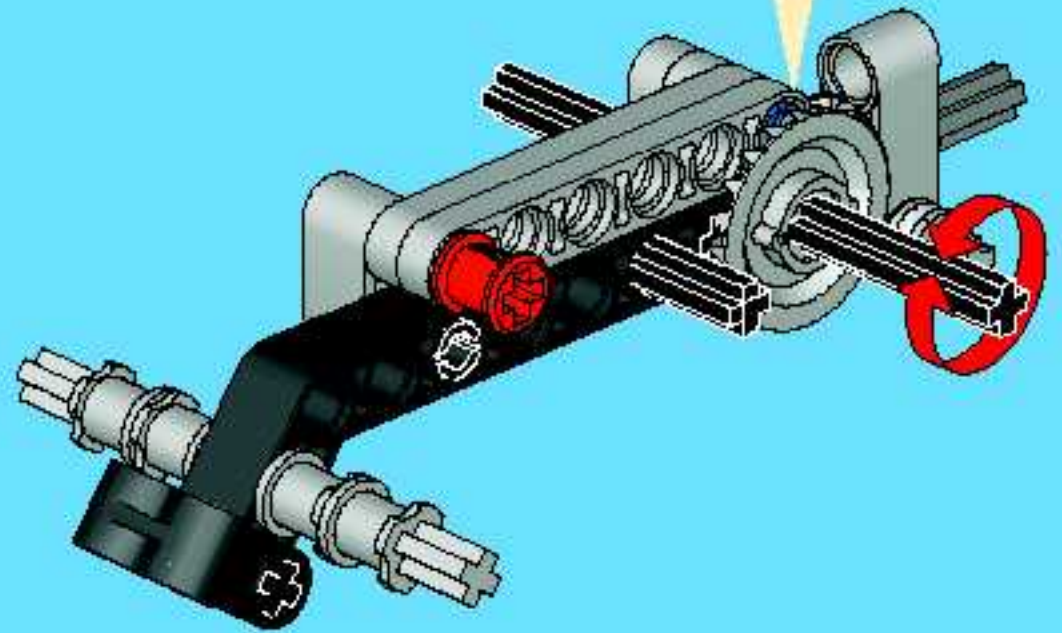
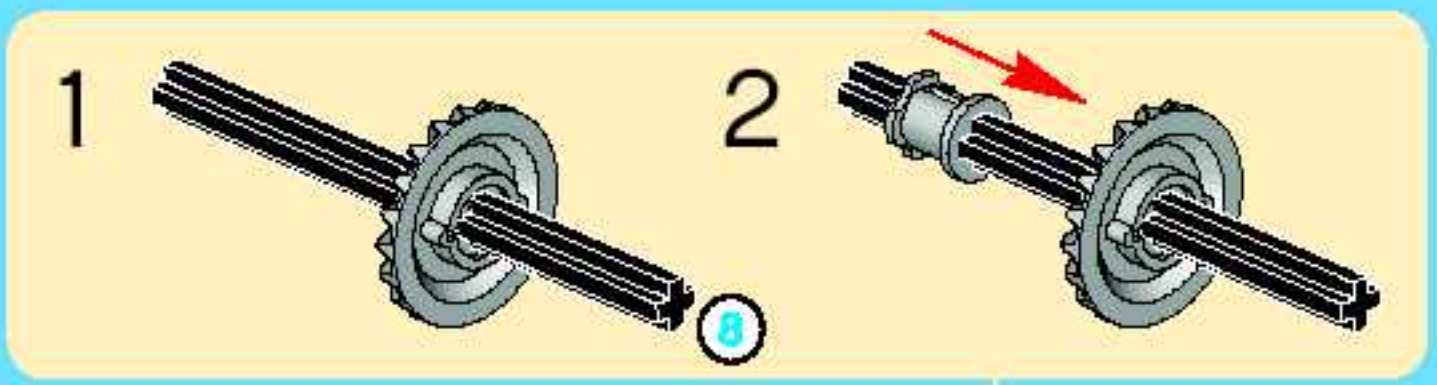
8



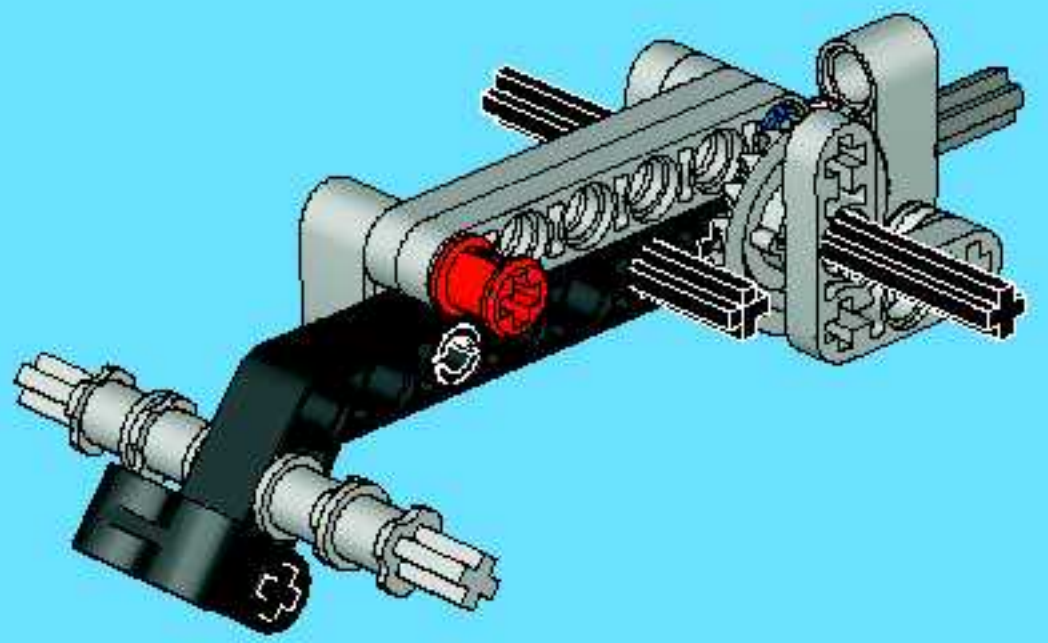


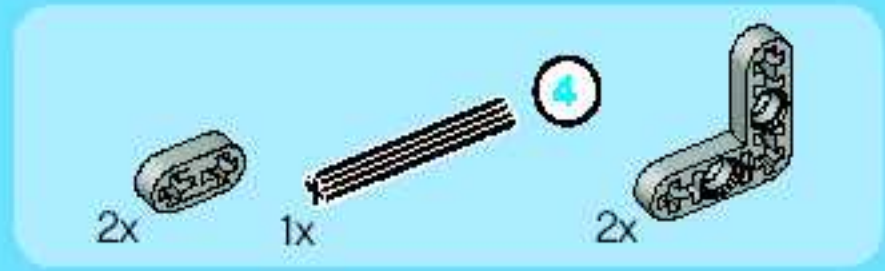


9

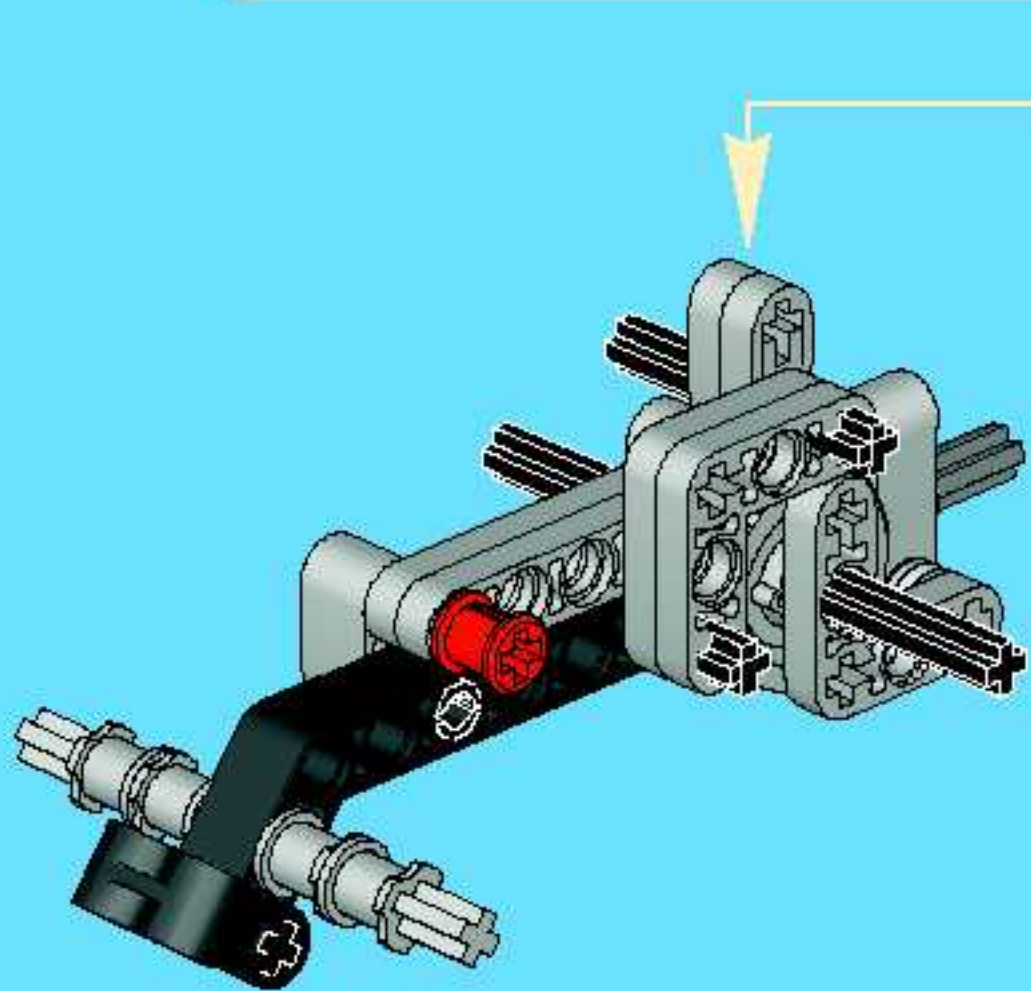
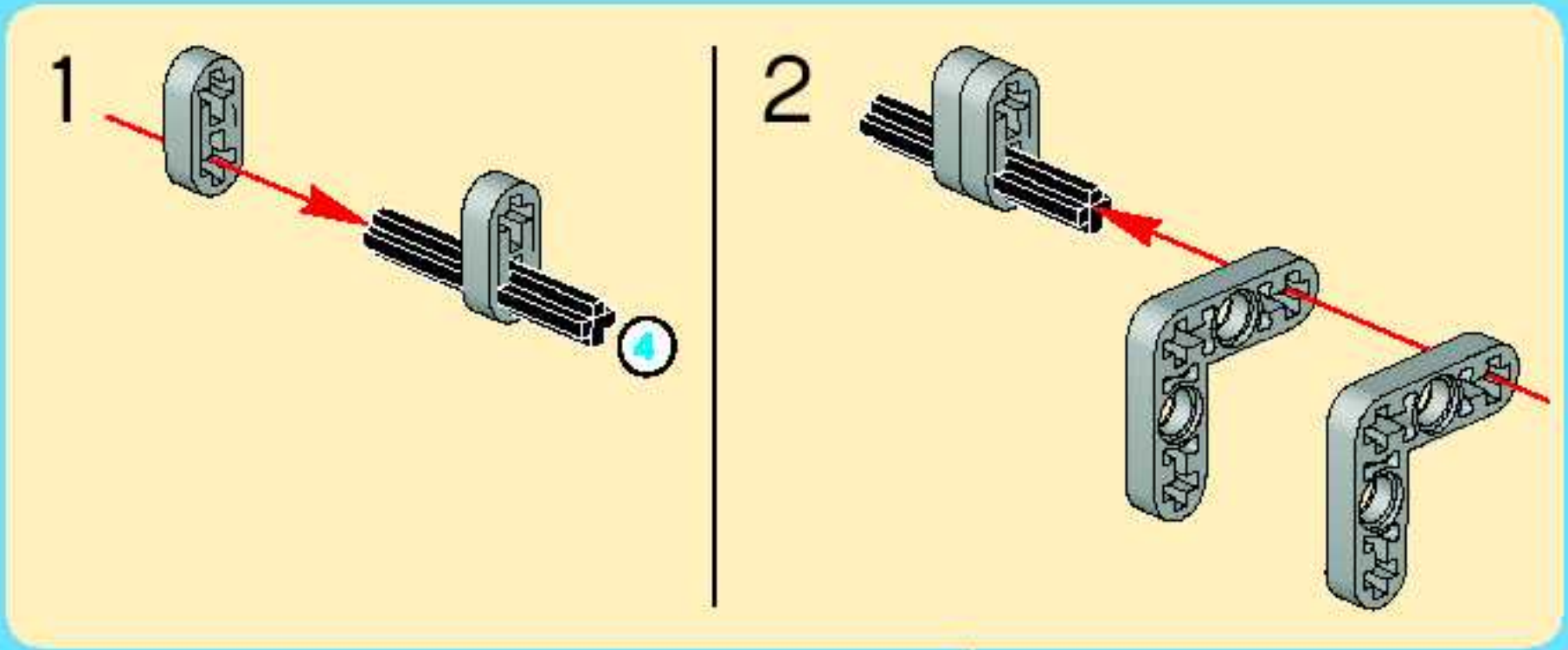


10





11



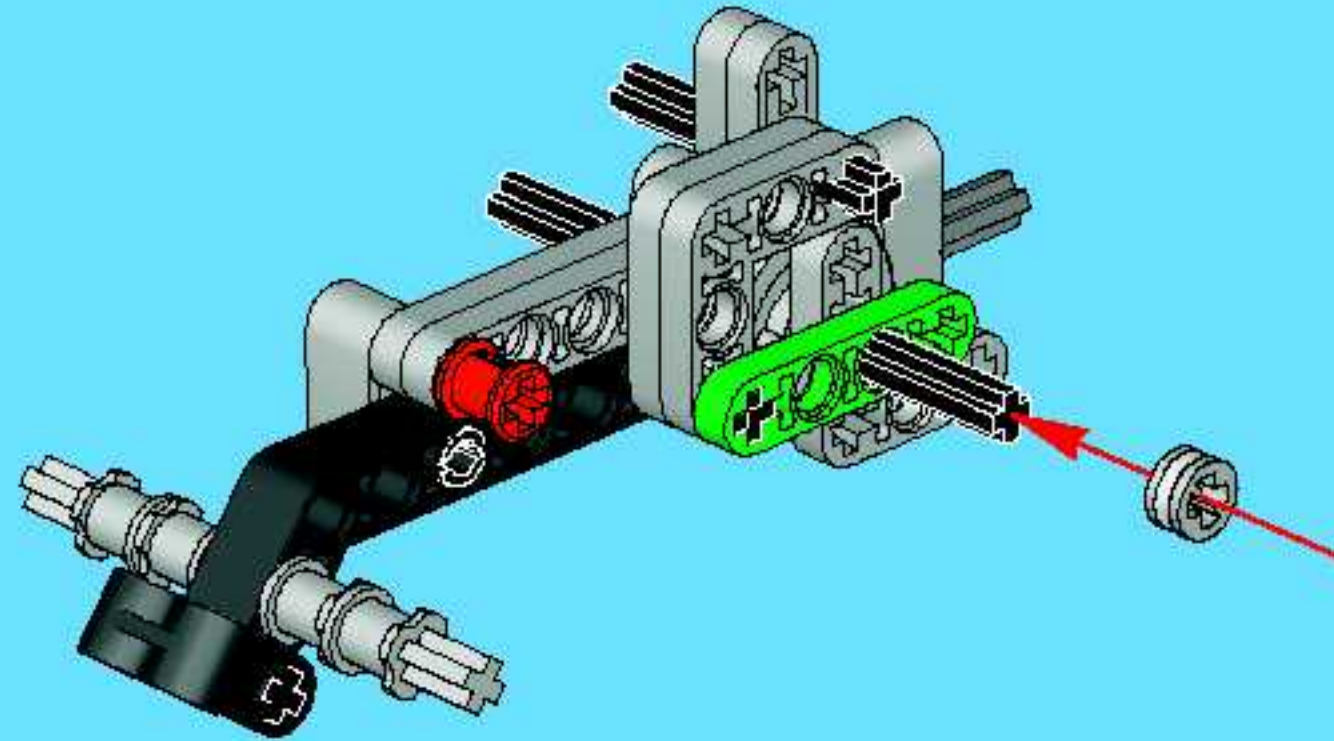


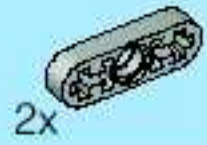
1x



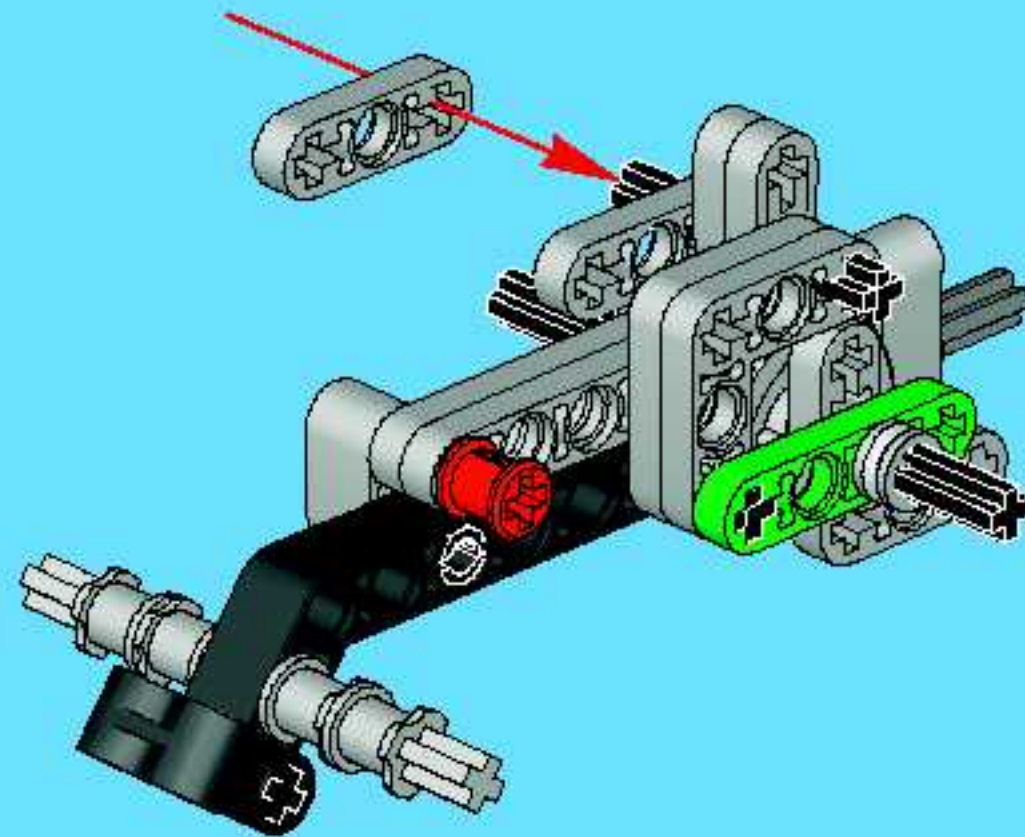
1x

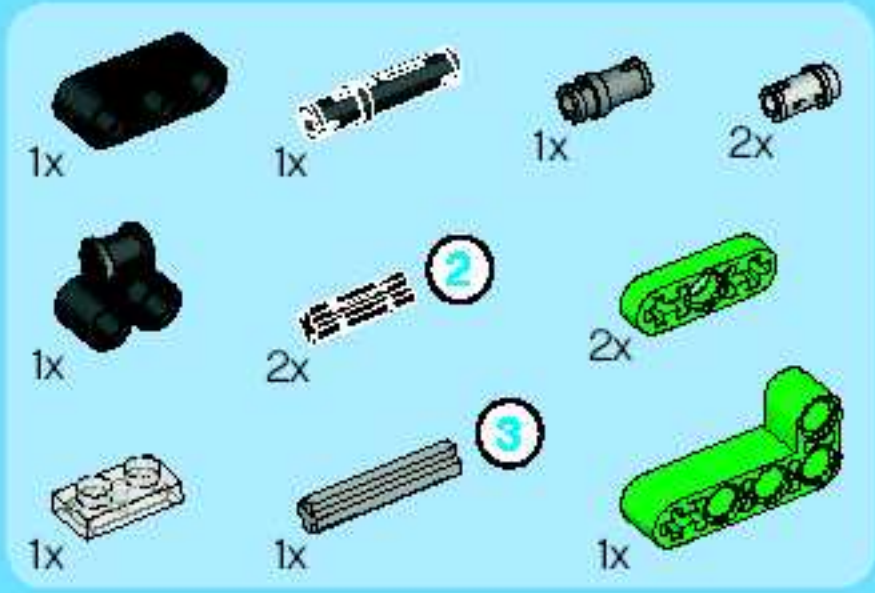
12



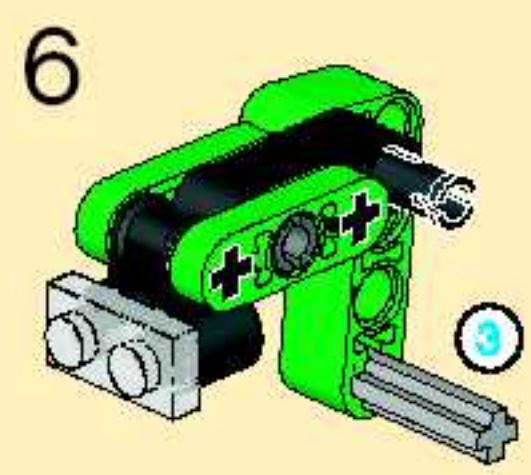
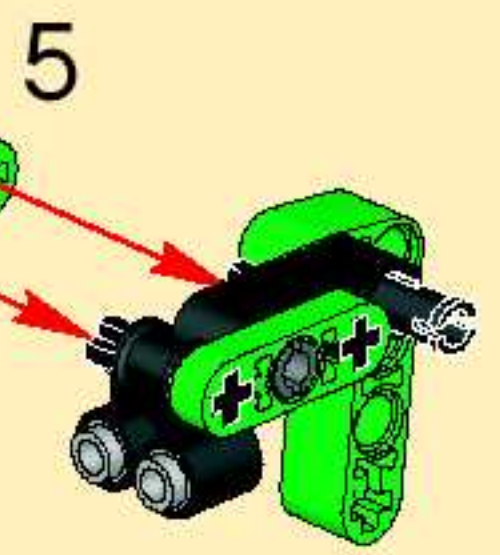
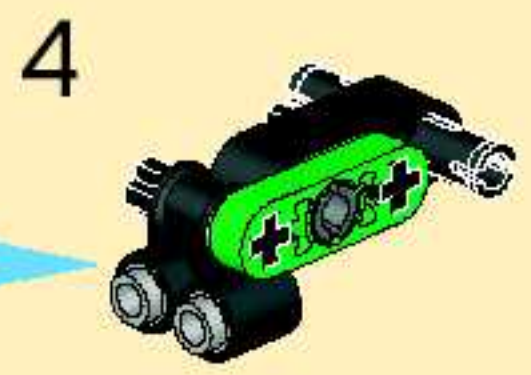
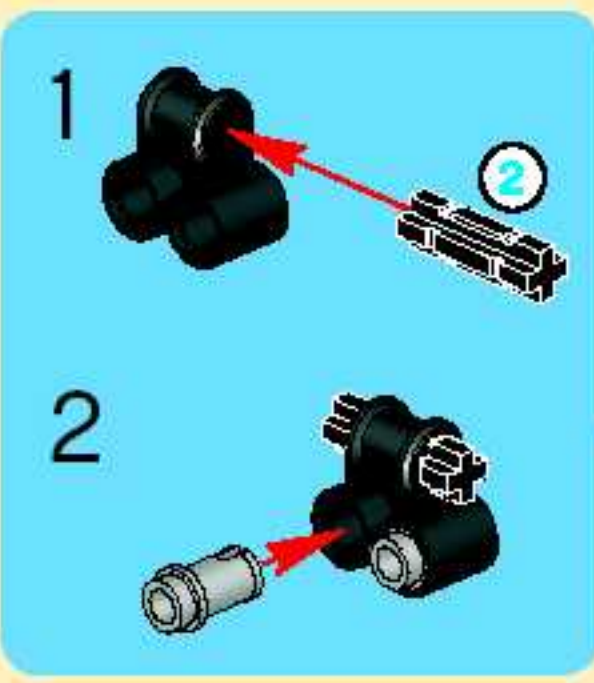
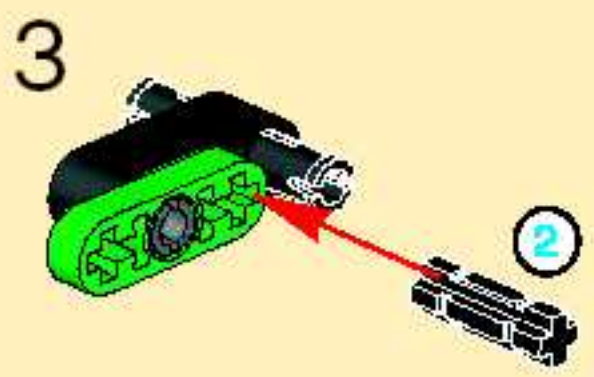
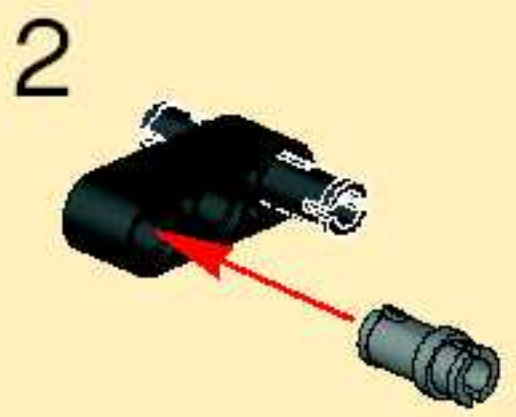
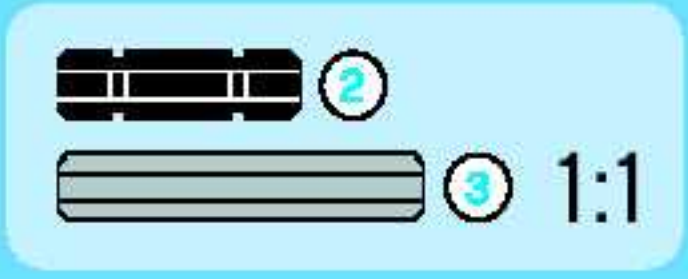


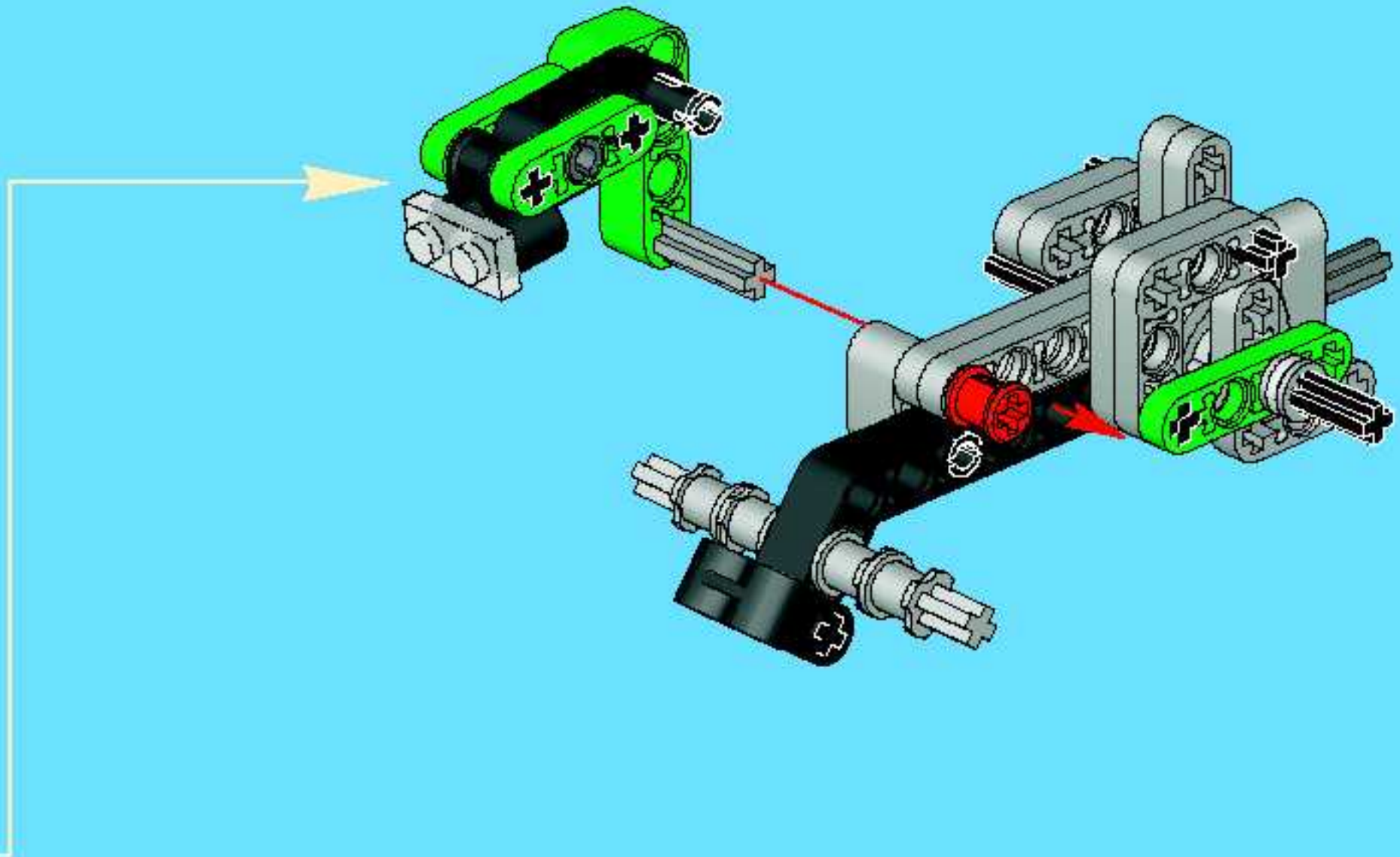
13

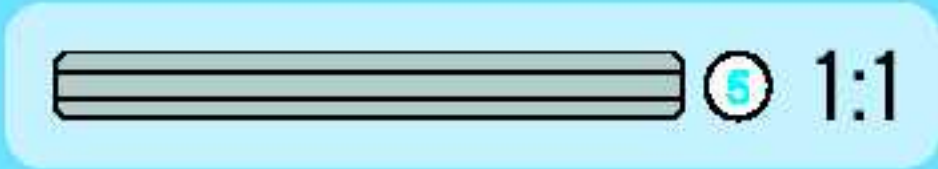
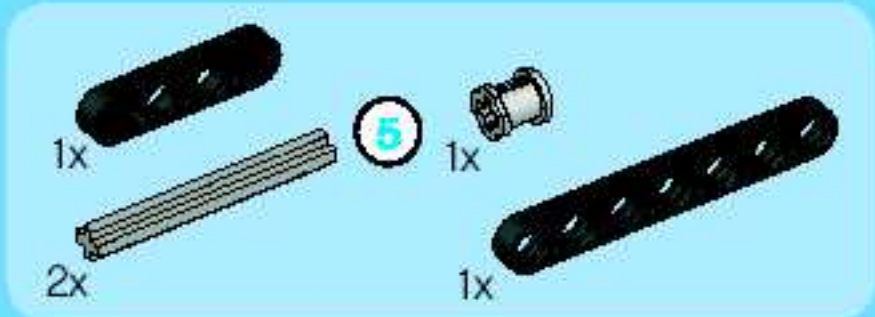




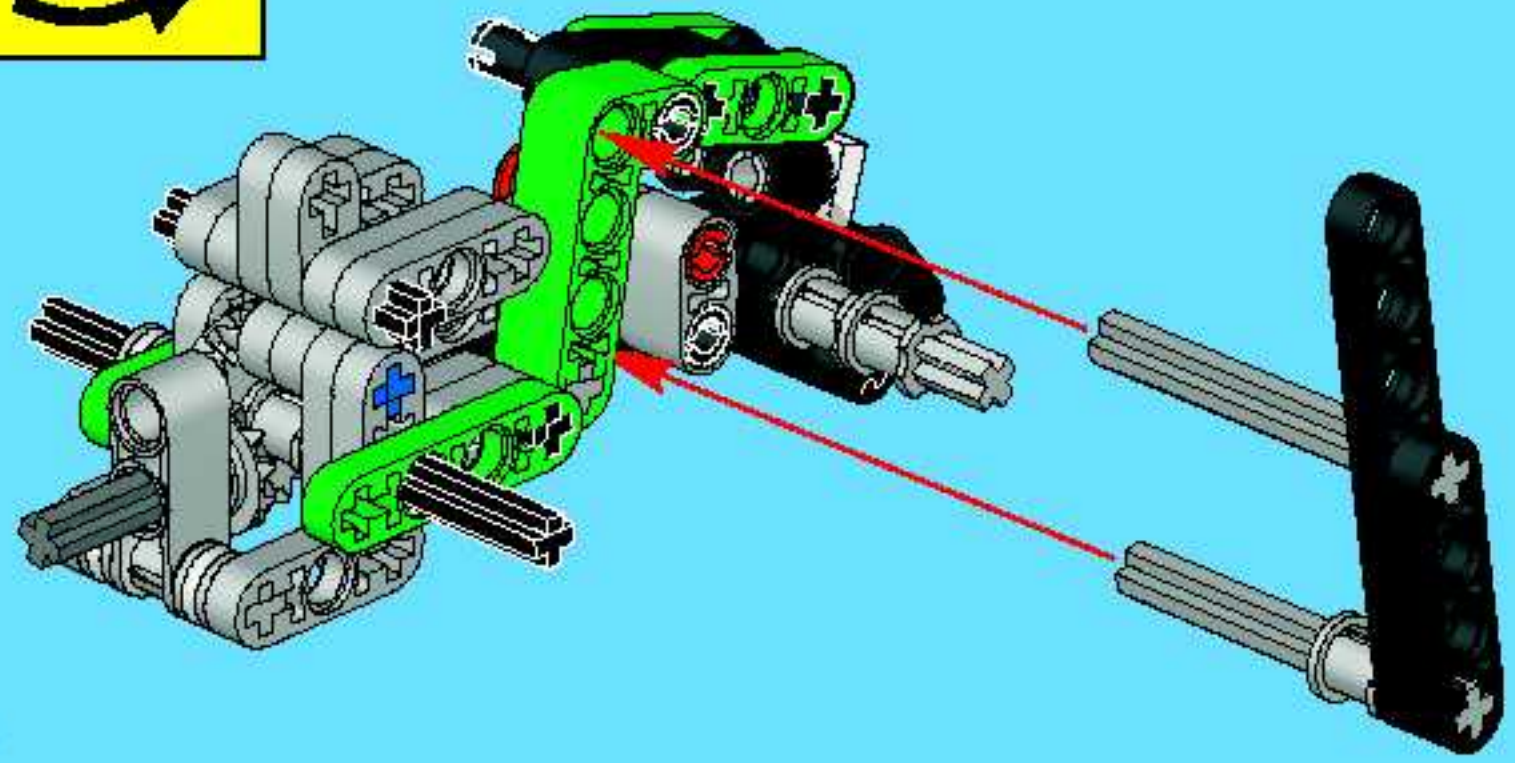
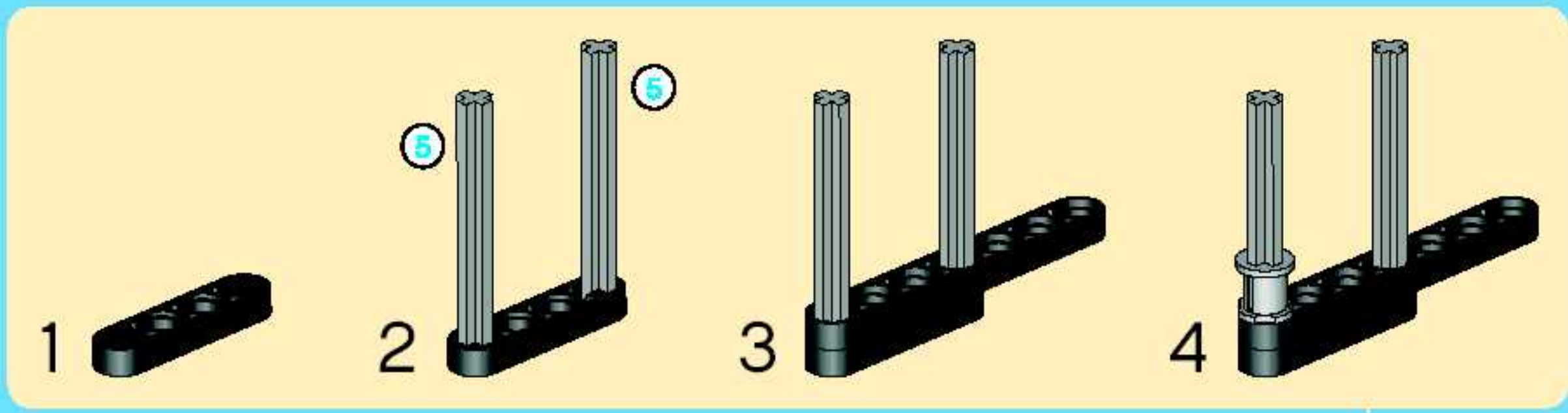
14





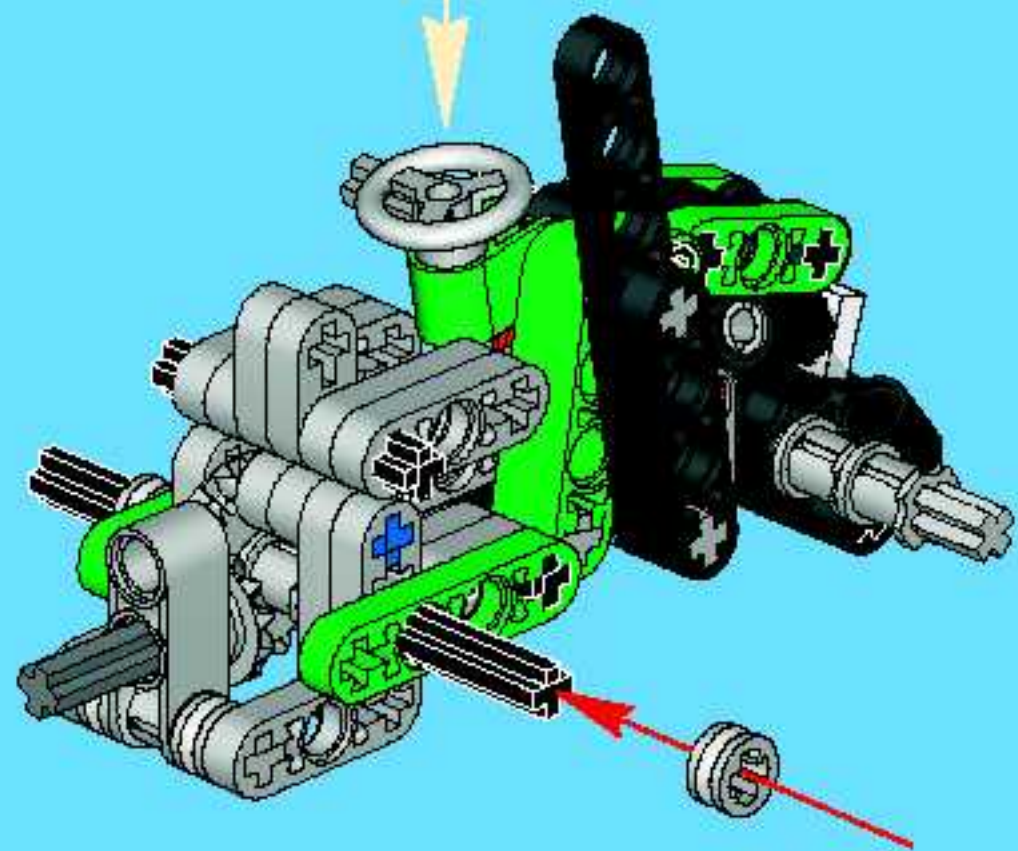
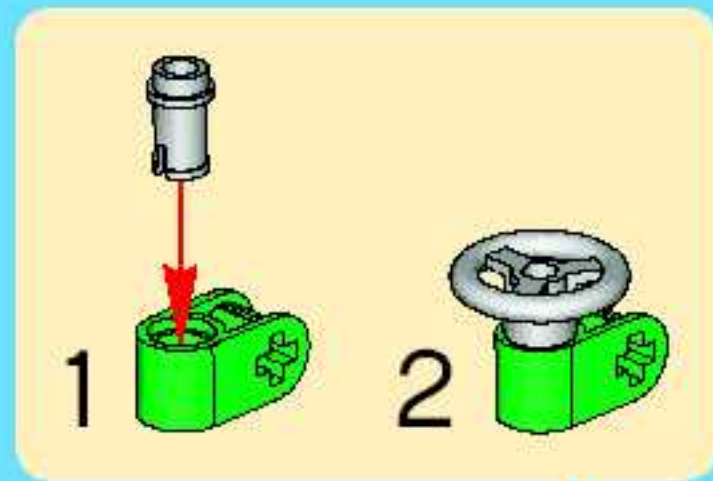


15



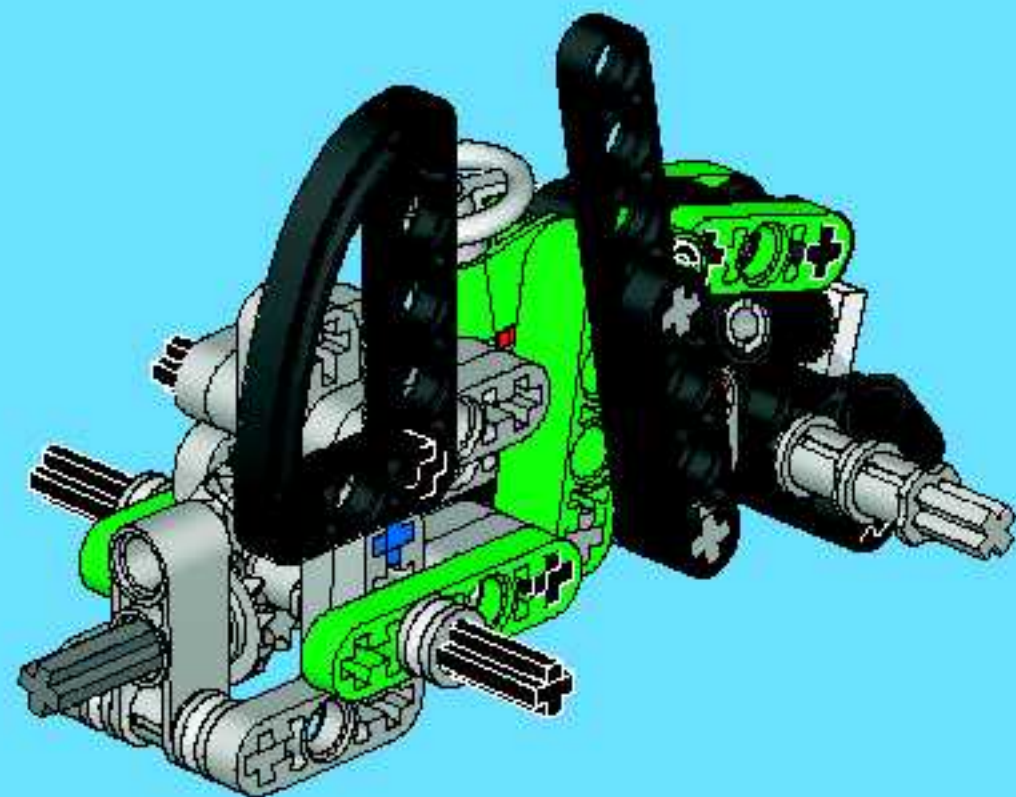


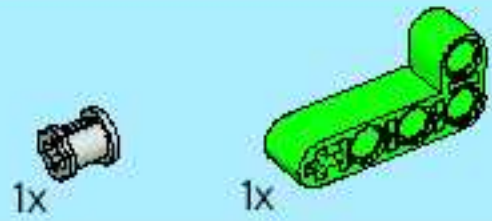
16



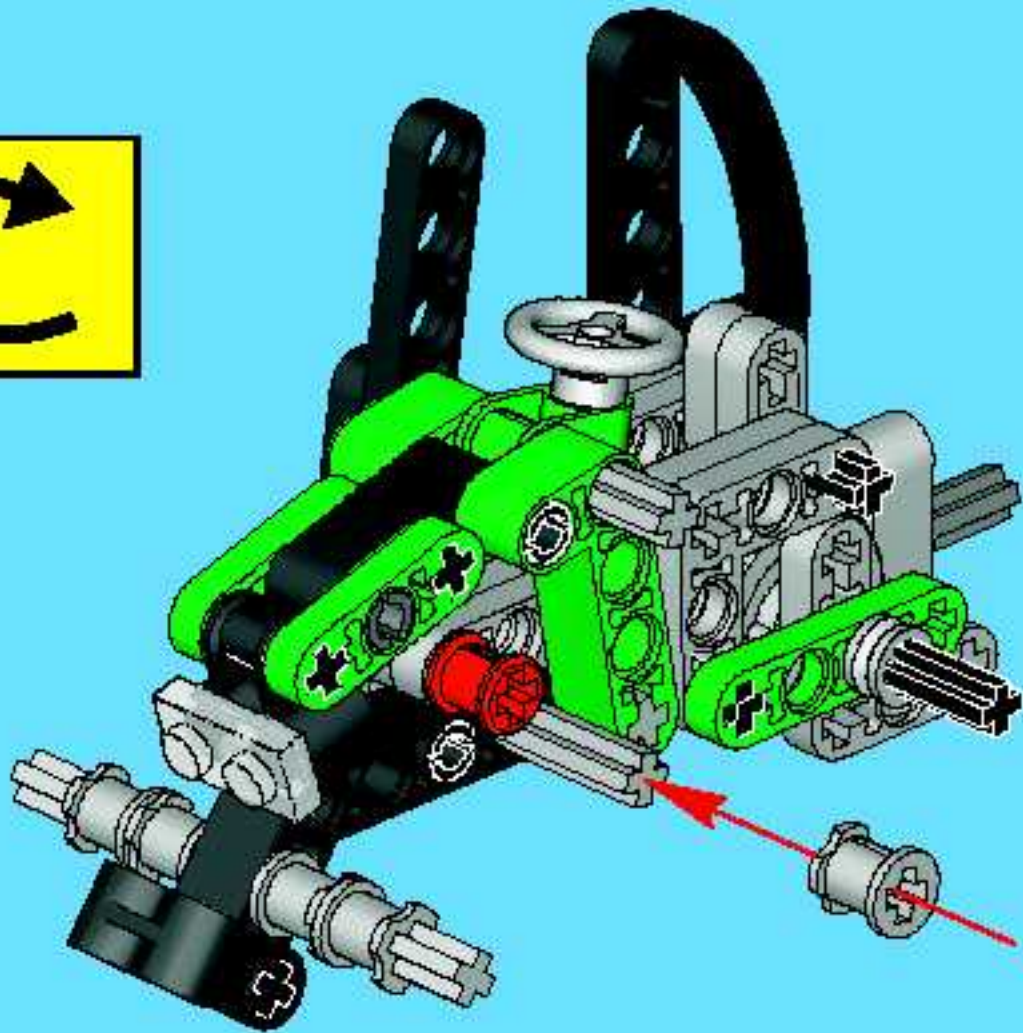
1x

17

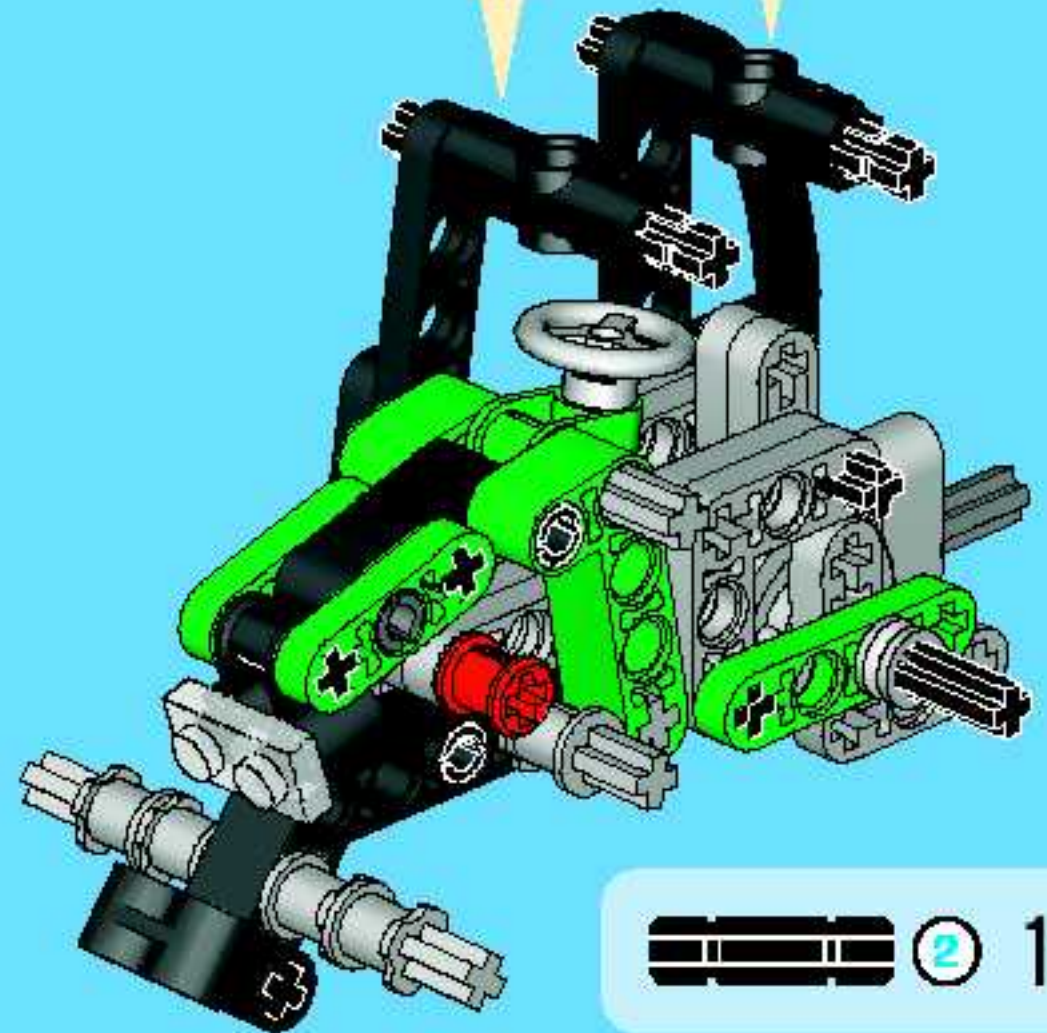
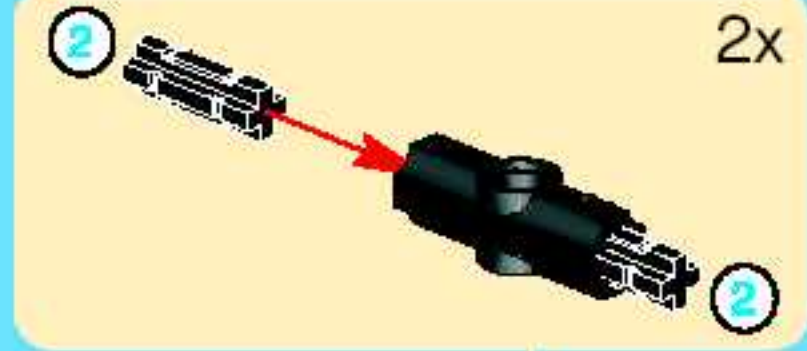


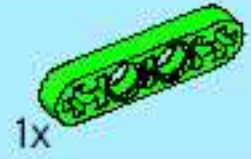


18

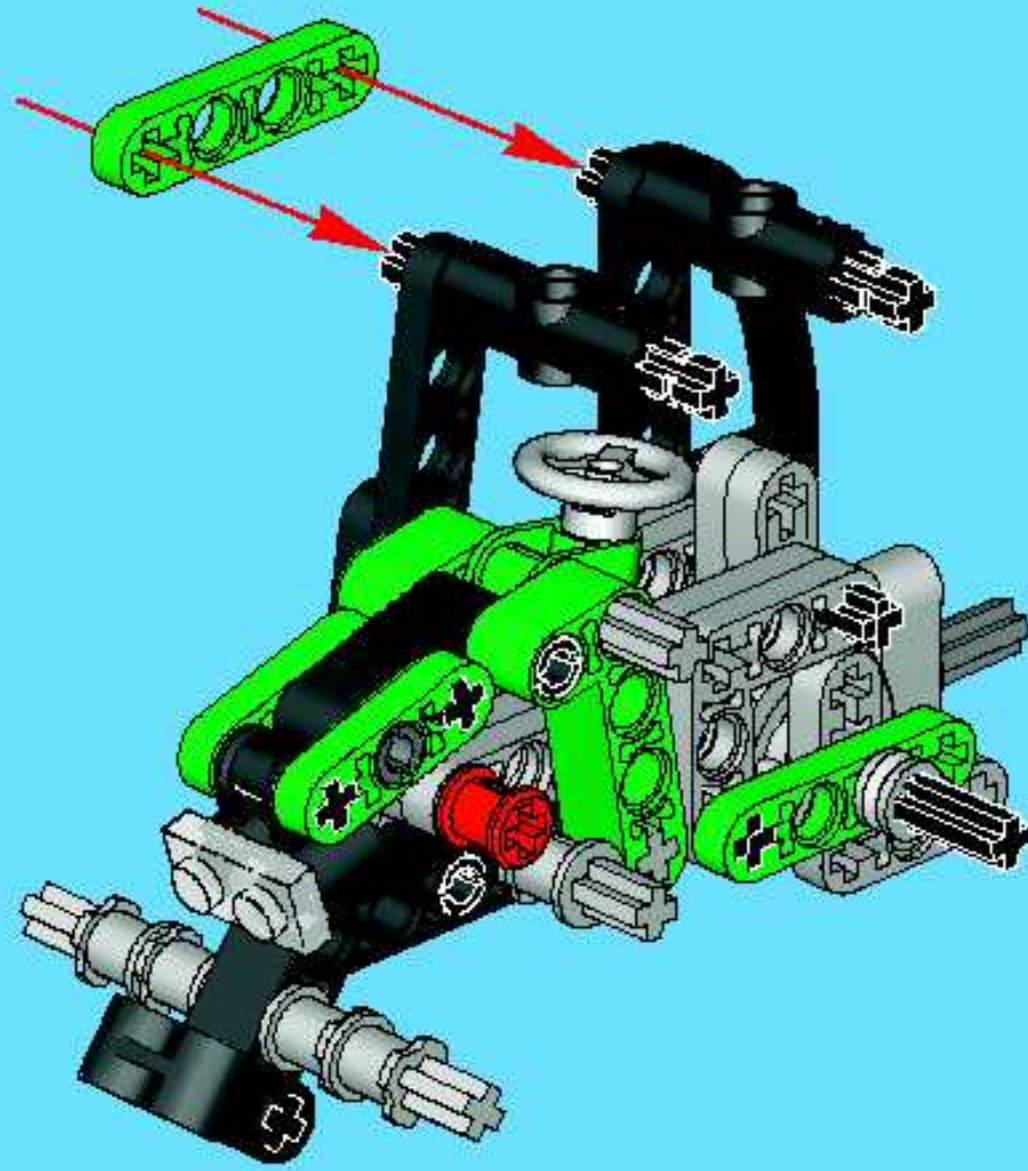


19

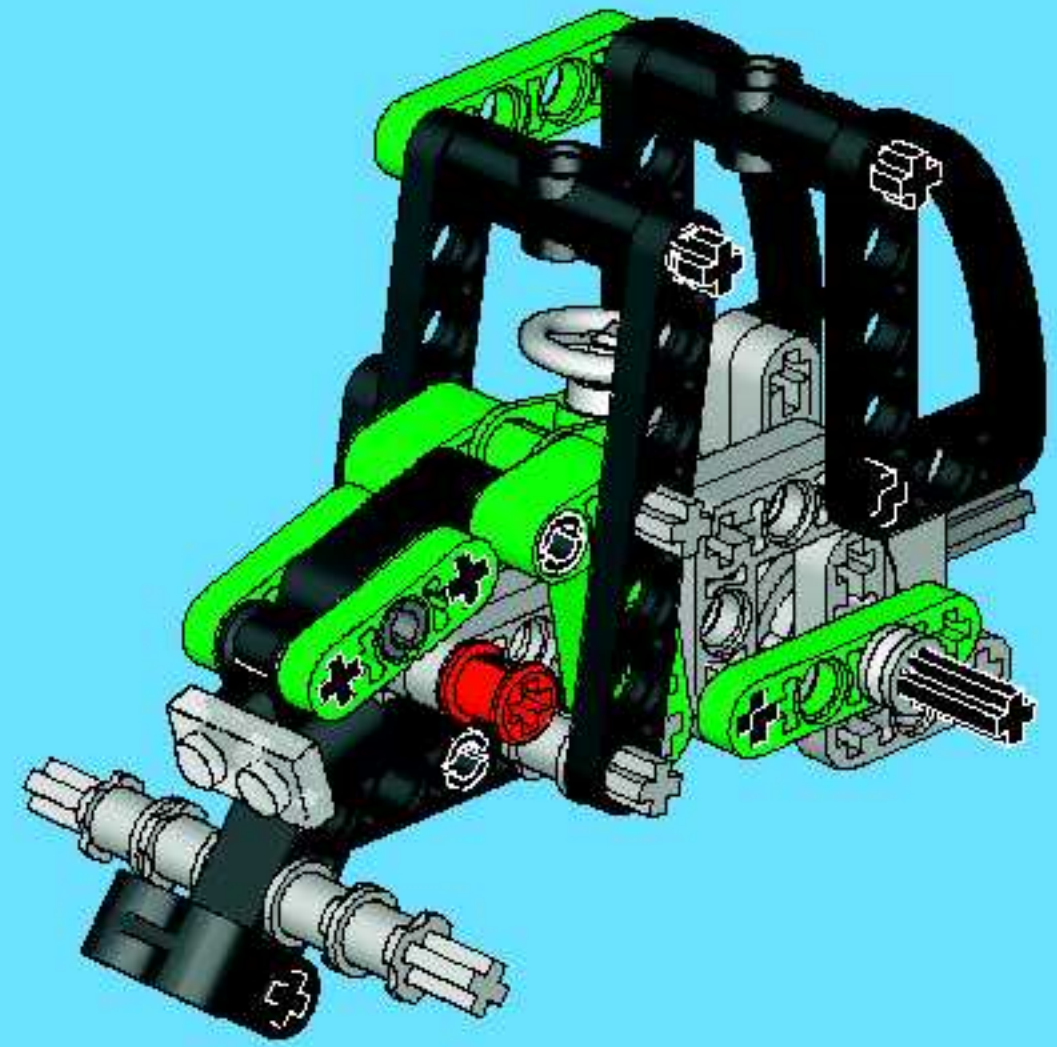




20

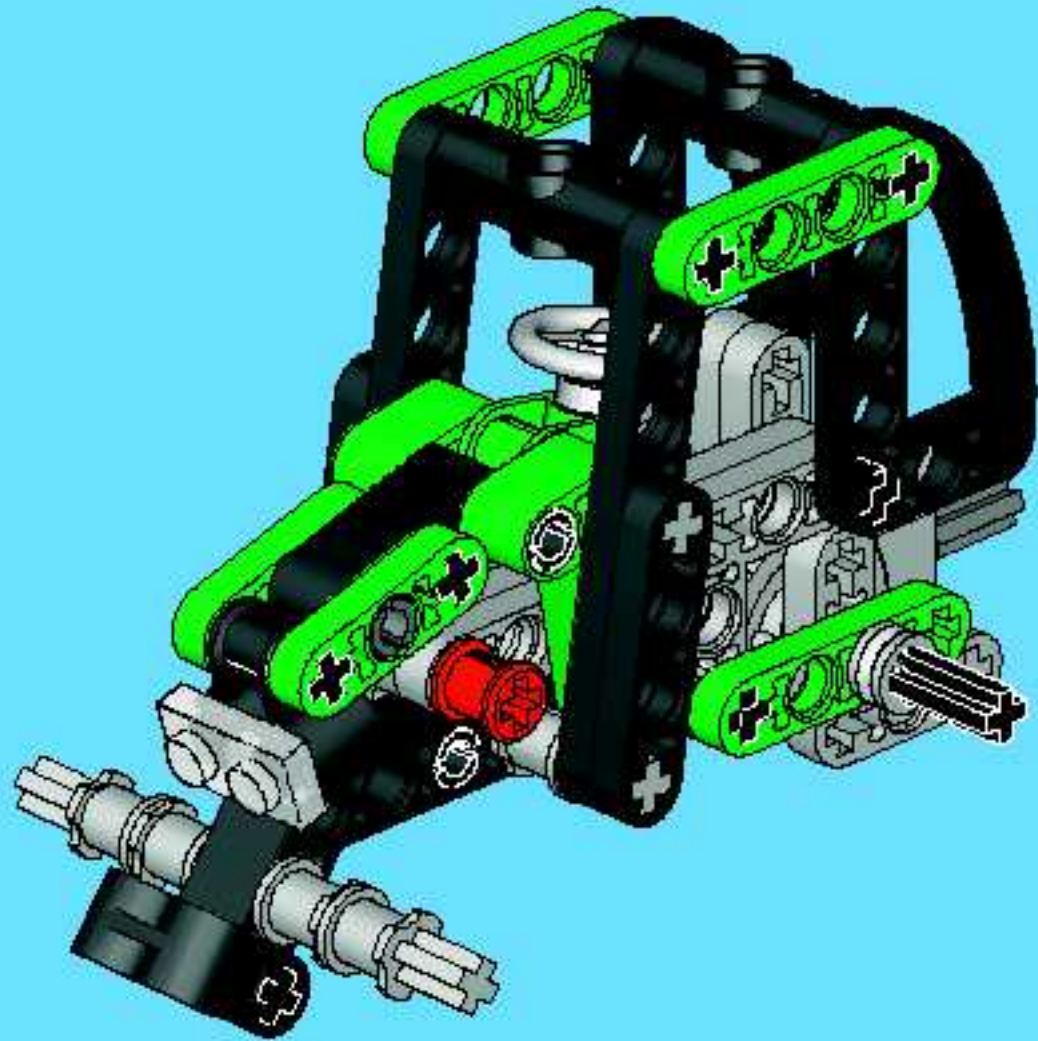


21

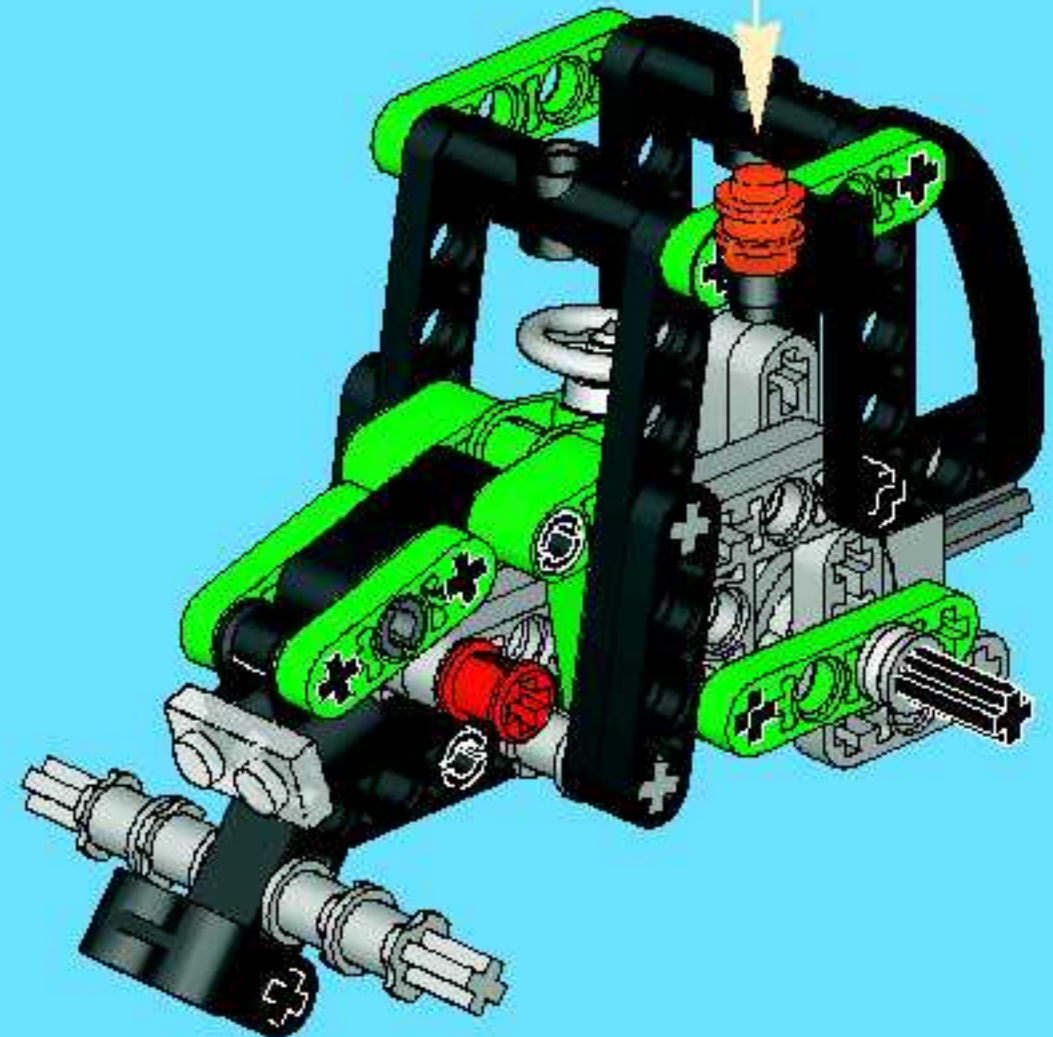
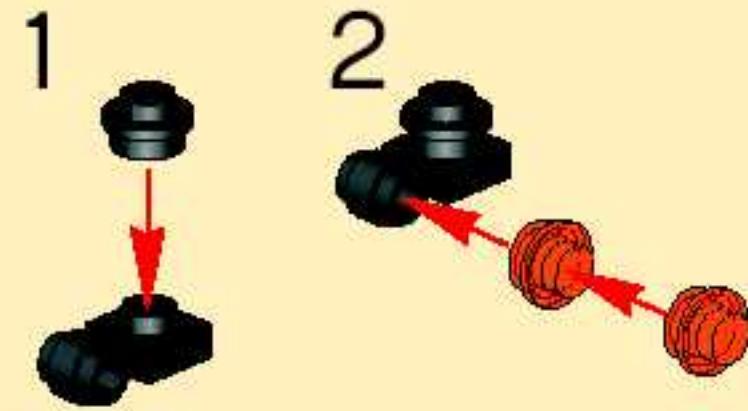


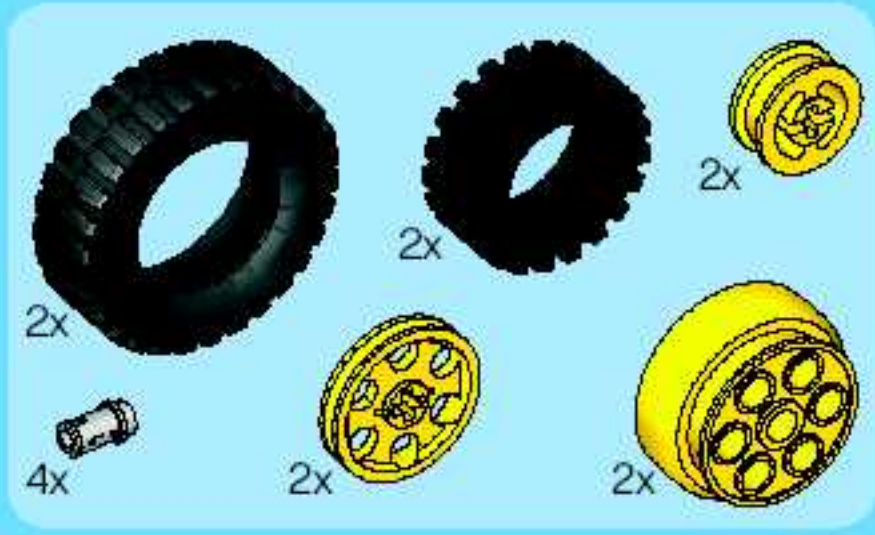


22

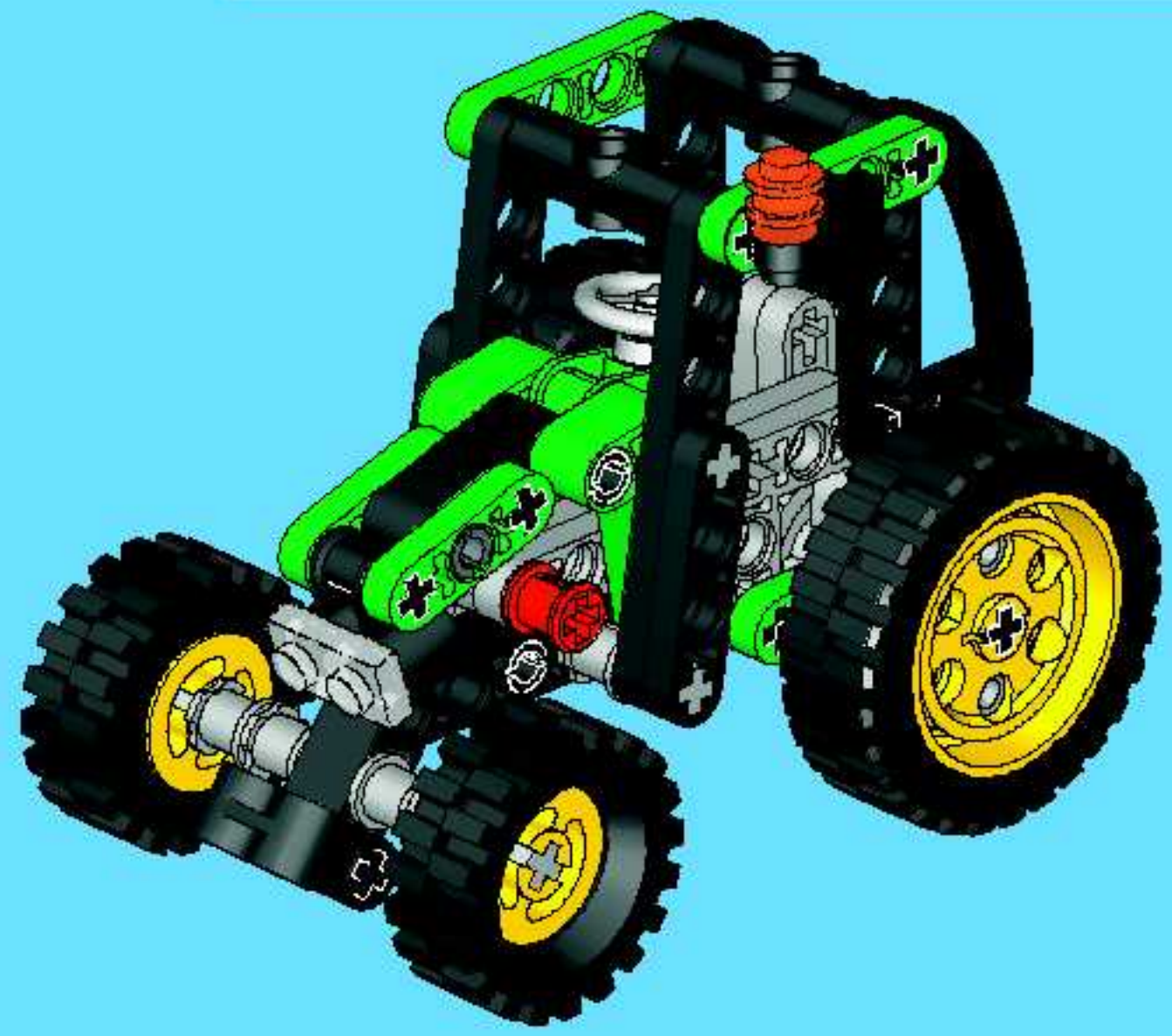
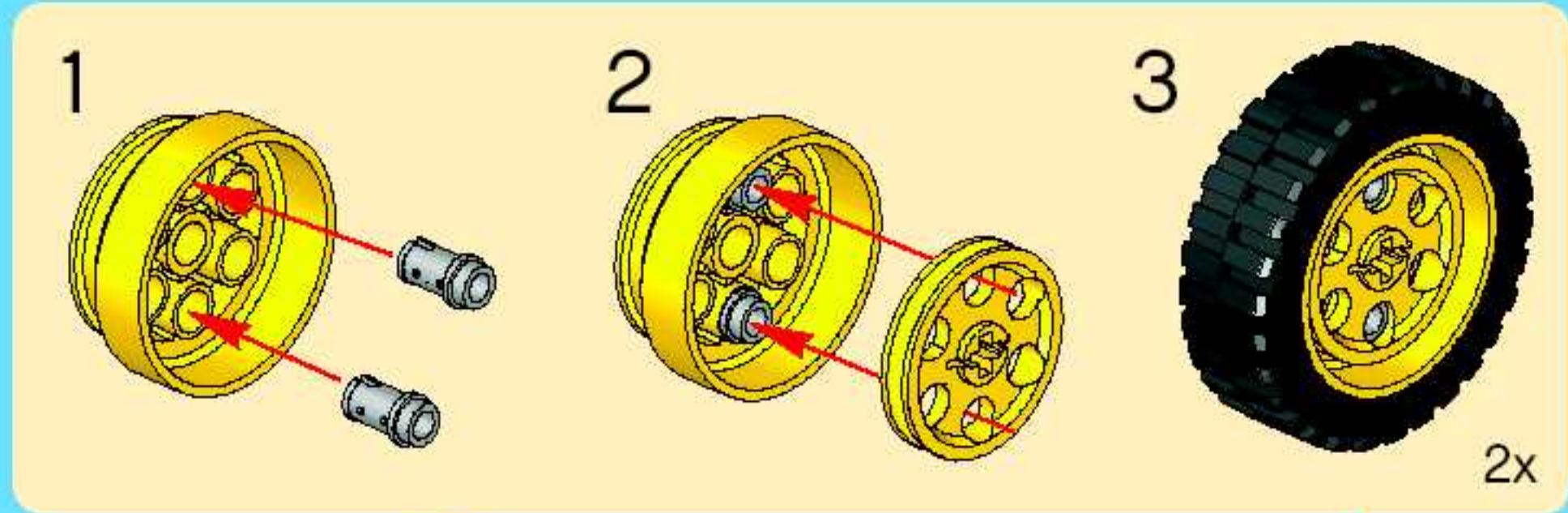


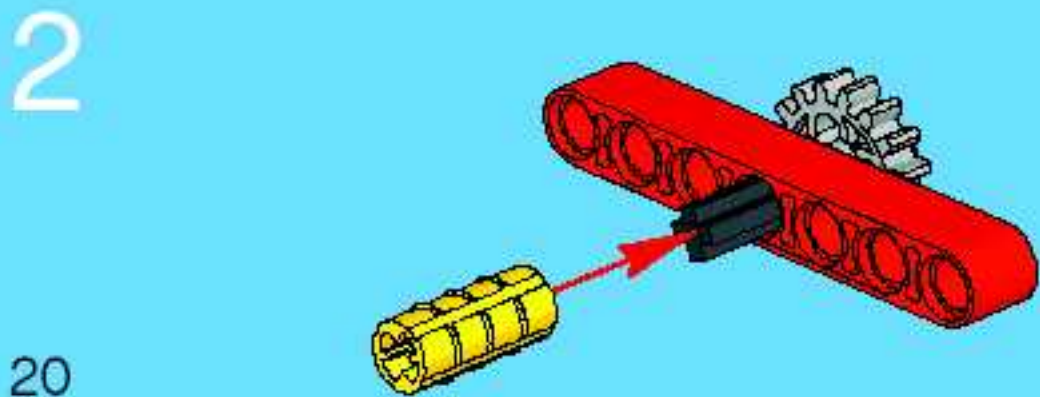
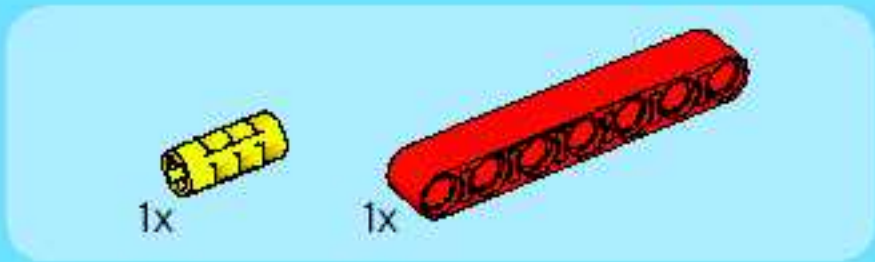
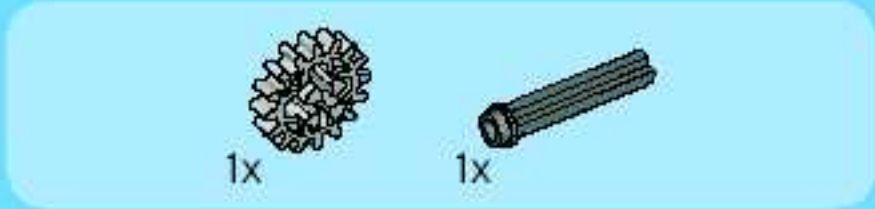
23



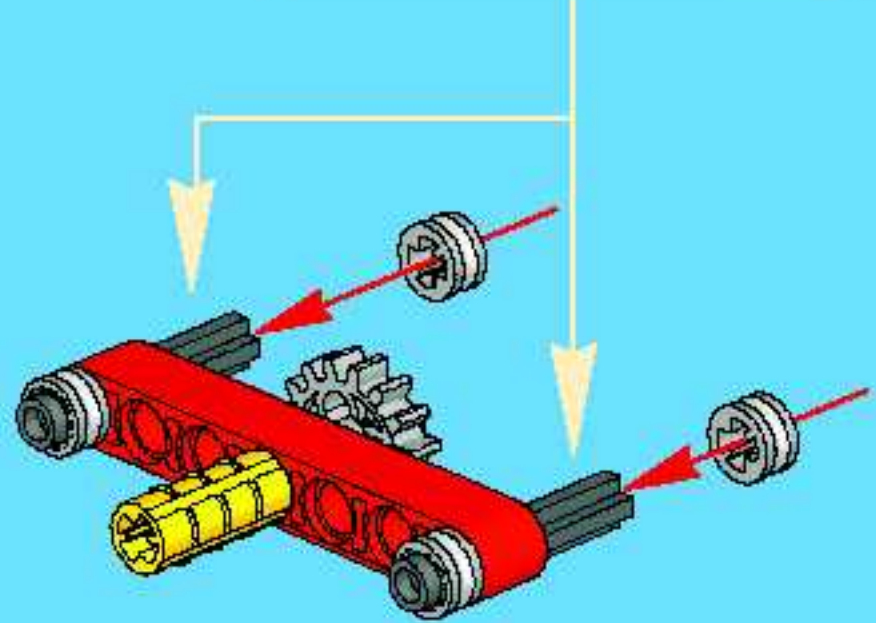
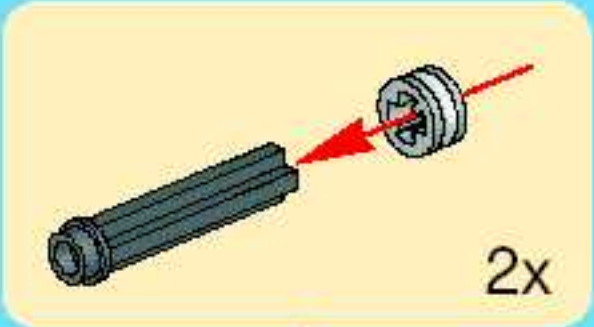


24



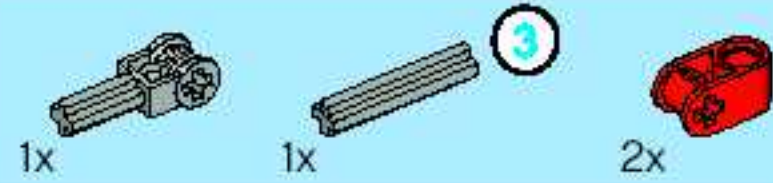
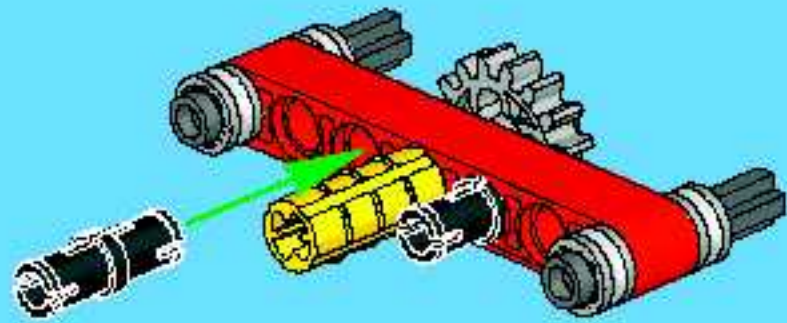


3

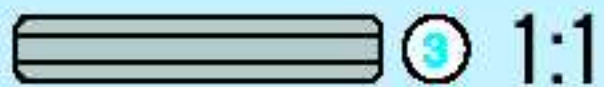
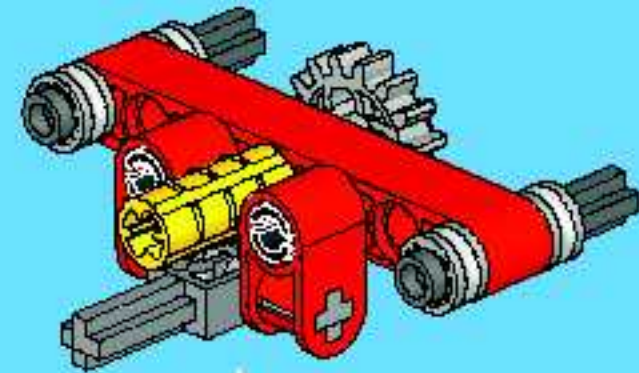
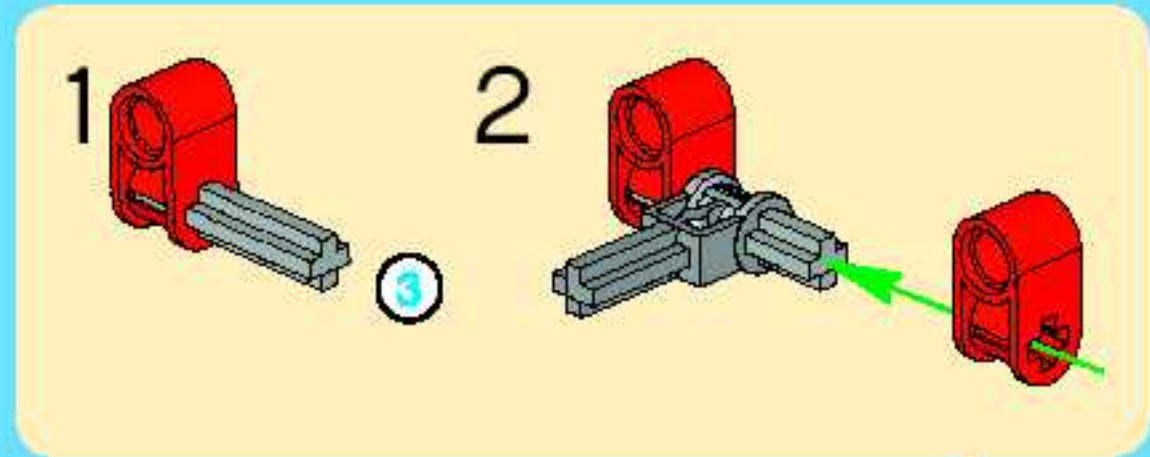


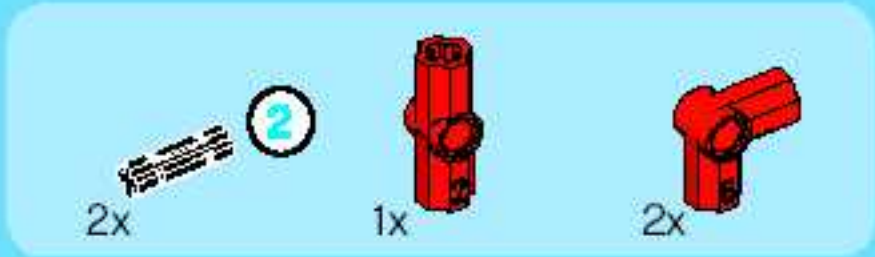


4

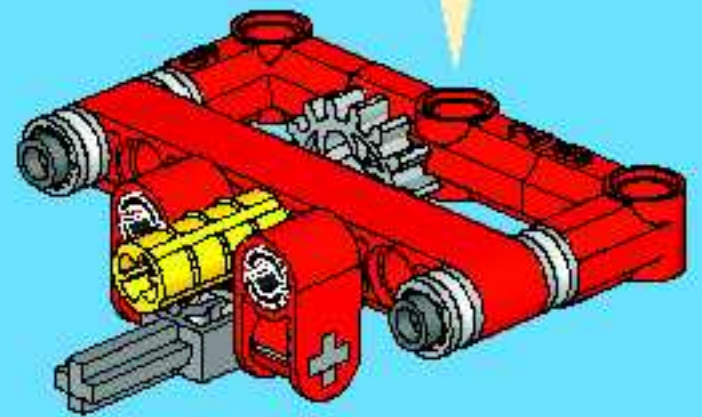
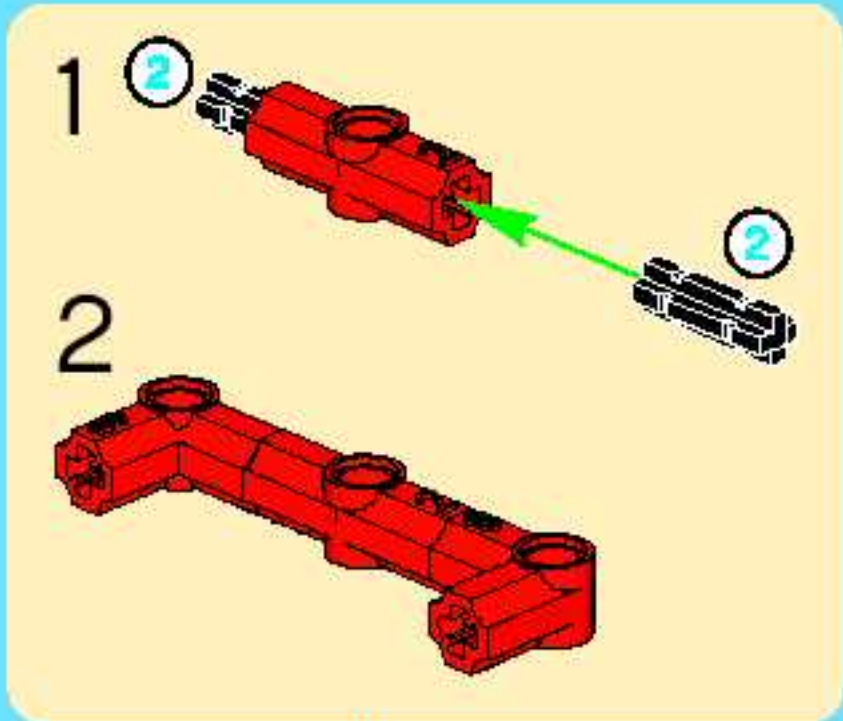


5

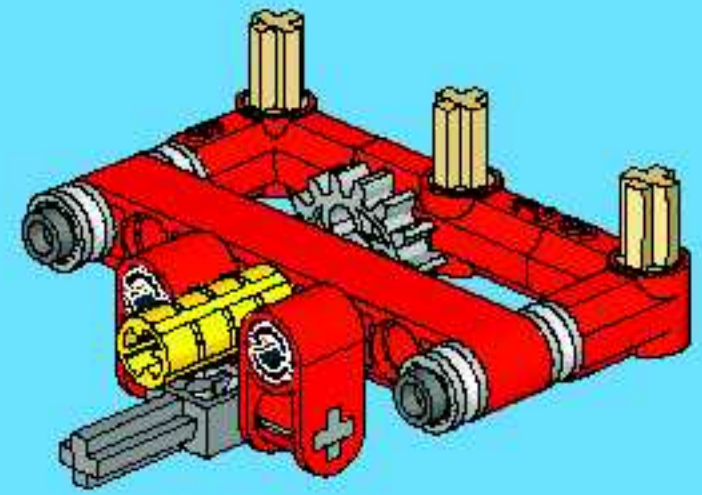




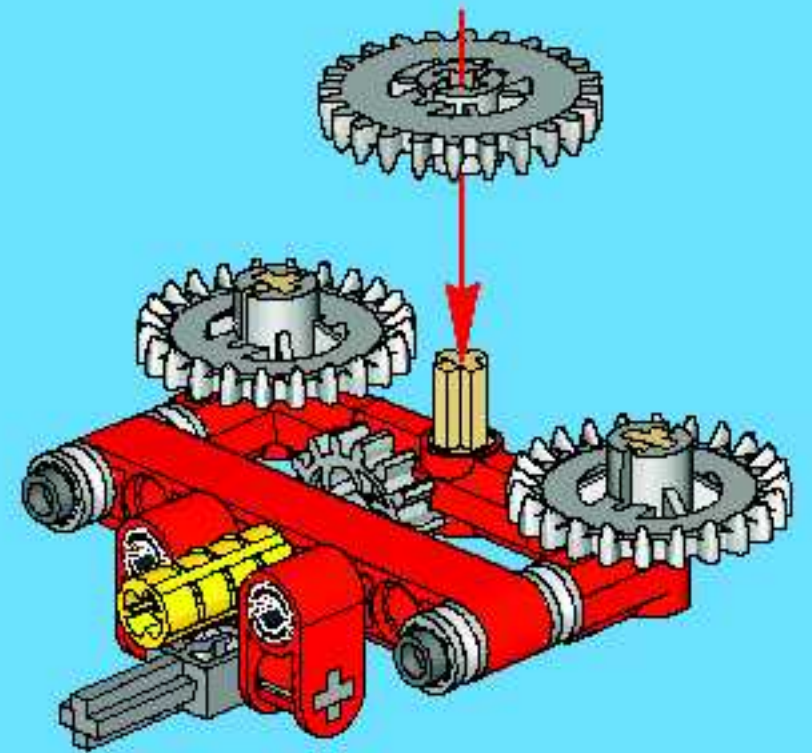
6



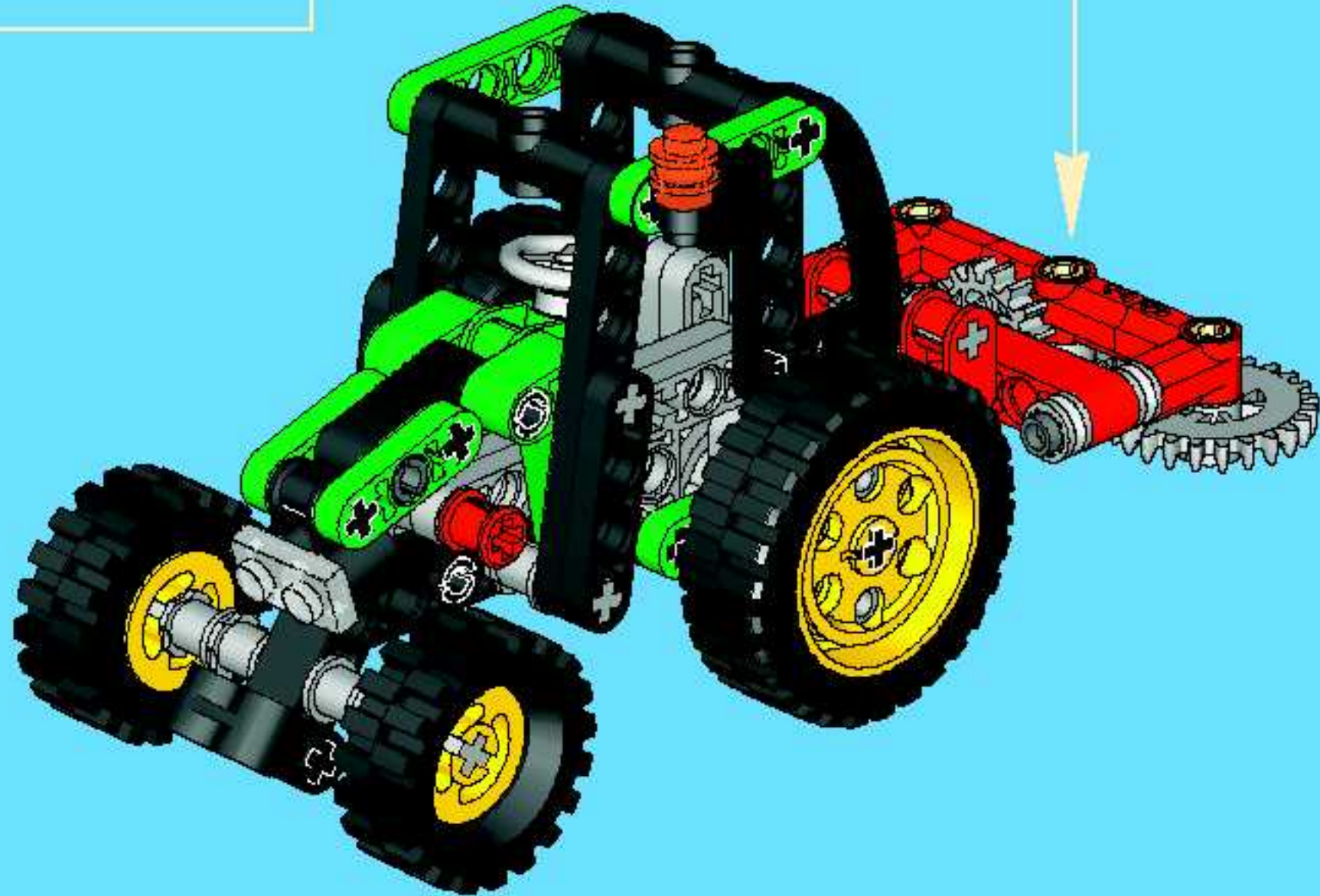
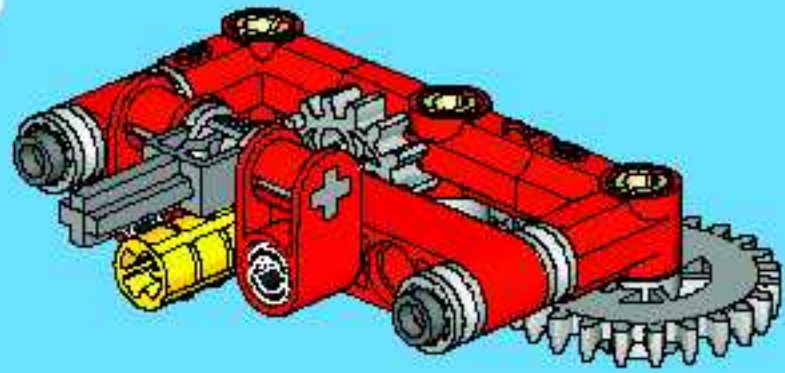
7



8



9





Technic



8283



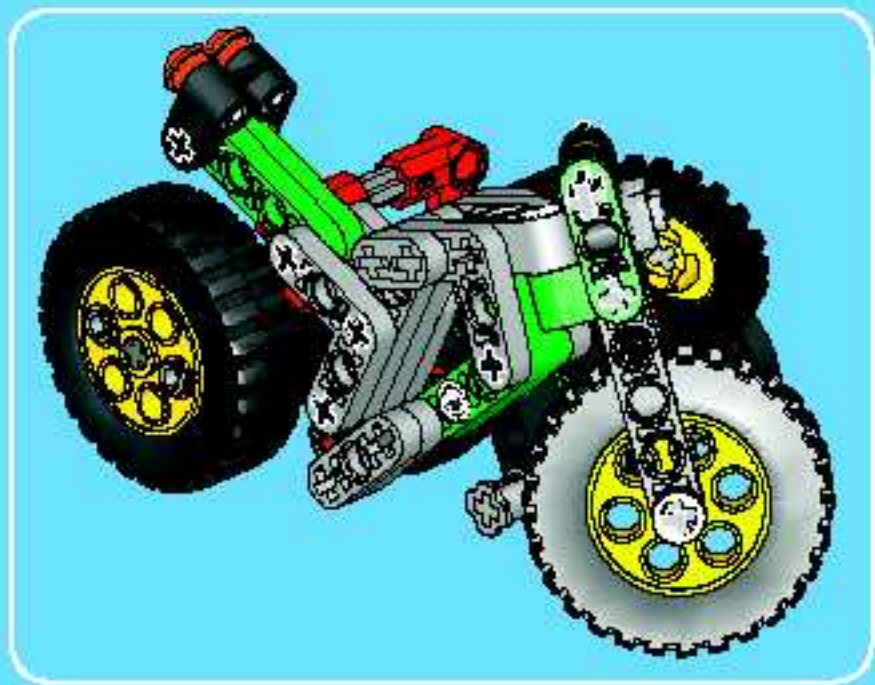
8282

LEGO

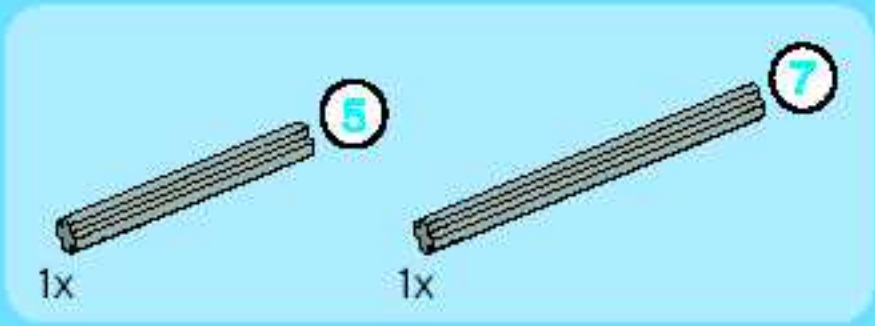
8281-2

TECHNIC

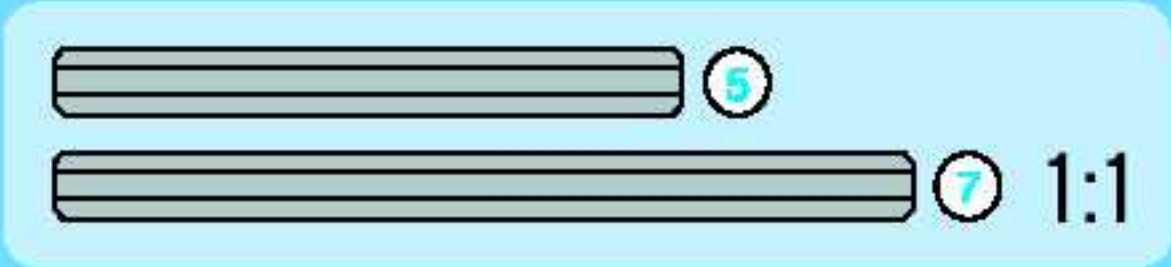
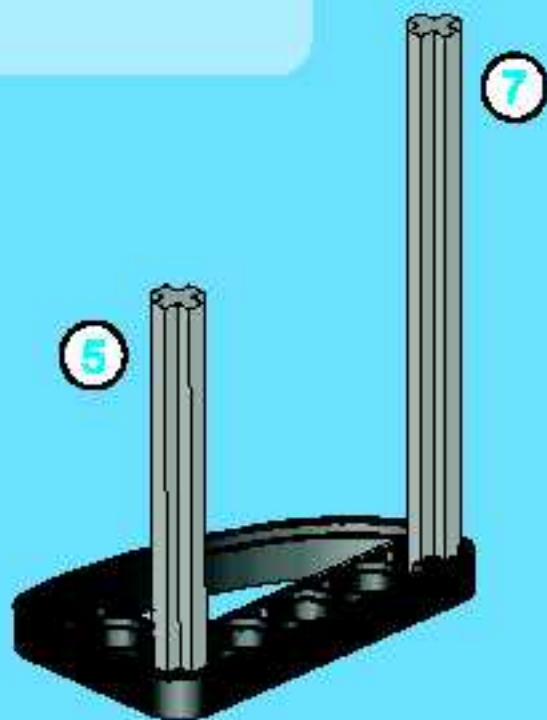




1



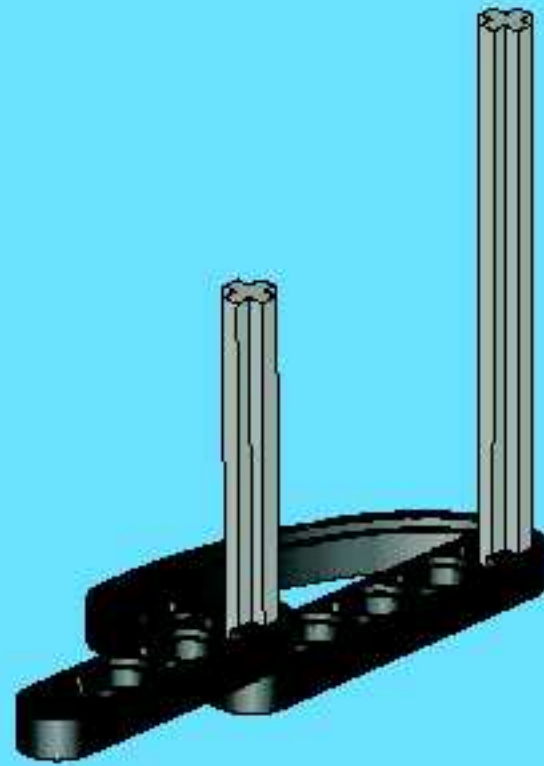
2



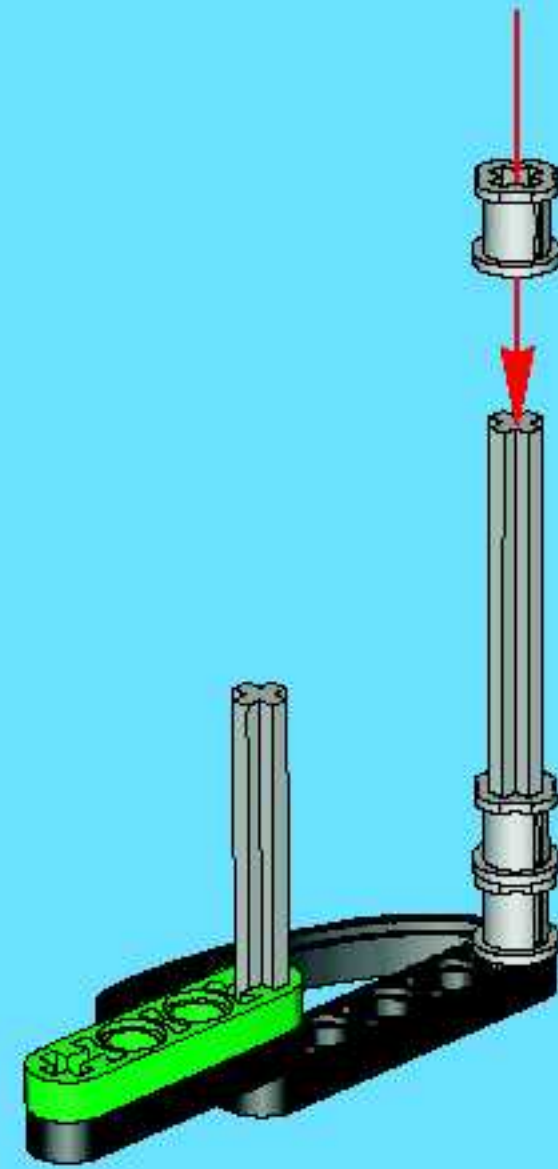
2



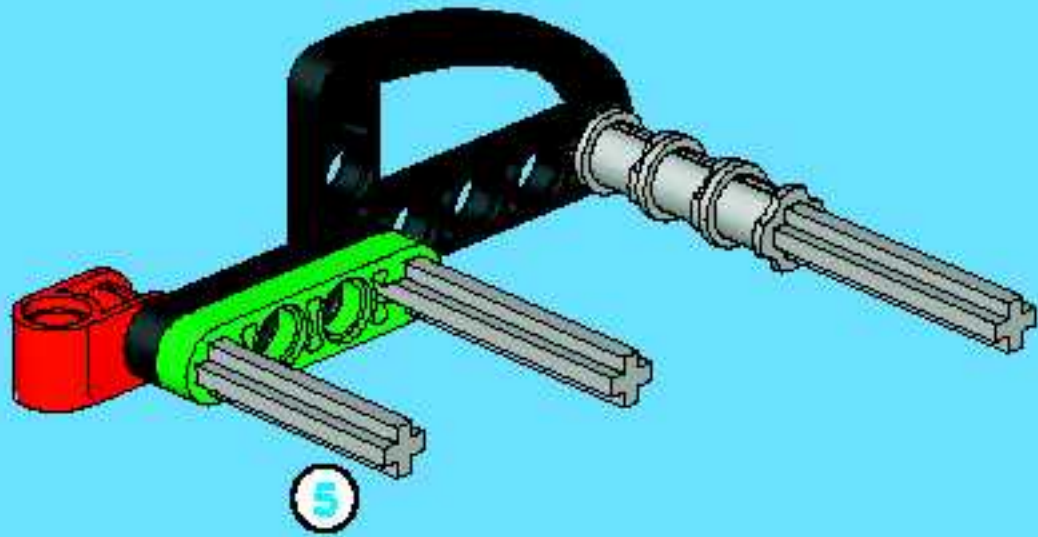
3



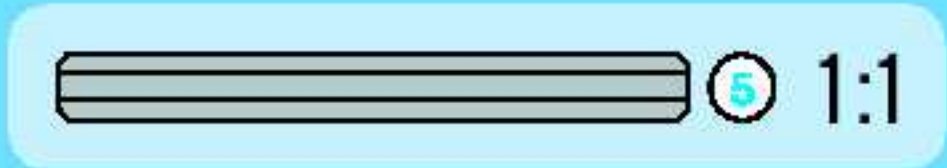
4



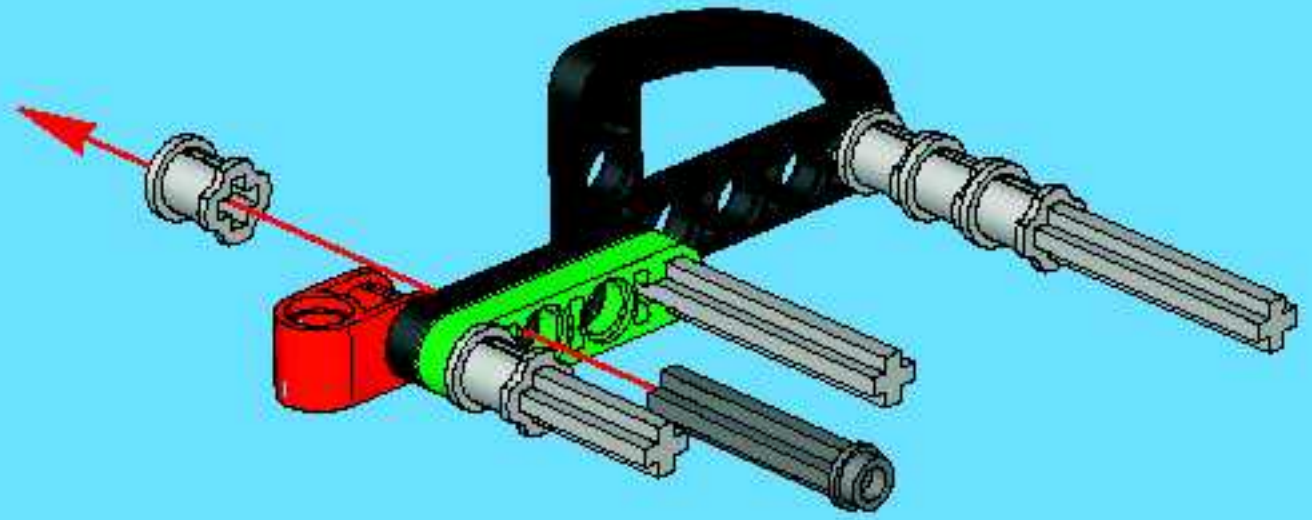
5

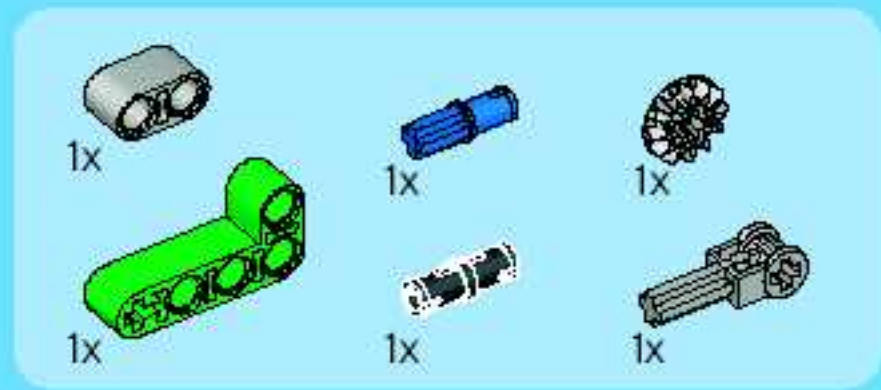


4

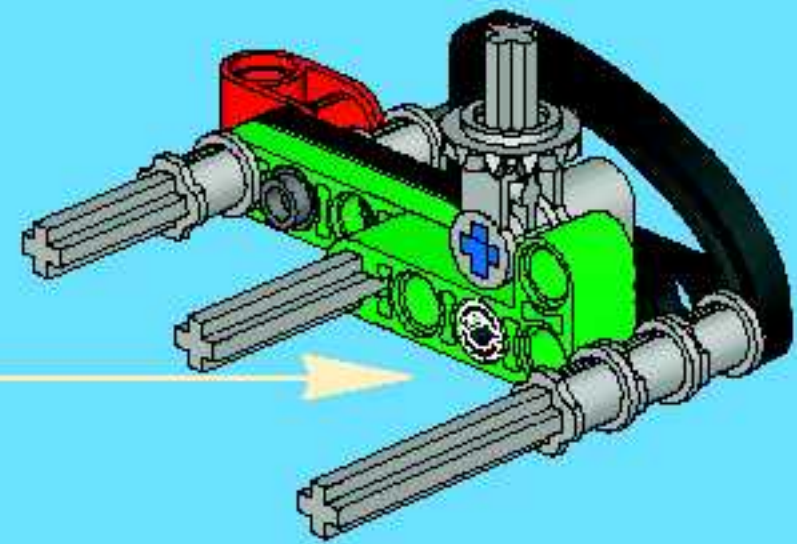
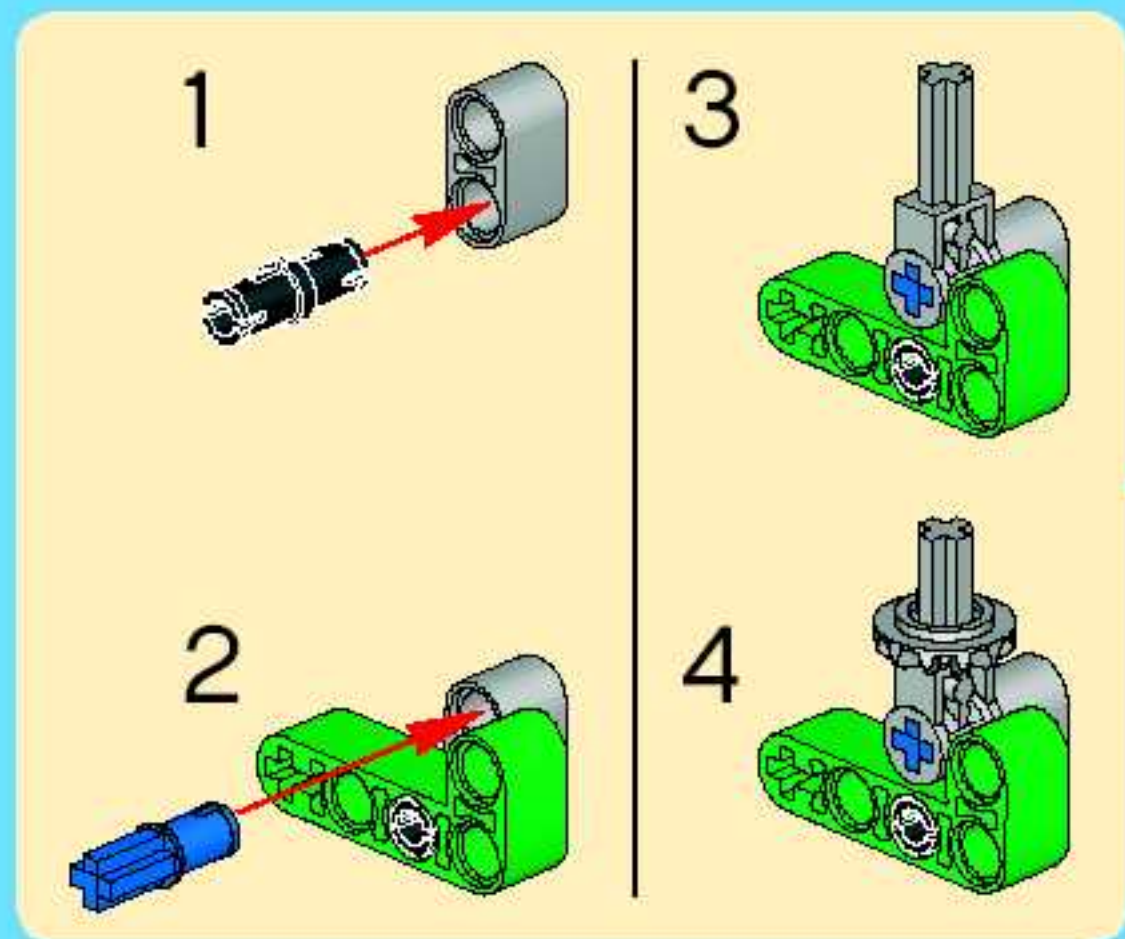


6



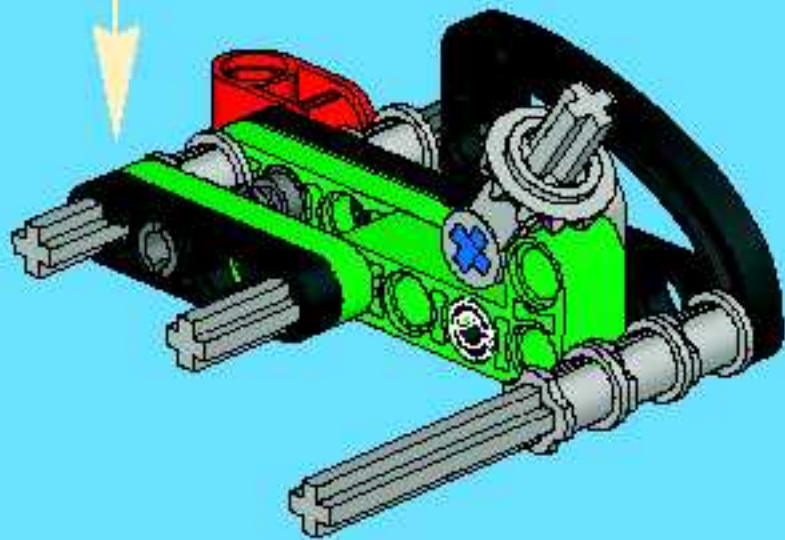
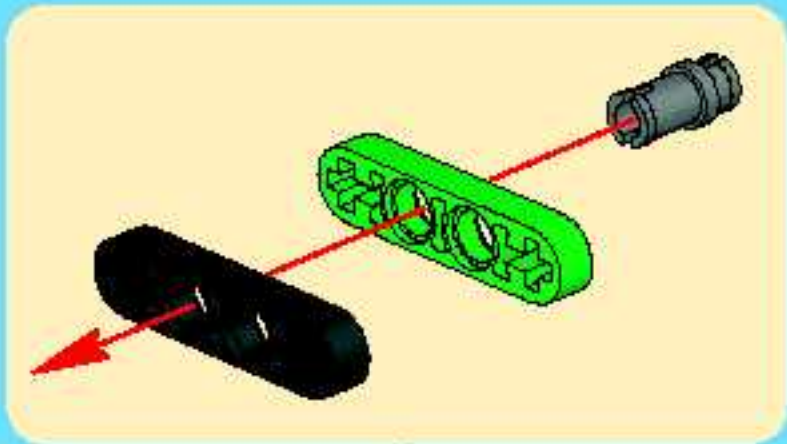


7

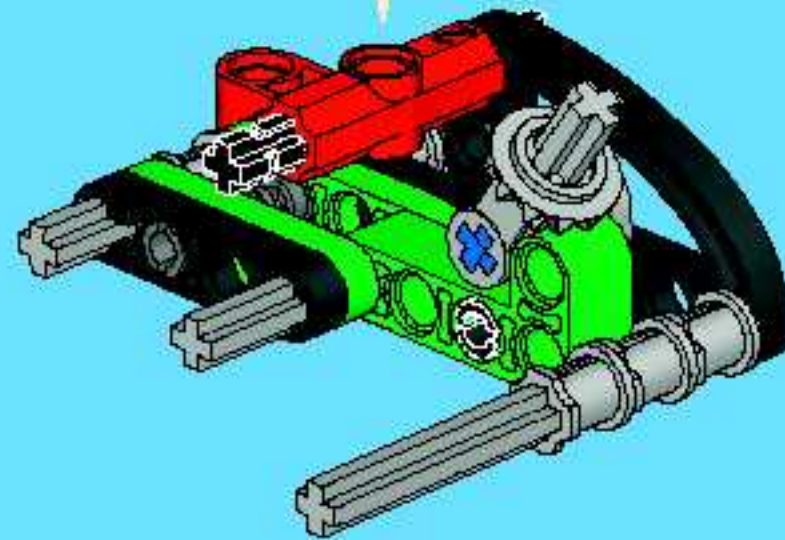
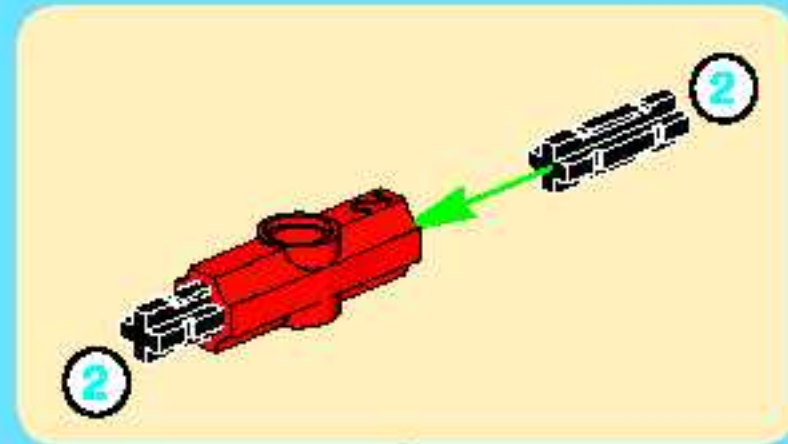




8



9



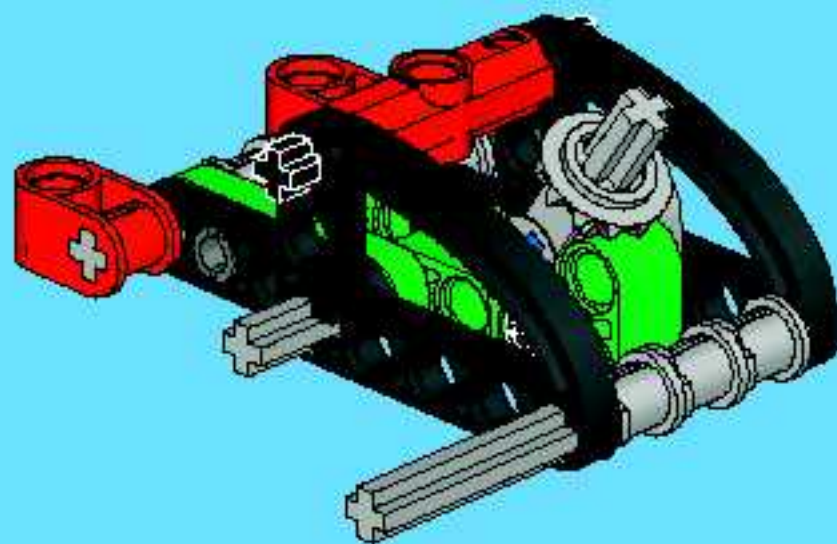


1x



1x

10



2x

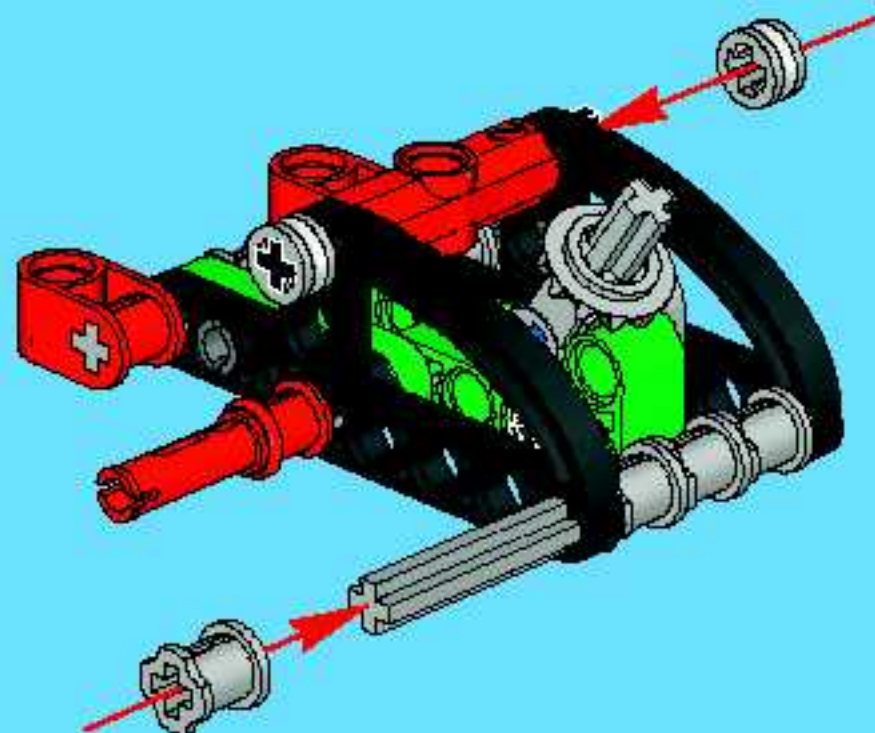


1x



1x

11

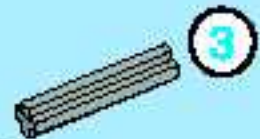




2x

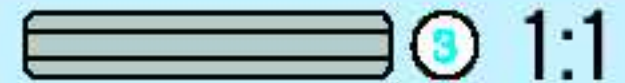
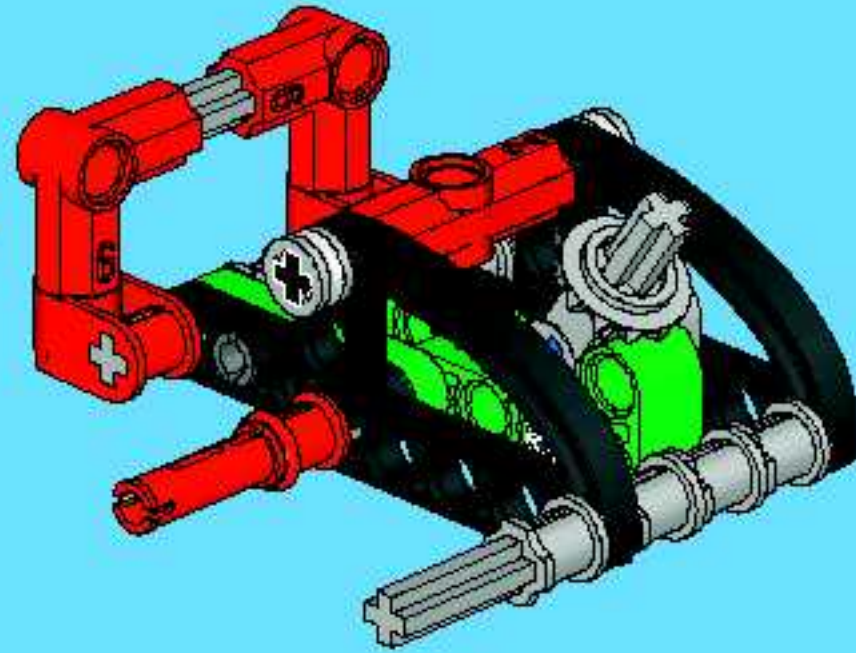
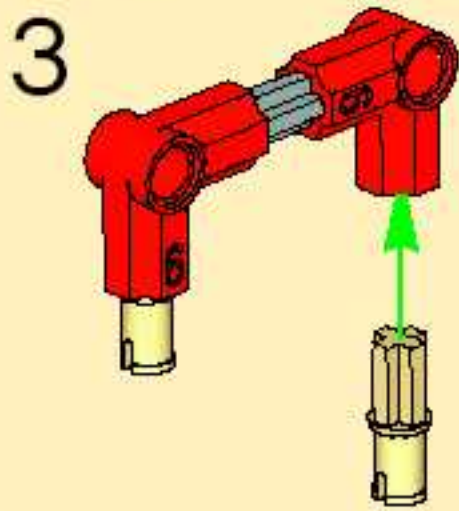
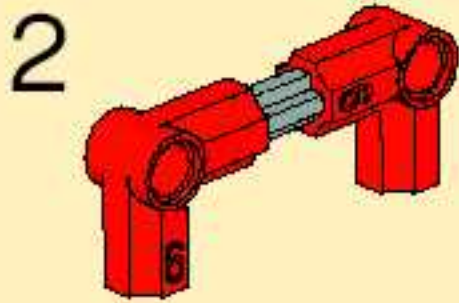


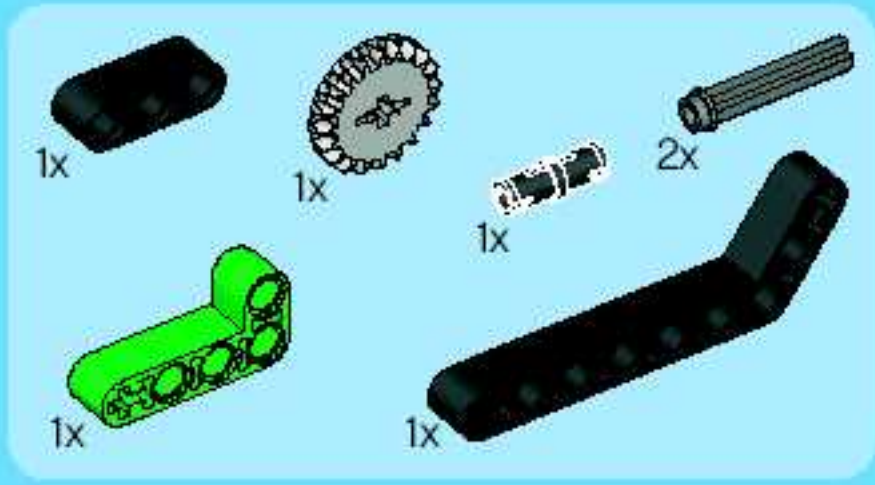
2x



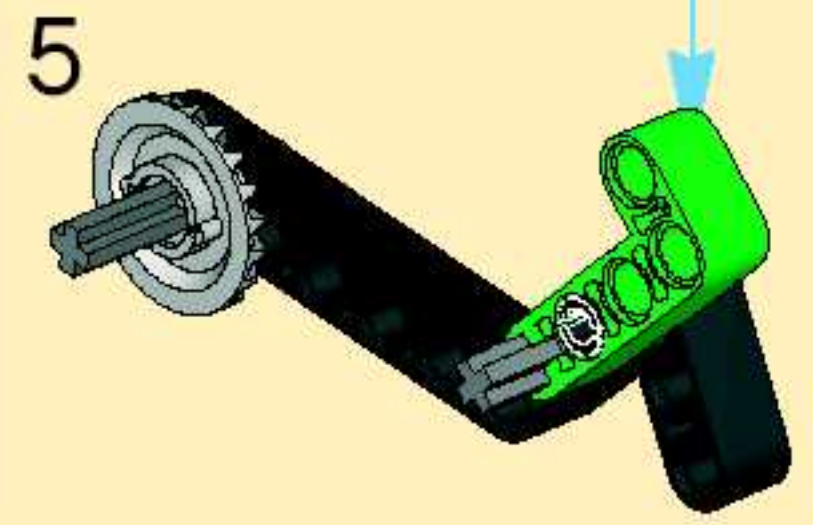
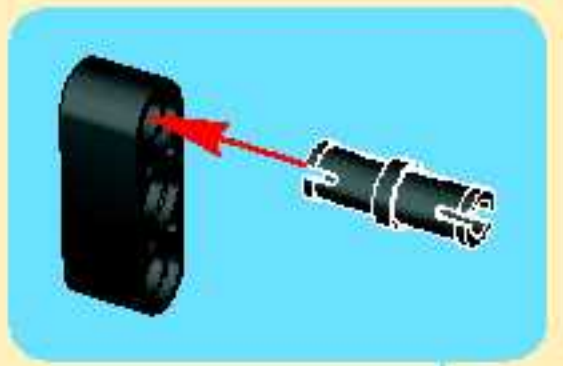
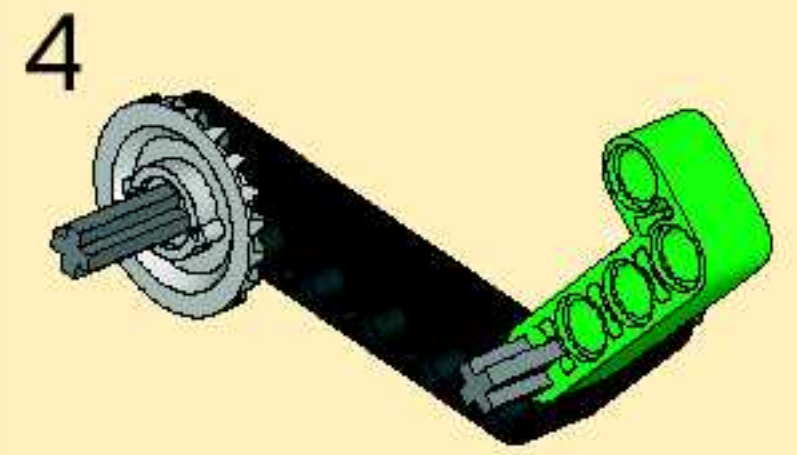
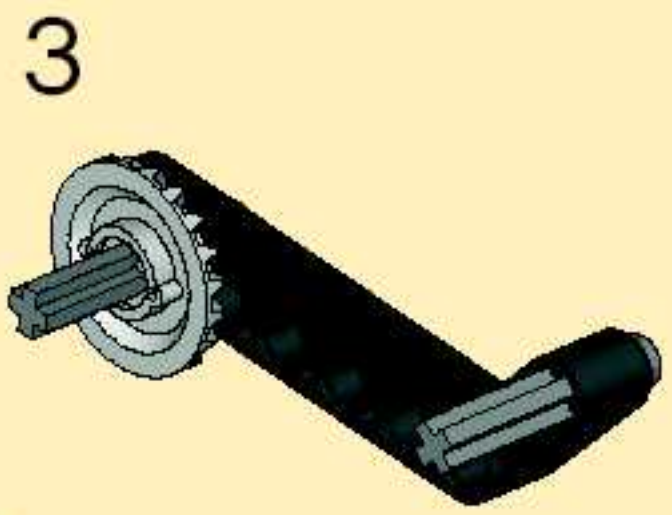
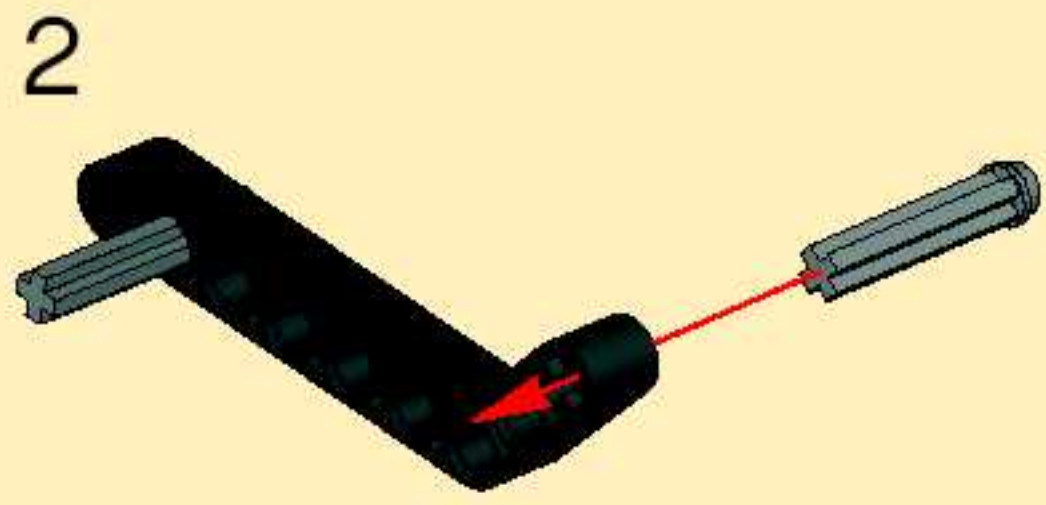
1x

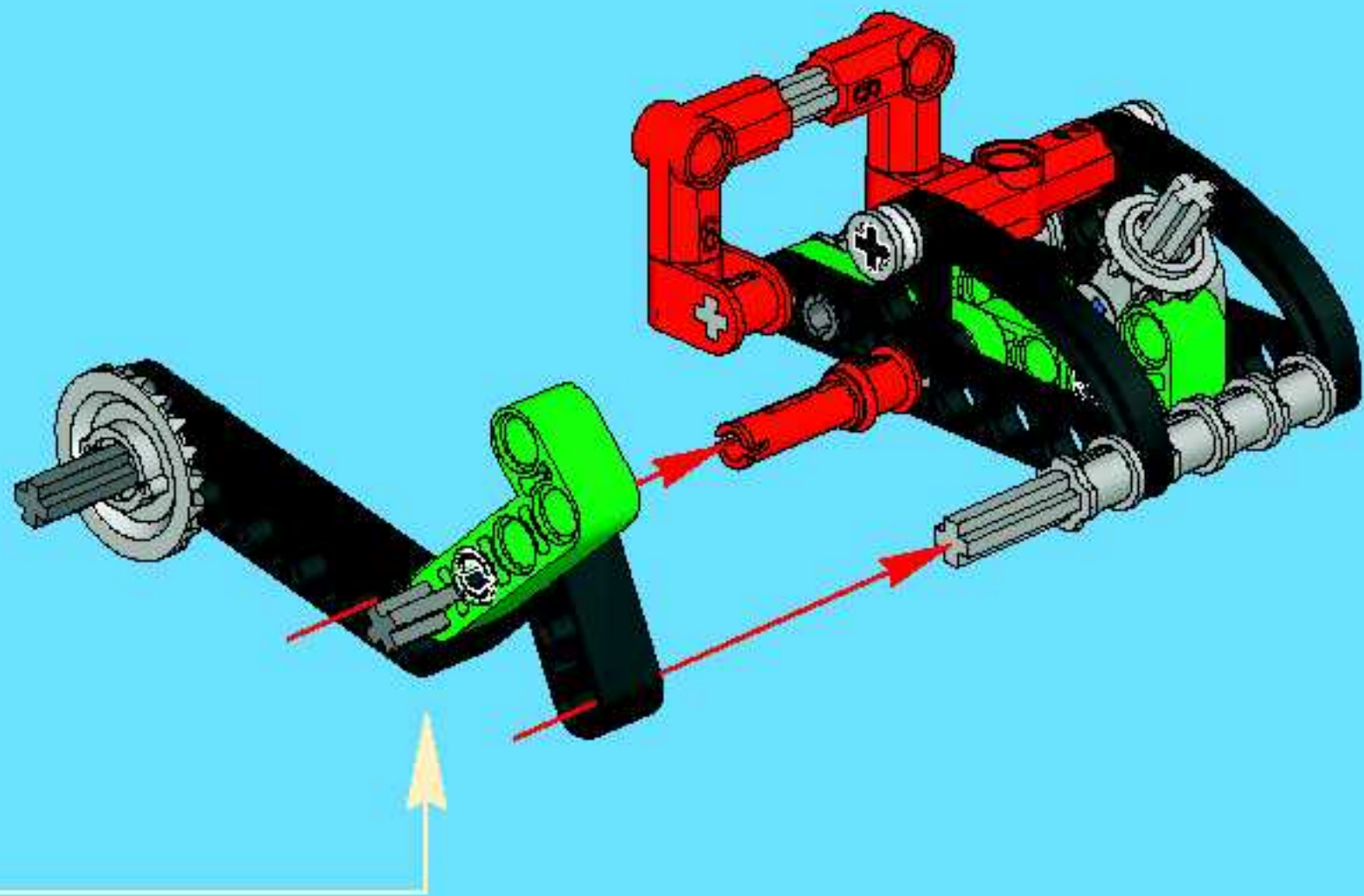
12



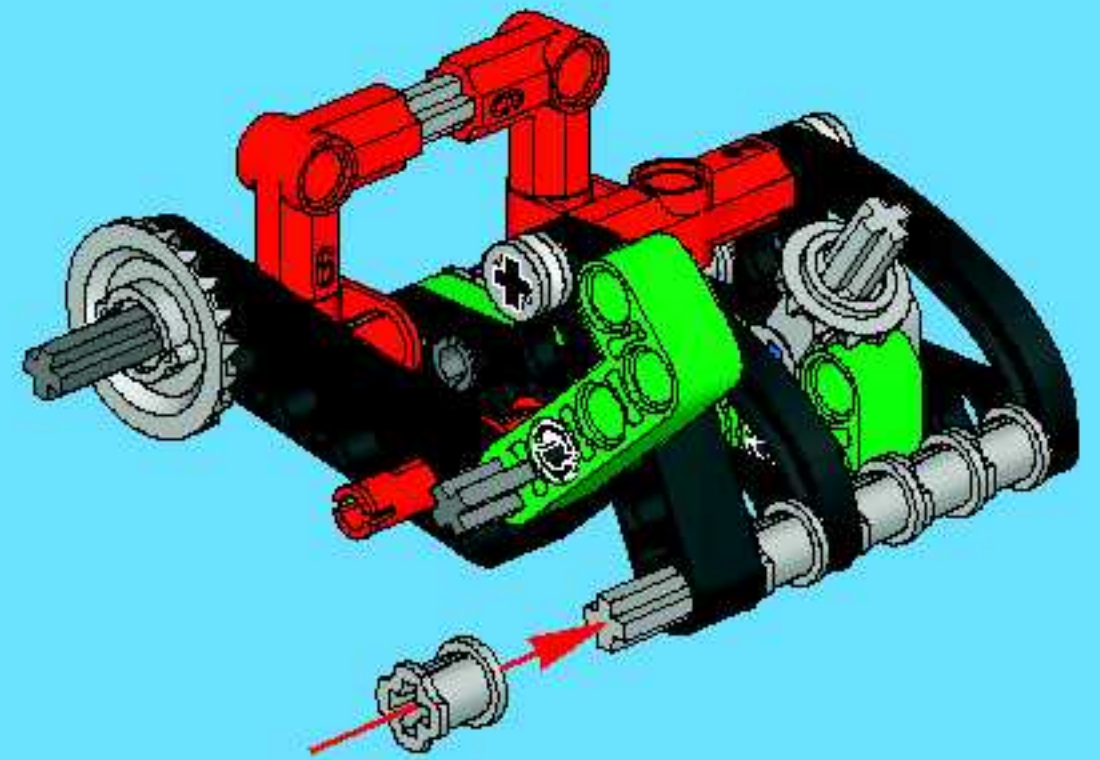


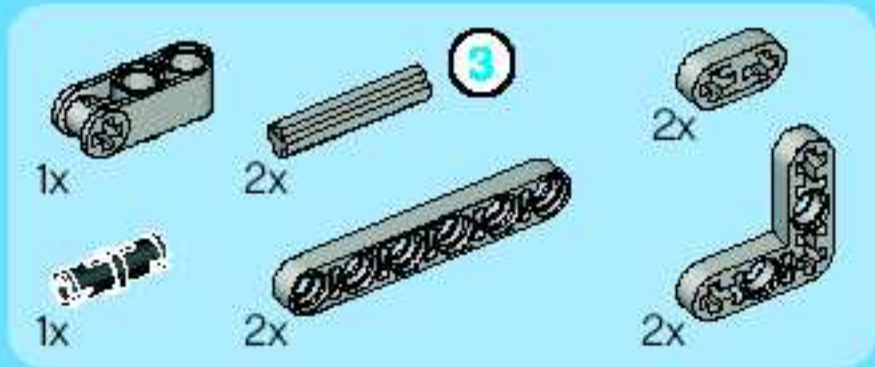
13



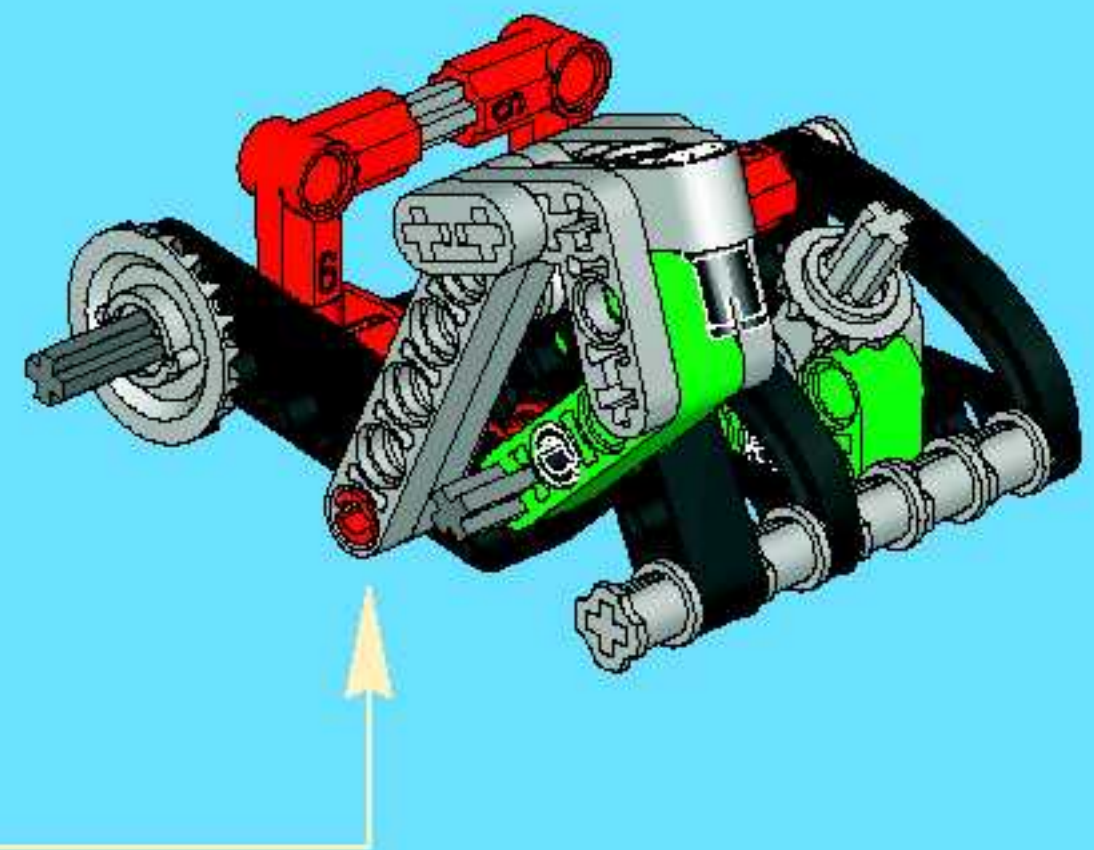
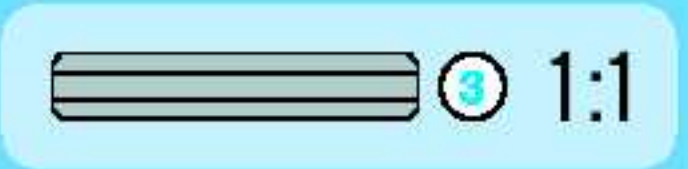
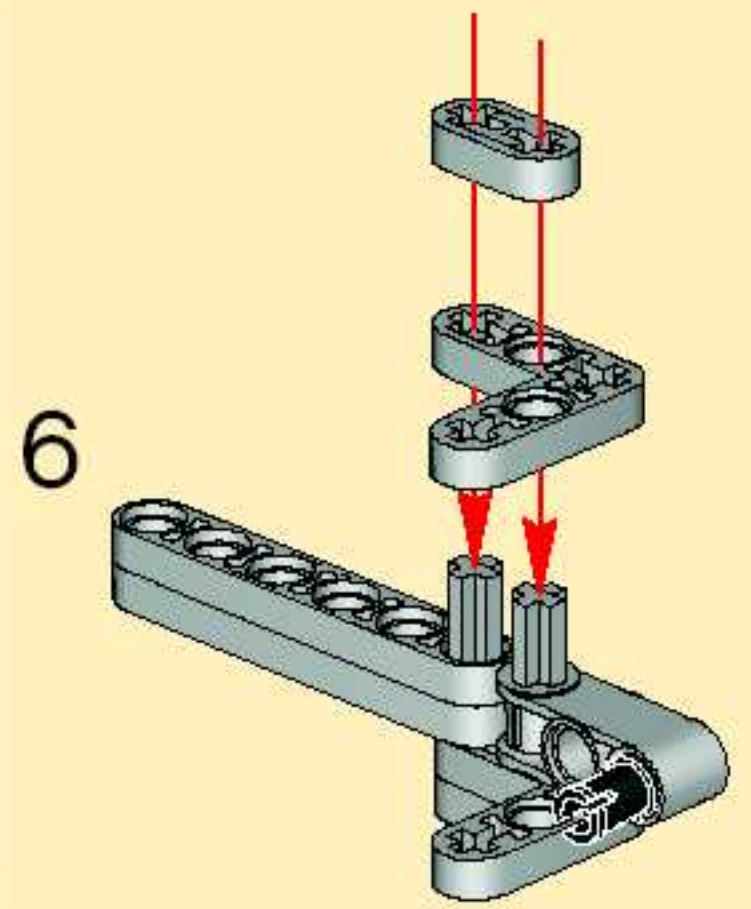
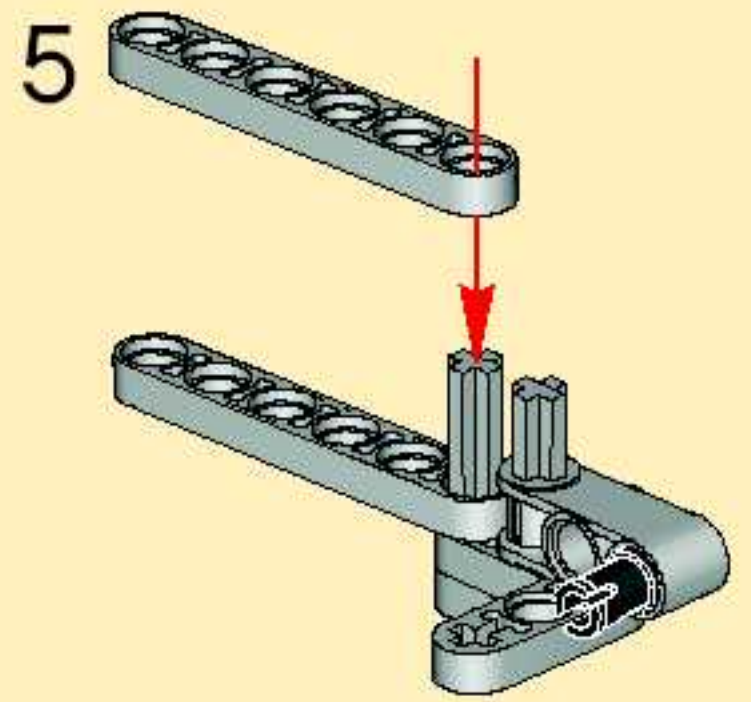
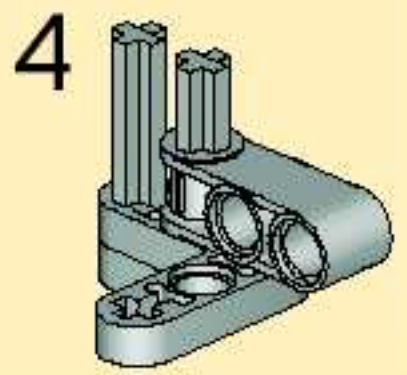
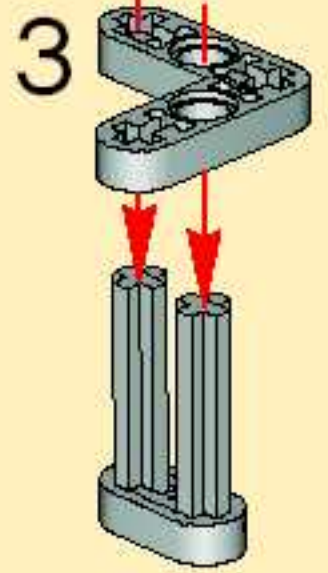


14



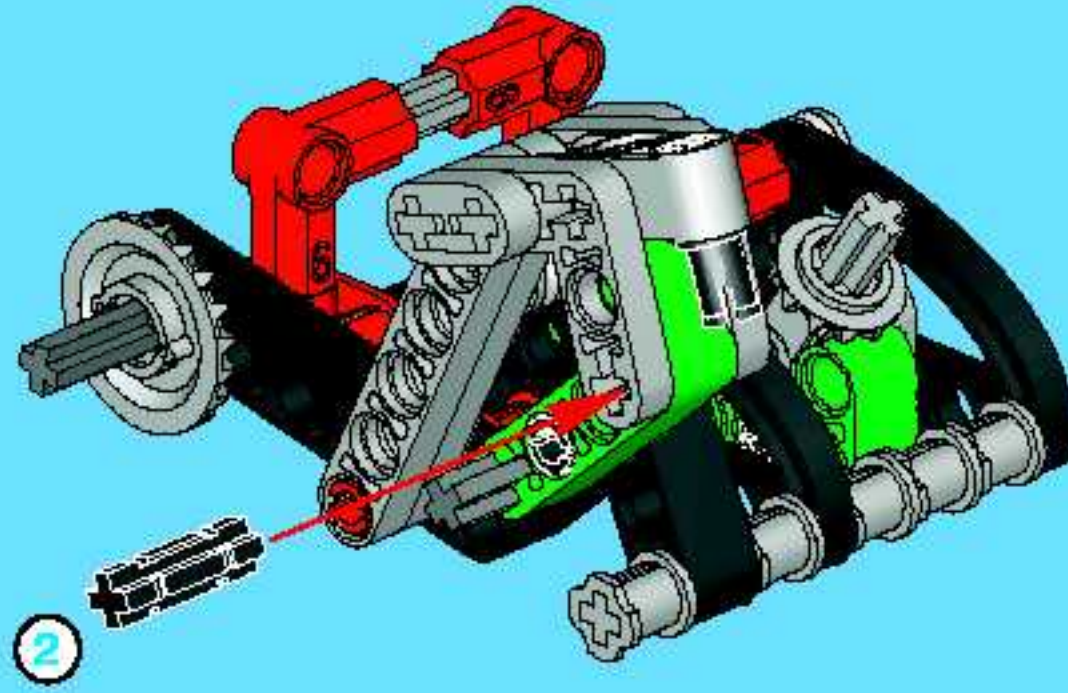


15

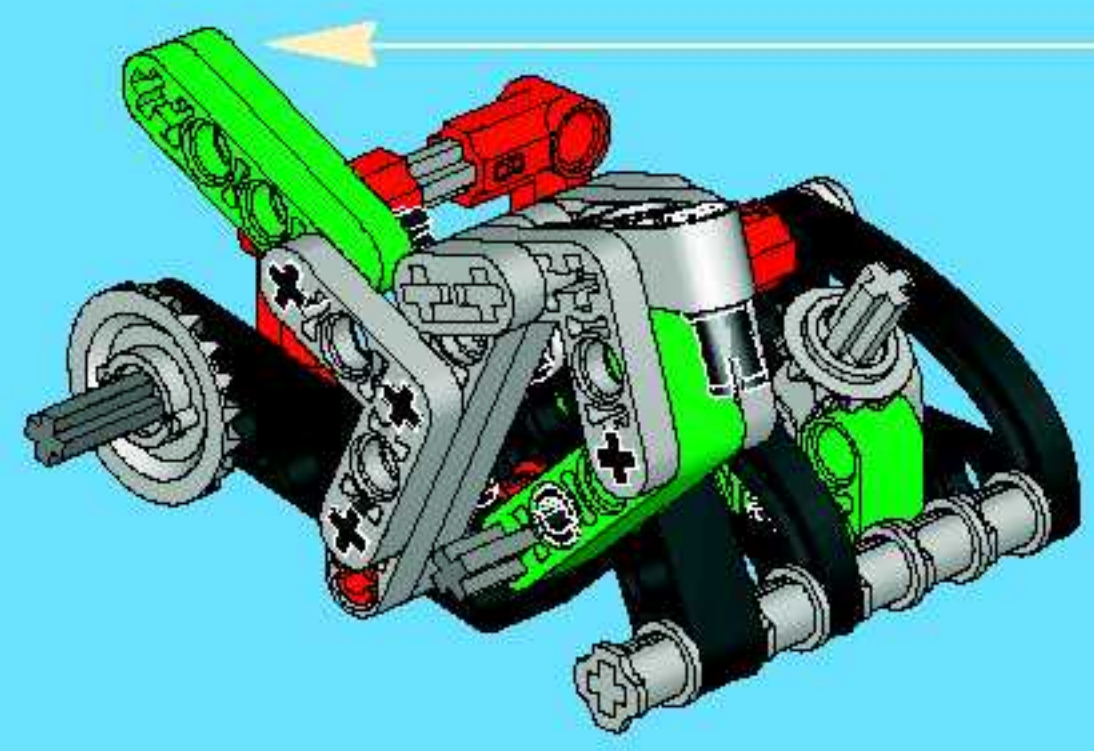
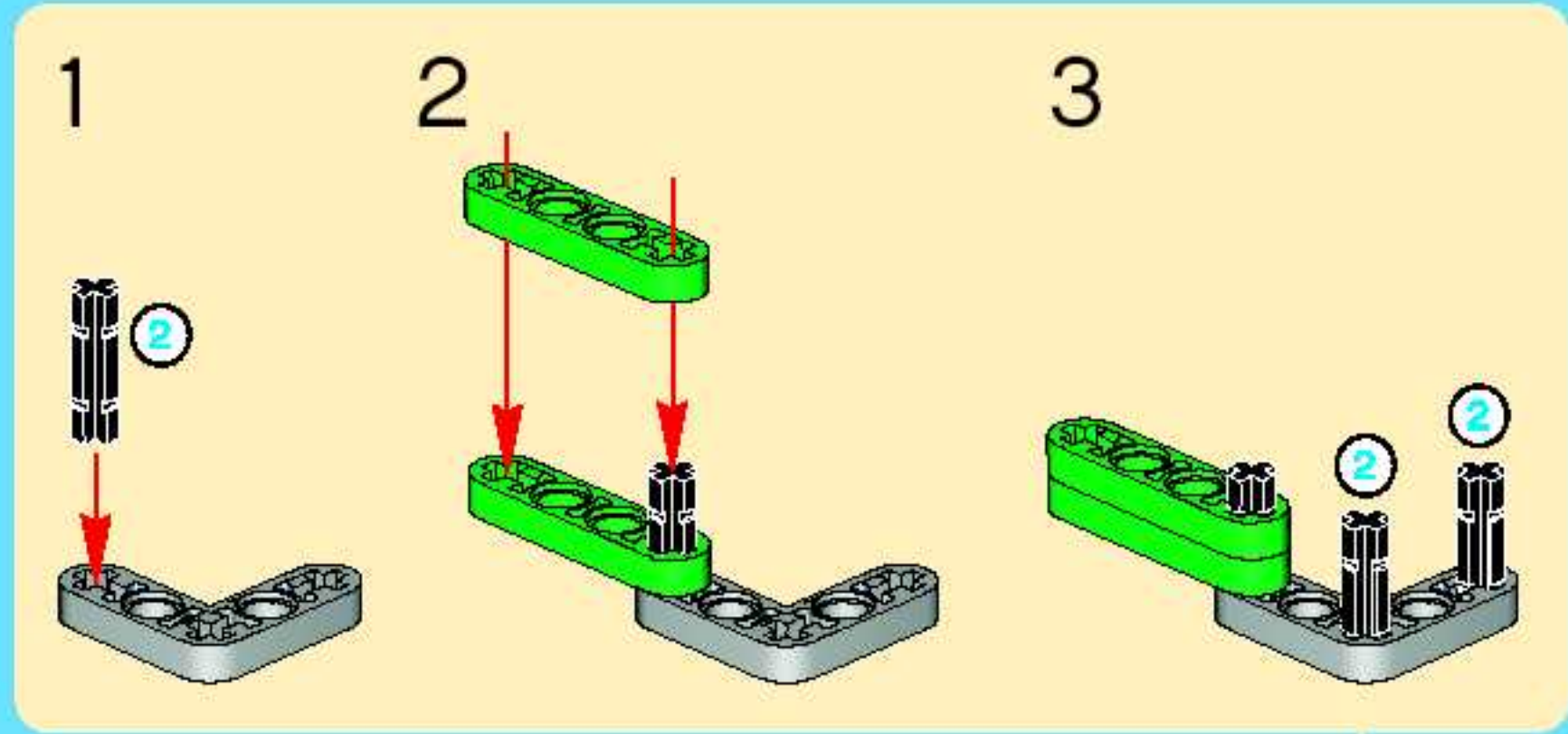
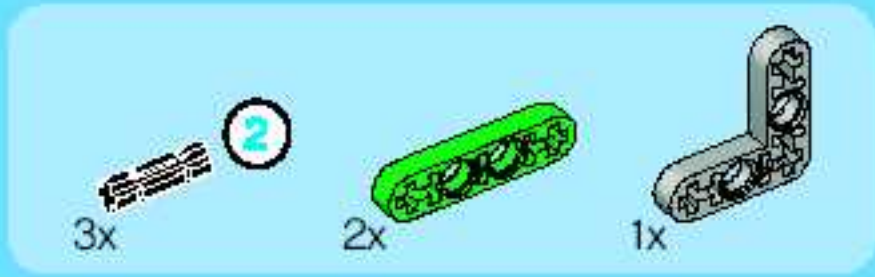


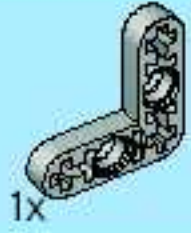


16



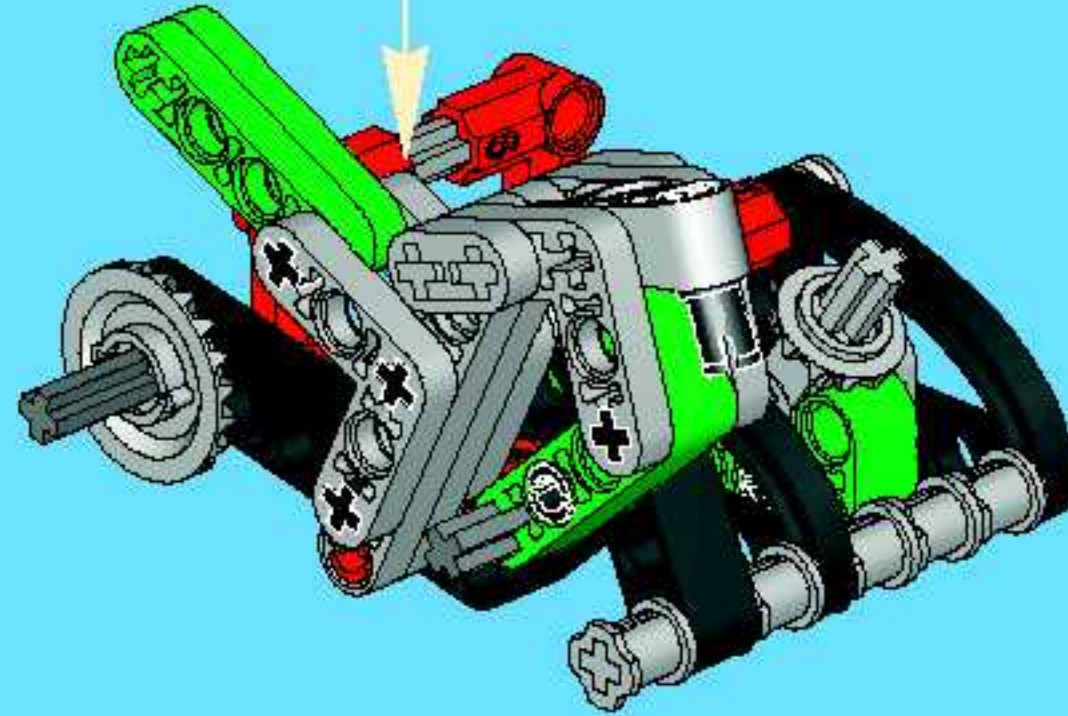
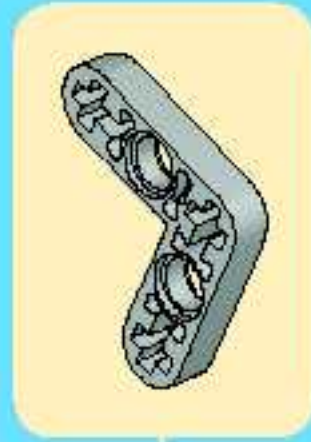
17



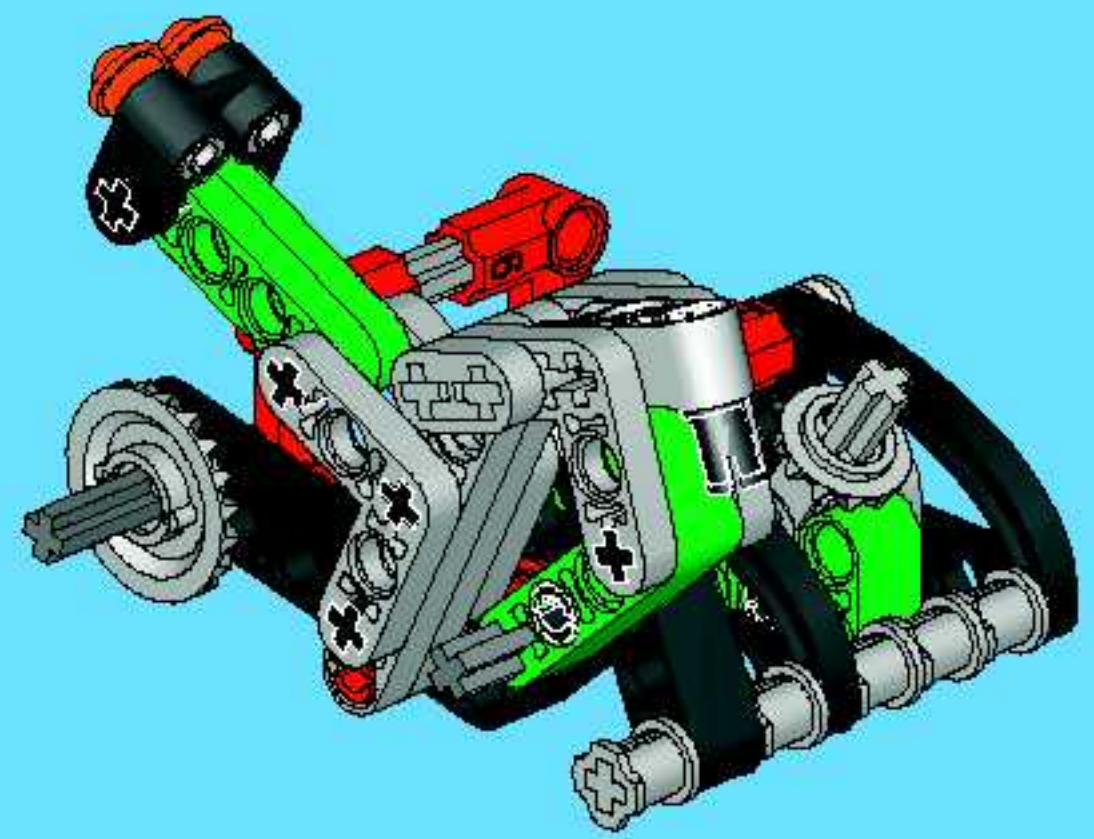
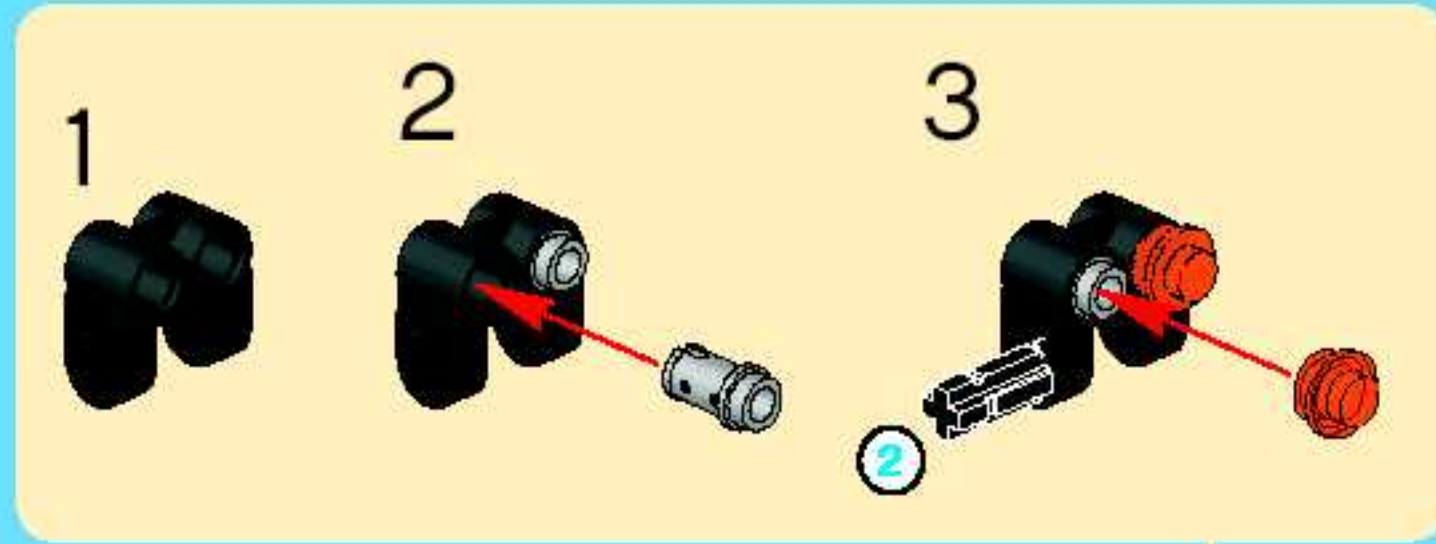


1x

18

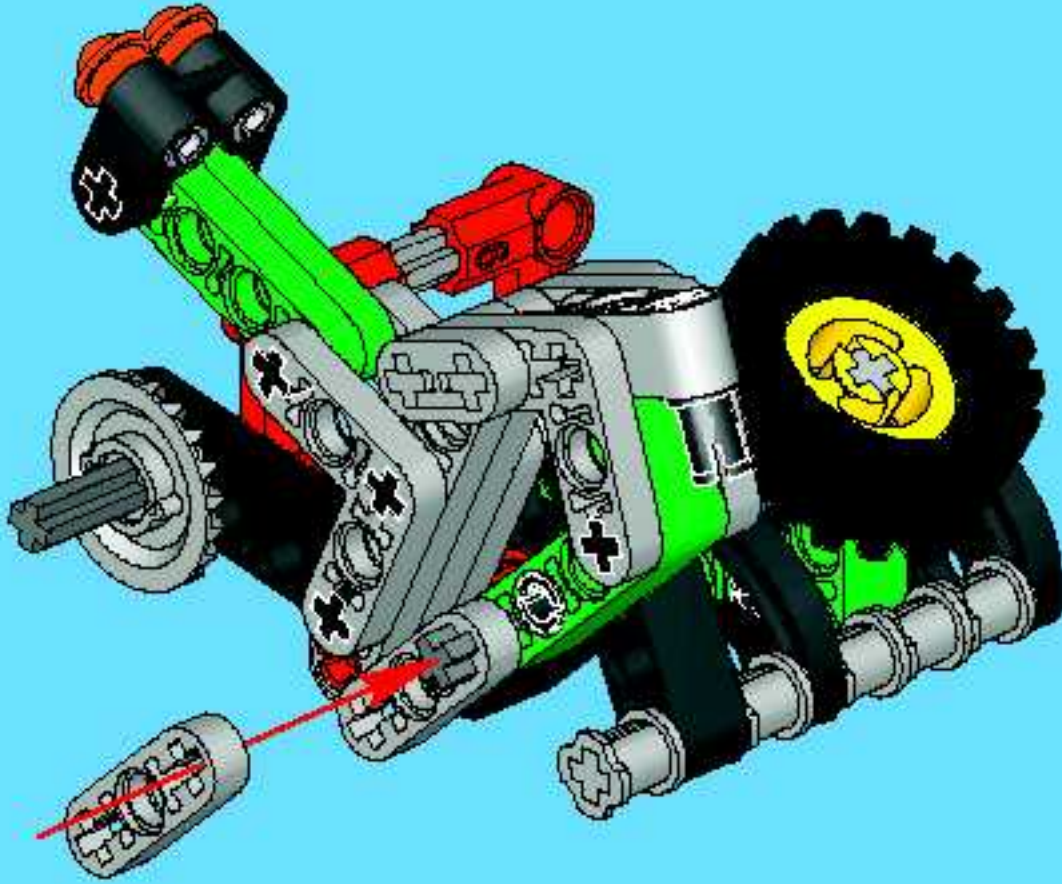


19



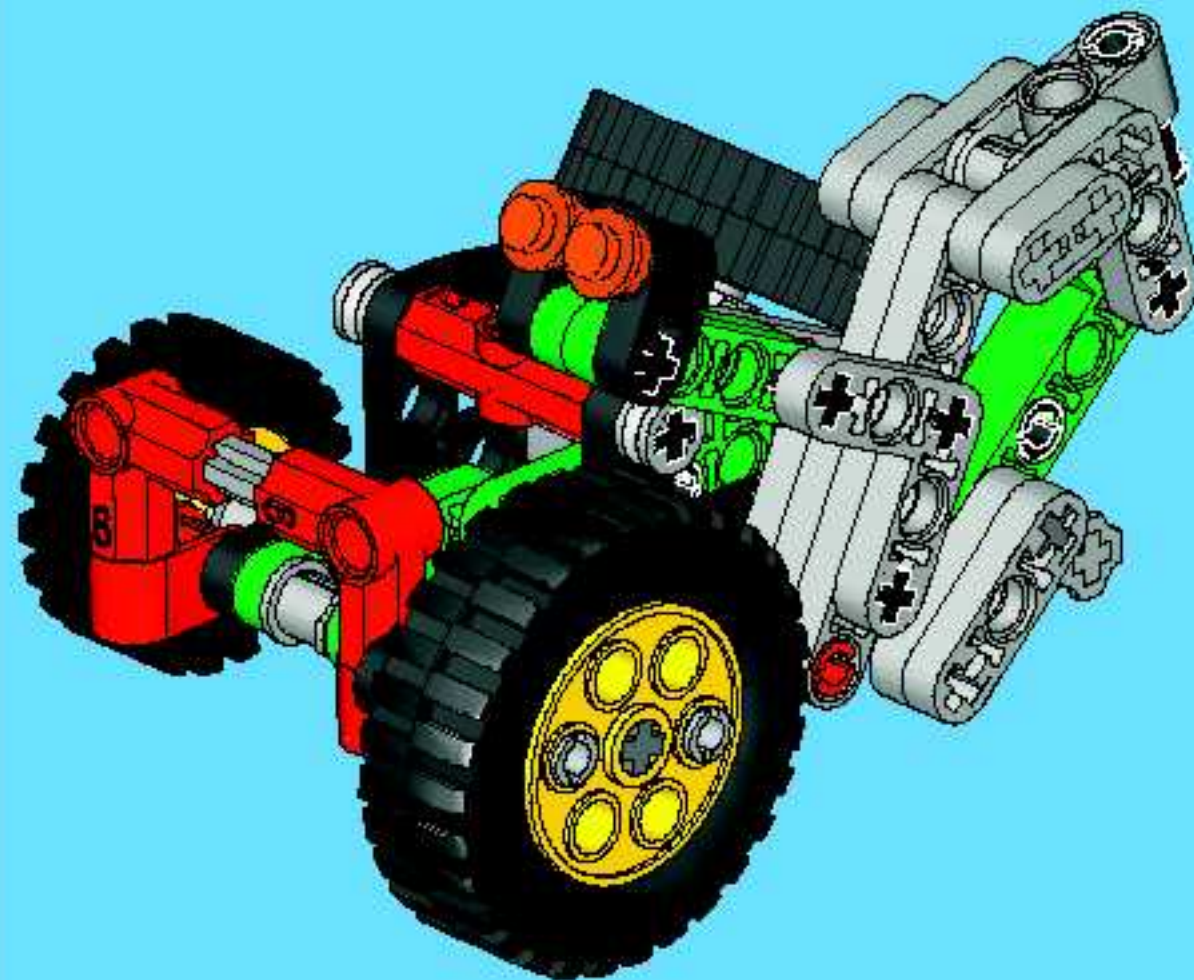
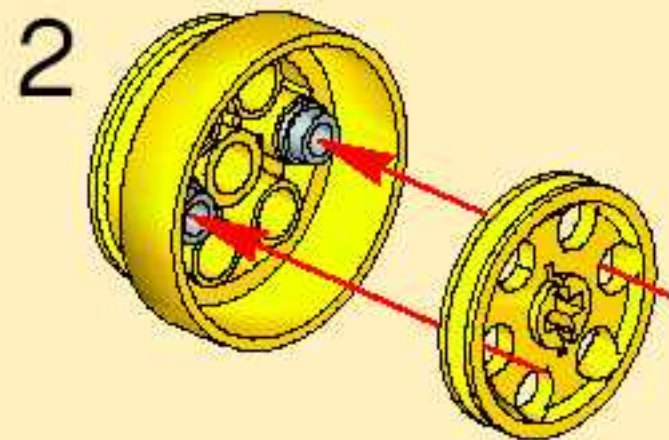
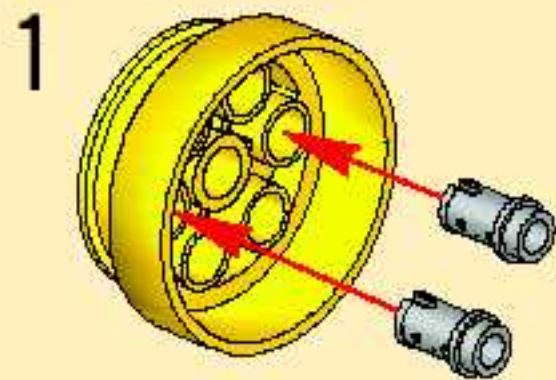


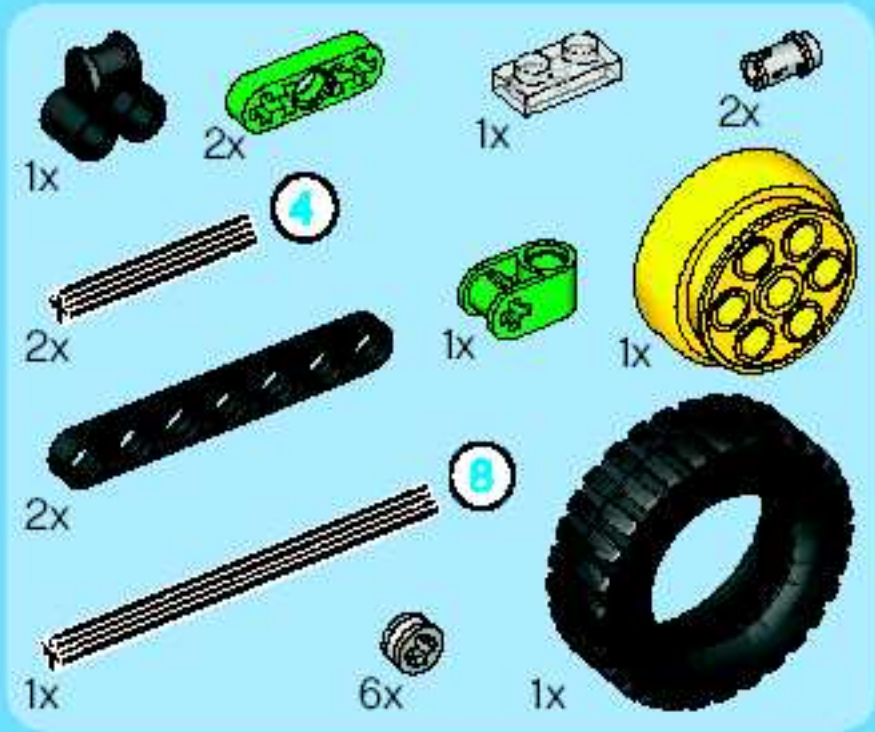
20



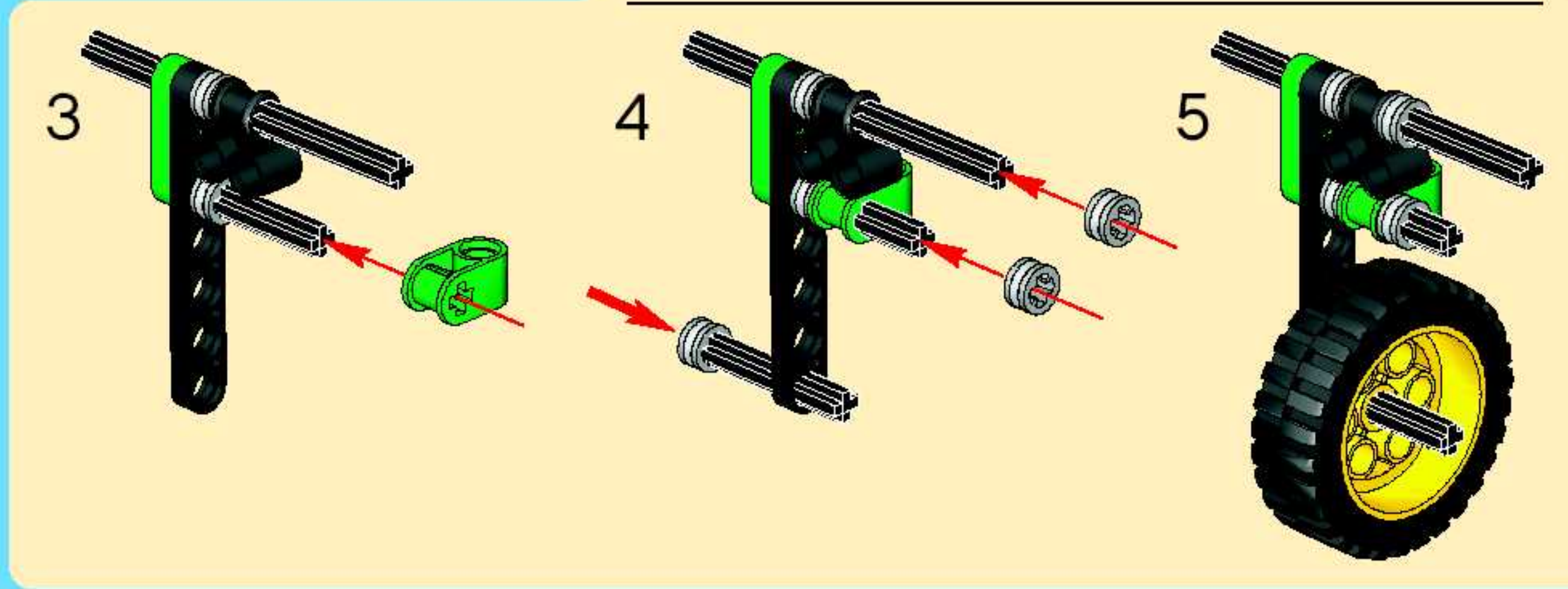
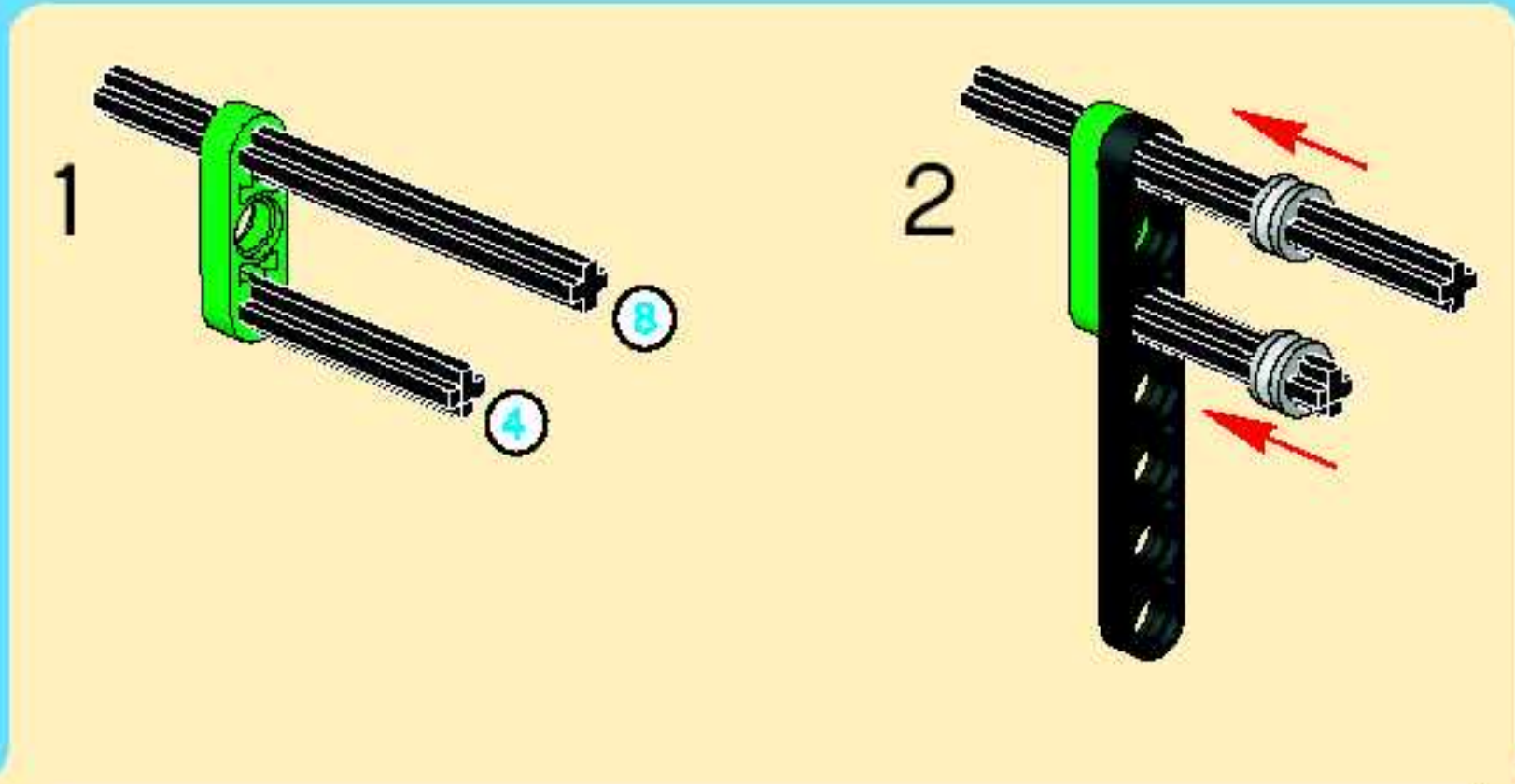


21

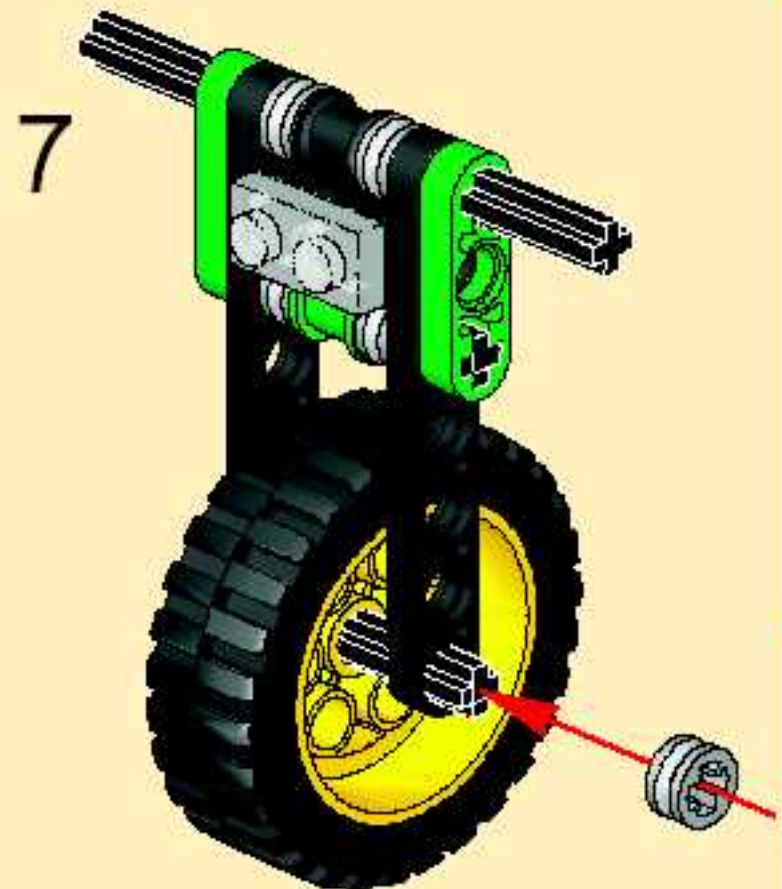
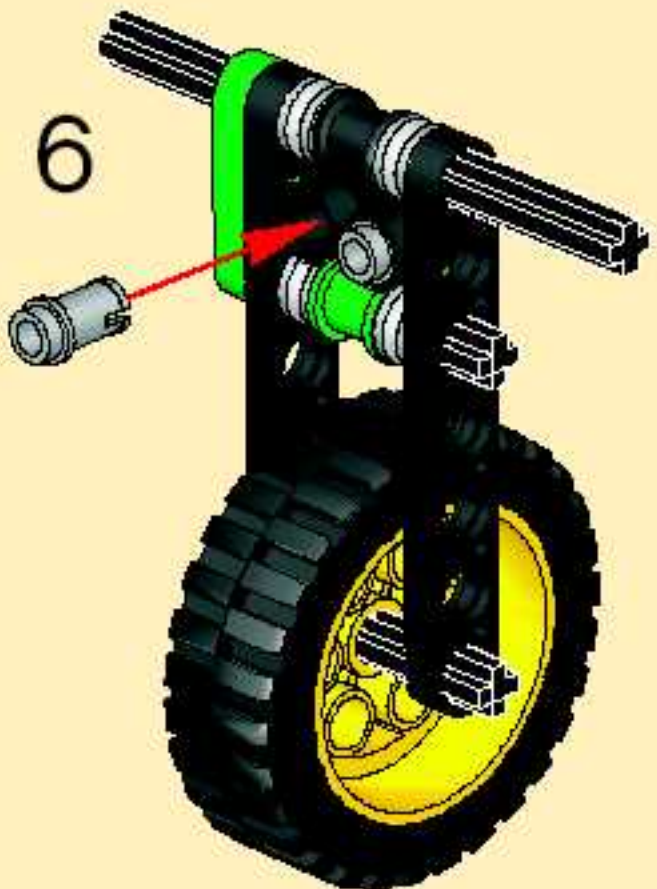
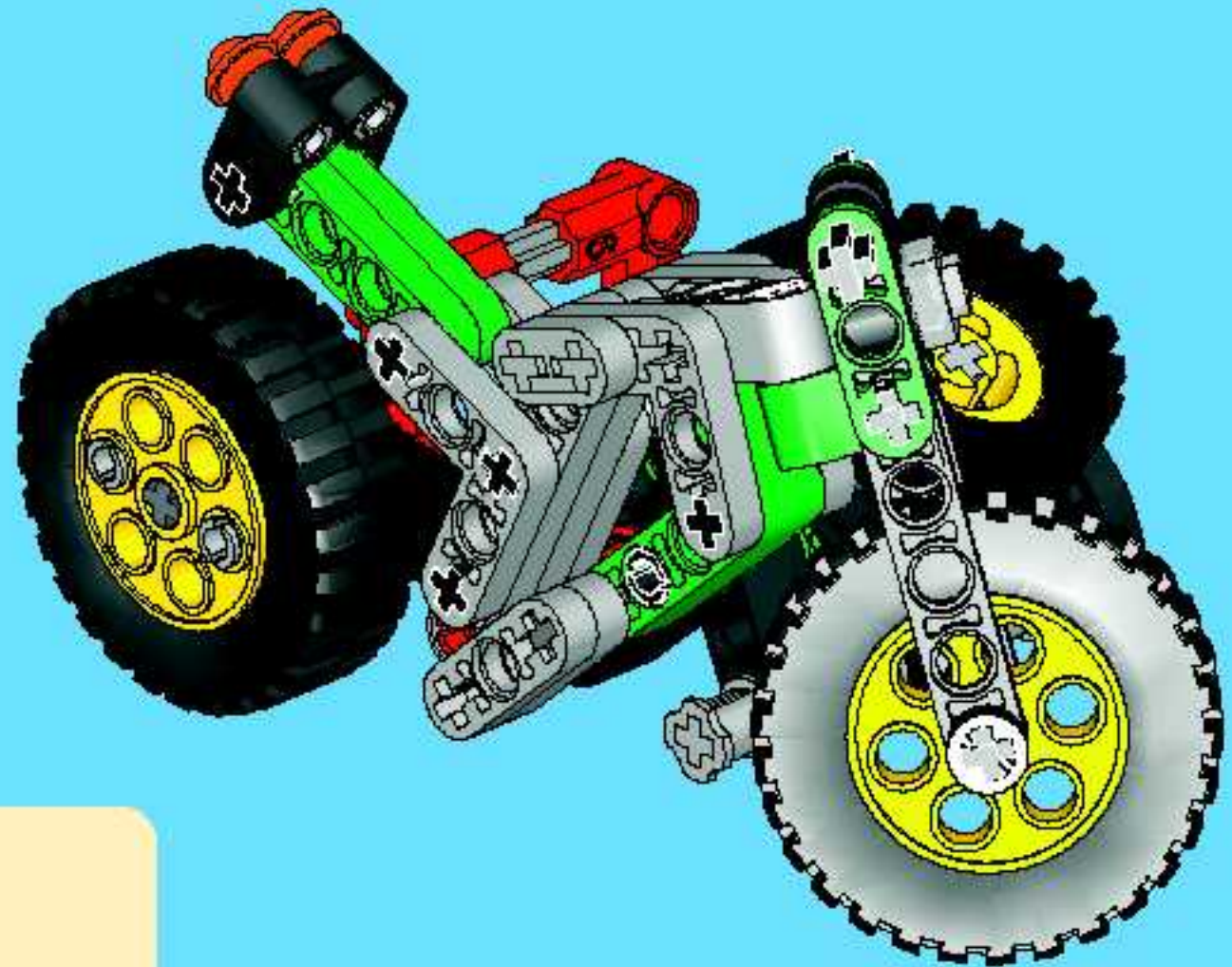




22



4
8 1:1





Discover the **LEGO® UNIVERSE!**

Entdecke das **LEGO® UNIVERSUM!**

Découvre **L'UNIVERS LEGO®!**



FREE LEGO Magazines

KOSTENLOSE LEGO Magazine

Des Magazines LEGO GRATUITS !



BIC26 BIC26 BI06U BI06U BI06F BI06C BI06C BI06C

Sign up now! Jetzt anmelden! Abonne-toi maintenant !

<http://club.LEGO.com/signup>



SHOP at HOME



www.LEGOshop.com/catalog

Win! Gagne! 当たります Gewinne!

Win LEGO products

We would like to know what you think about your new LEGO product. Log on to the web address below for further instructions.

Gagne des produits LEGO

Nous aimerions savoir ce que tu penses de ton nouveau produit LEGO. Tu obtiendras davantage d'informations en visitant le site Internet indique ci-dessous.

Gewinne LEGO produkte

Wir sind sehr an deiner Meinung über dein neues LEGO Produkt interessiert. Gehe einfach zu der unten angegebenen Webadresse – dort findest du weitere Informationen.

Estimado usuario LEGO

Al contestar algunas preguntas en inglés, francés, alemán o japonés, en el sitio www.acnielsen.aim.dk/lego, podrás participar en el sorteo de algunos valiosos premios LEGO.

Caro Consumidor da LEGO

Ao responder a algumas perguntas em Inglês, Francês, Alemão ou Japonês no endereço www.acnielsen.aim.dk/lego irá participar num concurso para ganhar valiosos prêmios da LEGO.

Kedves ifjú LEGO Vásárló

Ha ellátogatsz a www.acnielsen.aim.dk/lego honlapra és ott angol, francia, német vagy japán nyelven megválaszolsz néhány kérdést, akkor részt veszel egy versenyben, amelyben értékes LEGO díjakat nyerhetsz.

抽選でレゴ製品が当たります

私たちは、皆さんがお買い求めのレゴ製品についてどんな感想をお待ちか、知りたいと思っています。質問に答えて、楽しいレゴ製品の抽選に応募ませんか。アンケートの回答には、ほんの3分ほどしかかかりません！詳しくは、以下のウェブアドレスまでアクセスしてください。

www.acnielsen.aim.dk/LEGO



Any questions regarding your new LEGO product, please contact:

Customer Service

Kundenservice | Service Consommateurs

Servicio Al Consumidor

at www.lego.com/service



1x
4140507



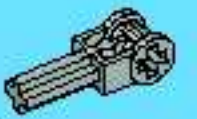
3x
4186017



1x
4234429



1x
4211701



1x
4211536



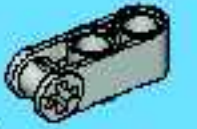
2x
348224



1x
4206482



7x
4211483



1x
4211779



2x
418524



2x
4281193



2x
4189131



8x
4211573



1x
4211862



2x
4212501



4x
4277754



2x
4188298



1x
4211539



4x
4211741



1x
4167842



1x
4281196



1x
4140806



1x
4211885



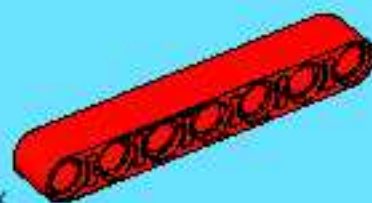
3x
4211566



2x
3005747



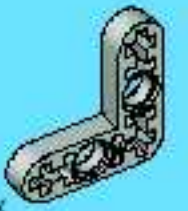
2x
4281195



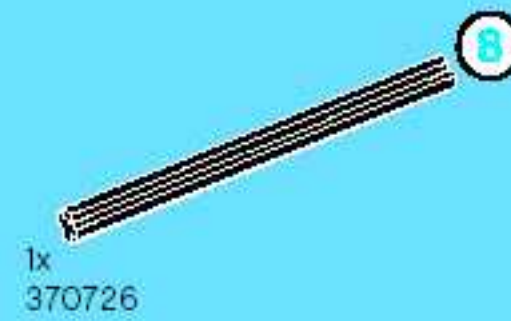
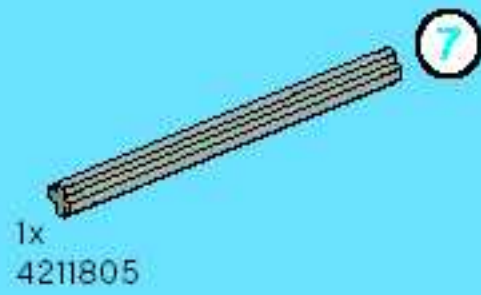
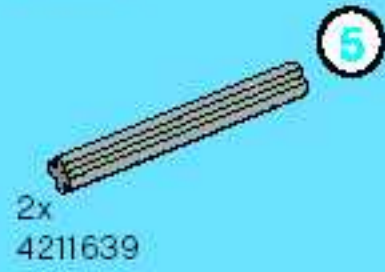
1x
4162098



3x
4211434














4x
4211574








Technic




| Image | Qty | Item No | Description | MID |
|---|-----|-----------------------|--|--------------------|
| Regular Items: | | | | |
| Parts: | | | | |
|  | 1 | 3023 | Trans-Clear Plate 1 x 2 Catalog: Parts: Plate 6240204 or 622540 or 4167842 | PG |
| * | | | | |
|  | 1 | 4081b | Black Plate, Modified 1 x 1 with Clip Light - Thick Ring Catalog: Parts: Plate, Modified 4632571 or 6281993 or 408126 | PG |
| * | | | | |
|  | 1 | 4073 | Black Plate, Round 1 x 1 Catalog: Parts: Plate, Round 614126 | PG |
| * | | | | |
|  | 2 | 4073 | Trans-Neon Orange Plate, Round 1 x 1 Catalog: Parts: Plate, Round 6240218 or 3005747 | PG |
| * | | | | |
|  | 7 | 3713 | Light Bluish Gray Technic Bush Catalog: Parts: Technic 6275844 or 4211622 | PG |
| * | | | | |
|  | 8 | 4265c | Light Bluish Gray Technic Bush 1/2 Smooth Catalog: Parts: Technic 6271165 or 4211573 | PG |
| * | | | | |
|  | 1 | 6553 | Light Bluish Gray Technic Pole Reverser Handle Catalog: Parts: Technic, Axle 4211536 | PG |
| * | | | | |
|  | 2 | 4185 | Yellow Technic Wedge Belt Wheel (Pulley) Catalog: Parts: Technic 418524 or 4494224 | PG |
| * | | | | |
|  | 10 | 32062 | Black Technic, Axle 2 Notched Catalog: Parts: Technic, Axle 3206226 or 4109810 | PG |
| * | | | | |
|  | 3 | 4519 | Light Bluish Gray Technic, Axle 3 Catalog: Parts: Technic, Axle 4211815 | PG |
| * | | | | |
|  | 4 | 6587 | Dark Bluish Gray Technic, Axle 3 with Stud Catalog: Parts: Technic, Axle 6129590 or 6587199 or 4211086 | PG |
| * | | | | |


| | | | | | |
|---|---|---|----------------------|--|--------------------|
| + |  * | 2 | 3705 | Black Technic, Axle 4 Catalog: Parts: Technic, Axle 370526 | PG |
|---|---|---|----------------------|--|--------------------|


| | | | | | |
|---|--|---|-----------------------|---|--------------------|
| + |  * | 2 | 32073 | Light Bluish Gray Technic, Axle 5 Catalog: Parts: Technic, Axle 32073194 or 4211639 | PG |
|---|--|---|-----------------------|---|--------------------|

| | | | | | |
|---|--|---|-----------------------|---|--------------------|
| + |  * | 1 | 44294 | Light Bluish Gray Technic, Axle 7 Catalog: Parts: Technic, Axle 44294194 or 4211805 | PG |
|---|--|---|-----------------------|---|--------------------|

| | | | | | |
|---|--|---|----------------------|--|--------------------|
| + |  * | 1 | 3707 | Black Technic, Axle 8 Catalog: Parts: Technic, Axle 370726 | PG |
|---|--|---|----------------------|--|--------------------|

| | | | | | |
|---|--|---|-----------------------|--|--------------------|
| + |  * | 2 | 32034 | Black Technic, Axle and Pin Connector Angled #2 - 180 degrees Catalog: Parts: Technic, Connector 6271869 or 3203426 or 4107783 | PG |
|---|--|---|-----------------------|--|--------------------|

| | | | | | |
|---|---|---|-----------------------|--|--------------------|
| + |  * | 1 | 32034 | Red Technic, Axle and Pin Connector Angled #2 - 180 degrees Catalog: Parts: Technic, Connector 4234429 | PG |
|---|---|---|-----------------------|--|--------------------|


| | | | | | |
|---|--|---|-----------------------|---|--------------------|
| + |  * | 2 | 32014 | Red Technic, Axle and Pin Connector Angled #6 - 90 degrees Catalog: Parts: Technic, Connector 6268922 or 4125195 or 4189131 | PG |
|---|--|---|-----------------------|---|--------------------|

| | | | | | |
|---|--|---|----------------------|--|--------------------|
| + |  * | 1 | 6536 | Green Technic, Axle and Pin Connector Perpendicular Catalog: Parts: Technic, Connector 4173665 or 4107766 or 4281196 | PG |
|---|--|---|----------------------|--|--------------------|

| | | | | | |
|---|--|---|----------------------|--|--------------------|
| + |  * | 2 | 6536 | Red Technic, Axle and Pin Connector Perpendicular Catalog: Parts: Technic, Connector 6261373 or 4118881 or 4188298 | PG |
|---|--|---|----------------------|--|--------------------|

| | | | | | |
|---|--|---|-----------------------|---|--------------------|
| + |  * | 1 | 42003 | Light Bluish Gray Technic, Axle and Pin Connector Perpendicular 3L with 2 Pin Holes Catalog: Parts: Technic, Connector 6273724 or 4211779 | PG |
|---|--|---|-----------------------|---|--------------------|

| | | | | | |
|---|--|---|-----------------------|--|--------------------|
| + |  * | 1 | 32291 | Black Technic, Axle and Pin Connector Perpendicular Double Catalog: Parts: Technic, Connector 6280394 or 4140430 | PG |
|---|--|---|-----------------------|--|--------------------|

| | | | | | |
|---|--|---|-----------------------|---|--------------------|
| + |  * | 1 | 41678 | Black Technic, Axle and Pin Connector Perpendicular Double Split Catalog: Parts: Technic, Connector 4162857 | PG |
|---|--|---|-----------------------|---|--------------------|

| | | | | | |
|---|---|---|-----------------------|---|--------------------|
| + | | 1 | 6538b | Yellow Technic, Axle Connector 2L (Ridged with x Hole x Orientation) | PG |
| | * | | | Catalog: Parts: Technic, Connector 4140507 | |

| | | | | | |
|---|---|---|-----------------------|---|--------------------|
| + | | 1 | 43093 | Blue Technic, Axle Pin with Friction Ridges Lengthwise | PG |
| | * | | | Catalog: Parts: Technic, Axle 4309323 or 4206482 | |

| | | | | | |
|---|---|---|----------------------|--|--------------------|
| + | | 3 | 3749 | Tan Technic, Axle Pin without Friction Ridges Lengthwise | PG |
| | * | | | Catalog: Parts: Technic, Axle 4666579 or 65625 or 4186017 | |

| | | | | | |
|---|---|---|----------------------|--|--------------------|
| + | | 1 | 6589 | Light Bluish Gray Technic, Gear 12 Tooth Bevel | PG |
| | * | | | Catalog: Parts: Technic, Gear 4565450 or 6589194 or 4211539 | |

| | | | | | |
|---|---|---|----------------------|--|--------------------|
| + | | 1 | 4019 | Light Bluish Gray Technic, Gear 16 Tooth (First Version - 4 Round Holes) | PG |
| | * | | | Catalog: Parts: Technic, Gear 4562487 or 4211563 or 4019194 | |

| | | | | | |
|---|---|---|-----------------------|---|--------------------|
| + | | 1 | 32198 | Light Bluish Gray Technic, Gear 20 Tooth Bevel | PG |
| | * | | | Catalog: Parts: Technic, Gear 6031956 or 4211885 | |

| | | | | | |
|---|---|---|-----------------------|--|--------------------|
| + | | 3 | 3650b | Light Bluish Gray Technic, Gear 24 Tooth Crown (2nd Version - Reinforced) | PG |
| | * | | | Catalog: Parts: Technic, Gear 4211434 | |













| | | | | | |
|---|---|---|-----------------------|---|--------------------|
| + | | 1 | 43857 | Light Bluish Gray Technic, Liftarm 1 x 2 Thick | PG |
| | * | | | Catalog: Parts: Technic, Liftarm 4211862 | |


| | | | | | |
|---|---|---|-----------------------|---|--------------------|
| + | | 4 | 41677 | Light Bluish Gray Technic, Liftarm 1 x 2 Thin | PG |
| | * | | | Catalog: Parts: Technic, Liftarm 4211741 | |


| | | | | | |
|---|---|---|-----------------------|--|--------------------|
| + | | 1 | 32523 | Black Technic, Liftarm 1 x 3 Thick | PG |
| | * | | | Catalog: Parts: Technic, Liftarm 3252326 or 4142822 | |


| | | | | | |
|---|---|---|----------------------|---|--------------------|
| + | | 2 | 6632 | Green Technic, Liftarm 1 x 3 Thin | PG |
| | * | | | Catalog: Parts: Technic, Liftarm 4118883 or 6036557 or 4281193 | |


| | | | | | |
|---|---|---|----------------------|---|--------------------|
| + | | 3 | 6632 | Light Bluish Gray Technic, Liftarm 1 x 3 Thin | PG |
| | * | | | Catalog: Parts: Technic, Liftarm 4211566 | |


| | | | | | |
|---|--|---|-----------------------|---|--------------------|
| + |  * | 2 | 32449 | Black Technic, Liftarm 1 x 4 Thin Catalog: Parts: Technic, Liftarm 3244926 or 4142236 | PG |
| + |  * | 4 | 32449 | Green Technic, Liftarm 1 x 4 Thin Catalog: Parts: Technic, Liftarm 4277754 | PG |
| + |  * | 2 | 32063 | Light Bluish Gray Technic, Liftarm 1 x 6 Thin Catalog: Parts: Technic, Liftarm 4211586 | PG |
| + |  * | 1 | 32524 | Red Technic, Liftarm 1 x 7 Thick Catalog: Parts: Technic, Liftarm 4162098 or 4495933 | PG |
| + |  * | 2 | 32065 | Black Technic, Liftarm 1 x 7 Thin Catalog: Parts: Technic, Liftarm 6253293 or 4114295 | PG |
| + |  * | 1 | 32271 | Black Technic, Liftarm 1 x 9 Bent (7 - 3) Thick Catalog: Parts: Technic, Liftarm 4140327 | PG |
| + |  * | 2 | 32140 | Green Technic, Liftarm 2 x 4 L-Shape Thick Catalog: Parts: Technic, Liftarm 4124031 or 4281195 | PG |
| + |  * | 4 | 32056 | Light Bluish Gray Technic, Liftarm 3 x 3 L-Shape Thin Catalog: Parts: Technic, Liftarm 4211574 | PG |
| + |  * | 2 | 32250 | Black Technic, Liftarm 3 x 5 L-Shape with Quarter Ellipse Thin Catalog: Parts: Technic, Liftarm 3225026 or 4128557 | PG |
| + |  * | 7 | 4274 | Light Bluish Gray Technic, Pin 1/2 Catalog: Parts: Technic, Pin 4211483 or 4274194 | PG |
| + |  * | 1 | 32002 | Dark Bluish Gray Technic, Pin 3/4 Catalog: Parts: Technic, Pin 32002199 or 4211050 | PG |
| + |  * | 1 | 6558 | Black Technic, Pin 3L with Friction Ridges Lengthwise Catalog: Parts: Technic, Pin 655826 | PG |


| | | | | | |
|---|---|---|-----------------------|---|--------------------|
| + |  * | 1 | 32054 | Red Technic, Pin 3L with Friction Ridges Lengthwise and Stop Bush Catalog: Parts: Technic, Pin 4140806 | PG |
|---|---|---|-----------------------|---|--------------------|


| | | | | | |
|---|--|---|----------------------|--|--------------------|
| + |  * | 3 | 2780 | Black Technic, Pin with Friction Ridges Lengthwise WITH Center Slots Catalog: Parts: Technic, Pin 4121715 or 278026 | PG |
|---|--|---|----------------------|--|--------------------|

| | | | | | |
|---|--|---|----------------------|--|--------------------|
| + |  * | 2 | 2696 | Black Tire 13 x 24 Model Team Catalog: Parts: Tire & Tread 269626 | PG |
|---|--|---|----------------------|--|--------------------|


| | | | | | |
|---|--|---|----------------------|--|--------------------|
| + |  * | 2 | 2346 | Black Tire 30 x 10.5 Offset Tread Catalog: Parts: Tire & Tread 234626 | PG |
|---|--|---|----------------------|--|--------------------|


| | | | | | |
|---|--|---|-----------------------|---|--------------------|
| + |  * | 1 | 30663 | Light Bluish Gray Vehicle, Steering Wheel Small, 2 Studs Diameter Catalog: Parts: Vehicle 6092956 or 30663194 or 4211701 | PG |
|---|--|---|-----------------------|---|--------------------|

| | | | | | |
|---|---|---|----------------------|---|--------------------|
| + |  * | 2 | 2695 | Yellow Wheel 30mm D. x 13mm (13 x 24 Model Team) Catalog: Parts: Wheel 4212501 | PG |
|---|---|---|----------------------|---|--------------------|


| | | | | | |
|---|--|---|----------------------|---|--------------------|
| + |  * | 2 | 3482 | Yellow Wheel with Split Axle Hole Catalog: Parts: Wheel 348224 | PG |
|---|--|---|----------------------|---|--------------------|

Extra Items:

| | | | | | |
|---|--|---|----------------------|---|--------------------|
| + |  * | 1 | 4073 | Black Plate, Round 1 x 1 Catalog: Parts: Plate, Round 614126 | PG |
|---|--|---|----------------------|---|--------------------|

| | | | | | |
|---|--|---|----------------------|---|--------------------|
| + |  * | 1 | 4073 | Trans-Neon Orange Plate, Round 1 x 1 Catalog: Parts: Plate, Round 6240218 or 3005747 | PG |
|---|--|---|----------------------|---|--------------------|

| | | | | | |
|---|--|---|----------------------|--|--------------------|
| + |  * | 1 | 3713 | Light Bluish Gray Technic Bush Catalog: Parts: Technic 6275844 or 4211622 | PG |
|---|--|---|----------------------|--|--------------------|

| | | | | | |
|---|--|---|-----------------------|---|--------------------|
| + |  * | 1 | 4265c | Light Bluish Gray Technic Bush 1/2 Smooth Catalog: Parts: Technic 6271165 or 4211573 | PG |
|---|--|---|-----------------------|---|--------------------|

| | | | | | |
|---|--|---|----------------------|---|--------------------|
| + |  * | 1 | 4274 | Light Bluish Gray Technic, Pin 1/2 Catalog: Parts: Technic, Pin | PG |
|---|--|---|----------------------|---|--------------------|



*

4211483 or 4274194

+



*

1

[32002](#)

Dark Bluish Gray Technic, Pin 3/4

[Catalog: Parts: Technic, Pin](#)
32002199 or 4211050

[PG](#)

+



*

1

[2780](#)

Black Technic, Pin with Friction Ridges Lengthwise WITH Center Slots

[Catalog: Parts: Technic, Pin](#)
4121715 or 278026

[PG](#)

Counterparts:

+



*

2

[2695c01](#)(inv)

Yellow Wheel 30mm D. x 13mm (13 x 24 Model Team), with Black Tire 13 x 24 Model Team (2695 / 2696)

[Catalog: Parts: Wheel & Tire Assembly](#)
Part Color Code Missing

[PG](#)

+



*

2

[3482c02](#)(inv)

Yellow Wheel with Split Axle Hole with Black Tire 30 x 10.5 Offset Tread (3482 / 2346)

[Catalog: Parts: Wheel & Tire Assembly](#)
Part Color Code Missing

[PG](#)

Summary:

| Type | Unique Lots | Total Qty |
|-----------------------|-------------|-----------|
| Regular Items: | | |
| Parts | 54 | 121 |
| Extra Items: | | |
| Parts | 7 | 7 |
| Counterparts: | | |
| Parts | 2 | 4 |

[SgtPepper \(1860\)](#) inventoried this Set on Mar 19, 2006, inventory last updated on Aug 12, 2009.