

Technic Lego®

8258 Crane Truck

Twin wheel modification



Copyright modifications: Han Crielaard

2009

www.designer-han.nl/lego

These building instructions are 'free to use' for every Lego® fan and may not commercially be used and/or sold
LEGO® is a trademark of the LEGO Group of companies which does not sponsor, authorize or endorse these building instructions

Description

General information

- With the release of this Crane Truck, the Lego Company shows – today – one of the most appealing Technic Lego sets. Especially the exterior of truck and the very realistic operating crane arm.
- To give this set a really good appearance I applied so-called ‘Twin Wheels’ on the rear axles (3rd and 4th axle). Of course without losing the extension functionality of the rear outriggers. The building instructions for these twin wheels are described hereafter.
- Probably you noticed the ‘8258 modification package’ on my website which contains 8 *small and easy to apply* improvements, categorized into ‘critical’, ‘improved playability’ and ‘appearance’.
 - **CRITICAL**: many customers noticed that the original set sometimes ‘crunches’ the 12th tooth bevel gear nearby the XL motor drive-shaft. This can be solved by applying **ALL** these critical modifications.
 - **IMPROVED PLAYABILITY**: modifications who will contribute to a more effective usage of the technic functions.
 - **APPEARANCE**: only ‘cosmetic’ modifications.



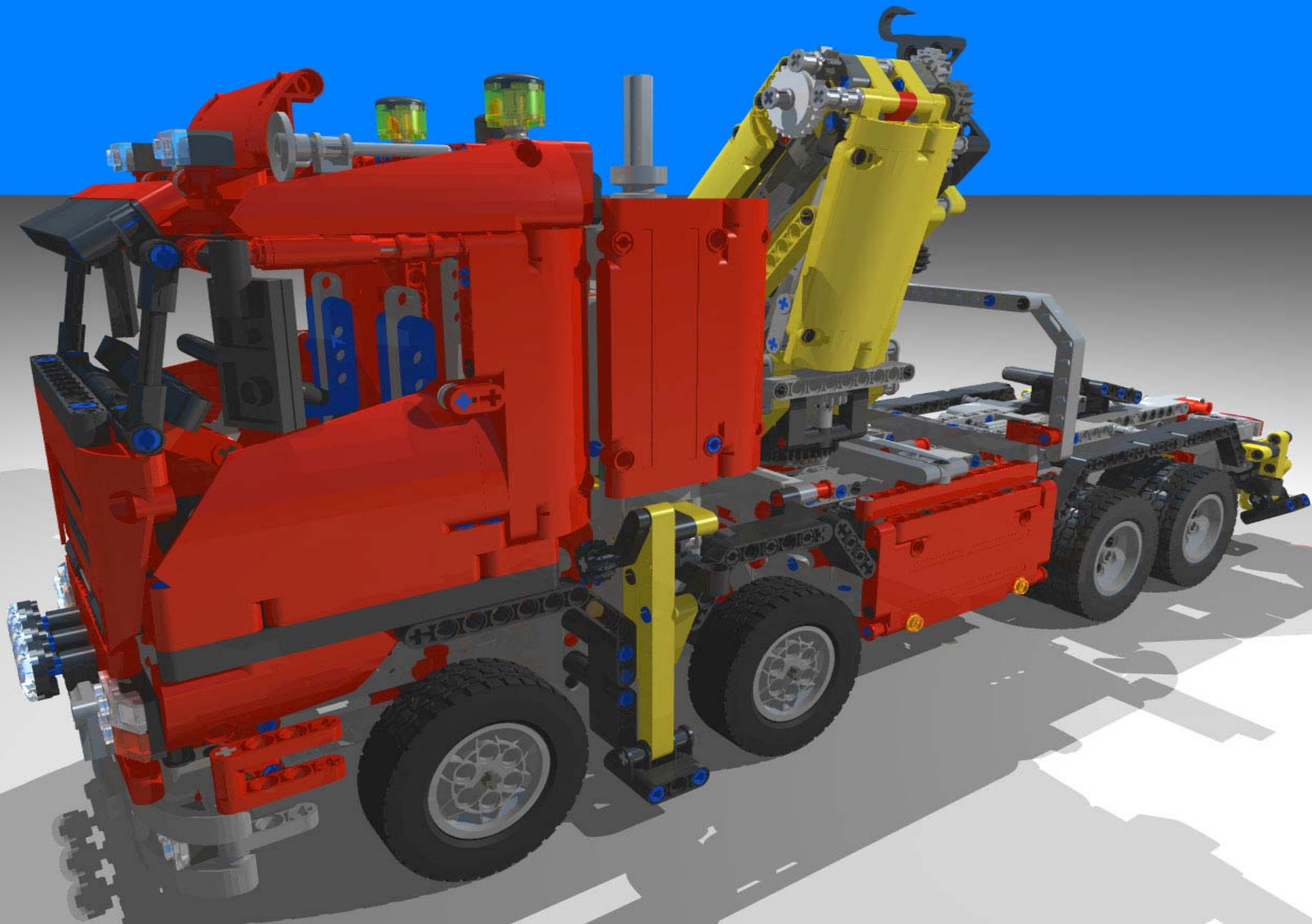
Copyright modifications: Han Crielaard

2009

www.designer-han.nl/lego

These building instructions are 'free to use' for every Lego® fan and may not commercially be used and/or sold

LEGO® is a trademark of the LEGO Group of companies which does not sponsor, authorize or endorse these building instructions



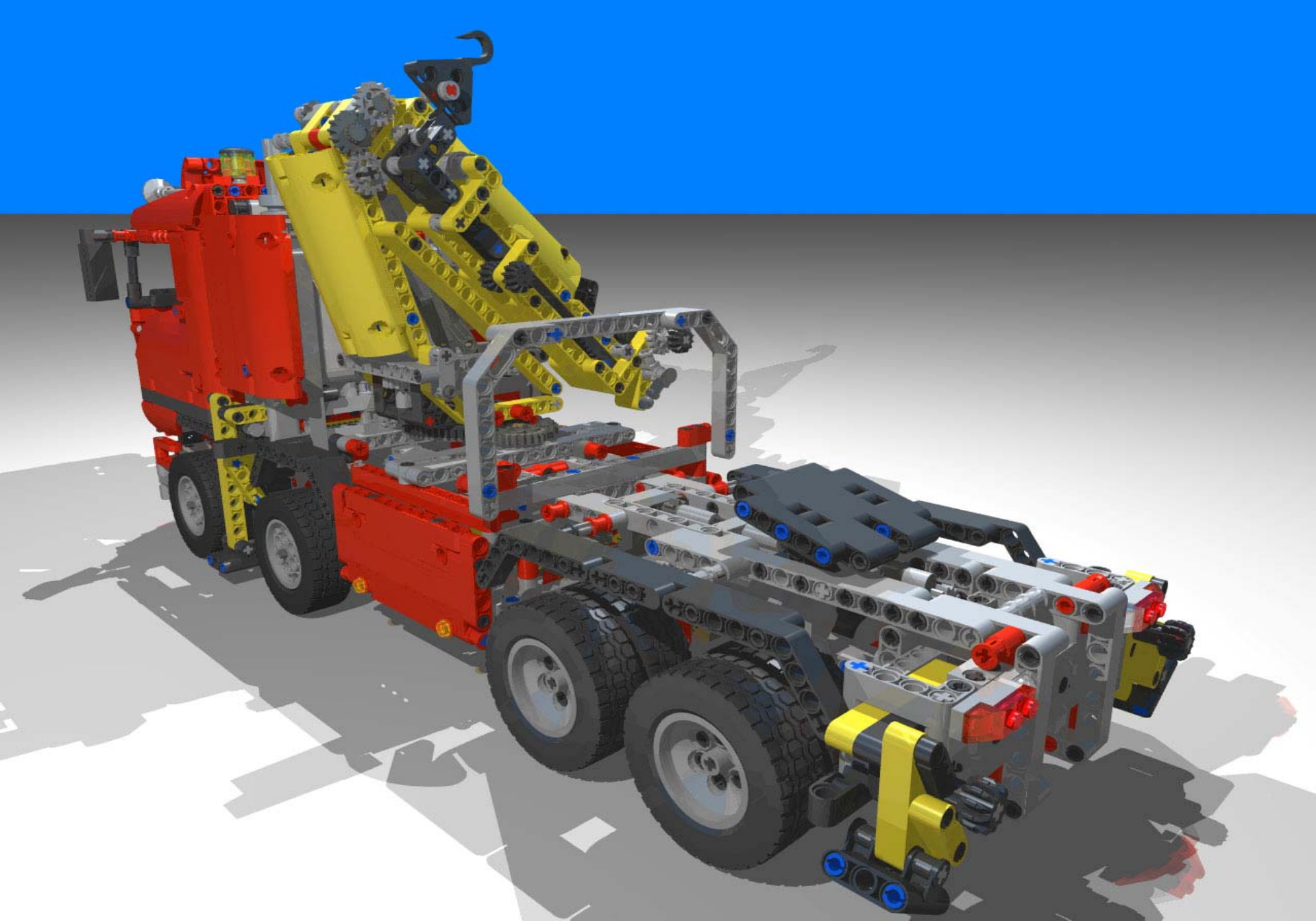
Copyright modifications: Han Crielaard

2009

www.designer-han.nl/lego

These building instructions are 'free to use' for every Lego® fan and may not commercially be used and/or sold

LEGO® is a trademark of the LEGO Group of companies which does not sponsor, authorize or endorse these building instructions



Copyright modifications: Han Crielaard

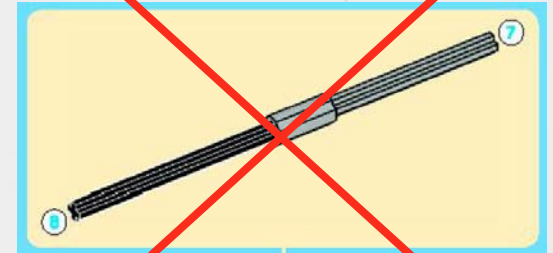
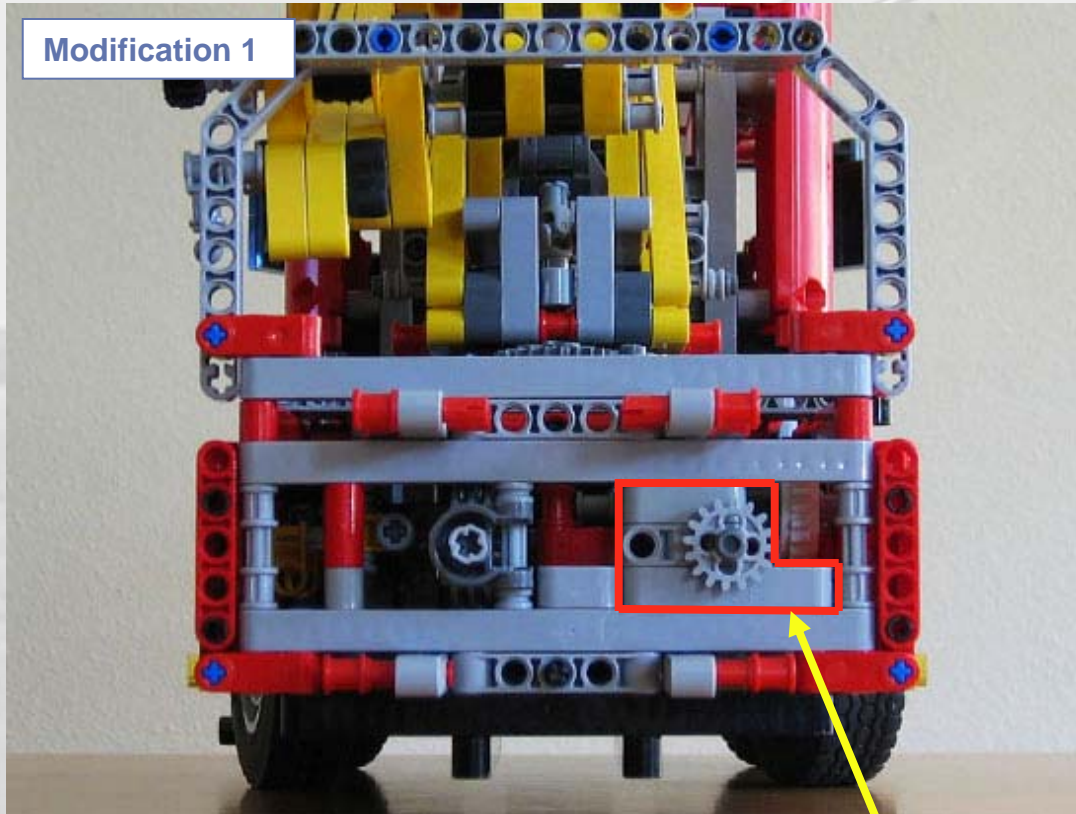
2009

www.designer-han.nl/lego

These building instructions are 'free to use' for every Lego® fan and may not commercially be used and/or sold

LEGO® is a trademark of the LEGO Group of companies which does not sponsor, authorize or endorse these building instructions

1st modification: Apply sub-unit

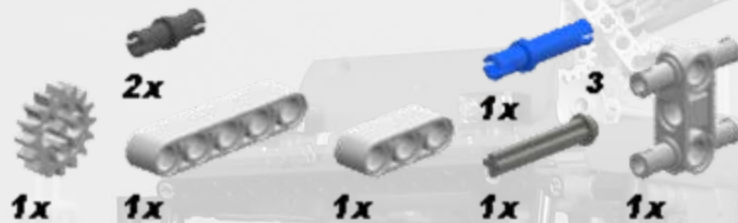


Changes you have to apply are:

- Book-1, apply this 1st modification after step 33 on page 38, and before step 34 on page 39.
- Book-2, step 67, page 5. Do **NOT** mount the 'axle-8 + axle joiner + axle 7' in this step.

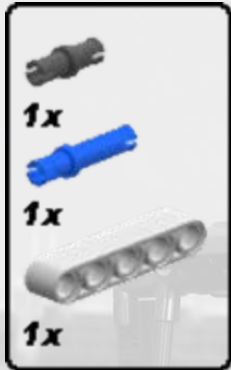
1st modification: Apply sub-unit

Part list

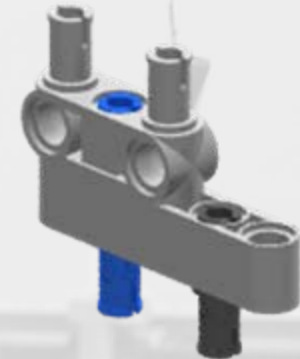
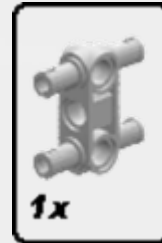


1st modification: Apply sub-unit

Step 1



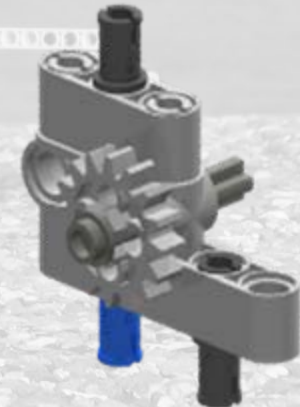
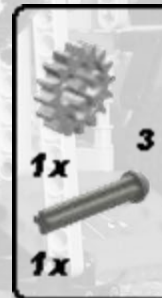
Step 2



Step 3



Last step 4

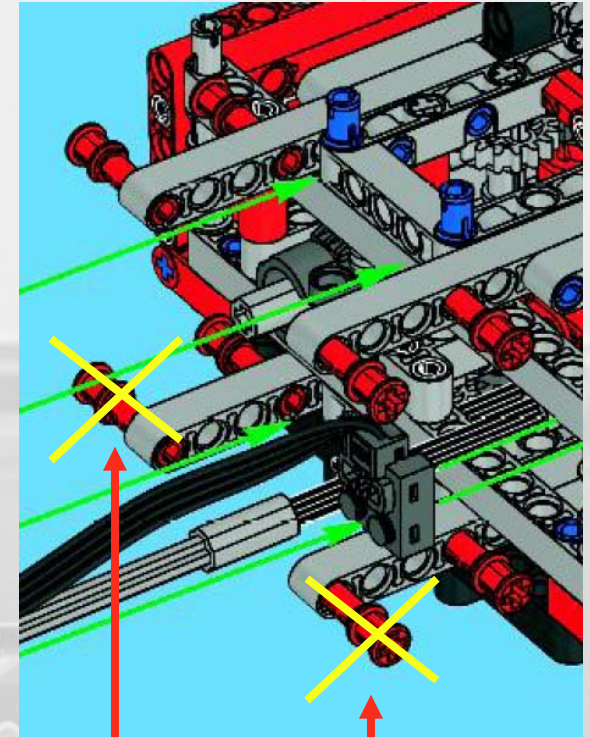


2nd modification: Replace chassis of rear wheels

Modification 2



The XL-motor wire should be carefully routed to avoid gear and wheel stopovers (see yellow arrows).

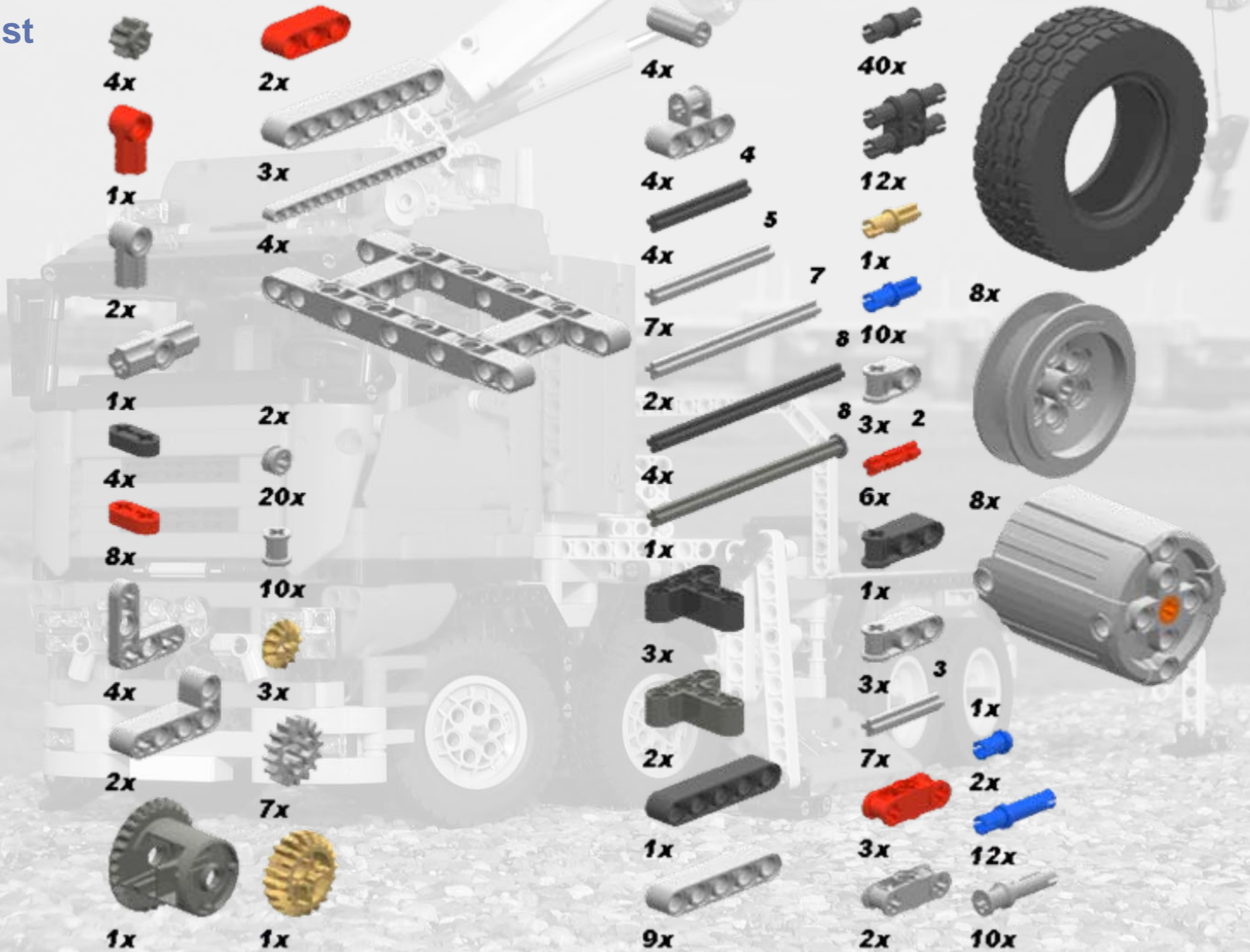


Changes you have to apply in book-2 are:

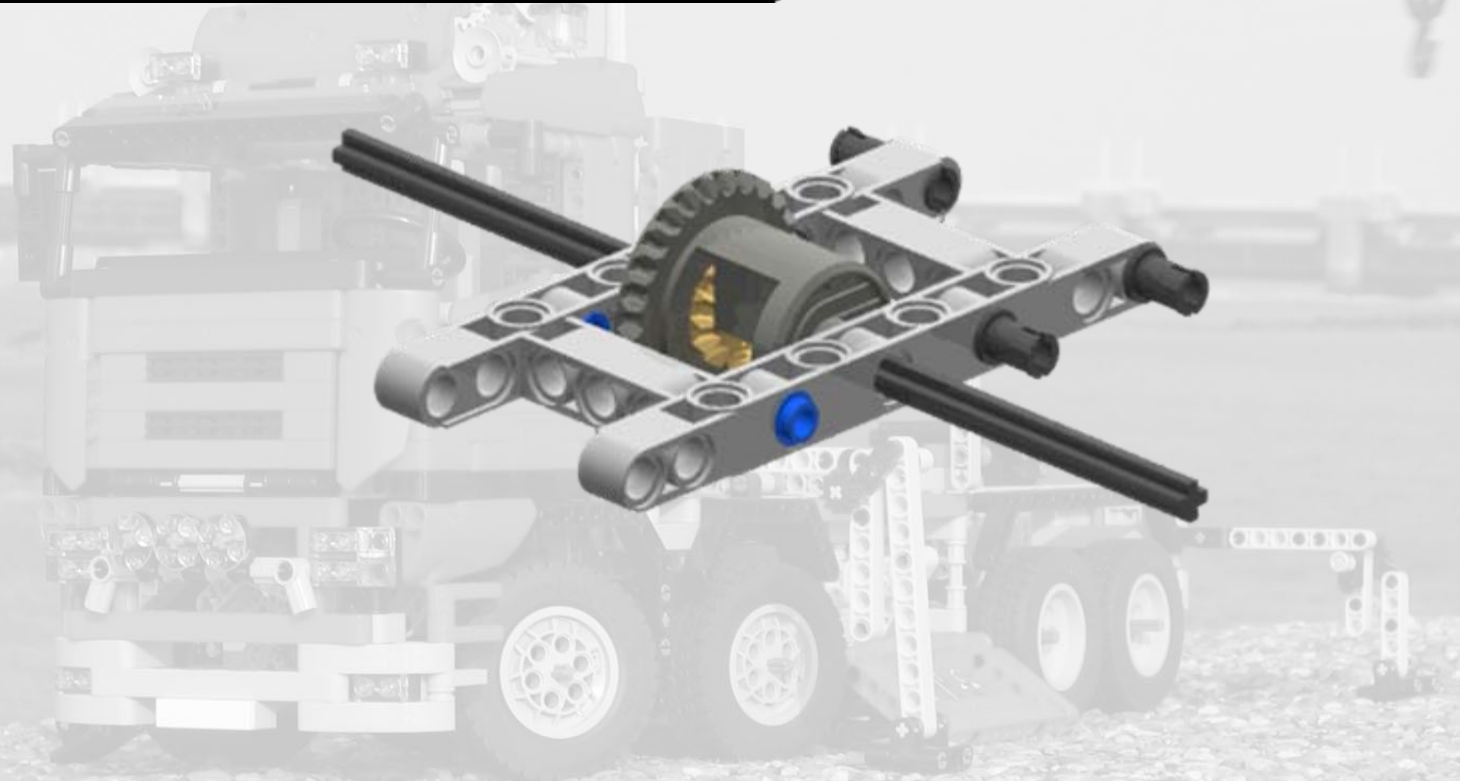
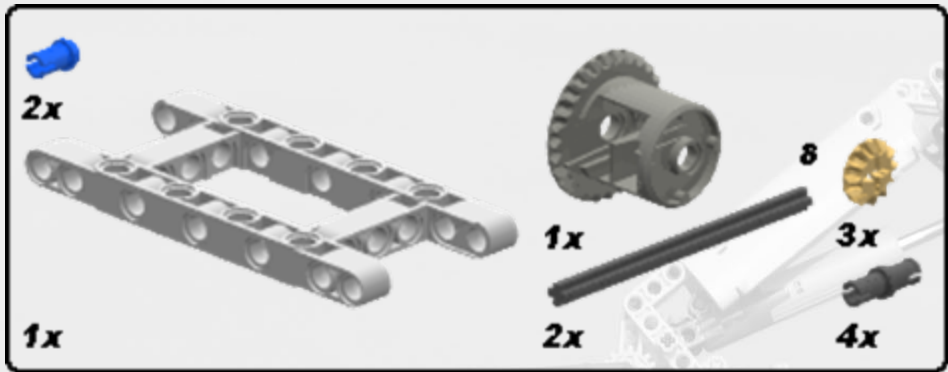
- Replace the rear chassis model (page 15 to 30) with this 2nd modification.
- Step 75 on page 31. Remove the two 'Technic pin long with stop bush'.

2nd modification: Replace chassis of rear wheels

Part list

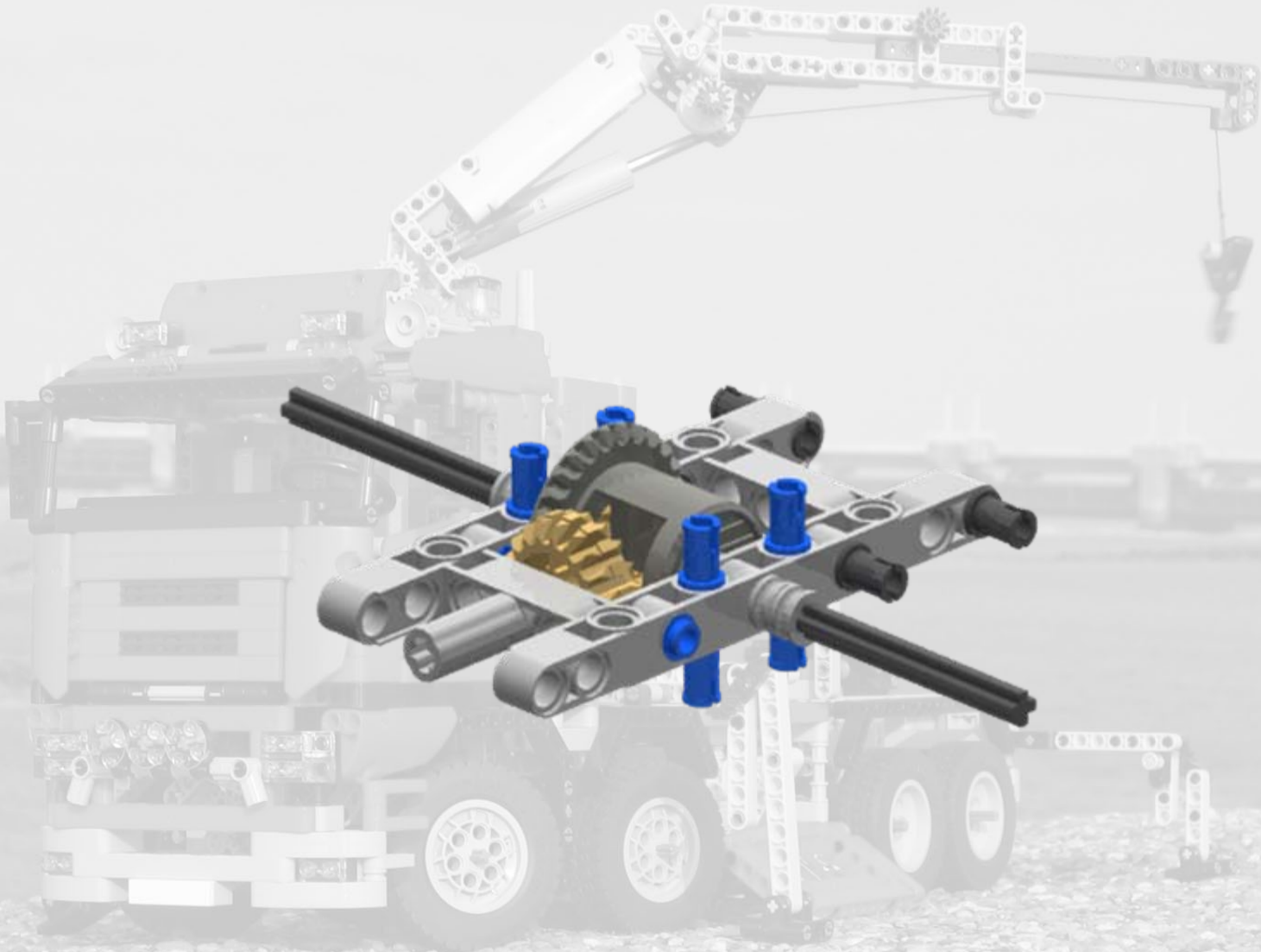


Step 1

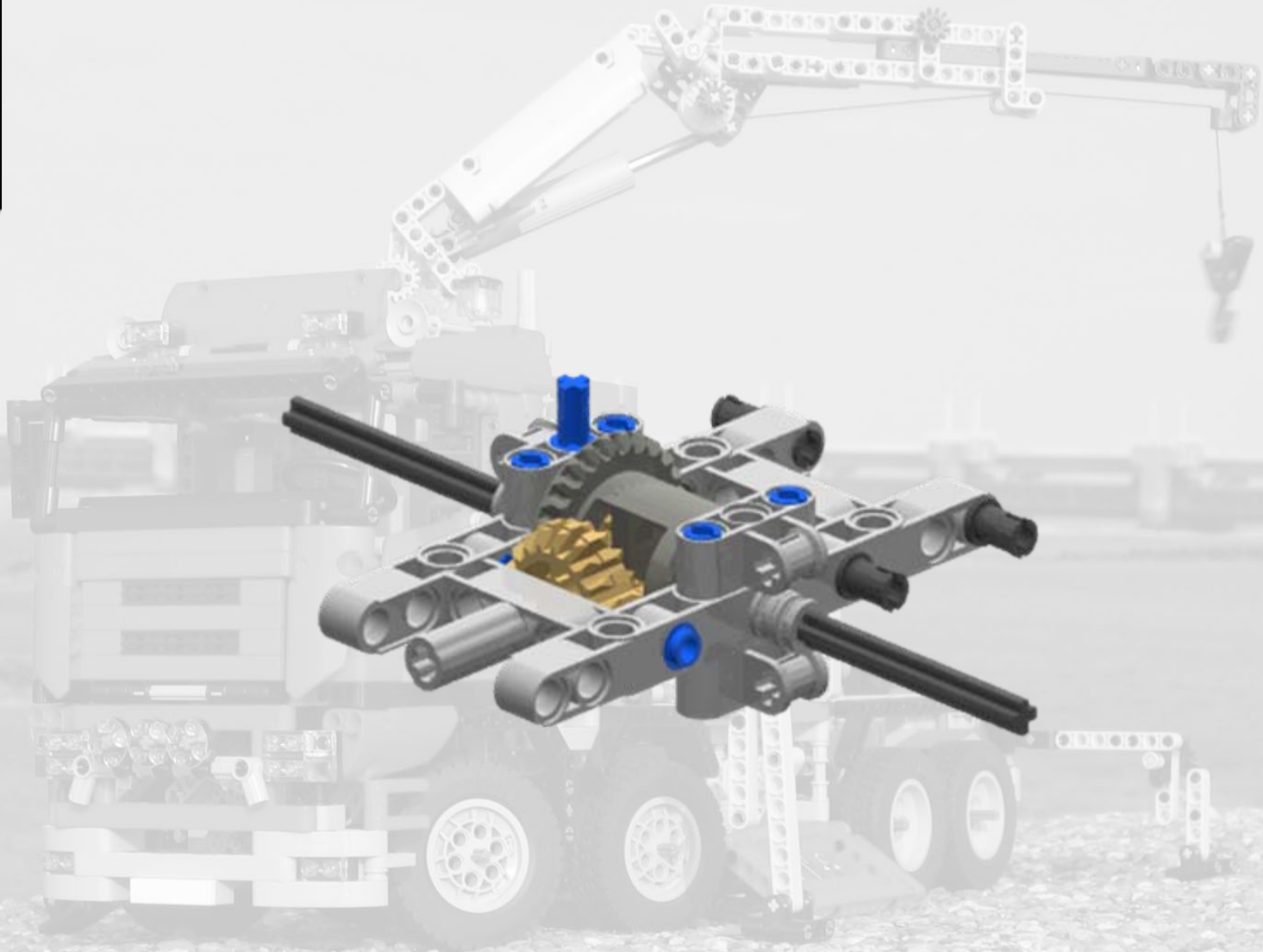


Step 2

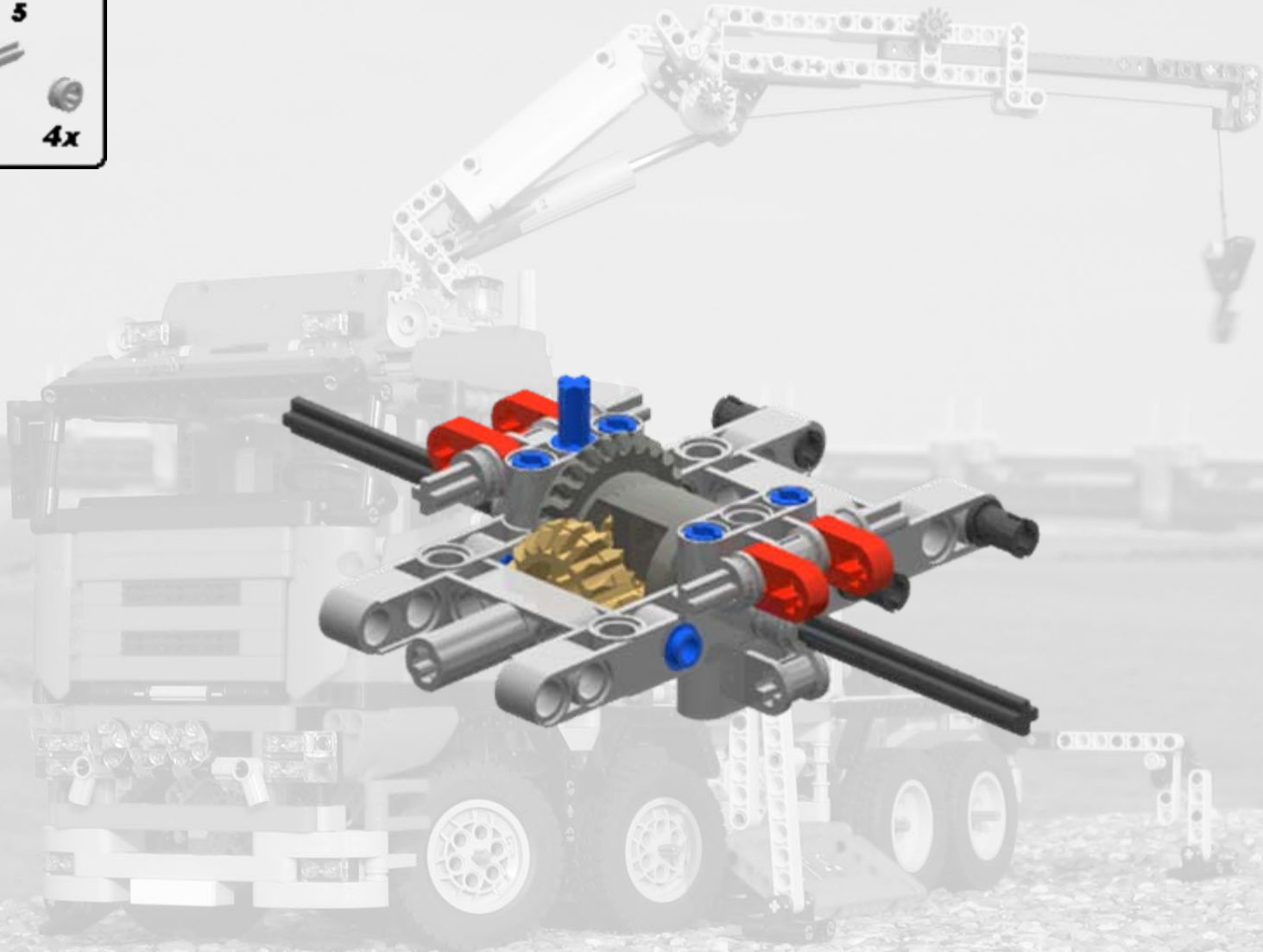
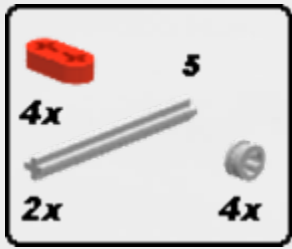
- 4x 
- 1x 
- 1x  3
- 1x 
- 1x 
- 4x 



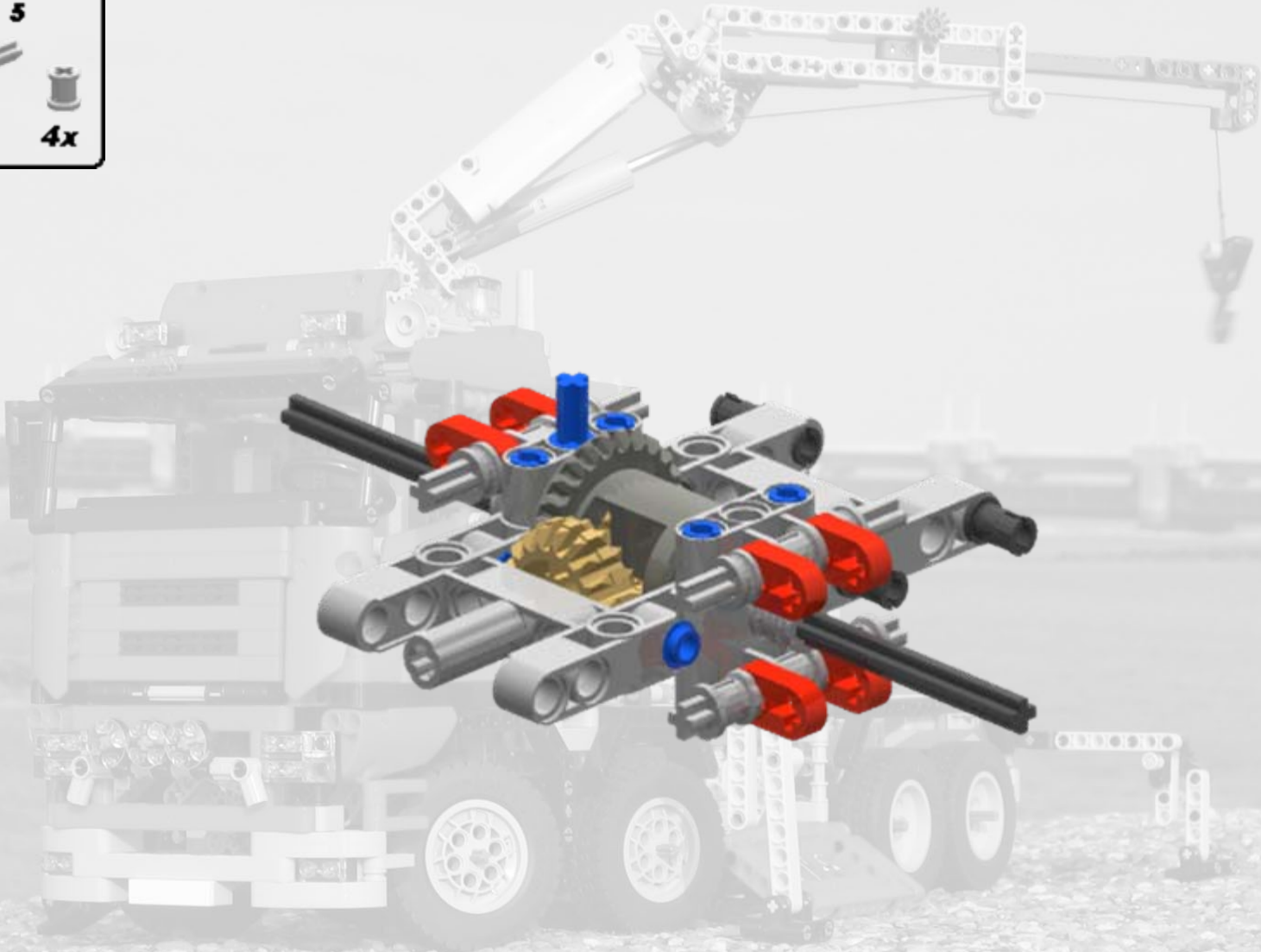
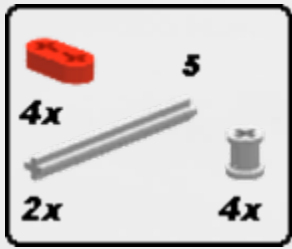
Step 3



Step 4

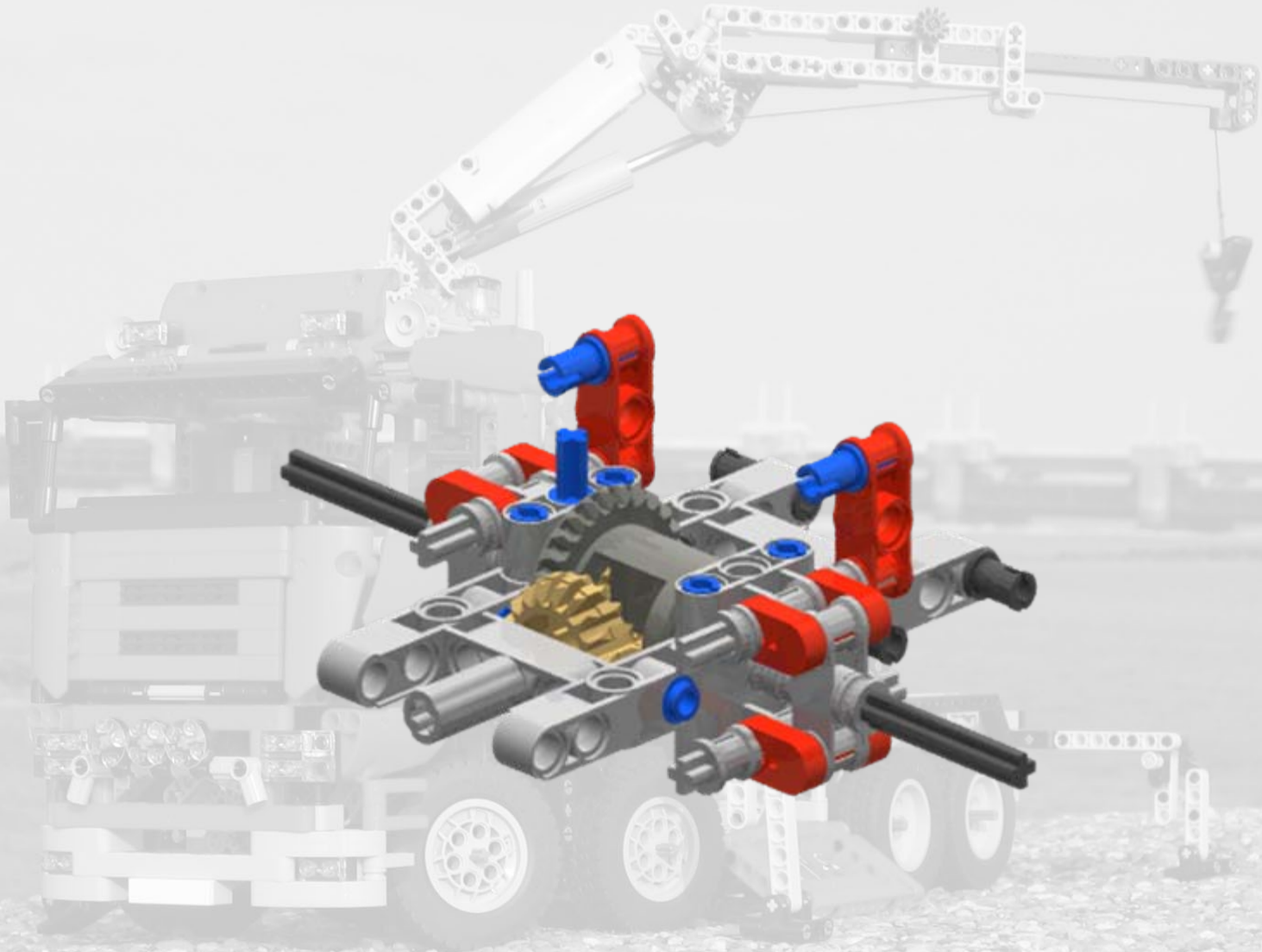


Step 5

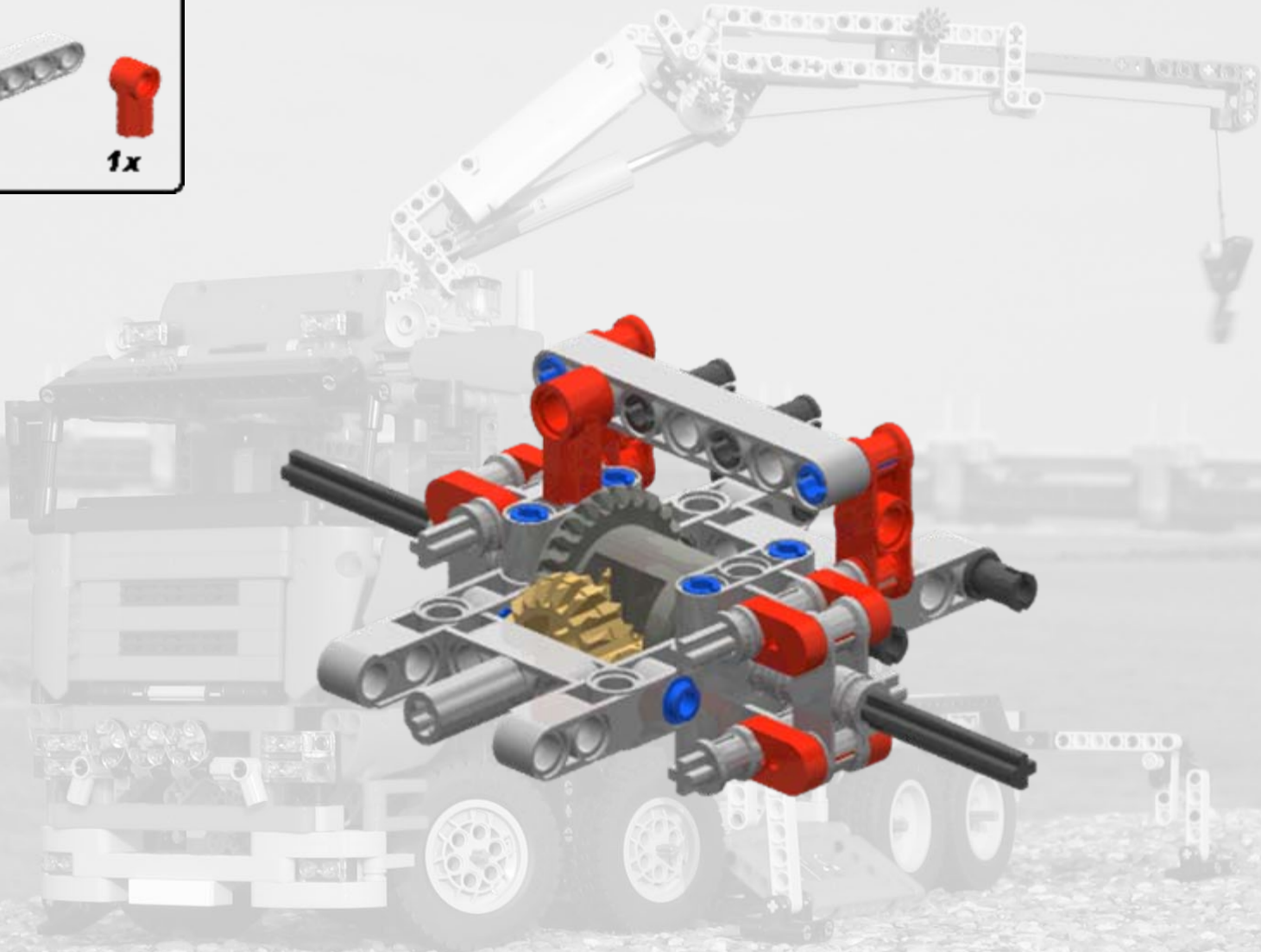
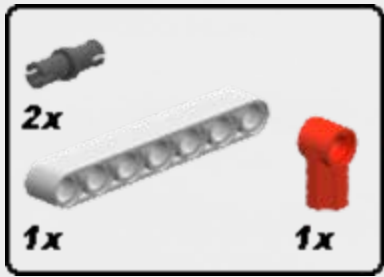


Step 6

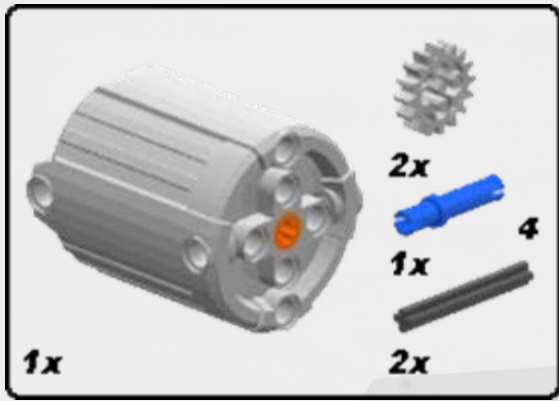
-  2x
-  2x 2
-  4x
-  2x
-  2x



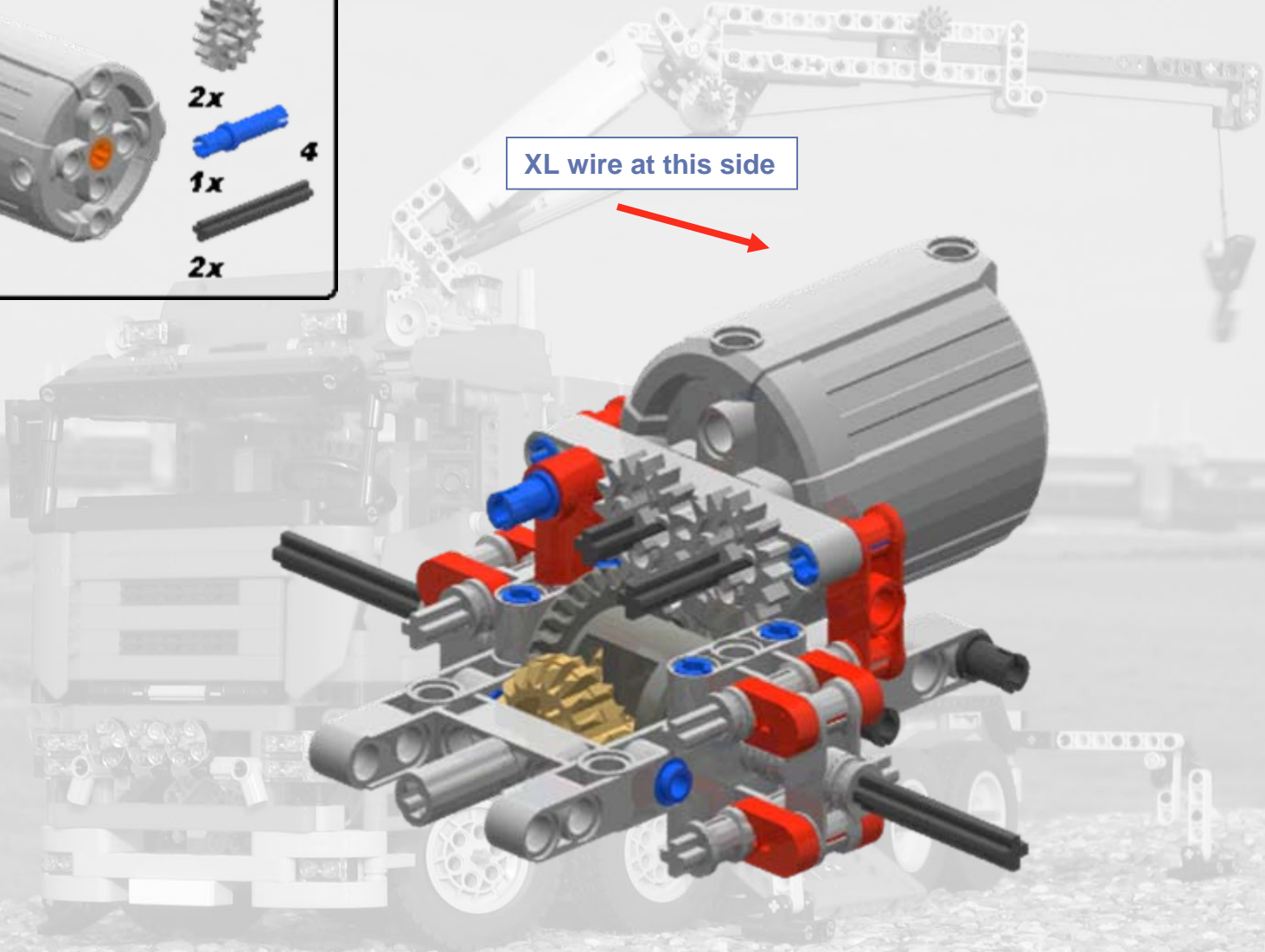
Step 7



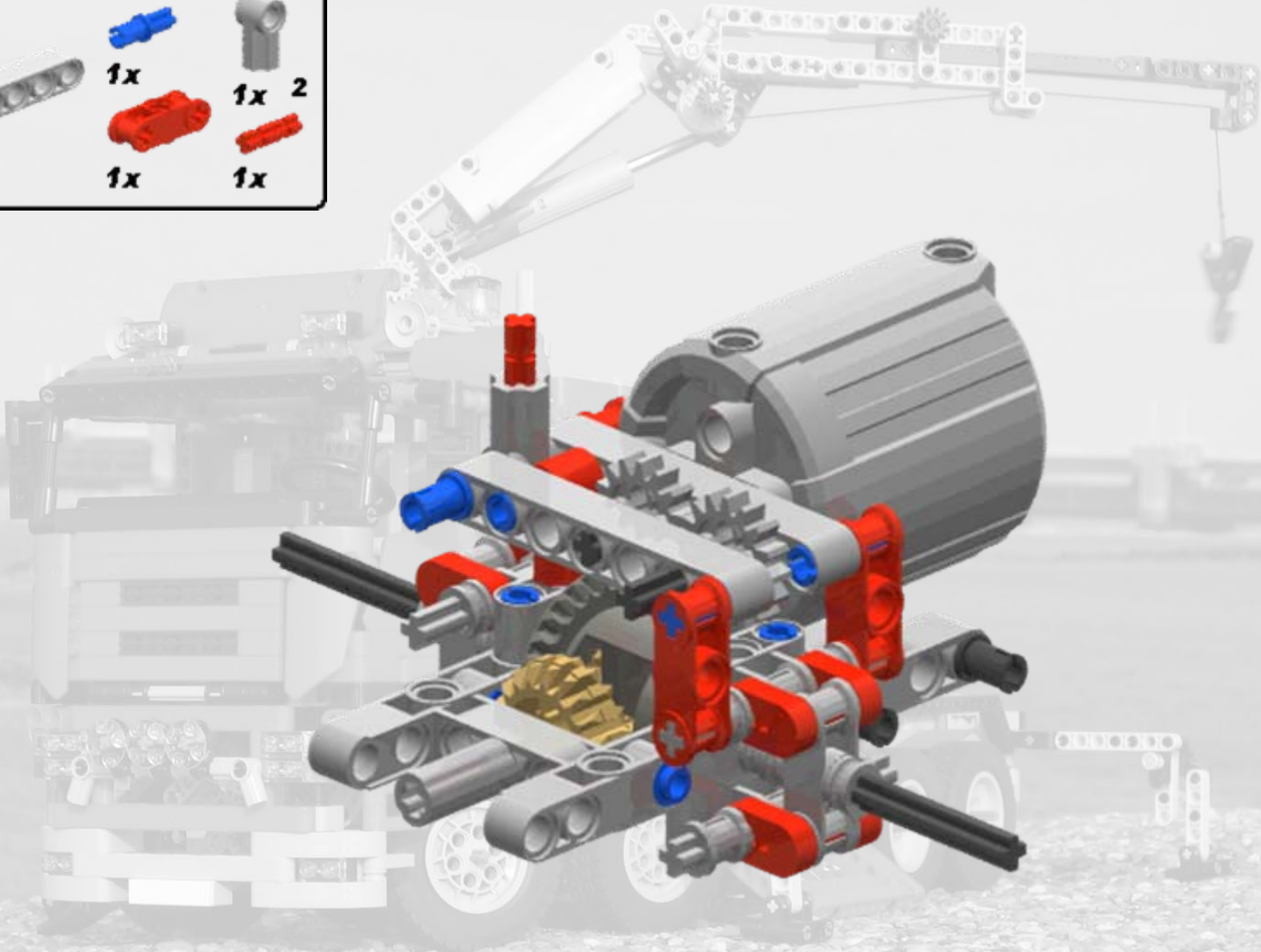
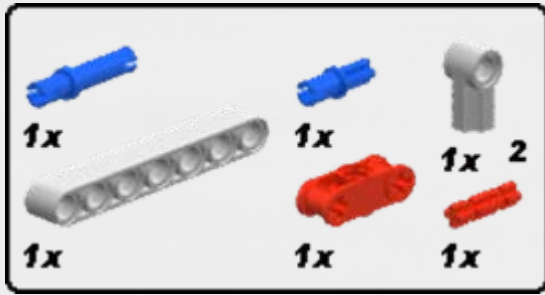
Step 8



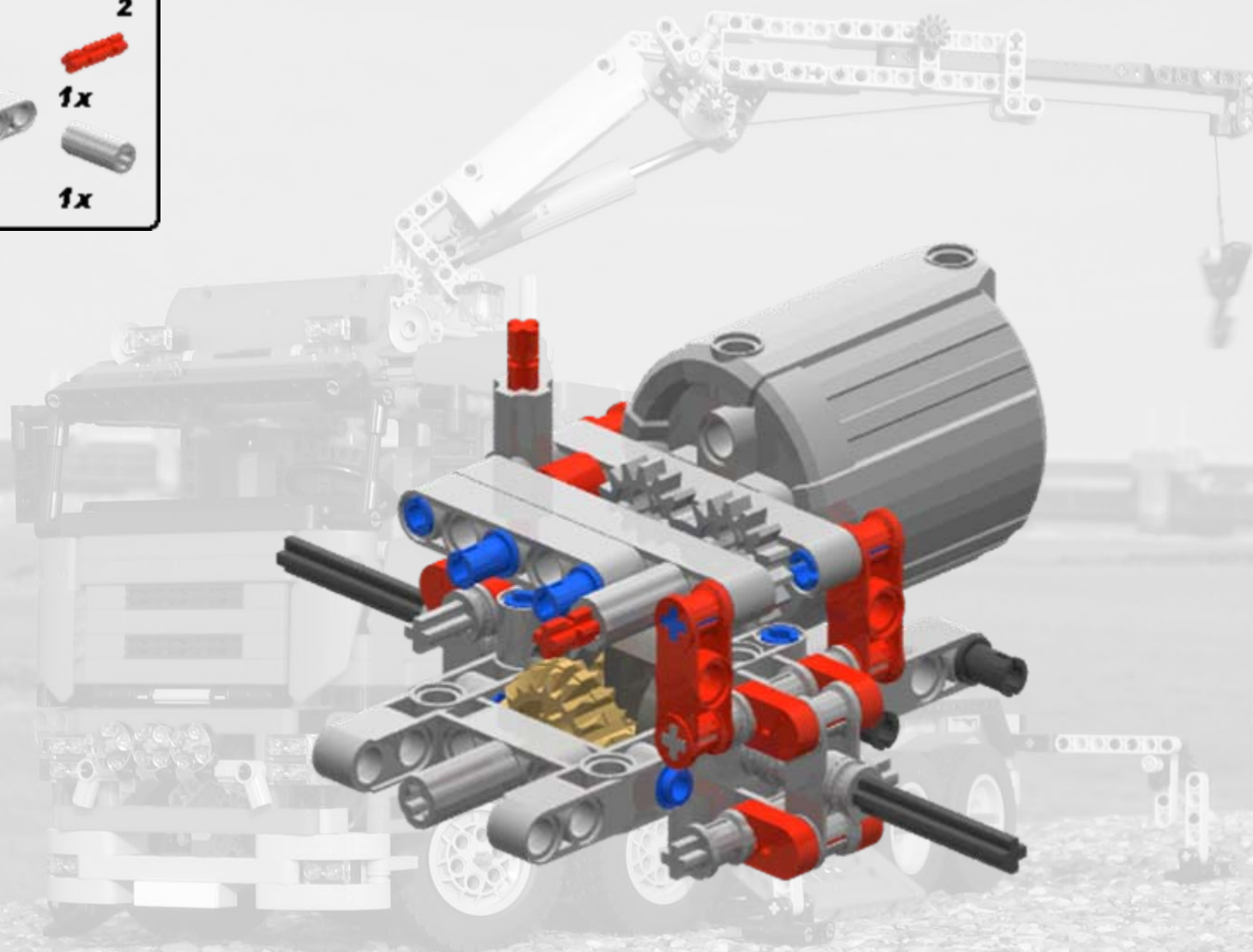
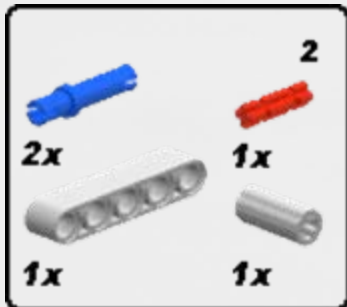
XL wire at this side



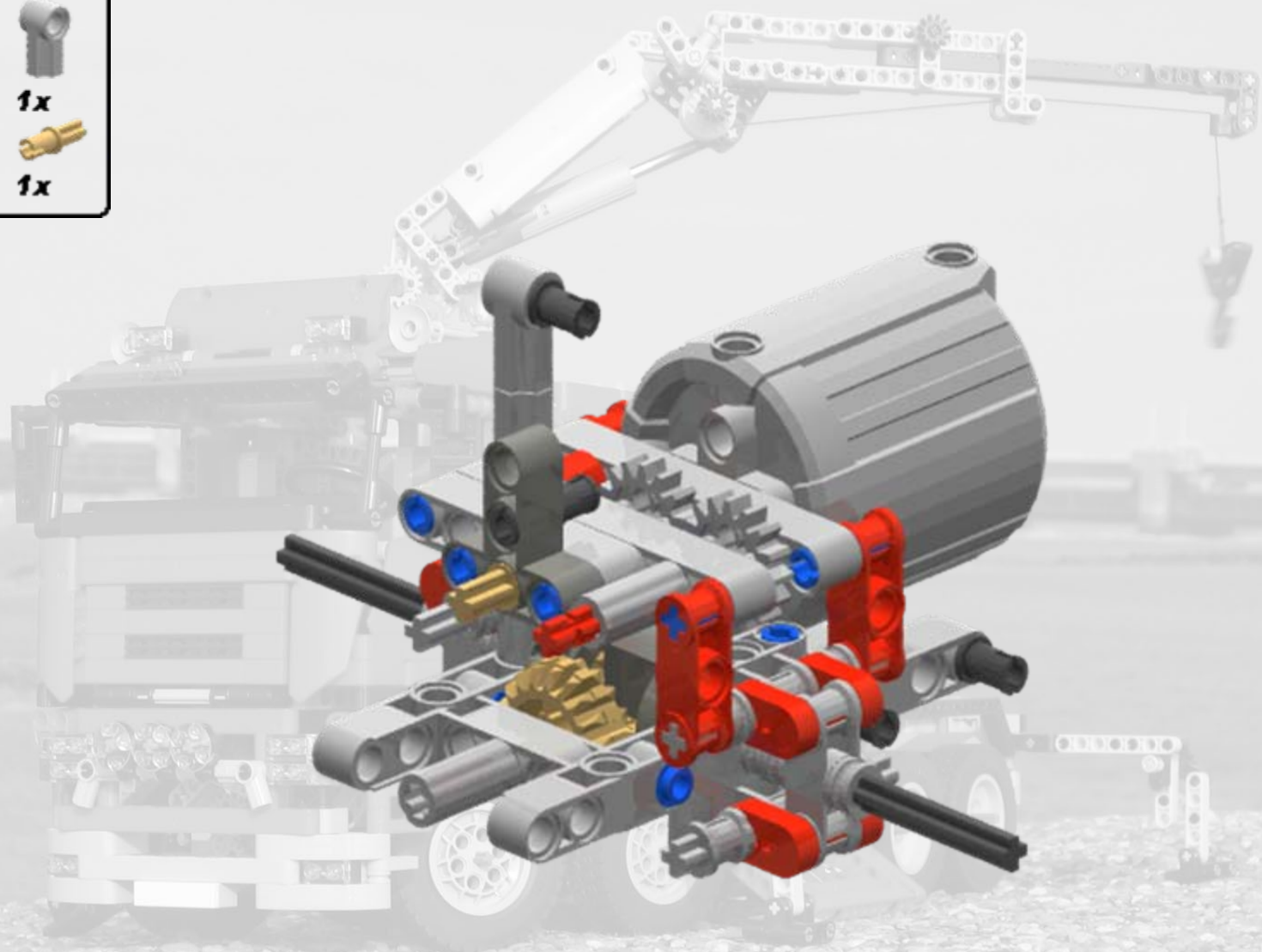
Step 9



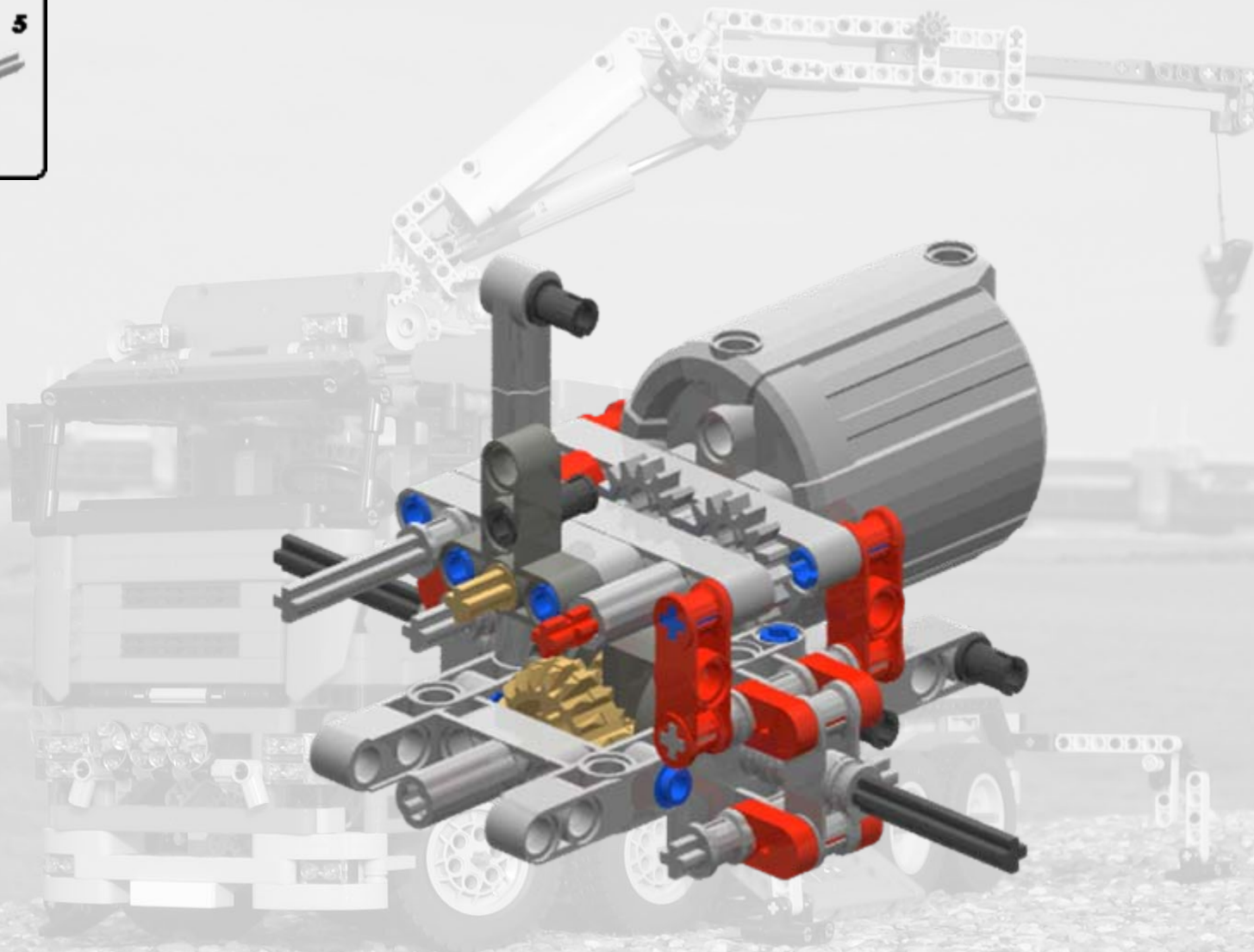
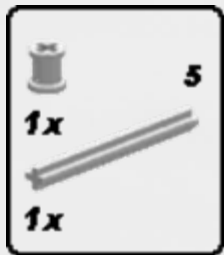
Step 10



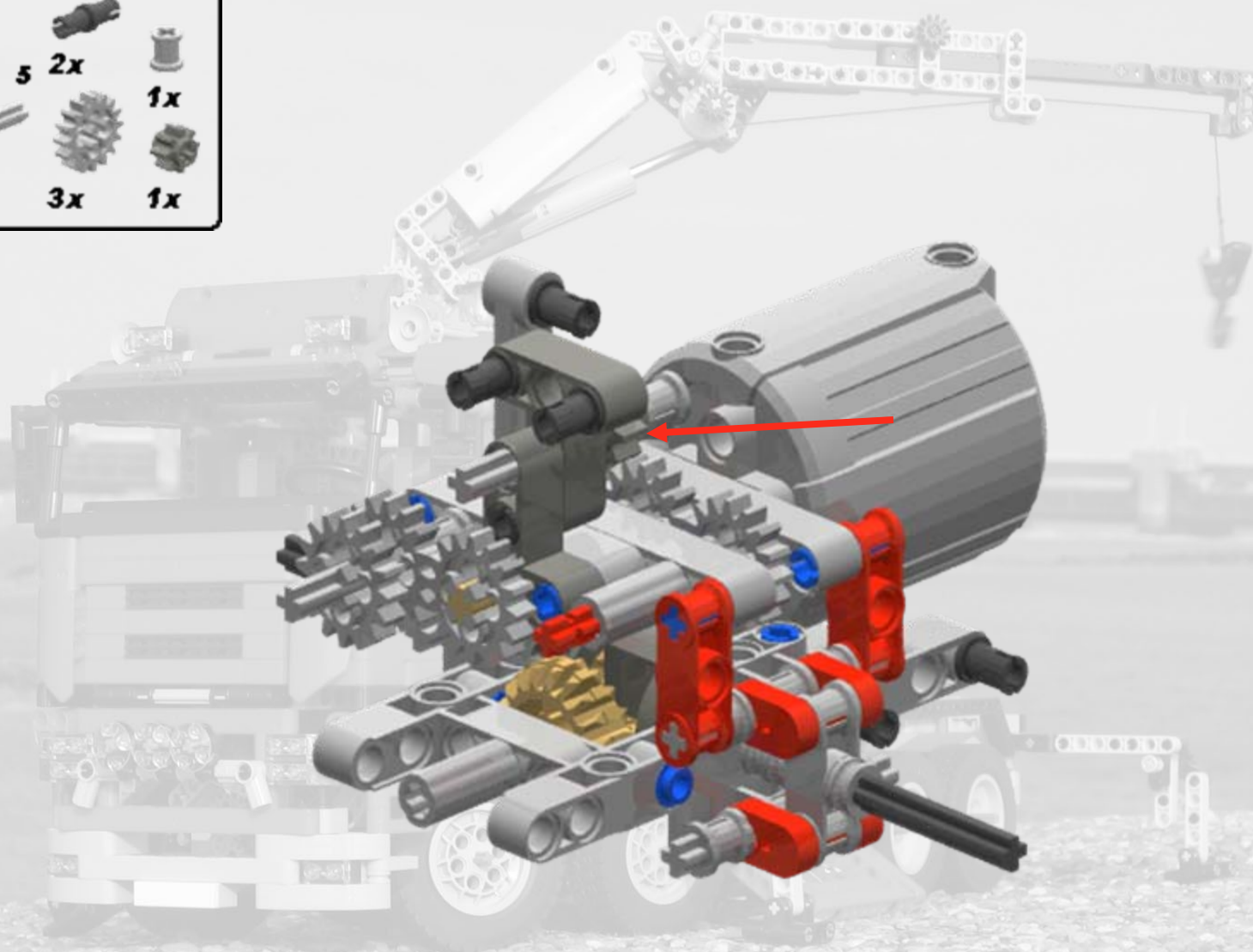
Step 11



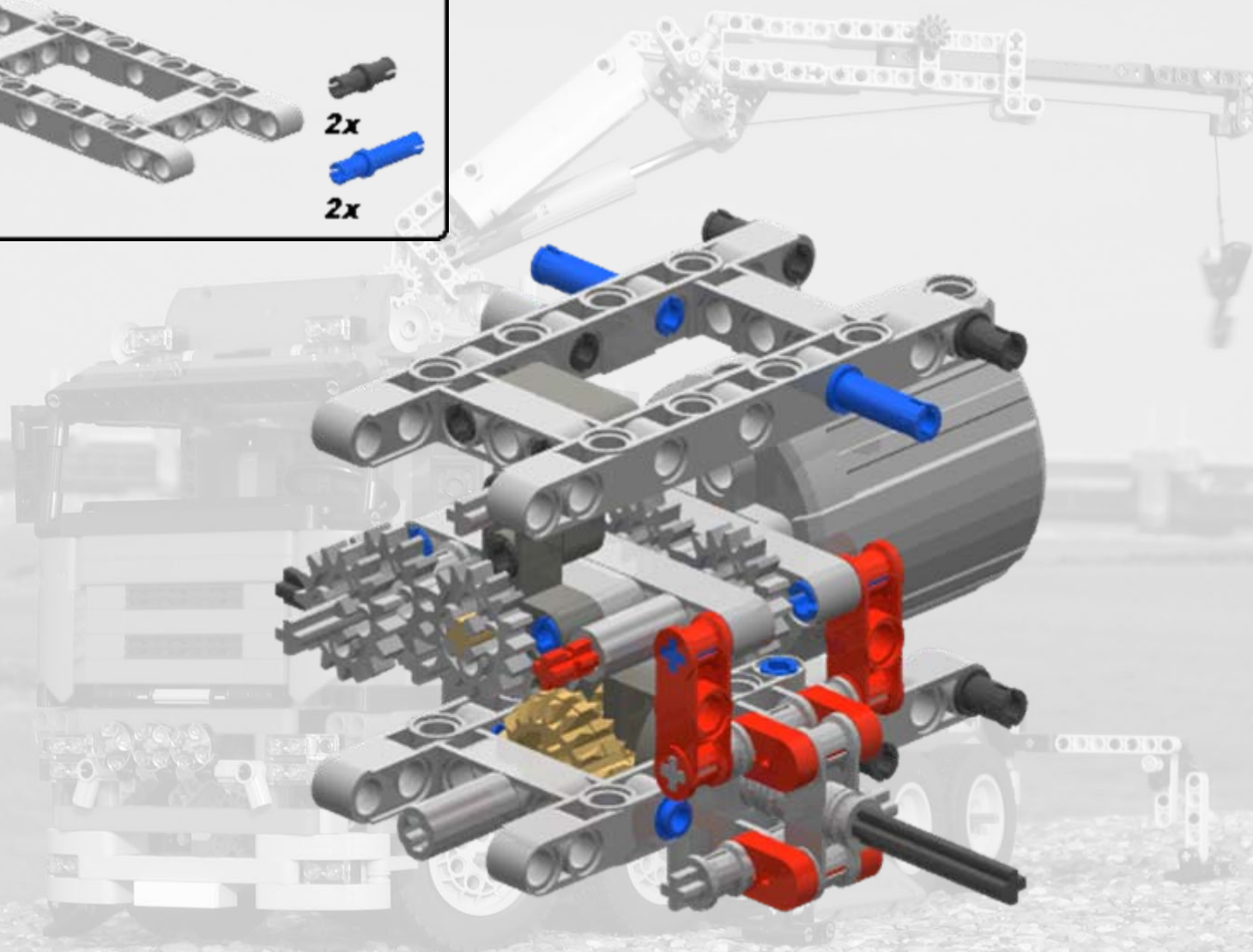
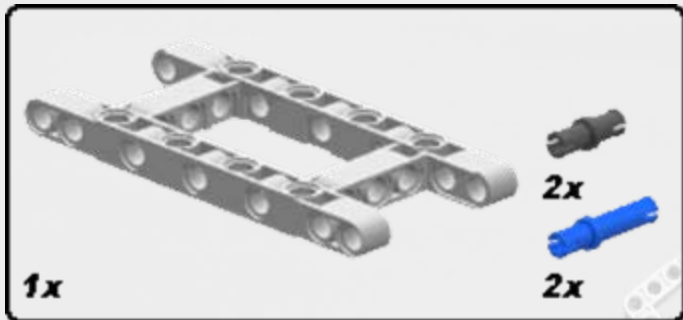
Step 12



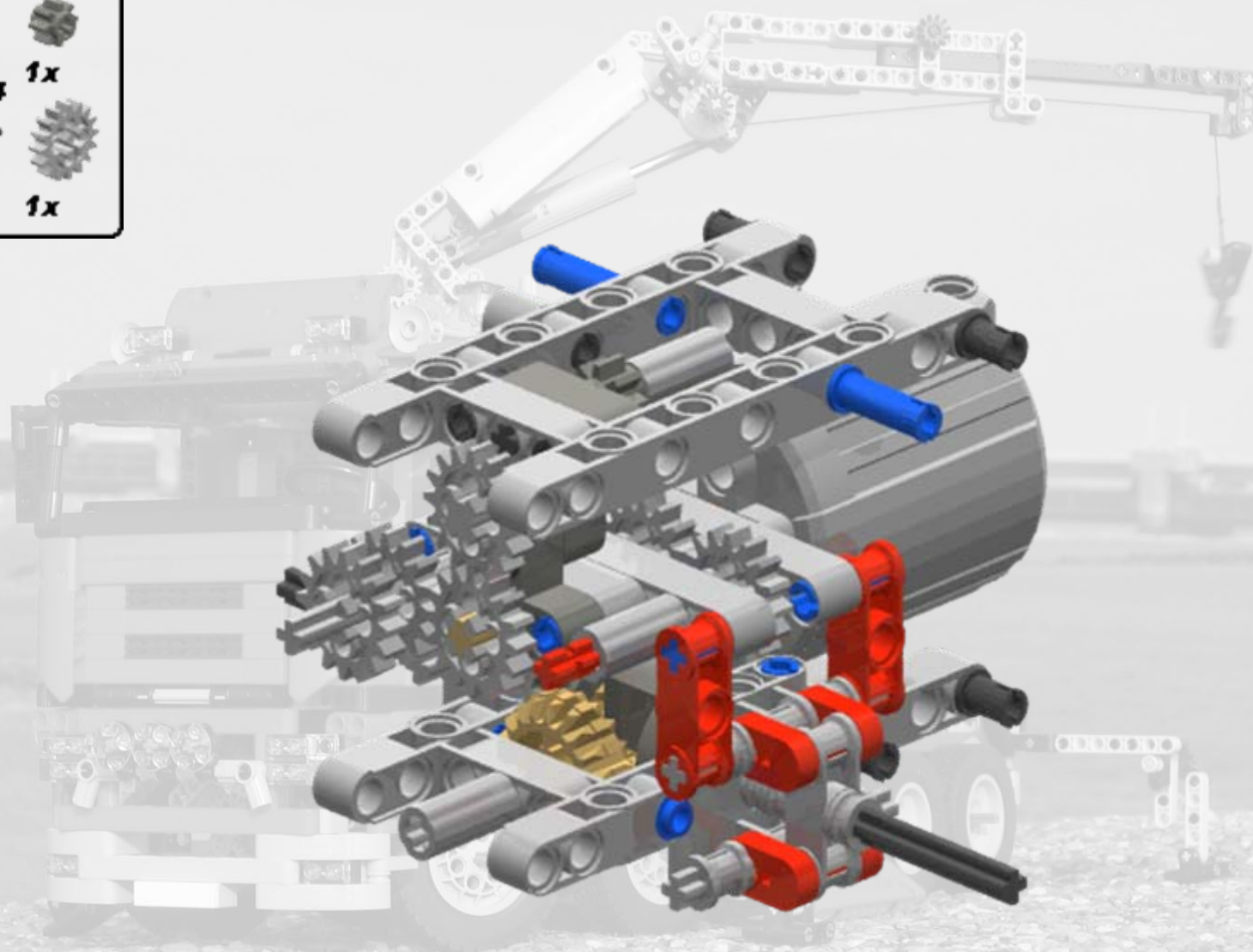
Step 13



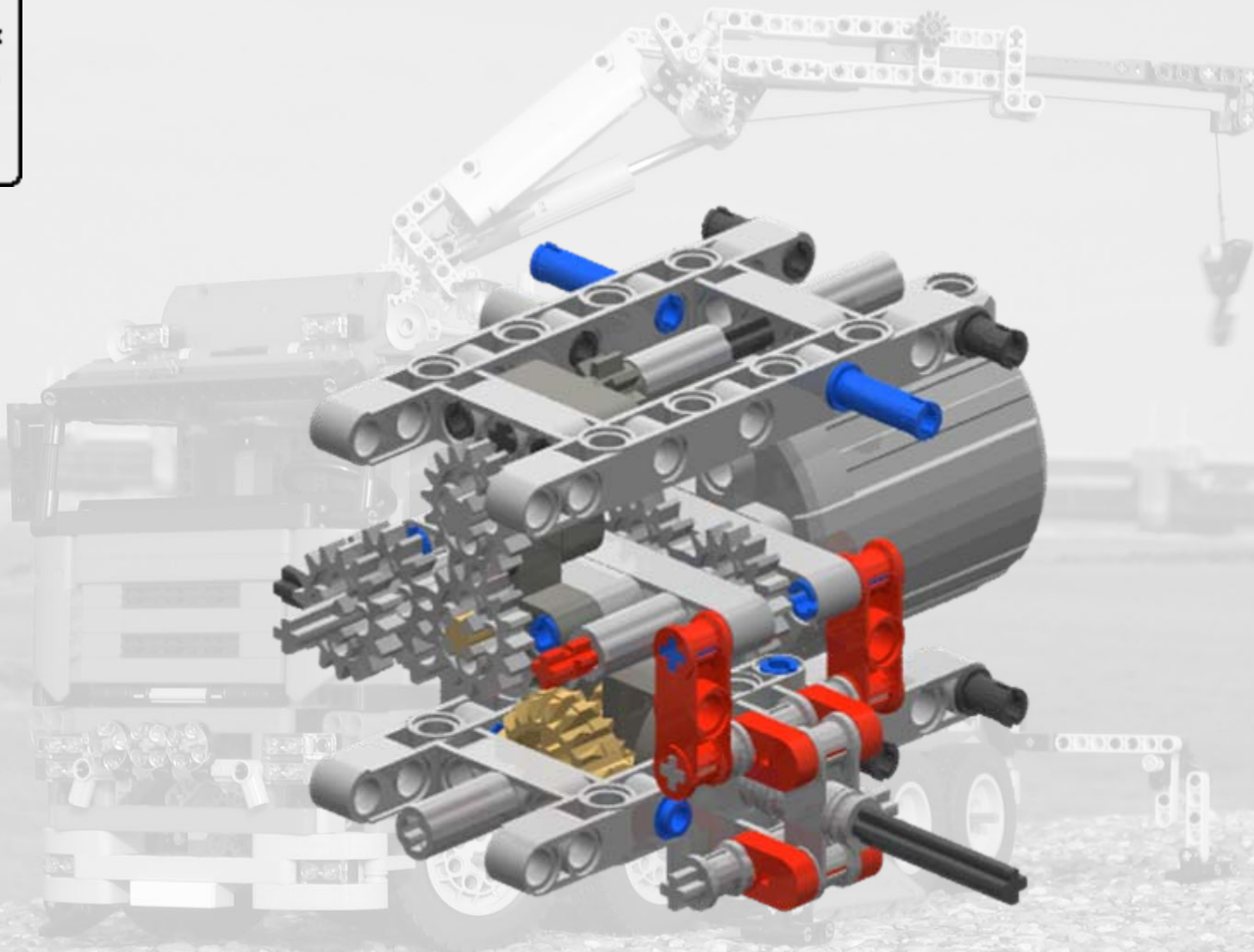
Step 14



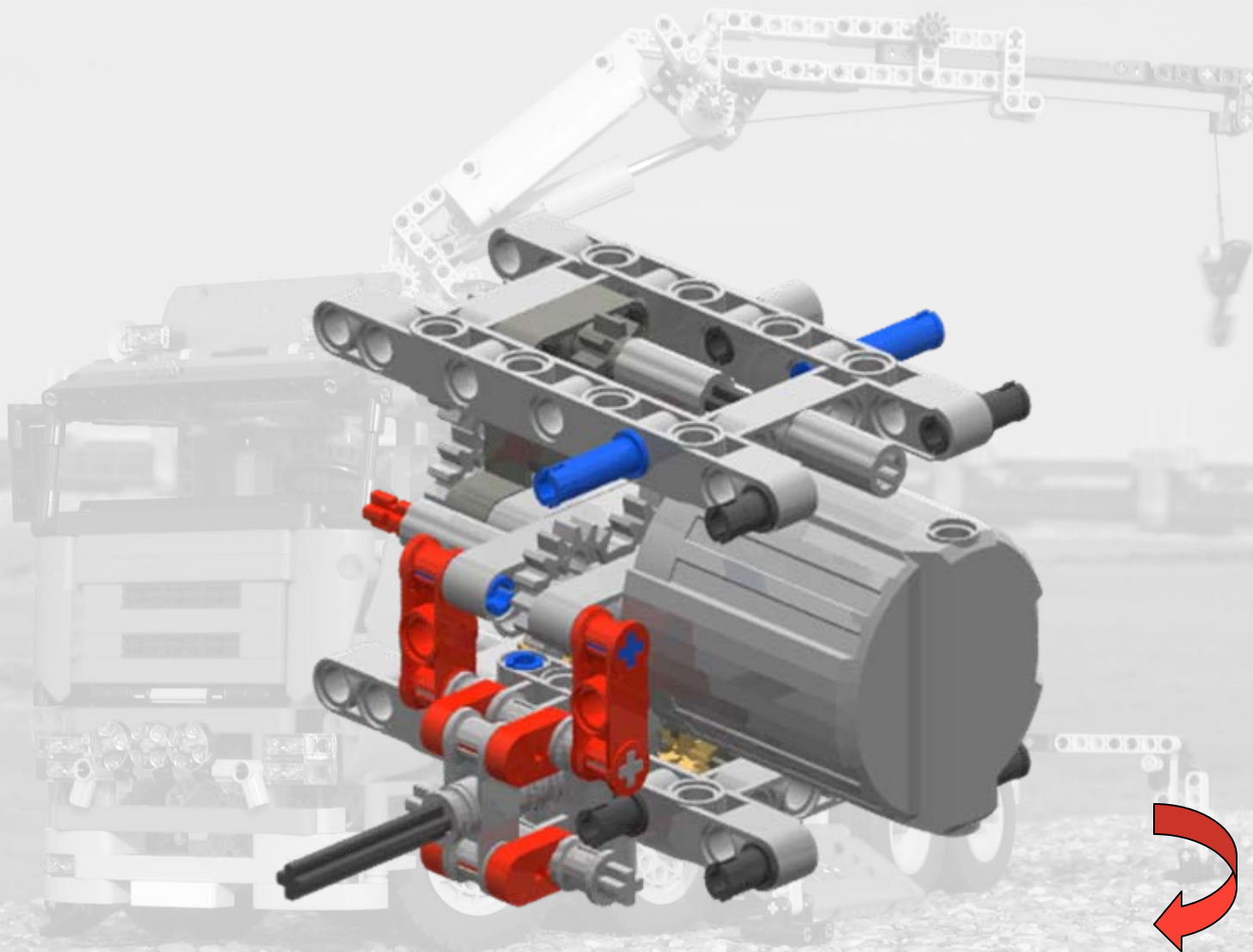
Step 15



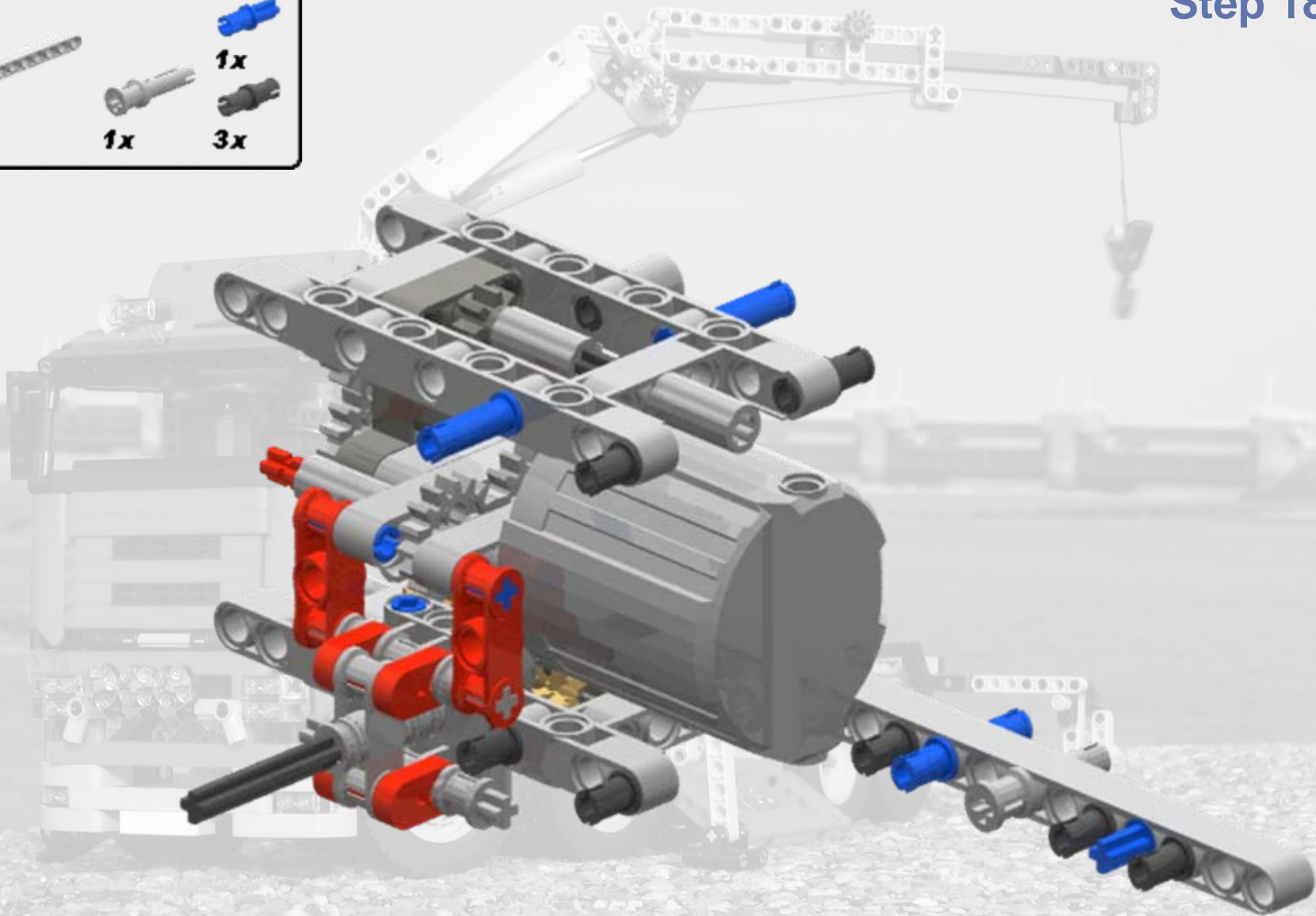
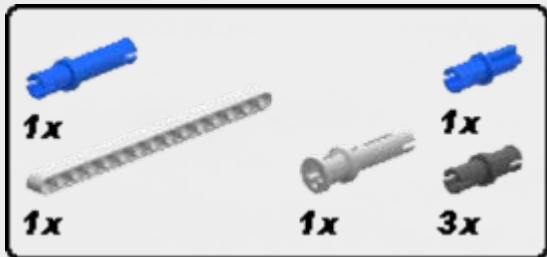
Step 16



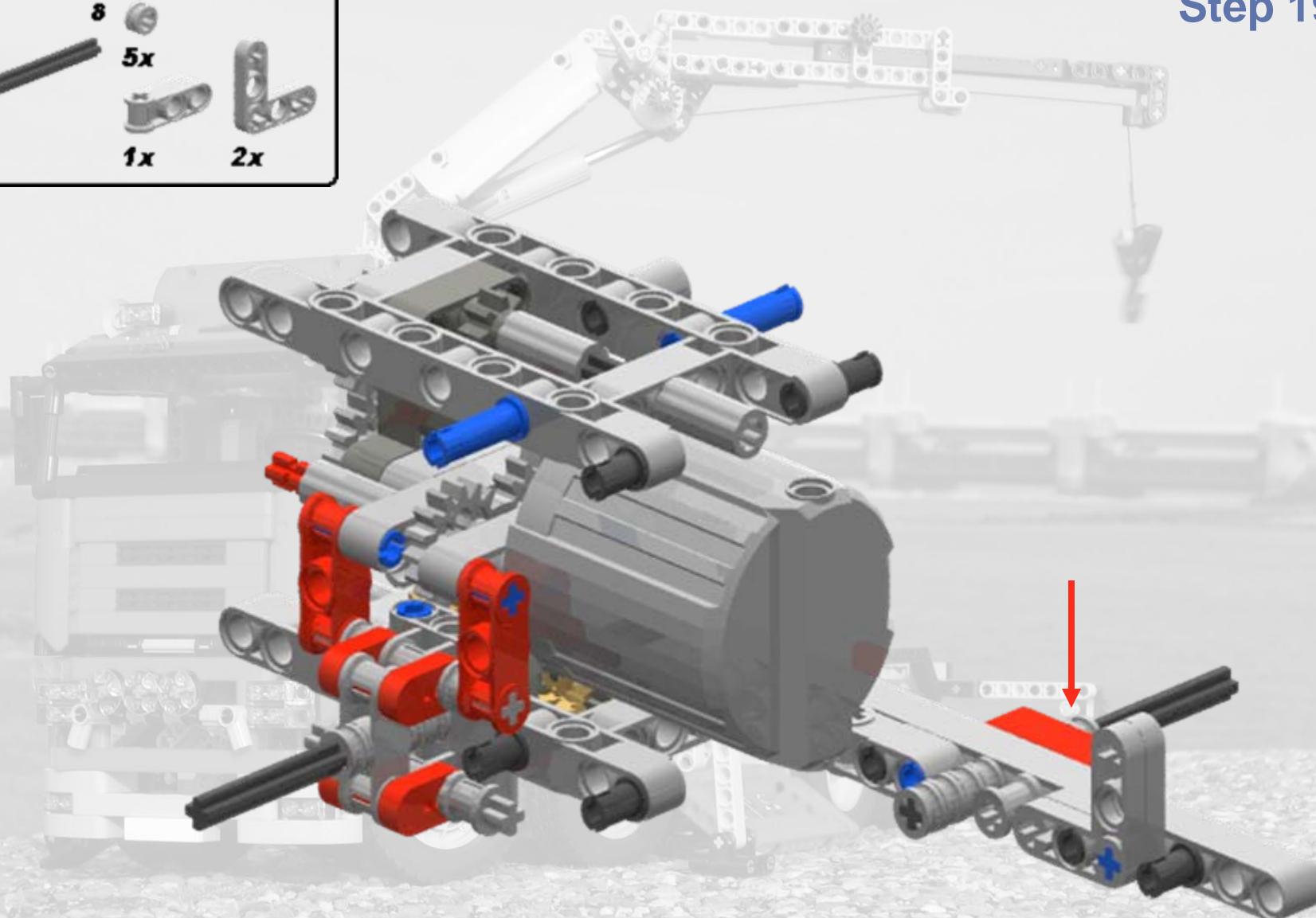
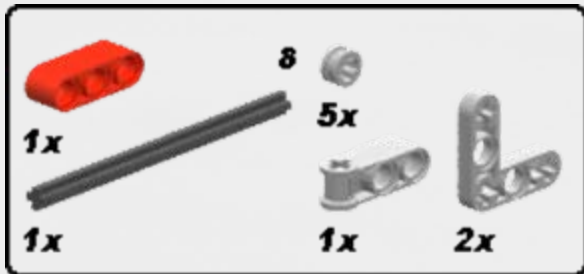
Step 17







Step 18

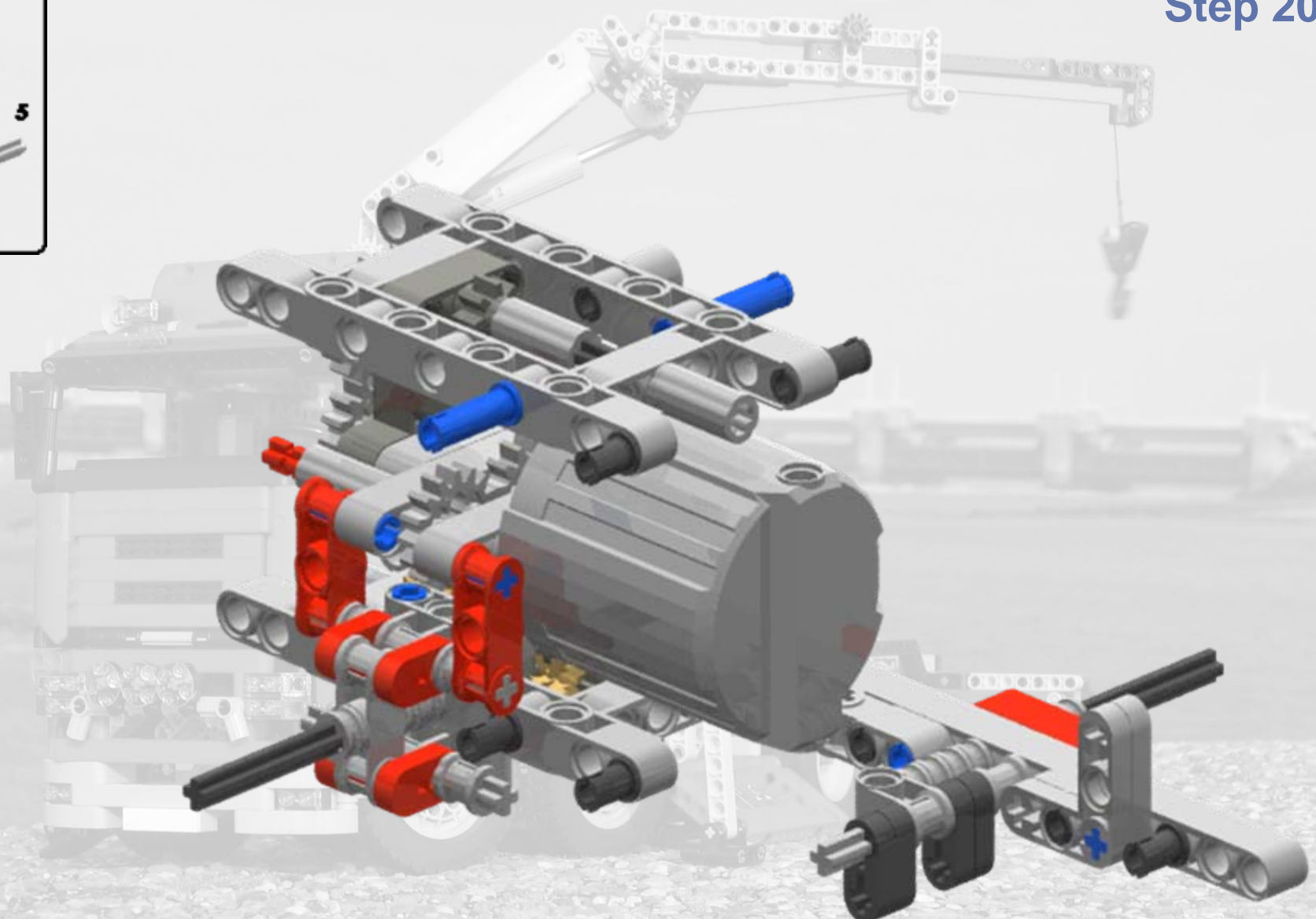


Step 19

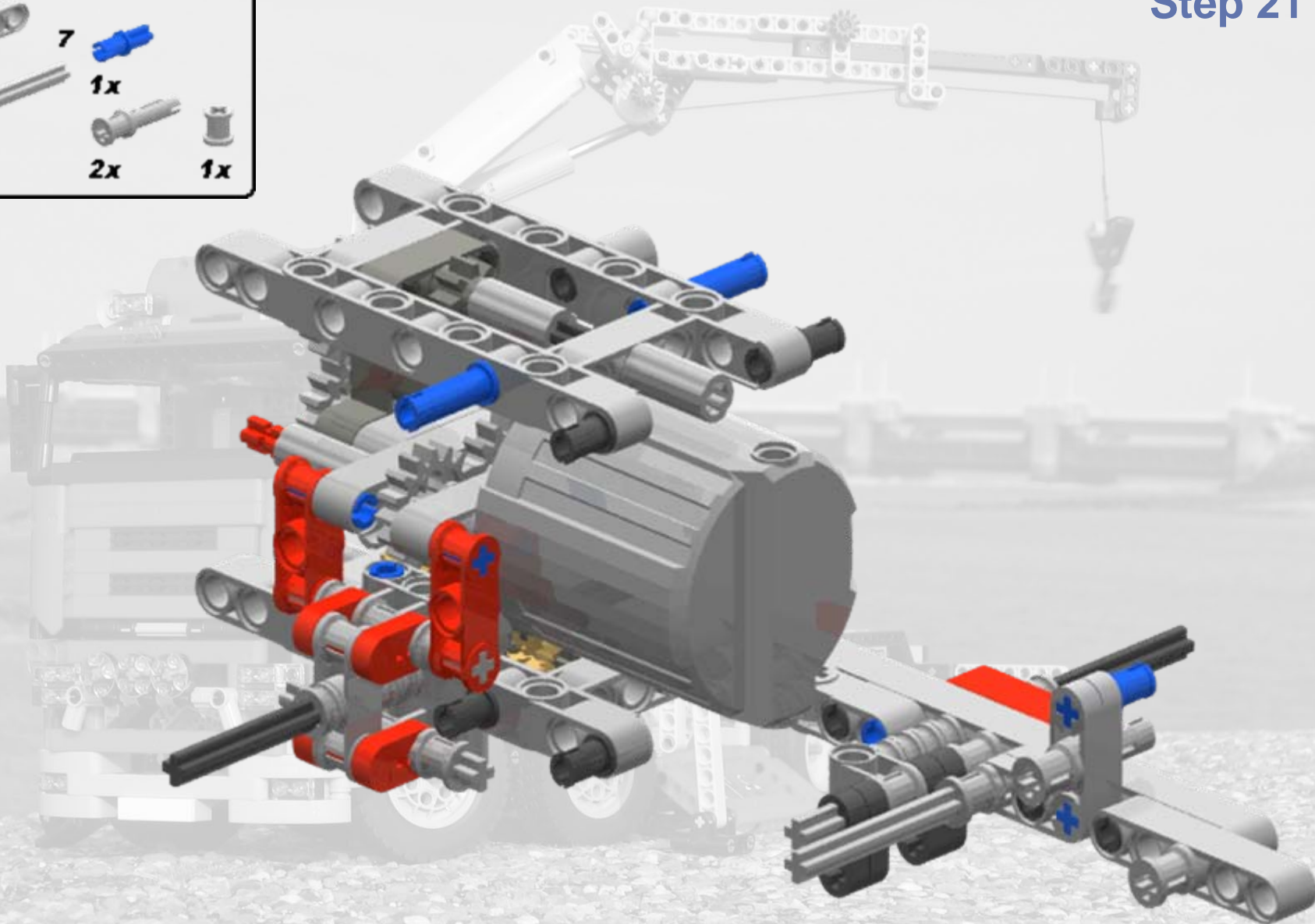
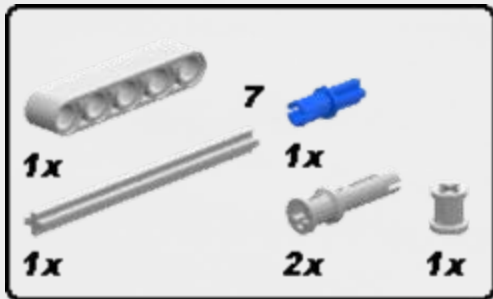


Step 20

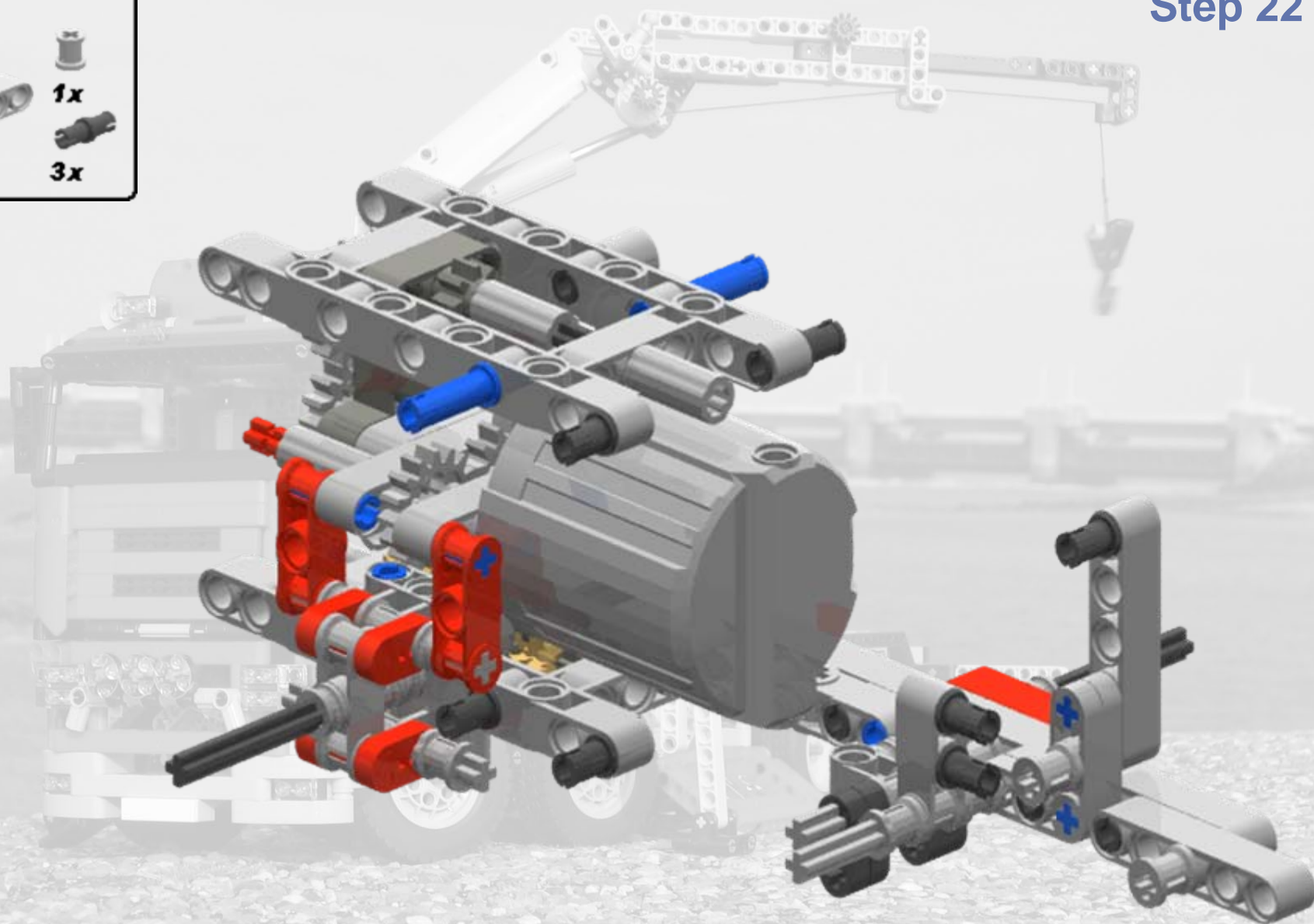
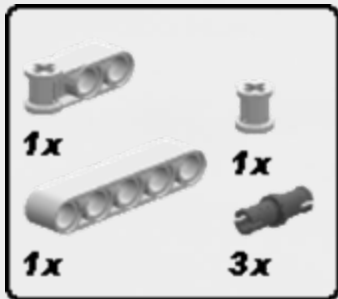
- 4x 
- 5 
- 1x 
- 1x 



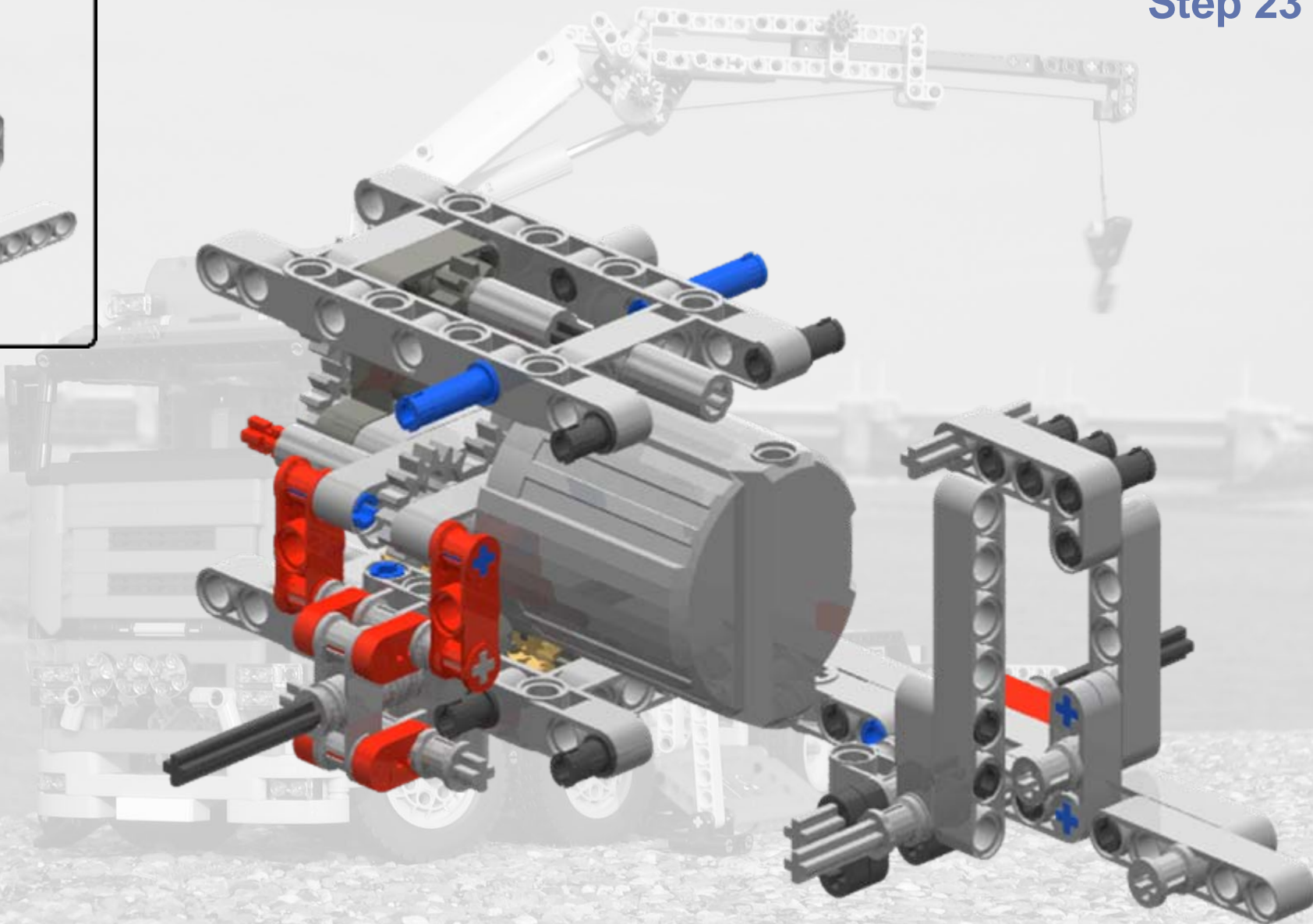
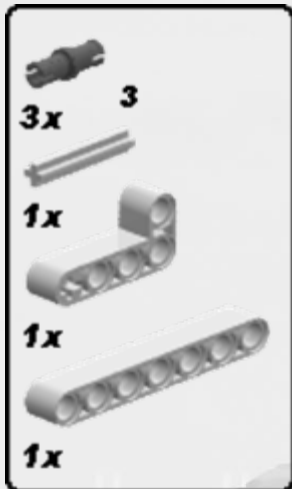
Step 21



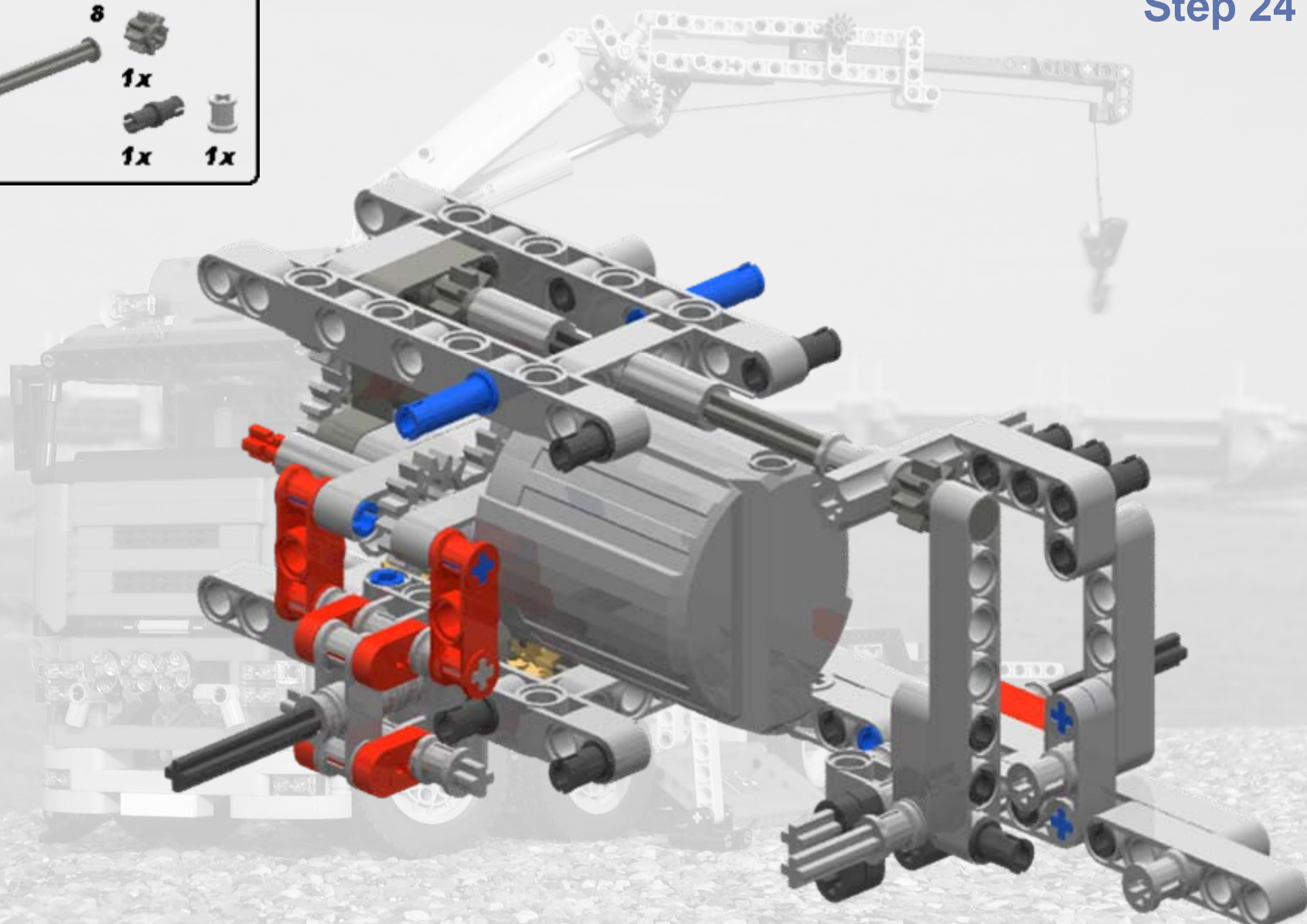
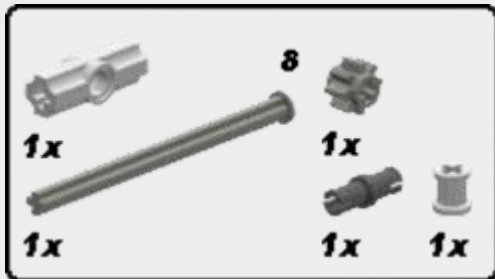
Step 22



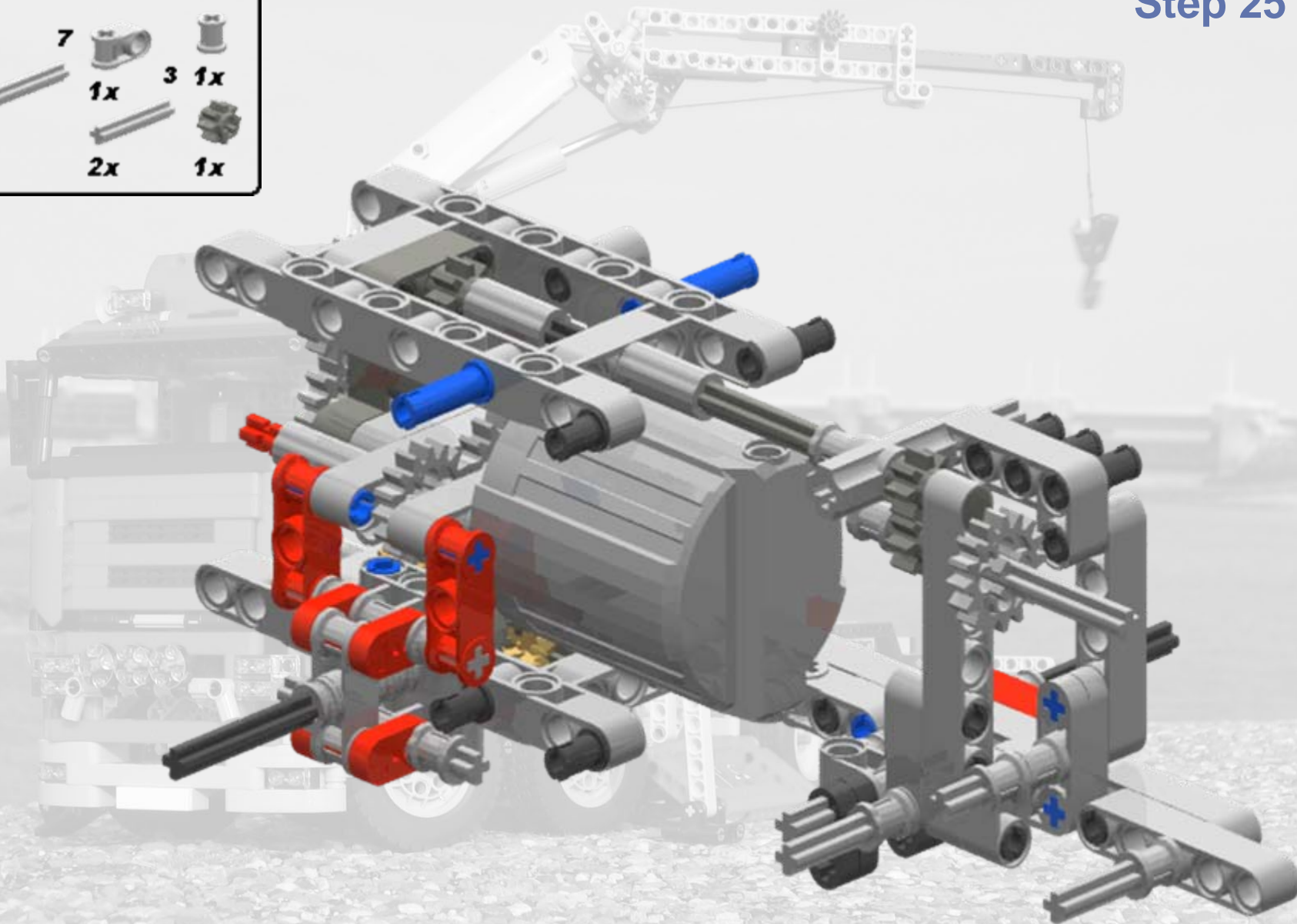
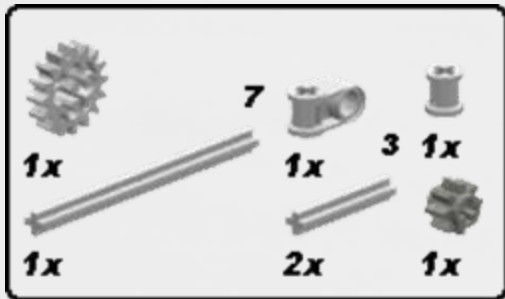
Step 23



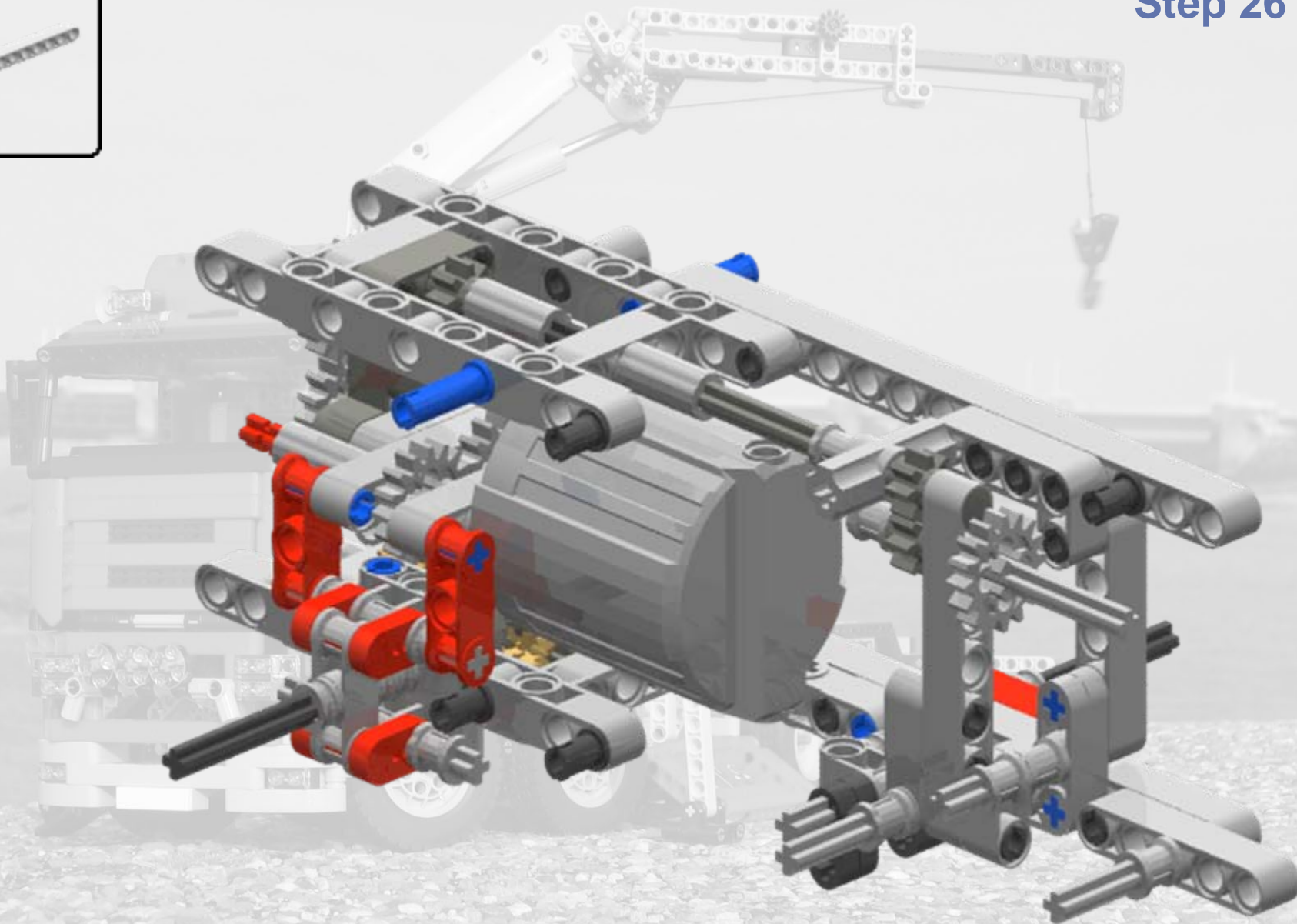
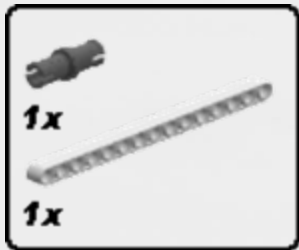
Step 24



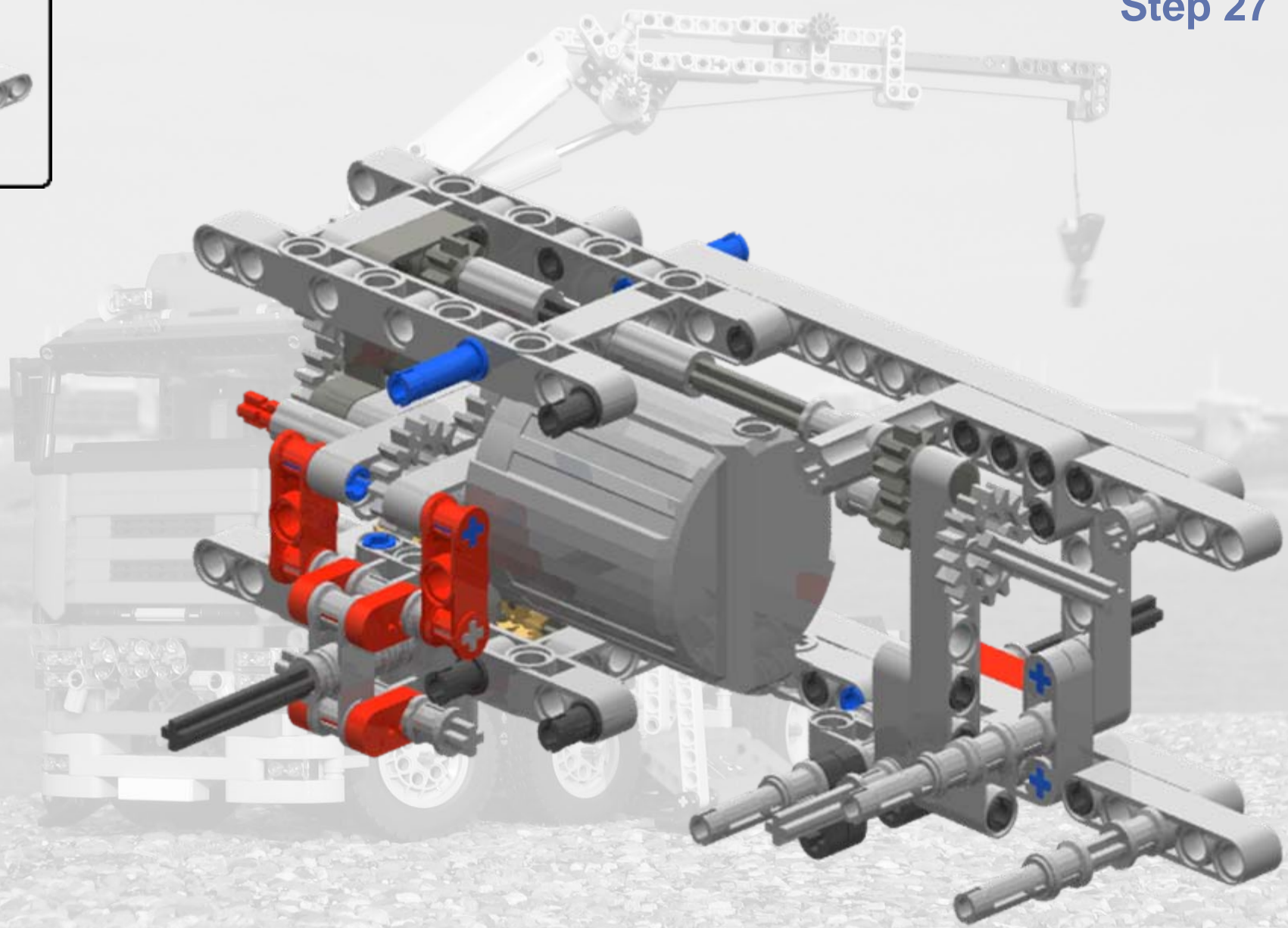
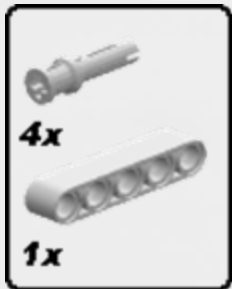
Step 25



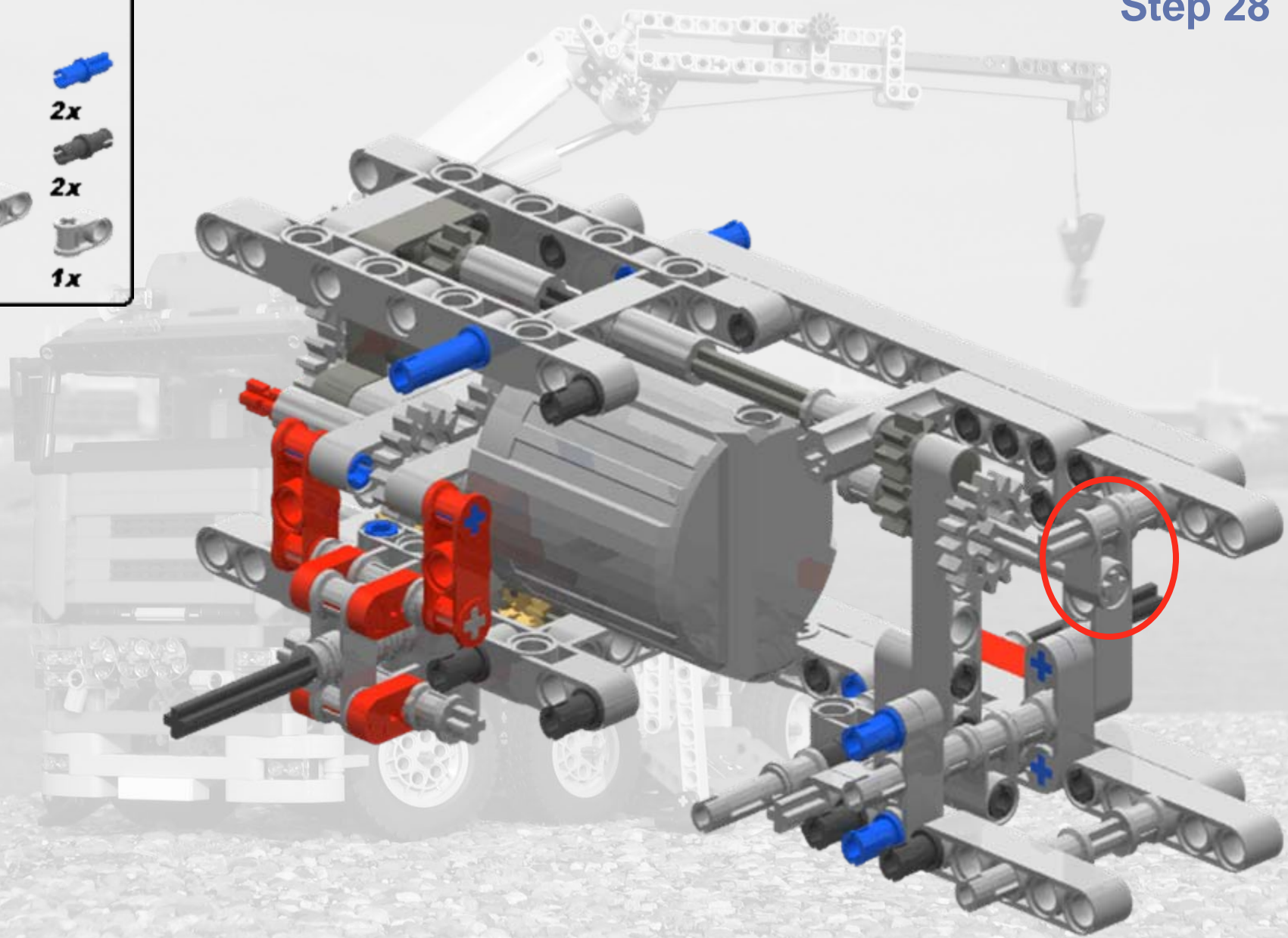
Step 26







Step 27

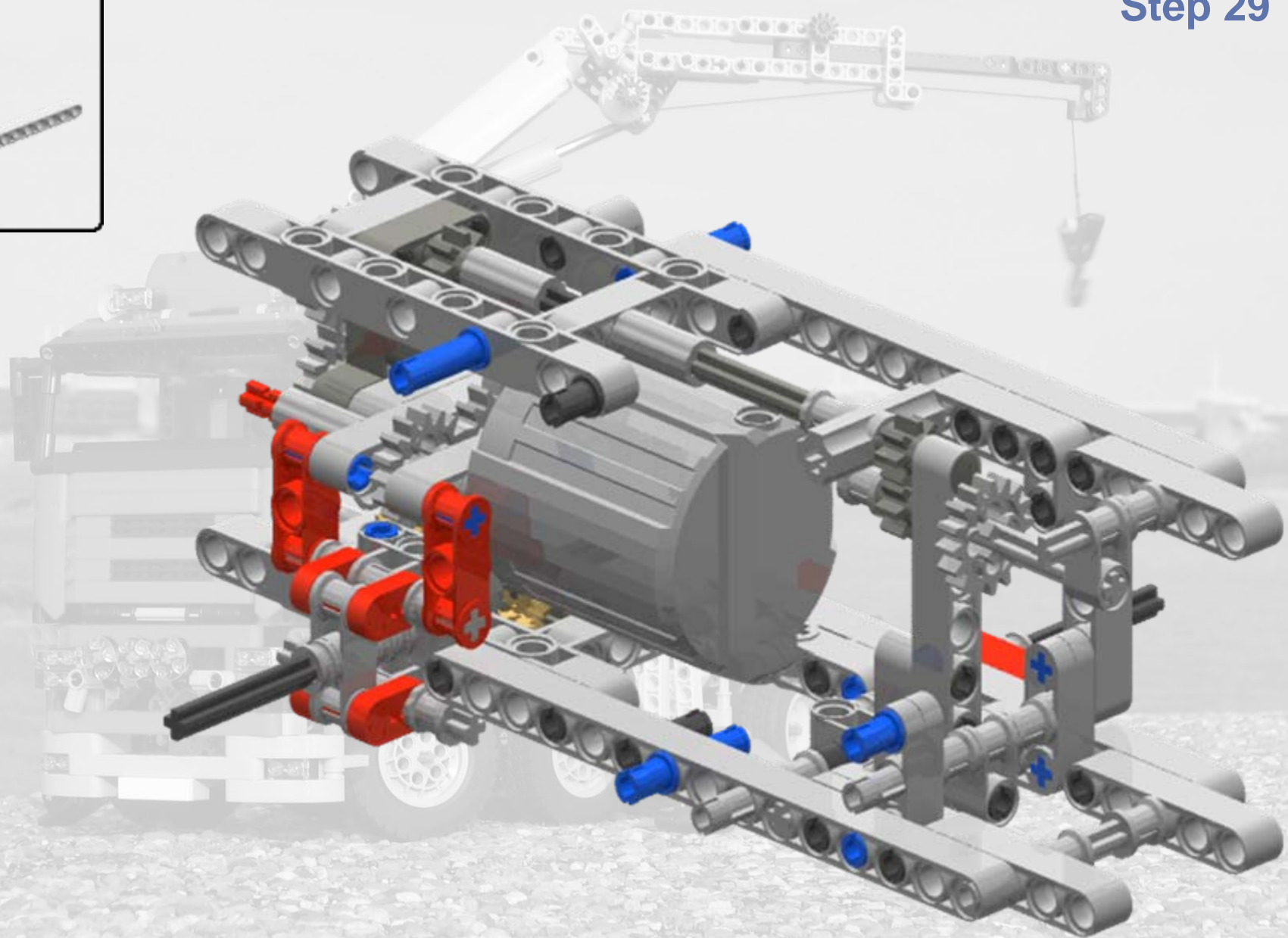


Step 28

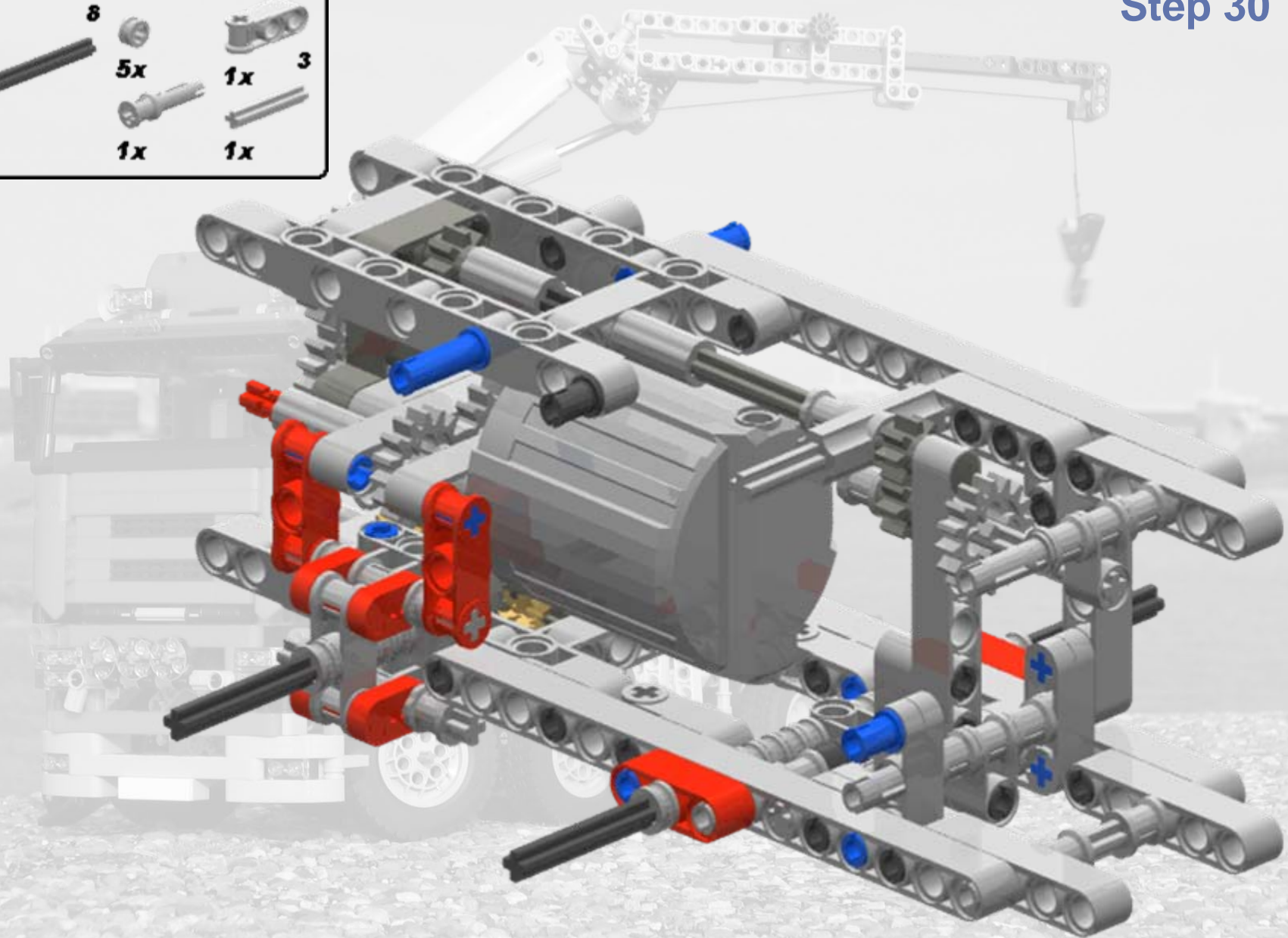
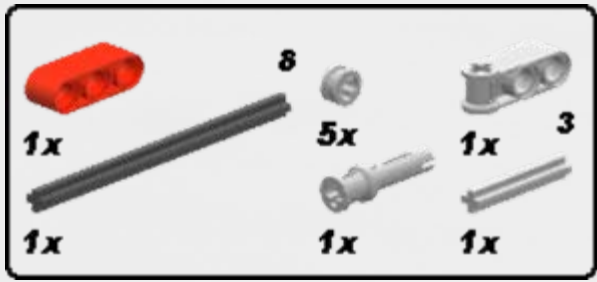


Step 29

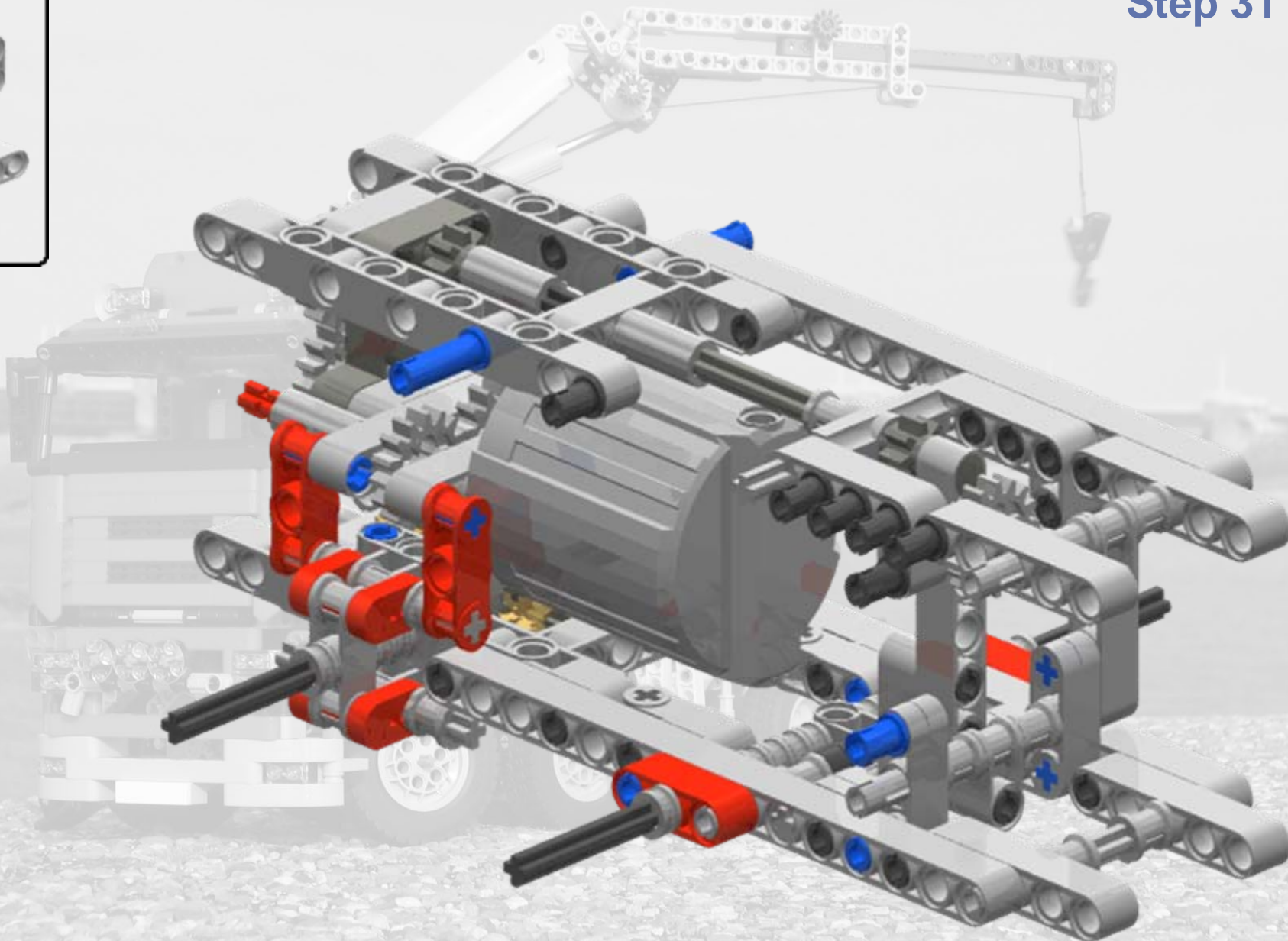
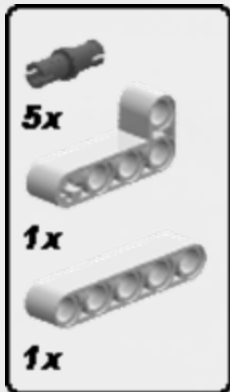
-  1x
-  1x
-  1x
-  1x



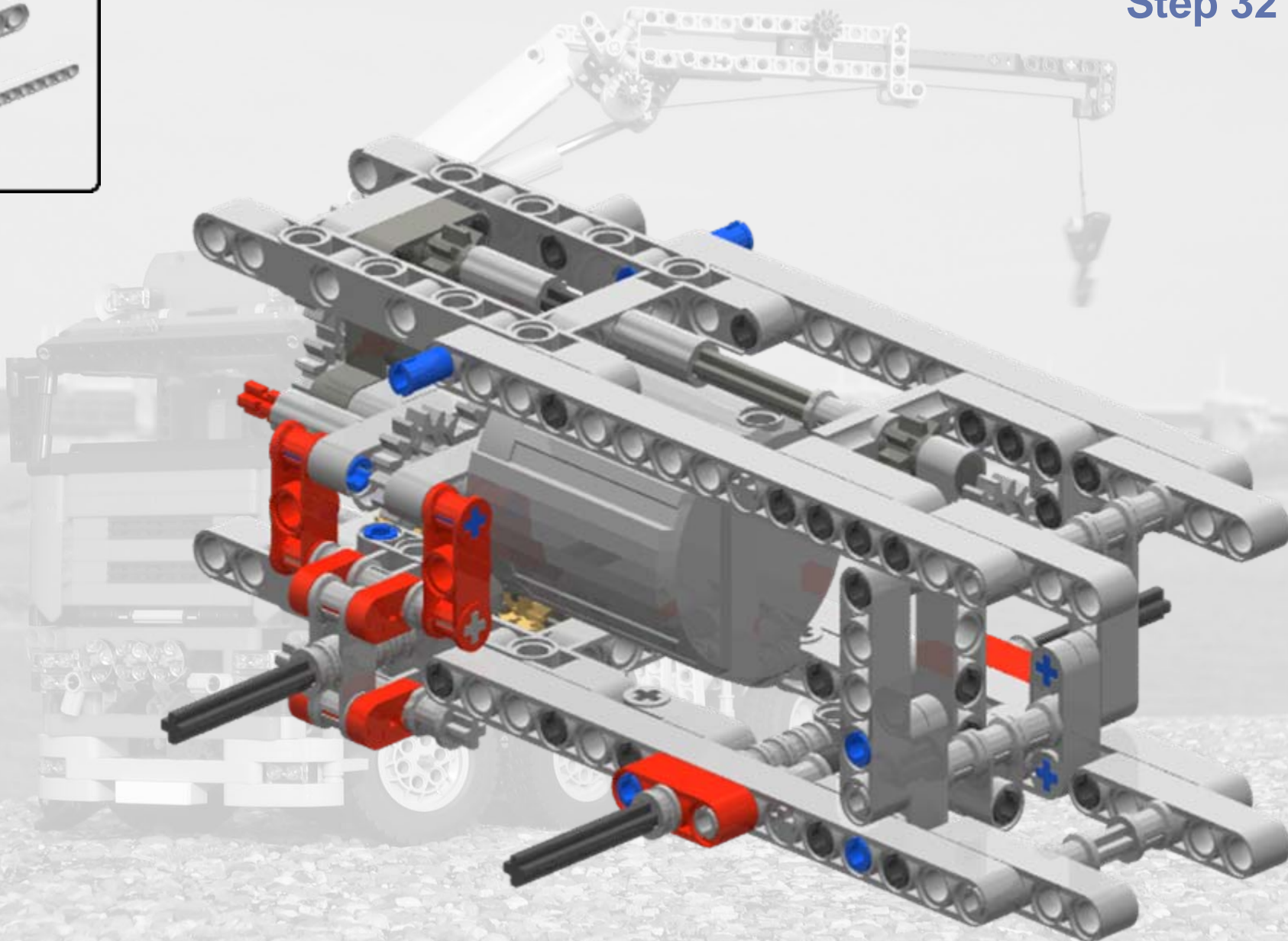
Step 30



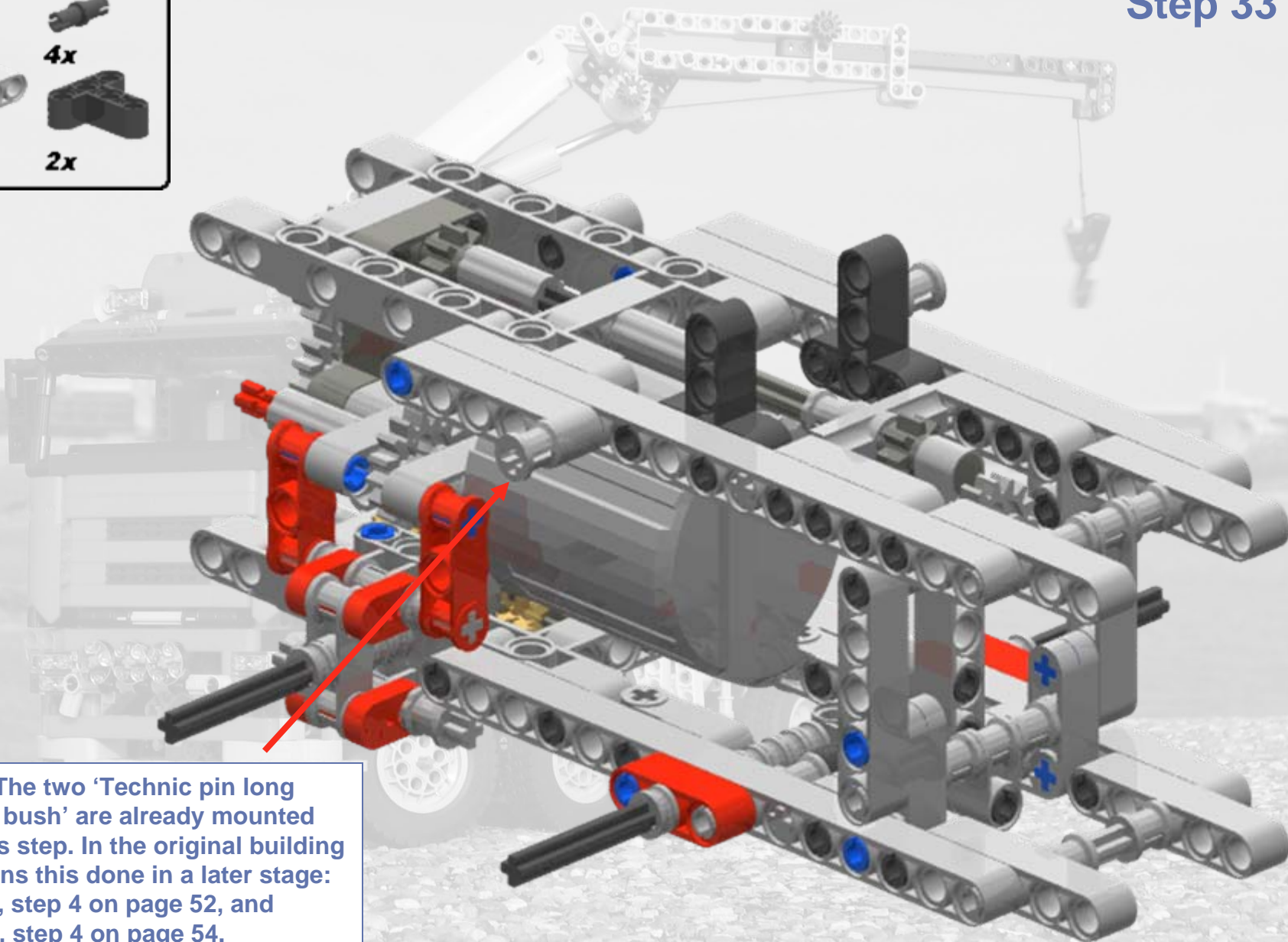
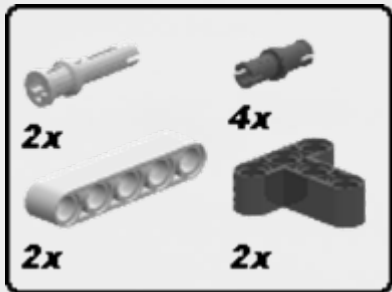
Step 31



Step 32



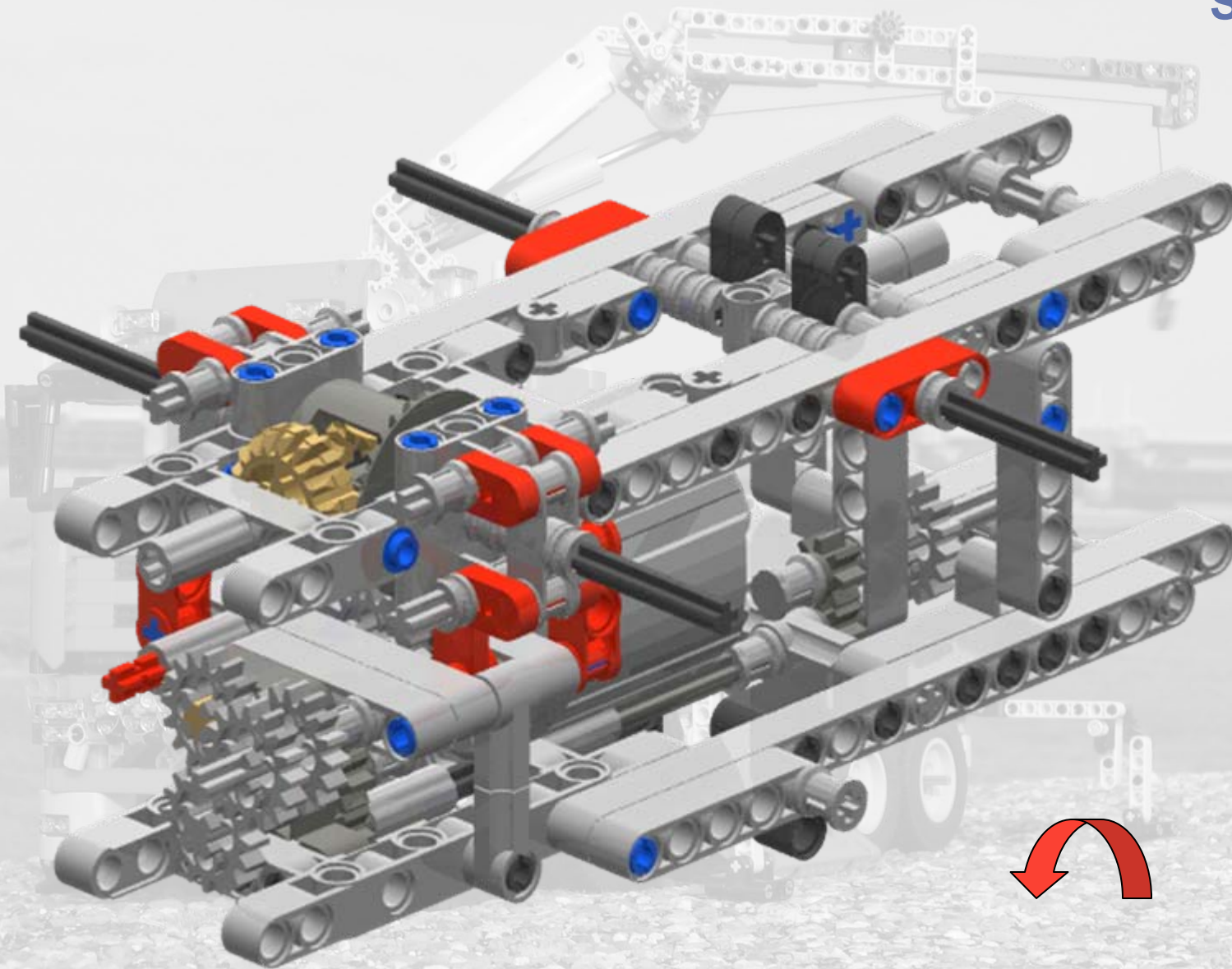
Step 33



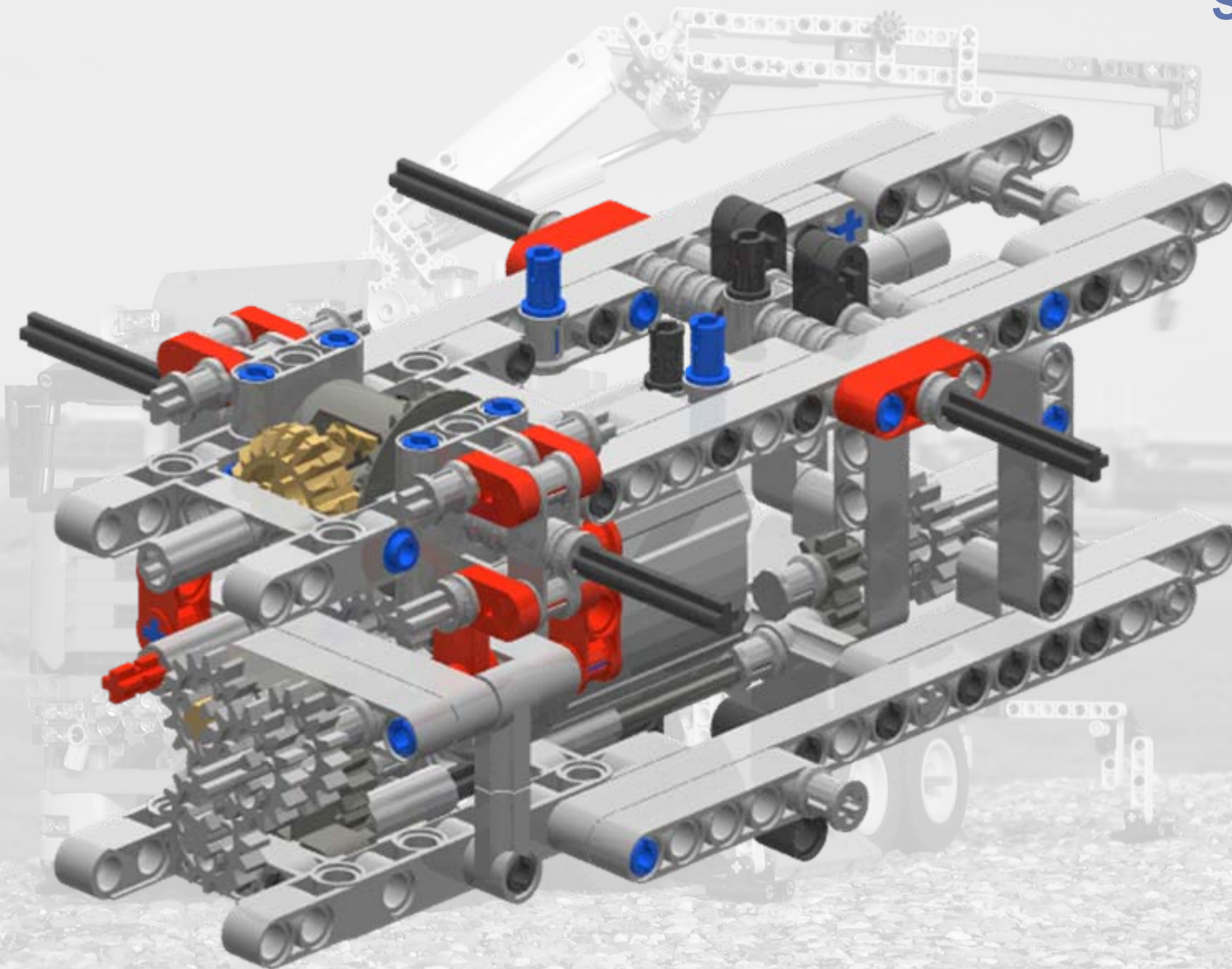
Remark: The two 'Technic pin long with stop bush' are already mounted within this step. In the original building instructions this done in a later stage:
a) book-2, step 4 on page 52, and
b) book-2, step 4 on page 54.



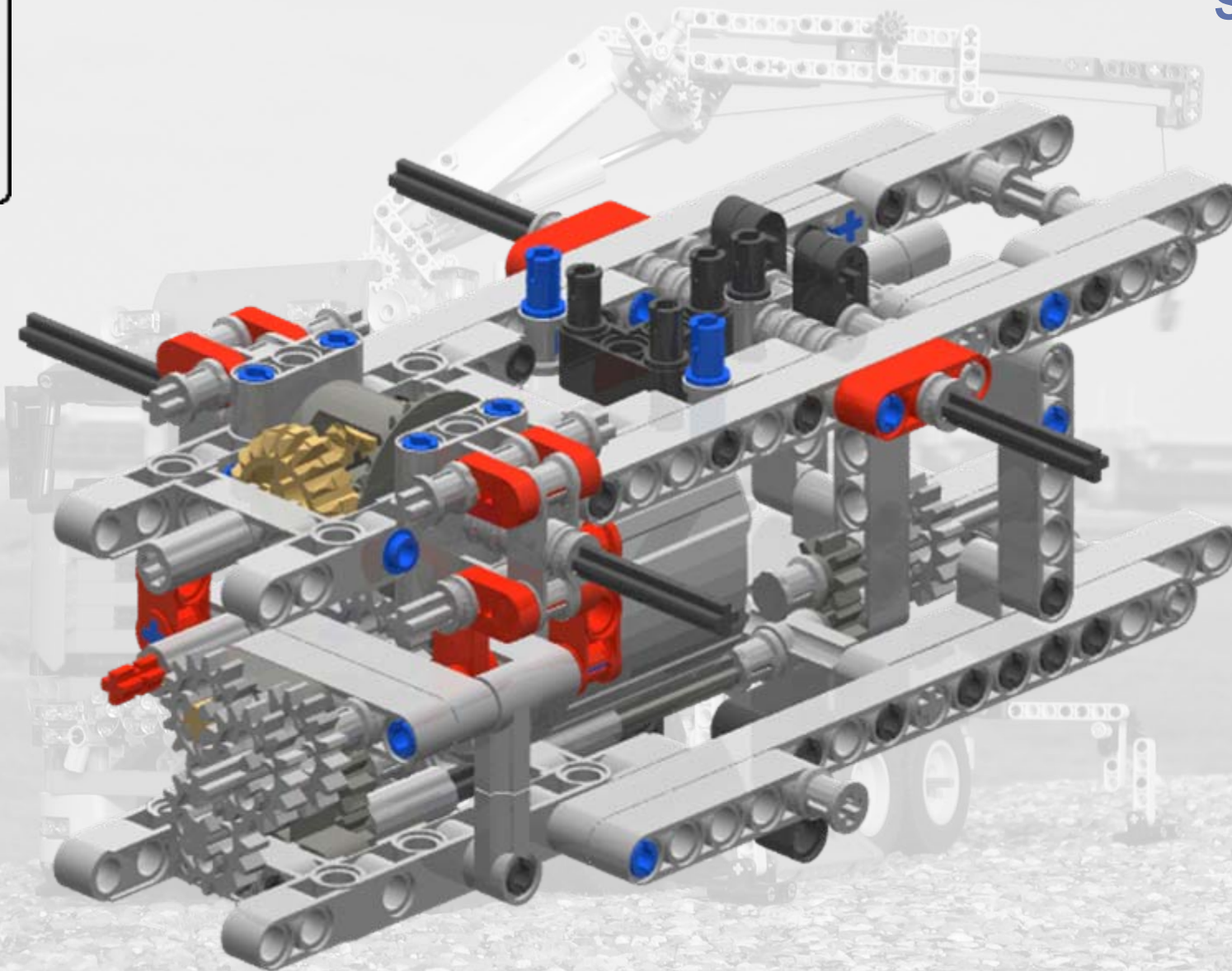
Step 34



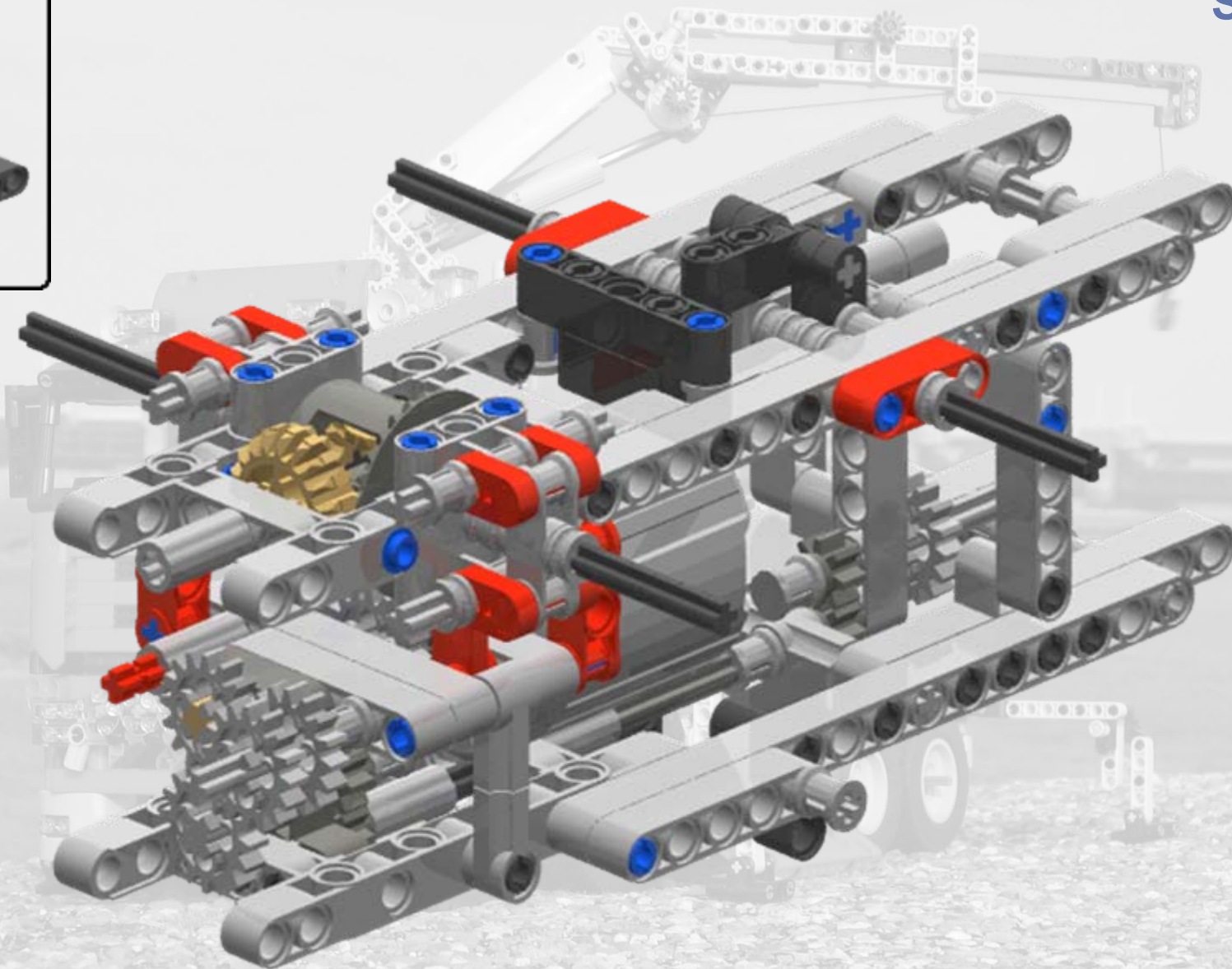
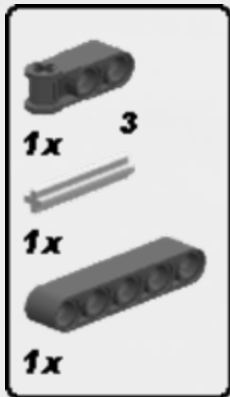
Step 35



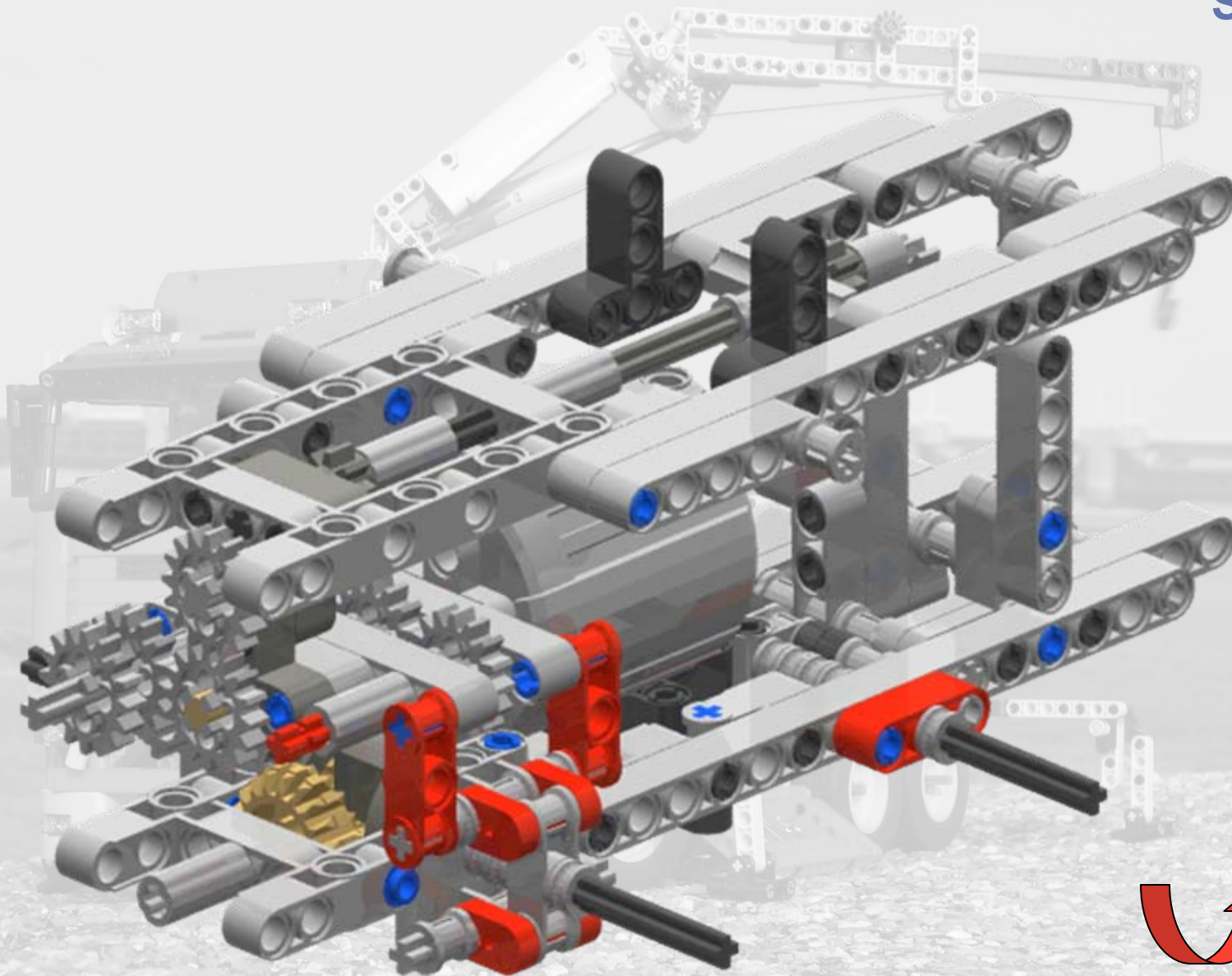
Step 36



Step 37



Step 38



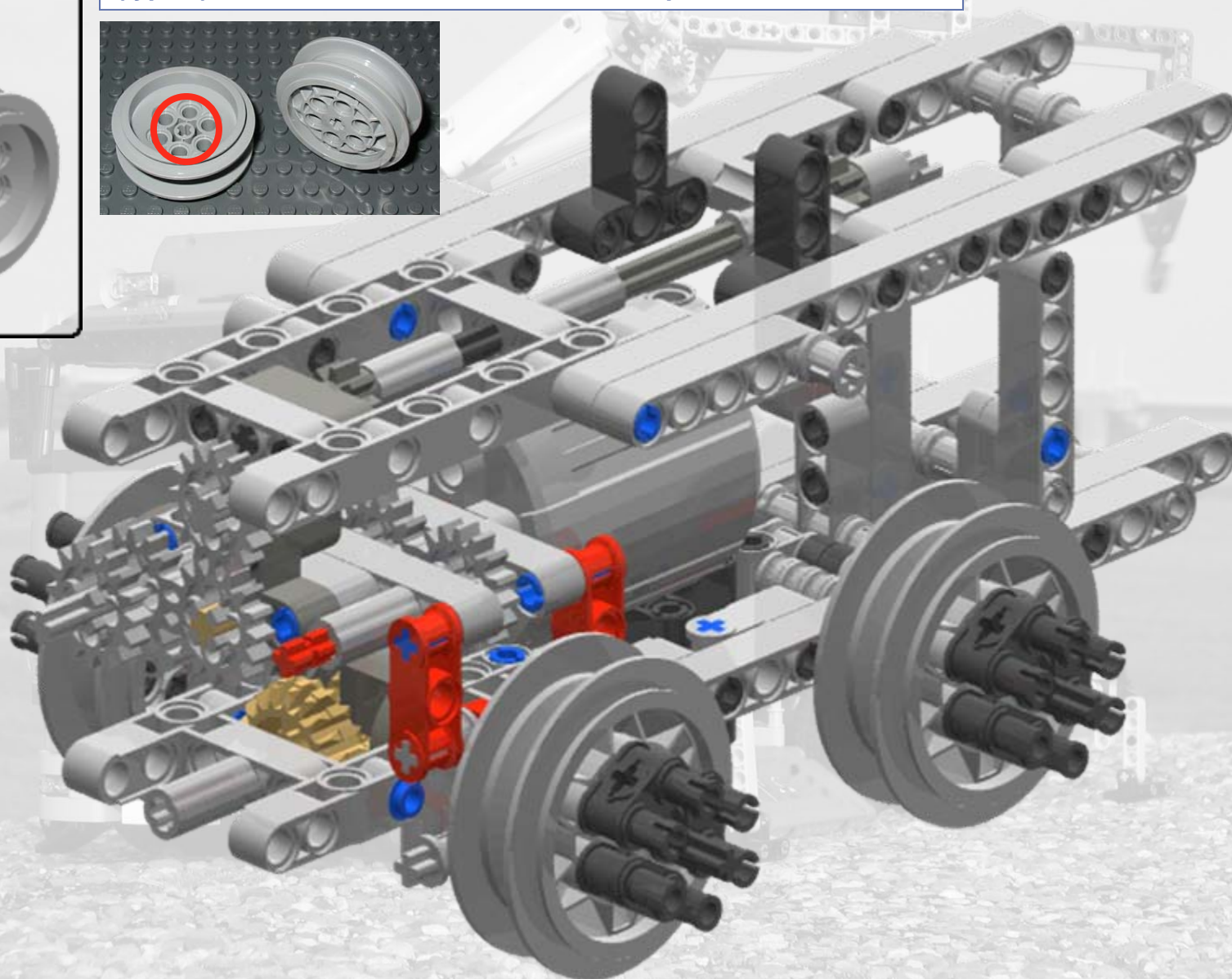
Step 39

Important: This Crane Truck set uses a **NEW** wheel 62.4 x 20 S (type 2) with short axle-hole ! Within this step, use the **new** wheel !

12x

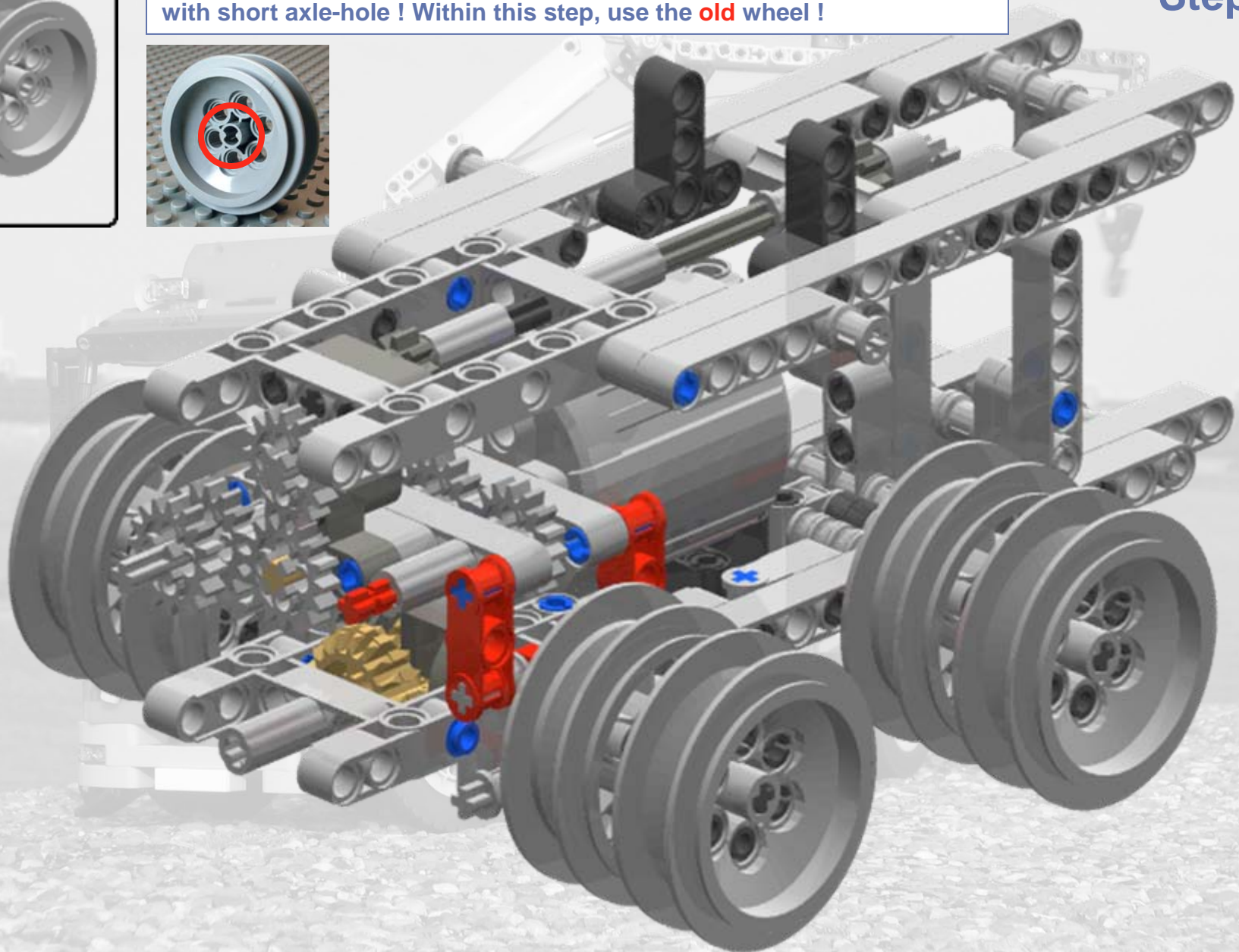


4x



Step 40

Important: This Crane Truck set uses a **NEW** wheel 62.4 x 20 S (type 2) with short axle-hole ! Within this step, use the **old** wheel !



Last step 41

