

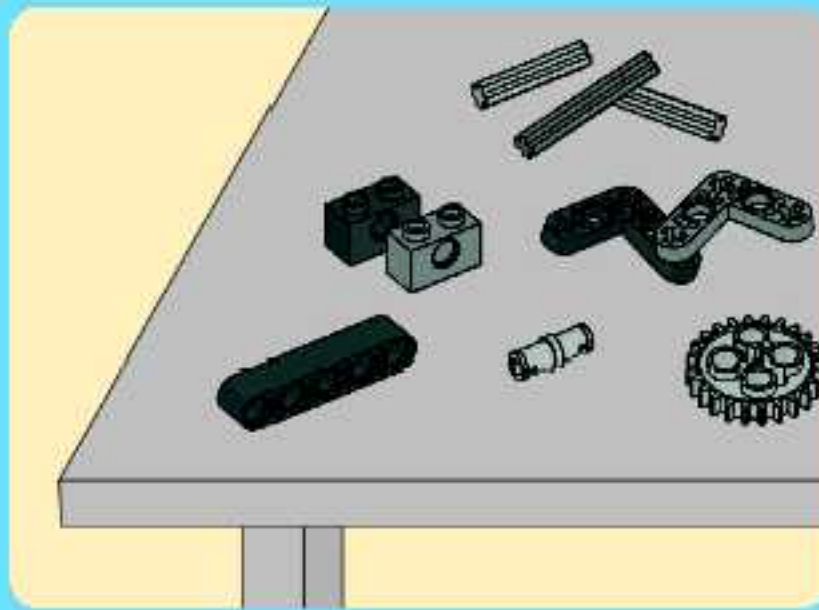


TECHNIC

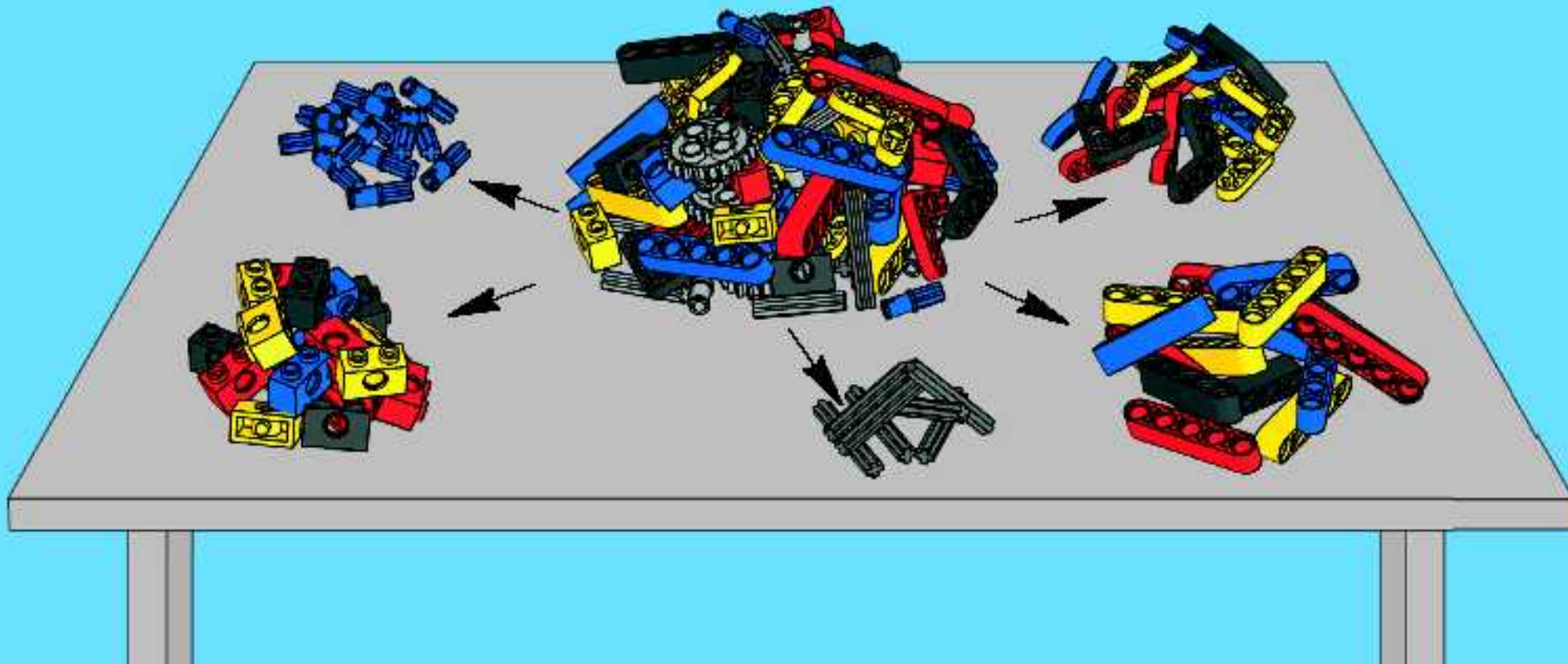
8045



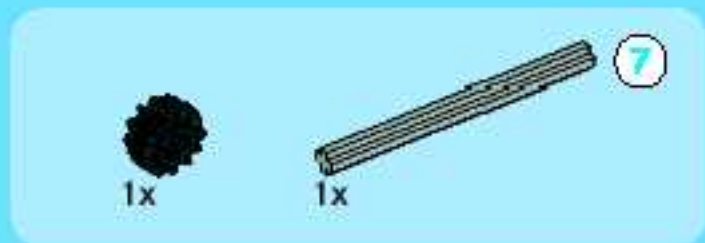
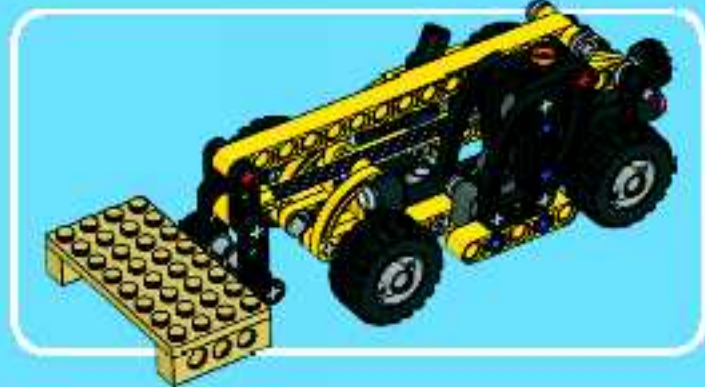
1



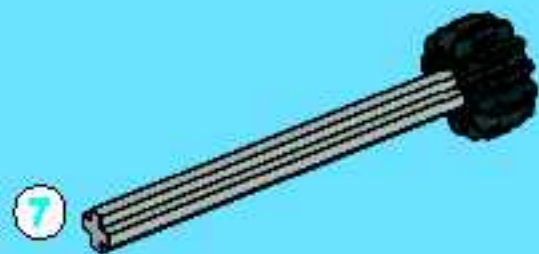
2



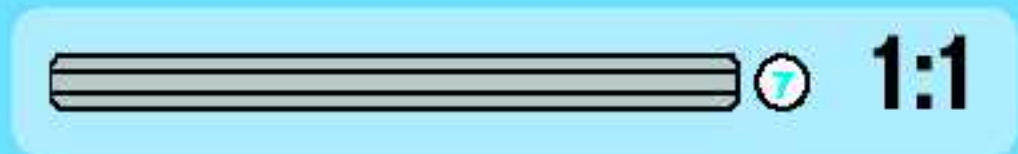
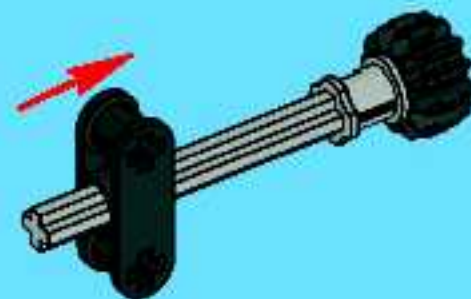
2



1



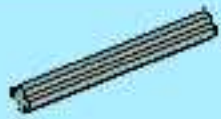
2



3



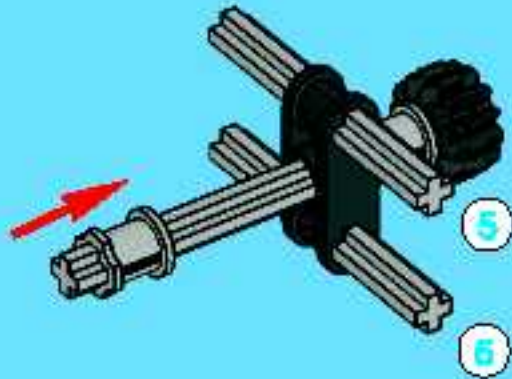
1x



2x

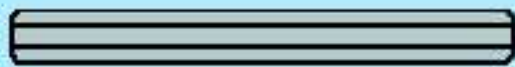
5

3



5

6



5

1:1

4

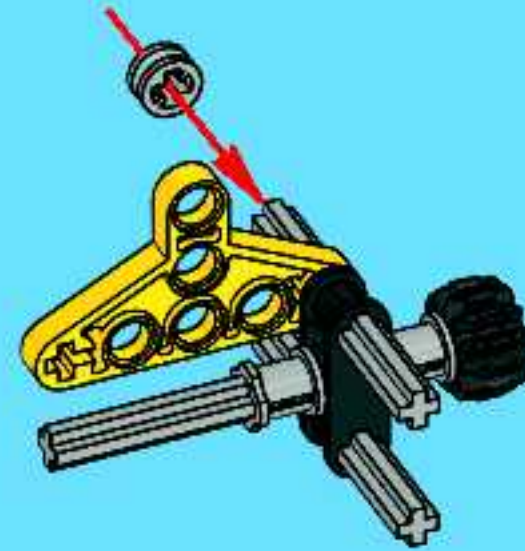


1x



1x

4

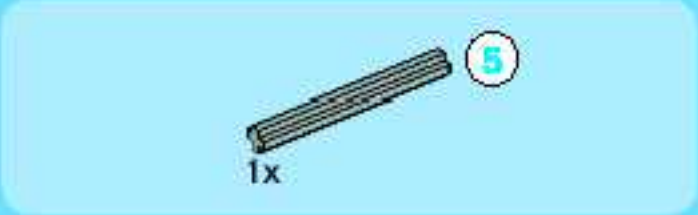
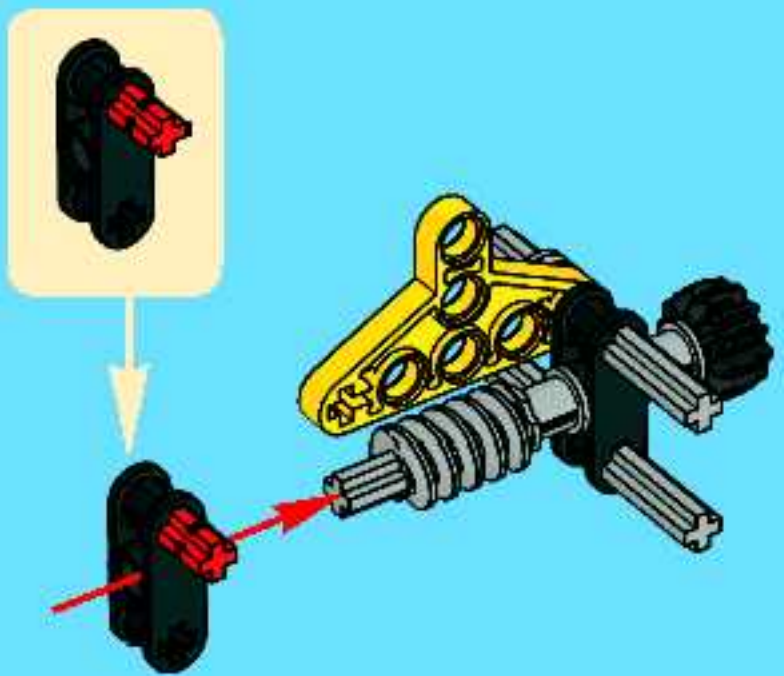


5

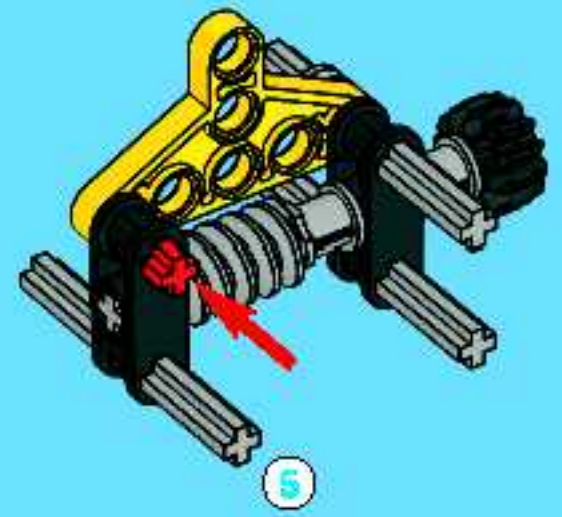
6

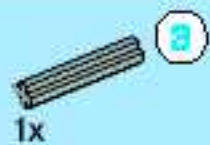


5

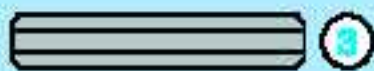
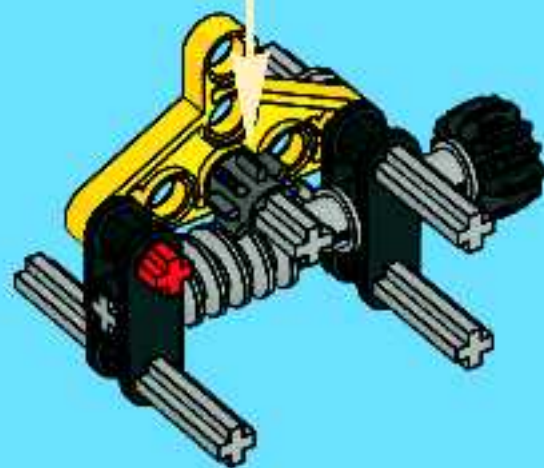


6





7

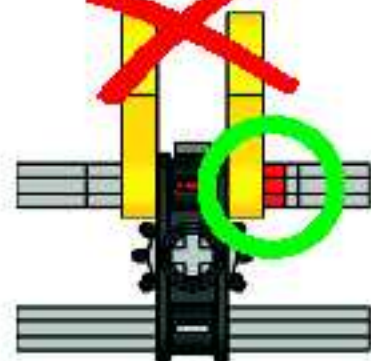
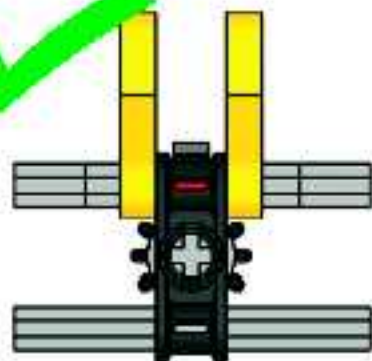
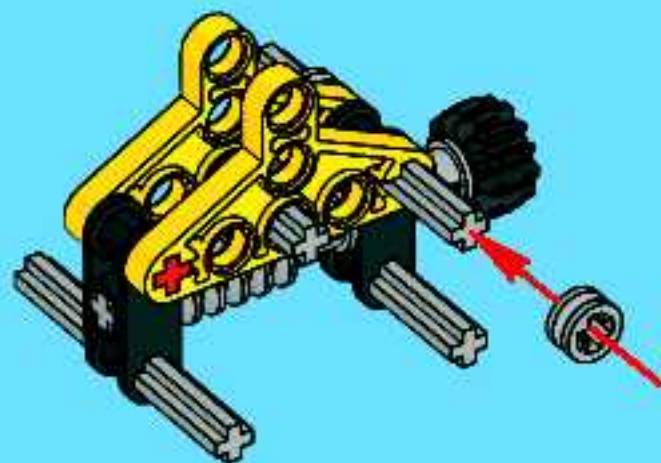


1:1

6

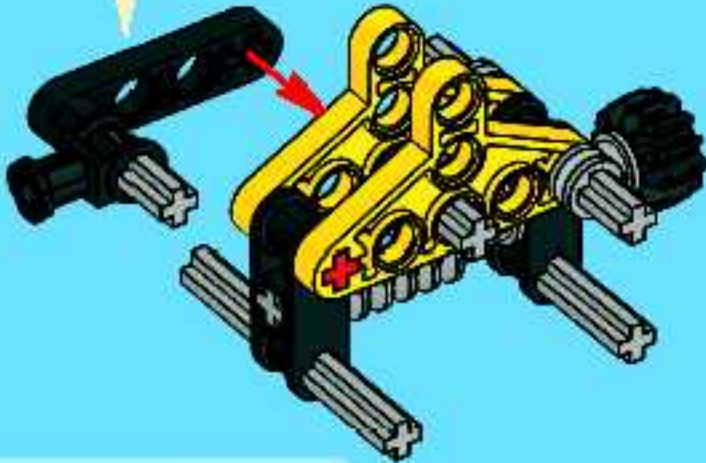
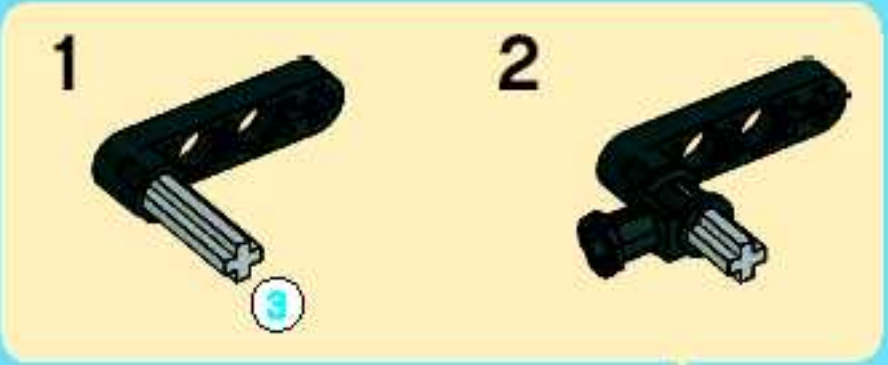


8

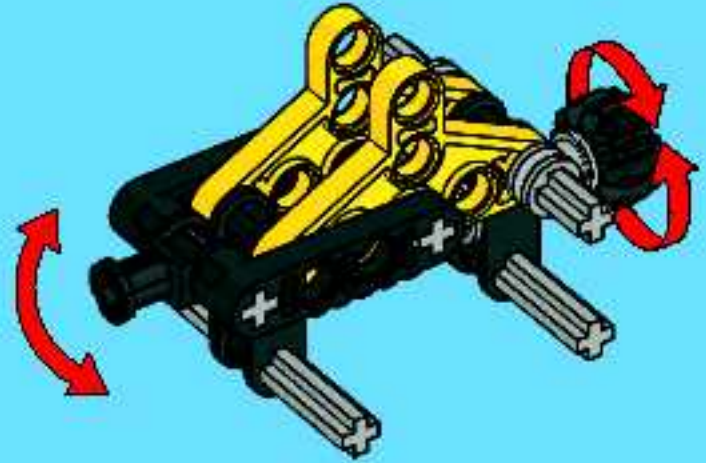


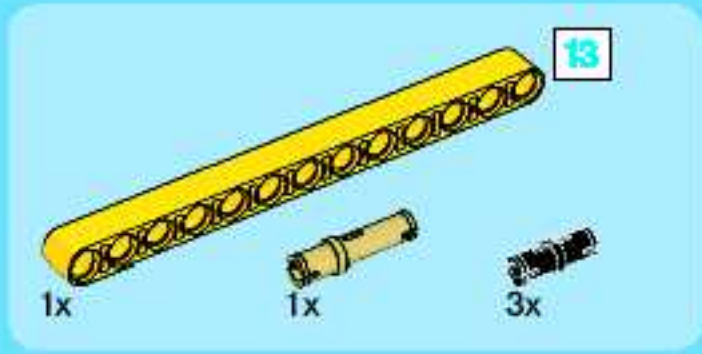


9

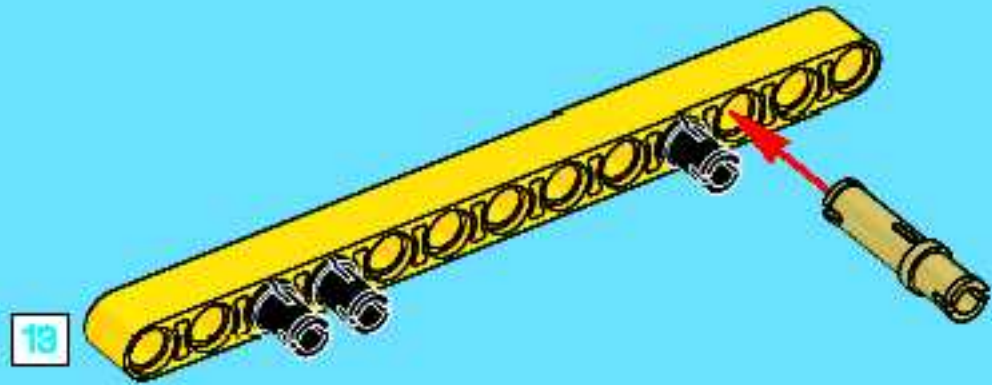


10

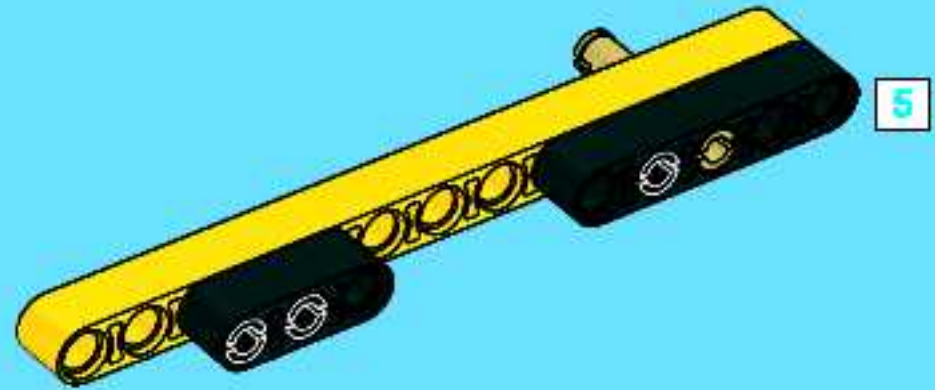




1



2



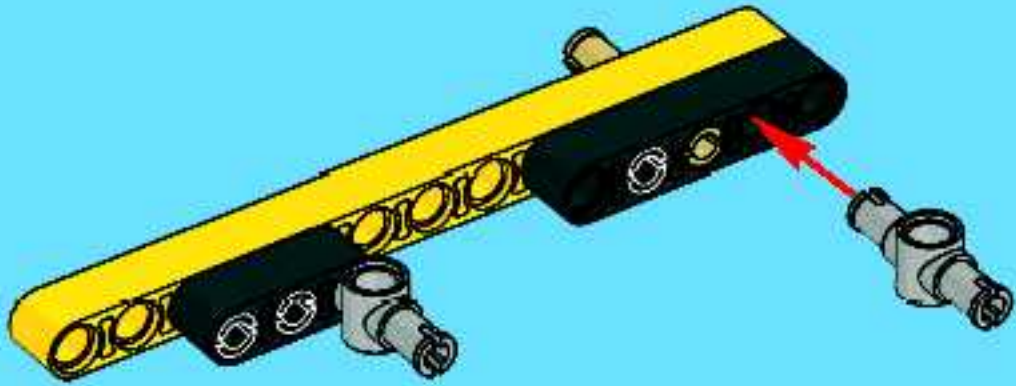
1:1



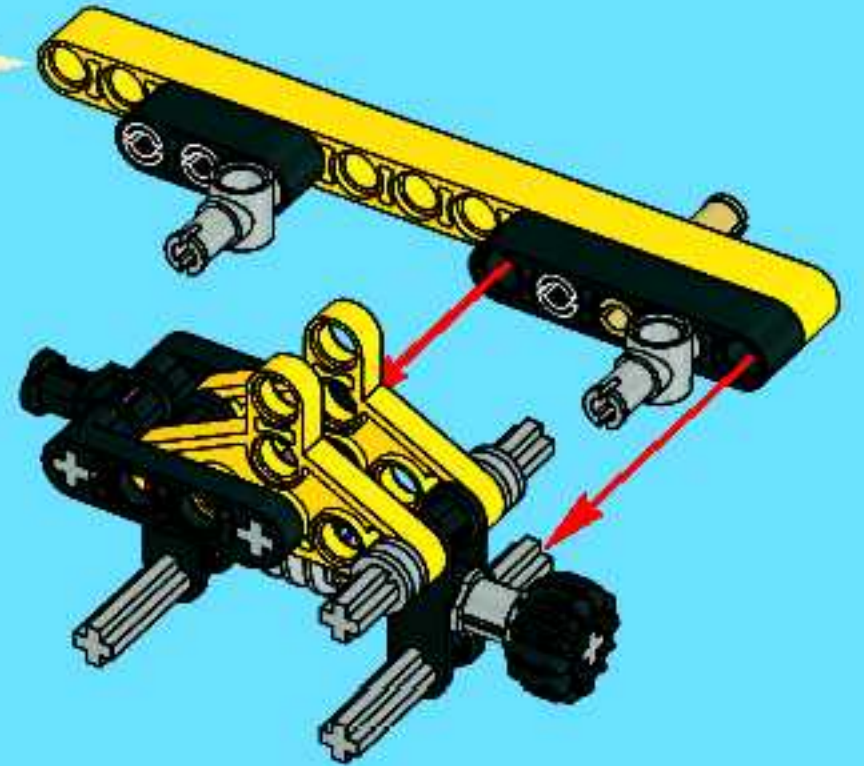


2x

3

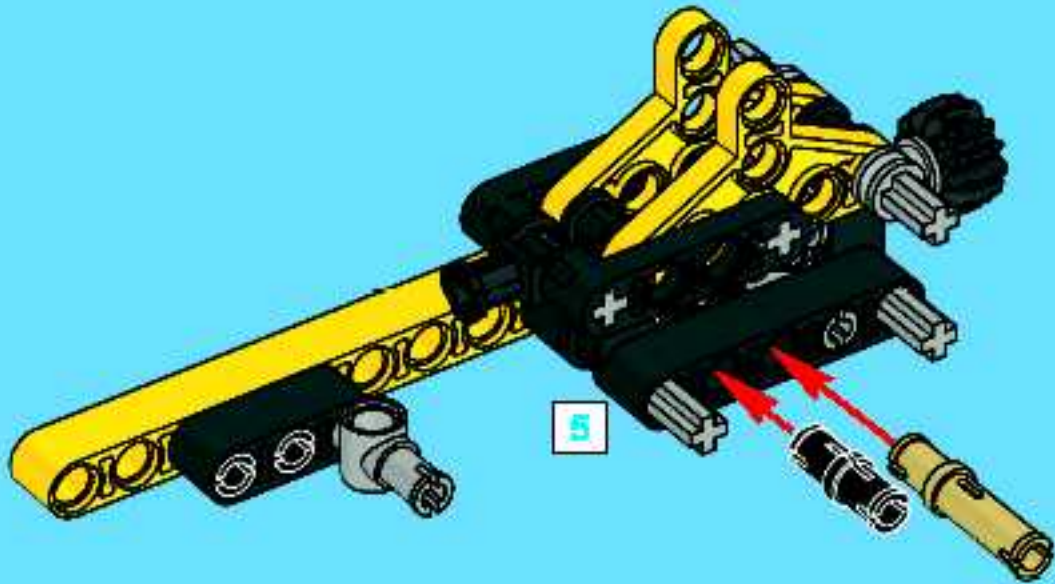


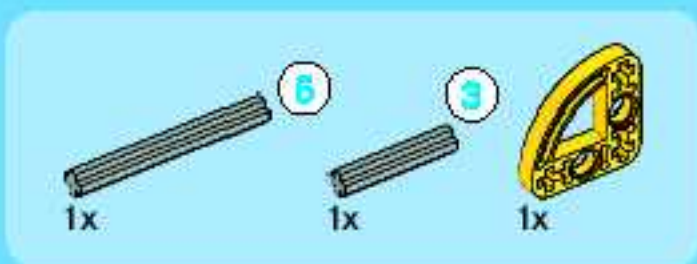
11



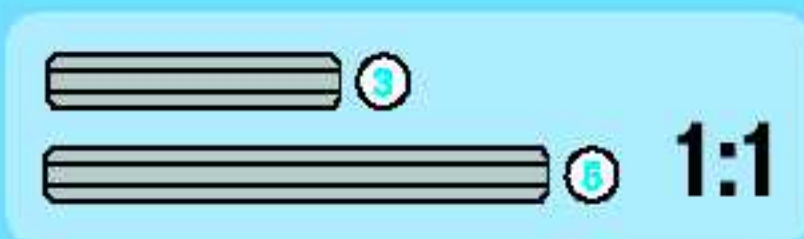
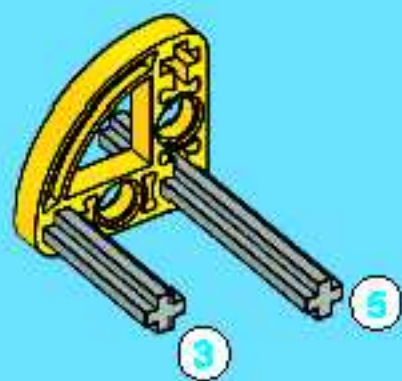


12

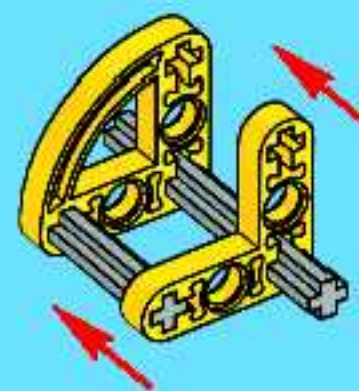




1



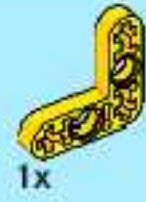
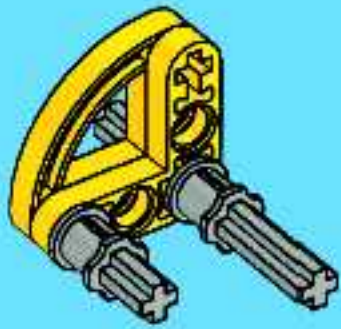
2





2x

3

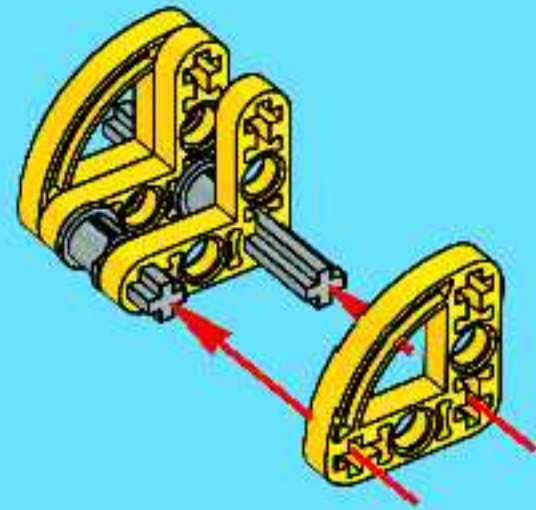


1x



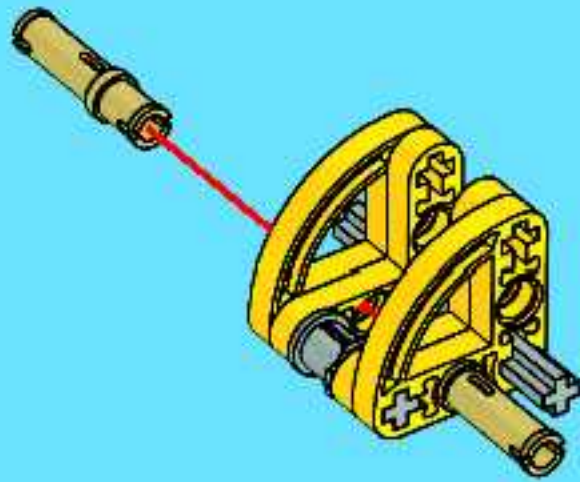
1x

4

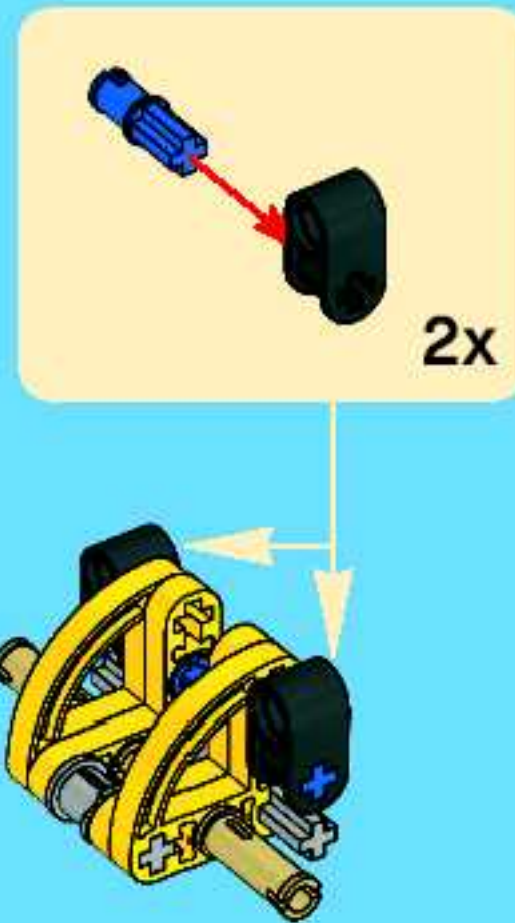




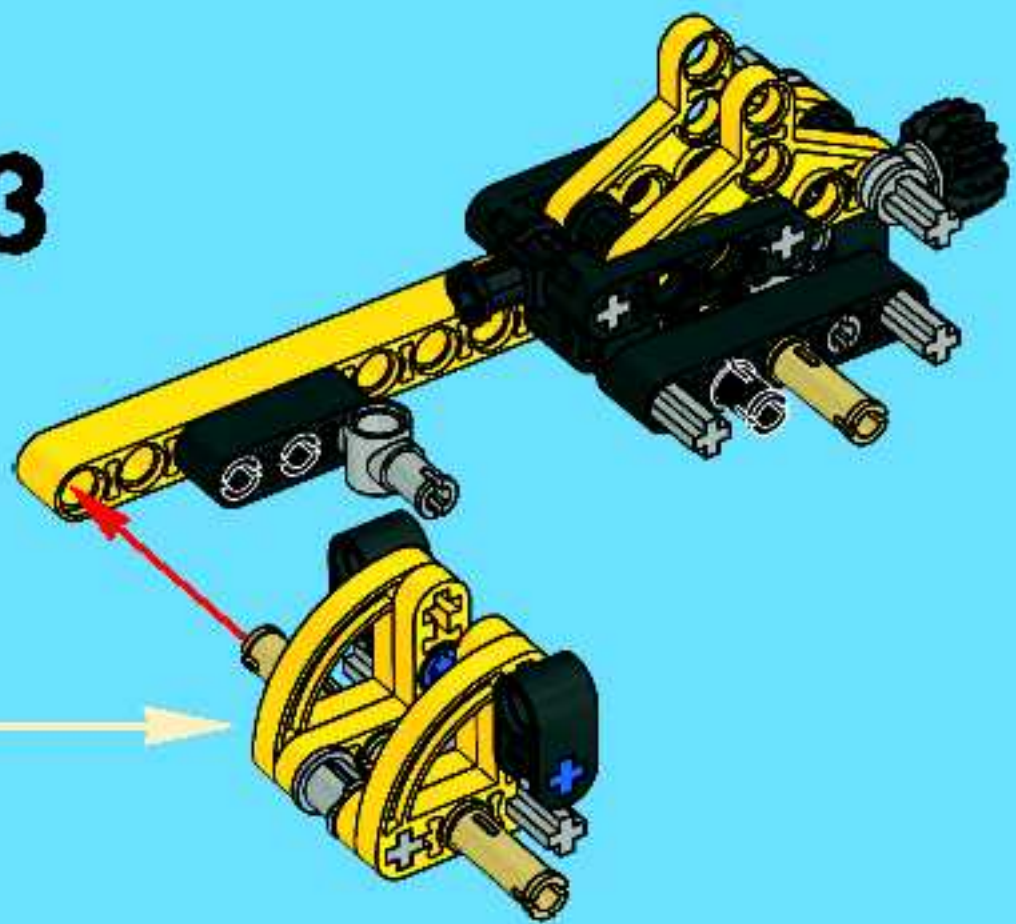
5

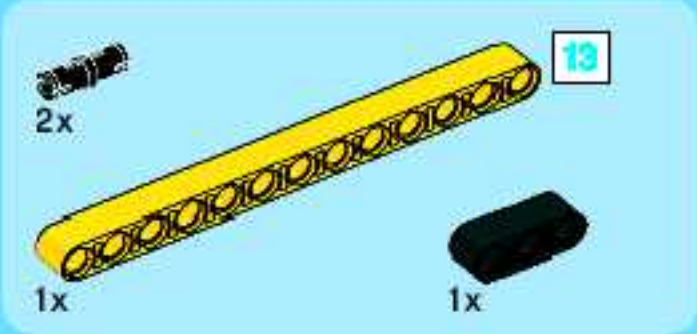


6

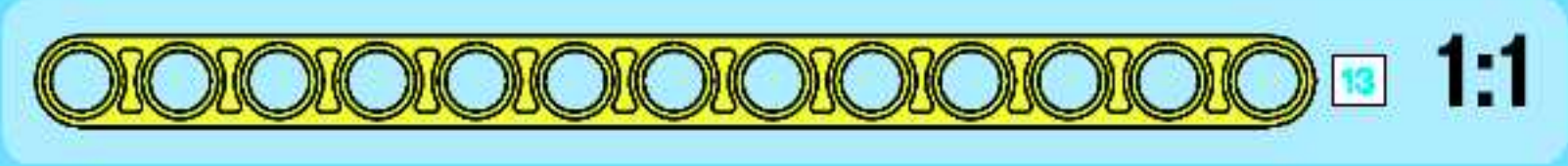
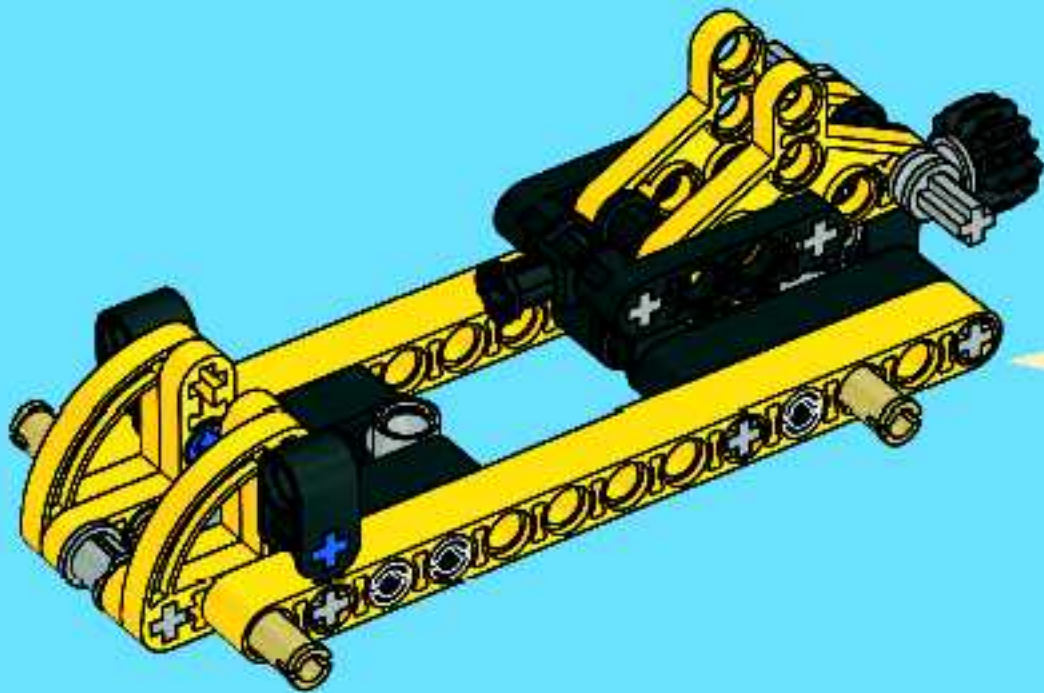
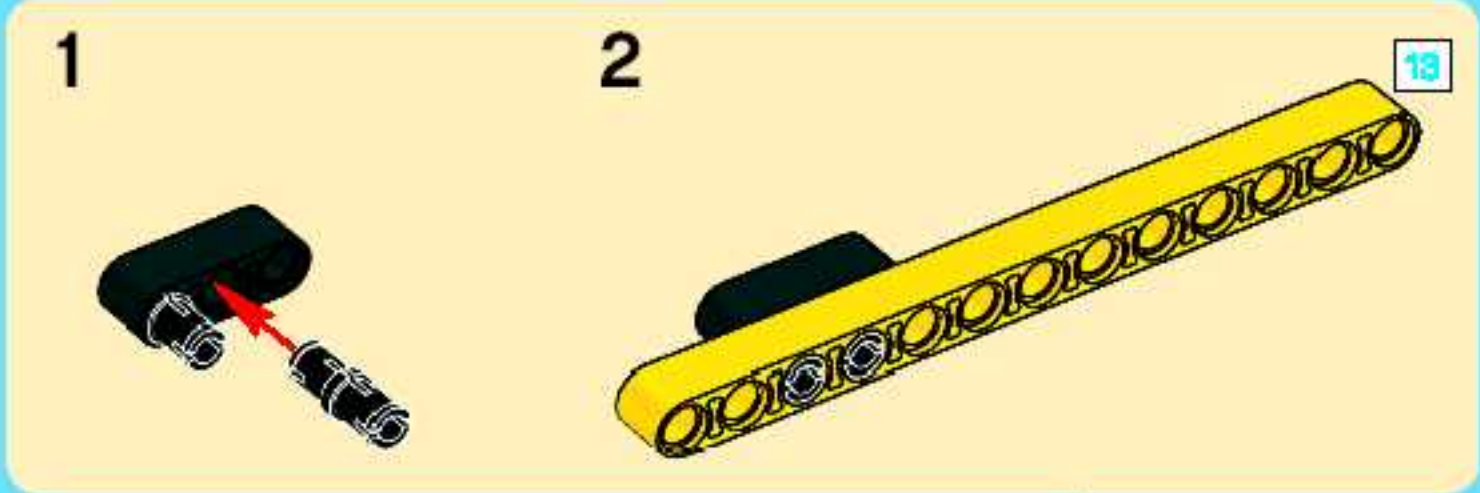


13



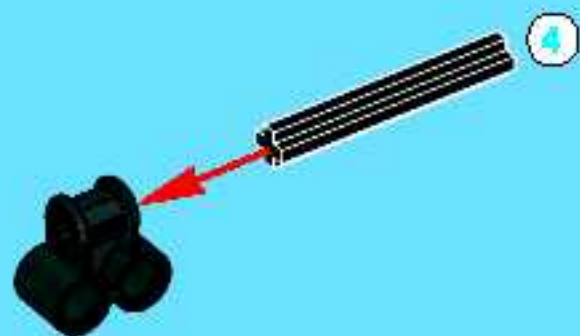


14





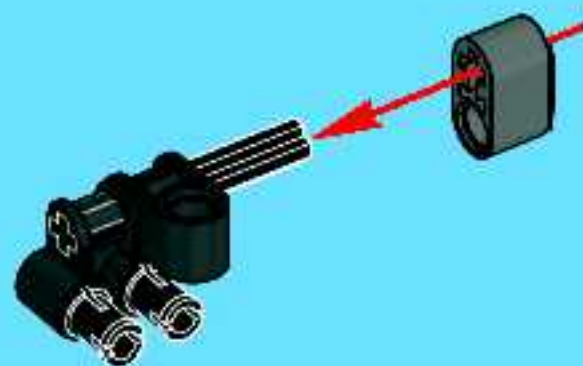
1



2

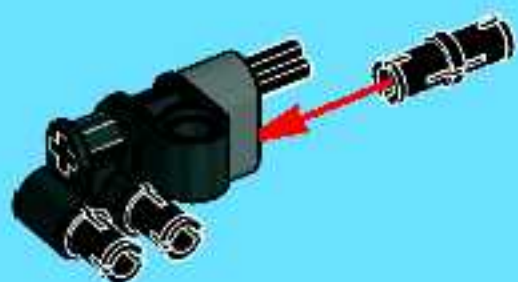


3



1x

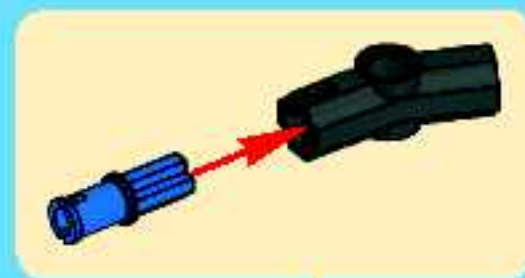
4



1x

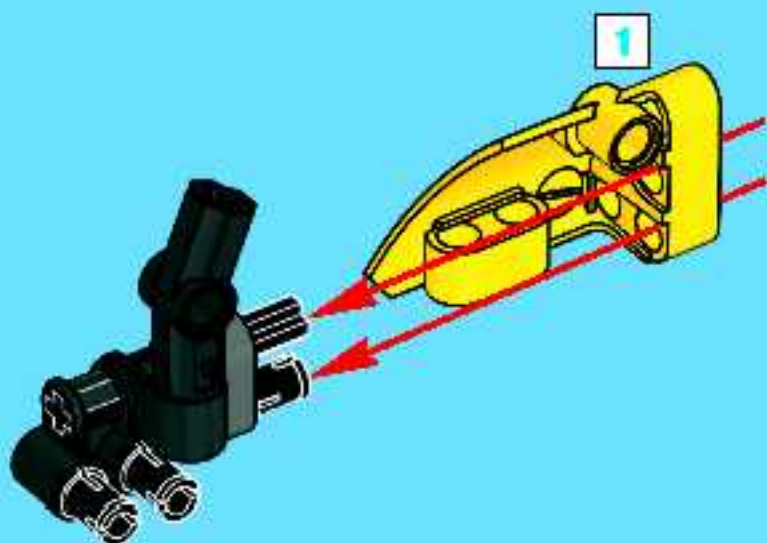
1x

5

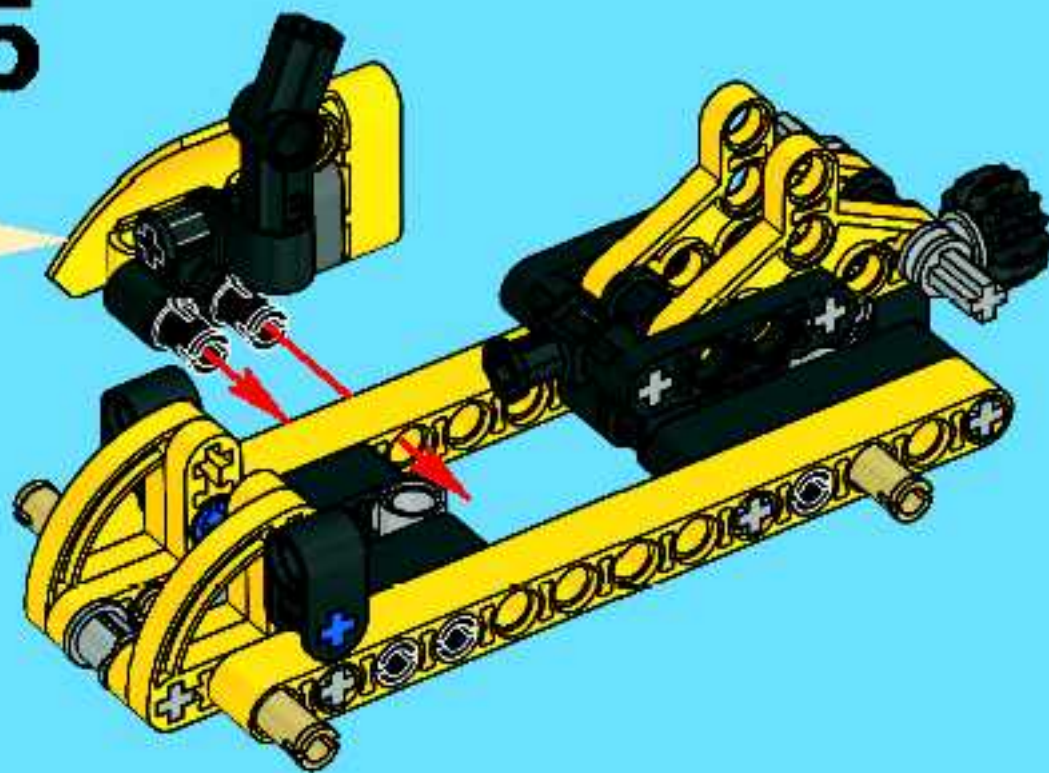




6



15



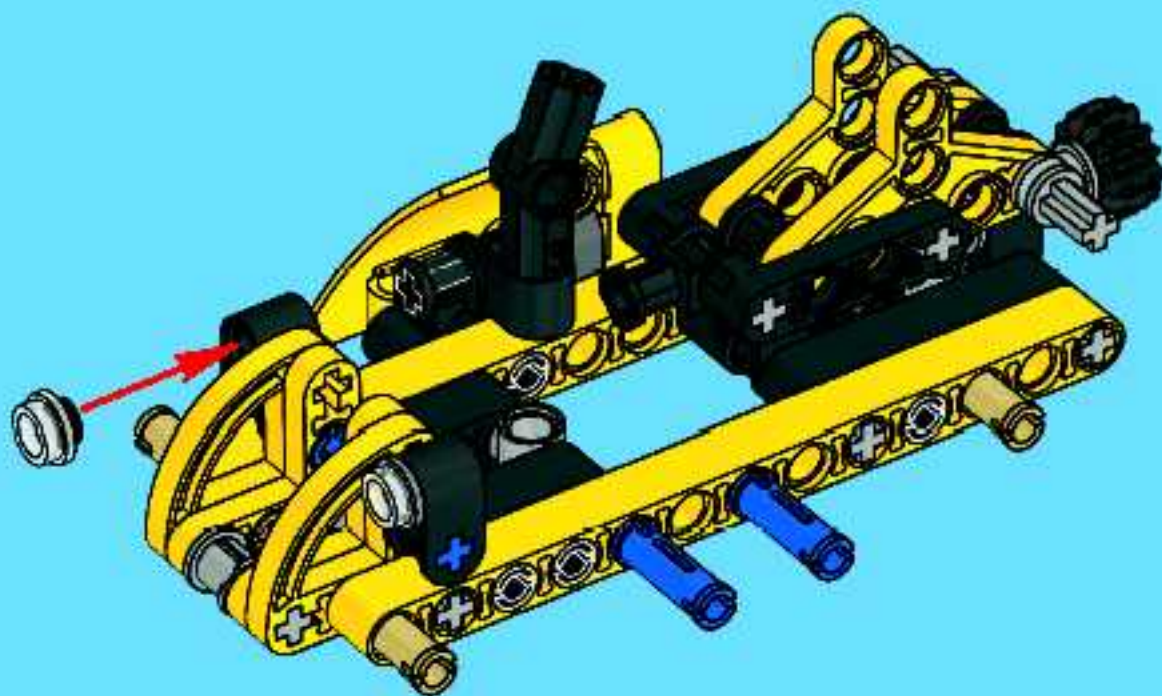


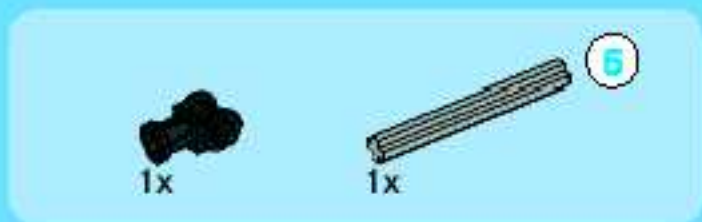
2x



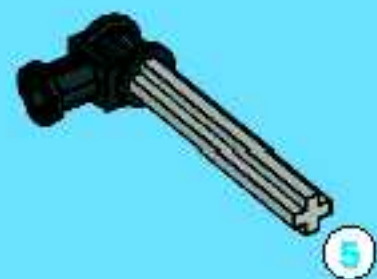
2x

16

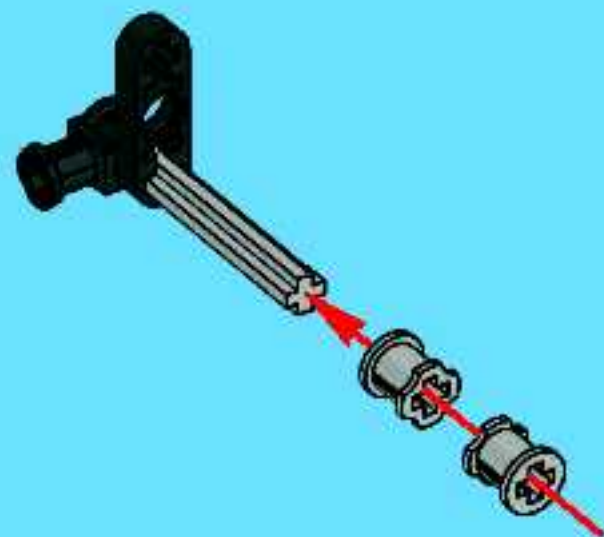


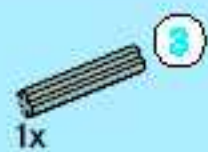


1



2





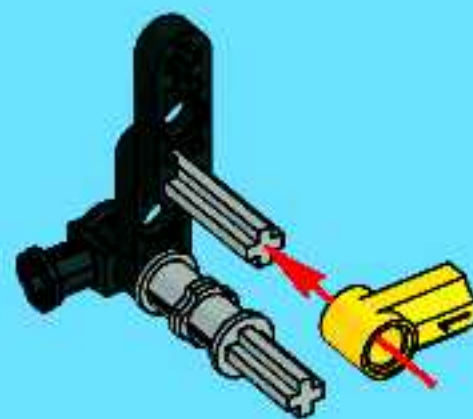
3



1:1

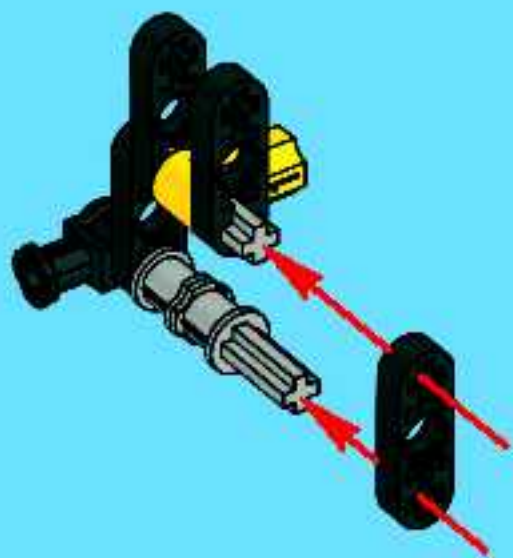


4



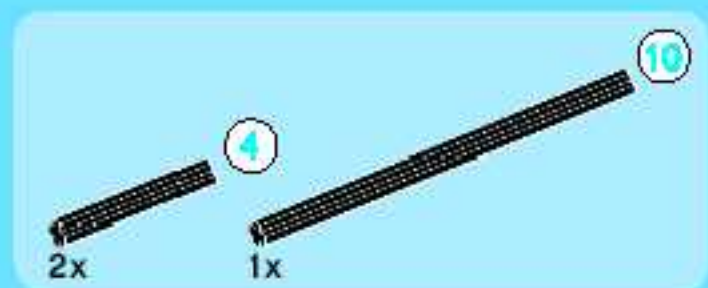


5

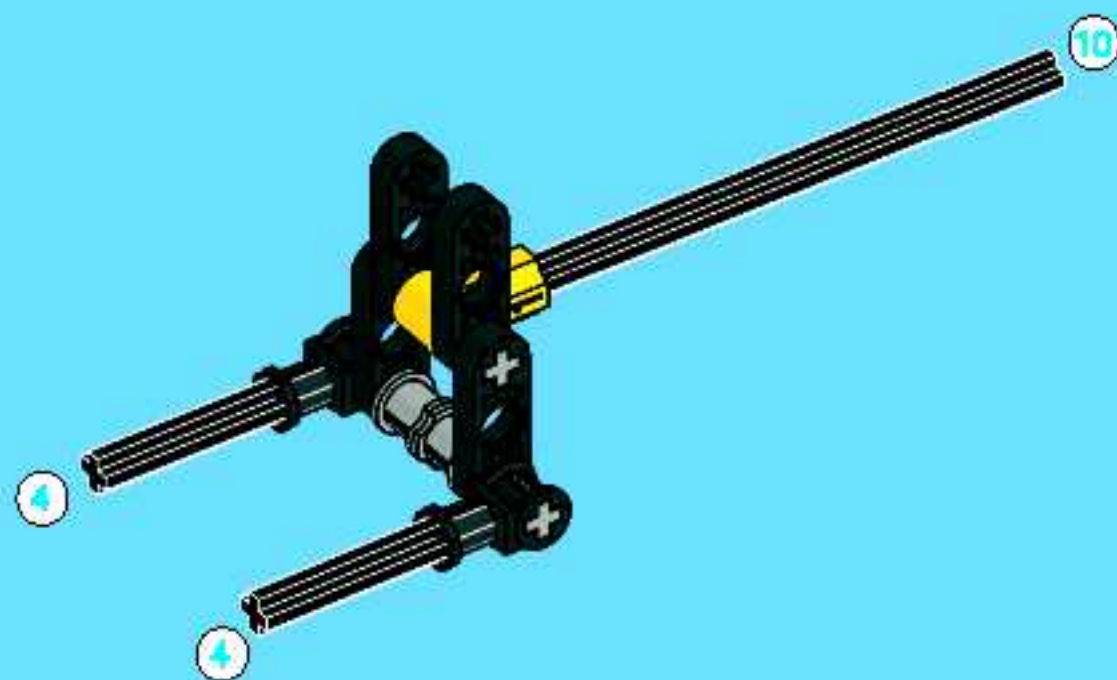


6

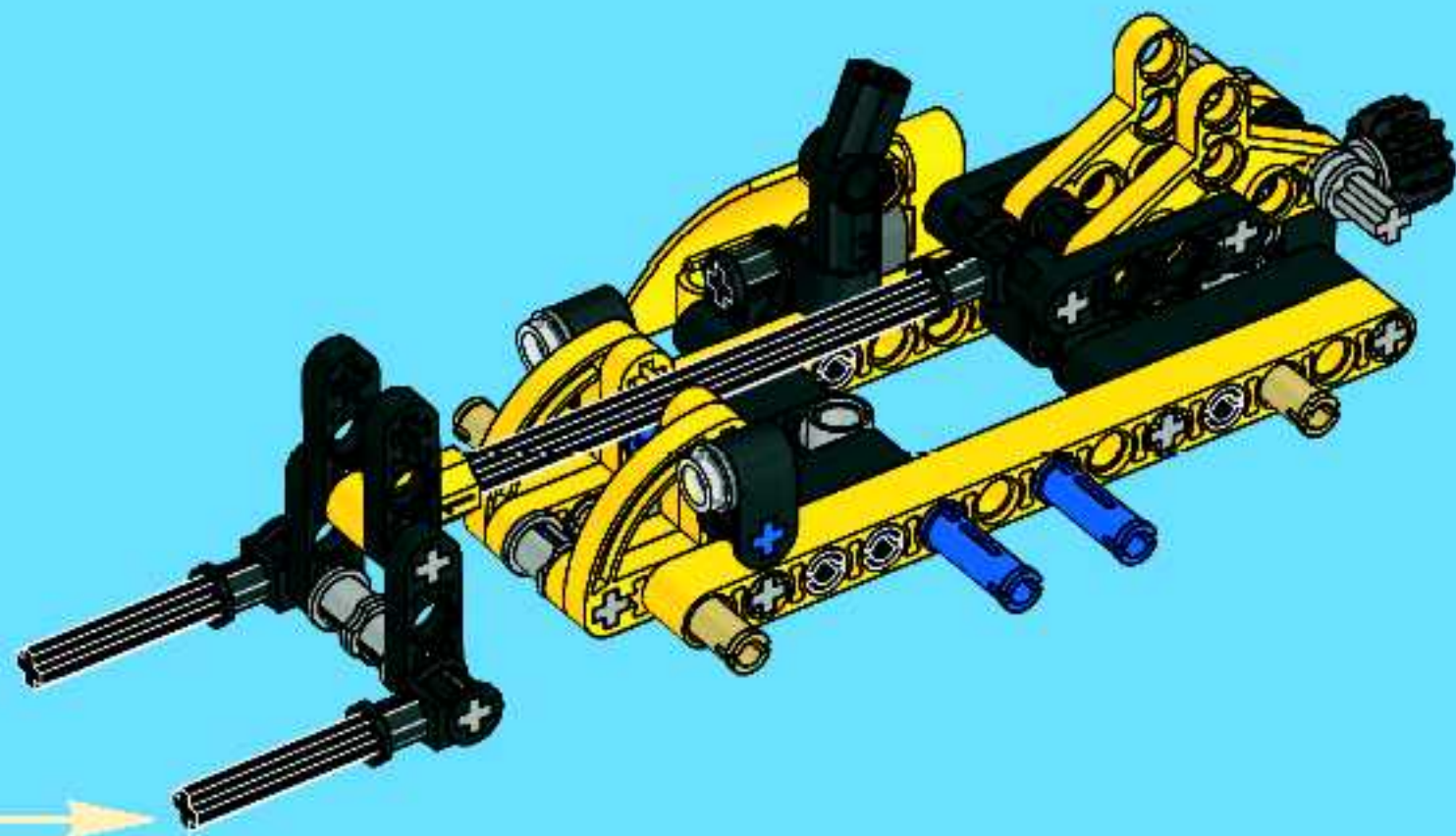


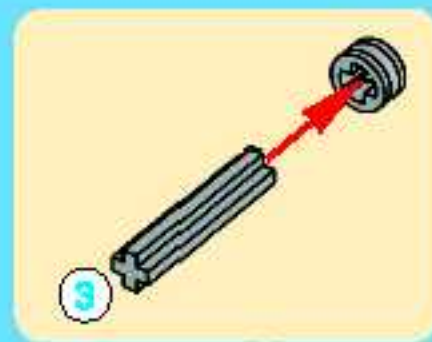
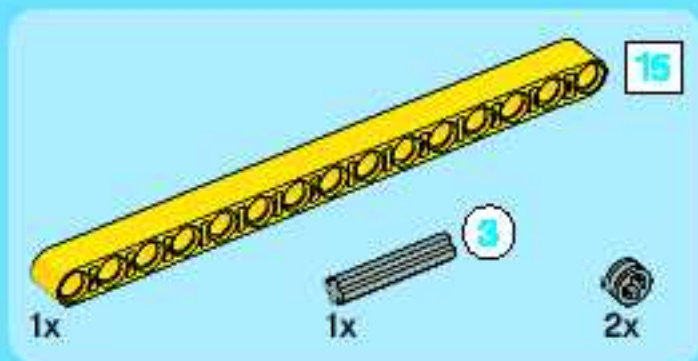


7

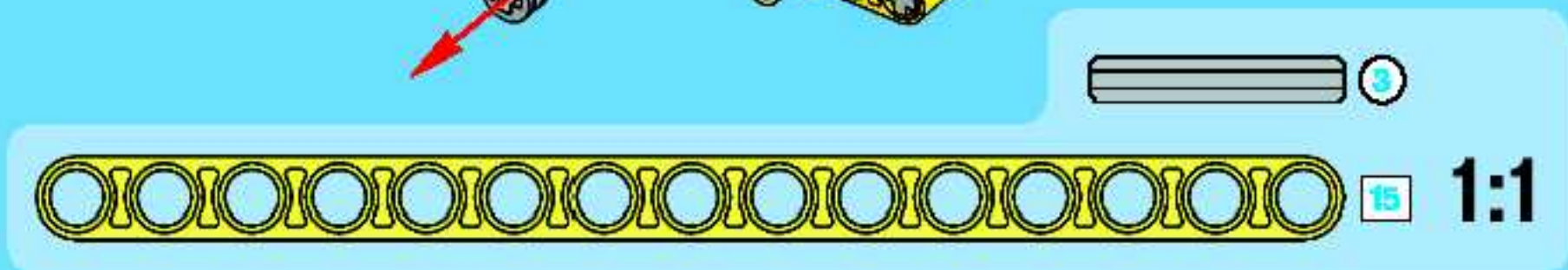
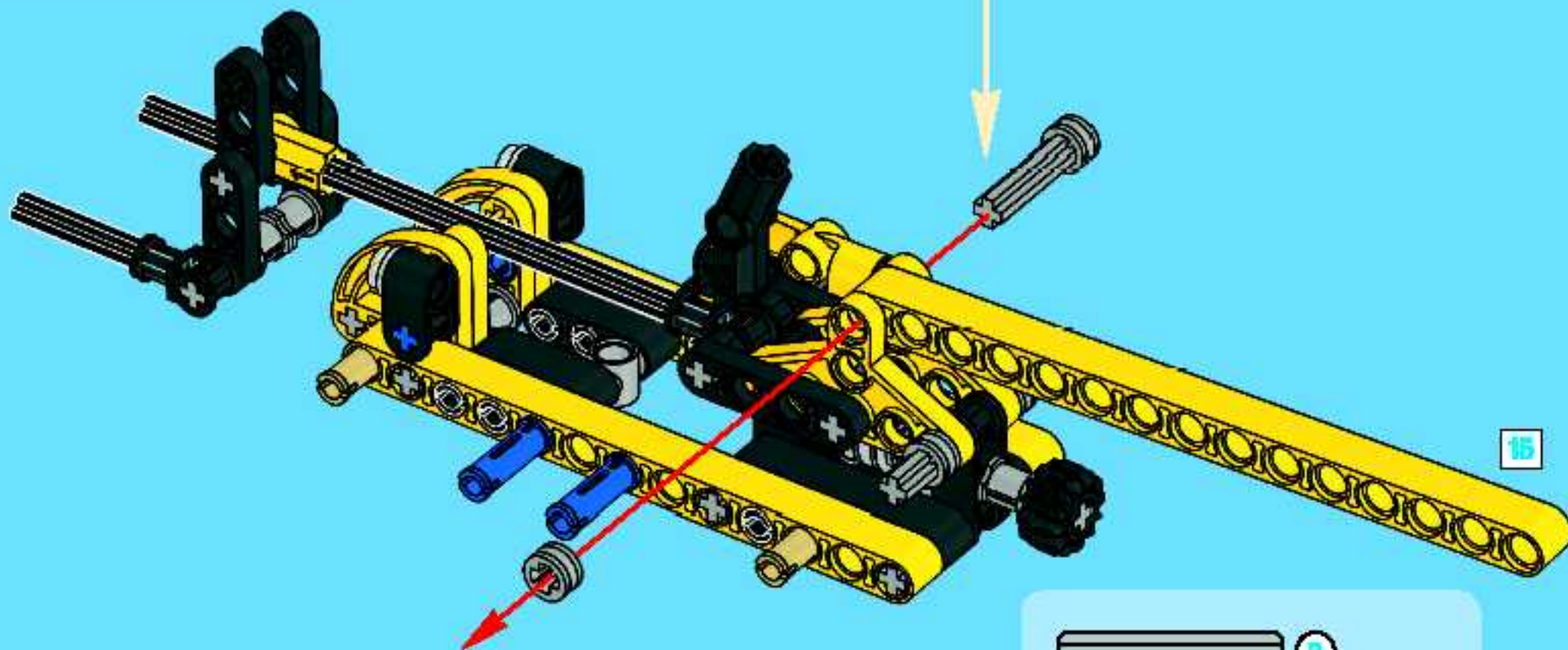


17





18





2x

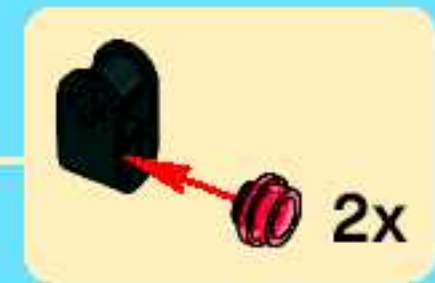
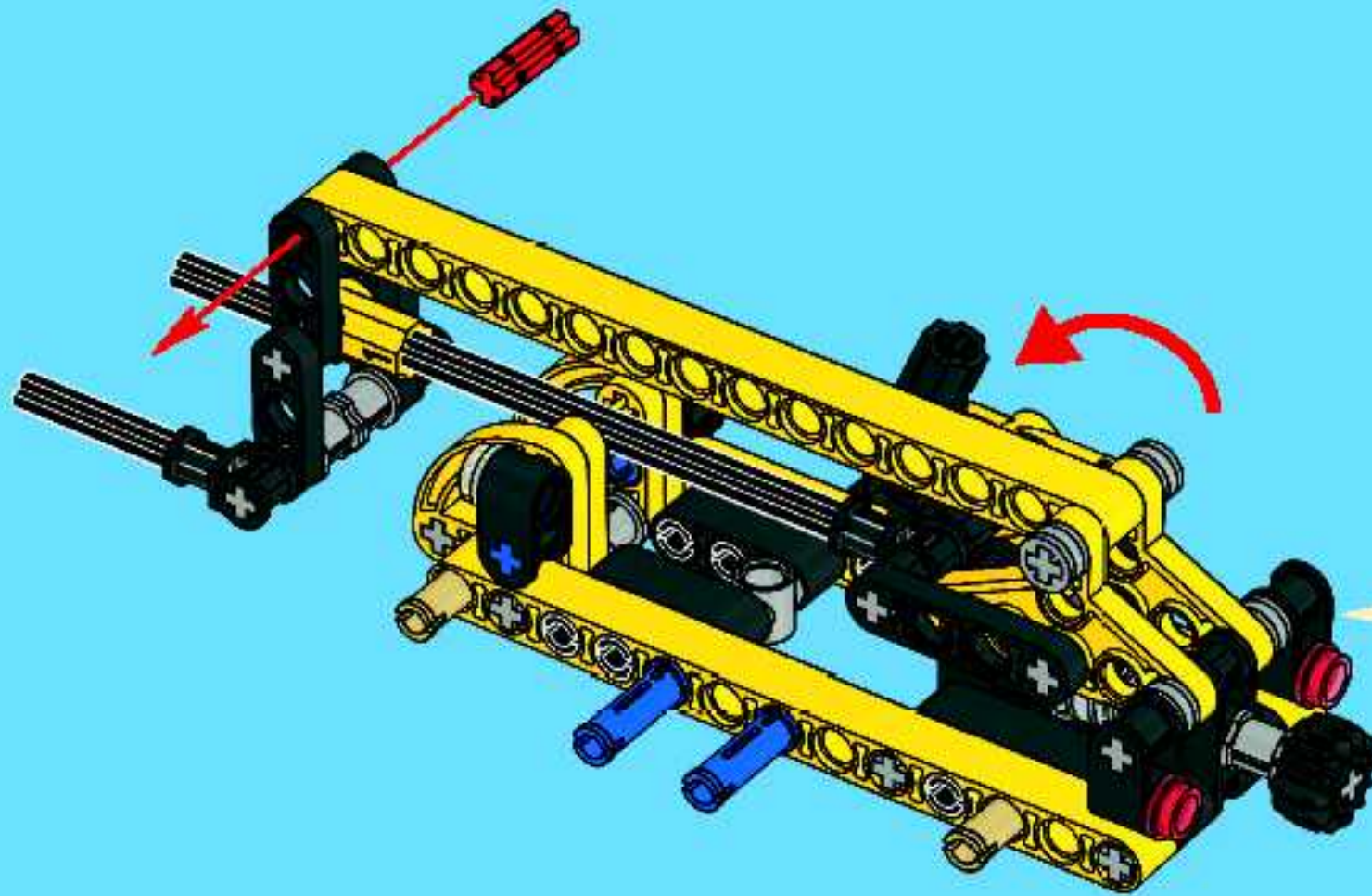


1x



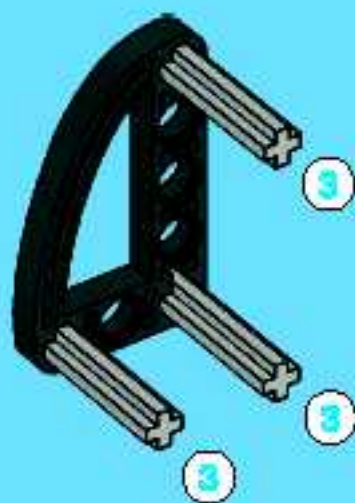
2x

19

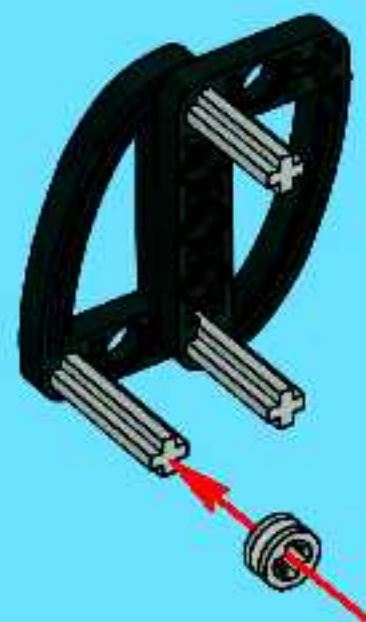




1



2



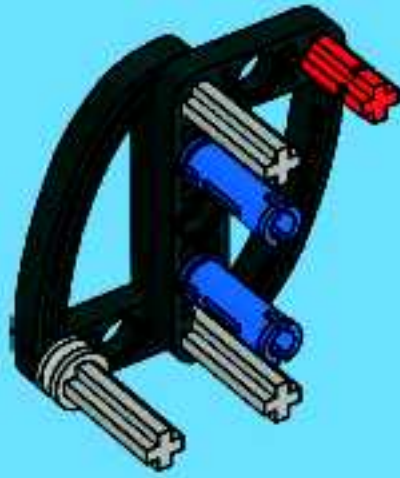


1x



2x

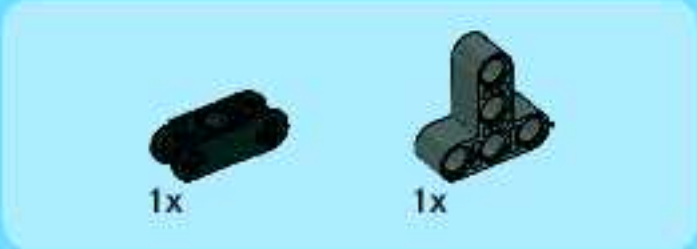
3



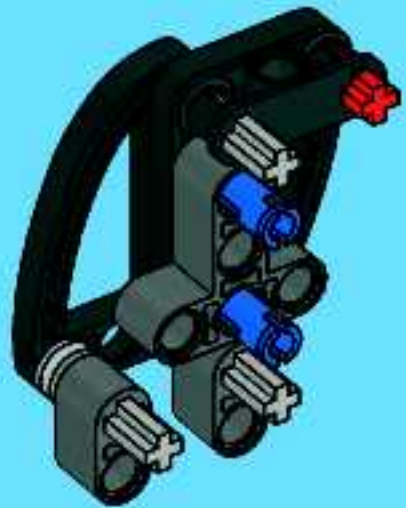
2x

4

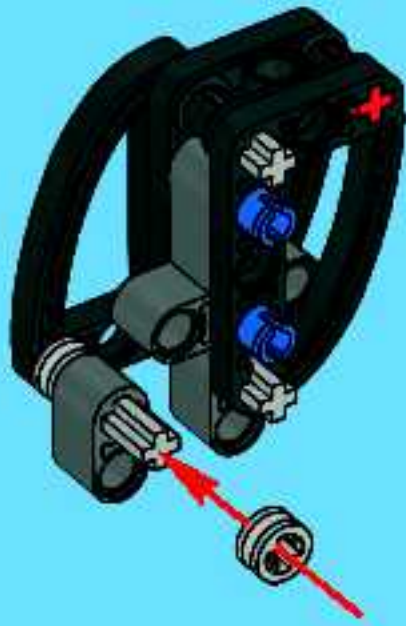




5



6





1x

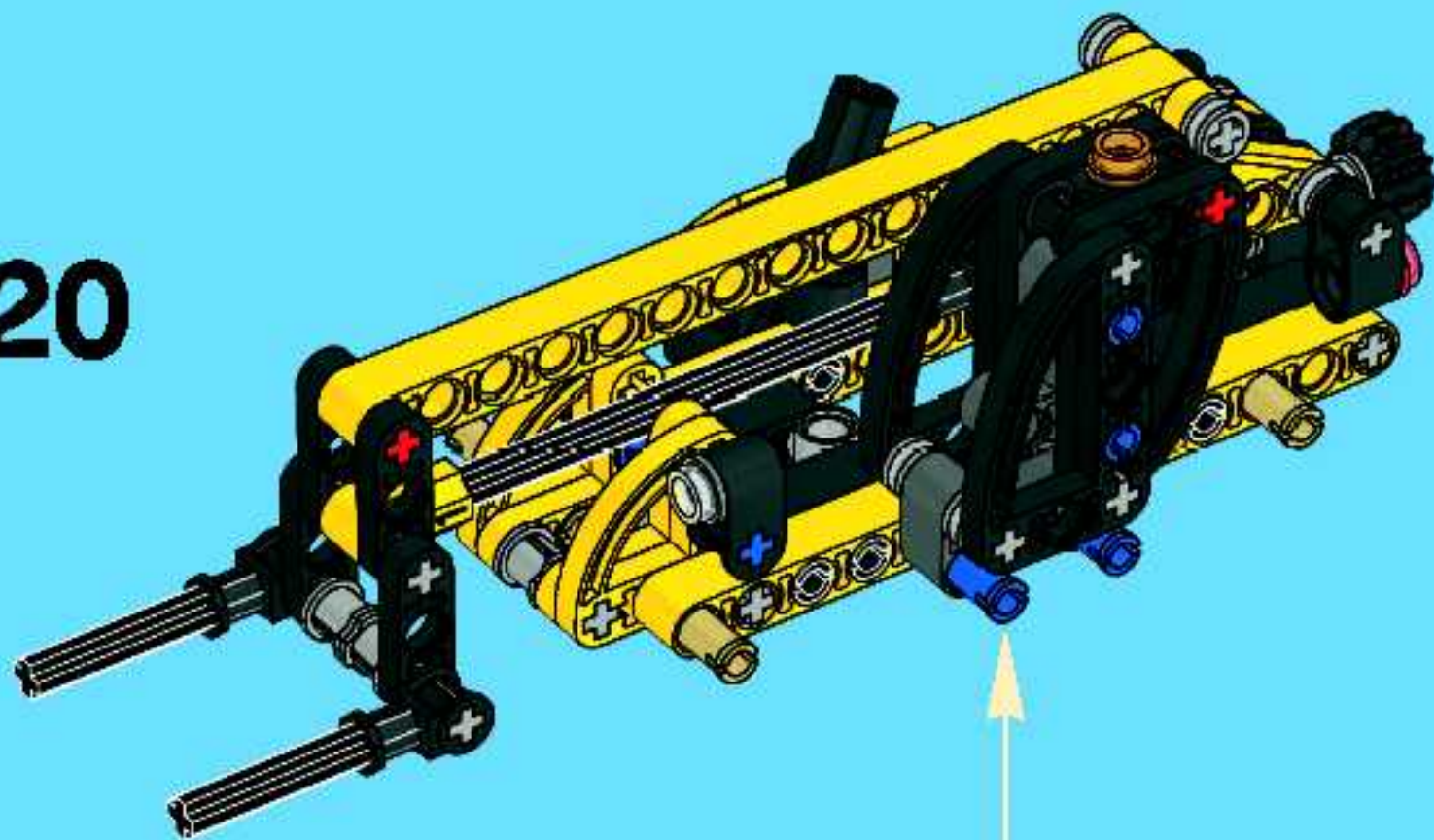


1x

7

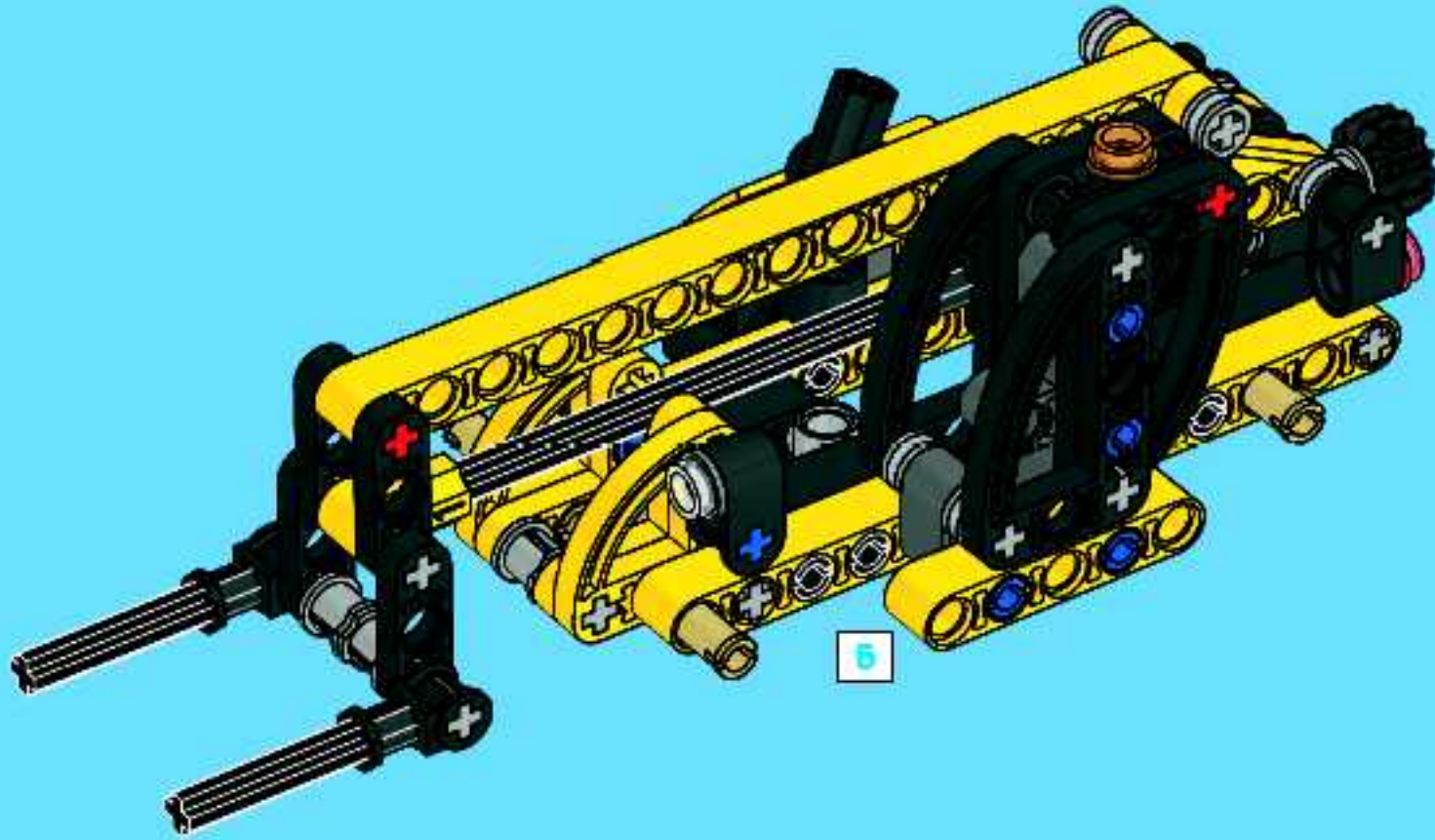


20





21



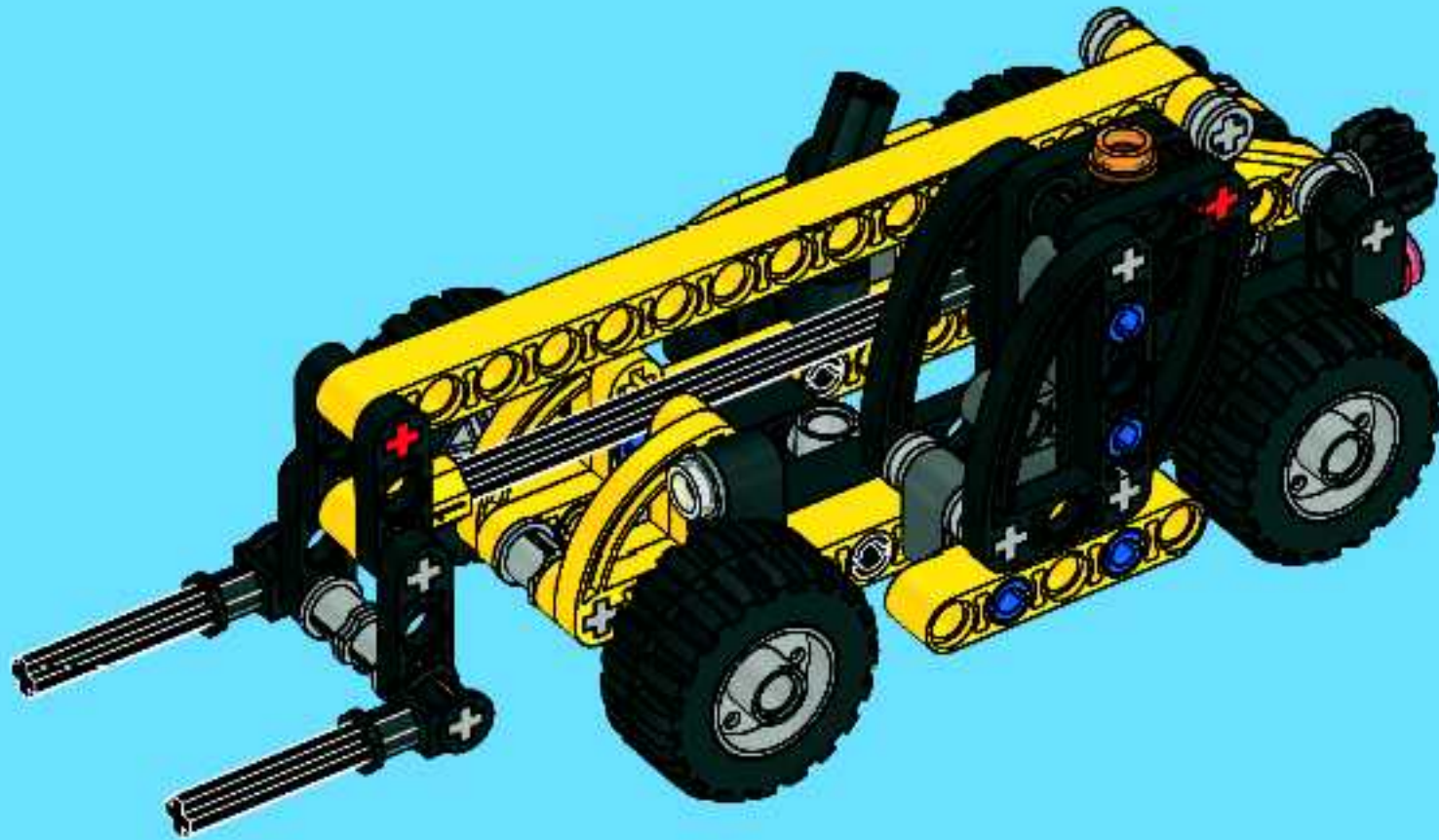


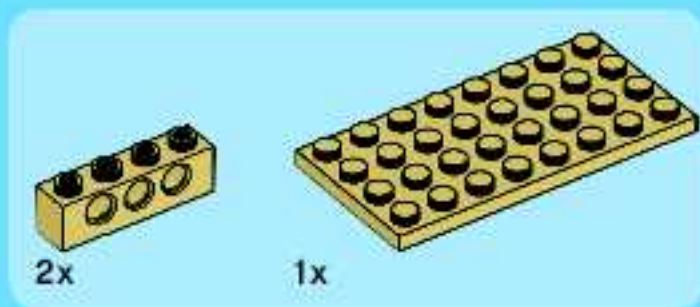
4x



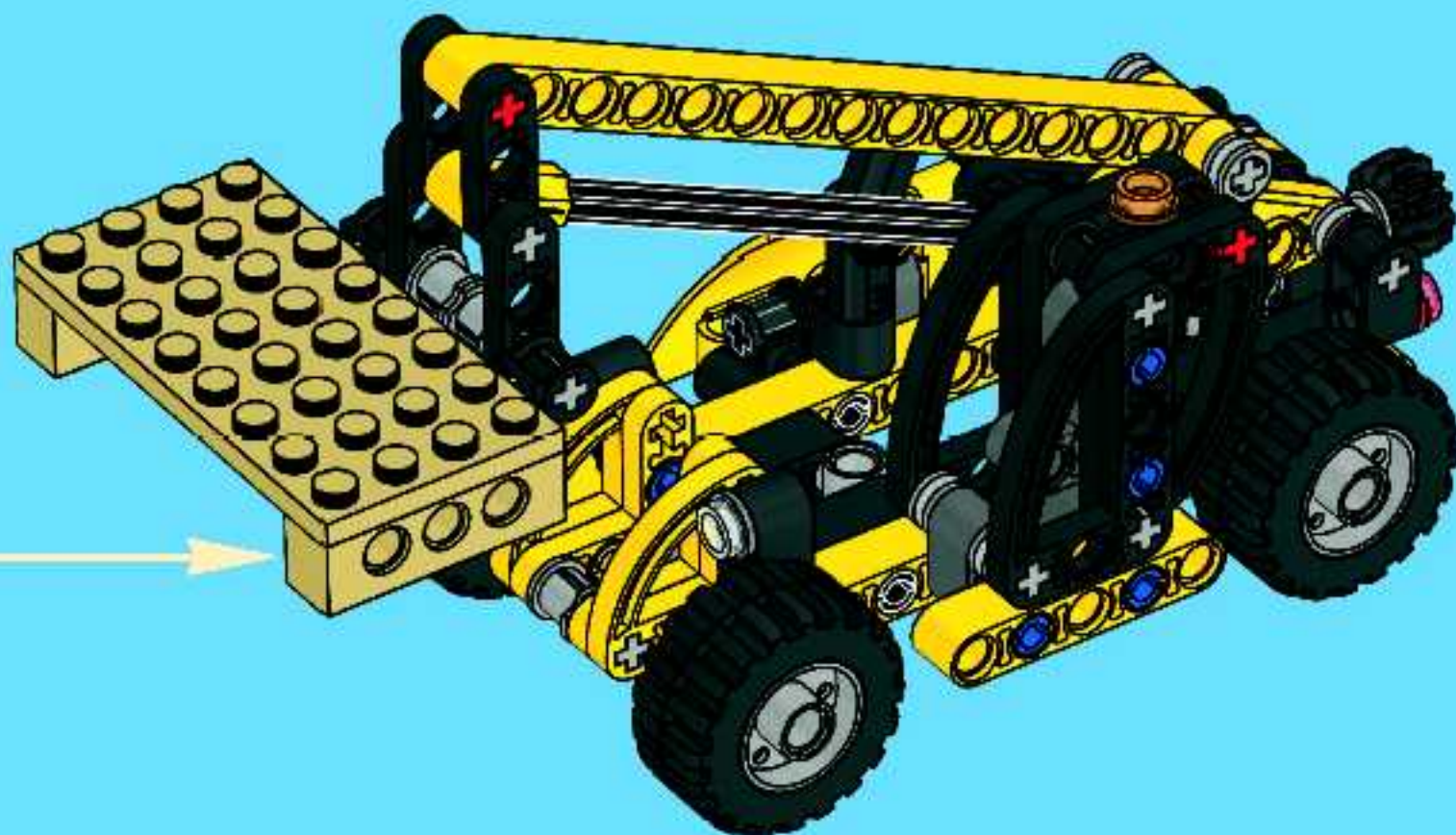
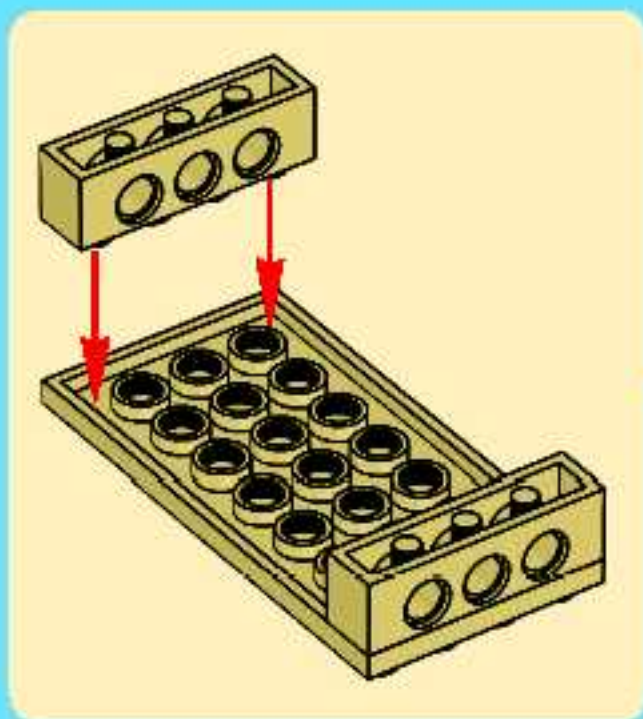
4x

22





23



3x
4142865

2x
3005741



1x
4509897



2x
4234365

4x
4514554

3x
4107081

5x
4173668

1x
4177431

3x
4121667

4x
4107828

2x
4142822

2x
4142135

5

4x
4128557

1x
4107082

2x
4107136

4x
4140670

1x
4140430

3x
4121715

3x
370526

1x
373726

4

10

1x
4107066

2x
4522935

1x
4542579

1x
4142133

2x
4500483

2x
4112289

2x
4296140

1x
4558879

13

15

1x
4211805

5x
4211639

8x
4211815

2x
4560175

4x
4299119

1x
4211510

3x
4206482

4x
4514553

7

5

3

6x
4211573

6x
4211622

2x
3005740

1x
4222960

3x
4515183

1x
4514559

1x
4552349



Customer Service

Kundenservice

Service Consommateurs

Servicio Al Consumidor

www.lego.com/service or dial



00800 5346 5555 :



1-800-422-5346 :



FREE! GRATIS! GRATUIT!



club
MAGAZINE™

www.LEGOclub.com



00800 5346 5555*        

  **1-866-534-6258 • 1-877-518-5346**

US & Canada only

Canada seulement

* Freephone. Mobile charges may apply. * Numéro sans frais. Les frais peuvent s'appliquer avec les téléphones cellulaires. * Gebührenfrei. Kosten für Anrufe aus Mobilfunknetzen können anfallen.
* Gratis telefonnummer via Postboks. * Numéro de téléphone gratuit. Frais de appel Pro Postboks. * De gratis, når du ringer An in Postboks.



VISIT THE WORLD'S
BIGGEST LEGO® SHOP!

www.LEGOshop.com



WIN!

Go to www.nielsen.com/LEGO to fill out a survey for a chance to win a cool LEGO® Product.

No purchase necessary.

Open to all residents where not prohibited.



www.nielsen.com/LEGO

GEWINNE!

Nimm an der Umfrage auf www.nielsen.com/LEGO teil und hab die Chance ein cooles LEGO® Produkt zu gewinnen!

Die Teilnahme am Gewinnspiel führt zu keinerlei Kaufverpflichtungen. Teilnahme in allen nicht ausgeschlossenen Ländern möglich.

WIN!

Ga naar www.nielsen.com/LEGO, vul een enquêteformulier in en maak kans op een cool LEGO® product.

Geen aankoopverplichting. Iedereen mag deelnemen, uitgezonderd ingezetenden van landen waar een enquêteverbod geldt.

GAGNE!

Visite www.nielsen.com/LEGO pour répondre à un questionnaire et avoir une chance de gagner un produit LEGO® très cool!

Aucune obligation d'achat. Ouvert à tous les résidents des pays autorisés.

当てよう!

www.nielsen.com/LEGO にアクセスして、アンケートにご記入ください。当選者にはレゴ製品を差し上げます。

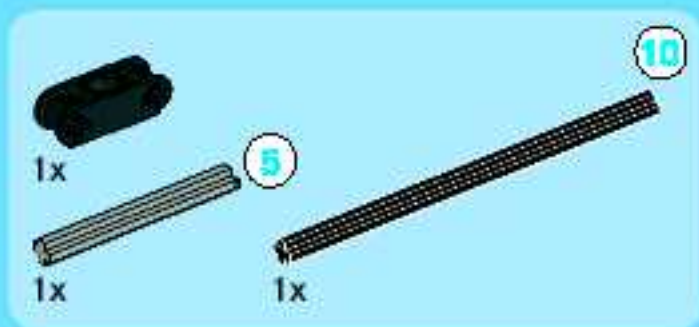
お買い上げの必要はありません。禁止されていない限り、すべての年齢にご利用いただけます。

LEGO

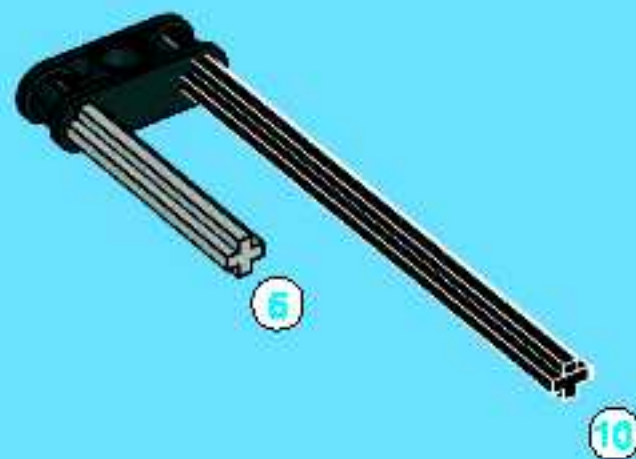
TECHNIC

8045





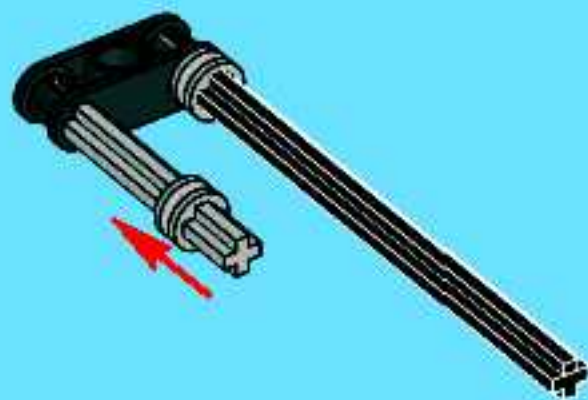
1





2x

2

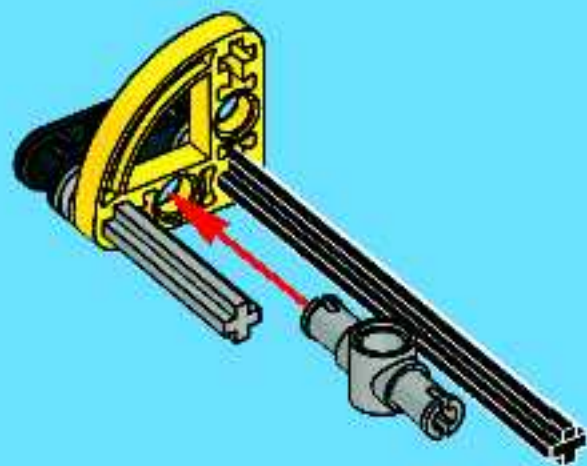


1x



1x

3



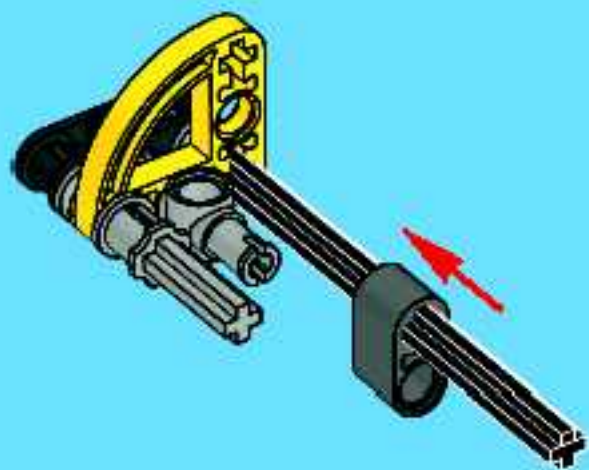


1x



1x

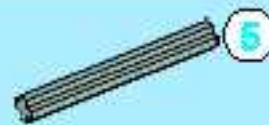
4



4

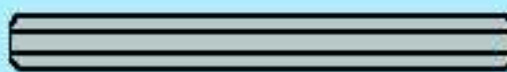
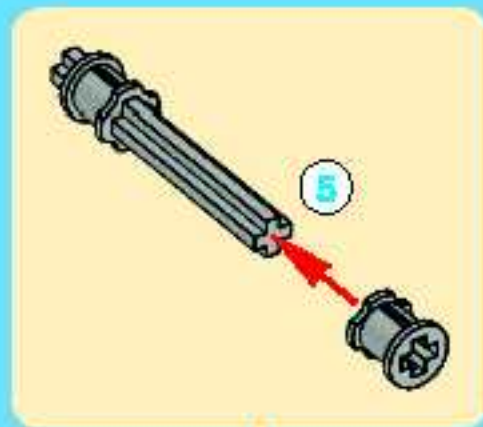


2x



1x

5



1:1



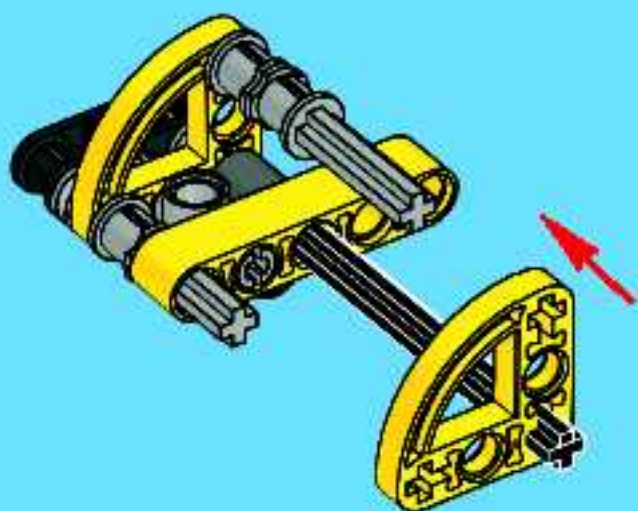
1x



1x

5

6



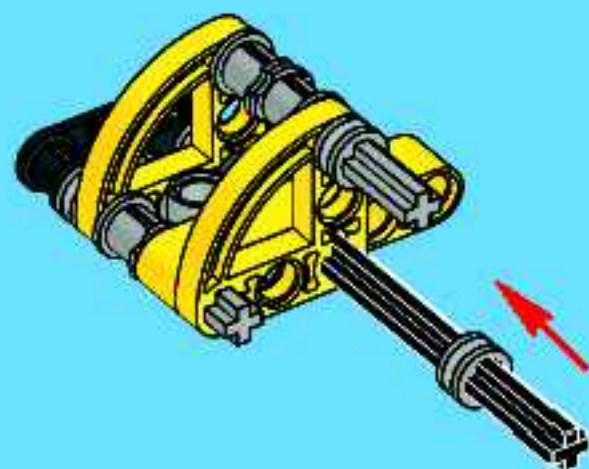
5

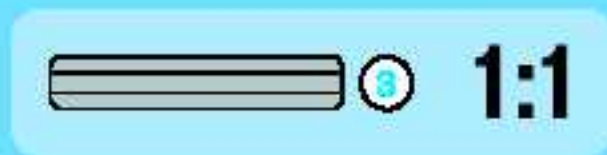
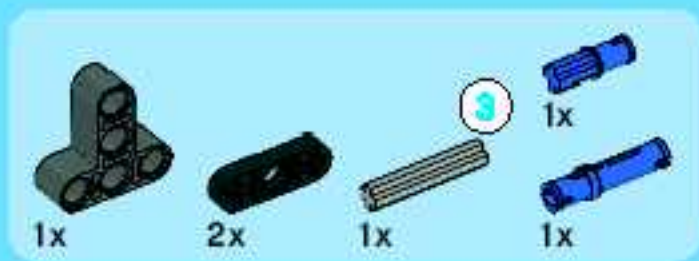
1:1



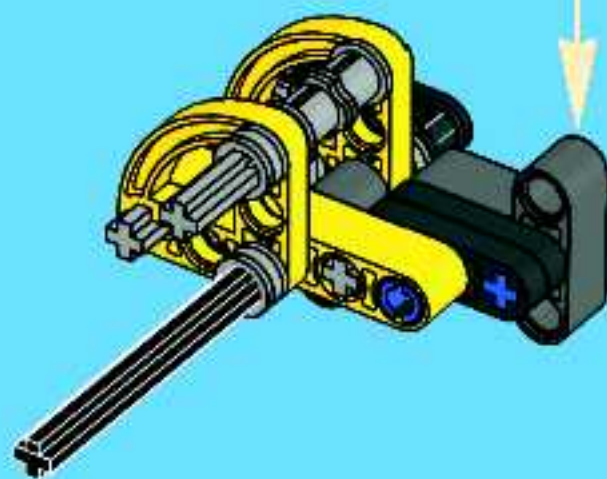
2x

7



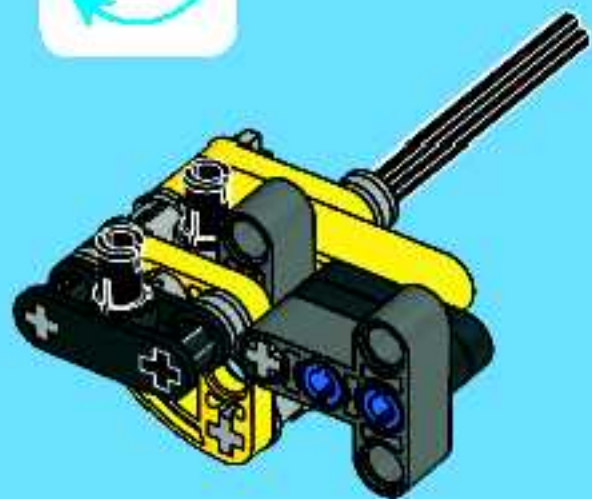


8

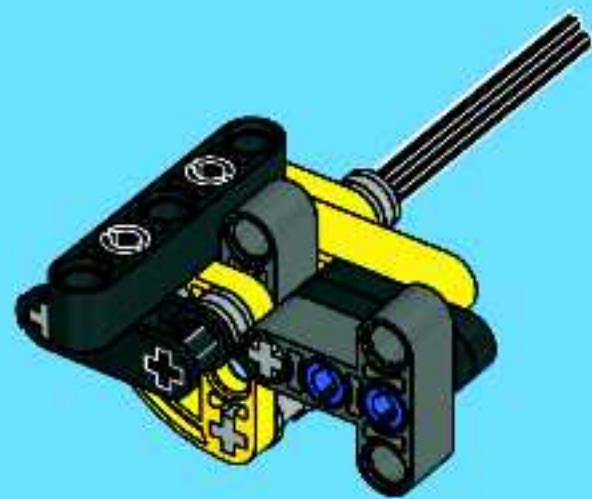




9



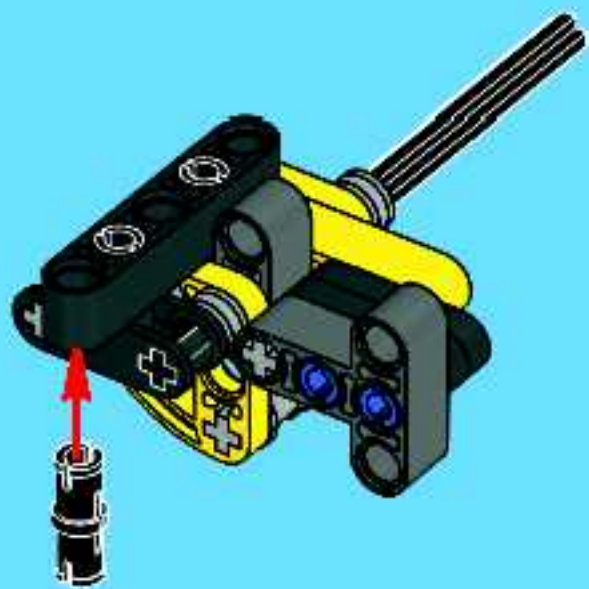
10





1x

11

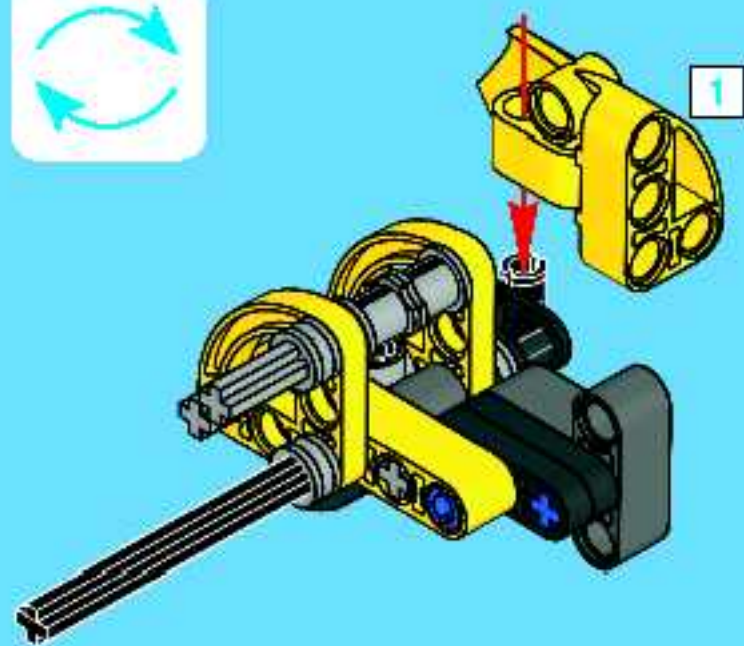


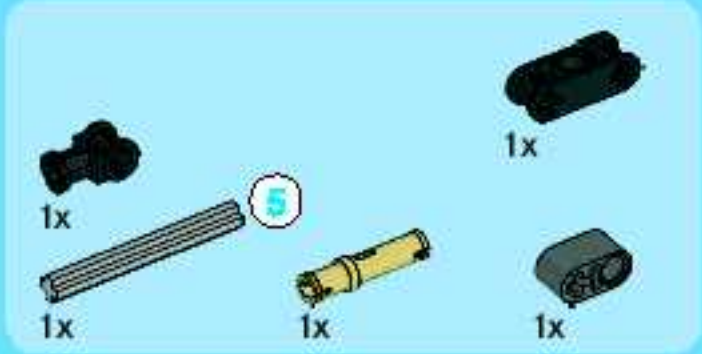
8



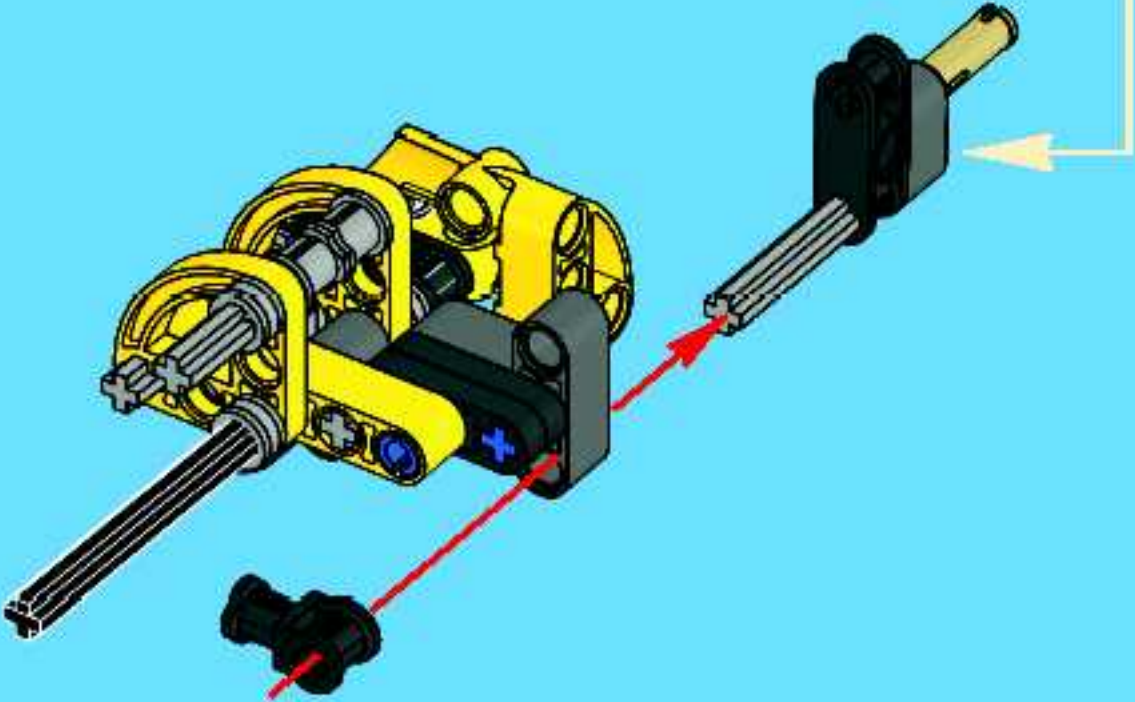
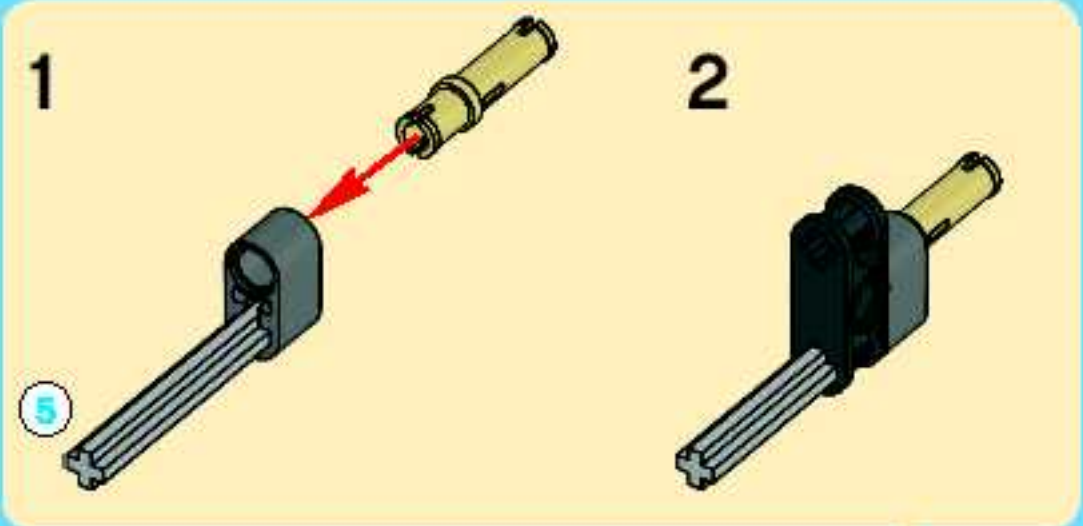
1x

12



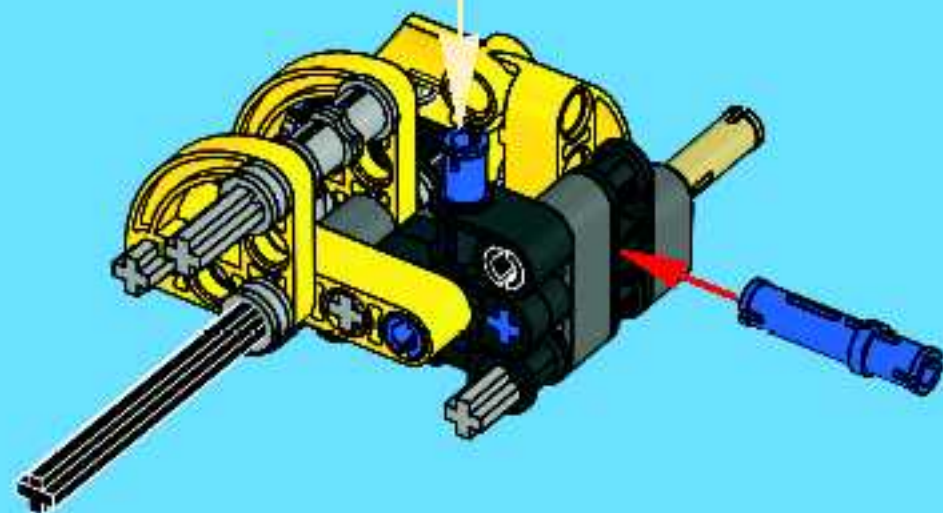


13

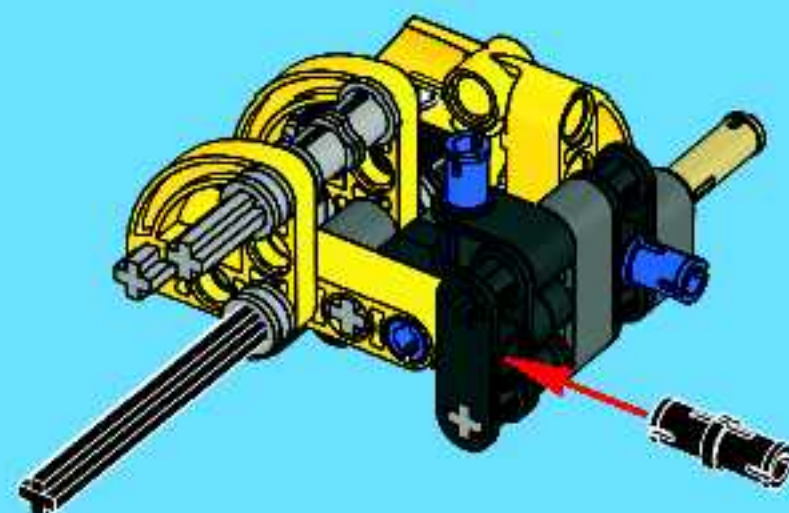




14

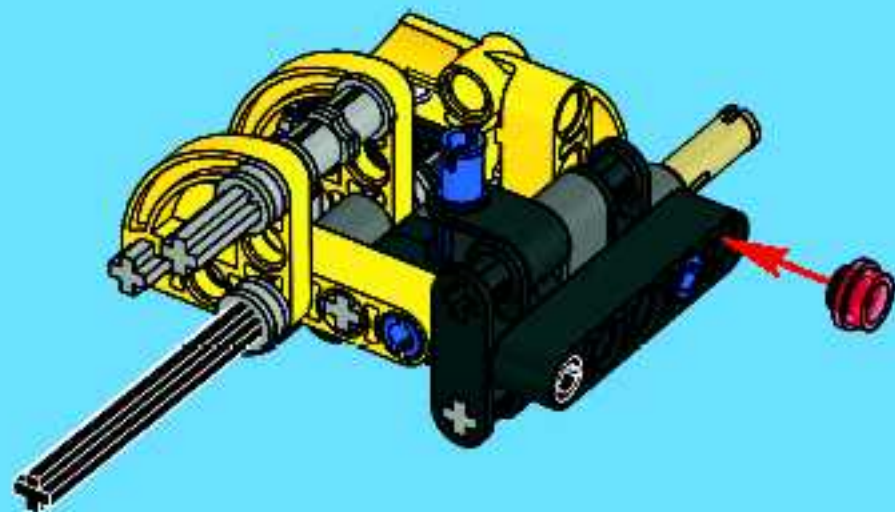


15

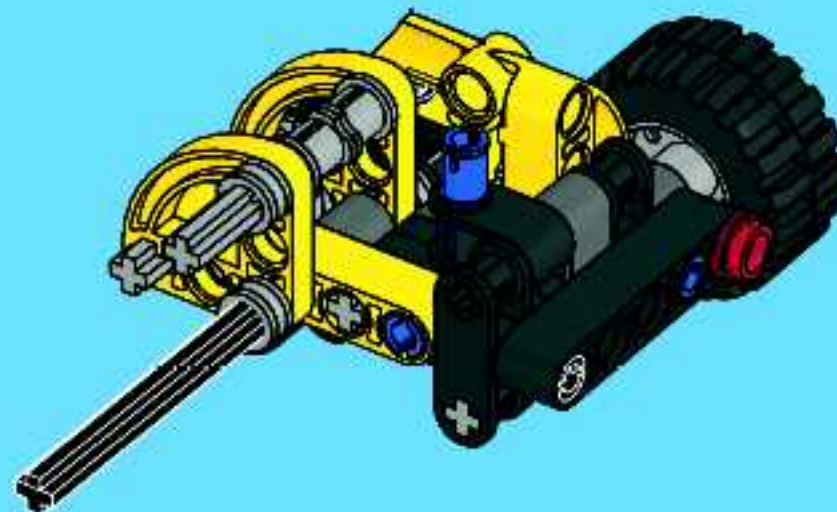




16



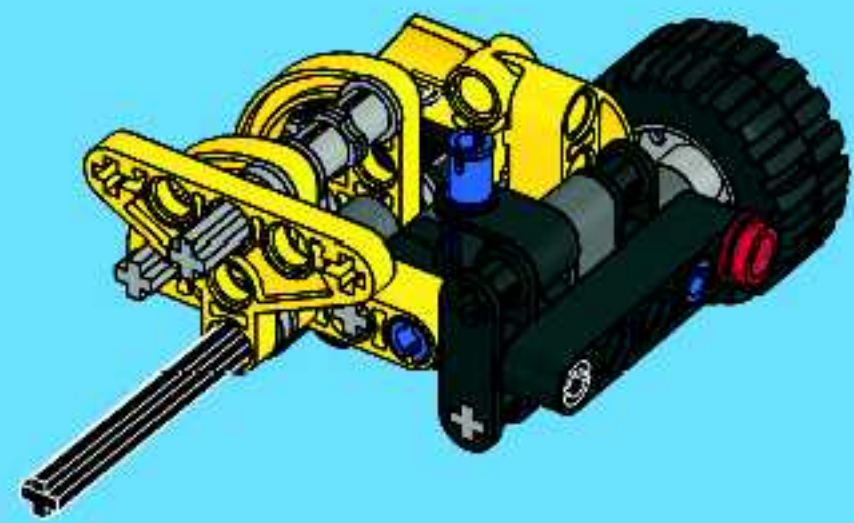
17





1x

18

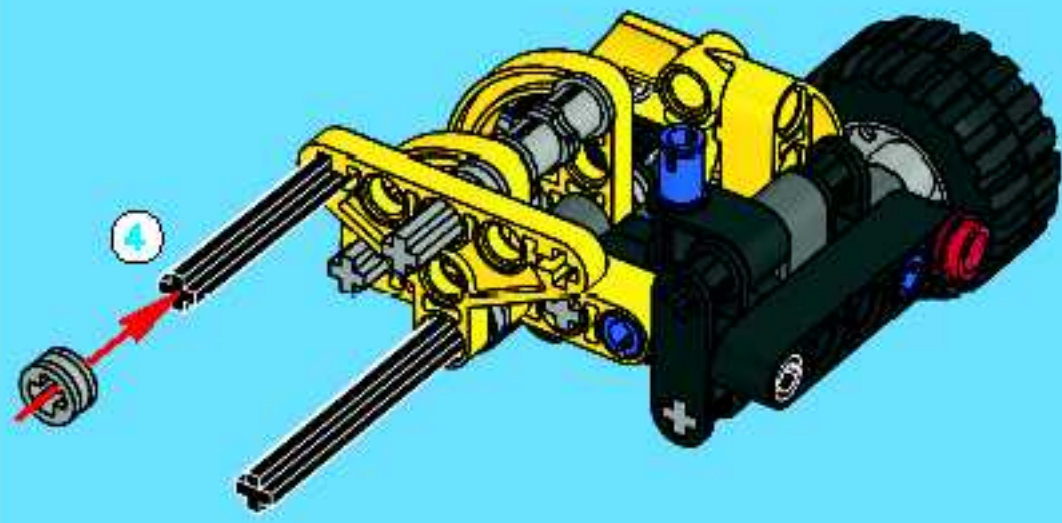


1x



1x

19



1:1

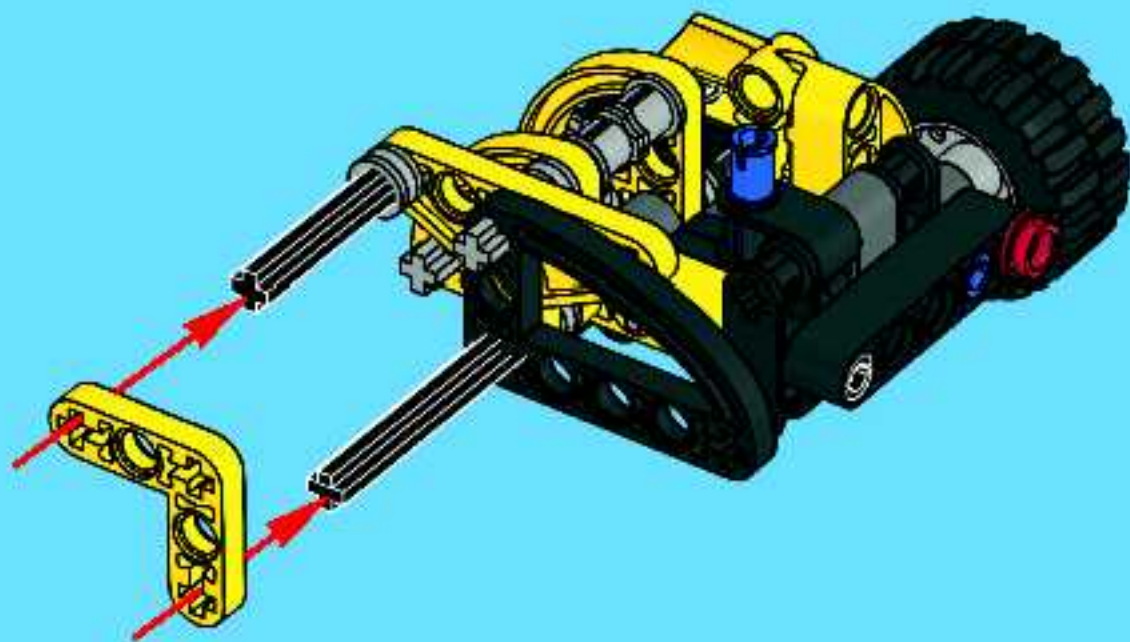


1x



1x

20





1x



1x



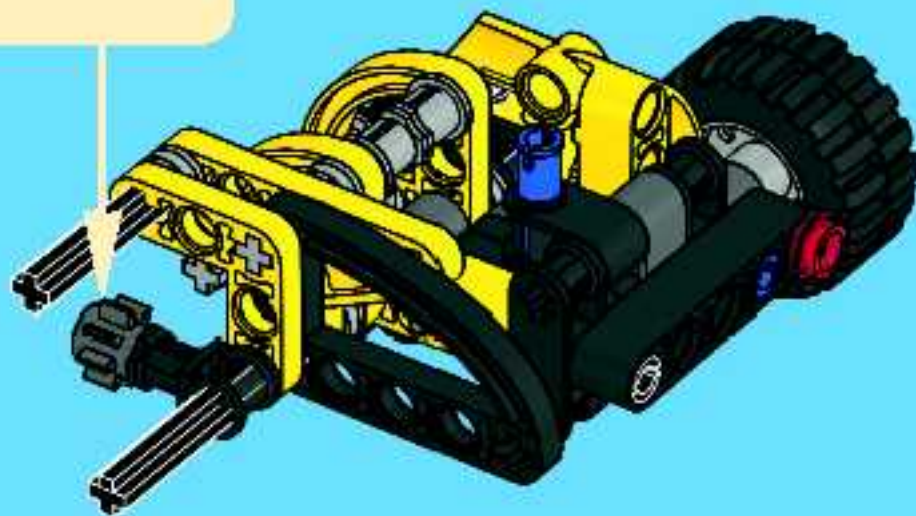
1x

21

1



2



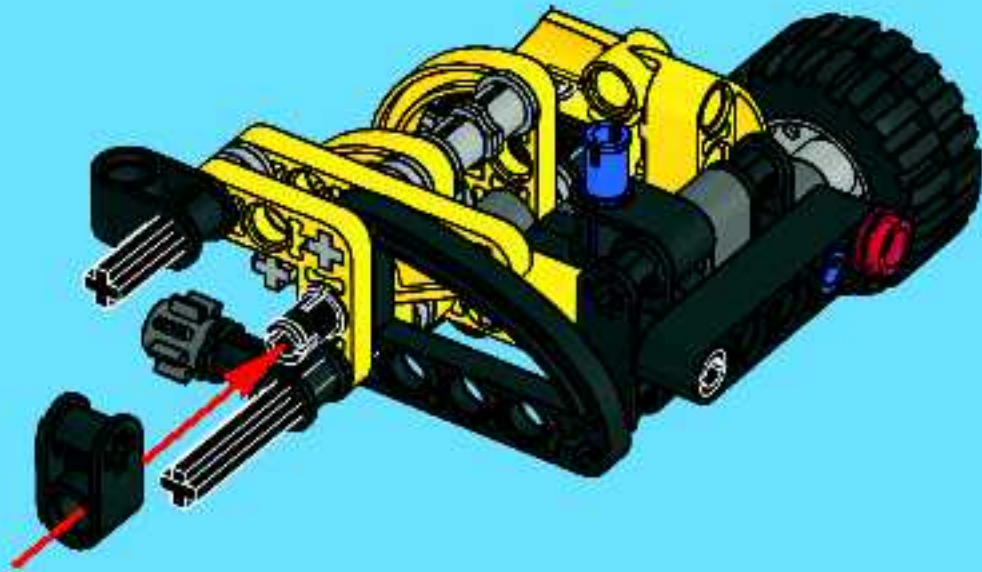


2x



1x

22

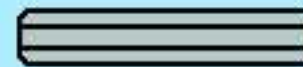
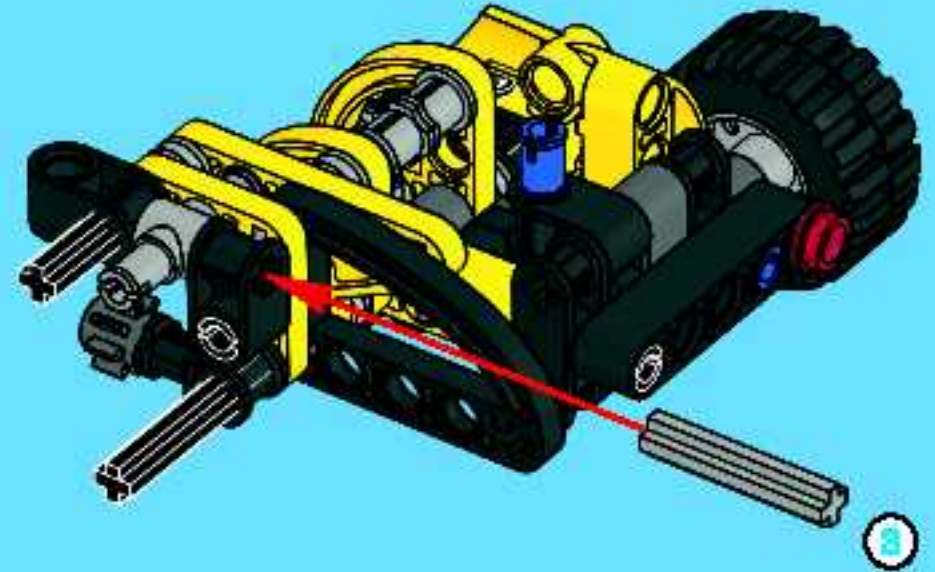


1x



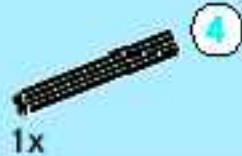
1x

23

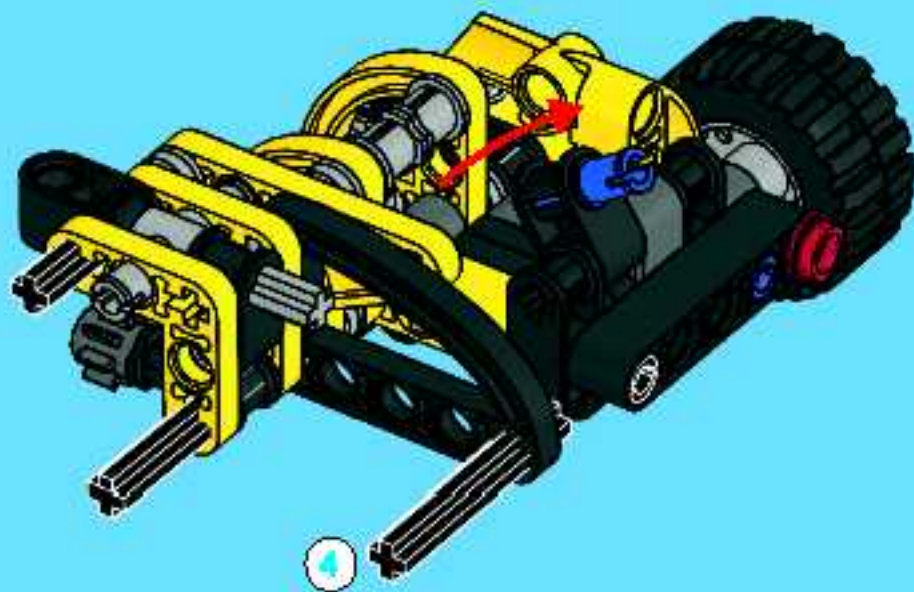


3

1:1



24



1:1

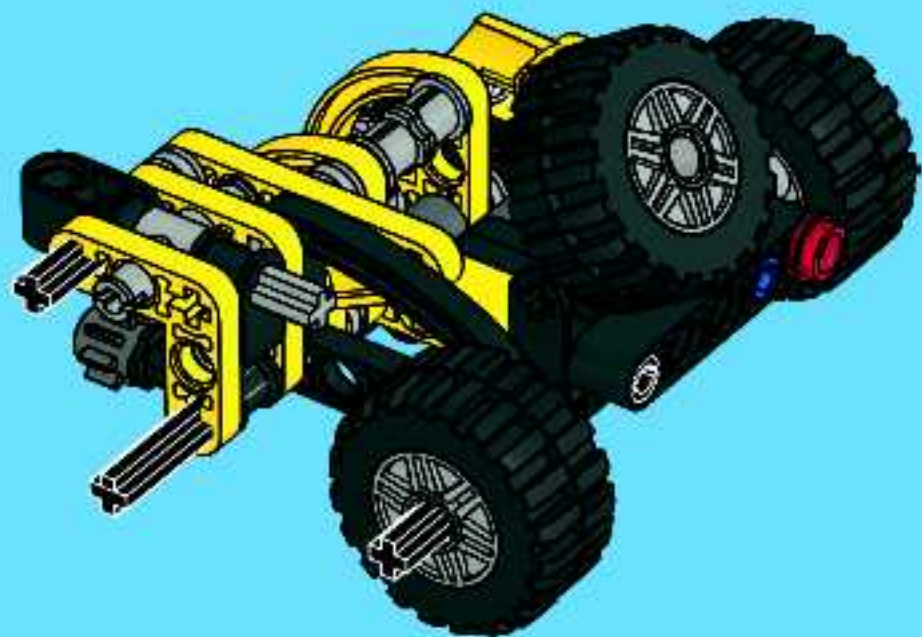


2x



2x

25

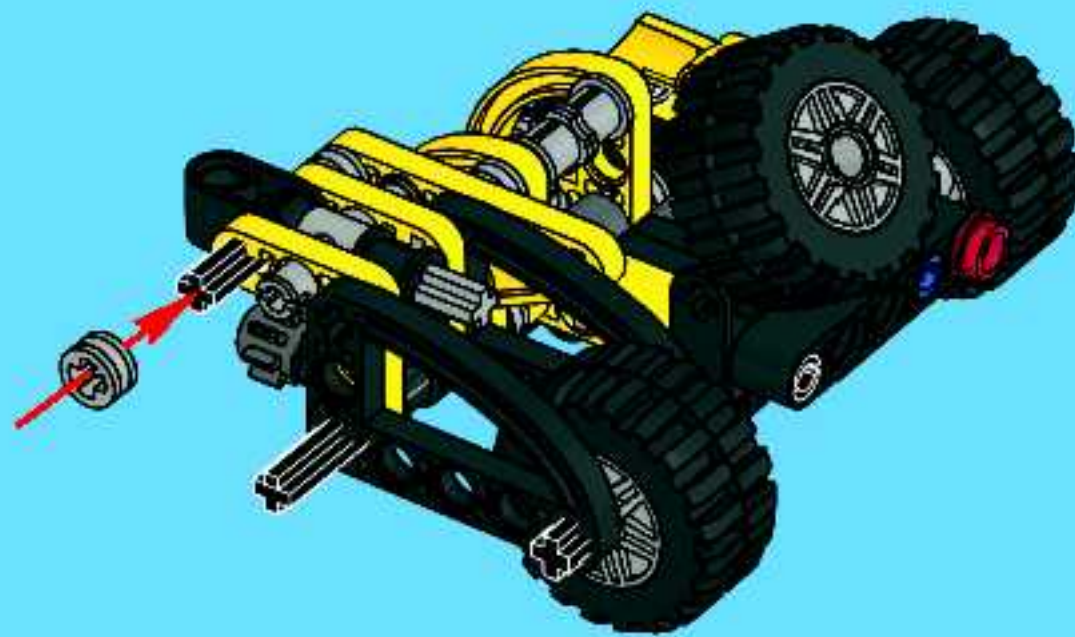


1x



1x

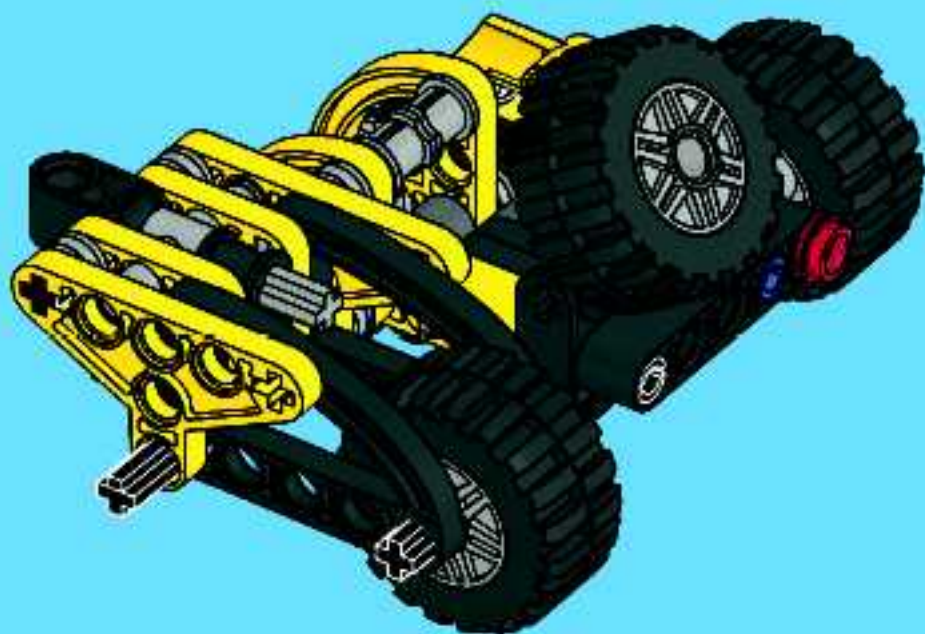
26

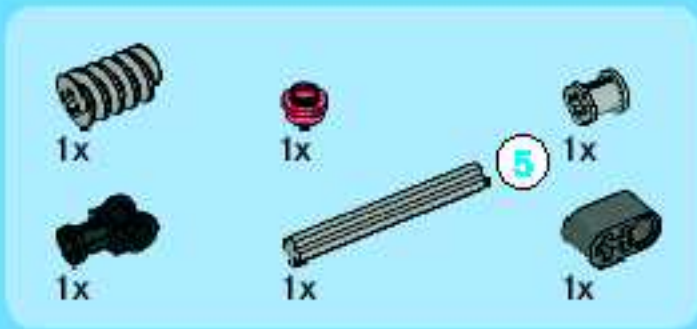




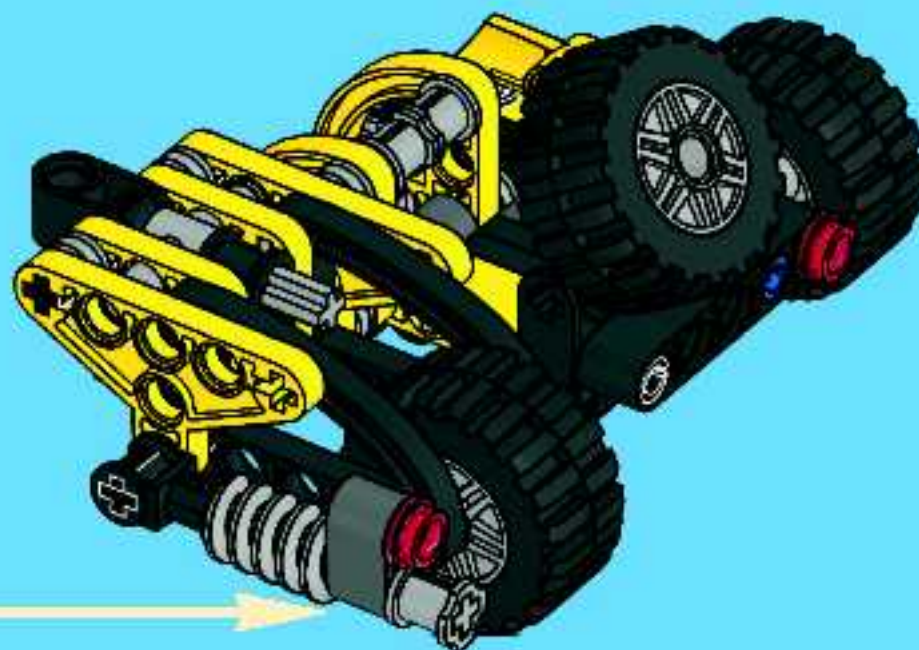
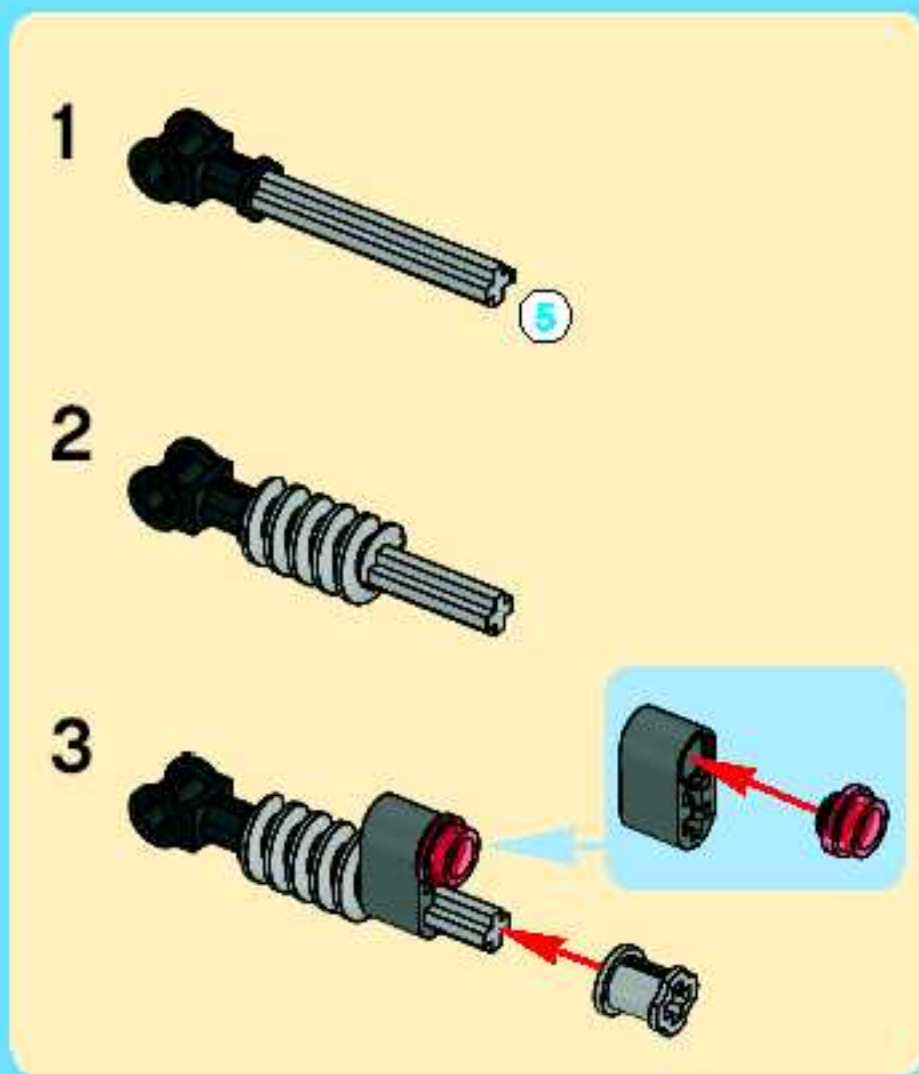
1x

27



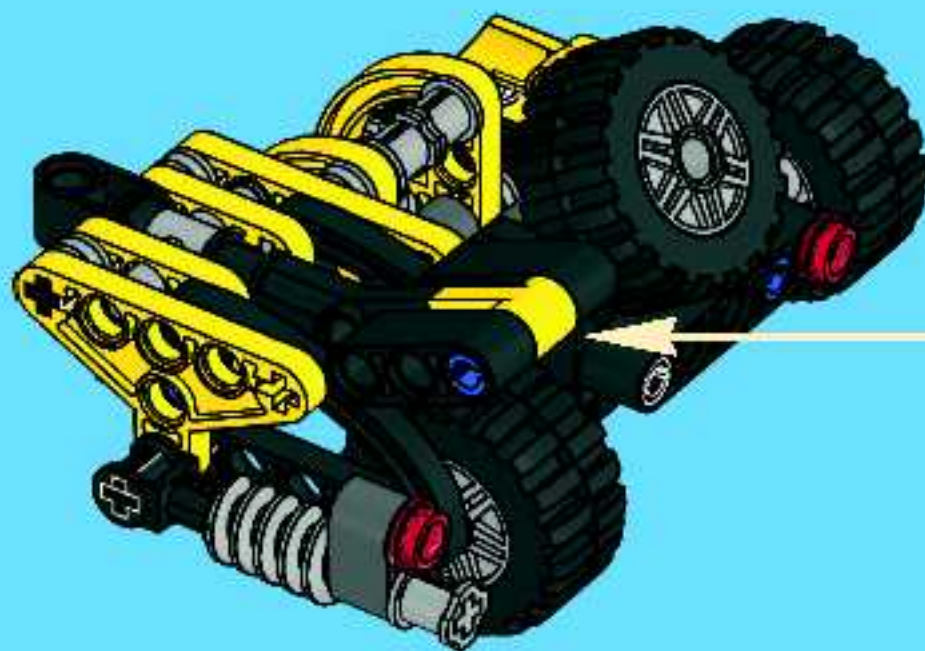


28





29





1



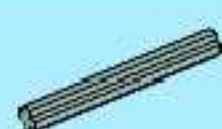


1x



1x

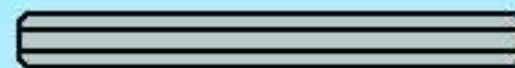
2



5

1x

3



5

1:1

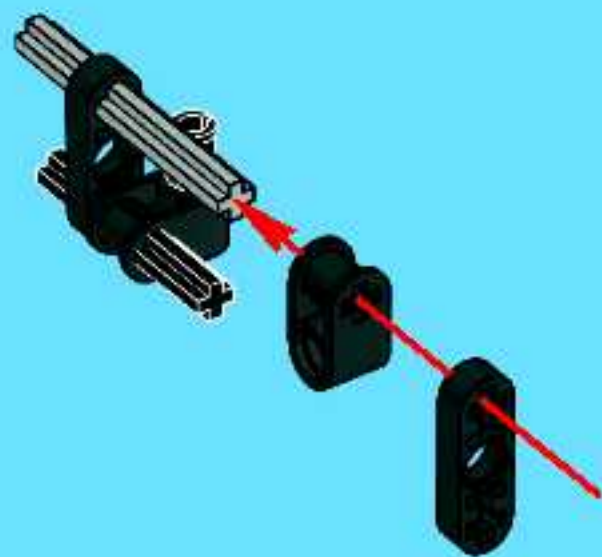


1x



1x

4

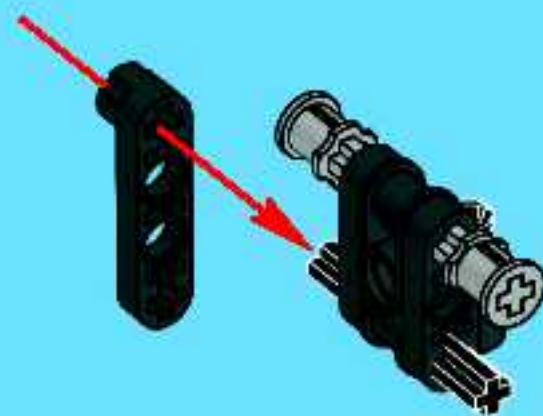


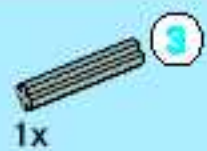
1x



2x

5





6



3

1:1



7





1x

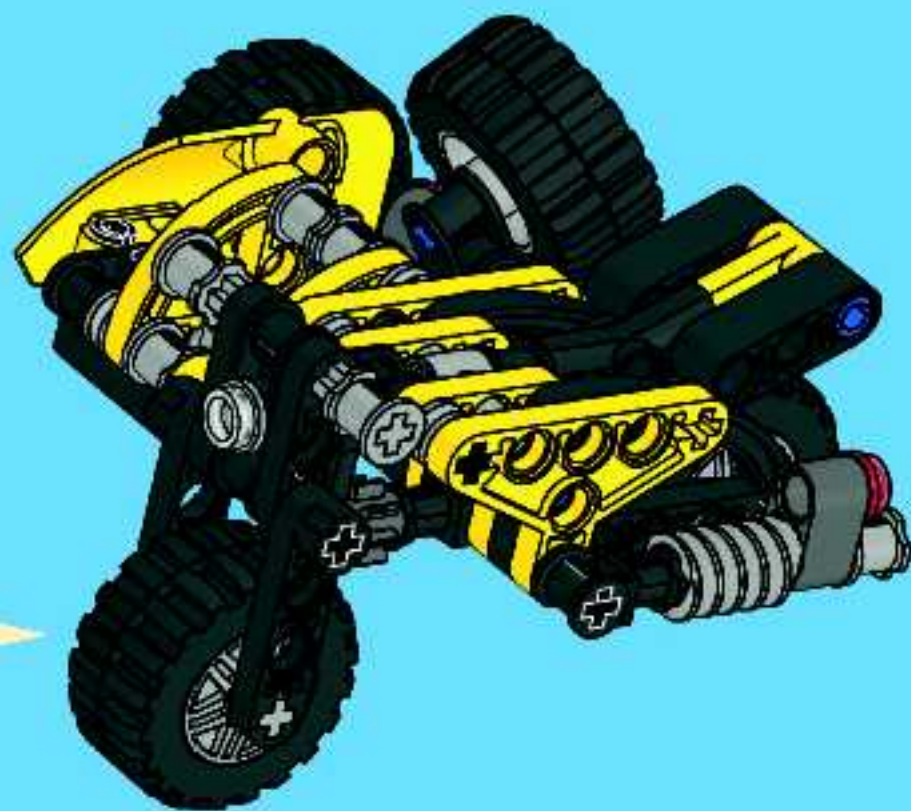


1x

8



30





TECHNIC



8256



8261



8262



TECHNIC

8048



Technic.LEGO.com



1:1 MEASUREMENTS

Please print this document in 100%

1:1-ABBILDUNG

Diese Vorlage bitte in Originalgröße (100%) ausdrucken

MESURES 1:1

Merci d'imprimer ce document à une échelle de 100%

MEDIDAS 1:1

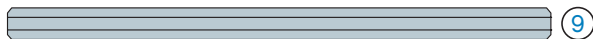
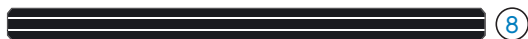
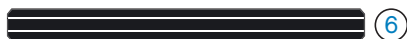
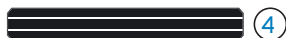
Por favor, imprima este documento al 100%

DIMENSÕES 1:1












Imprima este documento a 100%









1:1 MÉRETEK


100%-os méretarányban nyomtassa ki ezt a dokumentumot!





1:1

Image	Qty	Item No	Description	MID		
Regular Items:						
Parts:						
+			1	3035	Tan Plate 4 x 8 Catalog: Parts: Plate 4191103 or 4509897	PG
		*				
+			2	4073	Trans-Clear Plate, Round 1 x 1 Catalog: Parts: Plate, Round 6240030 or 3005740	PG
		*				
+			1	4073	Trans-Orange Plate, Round 1 x 1 Catalog: Parts: Plate, Round 6240227 or 4222960	PG
		*				
+			2	4073	Trans-Red Plate, Round 1 x 1 Catalog: Parts: Plate, Round 6208450 or 3005741	PG
		*				
+			6	3713	Light Bluish Gray Technic Bush Catalog: Parts: Technic 6275844 or 4211622	PG
		*				
+			6	4265c	Light Bluish Gray Technic Bush 1/2 Smooth Catalog: Parts: Technic 6271165 or 4211573	PG
		*				
+			3	32062	Red Technic, Axle 2 Notched Catalog: Parts: Technic, Axle 4142865	PG
		*				
+			8	4519	Light Bluish Gray Technic, Axle 3 Catalog: Parts: Technic, Axle 4211815	PG
		*				
+			3	3705	Black Technic, Axle 4 Catalog: Parts: Technic, Axle 370526	PG
		*				
+			5	32073	Light Bluish Gray Technic, Axle 5 Catalog: Parts: Technic, Axle 32073194 or 4211639	PG
		*				
+			1	44294	Light Bluish Gray Technic, Axle 7 Catalog: Parts: Technic, Axle 44294194 or 4211805	PG
		*				


+		1	3737	Black Technic, Axle 10 Catalog: Parts: Technic, Axle 373726	PG
+		1	32013	Yellow Technic, Axle and Pin Connector Angled #1 Catalog: Parts: Technic, Connector 4107066	PG
+		1	32016	Black Technic, Axle and Pin Connector Angled #3 - 157.5 degrees Catalog: Parts: Technic, Connector 6261386 or 4107082	PG
+		5	6536	Black Technic, Axle and Pin Connector Perpendicular Catalog: Parts: Technic, Connector 6261371 or 4173668 or 653626	PG
+		3	32184	Black Technic, Axle and Pin Connector Perpendicular 3L with Center Pin Hole Catalog: Parts: Technic, Connector 6276951 or 4121667	PG
+		1	32291	Black Technic, Axle and Pin Connector Perpendicular Double Catalog: Parts: Technic, Connector 6280394 or 4140430	PG
+		3	32039	Black Technic, Axle Connector with Axle Hole Catalog: Parts: Technic, Connector 3203926 or 4107081	PG
+		3	43093	Blue Technic, Axle Pin with Friction Ridges Lengthwise Catalog: Parts: Technic, Axle 4309323 or 4206482	PG
+		2	3701	Tan Technic, Brick 1 x 4 with Holes Catalog: Parts: Technic, Brick 370105 or 4234365	PG
+		1	3647	Dark Bluish Gray Technic, Gear 8 Tooth Type 1 Catalog: Parts: Technic, Gear 4514559	PG
+		1	32270	Black Technic, Gear 12 Tooth Double Bevel Catalog: Parts: Technic, Gear 4177431	PG
+		1	4716	Light Bluish Gray Technic, Gear Worm Screw, Long Catalog: Parts: Technic, Gear 6185471 or 4211510	PG

*
 +  3 [60483](#) **Dark Bluish Gray Technic, Liftarm 1 x 2 Thick with Pin Hole and Axle Hole** [PG](#)
 Catalog: [Parts: Technic, Liftarm](#)
 6265093 or 6006141 or 4515183

+  2 [32523](#) **Black Technic, Liftarm 1 x 3 Thick** [PG](#)
 Catalog: [Parts: Technic, Liftarm](#)
 3252326 or 4142822

+  4 [6632](#) **Black Technic, Liftarm 1 x 3 Thin** [PG](#)
 Catalog: [Parts: Technic, Liftarm](#)
 4107828 or 663226

+  2 [2825](#) **Black Technic, Liftarm 1 x 4 Thin with Stud Connector** [PG](#)
 Catalog: [Parts: Technic, Liftarm](#)
 3200626 or 4107136

+  2 [32316](#) **Black Technic, Liftarm 1 x 5 Thick** [PG](#)
 Catalog: [Parts: Technic, Liftarm](#)
 4142135


+  1 [32316](#) **Yellow Technic, Liftarm 1 x 5 Thick** [PG](#)
 Catalog: [Parts: Technic, Liftarm](#)
 4142133


+  2 [41239](#) **Yellow Technic, Liftarm 1 x 13 Thick** [PG](#)
 Catalog: [Parts: Technic, Liftarm](#)
 4522935

+  1 [32278](#) **Yellow Technic, Liftarm 1 x 15 Thick** [PG](#)
 Catalog: [Parts: Technic, Liftarm](#)
 4237445 or 4542579

+  2 [32056](#) **Yellow Technic, Liftarm 3 x 3 L-Shape Thin** [PG](#)
 Catalog: [Parts: Technic, Liftarm](#)
 4112289


+  2 [32249](#) **Yellow Technic, Liftarm 3 x 3 L-Shape with Quarter Ellipse Thin** [PG](#)
 Catalog: [Parts: Technic, Liftarm](#)
 4500483

+  1 [60484](#) **Dark Bluish Gray Technic, Liftarm 3 x 3 T-Shape Thick** [PG](#)
 Catalog: [Parts: Technic, Liftarm](#)
 4552349


+  4 [32250](#) **Black Technic, Liftarm 3 x 5 L-Shape with Quarter Ellipse Thin** [PG](#)
 Catalog: [Parts: Technic, Liftarm](#)

3225026 or 4128557


*

+  2 [2905](#) **Yellow Technic, Liftarm Triangle Thin**
Catalog: [Parts: Technic, Liftarm](#) [PG](#)
4296140

*

+  1 [87080](#) **Yellow Technic, Panel Fairing # 1 Small Smooth Short, Side A**
Catalog: [Parts: Technic, Panel](#) [PG](#)
4558879


*

+  4 [6558](#) **Blue Technic, Pin 3L with Friction Ridges Lengthwise**
Catalog: [Parts: Technic, Pin](#) [PG](#)
4514553


*

+  2 [87082](#) **Light Bluish Gray Technic, Pin 3L with Friction Ridges Lengthwise and Center Pin Hole**
Catalog: [Parts: Technic, Pin](#) [PG](#)
4560175


*

+  4 [32556](#) **Tan Technic, Pin 3L without Friction Ridges Lengthwise**
Catalog: [Parts: Technic, Pin](#) [PG](#)
4514554


*

+  9 [2780](#) **Black Technic, Pin with Friction Ridges Lengthwise WITH Center Slots**
Catalog: [Parts: Technic, Pin](#) [PG](#)
4121715 or 278026

*


+  4 [30391](#) **Black Tire 30.4 x 14 Offset Tread**
Catalog: [Parts: Tire & Tread](#) [PG](#)
3039126 or 4140670

*


+  4 [55981](#) **Light Bluish Gray Wheel 18mm D. x 14mm with Pin Hole, Fake Bolts and Shallow Spokes**
Catalog: [Parts: Wheel](#) [PG](#)
6109684 or 4299119

*

Extra Items:

+  1 [4073](#) **Trans-Clear Plate, Round 1 x 1**
Catalog: [Parts: Plate, Round](#) [PG](#)
6240030 or 3005740

*

+  1 [4073](#) **Trans-Orange Plate, Round 1 x 1**
Catalog: [Parts: Plate, Round](#) [PG](#)
6240227 or 4222960

*

+  1 [4073](#) **Trans-Red Plate, Round 1 x 1**
Catalog: [Parts: Plate, Round](#) [PG](#)
6208450 or 3005741

*

+



*

1

[3713](#)

Light Bluish Gray Technic Bush

[Catalog: Parts: Technic](#)
6275844 or 4211622

[PG](#)

+



*

1

[4265c](#)

Light Bluish Gray Technic Bush 1/2 Smooth

[Catalog: Parts: Technic](#)
6271165 or 4211573

[PG](#)

+



*

1

[2780](#)

Black Technic, Pin with Friction Ridges Lengthwise WITH Center Slots

[Catalog: Parts: Technic, Pin](#)
4121715 or 278026

[PG](#)

Counterparts:

+



*

4

[55981c02\(inv\)](#)

Light Bluish Gray Wheel 18mm D. x 14mm with Pin Hole, Fake Bolts and Shallow Spokes with Black Tire 30.4 x 14 Offset Tread (55981 / 30391)

[Catalog: Parts: Wheel & Tire Assembly](#)
Part Color Code Missing

[PG](#)

Summary:

Type	Unique Lots	Total Qty
Regular Items:		
Parts	43	117
Extra Items:		
Parts	6	6
Counterparts:		
Parts	1	4

Source:

Sealed Set Contents

[Scrp749 \(1962\)](#) inventoried this Set on Nov 30, 2009, inventory last updated on Dec 2, 2018.