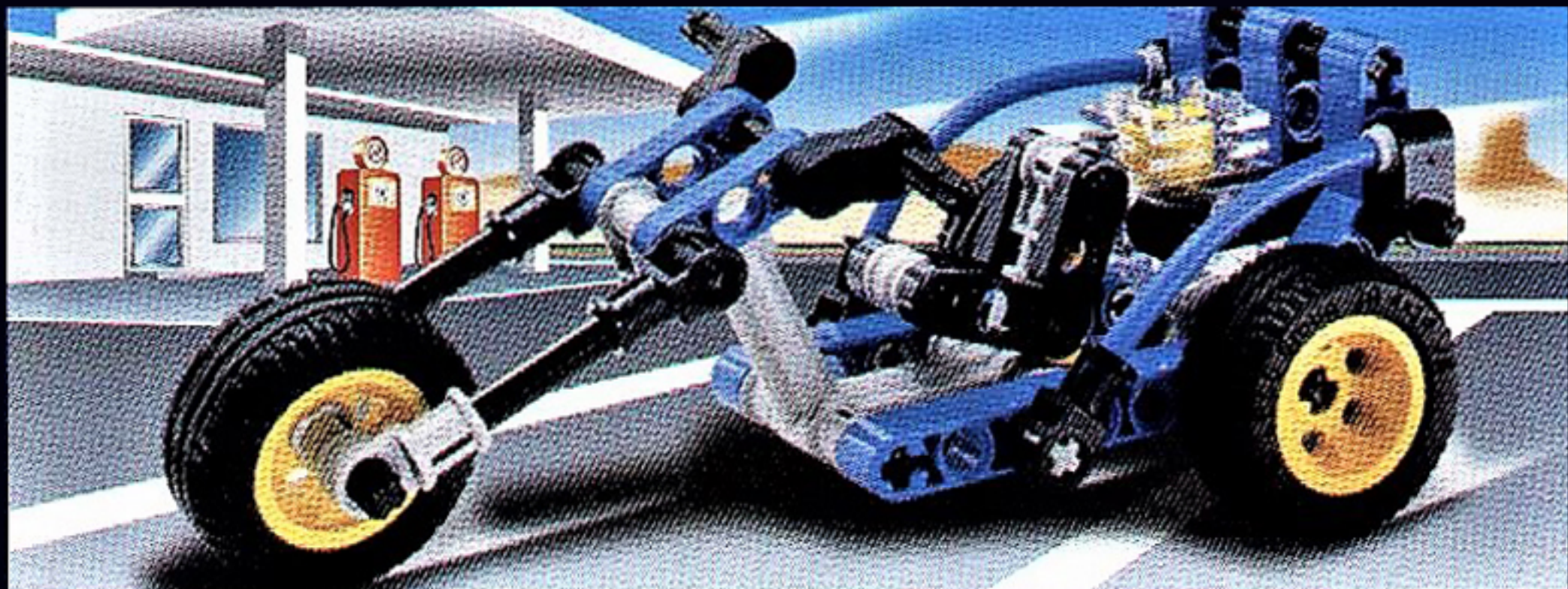


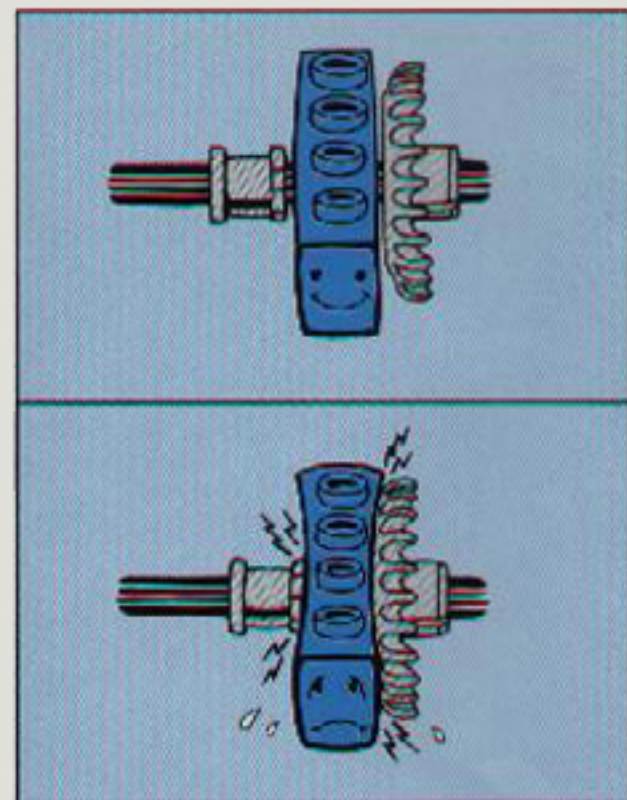
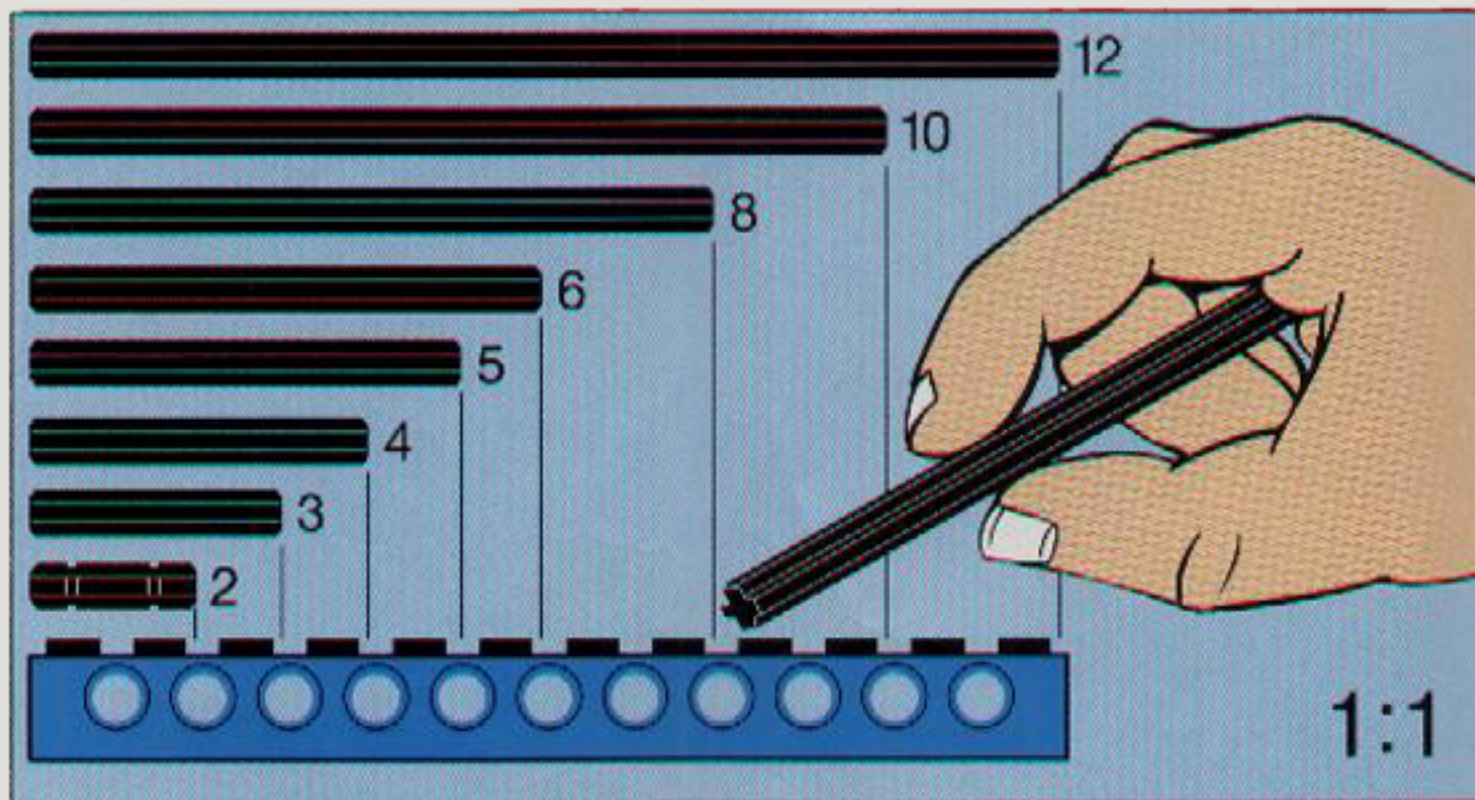


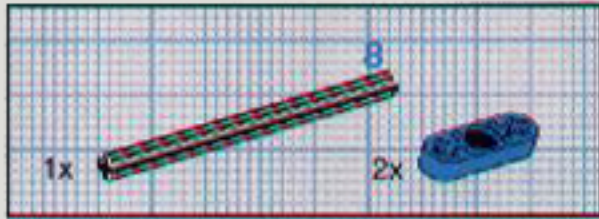
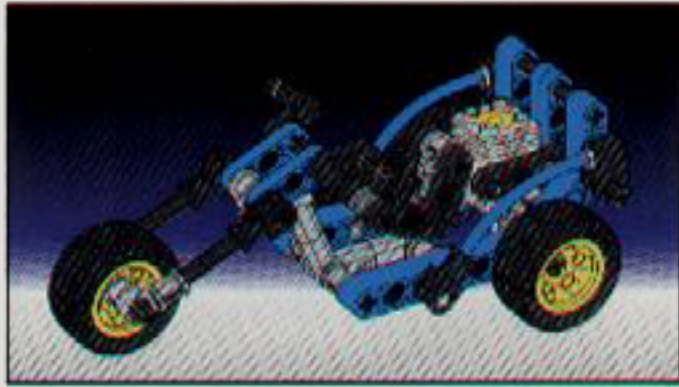
# Technic

# 8218

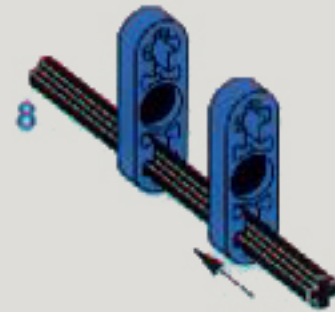




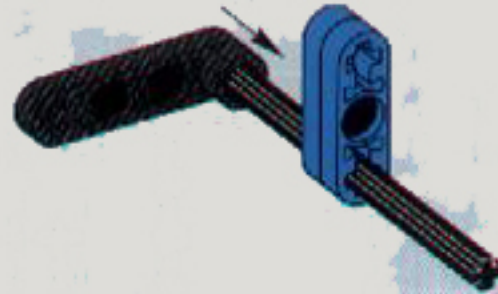


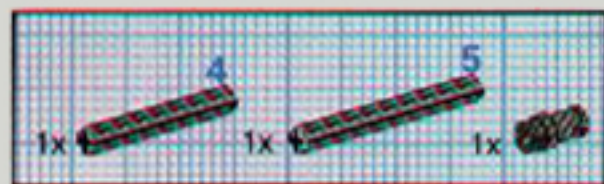


1



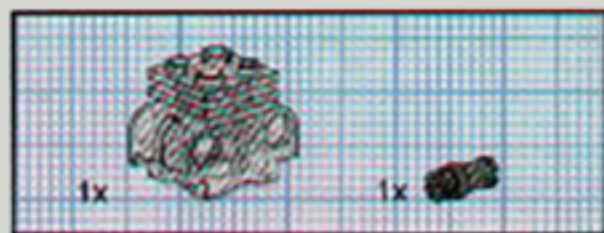
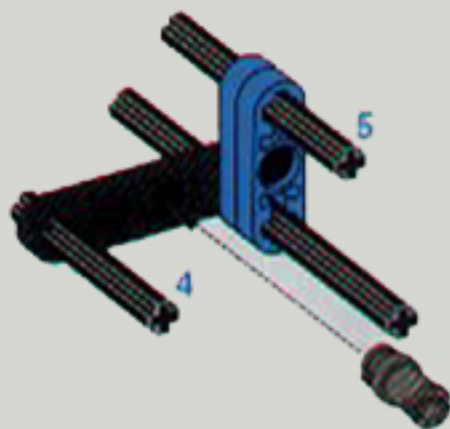
2



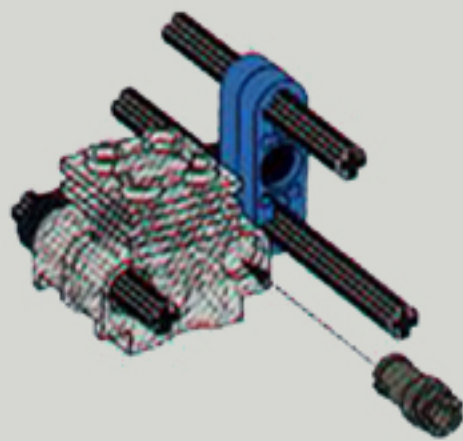


**3**

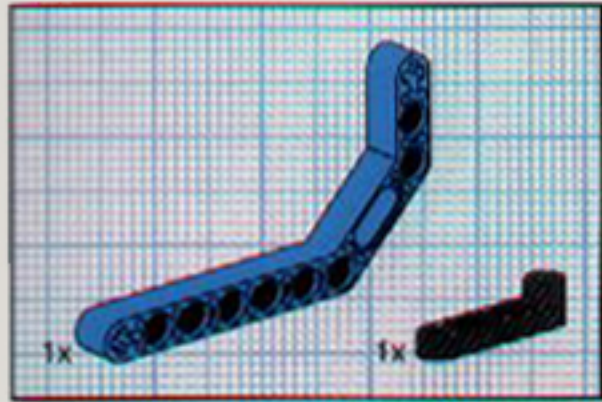
1x



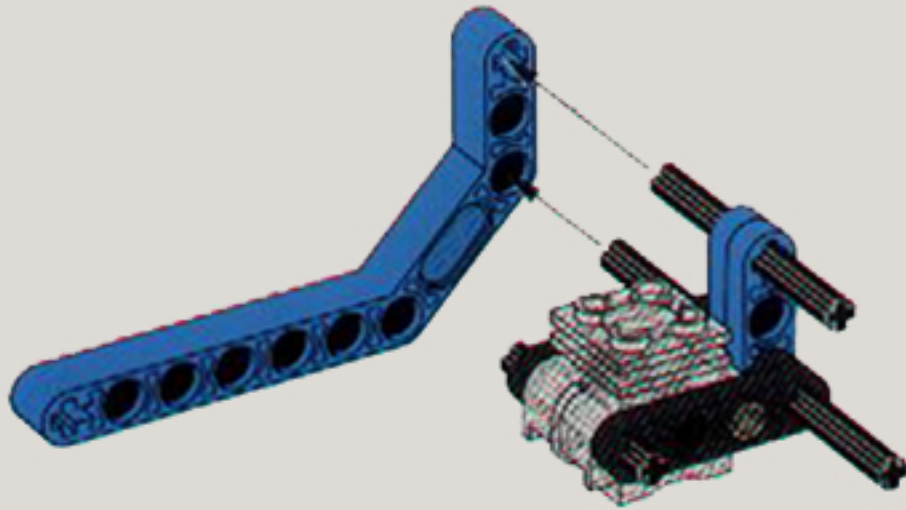
**4**



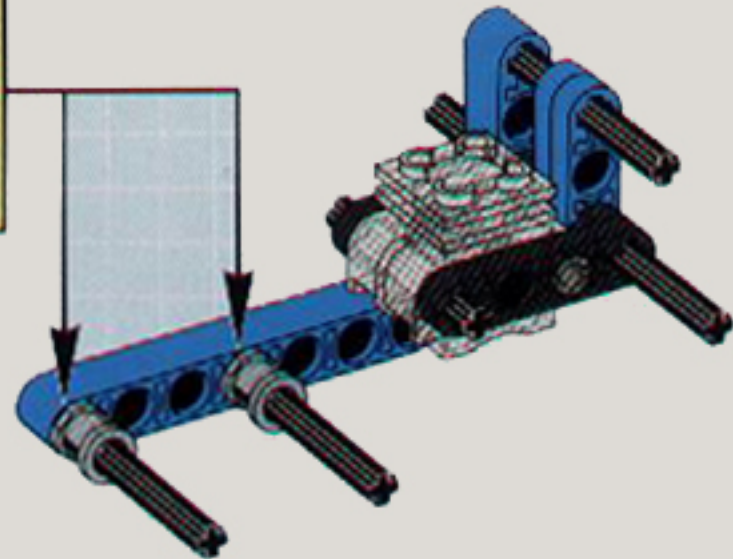




5

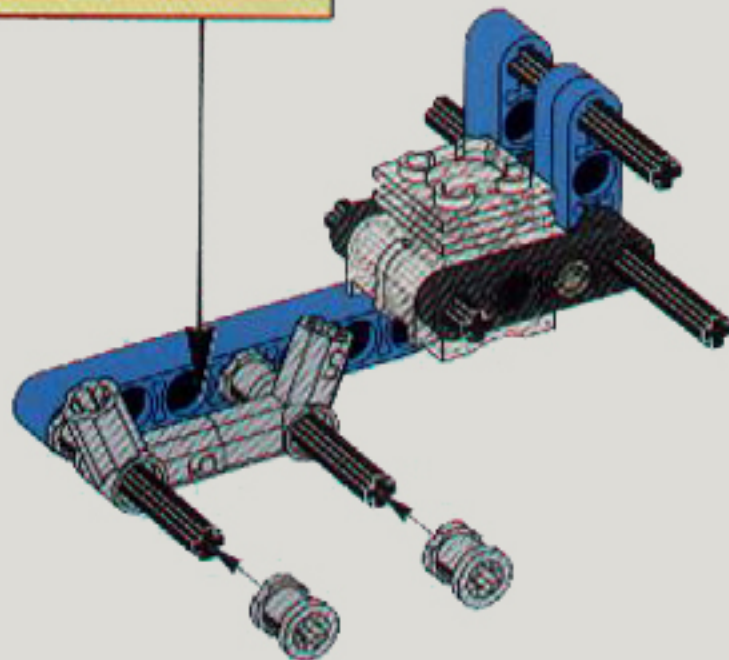
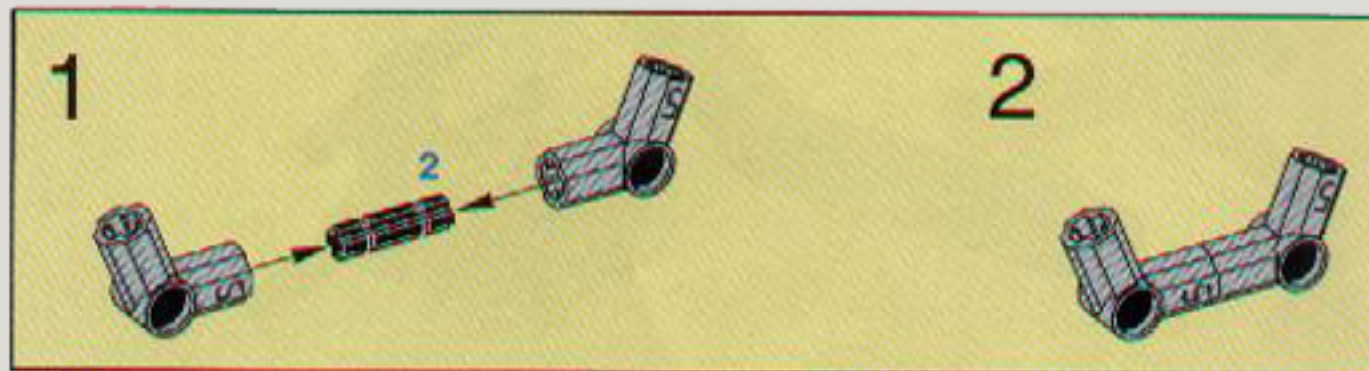


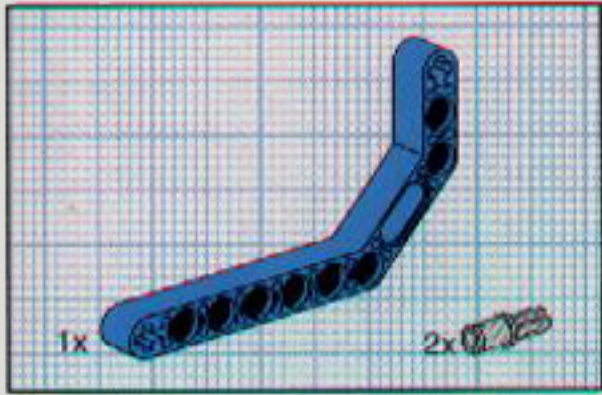
6



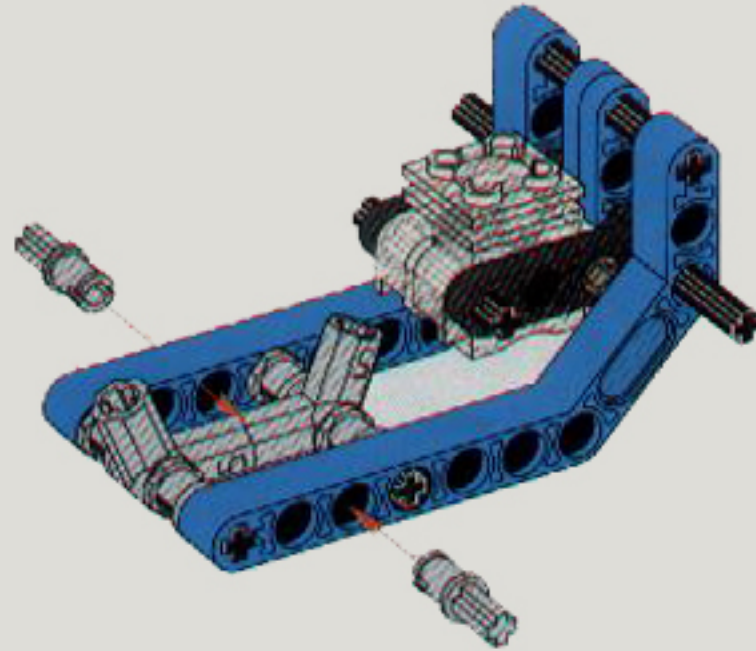


7

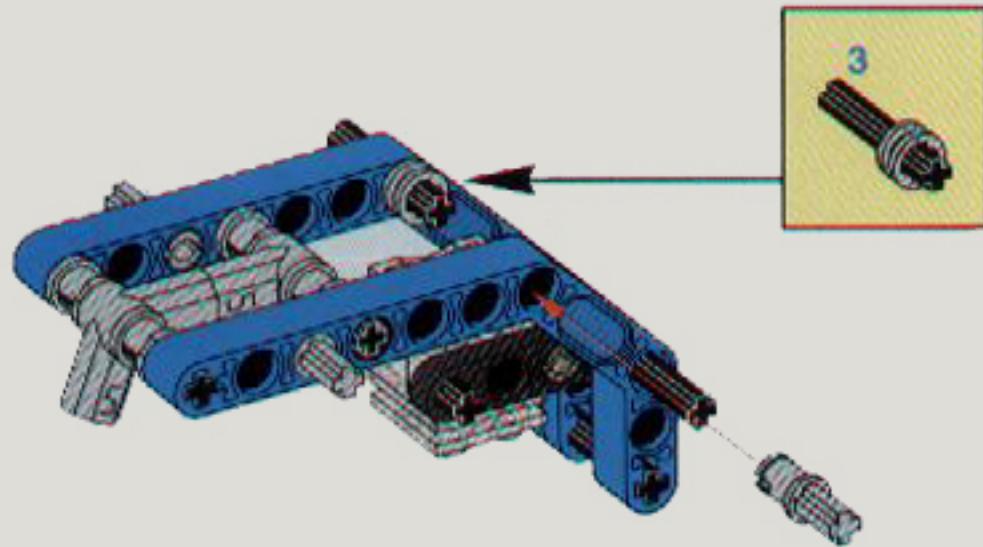




8



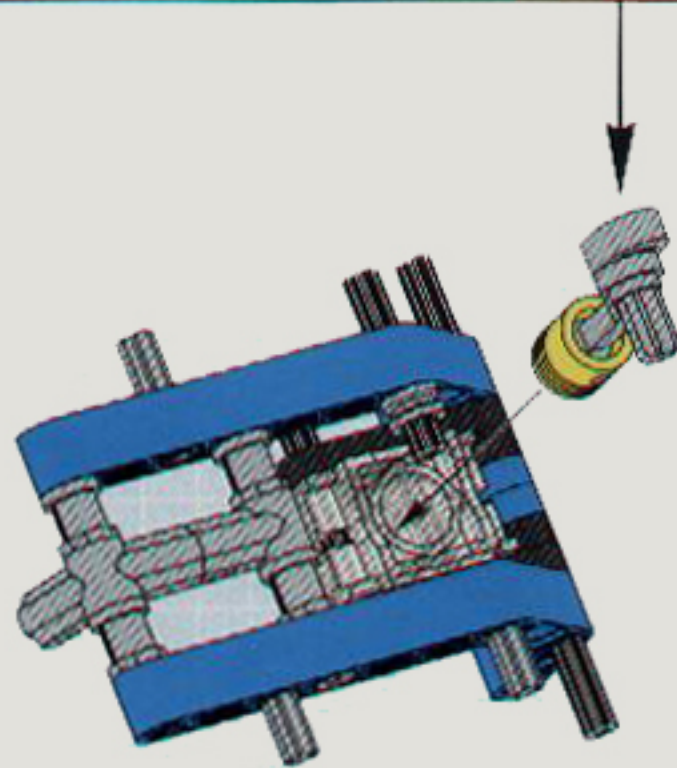
9





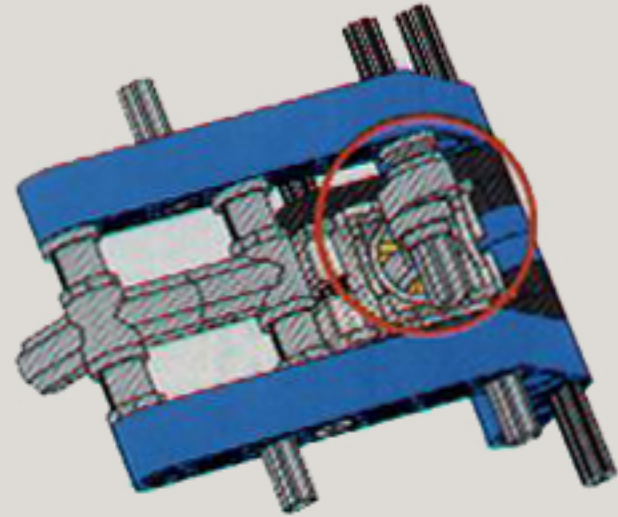


10

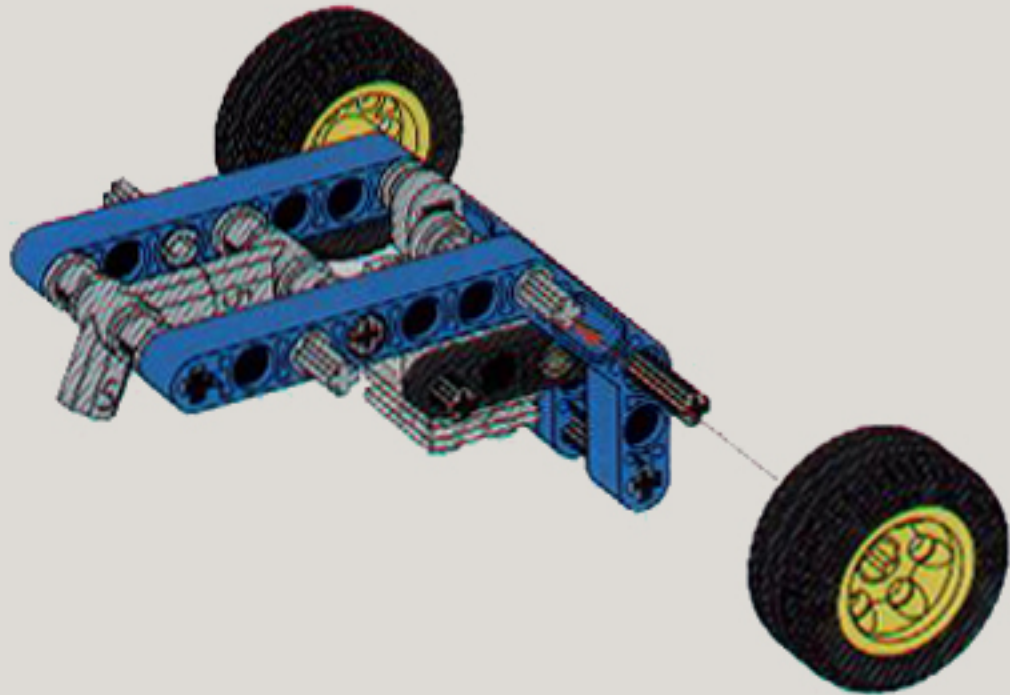


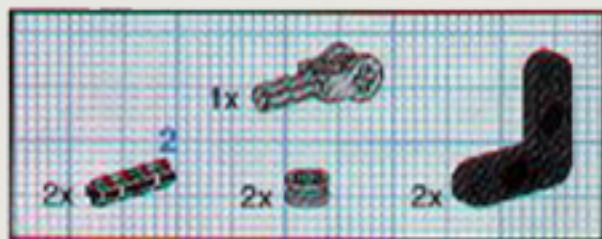


# 11

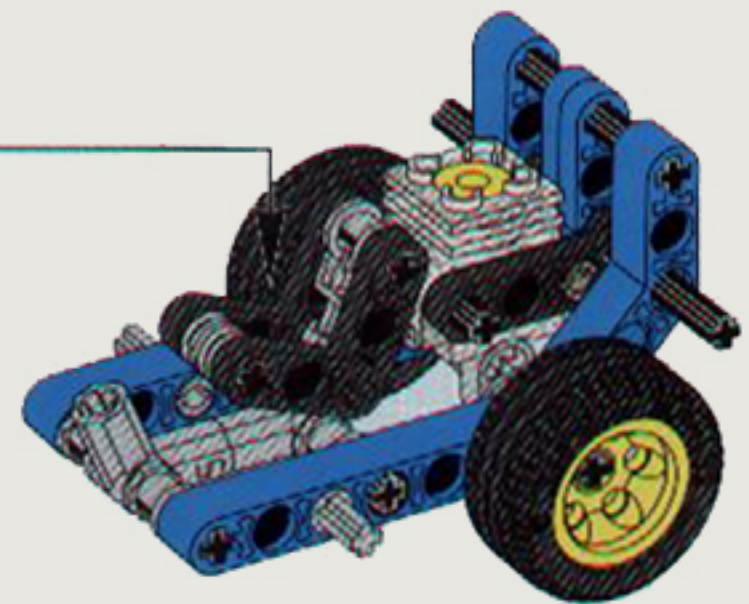
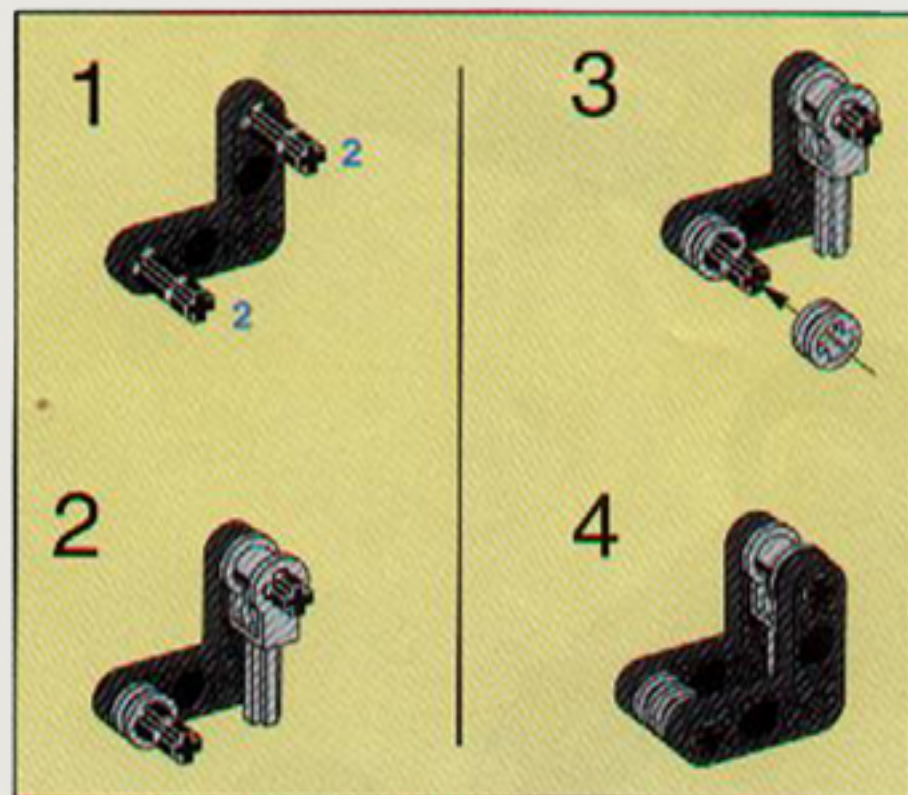


# 12

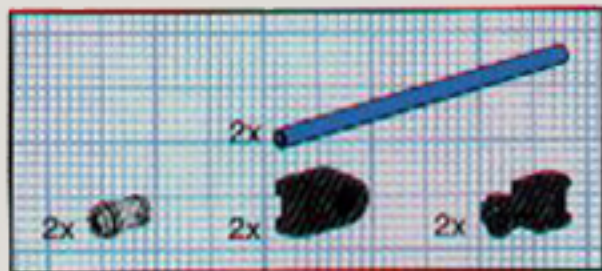




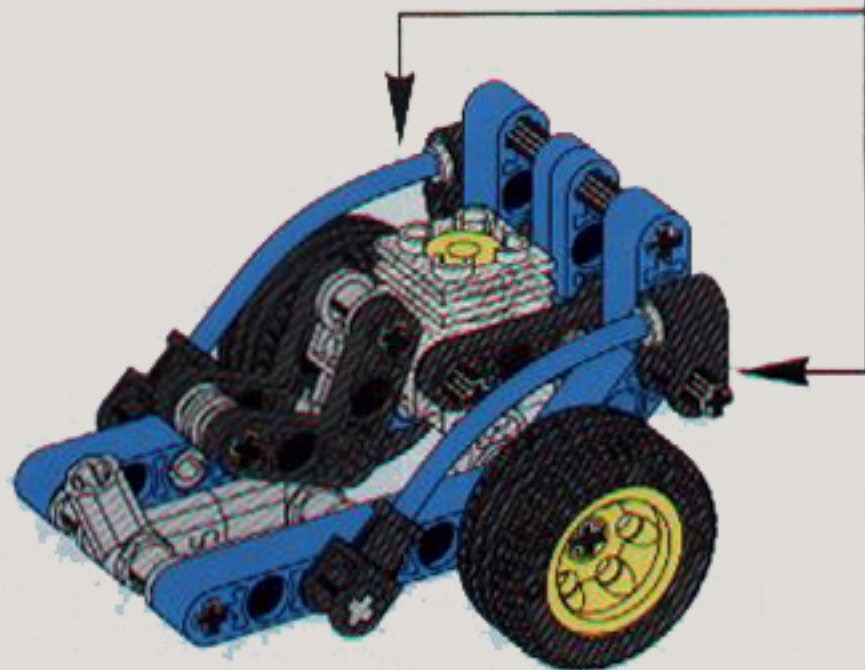
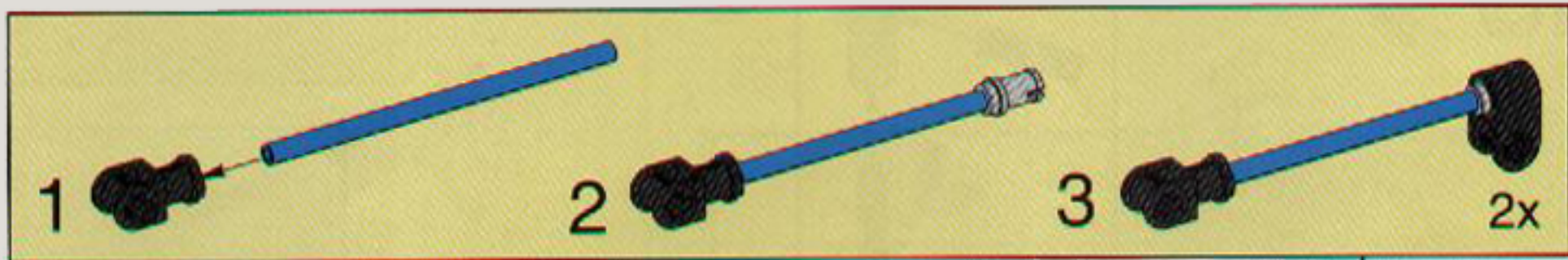
13





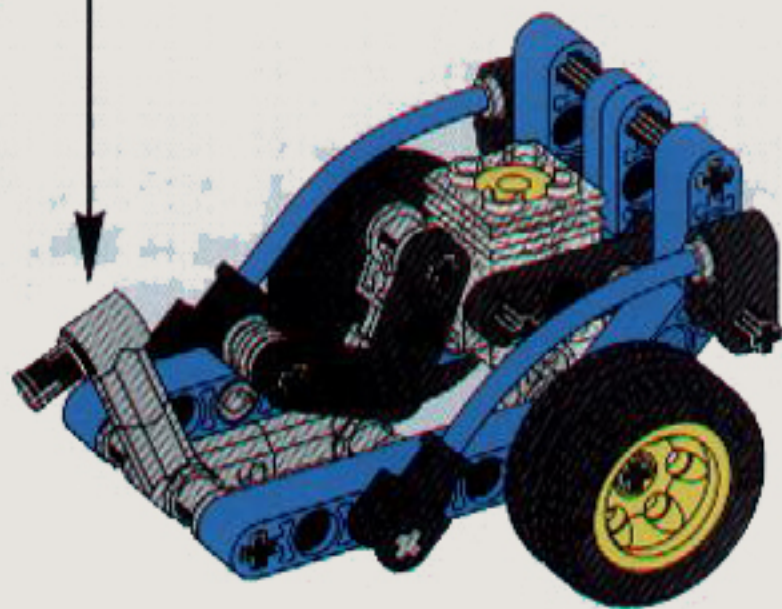
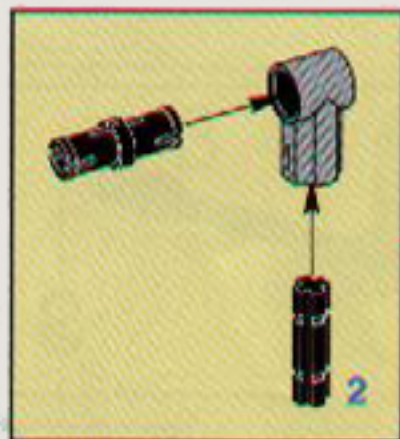


14

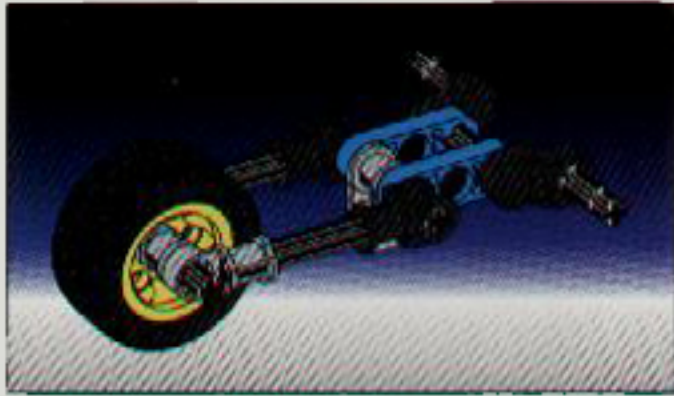




15



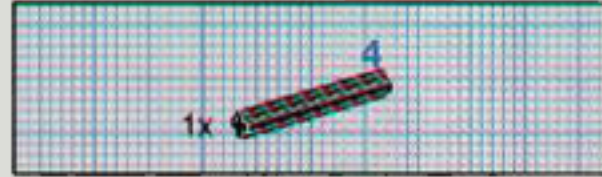




1



2



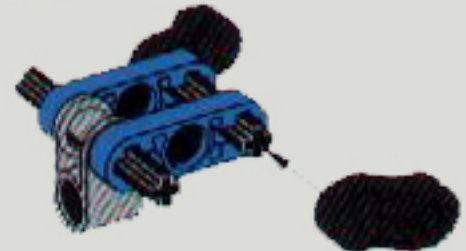
3

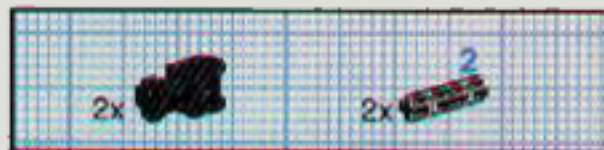


4

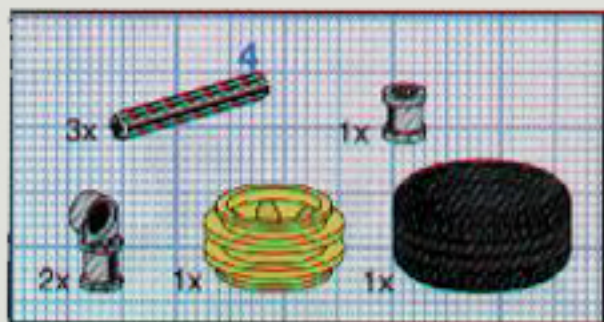
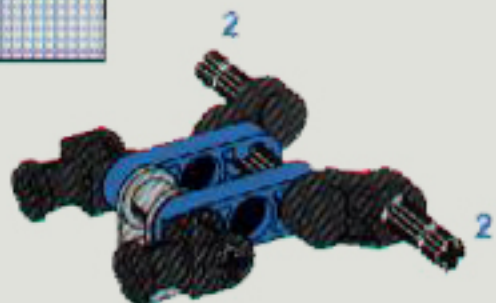


5

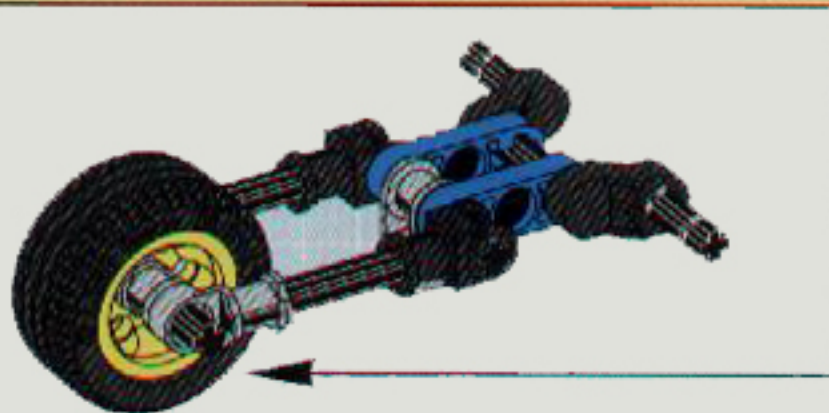
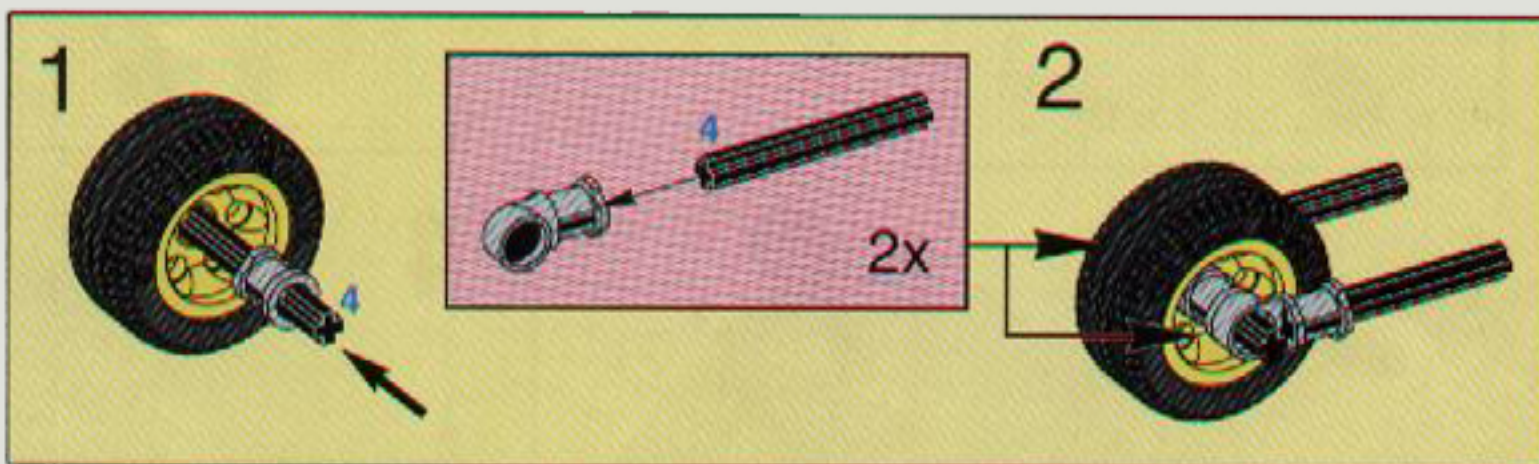




6

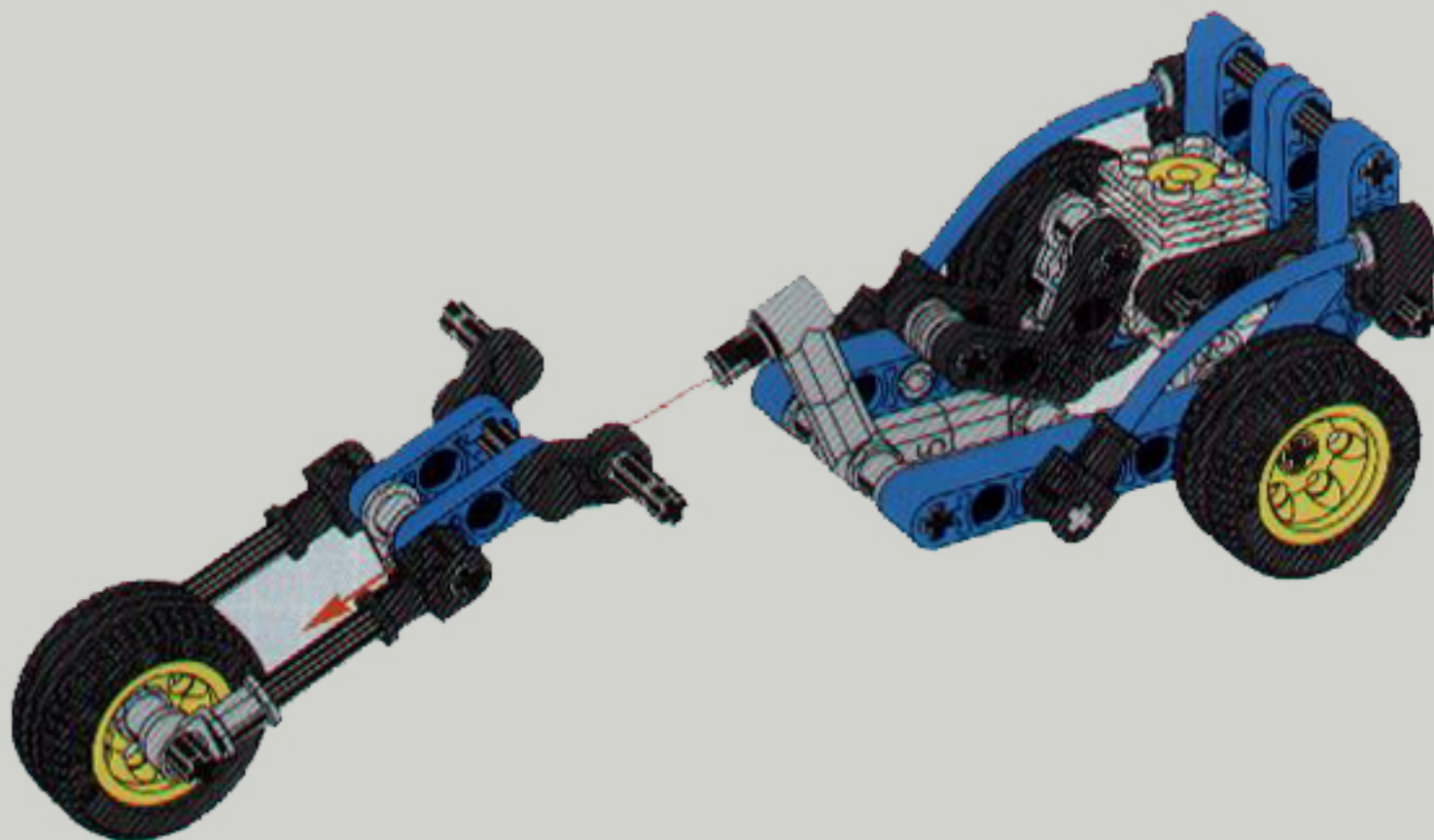


7





16



17

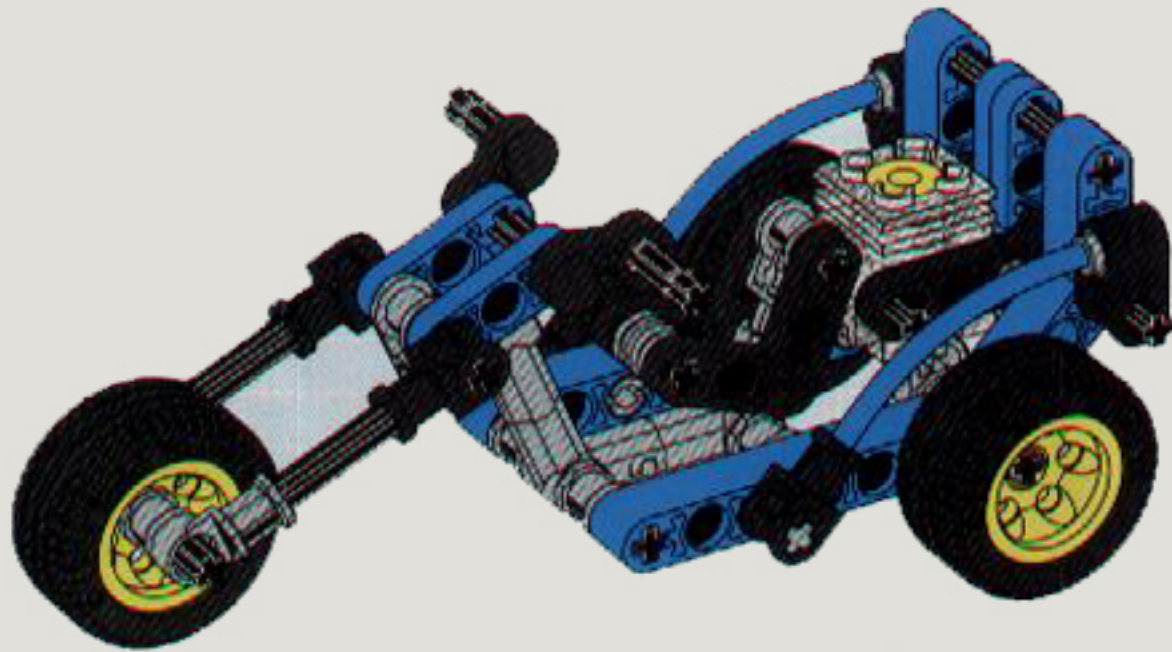














Image	Qty	Item No	Description	MID
<b>Regular Items:</b>				
<b>Parts:</b>				
	2	<a href="#">75</a>	<b>Blue Hose, Rigid 3mm D. (Undetermined Length)</b> Catalog: <a href="#">Parts: Hose, Rigid 3mm D.</a> Part Color Code Missing	<a href="#">PG</a>
*				
	5	<a href="#">3713</a>	<b>Light Gray Technic Bush</b> Catalog: <a href="#">Parts: Technic</a> 4125313	<a href="#">PG</a>
*				
	1	<a href="#">2850</a>	<b>Trans-Clear Technic Engine Cylinder</b> Catalog: <a href="#">Parts: Technic</a> 4109610	<a href="#">PG</a>
*				
	1	<a href="#">2851</a>	<b>Yellow Technic Engine Piston Round</b> Catalog: <a href="#">Parts: Technic</a> 285124 or 4112203	<a href="#">PG</a>
*				
	1	<a href="#">2852</a>	<b>Light Gray Technic Engine Connecting Rod</b> Catalog: <a href="#">Parts: Technic</a> 285202	<a href="#">PG</a>
*				
	1	<a href="#">2853</a>	<b>Light Gray Technic Engine Crankshaft</b> Catalog: <a href="#">Parts: Technic</a> 4119475	<a href="#">PG</a>
*				
	2	<a href="#">2854</a>	<b>Black Technic Engine Crankshaft Center</b> Catalog: <a href="#">Parts: Technic</a> 4171912	<a href="#">PG</a>
*				
	3	<a href="#">4265c</a>	<b>Light Gray Technic Bush 1/2 Smooth</b> Catalog: <a href="#">Parts: Technic</a> 4110050	<a href="#">PG</a>
*				
	6	<a href="#">32062</a>	<b>Black Technic, Axle 2 Notched</b> Catalog: <a href="#">Parts: Technic, Axle</a> 3206226 or 4109810	<a href="#">PG</a>
*				
	3	<a href="#">32073</a>	<b>Black Technic, Axle 5</b> Catalog: <a href="#">Parts: Technic, Axle</a> 4114740	<a href="#">PG</a>
*				
	5	<a href="#">3705</a>	<b>Black Technic, Axle 4</b> Catalog: <a href="#">Parts: Technic, Axle</a> 370526	<a href="#">PG</a>
*				





+		1	<a href="#">3707</a>	<b>Black Technic, Axle 8</b> <a href="#">Catalog: Parts: Technic, Axle</a> 370726	<a href="#">PG</a>
+		1	<a href="#">6553</a>	<b>Light Gray Technic Pole Reverser Handle</b> <a href="#">Catalog: Parts: Technic, Axle</a> 655302	<a href="#">PG</a>
+		3	<a href="#">3749</a>	<b>Light Gray Technic, Axle Pin without Friction Ridges Lengthwise</b> <a href="#">Catalog: Parts: Technic, Axle</a> 4184168 or 656202	<a href="#">PG</a>
+		2	<a href="#">4519</a>	<b>Black Technic, Axle 3</b> <a href="#">Catalog: Parts: Technic, Axle</a> 451926	<a href="#">PG</a>
+		1	<a href="#">6536</a>	<b>Light Gray Technic, Axle and Pin Connector Perpendicular</b> <a href="#">Catalog: Parts: Technic, Connector</a> 653602 or 4173667	<a href="#">PG</a>
+		2	<a href="#">6536</a>	<b>Black Technic, Axle and Pin Connector Perpendicular</b> <a href="#">Catalog: Parts: Technic, Connector</a> 6261371 or 4173668 or 653626	<a href="#">PG</a>
+		2	<a href="#">44</a>	<b>Light Gray Technic, Axle and Pin Connector Toggle Joint Smooth</b> <a href="#">Catalog: Parts: Technic, Connector</a> Part Color Code Missing	<a href="#">PG</a>
+		1	<a href="#">32013</a>	<b>Light Gray Technic, Axle and Pin Connector Angled #1</b> <a href="#">Catalog: Parts: Technic, Connector</a> 4106376	<a href="#">PG</a>
+		2	<a href="#">32015</a>	<b>Light Gray Technic, Axle and Pin Connector Angled #5 - 112.5 degrees</b> <a href="#">Catalog: Parts: Technic, Connector</a> 4106378	<a href="#">PG</a>
+		4	<a href="#">32039</a>	<b>Black Technic, Axle Connector with Axle Hole</b> <a href="#">Catalog: Parts: Technic, Connector</a> 3203926 or 4107081	<a href="#">PG</a>
+		2	<a href="#">32056</a>	<b>Black Technic, Liftarm 3 x 3 L-Shape Thin</b> <a href="#">Catalog: Parts: Technic, Liftarm</a> 4112287	<a href="#">PG</a>
+		2	<a href="#">32009</a>	<b>Blue Technic, Liftarm 1 x 11.5 Double Bent Thick</b> <a href="#">Catalog: Parts: Technic, Liftarm</a> 4112000 or 3200923	<a href="#">PG</a>


+	 *	2	<a href="#">2825</a>	<b>Black Technic, Liftarm 1 x 4 Thin with Stud Connector</b> <a href="#">Catalog:</a> <a href="#">Parts:</a> <a href="#">Technic, Liftarm</a> 3200626 or 4107136	<a href="#">PG</a>
---	---	---	----------------------	--	--------------------


+	 *	4	<a href="#">6632</a>	<b>Blue Technic, Liftarm 1 x 3 Thin</b> <a href="#">Catalog:</a> <a href="#">Parts:</a> <a href="#">Technic, Liftarm</a> 4107829 or 663223	<a href="#">PG</a>
---	--	---	----------------------	--	--------------------

+	 *	2	<a href="#">32002</a>	<b>Dark Gray Technic, Pin 3/4</b> <a href="#">Catalog:</a> <a href="#">Parts:</a> <a href="#">Technic, Pin</a> 4109854	<a href="#">PG</a>
---	--	---	-----------------------	--	--------------------


+	 *	1	<a href="#">2780</a>	<b>Black Technic, Pin with Friction Ridges Lengthwise WITH Center Slots</b> <a href="#">Catalog:</a> <a href="#">Parts:</a> <a href="#">Technic, Pin</a> 4121715 or 278026	<a href="#">PG</a>
---	--	---	----------------------	--	--------------------


+	 *	2	<a href="#">4274</a>	<b>Light Gray Technic, Pin 1/2</b> <a href="#">Catalog:</a> <a href="#">Parts:</a> <a href="#">Technic, Pin</a> 427402	<a href="#">PG</a>
---	--	---	----------------------	--	--------------------


+	 *	3	<a href="#">6578</a>	<b>Black Tire 30.4 x 14 VR</b> <a href="#">Catalog:</a> <a href="#">Parts:</a> <a href="#">Tire &amp; Tread</a> 75777	<a href="#">PG</a>
---	---	---	----------------------	---	--------------------


+	 *	3	<a href="#">2994</a>	<b>Yellow Wheel 30.4 x 14 VR</b> <a href="#">Catalog:</a> <a href="#">Parts:</a> <a href="#">Wheel</a> 4496673 or 299424	<a href="#">PG</a>
---	--	---	----------------------	--	--------------------

**Extra Items:**

+	 *	1	<a href="#">3713</a>	<b>Light Gray Technic Bush</b> <a href="#">Catalog:</a> <a href="#">Parts:</a> <a href="#">Technic</a> 4125313	<a href="#">PG</a>
---	--	---	----------------------	--	--------------------

+	 *	1	<a href="#">32002</a>	<b>Dark Gray Technic, Pin 3/4</b> <a href="#">Catalog:</a> <a href="#">Parts:</a> <a href="#">Technic, Pin</a> 4109854	<a href="#">PG</a>
---	--	---	-----------------------	--	--------------------

+	 *	1	<a href="#">4274</a>	<b>Light Gray Technic, Pin 1/2</b> <a href="#">Catalog:</a> <a href="#">Parts:</a> <a href="#">Technic, Pin</a> 427402	<a href="#">PG</a>
---	--	---	----------------------	--	--------------------

+	 *	1	<a href="#">2780</a>	<b>Black Technic, Pin with Friction Ridges Lengthwise WITH Center Slots</b> <a href="#">Catalog:</a> <a href="#">Parts:</a> <a href="#">Technic, Pin</a> 4121715 or 278026	<a href="#">PG</a>
---	--	---	----------------------	--	--------------------

**Counterparts:**

Yellow Wheel 30.4 x 14 VR, with Black Tire 30.4 x 14 VR

+



3 [2994c01\(inv\)](#) **Balloon (2994 / 6578)**  
[Catalog: Parts: Wheel & Tire Assembly](#)  
Part Color Code Missing

[PG](#)

**Summary:**

Type	Unique Lots	Total Qty
<b>Regular Items:</b>		
Parts	30	70
<b>Extra Items:</b>		
Parts	4	4
<b>Counterparts:</b>		
Parts	1	3

**Source:**  
Instructions

[Admin](#) inventoried this Set on Mar 6, 2007, inventory last updated on Feb 22, 2014.