



# RACERS



8145

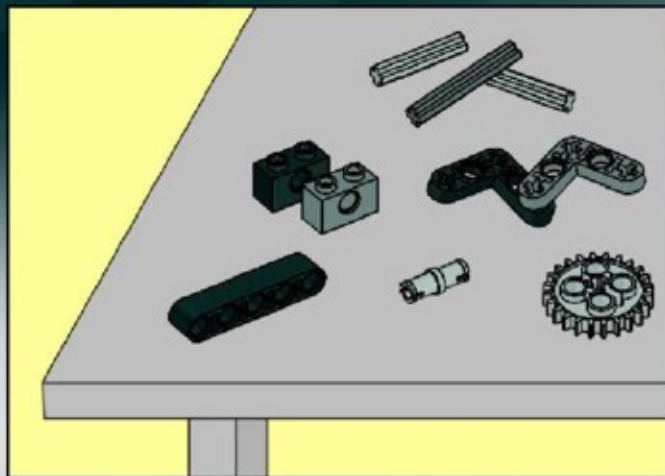
1/2



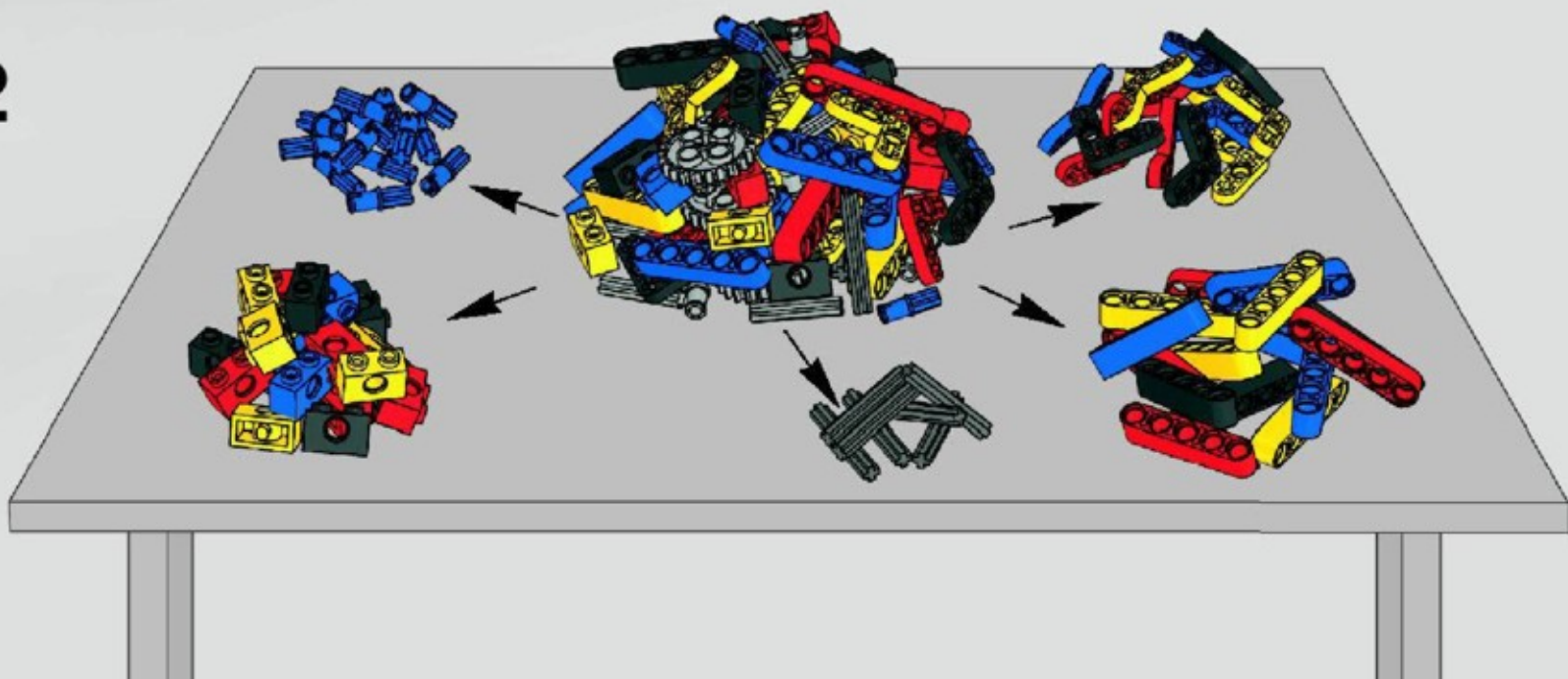
*Ferrari 599 GTB Fiorano 1:10*

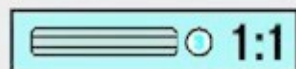


1

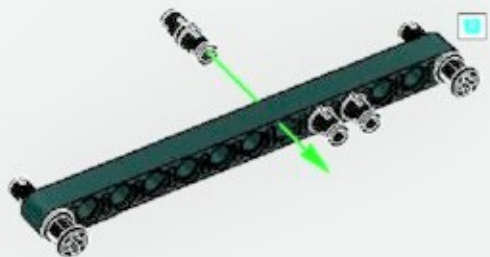


2

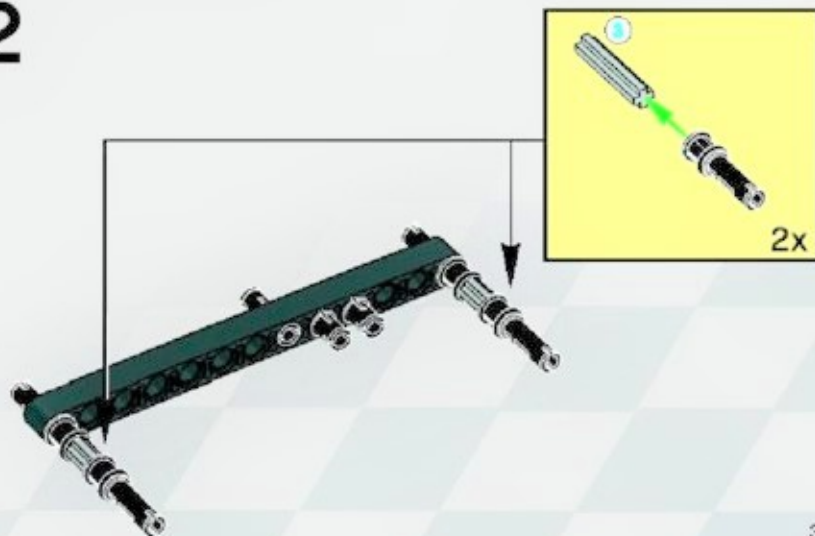


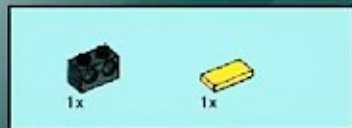


1

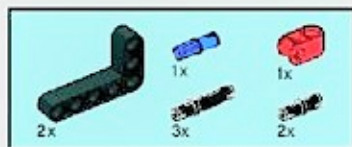
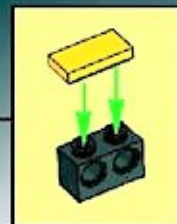
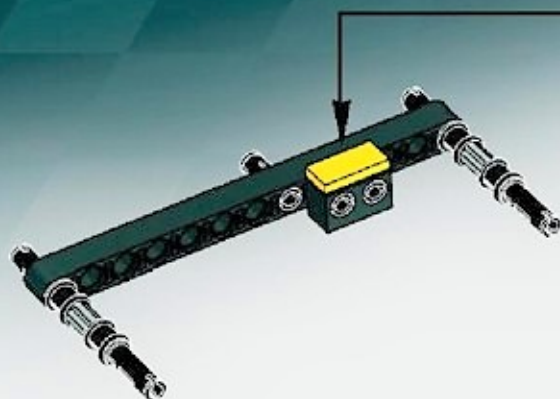


2

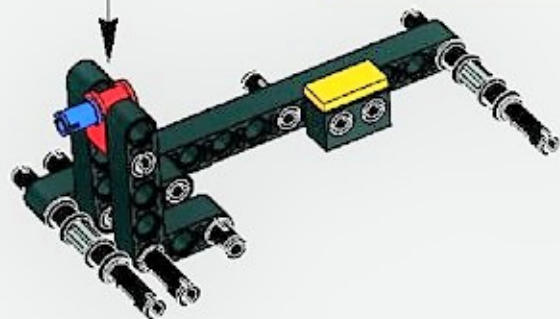


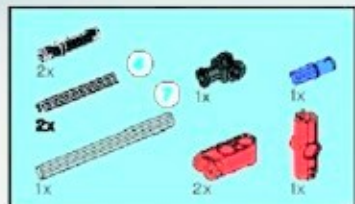


3

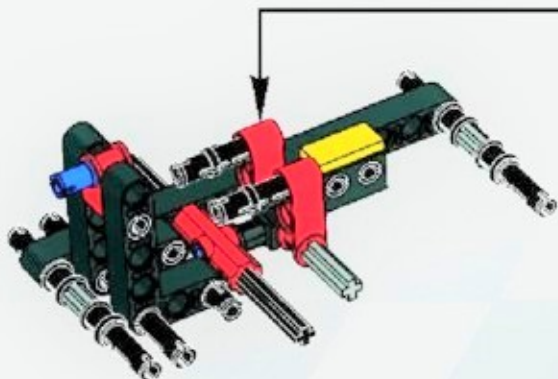
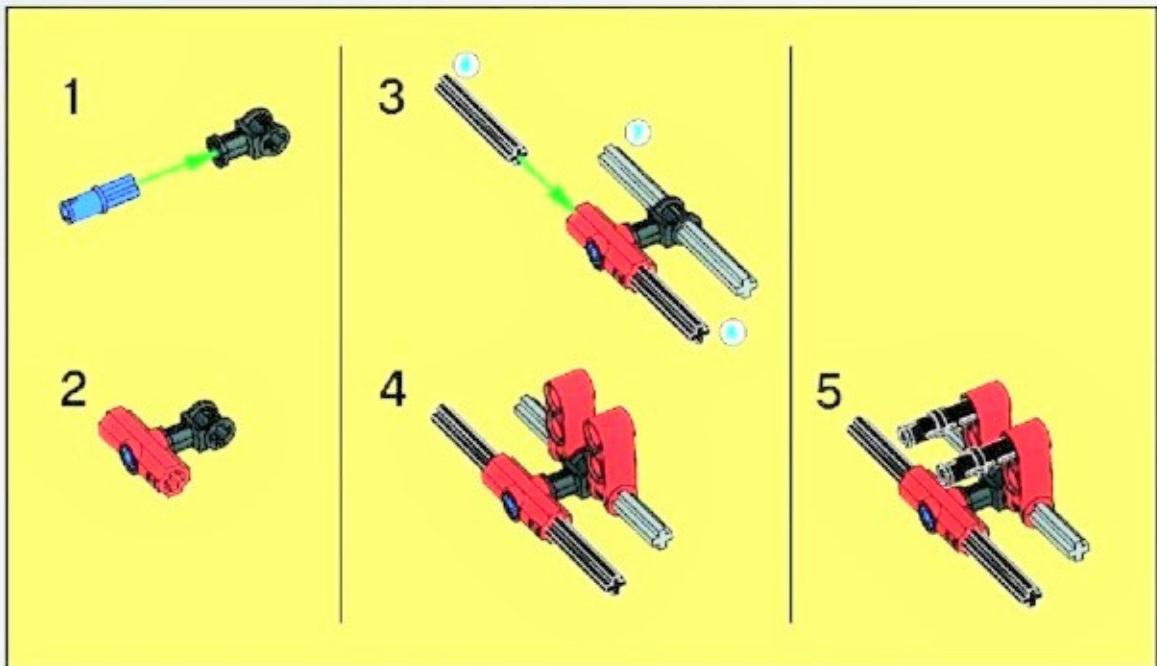


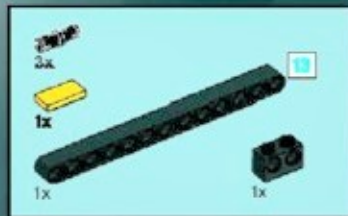
4



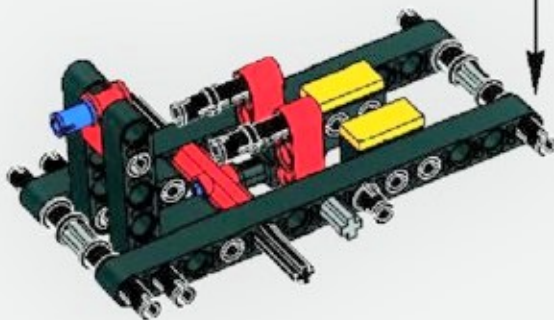
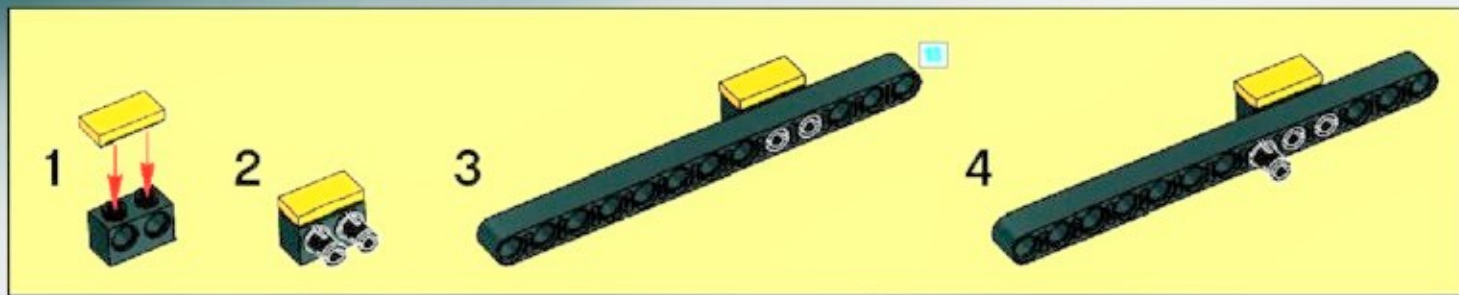


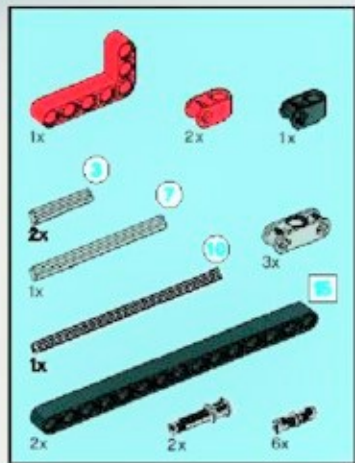
5



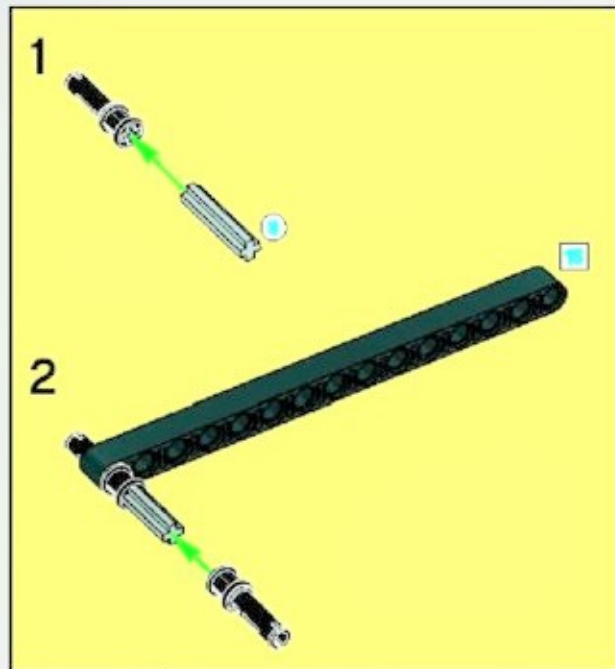
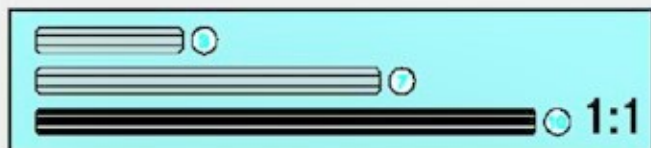
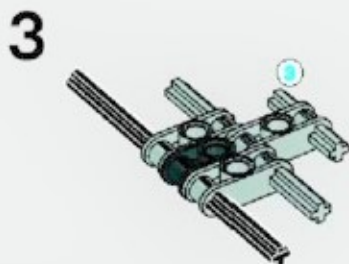
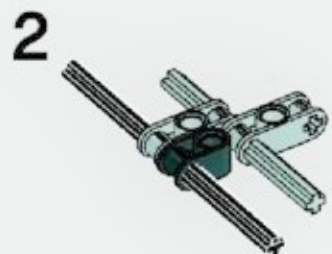
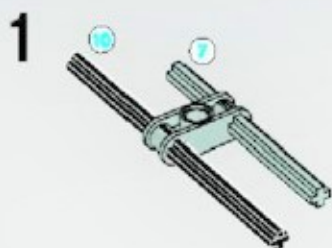


6

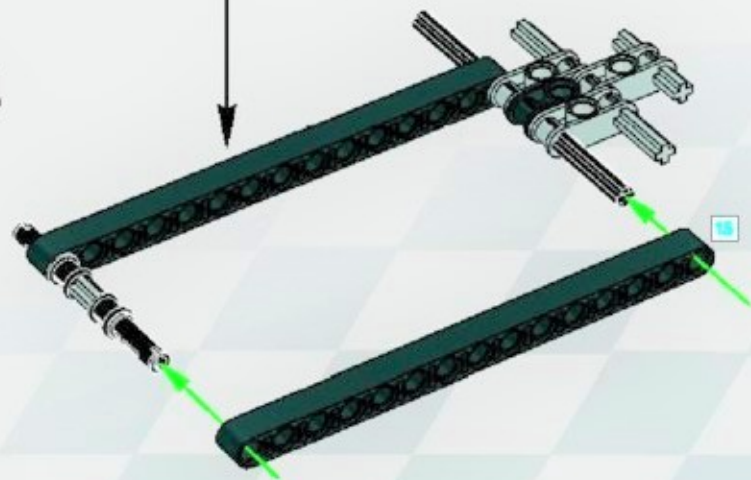




7

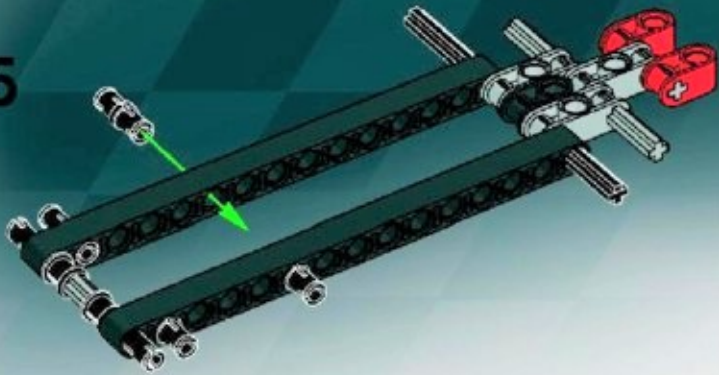


4

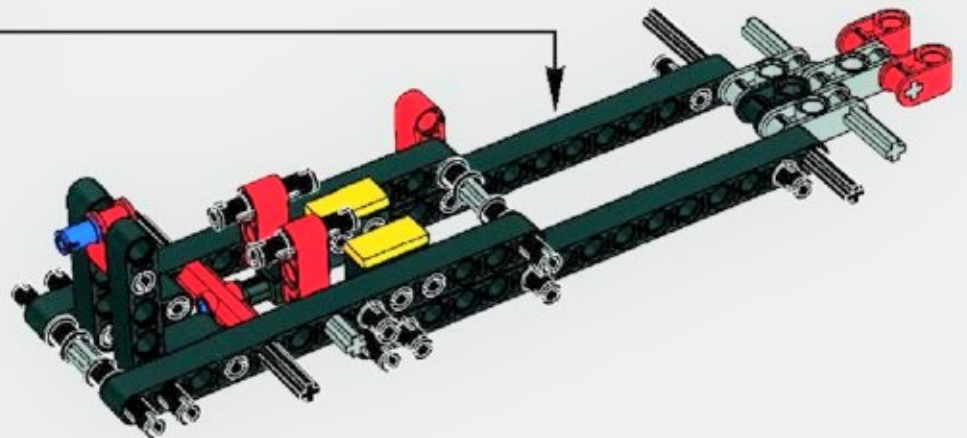
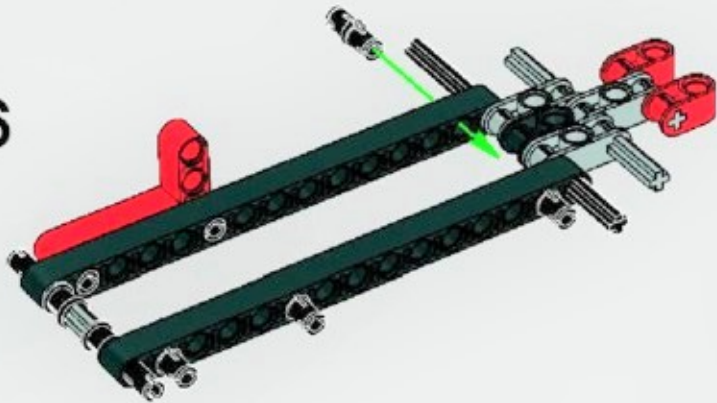


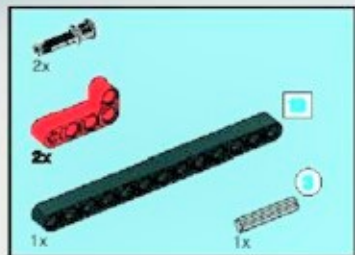


5

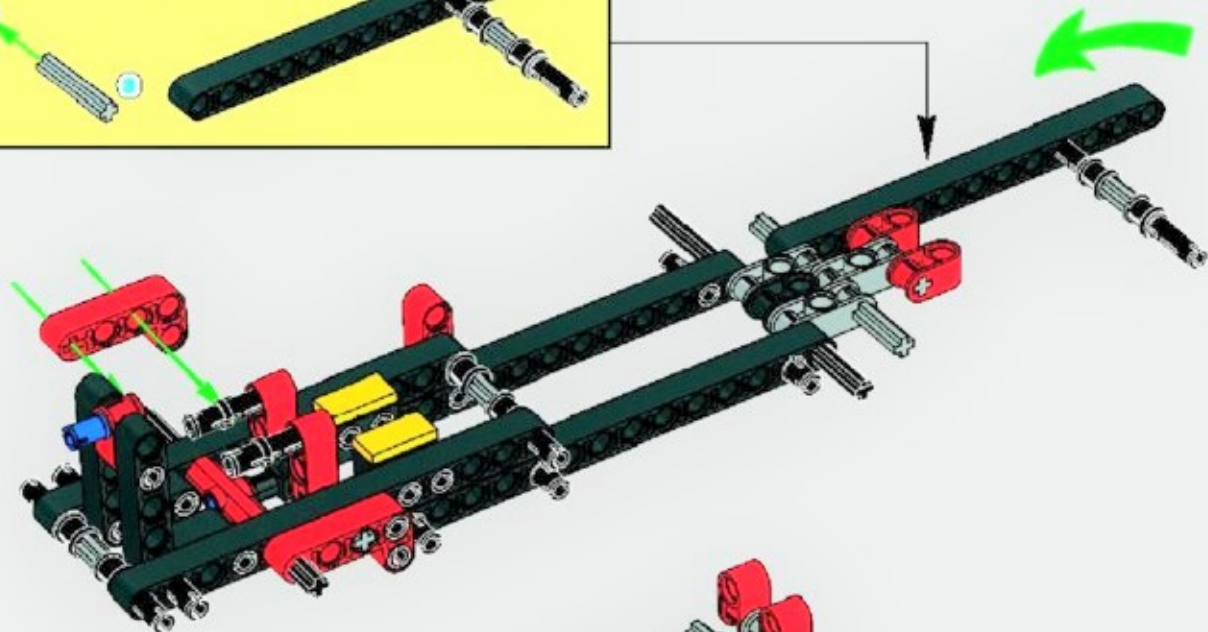
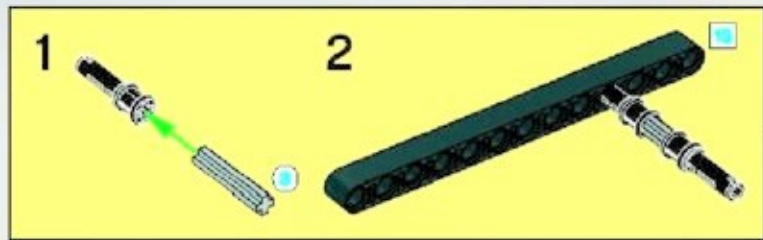


6

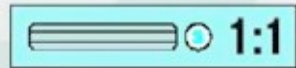
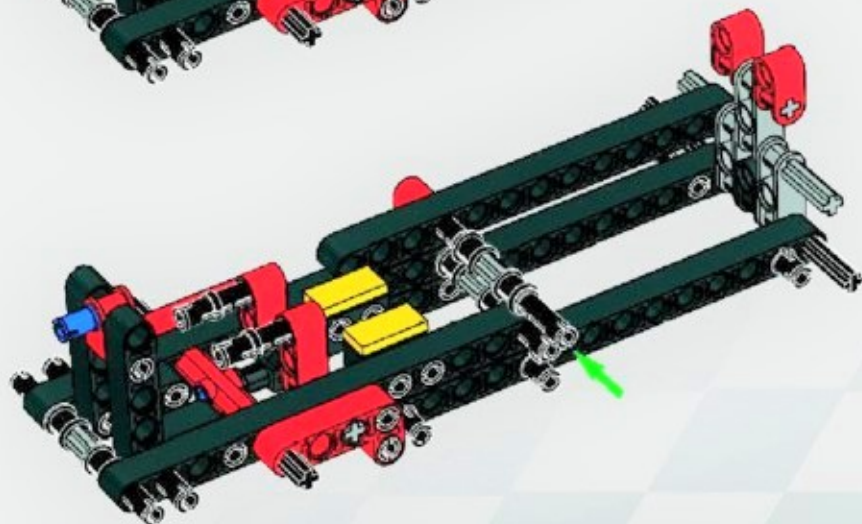




8

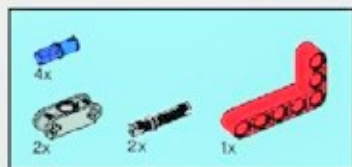
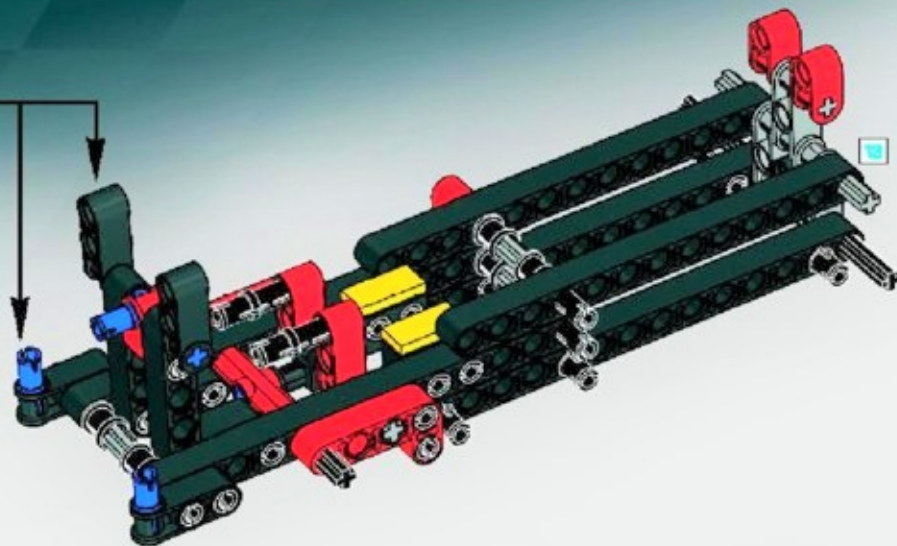


9

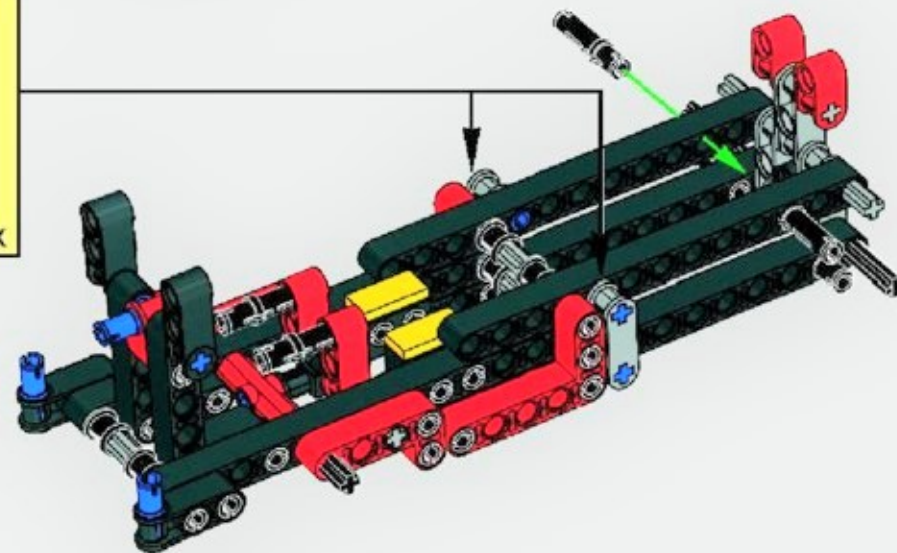
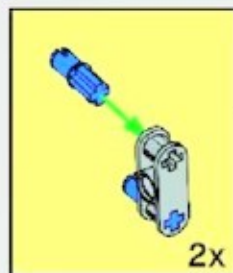




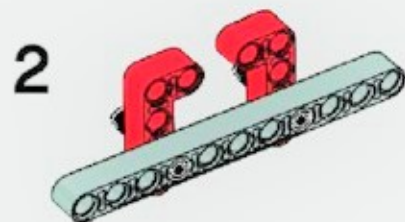
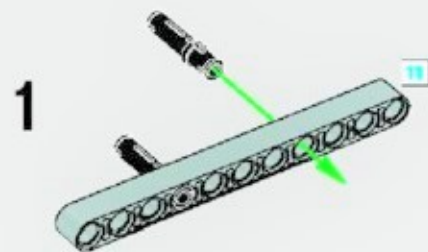
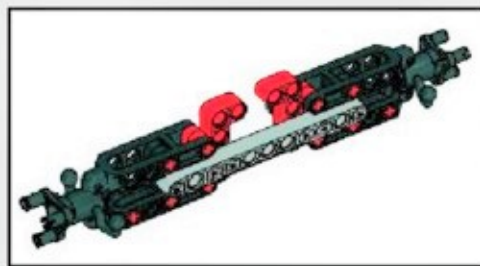
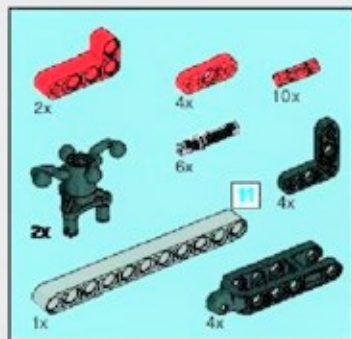
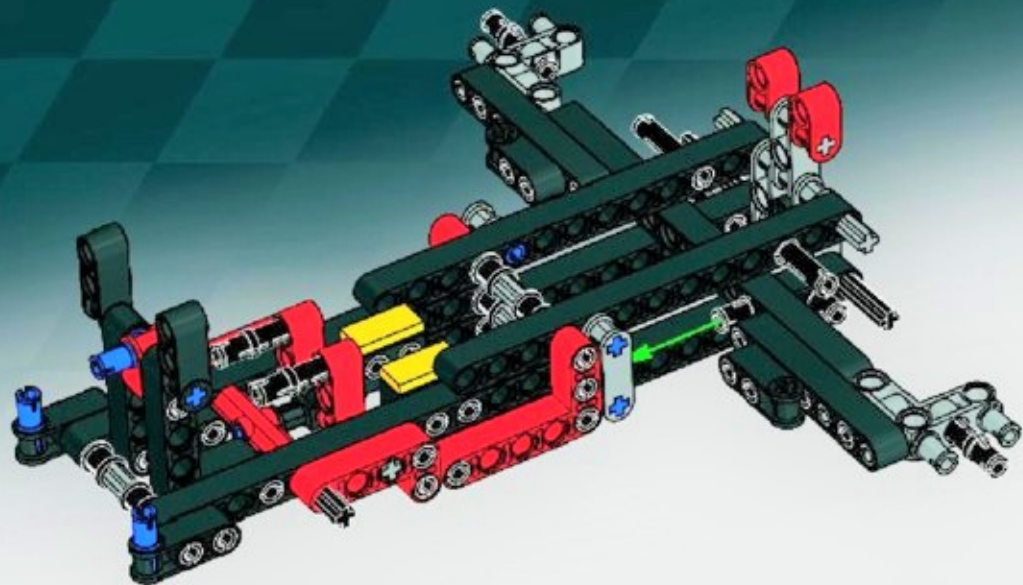
10



11

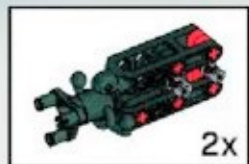




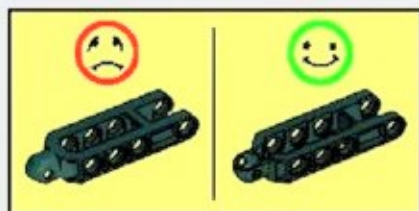
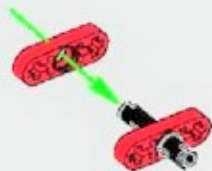


13

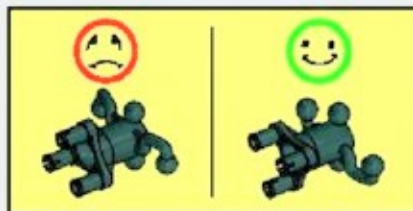




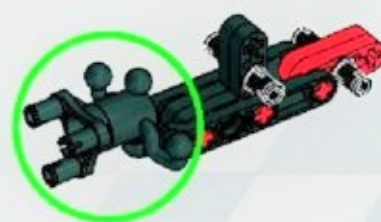
1



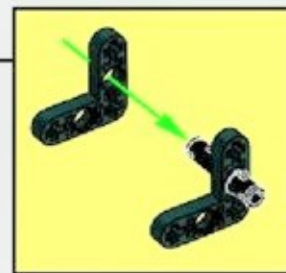
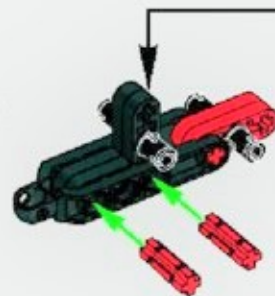
2



4



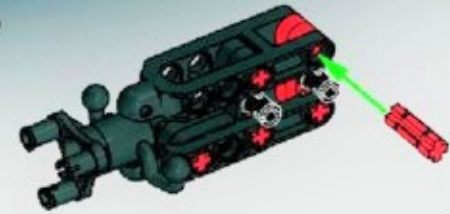
3



5

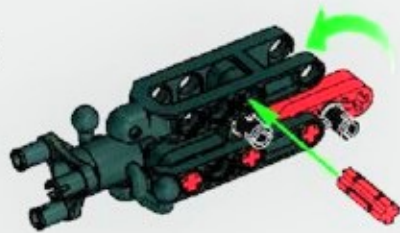


7

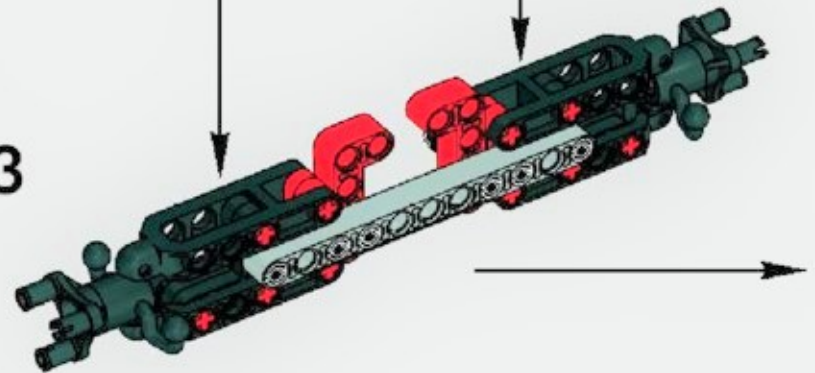


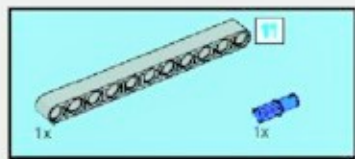
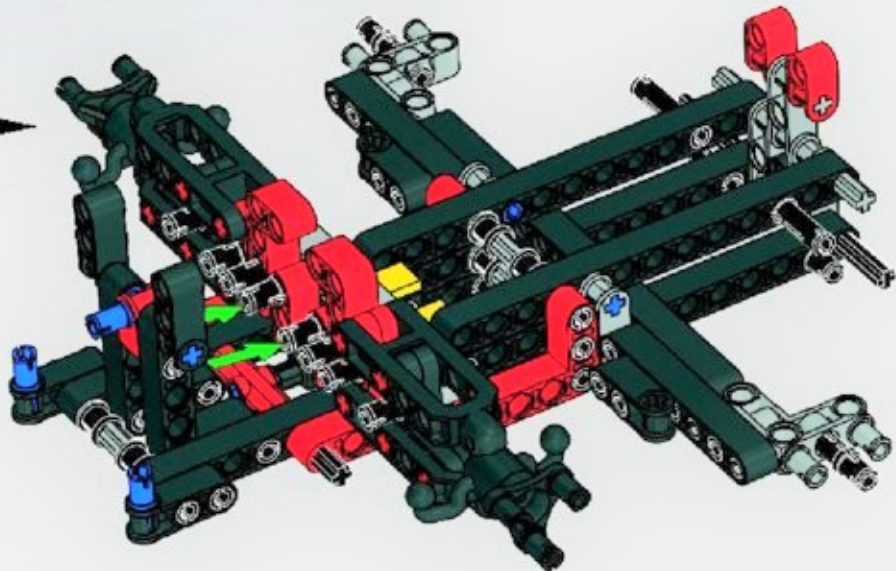
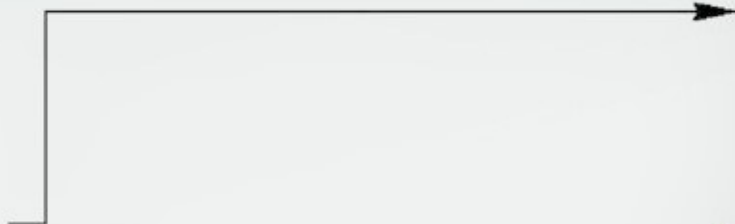
2x

6

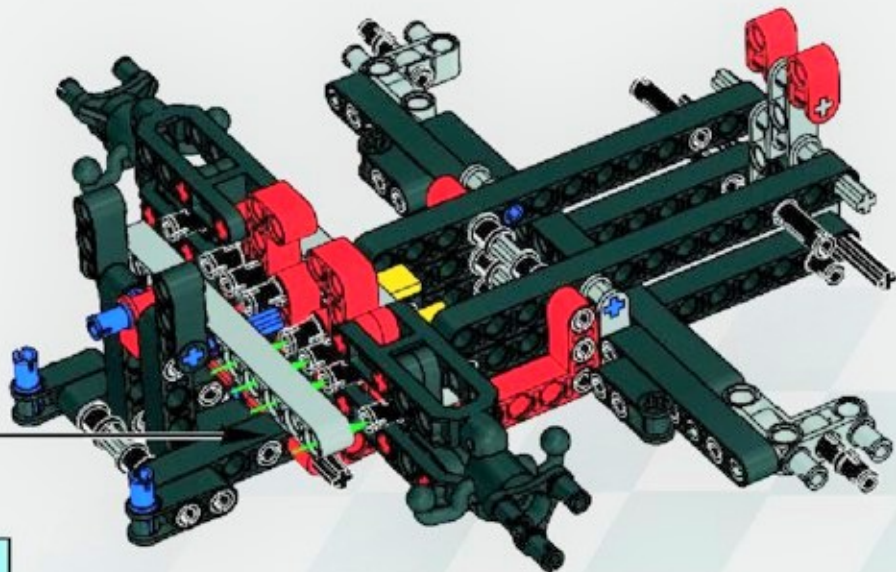
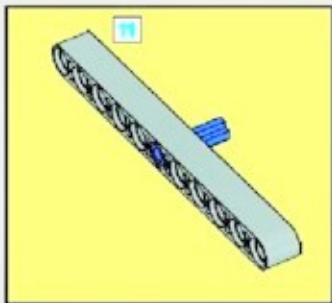


3





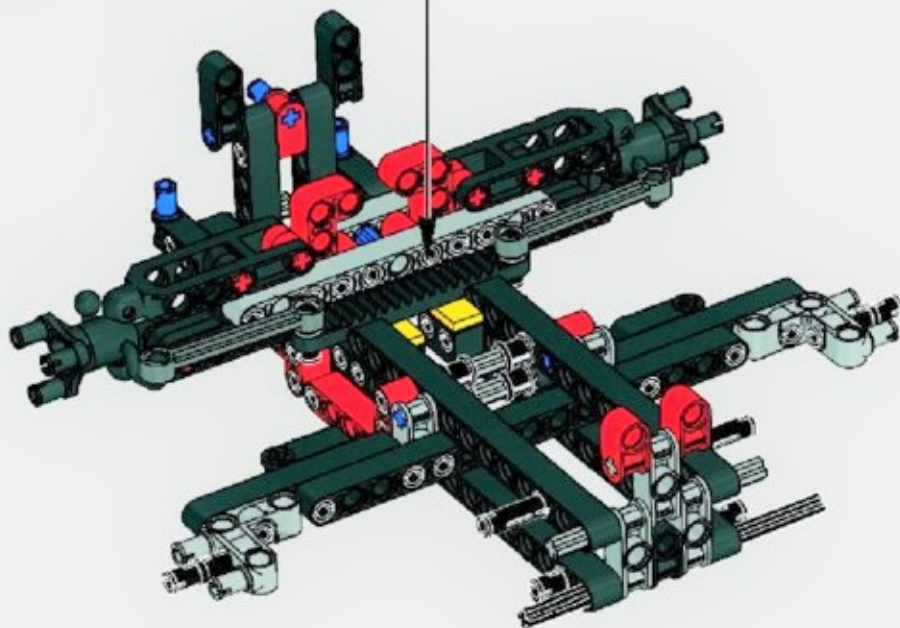
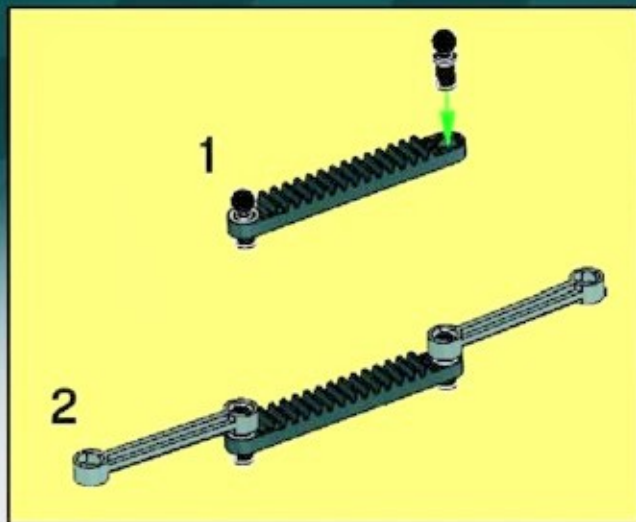
14





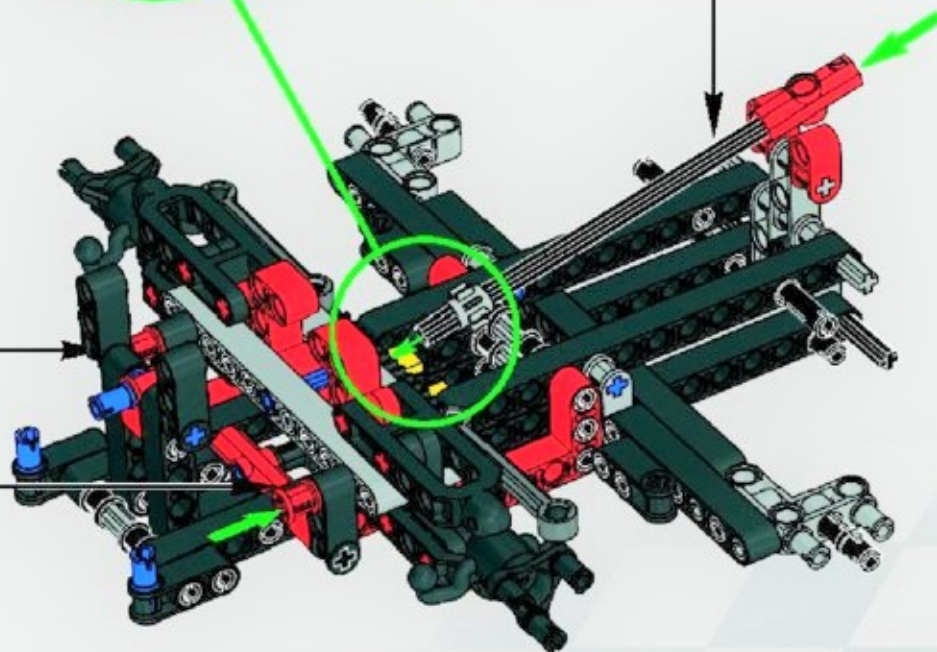
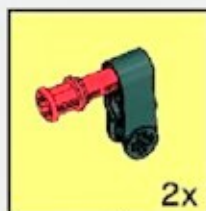
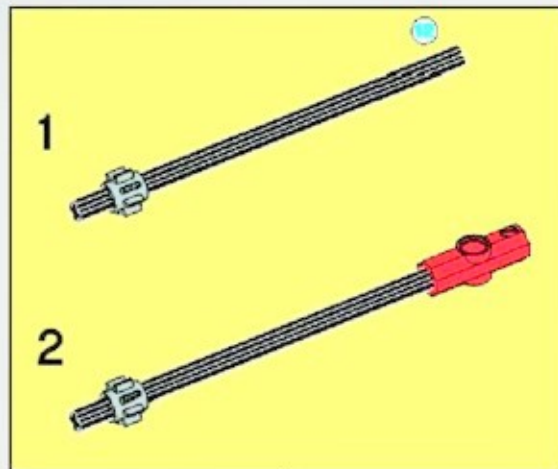
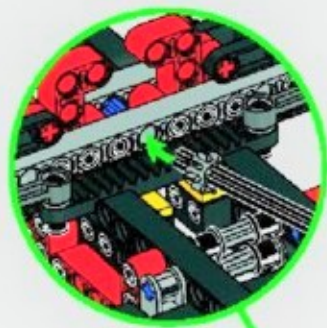


15



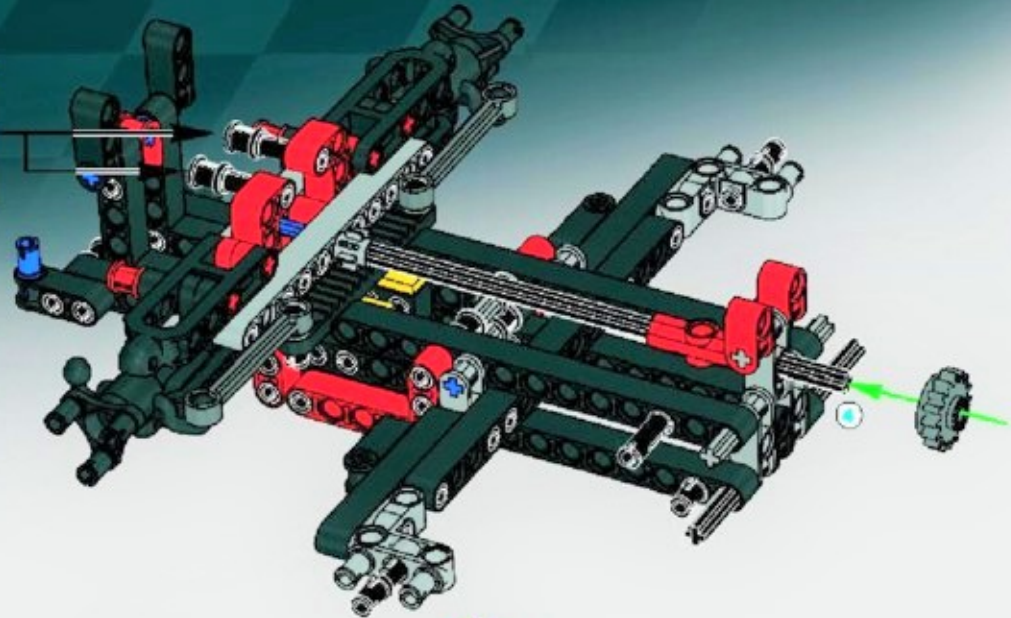


16

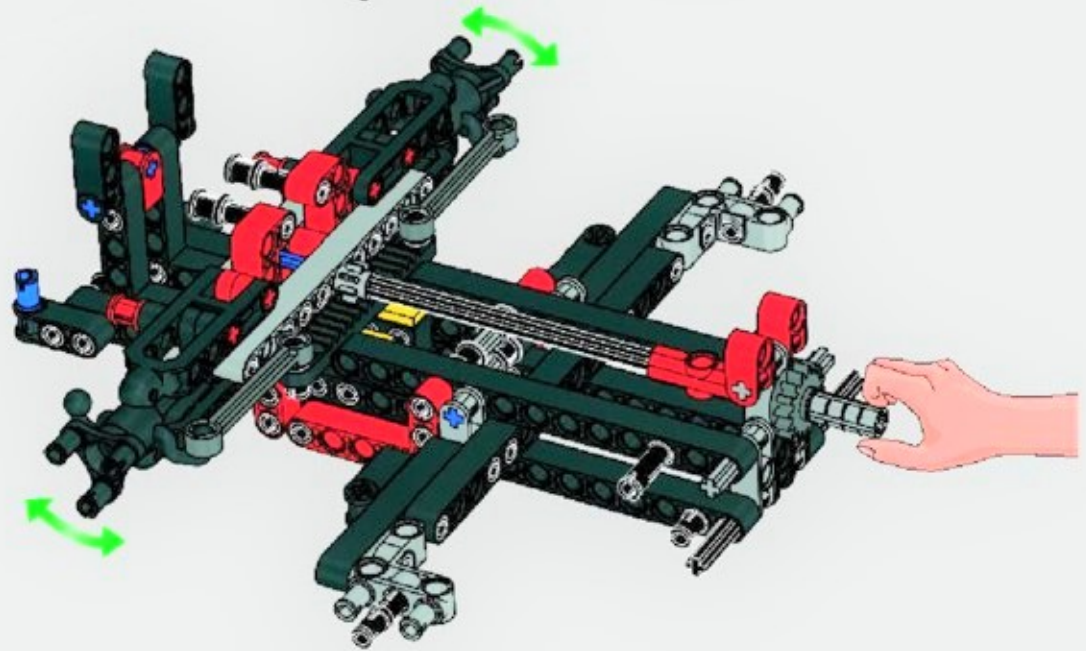


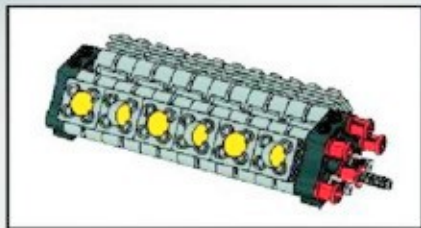


17



18

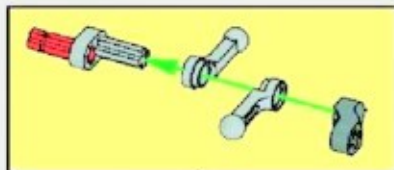




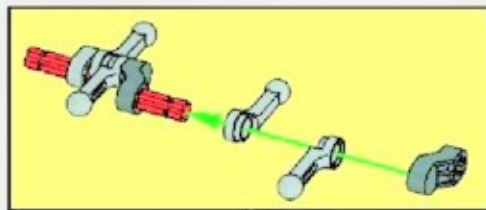
1



2

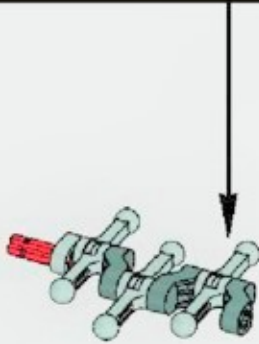
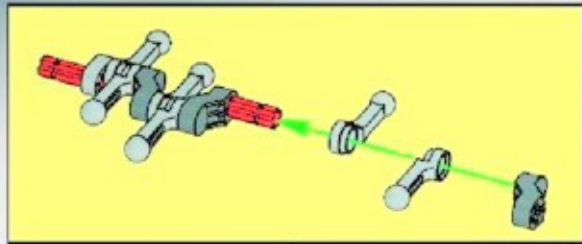


3

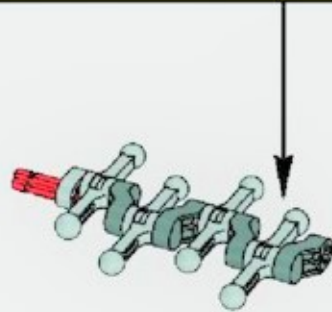
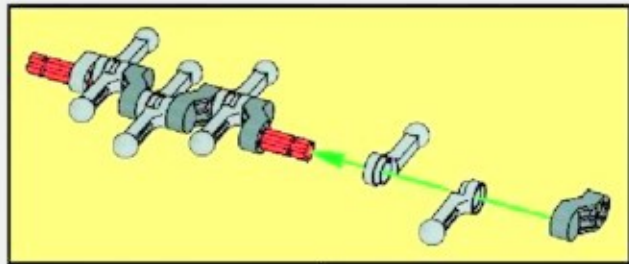


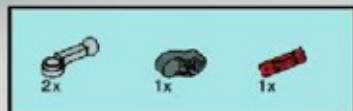


4

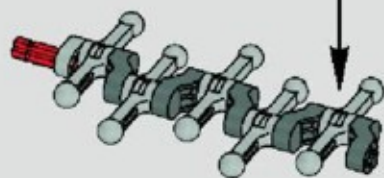
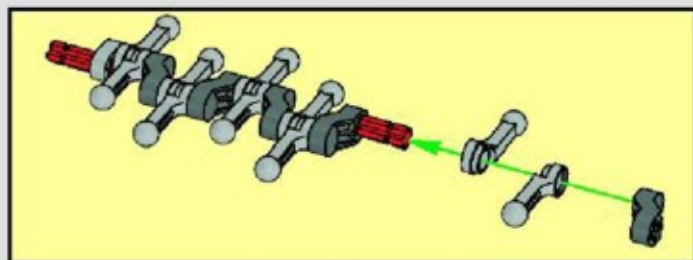


5

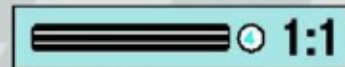
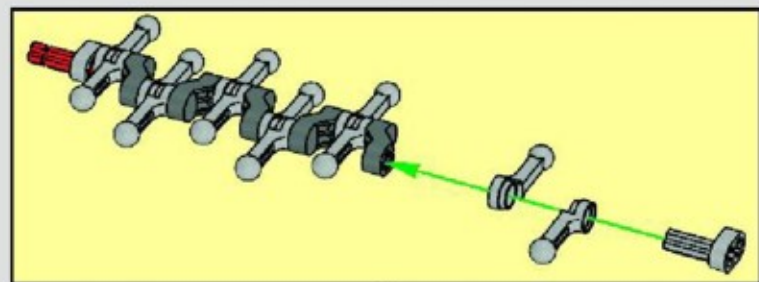




6

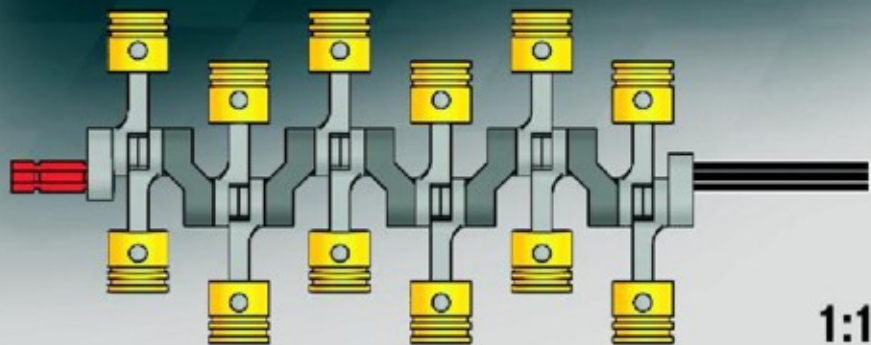


7



12x

8



1:1

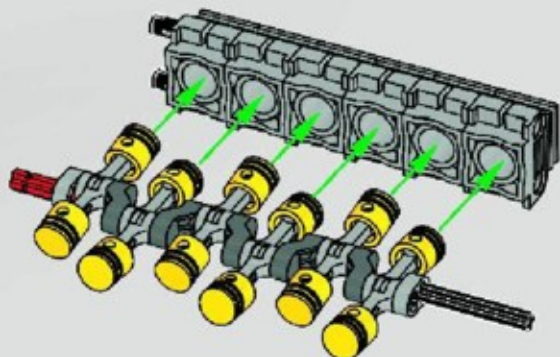


6x

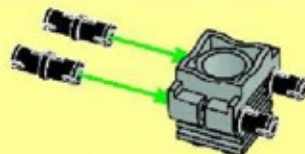


12x

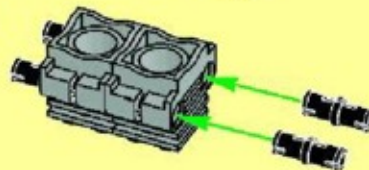
9



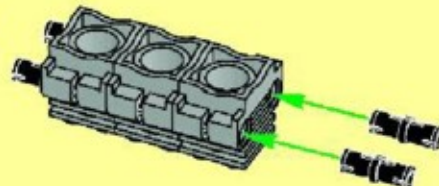
1



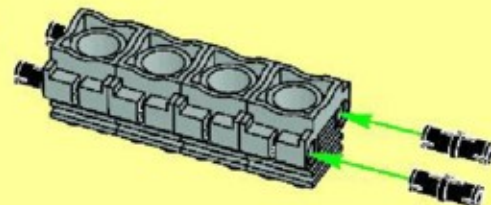
2



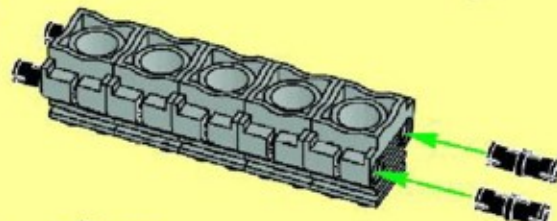
3



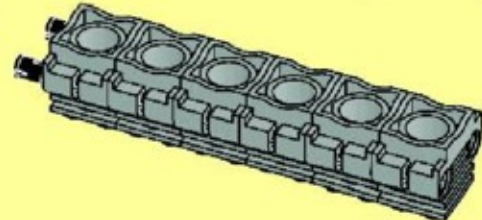
4



5

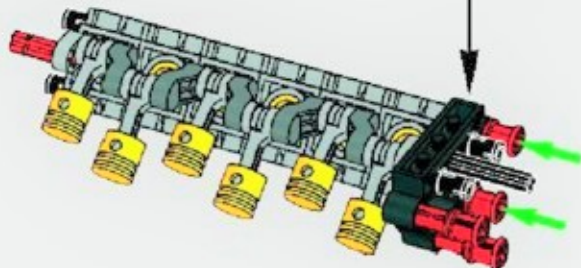
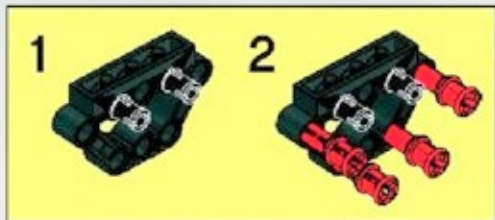


6

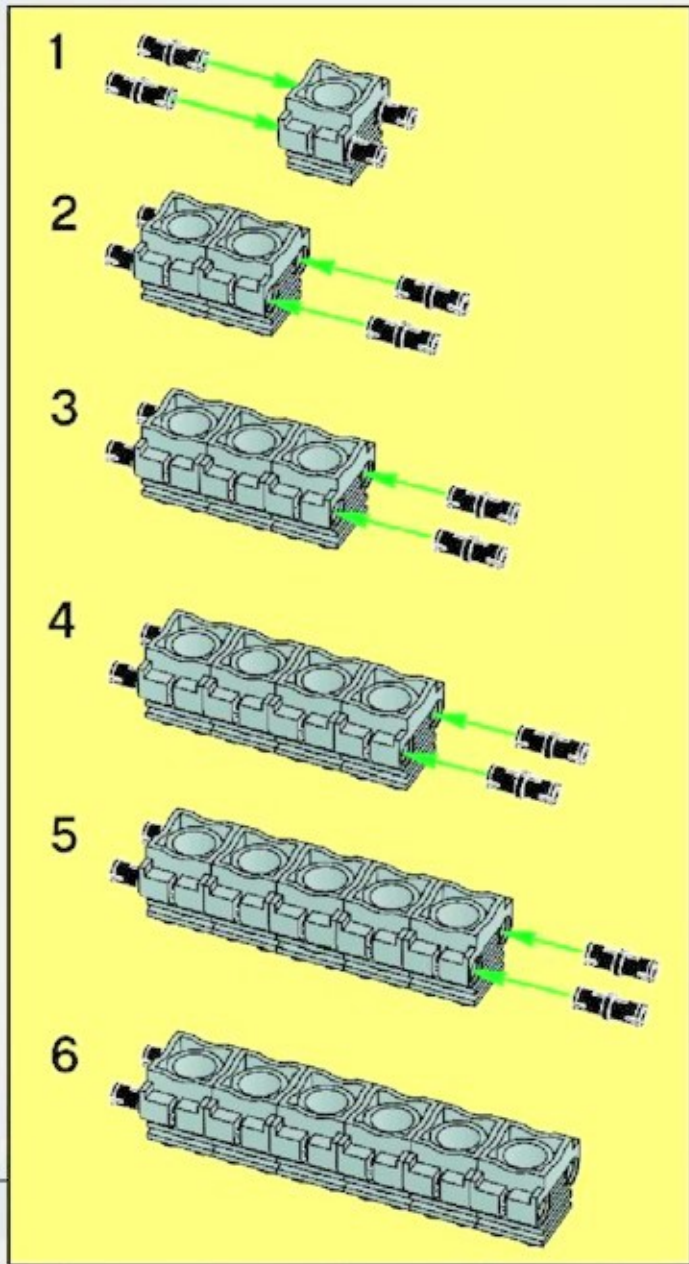
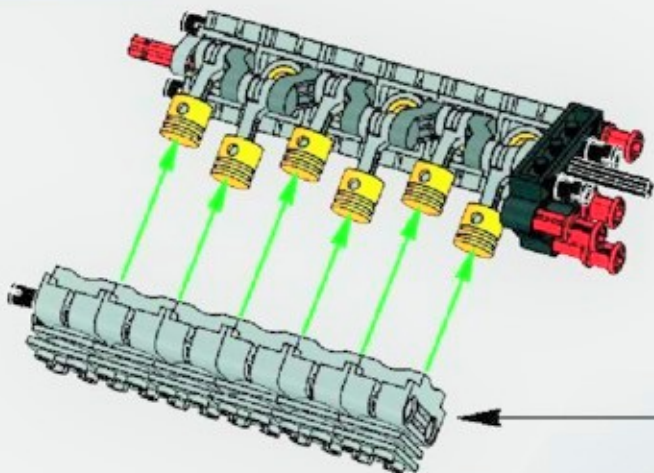




10



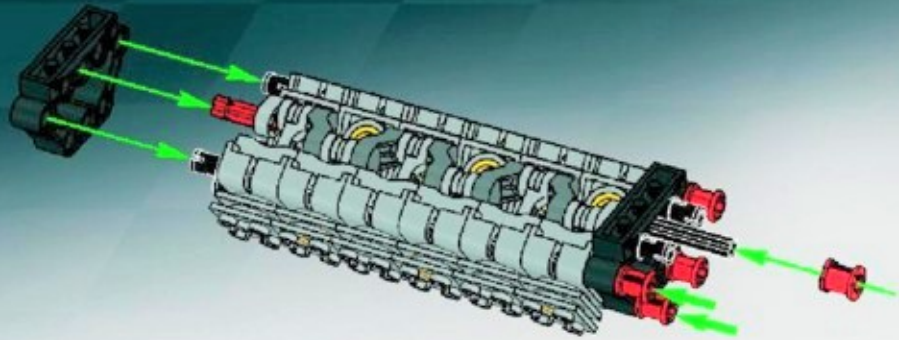
11



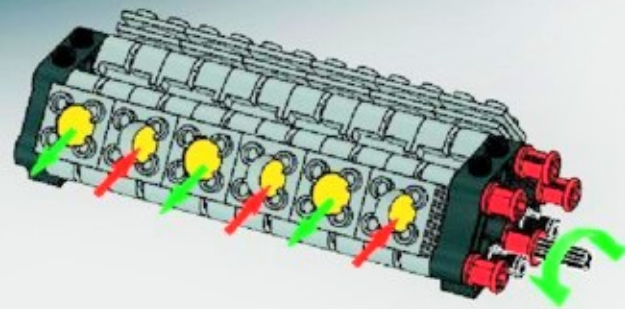




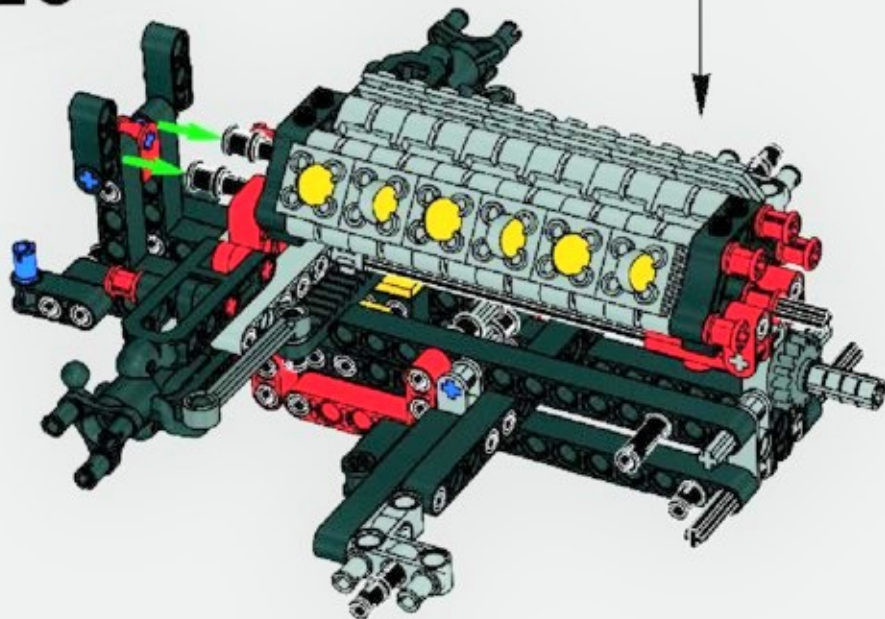
12



13

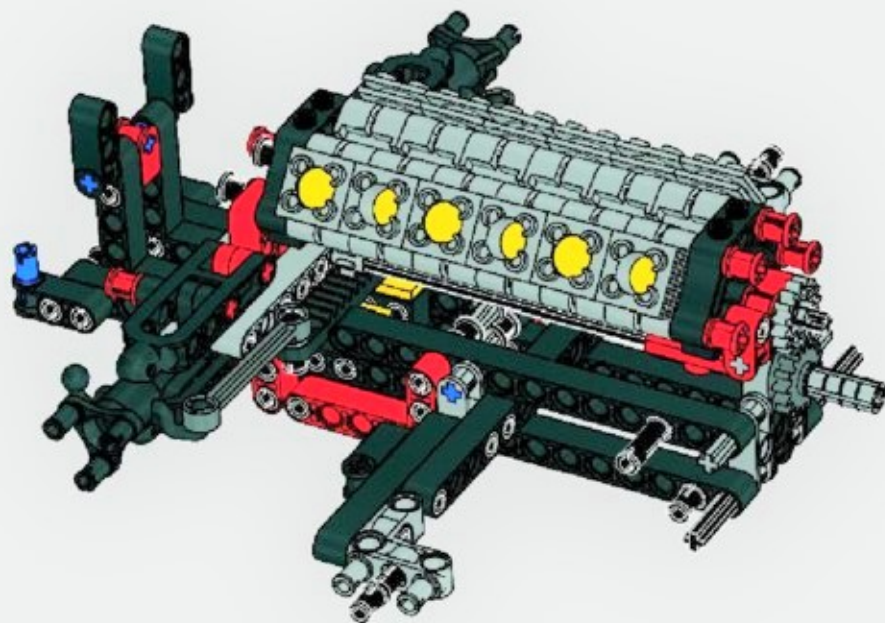


20

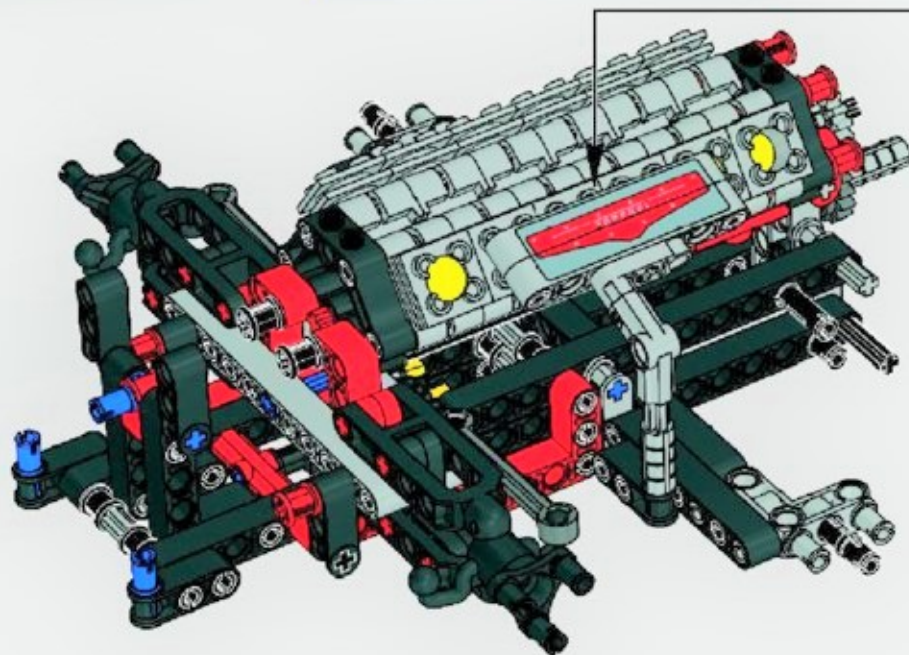
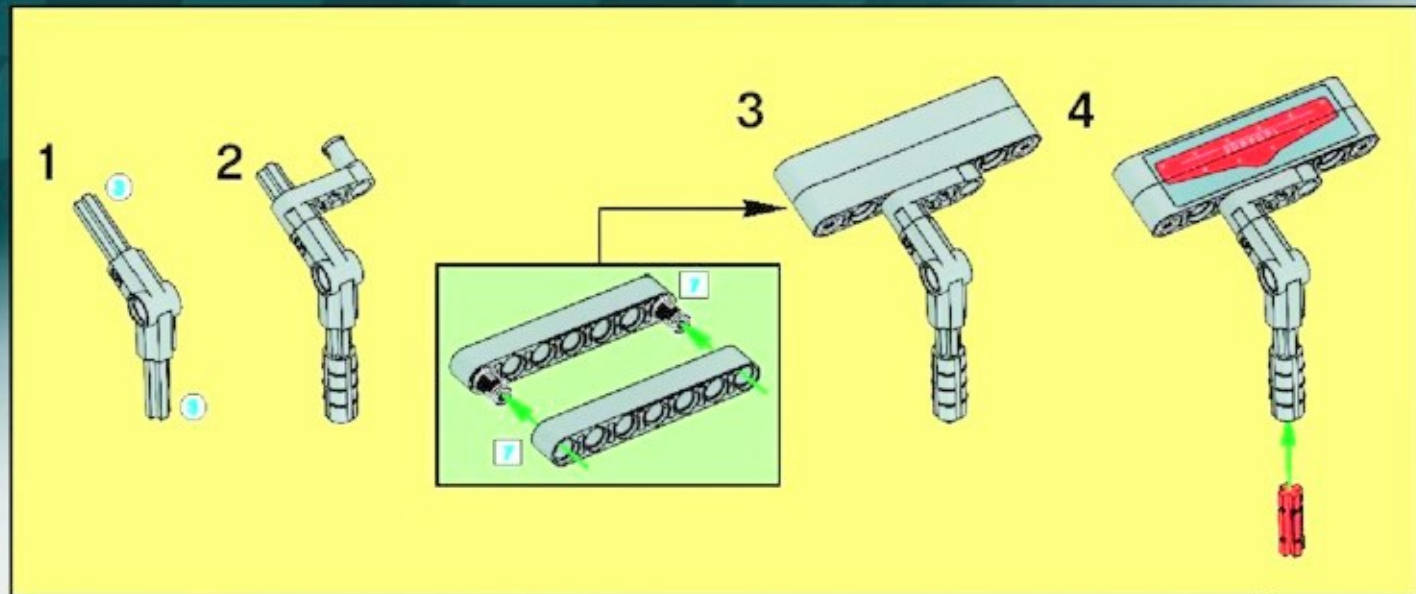
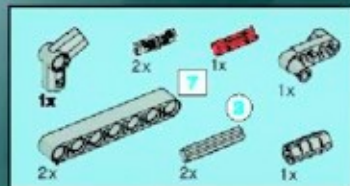


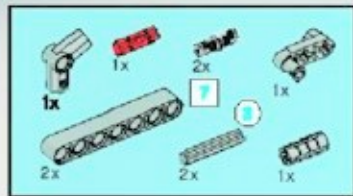


21

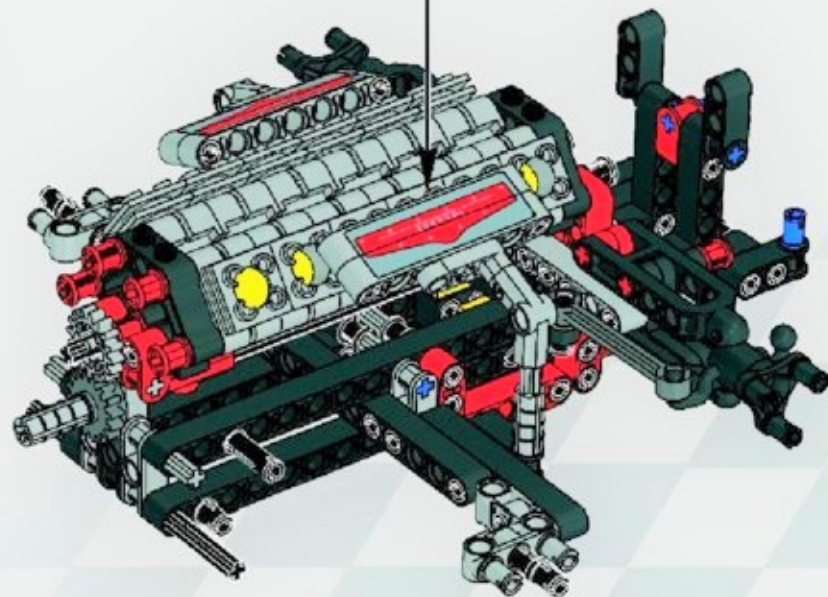
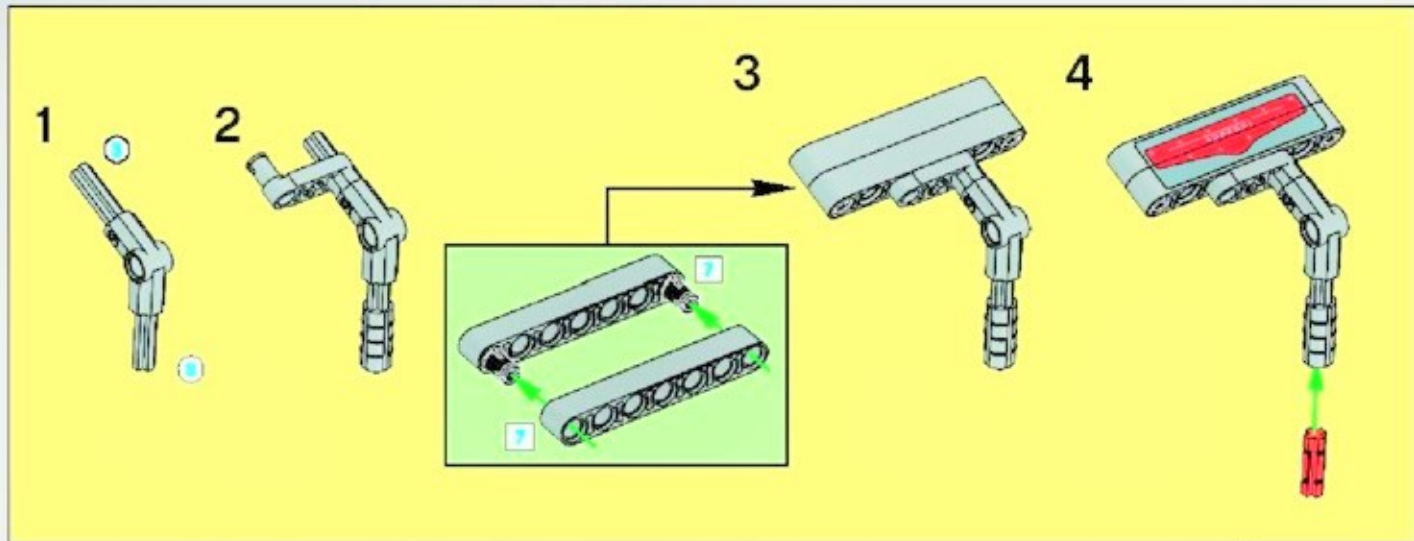


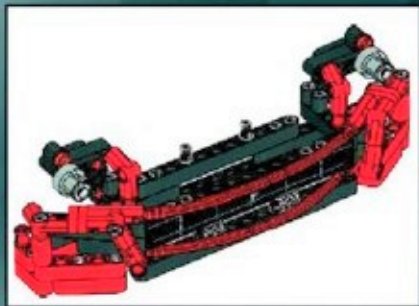
22



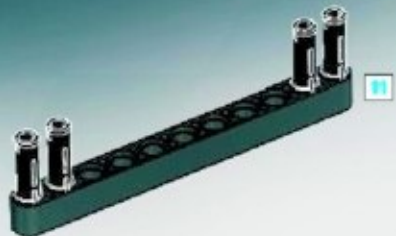


23

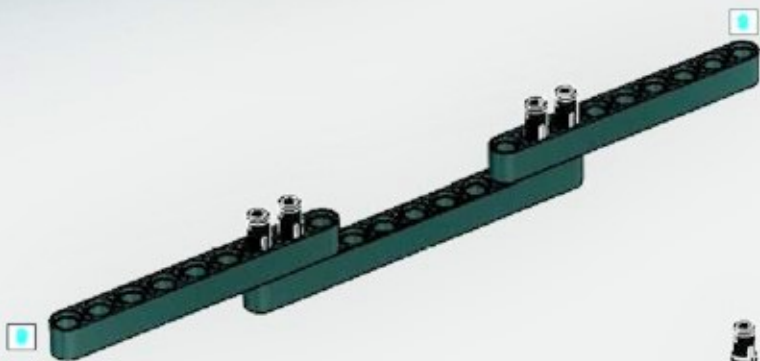




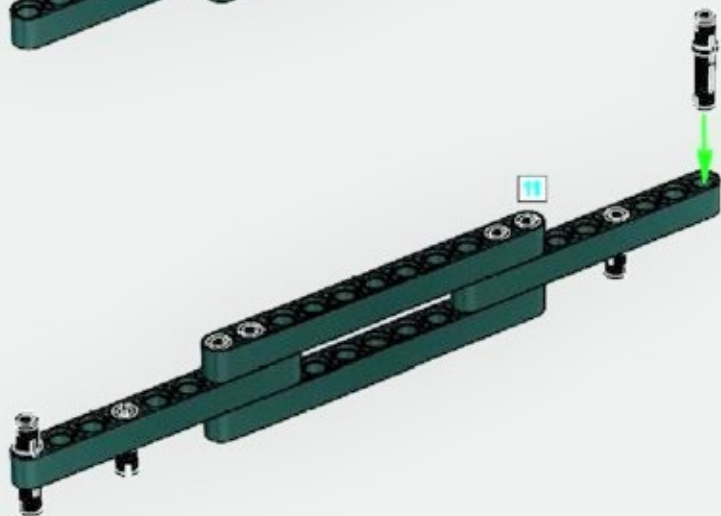
1

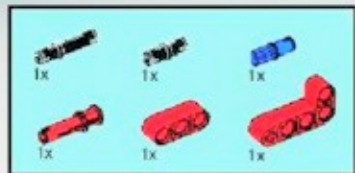


2

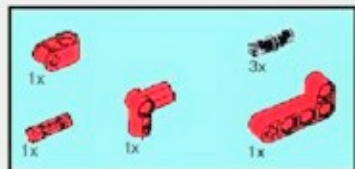
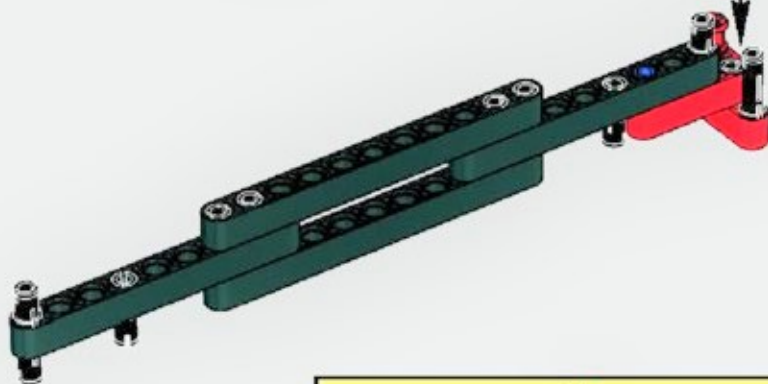
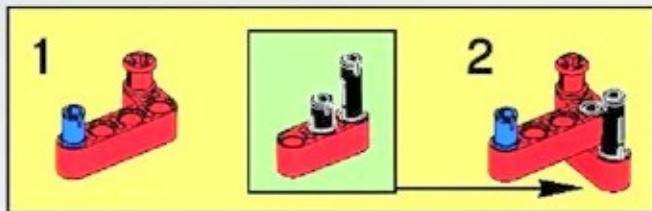


3

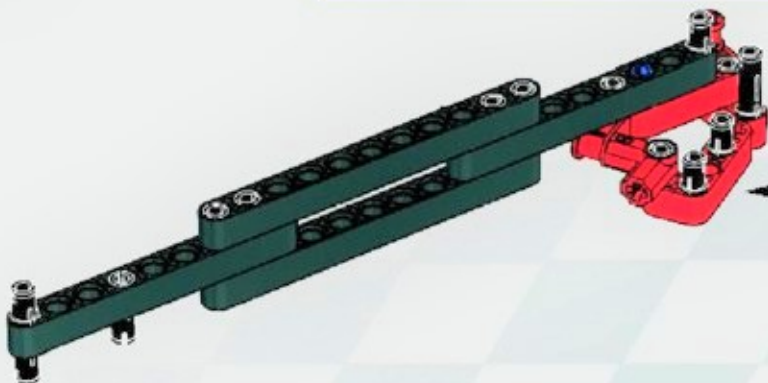
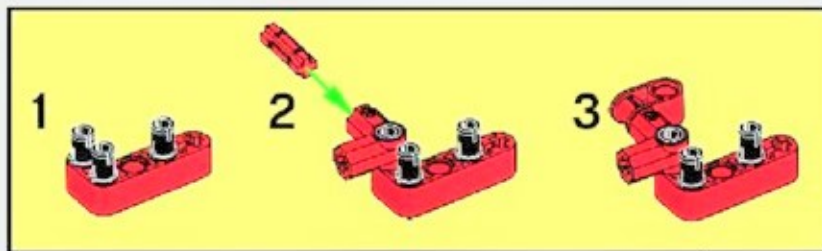




4

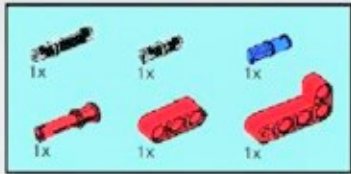
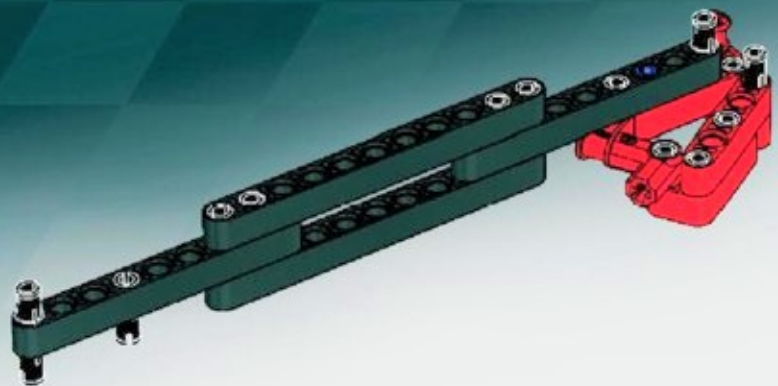


5

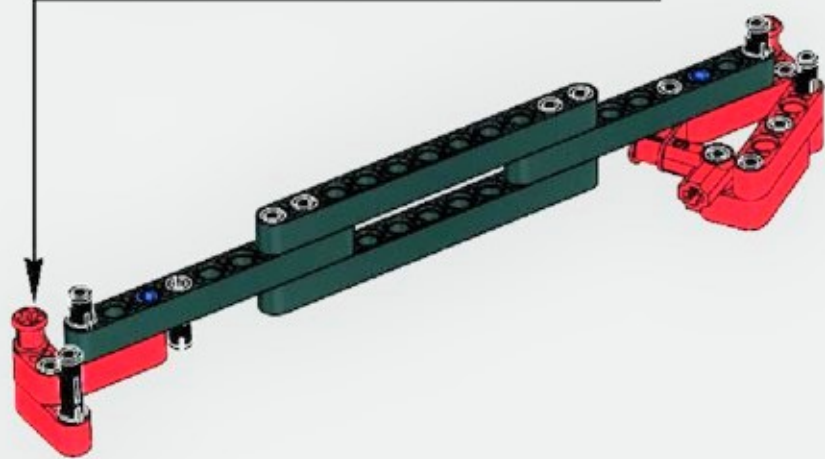
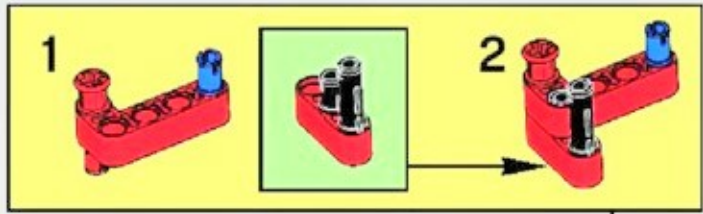


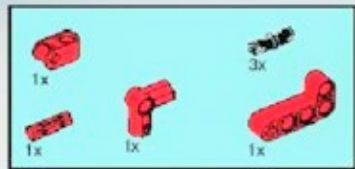


6

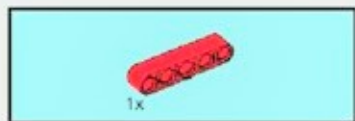
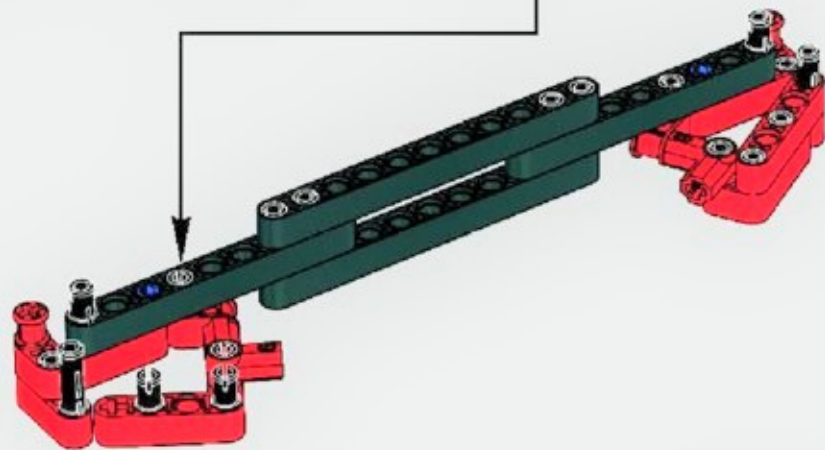
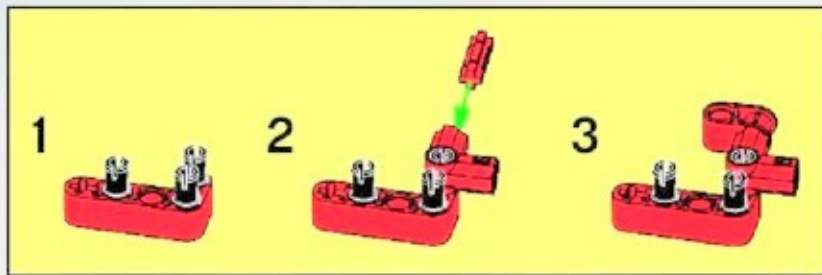


7

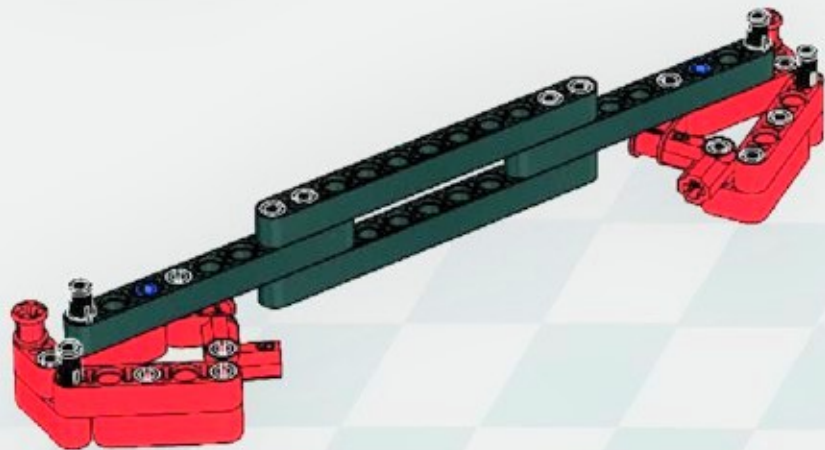




8

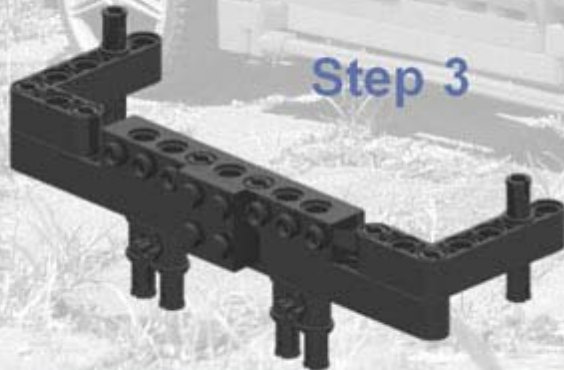
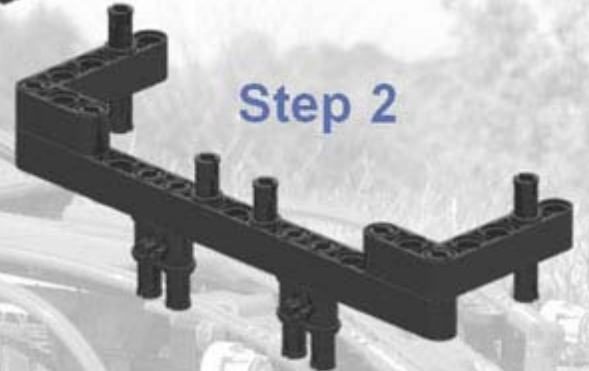


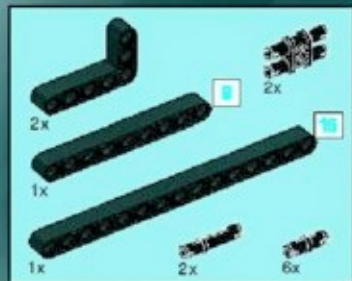
9



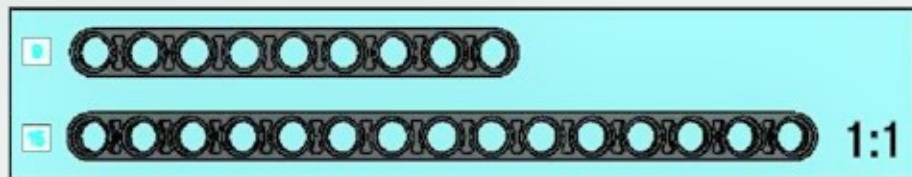
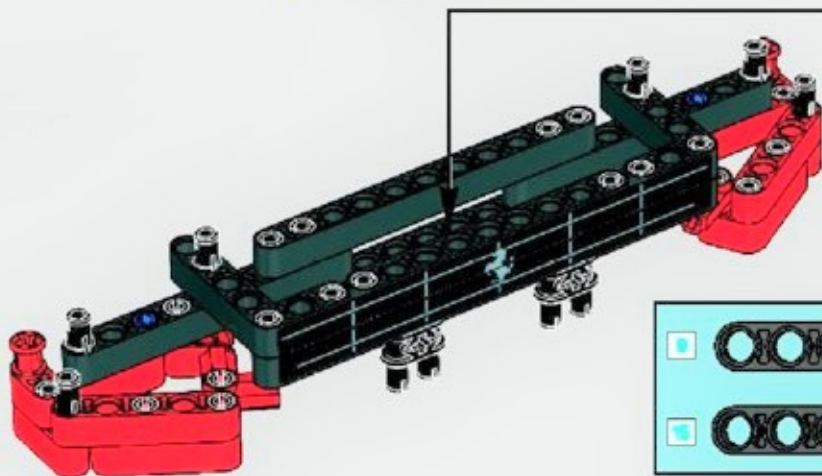
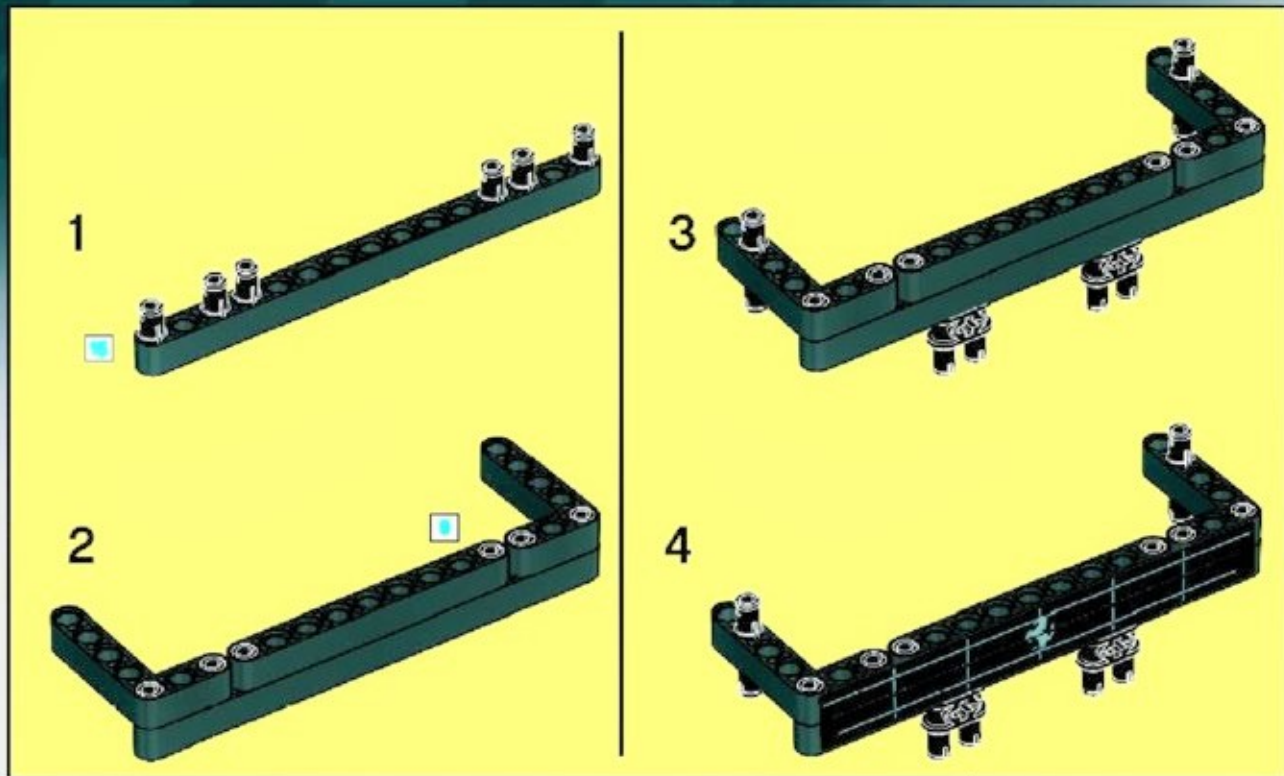


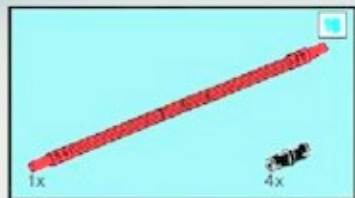
# 8145 Ferrari 599 grille modification (replace in original instructions: step 10, page 32)



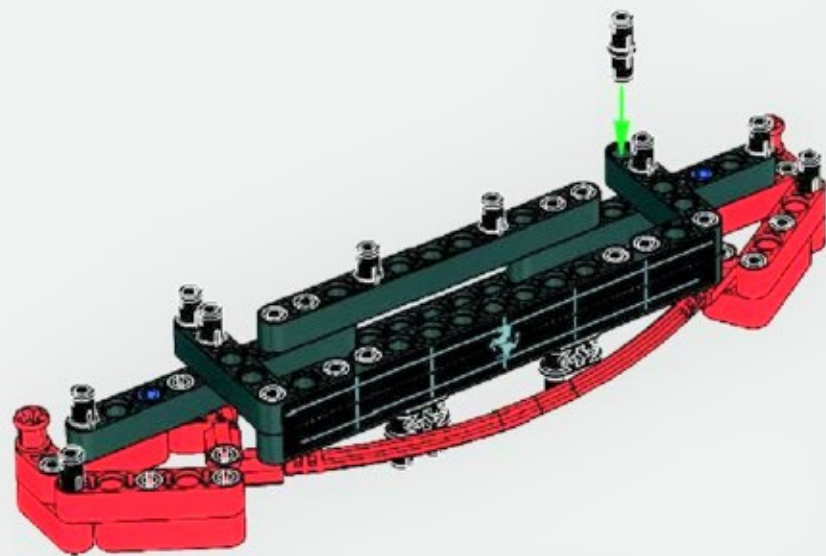


10

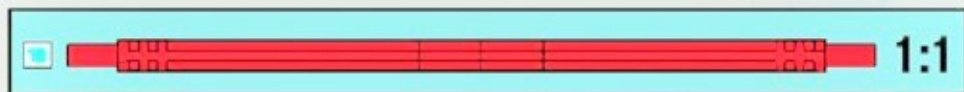
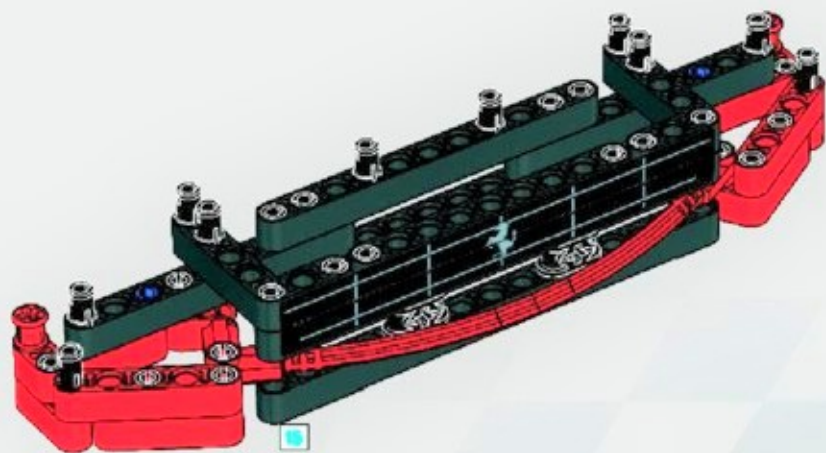




11

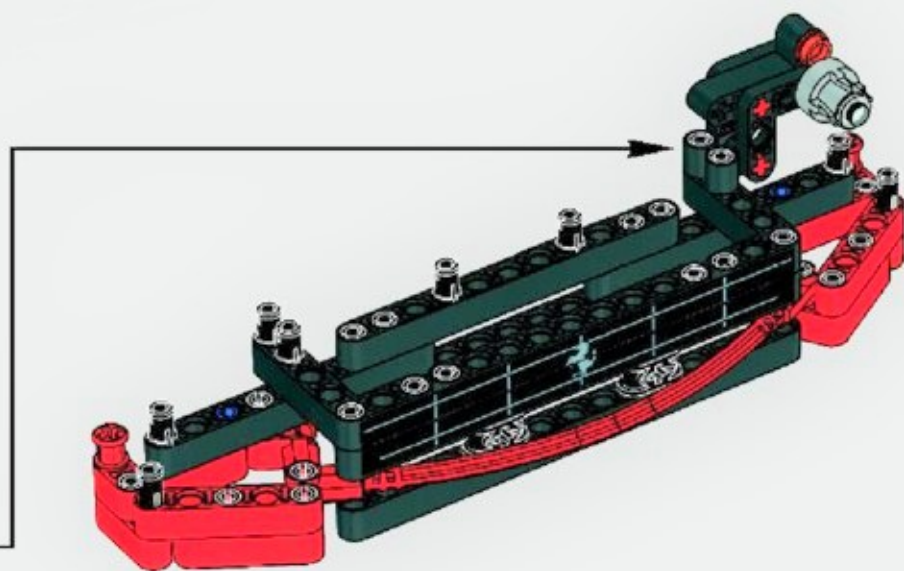
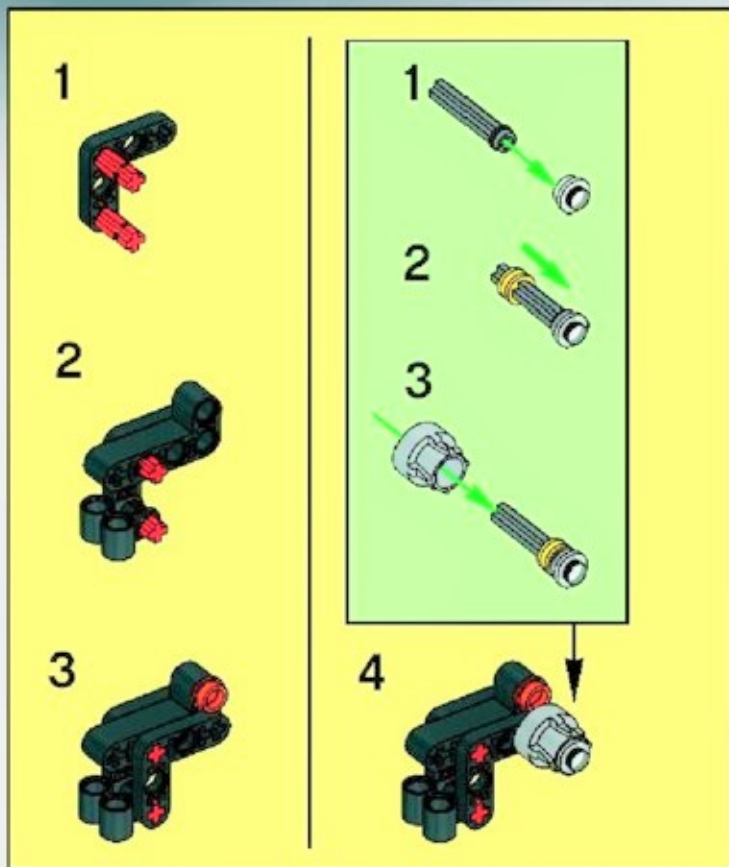


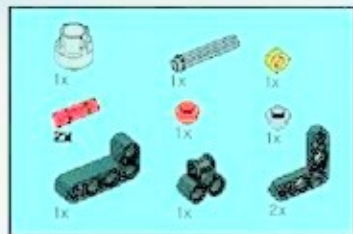
12



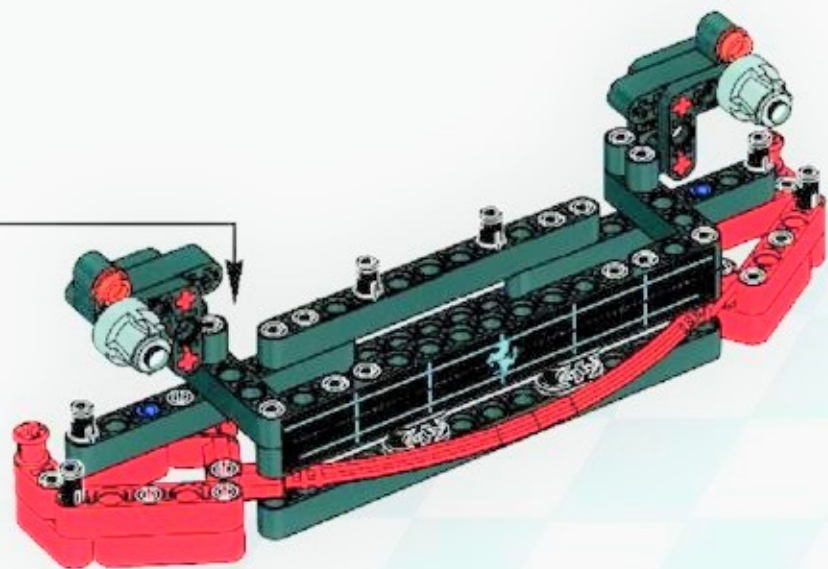
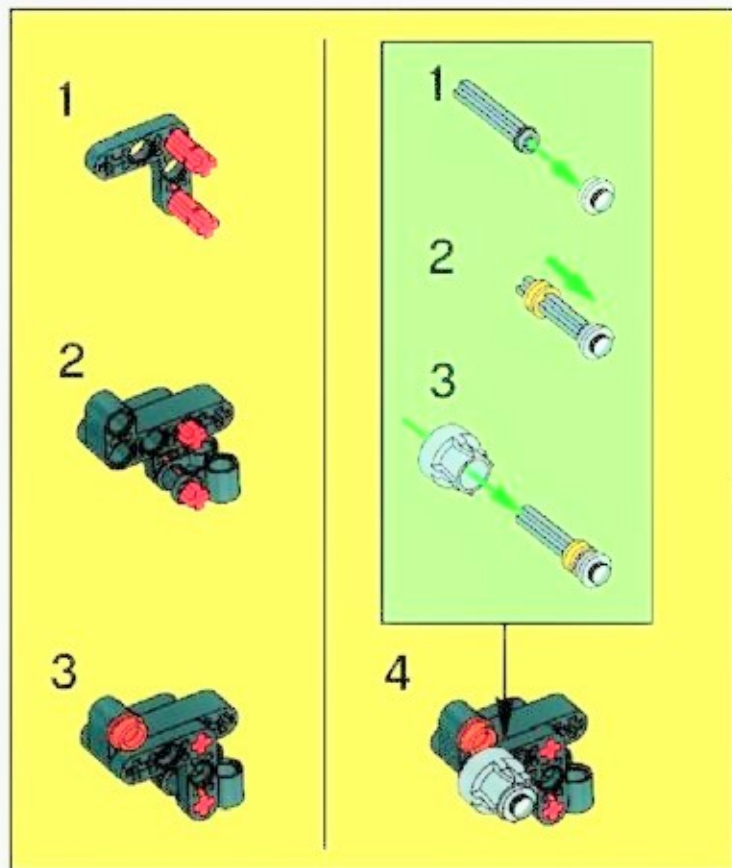


13



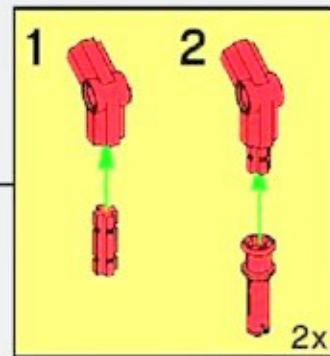
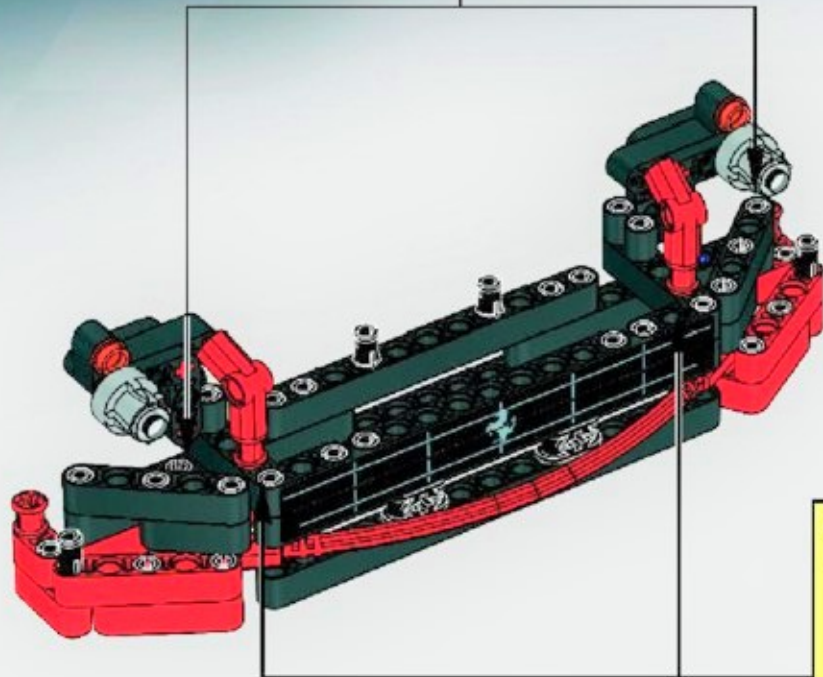


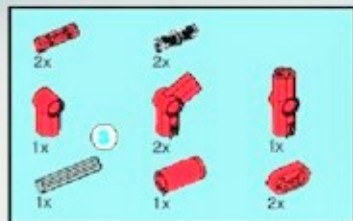
14



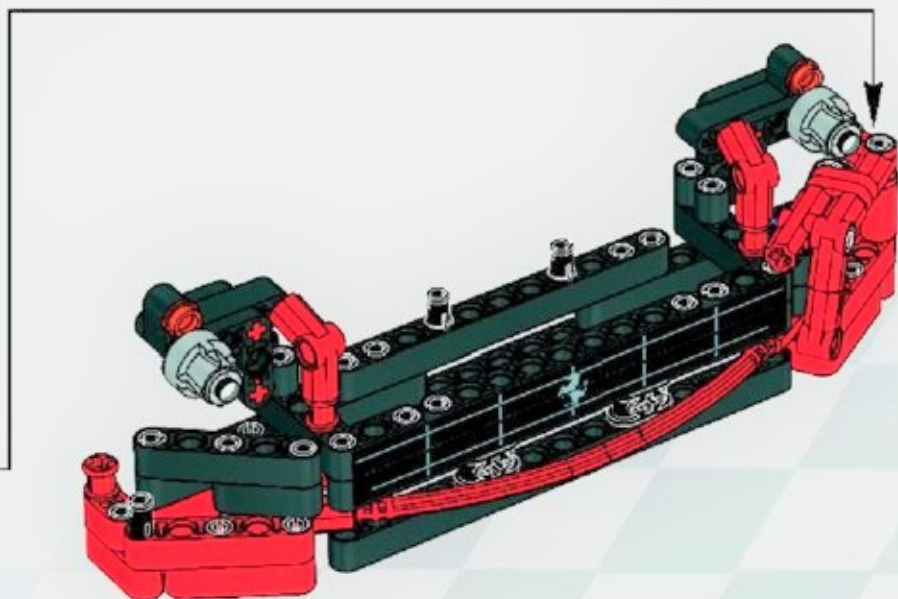
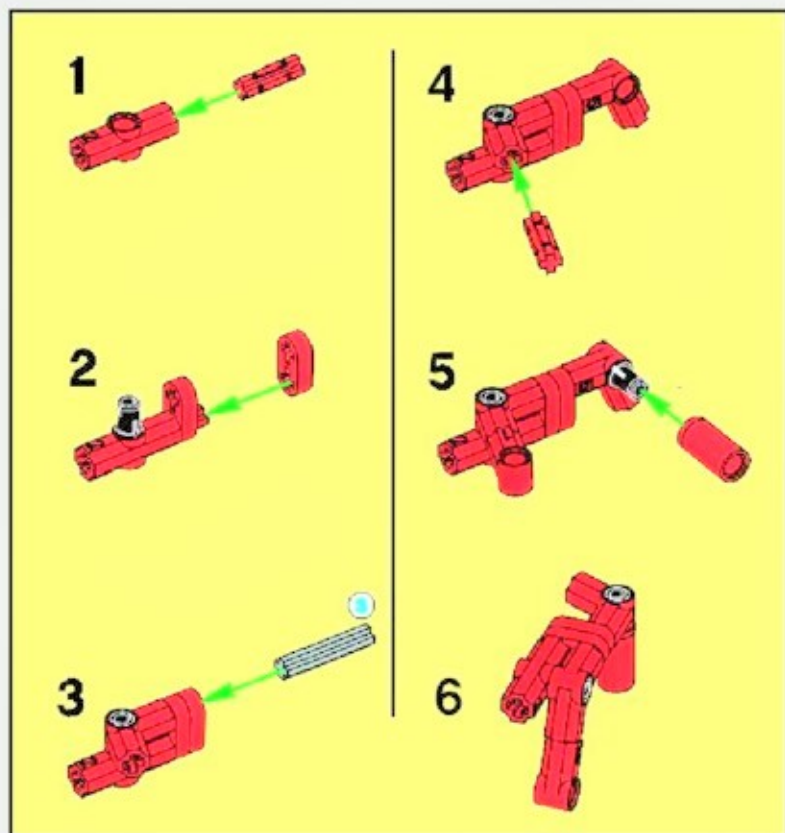


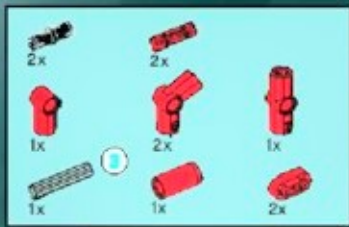
15



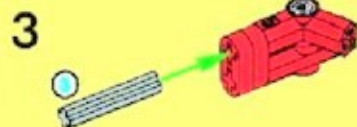
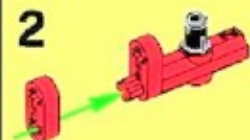
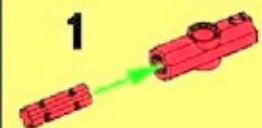


16

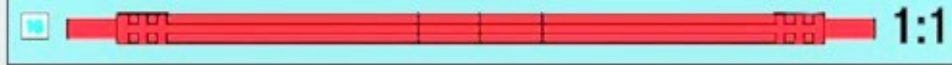
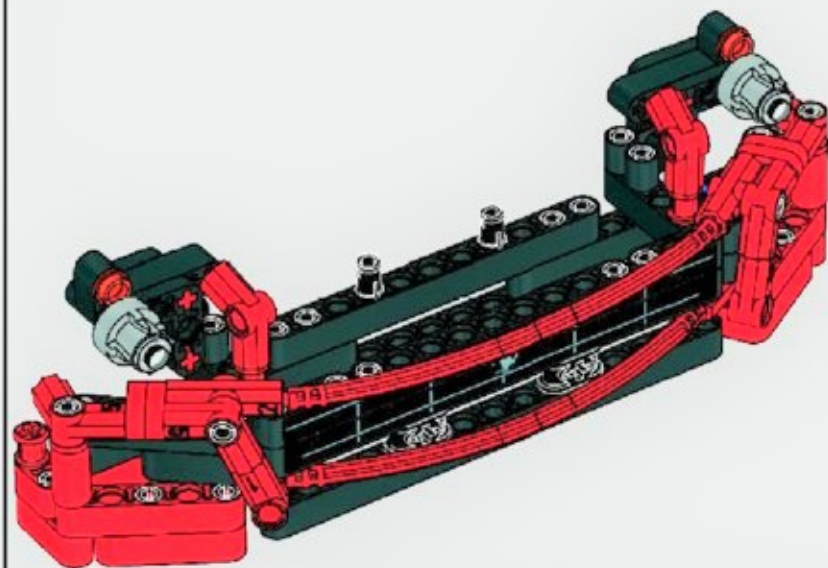
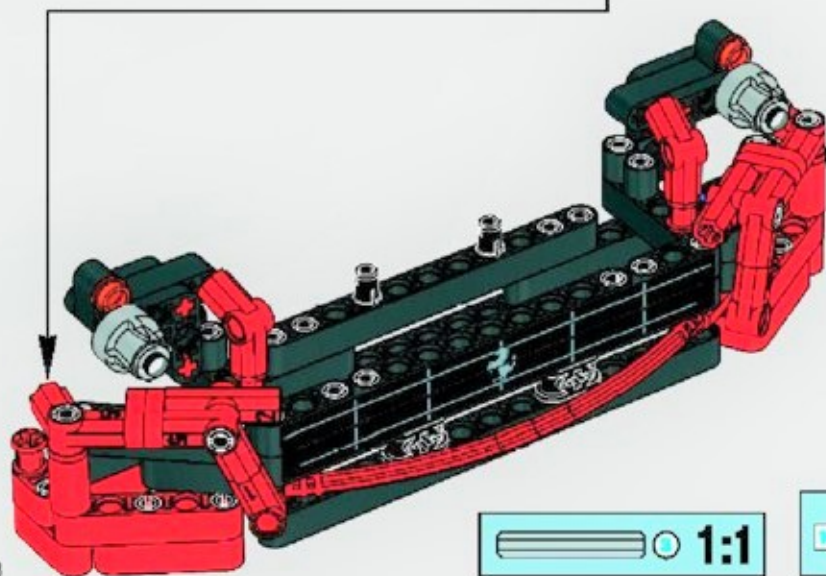




17

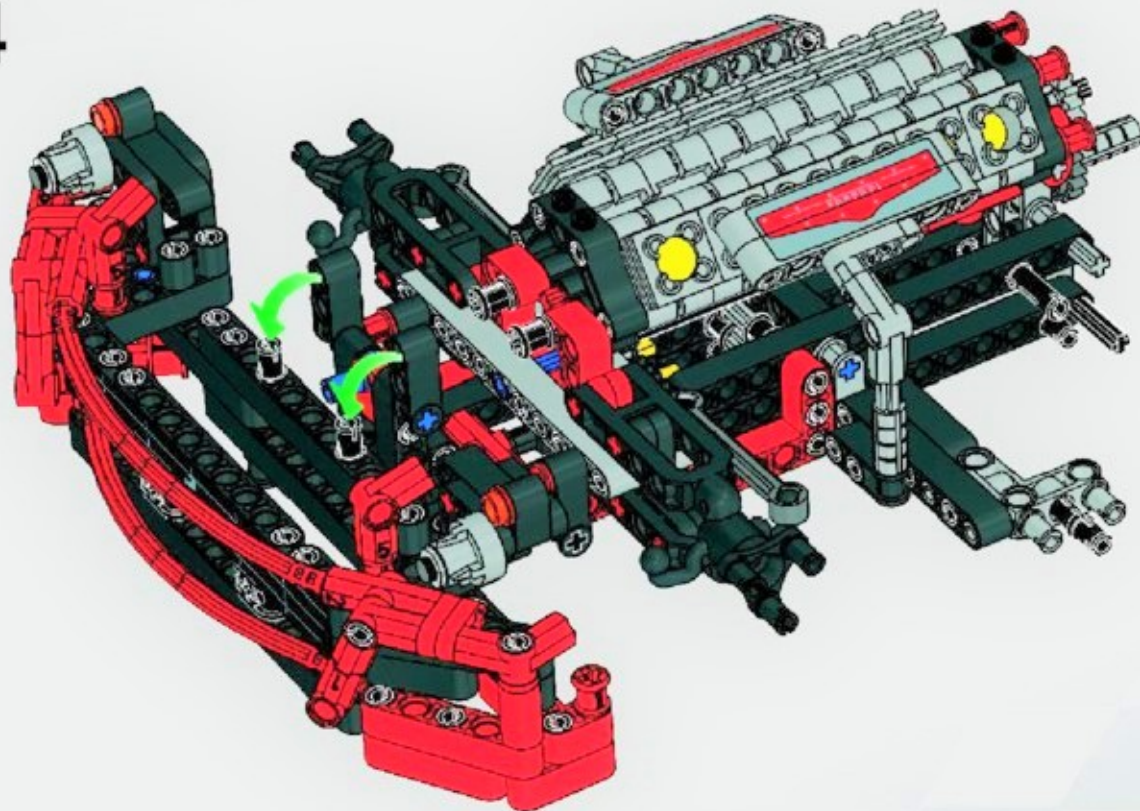


14



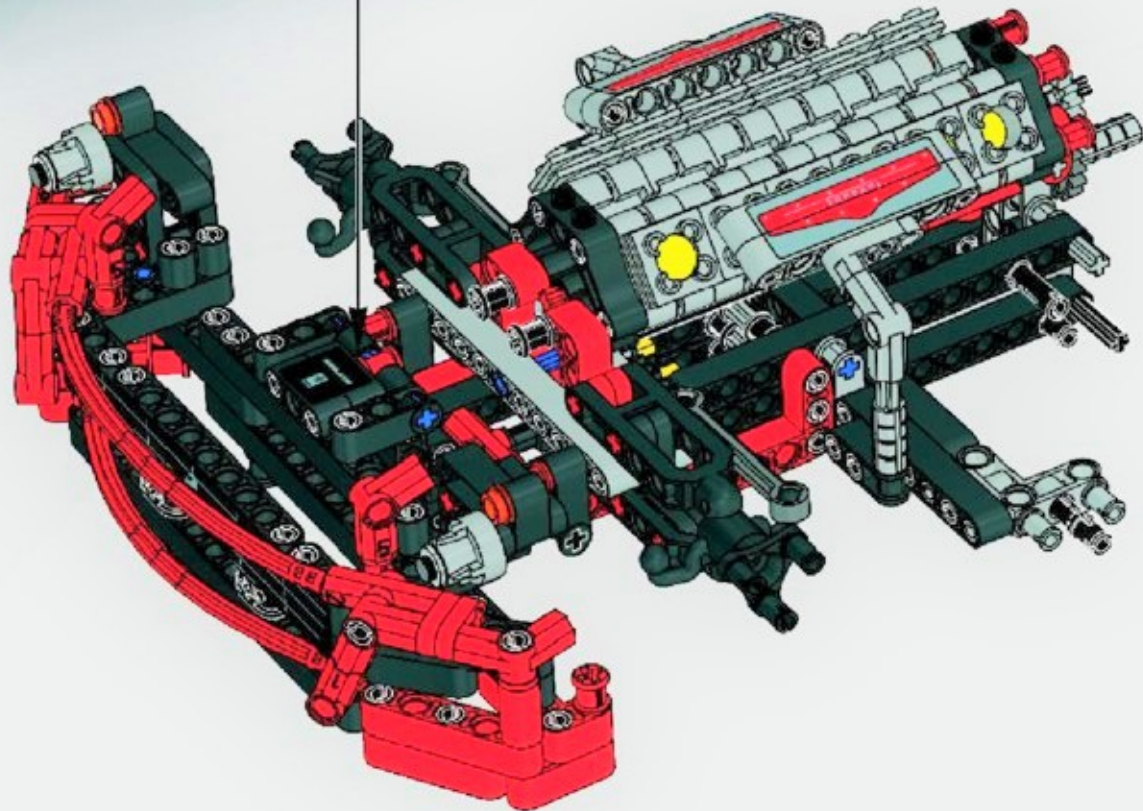
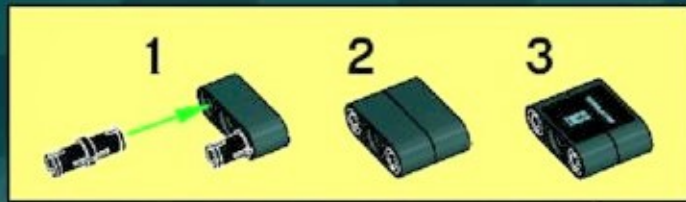


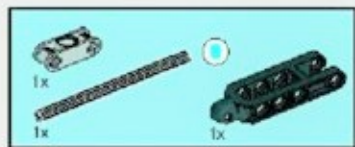
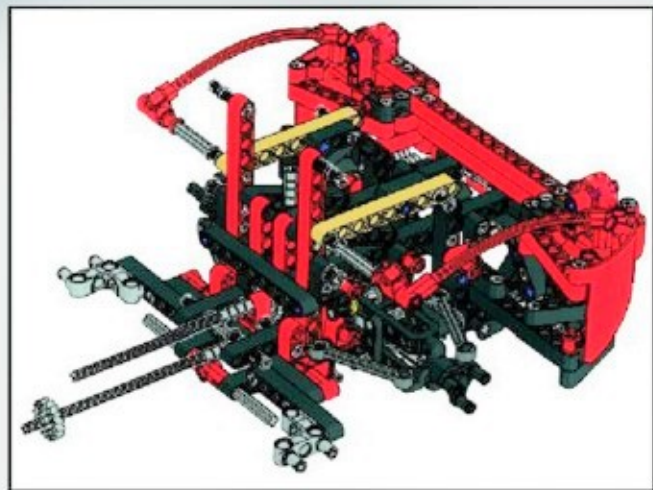
24



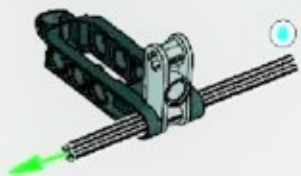
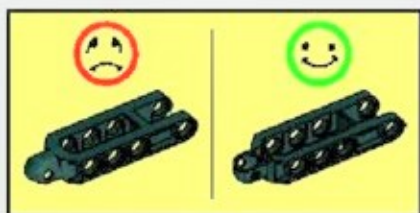


25

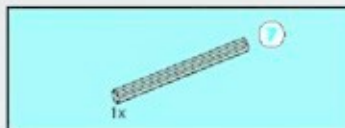
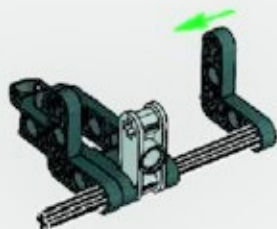




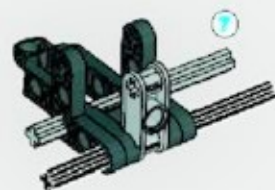
1



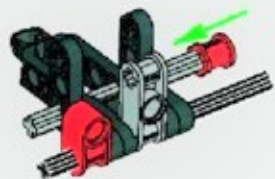
2



3

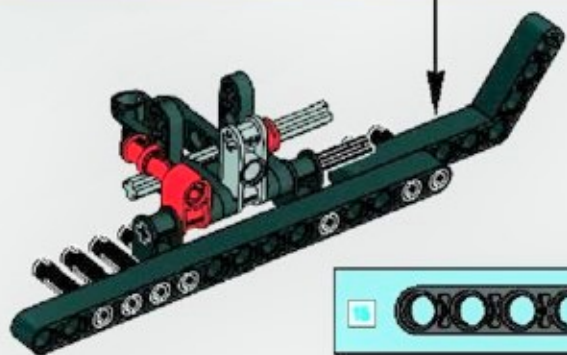
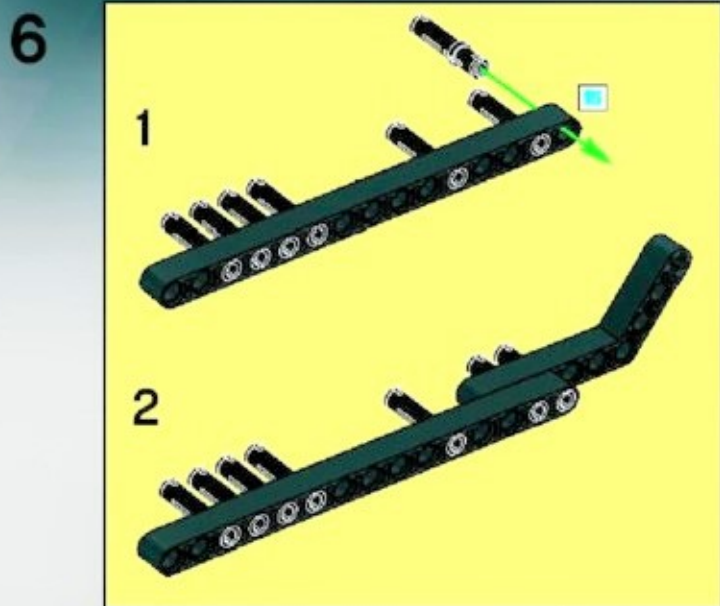


4

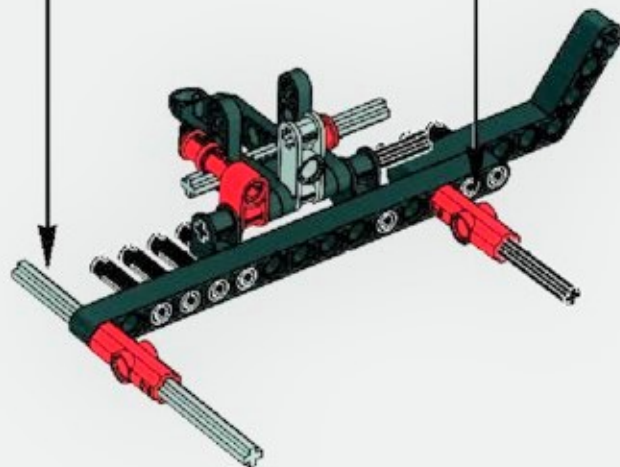
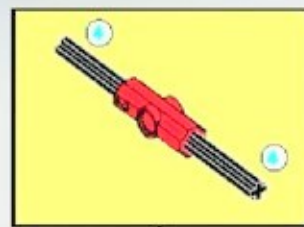
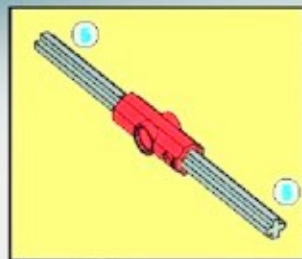


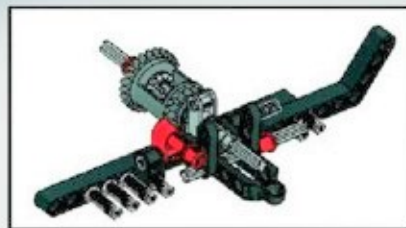
5



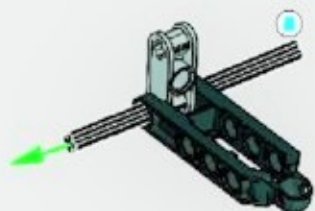


7

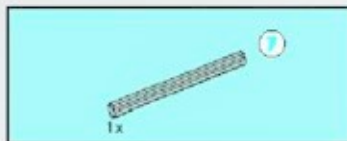
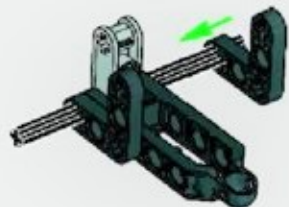




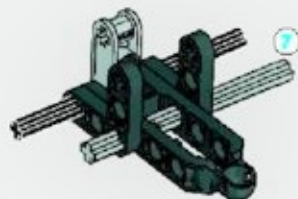
1



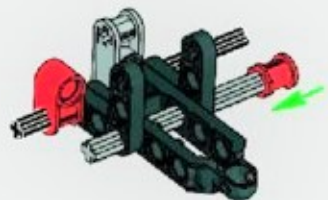
2



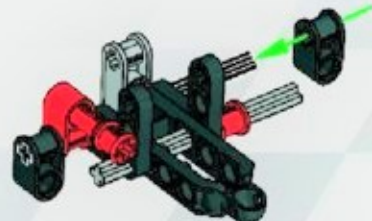
3



4

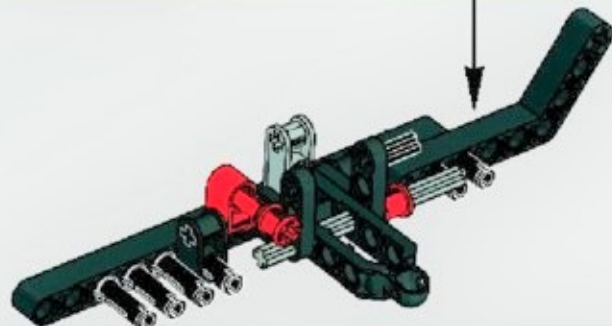
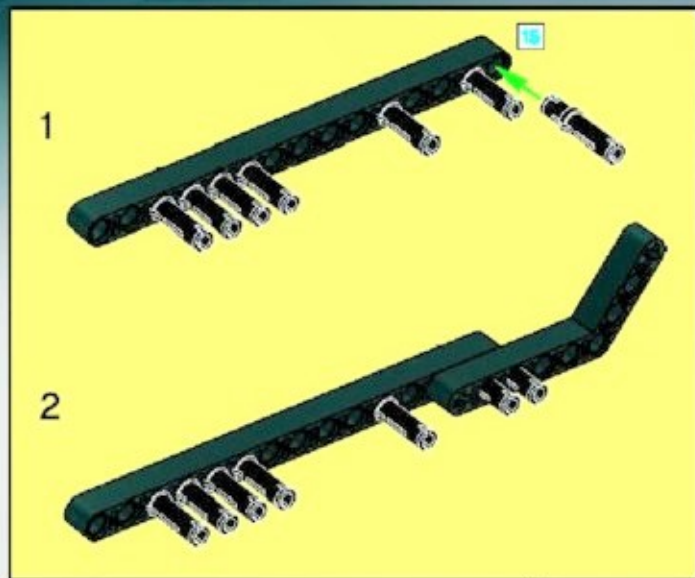


5

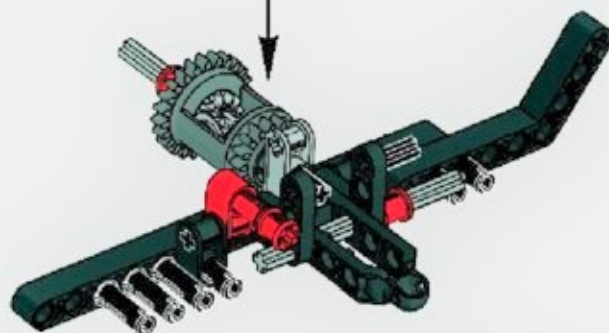
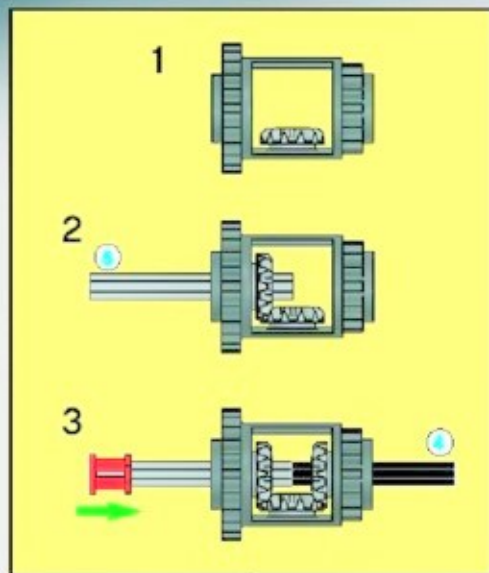




6

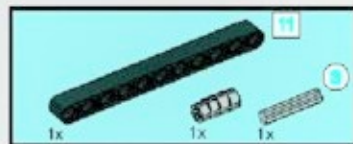
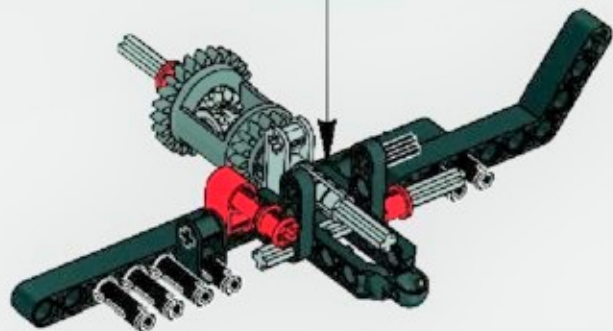


7

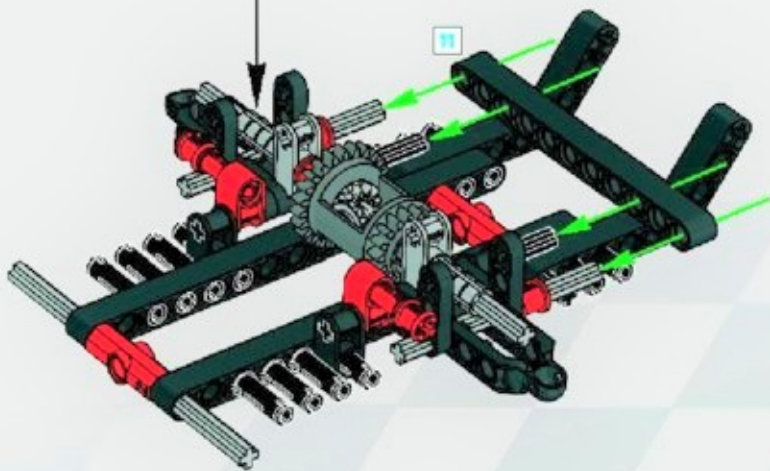
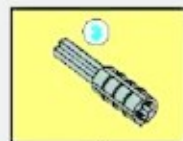




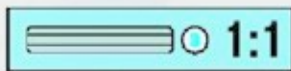
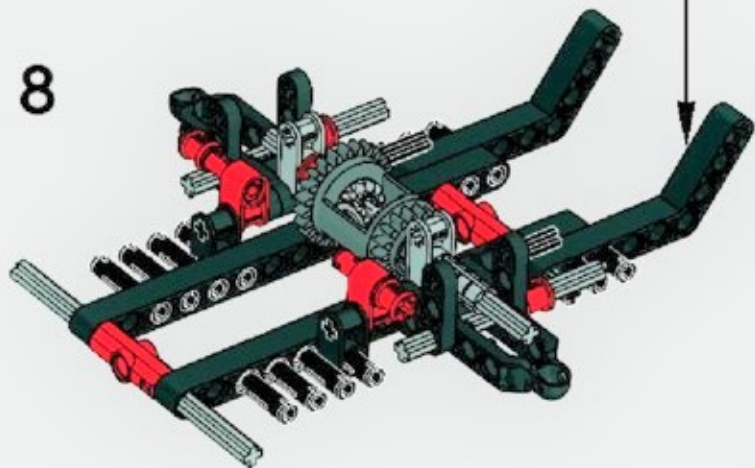
8



9

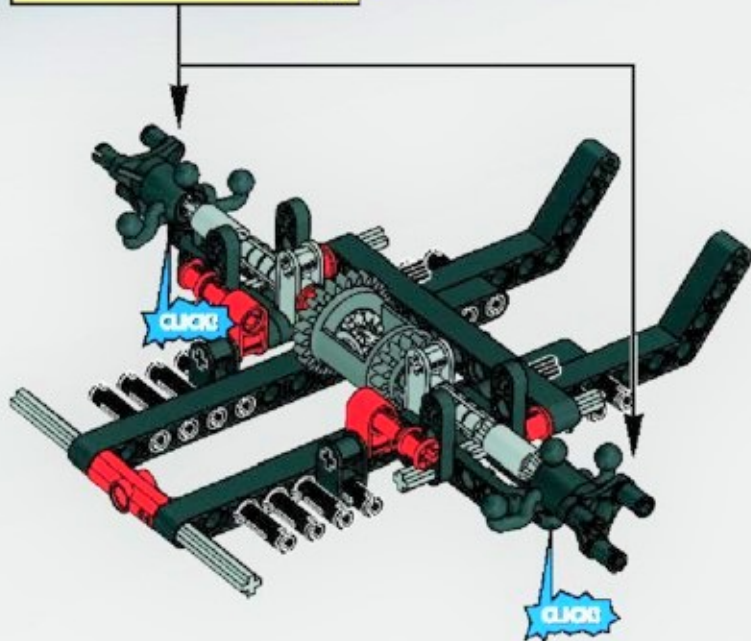
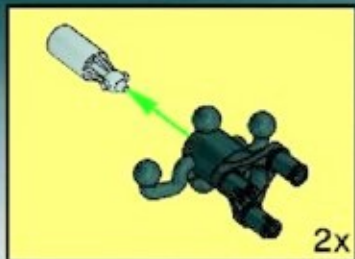
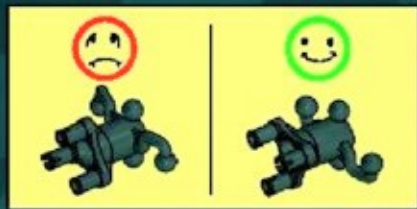


8

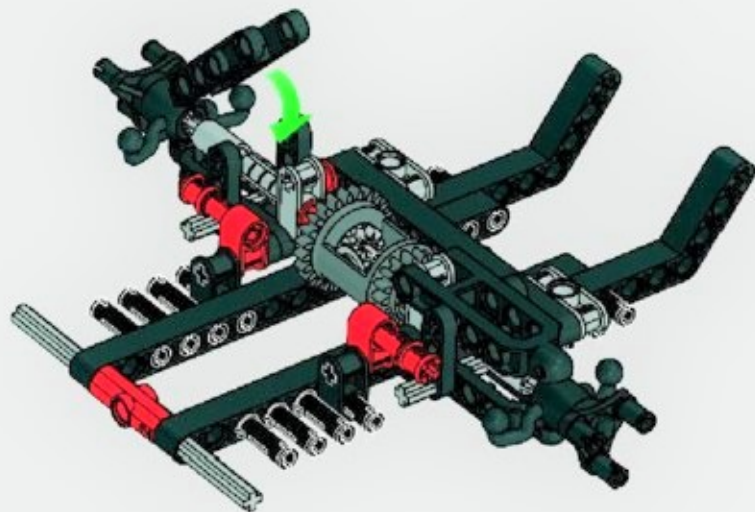




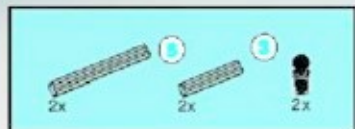
10



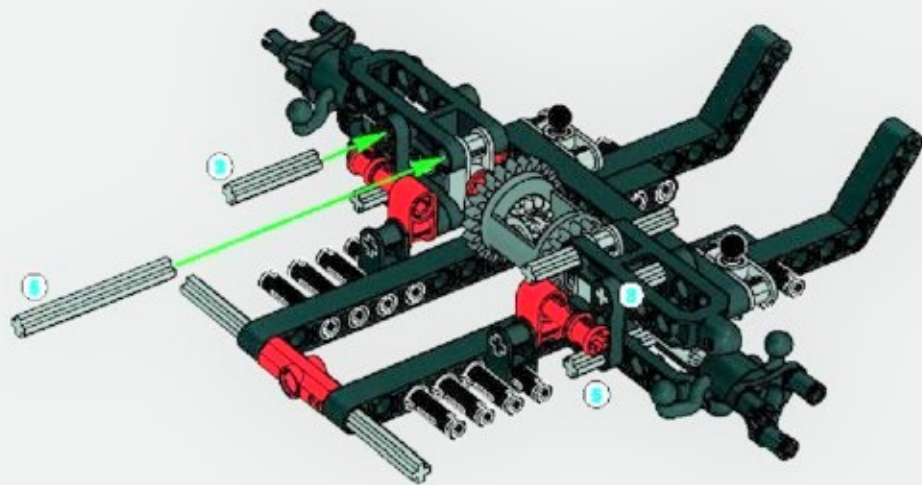
11



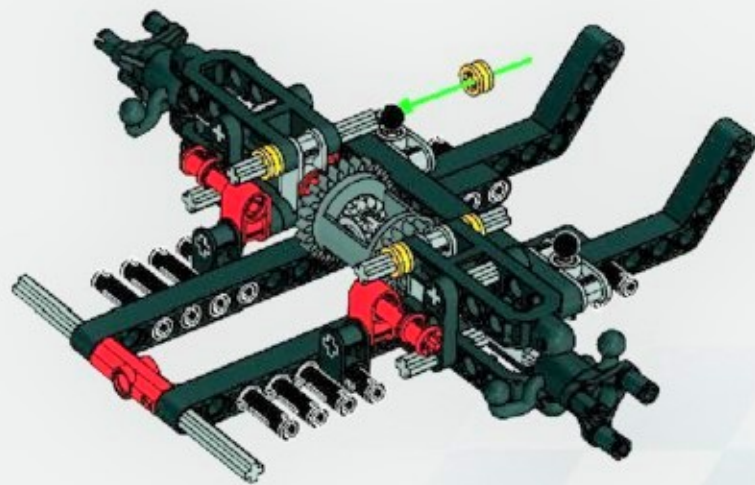


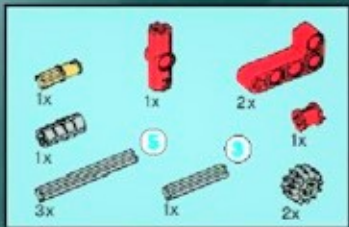


12

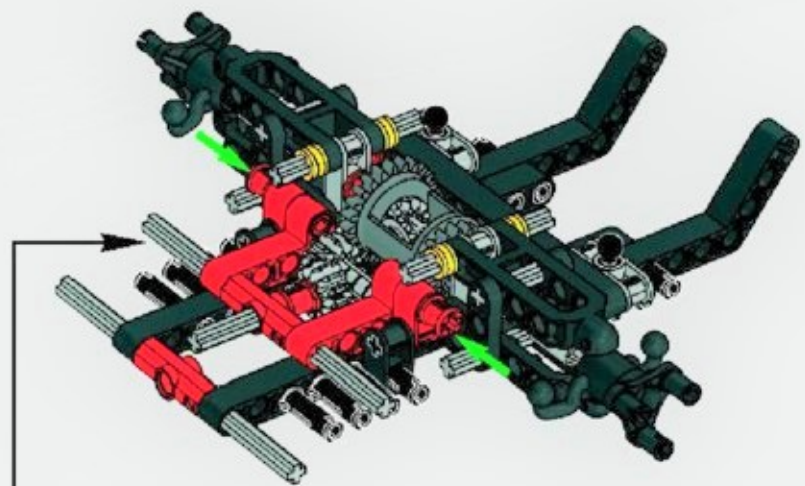


13



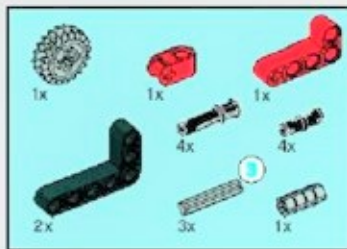
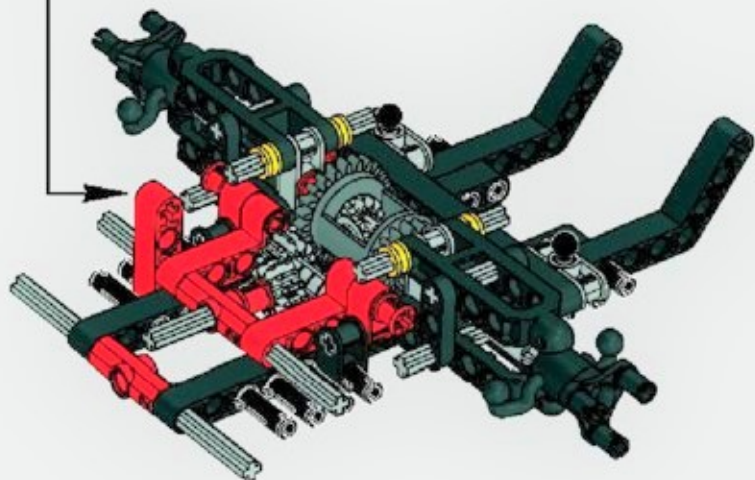


# 14

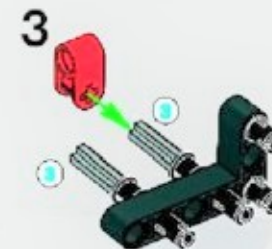


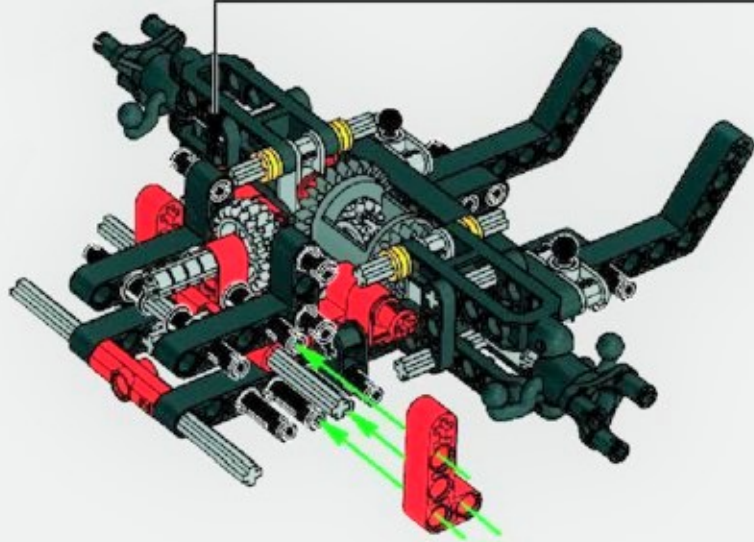
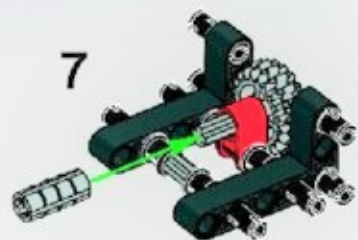
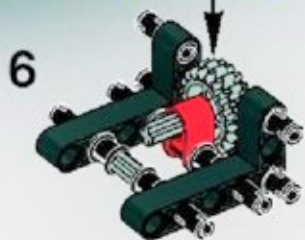
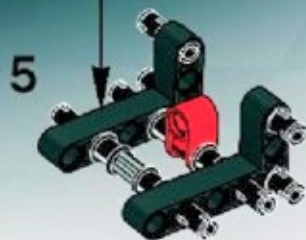


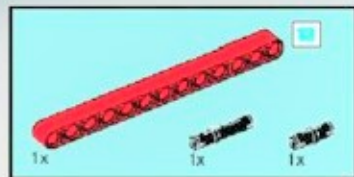
15



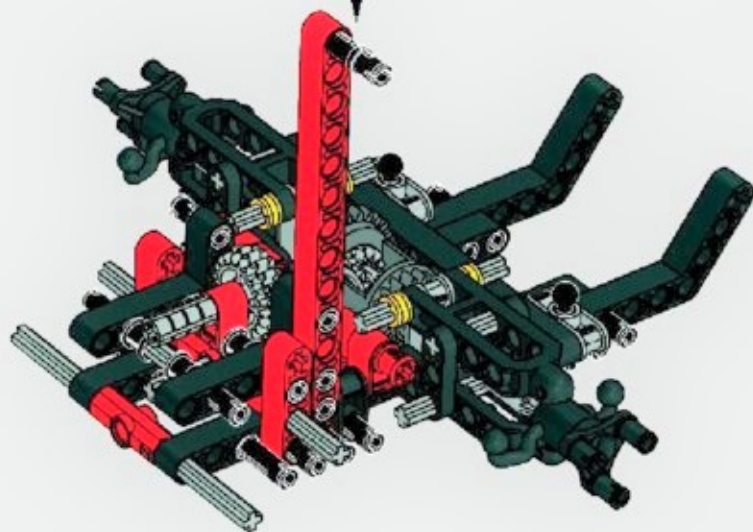
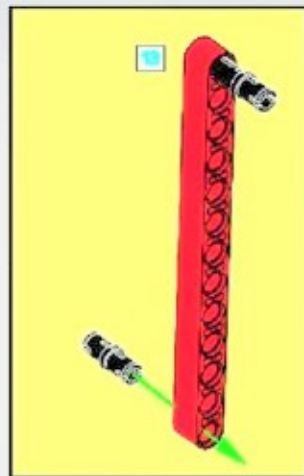
16



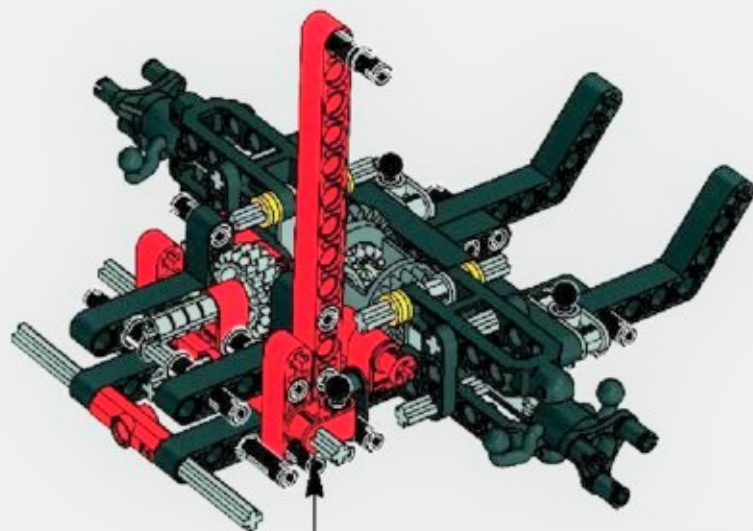




17

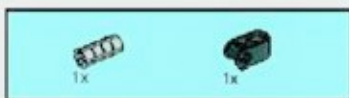


18





1



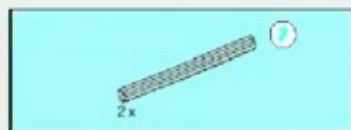
2



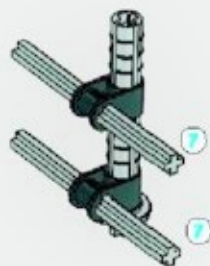
3

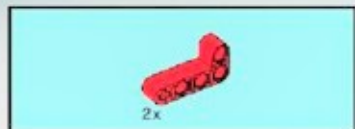


4

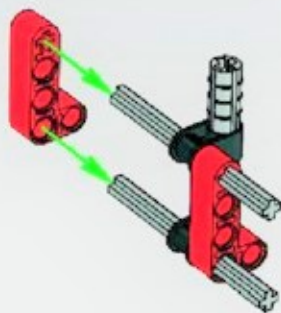


5

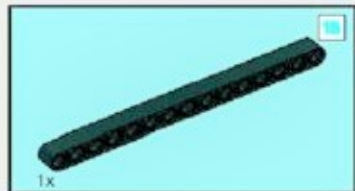
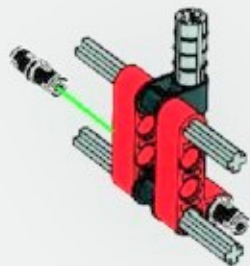




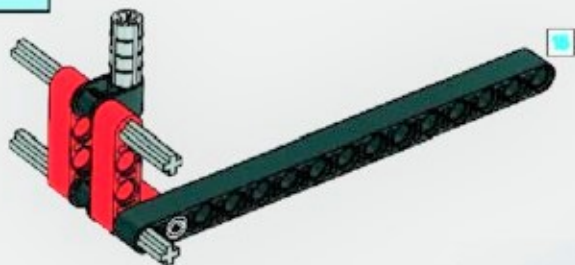
6



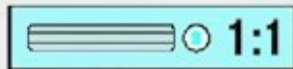
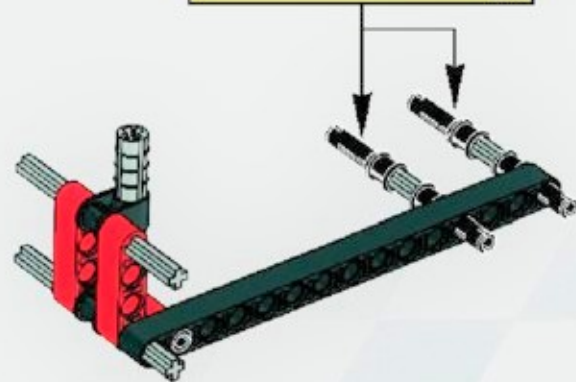
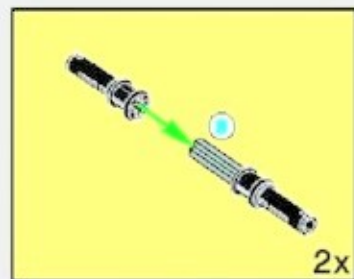
7



8

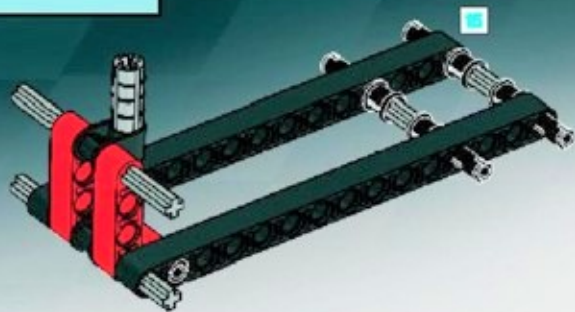


9

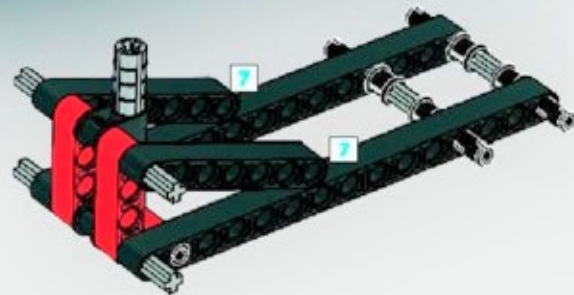




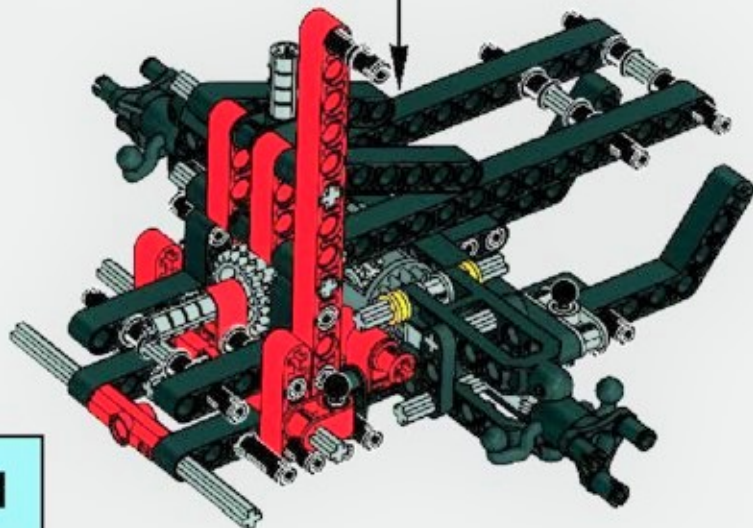
10



11



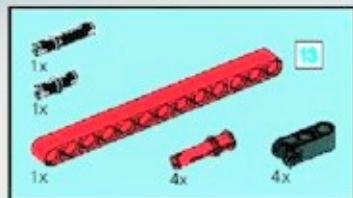
19



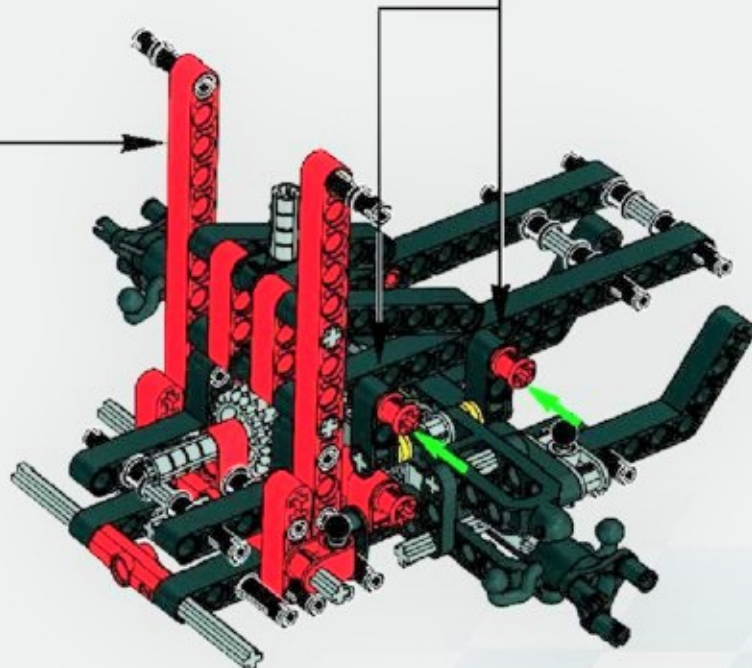
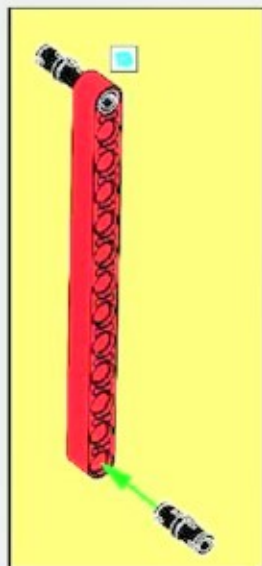
1:1





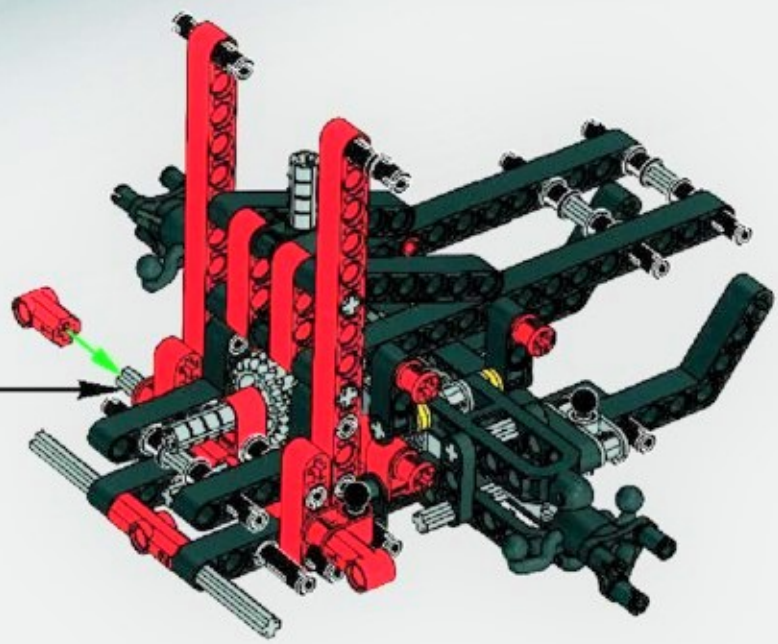
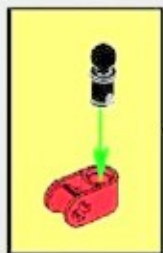


21



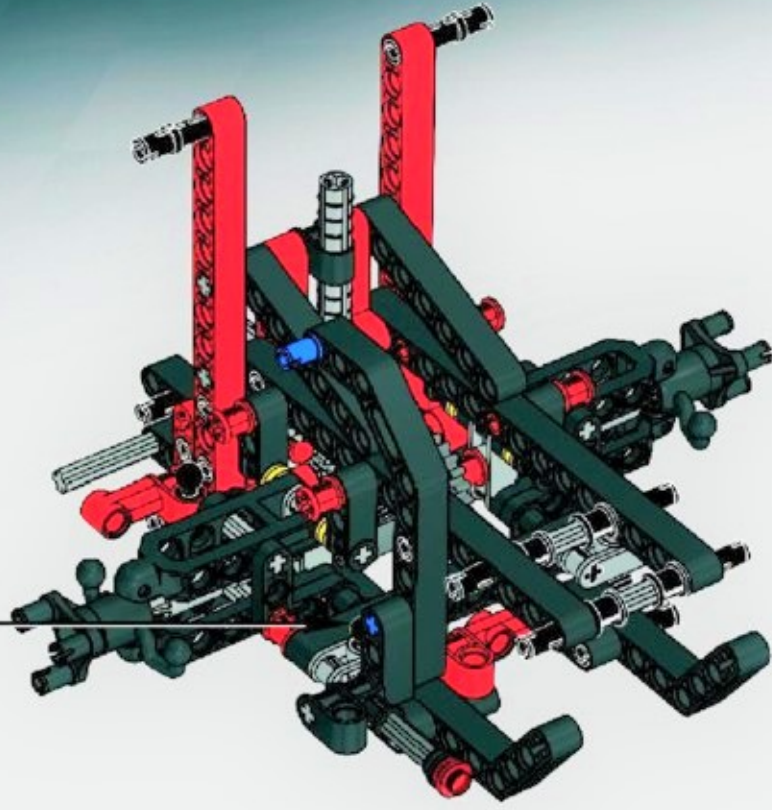


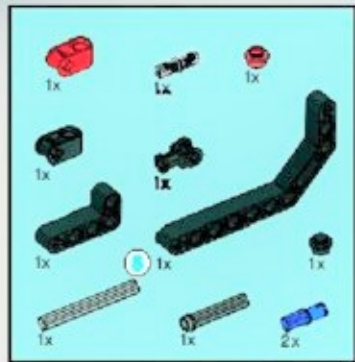
22



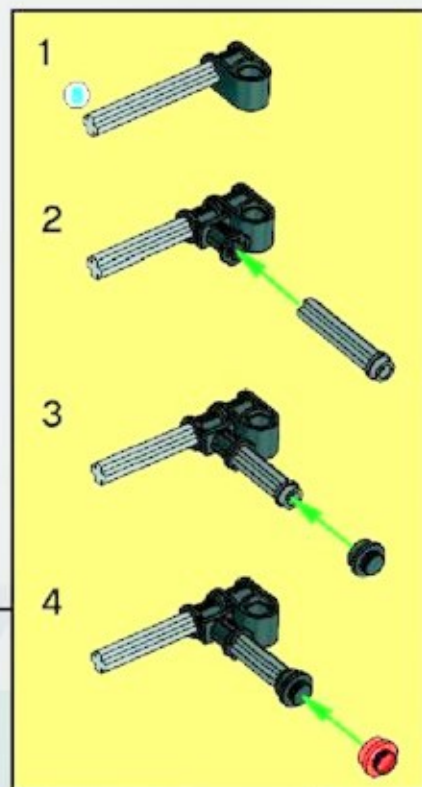
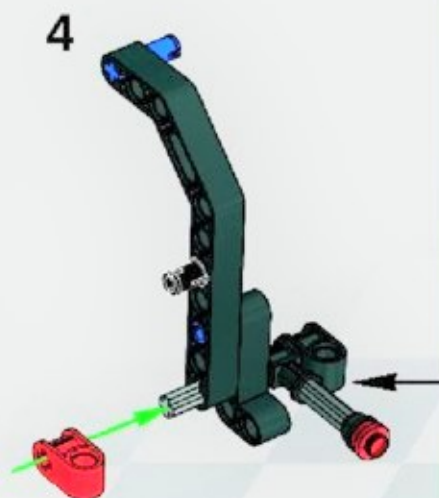
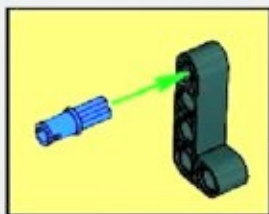


5

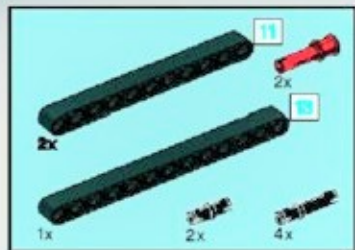




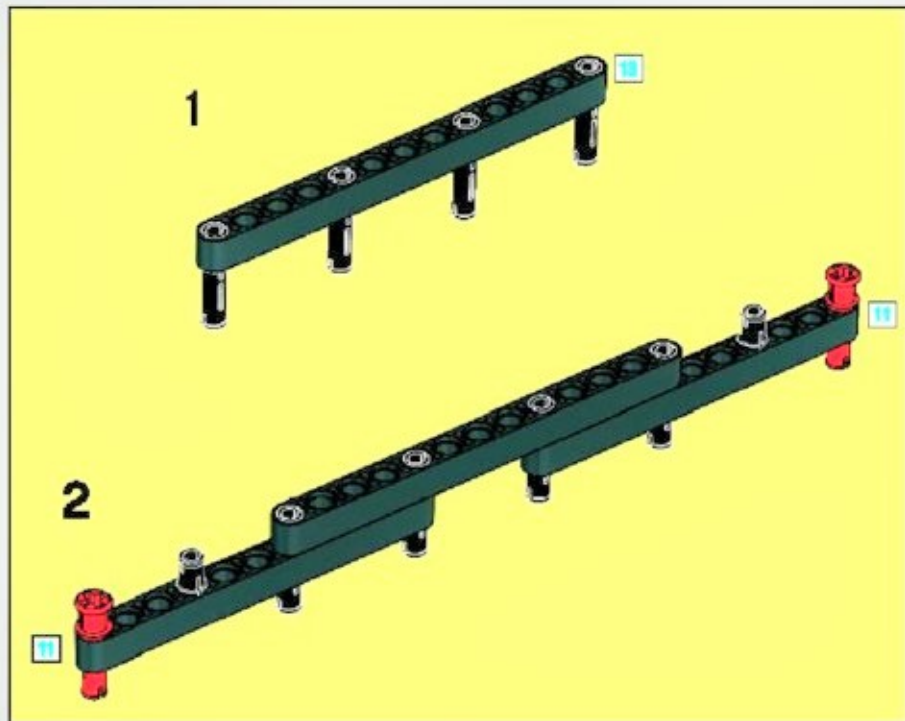
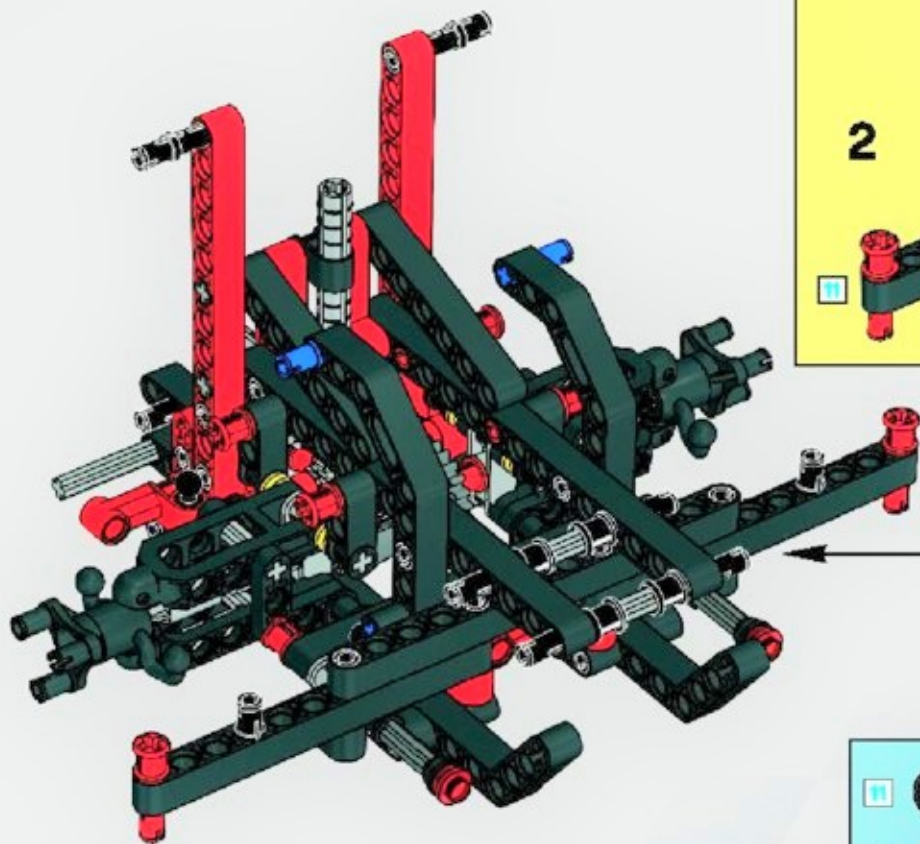
24





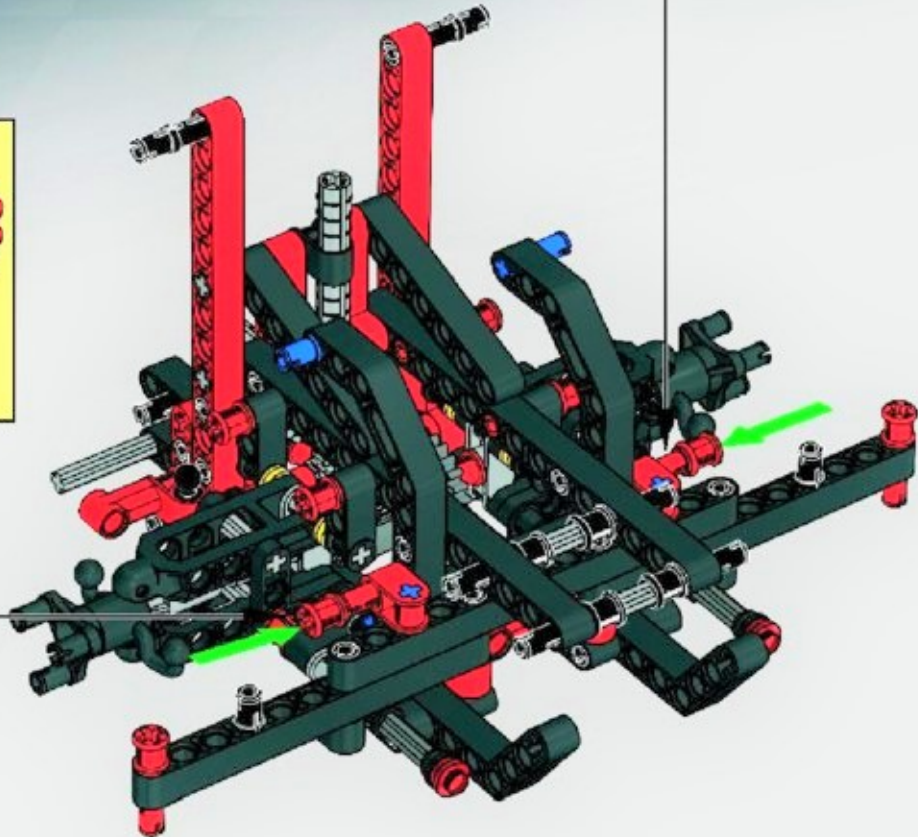
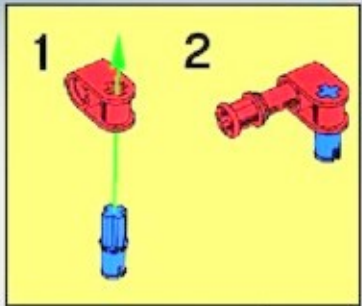
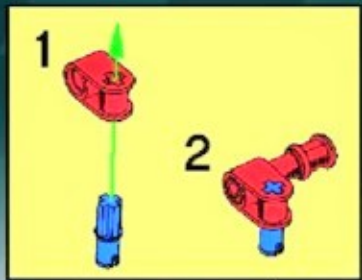


25





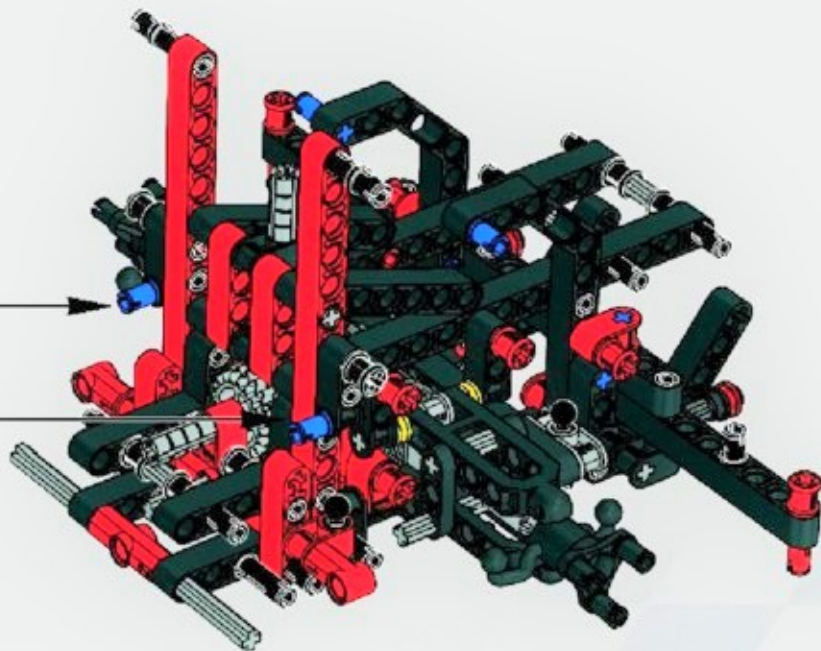
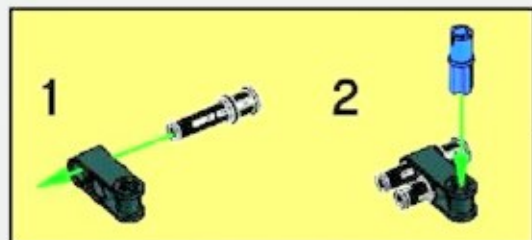
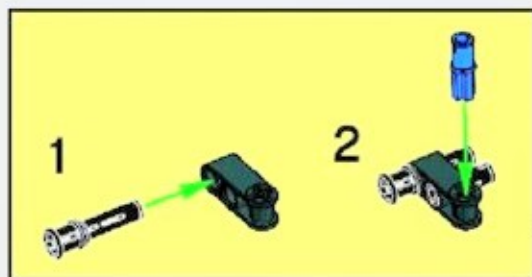
26

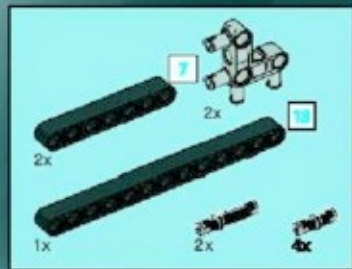




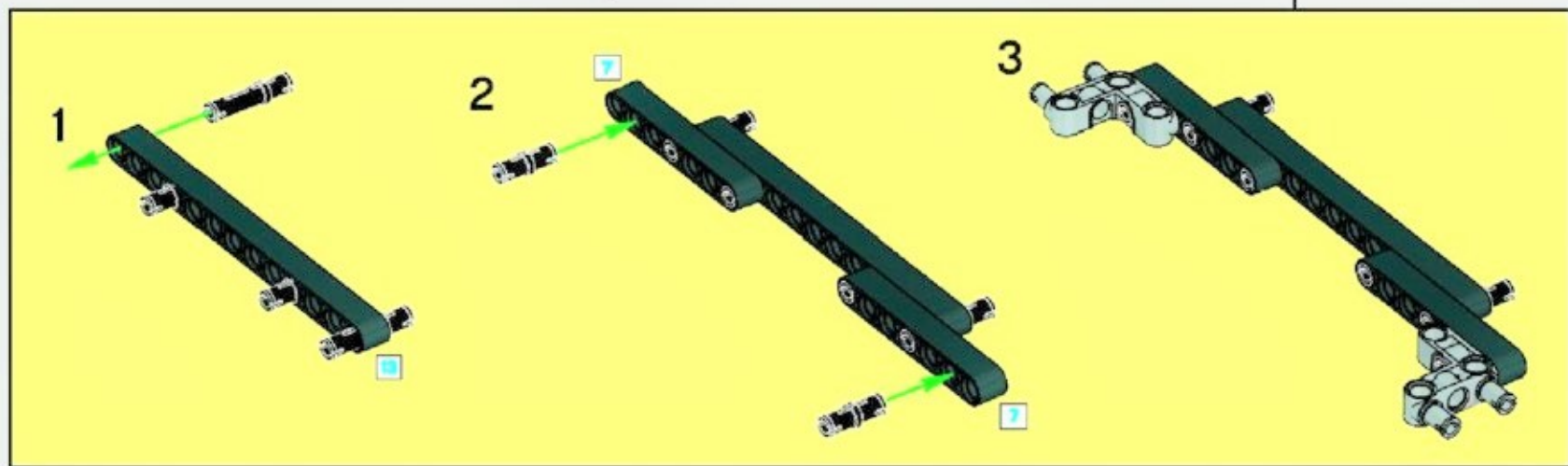
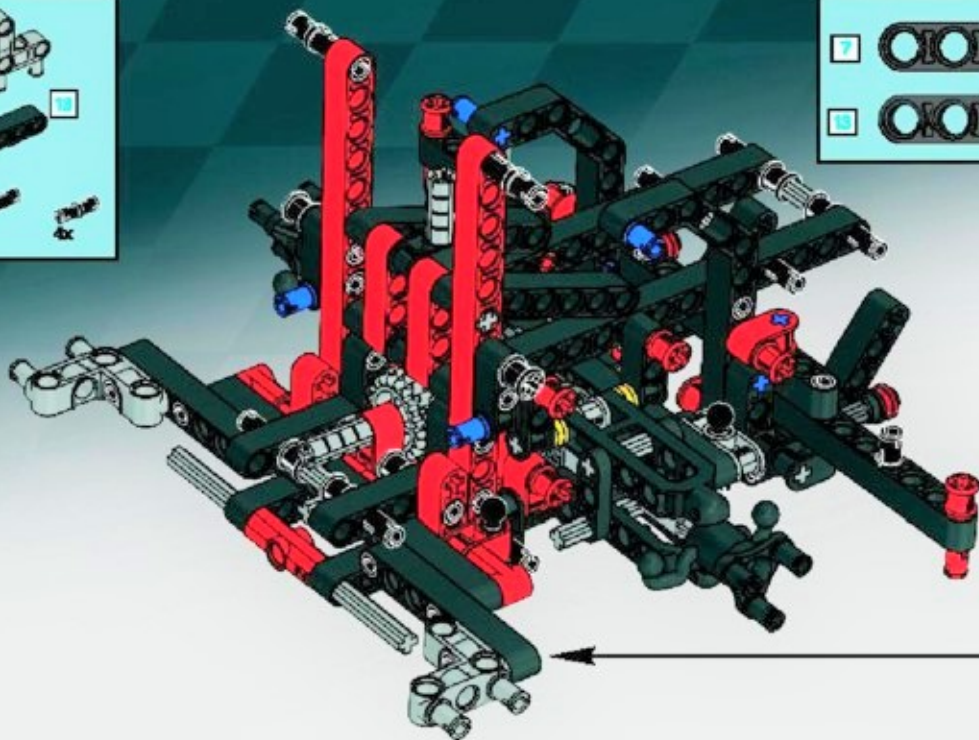


27



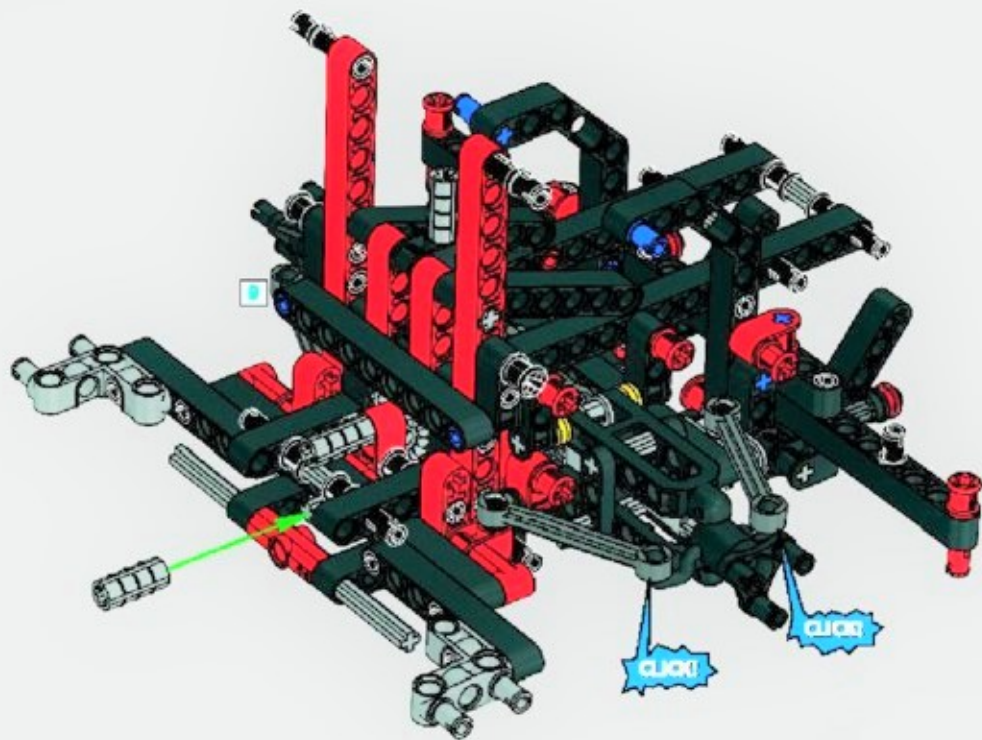


28





29



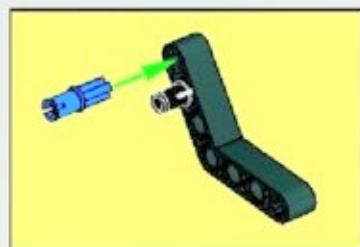
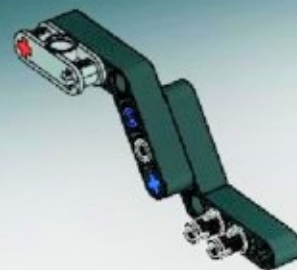


30

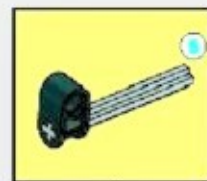
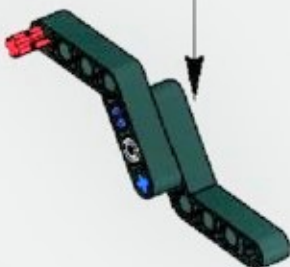
1



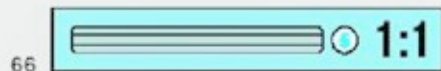
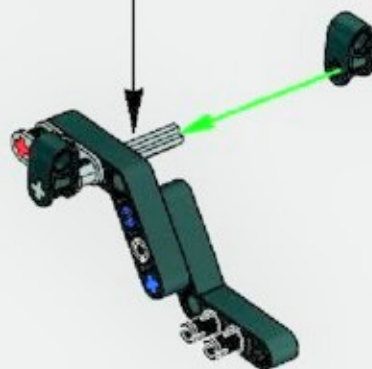
3



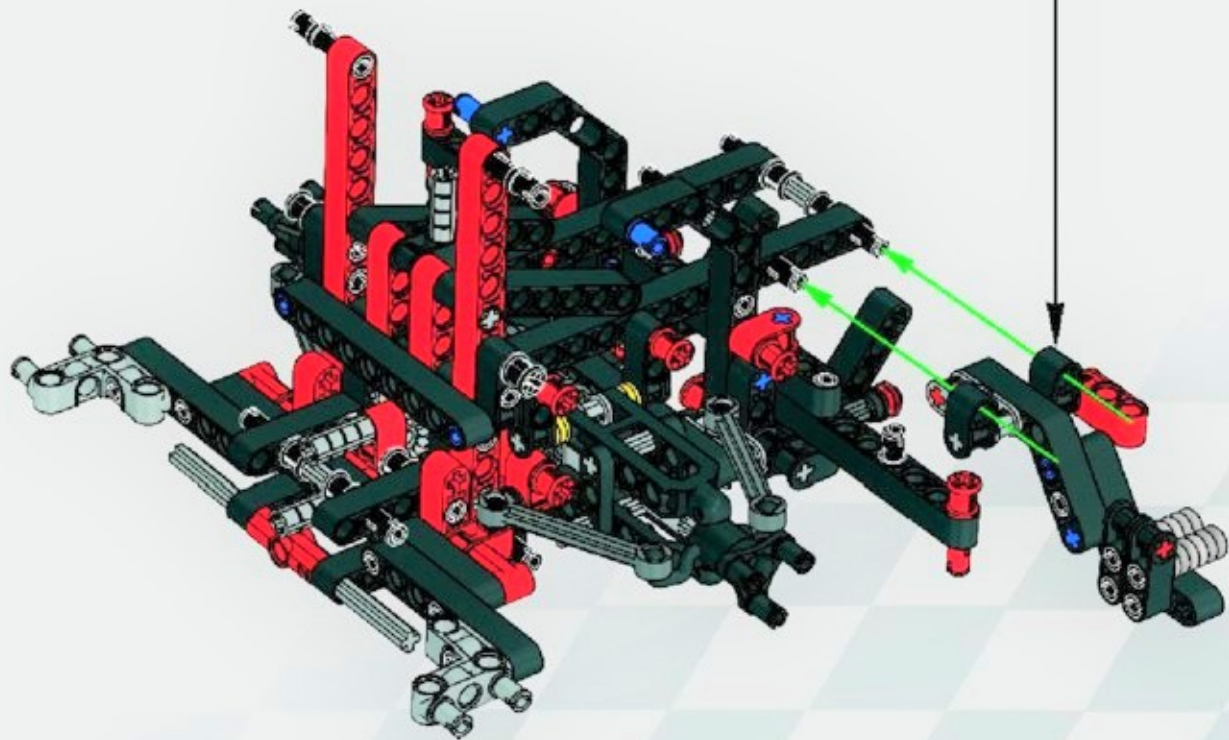
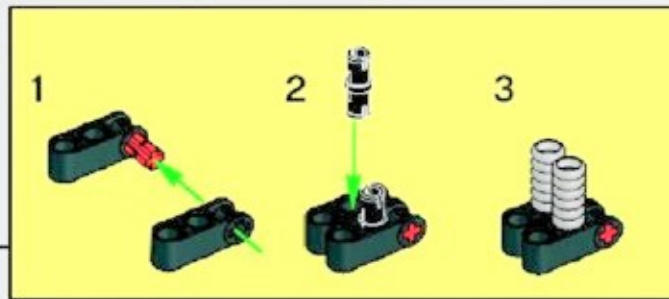
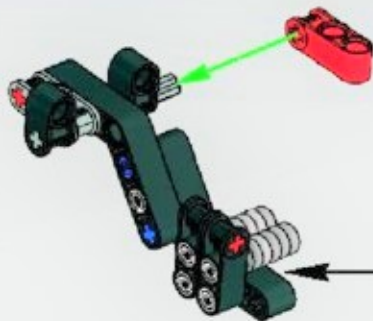
2



4

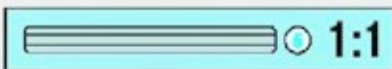
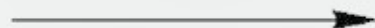
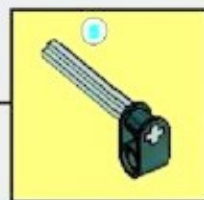
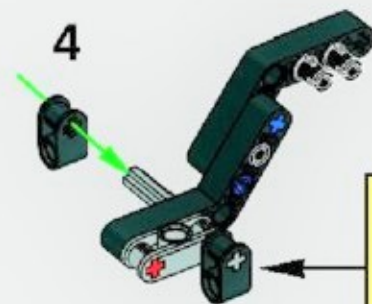
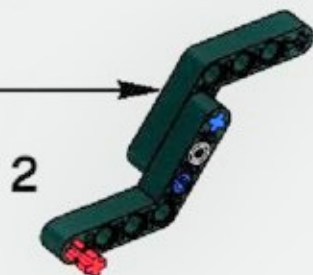
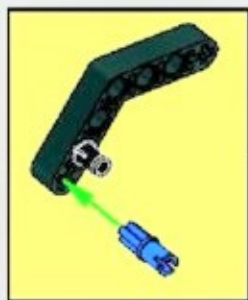
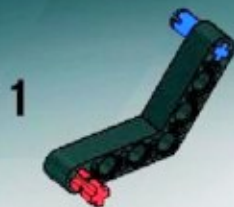


5

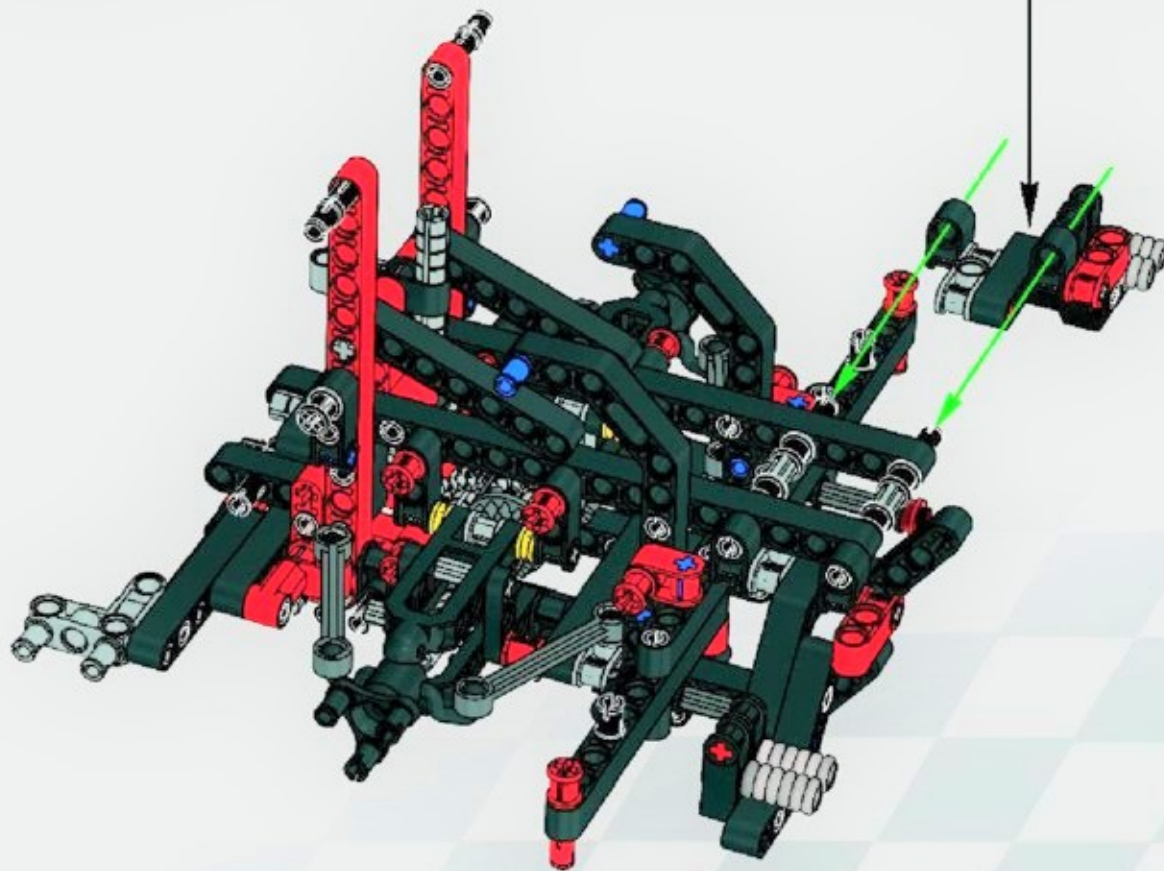
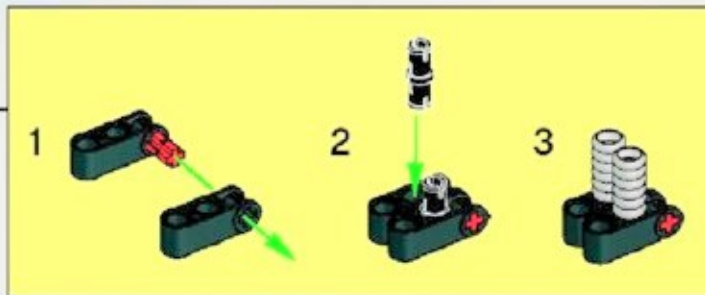
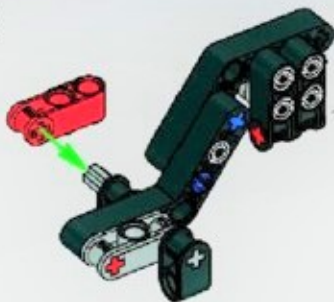




31

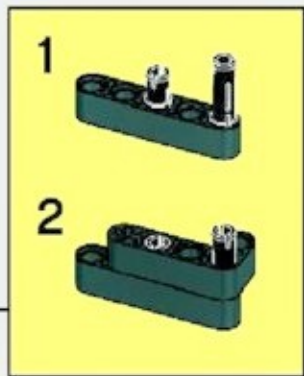
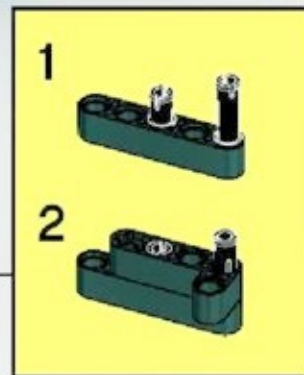
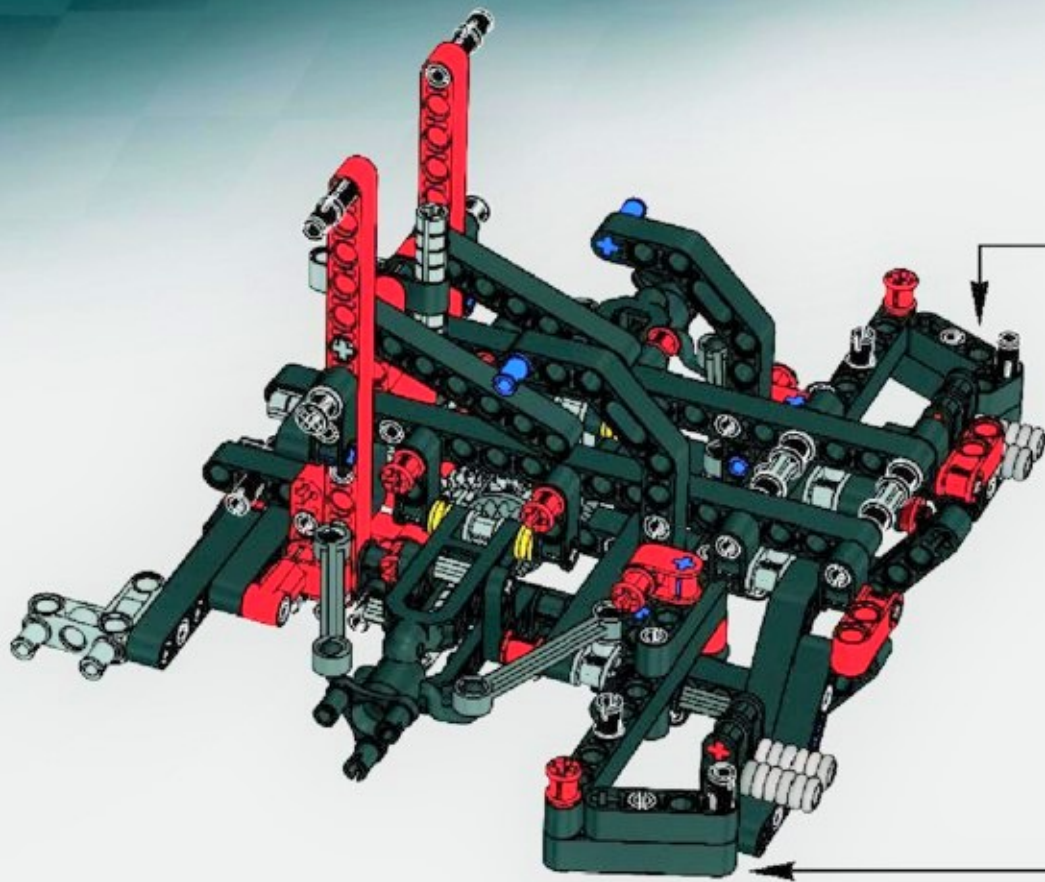


5





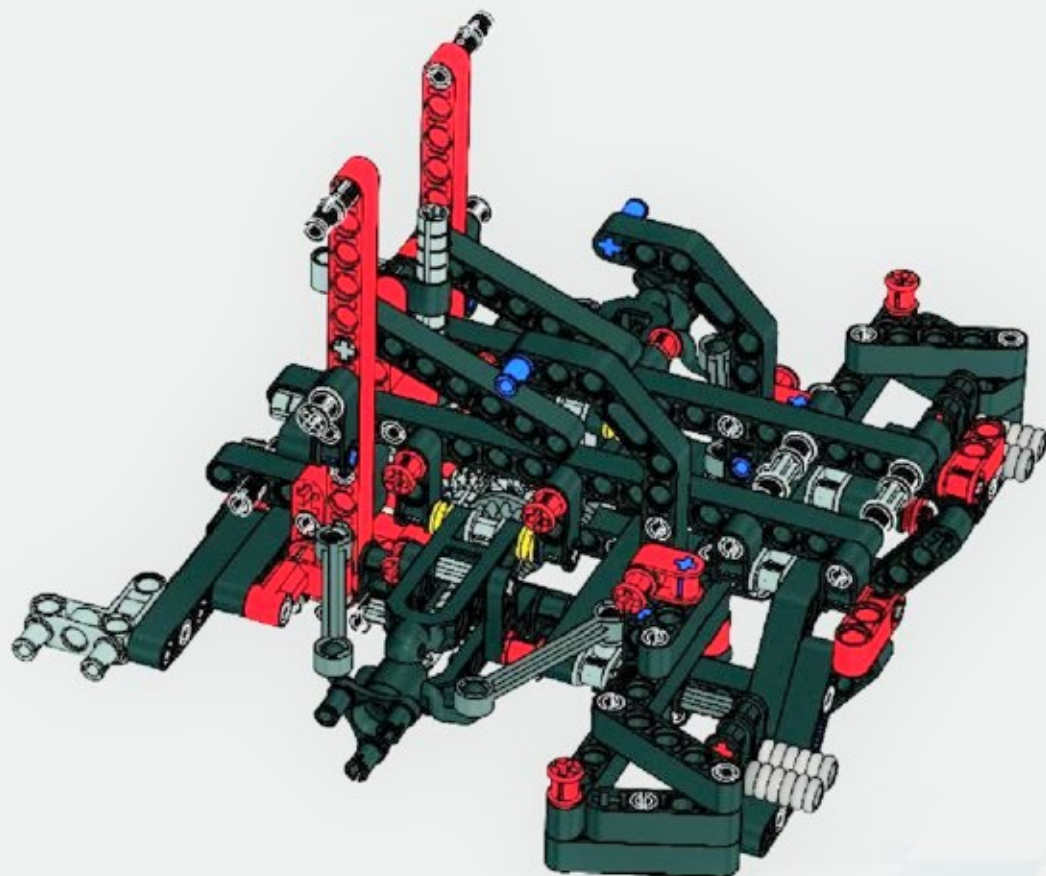
32

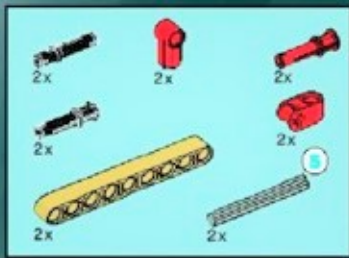




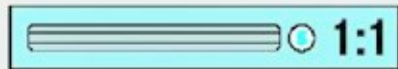
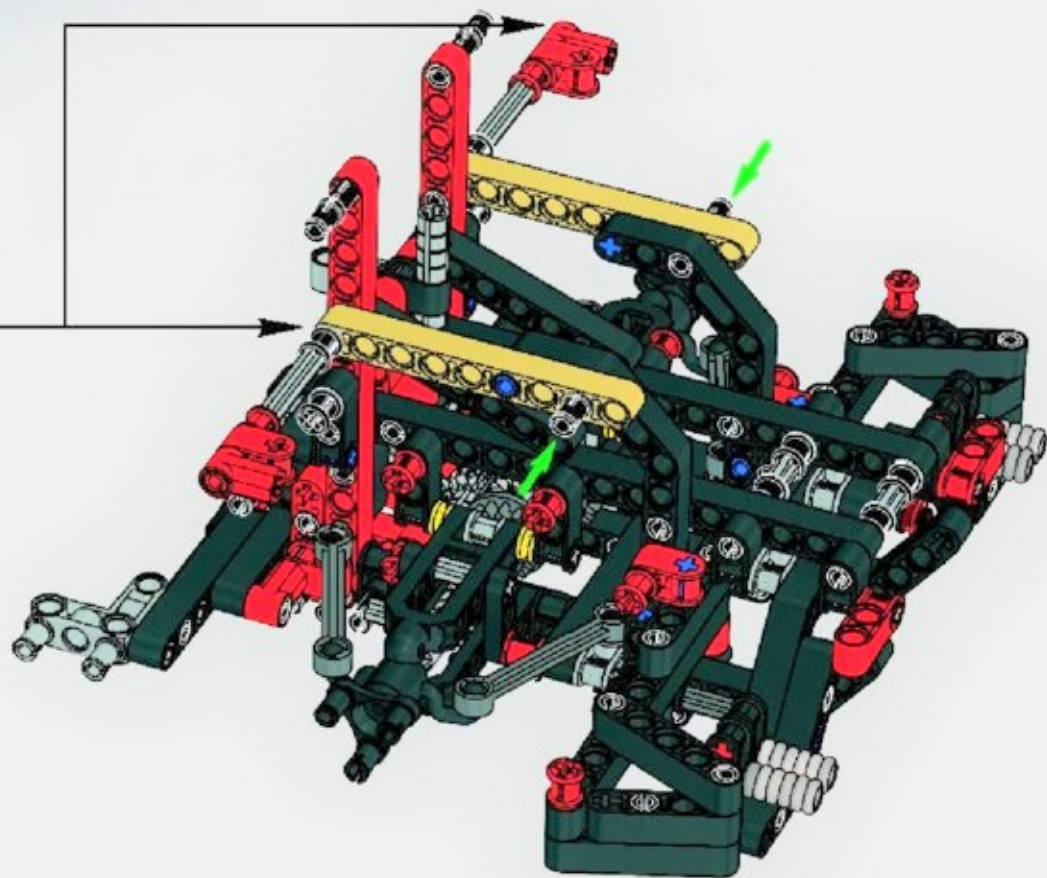
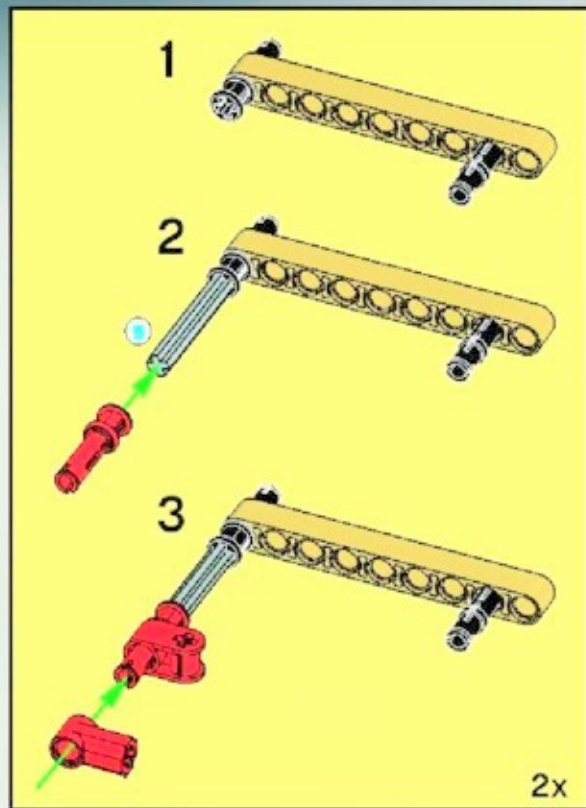


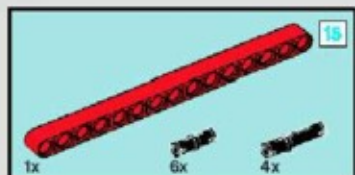
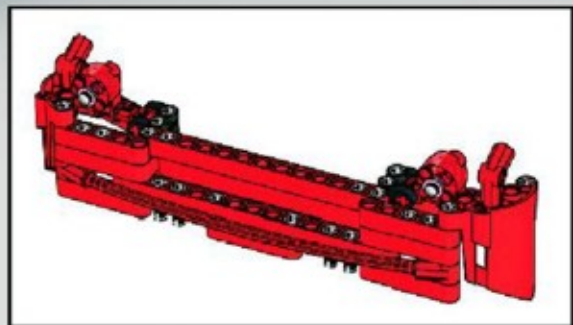
33



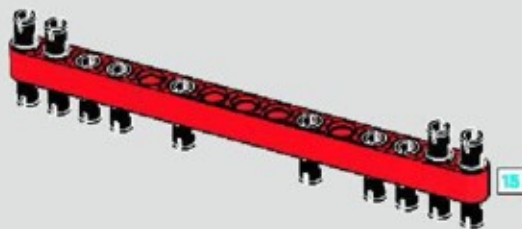


34

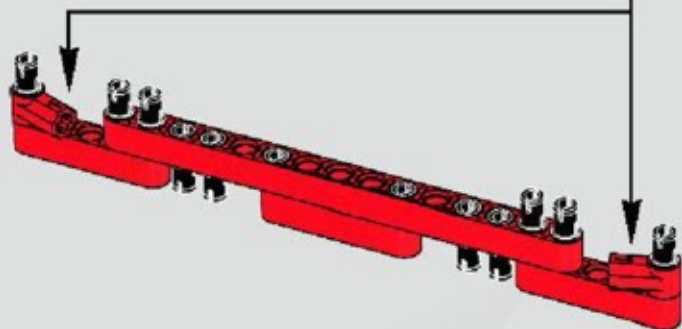
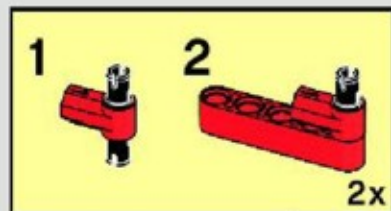




1

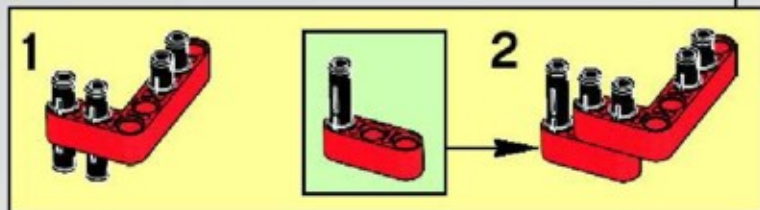
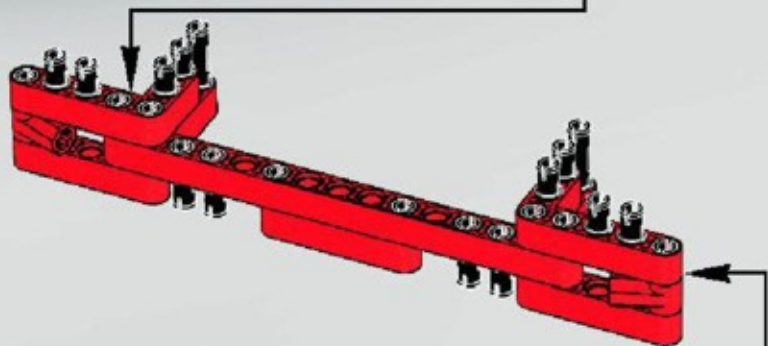


2

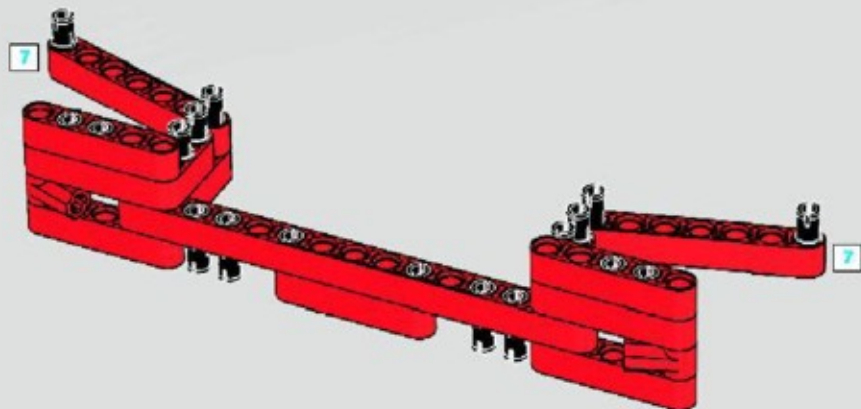


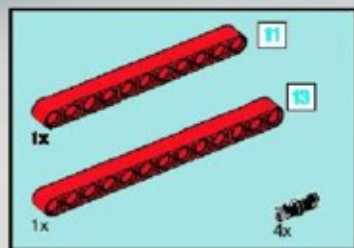


3

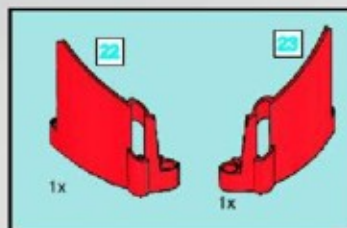
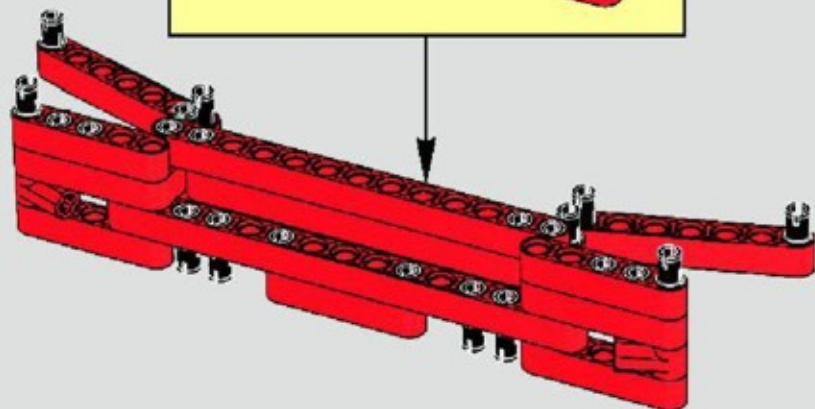
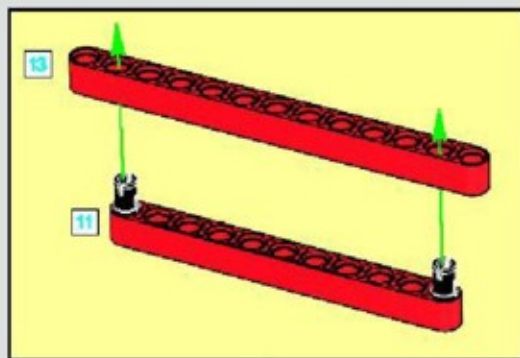


4

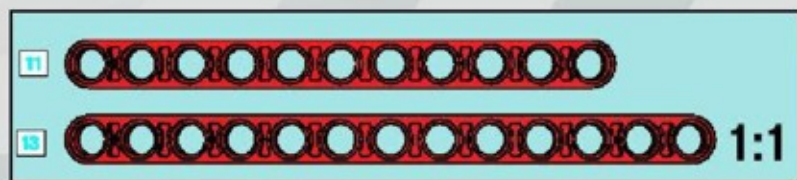
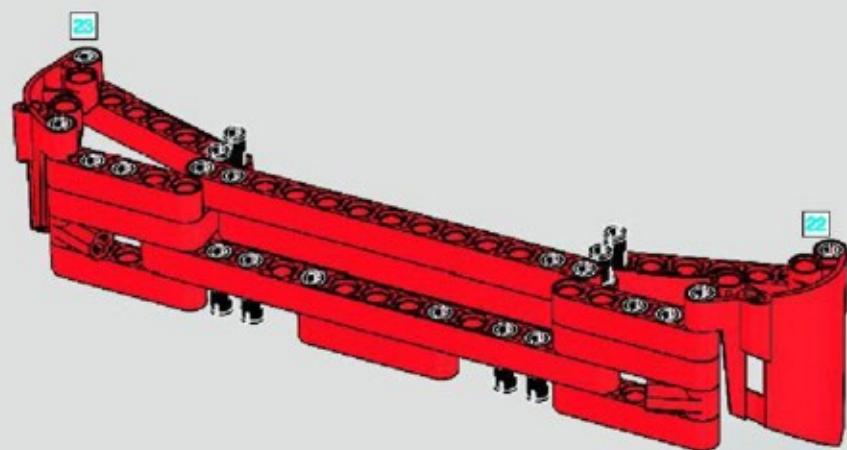


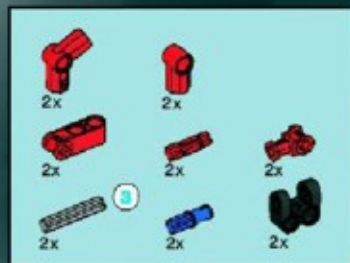


5

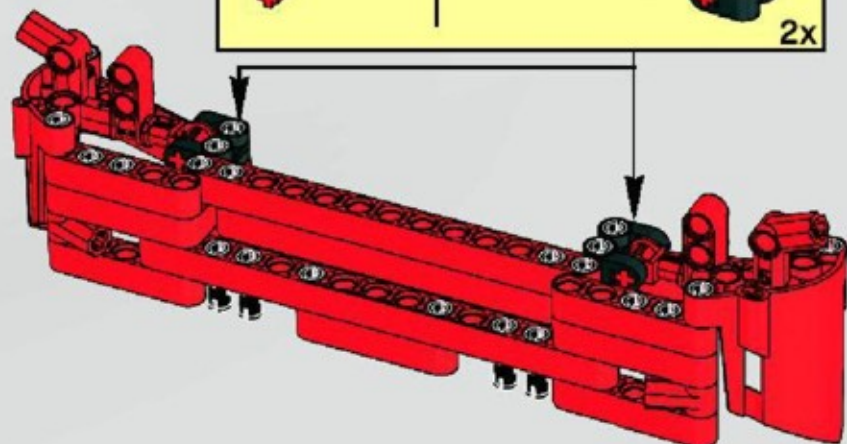
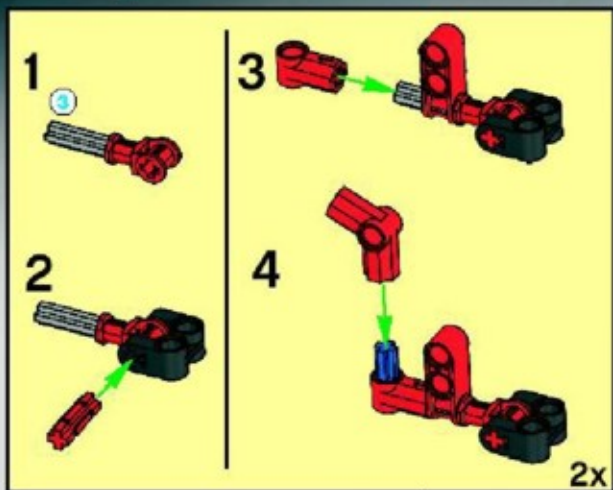


6

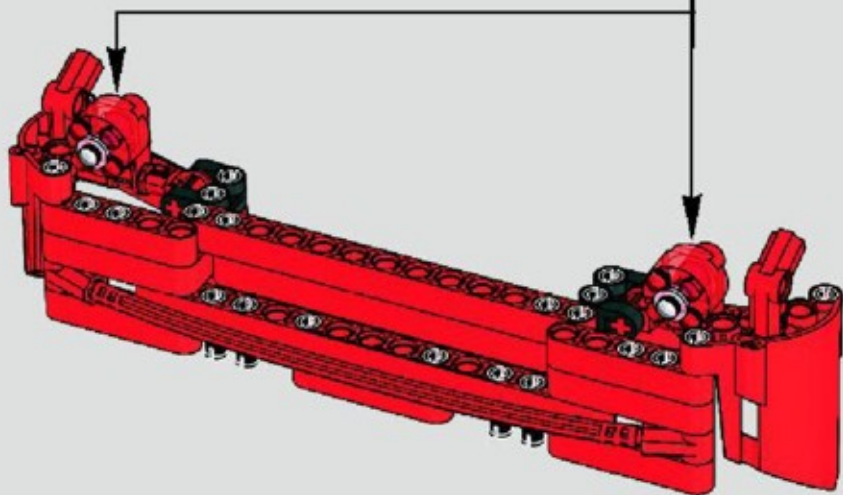
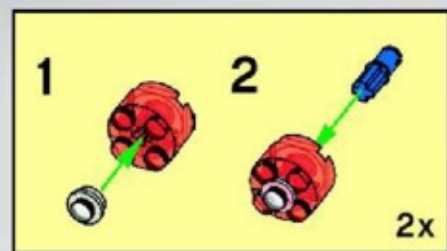




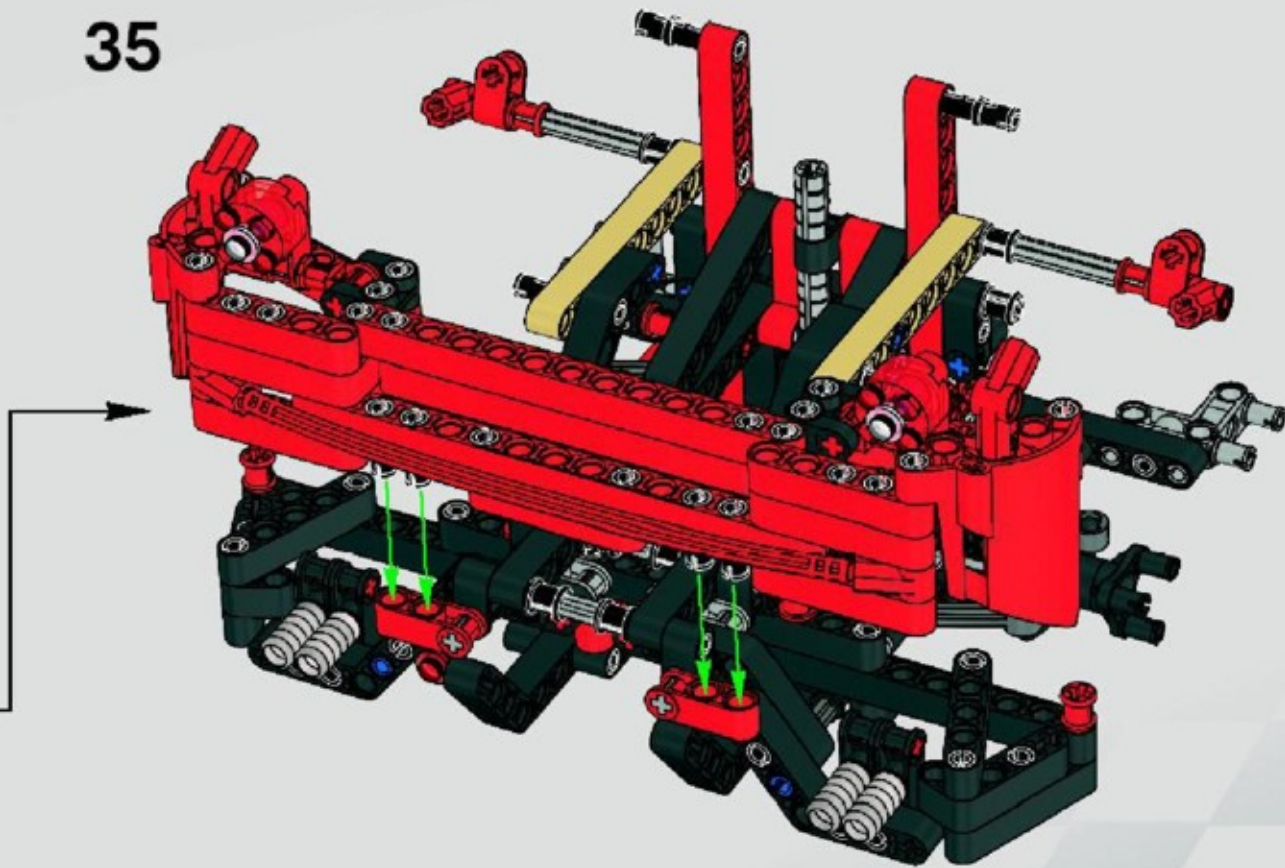
7



8

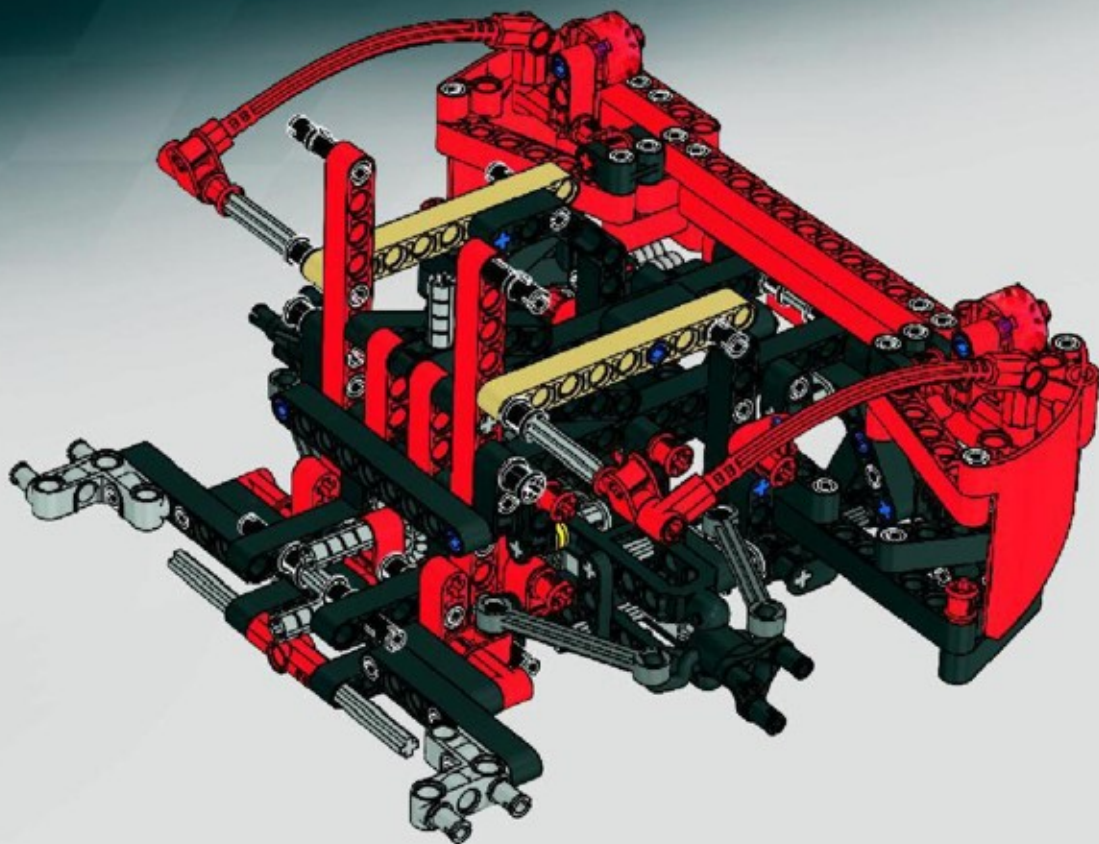


35

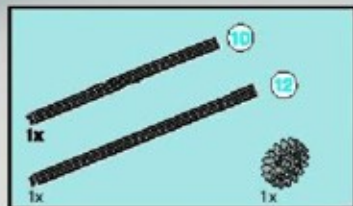




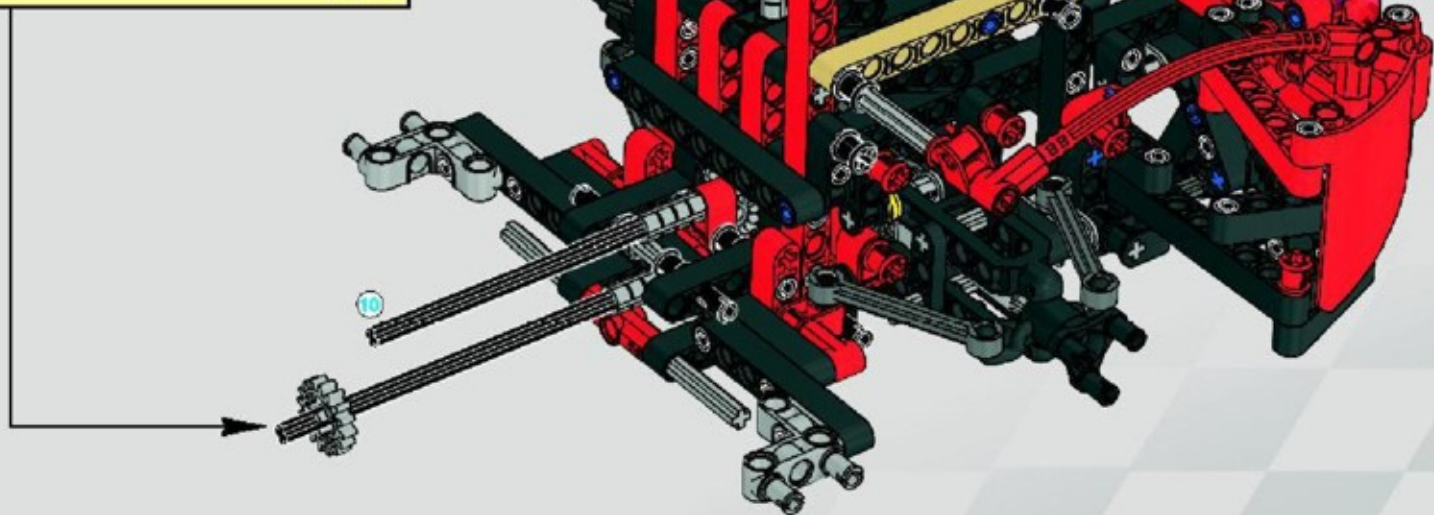
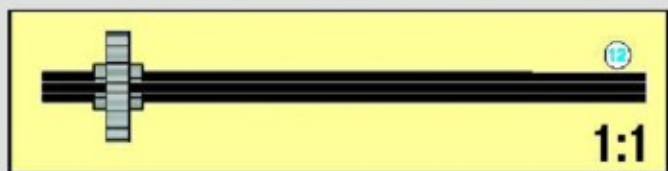
36



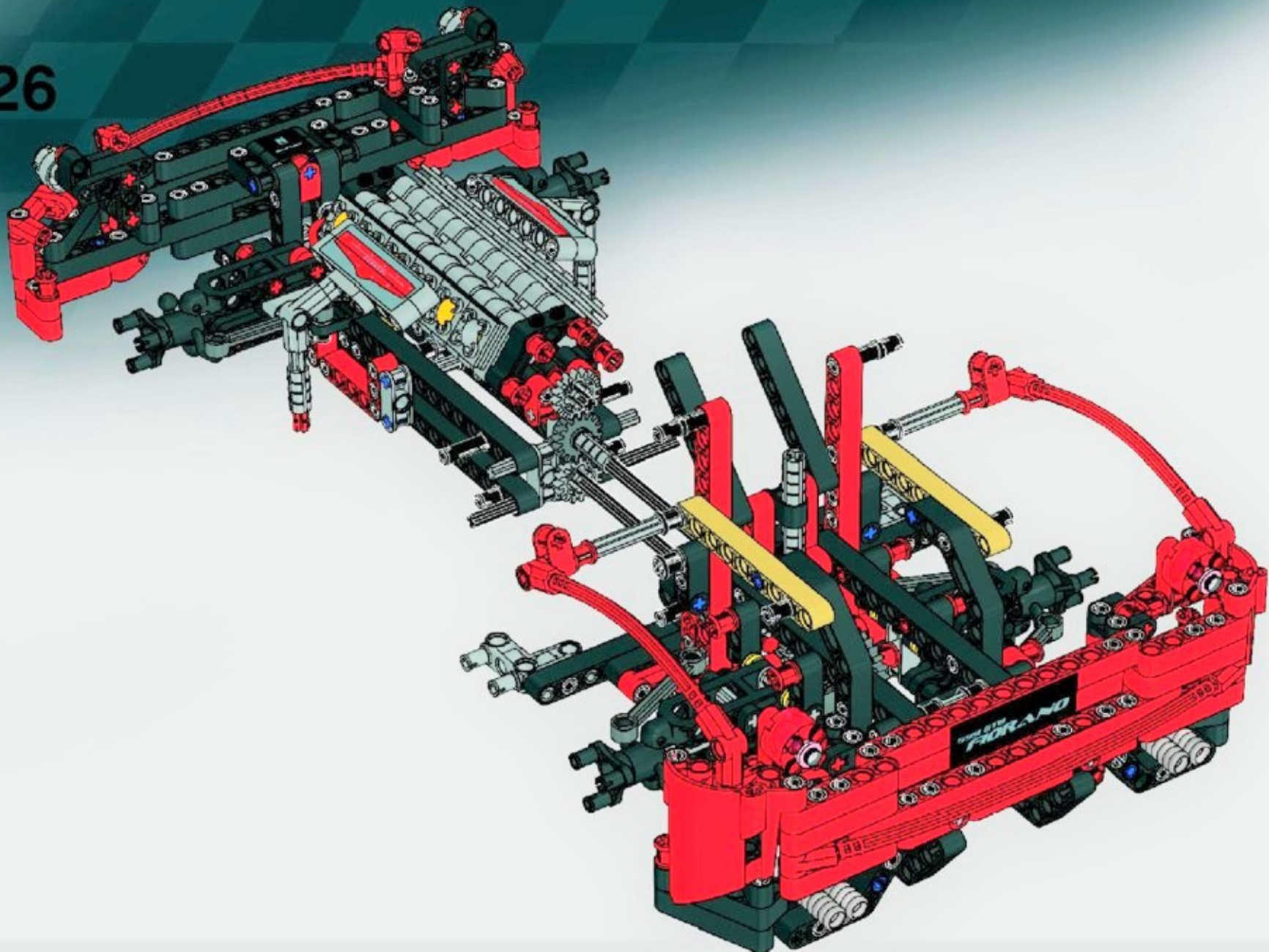


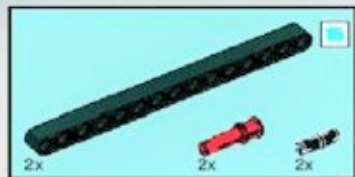


37

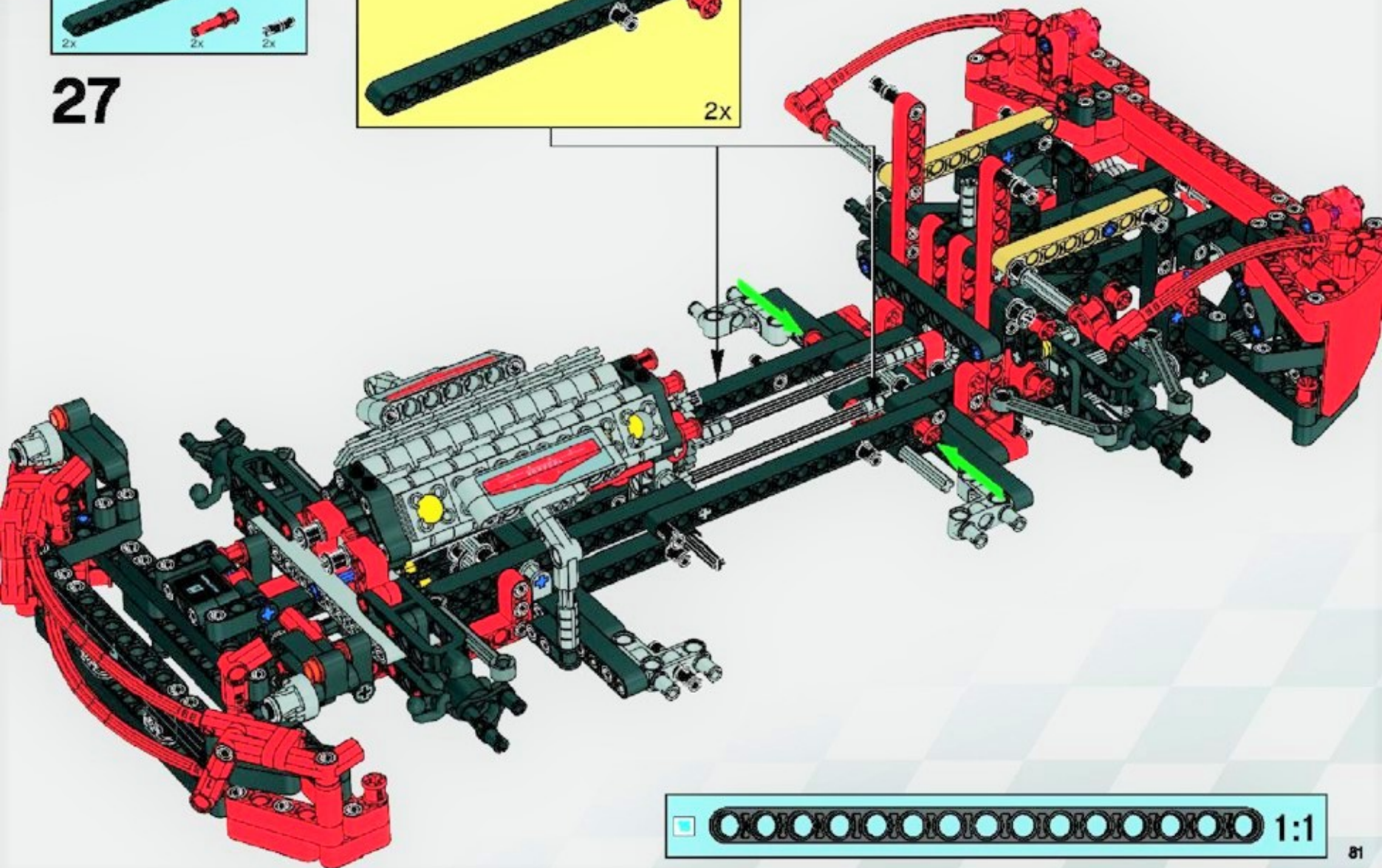
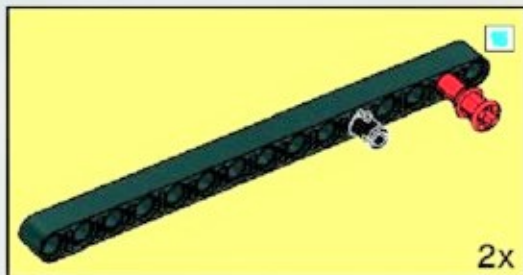


26



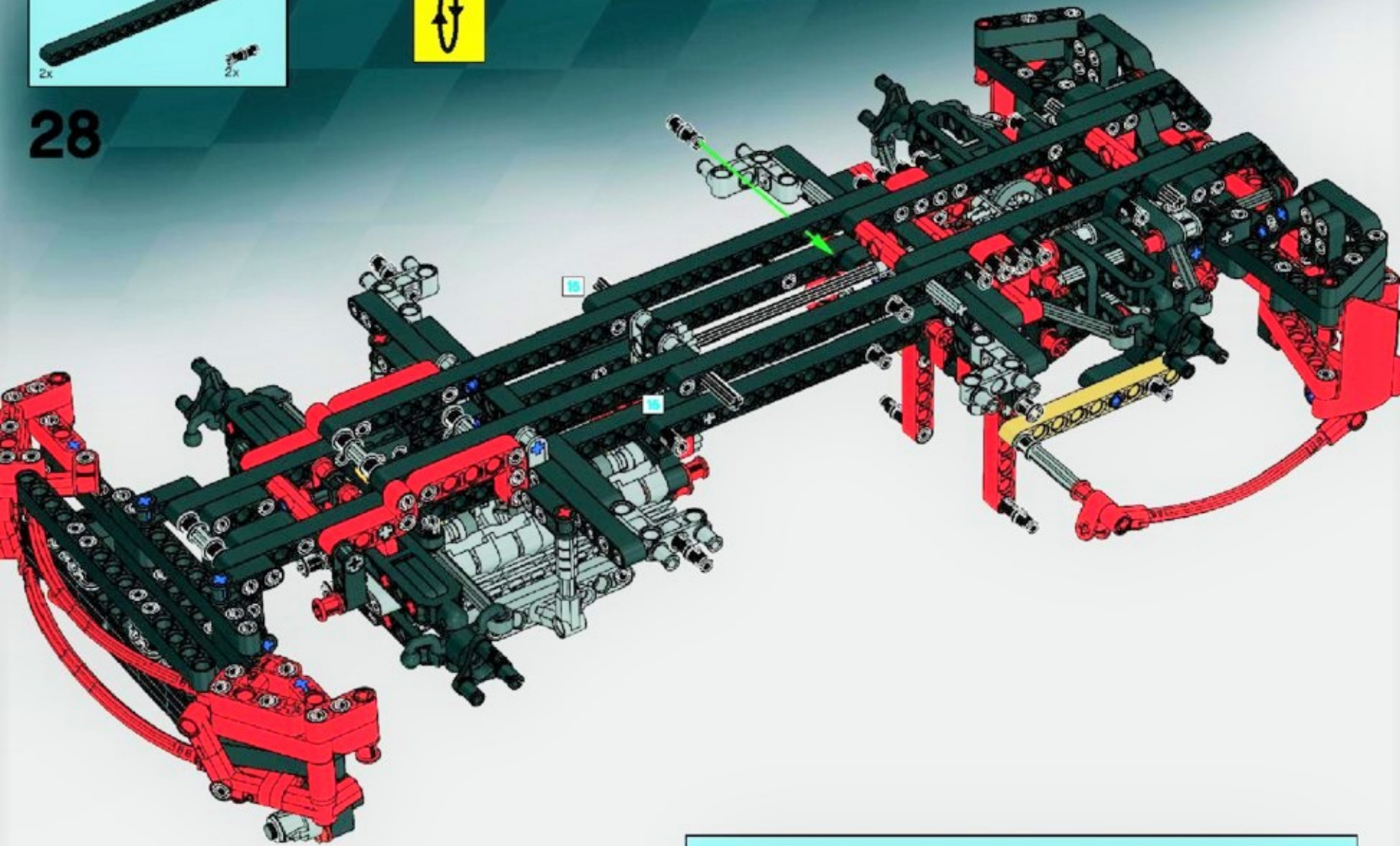


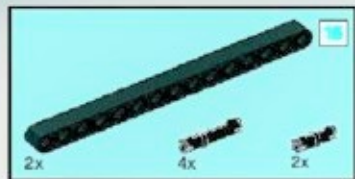
27



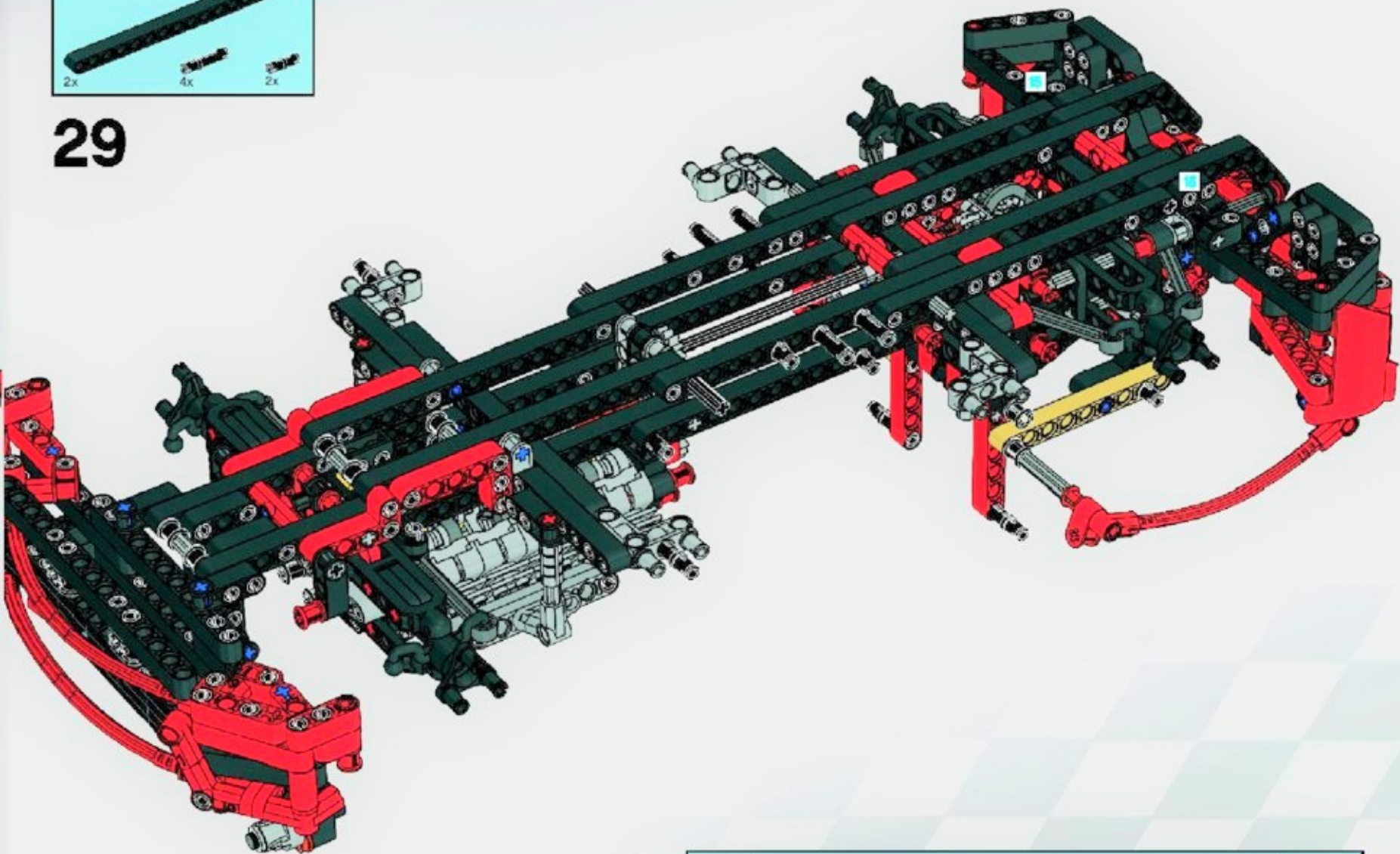


28



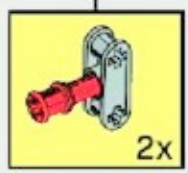
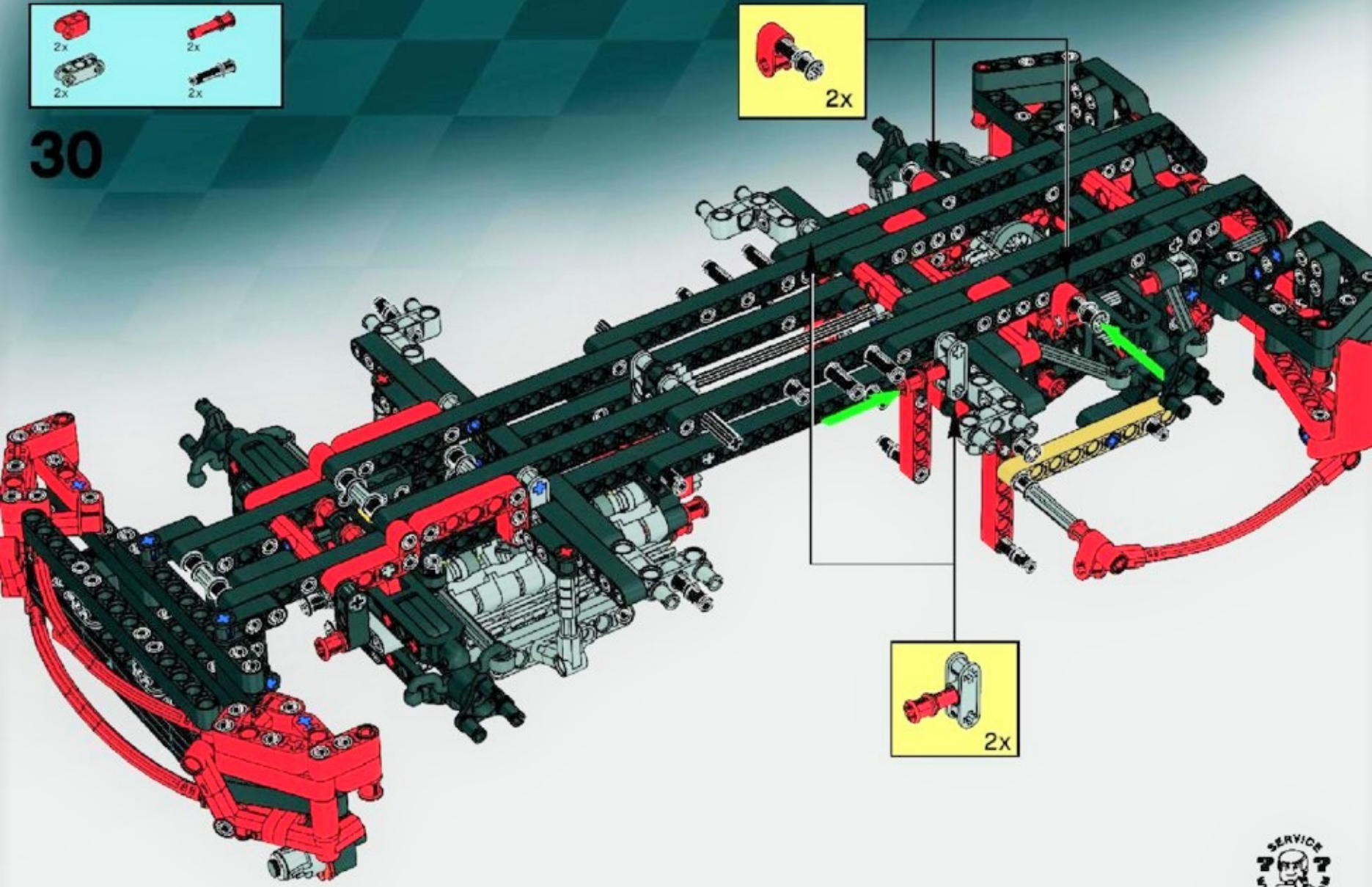


29





30



**LEGO**

**RACERS**



8145

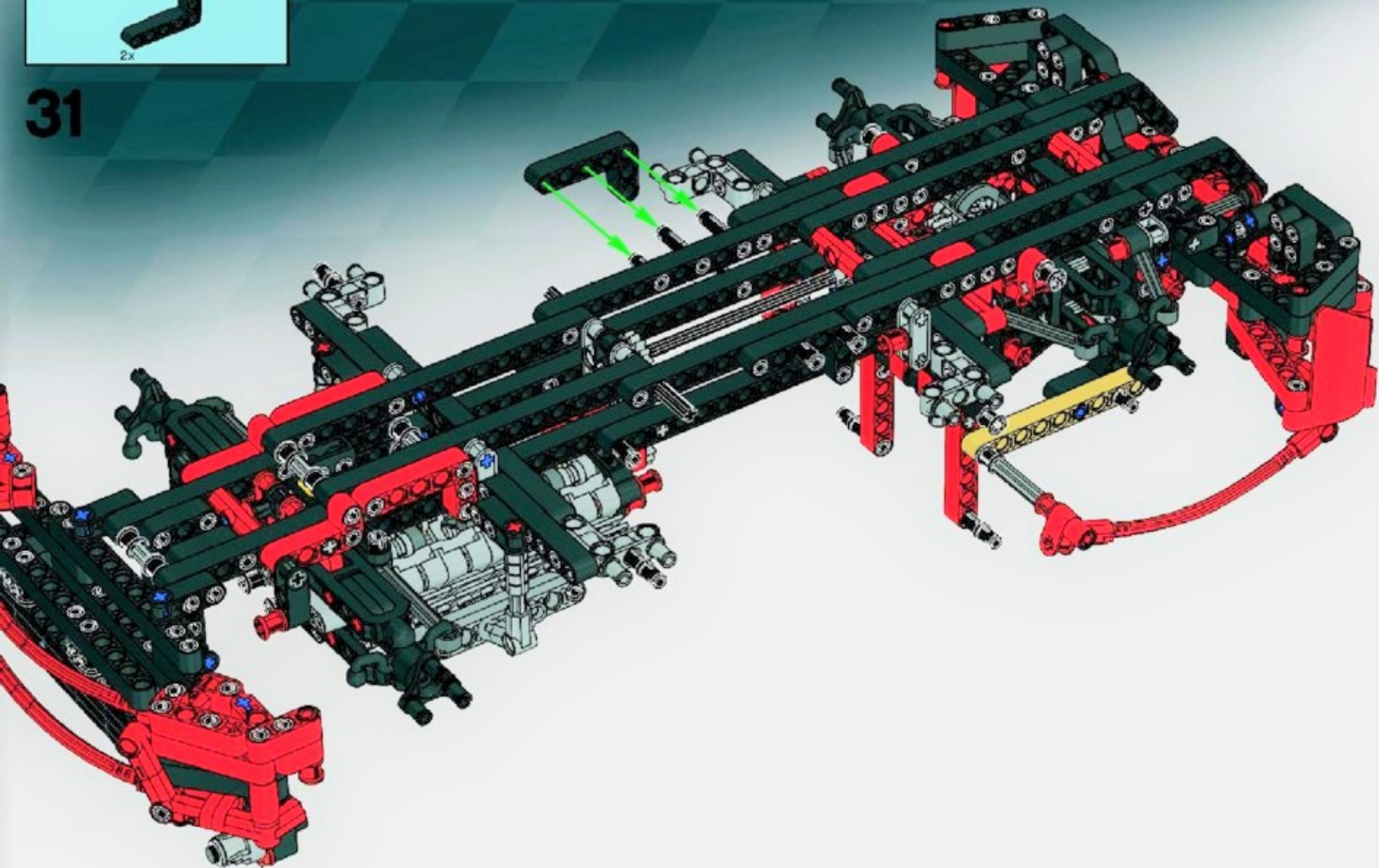
2/2



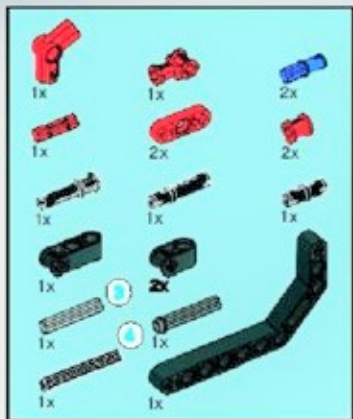
**Ferrari 599 GTB Fiorano 1:10**



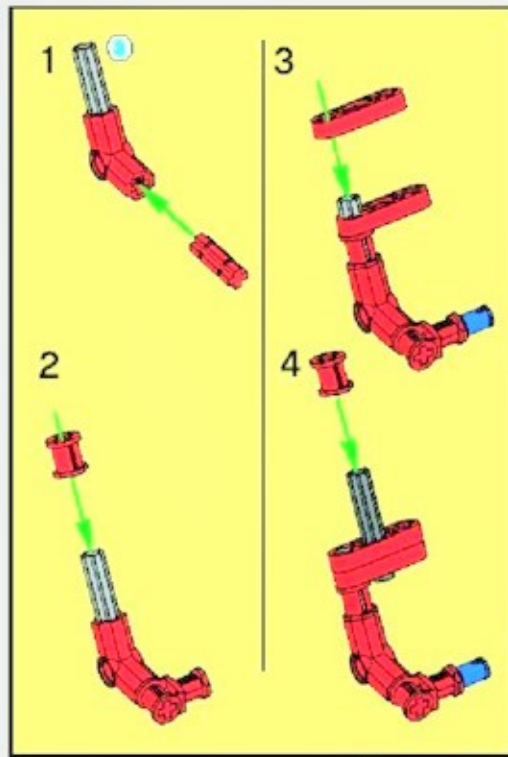
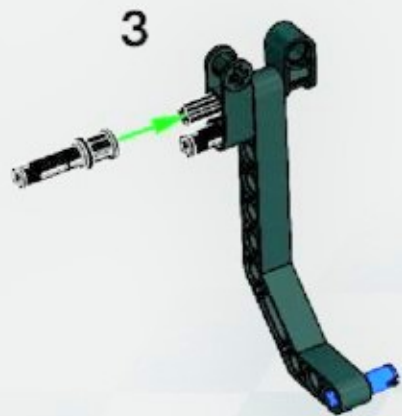
31



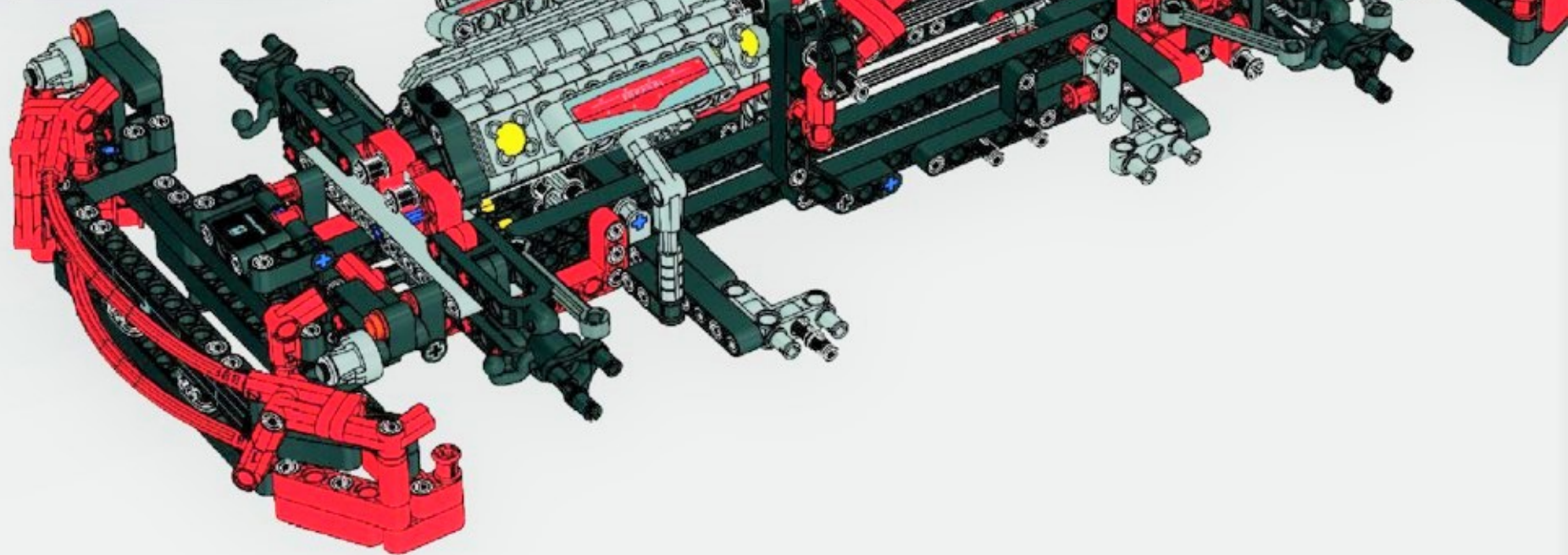




# 32

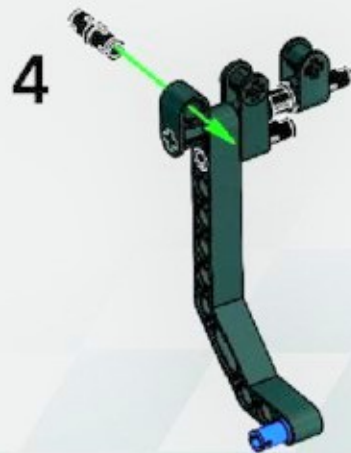
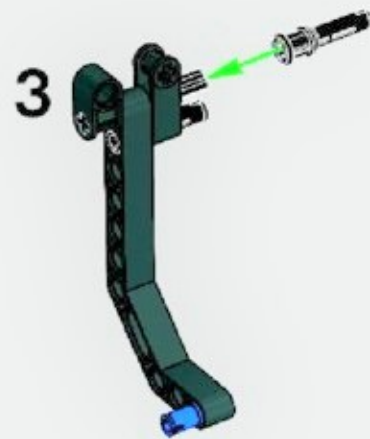
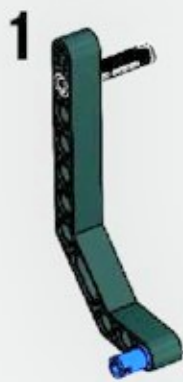


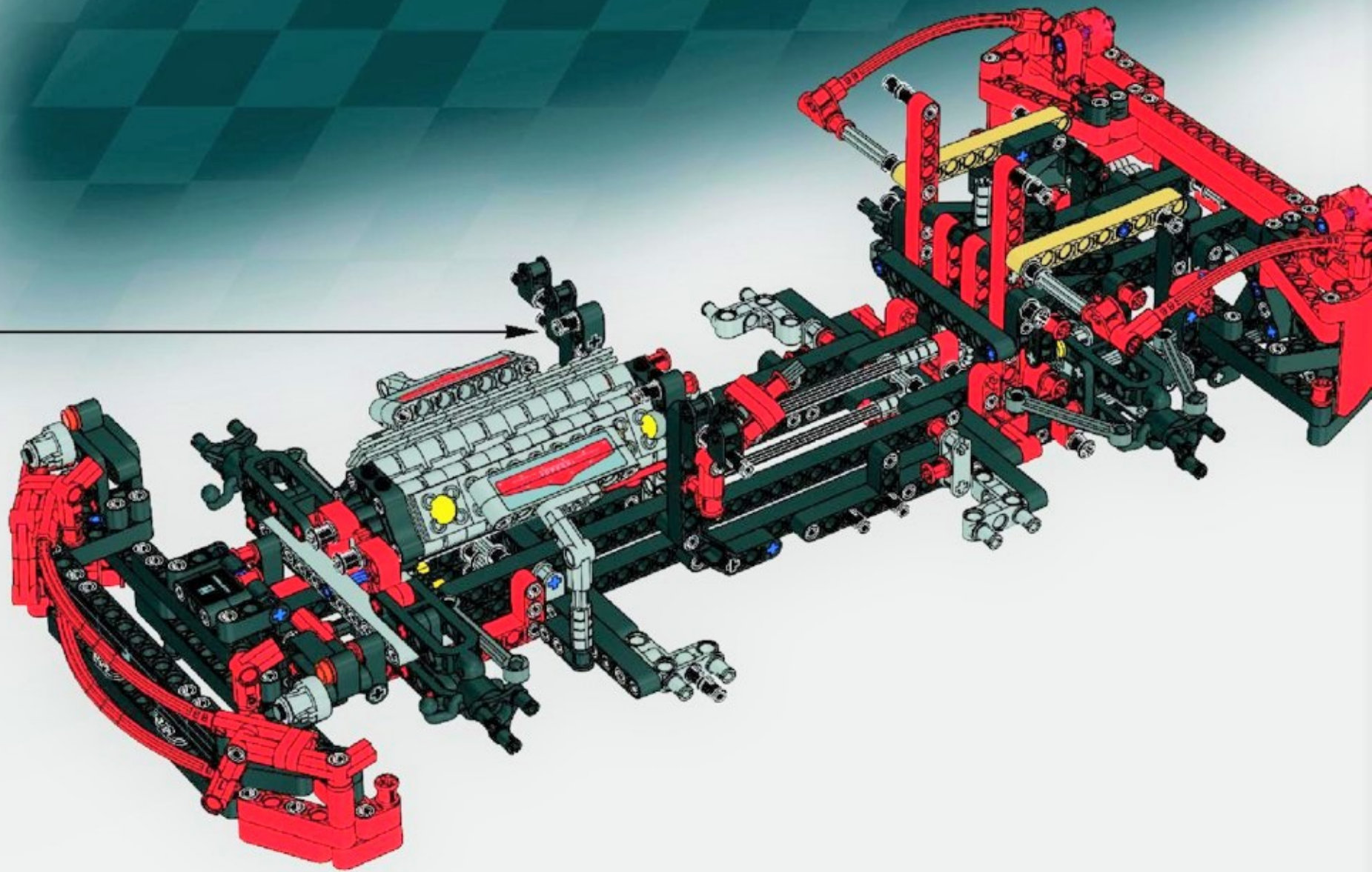
5

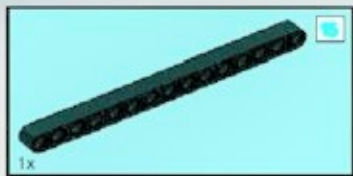




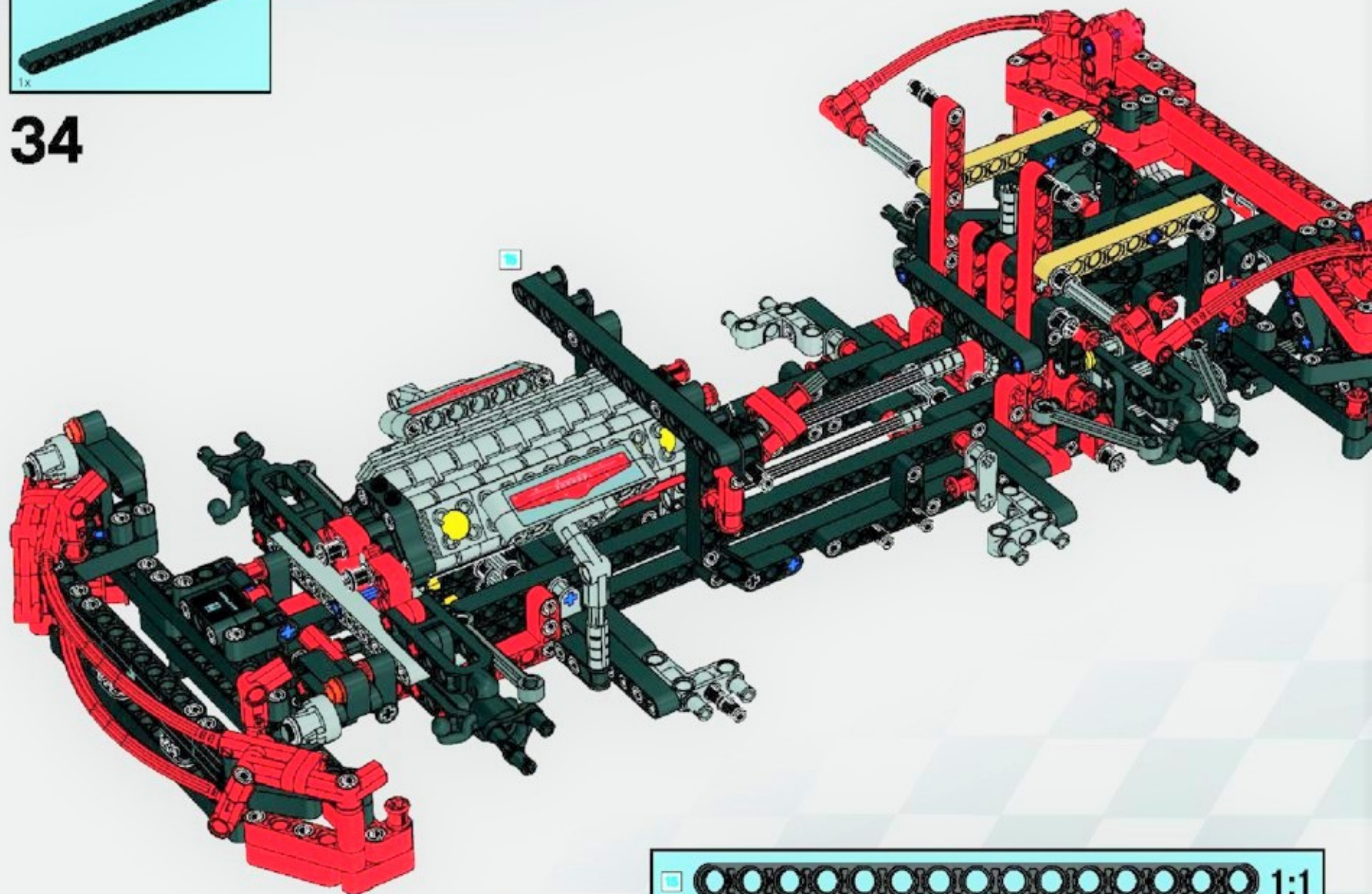
# 33







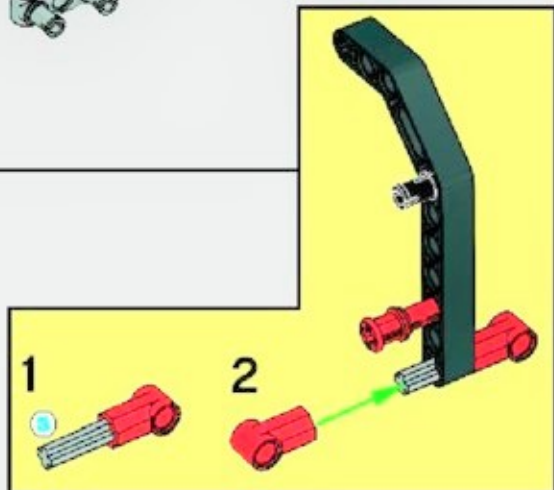
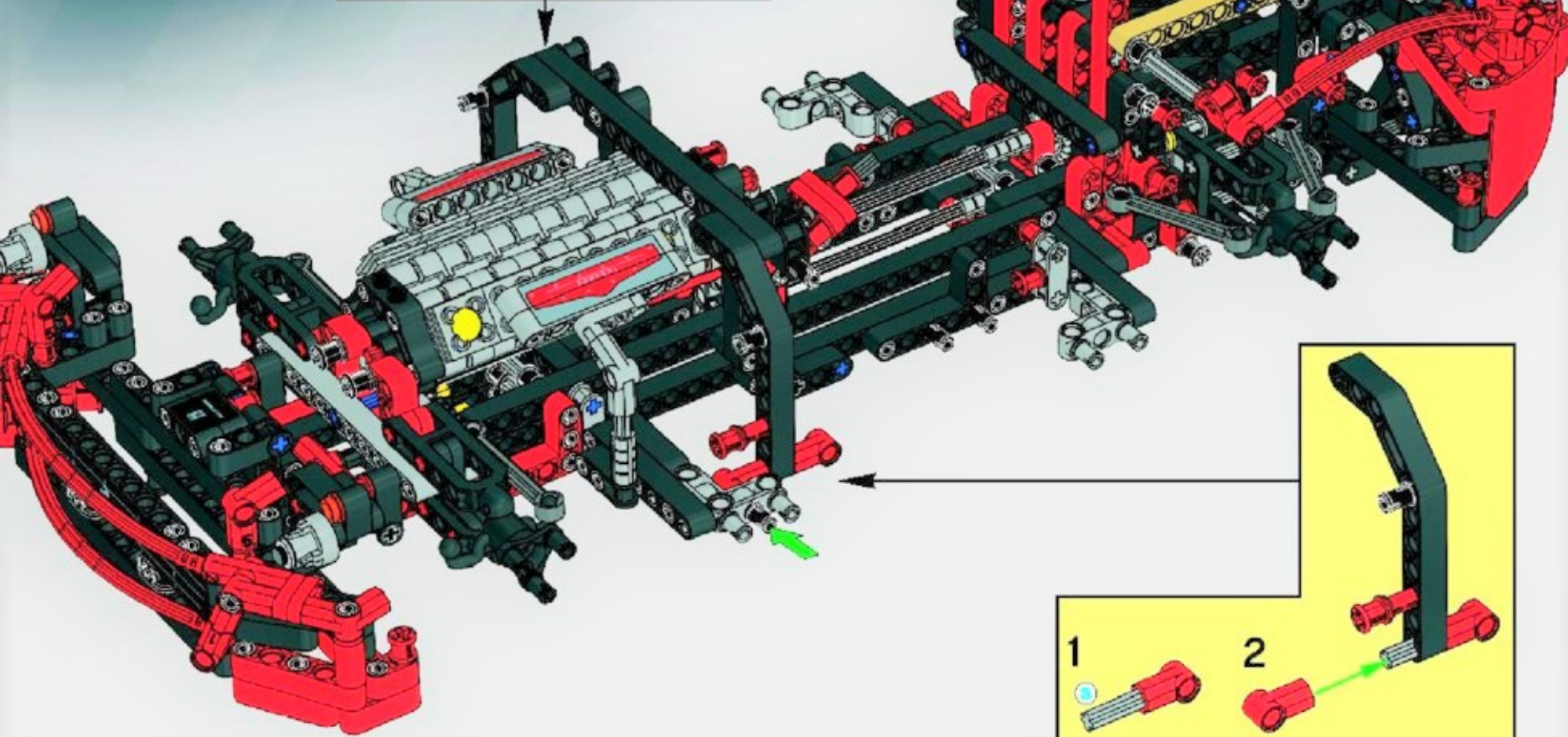
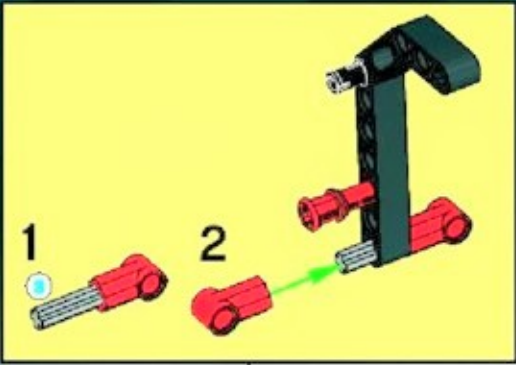
34

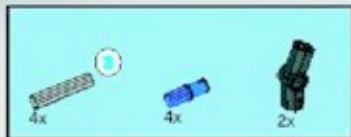




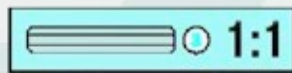
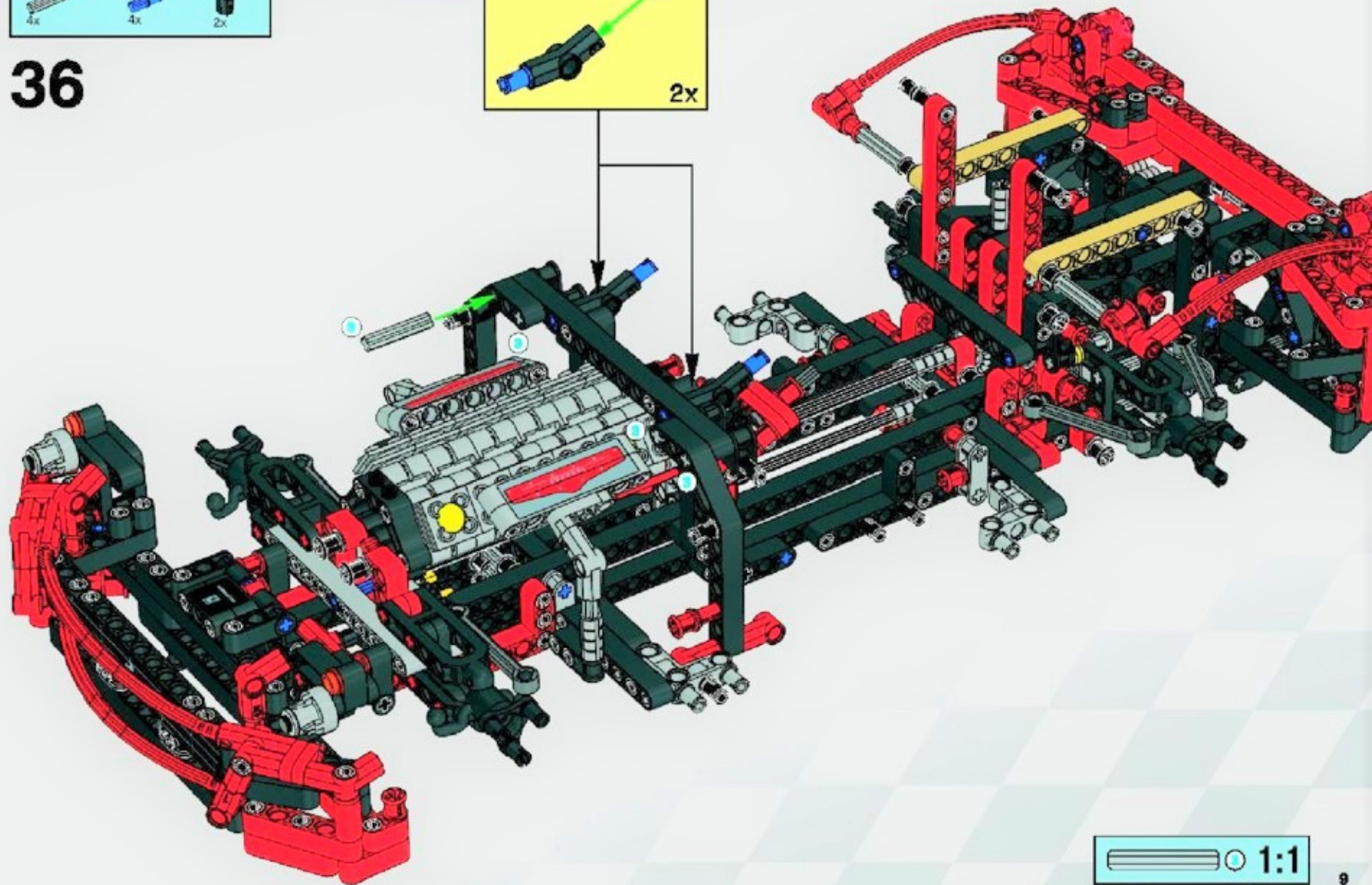
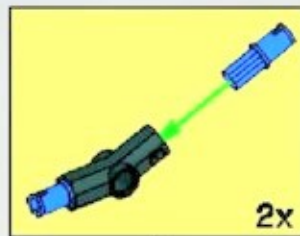
35

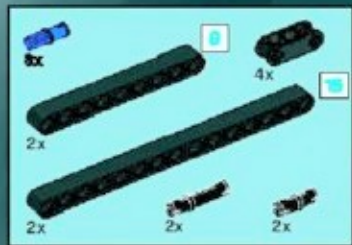
1:1



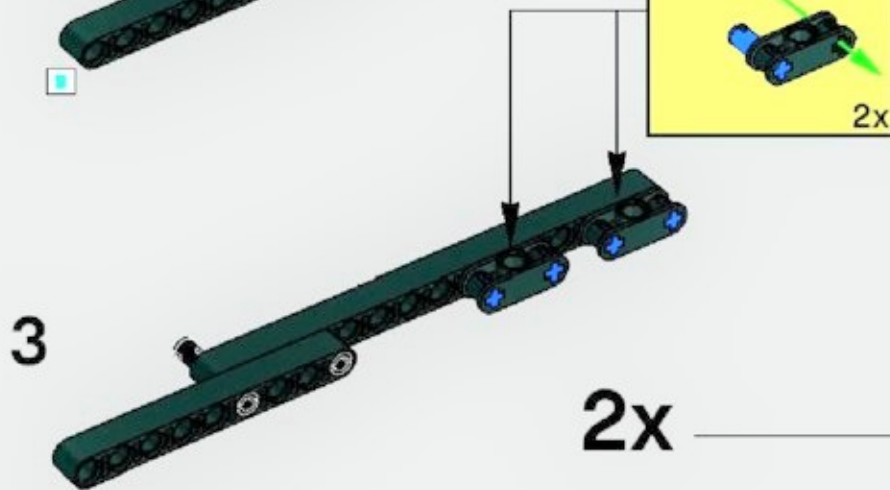
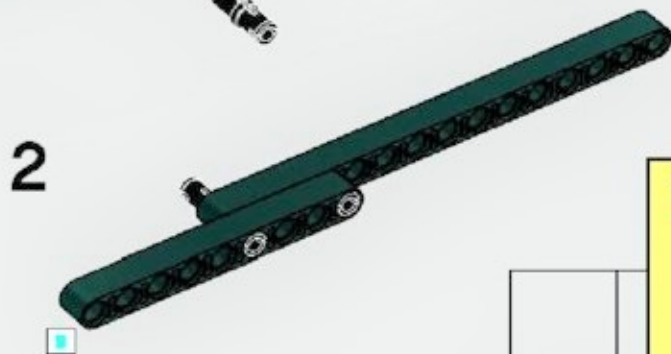
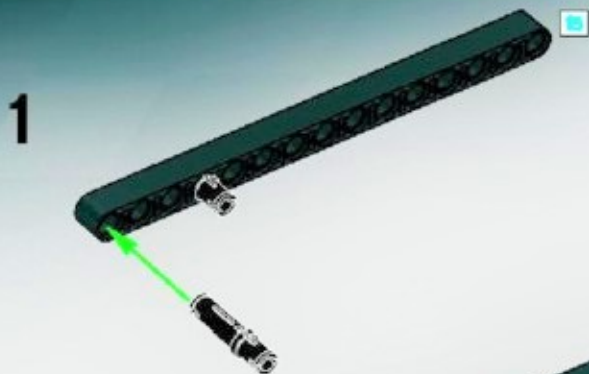


36

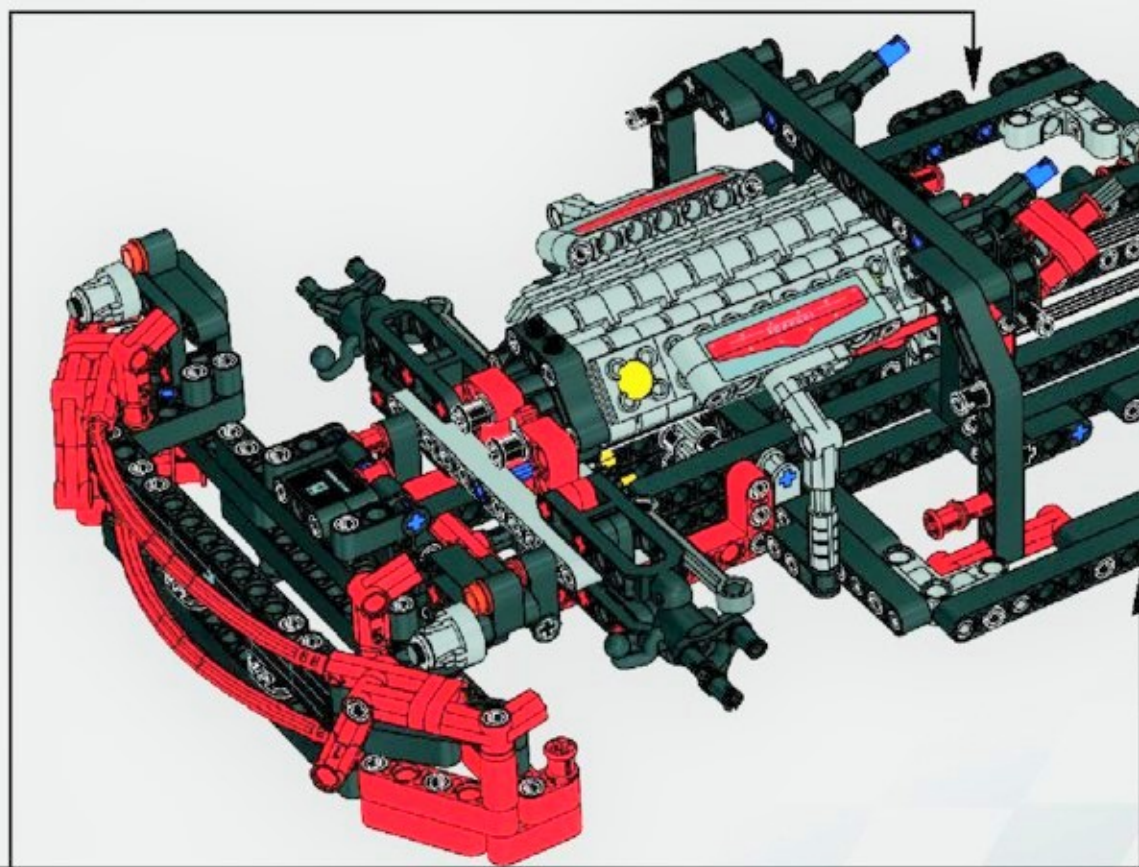




37

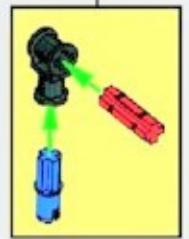
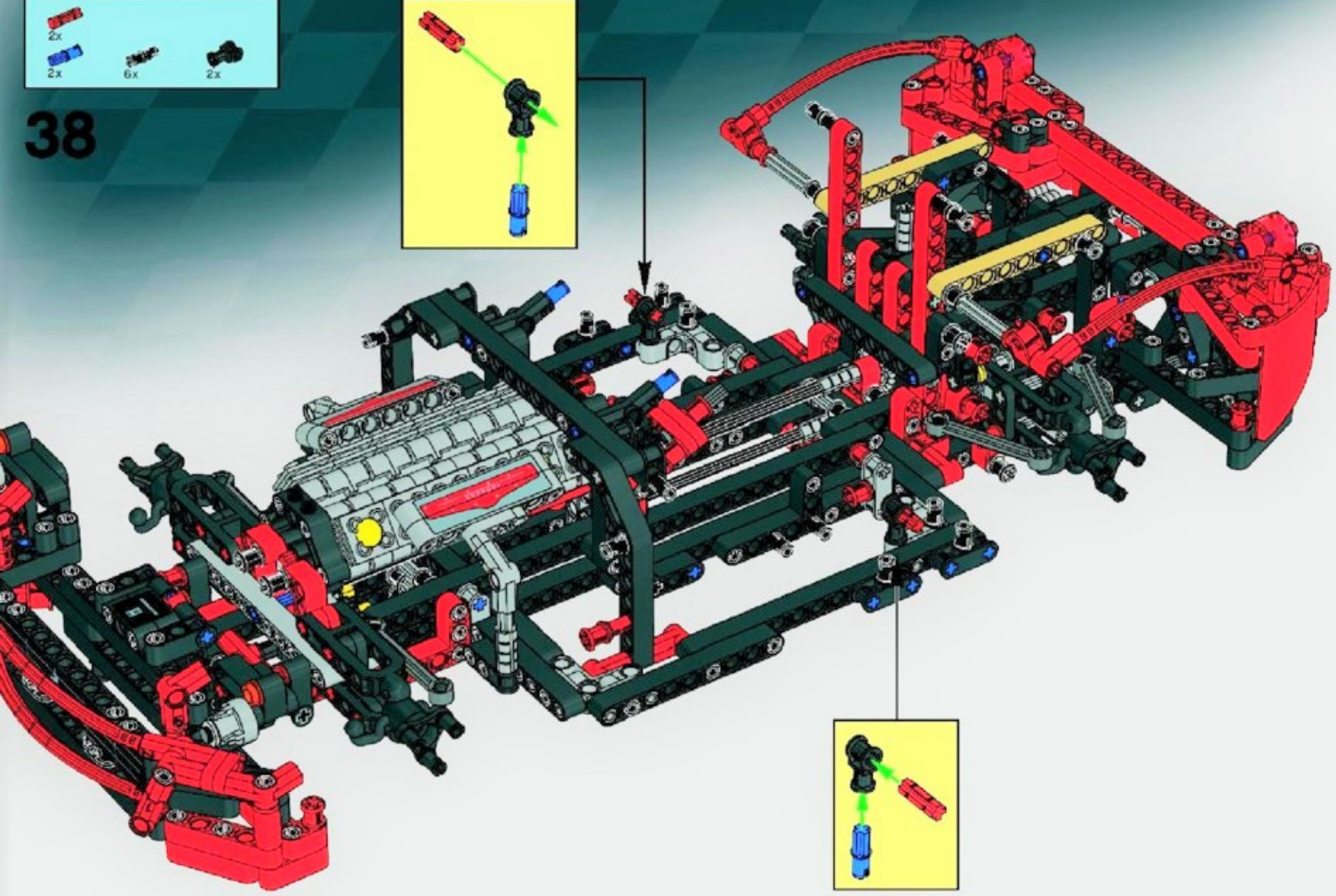
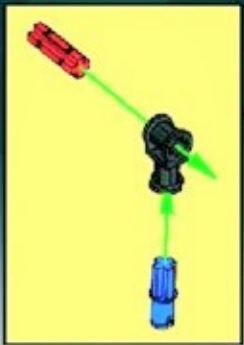


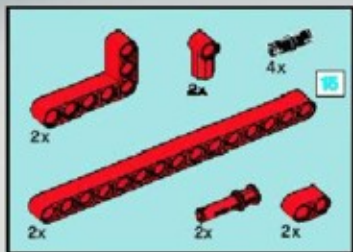




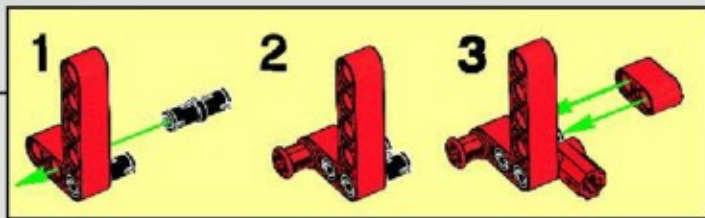
- 2x
- 2x
- 6x
- 2x

38



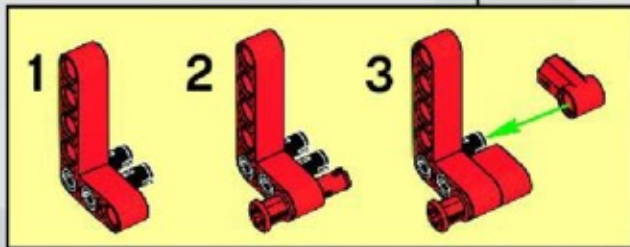
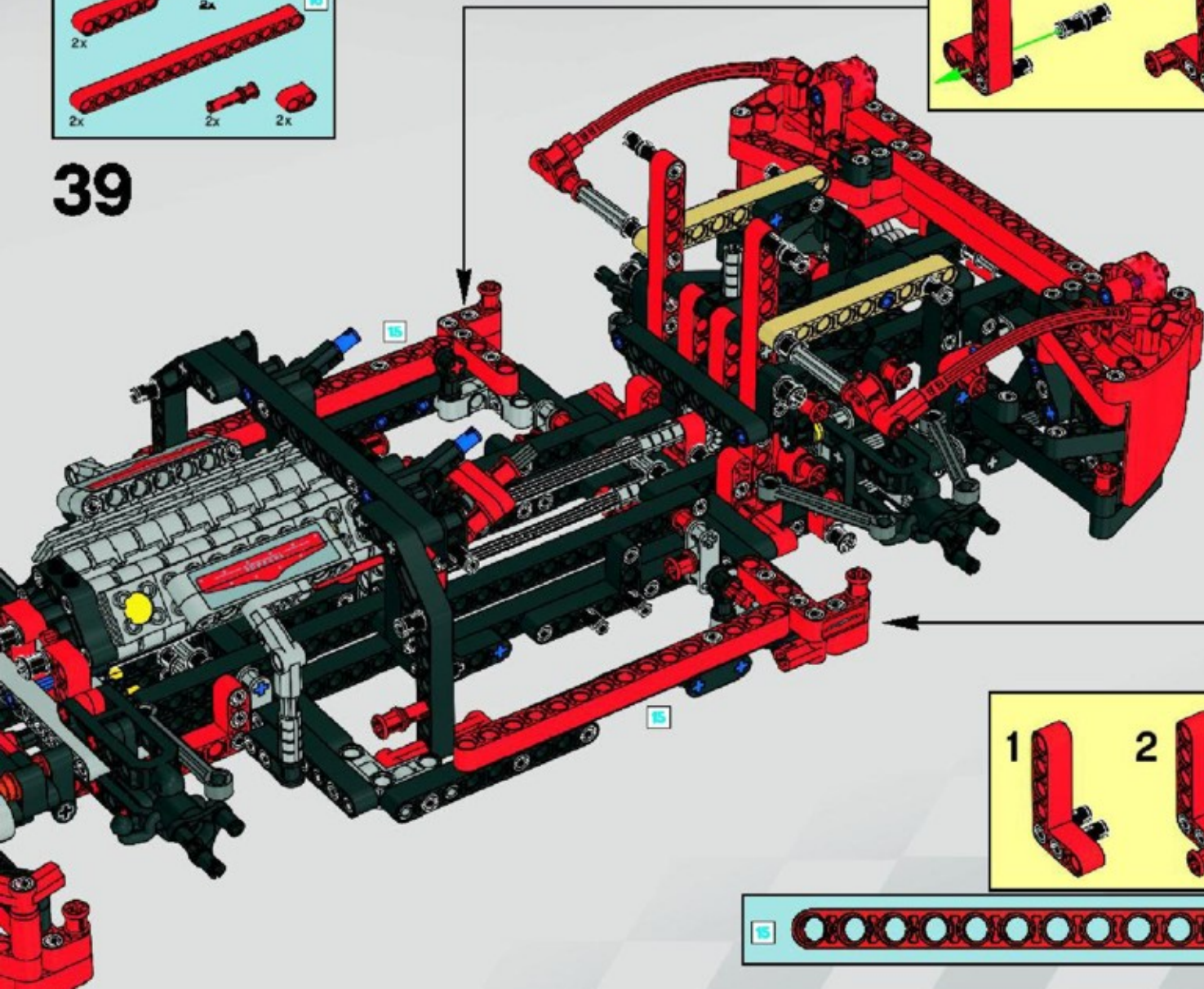


39



2

3



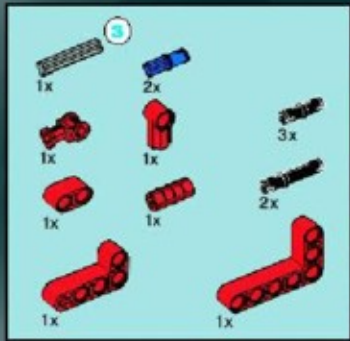
1

2

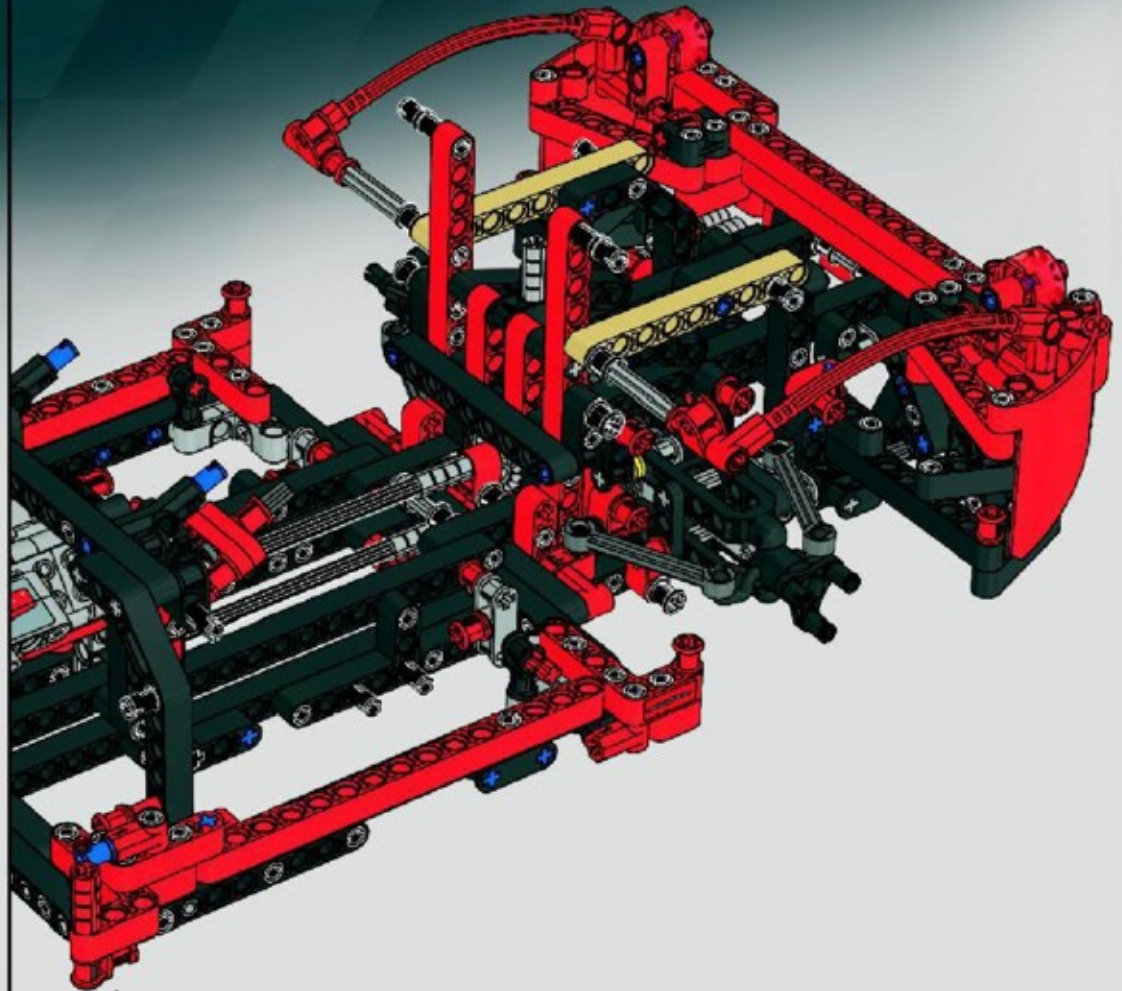
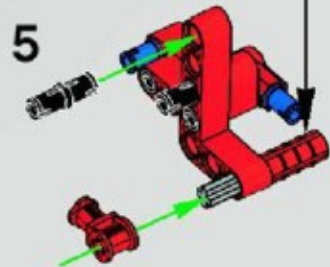
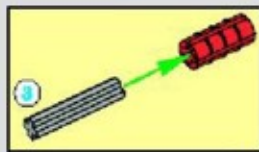
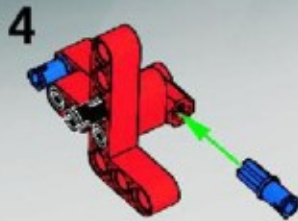
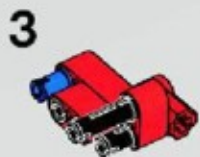
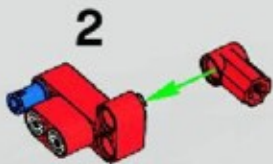
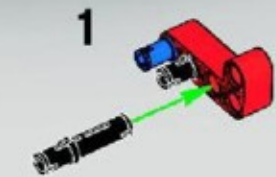
3

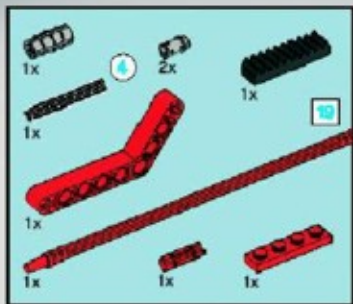


1:1

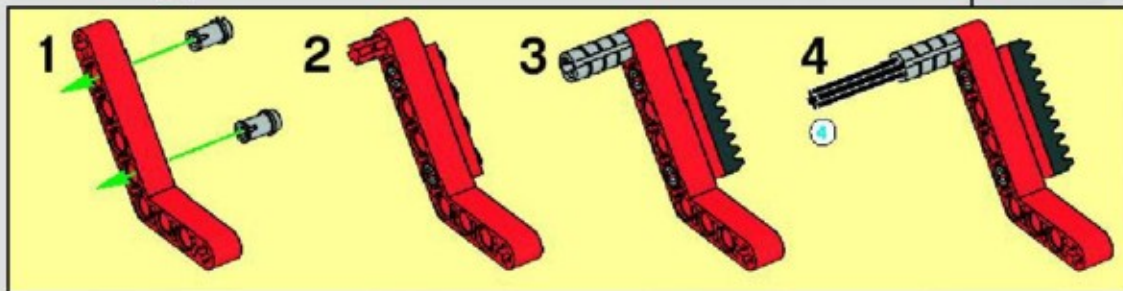
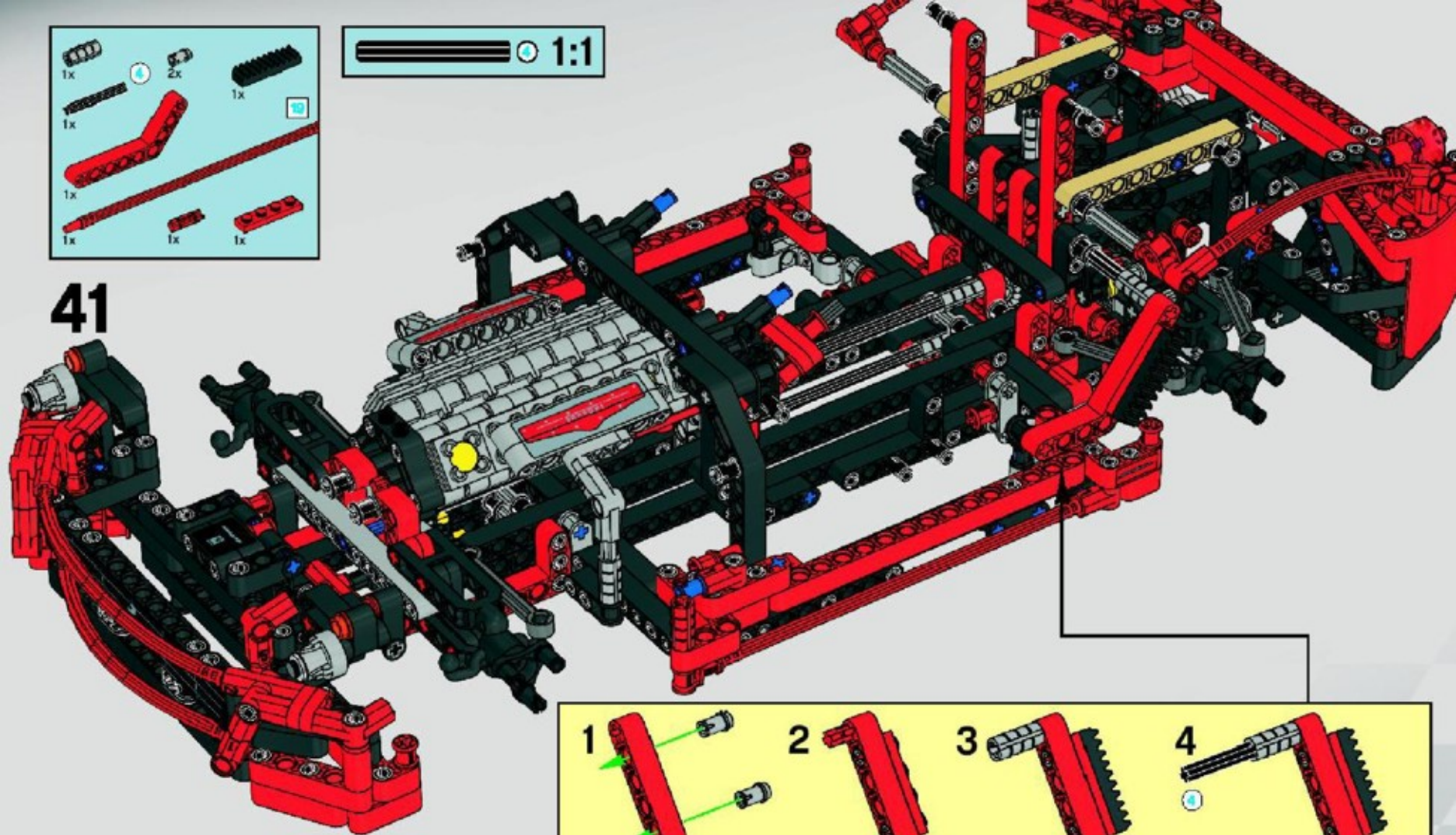


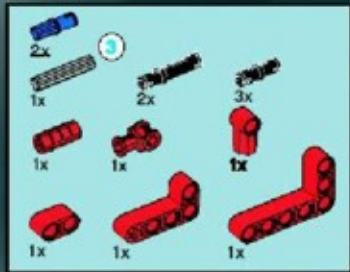
40



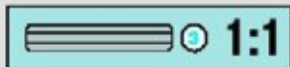
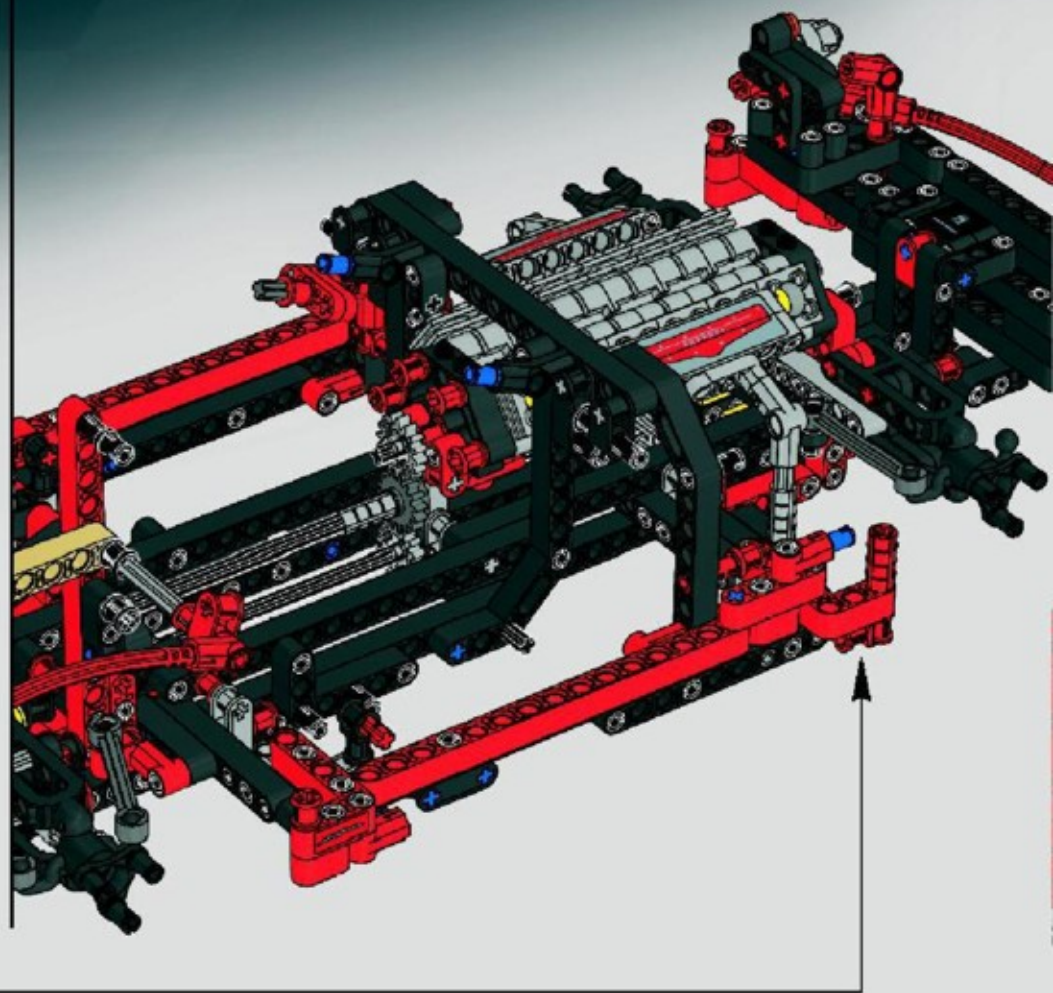
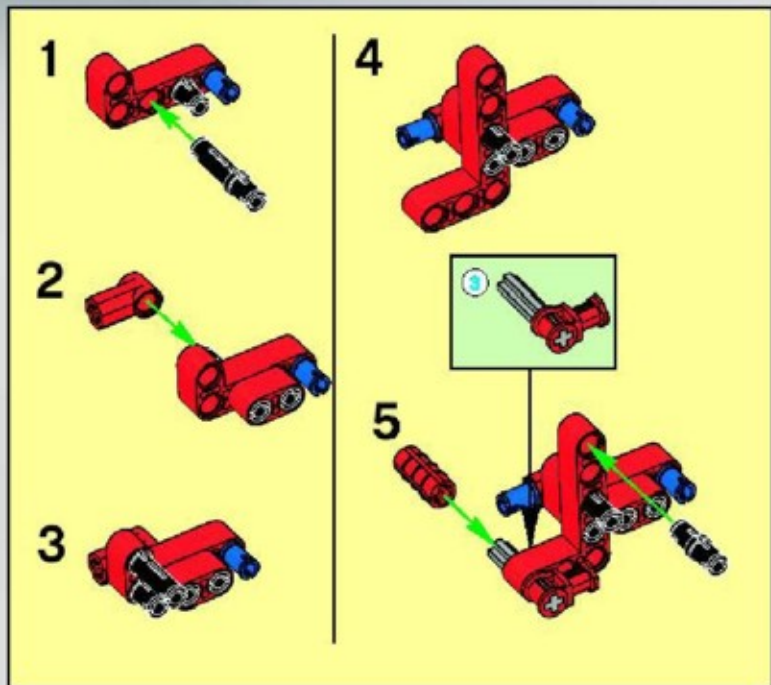


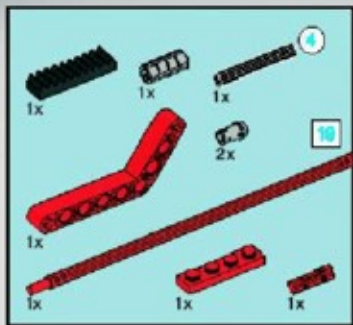
41



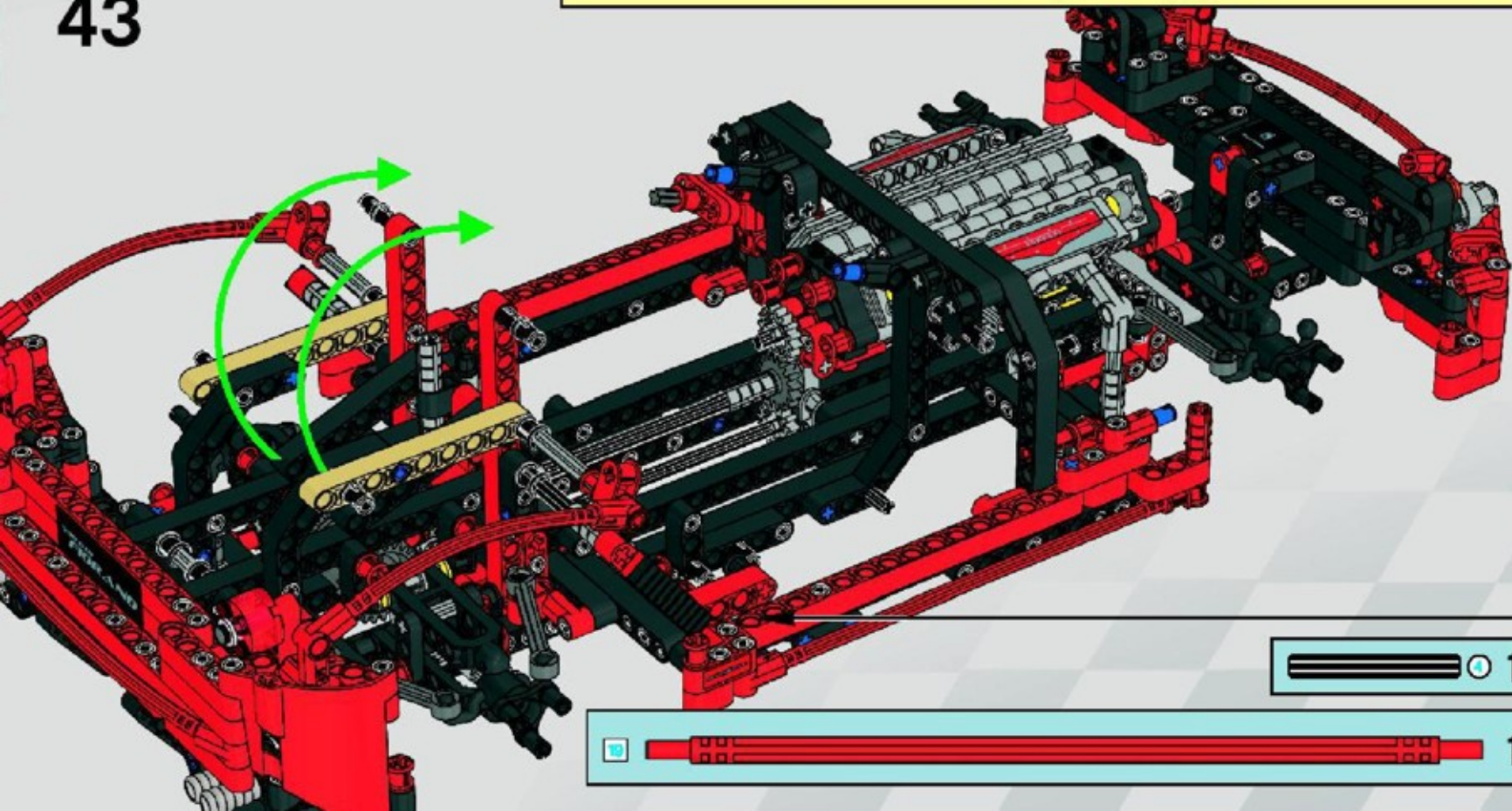
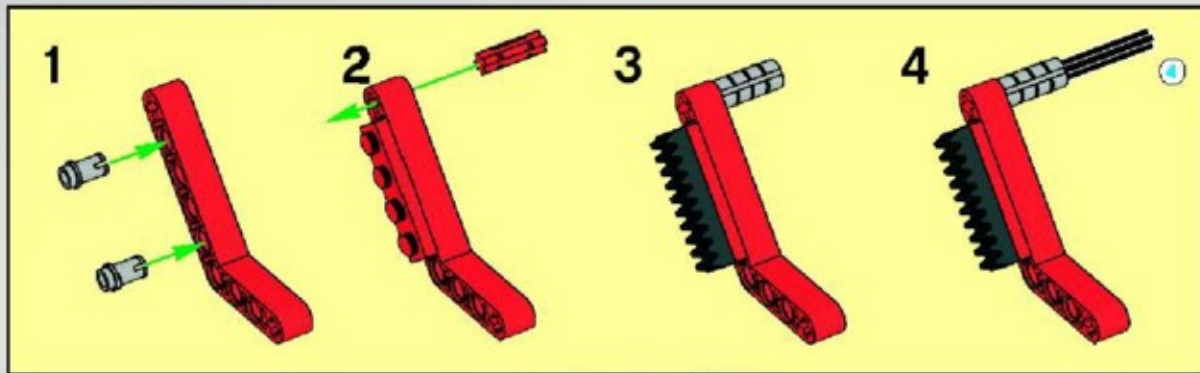


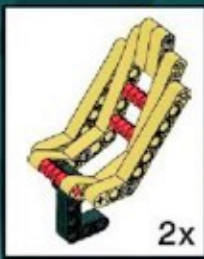
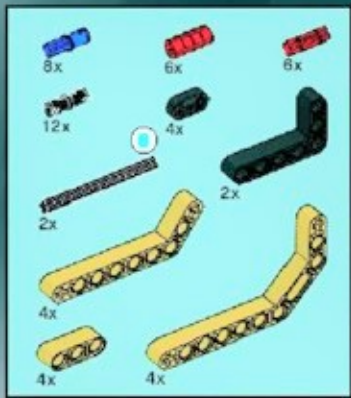
42



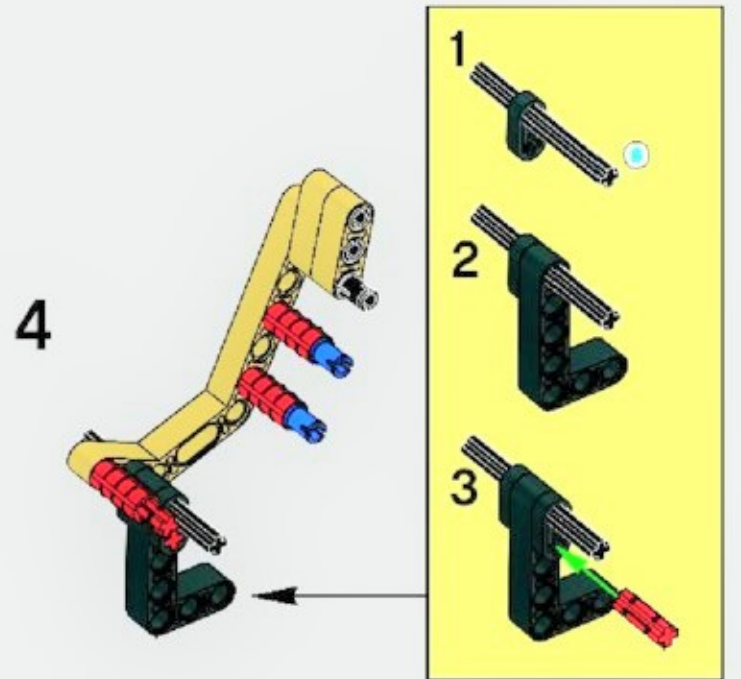
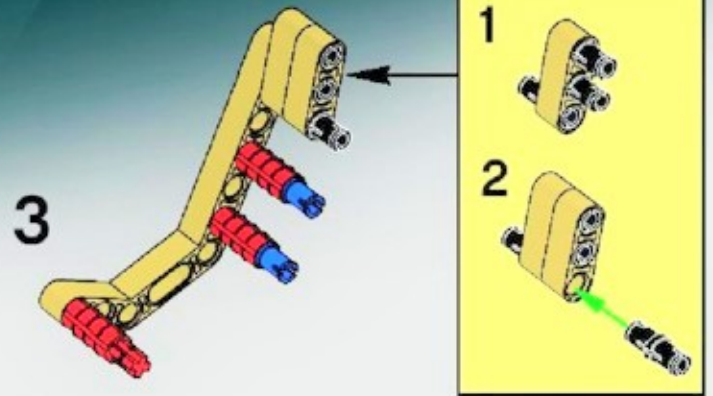
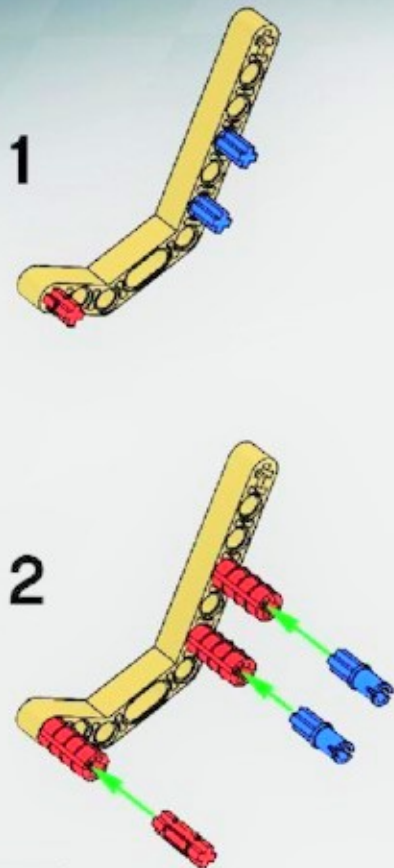


43



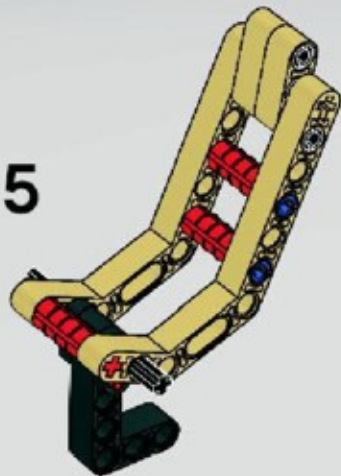


44

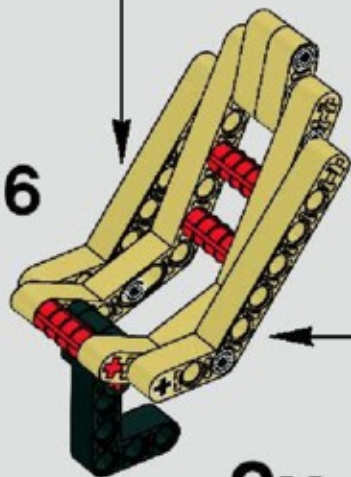




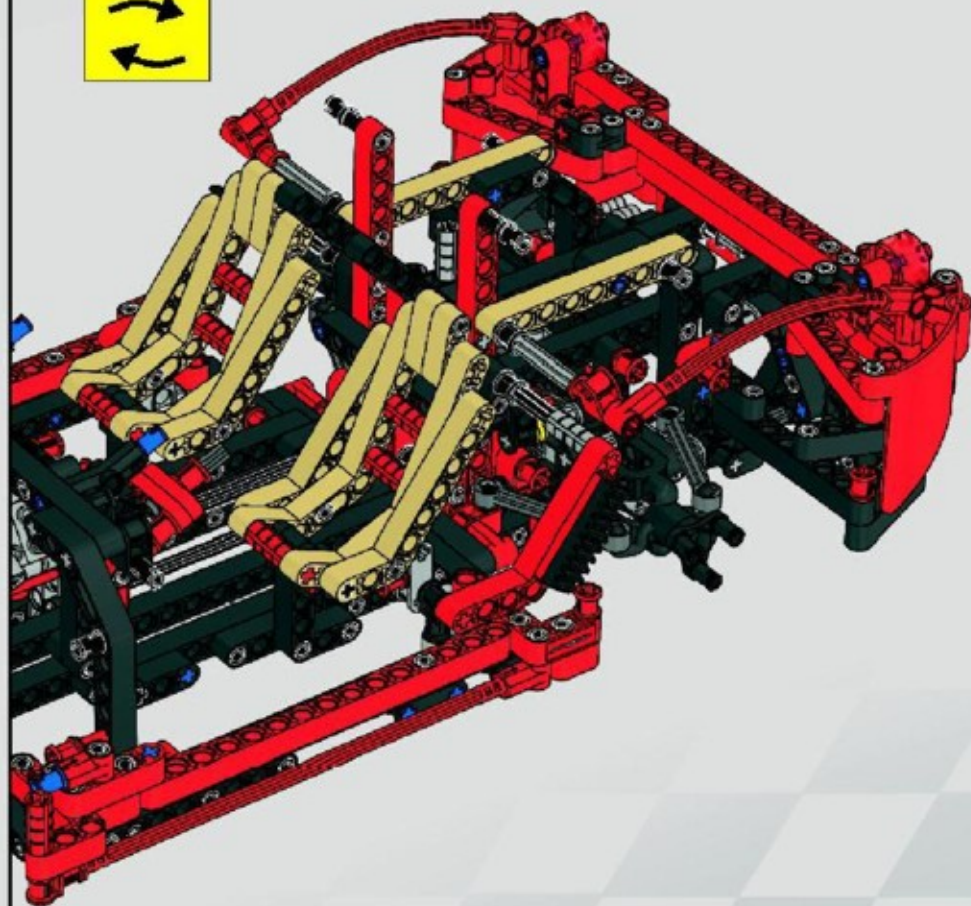
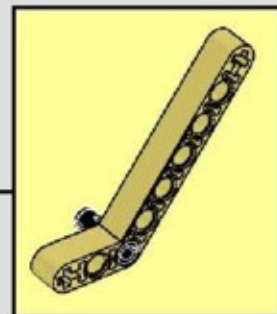
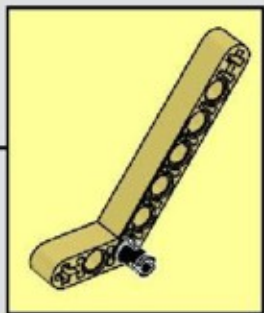
5

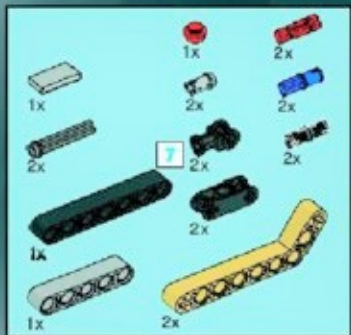


6

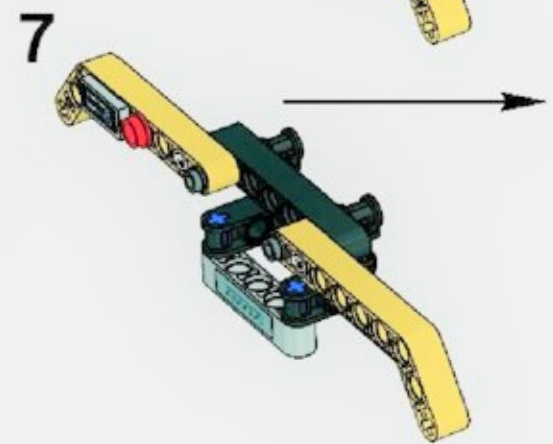
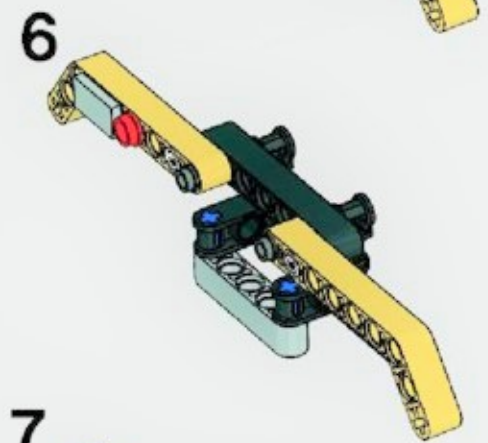
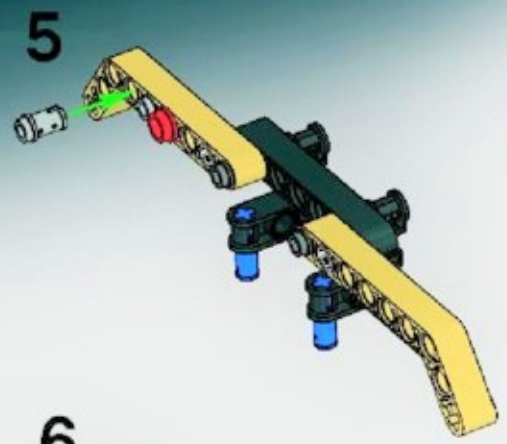
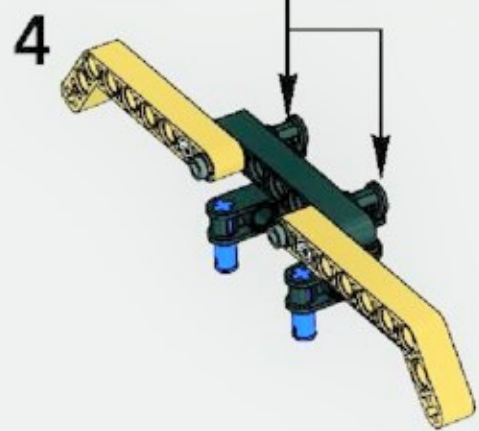
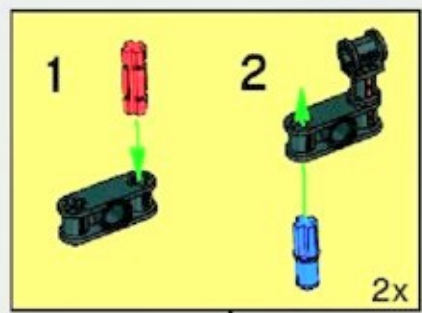
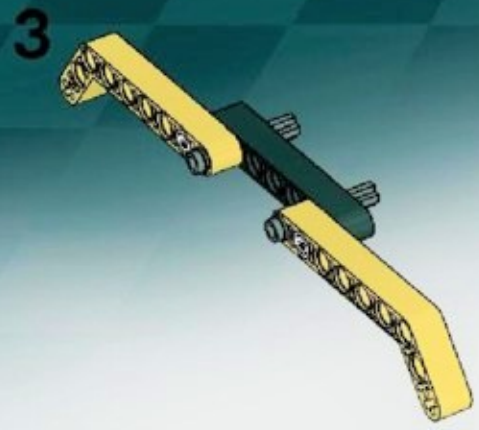
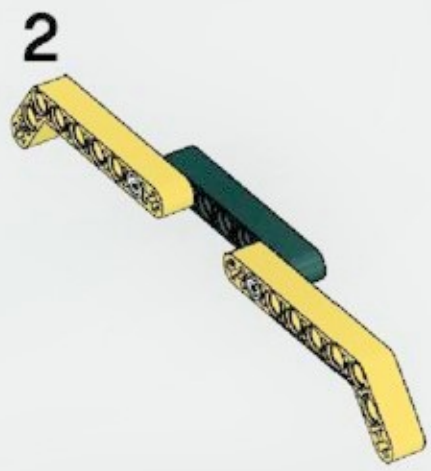


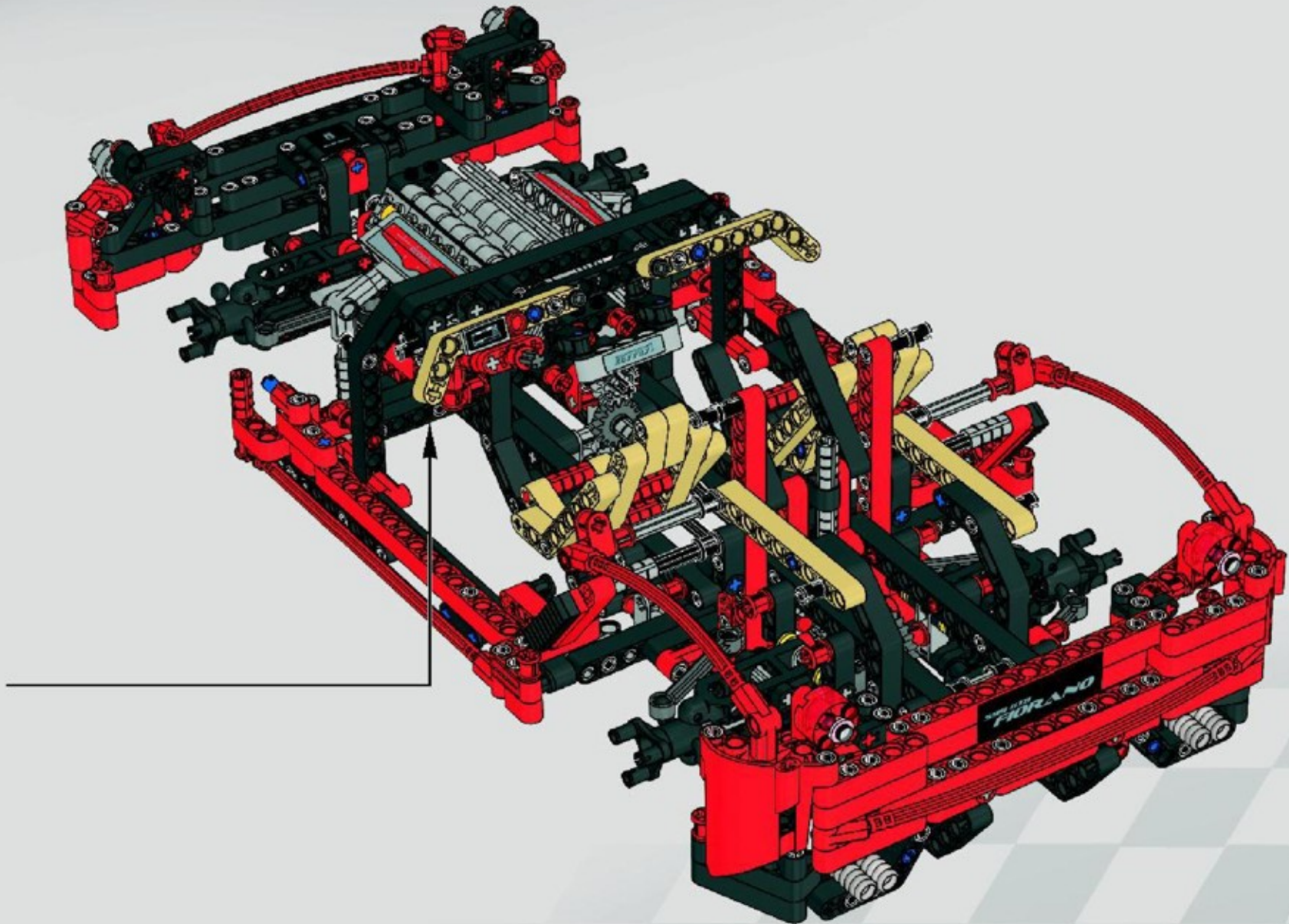
2x





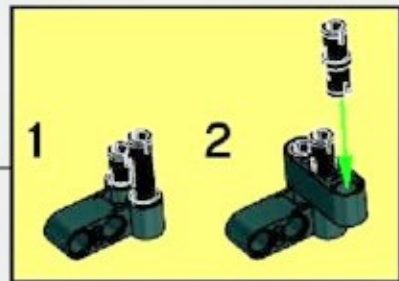
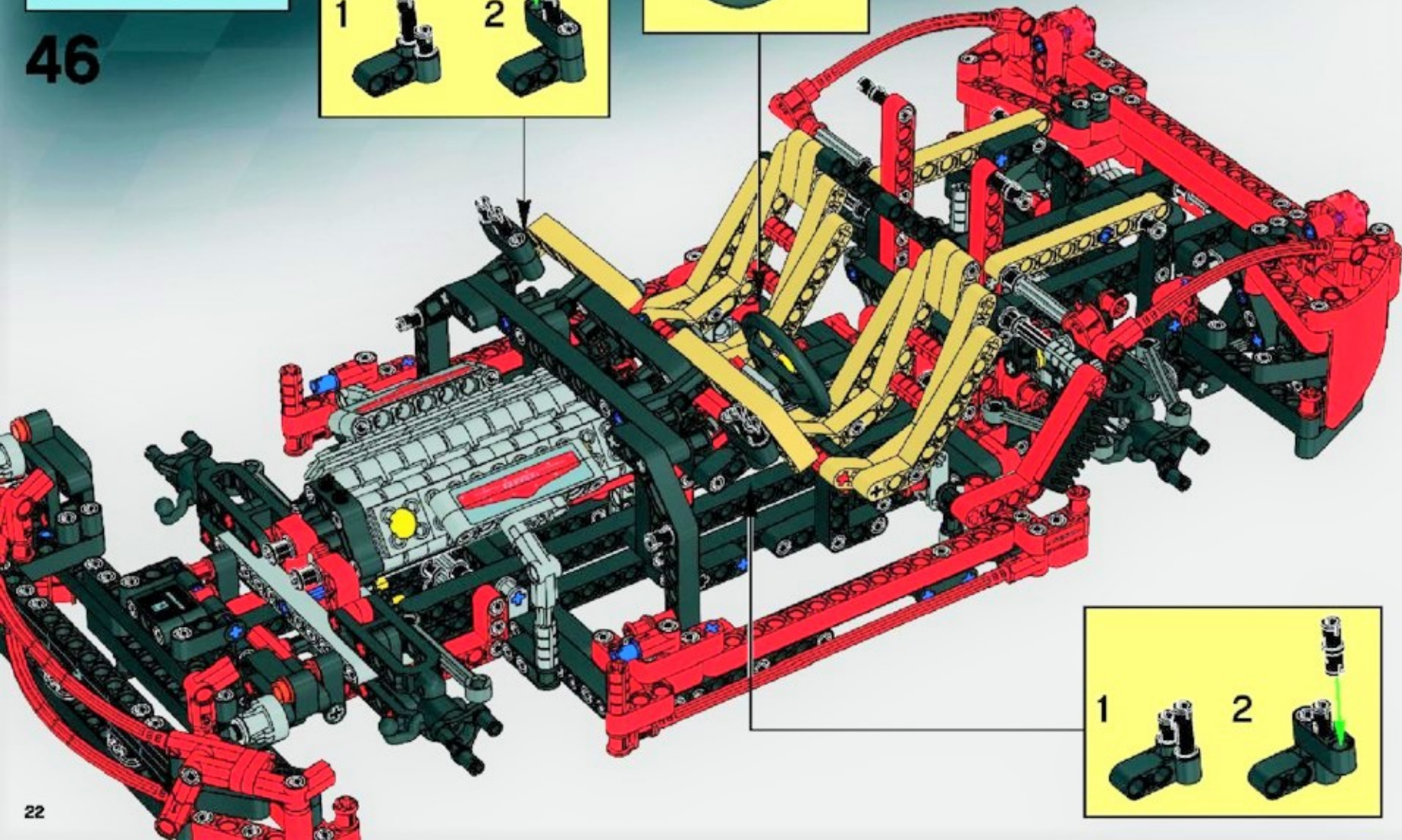
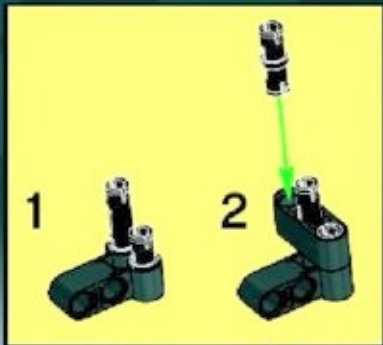
45

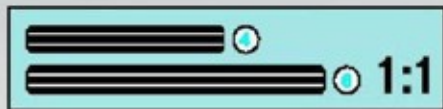
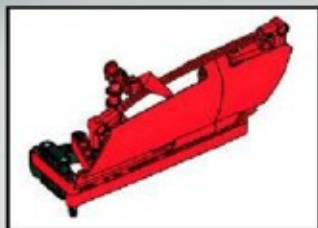




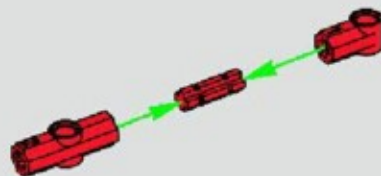


46

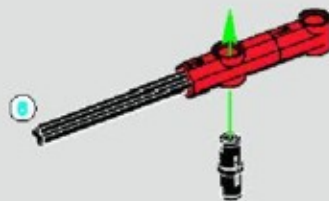




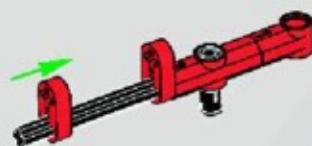
1



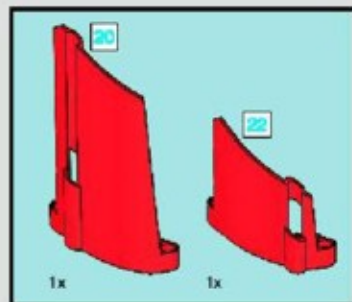
2



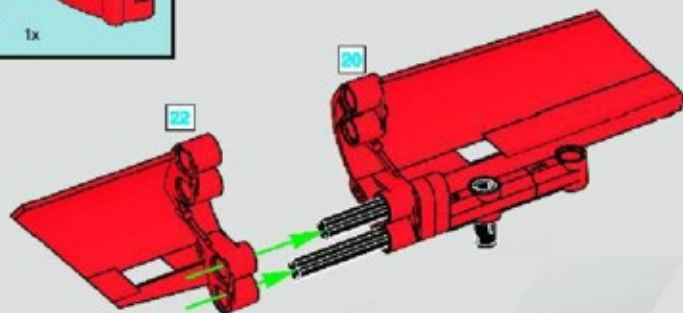
3



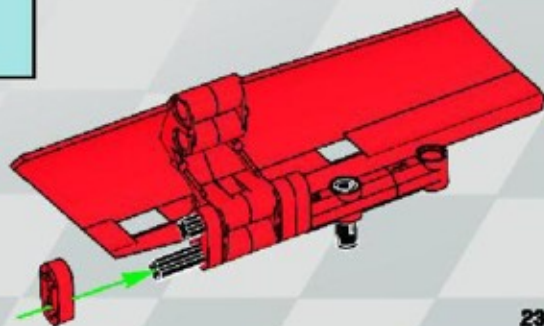
4

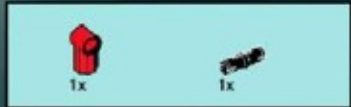


5

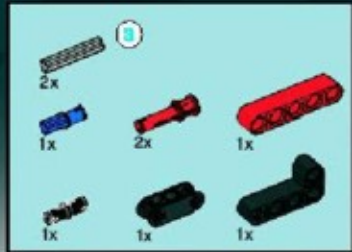
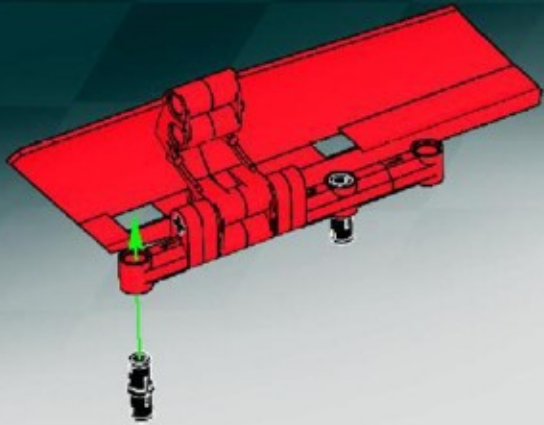


6

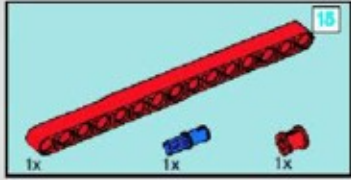
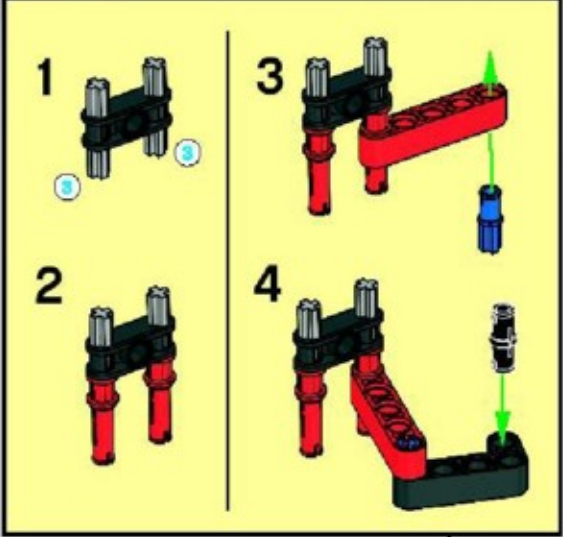




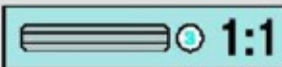
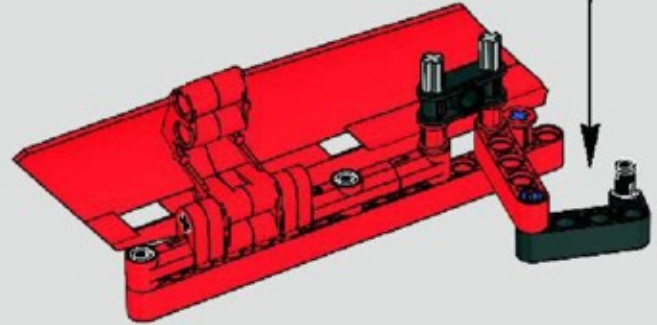
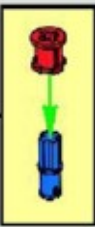
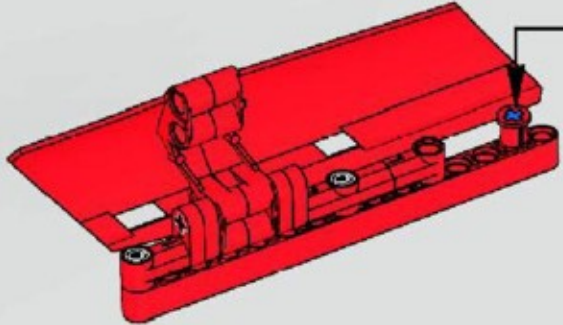
7

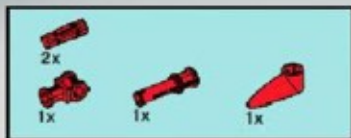


9

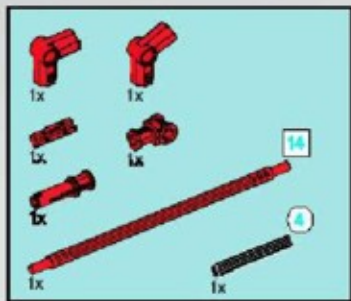
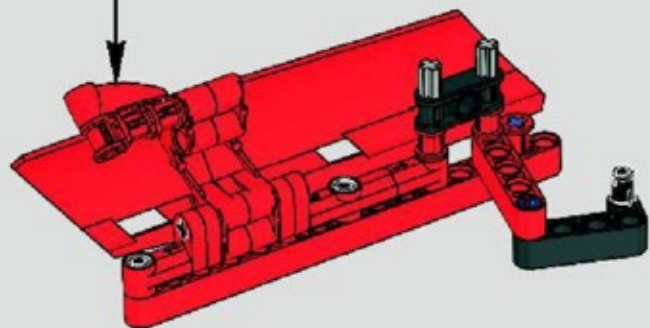
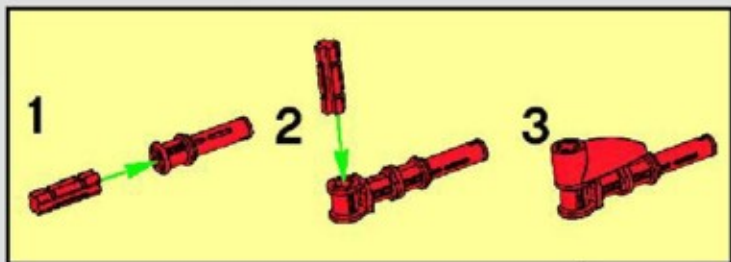


8

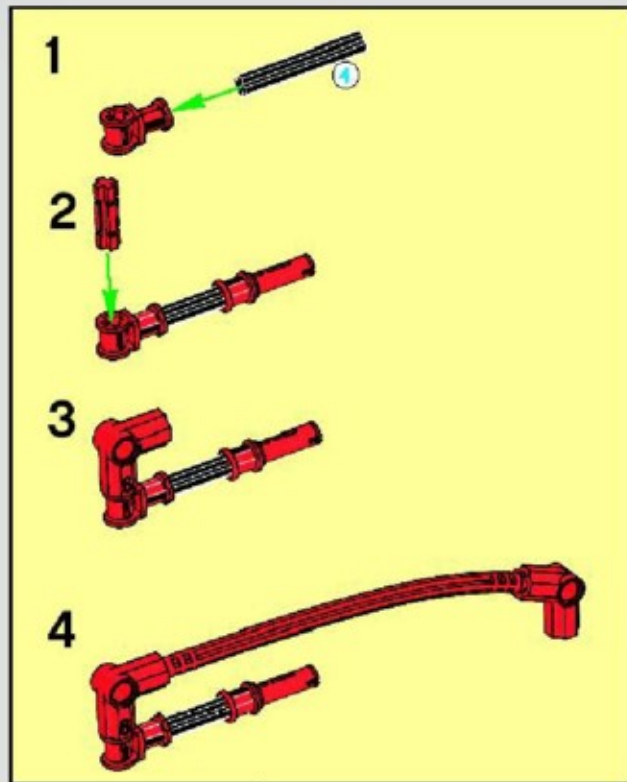
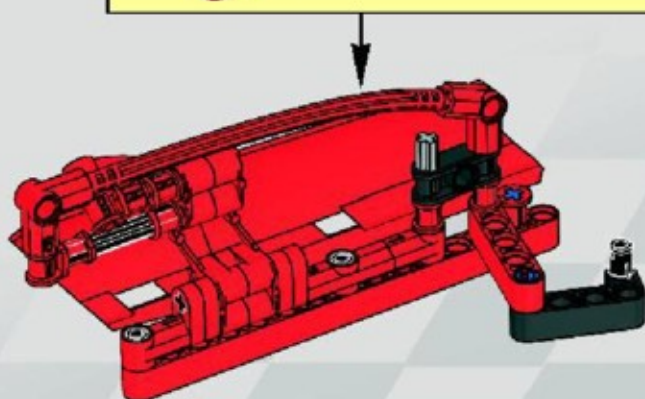


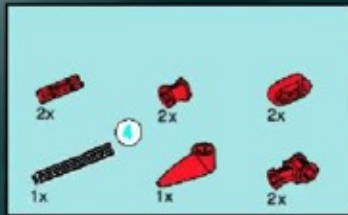


10

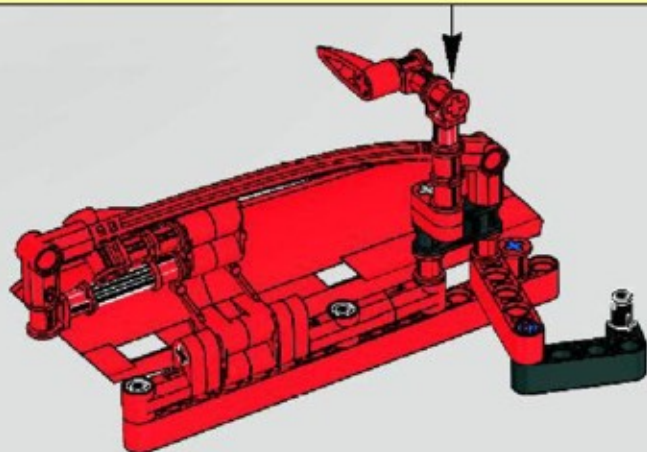
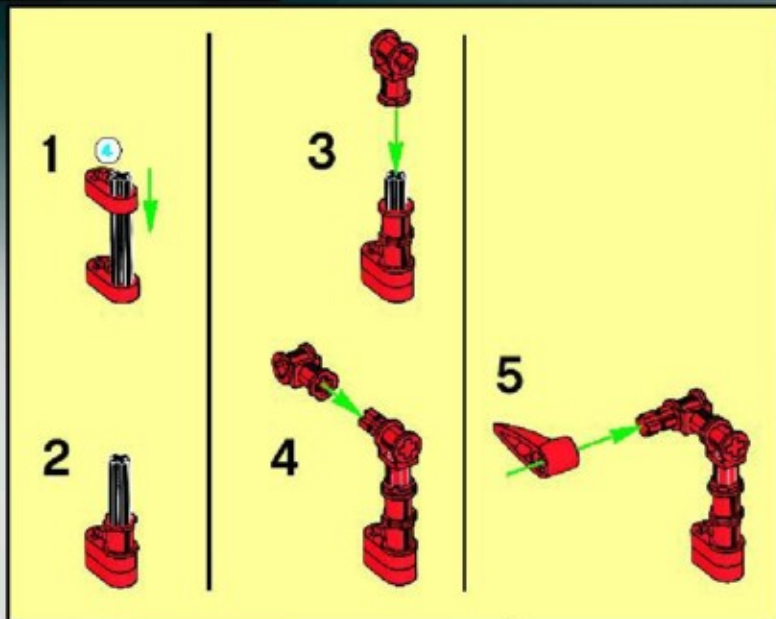


11

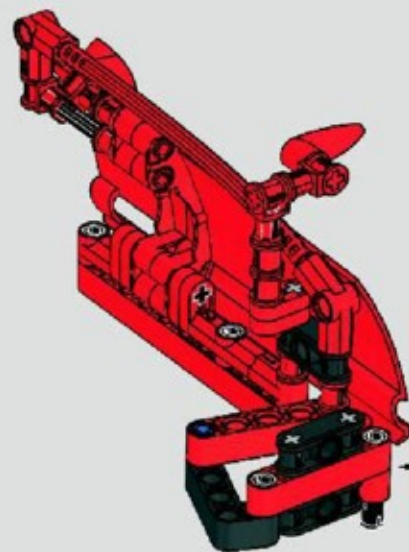
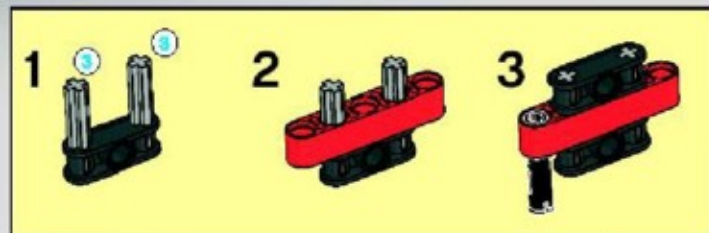




12

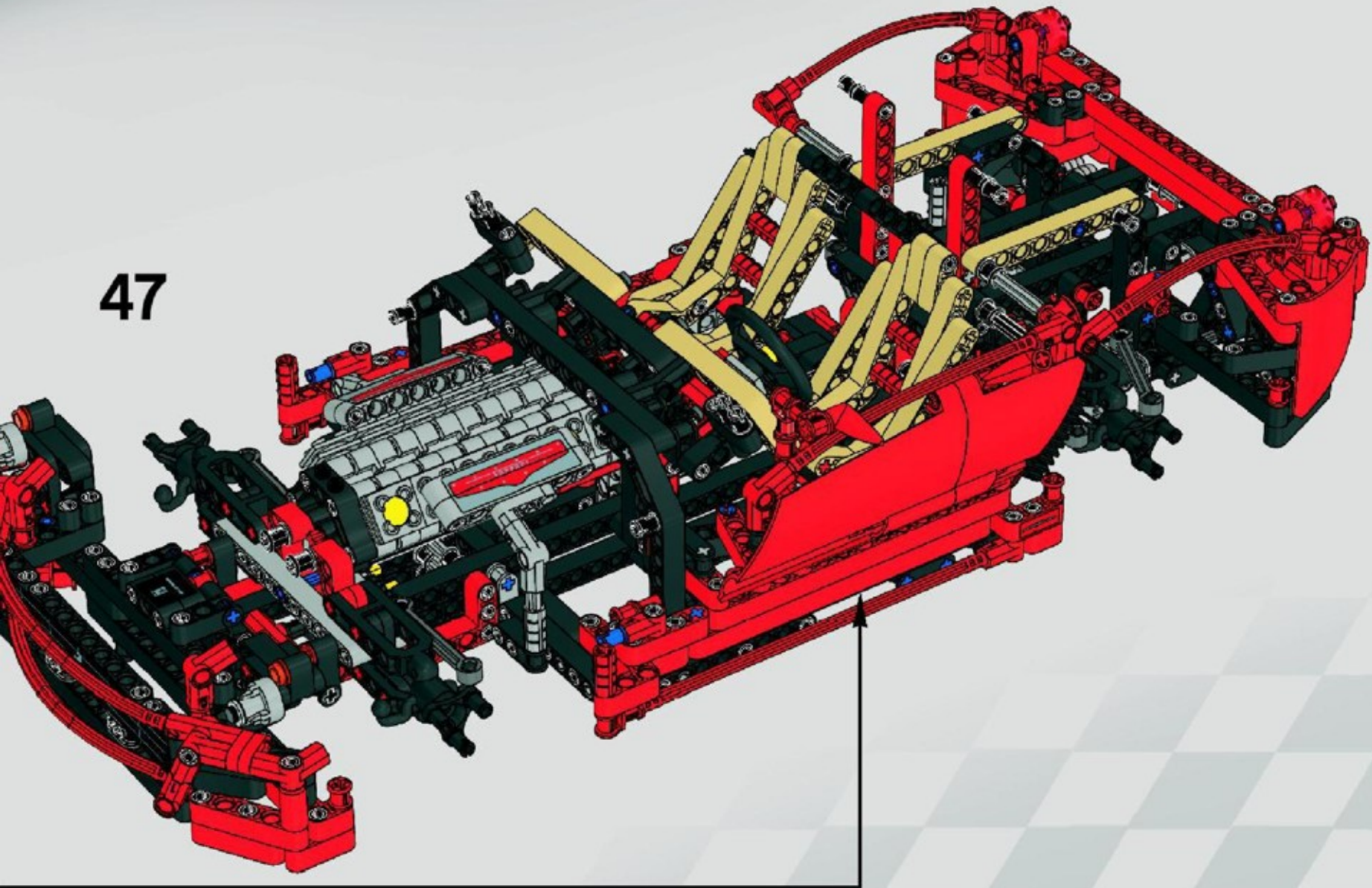


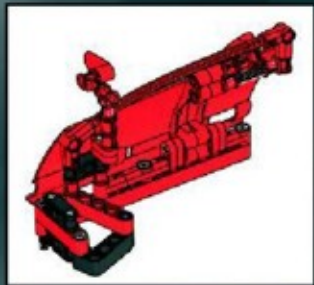
13



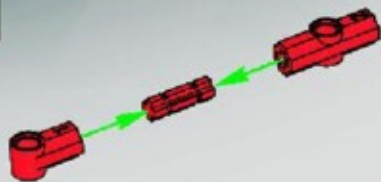


47

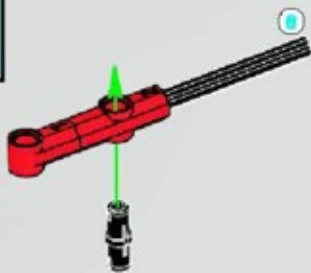




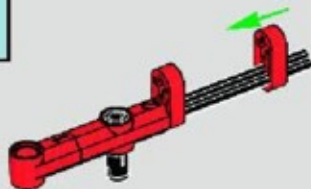
1



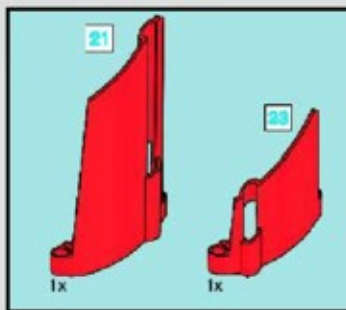
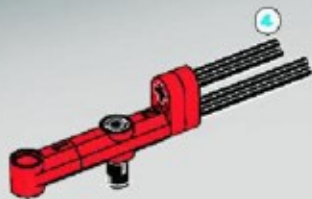
2



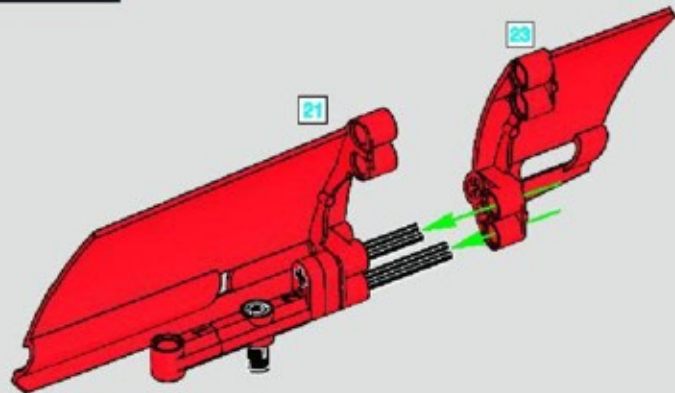
3



4

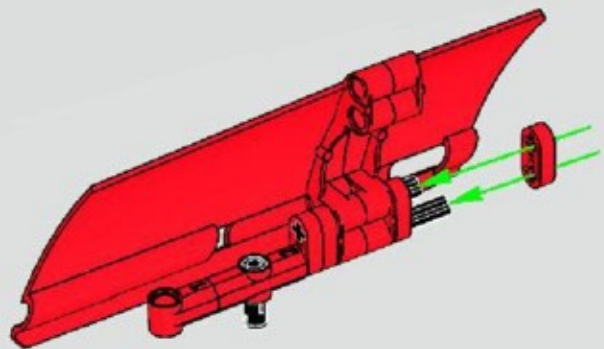


5

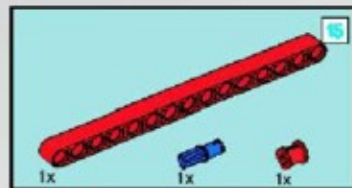
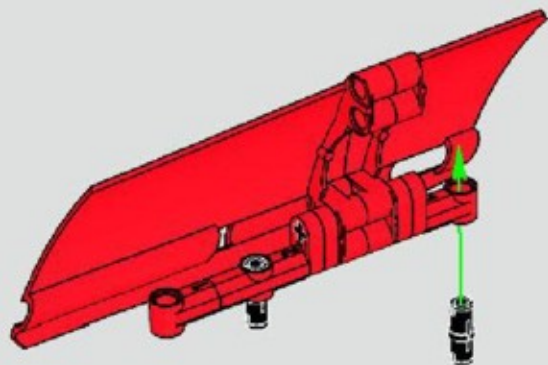




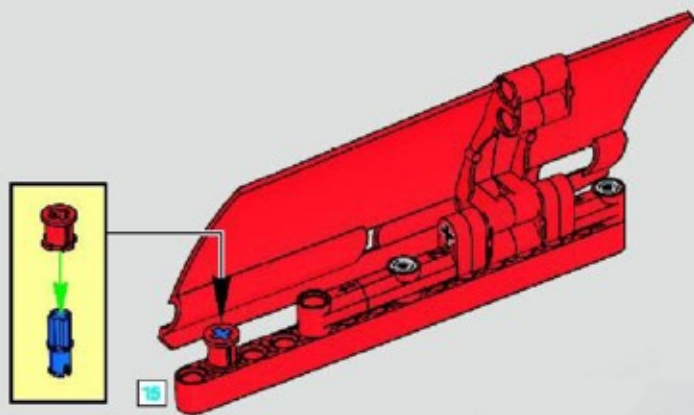
6

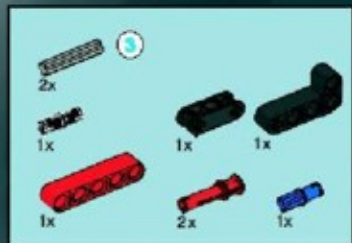


7

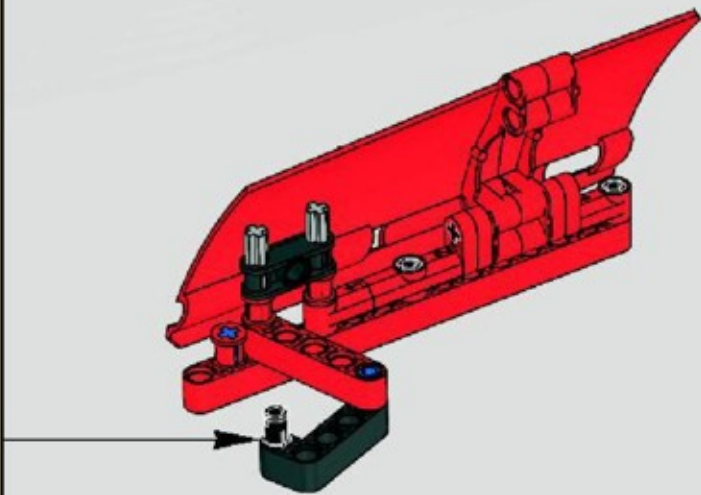
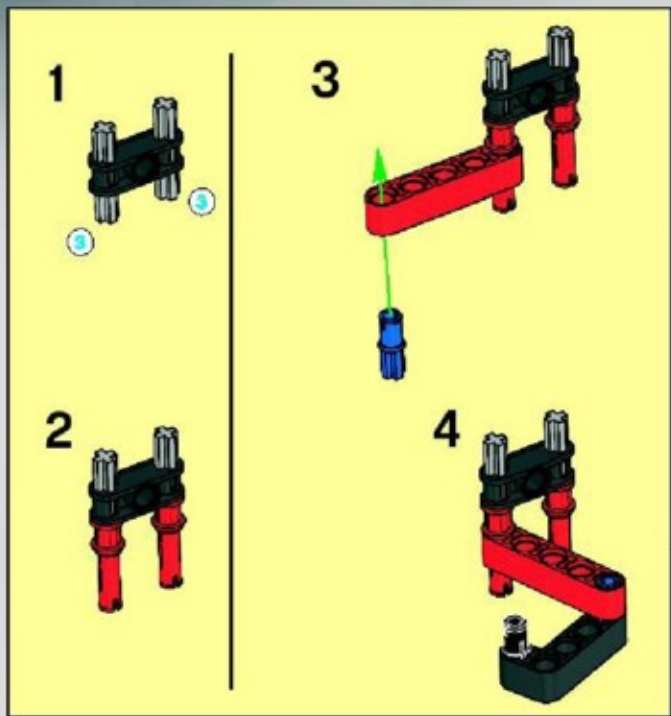


8



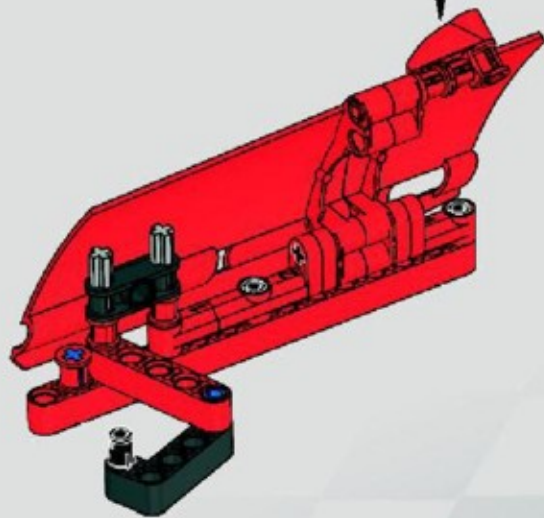
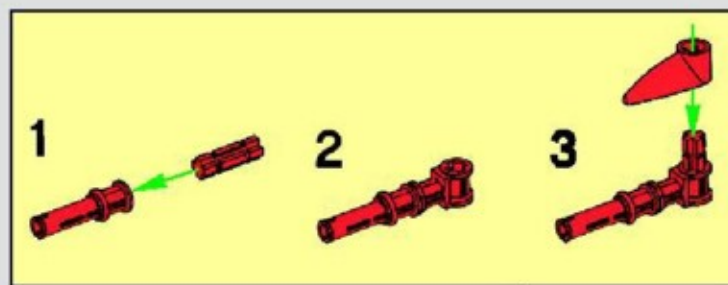


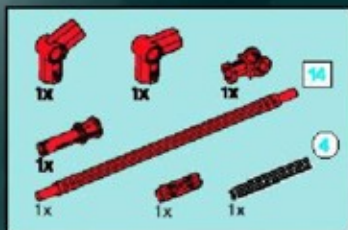
9



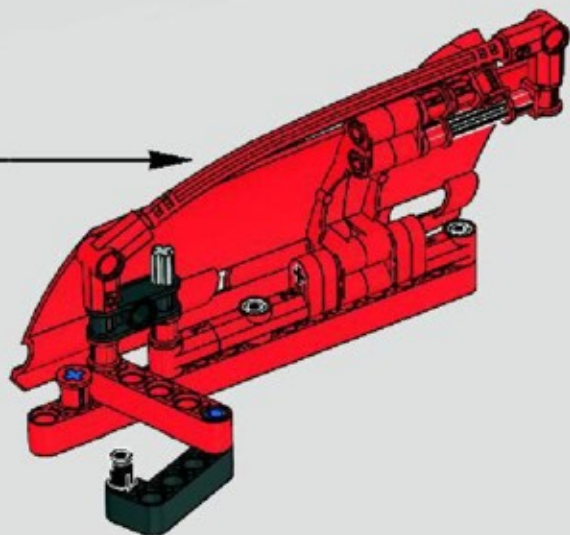
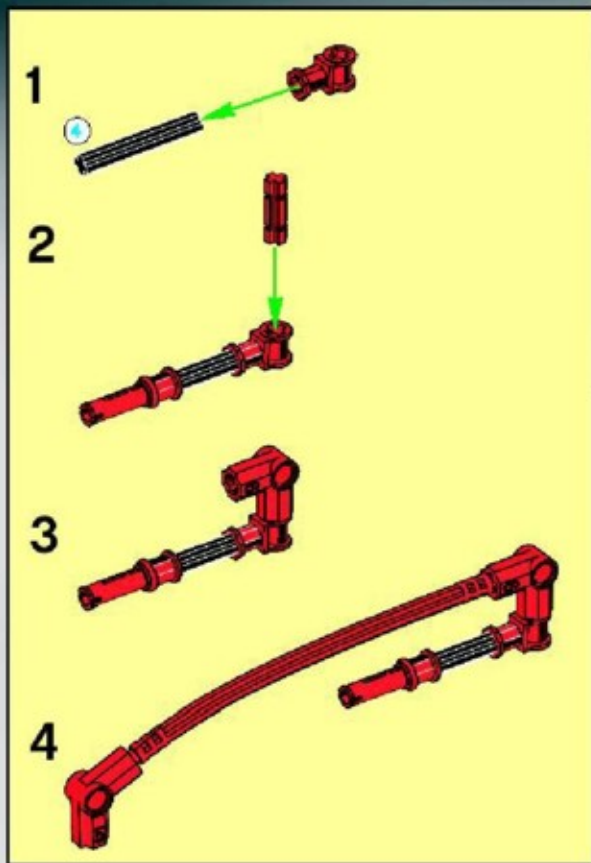


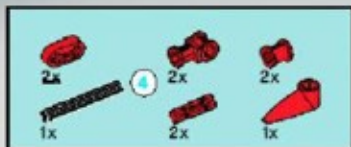
10



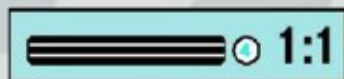
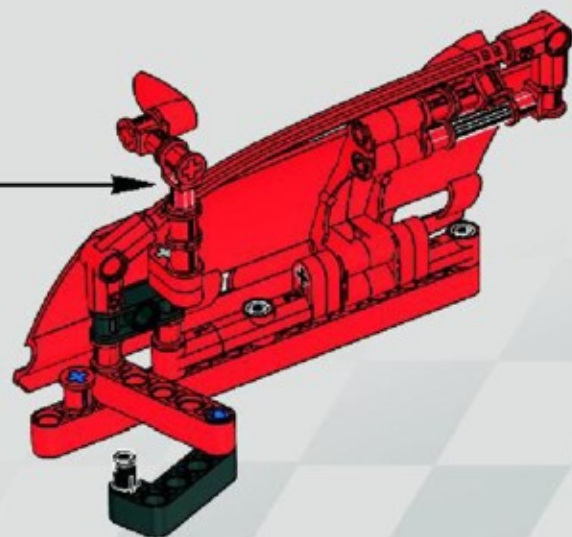
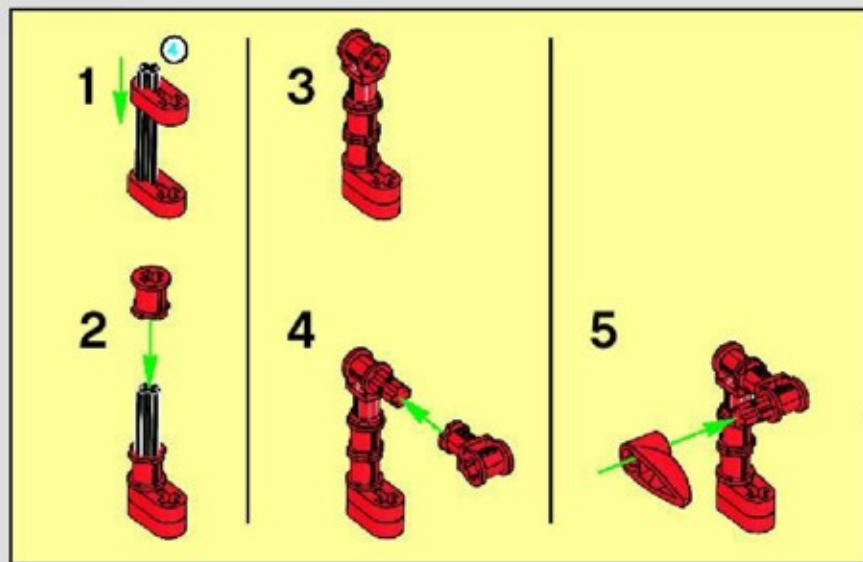


11



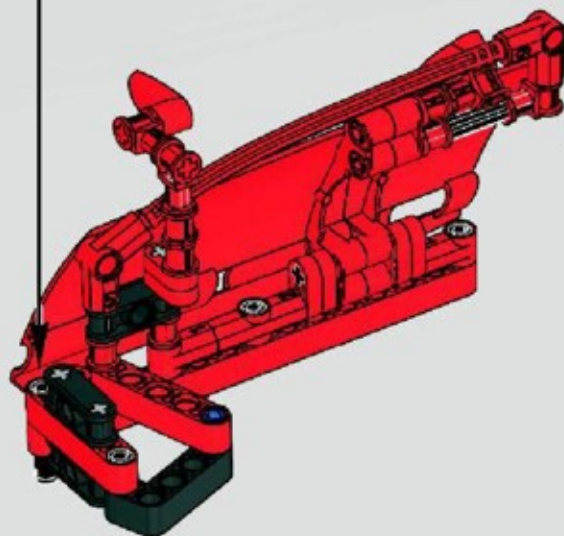
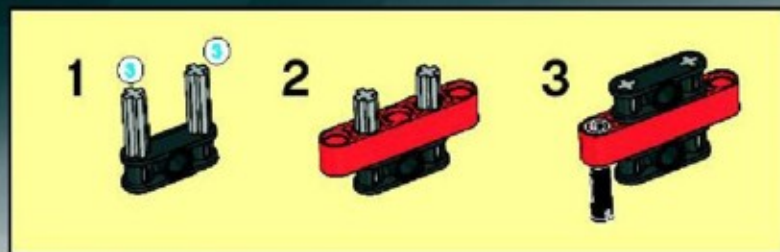


12



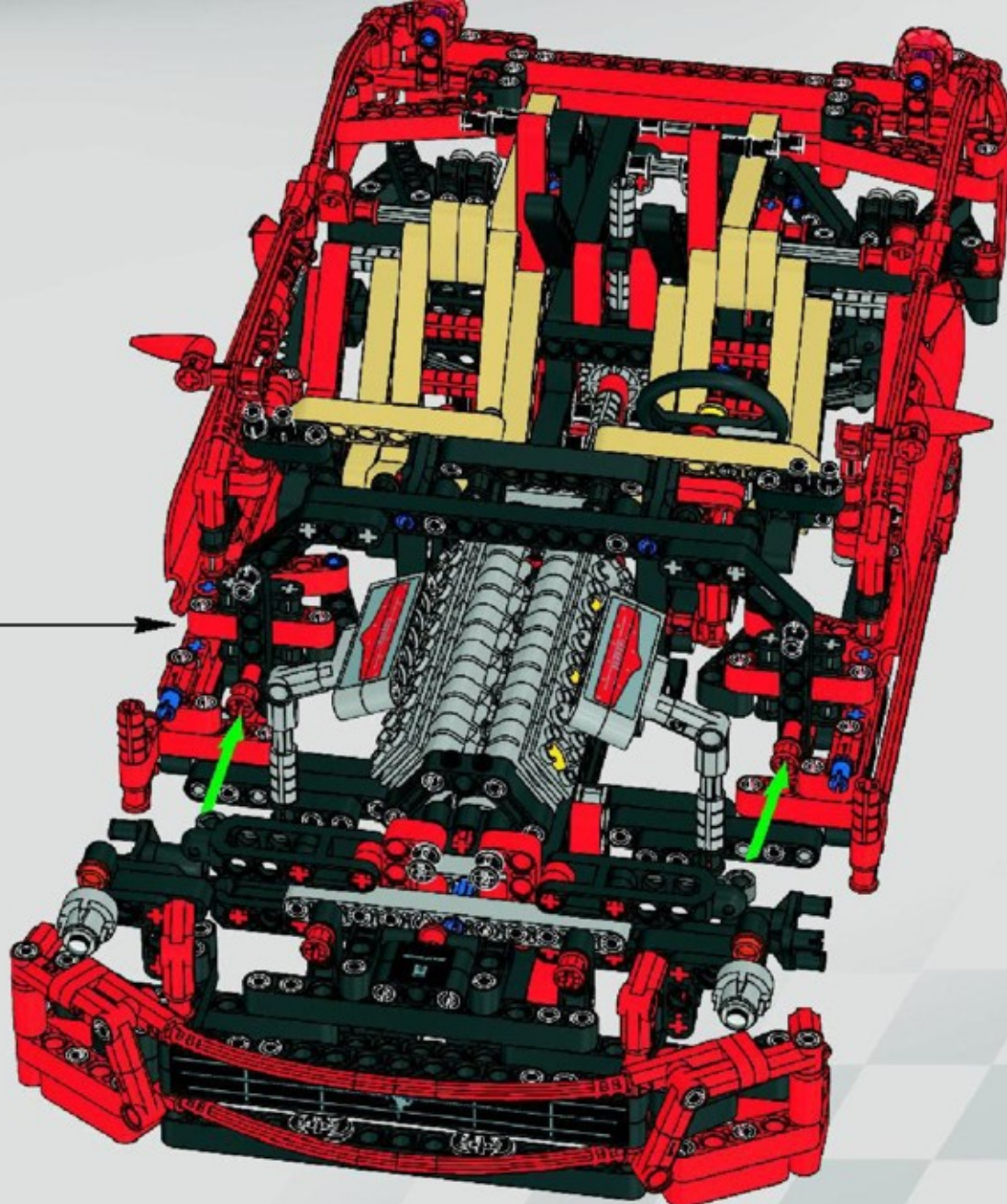


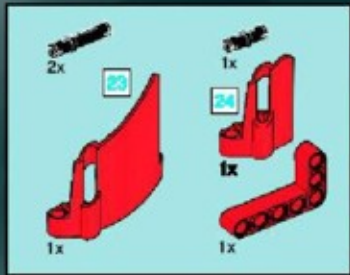
13



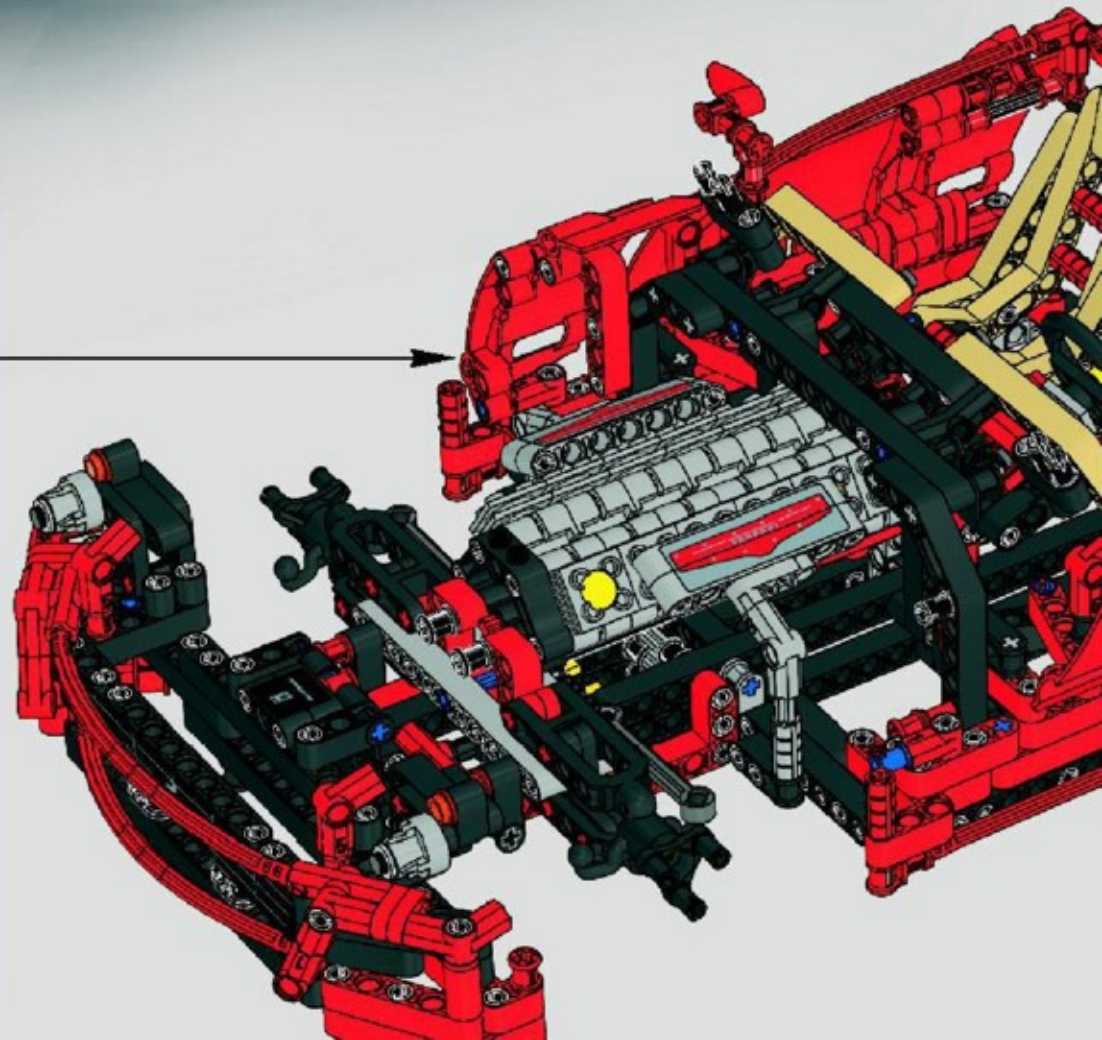
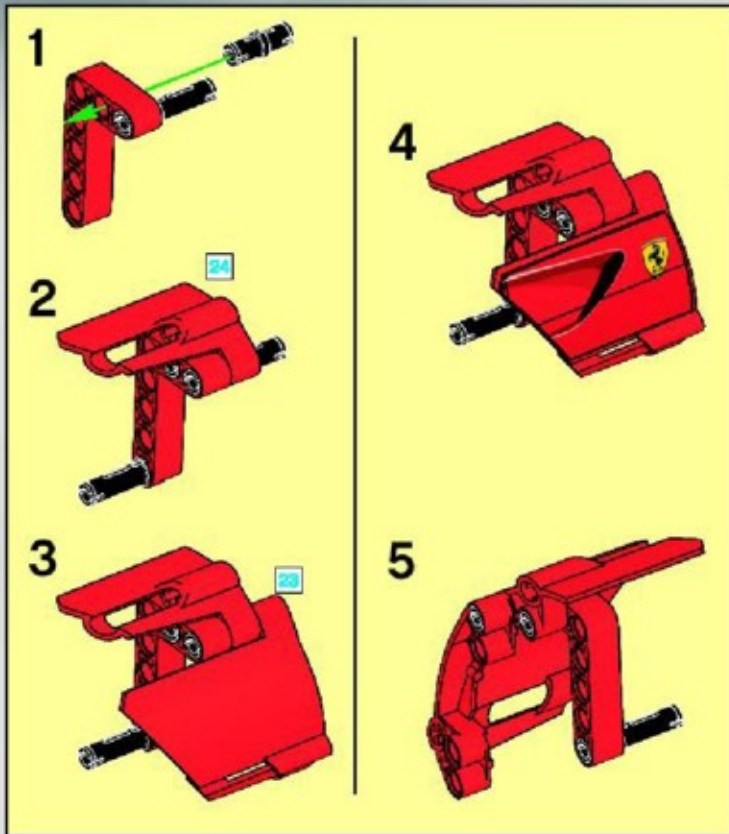


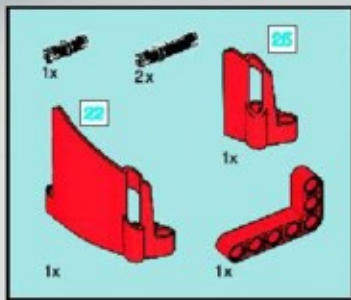
48



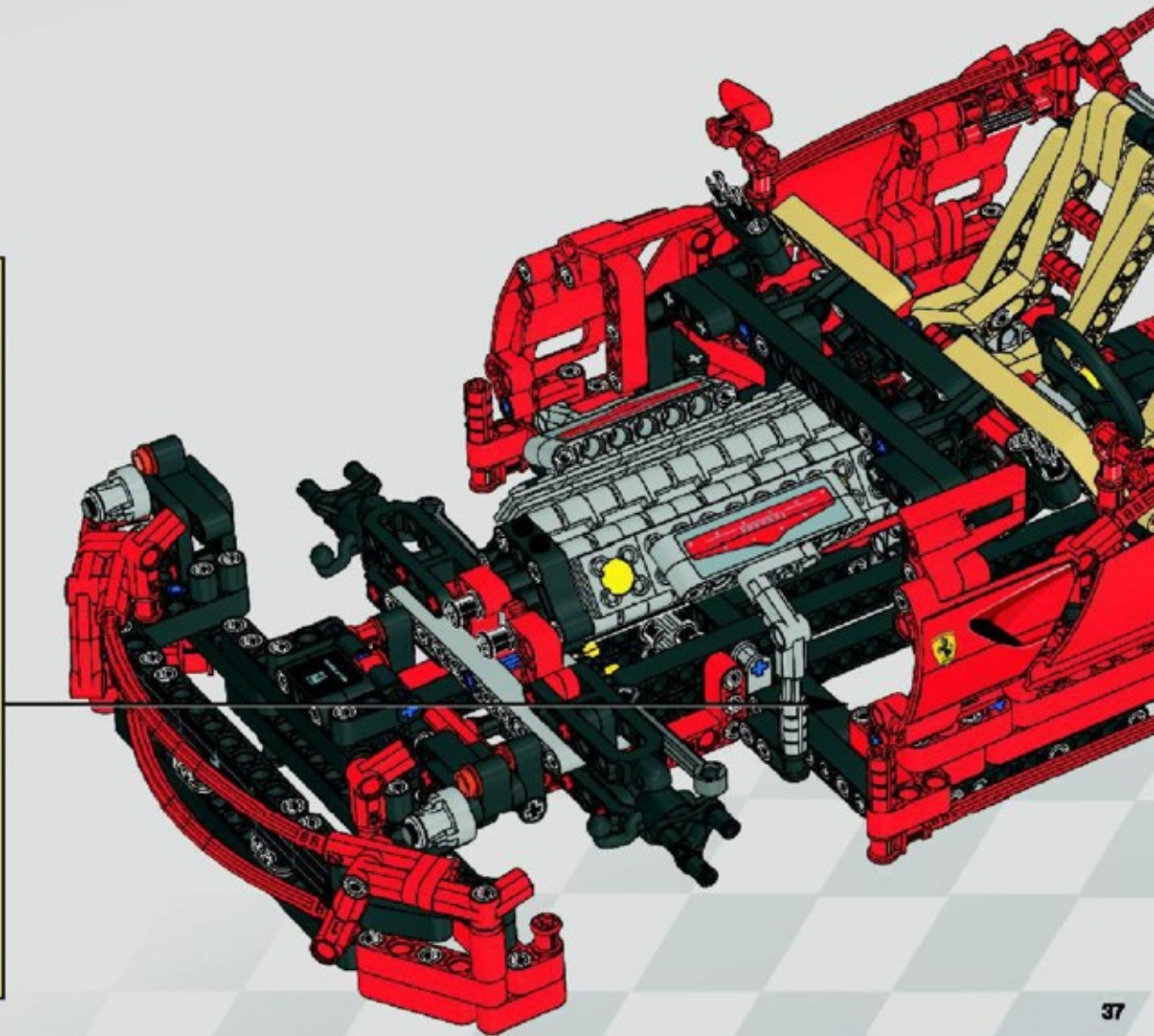
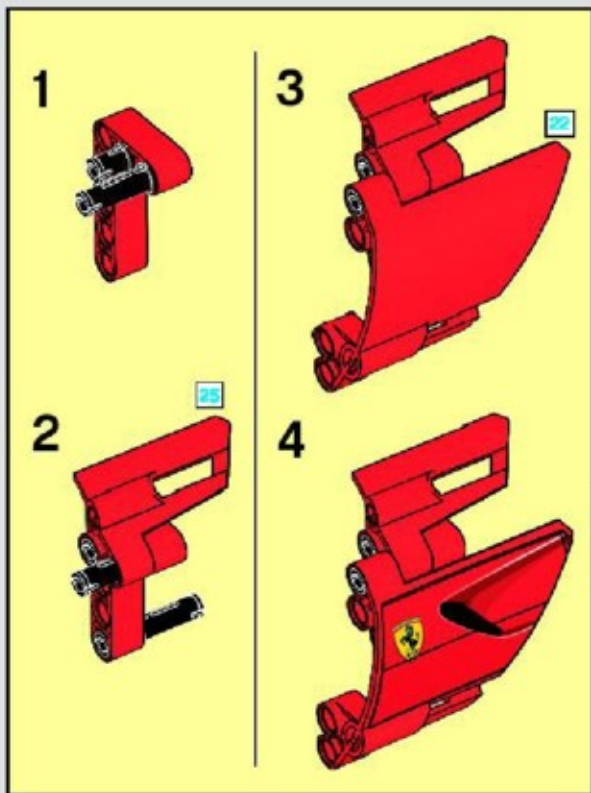


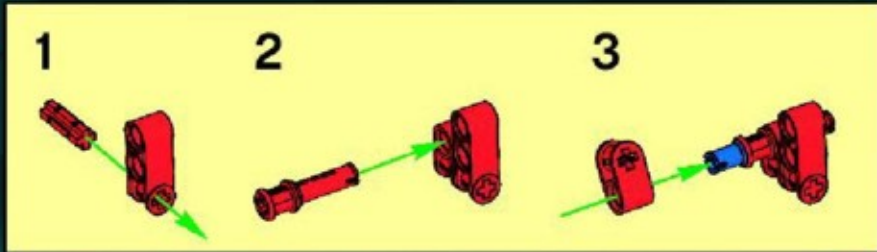
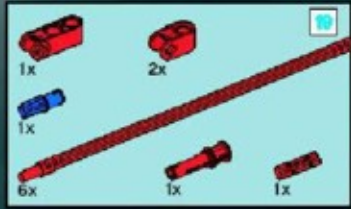
# 49



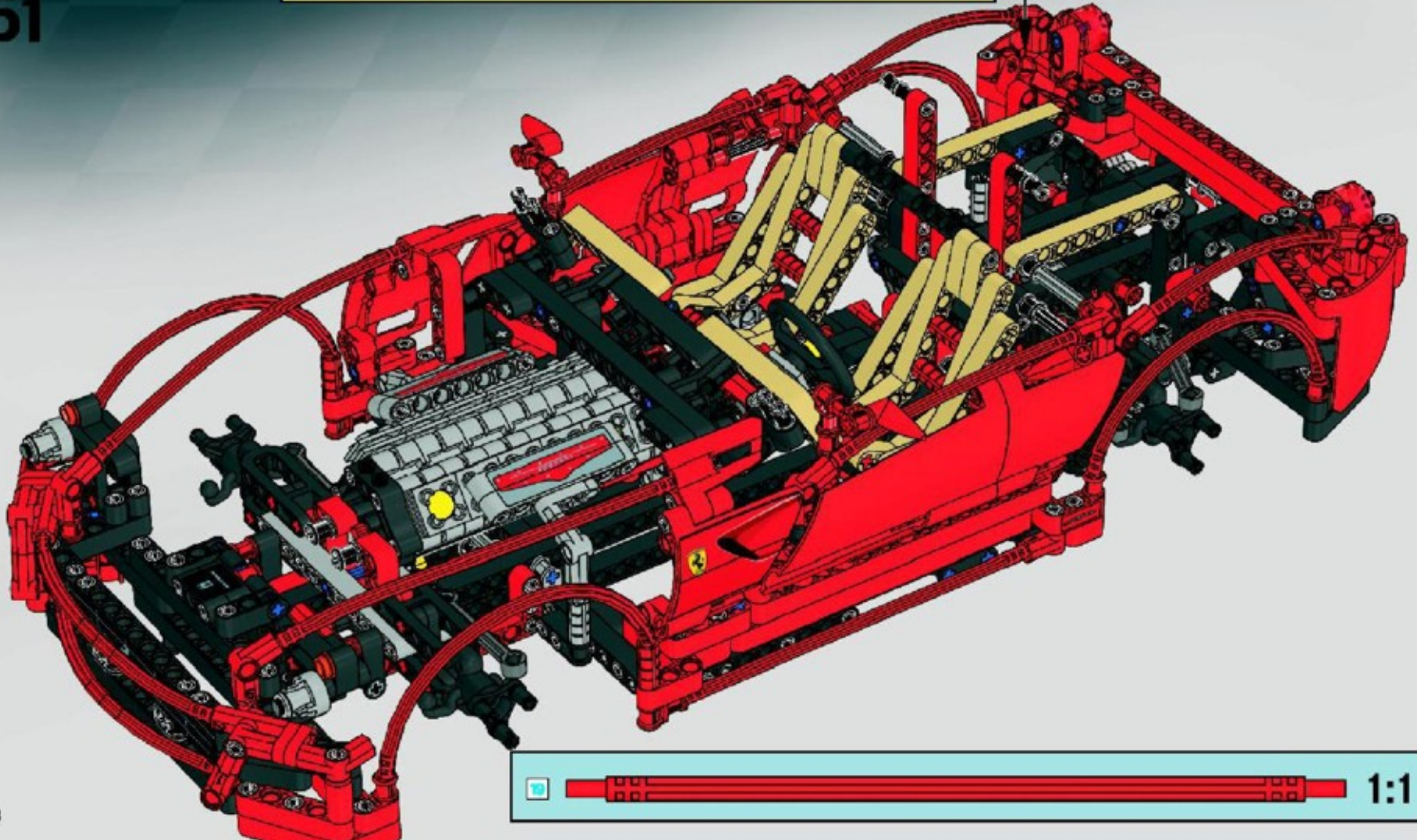


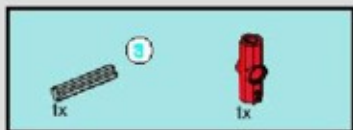
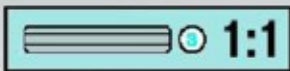
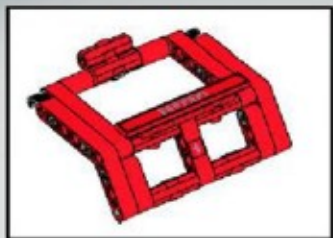
# 50



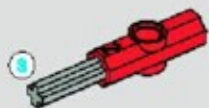


51

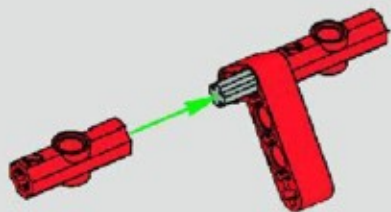




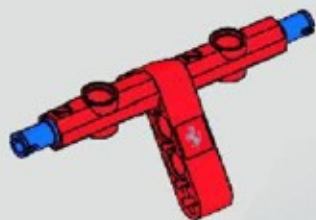
1



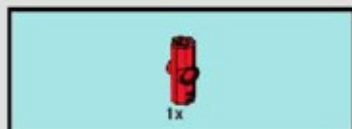
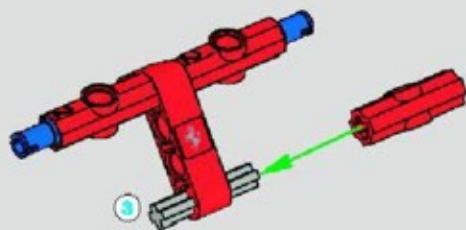
2



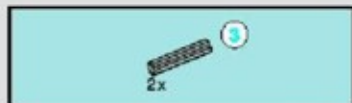
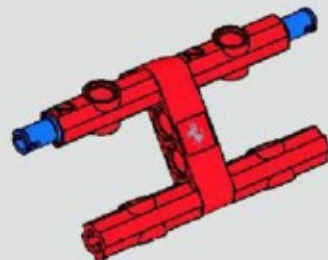
3



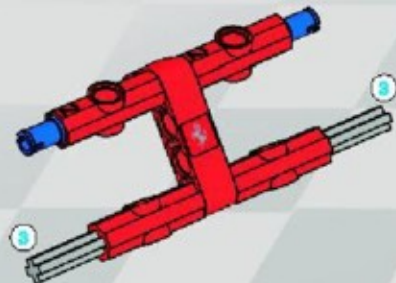
4



5

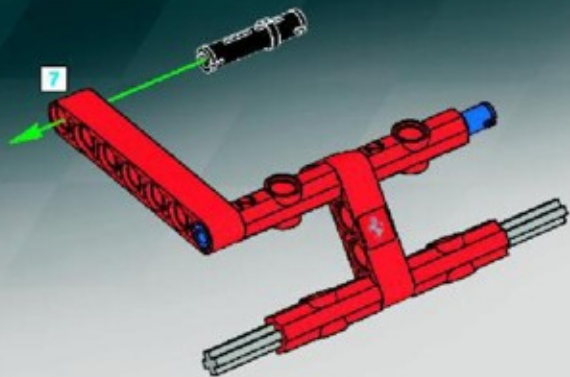


6

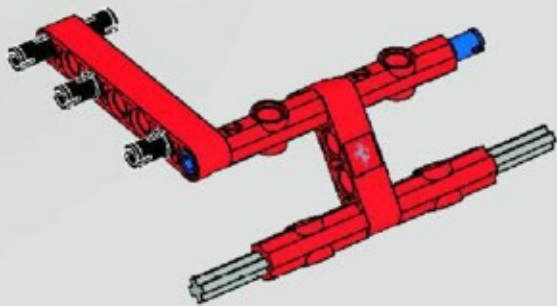




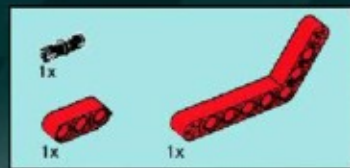
7



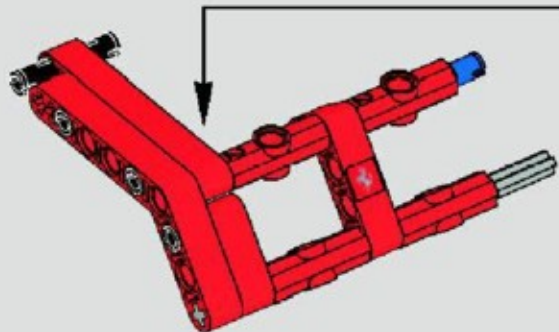
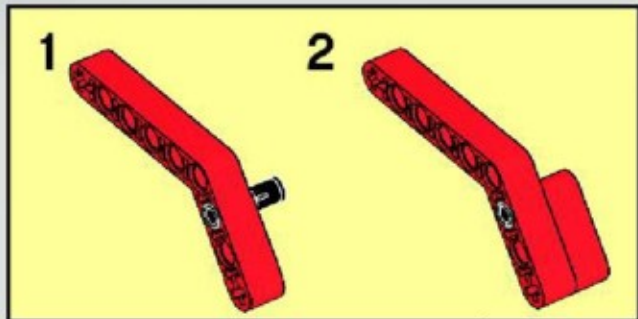
8

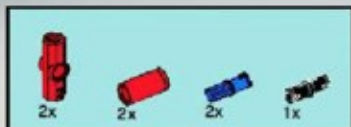


40

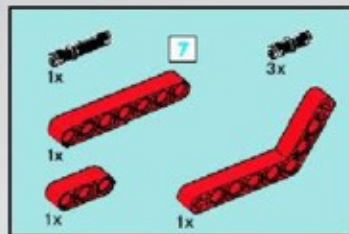
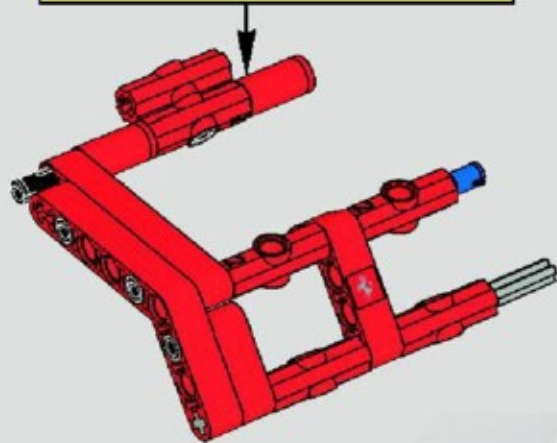
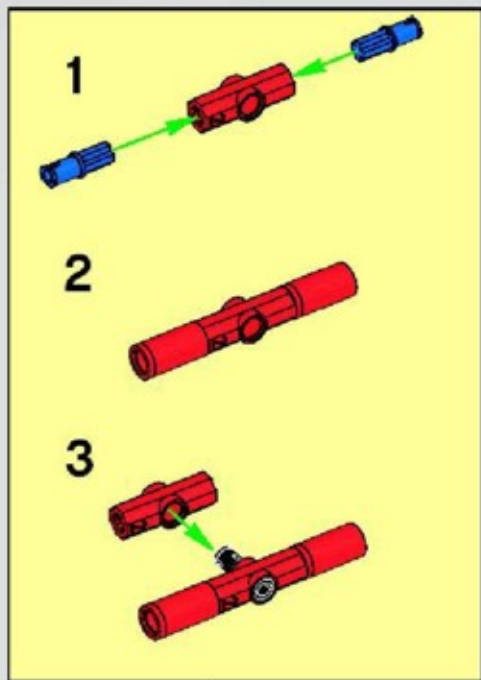


9

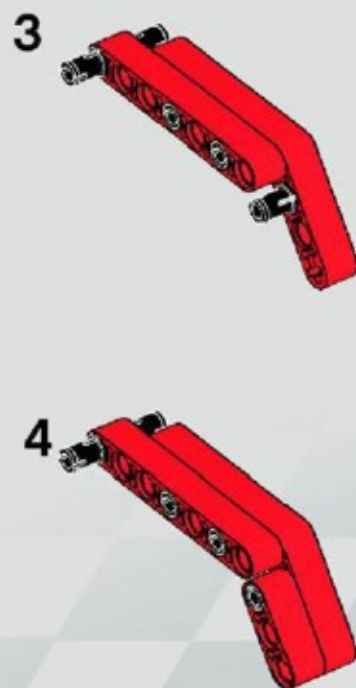
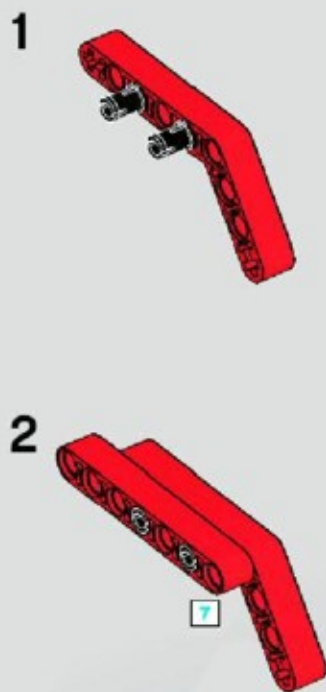


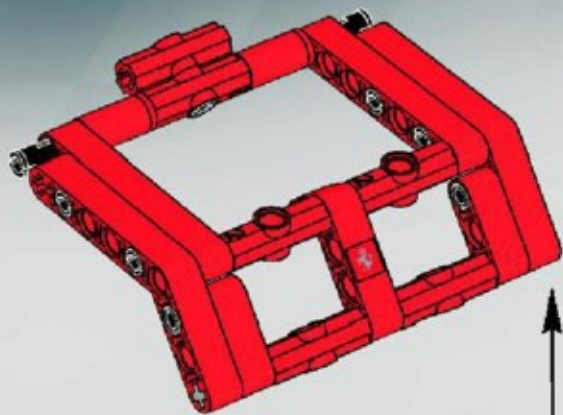


10

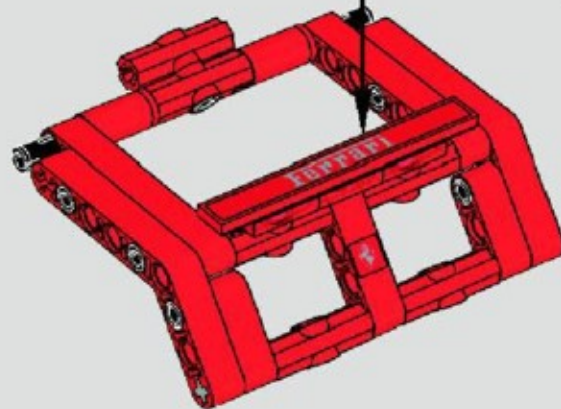
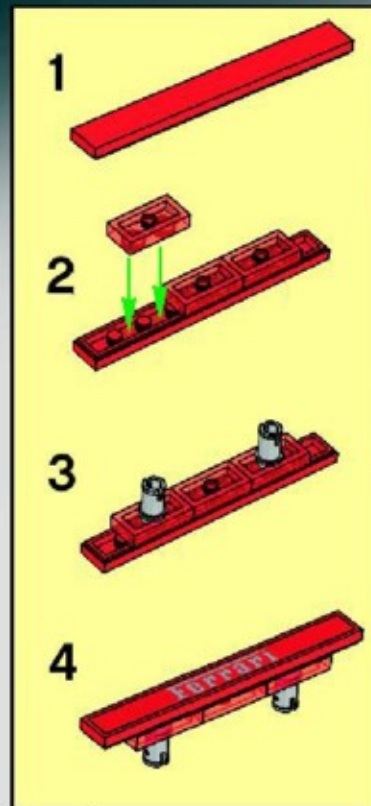


11



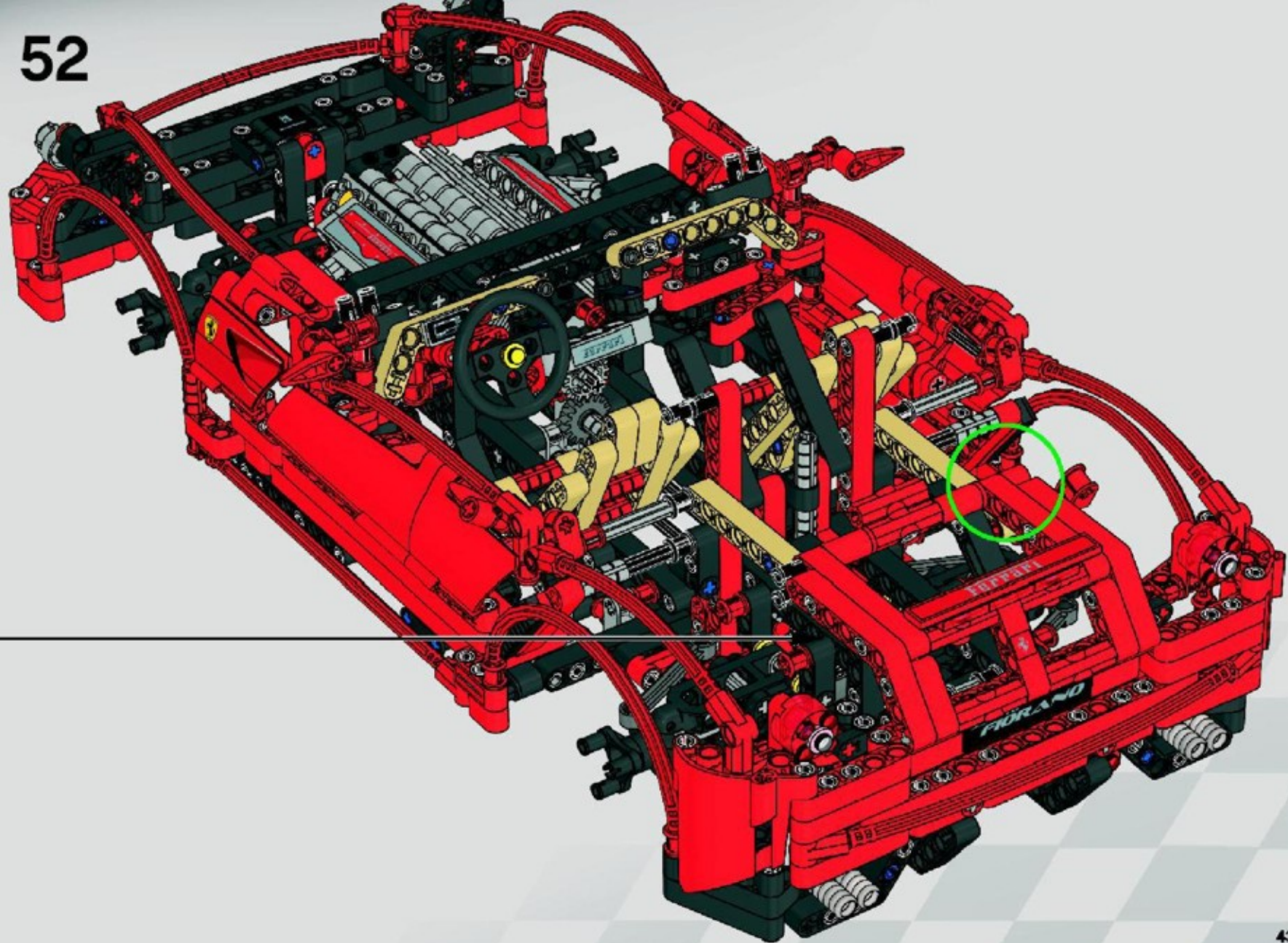


12



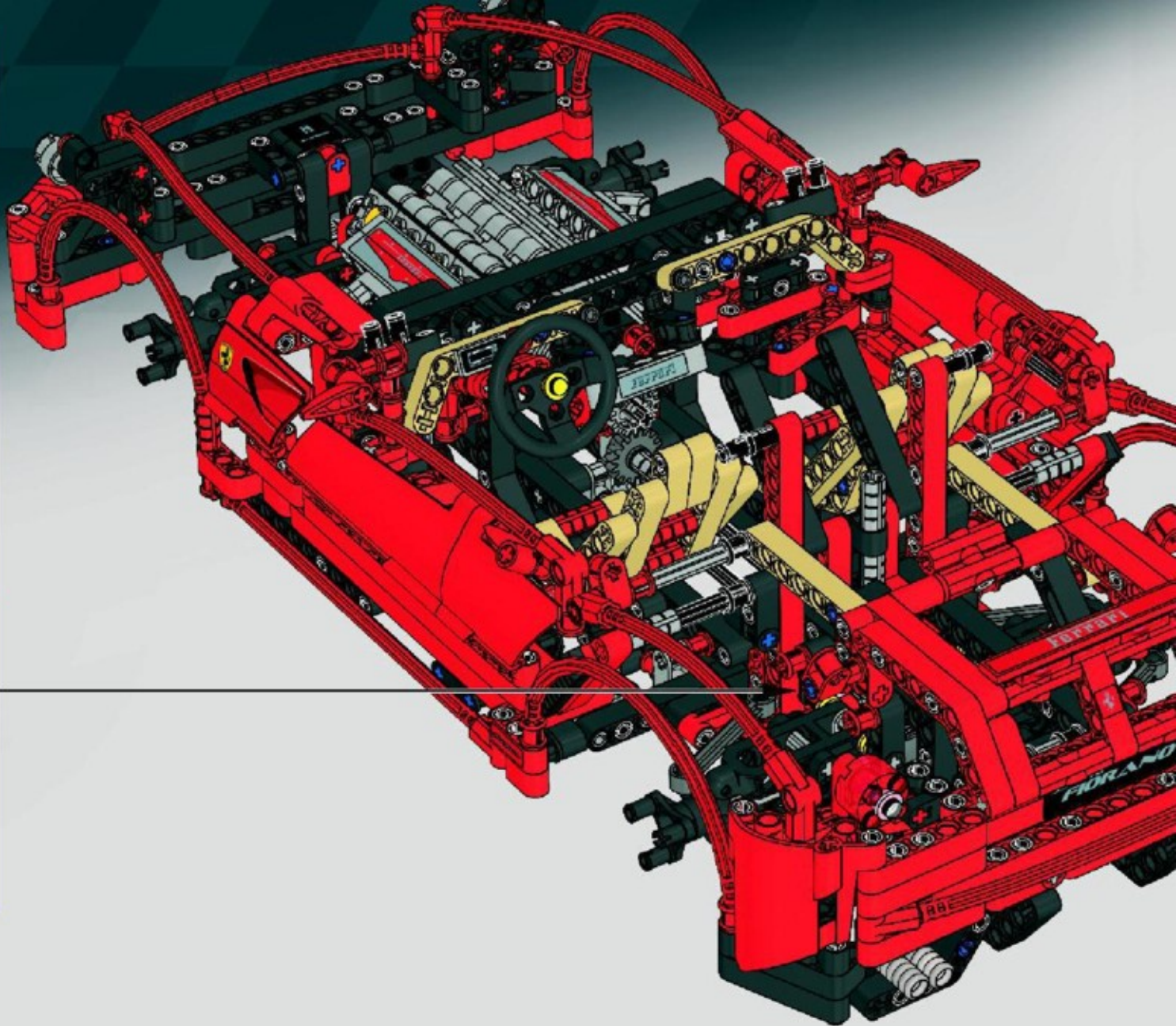
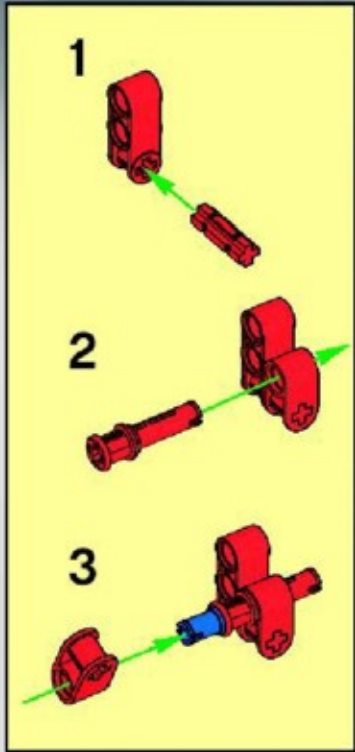


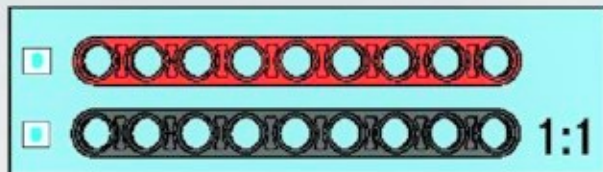
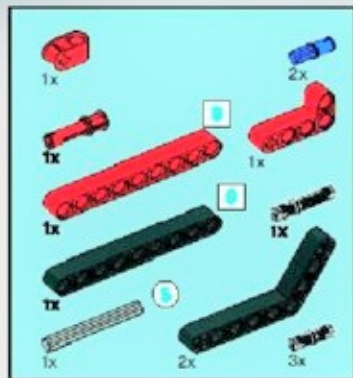
52



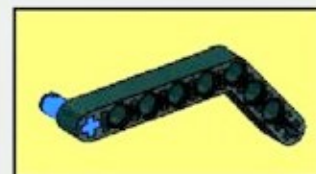
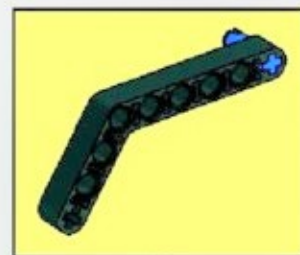
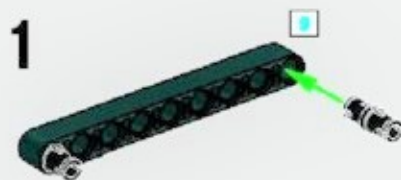


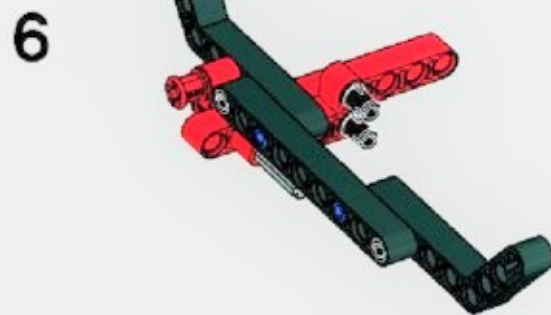
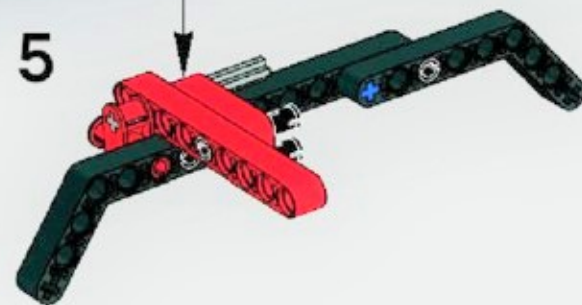
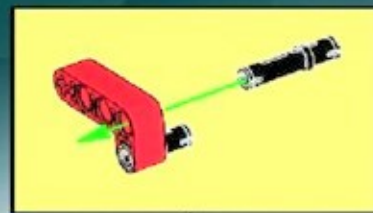
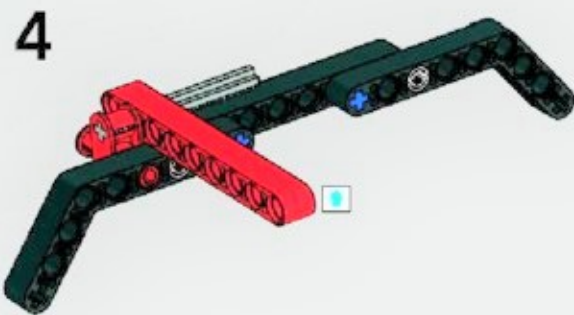
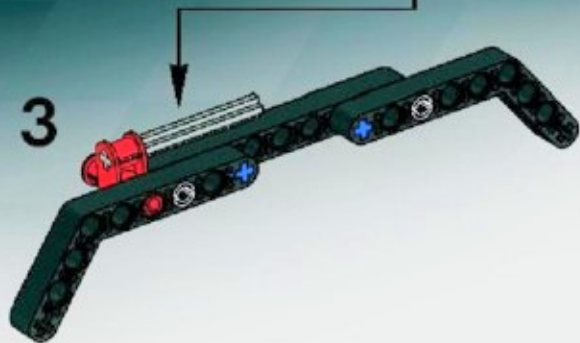
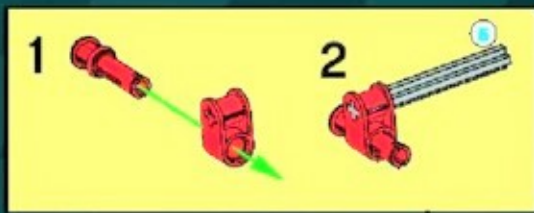
53

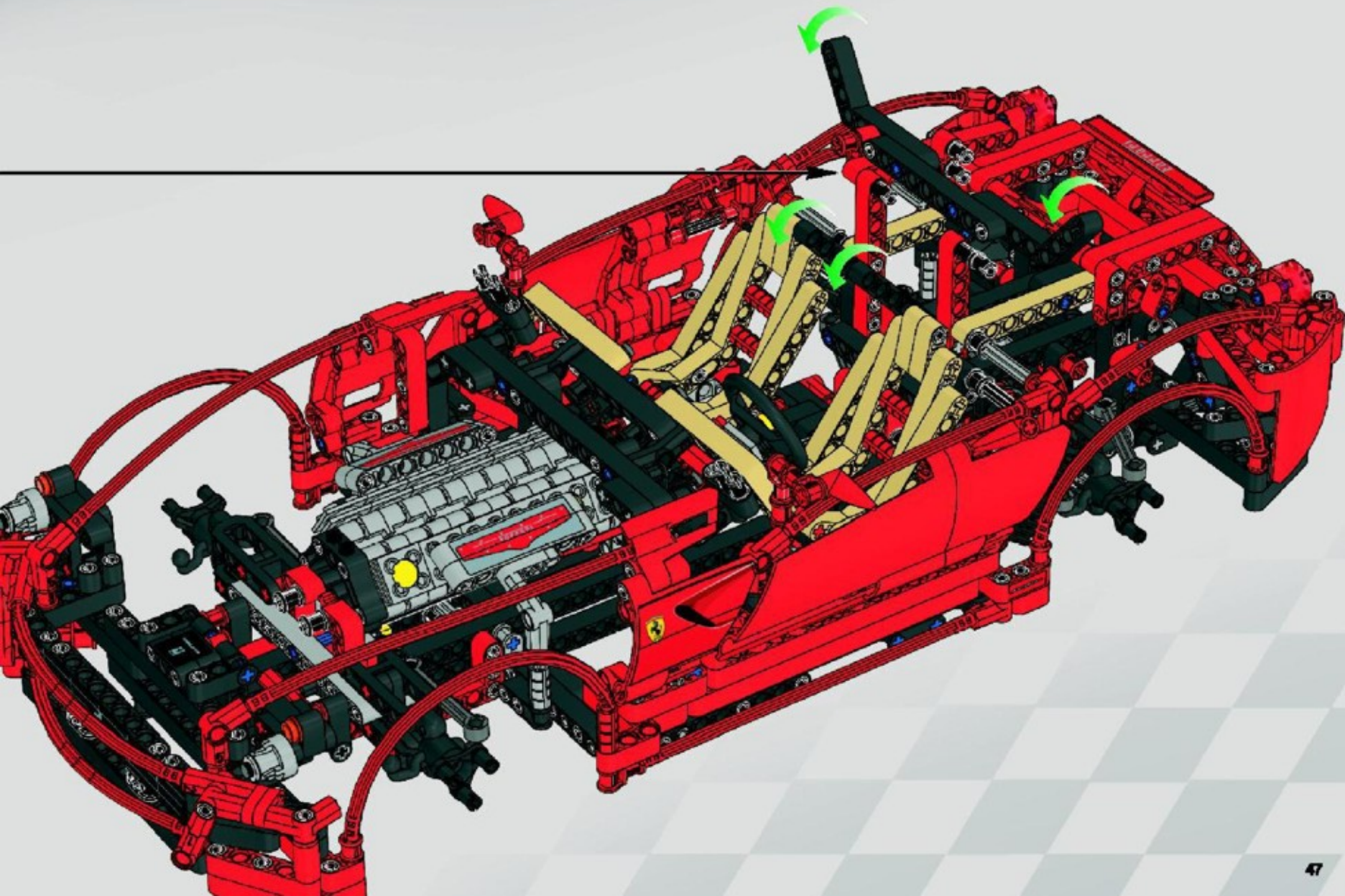


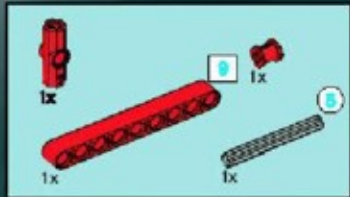


54

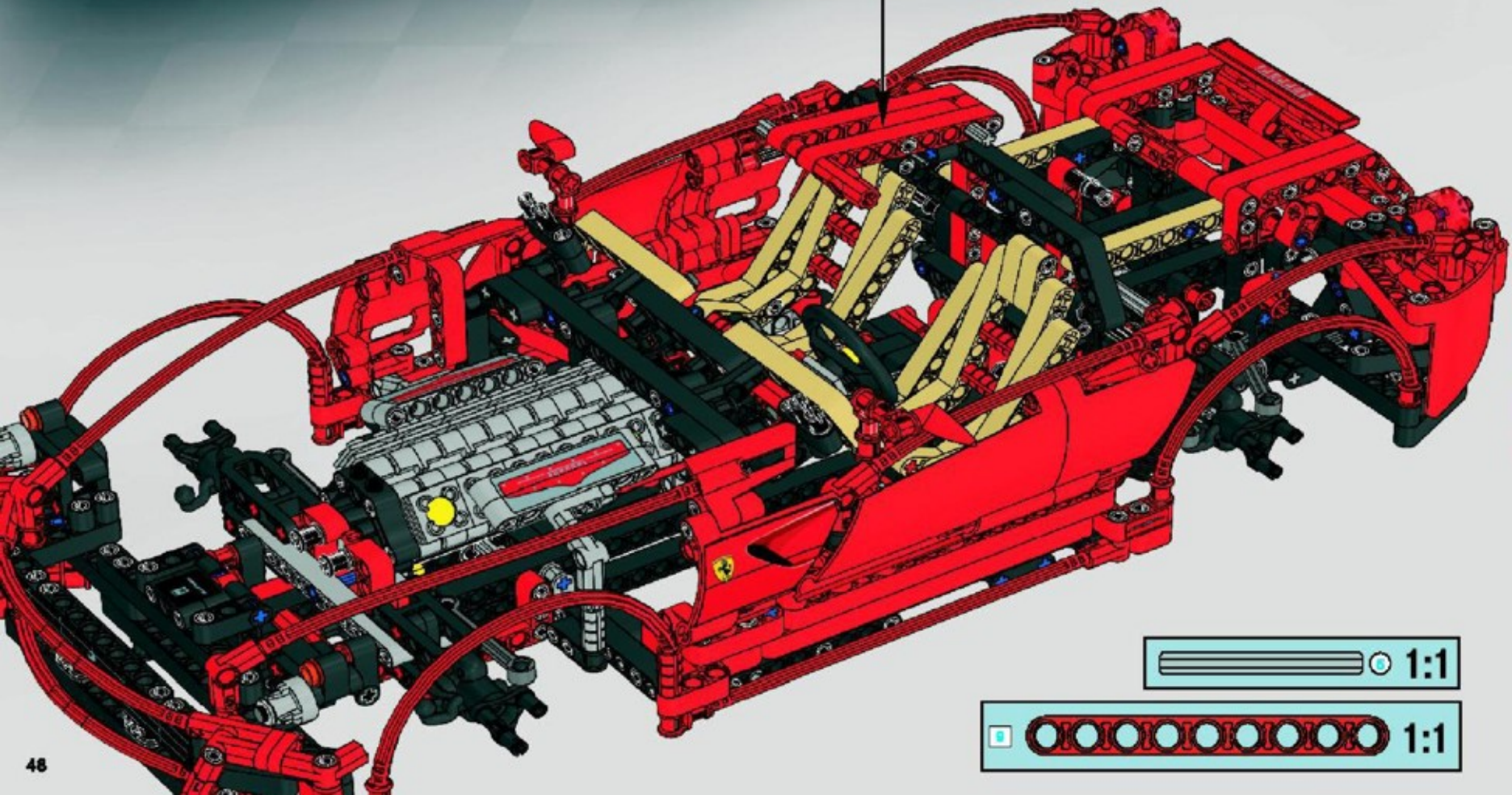
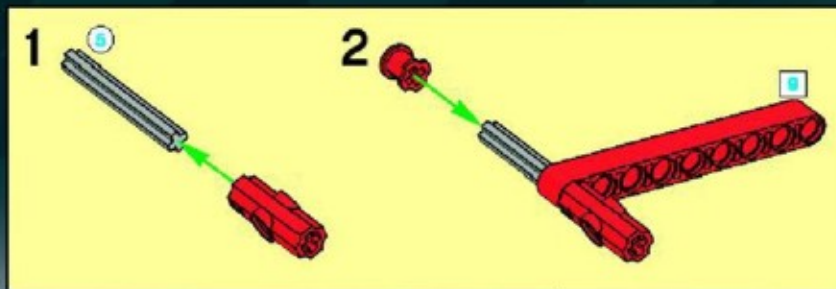


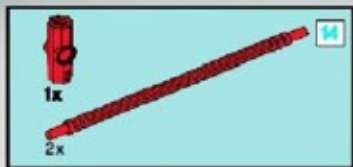




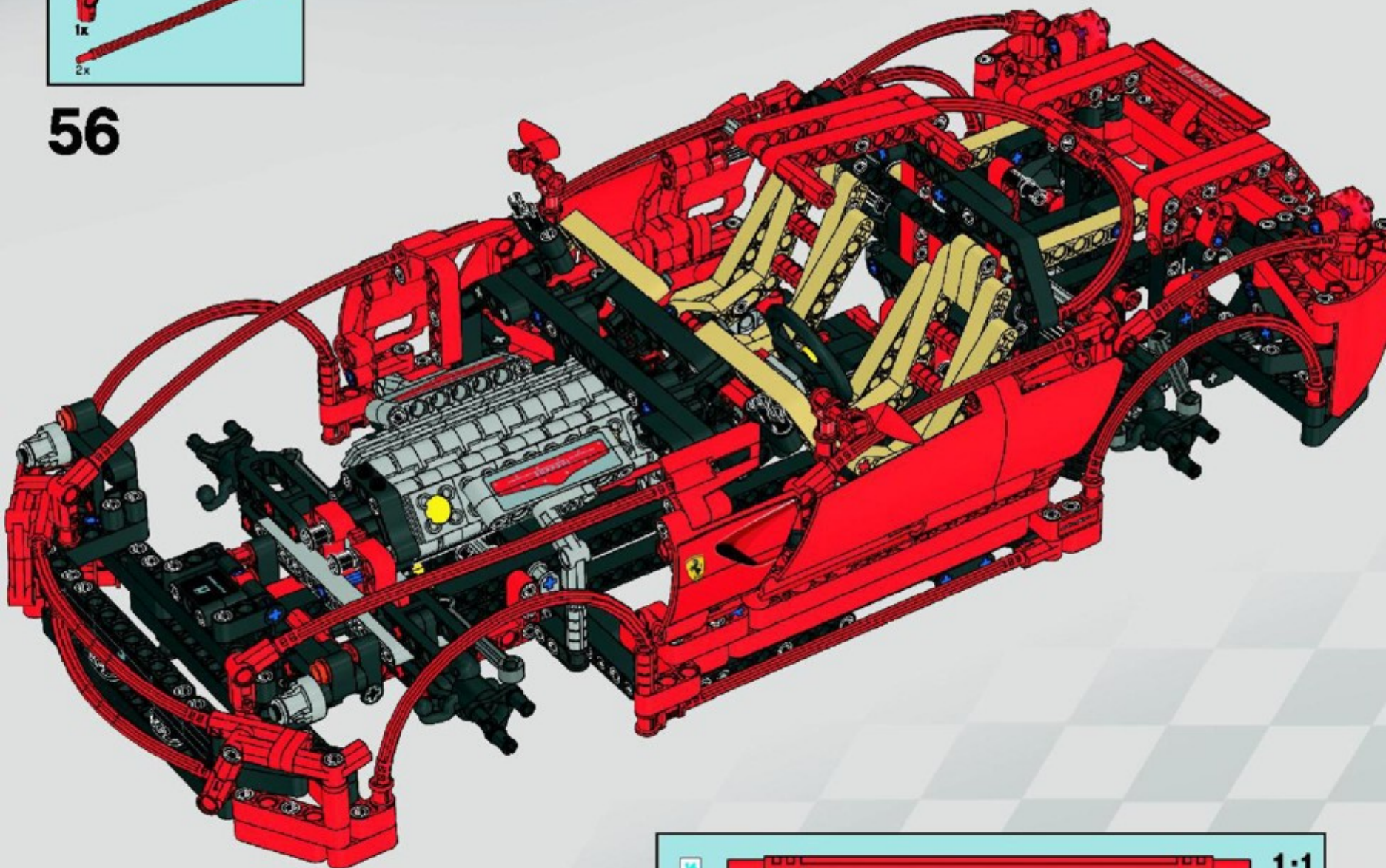


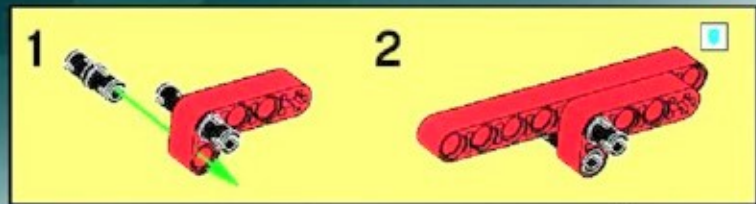
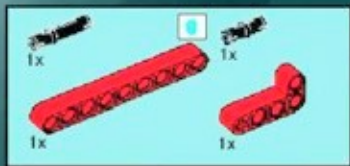
55



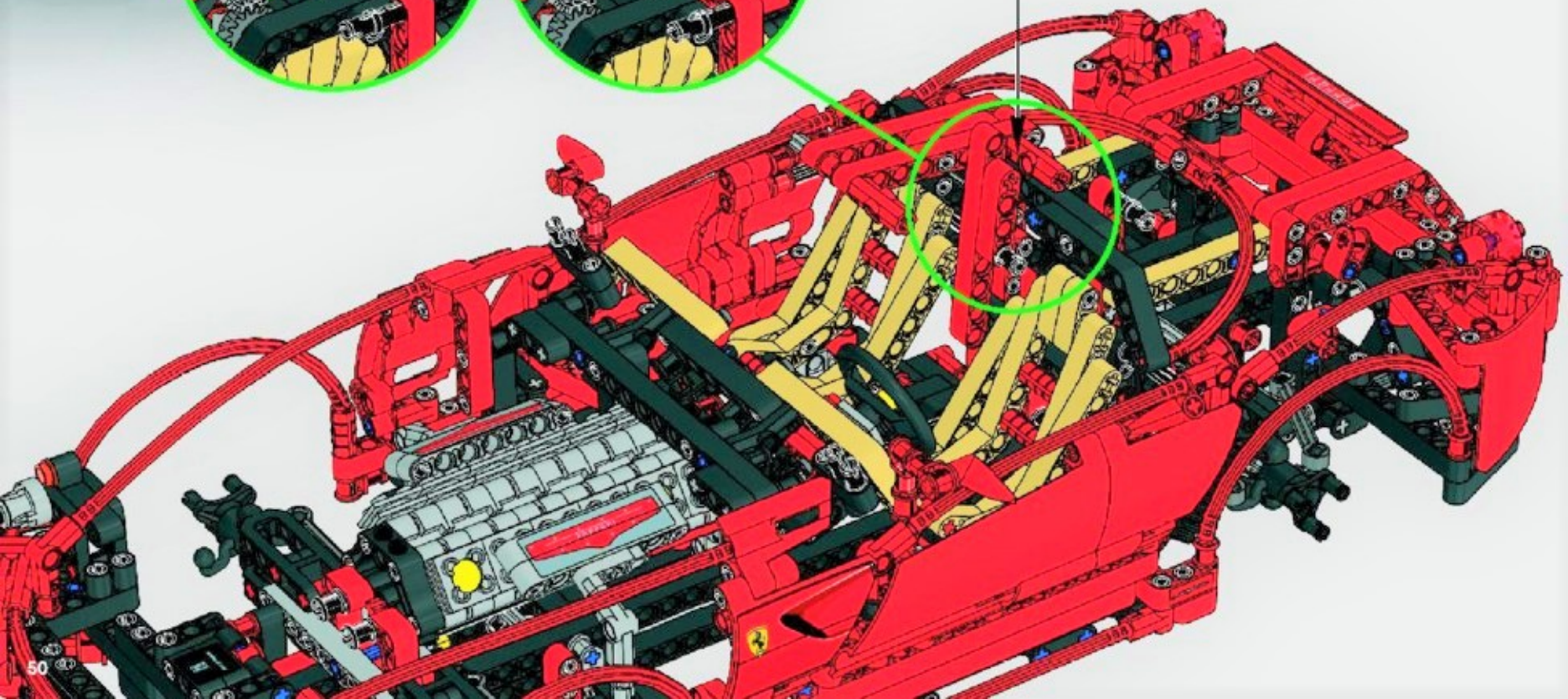
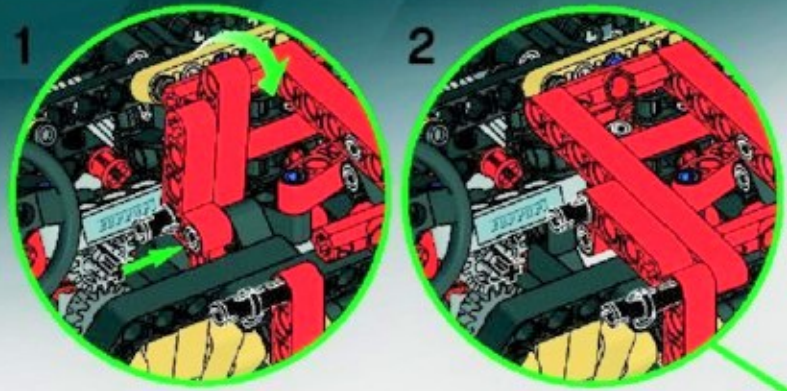


56





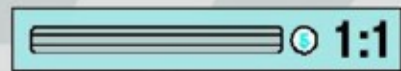
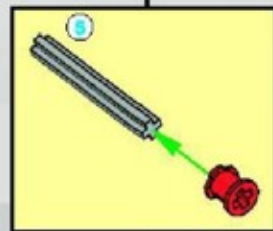
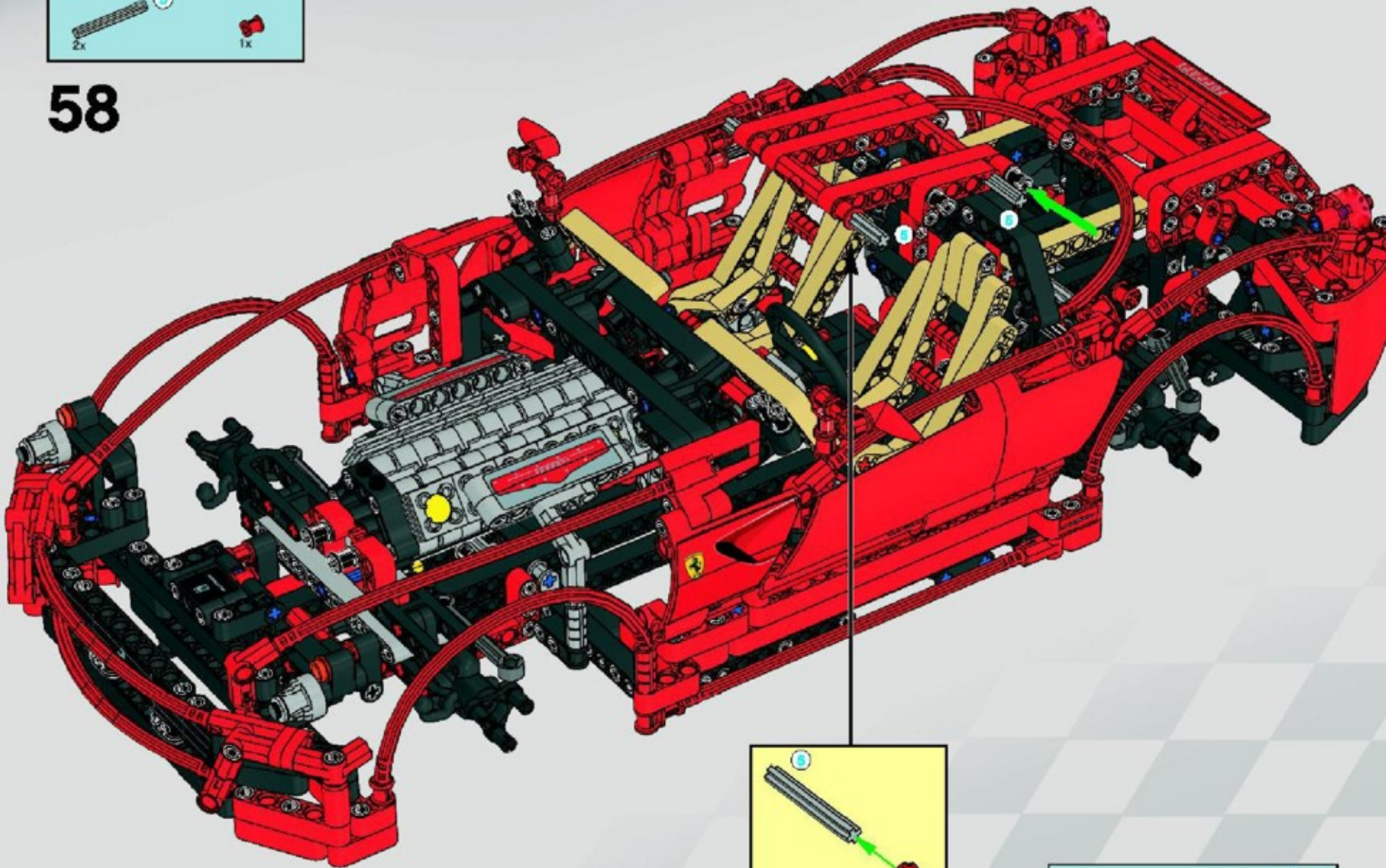
57





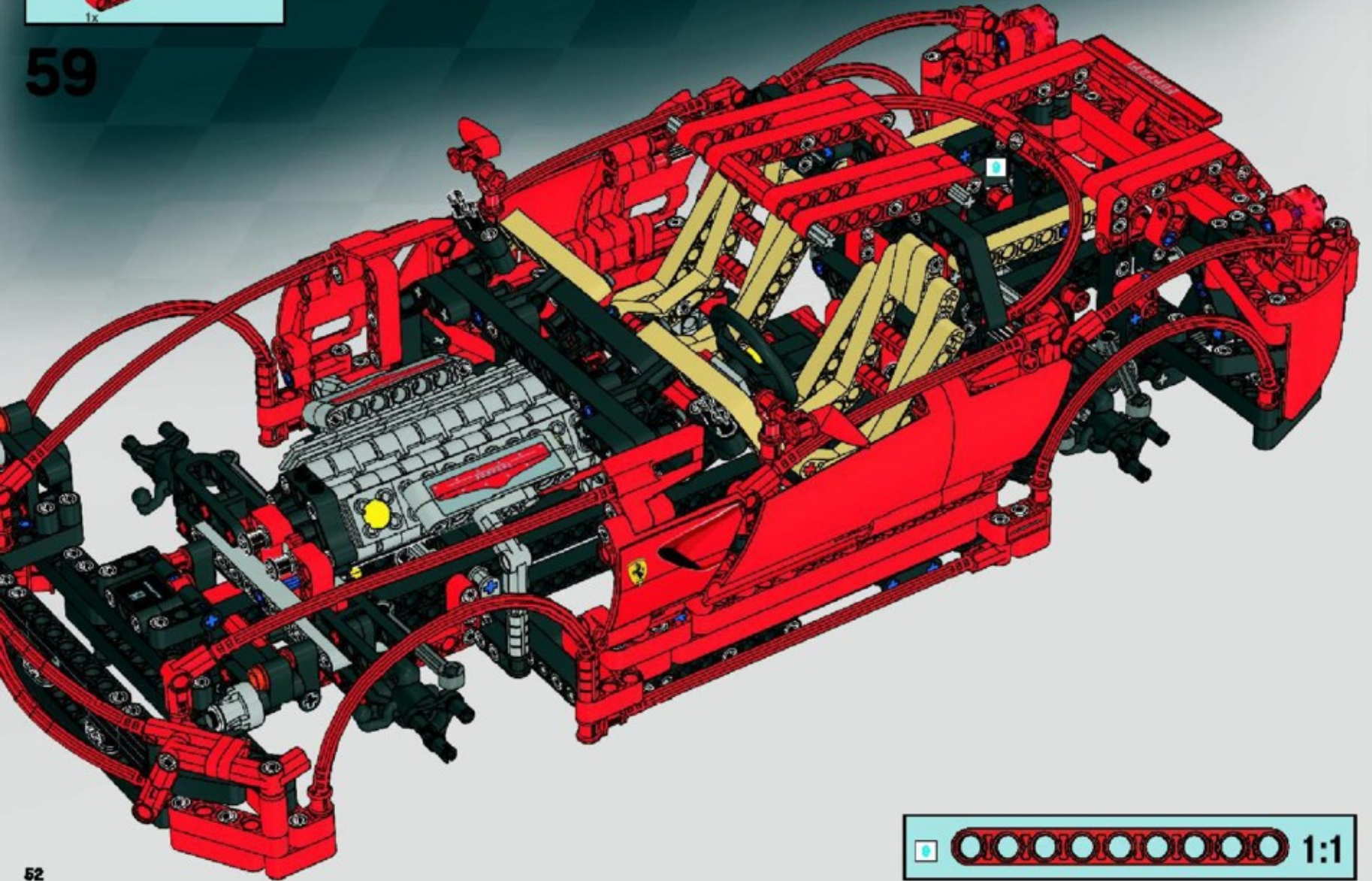


58



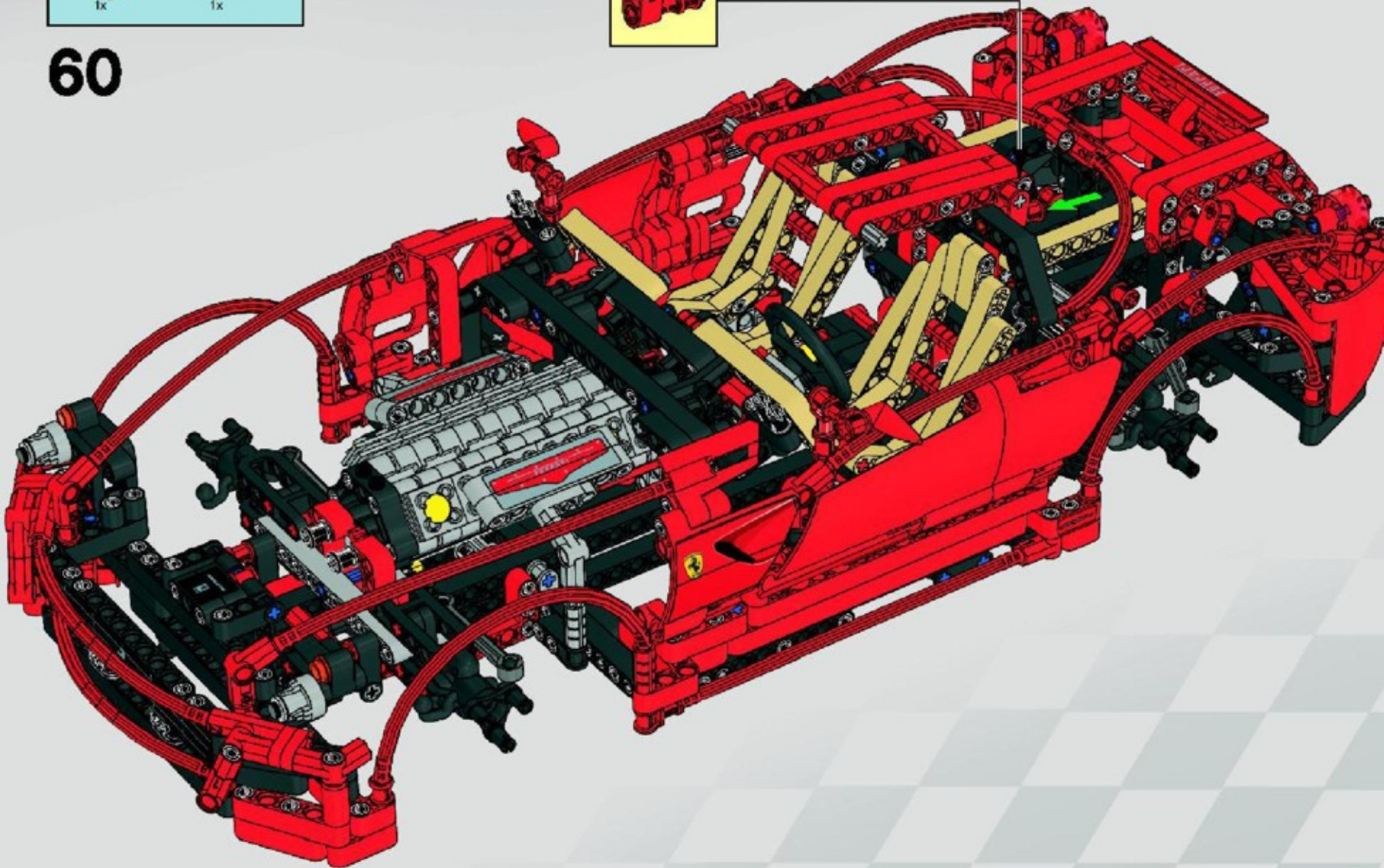
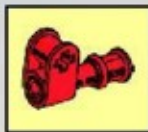


59



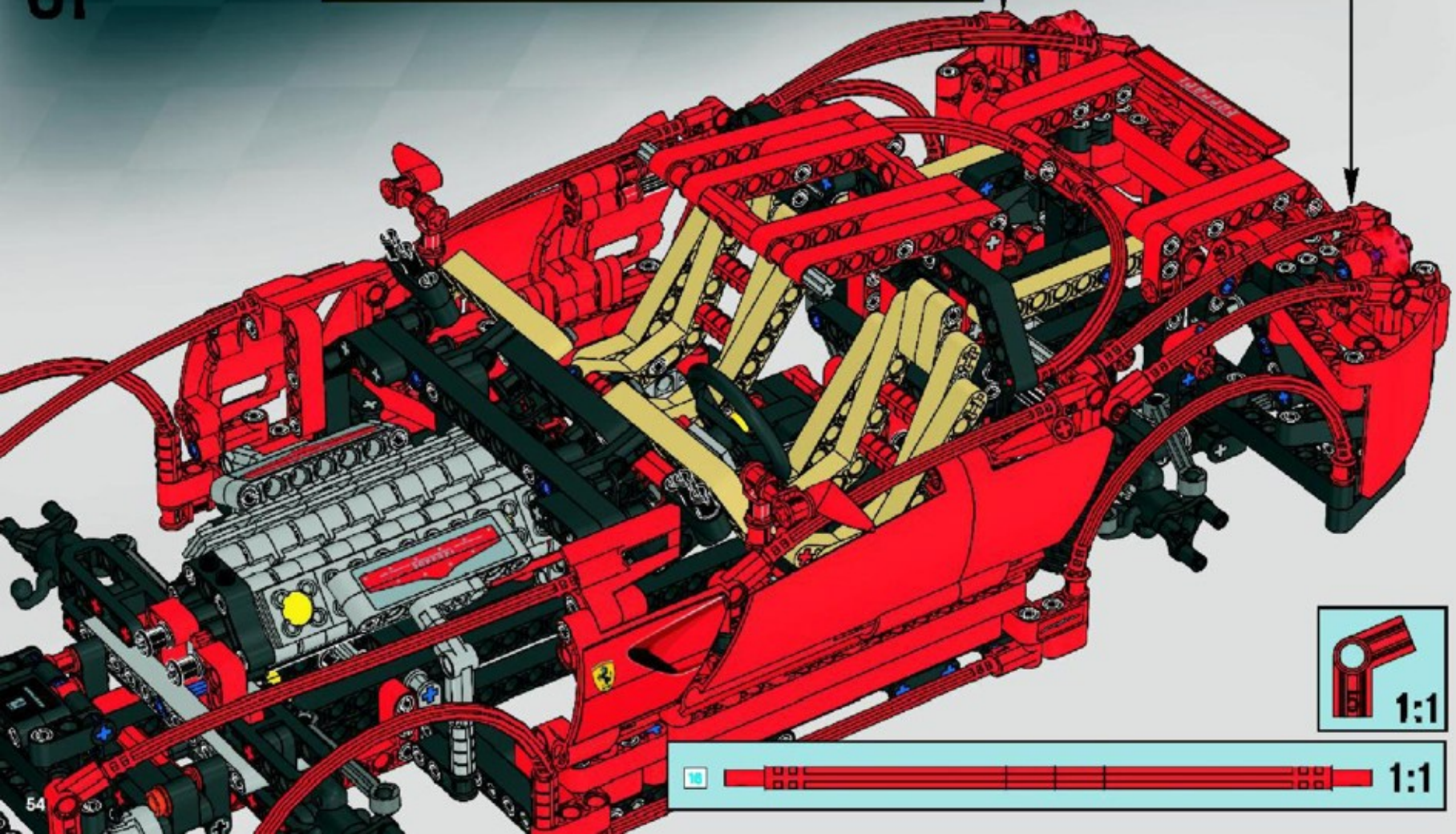
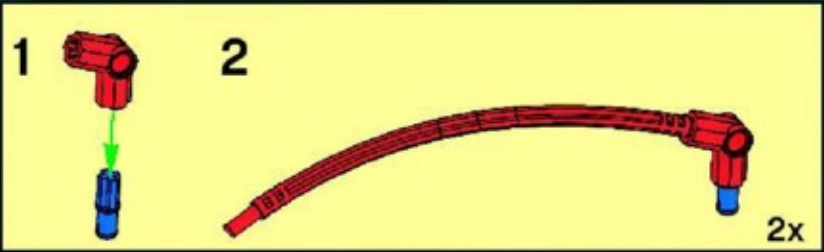


60

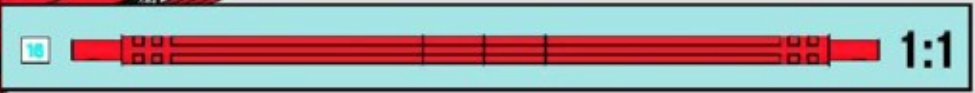




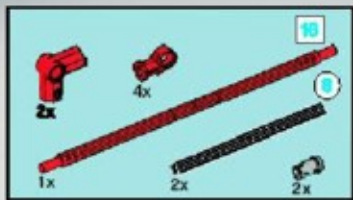
61



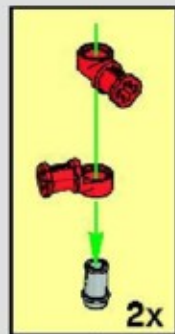
1:1



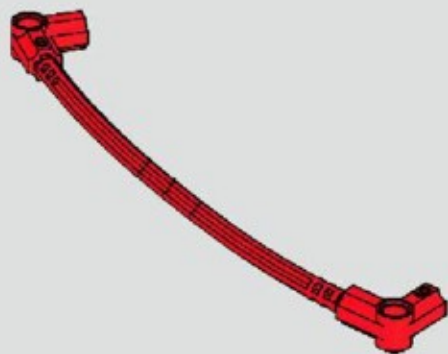
1:1



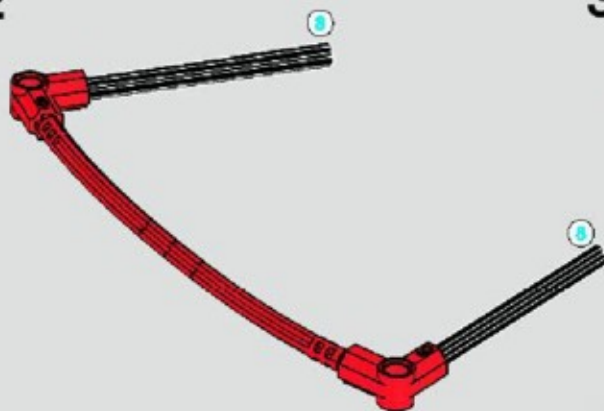
62



1

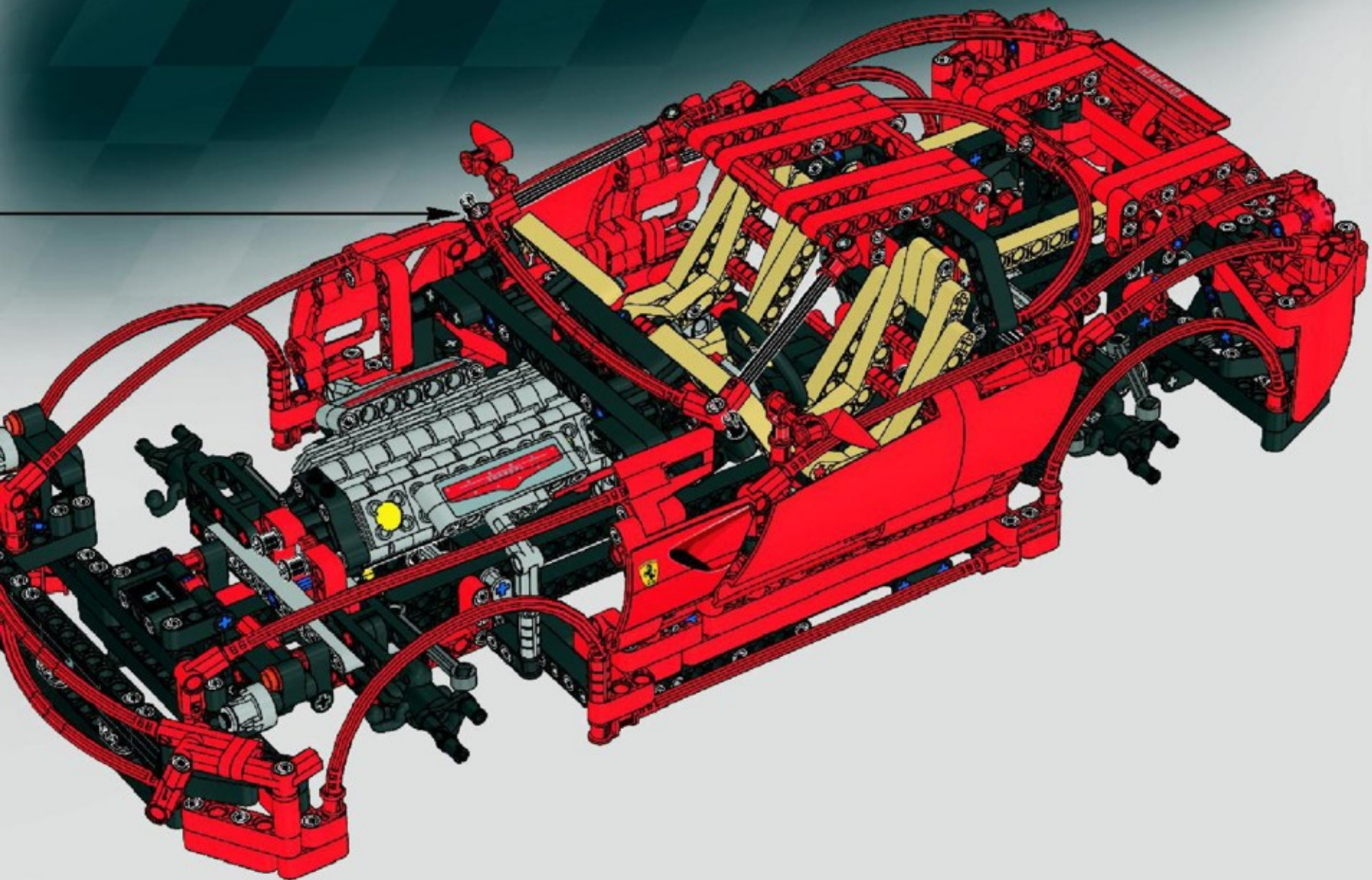


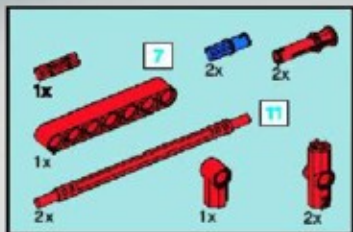
2



3





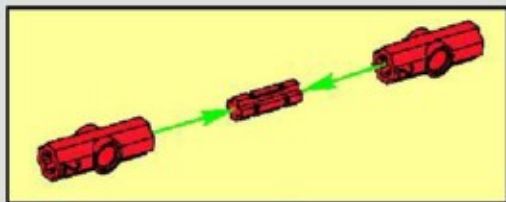


63

1



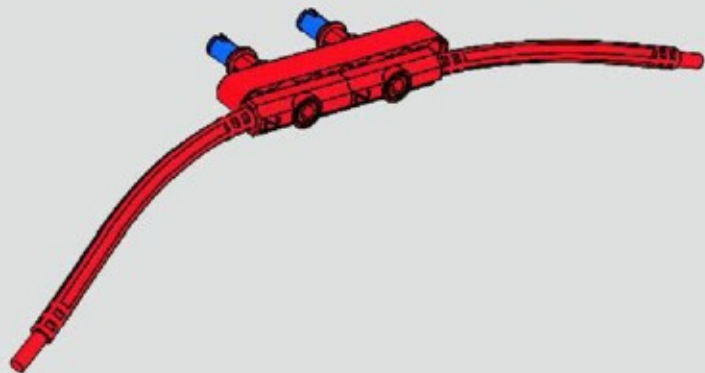
2



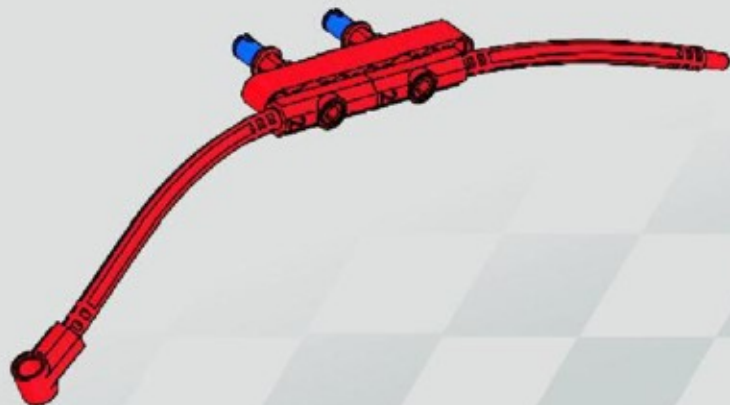
3

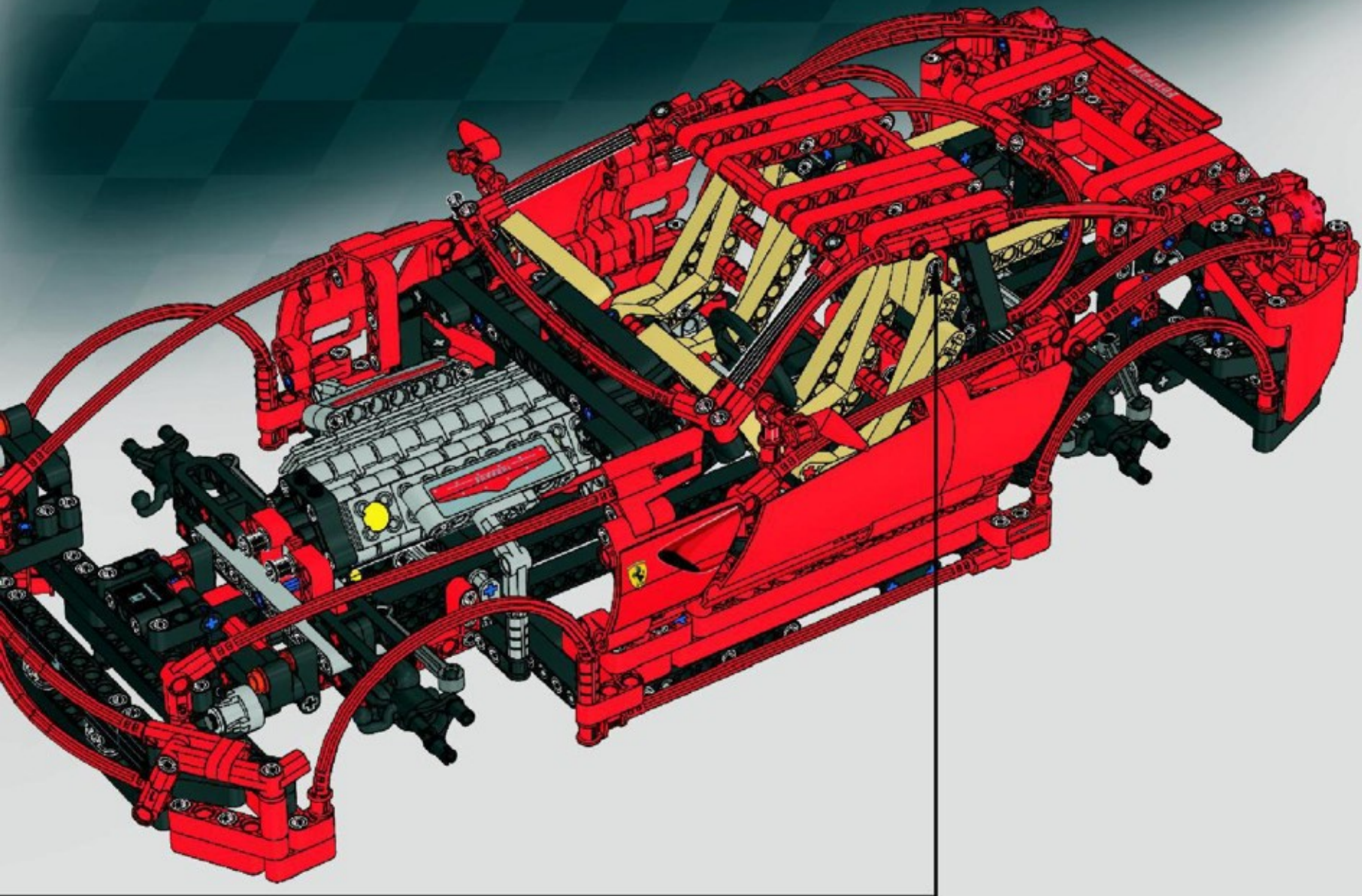


4

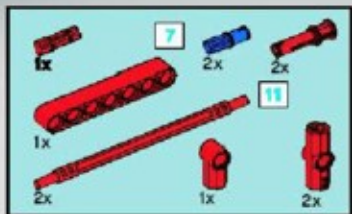


5







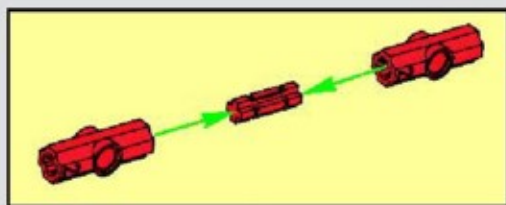


64

1



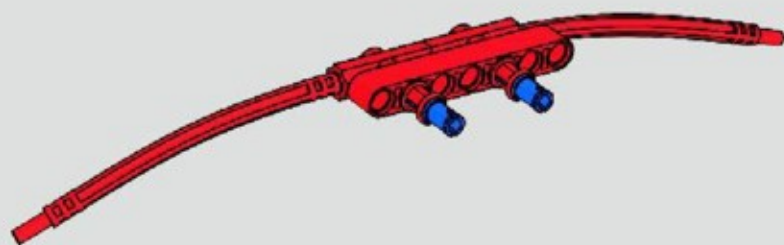
2



3

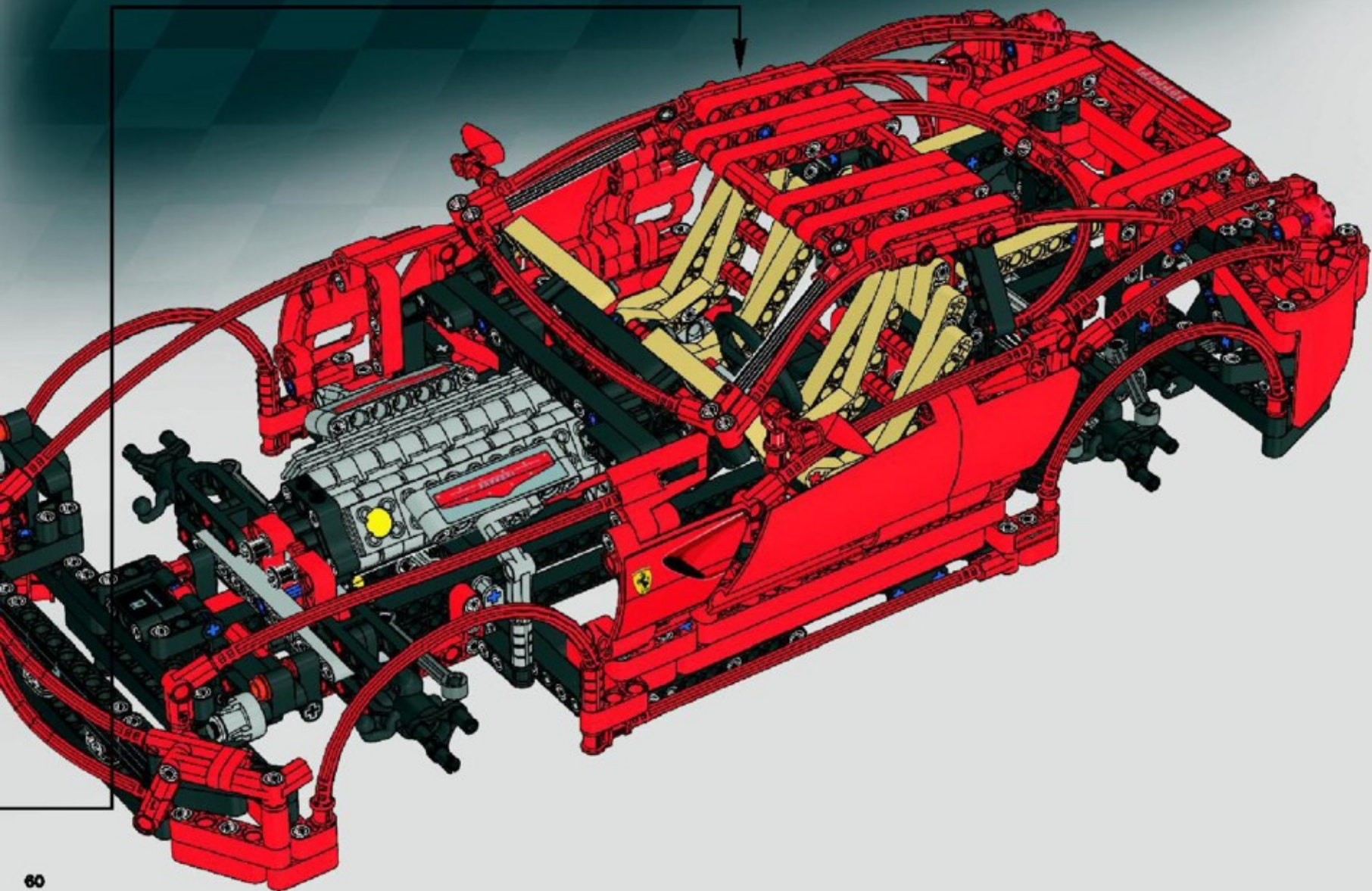


4



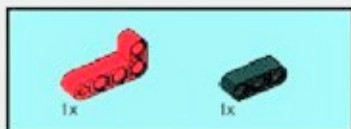
5



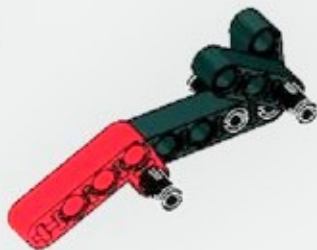




1



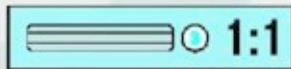
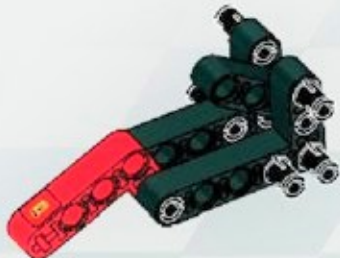
2



3

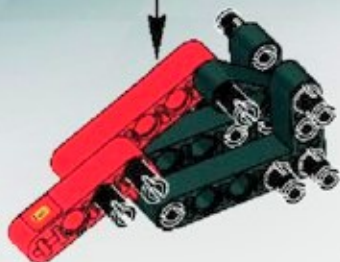


4

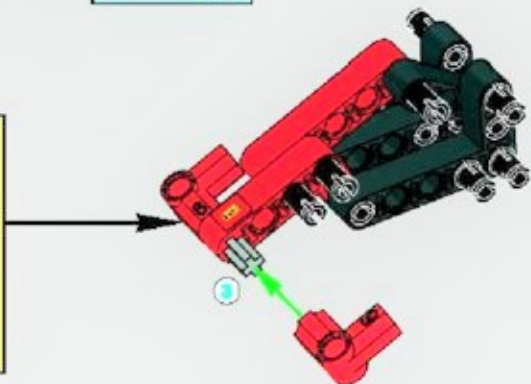
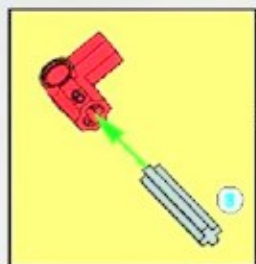




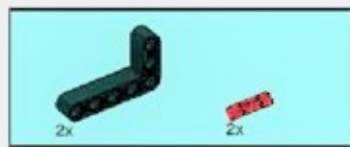
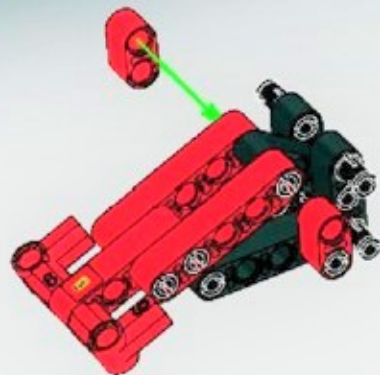
5



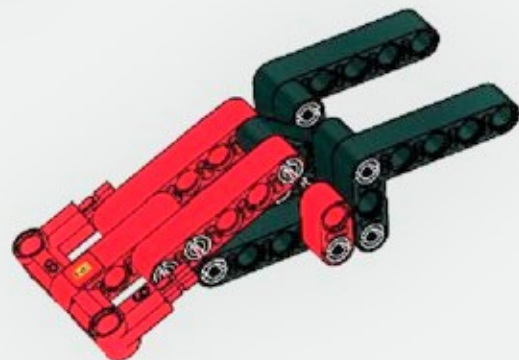
6

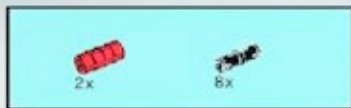


7

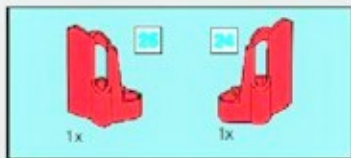
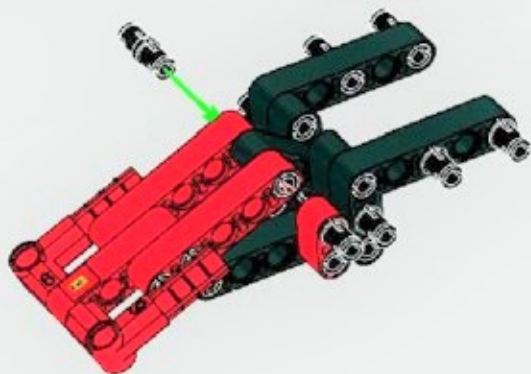


8

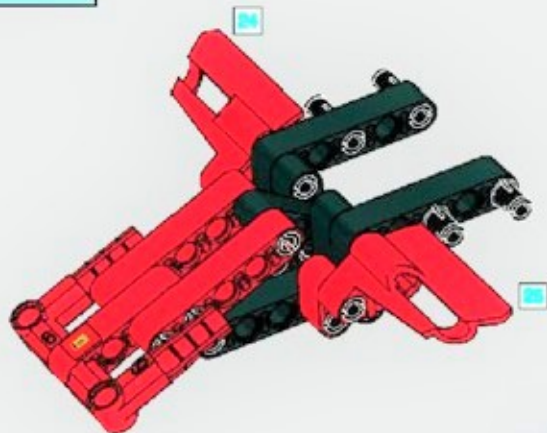




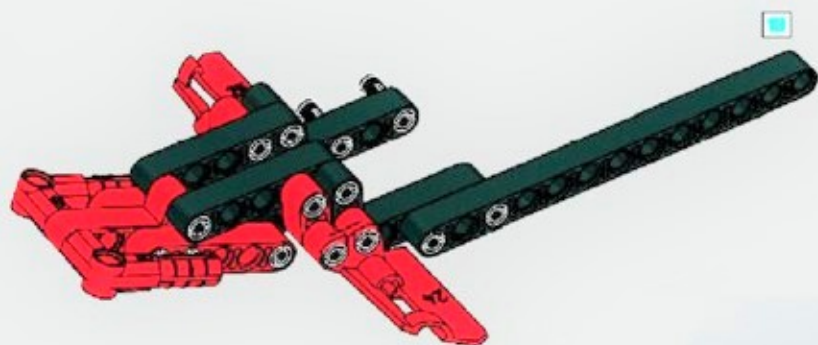
9

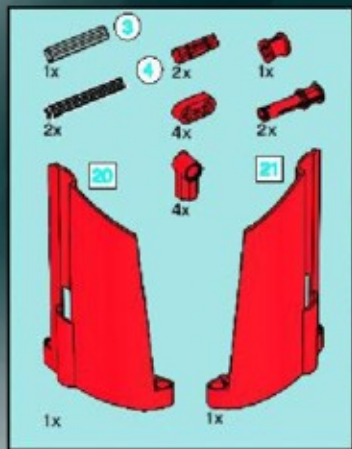


10

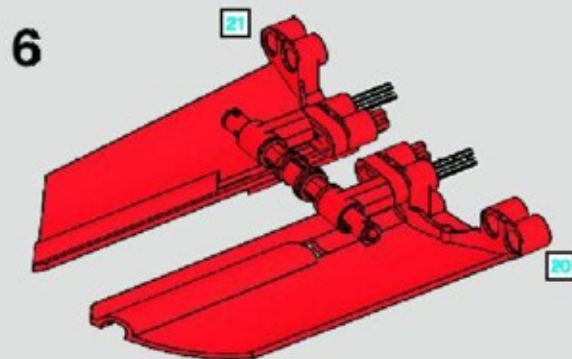
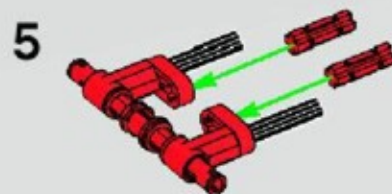
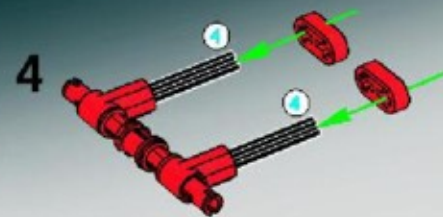


11

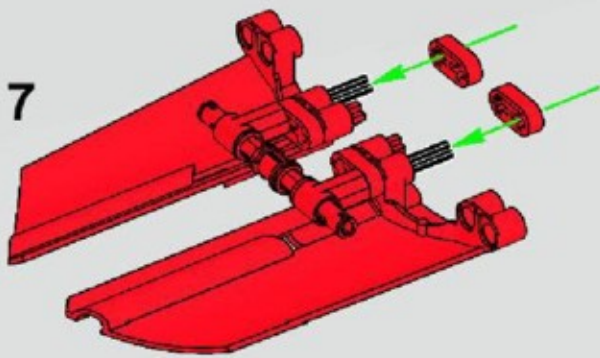




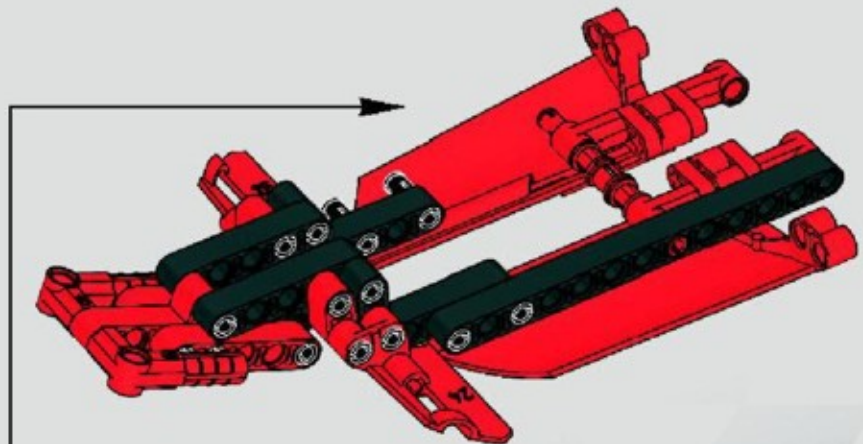
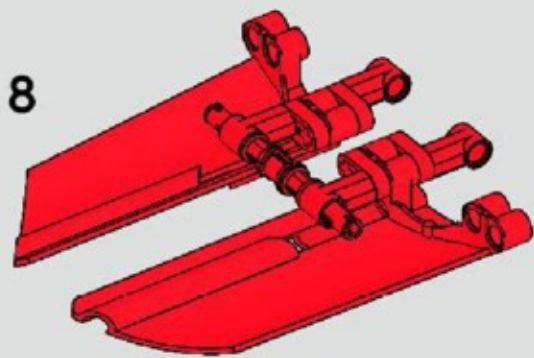
12



7

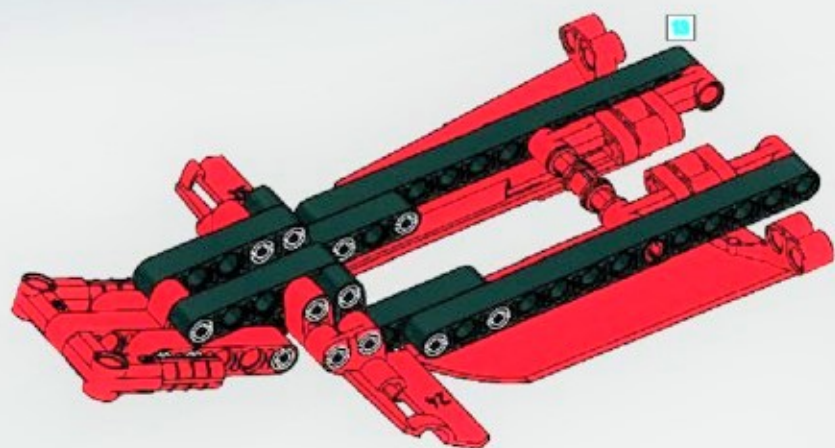


8

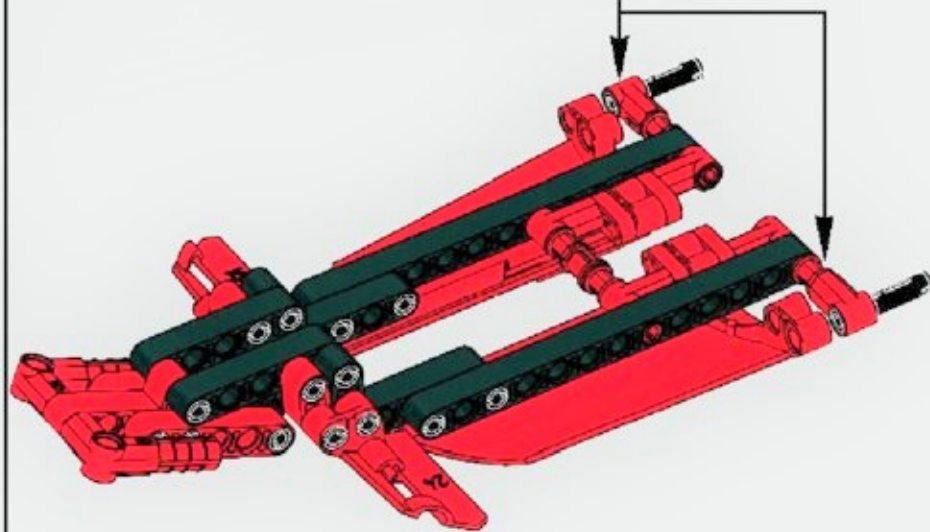
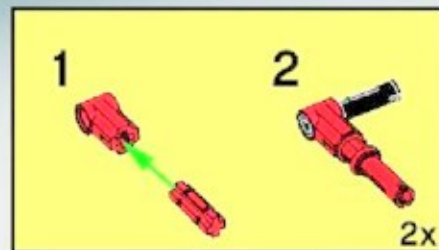




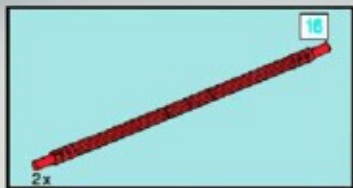
13



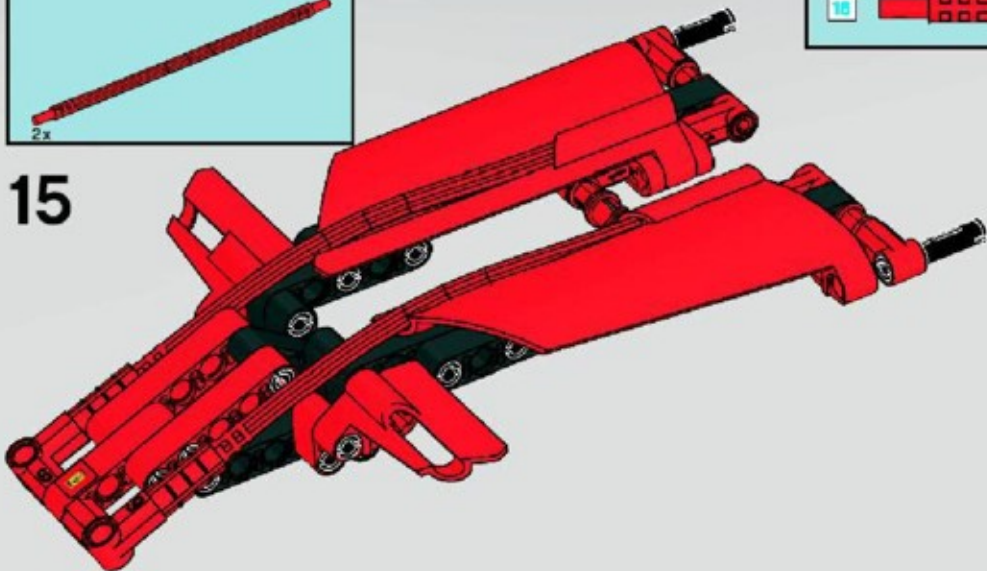
14



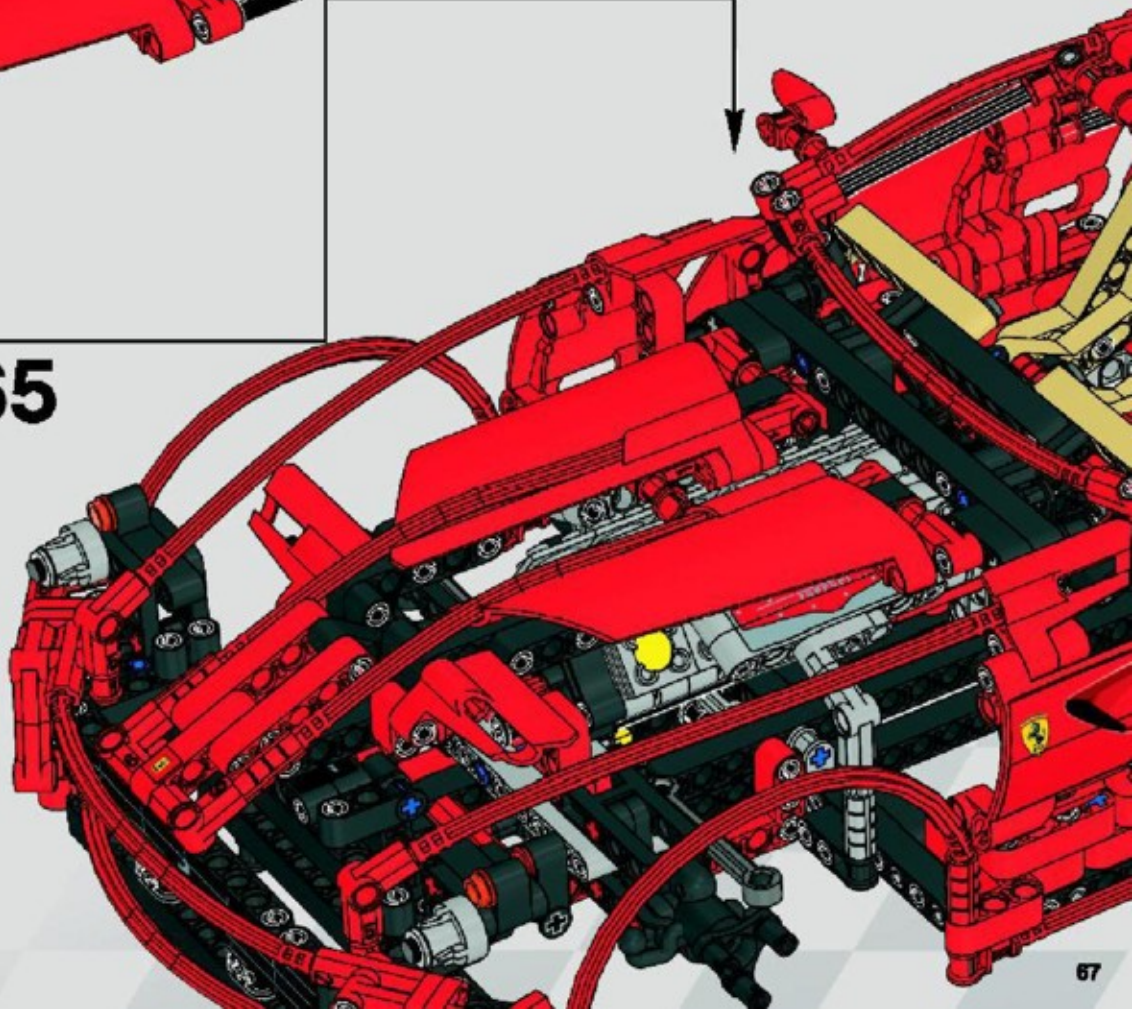




15

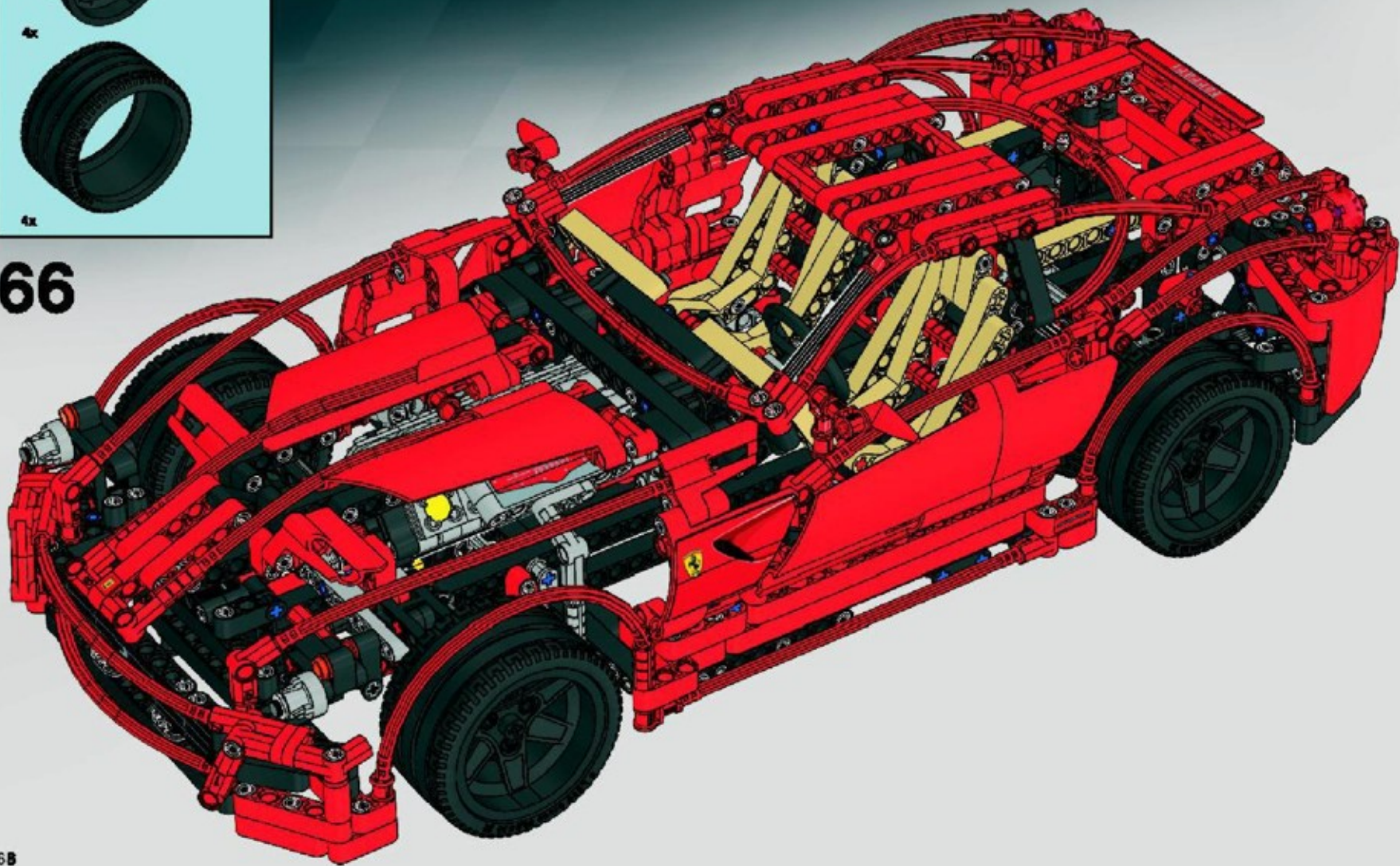


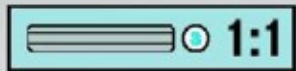
65



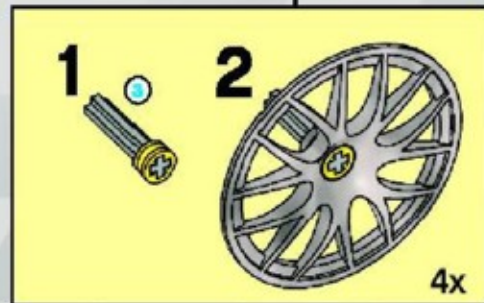
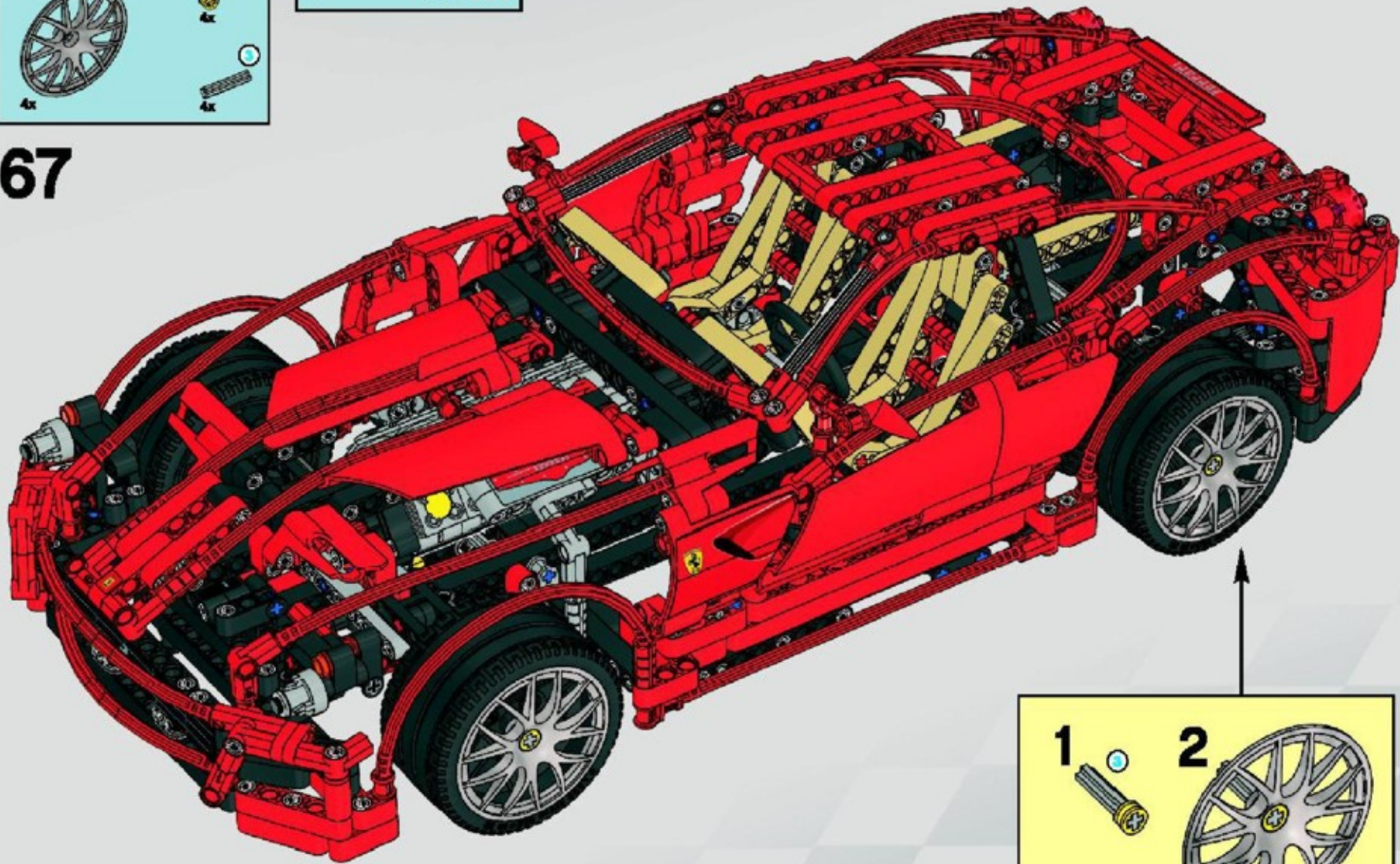


66





67





**RACERS**

**Ferrari**

OFFICIAL LICENSED PRODUCT



**LEGO**

**RACERS**

**Ferrari**

OFFICIAL LICENSED PRODUCT



470 mm/18 inch.

**599 GTB  
FIORANO**

**Engine:**

V12, 620 HP, Max revs 8400 rpm.

**Transmission:**

Gearbox manual or F1, 6 gears + reverse.

**Performance:**

Max speed over 205 mph / 330 km/t.

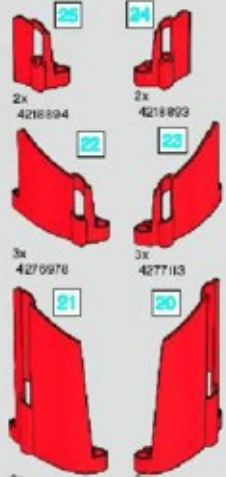
0-62 mph / 0-100 km/t in 3.7 sec.

0-124 mph / 0-200 km/t in 11 sec.

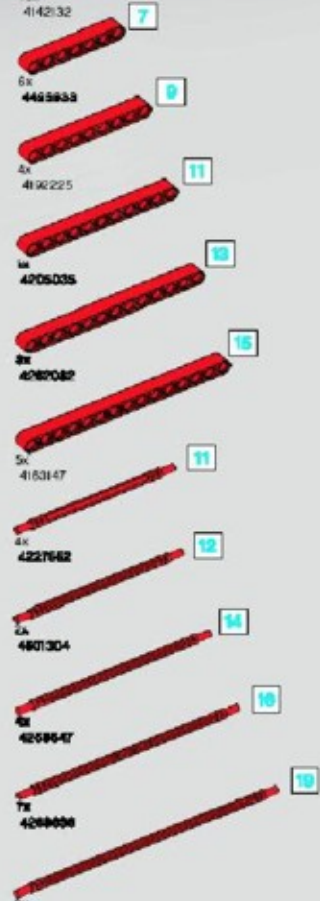


- 2x 4200812
- 3x 4201019
- 2x 3005741
- 2x 3005747
- 4x 3005740
- 78x 4208482
- 1x 614121
- 16x 4227155
- 4x 4204710
- 13x 4188897
- 19x 4142385
- 4x 4185861
- 39x 4254606
- 25x 4234429
- 13x 4227544
- 8x 418913

- 4x 4188897
- 10x 4188897
- 2x 4188897
- 2x 4188897
- 50x 4140806
- 8x 4175442
- 2x 371021
- 20x 4141270
- 10x 4143154
- 4x 4254591
- 1x 418221
- 2x 4218894
- 2x 4218893
- 3x 4276978
- 3x 4277113
- 2x 4277117
- 2x 4277095



- 4x 4188897
- 6x 4107824
- 6x 4185004
- 6x 4153718
- 13x 4142132
- 6x 4468633
- 4x 4192225
- 1x 4705035
- 3x 4287082
- 5x 4183147
- 4x 4227662
- 2x 4801304
- 6x 4259547
- 7x 4268606
- 1x 4227553



- 4x 4400102
- 5x 4210987
- 1x 4237267
- 7x 4211086
- 1x 4211023
- 6x 4211020
- 4x 4500915
- 10x 4239801
- 2x 308924
- 12x 4112203
- 1x 614124
- 1x 4186017
- 4x 4158867
- 6x 4508631
- 2x 4505245
- 4x 4508690





# Win! Gagne! 当たります Gewinne!

## Win LEGO products

We would like to know what you think about your new LEGO product. Log on to the web address below for further instructions.

## Gagne des produits LEGO

Nous aimerions savoir ce que tu penses de ton nouveau produit LEGO. Tu obtiendras davantage d'informations en visitant le site Internet indique ci-dessous.

## Gewinne LEGO produkte

Wir sind sehr an deiner Meinung über dein neues LEGO Produkt interessiert. Gehe einfach zu der unten angegebenen Webadresse – dort findest du weitere Informationen.

## Estimado usuario LEGO

Al contestar algunas preguntas en inglés, francés, alemán o japonés, en el sitio [www.acnielsen.aim.dk/lego](http://www.acnielsen.aim.dk/lego), podrás participar en el sorteo de algunos valiosos premios LEGO.

## Caro Consumidor da LEGO

Ao responder a algumas perguntas em Inglês, Francês, Alemão ou Japonês no endereço [www.acnielsen.aim.dk/lego](http://www.acnielsen.aim.dk/lego) irá participar num concurso para ganhar valiosos prémios da LEGO.

## Kedves ifjú LEGO Vásárló

Ha ellátogatsz a [www.acnielsen.aim.dk/lego](http://www.acnielsen.aim.dk/lego) honlapra és ott angol, francia, német vagy japán nyelven megválaszolsz néhány kérdést, akkor részt veszel egy versenyben, amelyben értékes LEGO díjakat nyerhetsz.


## 抽選でレゴの製品が当たります

私たちは、皆さんがお買い求めのレゴの製品についてどんな感想をお持ちか、知りたいと思っています。質問に答えて、楽しいレゴ製品の抽選に応募しませんか。アンケートの回答には、ほんの3分ほどしかかかりません！詳しくは、以下のウェブアドレスまでアクセスしてください。

[www.acnielsen.aim.dk/LEGO](http://www.acnielsen.aim.dk/LEGO)



Any questions regarding your new LEGO product, please contact:  
Customer Service | Kundenservice | Service Consommateurs  
Servicio Al Consumidor at [www.lego.com/service](http://www.lego.com/service) or dial

 : 00800 5346 5555

 : 1-800-422-5346







# club™

FREE LEGO Magazine • GRATUIT • GRATIS LEGO Magazin



**Join Today!**  
**Abonne-toi**  
**dès aujourd'hui !**  
**Meld je nu aan!**  
**Jetzt anmelden!**



  US & Canada only

1-866-534-6258 / 1-877-518-5346

(en Français)

00800 5346 5555      

[www.LEGOclub.com](http://www.LEGOclub.com)

VISIT THE  
WORLD'S BIGGEST  
LEGO® SHOP!  
[www.LEGOshop.com](http://www.LEGOshop.com)

**LEGO**

**RACERS**

**Ferrari**


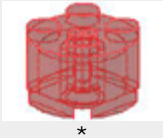


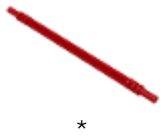






OFFICIAL LICENSED PRODUCT












*8654 Ferrari Scuderia Truck*


















*8673 Ferrari F1 Fuel Stop*
















Image	Qty	Item No	Description	MID
<b>Regular Items:</b>				
<b>Parts:</b>				
	4	<a href="#">x346</a>	<b>Red Bionicle 1 x 3 Tooth with Axle Hole</b> Catalog: <a href="#">Parts: Bionicle</a> 4185661	<a href="#">PG</a>
	2	<a href="#">3941</a>	<b>Trans-Red Brick, Round 2 x 2 with Axle Hole</b> Catalog: <a href="#">Parts: Brick, Round</a> 4260812	<a href="#">PG</a>
	4	<a href="#">78c02</a>	<b>Pearl Light Gray Hose, Ribbed 7mm D. 2L</b> Catalog: <a href="#">Parts: Hose, Ribbed 7mm D.</a> Part Color Code Missing	<a href="#">PG</a>
	4	<a href="#">32199</a>	<b>Red Hose, Soft Axle 11L</b> Catalog: <a href="#">Parts: Hose, Soft Axle</a> 4612557 or 4227552	<a href="#">PG</a>
	2	<a href="#">32200</a>	<b>Red Hose, Soft Axle 12L</b> Catalog: <a href="#">Parts: Hose, Soft Axle</a> 6097866 or 4241518 or 4501304	<a href="#">PG</a>
	4	<a href="#">32201</a>	<b>Red Hose, Soft Axle 14L</b> Catalog: <a href="#">Parts: Hose, Soft Axle</a> 4268647 or 4255547	<a href="#">PG</a>
	7	<a href="#">32202</a>	<b>Red Hose, Soft Axle 16L</b> Catalog: <a href="#">Parts: Hose, Soft Axle</a> 4566049 or 4268636	<a href="#">PG</a>
	9	<a href="#">32235</a>	<b>Red Hose, Soft Axle 19L</b> Catalog: <a href="#">Parts: Hose, Soft Axle</a> 4614802 or 4227553	<a href="#">PG</a>
	3	<a href="#">3023</a>	<b>Trans-Red Plate 1 x 2</b> Catalog: <a href="#">Parts: Plate</a> 6240212 or 622541 or 4201019	<a href="#">PG</a>
	2	<a href="#">3710</a>	<b>Red Plate 1 x 4</b> Catalog: <a href="#">Parts: Plate</a> 371021	<a href="#">PG</a>
	2	<a href="#">4073</a>	<b>Black Plate, Round 1 x 1</b> Catalog: <a href="#">Parts: Plate, Round</a> 614126	<a href="#">PG</a>


+	 *	1	<a href="#">4073</a>	<b>Red Plate, Round 1 x 1</b> Catalog: <a href="#">Parts: Plate, Round</a> 614121	<a href="#">PG</a>
+	 *	4	<a href="#">4073</a>	<b>Trans-Clear Plate, Round 1 x 1</b> Catalog: <a href="#">Parts: Plate, Round</a> 6240030 or 3005740	<a href="#">PG</a>
+	 *	2	<a href="#">4073</a>	<b>Trans-Neon Orange Plate, Round 1 x 1</b> Catalog: <a href="#">Parts: Plate, Round</a> 6240218 or 3005747	<a href="#">PG</a>
+	 *	2	<a href="#">4073</a>	<b>Trans-Red Plate, Round 1 x 1</b> Catalog: <a href="#">Parts: Plate, Round</a> 6208450 or 3005741	<a href="#">PG</a>
+	 *	1	<a href="#">4073</a>	<b>Yellow Plate, Round 1 x 1</b> Catalog: <a href="#">Parts: Plate, Round</a> 614124	<a href="#">PG</a>
+	 *	1	<a href="#">8145stk01</a>	<b>Sticker for Set 8145 - (57860/4508659)</b> Catalog: <a href="#">Parts: Sticker</a> 4508659	<a href="#">PG</a>
+	 *	16	<a href="#">3713</a>	<b>Red Technic Bush</b> Catalog: <a href="#">Parts: Technic</a> 6271820 or 4227155	<a href="#">PG</a>
+	 *	10	<a href="#">4265c</a>	<b>Yellow Technic Bush 1/2 Smooth</b> Catalog: <a href="#">Parts: Technic</a> 6271167 or 4239601 or 3212324	<a href="#">PG</a>
+	 *	2	<a href="#">32187</a>	<b>Light Bluish Gray Technic Driving Ring Extension</b> Catalog: <a href="#">Parts: Technic</a> 4278756	<a href="#">PG</a>
+	 *	12	<a href="#">2852</a>	<b>Light Bluish Gray Technic Engine Connecting Rod</b> Catalog: <a href="#">Parts: Technic</a> 6000018 or 4211379 or 2852194	<a href="#">PG</a>
+	 *	2	<a href="#">2853</a>	<b>Light Bluish Gray Technic Engine Crankshaft</b> Catalog: <a href="#">Parts: Technic</a> 4211609 or 2853194	<a href="#">PG</a>
+	 *	5	<a href="#">2854</a>	<b>Dark Bluish Gray Technic Engine Crankshaft Center</b> Catalog: <a href="#">Parts: Technic</a> 6007058 or 4210987 or 2854199	<a href="#">PG</a>


+	 *	12	<a href="#">2850</a>	<b>Light Bluish Gray Technic Engine Cylinder</b> <a href="#">Catalog: Parts: Technic</a> 4234251	<a href="#">PG</a>
+	 *	12	<a href="#">2851</a>	<b>Yellow Technic Engine Piston Round</b> <a href="#">Catalog: Parts: Technic</a> 285124 or 4112203	<a href="#">PG</a>
+	 *	70	<a href="#">32062</a>	<b>Red Technic, Axle 2 Notched</b> <a href="#">Catalog: Parts: Technic, Axle</a> 4142865	<a href="#">PG</a>
+	 *	52	<a href="#">4519</a>	<b>Light Bluish Gray Technic, Axle 3</b> <a href="#">Catalog: Parts: Technic, Axle</a> 4211815	<a href="#">PG</a>
+	 *	7	<a href="#">6587</a>	<b>Dark Bluish Gray Technic, Axle 3 with Stud</b> <a href="#">Catalog: Parts: Technic, Axle</a> 6129590 or 6587199 or 4211086	<a href="#">PG</a>
+	 *	19	<a href="#">3705</a>	<b>Black Technic, Axle 4</b> <a href="#">Catalog: Parts: Technic, Axle</a> 370526	<a href="#">PG</a>
+	 *	18	<a href="#">32073</a>	<b>Light Bluish Gray Technic, Axle 5</b> <a href="#">Catalog: Parts: Technic, Axle</a> 32073194 or 4211639	<a href="#">PG</a>
+	 *	4	<a href="#">3706</a>	<b>Black Technic, Axle 6</b> <a href="#">Catalog: Parts: Technic, Axle</a> 370626	<a href="#">PG</a>
+	 *	6	<a href="#">44294</a>	<b>Light Bluish Gray Technic, Axle 7</b> <a href="#">Catalog: Parts: Technic, Axle</a> 44294194 or 4211805	<a href="#">PG</a>
+	 *	4	<a href="#">3707</a>	<b>Black Technic, Axle 8</b> <a href="#">Catalog: Parts: Technic, Axle</a> 370726	<a href="#">PG</a>
+	 *	2	<a href="#">3737</a>	<b>Black Technic, Axle 10</b> <a href="#">Catalog: Parts: Technic, Axle</a> 373726	<a href="#">PG</a>
+	 *	2	<a href="#">3708</a>	<b>Black Technic, Axle 12</b> <a href="#">Catalog: Parts: Technic, Axle</a> 370826	<a href="#">PG</a>

+		30	<a href="#">32013</a>	<b>Red Technic, Axle and Pin Connector Angled #1</b> Catalog: <a href="#">Parts: Technic, Connector</a> 4190216 or 4119033 or 4254606	<a href="#">PG</a>
+		21	<a href="#">32034</a>	<b>Red Technic, Axle and Pin Connector Angled #2 - 180 degrees</b> Catalog: <a href="#">Parts: Technic, Connector</a> 4234429	<a href="#">PG</a>
+		2	<a href="#">32016</a>	<b>Black Technic, Axle and Pin Connector Angled #3 - 157.5 degrees</b> Catalog: <a href="#">Parts: Technic, Connector</a> 6261386 or 4107082	<a href="#">PG</a>
+		2	<a href="#">32015</a>	<b>Light Bluish Gray Technic, Axle and Pin Connector Angled #5 - 112.5 degrees</b> Catalog: <a href="#">Parts: Technic, Connector</a> 6271347 or 4211551	<a href="#">PG</a>
+		13	<a href="#">32015</a>	<b>Red Technic, Axle and Pin Connector Angled #5 - 112.5 degrees</b> Catalog: <a href="#">Parts: Technic, Connector</a> 4125197 or 4227544	<a href="#">PG</a>
+		8	<a href="#">32014</a>	<b>Red Technic, Axle and Pin Connector Angled #6 - 90 degrees</b> Catalog: <a href="#">Parts: Technic, Connector</a> 6268922 or 4125195 or 4189131	<a href="#">PG</a>
+		17	<a href="#">6536</a>	<b>Black Technic, Axle and Pin Connector Perpendicular</b> Catalog: <a href="#">Parts: Technic, Connector</a> 6261371 or 4173668 or 653626	<a href="#">PG</a>
+		24	<a href="#">6536</a>	<b>Red Technic, Axle and Pin Connector Perpendicular</b> Catalog: <a href="#">Parts: Technic, Connector</a> 6261373 or 4118881 or 4188298	<a href="#">PG</a>
+		20	<a href="#">42003</a>	<b>Black Technic, Axle and Pin Connector Perpendicular 3L with 2 Pin Holes</b> Catalog: <a href="#">Parts: Technic, Connector</a> 6273708 or 4200326 or 4173970	<a href="#">PG</a>
+		8	<a href="#">42003</a>	<b>Red Technic, Axle and Pin Connector Perpendicular 3L with 2 Pin Holes</b> Catalog: <a href="#">Parts: Technic, Connector</a> 6273712 or 4175442	<a href="#">PG</a>
+		12	<a href="#">32184</a>	<b>Black Technic, Axle and Pin Connector Perpendicular 3L with Center Pin Hole</b> Catalog: <a href="#">Parts: Technic, Connector</a> 6276951 or 4121667	<a href="#">PG</a>
+		13	<a href="#">32184</a>	<b>Light Bluish Gray Technic, Axle and Pin Connector Perpendicular 3L with Center Pin Hole</b> Catalog: <a href="#">Parts: Technic, Connector</a> 6276969 or 4211621	<a href="#">PG</a>


+	 *	2	<a href="#">32291</a>	<b>Black Technic, Axle and Pin Connector Perpendicular Double</b> <a href="#">Catalog: Parts: Technic, Connector</a> 6280394 or 4140430	<a href="#">PG</a>
+	 *	2	<a href="#">41678</a>	<b>Black Technic, Axle and Pin Connector Perpendicular Double Split</b> <a href="#">Catalog: Parts: Technic, Connector</a> 4162857	<a href="#">PG</a>
+	 *	4	<a href="#">44</a>	<b>Red Technic, Axle and Pin Connector Toggle Joint Smooth</b> <a href="#">Catalog: Parts: Technic, Connector</a> 4614799 or 4204710	<a href="#">PG</a>
+	 *	12	<a href="#">6538b</a>	<b>Light Bluish Gray Technic, Axle Connector 2L (Ridged with x Hole x Orientation)</b> <a href="#">Catalog: Parts: Technic, Connector</a> 4211543	<a href="#">PG</a>
+	 *	10	<a href="#">6538b</a>	<b>Red Technic, Axle Connector 2L (Ridged with x Hole x Orientation)</b> <a href="#">Catalog: Parts: Technic, Connector</a> 4125189	<a href="#">PG</a>
+	 *	7	<a href="#">32039</a>	<b>Black Technic, Axle Connector with Axle Hole</b> <a href="#">Catalog: Parts: Technic, Connector</a> 3203926 or 4107081	<a href="#">PG</a>
+	 *	13	<a href="#">32039</a>	<b>Red Technic, Axle Connector with Axle Hole</b> <a href="#">Catalog: Parts: Technic, Connector</a> 4118897	<a href="#">PG</a>
+	 *	78	<a href="#">43093</a>	<b>Blue Technic, Axle Pin with Friction Ridges Lengthwise</b> <a href="#">Catalog: Parts: Technic, Axle</a> 4309323 or 4206482	<a href="#">PG</a>
+	 *	1	<a href="#">3749</a>	<b>Tan Technic, Axle Pin without Friction Ridges Lengthwise</b> <a href="#">Catalog: Parts: Technic, Axle</a> 4666579 or 65625 or 4186017	<a href="#">PG</a>
+	 *	2	<a href="#">32000</a>	<b>Black Technic, Brick 1 x 2 with Holes</b> <a href="#">Catalog: Parts: Technic, Brick</a> 3200026	<a href="#">PG</a>
+	 *	1	<a href="#">3647</a>	<b>Light Bluish Gray Technic, Gear 8 Tooth Type 1</b> <a href="#">Catalog: Parts: Technic, Gear</a> 3647194 or 4211432	<a href="#">PG</a>
+	 *	4	<a href="#">6589</a>	<b>Light Bluish Gray Technic, Gear 12 Tooth Bevel</b> <a href="#">Catalog: Parts: Technic, Gear</a> 4565450 or 6589194 or 4211539	<a href="#">PG</a>


+	 *	2	<a href="#">32270</a>	<b>Light Bluish Gray Technic, Gear 12 Tooth Double Bevel</b>	<a href="#">PG</a>
		<a href="#">Catalog: Parts: Technic, Gear</a> 32270194 or 4211634			


+	 *	2	<a href="#">4019</a>	<b>Light Bluish Gray Technic, Gear 16 Tooth (First Version - 4 Round Holes)</b>	<a href="#">PG</a>
		<a href="#">Catalog: Parts: Technic, Gear</a> 4562487 or 4211563 or 4019194			

+	 *	1	<a href="#">6542</a>	<b>Dark Bluish Gray Technic, Gear 16 Tooth with Clutch</b>	<a href="#">PG</a>
		<a href="#">Catalog: Parts: Technic, Gear</a> 6542199 or 4237267			

+	 *	1	<a href="#">32269</a>	<b>Light Bluish Gray Technic, Gear 20 Tooth Double Bevel</b>	<a href="#">PG</a>
		<a href="#">Catalog: Parts: Technic, Gear</a> 32269194 or 4211635			

+	 *	1	<a href="#">6573</a>	<b>Dark Bluish Gray Technic, Gear Differential, 24-16 Teeth</b>	<a href="#">PG</a>
		<a href="#">Catalog: Parts: Technic, Gear</a> 6573199 or 4211023			


+	 *	2	<a href="#">3743</a>	<b>Black Technic, Gear Rack 1 x 4</b>	<a href="#">PG</a>
		<a href="#">Catalog: Parts: Technic, Gear</a> 4205760			

+	 *	1	<a href="#">6630</a>	<b>Black Technic, Gear Rack 1 x 8 with Holes</b>	<a href="#">PG</a>
		<a href="#">Catalog: Parts: Technic, Gear</a> 4275503			

+	 *	6	<a href="#">43857</a>	<b>Red Technic, Liftarm 1 x 2 Thick</b>	<a href="#">PG</a>
		<a href="#">Catalog: Parts: Technic, Liftarm</a> 4185664			

+	 *	4	<a href="#">41677</a>	<b>Black Technic, Liftarm 1 x 2 Thin</b>	<a href="#">PG</a>
		<a href="#">Catalog: Parts: Technic, Liftarm</a> 4167726 or 4164133			

+	 *	20	<a href="#">41677</a>	<b>Red Technic, Liftarm 1 x 2 Thin</b>	<a href="#">PG</a>
		<a href="#">Catalog: Parts: Technic, Liftarm</a> 4186678			













+	 *	7	<a href="#">32523</a>	<b>Black Technic, Liftarm 1 x 3 Thick</b>	<a href="#">PG</a>
		<a href="#">Catalog: Parts: Technic, Liftarm</a> 3252326 or 4142822			













+	 *	6	<a href="#">32523</a>	<b>Red Technic, Liftarm 1 x 3 Thick</b>	<a href="#">PG</a>
		<a href="#">Catalog: Parts: Technic, Liftarm</a> 4153718			





+	 *	4	<a href="#">32523</a>	<b>Tan Technic, Liftarm 1 x 3 Thick</b> Catalog: <a href="#">Parts: Technic, Liftarm</a> 6124173 or 4158867	<a href="#">PG</a>
+	 *	6	<a href="#">6632</a>	<b>Red Technic, Liftarm 1 x 3 Thin</b> Catalog: <a href="#">Parts: Technic, Liftarm</a> 4107824	<a href="#">PG</a>
+	 *	2	<a href="#">33299</a>	<b>Light Bluish Gray Technic, Liftarm 1 x 3 with 2 Axle Holes and Pin / Crank</b> Catalog: <a href="#">Parts: Technic, Liftarm</a> 4563045 or 4211688	<a href="#">PG</a>
+	 *	6	<a href="#">32316</a>	<b>Black Technic, Liftarm 1 x 5 Thick</b> Catalog: <a href="#">Parts: Technic, Liftarm</a> 4142135	<a href="#">PG</a>
+	 *	1	<a href="#">32316</a>	<b>Light Bluish Gray Technic, Liftarm 1 x 5 Thick</b> Catalog: <a href="#">Parts: Technic, Liftarm</a> 4211651	<a href="#">PG</a>
+	 *	13	<a href="#">32316</a>	<b>Red Technic, Liftarm 1 x 5 Thick</b> Catalog: <a href="#">Parts: Technic, Liftarm</a> 4142132	<a href="#">PG</a>
+	 *	4	<a href="#">32348</a>	<b>Black Technic, Liftarm 1 x 7 Bent (4 - 4) Thick</b> Catalog: <a href="#">Parts: Technic, Liftarm</a> 6278125 or 4128593	<a href="#">PG</a>
+	 *	7	<a href="#">32524</a>	<b>Black Technic, Liftarm 1 x 7 Thick</b> Catalog: <a href="#">Parts: Technic, Liftarm</a> 3252426 or 4495935 or 4155458	<a href="#">PG</a>
+	 *	4	<a href="#">32524</a>	<b>Light Bluish Gray Technic, Liftarm 1 x 7 Thick</b> Catalog: <a href="#">Parts: Technic, Liftarm</a> 4495930	<a href="#">PG</a>
+	 *	6	<a href="#">32524</a>	<b>Red Technic, Liftarm 1 x 7 Thick</b> Catalog: <a href="#">Parts: Technic, Liftarm</a> 4162098 or 4495933	<a href="#">PG</a>
+	 *	4	<a href="#">6629</a>	<b>Black Technic, Liftarm 1 x 9 Bent (6 - 4) Thick</b> Catalog: <a href="#">Parts: Technic, Liftarm</a> 6279881 or 4112282	<a href="#">PG</a>
+	 *	4	<a href="#">6629</a>	<b>Red Technic, Liftarm 1 x 9 Bent (6 - 4) Thick</b> Catalog: <a href="#">Parts: Technic, Liftarm</a> 6279884 or 4112280 or 4254591	<a href="#">PG</a>


+	 *	6	<a href="#">32271</a>	<b>Tan Technic, Liftarm 1 x 9 Bent (7 - 3) Thick</b> Catalog: <a href="#">Parts: Technic, Liftarm</a> 4508691	<a href="#">PG</a>
+	 *	7	<a href="#">40490</a>	<b>Black Technic, Liftarm 1 x 9 Thick</b> Catalog: <a href="#">Parts: Technic, Liftarm</a> 4049026 or 4542788 or 4645732 or 4154767	<a href="#">PG</a>
+	 *	4	<a href="#">40490</a>	<b>Red Technic, Liftarm 1 x 9 Thick</b> Catalog: <a href="#">Parts: Technic, Liftarm</a> 4645733 or 4192225	<a href="#">PG</a>
+	 *	2	<a href="#">40490</a>	<b>Tan Technic, Liftarm 1 x 9 Thick</b> Catalog: <a href="#">Parts: Technic, Liftarm</a> 6028106 or 4505246	<a href="#">PG</a>
+	 *	5	<a href="#">32525</a>	<b>Black Technic, Liftarm 1 x 11 Thick</b> Catalog: <a href="#">Parts: Technic, Liftarm</a> 6029578 or 3252526 or 4534909 or 4156150	<a href="#">PG</a>
+	 *	2	<a href="#">32525</a>	<b>Light Bluish Gray Technic, Liftarm 1 x 11 Thick</b> Catalog: <a href="#">Parts: Technic, Liftarm</a> 4156151 or 4534910 or 4611705	<a href="#">PG</a>
+	 *	1	<a href="#">32525</a>	<b>Red Technic, Liftarm 1 x 11 Thick</b> Catalog: <a href="#">Parts: Technic, Liftarm</a> 4534913 or 4562805 or 4205035	<a href="#">PG</a>
+	 *	8	<a href="#">41239</a>	<b>Black Technic, Liftarm 1 x 13 Thick</b> Catalog: <a href="#">Parts: Technic, Liftarm</a> 4123926 or 4164422 or 4522933	<a href="#">PG</a>
+	 *	3	<a href="#">41239</a>	<b>Red Technic, Liftarm 1 x 13 Thick</b> Catalog: <a href="#">Parts: Technic, Liftarm</a> 4522938 or 4262082	<a href="#">PG</a>
+	 *	18	<a href="#">32278</a>	<b>Black Technic, Liftarm 1 x 15 Thick</b> Catalog: <a href="#">Parts: Technic, Liftarm</a> 4542573 or 4128603	<a href="#">PG</a>
+	 *	5	<a href="#">32278</a>	<b>Red Technic, Liftarm 1 x 15 Thick</b> Catalog: <a href="#">Parts: Technic, Liftarm</a> 4542575 or 4163147	<a href="#">PG</a>
+	 *	6	<a href="#">32009</a>	<b>Black Technic, Liftarm 1 x 11.5 Double Bent Thick</b> Catalog: <a href="#">Parts: Technic, Liftarm</a> 6271152 or 4111998	<a href="#">PG</a>


+	 *	4	<a href="#">32009</a>	<b>Tan Technic, Liftarm 1 x 11.5 Double Bent Thick</b>	<a href="#">PG</a>
Catalog: <a href="#">Parts: Technic, Liftarm</a> 4140563 or 4508690					
+	 *	8	<a href="#">32140</a>	<b>Black Technic, Liftarm 2 x 4 L-Shape Thick</b>	<a href="#">PG</a>
Catalog: <a href="#">Parts: Technic, Liftarm</a> 6271825 or 3214026 or 4120017					
+	 *	20	<a href="#">32140</a>	<b>Red Technic, Liftarm 2 x 4 L-Shape Thick</b>	<a href="#">PG</a>
Catalog: <a href="#">Parts: Technic, Liftarm</a> 4141270					
+	 *	12	<a href="#">32056</a>	<b>Black Technic, Liftarm 3 x 3 L-Shape Thin</b>	<a href="#">PG</a>
Catalog: <a href="#">Parts: Technic, Liftarm</a> 4112287					
+	 *	14	<a href="#">32526</a>	<b>Black Technic, Liftarm 3 x 5 L-Shape Thick</b>	<a href="#">PG</a>
Catalog: <a href="#">Parts: Technic, Liftarm</a> 3252626 or 4142823					
+	 *	10	<a href="#">32526</a>	<b>Red Technic, Liftarm 3 x 5 L-Shape Thick</b>	<a href="#">PG</a>
Catalog: <a href="#">Parts: Technic, Liftarm</a> 4143154					
+	 *	6	<a href="#">2739b</a>	<b>Dark Bluish Gray Technic, Link 1 x 6 with Stoppers</b>	<a href="#">PG</a>
Catalog: <a href="#">Parts: Technic, Link</a> 4211026 or 4629920					
+	 *	2	<a href="#">44350</a>	<b>Red Technic, Panel Fairing #20 Large Long, Small Hole, Side A</b>	<a href="#">PG</a>
Catalog: <a href="#">Parts: Technic, Panel</a> 4205036 or 4277095					
+	 *	2	<a href="#">44351</a>	<b>Red Technic, Panel Fairing #21 Large Long, Small Hole, Side B</b>	<a href="#">PG</a>
Catalog: <a href="#">Parts: Technic, Panel</a> 4205039 or 4277117					
+	 *	3	<a href="#">44352</a>	<b>Red Technic, Panel Fairing #22 Large Short, Small Hole, Side A</b>	<a href="#">PG</a>
Catalog: <a href="#">Parts: Technic, Panel</a> 4205040 or 4277113					
+	 *	3	<a href="#">44353</a>	<b>Red Technic, Panel Fairing #23 Large Short, Small Hole, Side B</b>	<a href="#">PG</a>
Catalog: <a href="#">Parts: Technic, Panel</a> 4205041 or 4276978					
+	 *	2	<a href="#">47712</a>	<b>Red Technic, Panel Fairing #24 Small Short, Small Hole, Side B</b>	<a href="#">PG</a>
Catalog: <a href="#">Parts: Technic, Panel</a> 4218893					

+		2	<a href="#">47713</a>	<b>Red Technic, Panel Fairing #25 Small Short, Small Hole, Side A</b> Catalog: <a href="#">Parts: Technic, Panel</a> 4218894	<a href="#">PG</a>
+		10	<a href="#">4274</a>	<b>Light Bluish Gray Technic, Pin 1/2</b> Catalog: <a href="#">Parts: Technic, Pin</a> 4211483 or 4274194	<a href="#">PG</a>
+		94	<a href="#">6558</a>	<b>Black Technic, Pin 3L with Friction Ridges Lengthwise</b> Catalog: <a href="#">Parts: Technic, Pin</a> 655826	<a href="#">PG</a>
+		26	<a href="#">32054</a>	<b>Black Technic, Pin 3L with Friction Ridges Lengthwise and Stop Bush</b> Catalog: <a href="#">Parts: Technic, Pin</a> 3205426 or 4140801 or 4107742	<a href="#">PG</a>
+		50	<a href="#">32054</a>	<b>Red Technic, Pin 3L with Friction Ridges Lengthwise and Stop Bush</b> Catalog: <a href="#">Parts: Technic, Pin</a> 4140806	<a href="#">PG</a>
+		2	<a href="#">32333</a>	<b>Black Technic, Pin Connector Block 1 x 5 x 3</b> Catalog: <a href="#">Parts: Technic, Connector</a> 6271358 or 4141810	<a href="#">PG</a>
+		4	<a href="#">55615</a>	<b>Light Bluish Gray Technic, Pin Connector Perpendicular 3 x 3 Bent with 4 Pins</b> Catalog: <a href="#">Parts: Technic, Connector</a> 4296059	<a href="#">PG</a>
+		2	<a href="#">32557</a>	<b>Black Technic, Pin Connector Perpendicular Double 3L</b> Catalog: <a href="#">Parts: Technic, Connector</a> 4143466	<a href="#">PG</a>
+		4	<a href="#">75535</a>	<b>Red Technic, Pin Connector Round 2L without Slot (Pin Joiner Round)</b> Catalog: <a href="#">Parts: Technic, Connector</a> 75854 or 4526984	<a href="#">PG</a>
+		2	<a href="#">32138</a>	<b>Black Technic, Pin Double with Axle Hole</b> Catalog: <a href="#">Parts: Technic, Pin</a> 4119589	<a href="#">PG</a>
+		6	<a href="#">6628</a>	<b>Black Technic, Pin with Friction Ridges Lengthwise and Towball</b> Catalog: <a href="#">Parts: Technic, Pin</a> 662826 or 4184169	<a href="#">PG</a>
+		211	<a href="#">2780</a>	<b>Black Technic, Pin with Friction Ridges Lengthwise WITH Center Slots</b> Catalog: <a href="#">Parts: Technic, Pin</a> 4121715 or 278026	<a href="#">PG</a>

+	 *	8	<a href="#">32195b</a>	<b>Black Technic, Steering Arm 6.5 x 2 with Towball Socket Rounded, Chamfered</b> Catalog: <a href="#">Parts: Technic, Steering</a> 4204025	<a href="#">PG</a>
---	---	---	------------------------	---	--------------------

+	 *	4	<a href="#">x873c01(inv)</a>	<b>Black Technic, Steering Arm with 4 Ball Joints with Black Wheel Hub (x872 / x873)</b> Catalog: <a href="#">Parts: Technic, Steering</a> 4227853	<a href="#">PG</a>
---	--	---	------------------------------	--	--------------------


+	 *	2	<a href="#">32494</a>	<b>Light Bluish Gray Technic, Steering CV Joint</b> Catalog: <a href="#">Parts: Technic, Steering</a> 6122217 or 4268659	<a href="#">PG</a>
---	--	---	-----------------------	--	--------------------


+	 *	1	<a href="#">2741</a>	<b>Black Technic, Steering Wheel Large</b> Catalog: <a href="#">Parts: Technic, Steering</a> 4125213	<a href="#">PG</a>
---	--	---	----------------------	--	--------------------


+	 *	1	<a href="#">3069b</a>	<b>Light Bluish Gray Tile 1 x 2 with Groove</b> Catalog: <a href="#">Parts: Tile</a> 4211414	<a href="#">PG</a>
---	--	---	-----------------------	--	--------------------

+	 *	2	<a href="#">3069b</a>	<b>Yellow Tile 1 x 2 with Groove</b> Catalog: <a href="#">Parts: Tile</a> 306924	<a href="#">PG</a>
---	--	---	-----------------------	--	--------------------


+	 *	1	<a href="#">4162</a>	<b>Red Tile 1 x 8</b> Catalog: <a href="#">Parts: Tile</a> 416221	<a href="#">PG</a>
---	--	---	----------------------	---	--------------------

+	 *	4	<a href="#">44771</a>	<b>Black Tire 68.8 x 36 ZR</b> Catalog: <a href="#">Parts: Tire &amp; Tread</a> 4614801 or 6062225 or 4192535	<a href="#">PG</a>
---	--	---	-----------------------	---	--------------------

+	 *	4	<a href="#">44772</a>	<b>Black Wheel 56mm D. x 34mm Technic Racing Medium, 3 Pin Holes</b> Catalog: <a href="#">Parts: Wheel</a> 6005203 or 4262086	<a href="#">PG</a>
---	--	---	-----------------------	---	--------------------

+	 *	4	<a href="#">58088</a>	<b>Pearl Light Gray Wheel Cover 7 Spoke with Axle Hole - 56mm D. - for Wheel 44772</b> Catalog: <a href="#">Parts: Wheel, Accessory</a> 4500915	<a href="#">PG</a>
---	--	---	-----------------------	---	--------------------

**Extra Items:**

+	 *	1	<a href="#">4073</a>	<b>Black Plate, Round 1 x 1</b> Catalog: <a href="#">Parts: Plate, Round</a> 614126	<a href="#">PG</a>
---	--	---	----------------------	---	--------------------

+		2	<a href="#">4073</a>	<b>Red Plate, Round 1 x 1</b> Catalog: <a href="#">Parts: Plate, Round</a>	<a href="#">PG</a>
---	--	---	----------------------	---	--------------------



\*

614121

+



\*

2

[4073](#)**Trans-Clear Plate, Round 1 x 1**Catalog: [Parts: Plate, Round](#)  
6240030 or 3005740[PG](#)

+



\*

1

[4073](#)**Trans-Neon Orange Plate, Round 1 x 1**Catalog: [Parts: Plate, Round](#)  
6240218 or 3005747[PG](#)

+



\*

1

[4073](#)**Trans-Red Plate, Round 1 x 1**Catalog: [Parts: Plate, Round](#)  
6208450 or 3005741[PG](#)

+



\*

1

[4073](#)**Yellow Plate, Round 1 x 1**Catalog: [Parts: Plate, Round](#)  
614124[PG](#)

+



\*

1

[3713](#)**Red Technic Bush**Catalog: [Parts: Technic](#)  
6271820 or 4227155[PG](#)

+



\*

2

[4265c](#)**Yellow Technic Bush 1/2 Smooth**Catalog: [Parts: Technic](#)  
6271167 or 4239601 or 3212324[PG](#)

+



\*

1

[3749](#)**Tan Technic, Axle Pin without Friction Ridges Lengthwise**Catalog: [Parts: Technic, Axle](#)  
4666579 or 65625 or 4186017[PG](#)

+



\*

1

[3647](#)**Light Bluish Gray Technic, Gear 8 Tooth Type 1**Catalog: [Parts: Technic, Gear](#)  
3647194 or 4211432[PG](#)

+



\*

1

[4274](#)**Light Bluish Gray Technic, Pin 1/2**Catalog: [Parts: Technic, Pin](#)  
4211483 or 4274194[PG](#)

+



\*

1

[2780](#)**Black Technic, Pin with Friction Ridges Lengthwise WITH Center Slots**Catalog: [Parts: Technic, Pin](#)  
4121715 or 278026[PG](#)**Counterparts:**

+

4

[44772c01\(inv\)](#)**Black Wheel 56mm D. x 34mm Technic Racing Medium, 3 Pin Holes with Black Tire 68.8 x 36 ZR (44772 / 44771)**Catalog: [Parts: Wheel & Tire Assembly](#)[PG](#)




\*

Part Color Code Missing

### Summary:

Type	Unique Lots	Total Qty
<b>Regular Items:</b>		
Parts	129	1326
<b>Extra Items:</b>		
Parts	12	15
<b>Counterparts:</b>		
Parts	1	4

**Source:**  
Instructions

[hellomrzebra \(282\)](#)  inventoried this Set on Aug 27, 2007, inventory last updated on Jun 13, 2018.