

LEGO

Technic

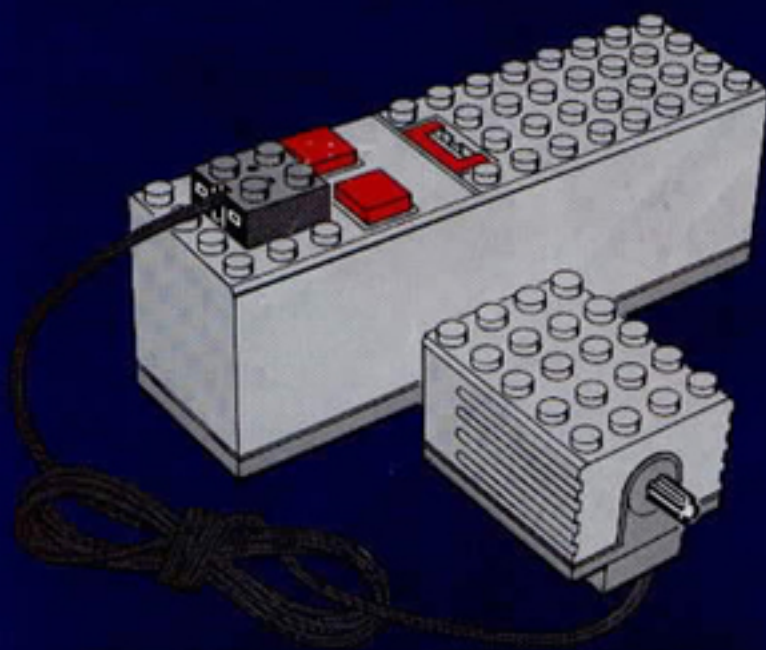
8064



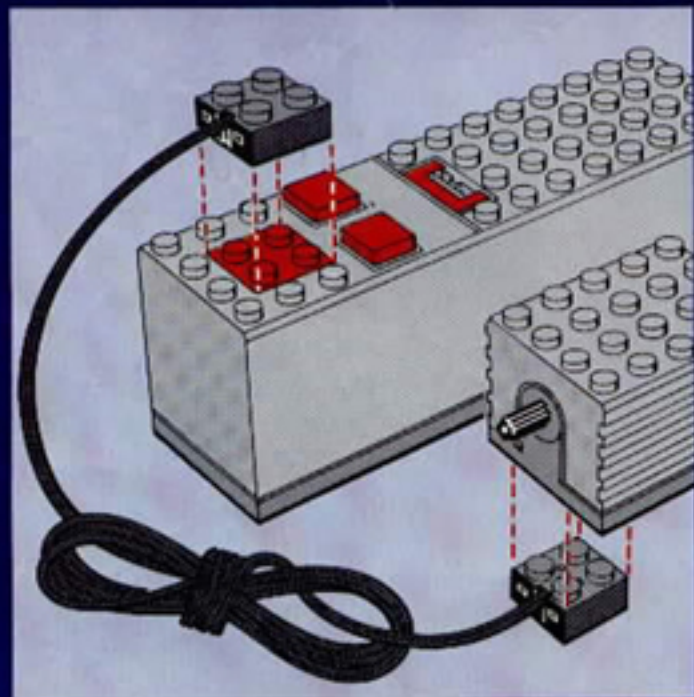
LEGO

Technic

9 V Motor Moteur 9 V 9 V Motor



Connection of Wires Branchement des fils Aansluiting snoeren



Batteries

Use six 1.5 V batteries. Alkaline batteries (LR 6) are recommended. Make sure the batteries are installed correctly.

Piles

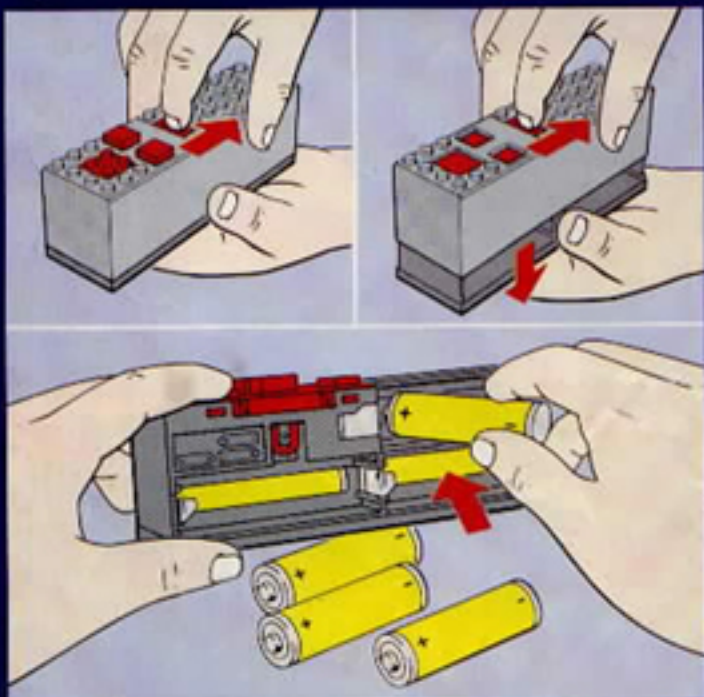
Utiliser six piles de 1,5 V. Nous recommandons les piles Alkaline (LR 6).

S'assurer d'avoir bien placé les piles.

Batterijen

Gebruik zes batterijen van 1,5 V. Wij raden aan alkalinebatterijen (LR 6) te gebruiken.

Zorg dat de batterijen correct zijn geplaatst.



Switches

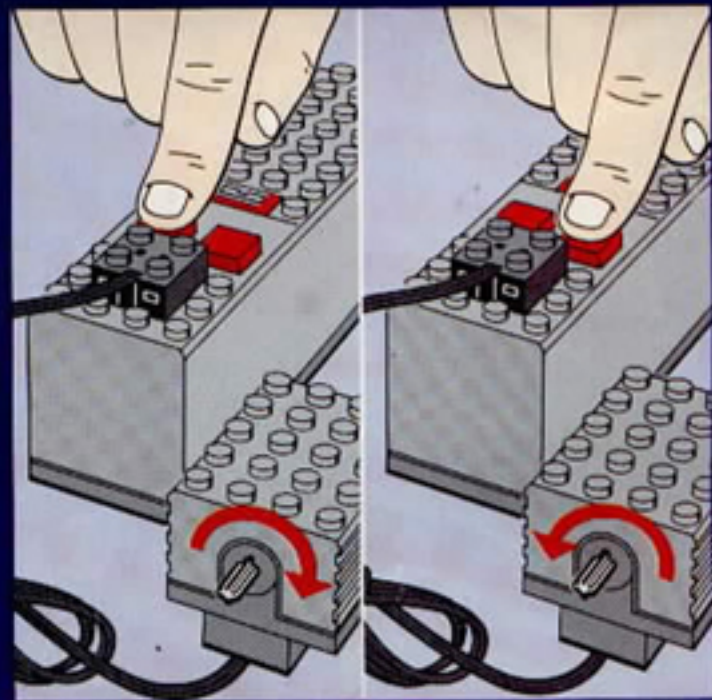
If the switch is activated by a light press, it will automatically return to the centre position when you let go.

Interrupteurs

Si vous appuyez légèrement sur l'interrupteur, il retournera automatiquement à la position centrale quand vous relâchez.

Schakelaars

Als u de schakelaar slechts licht indrukt, keert hij automatisch terug naar de middenpositie nadat u hem loslaat.



Motor Tips

If the motor will not start, please check:

1. Are all connections correct?
2. Are the batteries placed correctly?
3. Has the model been adjusted, so that all wheels can run freely and easily?

If the motor still does not start then replace the batteries.

Never pull the wire, but take hold of the brick itself.

Gearing down can be used with advantage in order to reduce the strain on the motor and thus prolong the working life of the batteries.

The motor is protected against excess load by means of a thermal fuse which cuts out if the motor is overheated.

This fuse reconnects automatically when the current to the motor is disconnected.

Please note: Water can damage the motor.

The motor is radio-noise suppressed so that TV and radio reception is not disturbed.

Conseils pour le moteur

Si le moteur ne démarre pas, vérifiez:

1. Si tous les branchements sont corrects.
2. Si les piles sont bien placées.
3. Si le modèle est ajusté de façon à ce que tous les engrenages puissent bouger facilement et librement.

Si le moteur ne démarre toujours pas, remplacer les piles.

Ne jamais débrancher le moteur en tirant sur le fil, mais sur la prise.

Il est avantageux d'utiliser la démultiplication afin de réduire la charge du moteur; vous prolongerez ainsi la durée des piles.

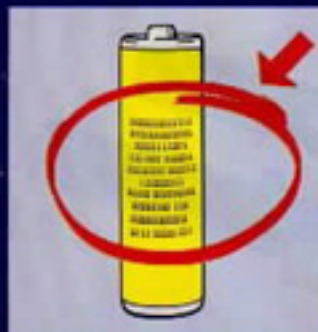
Le moteur est protégé contre les surcharges par un fusible thermique qui disjoncte en cas de surchauffe du moteur. Ce fusible se rebranche automatiquement dès que le courant du moteur est coupé.

Attention: L'eau peut endommager le moteur. Le moteur est anti-parasité pour ne pas perturber la réception TV ou radio.

Instruction for use of batteries

Instructions d'utilisation des piles

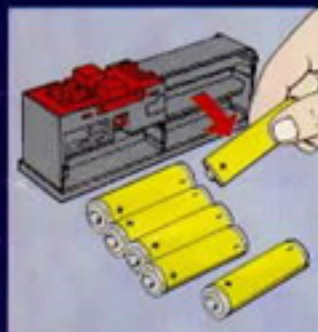
Instructies voor gebruik van de batterijen



Please read battery instructions carefully before use. Never mix different types of batteries or new and old batteries in one battery box.

Lire attentivement les instructions des piles avant l'utilisation. Ne jamais mélanger différents types de piles ou des piles nouvelles avec des piles usées dans le même boîtier à piles.

Lees de instructies voor de batterijen vóór gebruik zorgvuldig door. Gebruik nooit verschillende soorten batterijen of oude en nieuwe batterijen naast elkaar in één batterijhouder.



Always remove the batteries from the battery box for long-term storage or if they are used up. Liquid leaking from batteries will damage the battery box.

Toujours enlever les piles du boîtier à piles, si vous n'utilisez pas le moteur pendant un certain temps ou si elles sont usées. Une fuite de liquide pourrait endommager le boîtier à piles.

Haal altijd de batterijen uit de batterijhouder zodra ze leeg zijn, of wanneer ze gedurende een langere periode niet worden gebruikt. Wanneer de batterijen lekken, kan dit de batterijhouder beschadigen.



Do not connect two or more battery boxes.

Ne pas relier deux ou plusieurs boîtiers à piles.

Sluit nooit twee of meer batterijhouders aan.

Motor tips

Als de motor niet wil starten, controleer dan de volgende punten:

1. Zijn alle punten correct aangesloten?
2. Zijn de batterijen correct geplaatst?
3. Is het model goed gemonteerd, zodat alle tandwielen vrij en soepel kunnen draaien?

Als de motor nog steeds niet wil starten, vervang dan de batterijen.

Haal nooit de stekker eruit door aan het snoer te trekken, maar pak de stekker vast.

Door de vertraging te gebruiken, wordt de motor minder zwaar belast. Hierdoor gaan de batterijen langer mee.

De motor is beveiligd tegen overbelasting door een thermische zekering, die uitslaat zodra de motor oververhit raakt. De zekering schakelt automatisch terug als de stroomtoevoer naar de motor wordt uitgeschakeld.

Let op: Water kan de motor beschadigen.

De motor is ontstoord en veroorzaakt geen storing bij de ontvangst van radio en TV.



Never snap the wire back onto itself. Should a short circuit occur, the current is automatically cut out until the fault has been corrected.

The battery box is also protected against overloading. Thus rechargeable batteries can be used. Do not recharge the batteries in the battery box. Rechargeable batteries must be recharged in a suitable charger.

Ne jamais brancher un fil sur lui-même. En cas de court-circuit, le courant est automatiquement coupé jusqu'à ce que l'erreur ait été corrigée.

Le boîtier à piles est également protégé contre les surcharges. Ainsi, les piles rechargeables peuvent être utilisées. Ne pas recharger les piles dans le boîtier à piles mais dans un rechargeur approprié.

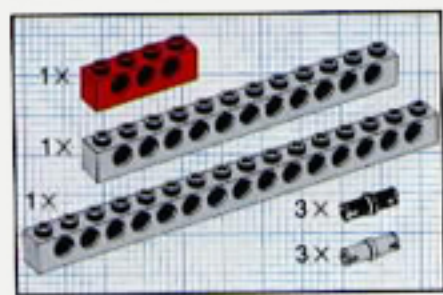
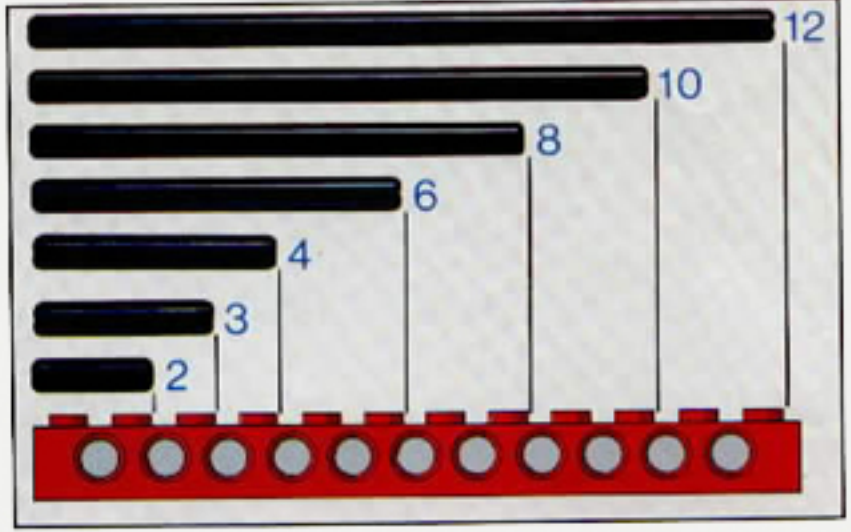
Zorg dat het snoer nooit kortsluiting maakt. Mocht er toch kortsluiting ontstaan, dan wordt de stroom automatisch afgebroken tot de storing is hersteld. De batterijhouder is eveneens beveiligd tegen overbelasting. Er kunnen oplaadbare batterijen worden gebruikt. Laad de batterijen nooit op terwijl ze in de houder zitten. Oplaadbare batterijen moeten worden opgeladen in een daarvoor bestemde oplader.



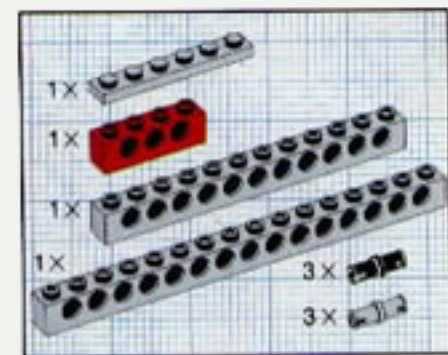
Do not throw used batteries in the fire.

Ne jamais jeter les piles dans le feu.

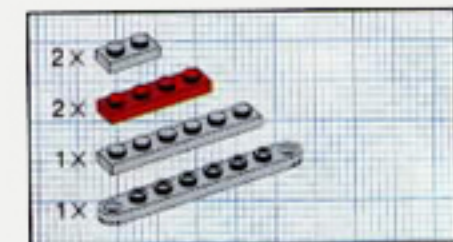
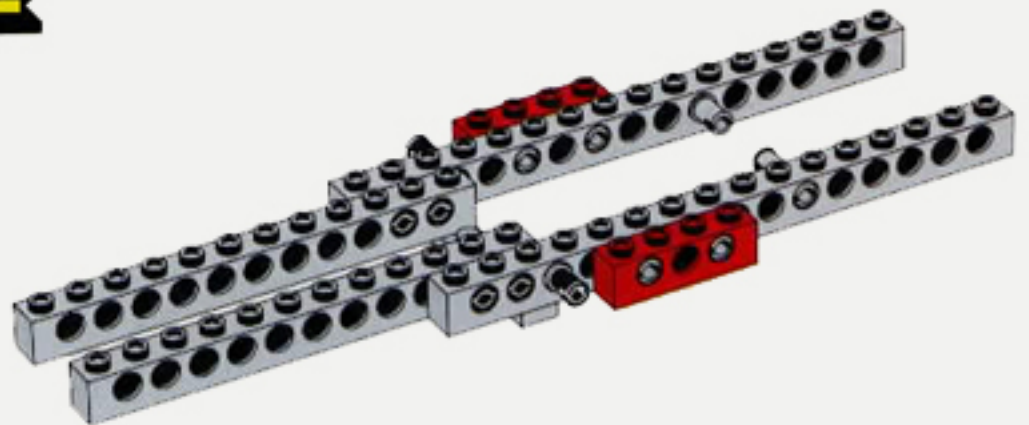
Gooi lege batterijen nooit in het vuur.



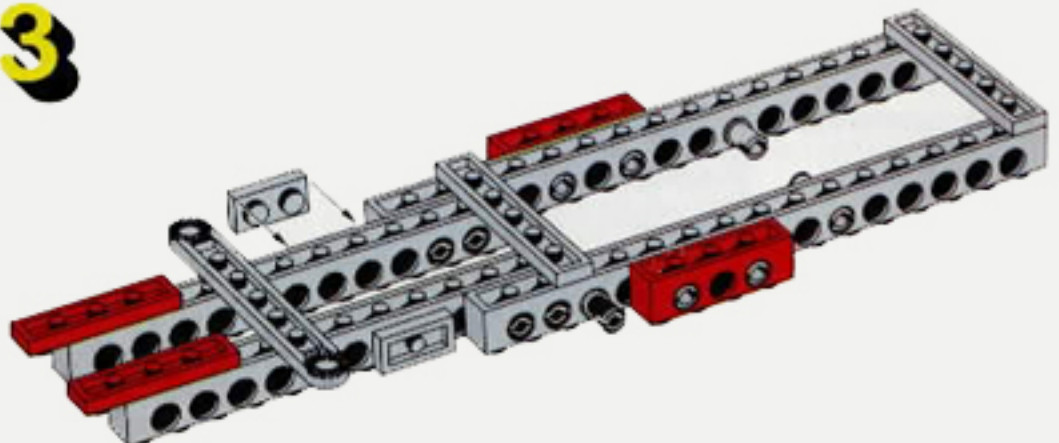
1



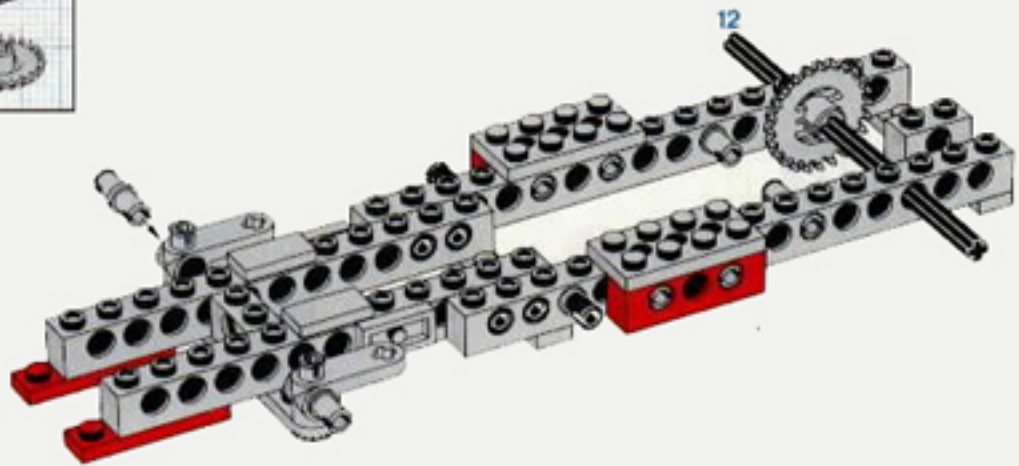
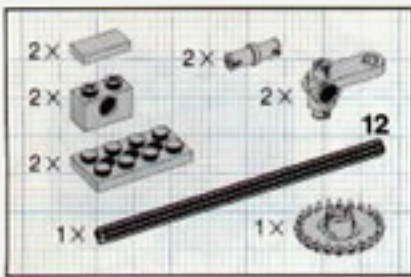
2



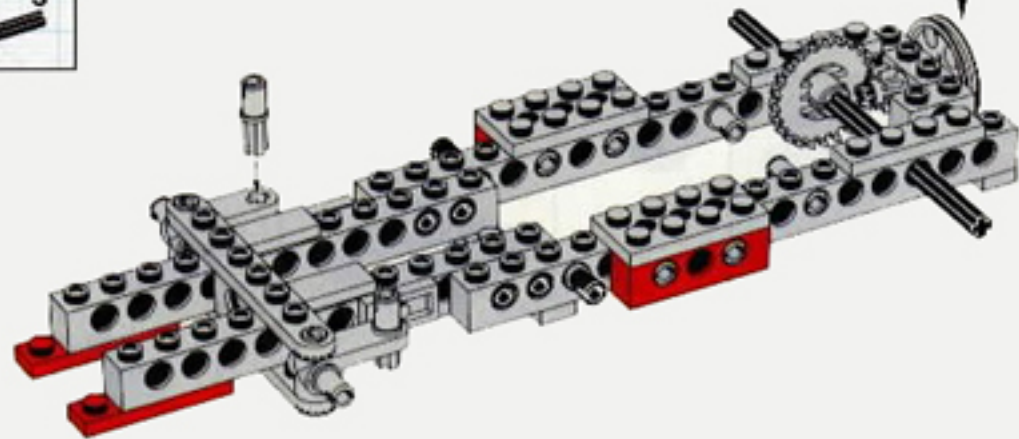
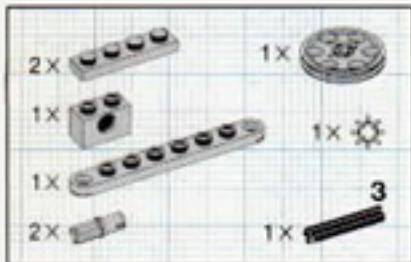
3



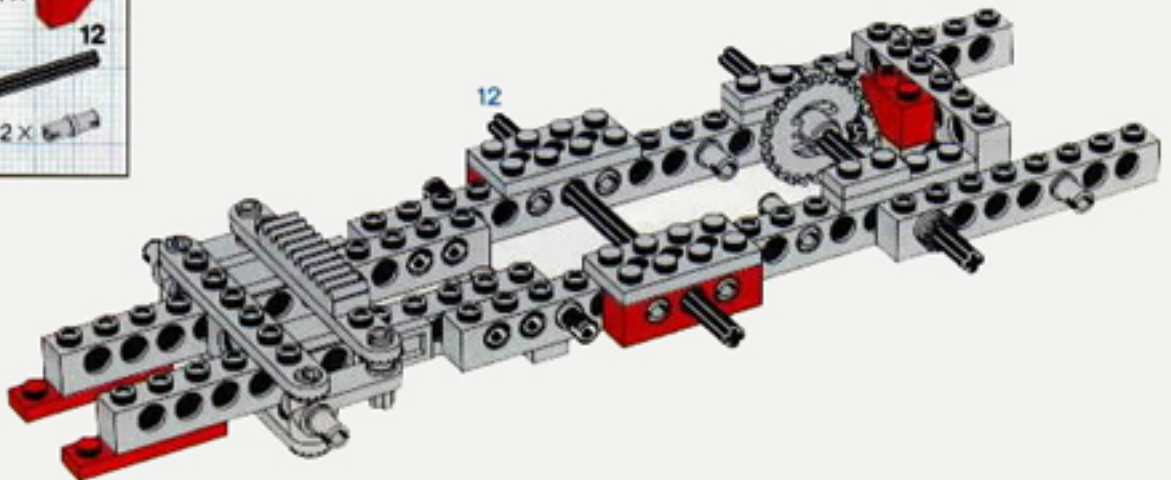
4



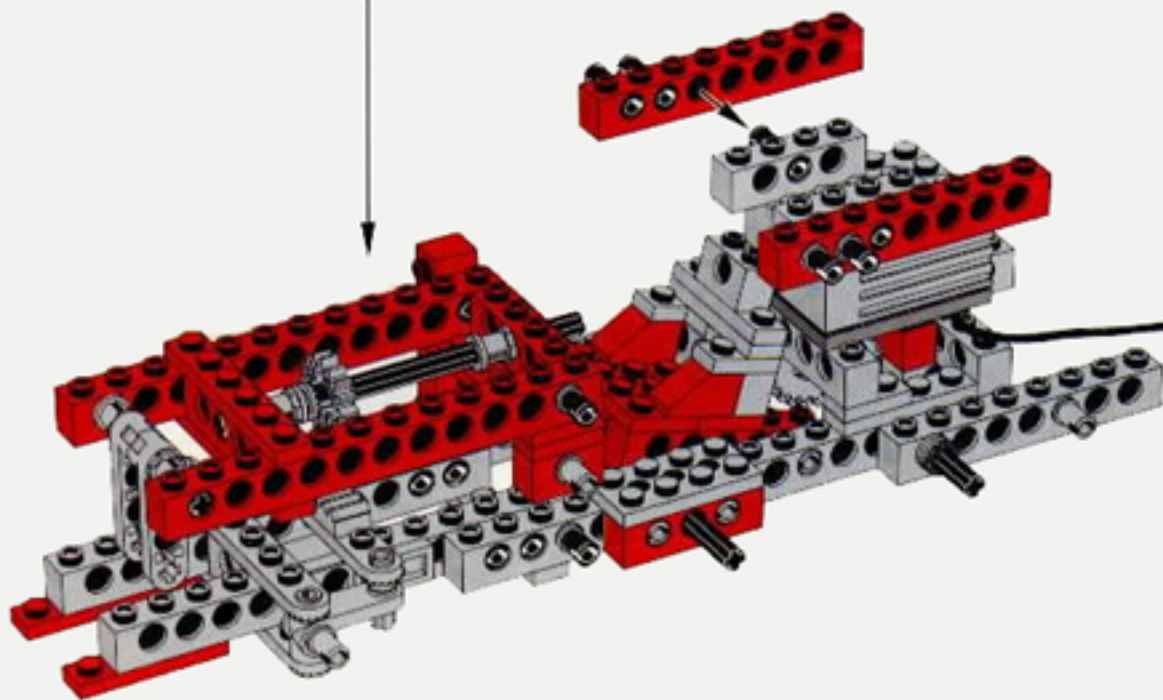
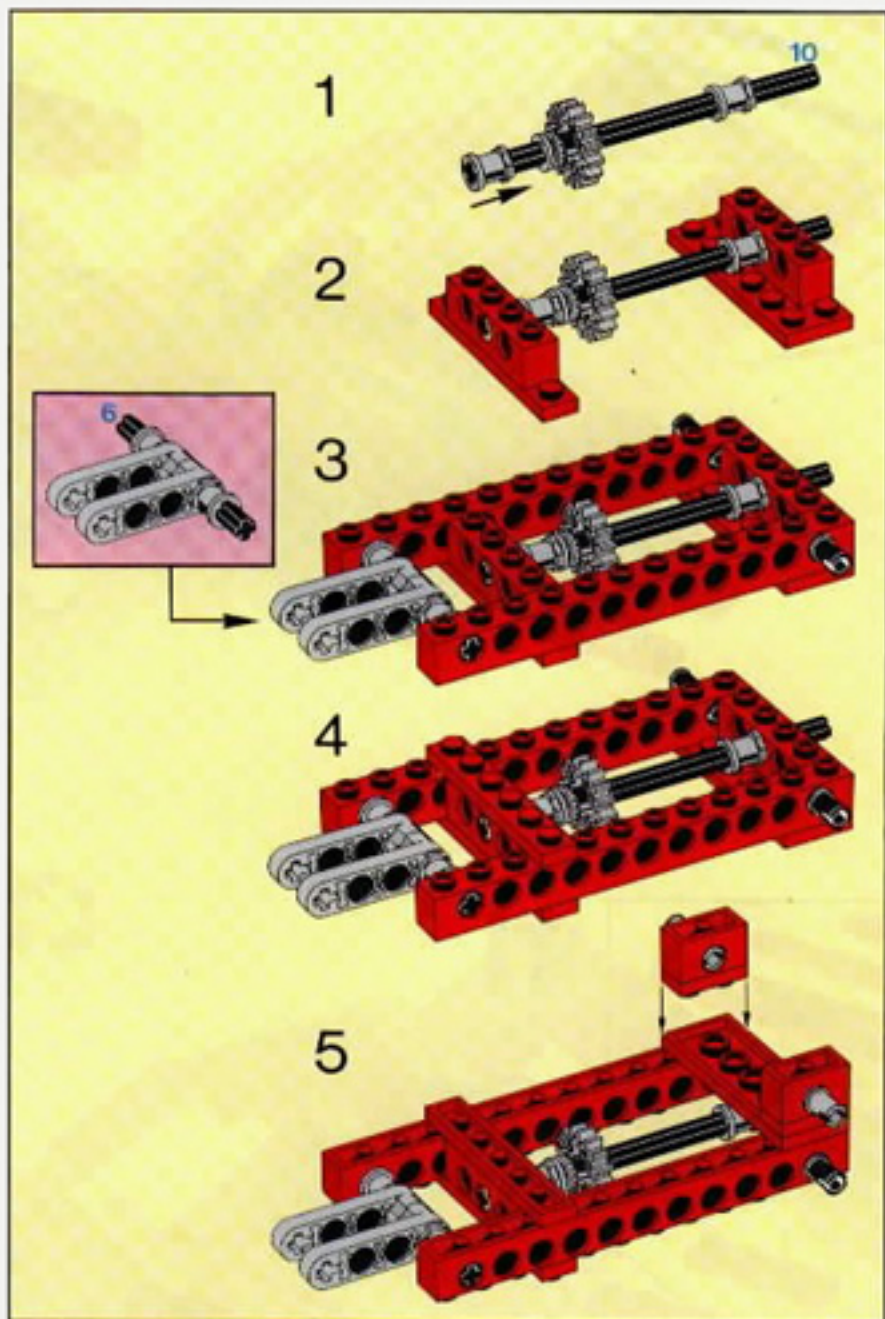
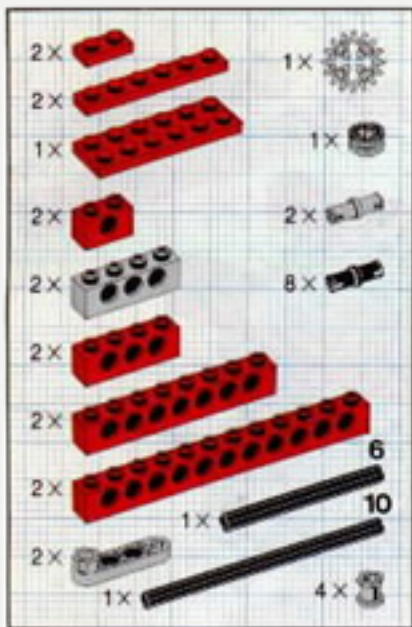
5



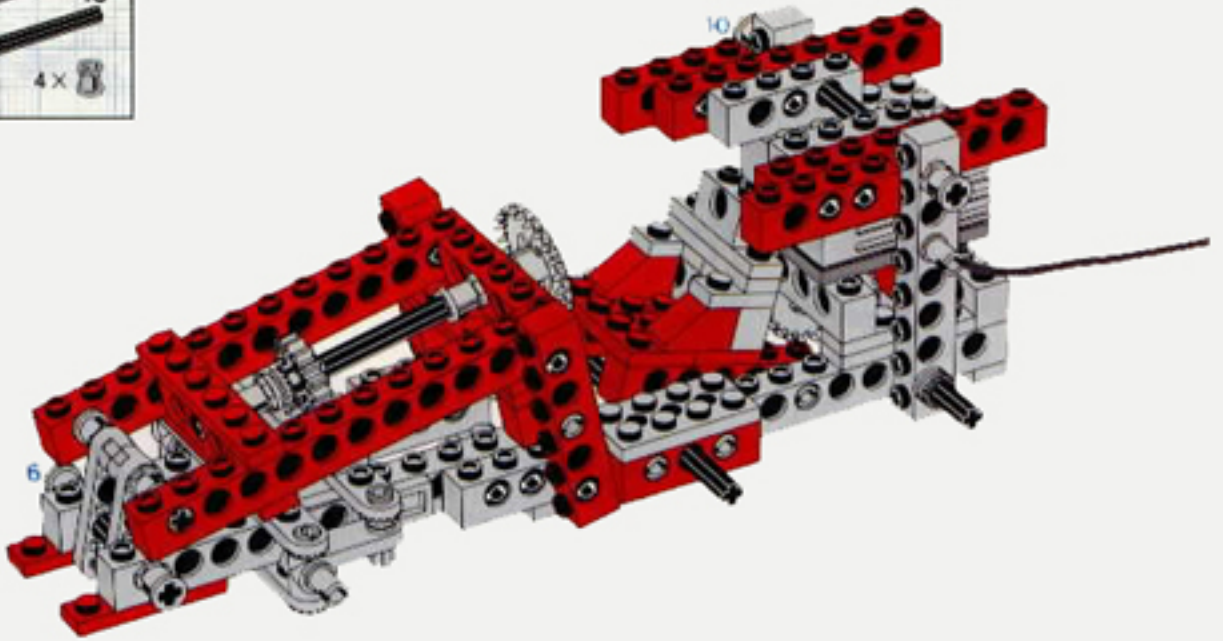
6



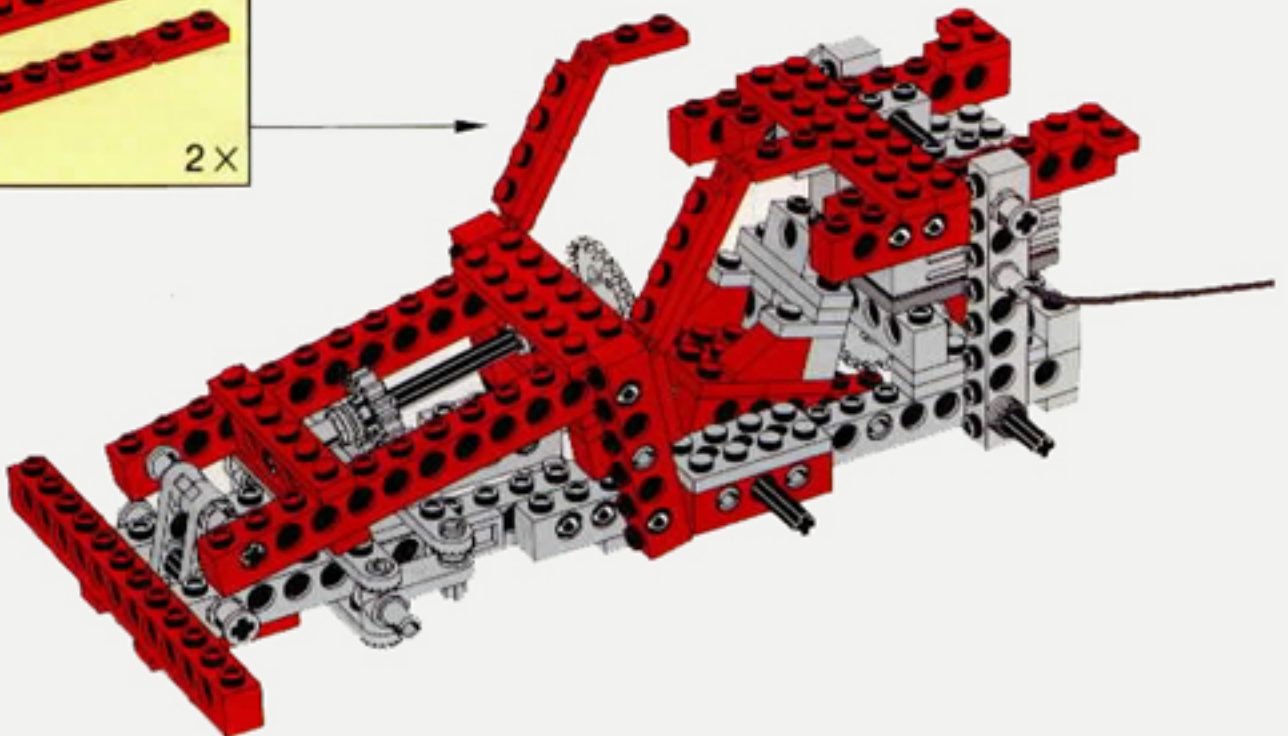
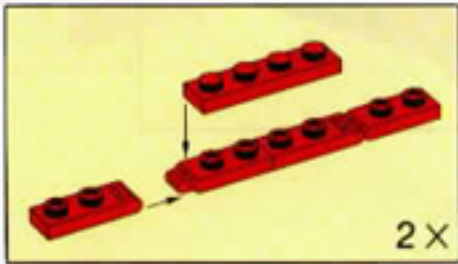
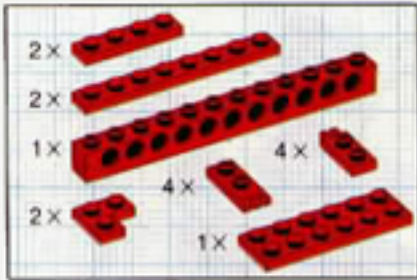
9

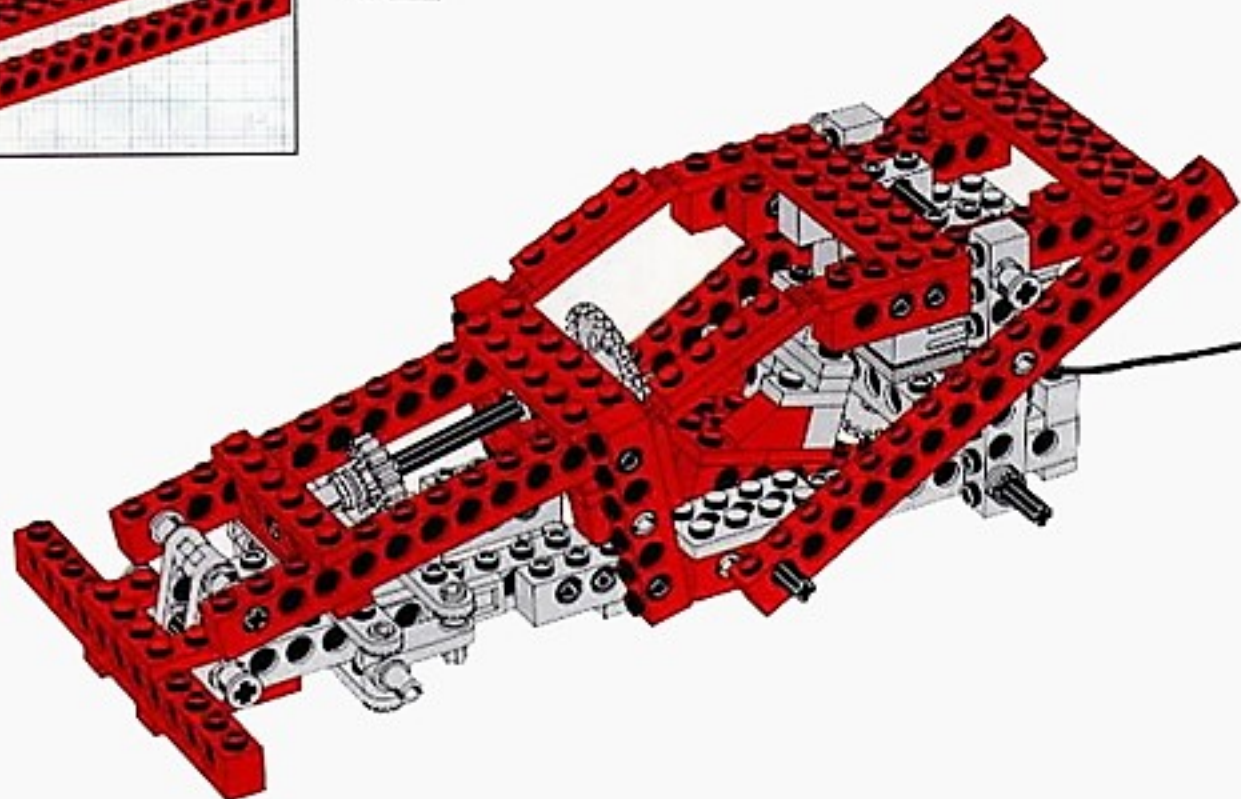
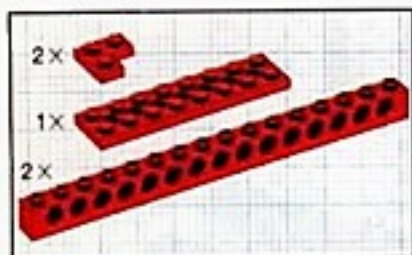
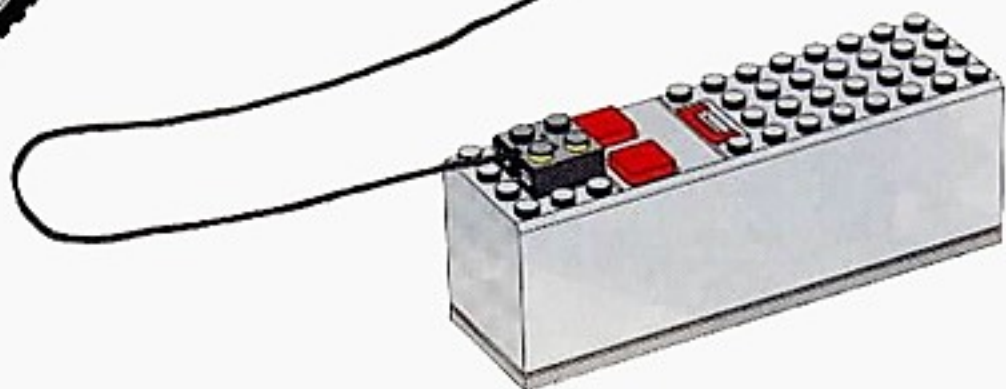
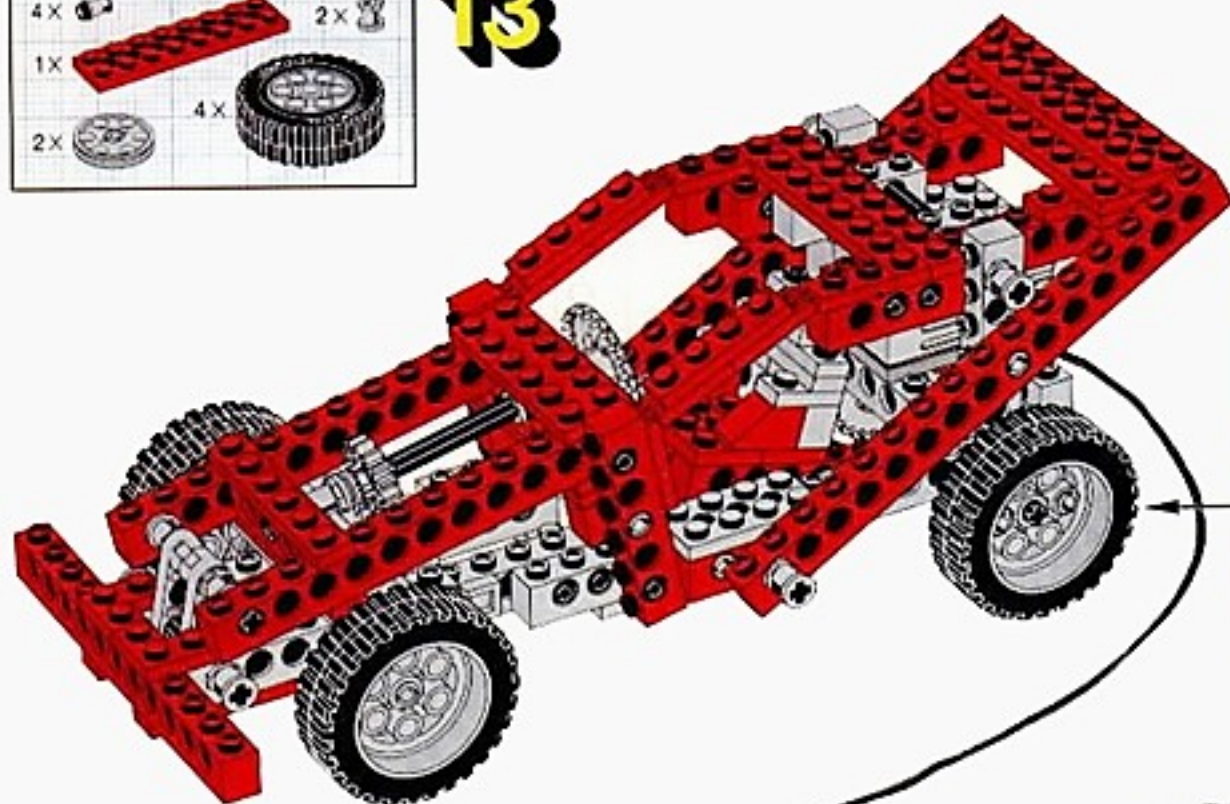


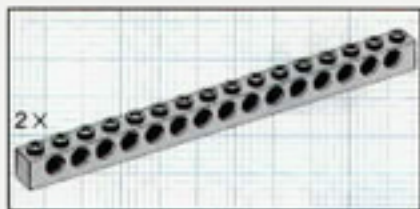
10



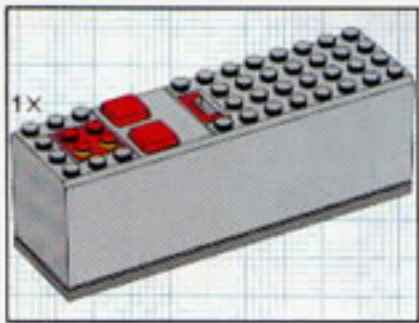
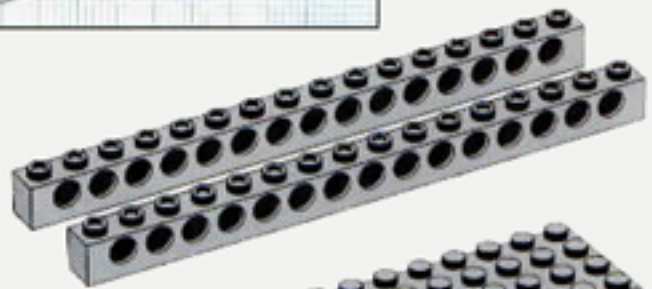
11



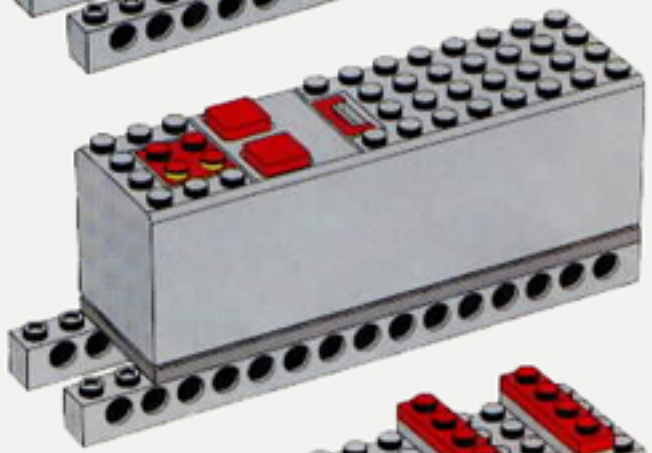
12**13**



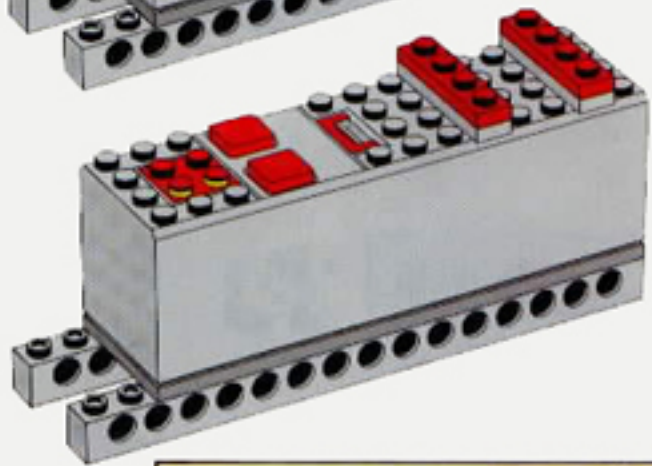
1



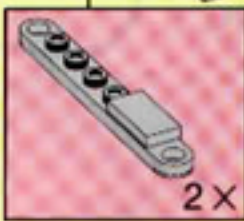
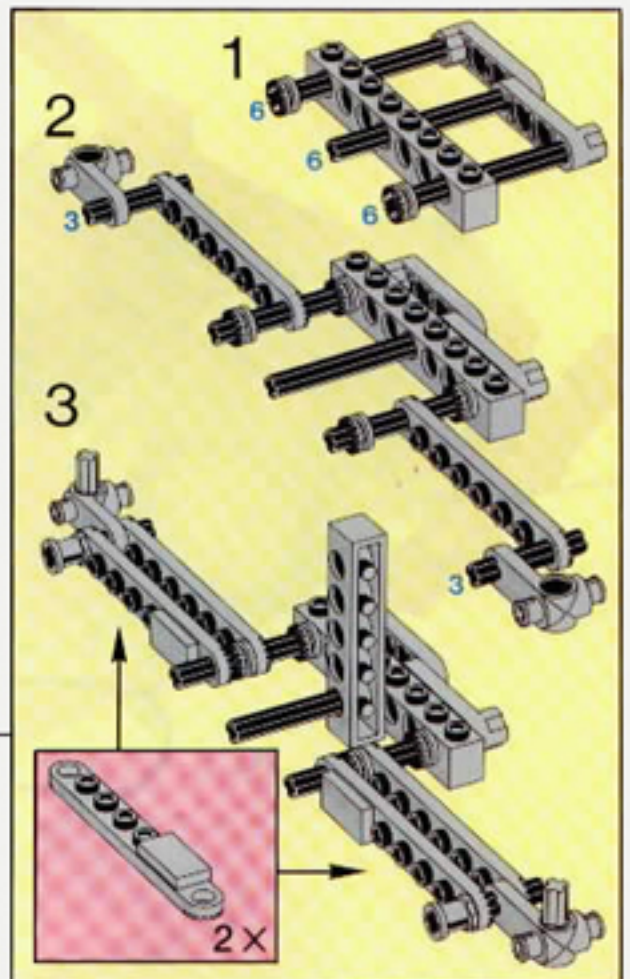
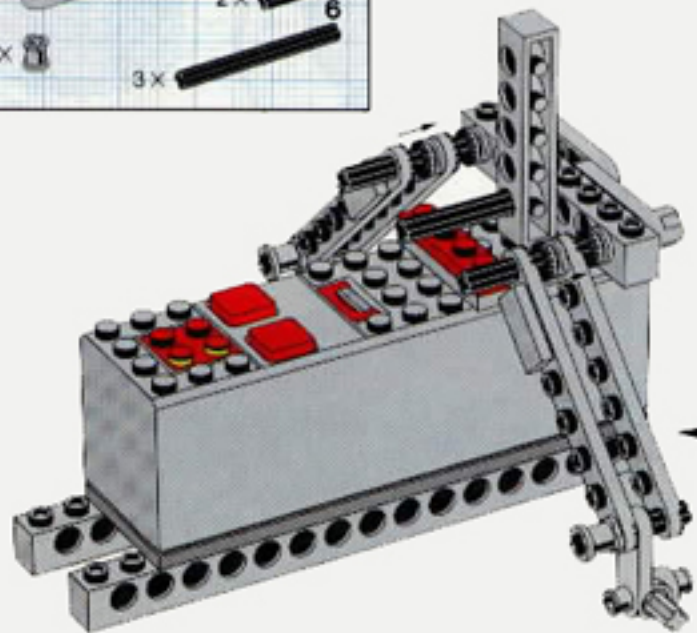
2



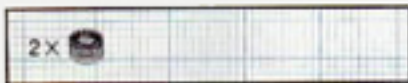
3



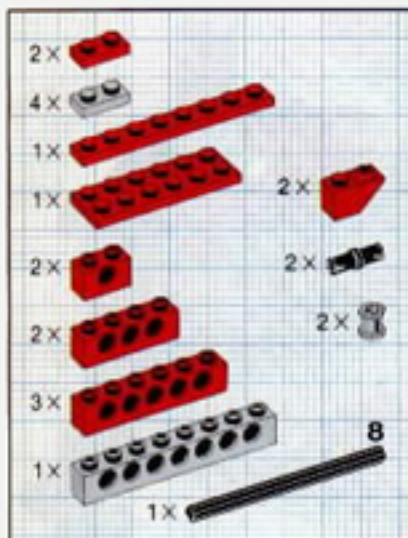
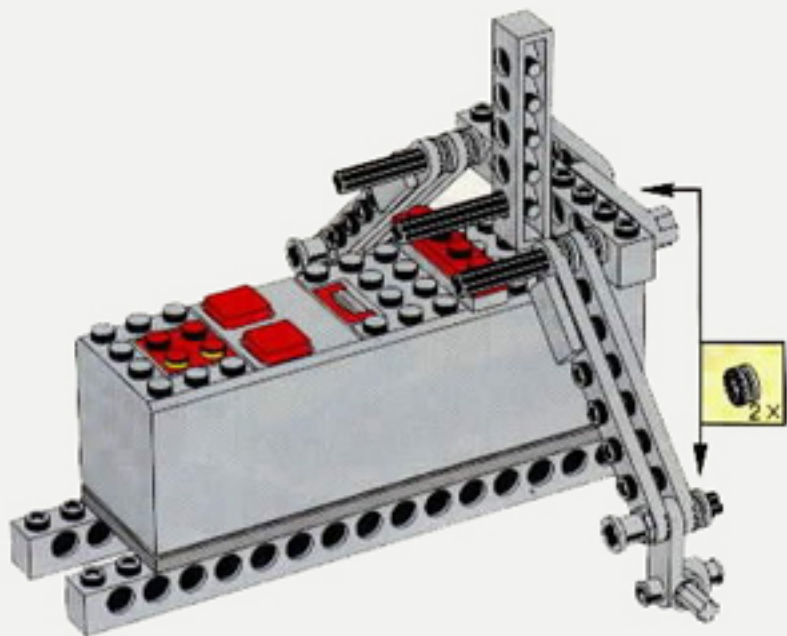
4



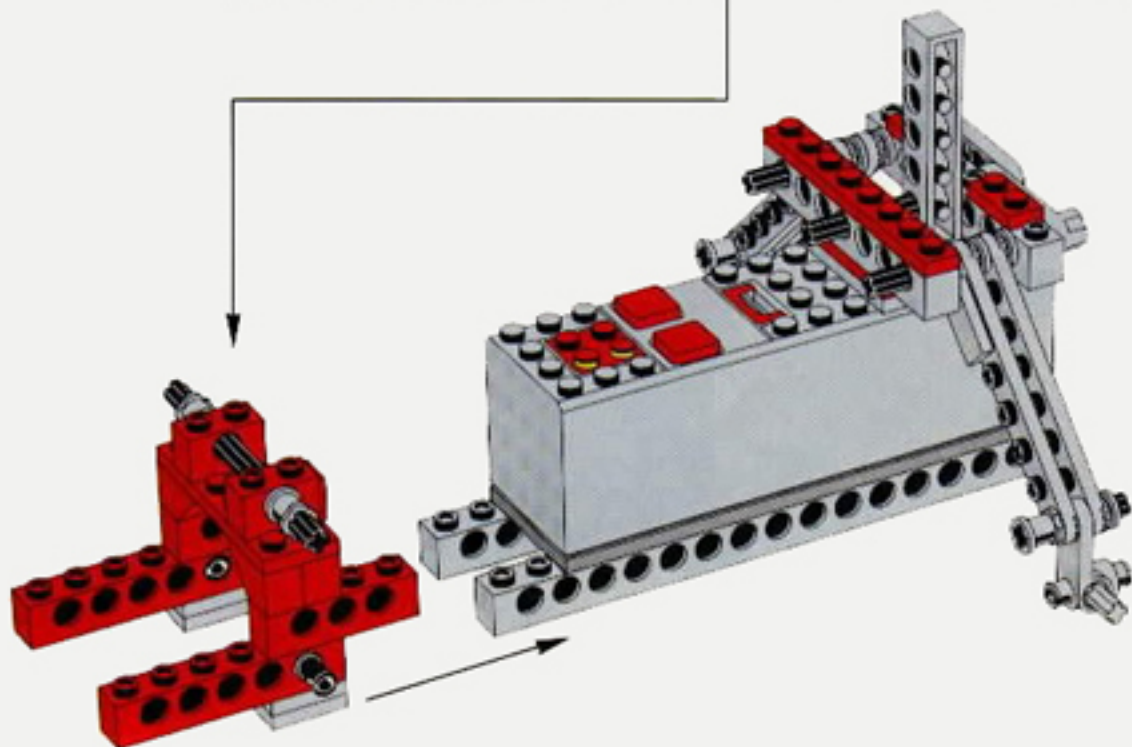
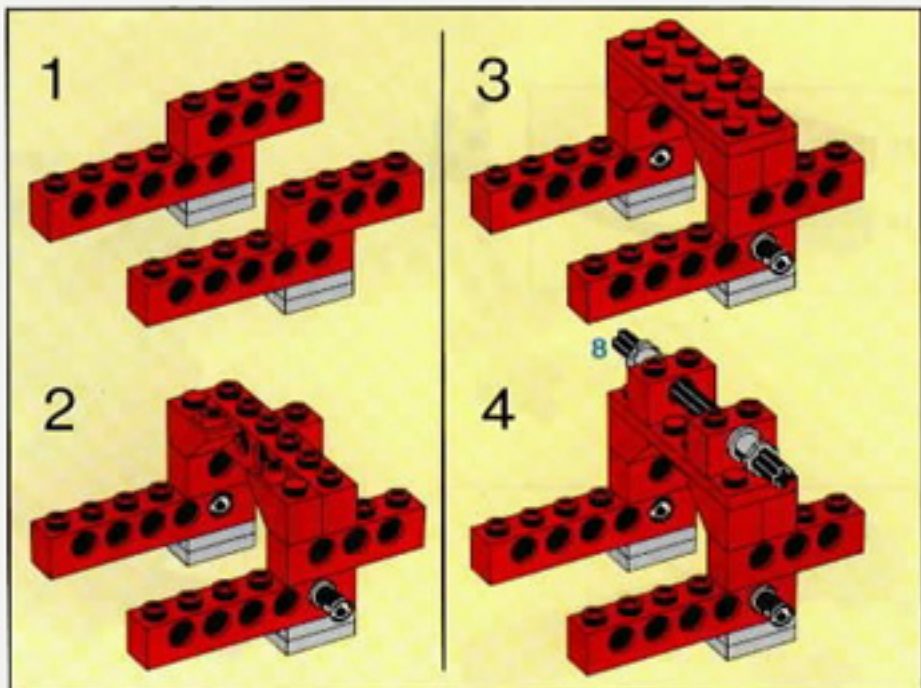
2x

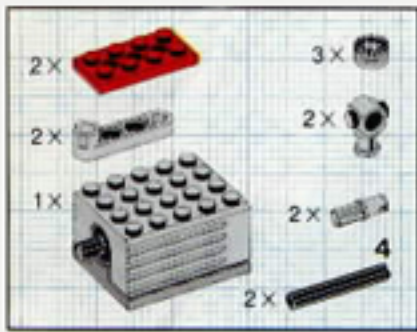


5

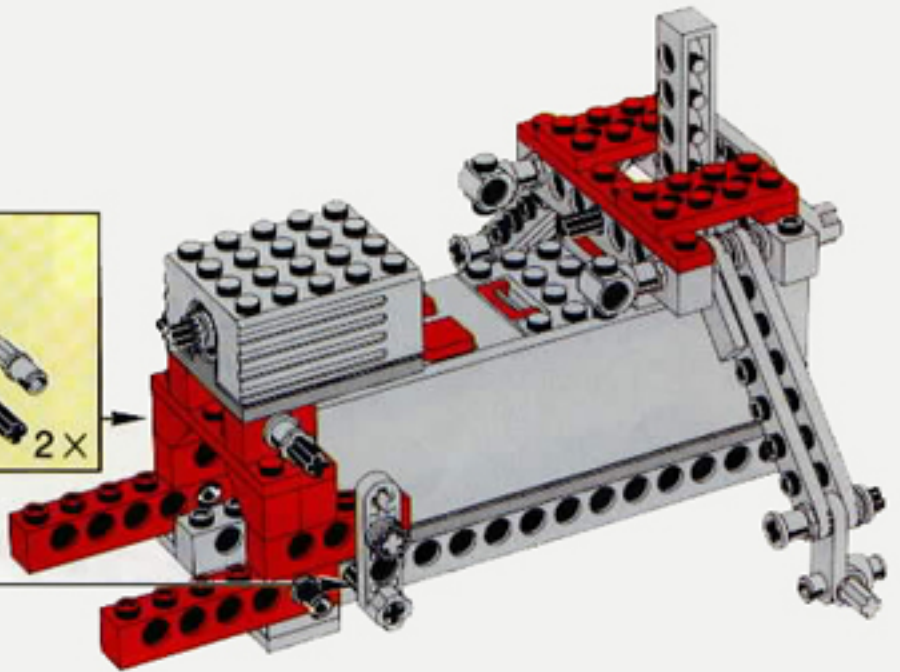


6

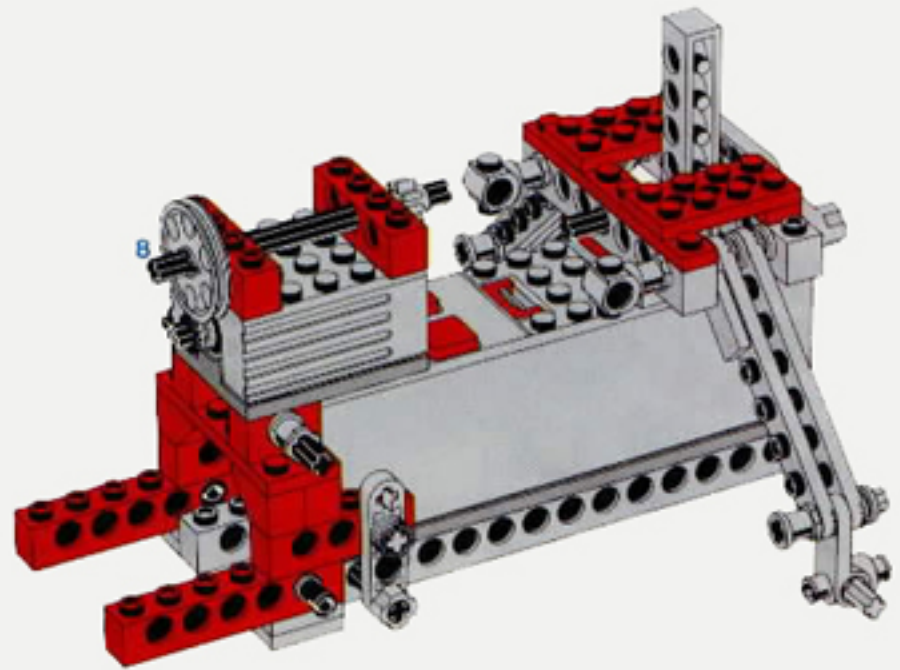




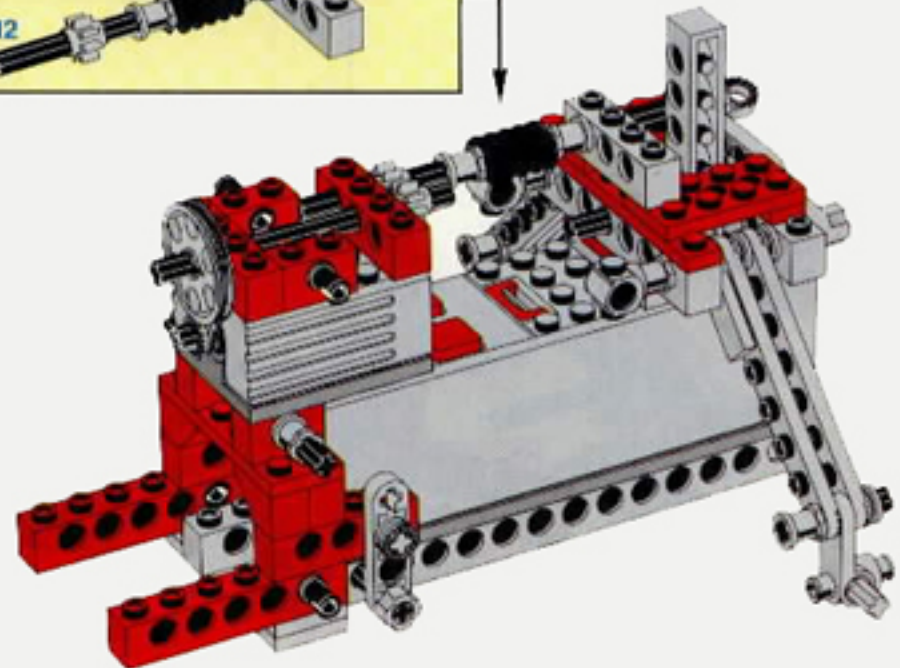
7

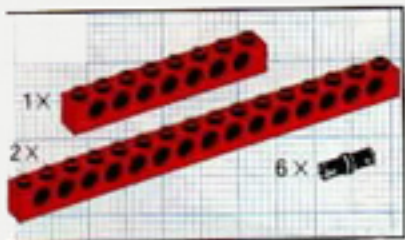


8

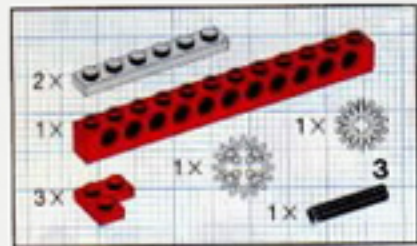
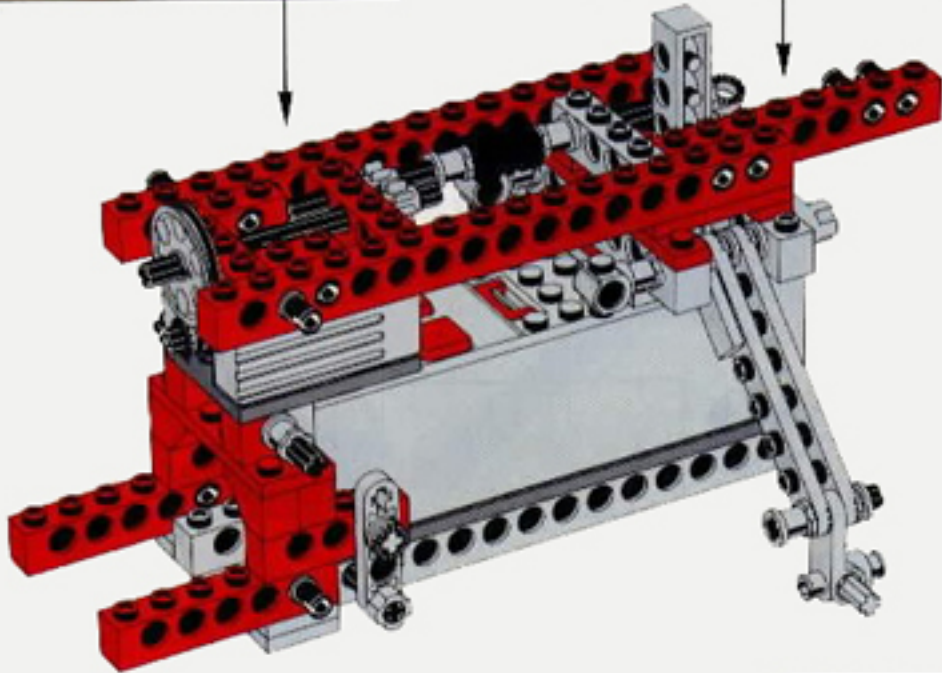
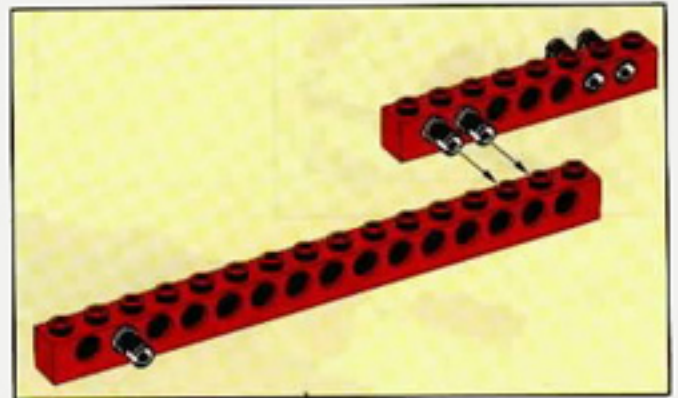


9

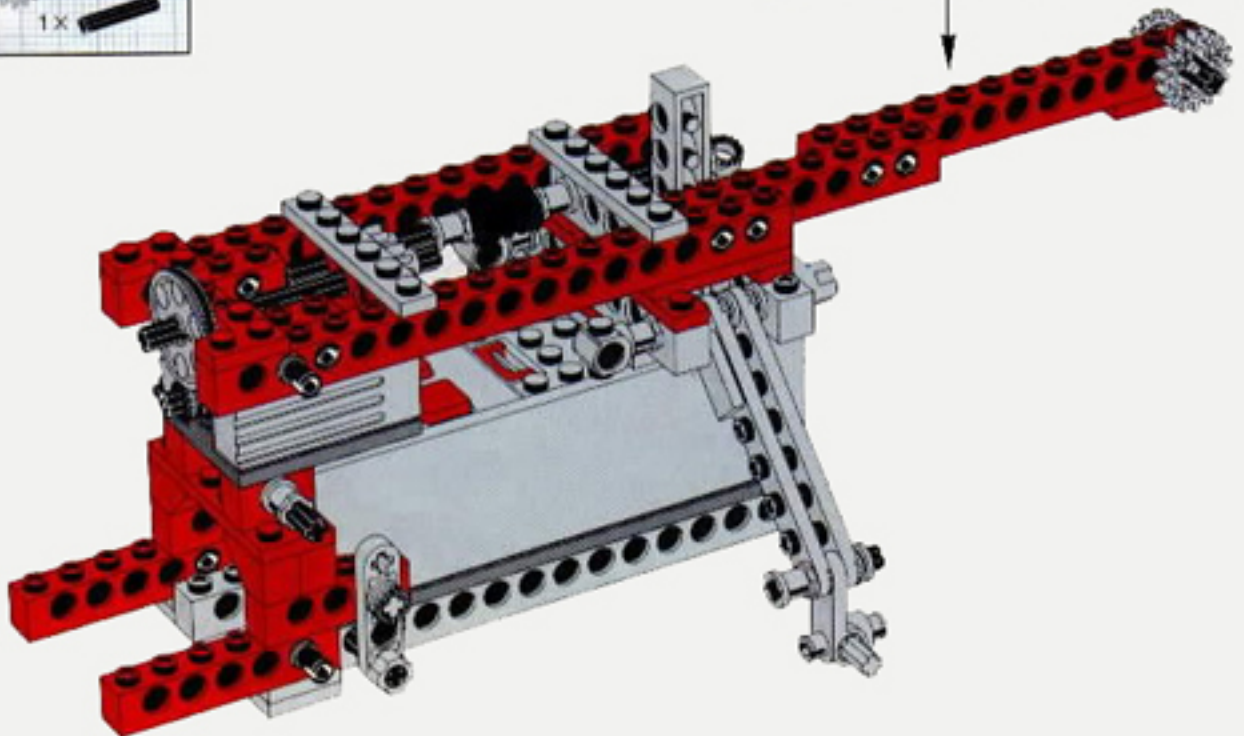
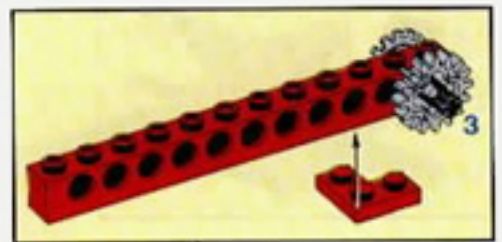


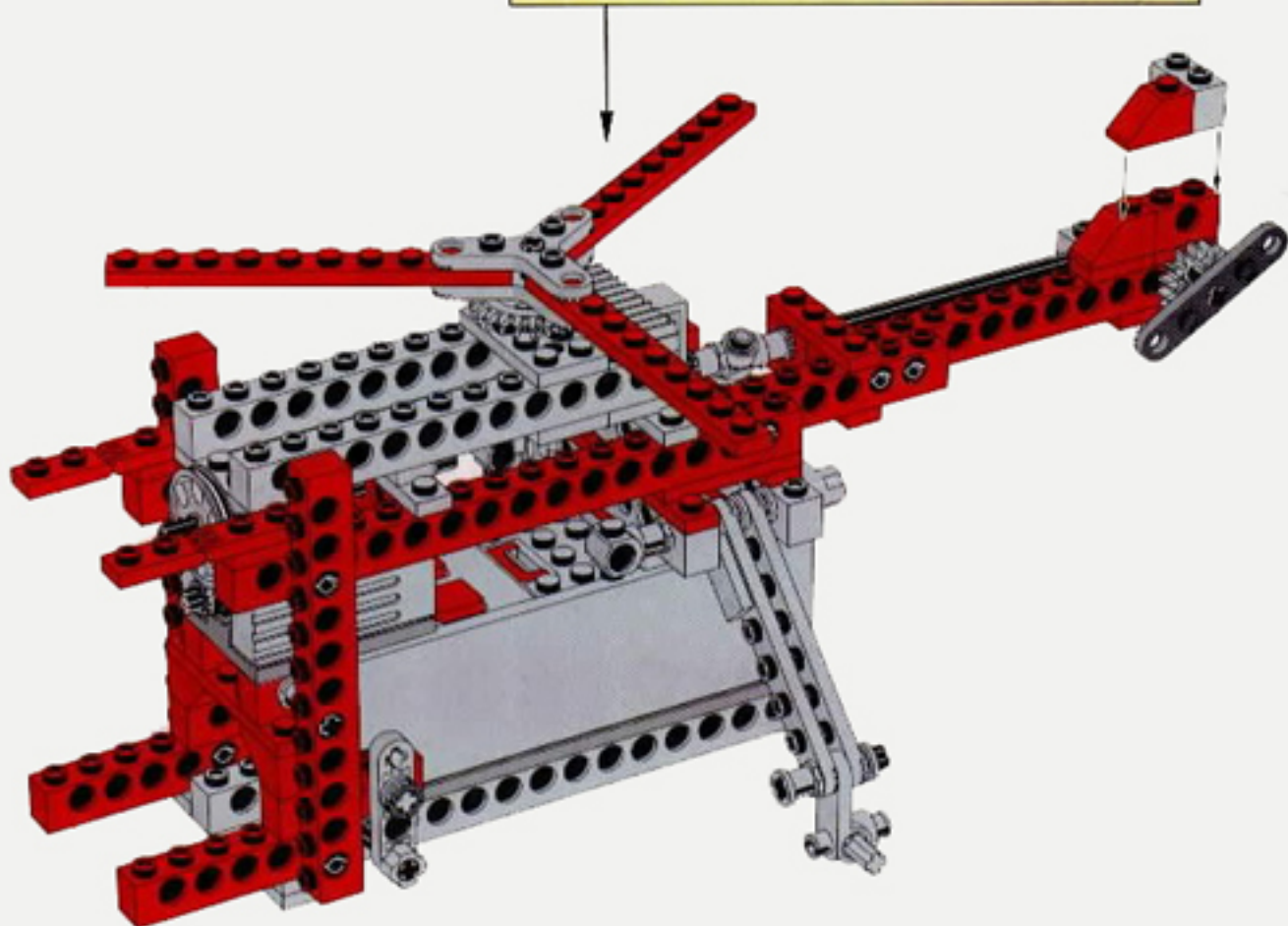
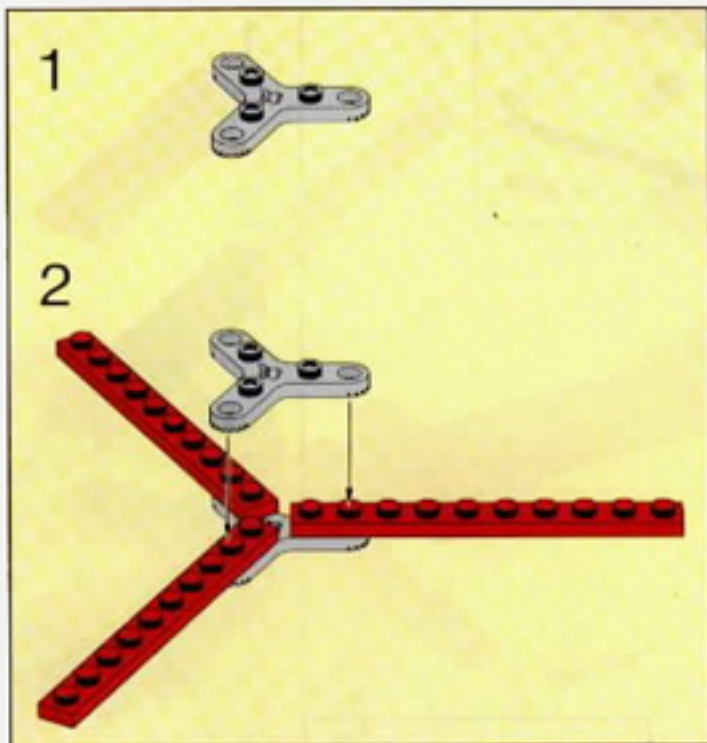
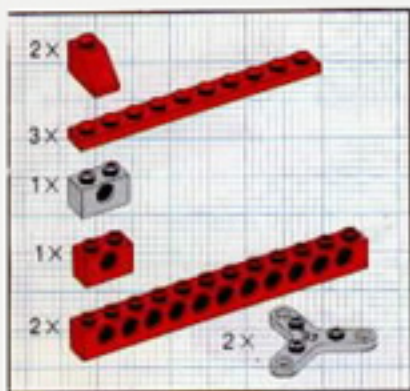


10

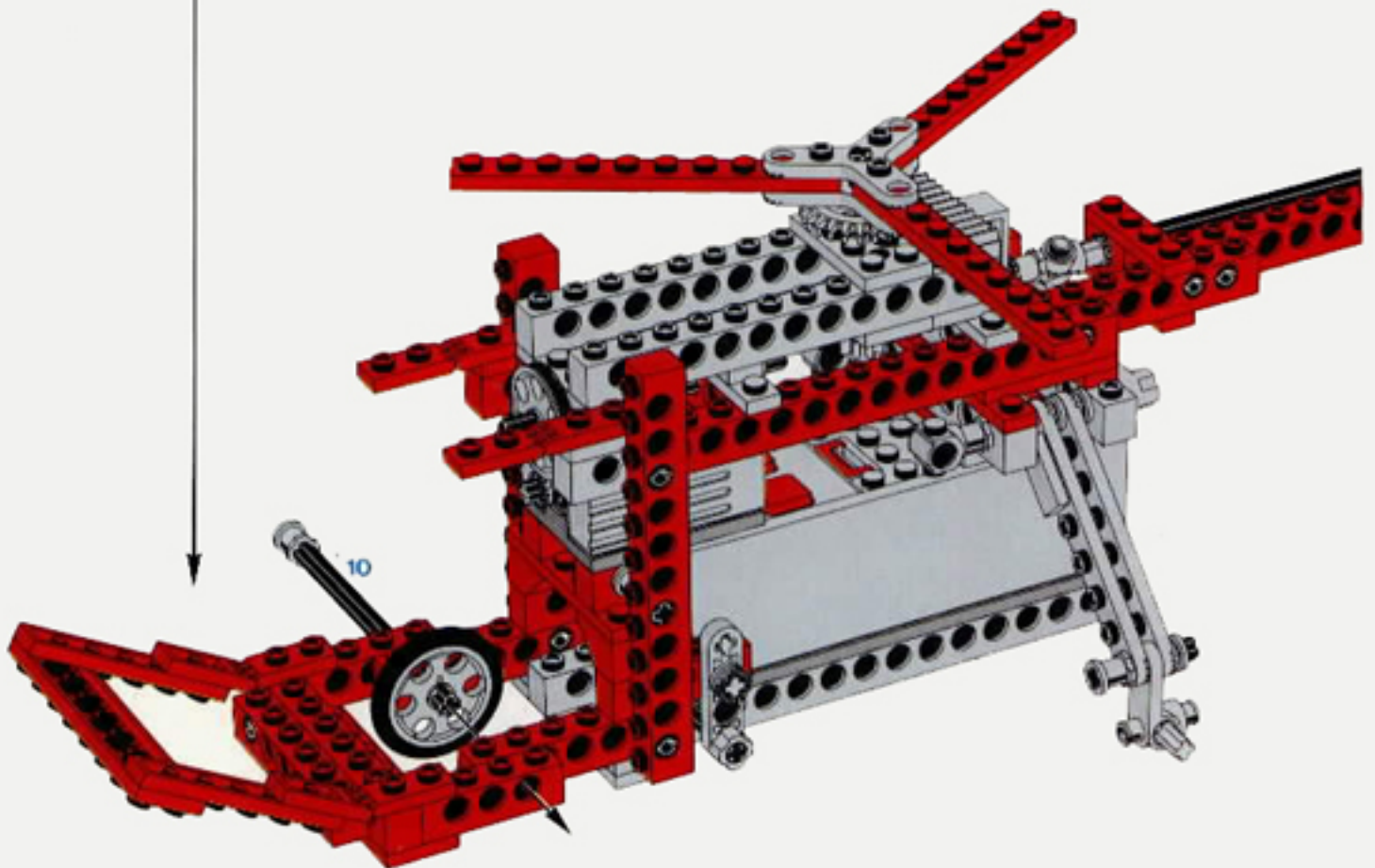
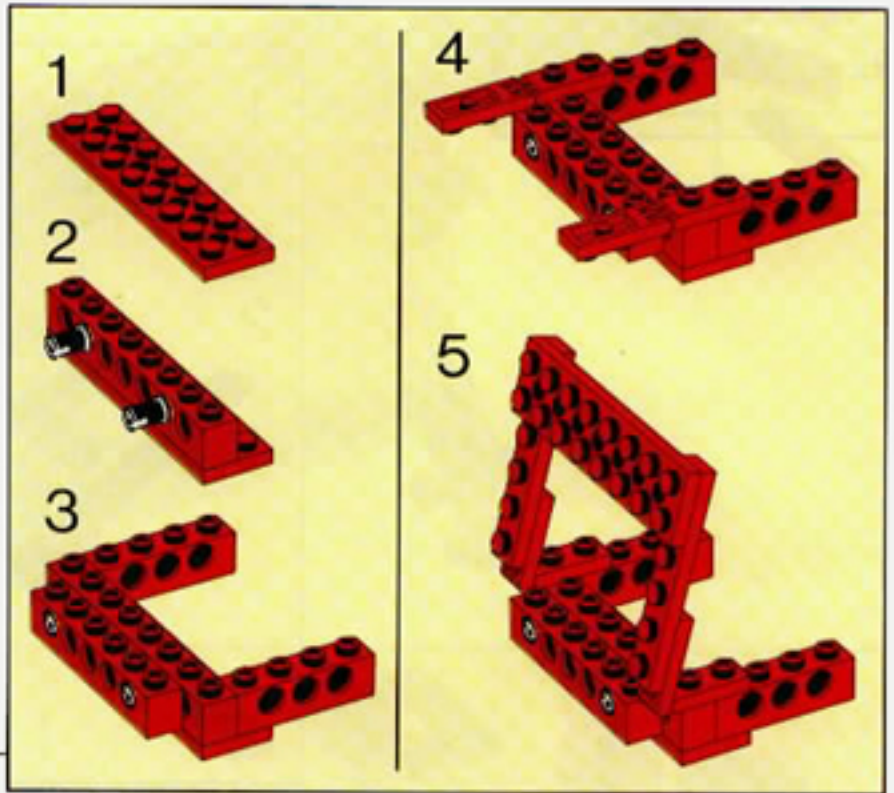
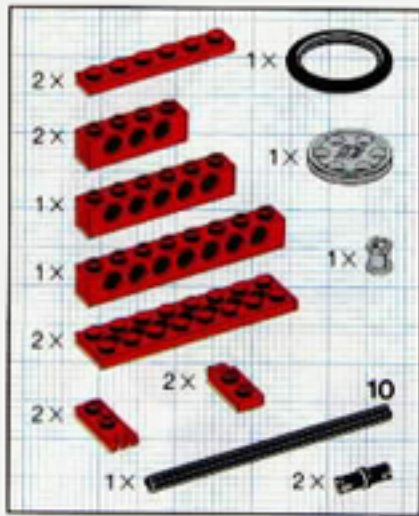


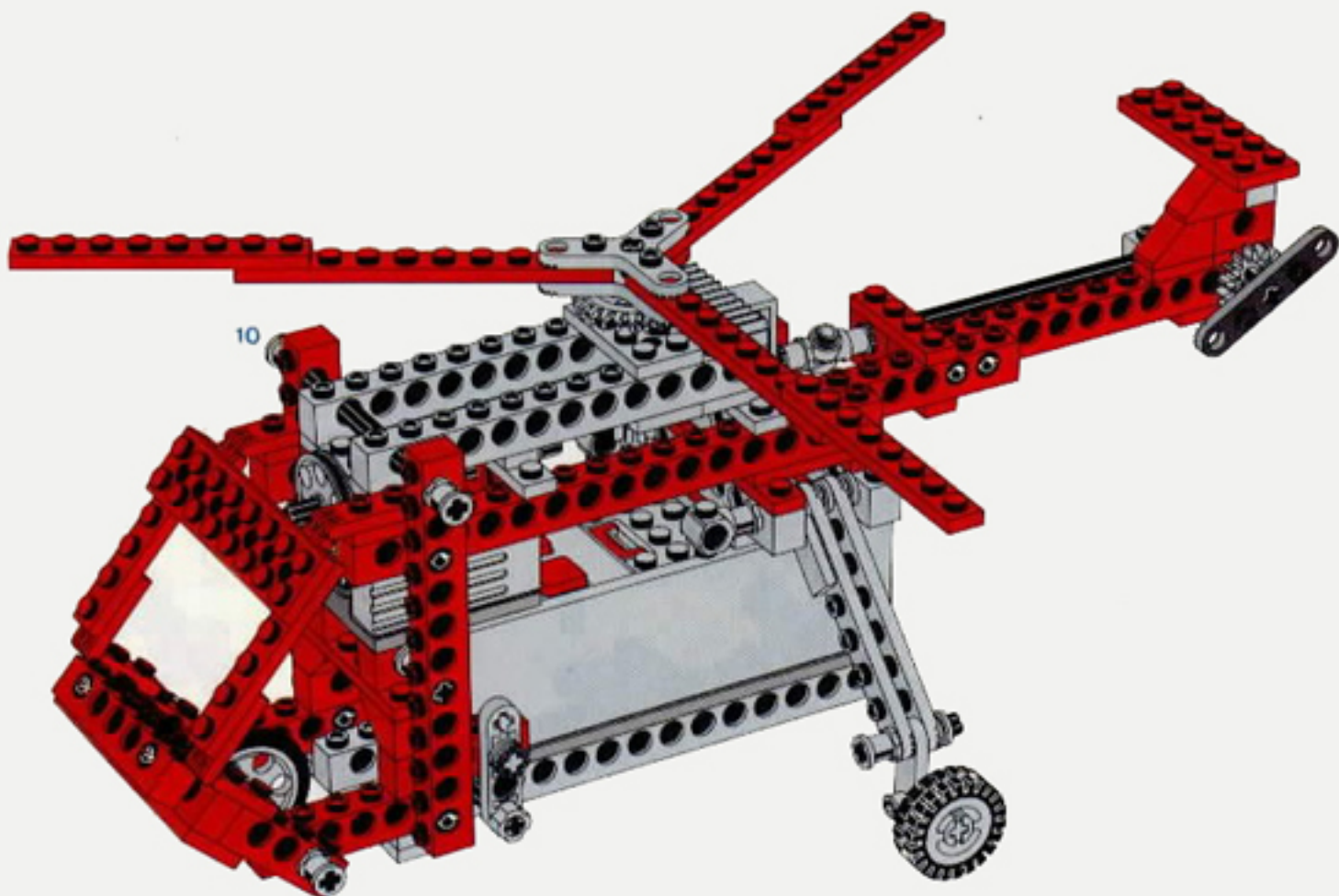
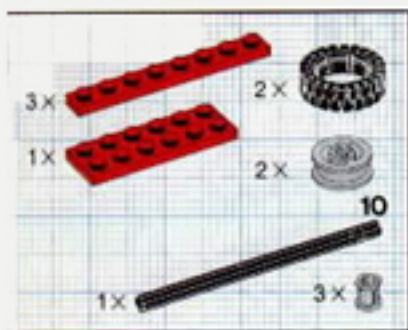
11

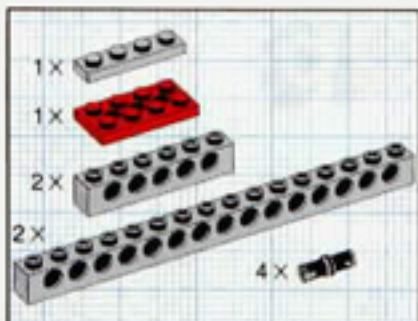
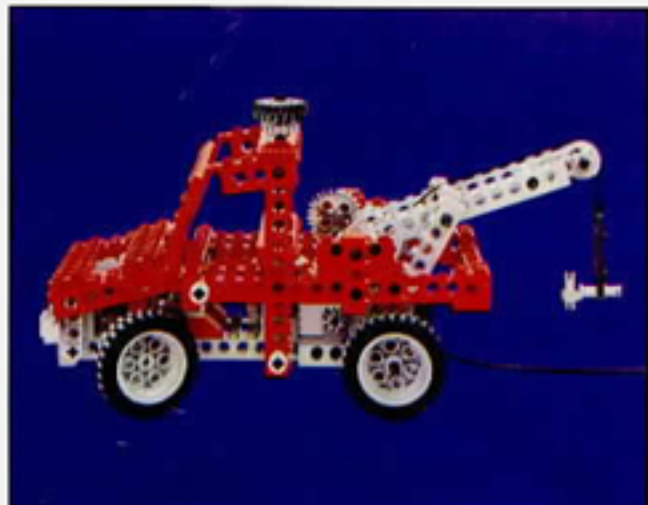




15







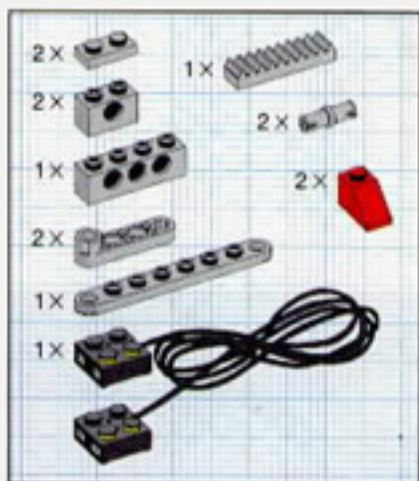
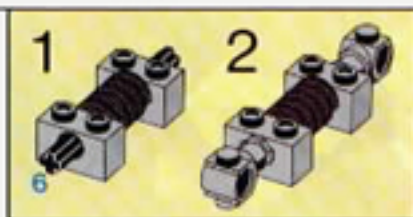
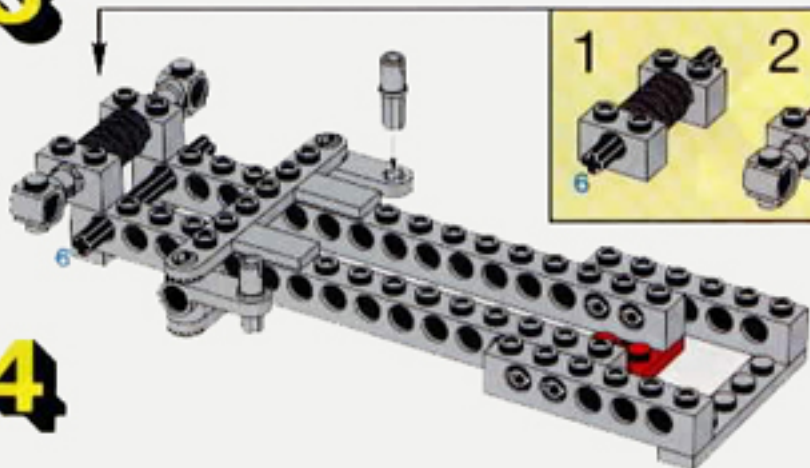
1



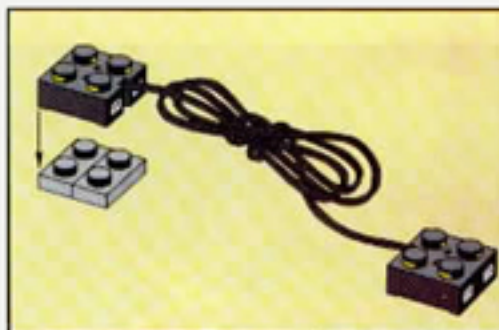
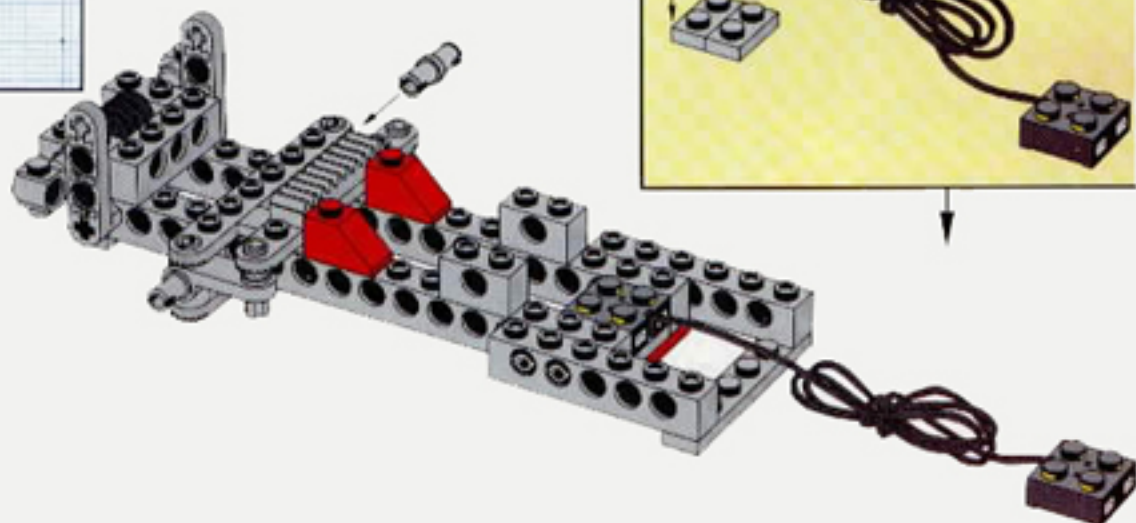
2

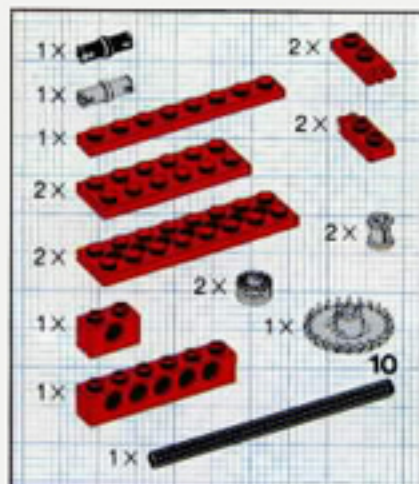


3

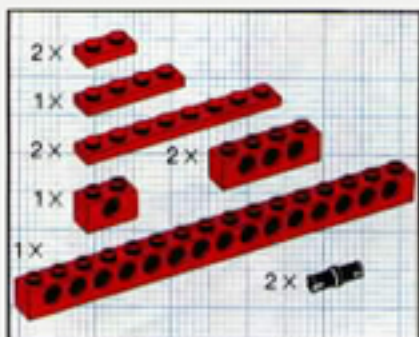
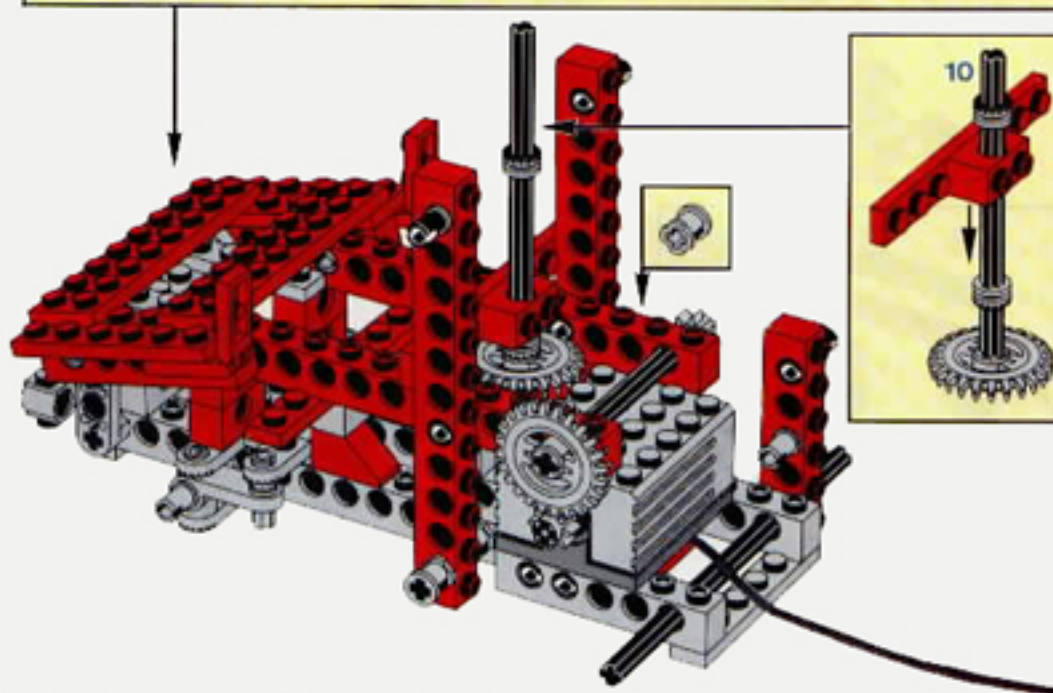
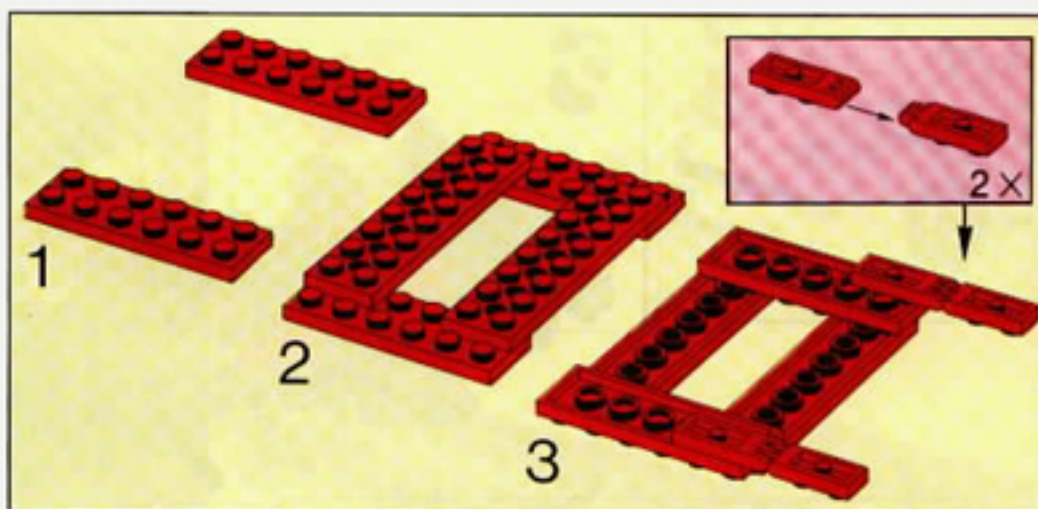


4

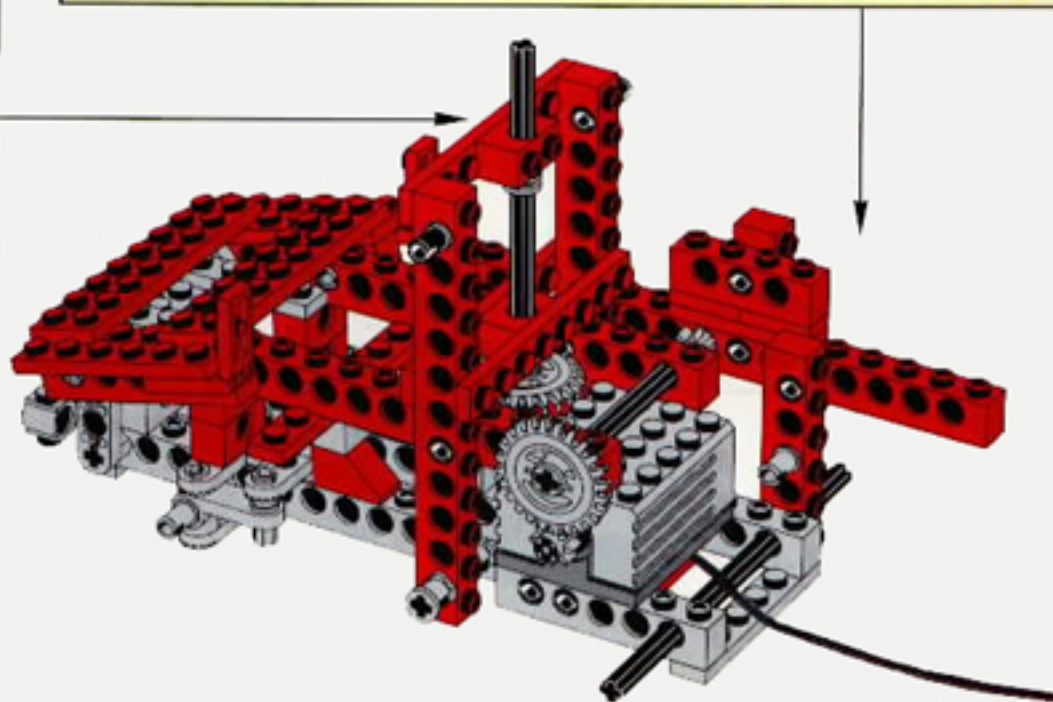
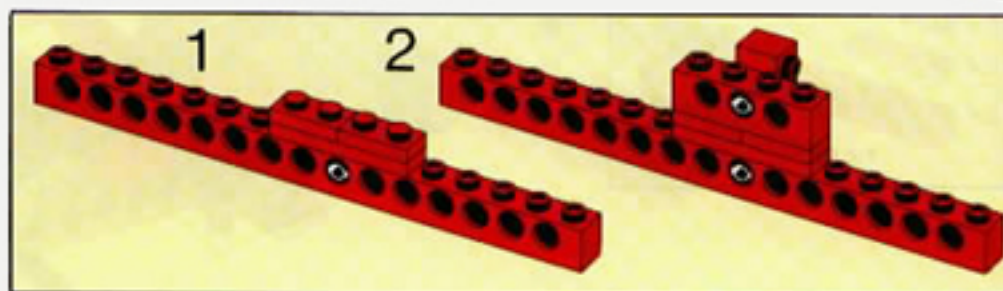




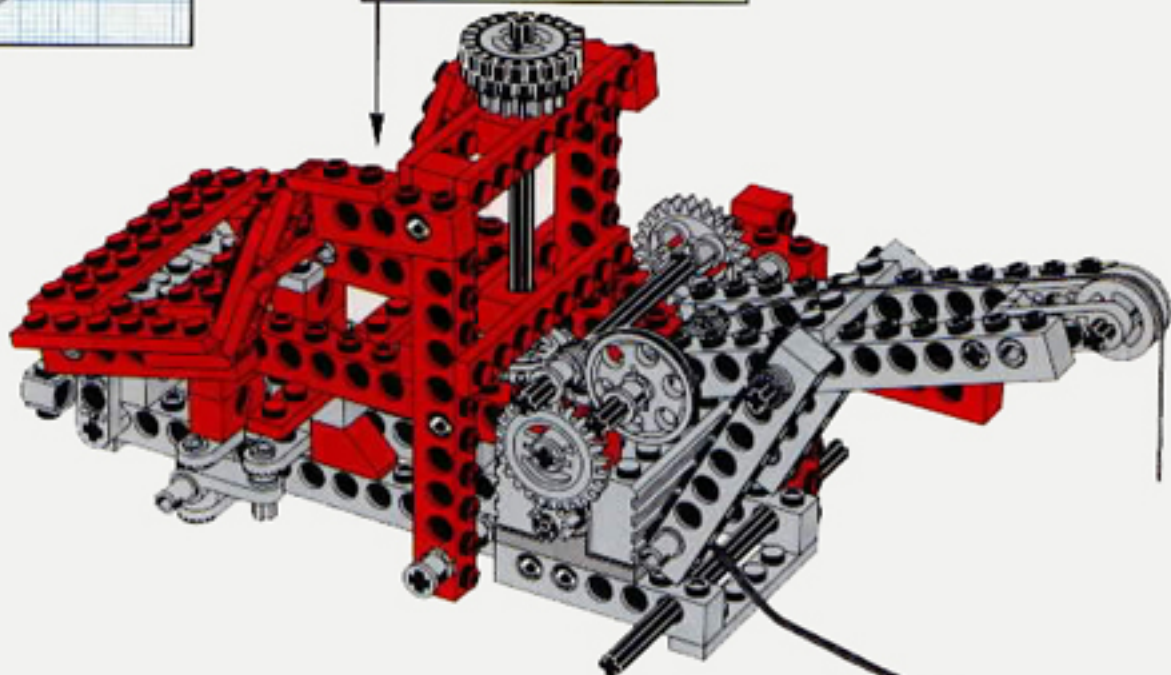
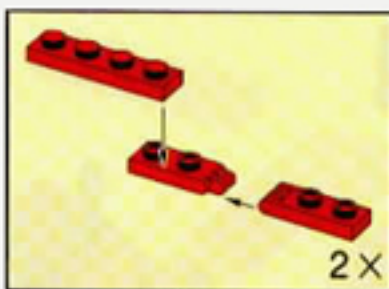
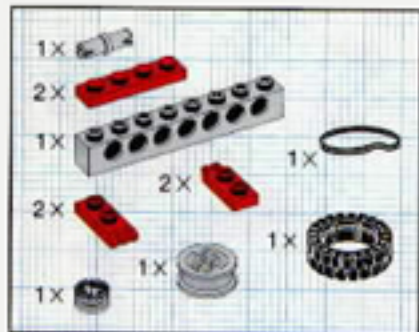
9



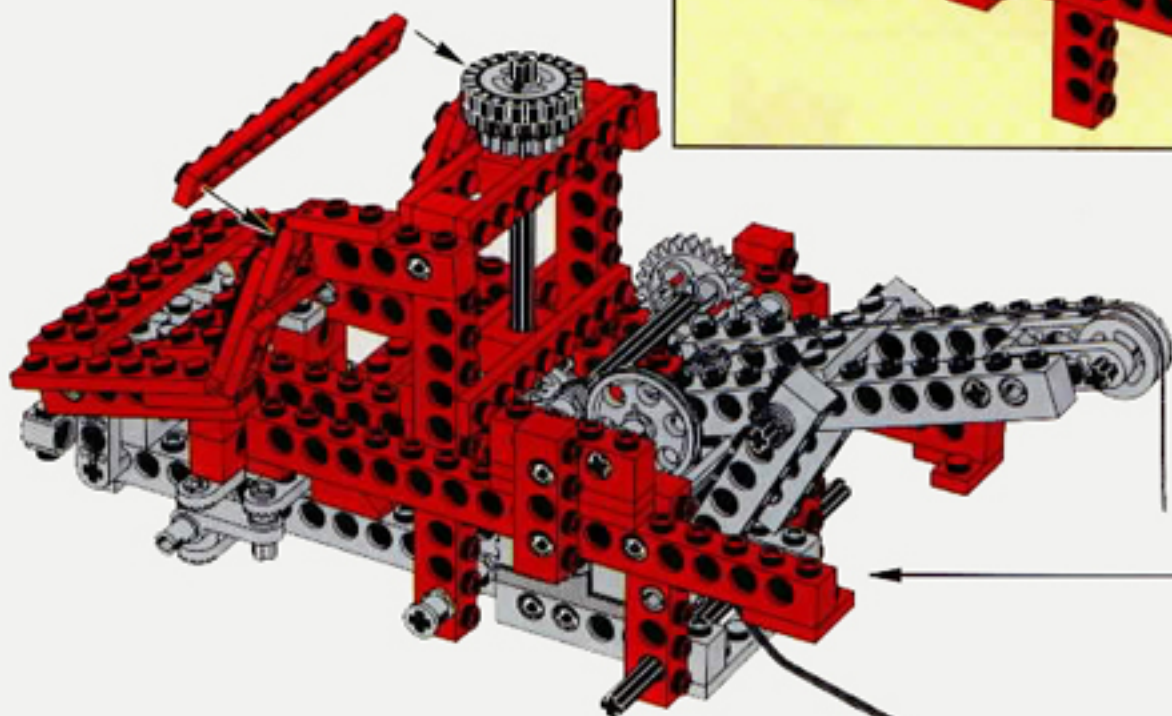
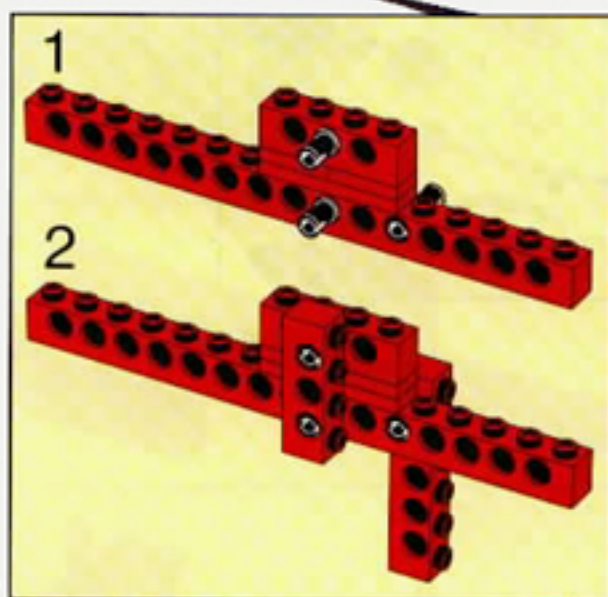
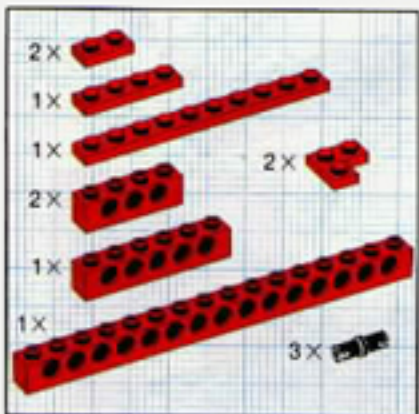
10



13

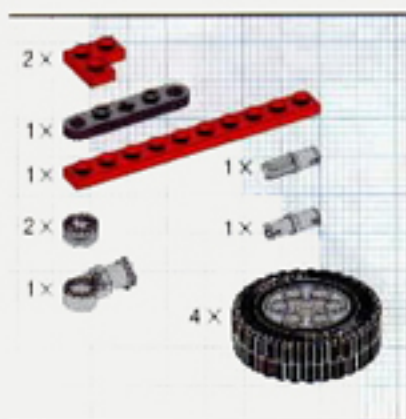
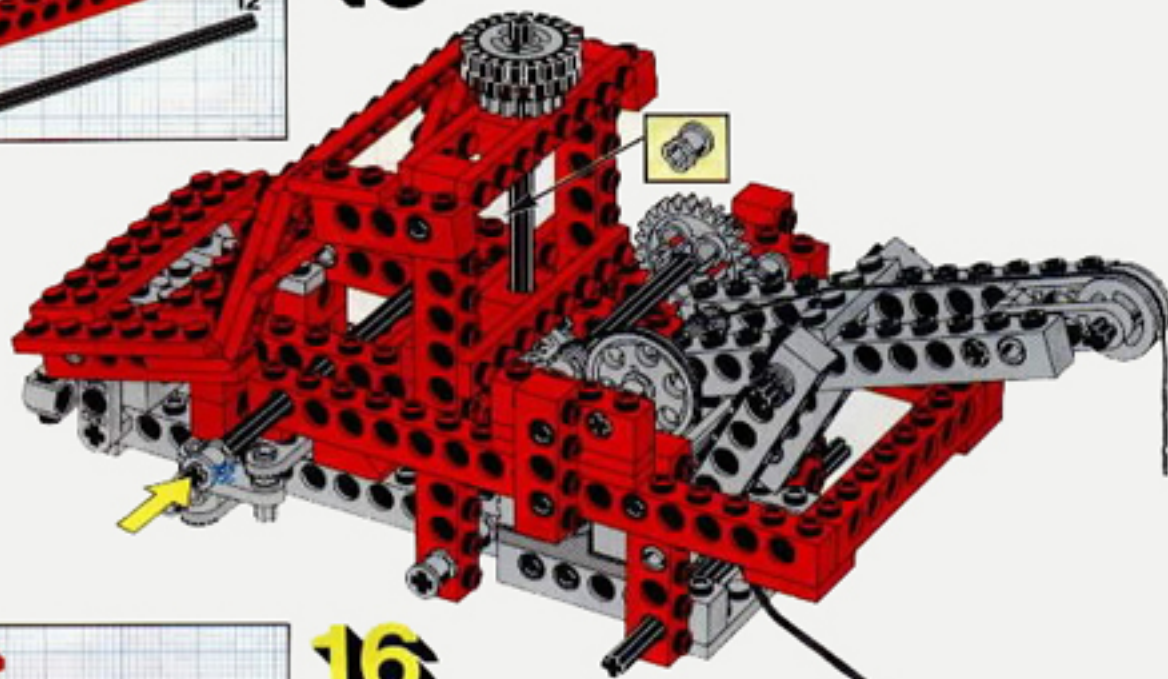


14

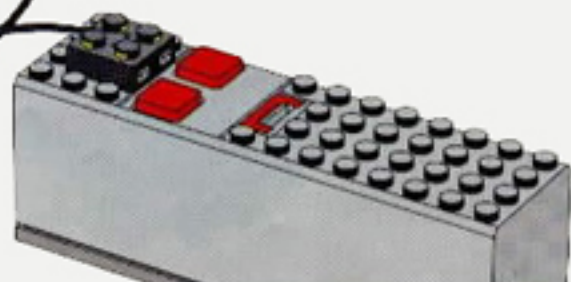
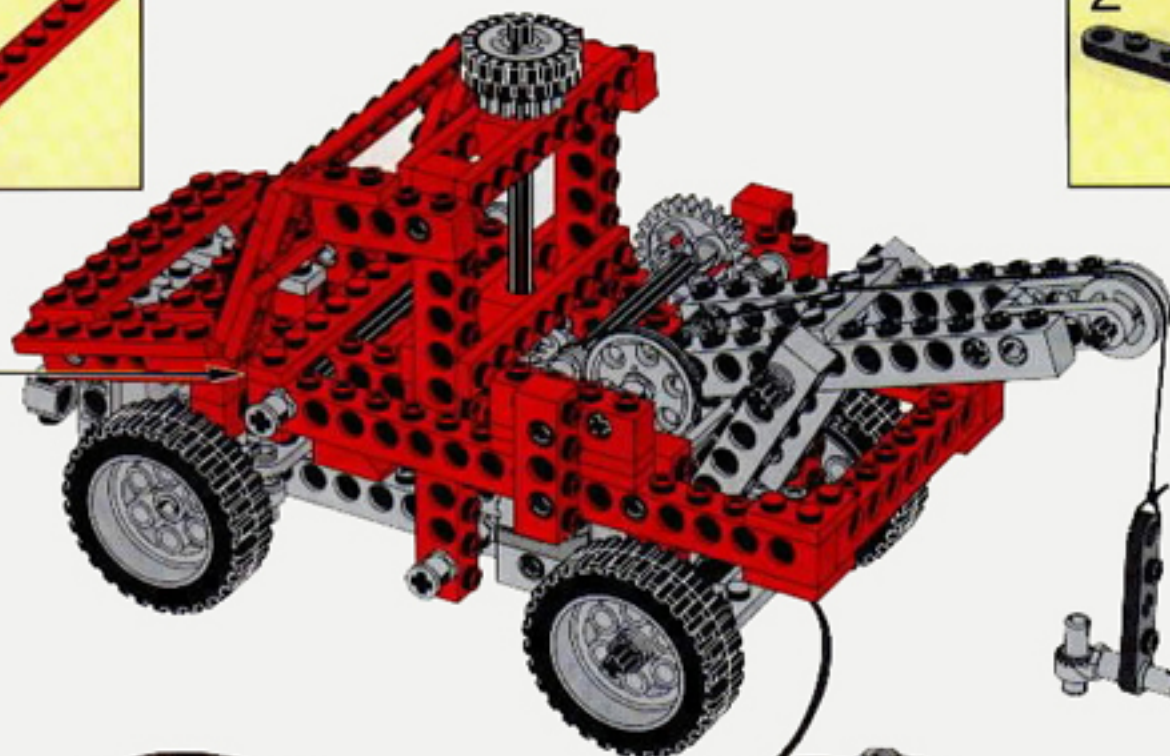
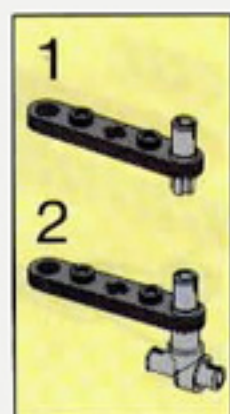


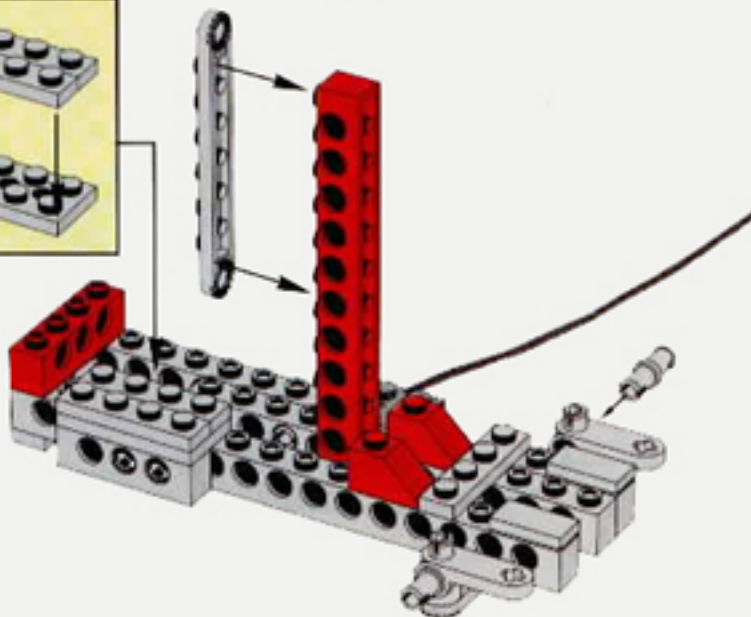
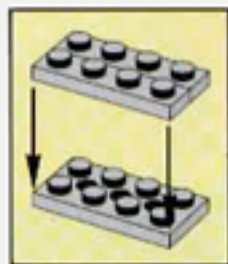
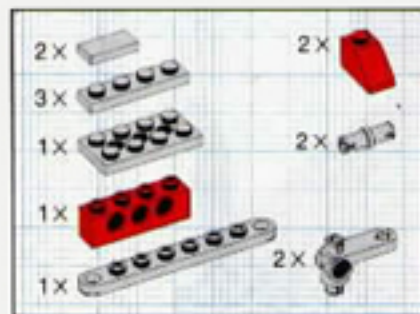
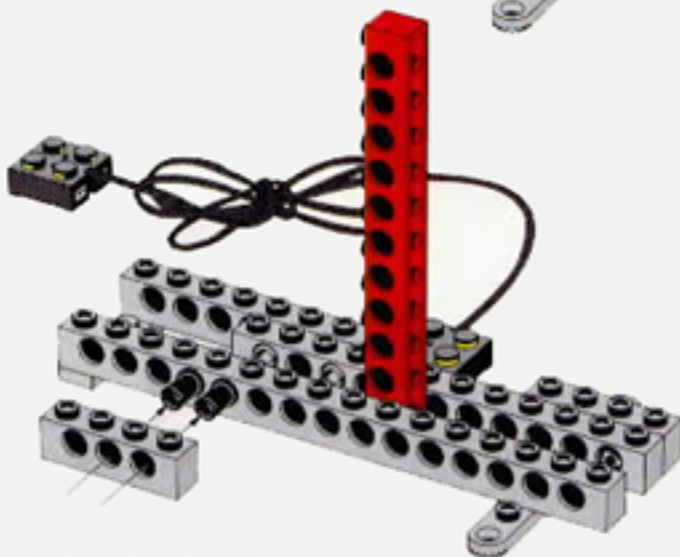
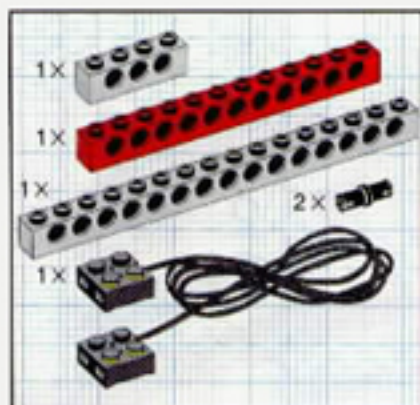
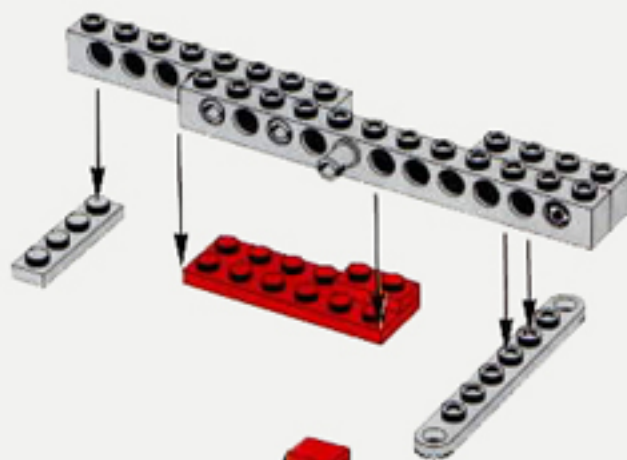
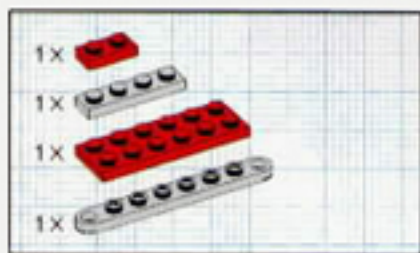
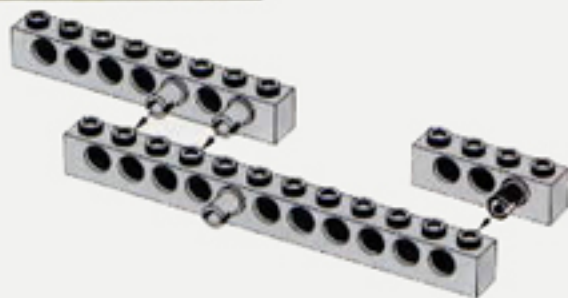
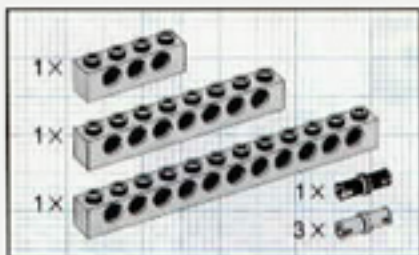


15

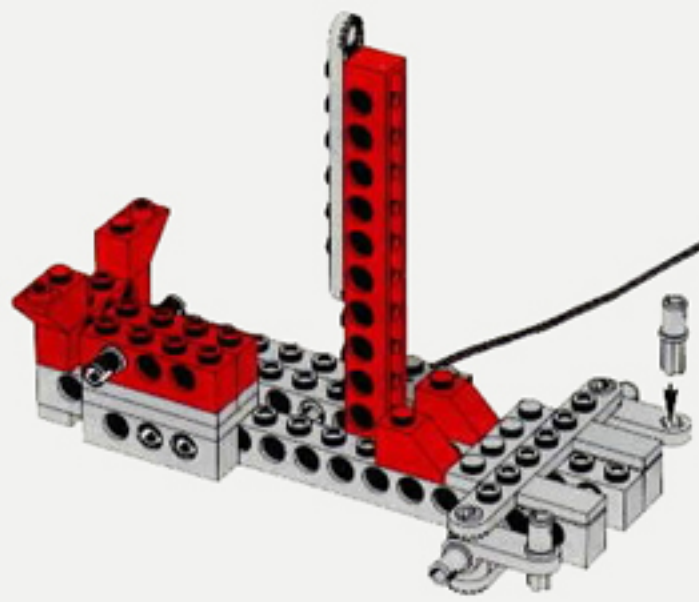
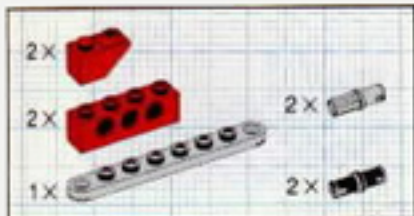


16

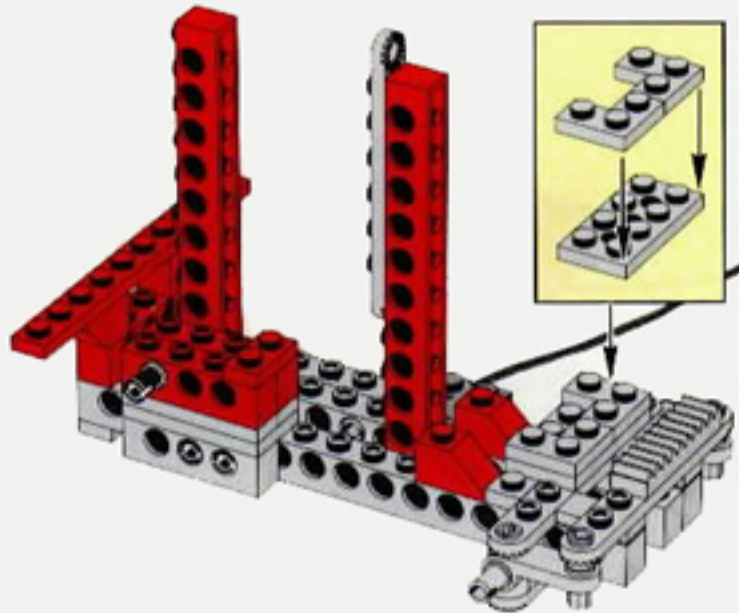
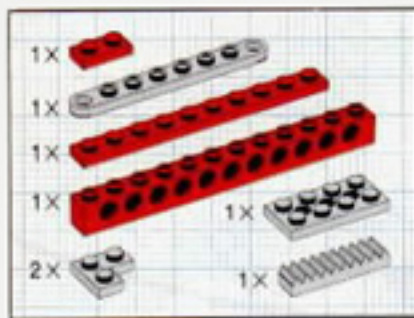




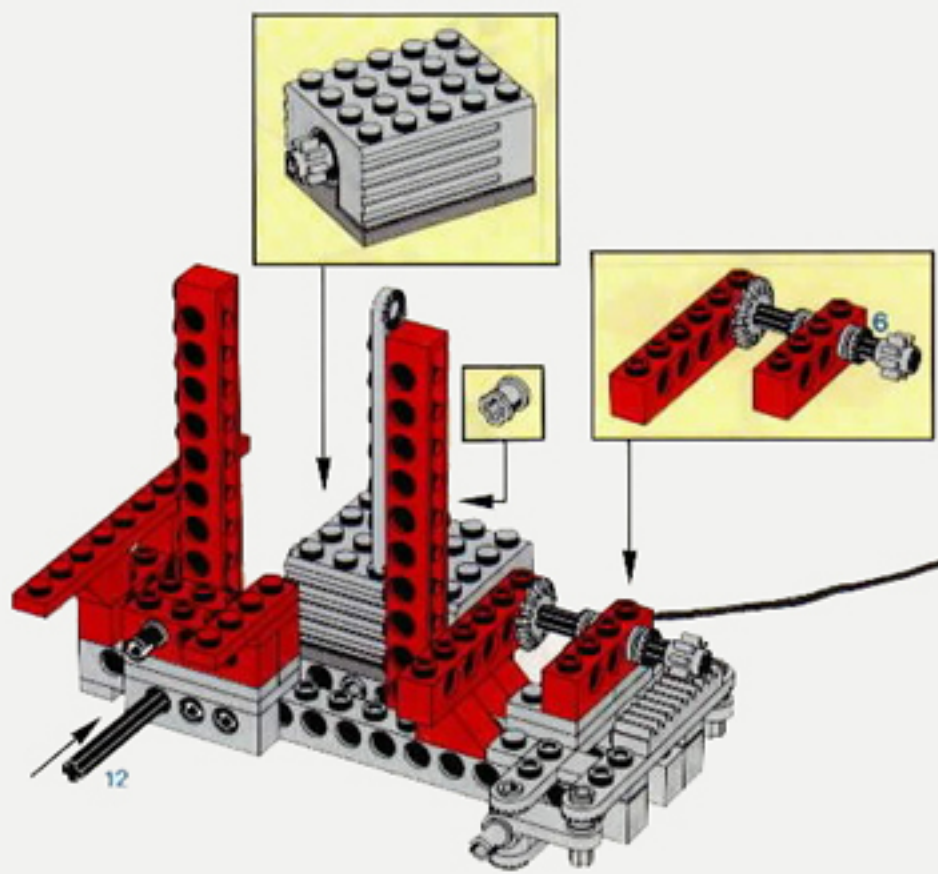
5



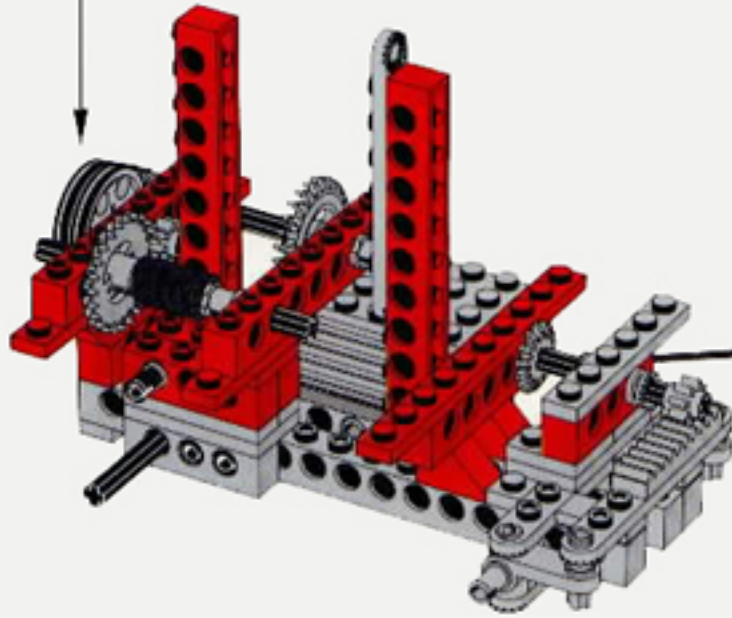
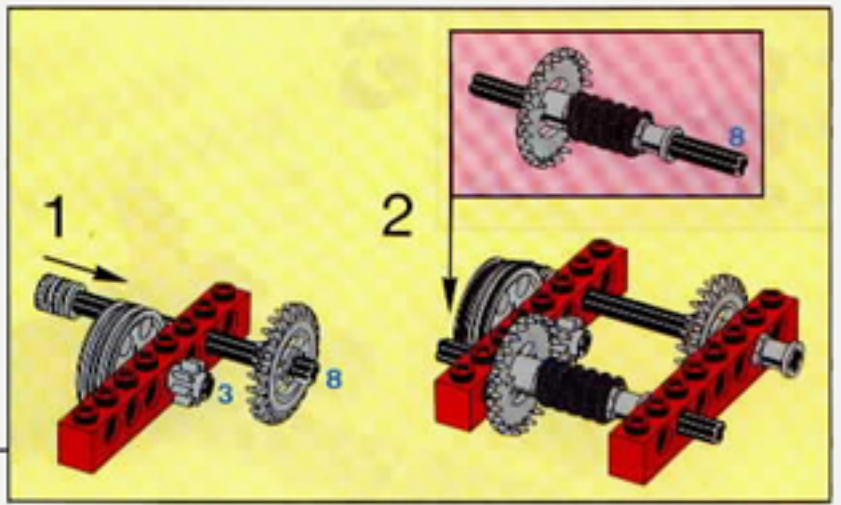
6



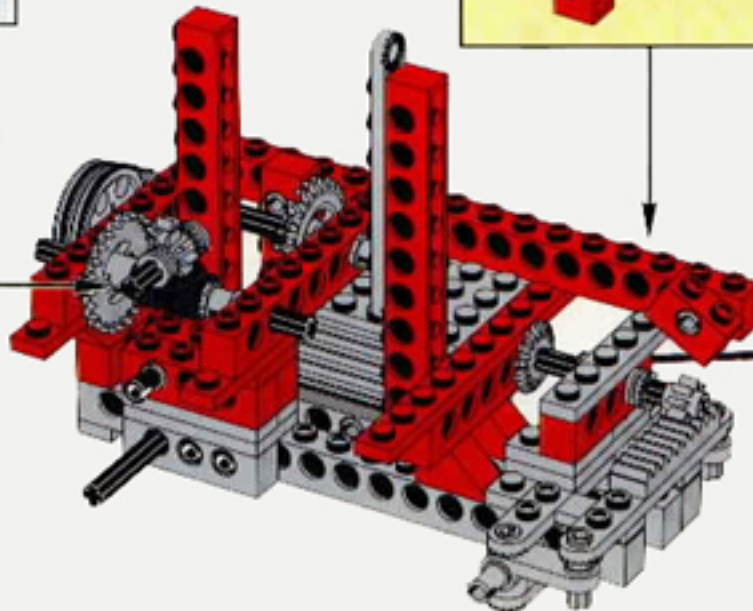
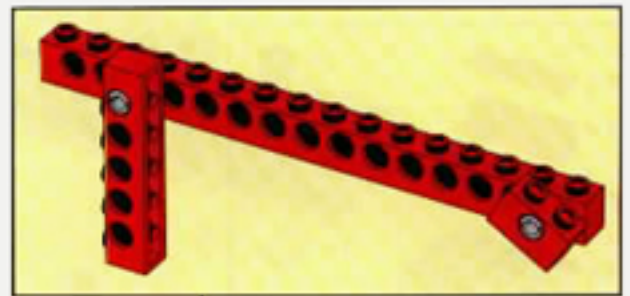
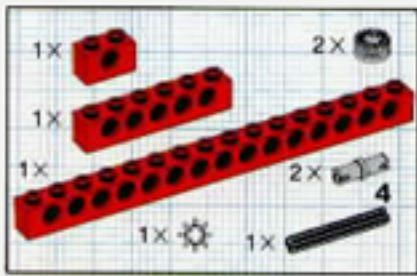
7



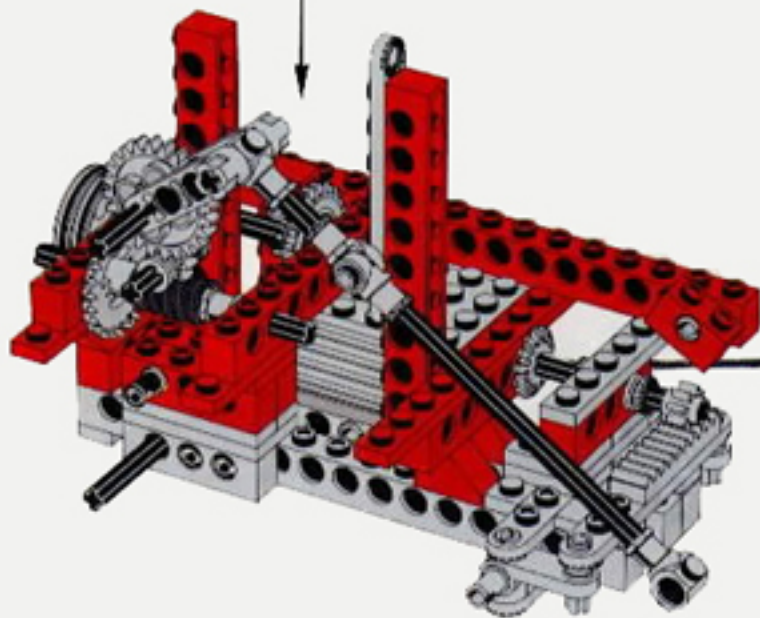
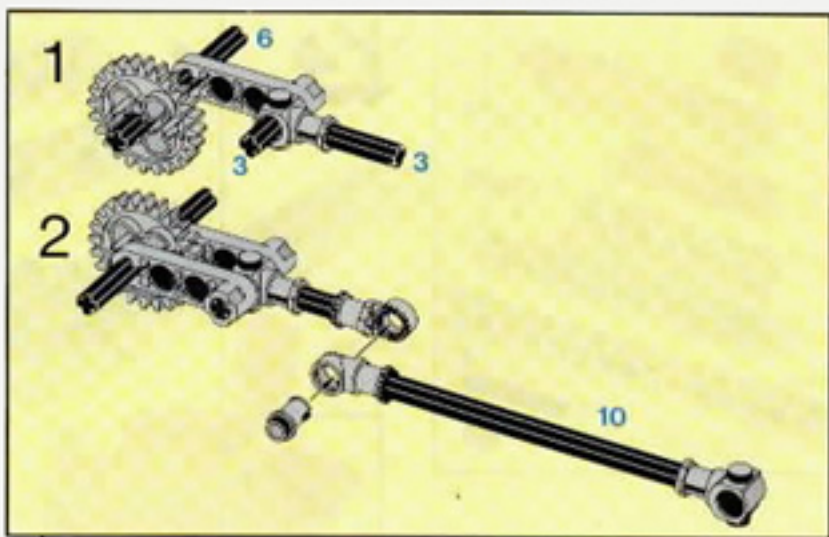
8



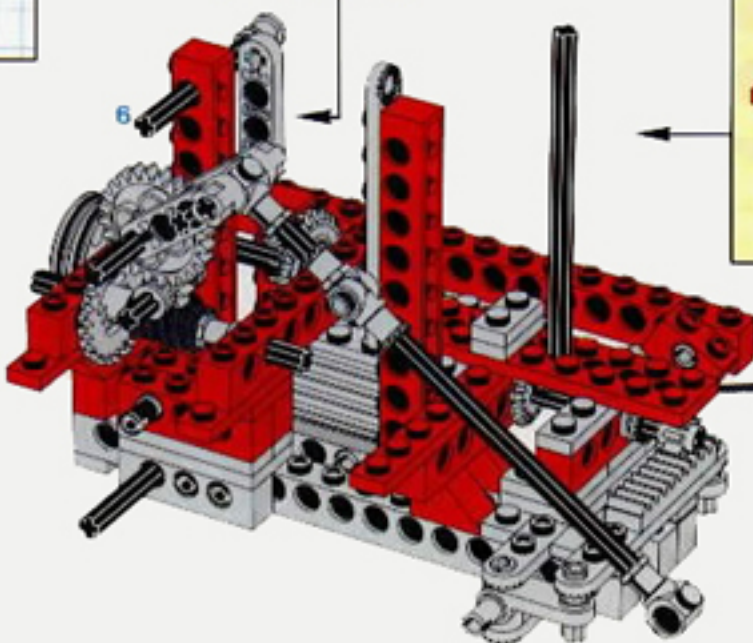
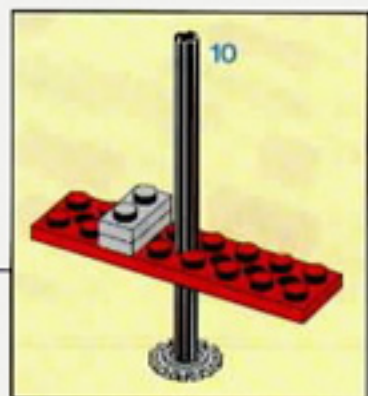
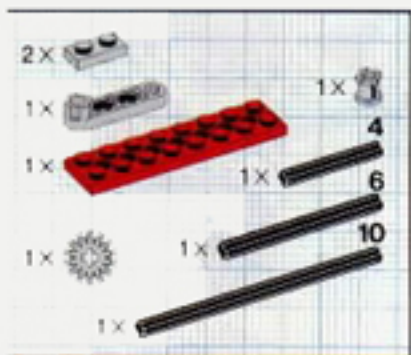
9



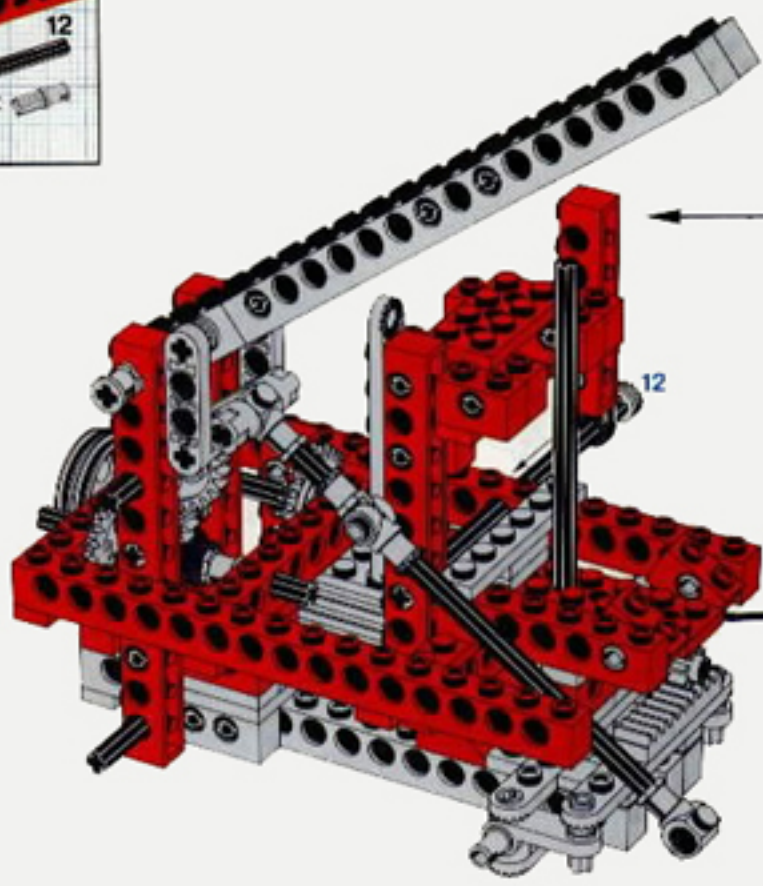
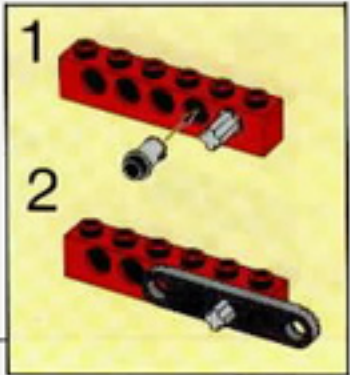
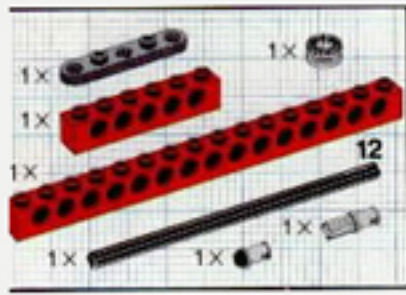
10



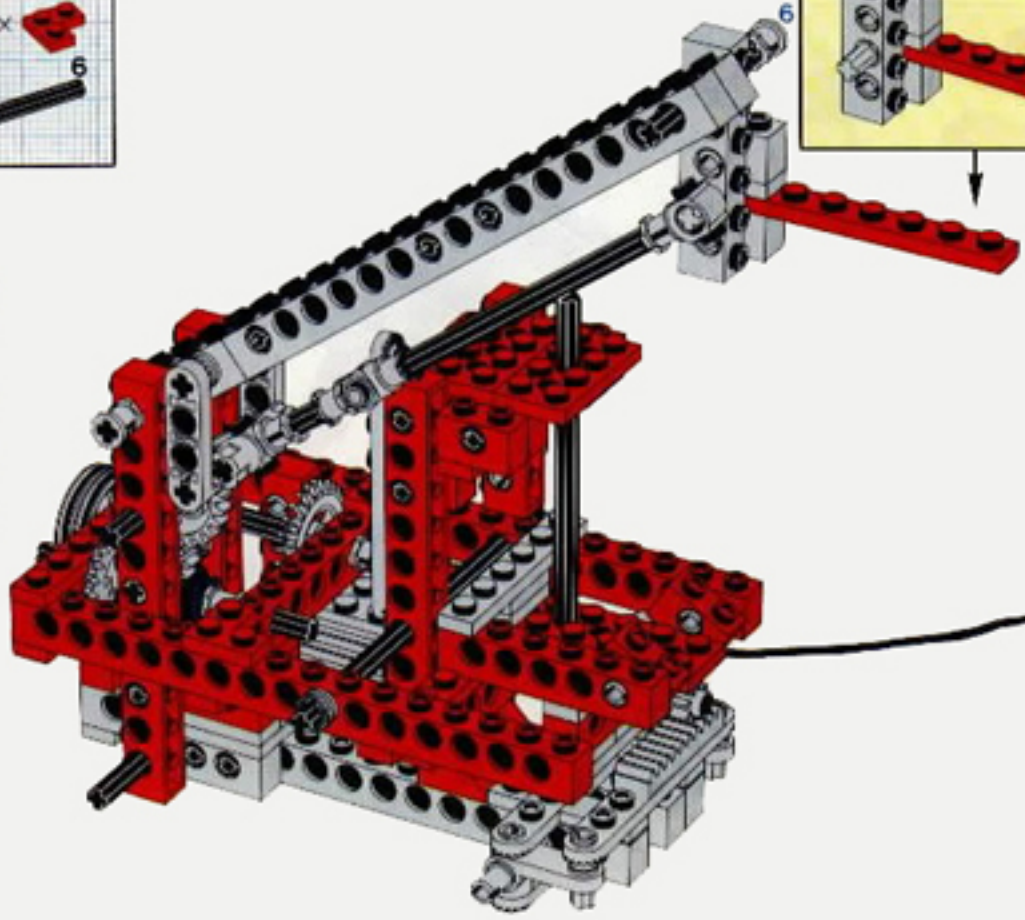
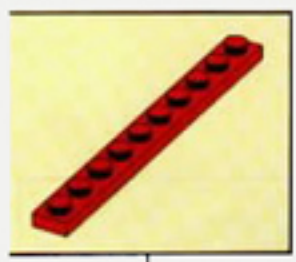
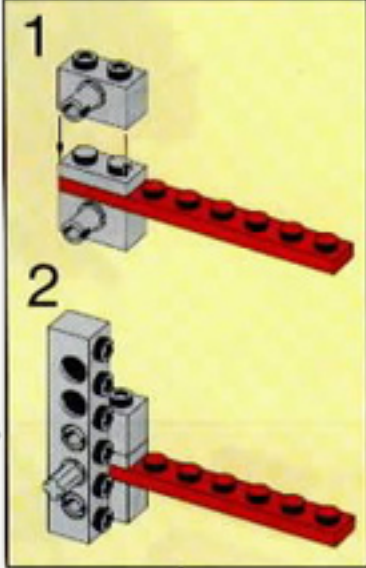
11

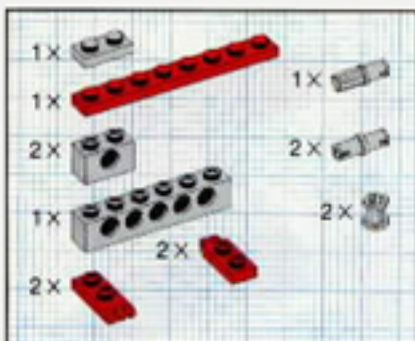


14

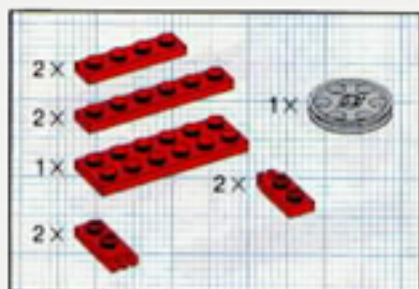
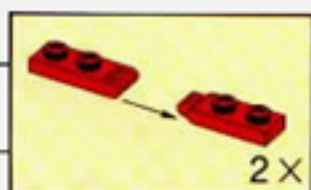
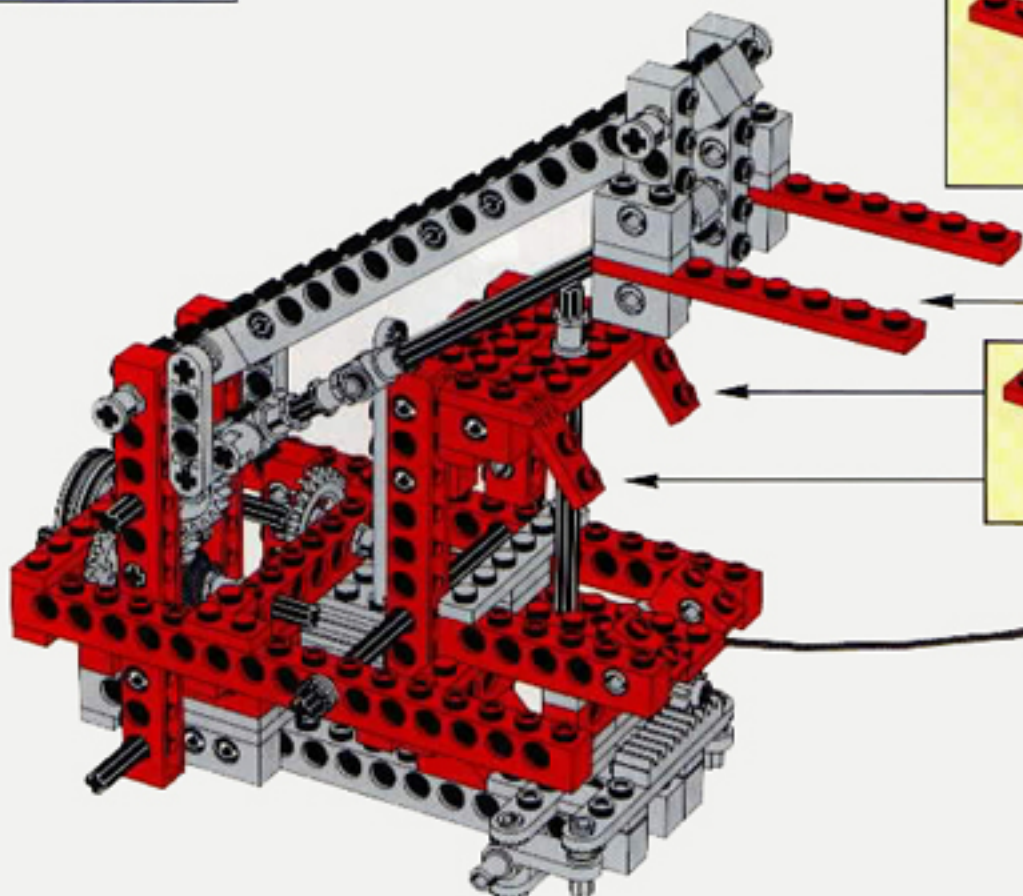
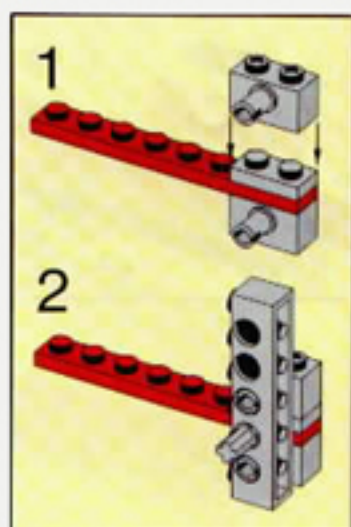


15

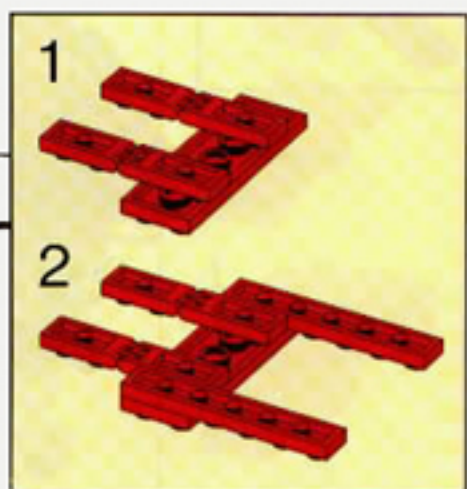
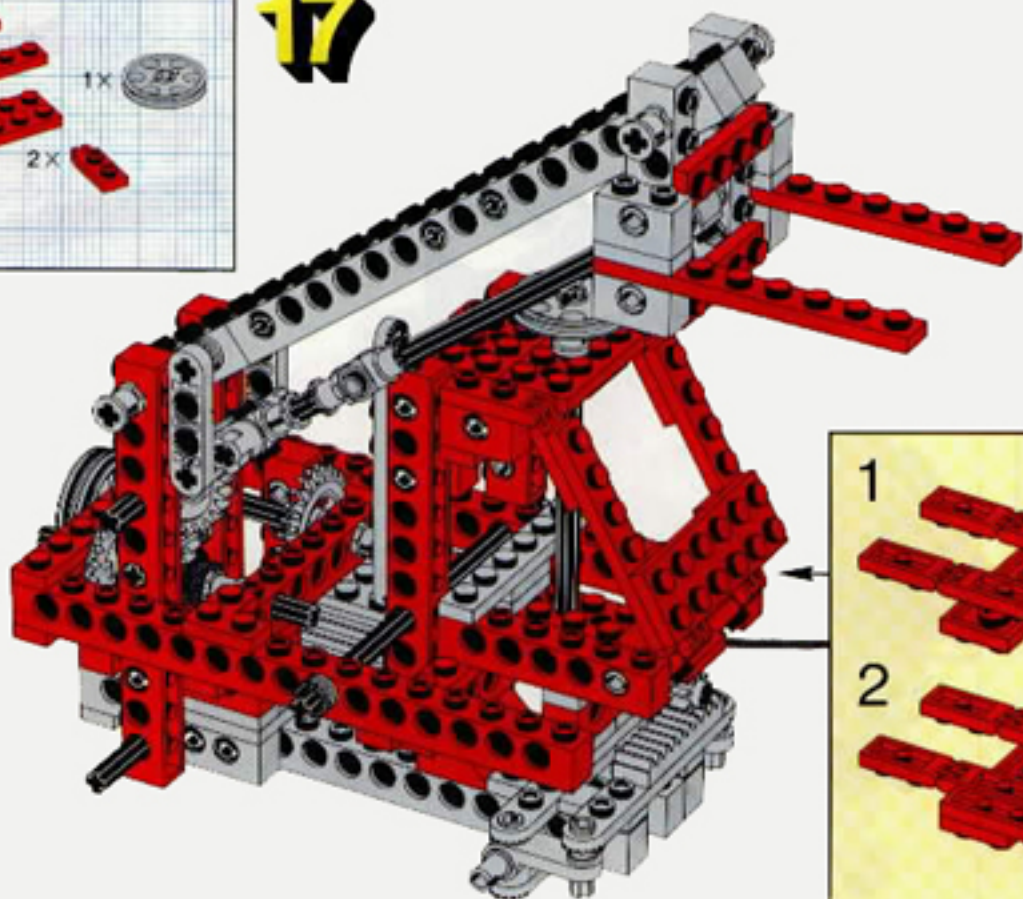




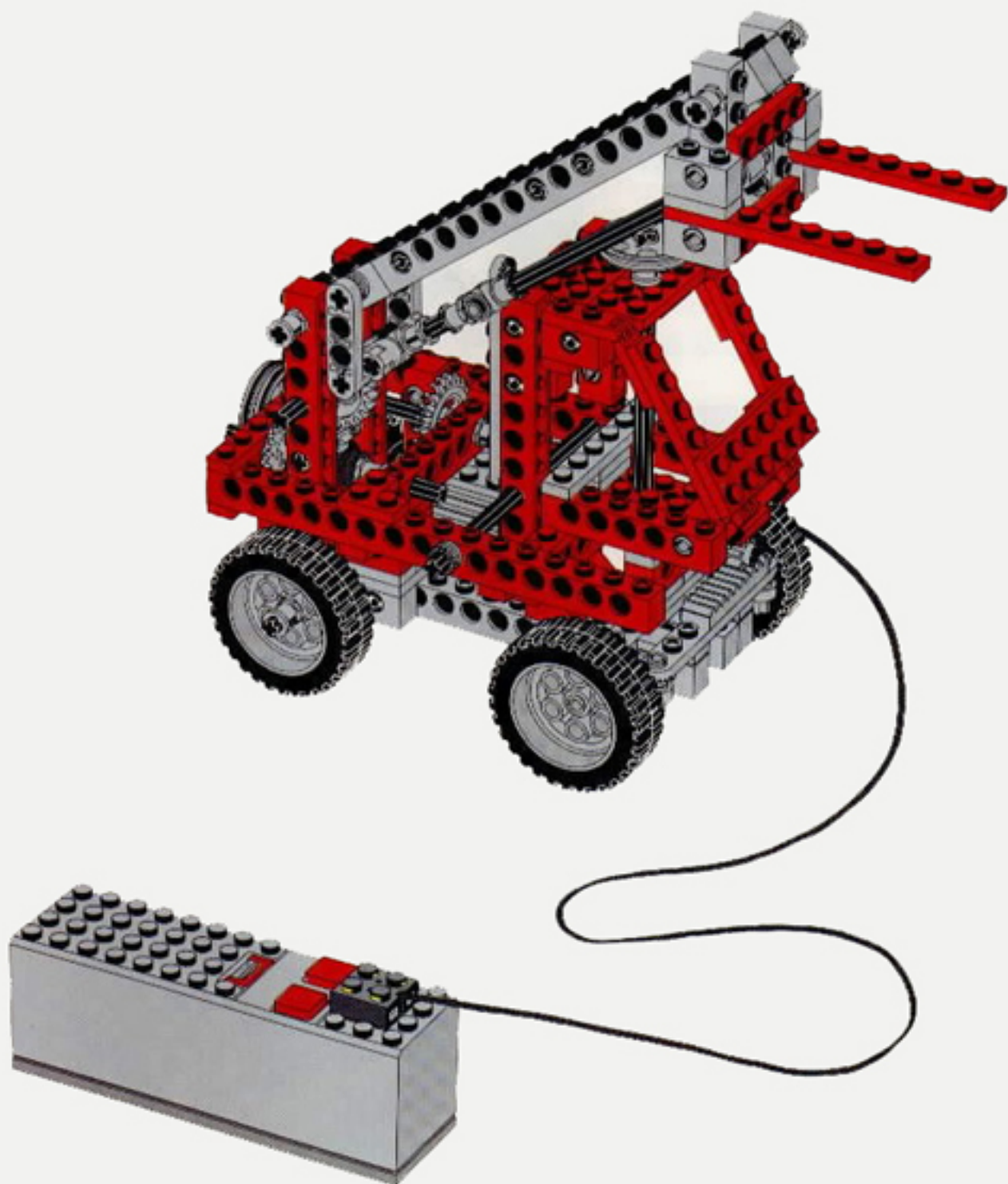
16



17



18



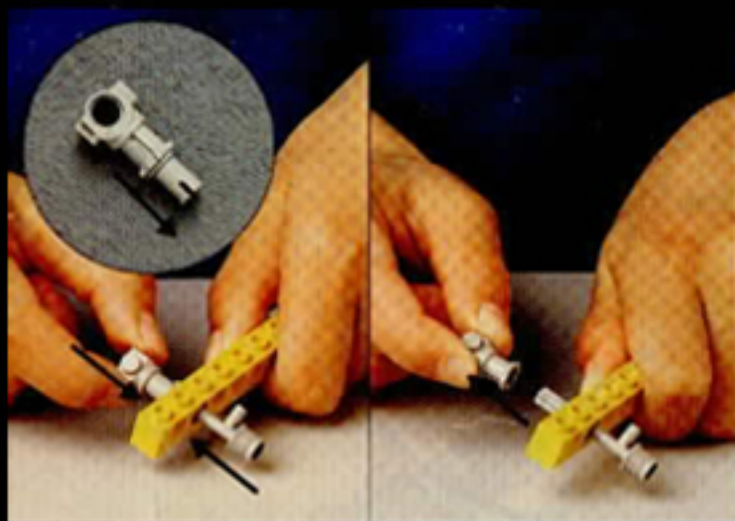
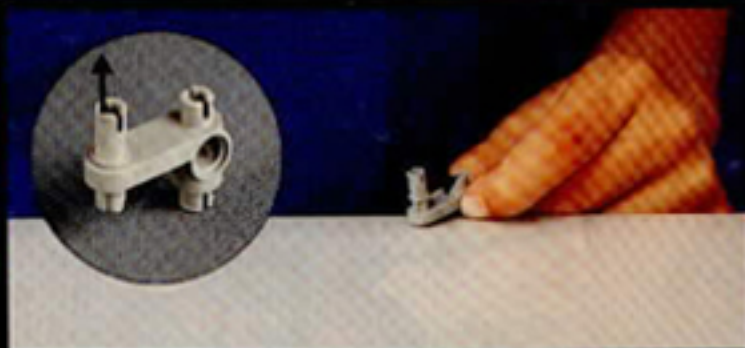
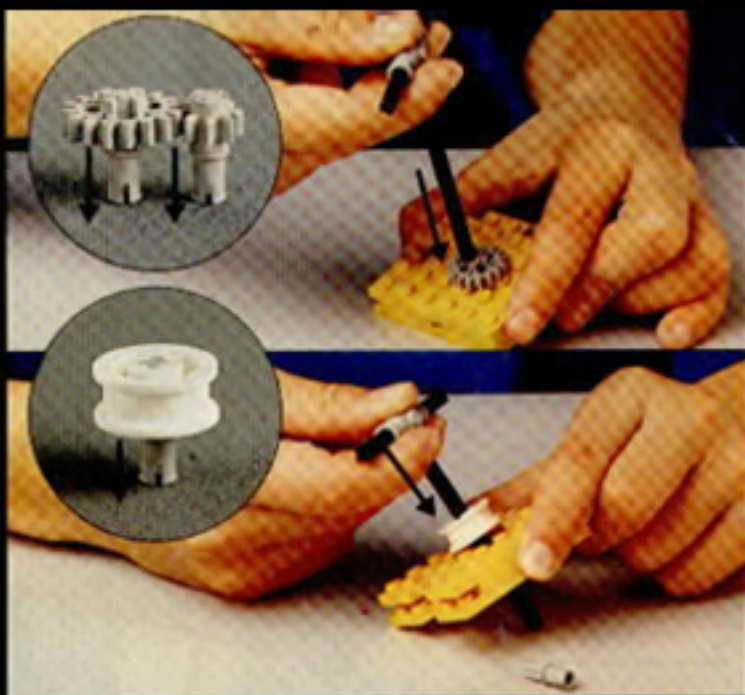













Image	Qty	Item No	Description	MID
Regular Items:				
Parts:				
+  *	1	2847c01 (inv)	Light Gray Electric 9V Battery Box 4 x 14 x 4 with Dark Gray Base Catalog: Parts: Electric, Battery Box Part Color Code Missing	PG
+  *	1	2838c01	Light Gray Electric, Motor 9V 5 x 4 x 2 1/3 Catalog: Parts: Electric, Motor Part Color Code Missing	PG
+  *	1	5306bc162	Black Electric, Wire with Brick 2 x 2 x 2/3 Pair, 162 Studs Long Catalog: Parts: Electric, Wire & Connector 75656	PG
+  *	4	4276	Red Hinge Plate 1 x 2 with 2 Fingers Catalog: Parts: Hinge Part Color Code Missing	PG
+  *	4	4275	Red Hinge Plate 1 x 2 with 3 Fingers Catalog: Parts: Hinge Part Color Code Missing	PG
+  *	4	3023	Light Gray Plate 1 x 2 Catalog: Parts: Plate 302302	PG
+  *	4	3023	Red Plate 1 x 2 Catalog: Parts: Plate 302321	PG
+  *	4	3710	Light Gray Plate 1 x 4 Catalog: Parts: Plate 371002	PG
+  *	4	3710	Red Plate 1 x 4 Catalog: Parts: Plate 371021	PG
+  *	2	3666	Light Gray Plate 1 x 6 Catalog: Parts: Plate 366602	PG
+  *	2	3666	Red Plate 1 x 6 Catalog: Parts: Plate 366621	PG

+



*

4

[3460](#)

Red Plate 1 x 8

[Catalog](#): [Parts](#): [Plate](#)
346021

[PG](#)

+



*

3

[4477](#)

Red Plate 1 x 10

[Catalog](#): [Parts](#): [Plate](#)
447721

[PG](#)

+



*

2

[2420](#)

Light Gray Plate 2 x 2 Corner

[Catalog](#): [Parts](#): [Plate](#)
242002

[PG](#)

+



*

4

[2420](#)

Red Plate 2 x 2 Corner

[Catalog](#): [Parts](#): [Plate](#)
242021

[PG](#)

+



*

2

[3795](#)

Red Plate 2 x 6

[Catalog](#): [Parts](#): [Plate](#)
379521

[PG](#)

+



*

2

[x88](#)

Black Rubber Band Small (Square Cross Section)

[Catalog](#): [Parts](#): [Rubber Band & Belt](#)
4107153

[PG](#)

+



*

2

[3040](#)

Red Slope 45 2 x 1

[Catalog](#): [Parts](#): [Slope](#)
304021 or 4121934

[PG](#)

+



*

2

[3665](#)

Red Slope, Inverted 45 2 x 1

[Catalog](#): [Parts](#): [Slope, Inverted](#)
366521

[PG](#)

+



*

1

[x77](#)

Black String, Cord (Undetermined Type)

[Catalog](#): [Parts](#): [String](#)
Part Color Code Missing

[PG](#)

+



*

10

[3713](#)

Light Gray Technic Bush

[Catalog](#): [Parts](#): [Technic](#)
4125313

[PG](#)

+



*

10

[4265a](#)

Light Gray Technic Bush 1/2 Toothed Type I

[Catalog](#): [Parts](#): [Technic](#)
Part Color Code Missing

[PG](#)

+



*


3


[4185](#)


Light Gray Technic Wedge Belt Wheel (Pulley)


[Catalog](#): [Parts](#): [Technic](#)
4100502


[PG](#)


+		1	2815	Black Technic Wedge Belt Wheel Tire Catalog: Parts: Technic 6028041 or 281526	PG
---	--	---	----------------------	--	--------------------


+		3	4519	Black Technic, Axle 3 Catalog: Parts: Technic, Axle 451926	PG
---	---	---	----------------------	---	--------------------


+		3	3705	Black Technic, Axle 4 Catalog: Parts: Technic, Axle 370526	PG
---	---	---	----------------------	---	--------------------


+		4	3706	Black Technic, Axle 6 Catalog: Parts: Technic, Axle 370626	PG
---	---	---	----------------------	---	--------------------

+		2	3707	Black Technic, Axle 8 Catalog: Parts: Technic, Axle 370726	PG
---	---	---	----------------------	---	--------------------


+		4	3737	Black Technic, Axle 10 Catalog: Parts: Technic, Axle 373726	PG
---	--	---	----------------------	--	--------------------


+		2	3708	Black Technic, Axle 12 Catalog: Parts: Technic, Axle 370826	PG
---	---	---	----------------------	--	--------------------


+		2	3651	Light Gray Technic, Axle and Pin Connector Catalog: Parts: Technic, Connector Part Color Code Missing	PG
---	---	---	----------------------	--	--------------------

+		2	4273a	Light Gray Technic, Axle and Pin Connector Toggle Joint Toothed - Without Slots Catalog: Parts: Technic, Connector Part Color Code Missing	PG
---	---	---	-----------------------	---	--------------------


+		5	3749	Light Gray Technic, Axle Pin without Friction Ridges Lengthwise Catalog: Parts: Technic, Axle 4184168 or 656202	PG
---	---	---	----------------------	--	--------------------


+		4	3700	Light Gray Technic, Brick 1 x 2 with Hole Catalog: Parts: Technic, Brick 370002	PG
---	---	---	----------------------	--	--------------------

+		6	3700	Red Technic, Brick 1 x 2 with Hole Catalog: Parts: Technic, Brick 370021	PG
---	---	---	----------------------	---	--------------------

+	 *	3	3701	<p>Light Gray Technic, Brick 1 x 4 with Holes Catalog: Parts: Technic, Brick 370102</p>	PG
---	---	---	----------------------	--	--------------------

+	 *	6	3701	<p>Red Technic, Brick 1 x 4 with Holes Catalog: Parts: Technic, Brick 370121</p>	PG
---	--	---	----------------------	---	--------------------

+	 *	2	3894	<p>Light Gray Technic, Brick 1 x 6 with Holes Catalog: Parts: Technic, Brick 389402</p>	PG
---	--	---	----------------------	--	--------------------


+	 *	4	3894	<p>Red Technic, Brick 1 x 6 with Holes Catalog: Parts: Technic, Brick 389421</p>	PG
---	--	---	----------------------	---	--------------------

+	 *	2	3702	<p>Light Gray Technic, Brick 1 x 8 with Holes Catalog: Parts: Technic, Brick 370202</p>	PG
---	--	---	----------------------	--	--------------------

+	 *	2	3702	<p>Red Technic, Brick 1 x 8 with Holes Catalog: Parts: Technic, Brick 370221</p>	PG
---	---	---	----------------------	---	--------------------


+	 *	2	3895	<p>Light Gray Technic, Brick 1 x 12 with Holes Catalog: Parts: Technic, Brick 4195006</p>	PG
---	--	---	----------------------	--	--------------------


+	 *	4	3895	<p>Red Technic, Brick 1 x 12 with Holes Catalog: Parts: Technic, Brick 389521</p>	PG
---	--	---	----------------------	--	--------------------

+	 *	2	3703	<p>Light Gray Technic, Brick 1 x 16 with Holes Catalog: Parts: Technic, Brick Part Color Code Missing</p>	PG
---	--	---	----------------------	--	--------------------

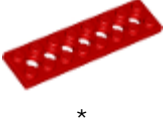
+	 *	2	3703	<p>Red Technic, Brick 1 x 16 with Holes Catalog: Parts: Technic, Brick 370321</p>	PG
---	--	---	----------------------	--	--------------------


+	 *	4	3647	<p>Light Gray Technic, Gear 8 Tooth Type 1 Catalog: Parts: Technic, Gear 364702</p>	PG
---	--	---	----------------------	--	--------------------


+	 *	2	4143	<p>Light Gray Technic, Gear 14 Tooth Bevel Catalog: Parts: Technic, Gear Part Color Code Missing</p>	PG
---	--	---	----------------------	---	--------------------

+		1	4019	Light Gray Technic, Gear 16 Tooth (First Version - 4 Round Holes)	PG
	*			Catalog: Parts: Technic, Gear Part Color Code Missing	
+		2	x187	Light Gray Technic, Gear 24 Tooth (1st Version - 3 Axle Holes)	PG
	*			Catalog: Parts: Technic, Gear Part Color Code Missing	
+		2	3650a	Light Gray Technic, Gear 24 Tooth Crown (1st Version - Not Reinforced)	PG
	*			Catalog: Parts: Technic, Gear Part Color Code Missing	1 
+		1	3743	Light Gray Technic, Gear Rack 1 x 4	PG
	*			Catalog: Parts: Technic, Gear 374302	
+		1	4716	Black Technic, Gear Worm Screw, Long	PG
	*			Catalog: Parts: Technic, Gear 6037533 or 471626	
+		4	2825	Light Gray Technic, Liftarm 1 x 4 Thin with Stud Connector	PG
	*			Catalog: Parts: Technic, Liftarm 4107133	
+		4	4274	Light Gray Technic, Pin 1/2	PG
	*			Catalog: Parts: Technic, Pin 427402	
+		14	2780	Black Technic, Pin with Friction Ridges Lengthwise WITH Center Slots	PG
	*			Catalog: Parts: Technic, Pin 4121715 or 278026	
+		12	3673	Light Gray Technic, Pin without Friction Ridges Lengthwise	PG
	*			Catalog: Parts: Technic, Pin 4184166	
+		1	2711	Black Technic, Plate 1 x 5 with Toothed Ends, 2 Studs and Center Axle Hole	PG
	*			Catalog: Parts: Technic, Plate Part Color Code Missing	
+		4	4442	Light Gray Technic, Plate 1 x 8 with Toothed Ends	PG
	*			Catalog: Parts: Technic, Plate Part Color Code Missing	
+		2	3709b	Light Gray Technic, Plate 2 x 4 with 3 Holes	PG
	*			Catalog: Parts: Technic, Plate 370902	

+  2 [3709b](#) **Red Technic, Plate 2 x 4 with 3 Holes**
[Catalog:](#) [Parts:](#) [Technic, Plate](#) [370921](#) [PG](#)


+  2 [3738](#) **Red Technic, Plate 2 x 8 with 7 Holes**
[Catalog:](#) [Parts:](#) [Technic, Plate](#) [373821](#) [PG](#)


+  2 [2712](#) **Light Gray Technic, Plate Rotor 3 Blade with Toothed Ends and 3 Studs (Propeller)**
[Catalog:](#) [Parts:](#) [Technic, Plate](#) [Part Color Code Missing](#) [PG](#)

+  2 [4261](#) **Light Gray Technic, Steering Arm**
[Catalog:](#) [Parts:](#) [Technic, Steering](#) [Part Color Code Missing](#) [PG](#)


+  2 [3069b](#) **Light Gray Tile 1 x 2 with Groove**
[Catalog:](#) [Parts:](#) [Tile](#) [306902](#) [PG](#)

+  2 [3483](#) **Black Tire 24mm D. x 8mm Offset Tread**
[Catalog:](#) [Parts:](#) [Tire & Tread](#) [348326](#) or [4501048](#) [PG](#)



+  4 [2695c01](#) (inv) **Light Gray Wheel 30mm D. x 13mm (13 x 24 Model Team), with Black Tire 13 x 24 Model Team (2695 / 2696)**
[Catalog:](#) [Parts:](#) [Wheel & Tire Assembly](#) [Part Color Code Missing](#) [PG](#)

+  2 [3482](#) **Light Gray Wheel with Split Axle Hole**
[Catalog:](#) [Parts:](#) [Wheel](#) [Part Color Code Missing](#) [PG](#)

Counterparts:

+  2 [3482c01](#) (inv) **Light Gray Wheel with Split Axle Hole with Black Tire 24mm D. x 8mm Offset Tread (3482 / 3483)**
[Catalog:](#) [Parts:](#) [Wheel & Tire Assembly](#) [Part Color Code Missing](#) [PG](#)

Alternate Items:

+  2 [3650b](#) **Light Gray Technic, Gear 24 Tooth Crown (2nd Version - Reinforced)**
[Catalog:](#) [Parts:](#) [Technic, Gear](#) [365002](#) [PG](#) 1 


Summary:

Type	Unique Lots	Total Qty
Regular Items:		
Parts	67	215

Counterparts:		
Parts	1	2

Alternative Items:		
Parts	1	2

Source:
Parts List

[johnef \(75\)](#)  inventoried this Set on Feb 2, 2007, inventory last updated on Jun 24, 2019.