

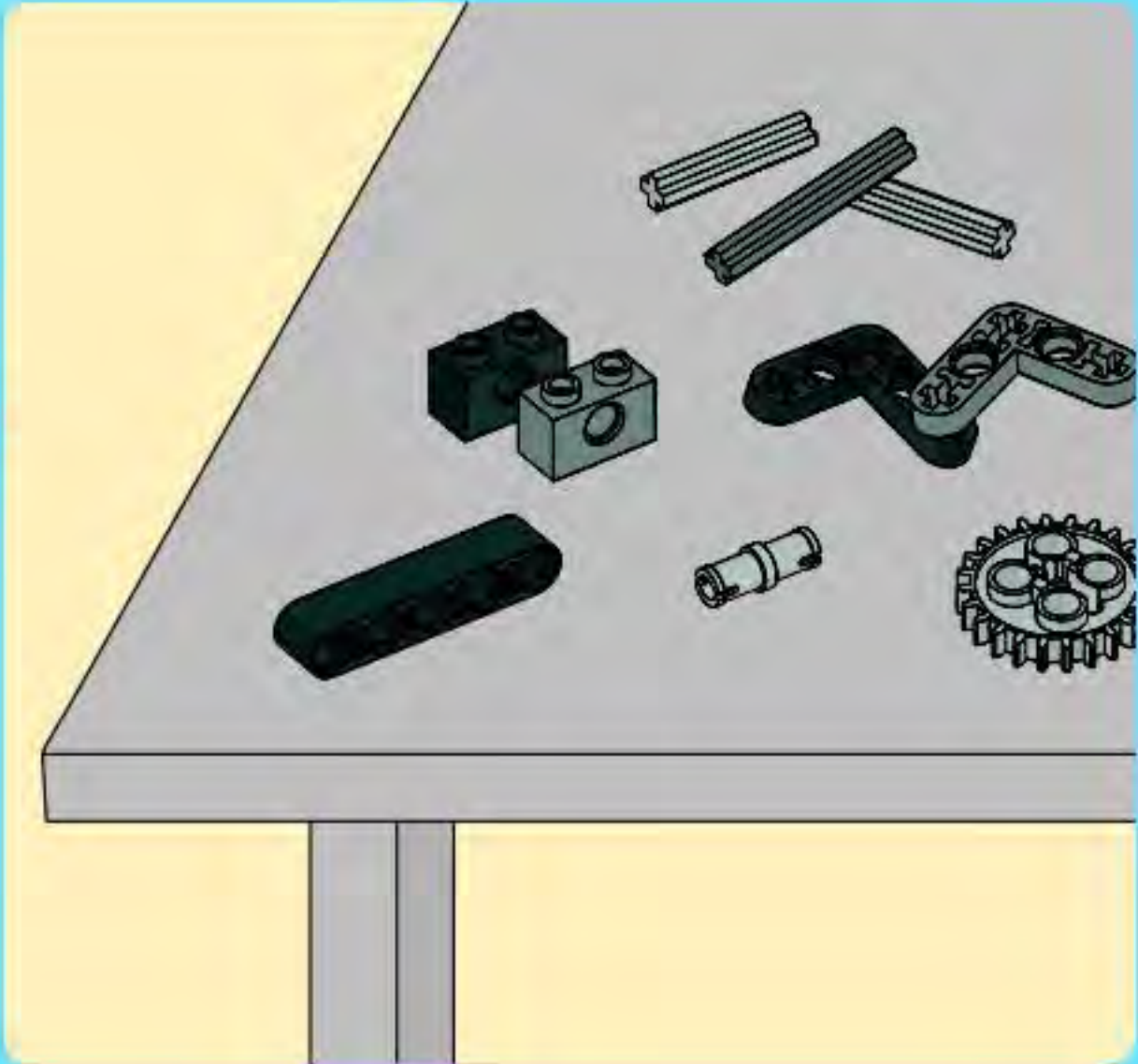
**LEGO**

# TECHNIC

8063



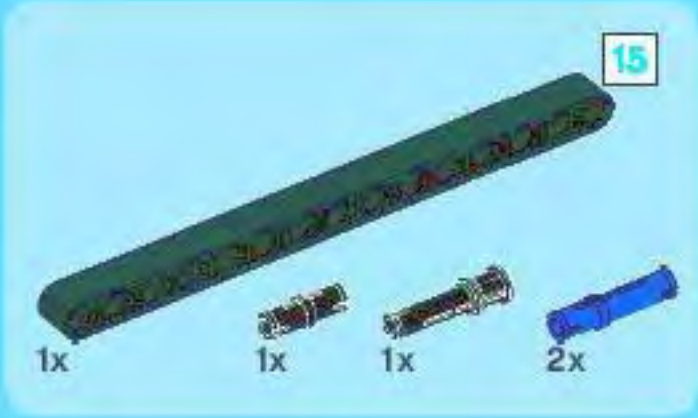
1



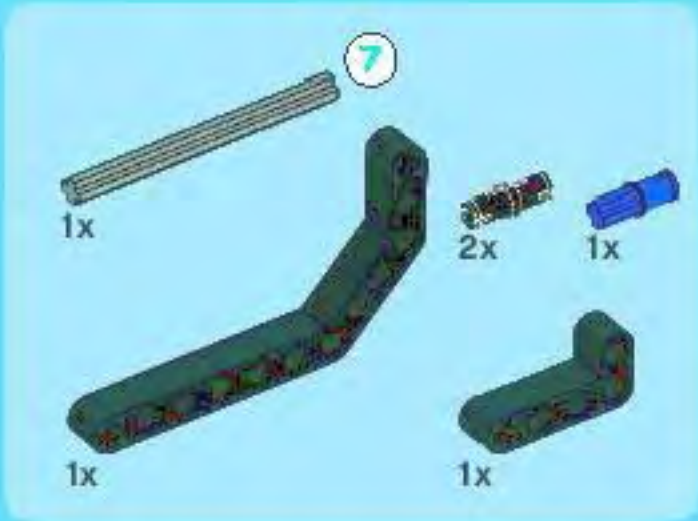
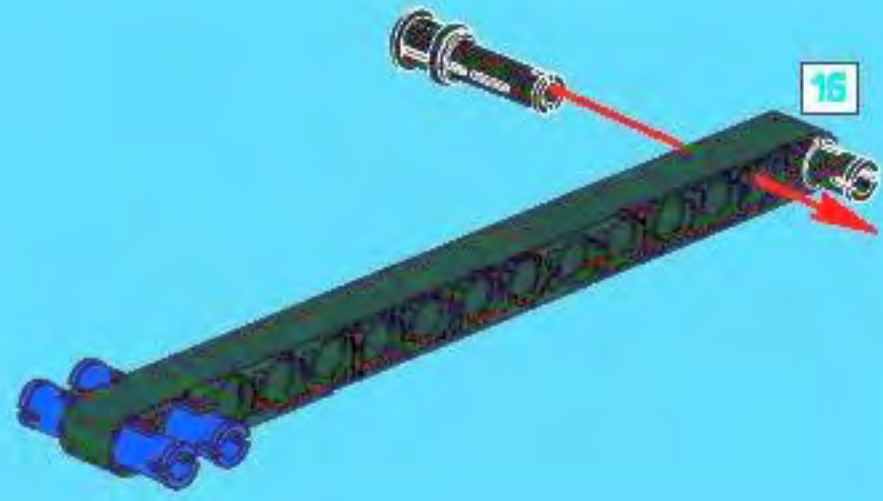
2



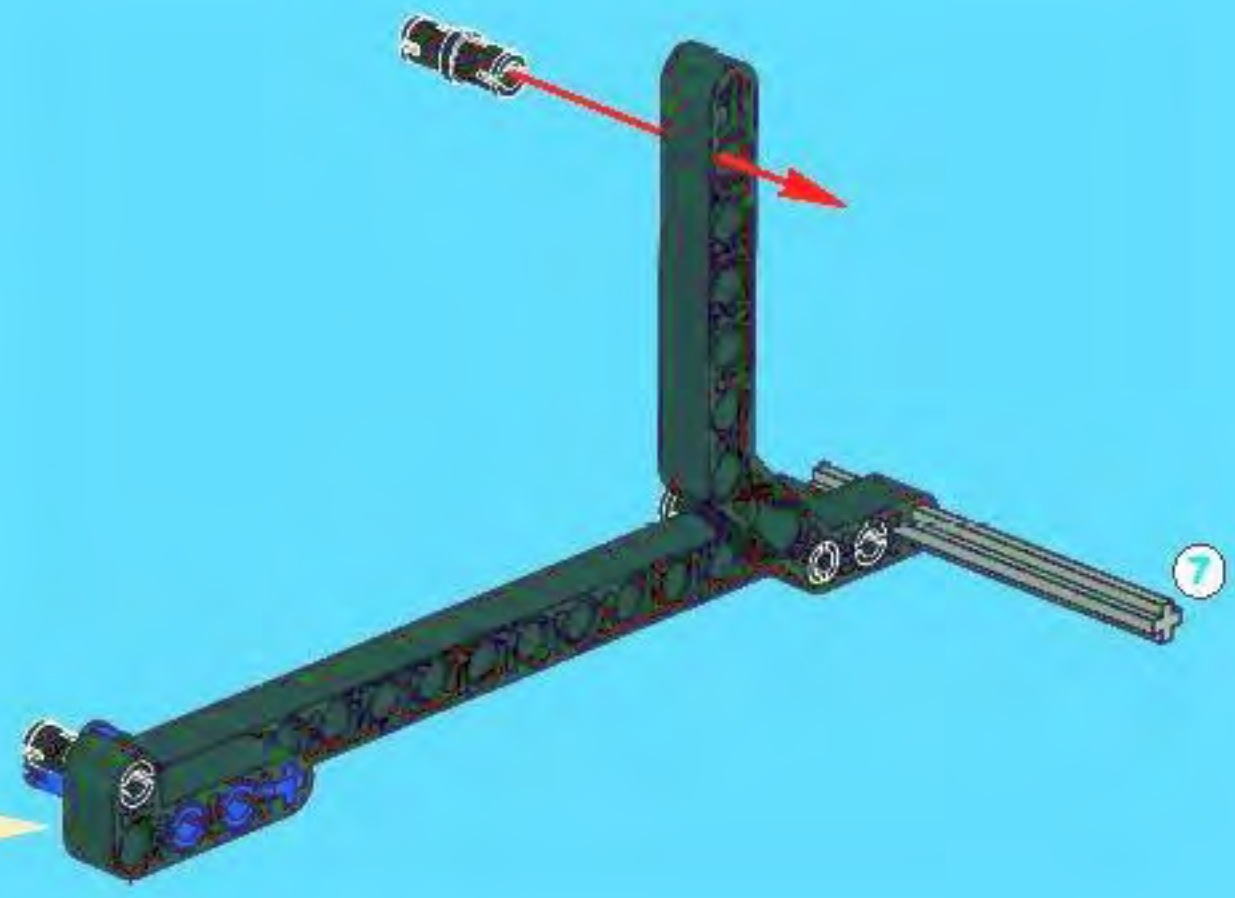
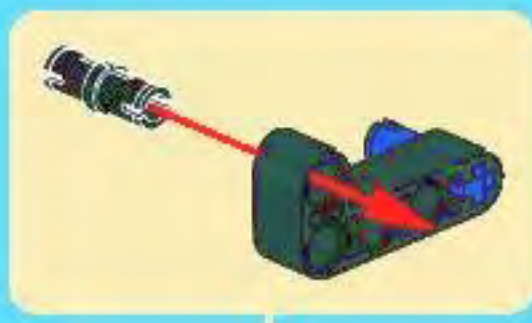


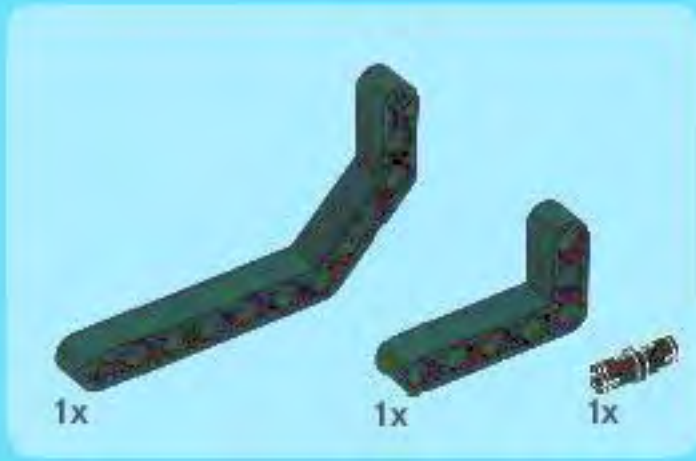


1

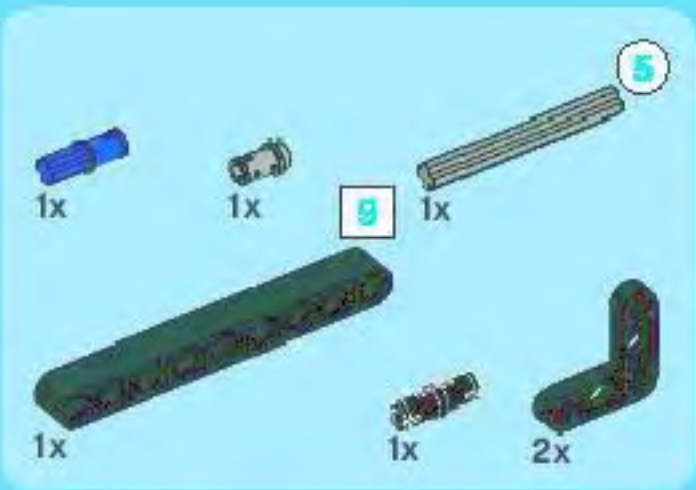
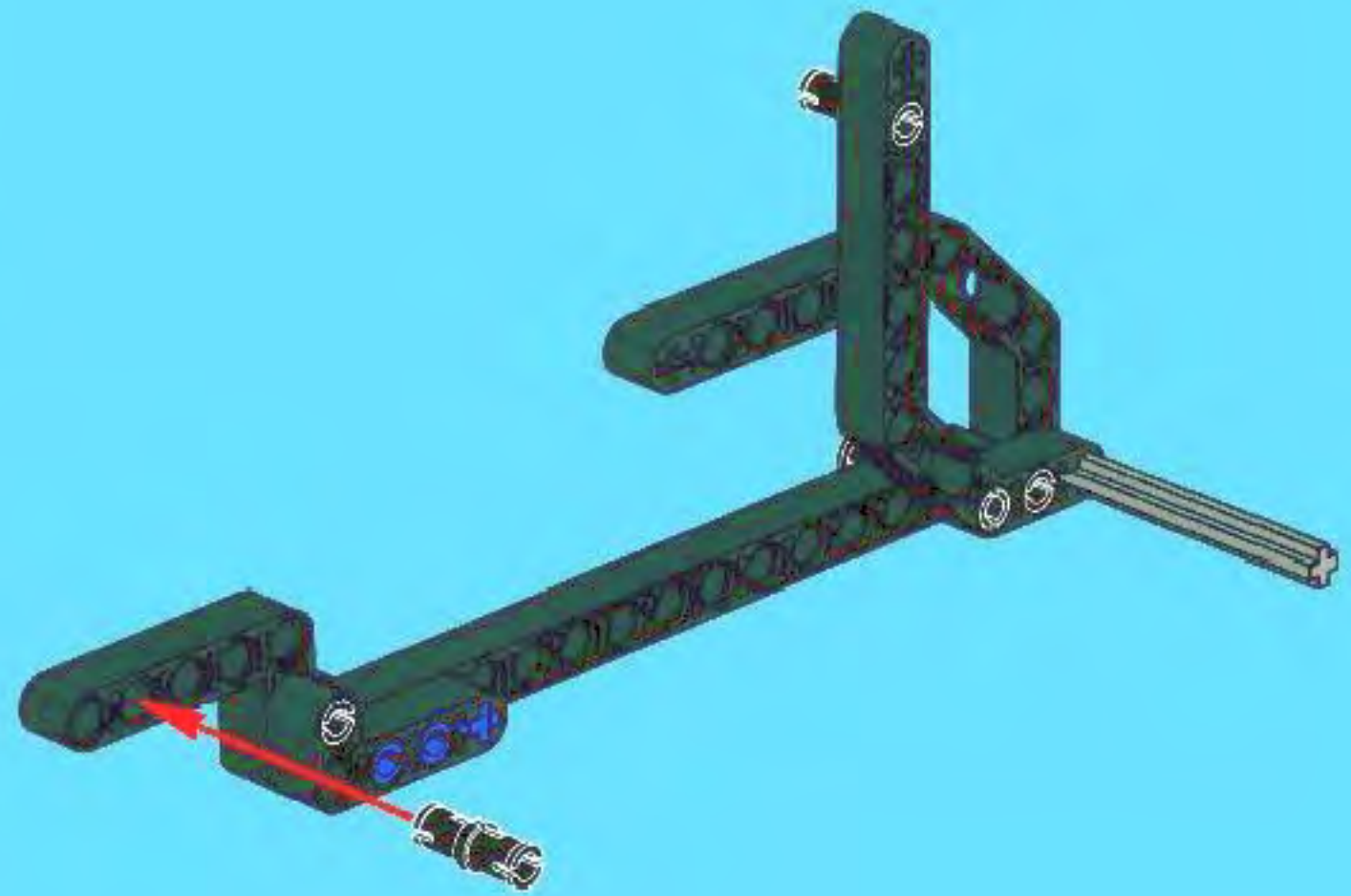


2

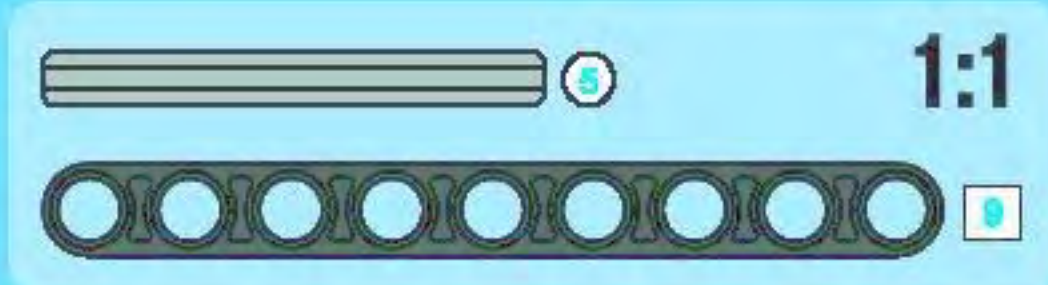
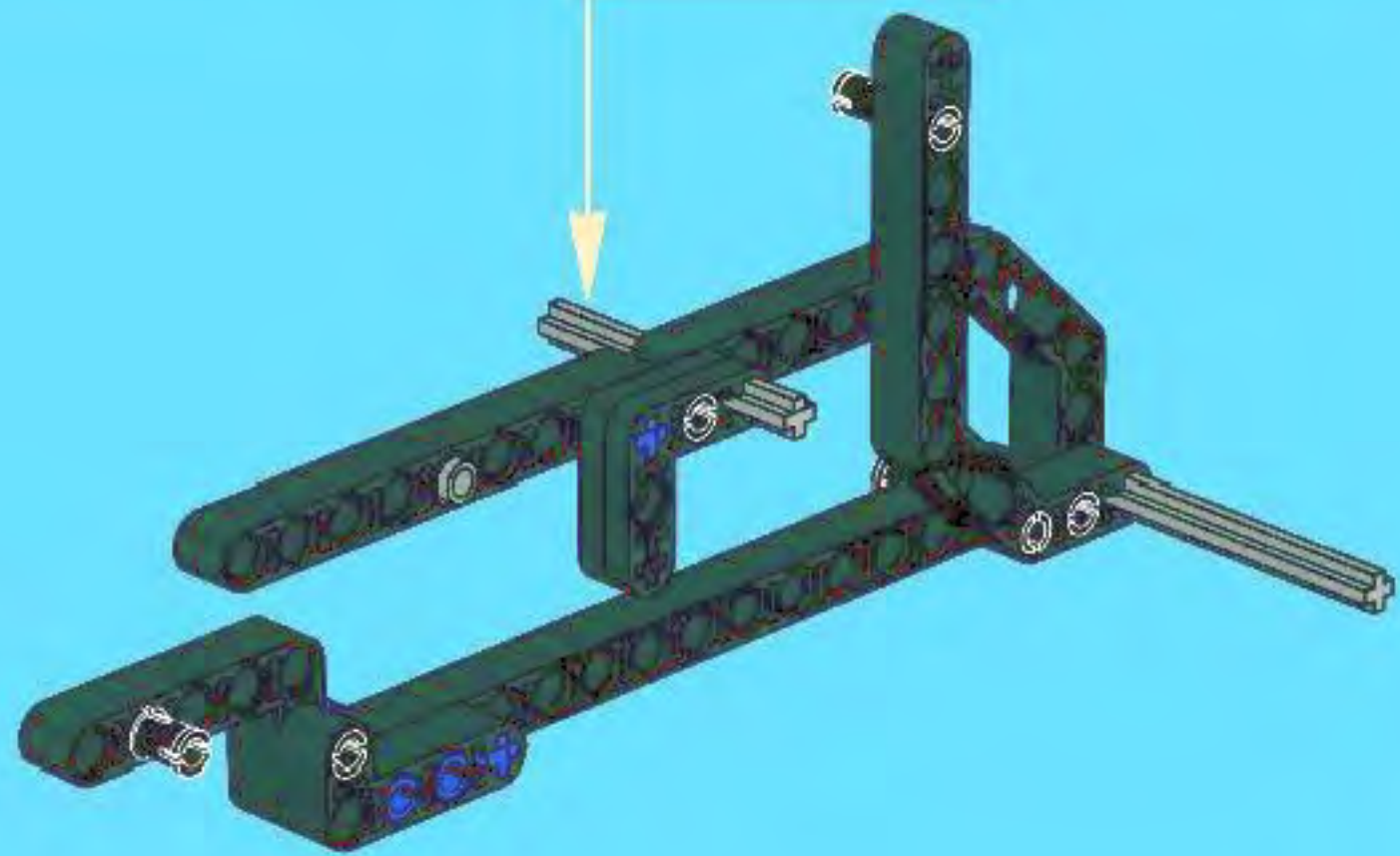
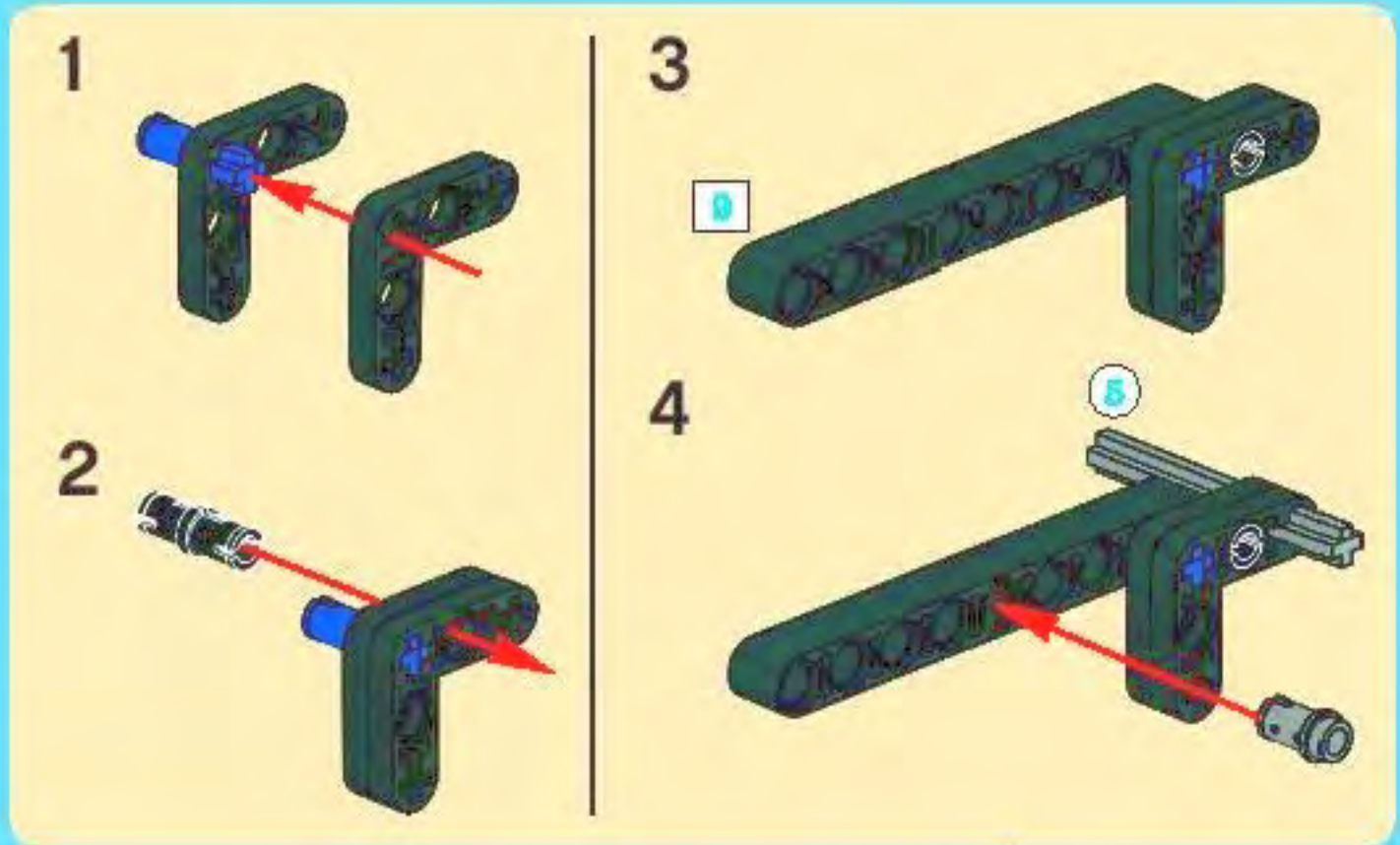


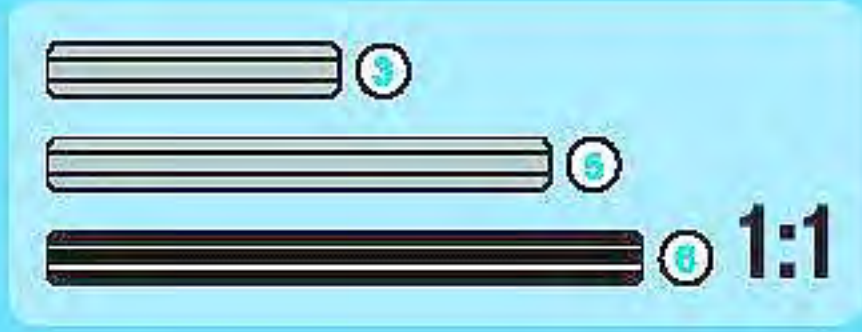
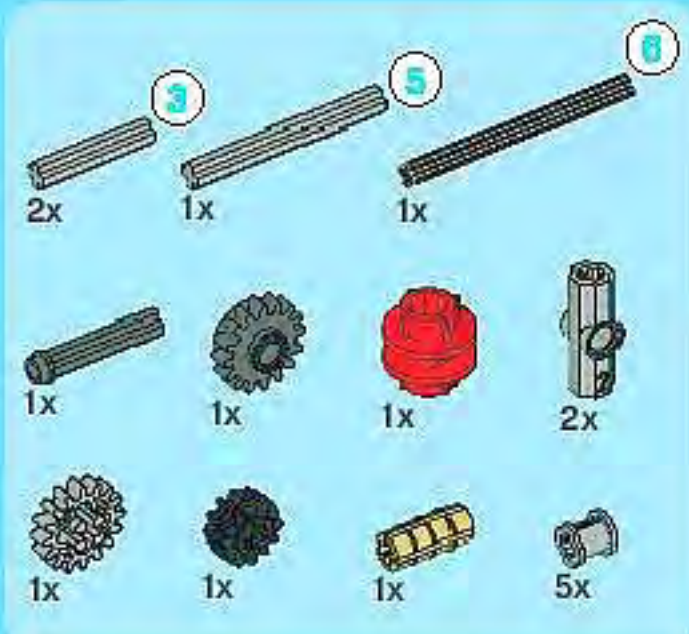


3

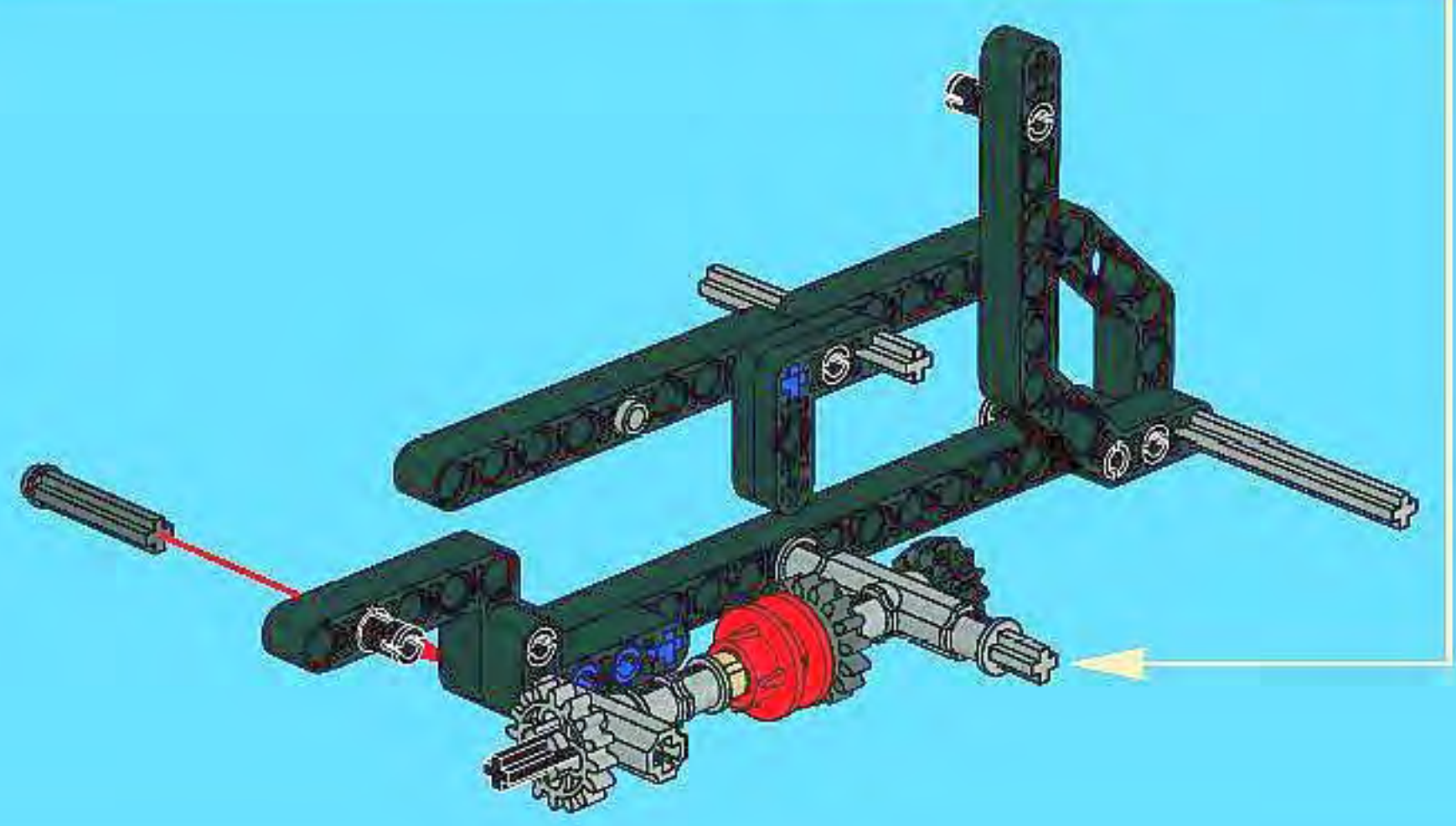
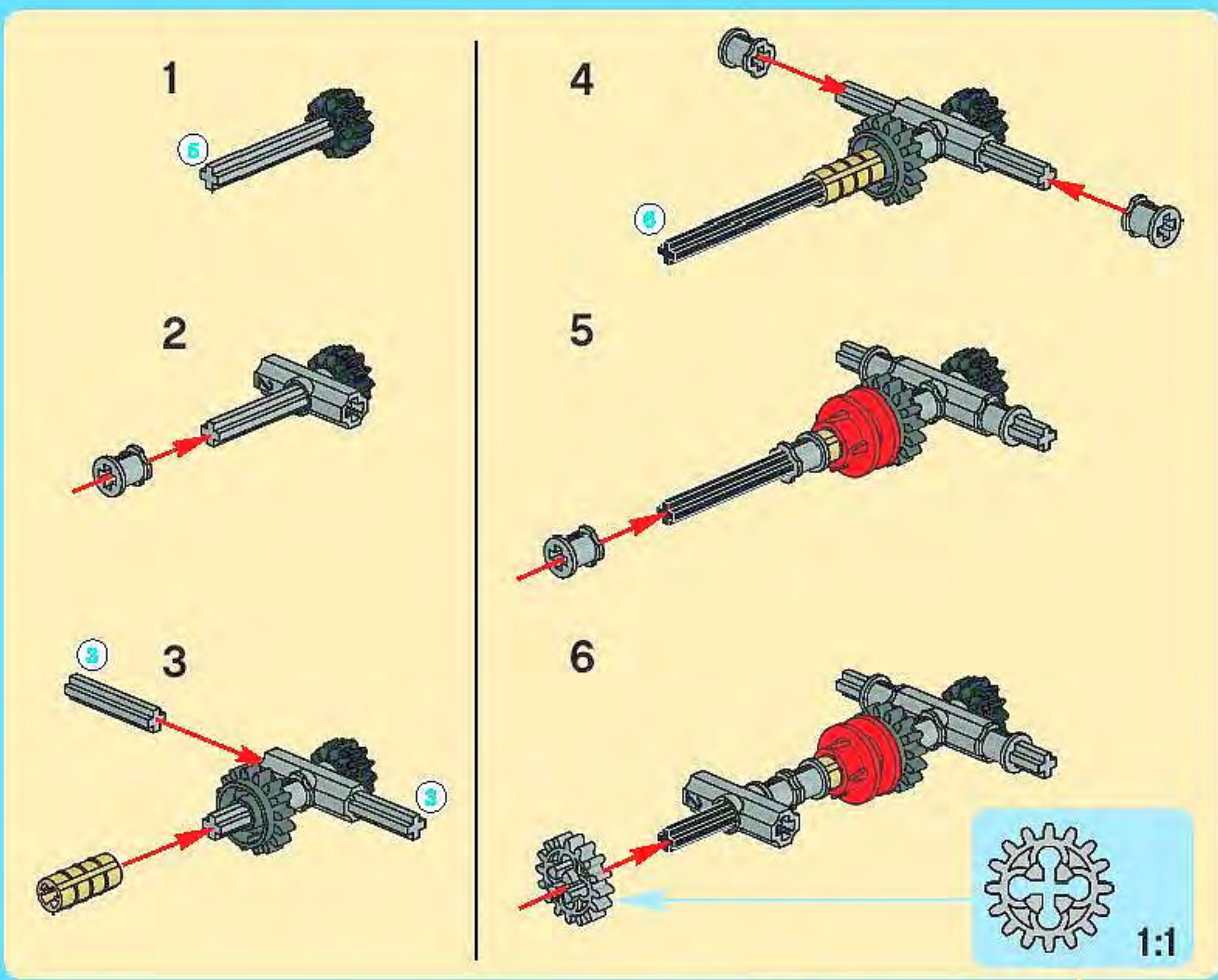


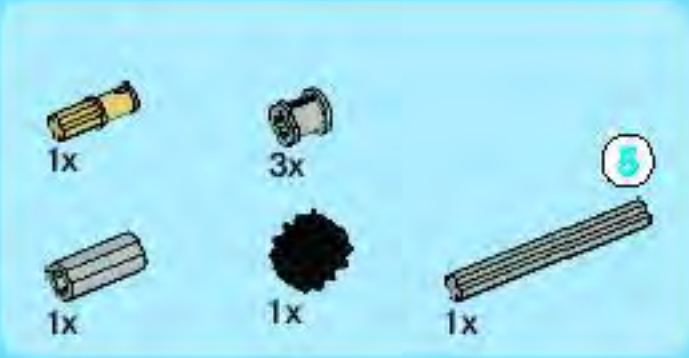
4



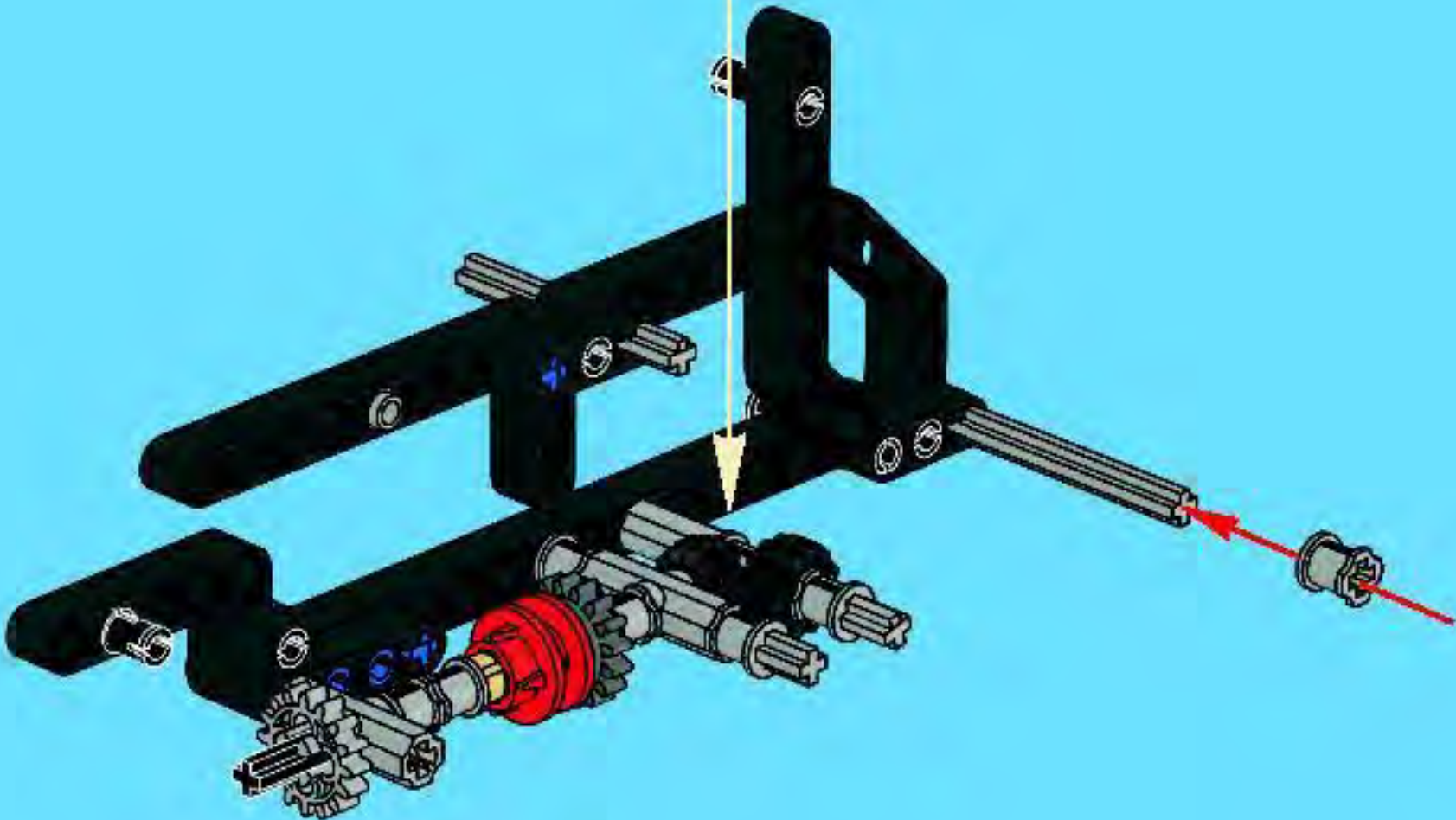
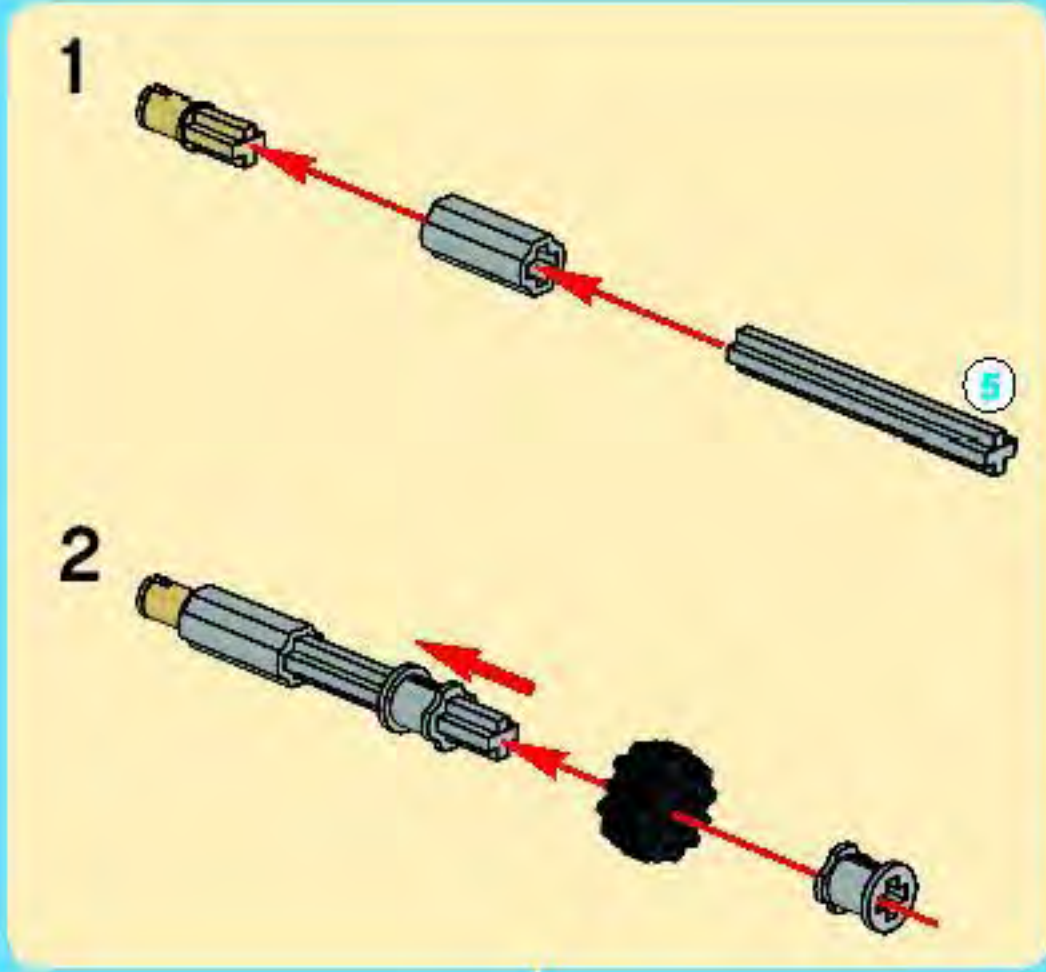


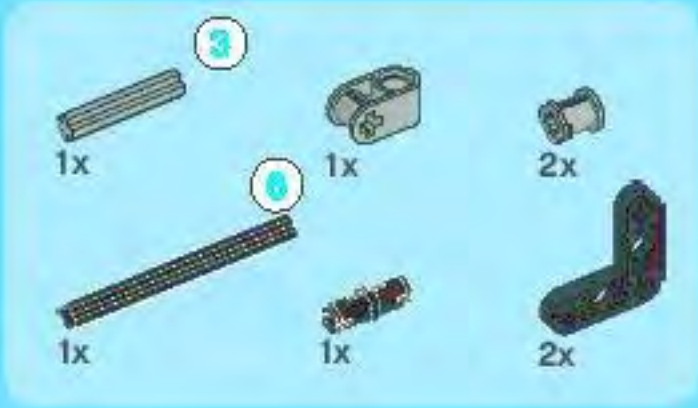
# 5



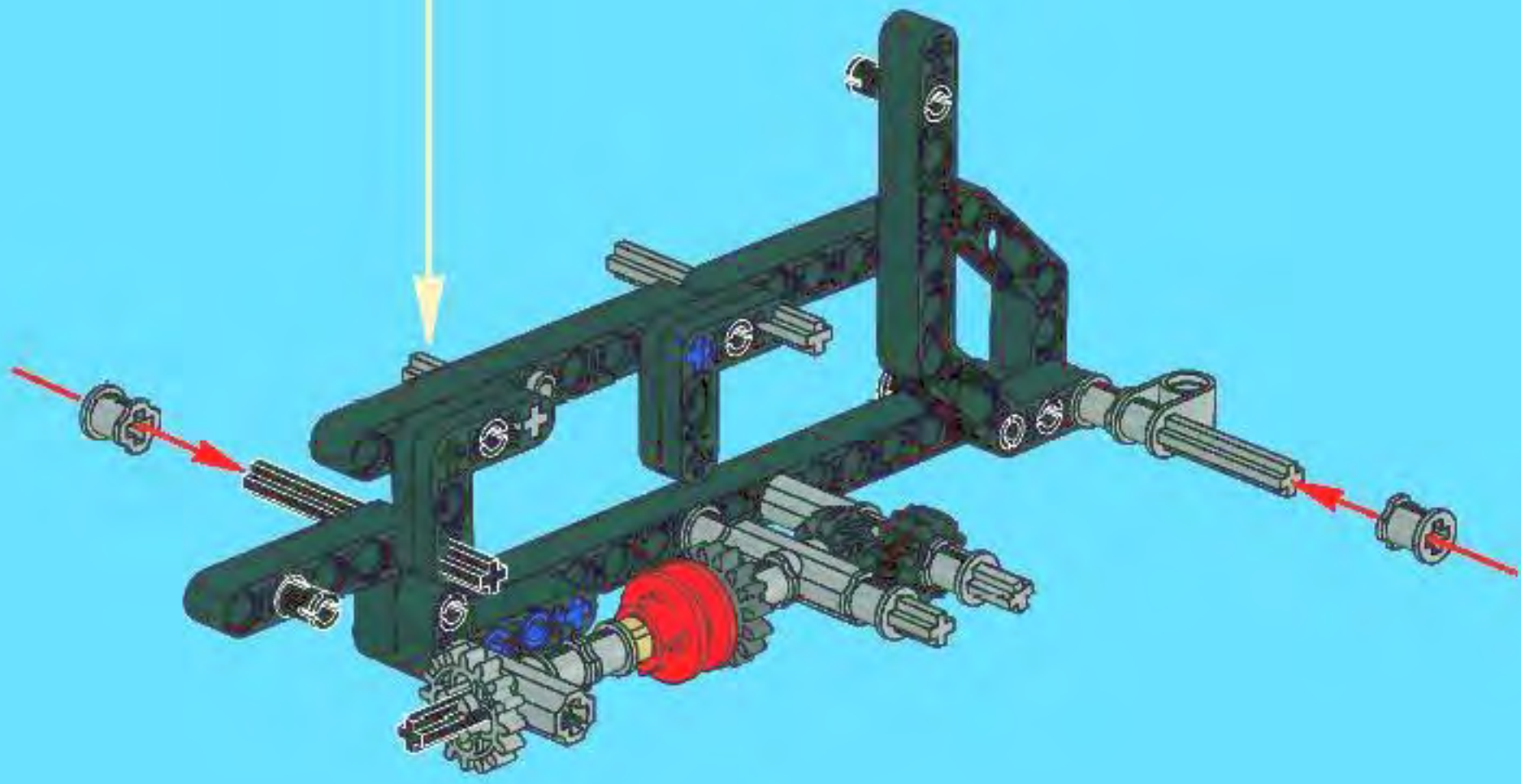
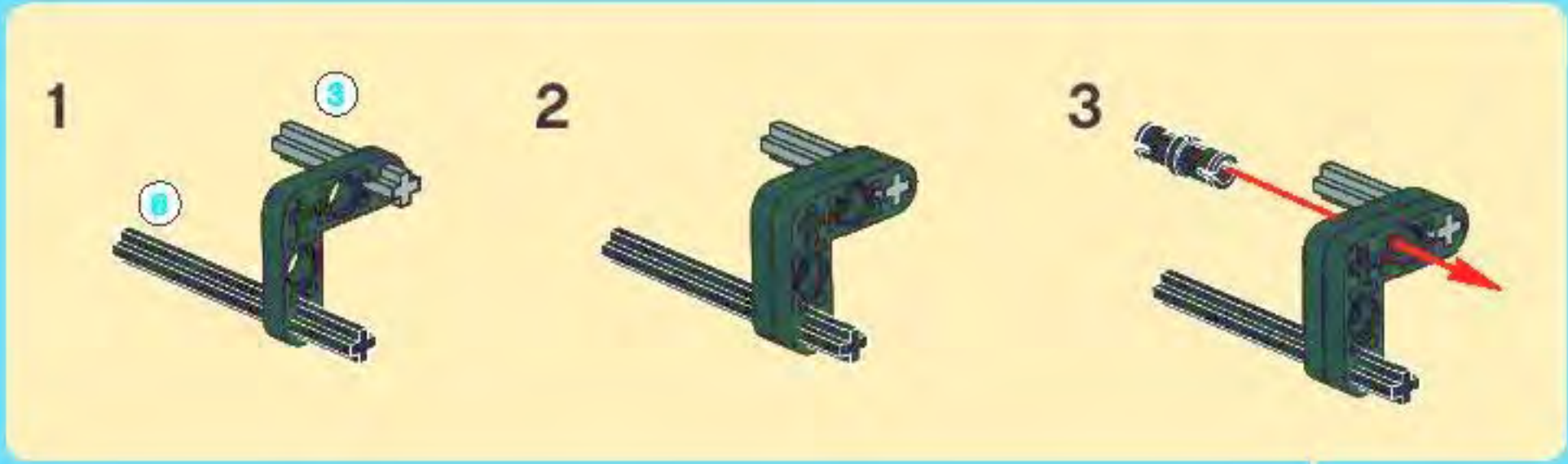


# 6



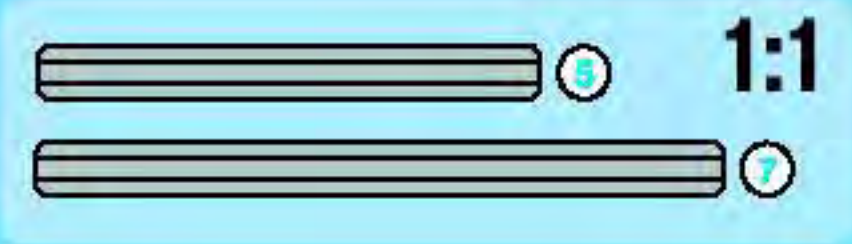
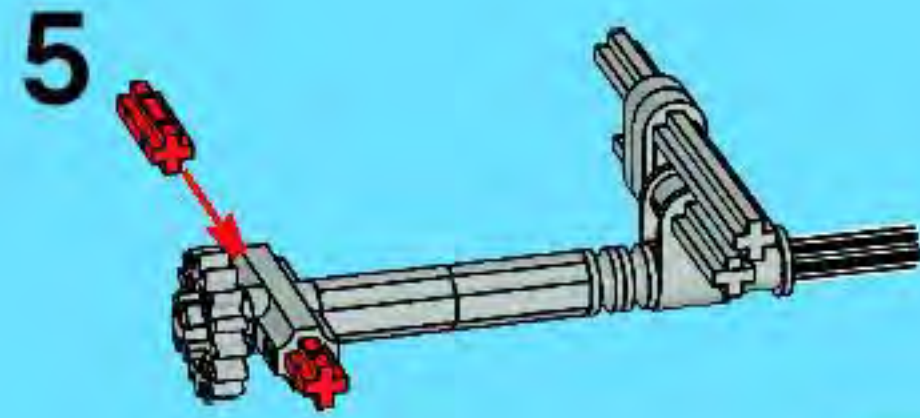
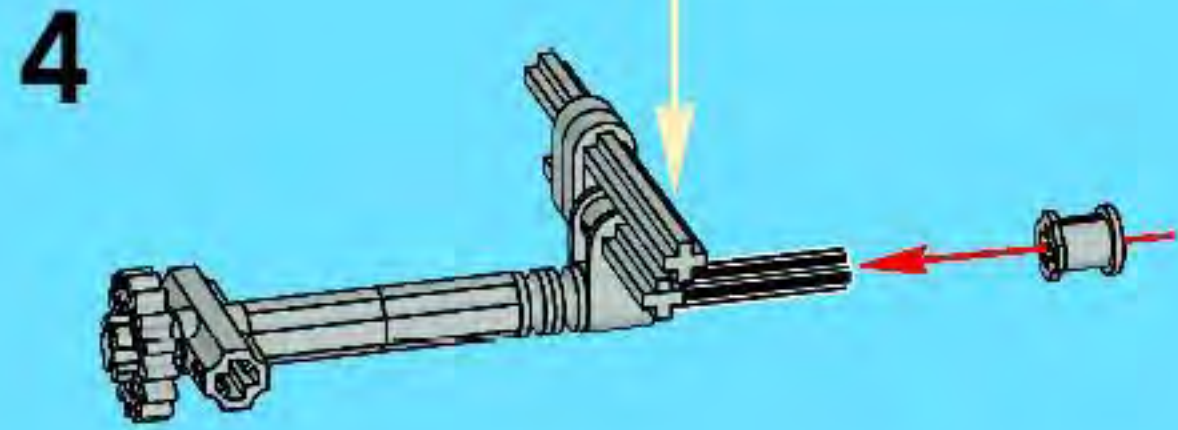
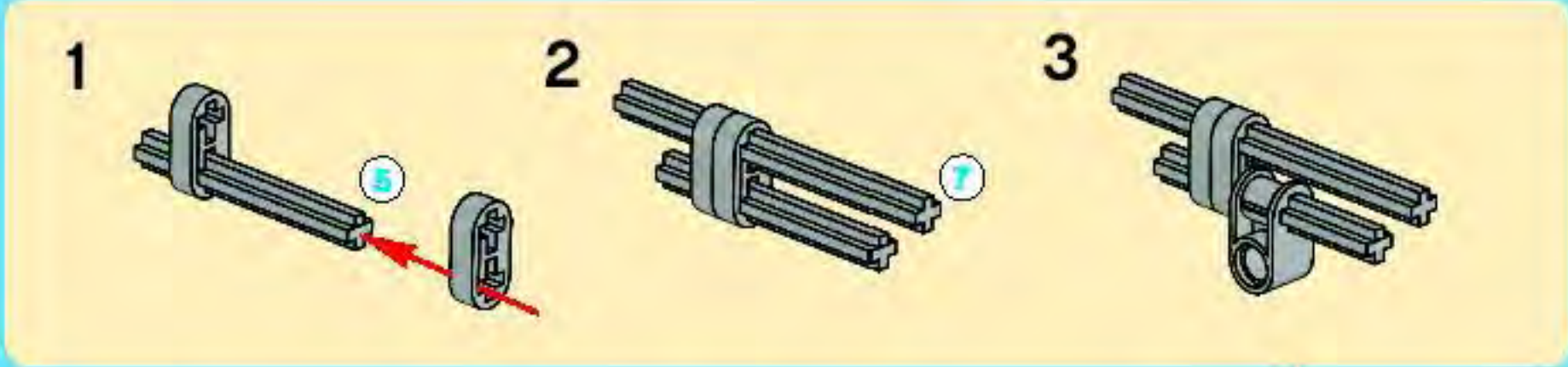


7

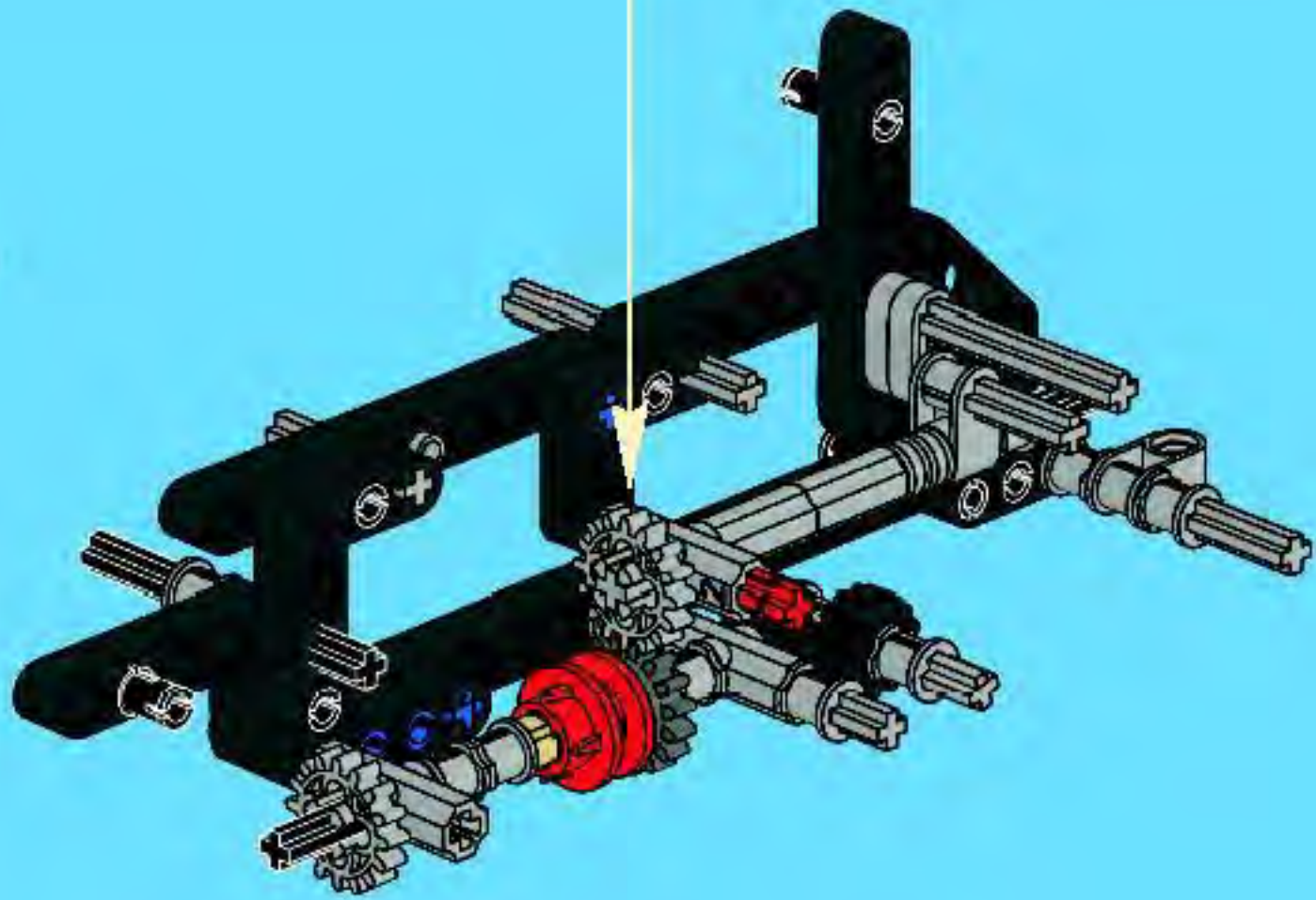


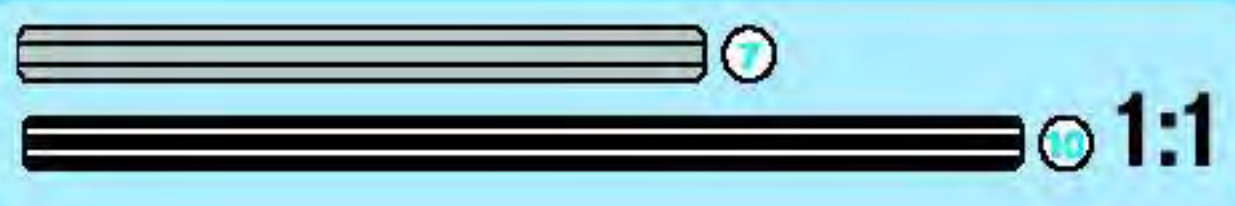
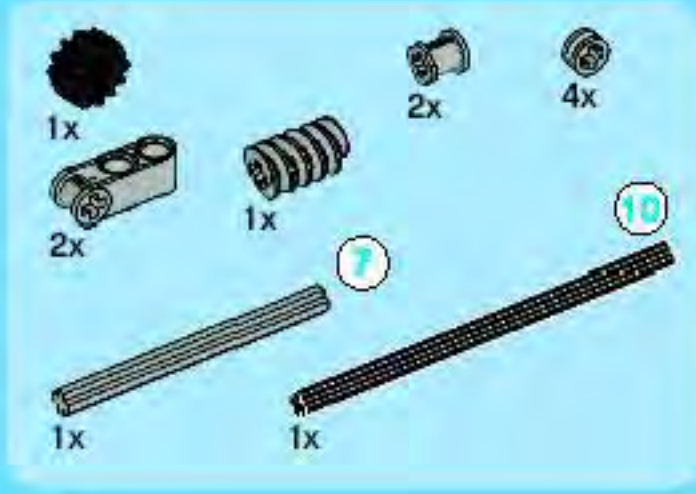




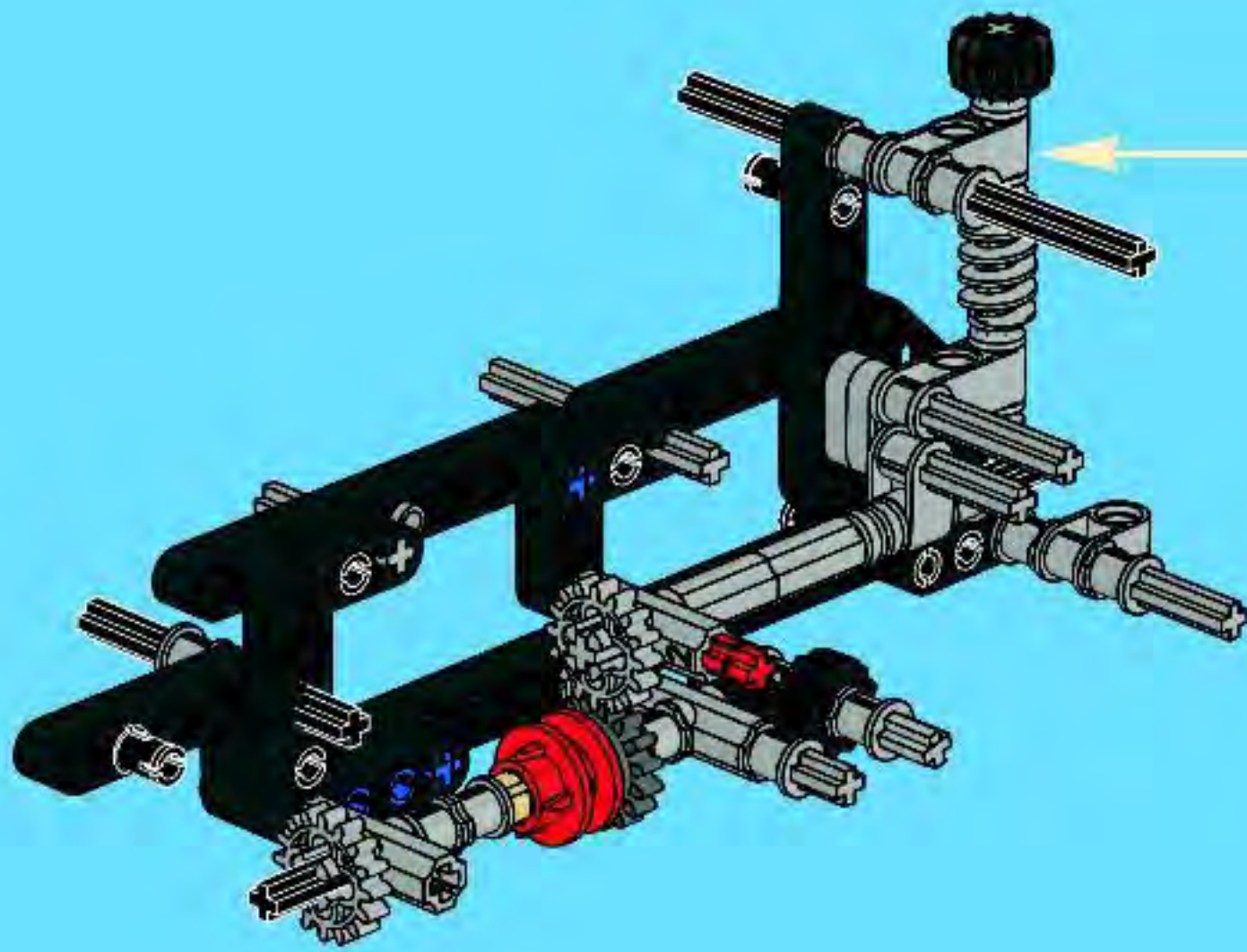
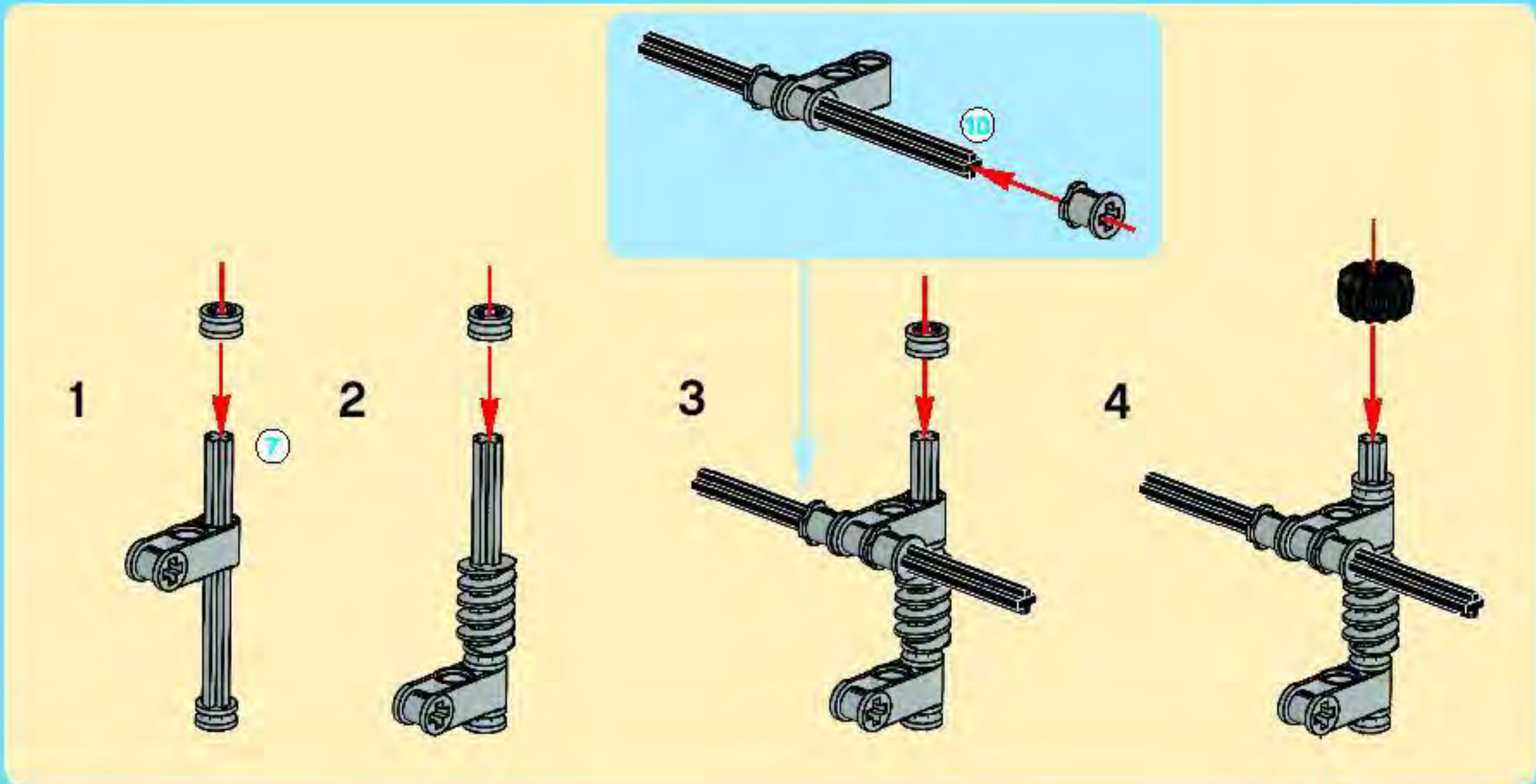


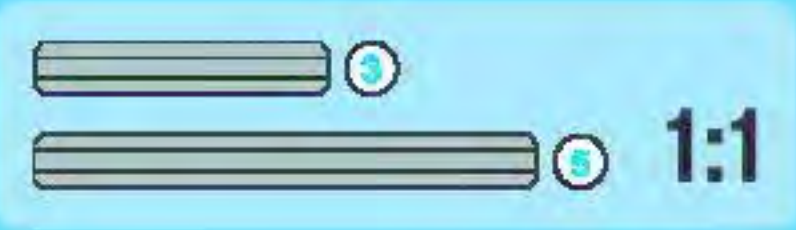
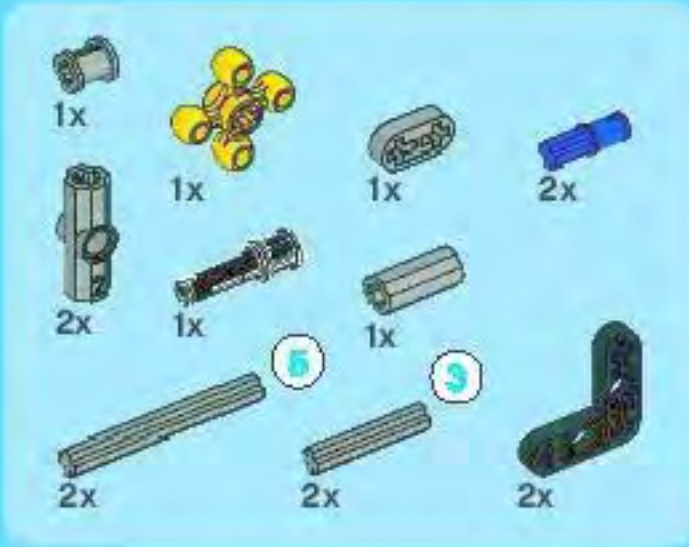
8



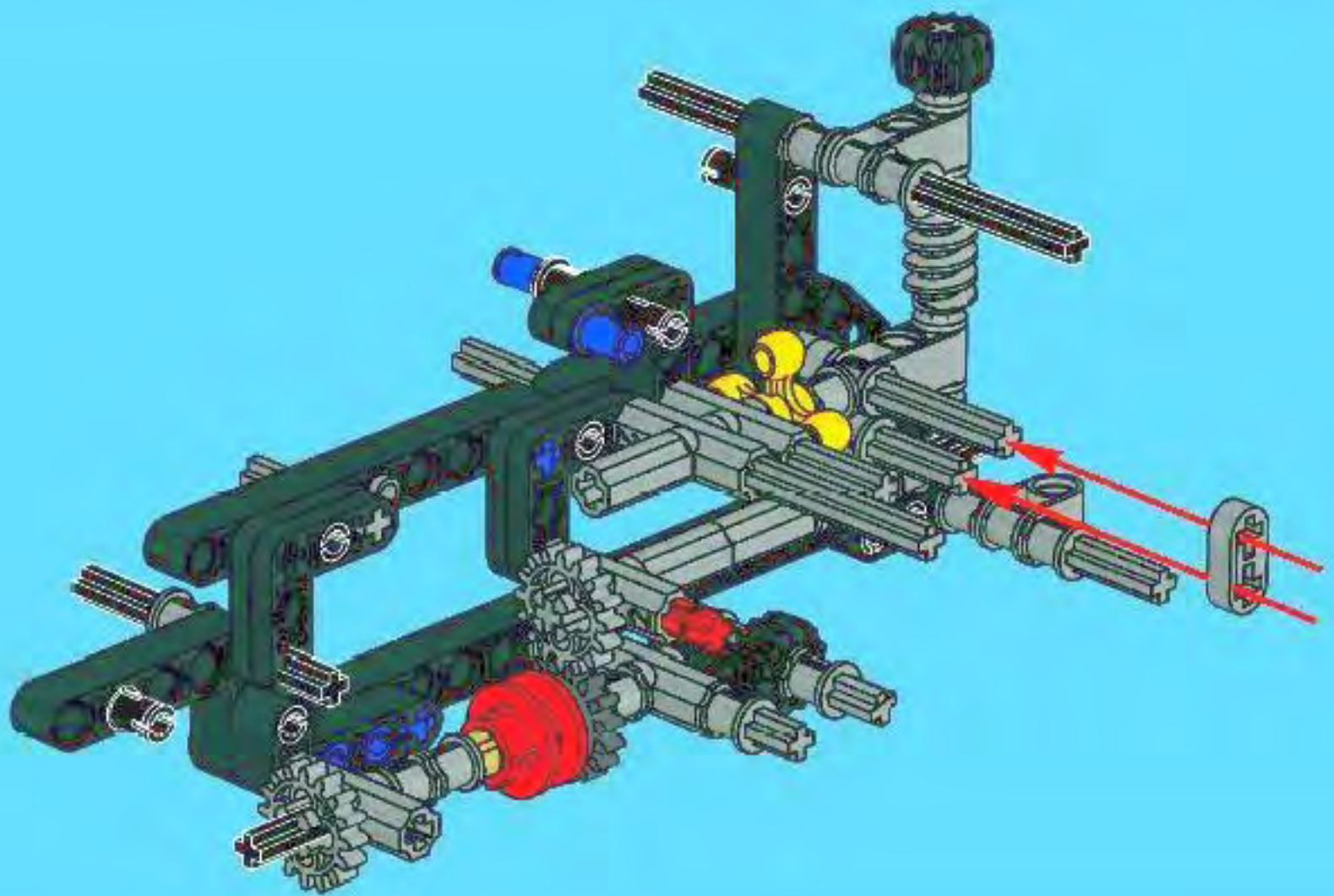
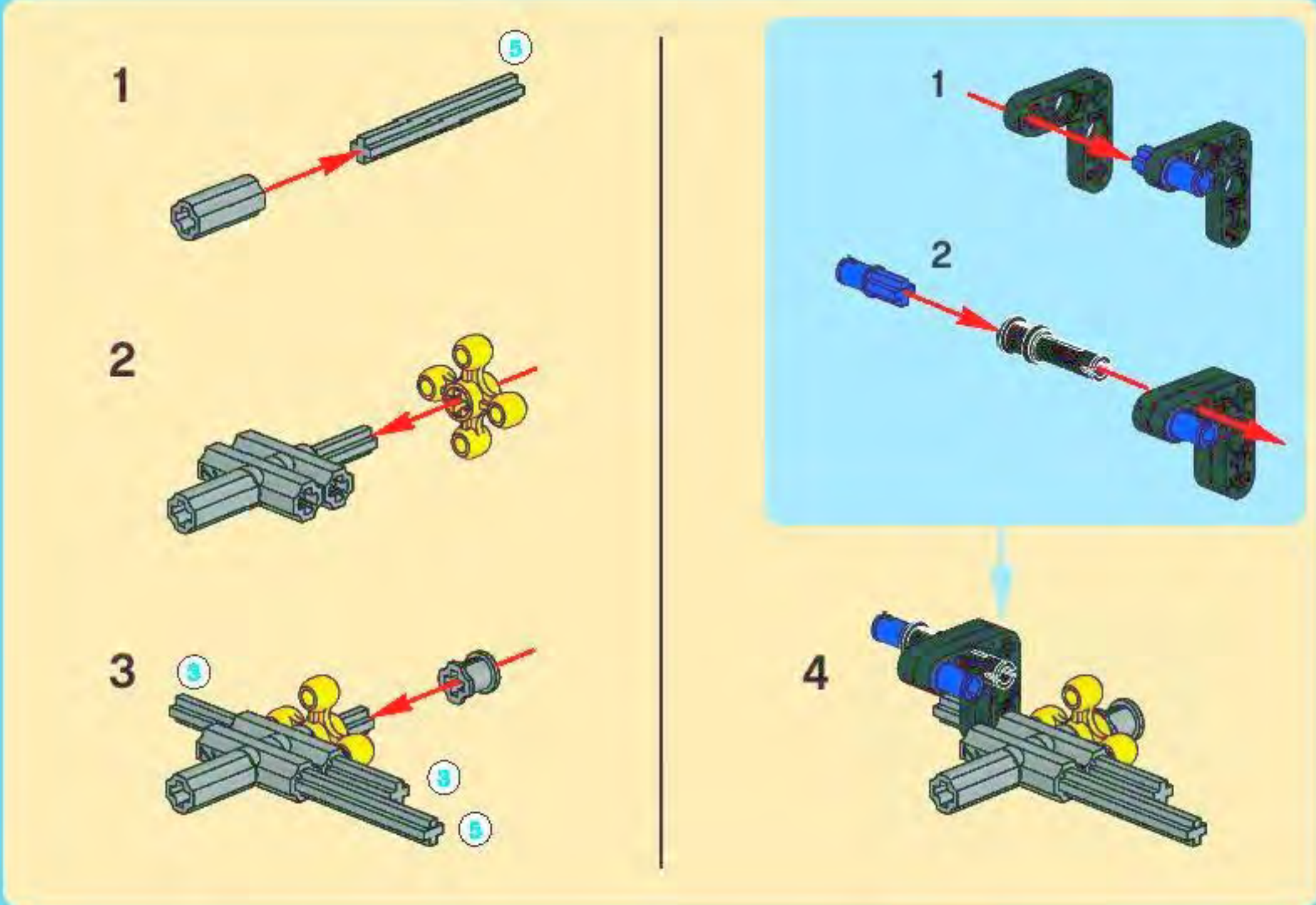


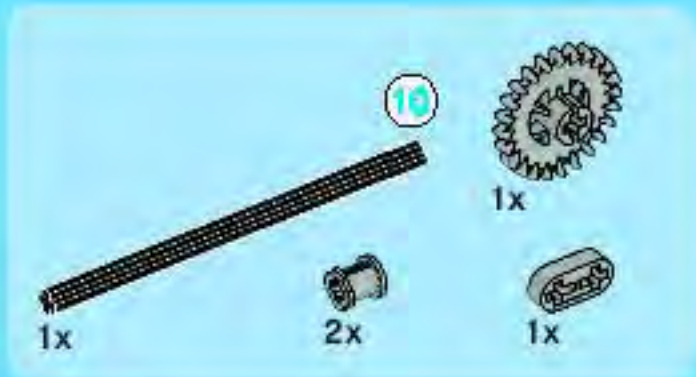
# 9



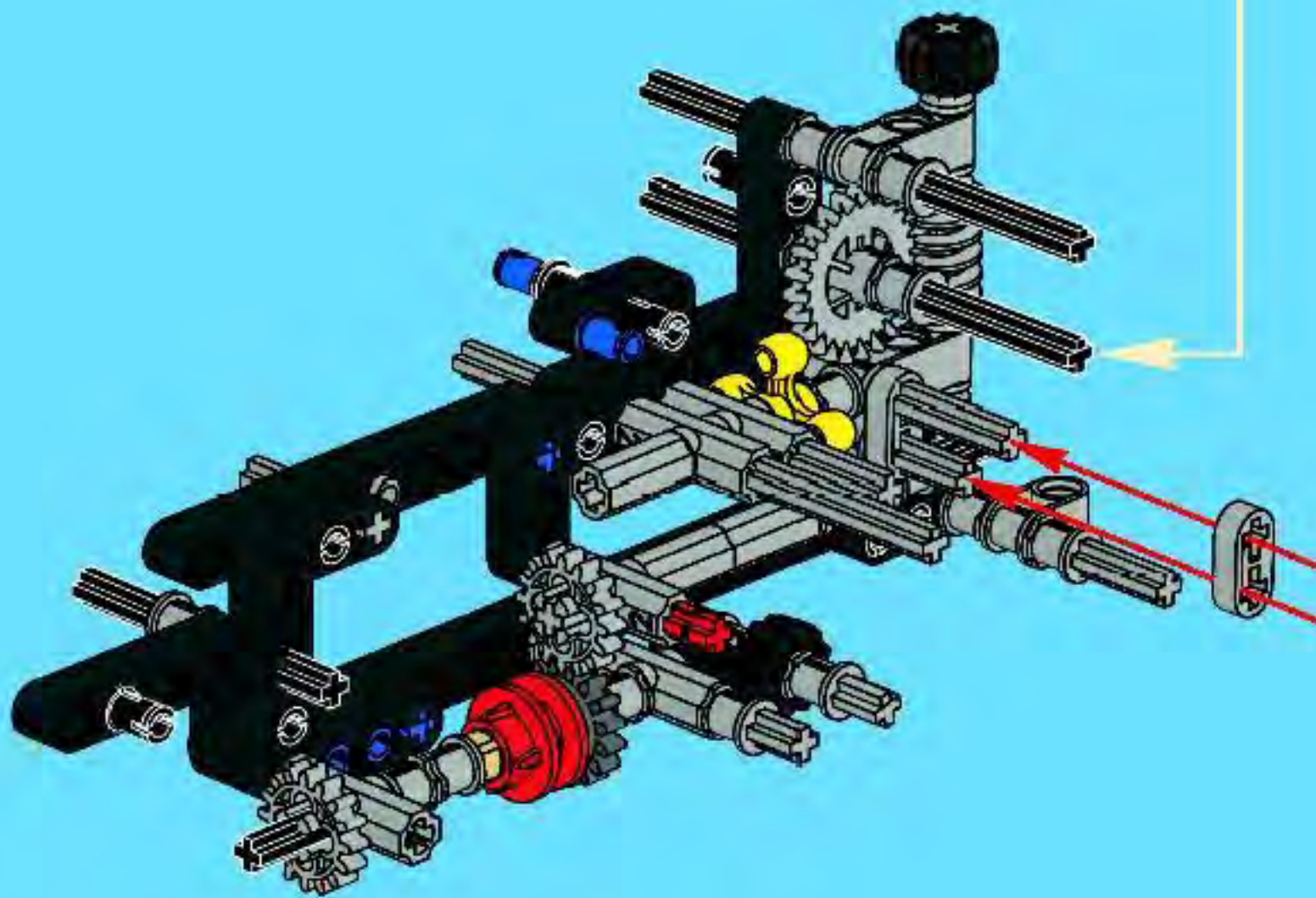
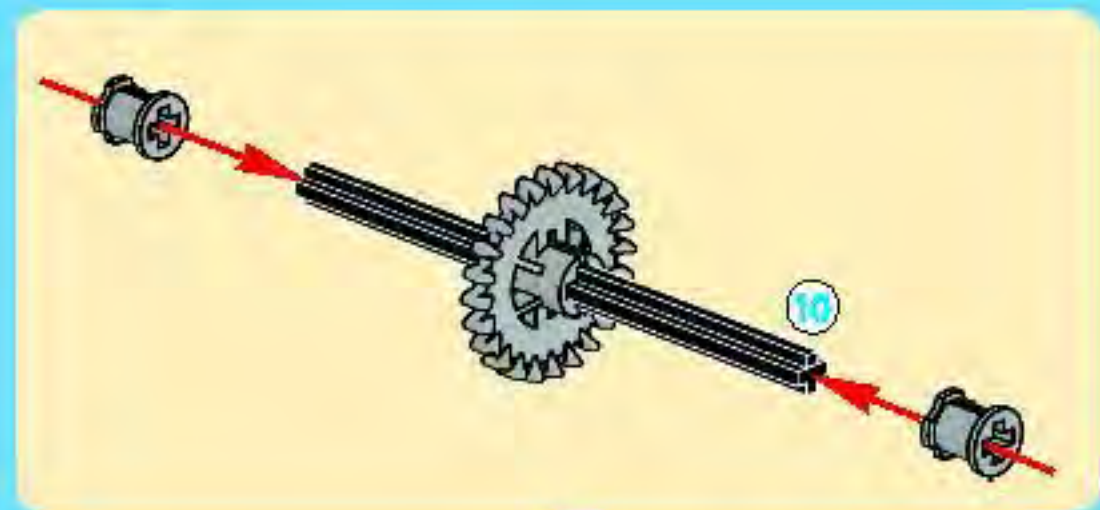


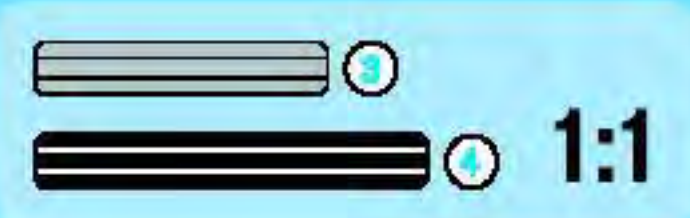
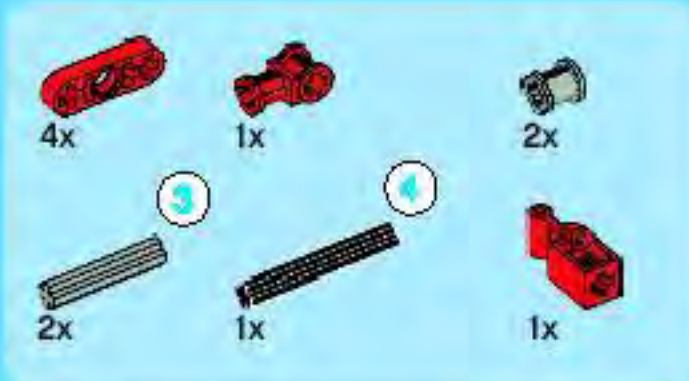
# 10



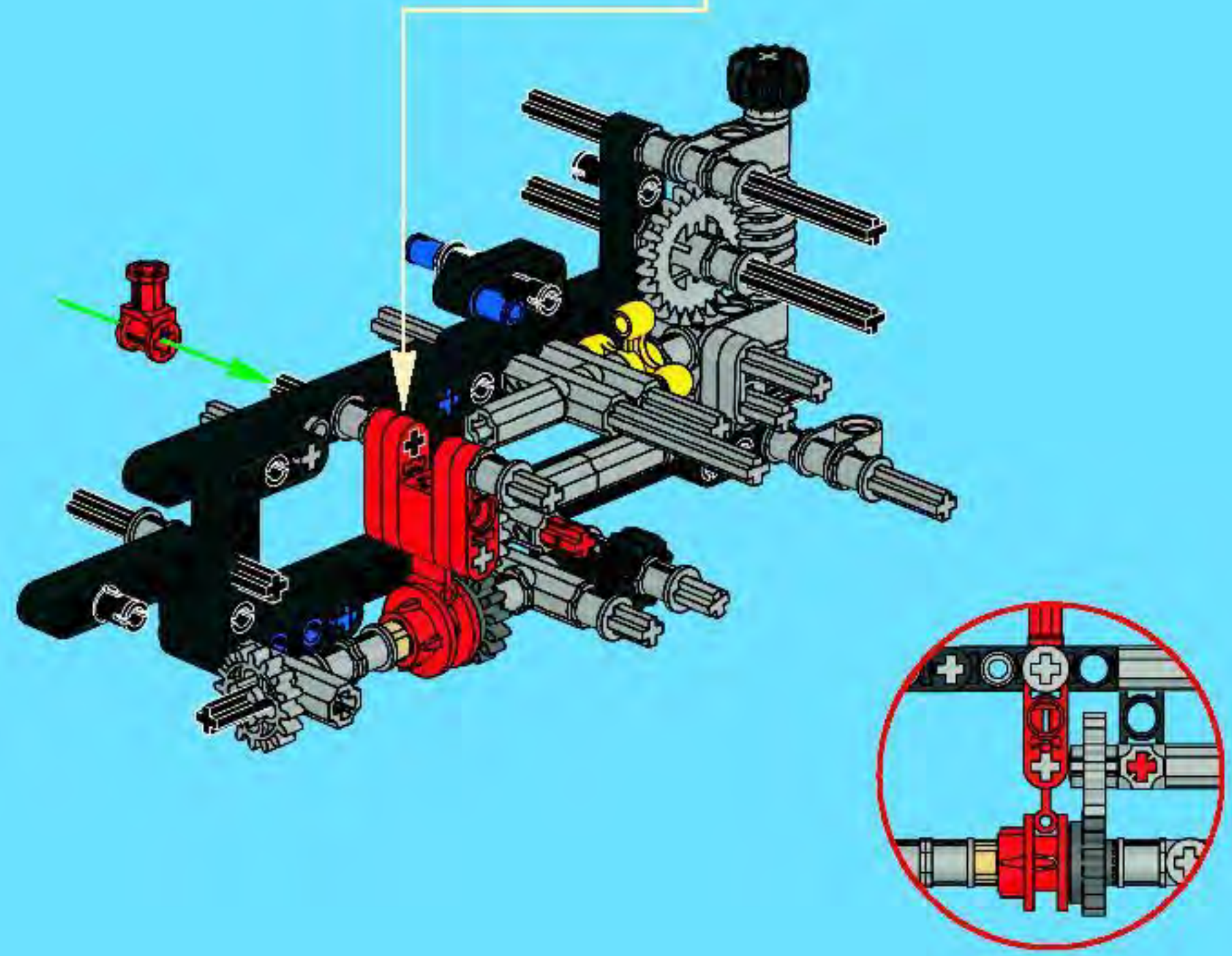
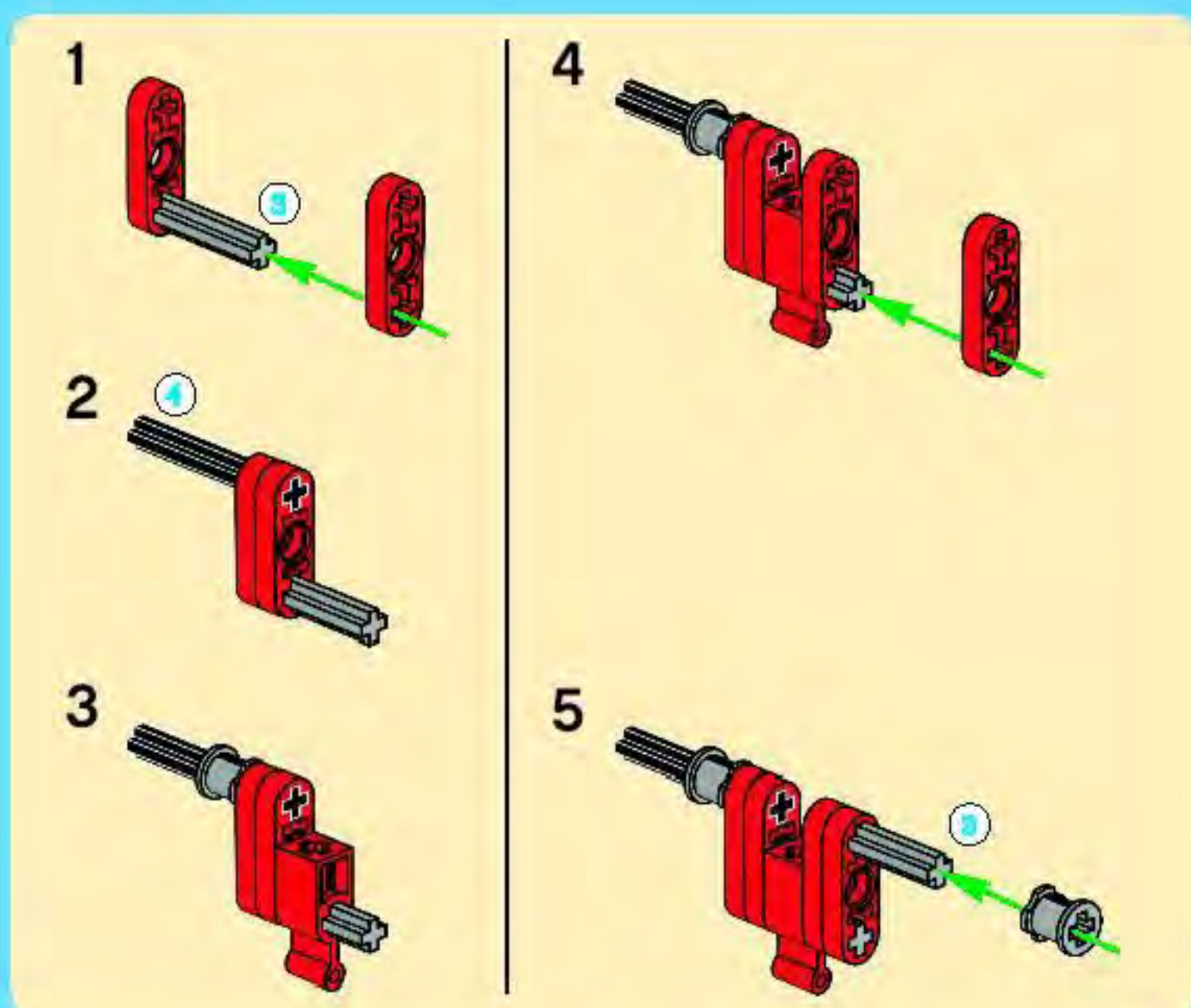


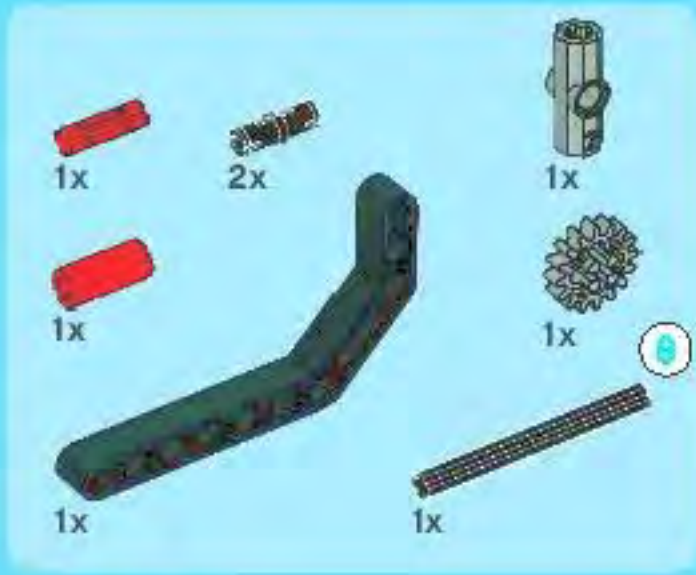
11



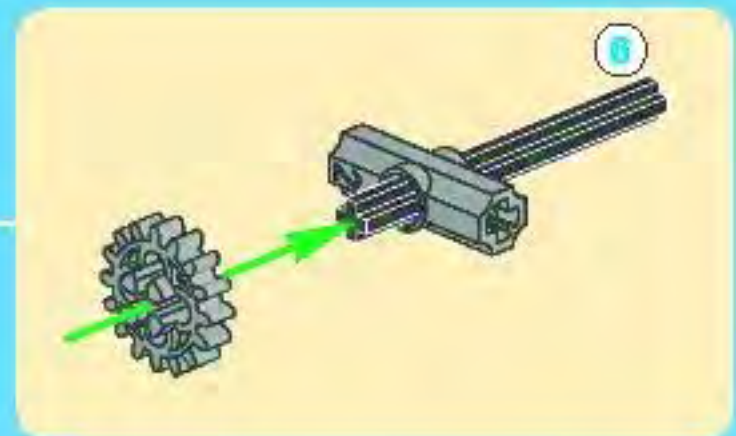
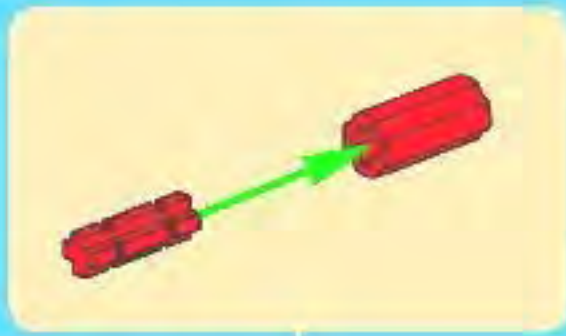
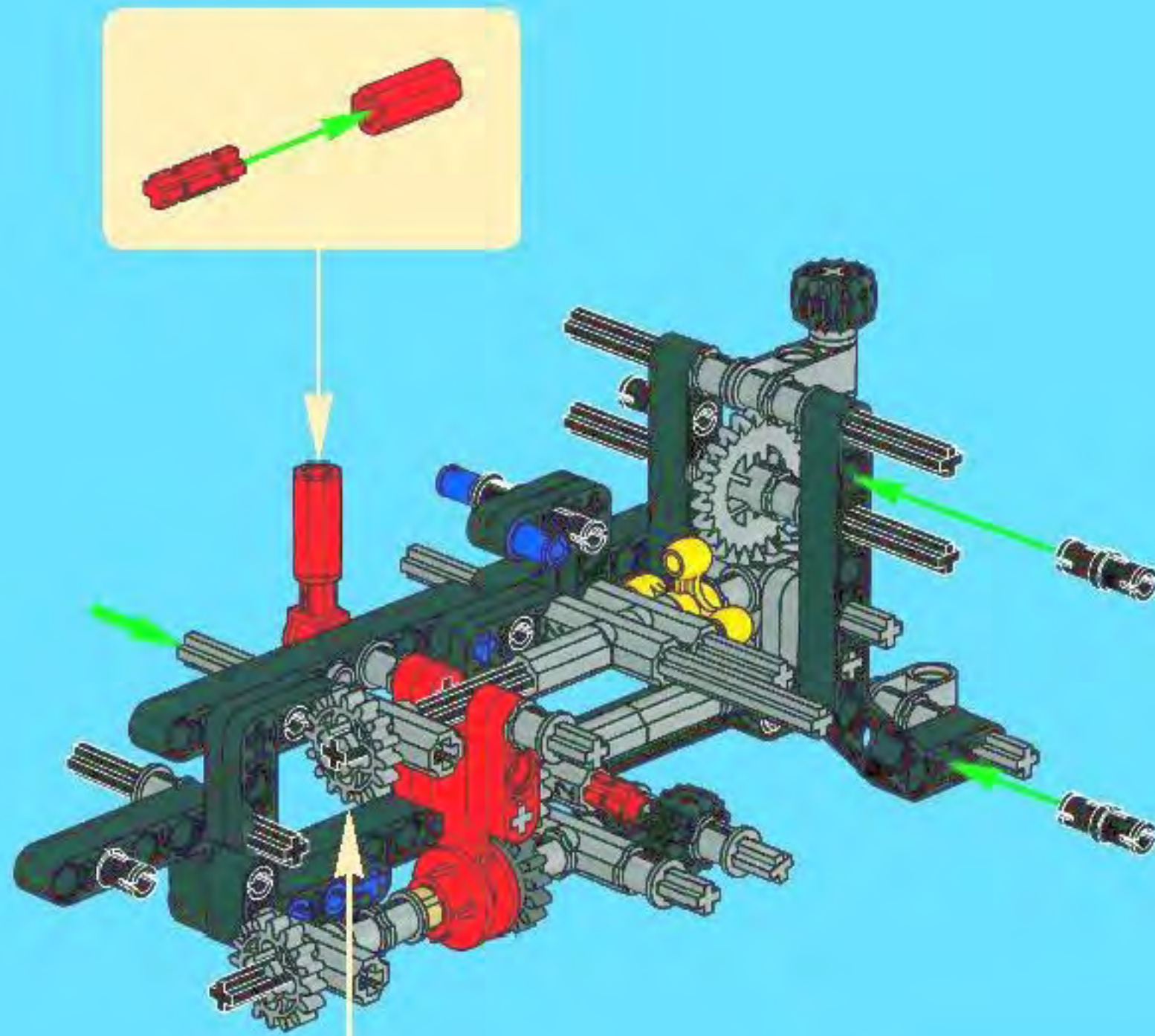


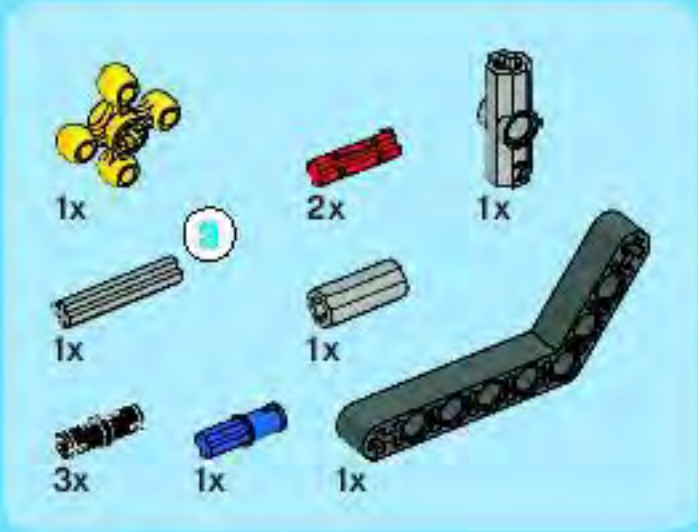
# 12





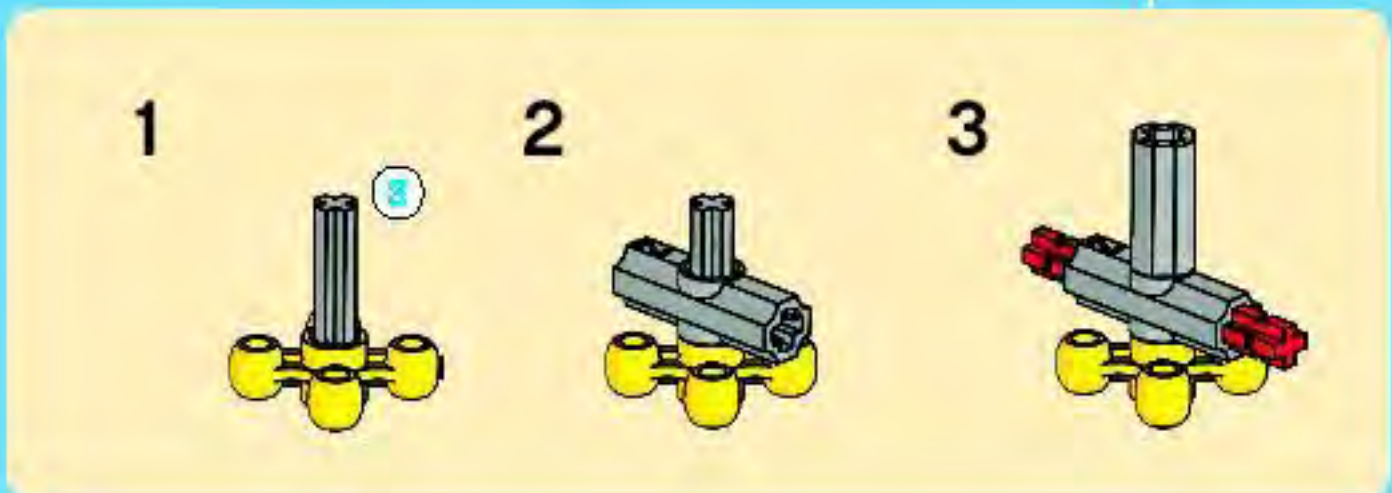
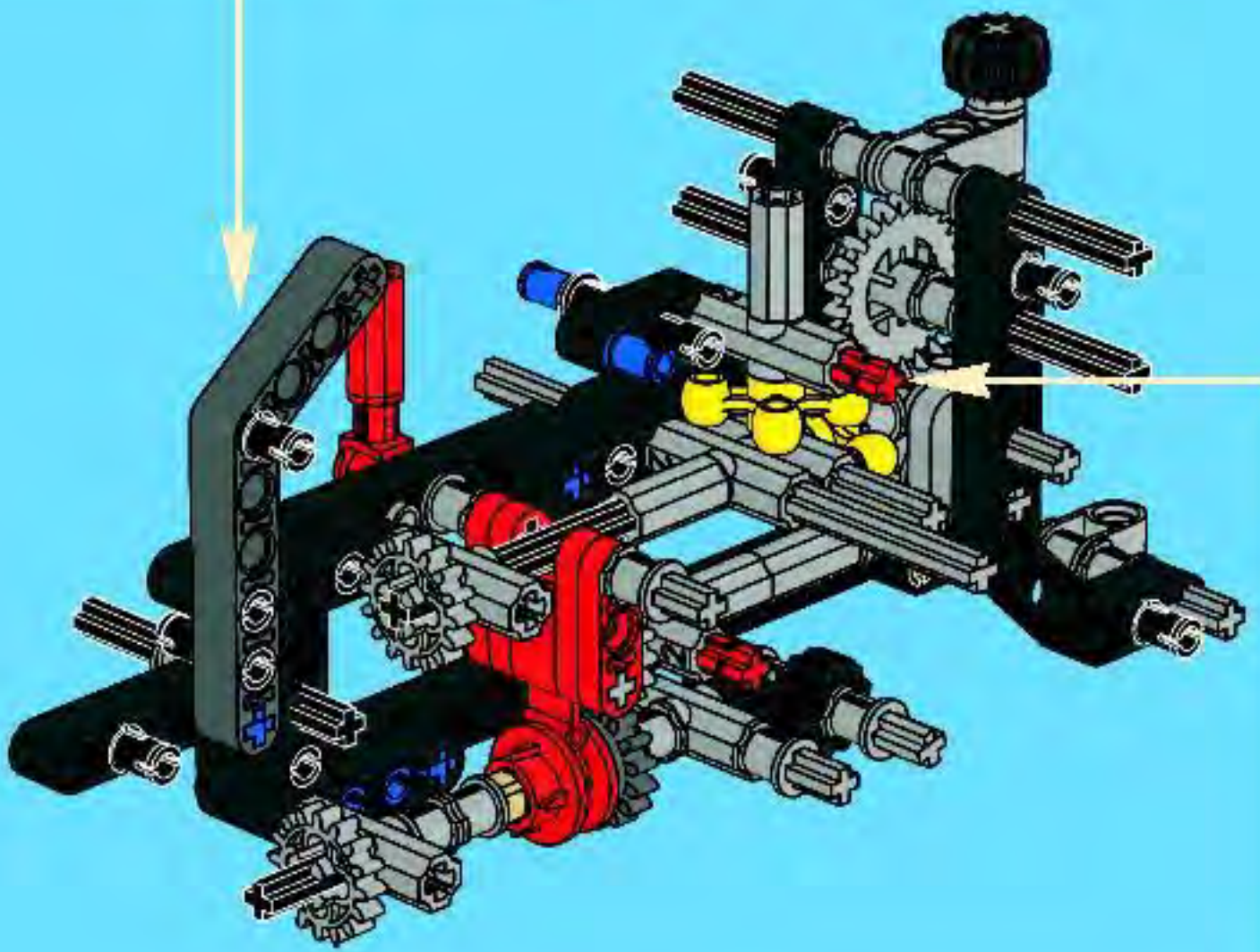
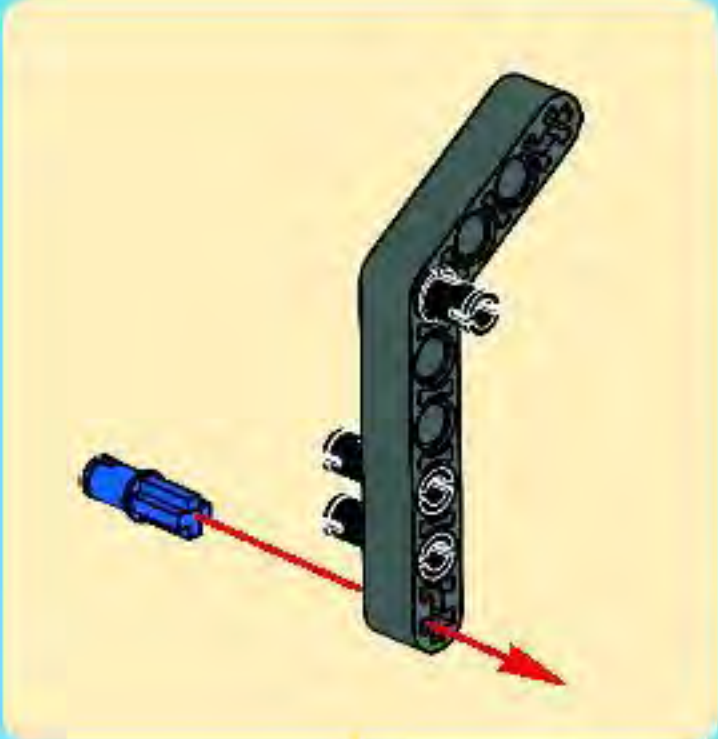
13





③ 1:1

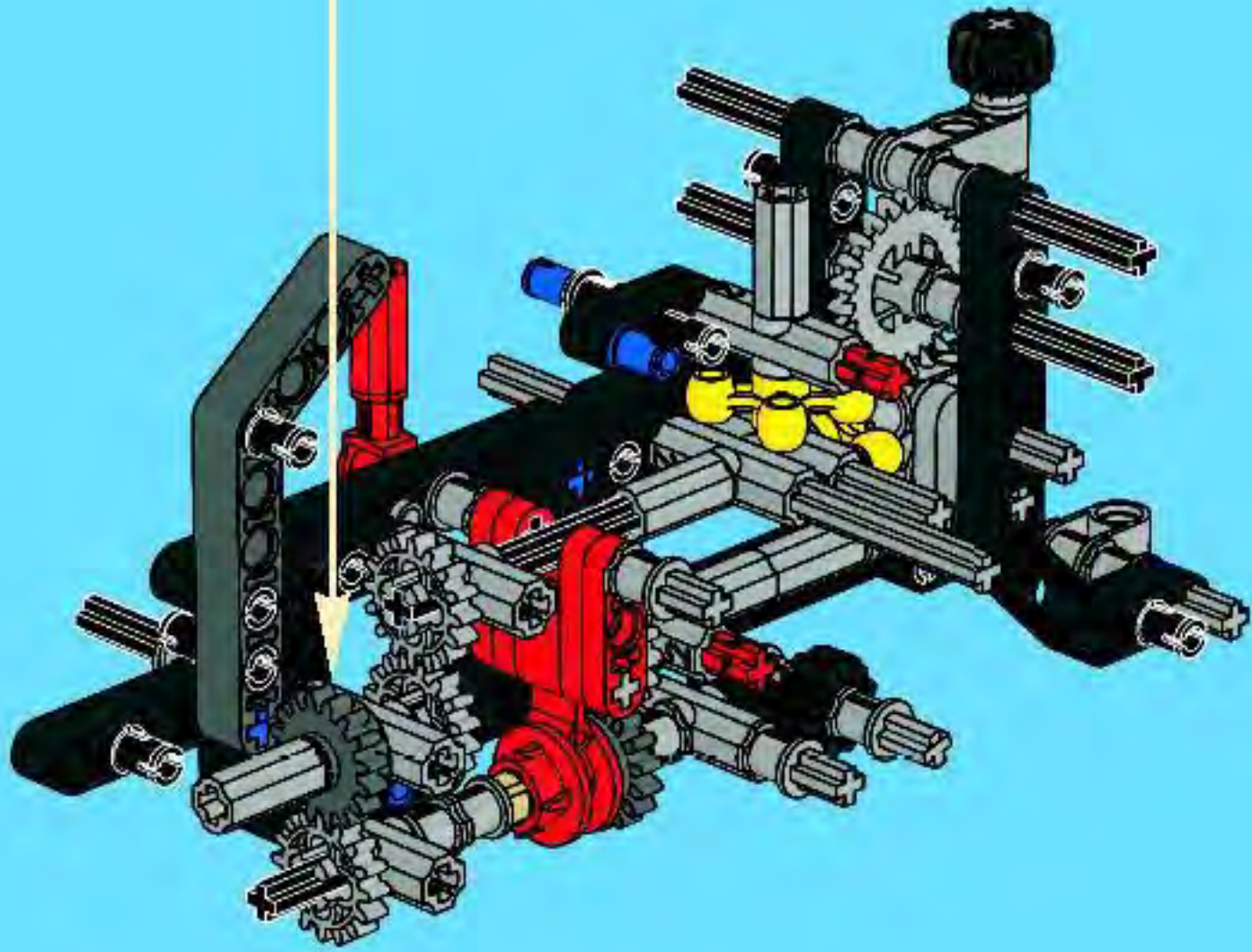
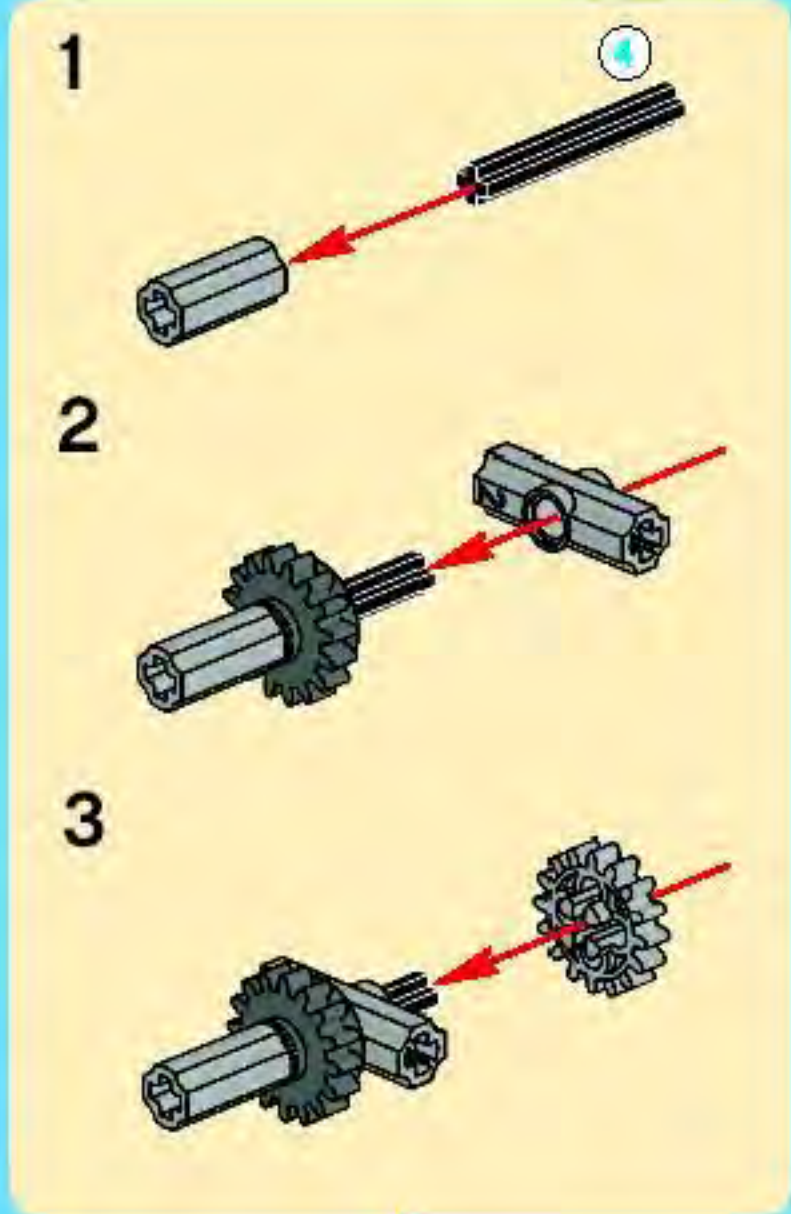
# 14

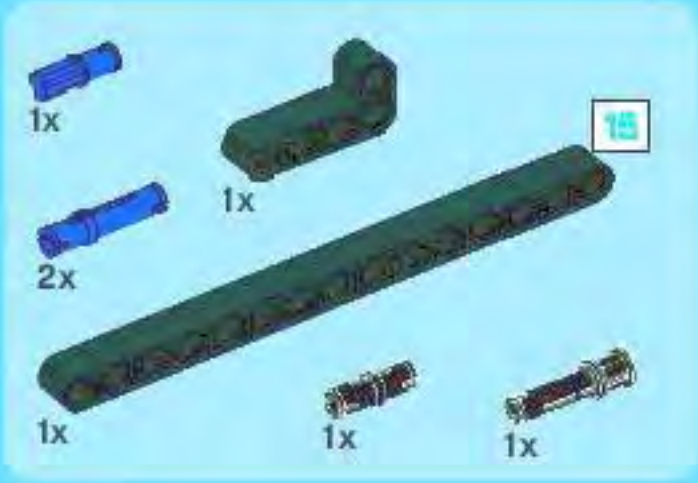




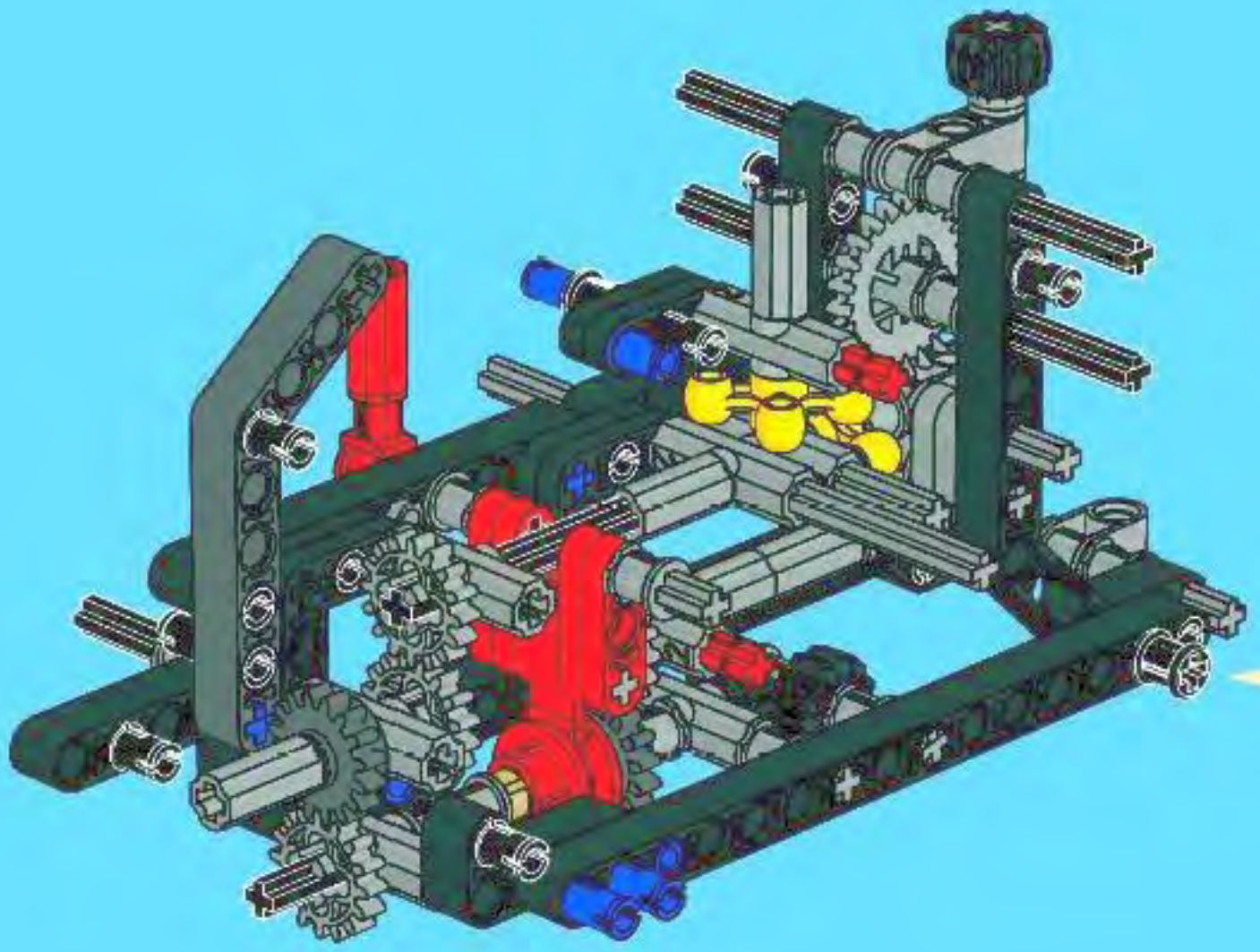
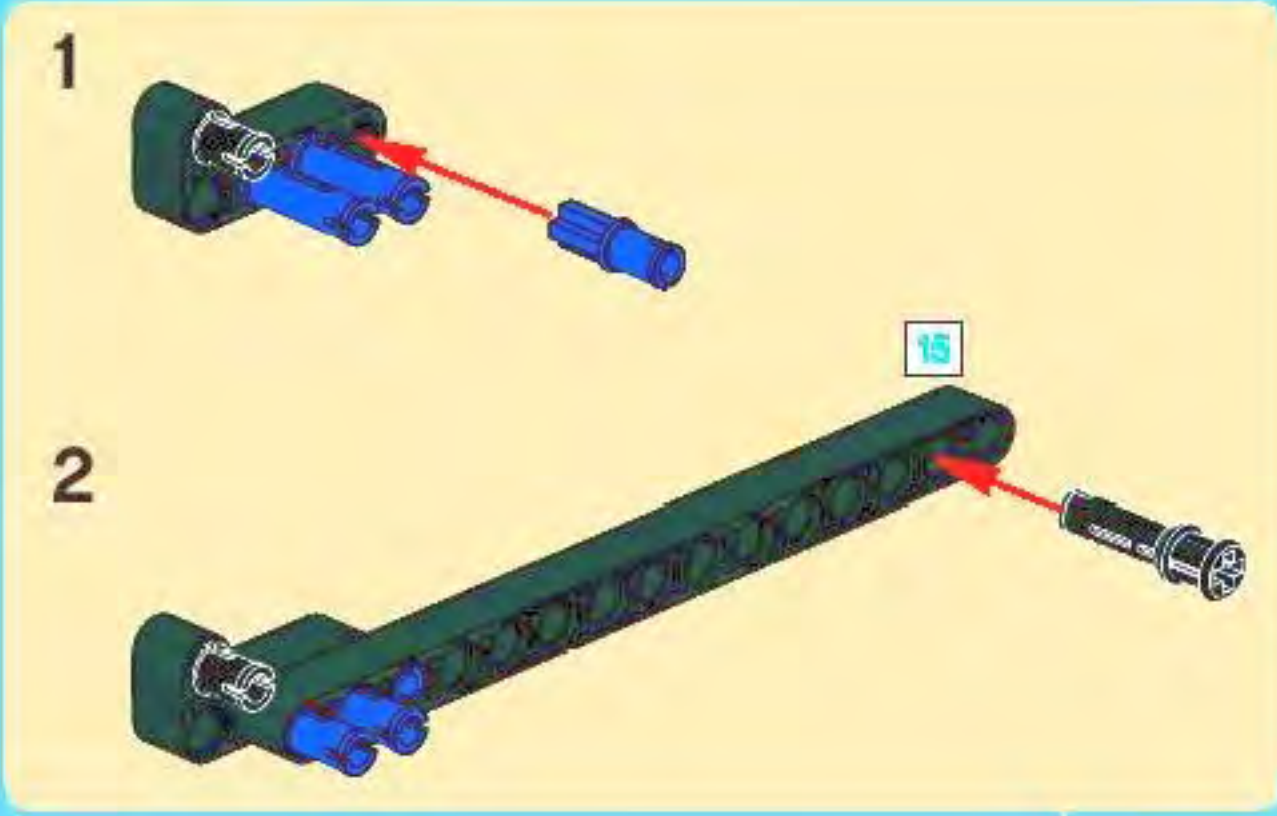


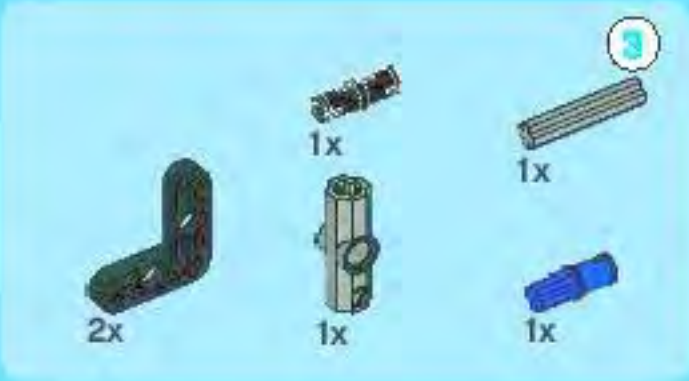
# 15



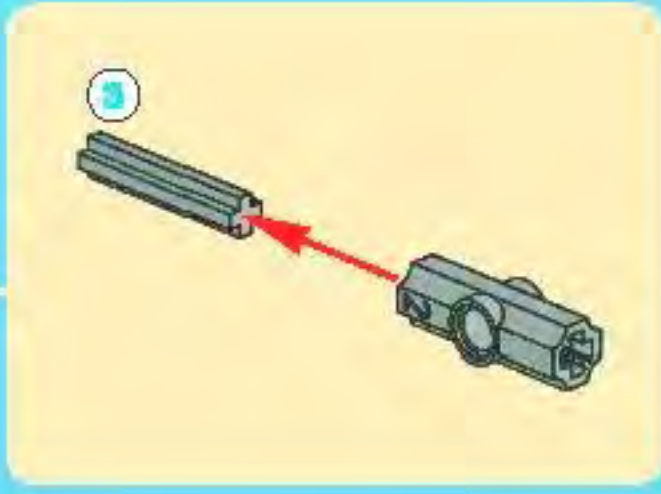
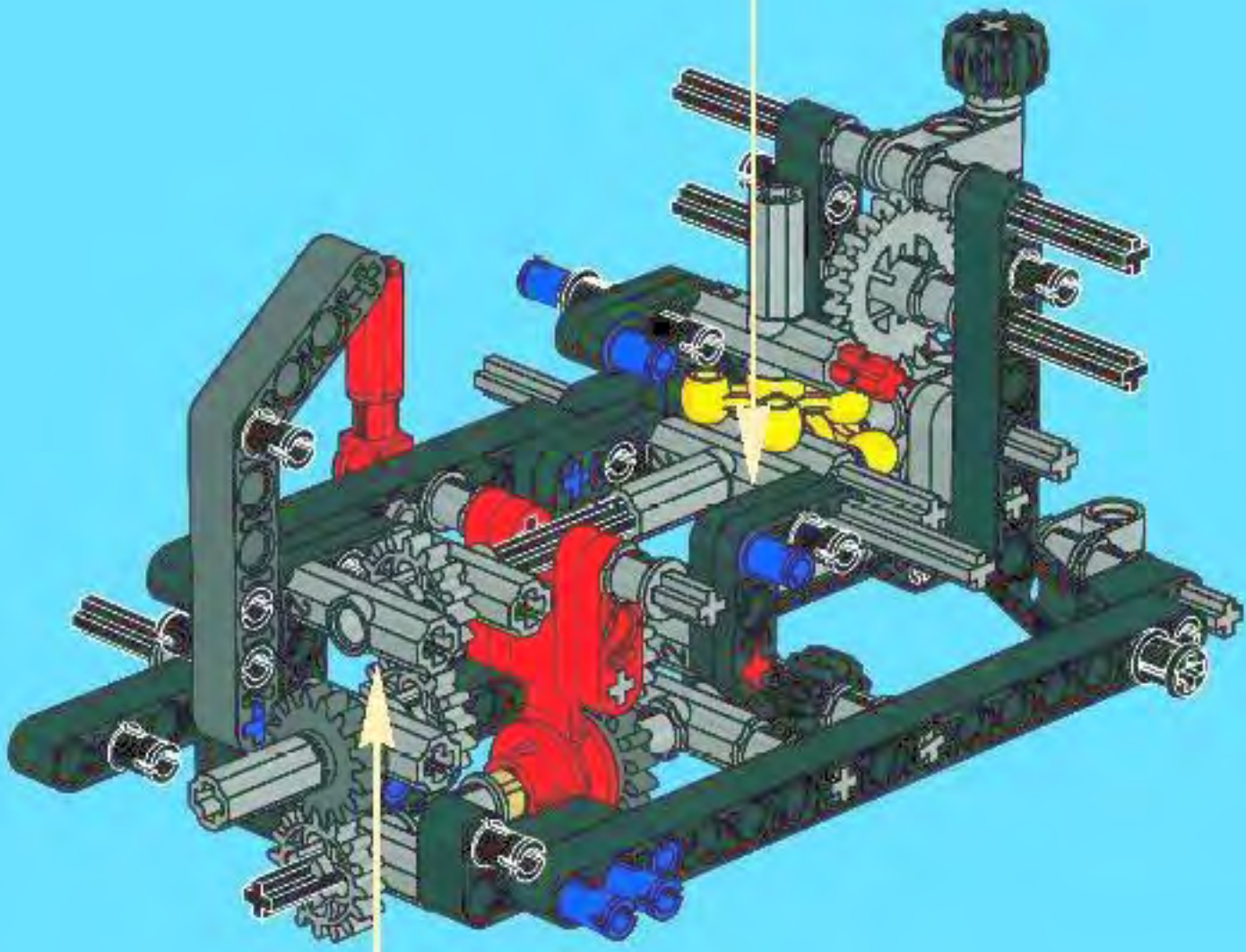
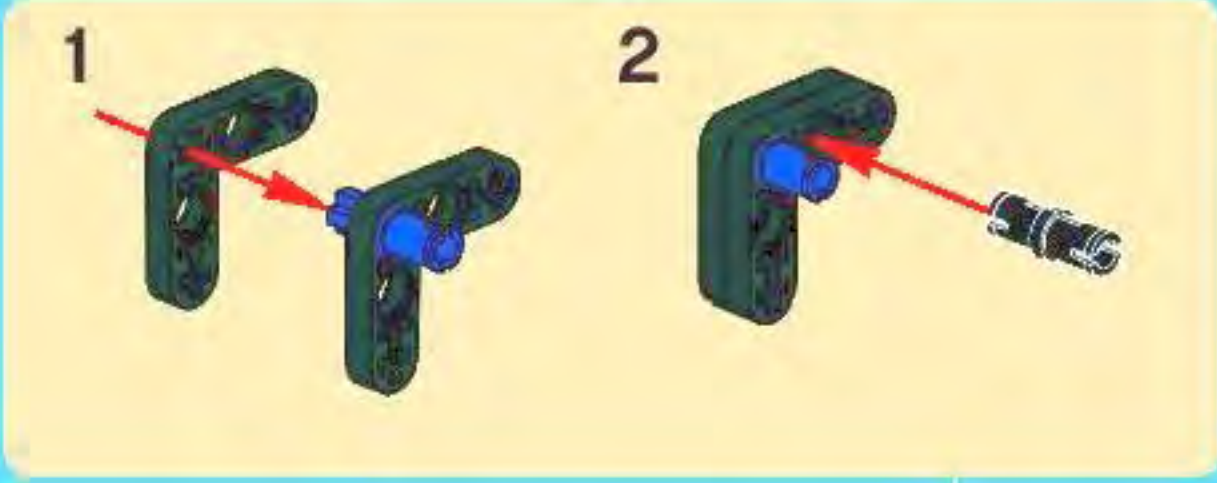


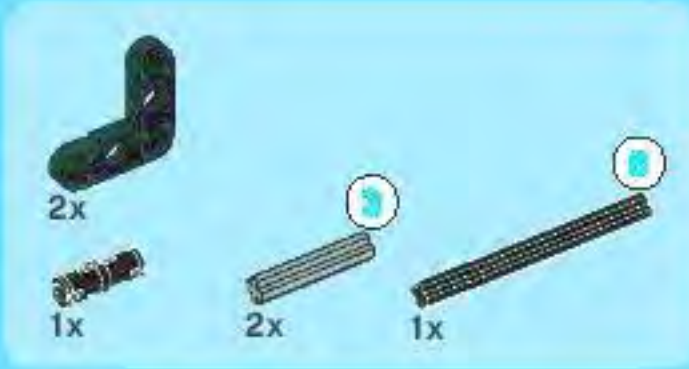
# 16



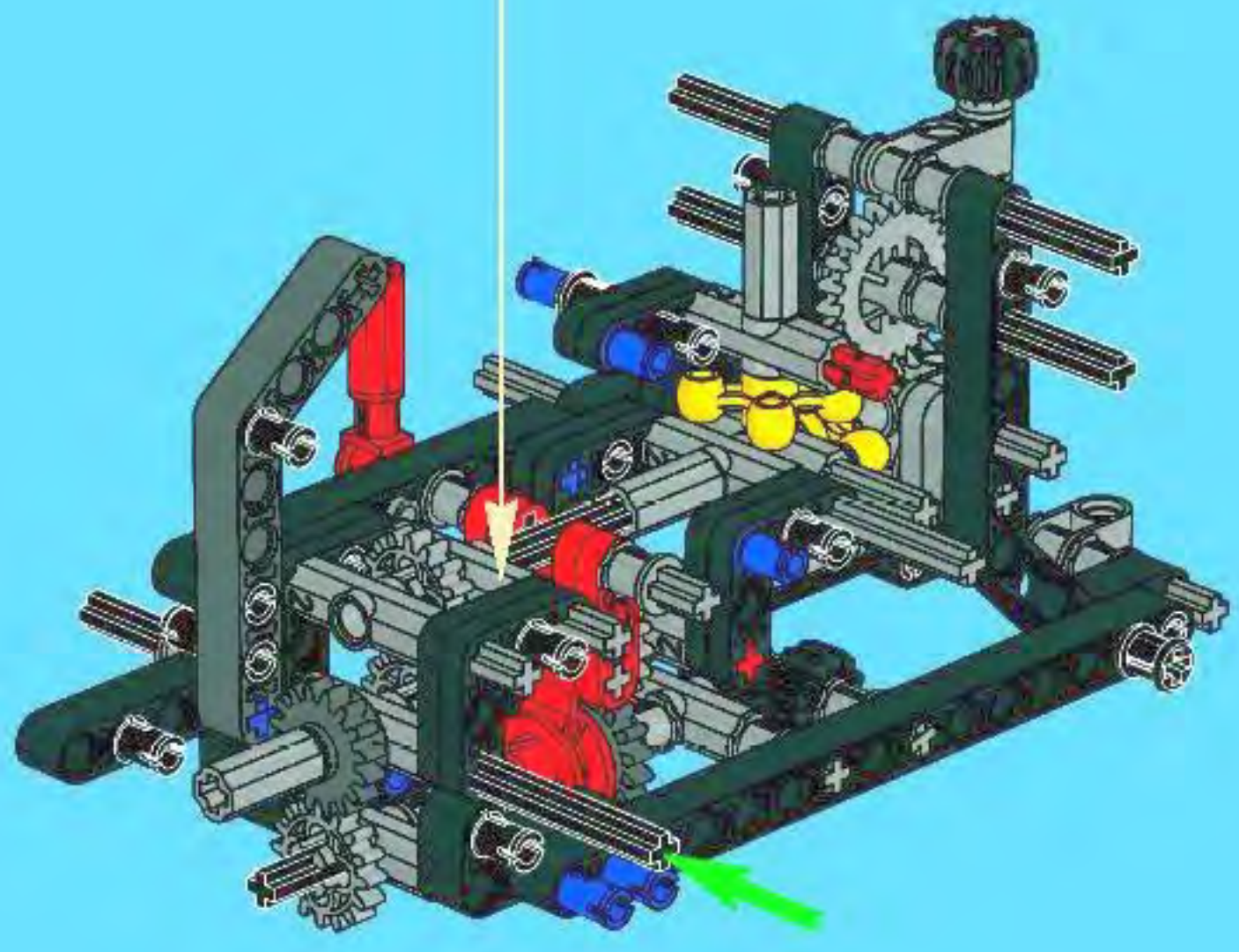
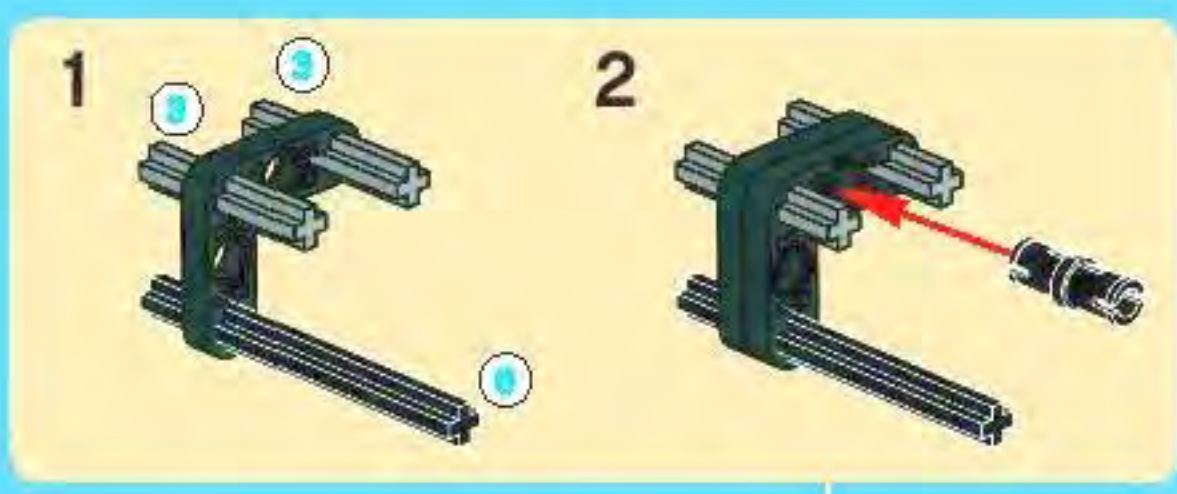


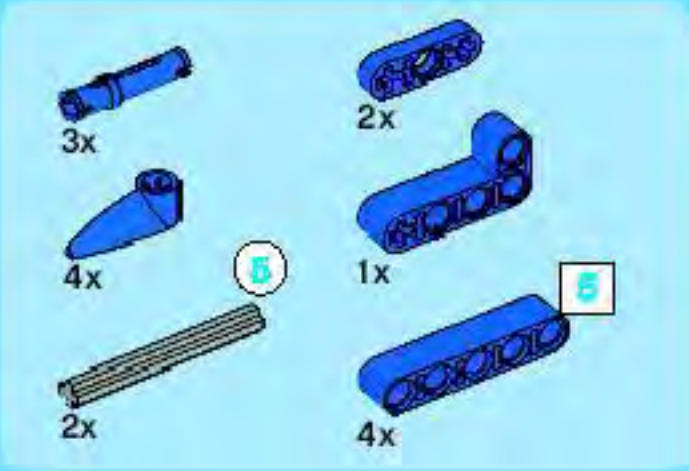
17



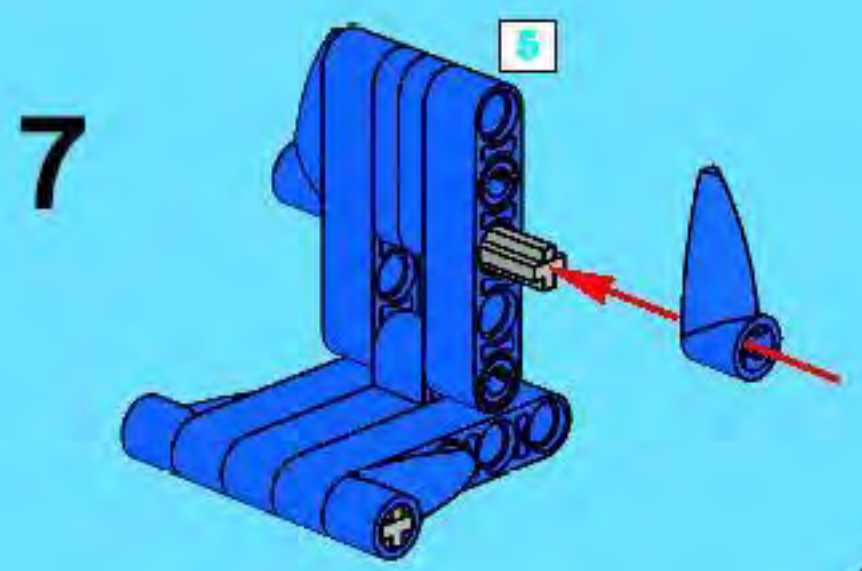
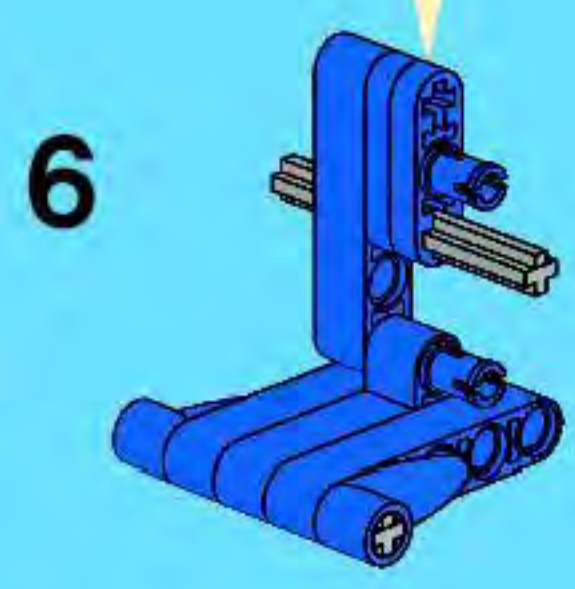
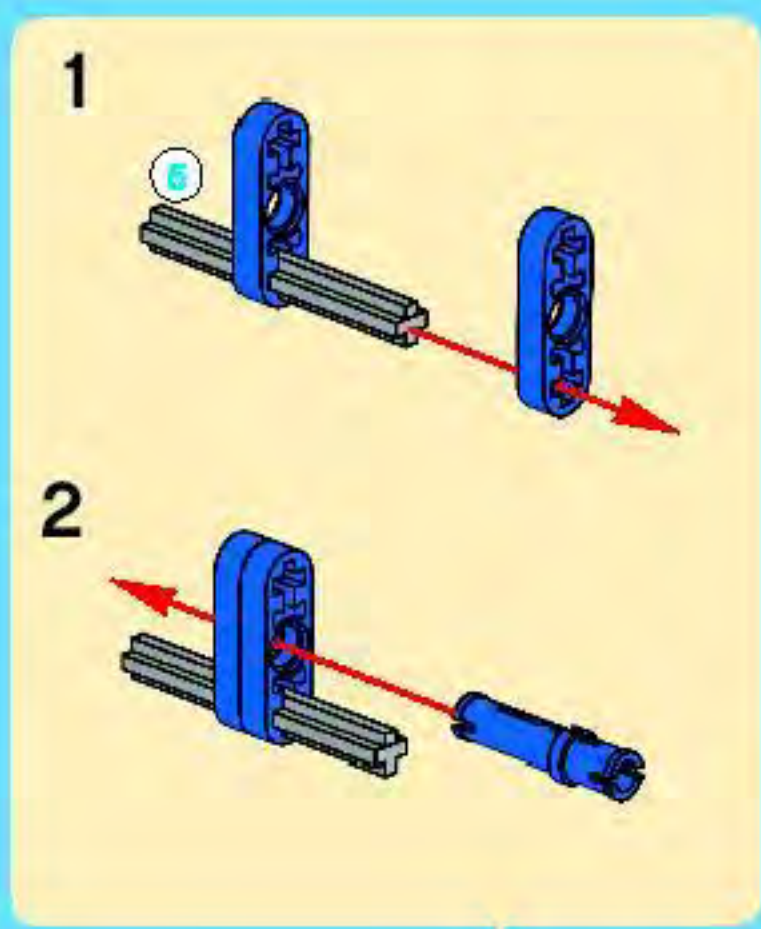
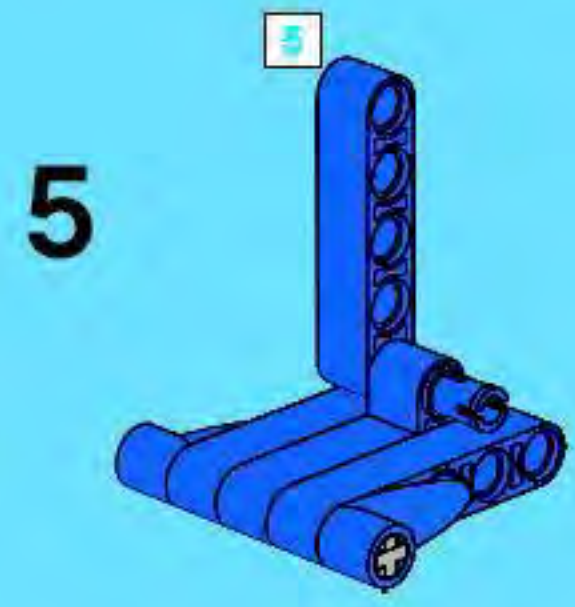
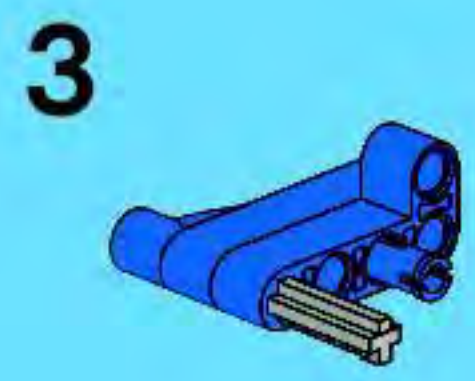
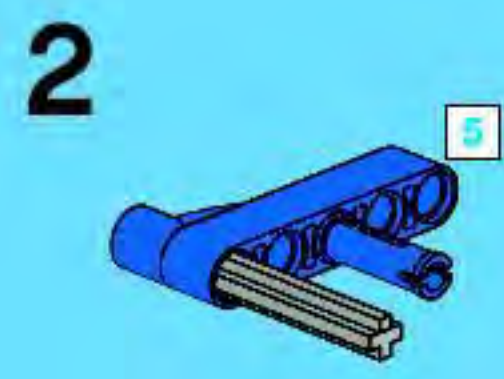
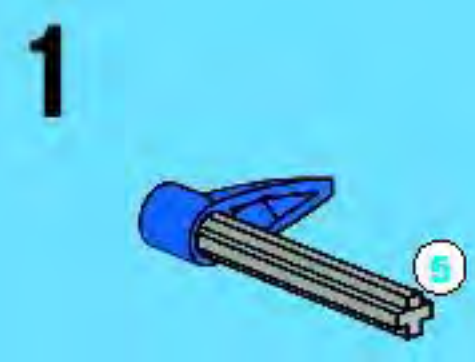


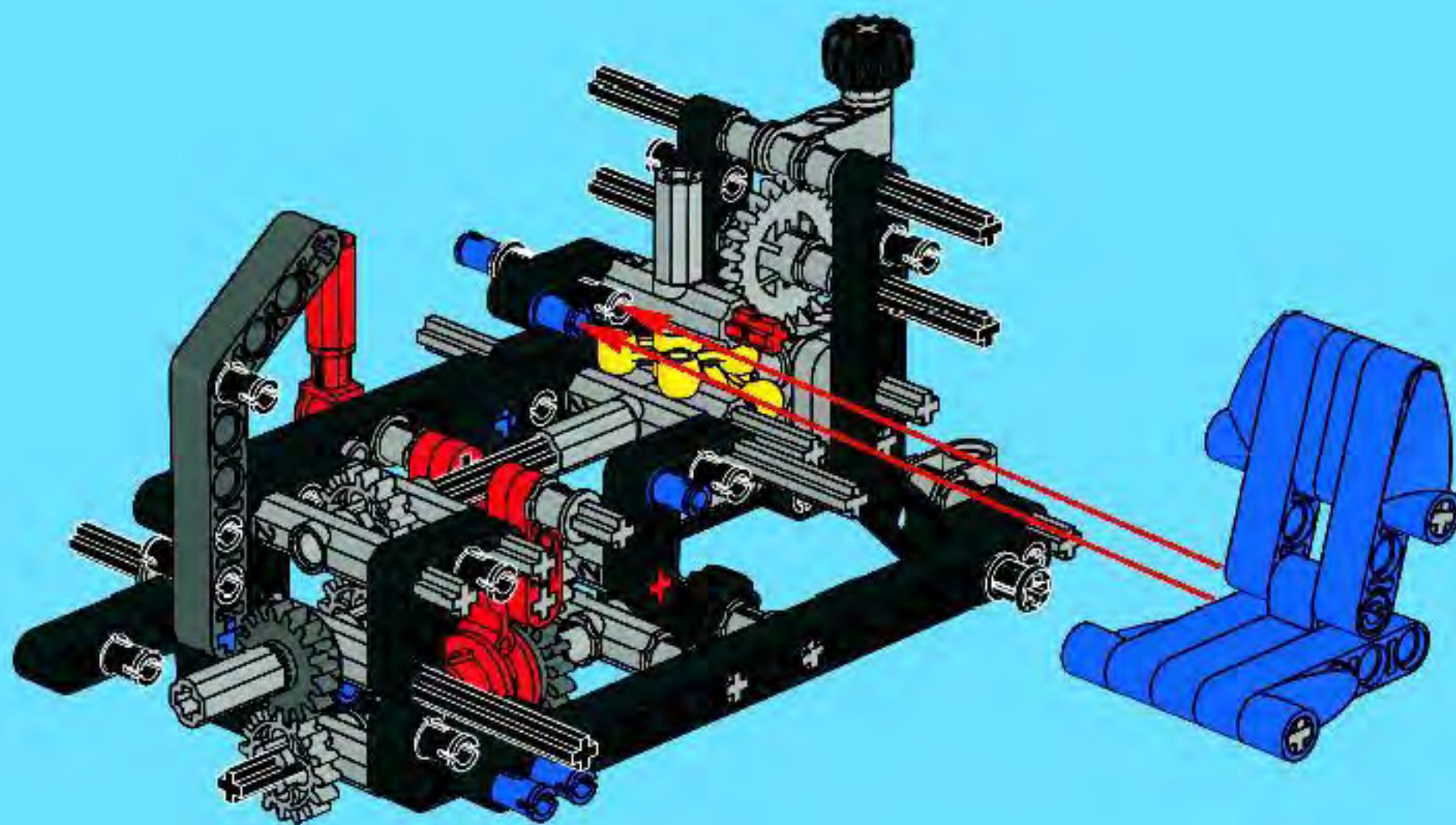
# 18

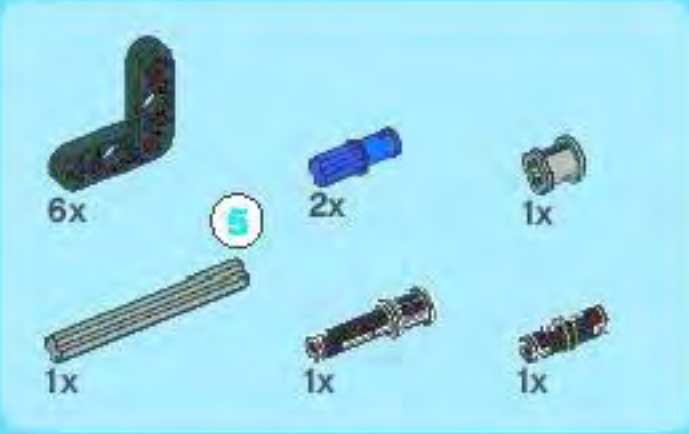




# 19

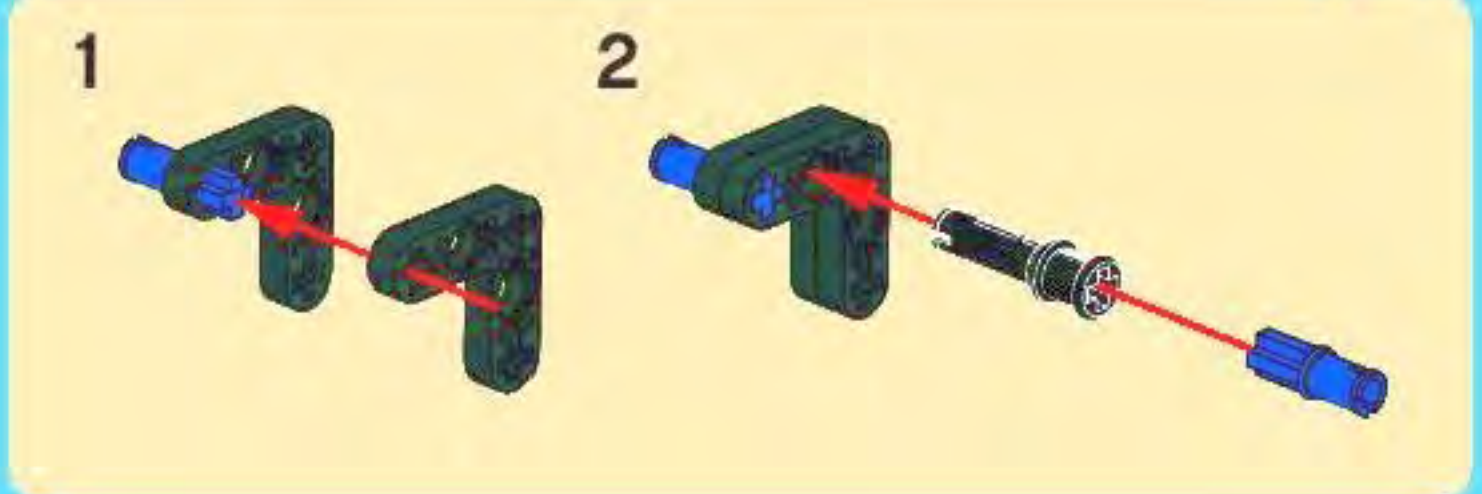
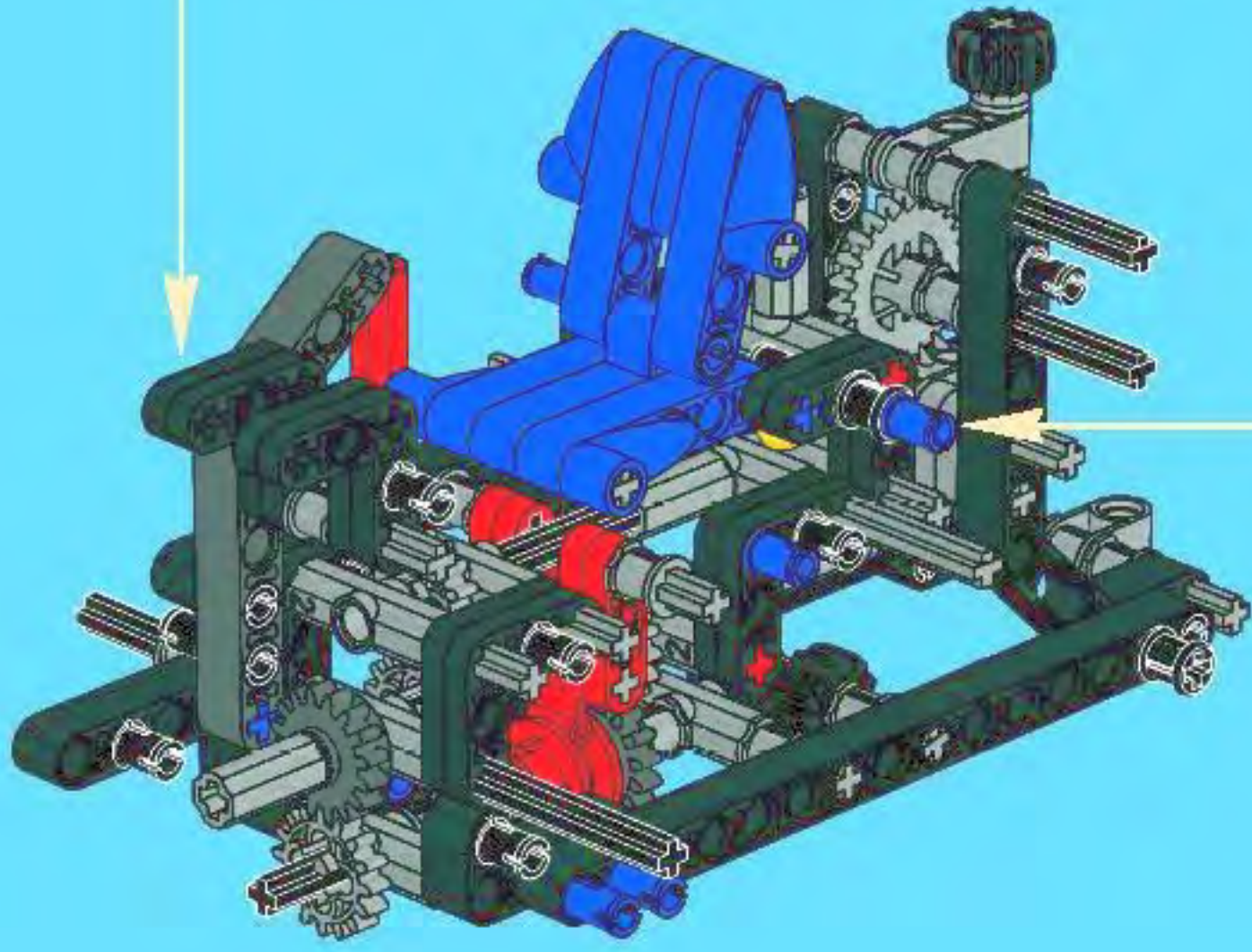
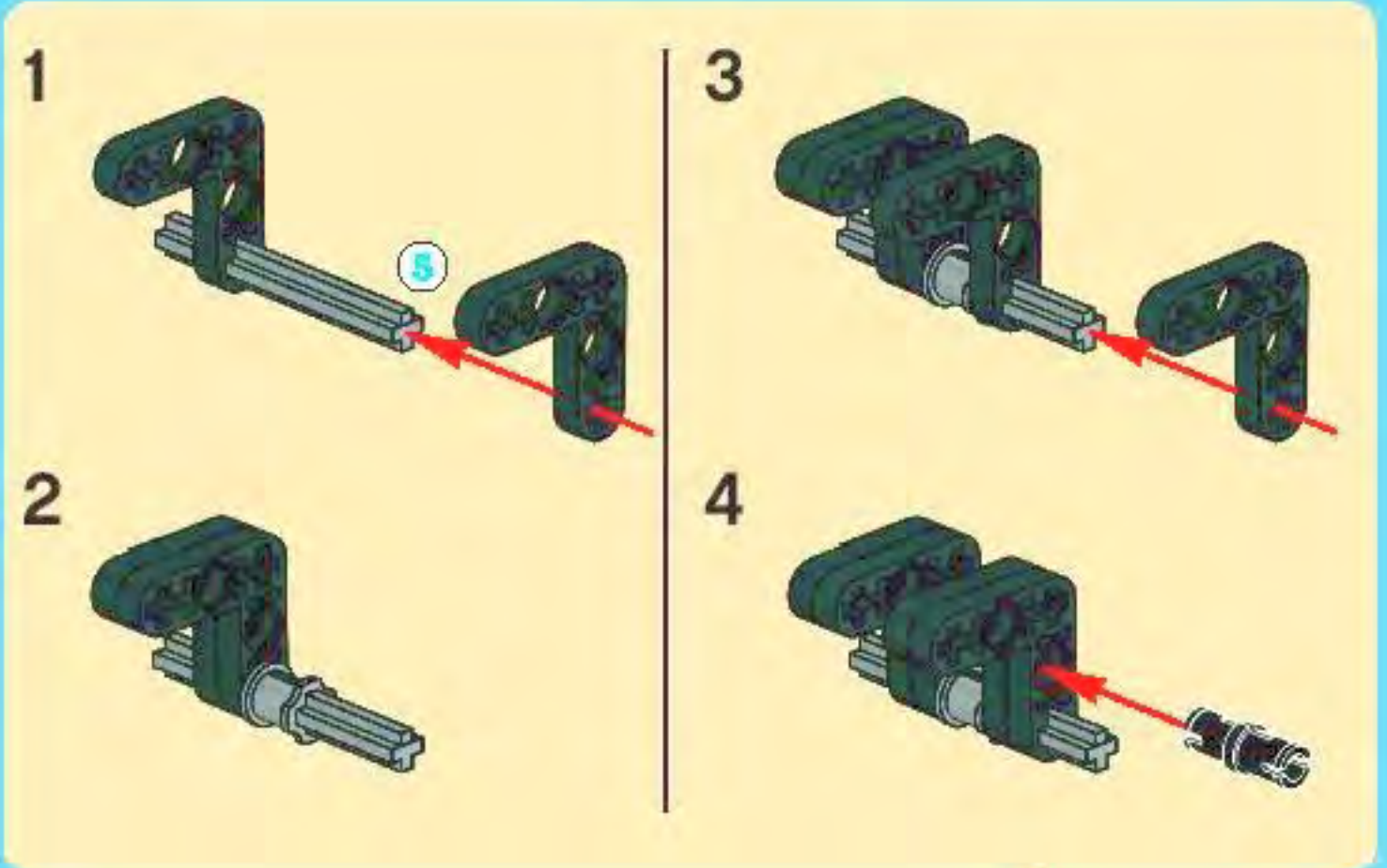


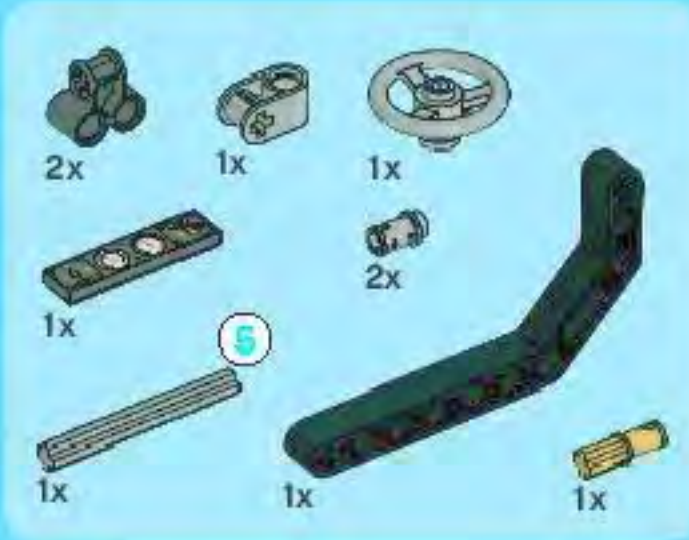




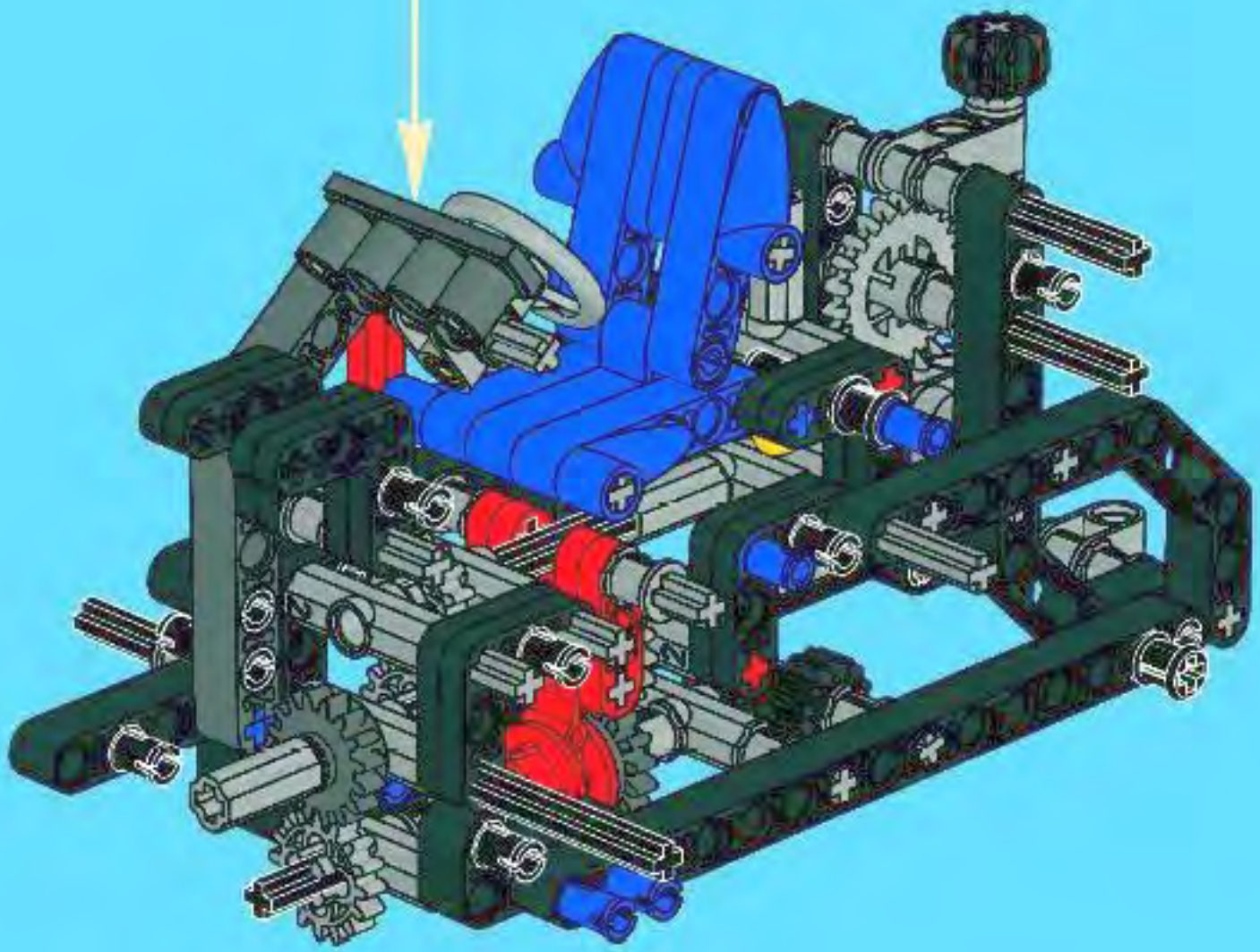
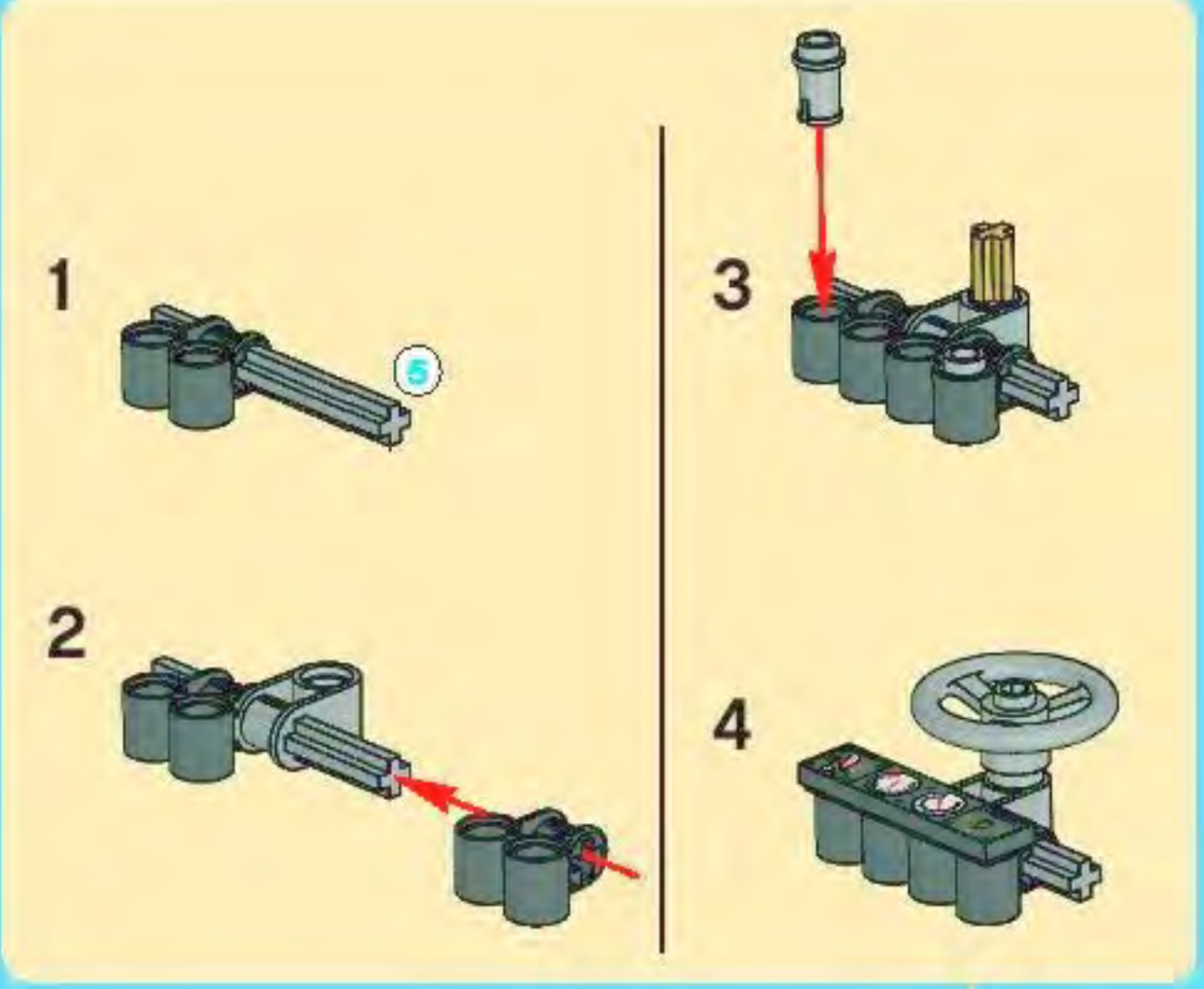
1:1

20

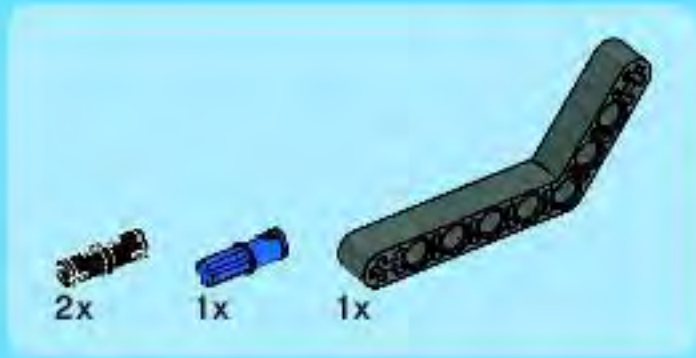




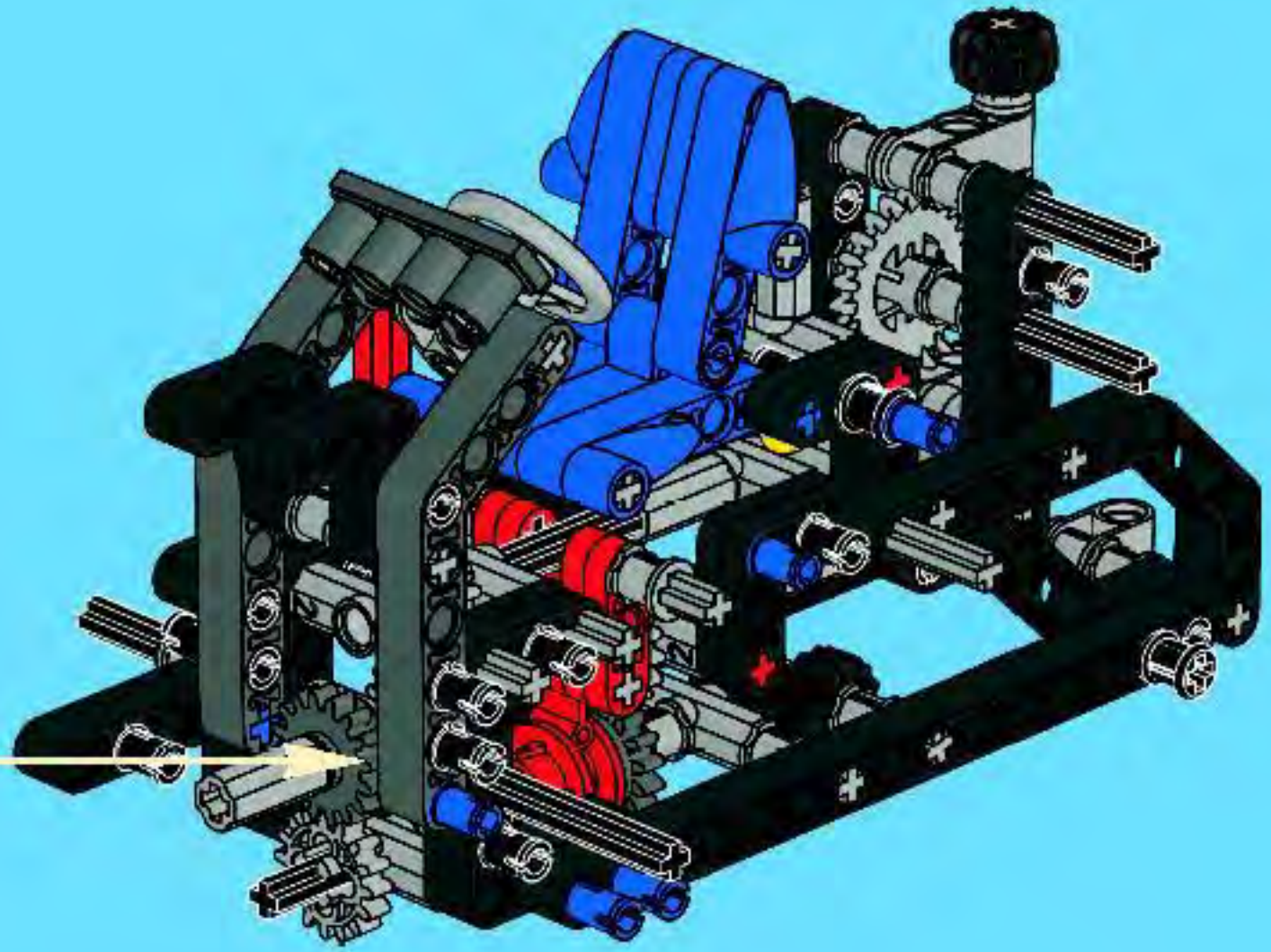
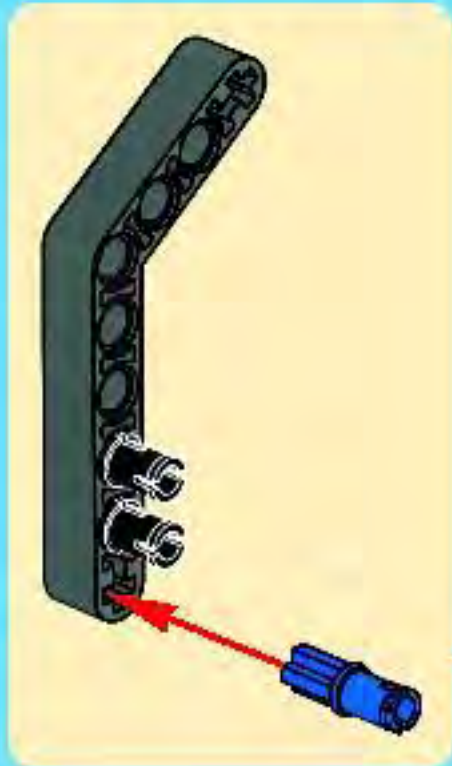
# 21



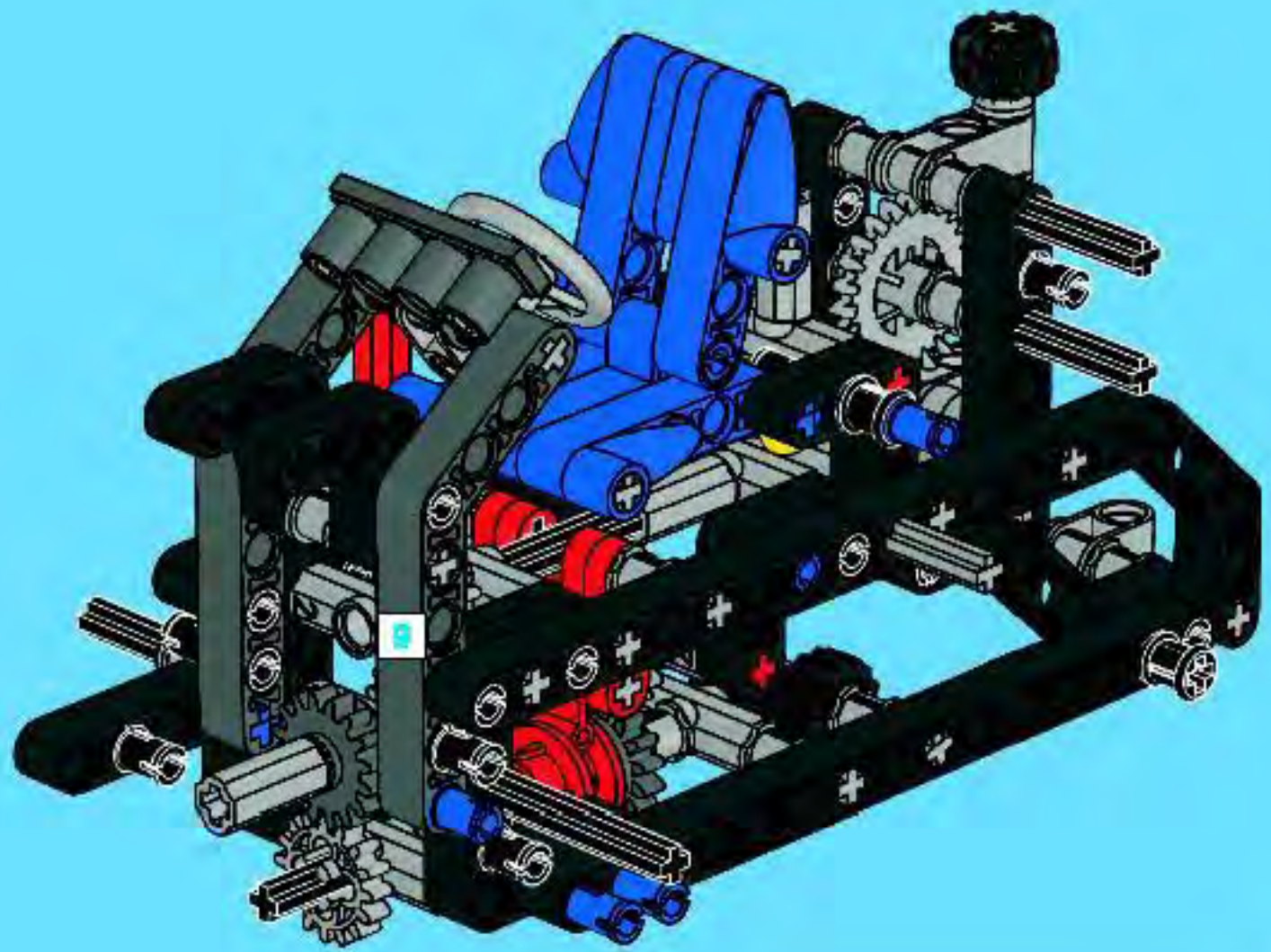


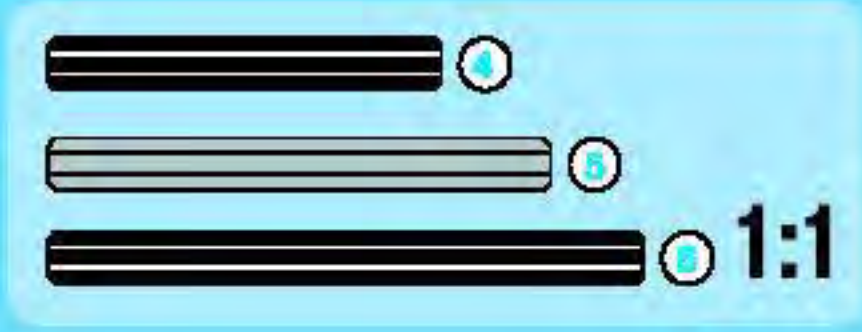


# 22



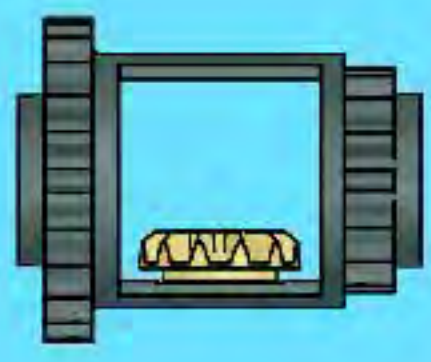
# 23



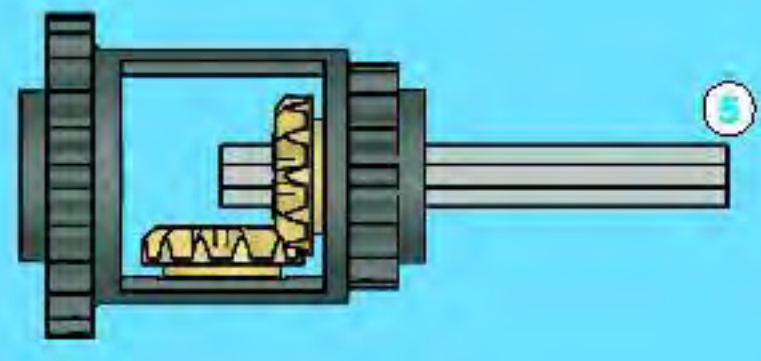


24

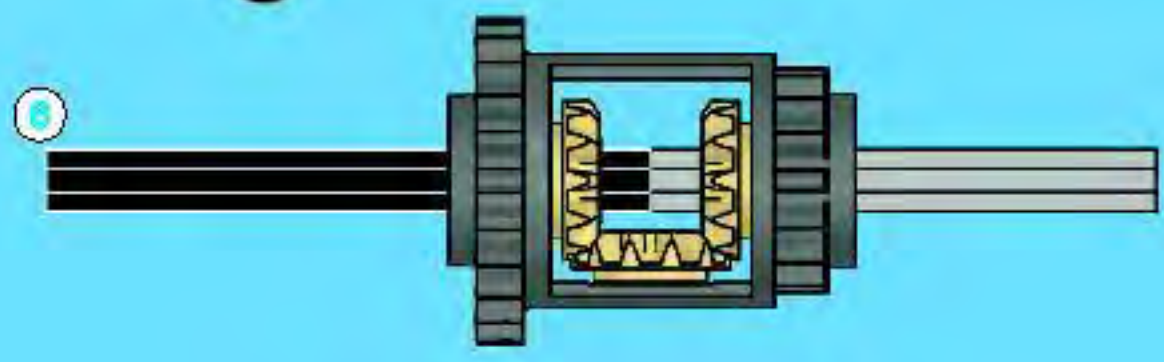
1



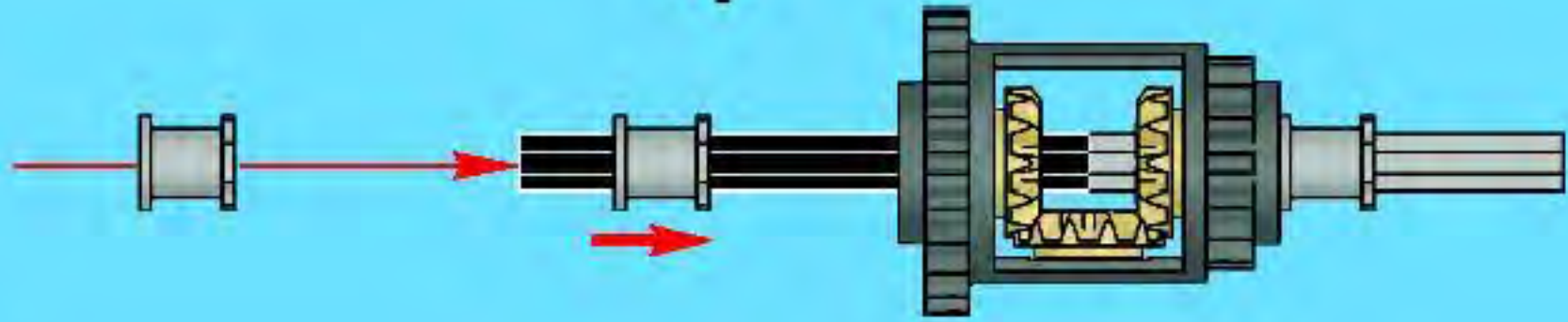
2

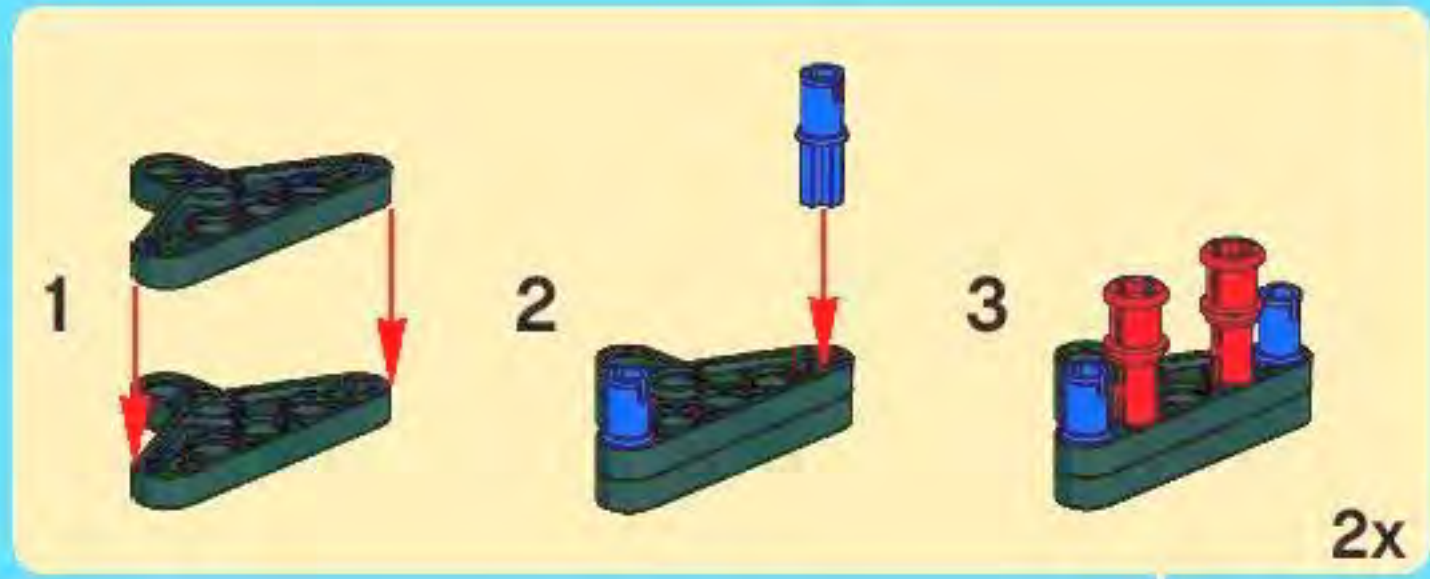


3

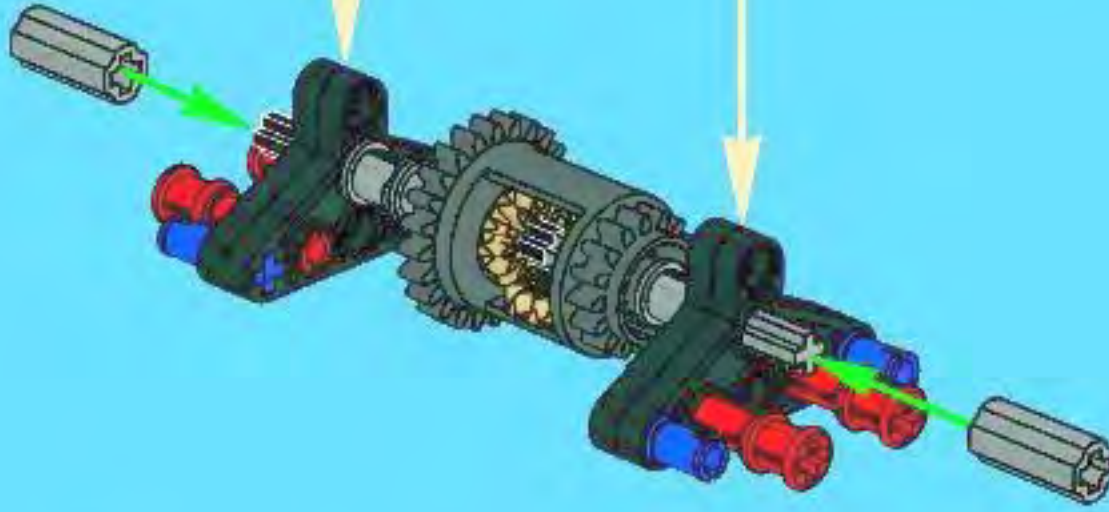


4

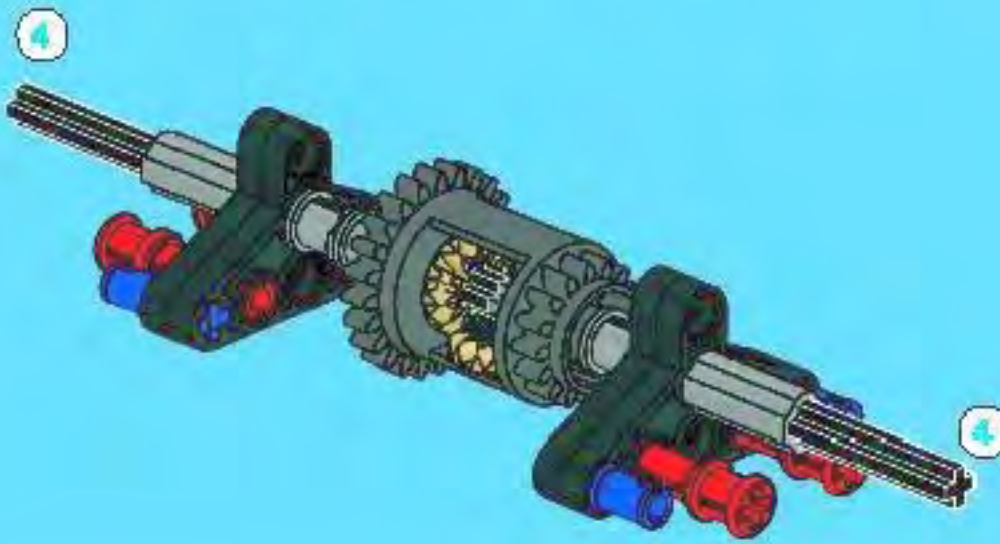




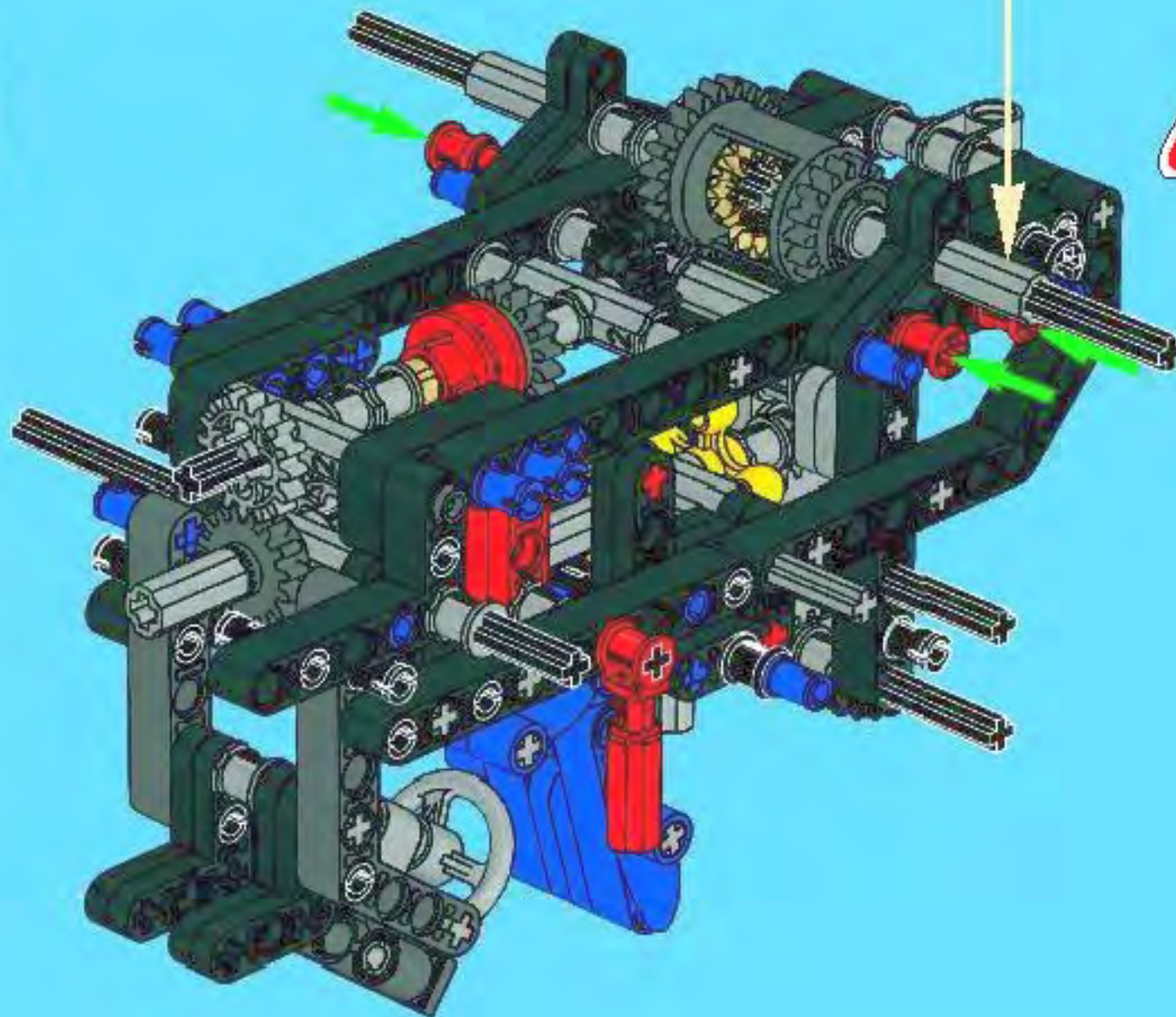
5

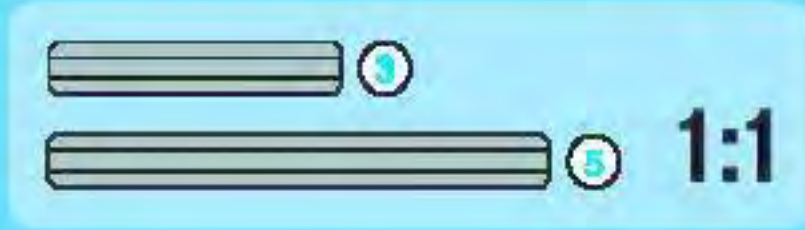
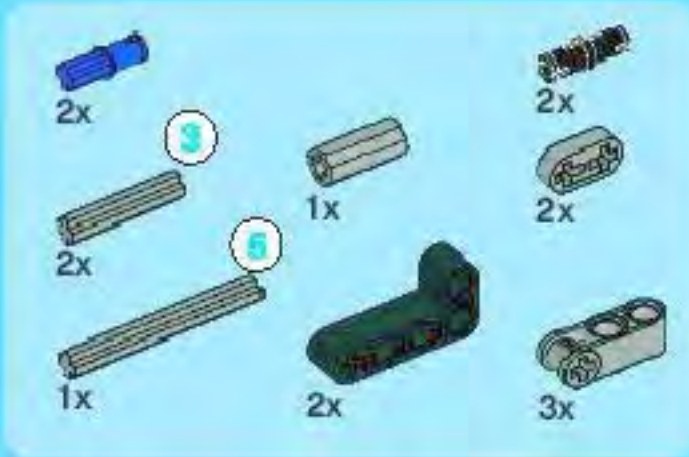


6

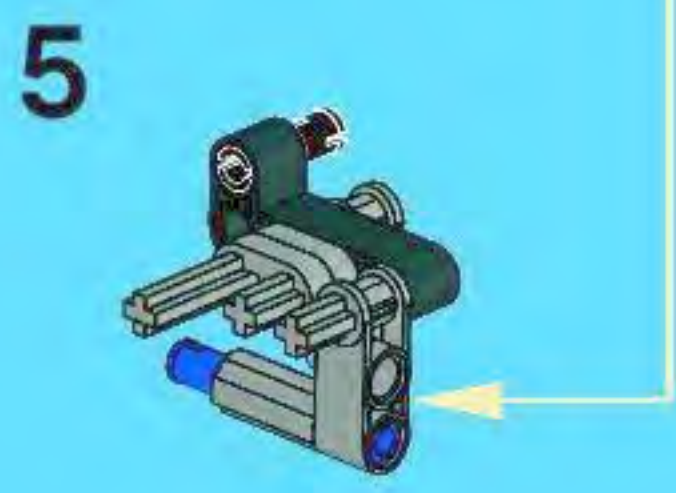
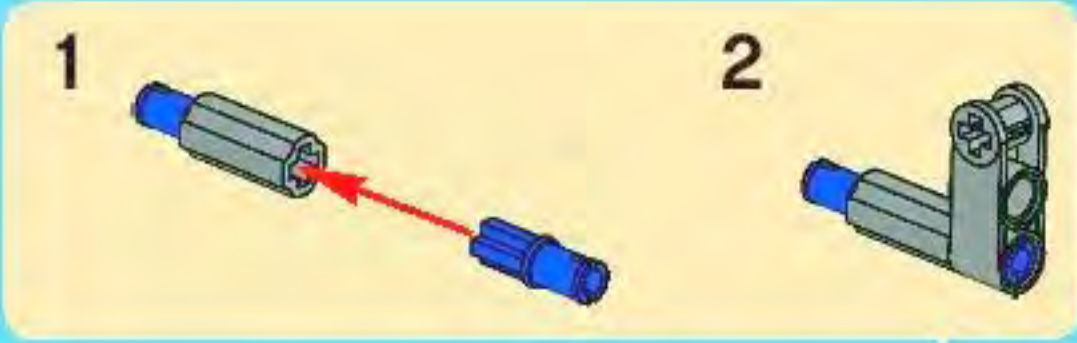
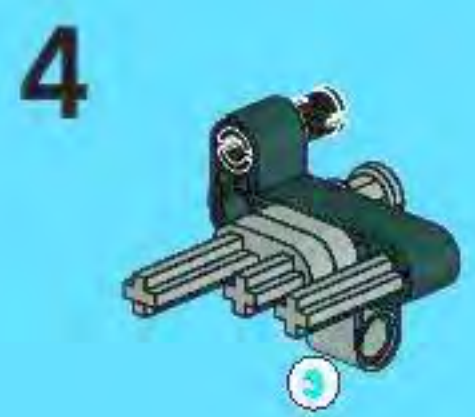
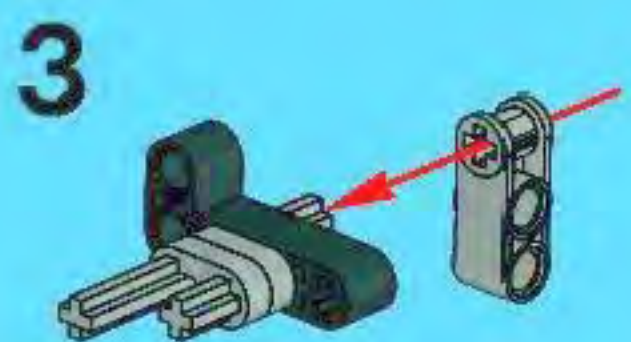
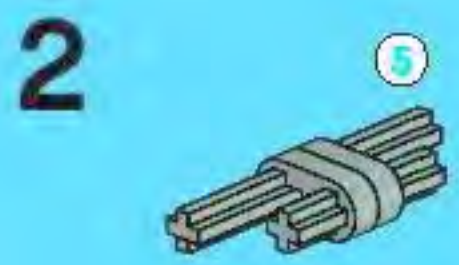
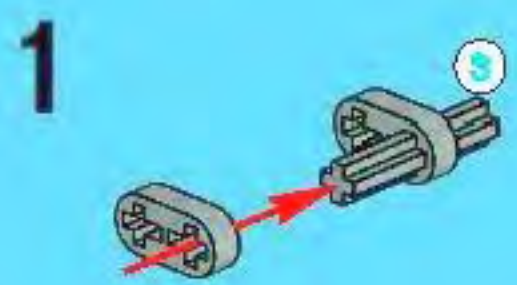


1:1

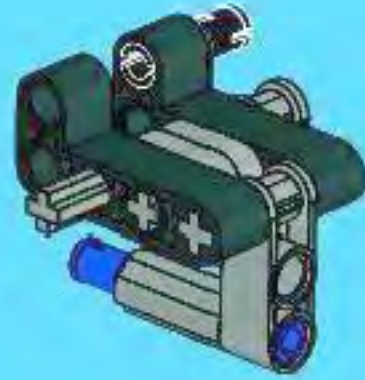




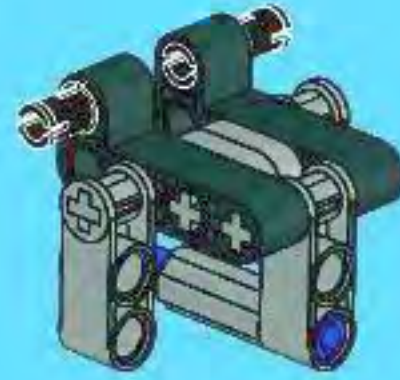
# 25



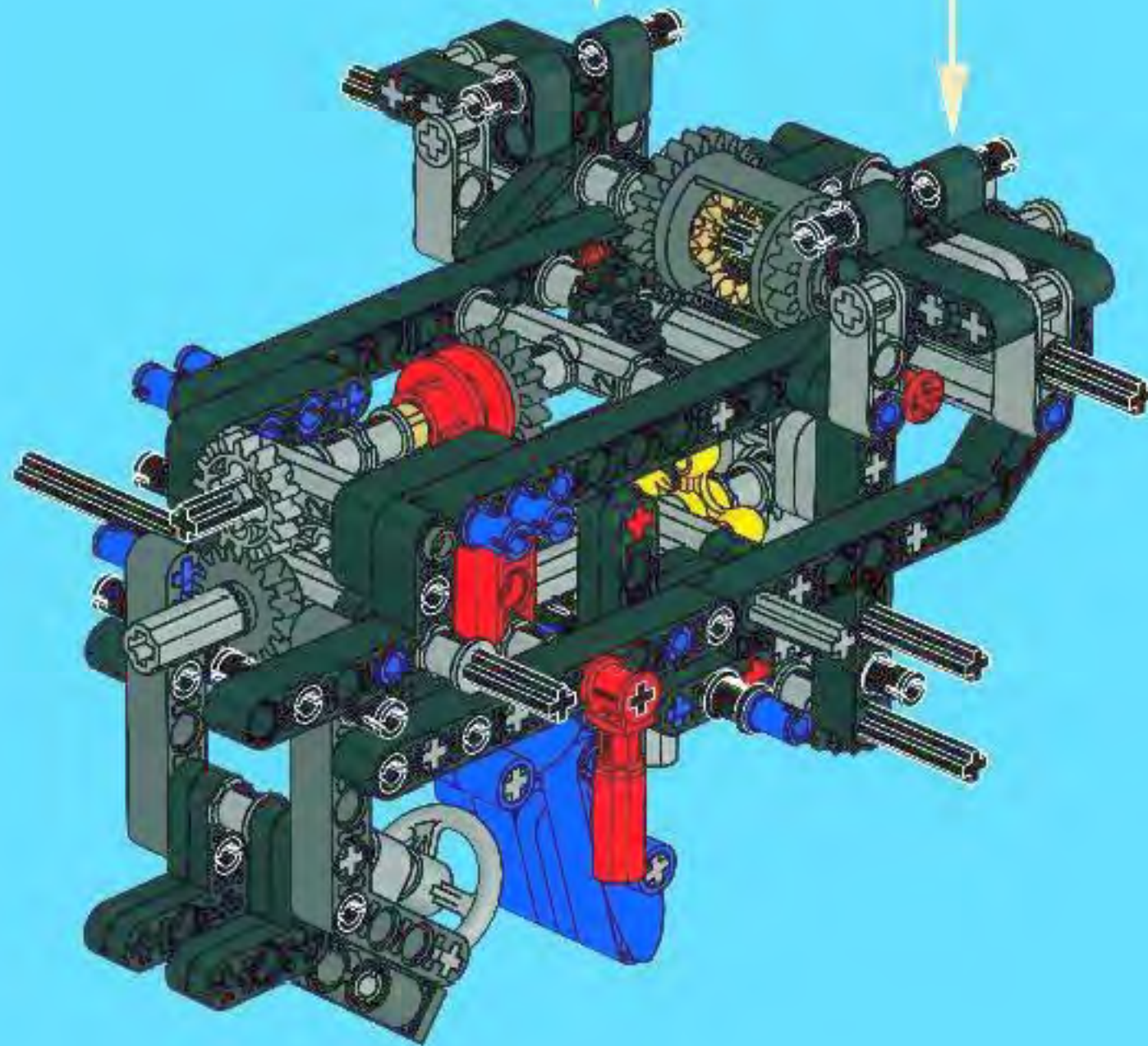
6



7

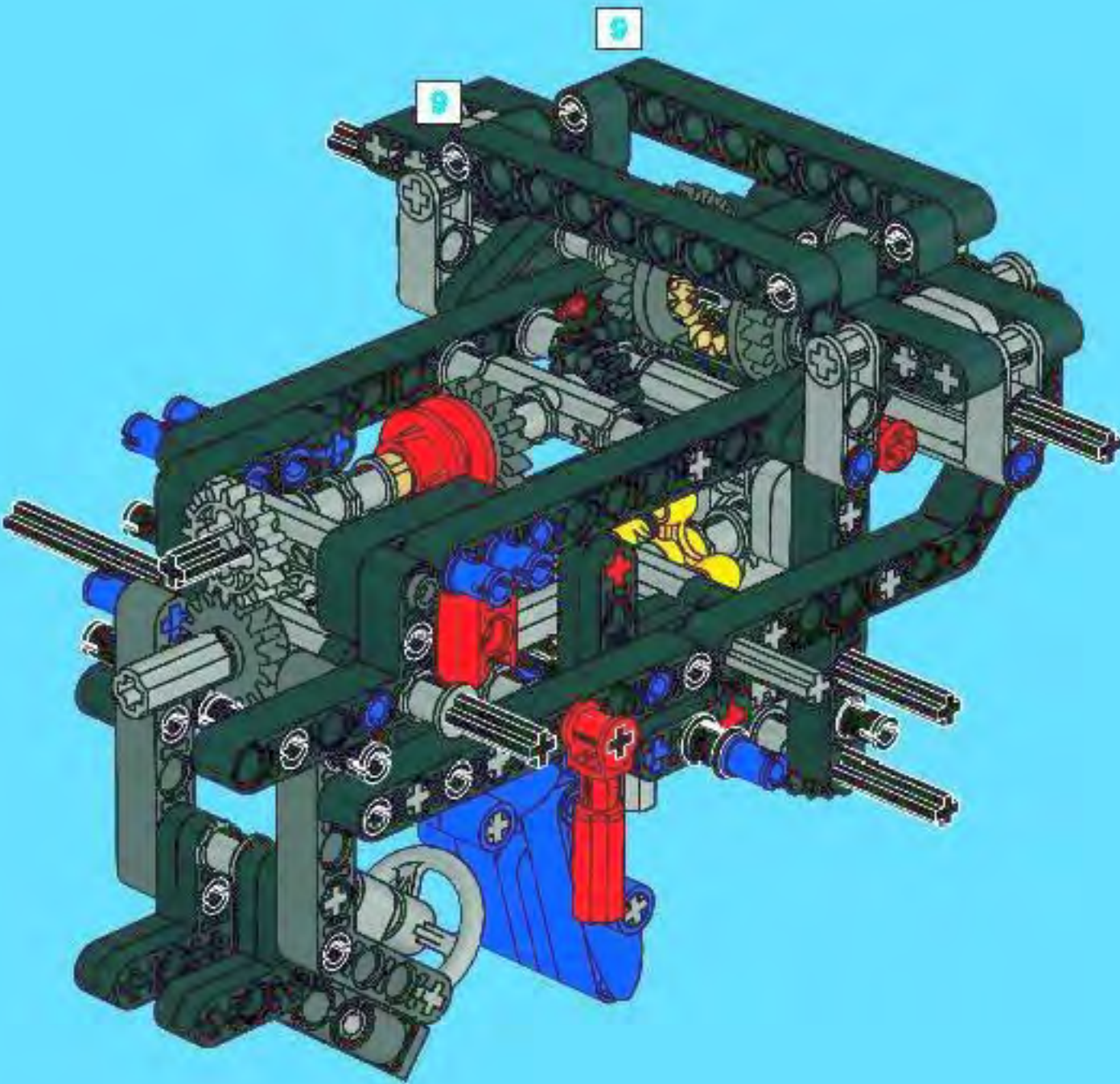


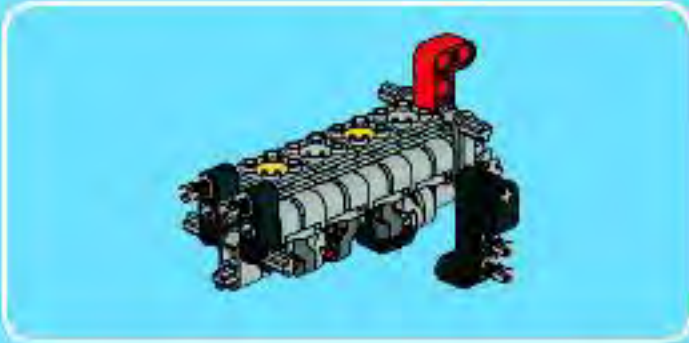
2x





26

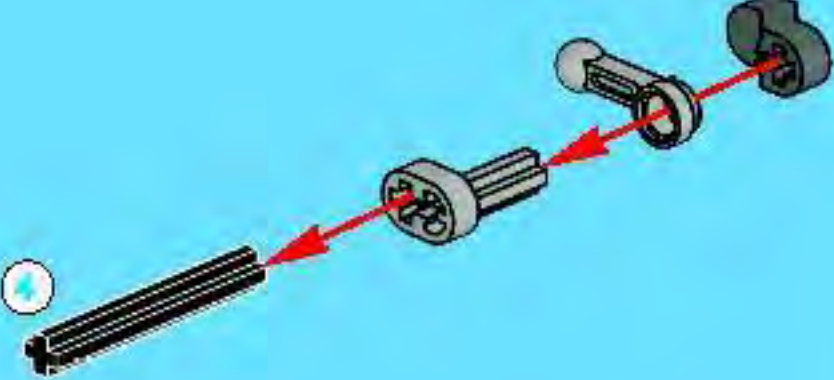




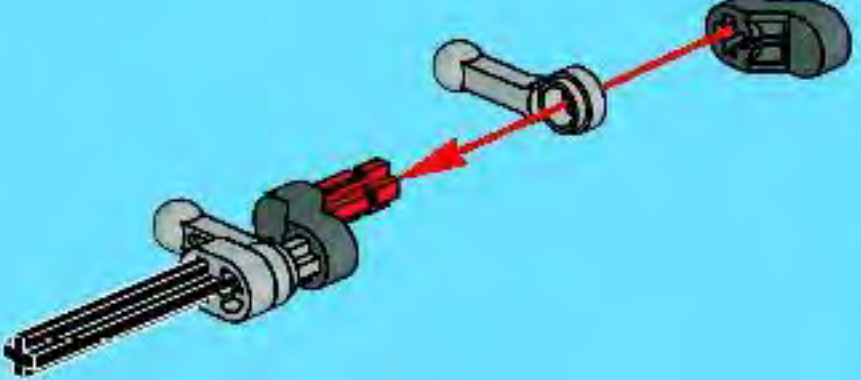
**1:1**



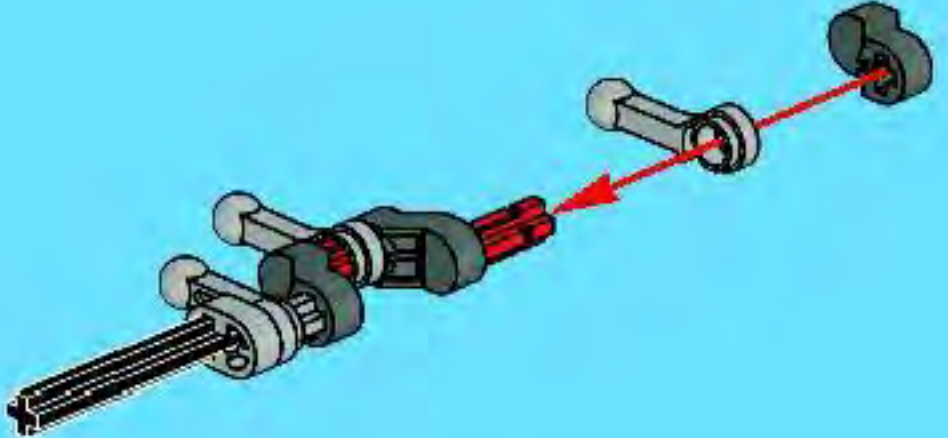
**1**



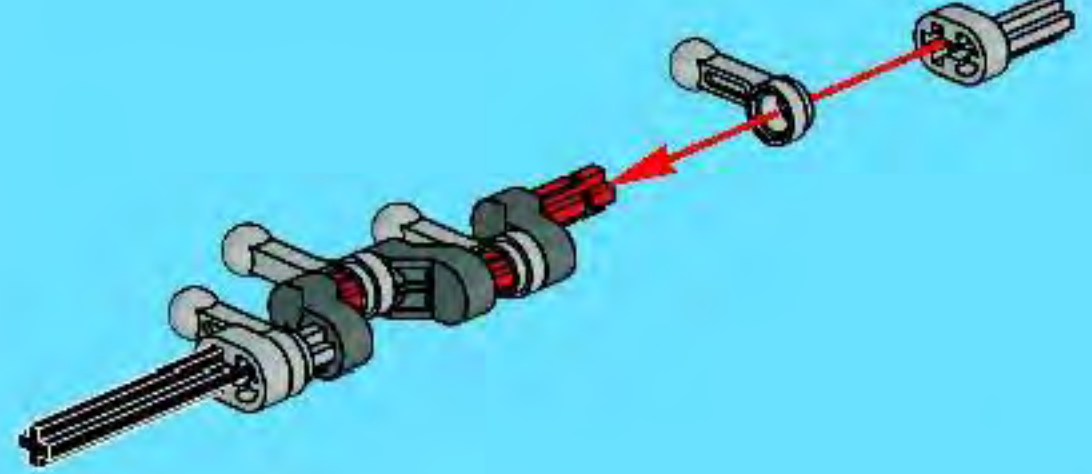
**2**



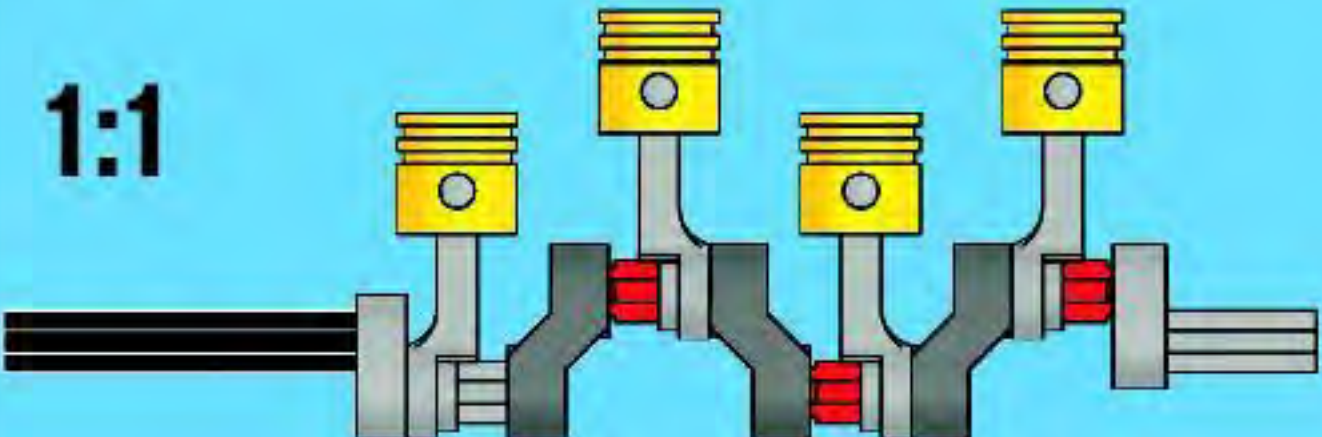
**3**



**4**



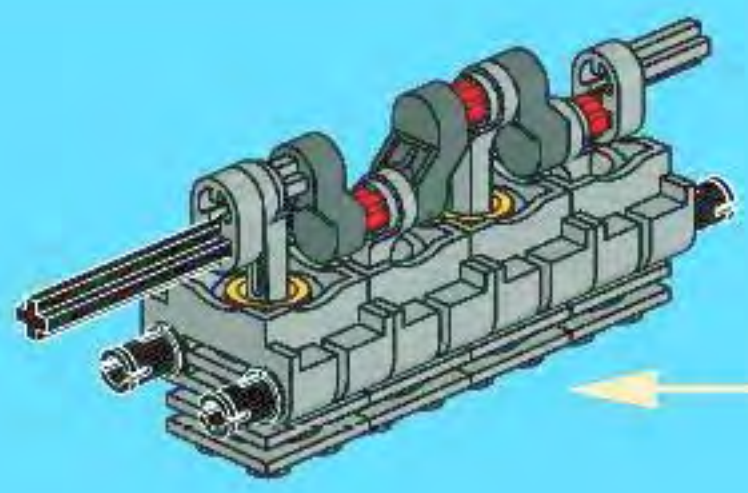
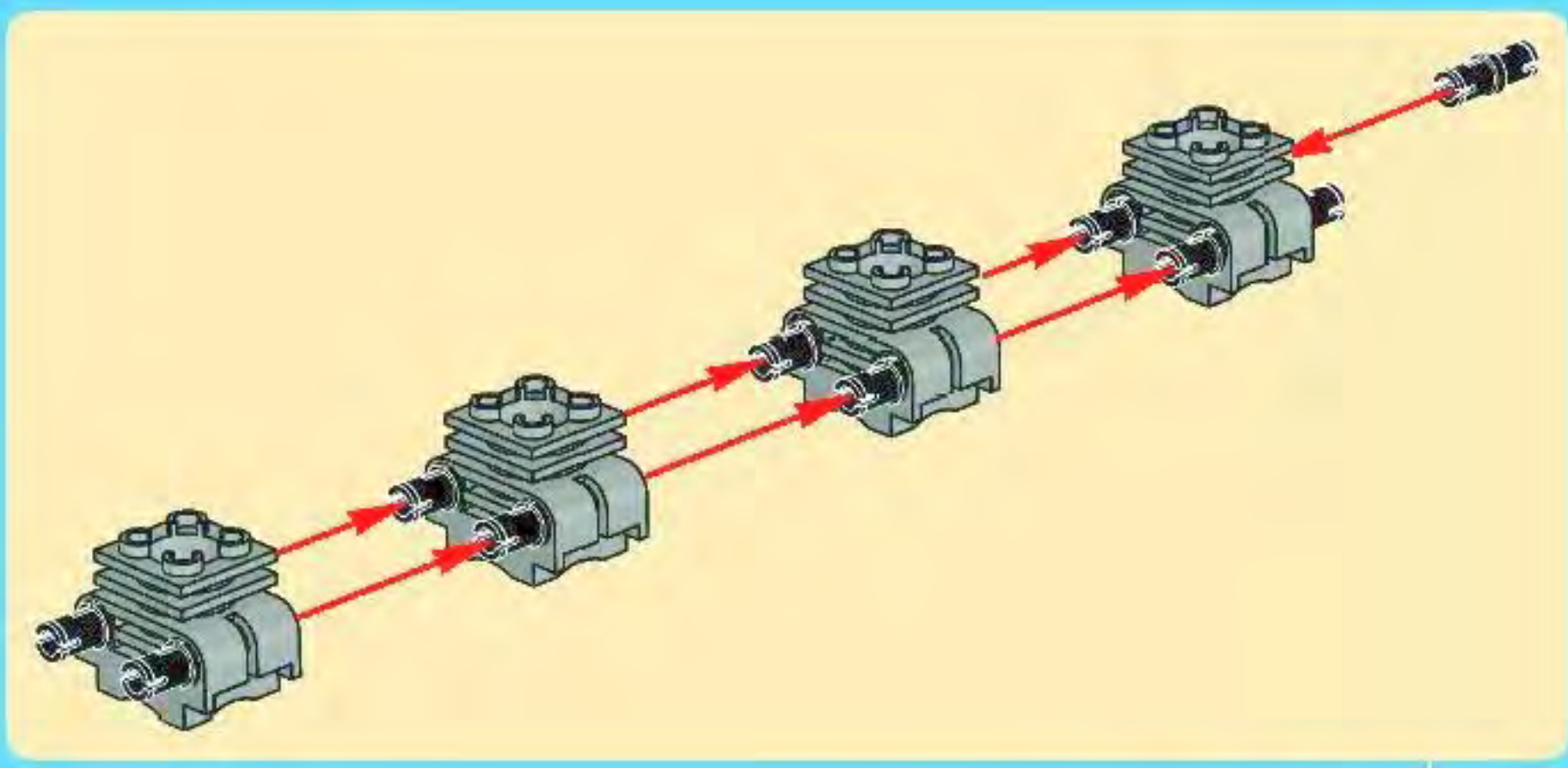
**5**



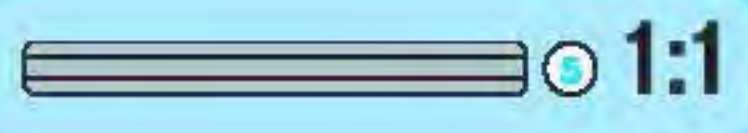
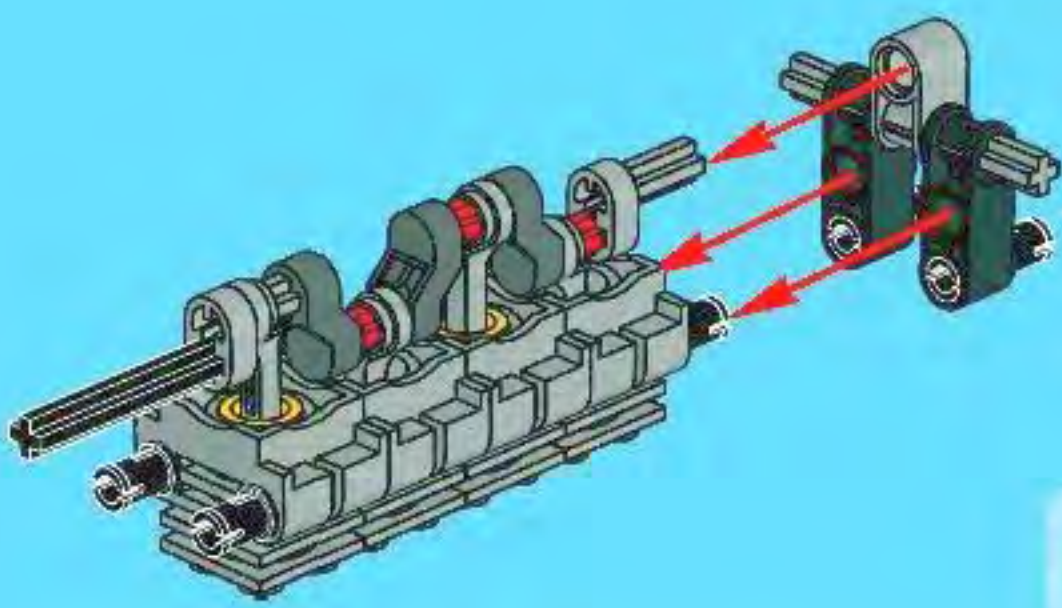
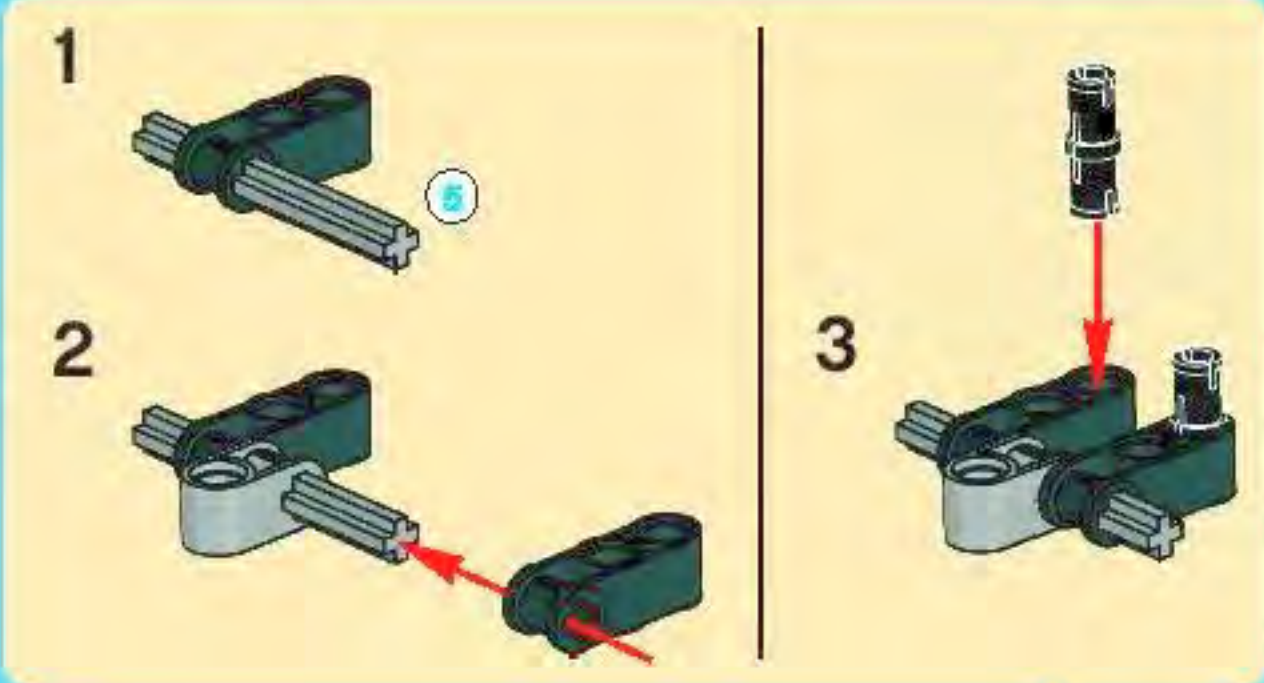
**1:1**



6



7





1x

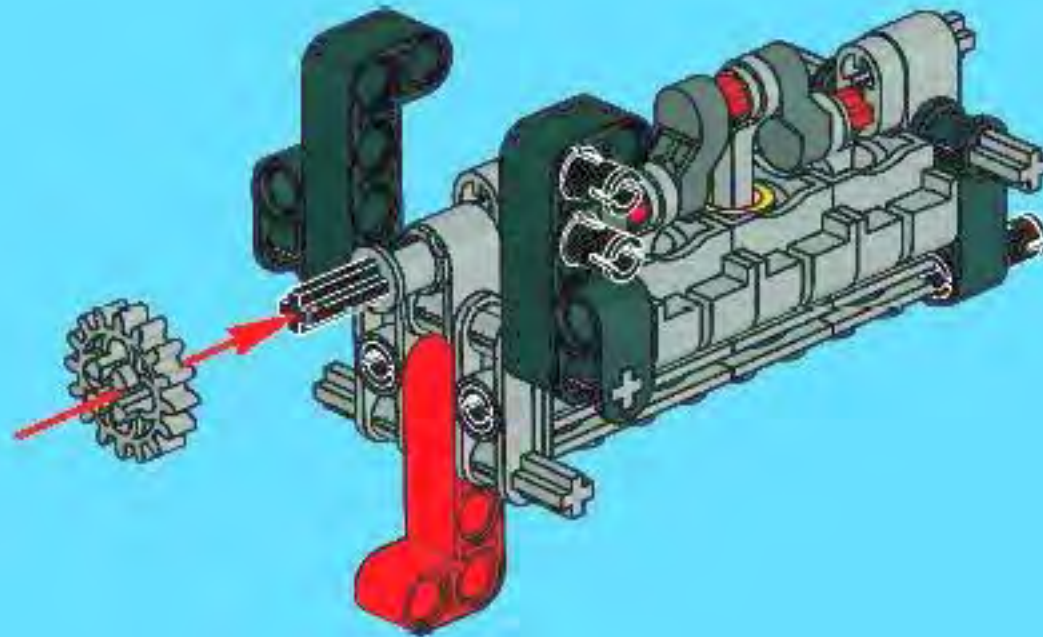


1x

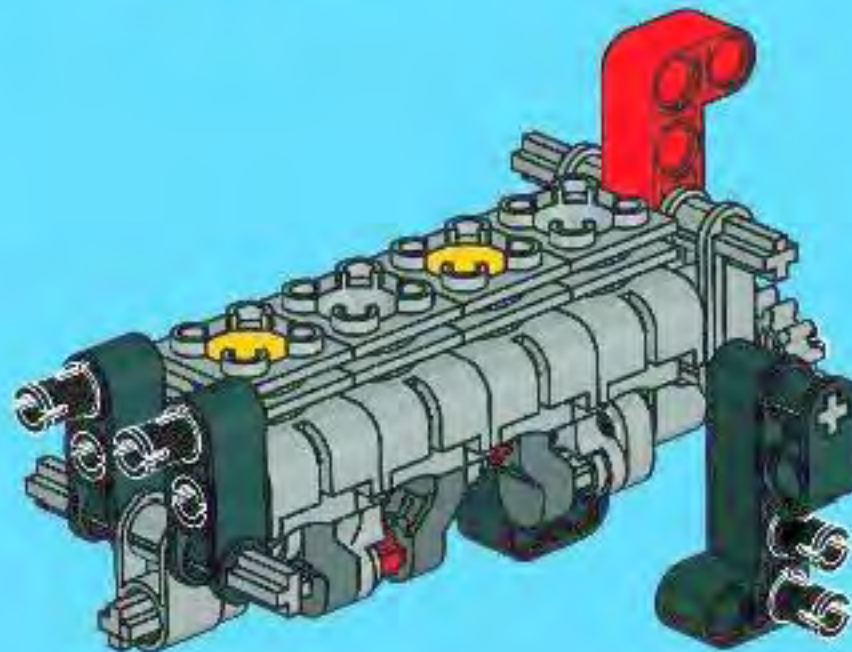


1:1

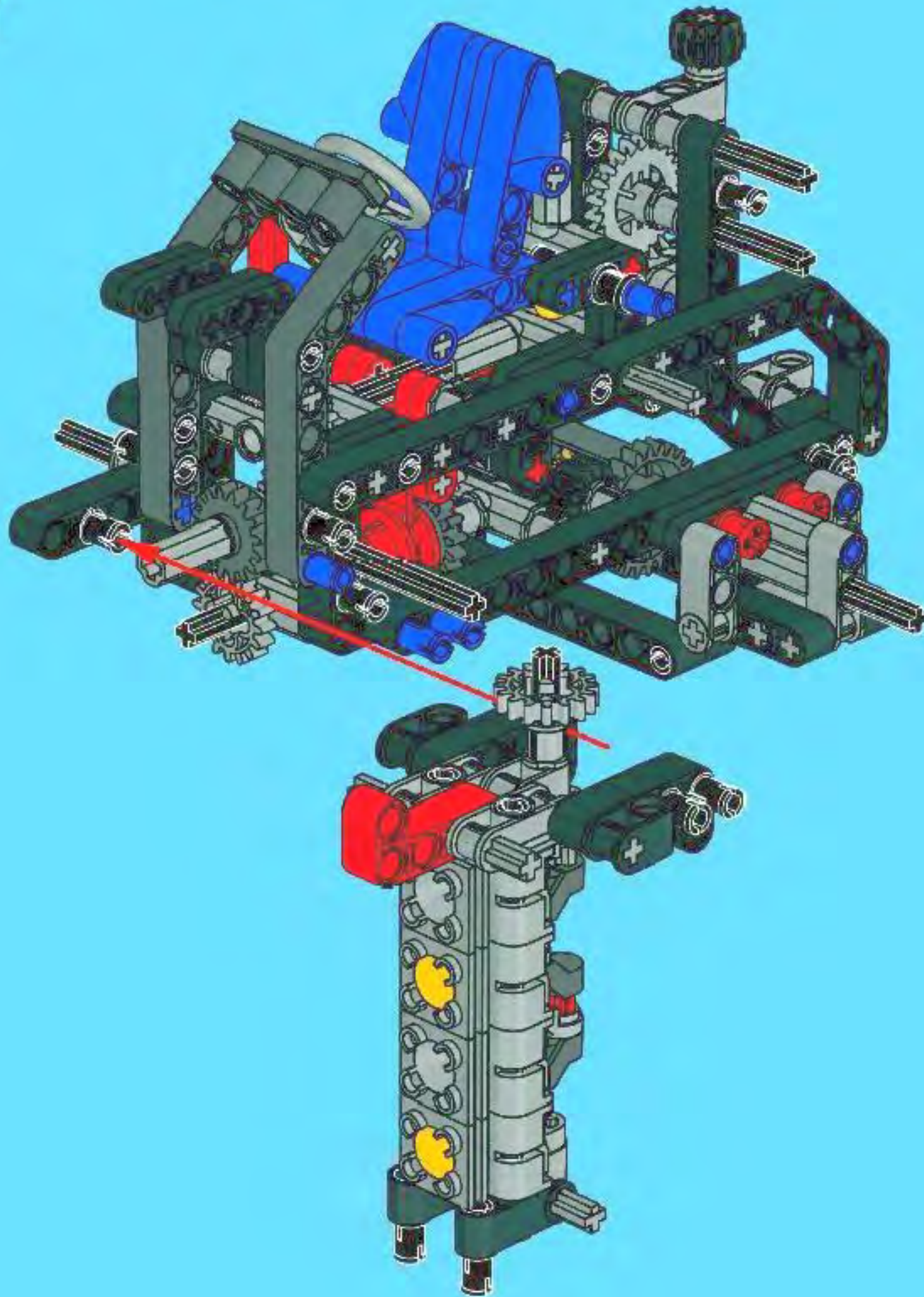
9



10

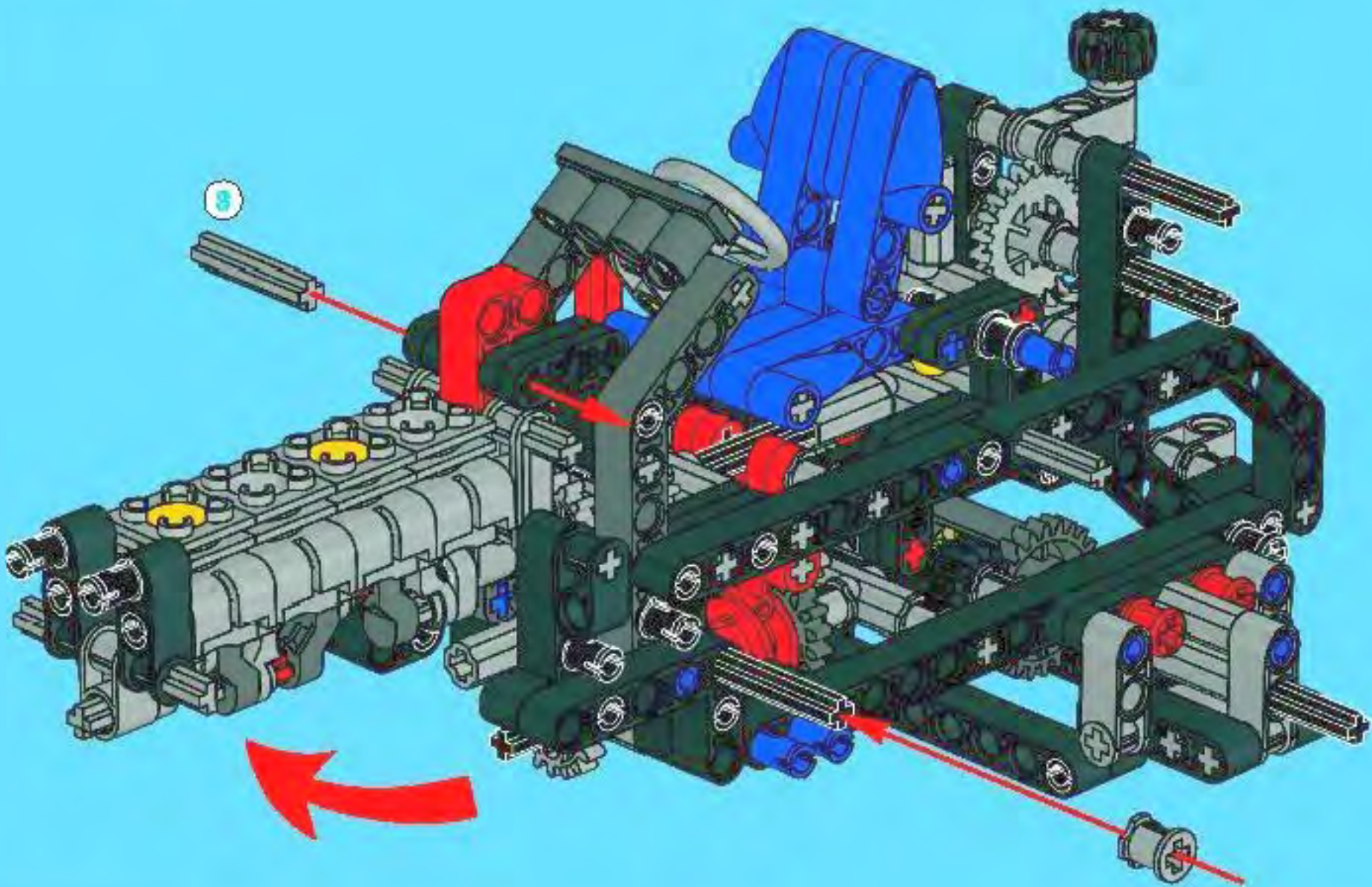


27

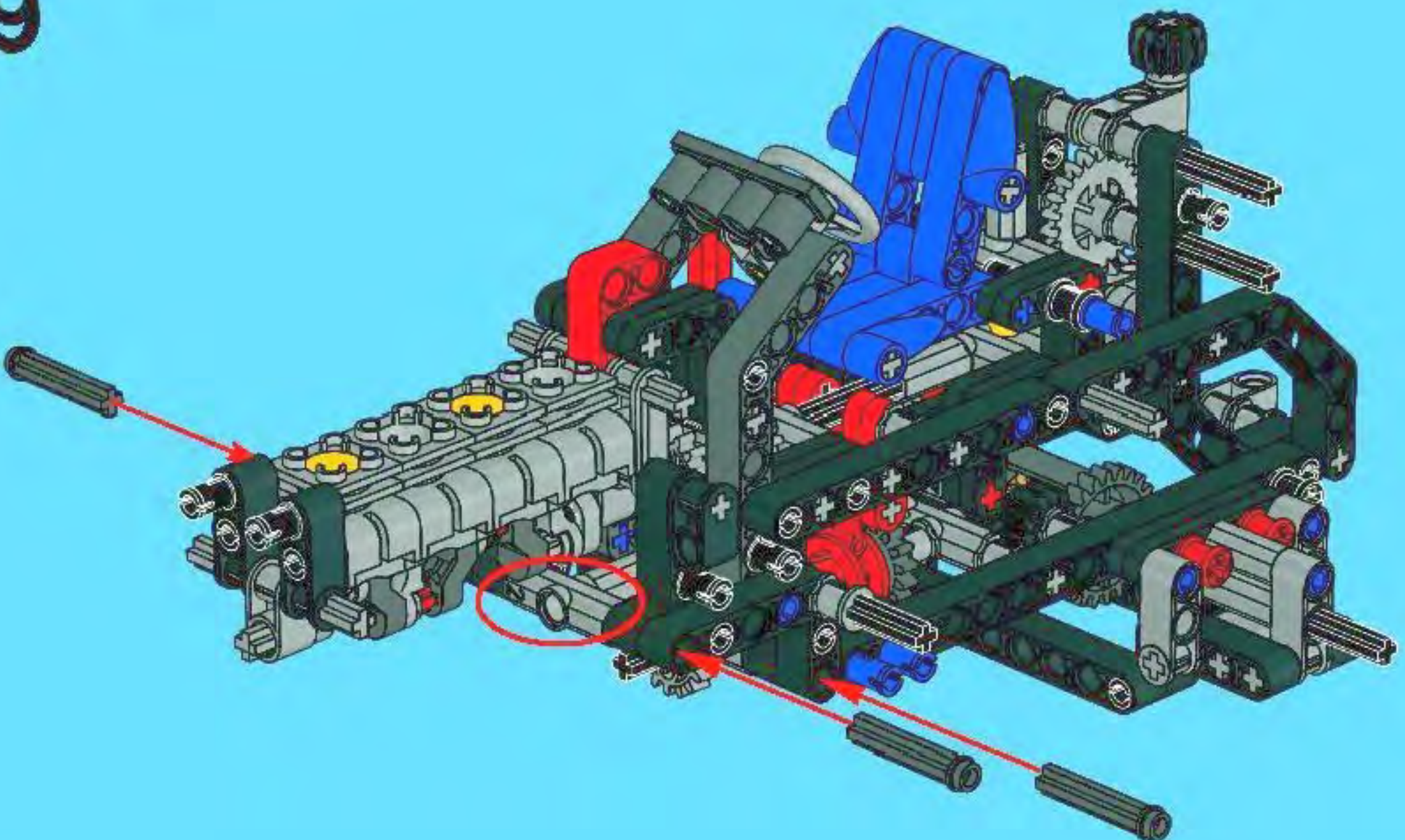


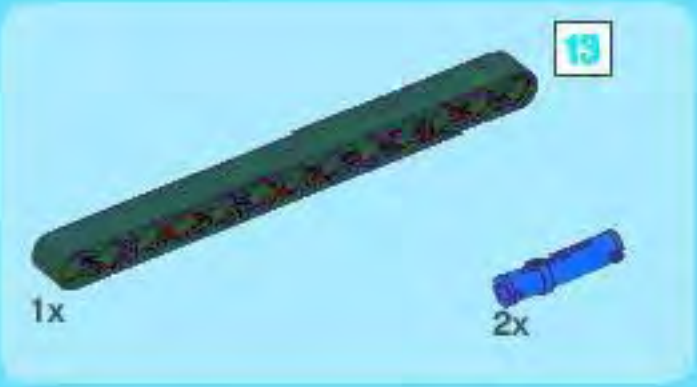
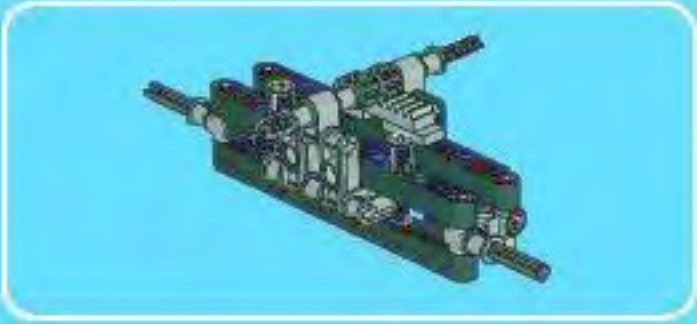


28

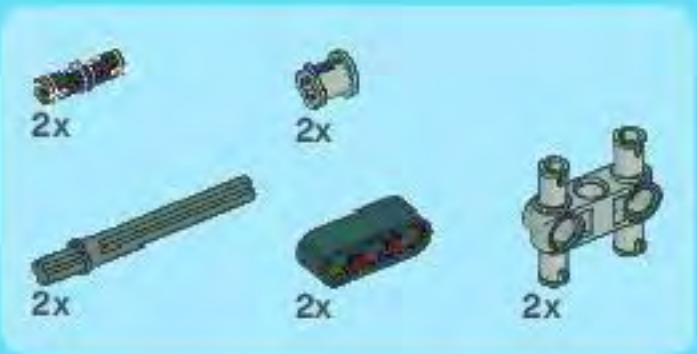
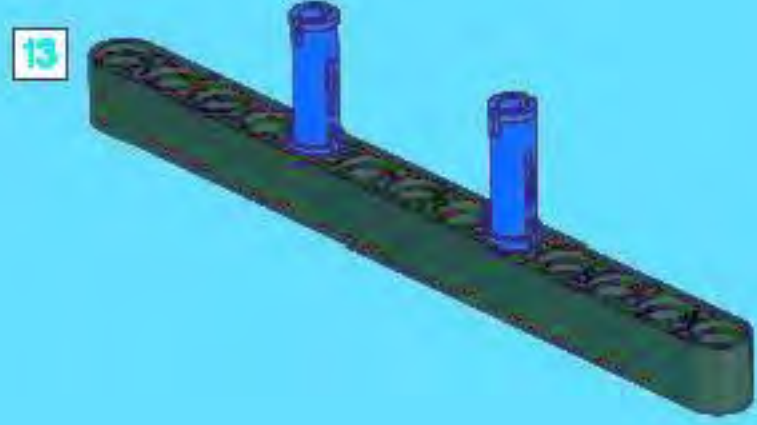


29

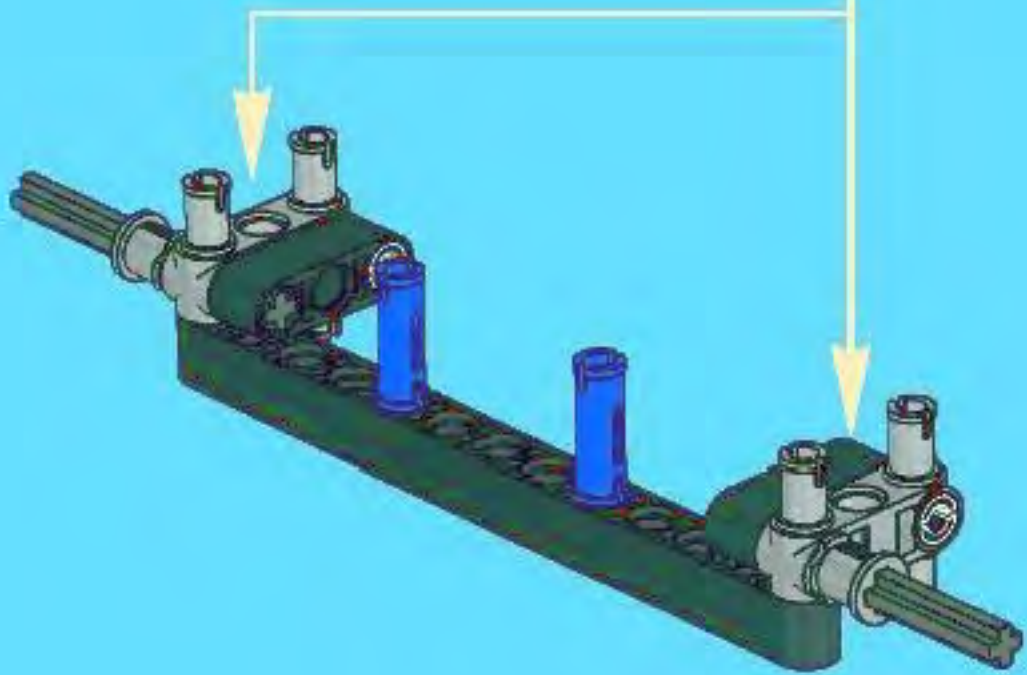
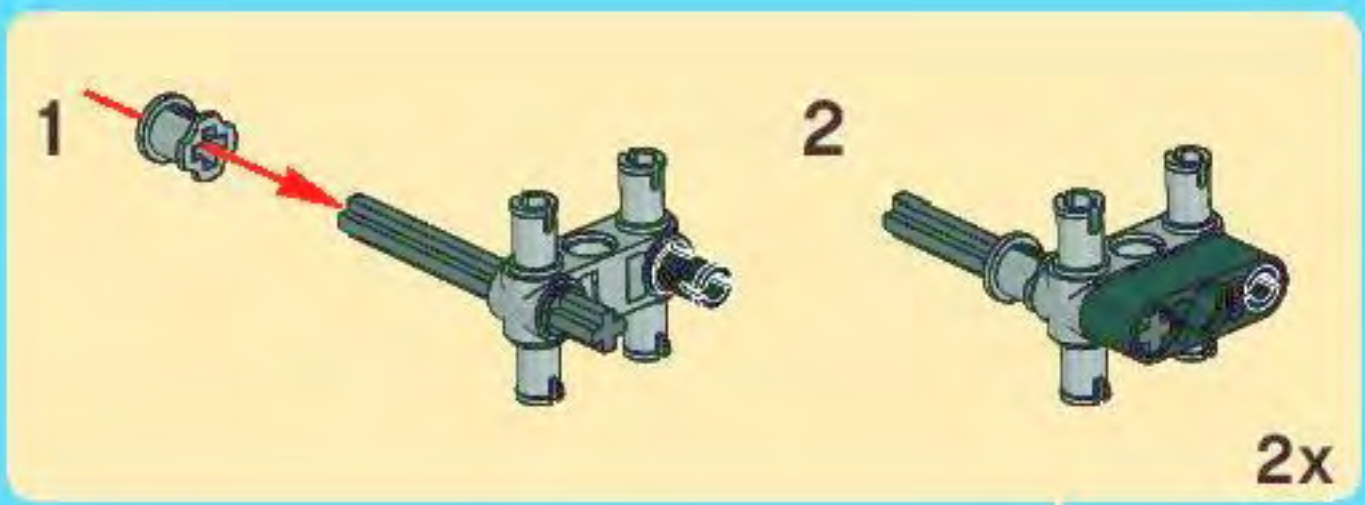


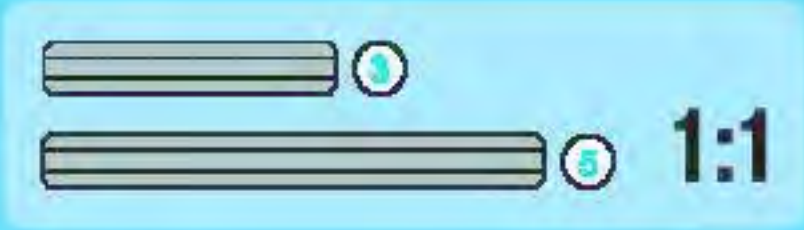
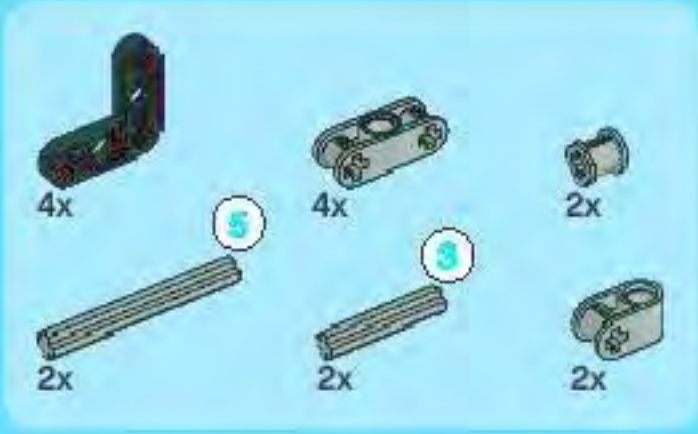


1

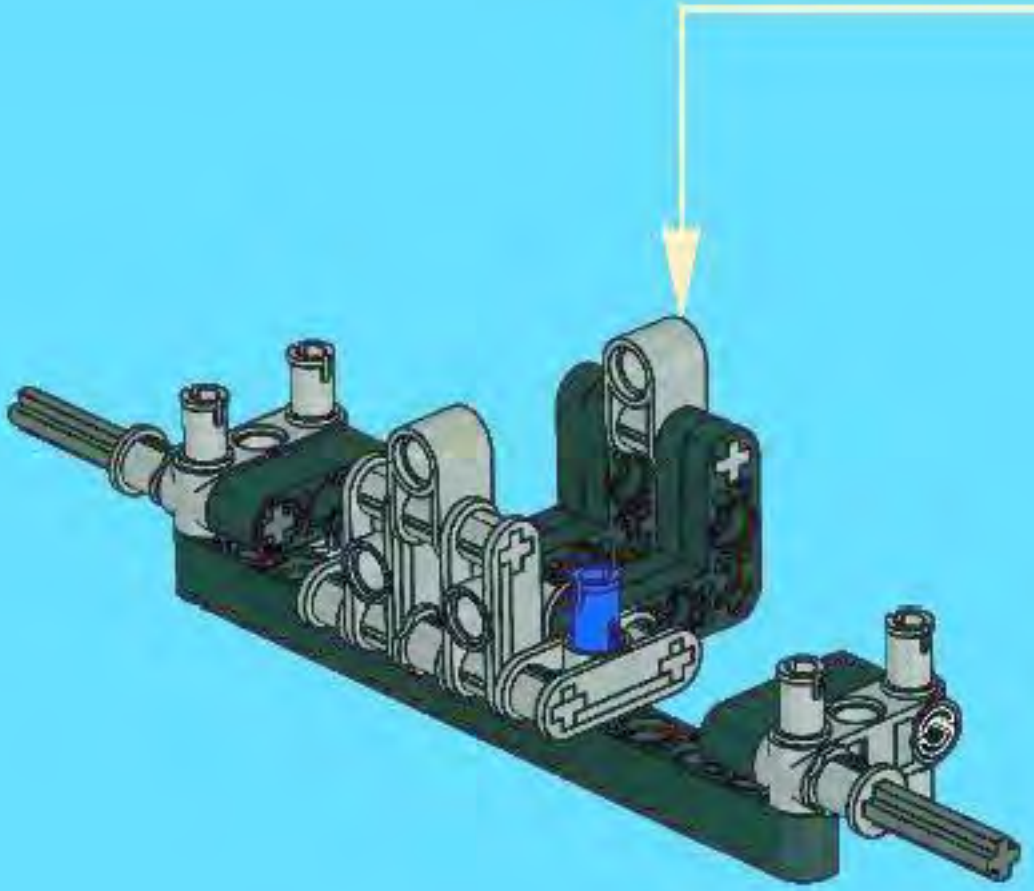
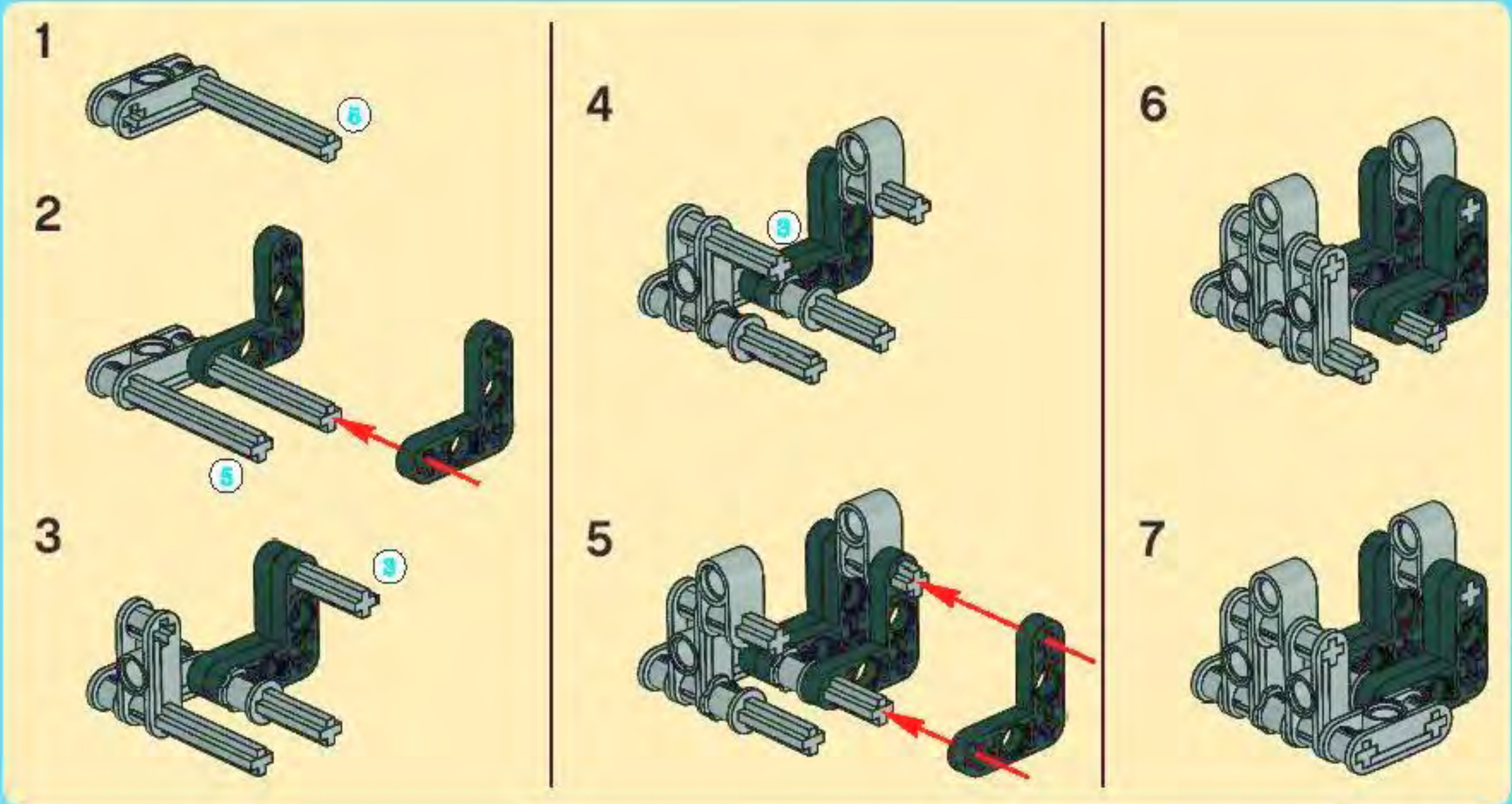


2



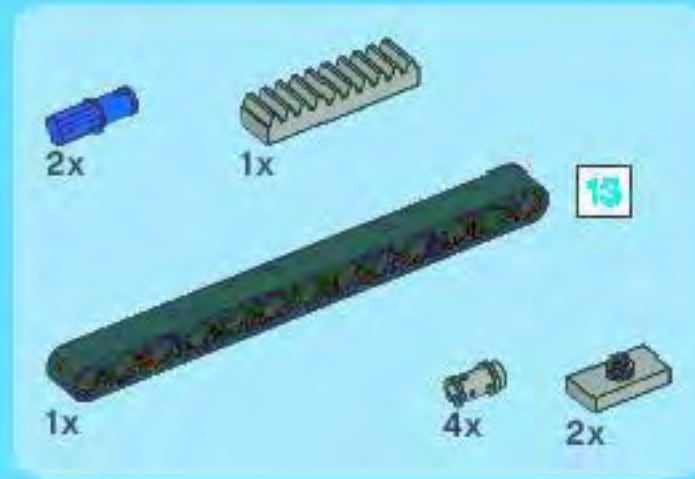
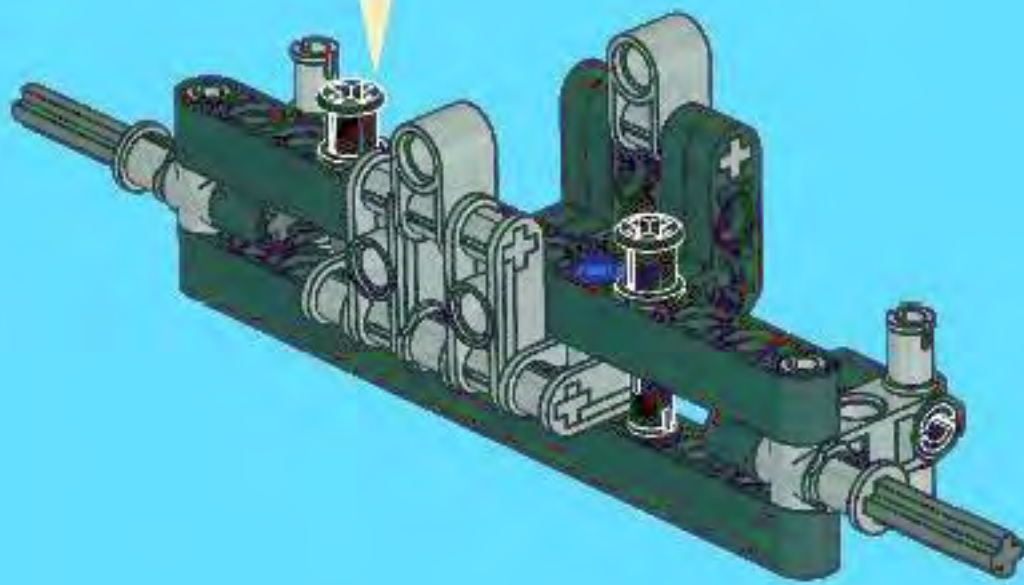
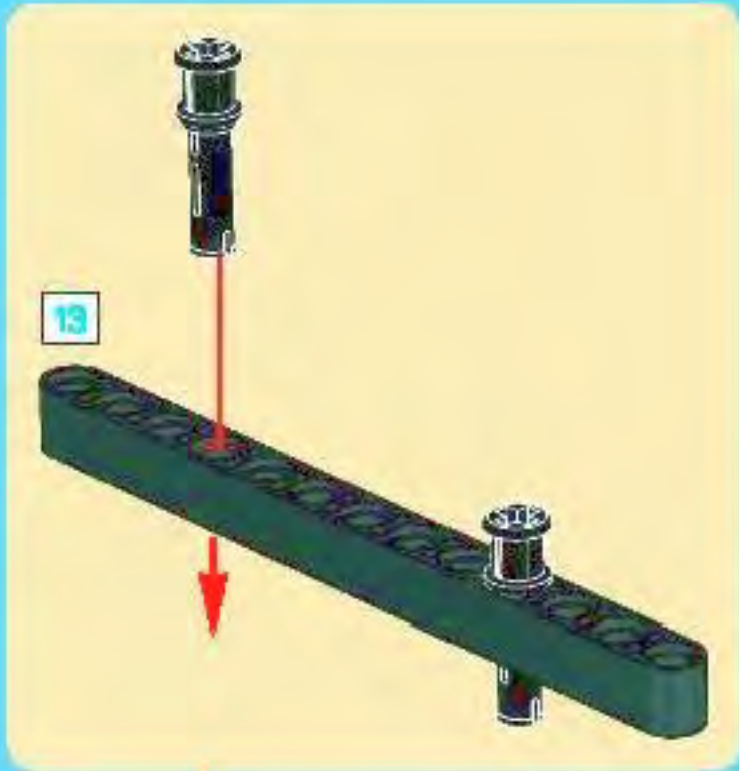


# 3

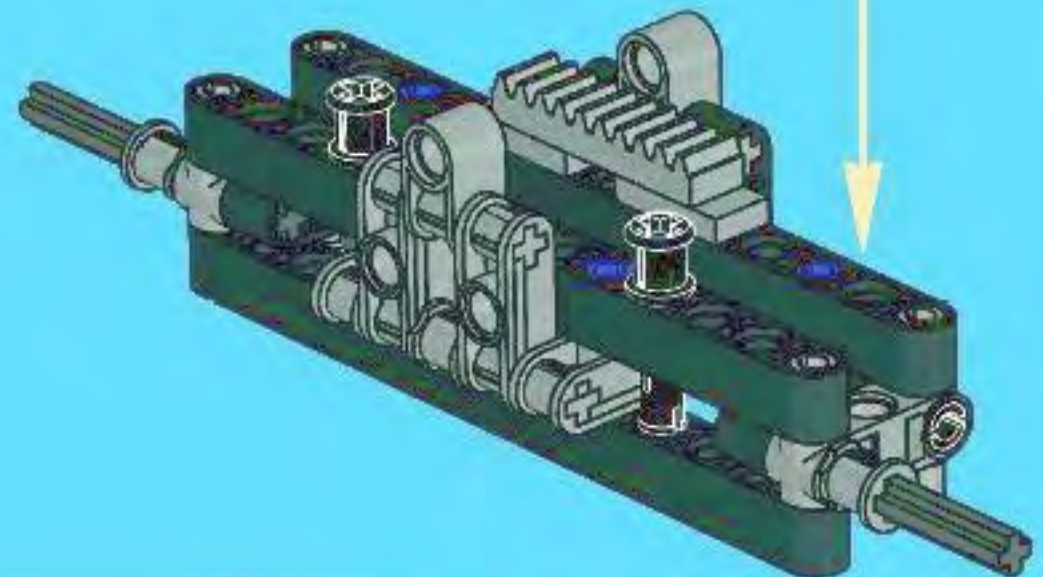
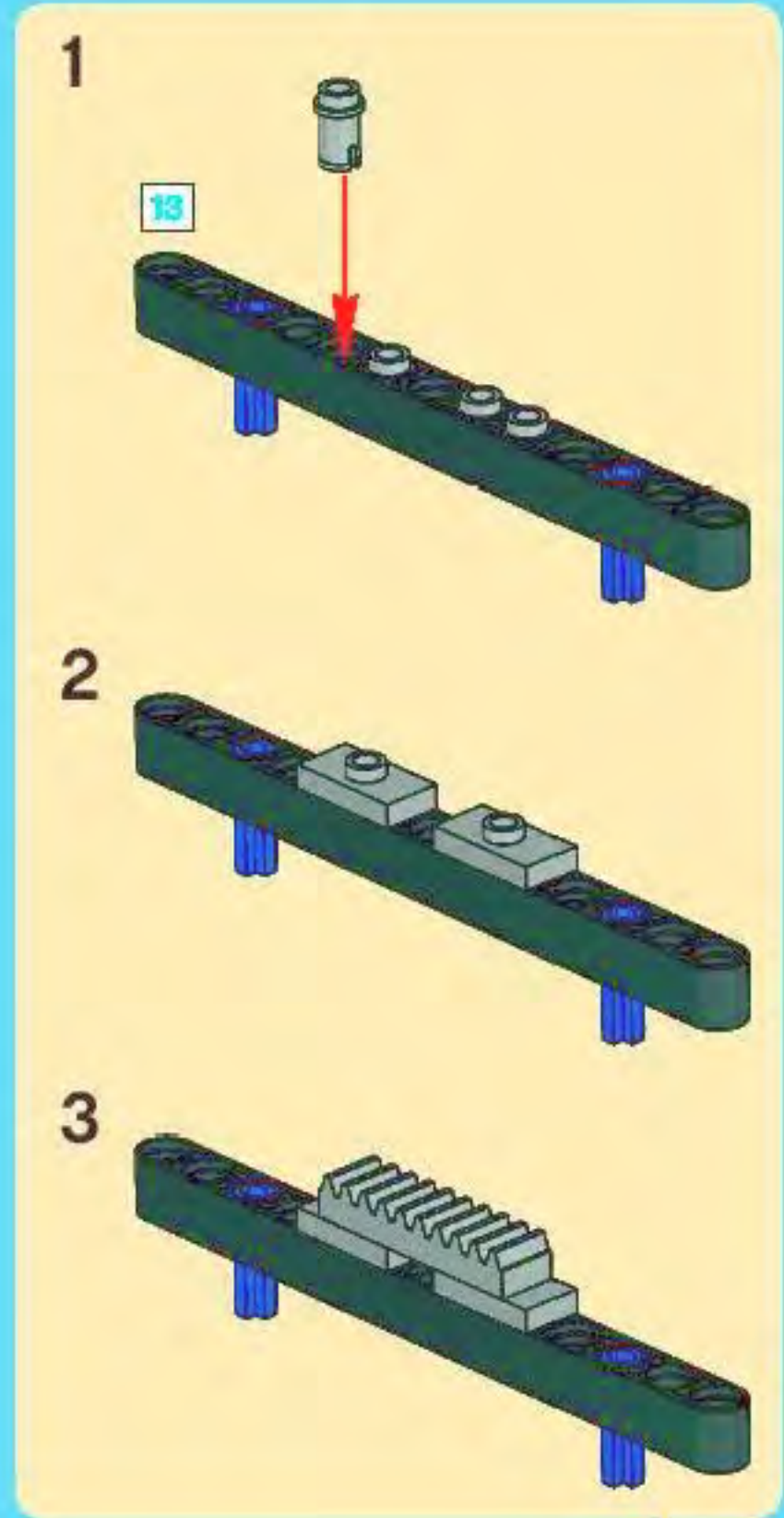


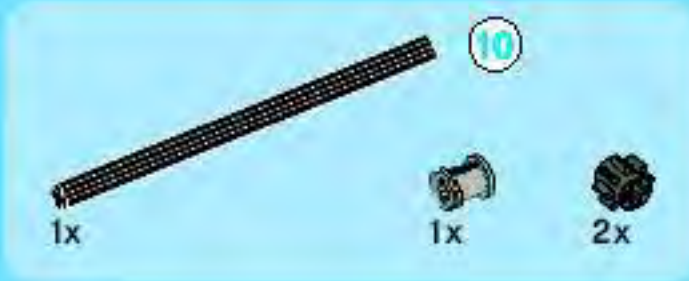


4

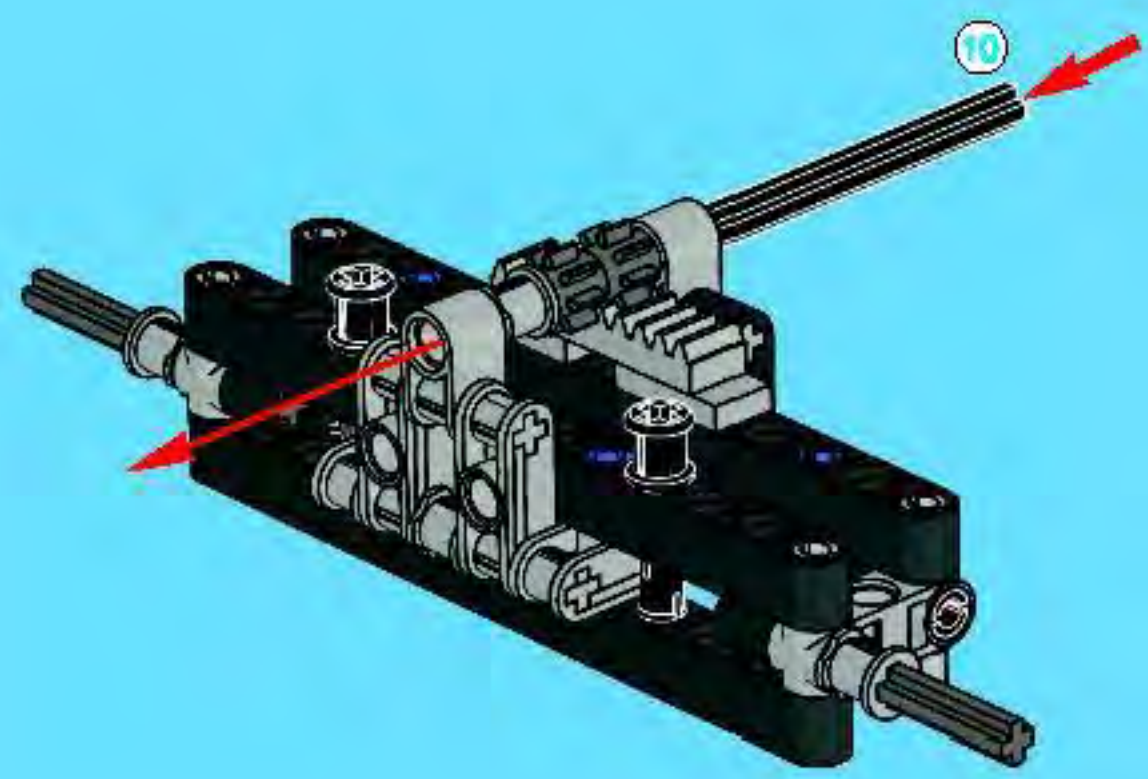


5

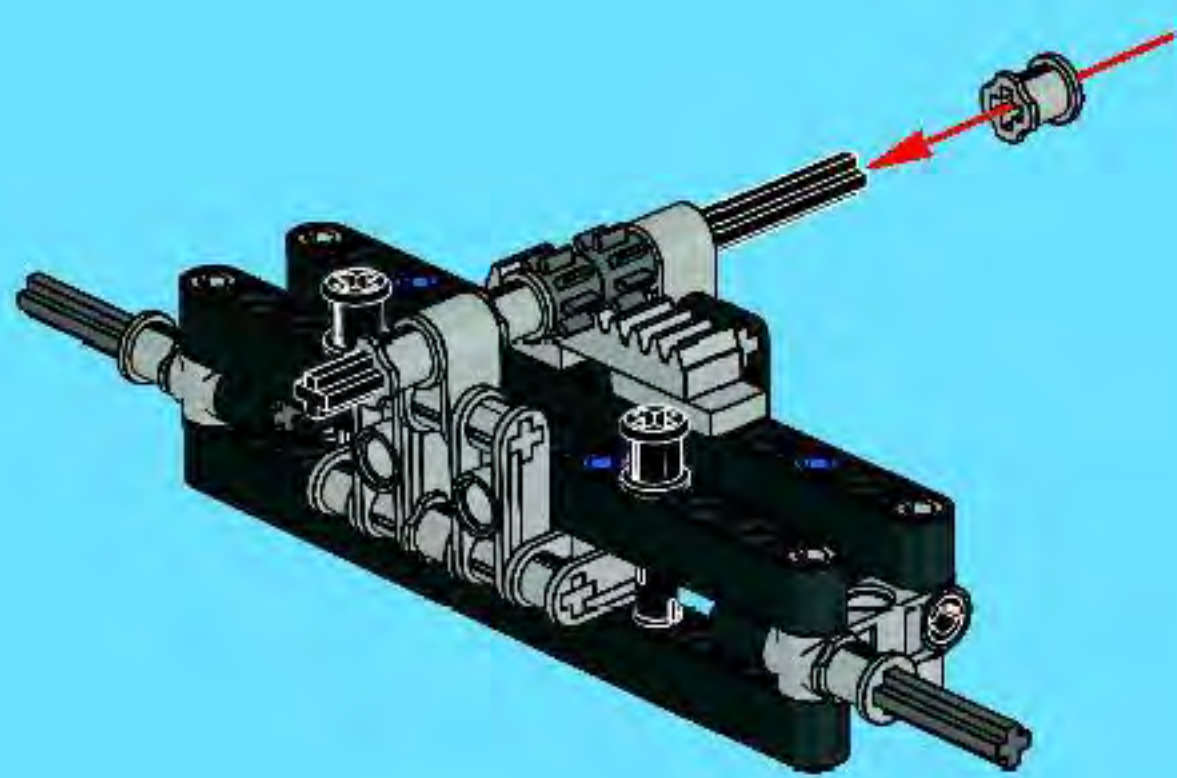




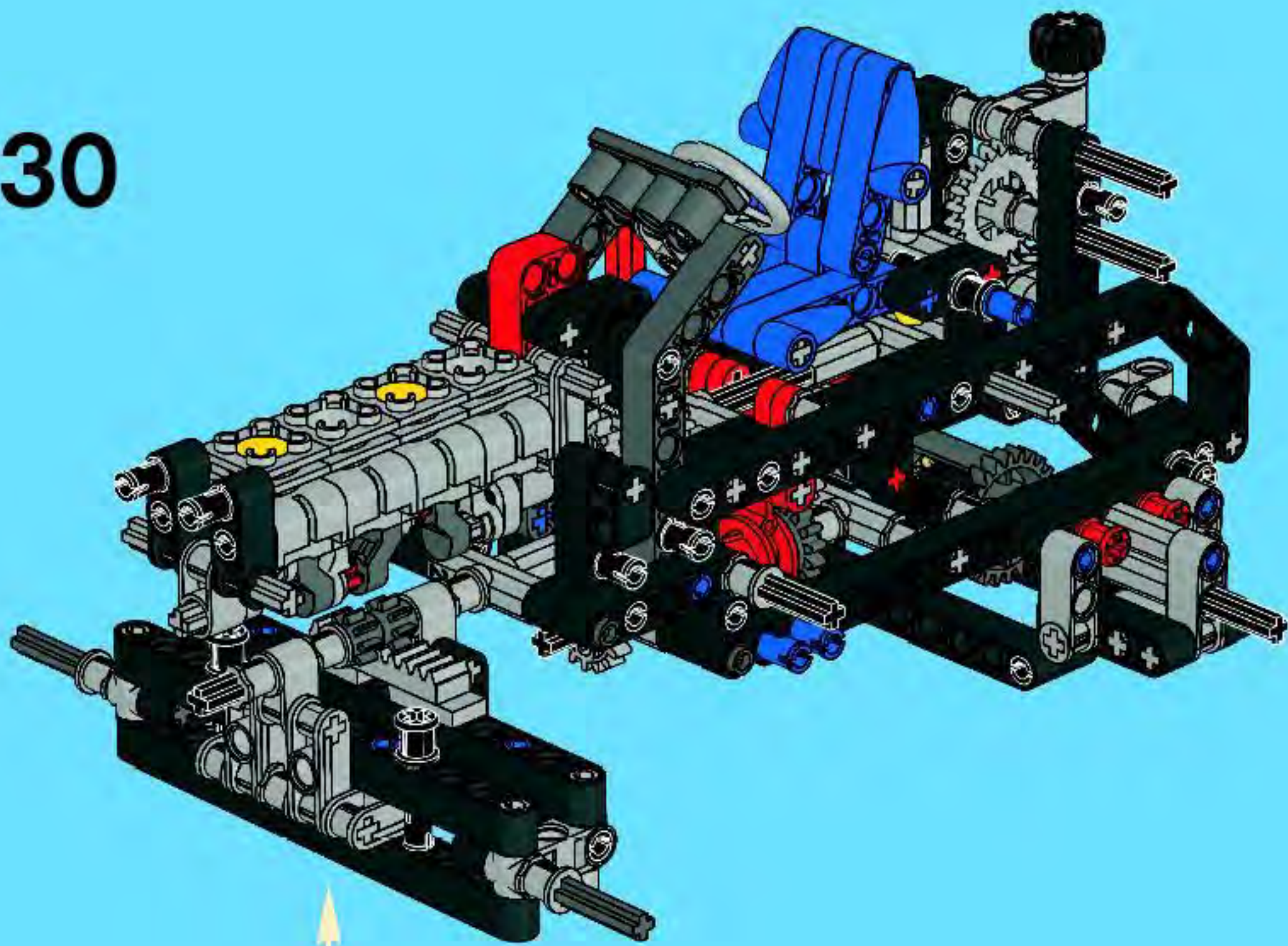
6



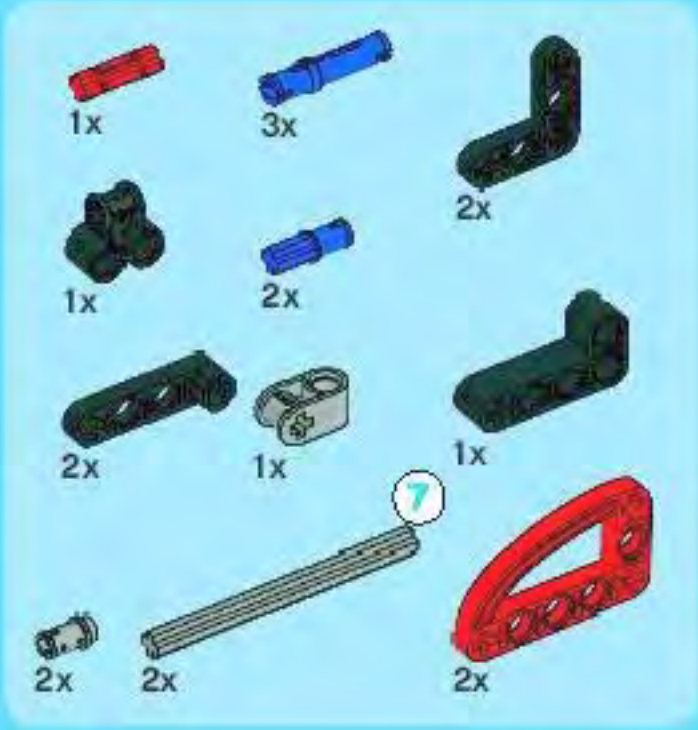
7



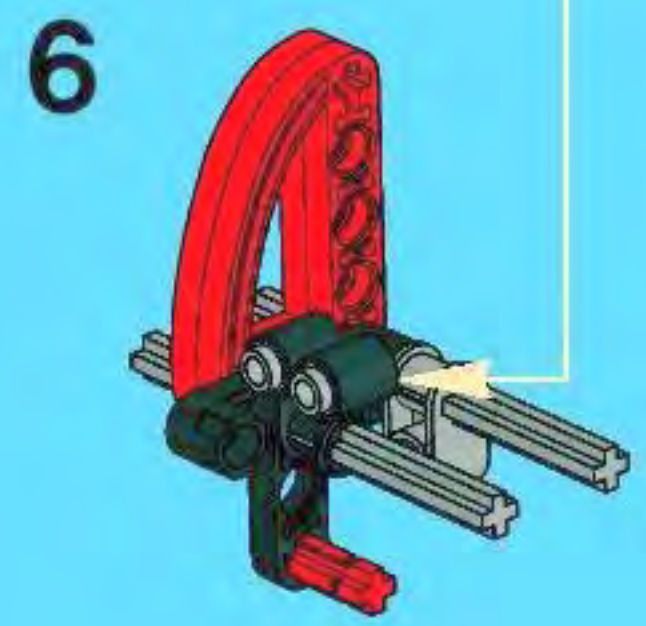
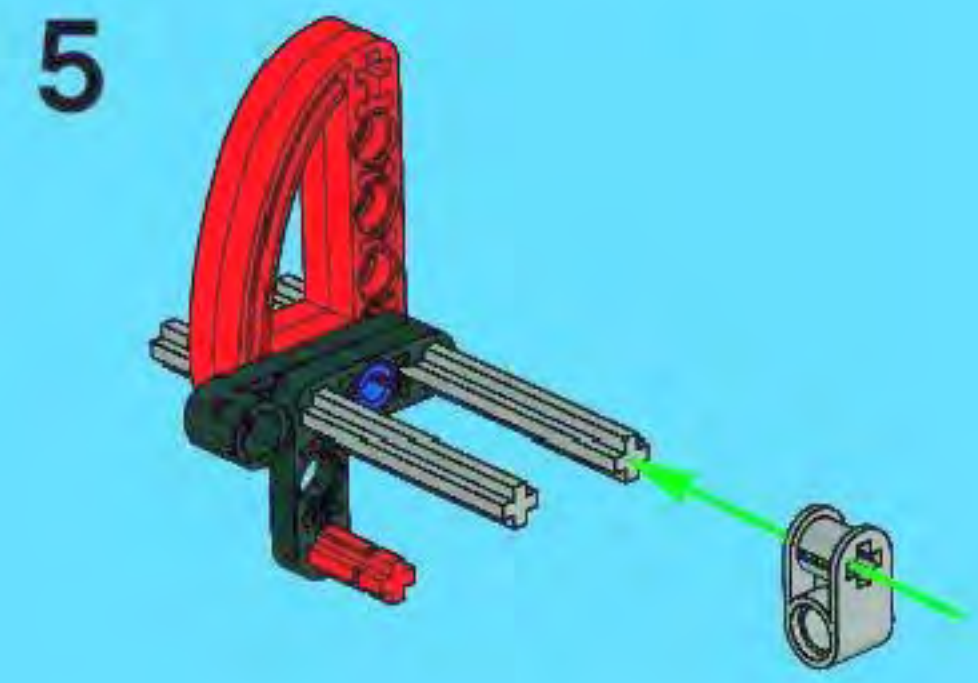
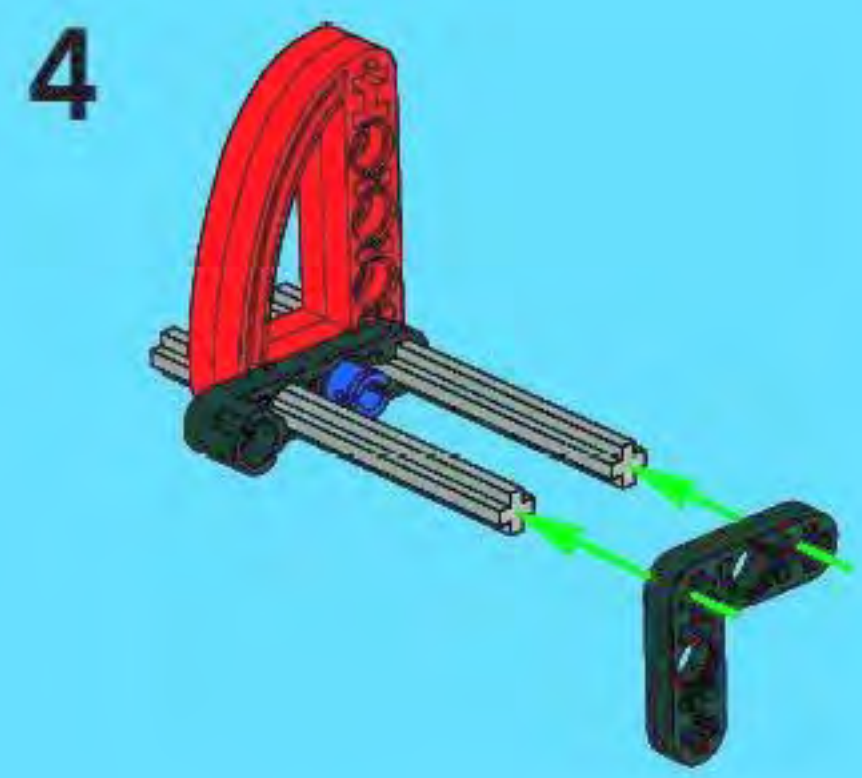
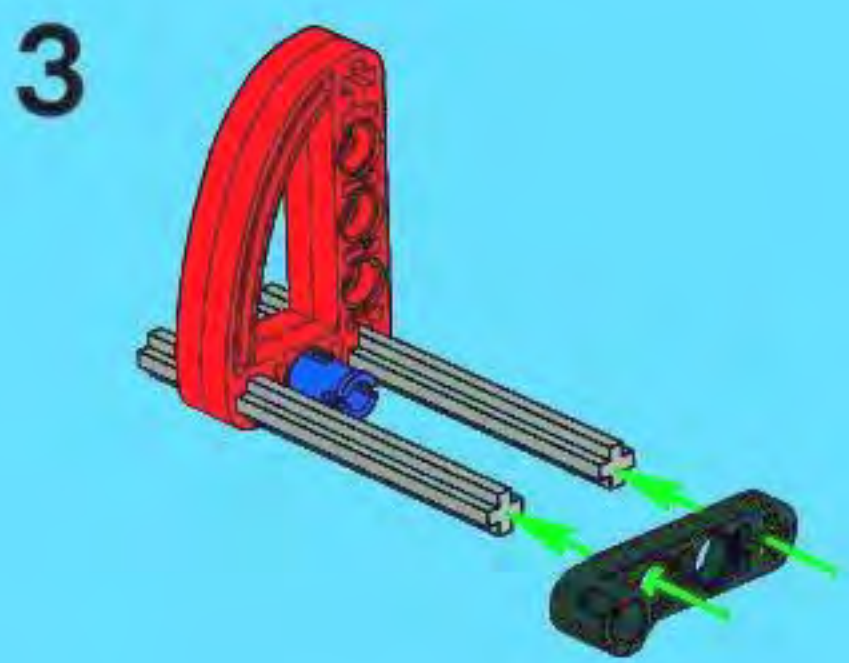
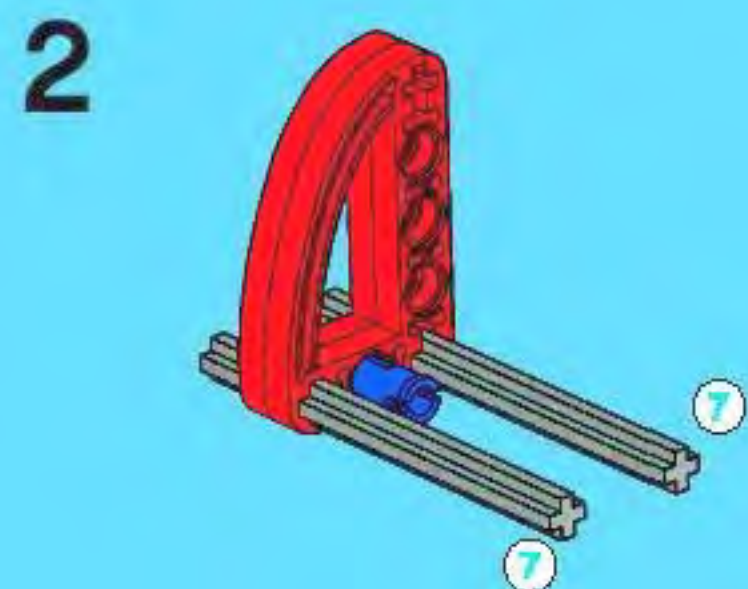
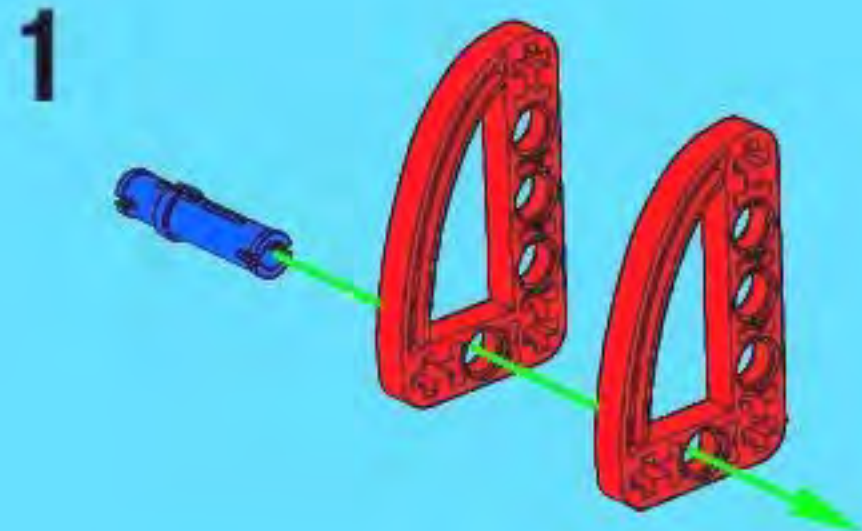
30

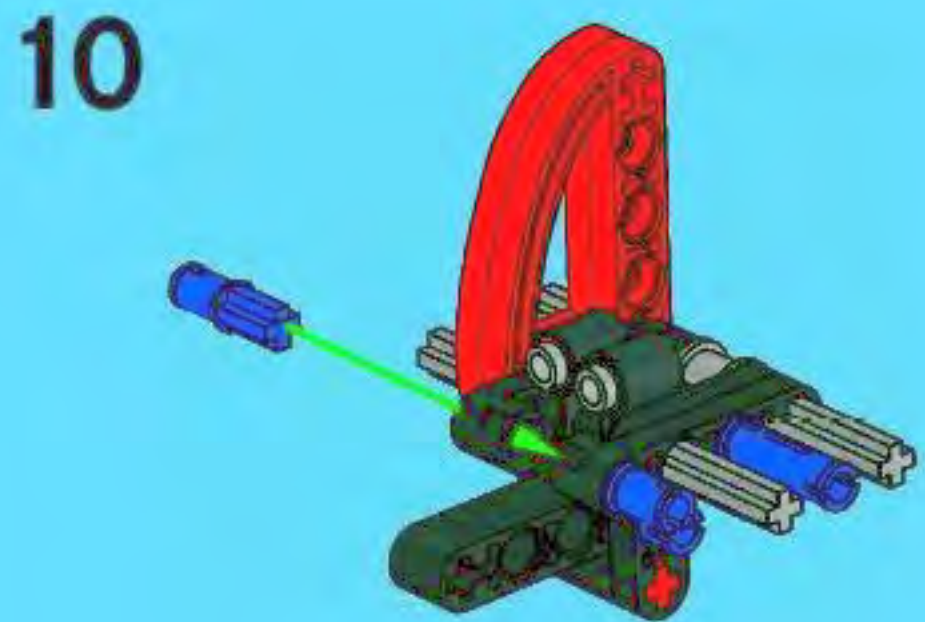
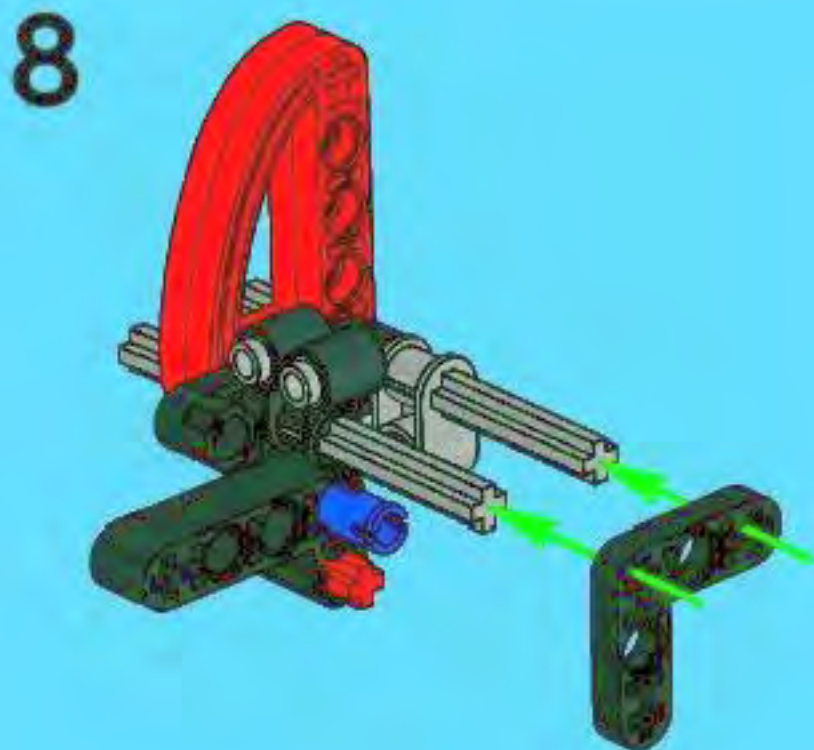
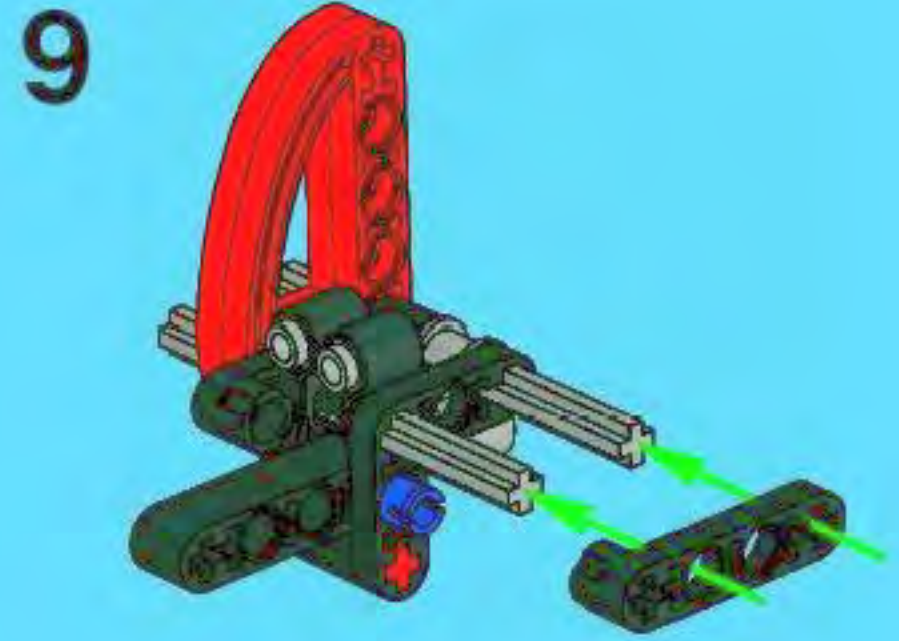
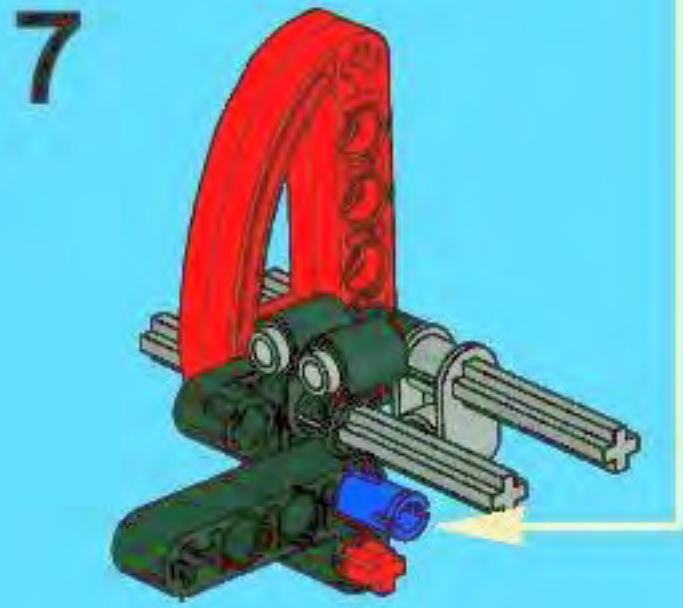
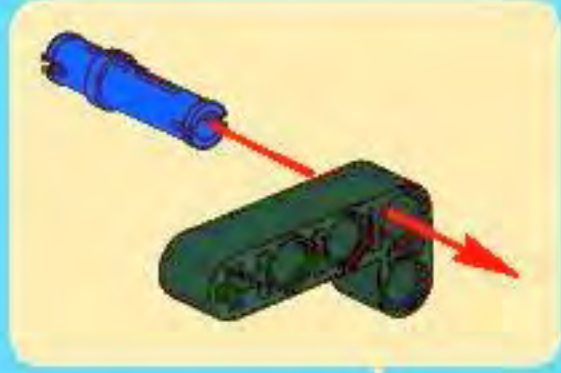


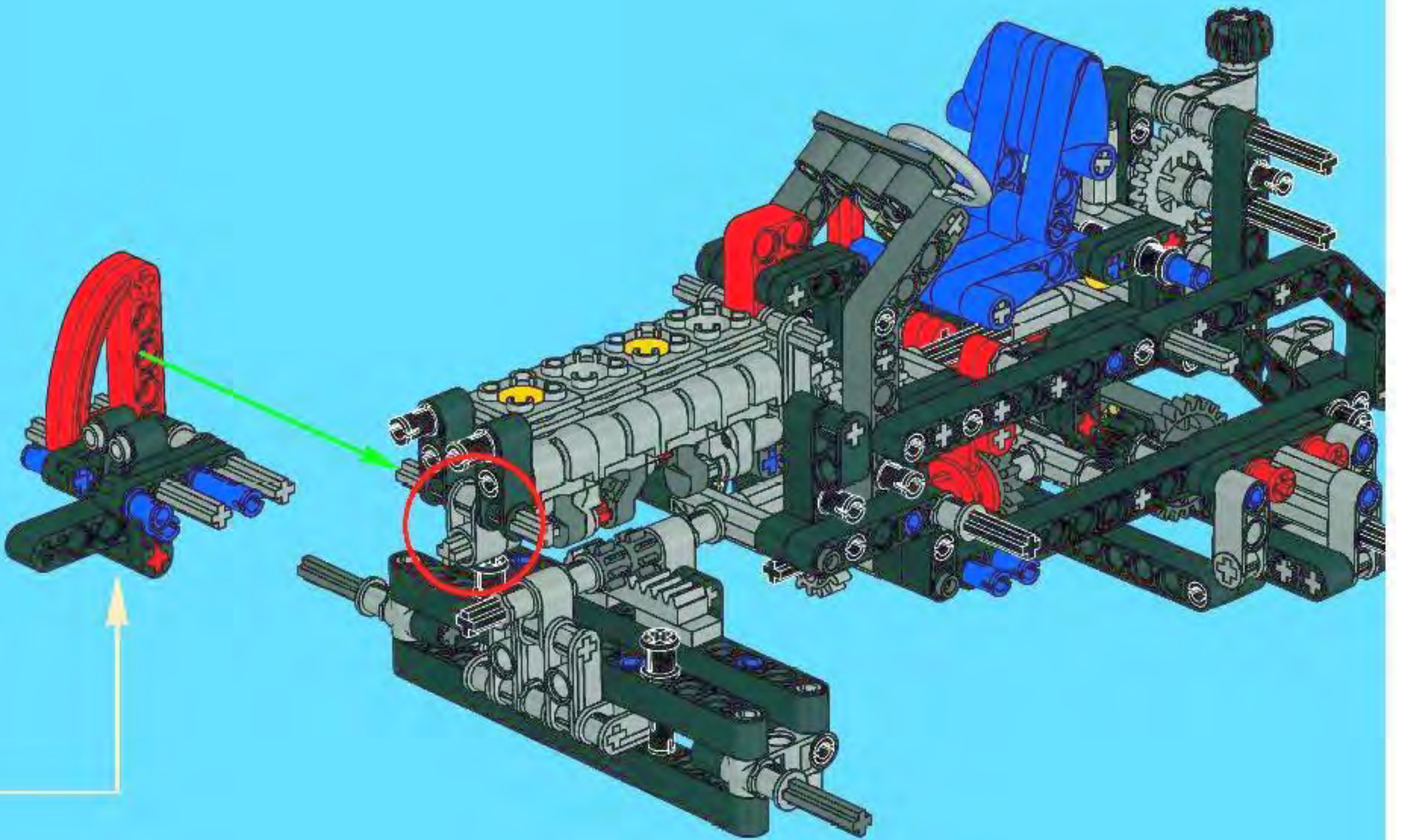


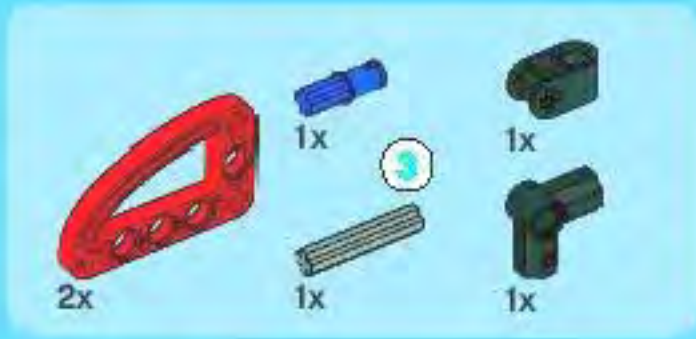


# 31

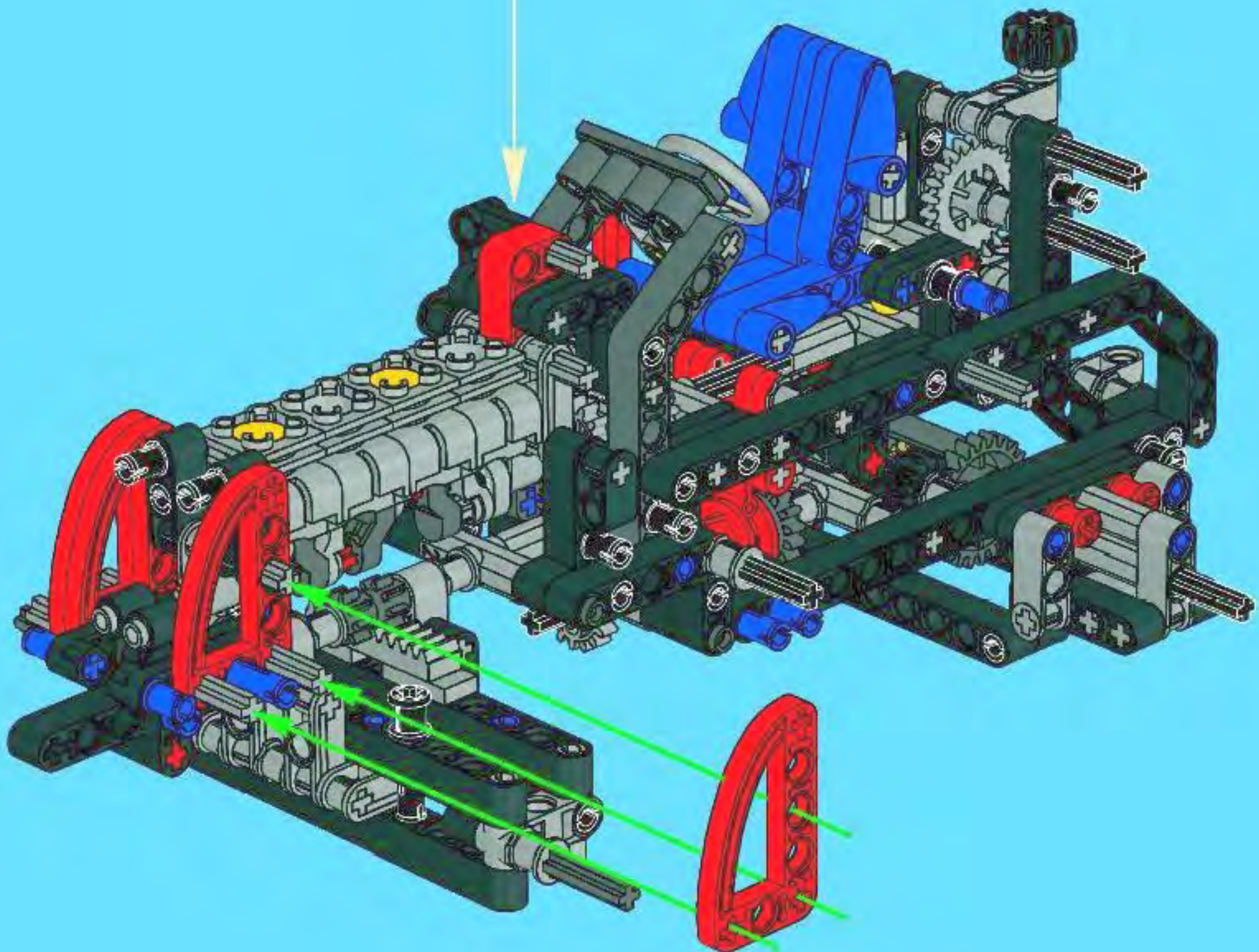
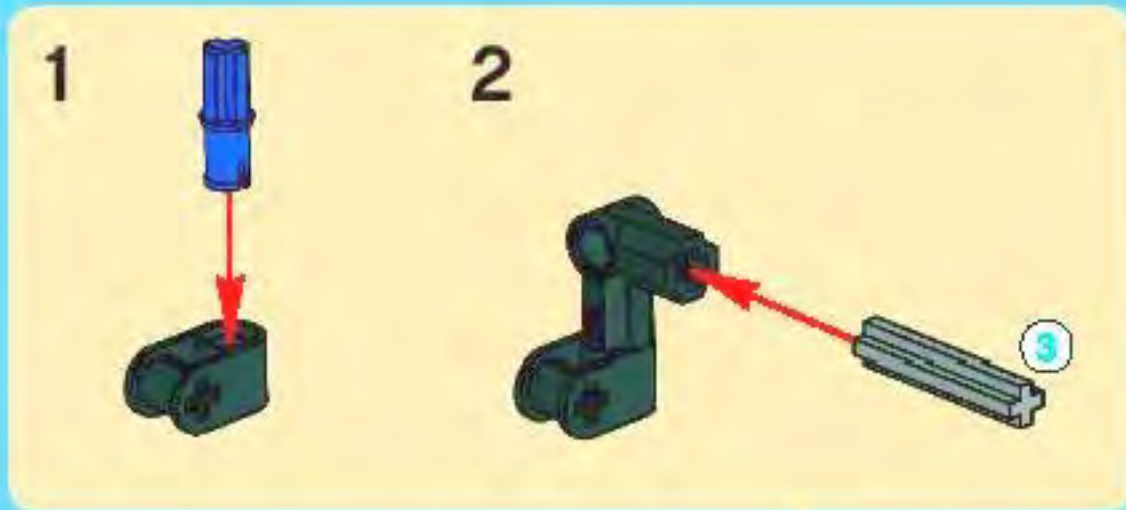


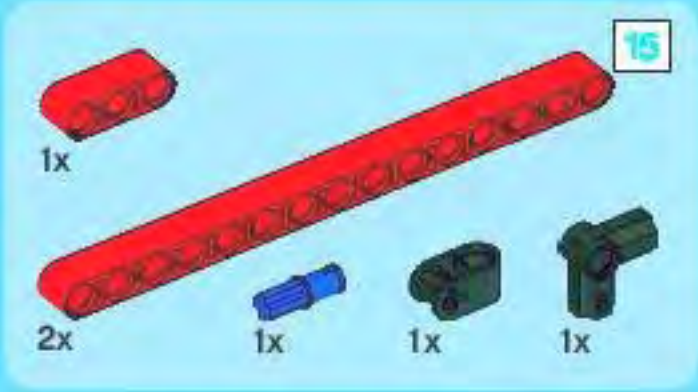




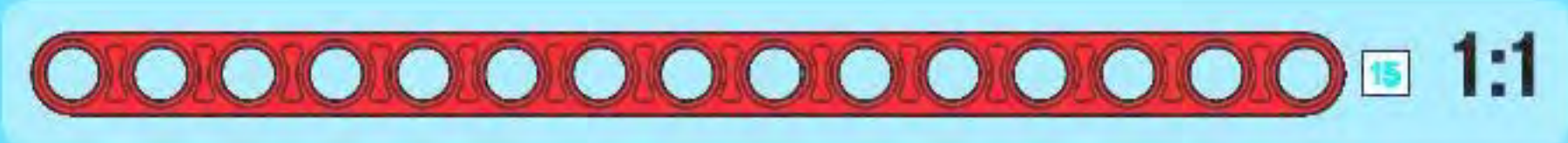
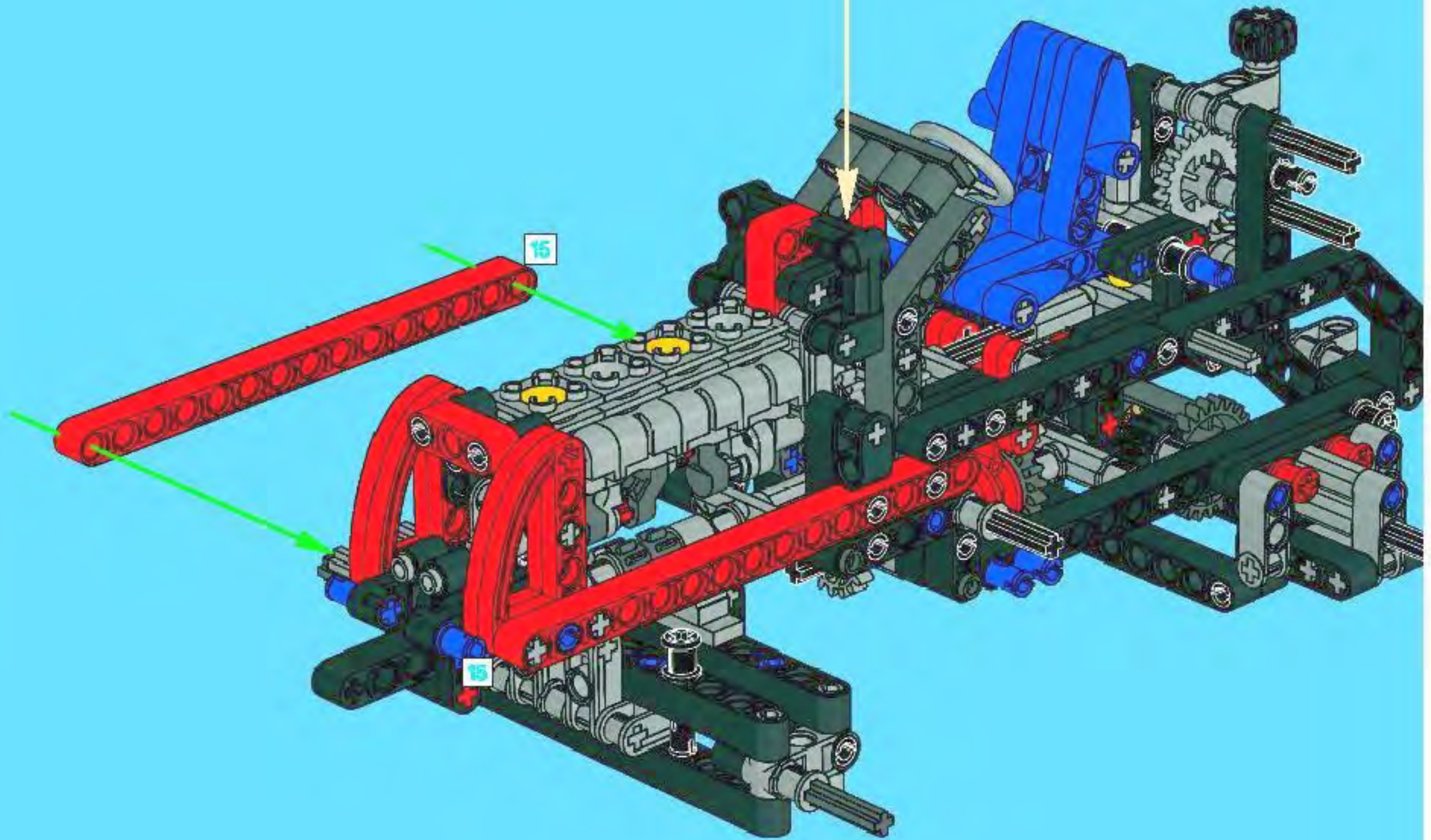
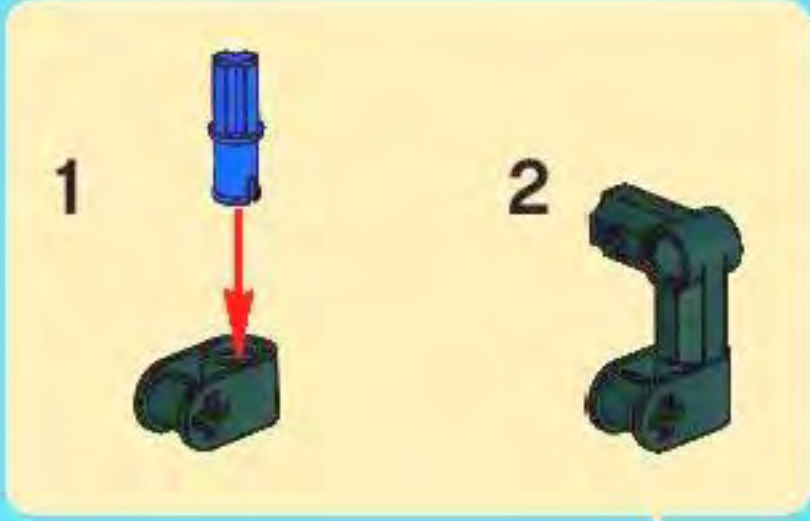


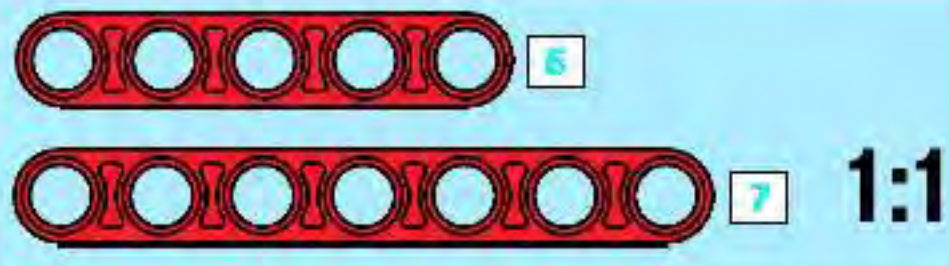
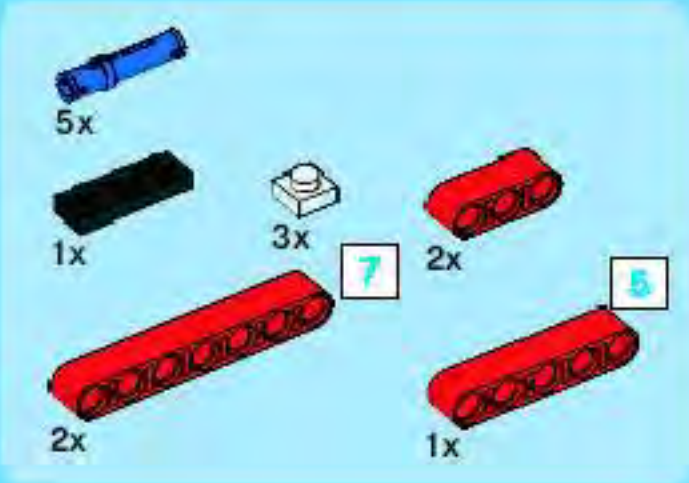
32



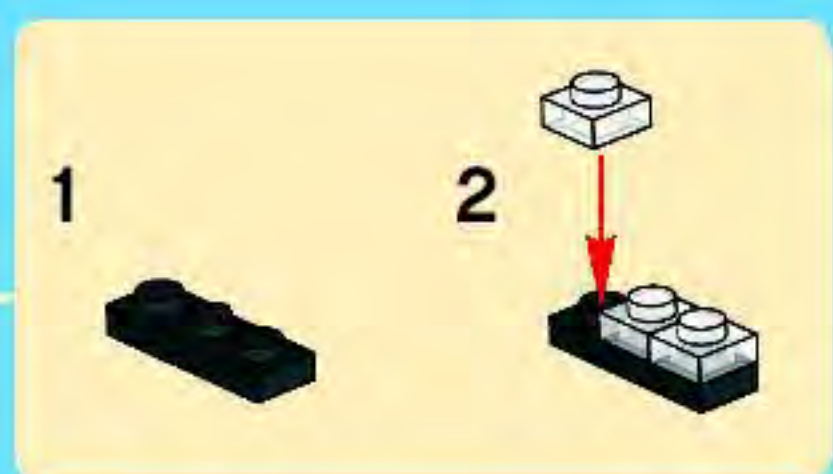
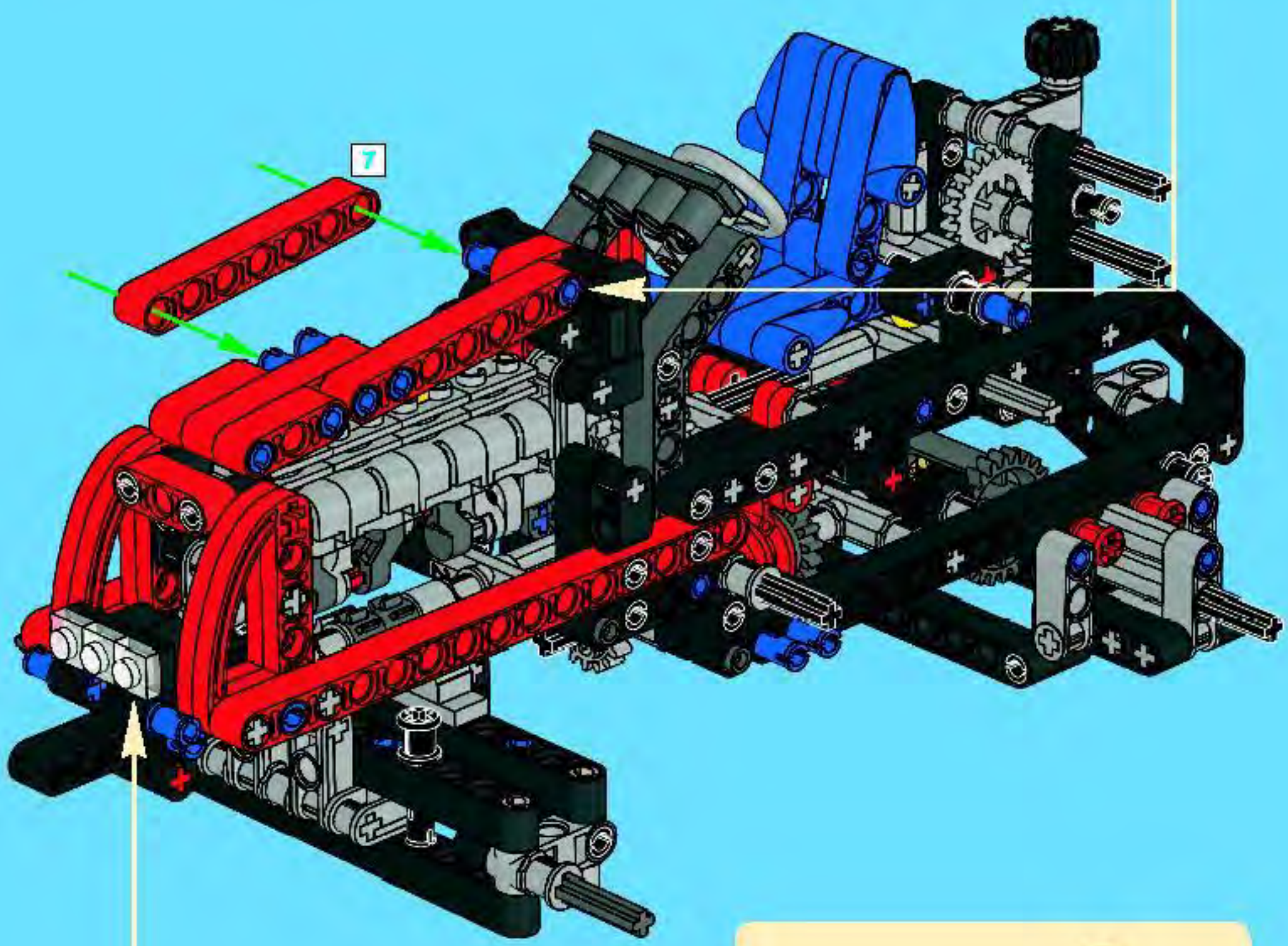
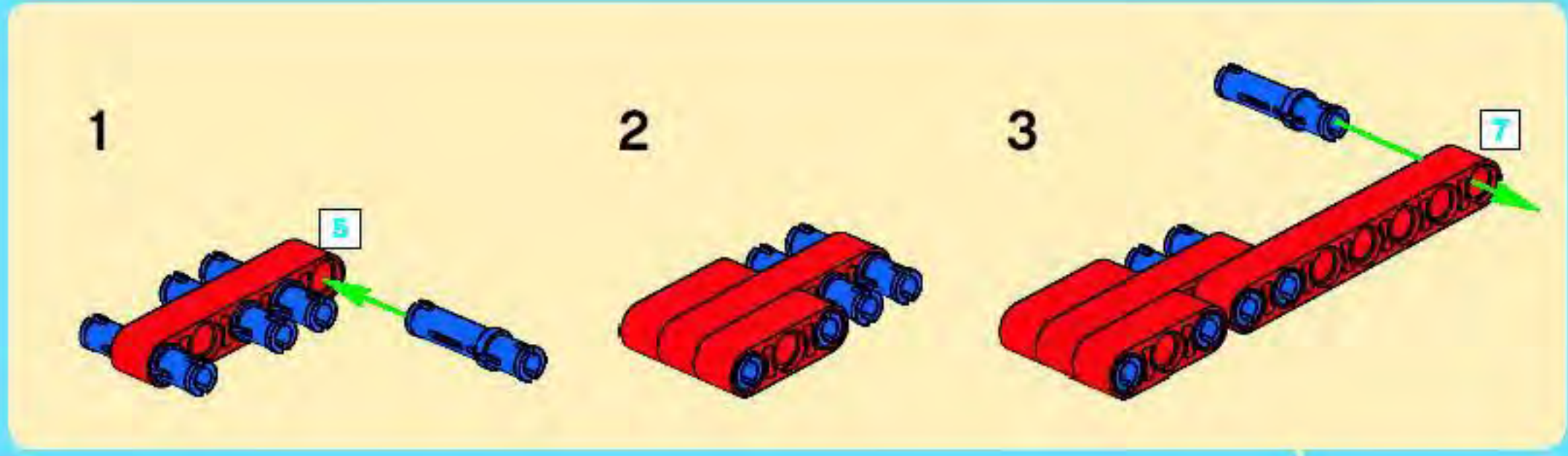


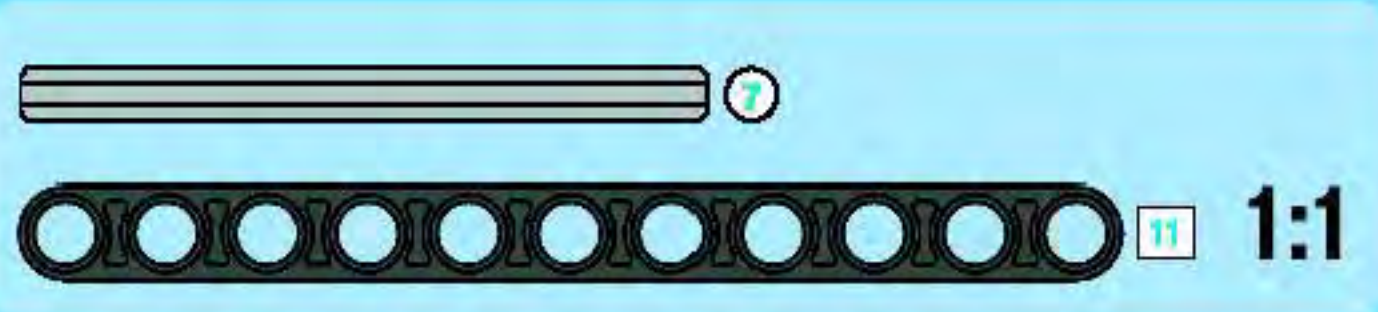
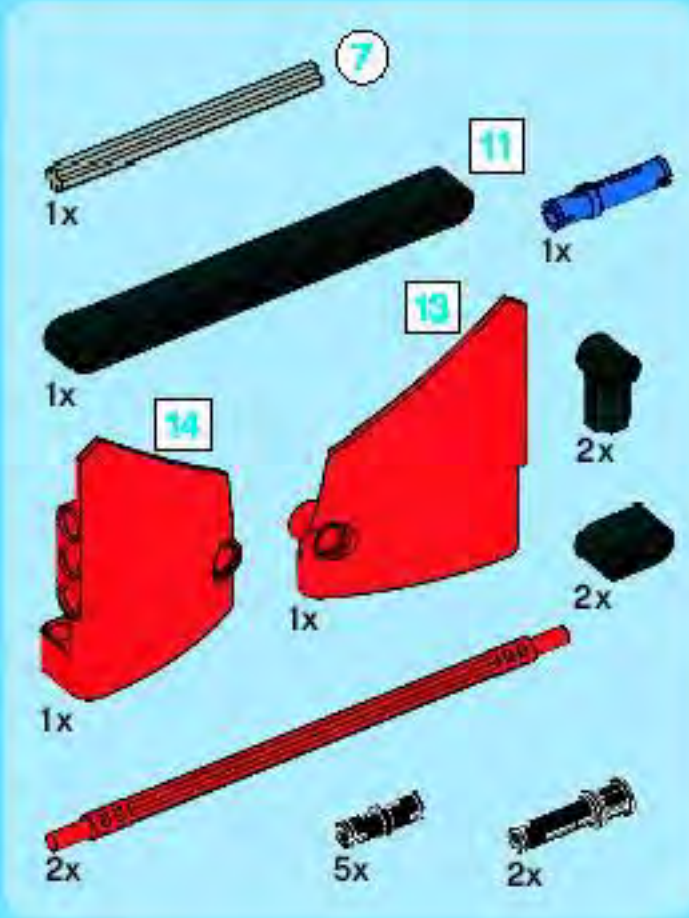
# 33



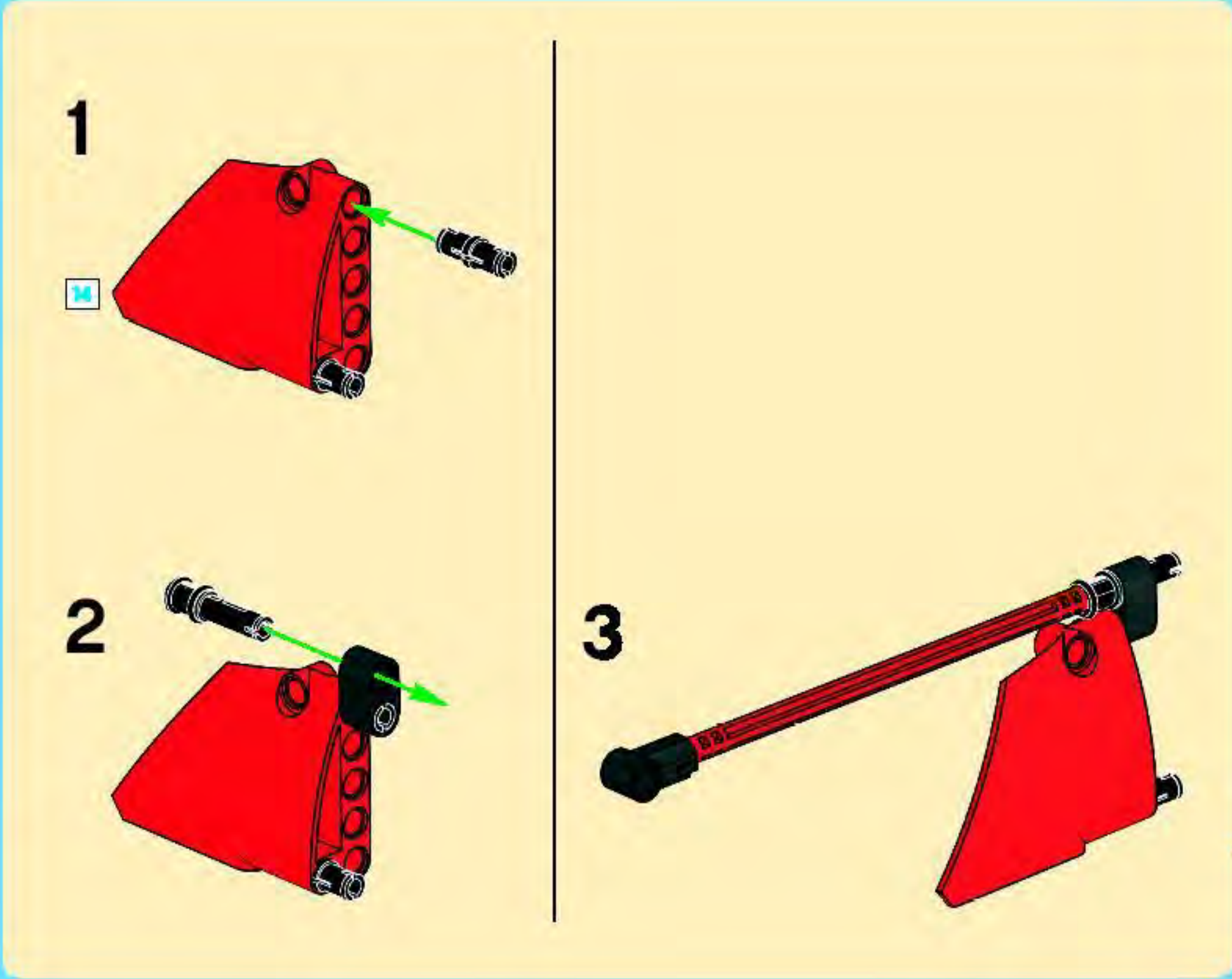


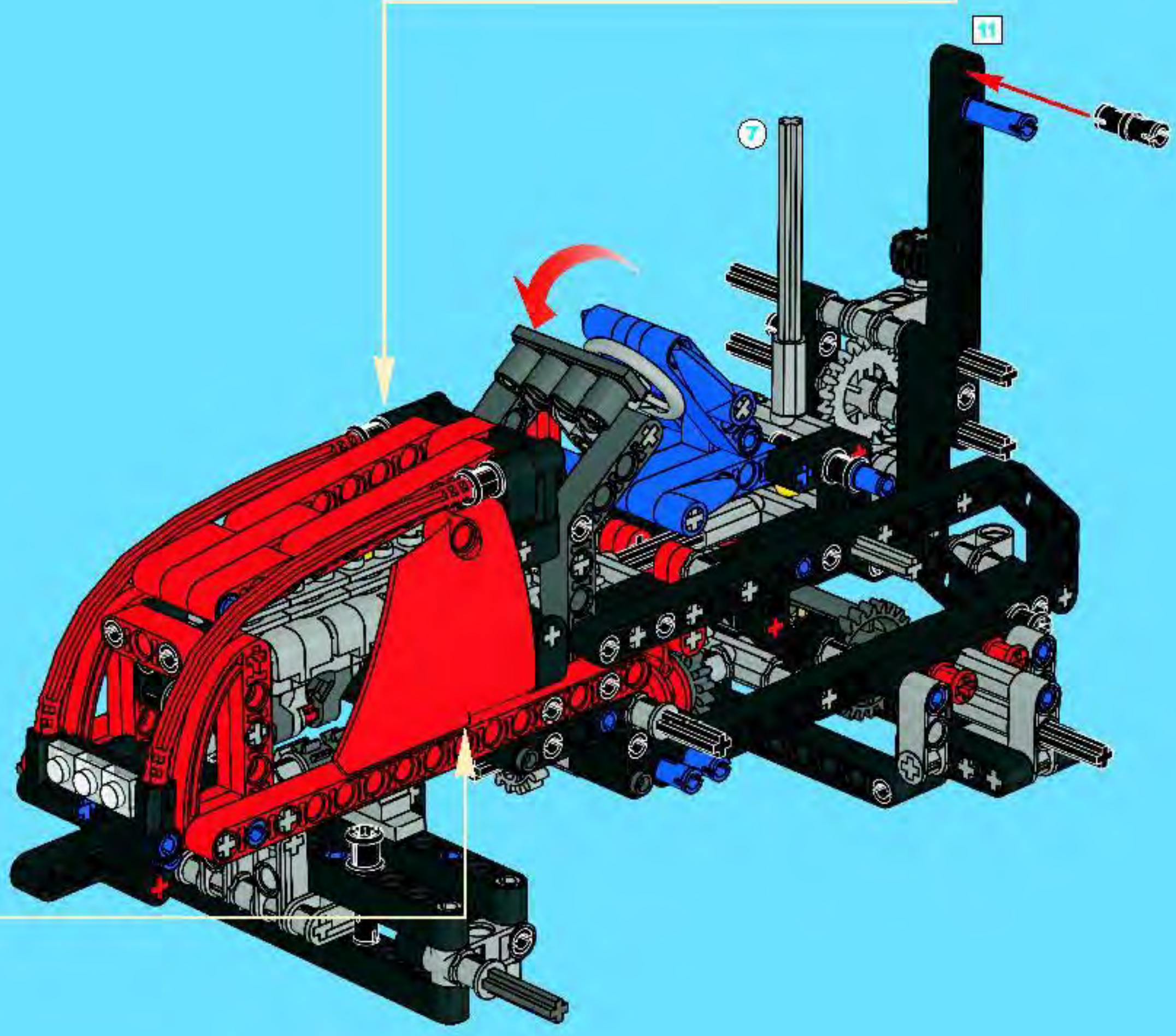
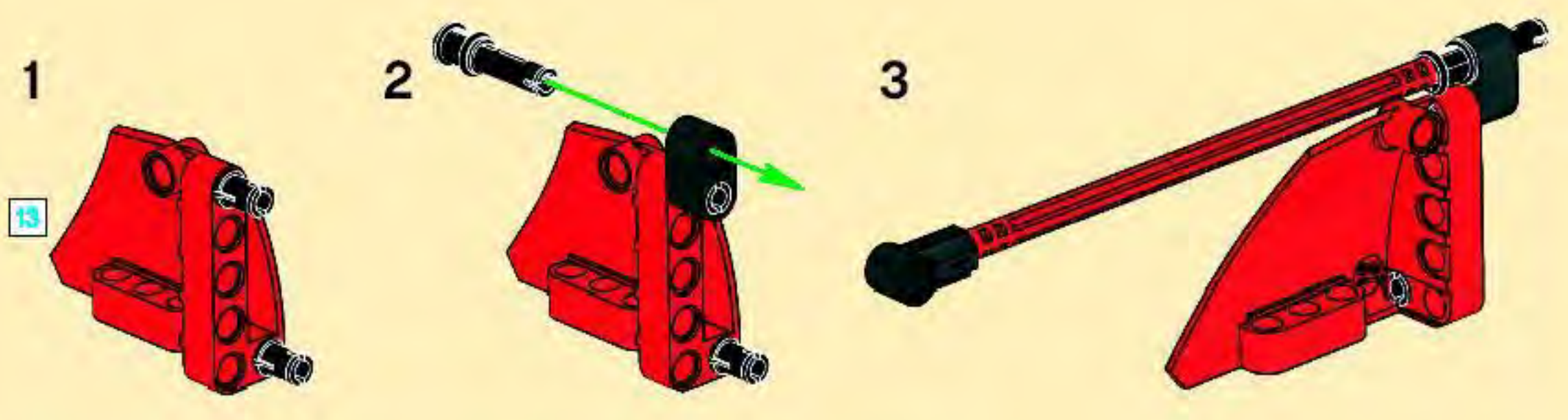
# 34



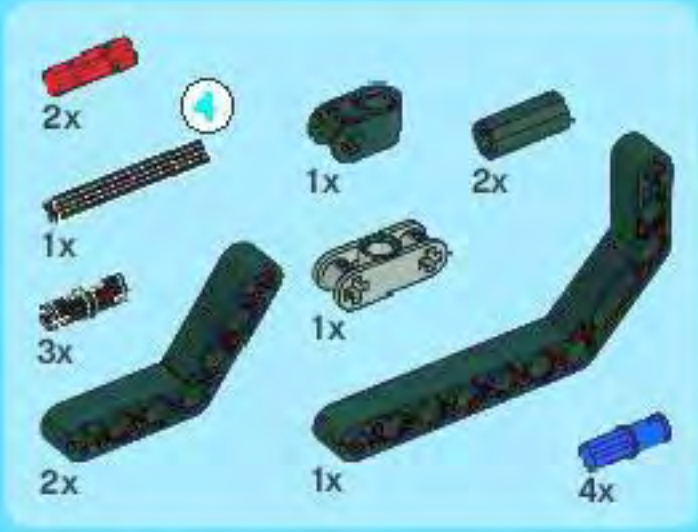


# 35

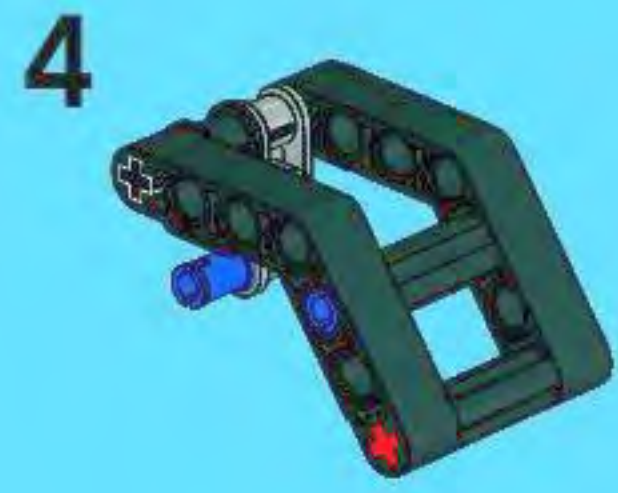
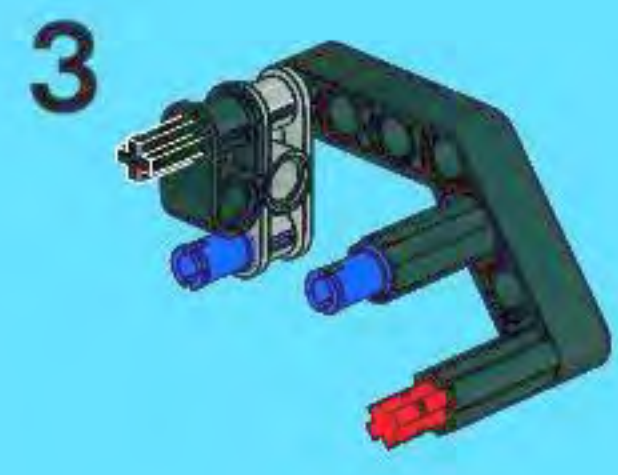
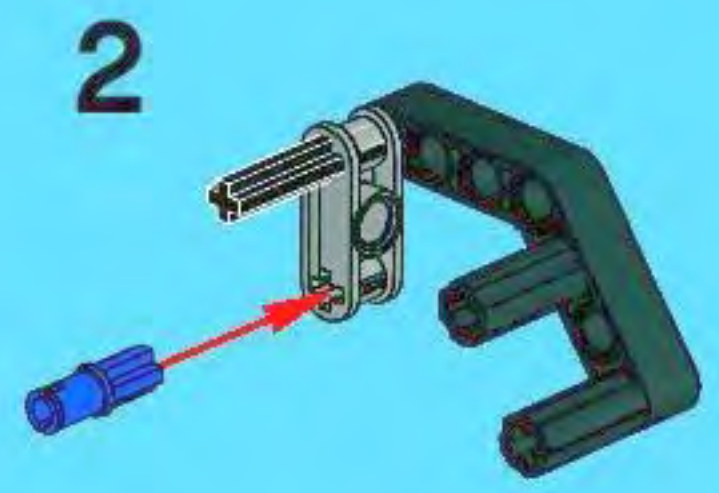
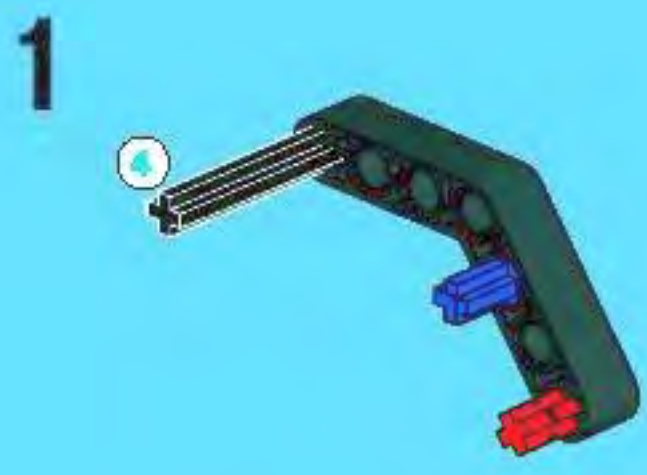


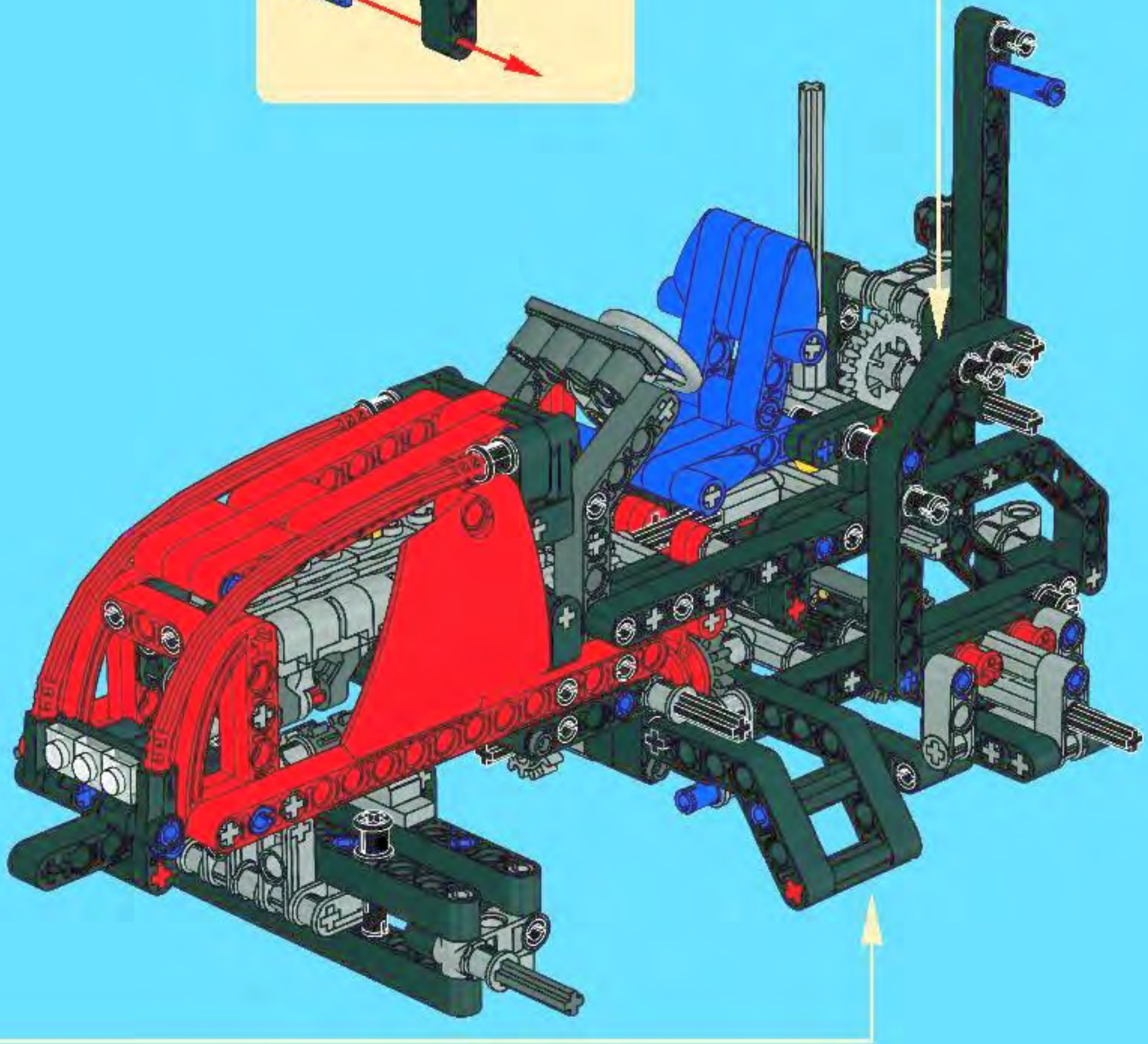
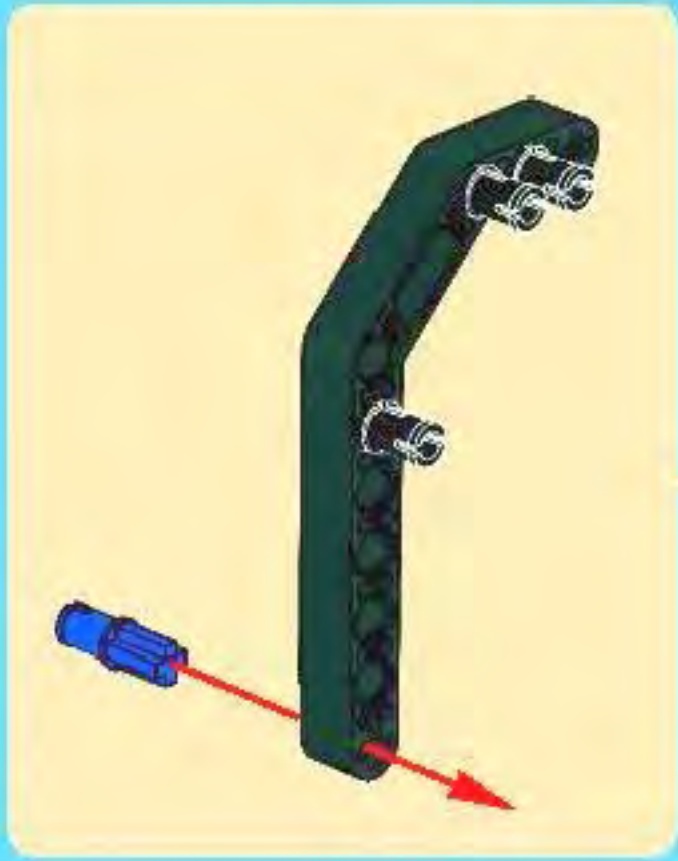


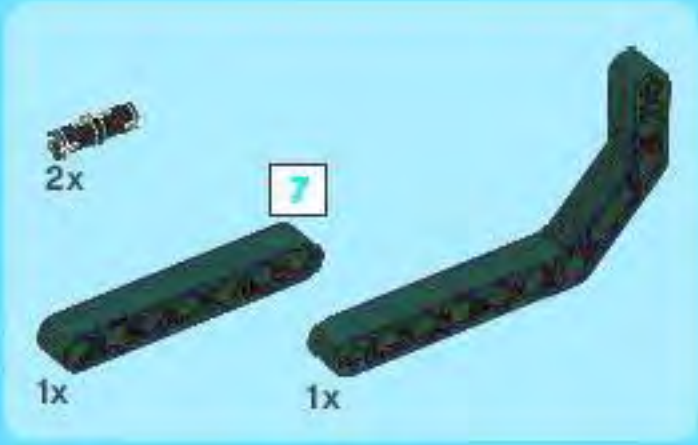




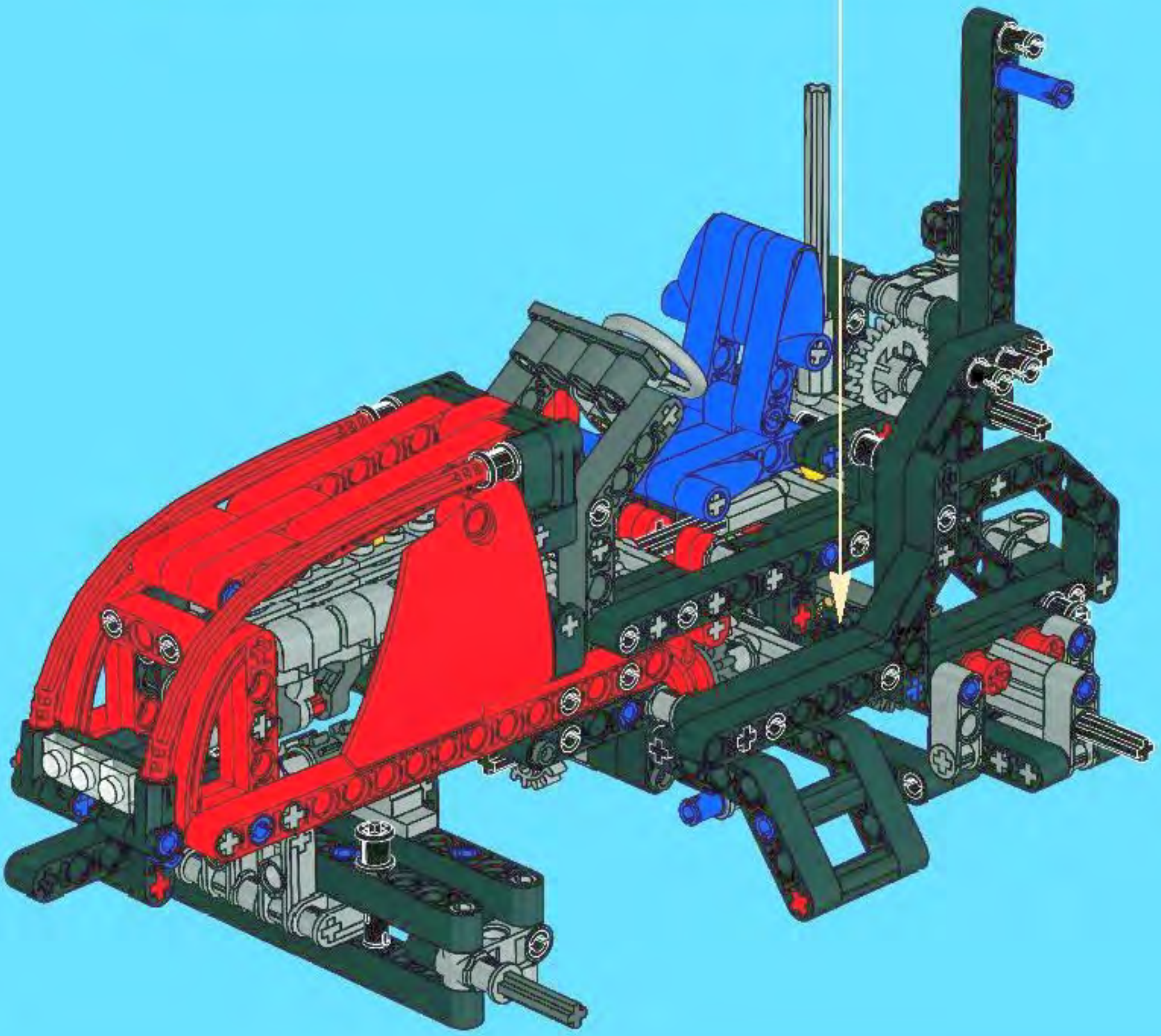
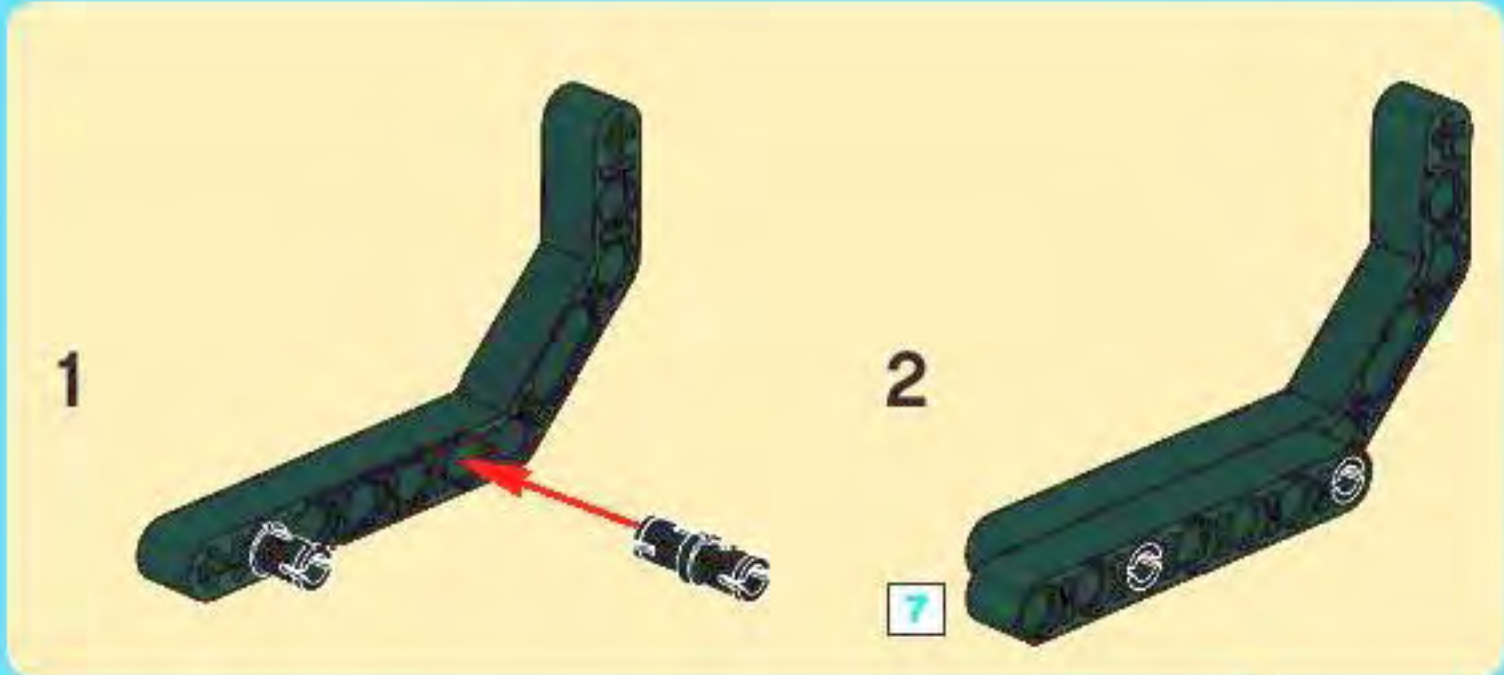
# 36

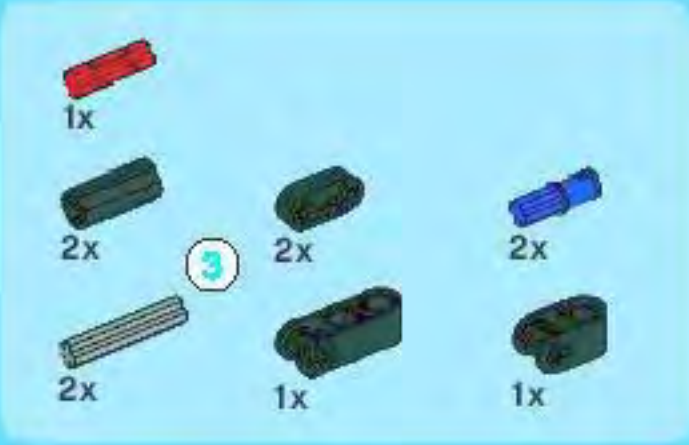




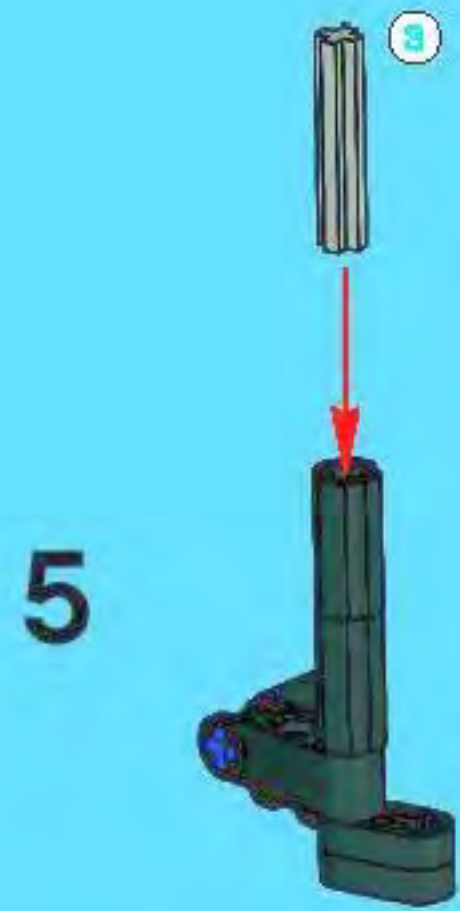
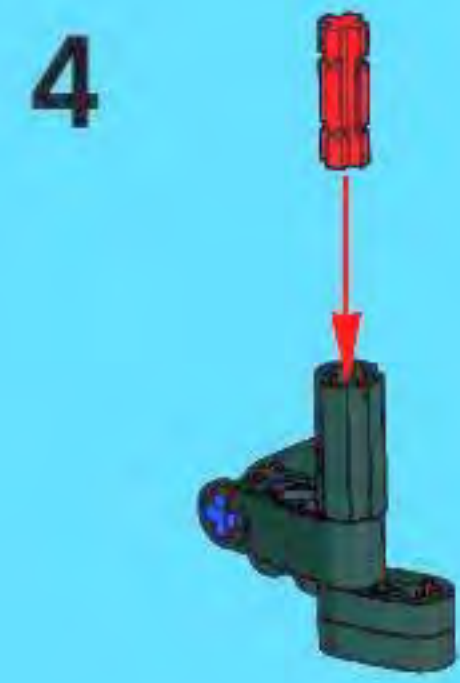
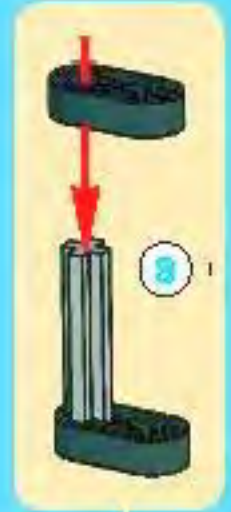
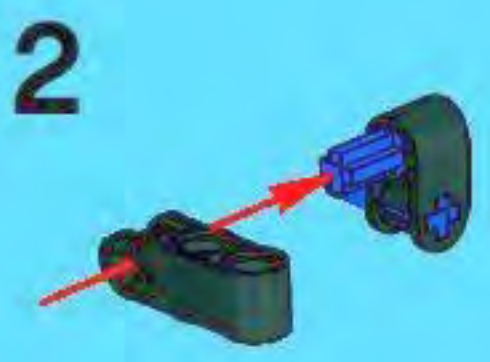
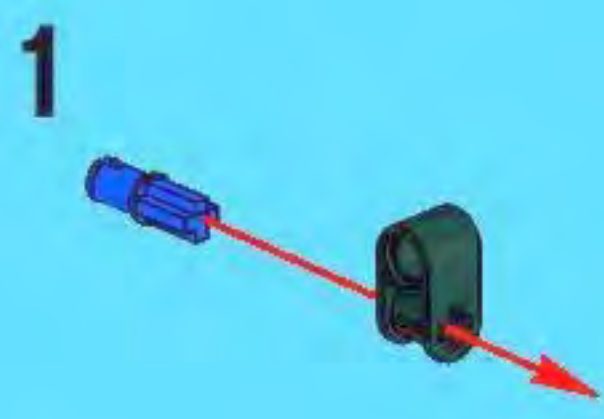


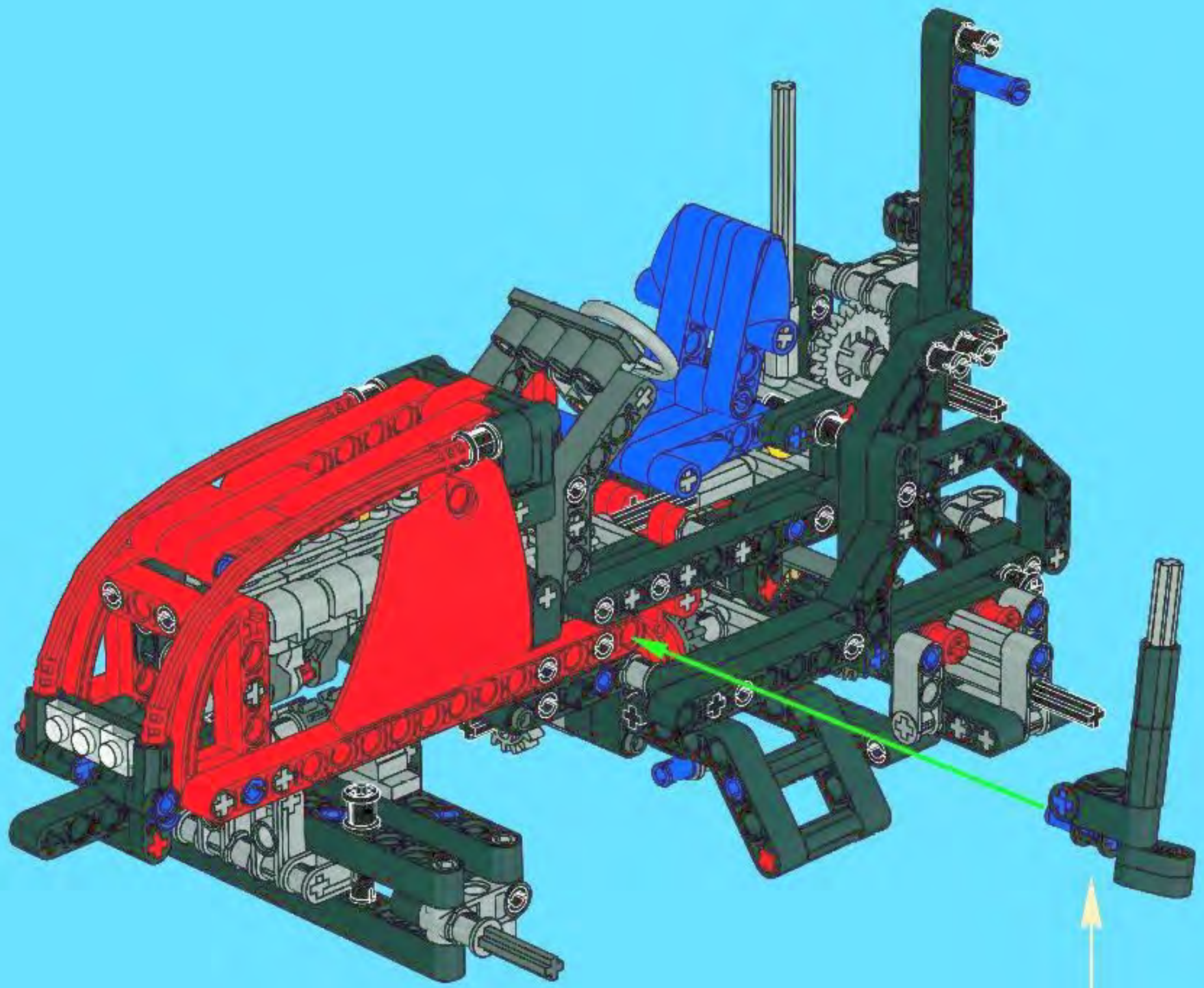
# 37

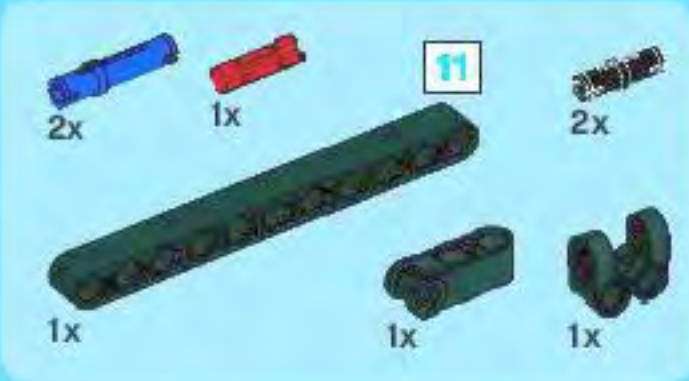




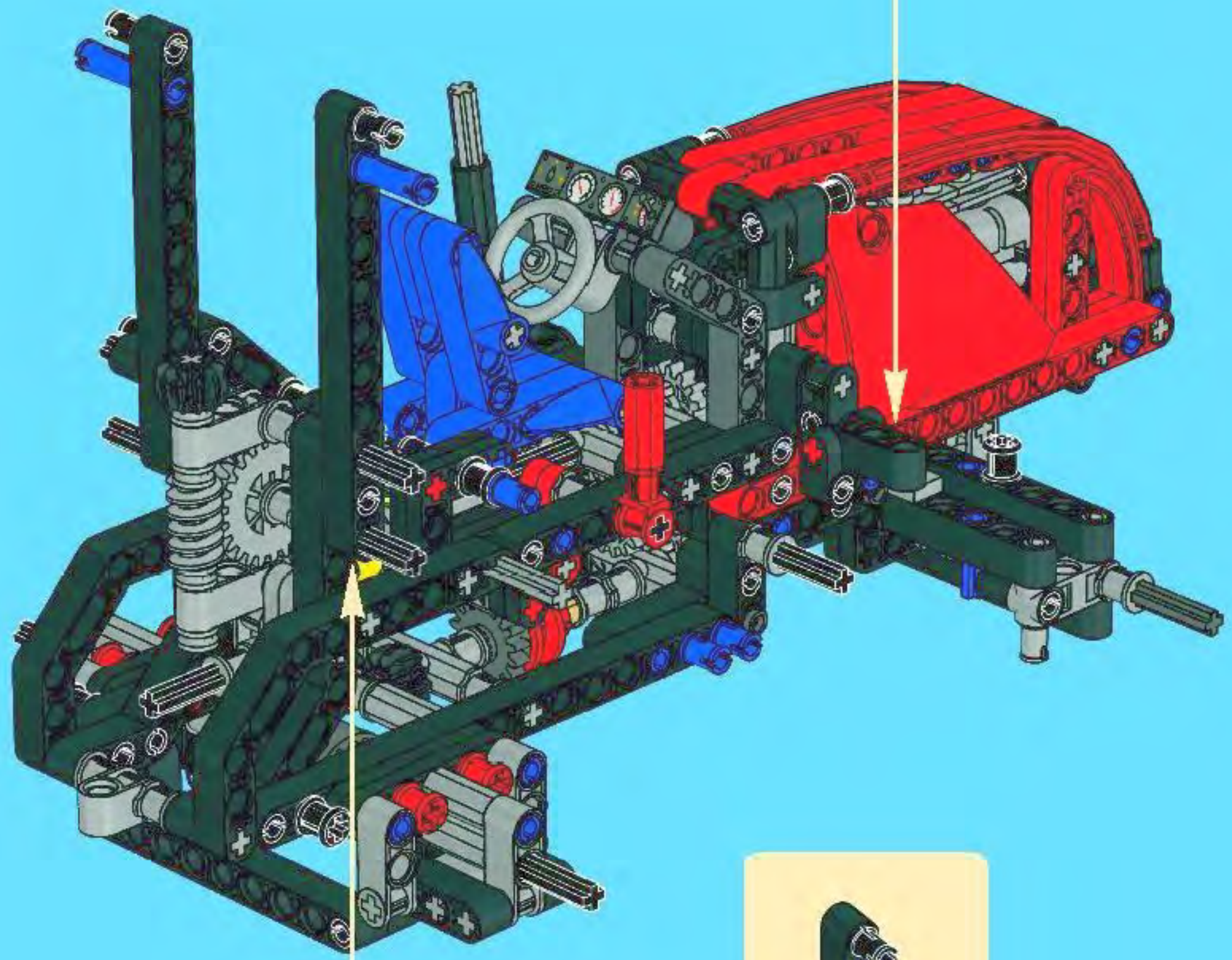
# 38

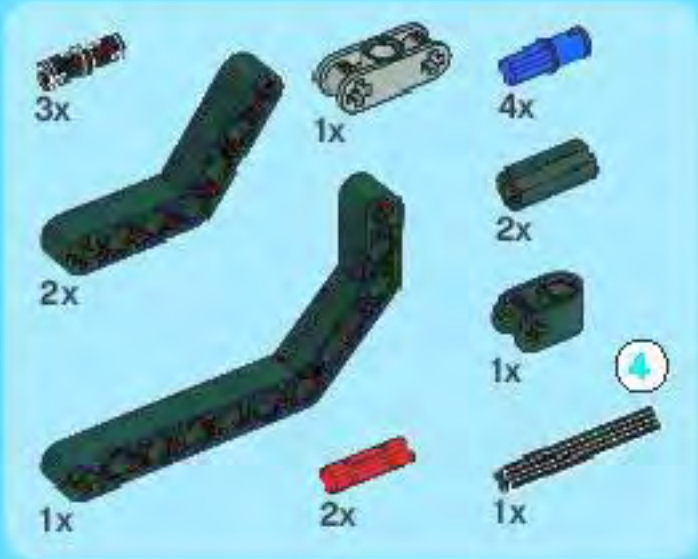




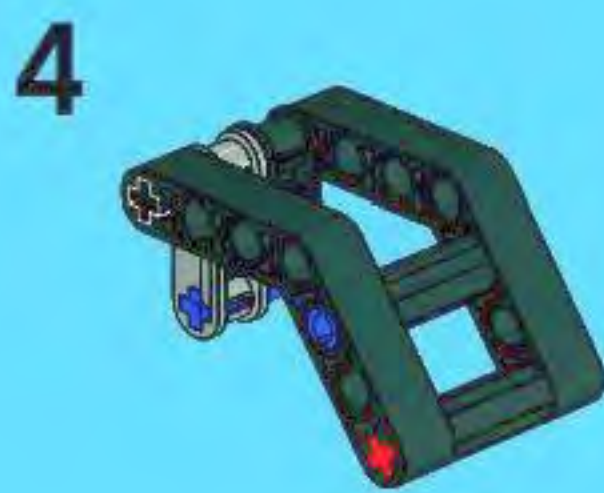
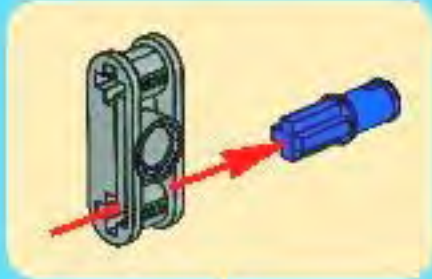
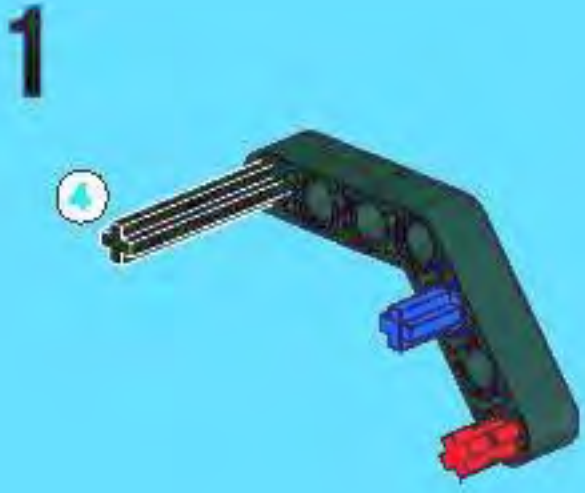


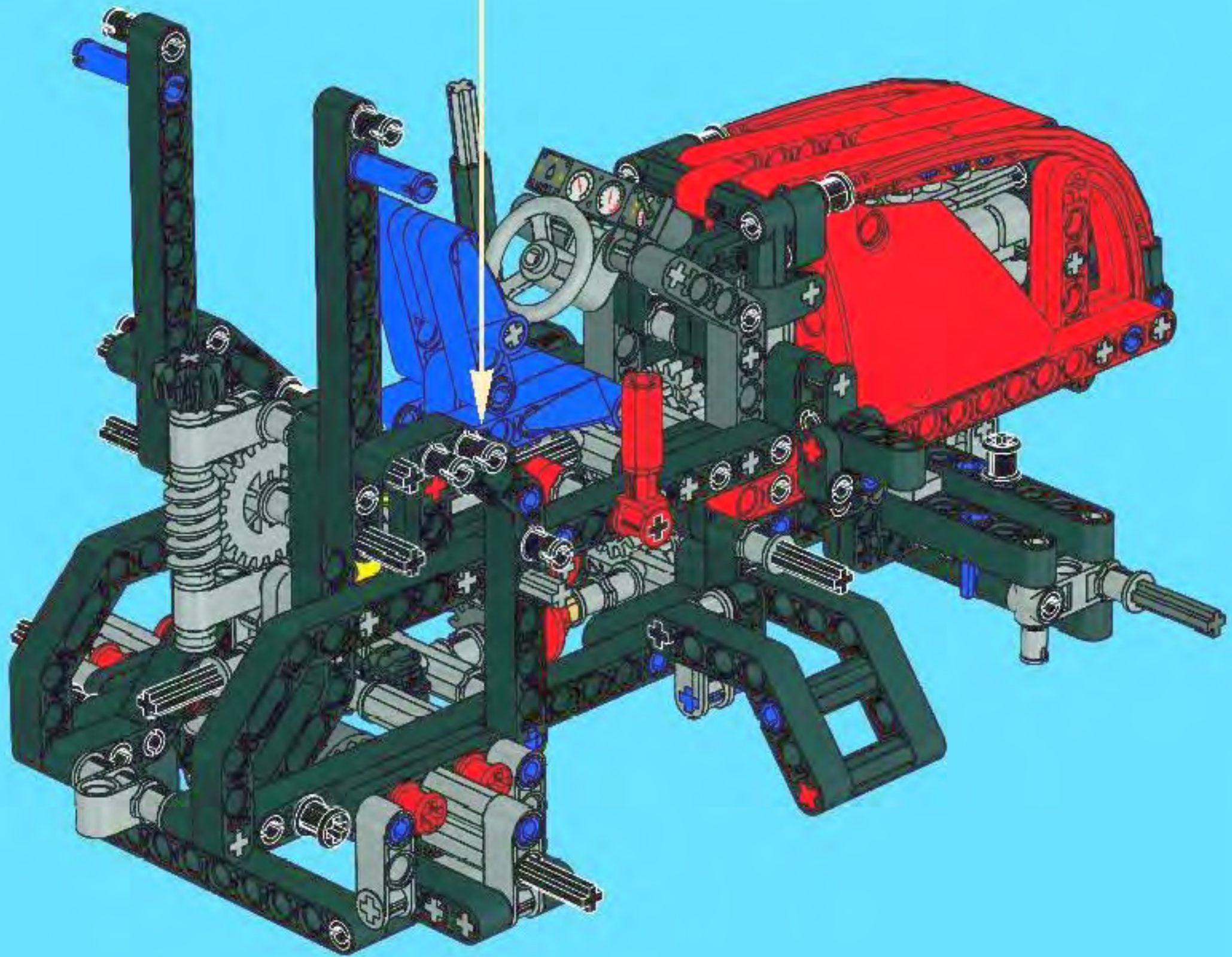
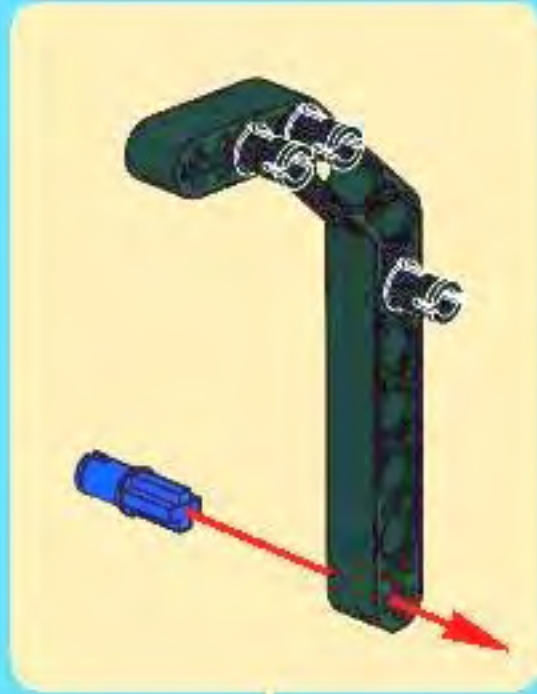
# 39



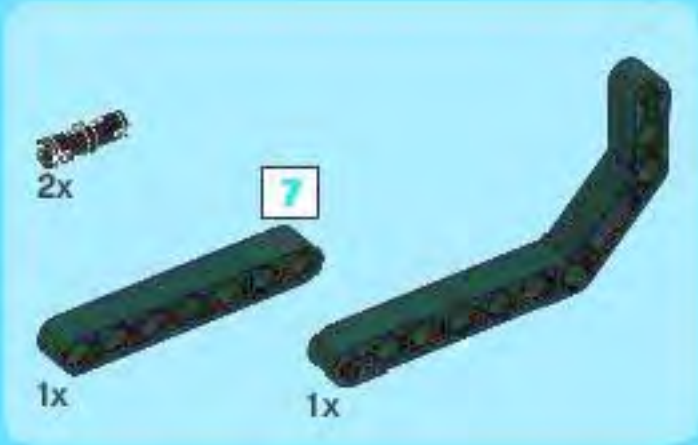


# 40

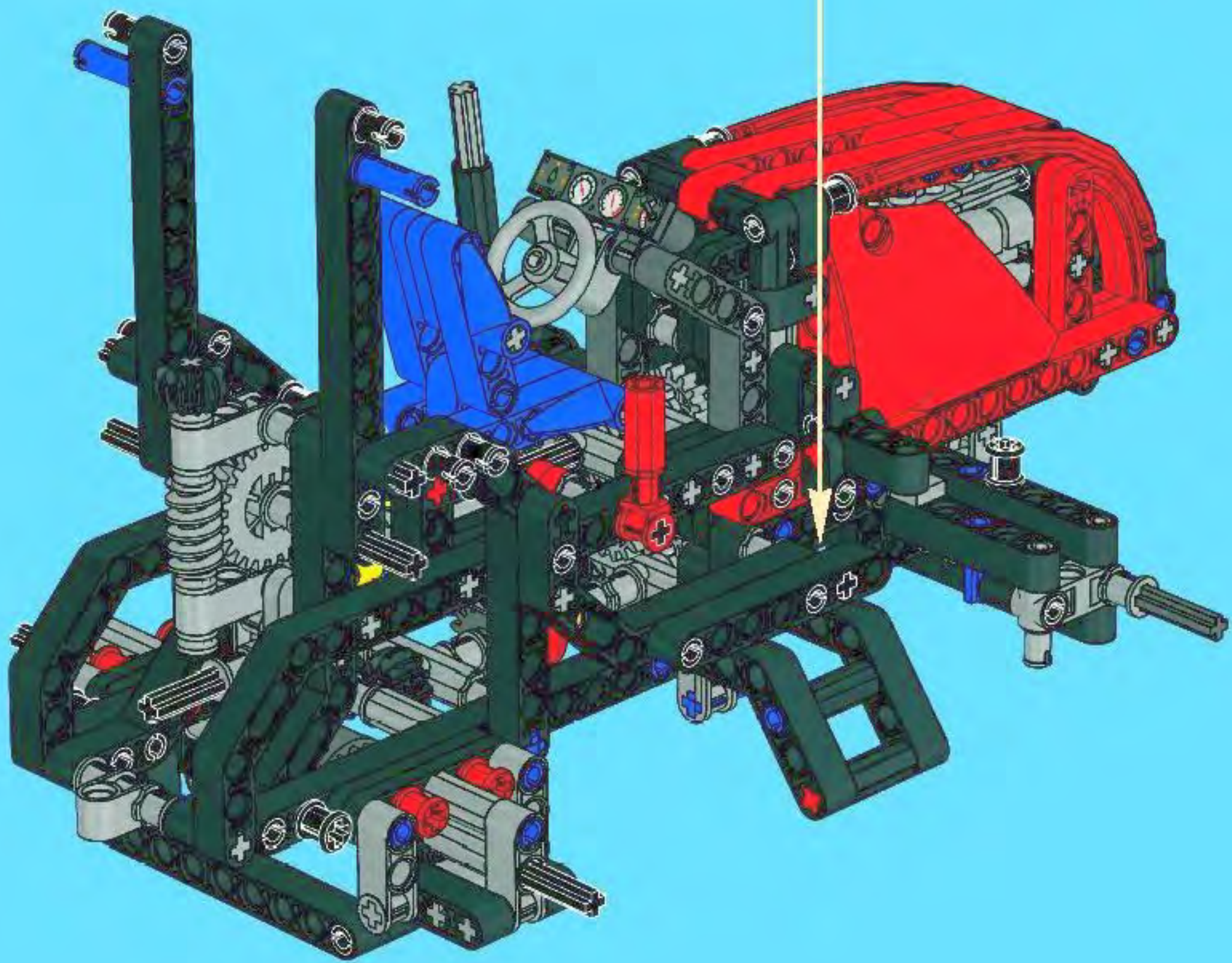
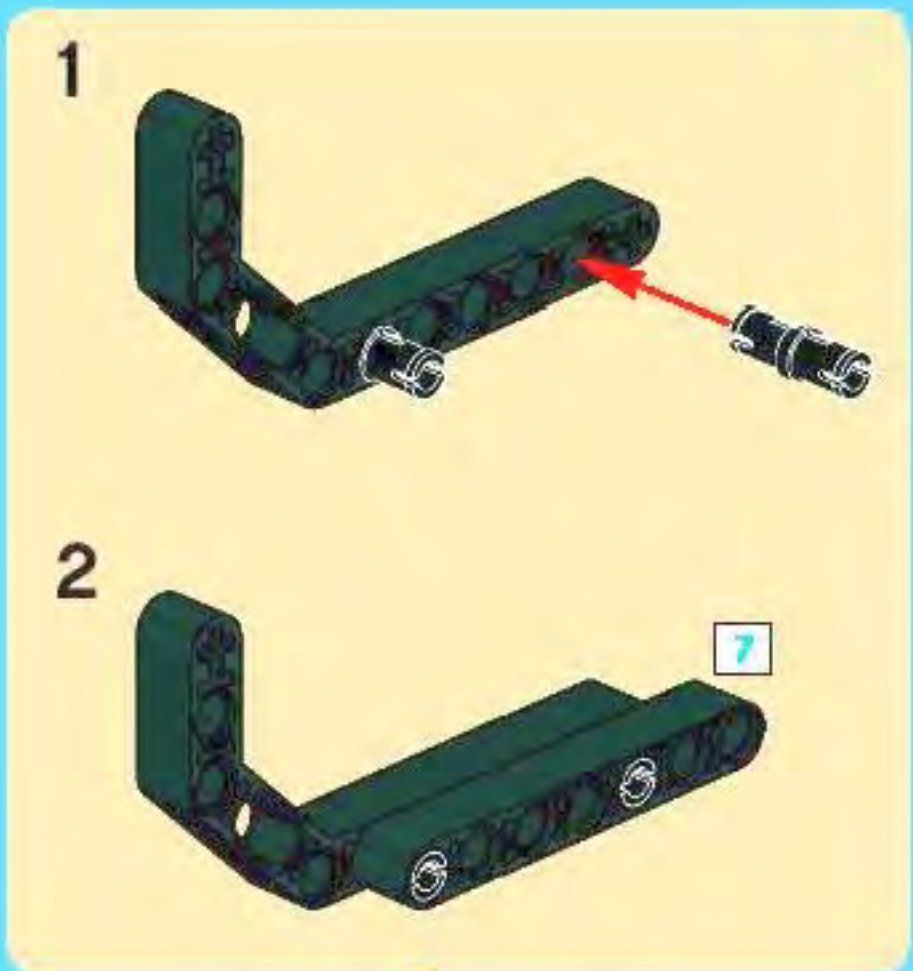


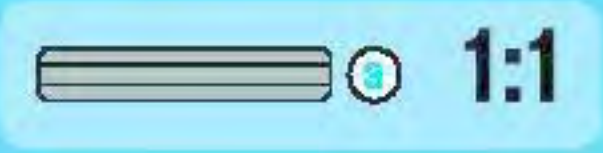
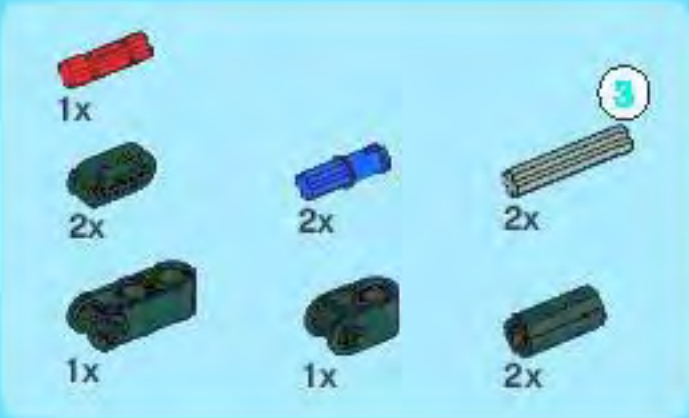




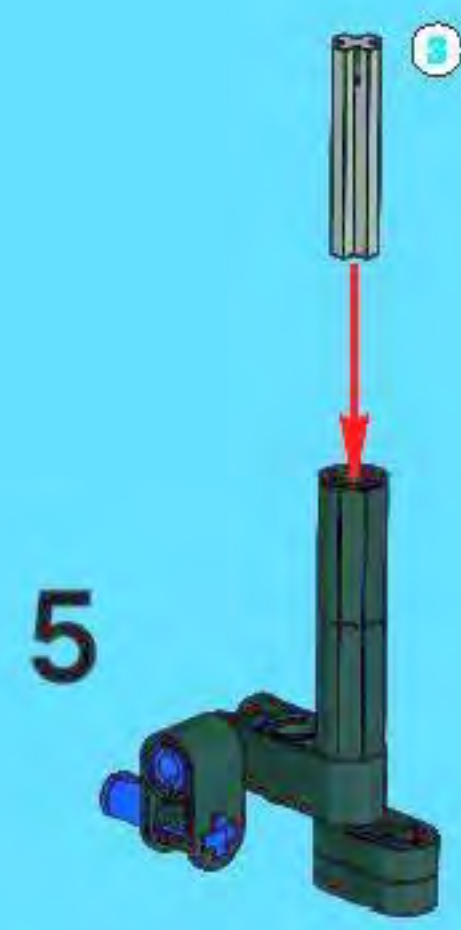
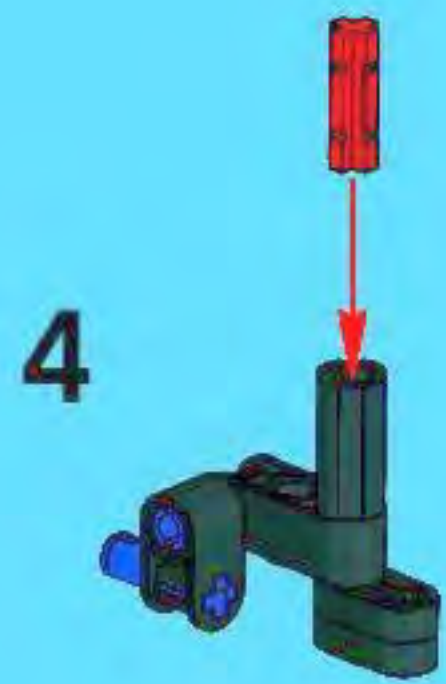
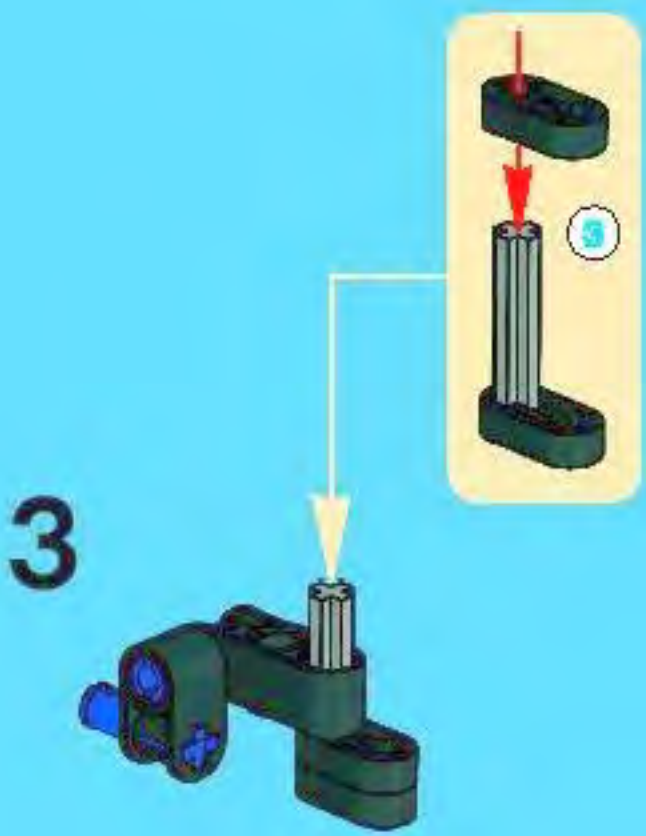
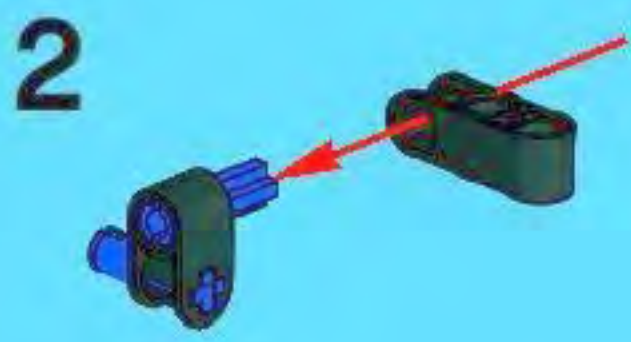
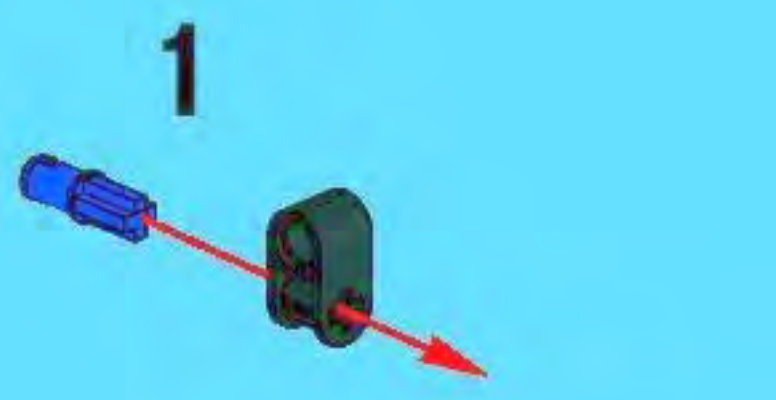


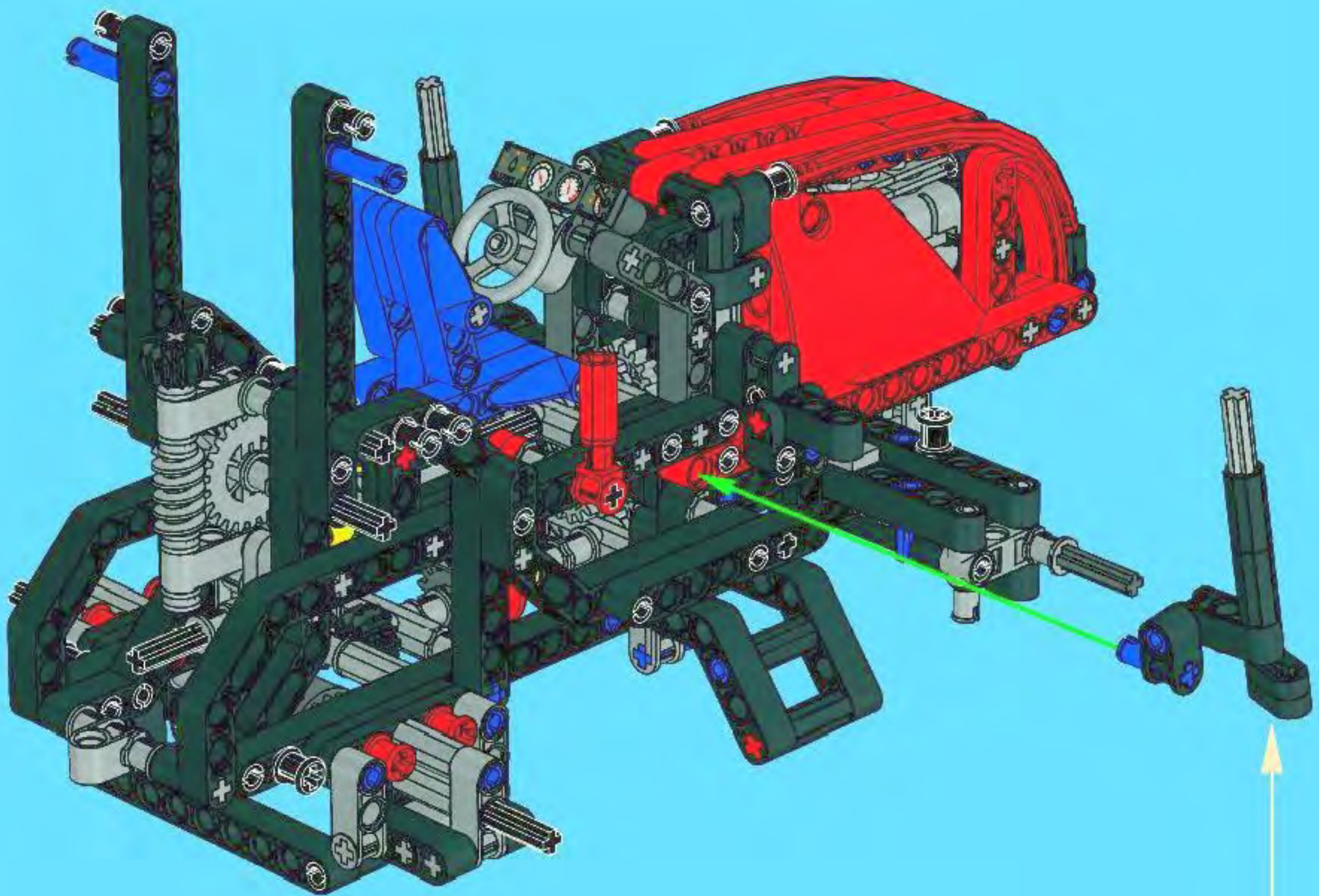
41



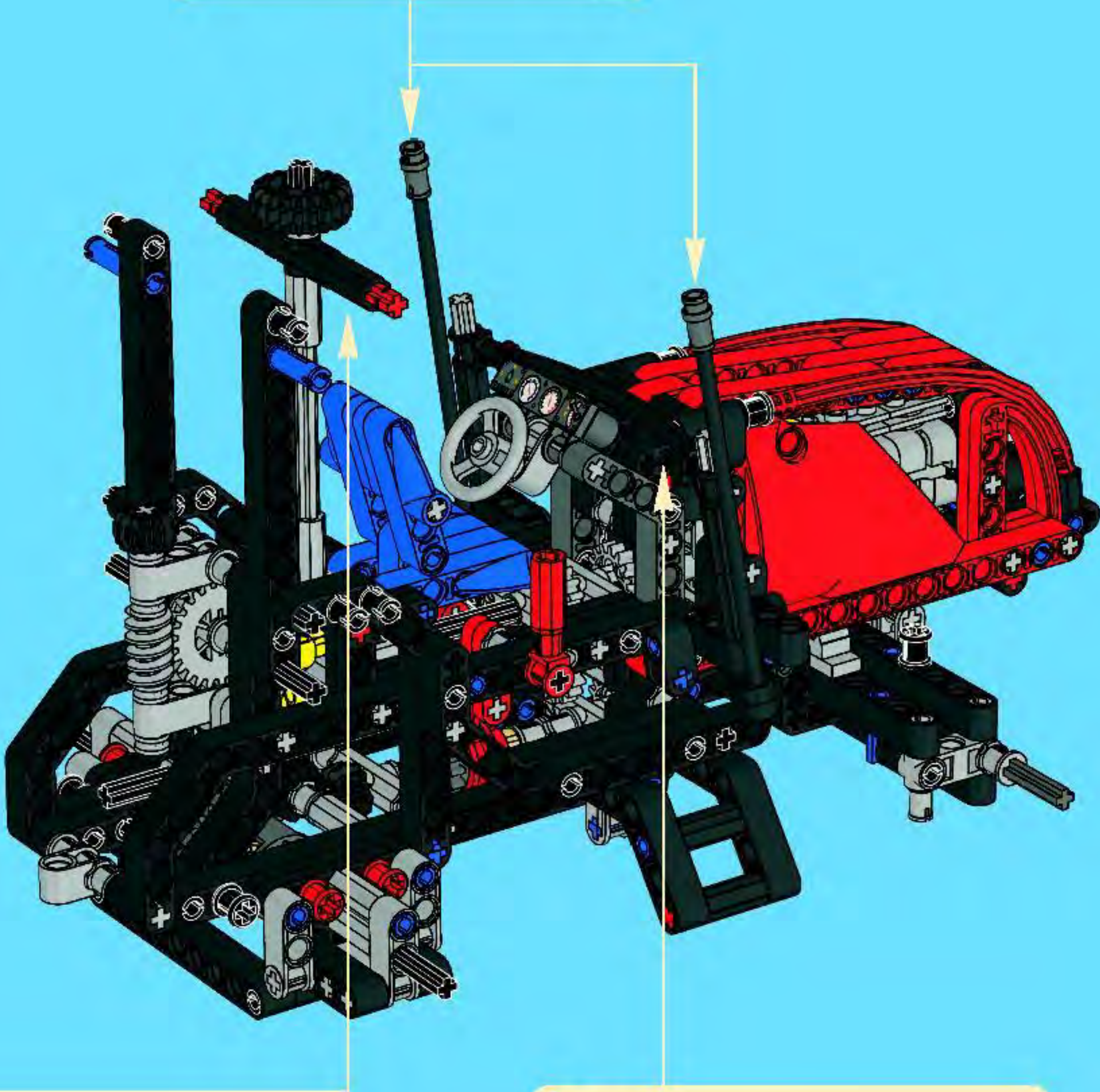
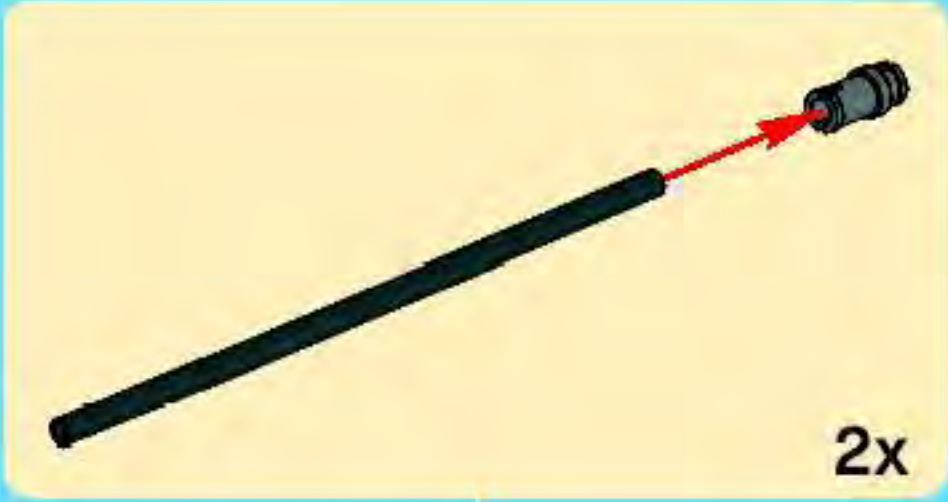


42

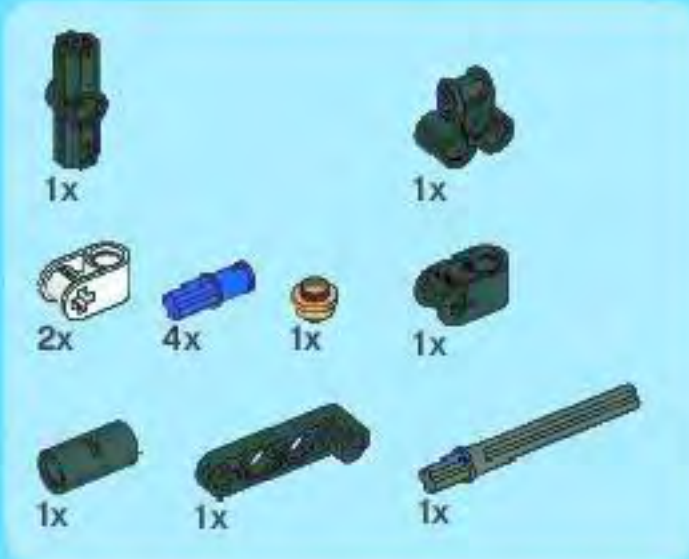




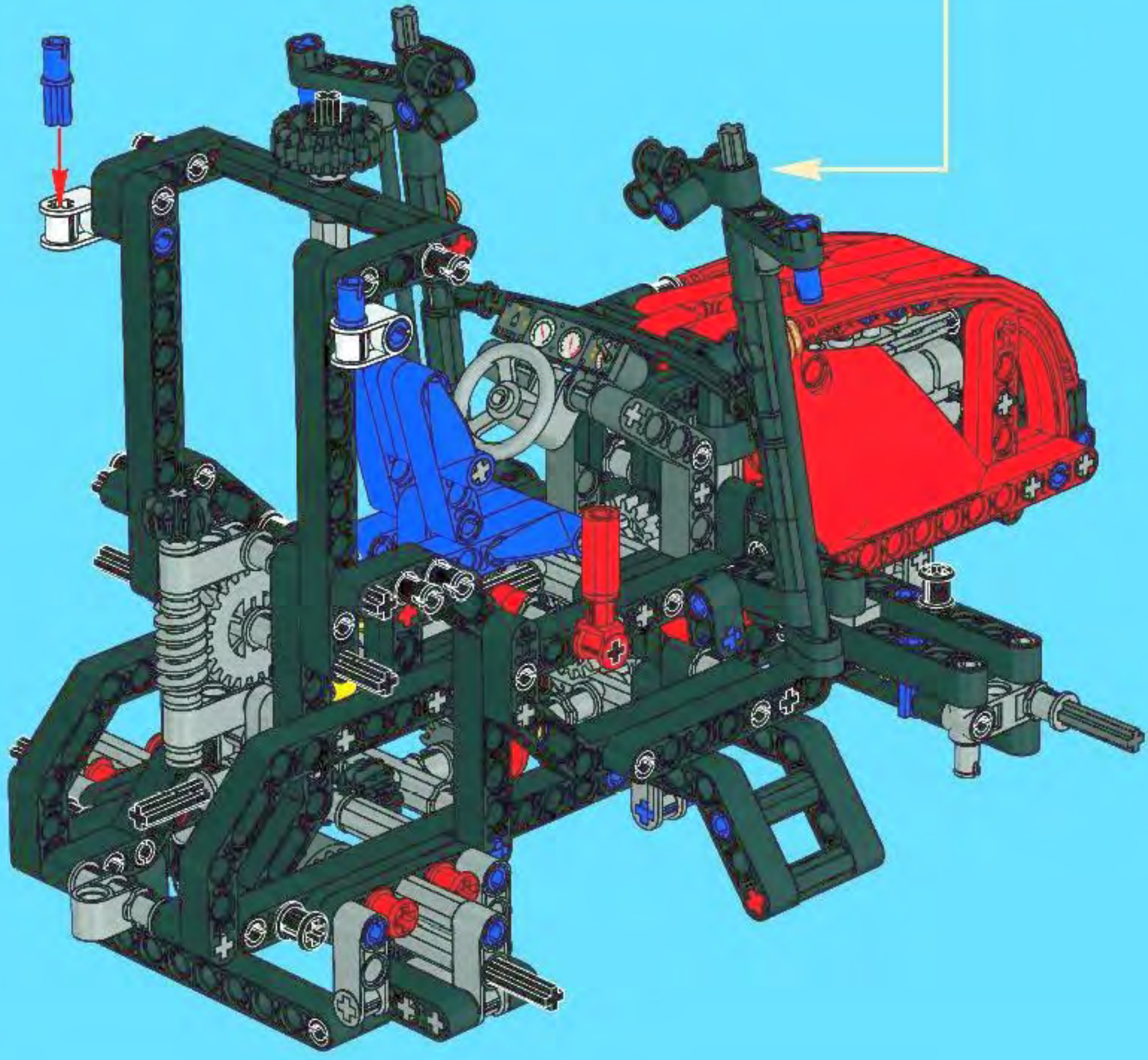
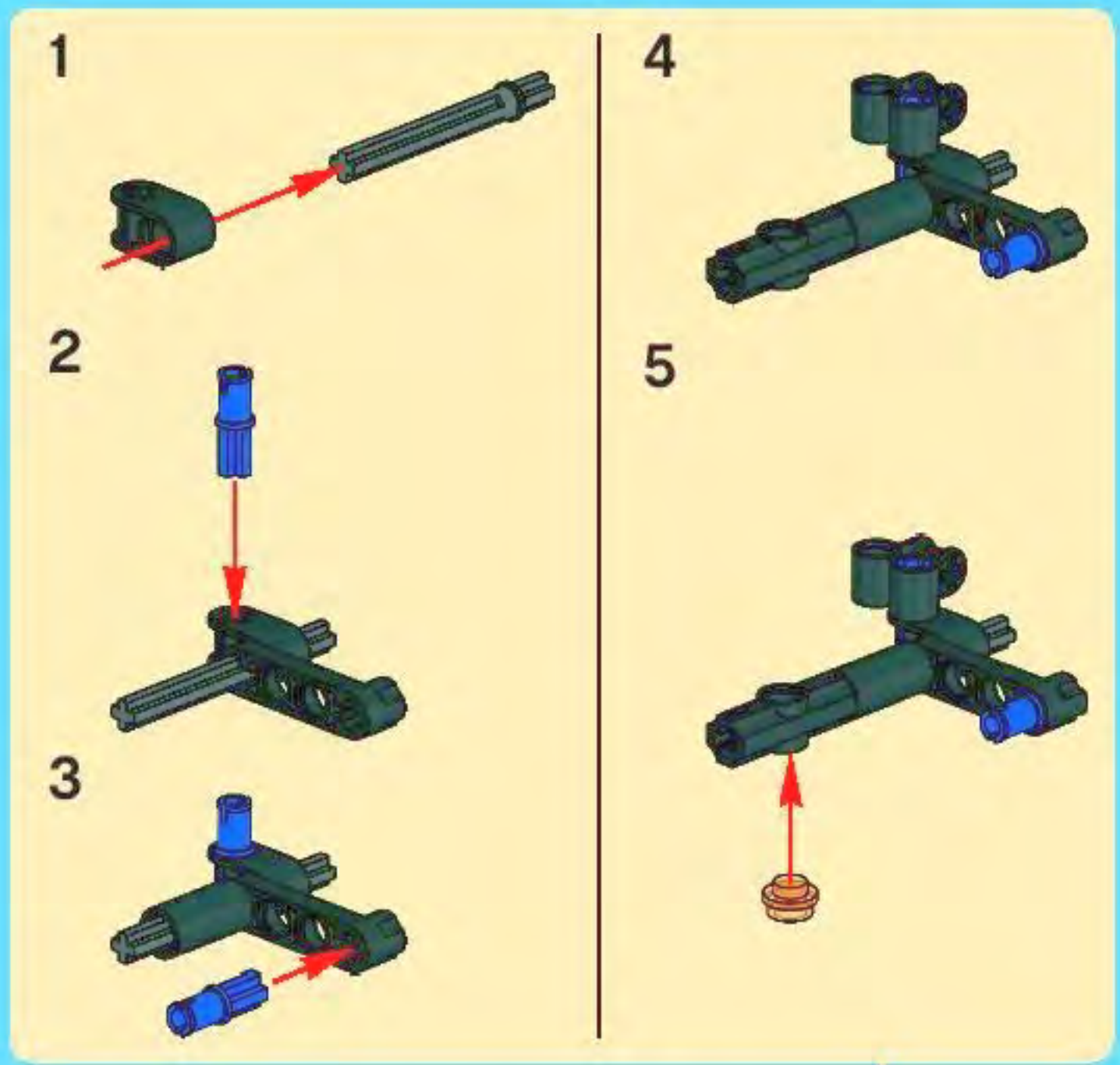


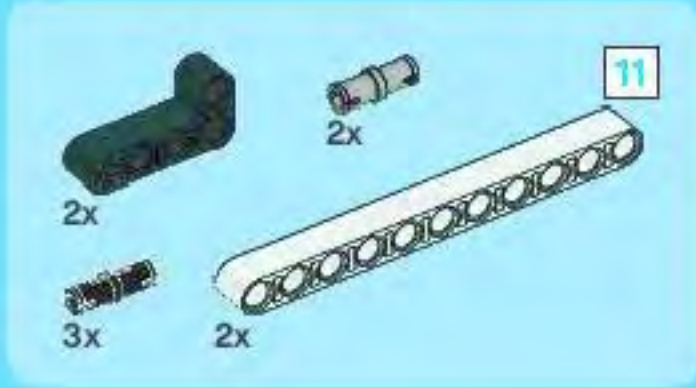




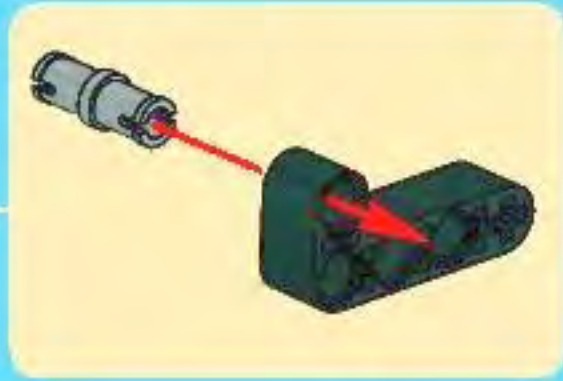
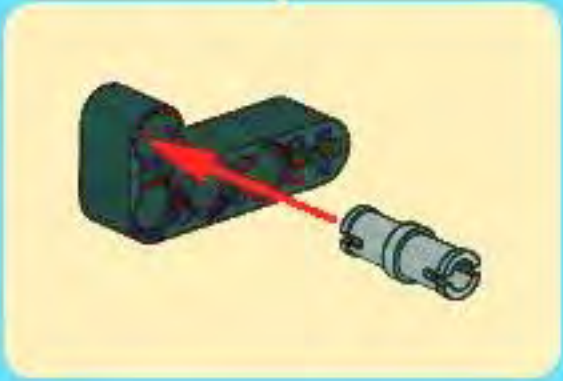
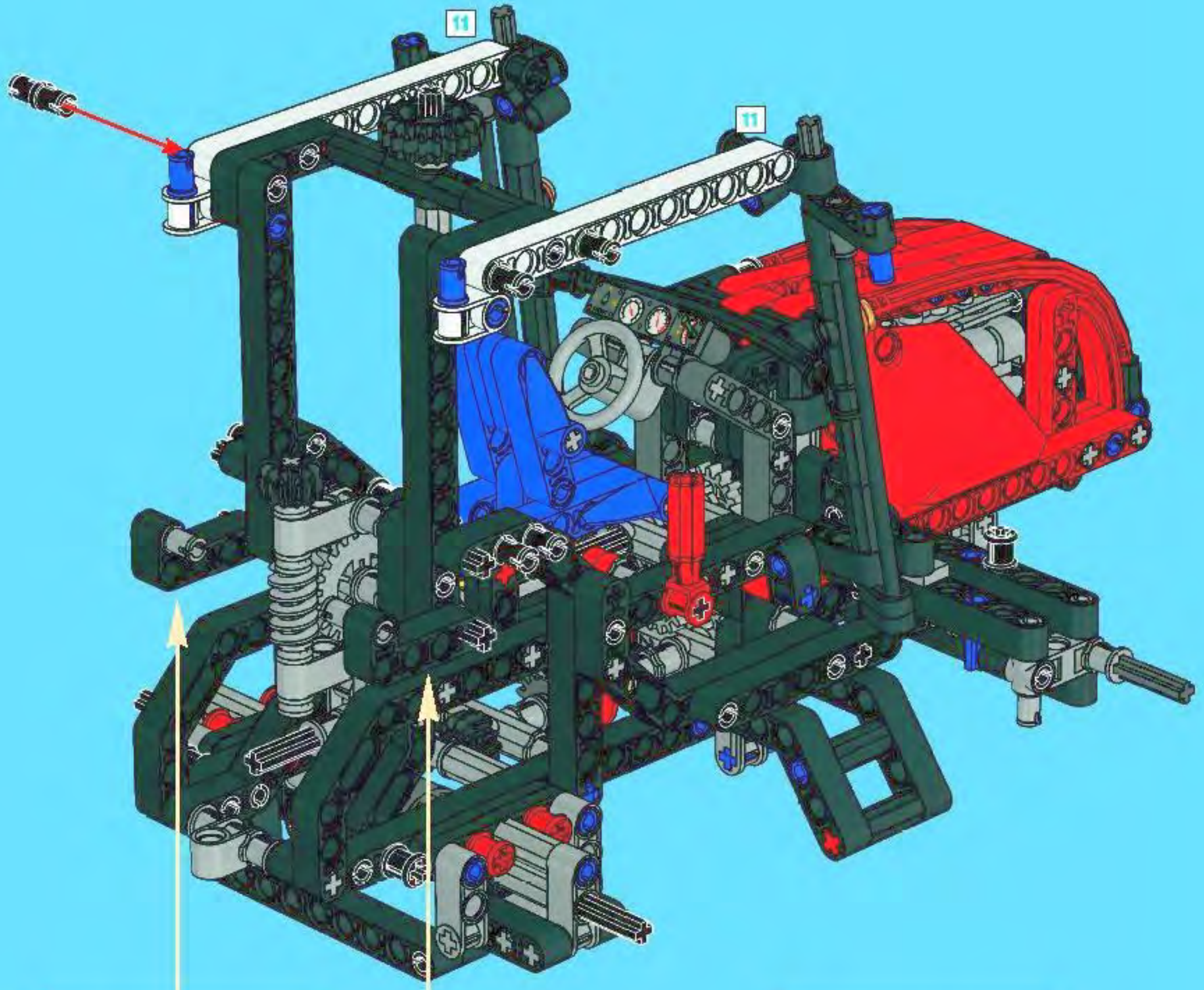


45

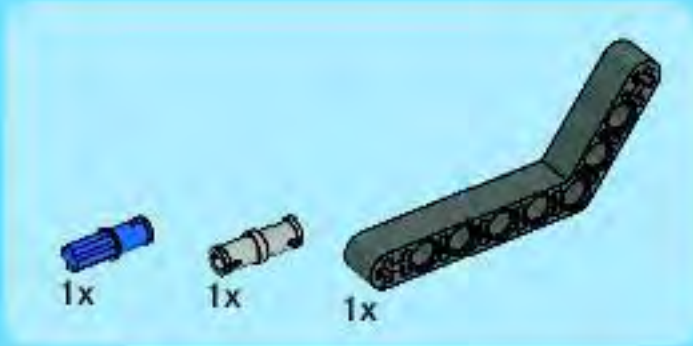




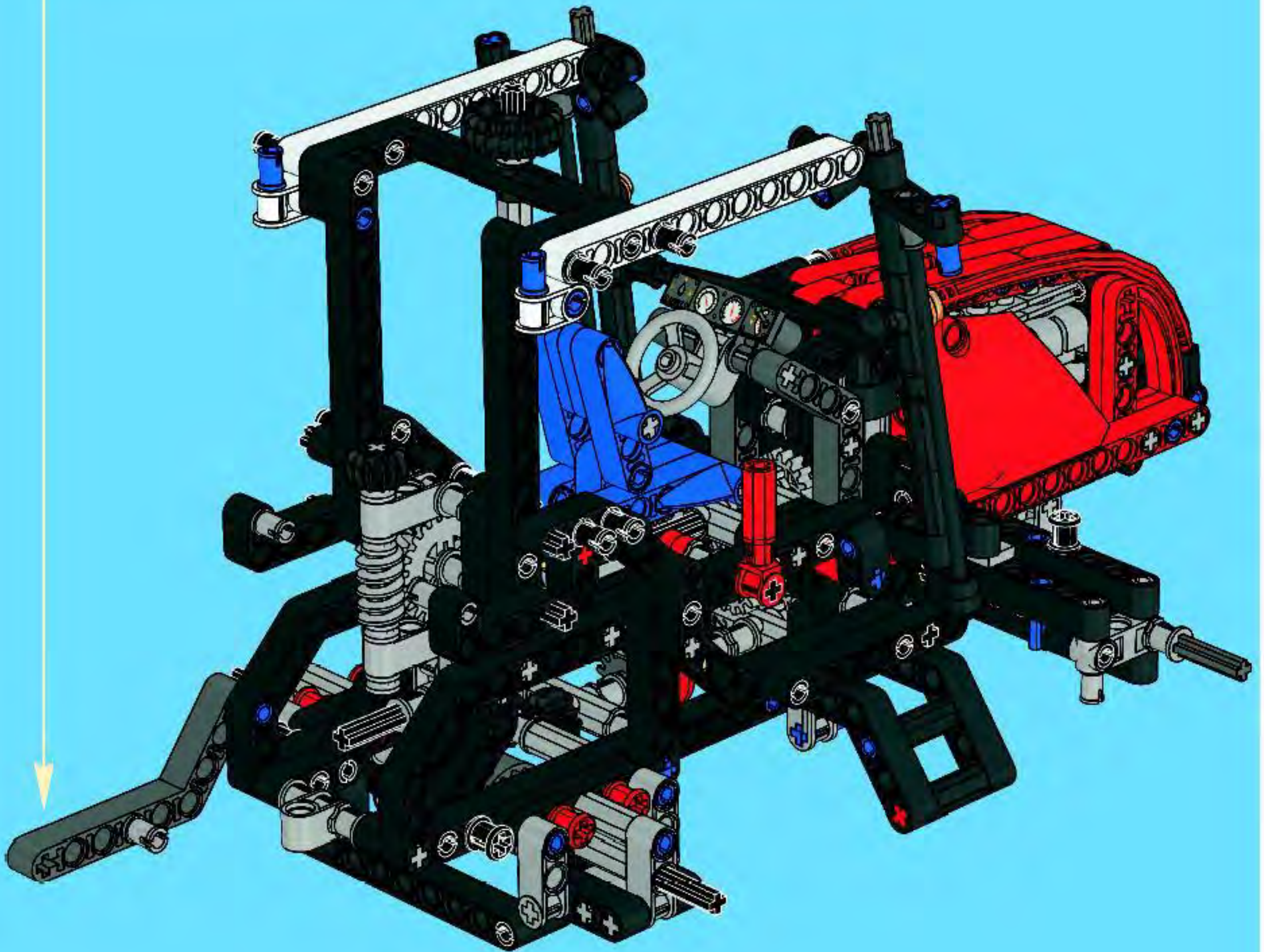
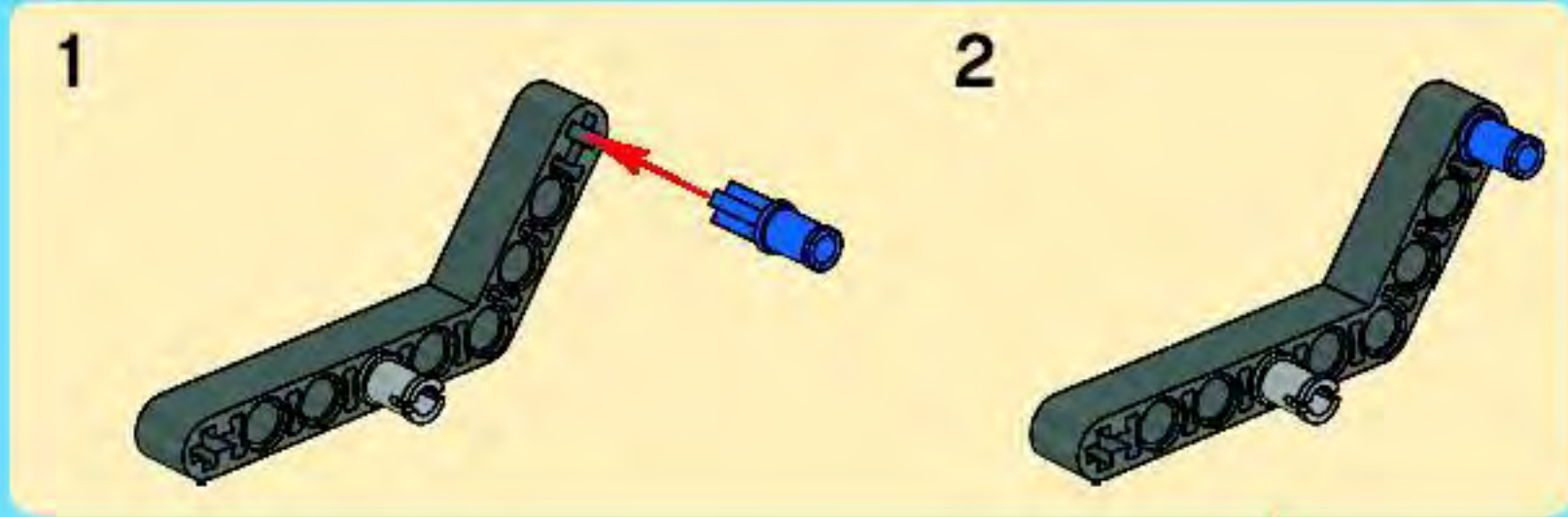
46

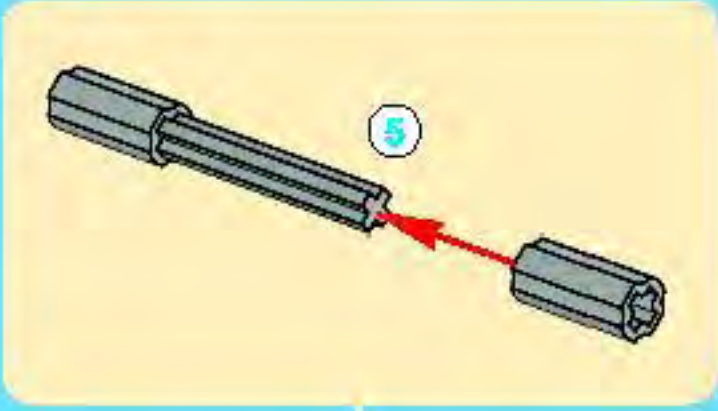
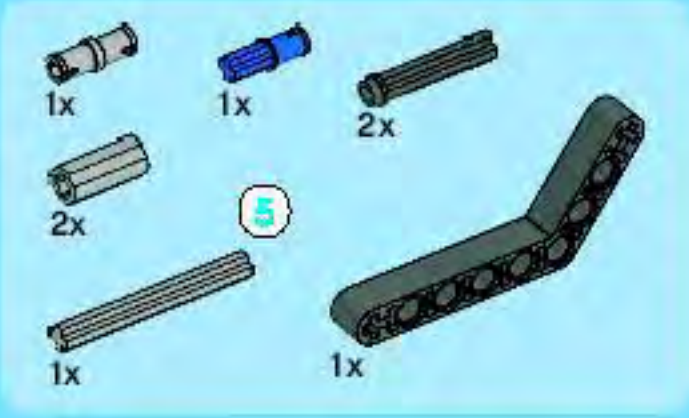




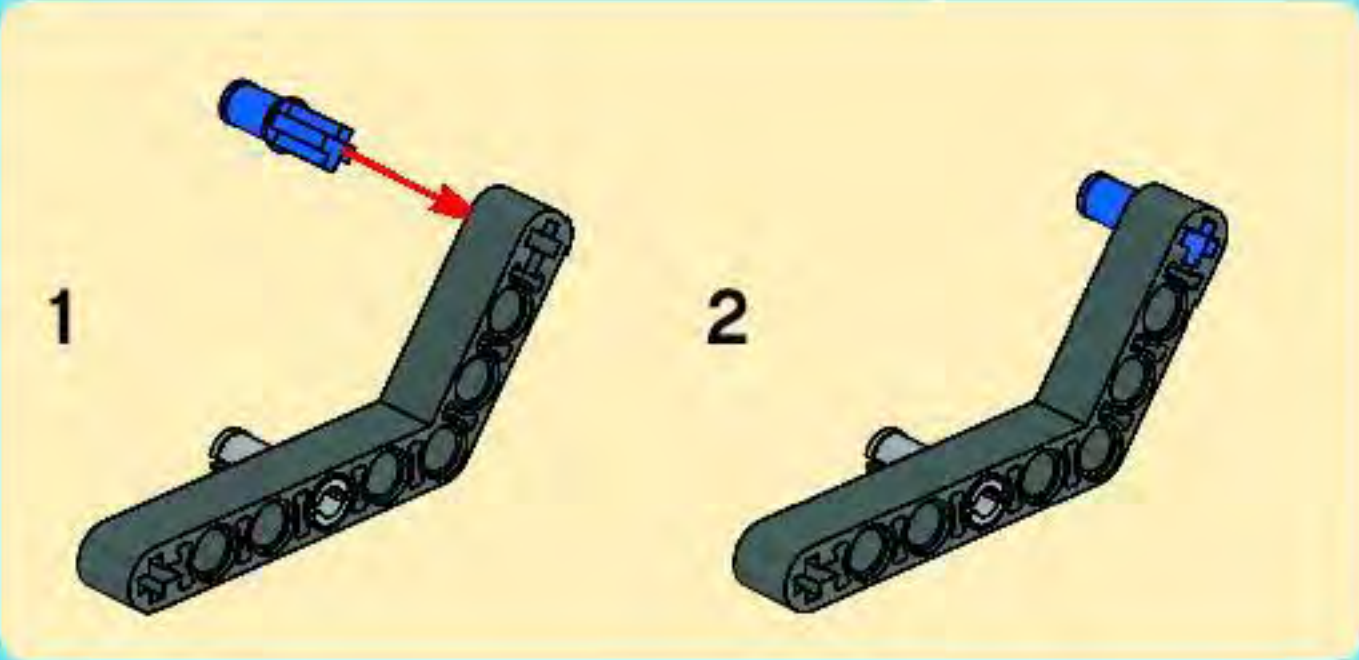
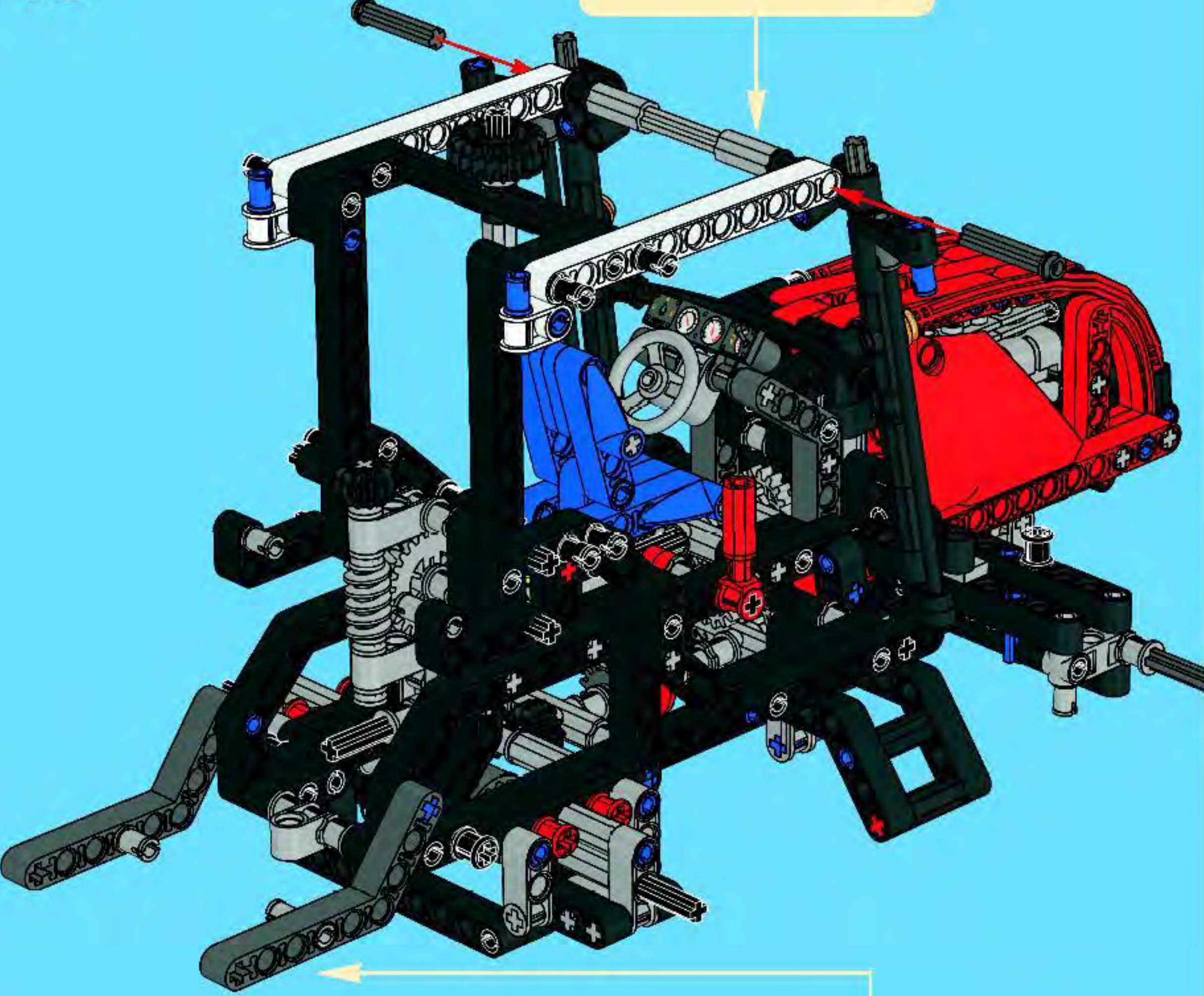


47



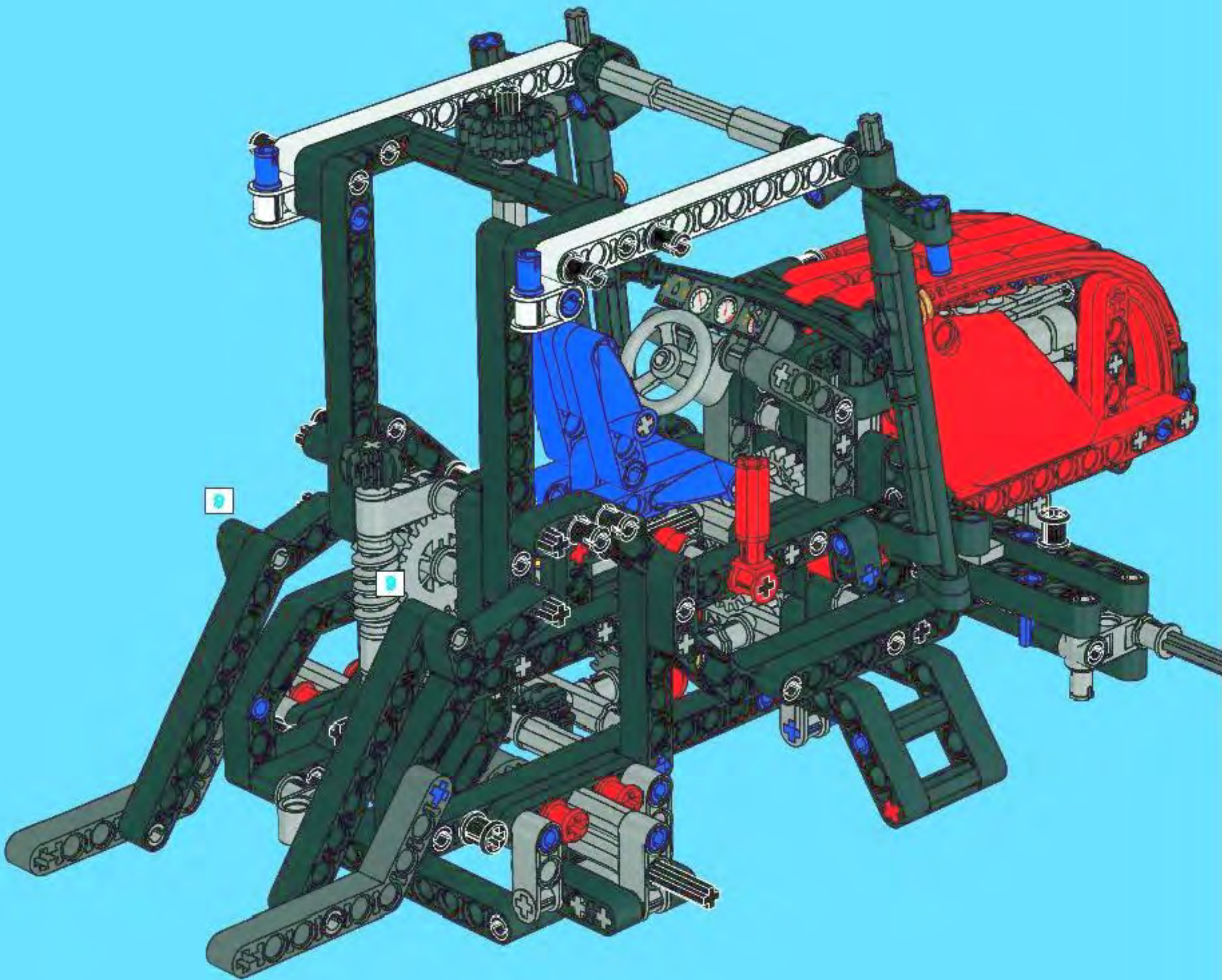


48



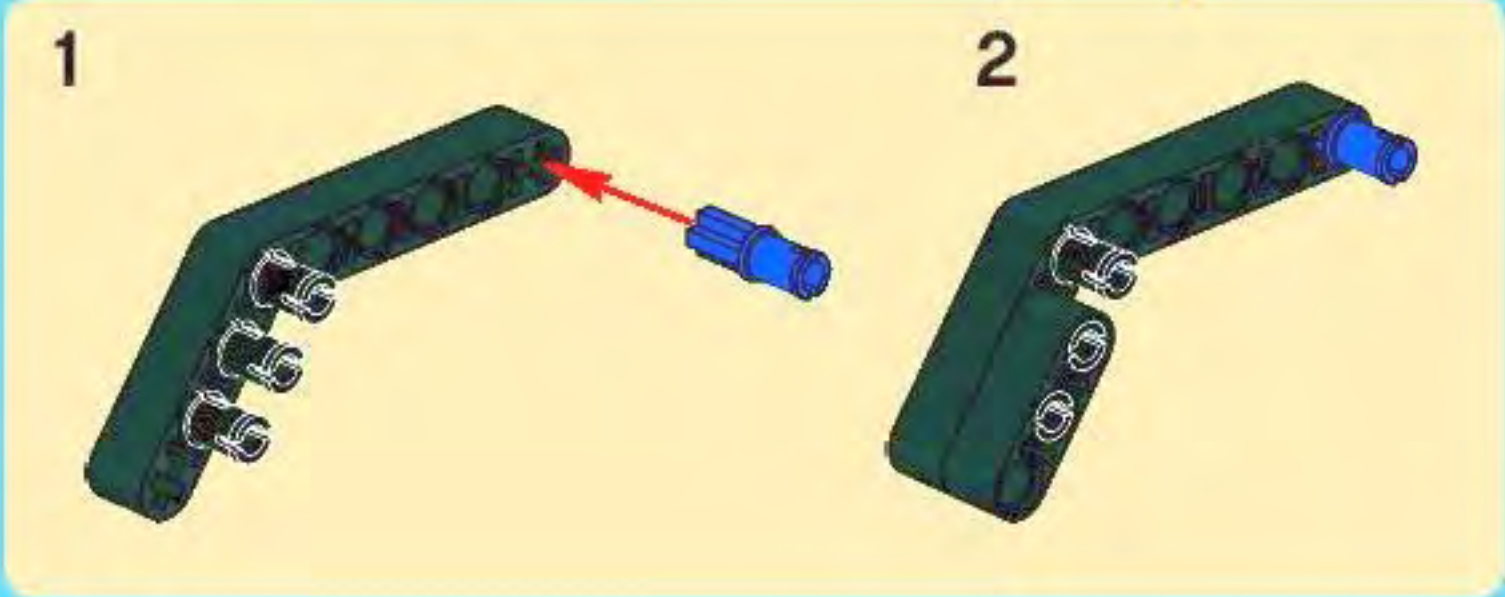
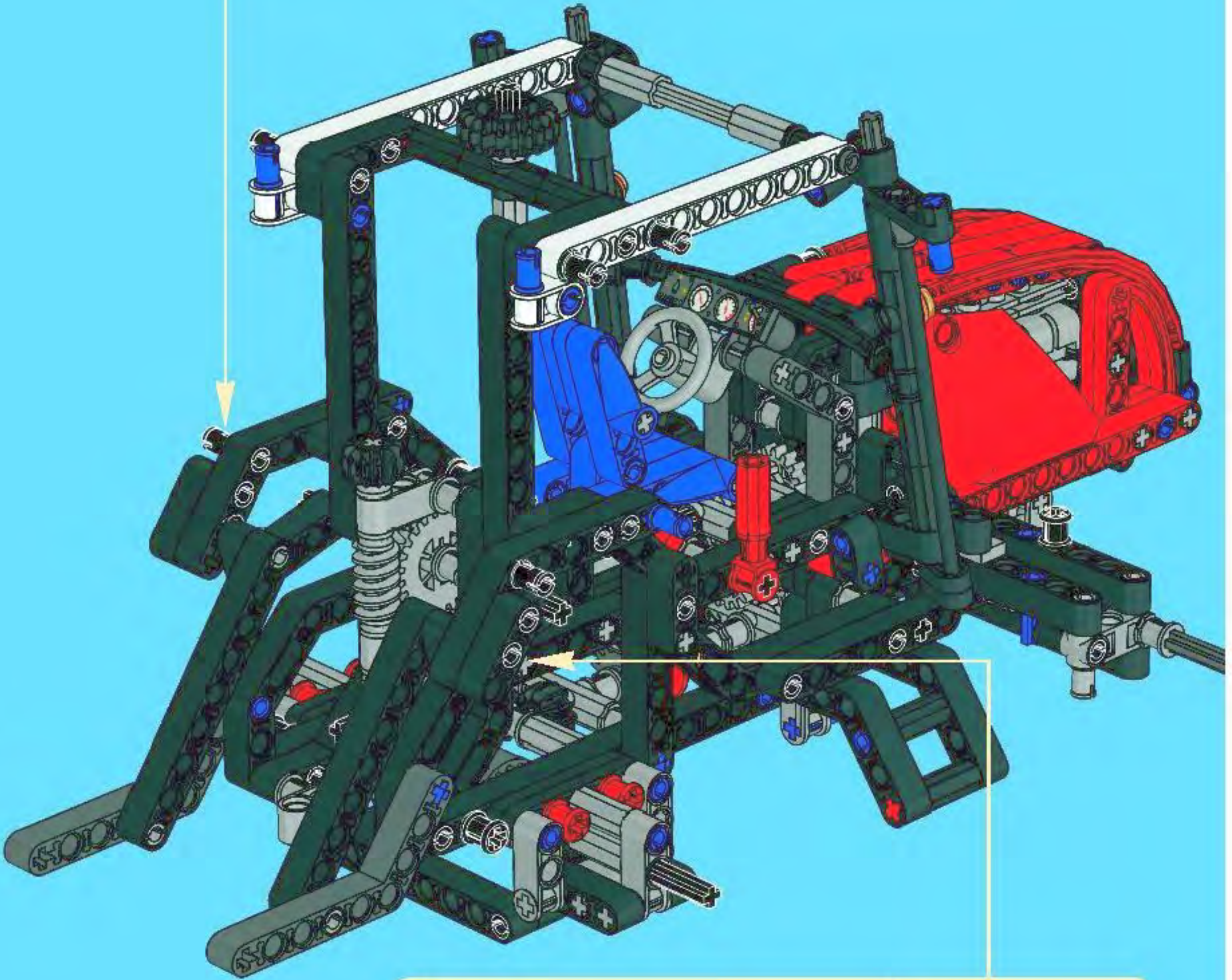
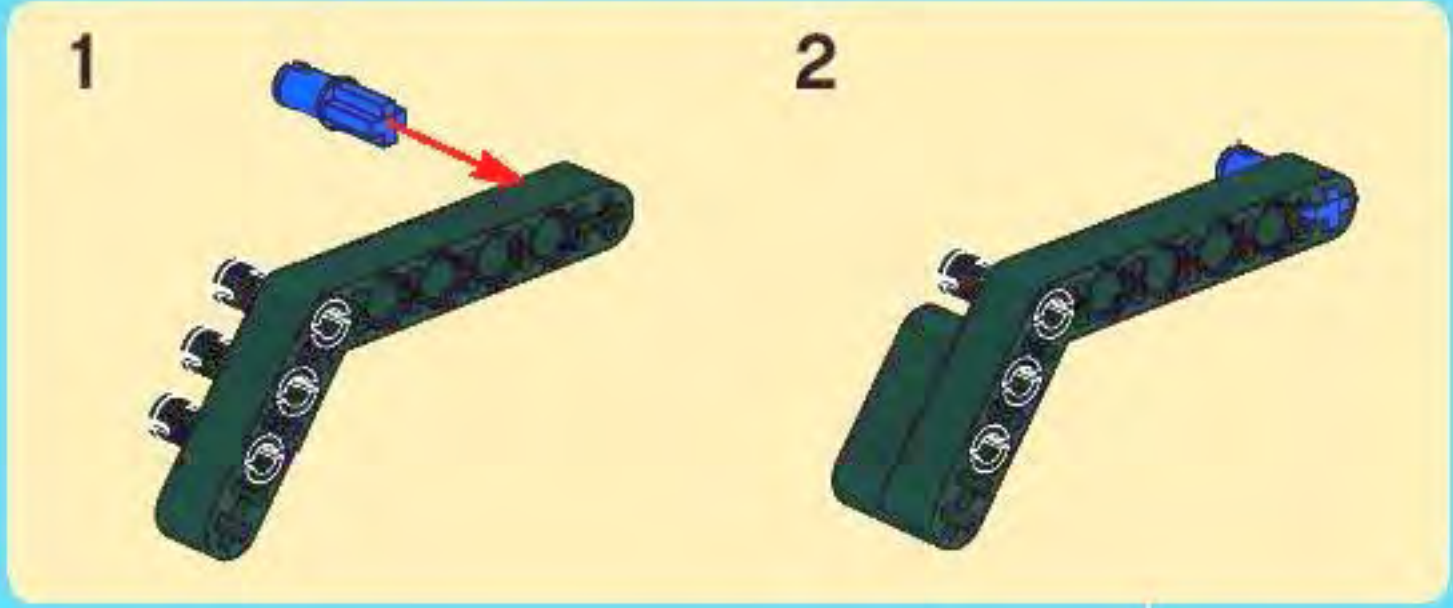


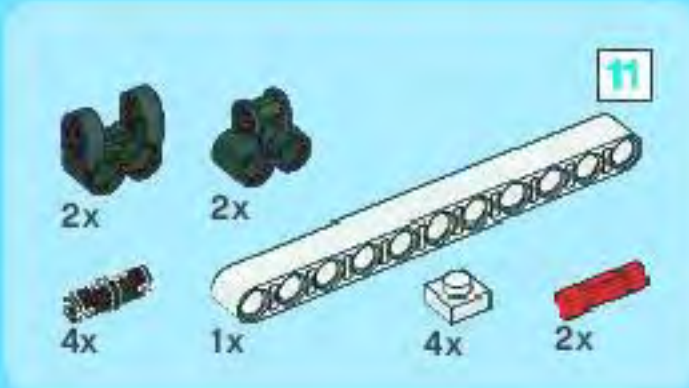
49



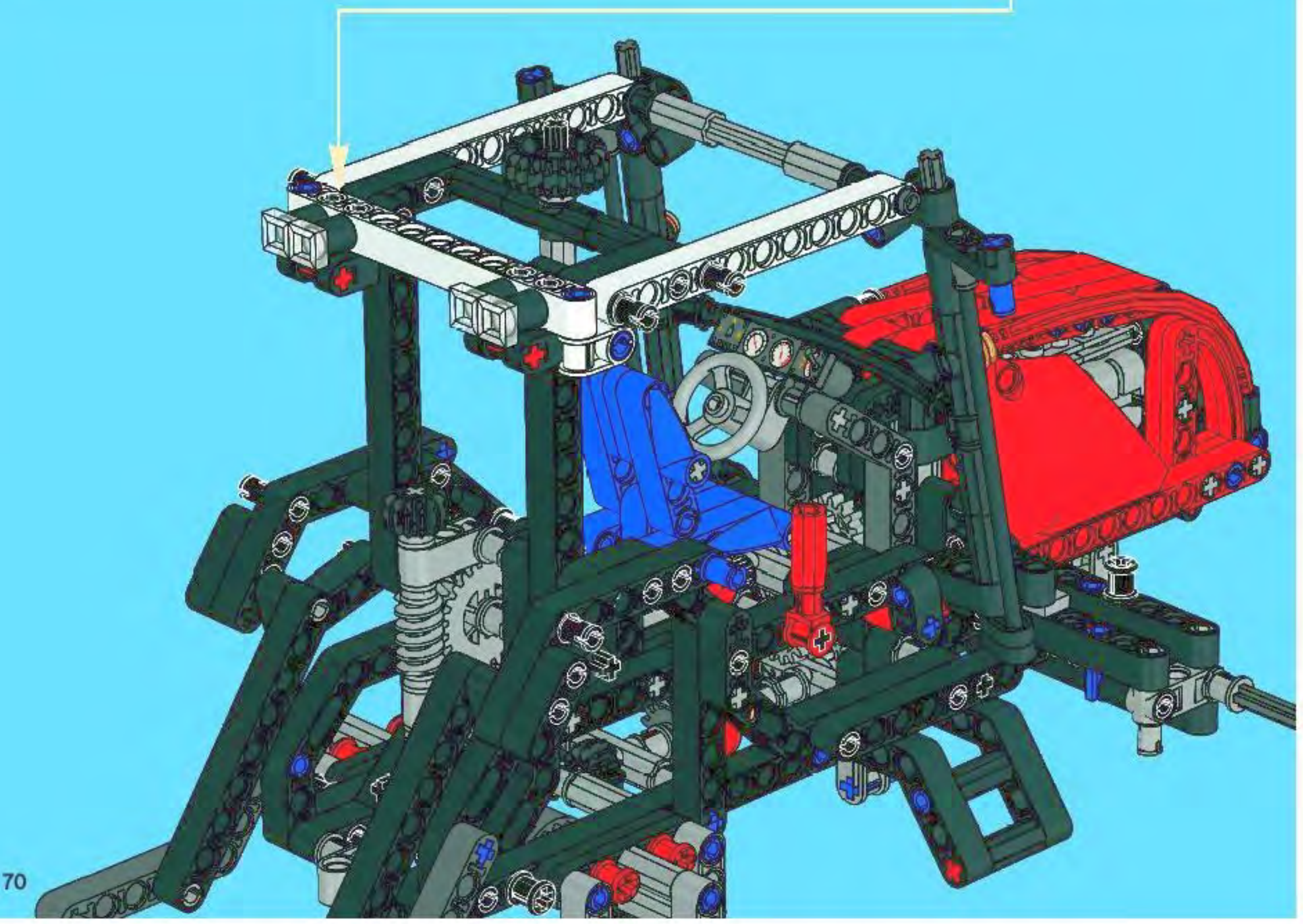
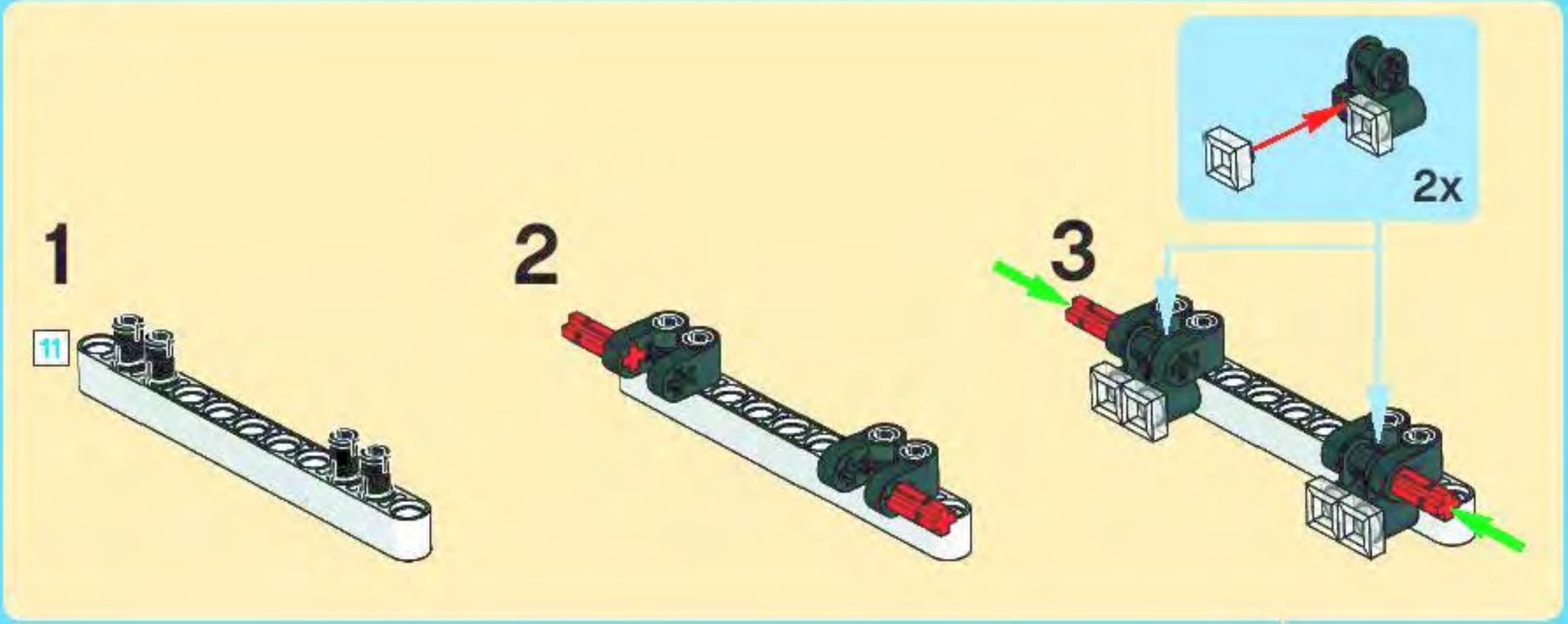


50

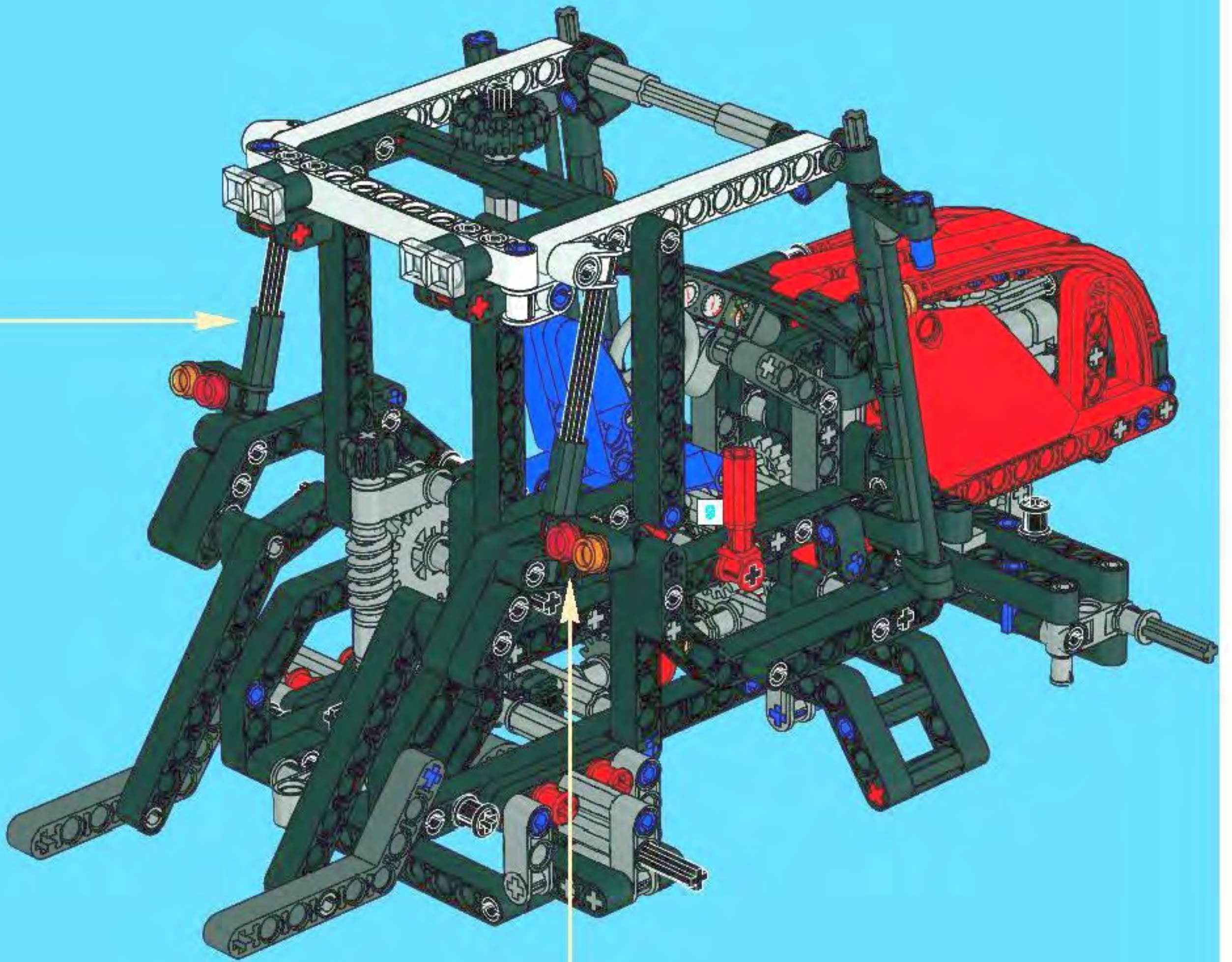


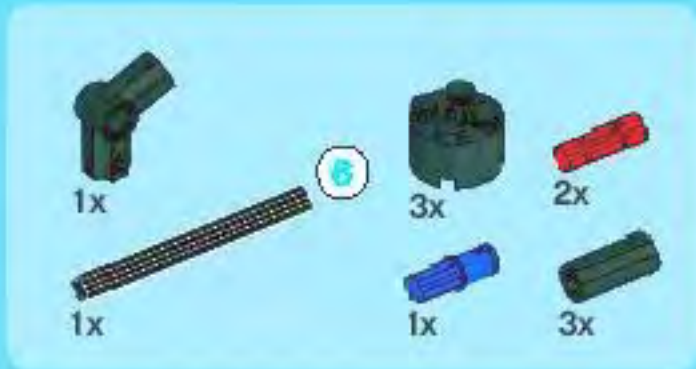


# 51

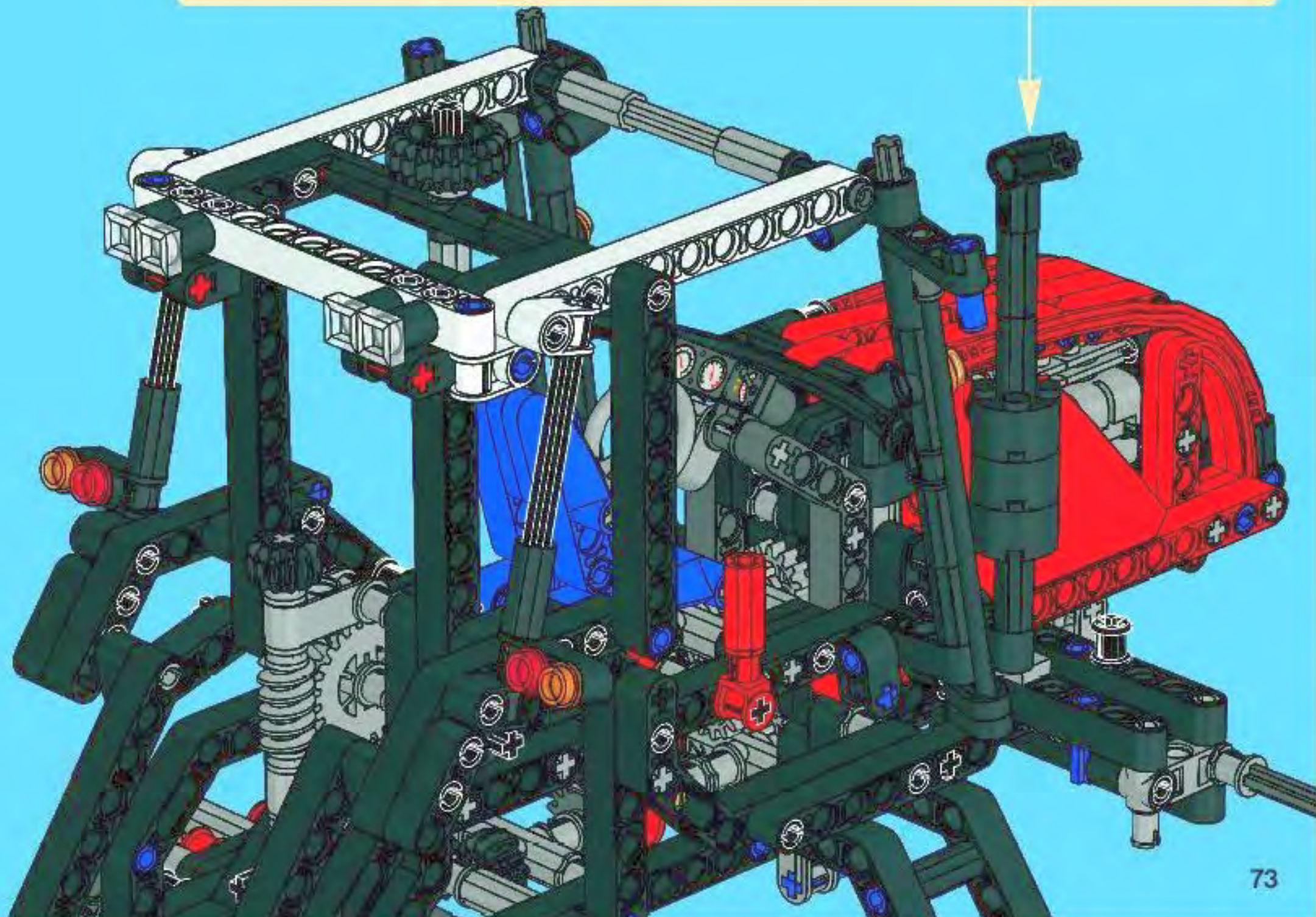
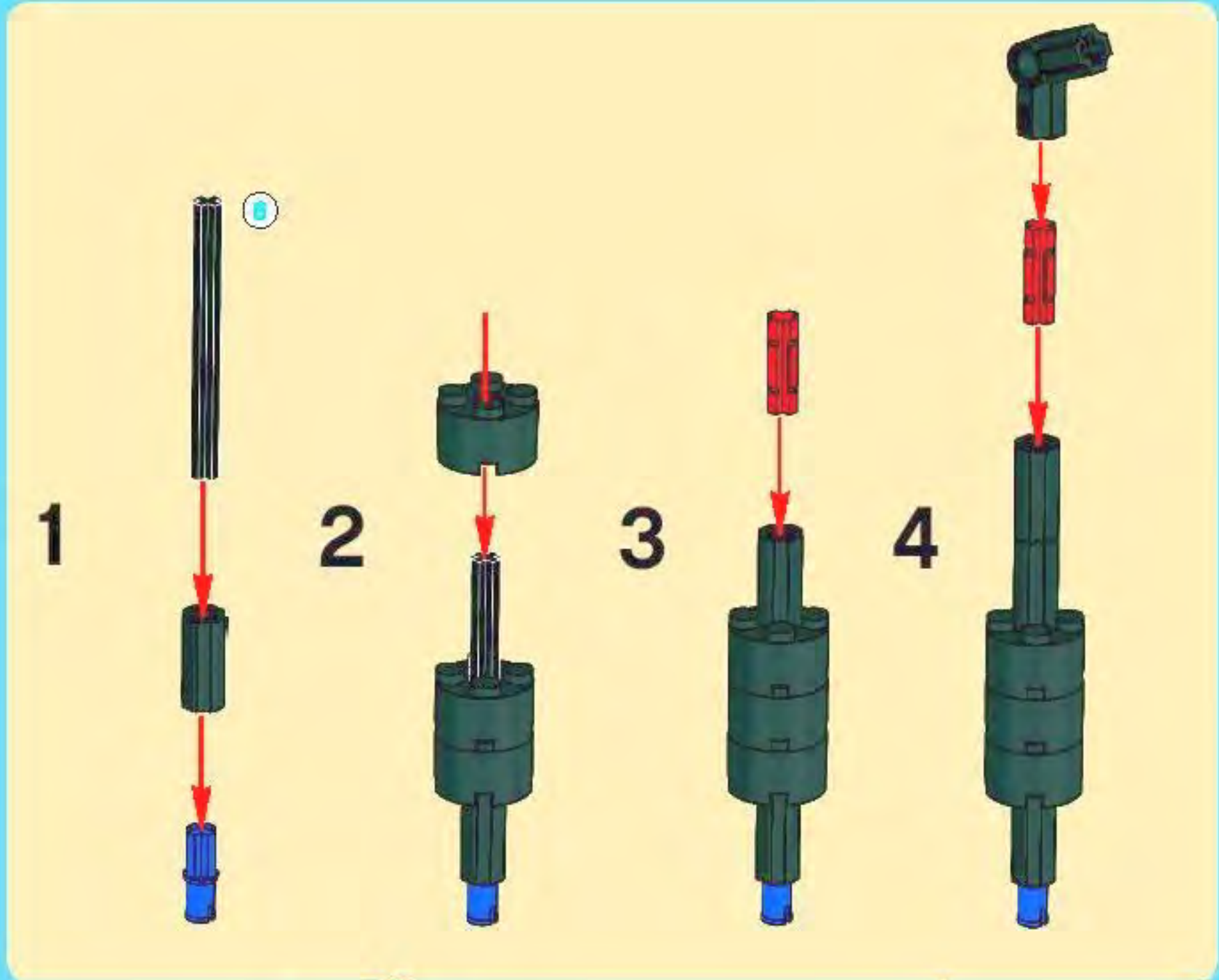




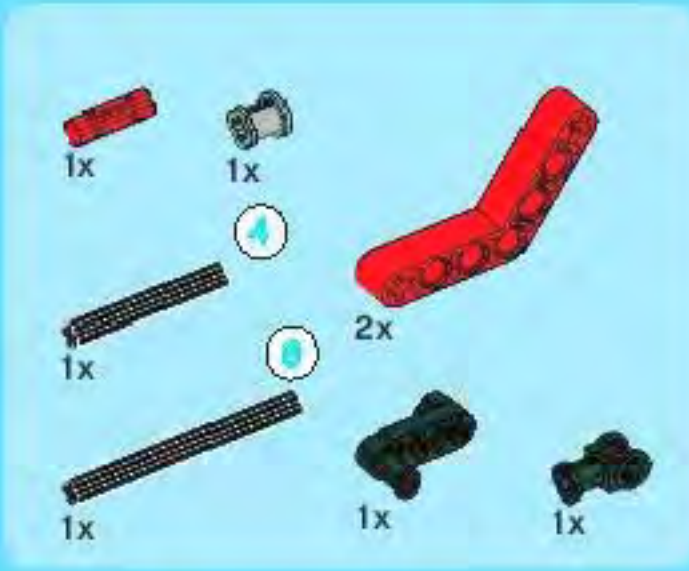




53





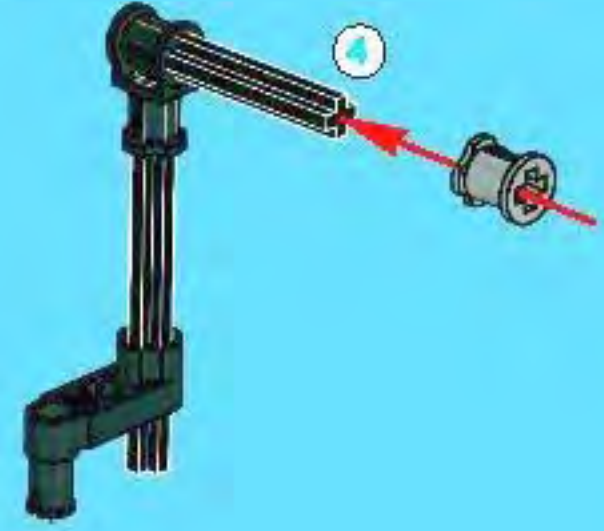


# 54

1



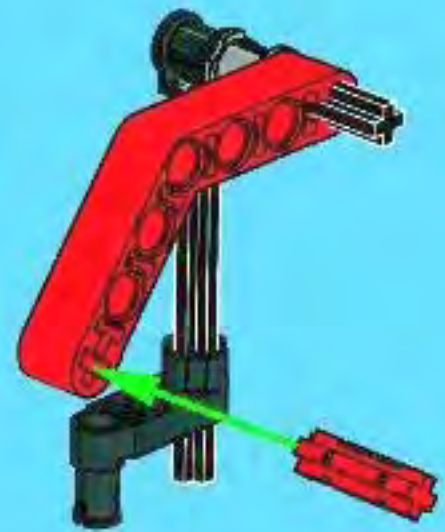
3



2

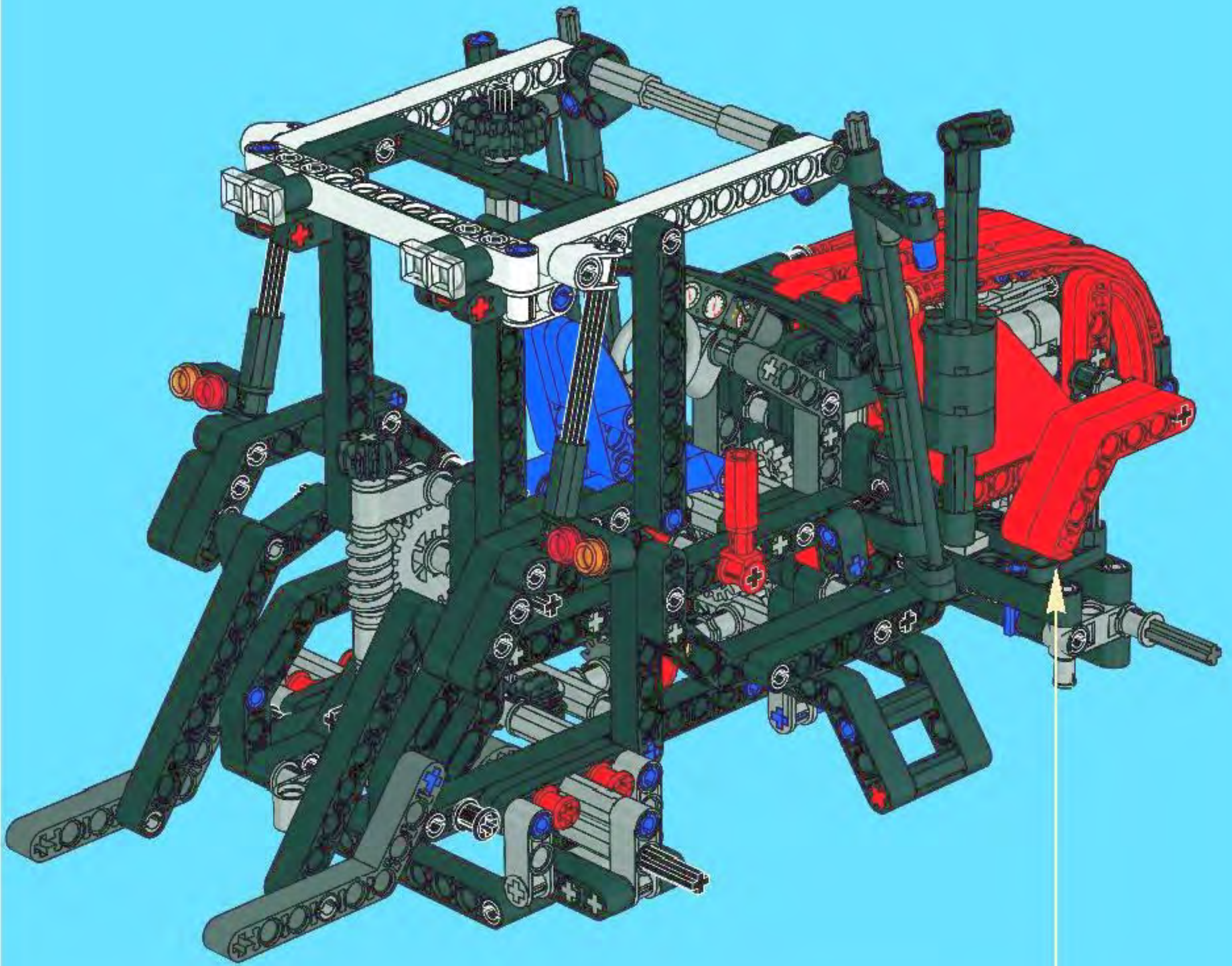


4

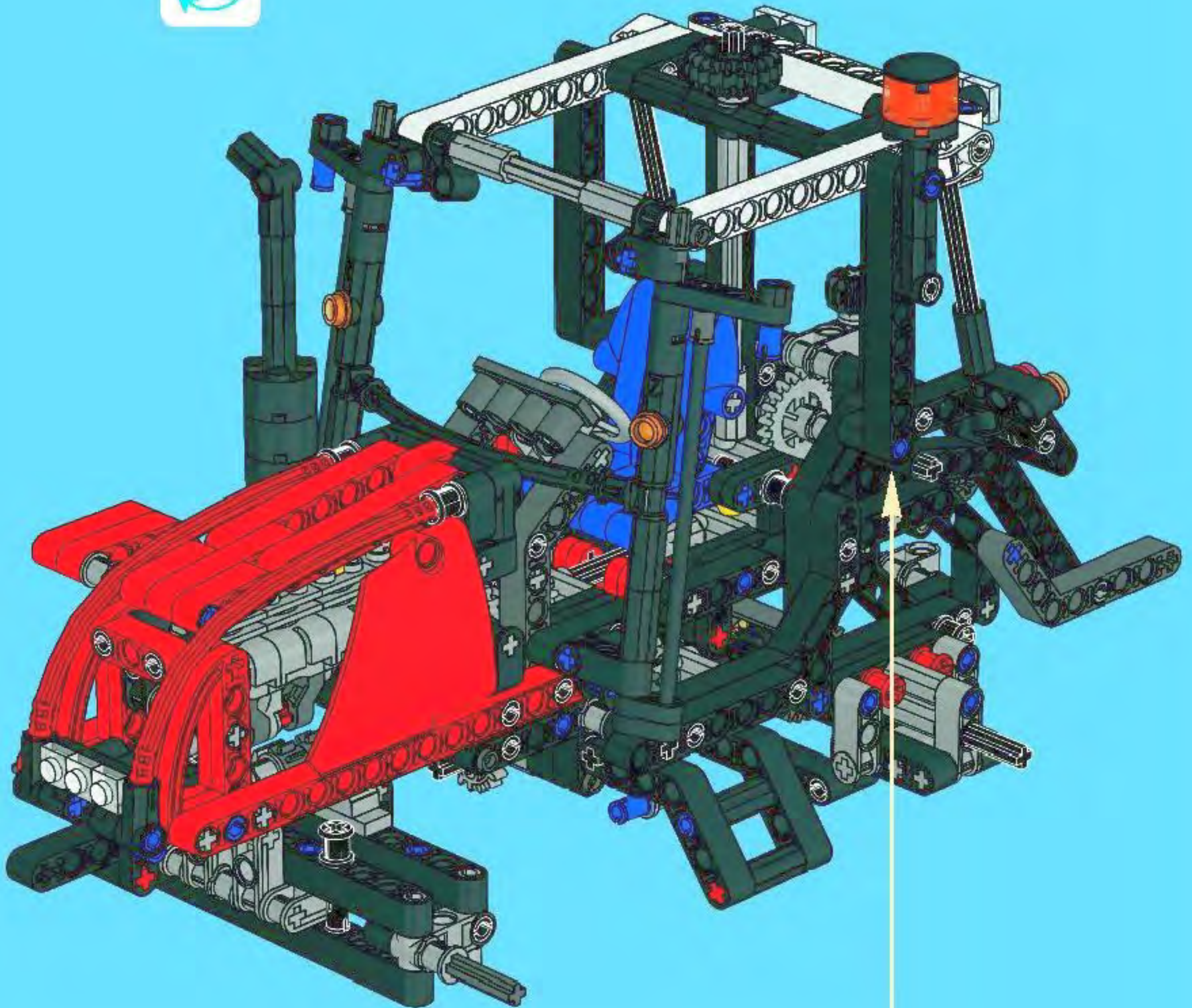


5



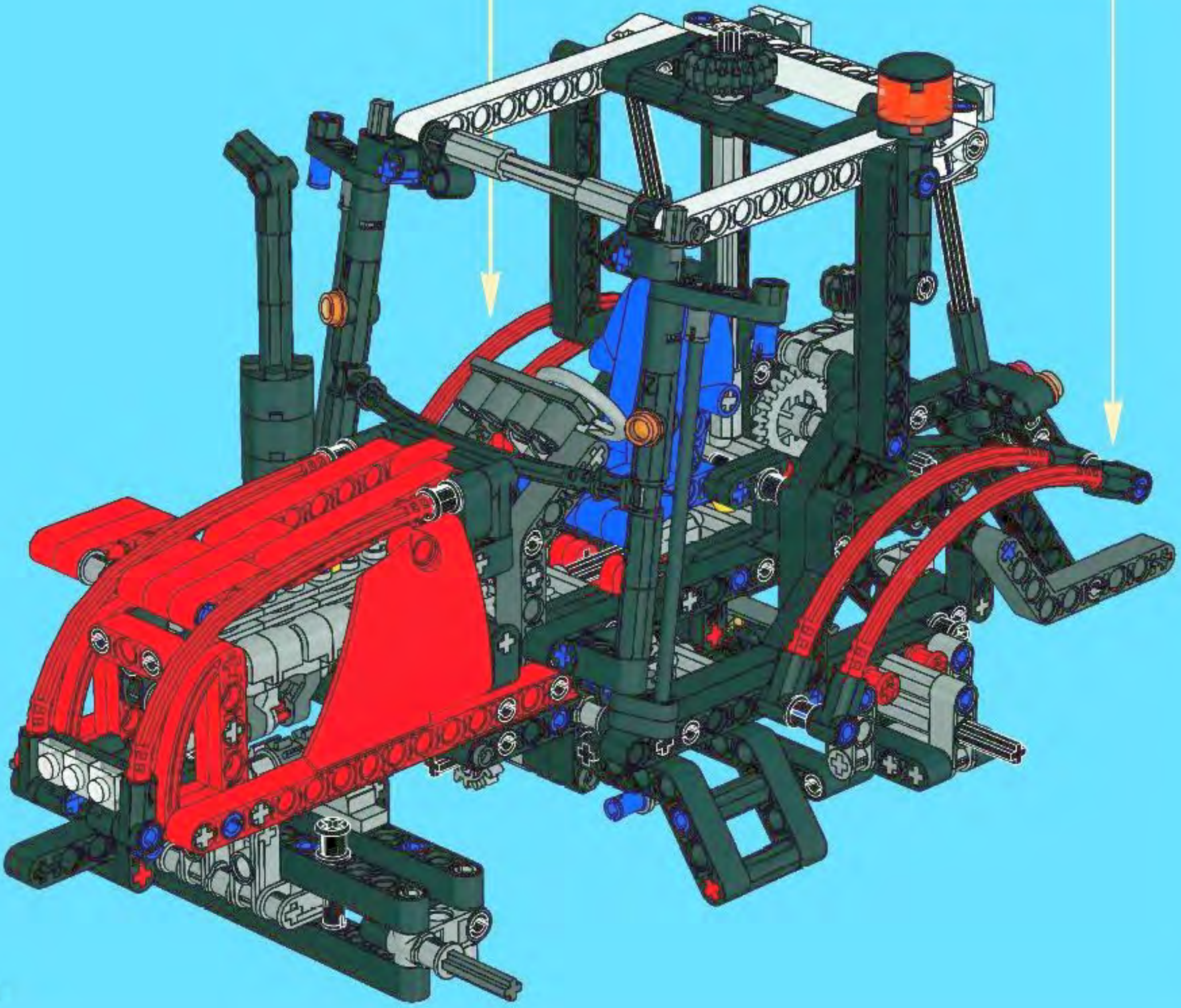
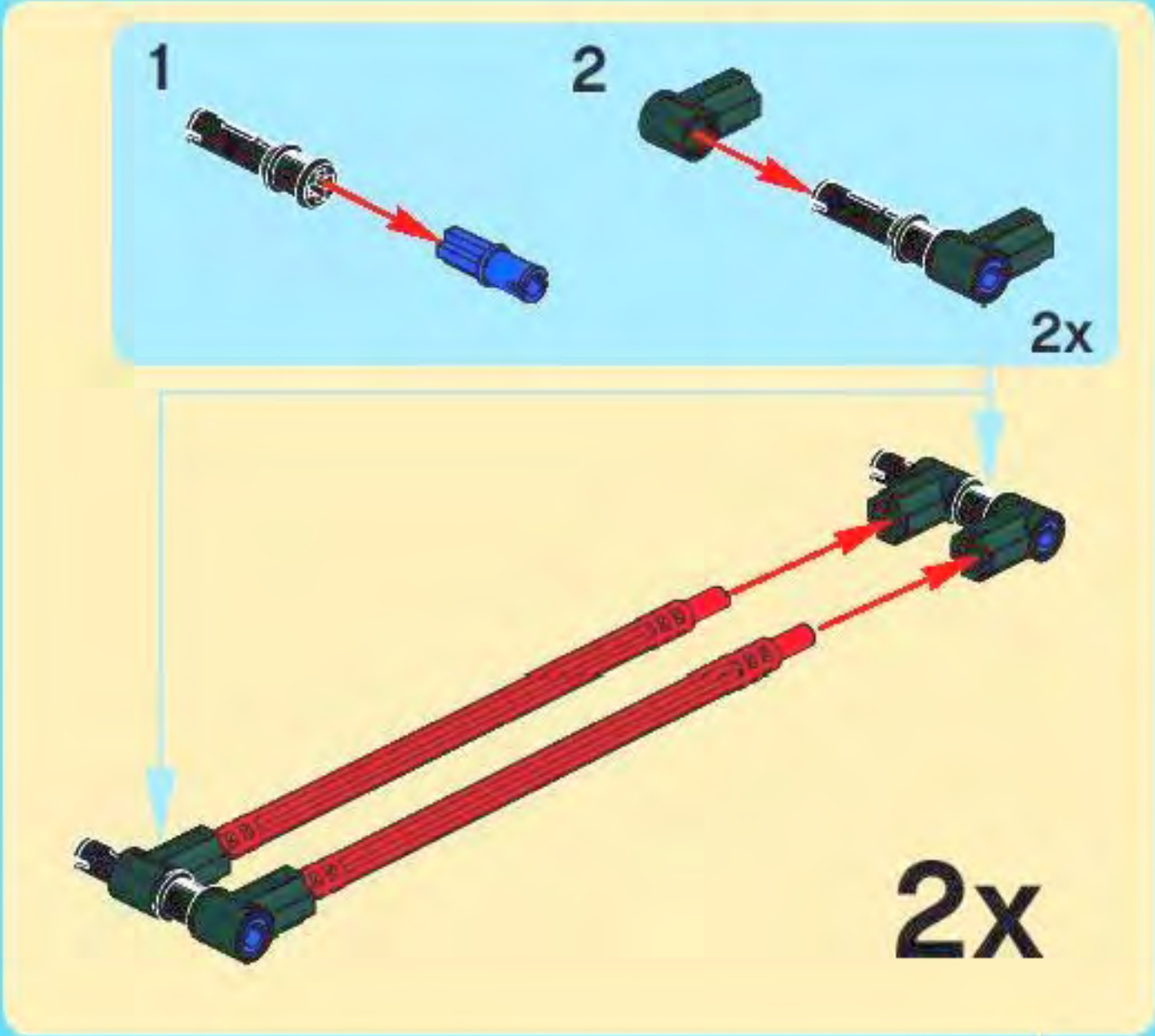


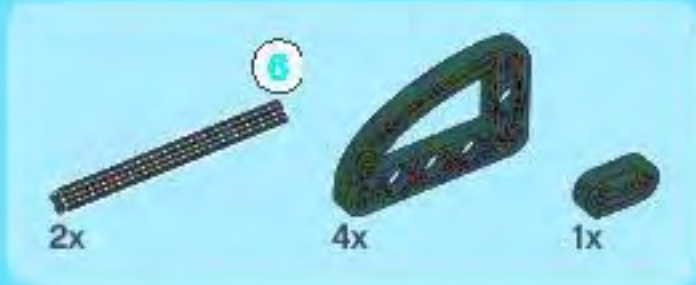




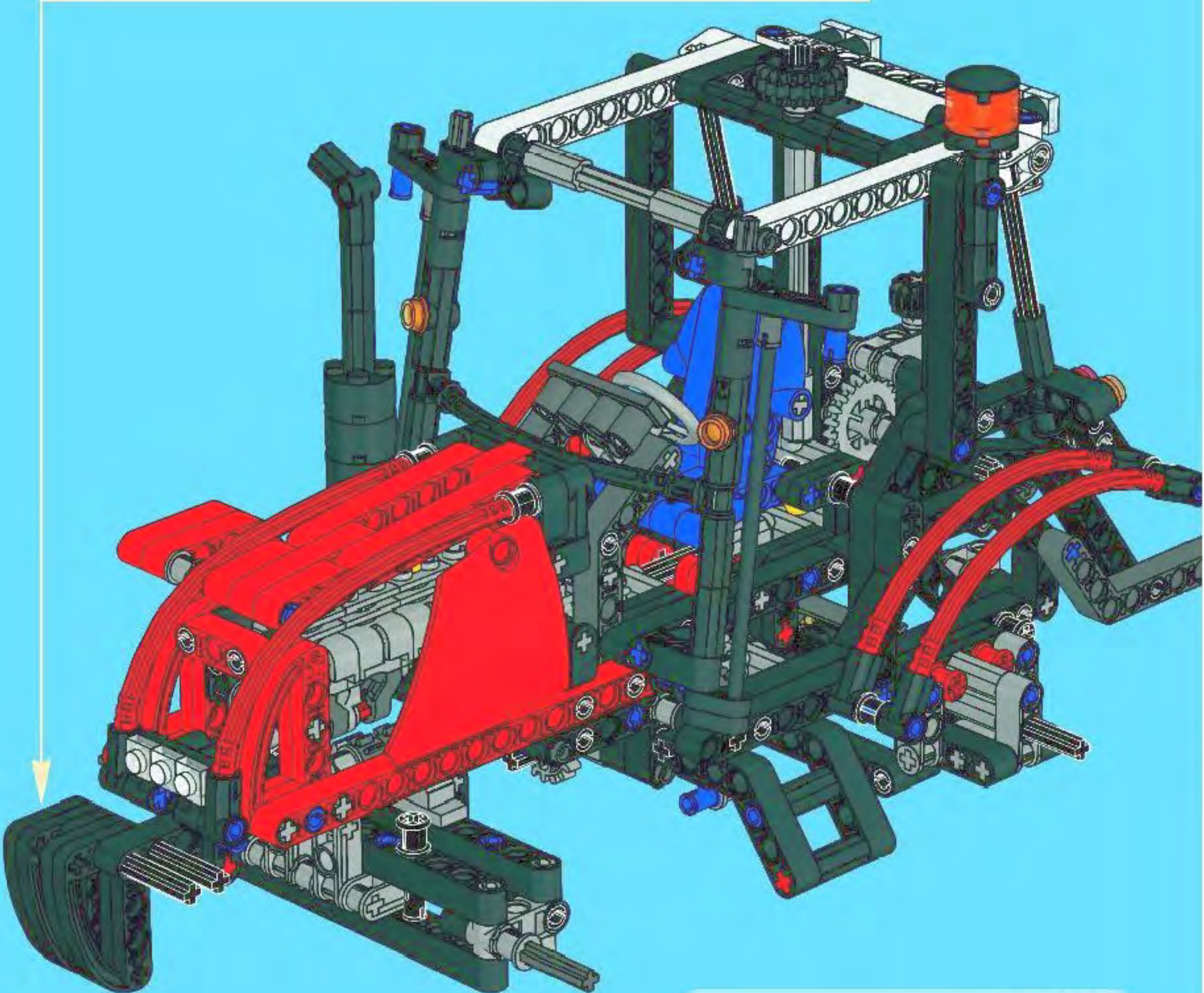
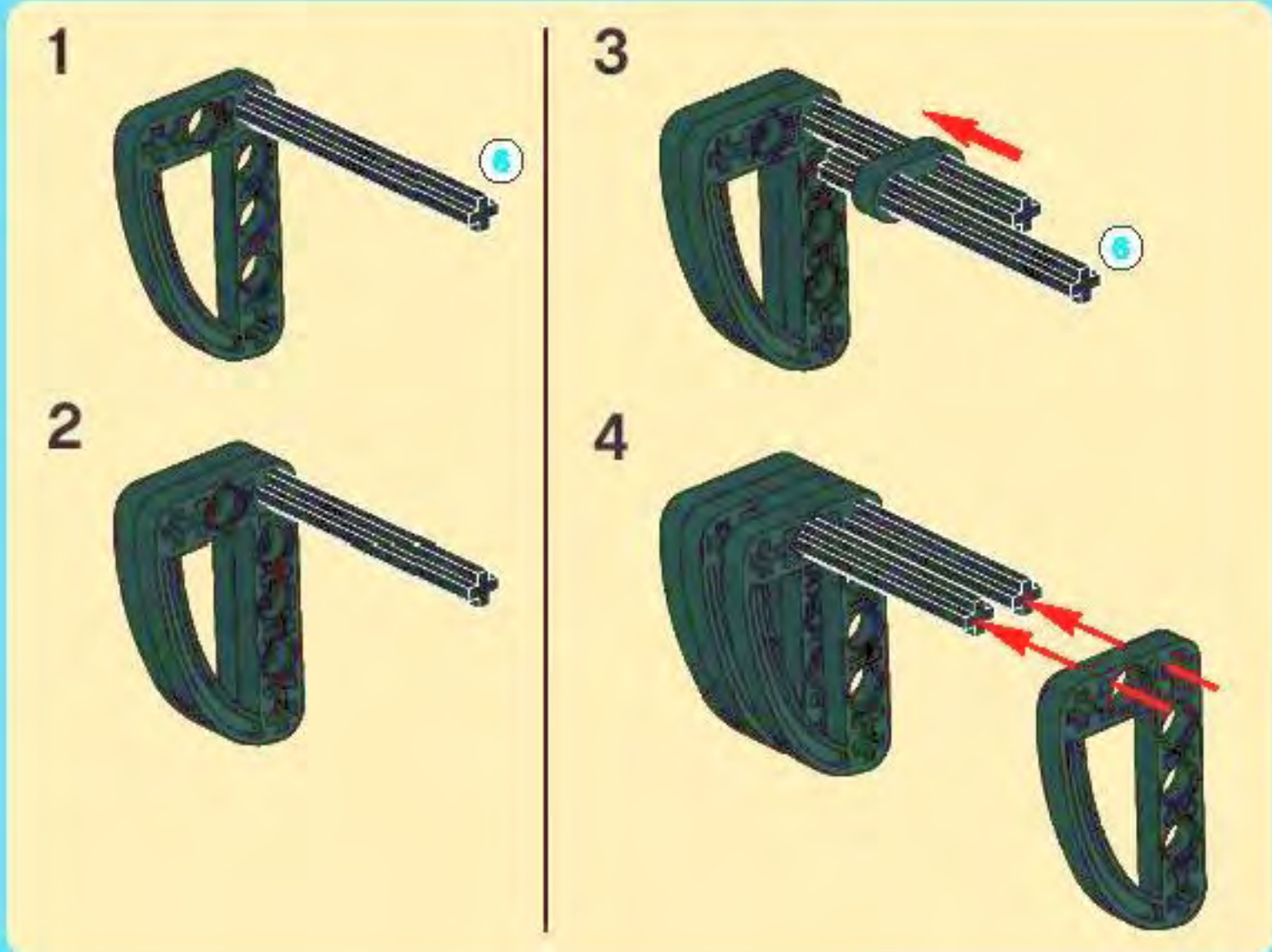


# 56



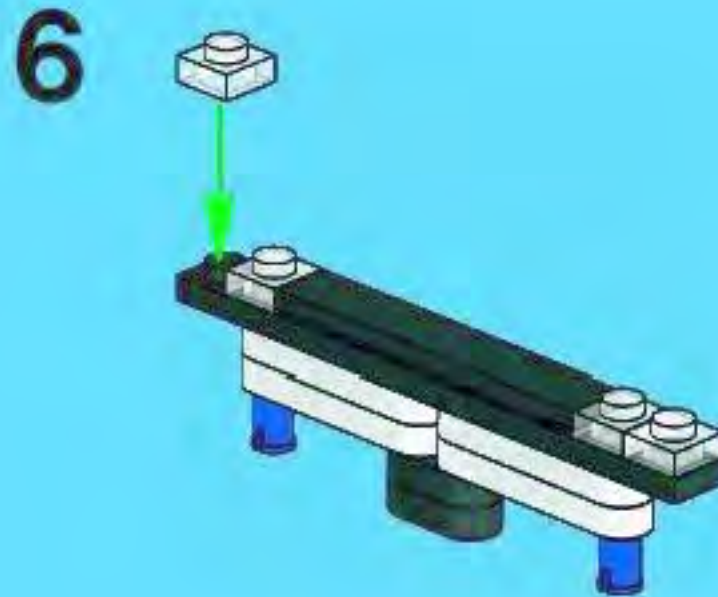
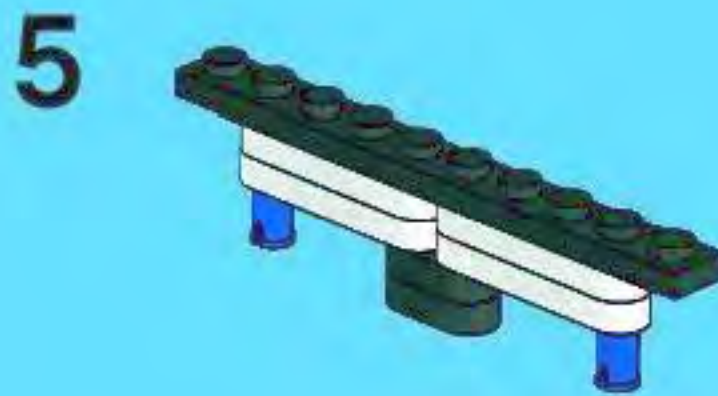
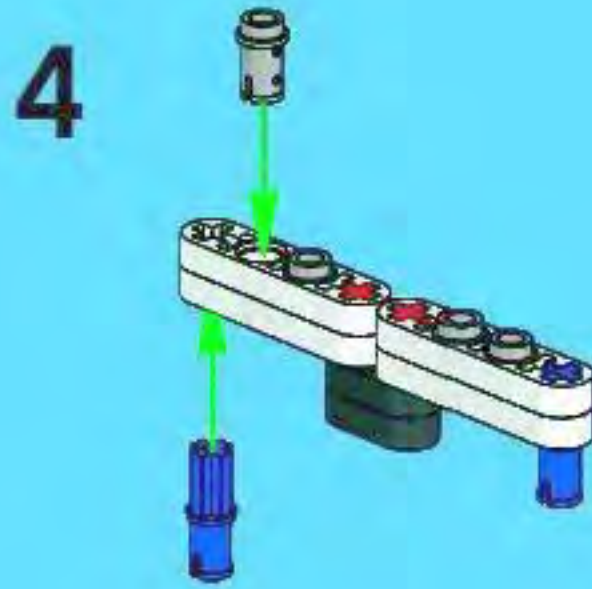
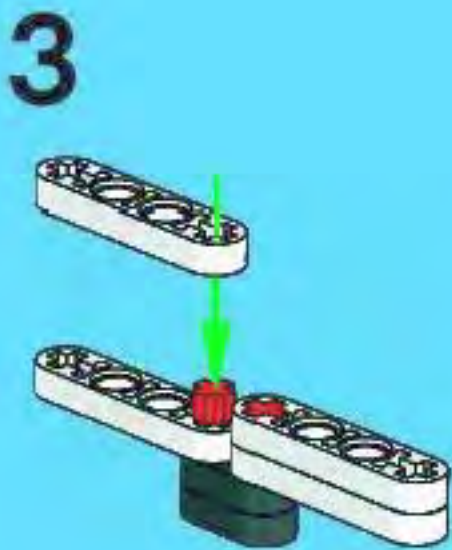
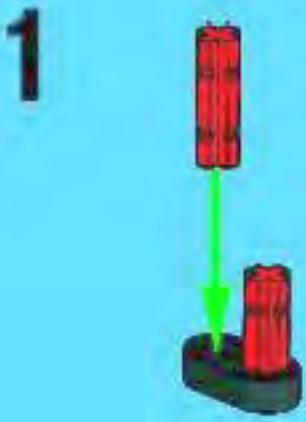


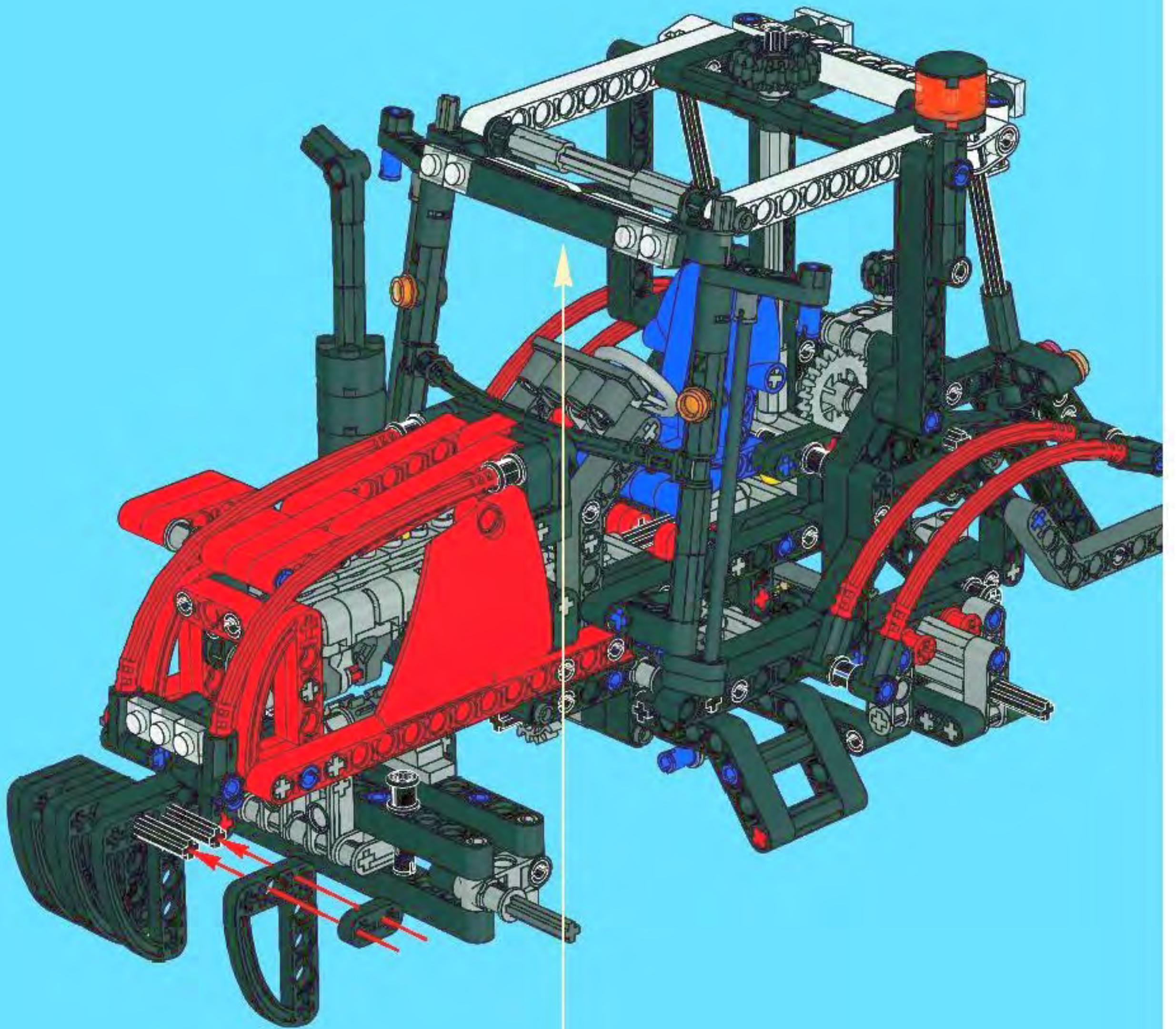
57





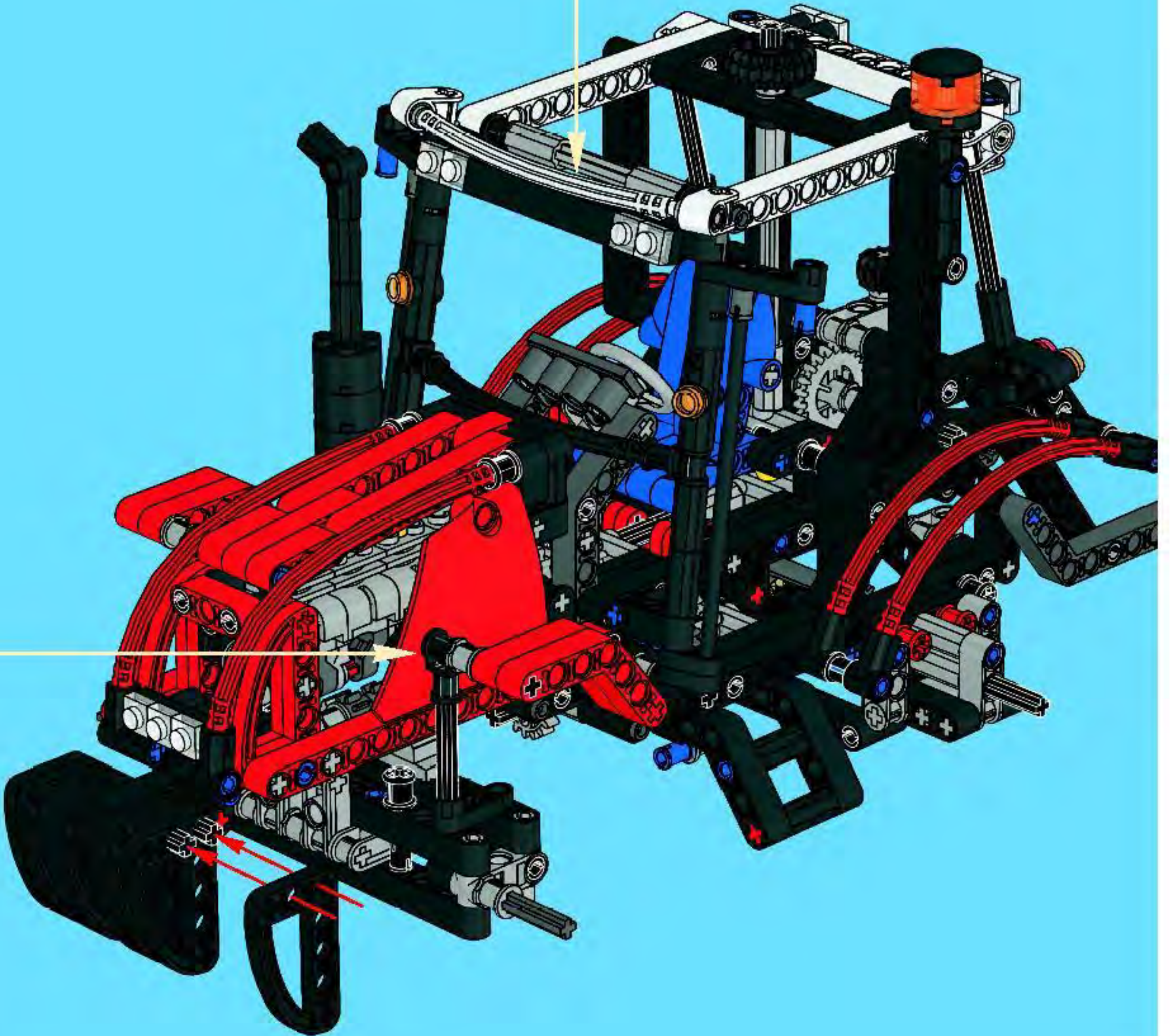
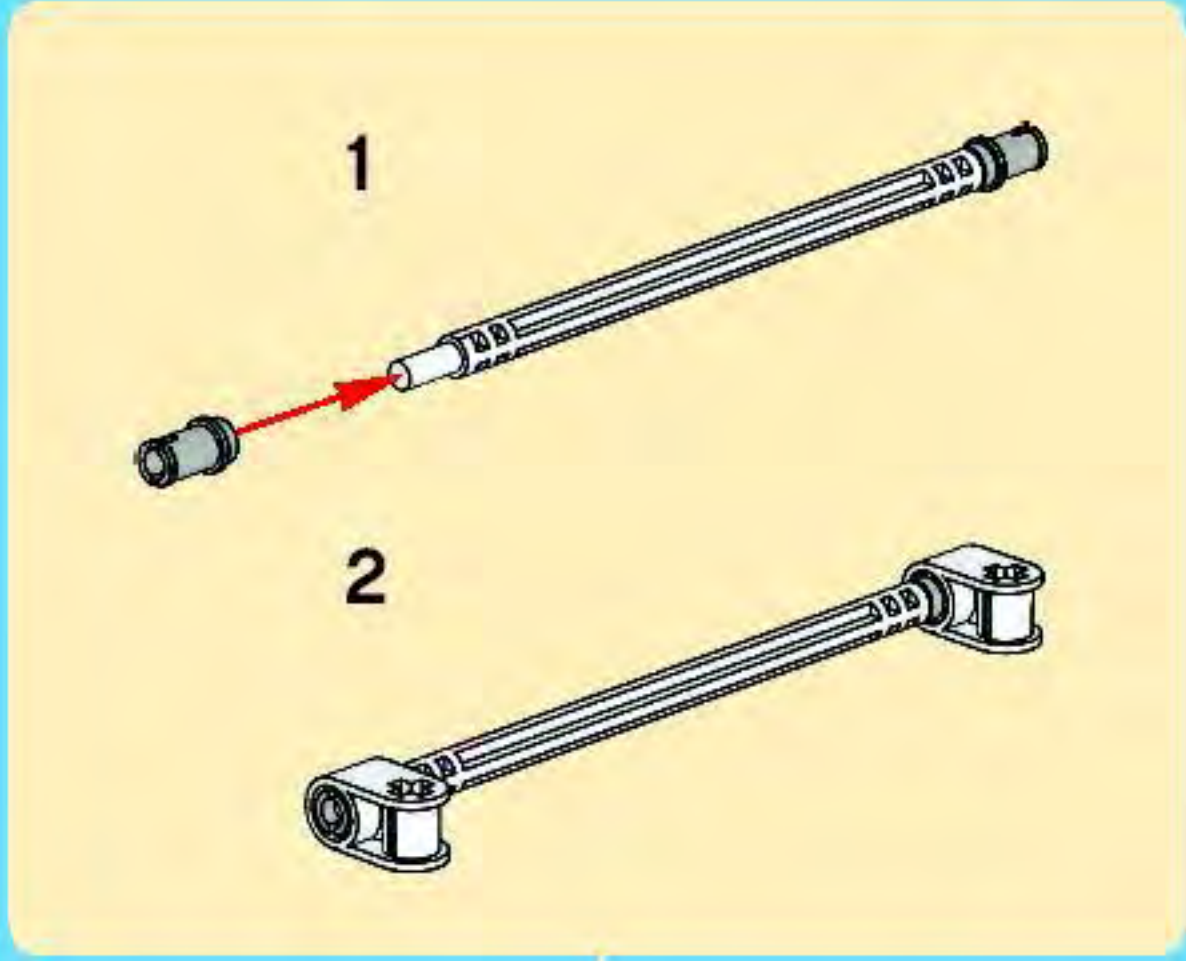
# 58











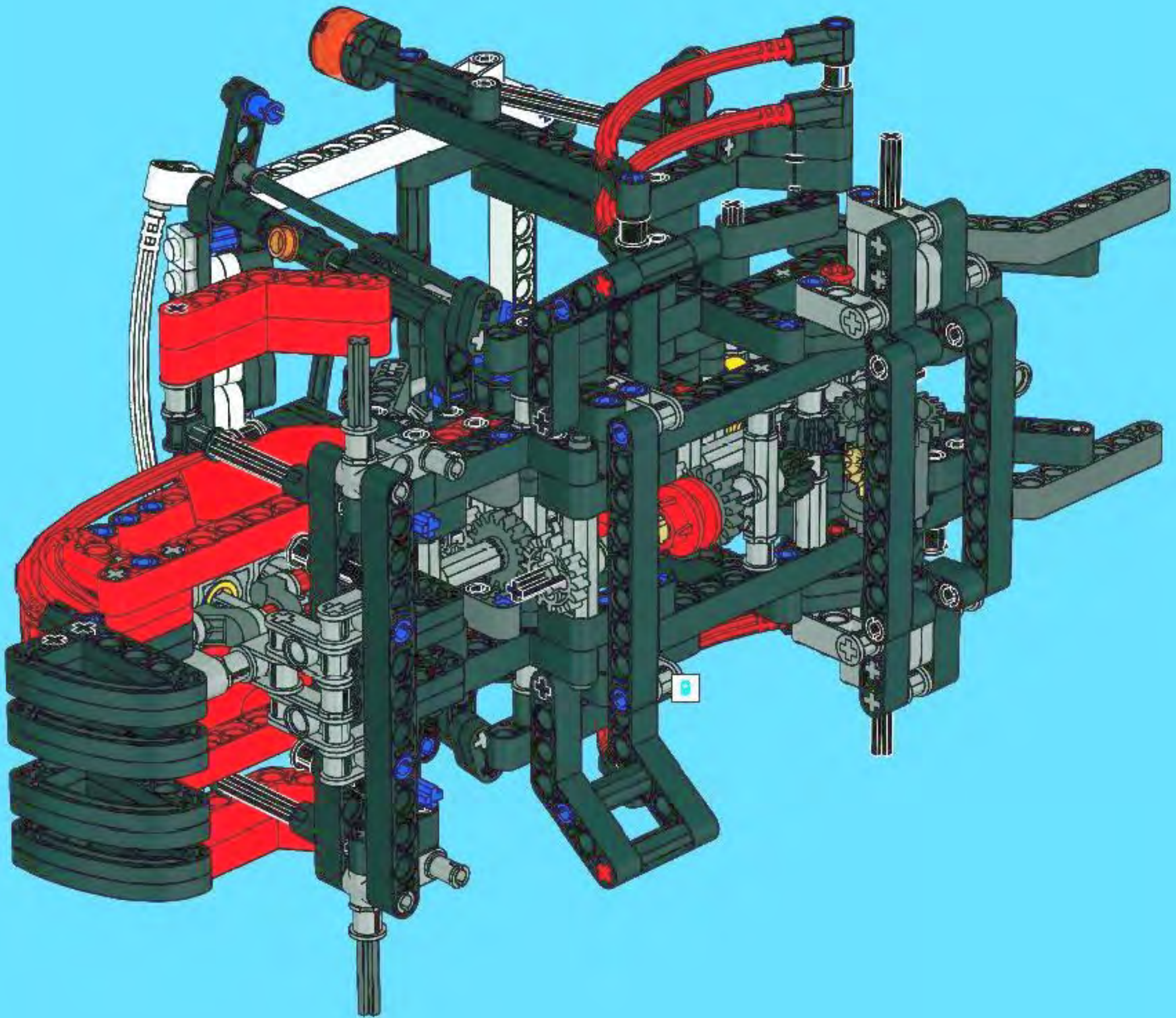


1x



1:1

60





2x

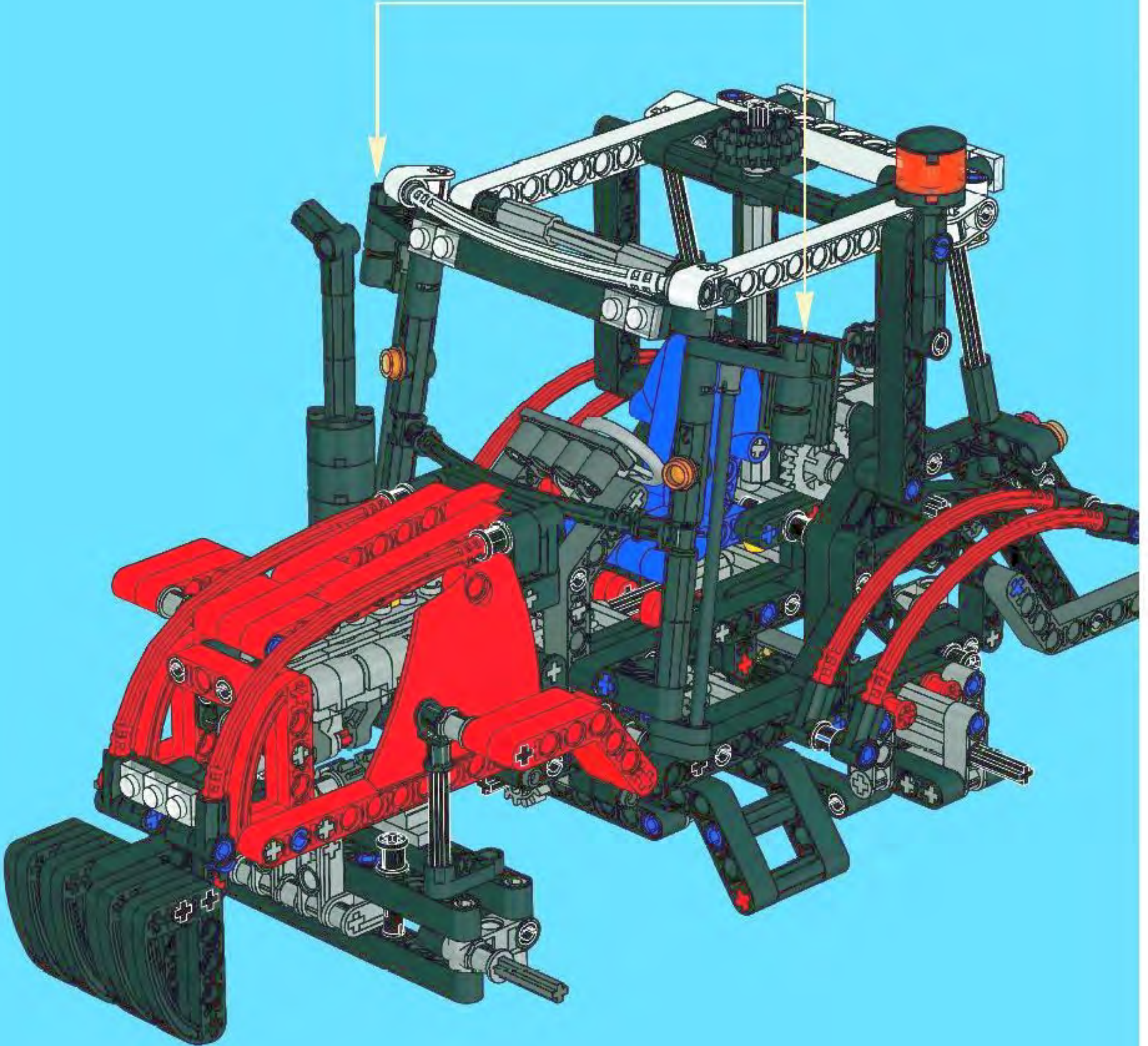
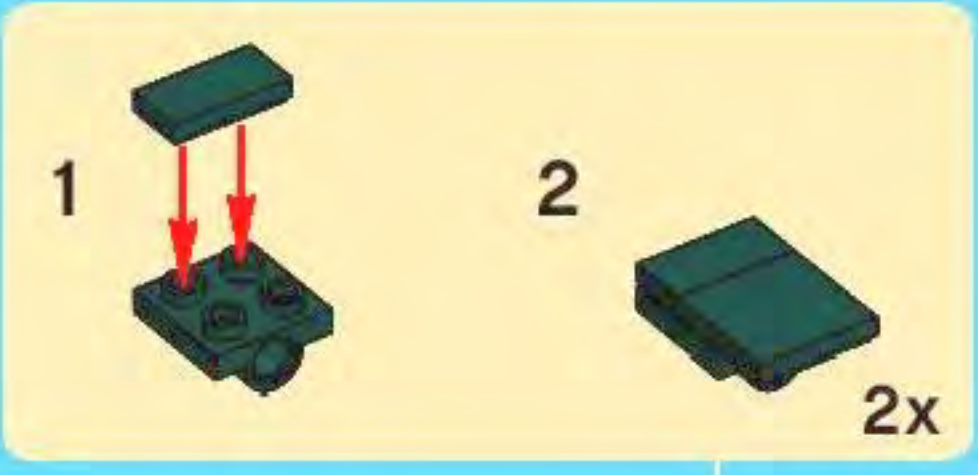


2x

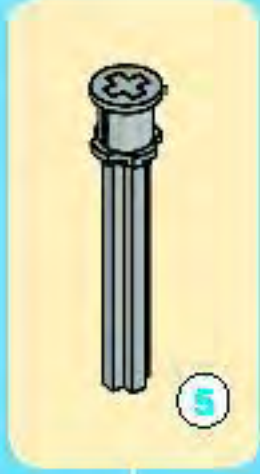


2x

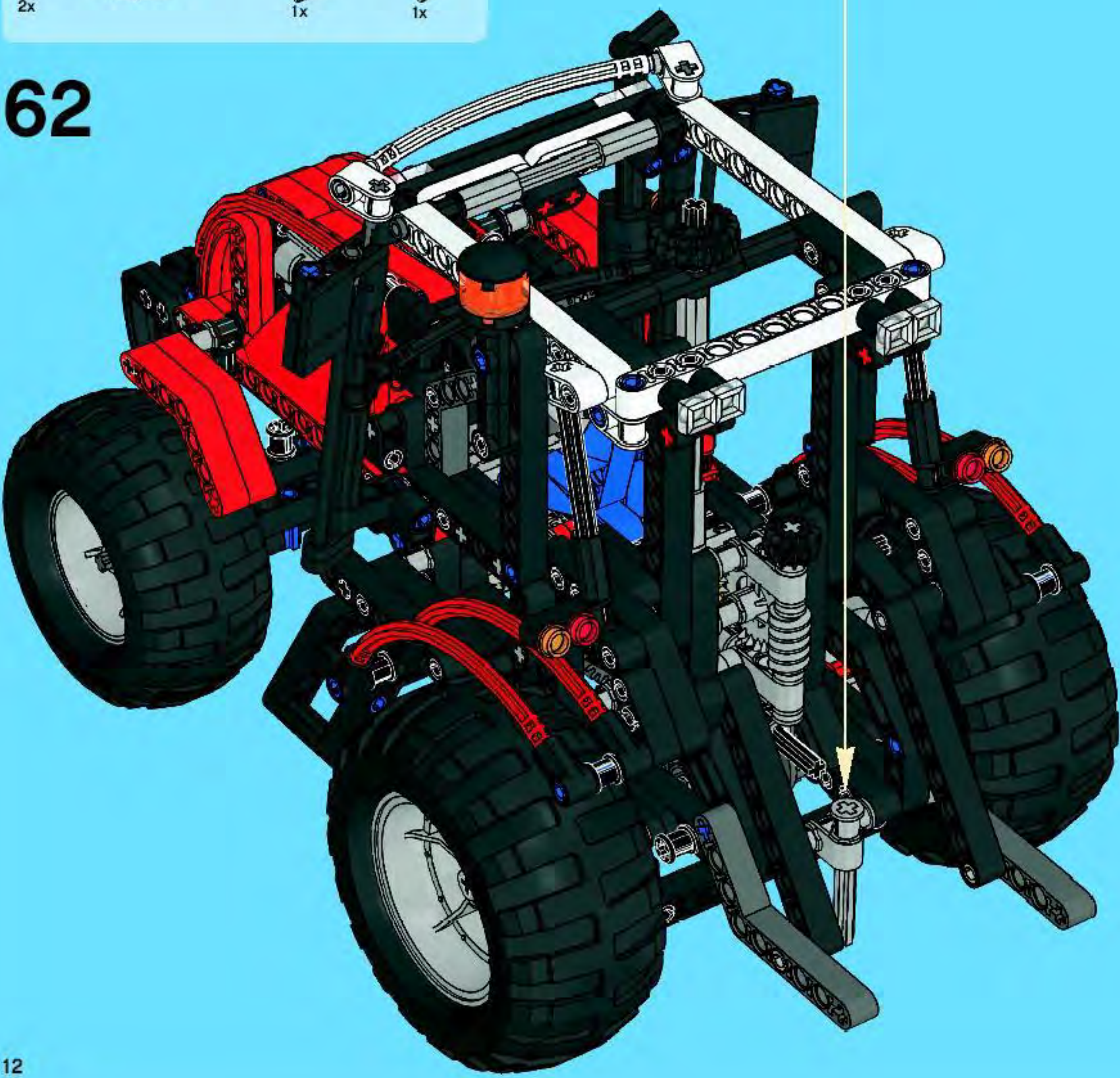
# 61

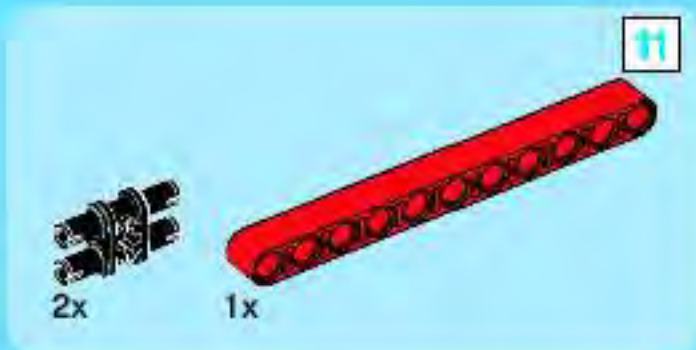
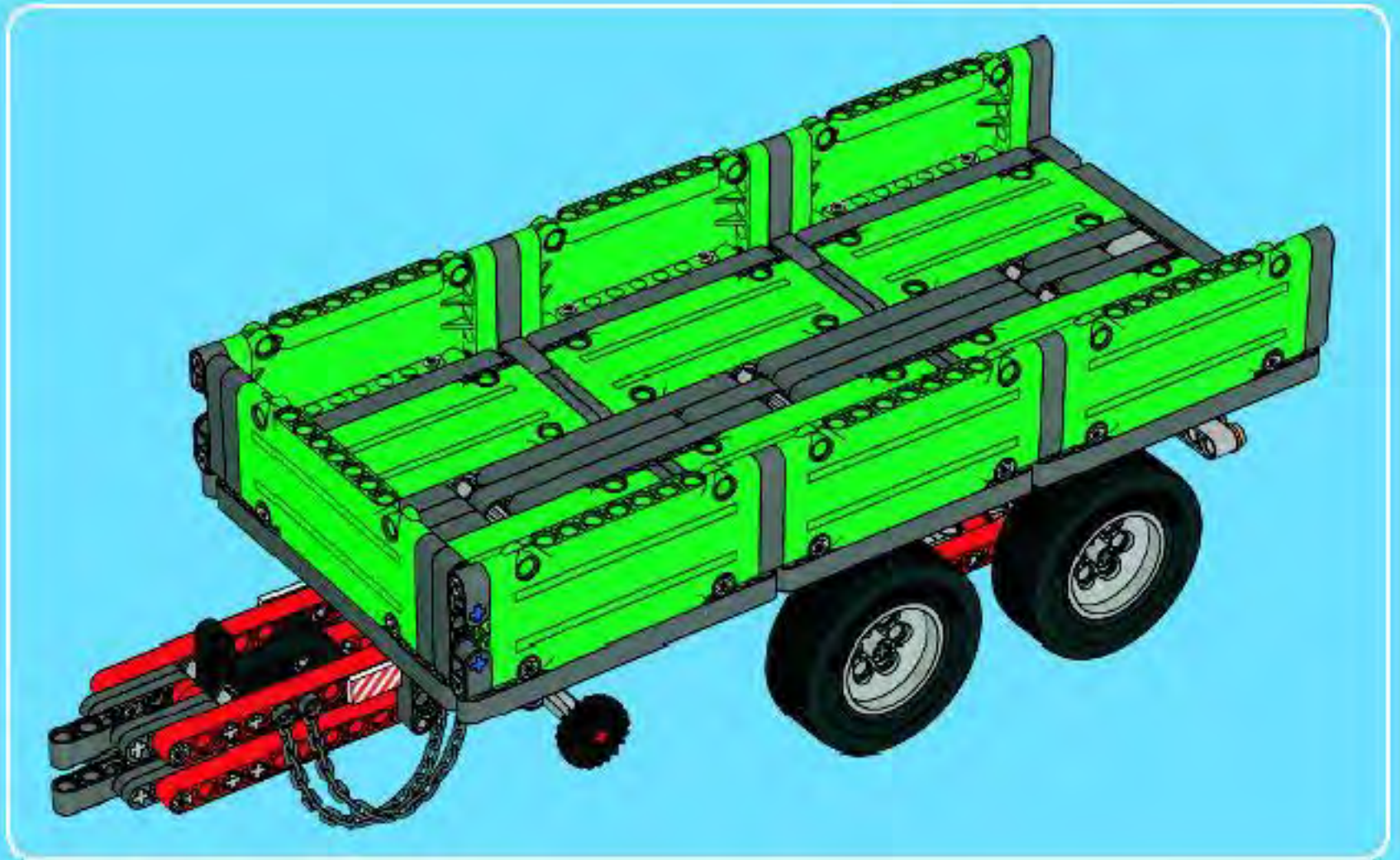


1:1

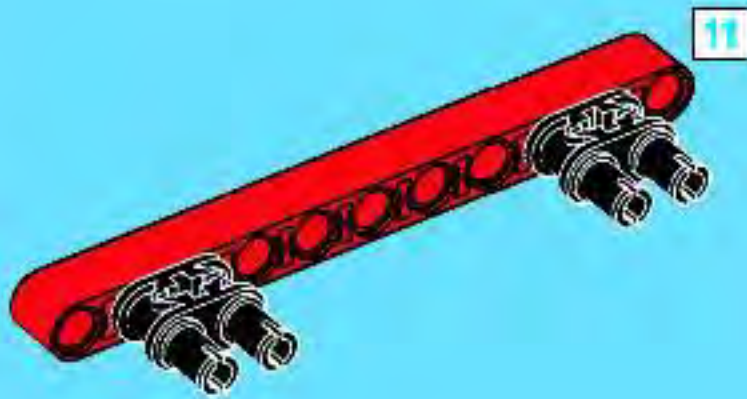


62

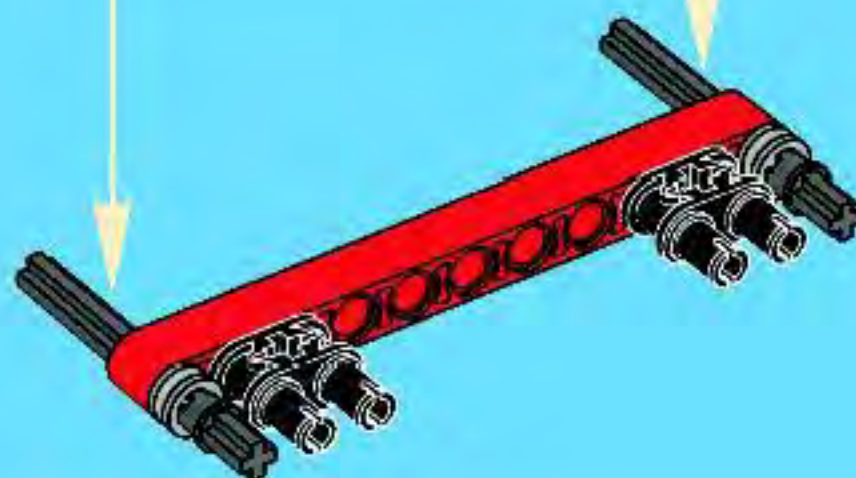




1

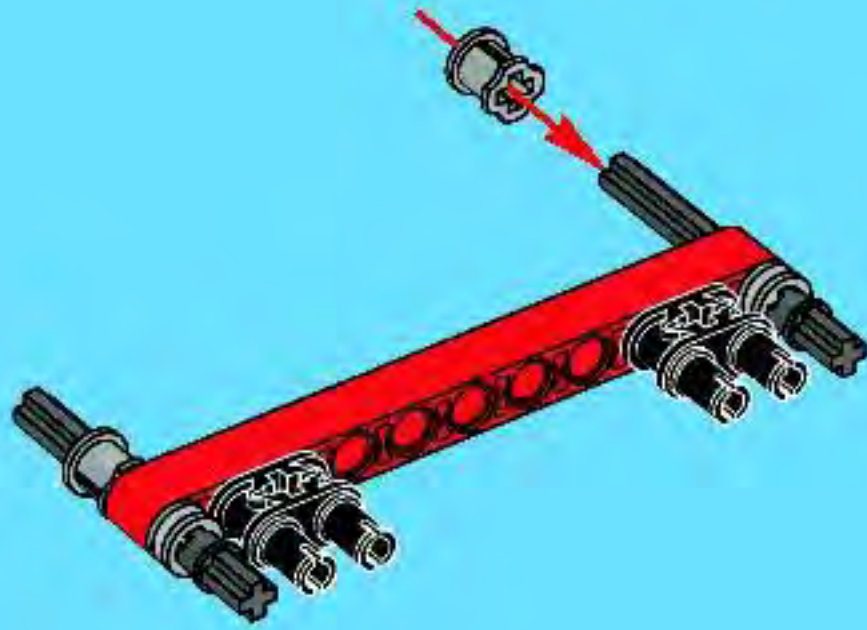


2

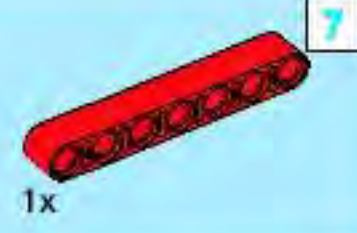
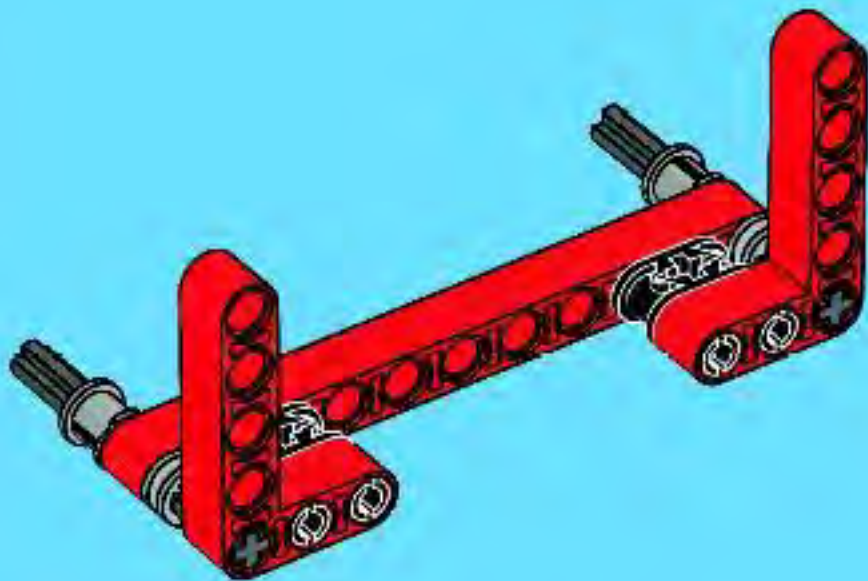




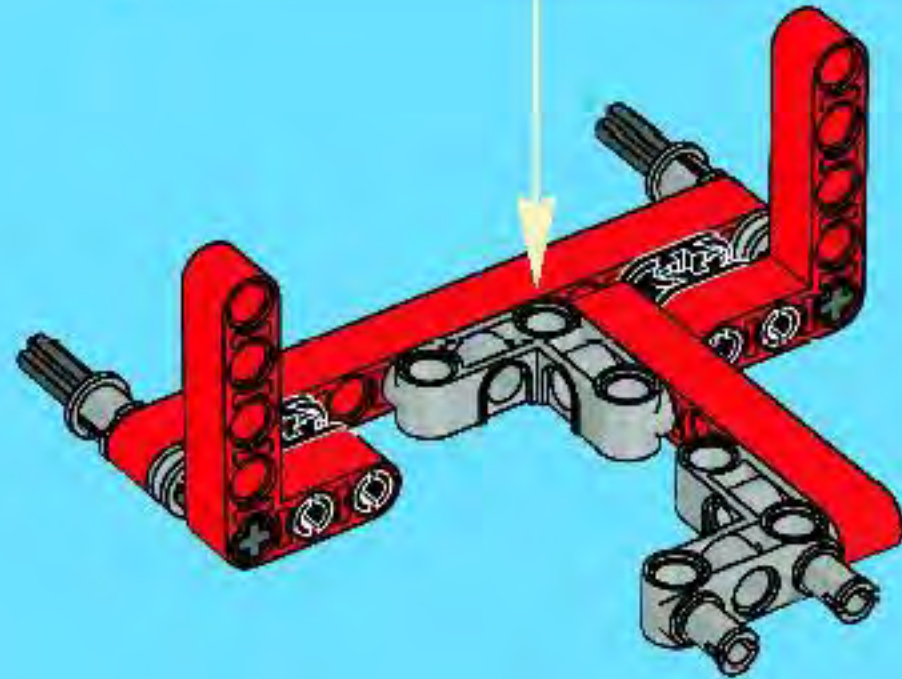
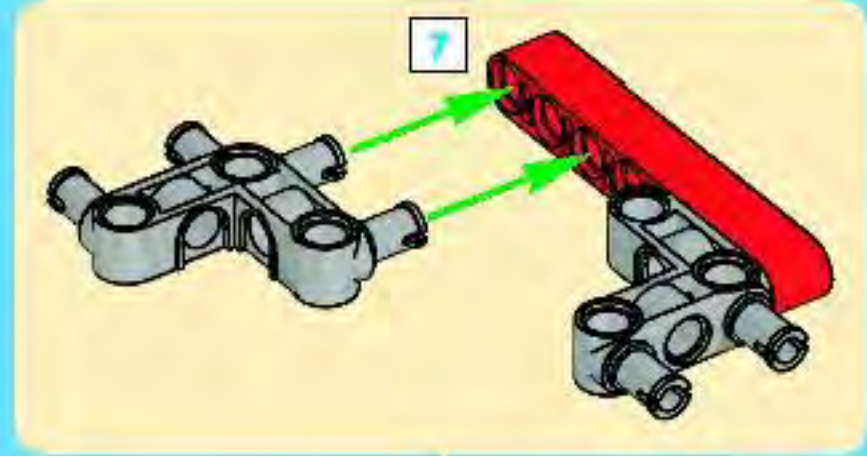
3

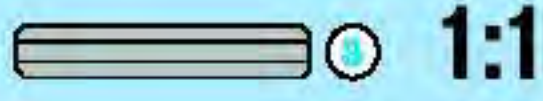


4

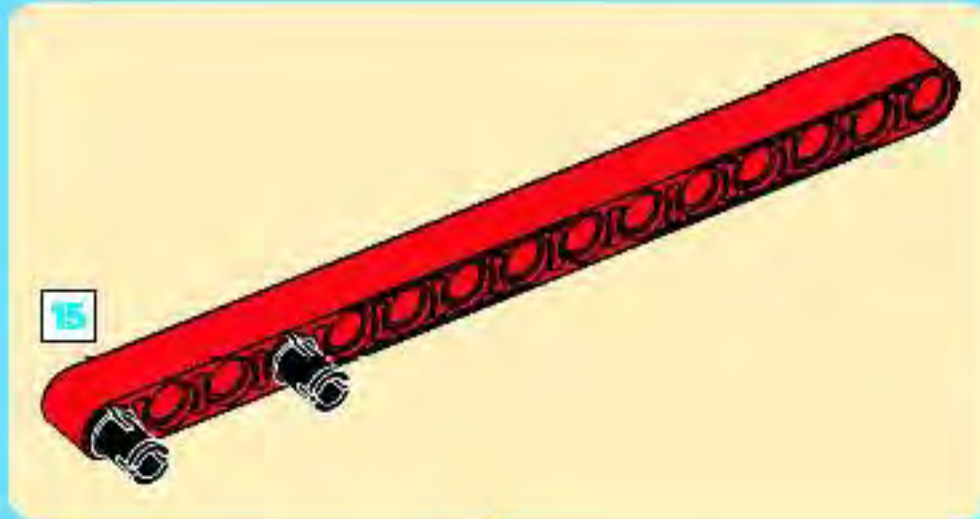
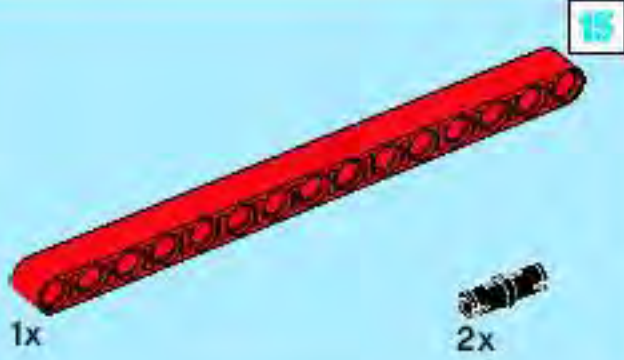
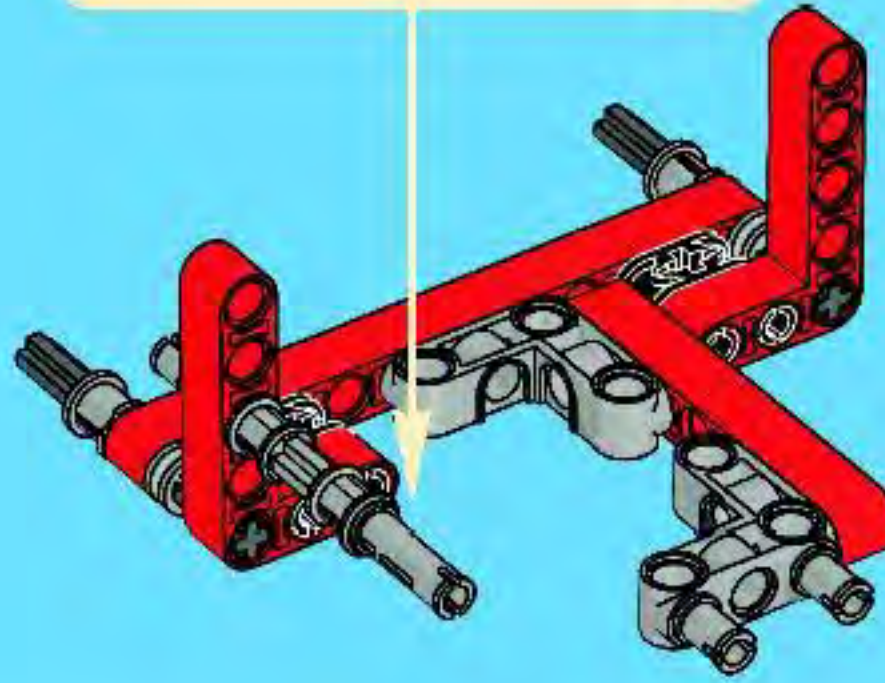
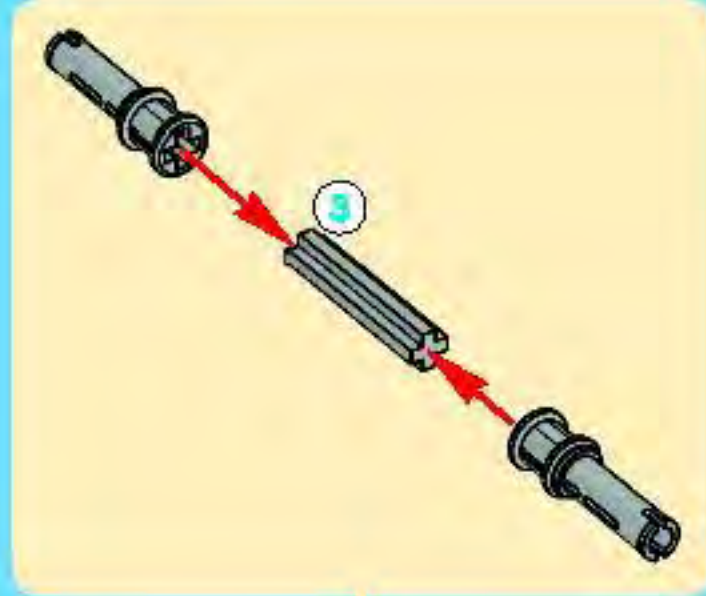


5

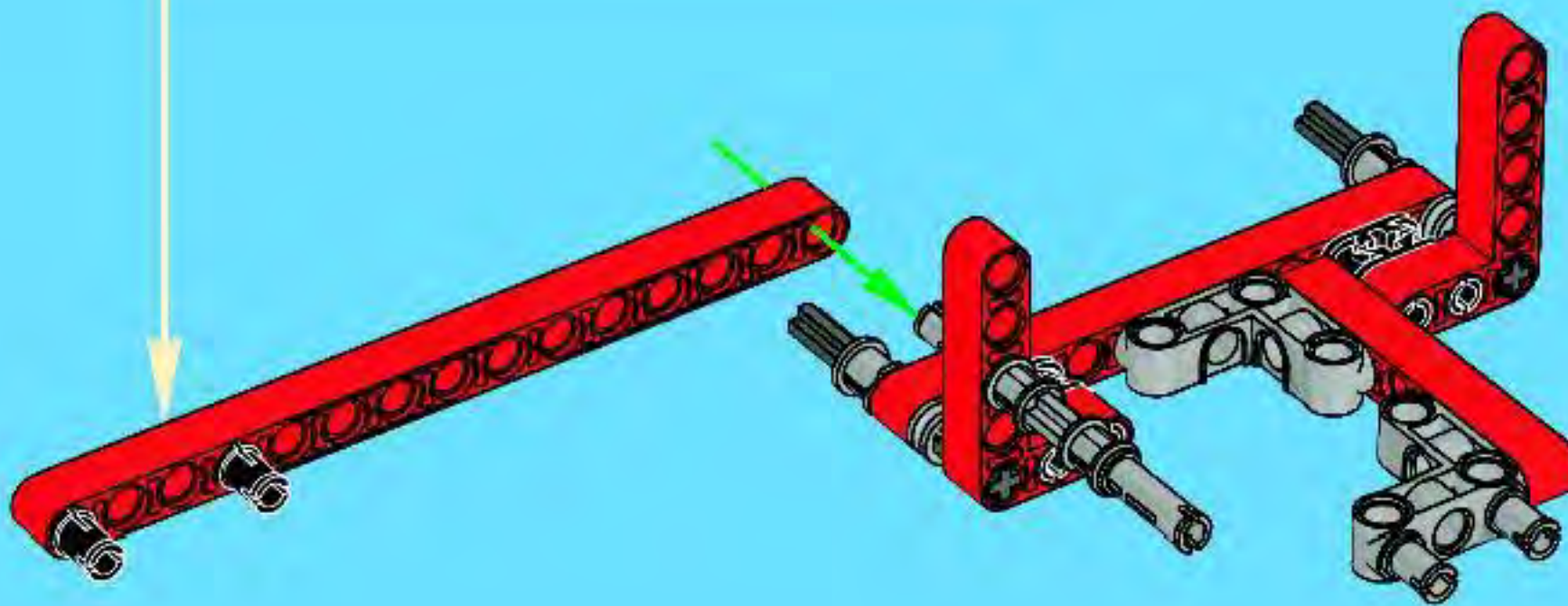




6



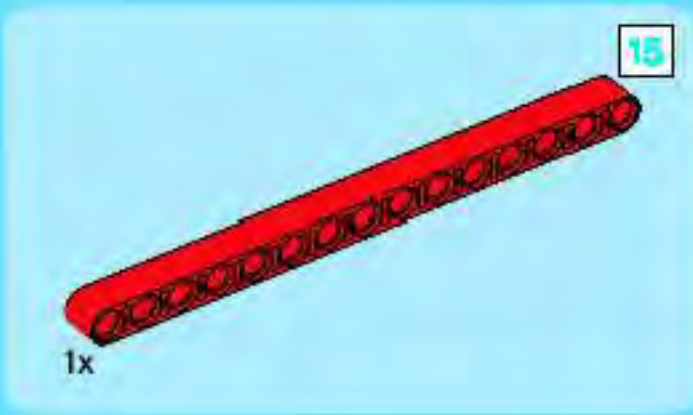
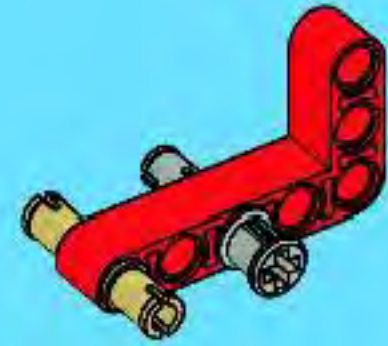
7



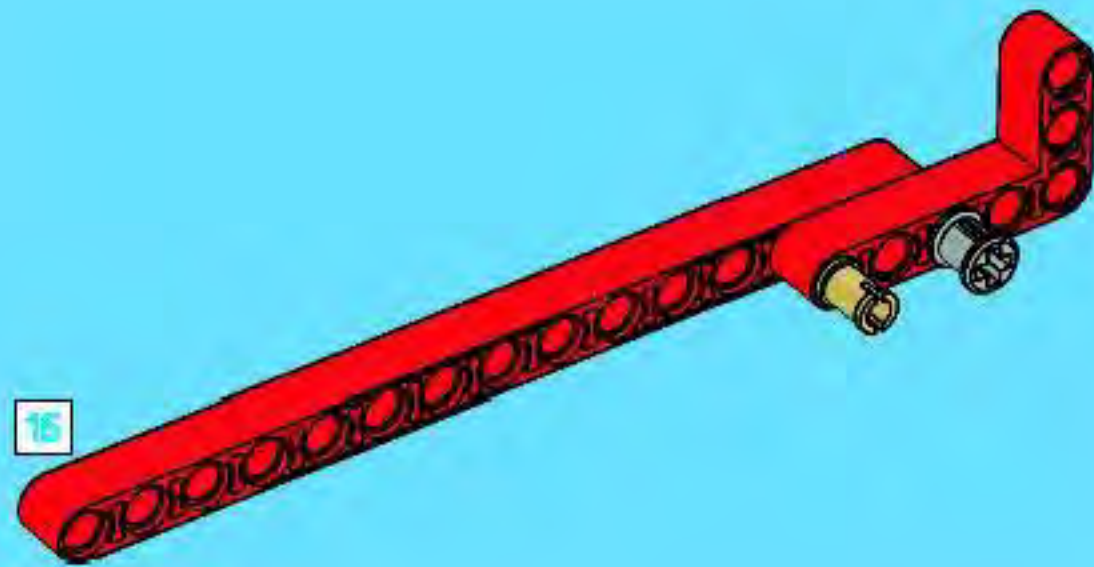




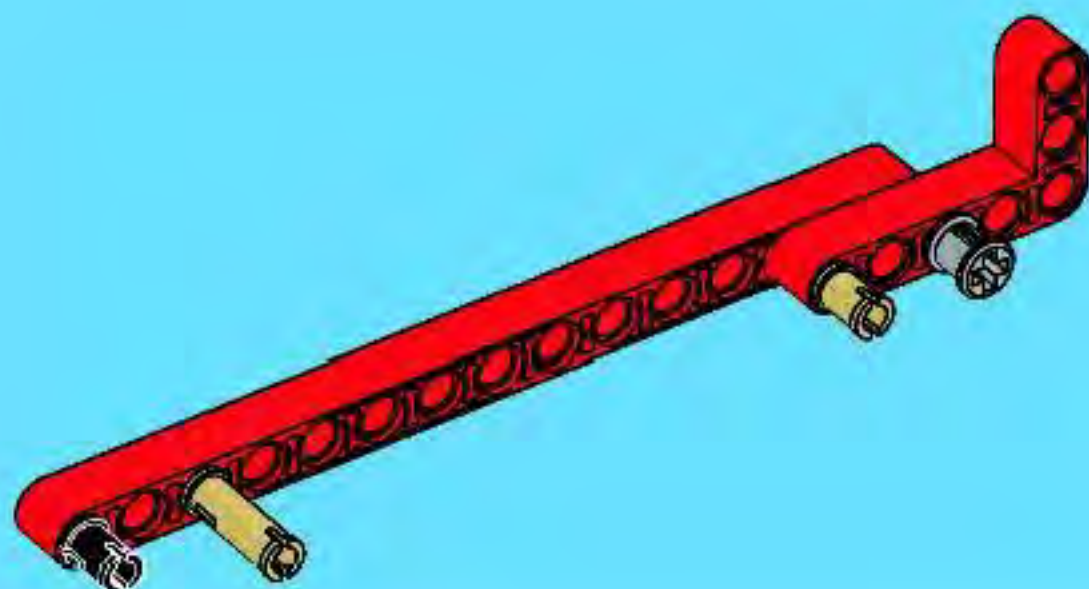
1

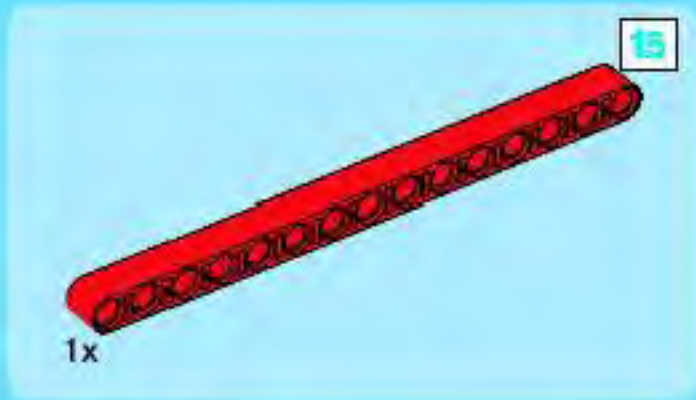


2

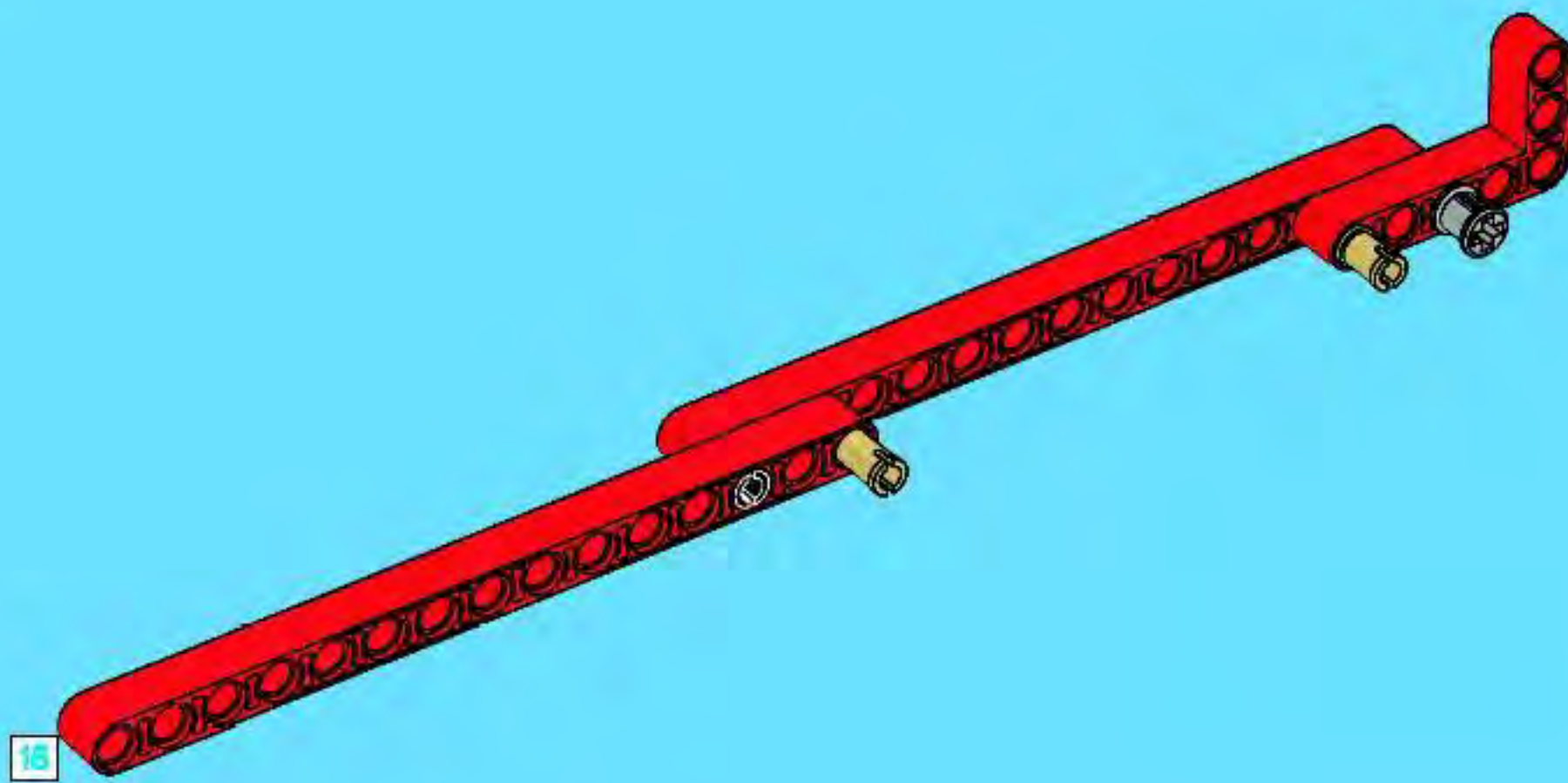


3

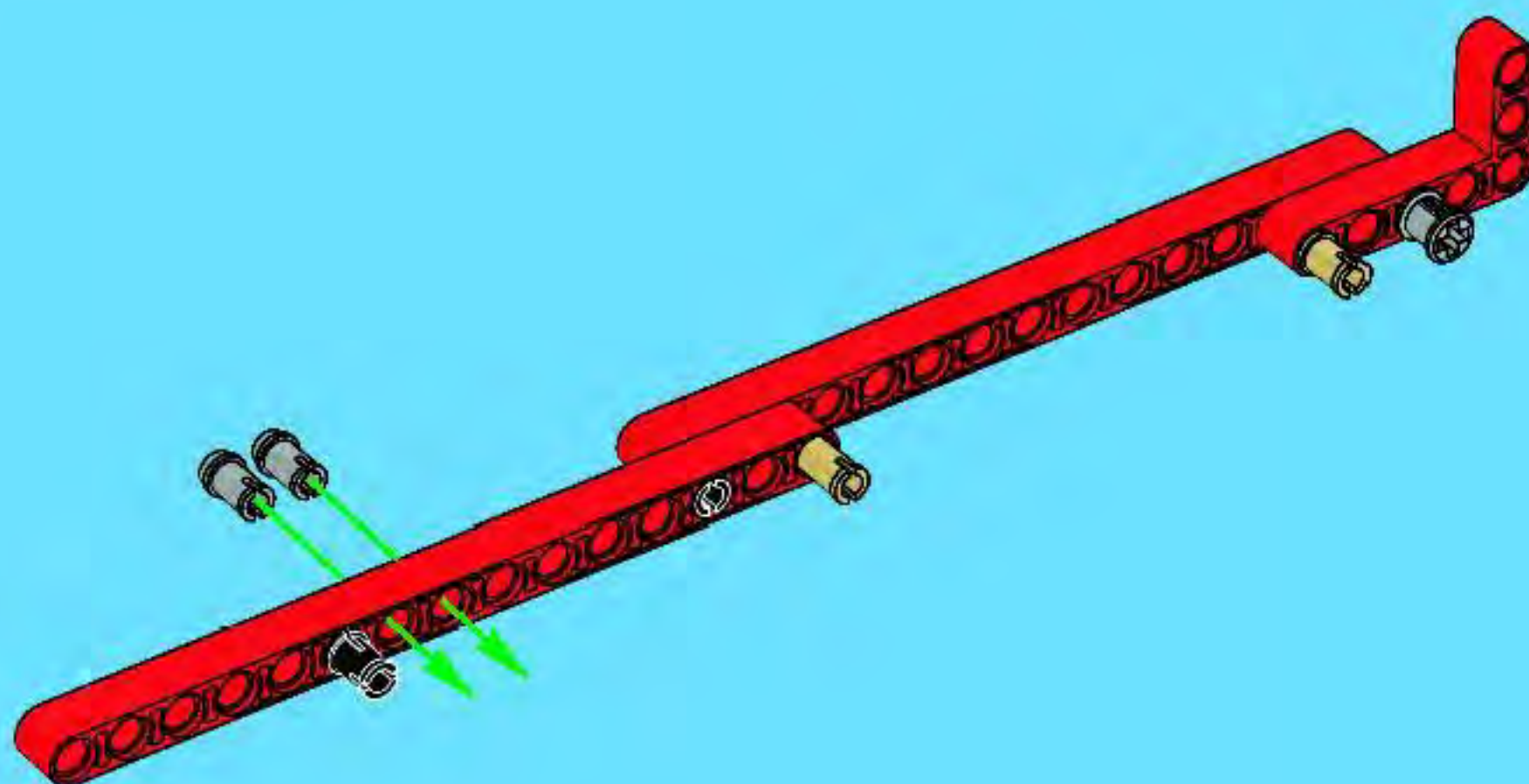




4

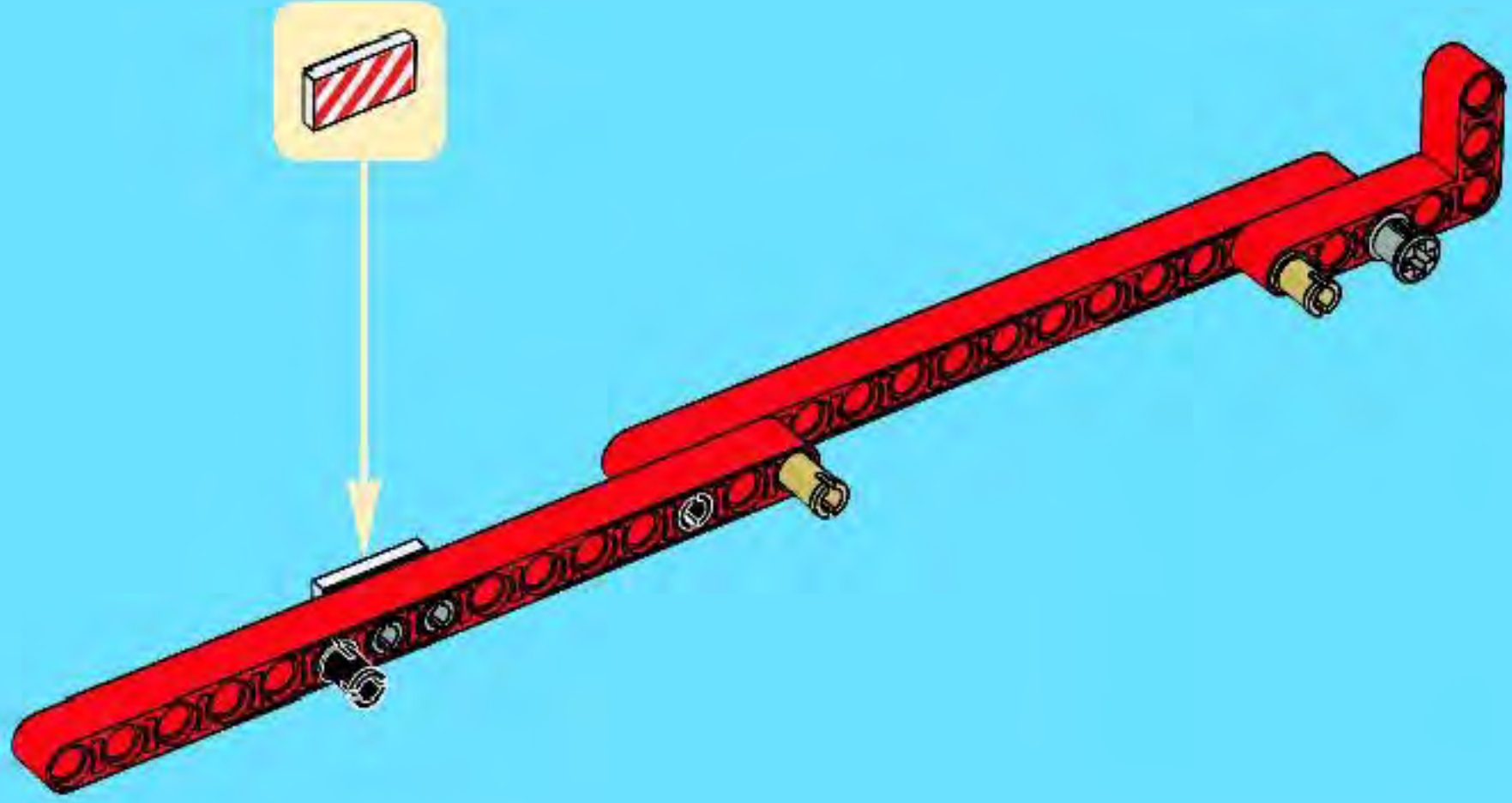


5

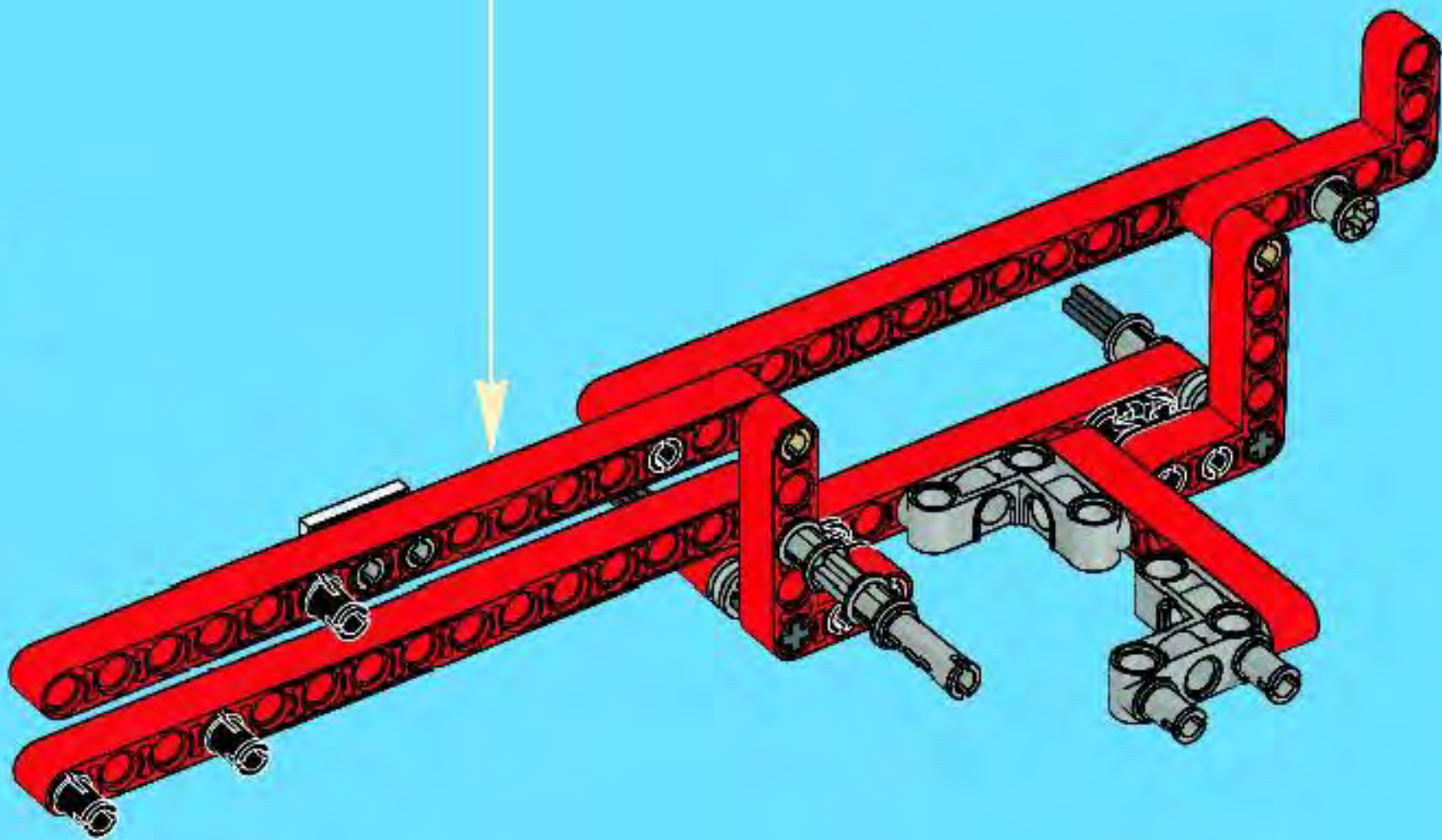


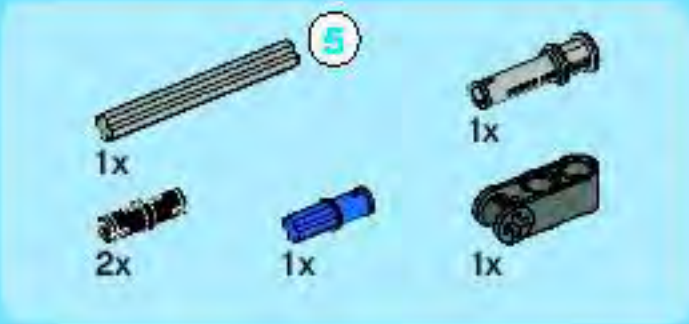


6

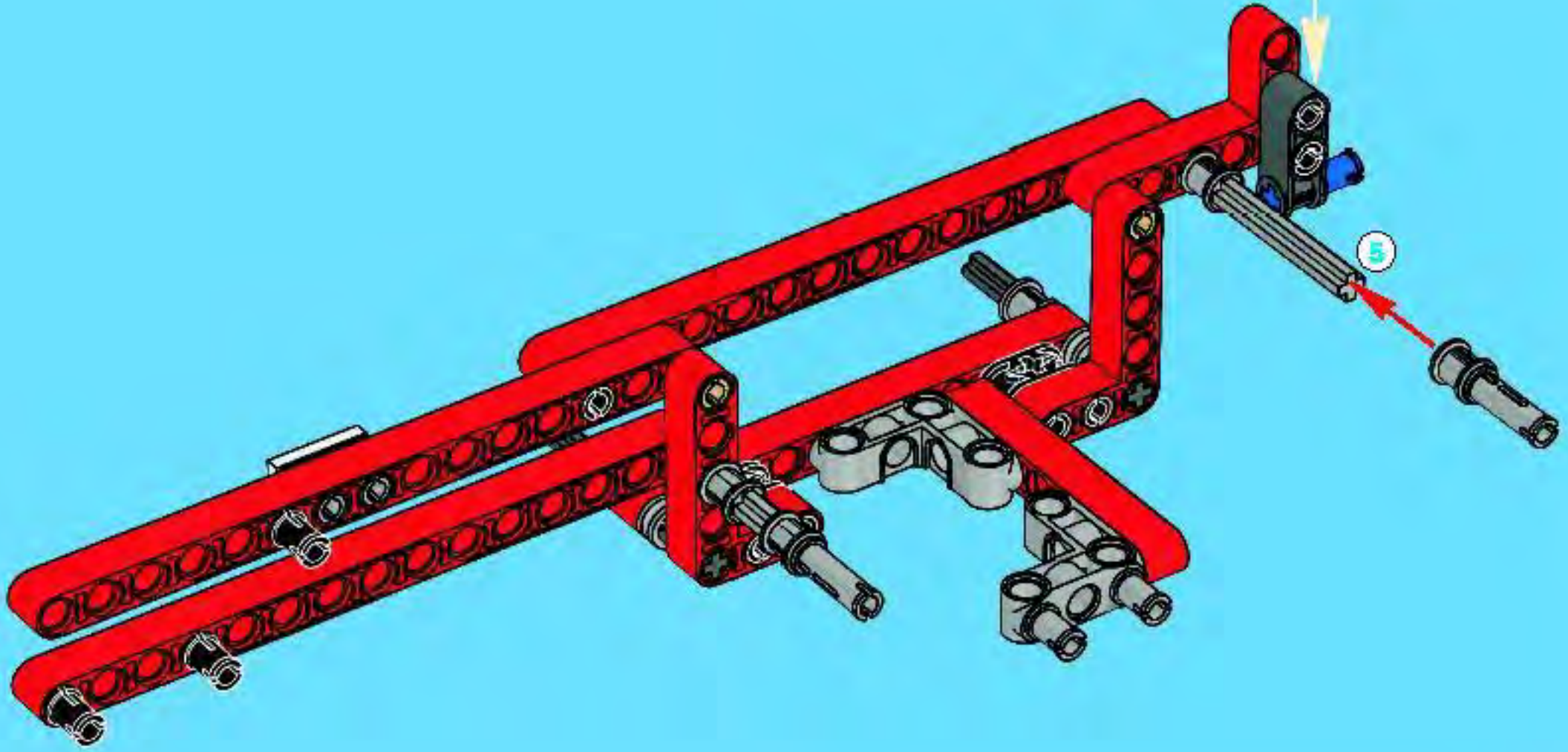


7

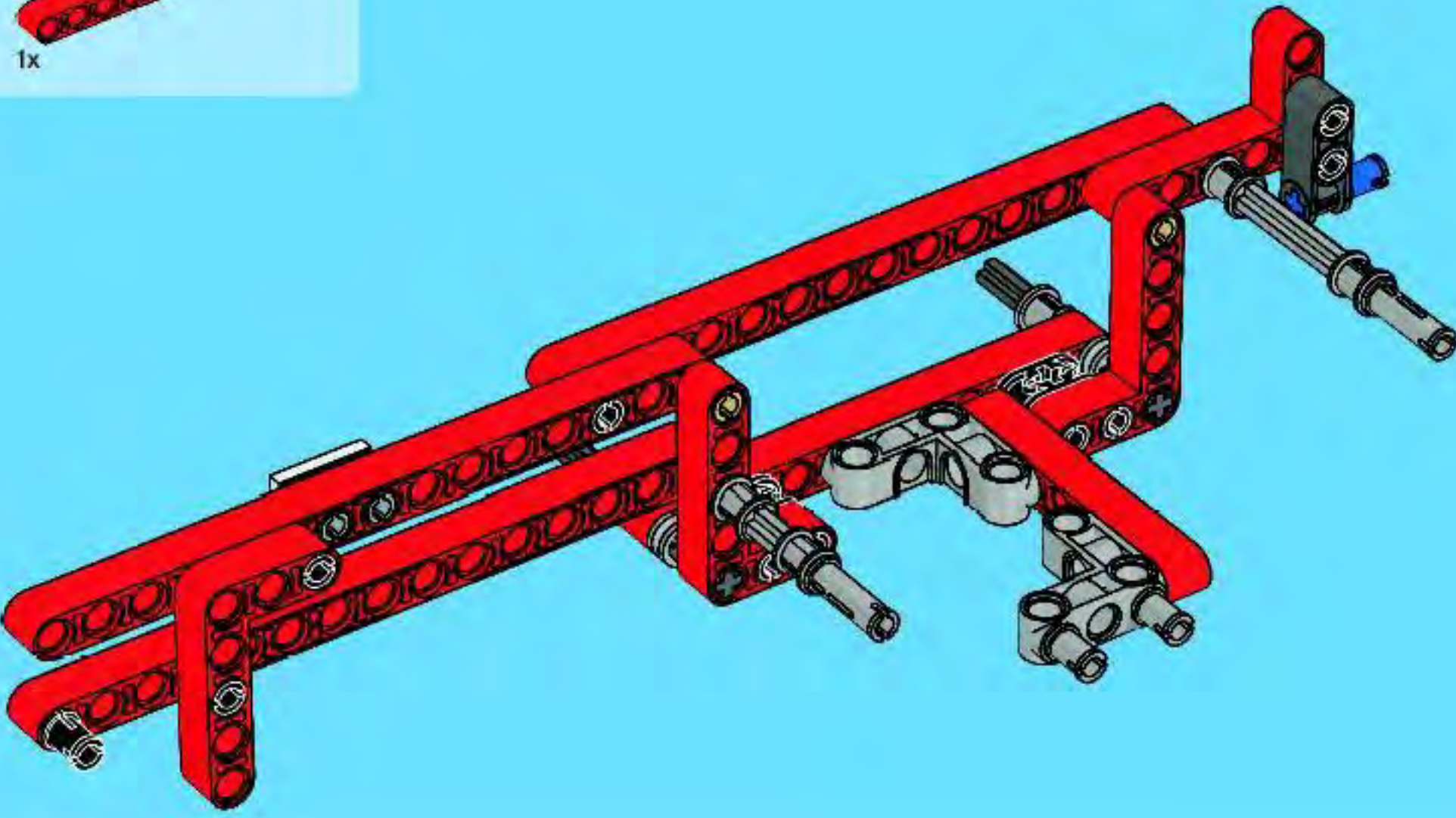




8

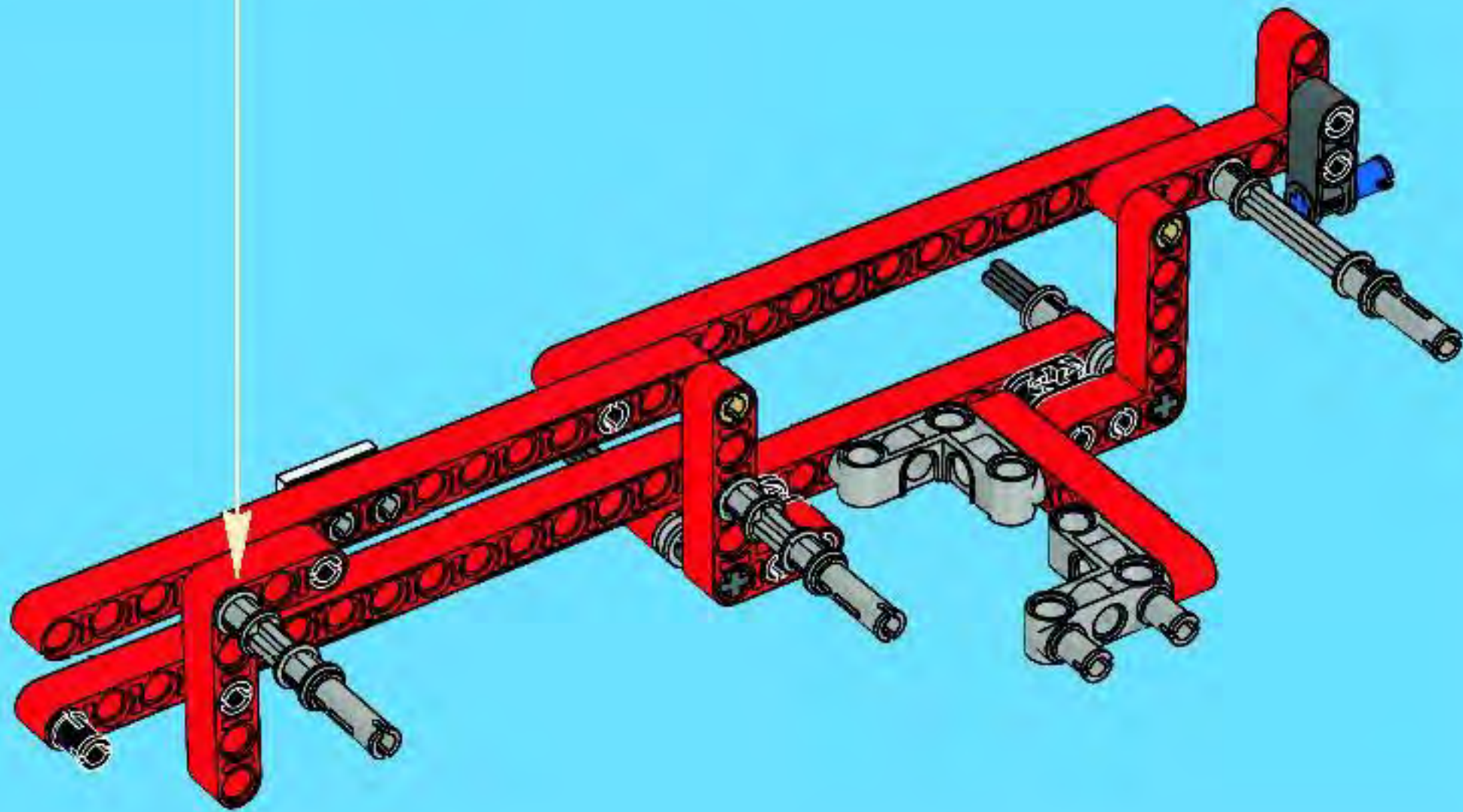
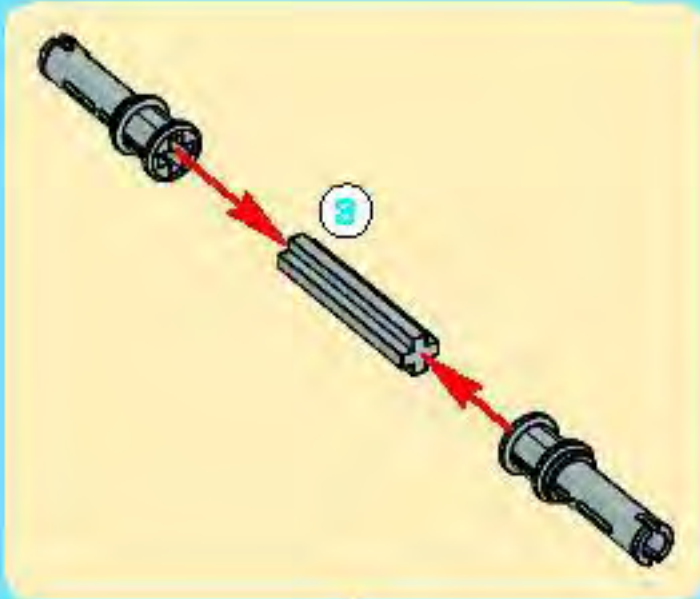


9

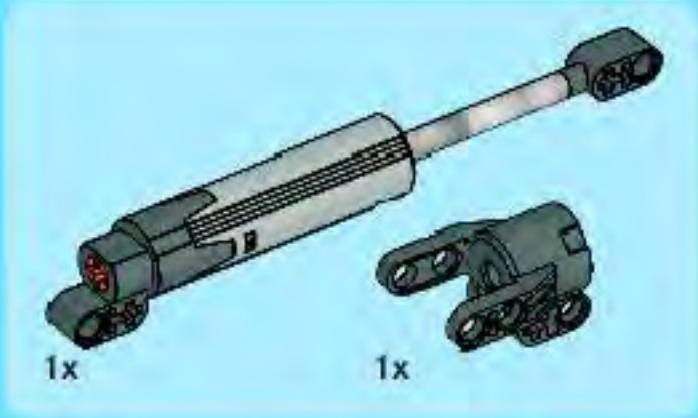
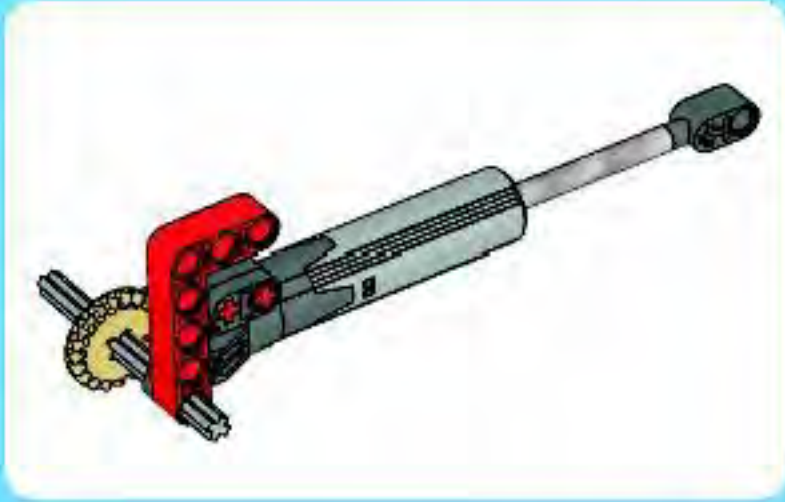




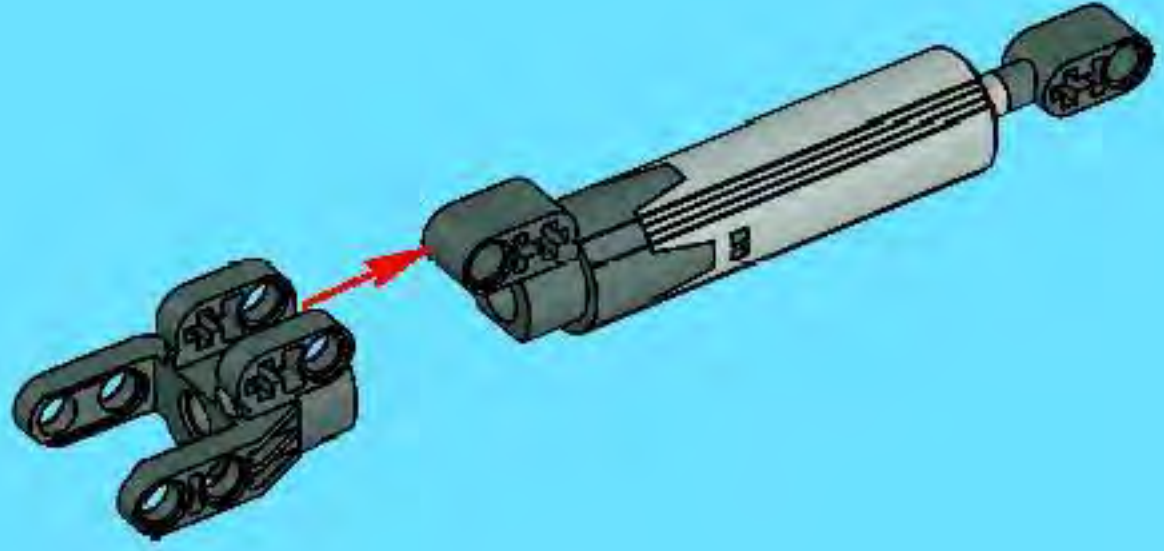
10



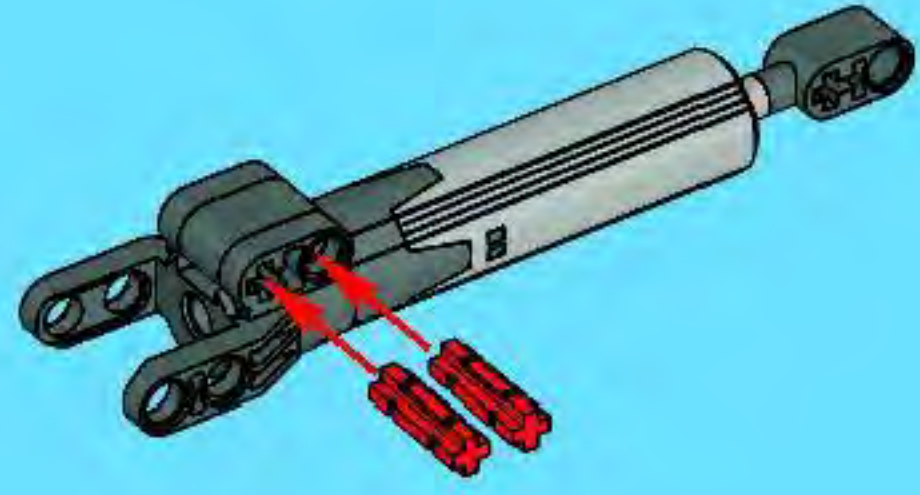




1

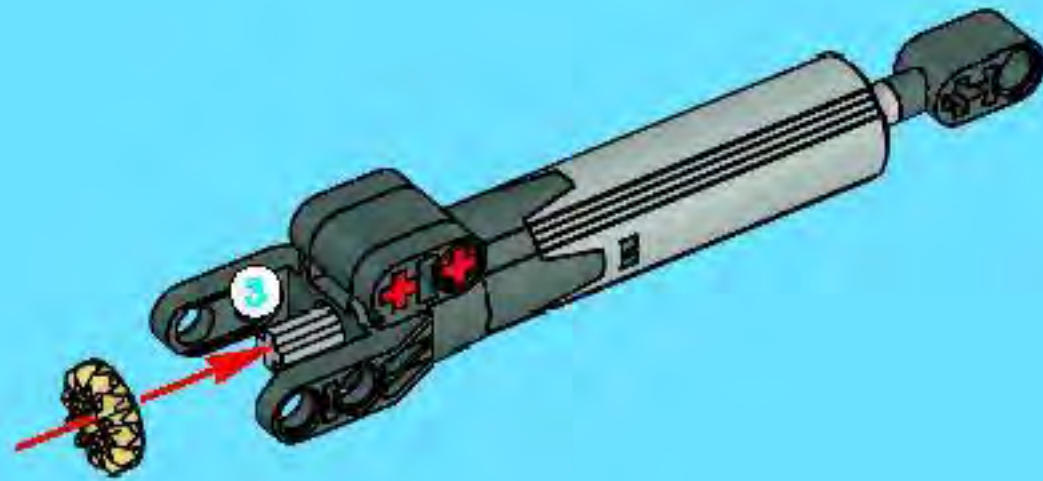


2

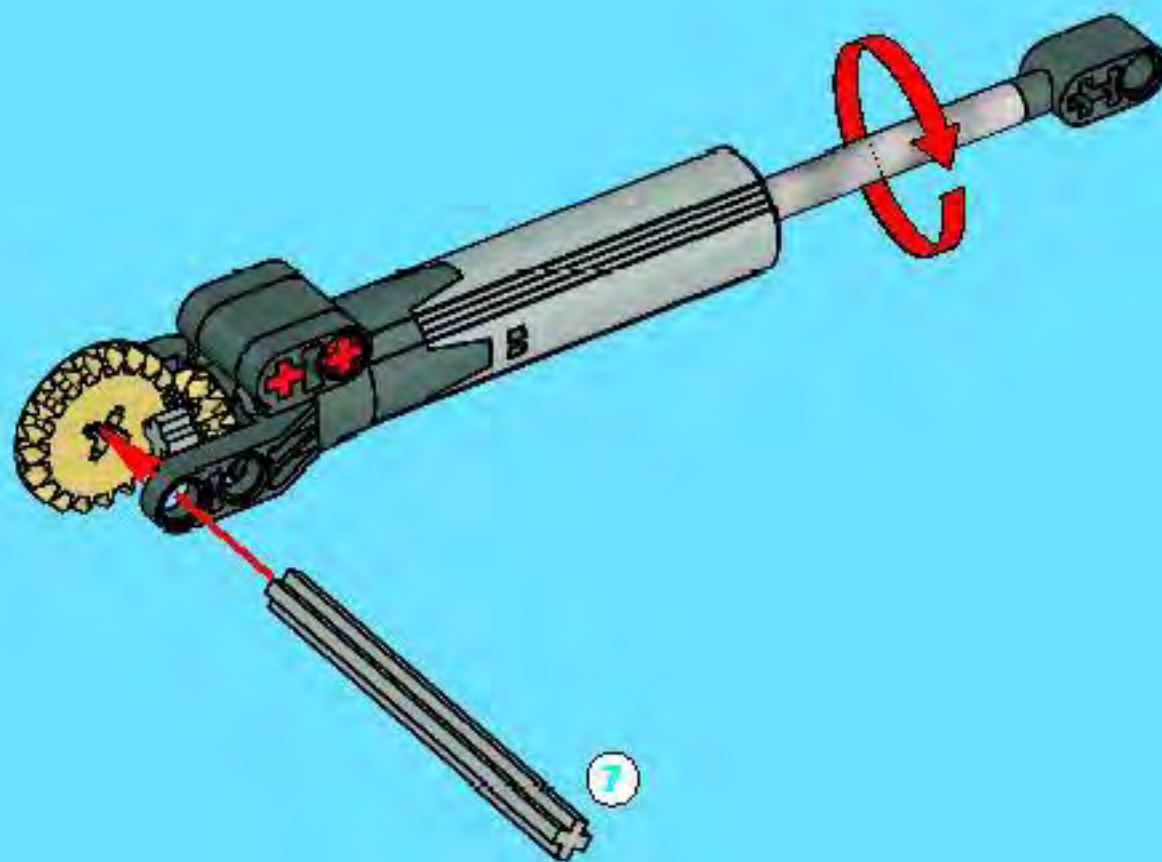




3



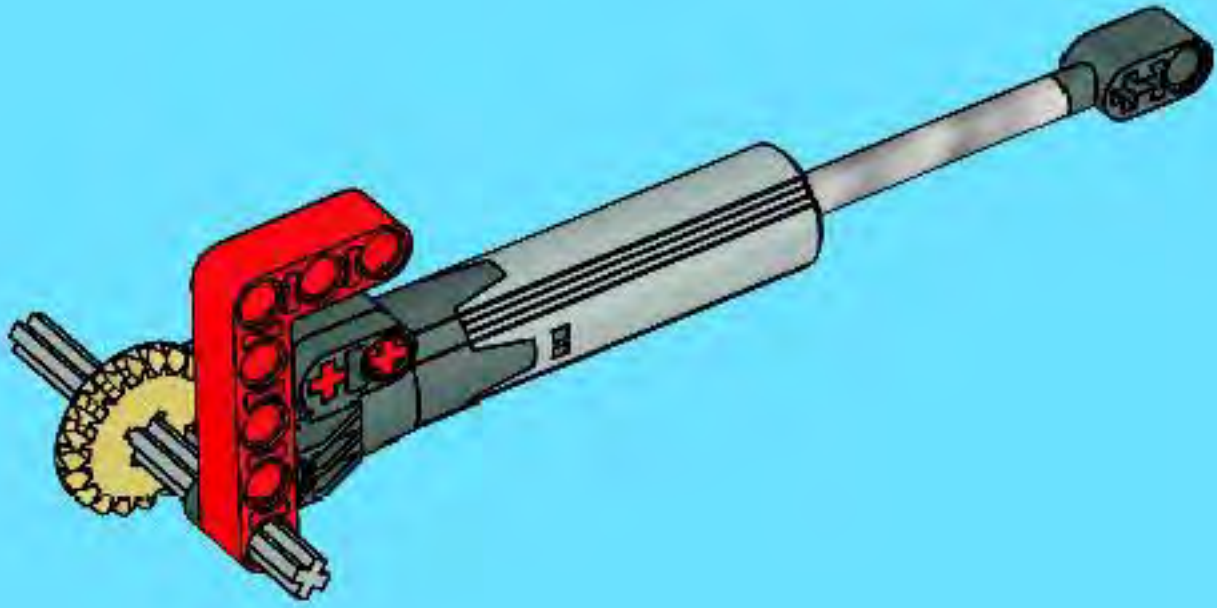
4



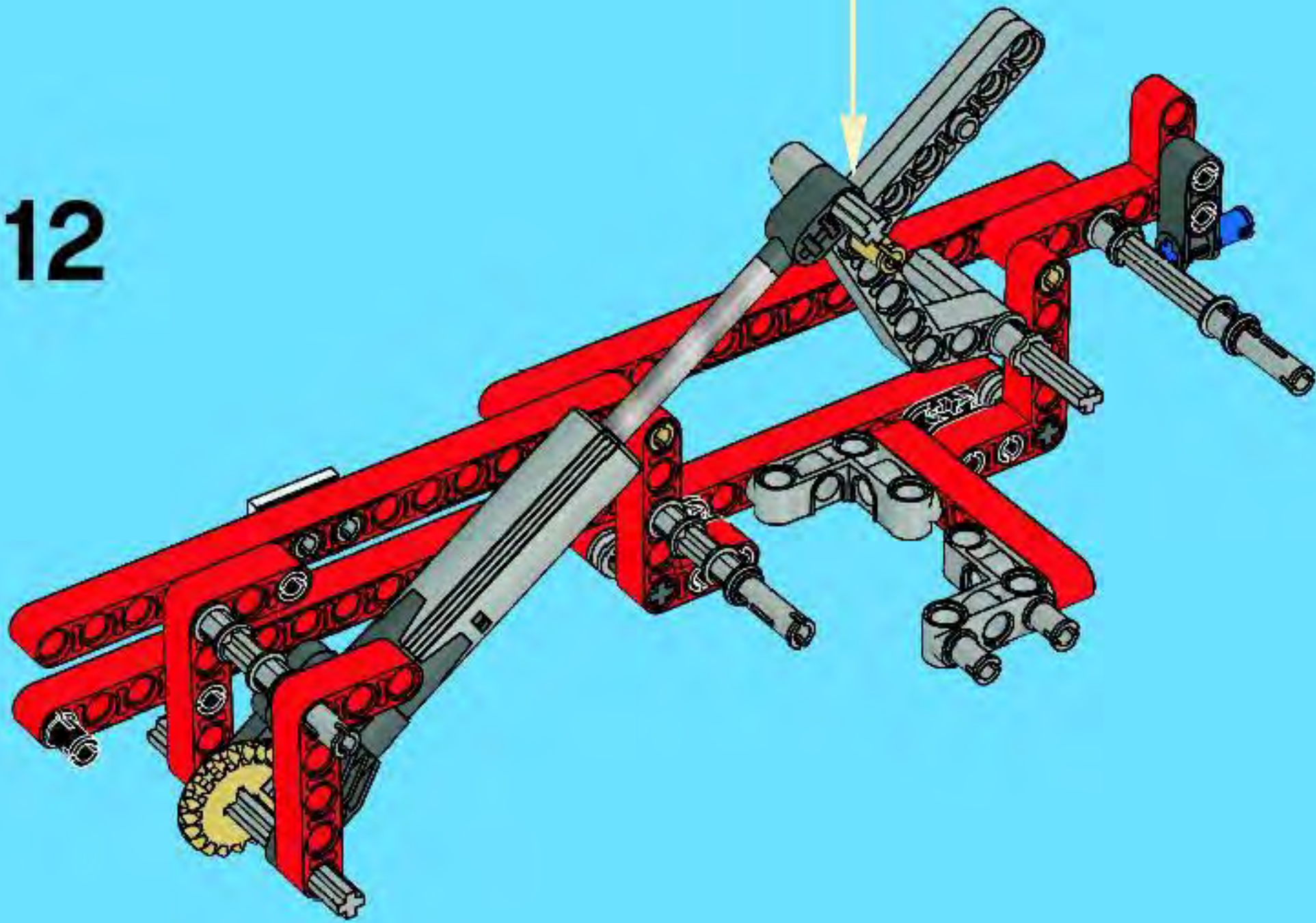


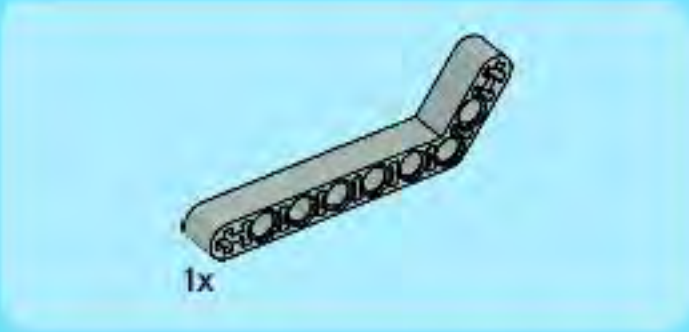


5

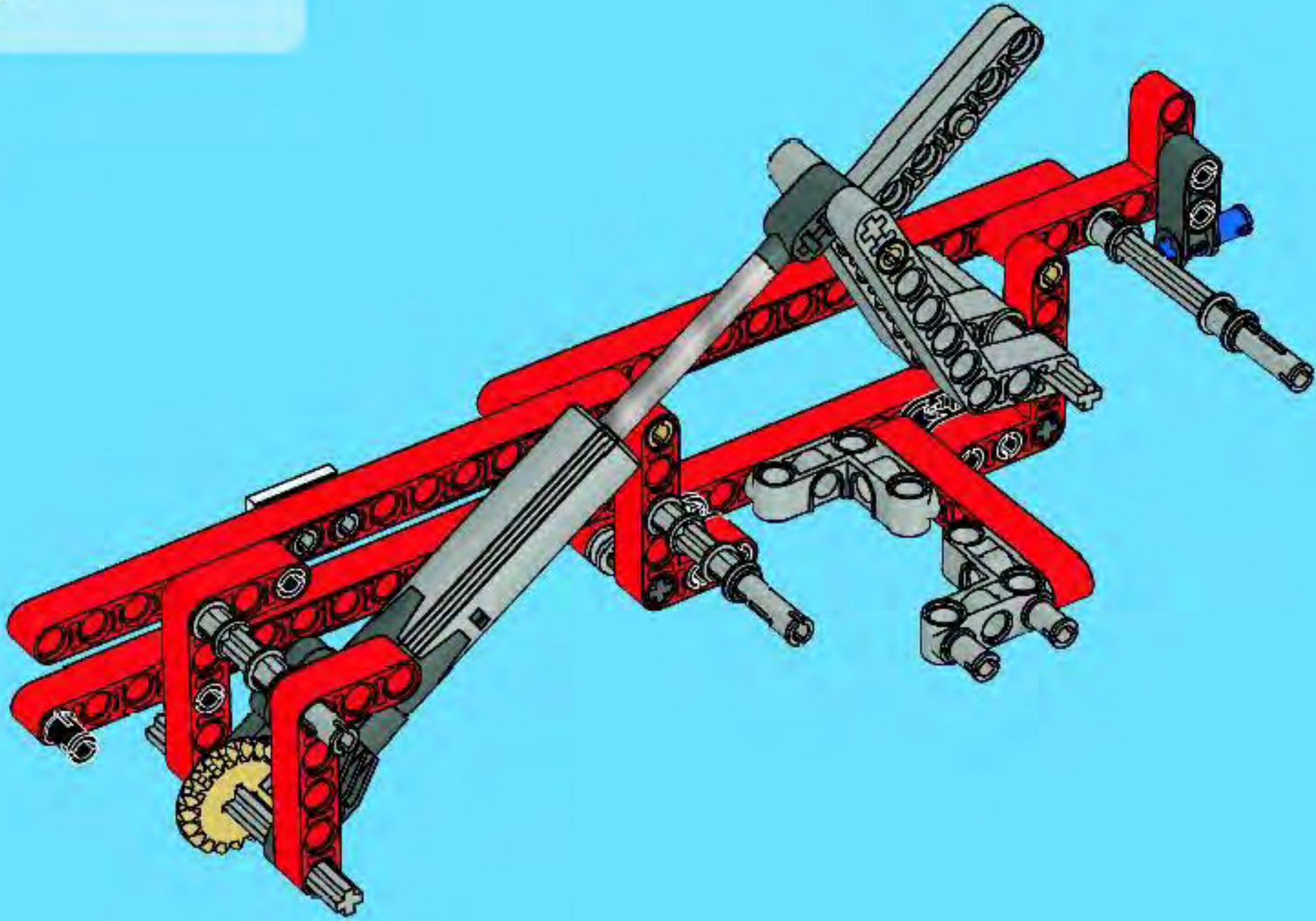


12

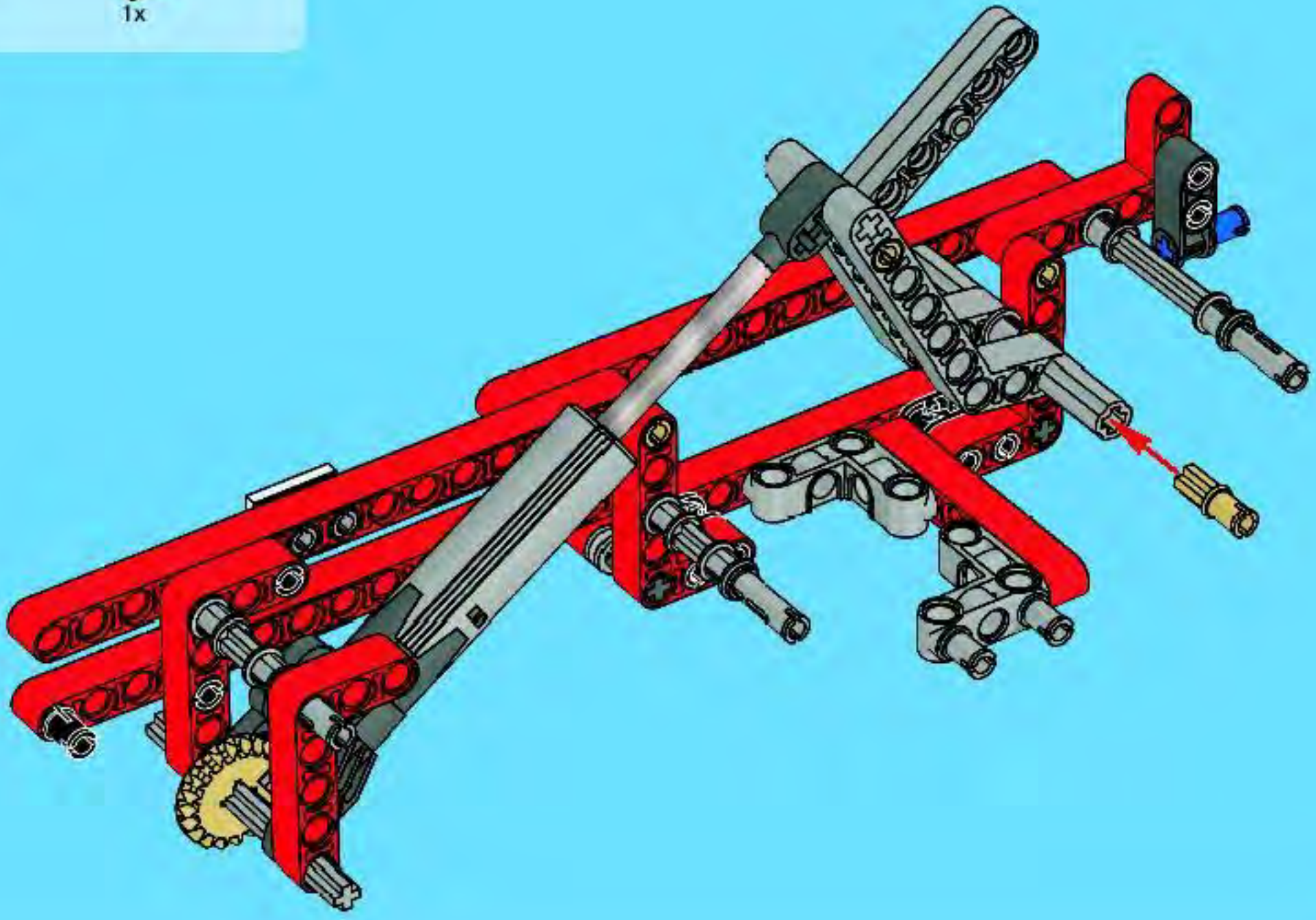




13

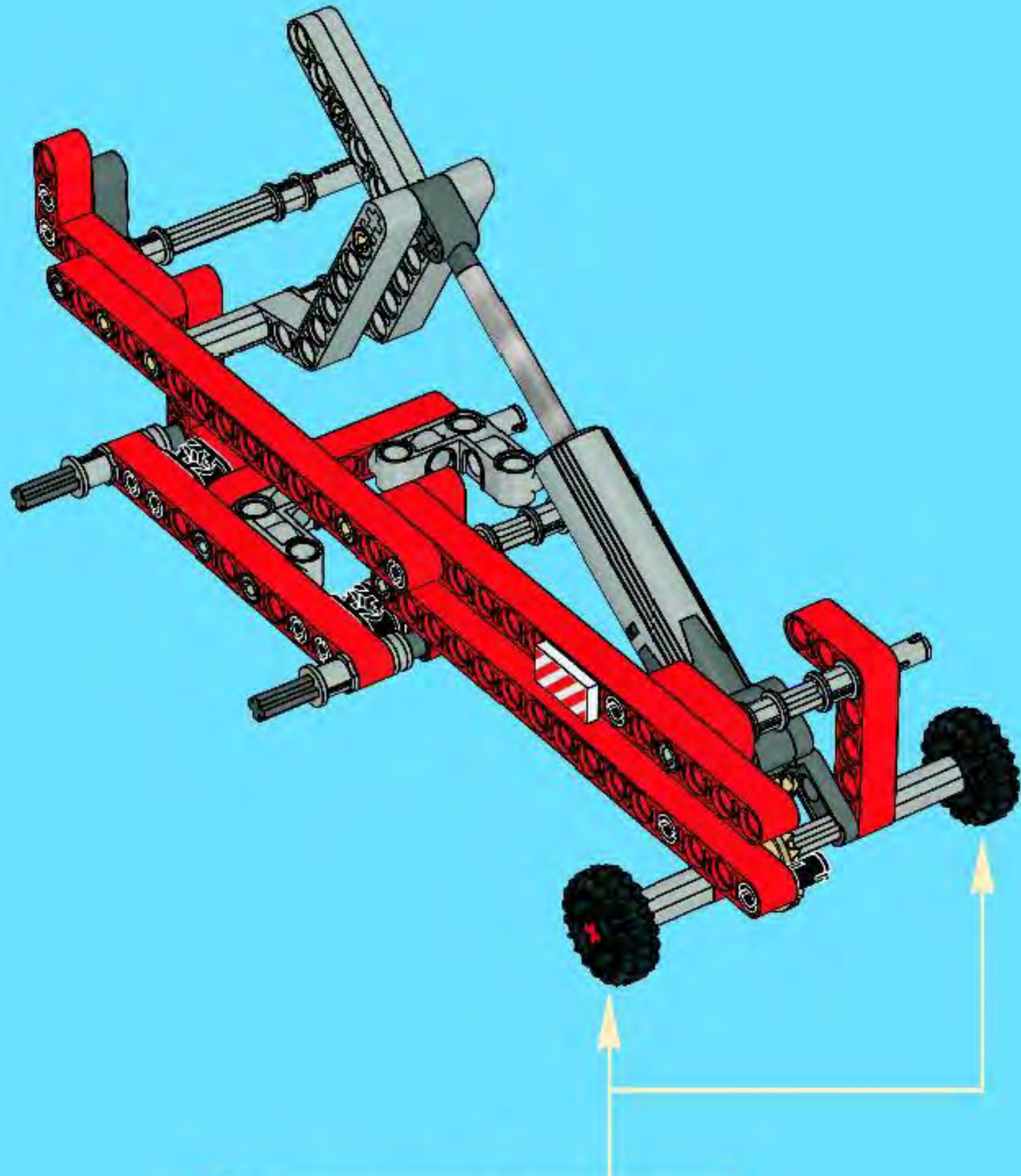


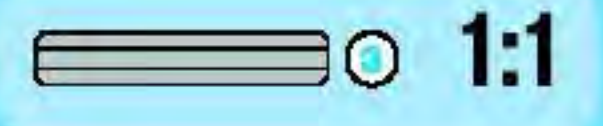
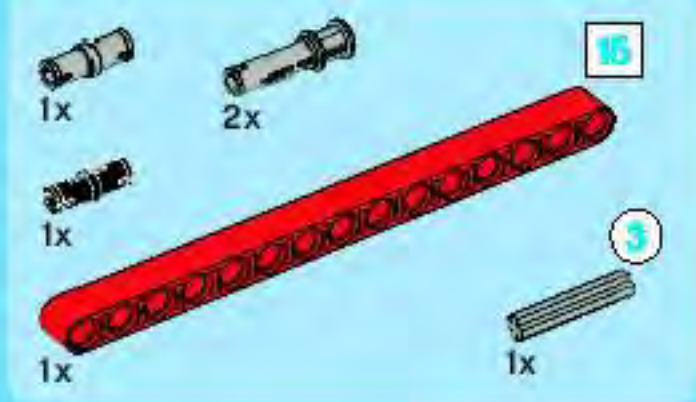
14



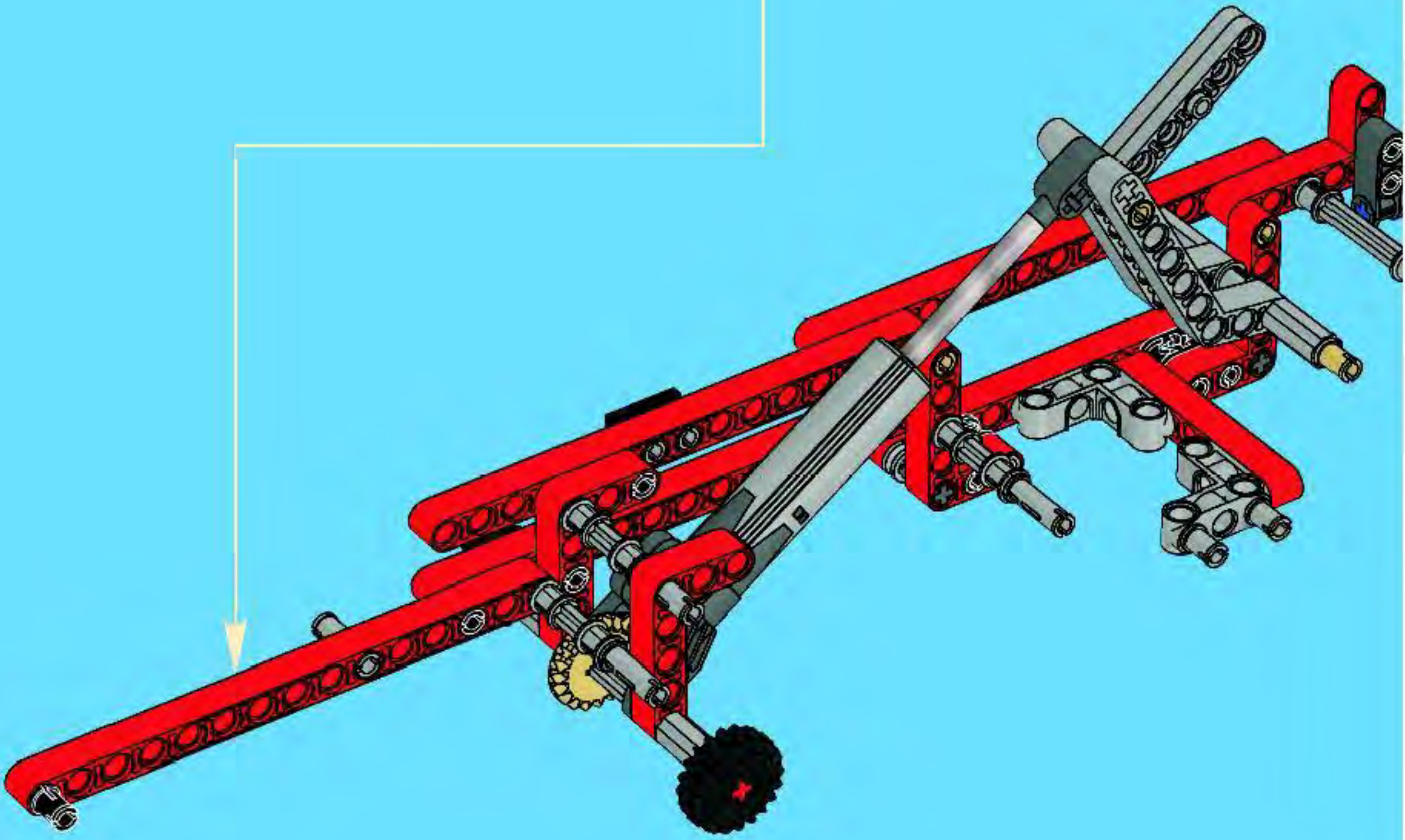
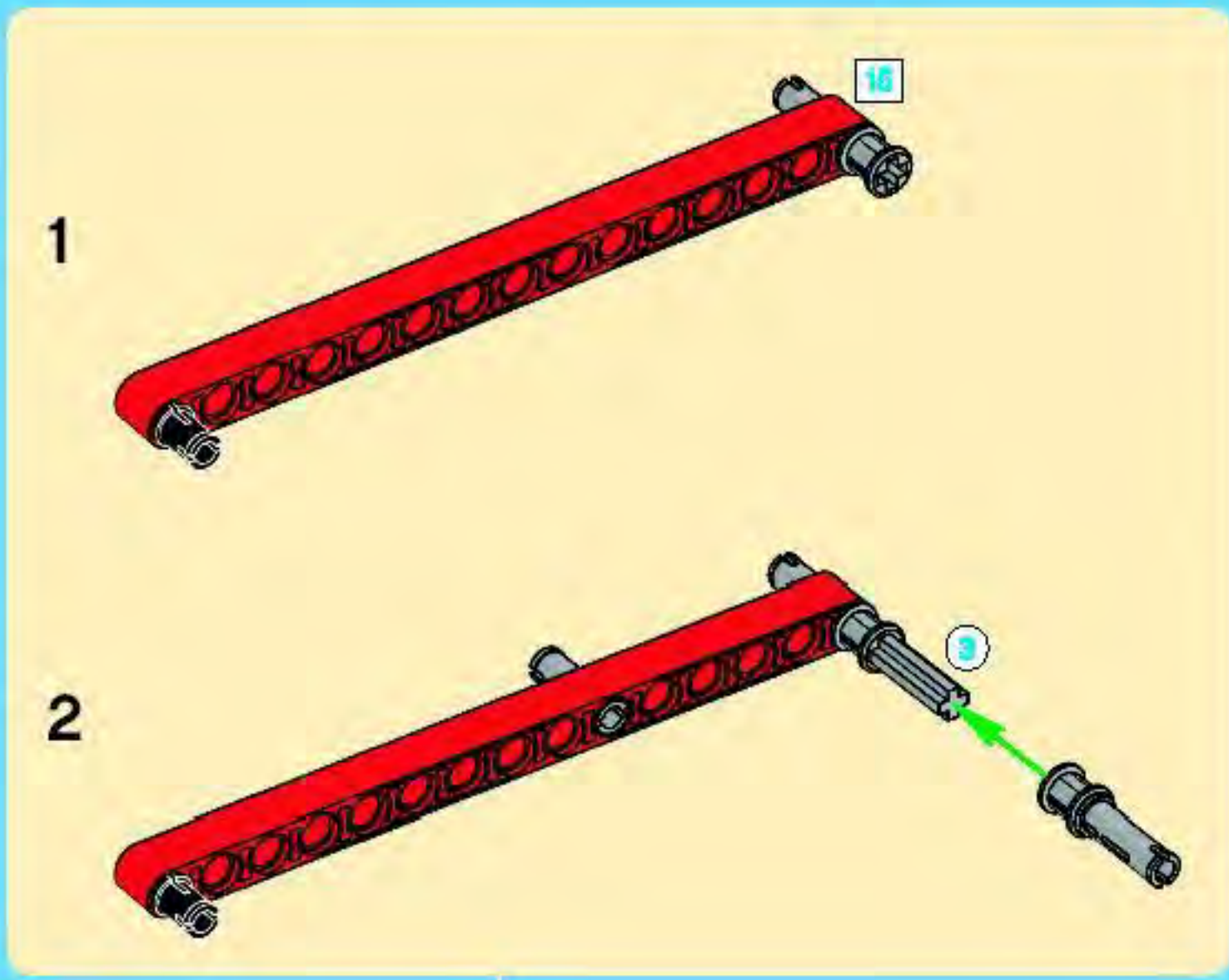


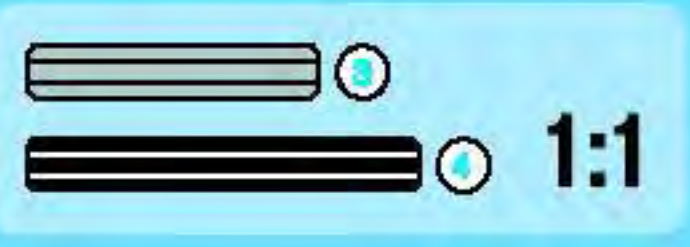
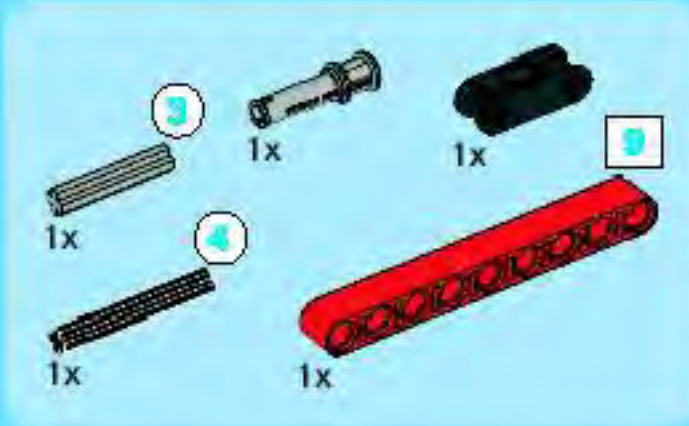
# 15



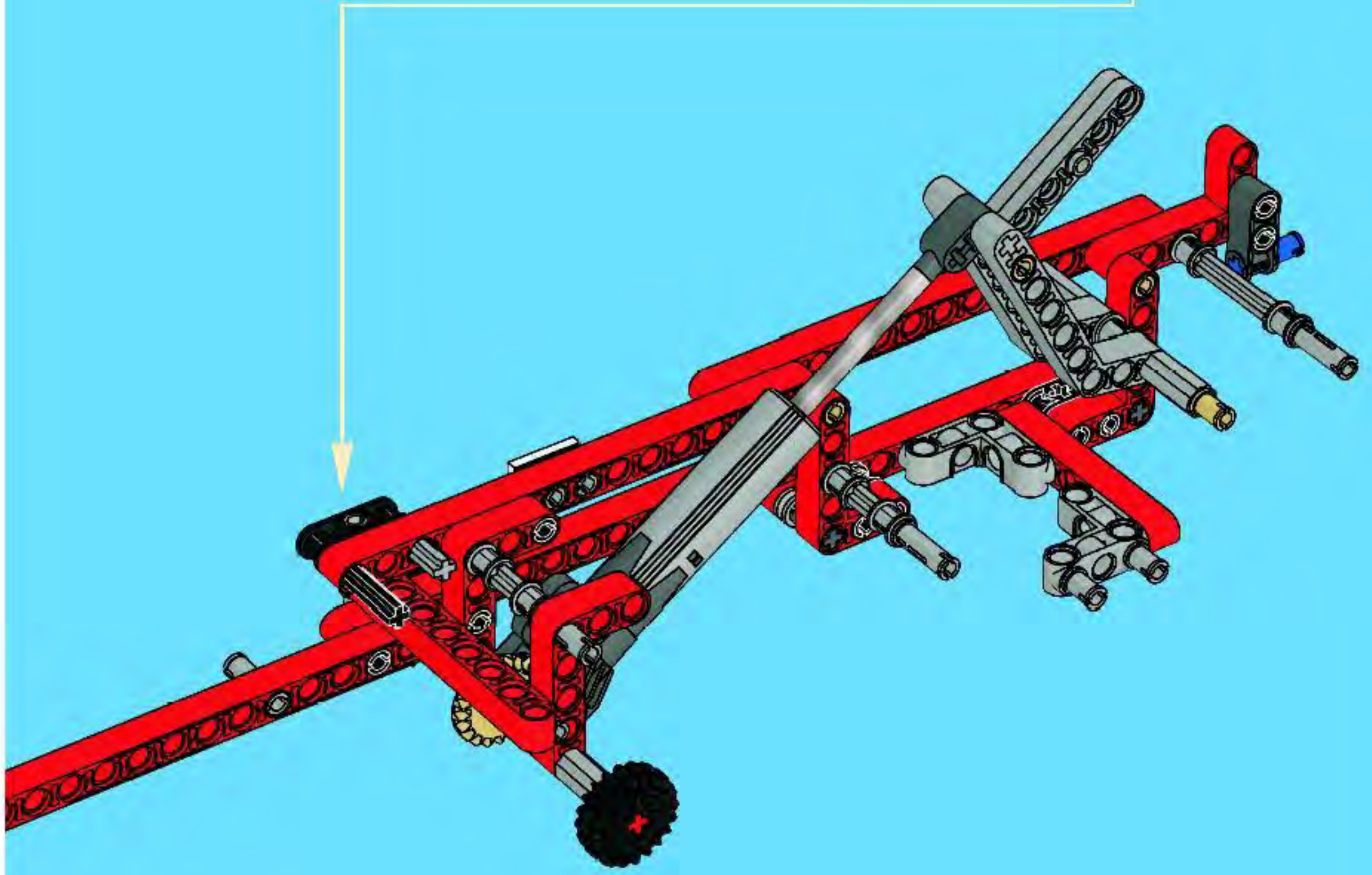
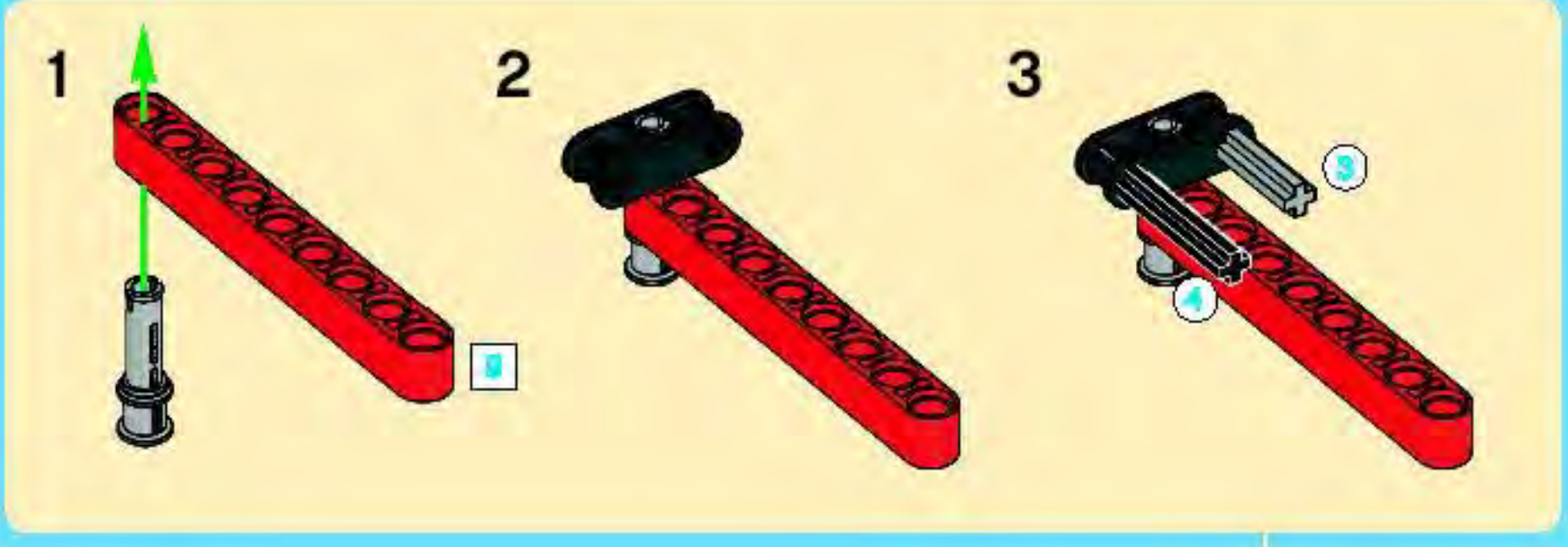


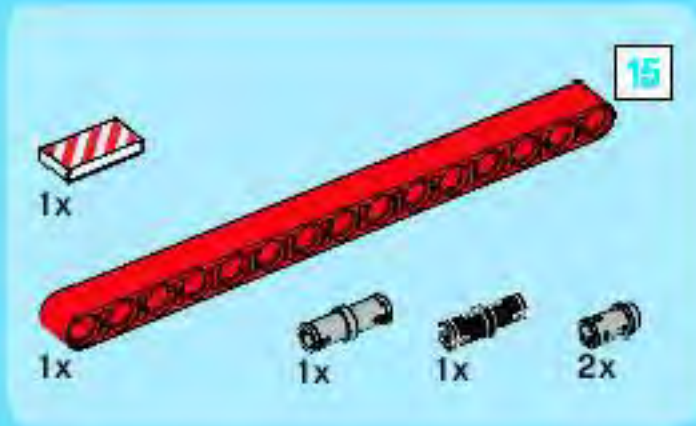
# 16



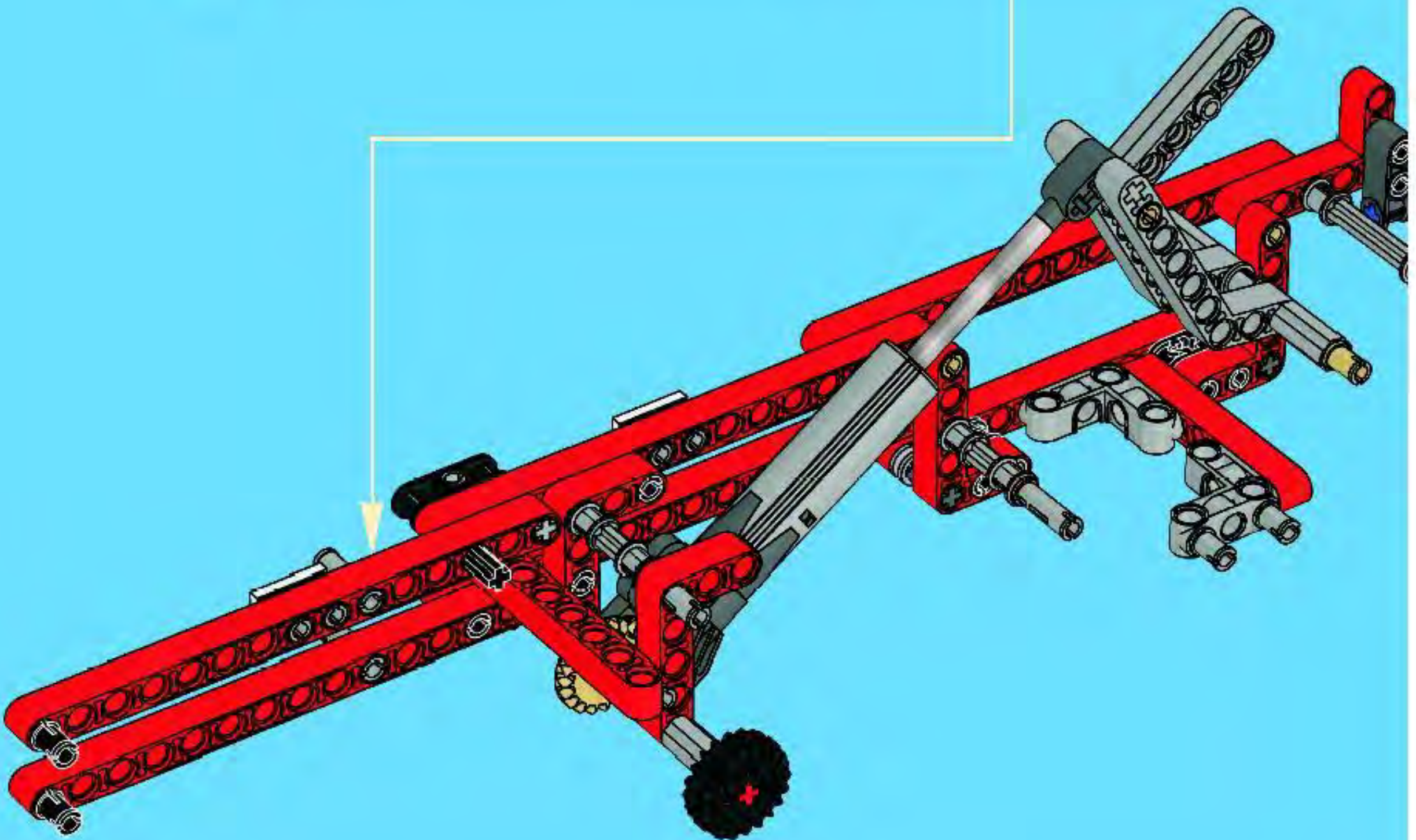
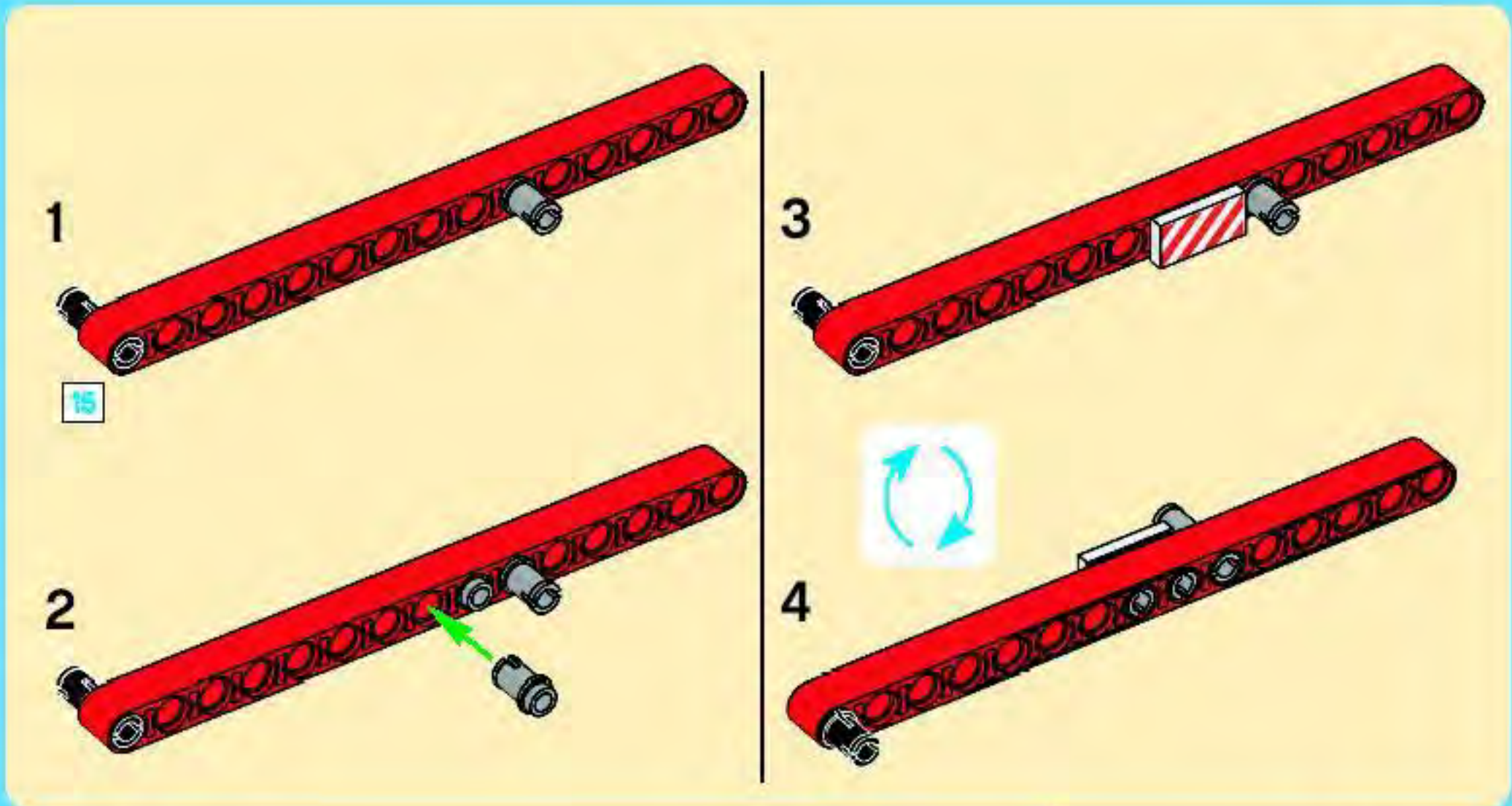


# 17





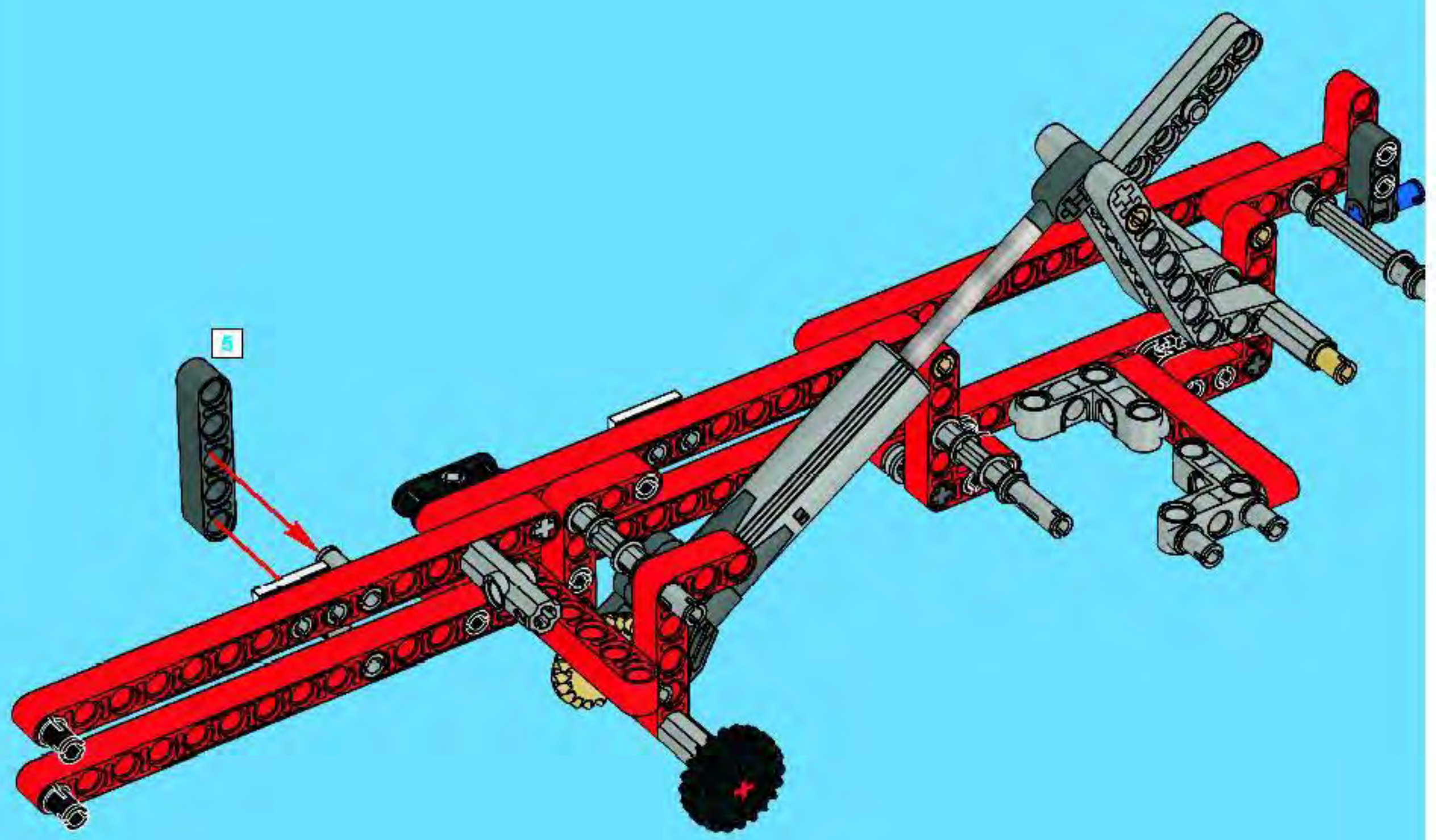
# 18





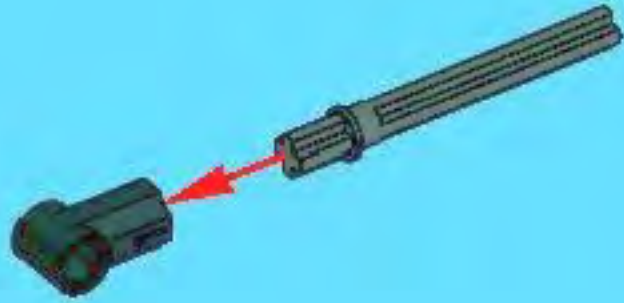
1:1

# 19

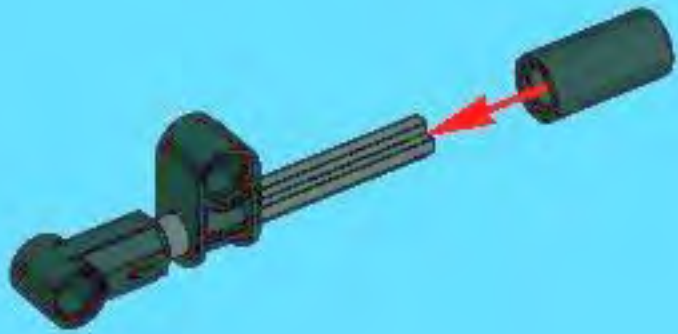




1



2

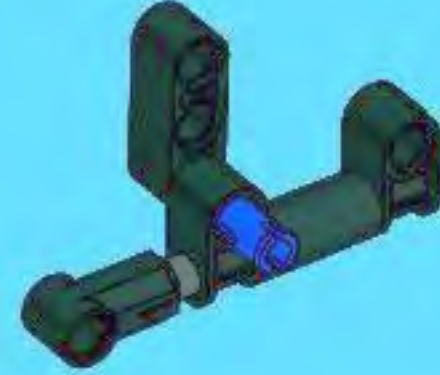


3

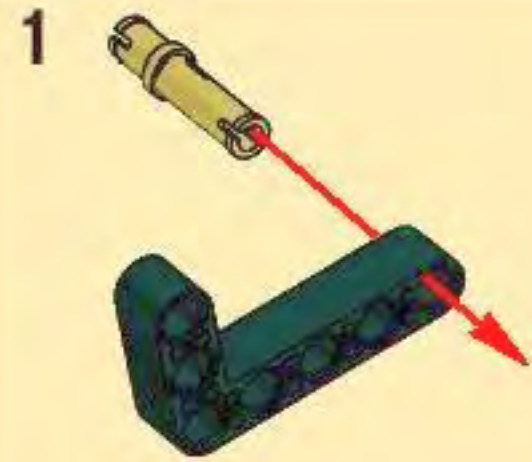


1x

4



5

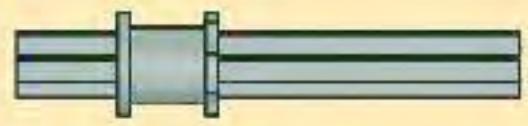




2x

2x

5



1:1

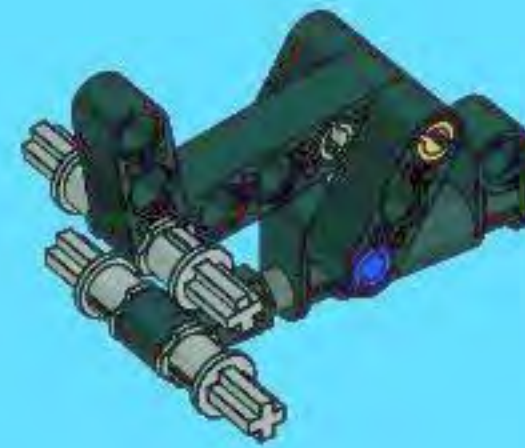
2x

6

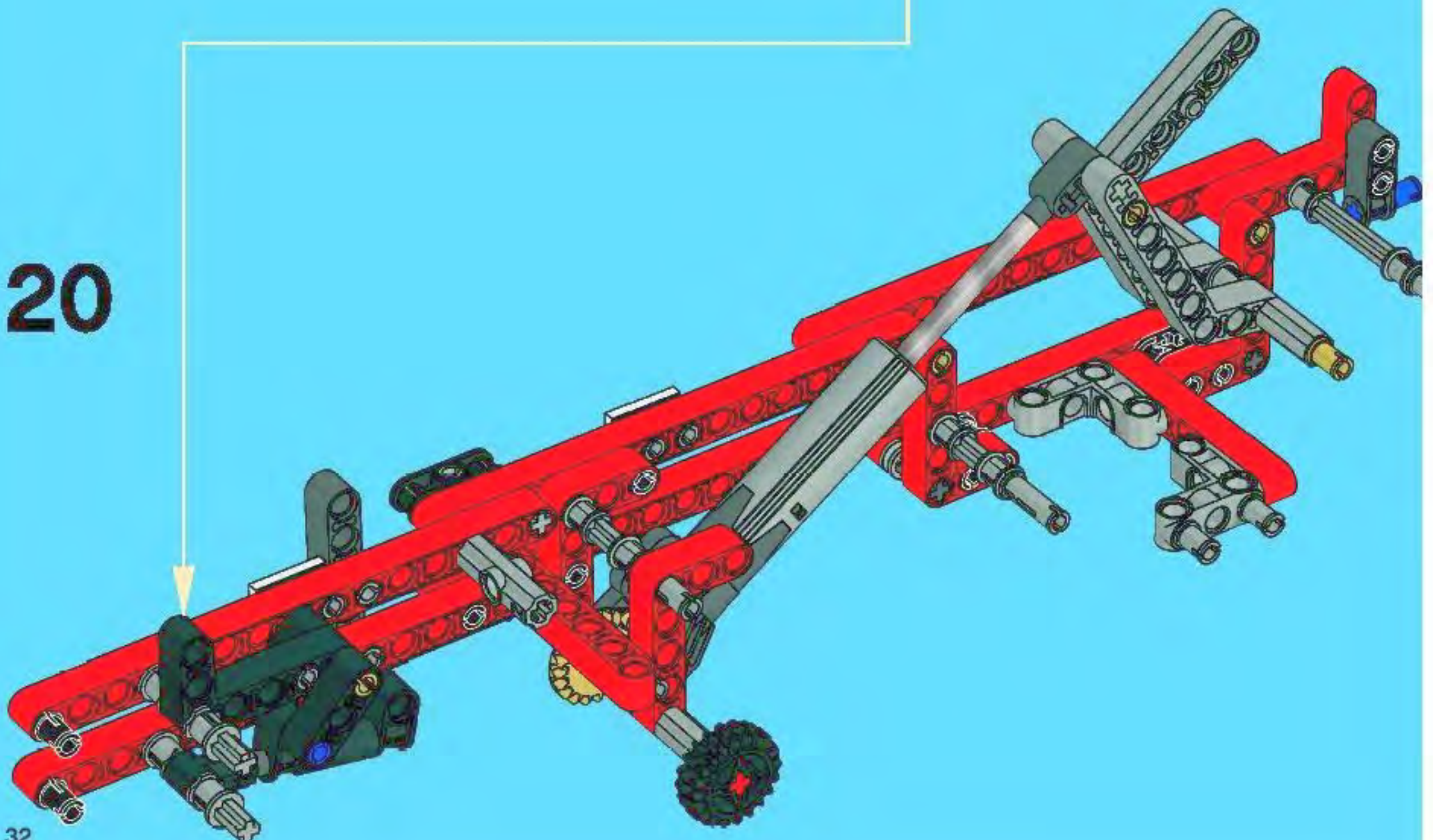


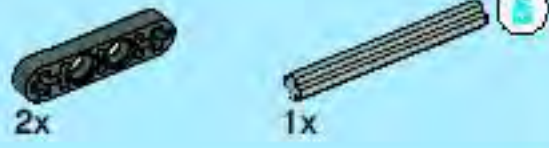
2x

7

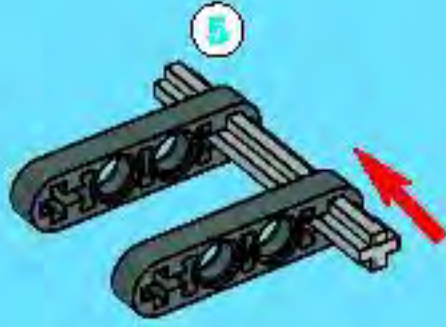


20

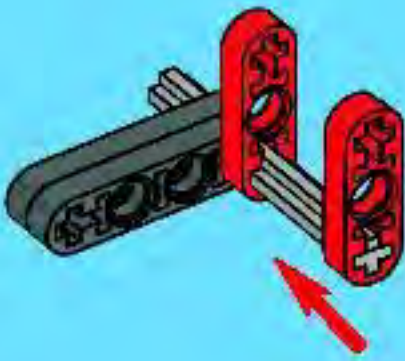




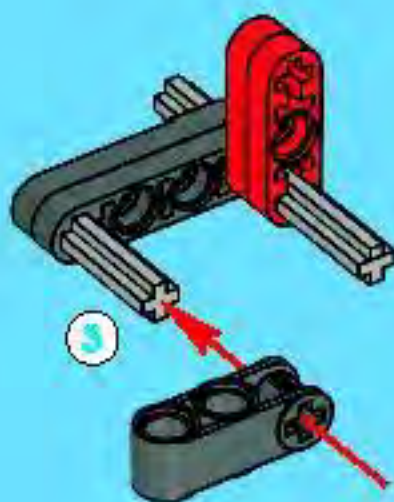
1



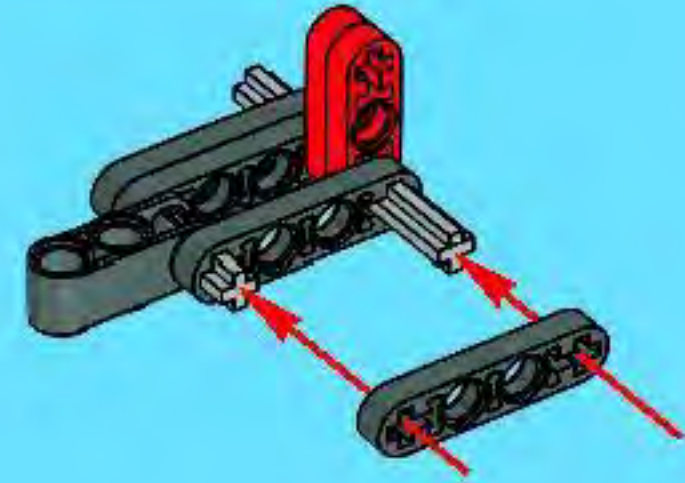
2



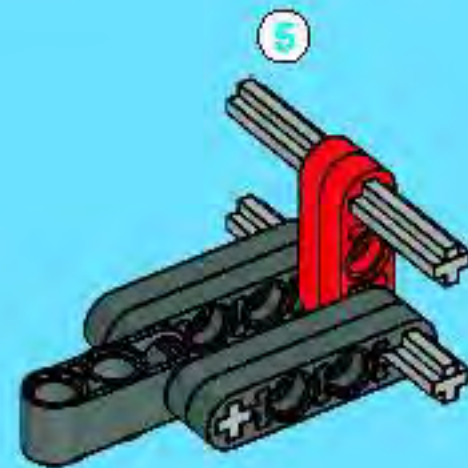
3



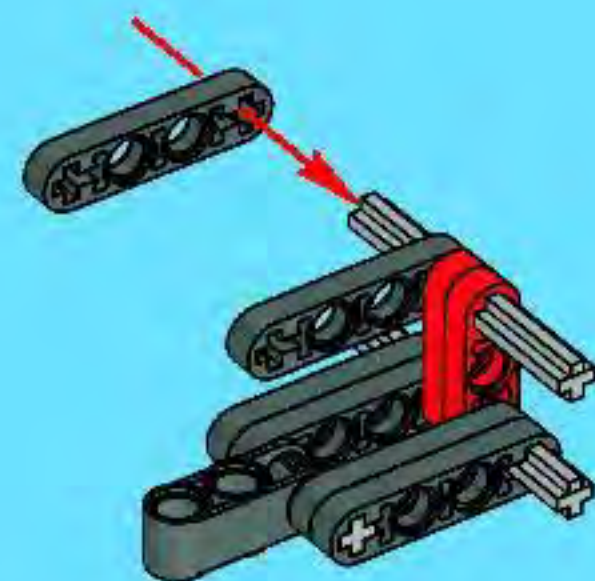
4



5

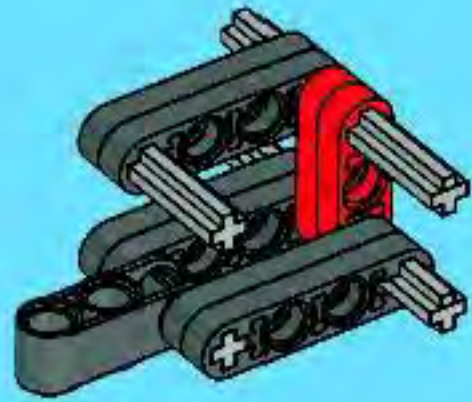


6

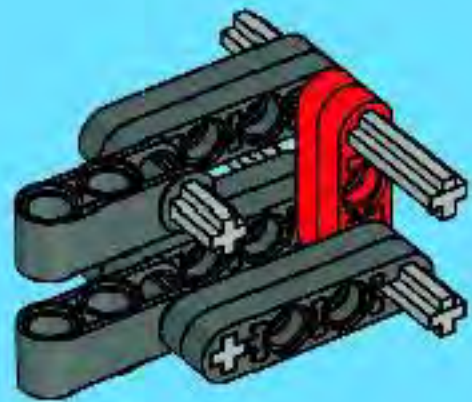




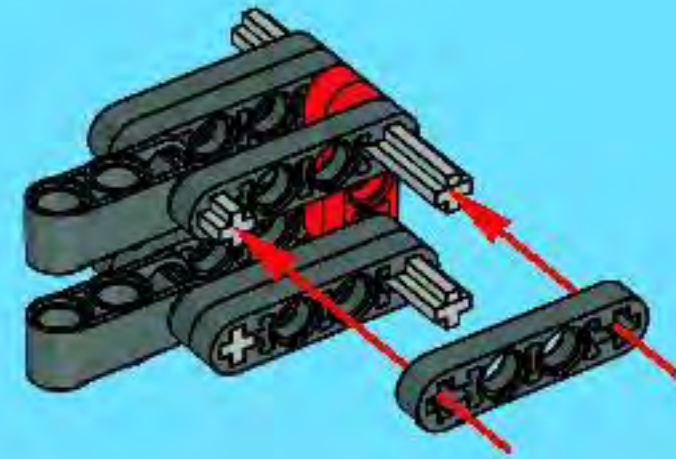
7



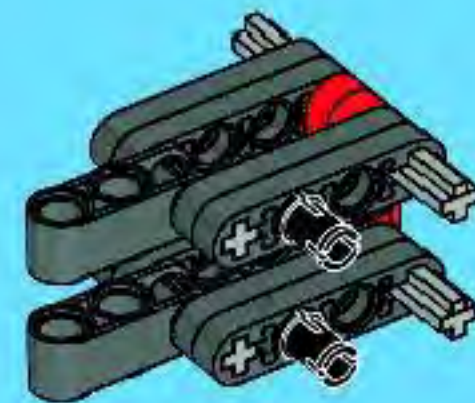
8



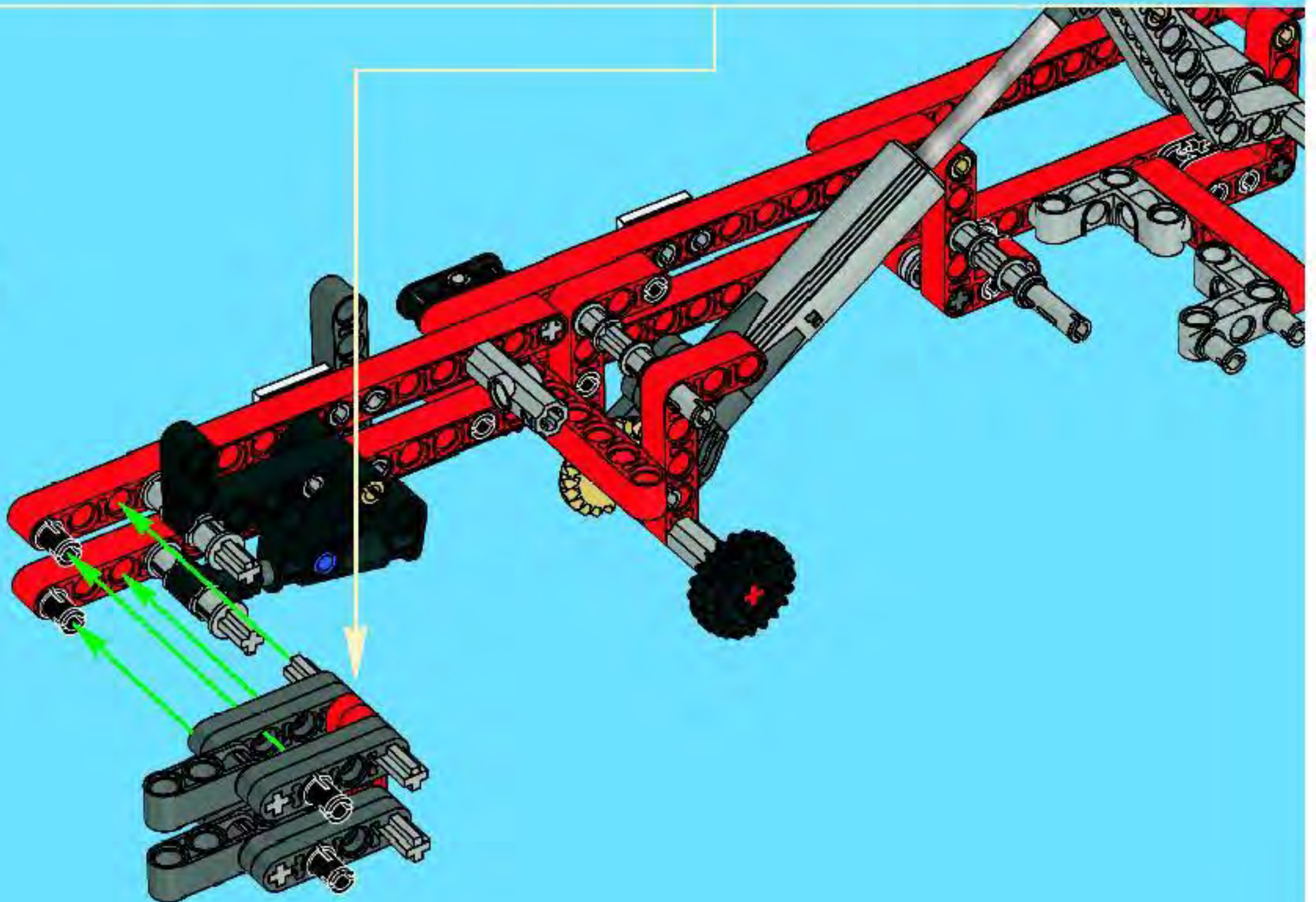
9

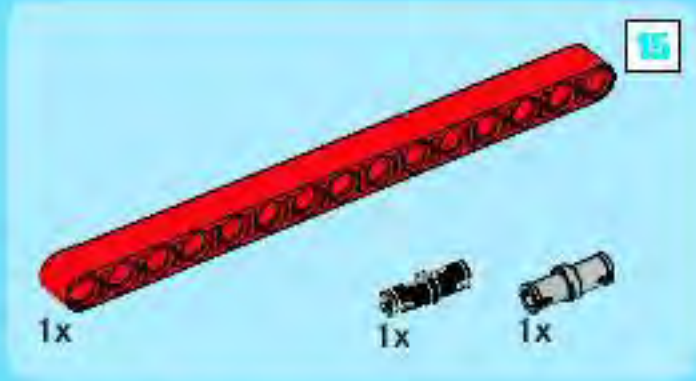


10

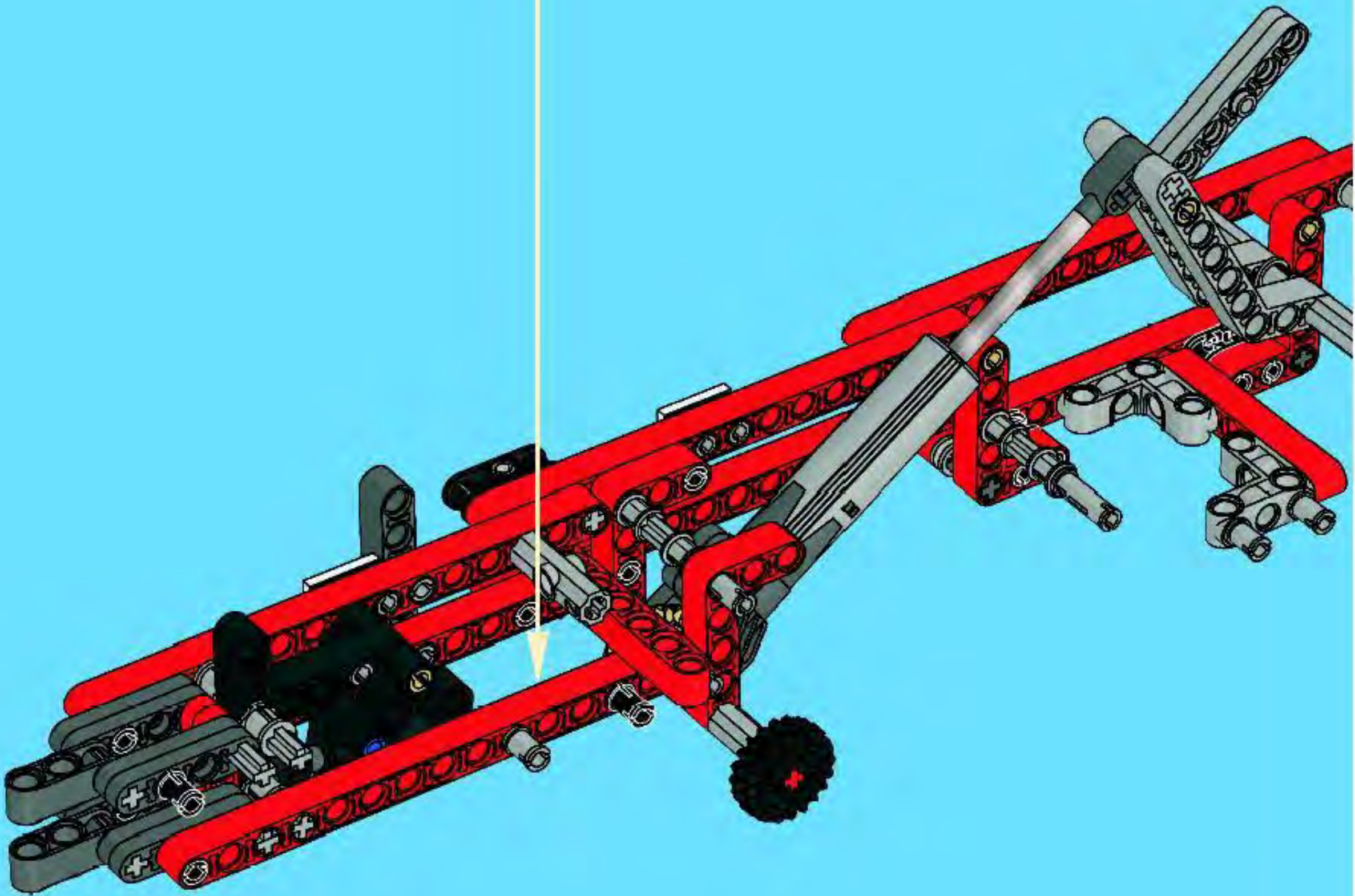
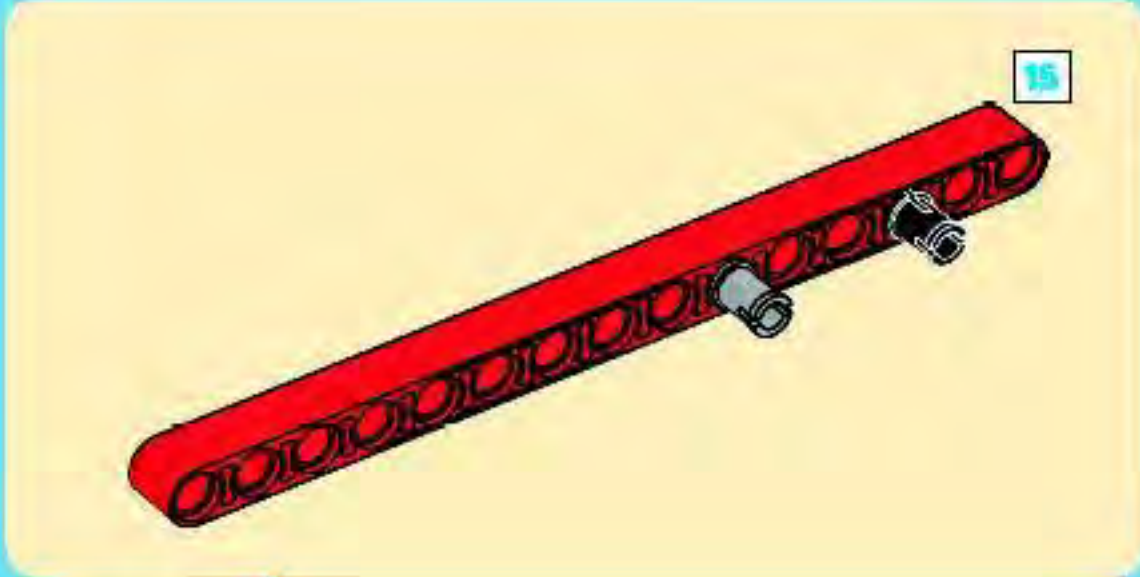


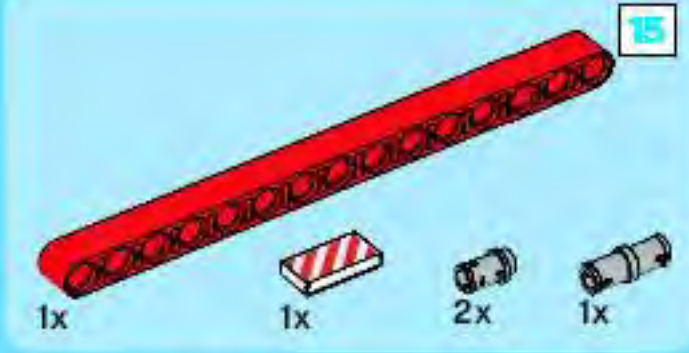
21



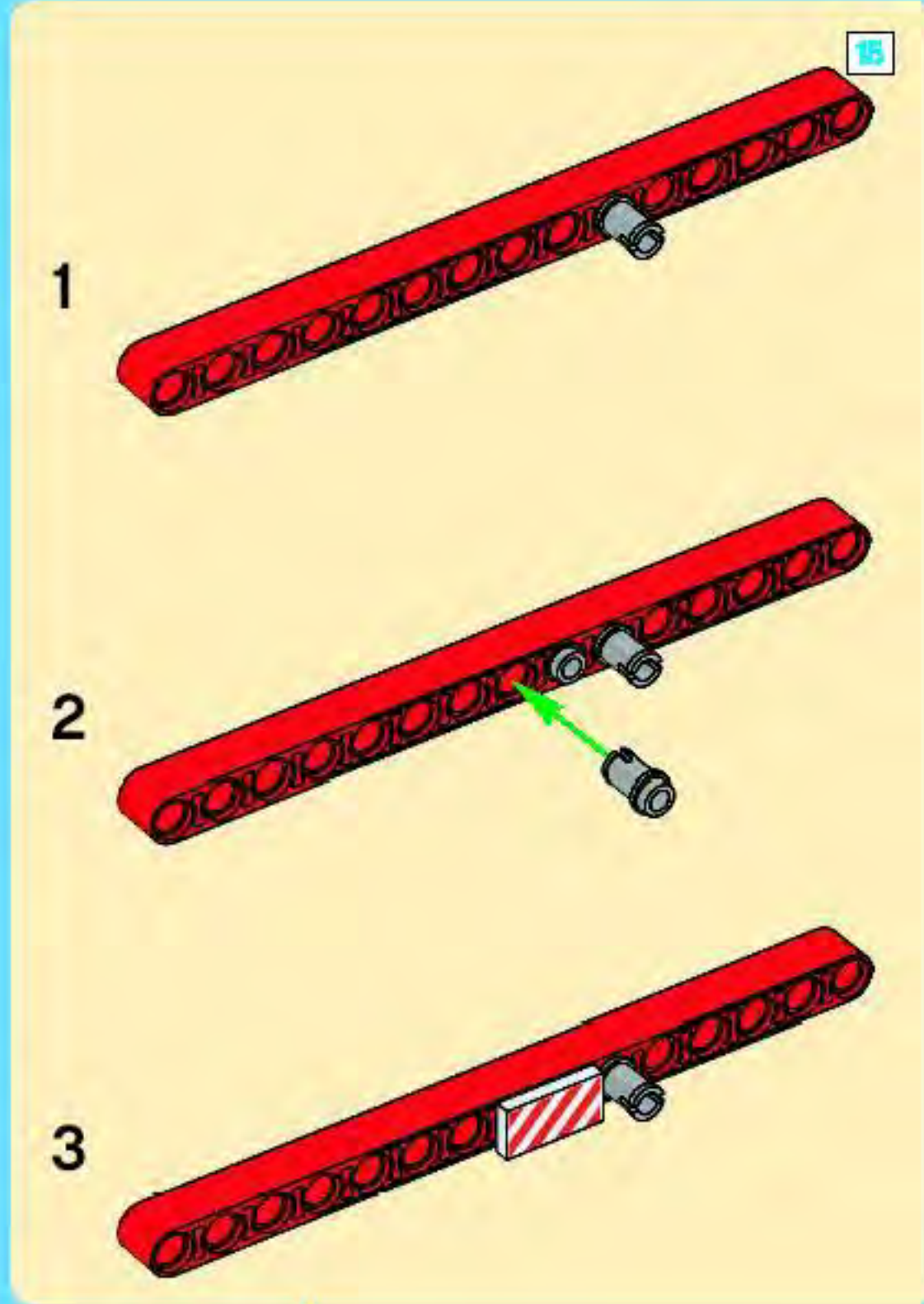


22



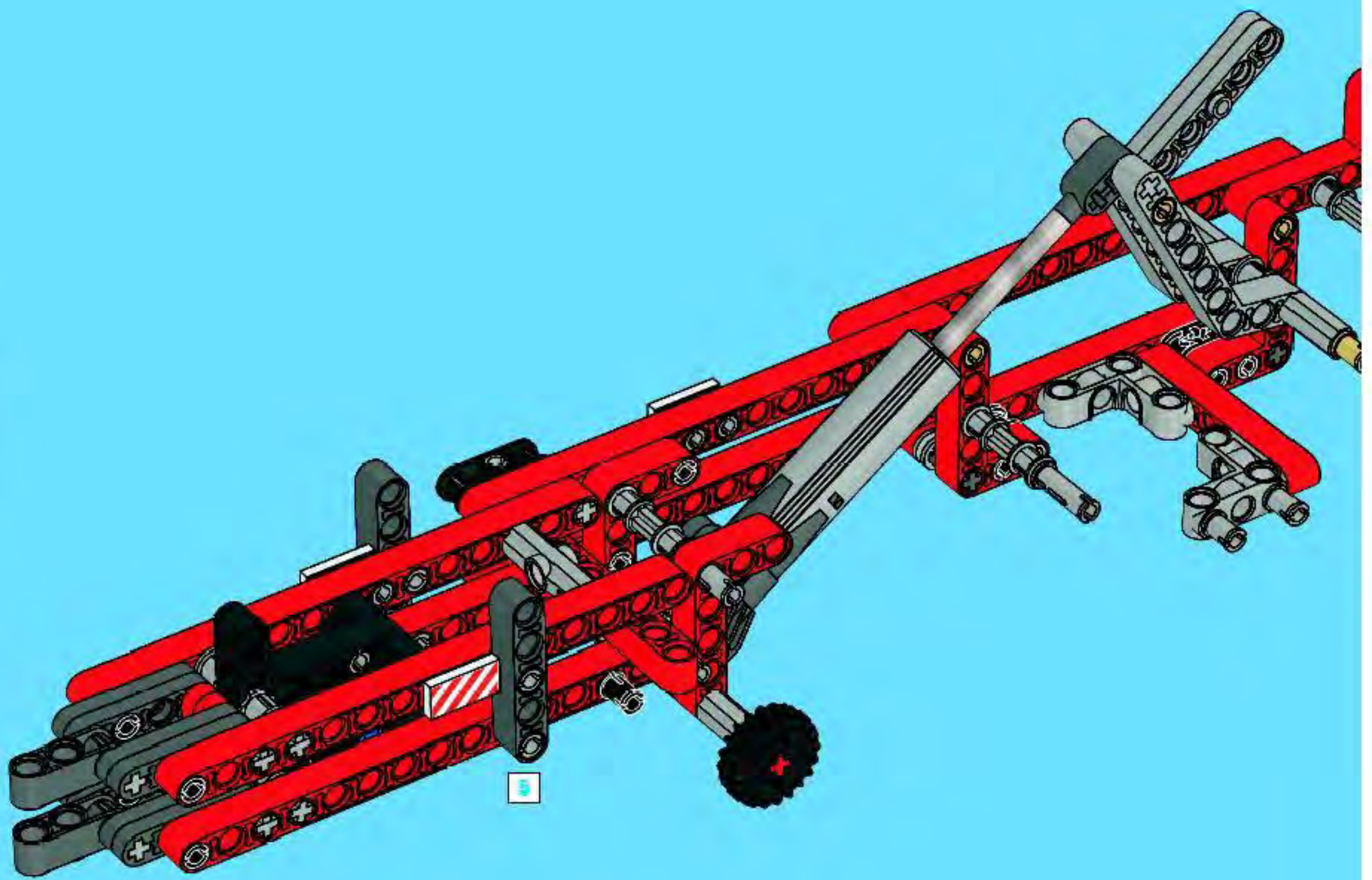


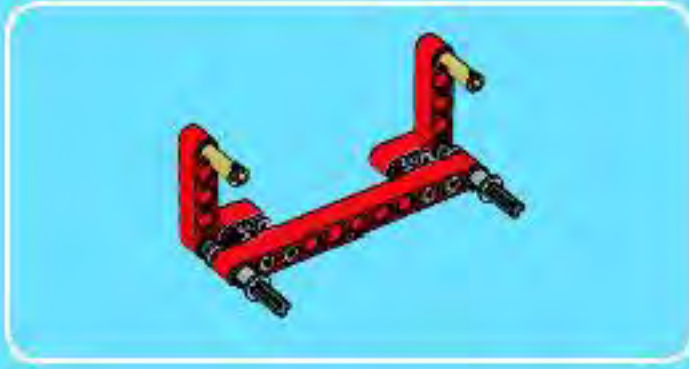
23



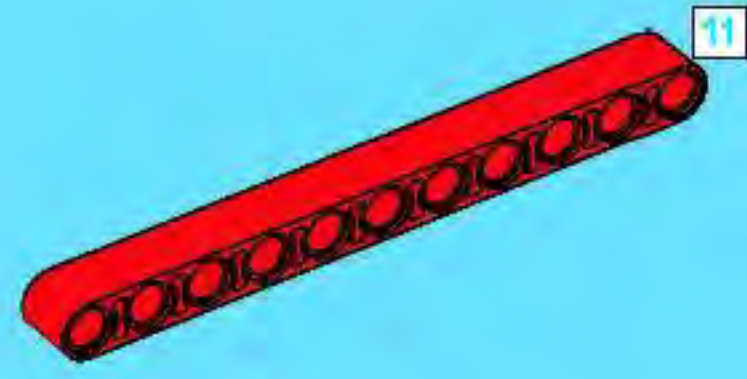


24

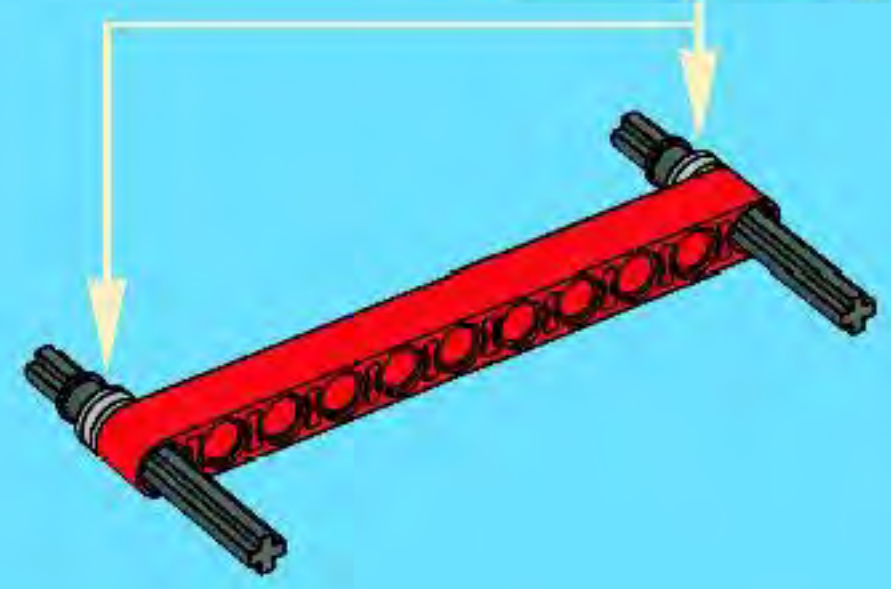




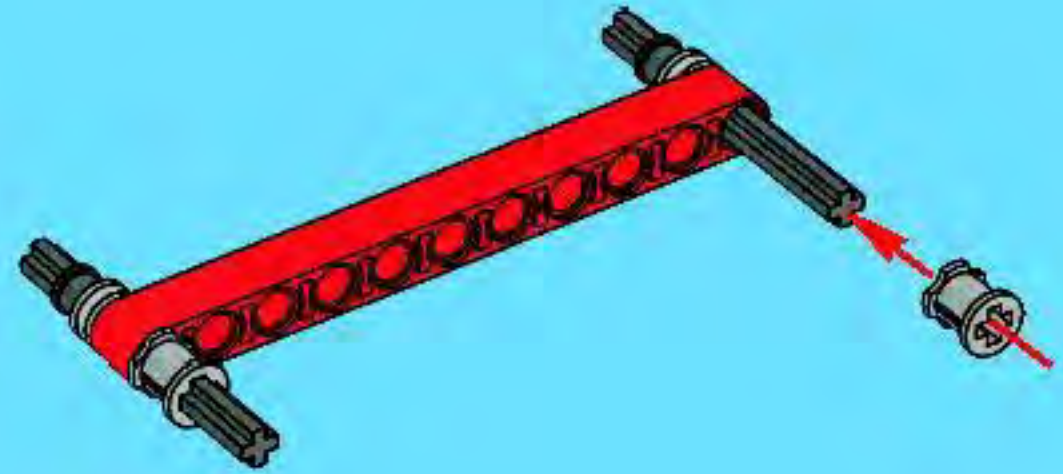
1



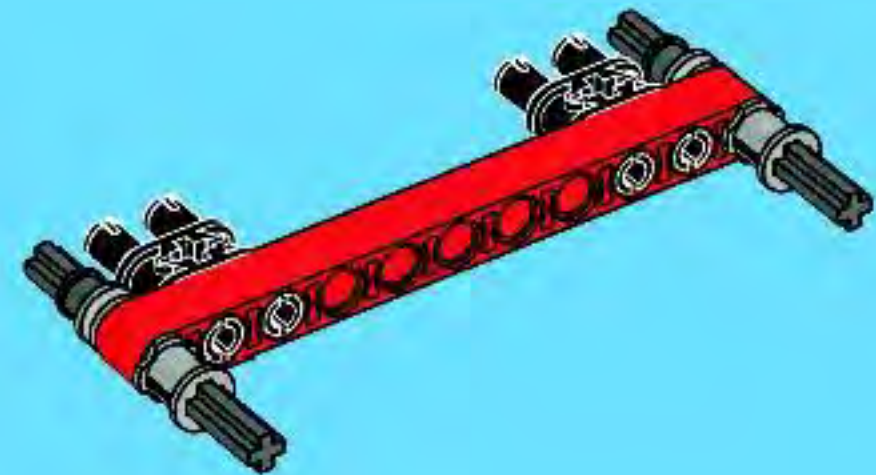
2

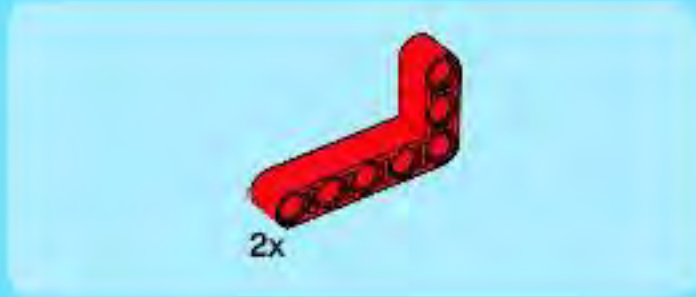


3

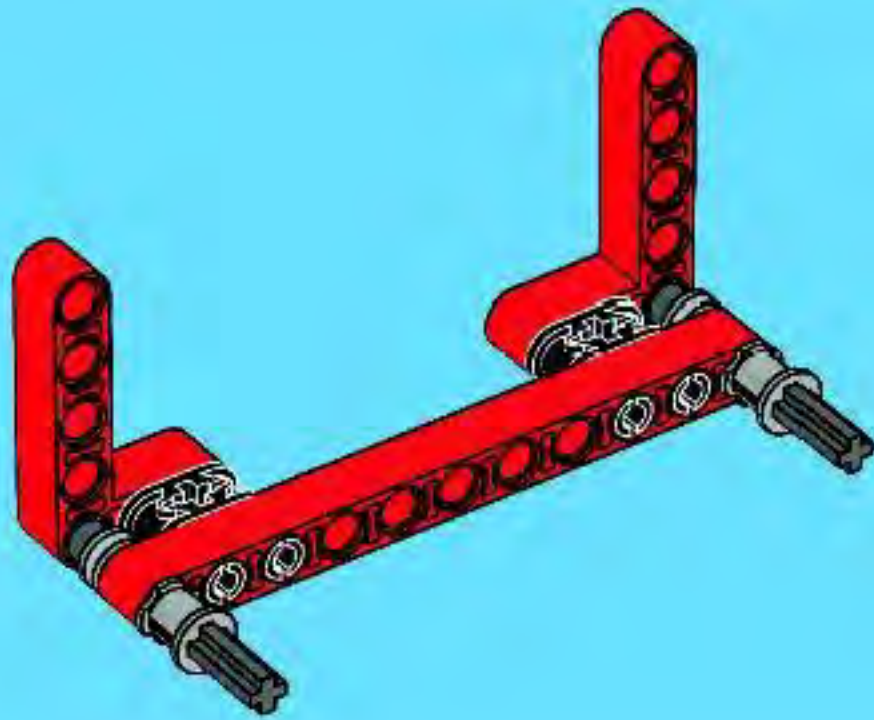


4

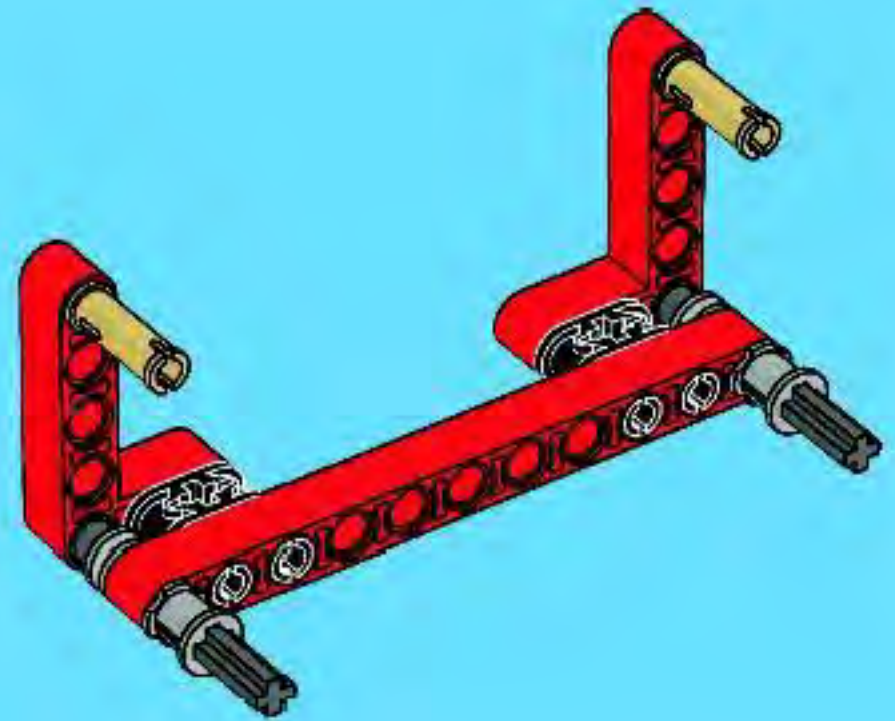




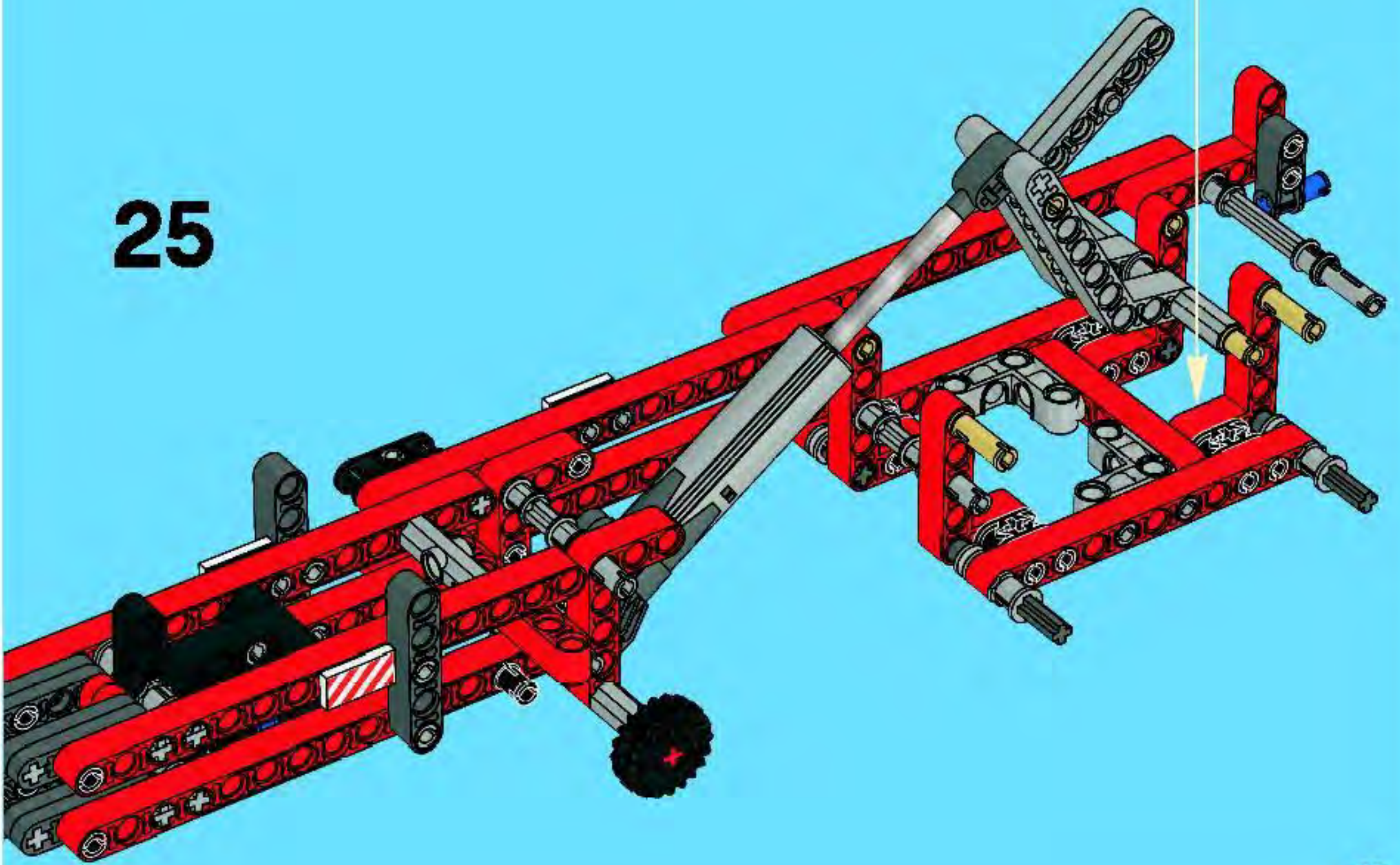
5



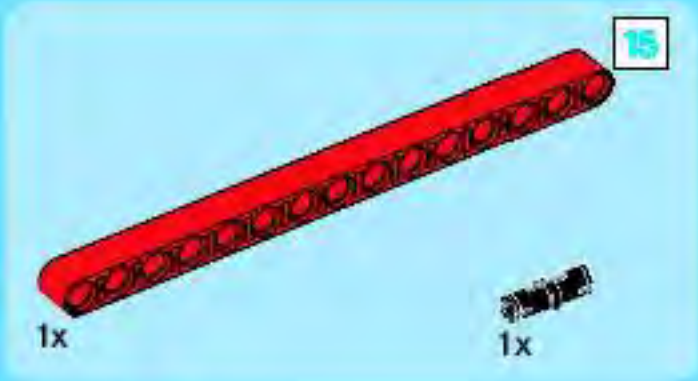
6



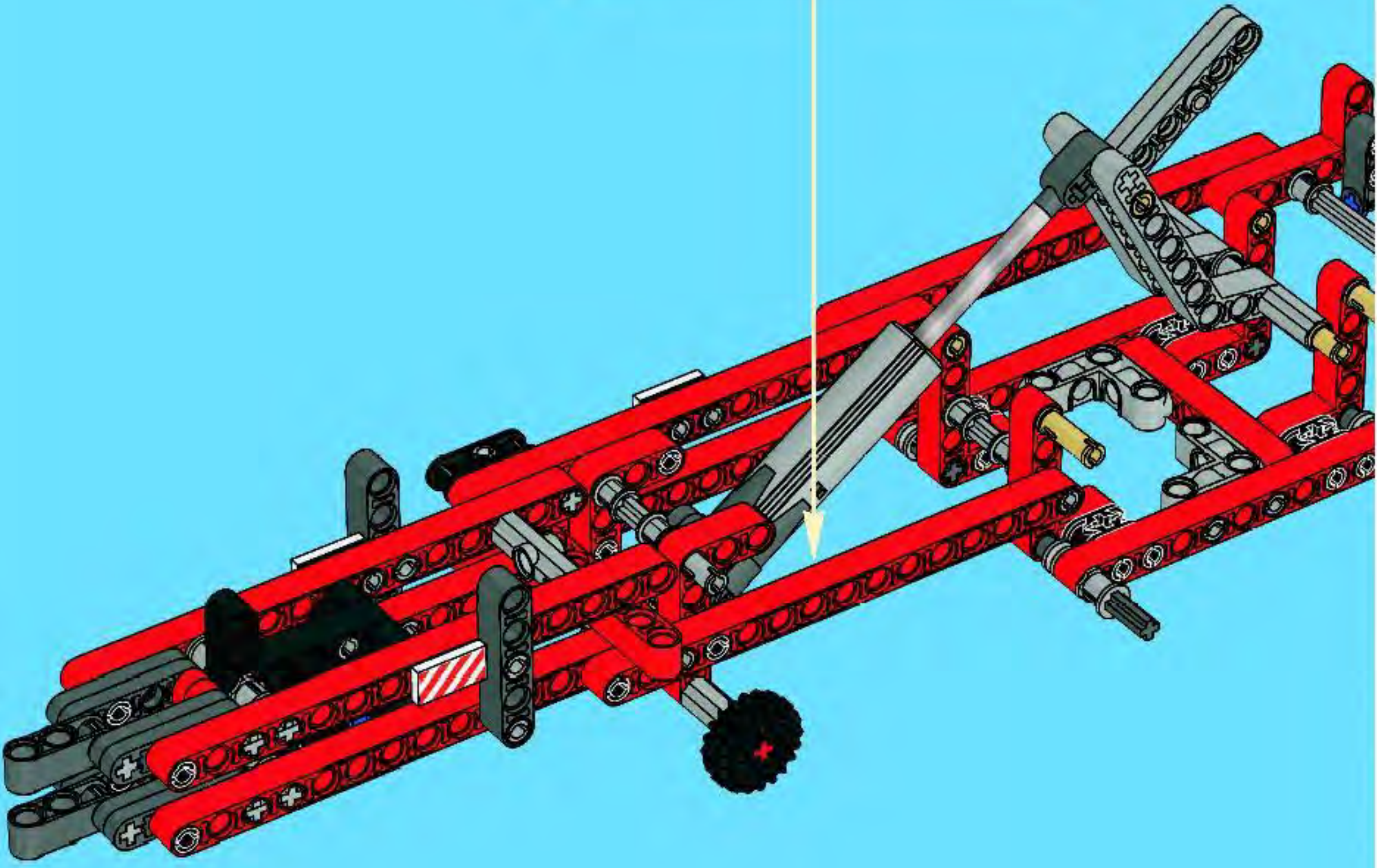
25

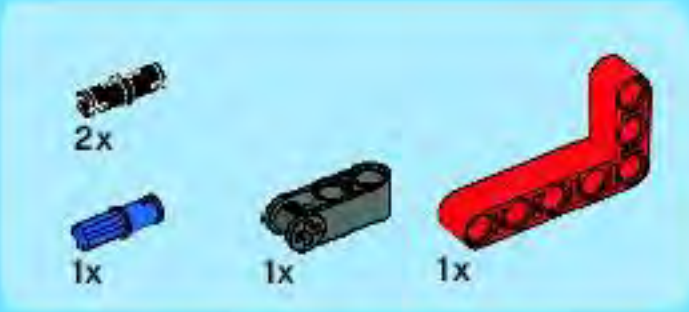




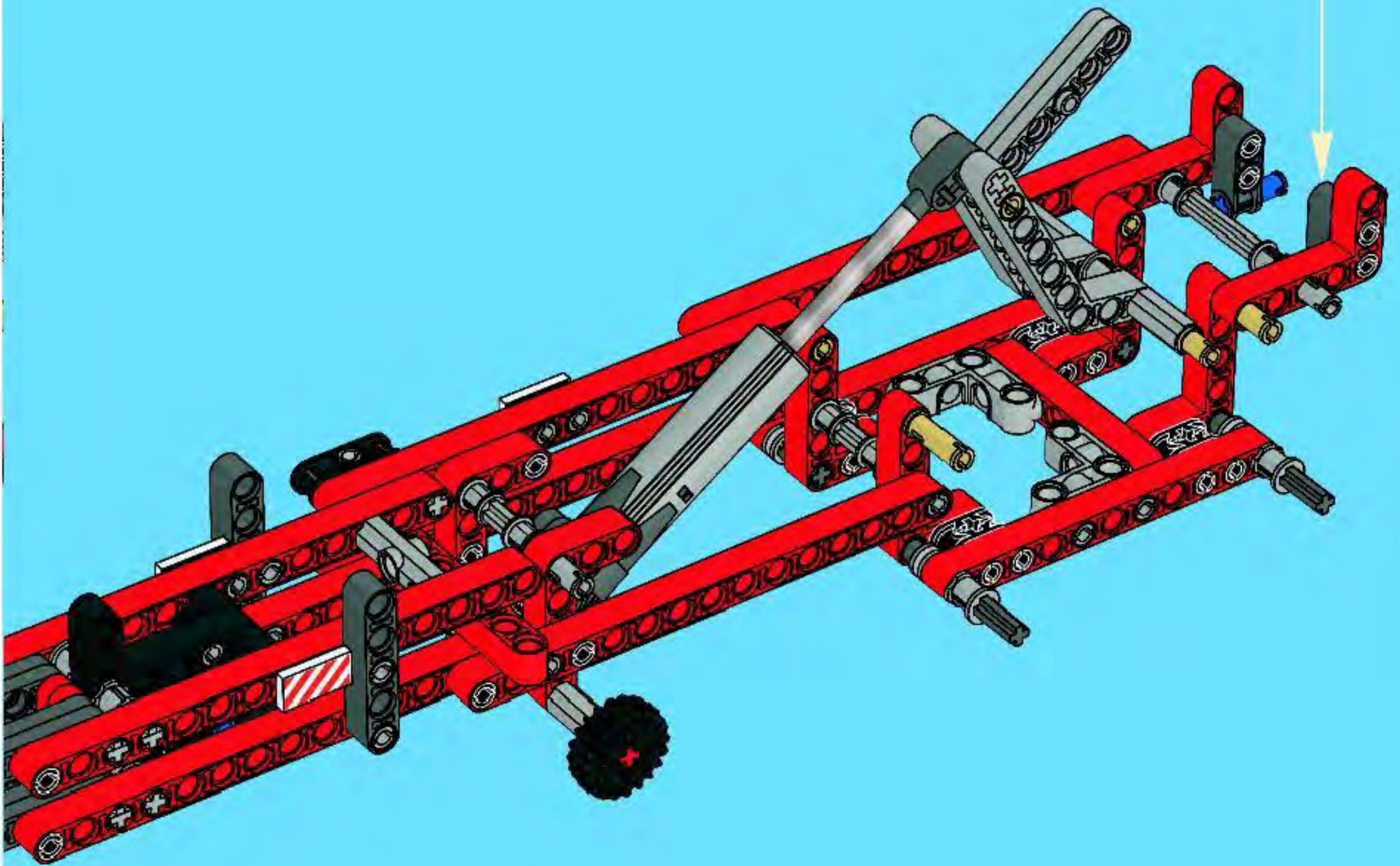


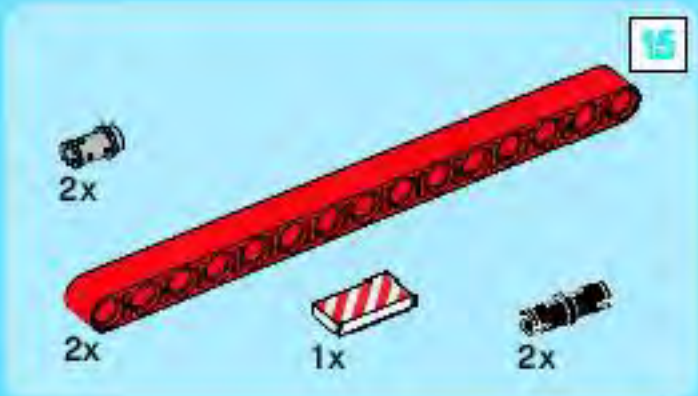
# 26



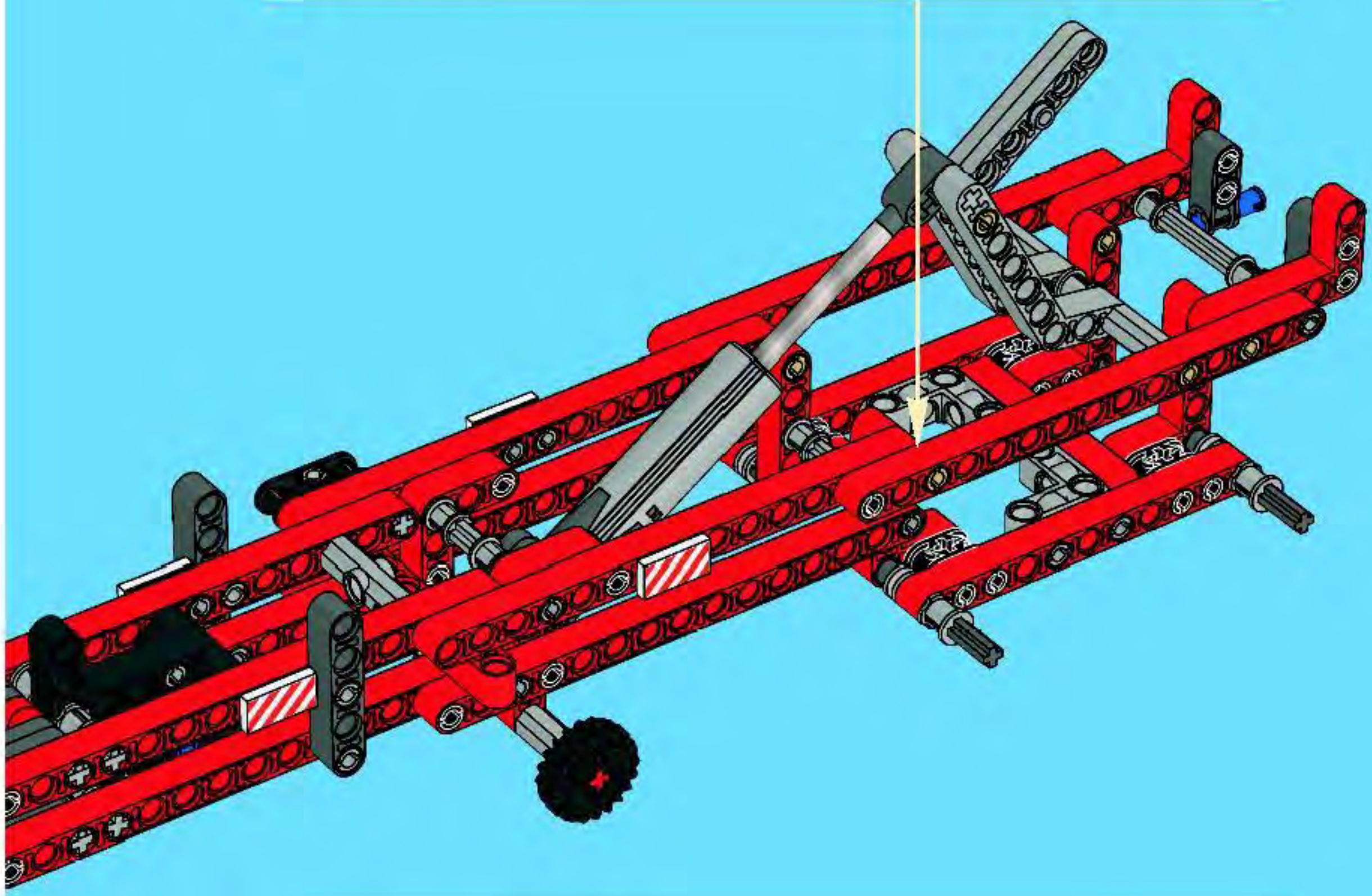
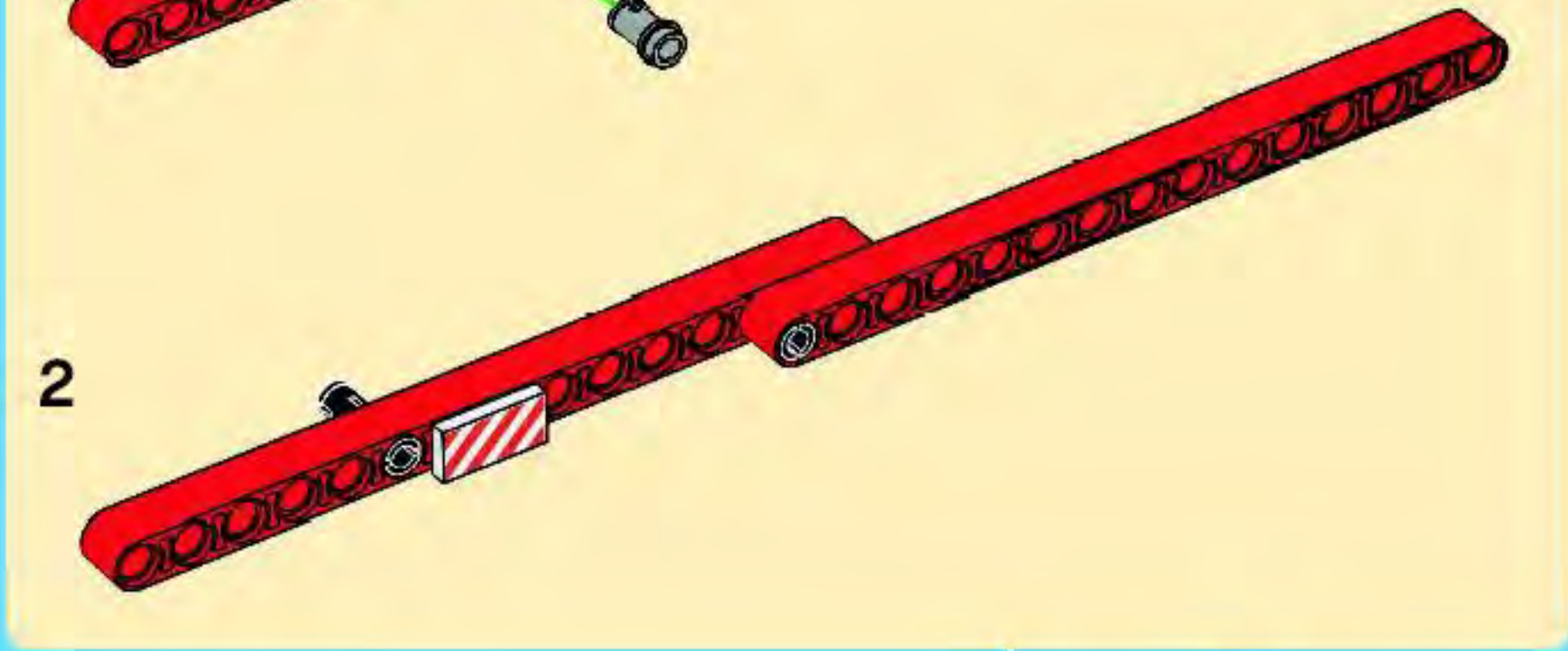
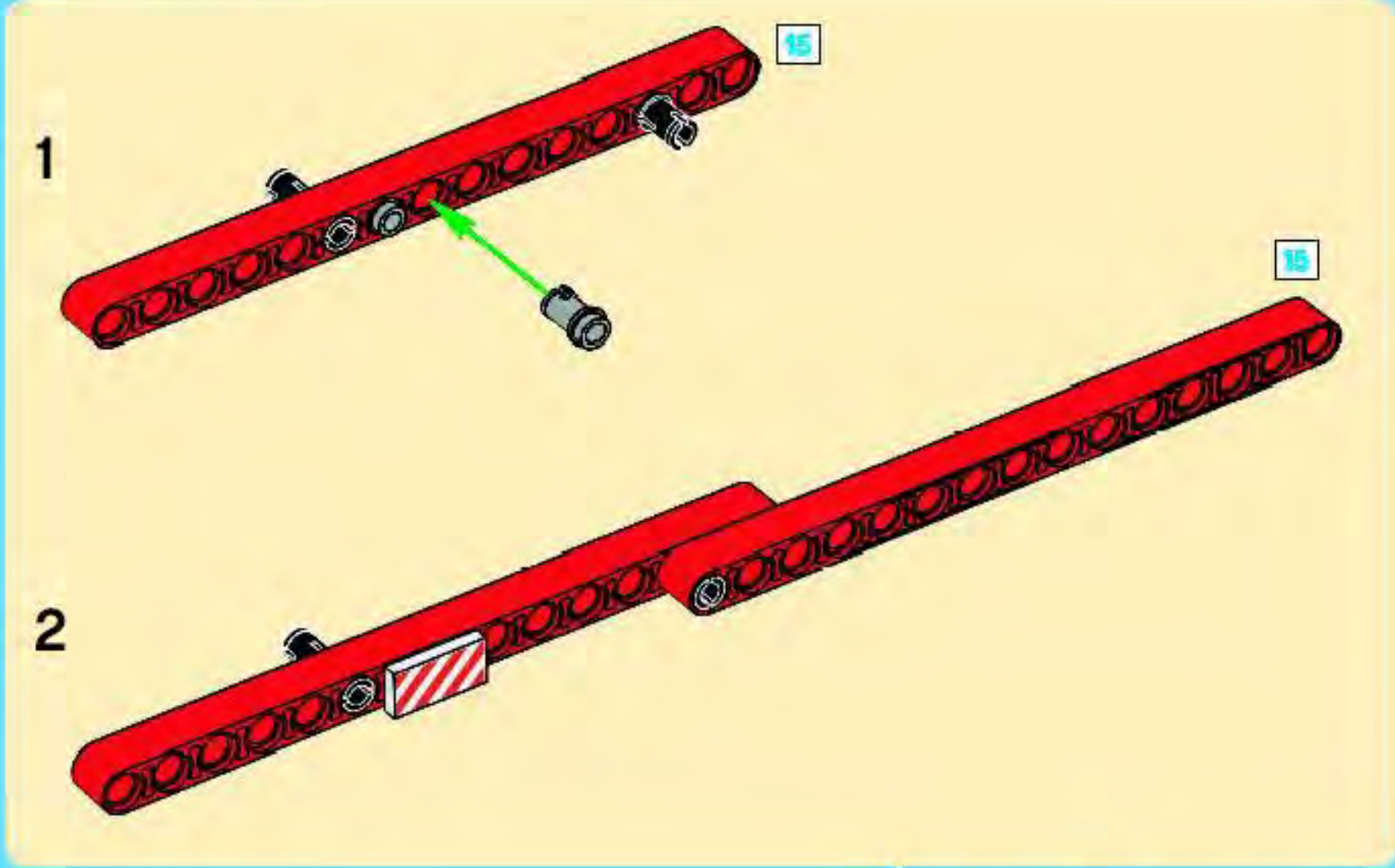


27



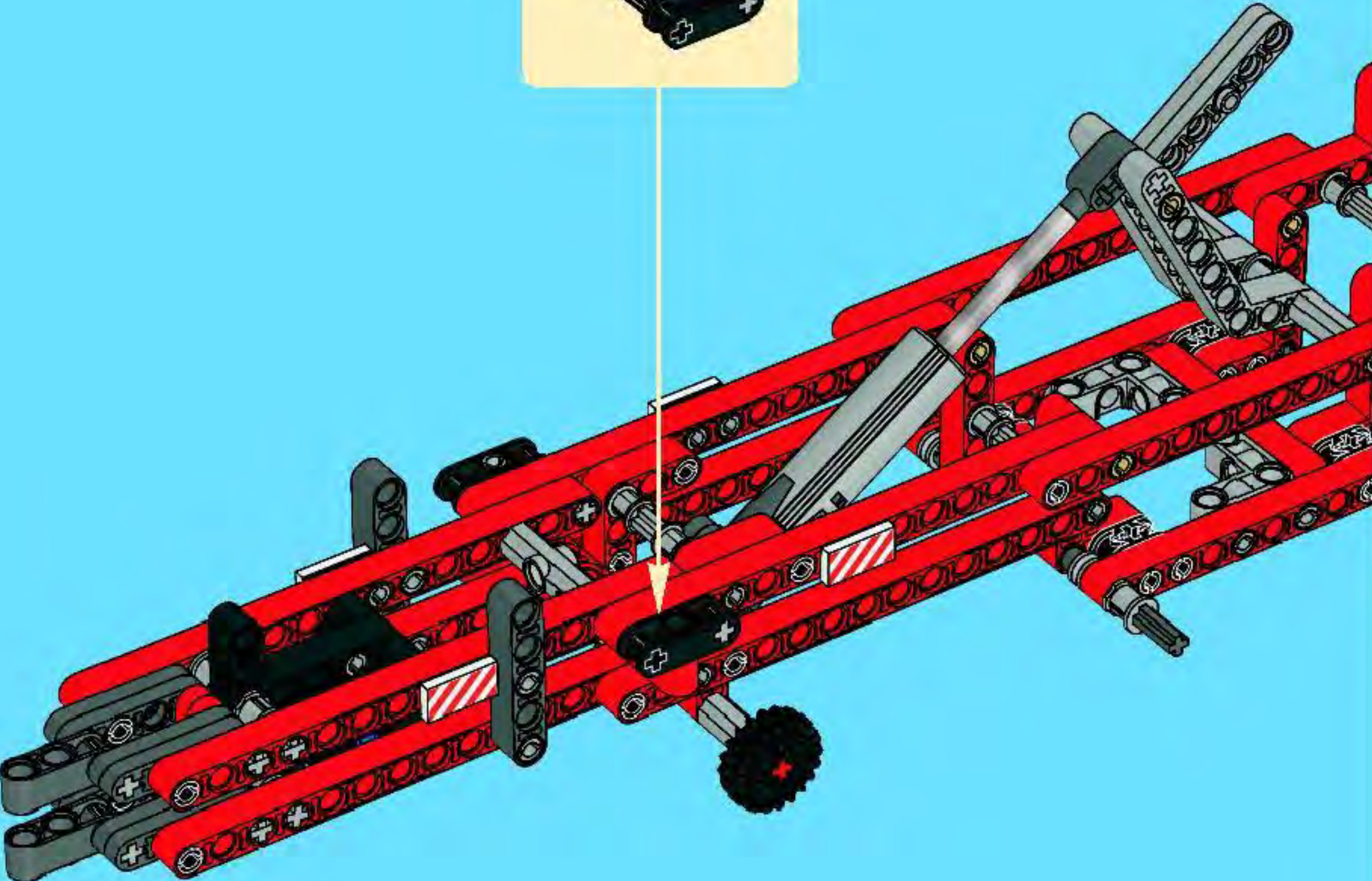
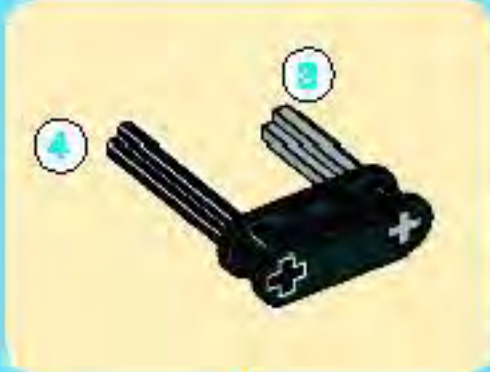


28



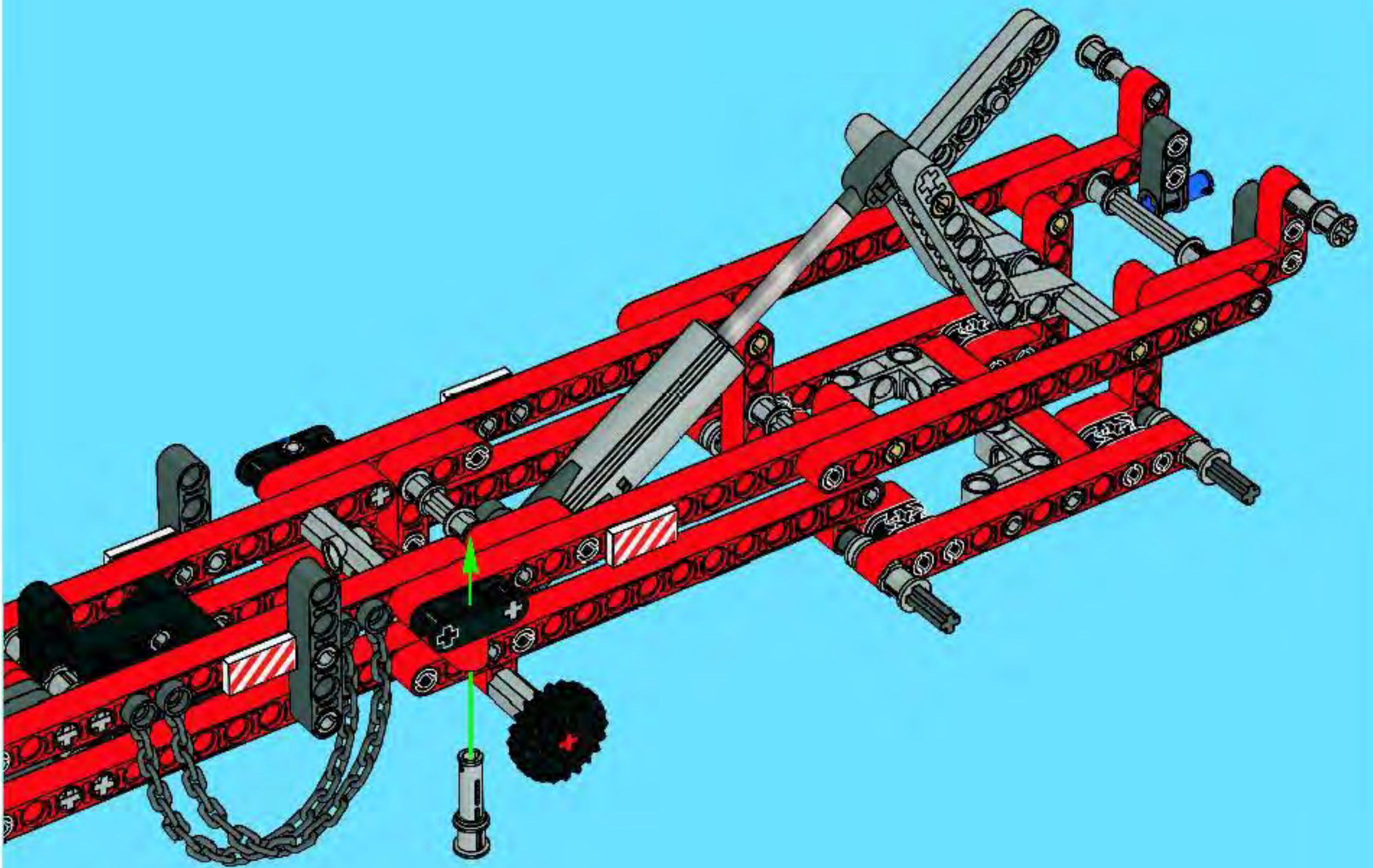


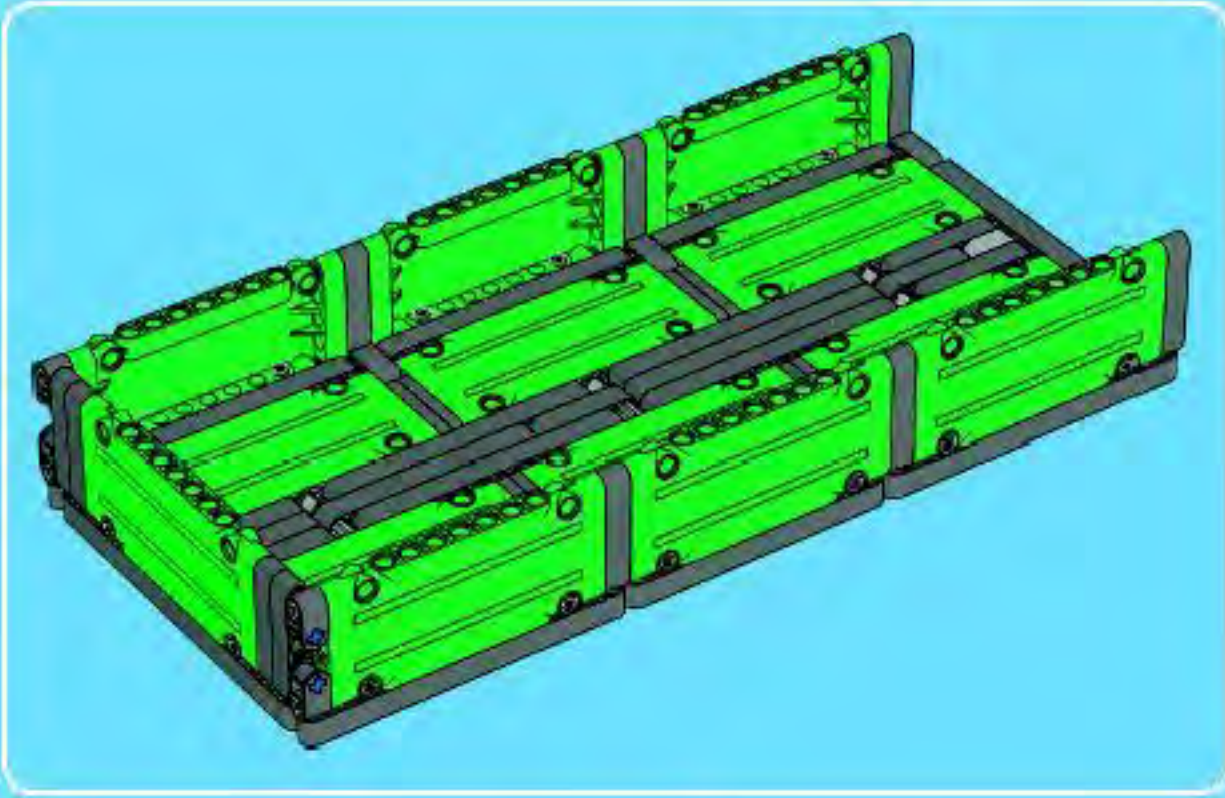
# 29



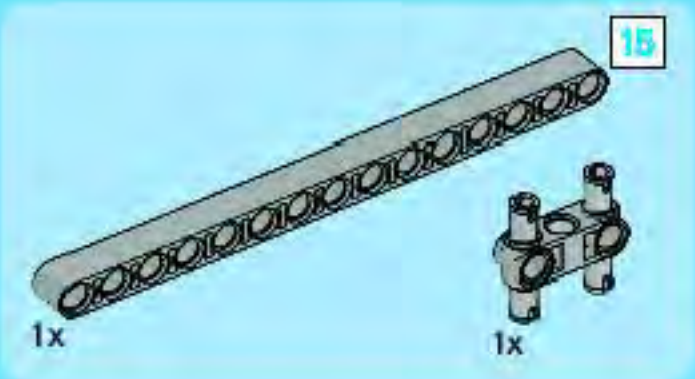


# 30

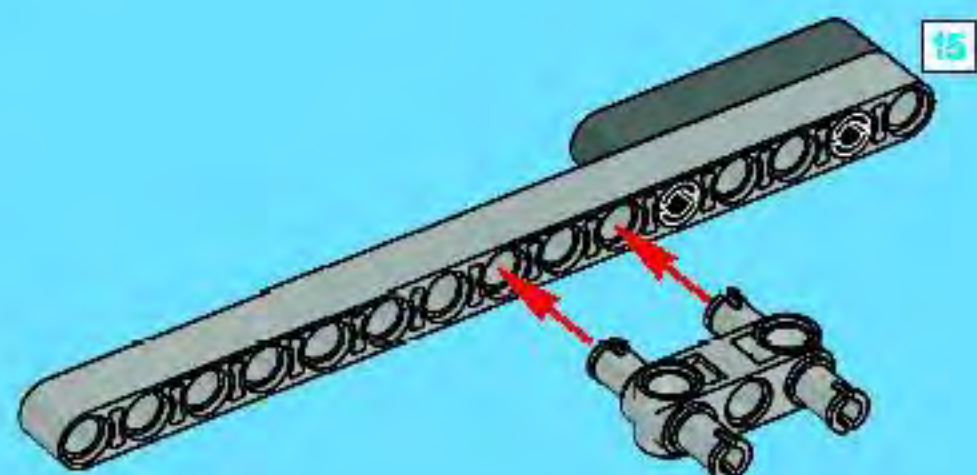




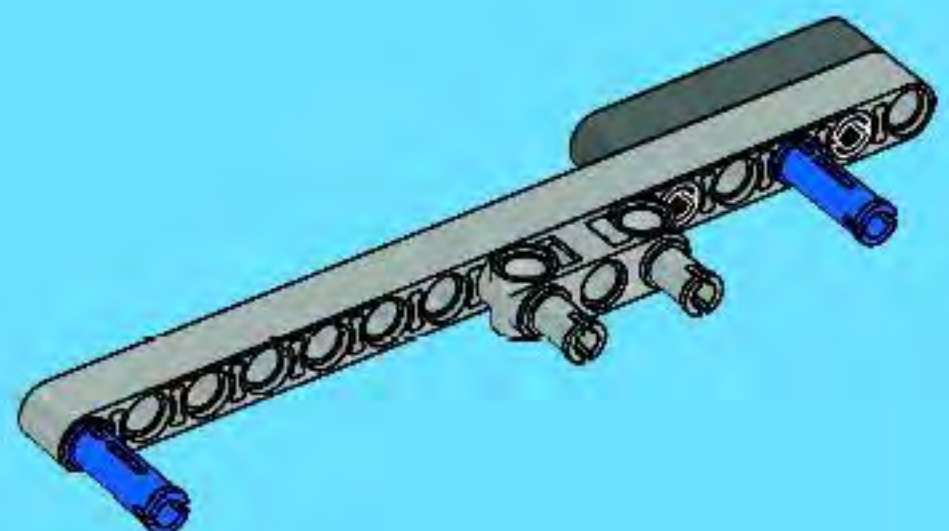
1



2



3





1



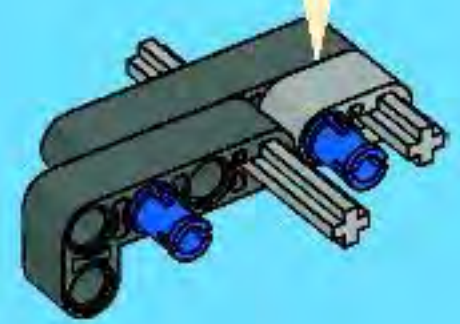
2



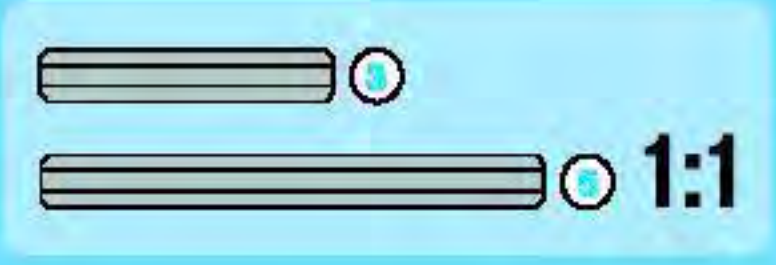
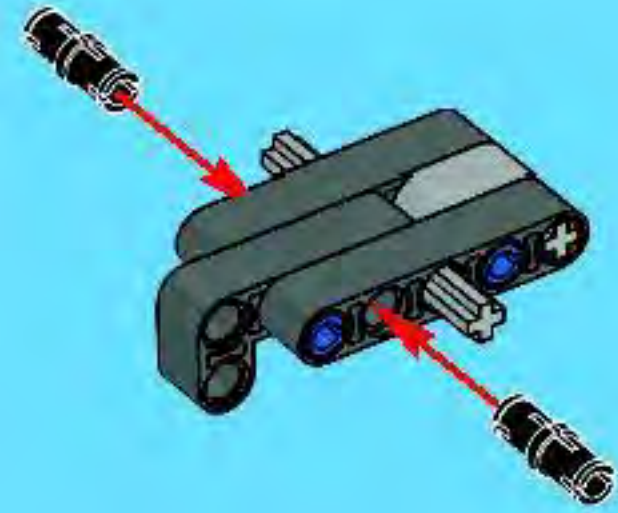
3

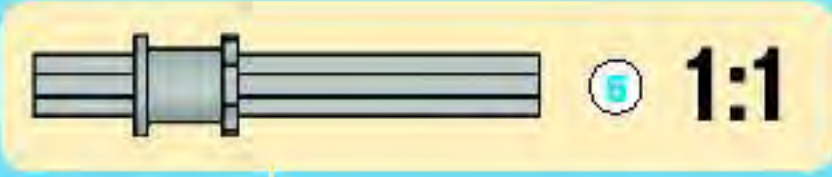
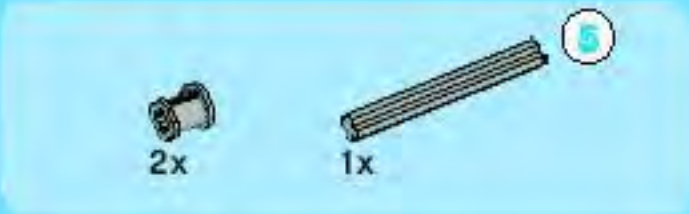


4

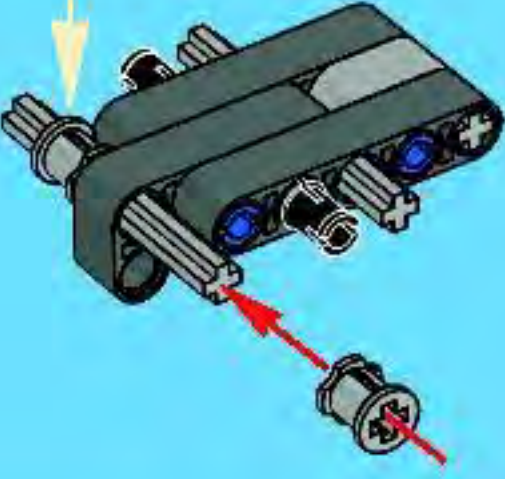


5

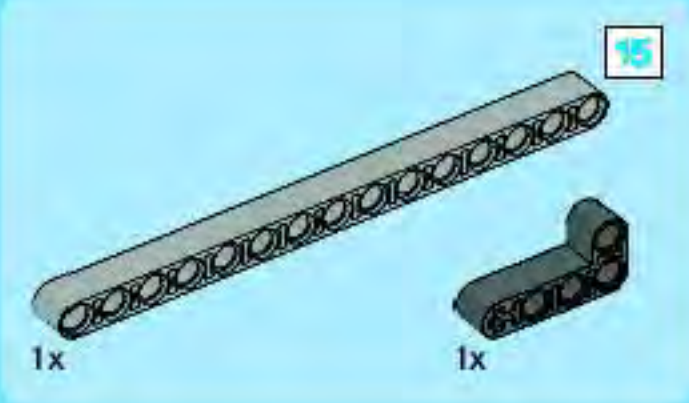
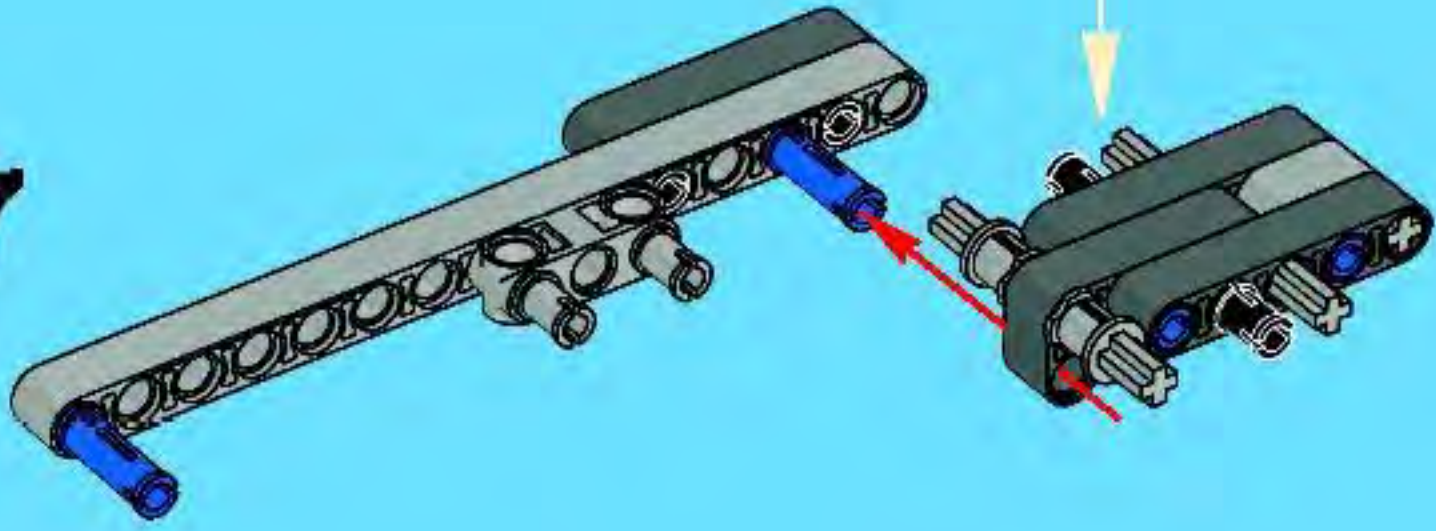




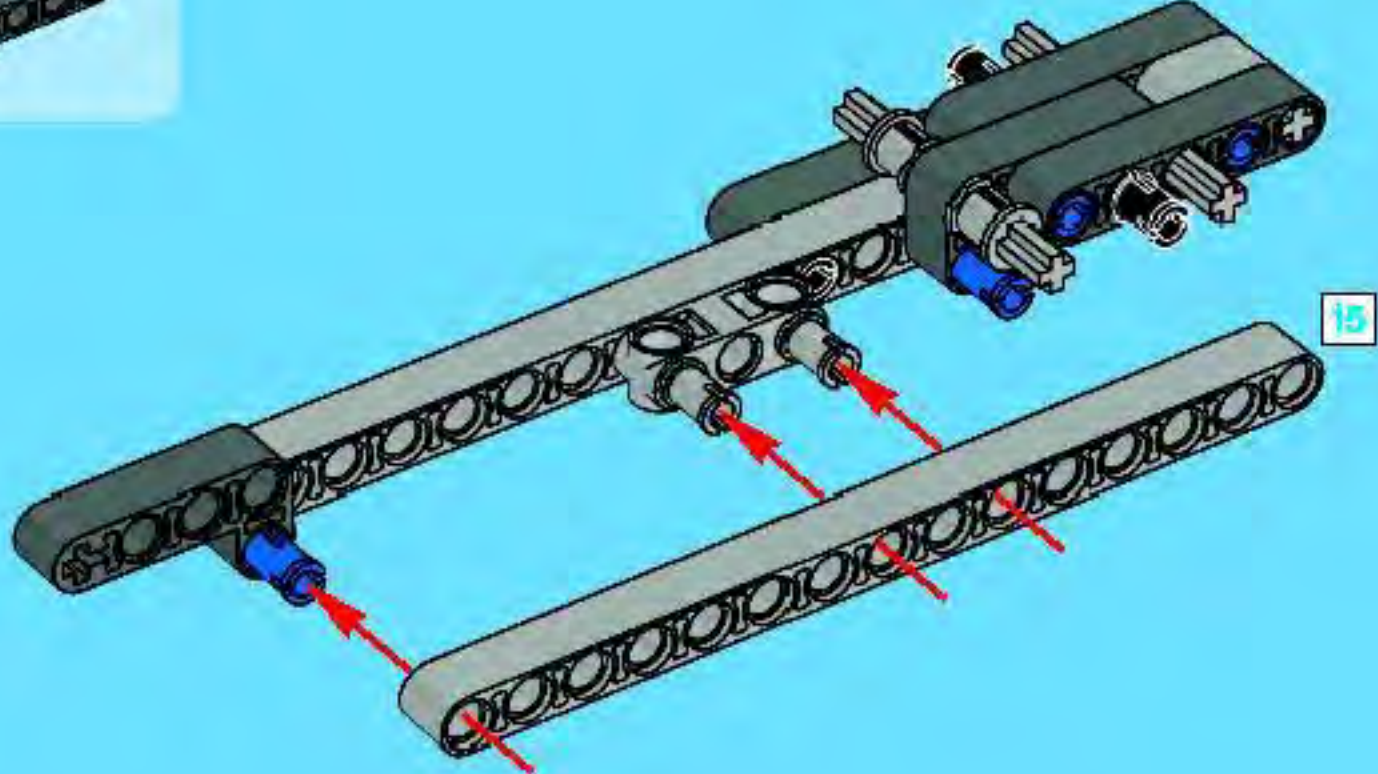
6



7



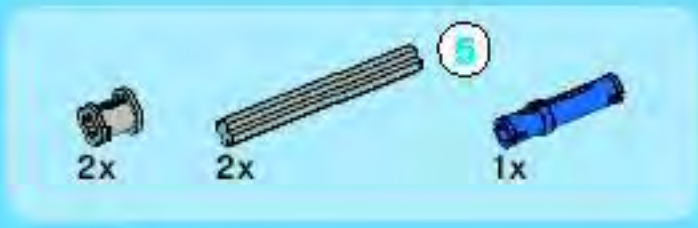
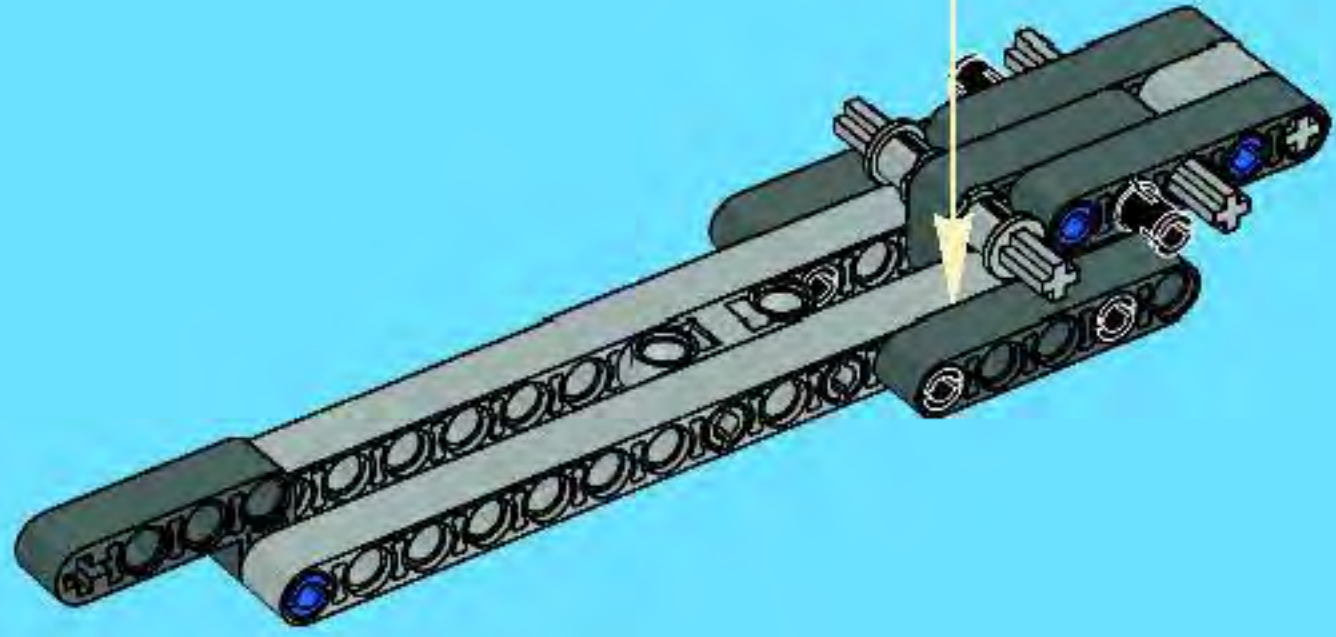
8



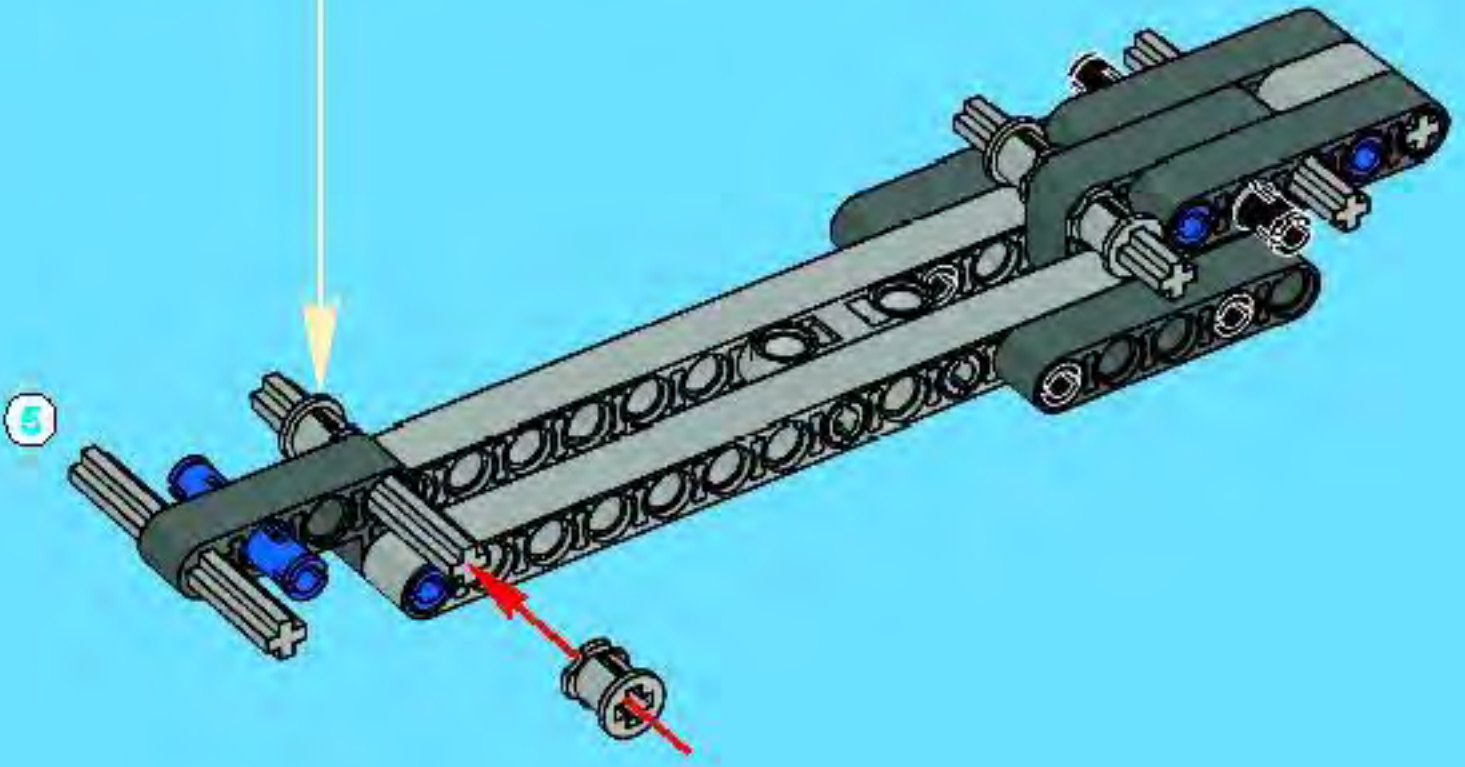


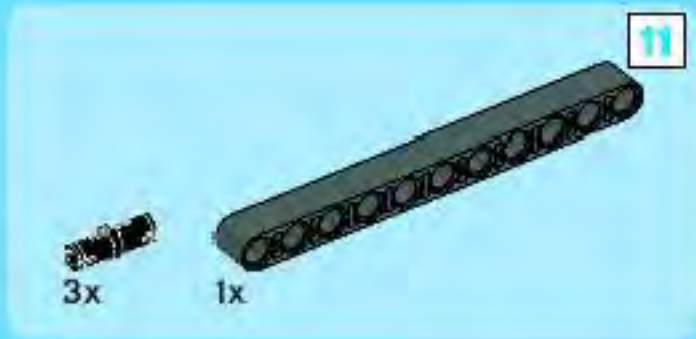


9

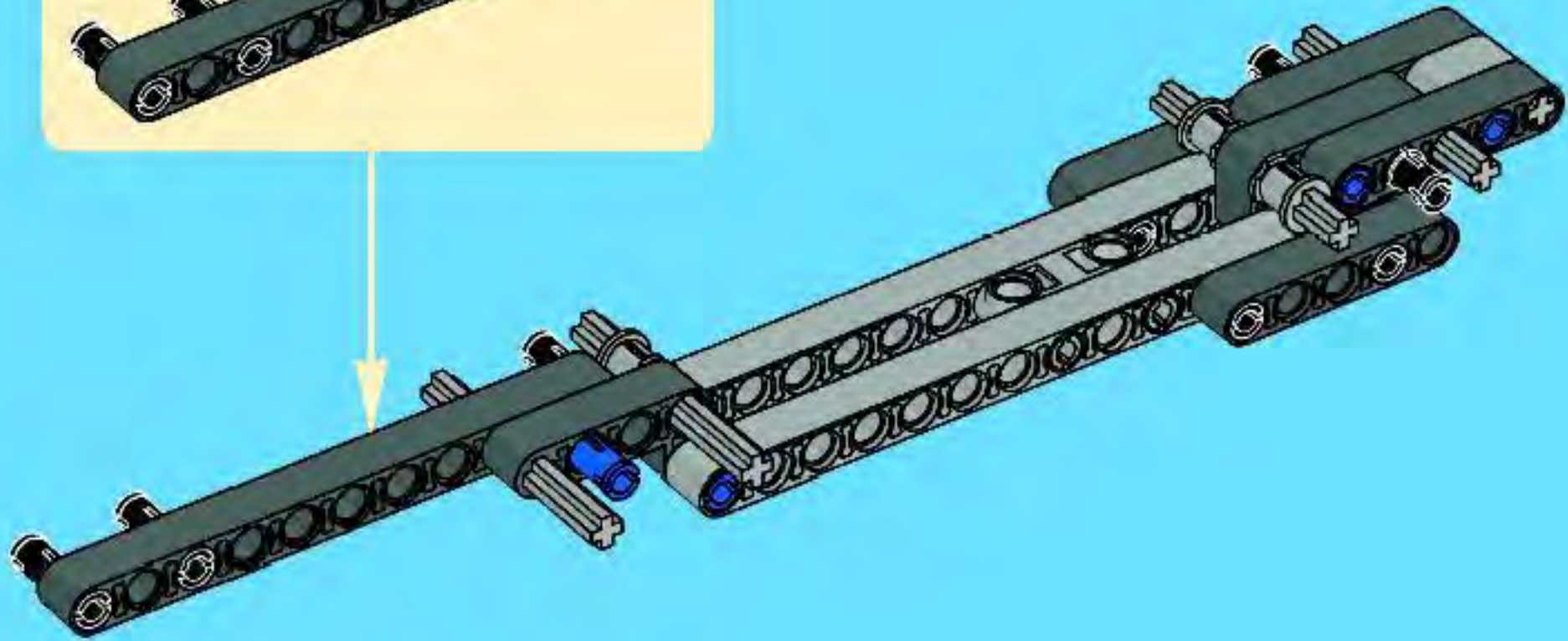
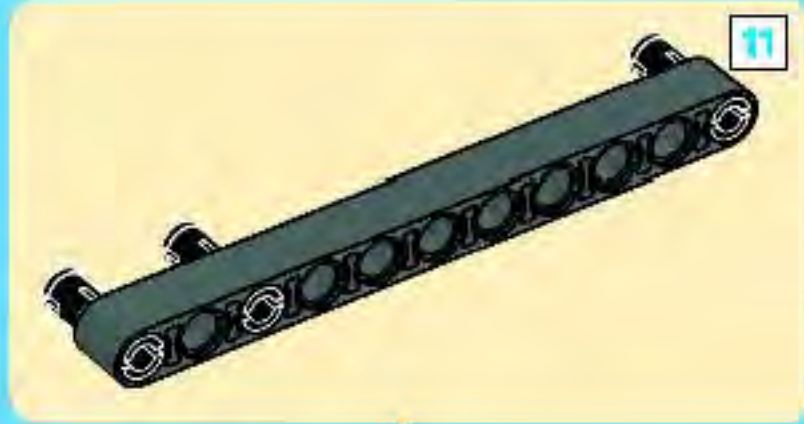


10

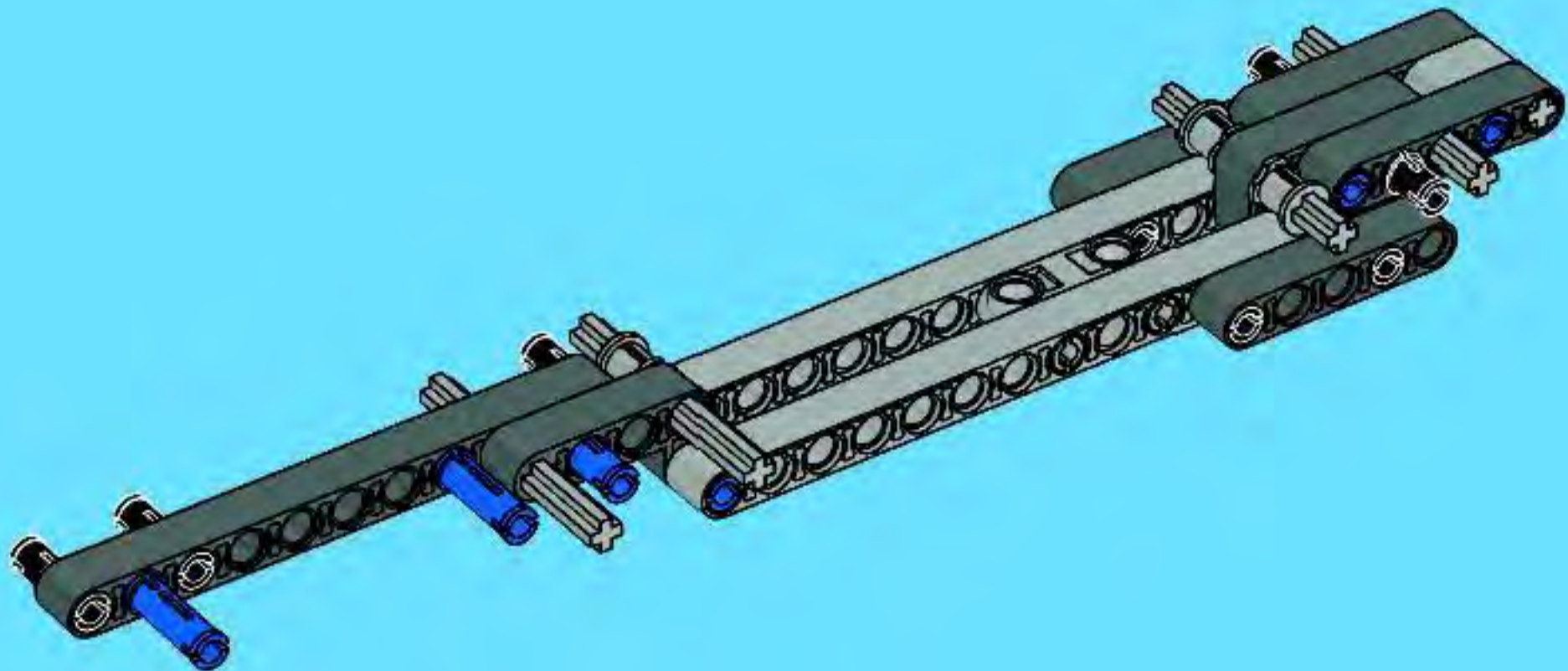


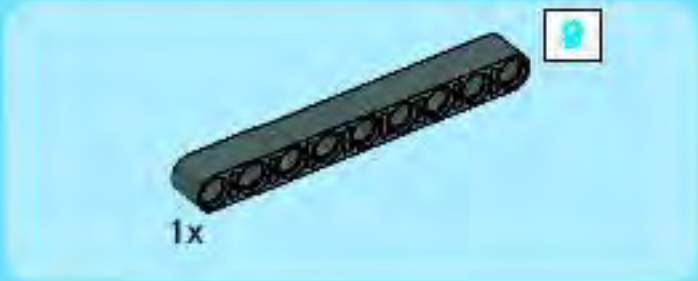


11

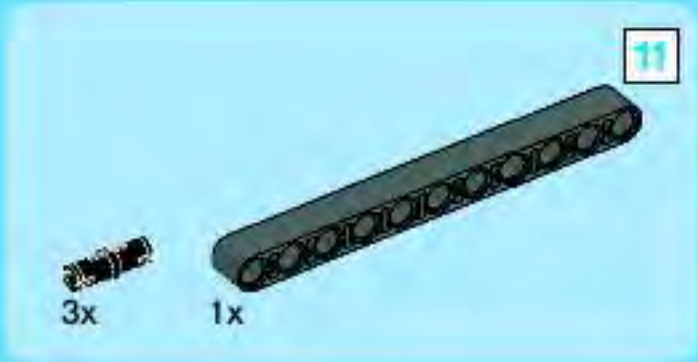
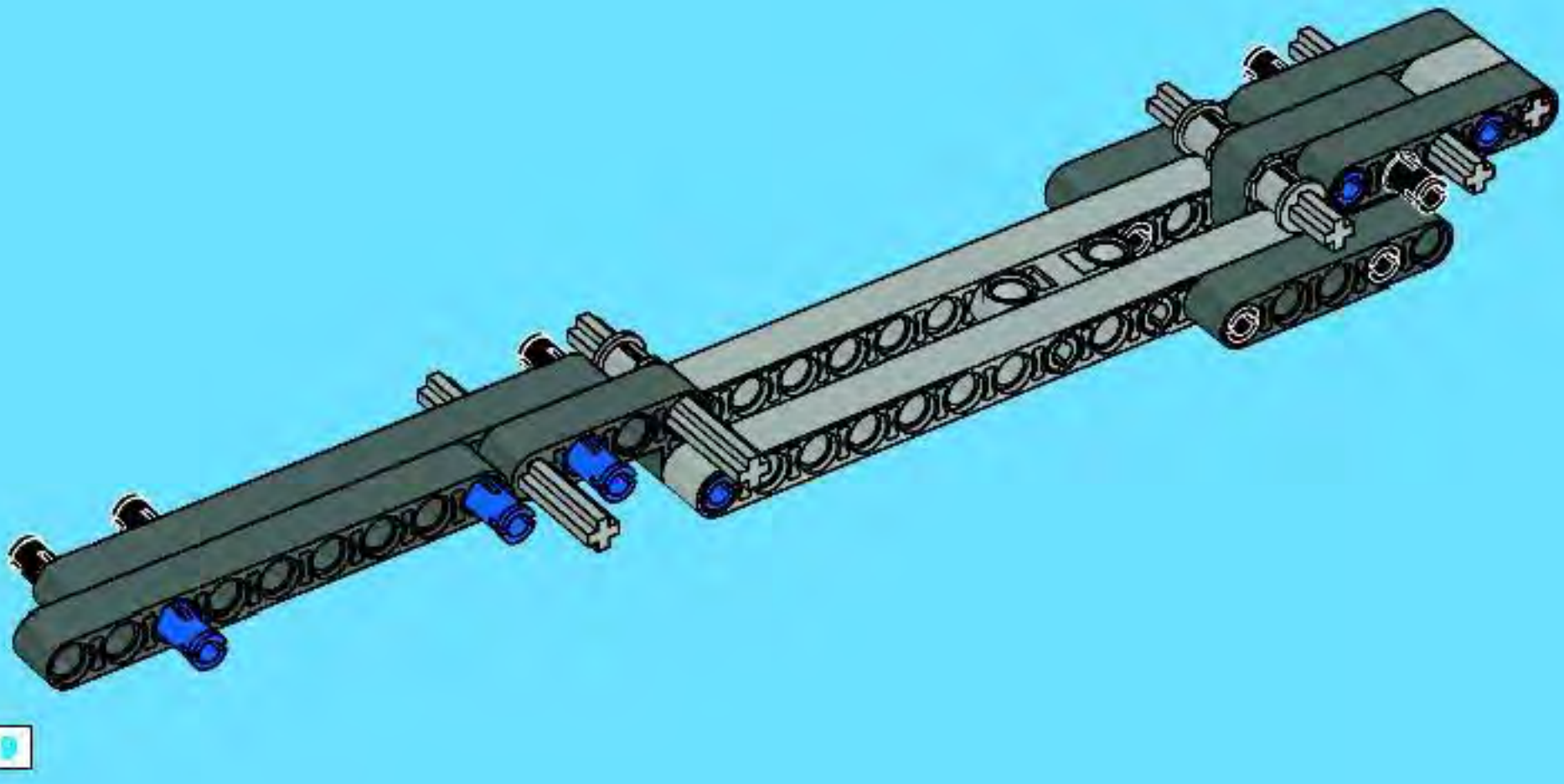


12

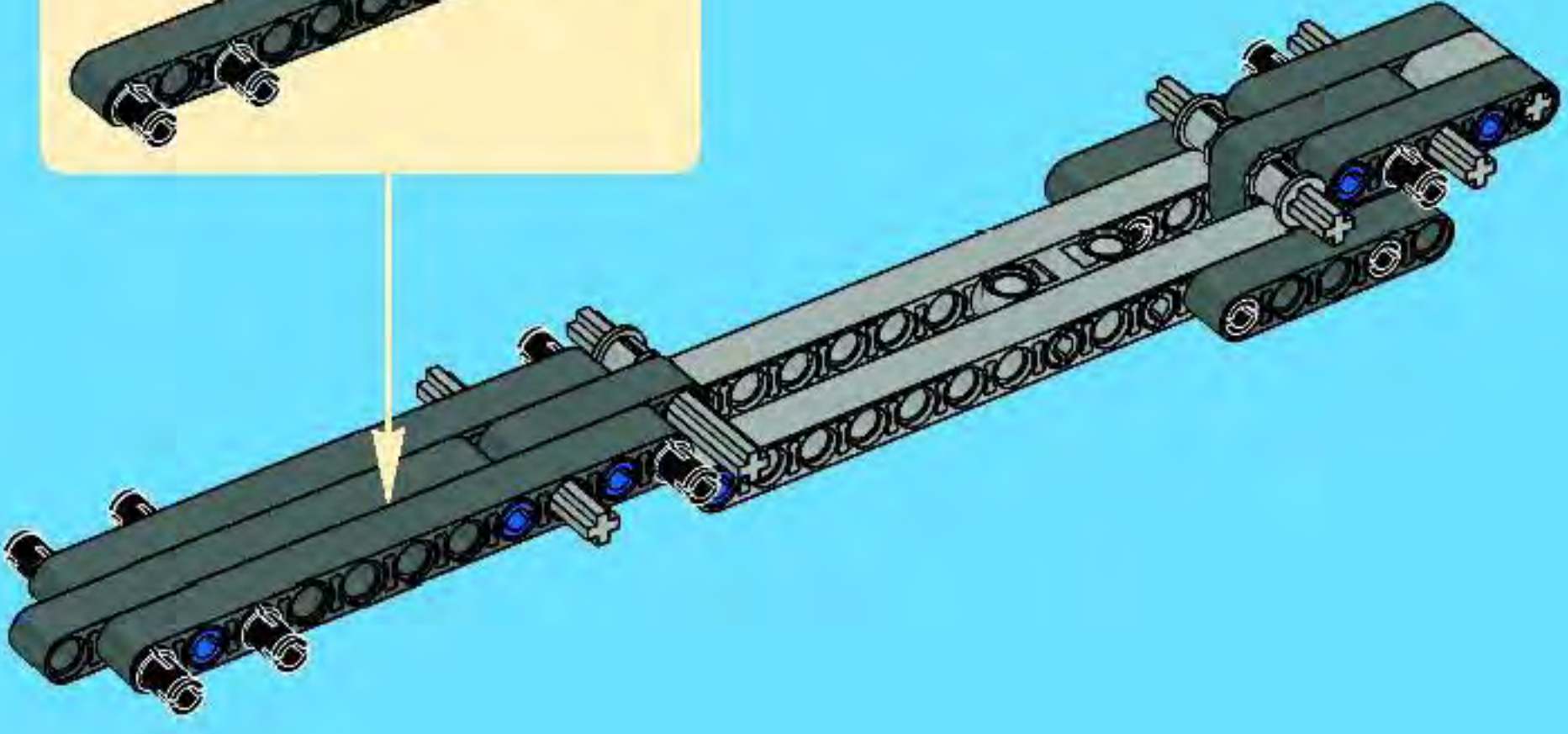
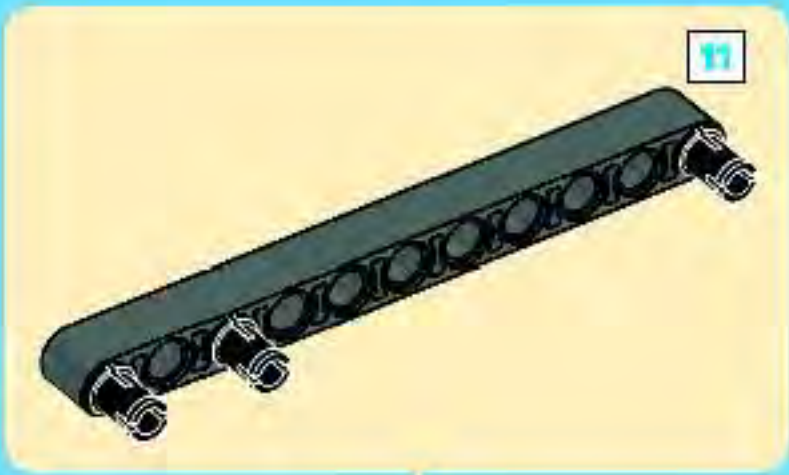




13



14



2x

1x

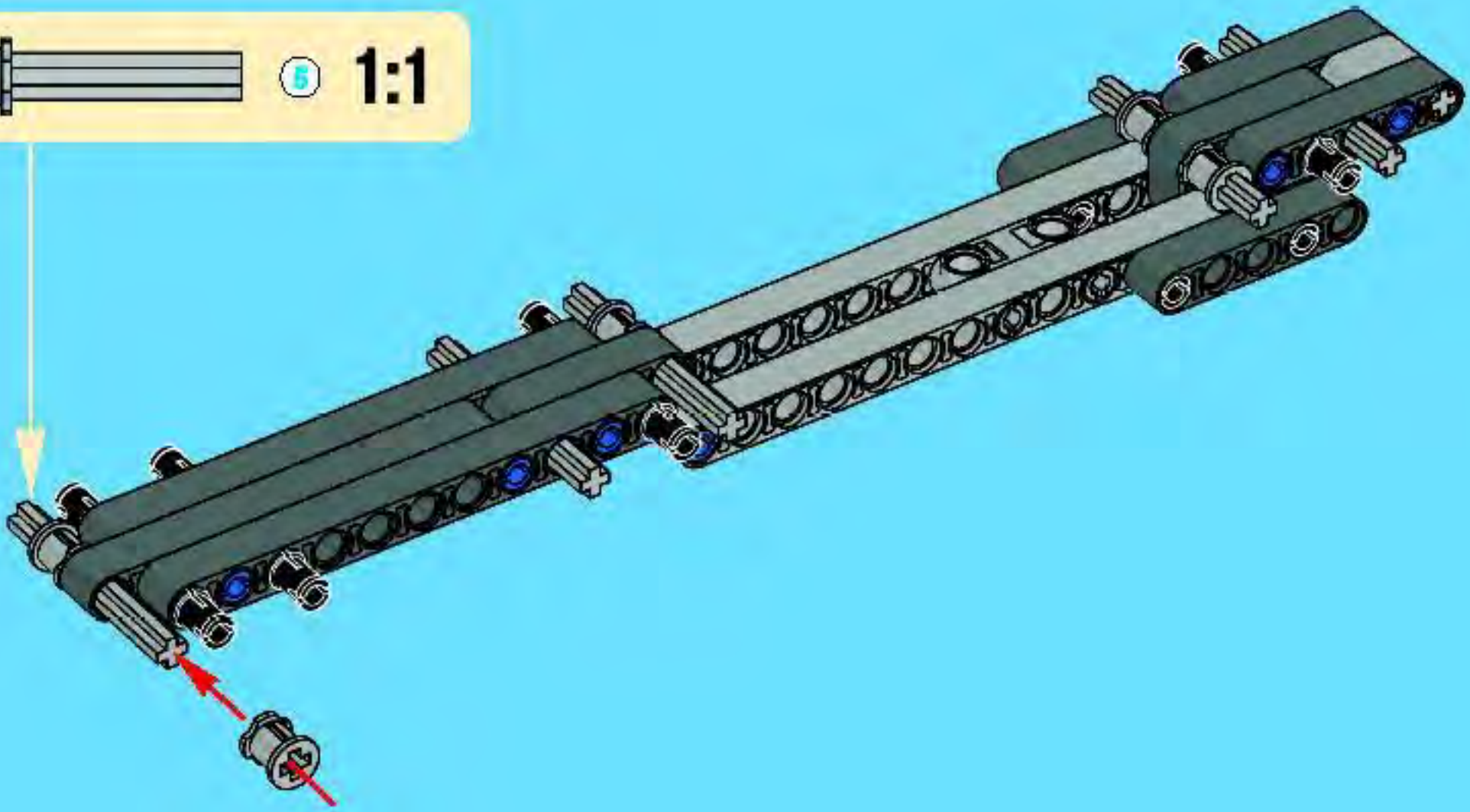
5

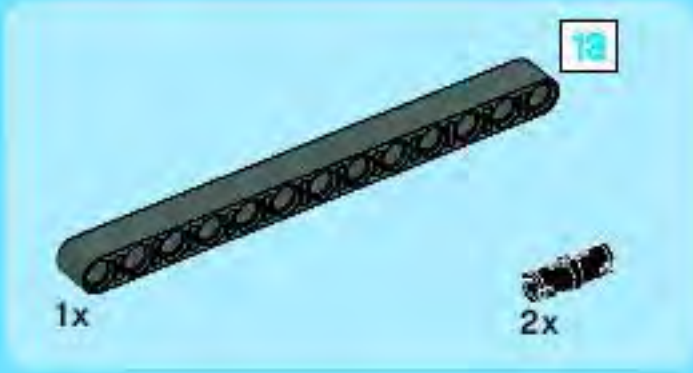
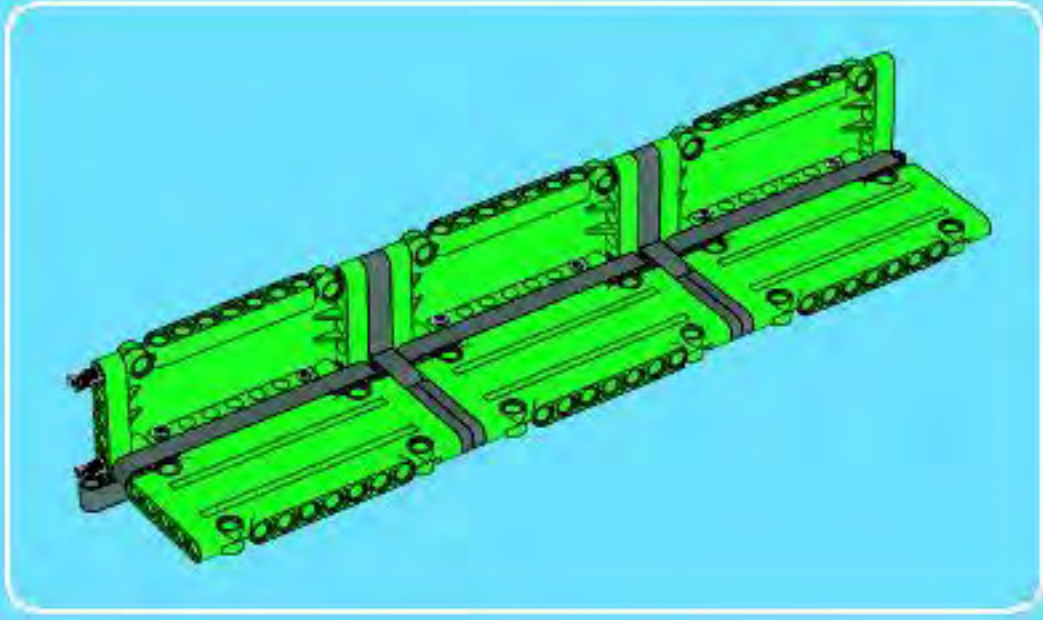
15



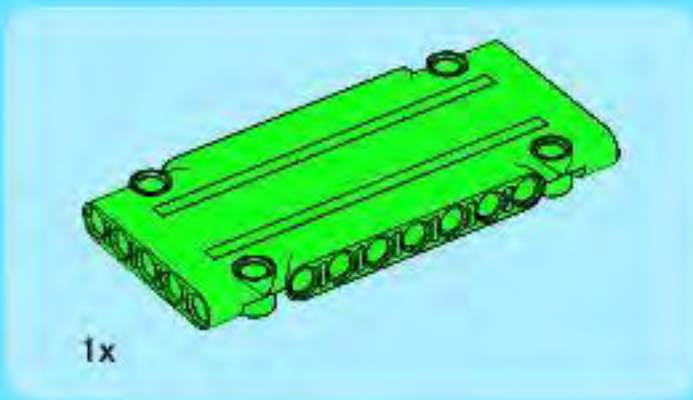
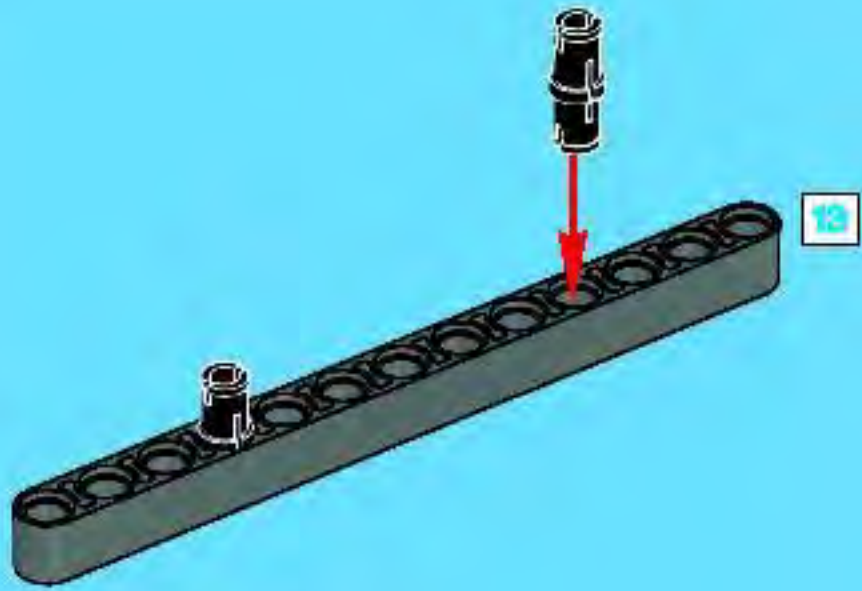
5

1:1

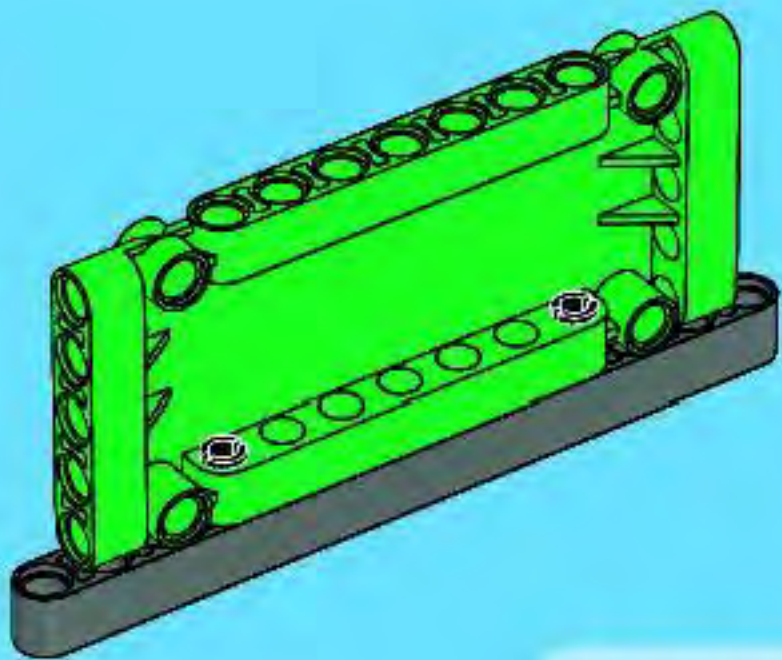




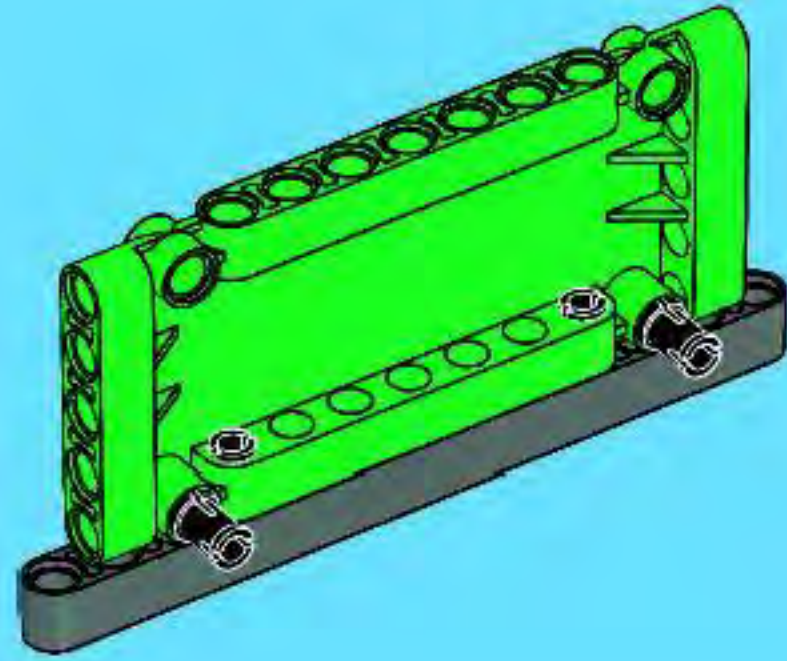
1



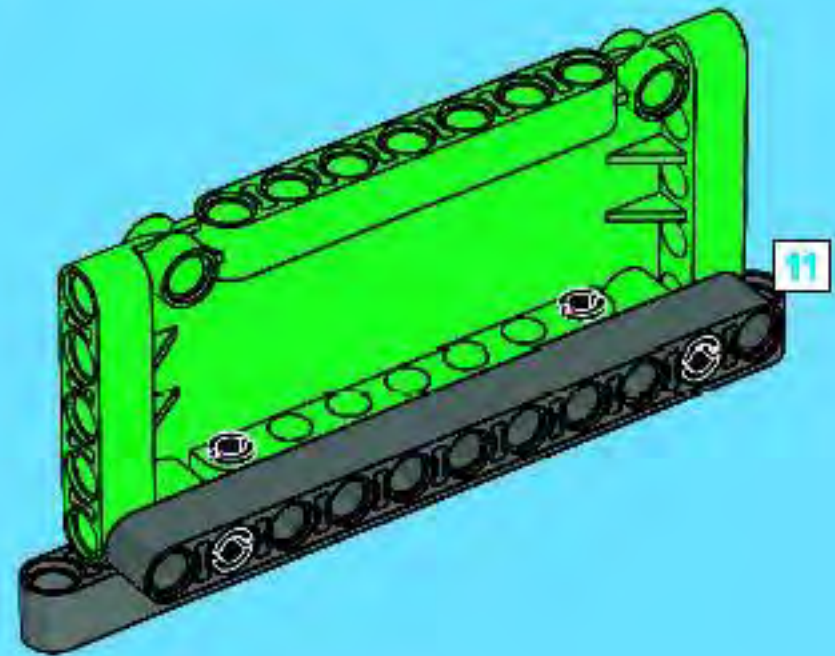
2



3



4

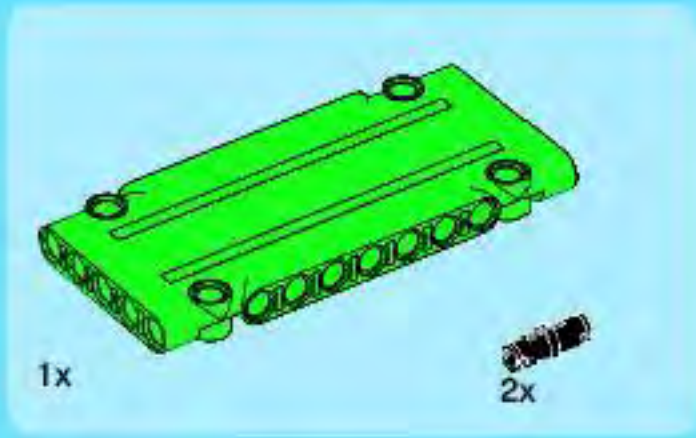


11

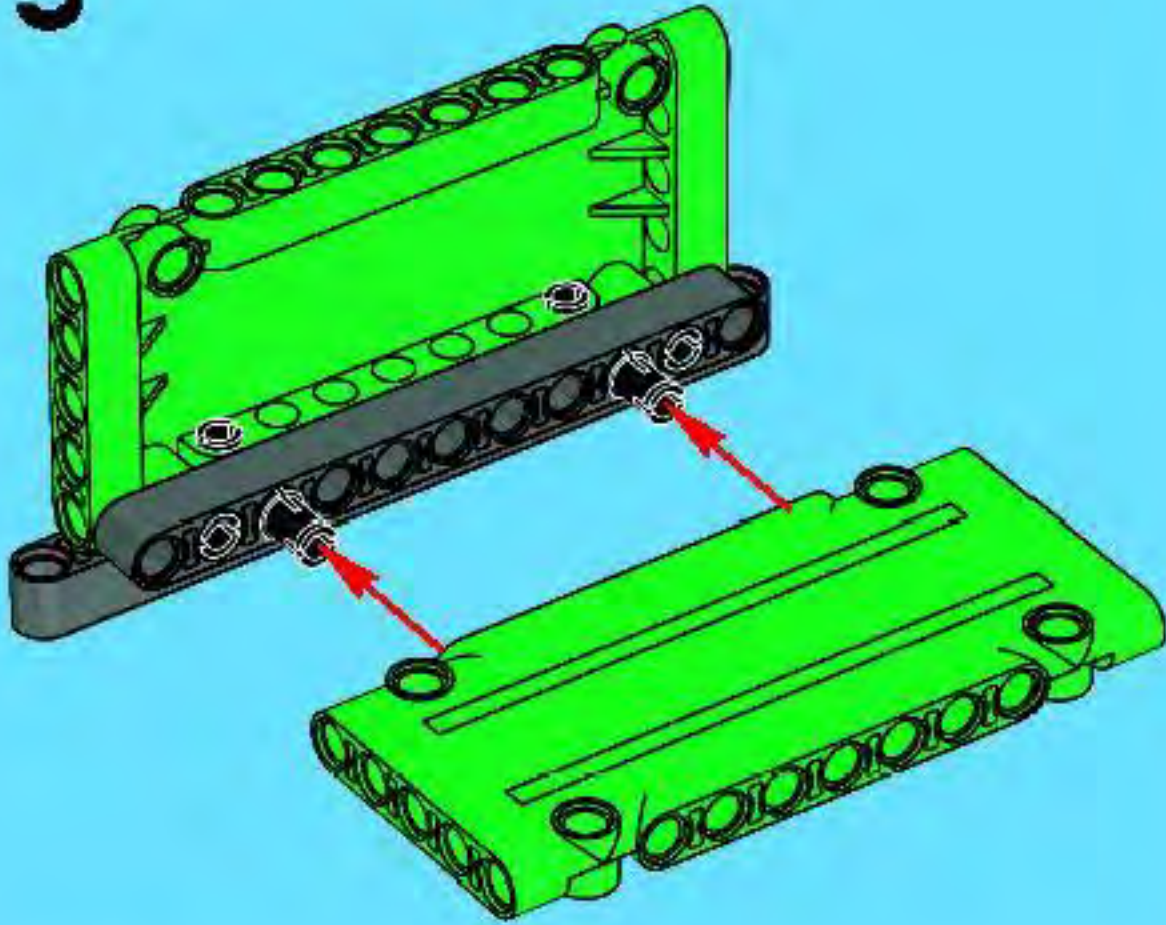


13

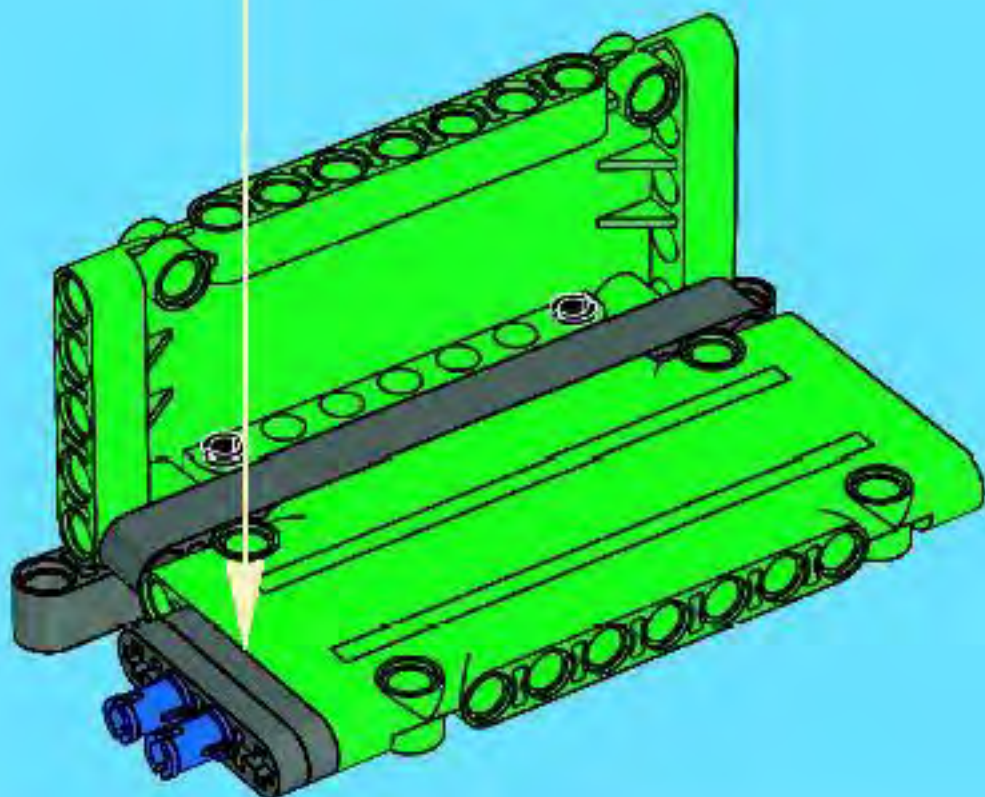
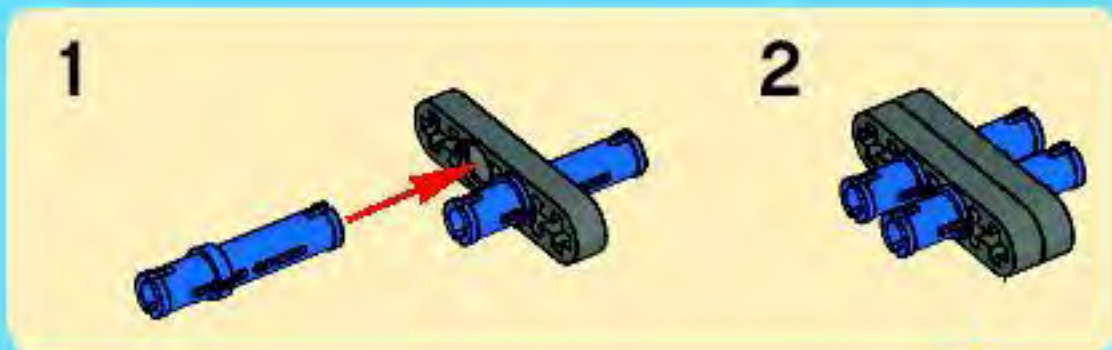
1:1



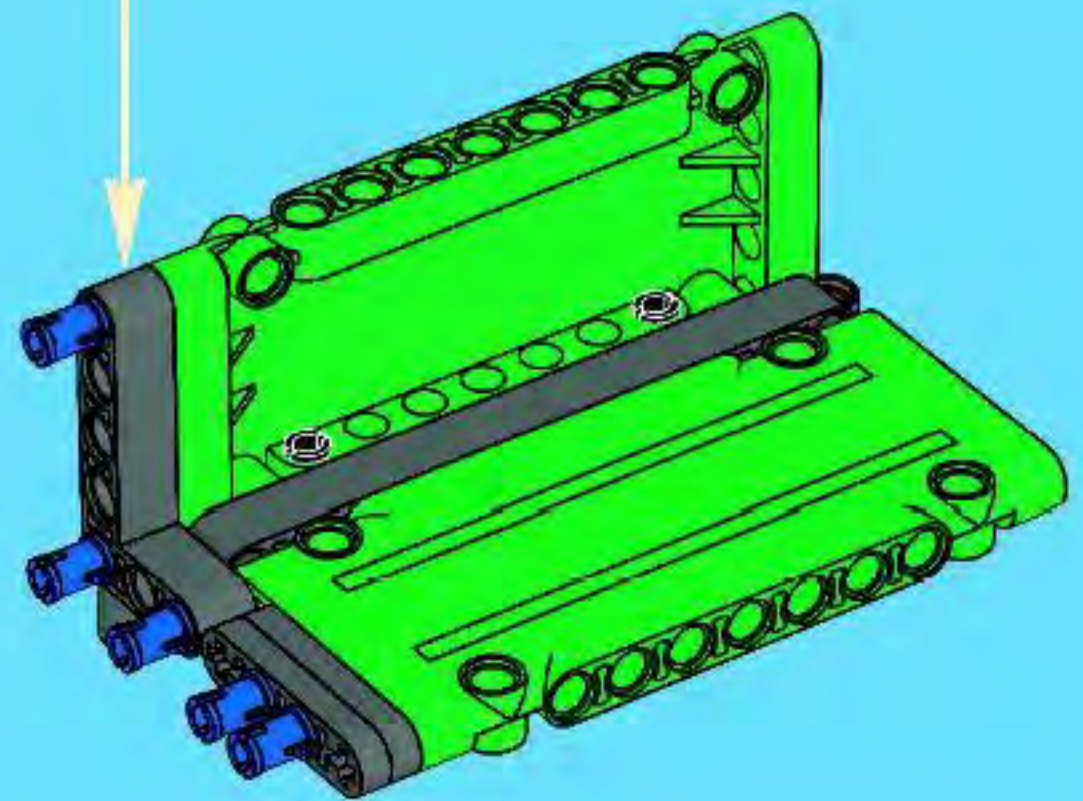
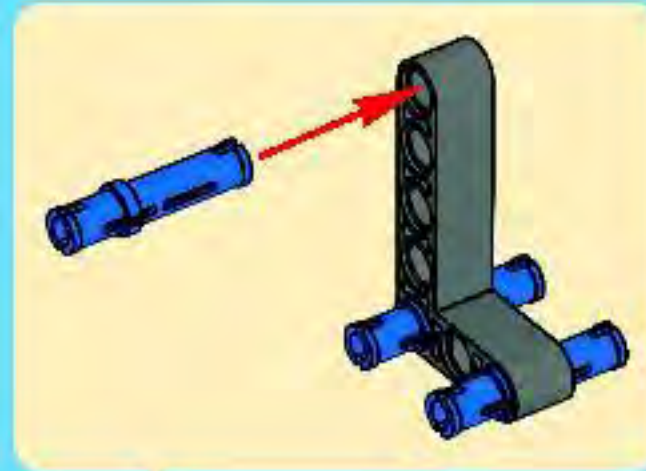
5

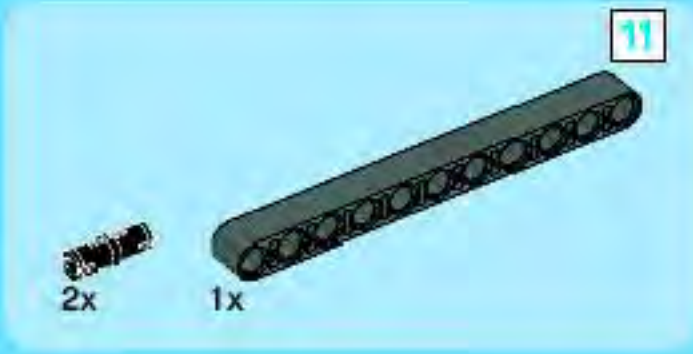
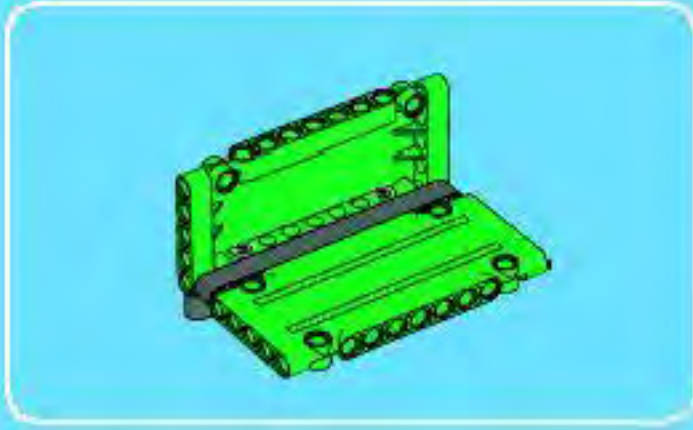


6

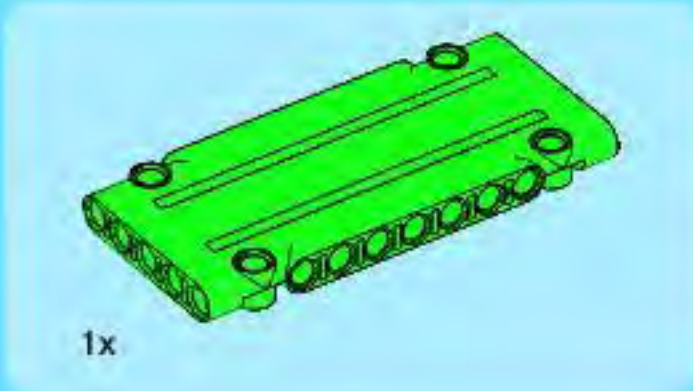
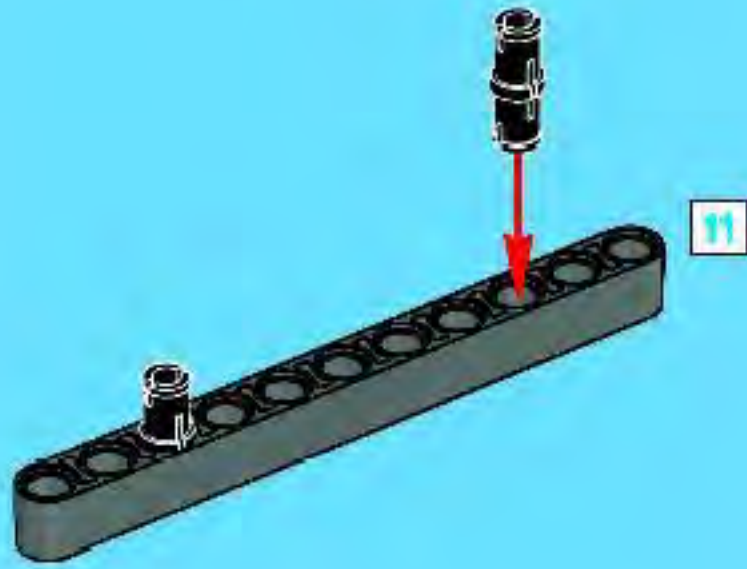


7

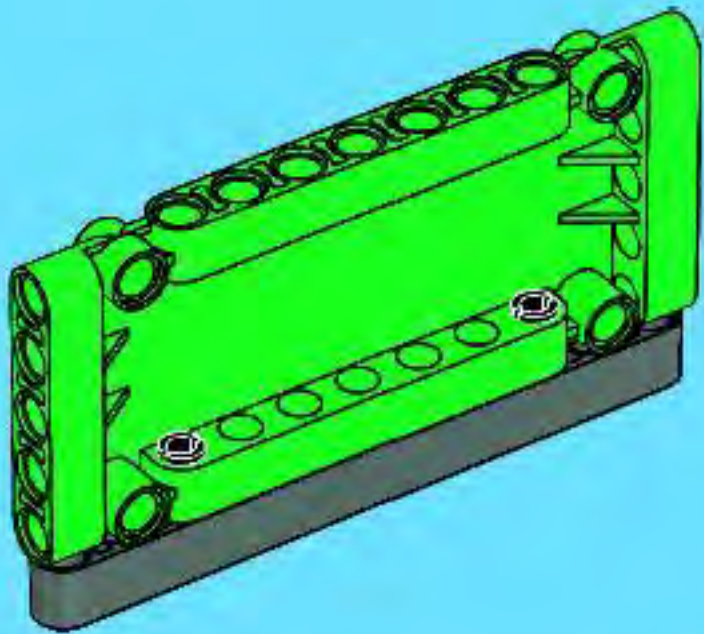




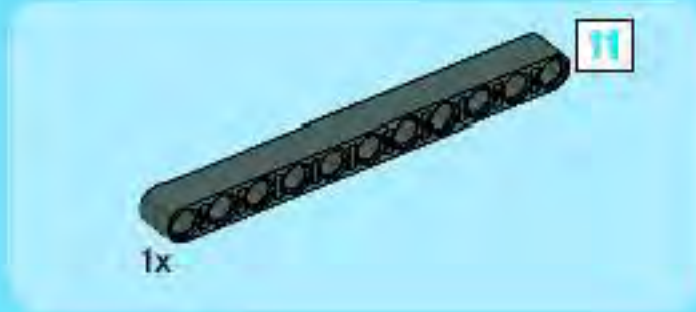
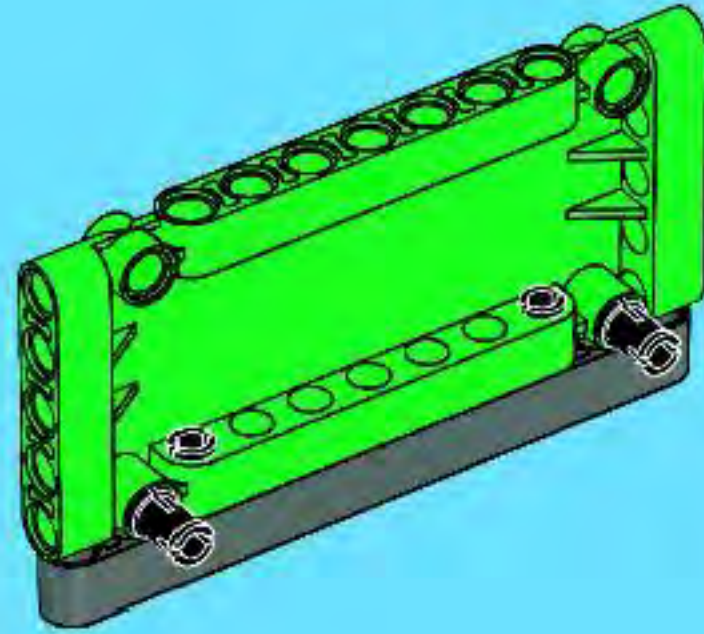
1



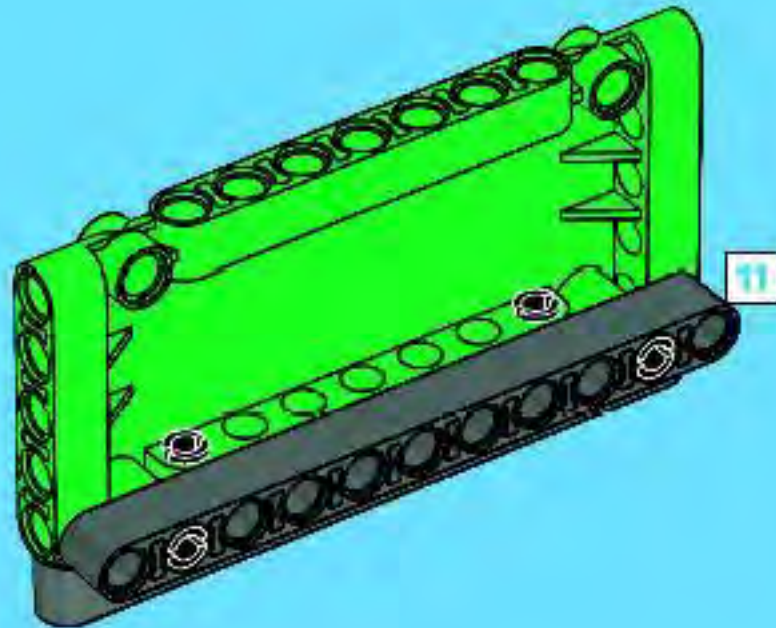
2

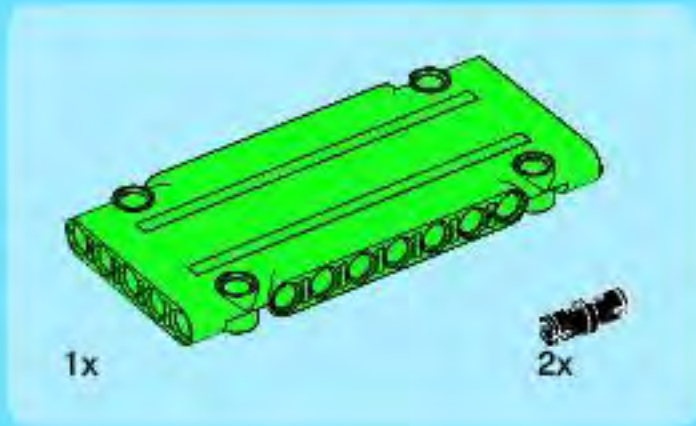


3

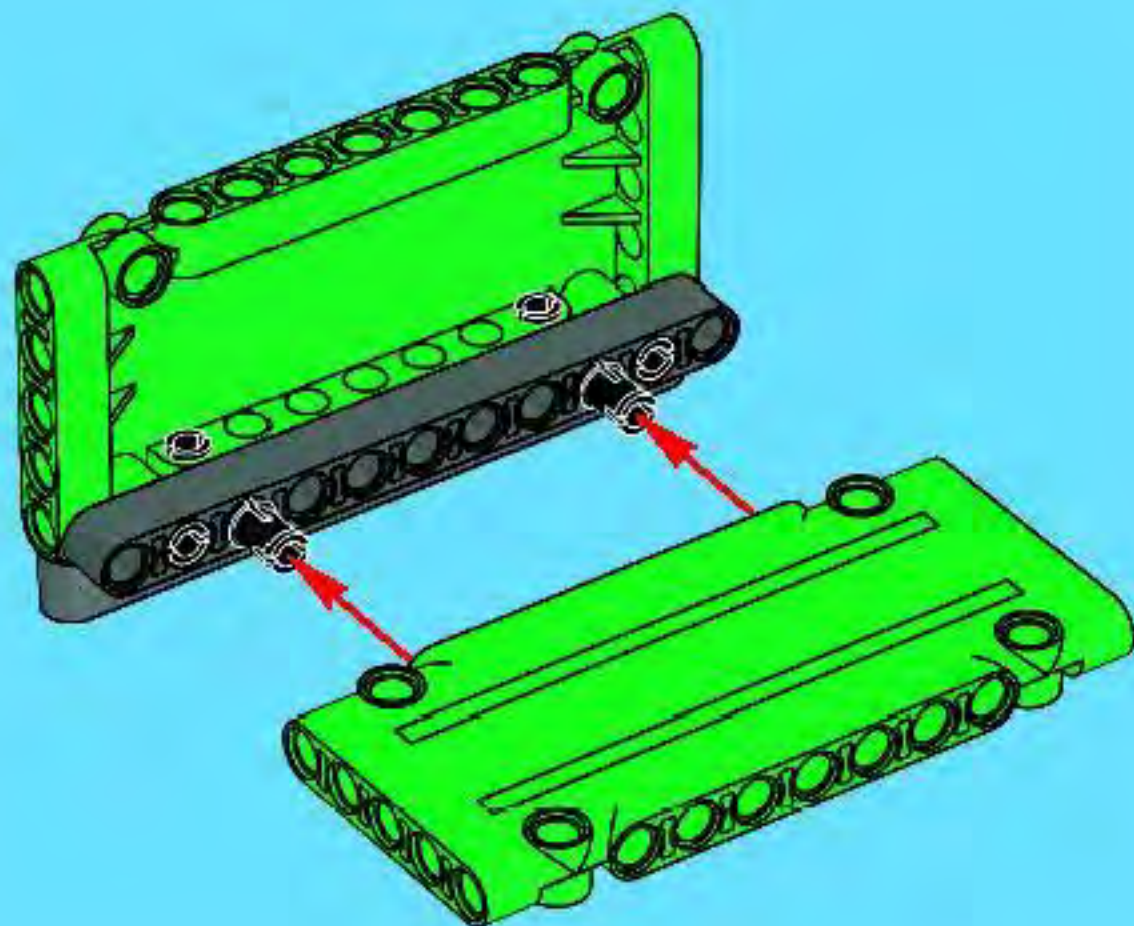


4

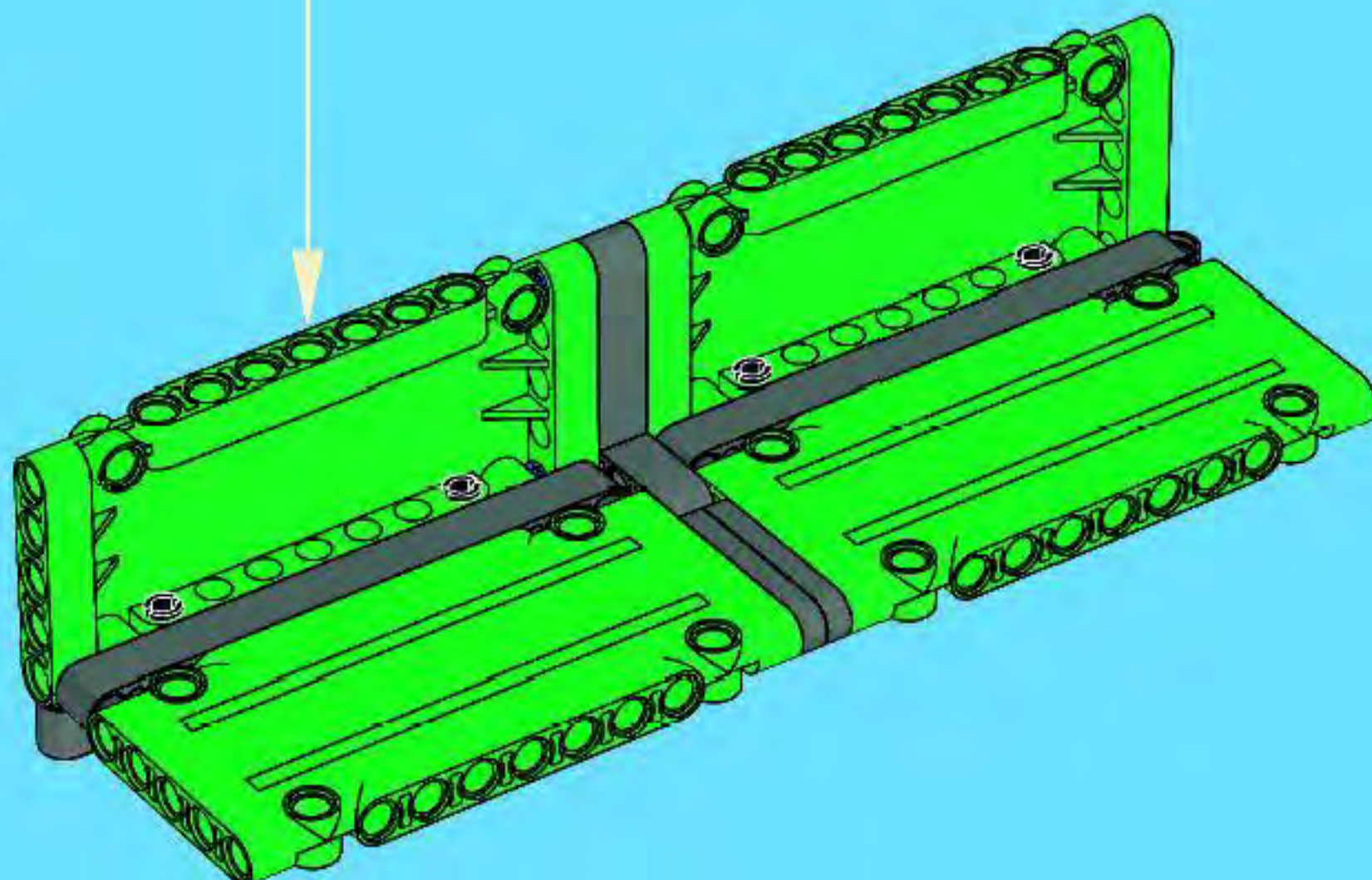




5



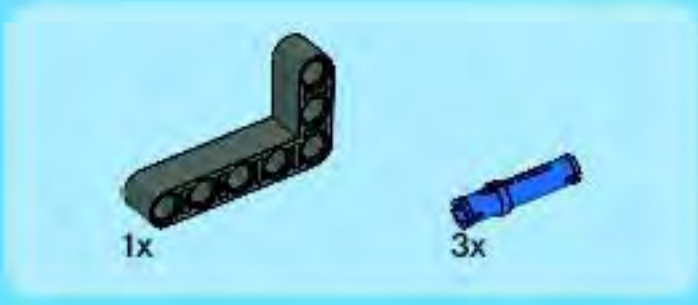
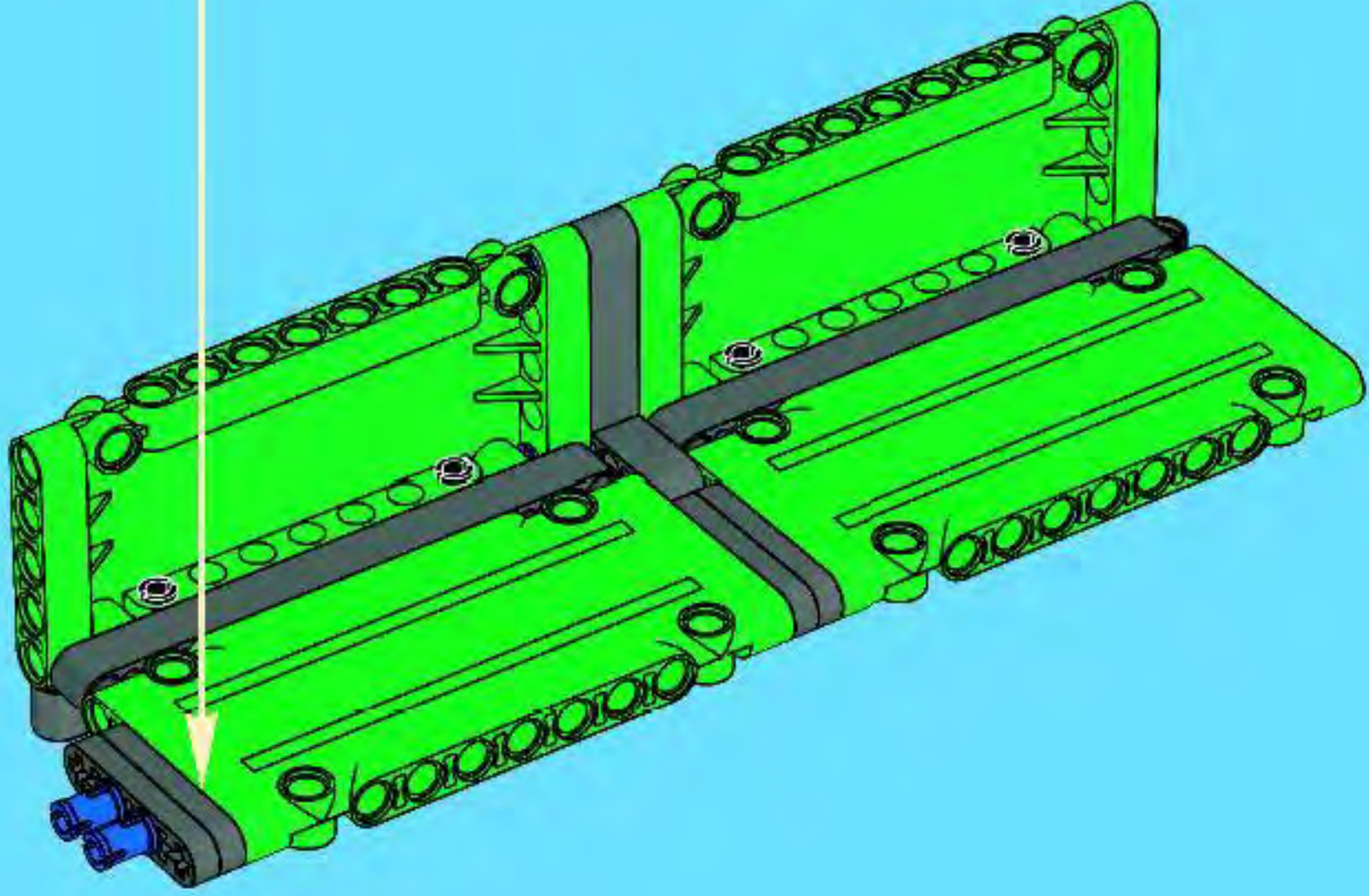
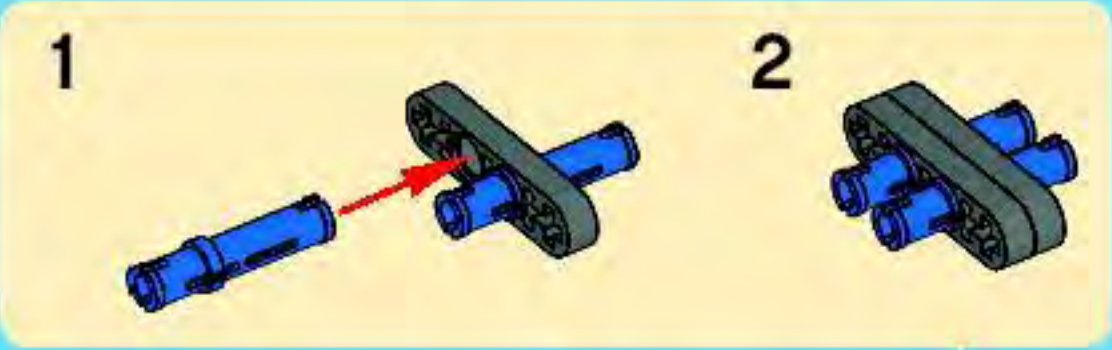
6



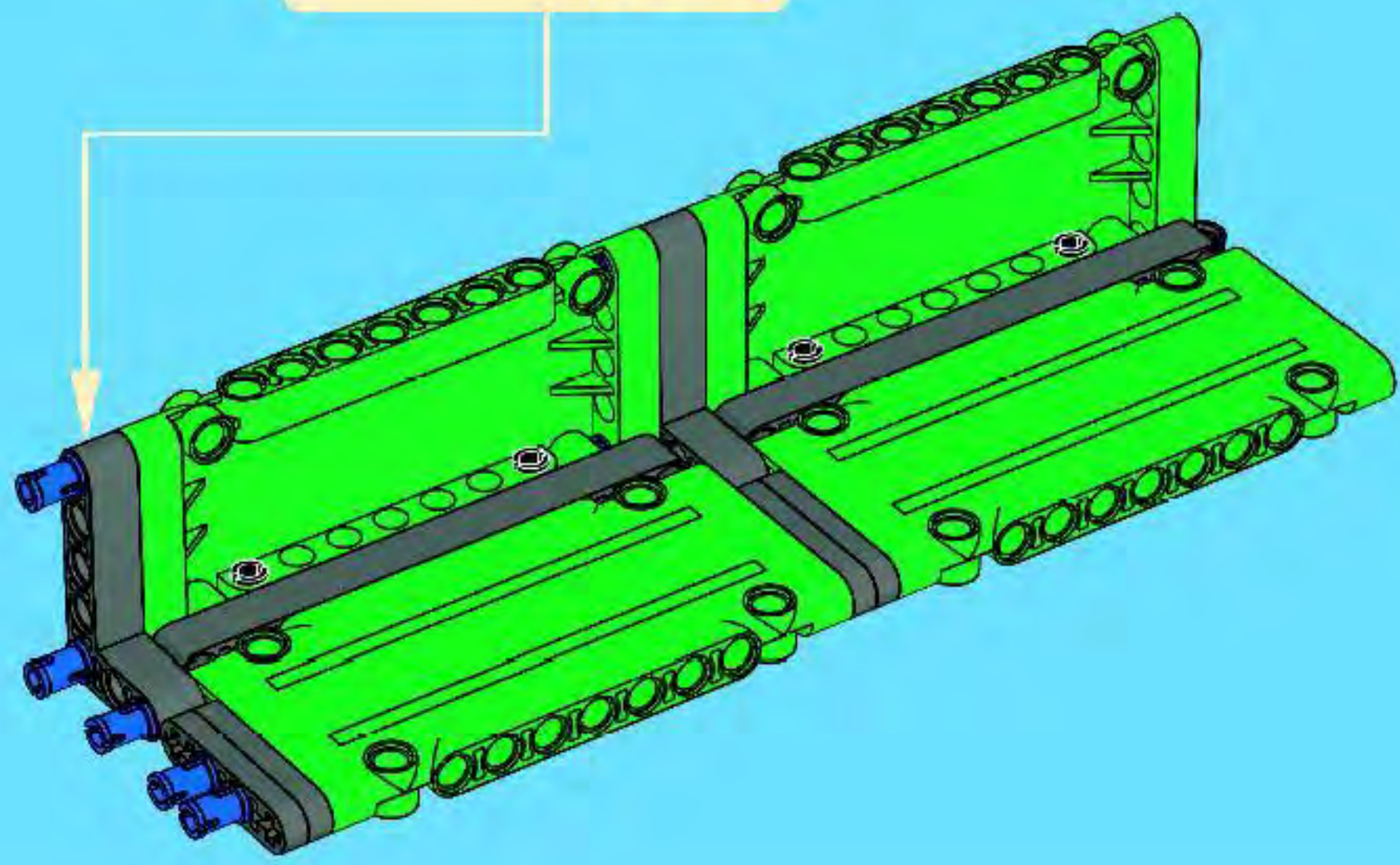
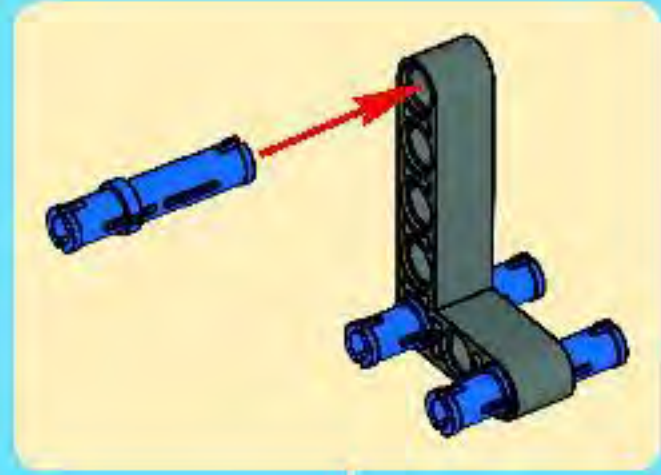


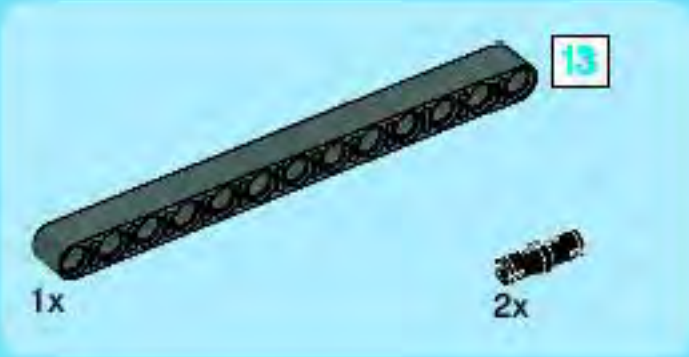
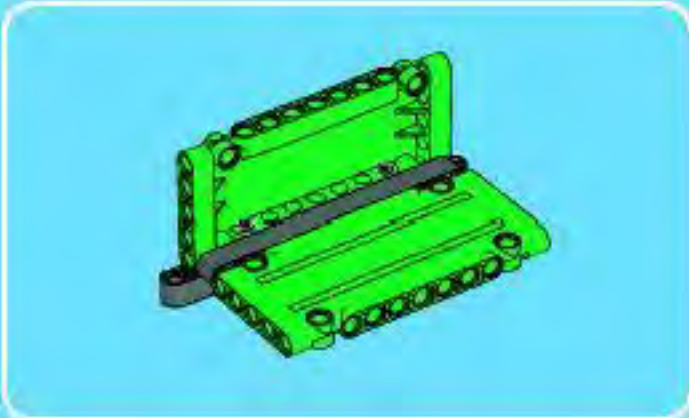


7

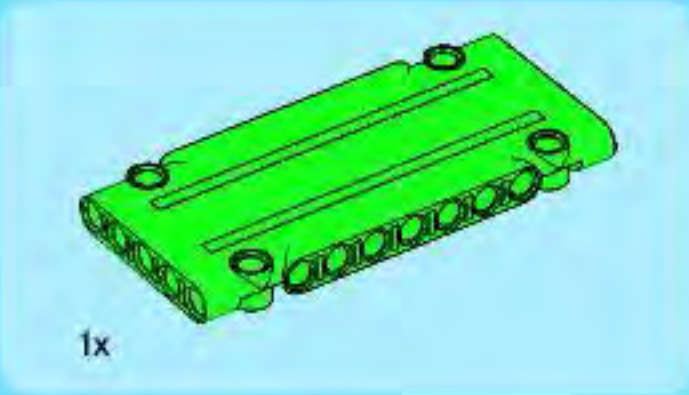
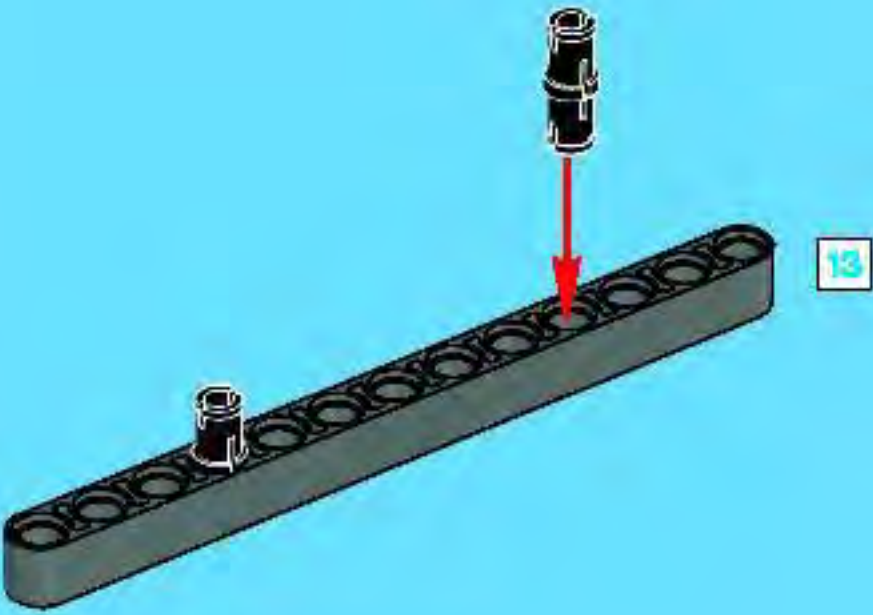


8

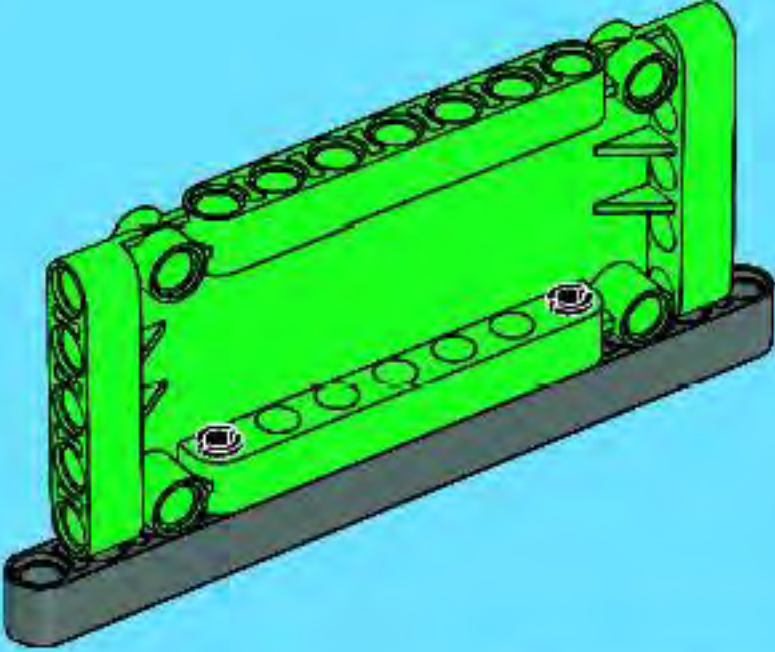




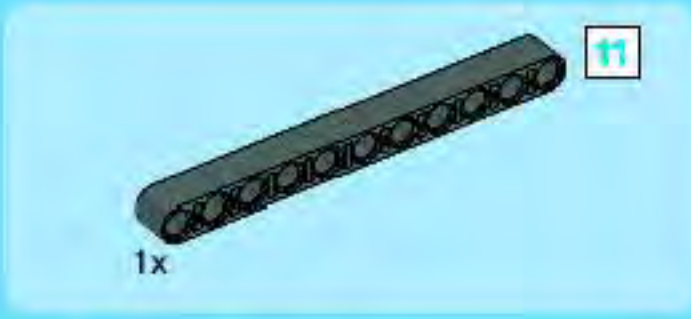
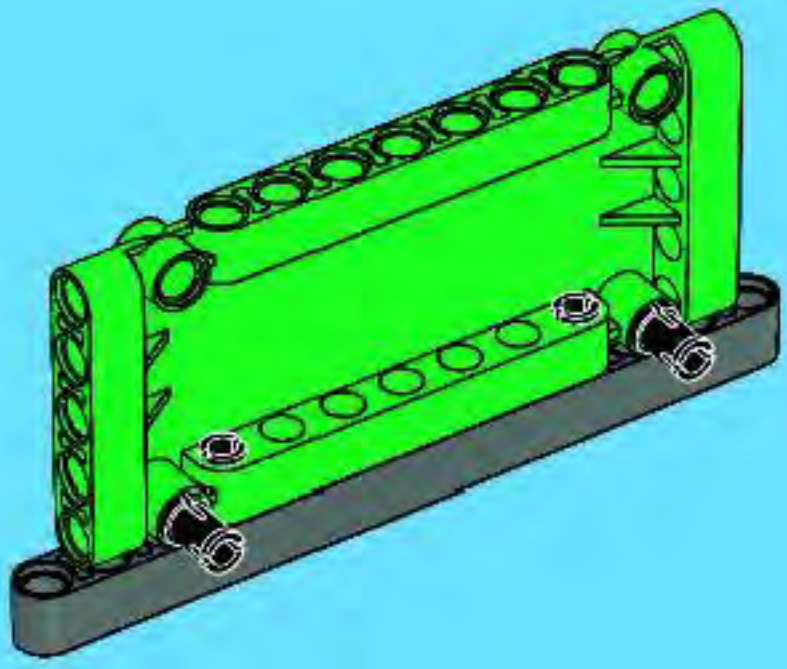
1



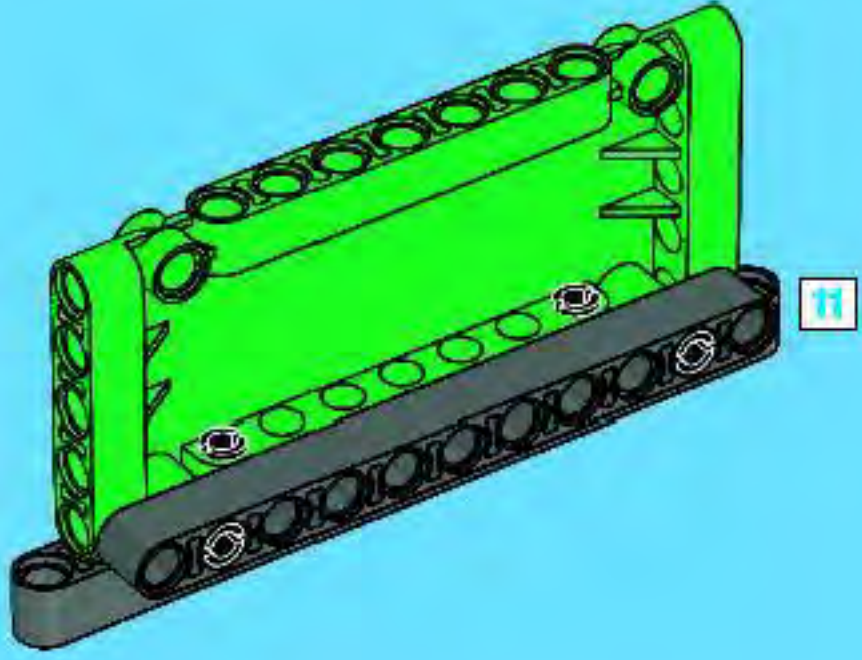
2



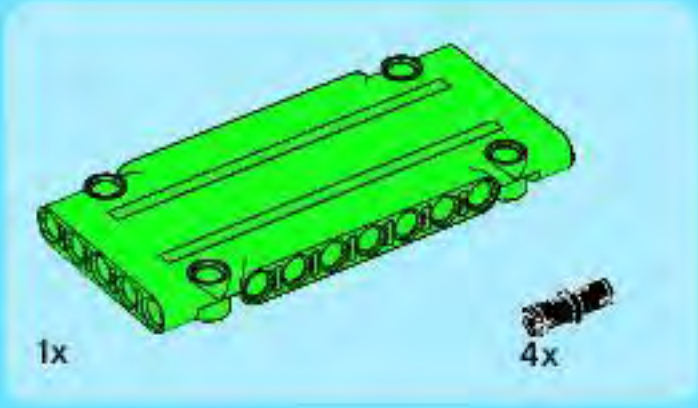
3



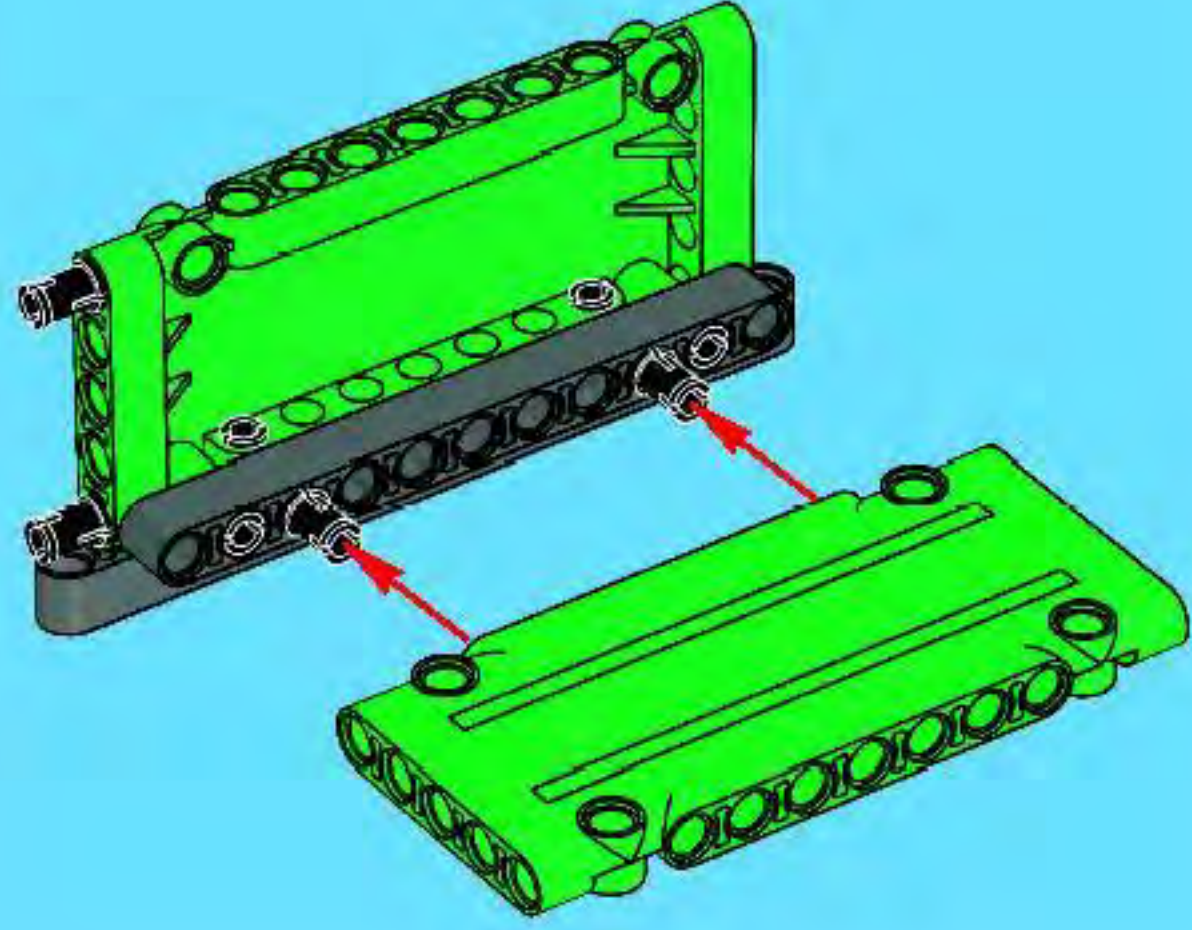
4



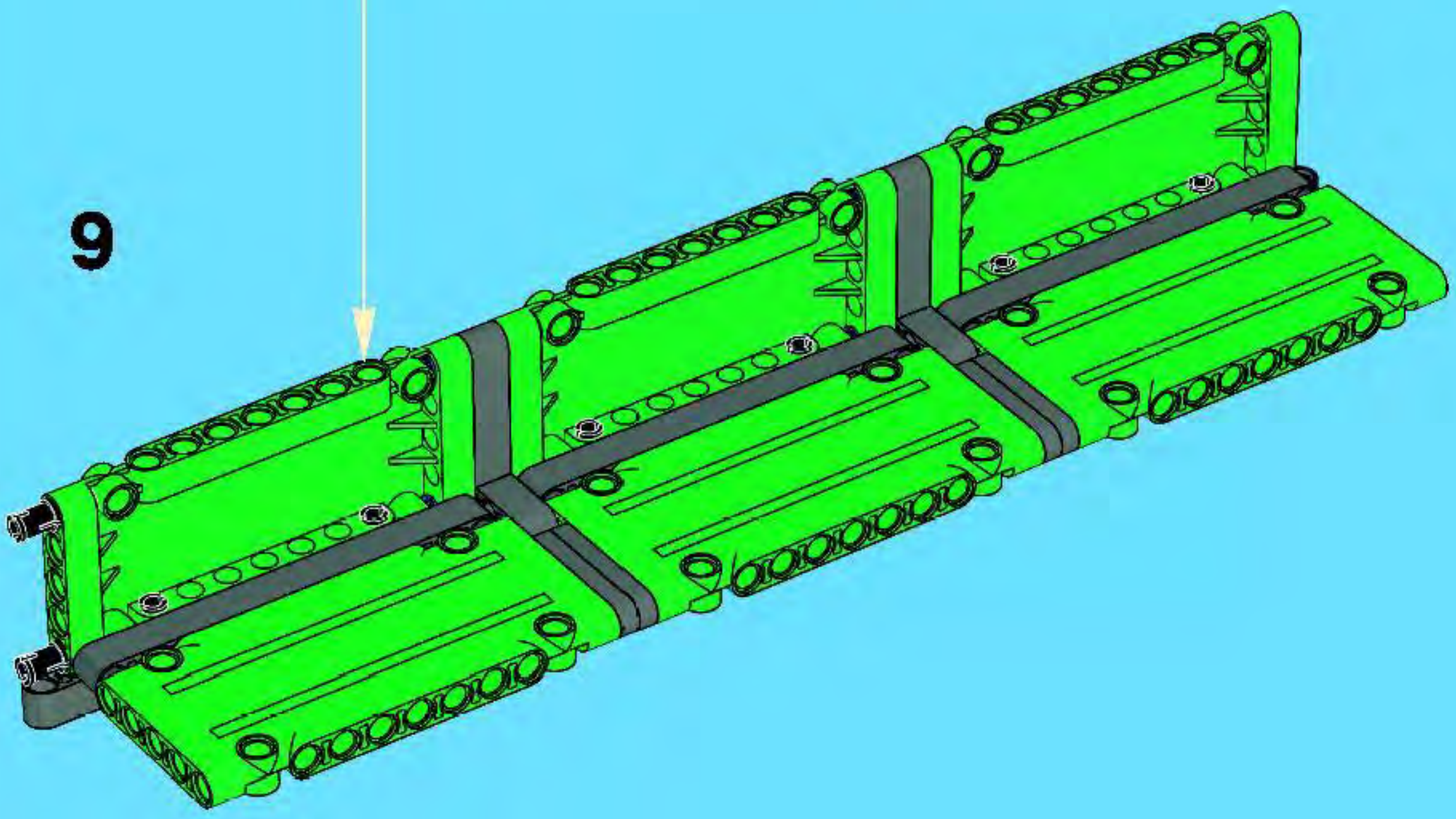
1:1



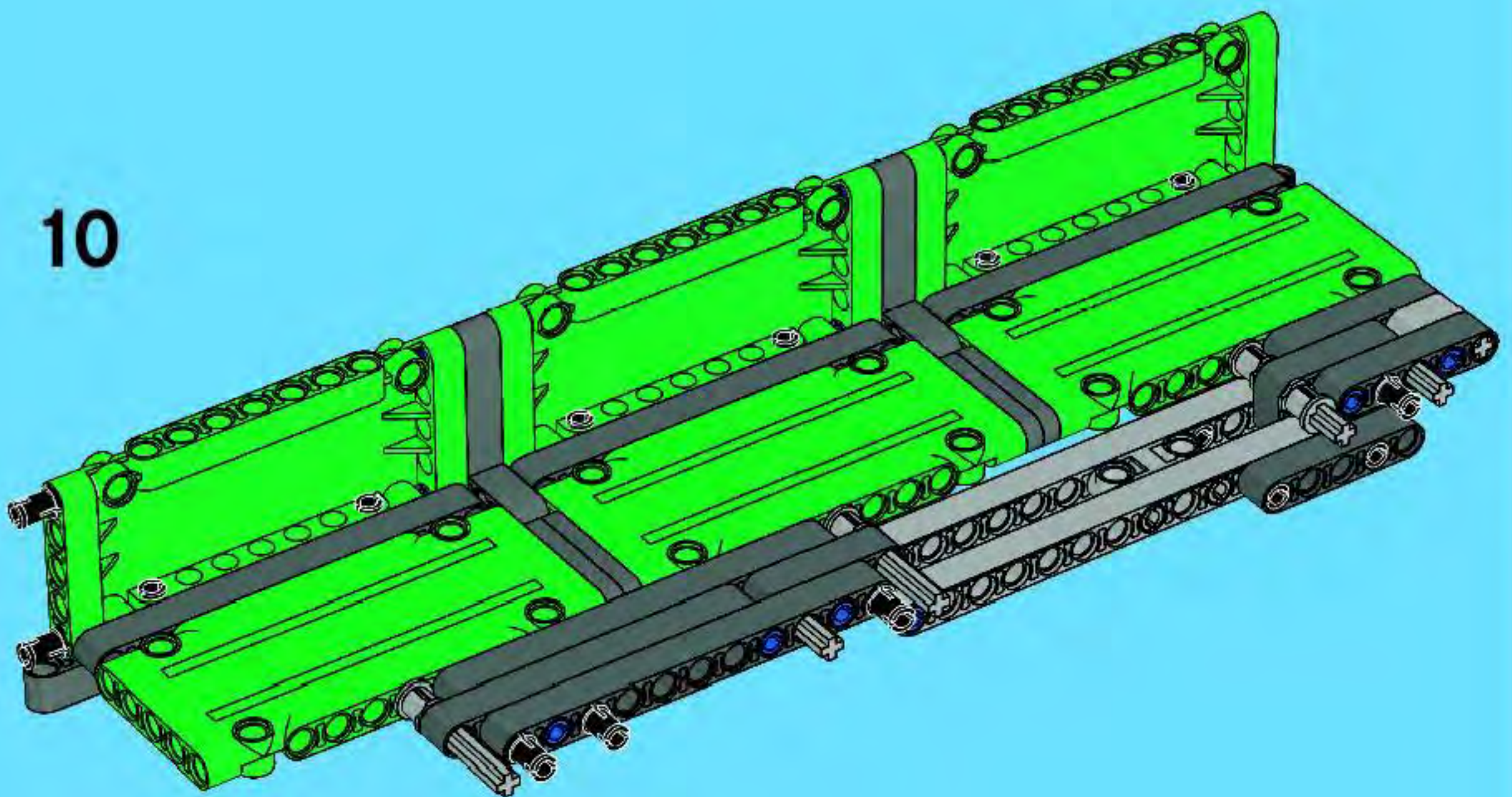
5

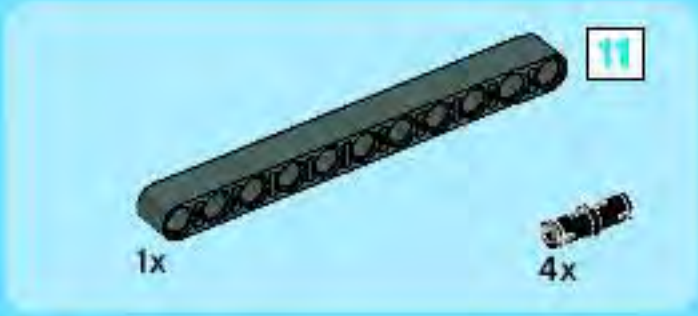


9

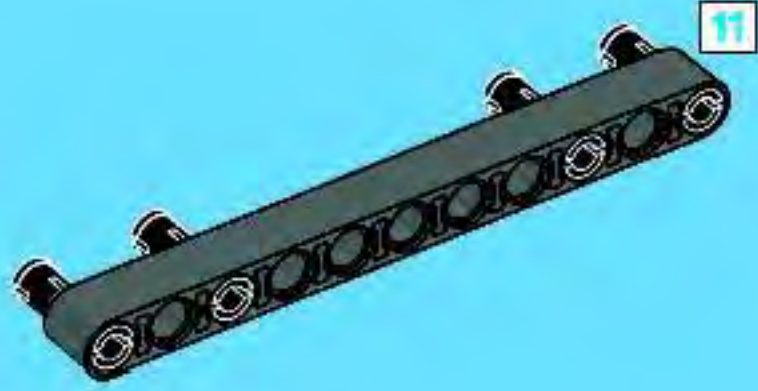


10

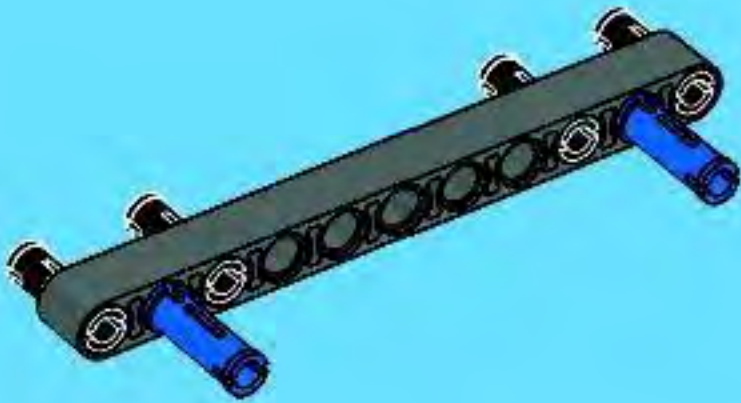




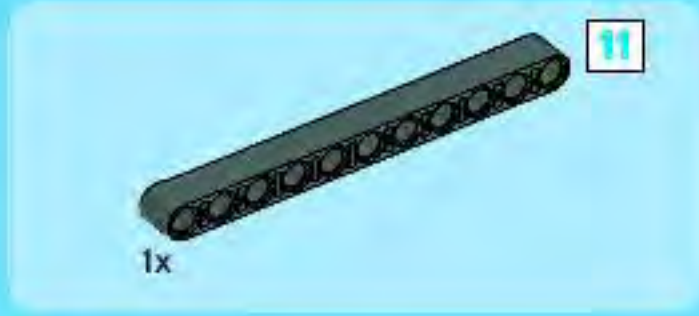
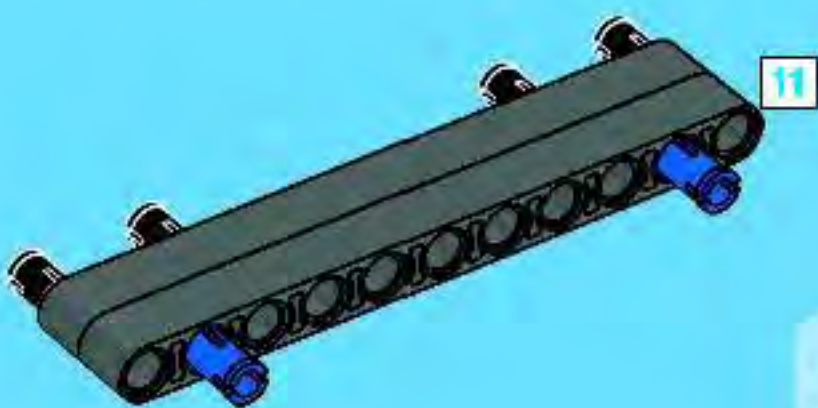
1



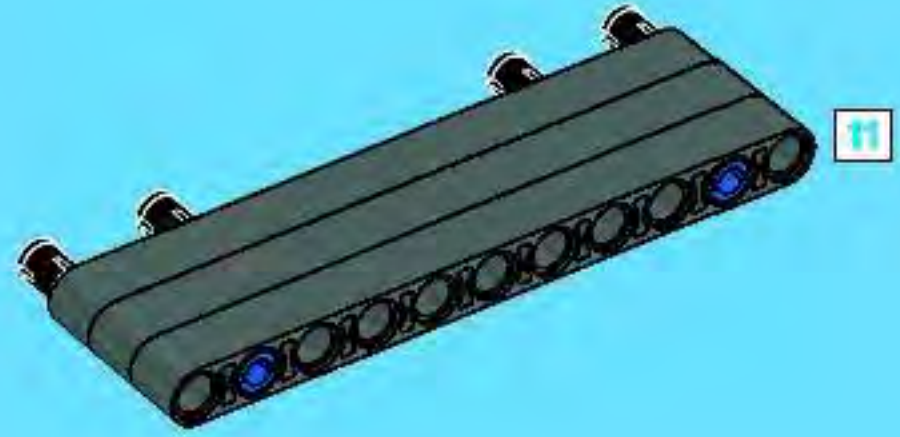
2



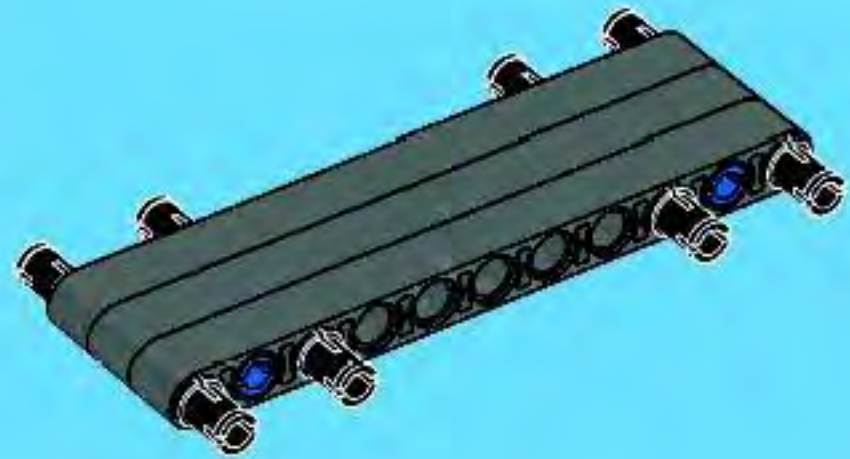
3



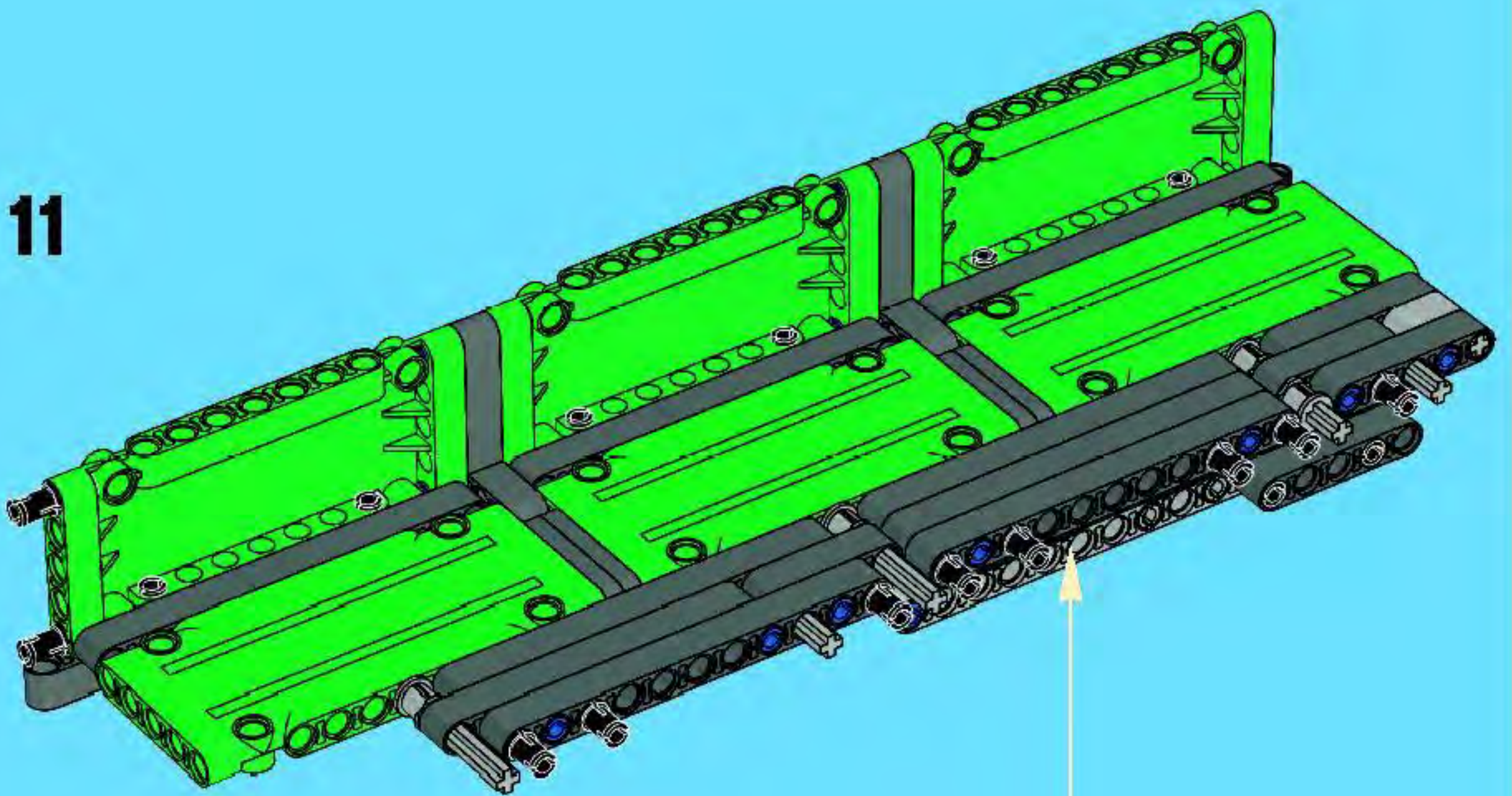
4

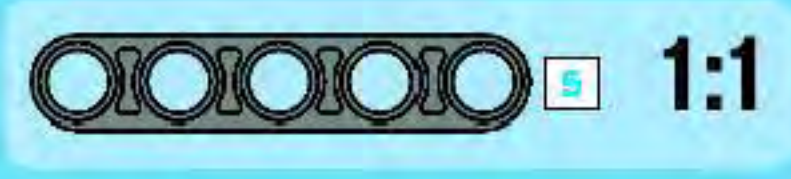


5

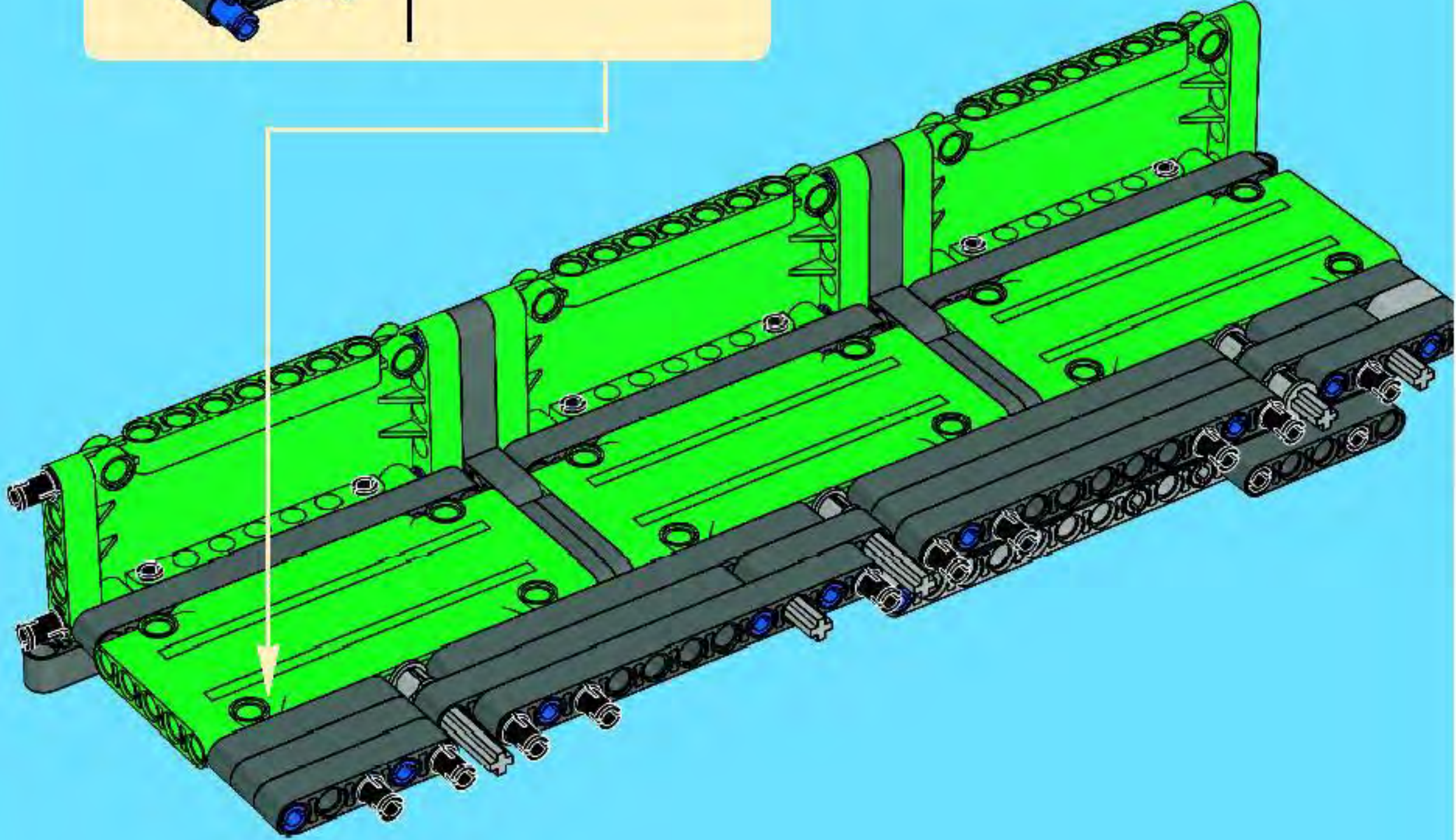
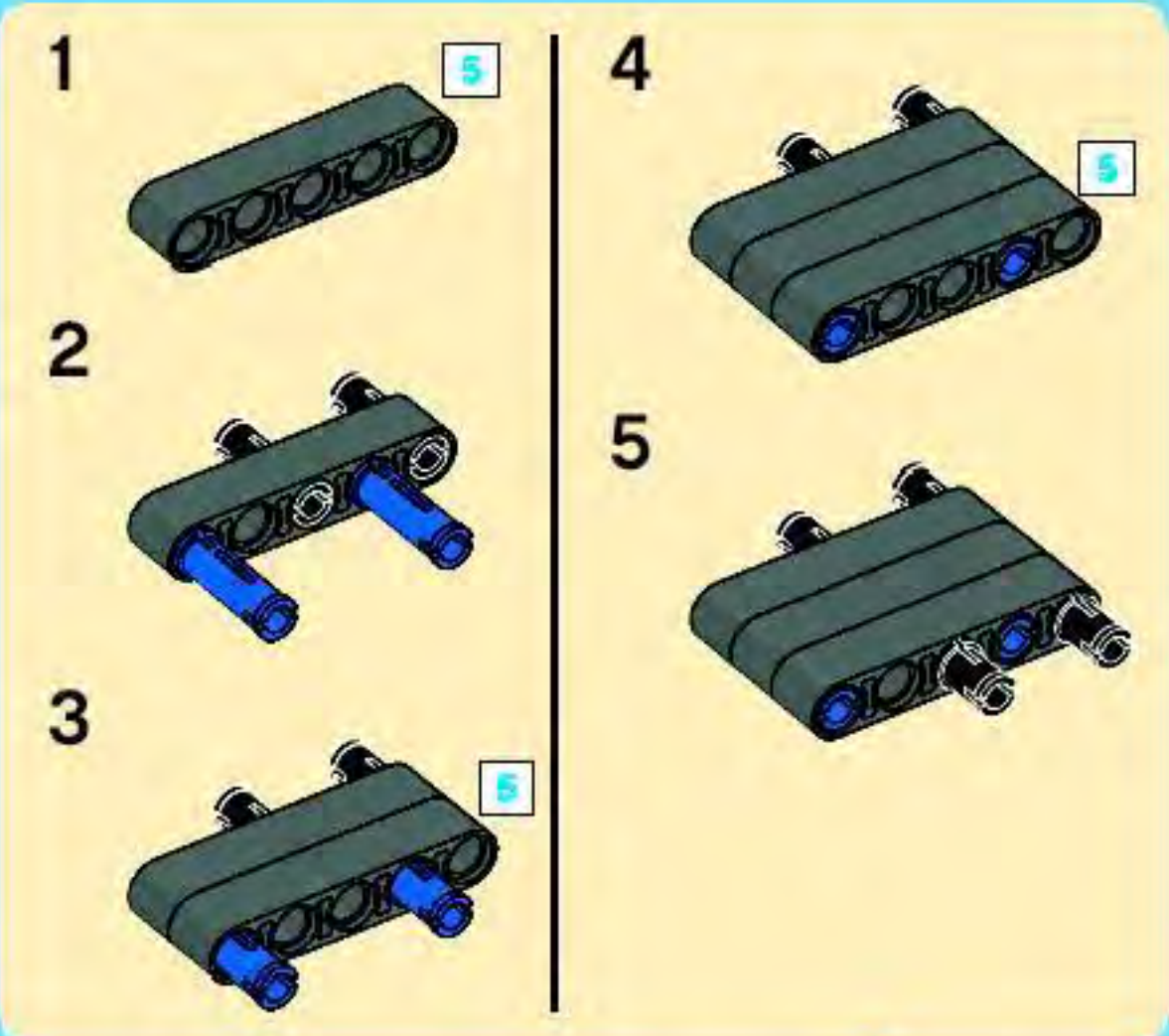


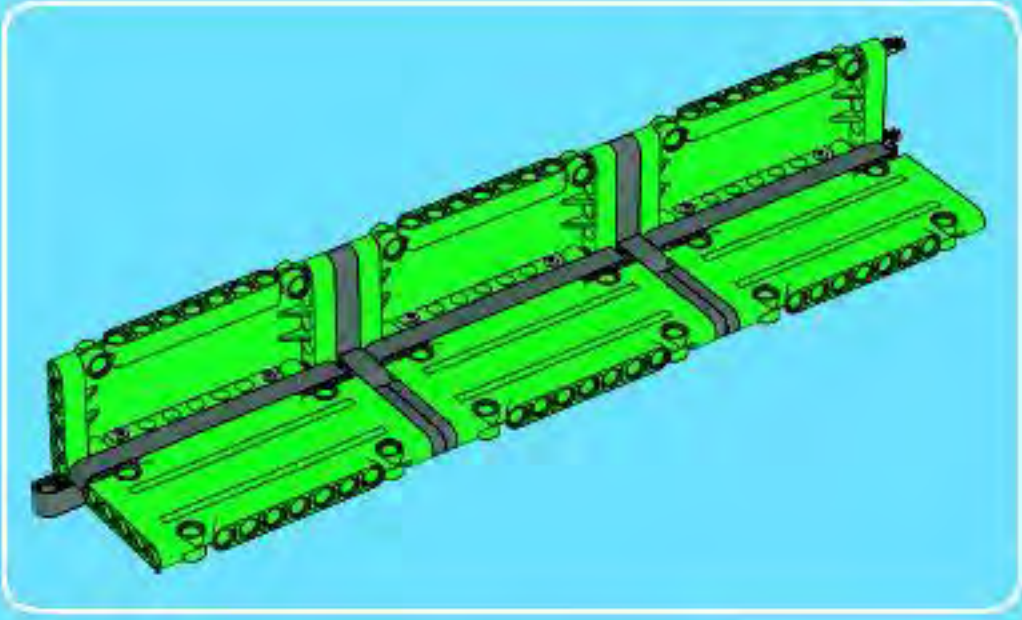
11



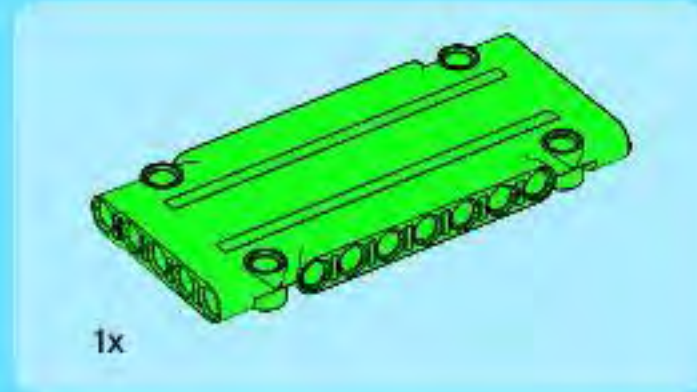
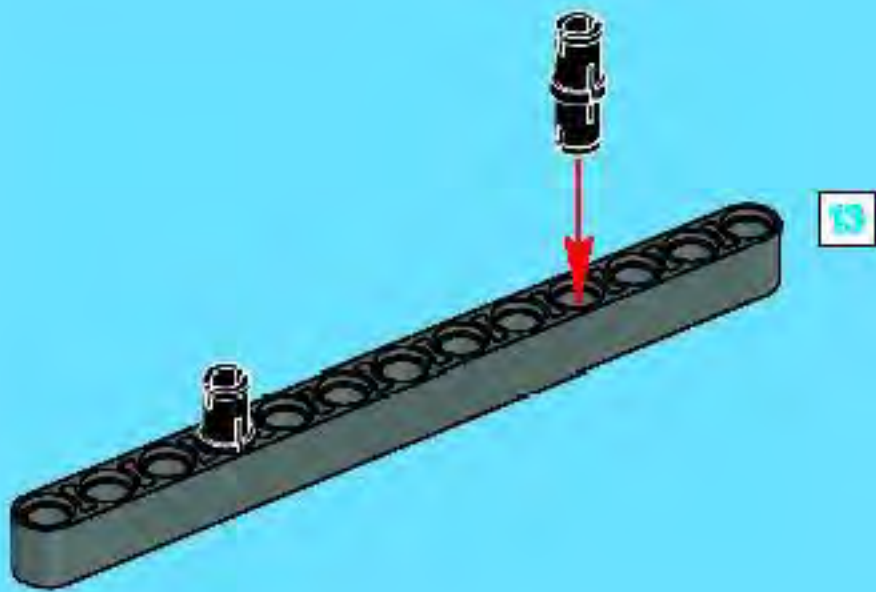


# 12

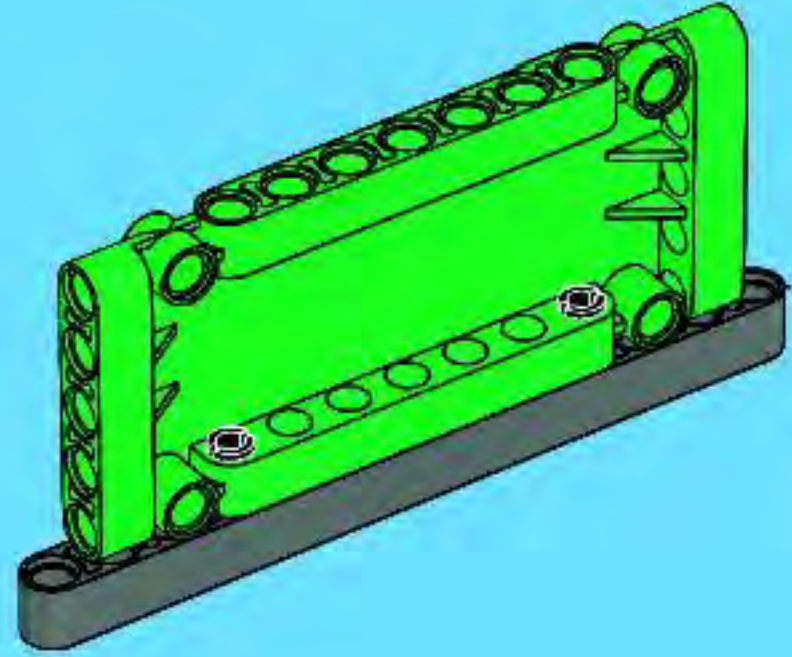




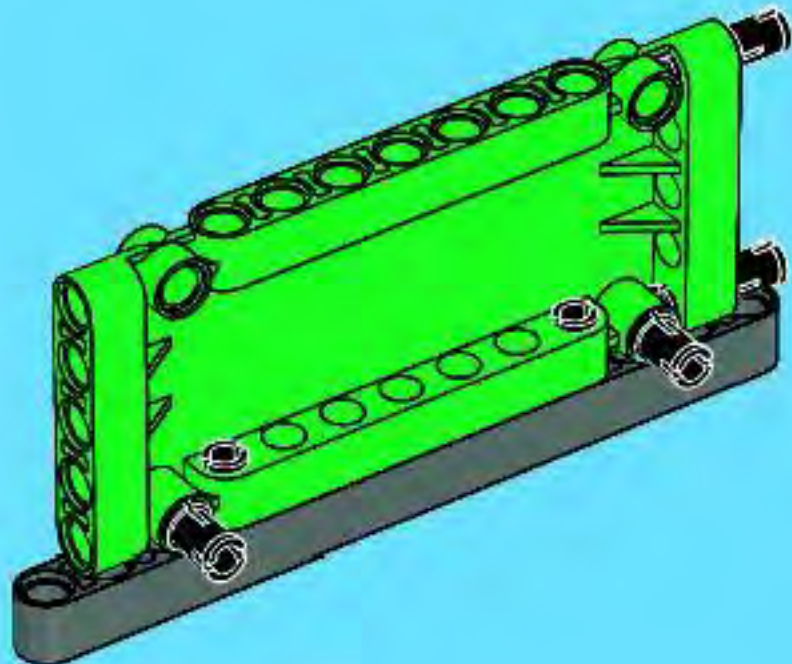
1



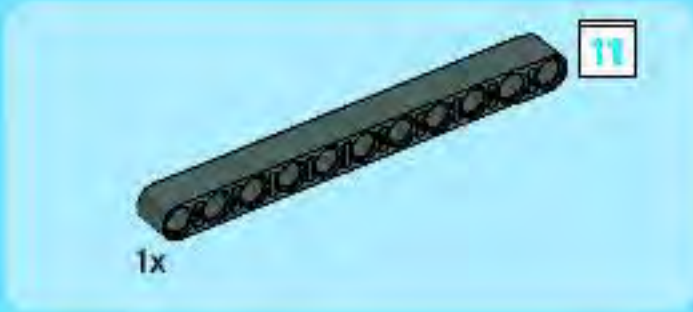
2



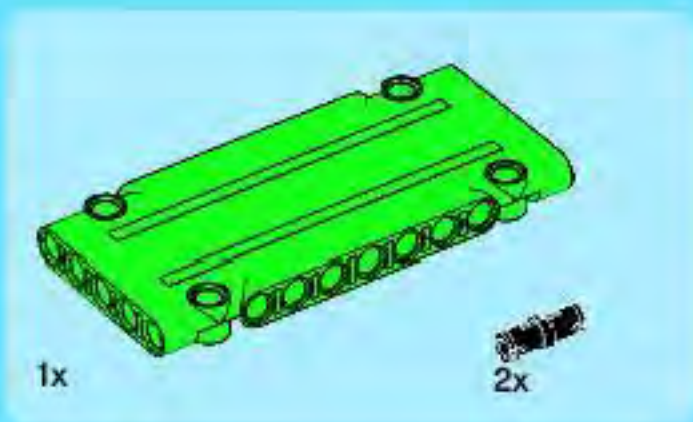
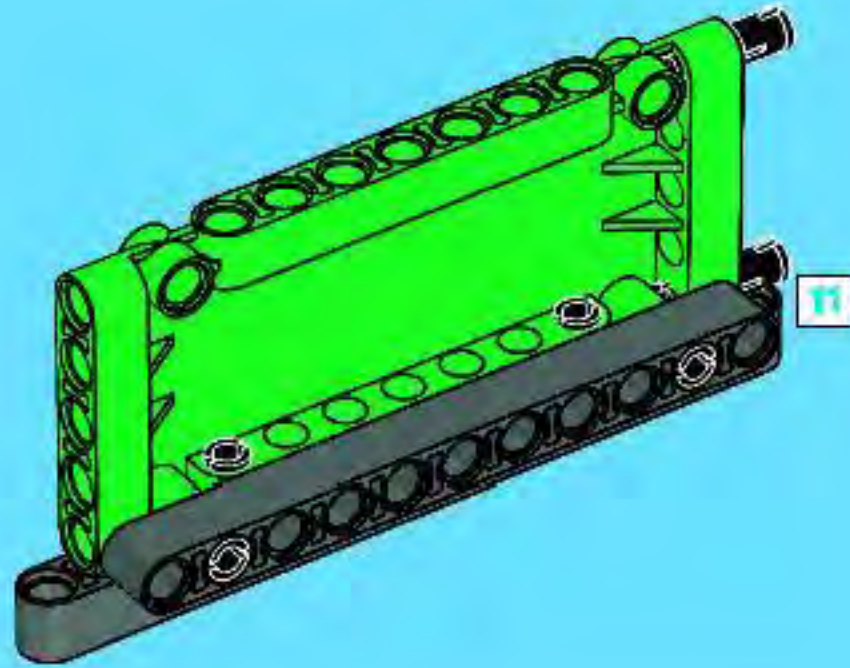
3



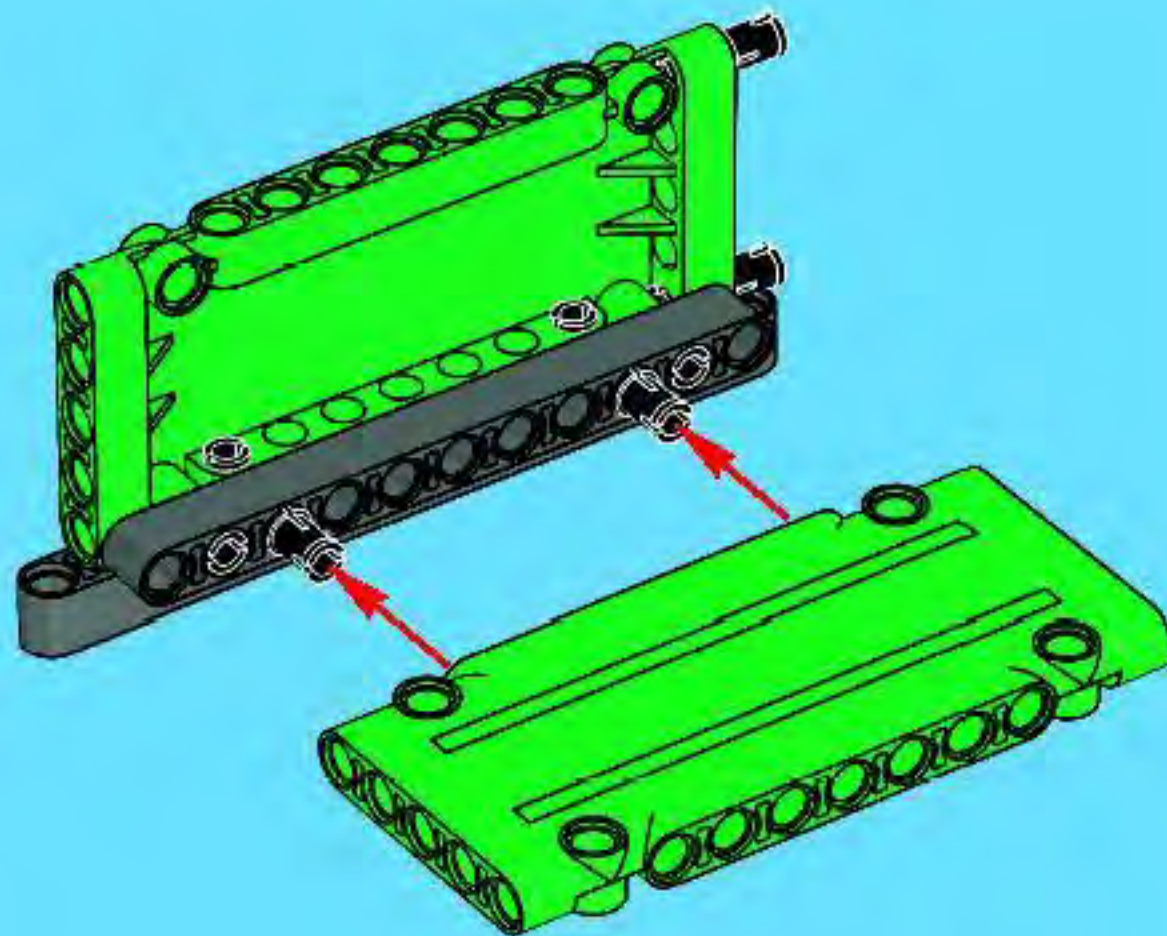




4

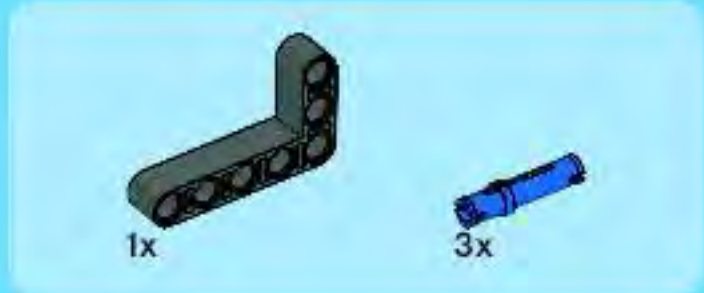
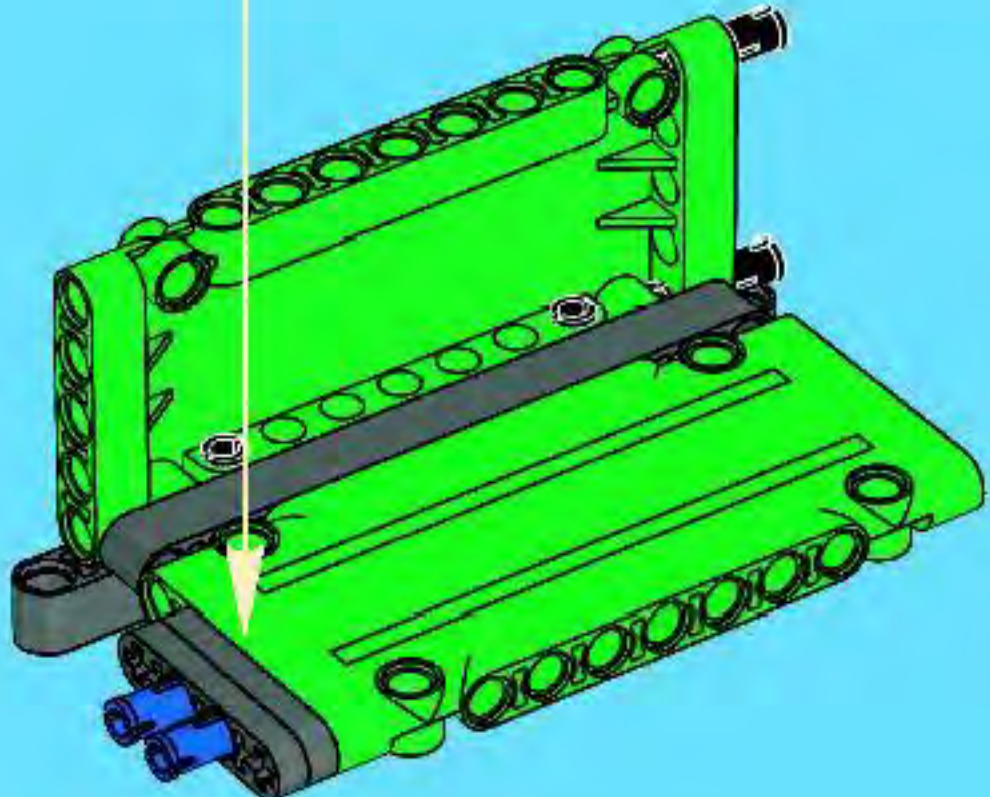
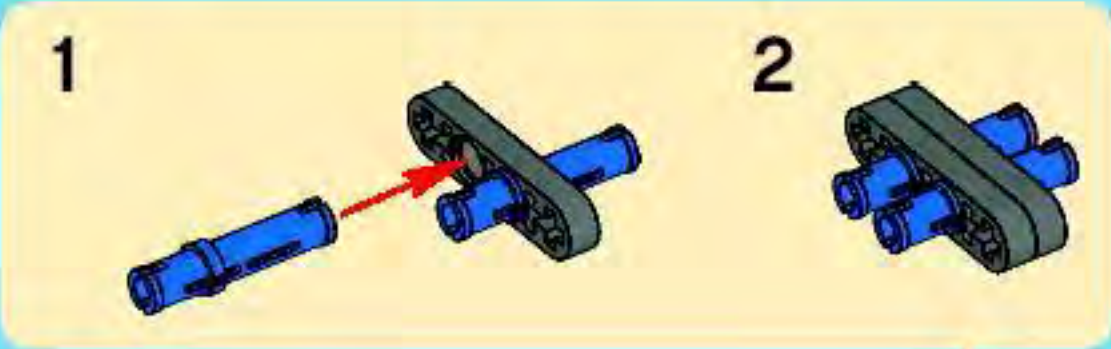


5

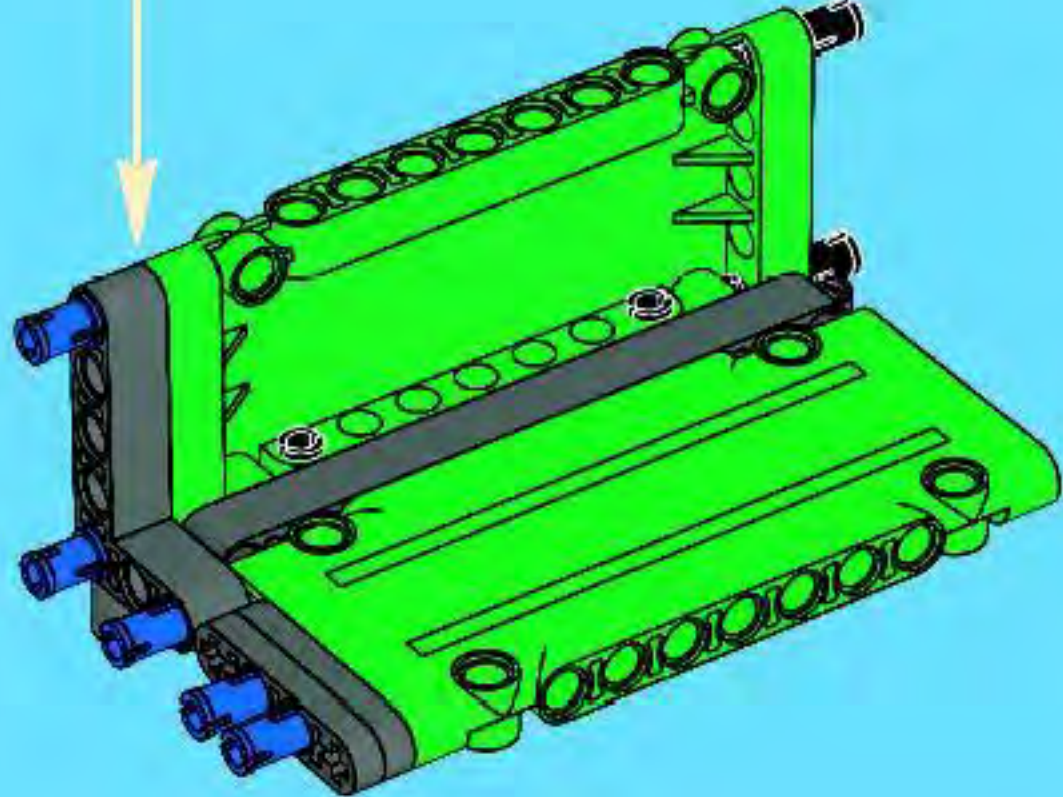
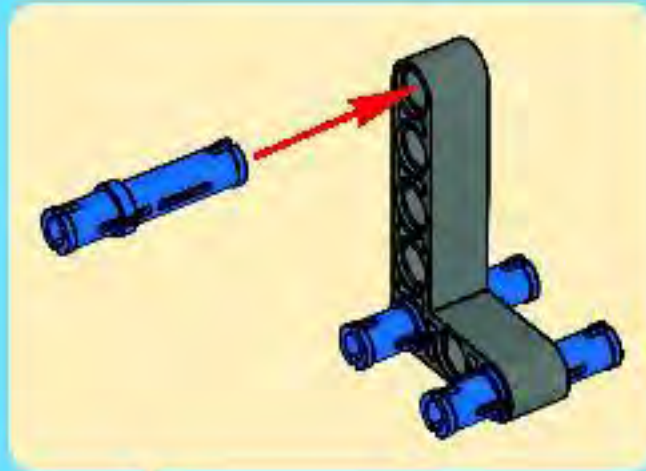


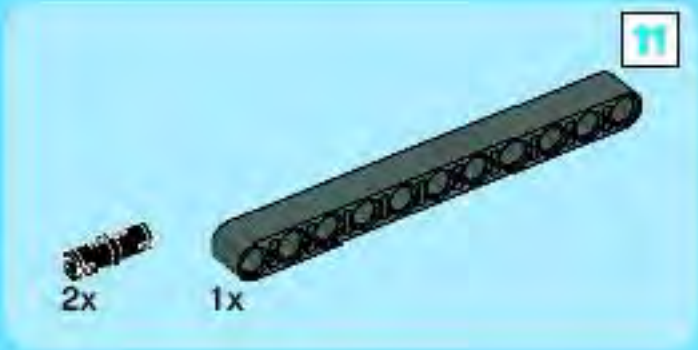
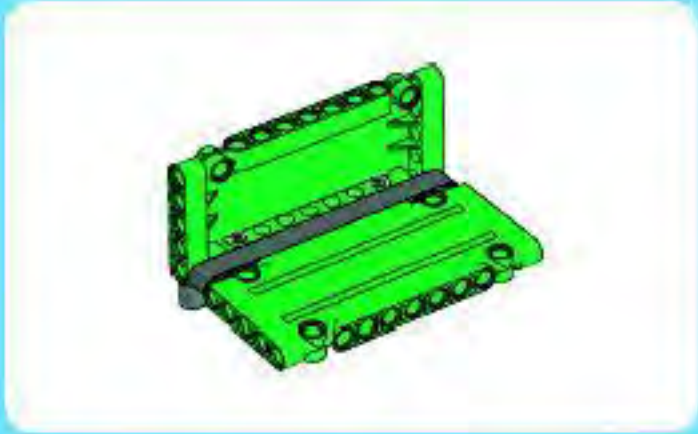


6

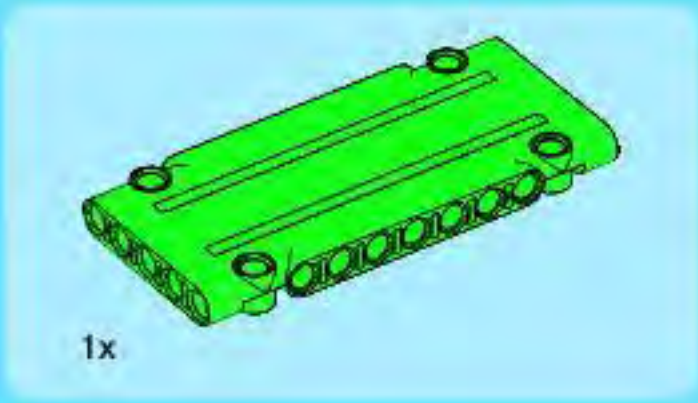
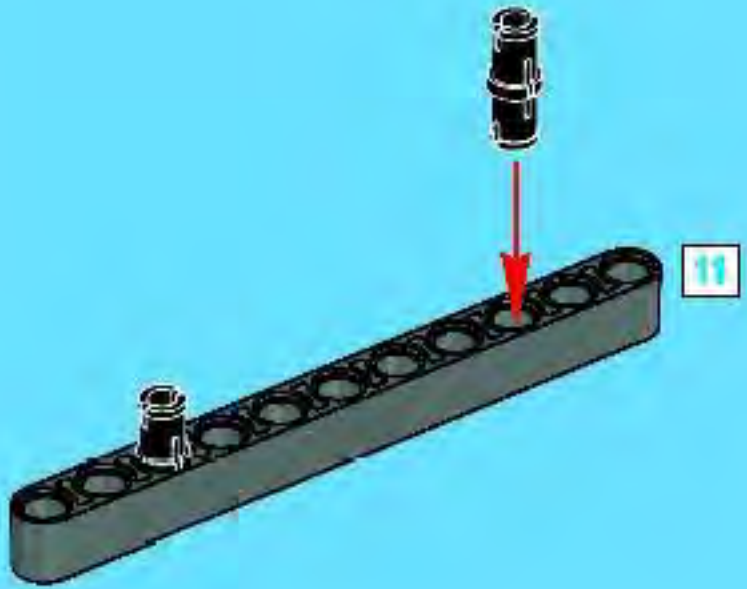


7

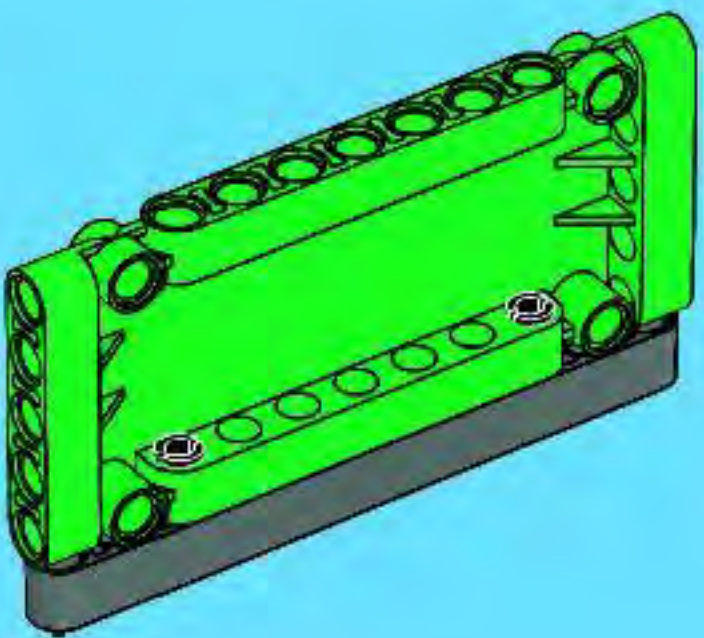




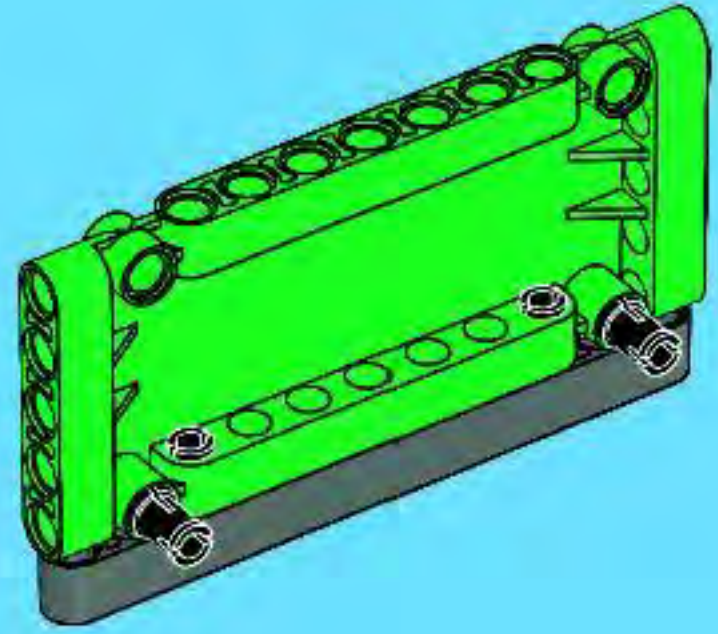
1



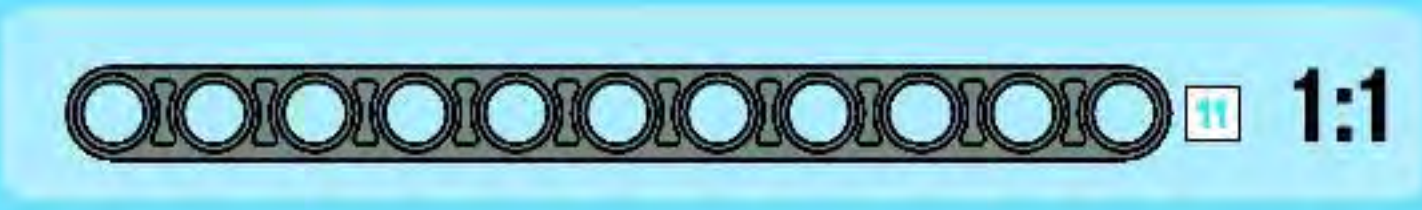
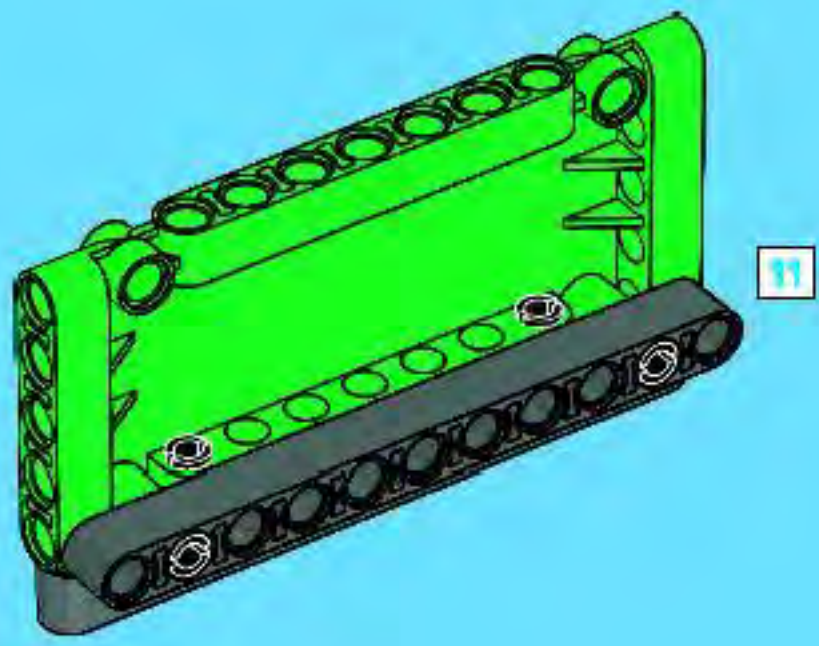
2

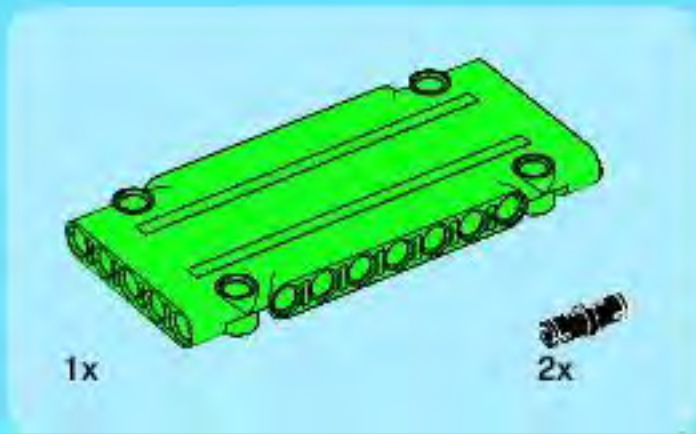


3

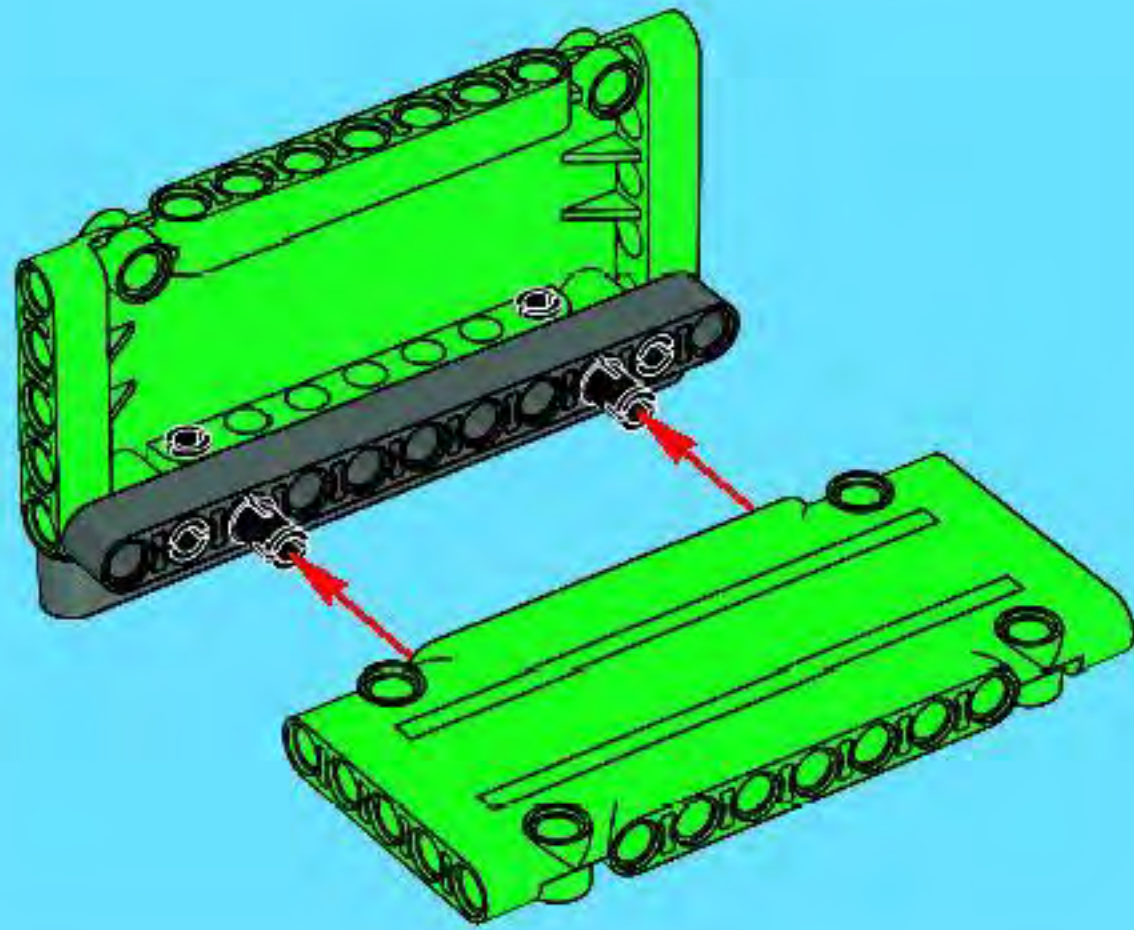


4

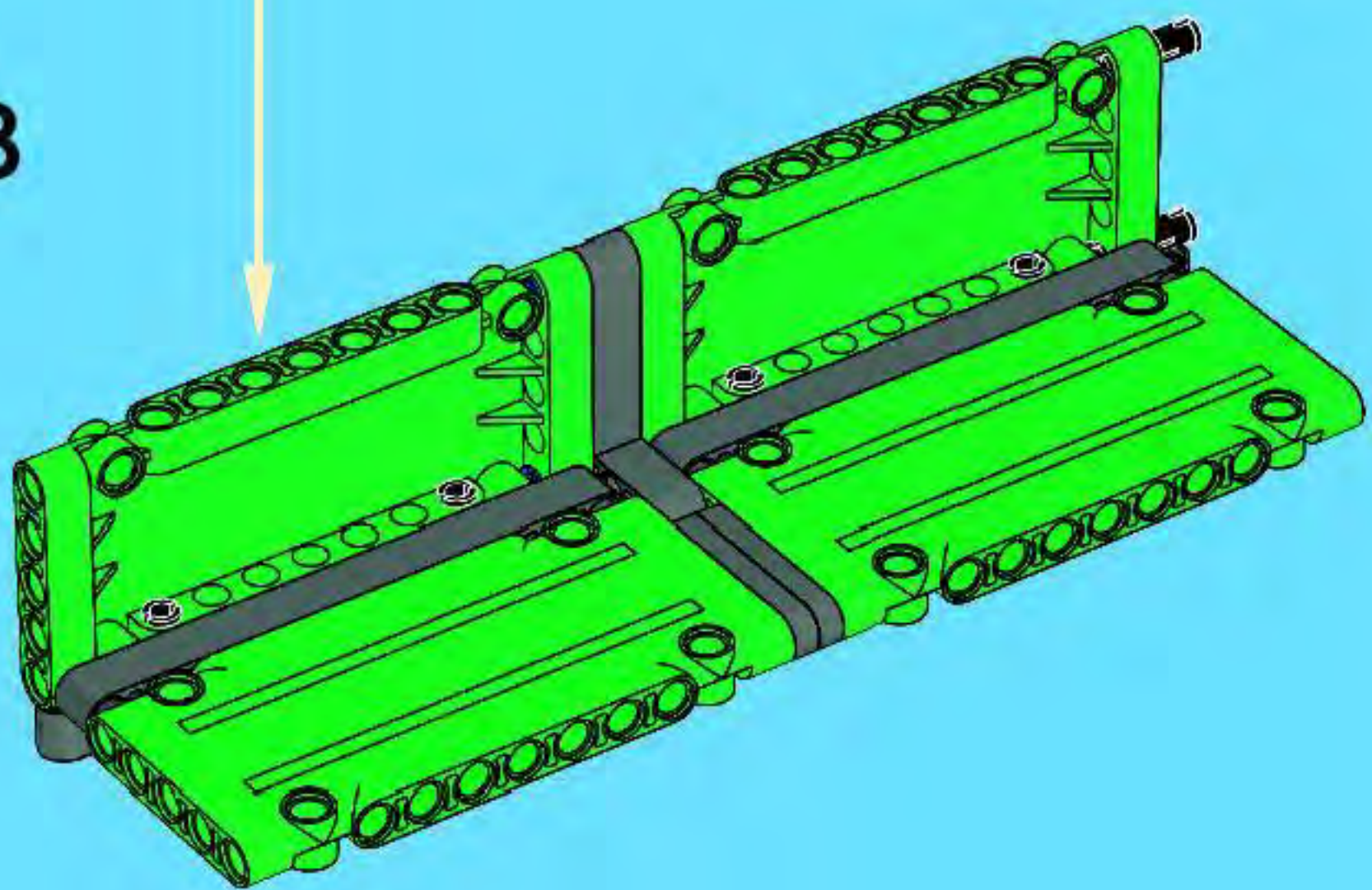




5

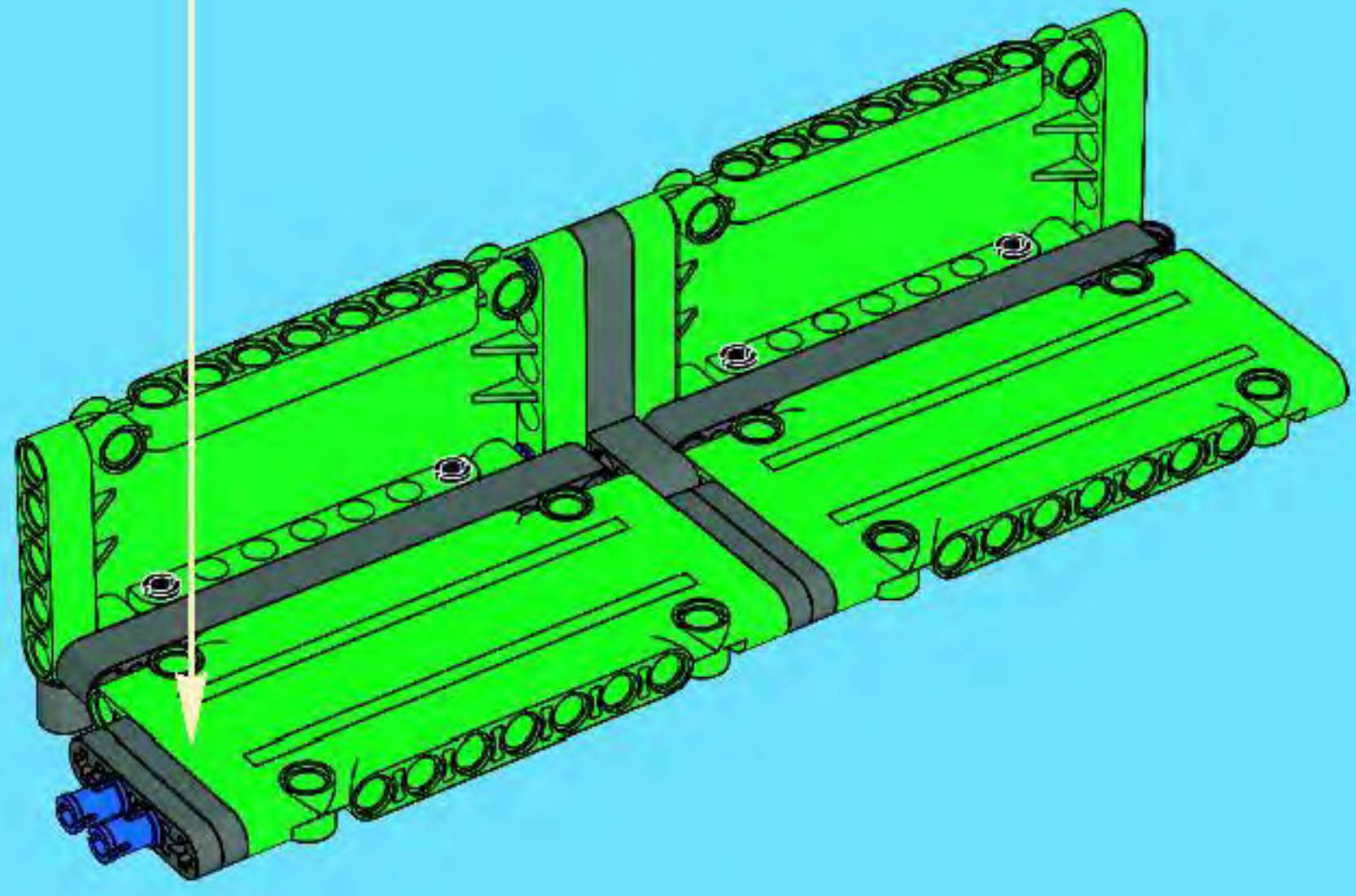
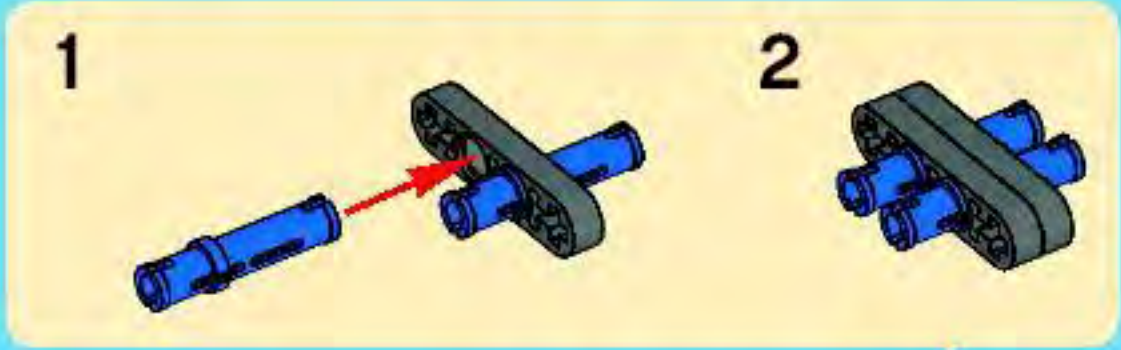


8

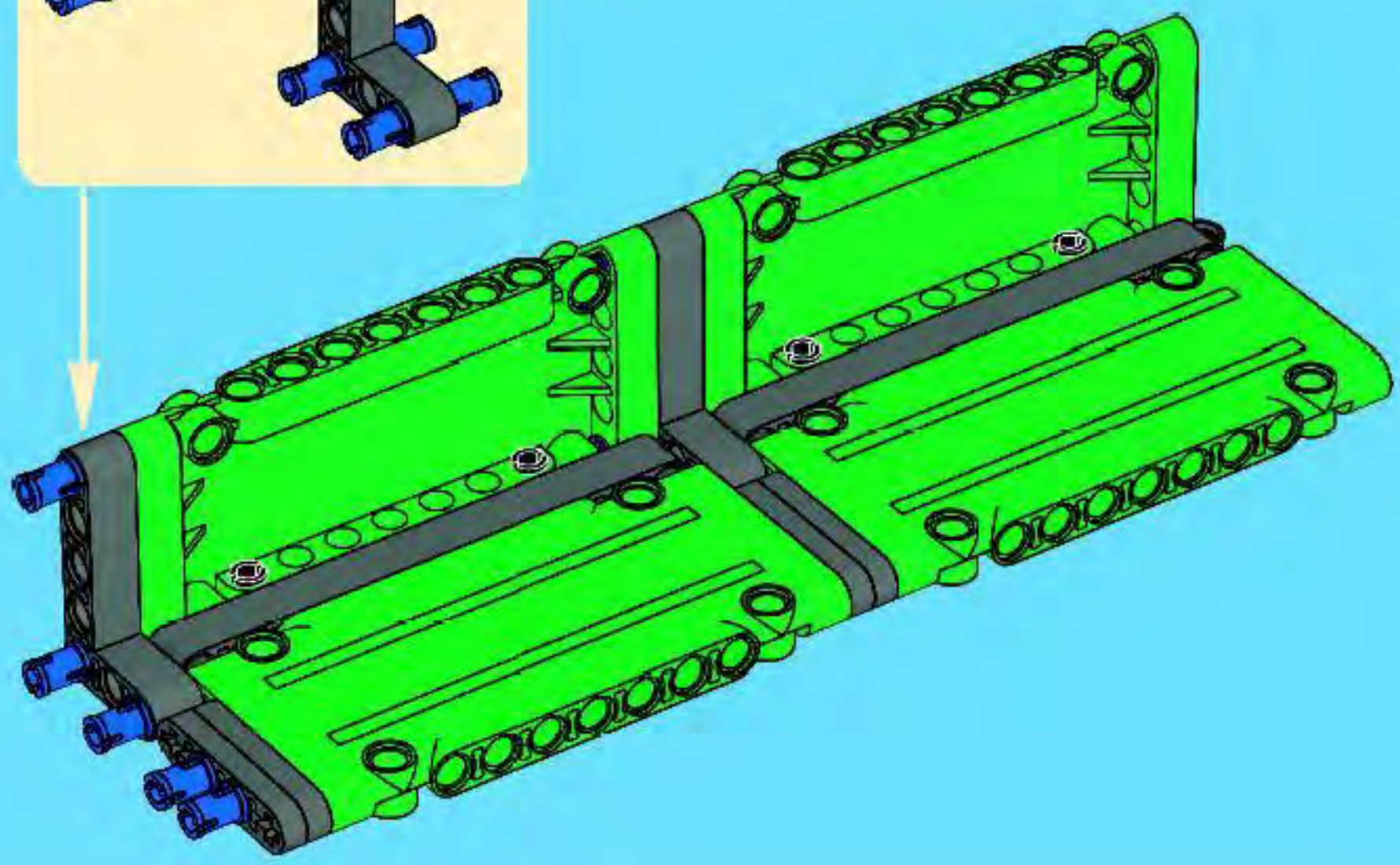
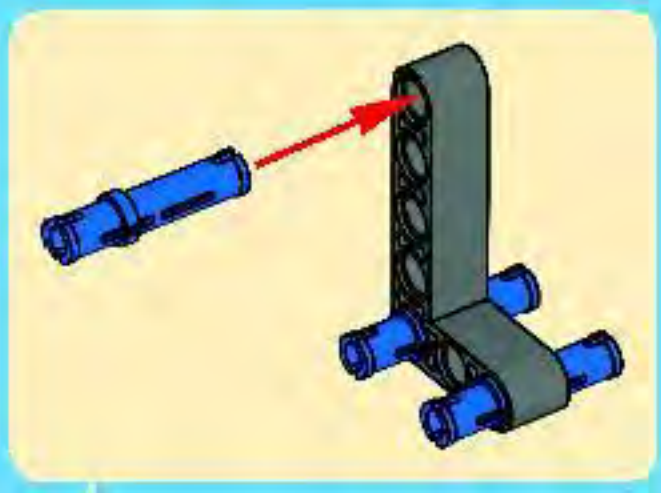


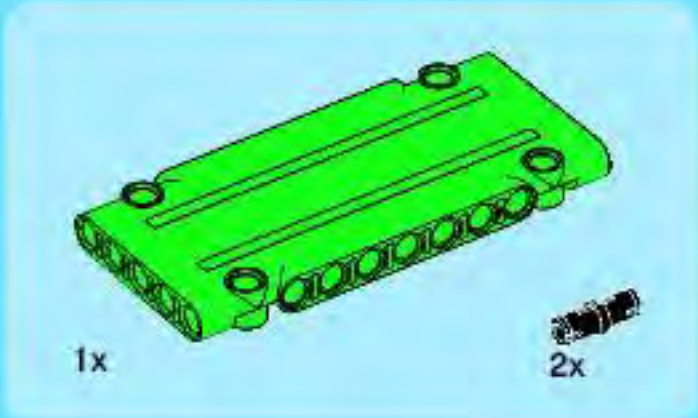


9

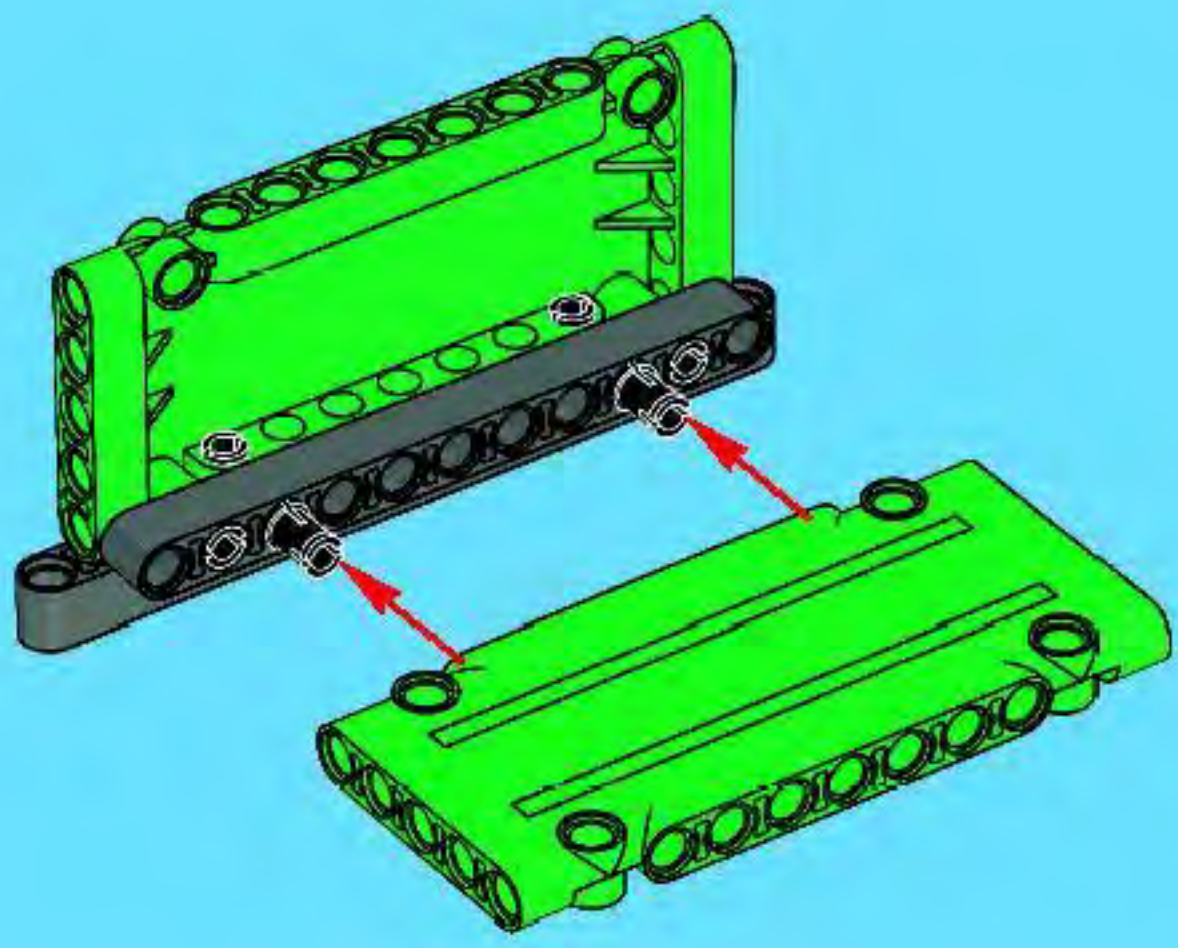


10

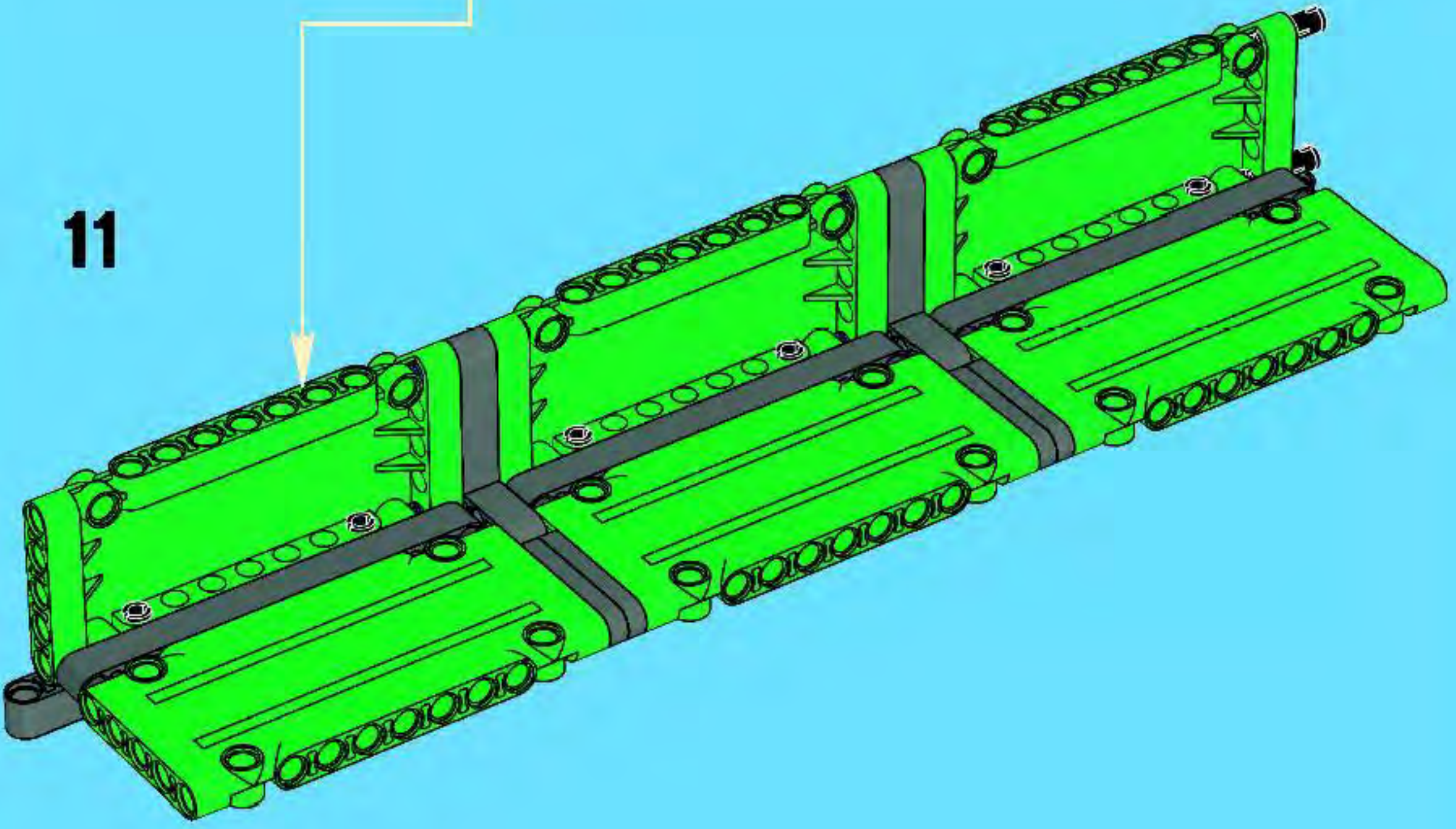




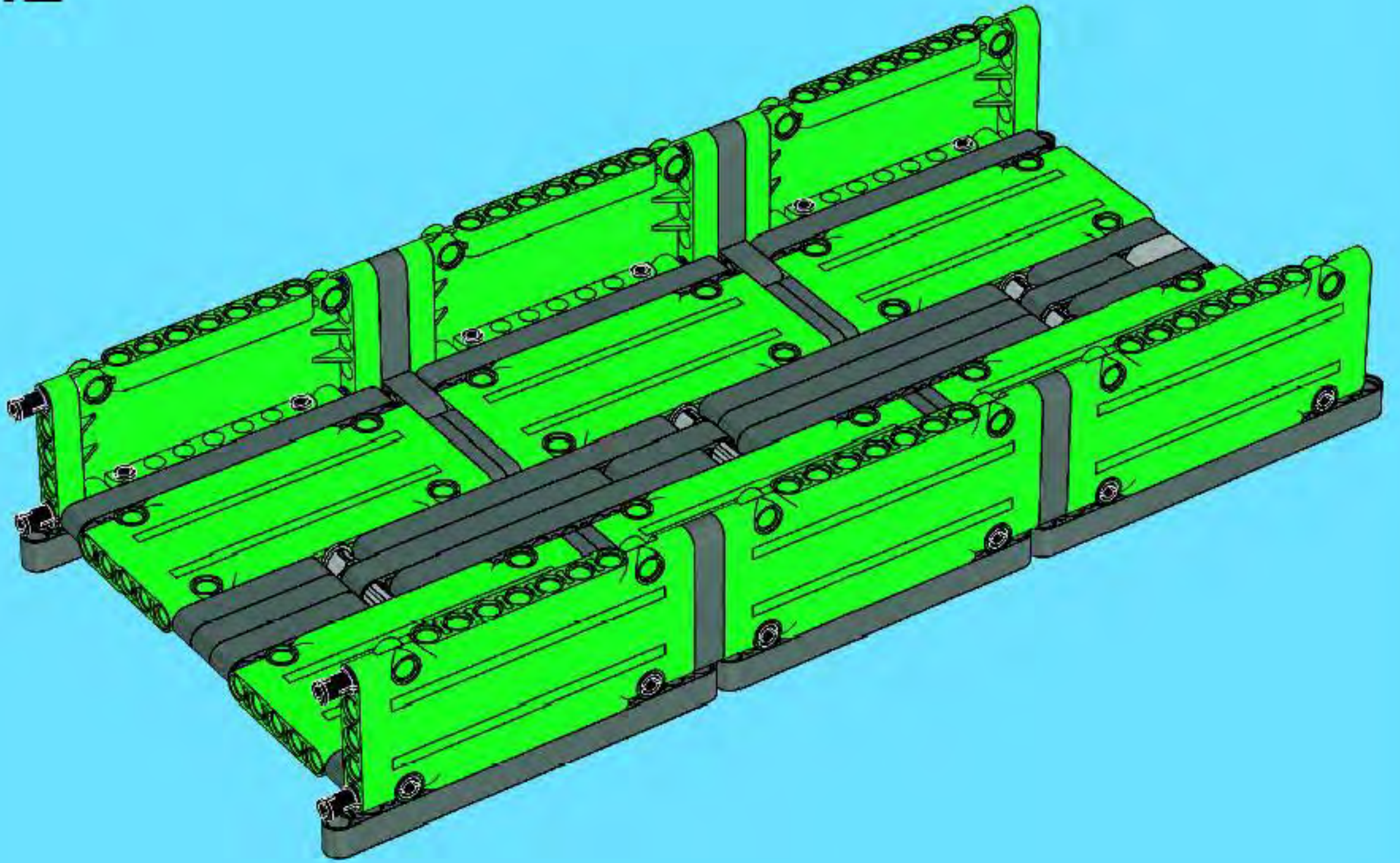
5

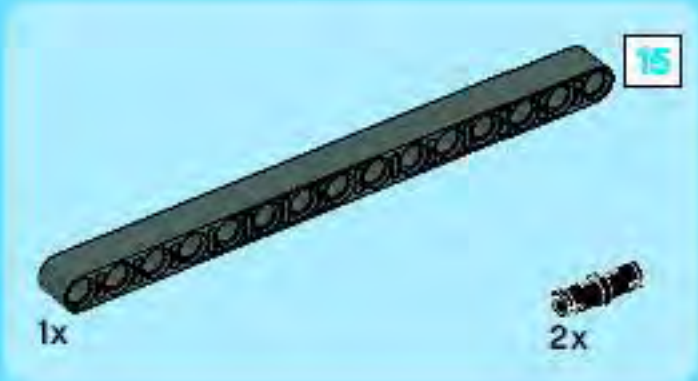
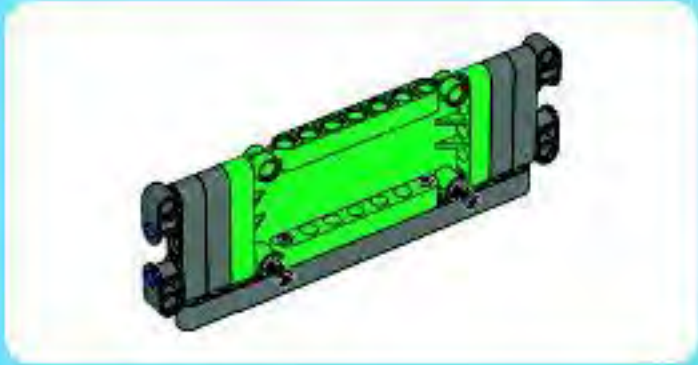


11

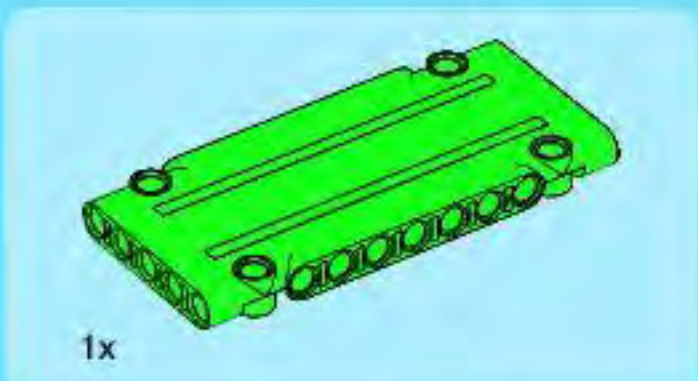
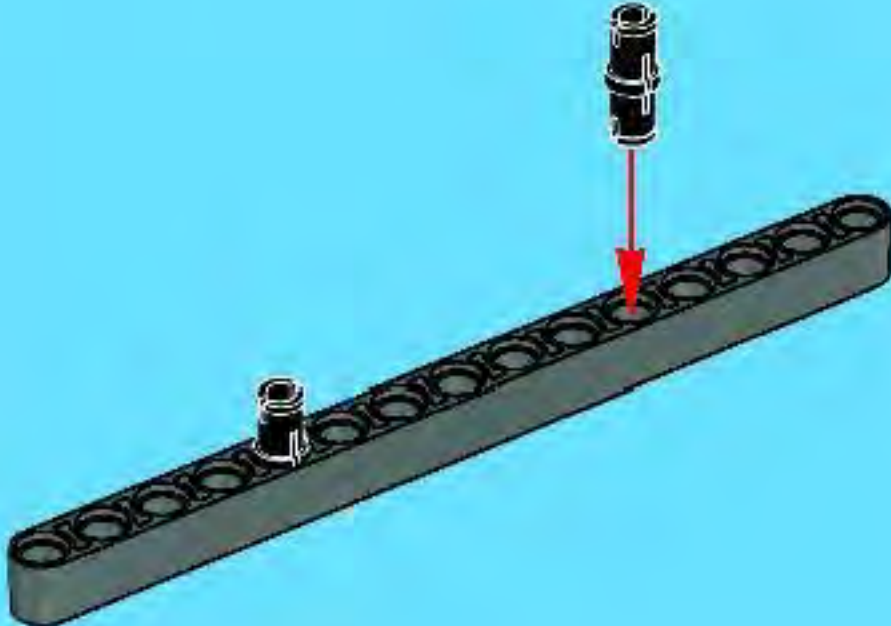


12

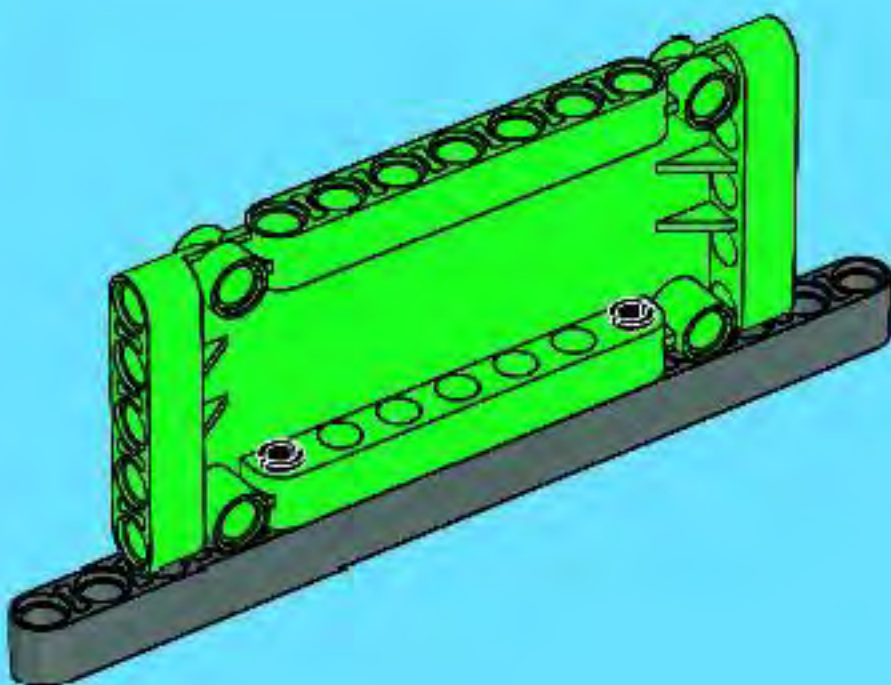




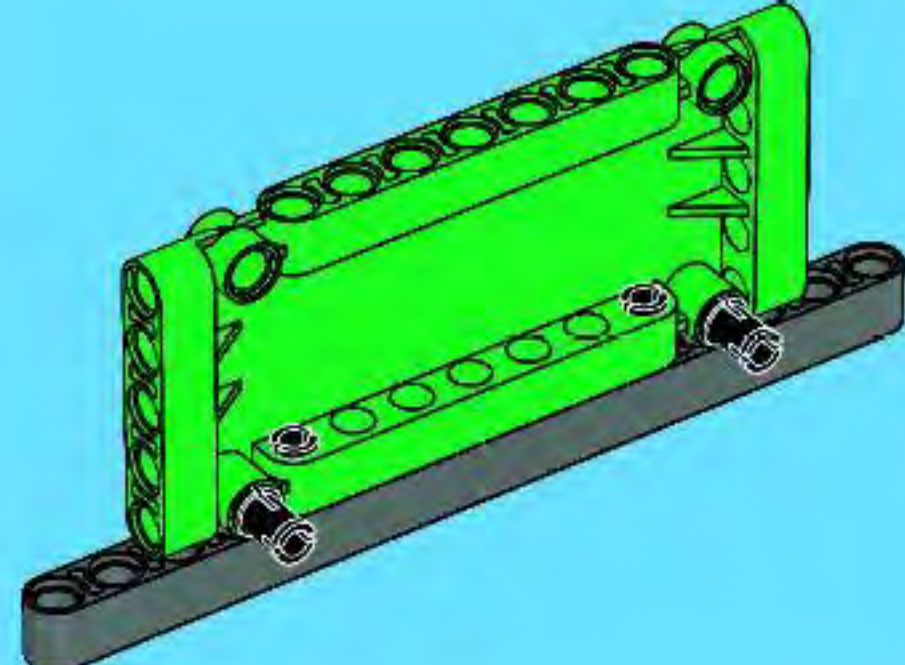
1



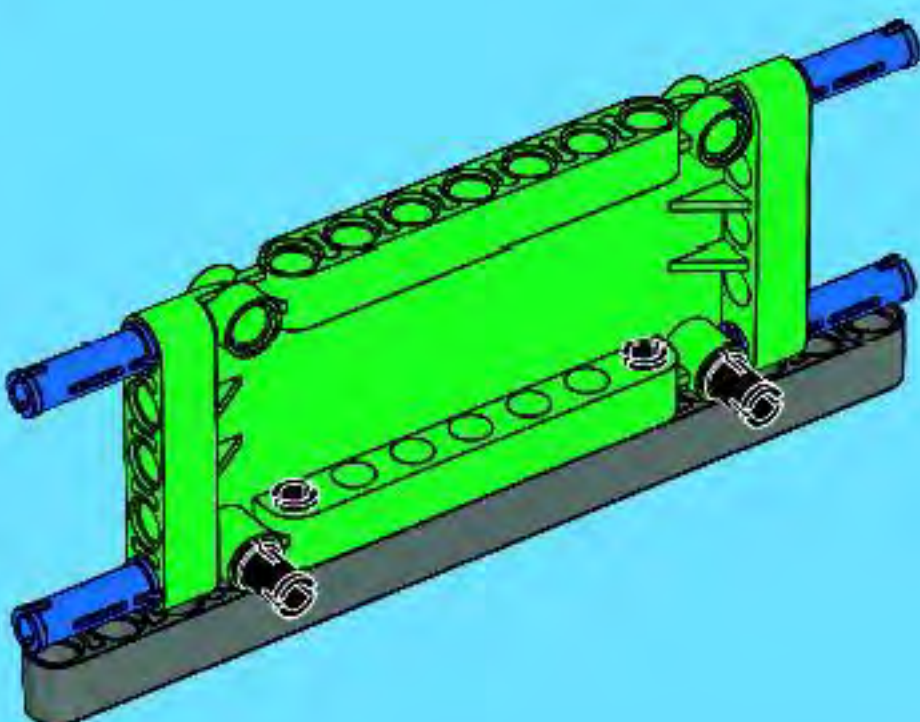
2



3



4

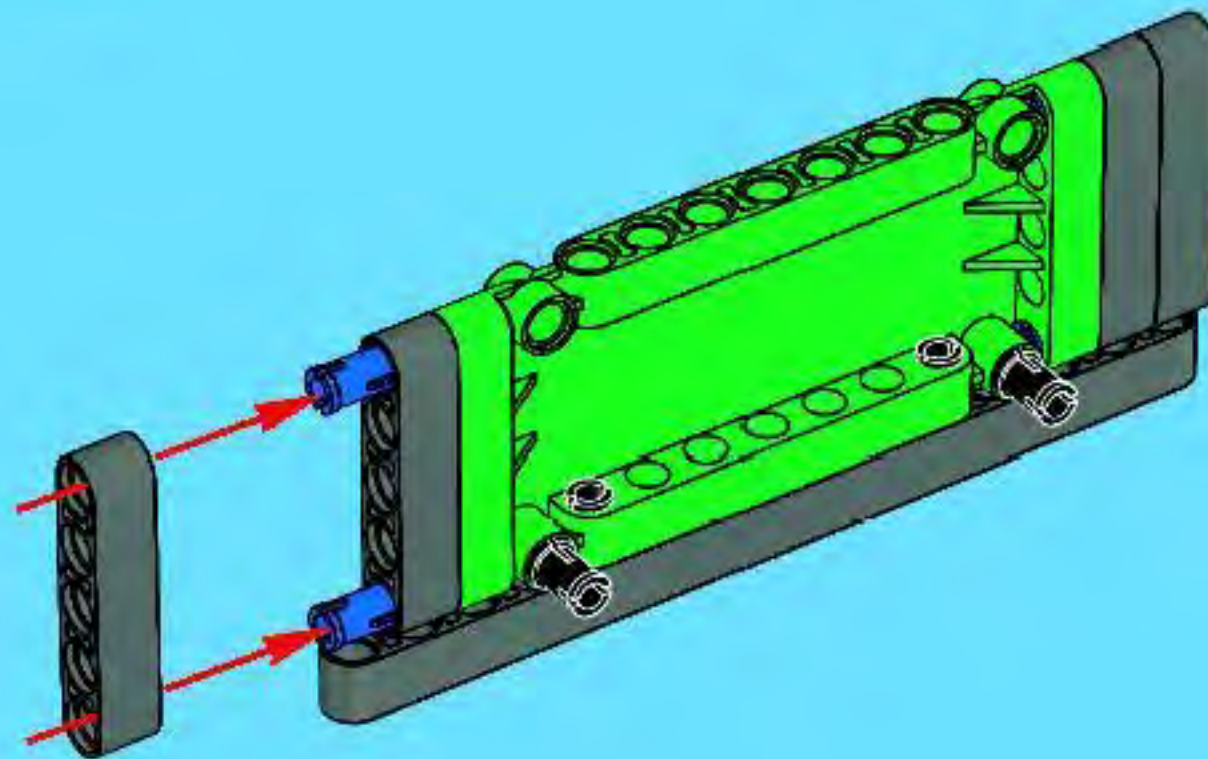






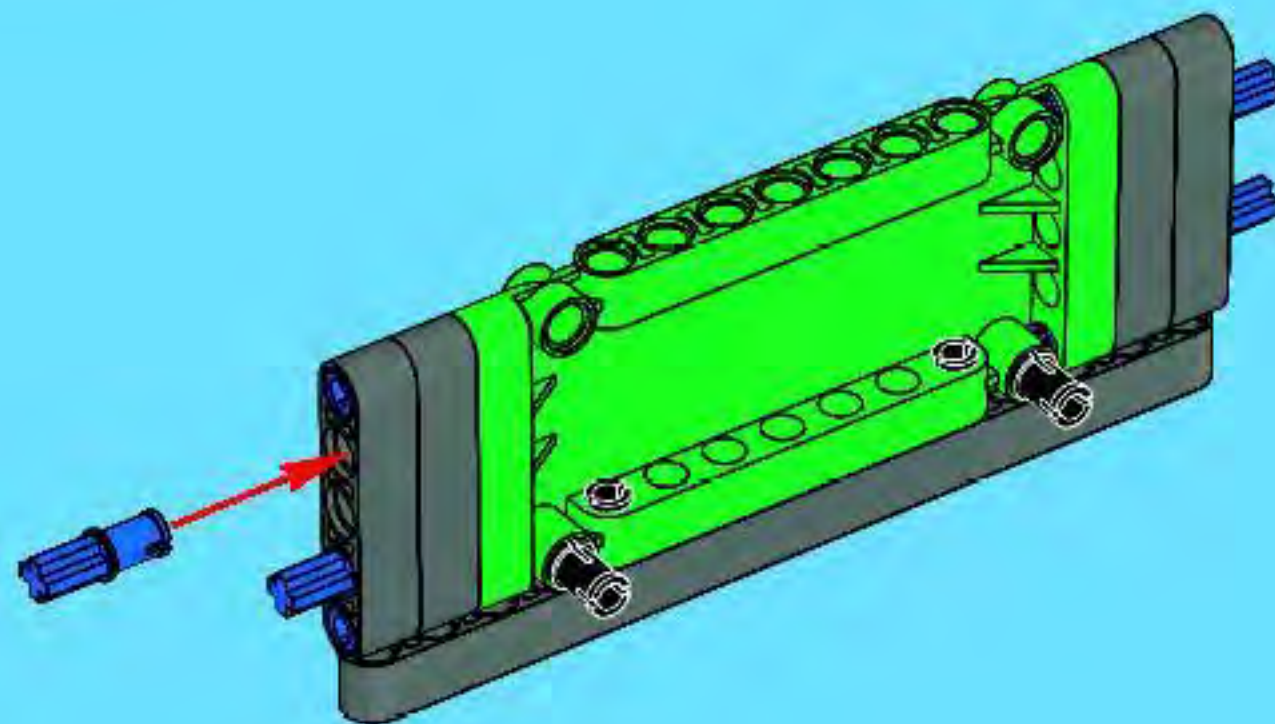
4x

5



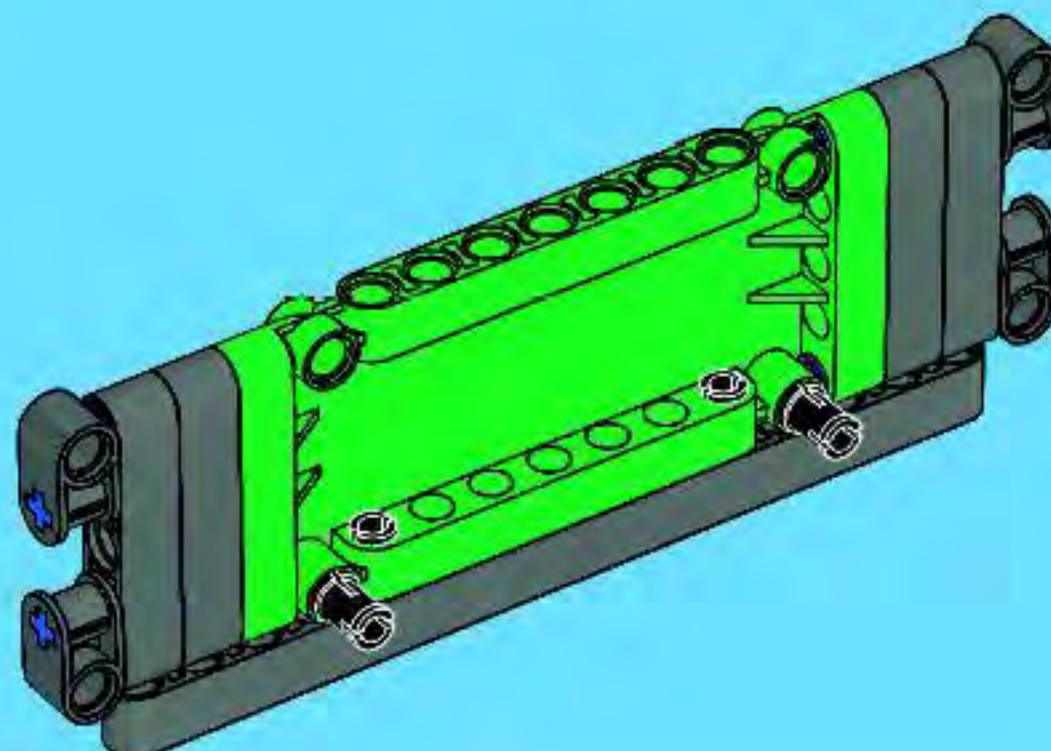
4x

6

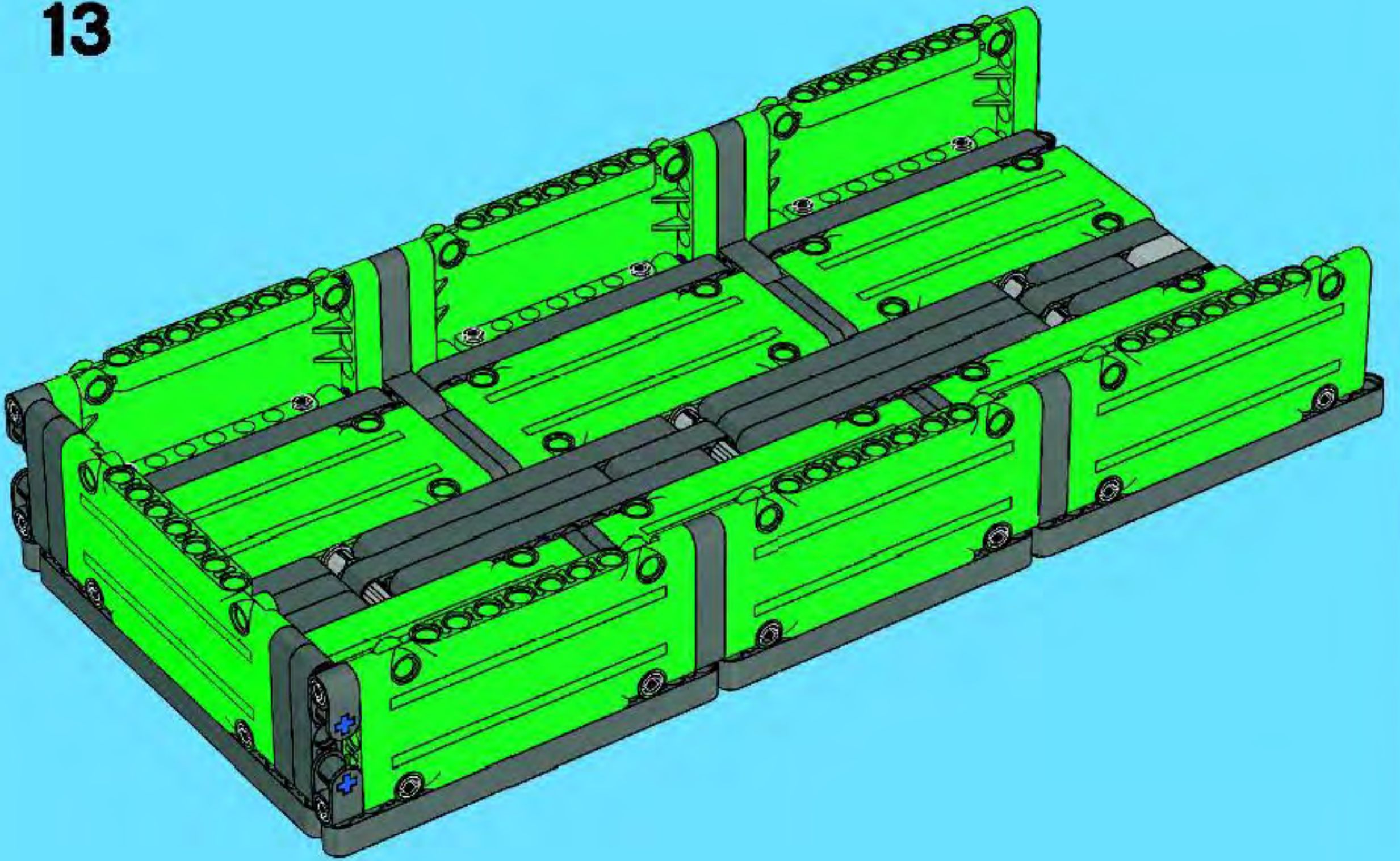


4x

7

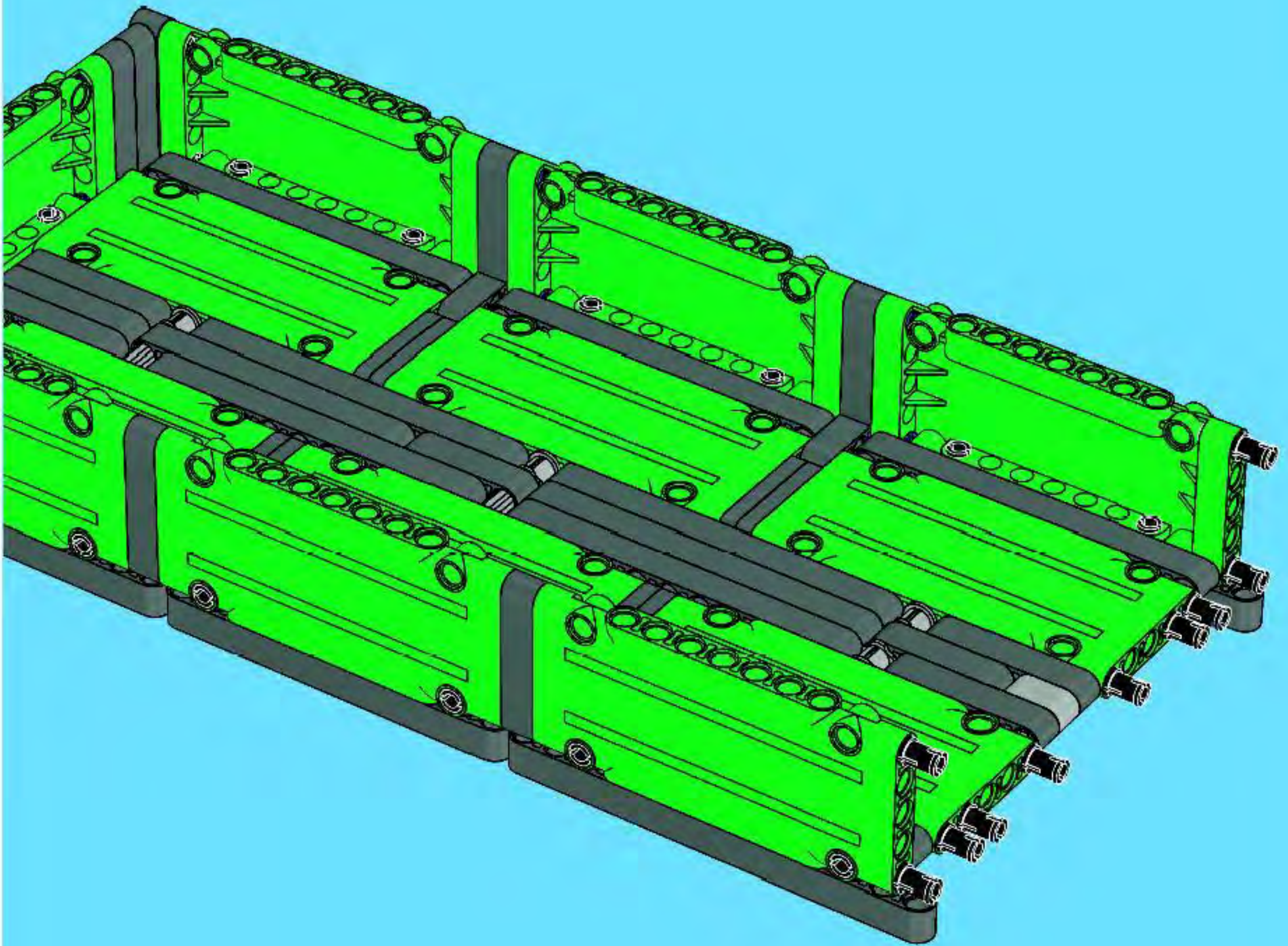


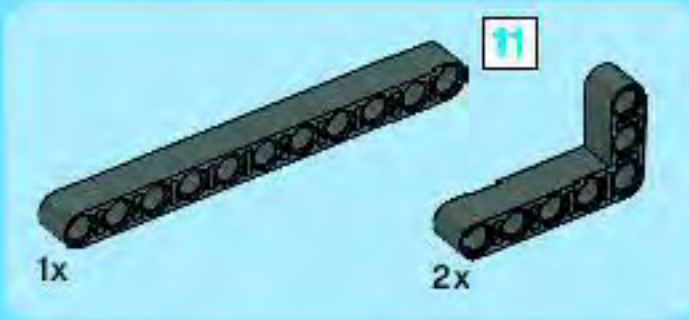
**13**



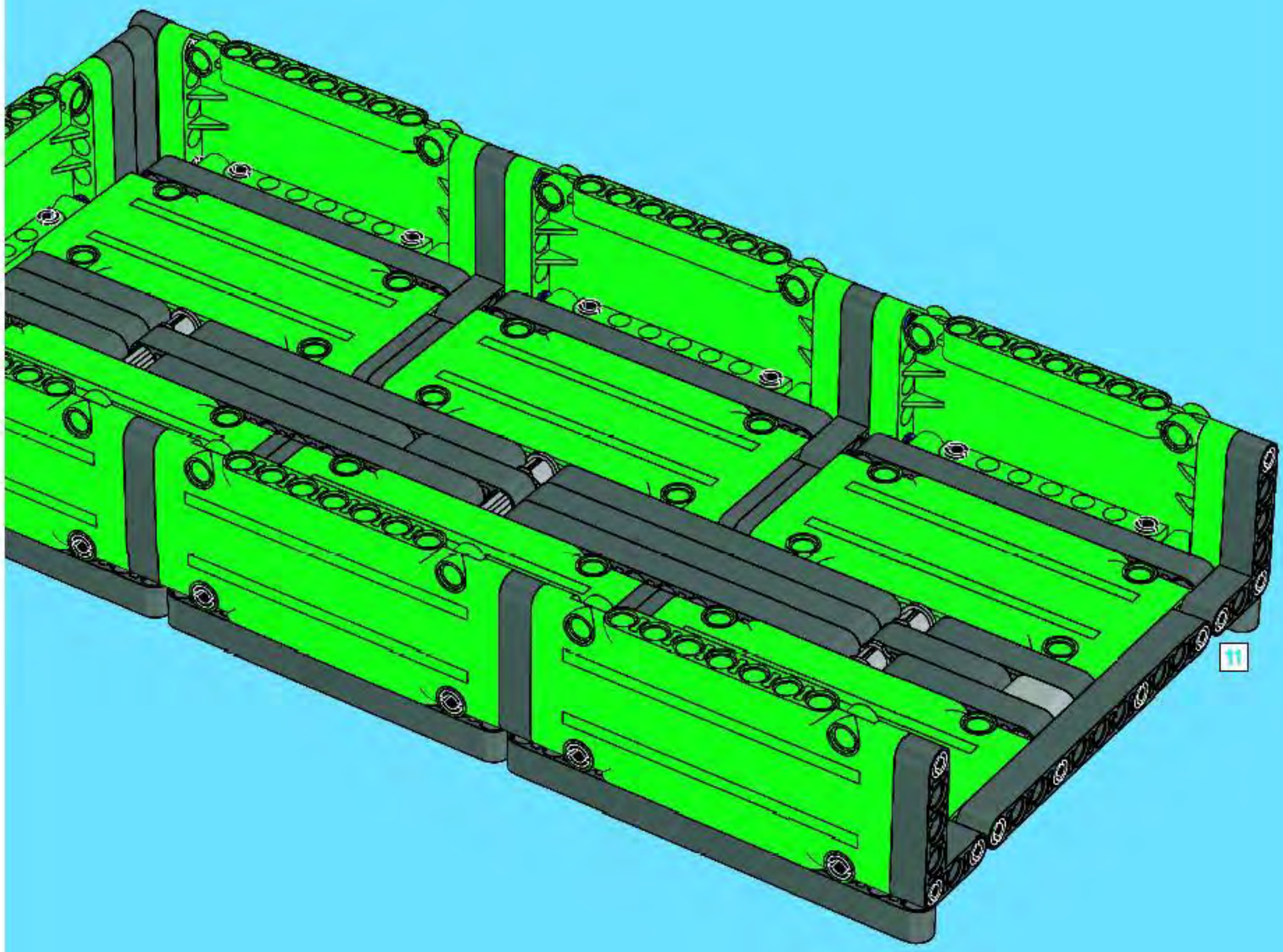
10x

14





15



2x

1x

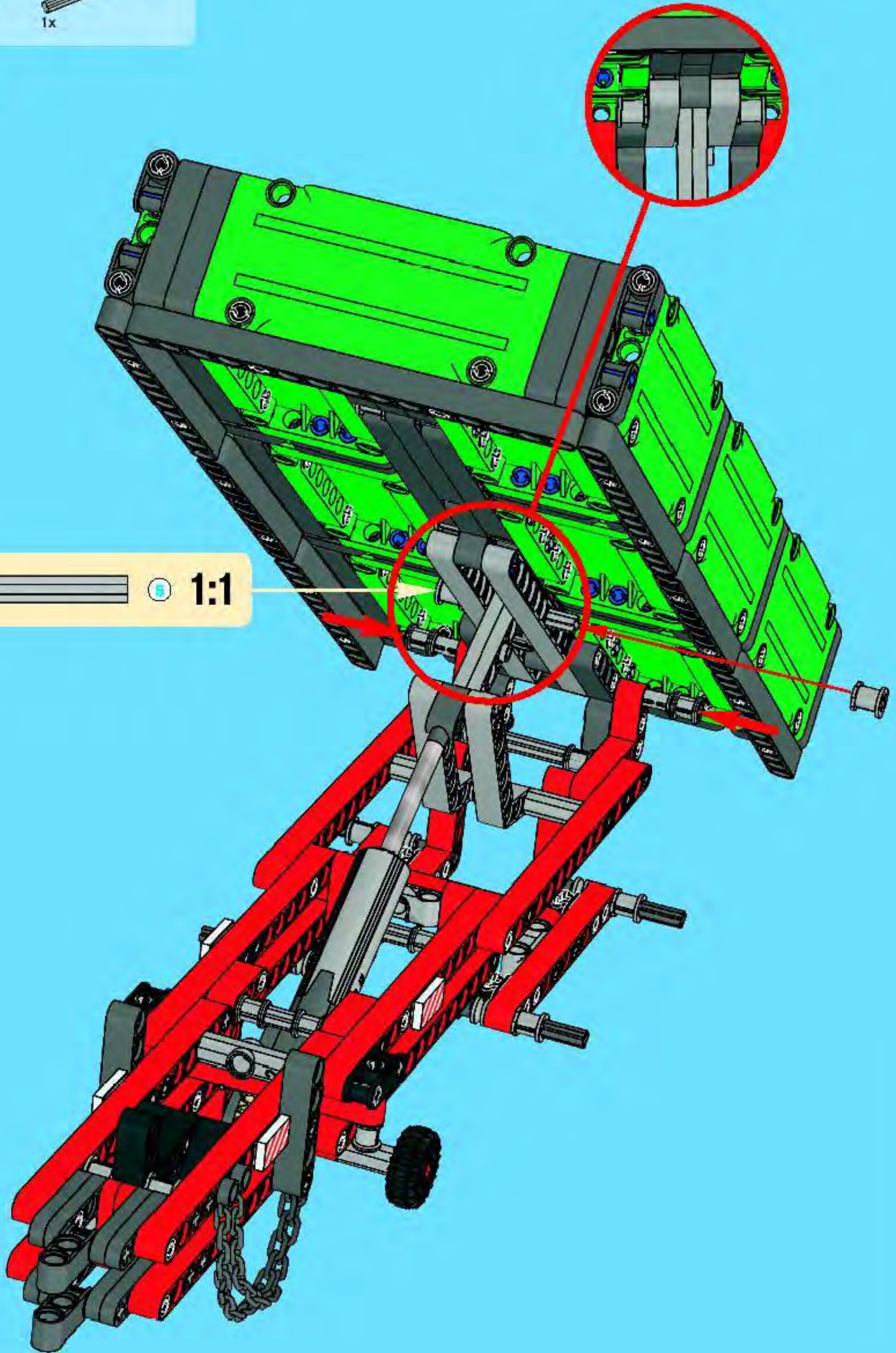
5

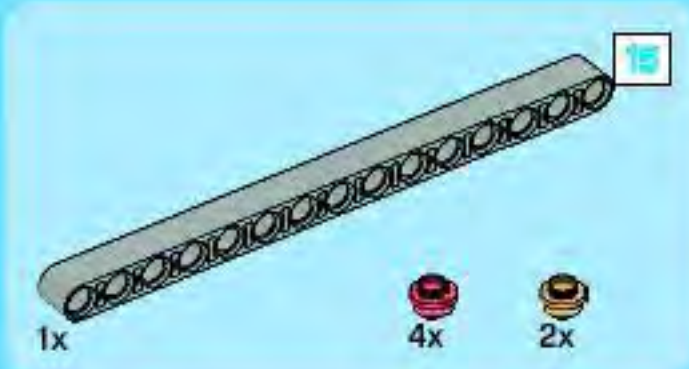
# 30



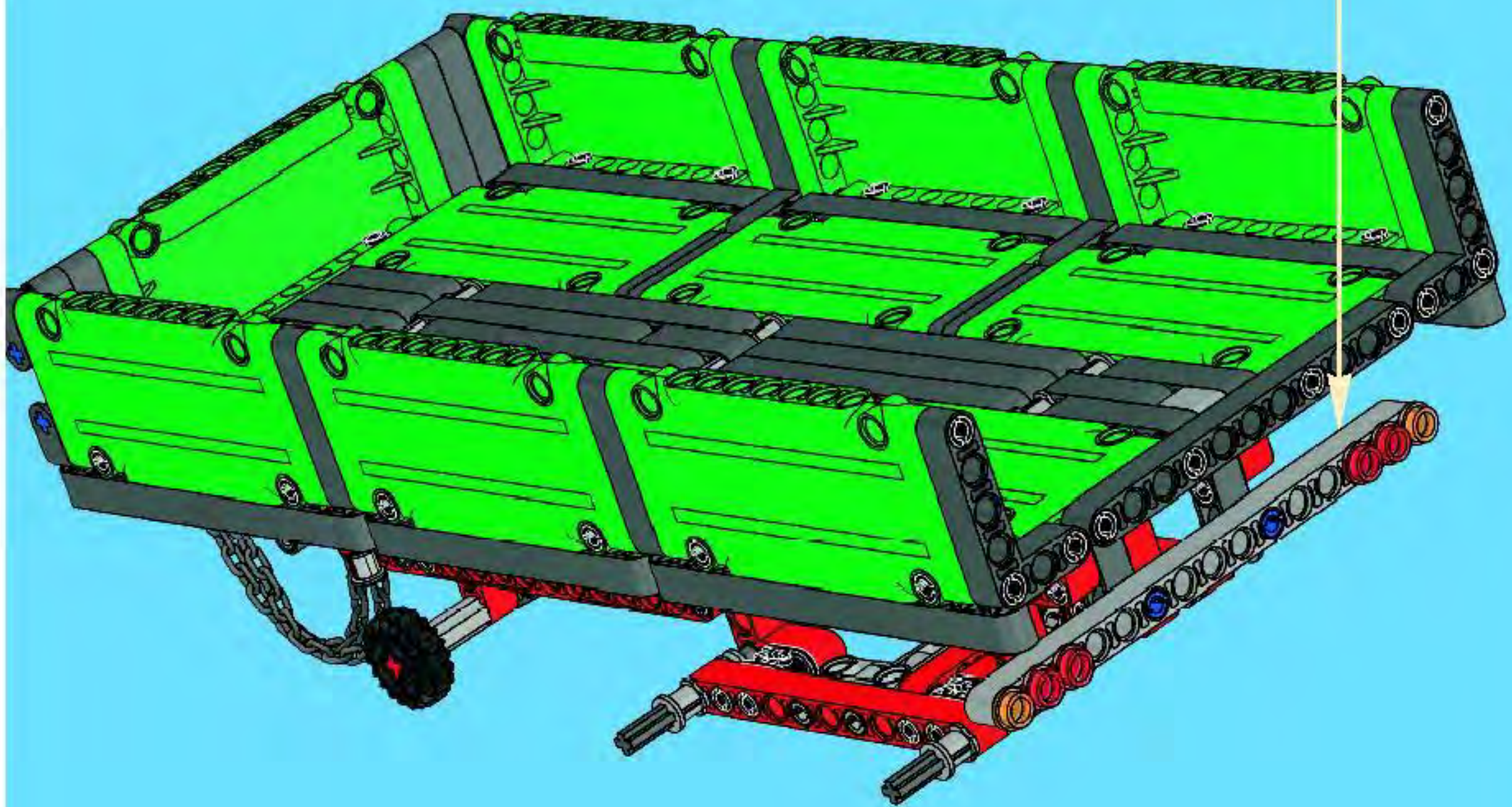
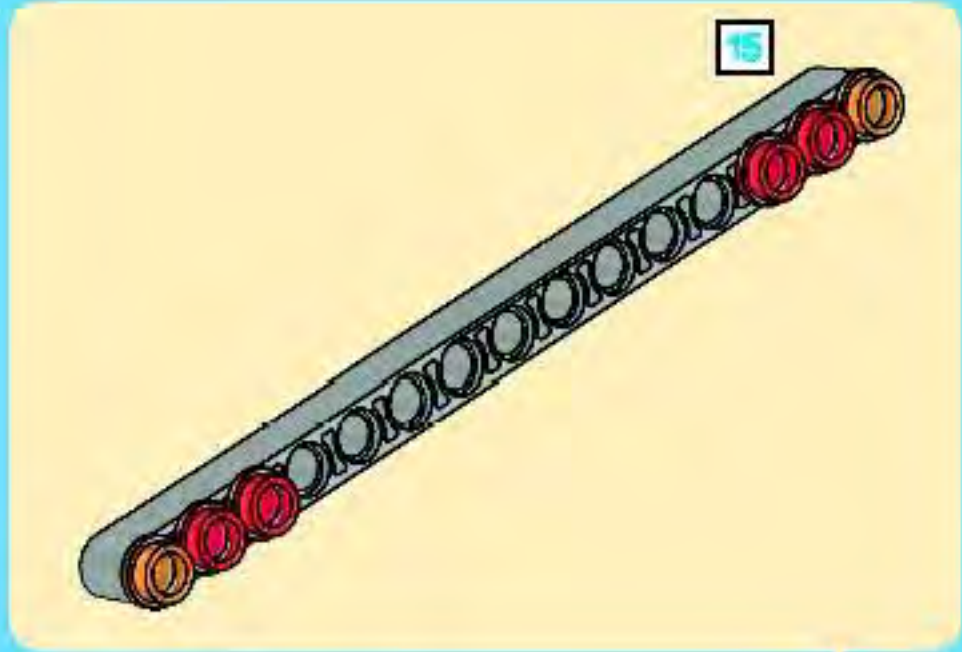
5

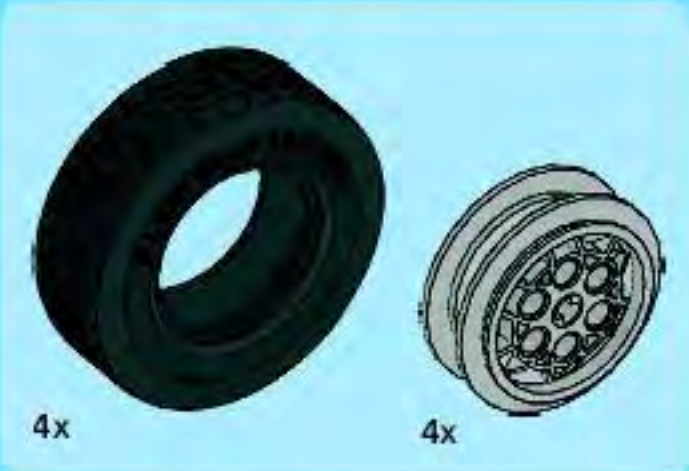
1:1



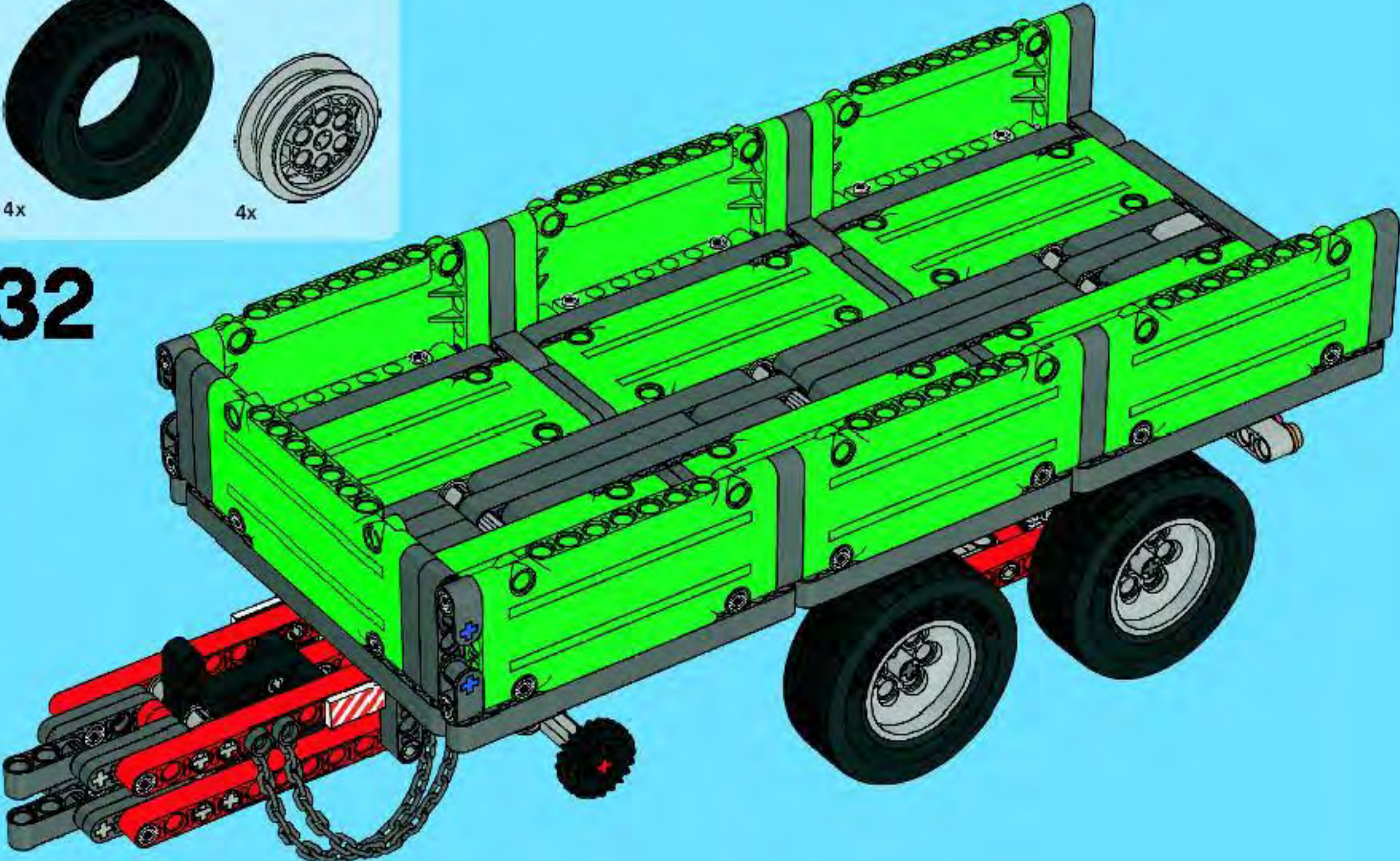


31

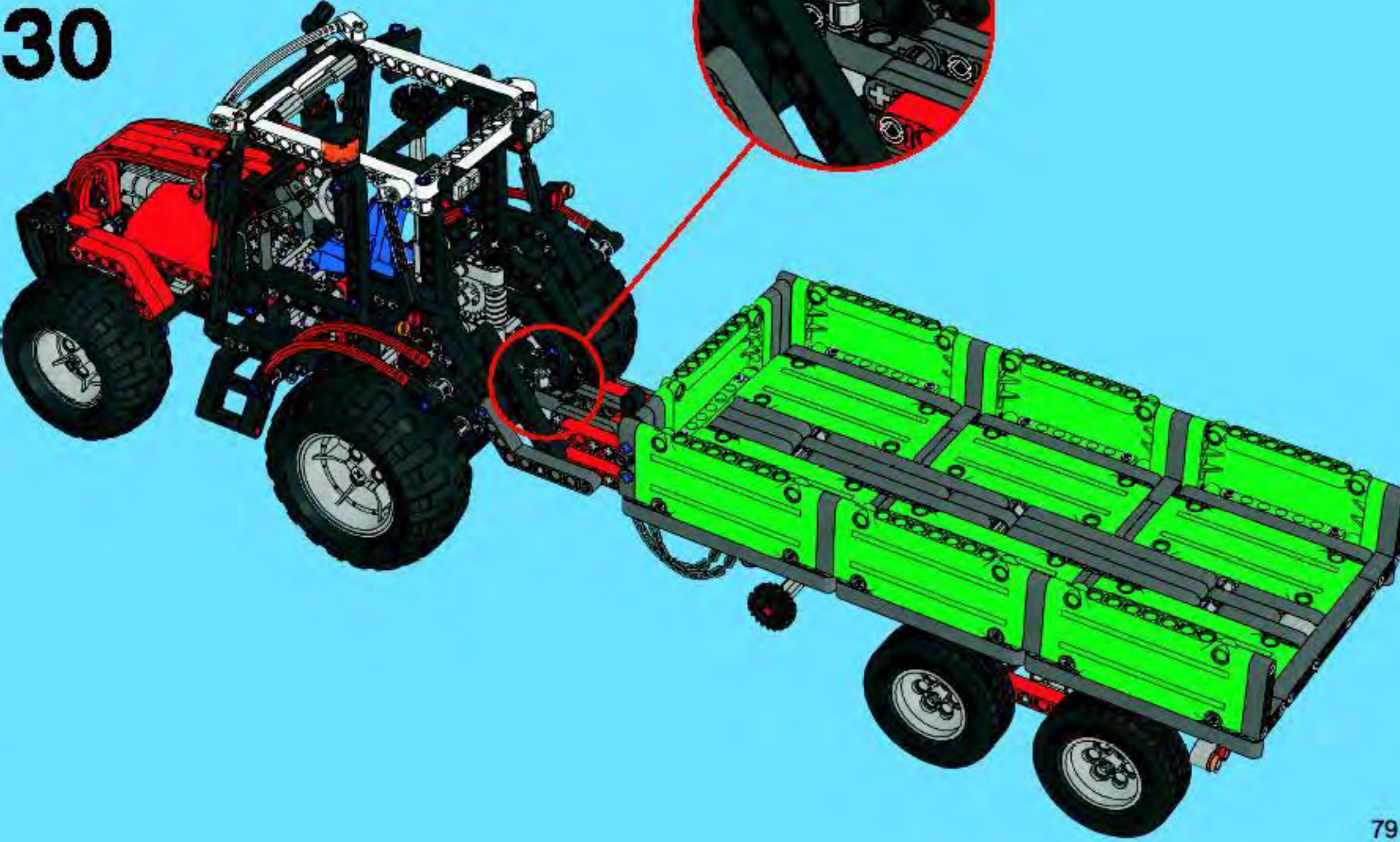




**32**



**30**



- 22x 4112287
- 4x 4107136
- 4x 4142543
- 8x 4128557
- 13x 4120017
- 3x 4142823
- 4x 4128593
- 2x 4112282
- 2x 4495935
- 9x 4154767
- 1x 4234438
- 2x 4296268
- 1x 447726
- 2x 4156150
- 3x 4522933
- 2x 4542573

- 12x 4140801
- 4x 4119589
- 2x 4107767
- 3x 614326
- 1x 362326
- 1x 403226
- 1x 4278359
- 2x 306926
- 5x 4140430
- 3x 4162857
- 2x 281726
- 8x 4164133
- 3x 4526982
- 2x 4177444
- 6x 4142822



4x 4547373



2x 4198613



2x 4291178

- 2x 4563044
- 12x 4107085
- 1x 4107084
- 4x 4107783
- 4x 4107081
- 164x 4121715



3x 373726



12x 370526



13x 370626

15x 4512363

14x 4173668

7x 4173970

8x 4111998

3x 4177431

3x 4177430

2x 4121667

2x 306926

1x 663626

- 6x 4514554
- 1x 4514557
- 4x 4565452
- 4x 4186017
- 1x 4207456
- 4x 4112203
- 2x 4203493
- 59x 4206482
- 57x 4514553
- 2x 4107829
- 4x 4185662
- 1x 4168114
- 4x 4142134
- 1x 4515184
- 51x 4211622
- 8x 4211807
- 25x 4211483
- 6x 4173670
- 4x 4212379
- 4x 4144138

3x 373726

12x 370526

13x 370626

15x 4512363

14x 4173668

7x 4173970

8x 4111998

3x 4177431

3x 4177430

2x 4121667

2x 306926

1x 663626

6x 4173670

4x 4212379

4x 4144138

3x 4296265

1x 4296264

13x 4545101

13x 4545101

13x 4545101

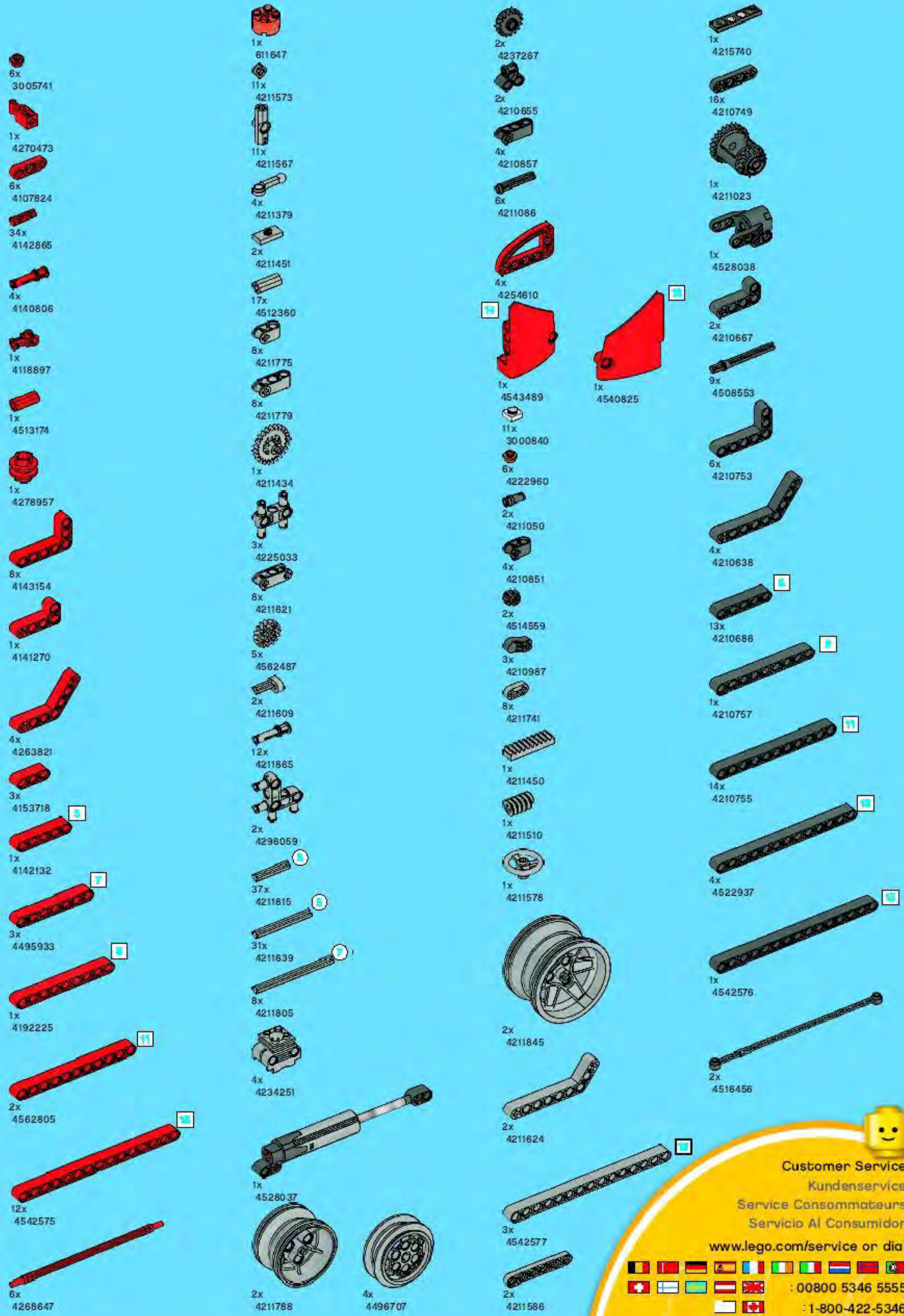
13x 4545101

13x 4545101

13x 4545101

13x 4545101





Customer Service  
 Kundenservice  
 Service Consommateurs  
 Servicio Al Consumidor  
[www.lego.com/service](http://www.lego.com/service) or dial

: 00800 5346 5555  
 : 1-800-422-5346

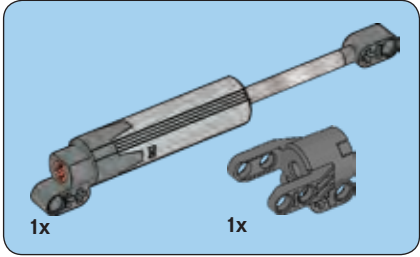


# TECHNIC

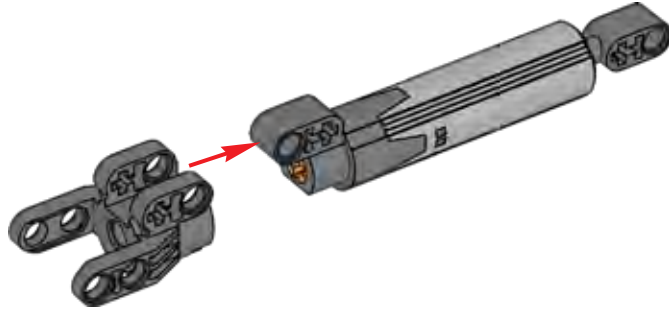
8063

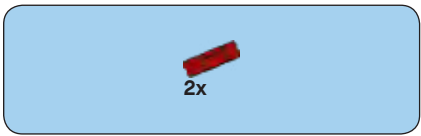




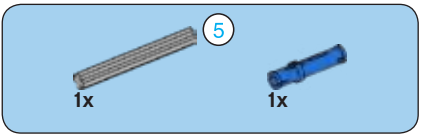
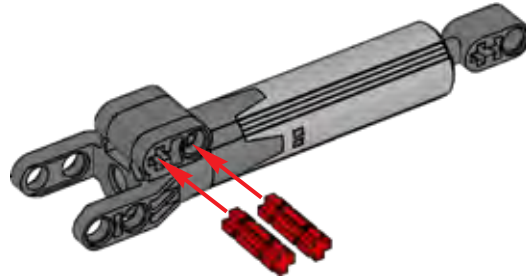


1

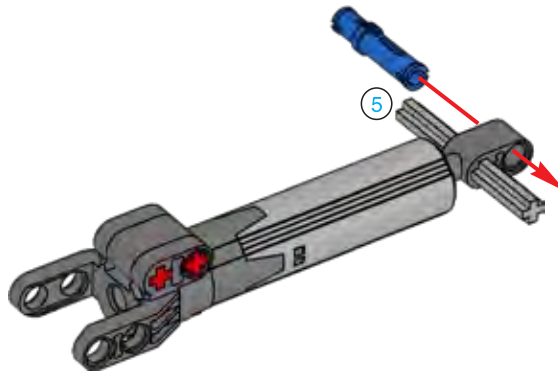


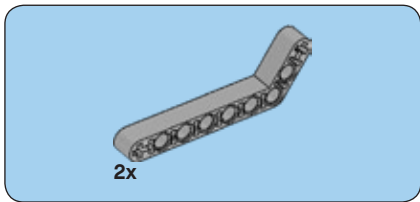


2

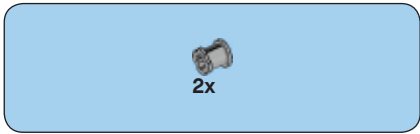
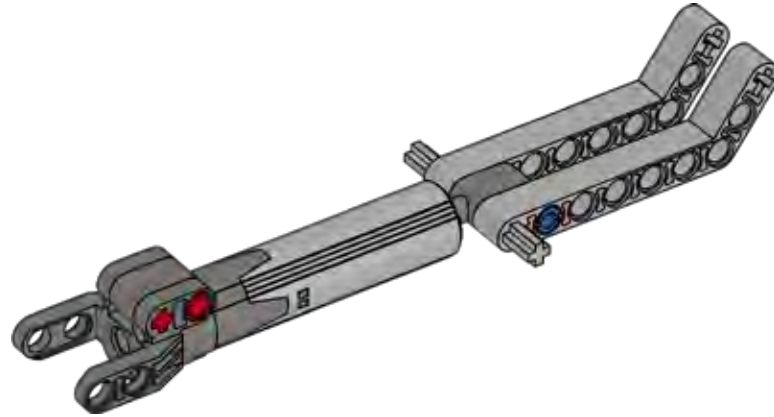


3

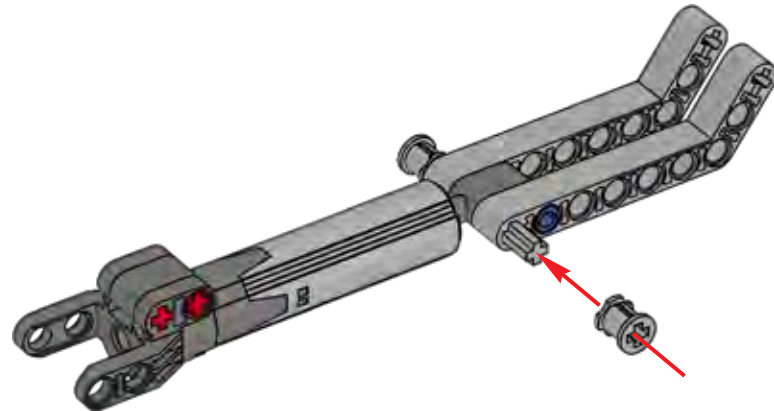


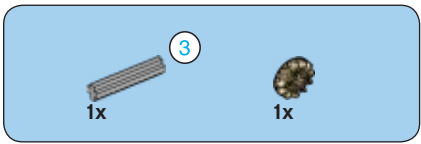


4

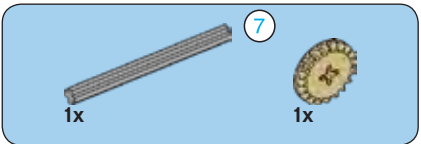
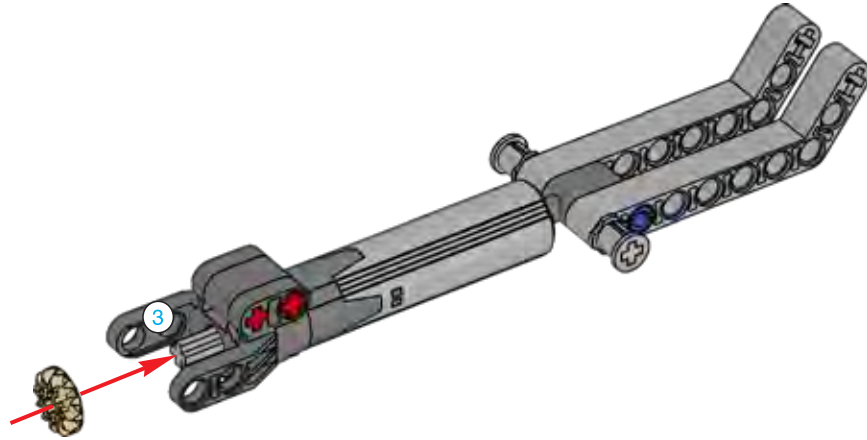


5

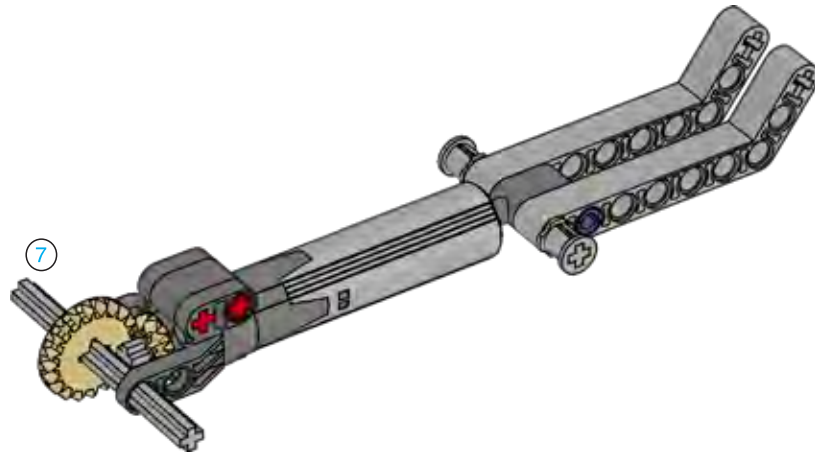


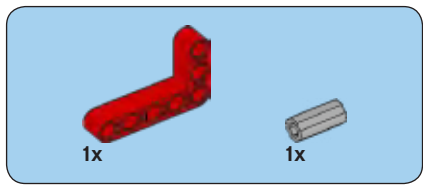


6

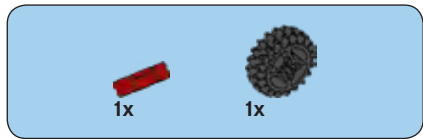
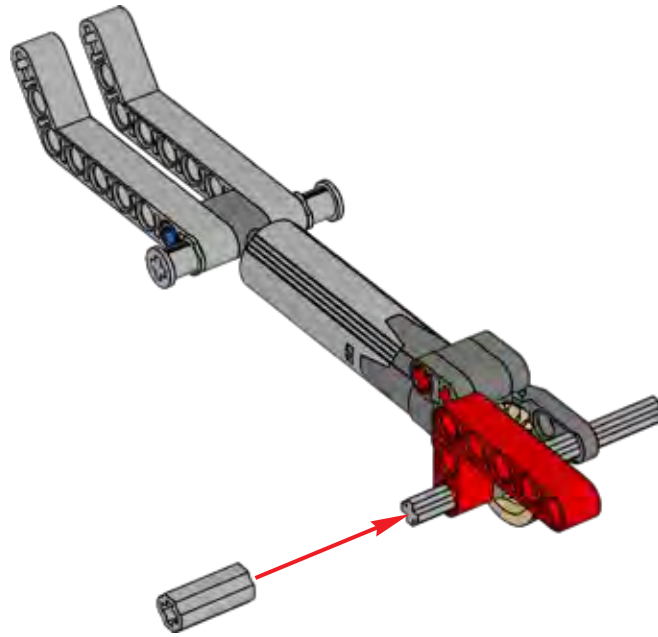


7

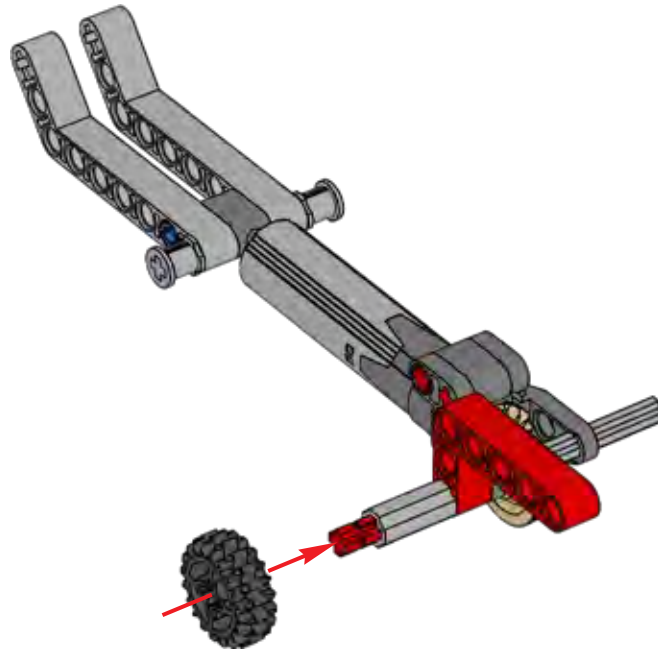




8

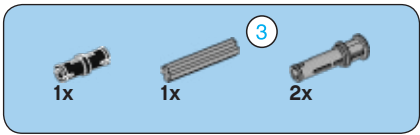


9

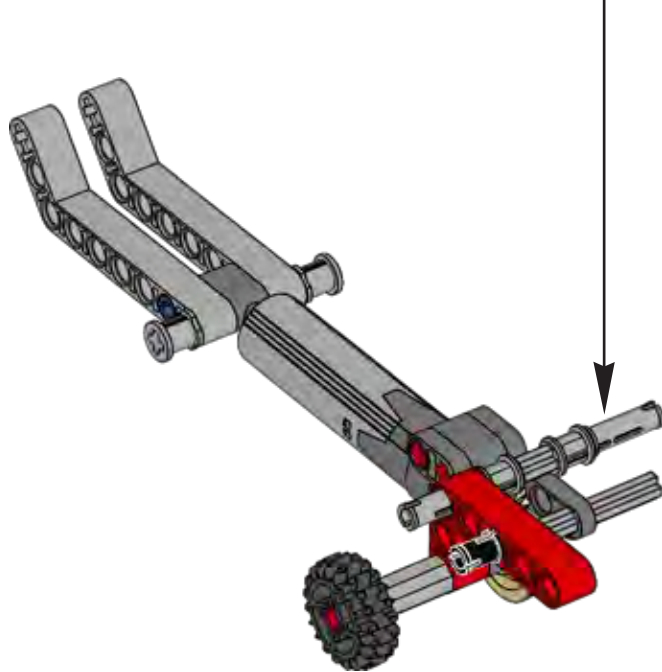
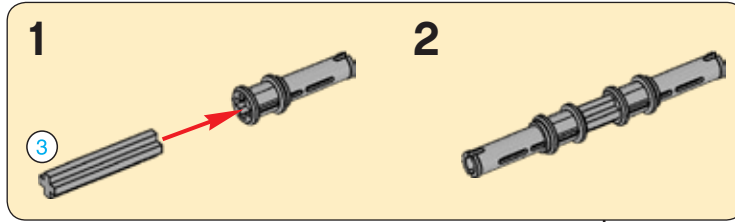


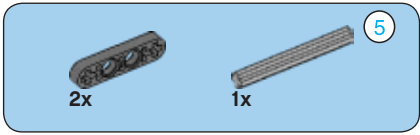
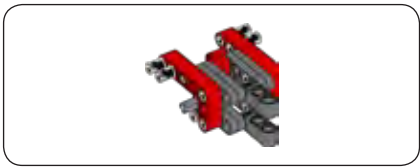
7



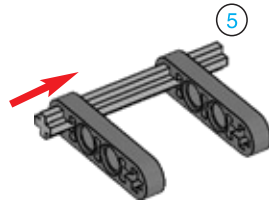


# 10

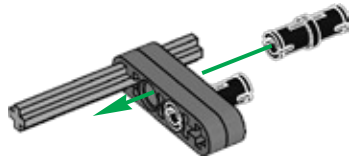


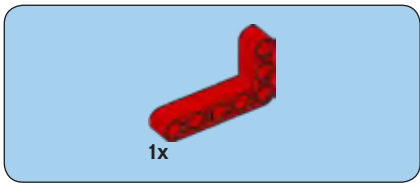


1

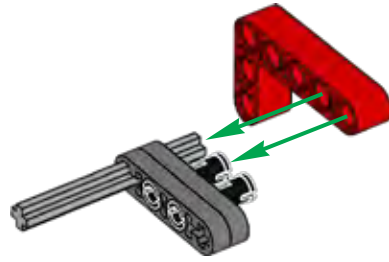


2

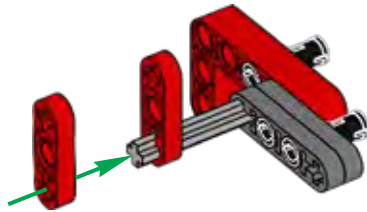


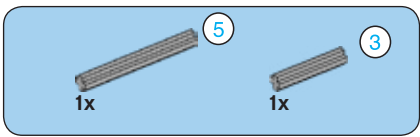


3

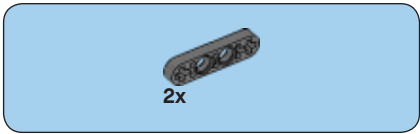
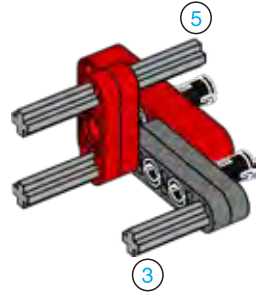


4

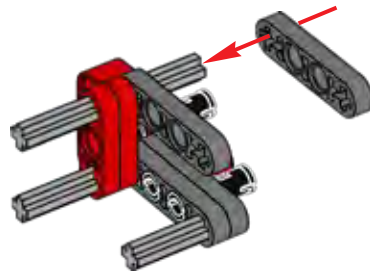


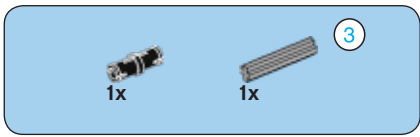


5

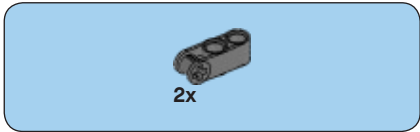
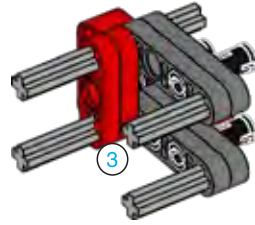


6

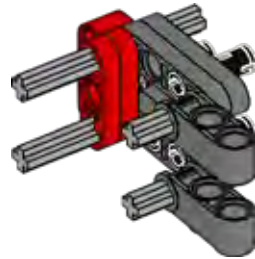


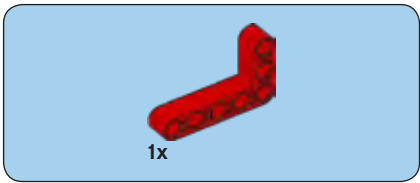


7

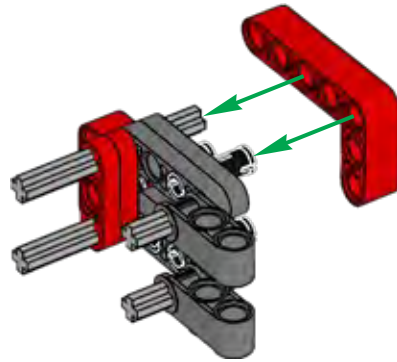


8

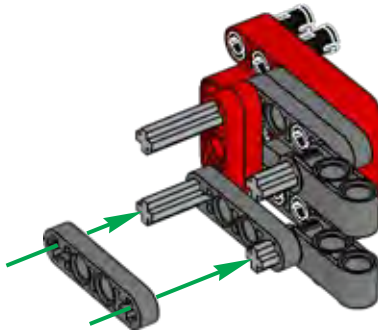


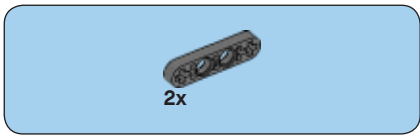


9

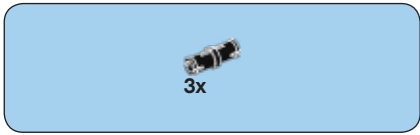
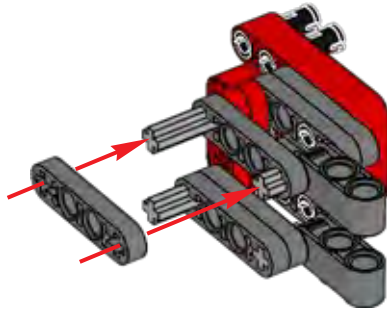


10

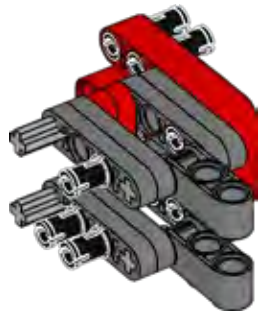


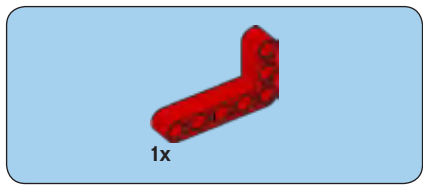


11

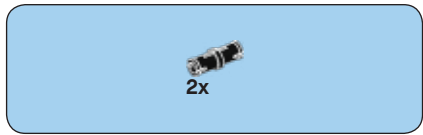
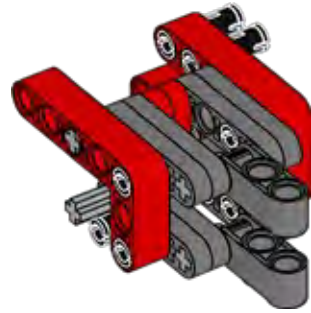


12

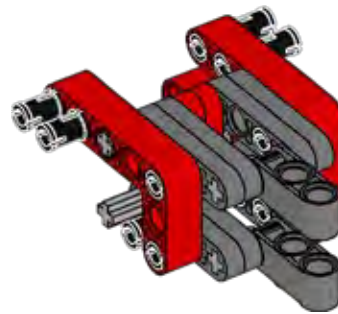




13

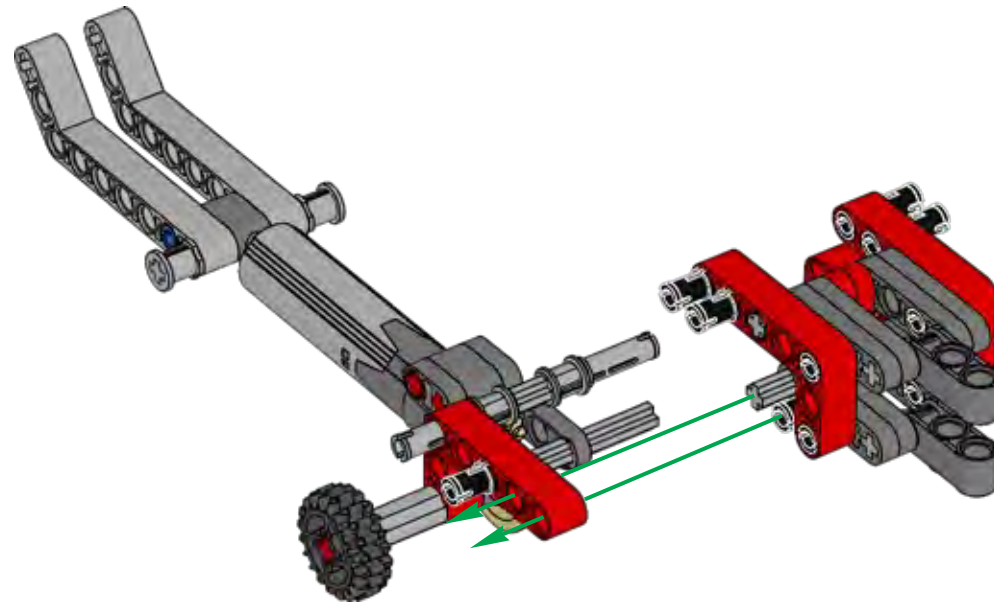


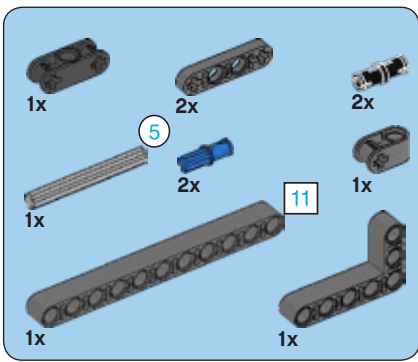
14



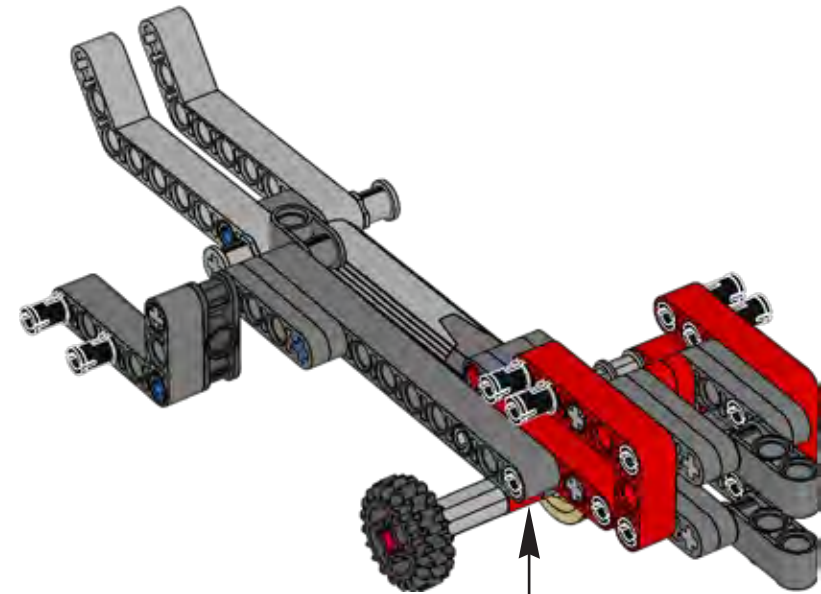
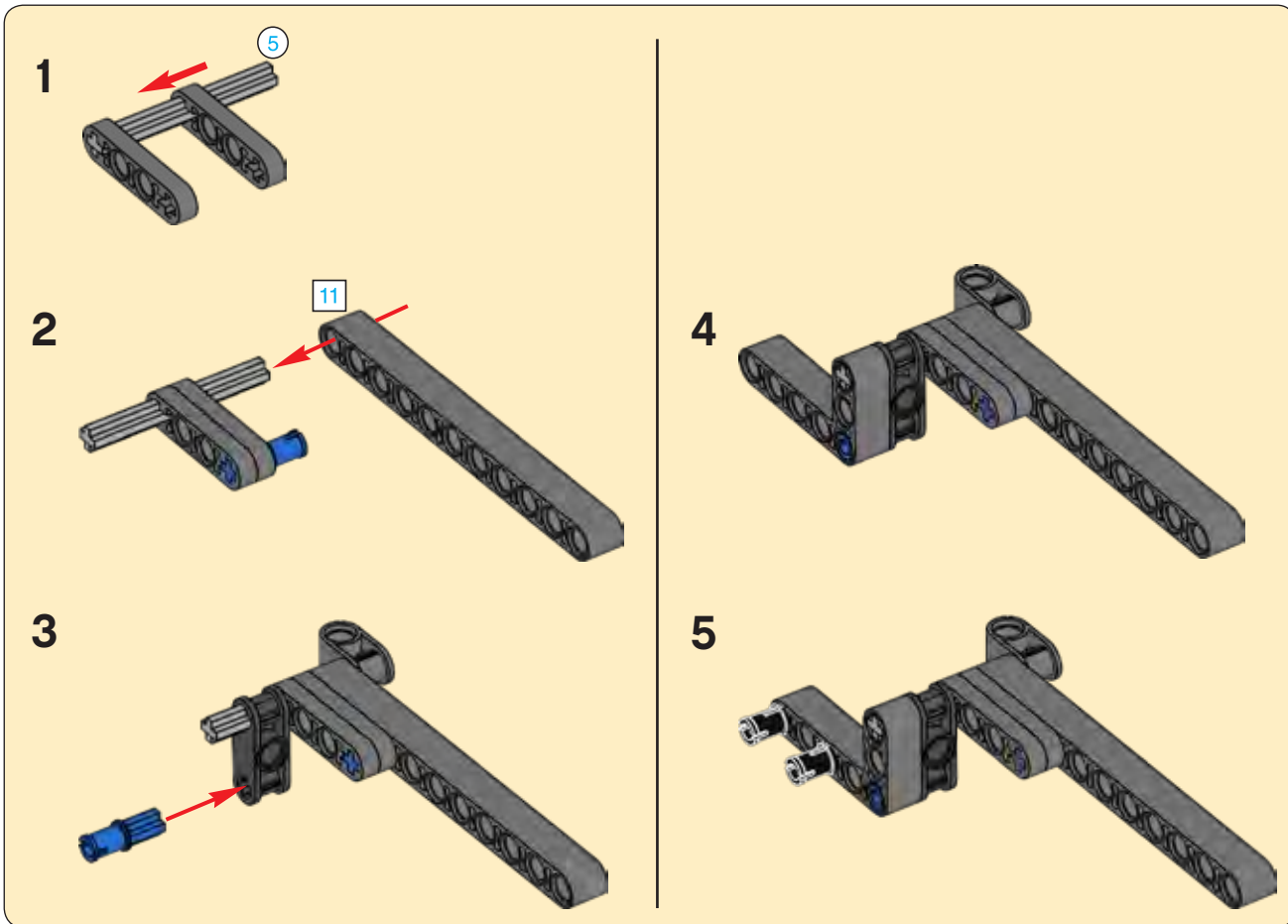


11

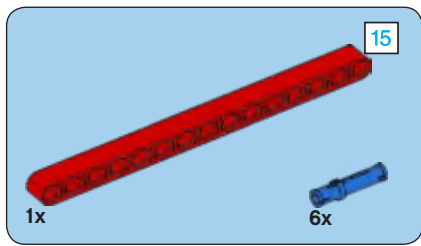




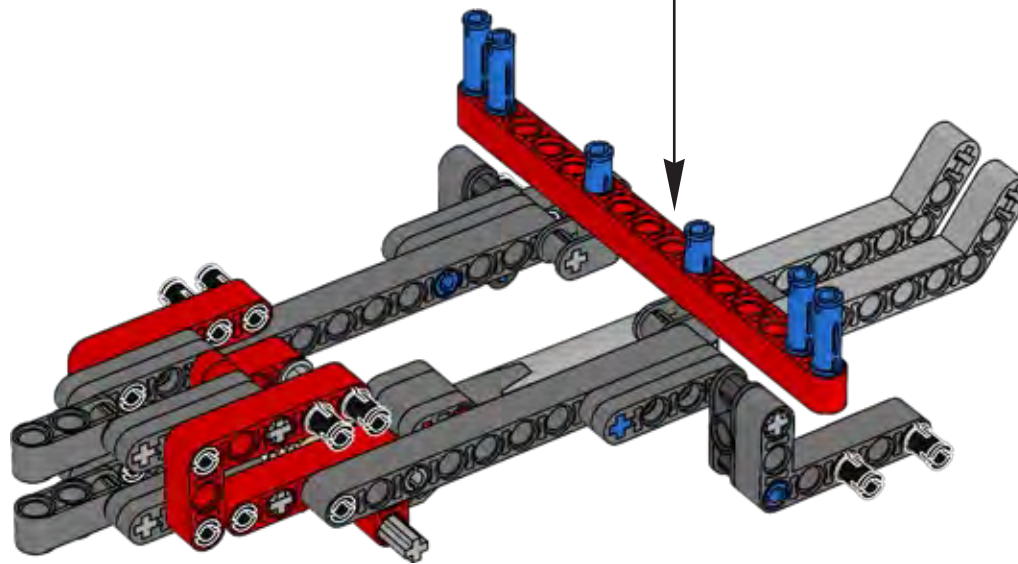
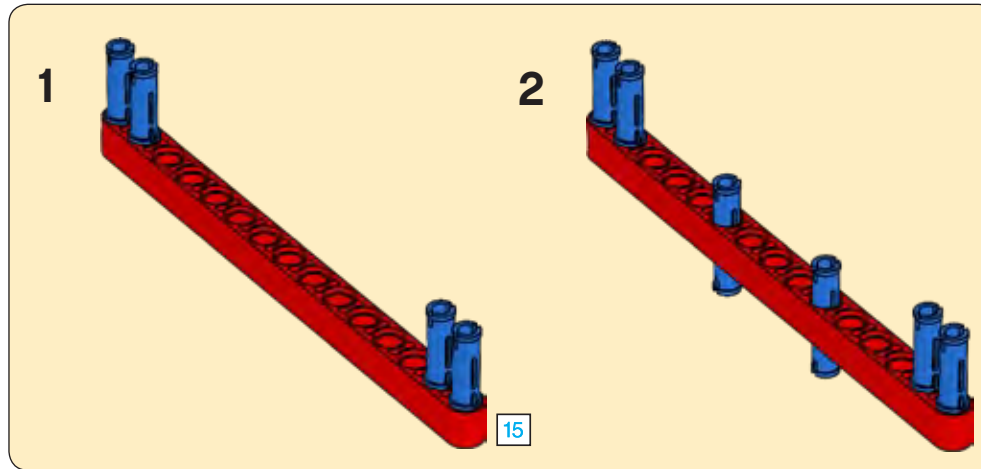
# 12

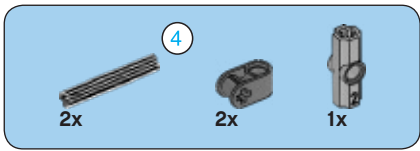




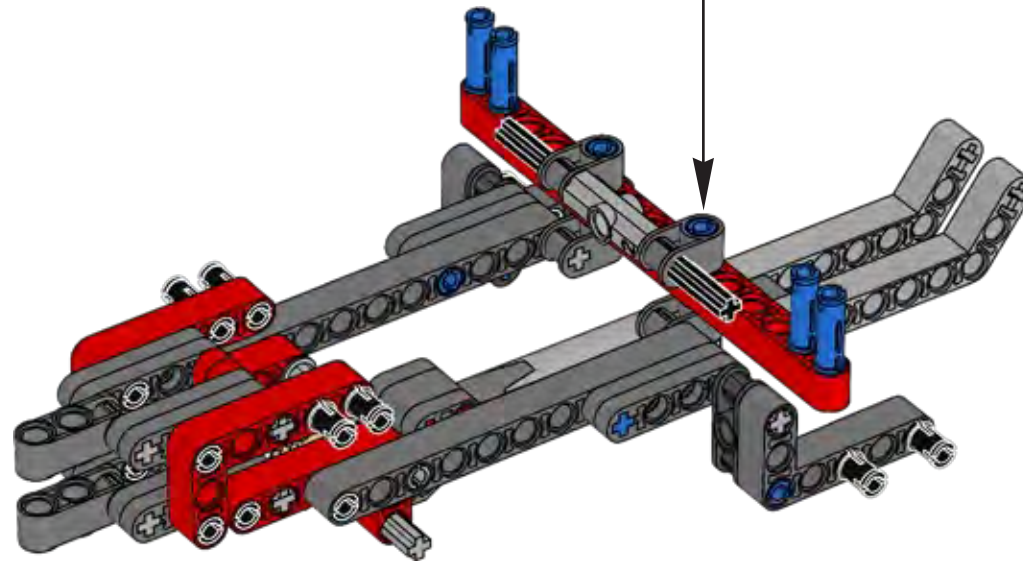
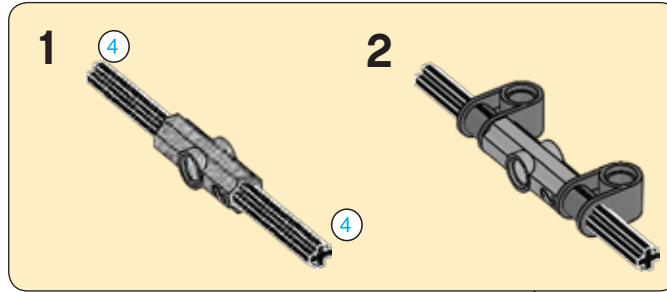


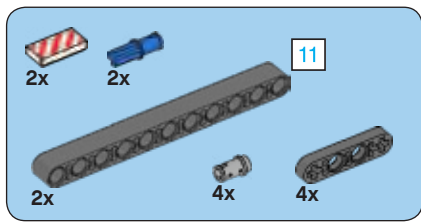
14



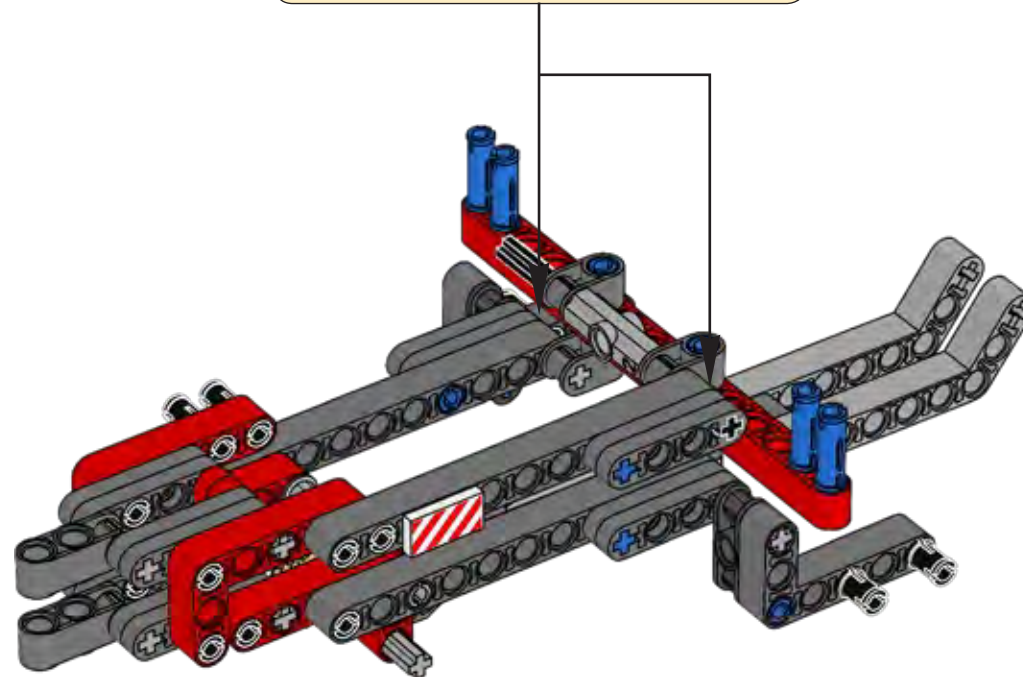
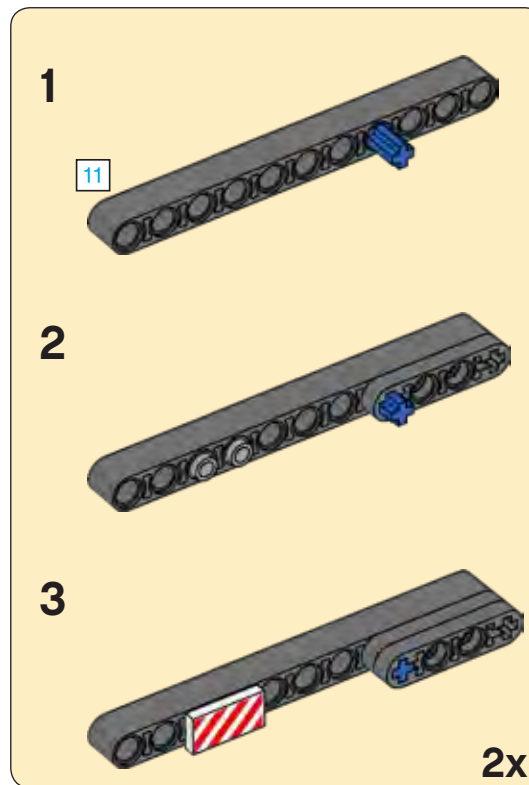


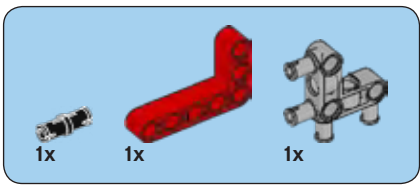
# 15



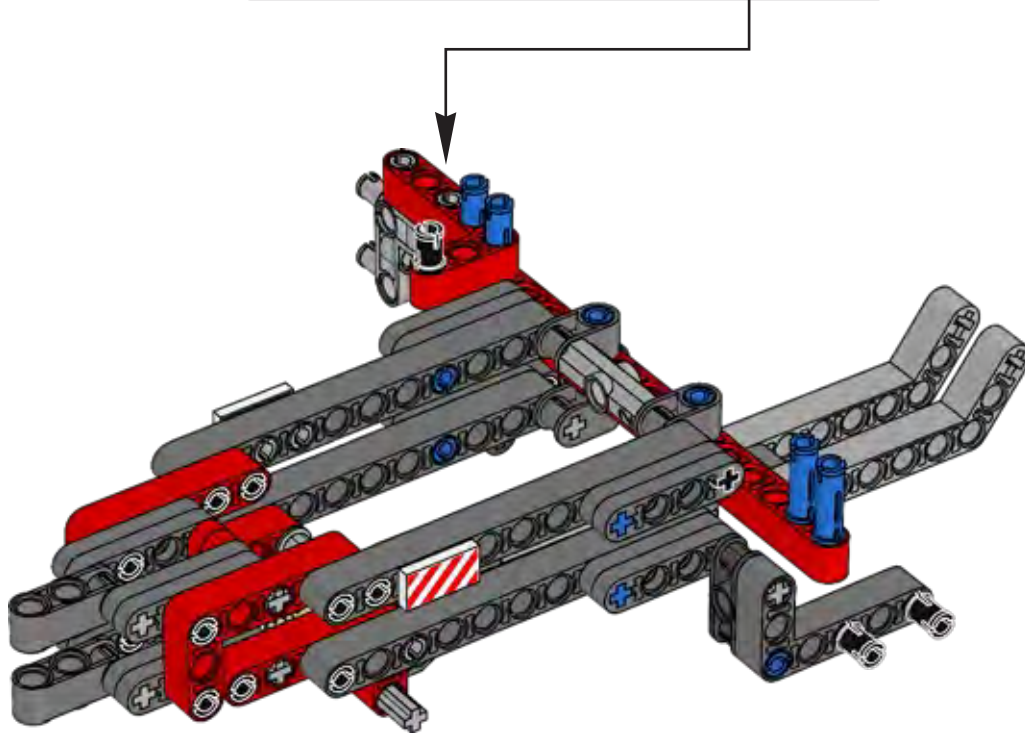
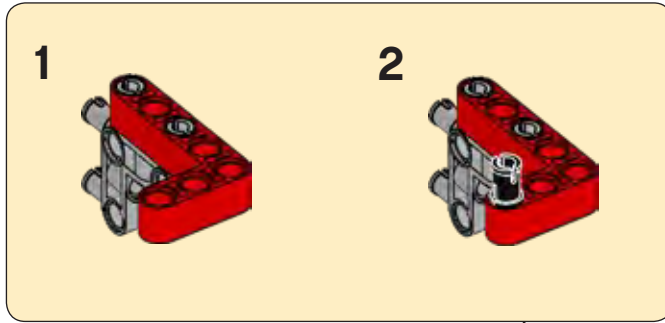


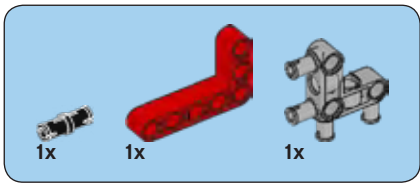
# 16



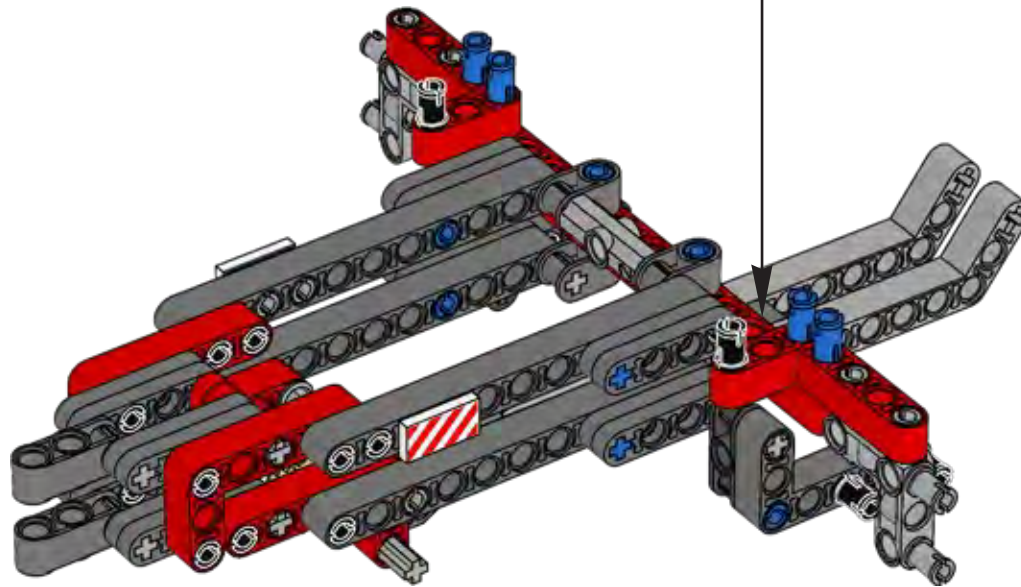
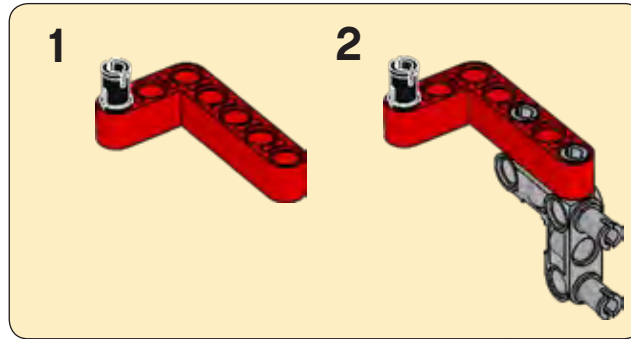


17

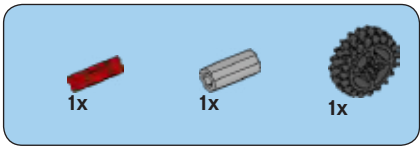




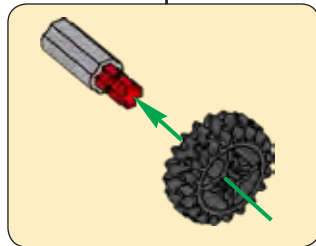
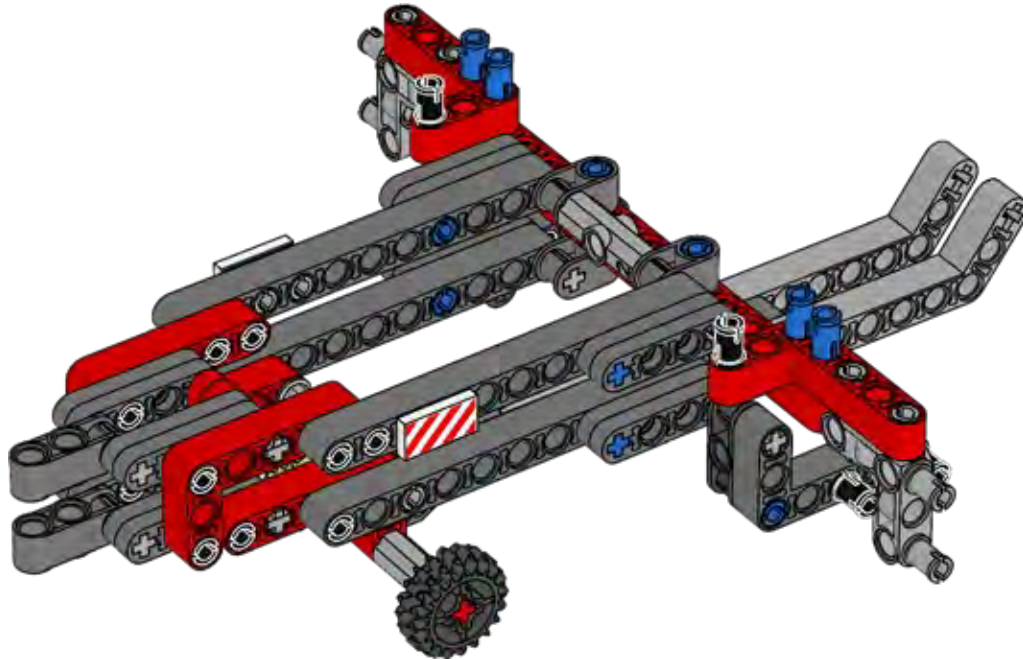
18

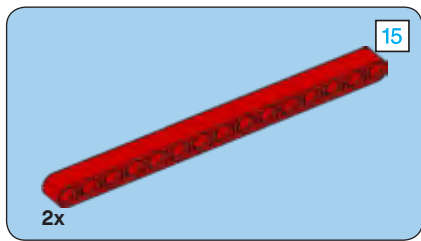




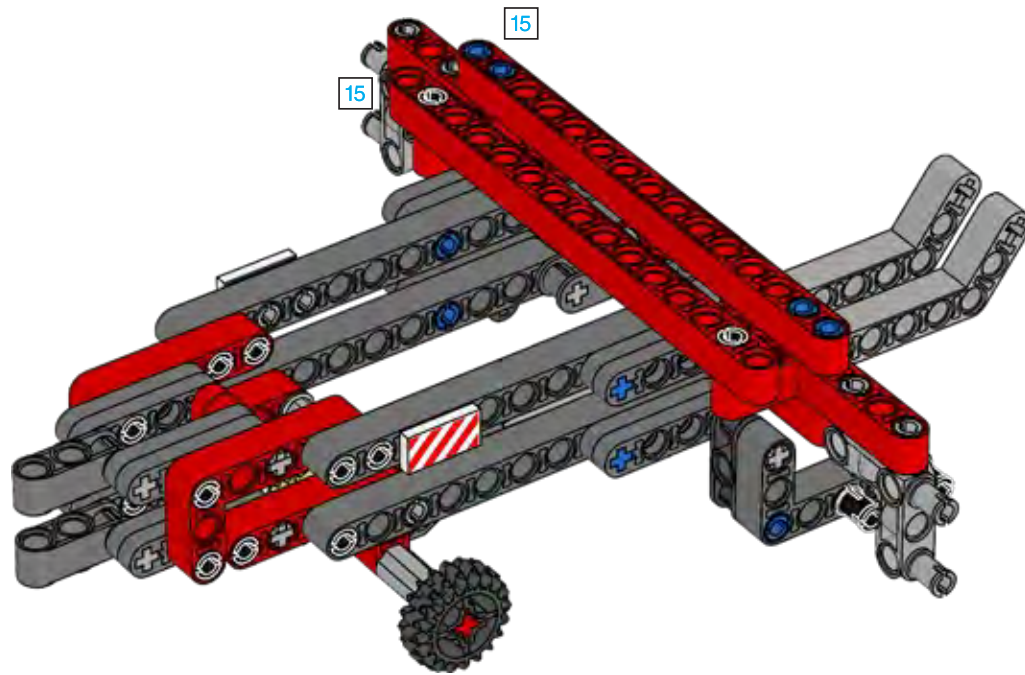


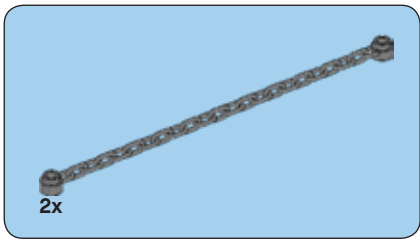
19



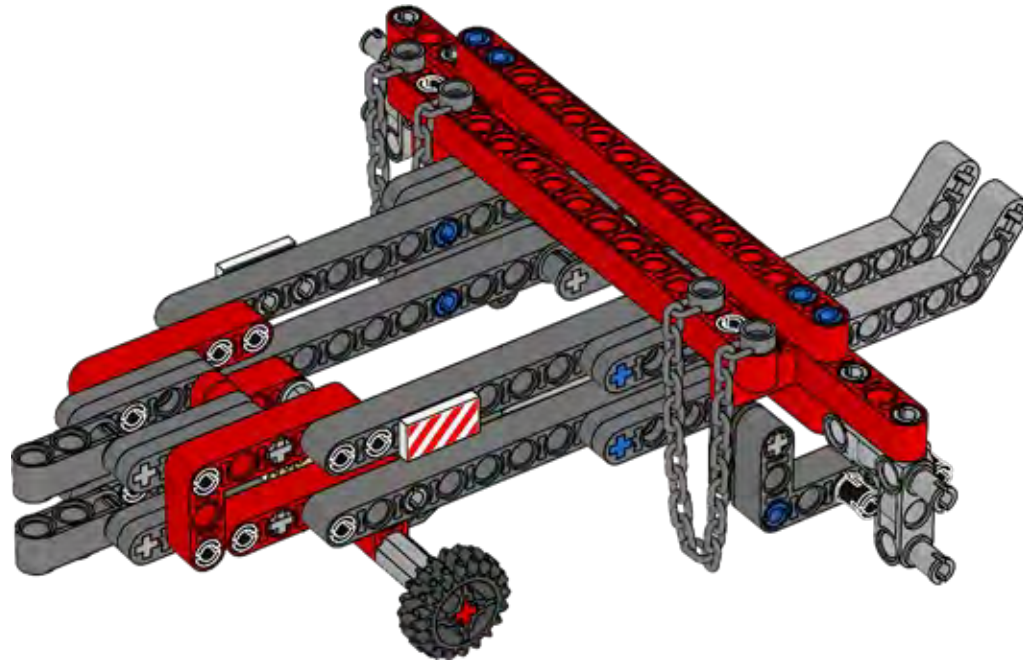


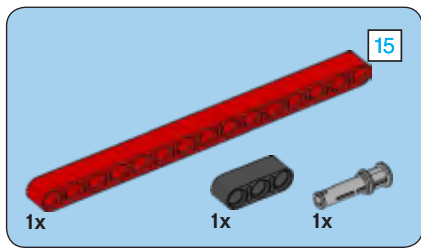
20



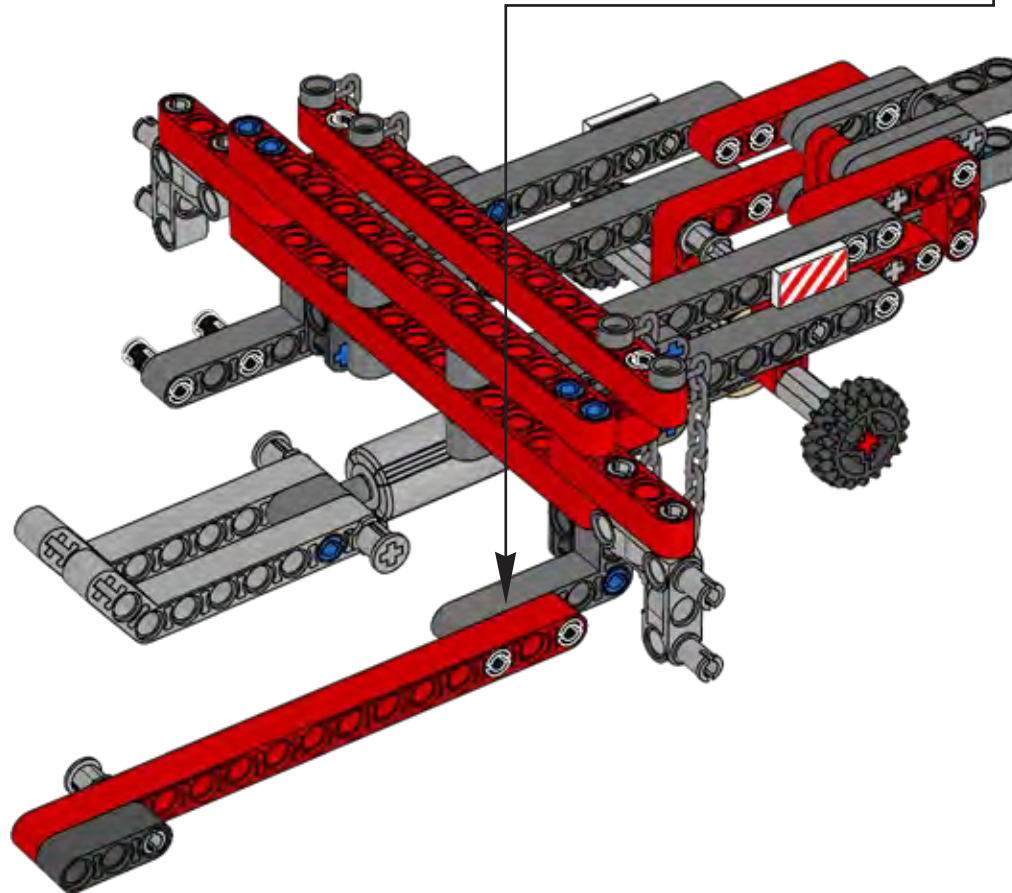
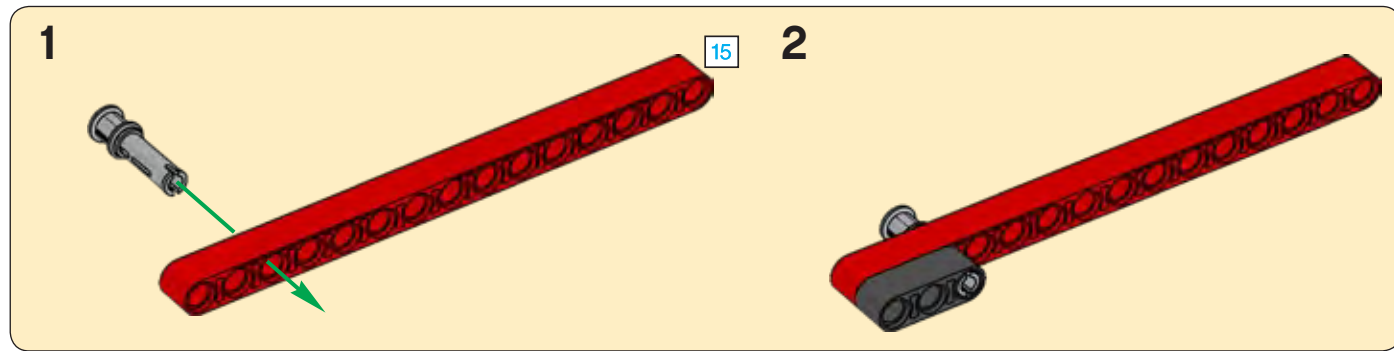


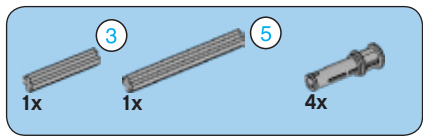
21



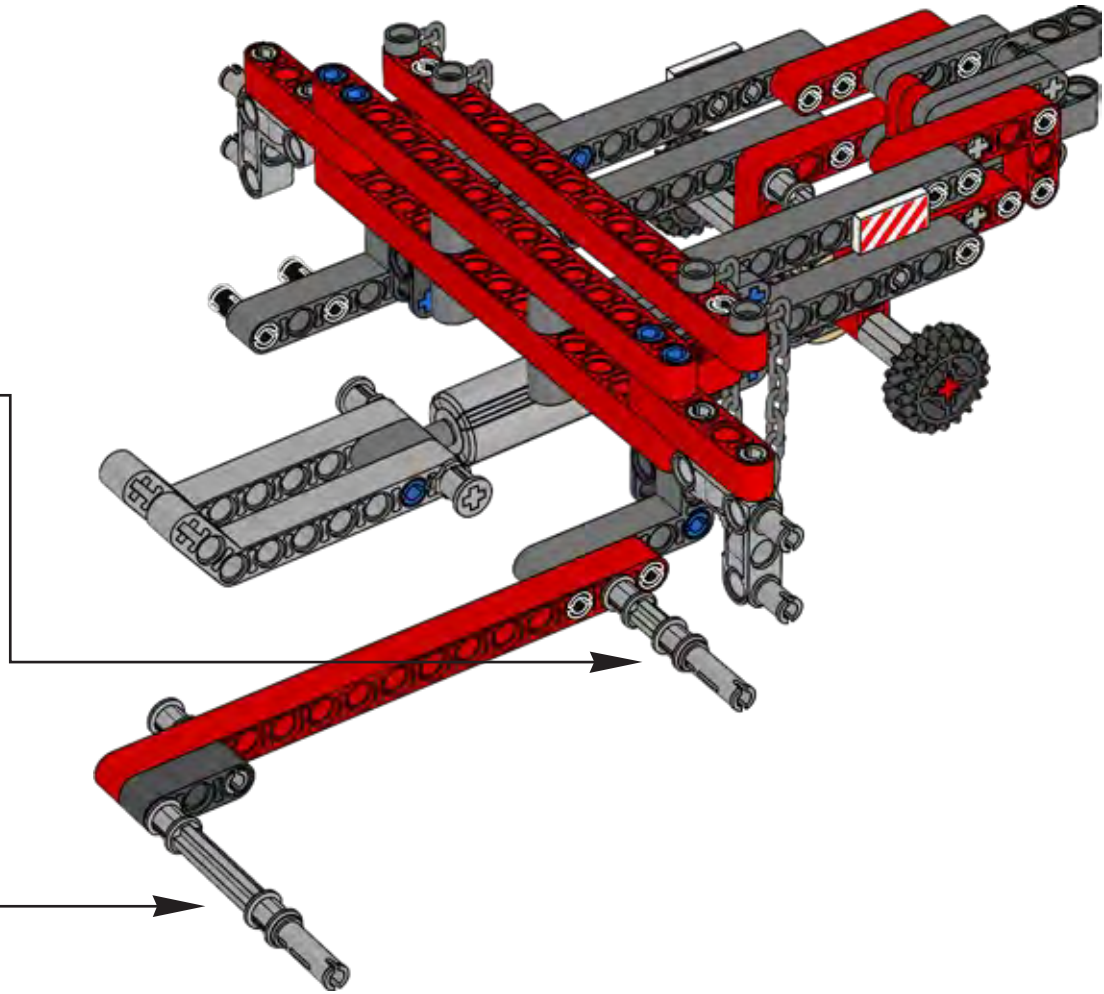
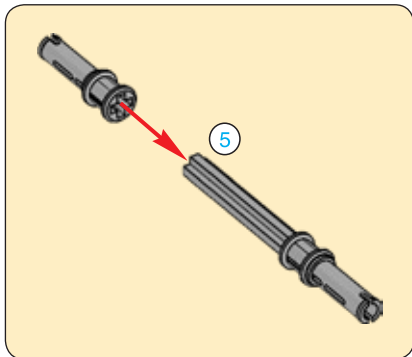
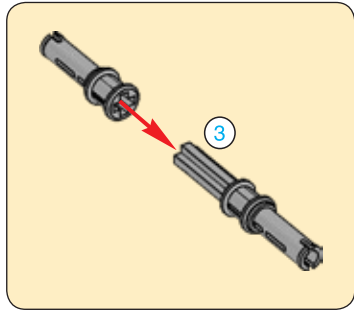


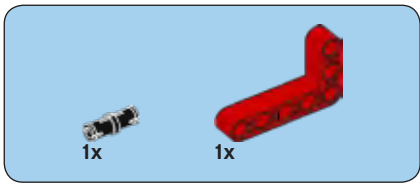
22



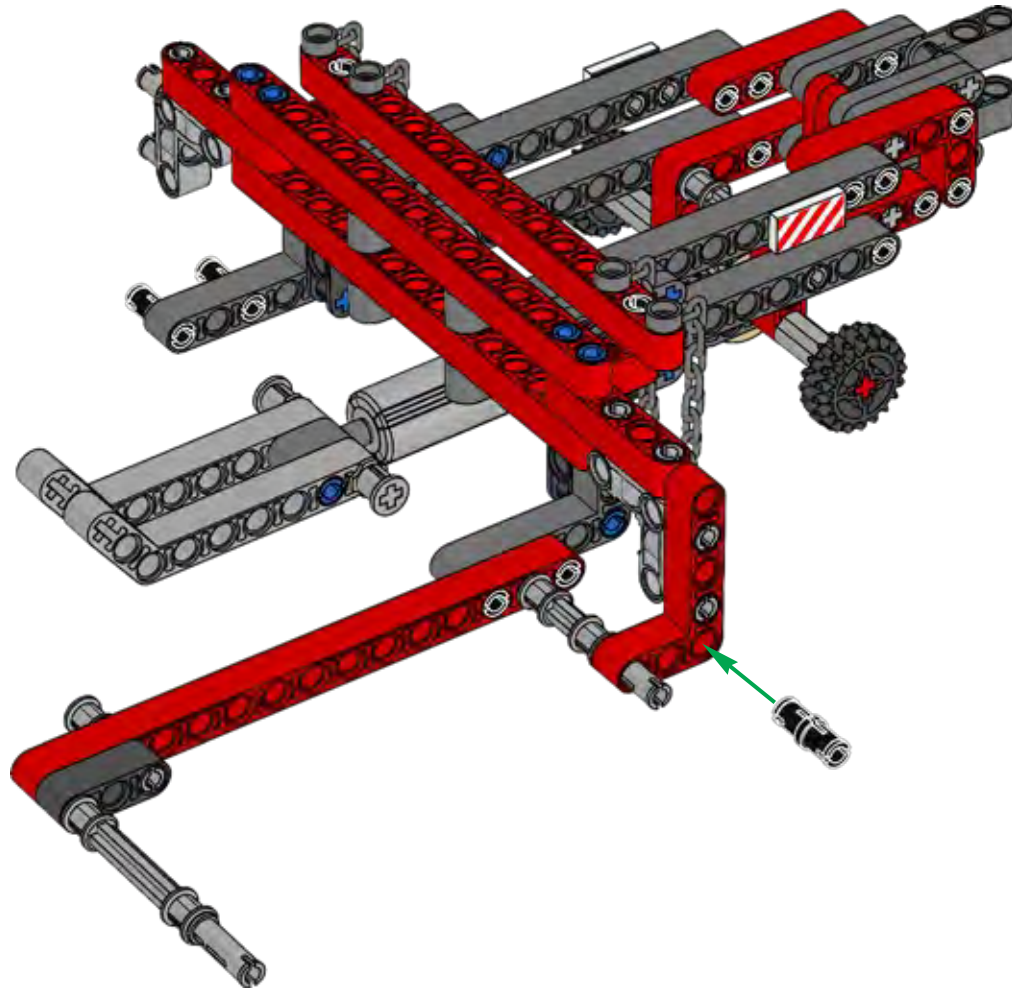


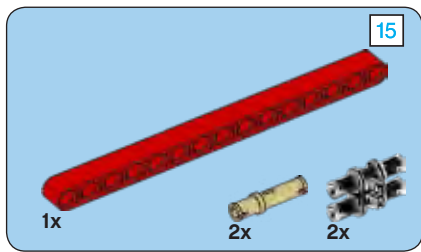
23



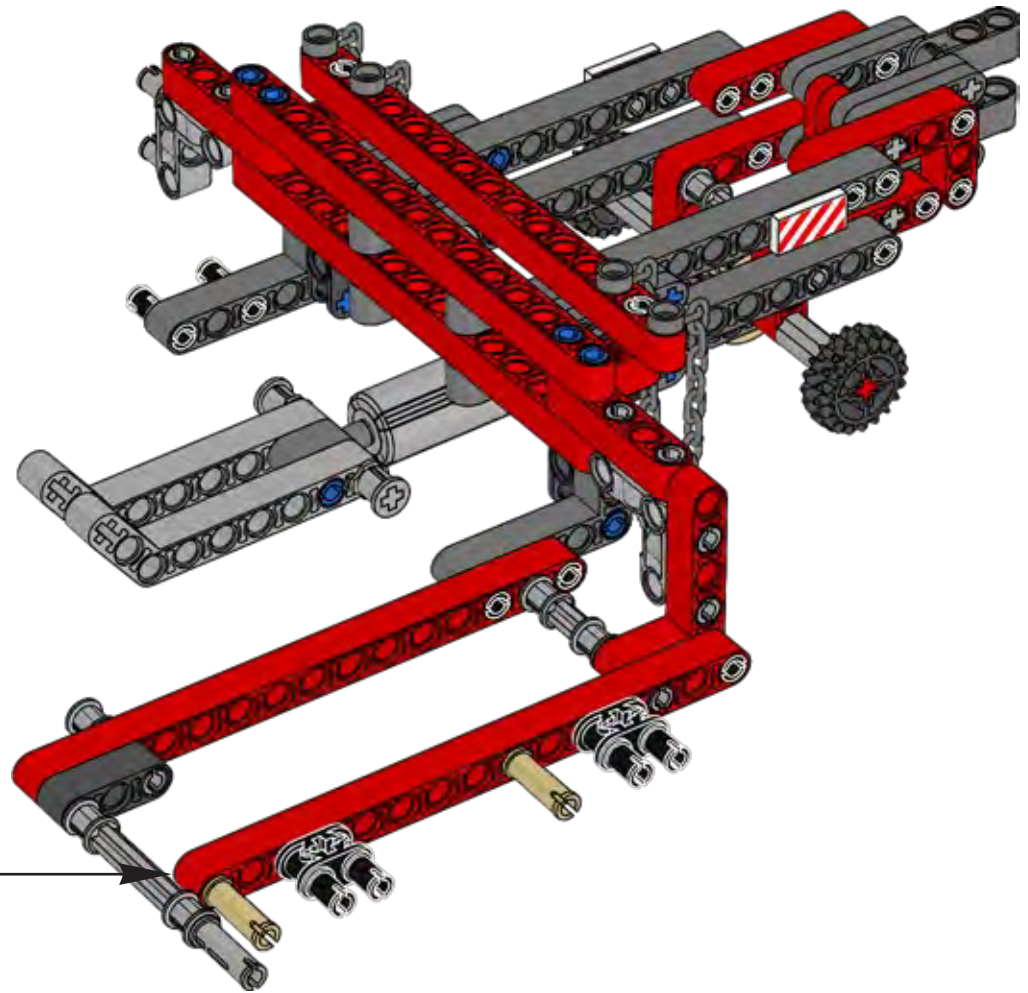
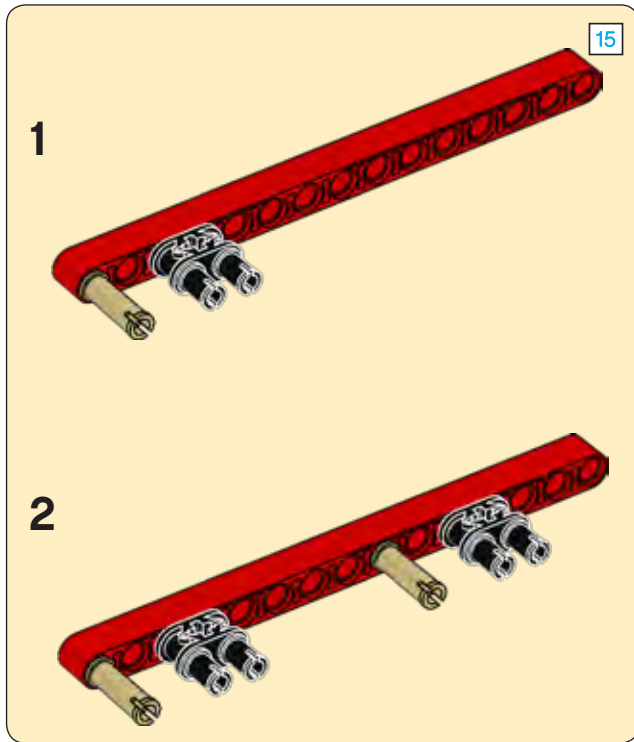


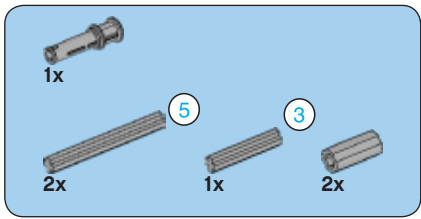
24



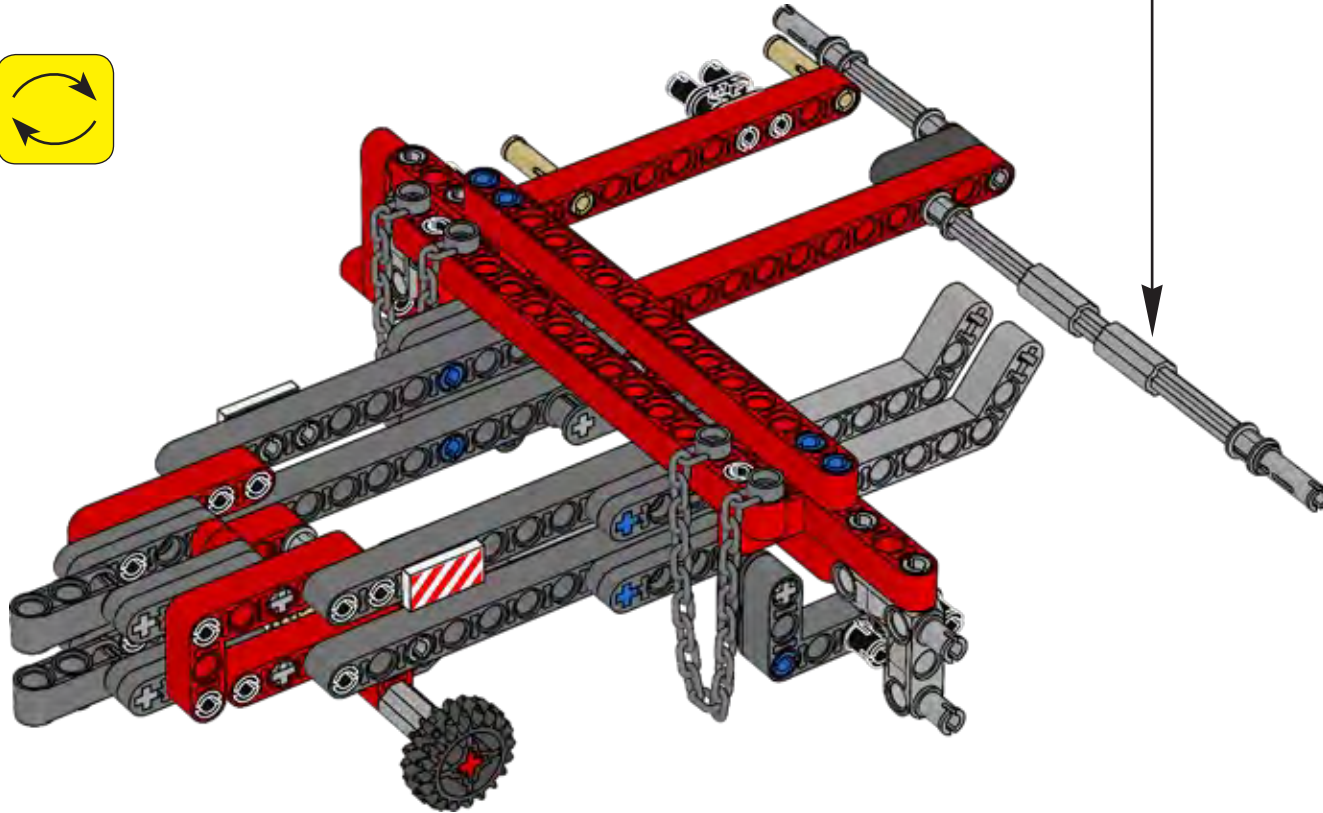
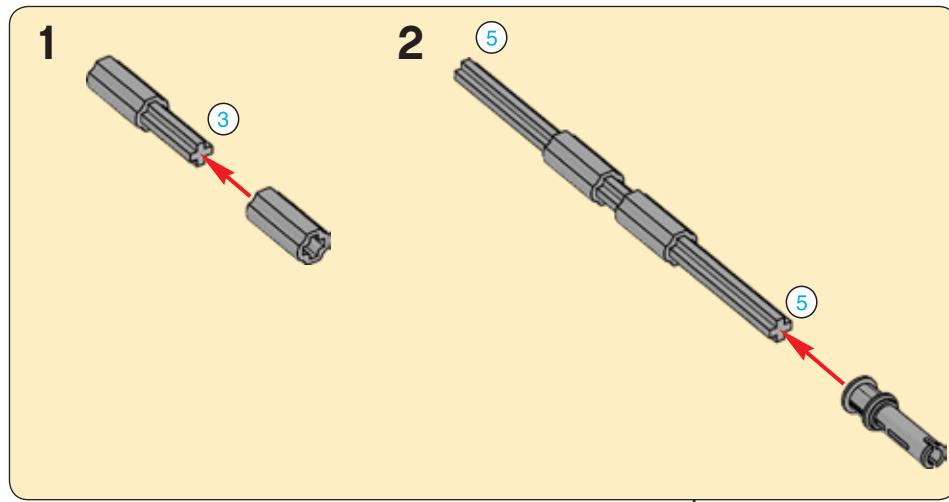


25

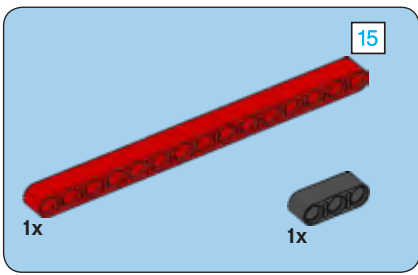




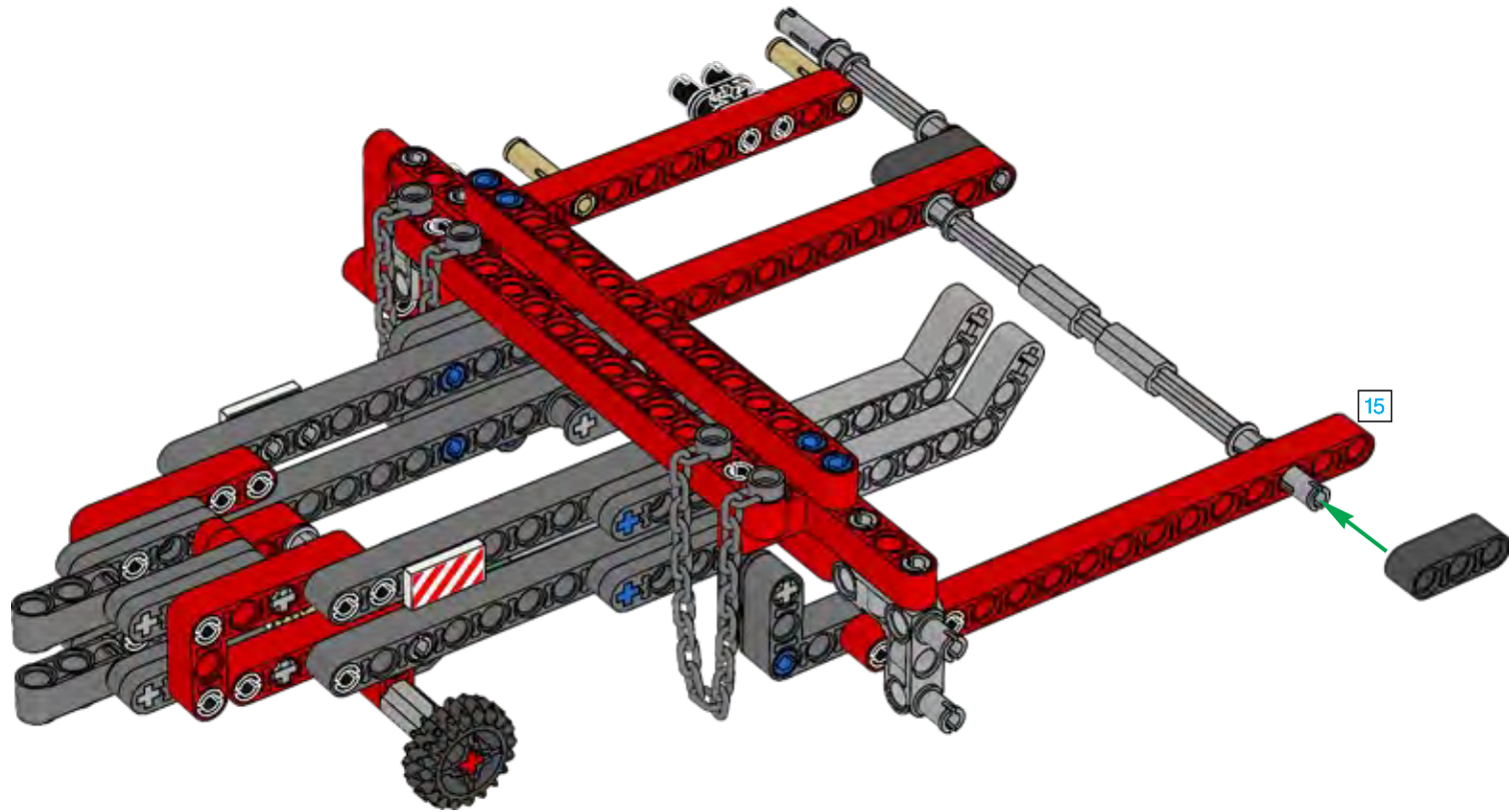
26

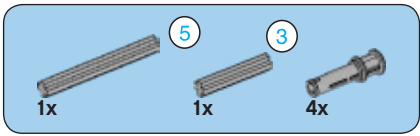




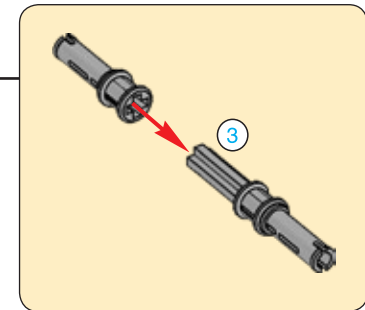
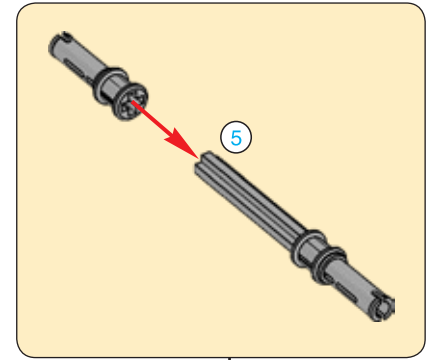
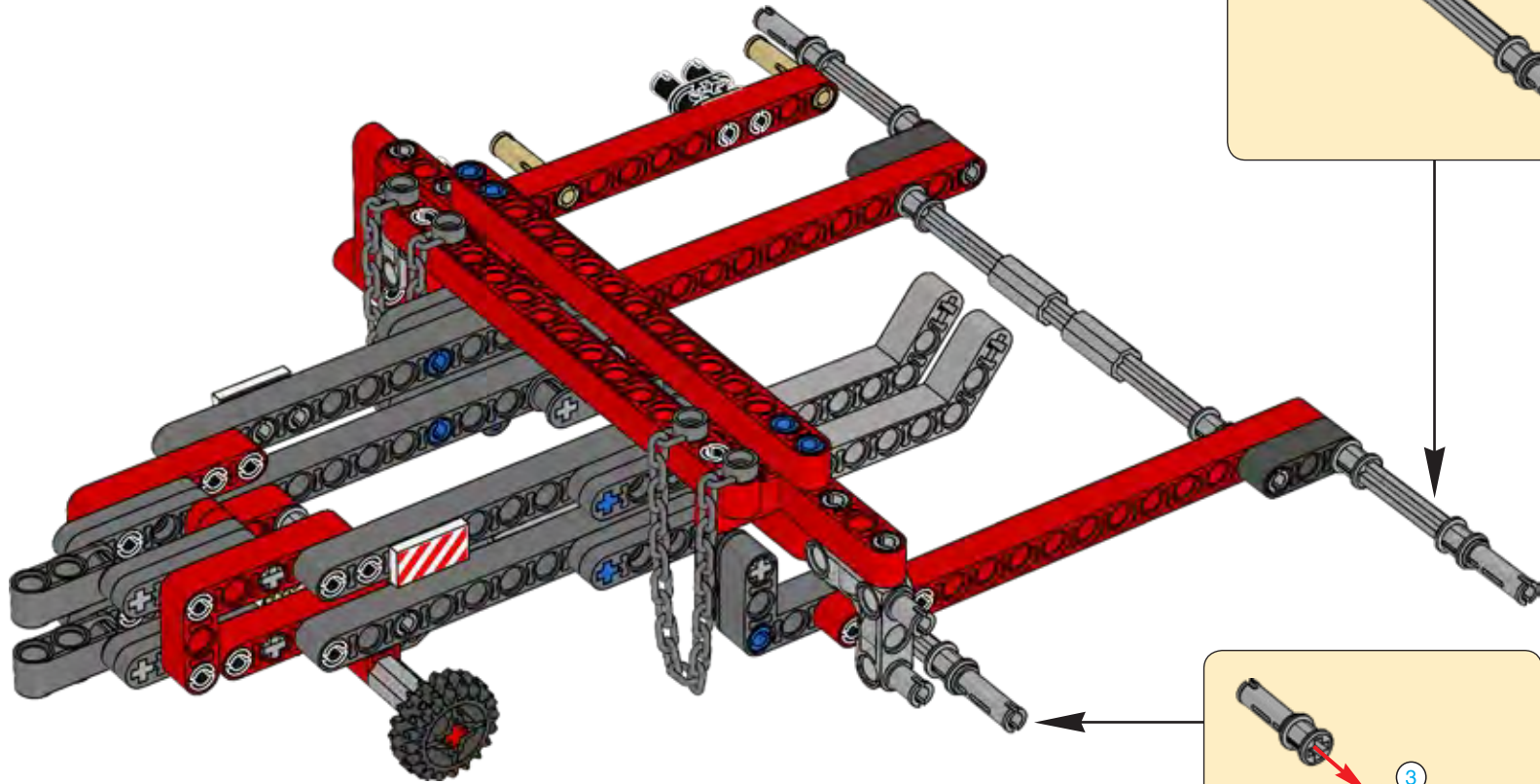


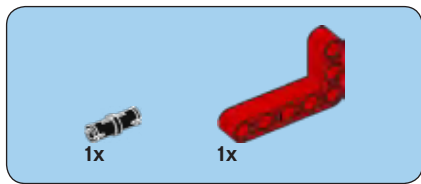
27



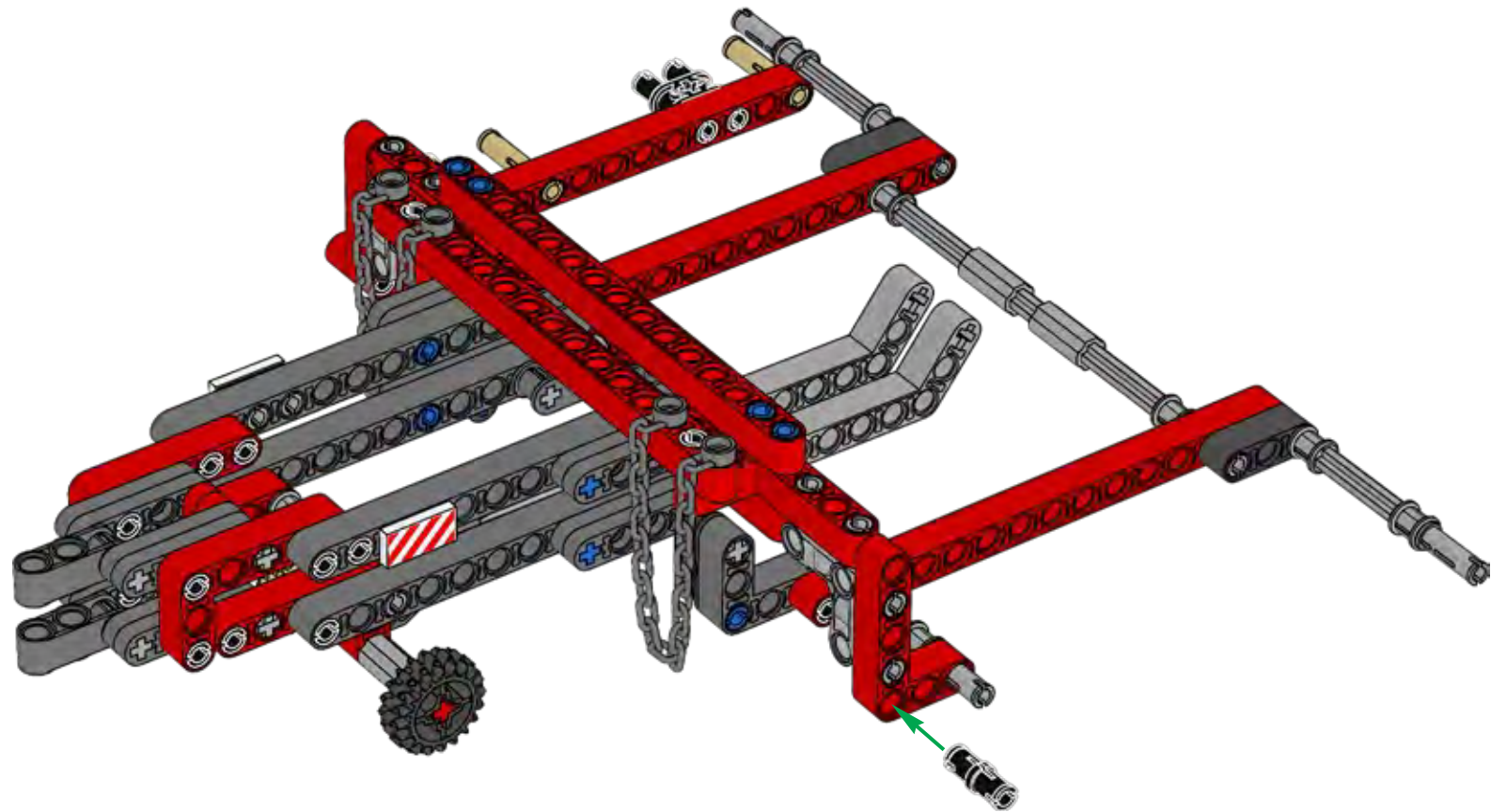


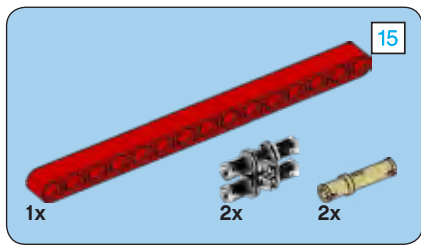
28



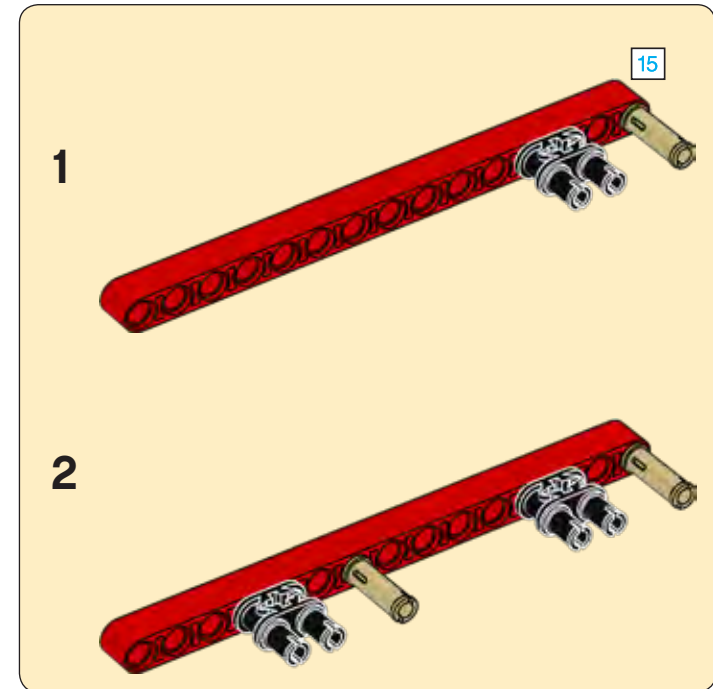
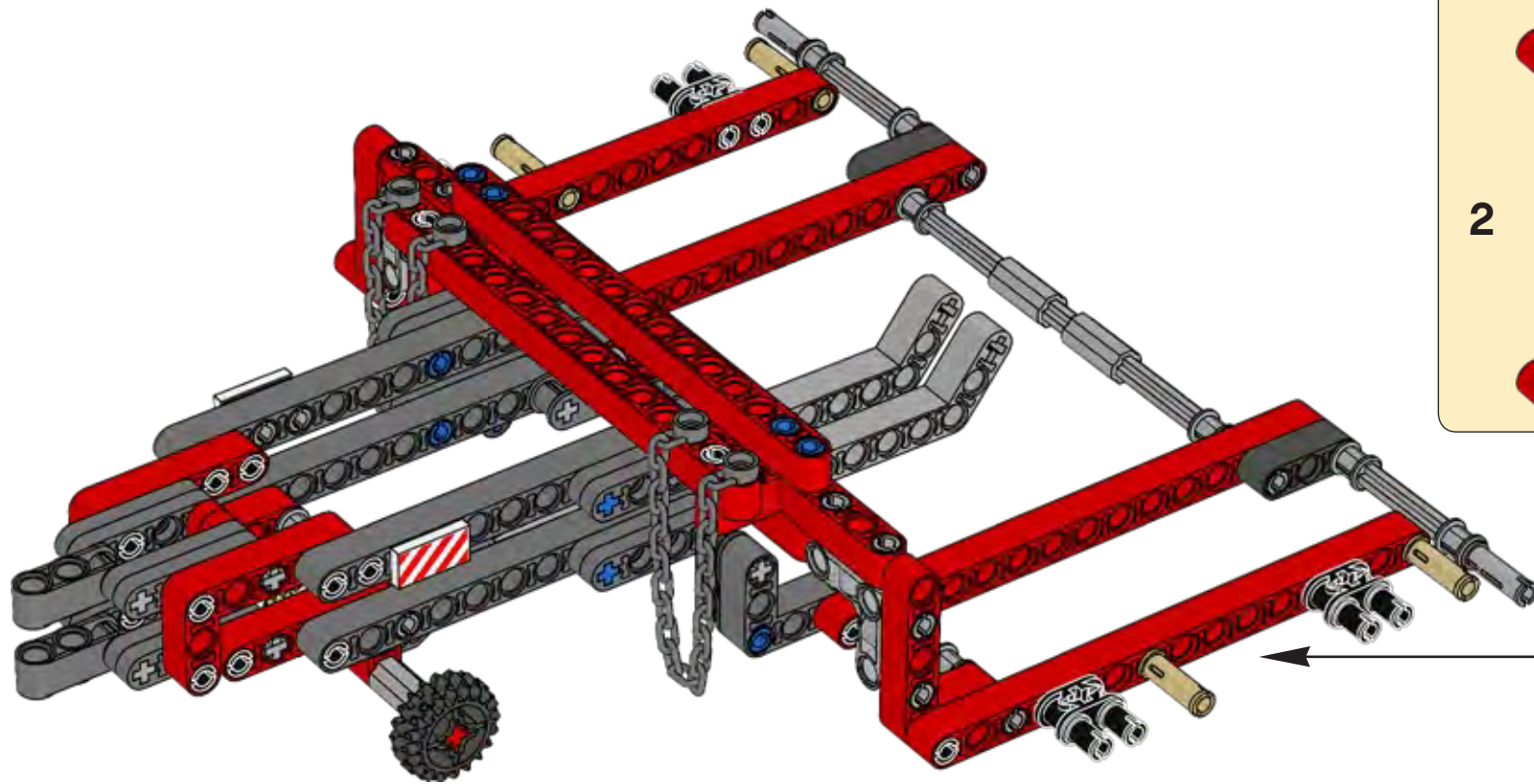


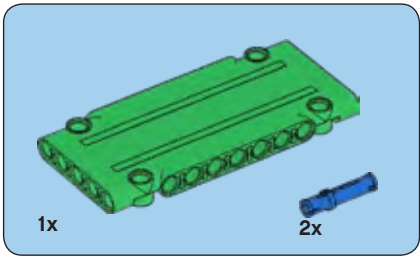
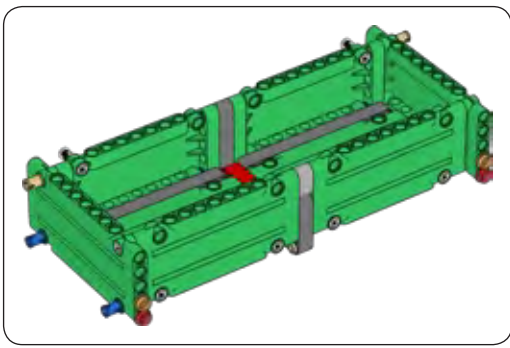
29



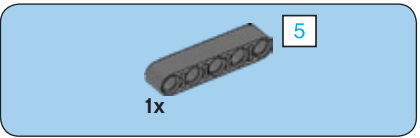
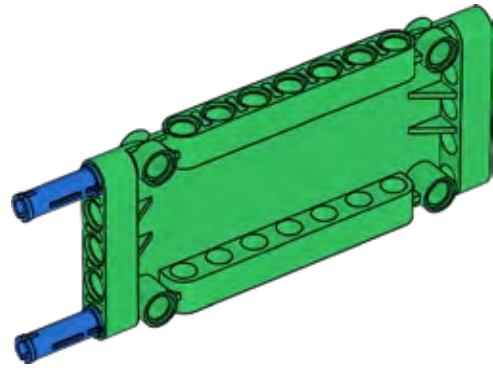


30

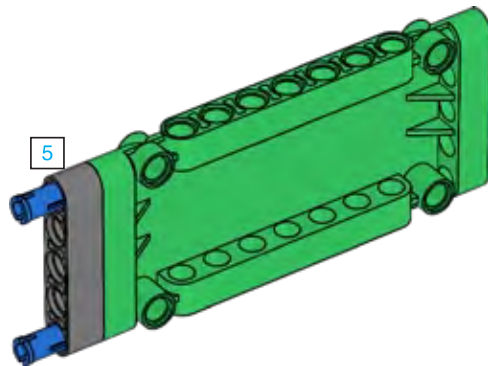


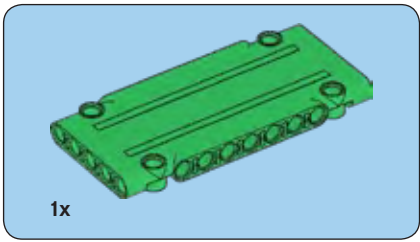


1

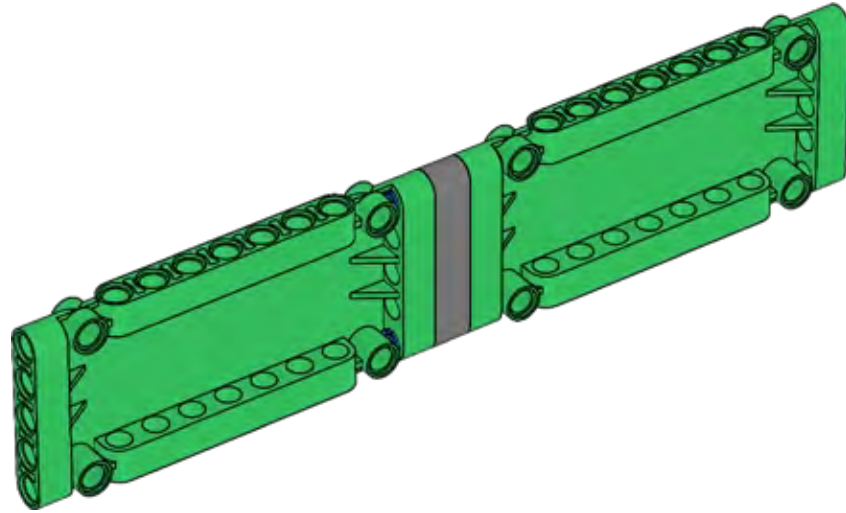


2

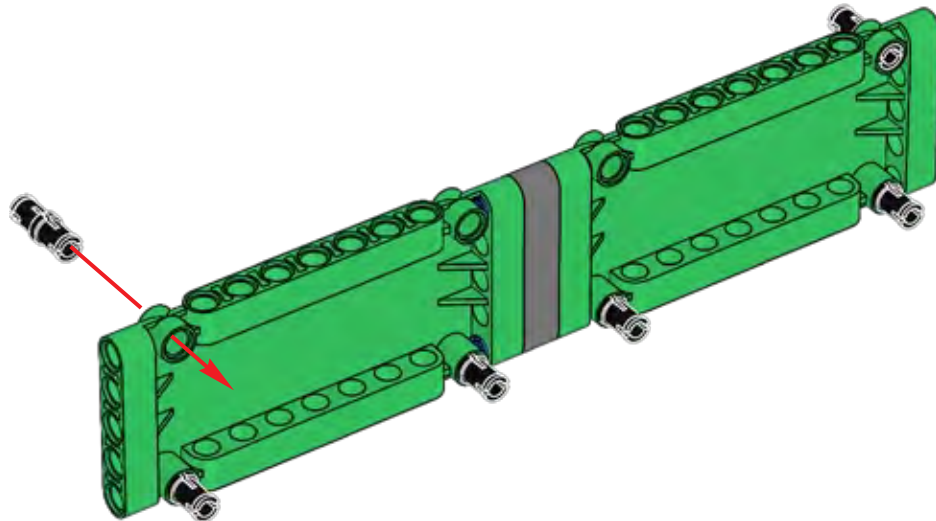


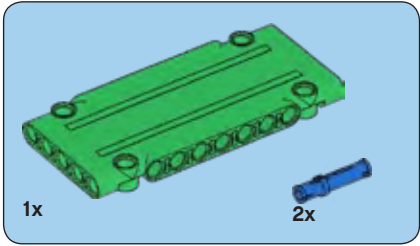
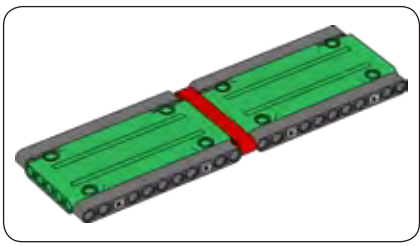


3

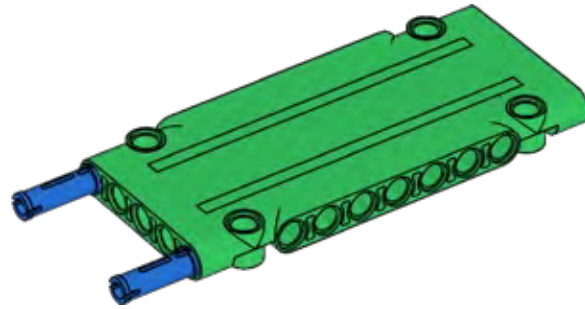


4

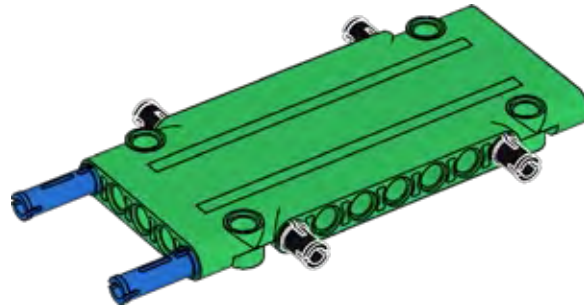


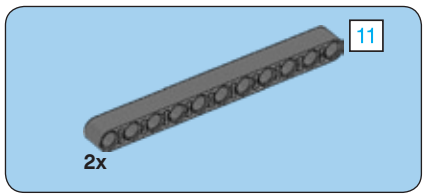


1

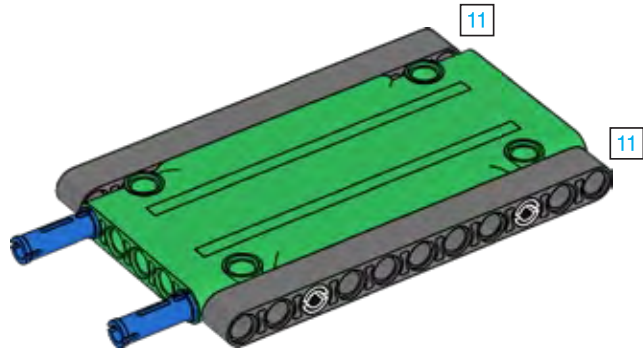


2

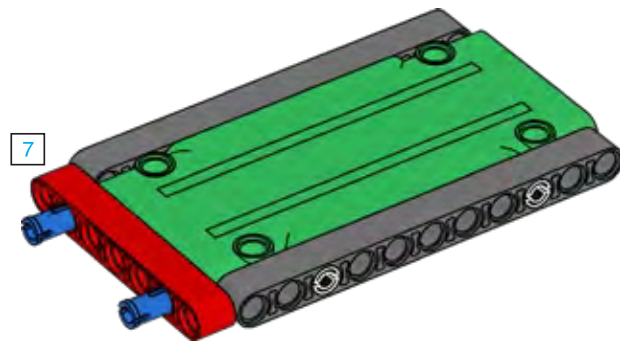




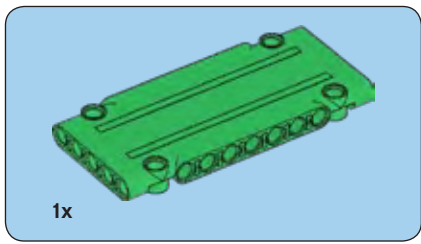
3



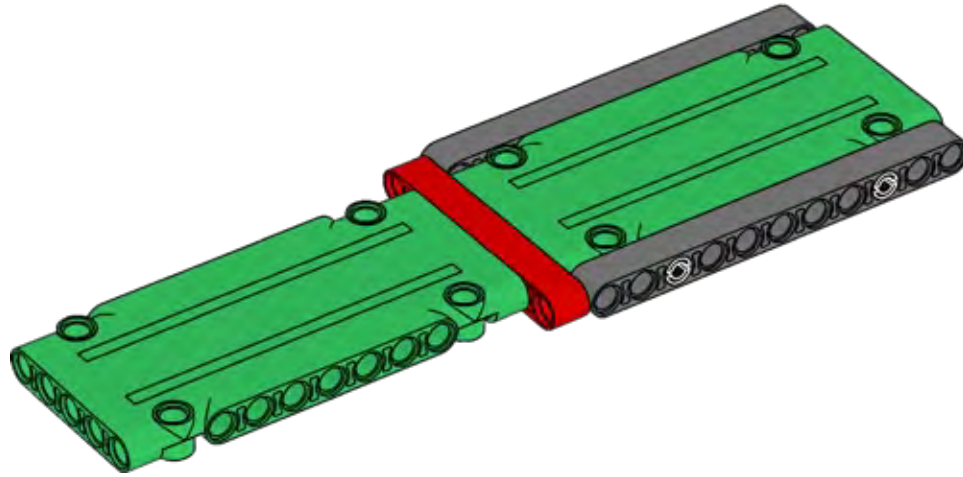
4



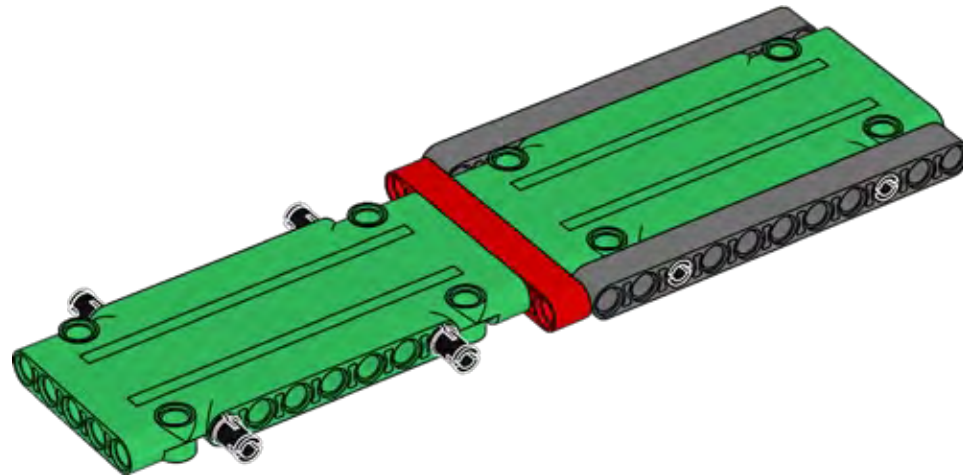


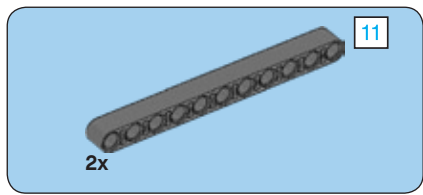


5

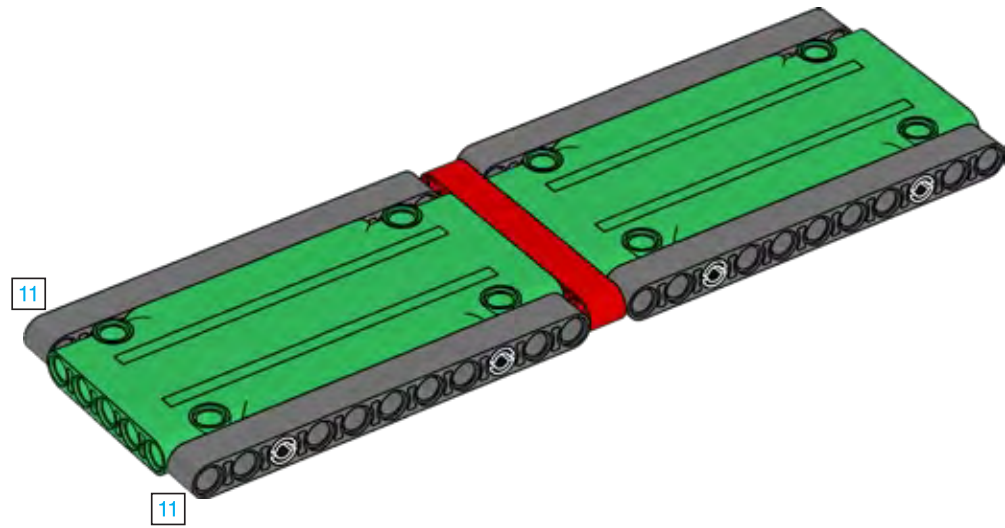


6

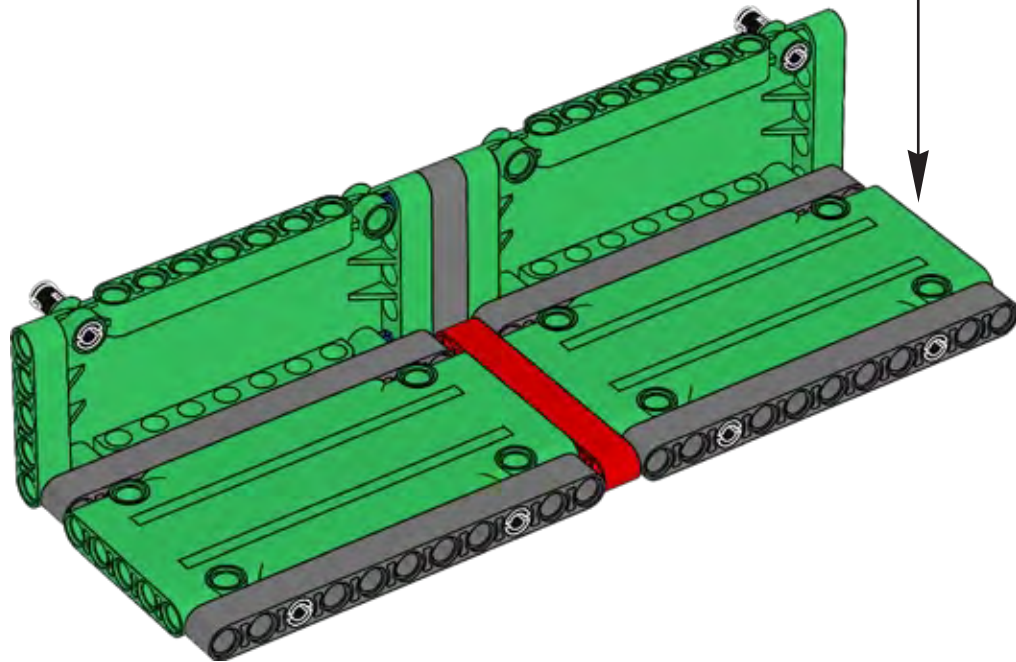


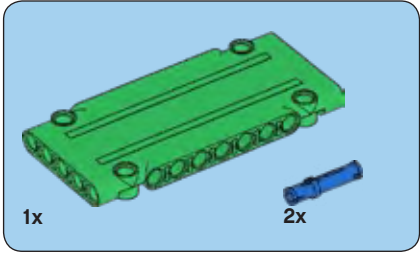
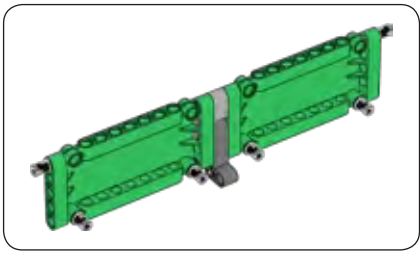


7

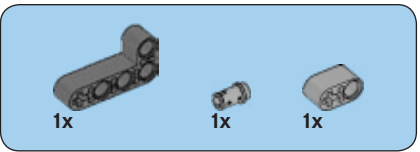
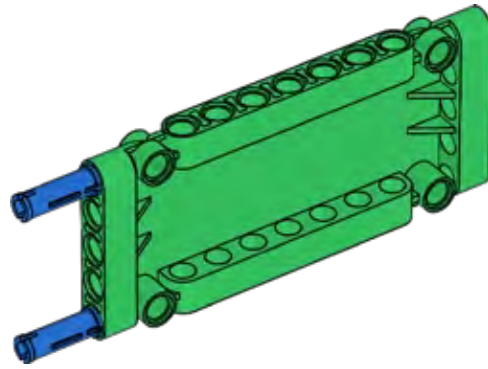


8

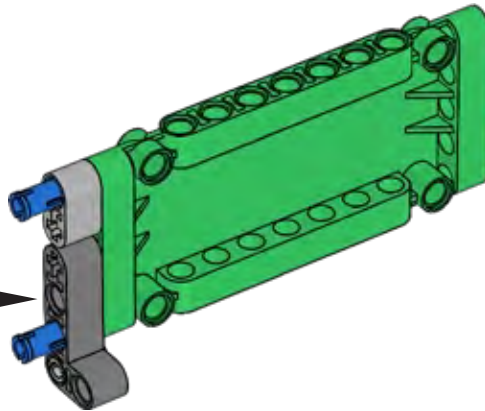
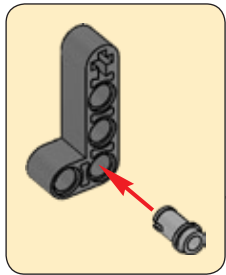


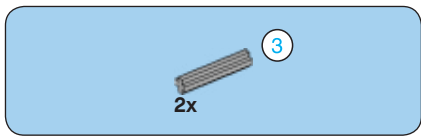


1

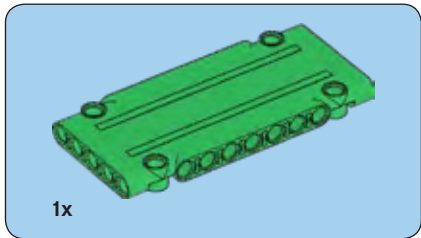
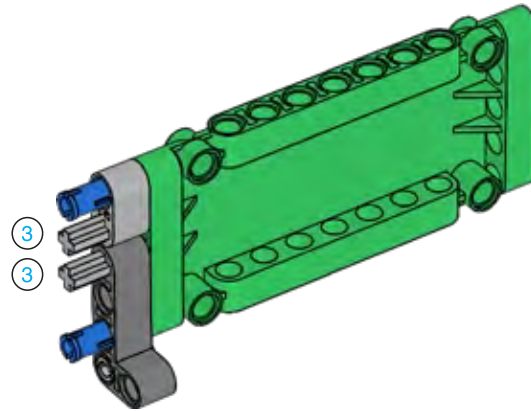


2

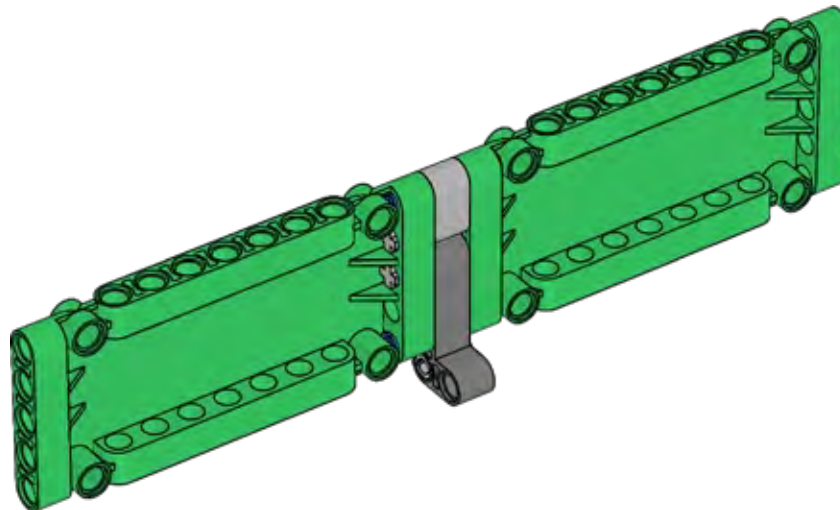




3

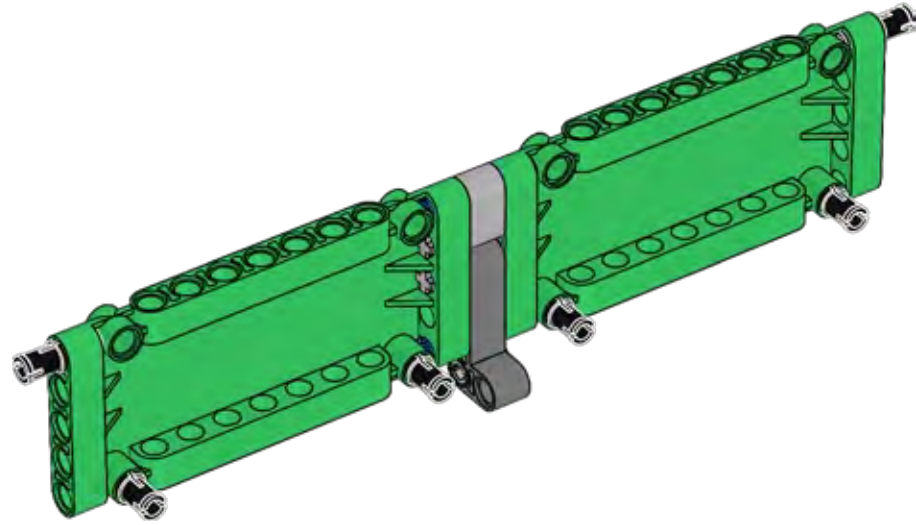


4

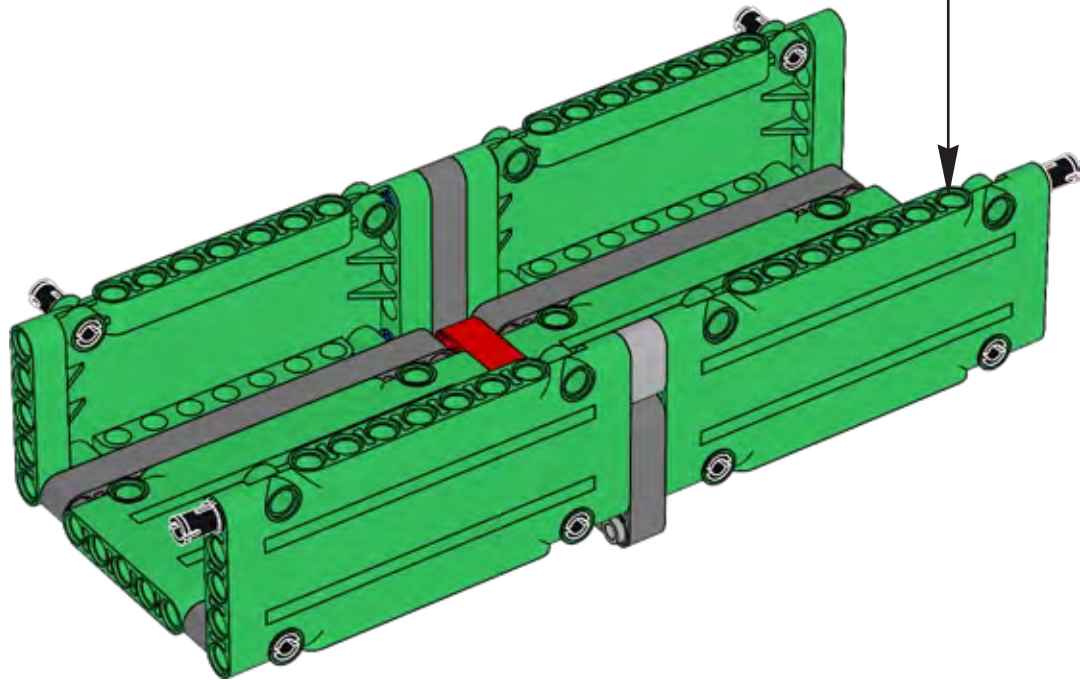


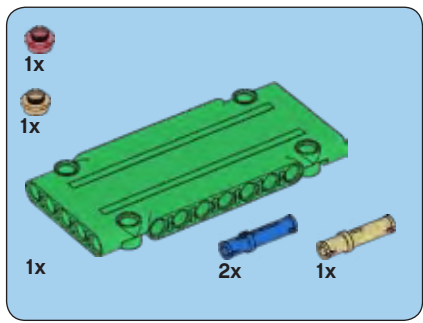


5

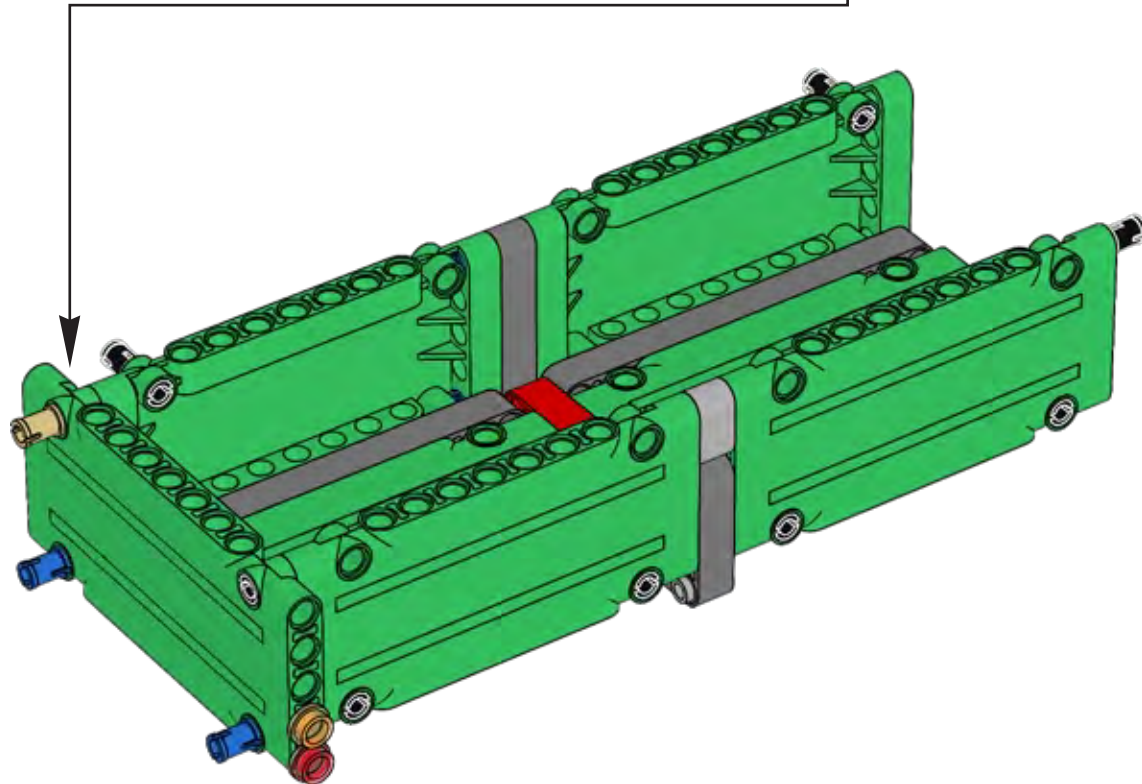
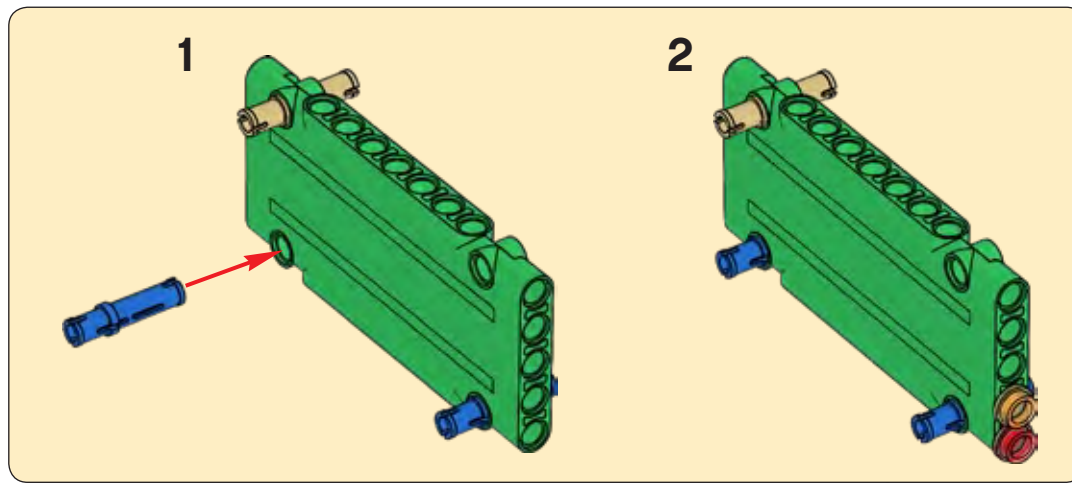


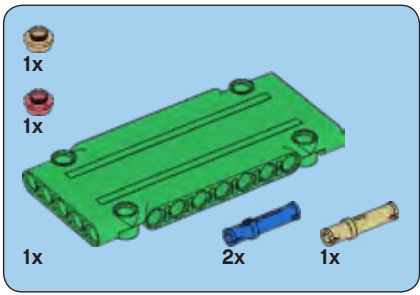
6



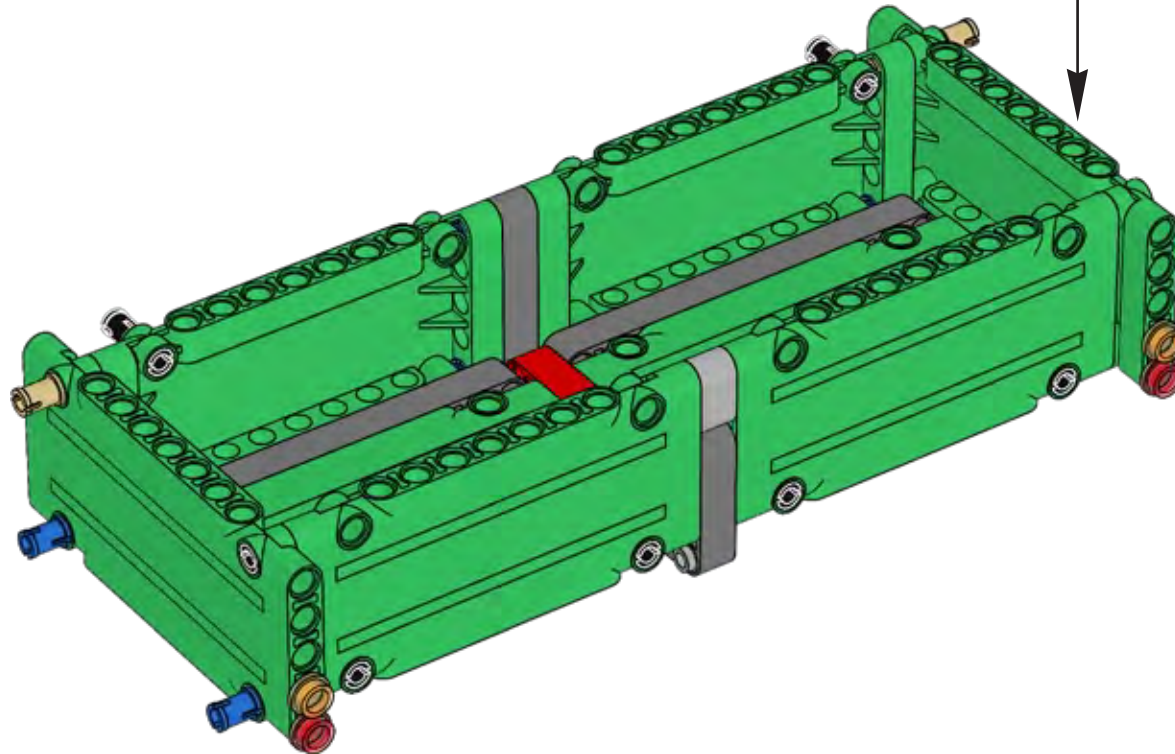
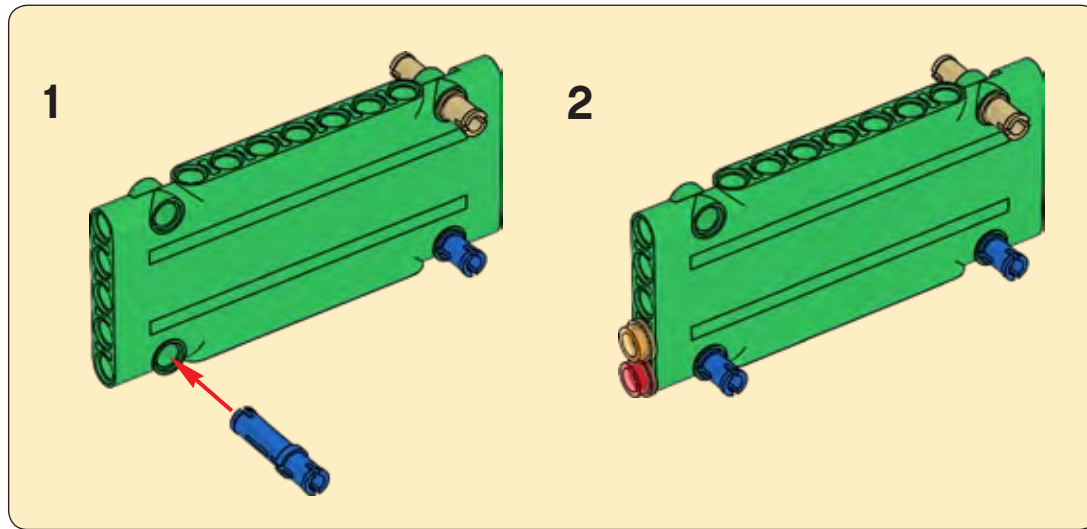


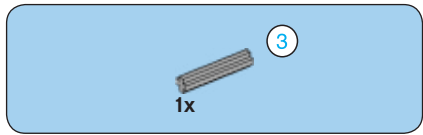
7



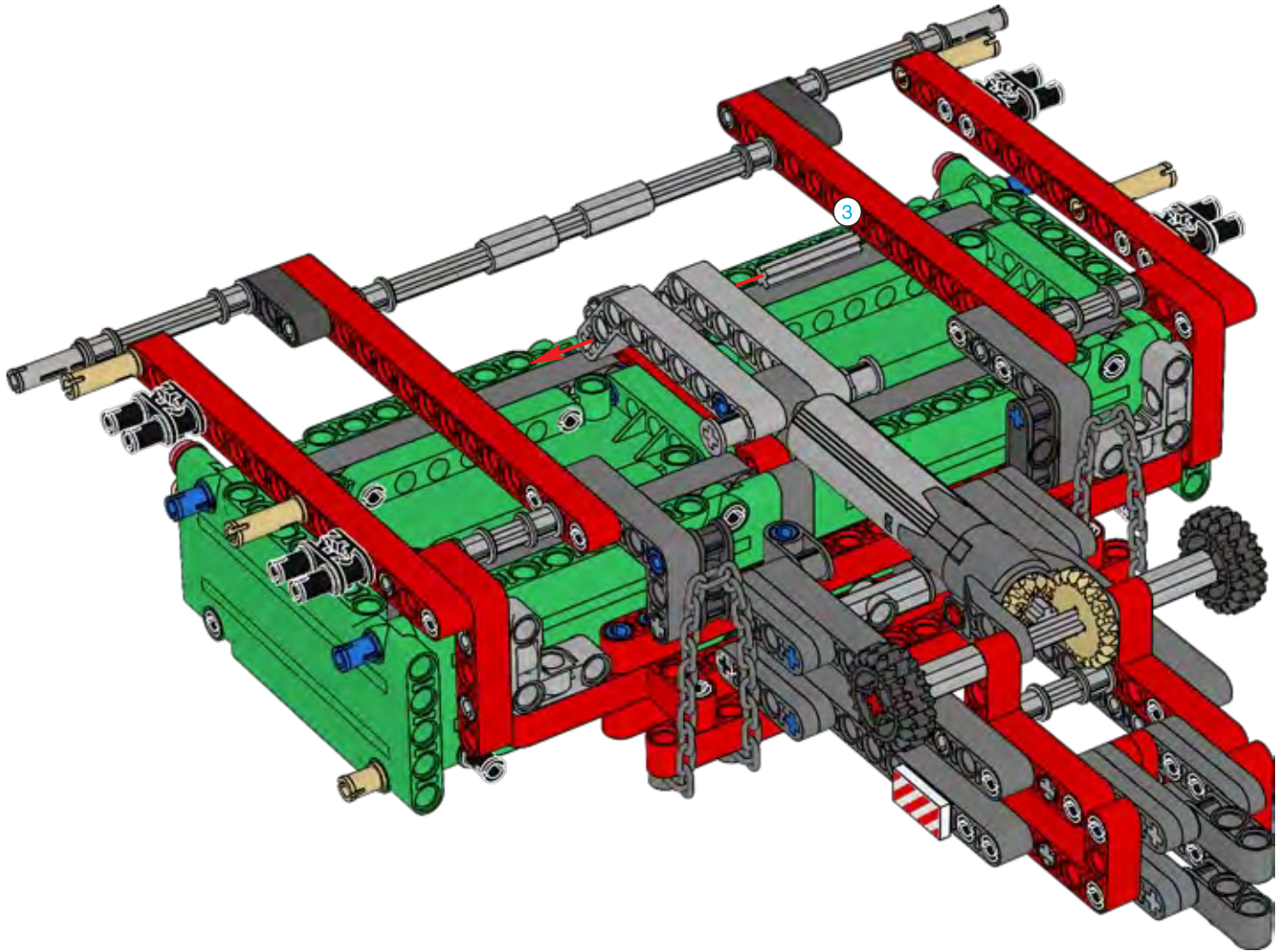


8

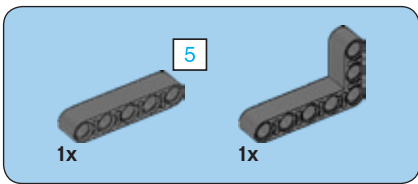




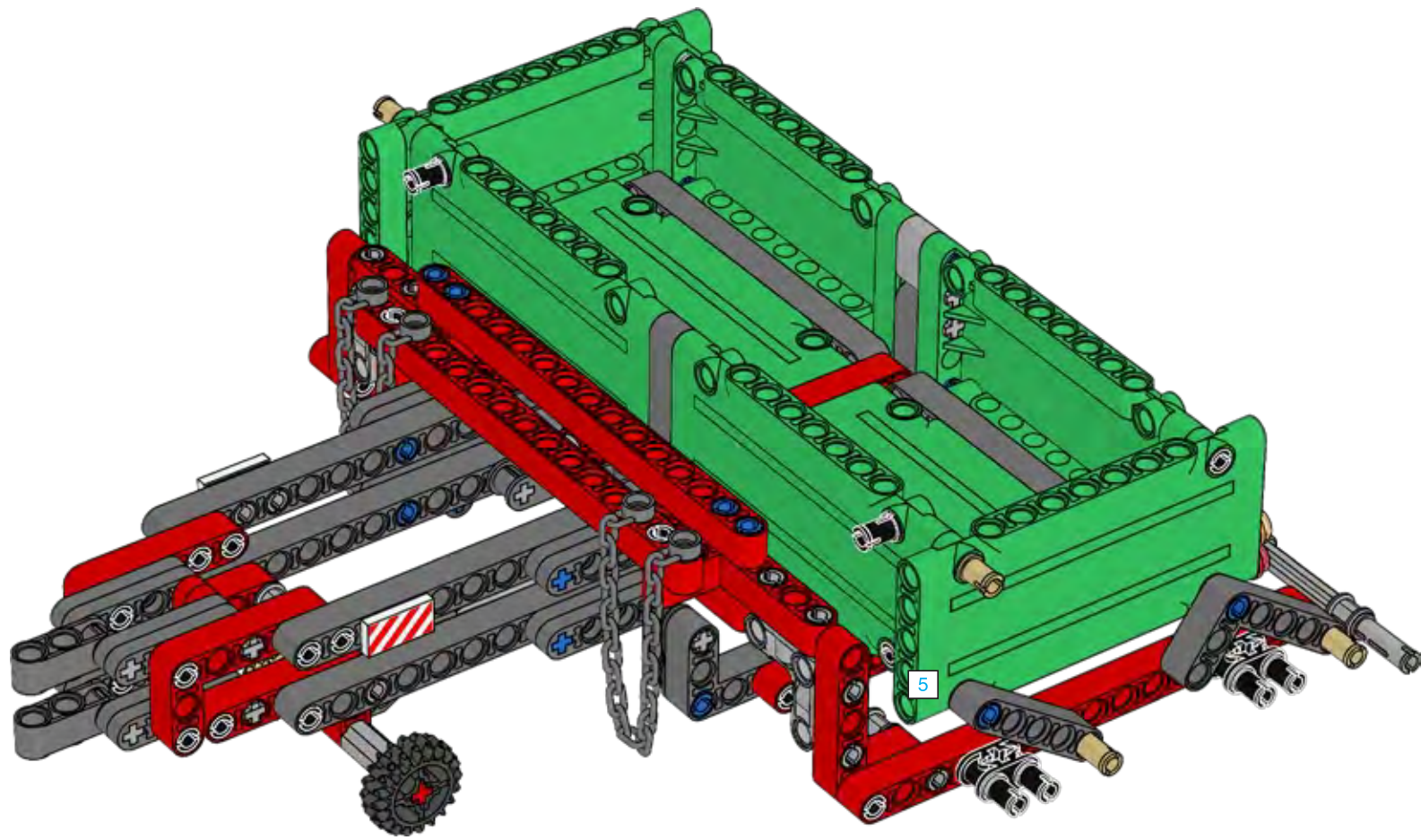
31

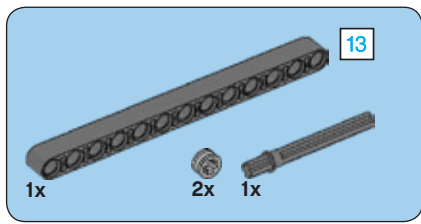




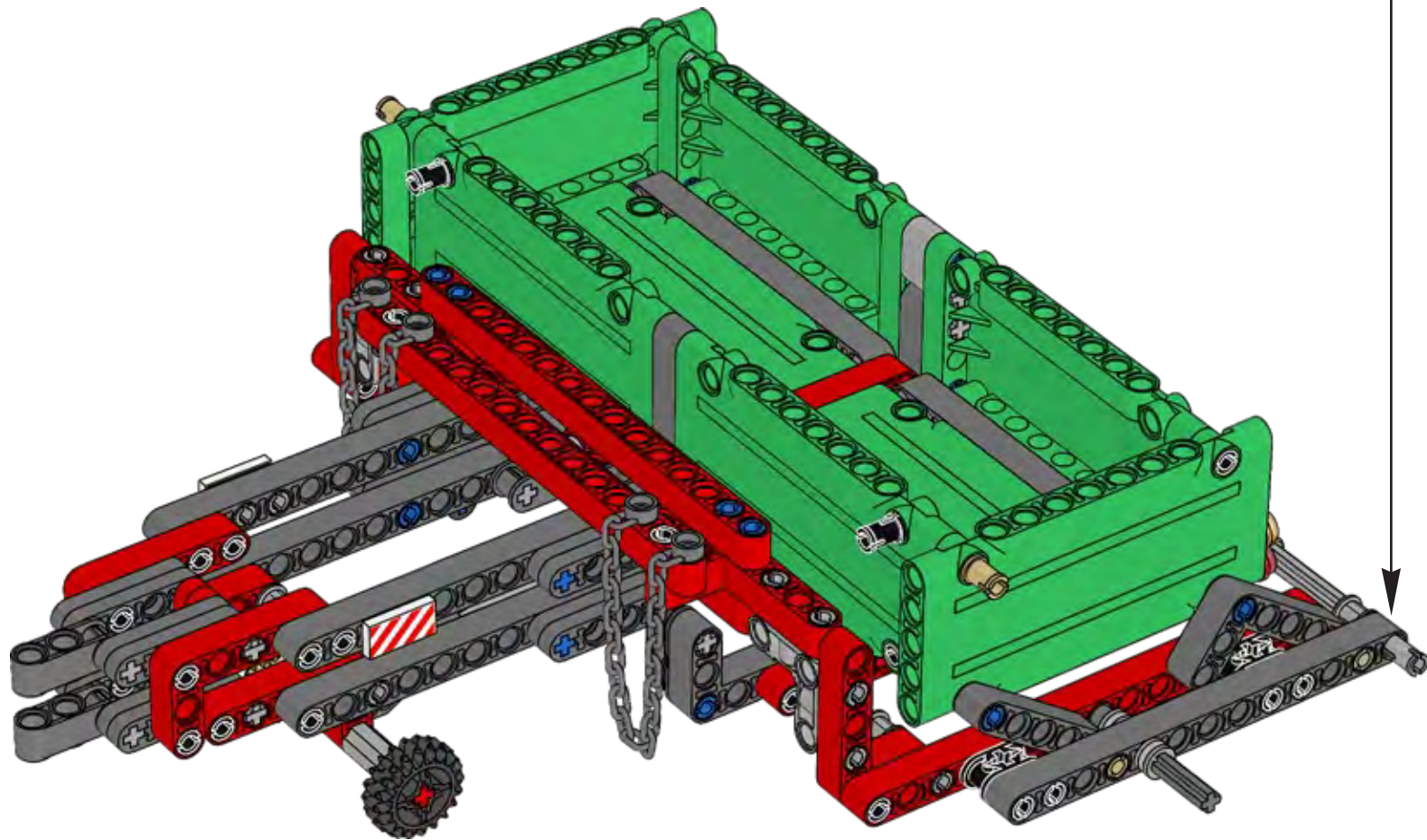
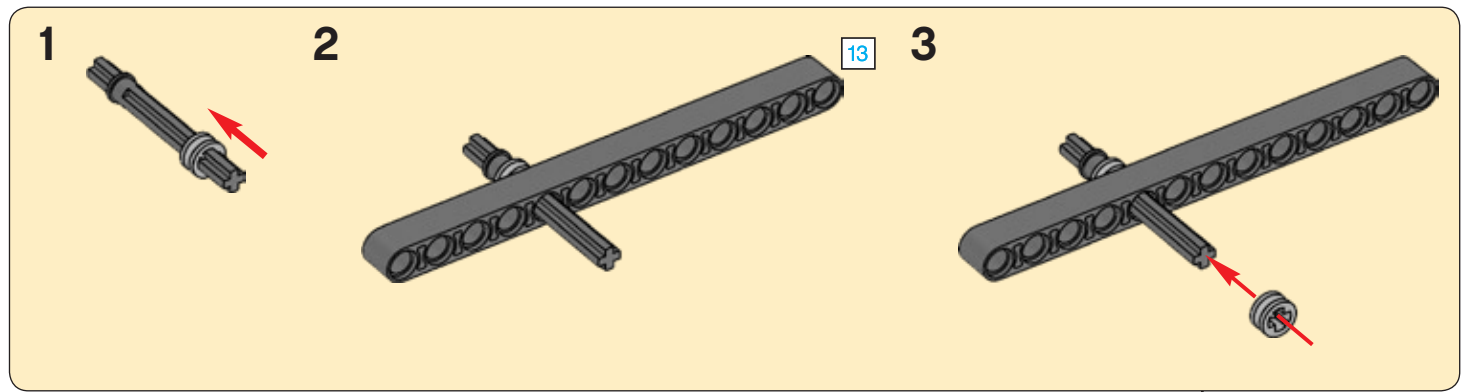


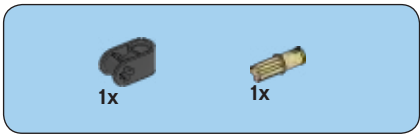
32



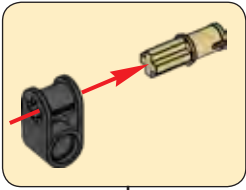
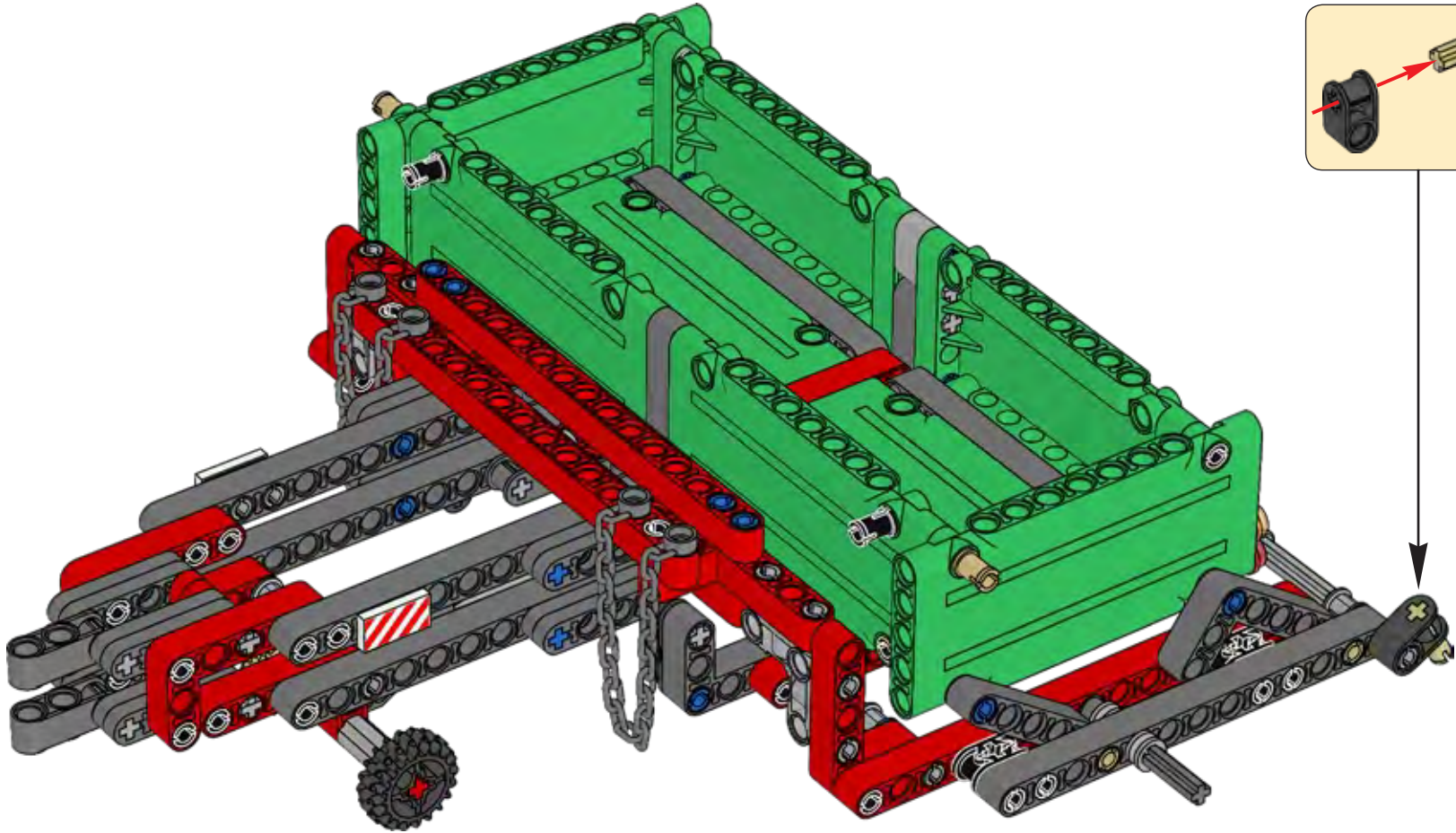


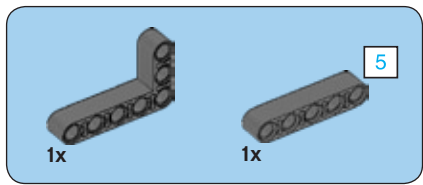
33



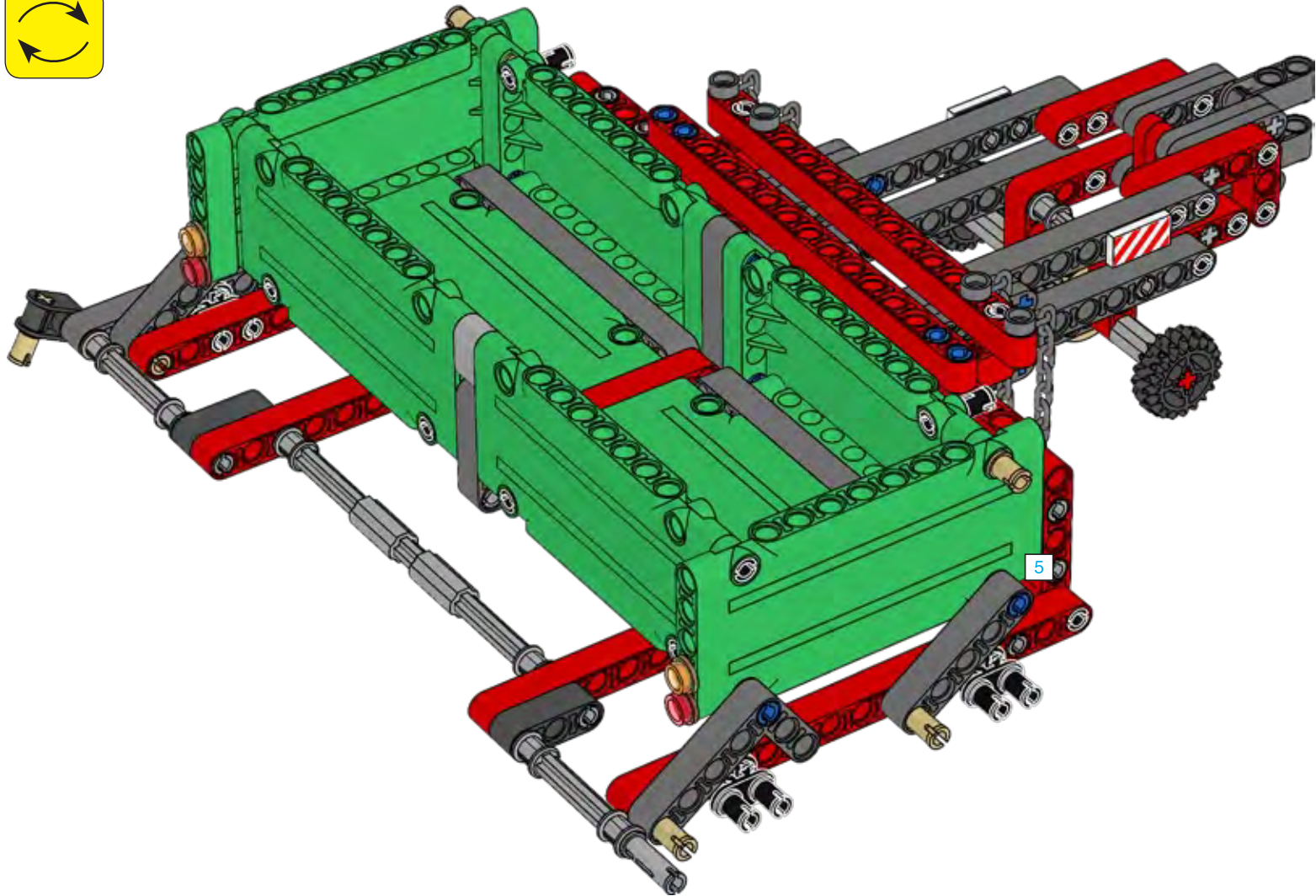
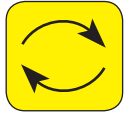


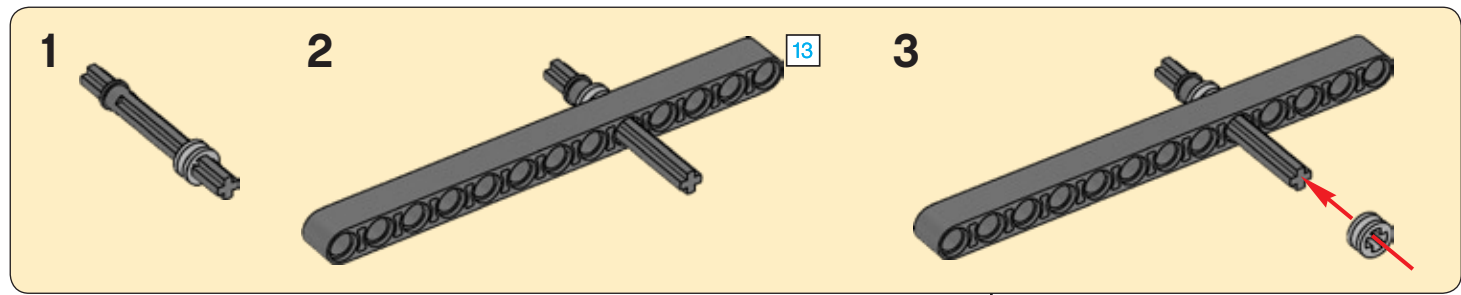
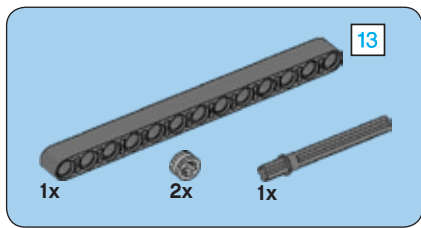
34



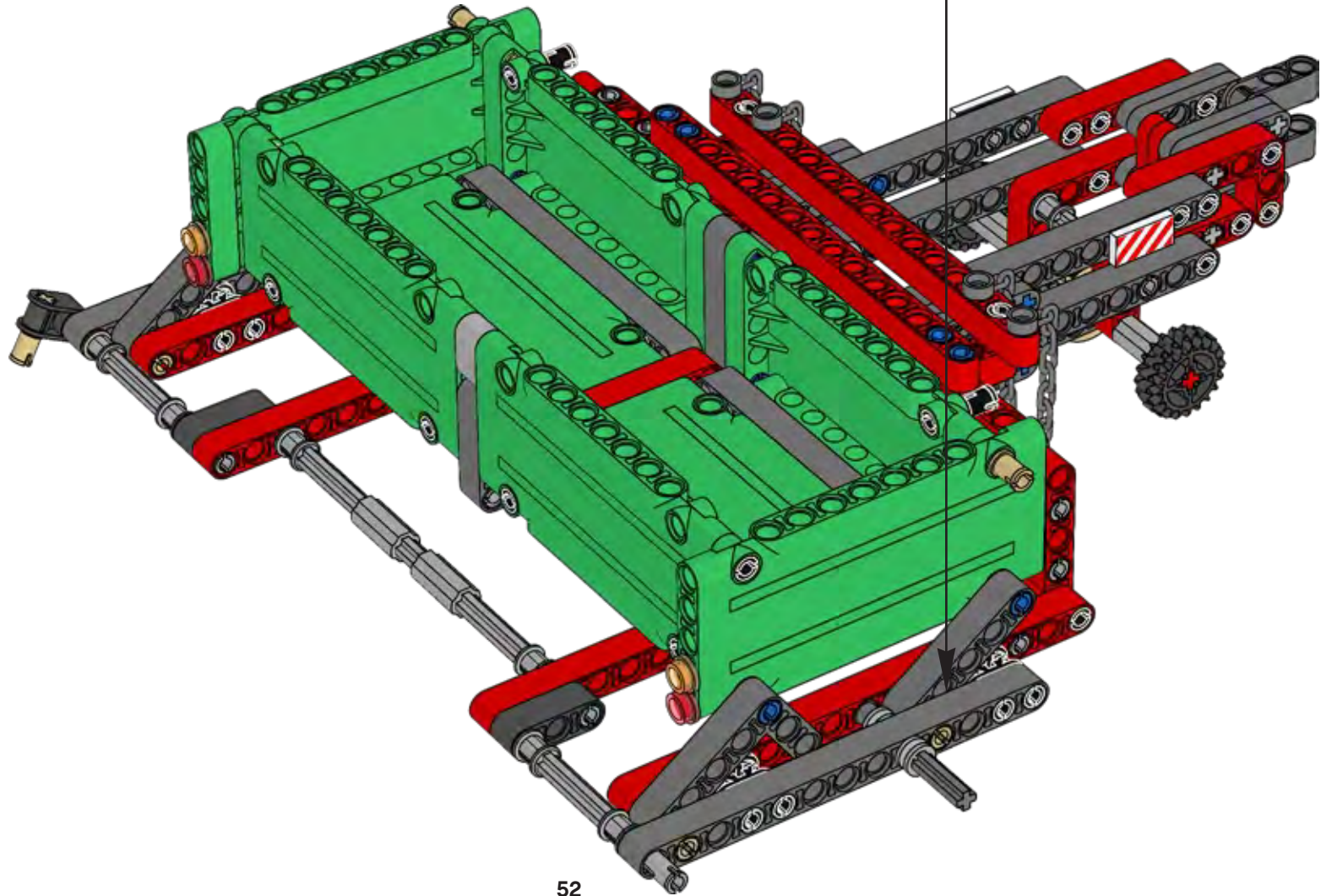


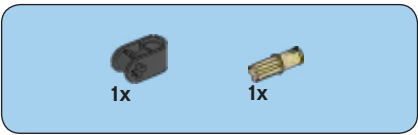
# 35



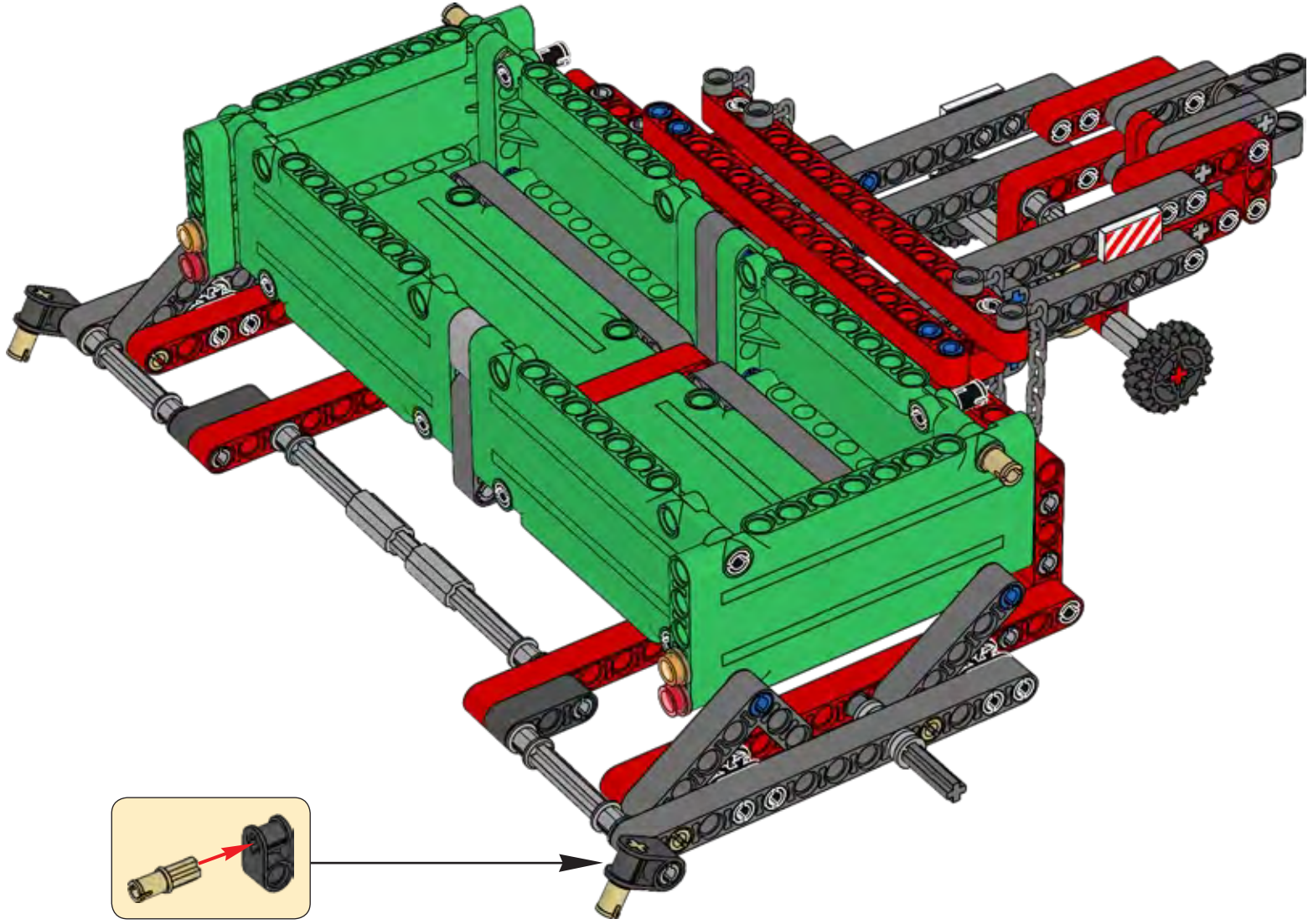


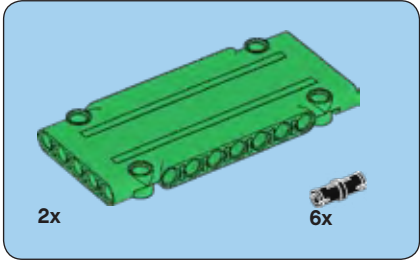
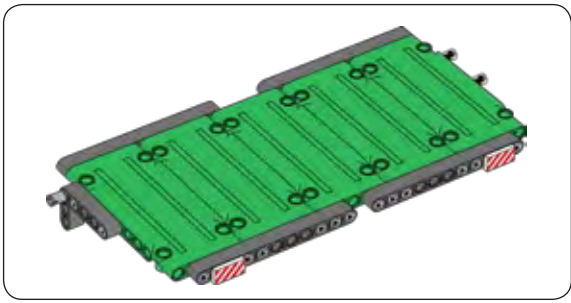
36



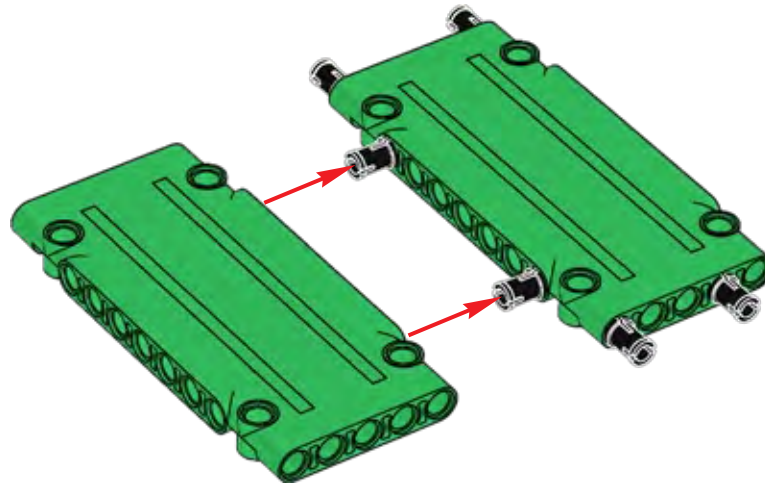


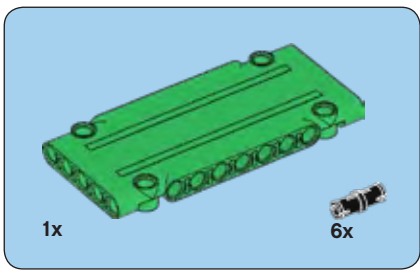
37



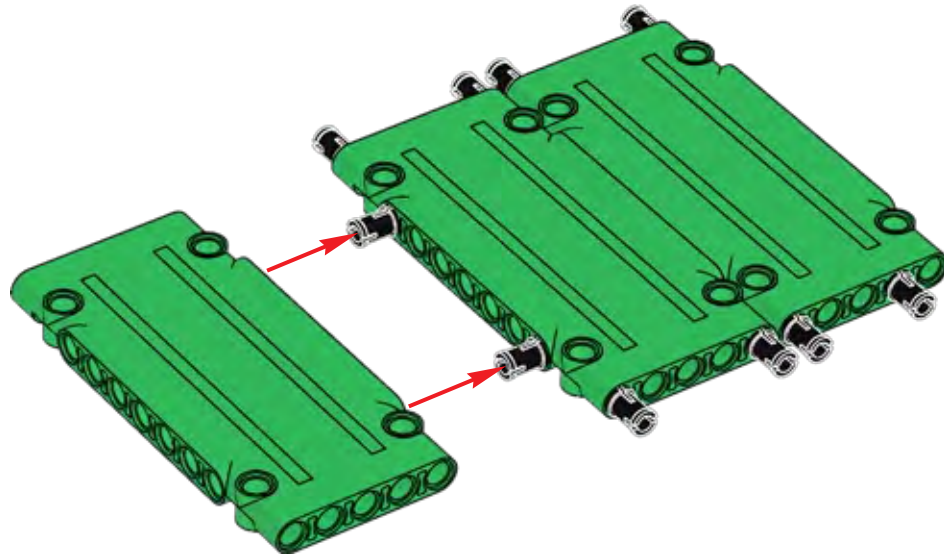


1

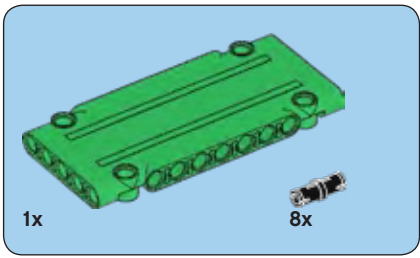




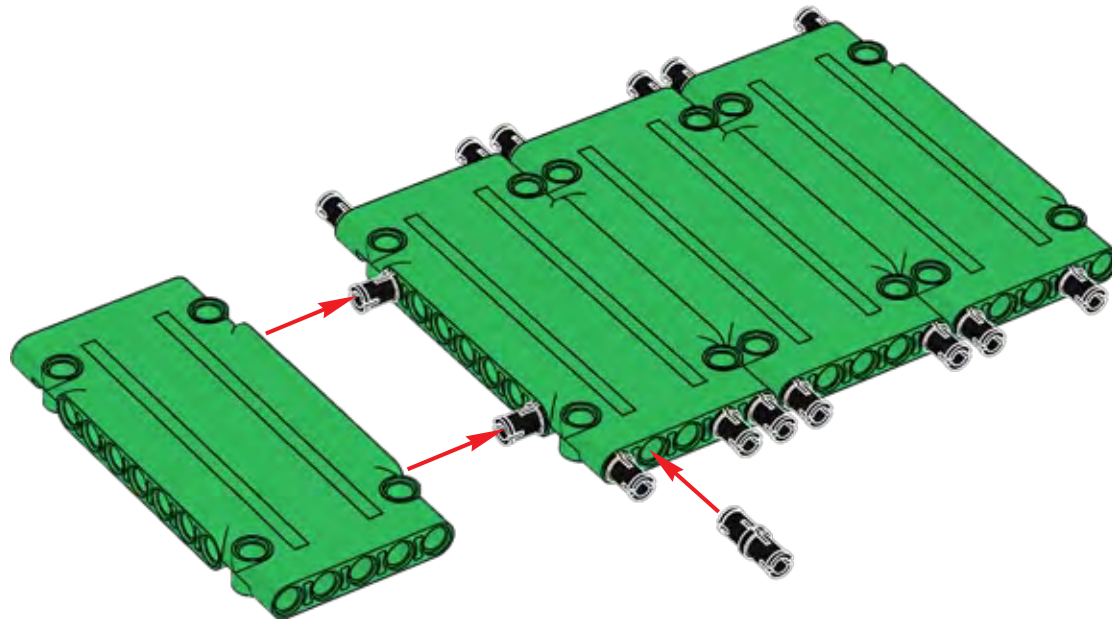
2

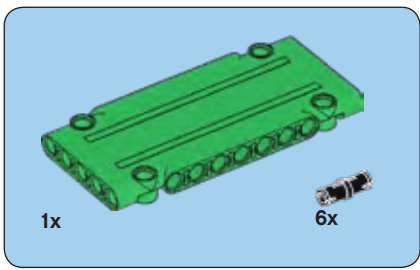




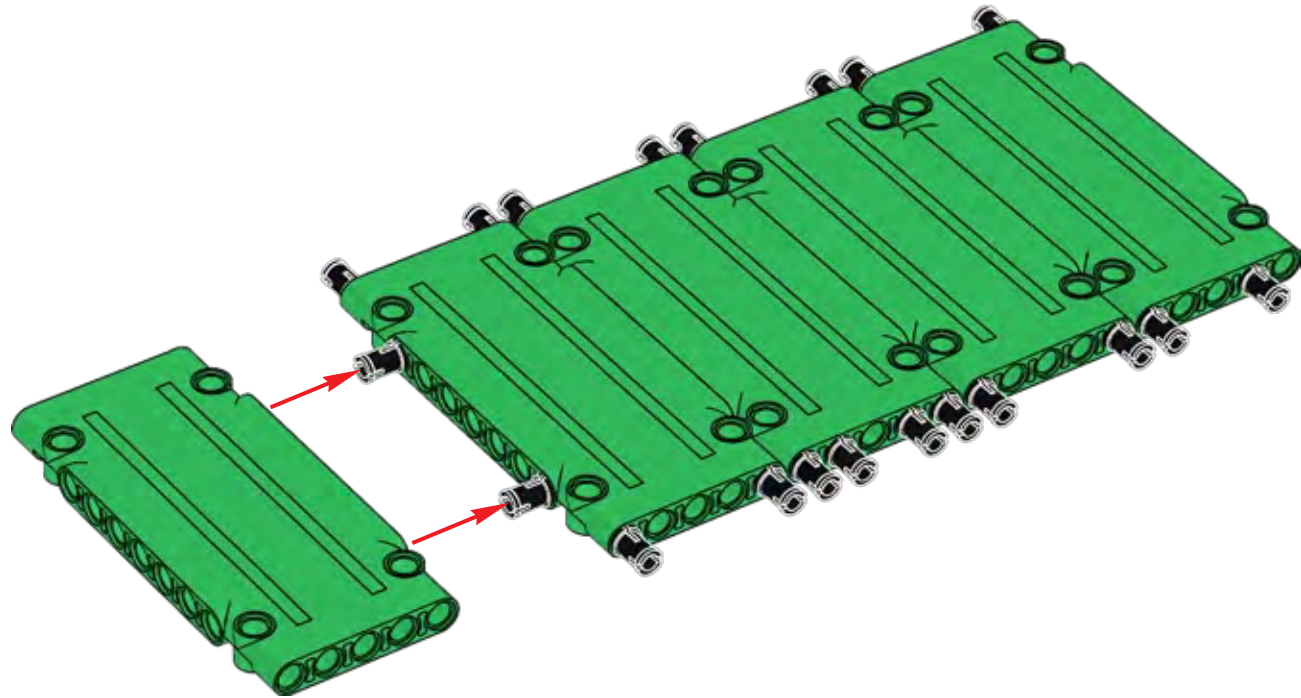


3





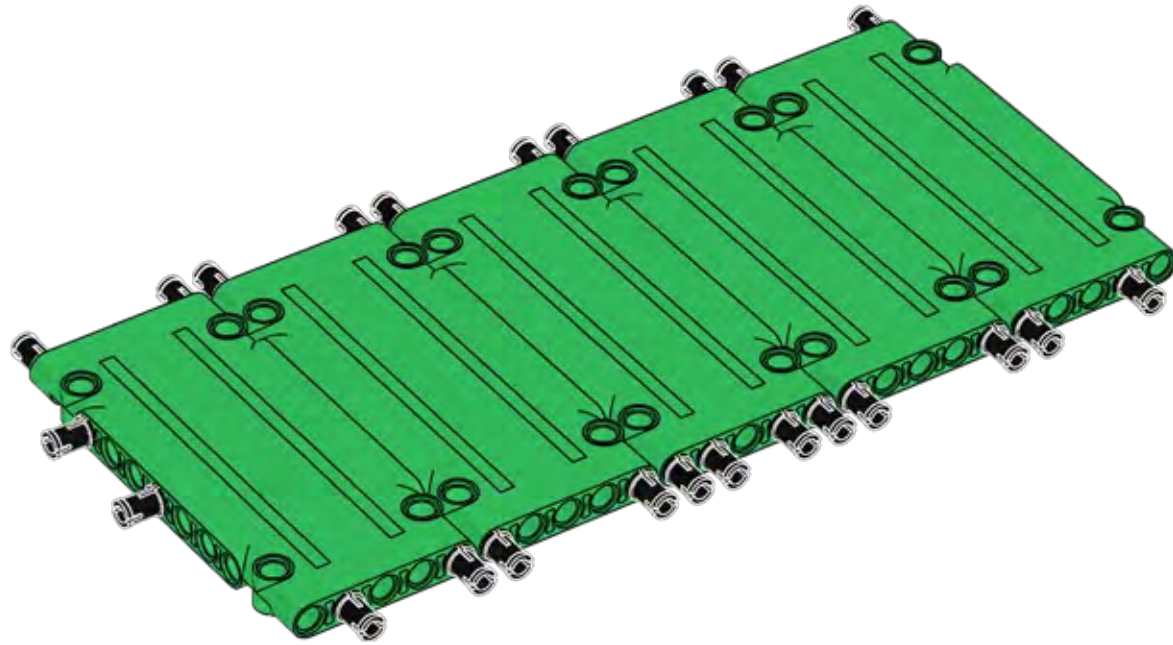
4

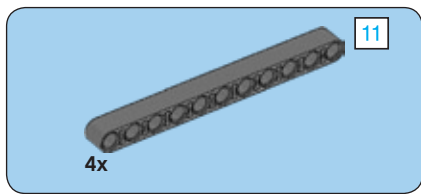




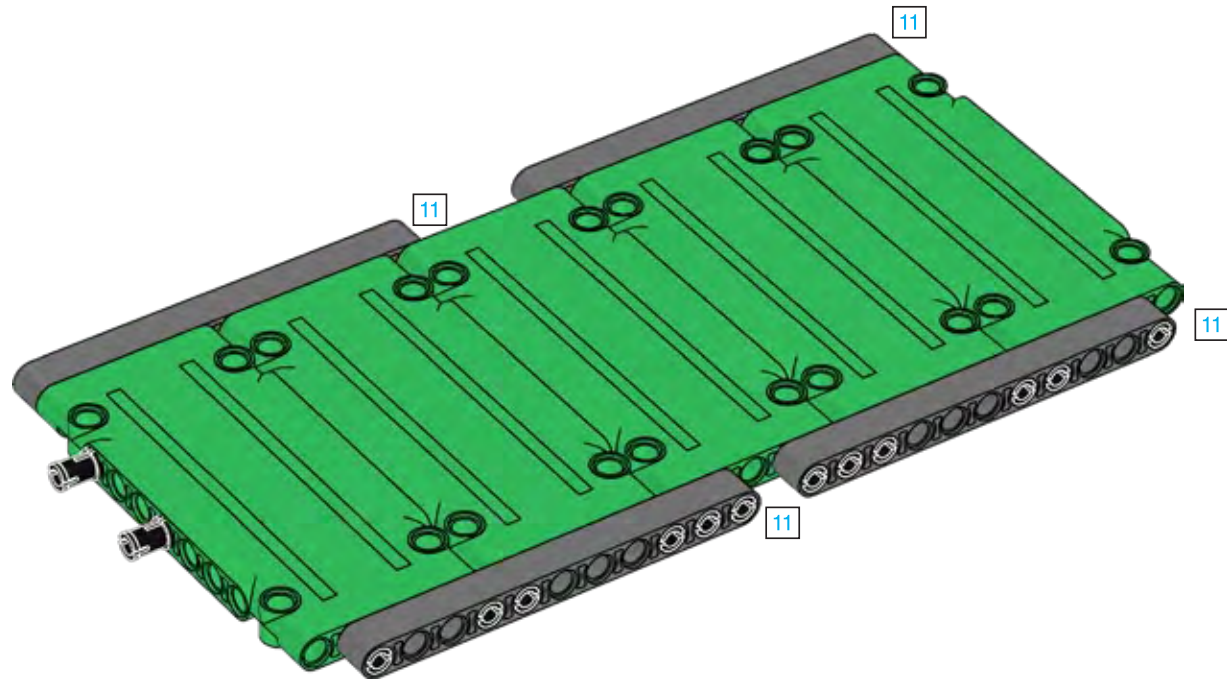
6x

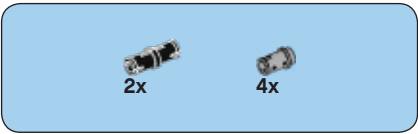
5



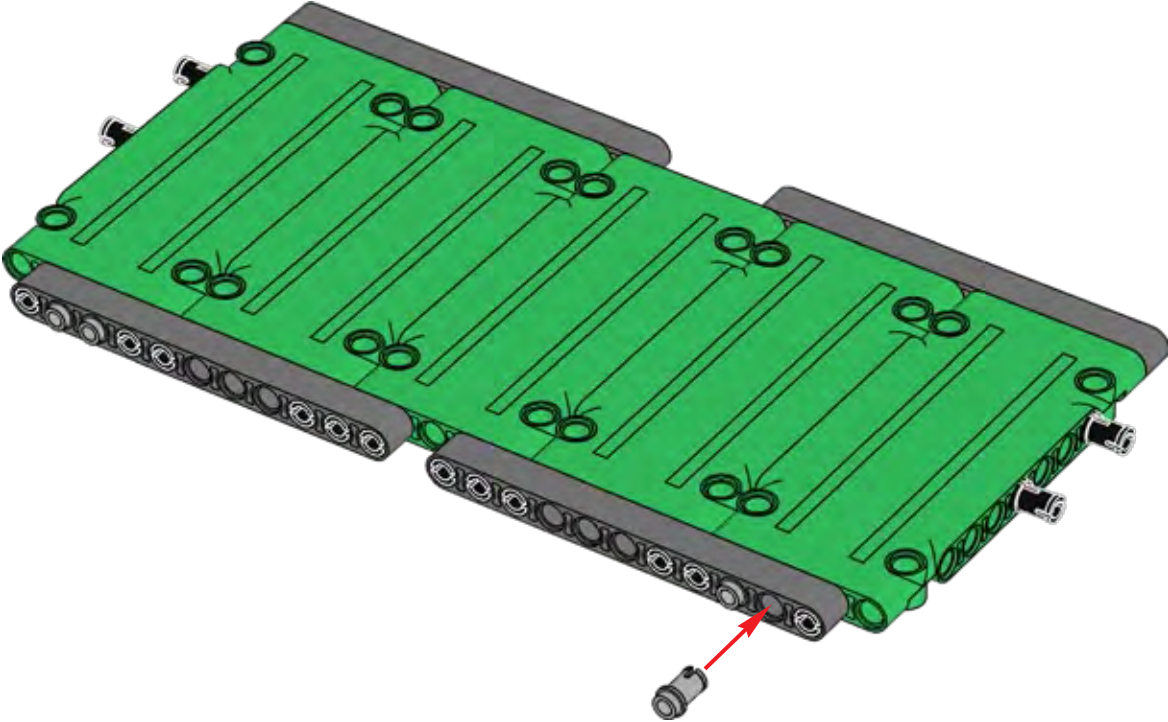


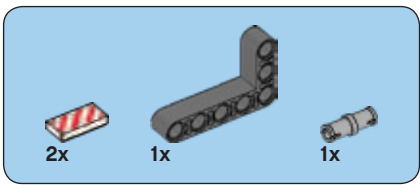
6



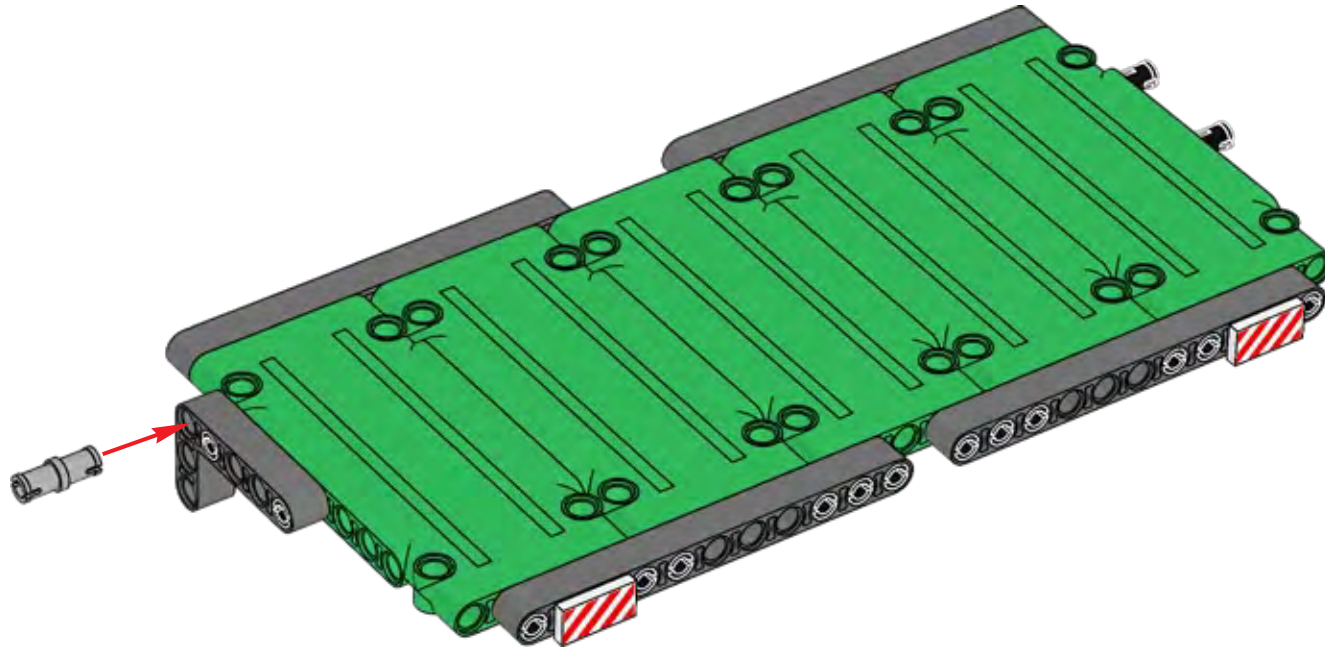


7

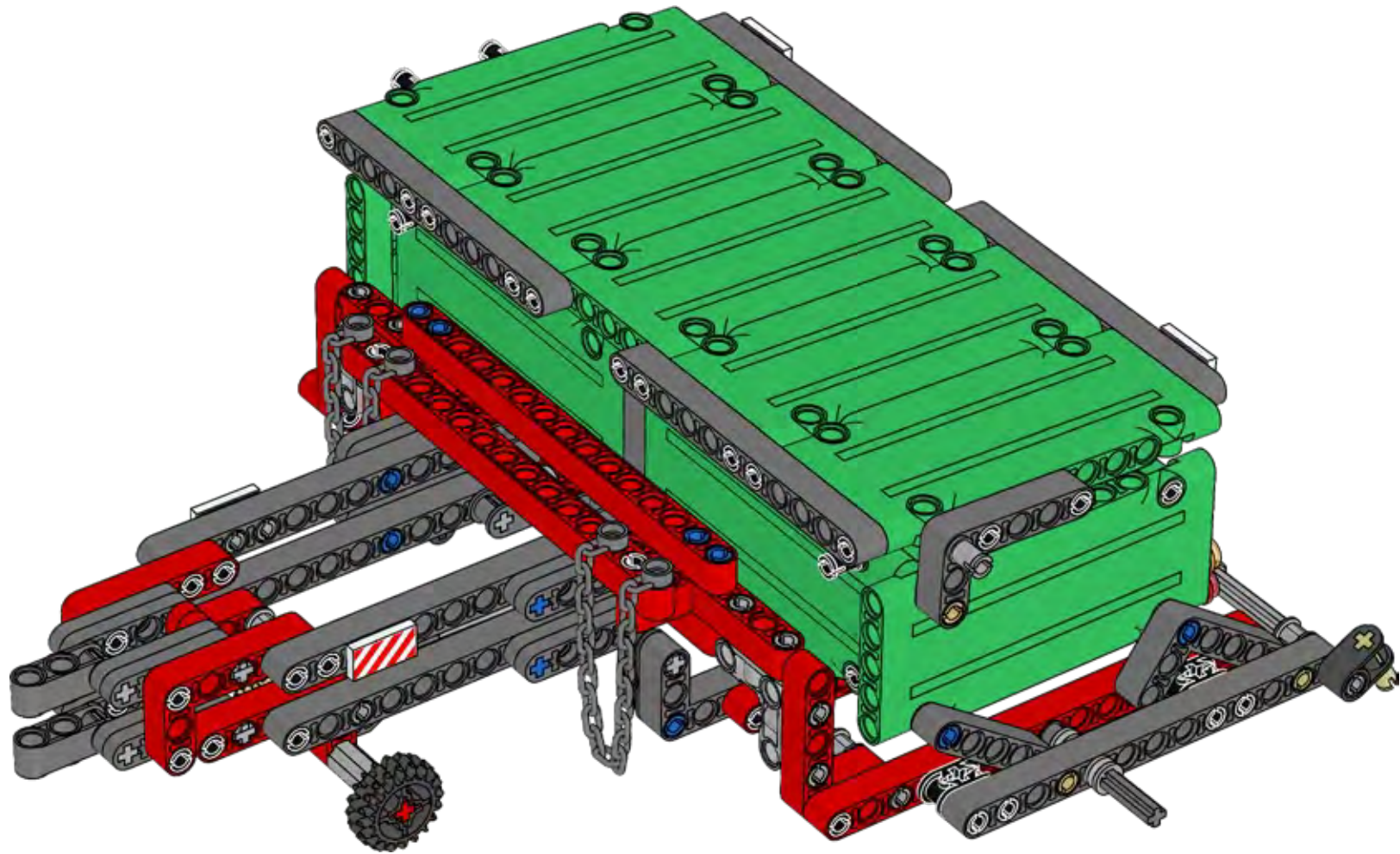


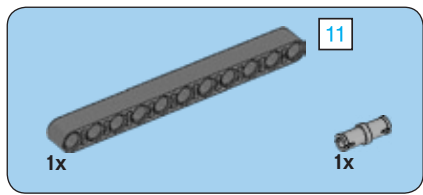


8

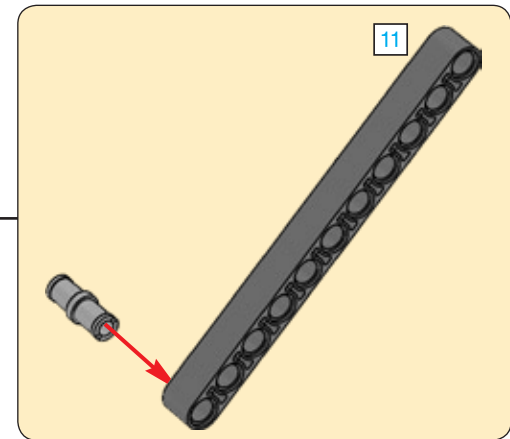
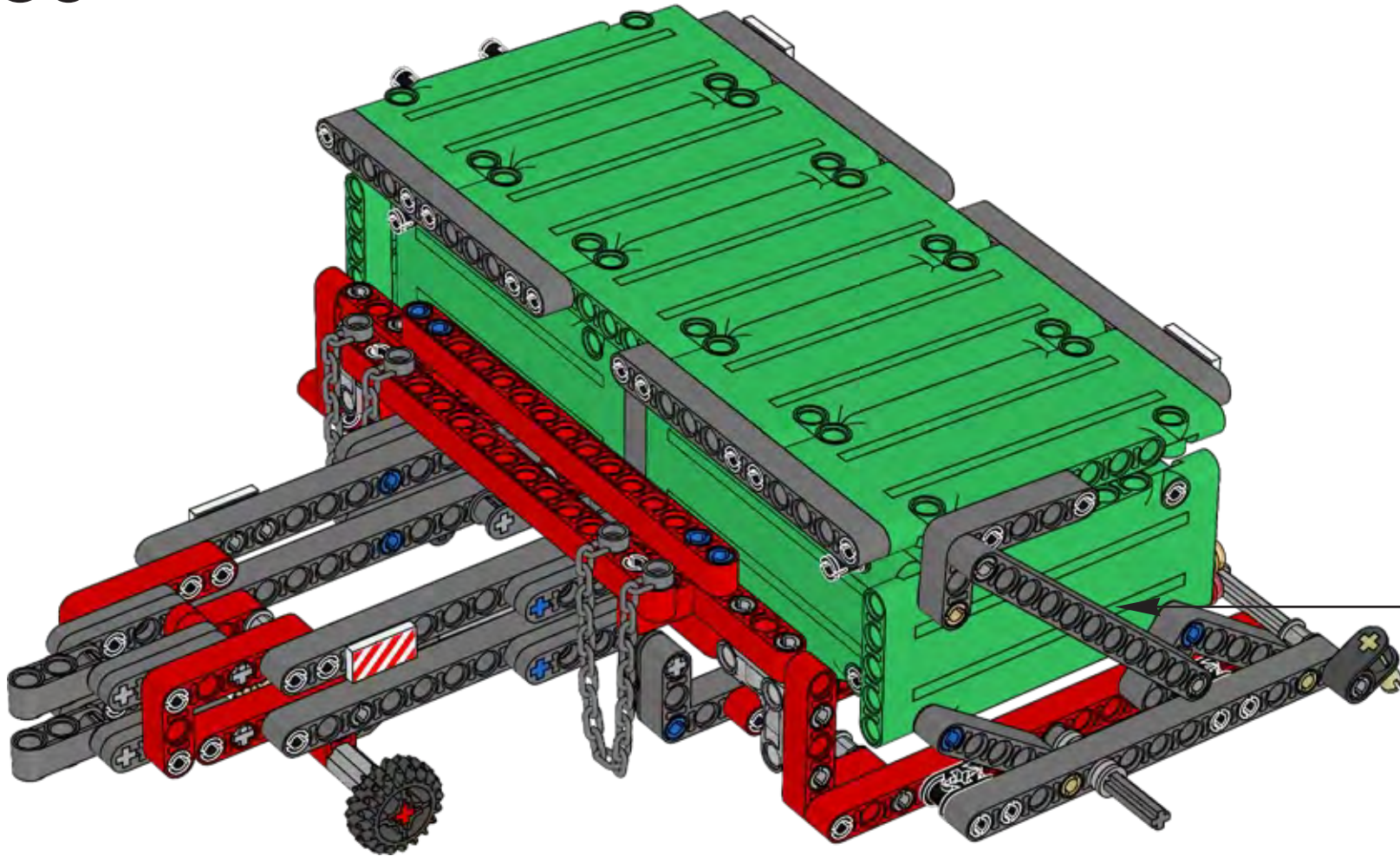


38

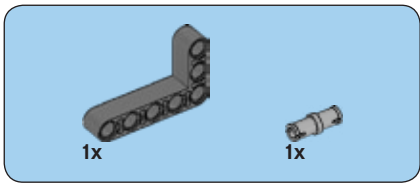




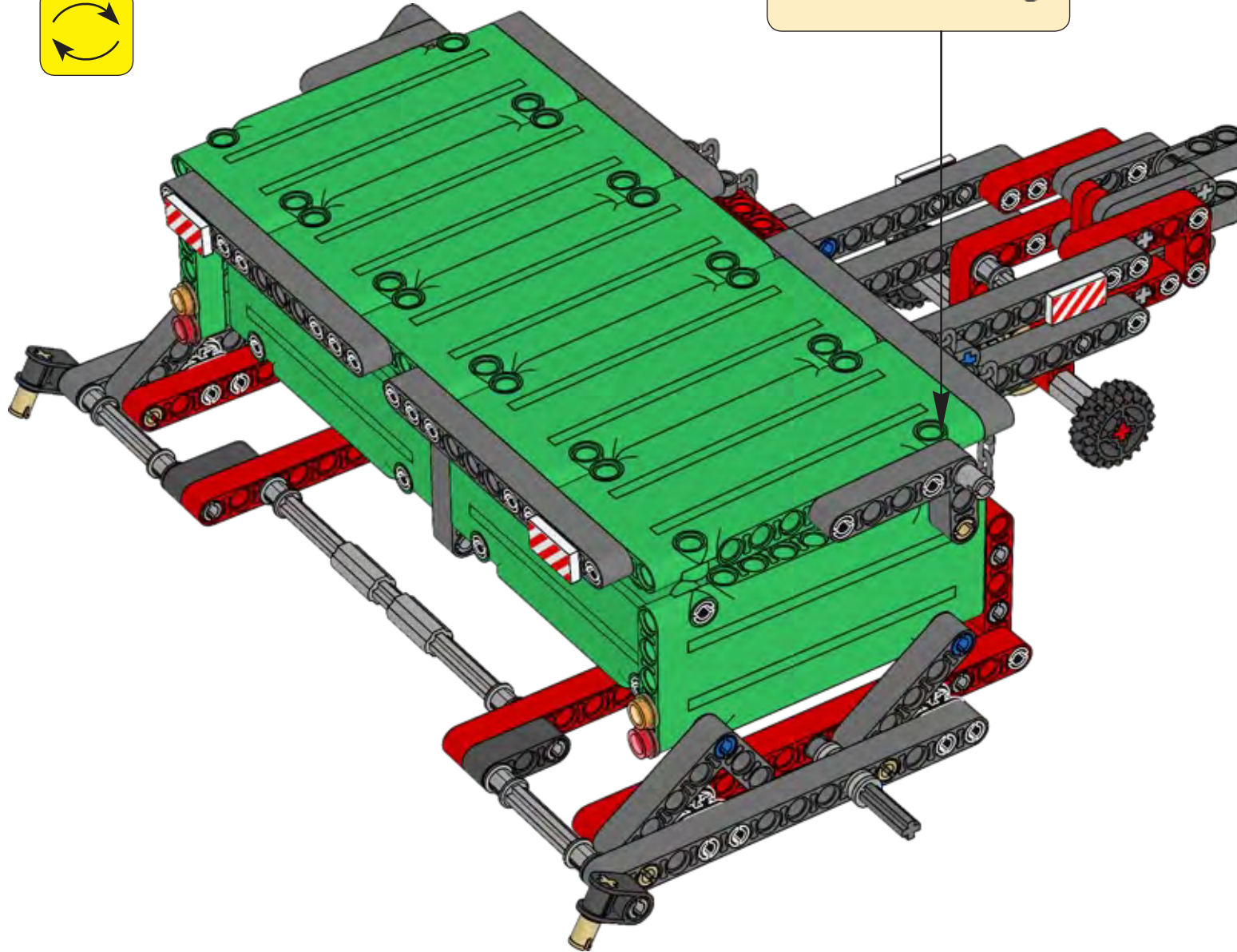
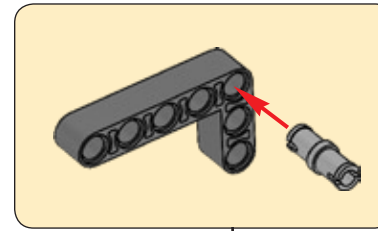
39

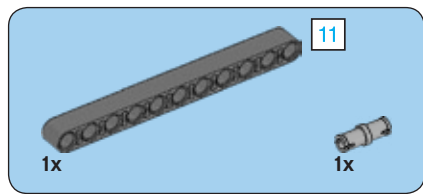




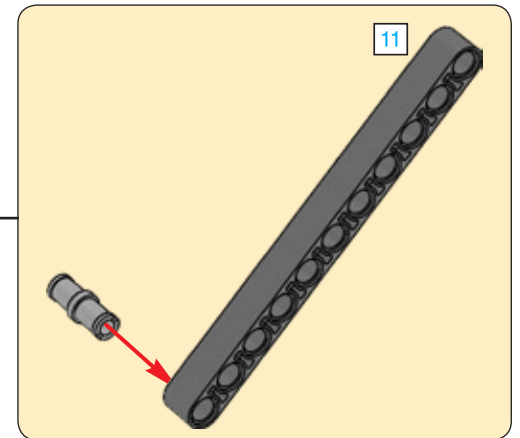
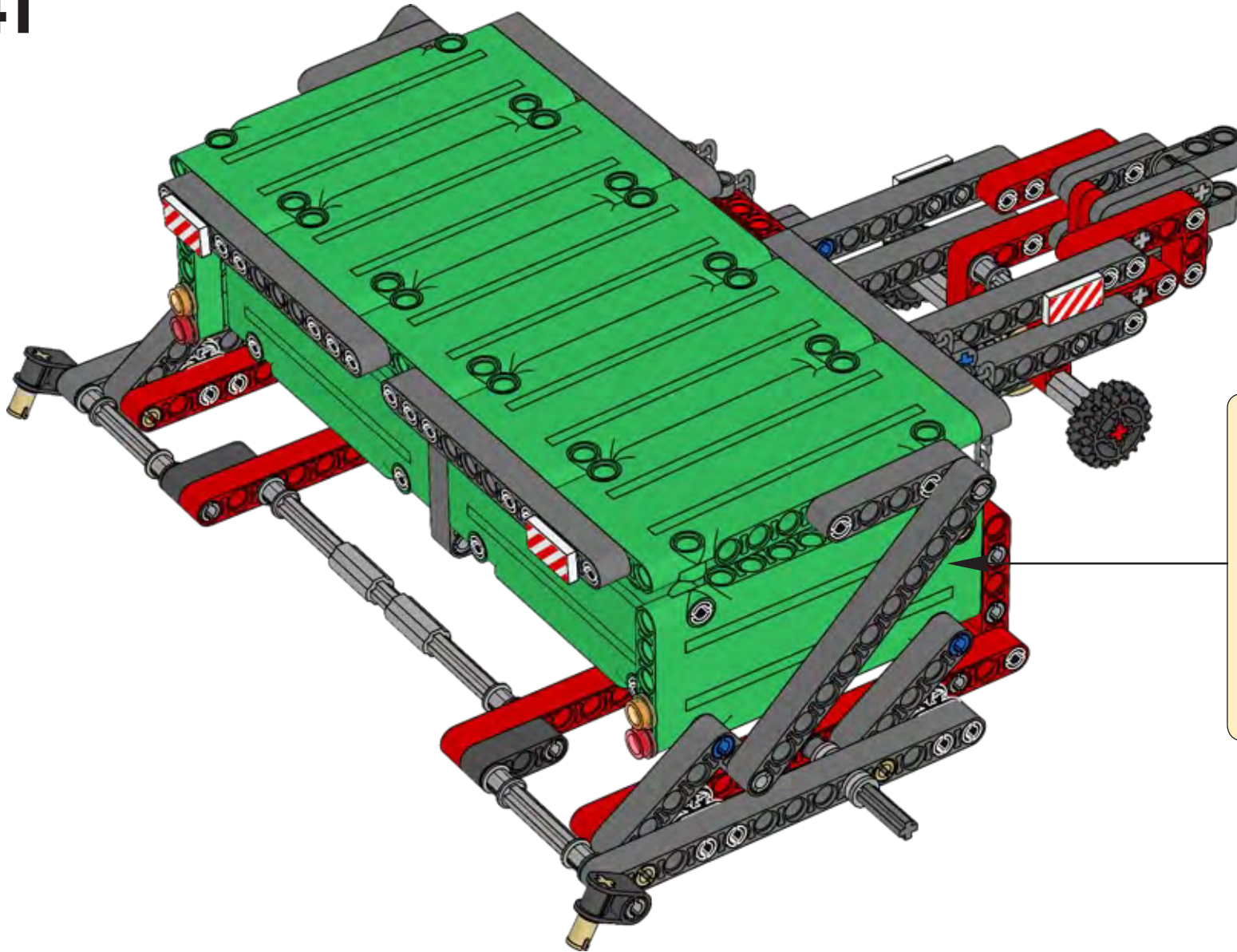


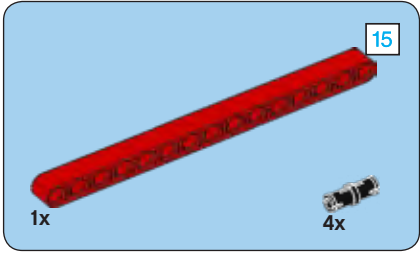
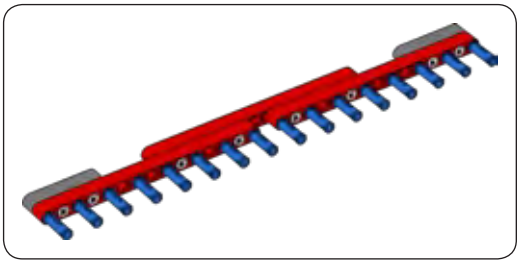
40



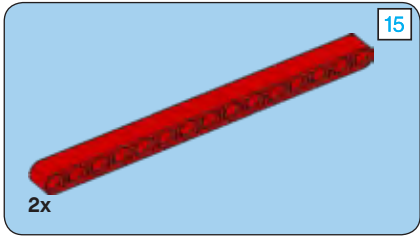


41

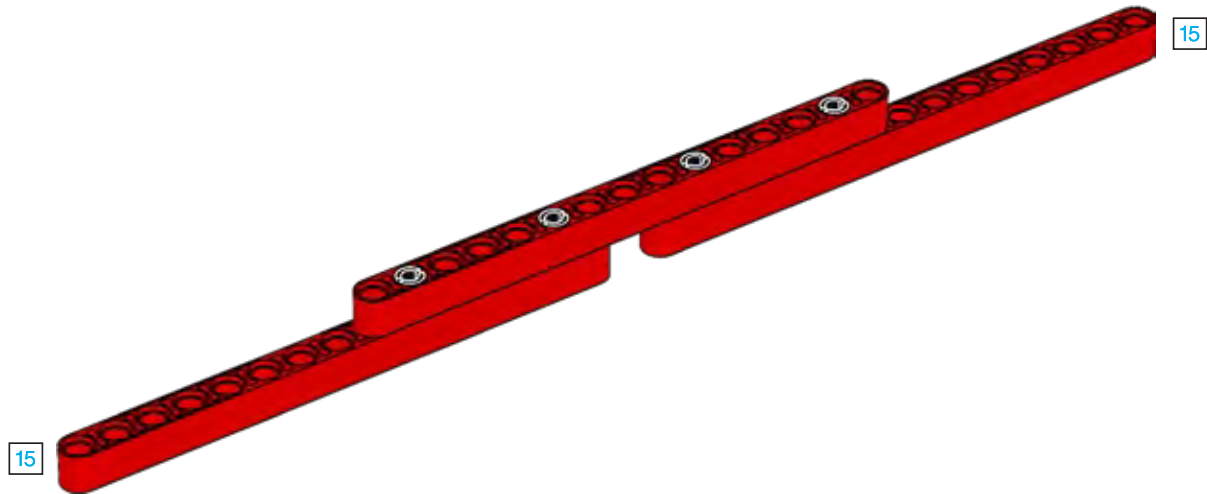




1

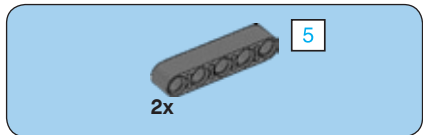
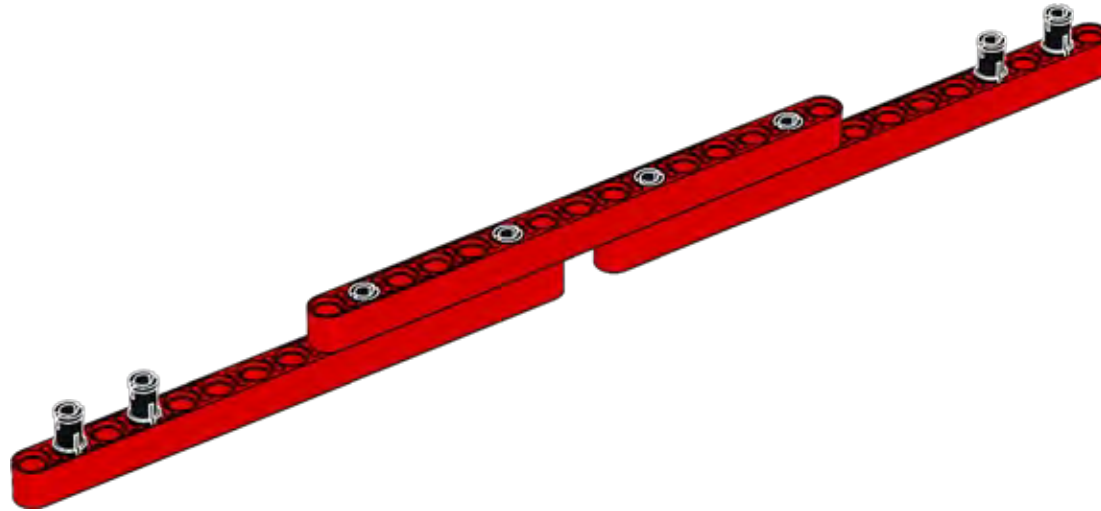


2

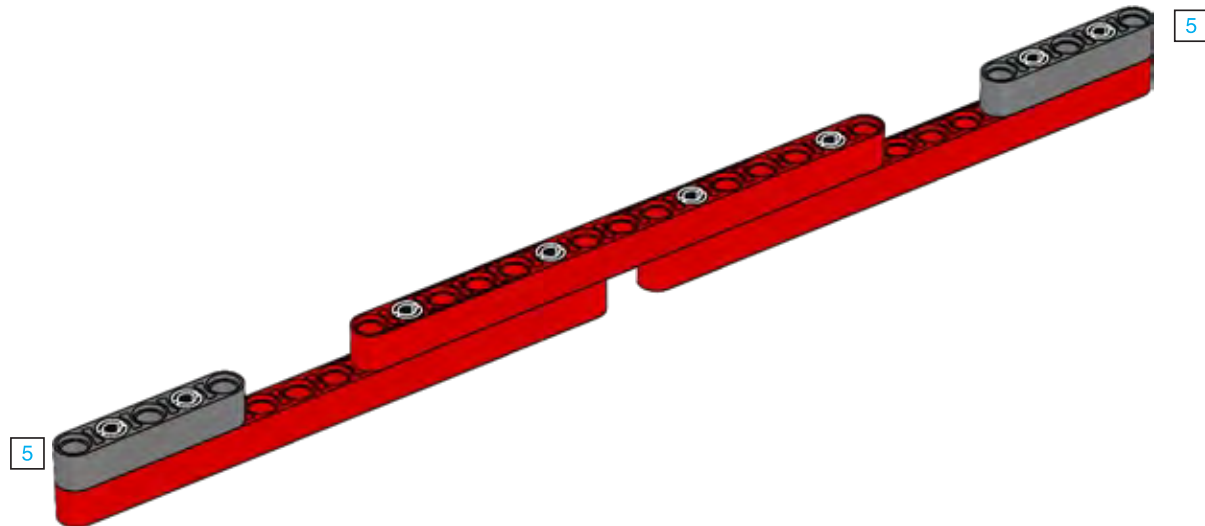




3

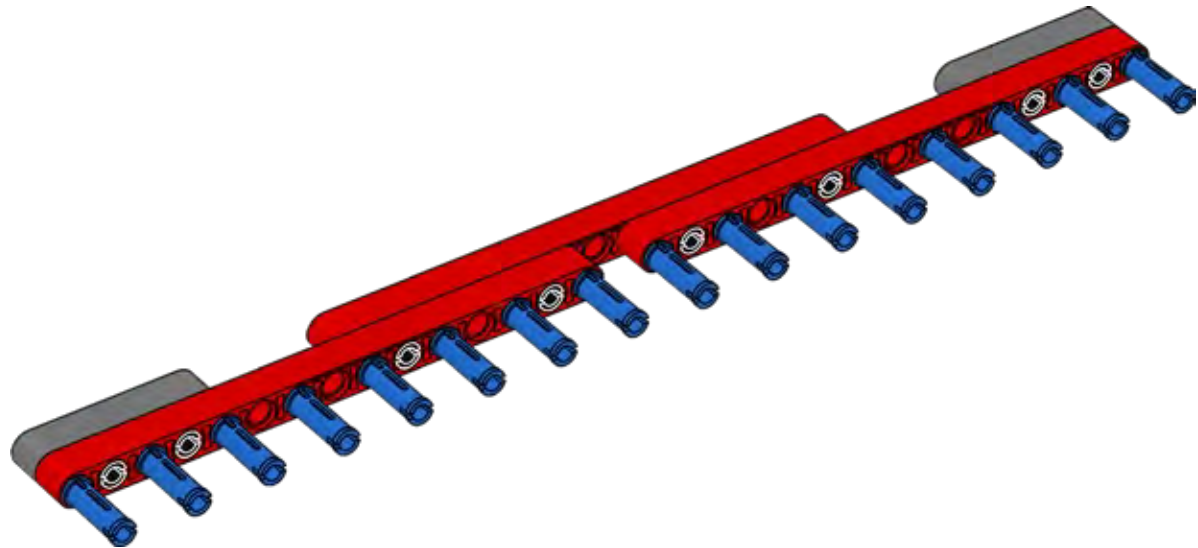


4

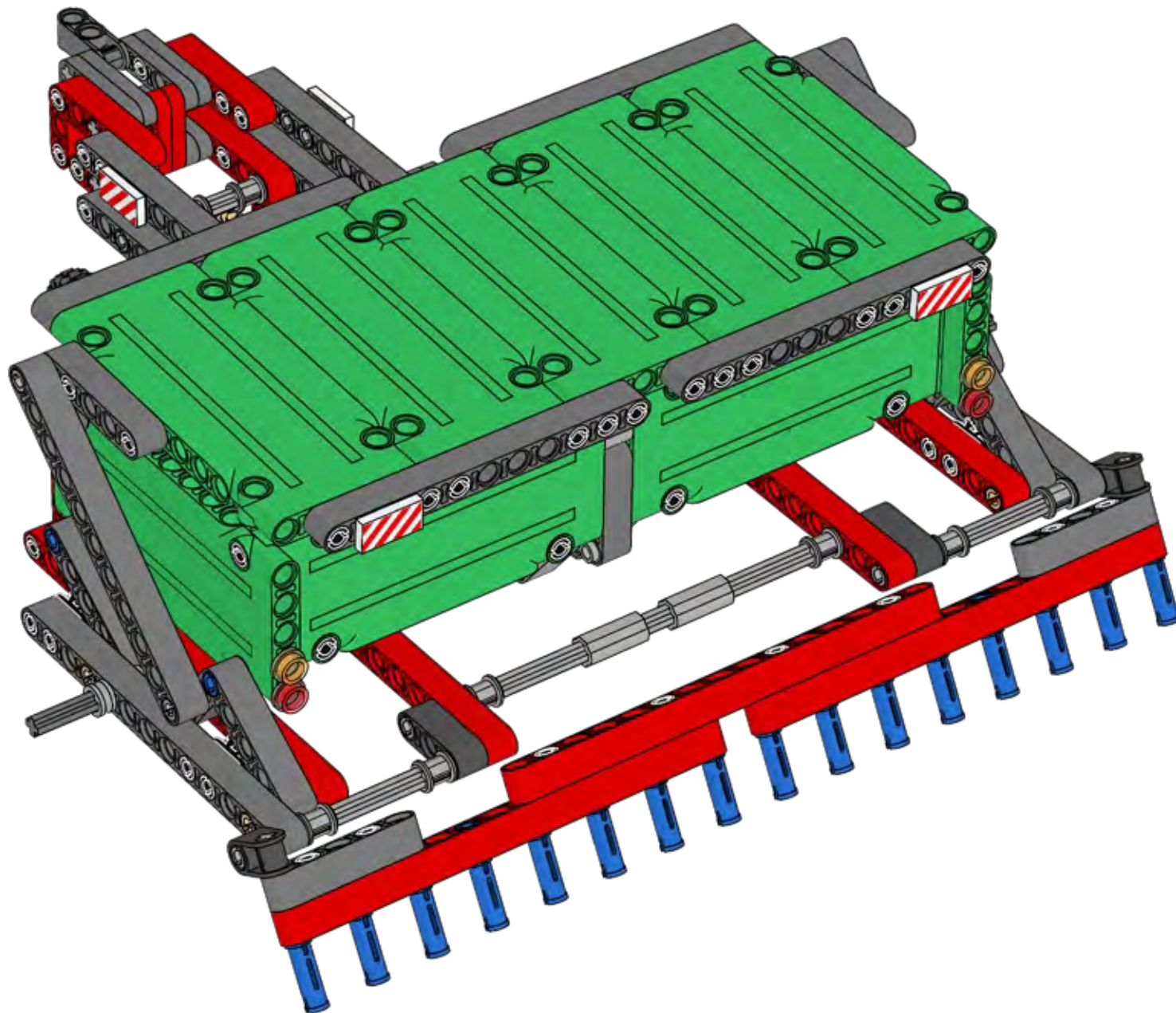


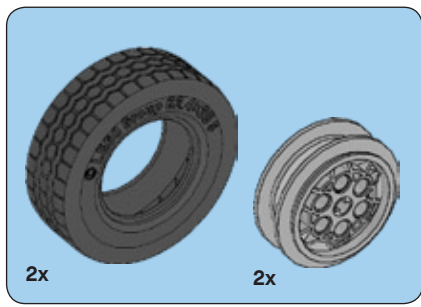


5



42





43

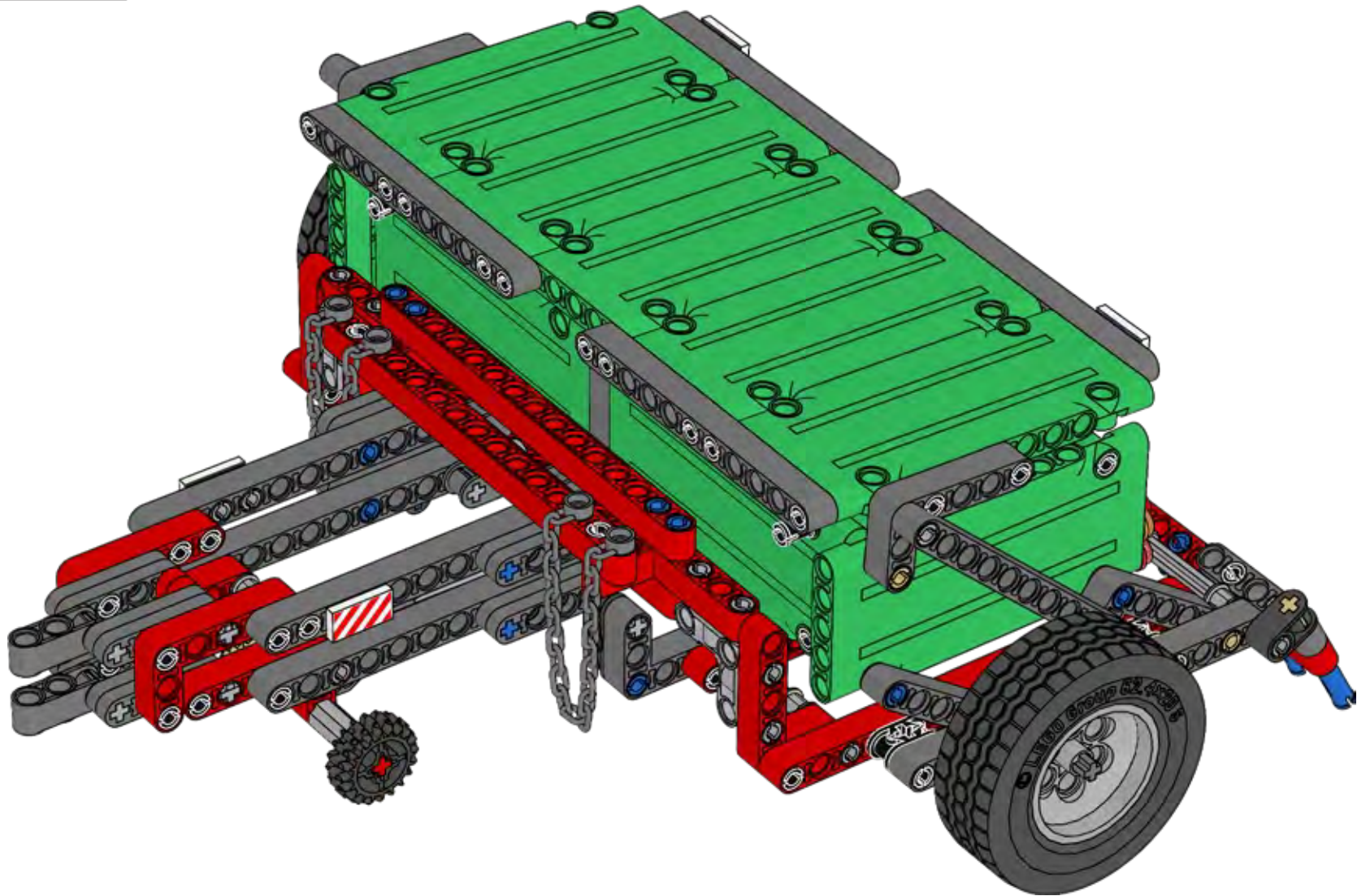







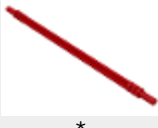





Image	Qty	Item No	Description	MID
<b>Regular Items:</b>				
<b>Parts:</b>				
	4	<a href="#">x346</a>	<b>Blue Bionicle 1 x 3 Tooth with Axle Hole</b> Catalog: <a href="#">Parts: Bionicle</a> 4185662	<a href="#">PG</a>
	3	<a href="#">3941</a>	<b>Black Brick, Round 2 x 2 with Axle Hole</b> Catalog: <a href="#">Parts: Brick, Round</a> 614326	<a href="#">PG</a>
	1	<a href="#">3941</a>	<b>Trans-Neon Orange Brick, Round 2 x 2 with Axle Hole</b> Catalog: <a href="#">Parts: Brick, Round</a> 6273156 or 611647	<a href="#">PG</a>
	2	<a href="#">30104</a>	<b>Dark Bluish Gray Chain 21 Links (16-17L)</b> Catalog: <a href="#">Parts: Chain</a> 6258887 or 4211035 or 4516456	<a href="#">PG</a>
	2	<a href="#">75c12</a>	<b>Black Hose, Rigid 3mm D. 12L / 9.6cm</b> Catalog: <a href="#">Parts: Hose, Rigid 3mm D.</a> 4296268 or 4526794	<a href="#">PG</a>
	1	<a href="#">32199</a>	<b>Black Hose, Soft Axle 11L</b> Catalog: <a href="#">Parts: Hose, Soft Axle</a> 4234438	<a href="#">PG</a>
	1	<a href="#">32200</a>	<b>White Hose, Soft Axle 12L</b> Catalog: <a href="#">Parts: Hose, Soft Axle</a> 4296264	<a href="#">PG</a>
	6	<a href="#">32201</a>	<b>Red Hose, Soft Axle 14L</b> Catalog: <a href="#">Parts: Hose, Soft Axle</a> 4268647 or 4255547	<a href="#">PG</a>
	11	<a href="#">3024</a>	<b>Trans-Clear Plate 1 x 1</b> Catalog: <a href="#">Parts: Plate</a> 6252041 or 3000840	<a href="#">PG</a>
	1	<a href="#">3623</a>	<b>Black Plate 1 x 3</b> Catalog: <a href="#">Parts: Plate</a> 362326	<a href="#">PG</a>
	1	<a href="#">4477</a>	<b>Black Plate 1 x 10</b> Catalog: <a href="#">Parts: Plate</a> 447726	<a href="#">PG</a>



+



\*

2

[3794a](#)

**Light Bluish Gray Plate, Modified 1 x 2 with 1 Stud without Groove (Jumper)**

Catalog: [Parts: Plate, Modified](#)  
4211451

[PG](#)

+



\*

2

[2817](#)

**Black Plate, Modified 2 x 2 with Pin Holes**

Catalog: [Parts: Plate, Modified](#)  
281726

[PG](#)

+



\*

6

[4073](#)

**Trans-Orange Plate, Round 1 x 1**

Catalog: [Parts: Plate, Round](#)  
6240227 or 4222960

[PG](#)

+



\*

6

[4073](#)

**Trans-Red Plate, Round 1 x 1**

Catalog: [Parts: Plate, Round](#)  
6208450 or 3005741

[PG](#)

+



\*

1

[4032](#)

**Black Plate, Round 2 x 2 with Axle Hole**

Catalog: [Parts: Plate, Round](#)  
403226

[PG](#)

+



\*

1

[2654](#)

**Black Plate, Round 2 x 2 with Rounded Bottom (Boat Stud)**

Catalog: [Parts: Plate, Round](#)  
4617551 or 265426 or 4278359

[PG](#)

+



\*

51

[3713](#)

**Light Bluish Gray Technic Bush**

Catalog: [Parts: Technic](#)  
6275844 or 4211622

[PG](#)

+



\*

11

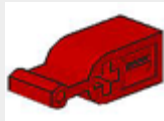
[4265c](#)

**Light Bluish Gray Technic Bush 1/2 Smooth**

Catalog: [Parts: Technic](#)  
6271165 or 4211573

[PG](#)

+



\*

1

[6641](#)

**Red Technic Changeover Catch**

Catalog: [Parts: Technic](#)  
6099696 or 4270473

[PG](#)

+



\*

1

[6539](#)

**Red Technic Driving Ring 2L**

Catalog: [Parts: Technic](#)  
4278957

[PG](#)

+



\*

4

[2852](#)

**Light Bluish Gray Technic Engine Connecting Rod**

Catalog: [Parts: Technic](#)  
6000018 or 4211379 or 2852194

[PG](#)

+



\*













2













[2853](#)










**Light Bluish Gray Technic Engine Crankshaft**


Catalog: [Parts: Technic](#)  
4211609 or 2853194


[PG](#)

+	 *	3	<a href="#">2854</a>	<b>Dark Bluish Gray Technic Engine Crankshaft Center</b> <a href="#">Catalog: Parts: Technic</a> 6007058 or 4210987 or 2854199	<a href="#">PG</a>
+	 *	4	<a href="#">2850</a>	<b>Light Bluish Gray Technic Engine Cylinder</b> <a href="#">Catalog: Parts: Technic</a> 4234251	<a href="#">PG</a>
+	 *	4	<a href="#">2851</a>	<b>Yellow Technic Engine Piston Round</b> <a href="#">Catalog: Parts: Technic</a> 285124 or 4112203	<a href="#">PG</a>
+	 *	2	<a href="#">32072</a>	<b>Yellow Technic Knob Wheel</b> <a href="#">Catalog: Parts: Technic</a> 4203493	<a href="#">PG</a>
+	 *	1	<a href="#">61927c01</a>	<b>Light Bluish Gray Technic Linear Actuator with Dark Bluish Gray Ends</b> <a href="#">Catalog: Parts: Technic</a> 6153715 or 4638507 or 4528037	<a href="#">PG</a>
+	 *	34	<a href="#">32062</a>	<b>Red Technic, Axle 2 Notched</b> <a href="#">Catalog: Parts: Technic, Axle</a> 4142865	<a href="#">PG</a>
+	 *	37	<a href="#">4519</a>	<b>Light Bluish Gray Technic, Axle 3</b> <a href="#">Catalog: Parts: Technic, Axle</a> 4211815	<a href="#">PG</a>
+	 *	6	<a href="#">6587</a>	<b>Dark Bluish Gray Technic, Axle 3 with Stud</b> <a href="#">Catalog: Parts: Technic, Axle</a> 6129590 or 6587199 or 4211086	<a href="#">PG</a>
+	 *	12	<a href="#">3705</a>	<b>Black Technic, Axle 4</b> <a href="#">Catalog: Parts: Technic, Axle</a> 370526	<a href="#">PG</a>
+	 *	31	<a href="#">32073</a>	<b>Light Bluish Gray Technic, Axle 5</b> <a href="#">Catalog: Parts: Technic, Axle</a> 32073194 or 4211639	<a href="#">PG</a>
+	 *	13	<a href="#">3706</a>	<b>Black Technic, Axle 6</b> <a href="#">Catalog: Parts: Technic, Axle</a> 370626	<a href="#">PG</a>
+	 *	8	<a href="#">44294</a>	<b>Light Bluish Gray Technic, Axle 7</b> <a href="#">Catalog: Parts: Technic, Axle</a> 44294194 or 4211805	<a href="#">PG</a>

+	 *	3	<a href="#">3737</a>	<b>Black Technic, Axle 10</b> <a href="#">Catalog: Parts: Technic, Axle</a> 373726	<a href="#">PG</a>
+	 *	9	<a href="#">32209</a>	<b>Dark Bluish Gray Technic, Axle 5.5 with Stop</b> <a href="#">Catalog: Parts: Technic, Axle</a> 4263624 or 4508553	<a href="#">PG</a>
+	 *	12	<a href="#">32013</a>	<b>Black Technic, Axle and Pin Connector Angled #1</b> <a href="#">Catalog: Parts: Technic, Connector</a> 6284699 or 4107085	<a href="#">PG</a>
+	 *	4	<a href="#">32034</a>	<b>Black Technic, Axle and Pin Connector Angled #2 - 180 degrees</b> <a href="#">Catalog: Parts: Technic, Connector</a> 6271869 or 3203426 or 4107783	<a href="#">PG</a>
+	 *	11	<a href="#">32034</a>	<b>Light Bluish Gray Technic, Axle and Pin Connector Angled #2 - 180 degrees</b> <a href="#">Catalog: Parts: Technic, Connector</a> 4211567	<a href="#">PG</a>
+	 *	1	<a href="#">32015</a>	<b>Black Technic, Axle and Pin Connector Angled #5 - 112.5 degrees</b> <a href="#">Catalog: Parts: Technic, Connector</a> 6271346 or 4107084	<a href="#">PG</a>
+	 *	2	<a href="#">32014</a>	<b>Black Technic, Axle and Pin Connector Angled #6 - 90 degrees</b> <a href="#">Catalog: Parts: Technic, Connector</a> 6268905 or 4107767	<a href="#">PG</a>
+	 *	1	<a href="#">61904</a>	<b>Dark Bluish Gray Technic, Axle and Pin Connector Block 4 x 3 x 2 1/2 (Linear Actuator Holder)</b> <a href="#">Catalog: Parts: Technic, Connector</a> 4528038	<a href="#">PG</a>
+	 *	14	<a href="#">6536</a>	<b>Black Technic, Axle and Pin Connector Perpendicular</b> <a href="#">Catalog: Parts: Technic, Connector</a> 6261371 or 4173668 or 653626	<a href="#">PG</a>
+	 *	4	<a href="#">6536</a>	<b>Dark Bluish Gray Technic, Axle and Pin Connector Perpendicular</b> <a href="#">Catalog: Parts: Technic, Connector</a> 6261374 or 4210851 or 6536199	<a href="#">PG</a>
+	 *	8	<a href="#">6536</a>	<b>Light Bluish Gray Technic, Axle and Pin Connector Perpendicular</b> <a href="#">Catalog: Parts: Technic, Connector</a> 4211775	<a href="#">PG</a>
+	 *	6	<a href="#">6536</a>	<b>White Technic, Axle and Pin Connector Perpendicular</b> <a href="#">Catalog: Parts: Technic, Connector</a> 6261372 or 653601 or 4173670 or 65361	<a href="#">PG</a>


+	 *	7	<a href="#">42003</a>	<b>Black Technic, Axle and Pin Connector Perpendicular 3L with 2 Pin Holes</b> <a href="#">Catalog: Parts: Technic, Connector</a> 6273708 or 4200326 or 4173970	<a href="#">PG</a>
+	 *	4	<a href="#">42003</a>	<b>Dark Bluish Gray Technic, Axle and Pin Connector Perpendicular 3L with 2 Pin Holes</b> <a href="#">Catalog: Parts: Technic, Connector</a> 6273715 or 4210857	<a href="#">PG</a>
+	 *	8	<a href="#">42003</a>	<b>Light Bluish Gray Technic, Axle and Pin Connector Perpendicular 3L with 2 Pin Holes</b> <a href="#">Catalog: Parts: Technic, Connector</a> 6273724 or 4211779	<a href="#">PG</a>
+	 *	2	<a href="#">32184</a>	<b>Black Technic, Axle and Pin Connector Perpendicular 3L with Center Pin Hole</b> <a href="#">Catalog: Parts: Technic, Connector</a> 6276951 or 4121667	<a href="#">PG</a>
+	 *	8	<a href="#">32184</a>	<b>Light Bluish Gray Technic, Axle and Pin Connector Perpendicular 3L with Center Pin Hole</b> <a href="#">Catalog: Parts: Technic, Connector</a> 6276969 or 4211621	<a href="#">PG</a>
+	 *	5	<a href="#">32291</a>	<b>Black Technic, Axle and Pin Connector Perpendicular Double</b> <a href="#">Catalog: Parts: Technic, Connector</a> 6280394 or 4140430	<a href="#">PG</a>
+	 *	2	<a href="#">32291</a>	<b>Dark Bluish Gray Technic, Axle and Pin Connector Perpendicular Double</b> <a href="#">Catalog: Parts: Technic, Connector</a> 6280395 or 4210655	<a href="#">PG</a>
+	 *	3	<a href="#">41678</a>	<b>Black Technic, Axle and Pin Connector Perpendicular Double Split</b> <a href="#">Catalog: Parts: Technic, Connector</a> 4162857	<a href="#">PG</a>
+	 *	1	<a href="#">6538b</a>	<b>Tan Technic, Axle Connector 2L (Ridged with x Hole x Orientation)</b> <a href="#">Catalog: Parts: Technic, Connector</a> 4140453 or 4207456 or 65385	<a href="#">PG</a>
+	 *	15	<a href="#">6538c</a>	<b>Black Technic, Axle Connector 2L (Smooth with x Hole + Orientation)</b> <a href="#">Catalog: Parts: Technic, Connector</a> 6084612 or 4512363	<a href="#">PG</a>
+	 *	17	<a href="#">6538c</a>	<b>Light Bluish Gray Technic, Axle Connector 2L (Smooth with x Hole + Orientation)</b> <a href="#">Catalog: Parts: Technic, Connector</a> 4512360	<a href="#">PG</a>
+	 *	1	<a href="#">6538c</a>	<b>Red Technic, Axle Connector 2L (Smooth with x Hole + Orientation)</b> <a href="#">Catalog: Parts: Technic, Connector</a> 4513174	<a href="#">PG</a>


+	 *	4	<a href="#">32039</a>	<p><b>Black Technic, Axle Connector with Axle Hole</b>  <a href="#">Catalog: Parts: Technic, Connector</a>            3203926 or 4107081</p>	<a href="#">PG</a>
---	---	---	-----------------------	--	--------------------


+	 *	1	<a href="#">32039</a>	<p><b>Red Technic, Axle Connector with Axle Hole</b>  <a href="#">Catalog: Parts: Technic, Connector</a>            4118897</p>	<a href="#">PG</a>
---	--	---	-----------------------	---	--------------------


+	 *	59	<a href="#">43093</a>	<p><b>Blue Technic, Axle Pin with Friction Ridges Lengthwise</b>  <a href="#">Catalog: Parts: Technic, Axle</a>            4309323 or 4206482</p>	<a href="#">PG</a>
---	--	----	-----------------------	---	--------------------


+	 *	4	<a href="#">3749</a>	<p><b>Tan Technic, Axle Pin without Friction Ridges Lengthwise</b>  <a href="#">Catalog: Parts: Technic, Axle</a>            4666579 or 65625 or 4186017</p>	<a href="#">PG</a>
---	--	---	----------------------	--	--------------------


+	 *	2	<a href="#">3647</a>	<p><b>Dark Bluish Gray Technic, Gear 8 Tooth Type 1</b>  <a href="#">Catalog: Parts: Technic, Gear</a>            4514559</p>	<a href="#">PG</a>
---	--	---	----------------------	---	--------------------


+	 *	4	<a href="#">6589</a>	<p><b>Tan Technic, Gear 12 Tooth Bevel</b>  <a href="#">Catalog: Parts: Technic, Gear</a>            4565452 or 4514556</p>	<a href="#">PG</a>
---	--	---	----------------------	---	--------------------

+	 *	3	<a href="#">32270</a>	<p><b>Black Technic, Gear 12 Tooth Double Bevel</b>  <a href="#">Catalog: Parts: Technic, Gear</a>            4177431</p>	<a href="#">PG</a>
---	--	---	-----------------------	---	--------------------





+	 *	5	<a href="#">4019</a>	<p><b>Light Bluish Gray Technic, Gear 16 Tooth (First Version - 4 Round Holes)</b>  <a href="#">Catalog: Parts: Technic, Gear</a>            4562487 or 4211563 or 4019194</p>	<a href="#">PG</a>
---	--	---	----------------------	--	--------------------







+	 *	2	<a href="#">6542</a>	<p><b>Dark Bluish Gray Technic, Gear 16 Tooth with Clutch</b>  <a href="#">Catalog: Parts: Technic, Gear</a>            6542199 or 4237267</p>	<a href="#">PG</a>
---	--	---	----------------------	--	--------------------


+	 *	1	<a href="#">32198</a>	<p><b>Tan Technic, Gear 20 Tooth Bevel</b>  <a href="#">Catalog: Parts: Technic, Gear</a>            6031962 or 4514557</p>	<a href="#">PG</a>
---	--	---	-----------------------	---	--------------------

+	 *	3	<a href="#">32269</a>	<p><b>Black Technic, Gear 20 Tooth Double Bevel</b>  <a href="#">Catalog: Parts: Technic, Gear</a>            6093977 or 4177430</p>	<a href="#">PG</a>
---	--	---	-----------------------	--	--------------------


+	 *	1	<a href="#">3650b</a>	<p><b>Light Bluish Gray Technic, Gear 24 Tooth Crown (2nd Version - Reinforced)</b>  <a href="#">Catalog: Parts: Technic, Gear</a>            4211434</p>	<a href="#">PG</a>
---	--	---	-----------------------	---	--------------------

+	 *	1	<a href="#">6573</a>	<b>Dark Bluish Gray Technic, Gear Differential, 24-16 Teeth</b>	<a href="#">PG</a>
				<a href="#">Catalog: Parts: Technic, Gear</a> <a href="#">6573199</a> or <a href="#">4211023</a>	
+	 *	1	<a href="#">3743</a>	<b>Light Bluish Gray Technic, Gear Rack 1 x 4</b>	<a href="#">PG</a>
				<a href="#">Catalog: Parts: Technic, Gear</a> <a href="#">4211450</a>	
+	 *	1	<a href="#">4716</a>	<b>Light Bluish Gray Technic, Gear Worm Screw, Long</b>	<a href="#">PG</a>
				<a href="#">Catalog: Parts: Technic, Gear</a> <a href="#">6185471</a> or <a href="#">4211510</a>	
+	 *	2	<a href="#">43857</a>	<b>Black Technic, Liftarm 1 x 2 Thick</b>	<a href="#">PG</a>
				<a href="#">Catalog: Parts: Technic, Liftarm</a> <a href="#">4385726</a> or <a href="#">4177444</a>	
+	 *	1	<a href="#">60483</a>	<b>Light Bluish Gray Technic, Liftarm 1 x 2 Thick with Pin Hole and Axle Hole</b>	<a href="#">PG</a>
				<a href="#">Catalog: Parts: Technic, Liftarm</a> <a href="#">6265089</a> or <a href="#">6004888</a> or <a href="#">4515184</a>	
+	 *	8	<a href="#">41677</a>	<b>Black Technic, Liftarm 1 x 2 Thin</b>	<a href="#">PG</a>
				<a href="#">Catalog: Parts: Technic, Liftarm</a> <a href="#">4167726</a> or <a href="#">4164133</a>	
+	 *	8	<a href="#">41677</a>	<b>Light Bluish Gray Technic, Liftarm 1 x 2 Thin</b>	<a href="#">PG</a>
				<a href="#">Catalog: Parts: Technic, Liftarm</a> <a href="#">4211741</a>	
+	 *	6	<a href="#">32523</a>	<b>Black Technic, Liftarm 1 x 3 Thick</b>	<a href="#">PG</a>
				<a href="#">Catalog: Parts: Technic, Liftarm</a> <a href="#">3252326</a> or <a href="#">4142822</a>	
+	 *	3	<a href="#">32523</a>	<b>Red Technic, Liftarm 1 x 3 Thick</b>	<a href="#">PG</a>
				<a href="#">Catalog: Parts: Technic, Liftarm</a> <a href="#">4153718</a>	
+	 *	2	<a href="#">6632</a>	<b>Blue Technic, Liftarm 1 x 3 Thin</b>	<a href="#">PG</a>
				<a href="#">Catalog: Parts: Technic, Liftarm</a> <a href="#">4107829</a> or <a href="#">663223</a>	
+	 *	6	<a href="#">6632</a>	<b>Red Technic, Liftarm 1 x 3 Thin</b>	<a href="#">PG</a>
				<a href="#">Catalog: Parts: Technic, Liftarm</a> <a href="#">4107824</a>	
+	 *	2	<a href="#">33299</a>	<b>Black Technic, Liftarm 1 x 3 with 2 Axle Holes and Pin / Crank</b>	<a href="#">PG</a>
				<a href="#">Catalog: Parts: Technic, Liftarm</a> <a href="#">4563044</a> or <a href="#">4156980</a>	

+	 *	16	<a href="#">32449</a>	<b>Dark Bluish Gray Technic, Liftarm 1 x 4 Thin</b> Catalog: <a href="#">Parts: Technic, Liftarm</a> 4210749	<a href="#">PG</a>
+	 *	4	<a href="#">32449</a>	<b>White Technic, Liftarm 1 x 4 Thin</b> Catalog: <a href="#">Parts: Technic, Liftarm</a> 4144138	<a href="#">PG</a>
+	 *	4	<a href="#">2825</a>	<b>Black Technic, Liftarm 1 x 4 Thin with Stud Connector</b> Catalog: <a href="#">Parts: Technic, Liftarm</a> 3200626 or 4107136	<a href="#">PG</a>
+	 *	4	<a href="#">32316</a>	<b>Blue Technic, Liftarm 1 x 5 Thick</b> Catalog: <a href="#">Parts: Technic, Liftarm</a> 3231623 or 4142134	<a href="#">PG</a>
+	 *	13	<a href="#">32316</a>	<b>Dark Bluish Gray Technic, Liftarm 1 x 5 Thick</b> Catalog: <a href="#">Parts: Technic, Liftarm</a> 32316199 or 4210686	<a href="#">PG</a>
+	 *	1	<a href="#">32316</a>	<b>Red Technic, Liftarm 1 x 5 Thick</b> Catalog: <a href="#">Parts: Technic, Liftarm</a> 4142132	<a href="#">PG</a>
+	 *	2	<a href="#">32063</a>	<b>Light Bluish Gray Technic, Liftarm 1 x 6 Thin</b> Catalog: <a href="#">Parts: Technic, Liftarm</a> 4211586	<a href="#">PG</a>
+	 *	4	<a href="#">32348</a>	<b>Black Technic, Liftarm 1 x 7 Bent (4 - 4) Thick</b> Catalog: <a href="#">Parts: Technic, Liftarm</a> 6278125 or 4128593	<a href="#">PG</a>
+	 *	4	<a href="#">32348</a>	<b>Red Technic, Liftarm 1 x 7 Bent (4 - 4) Thick</b> Catalog: <a href="#">Parts: Technic, Liftarm</a> 4174834 or 4263821	<a href="#">PG</a>
+	 *	2	<a href="#">32524</a>	<b>Black Technic, Liftarm 1 x 7 Thick</b> Catalog: <a href="#">Parts: Technic, Liftarm</a> 3252426 or 4495935 or 4155458	<a href="#">PG</a>
+	 *	3	<a href="#">32524</a>	<b>Red Technic, Liftarm 1 x 7 Thick</b> Catalog: <a href="#">Parts: Technic, Liftarm</a> 4162098 or 4495933	<a href="#">PG</a>
+	 *	2	<a href="#">6629</a>	<b>Black Technic, Liftarm 1 x 9 Bent (6 - 4) Thick</b> Catalog: <a href="#">Parts: Technic, Liftarm</a> 6279881 or 4112282	<a href="#">PG</a>


+	 *	4	<a href="#">6629</a>	<p><b>Dark Bluish Gray Technic, Liftarm 1 x 9 Bent (6 - 4) Thick</b>  <a href="#">Catalog: Parts: Technic, Liftarm</a>            6279883 or 4210638</p>	<a href="#">PG</a>
---	---	---	----------------------	--	--------------------


+	 *	2	<a href="#">32271</a>	<p><b>Light Bluish Gray Technic, Liftarm 1 x 9 Bent (7 - 3) Thick</b>  <a href="#">Catalog: Parts: Technic, Liftarm</a>            4211624</p>	<a href="#">PG</a>
---	--	---	-----------------------	--	--------------------

+	 *	9	<a href="#">40490</a>	<p><b>Black Technic, Liftarm 1 x 9 Thick</b>  <a href="#">Catalog: Parts: Technic, Liftarm</a>            4049026 or 4542788 or 4645732 or 4154767</p>	<a href="#">PG</a>
---	--	---	-----------------------	--	--------------------


+	 *	1	<a href="#">40490</a>	<p><b>Dark Bluish Gray Technic, Liftarm 1 x 9 Thick</b>  <a href="#">Catalog: Parts: Technic, Liftarm</a>            4645730 or 4210757</p>	<a href="#">PG</a>
---	--	---	-----------------------	---	--------------------


+	 *	1	<a href="#">40490</a>	<p><b>Red Technic, Liftarm 1 x 9 Thick</b>  <a href="#">Catalog: Parts: Technic, Liftarm</a>            4645733 or 4192225</p>	<a href="#">PG</a>
---	--	---	-----------------------	--	--------------------


+	 *	2	<a href="#">32525</a>	<p><b>Black Technic, Liftarm 1 x 11 Thick</b>  <a href="#">Catalog: Parts: Technic, Liftarm</a>            6029578 or 3252526 or 4534909 or 4156150</p>	<a href="#">PG</a>
---	---	---	-----------------------	---	--------------------


+	 *	14	<a href="#">32525</a>	<p><b>Dark Bluish Gray Technic, Liftarm 1 x 11 Thick</b>  <a href="#">Catalog: Parts: Technic, Liftarm</a>            4534914 or 4603472 or 4210755</p>	<a href="#">PG</a>
---	--	----	-----------------------	---	--------------------

+	 *	2	<a href="#">32525</a>	<p><b>Red Technic, Liftarm 1 x 11 Thick</b>  <a href="#">Catalog: Parts: Technic, Liftarm</a>            4534913 or 4562805 or 4205035</p>	<a href="#">PG</a>
---	--	---	-----------------------	--	--------------------


+	 *	3	<a href="#">32525</a>	<p><b>White Technic, Liftarm 1 x 11 Thick</b>  <a href="#">Catalog: Parts: Technic, Liftarm</a>            6028103 or 4296265</p>	<a href="#">PG</a>
---	--	---	-----------------------	---	--------------------

+	 *	3	<a href="#">41239</a>	<p><b>Black Technic, Liftarm 1 x 13 Thick</b>  <a href="#">Catalog: Parts: Technic, Liftarm</a>            4123926 or 4164422 or 4522933</p>	<a href="#">PG</a>
---	--	---	-----------------------	--	--------------------

+	 *	4	<a href="#">41239</a>	<p><b>Dark Bluish Gray Technic, Liftarm 1 x 13 Thick</b>  <a href="#">Catalog: Parts: Technic, Liftarm</a>            4261932 or 4522937</p>	<a href="#">PG</a>
---	--	---	-----------------------	--	--------------------

+	 *	2	<a href="#">32278</a>	<p><b>Black Technic, Liftarm 1 x 15 Thick</b>  <a href="#">Catalog: Parts: Technic, Liftarm</a>            4542573 or 4128603</p>	<a href="#">PG</a>
---	--	---	-----------------------	---	--------------------




+	 *	1	<a href="#">32278</a>	<b>Dark Bluish Gray Technic, Liftarm 1 x 15 Thick</b> <small>Catalog: <a href="#">Parts</a>; <a href="#">Technic</a>, <a href="#">Liftarm</a> 32278199 or 4210687 or 4542576</small>	<a href="#">PG</a>
---	---	---	-----------------------	---	--------------------


+	 *	3	<a href="#">32278</a>	<b>Light Bluish Gray Technic, Liftarm 1 x 15 Thick</b> <small>Catalog: <a href="#">Parts</a>; <a href="#">Technic</a>, <a href="#">Liftarm</a> 4542577 or 4211770</small>	<a href="#">PG</a>
---	--	---	-----------------------	--	--------------------


+	 *	12	<a href="#">32278</a>	<b>Red Technic, Liftarm 1 x 15 Thick</b> <small>Catalog: <a href="#">Parts</a>; <a href="#">Technic</a>, <a href="#">Liftarm</a> 4542575 or 4163147</small>	<a href="#">PG</a>
---	--	----	-----------------------	--	--------------------

+	 *	8	<a href="#">32009</a>	<b>Black Technic, Liftarm 1 x 11.5 Double Bent Thick</b> <small>Catalog: <a href="#">Parts</a>; <a href="#">Technic</a>, <a href="#">Liftarm</a> 6271152 or 4111998</small>	<a href="#">PG</a>
---	--	---	-----------------------	--	--------------------


+	 *	13	<a href="#">32140</a>	<b>Black Technic, Liftarm 2 x 4 L-Shape Thick</b> <small>Catalog: <a href="#">Parts</a>; <a href="#">Technic</a>, <a href="#">Liftarm</a> 6271825 or 3214026 or 4120017</small>	<a href="#">PG</a>
---	--	----	-----------------------	--	--------------------


+	 *	1	<a href="#">32140</a>	<b>Blue Technic, Liftarm 2 x 4 L-Shape Thick</b> <small>Catalog: <a href="#">Parts</a>; <a href="#">Technic</a>, <a href="#">Liftarm</a> 4124278 or 4168114</small>	<a href="#">PG</a>
---	--	---	-----------------------	--	--------------------

+	 *	2	<a href="#">32140</a>	<b>Dark Bluish Gray Technic, Liftarm 2 x 4 L-Shape Thick</b> <small>Catalog: <a href="#">Parts</a>; <a href="#">Technic</a>, <a href="#">Liftarm</a> 4210667</small>	<a href="#">PG</a>
---	--	---	-----------------------	---	--------------------













+	 *	1	<a href="#">32140</a>	<b>Red Technic, Liftarm 2 x 4 L-Shape Thick</b> <small>Catalog: <a href="#">Parts</a>; <a href="#">Technic</a>, <a href="#">Liftarm</a> 4141270</small>	<a href="#">PG</a>
---	--	---	-----------------------	--	--------------------



+	 *	22	<a href="#">32056</a>	<b>Black Technic, Liftarm 3 x 3 L-Shape Thin</b> <small>Catalog: <a href="#">Parts</a>; <a href="#">Technic</a>, <a href="#">Liftarm</a> 4112287</small>	<a href="#">PG</a>
---	--	----	-----------------------	---	--------------------

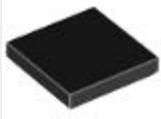
+	 *	3	<a href="#">32526</a>	<b>Black Technic, Liftarm 3 x 5 L-Shape Thick</b> <small>Catalog: <a href="#">Parts</a>; <a href="#">Technic</a>, <a href="#">Liftarm</a> 3252626 or 4142823</small>	<a href="#">PG</a>
---	--	---	-----------------------	---	--------------------

+	 *	6	<a href="#">32526</a>	<b>Dark Bluish Gray Technic, Liftarm 3 x 5 L-Shape Thick</b> <small>Catalog: <a href="#">Parts</a>; <a href="#">Technic</a>, <a href="#">Liftarm</a> 4210753</small>	<a href="#">PG</a>
---	--	---	-----------------------	---	--------------------


+	 *	8	<a href="#">32526</a>	<b>Red Technic, Liftarm 3 x 5 L-Shape Thick</b> <small>Catalog: <a href="#">Parts</a>; <a href="#">Technic</a>, <a href="#">Liftarm</a> 4143154</small>	<a href="#">PG</a>
---	--	---	-----------------------	--	--------------------


+		8	<a href="#">32250</a>	<b>Black Technic, Liftarm 3 x 5 L-Shape with Quarter Ellipse Thin</b> Catalog: <a href="#">Parts: Technic, Liftarm</a> 3225026 or 4128557	<a href="#">PG</a>
+		4	<a href="#">32250</a>	<b>Red Technic, Liftarm 3 x 5 L-Shape with Quarter Ellipse Thin</b> Catalog: <a href="#">Parts: Technic, Liftarm</a> 6174847 or 4128553 or 4254610	<a href="#">PG</a>
+		4	<a href="#">2905</a>	<b>Black Technic, Liftarm Triangle Thin</b> Catalog: <a href="#">Parts: Technic, Liftarm</a> 4142543 or 290526	<a href="#">PG</a>
+		1	<a href="#">64394</a>	<b>Red Technic, Panel Fairing #13 Large Short Smooth, Side A</b> Catalog: <a href="#">Parts: Technic, Panel</a> 4540825	<a href="#">PG</a>
+		1	<a href="#">64680</a>	<b>Red Technic, Panel Fairing #14 Large Short Smooth, Side B</b> Catalog: <a href="#">Parts: Technic, Panel</a> 4543489	<a href="#">PG</a>
+		13	<a href="#">64782</a>	<b>Green Technic, Panel Plate 5 x 11 x 1</b> Catalog: <a href="#">Parts: Technic, Panel</a> 4545101	<a href="#">PG</a>
+		25	<a href="#">4274</a>	<b>Light Bluish Gray Technic, Pin 1/2</b> Catalog: <a href="#">Parts: Technic, Pin</a> 4211483 or 4274194	<a href="#">PG</a>
+		2	<a href="#">32002</a>	<b>Dark Bluish Gray Technic, Pin 3/4</b> Catalog: <a href="#">Parts: Technic, Pin</a> 32002199 or 4211050	<a href="#">PG</a>
+		57	<a href="#">6558</a>	<b>Blue Technic, Pin 3L with Friction Ridges Lengthwise</b> Catalog: <a href="#">Parts: Technic, Pin</a> 4514553	<a href="#">PG</a>
+		12	<a href="#">32054</a>	<b>Black Technic, Pin 3L with Friction Ridges Lengthwise and Stop Bush</b> Catalog: <a href="#">Parts: Technic, Pin</a> 3205426 or 4140801 or 4107742	<a href="#">PG</a>
+		12	<a href="#">32054</a>	<b>Light Bluish Gray Technic, Pin 3L with Friction Ridges Lengthwise and Stop Bush</b> Catalog: <a href="#">Parts: Technic, Pin</a> 4211865	<a href="#">PG</a>
+		4	<a href="#">32054</a>	<b>Red Technic, Pin 3L with Friction Ridges Lengthwise and Stop Bush</b> Catalog: <a href="#">Parts: Technic, Pin</a> 4140806	<a href="#">PG</a>


+	 *	6	<a href="#">32556</a>	<b>Tan Technic, Pin 3L without Friction Ridges Lengthwise</b> <a href="#">Catalog: Parts: Technic, Pin</a> 4514554	<a href="#">PG</a>
+	 *	2	<a href="#">55615</a>	<b>Light Bluish Gray Technic, Pin Connector Perpendicular 3 x 3 Bent with 4 Pins</b> <a href="#">Catalog: Parts: Technic, Connector</a> 4296059	<a href="#">PG</a>
+	 *	3	<a href="#">48989</a>	<b>Light Bluish Gray Technic, Pin Connector Perpendicular 3L with 4 Pins</b> <a href="#">Catalog: Parts: Technic, Connector</a> 4225033	<a href="#">PG</a>
+	 *	3	<a href="#">62462</a>	<b>Black Technic, Pin Connector Round 2L with Slot (Pin Joiner Round)</b> <a href="#">Catalog: Parts: Technic, Connector</a> 6173119 or 4526982	<a href="#">PG</a>
+	 *	4	<a href="#">32138</a>	<b>Black Technic, Pin Double with Axle Hole</b> <a href="#">Catalog: Parts: Technic, Pin</a> 4119589	<a href="#">PG</a>
+	 *	164	<a href="#">2780</a>	<b>Black Technic, Pin with Friction Ridges Lengthwise WITH Center Slots</b> <a href="#">Catalog: Parts: Technic, Pin</a> 4121715 or 278026	<a href="#">PG</a>
+	 *	8	<a href="#">3673</a>	<b>Light Bluish Gray Technic, Pin without Friction Ridges Lengthwise</b> <a href="#">Catalog: Parts: Technic, Pin</a> 3673194 or 4211807	<a href="#">PG</a>
+	 *	1	<a href="#">2819</a>	<b>Light Bluish Gray Technic, Steering Wheel Small, 3 Studs Diameter</b> <a href="#">Catalog: Parts: Technic, Steering</a> 4580510 or 4211578	<a href="#">PG</a>
+	 *	2	<a href="#">3069b</a>	<b>Black Tile 1 x 2 with Groove</b> <a href="#">Catalog: Parts: Tile</a> 306926	<a href="#">PG</a>
+	 *	4	<a href="#">3069bpb034</a>	<b>White Tile 1 x 2 with Groove with Diagonal Stripes Red Pattern</b> <a href="#">Catalog: Parts: Tile, Decorated</a> 4212379	<a href="#">PG</a>
+	 *	1	<a href="#">2431px17</a>	<b>Dark Bluish Gray Tile 1 x 4 with Light Switch, 2 White Gauges and Train Throttle Pattern</b> <a href="#">Catalog: Parts: Tile, Decorated</a> 6020825 or 4215740	<a href="#">PG</a>
+	 *	1	<a href="#">6636</a>	<b>Black Tile 1 x 6</b> <a href="#">Catalog: Parts: Tile</a> 663626	<a href="#">PG</a>


+	 *	2	<a href="#">3068b</a>	<b>Black Tile 2 x 2 with Groove</b> <a href="#">Catalog: Parts: Tile</a> 306826	<a href="#">PG</a>
---	---	---	-----------------------	---	--------------------


+	 *	4	<a href="#">32019</a>	<b>Black Tire 62.4mm D. x 20mm</b> <a href="#">Catalog: Parts: Tire &amp; Tread</a> 4107807 or 4547373 or 4235705	<a href="#">PG</a>
---	--	---	-----------------------	---	--------------------

+	 *	2	<a href="#">45982</a>	<b>Black Tire 81.6 x 38 R Balloon</b> <a href="#">Catalog: Parts: Tire &amp; Tread</a> 6223858 or 4198613	<a href="#">PG</a>
---	--	---	-----------------------	---	--------------------


+	 *	2	<a href="#">54120</a>	<b>Black Tire 94.8 x 44 R Balloon</b> <a href="#">Catalog: Parts: Tire &amp; Tread</a> 6005202 or 4291178	<a href="#">PG</a>
---	--	---	-----------------------	---	--------------------

+	 *	4	<a href="#">32020</a>	<b>Light Bluish Gray Wheel 43.2mm D. x 18mm (extended axle stem)</b> <a href="#">Catalog: Parts: Wheel</a> 4496707	<a href="#">PG</a>
---	--	---	-----------------------	--	--------------------


+	 *	2	<a href="#">41896</a>	<b>Light Bluish Gray Wheel 43.2mm D. x 26mm Technic Racing Small, 3 Pin Holes</b> <a href="#">Catalog: Parts: Wheel</a> 4211788	<a href="#">PG</a>
---	---	---	-----------------------	---	--------------------


+	 *	2	<a href="#">44772</a>	<b>Light Bluish Gray Wheel 56mm D. x 34mm Technic Racing Medium, 3 Pin Holes</b> <a href="#">Catalog: Parts: Wheel</a> 4211845	<a href="#">PG</a>
---	--	---	-----------------------	--	--------------------

**Extra Items:**

+	 *	3	<a href="#">4073</a>	<b>Trans-Orange Plate, Round 1 x 1</b> <a href="#">Catalog: Parts: Plate, Round</a> 6240227 or 4222960	<a href="#">PG</a>
---	--	---	----------------------	--	--------------------

+	 *	3	<a href="#">4073</a>	<b>Trans-Red Plate, Round 1 x 1</b> <a href="#">Catalog: Parts: Plate, Round</a> 6208450 or 3005741	<a href="#">PG</a>
---	--	---	----------------------	---	--------------------

+	 *	5	<a href="#">3713</a>	<b>Light Bluish Gray Technic Bush</b> <a href="#">Catalog: Parts: Technic</a> 6275844 or 4211622	<a href="#">PG</a>
---	--	---	----------------------	--	--------------------


+	 *	3	<a href="#">4265c</a>	<b>Light Bluish Gray Technic Bush 1/2 Smooth</b> <a href="#">Catalog: Parts: Technic</a> 6271165 or 4211573	<a href="#">PG</a>
---	--	---	-----------------------	---	--------------------

+		5	<a href="#">4274</a>	<b>Light Bluish Gray Technic, Pin 1/2</b> <a href="#">Catalog: Parts: Technic, Pin</a>	<a href="#">PG</a>
---	--	---	----------------------	---	--------------------




4211483 or 4274194


\*

+  1 [32002](#) **Dark Bluish Gray Technic, Pin 3/4** [PG](#)  
 Catalog: [Parts: Technic, Pin](#)  
 32002199 or 4211050

\*

+  6 [2780](#) **Black Technic, Pin with Friction Ridges Lengthwise WITH Center Slots** [PG](#)  
 Catalog: [Parts: Technic, Pin](#)  
 4121715 or 278026

\*


+  3 [3673](#) **Light Bluish Gray Technic, Pin without Friction Ridges Lengthwise** [PG](#)  
 Catalog: [Parts: Technic, Pin](#)  
 3673194 or 4211807

\*


**Counterparts:**

+  2 [41896c01\(inv\)](#) **Light Bluish Gray Wheel 43.2mm D. x 26mm Technic Racing Small, 3 Pin Holes with Black Tire 81.6 x 38 R Balloon** [PG](#)  
 (41896 / 45982)  
 Catalog: [Parts: Wheel & Tire Assembly](#)  
 Part Color Code Missing

\*

+  2 [44772c02\(inv\)](#) **Light Bluish Gray Wheel 56mm D. x 34mm Technic Racing Medium, 3 Pin Holes with Black Tire 94.8 x 44 R Balloon** [PG](#)  
 (44772 / 54120)  
 Catalog: [Parts: Wheel & Tire Assembly](#)  
 Part Color Code Missing

\*


+  4 [32020c01\(inv\)](#) **Light Bluish Gray Wheel 62.4 x 20, with Black Tire 62.4 x 20 (32020 / 32019)** [PG](#)  
 Catalog: [Parts: Wheel & Tire Assembly](#)  
 Part Color Code Missing

\*

**Summary:**

Type	Unique Lots	Total Qty
<b>Regular Items:</b>		
Parts	150	1100
<b>Extra Items:</b>		
Parts	8	29
<b>Counterparts:</b>		
Parts	3	8

**Source:**  
Parts List

[ArmoredCat \(920\)](#)  inventoried this Set on Dec 10, 2009, inventory last updated on Jun 23, 2018.