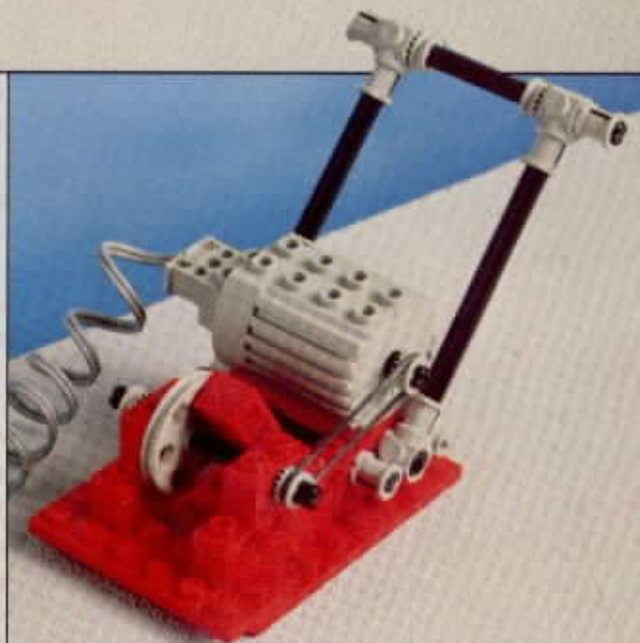
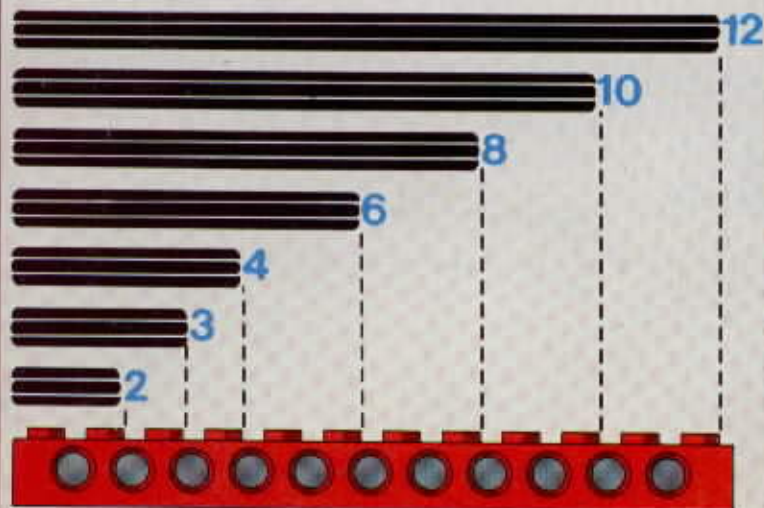


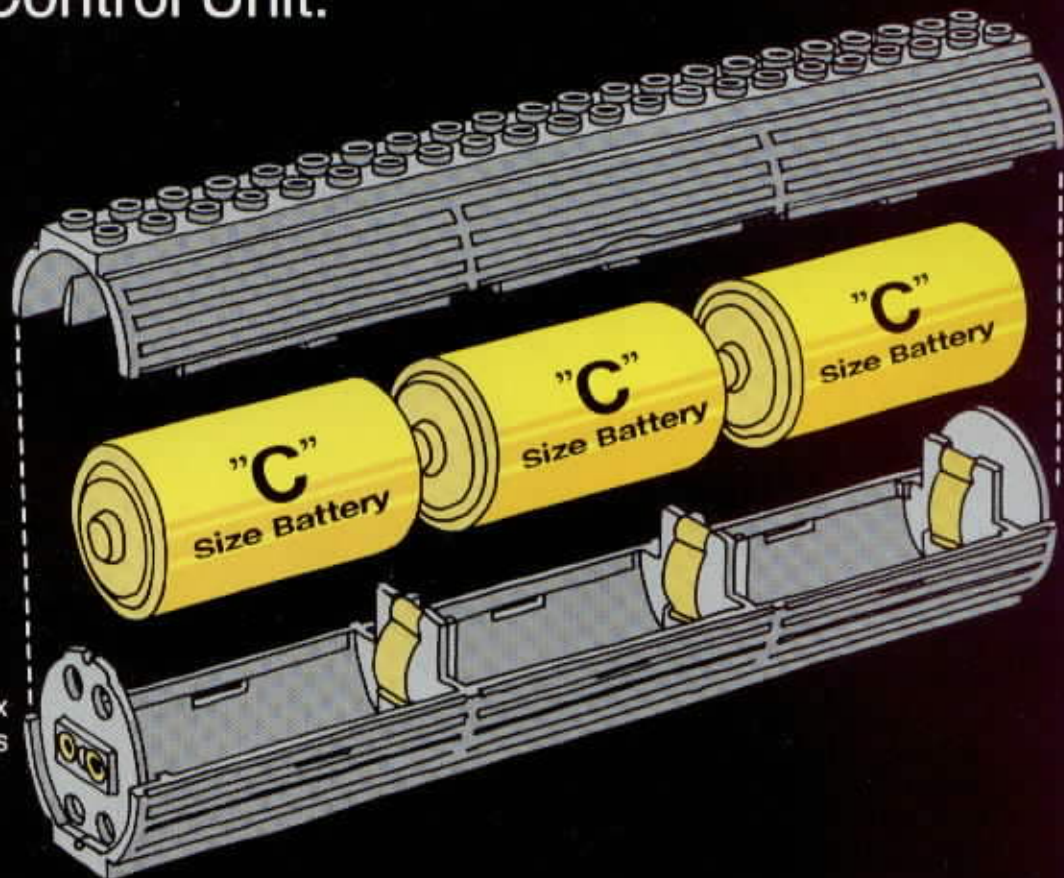
8055

Technic

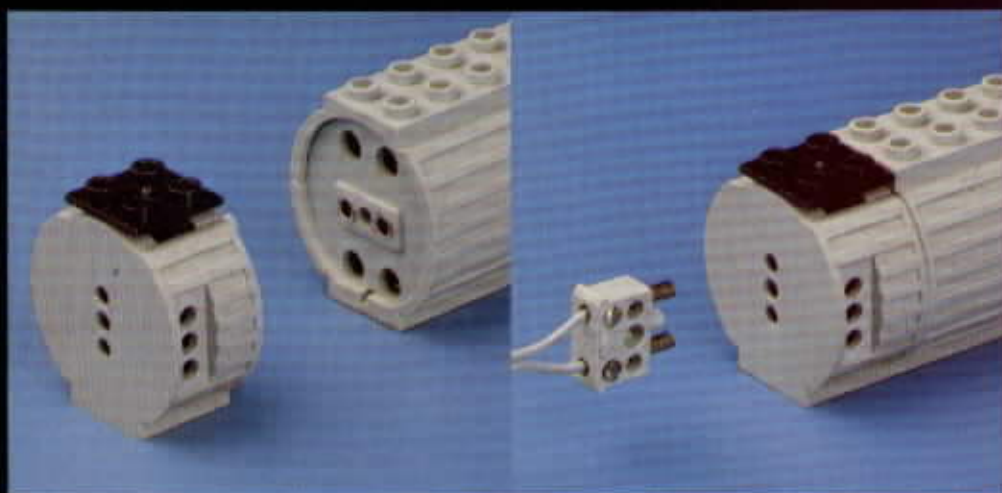
LEGO



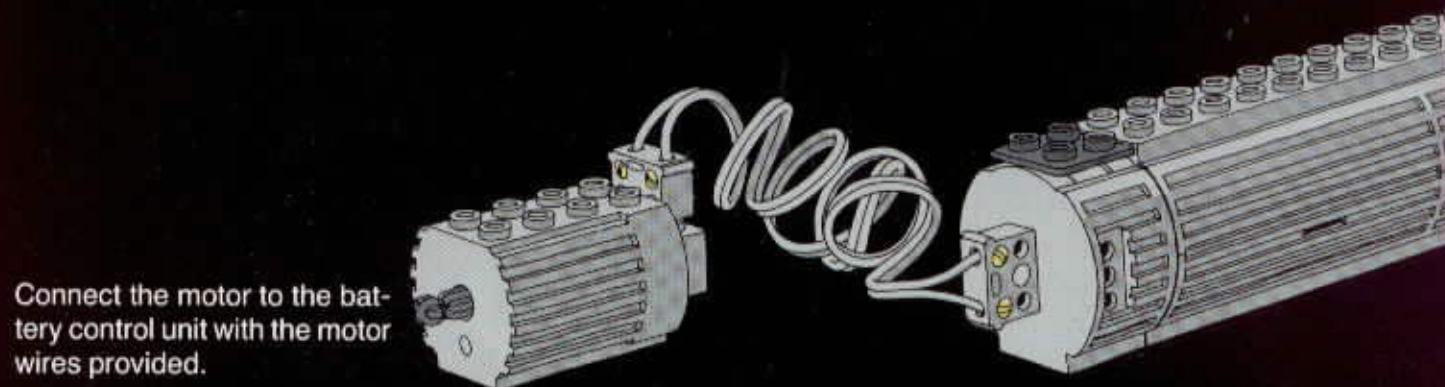
Here's How to Operate Your 4.5 Volt Motor and Battery Control Unit.



Lift off the lid of the battery box and insert 3 C-size batteries end-to-end as shown. Replace lid. (Batteries not included).



Attach the power control unit directly onto the battery box as shown.



Connect the motor to the battery control unit with the motor wires provided.

To operate the control unit, move the switch side-to-side to go either forward or backward. To turn it off, the switch must be returned to the original position. If the switch is only pushed lightly, it will automatically return to the off position when you let go.

In addition, the power control unit can be built directly onto the motor itself. The power control unit and battery box can be connected with the motor wires.



Helpful Hints

If the control unit doesn't start, then check to see that:

- a. Everything is connected in a firm and secure manner.
- b. The batteries are inserted properly into the battery box.

If the motor still doesn't start, then replace the batteries with new ones.

Batteries:

Use 3 C-size batteries to fit the spaces in the battery box.

Read instructions on batteries carefully before use:

Be certain to install the batteries correctly in the battery box. To do this, observe the polarity signs (+/- symbols).

Incorrect installation when using batteries may result in battery leakage, or cause a short circuit.

Check the batteries regularly. Remove the batteries if they are not used for a long period of time.

Batteries can leak a corrosive fluid, which will damage the battery box. When replacing batteries, replace all at the same time, i.e. never mix used and new batteries.

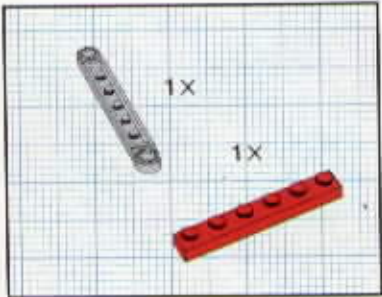
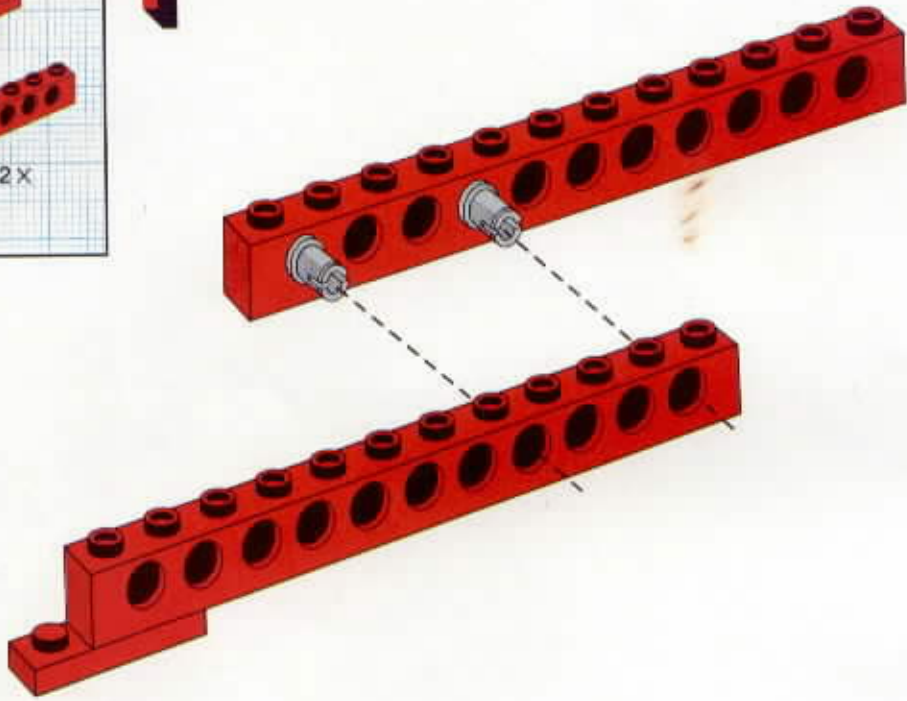
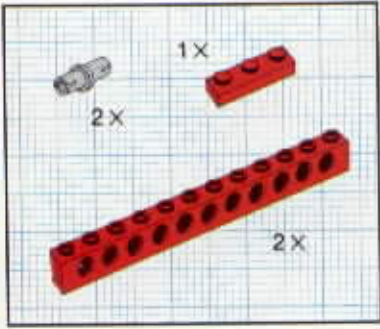
Do not use different types of batteries (e.g. zinccarbon, alkaline, rechargeable etc.) at the same time.

Rechargeable batteries may be used, however, do not try to recharge the batteries in the battery box, always use a correct recharger.

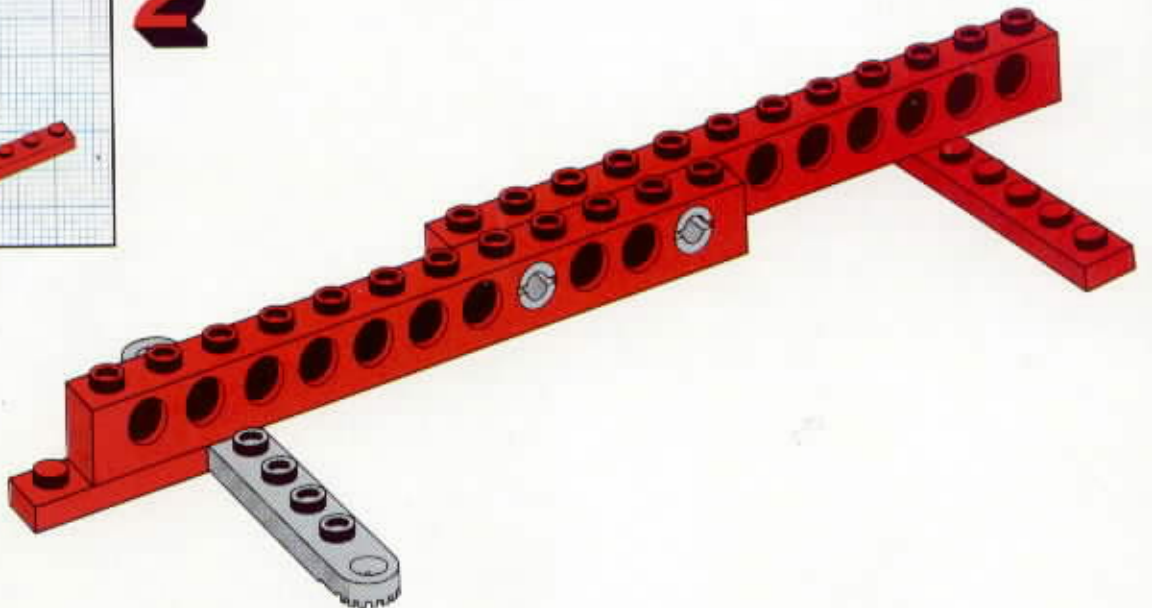
Do not connect two or more battery boxes.

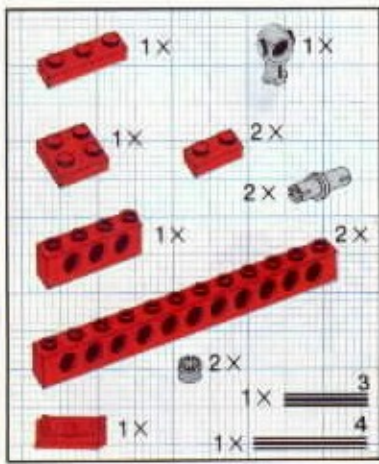
Be careful when connecting the battery box to the motor or lighting bricks. Never plug the wire back into itself forming a complete loop or into another wire already connected to the battery box. This will cause a short circuit.

Do not throw used batteries in the fire!

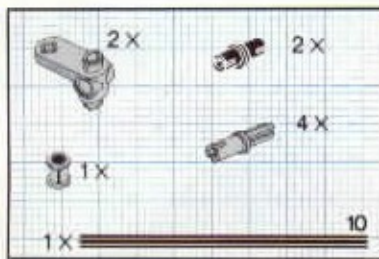
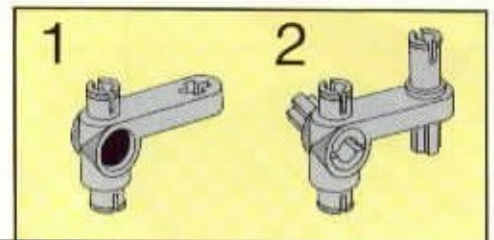
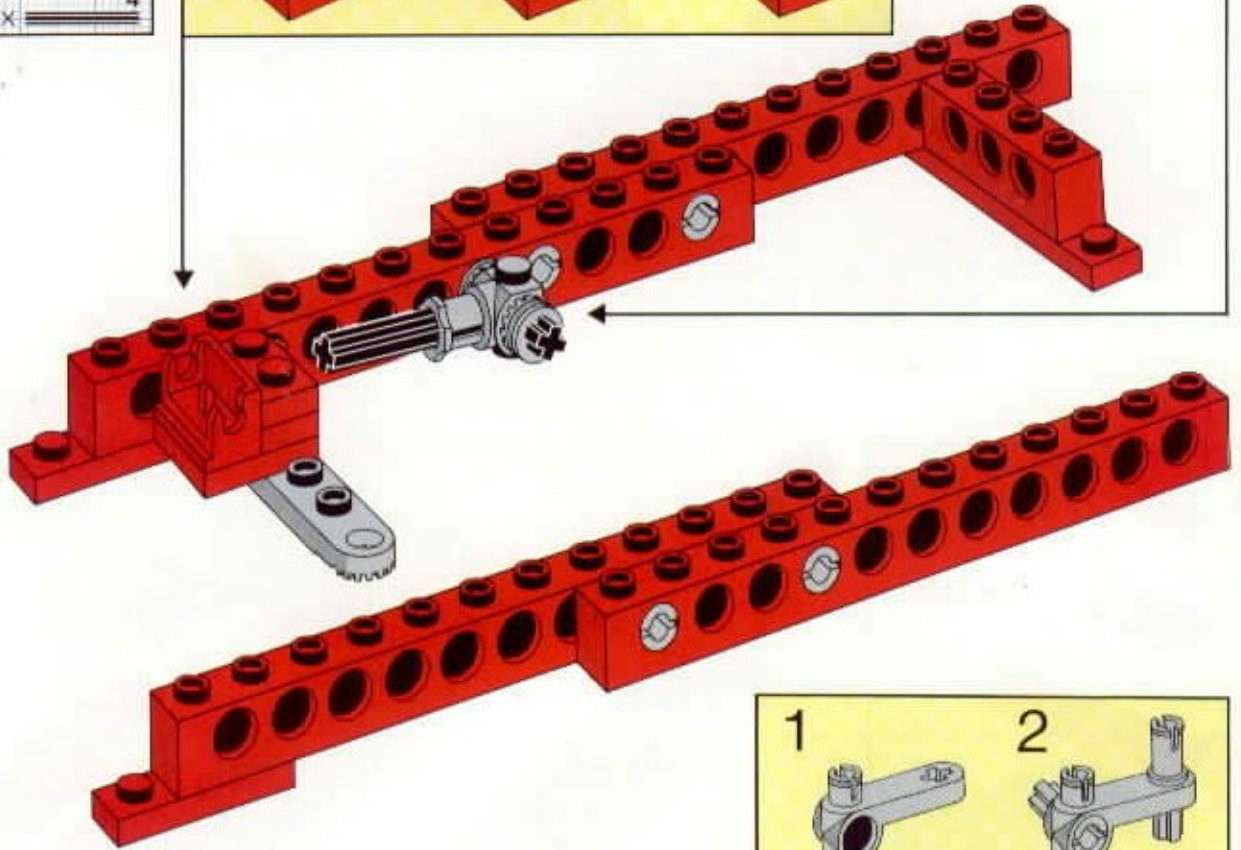
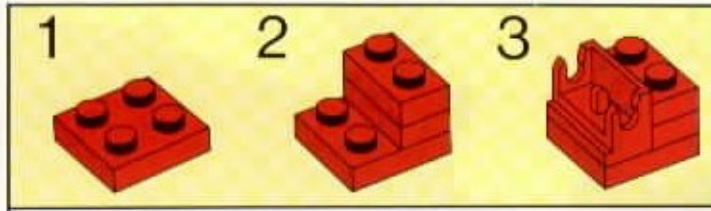
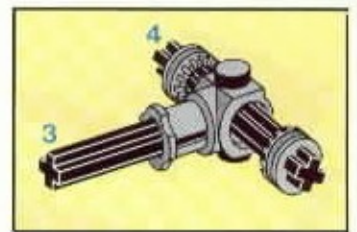


2

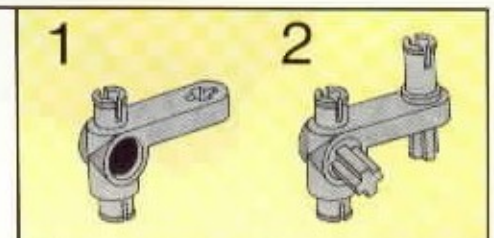
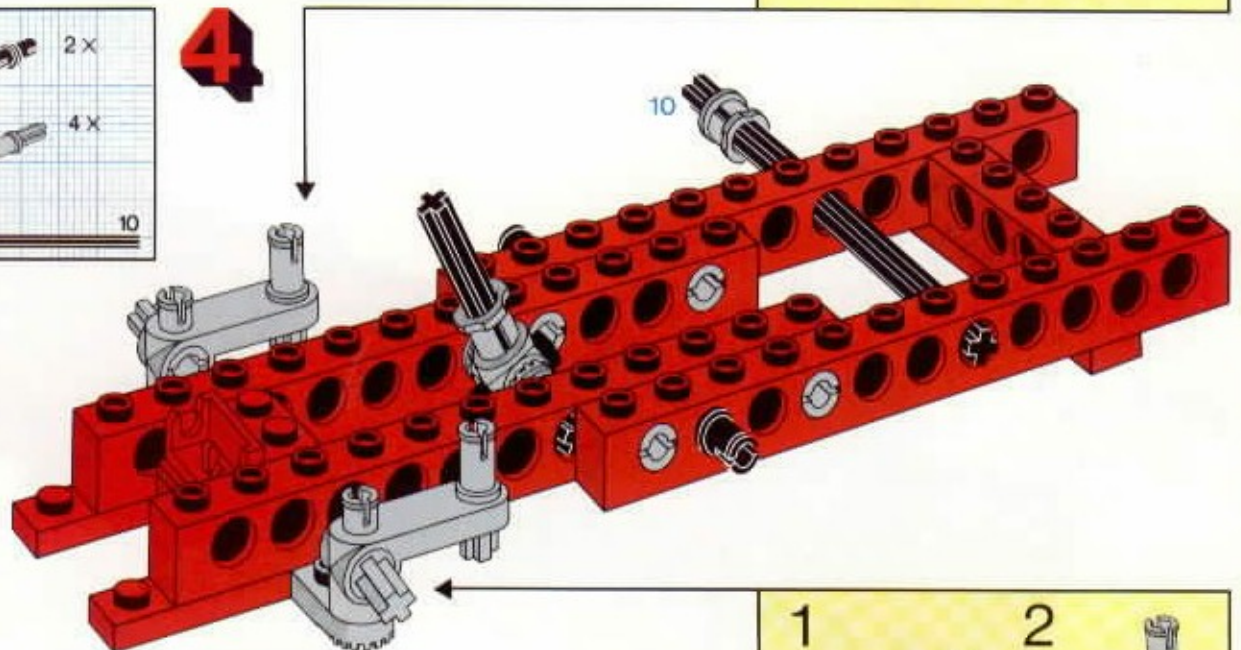


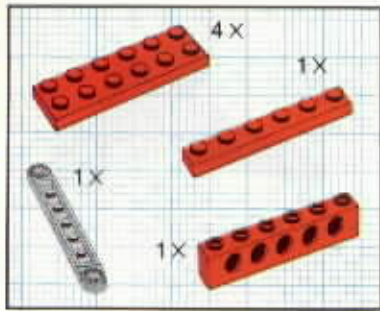


3

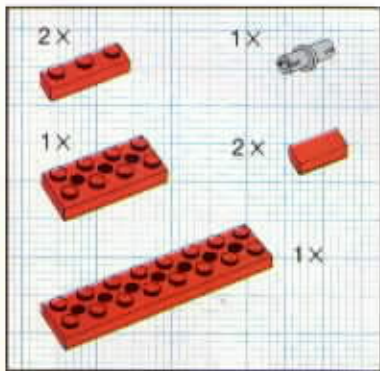
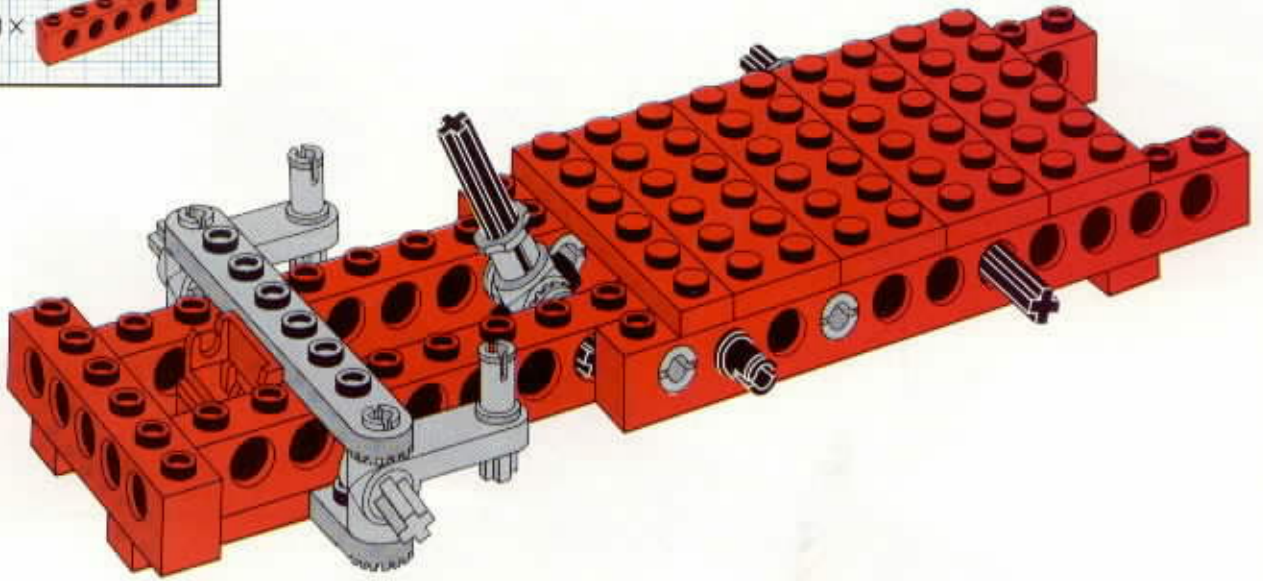


4

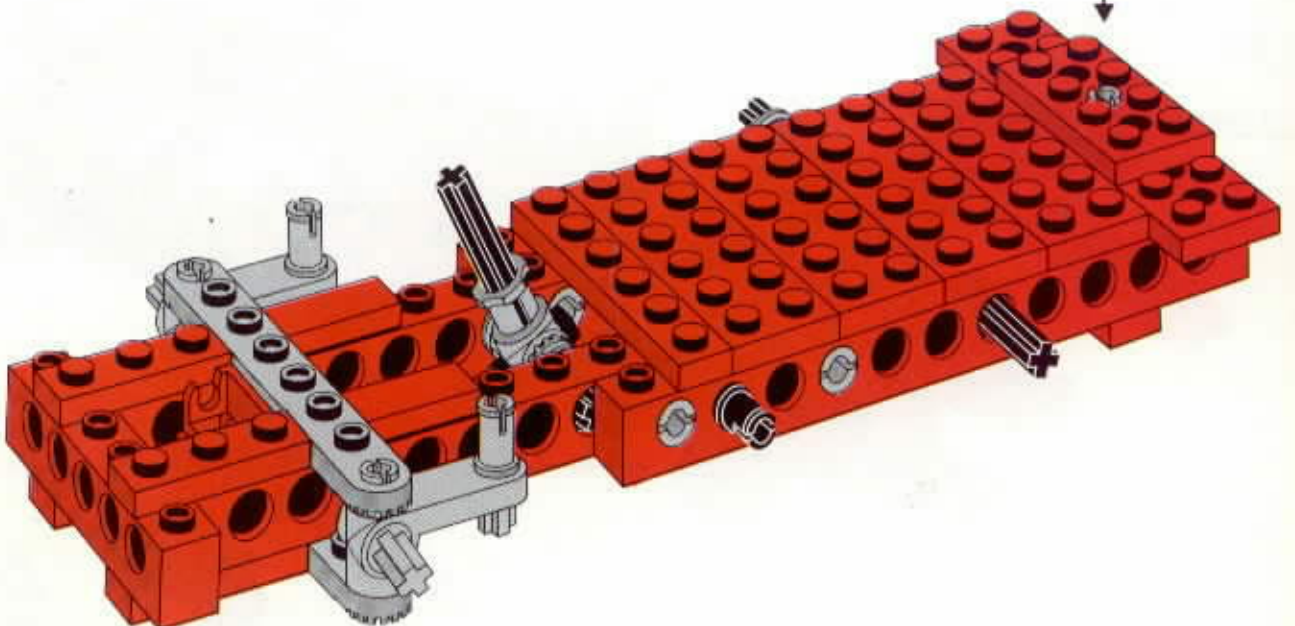
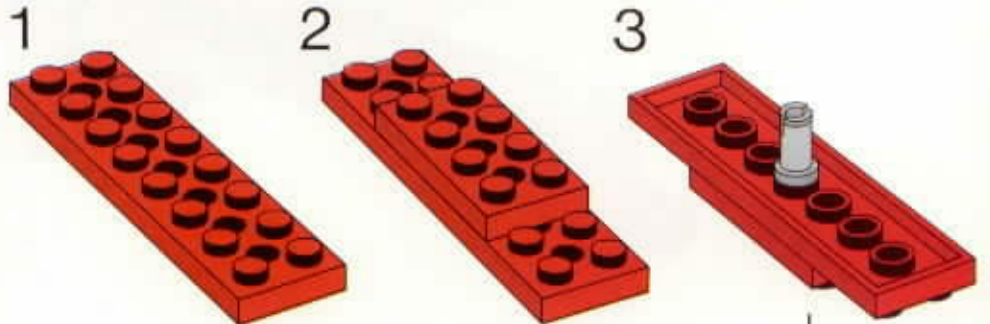


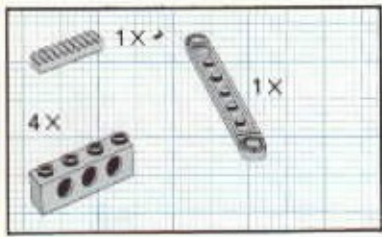


5



6

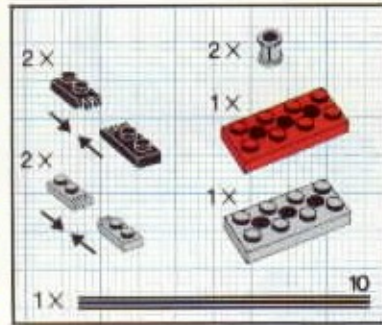
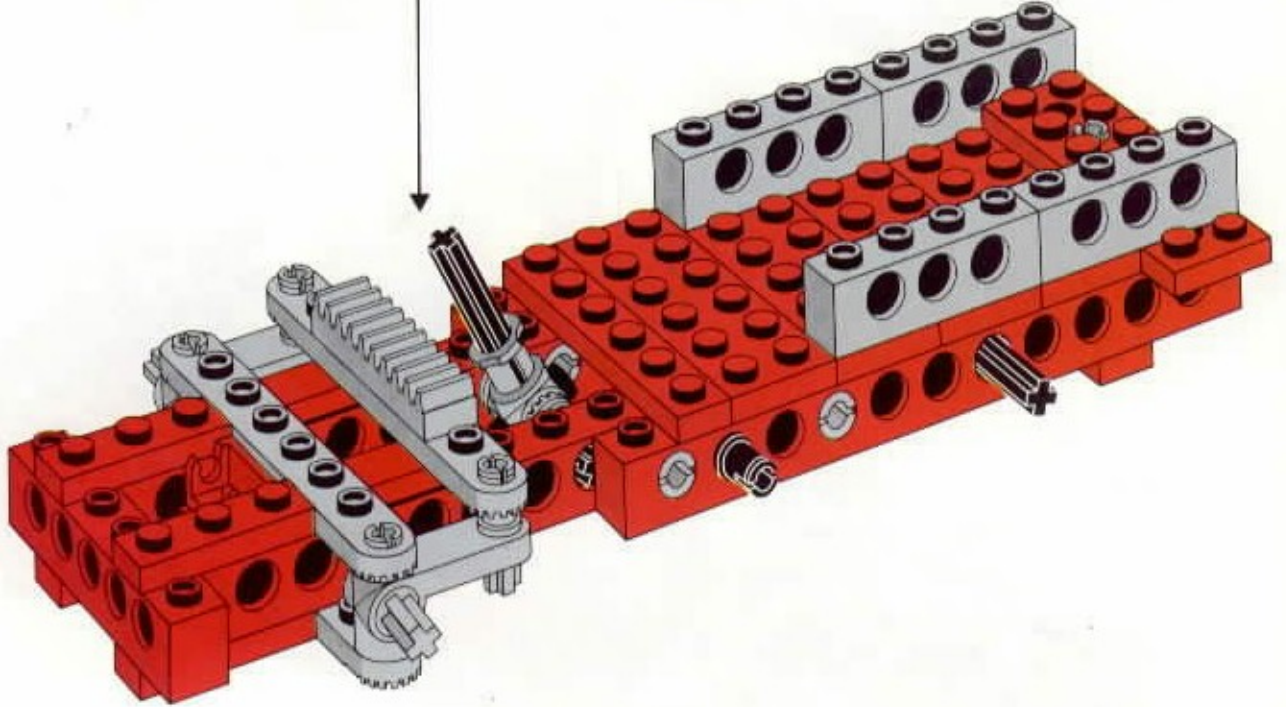
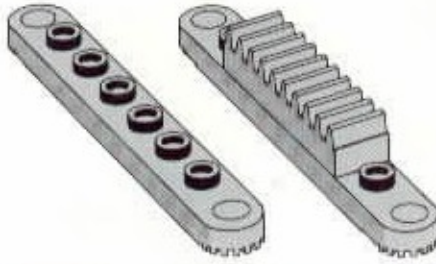




7

1

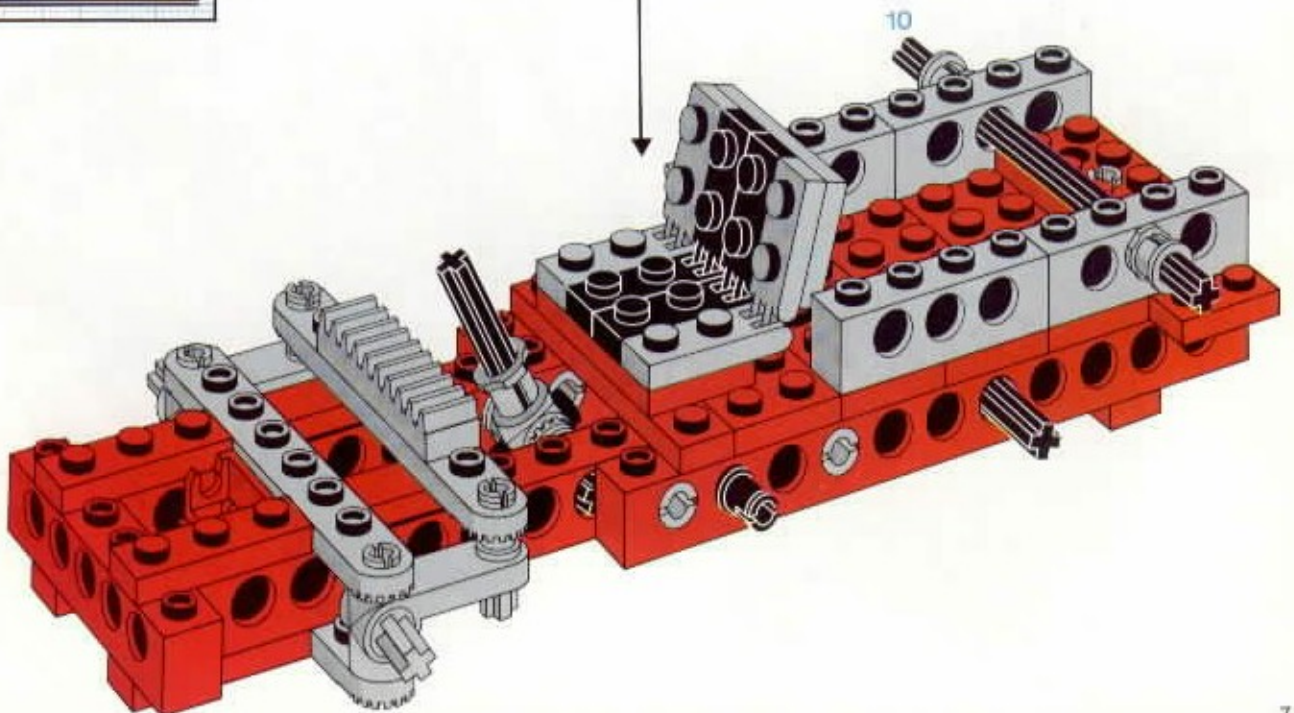
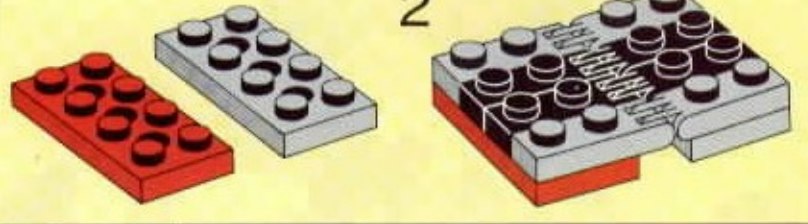
2



8

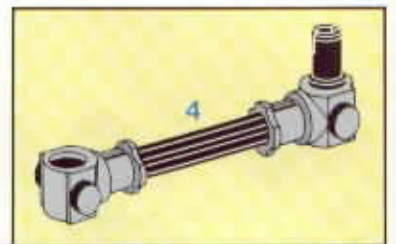
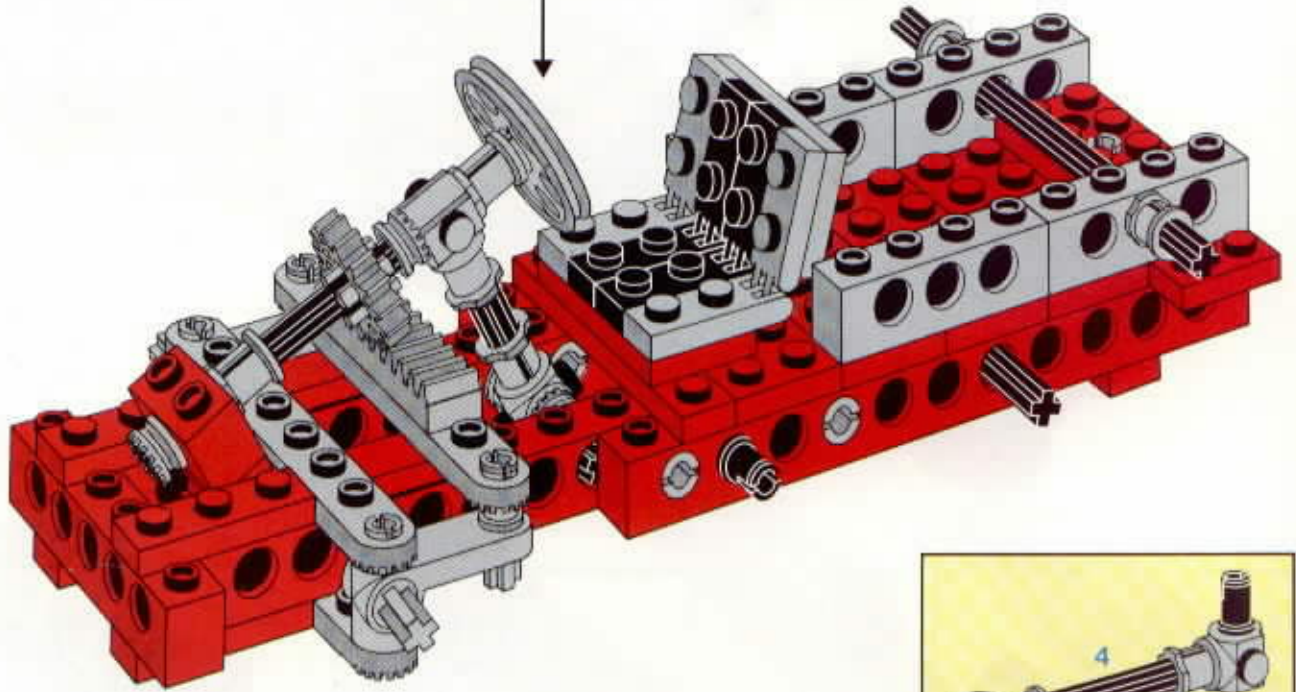
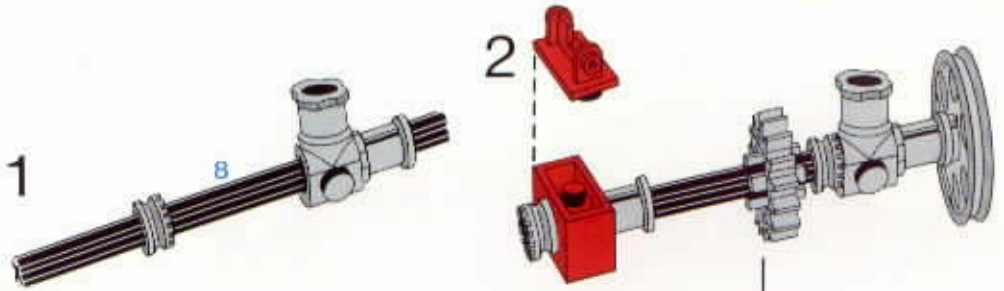
1






2



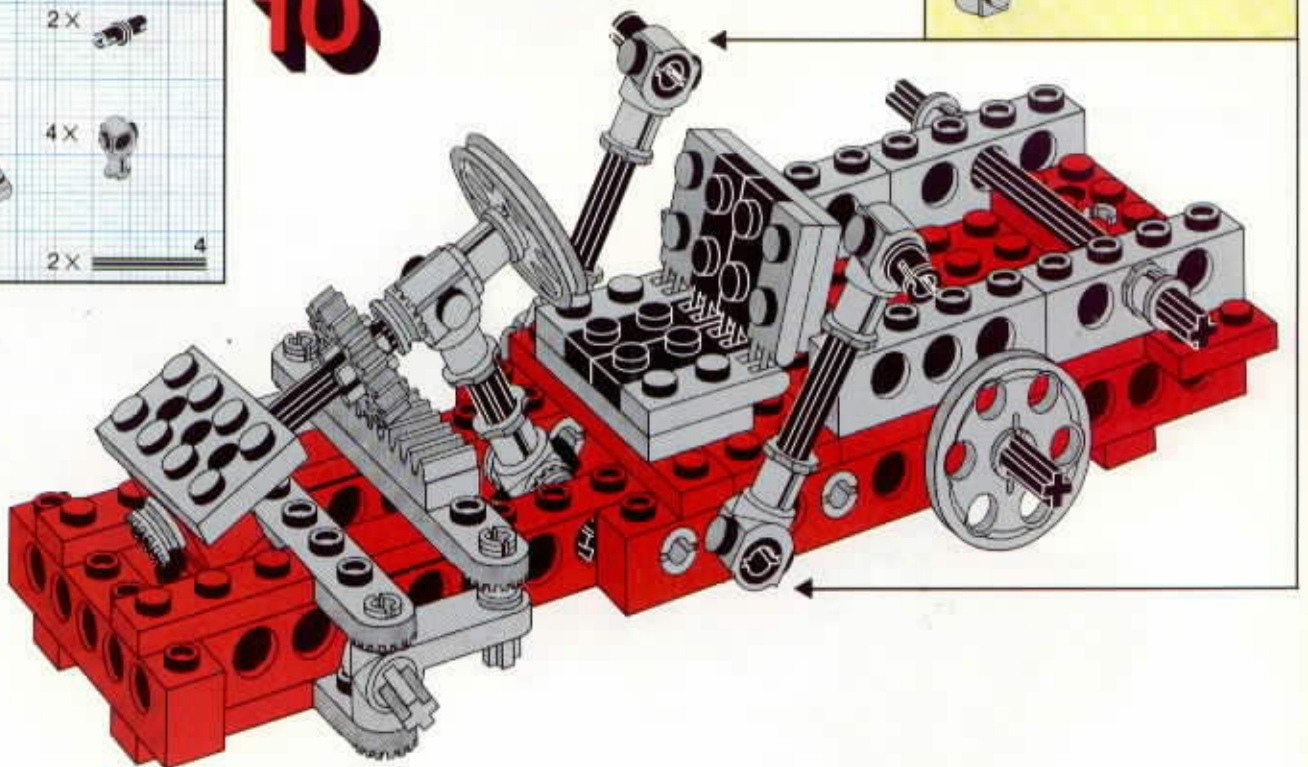
	1x		1x
	1x		2x
	1x		2x
			1x
	1x		8

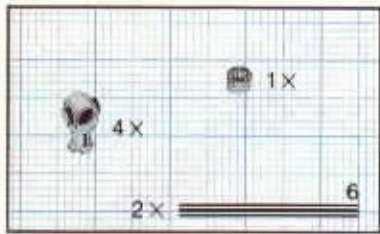
9



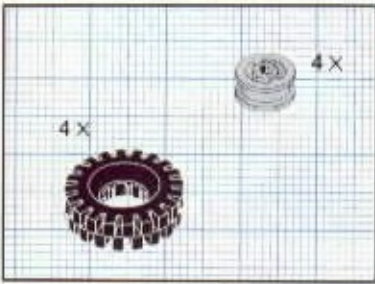
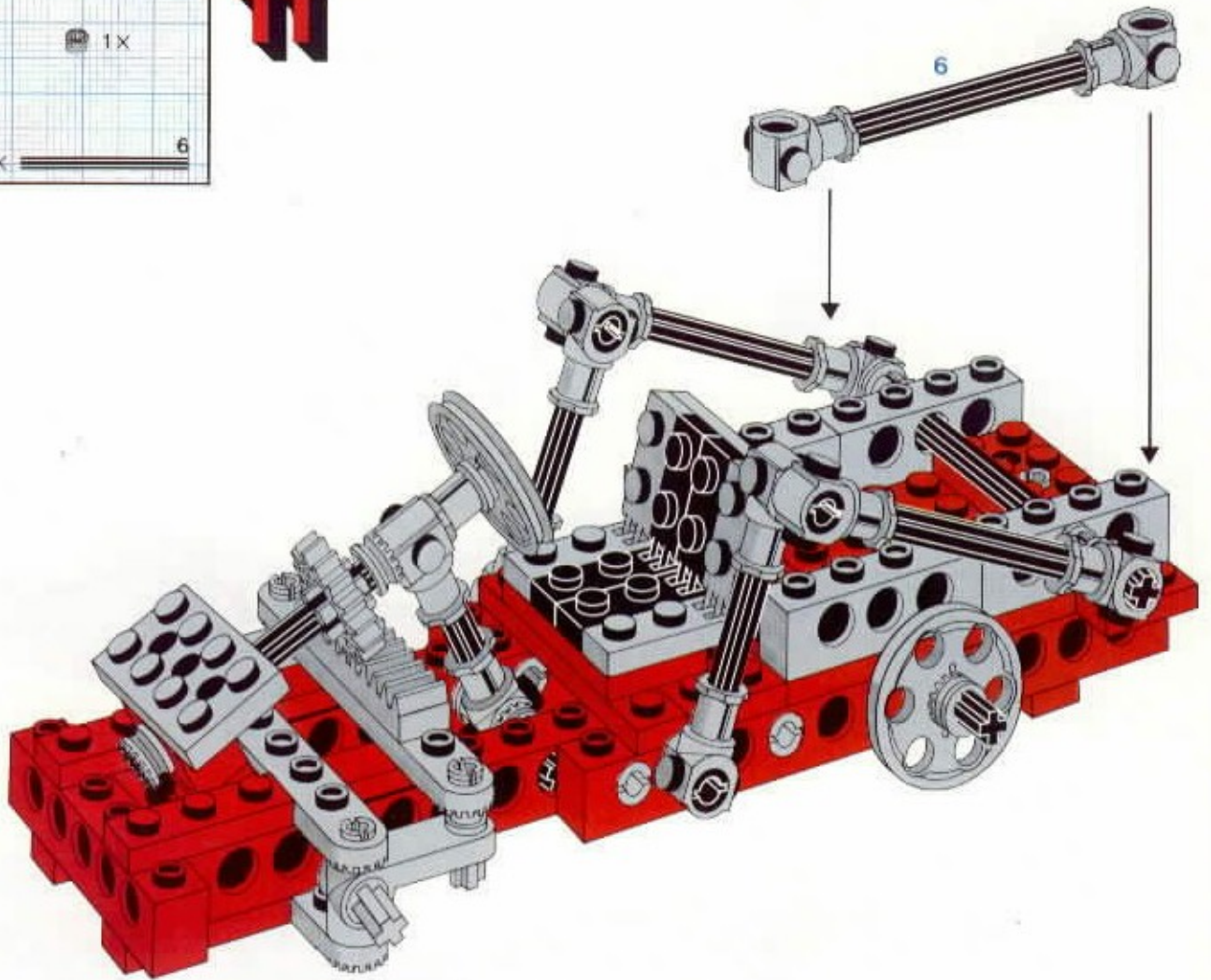
	1x		2x
	1x		4x
			2x
			4

10



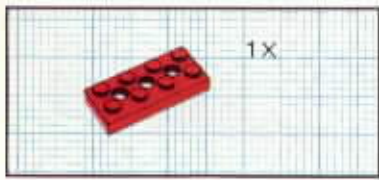


11

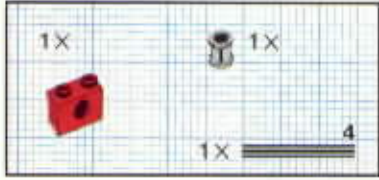


12

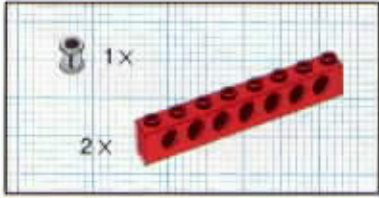
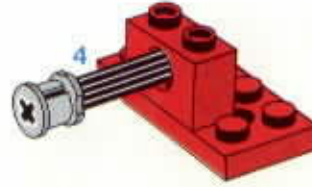




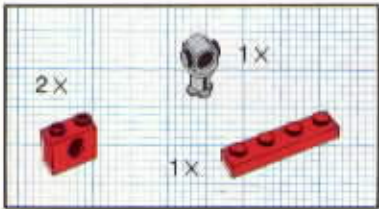
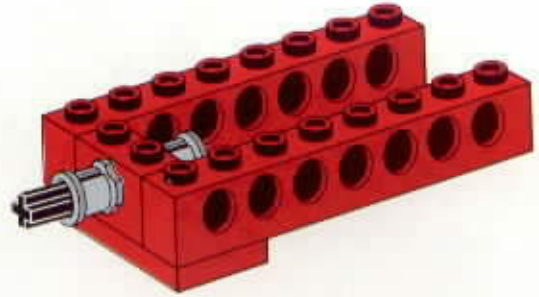
1



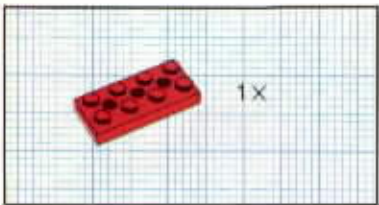
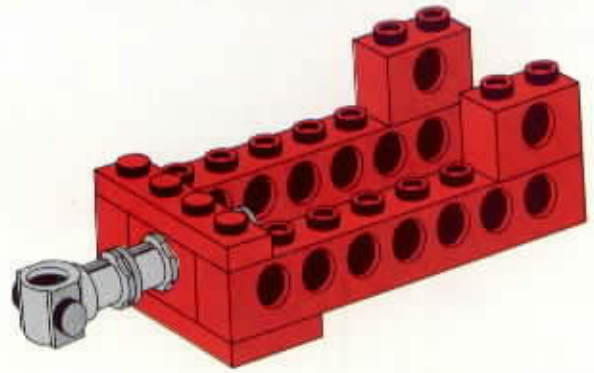
2



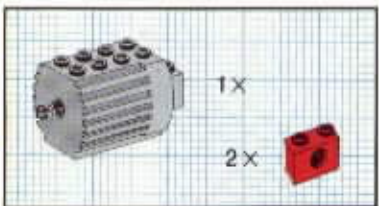
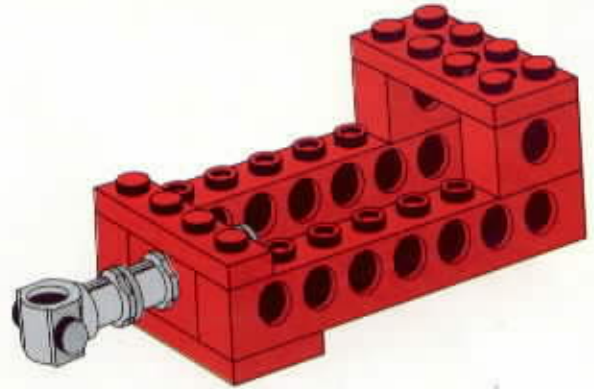
3



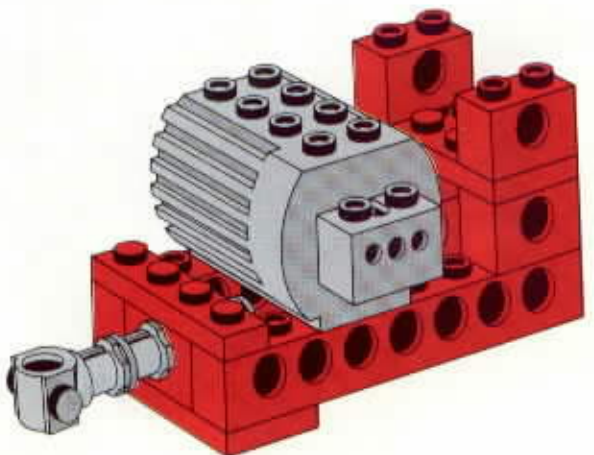
4

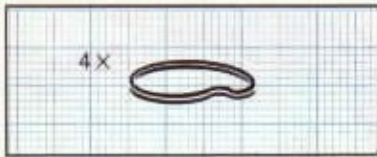
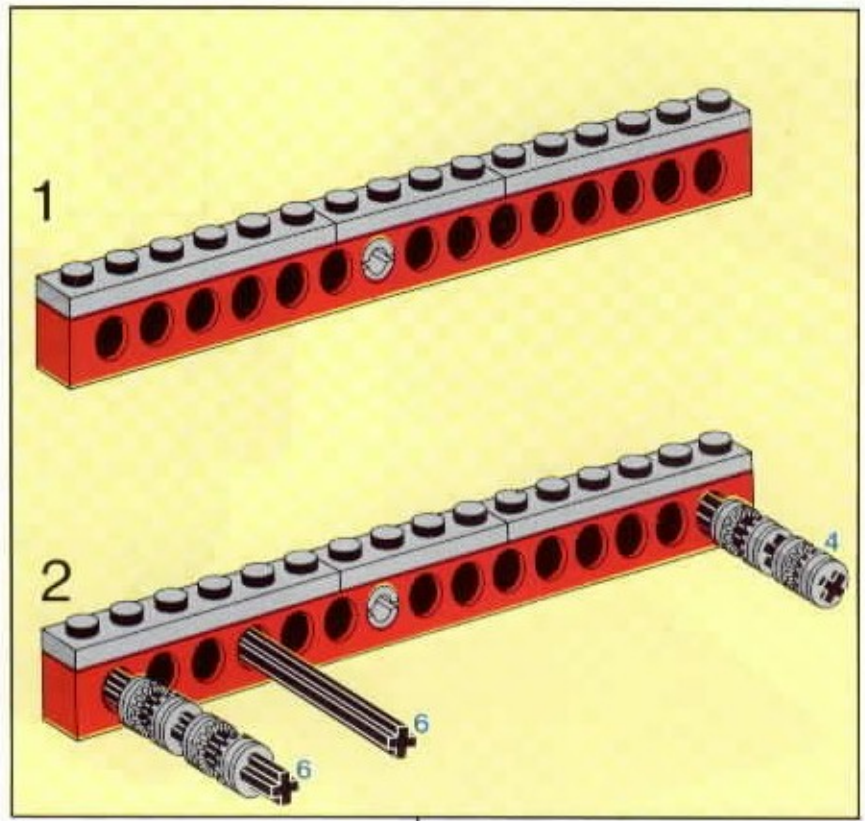
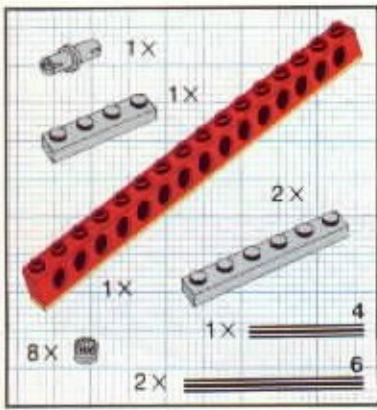


5

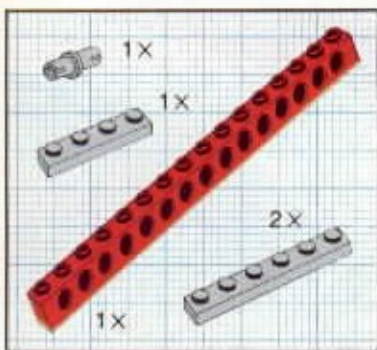
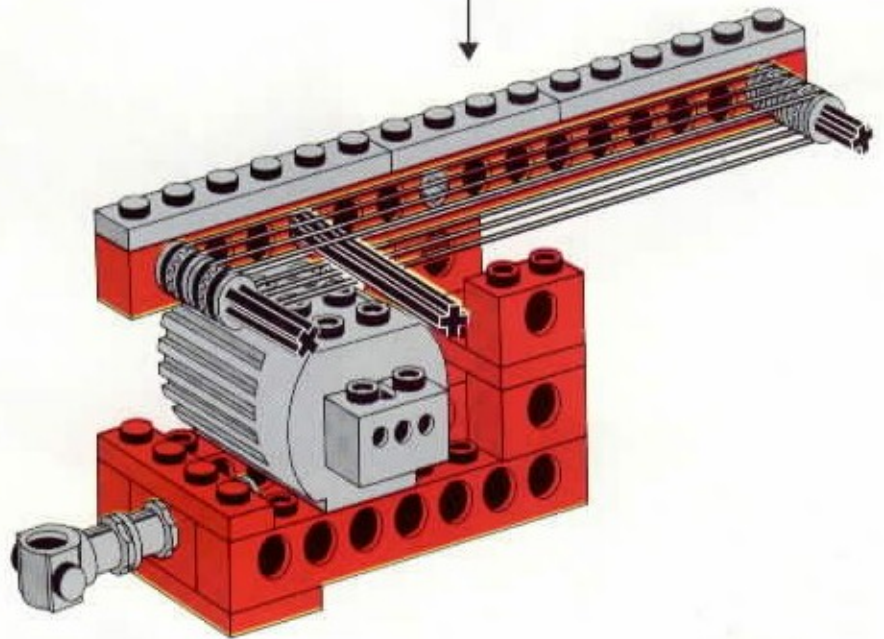


6

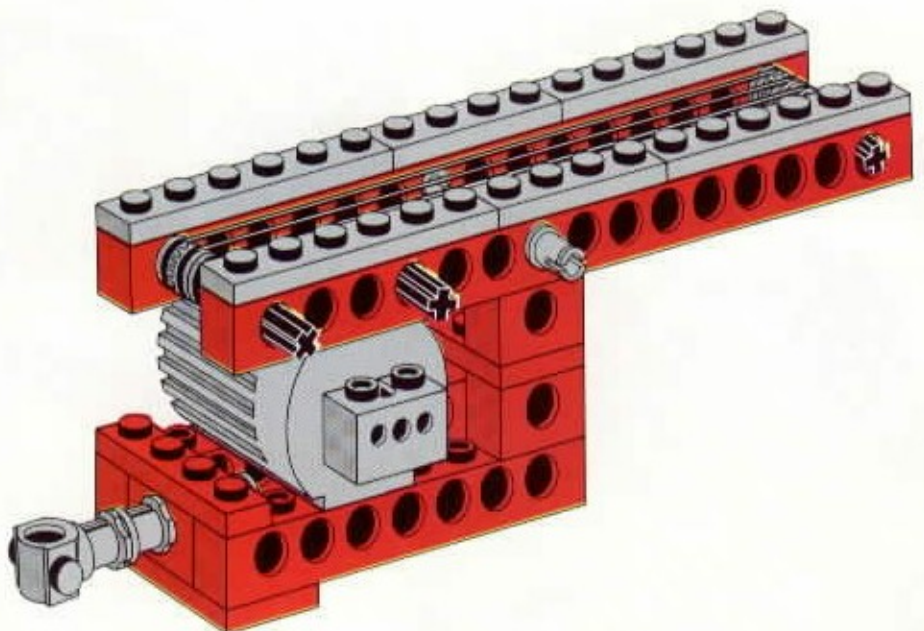


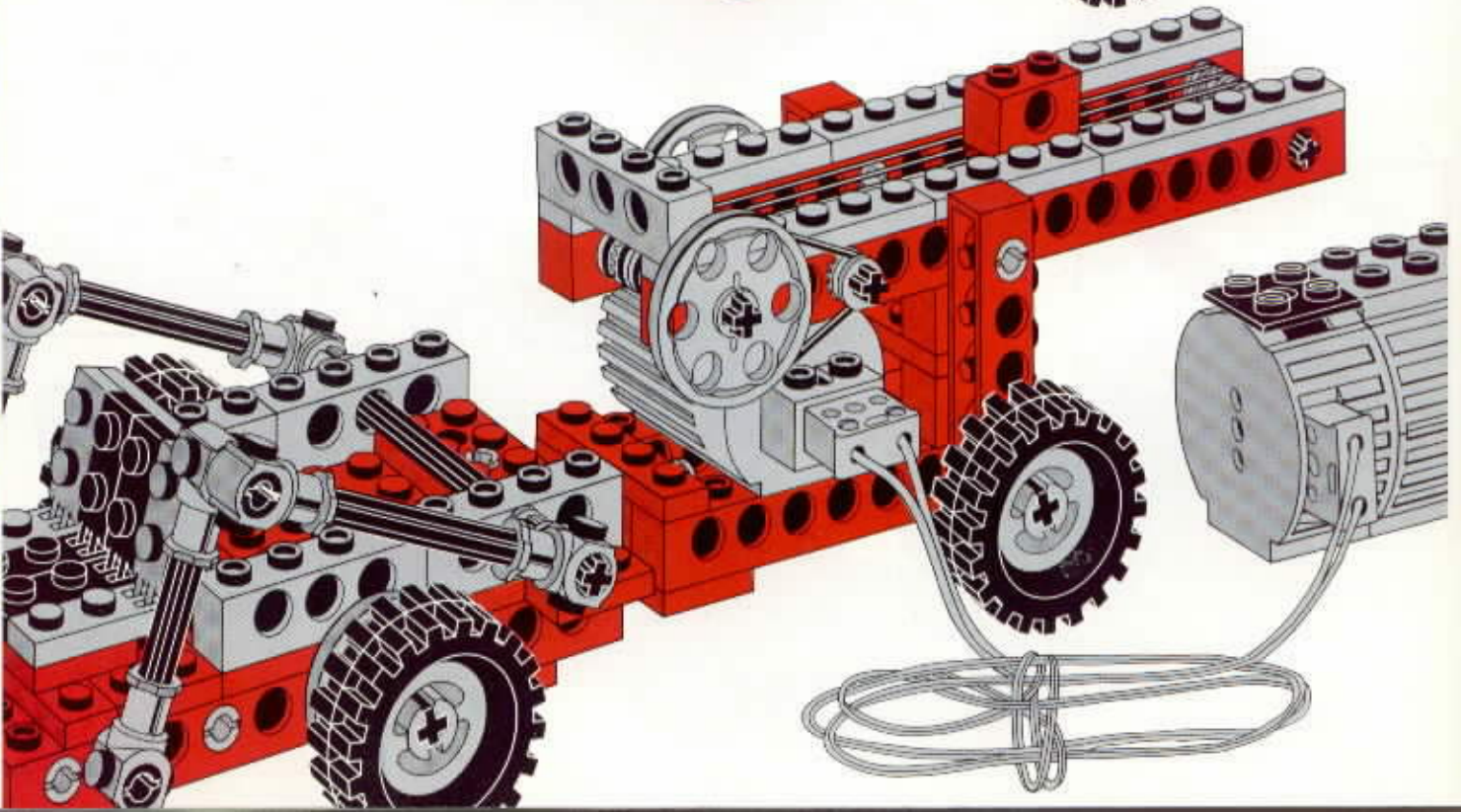
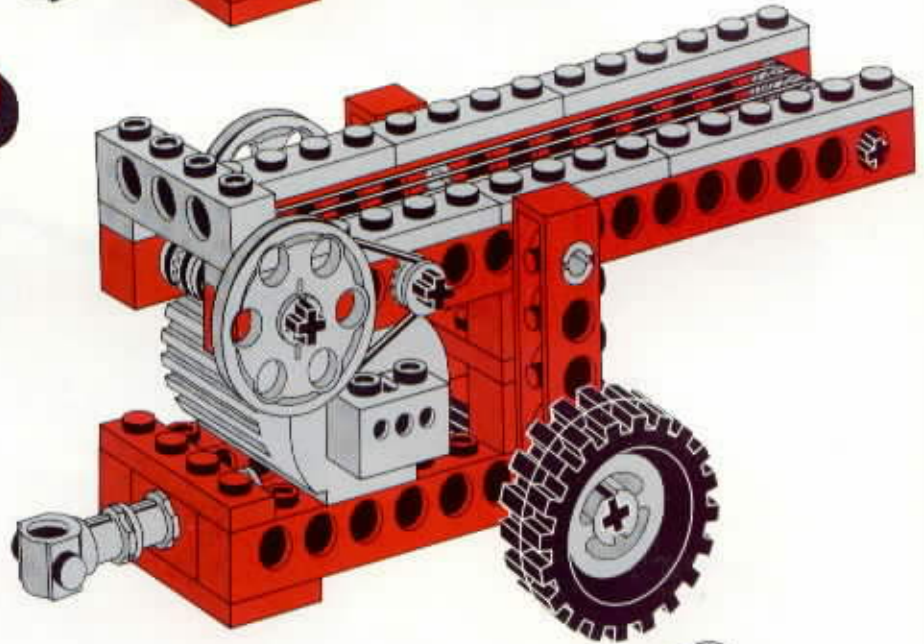
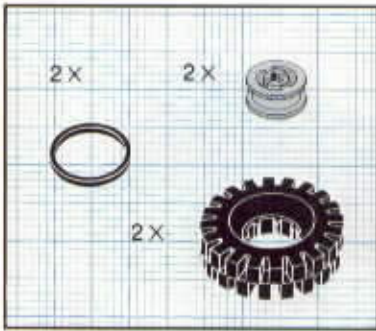
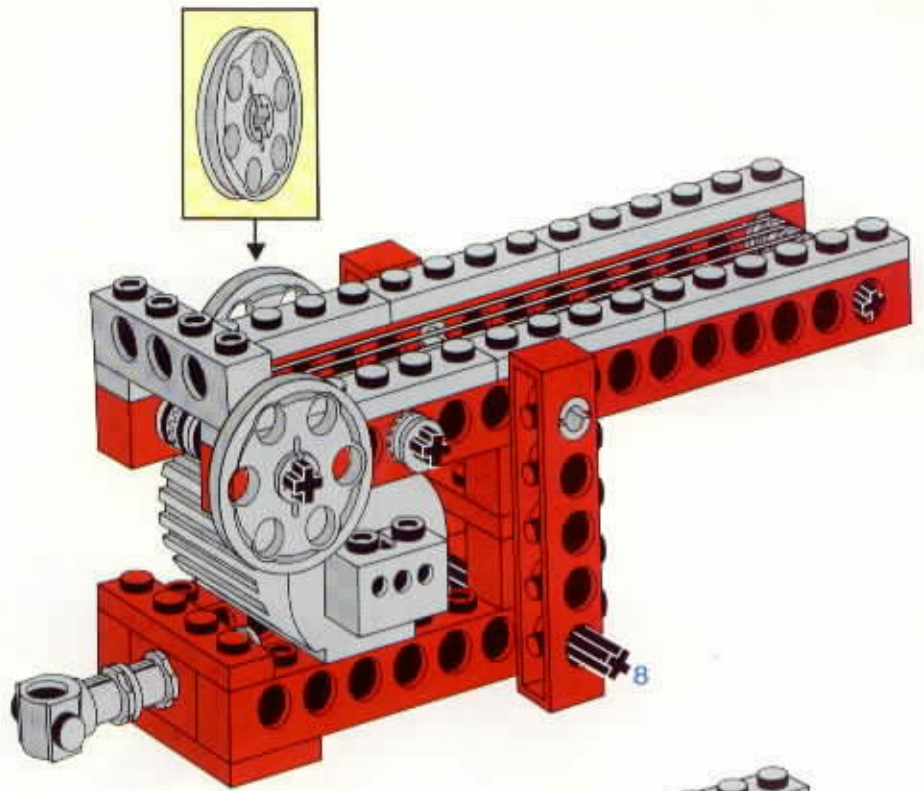
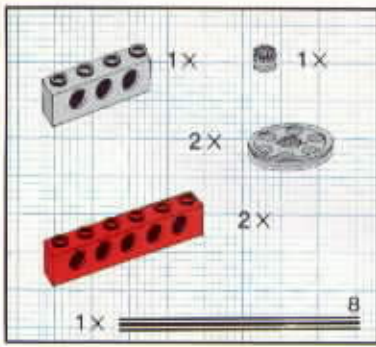


7



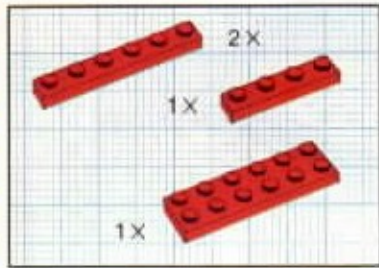
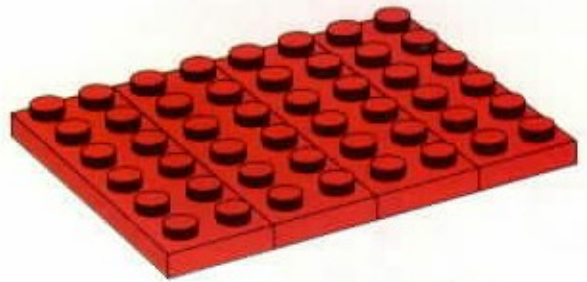
8



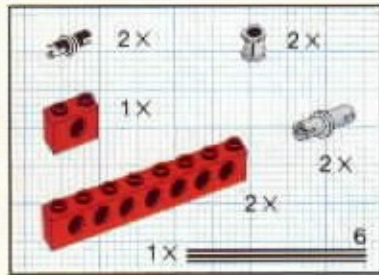




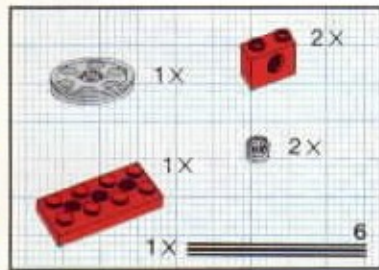
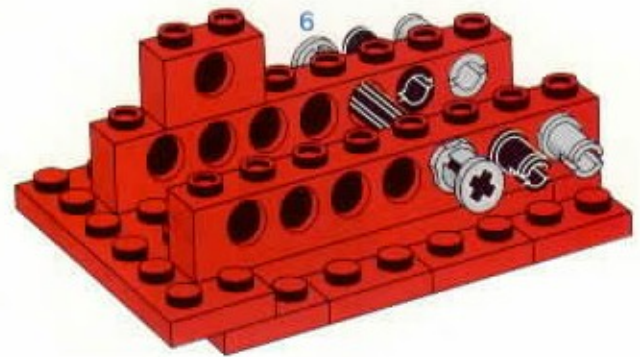
1



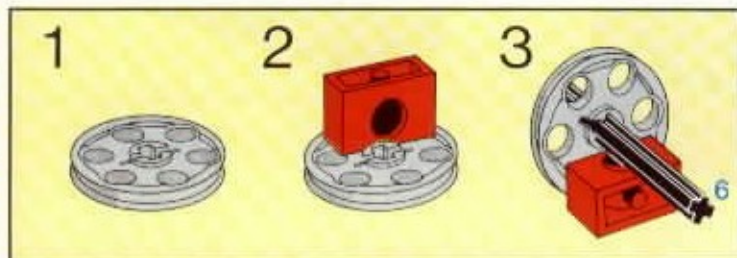
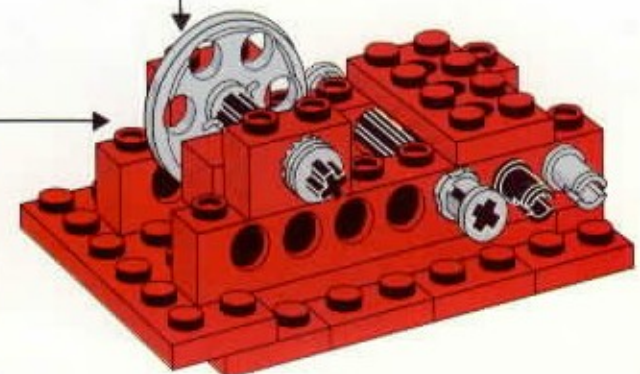
2

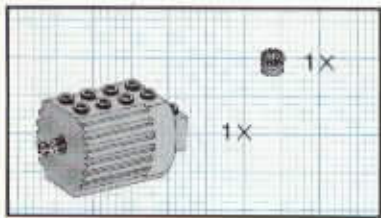


3

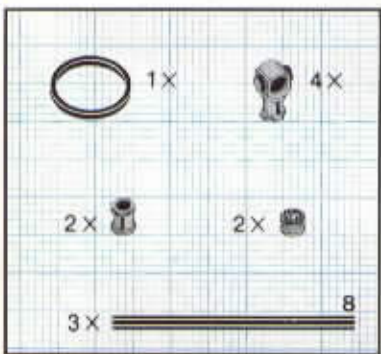
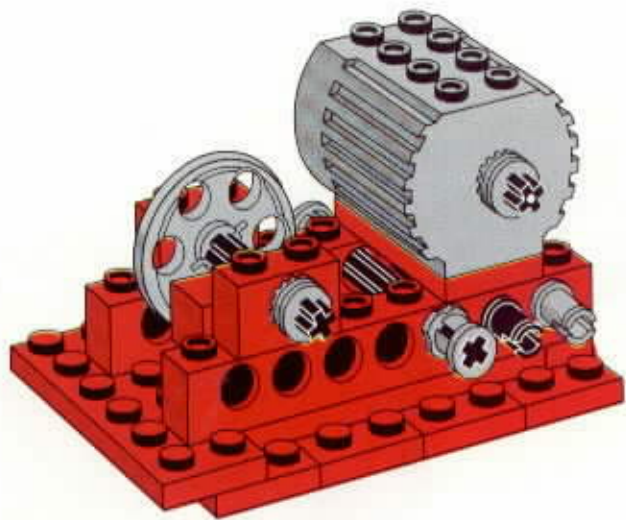


4

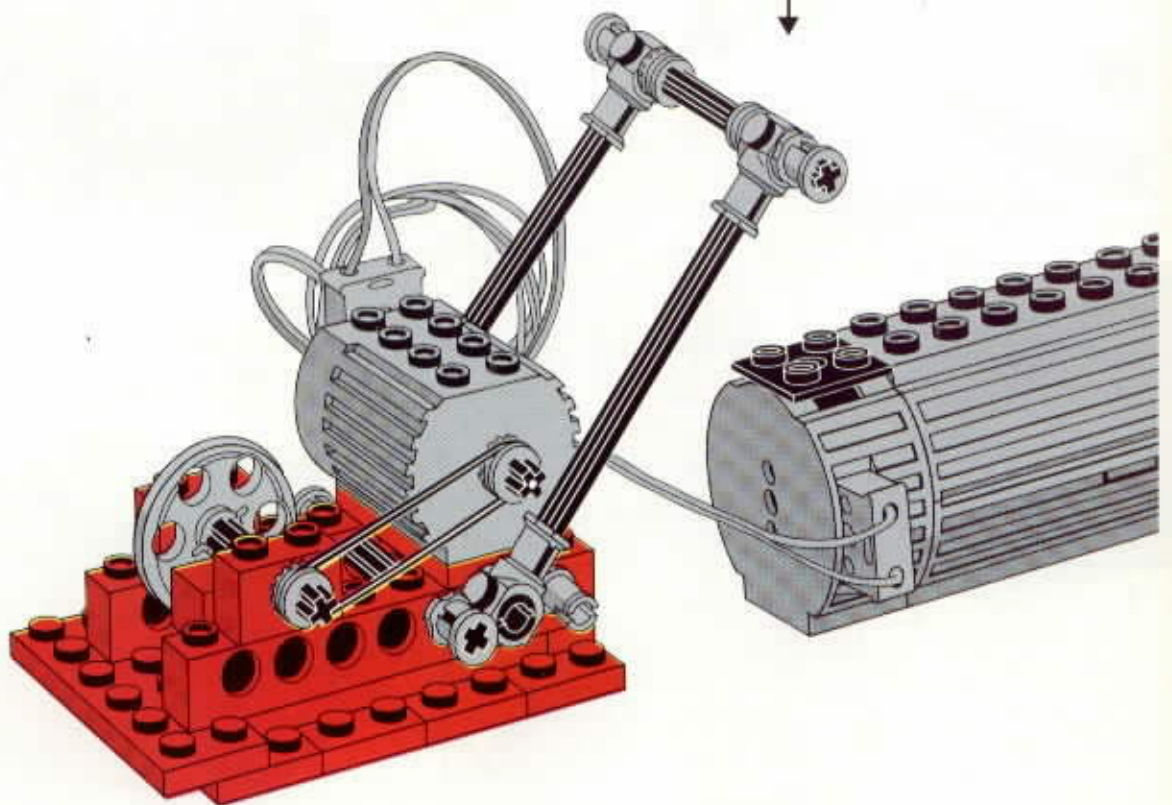
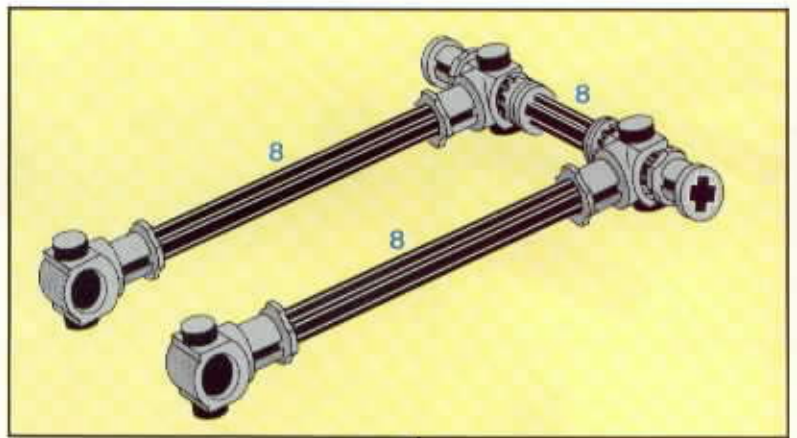




5



6

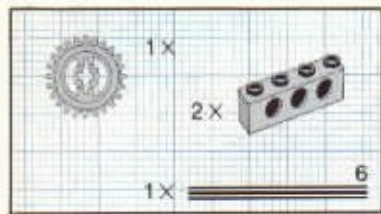
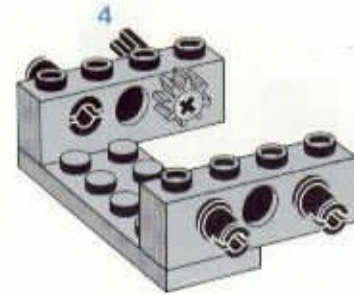




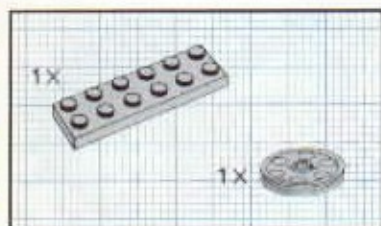
1



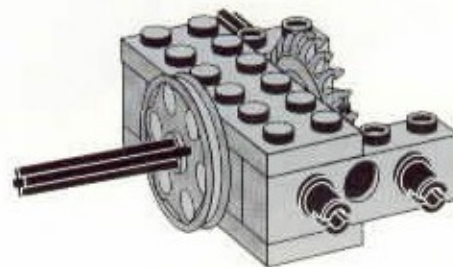
2



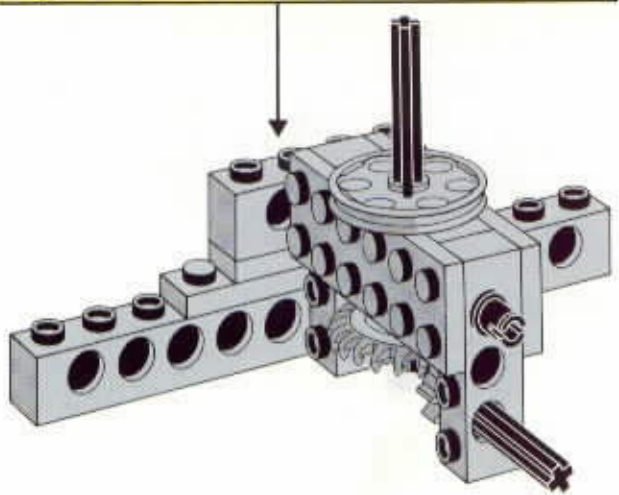
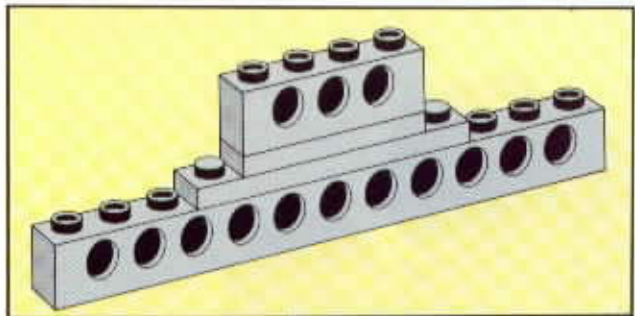
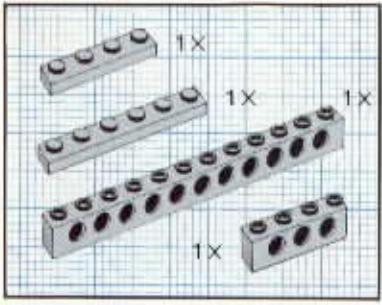
3



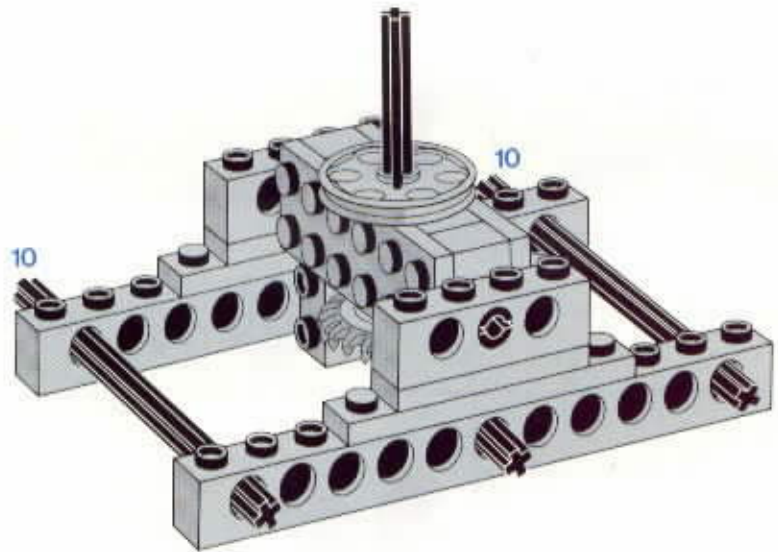
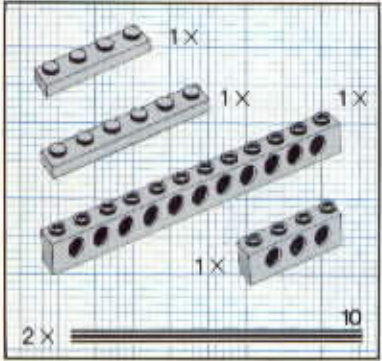
4



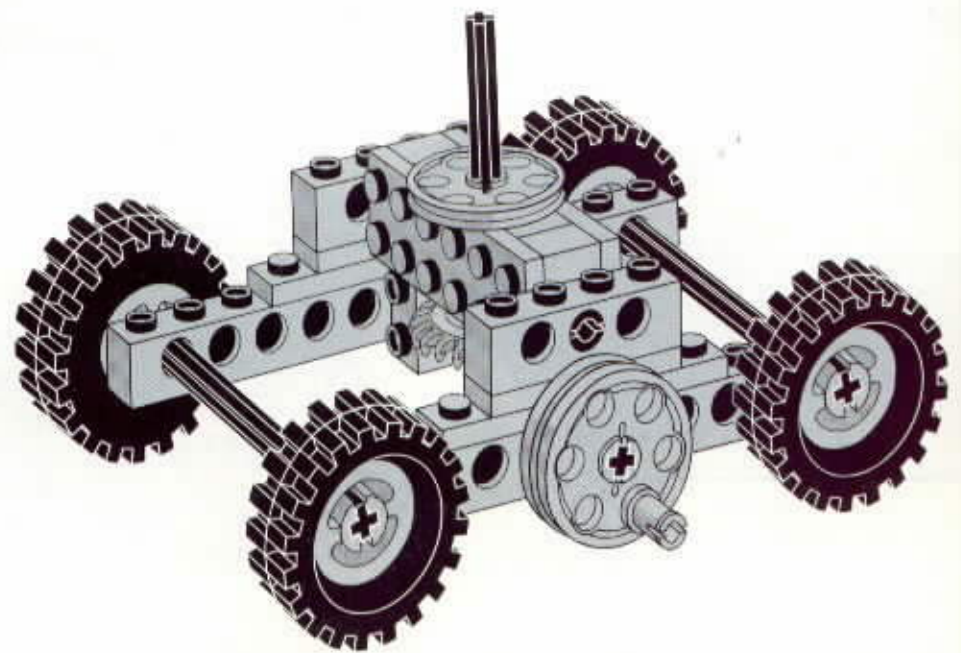
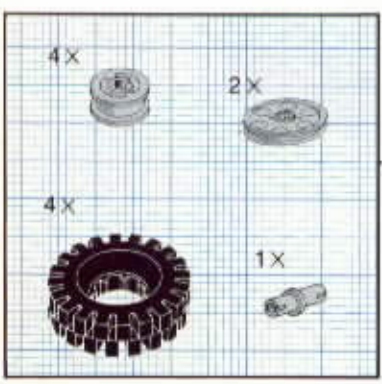
5



6

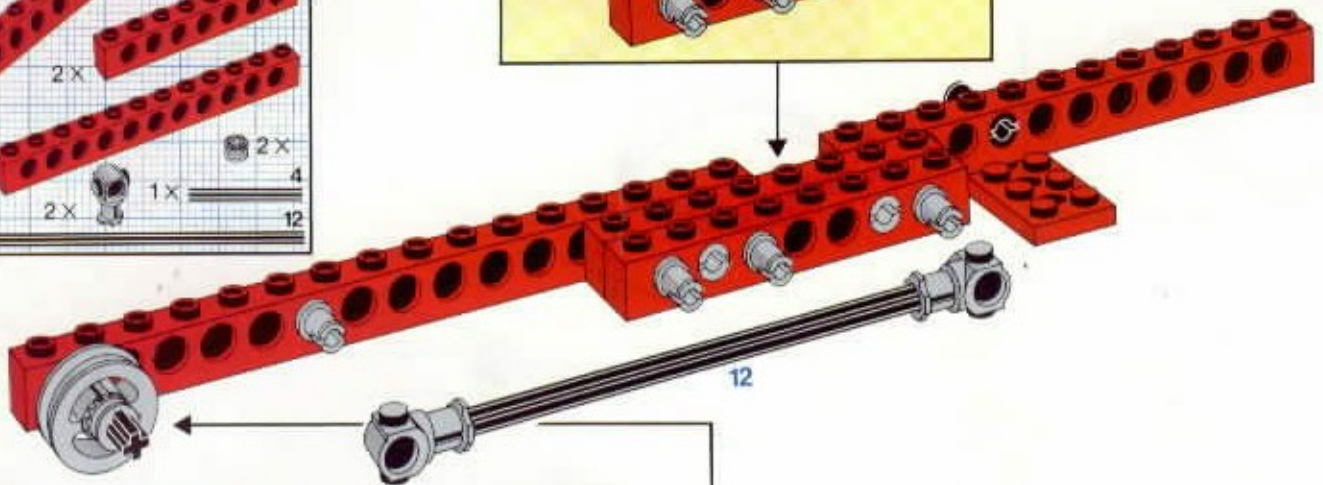
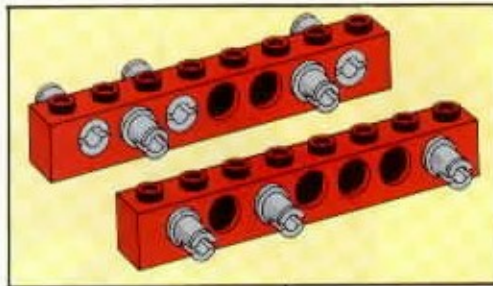


7



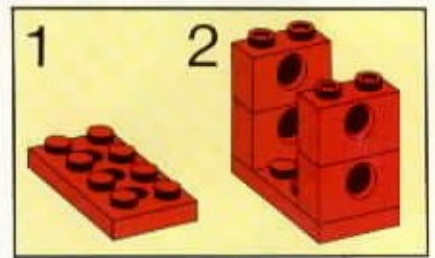
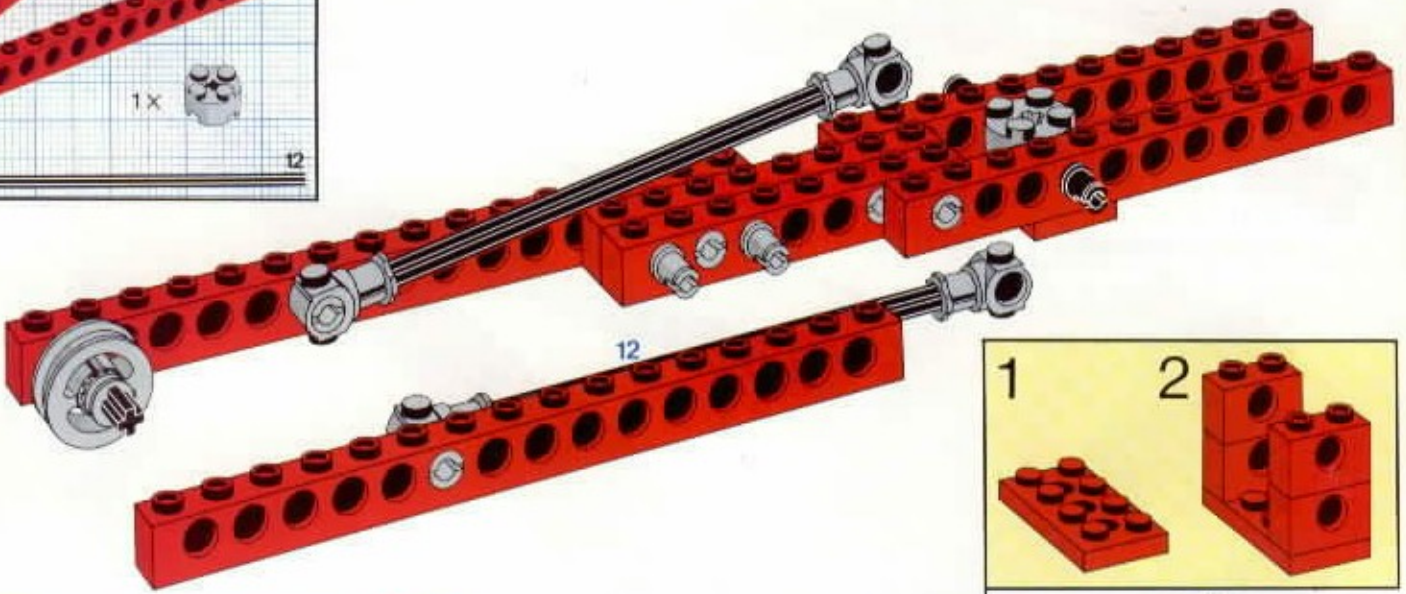
8

1x	1x	9x
1x	1x	1x
2x	2x	1x
1x	1x	2x
1x	2x	1x
1x	2x	1x



9

2x	1x	1x
1x	1x	1x
1x	1x	1x



10

1x	4x
1x	1x



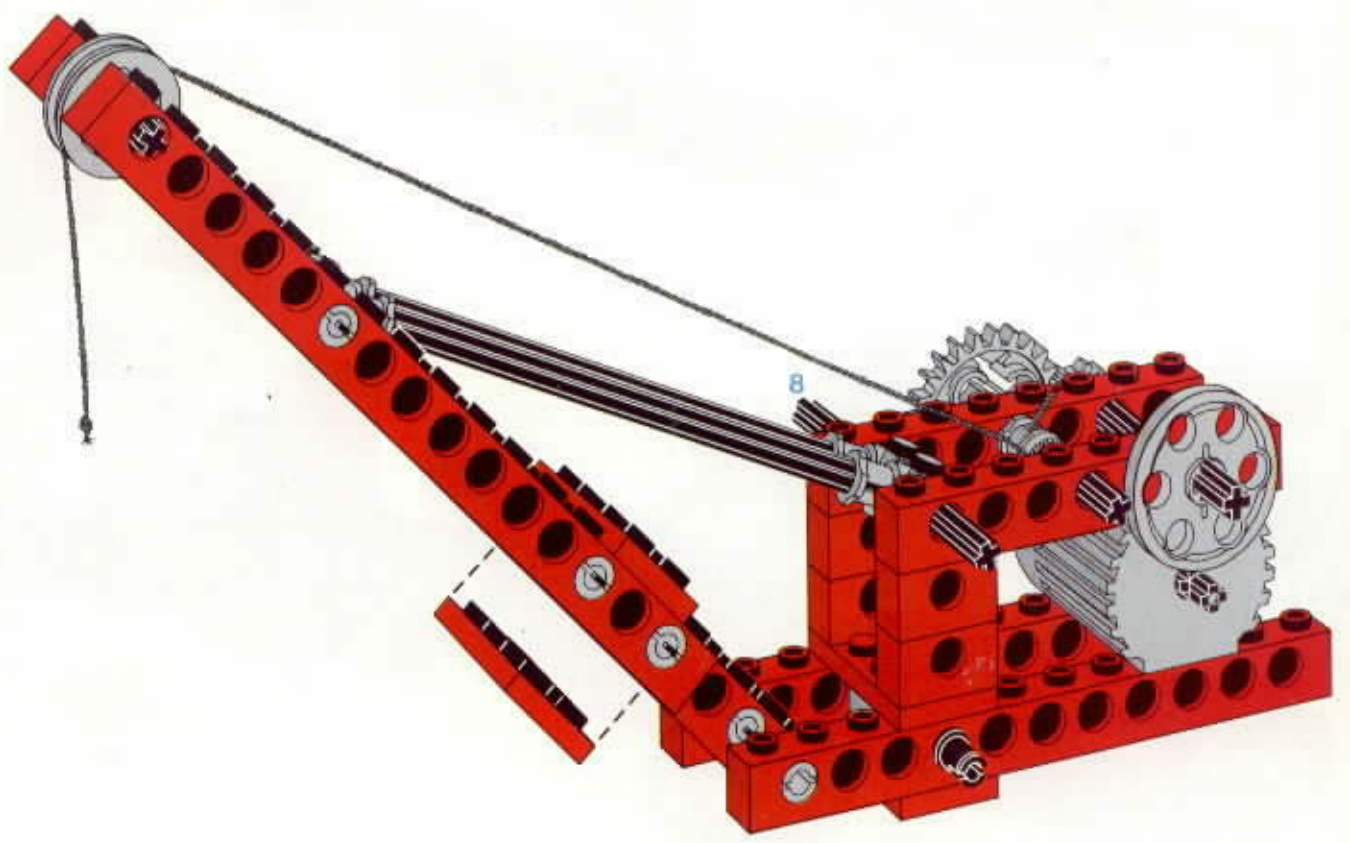
11

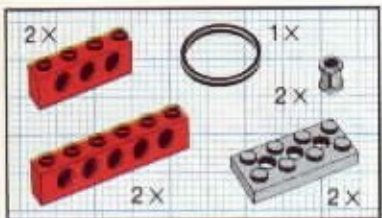
- 1x
- 1x
- 1x
- 1x
- 1x
- 1x
- 1x
- 2x
- 6



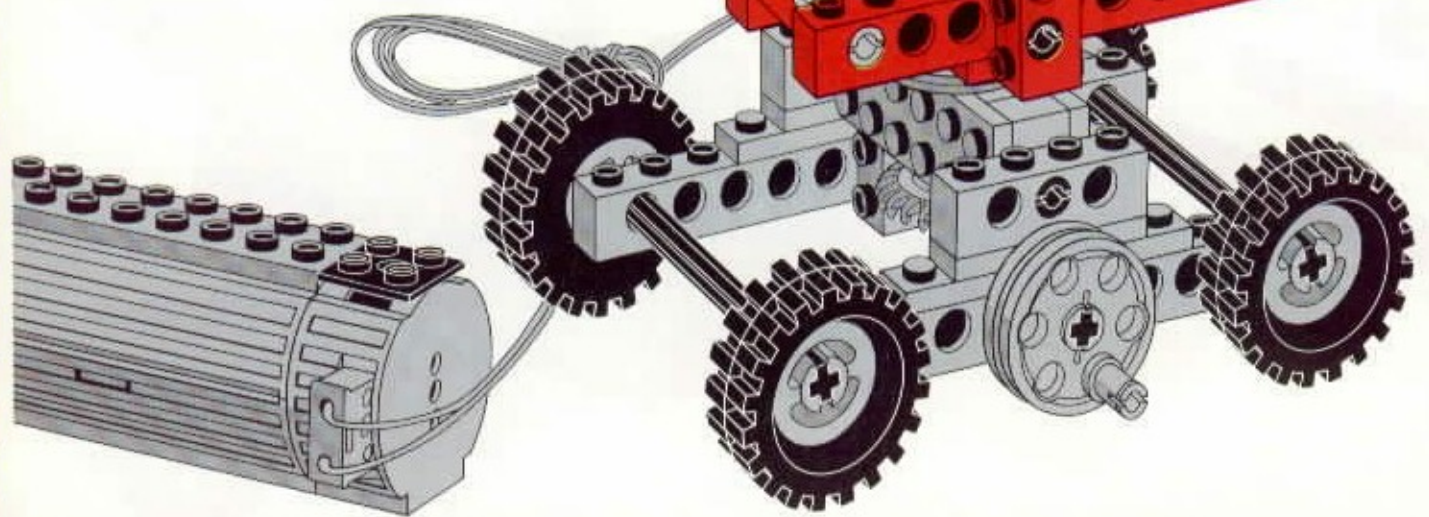
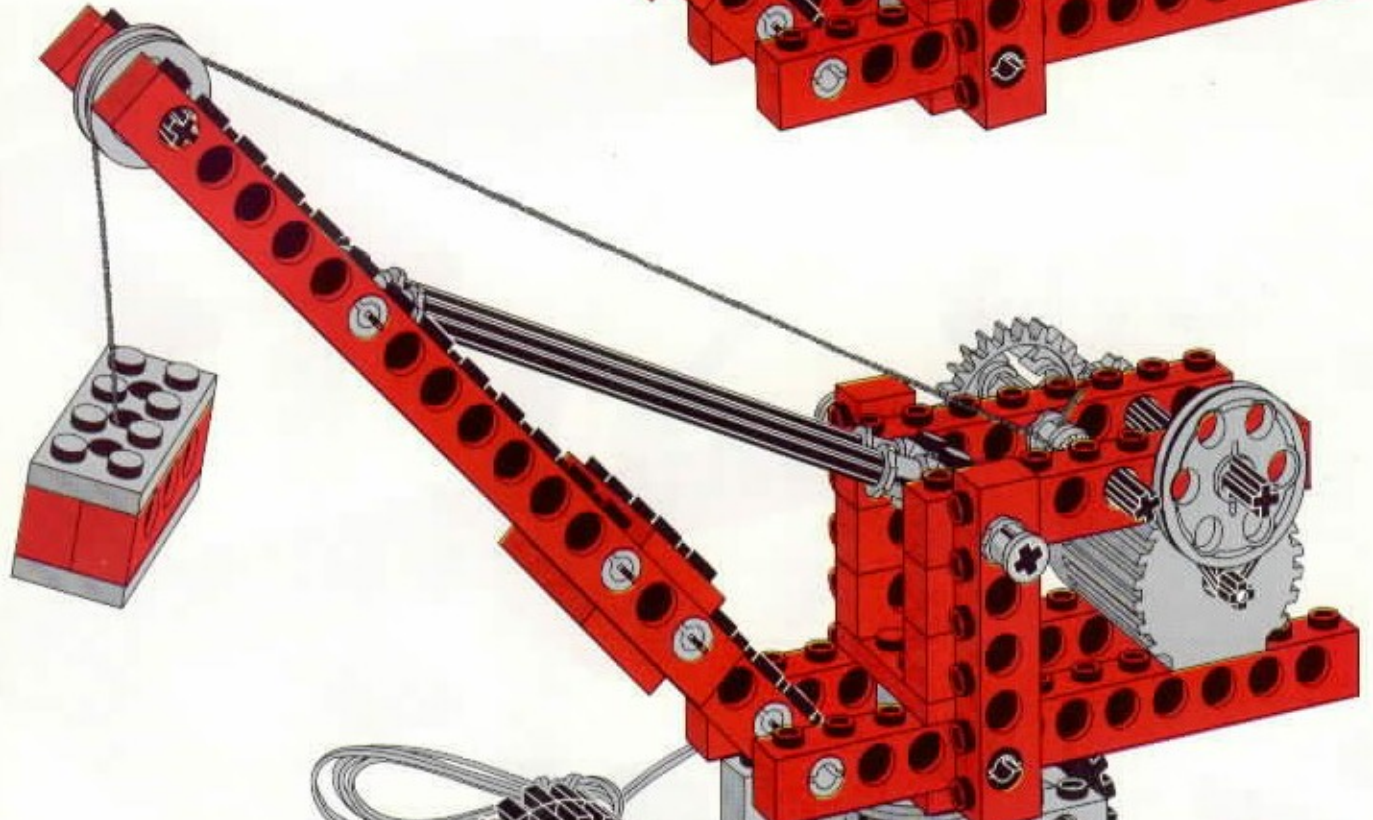
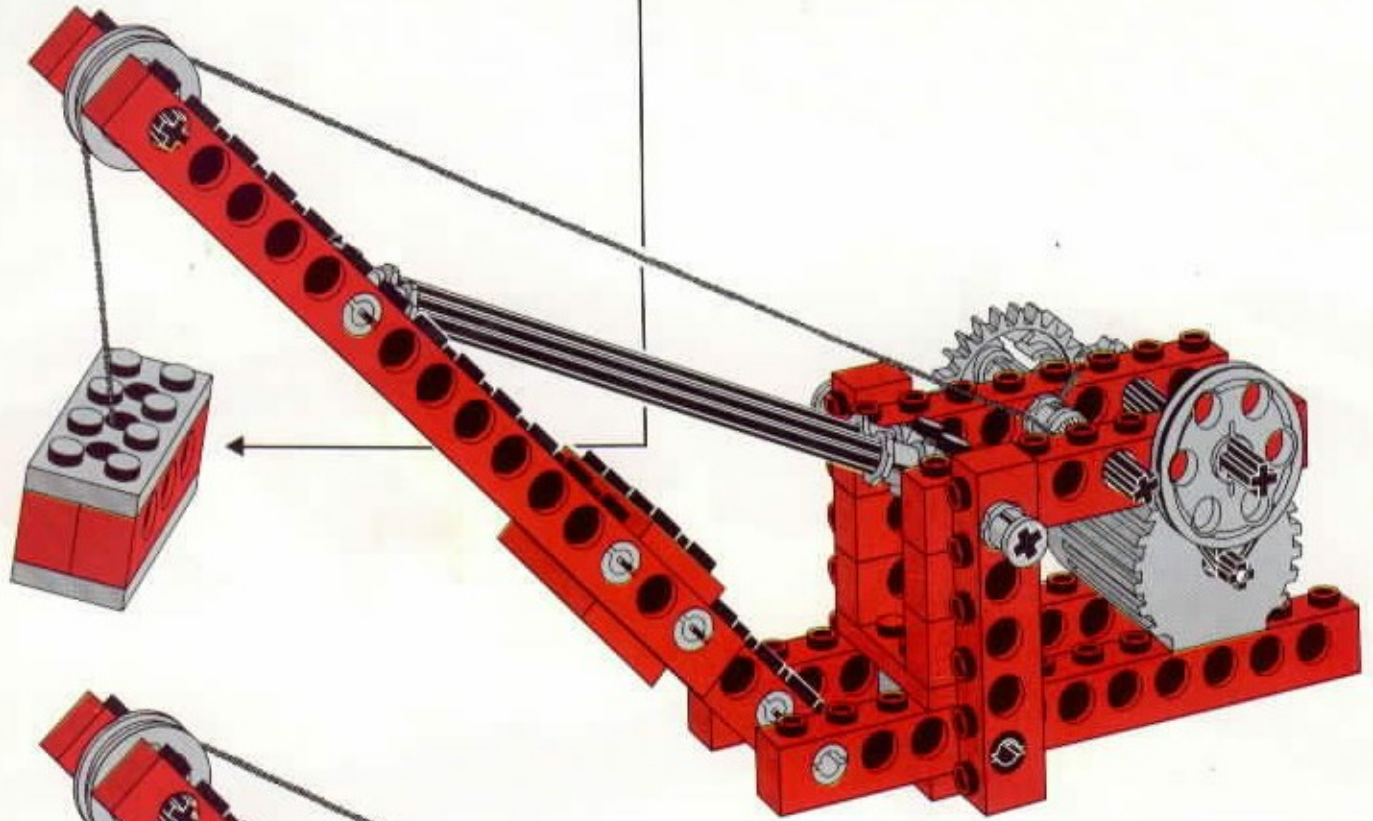
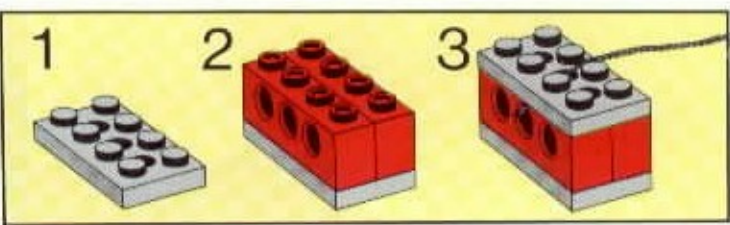
12

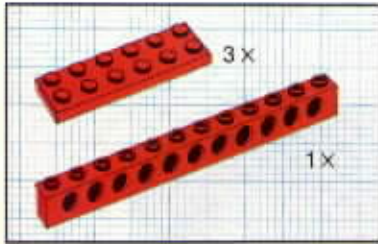
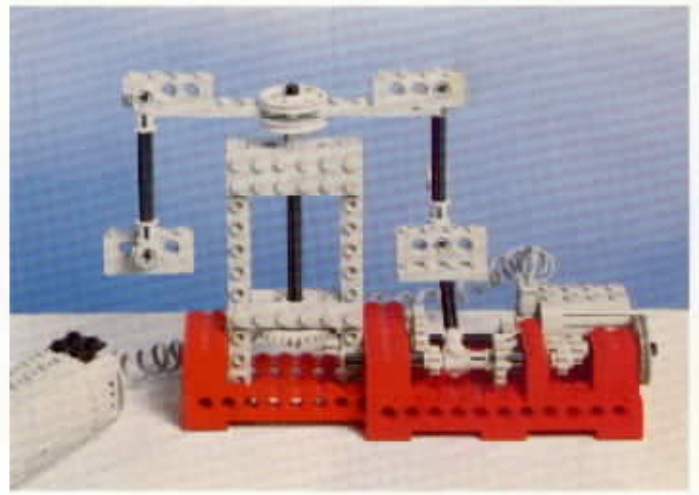
- 1x
- 8



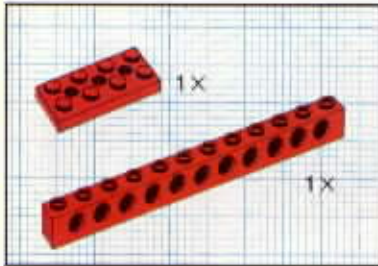
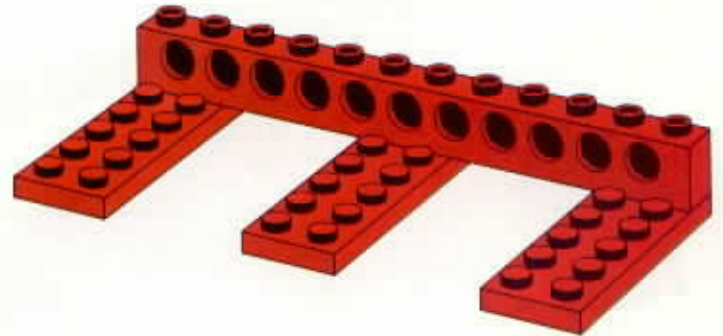


13

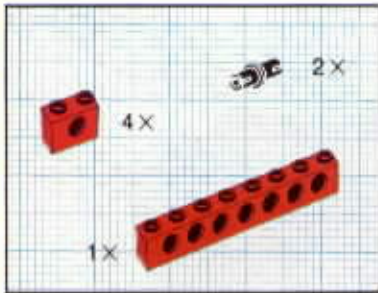
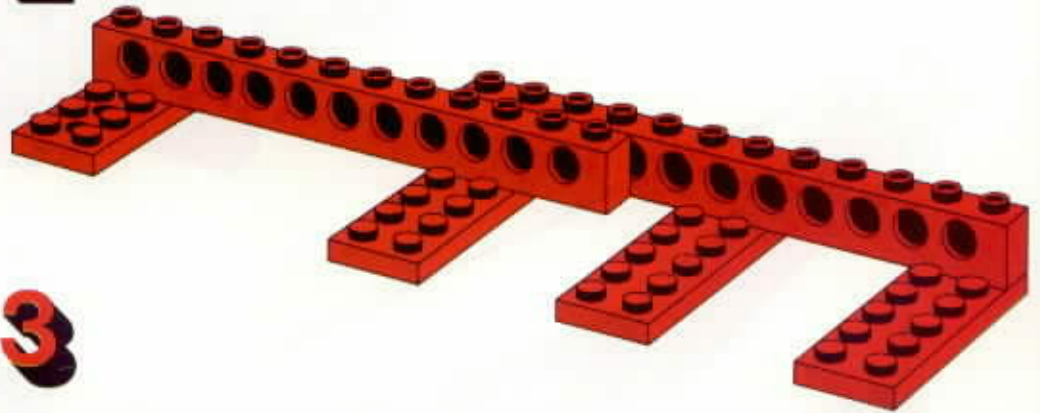




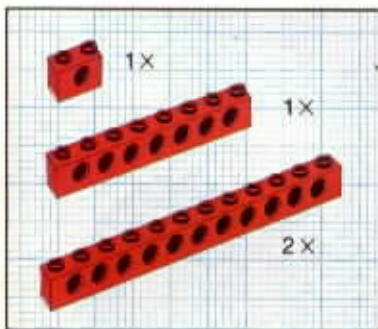
1



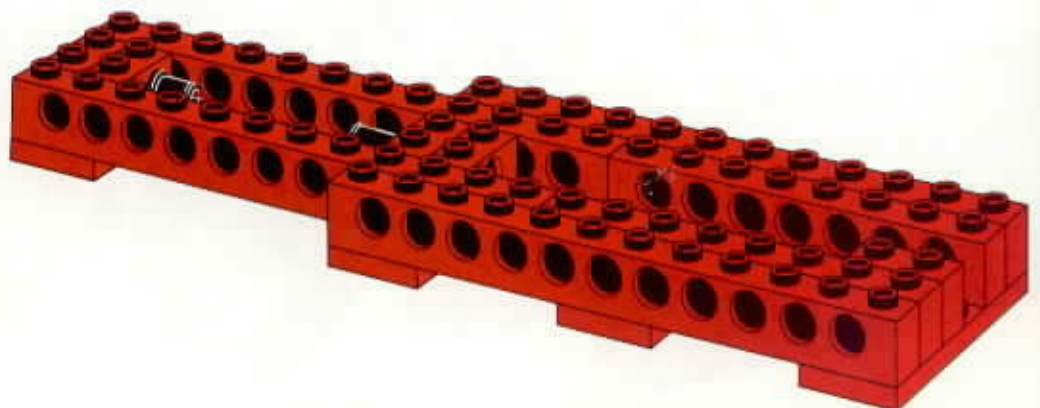
2

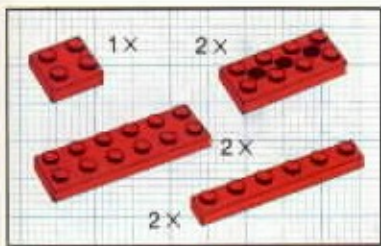


3

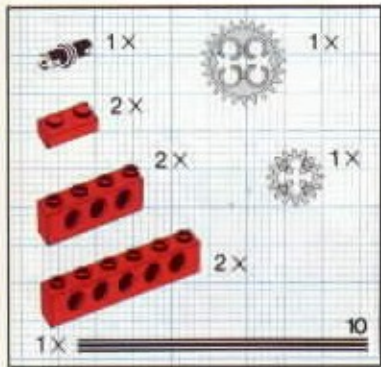
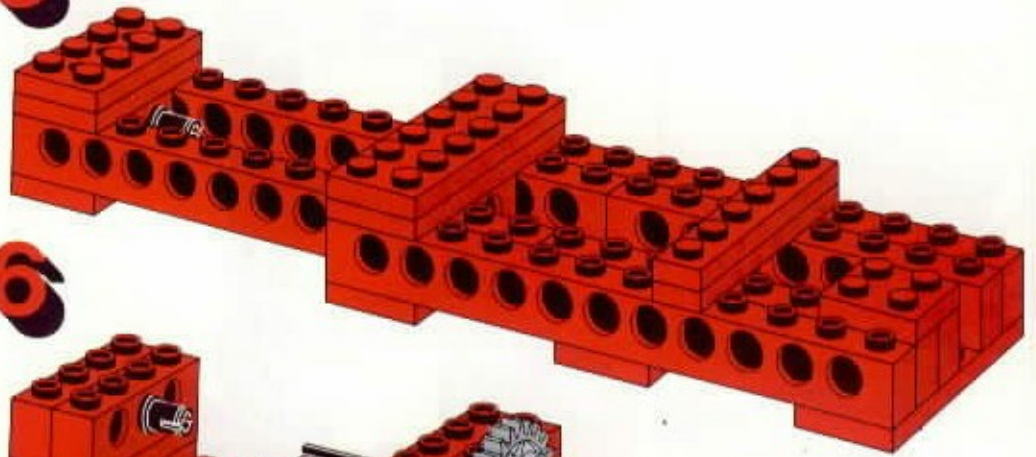


4

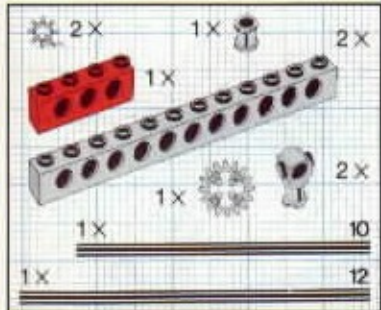
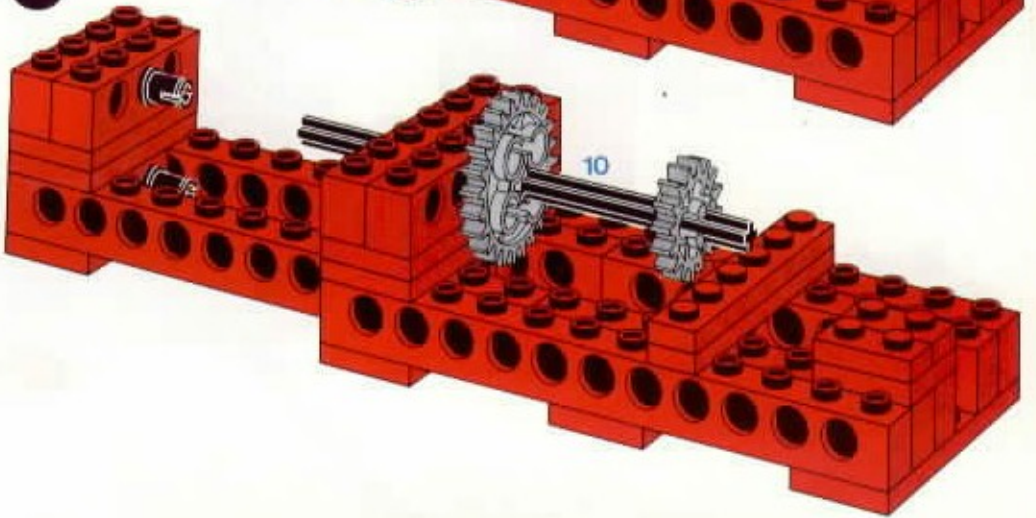




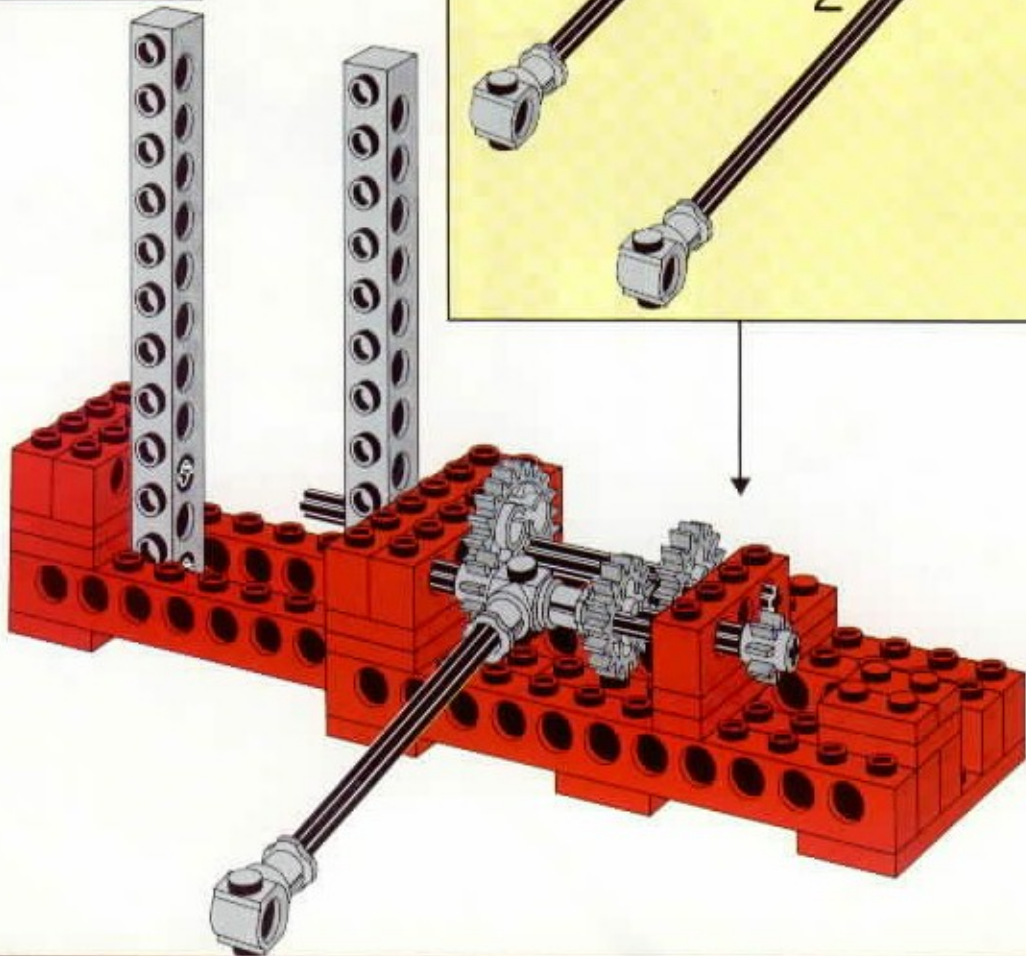
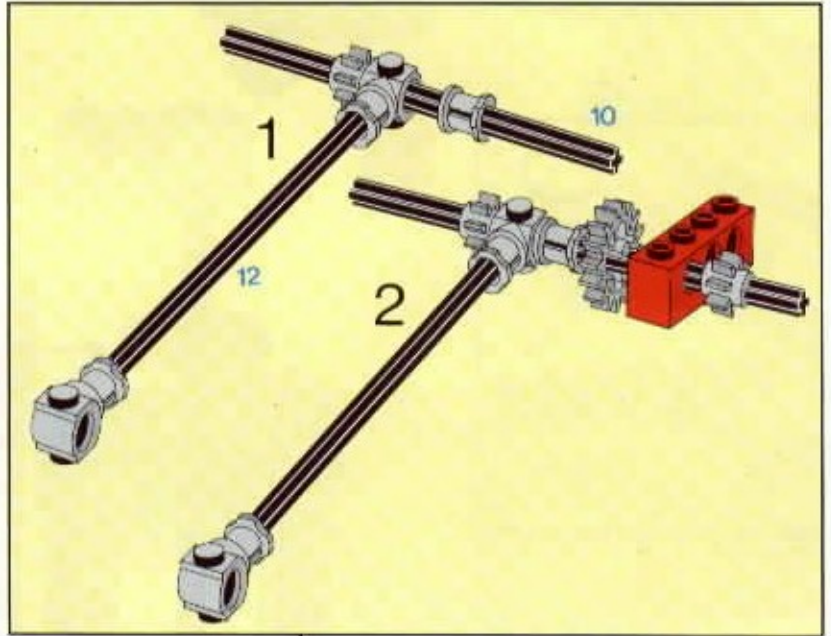
5

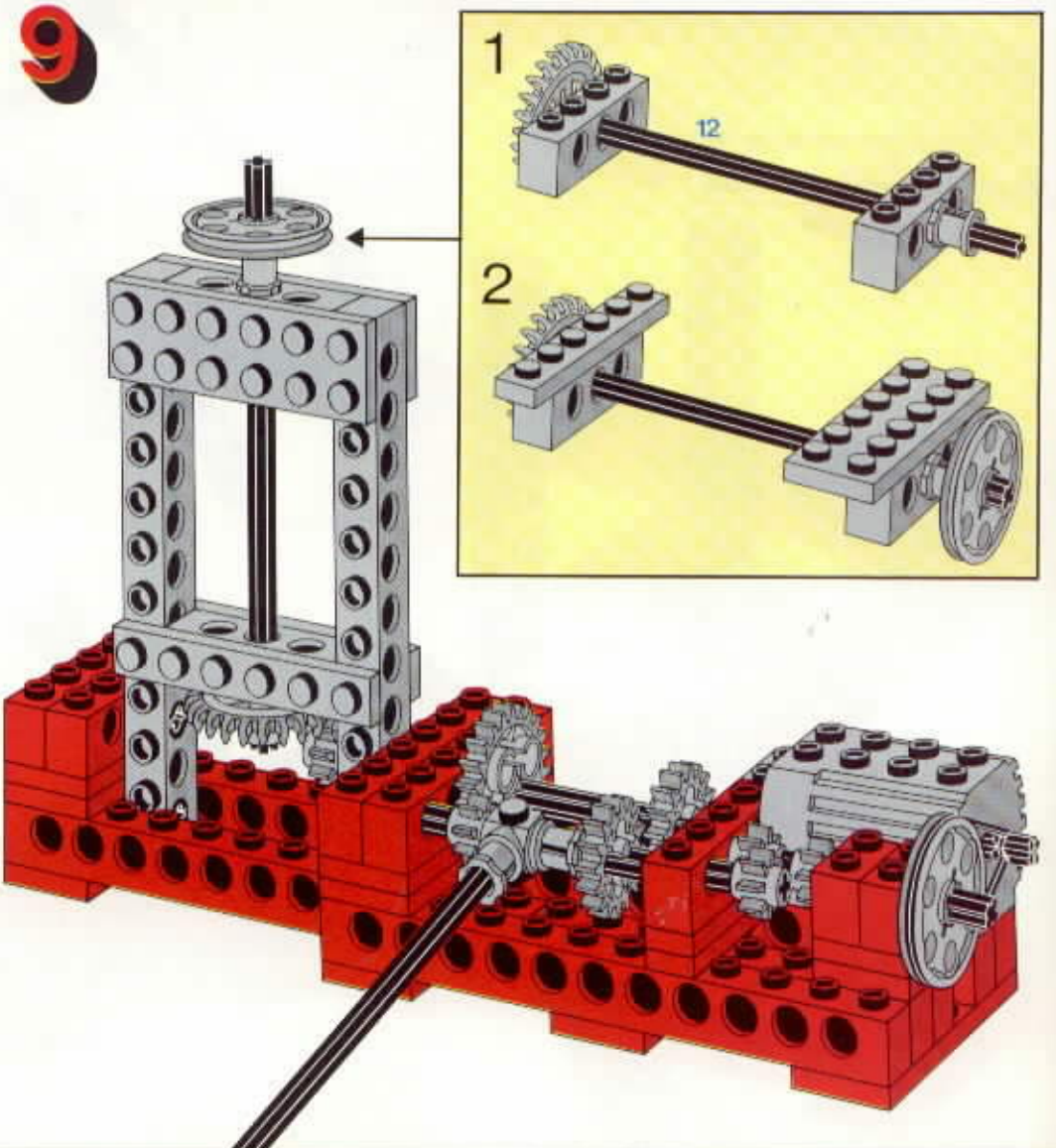
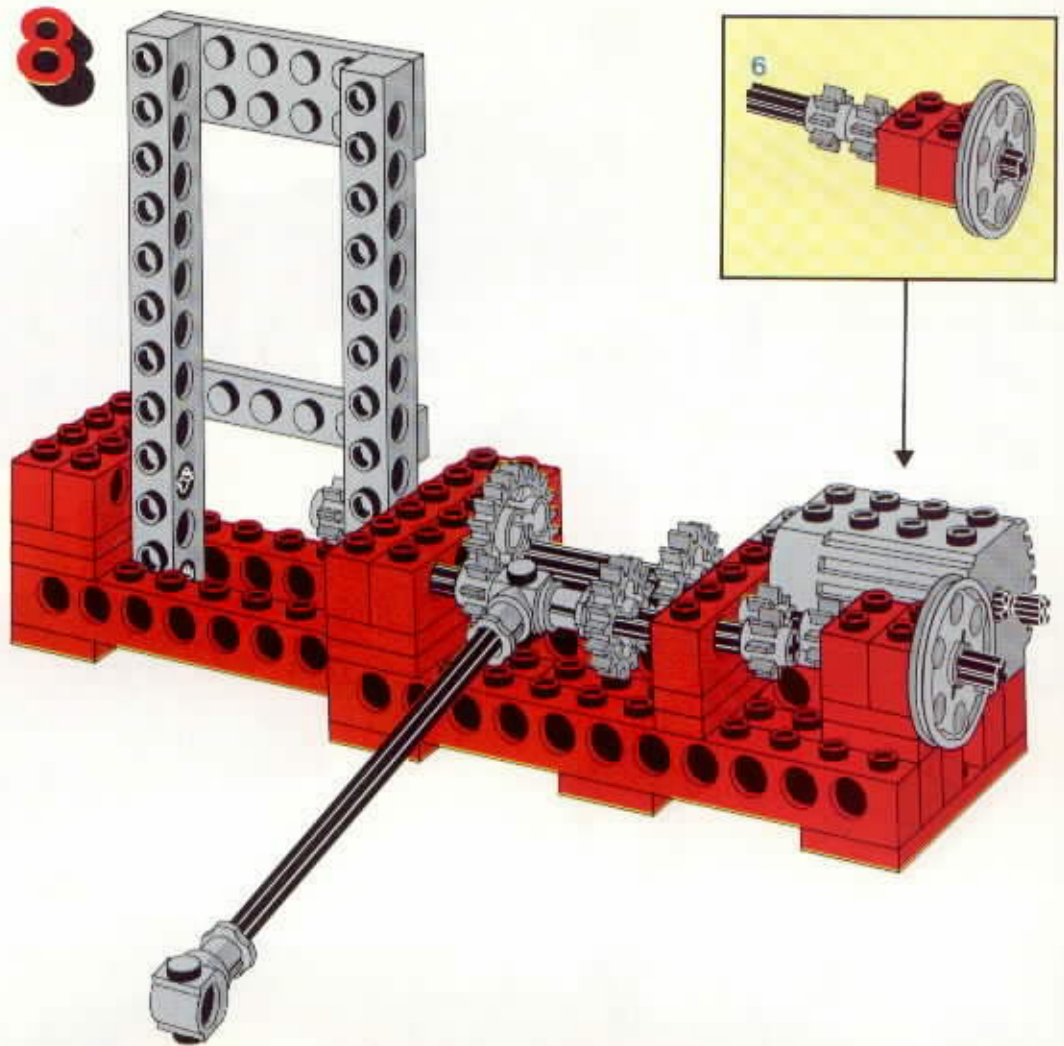
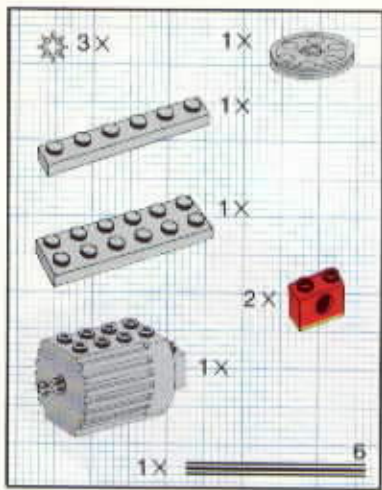


6



7





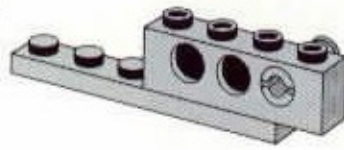


10

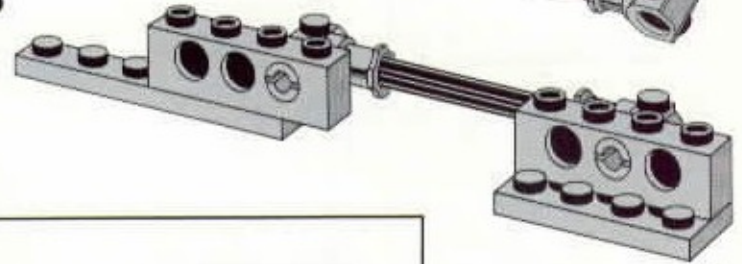
1



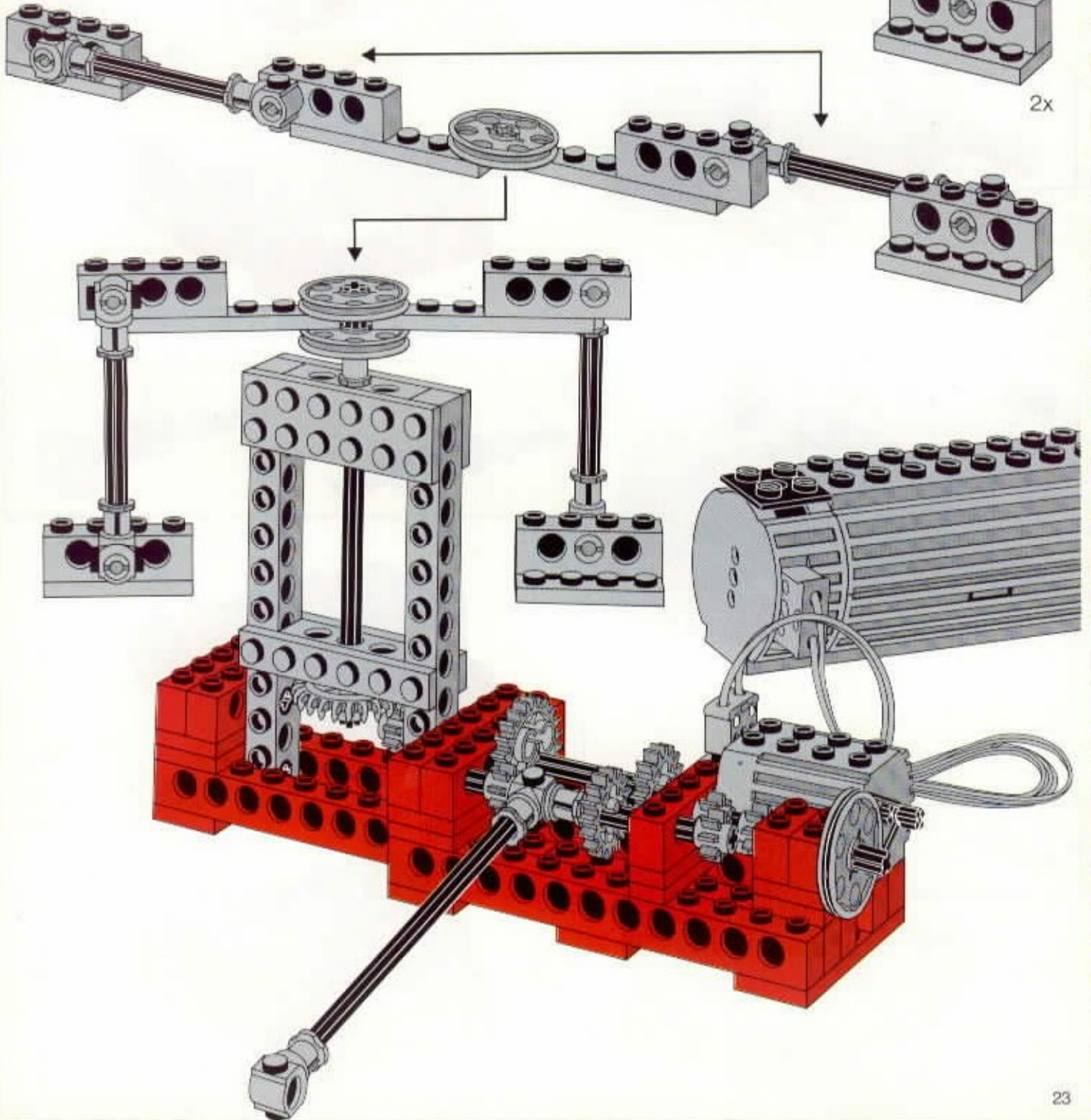
2

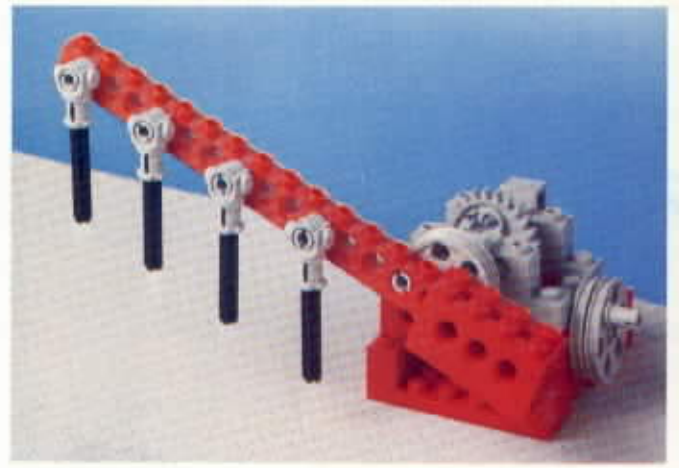


3

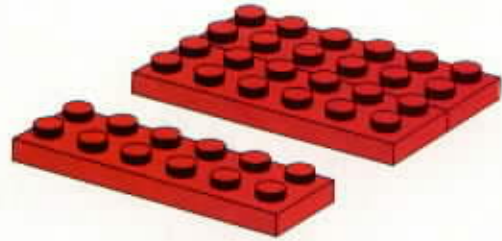


2x

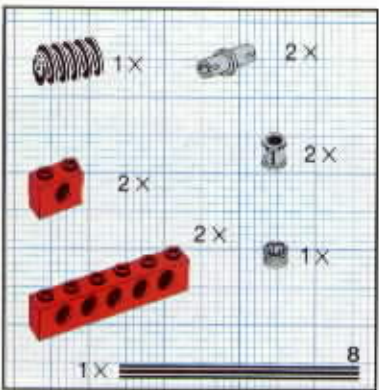
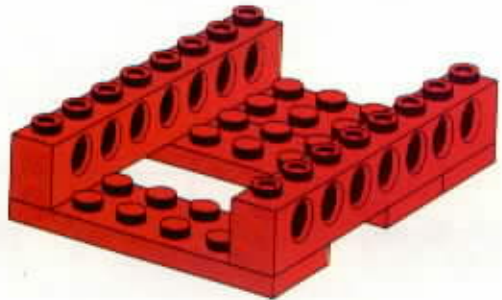




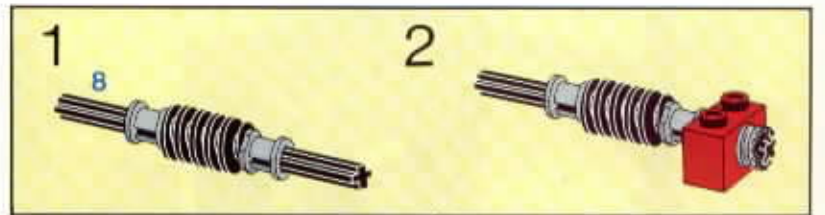
1



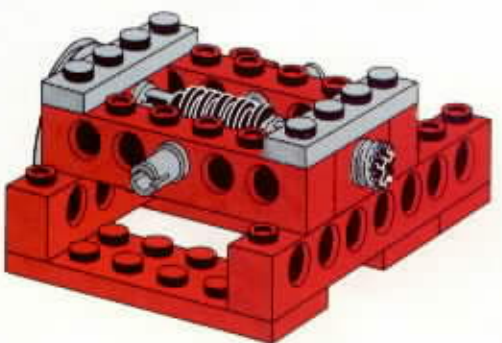
2

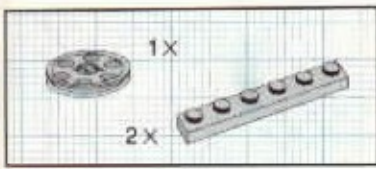


3

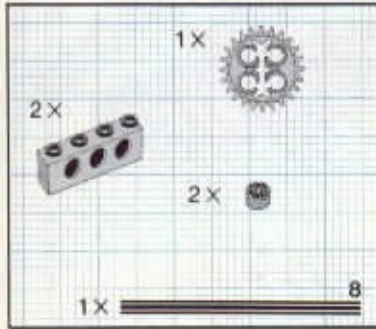
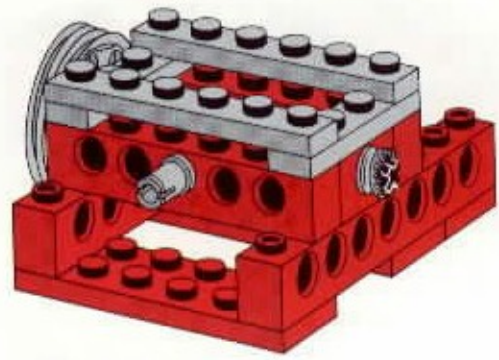


4

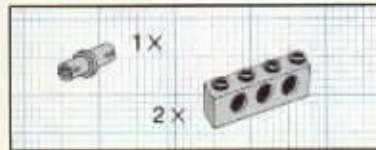
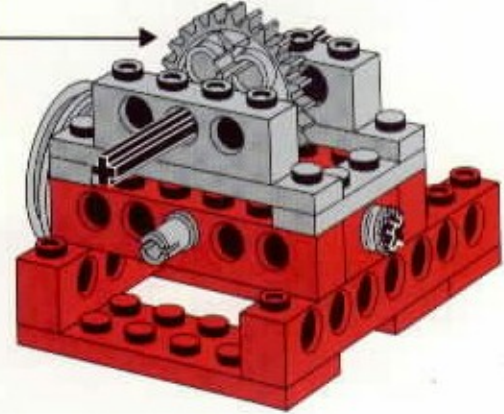




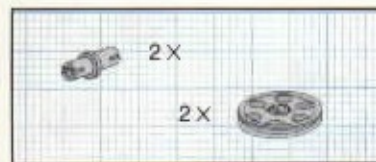
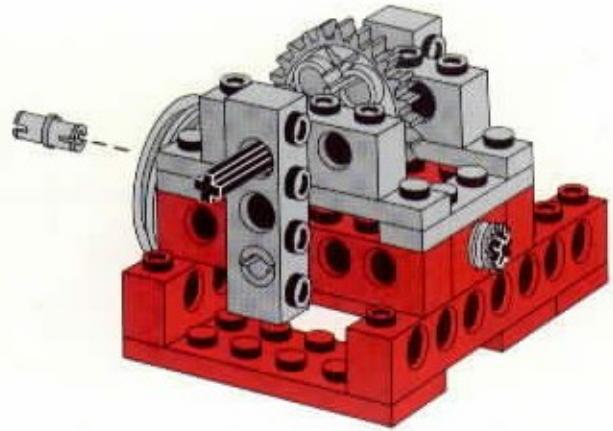
5



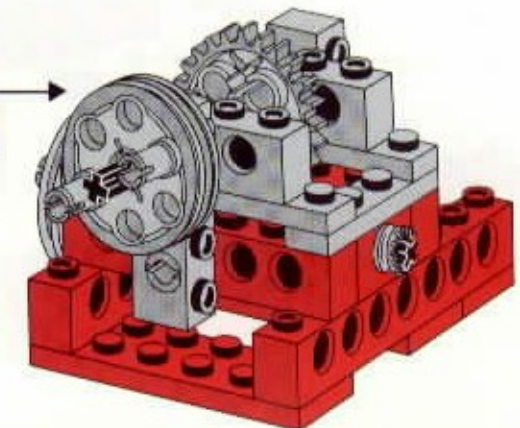
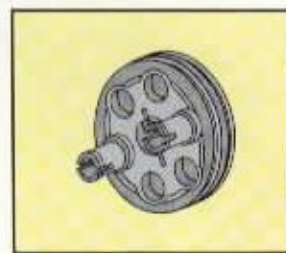
6

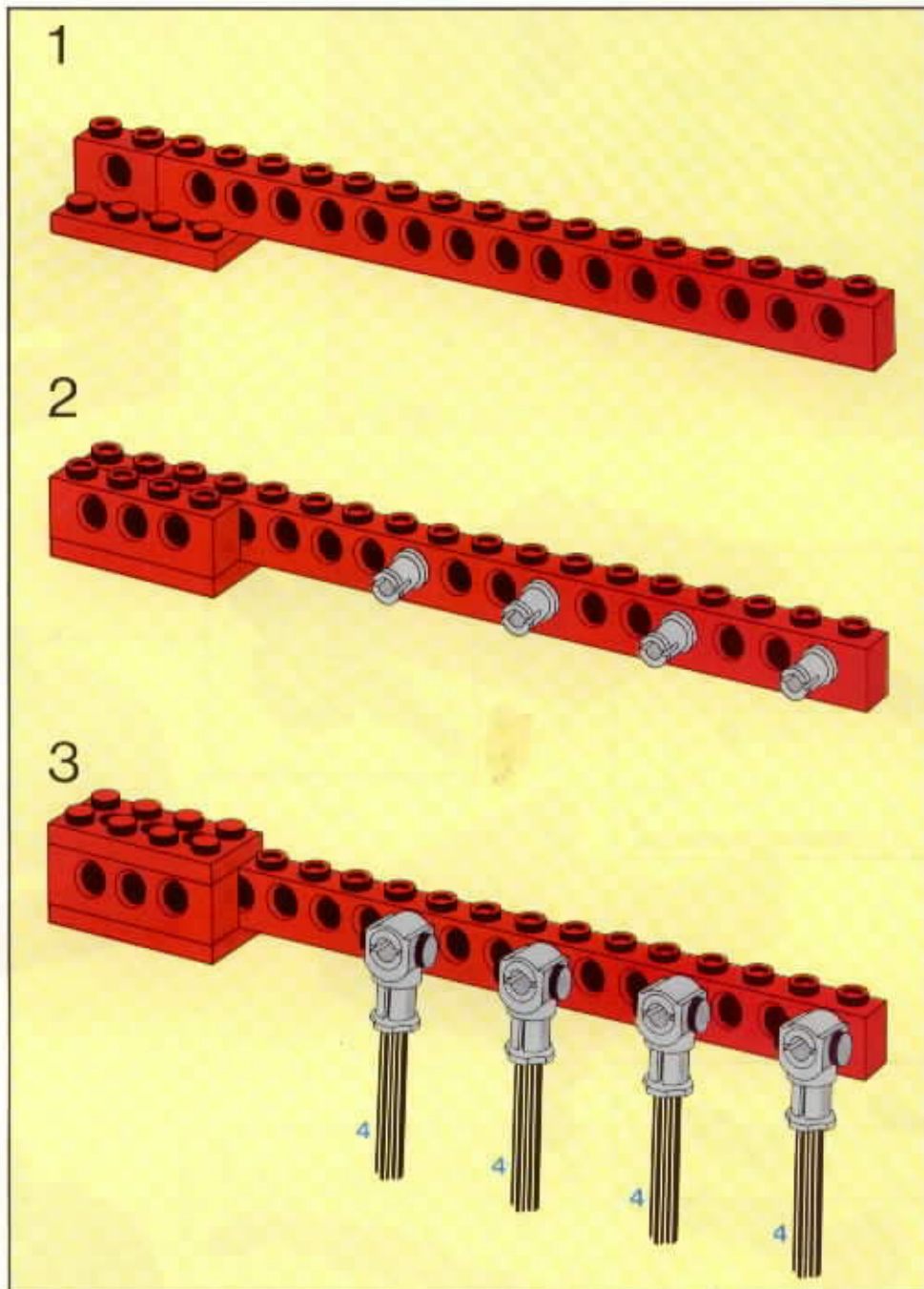


7

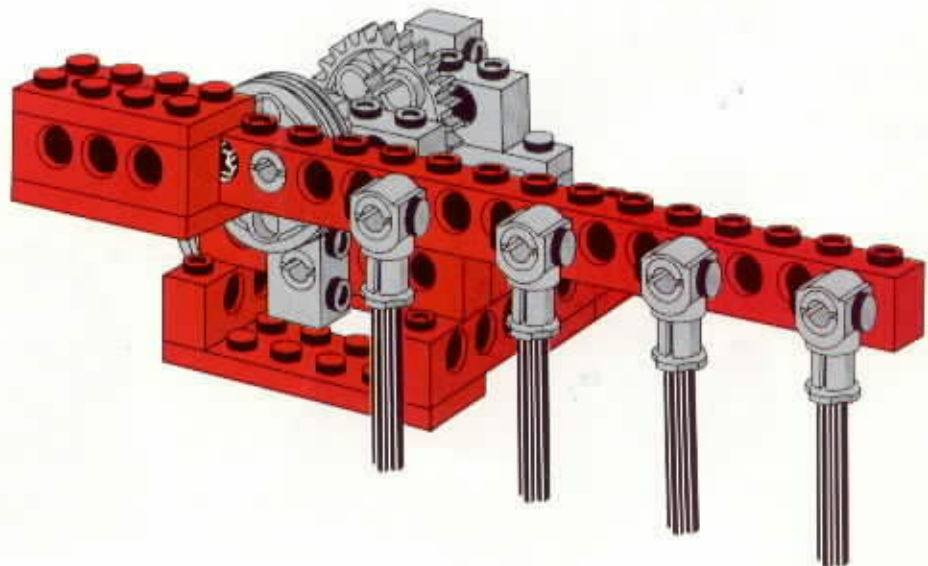


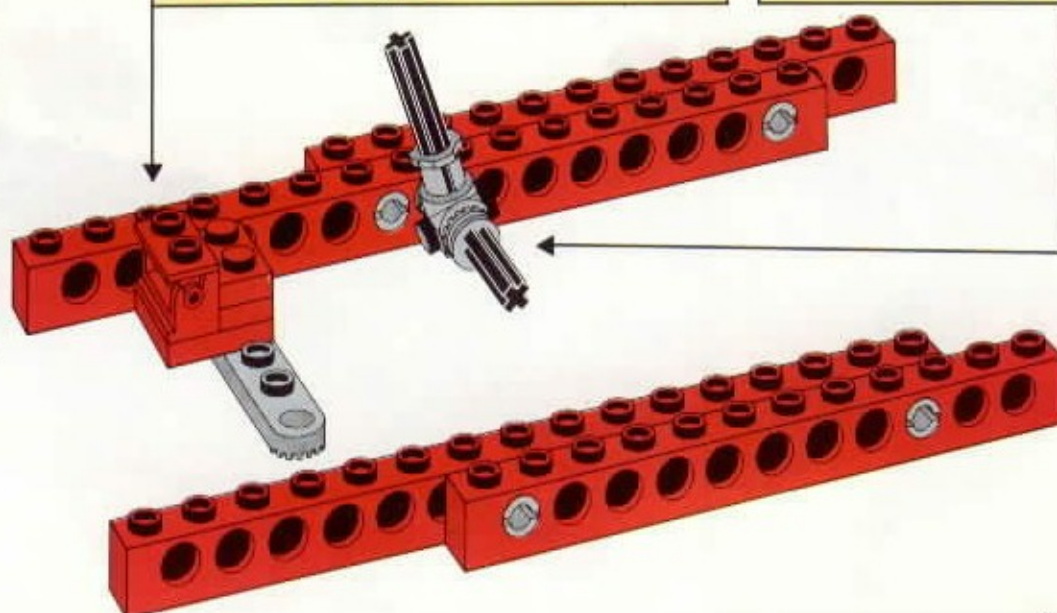
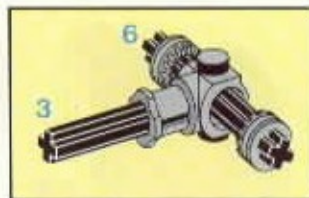
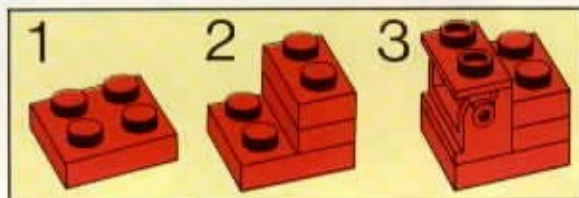
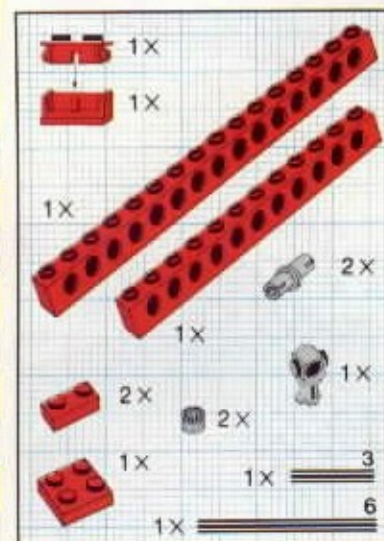
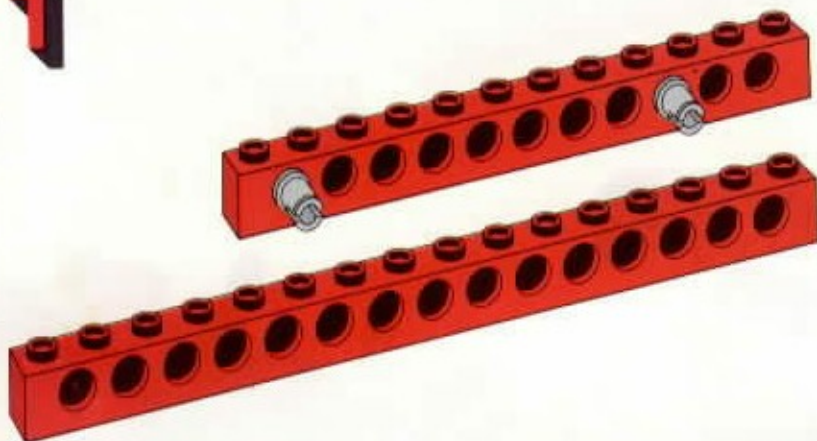
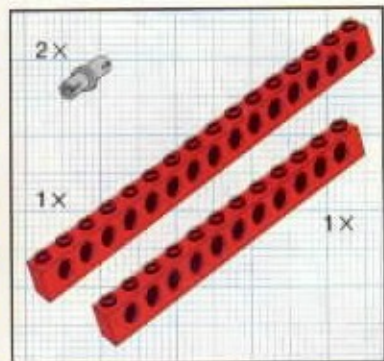
8





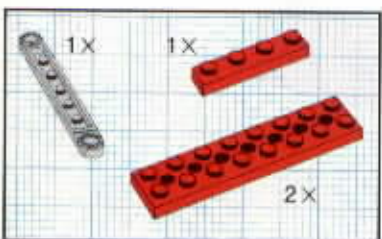
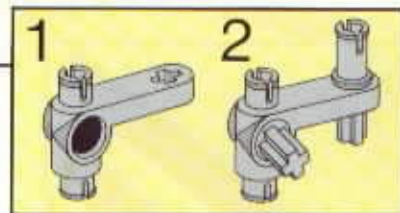
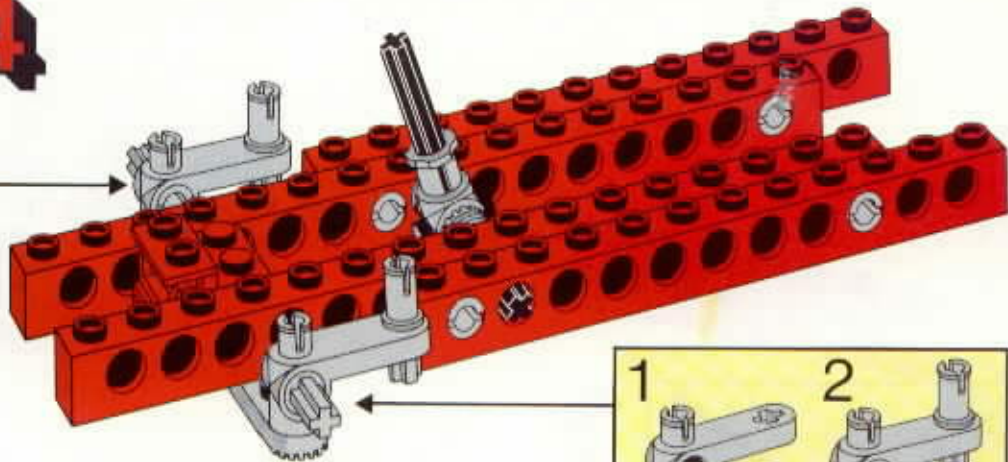
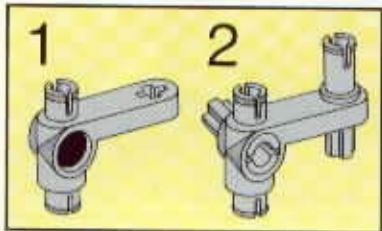
9



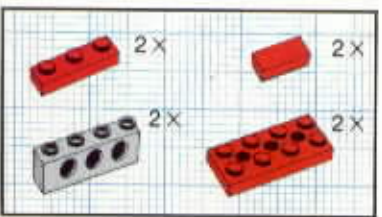
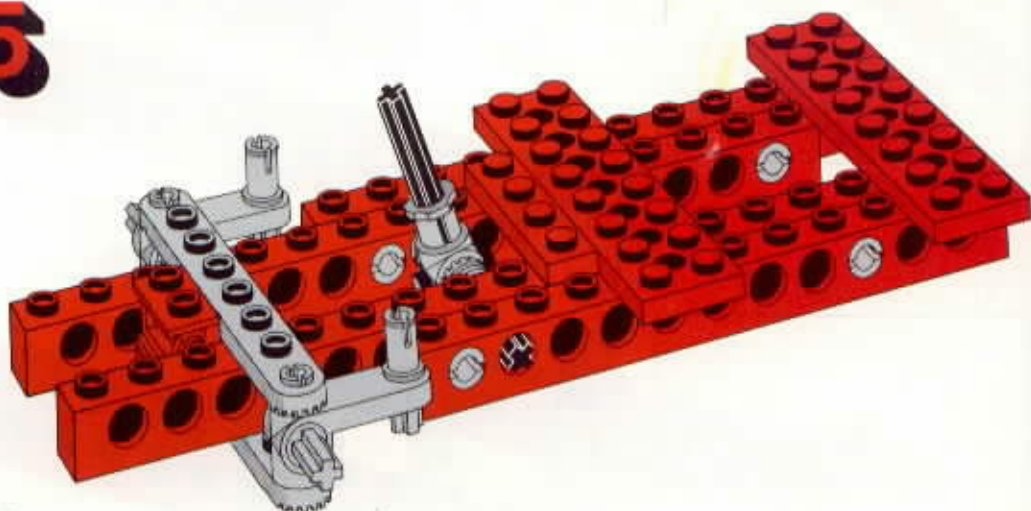




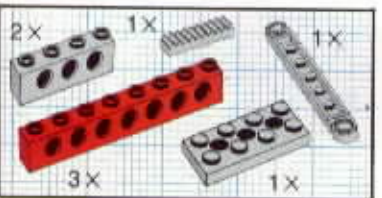
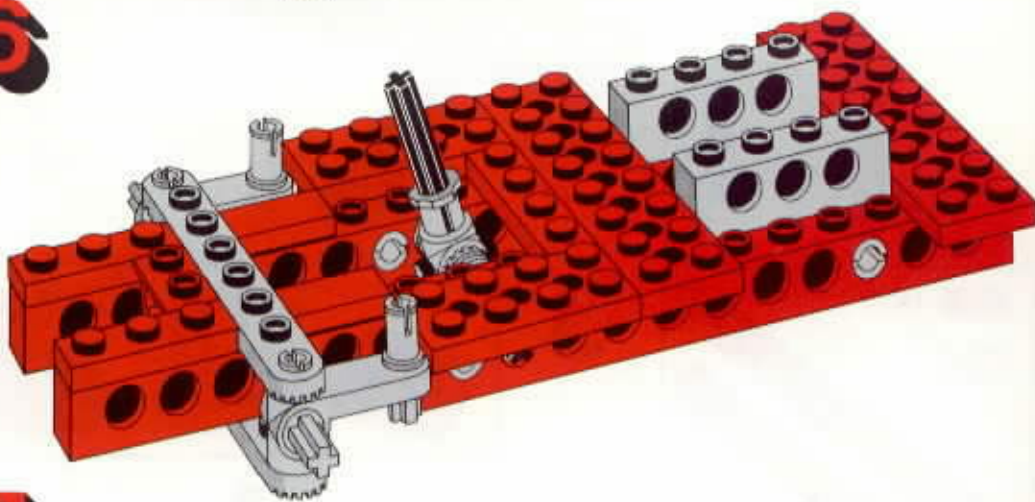
4



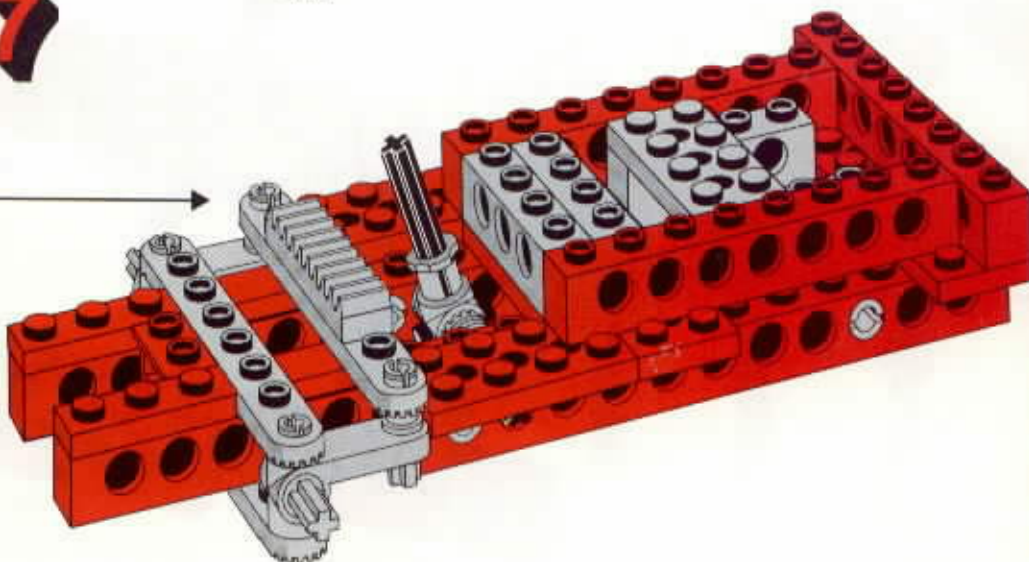
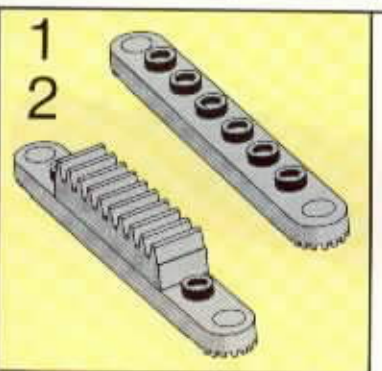
5

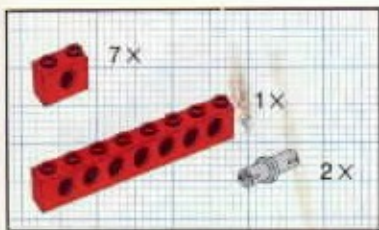


6

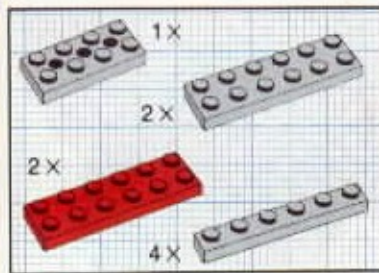
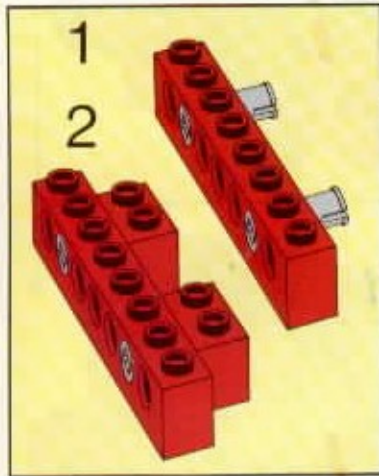
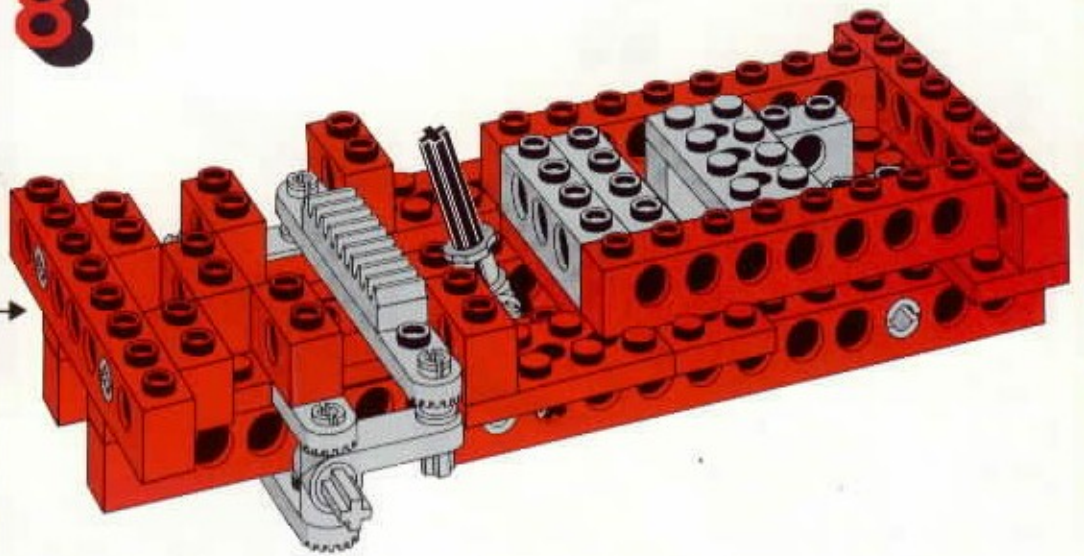


7

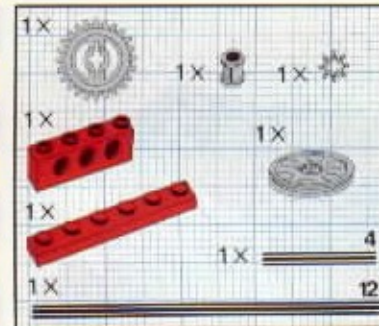
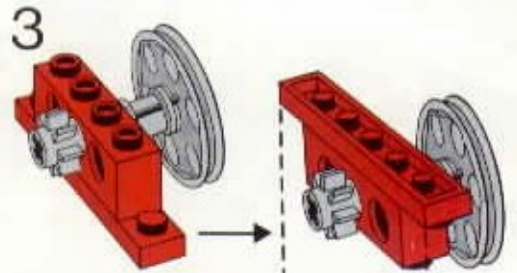
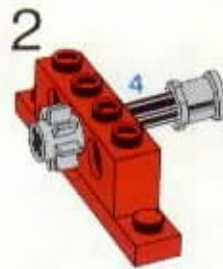
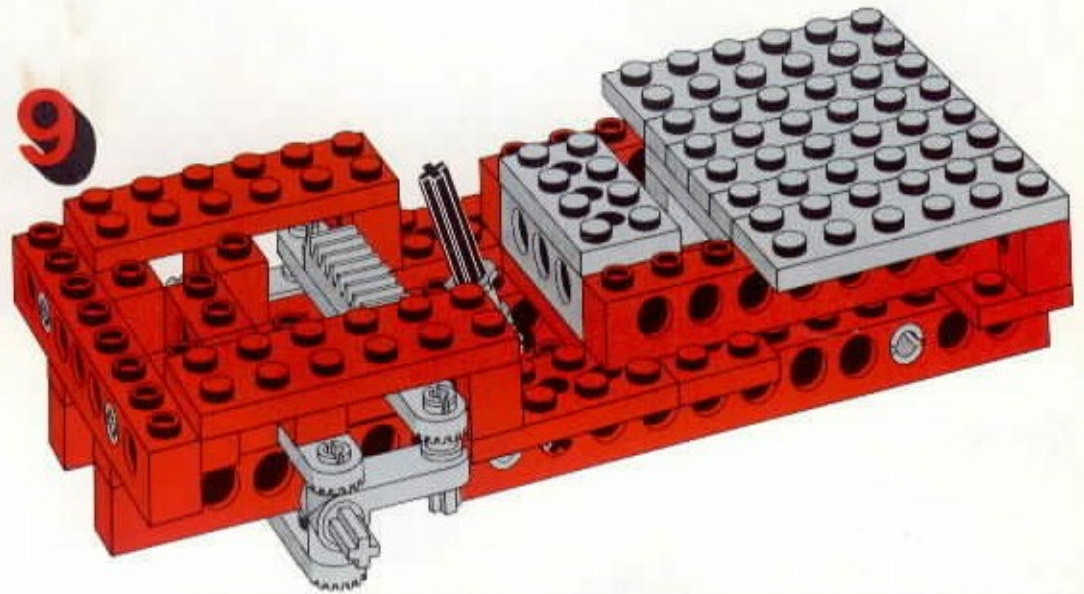




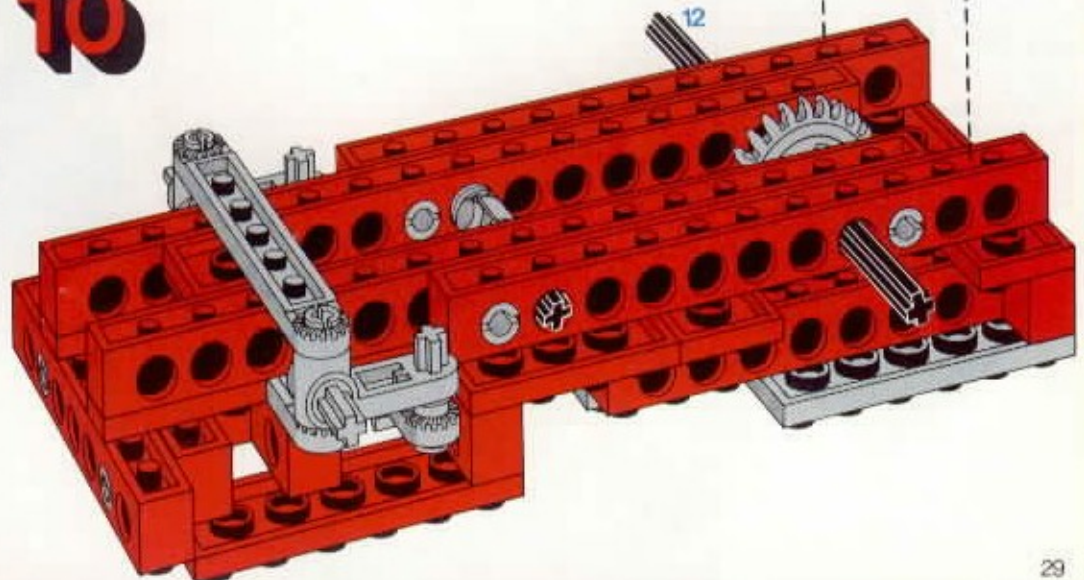
8



9

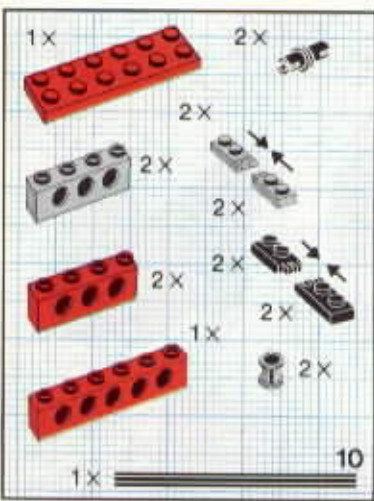
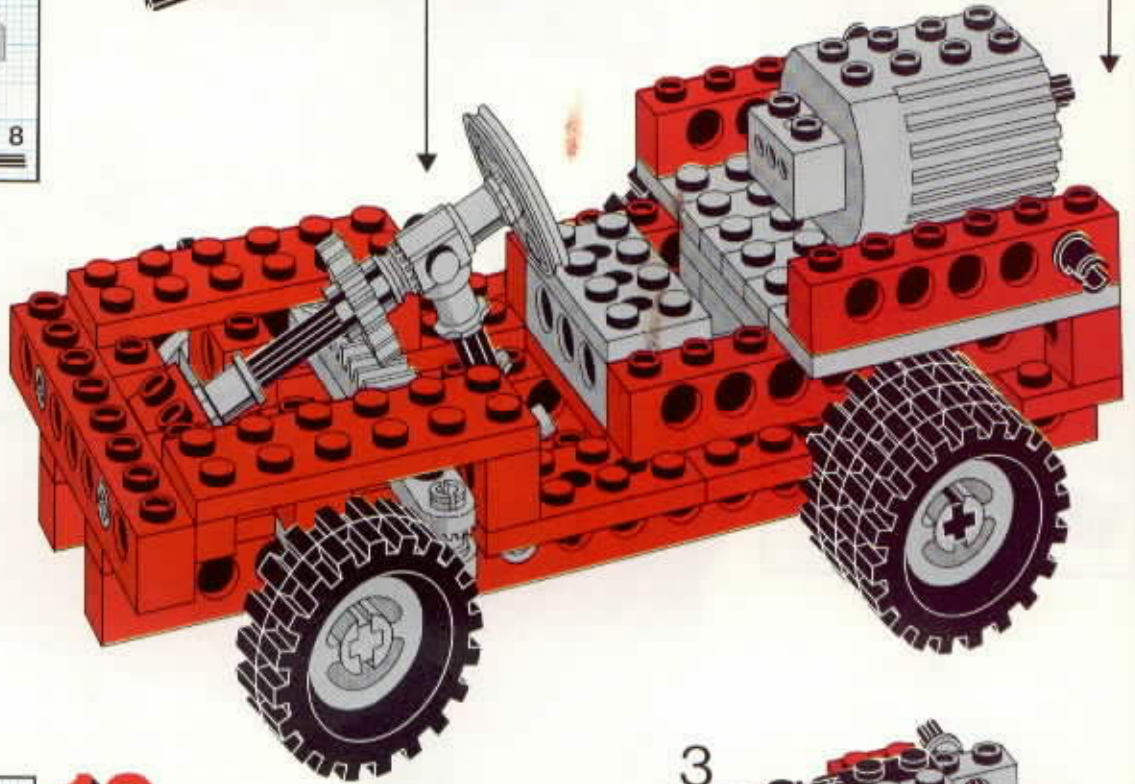
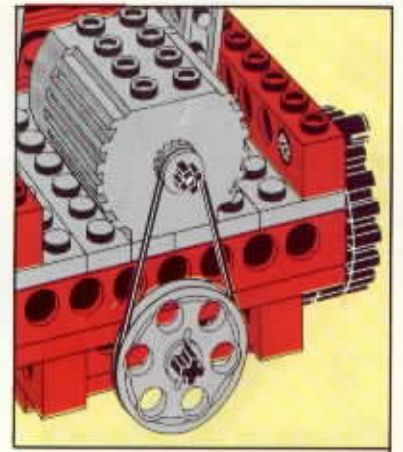
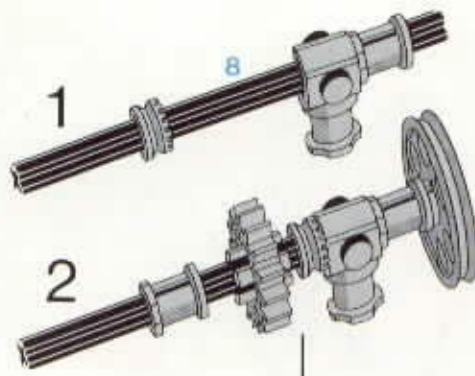


10

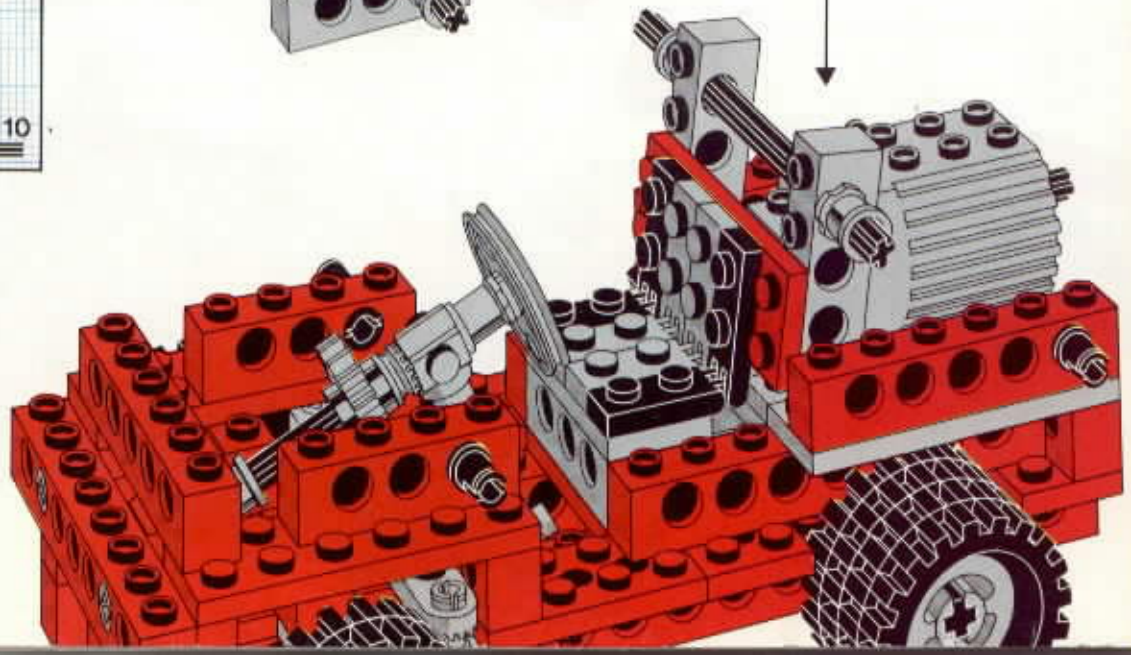
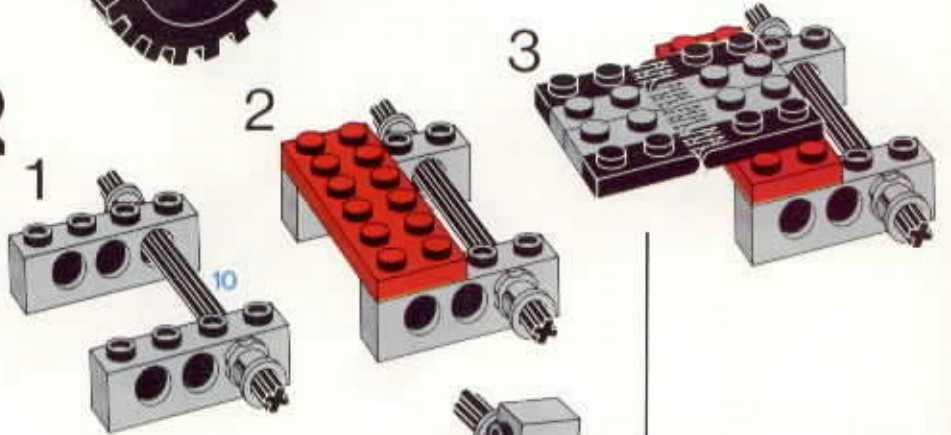


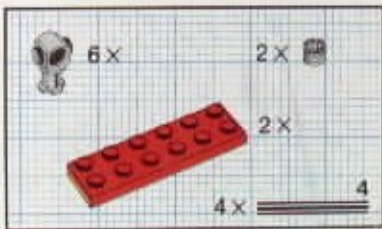


11

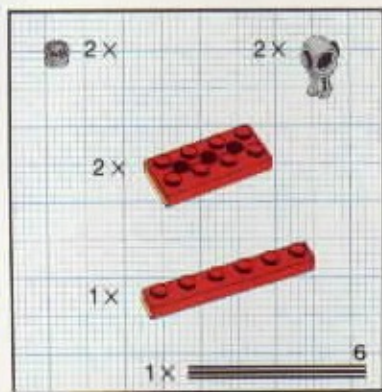
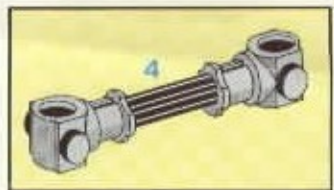


12

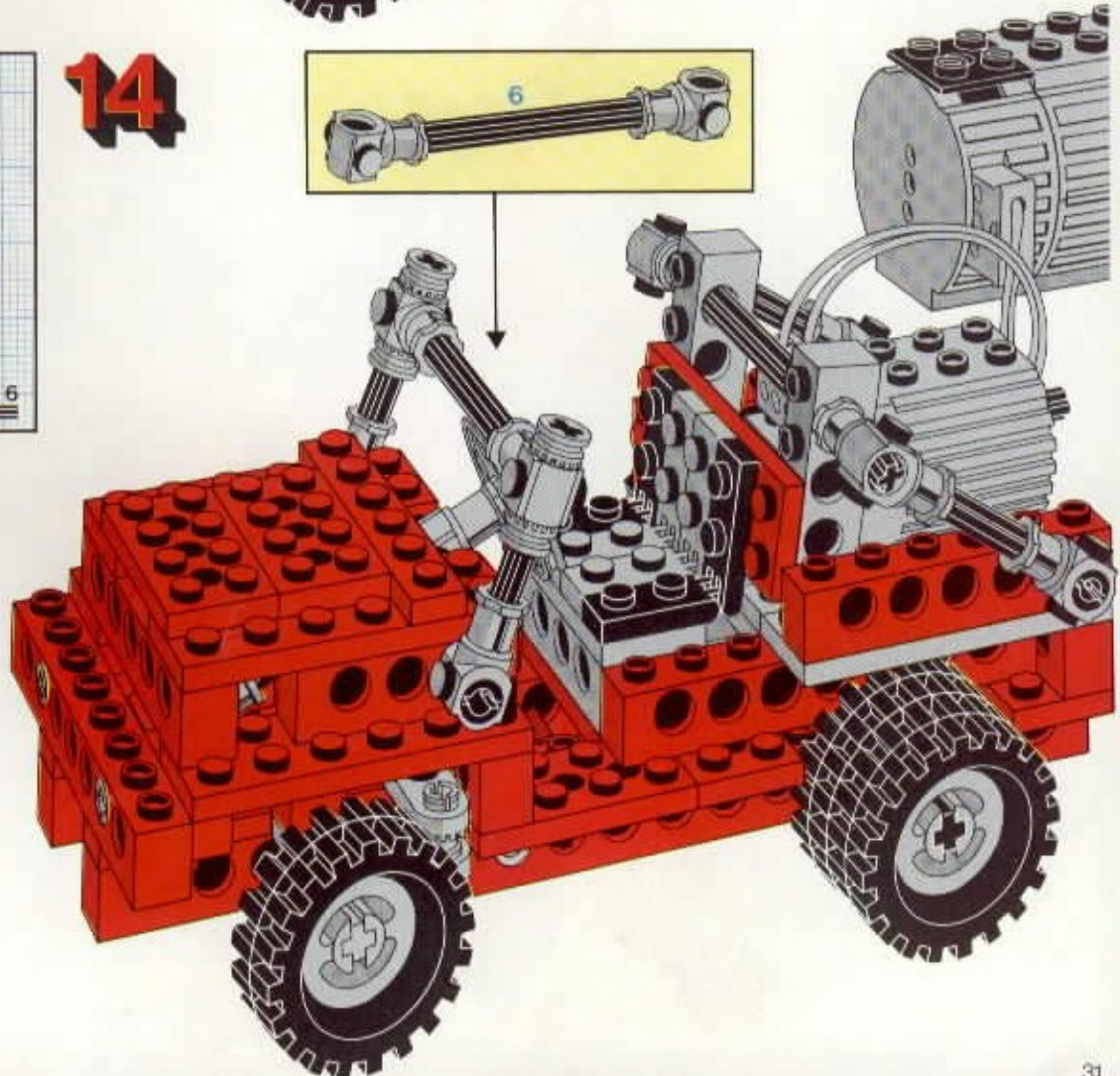
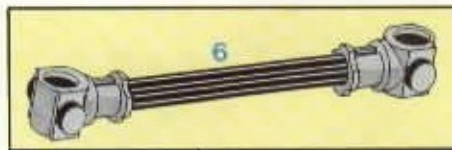




13



14



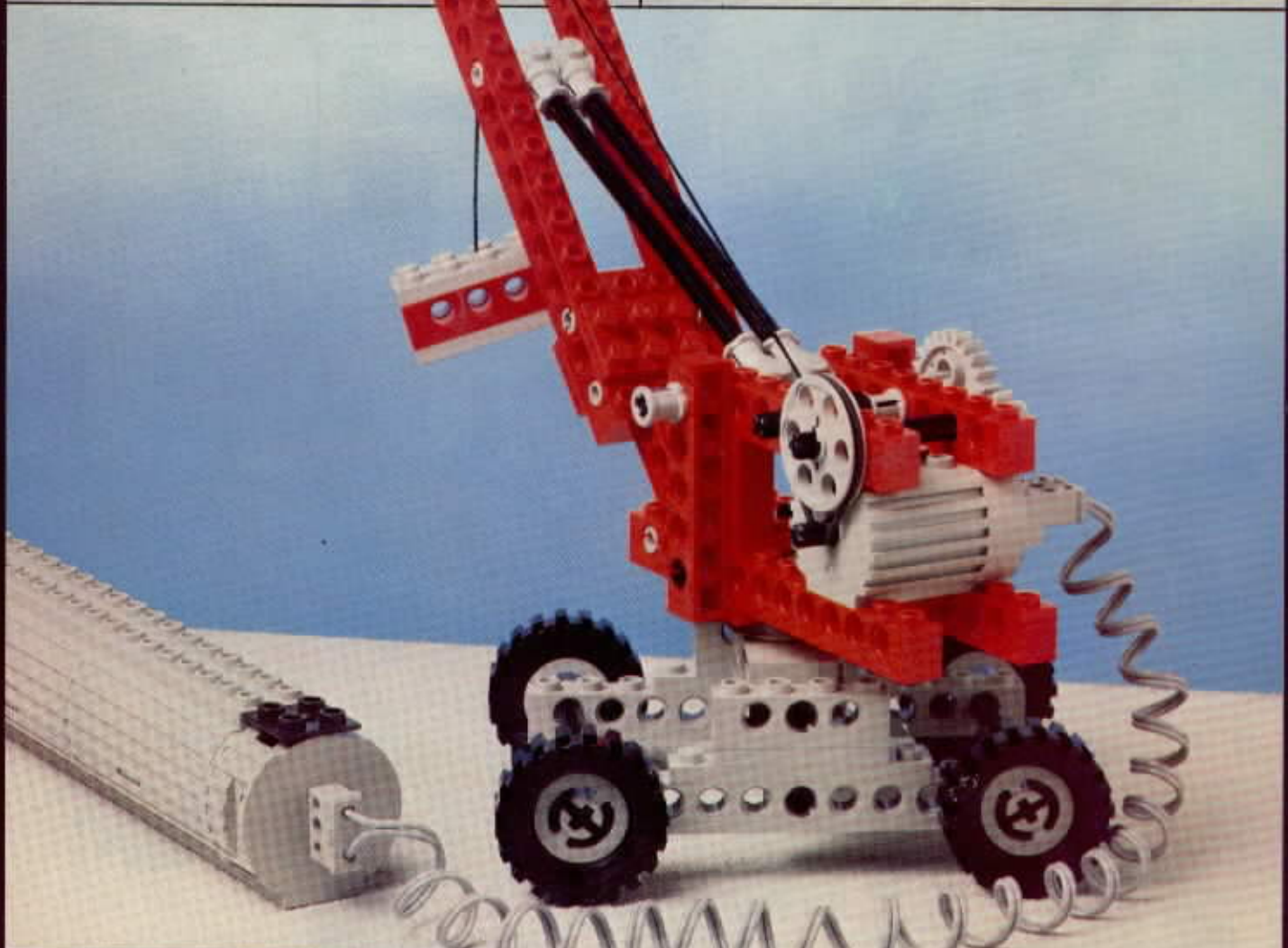
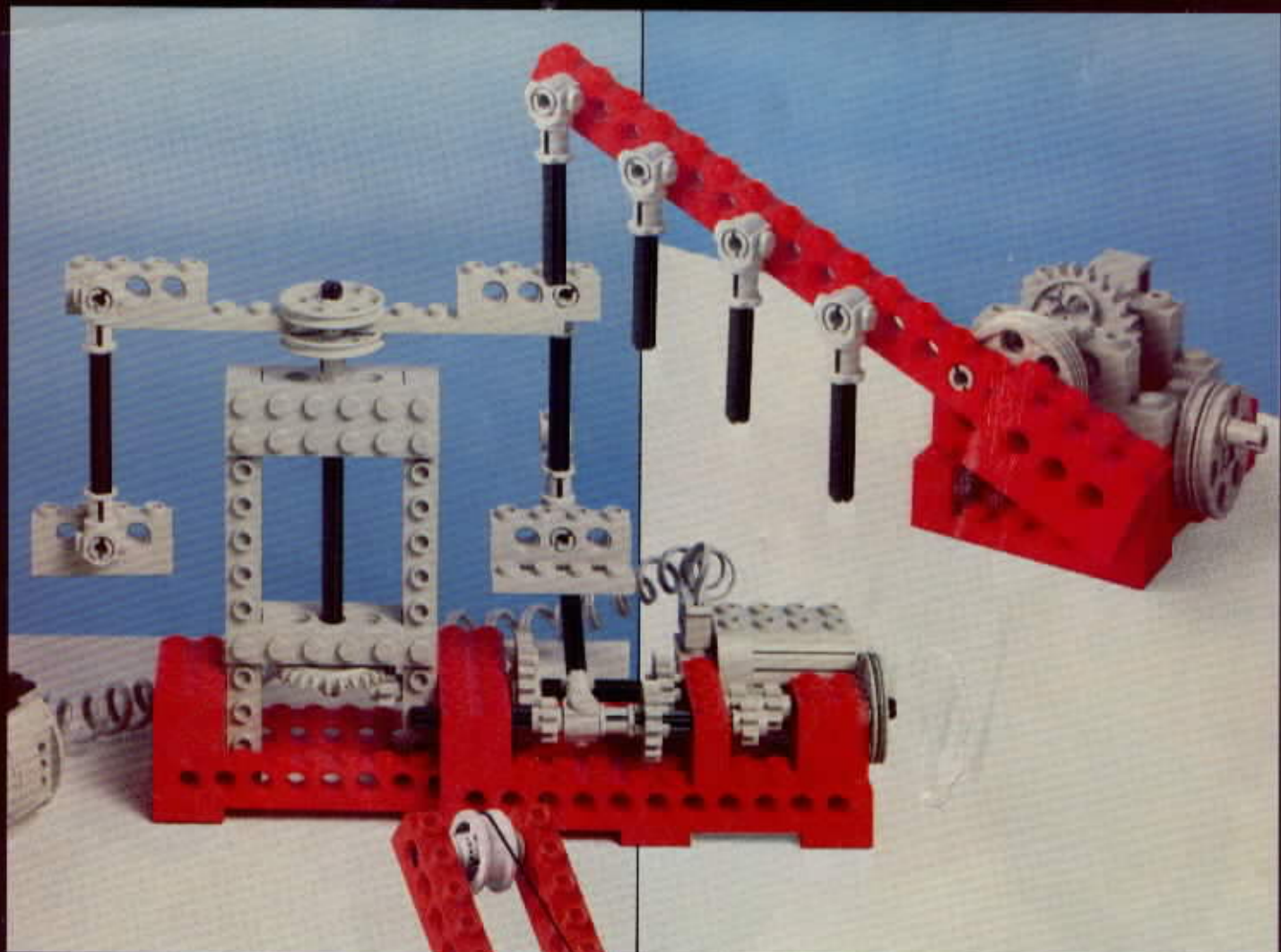














Image	Qty	Item No	Description	MID
Regular Items:				
Parts:				
	1	3941	Light Gray Brick, Round 2 x 2 with Axle Hole Catalog: Parts: Brick, Round 614302	PG
+				
	1	4350c02 (inv)	Light Gray Electric 4.5V 3 C-Cell Battery Box with Switch 4 x 24 Catalog: Parts: Electric, Battery Box Part Color Code Missing	PG
+				
	2	766c01 (inv)	Light Gray Electric, Connector, 2-Way Male Squared Narrow Long with Center Post Catalog: Parts: Electric, Wire & Connector Part Color Code Missing	PG
+				
	1	6216m2	Light Gray Electric, Motor 4.5V Type 2 for 2-prong connectors WITH middle pin Catalog: Parts: Electric, Motor Part Color Code Missing	PG
+				
	1	x466	Light Gray Electric, Wire 12V / 4.5V with two Leads, unspecified length Catalog: Parts: Electric, Wire & Connector Part Color Code Missing	PG
+				
	1	3937	Red Hinge Brick 1 x 2 Base Catalog: Parts: Hinge 393721	PG
+				
	1	3938	Red Hinge Brick 1 x 2 Top Catalog: Parts: Hinge 393821	PG
+				
	2	4276	Black Hinge Plate 1 x 2 with 2 Fingers Catalog: Parts: Hinge Part Color Code Missing	PG
+				
	2	4276	Light Gray Hinge Plate 1 x 2 with 2 Fingers Catalog: Parts: Hinge Part Color Code Missing	PG
+				
	2	4275	Black Hinge Plate 1 x 2 with 3 Fingers Catalog: Parts: Hinge 427526	PG
+				
	2	4275	Light Gray Hinge Plate 1 x 2 with 3 Fingers Catalog: Parts: Hinge Part Color Code Missing	PG
+				

+		2	3023	Red Plate 1 x 2 Catalog: Parts: Plate 302321	PG
---	--	---	----------------------	---	--------------------

+		4	3623	Red Plate 1 x 3 Catalog: Parts: Plate 362321	PG
---	---	---	----------------------	---	--------------------


+		2	3710	Light Gray Plate 1 x 4 Catalog: Parts: Plate 371002	PG
---	---	---	----------------------	--	--------------------


+		1	3710	Red Plate 1 x 4 Catalog: Parts: Plate 371021	PG
---	---	---	----------------------	---	--------------------


+		4	3666	Light Gray Plate 1 x 6 Catalog: Parts: Plate 366602	PG
---	---	---	----------------------	--	--------------------


+		2	3666	Red Plate 1 x 6 Catalog: Parts: Plate 366621	PG
---	---	---	----------------------	---	--------------------


+		1	3022	Red Plate 2 x 2 Catalog: Parts: Plate 4613974 or 302221	PG
---	---	---	----------------------	--	--------------------













+		2	3795	Light Gray Plate 2 x 6 Catalog: Parts: Plate 379502	PG
---	---	---	----------------------	--	--------------------













+		5	3795	Red Plate 2 x 6 Catalog: Parts: Plate 379521	PG
---	---	---	----------------------	---	--------------------












+		4	x90	Black Rubber Belt Extra Large (Round Cross Section) - Approx. 5 x 5 Catalog: Parts: Rubber Band & Belt Part Color Code Missing	PG
---	---	---	---------------------	---	--------------------

+		2	x37	Black Rubber Belt Medium (Round Cross Section) - Approx. 3 x 3 Catalog: Parts: Rubber Band & Belt Part Color Code Missing	PG
---	---	---	---------------------	--	--------------------

+		1	x77	Black String, Cord (Undetermined Type) Catalog: Parts: String Part Color Code Missing	PG
---	---	---	---------------------	--	--------------------

+		7	3713	Light Gray Technic Bush Catalog: Parts: Technic 4125313	PG
+		14	4265a	Light Gray Technic Bush 1/2 Toothed Type I Catalog: Parts: Technic Part Color Code Missing	PG
+		4	4185	Light Gray Technic Wedge Belt Wheel (Pulley) Catalog: Parts: Technic 4100502	PG
+		1	4519	Black Technic, Axle 3 Catalog: Parts: Technic, Axle 451926	PG
+		5	3705	Black Technic, Axle 4 Catalog: Parts: Technic, Axle 370526	PG
+		4	3706	Black Technic, Axle 6 Catalog: Parts: Technic, Axle 370626	PG
+		3	3707	Black Technic, Axle 8 Catalog: Parts: Technic, Axle 370726	PG
+		2	3737	Black Technic, Axle 10 Catalog: Parts: Technic, Axle 373726	PG
+		2	3708	Black Technic, Axle 12 Catalog: Parts: Technic, Axle 370826	PG
+		11	3651	Light Gray Technic, Axle and Pin Connector Catalog: Parts: Technic, Connector Part Color Code Missing	PG
+		4	3749	Light Gray Technic, Axle Pin without Friction Ridges Lengthwise Catalog: Parts: Technic, Axle 4184168 or 656202	PG
+		7	3700	Red Technic, Brick 1 x 2 with Hole Catalog: Parts: Technic, Brick 370021	PG

+	 *	6	3701	Light Gray Technic, Brick 1 x 4 with Holes Catalog: Parts: Technic, Brick 370102	PG
+	 *	3	3701	Red Technic, Brick 1 x 4 with Holes Catalog: Parts: Technic, Brick 370121	PG
+	 *	3	3894	Red Technic, Brick 1 x 6 with Holes Catalog: Parts: Technic, Brick 389421	PG
+	 *	4	3702	Red Technic, Brick 1 x 8 with Holes Catalog: Parts: Technic, Brick 370221	PG
+	 *	2	3895	Light Gray Technic, Brick 1 x 12 with Holes Catalog: Parts: Technic, Brick 4195006	PG
+	 *	4	3895	Red Technic, Brick 1 x 12 with Holes Catalog: Parts: Technic, Brick 389521	PG
+	 *	2	3703	Red Technic, Brick 1 x 16 with Holes Catalog: Parts: Technic, Brick 370321	PG
+	 *	5	3647	Light Gray Technic, Gear 8 Tooth Type 1 Catalog: Parts: Technic, Gear 364702	PG
+	 *	2	4019	Light Gray Technic, Gear 16 Tooth (First Version - 4 Round Holes) Catalog: Parts: Technic, Gear Part Color Code Missing	PG
+	 *	1	x187	Light Gray Technic, Gear 24 Tooth (1st Version - 3 Axle Holes) Catalog: Parts: Technic, Gear Part Color Code Missing	PG
+	 *	1	3650a	Light Gray Technic, Gear 24 Tooth Crown (1st Version - Not Reinforced) Catalog: Parts: Technic, Gear Part Color Code Missing	PG
+	 *	1	3743	Light Gray Technic, Gear Rack 1 x 4 Catalog: Parts: Technic, Gear 374302	PG

+		1	4716	Black Technic, Gear Worm Screw, Long	PG
	*			Catalog: Parts: Technic, Gear 6037533 or 471626	
+		5	4459	Black Technic, Pin with Friction Ridges Lengthwise WITHOUT Center Slots	PG
	*			Catalog: Parts: Technic, Pin Part Color Code Missing	
+		11	3673	Light Gray Technic, Pin without Friction Ridges Lengthwise	PG
	*			Catalog: Parts: Technic, Pin 4184166	
+		3	4442	Light Gray Technic, Plate 1 x 8 with Toothed Ends	PG
	*			Catalog: Parts: Technic, Plate Part Color Code Missing	
+		2	3709b	Light Gray Technic, Plate 2 x 4 with 3 Holes	PG
	*			Catalog: Parts: Technic, Plate 370902	
+		4	3709b	Red Technic, Plate 2 x 4 with 3 Holes	PG
	*			Catalog: Parts: Technic, Plate 370921	
+		2	3738	Red Technic, Plate 2 x 8 with 7 Holes	PG
	*			Catalog: Parts: Technic, Plate 373821	
+		2	4261	Light Gray Technic, Steering Arm	PG
	*			Catalog: Parts: Technic, Steering Part Color Code Missing	
+		2	3069b	Red Tile 1 x 2 with Groove	PG
	*			Catalog: Parts: Tile 306921	
+		6	2346	Black Tire 30 x 10.5 Offset Tread	PG
	*			Catalog: Parts: Tire & Tread 234626	
+		6	3482	Light Gray Wheel with Split Axle Hole	PG
	*			Catalog: Parts: Wheel Part Color Code Missing	

Counterparts:

+		1	766c96	Light Gray Electric, Wire 12V / 4.5V with two 2-prong connectors, 96 Studs Long	PG
				Catalog: Parts: Electric, Wire & Connector	



*

Part Color Code Missing

+



*

1

[3937c01](#) ([inv](#))

Red Hinge Brick 1 x 2 Base with Same Color Hinge Brick 1 x 2 Top (3937 / 3938)

[Catalog](#): [Parts](#): [Hinge](#)

Part Color Code Missing

[PG](#)

+



*

6

[3482c02](#) ([inv](#))

Light Gray Wheel with Split Axle Hole with Black Tire 30 x 10.5 Offset Tread (3482 / 2346)

[Catalog](#): [Parts](#): [Wheel & Tire Assembly](#)

Part Color Code Missing

[PG](#)

Summary:

Type	Unique Lots	Total Qty
Regular Items:		
Parts	58	188
Counterparts:		
Parts	3	8

Source:
Instructions

[Admin](#) inventoried this Set on Mar 18, 2007, inventory last updated on Sep 14, 2018.