

Technic Lego®

Container Trailer

(for 8052 Container Truck)

Building instructions



Information

Container trailer for 8052 Container Truck (no modifications necessary)

Dimensions trailer

- Parts: 409
 - Length: 27 cm
 - Width: 10,5 cm
 - Height: 13 cm
 - Weight: 0,4 kg
-
- Total length truck with trailer: 80 cm

Technic functions

- Trailer can be loaded and unloaded with a container by the truck's lift mechanism.

Non-Technic functions

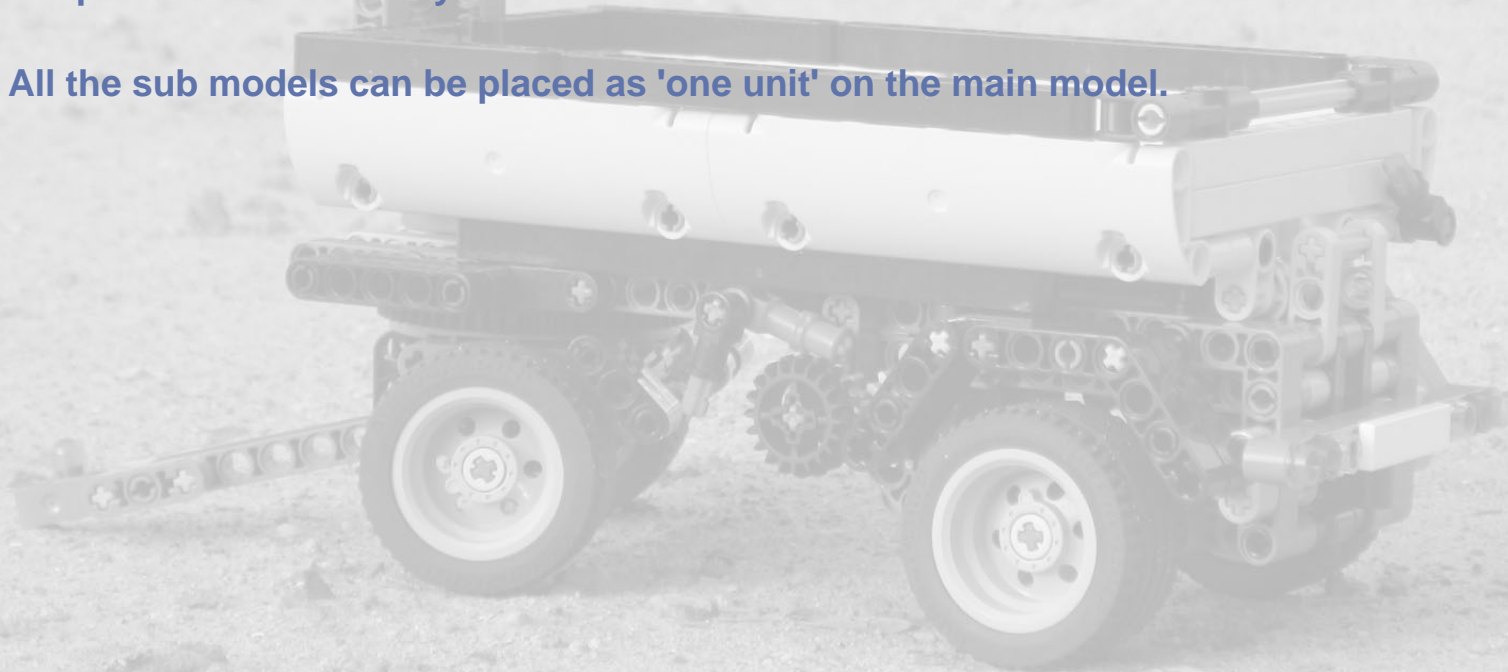
- Ability to load and unload a container on the truck, without disconnecting the trailer.

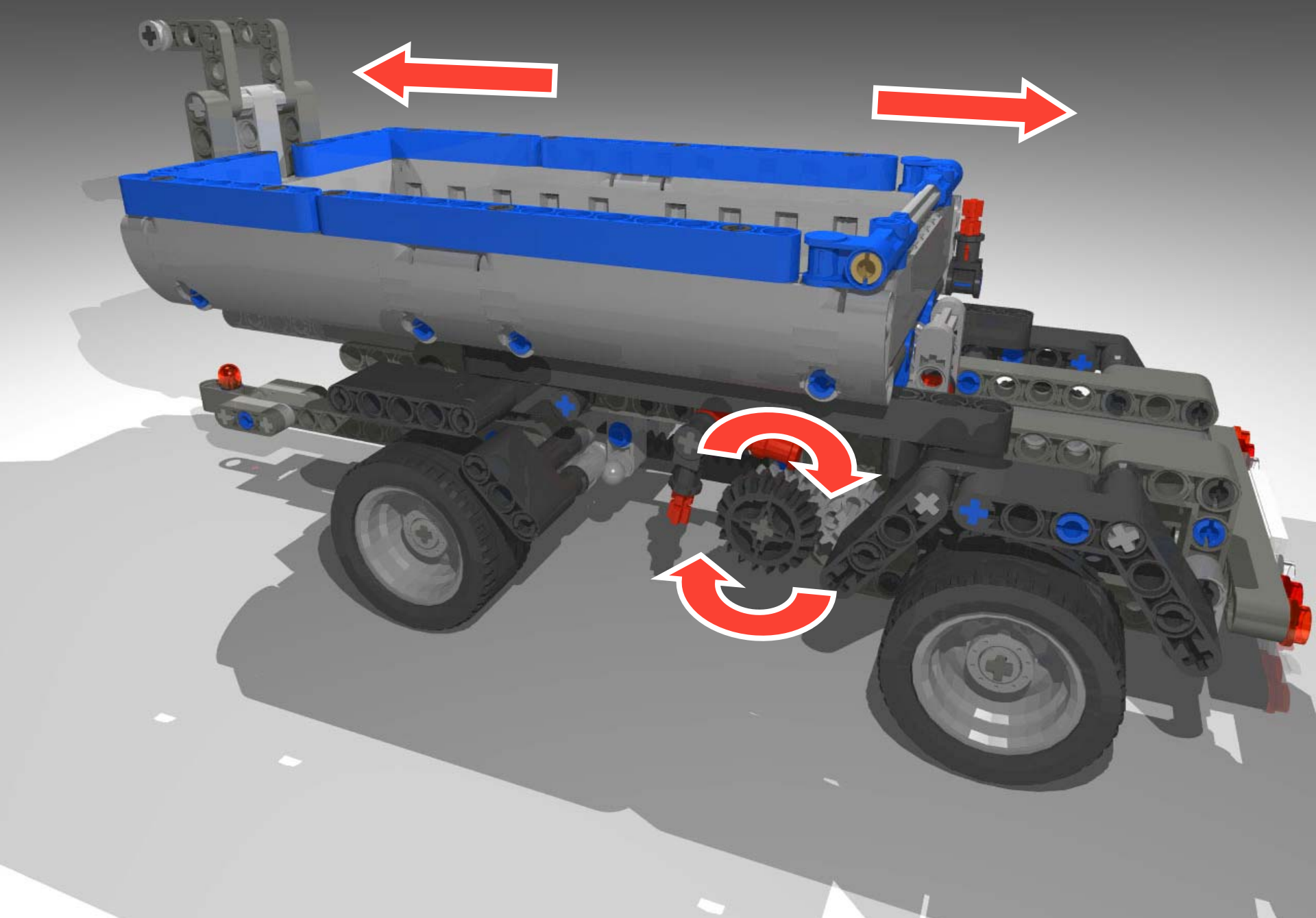


Building guidelines

The following guidelines will help you to build the model easily

- Technic models nowadays uses frequent 'mounting axles' which must be 'pushed' into a sub-model part which was build separate.
Within the instructions, these mounting axles are already in 'pushed' position.
Keep this in mind when you want to mount individual sub models.
- All the sub models can be placed as 'one unit' on the main model.







Copyright design: Han Crielaard

2011

www.designer-han.nl/lego

These building instructions are 'free to use' for every Lego® fan and may not commercially be used and/or sold

LEGO® is a trademark of the LEGO Group of companies which does not sponsor, authorize or endorse these building instructions



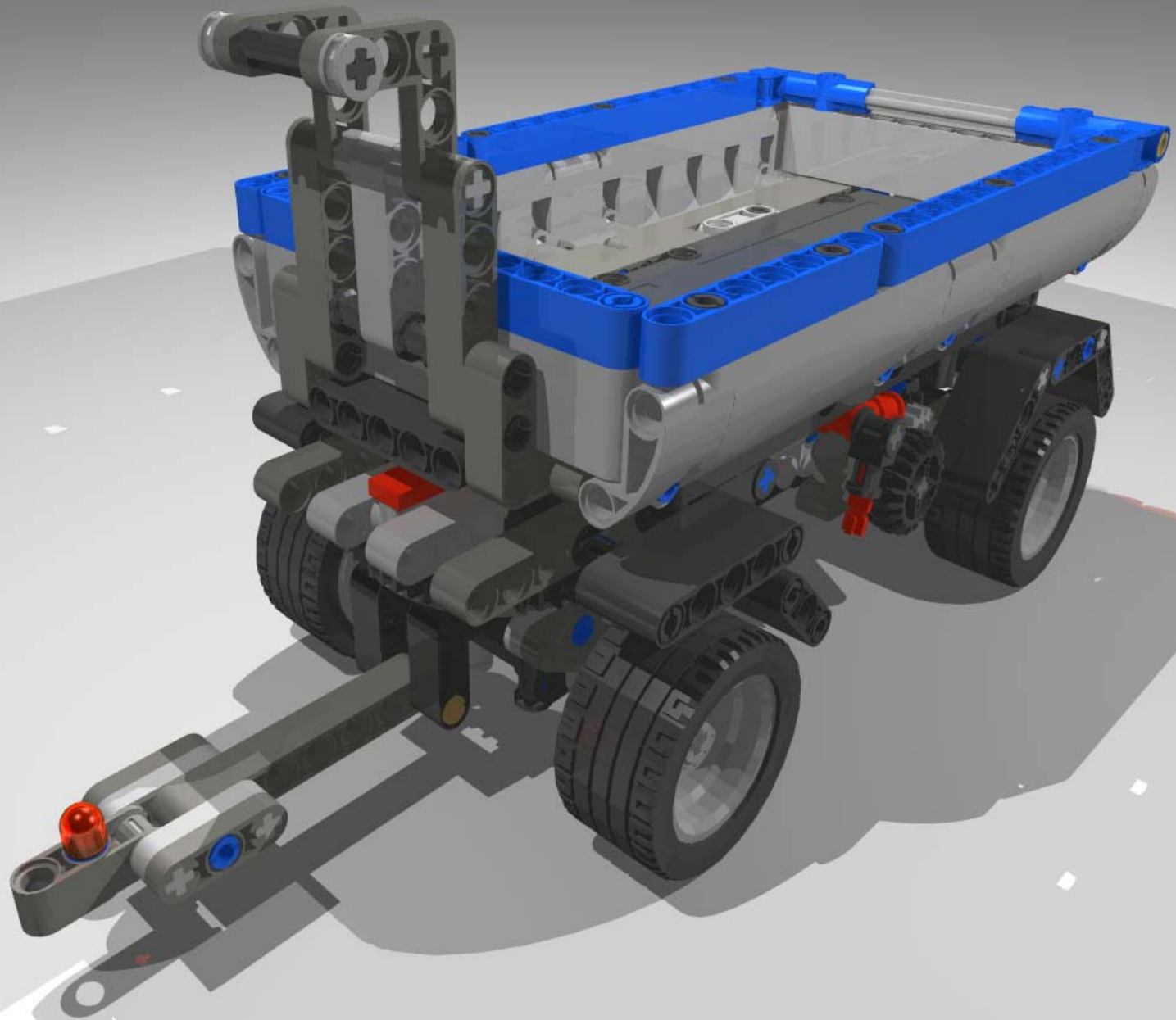
Copyright design: Han Crielaard

2011

www.designer-han.nl/lego

These building instructions are 'free to use' for every Lego® fan and may not commercially be used and/or sold

LEGO® is a trademark of the LEGO Group of companies which does not sponsor, authorize or endorse these building instructions



Copyright design: Han Crielaard

2011

www.designer-han.nl/lego

These building instructions are 'free to use' for every Lego® fan and may not commercially be used and/or sold

LEGO® is a trademark of the LEGO Group of companies which does not sponsor, authorize or endorse these building instructions



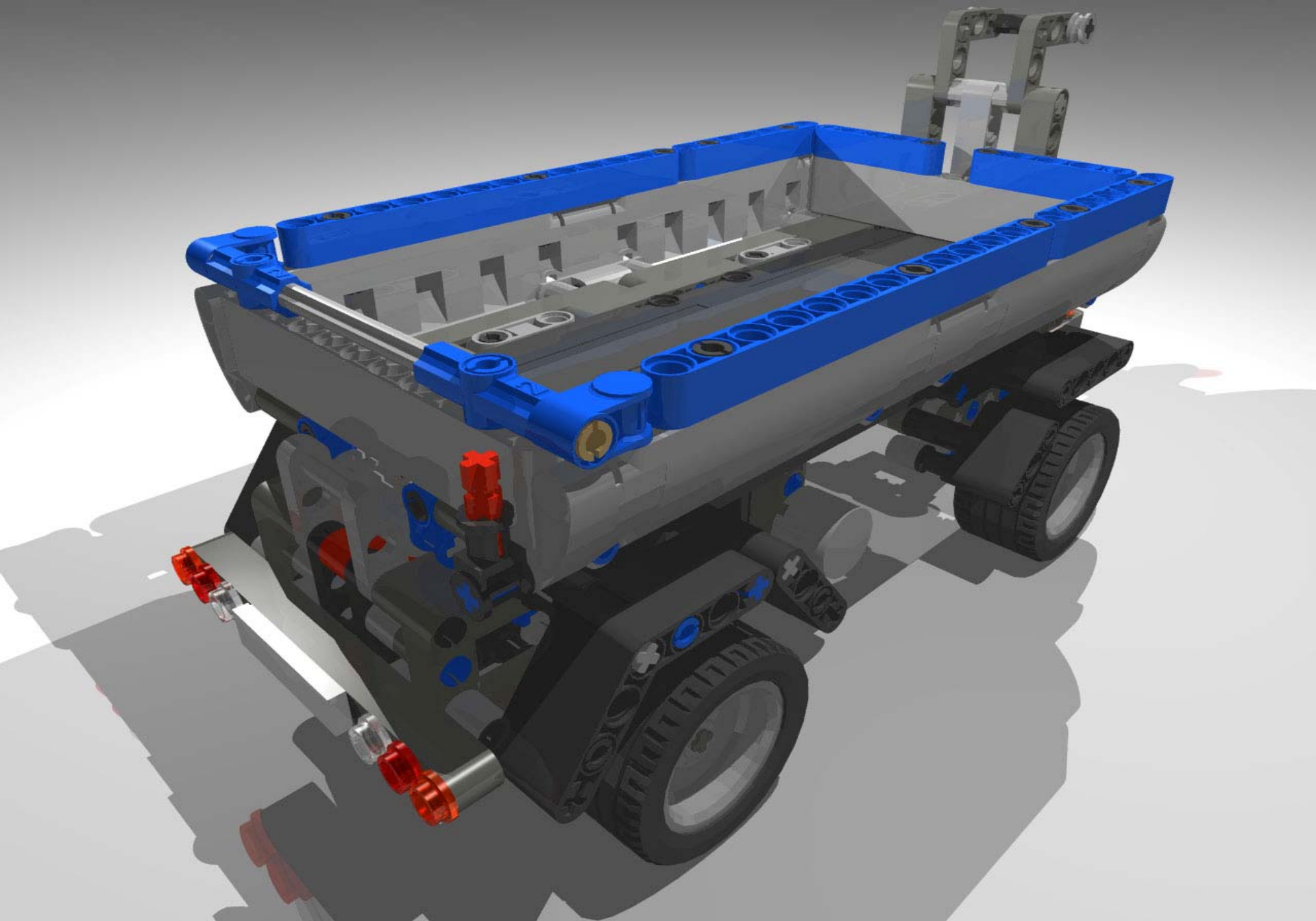
Copyright design: Han Crielaard

2011

www.designer-han.nl/lego

These building instructions are 'free to use' for every Lego® fan and may not commercially be used and/or sold

LEGO® is a trademark of the LEGO Group of companies which does not sponsor, authorize or endorse these building instructions



Copyright design: Han Crielaard

2011

www.designer-han.nl/lego

These building instructions are 'free to use' for every Lego® fan and may not commercially be used and/or sold

LEGO® is a trademark of the LEGO Group of companies which does not sponsor, authorize or endorse these building instructions

Part list

Part 58176



Trans orange

- 1x [Grey Technic bush]
- 1x [Grey Technic axle]
- 1x [Red Technic axle]
- 1x [Red Technic axle]
- 1x [Black rubber tire]
- 4x [Grey Technic axle connector]
- 1x [Red Technic pin with friction ridge]
- 2x [Transparent Technic pin]
- 2x [Transparent Technic pin]
- 7x [Red Technic pin with friction ridge]
- 2x [Grey Technic bush]
- 2x [Grey Technic wheel]
- 4x [Red Technic pin with friction ridge]
- 1x [Blue Technic pin with friction ridge]
- 10x [Yellow Technic pin with friction ridge]
- 4x [Grey Technic bush]
- 4x [Grey Technic bush]
- 56x [Blue Technic pin with friction ridge]
- 19x [Yellow Technic pin with friction ridge]
- 2x [Grey Technic bush]
- 18x [Grey Technic bush]
- 5x [Grey Technic bush]
- 2x [Grey Technic bush]
- 39x [Blue Technic pin with friction ridge]
- 2 [Yellow Technic pin with friction ridge]
- 3x [Red Technic pin with friction ridge]
- 9x [Red Technic pin with friction ridge]
- Rubber
- 2x [Black rubber tire]
- 4x [Grey Technic axle connector]
- 3 [Grey Technic axle connector]
- 24x [Grey Technic axle connector]
- 4 [Grey Technic axle connector]
- 2x [Grey Technic axle connector]
- 5 [Grey Technic axle connector]
- 1x [Grey Technic axle connector]
- 5.5 [Grey Technic axle connector]
- 3x [Grey Technic axle connector]
- 4x [Grey Technic axle connector]
- 5x [Grey Technic axle connector]
- 2x [Grey Technic axle connector]
- 6x [Grey Technic axle connector]
- 2x [Grey Technic axle connector]
- 6x [Grey Technic axle connector]
- 2x [Grey Technic axle connector]
- 6x [Grey Technic axle connector]
- 2x [Grey Technic axle connector]
- 2x [Grey Technic axle connector]
- 4x [Grey Technic axle connector]
- 2x [Grey Technic axle connector]
- 4x [Grey Technic axle connector]
- 2x [Grey Technic axle connector]
- 2x [Grey Technic axle connector]
- 2x [Grey Technic axle connector]
- 2x [Grey Technic axle connector]
- 4x [Grey Technic axle connector]
- 2x [Grey Technic axle connector]
- 6x [Grey Technic axle connector]
- 4x [Grey Technic axle connector]
- 4x [Blue Technic pin with friction ridge]
- 2x [Grey Technic axle connector]
- 3x [Grey Technic axle connector]
- 2x [Red Technic pin with friction ridge]
- 1x [Grey Technic axle connector]
- 2x [Grey Technic axle connector]
- 2x [Grey Technic axle connector]
- 6x [Grey Technic axle connector]
- 2x [Grey Technic axle connector]
- 2x [Grey Technic axle connector]
- 4x [Grey Technic axle connector]
- 5x [Blue Technic pin with friction ridge]
- 2x [Grey Technic axle connector]
- 2x [Grey Technic axle connector]
- 4x [Grey Technic axle connector]
- 5x [Blue Technic pin with friction ridge]
- 2x [Grey Technic axle connector]
- 2x [Grey Technic axle connector]
- 4x [Grey Technic axle connector]
- 2x [Red Technic pin with friction ridge]
- 2x [Grey Technic axle connector]
- 10x [Grey Technic axle connector]
- 10x [Grey Technic axle connector]
- 1x [Grey Technic axle connector]
- 2x [Grey Technic axle connector]
- 1x [Grey Technic axle connector]
- 2x [Grey Technic axle connector]
- 1x [Grey Technic axle connector]
- 2x [Blue Technic pin with friction ridge]
- 2x [Blue Technic pin with friction ridge]
- 1x [Grey Technic axle connector]
- 2x [Grey Technic axle connector]
- 2x [Red Technic pin with friction ridge]
- 2x [Red Technic pin with friction ridge]
- 1x [Grey Technic axle connector]
- 1x [Grey Technic axle connector]
- 1x [Grey Technic axle connector]
- 1x [Grey Technic axle connector]
- 1x [Grey Technic axle connector]
- 1x [Grey Technic axle connector]
- 6x [Grey Technic axle connector]
- 2x [Grey Technic axle connector]
- 2x [Grey Technic axle connector]
- 4x [Grey Technic axle connector]
- 2x [Grey Technic axle connector]
- 2x [Blue Technic pin with friction ridge]
- 4x [Grey Technic axle connector]
- 2x [Grey Technic axle connector]
- 2x [Grey Technic axle connector]
- 2x [Red Technic pin with friction ridge]
- 2x [Red Technic pin with friction ridge]
- 1x [Grey Technic axle connector]
- 1x [Grey Technic axle connector]
- 1x [Grey Technic axle connector]

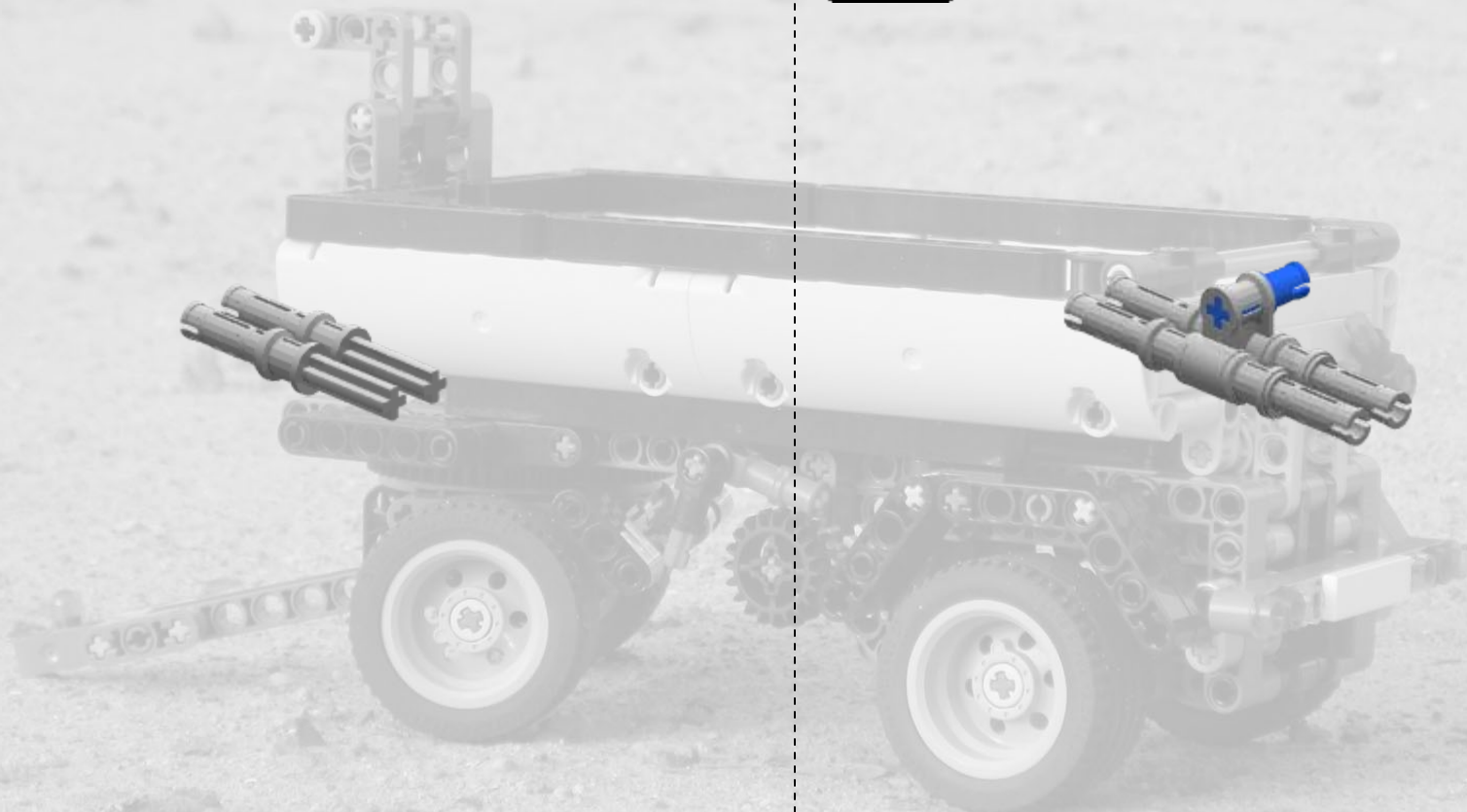
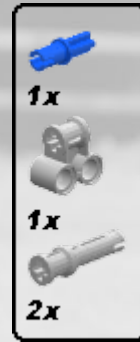


Sub model: Tow bar for 8052 Truck



Step 1

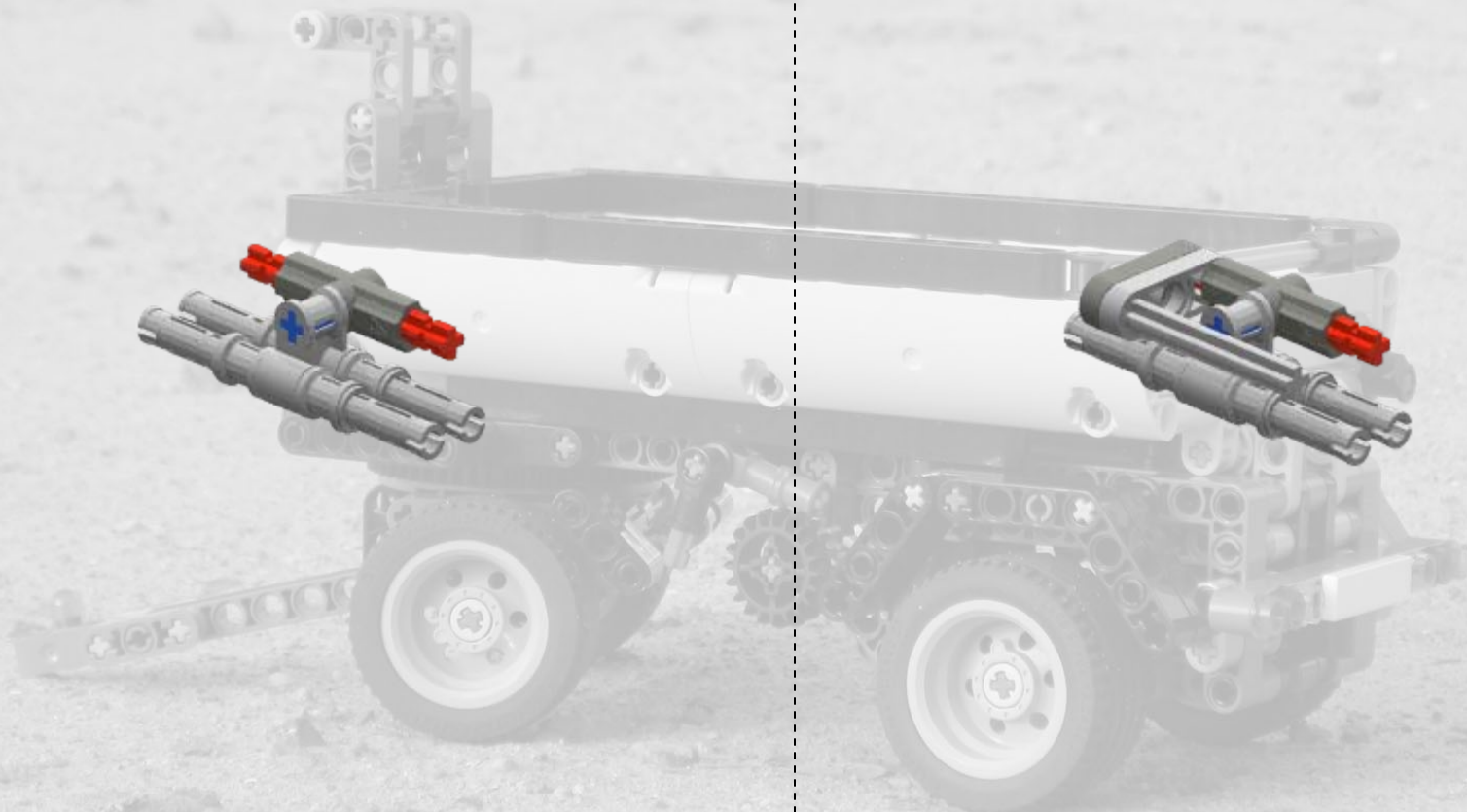
Step 2



Step 3



Step 4





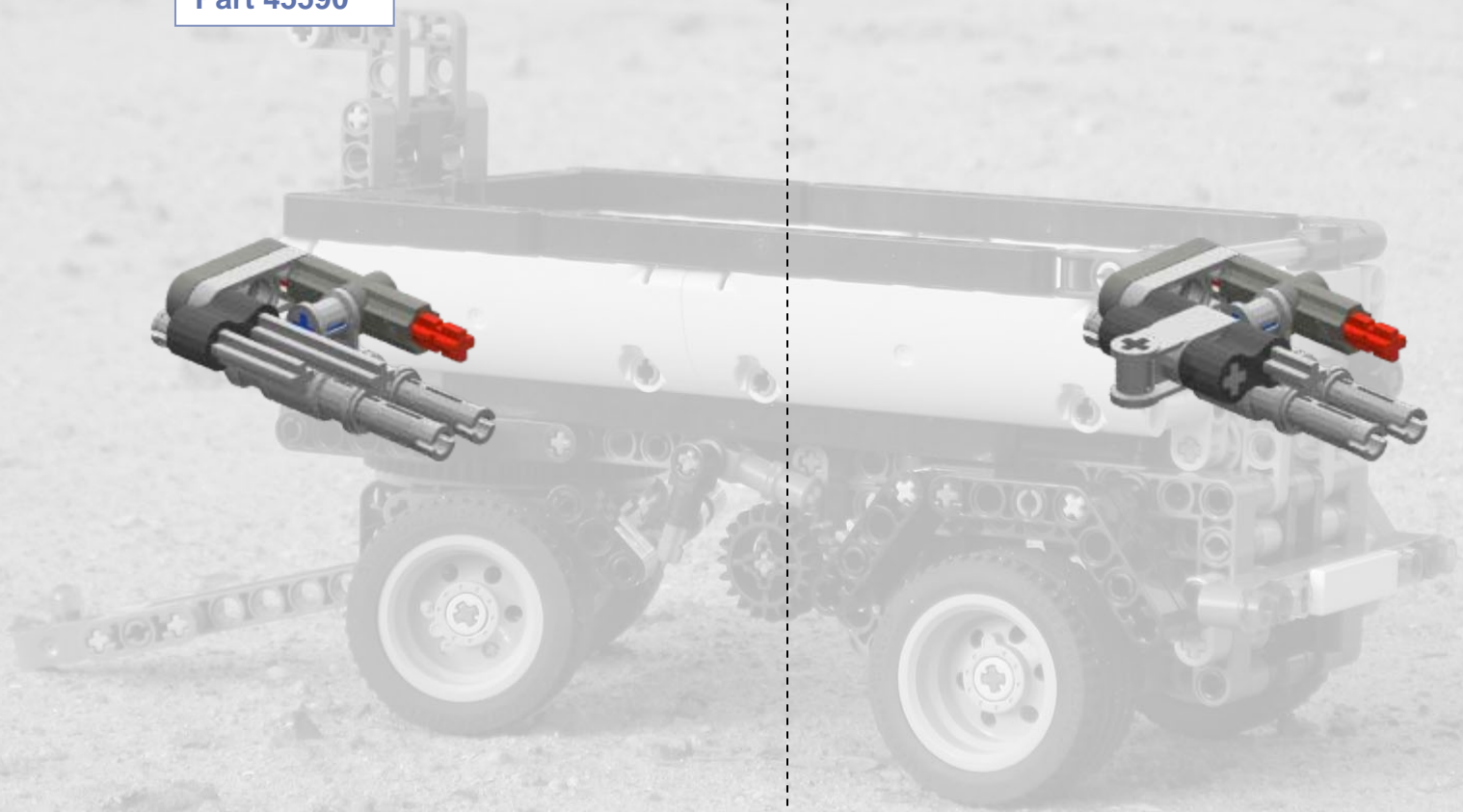
Step 5



Part 45590



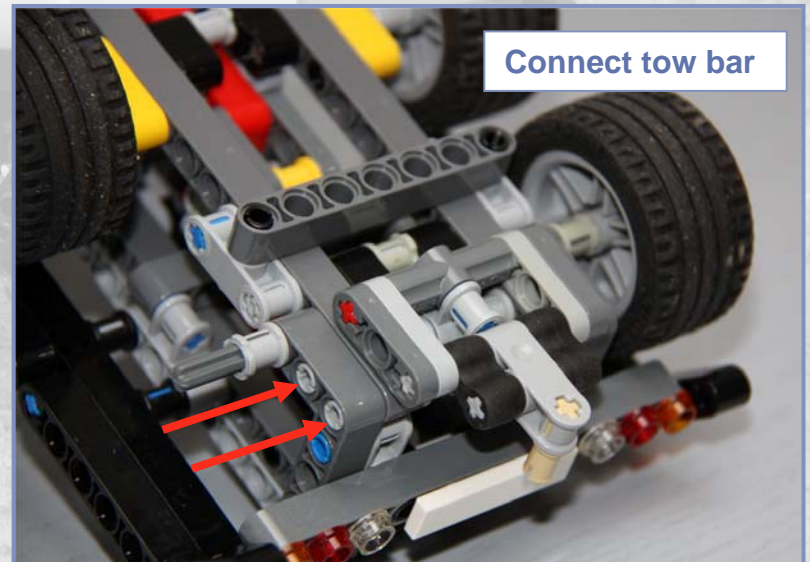
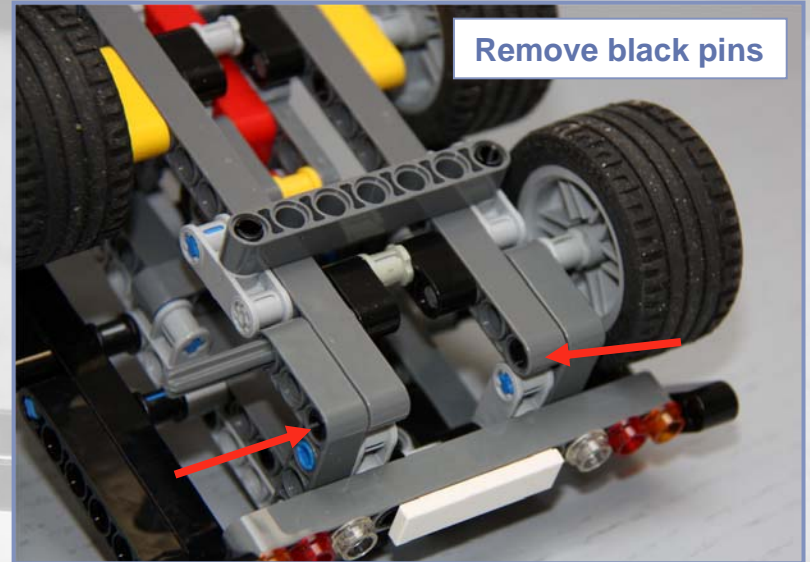
Step 6



Step 7

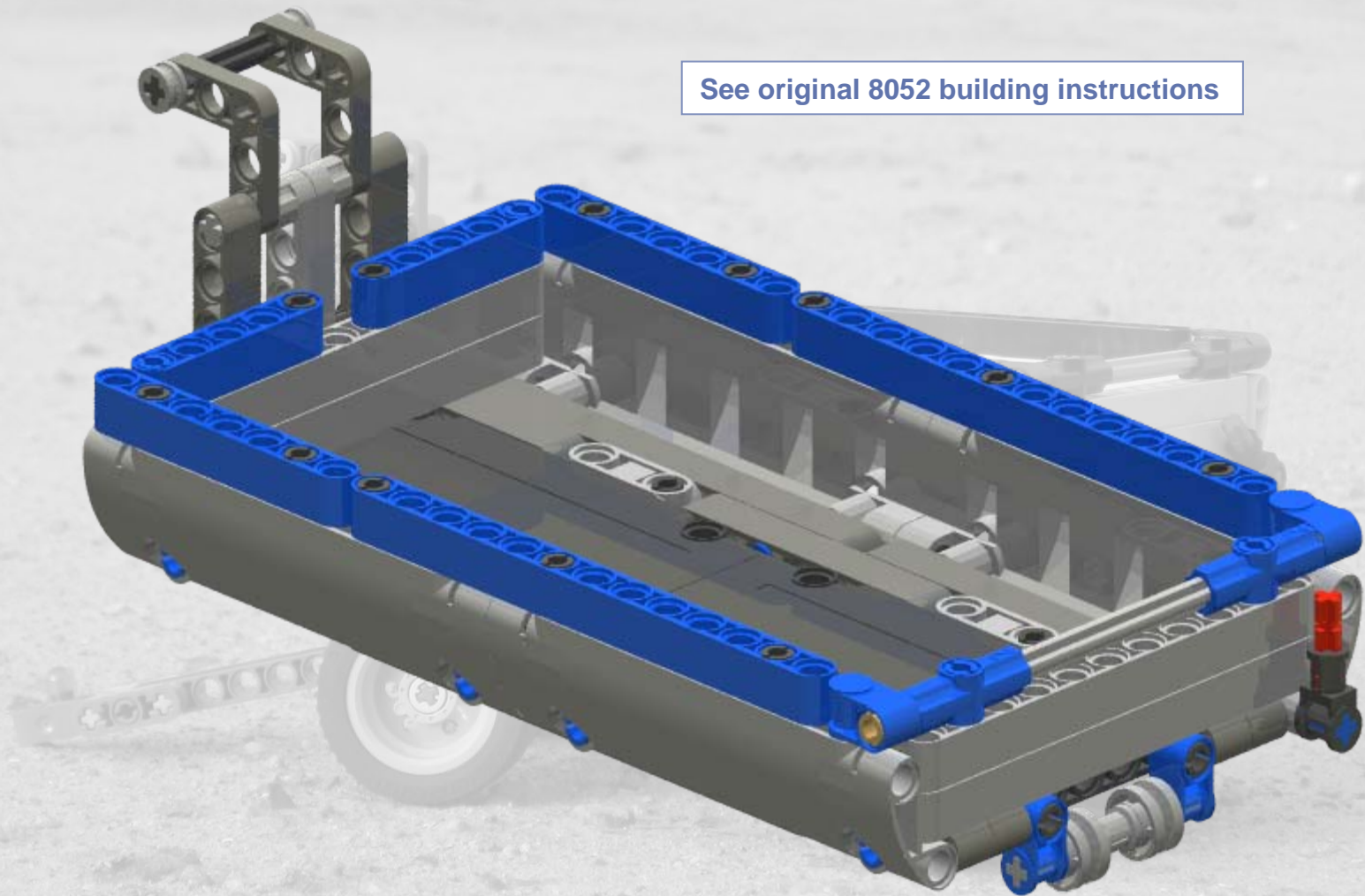


Last step 8



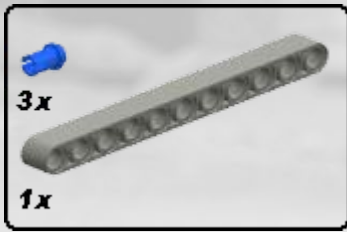
Sub model: Container

See original 8052 building instructions

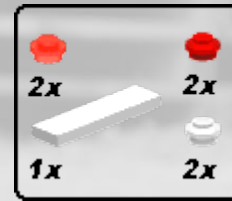


Sub model: Rear lights

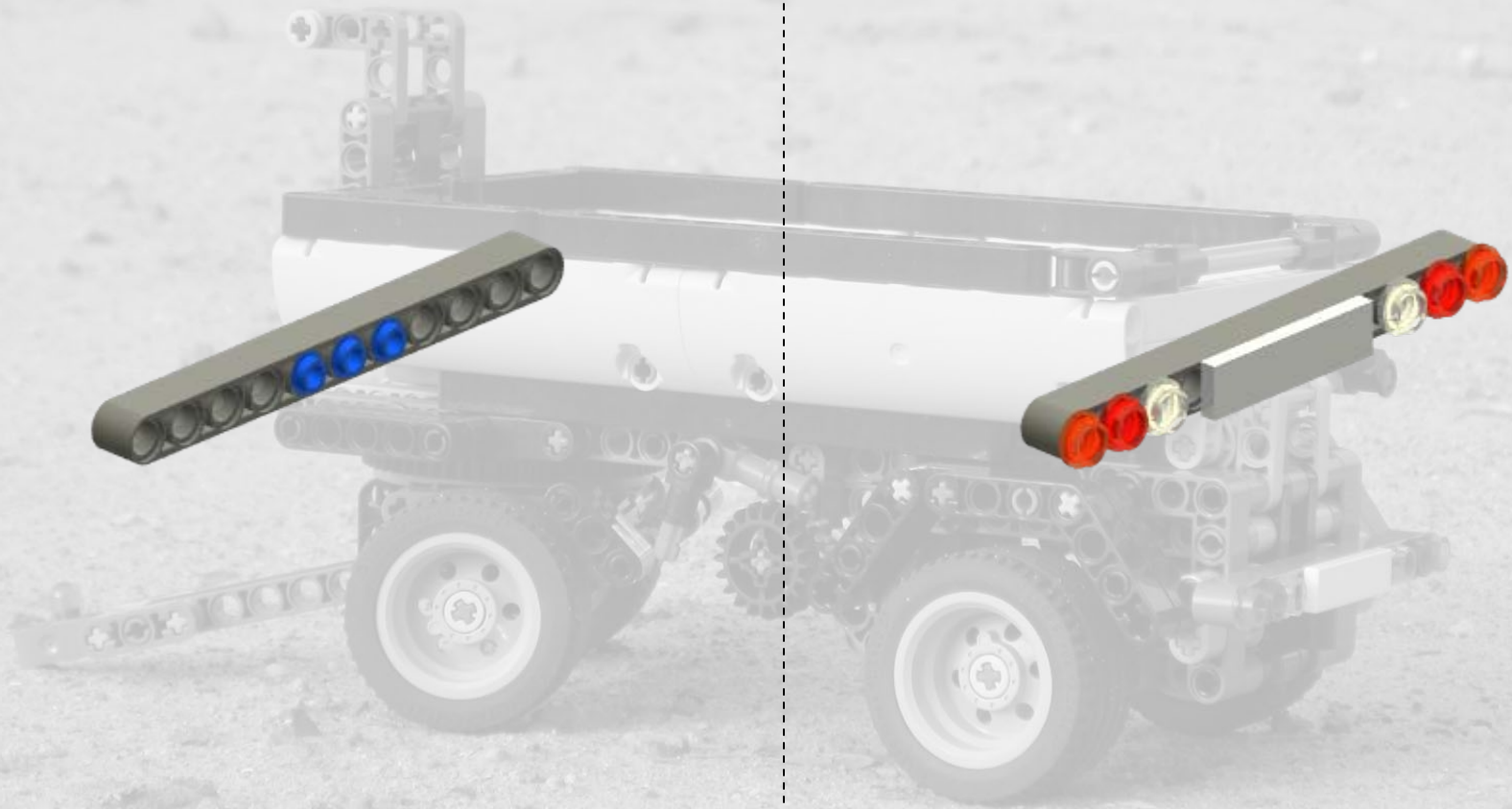




Step 1



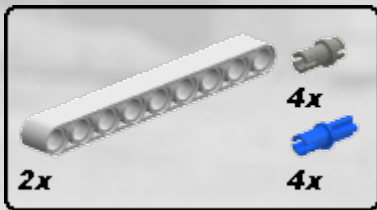
Last step 2



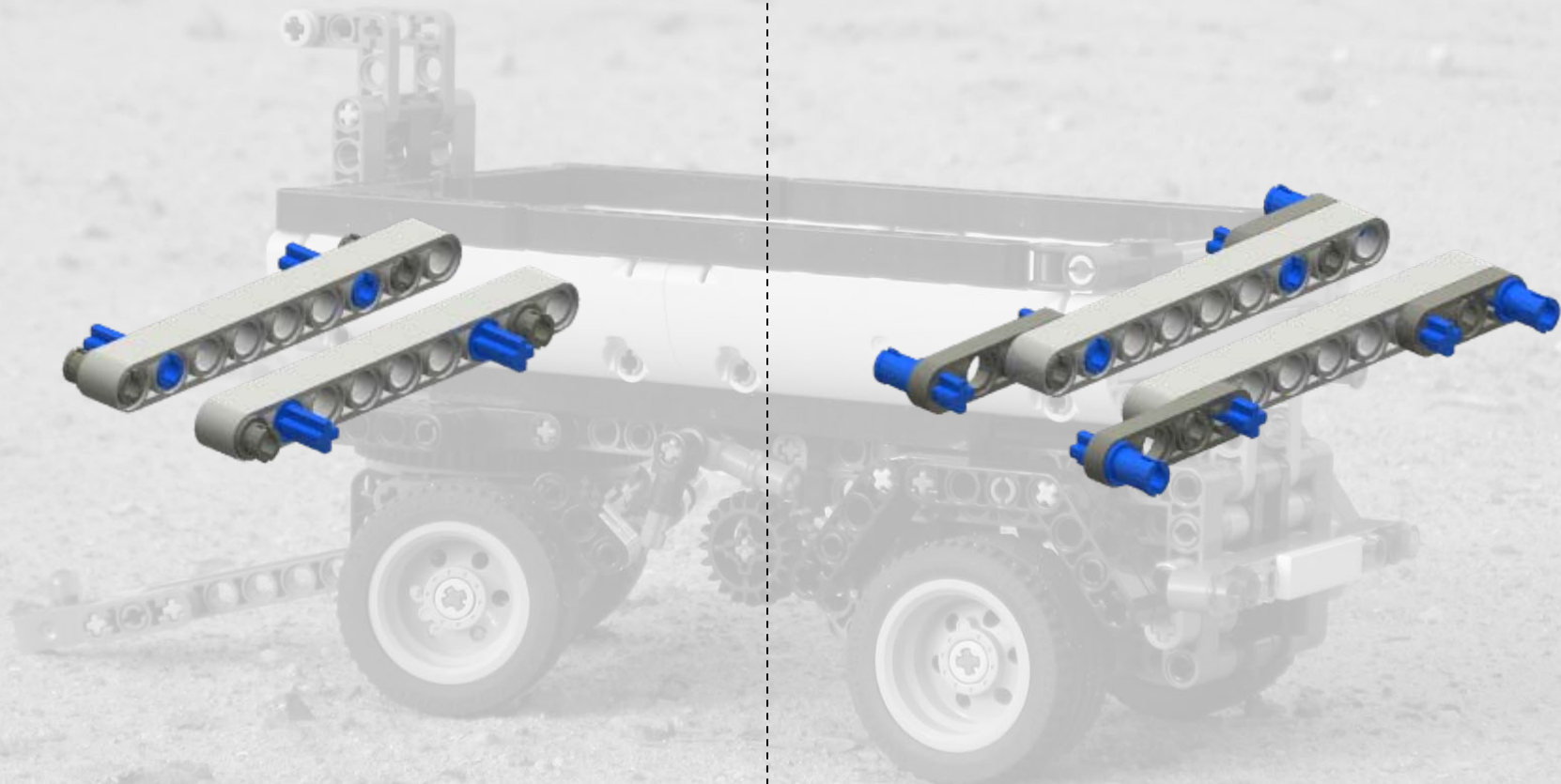
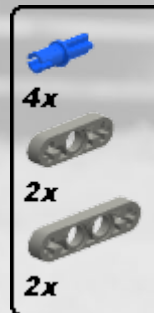
Sub model: Guidance bars



Step 1

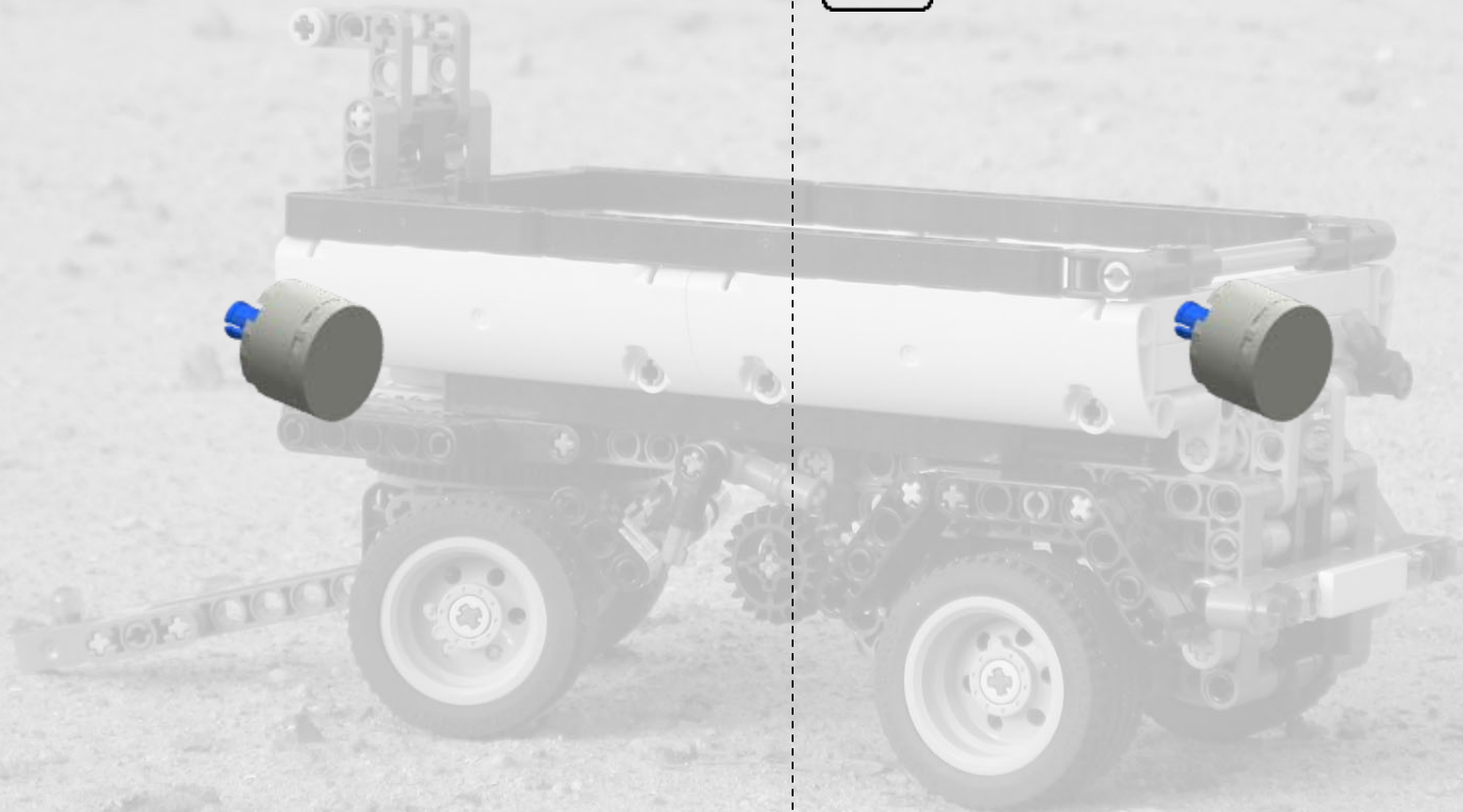
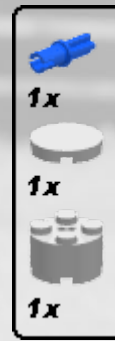


Last step 2



Sub model: Cylinder

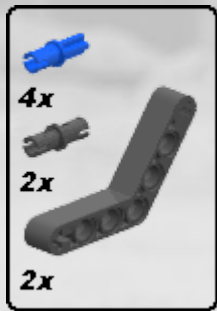
Last step 1



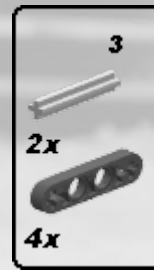
Sub model: Rear mudguards

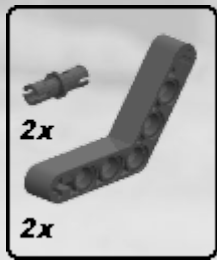


Step 1



Step 2





Step 3



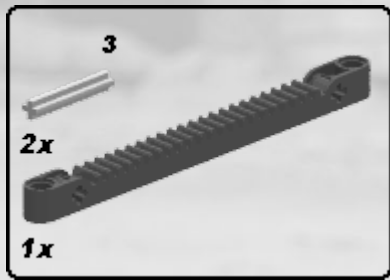
Last step 4



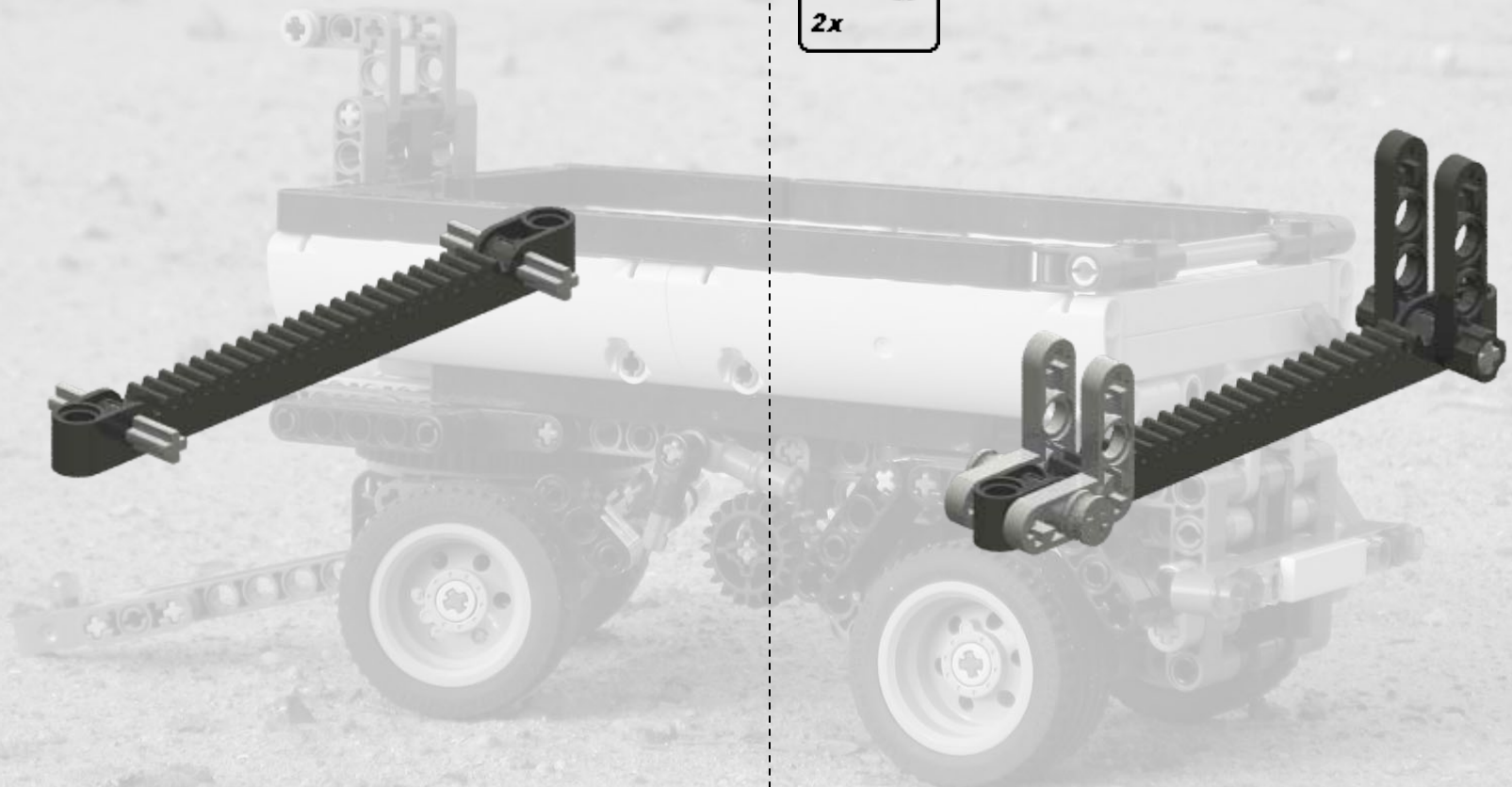
Sub model: Push-pull mechanism

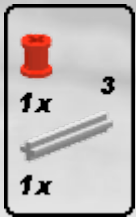


Step 1

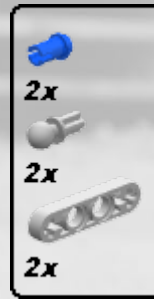


Step 2

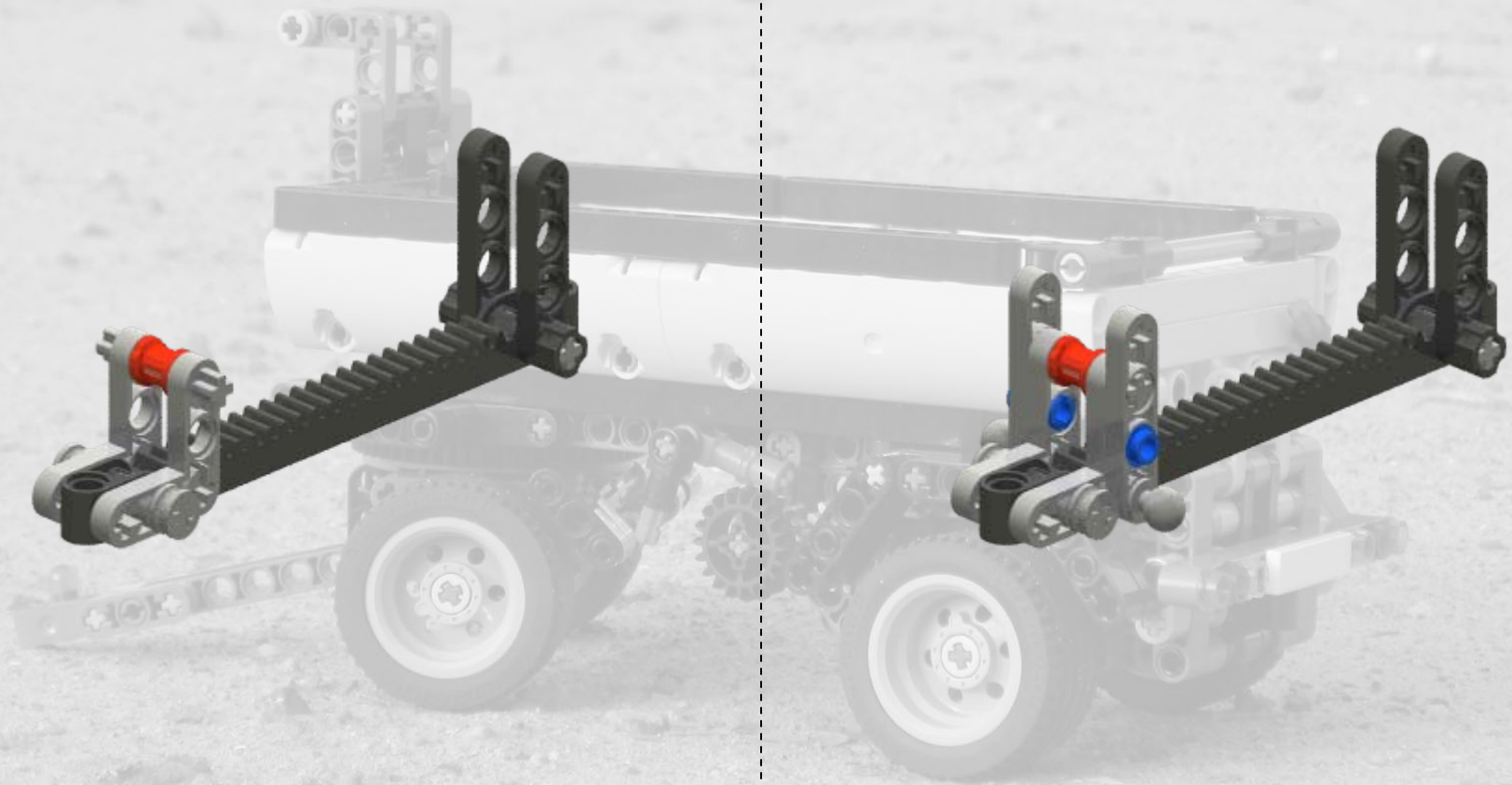


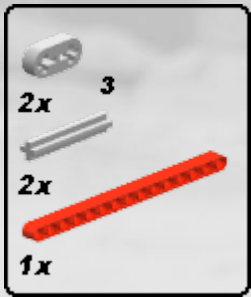


Step 3



Step 4

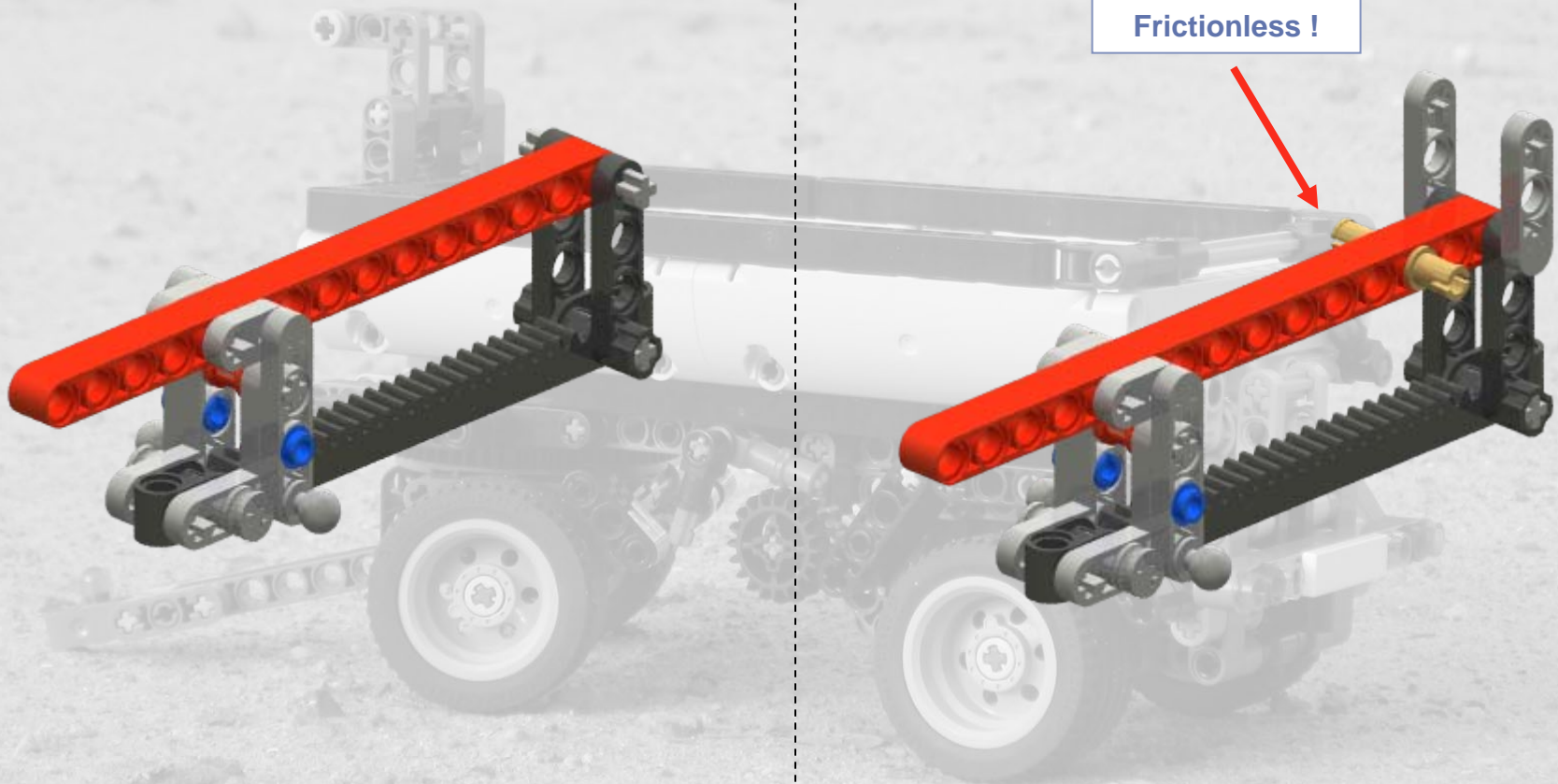


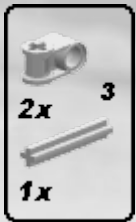


Step 5

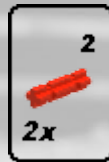


Step 6

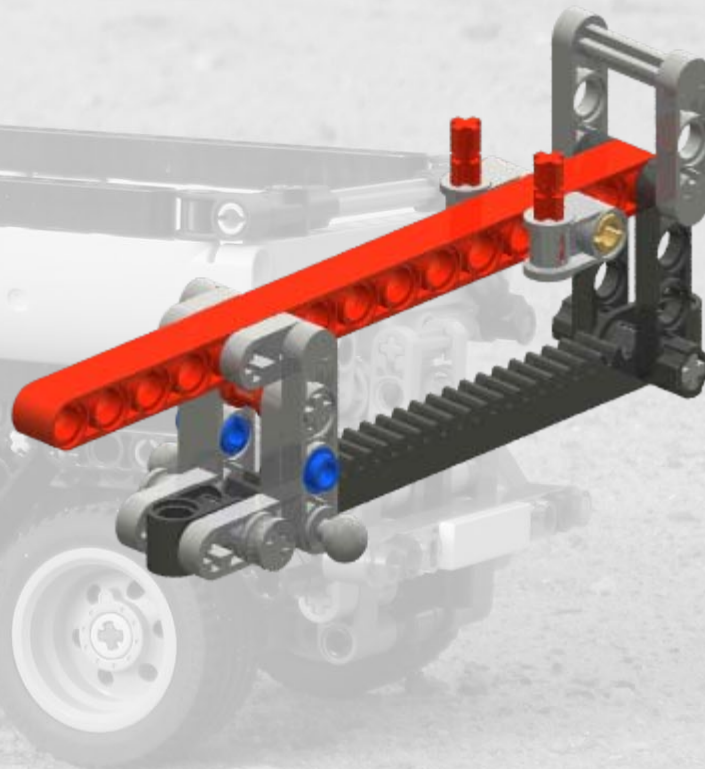




Step 7



Step 8

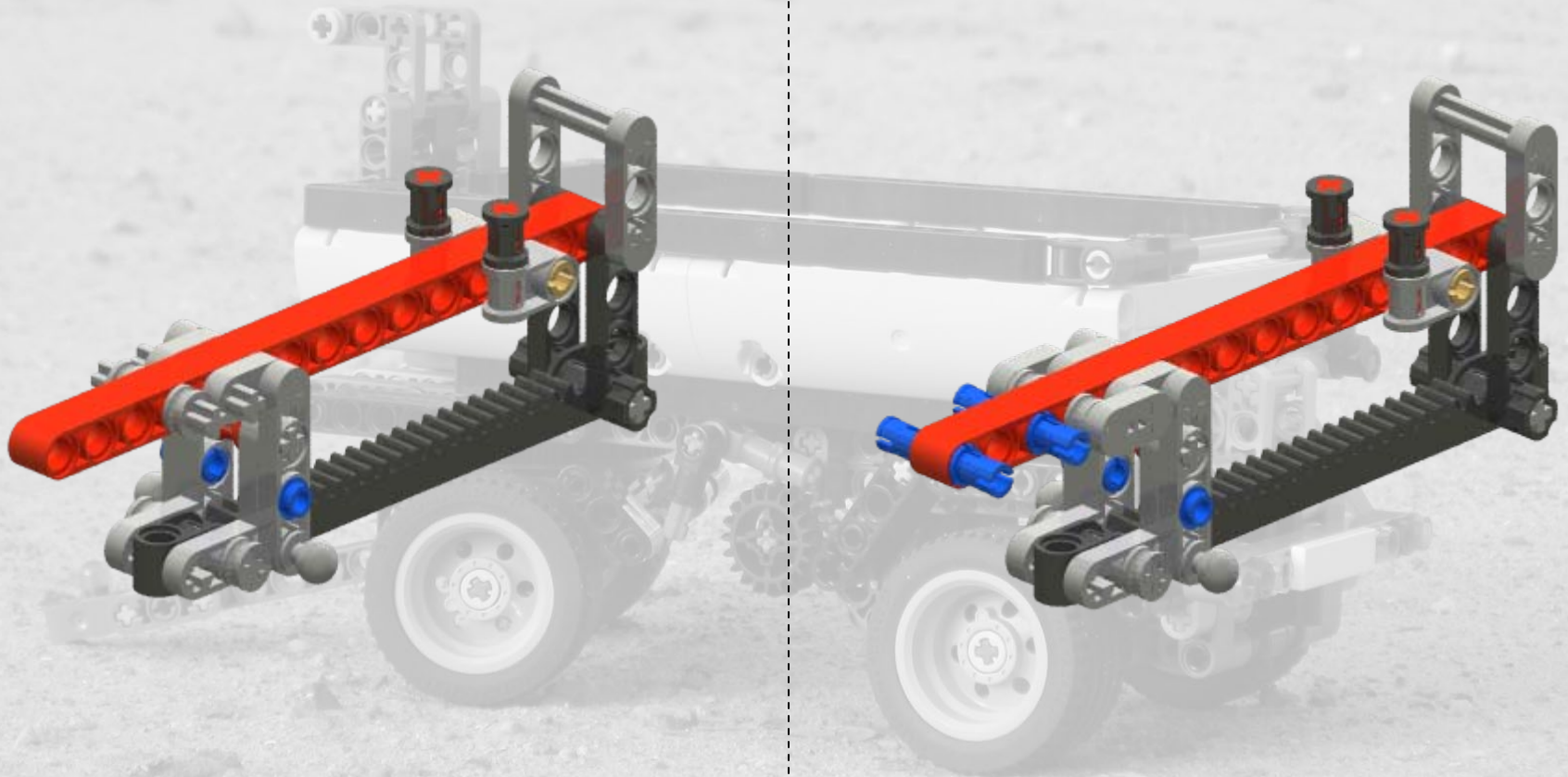




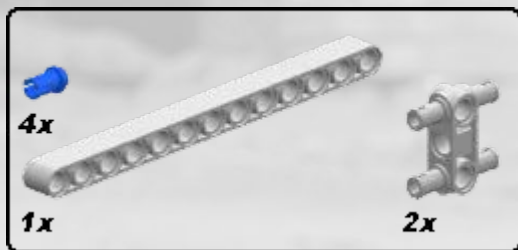
Step 9



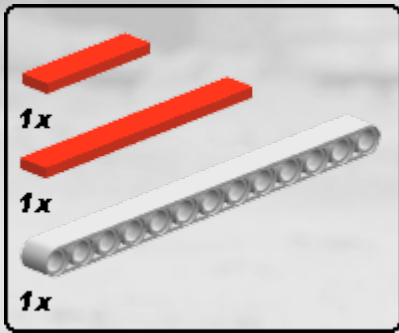
Step 10



Step 11



Last step 12



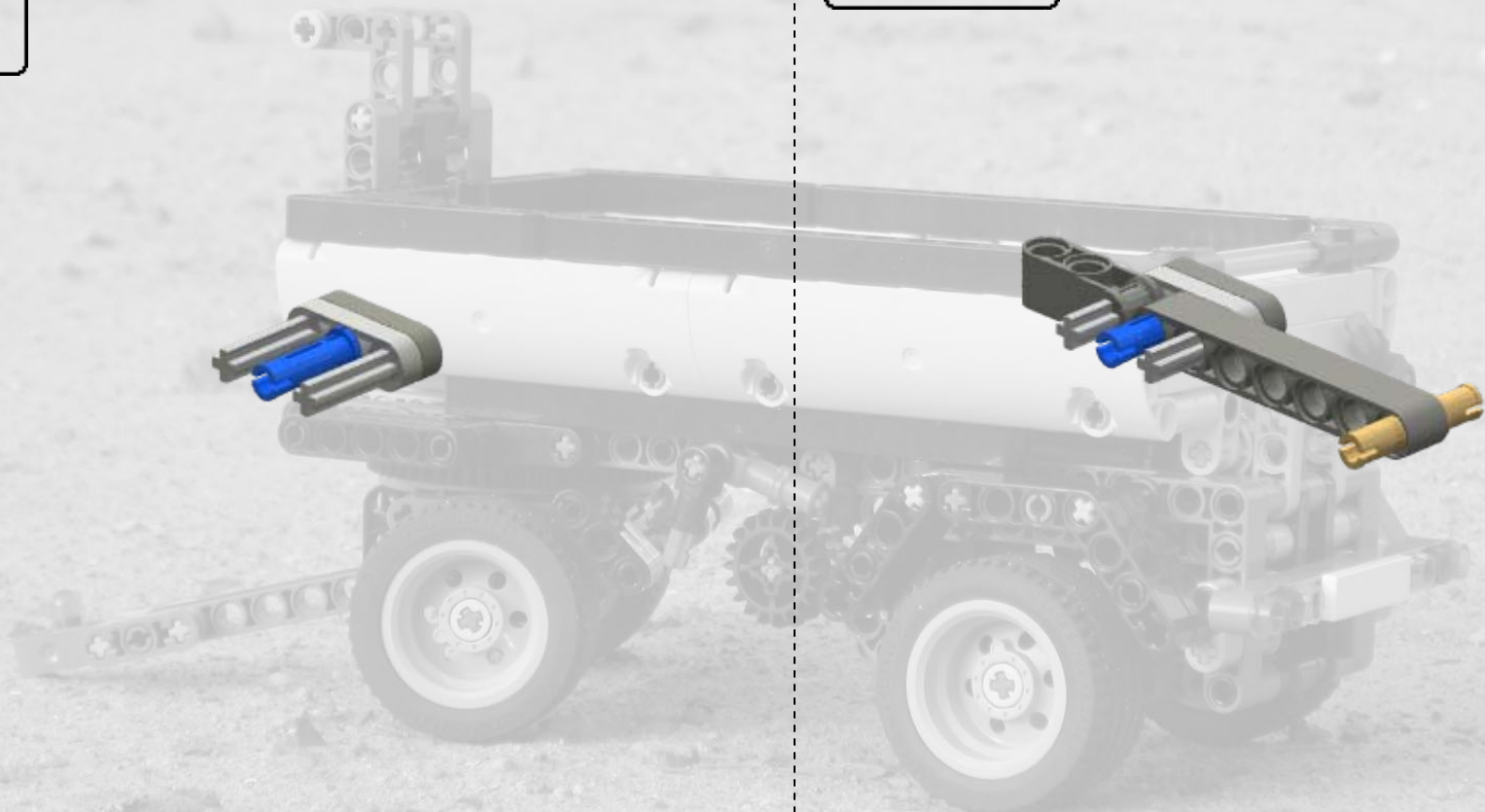
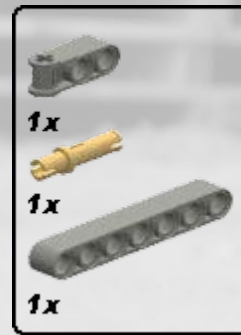
Sub model: Front wheel unit



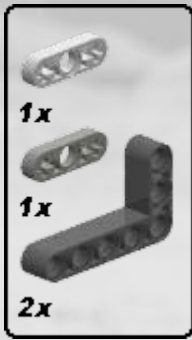
Step 1



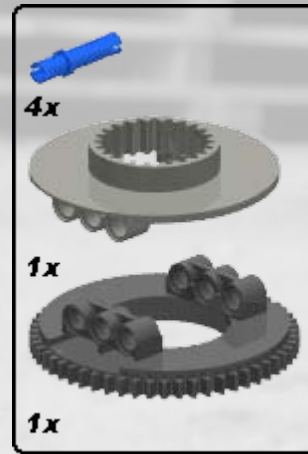
Step 2



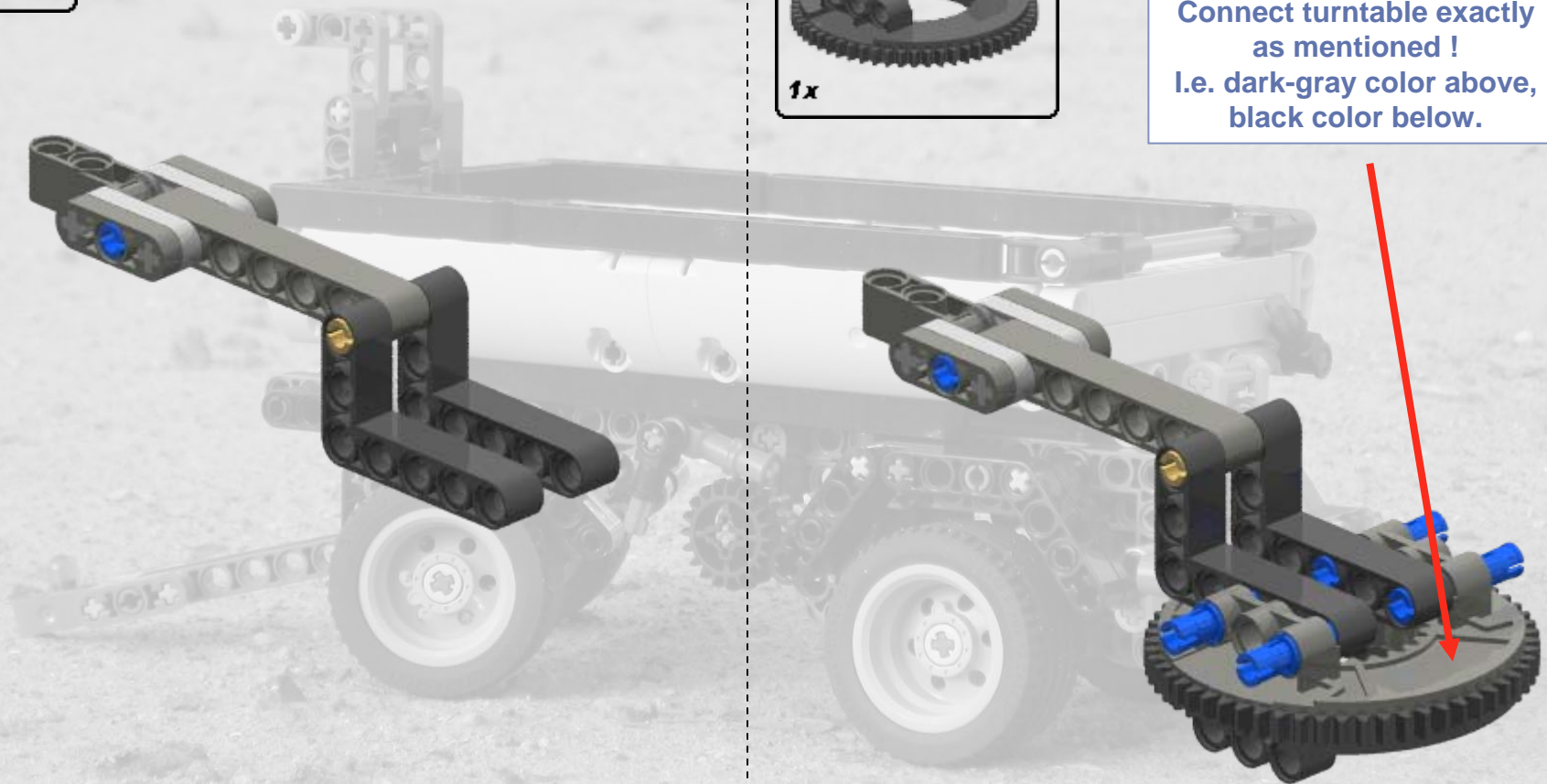
Step 3

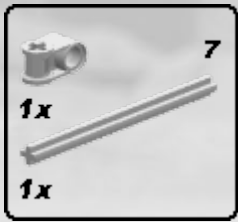


Step 4



Connect turntable exactly as mentioned !
I.e. dark-gray color above,
black color below.

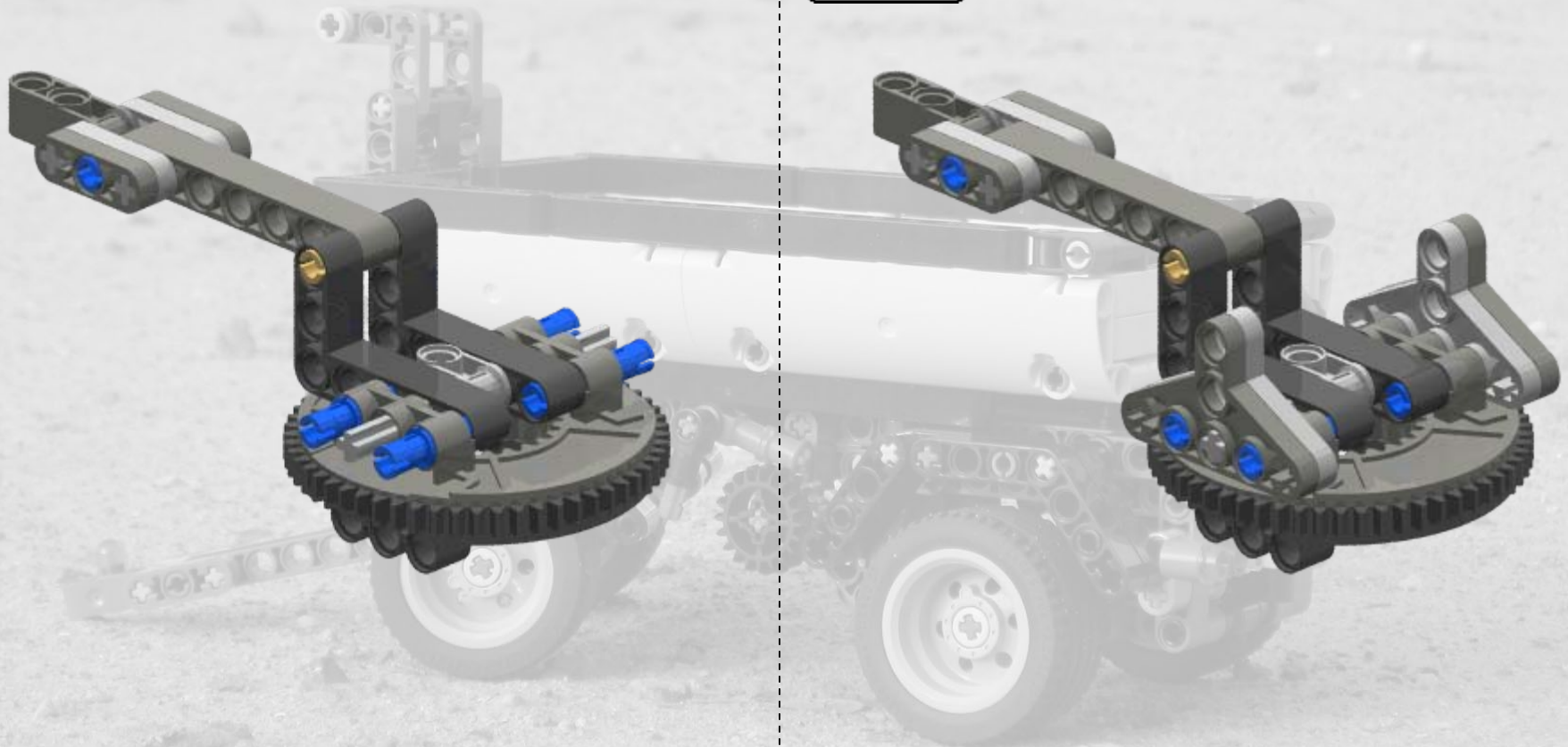




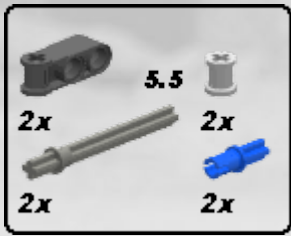
Step 5



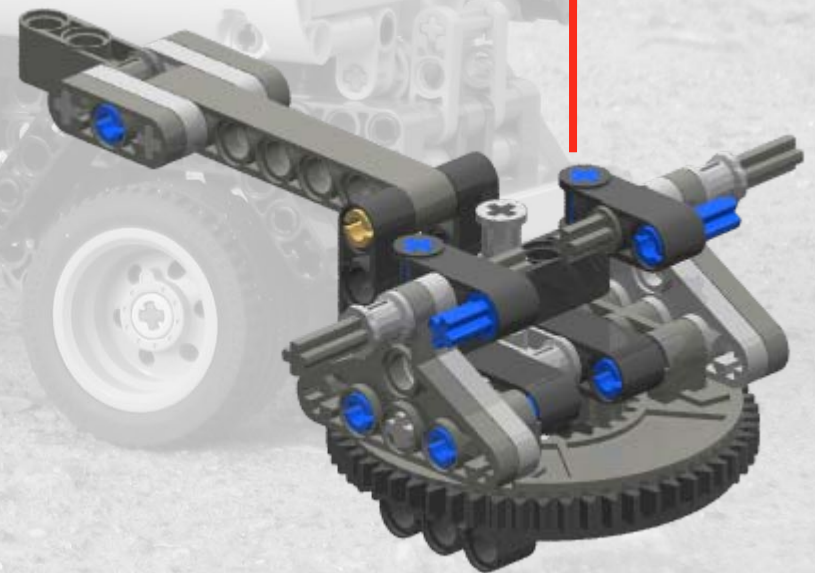
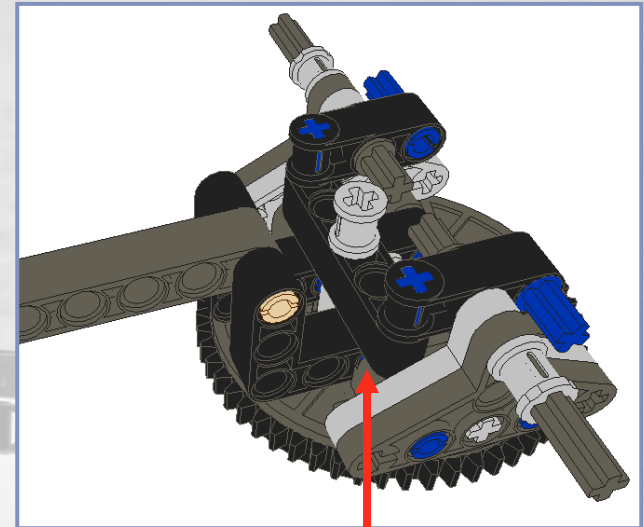
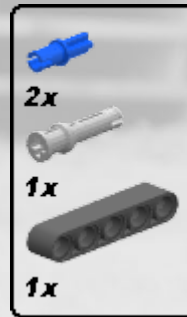
Step 6

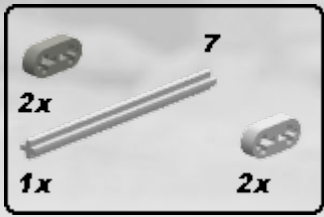


Step 7

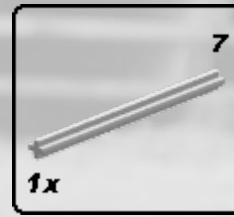


Step 8

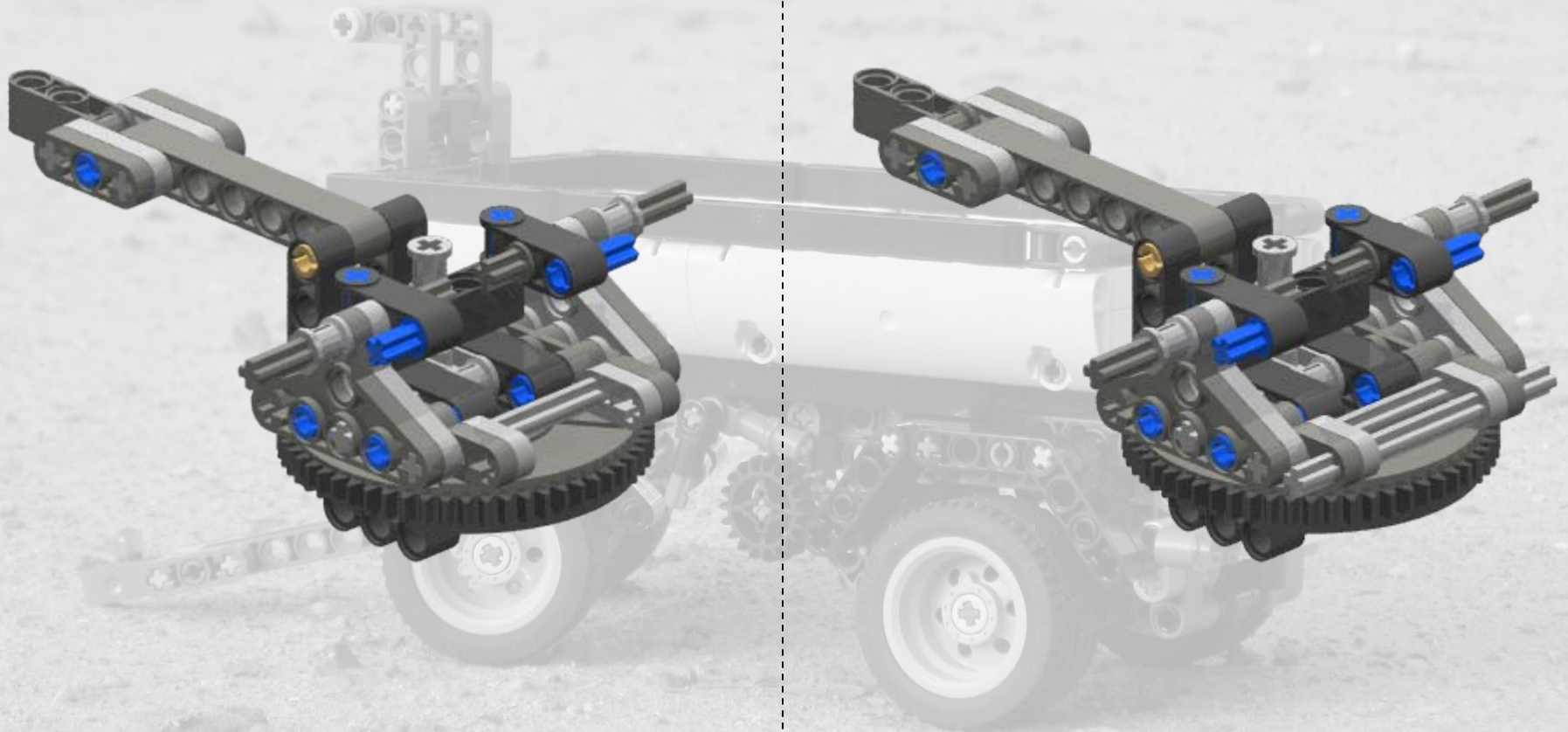




Step 9



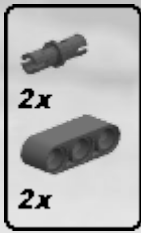
Step 10



Step 11



Step 12

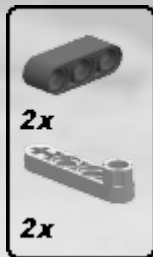


Step 13

- 2
- 2x
- 2x



Step 14



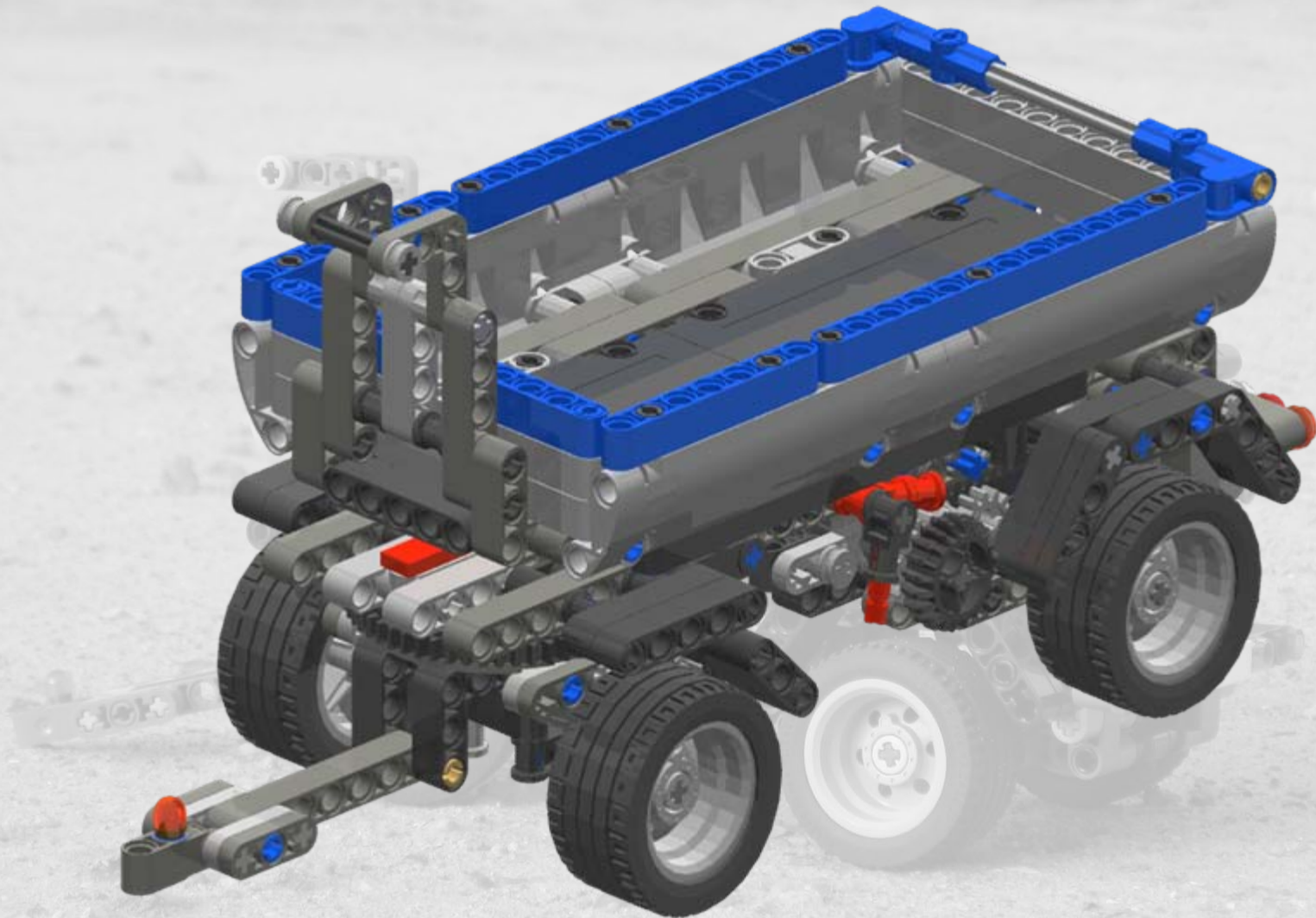
Last step 15



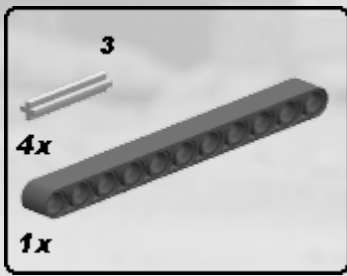
Part 58176



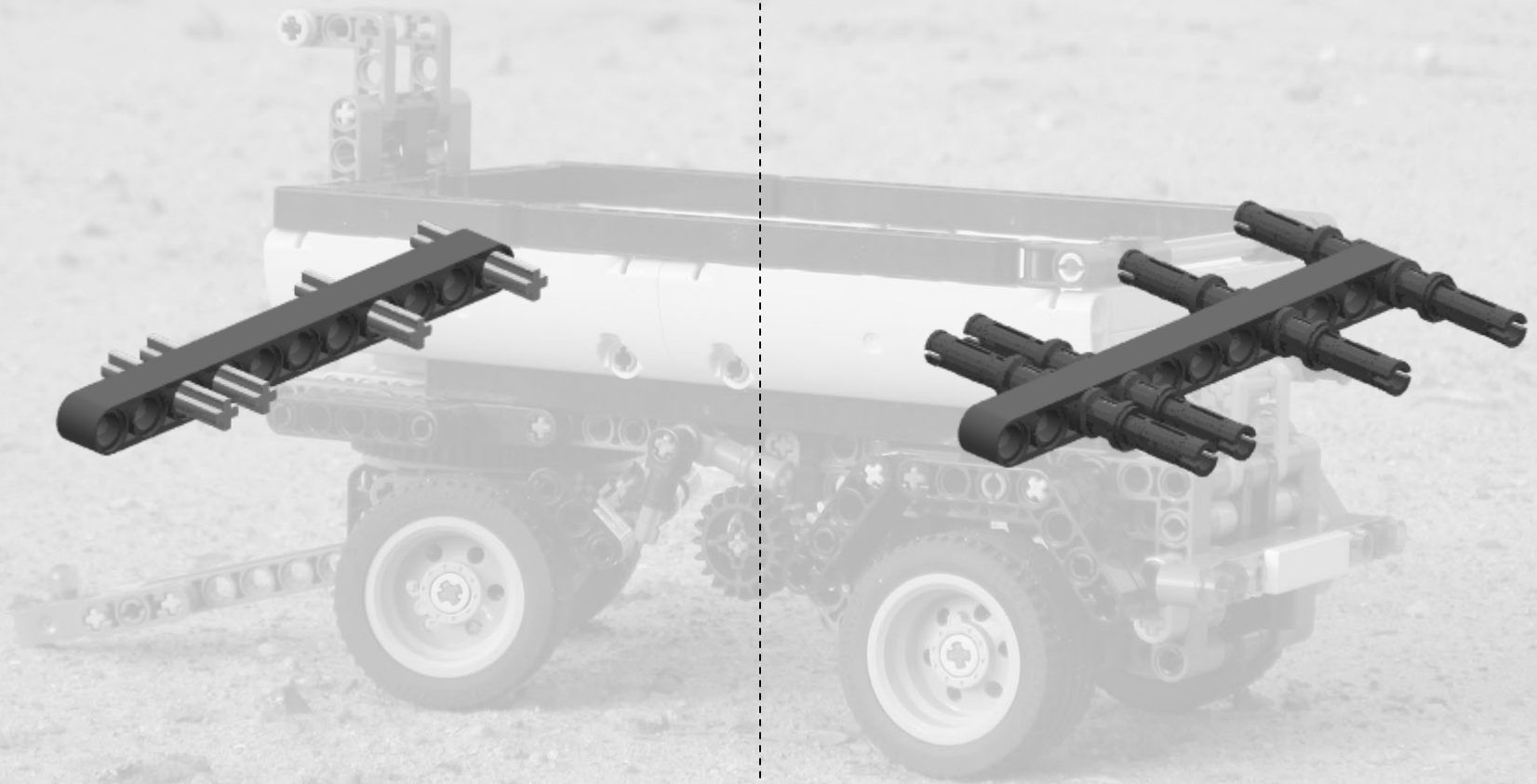
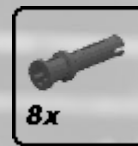
Main model: Container Trailer



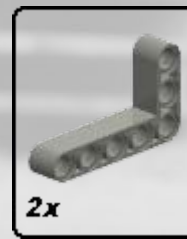
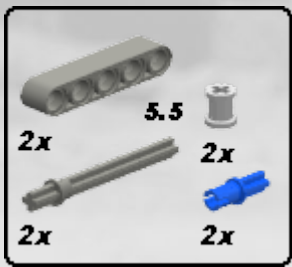
Step 1



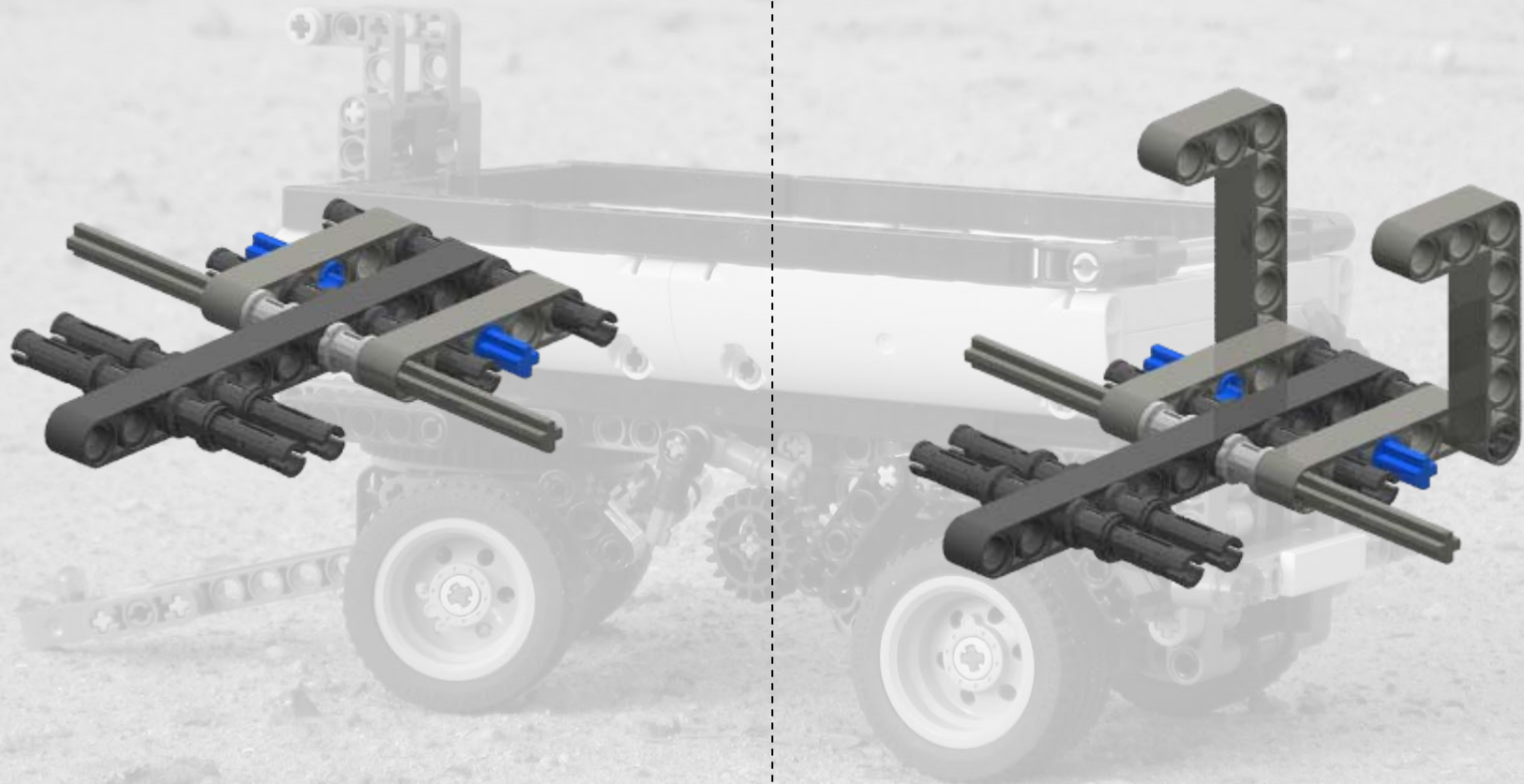
Step 2



Step 3

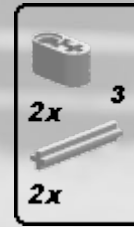


Step 4

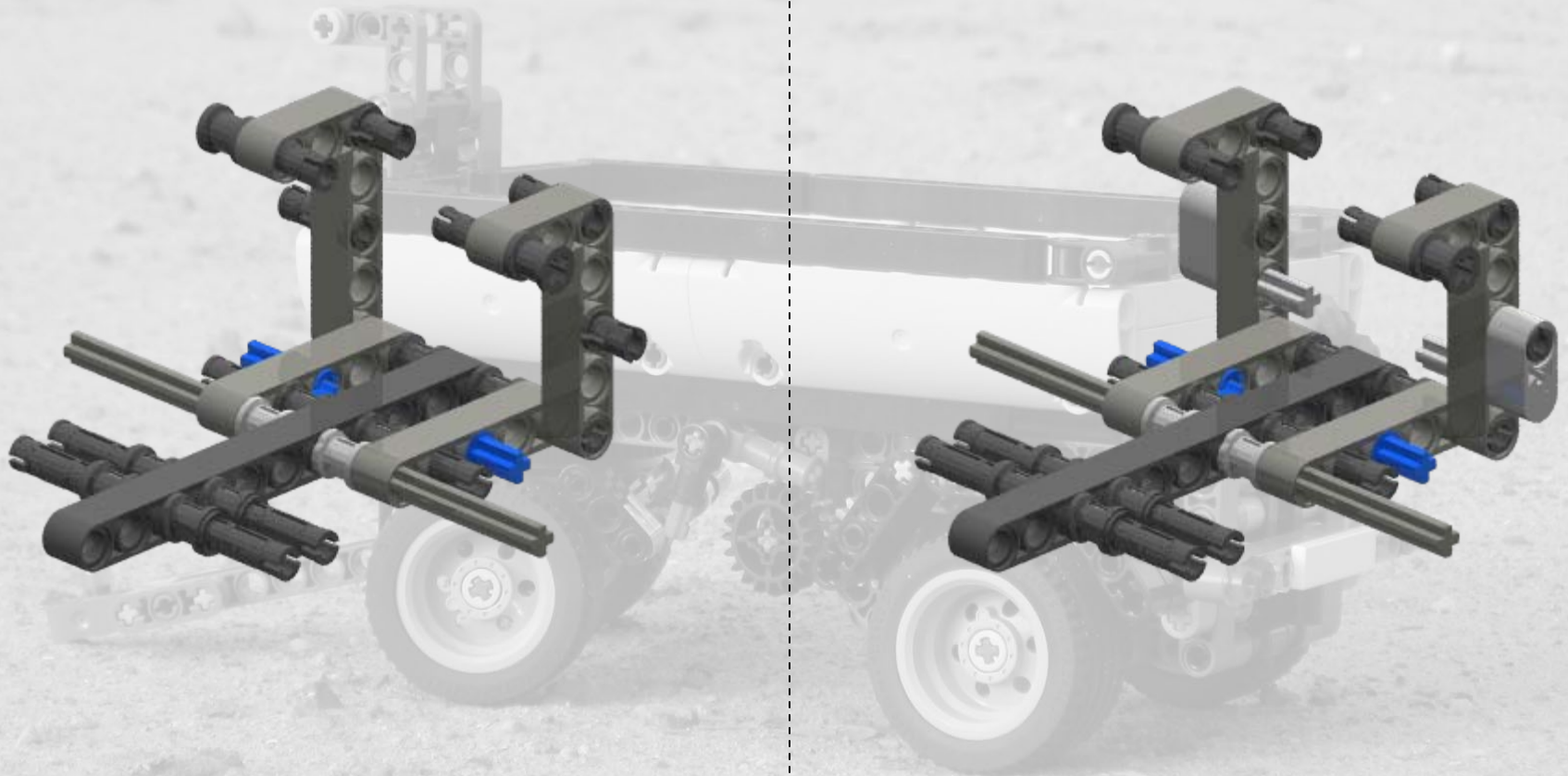




Step 5

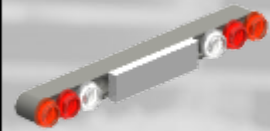


Step 6

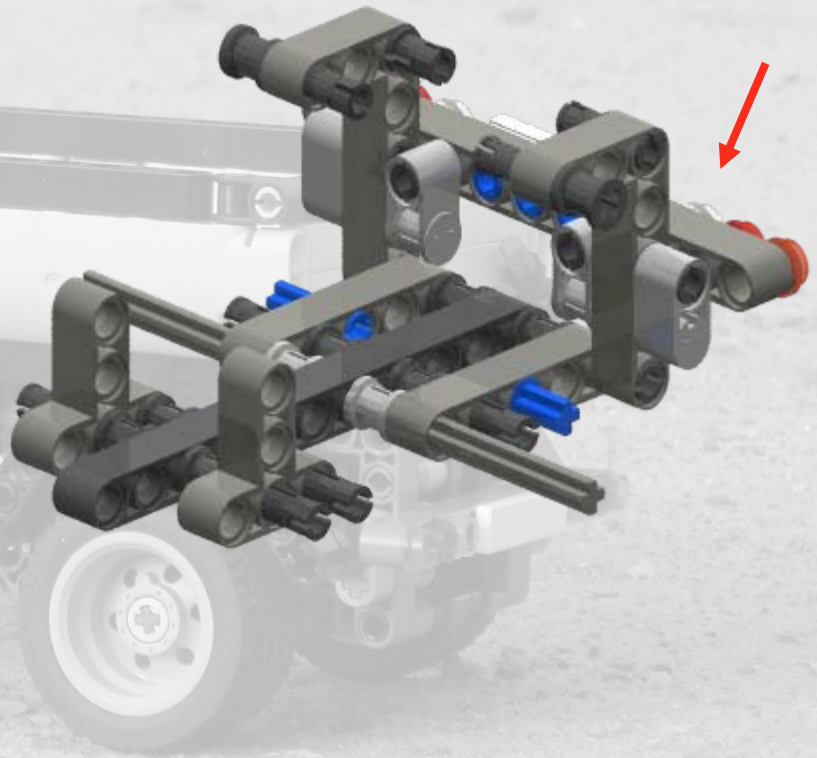
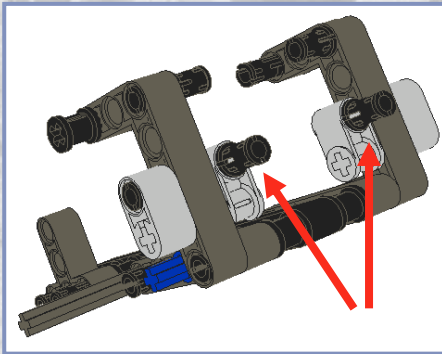
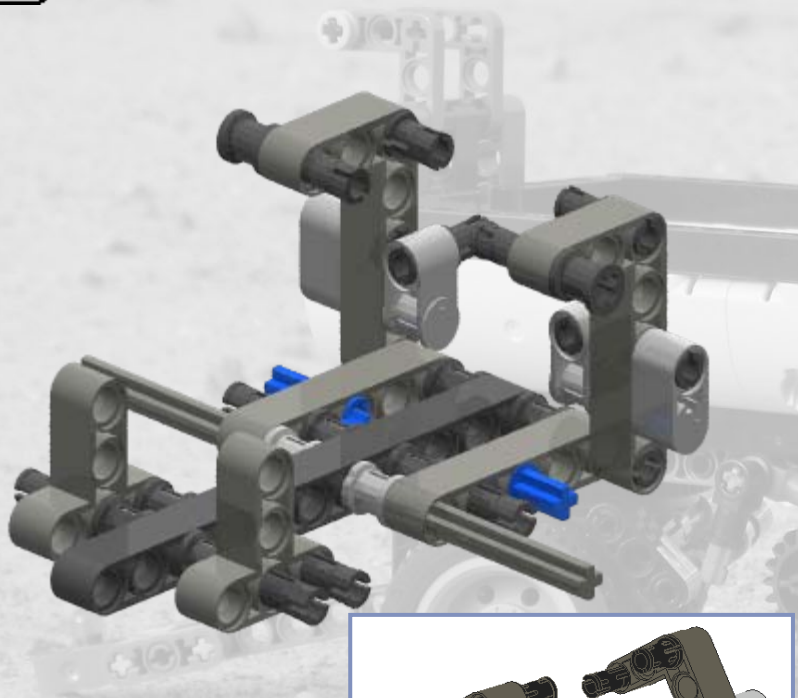


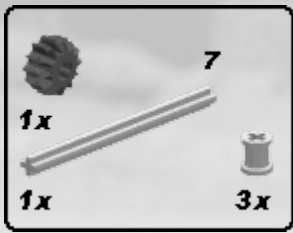
-  2x
-  2x
-  2x

Step 7

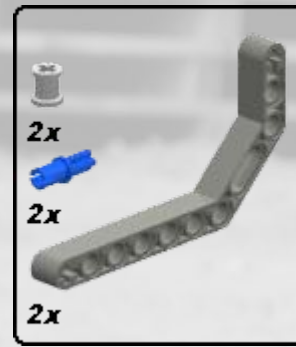
-  1x

Step 8

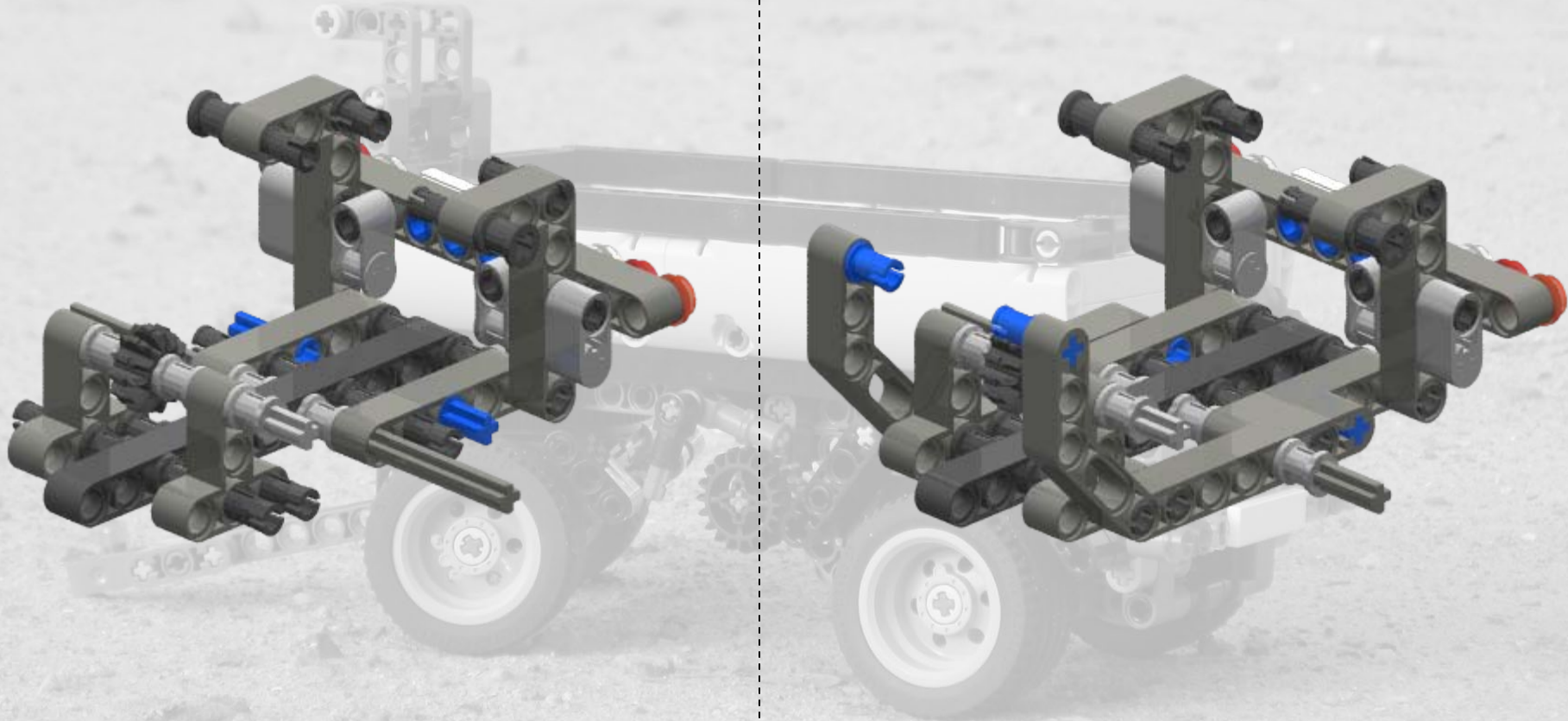




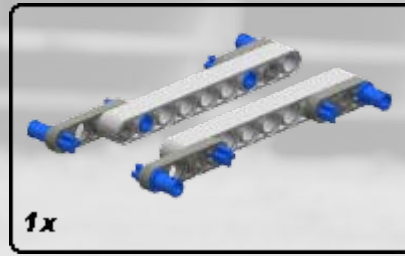
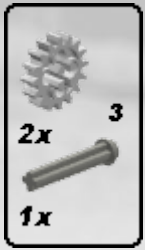
Step 9



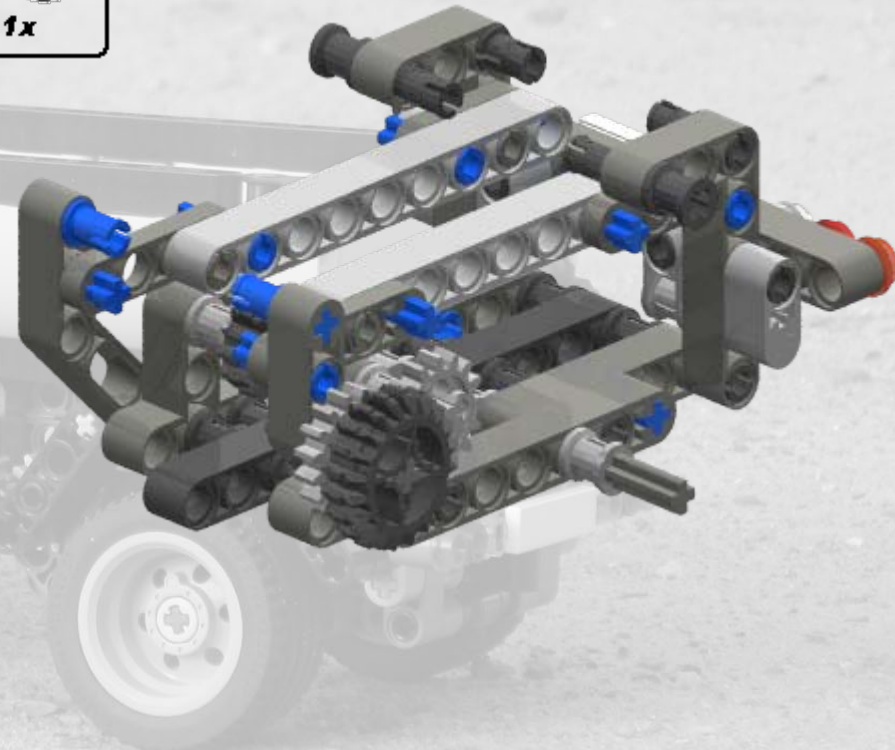
Step 10



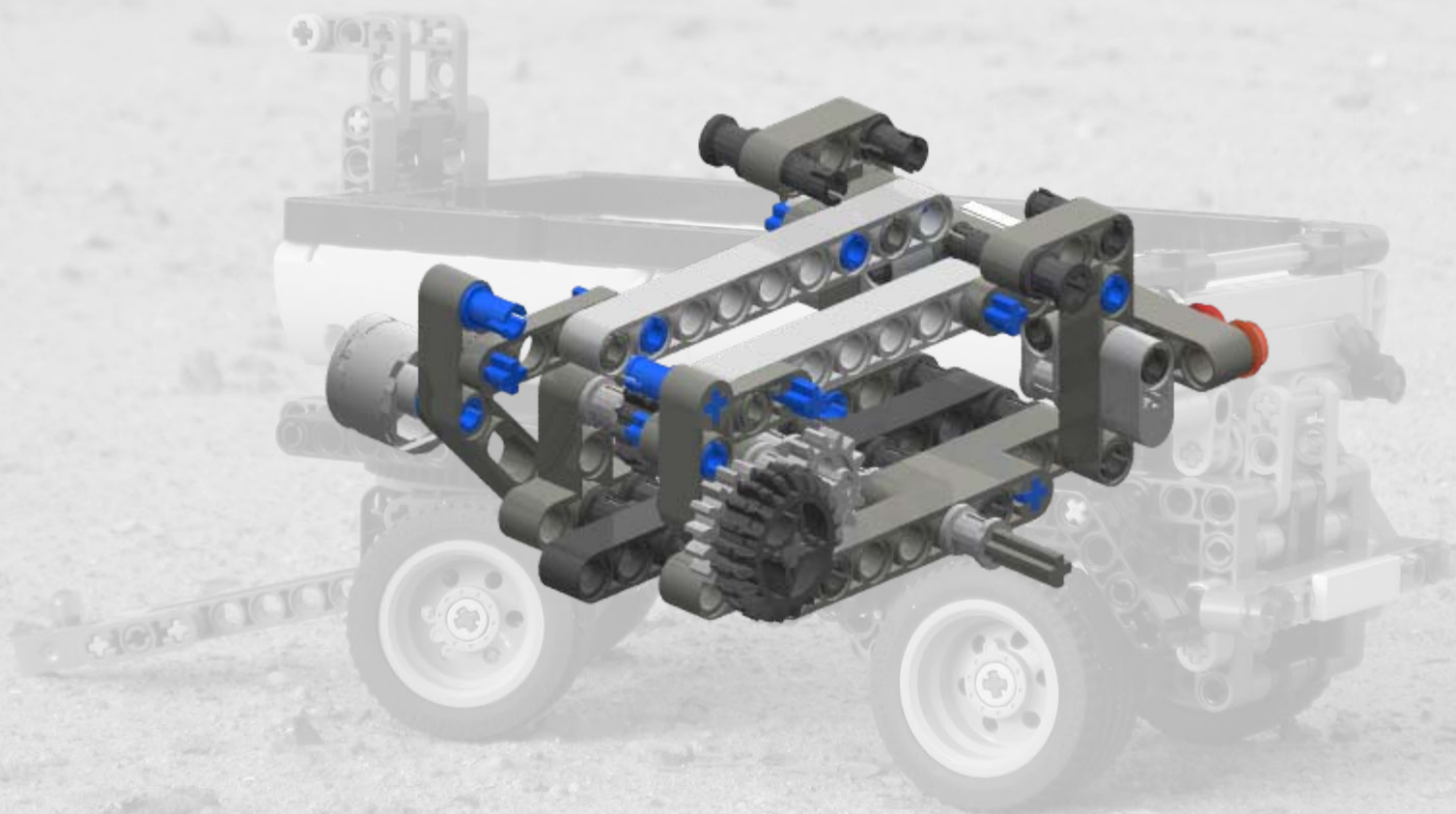
Step 11



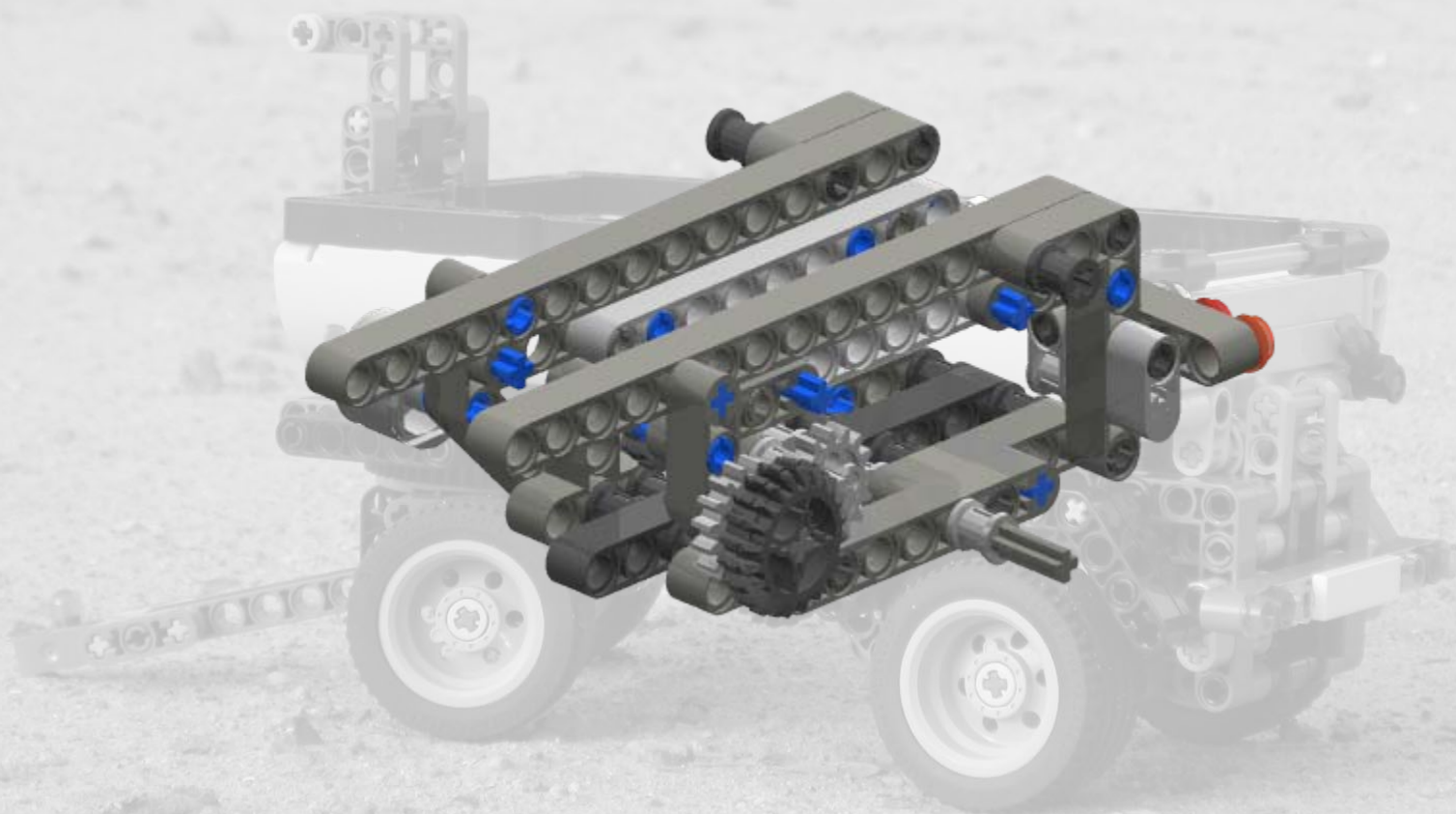
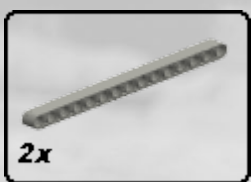
Step 12



Step 13

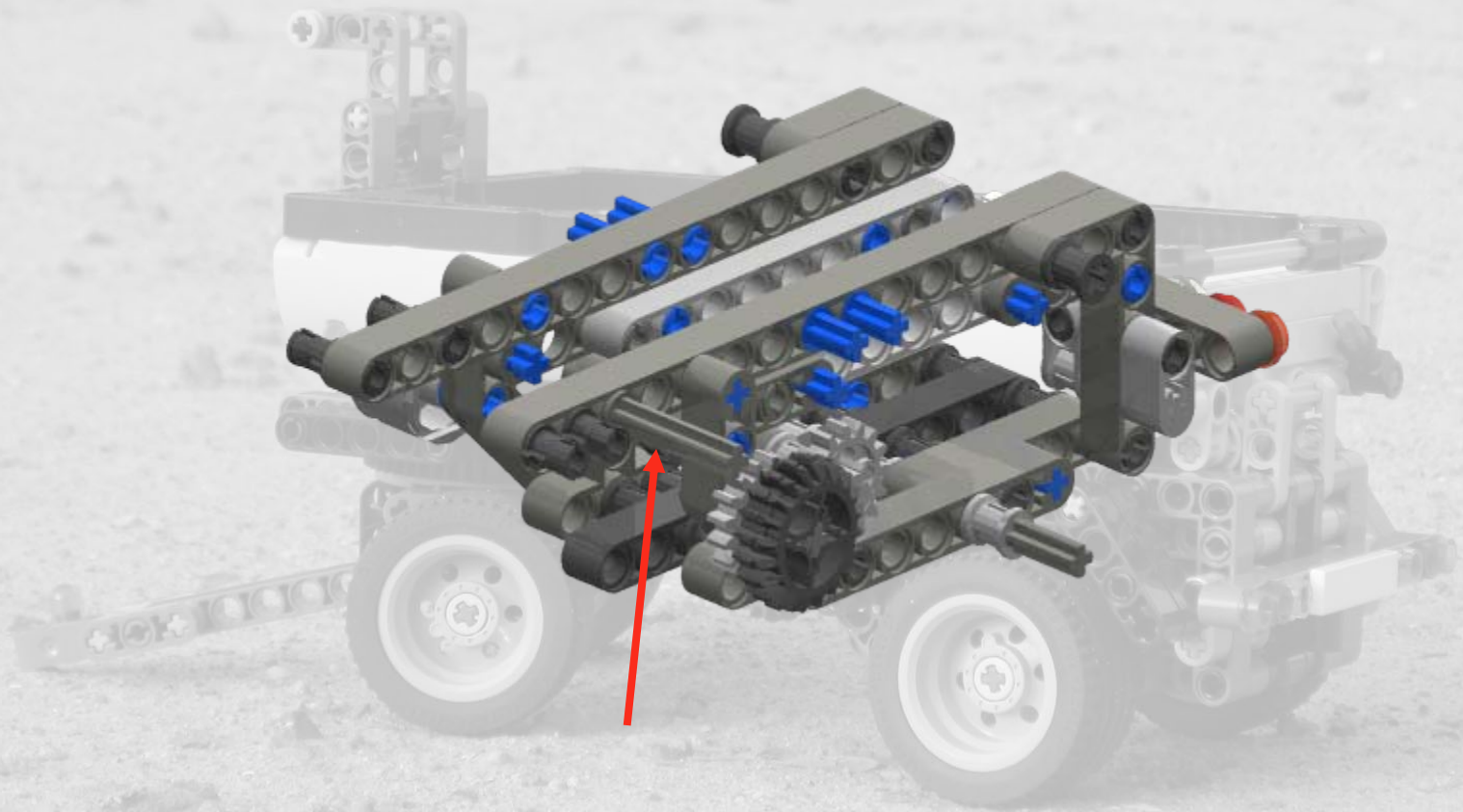


Step 14

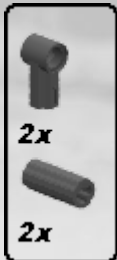


Step 15

- 4x 
- 4x  3
- 1x 



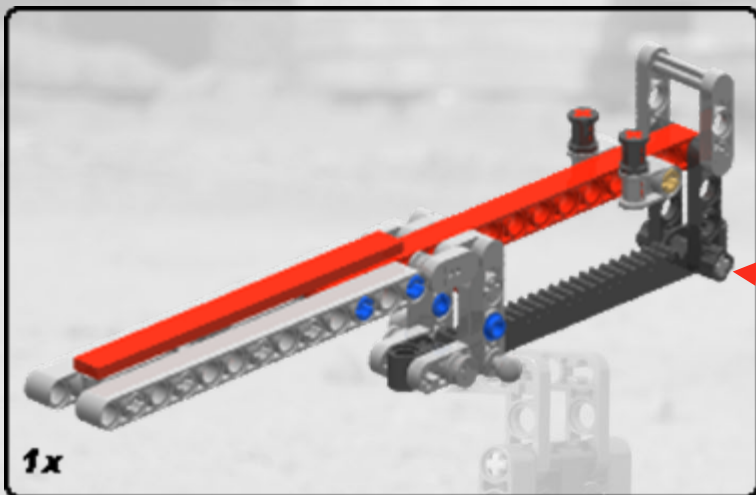
Step 16



Step 17



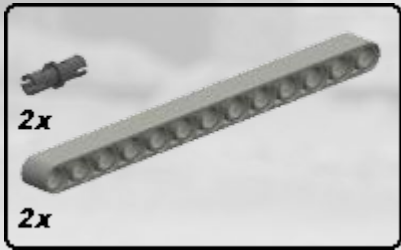
Step 18



Temporary remove axle-3 for mounting



Step 19



Step 20



Step 21

- 2
- 1x
- 1x



Step 22



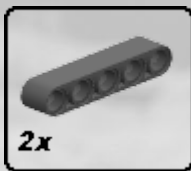
Step 23



Step 24



Step 25





Step 26



Step 27



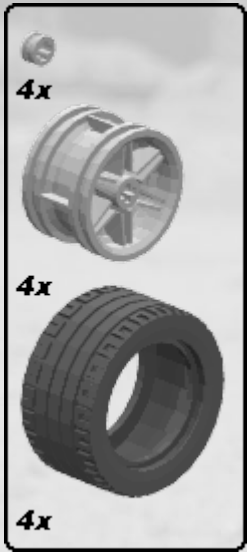
Step 28



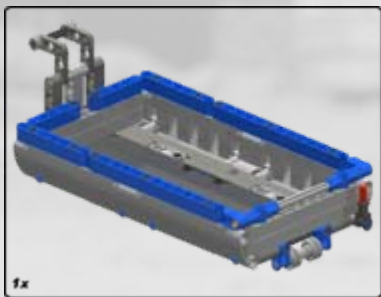
Temporary remove 'mud guards'
to connect front wheels



Step 29



Last step 30



Copyright design: Han Crielaard

2011

www.designer-han.nl/lego

These building instructions are 'free to use' for every Lego® fan and may not commercially be used and/or sold

LEGO® is a trademark of the LEGO Group of companies which does not sponsor, authorize or endorse these building instructions