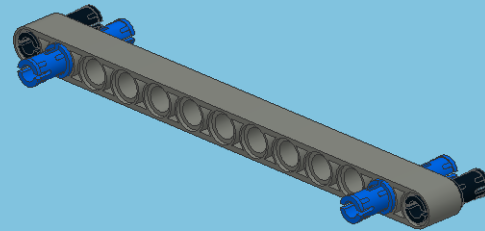
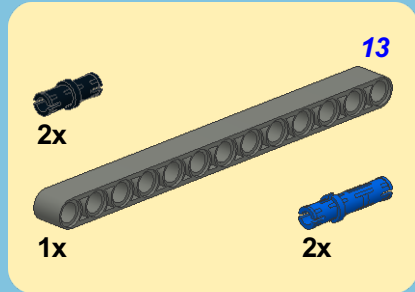


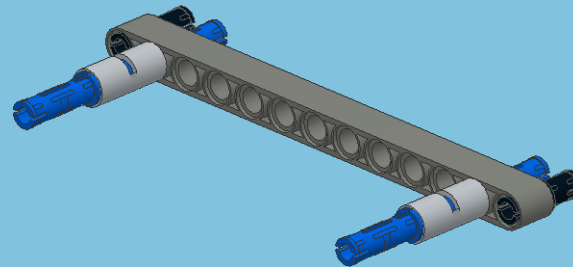
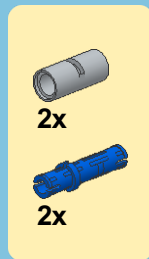
Ultimate 8043 - SBrick version

Instructions by Alex Zeimet, Strikeman and Jurgen Krooshoop
(c) 2015 www.jurgenstechniccorner.com

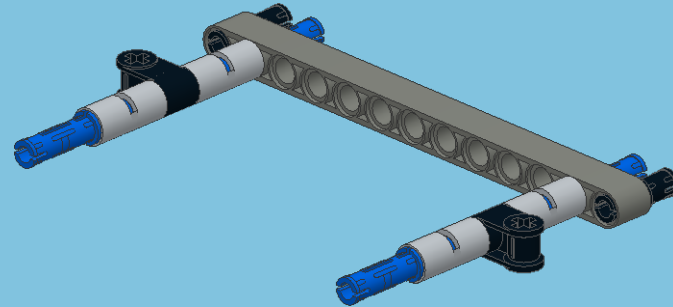
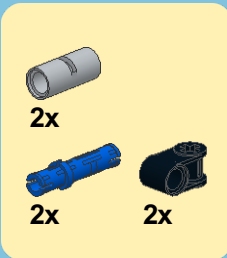
1



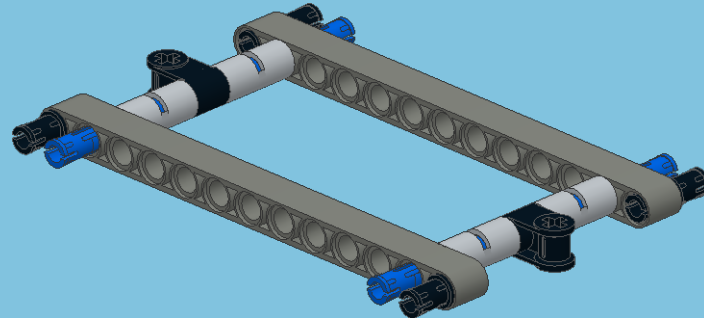
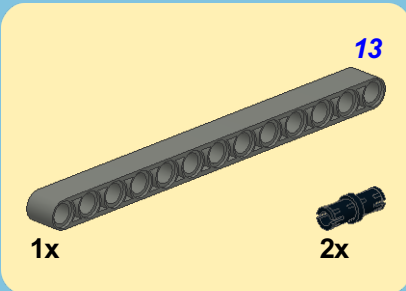
2



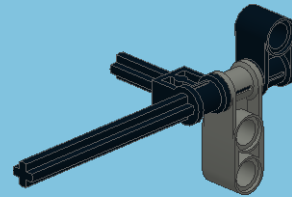
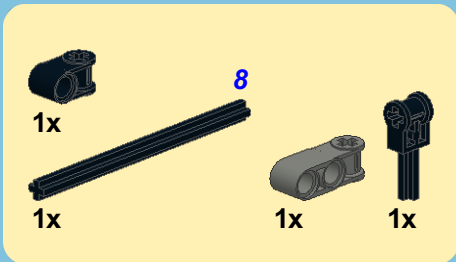
3



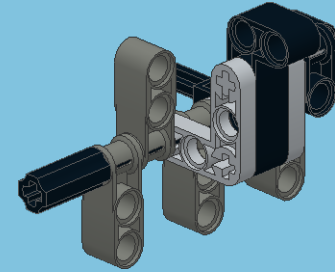
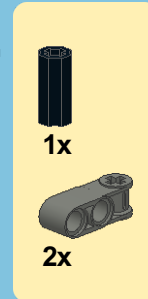
4



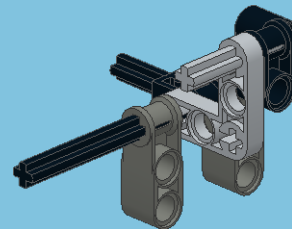
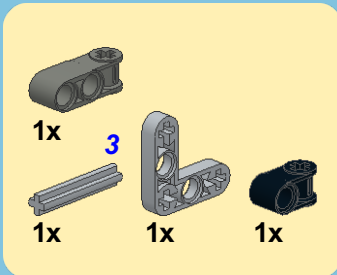
1



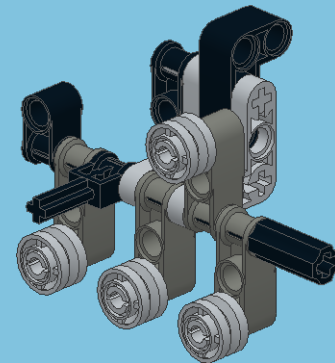
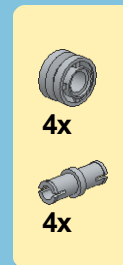
4



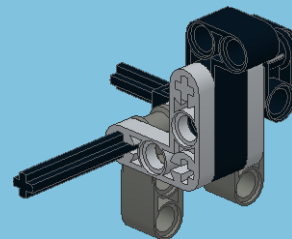
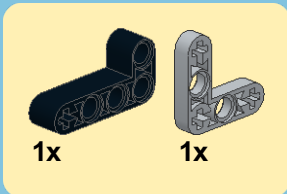
2

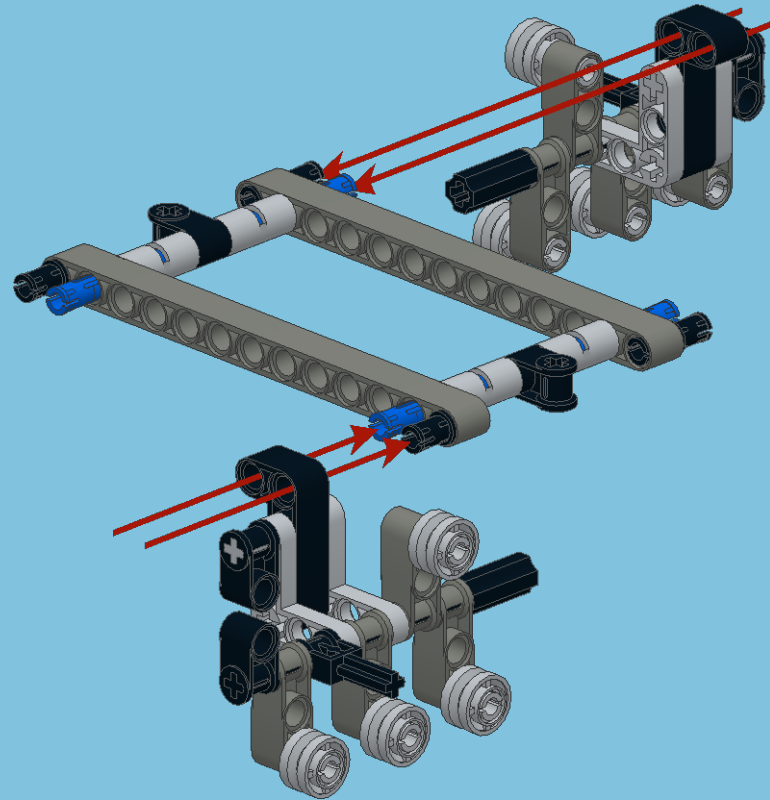


5

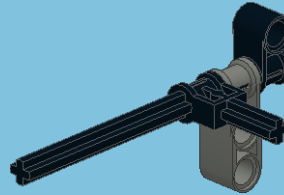
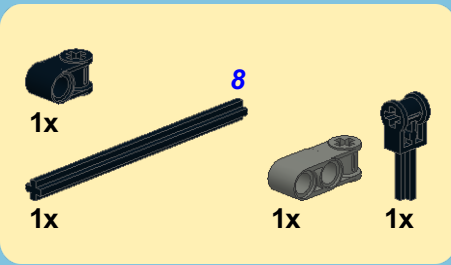


3

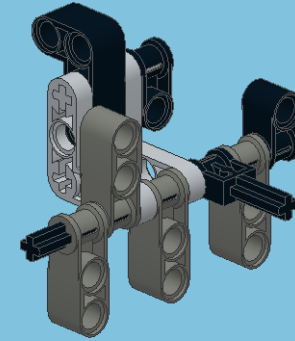




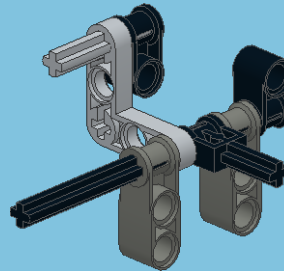
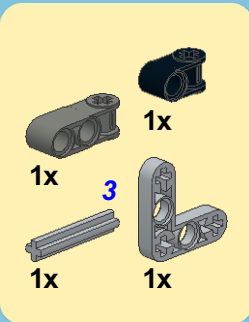
1



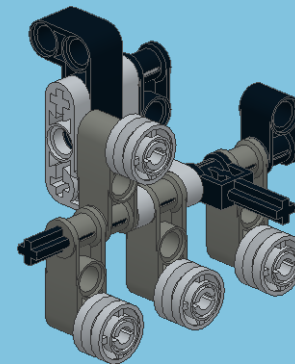
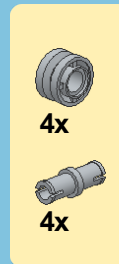
4



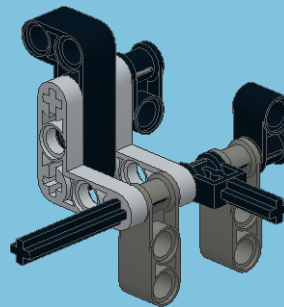
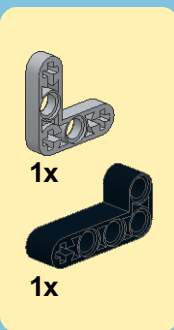
2

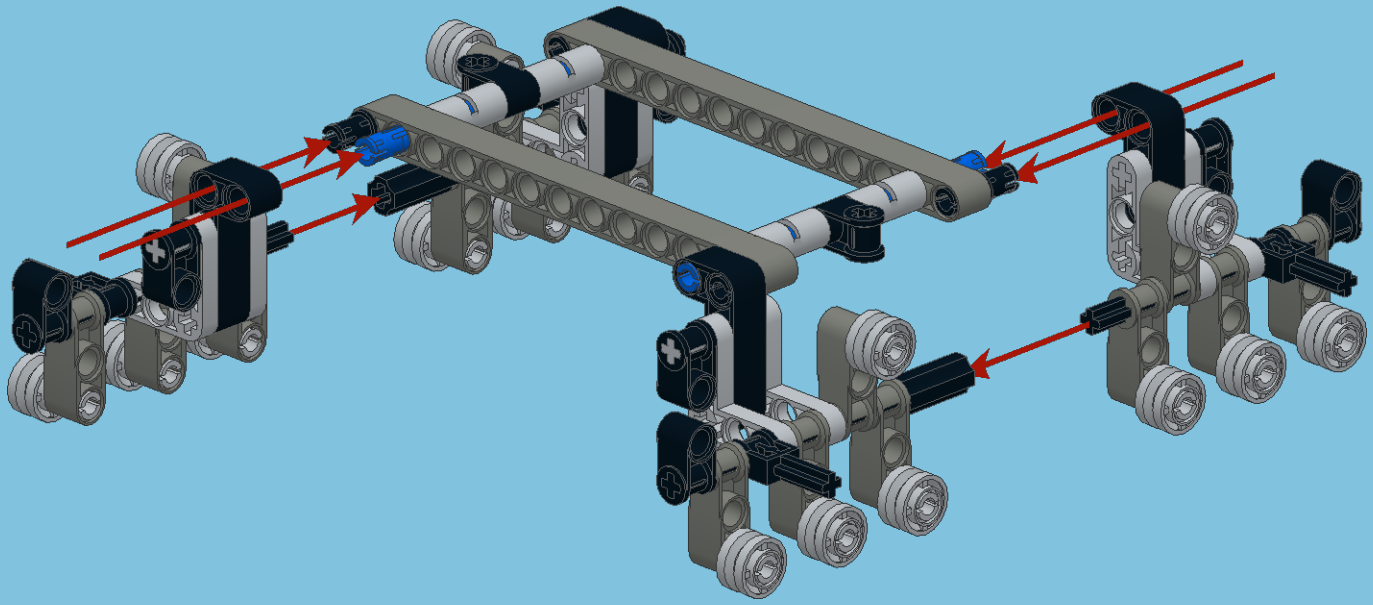


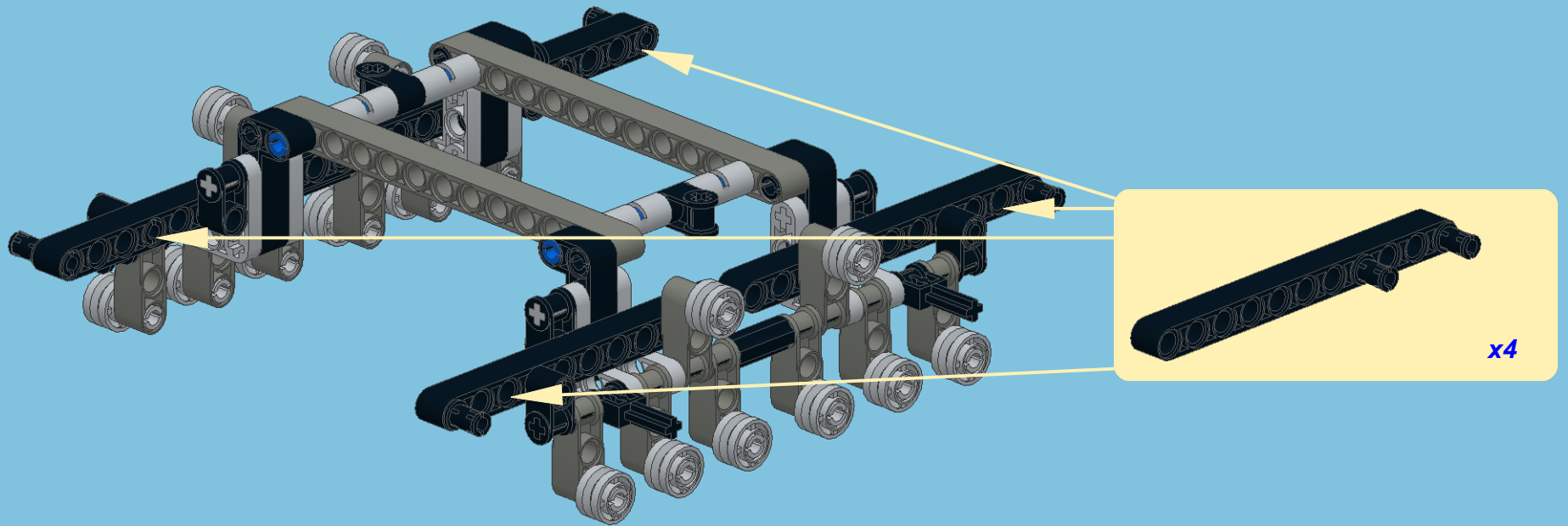
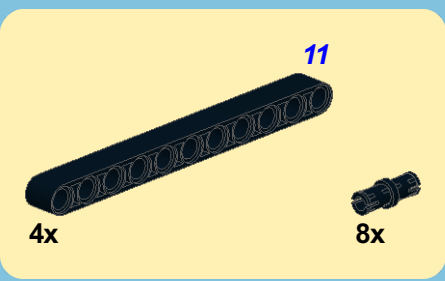
5



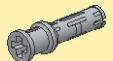
3



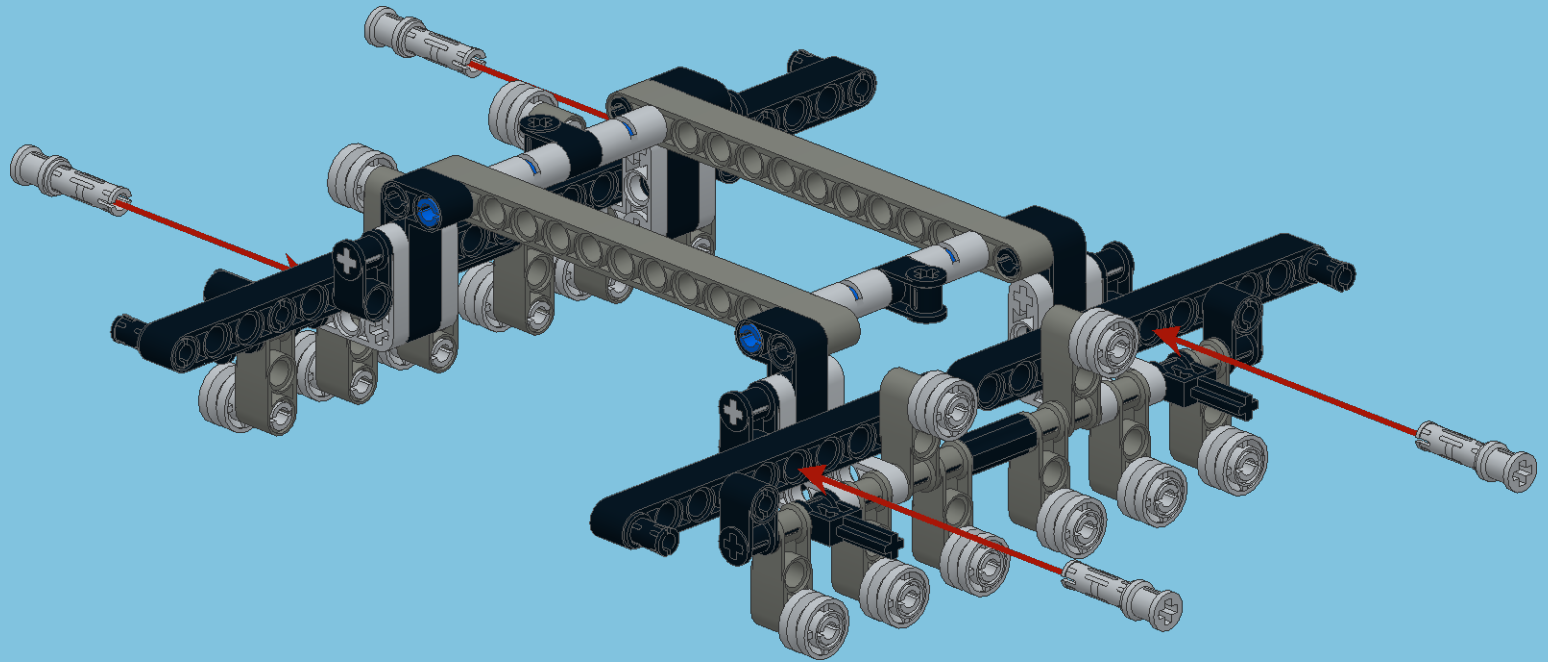




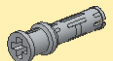
8



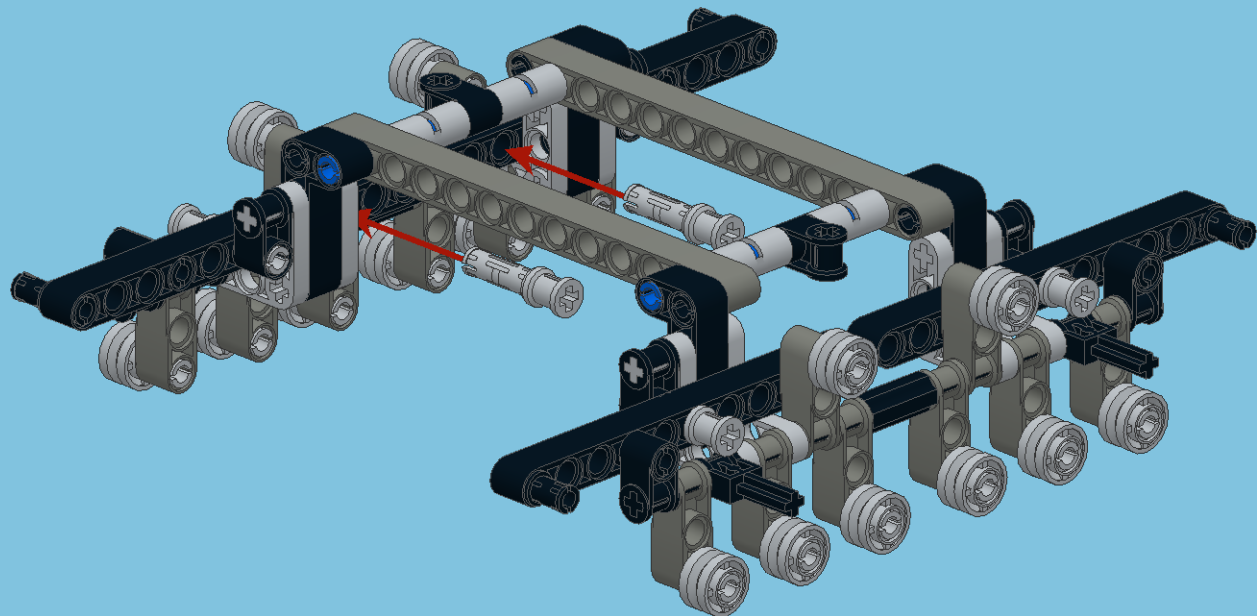
4x



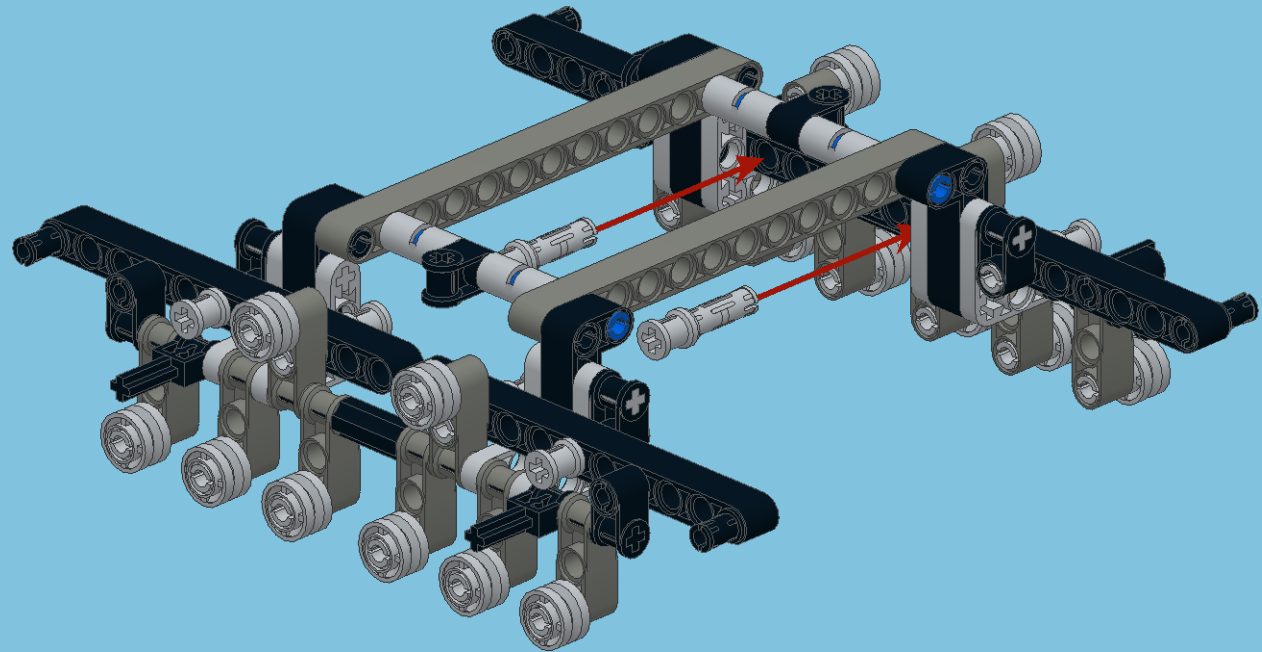
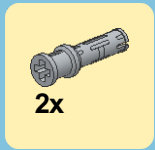
9



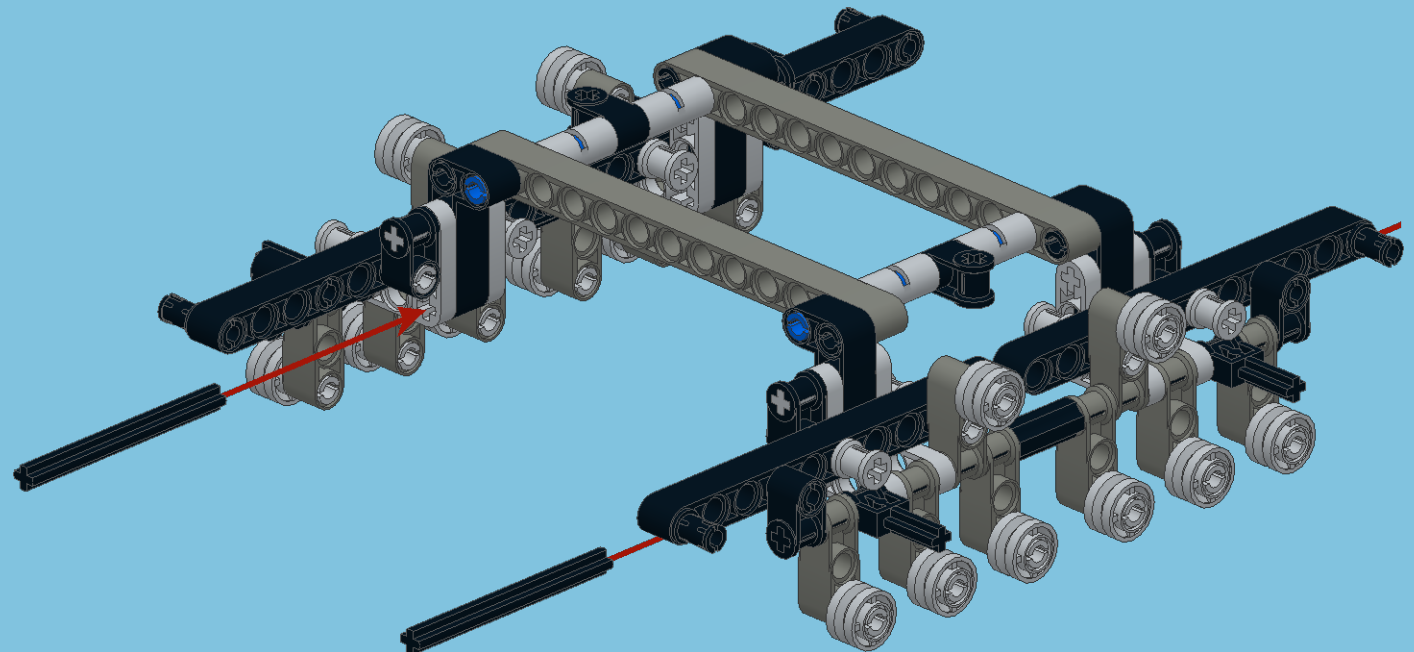
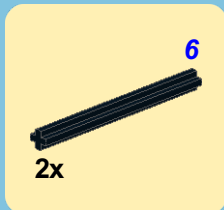
2x

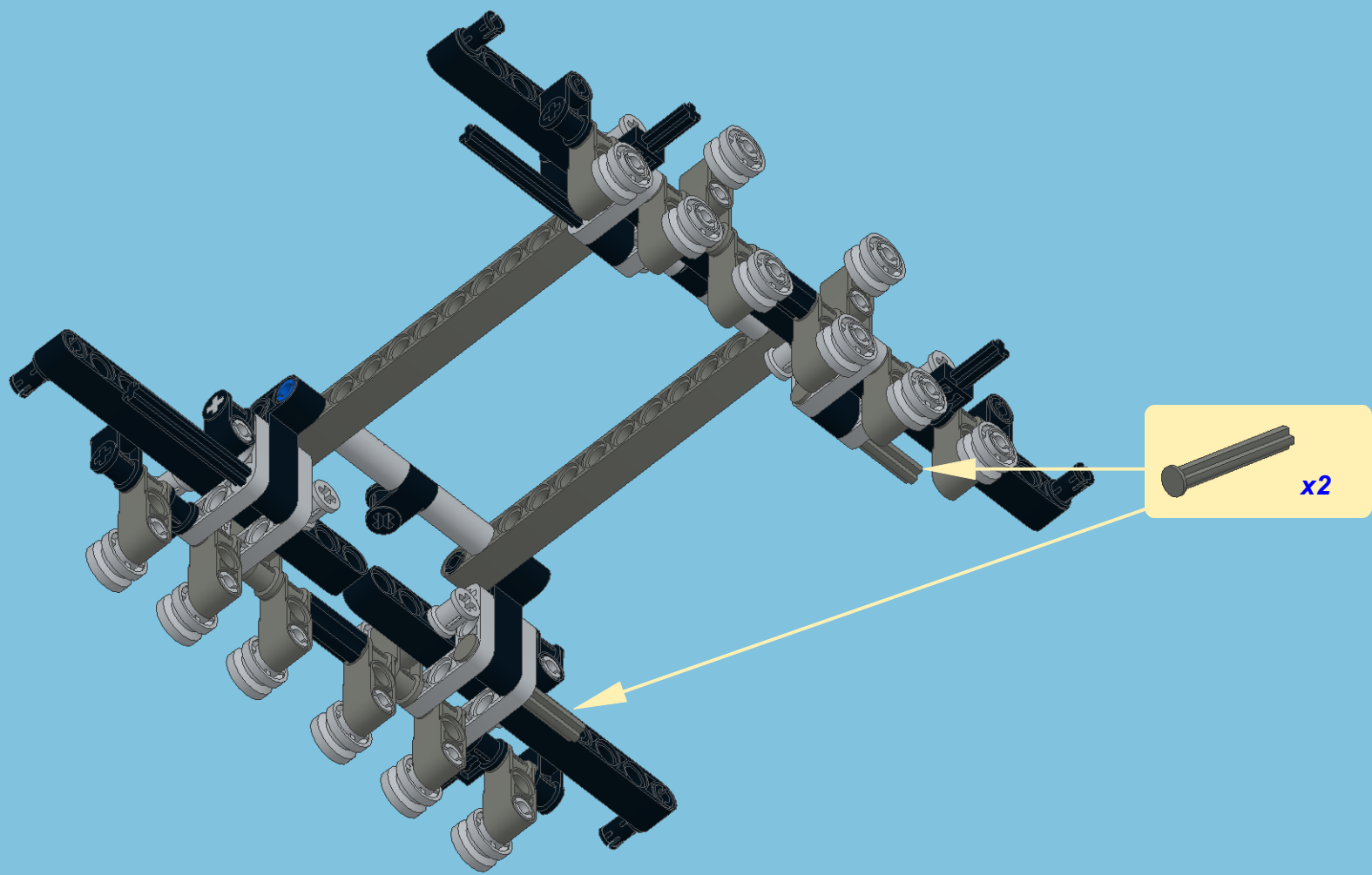
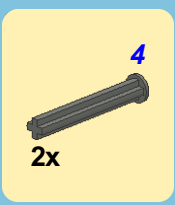


10

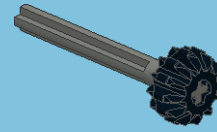
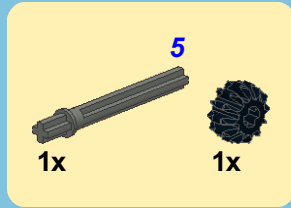


11

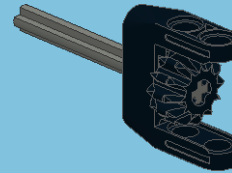
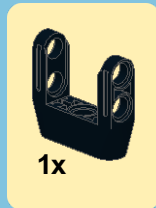




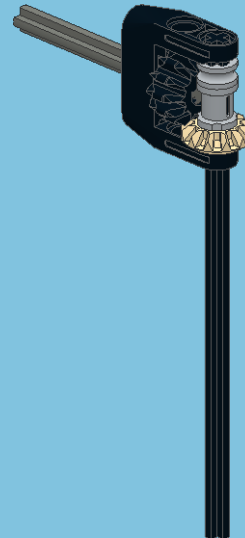
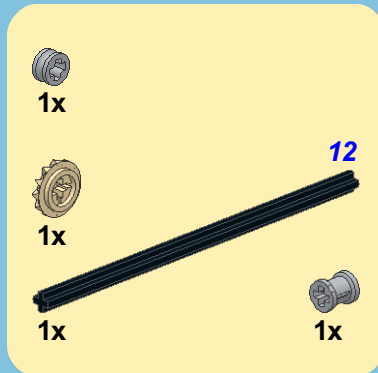
1

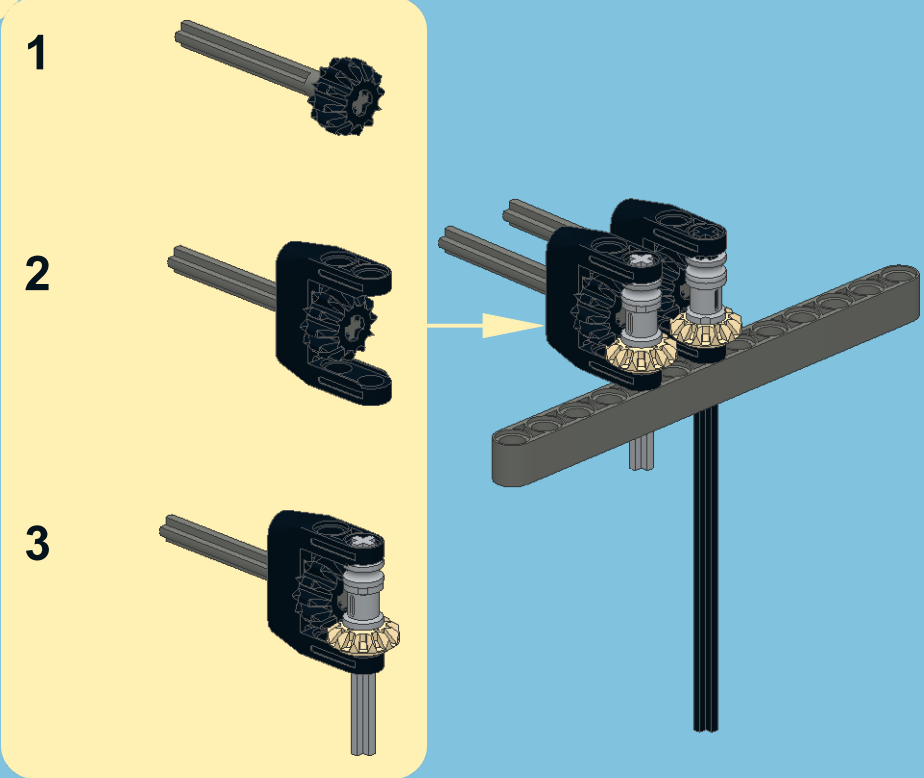
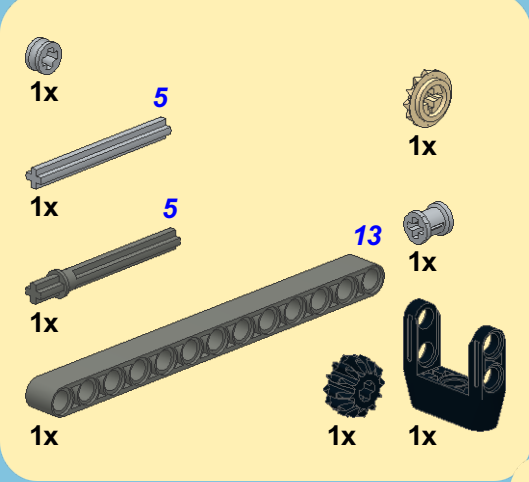


2

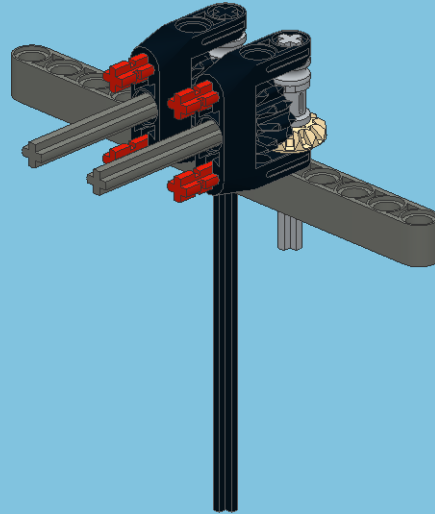
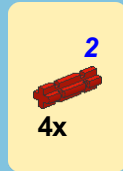


3

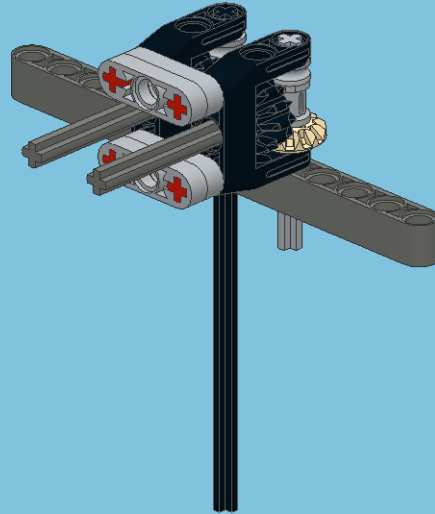


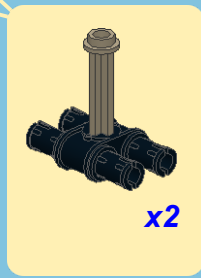
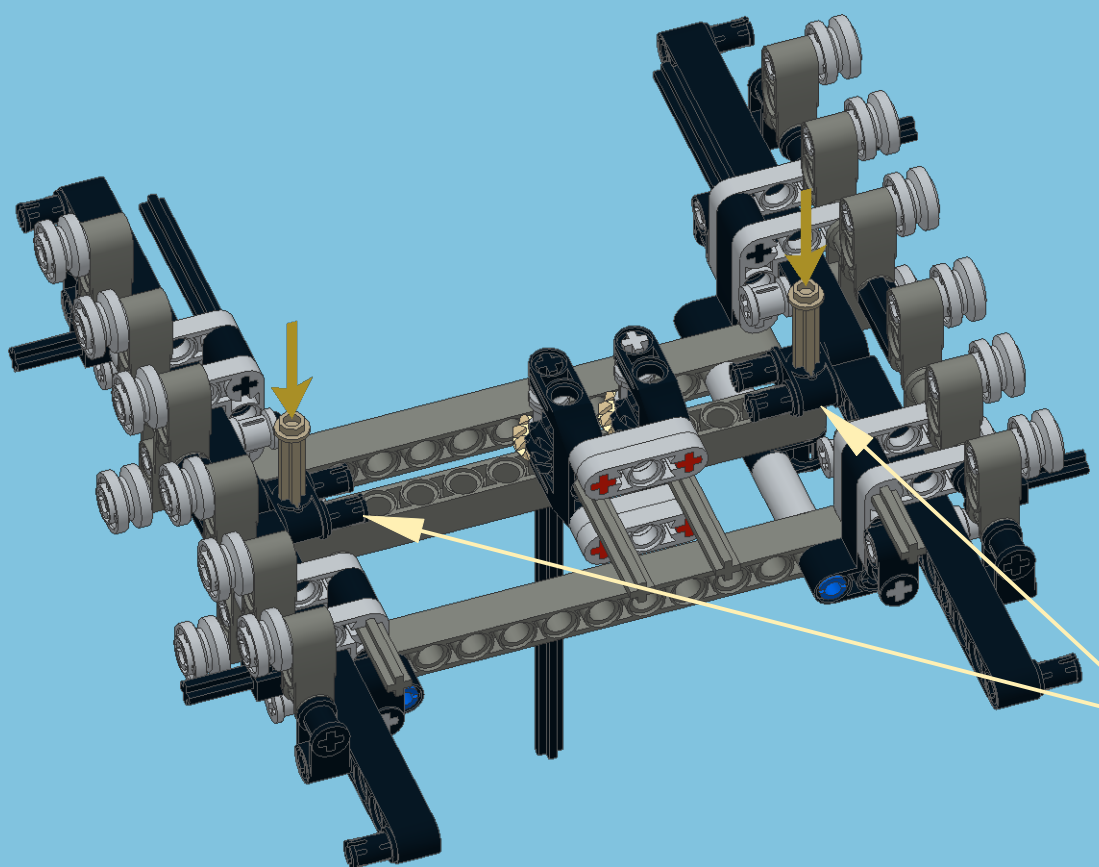
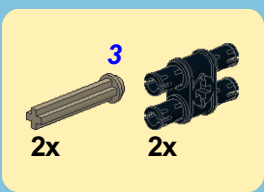


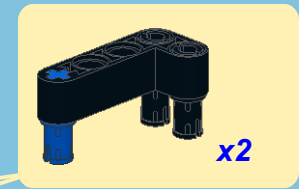
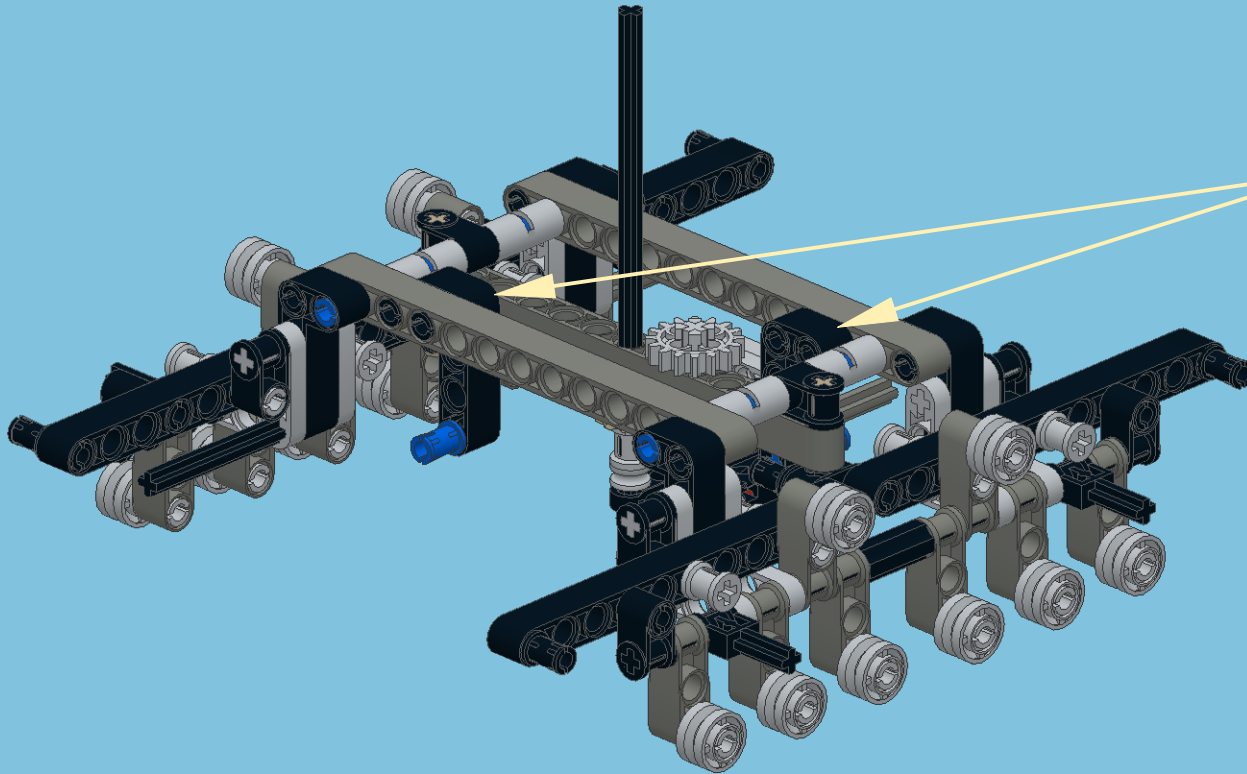
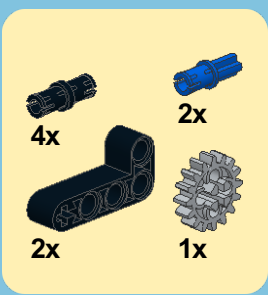
5

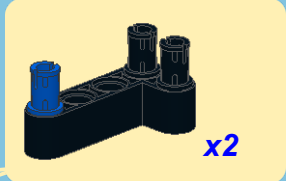
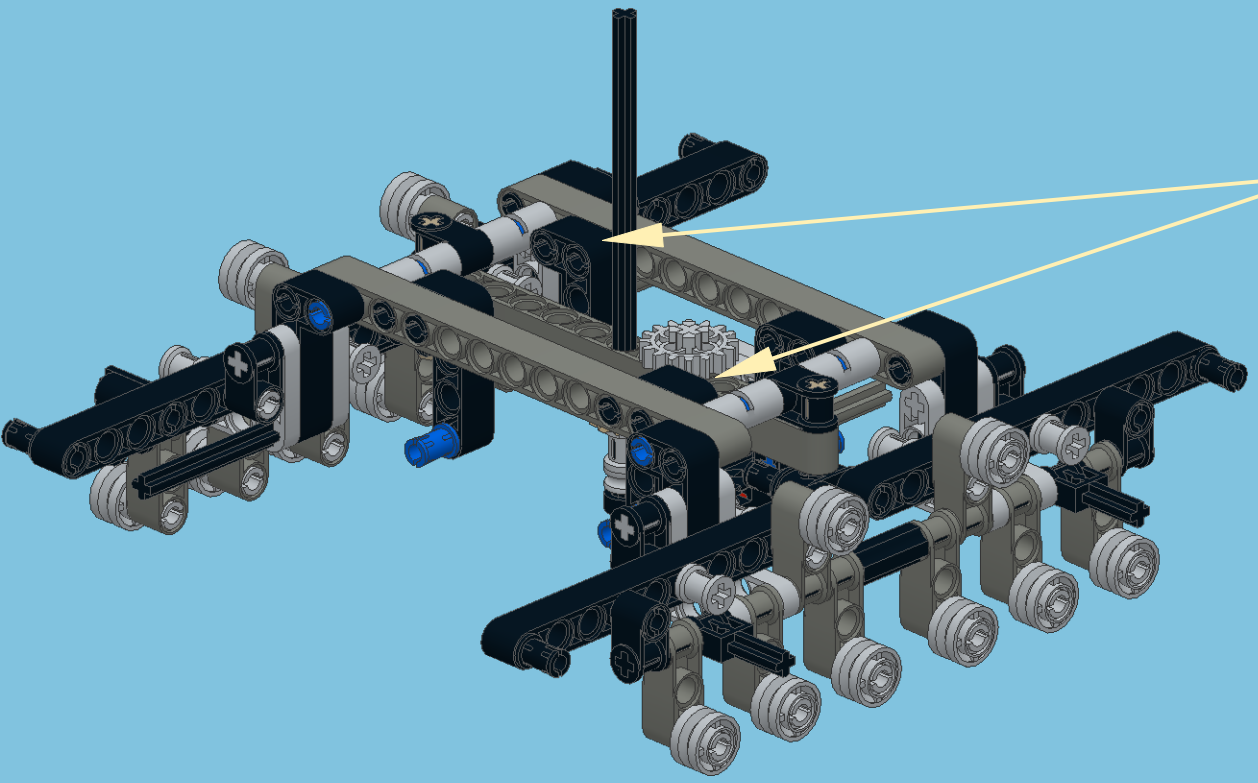
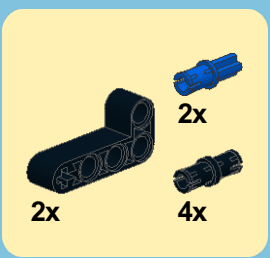


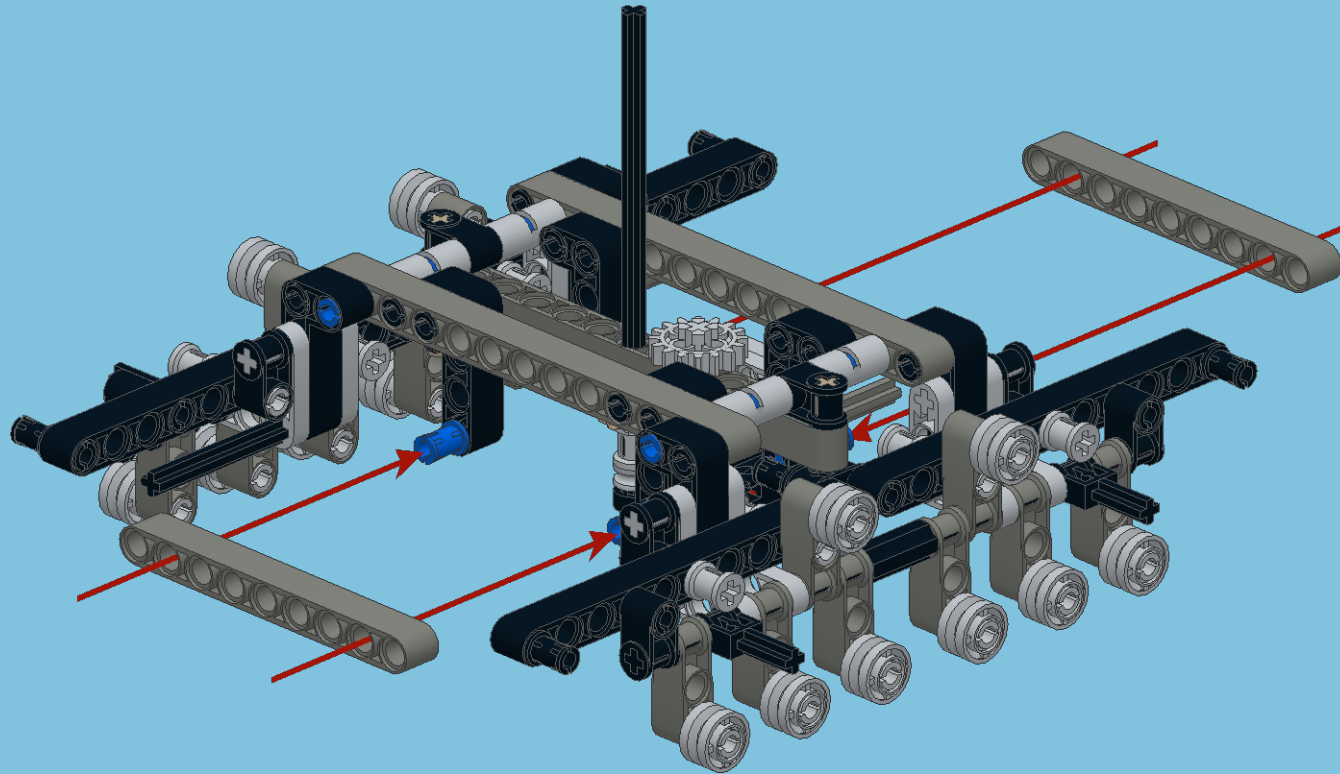
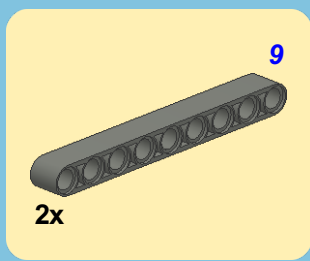
6

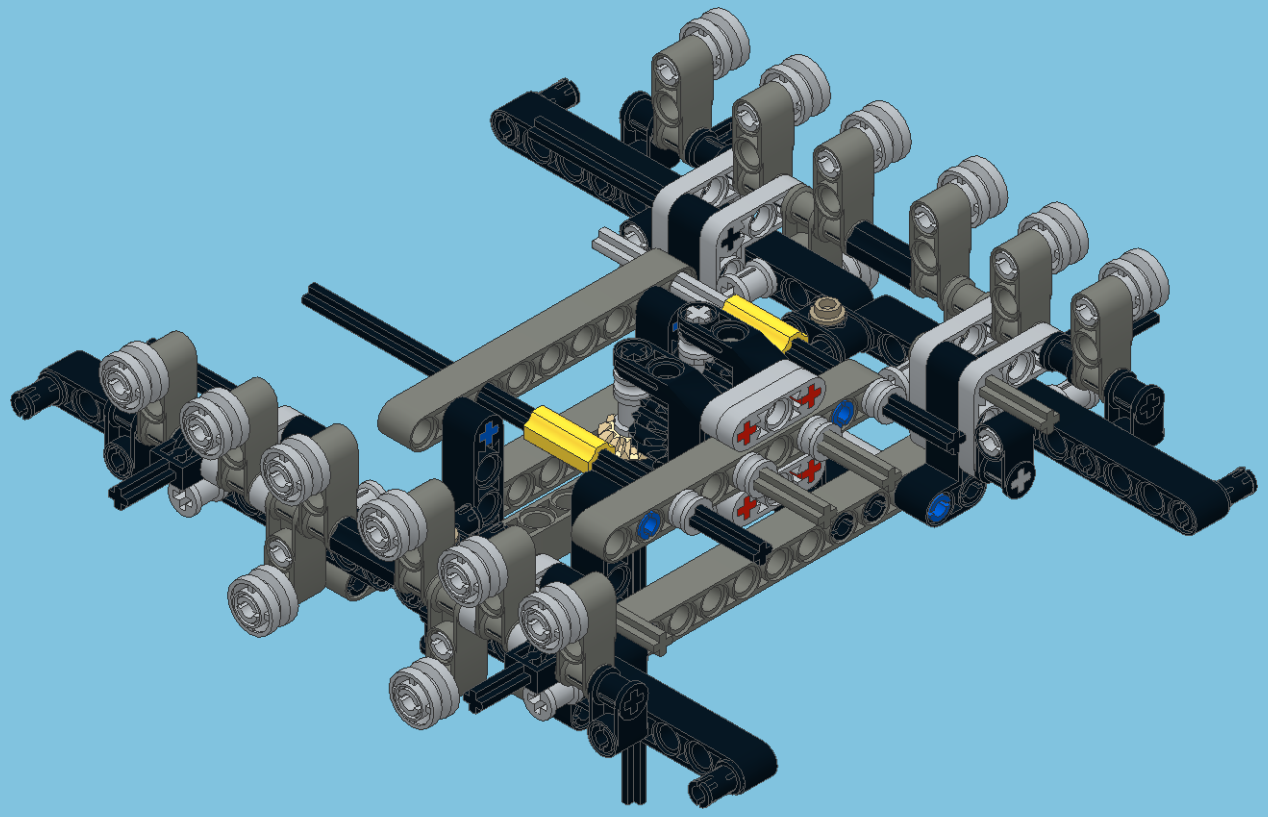
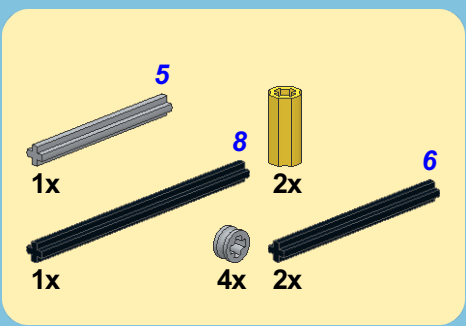


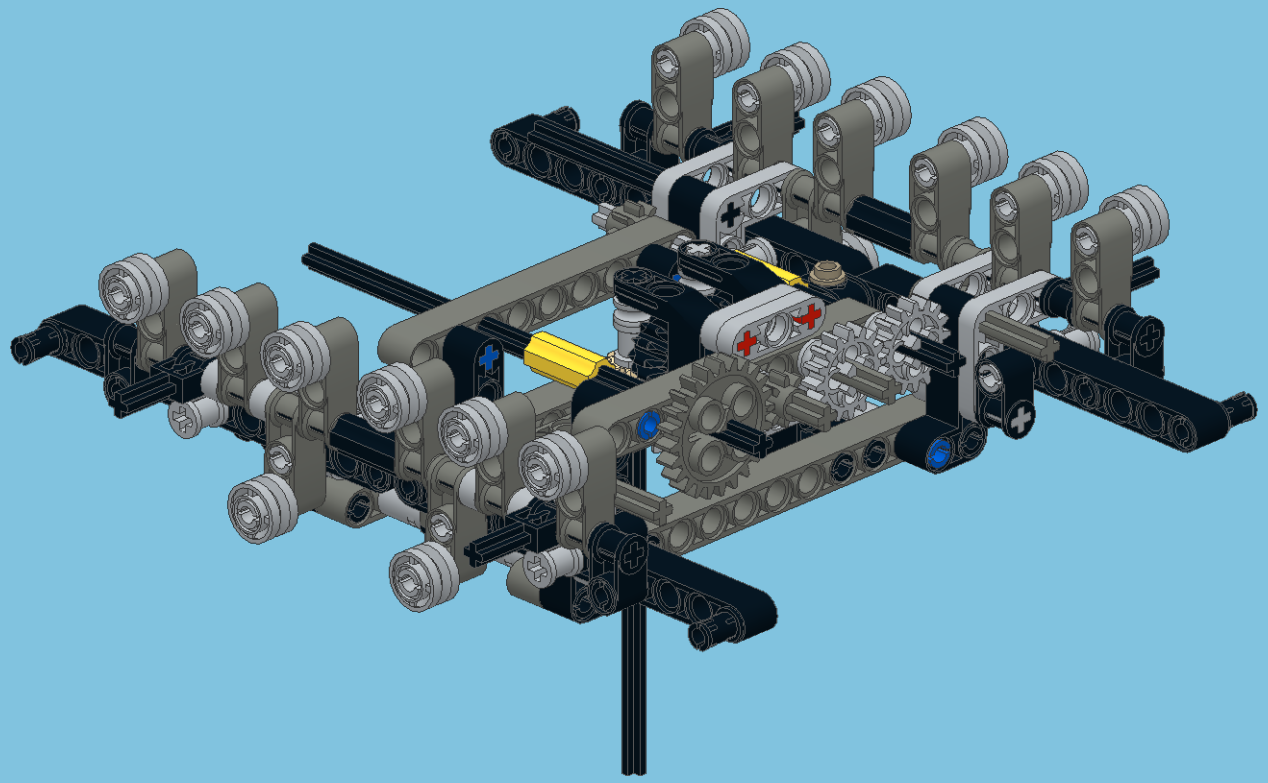
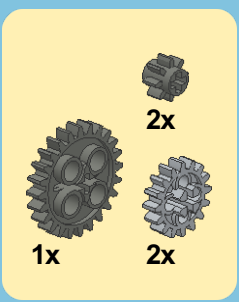


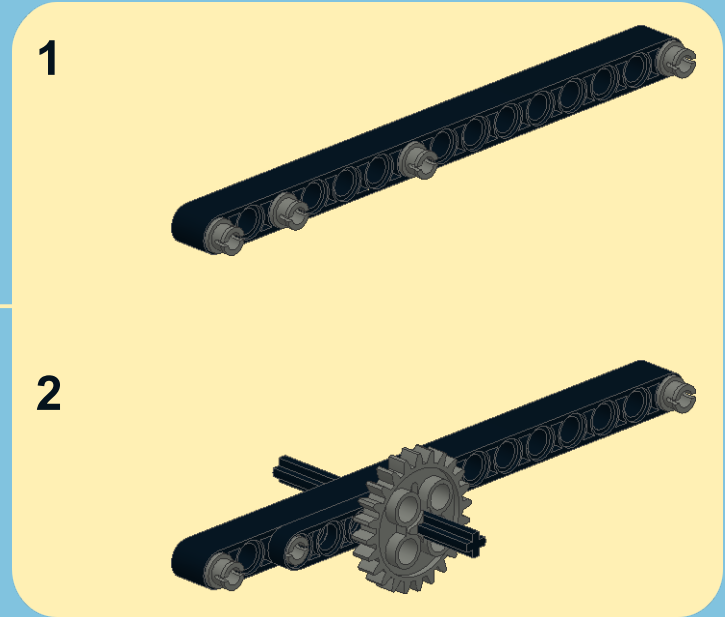
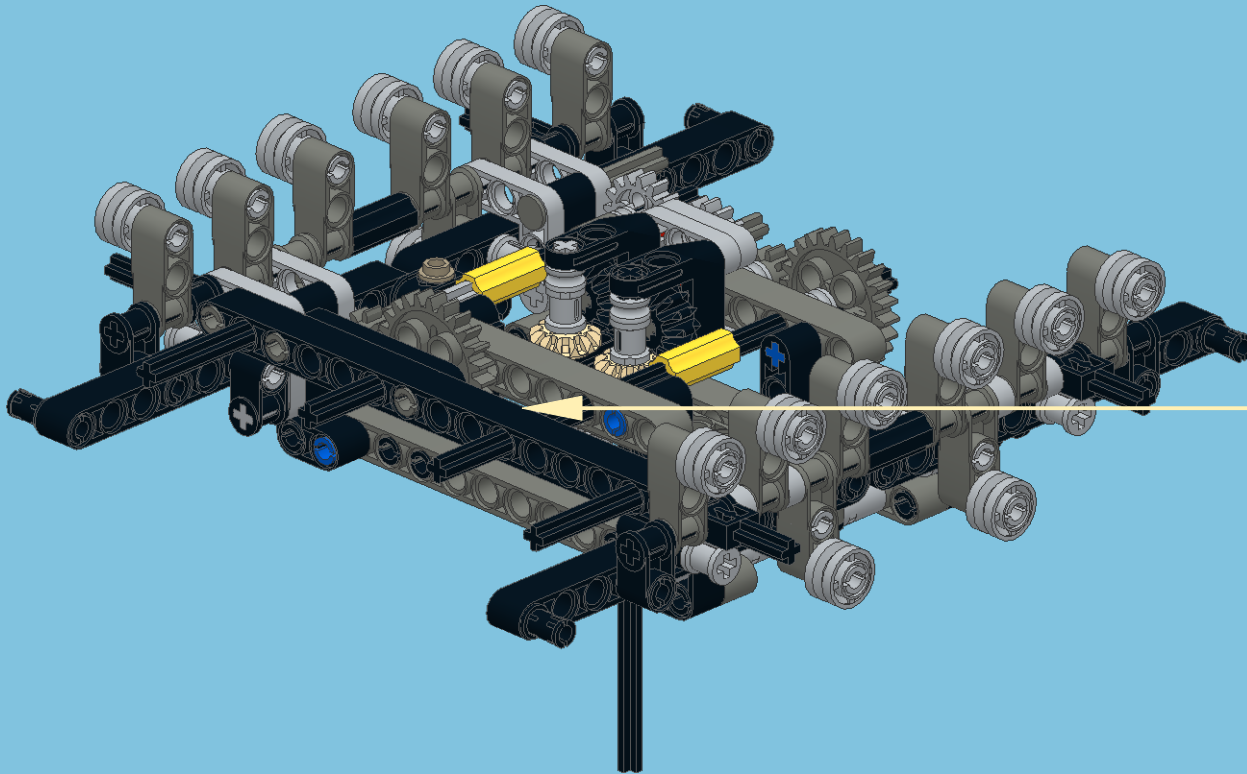
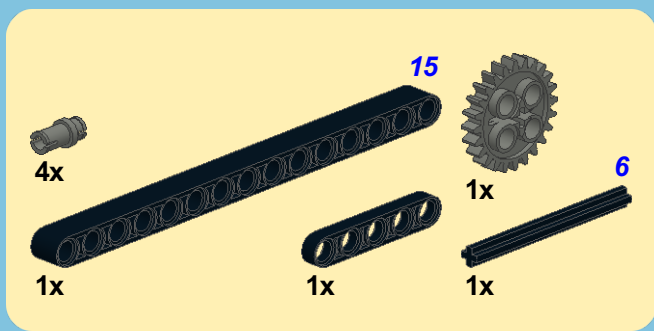


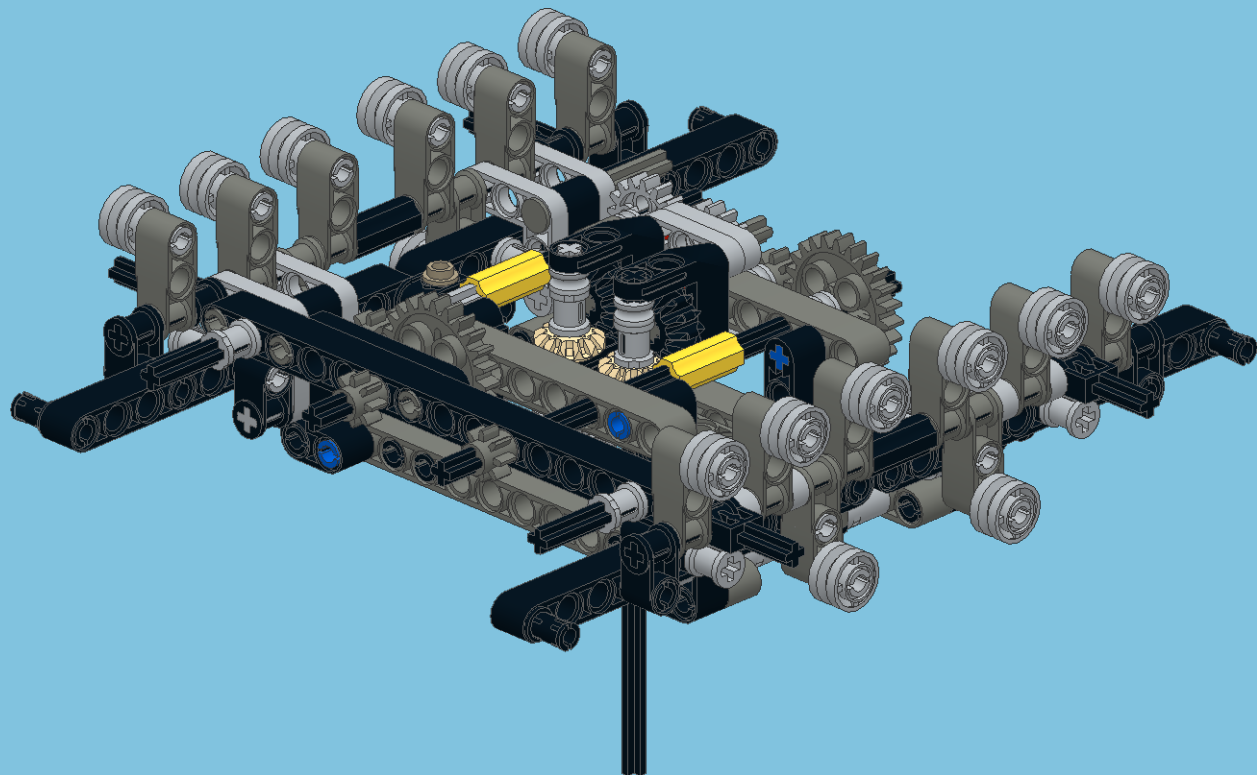
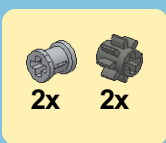


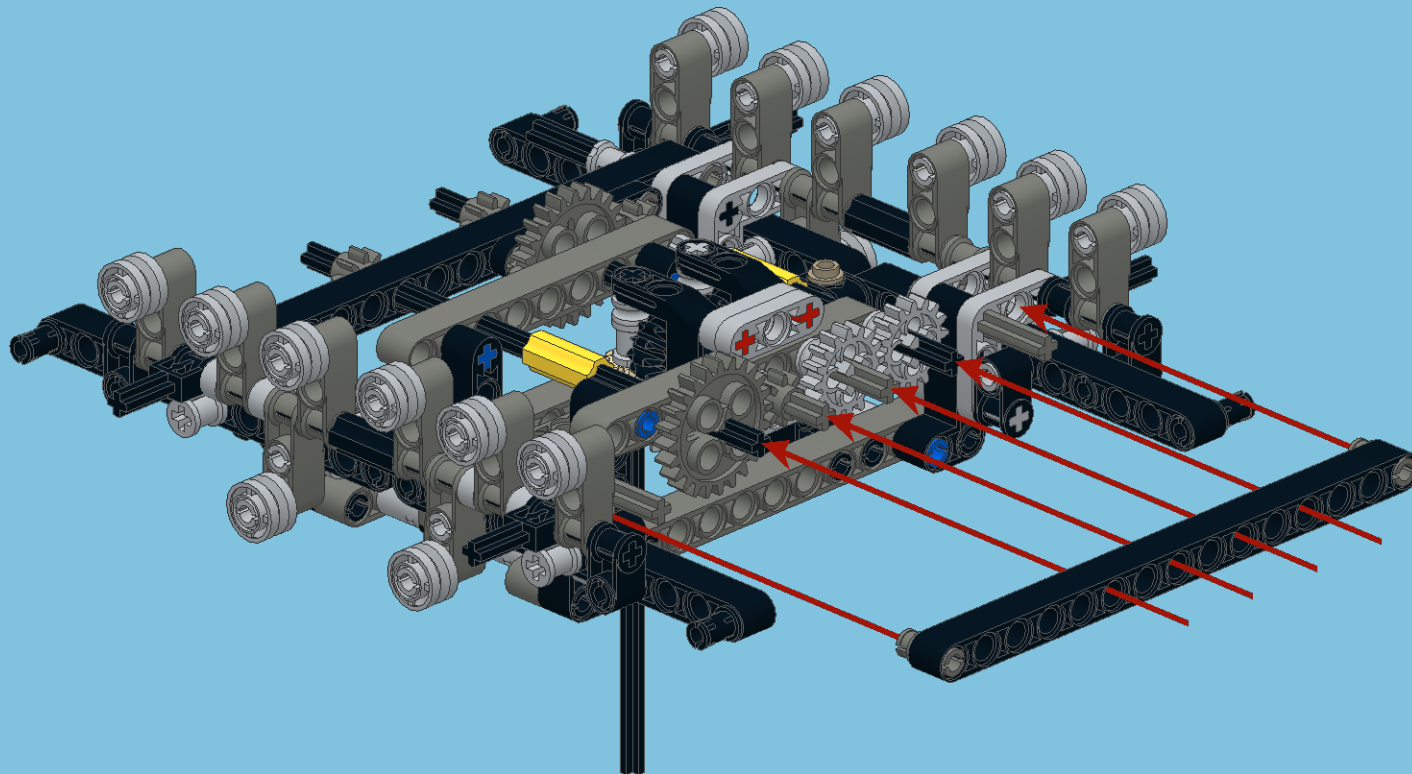
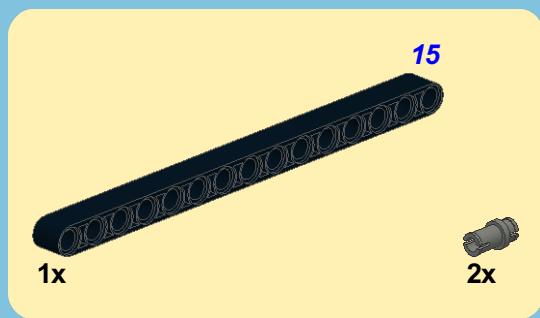


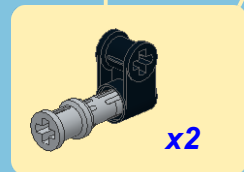
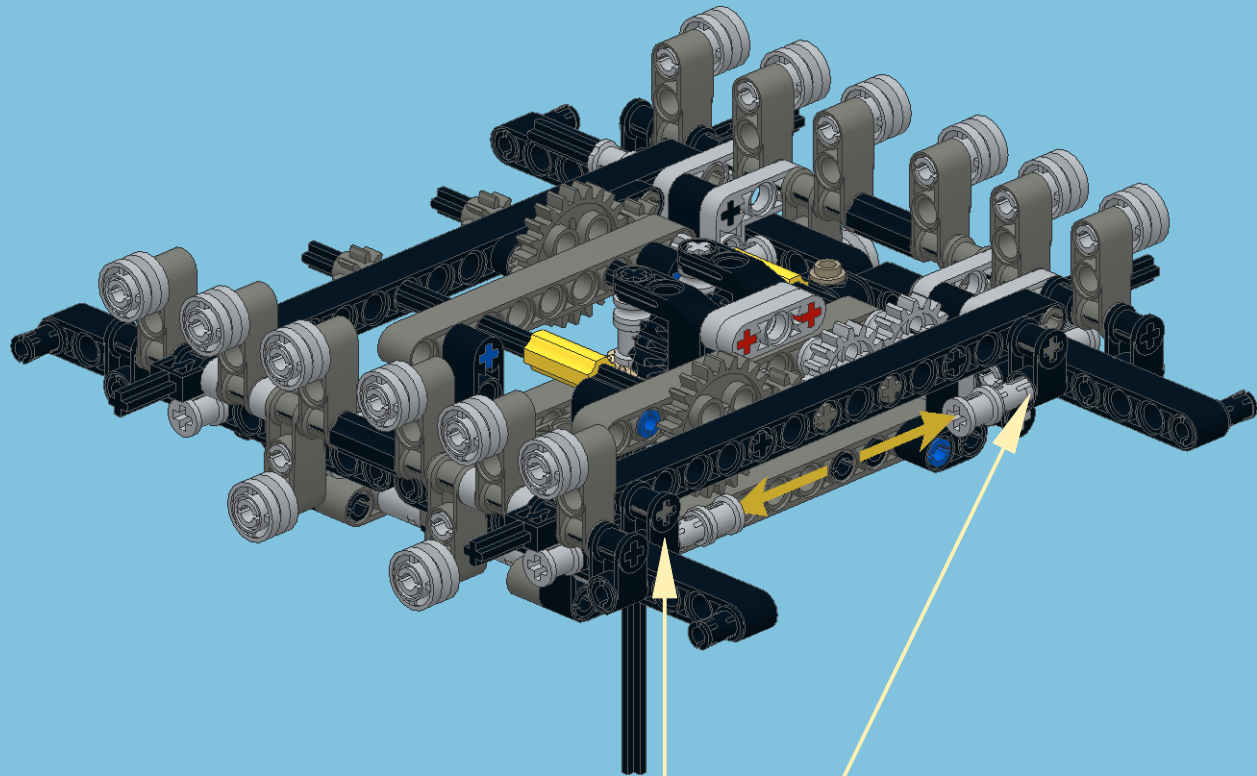
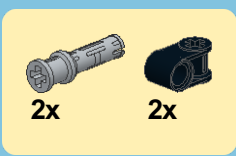


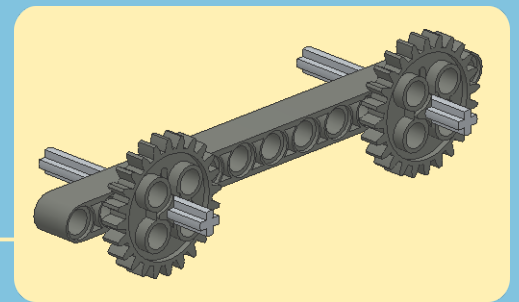
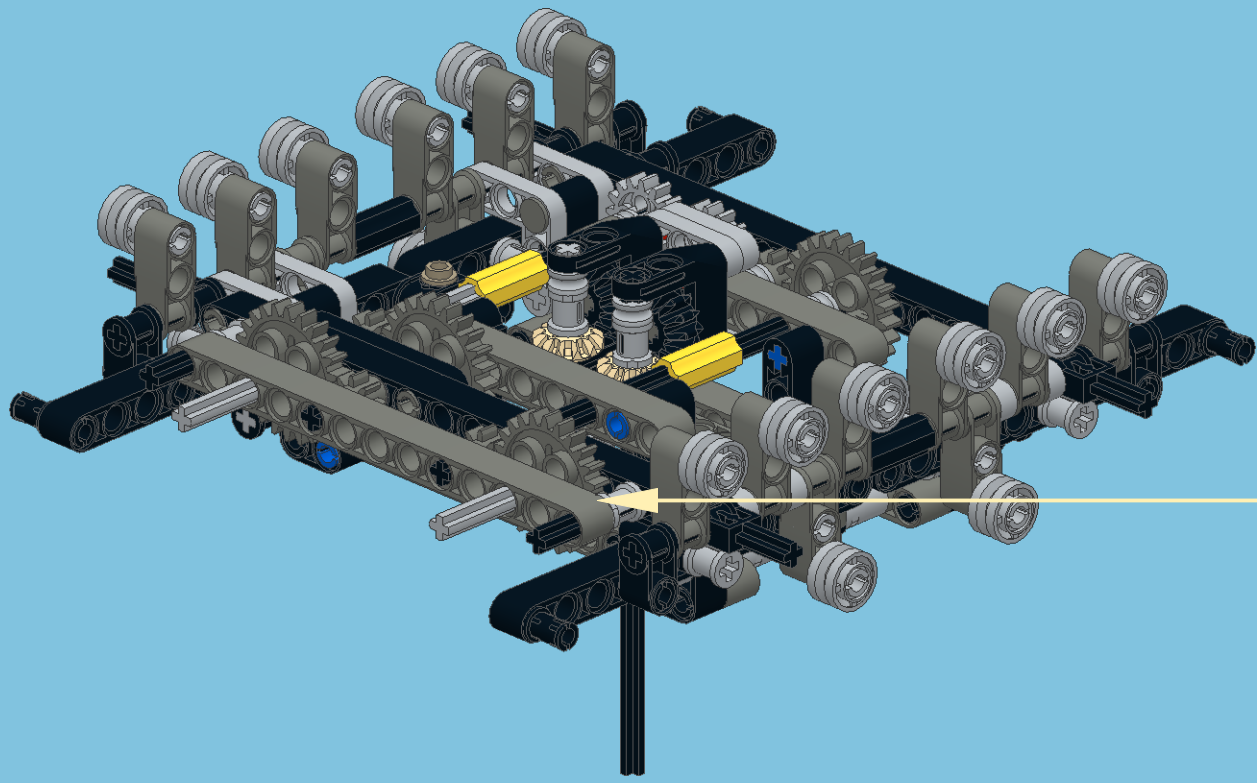
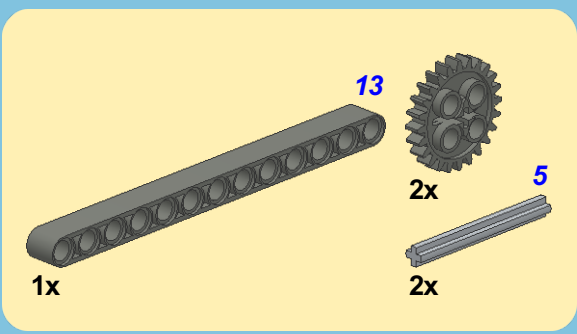


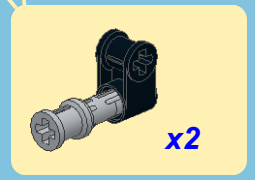
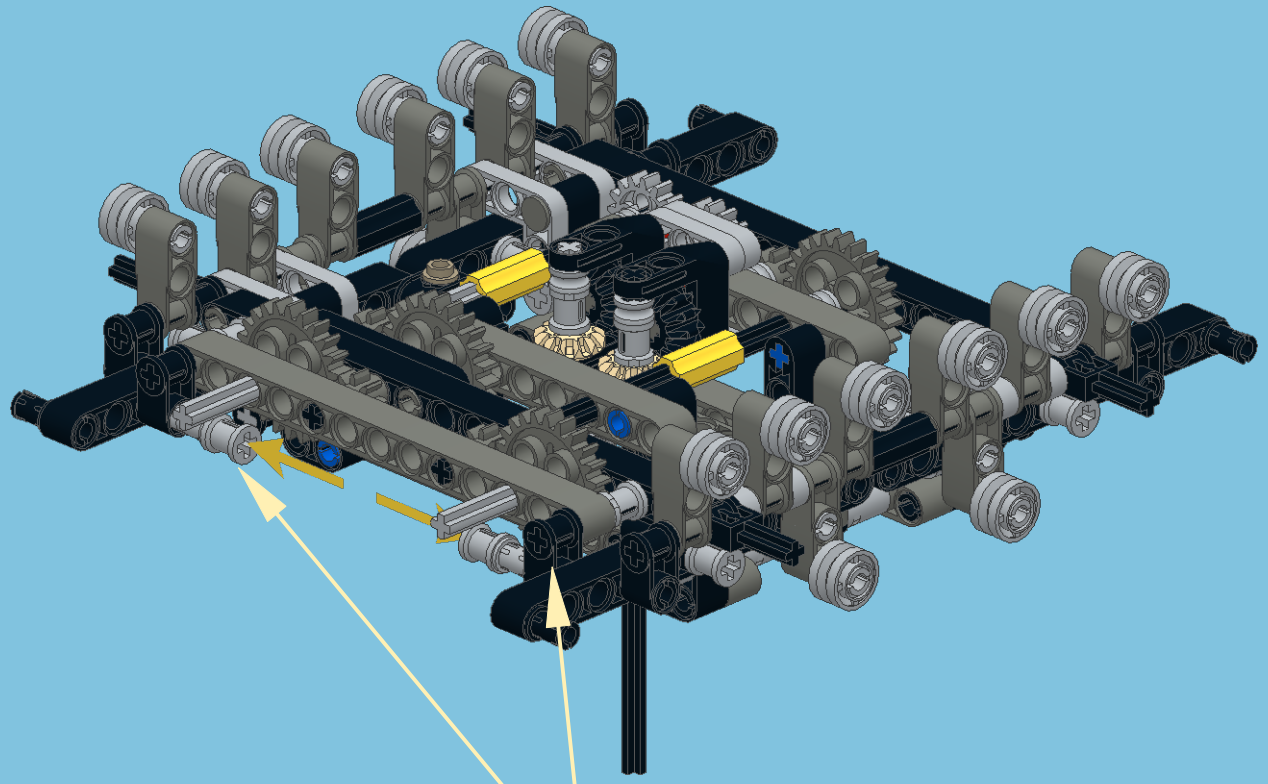
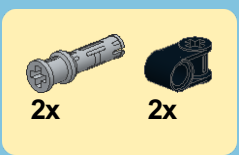












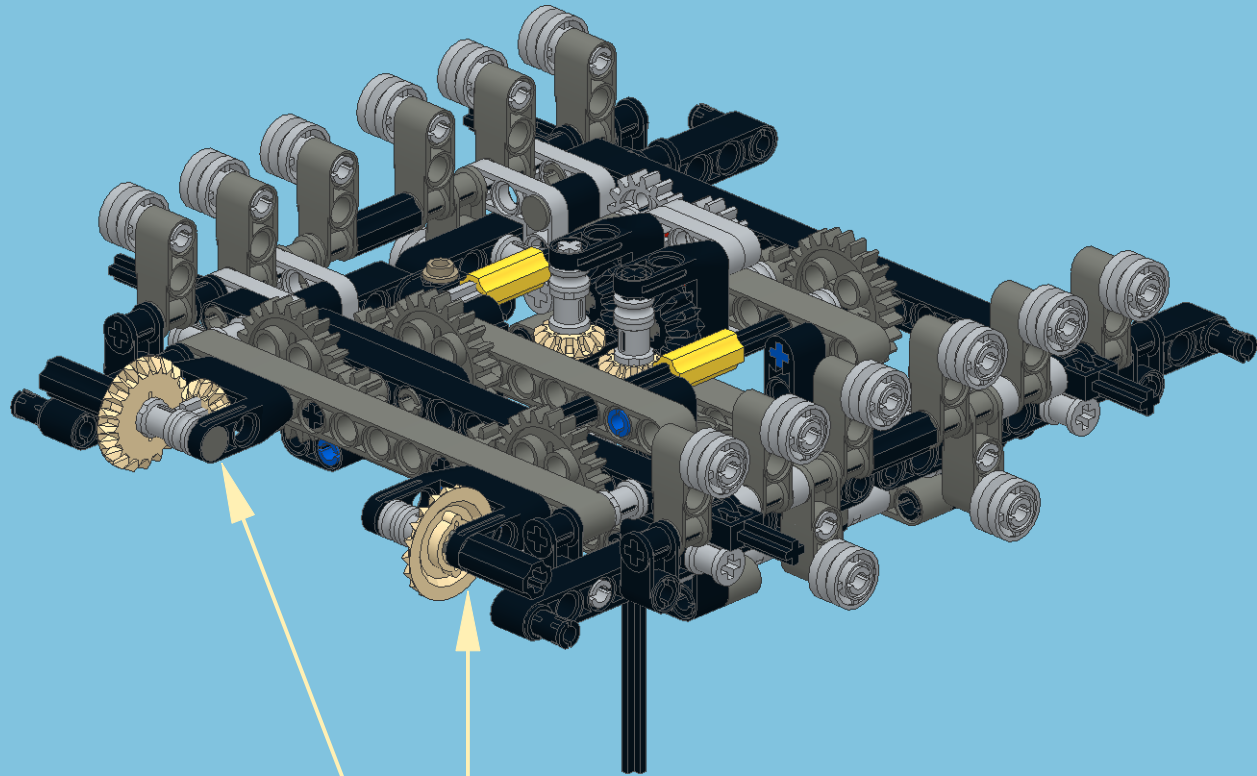


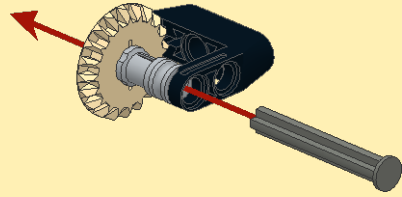


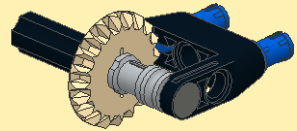


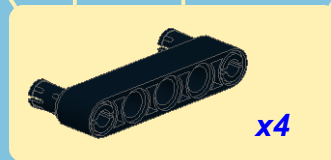
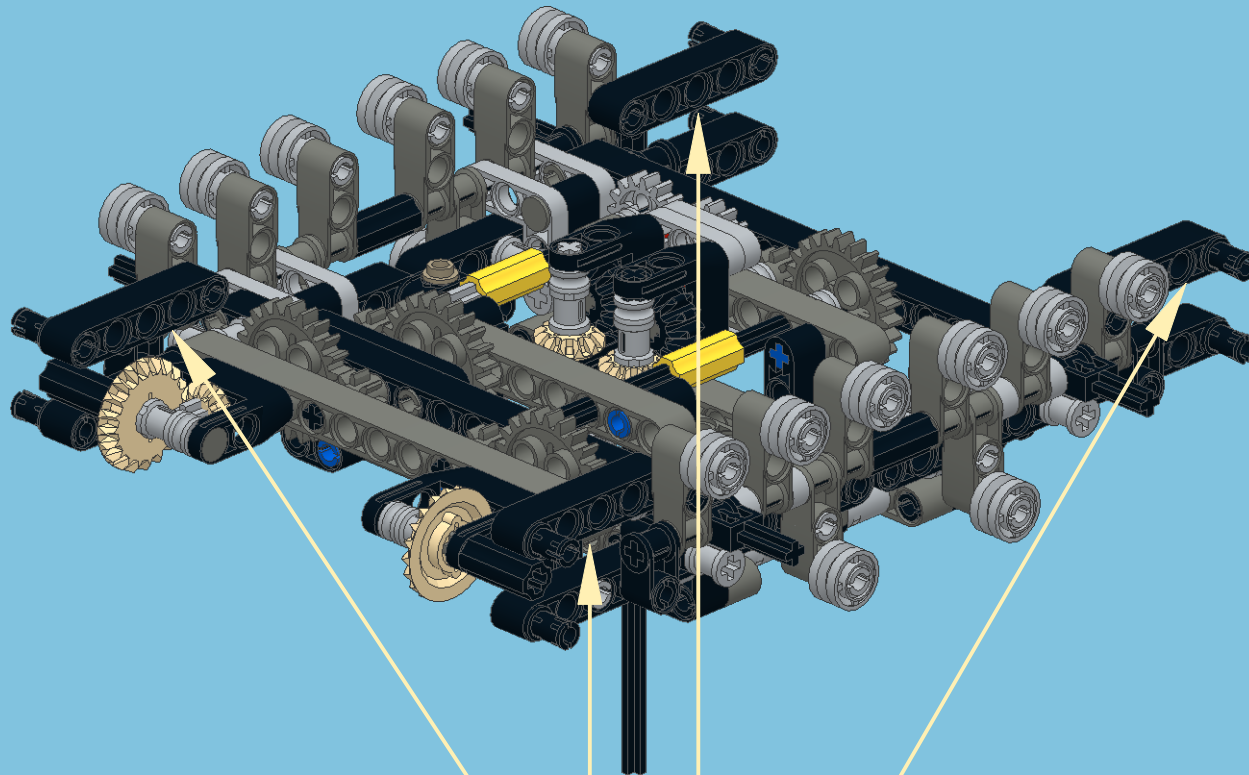
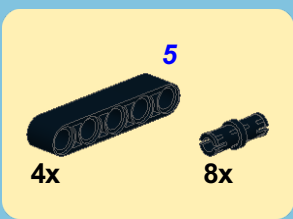


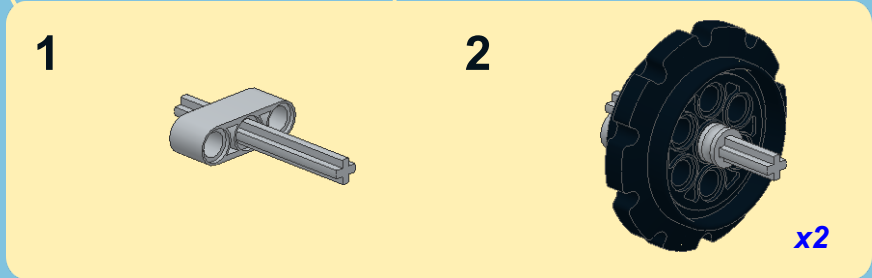
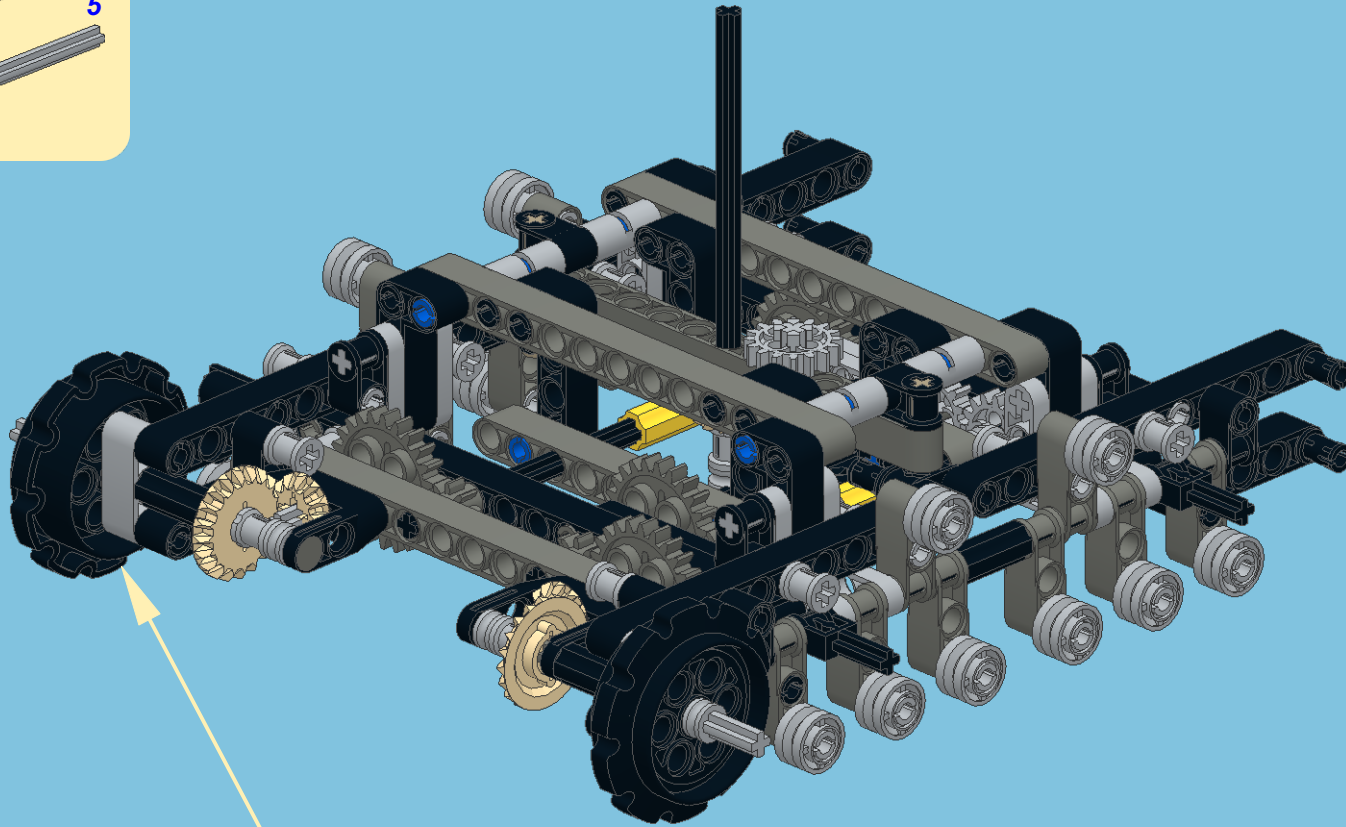
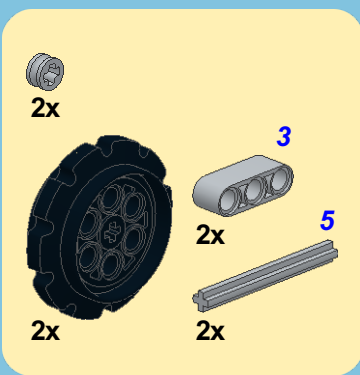
-  2x
-  2x
-  2x
-  2x
-  2x
-  2x
-  2x
-  4x



1 

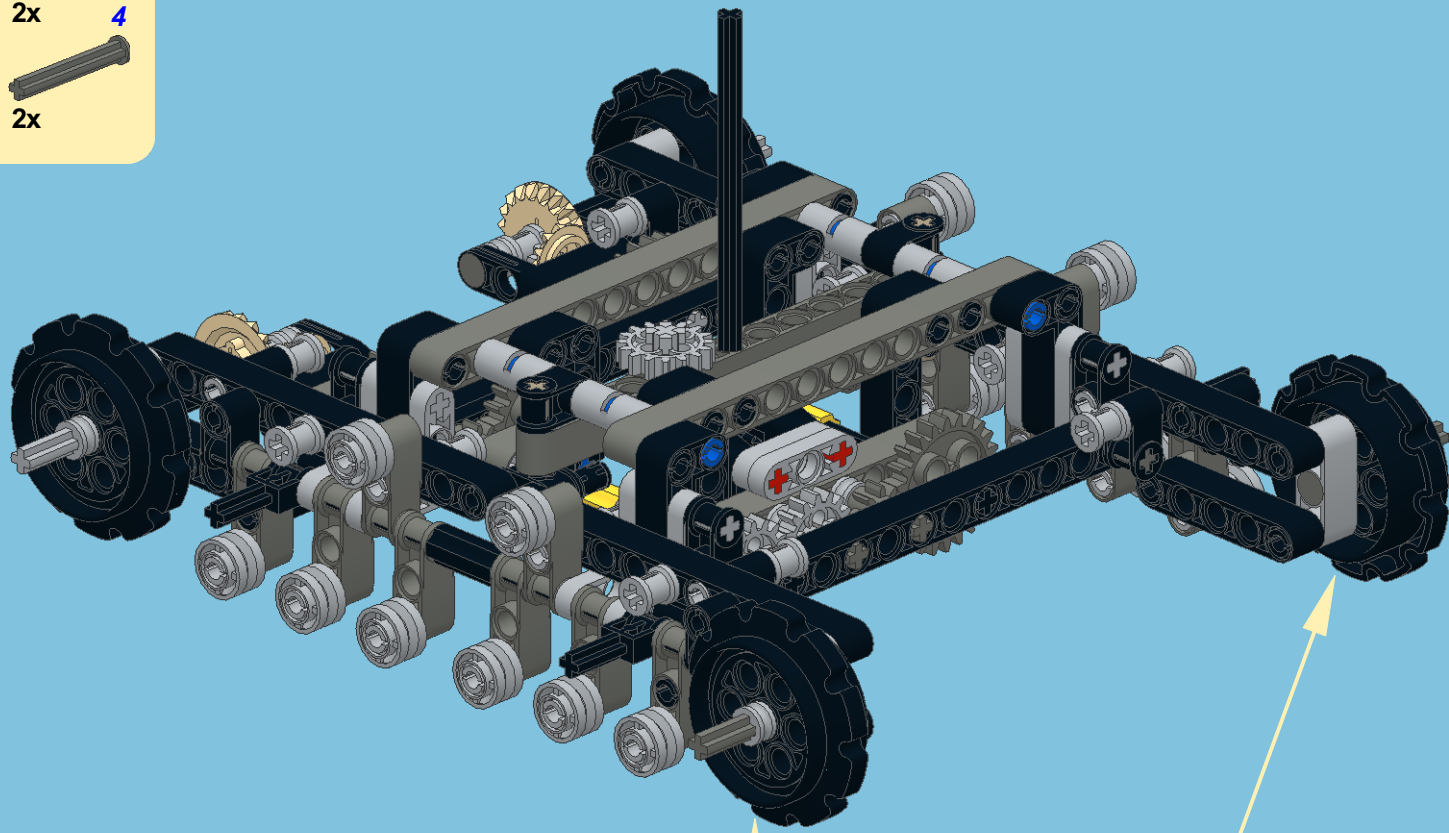
2  x2





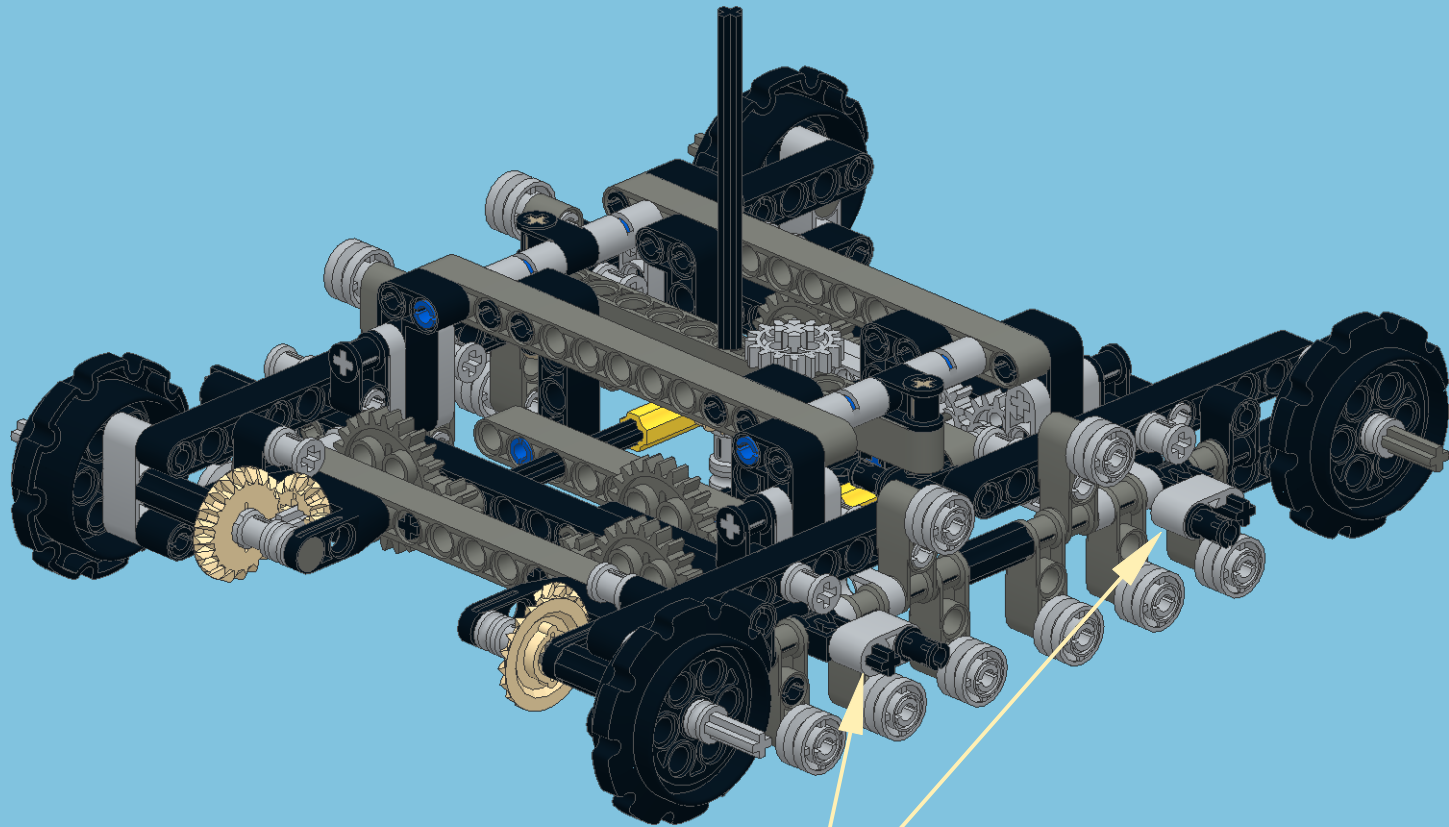
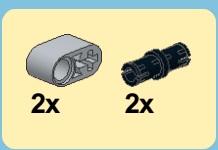
2x
2x
3
2x
4
2x

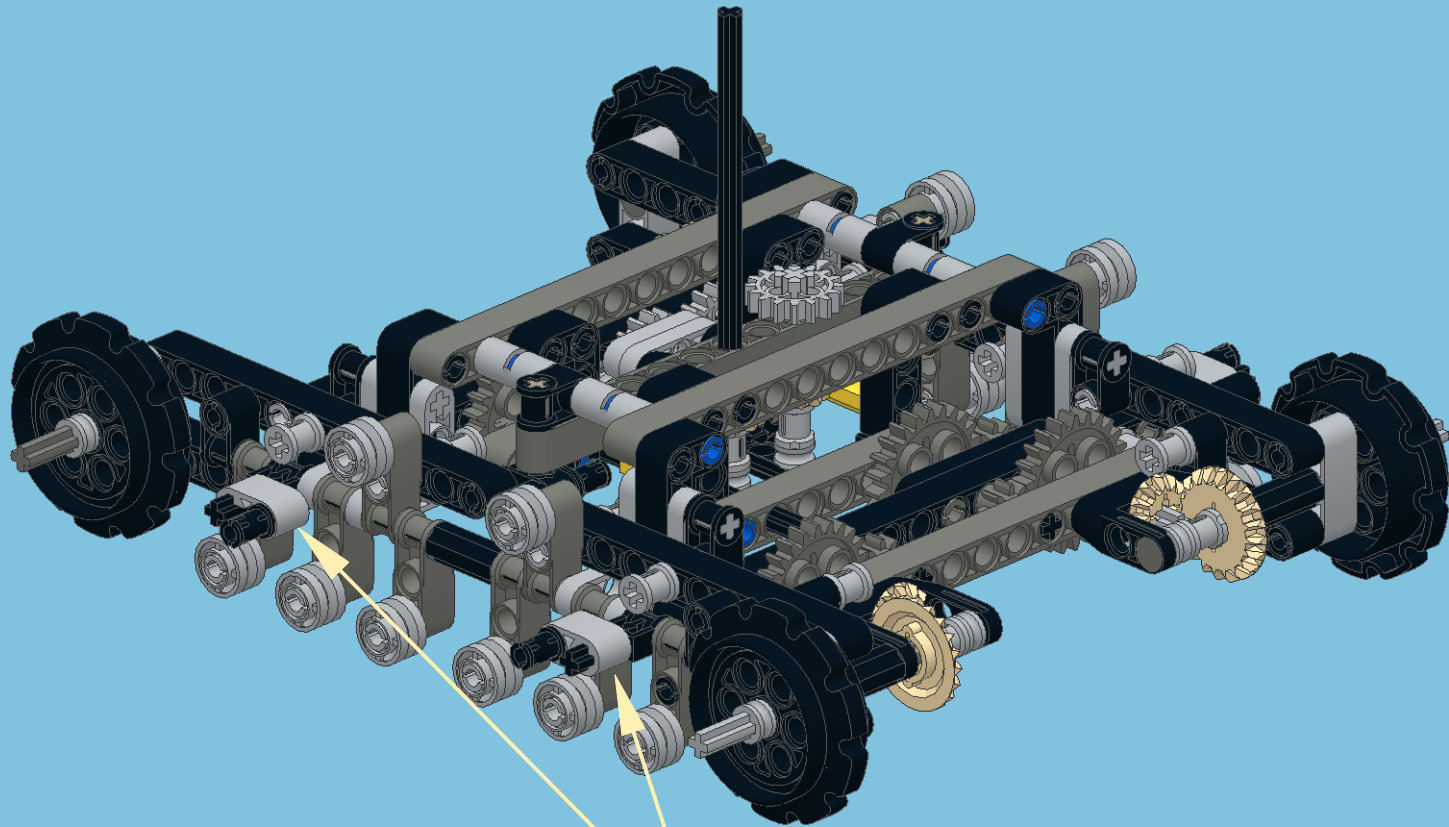
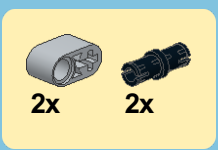
This inset box lists the parts required for step 28: two small grey pins, two black wheels, two grey Technic axles, three grey Technic axles, two grey Technic axles, and two grey Technic axles.



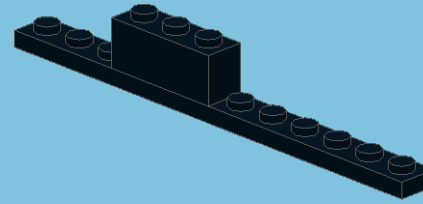
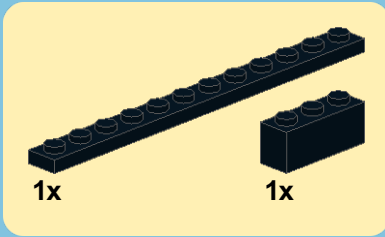
1 2 x2

This inset shows two parts: a grey Technic axle with a hole (labeled 1) and a black wheel with a hole (labeled 2, with a quantity of x2).

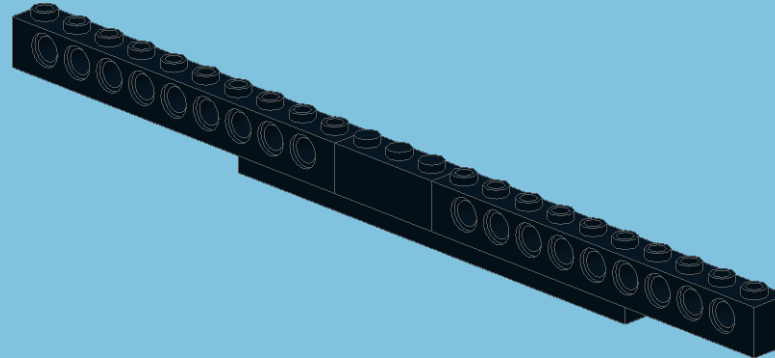
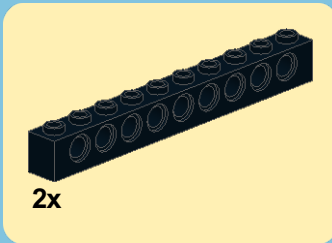




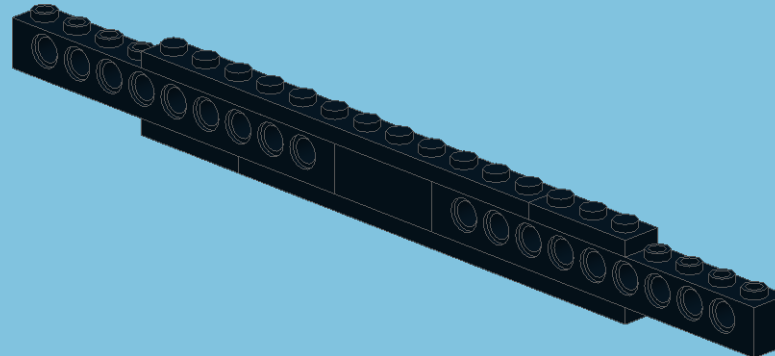
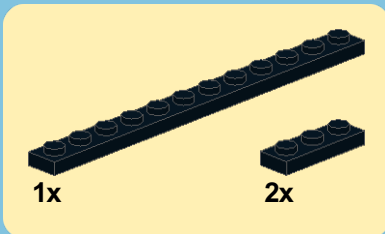
1

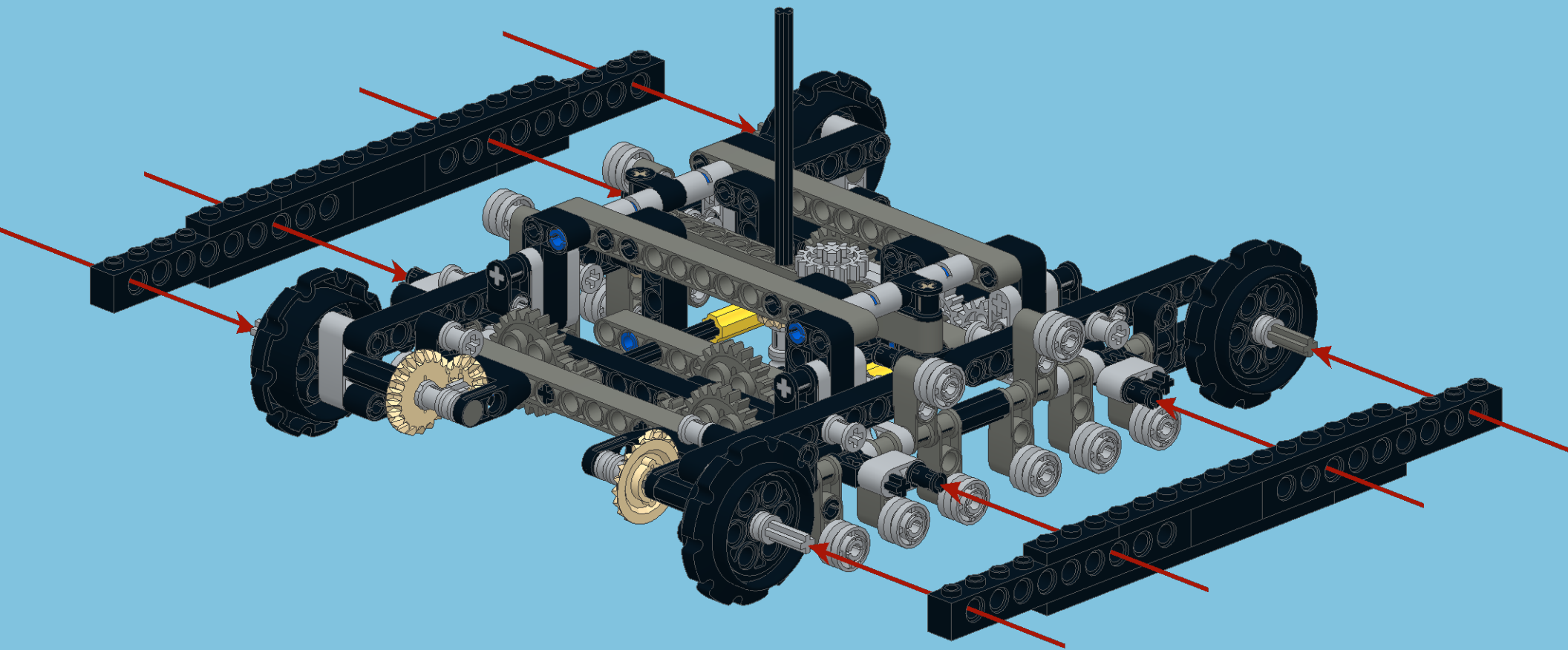


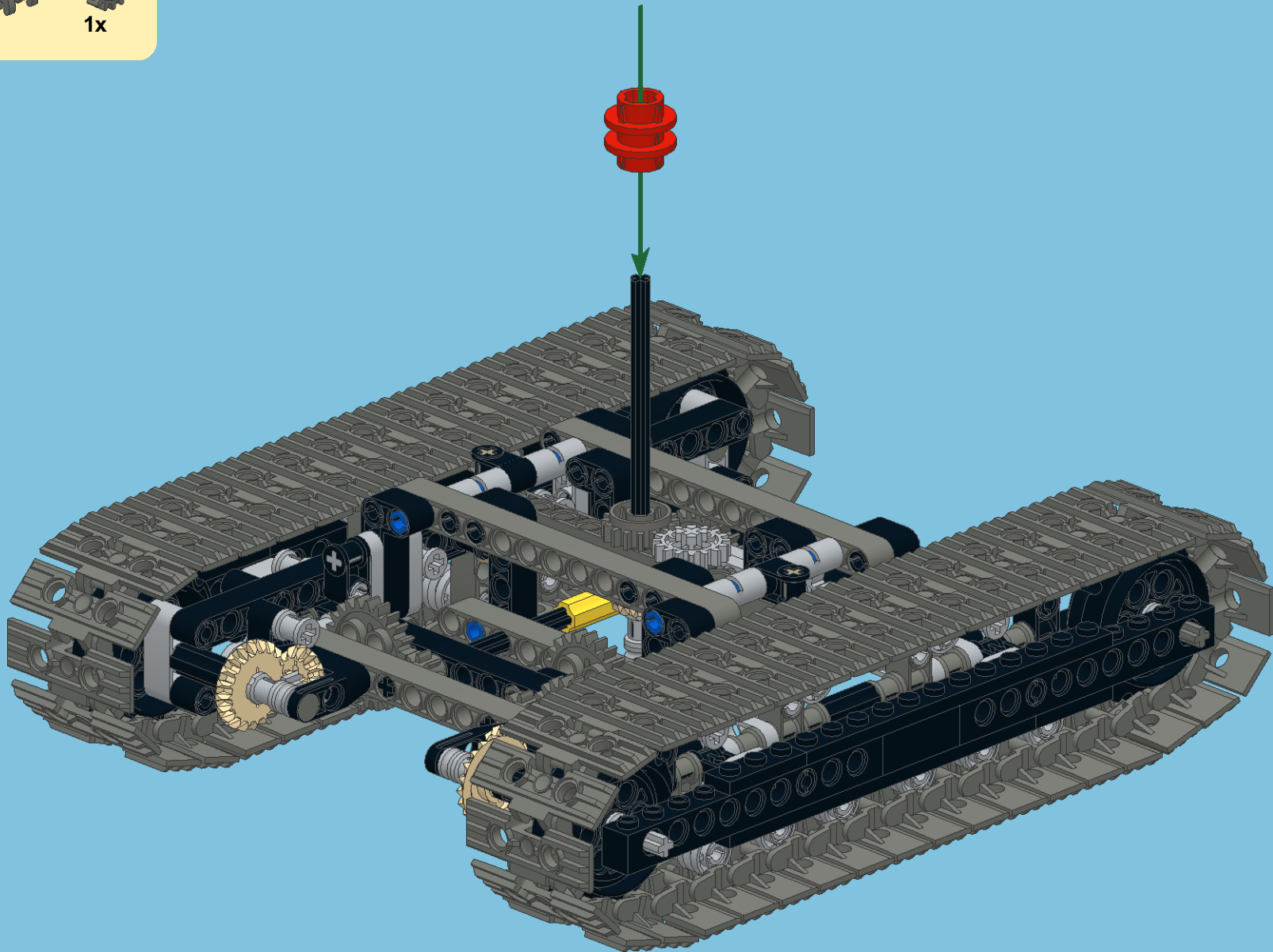
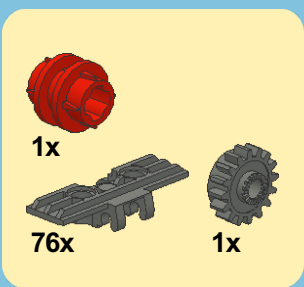
2


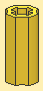


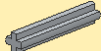
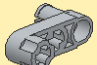
3

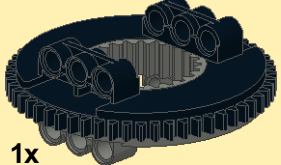





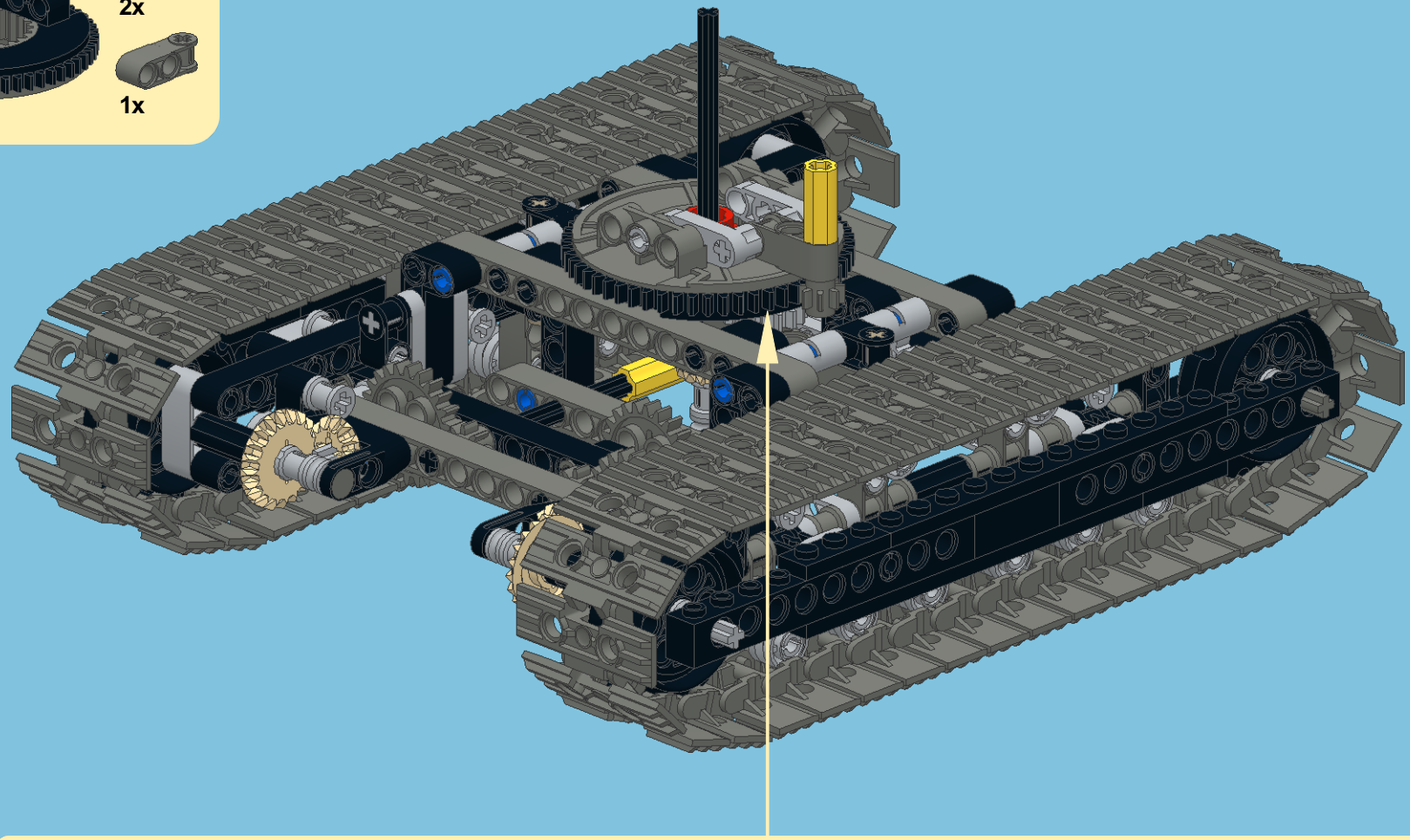


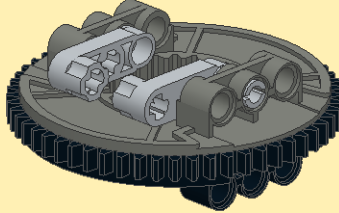
1x  1x 

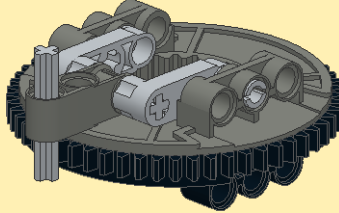
2x  2x 

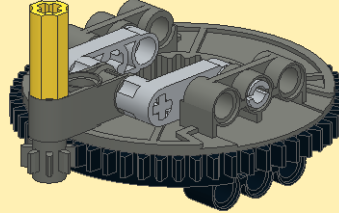
1x  1x 

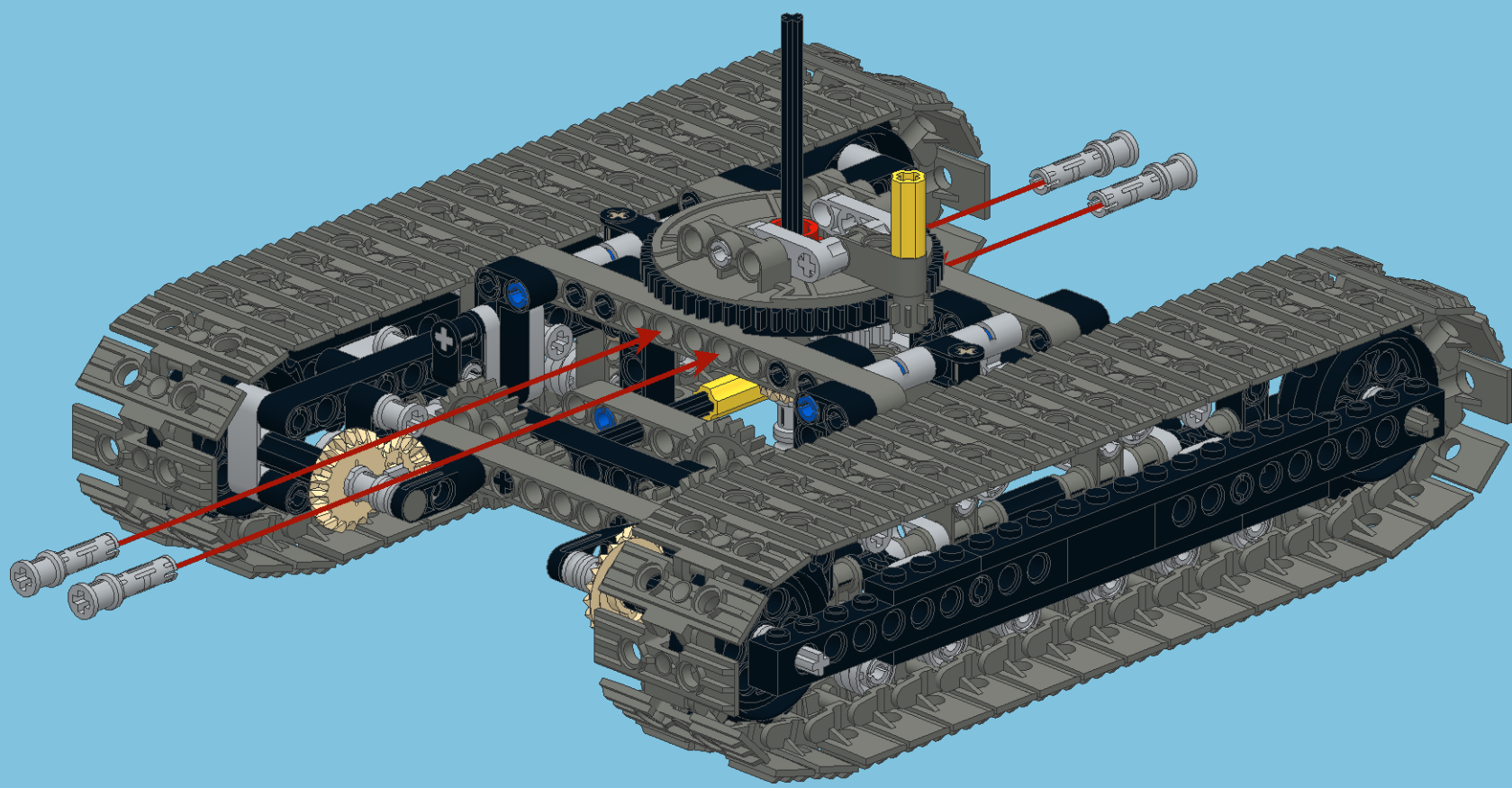
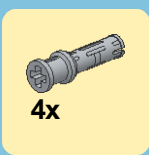
3

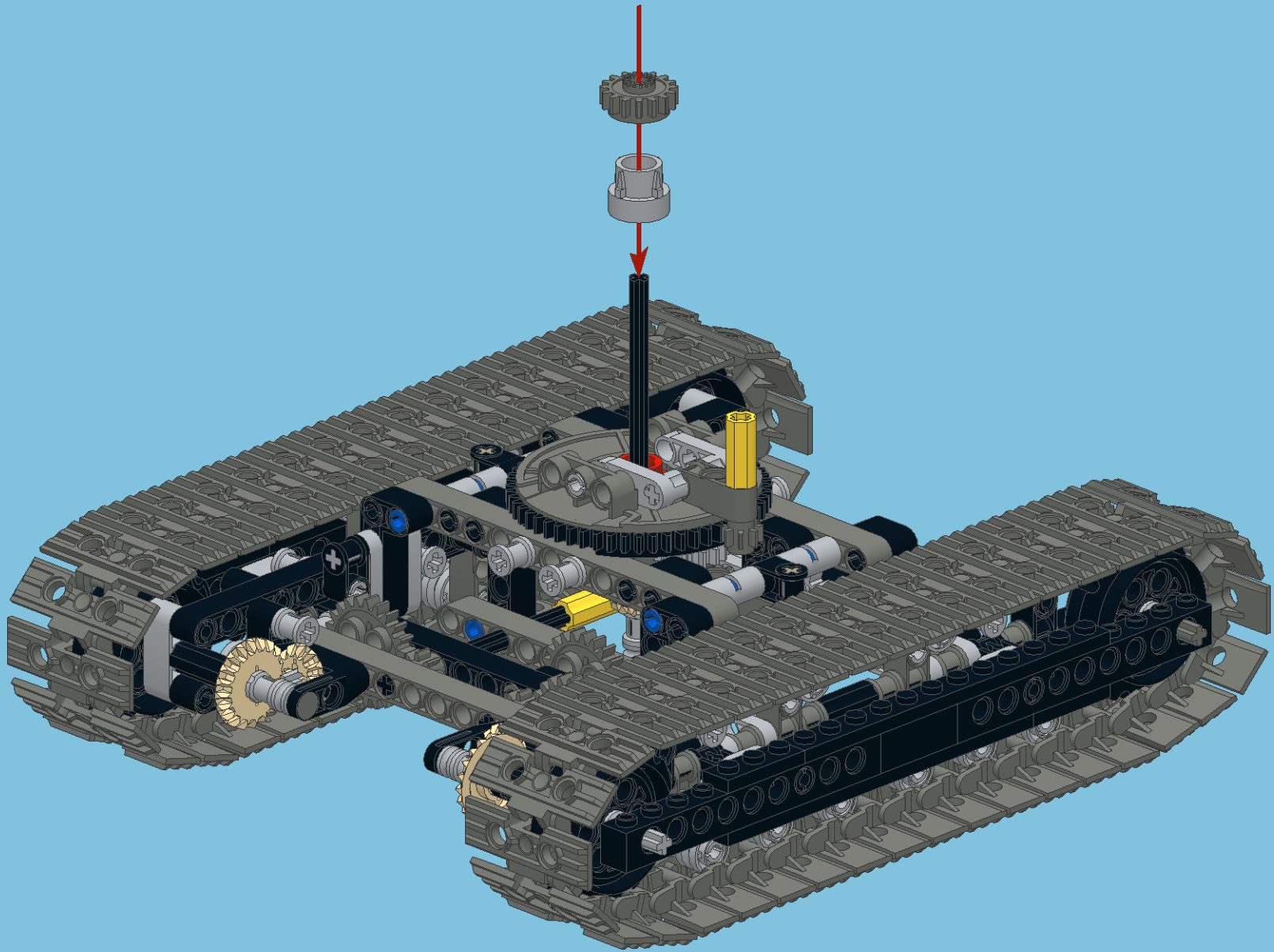
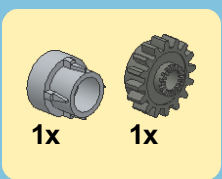


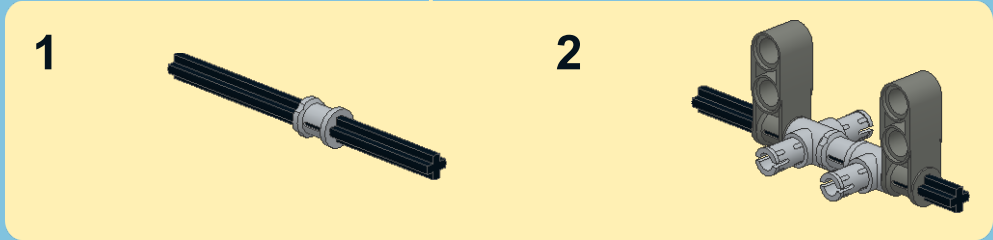
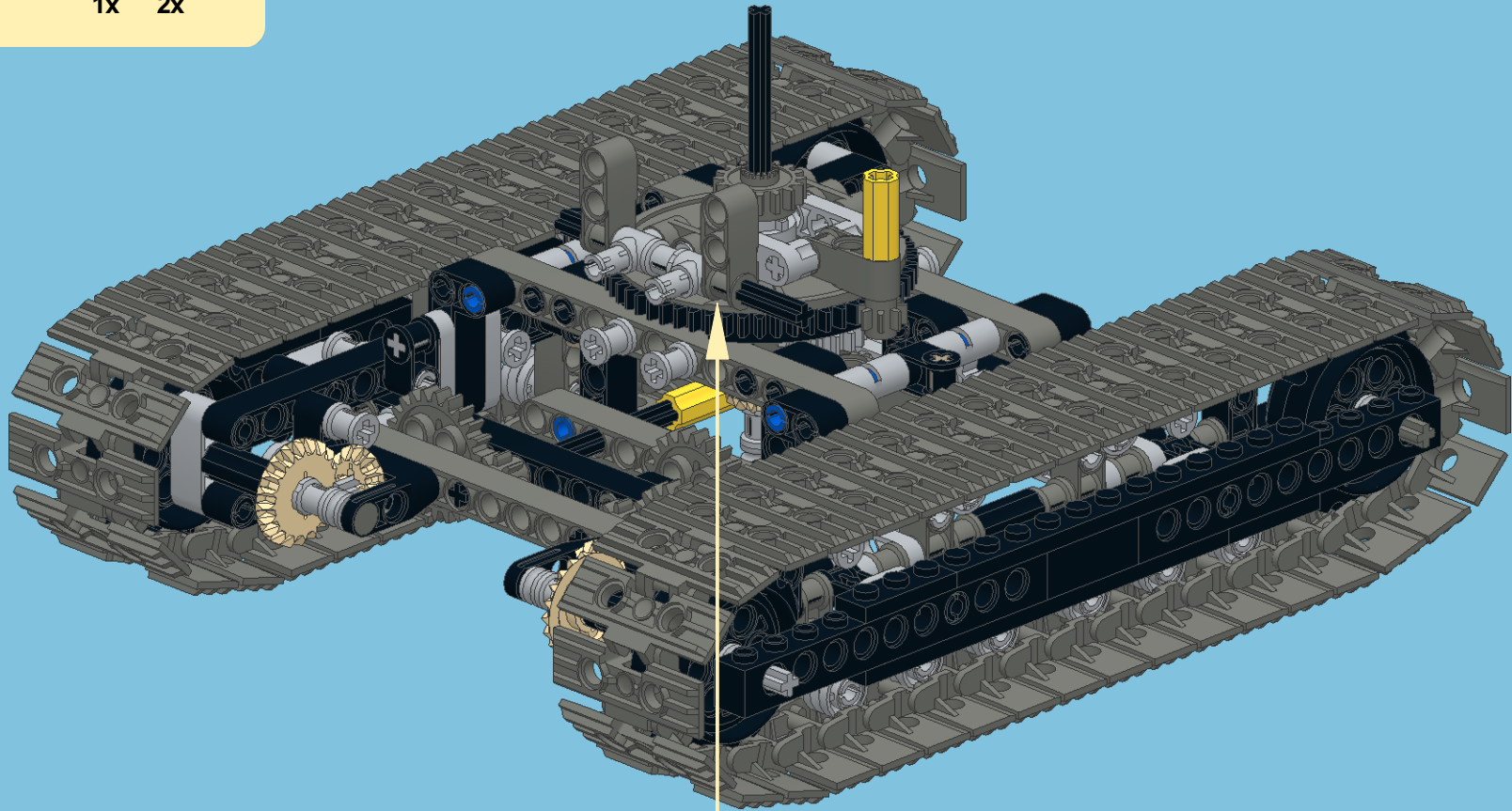
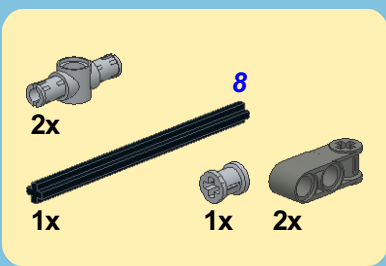
1 


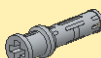
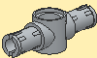
2 

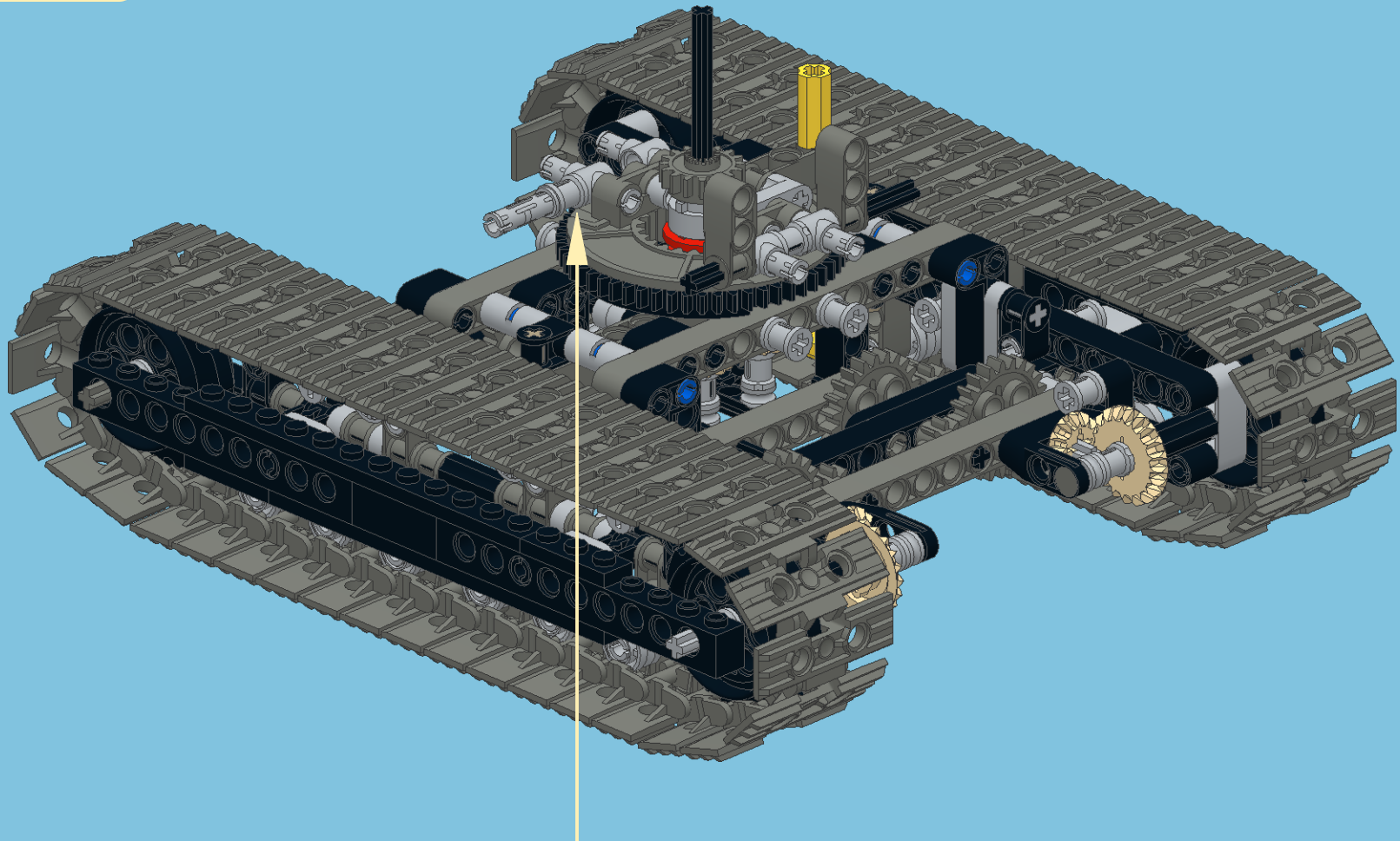
3 

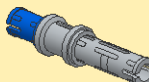
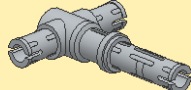


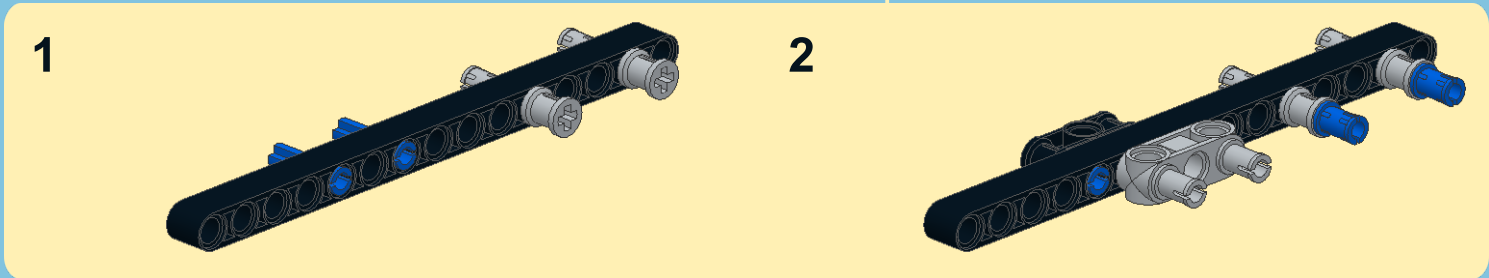
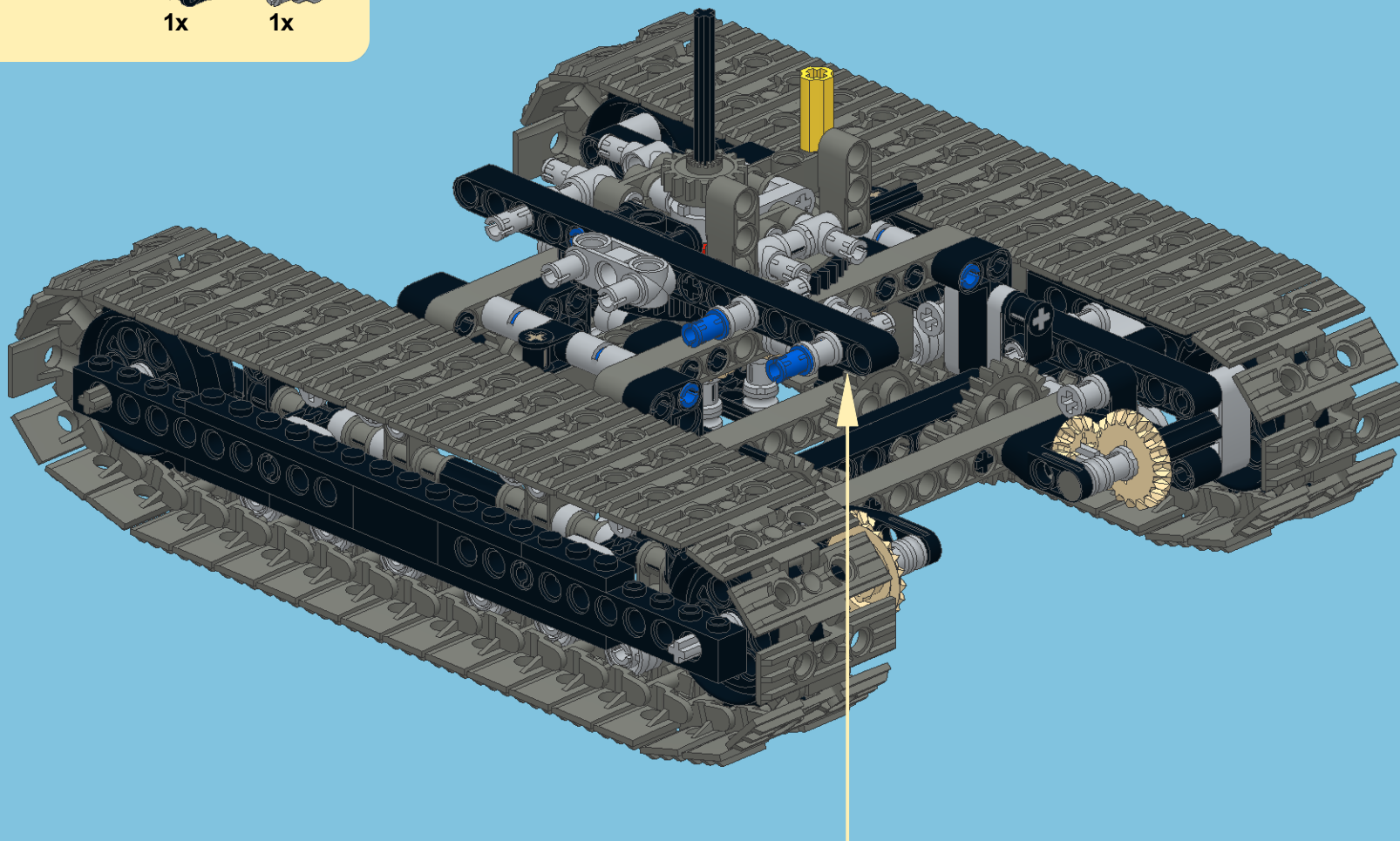
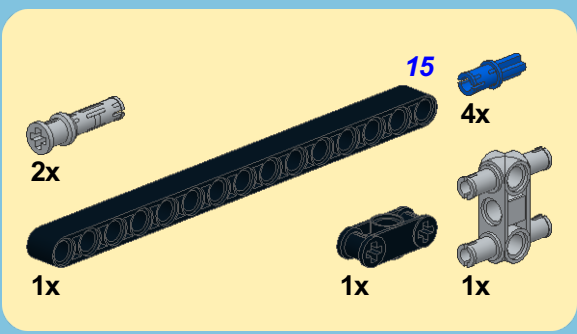


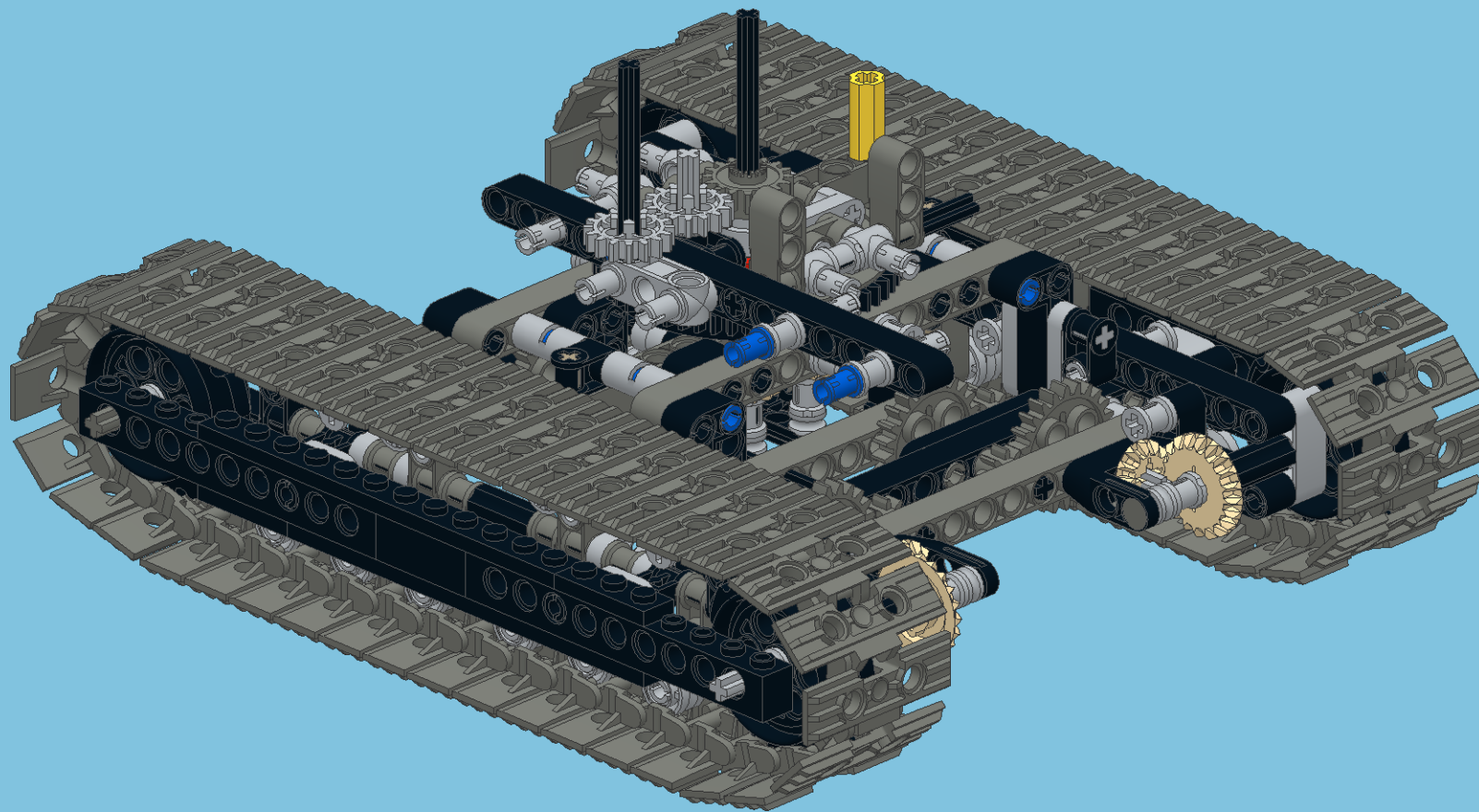
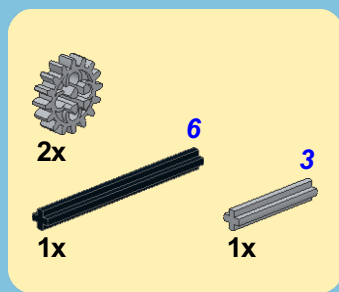


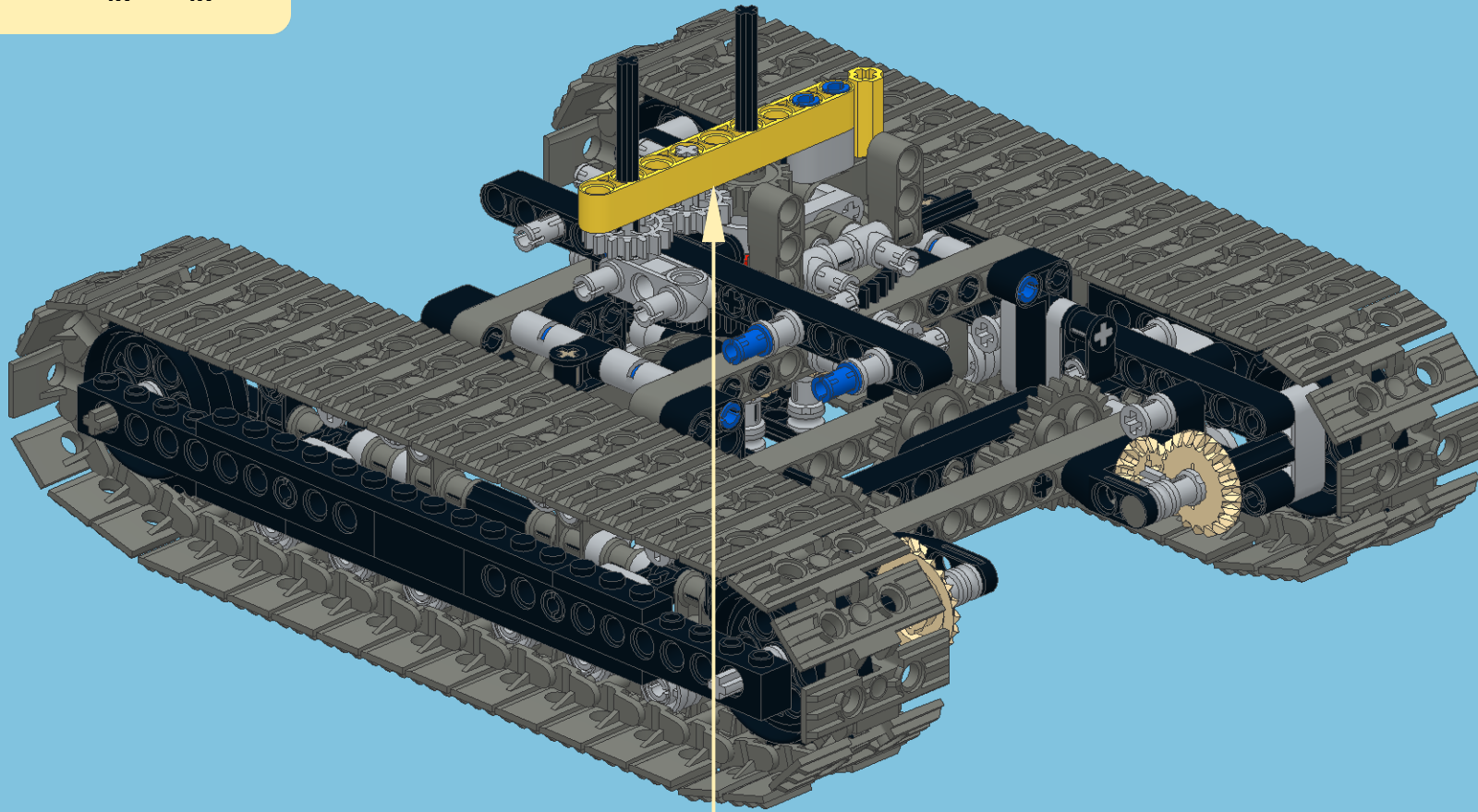
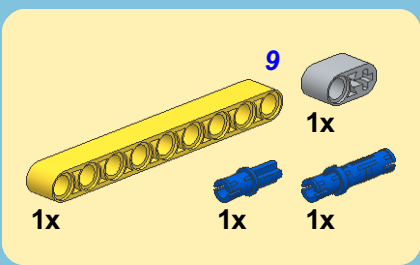
1x 
1x 
2x 



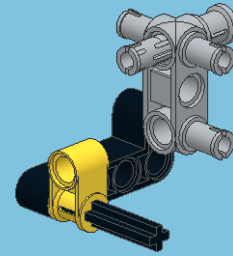
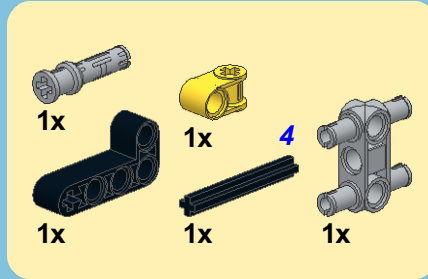
1  2 



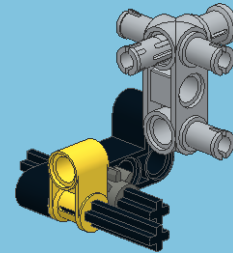
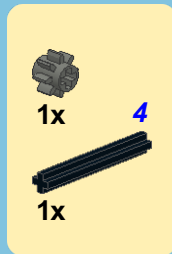




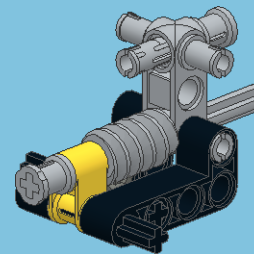
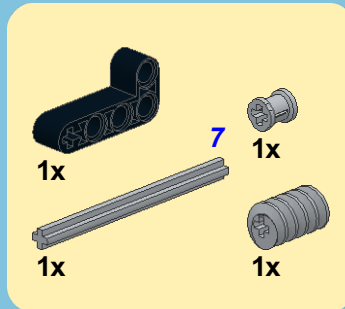
1



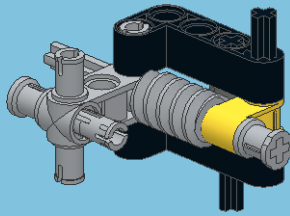
2



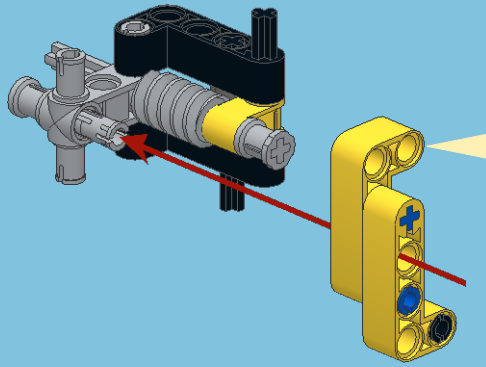
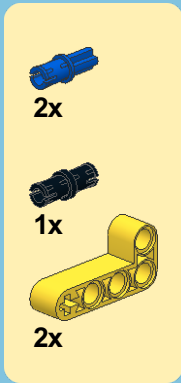
3



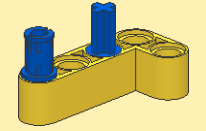
1



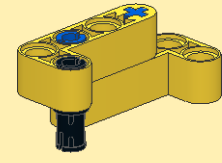
2

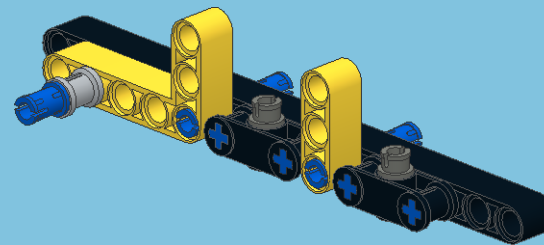
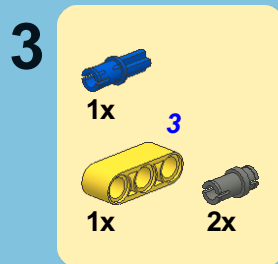
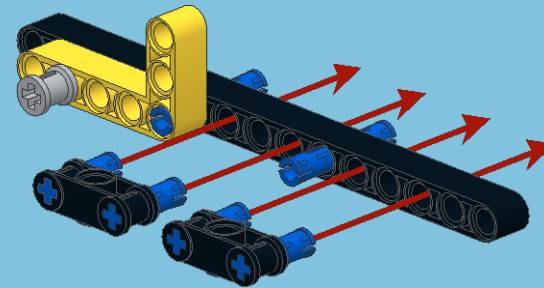
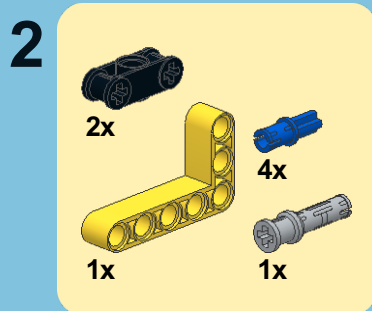
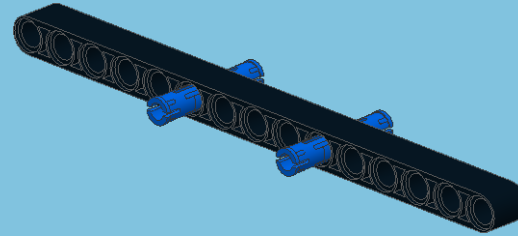
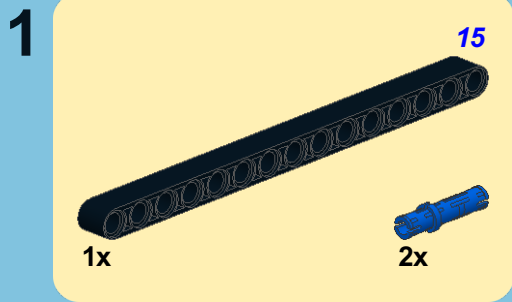


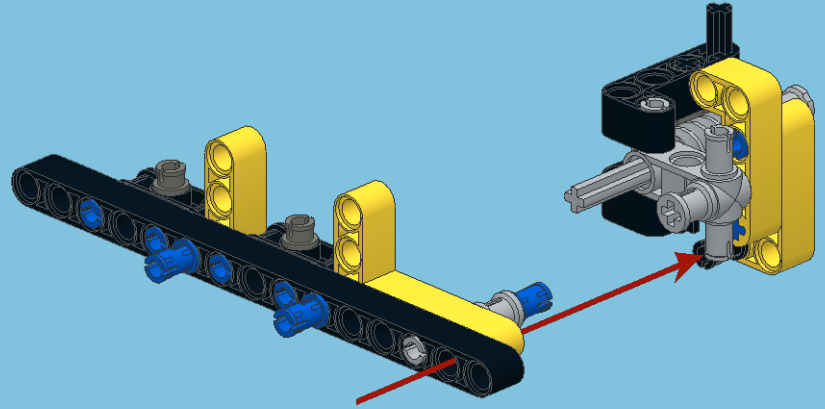
1



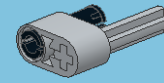
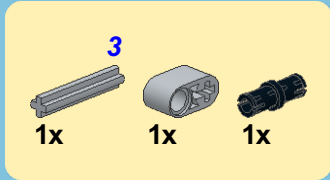
2



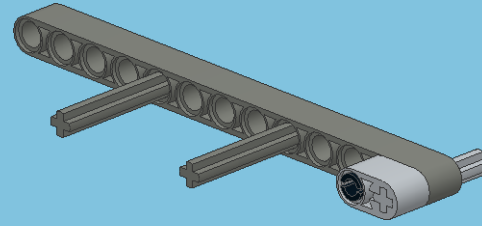
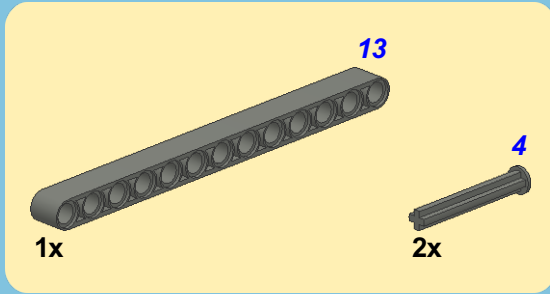




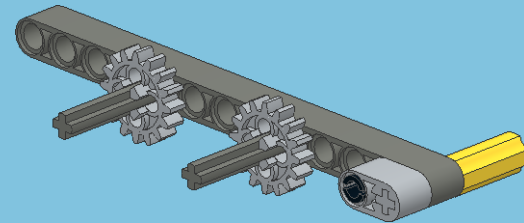
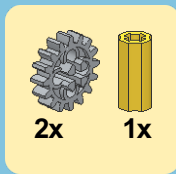
1



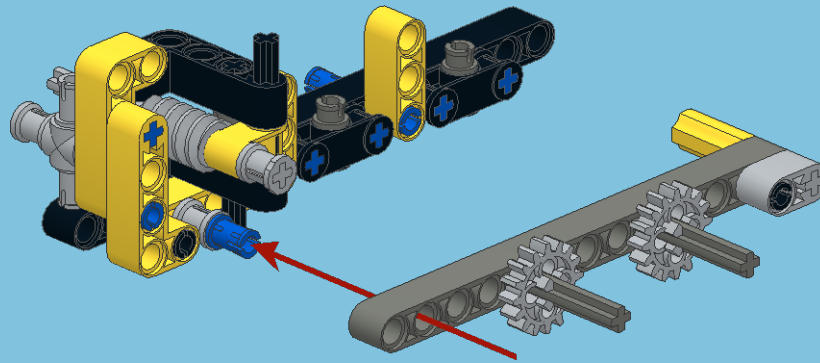
2



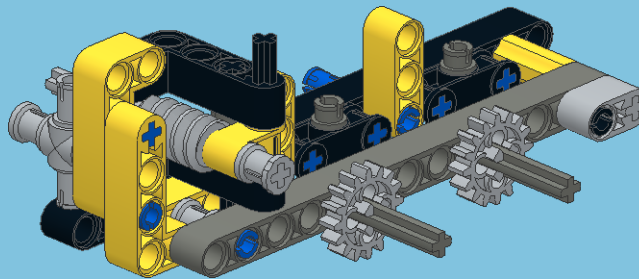
3

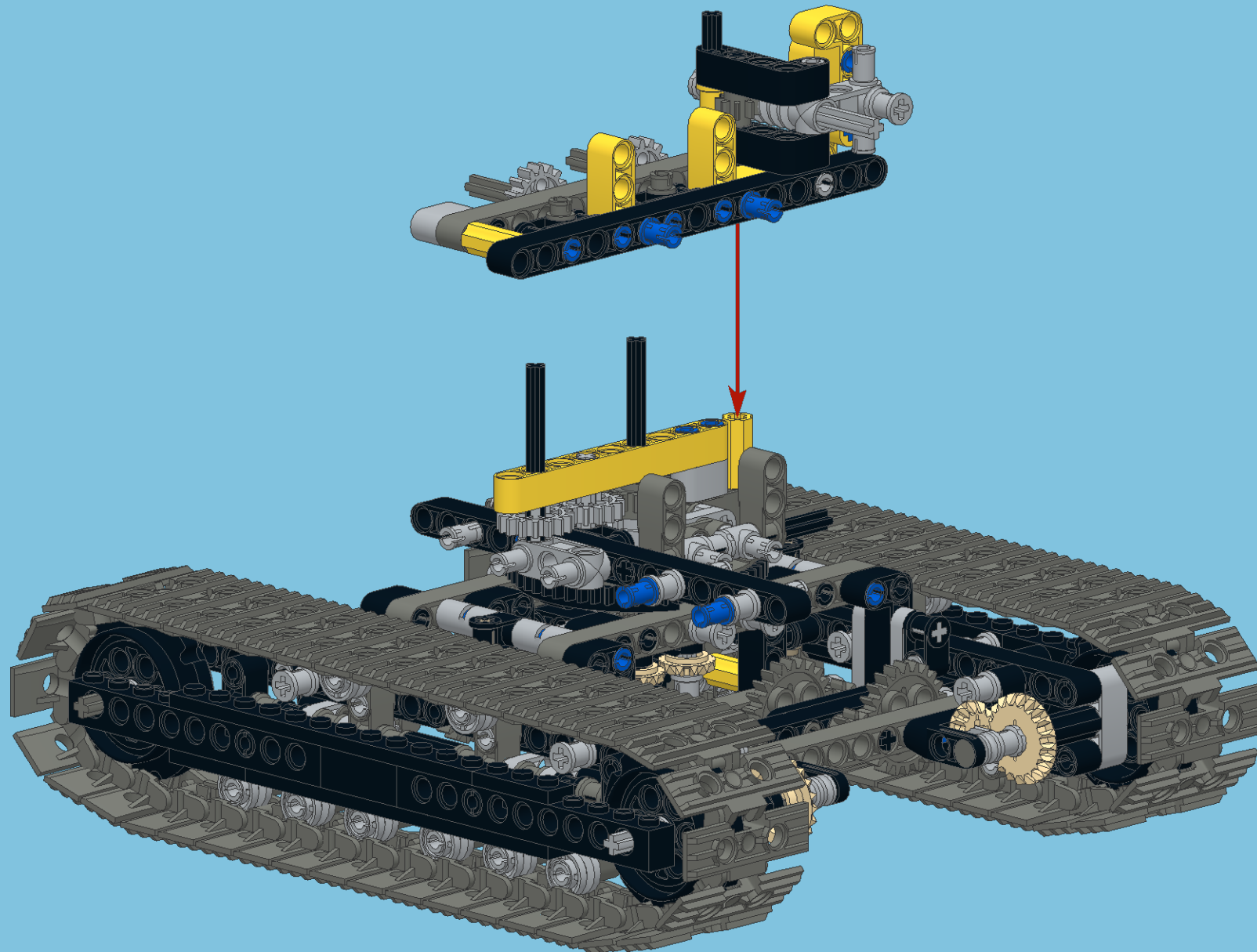


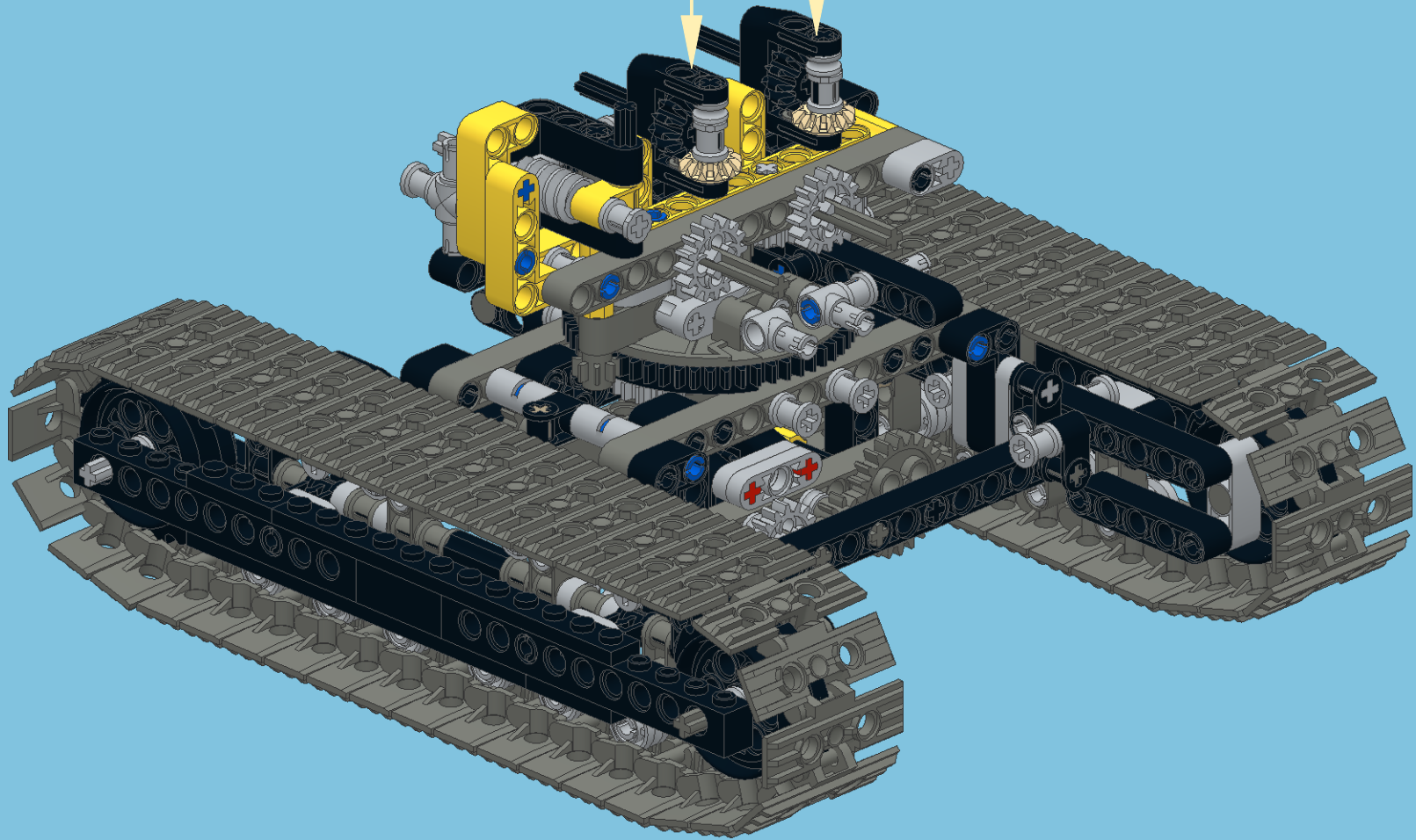
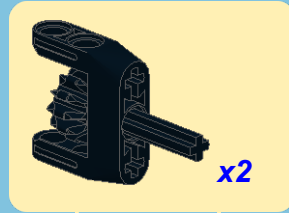
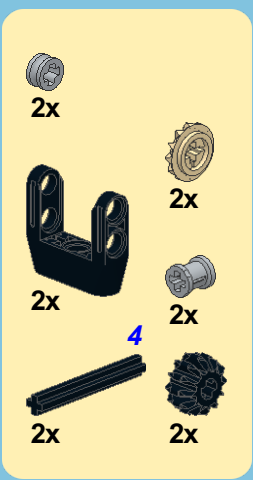
4



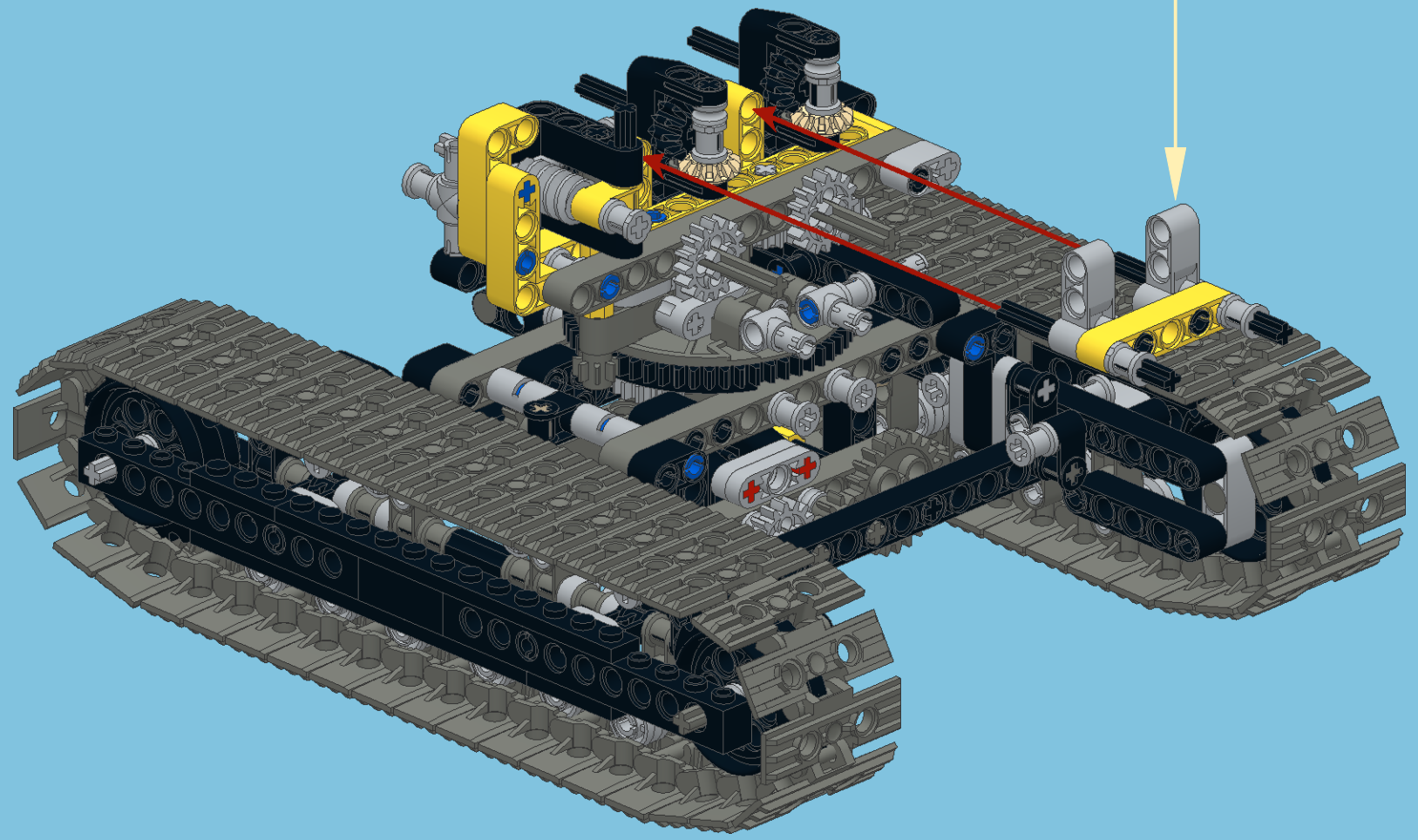
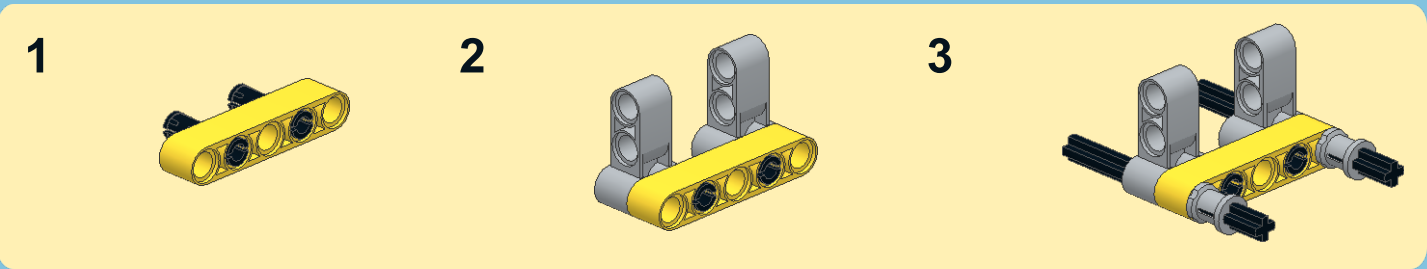
5

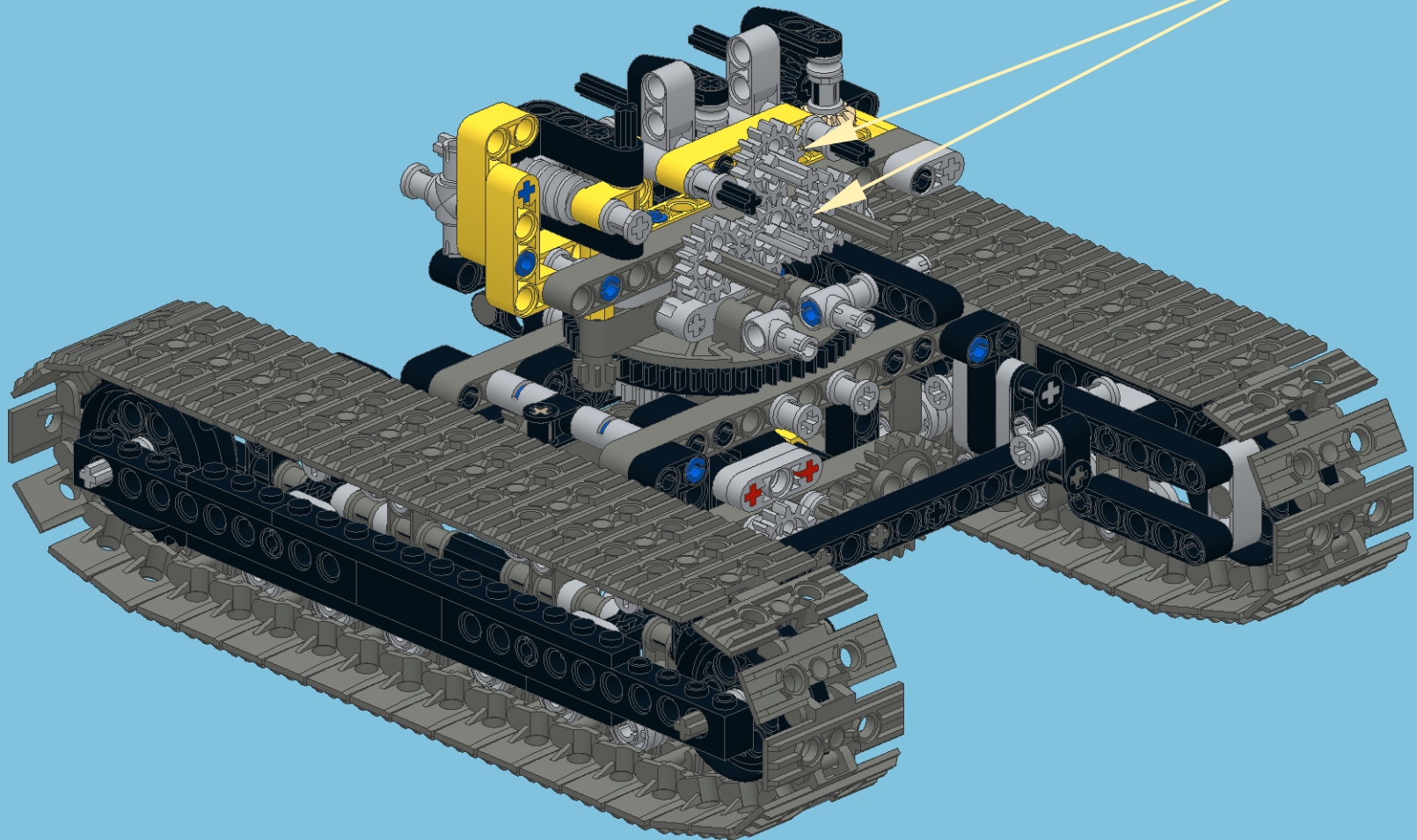
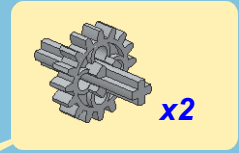
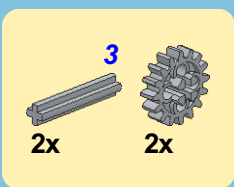




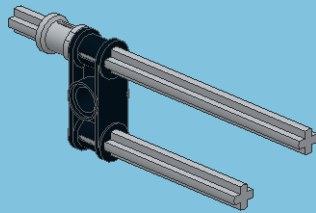
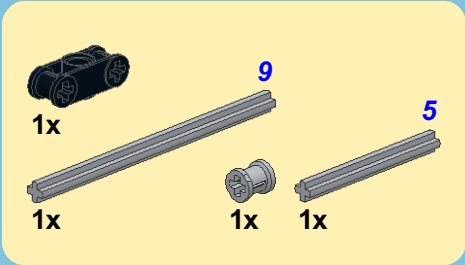


- 2x
- 5
- 2x
- 1x
- 6
- 2x

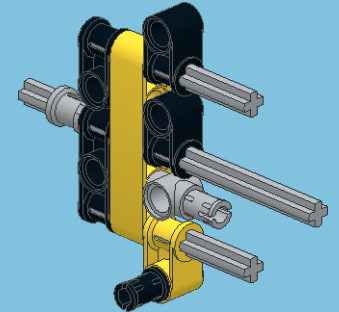




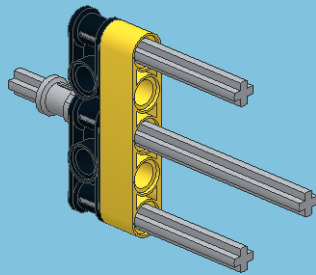
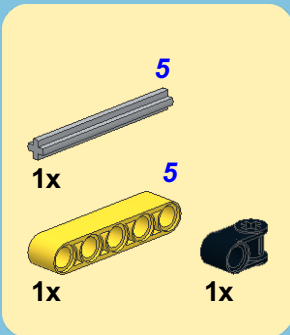
1



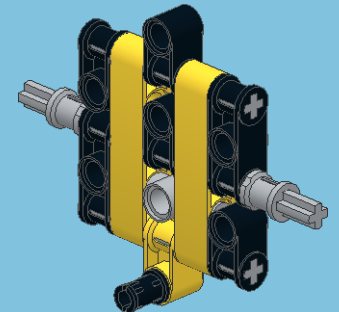
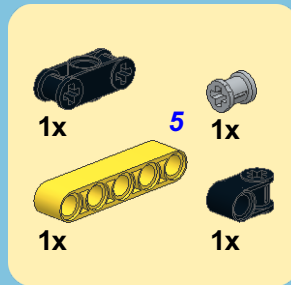
3

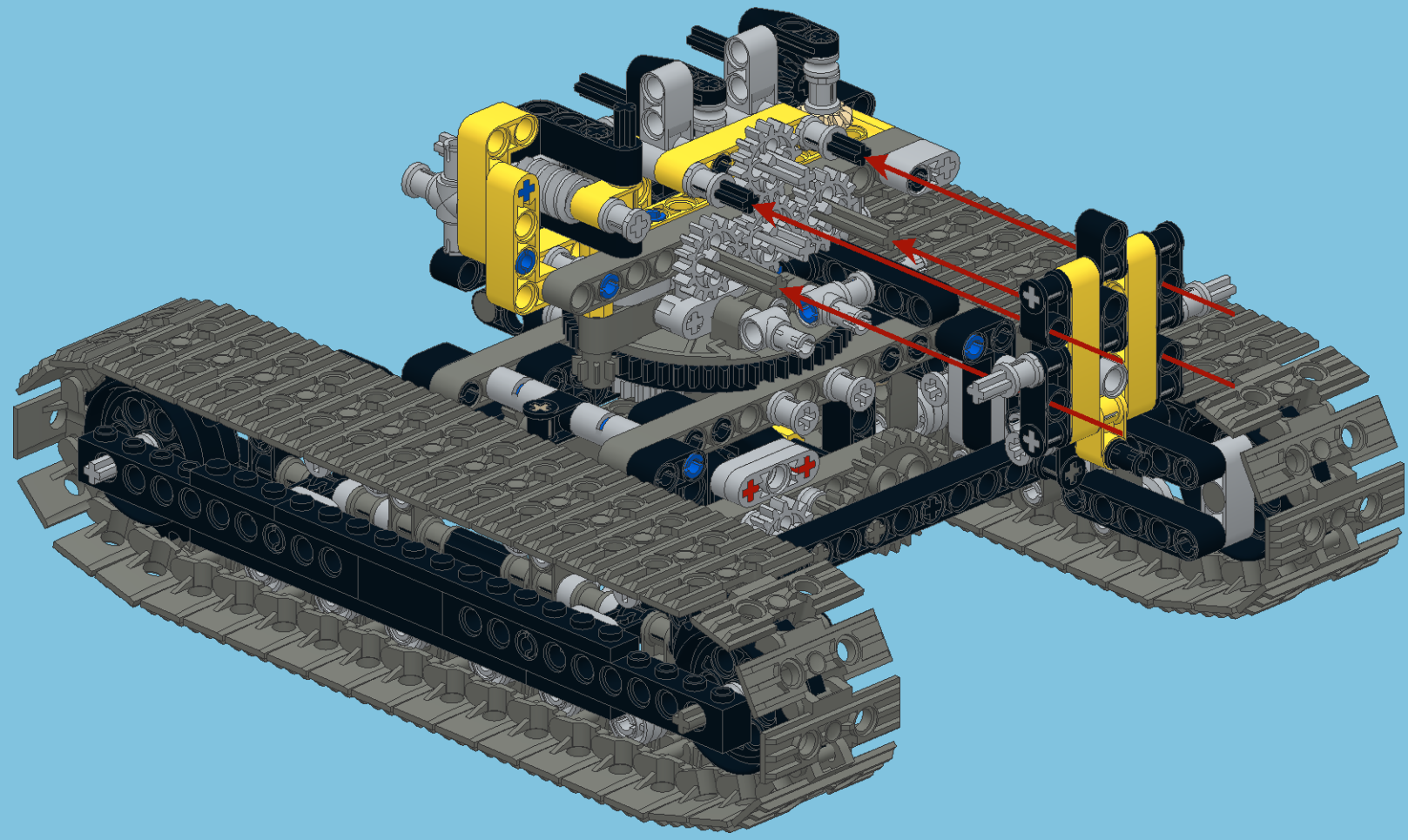


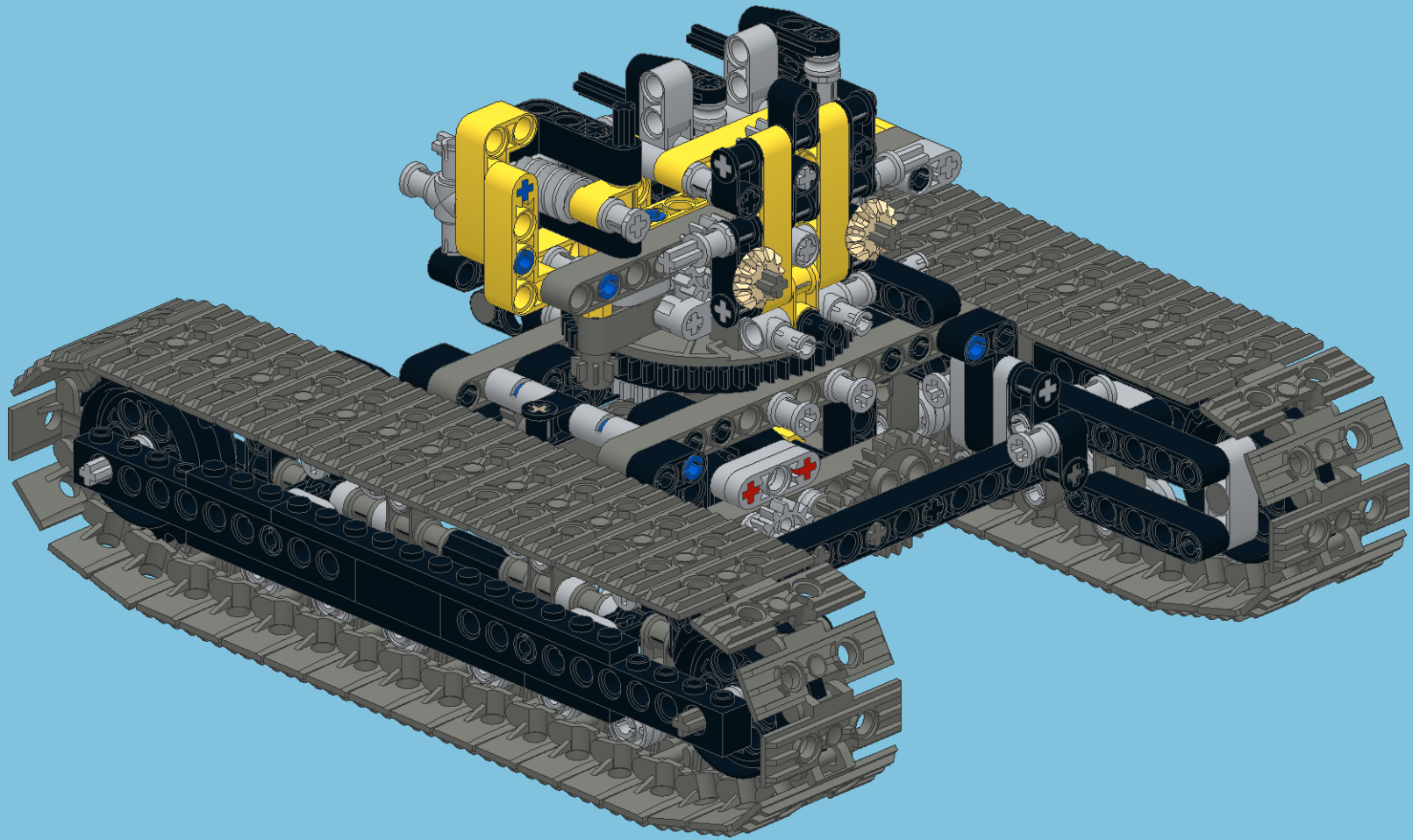
2

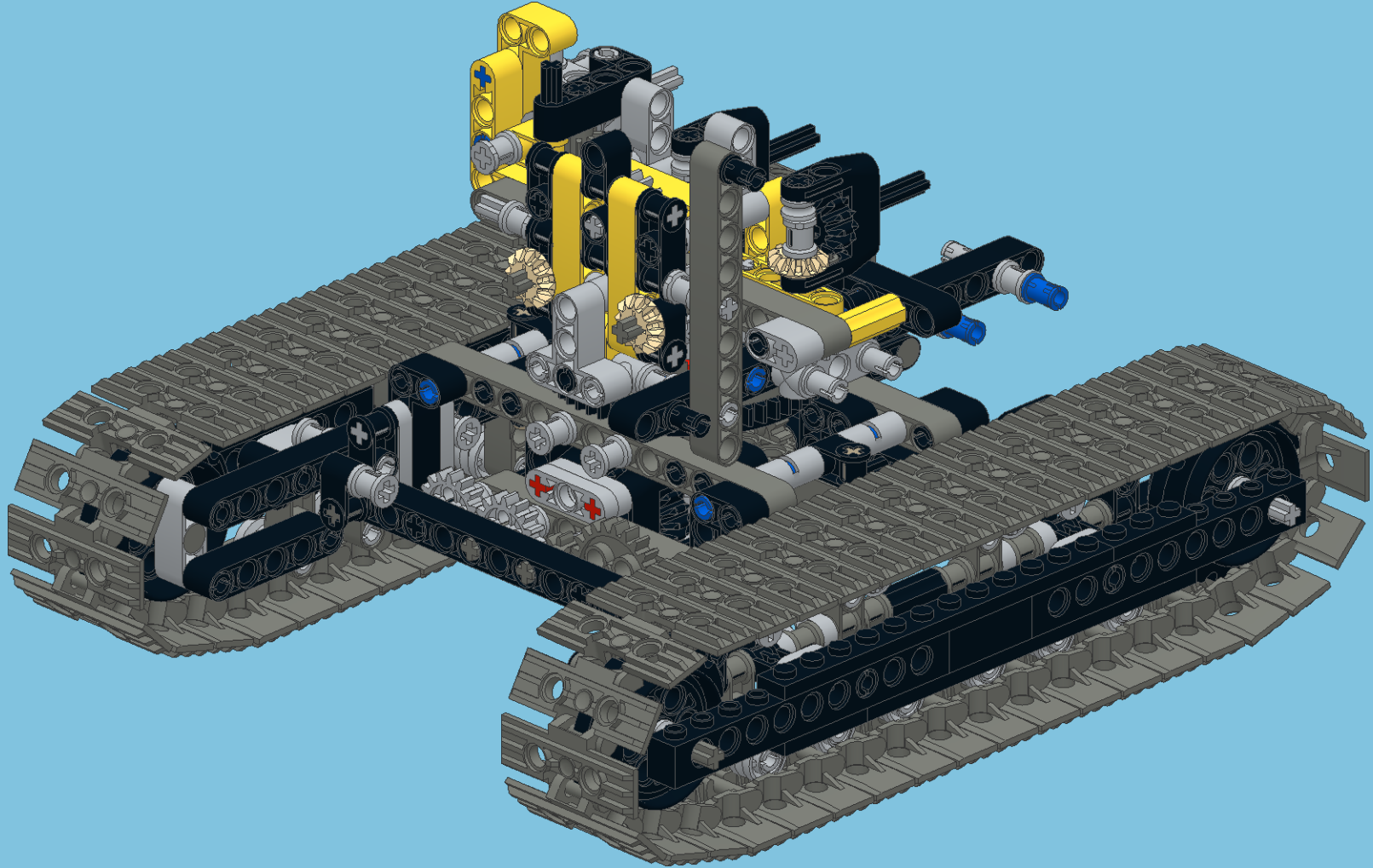
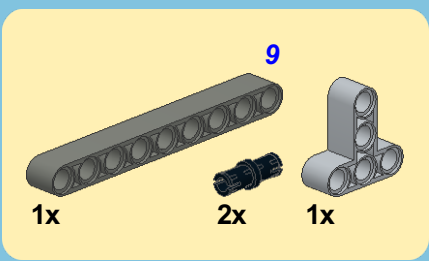


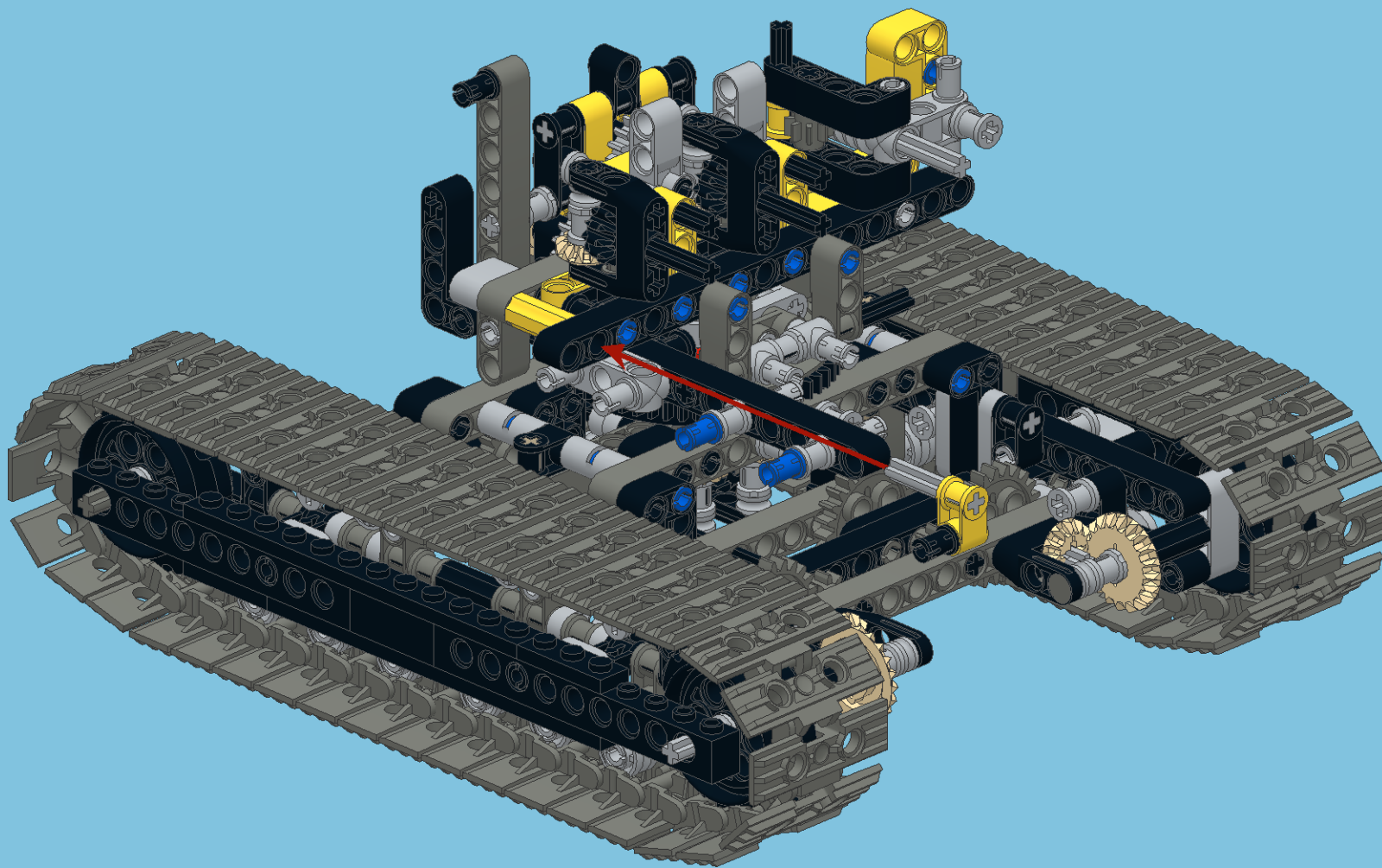
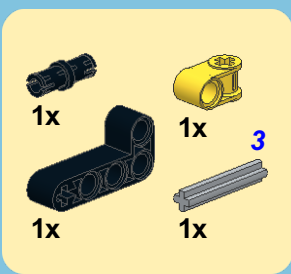
4



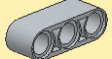
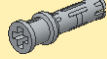

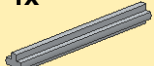




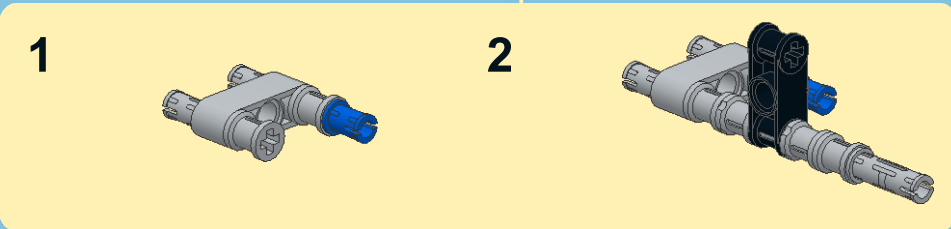
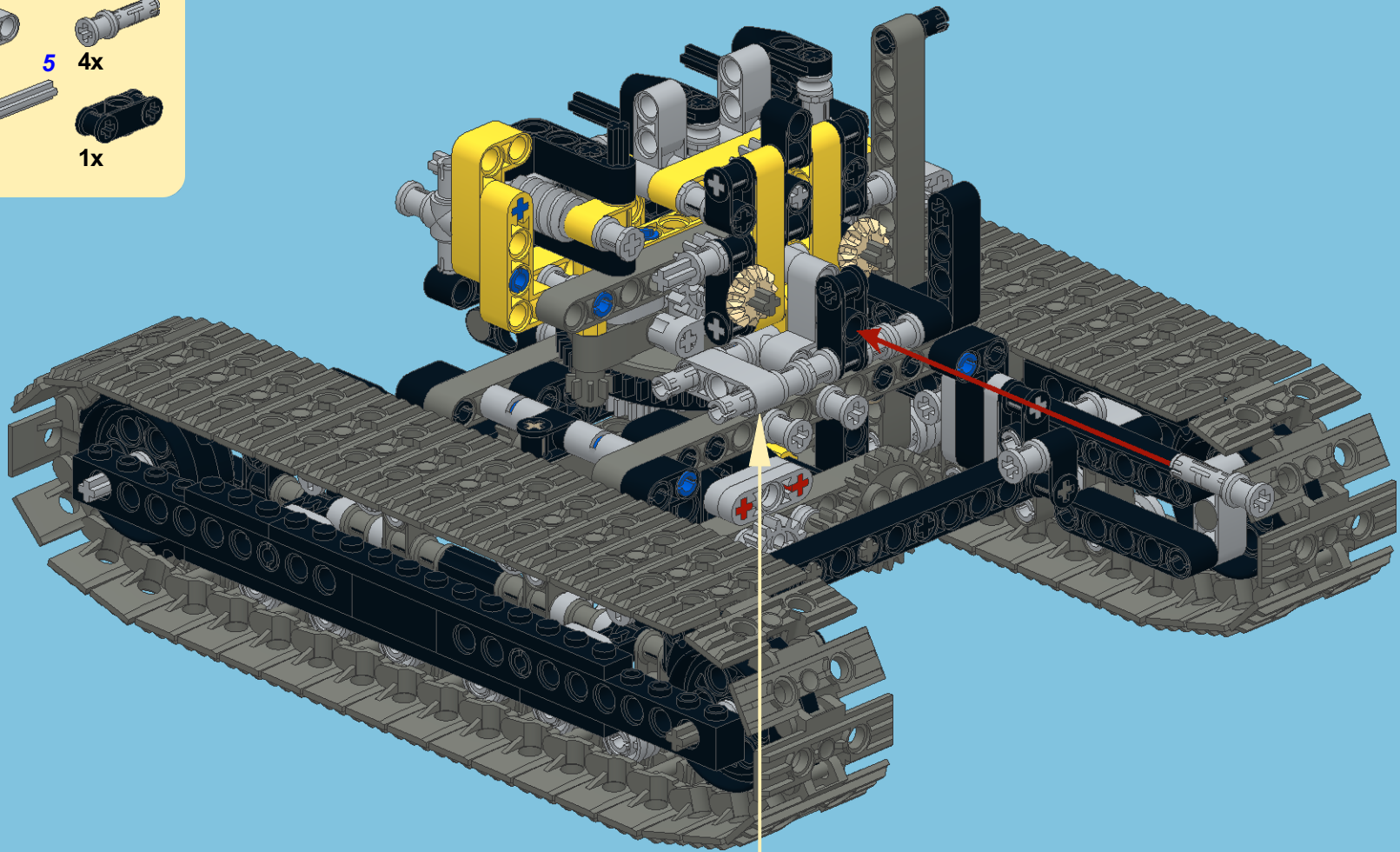


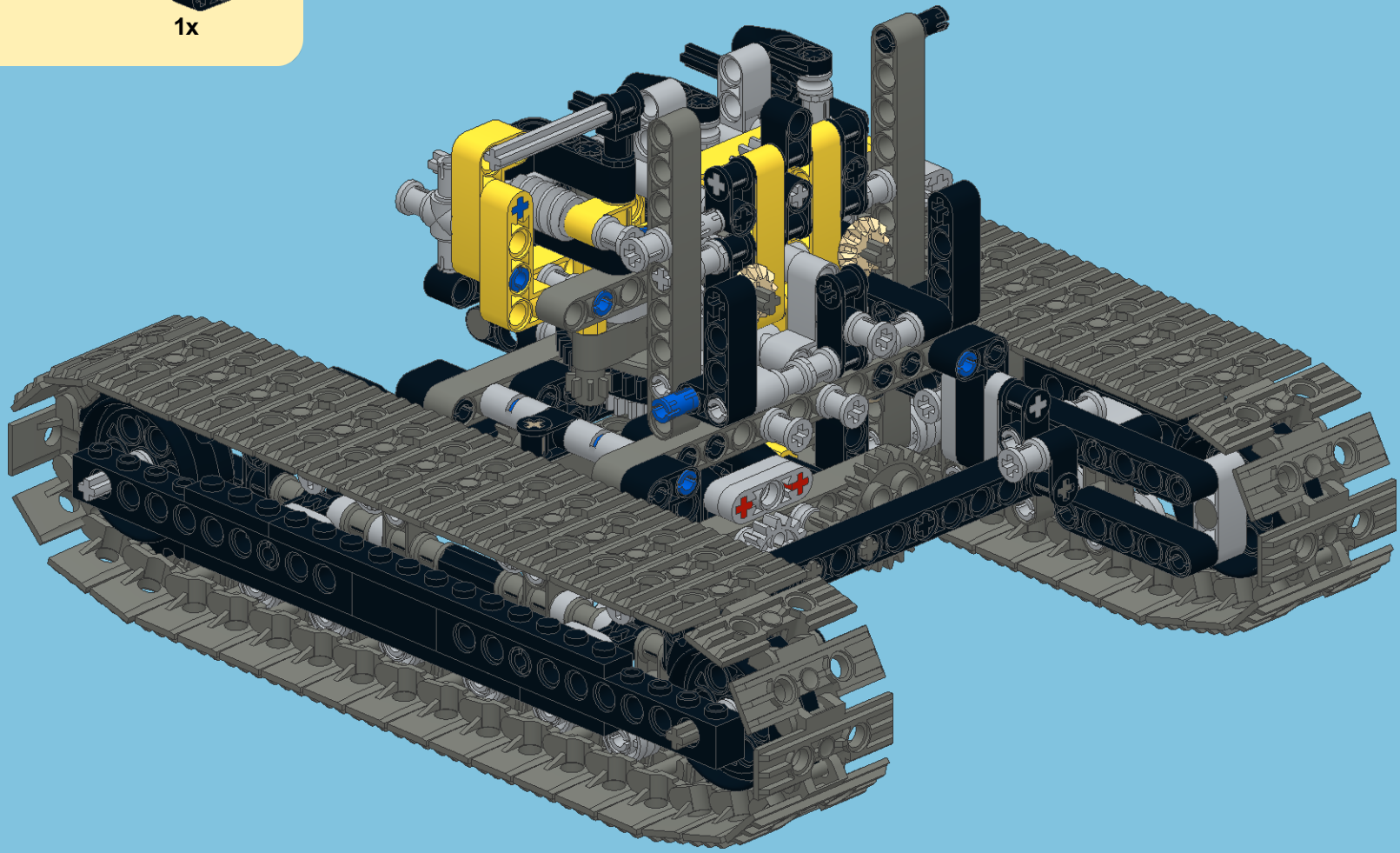
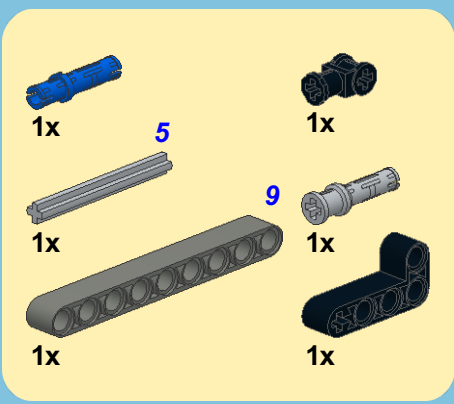




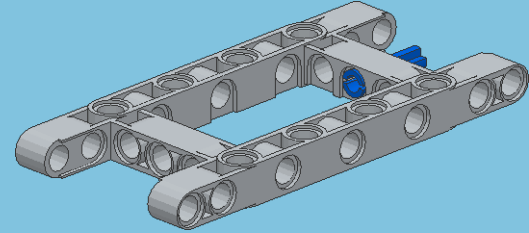
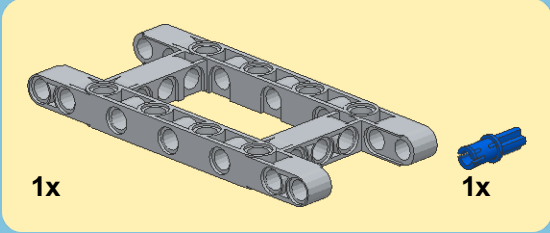


- 1x 
- 2x 
- 3 
- 1x 
- 4x 
- 5 
- 1x 
- 1x 

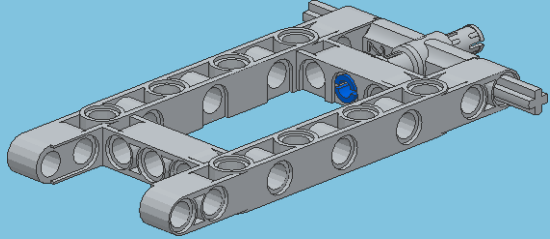
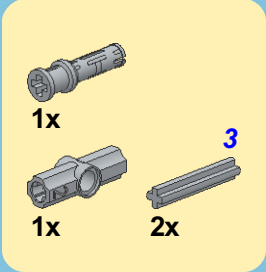




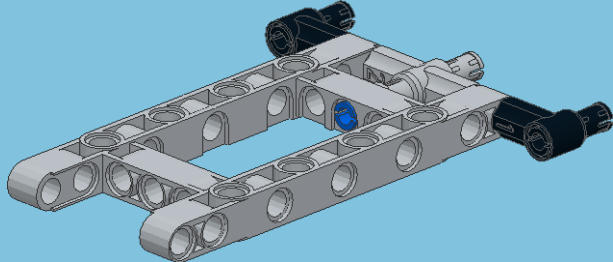
1



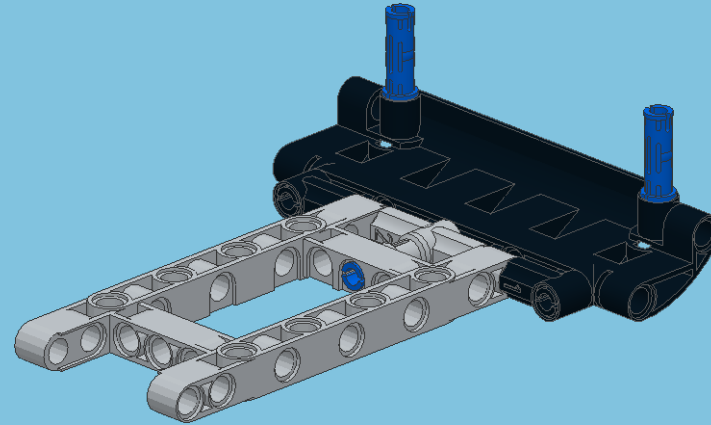
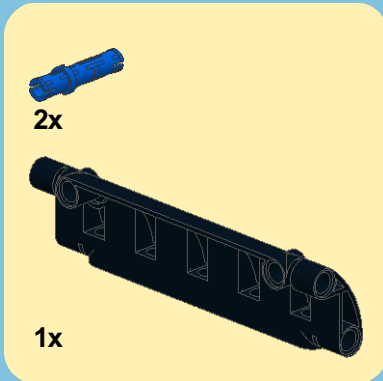
2



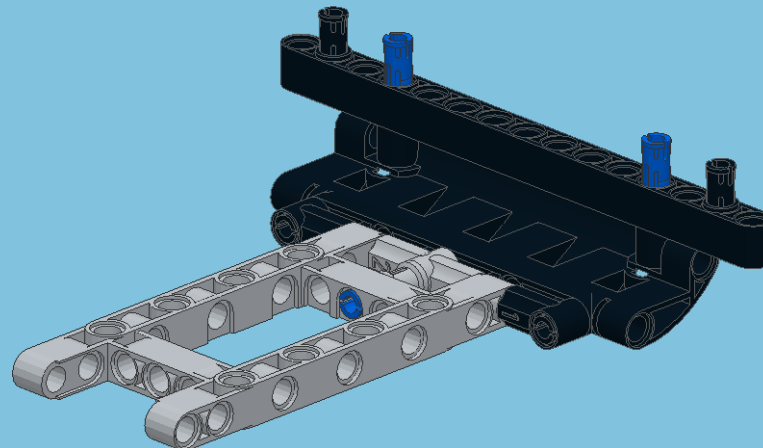
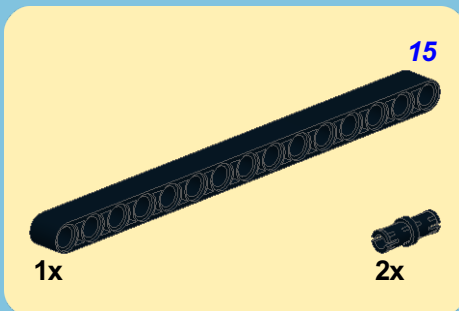
3



4



5



6



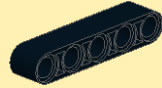
2x

3

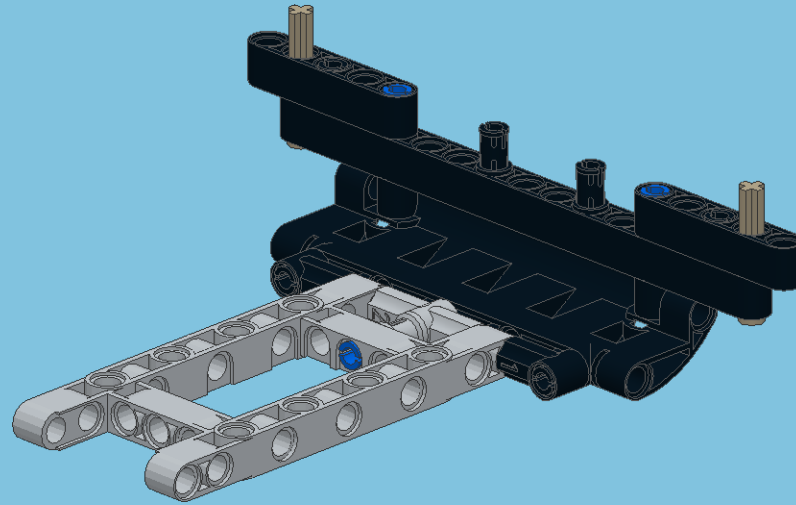


2x

5



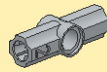
2x



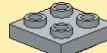
7



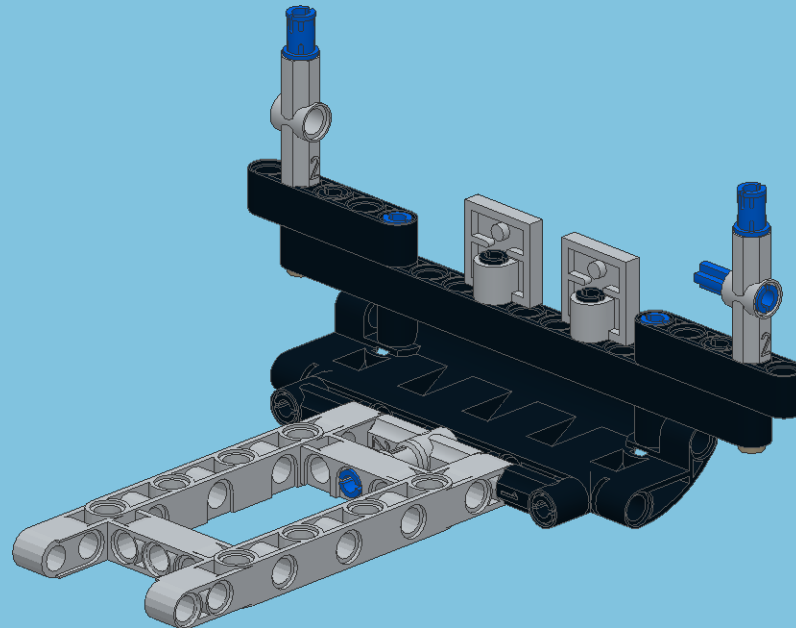
3x

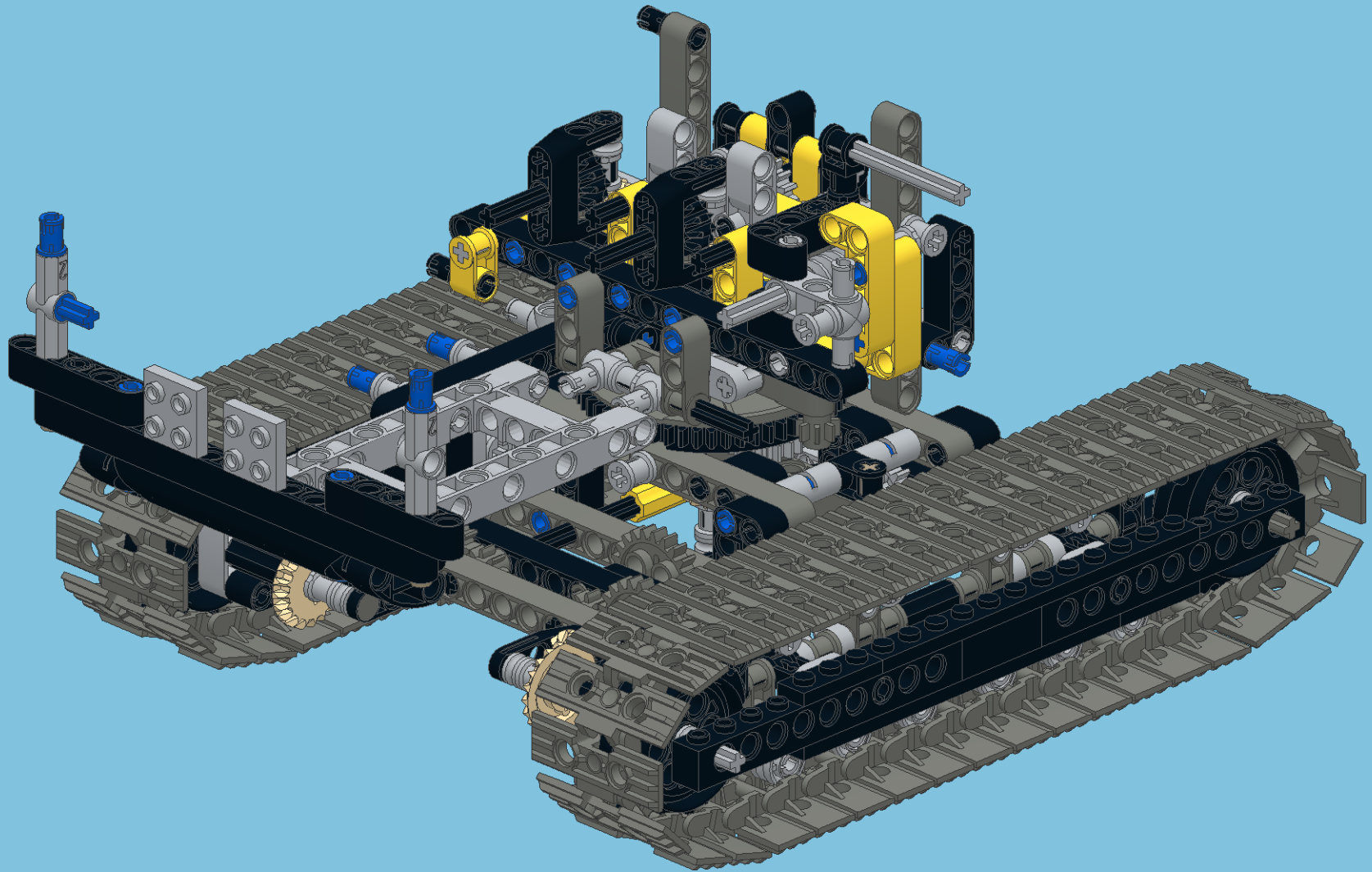


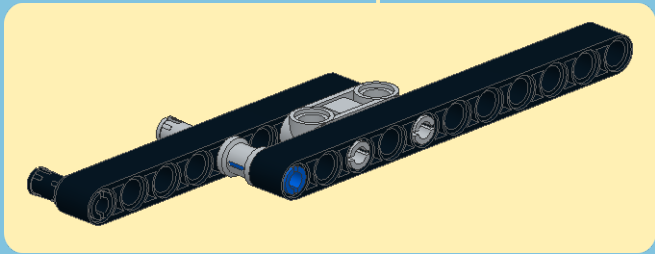
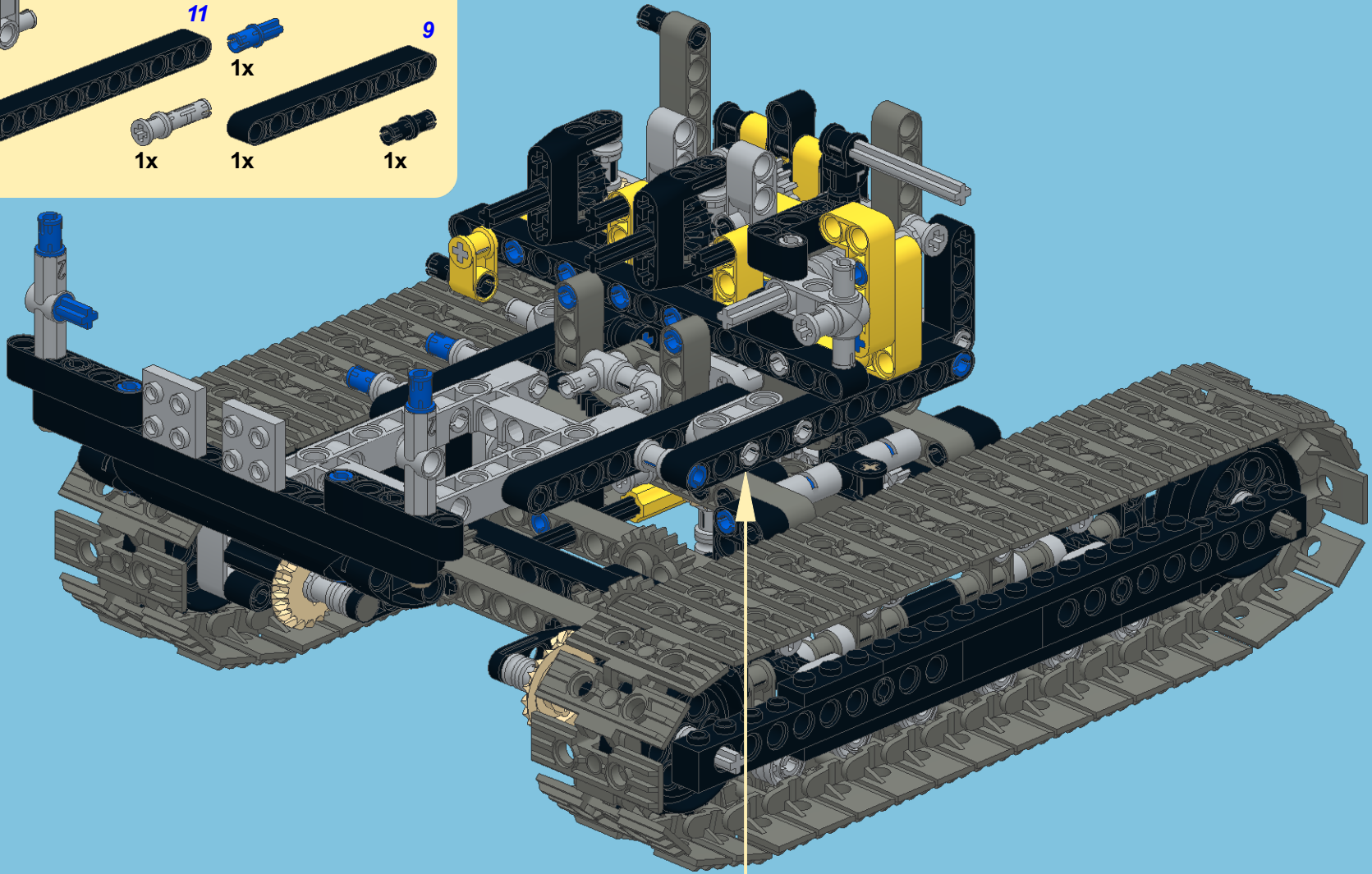
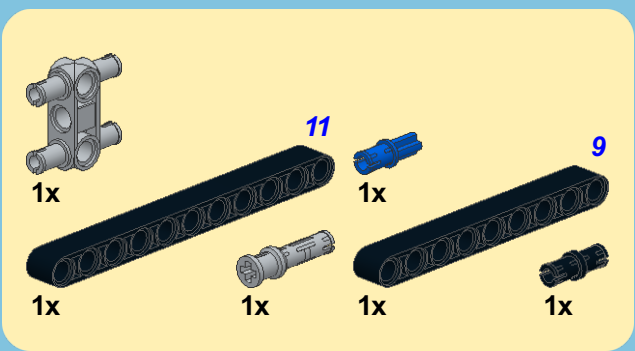
2x



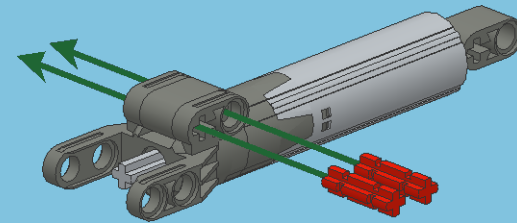
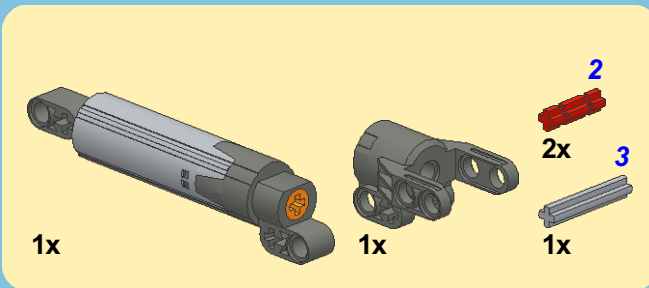
2x



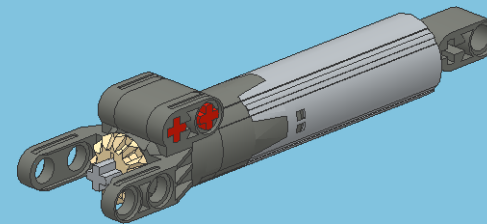


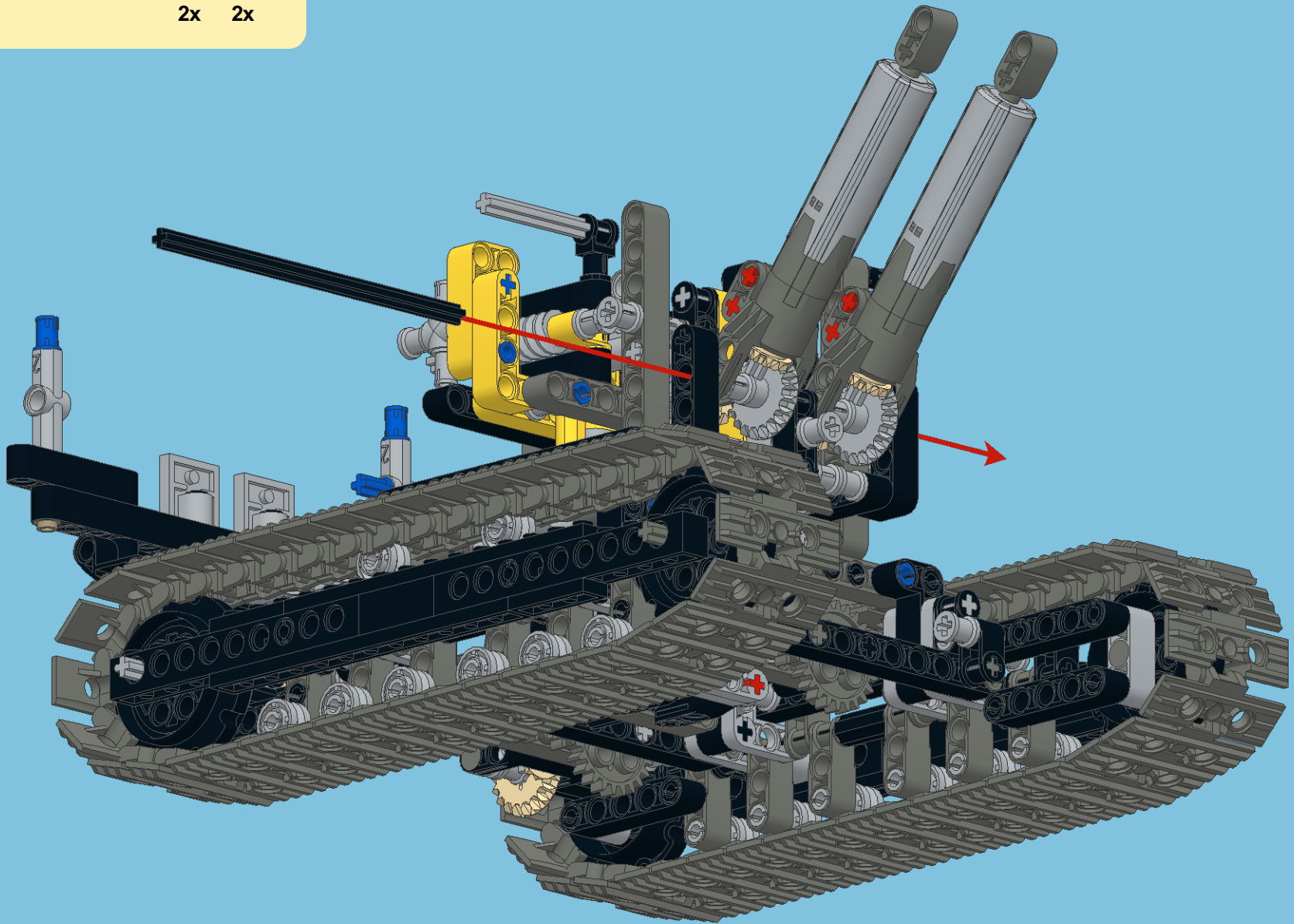
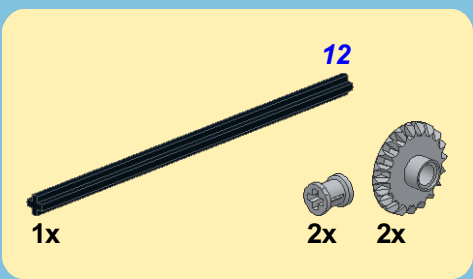


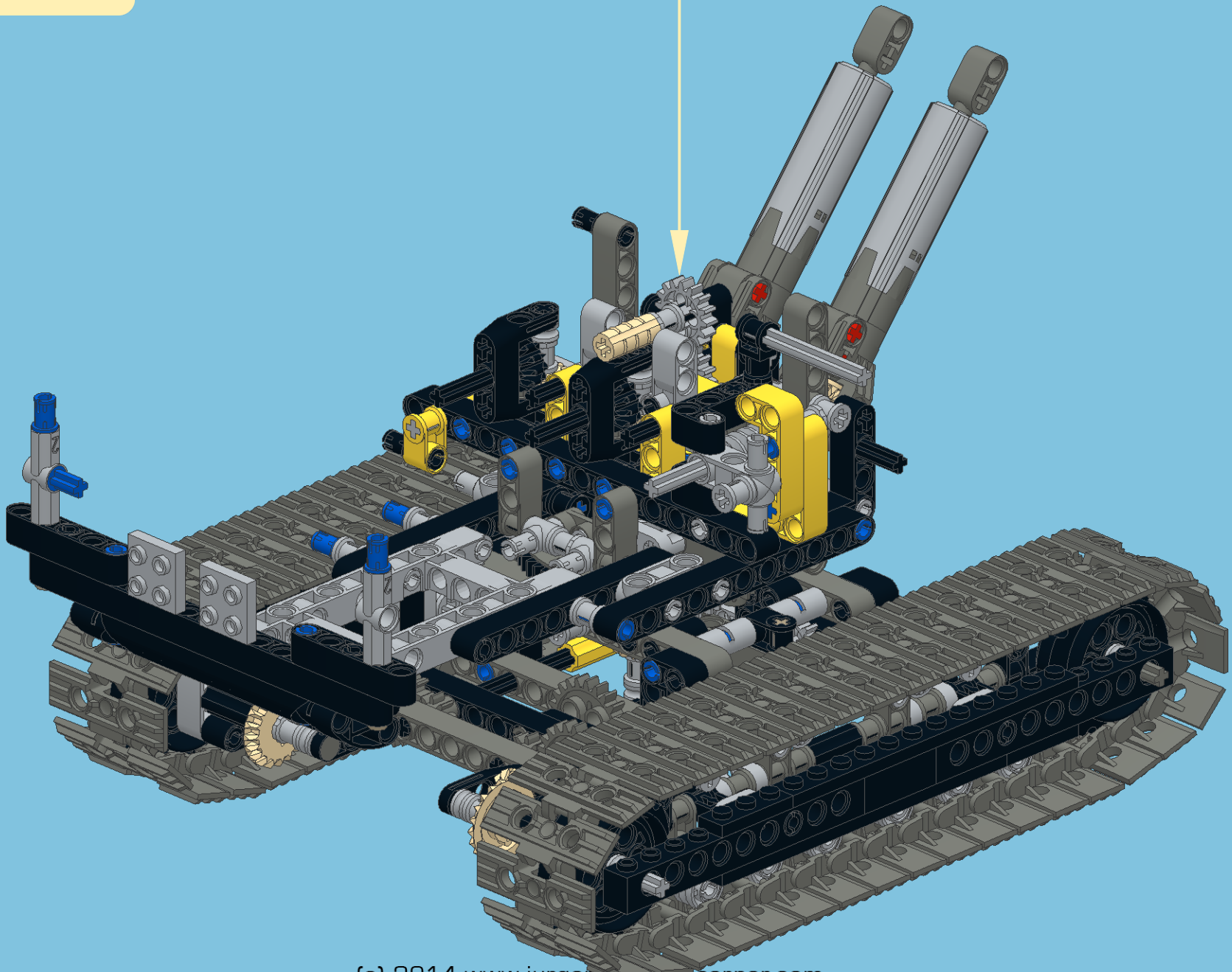
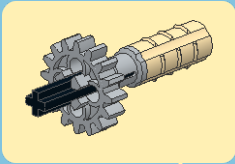
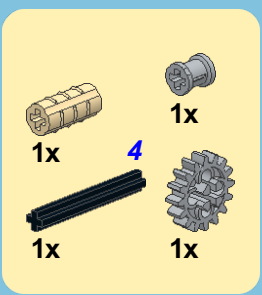
1

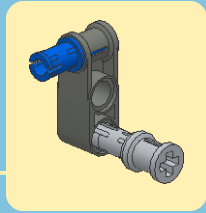
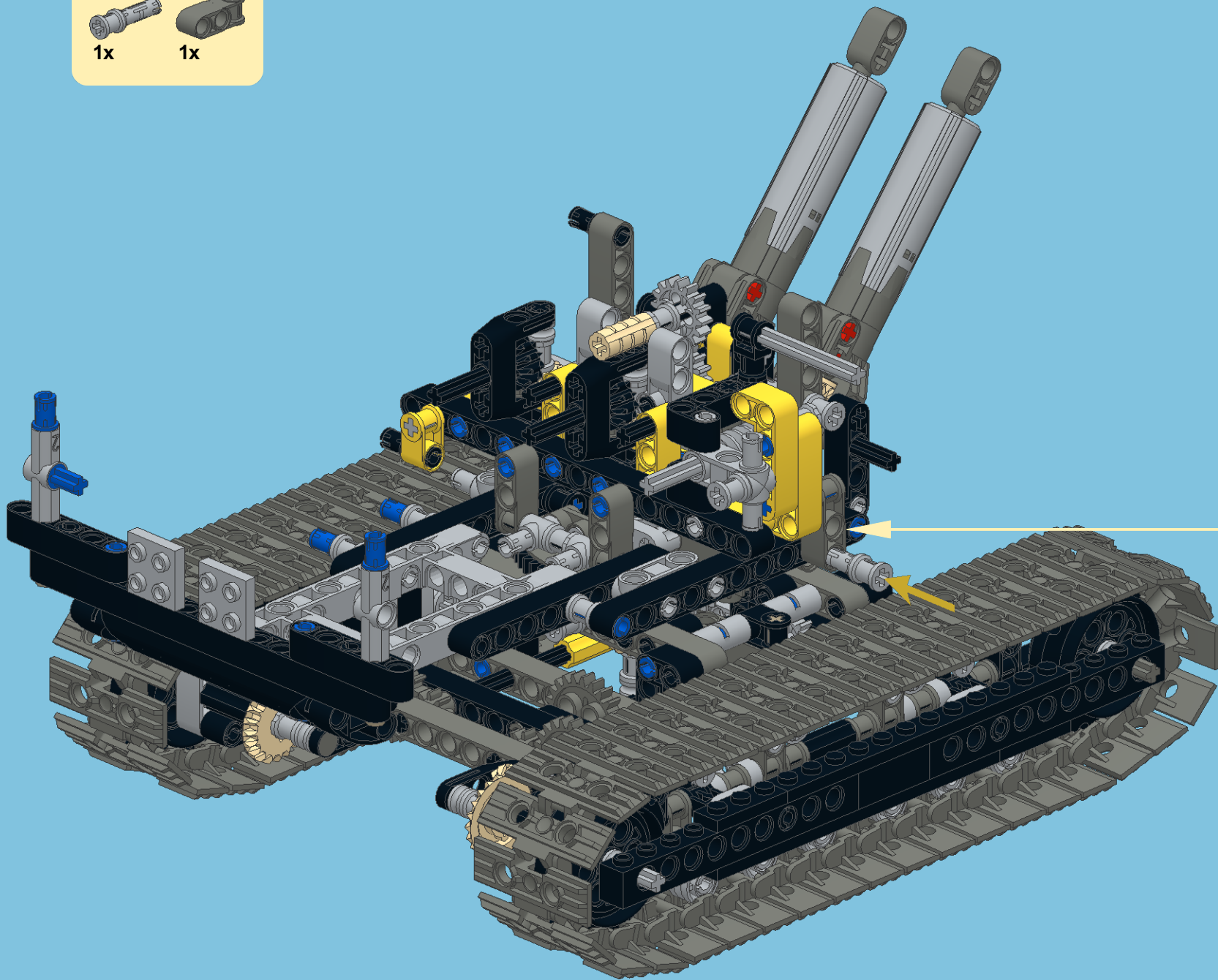
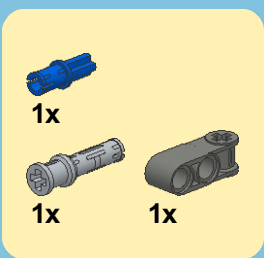


2

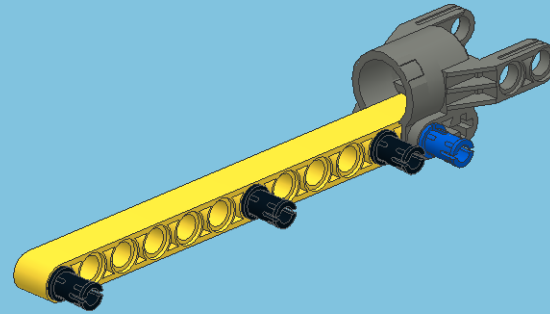
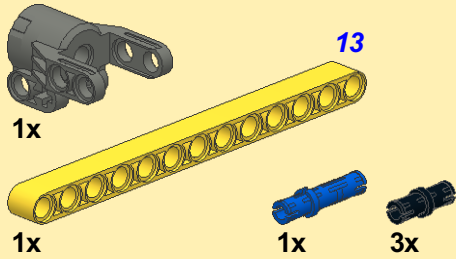




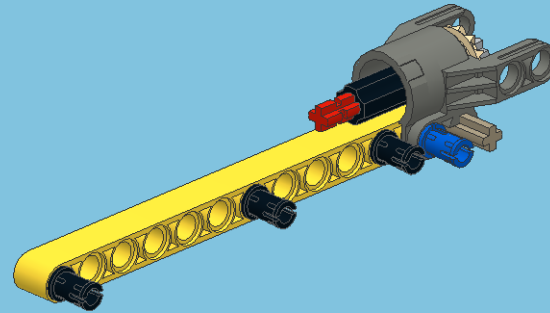
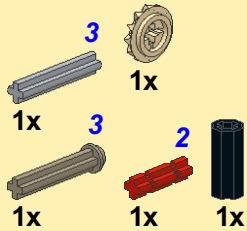




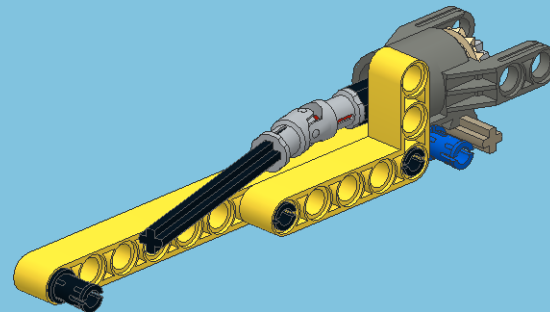
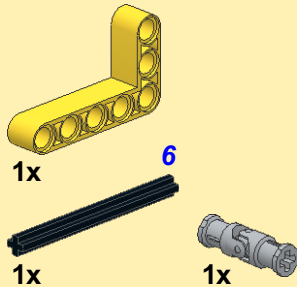
1



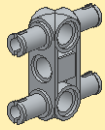
2



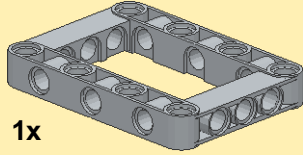
3



4



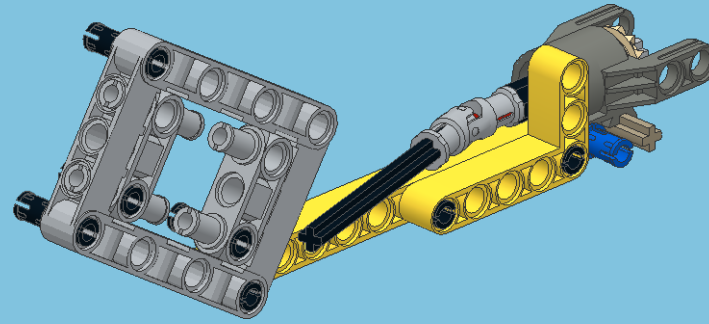
2x



1x



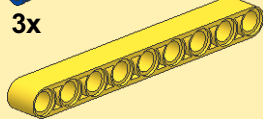
4x



5



3x

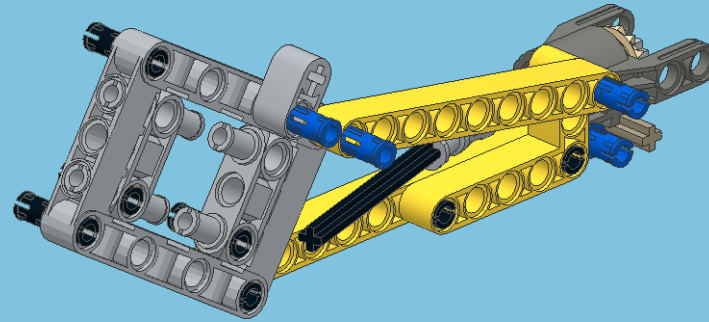


1x

9



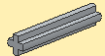
1x



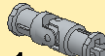
6



1x

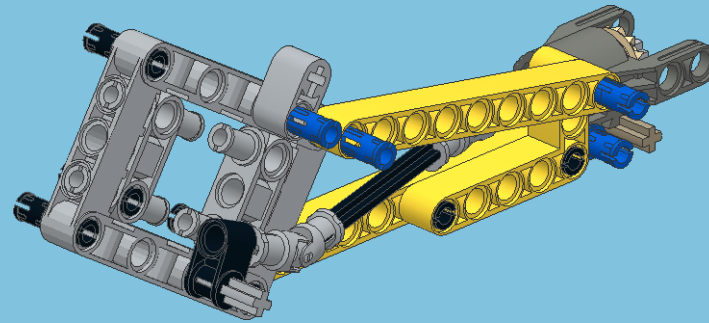


1x

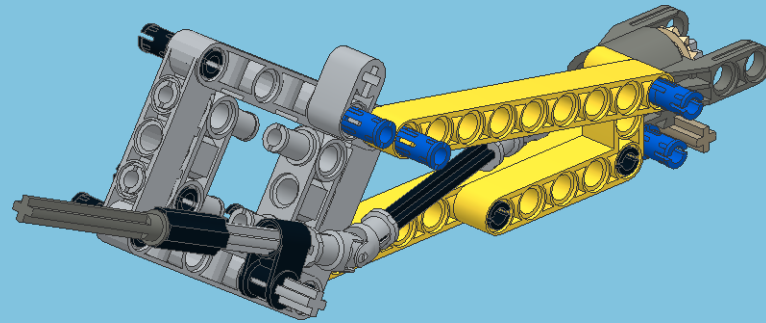
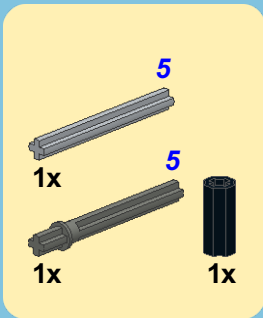


1x

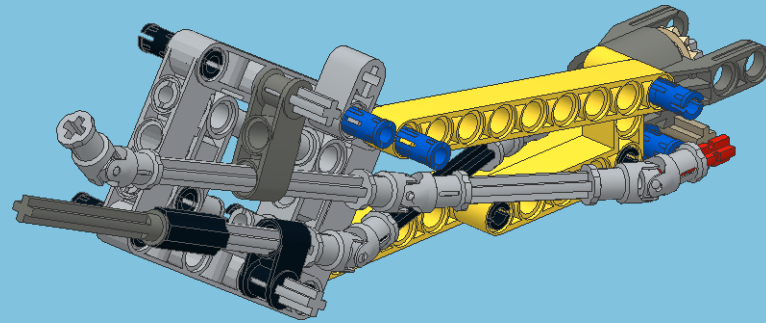
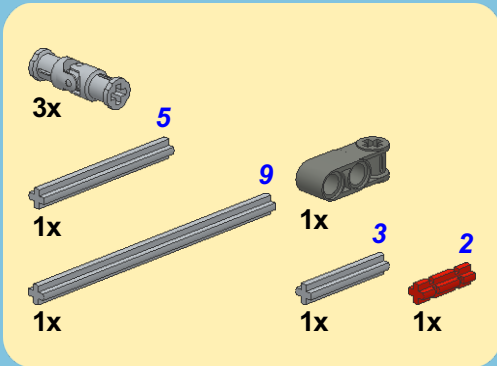
3



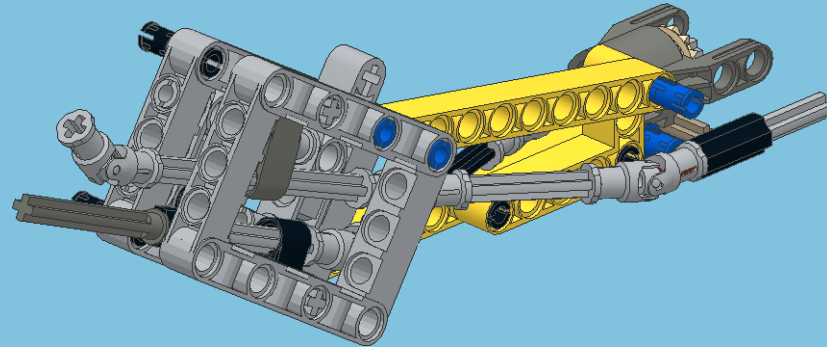
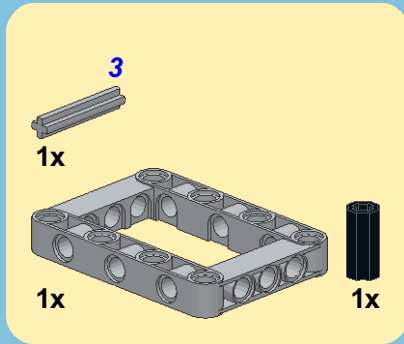
7



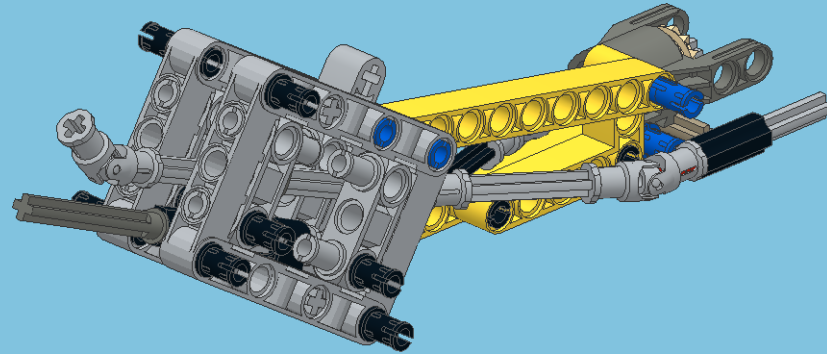
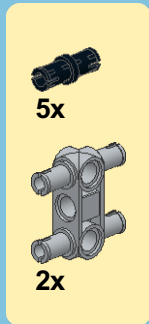
8

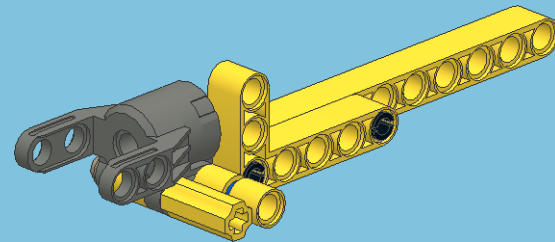
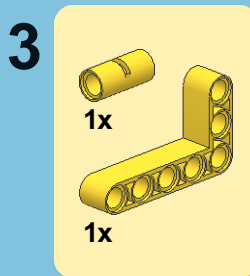
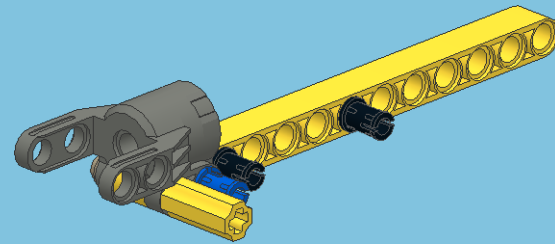
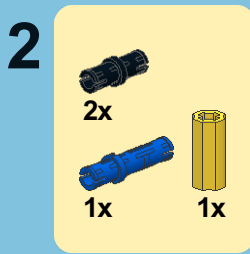
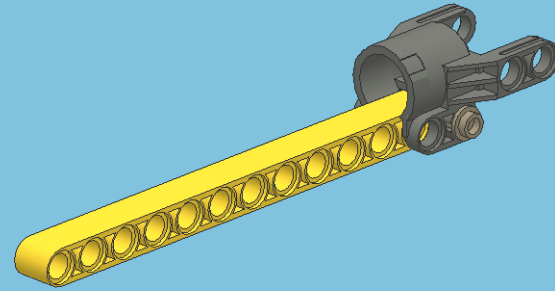
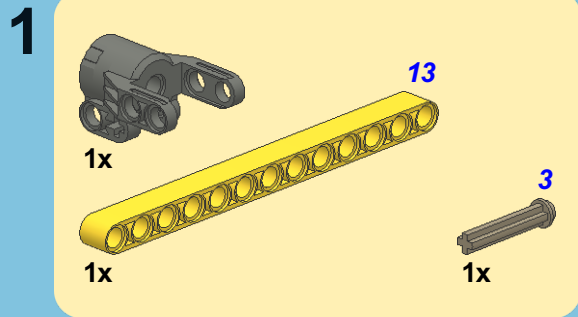


9



10

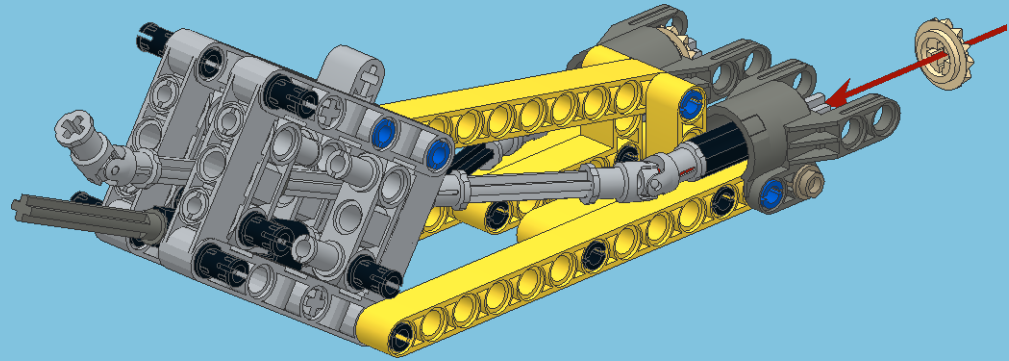




11



1x



12

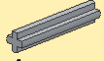


2x



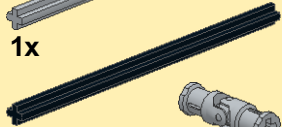
2x

3



1x

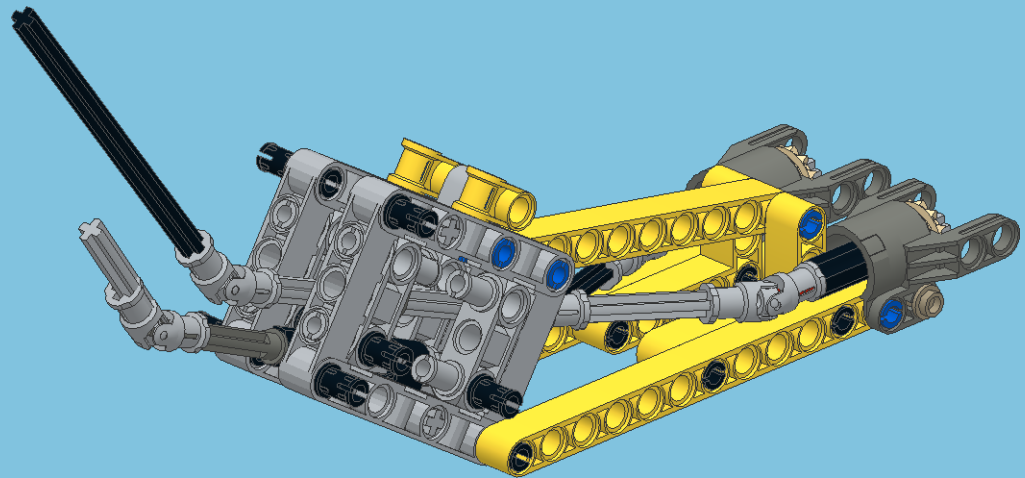
10



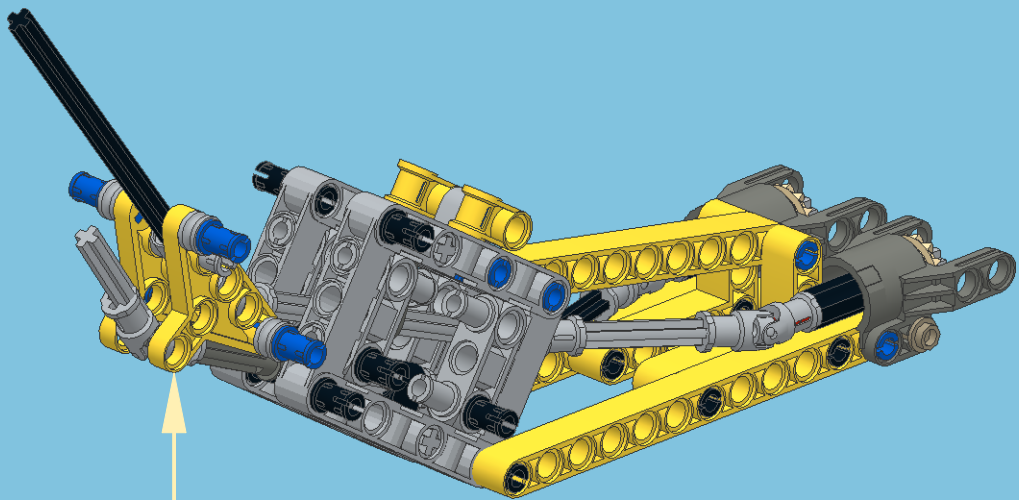
1x



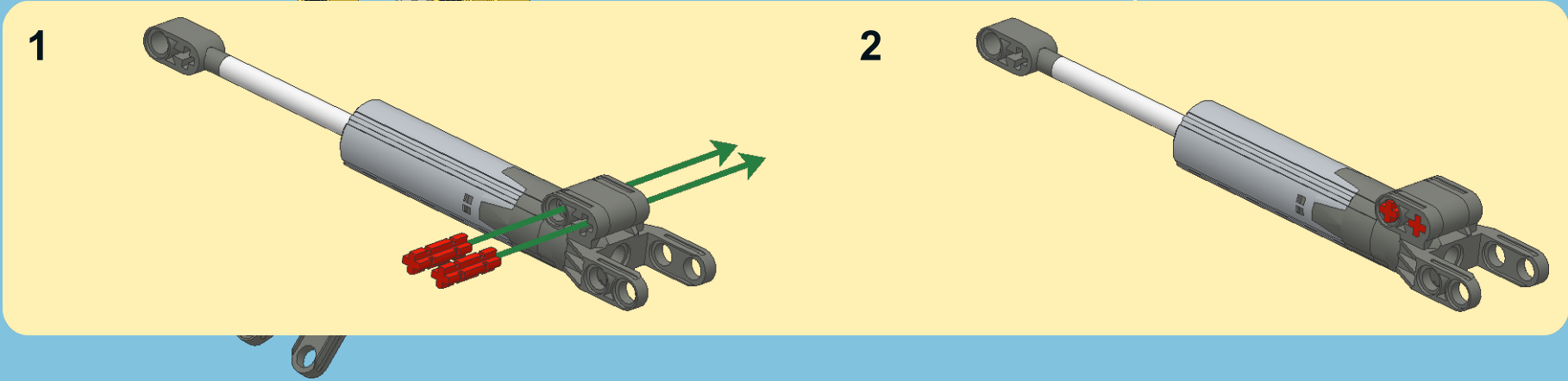
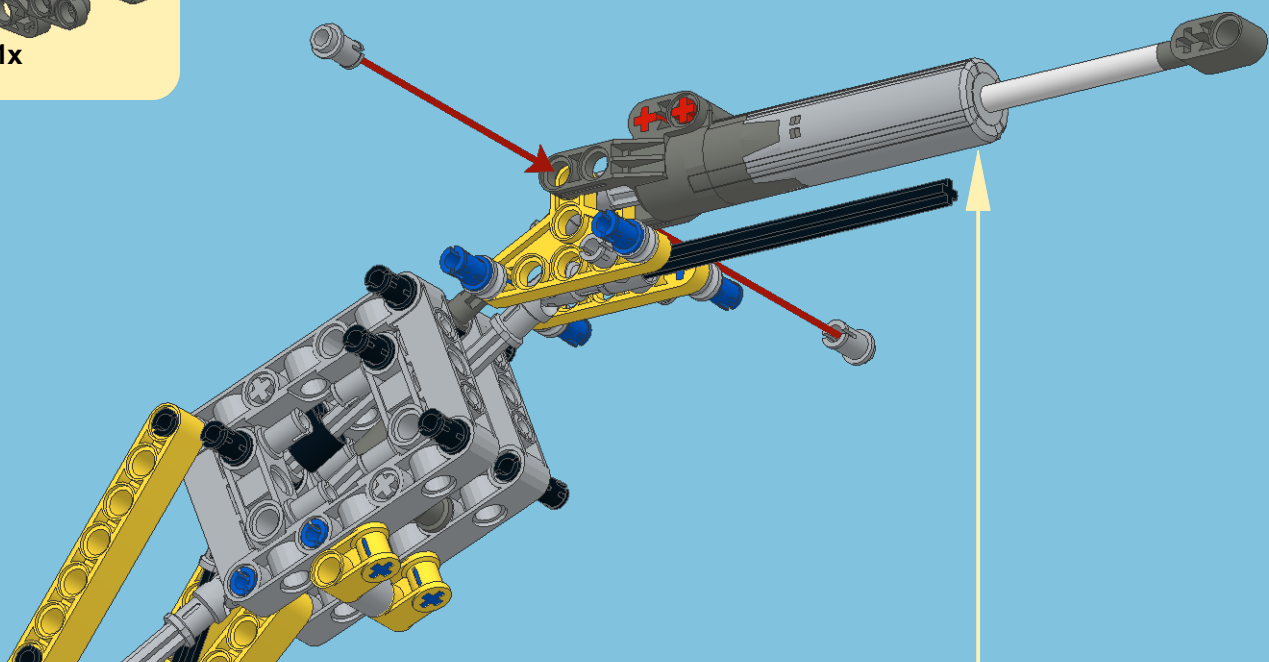
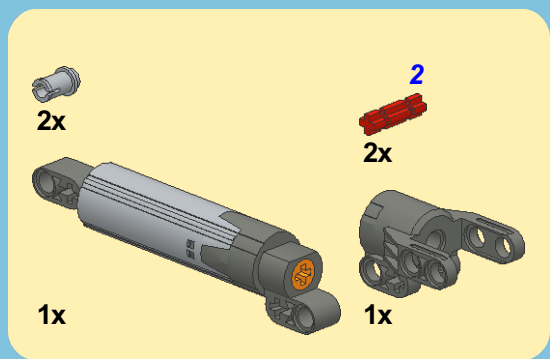
1x



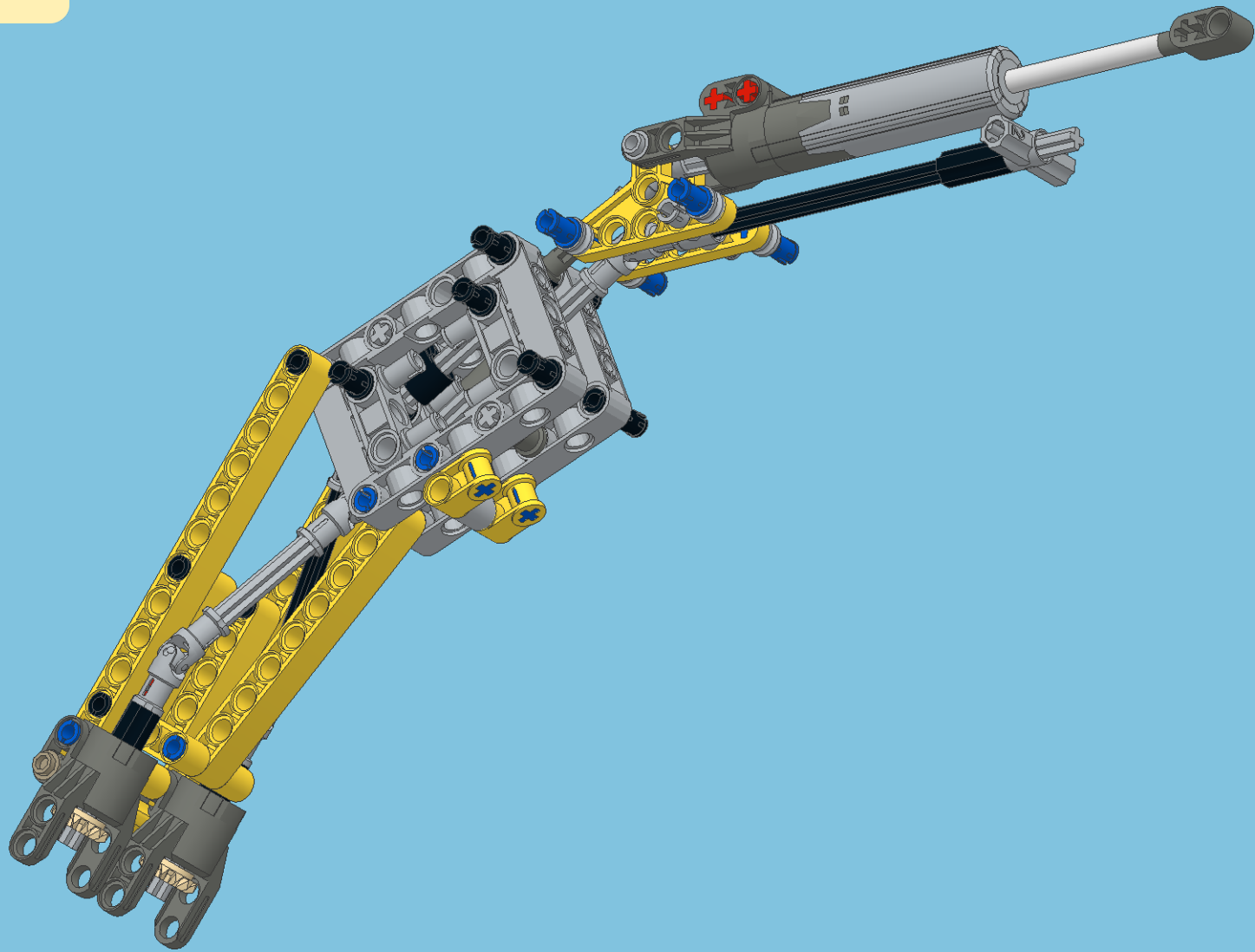
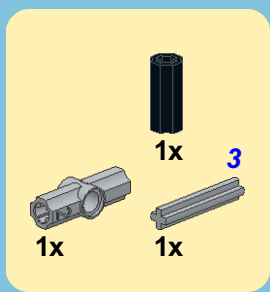
4x
2x
4x
1x

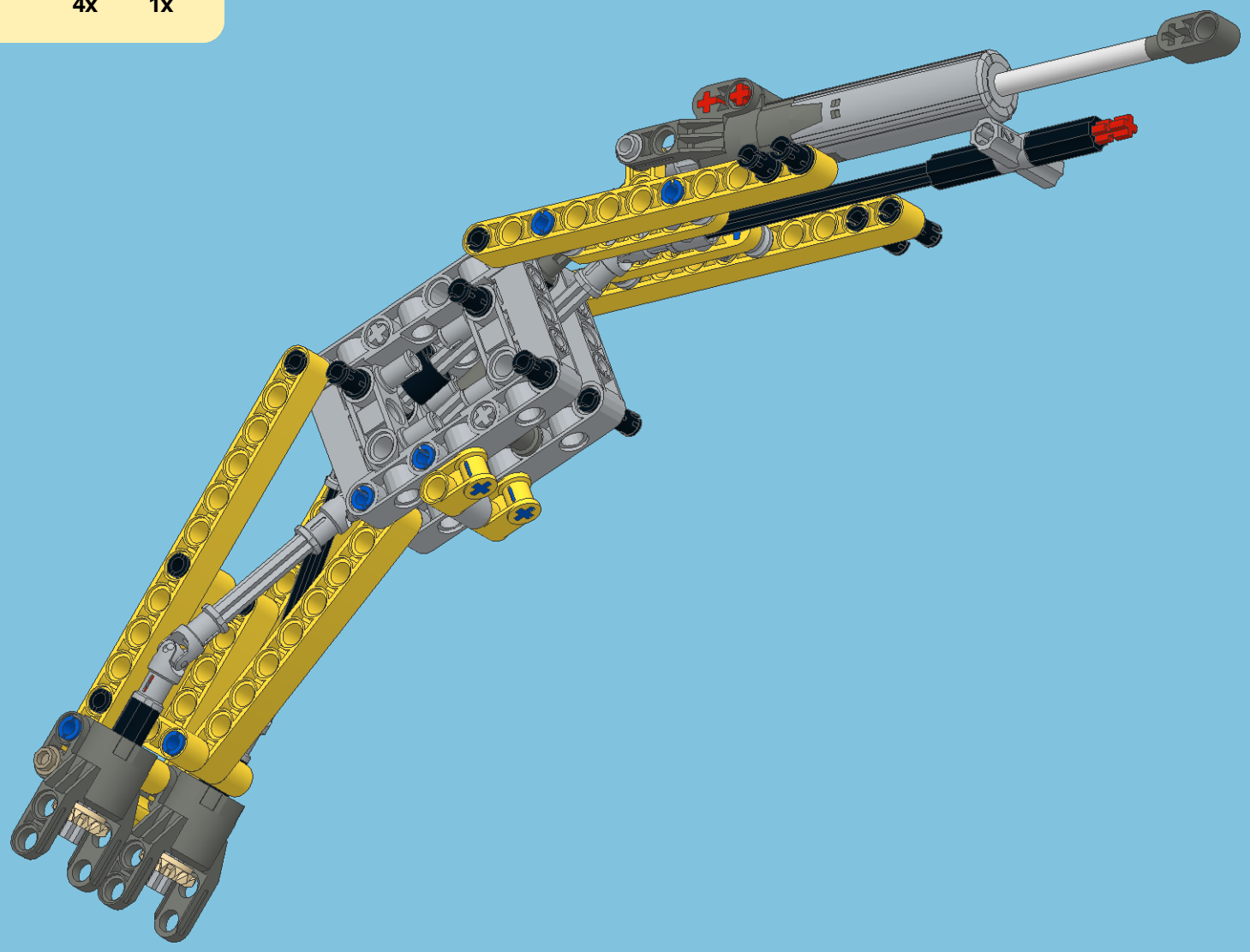
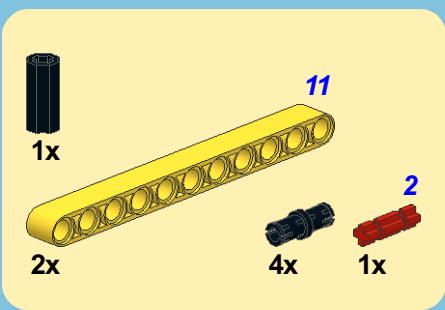


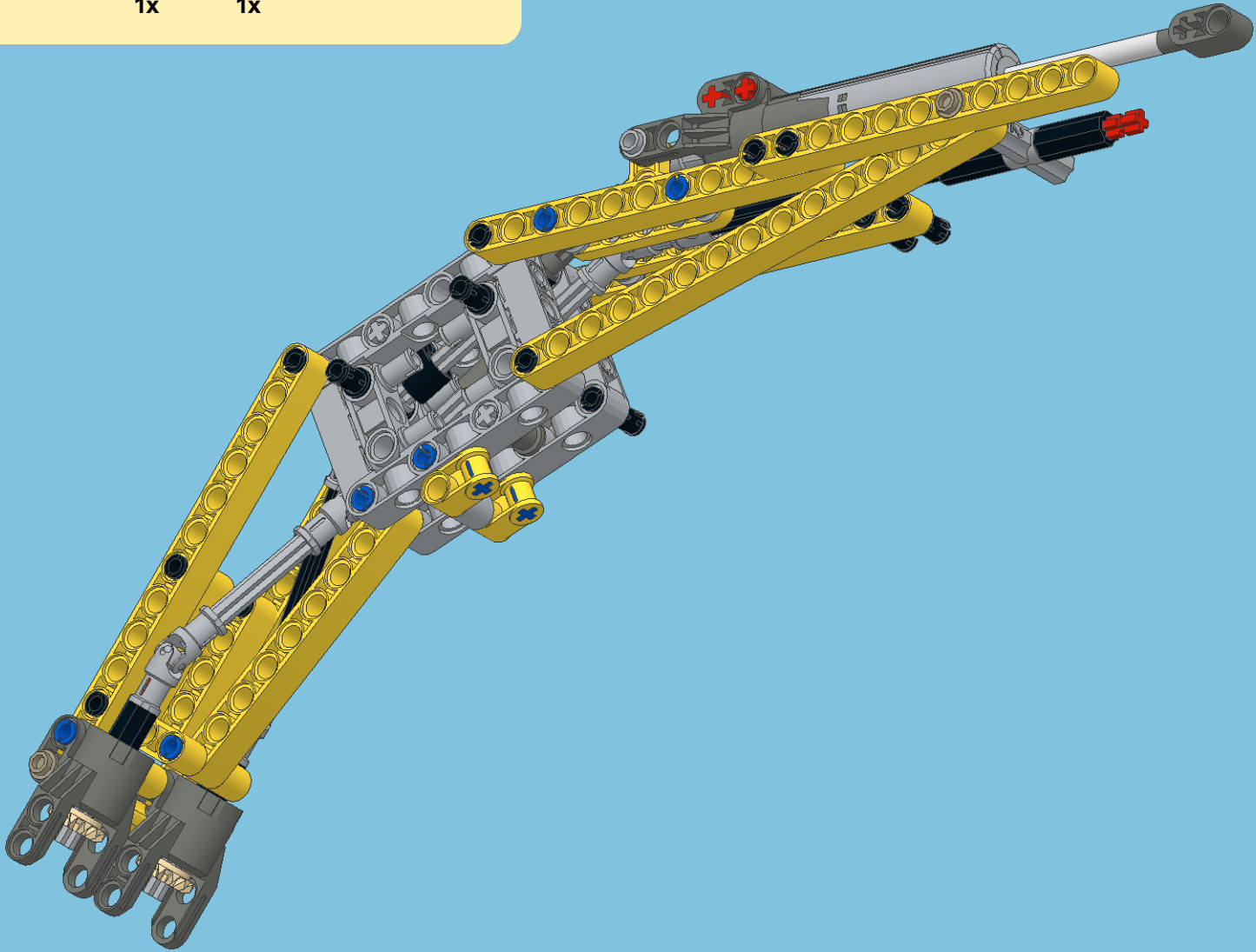
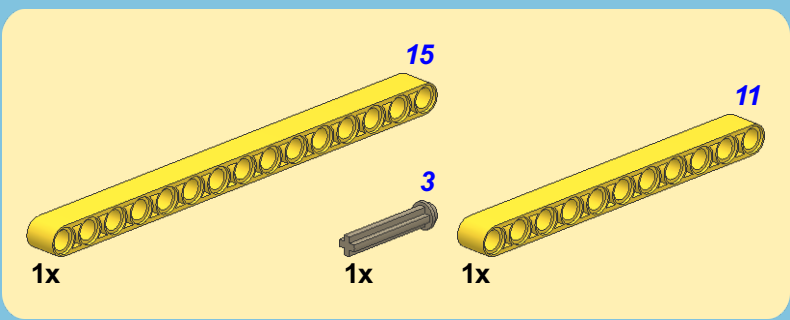
1 2 3



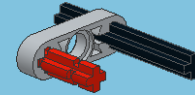
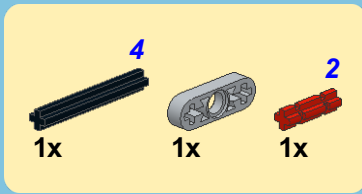
15



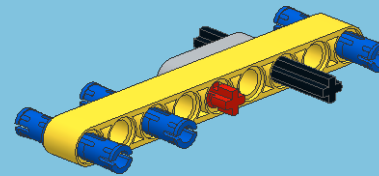
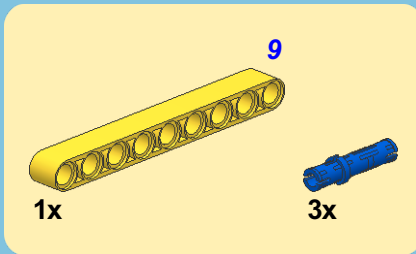




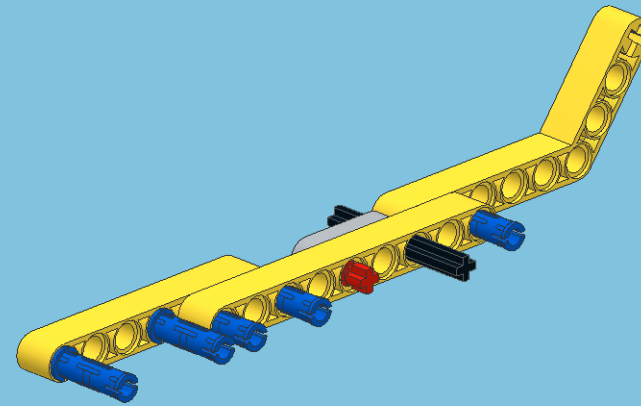
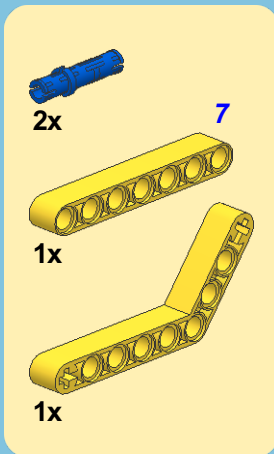
1



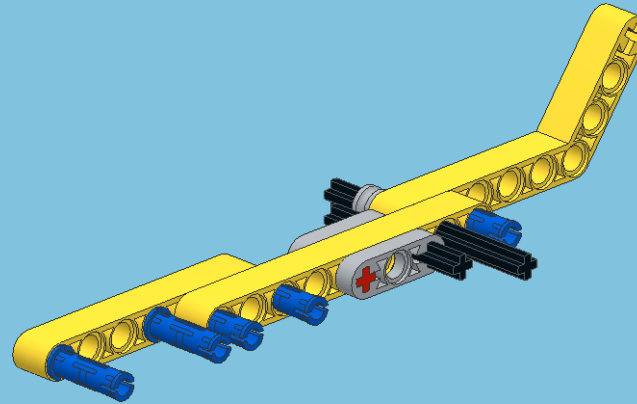
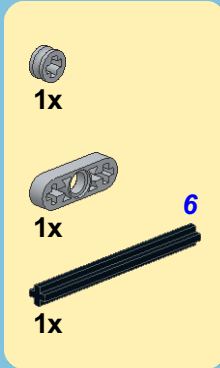
2



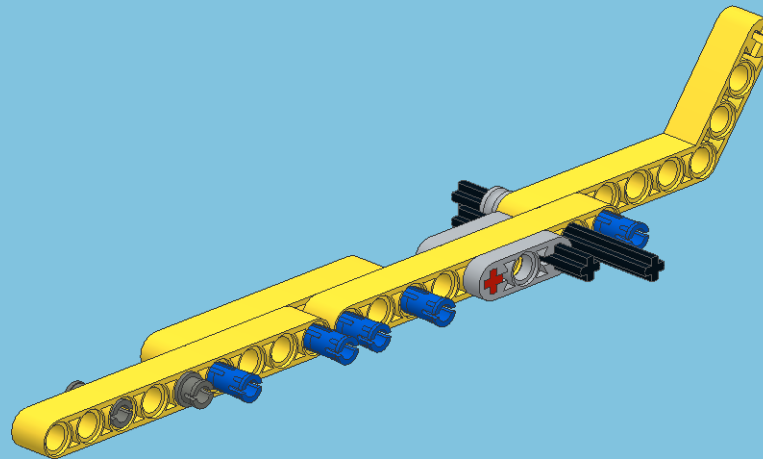
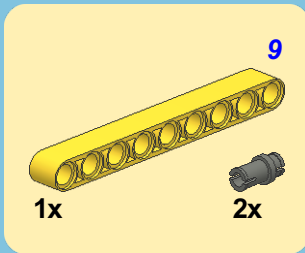
3



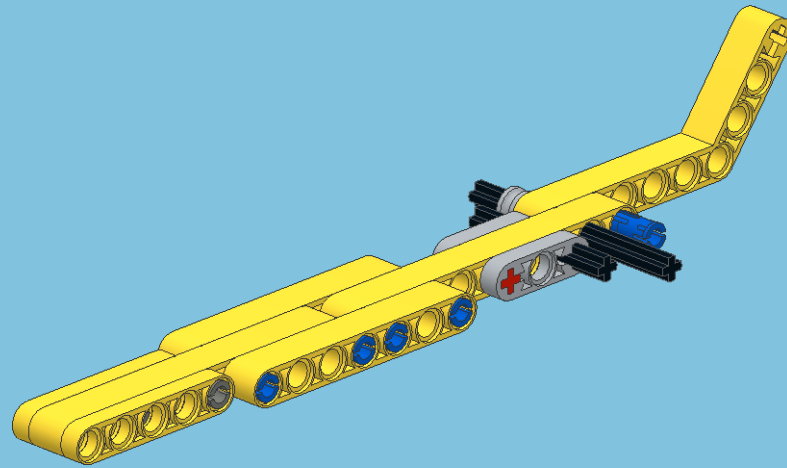
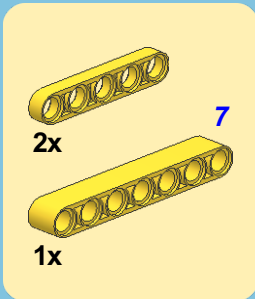
4



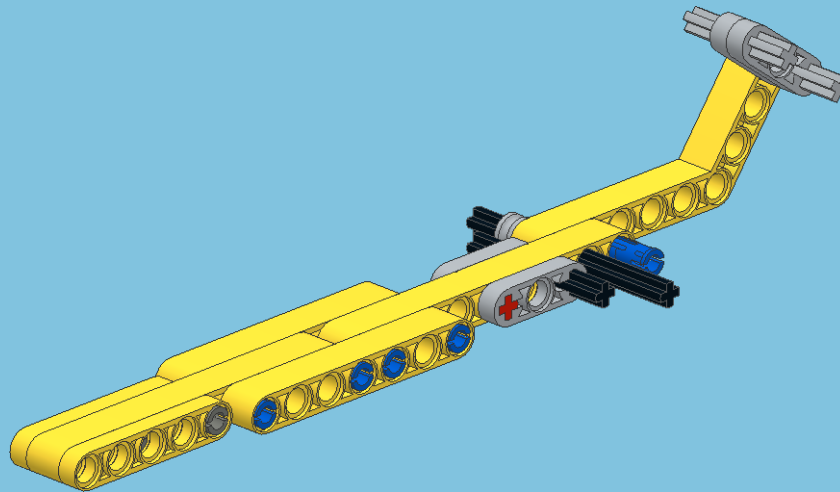
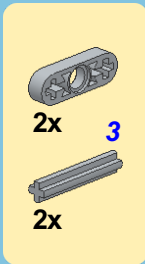
5



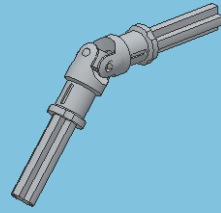
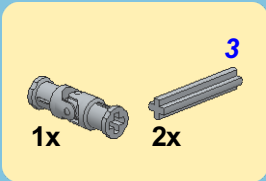
6



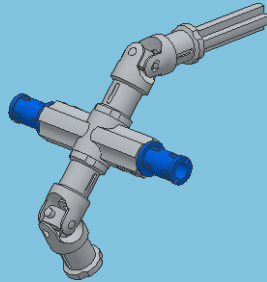
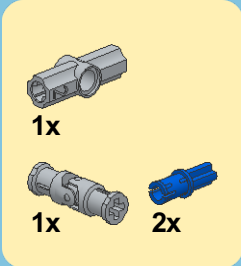
7



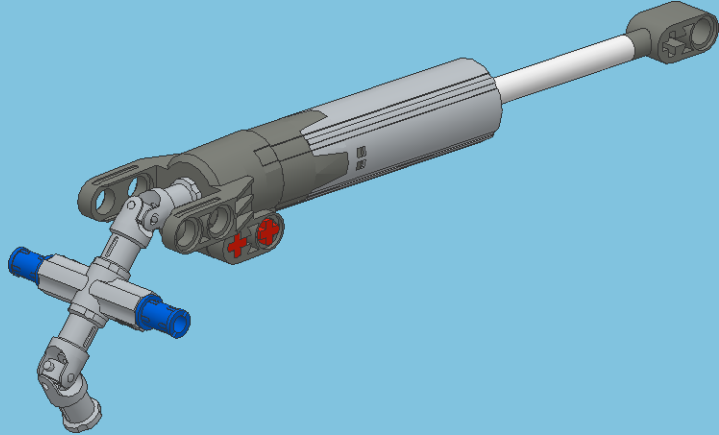
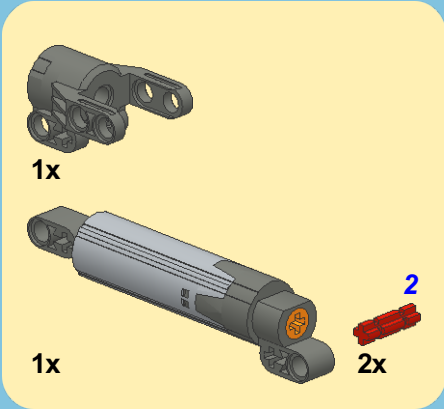
1



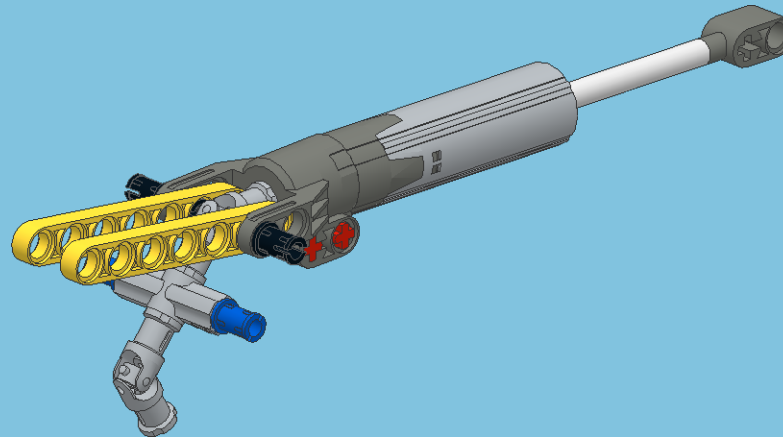
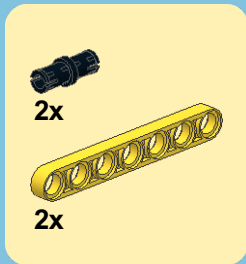
2



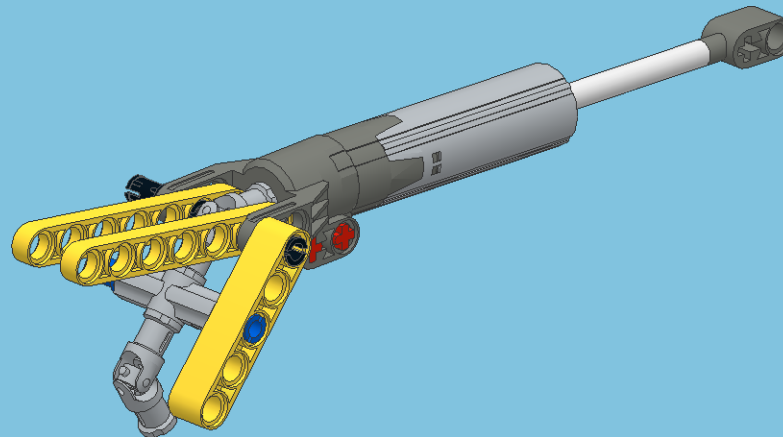
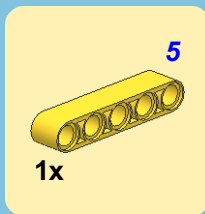
3



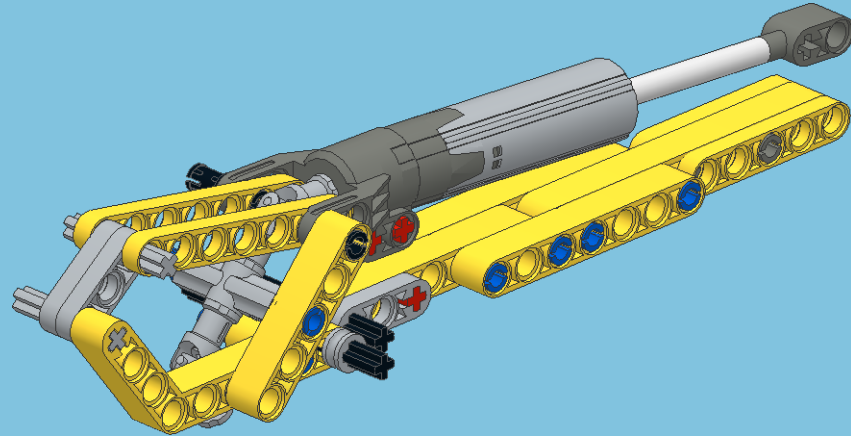
4



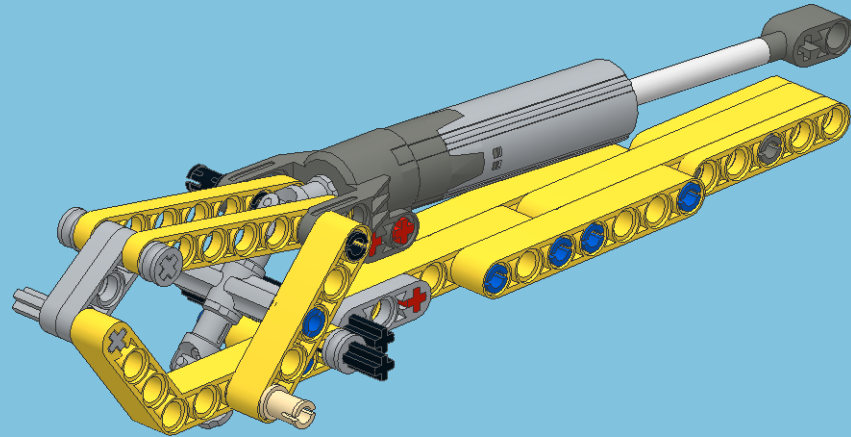
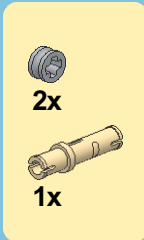
5



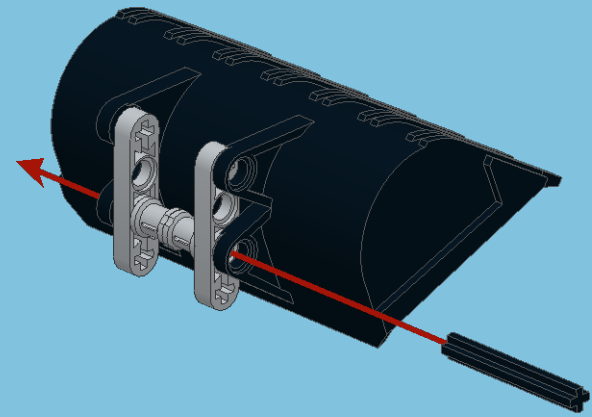
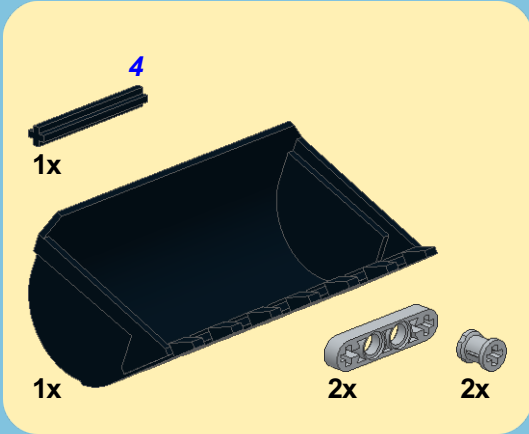
1



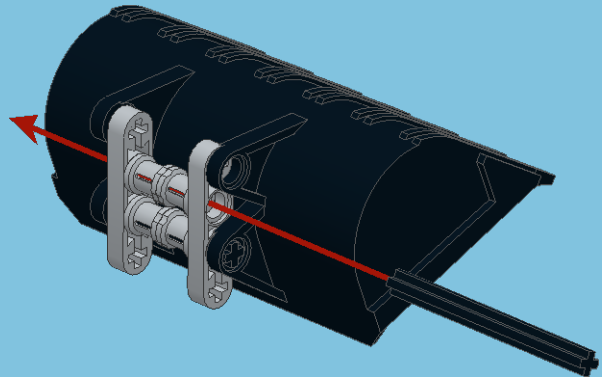
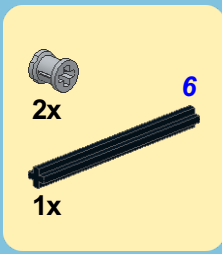
2



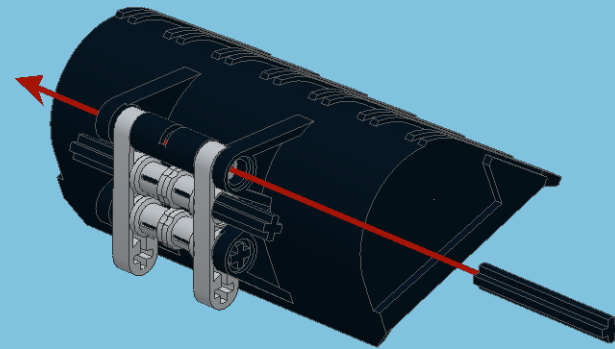
1



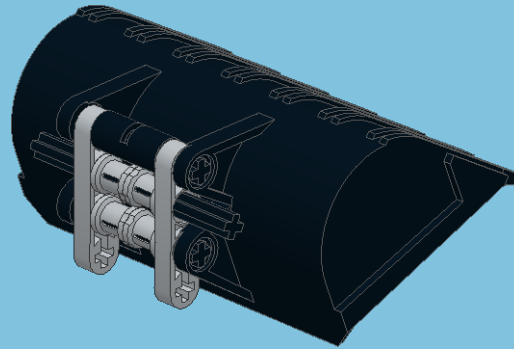
2



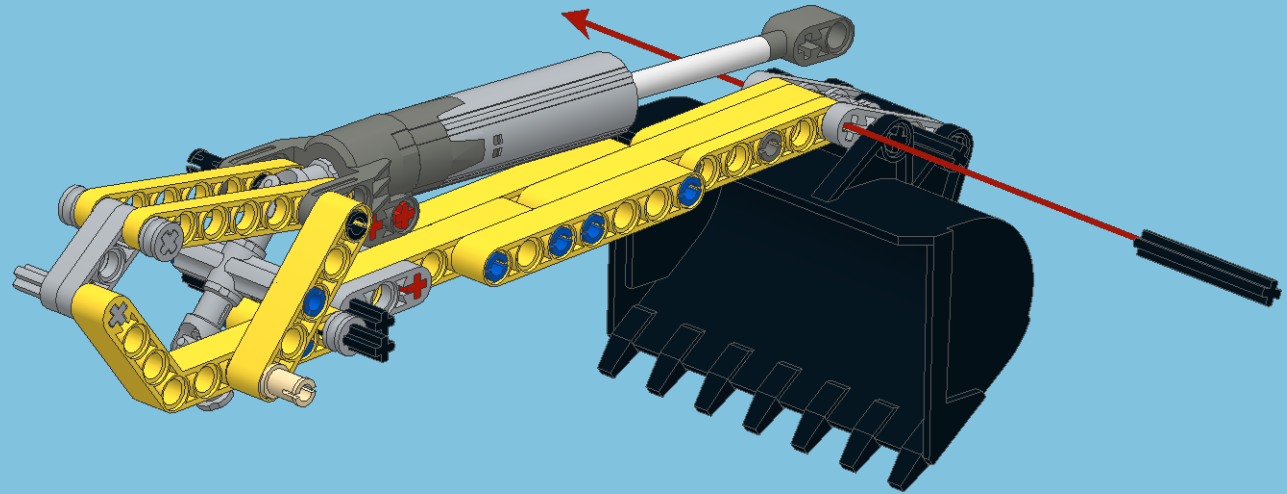
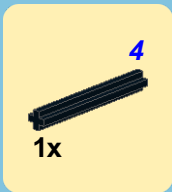
3



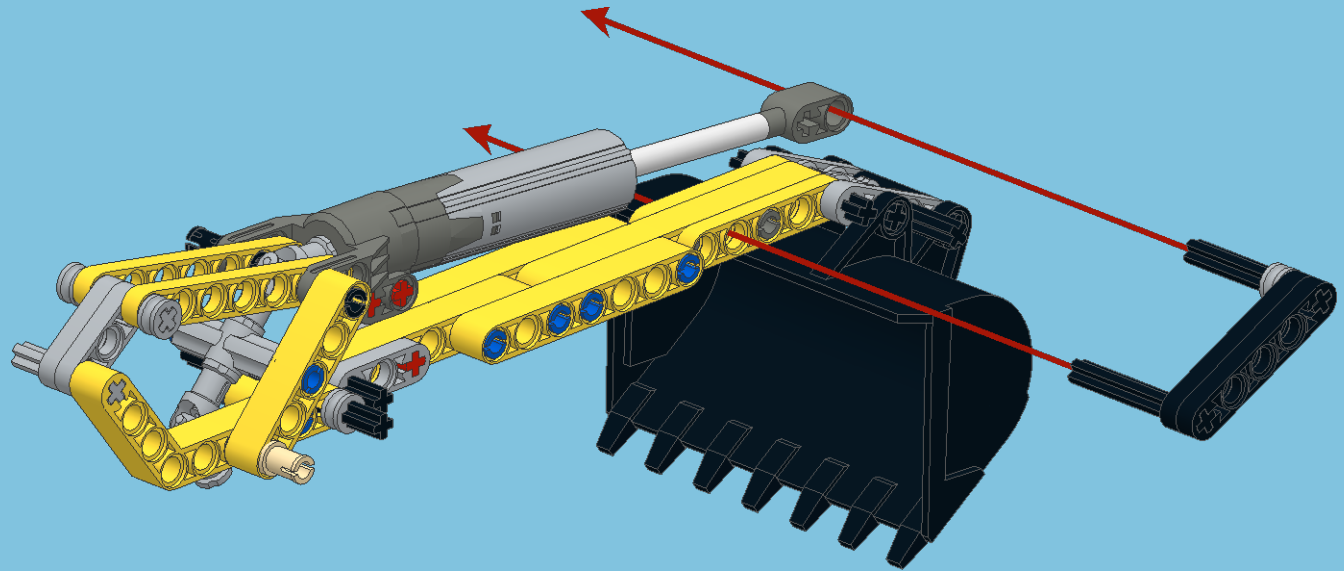
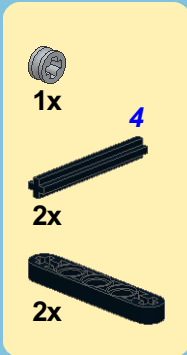
4



3



4



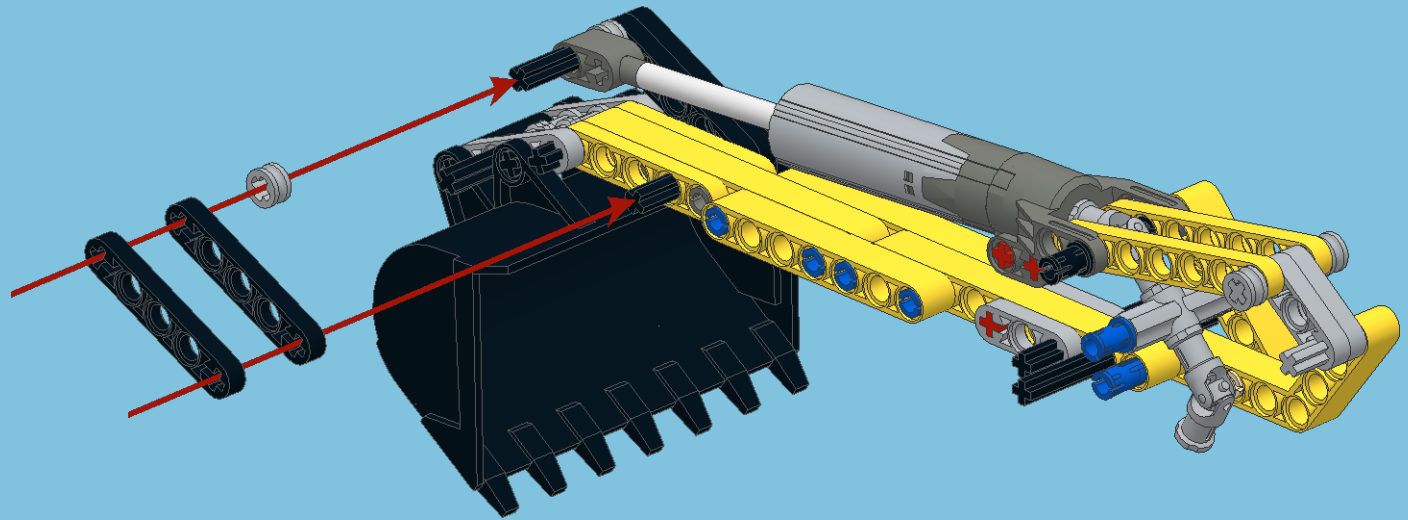
5



1x



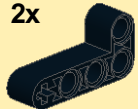
2x



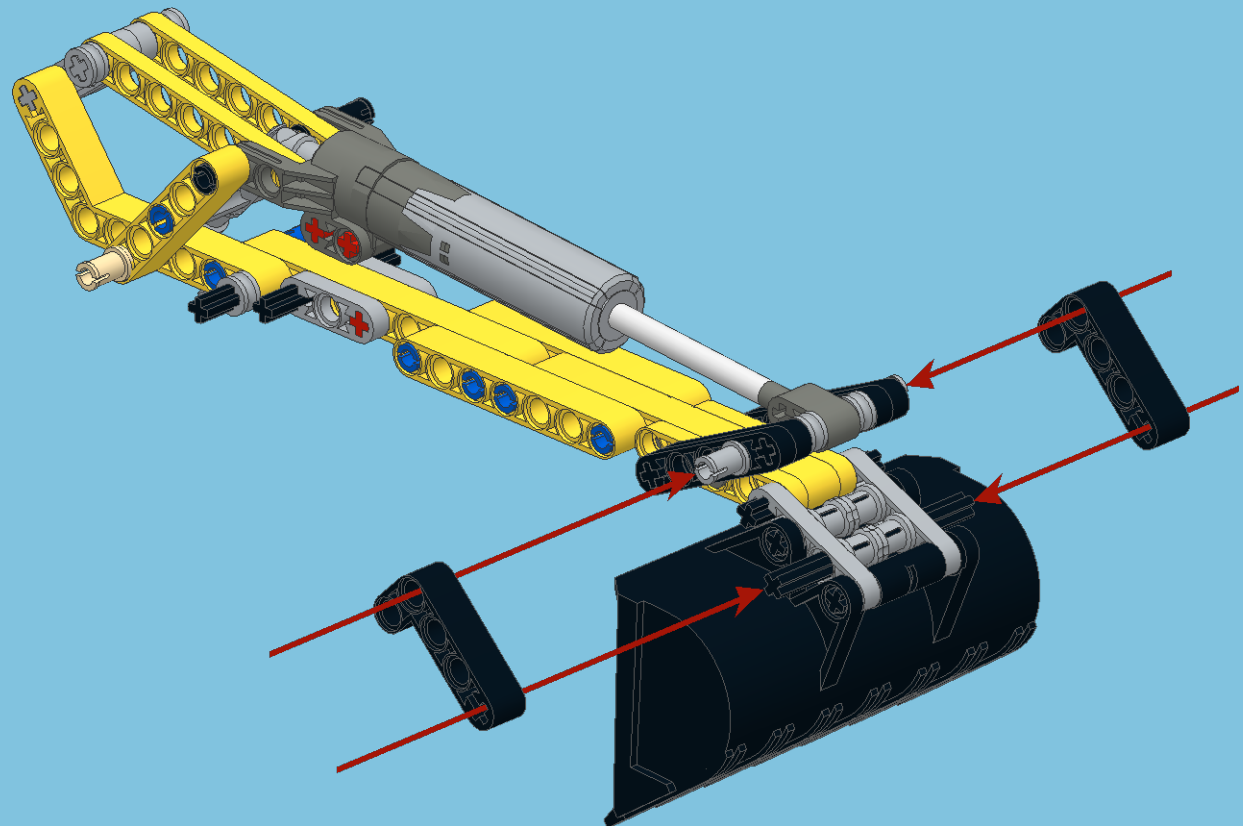
6

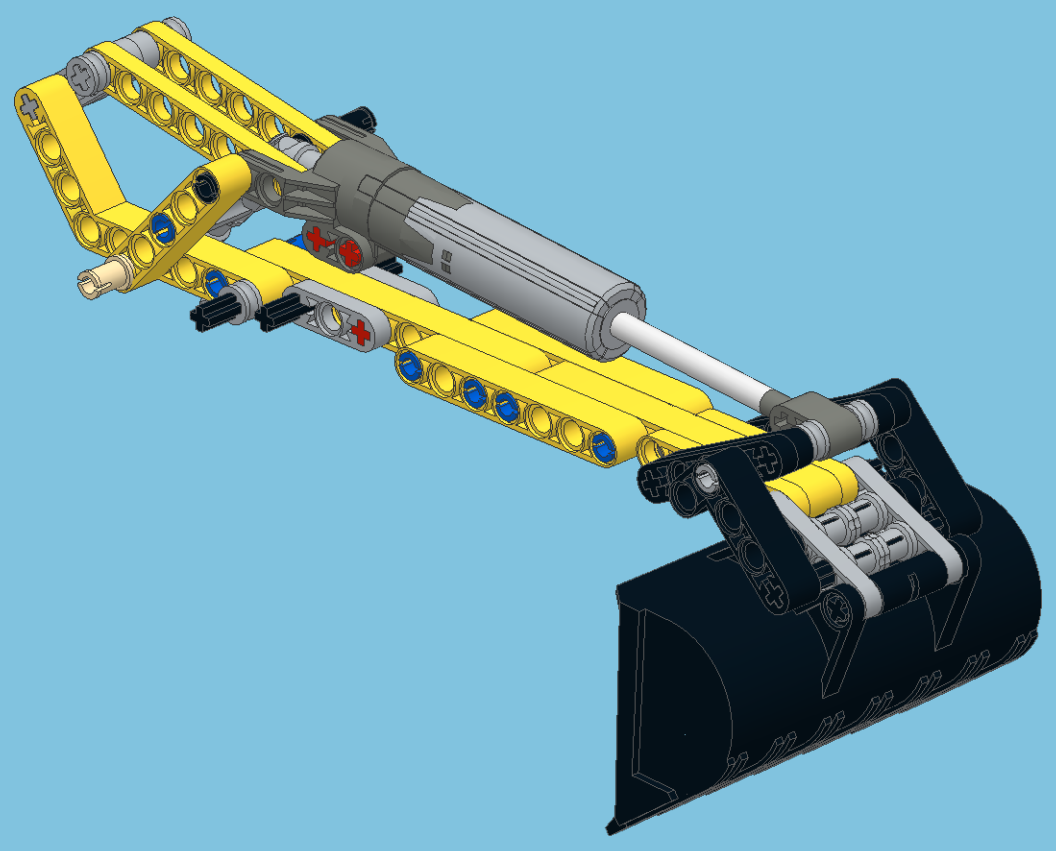


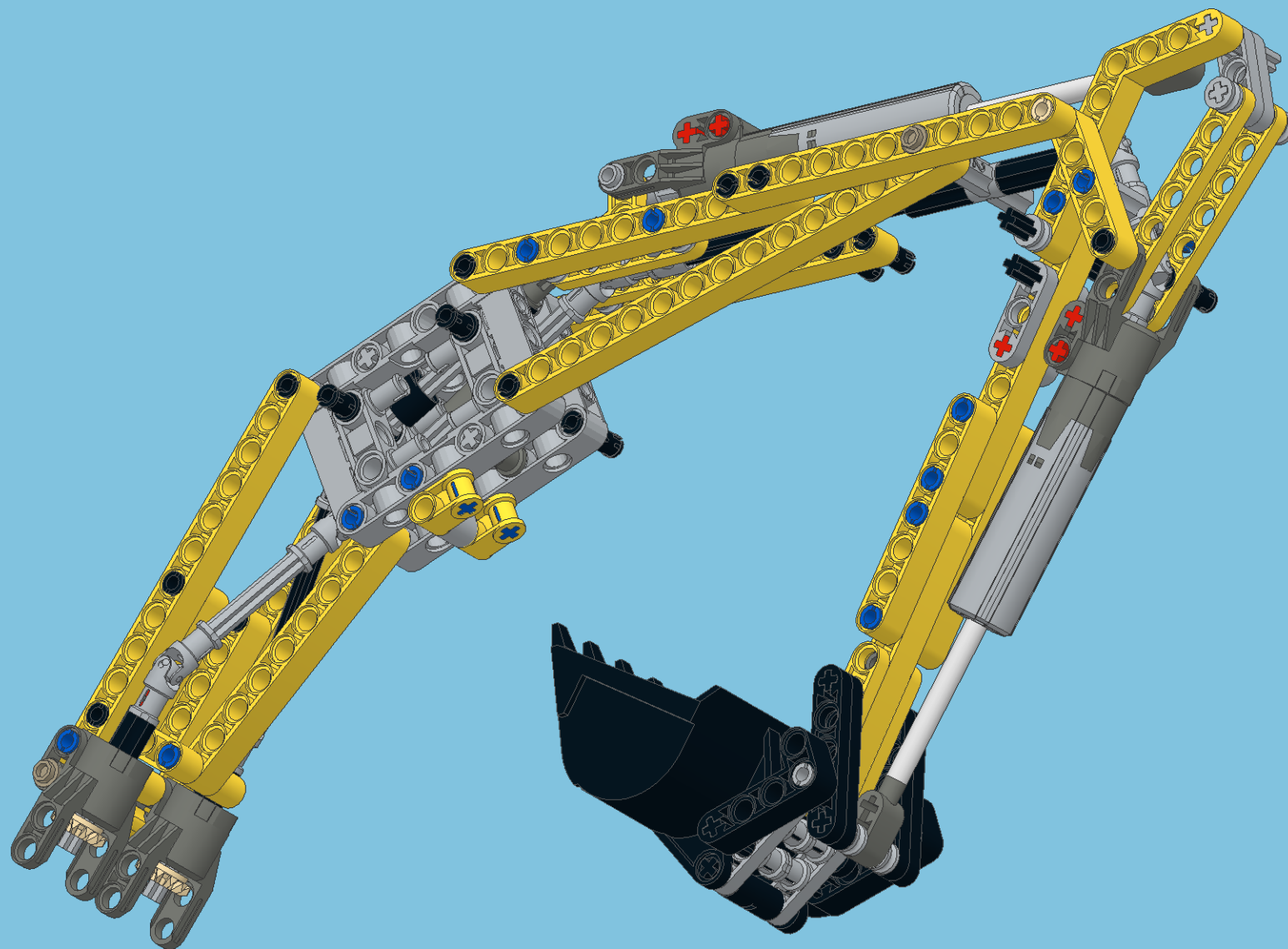
2x

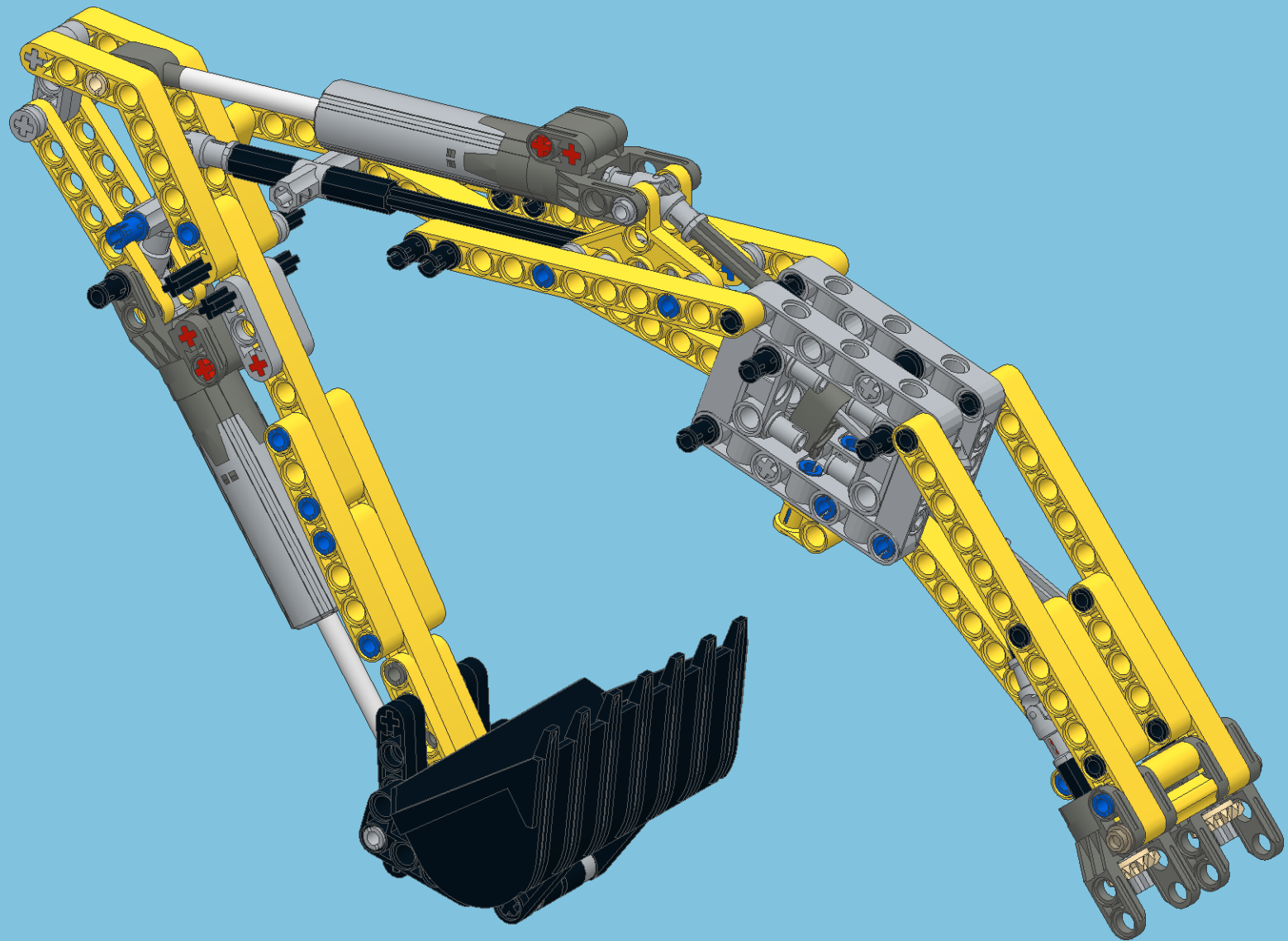
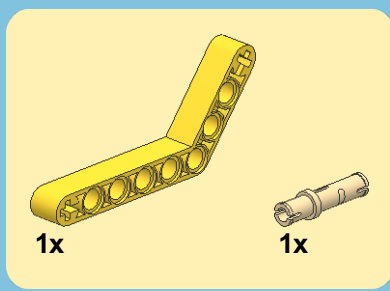


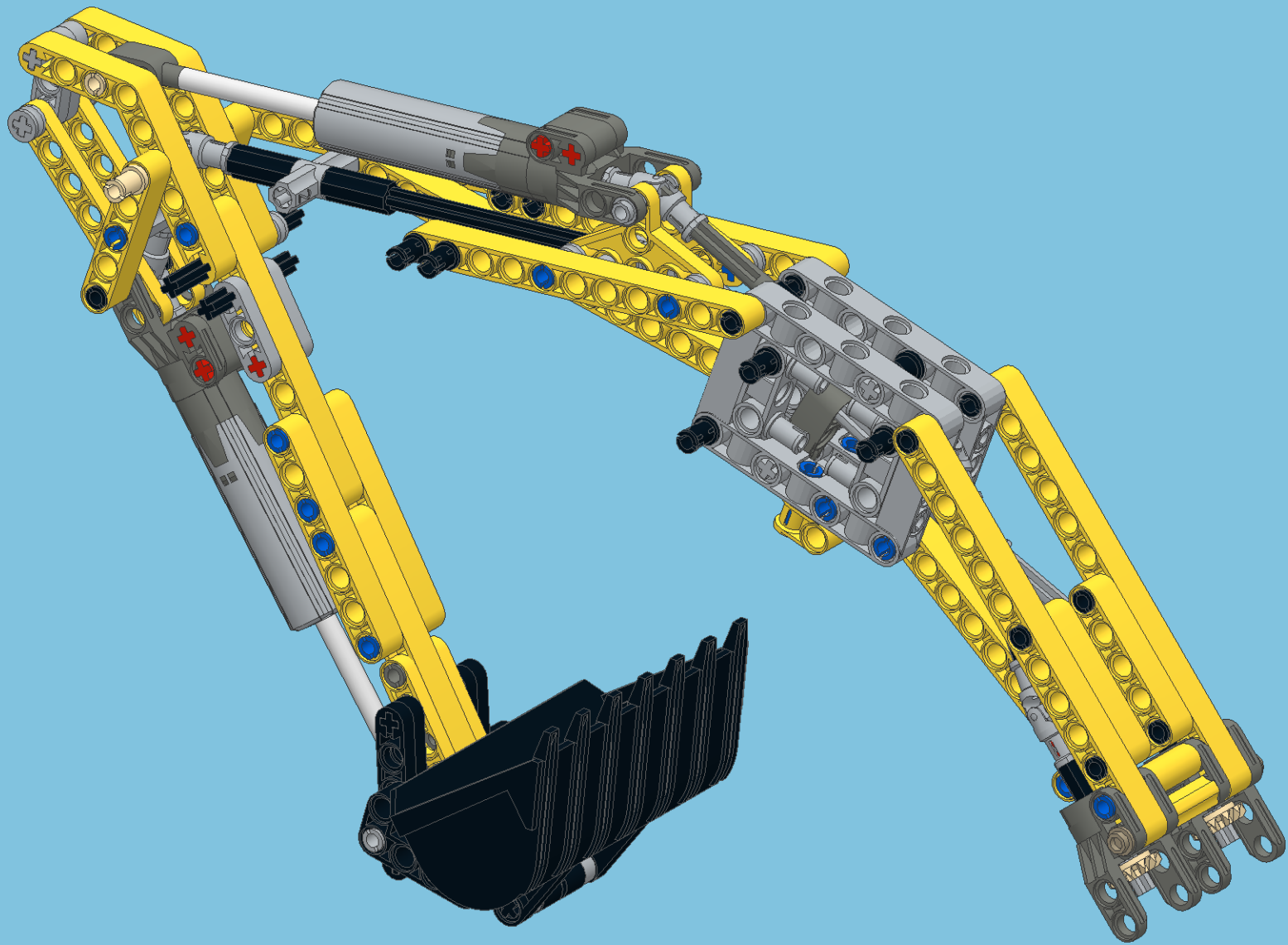
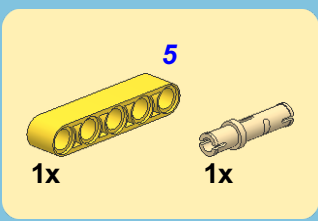
2x

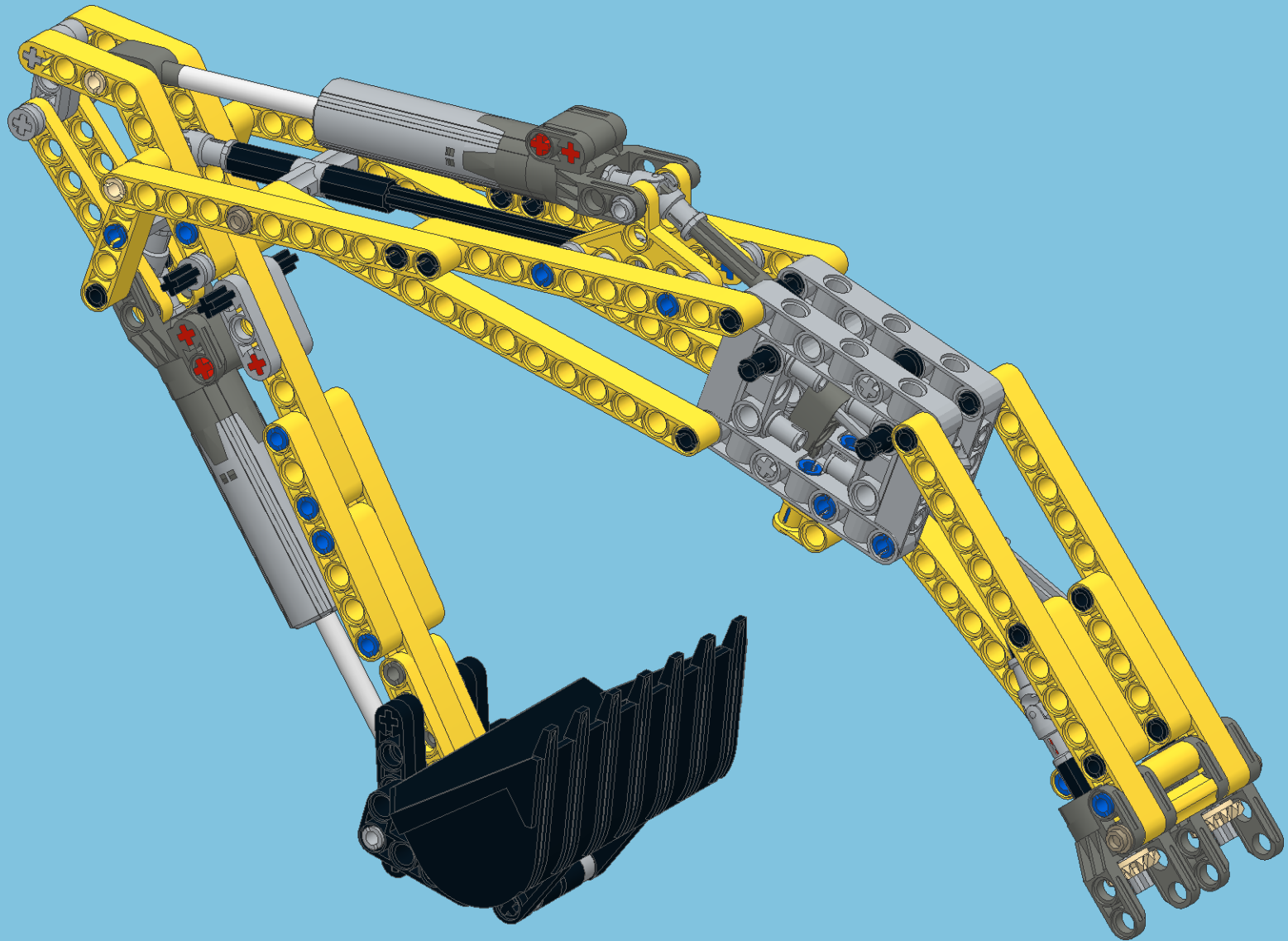
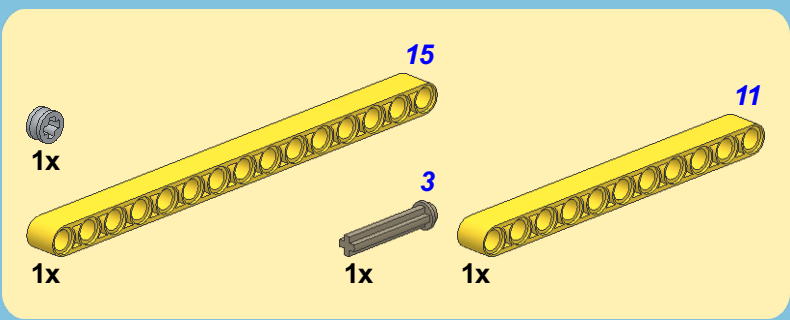


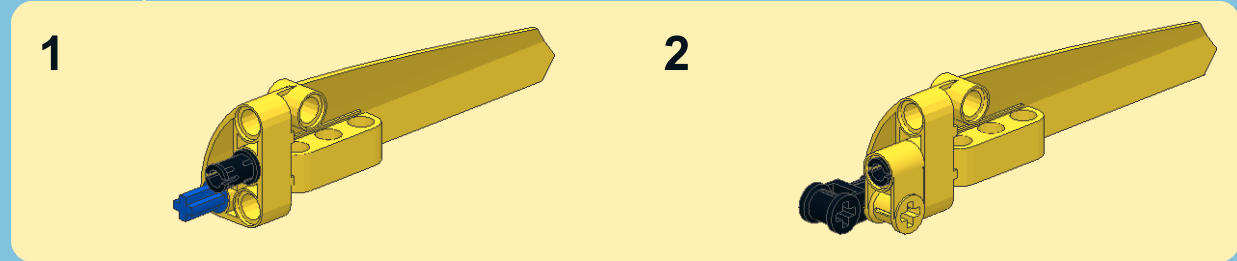
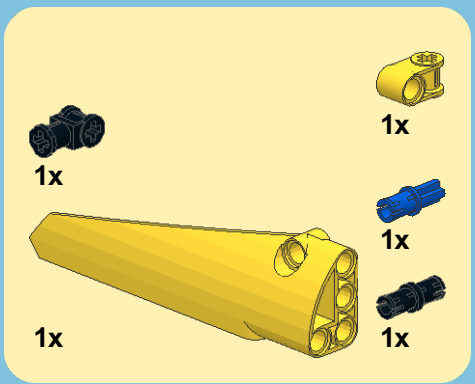












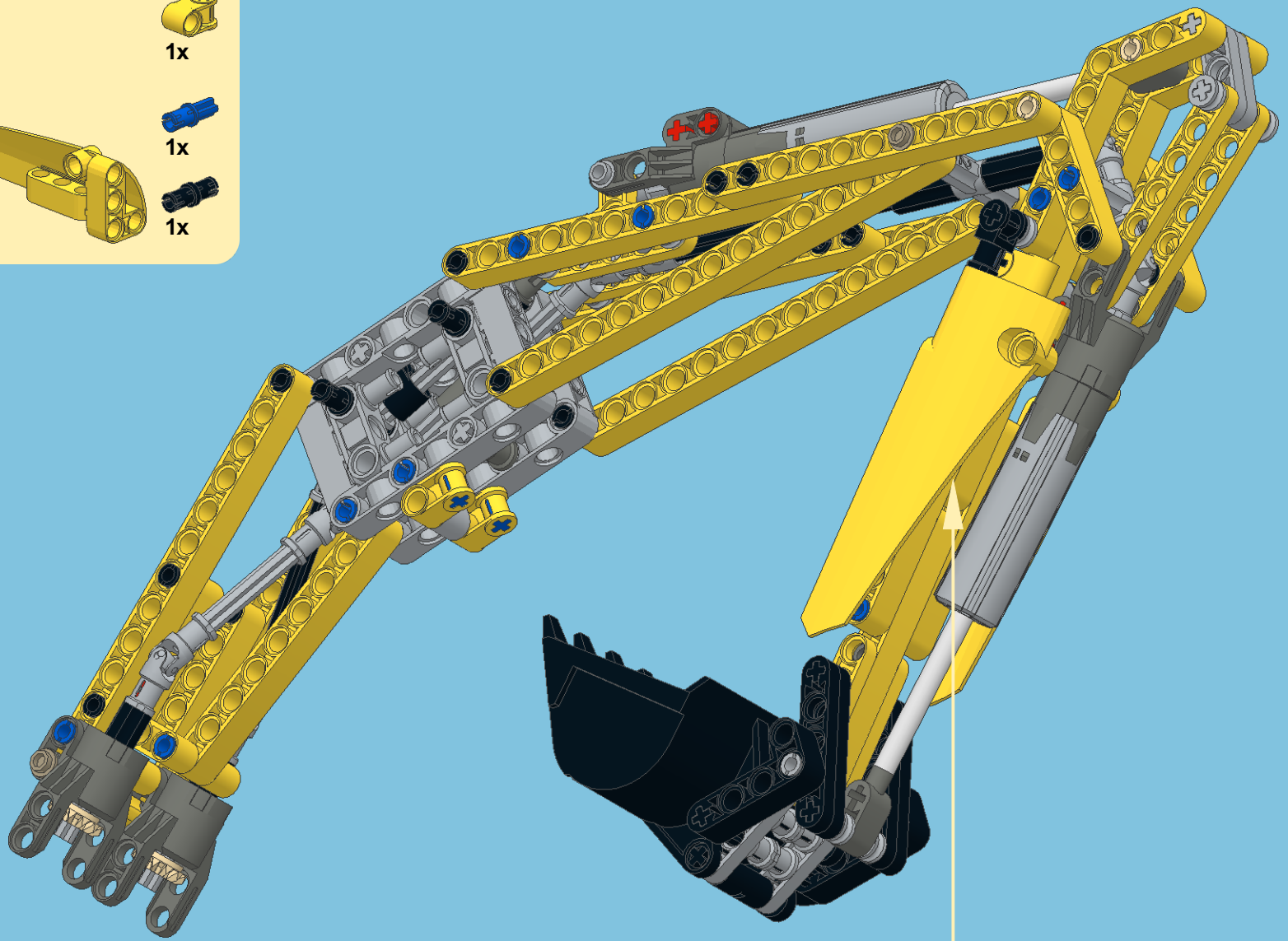
1x

1x

1x

1x

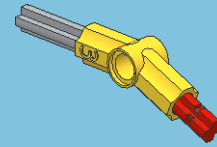
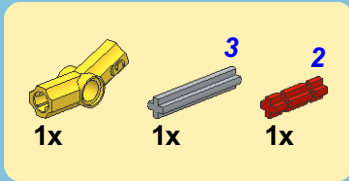
1x



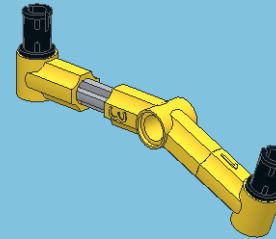
1

2

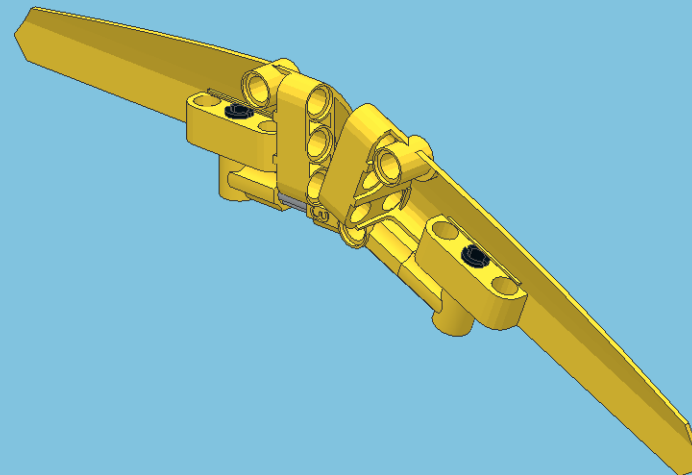
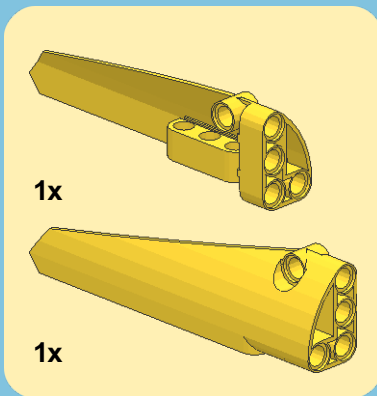
1

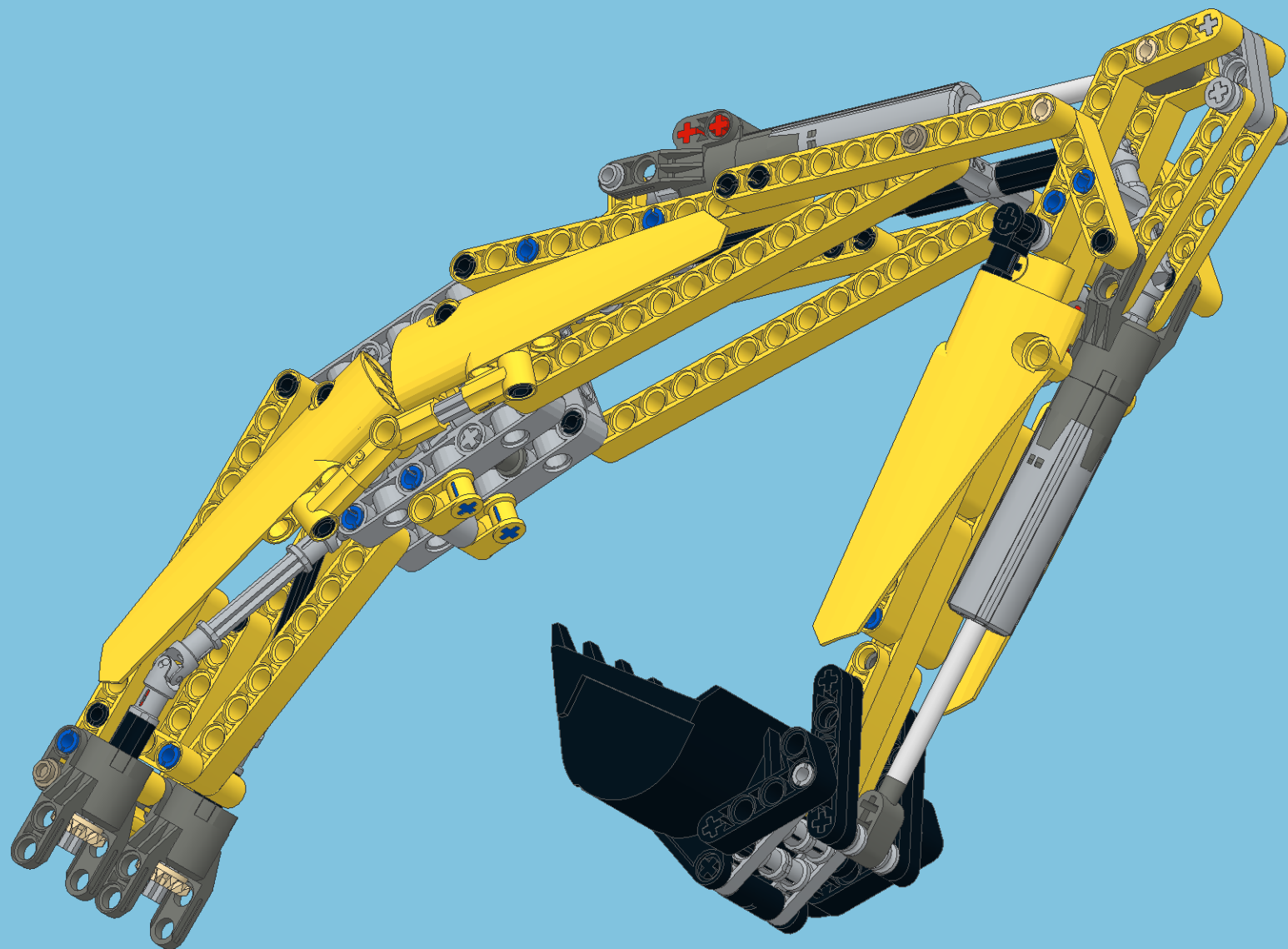


2

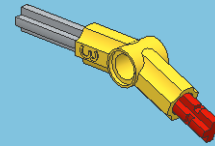
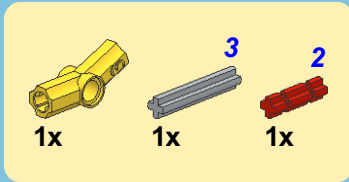


3

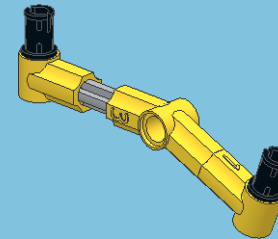




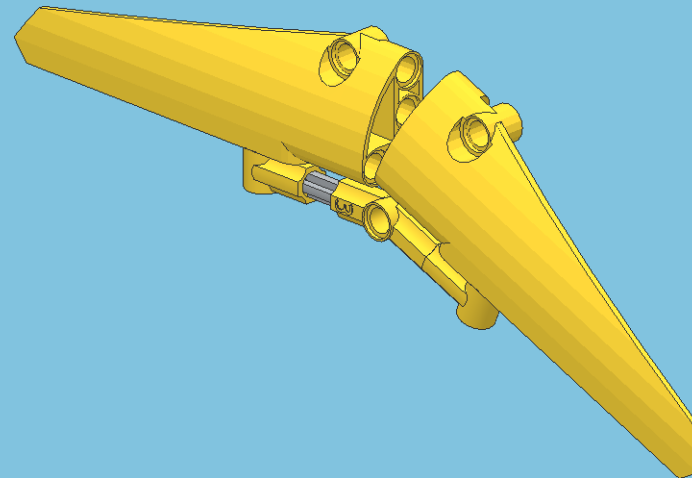
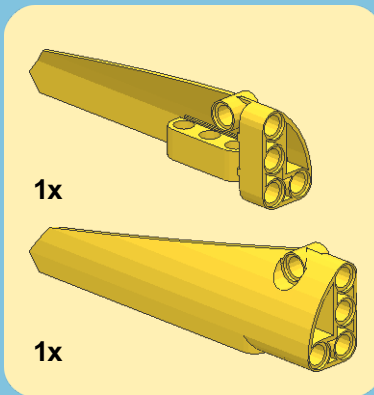
1



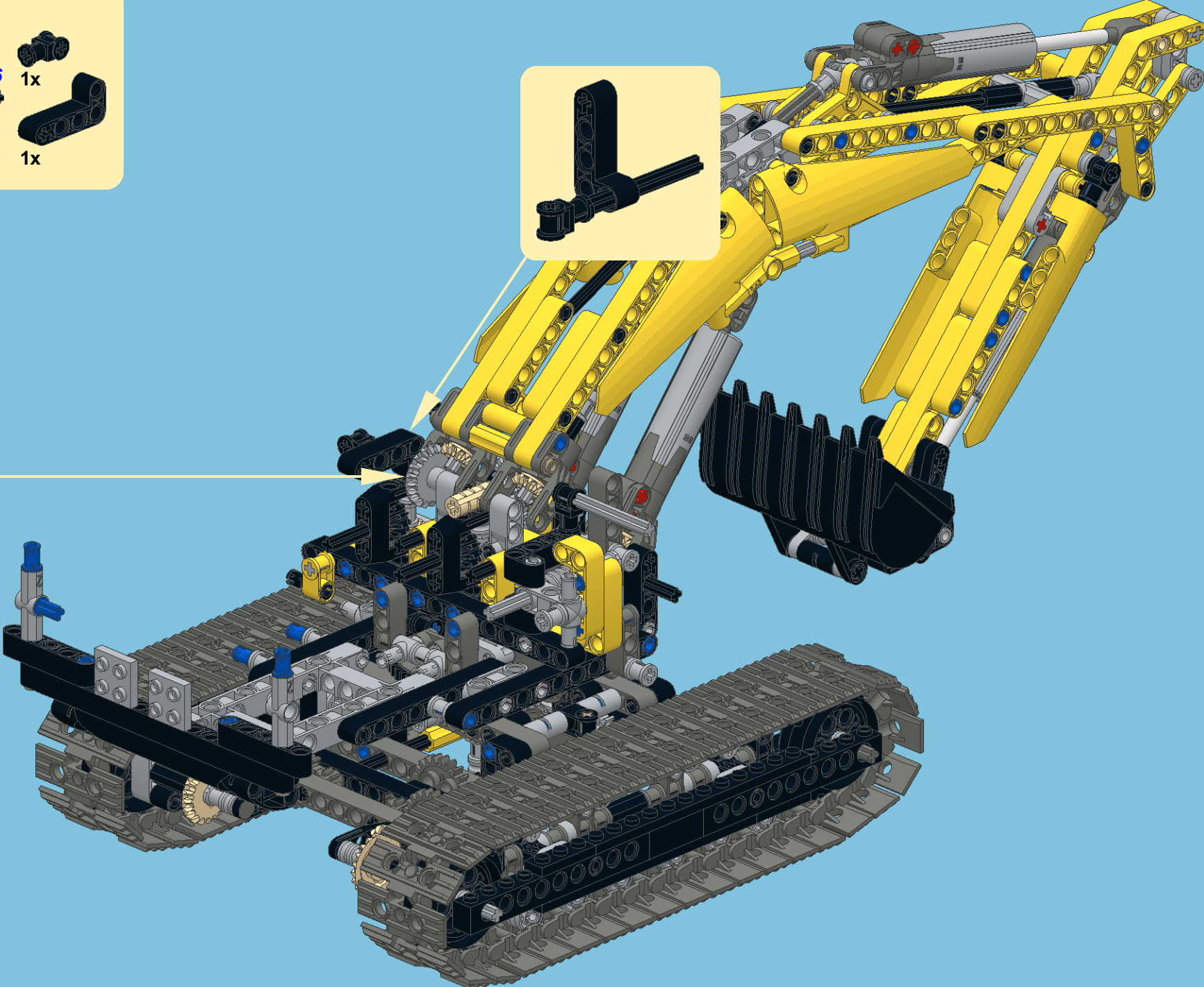
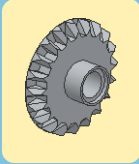
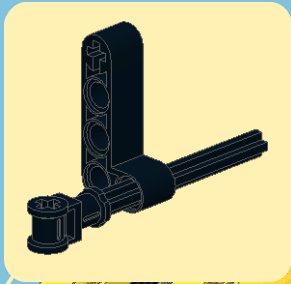
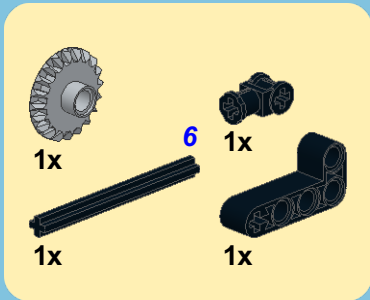
2

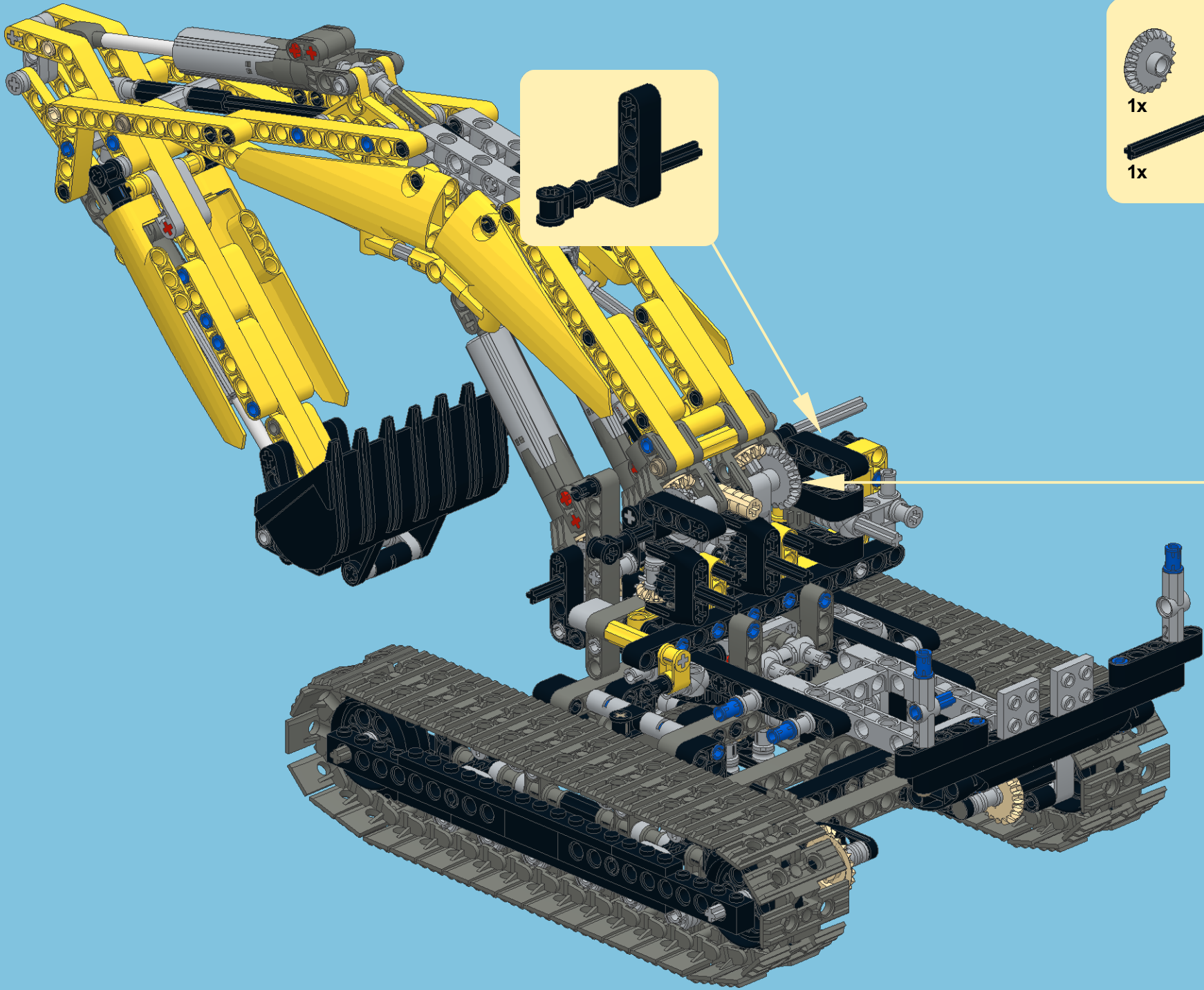


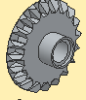

3





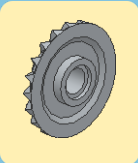






1x  1x 

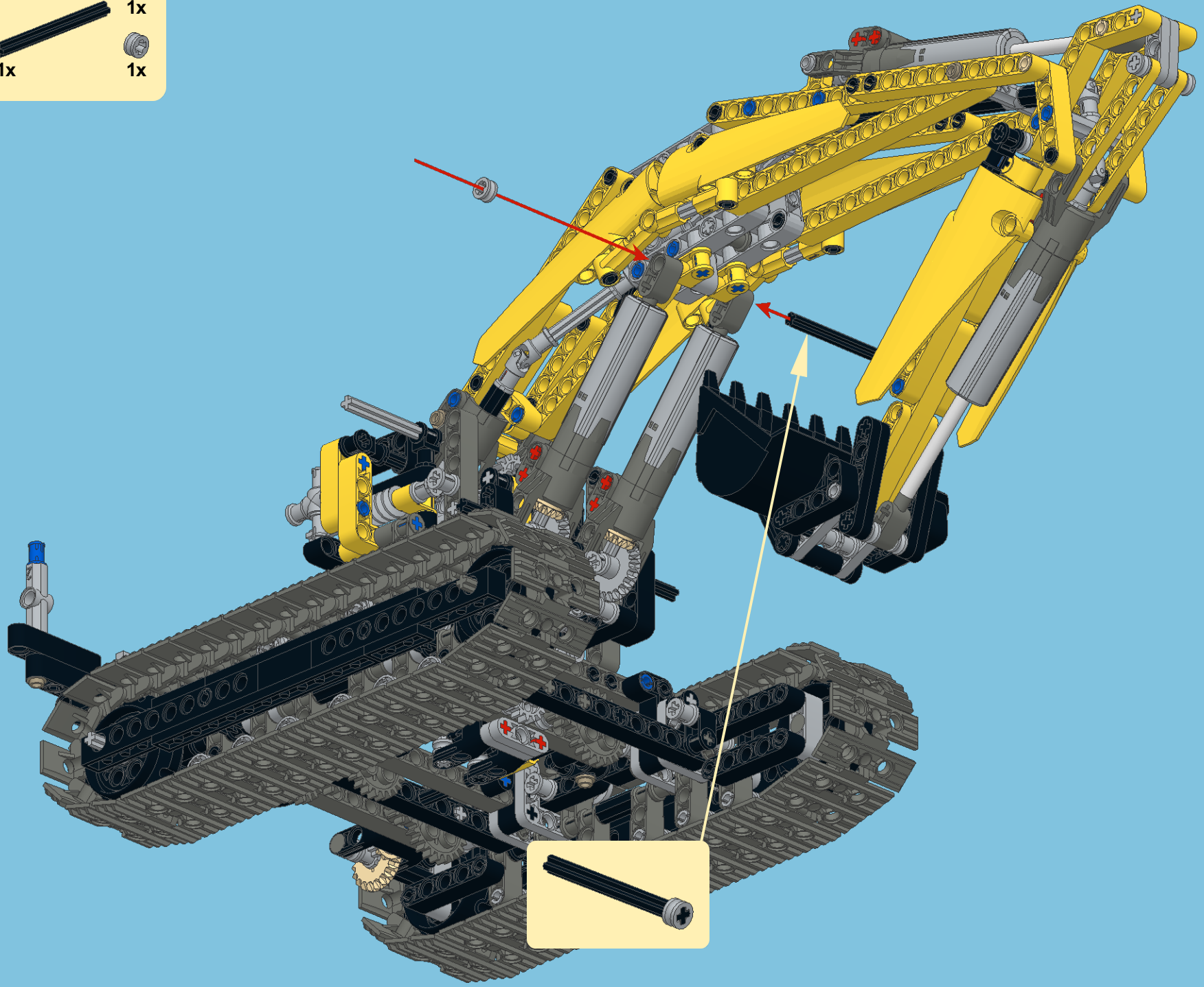
1x  6  1x

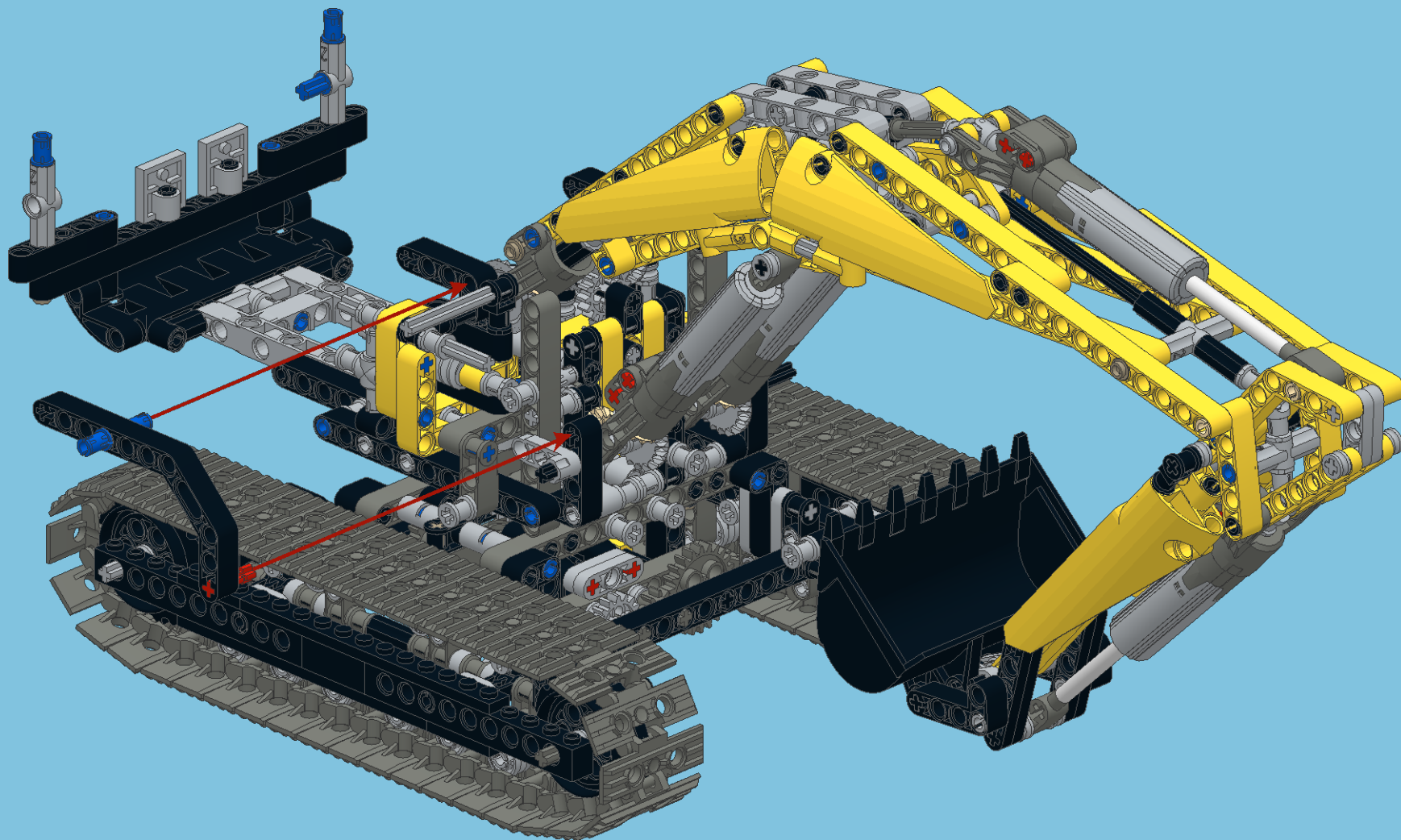
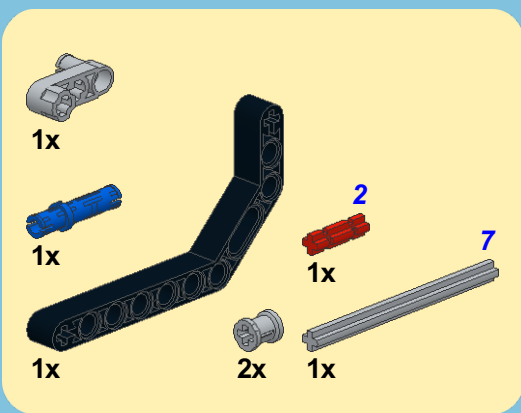


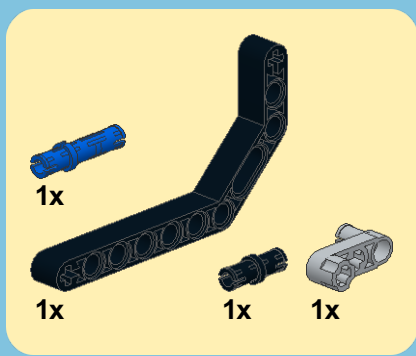
6
1x

1x

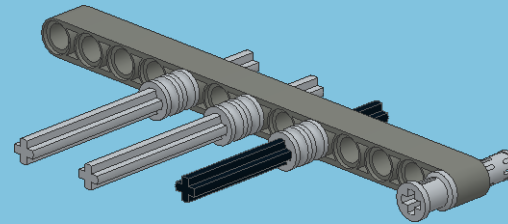
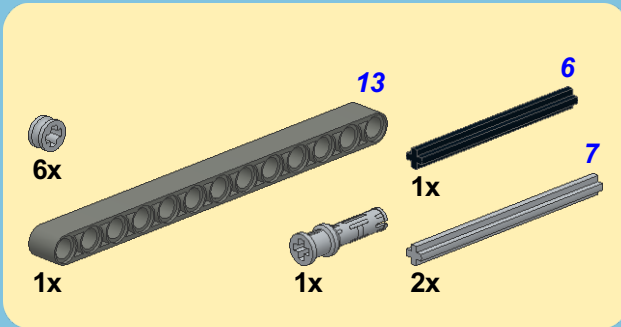
1x



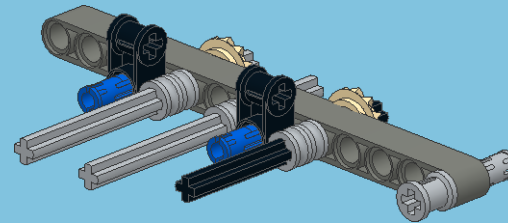
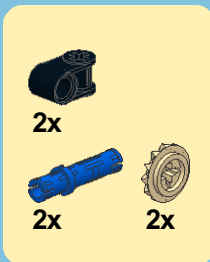


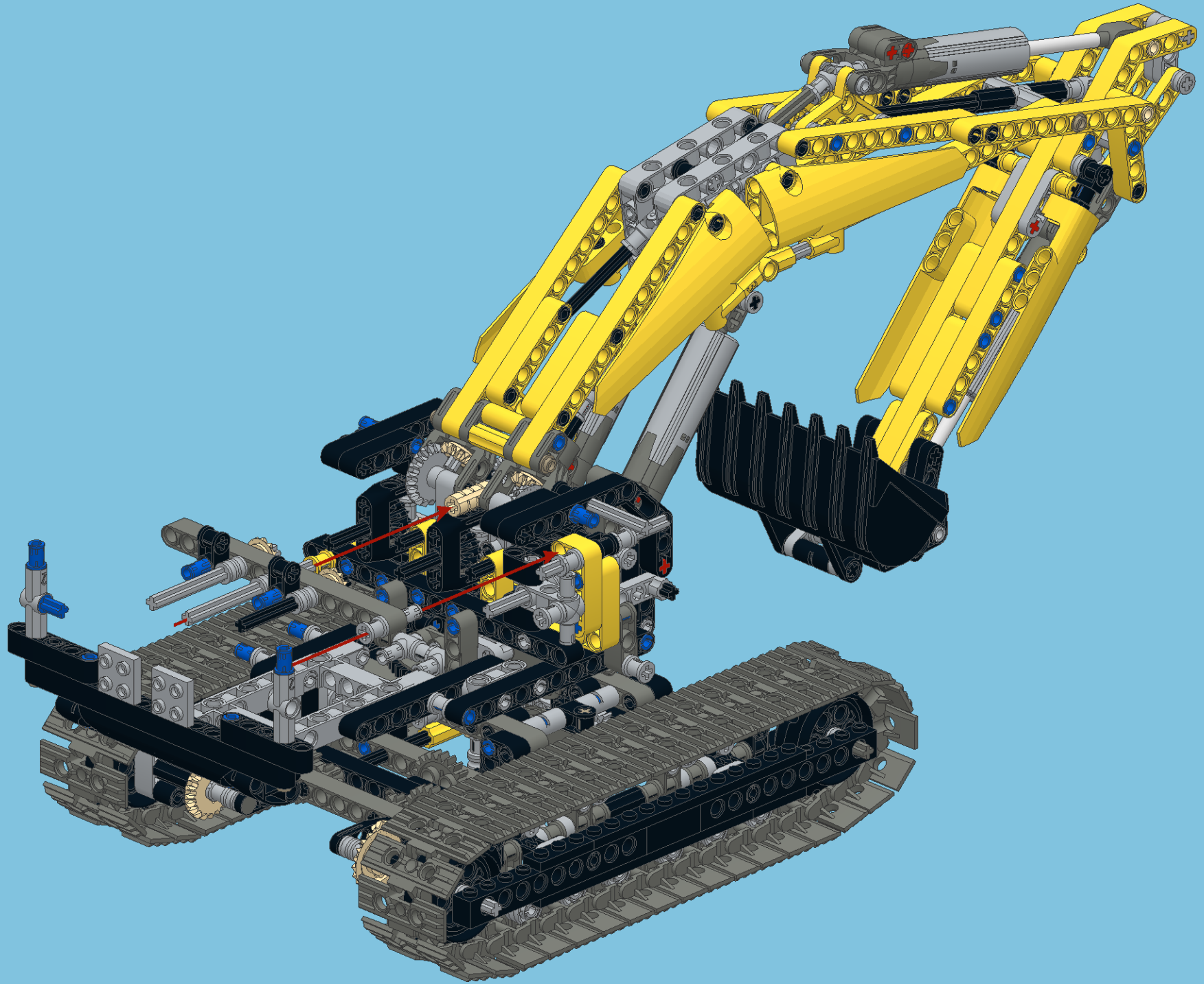


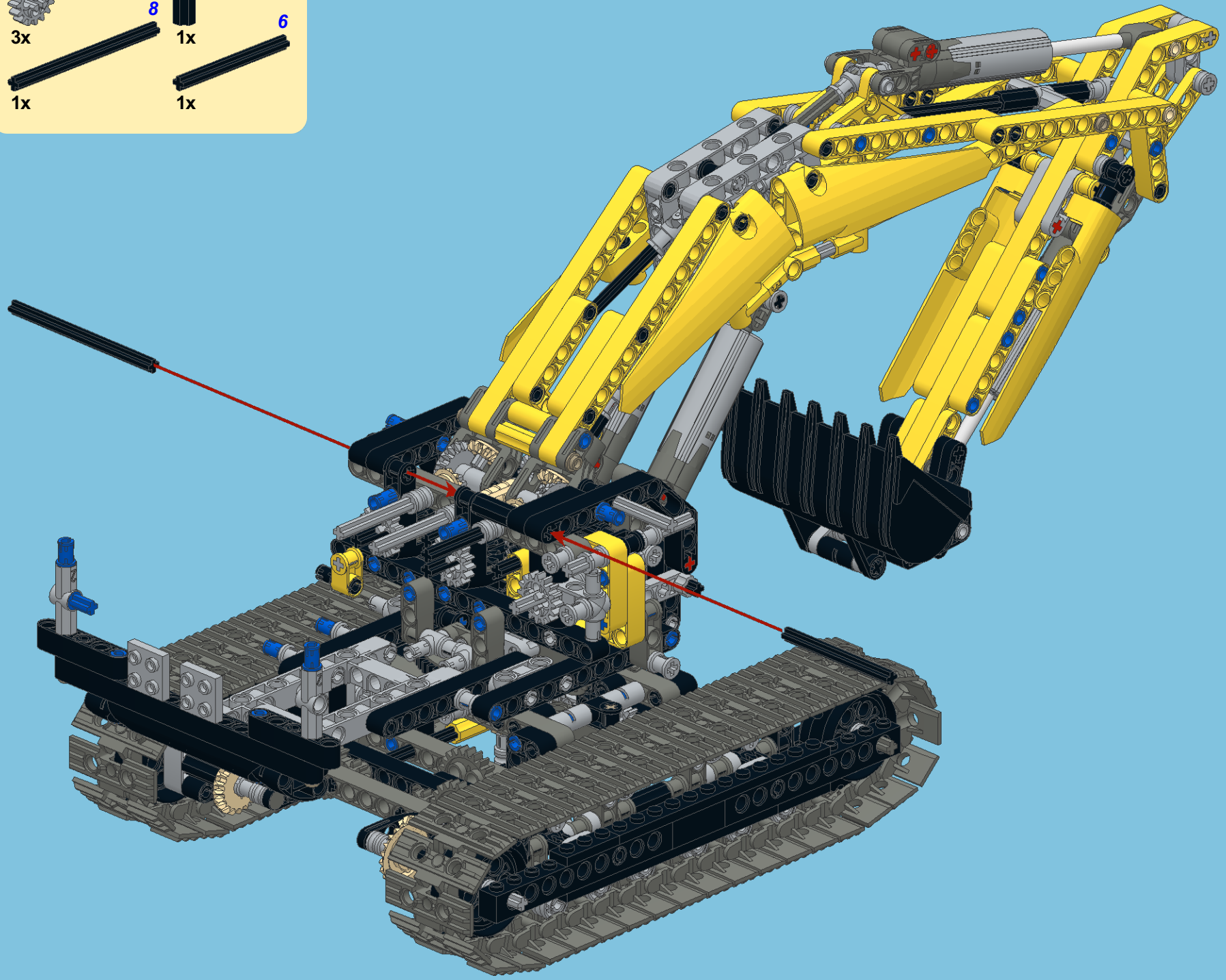
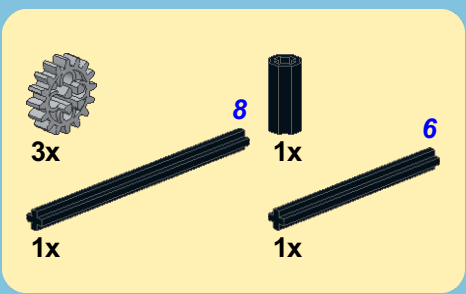
1

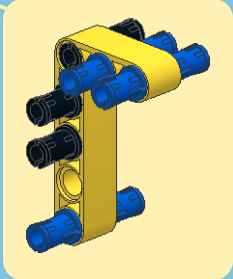
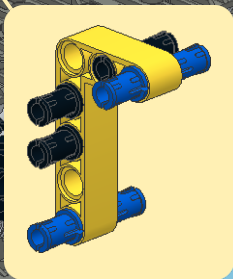
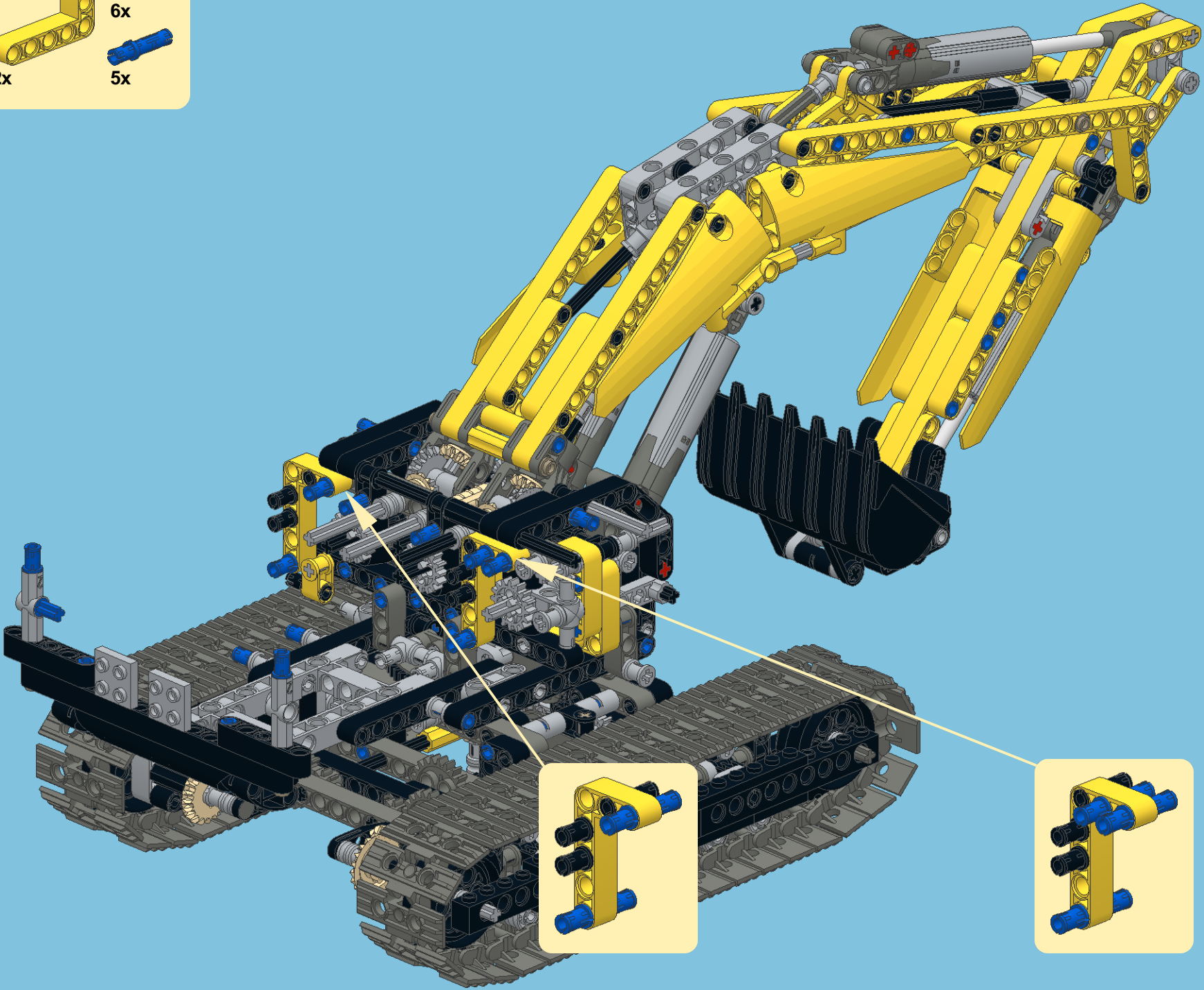
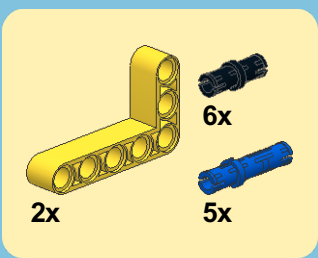


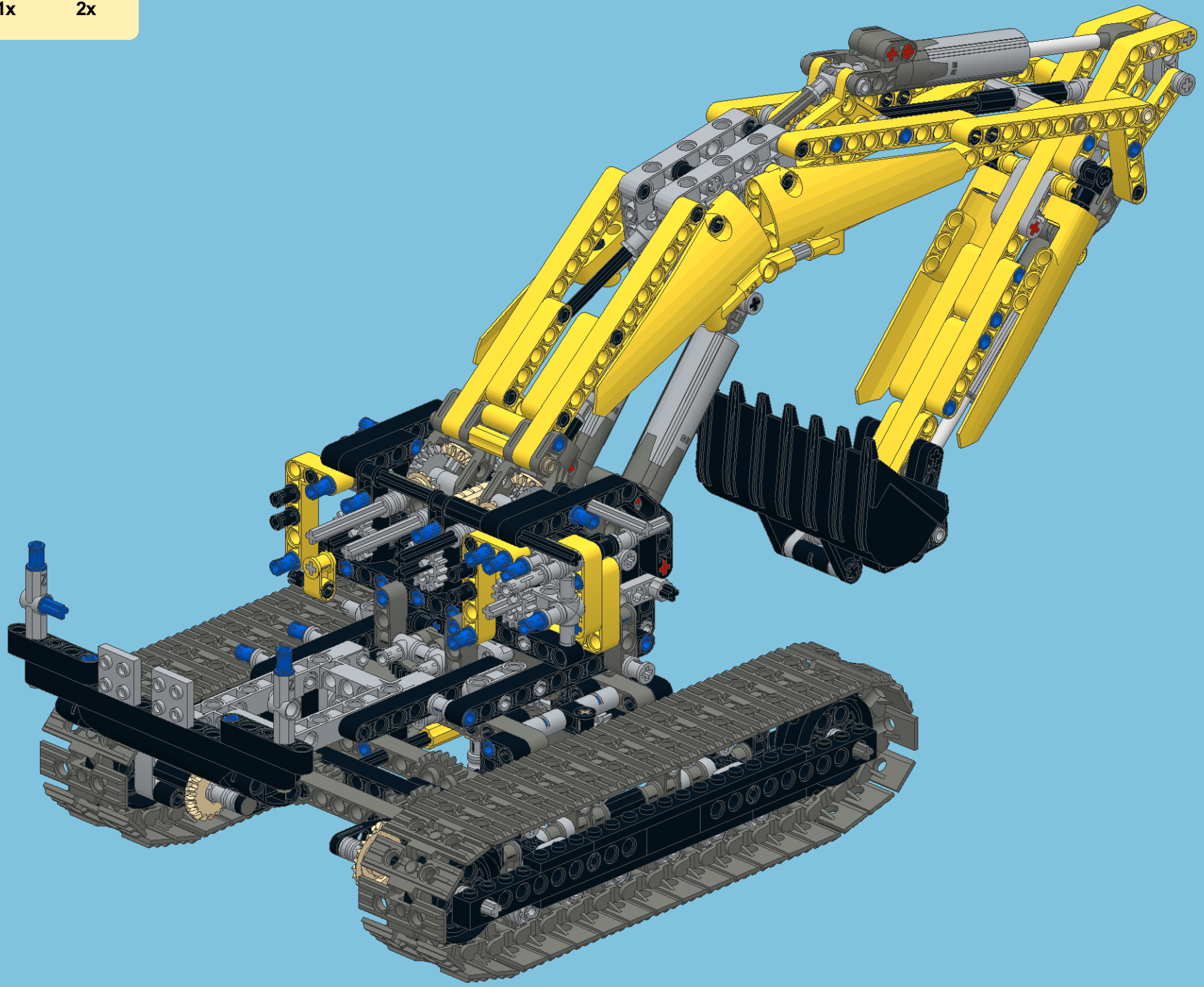
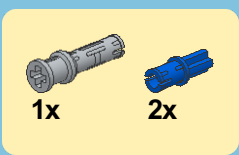
2



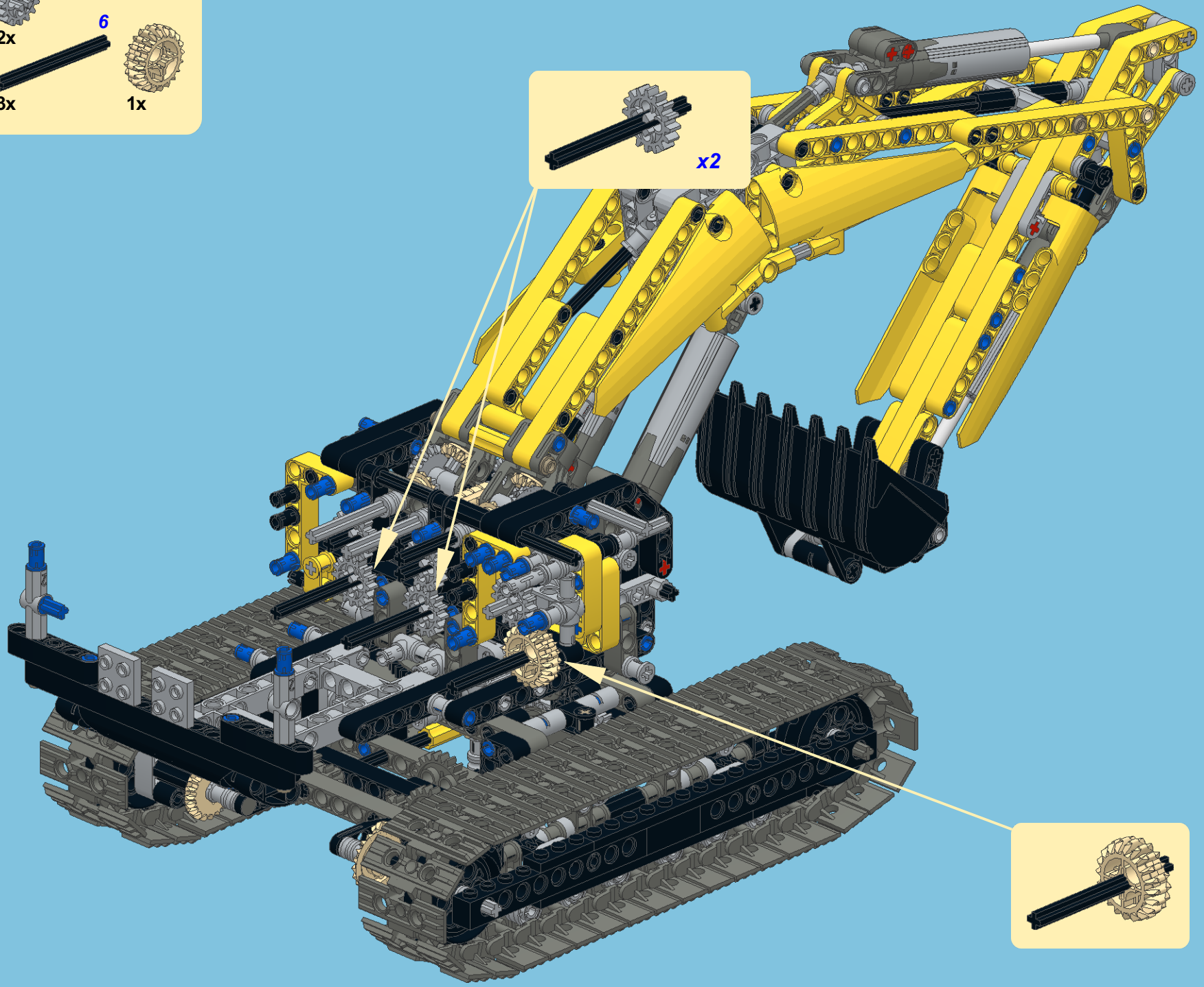




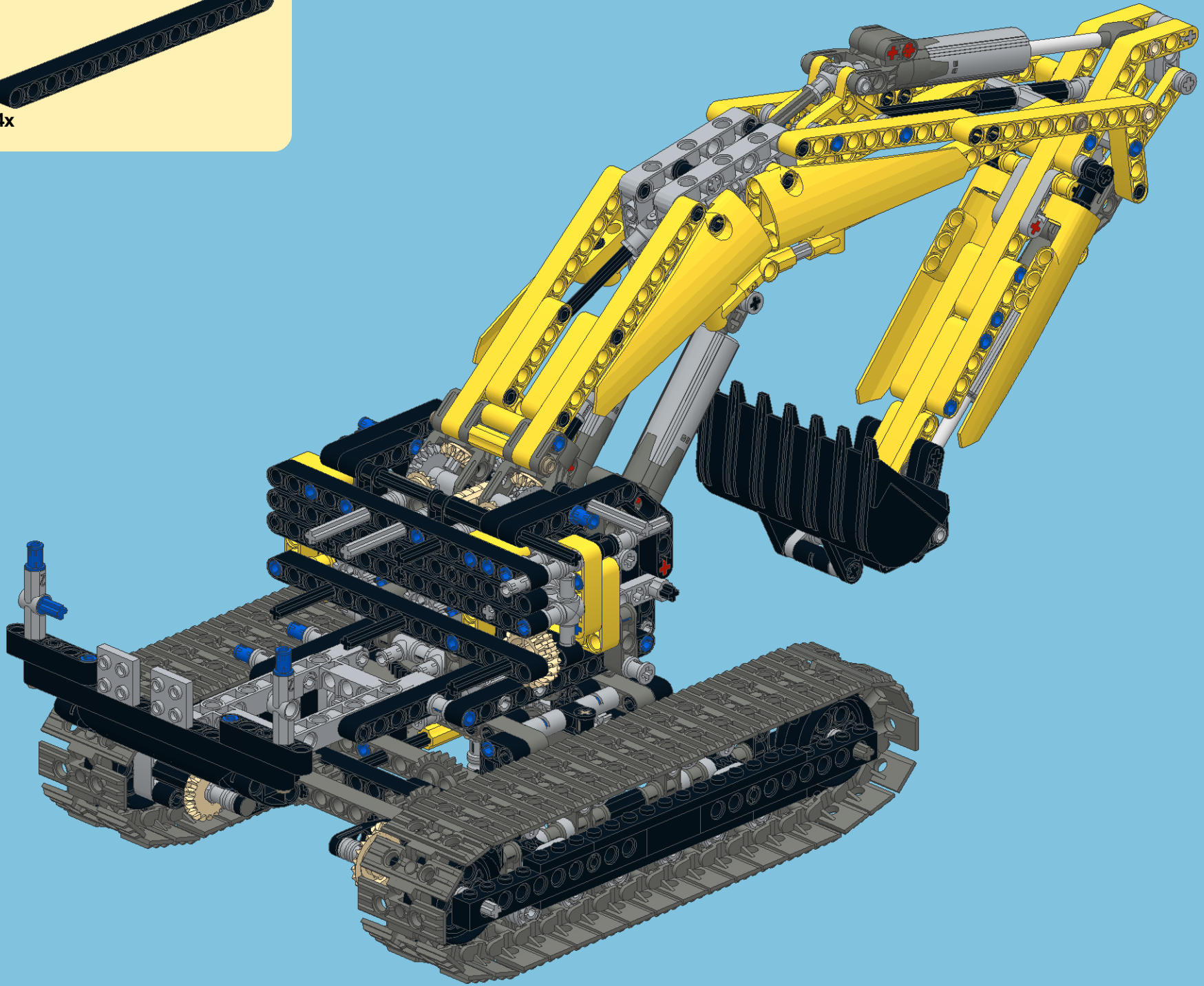
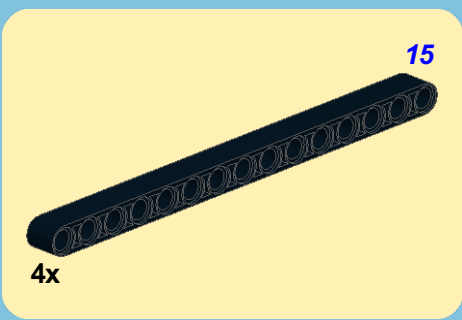




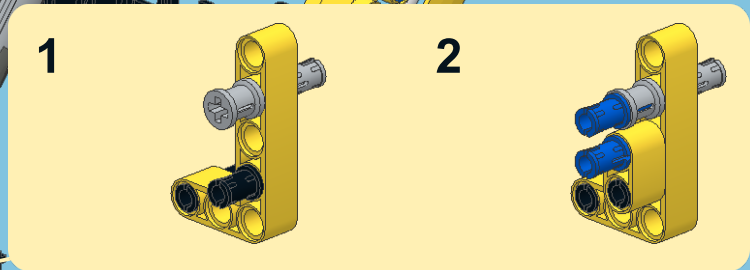
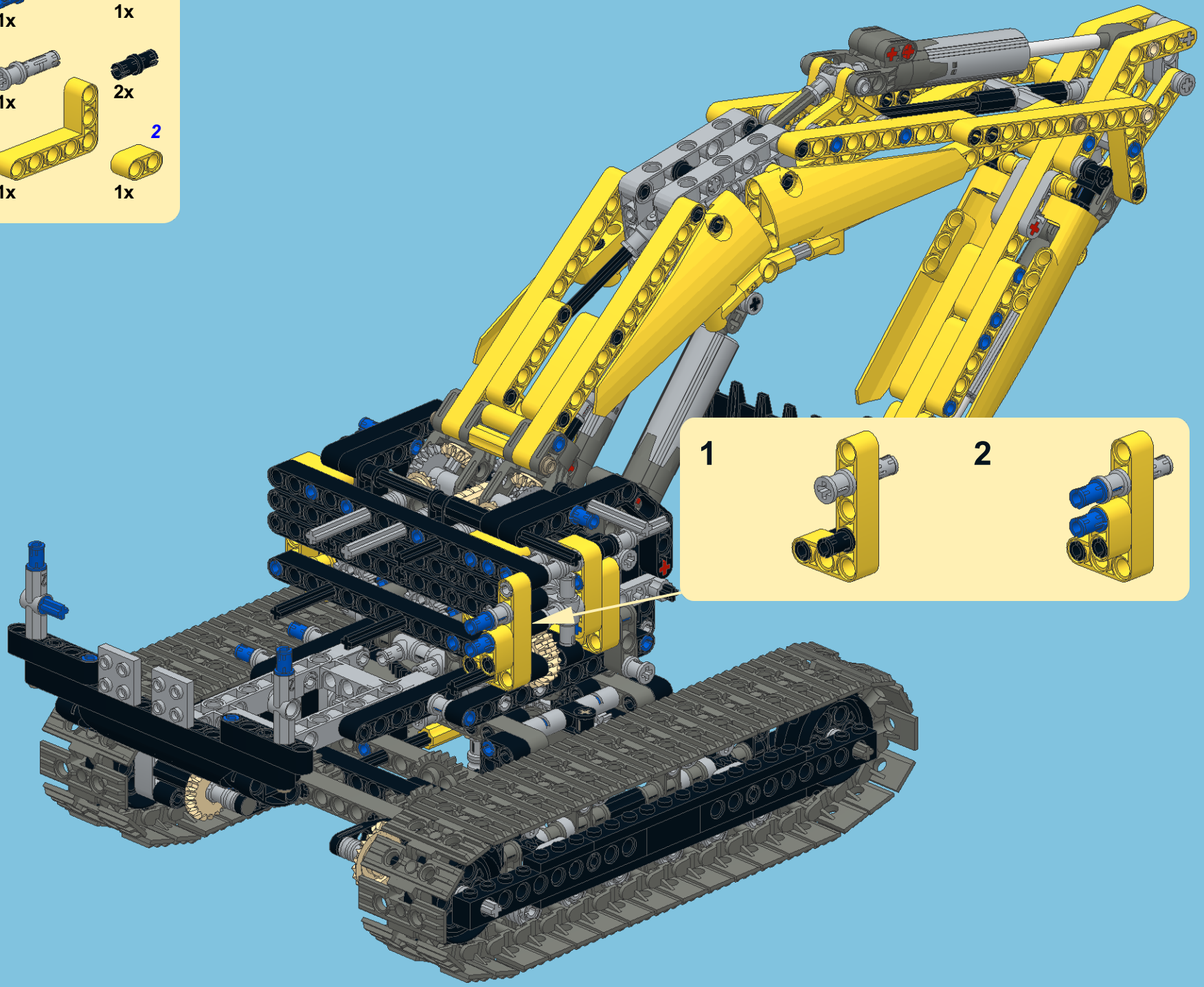
2x
3x
6
1x



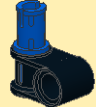
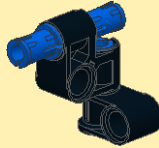
1x

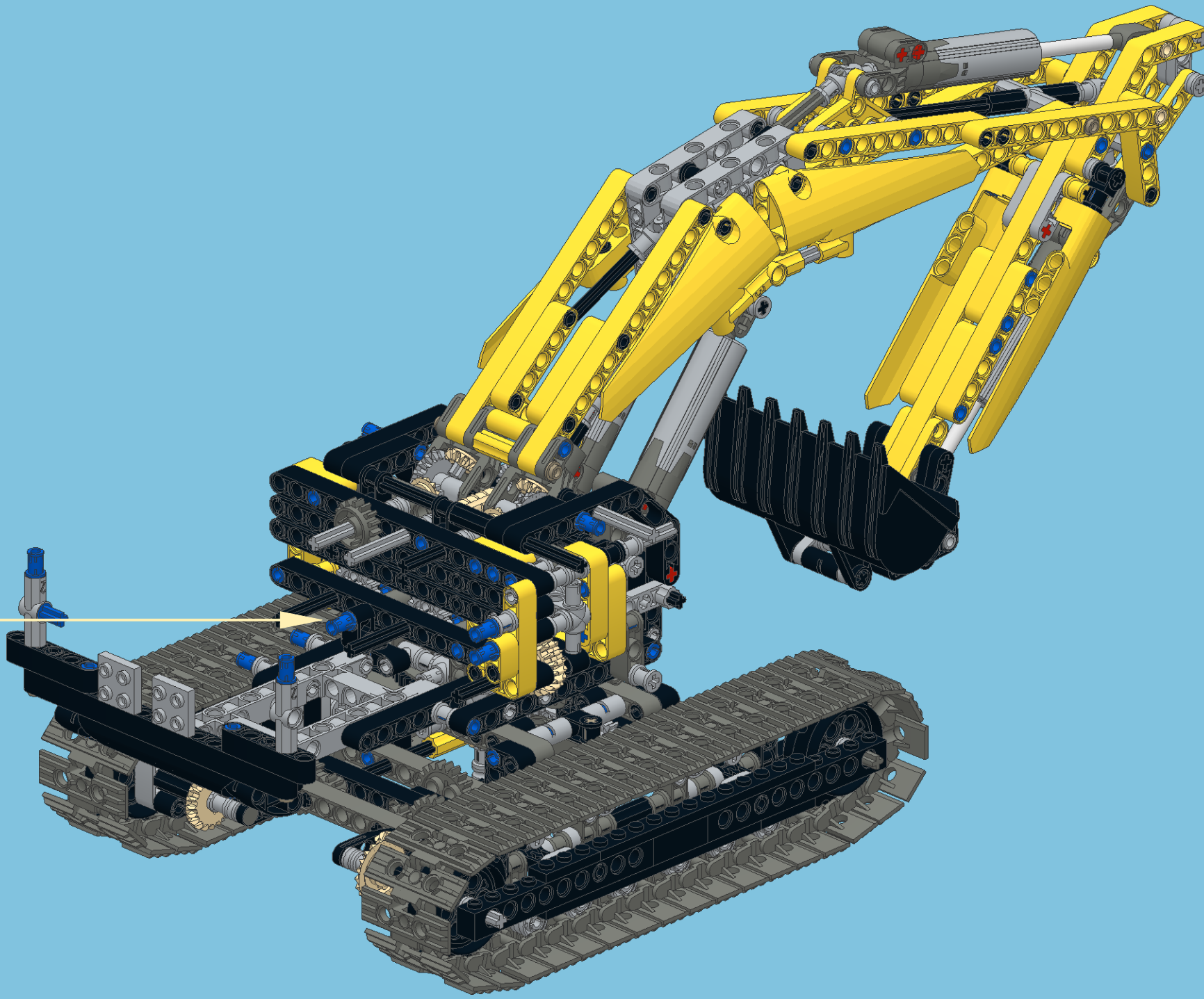


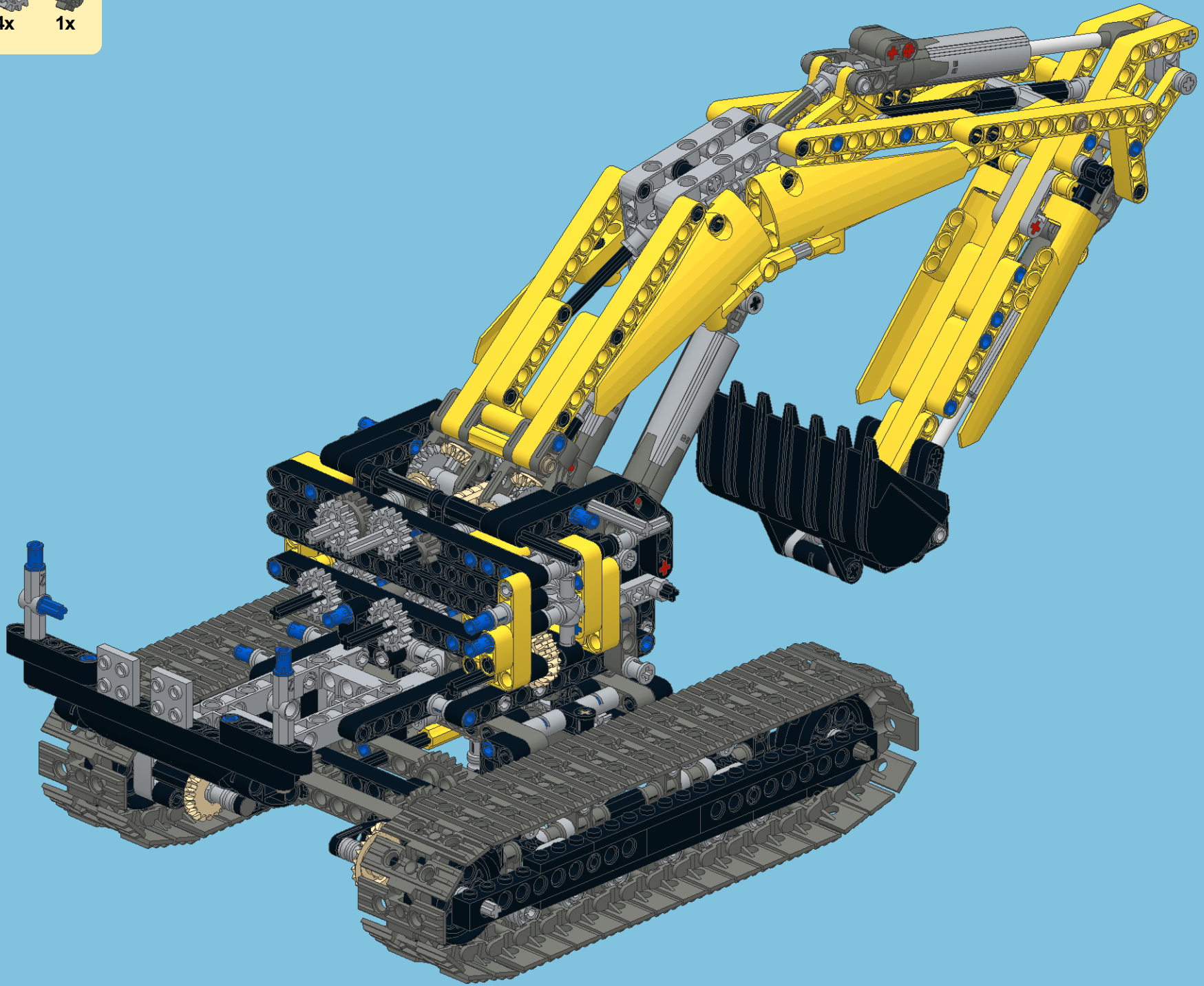
- 1x
- 1x
- 1x
- 2x
- 1x
- 2
- 1x



- 1x 
- 1x  1x 
- 1x  1x 

- 1 
- 2 



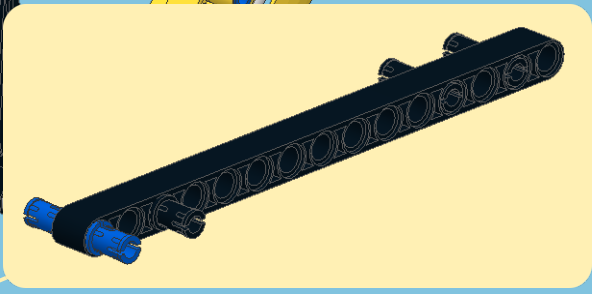
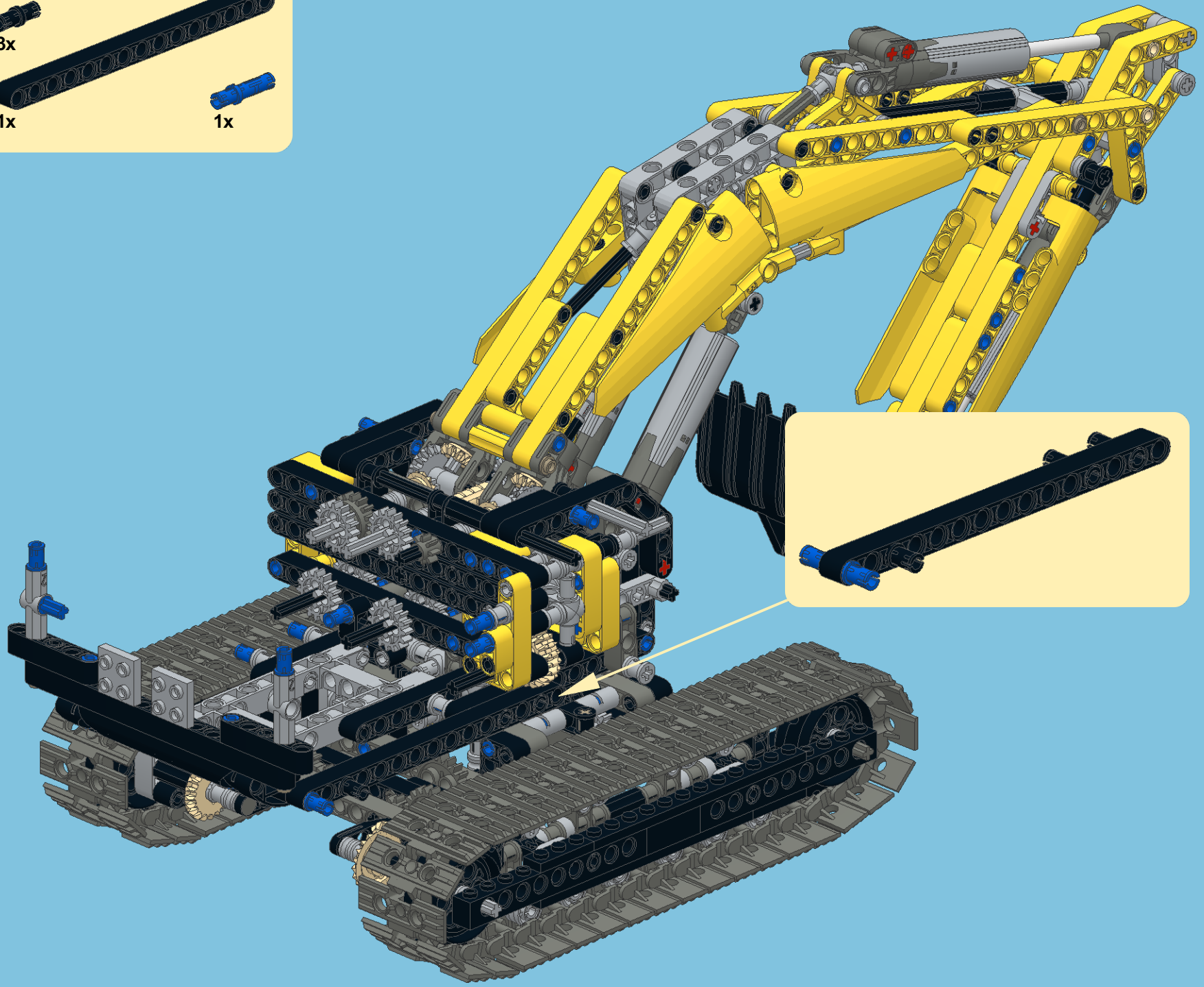
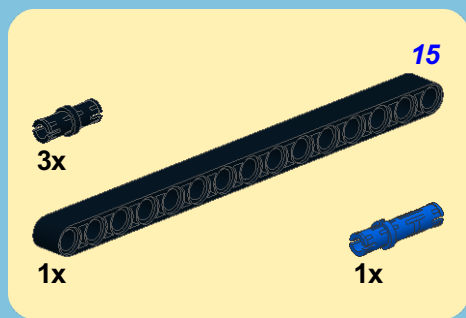


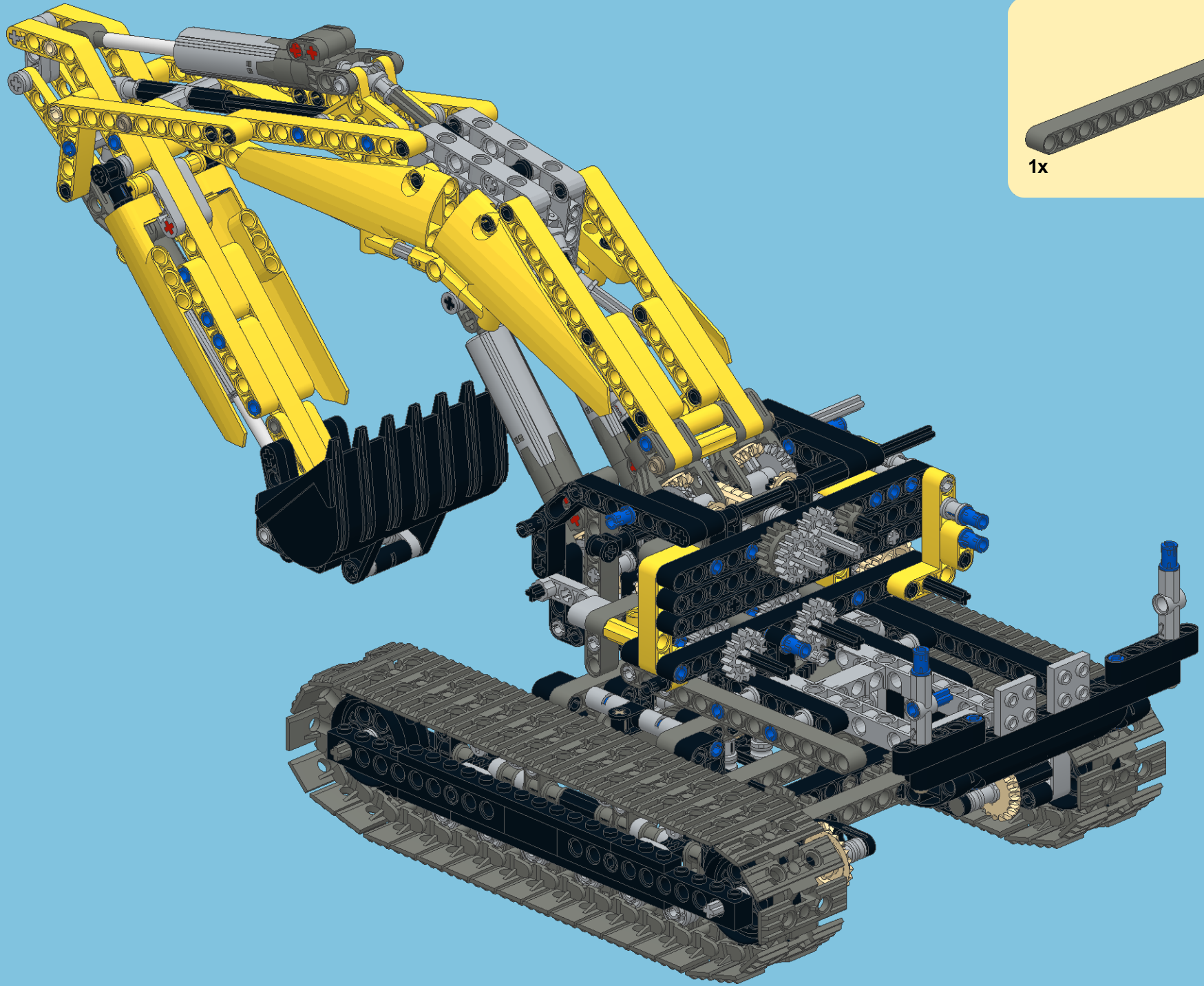
3x

15

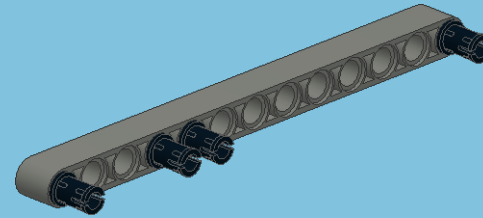
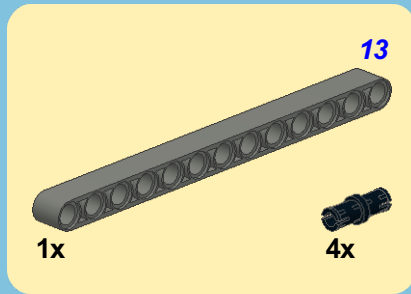
1x

1x

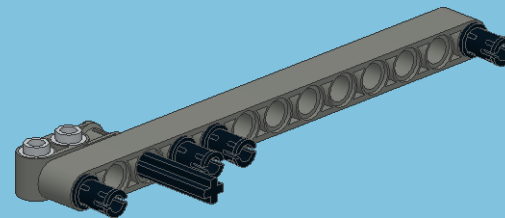
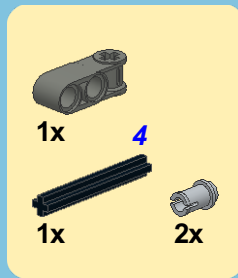




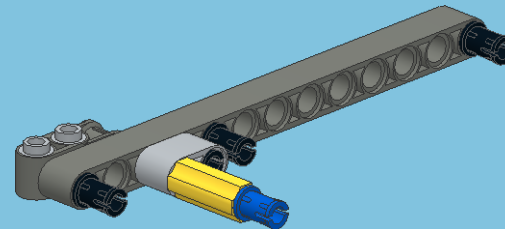
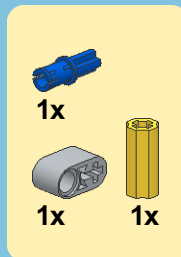
1

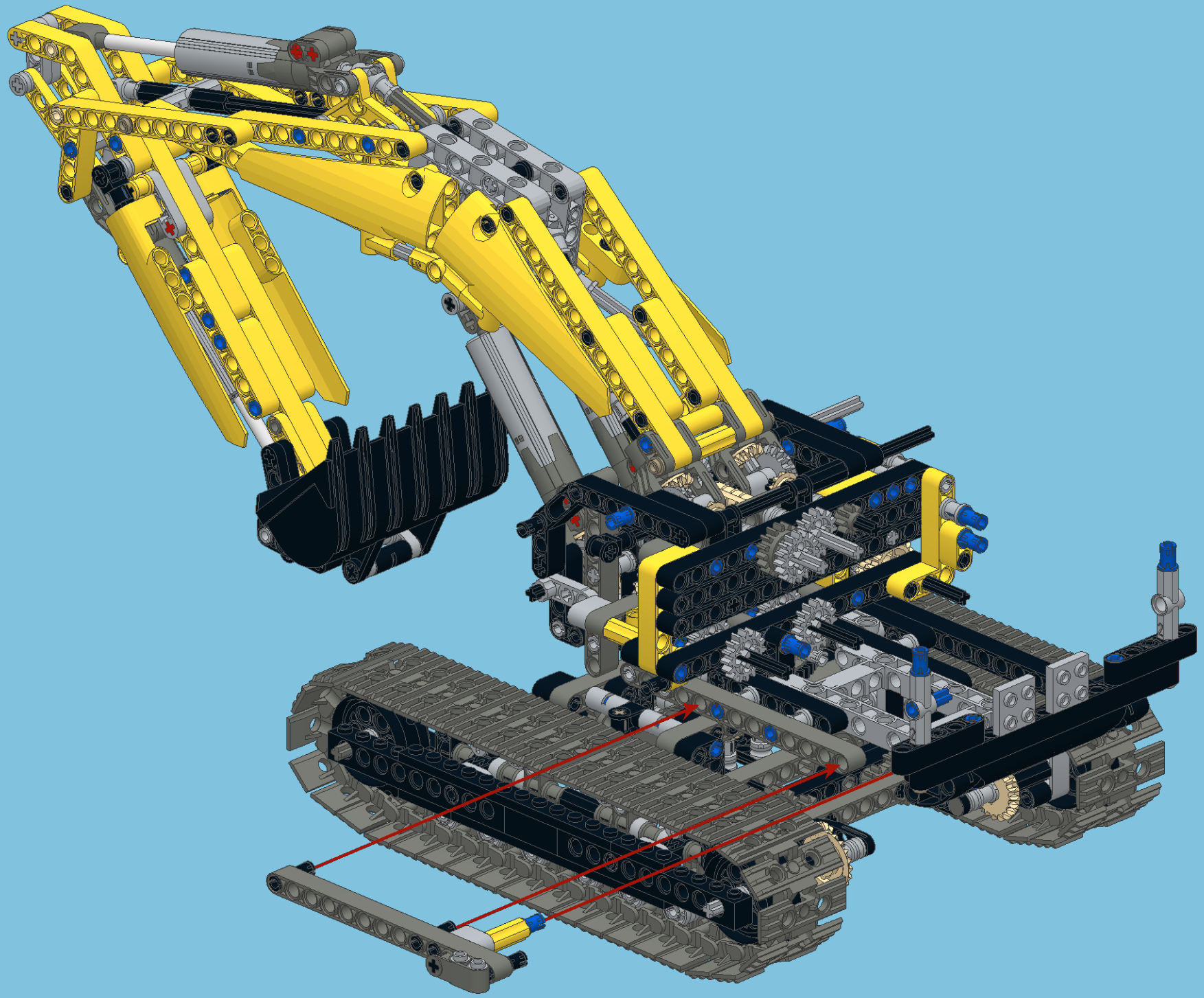


2

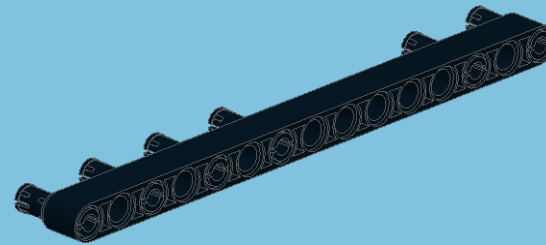
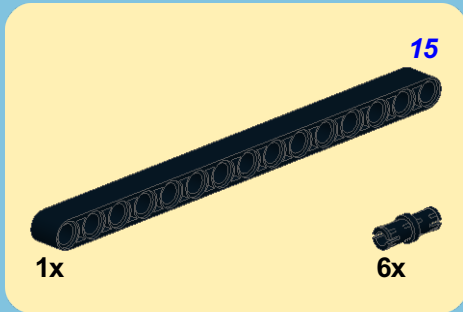


3

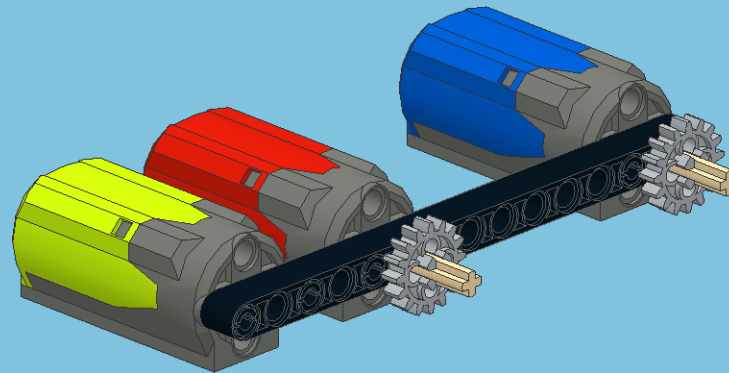
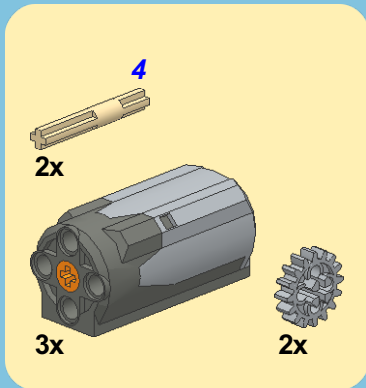


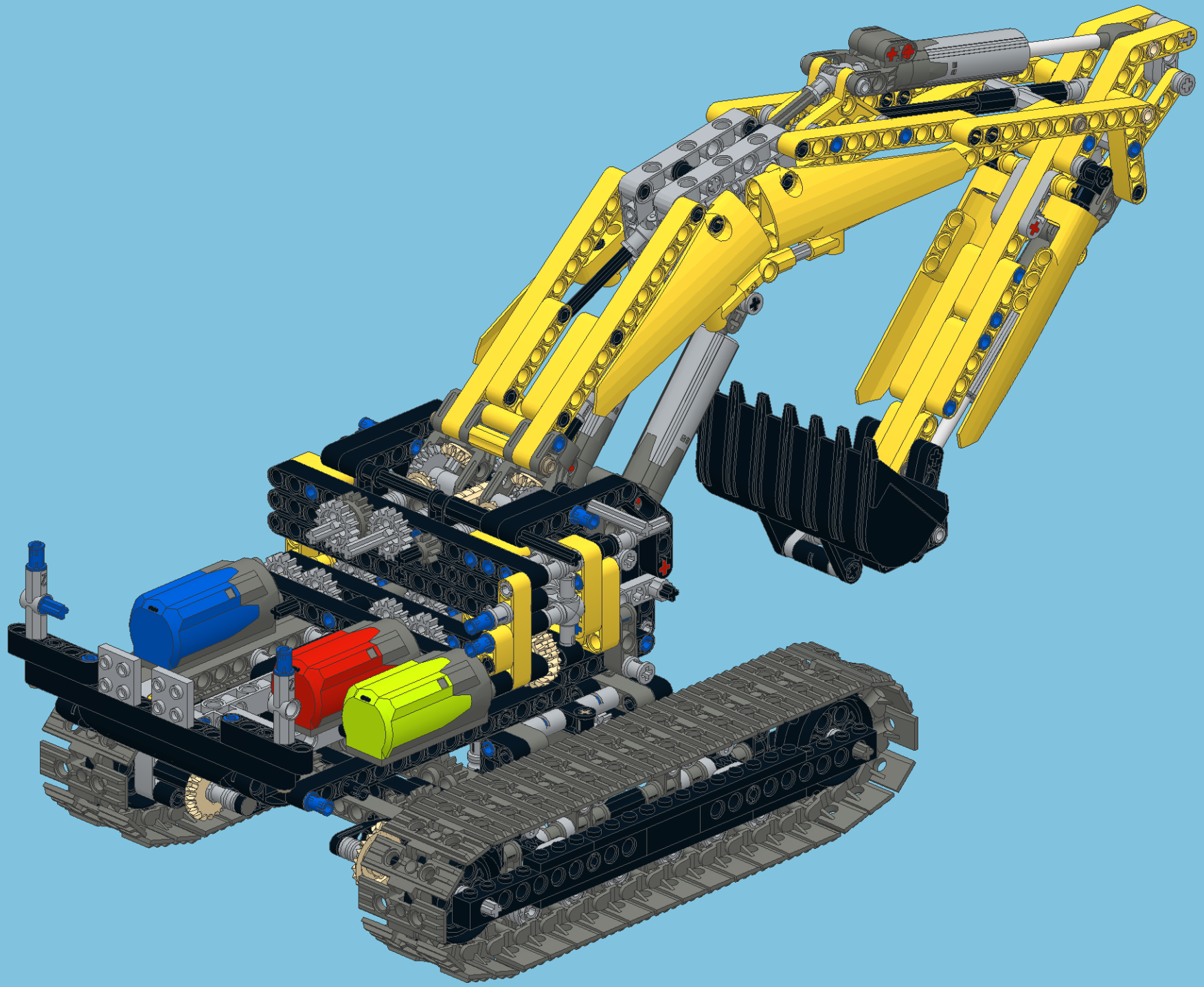


1

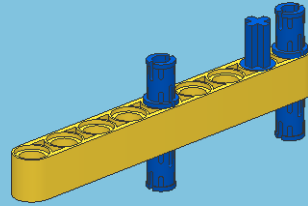
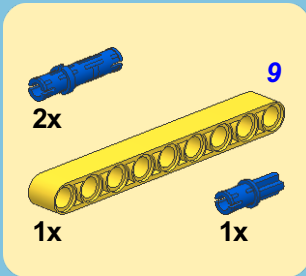


2

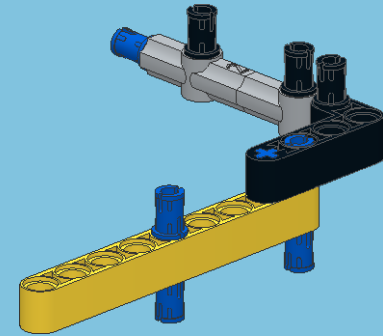
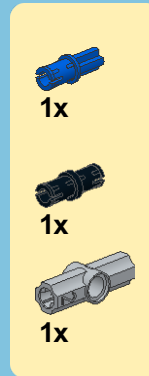




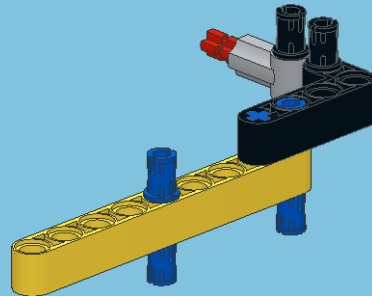
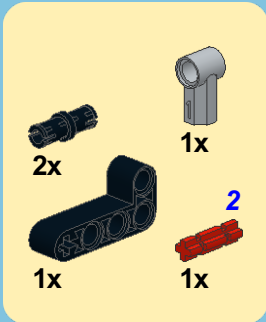
1



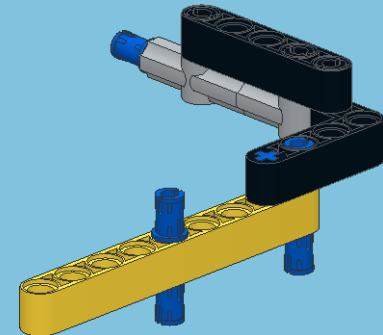
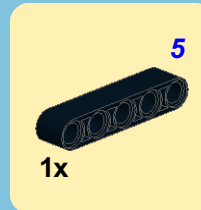
3

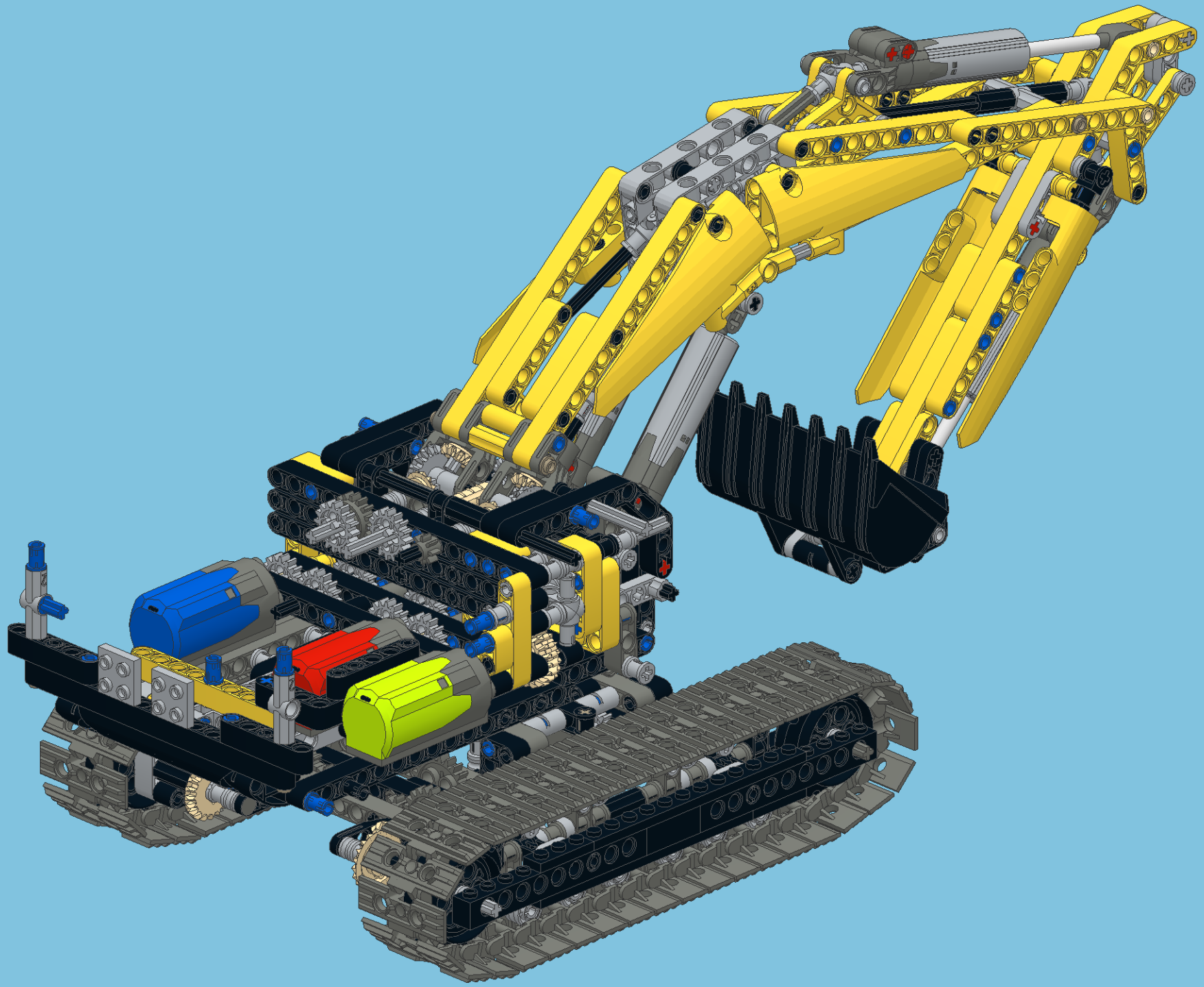


2

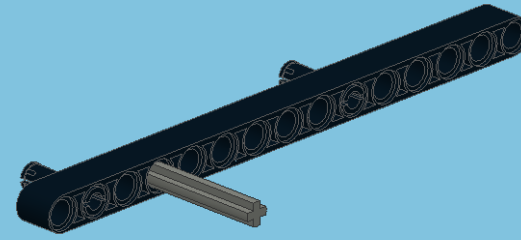
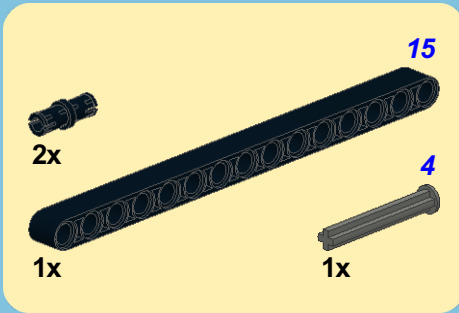


4

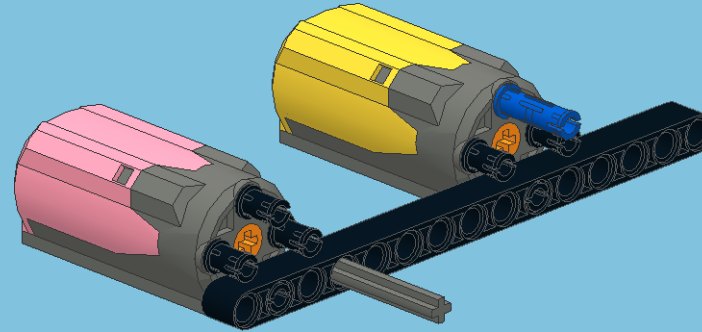
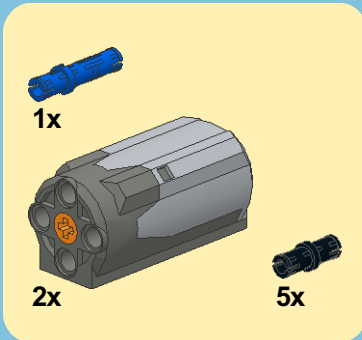




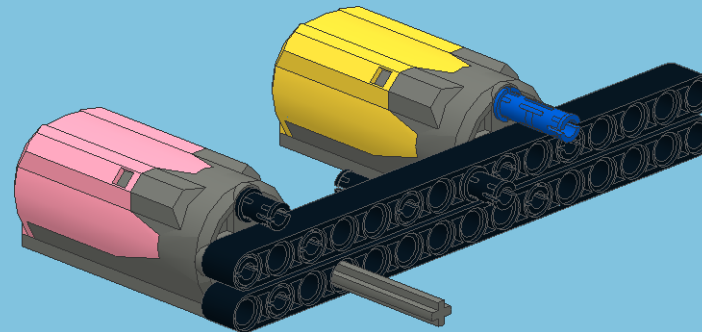
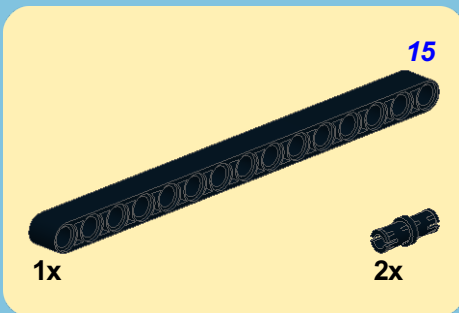
1



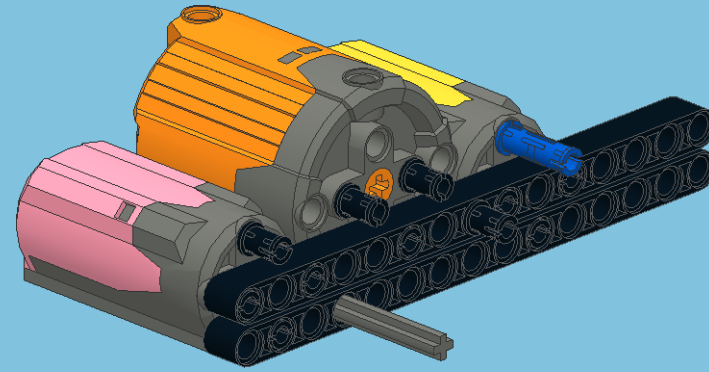
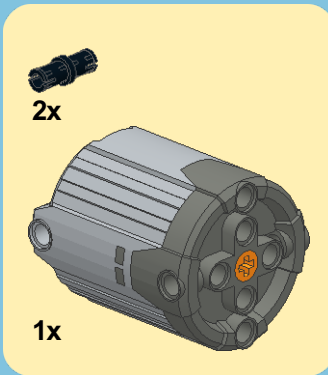
2



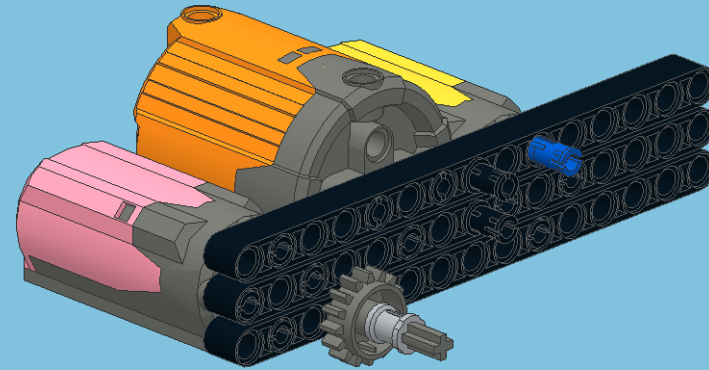
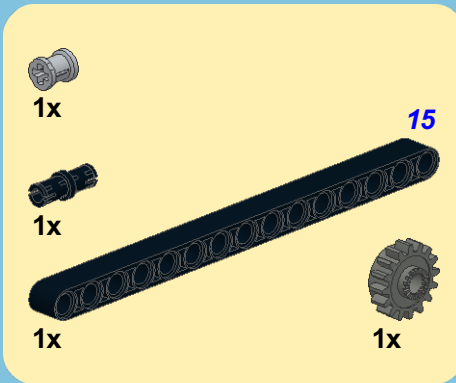
3



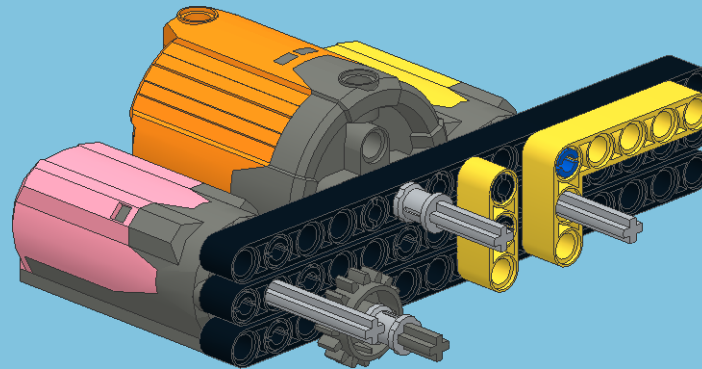
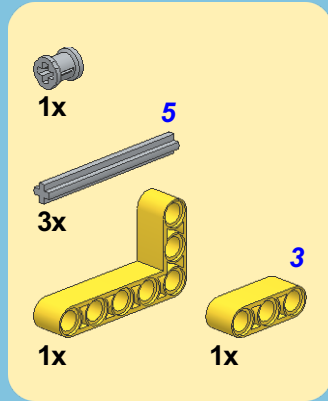
4



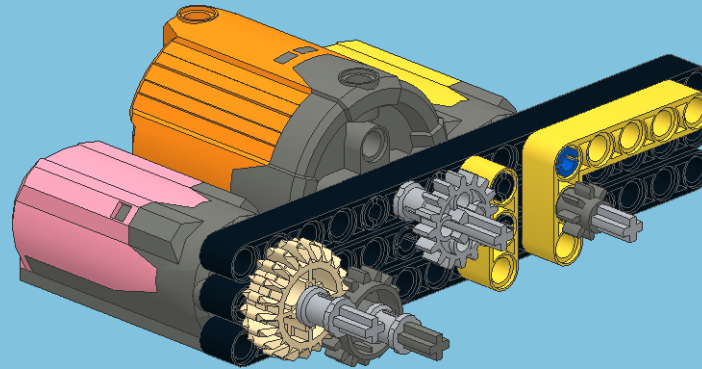
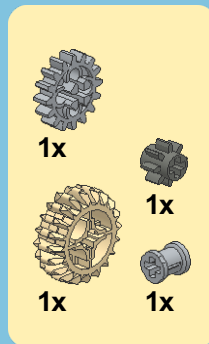
5

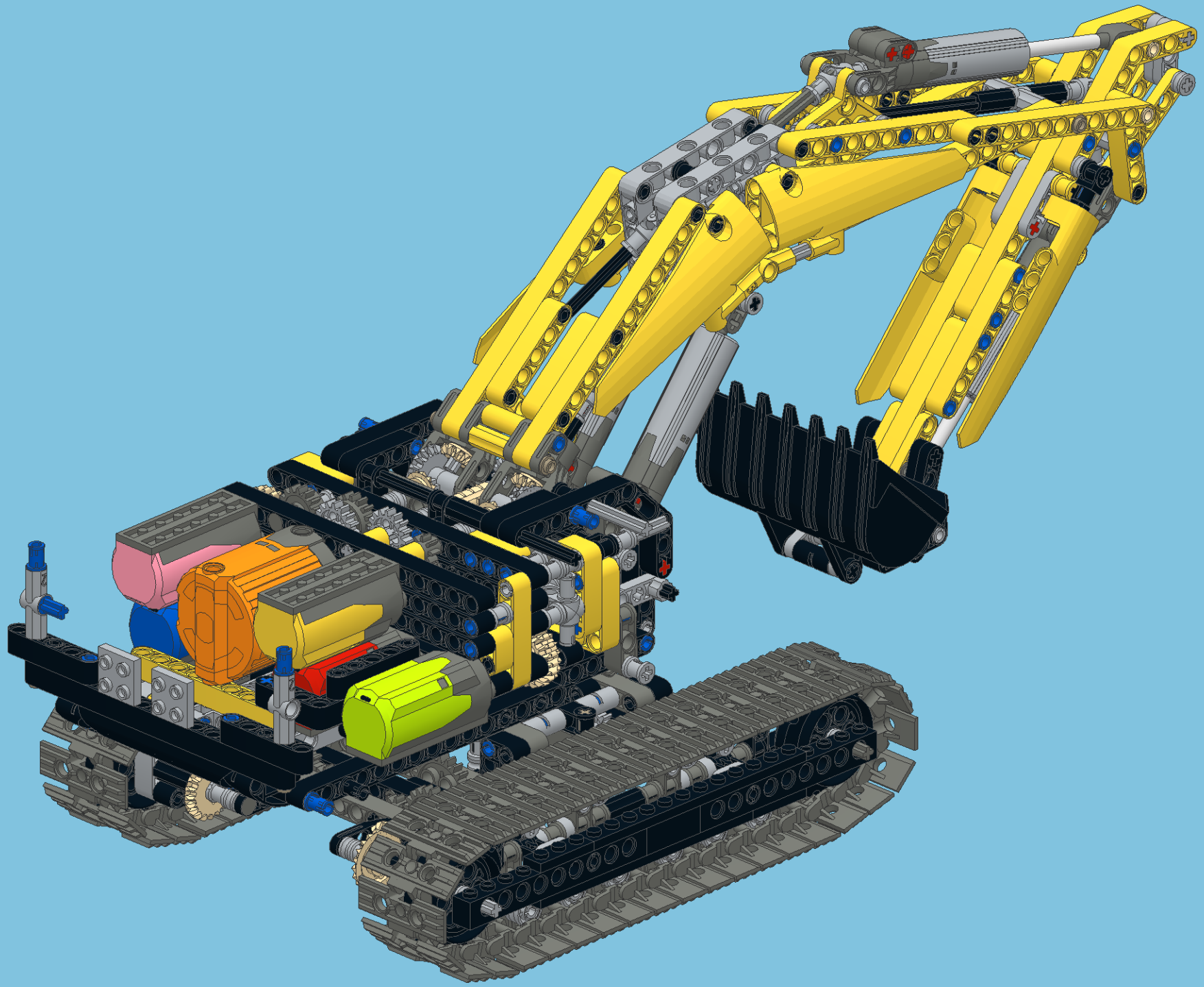


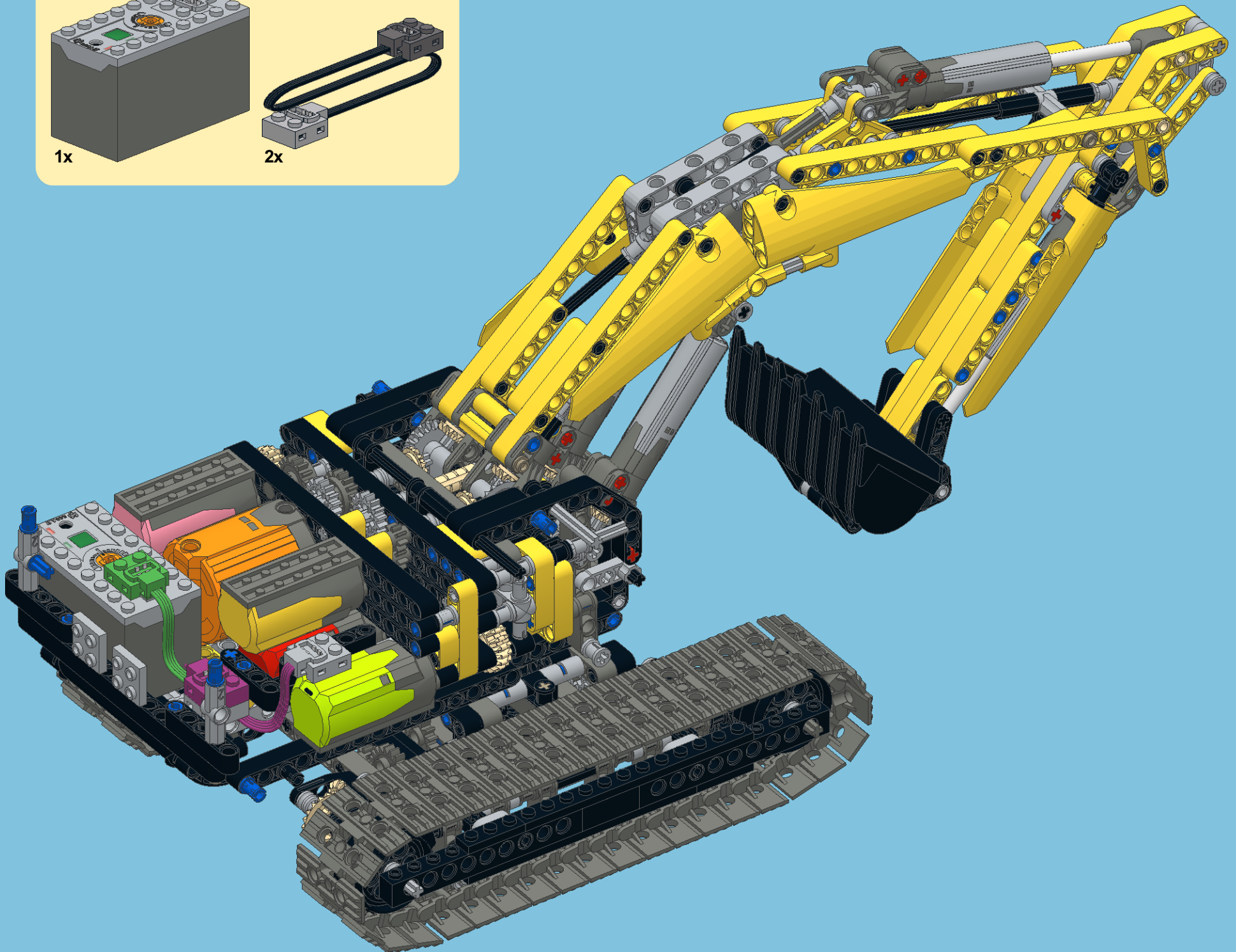
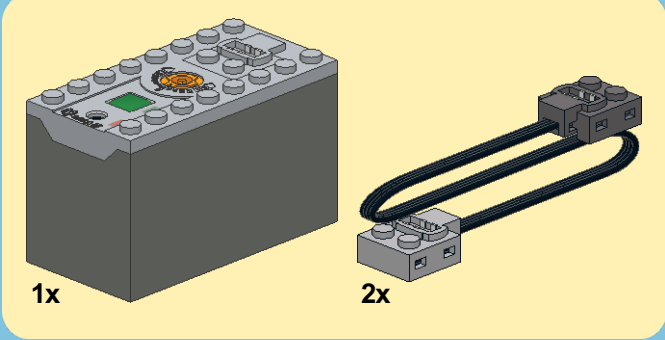
6



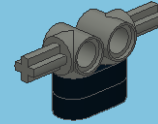
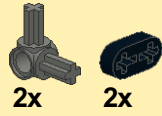
7



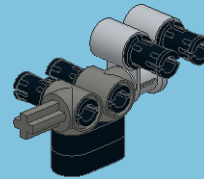
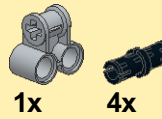




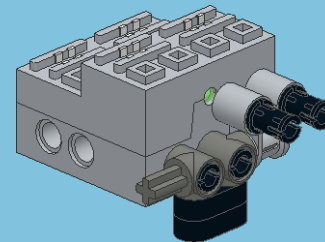
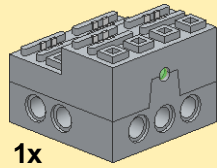
1

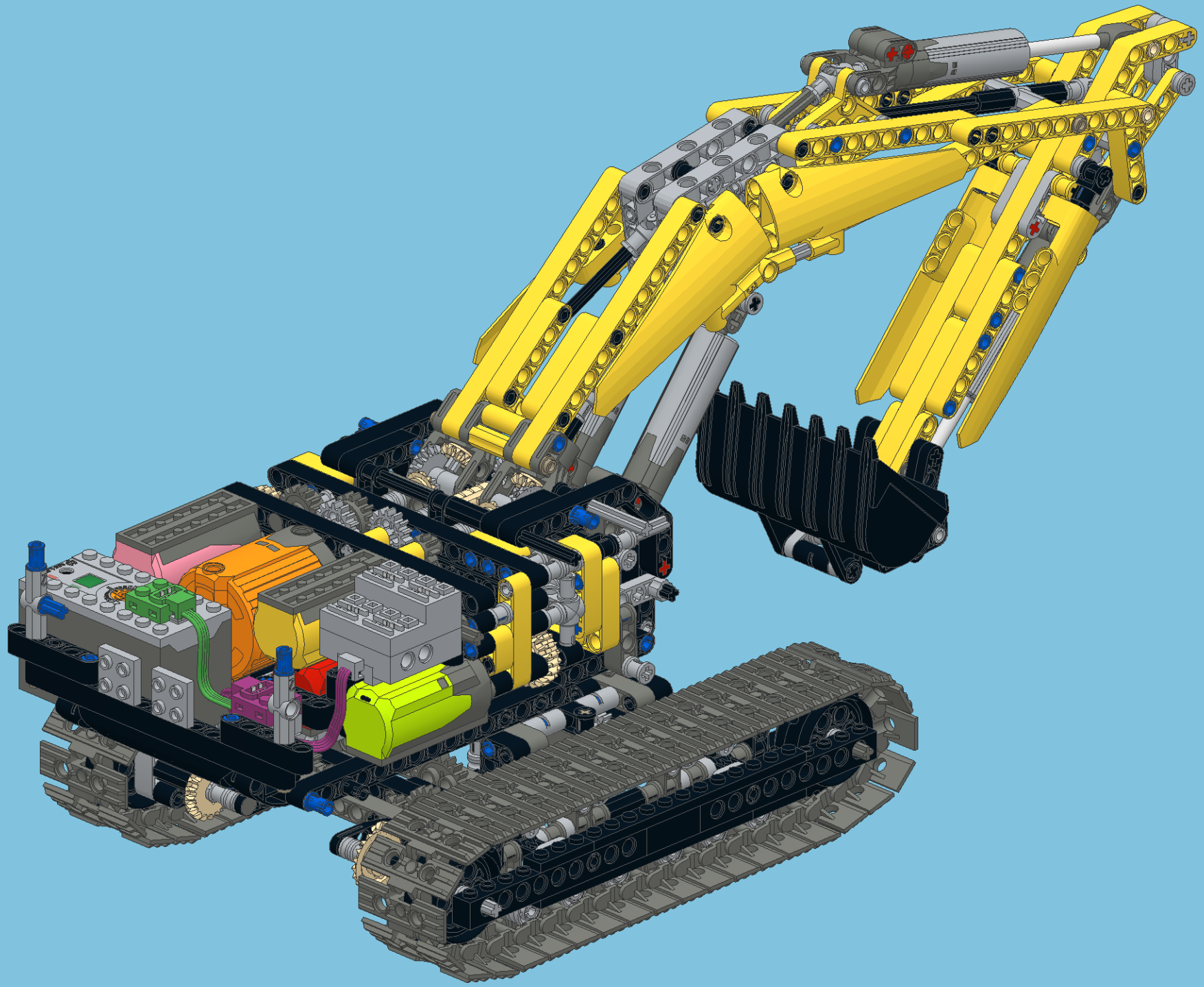


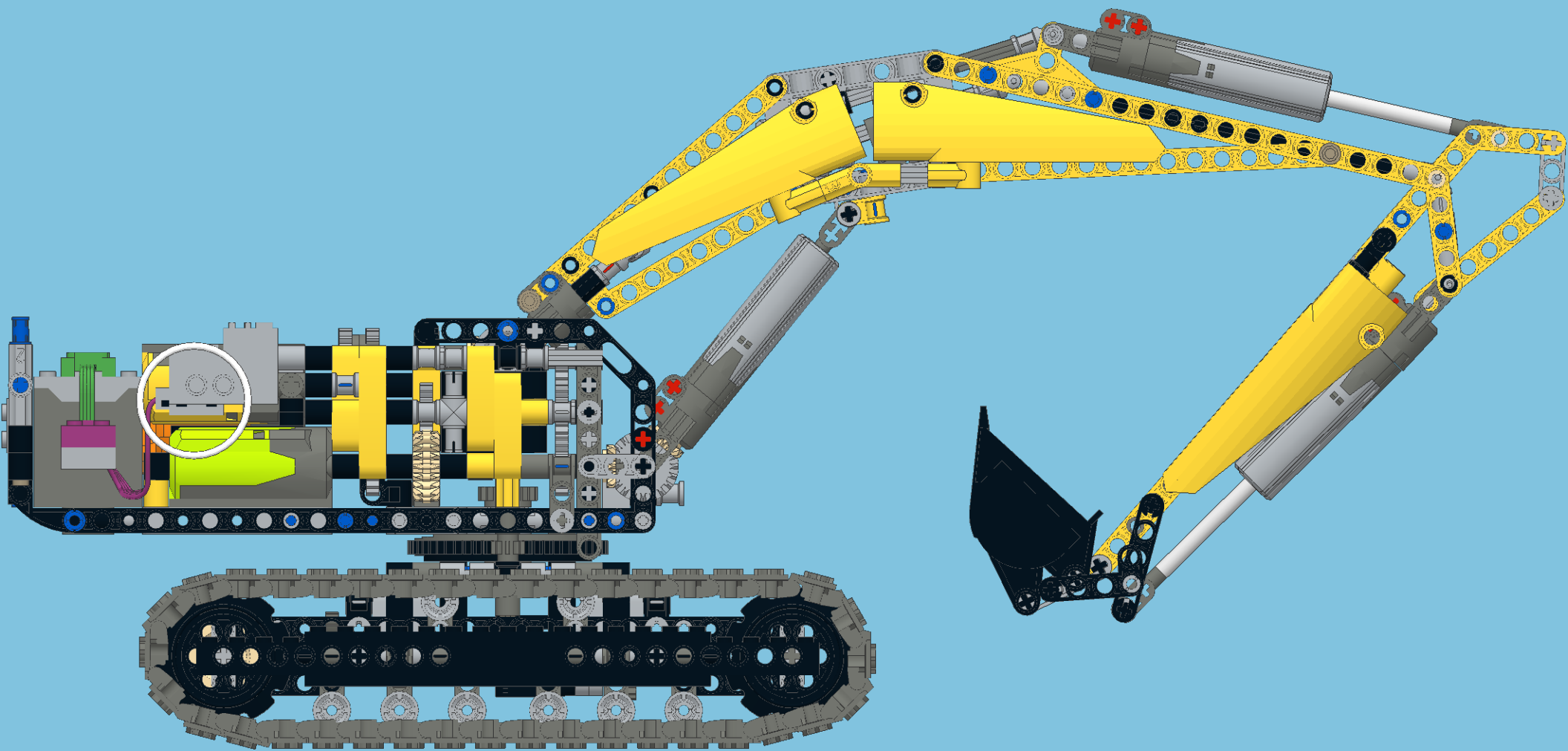
2

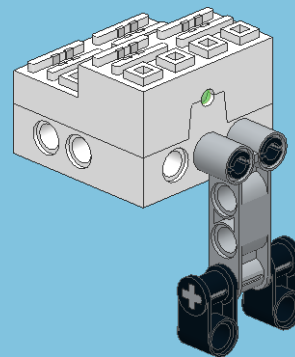
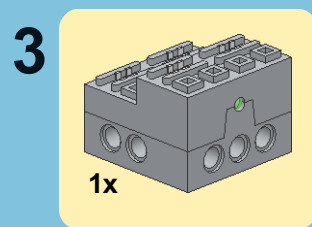
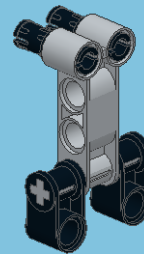
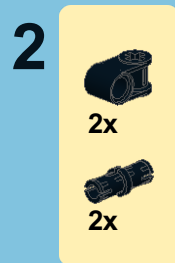
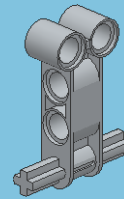
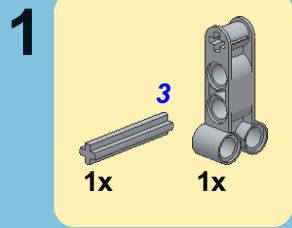


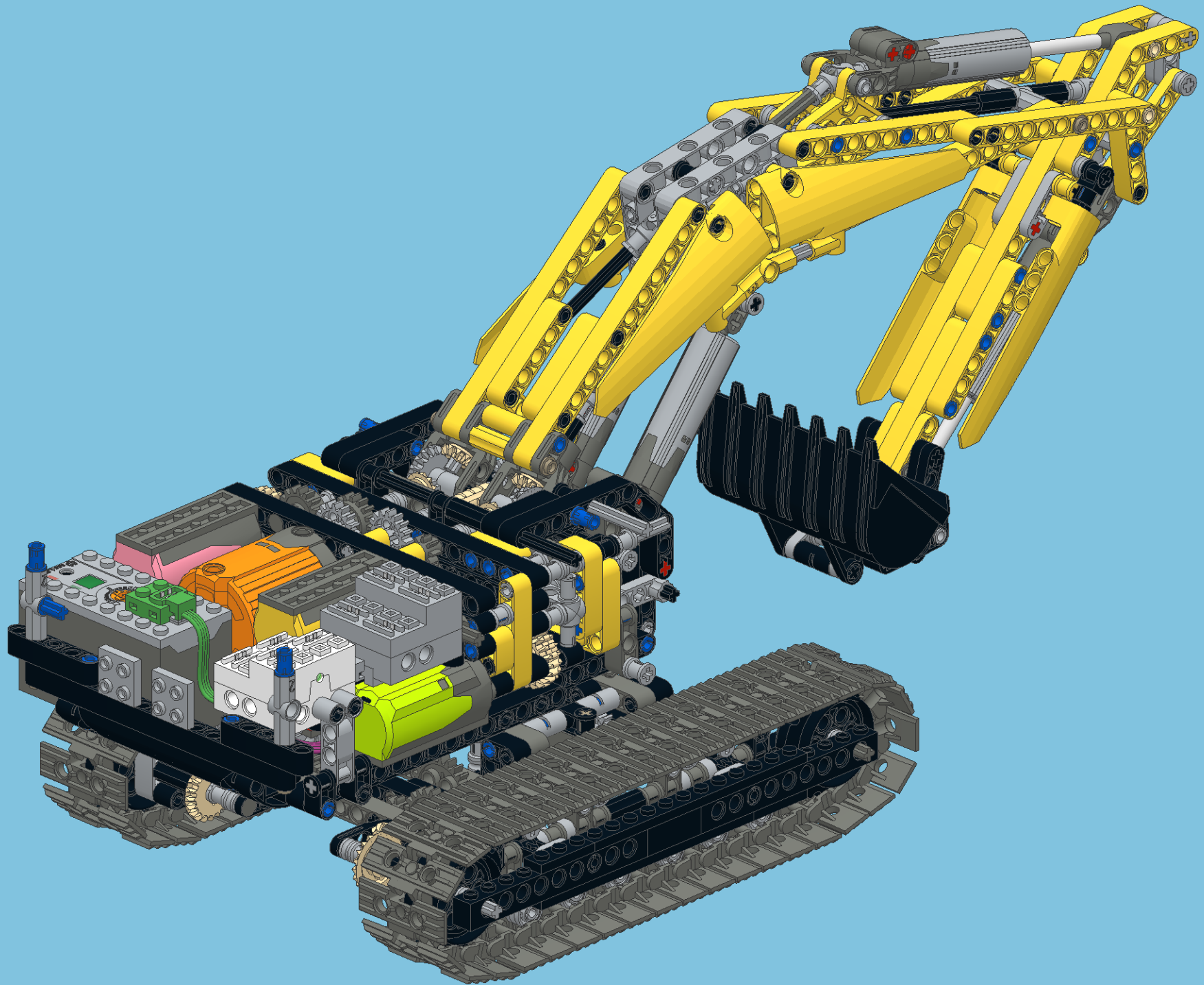
3

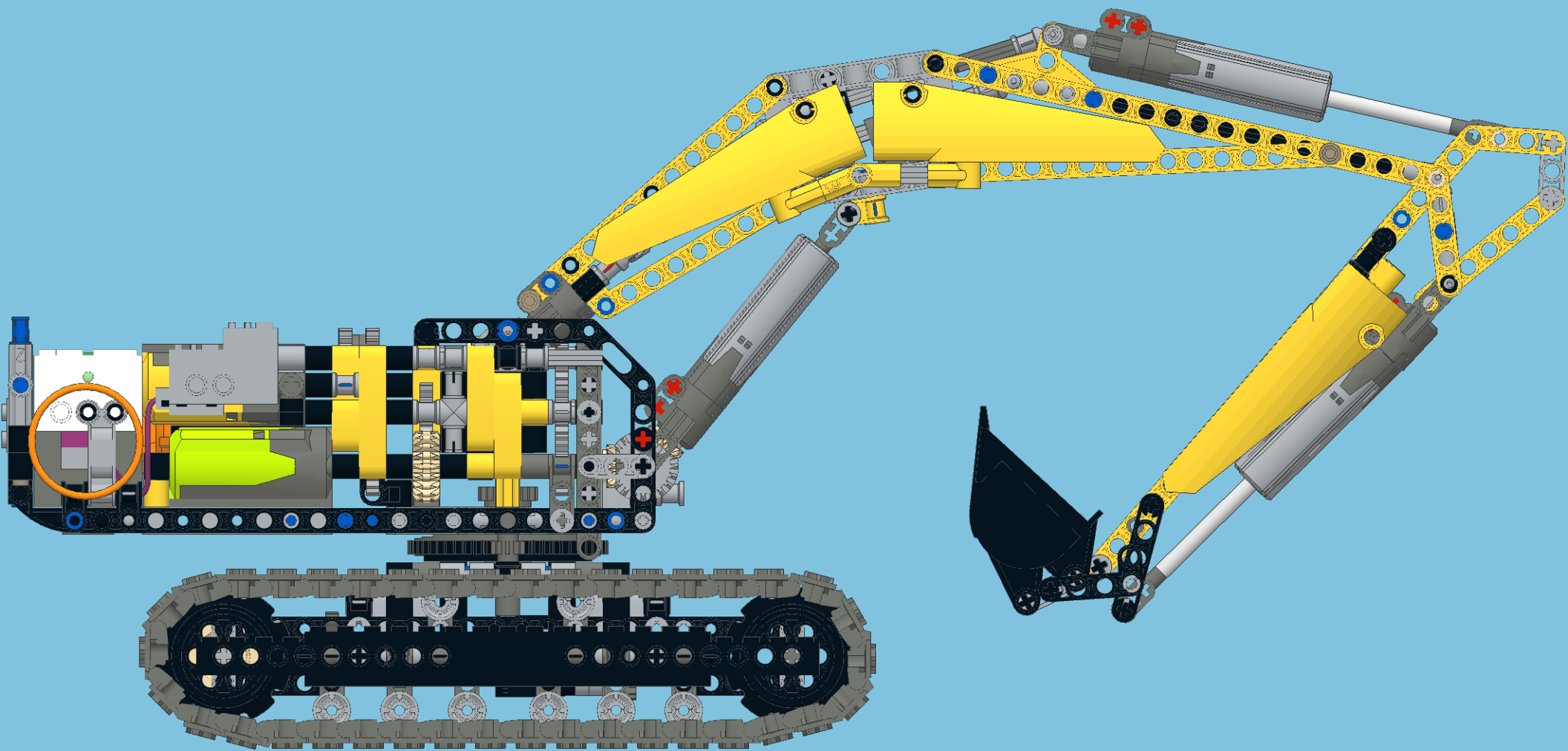


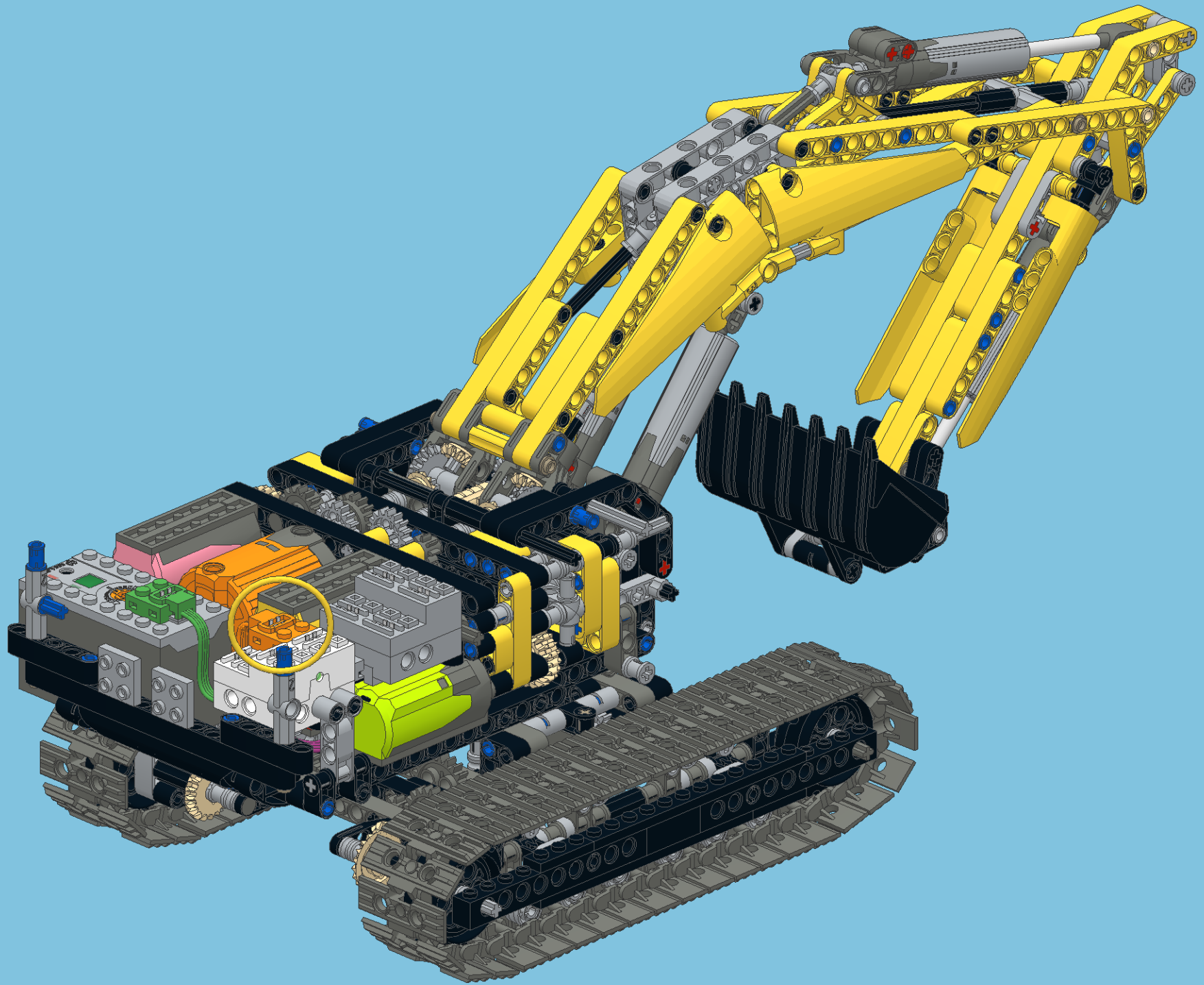


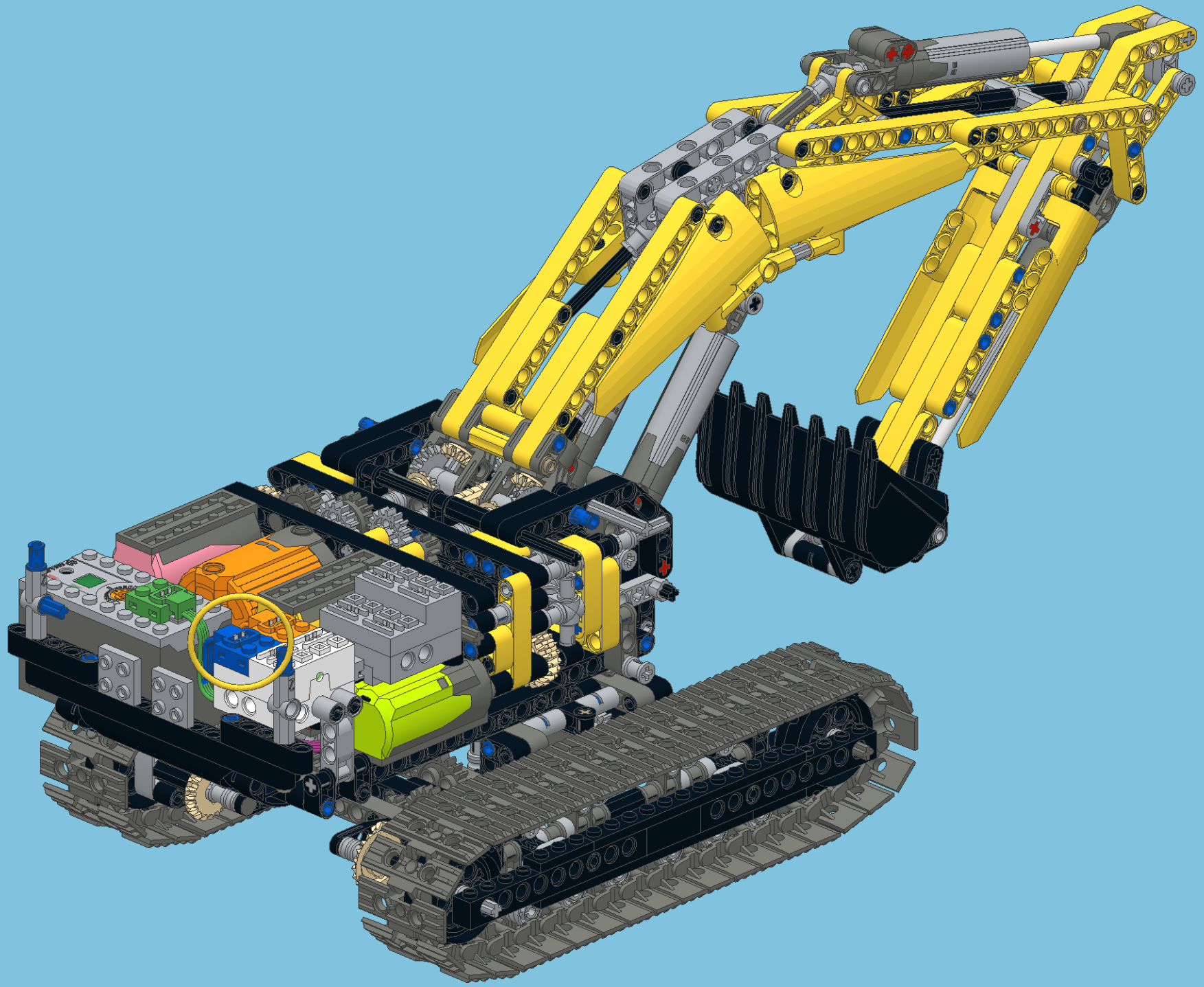






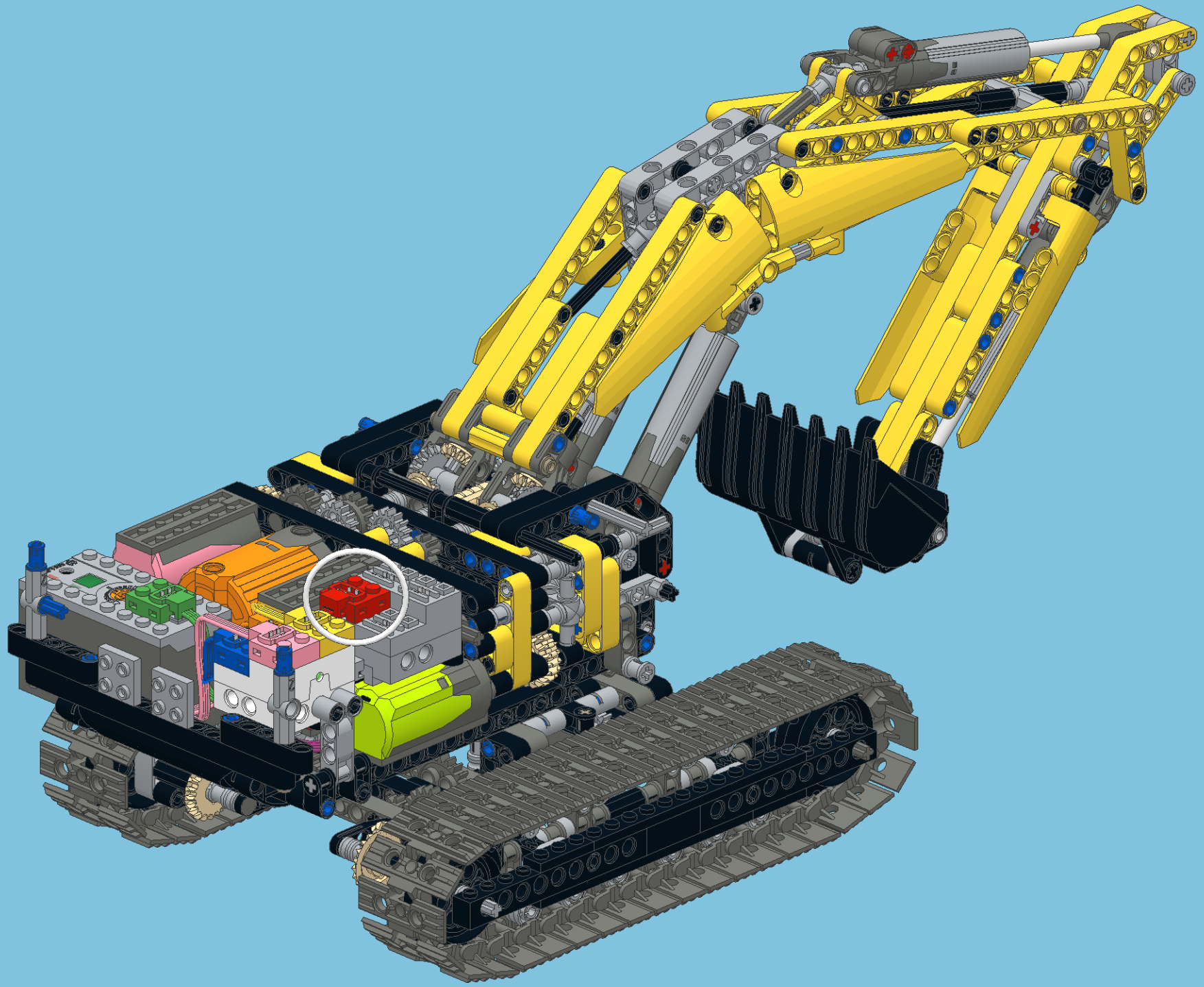


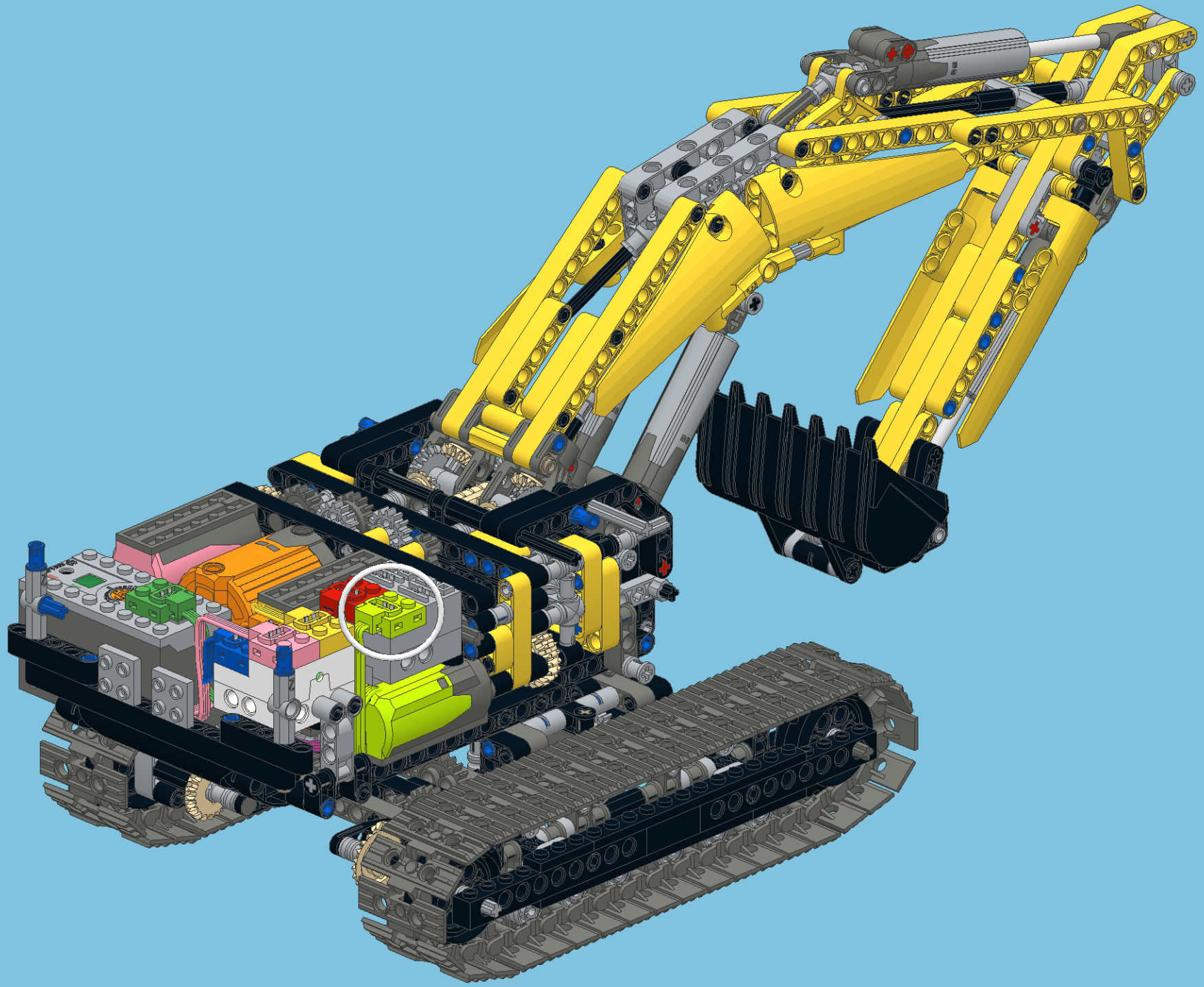


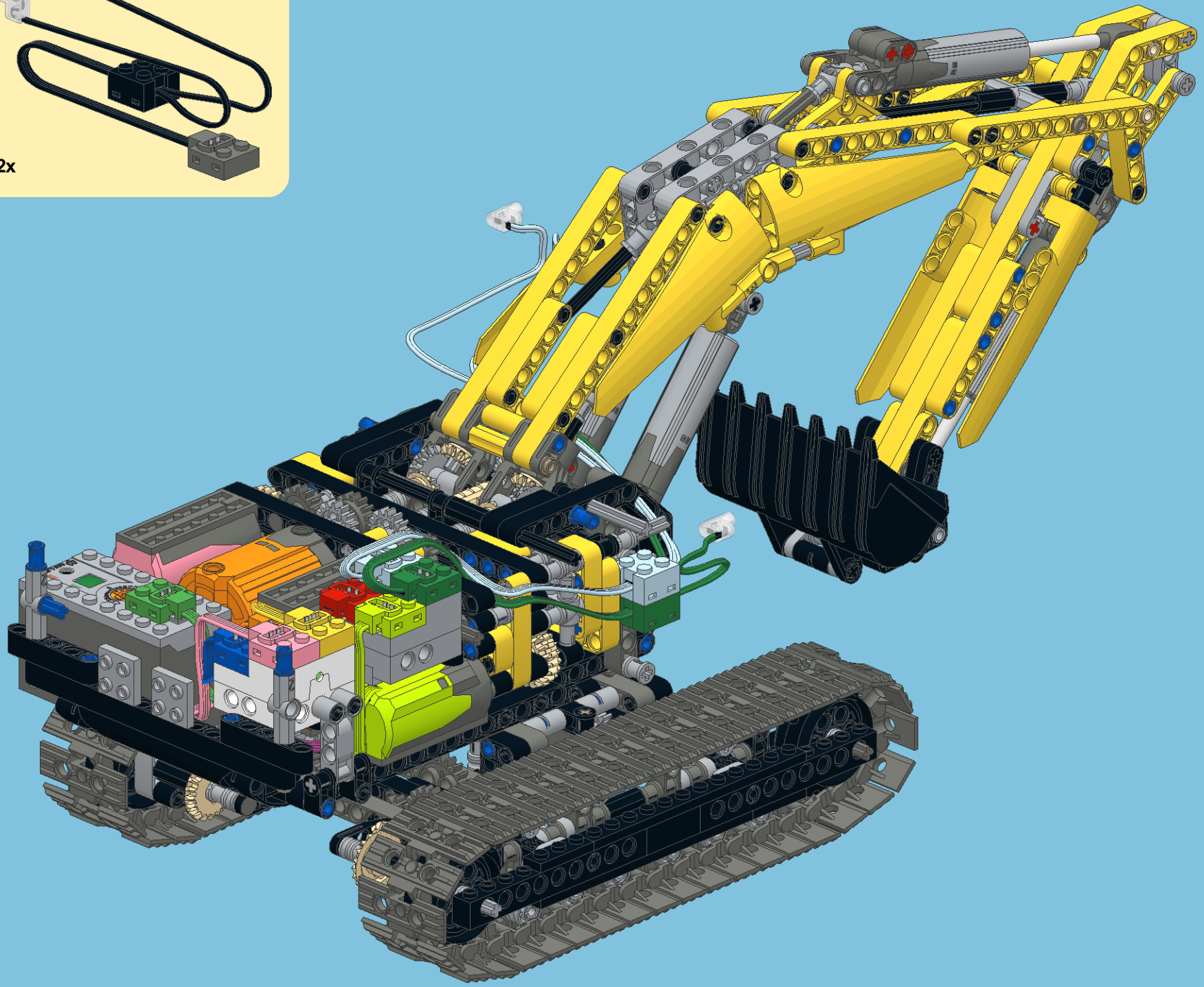
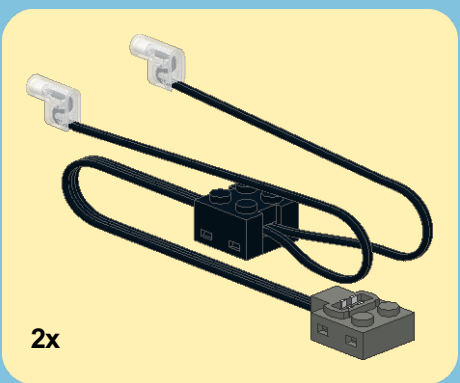




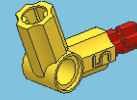
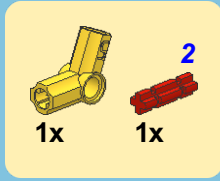




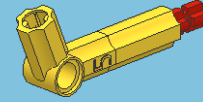
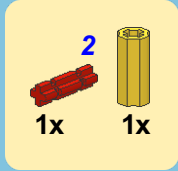




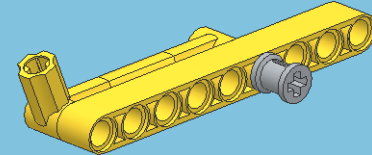
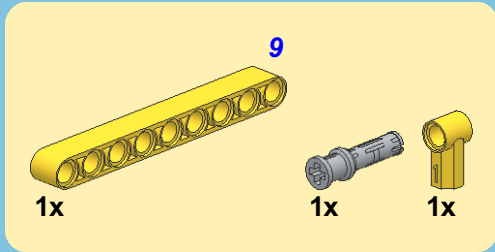
1



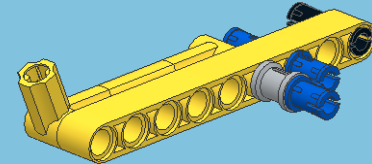
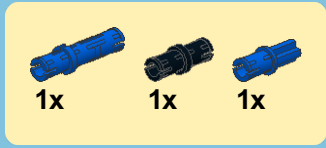
2



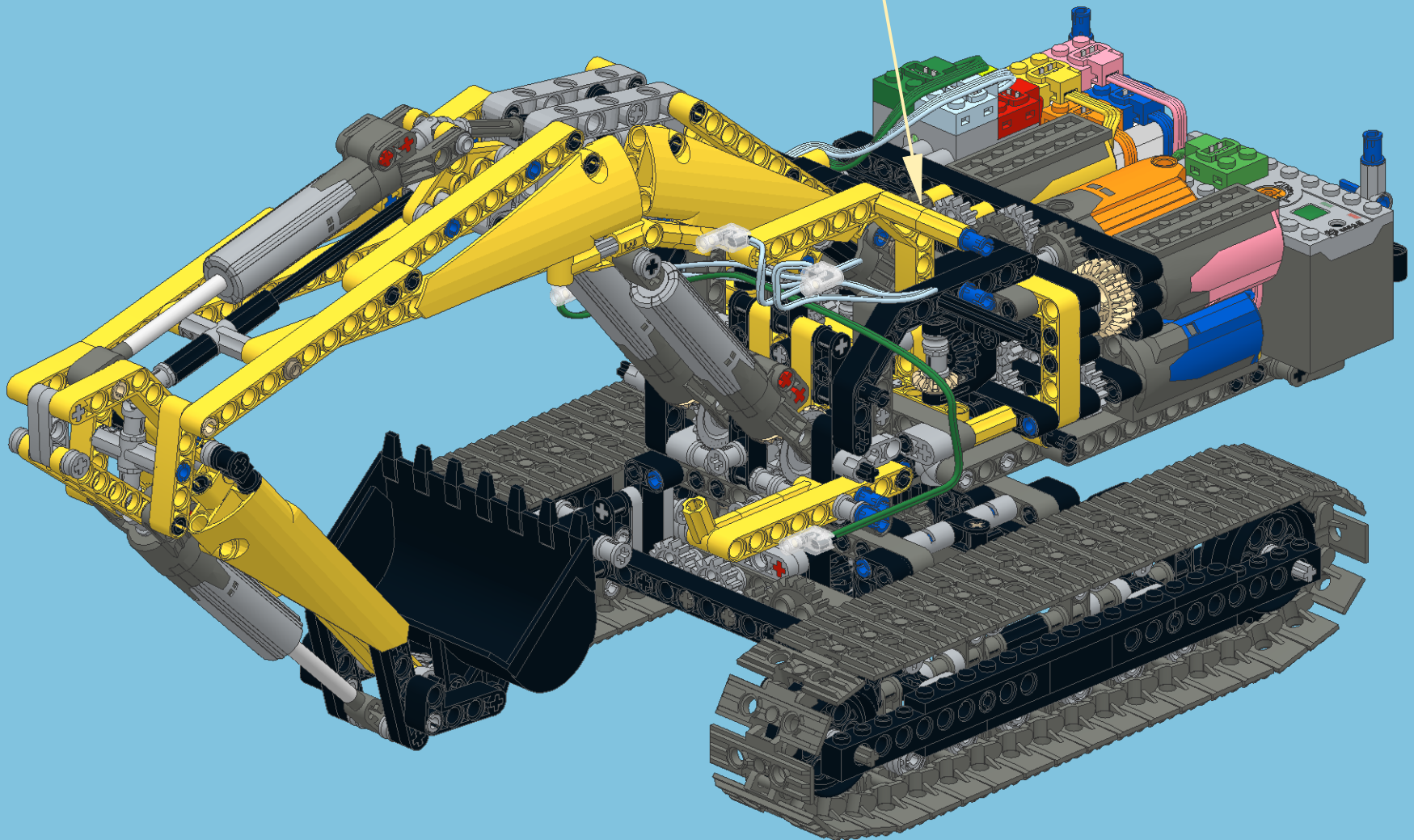
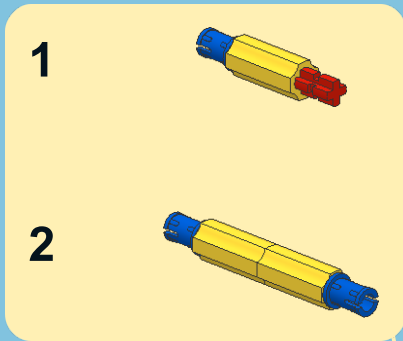
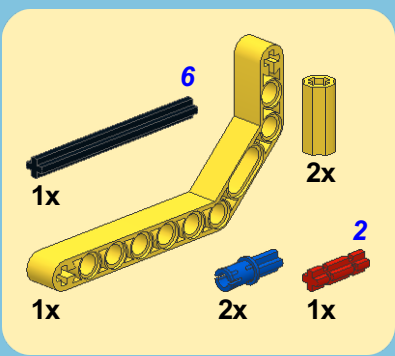
3



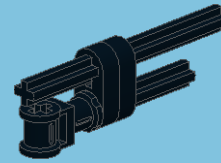
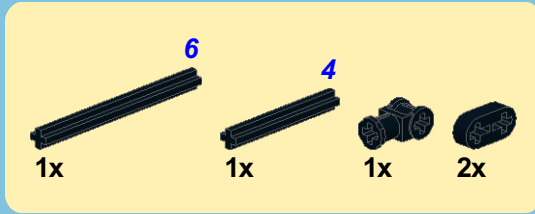
4



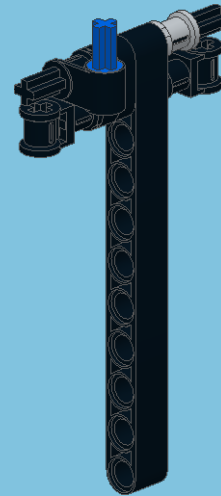
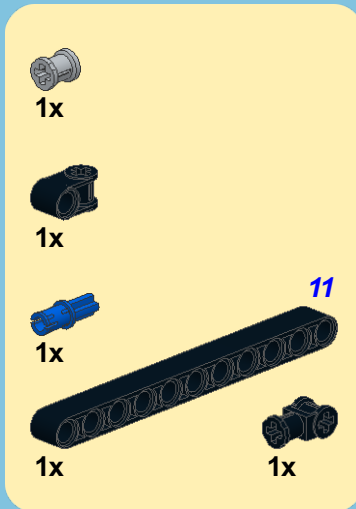




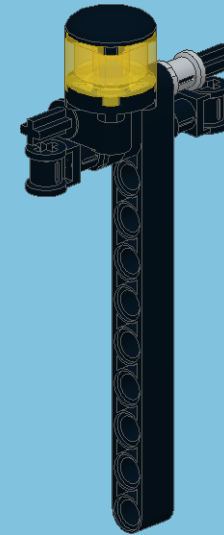
1

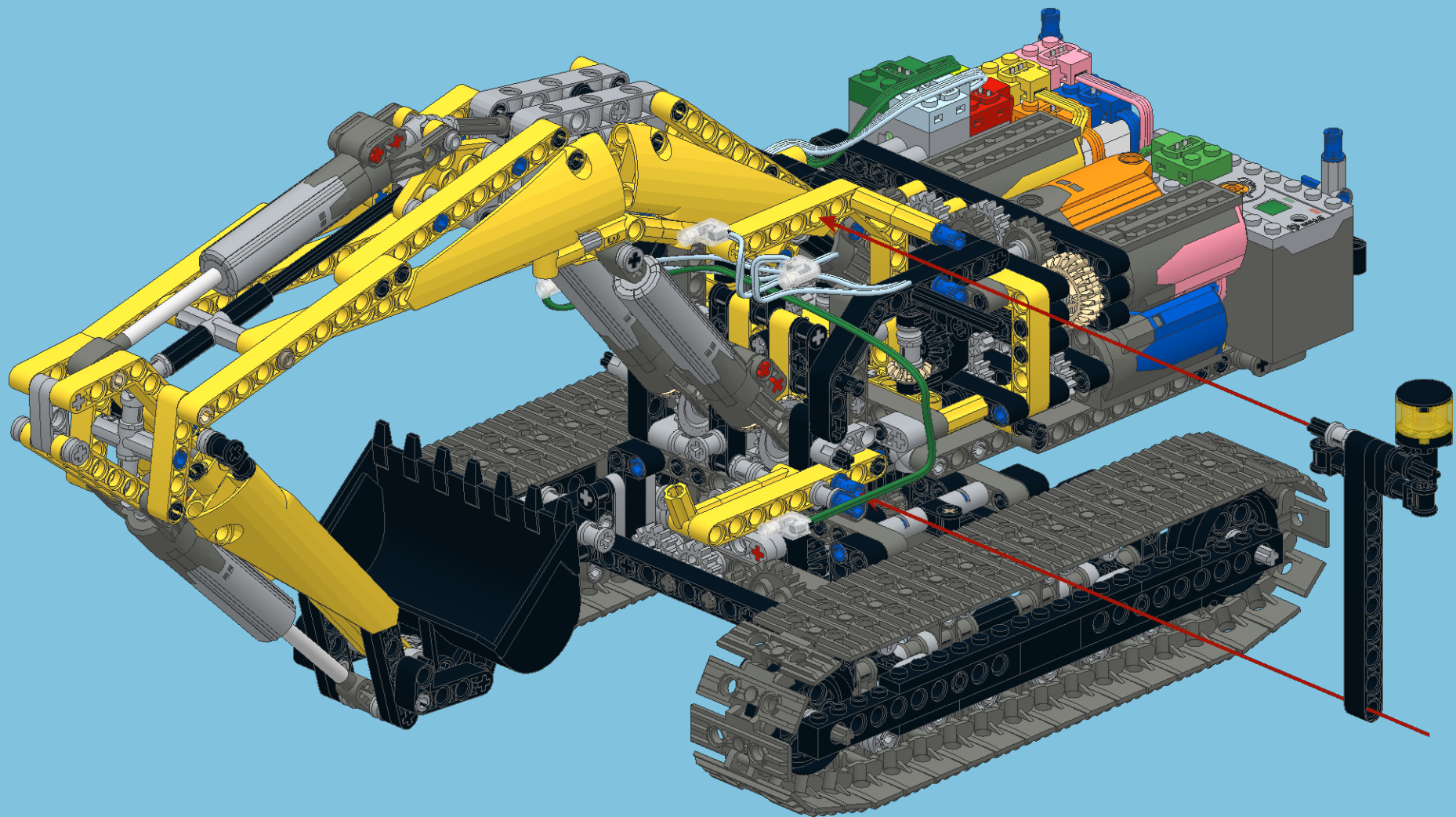


2

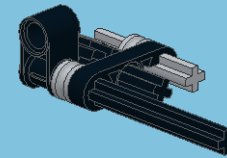
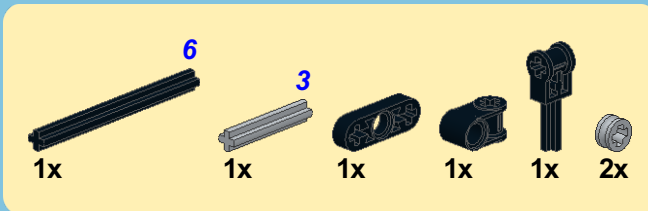


3

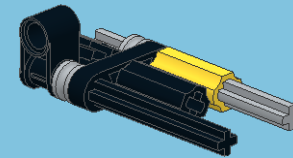
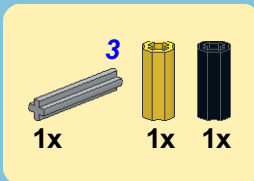




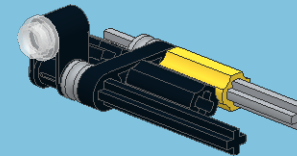
1

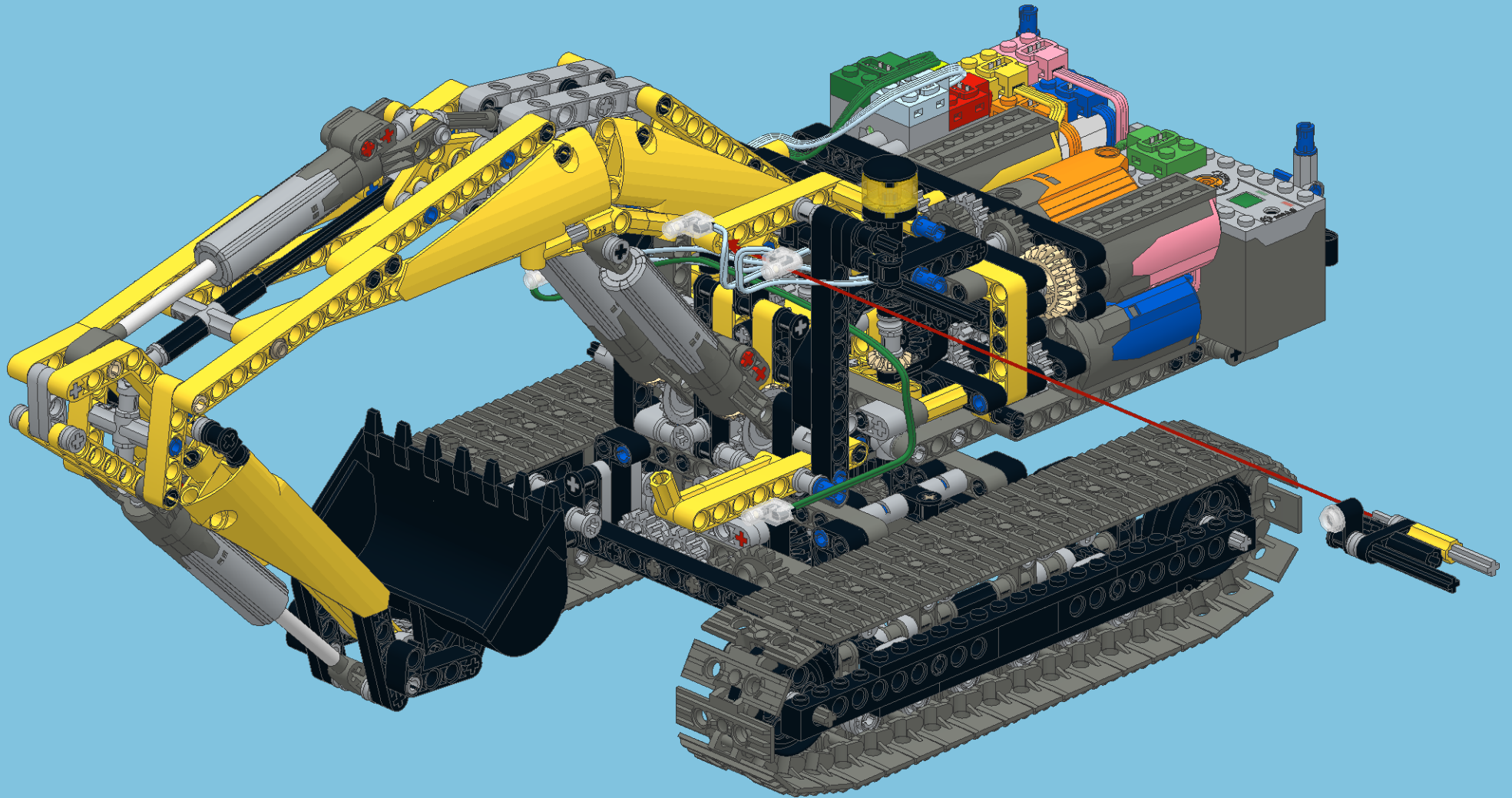


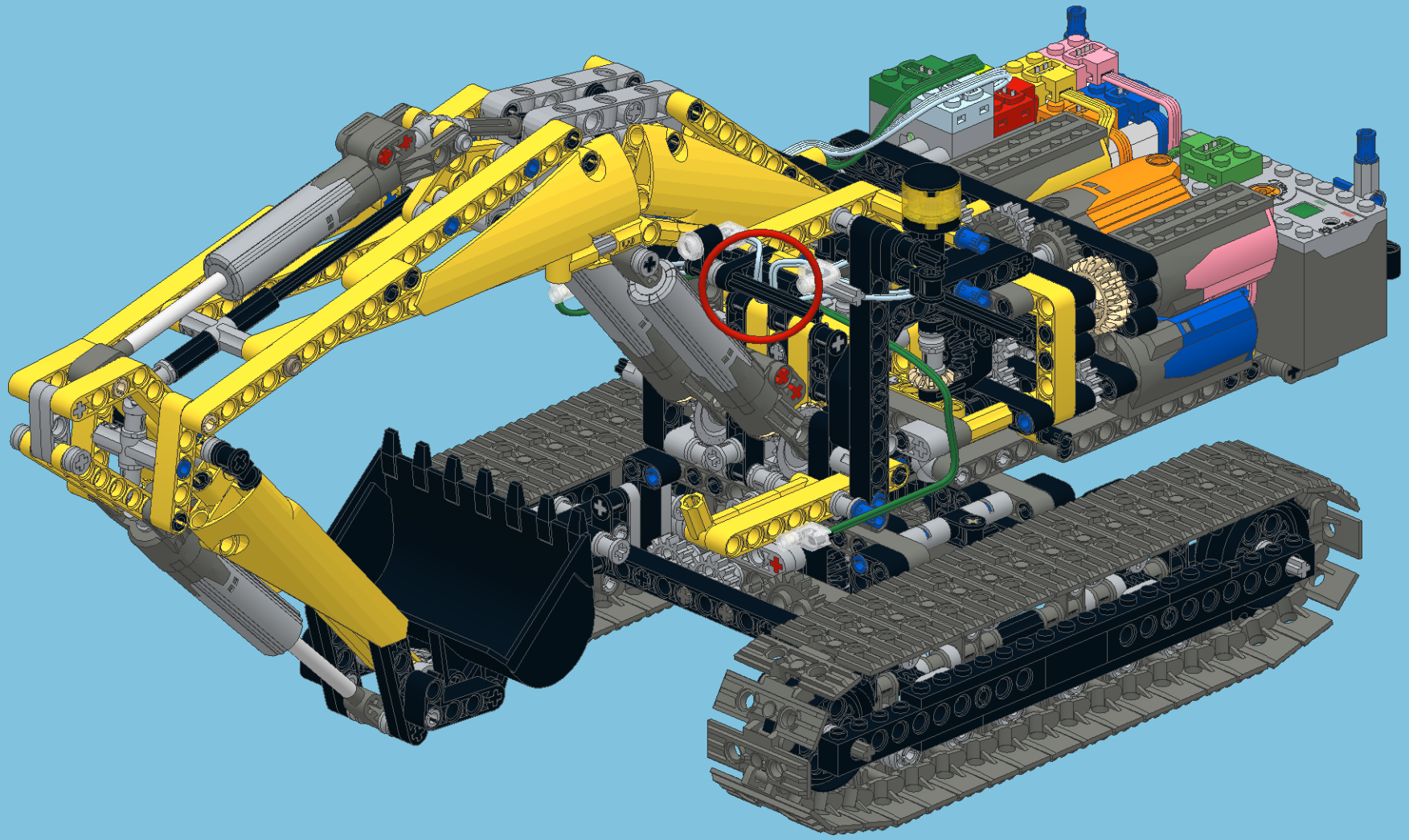
2

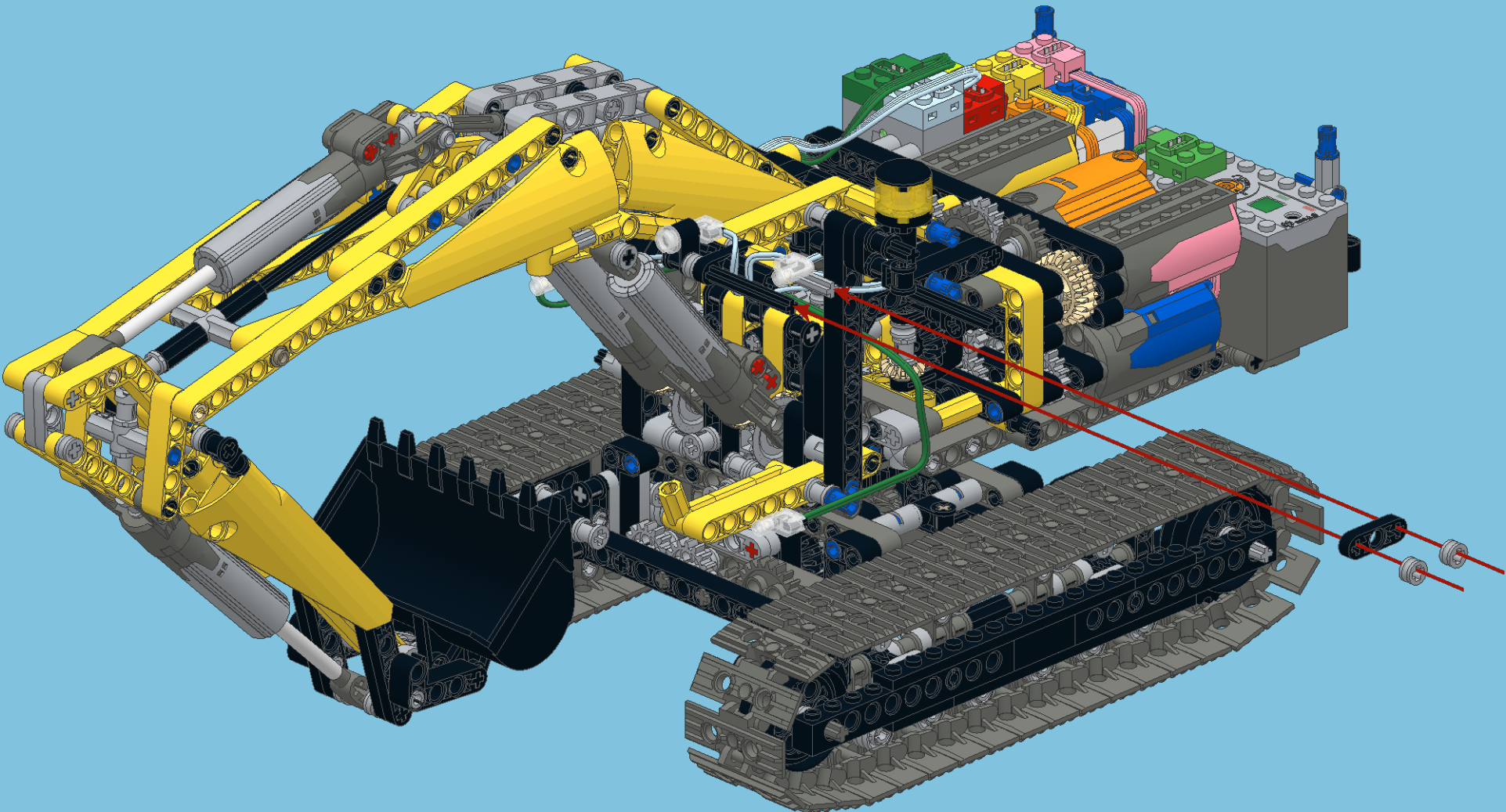
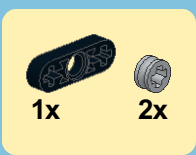


3

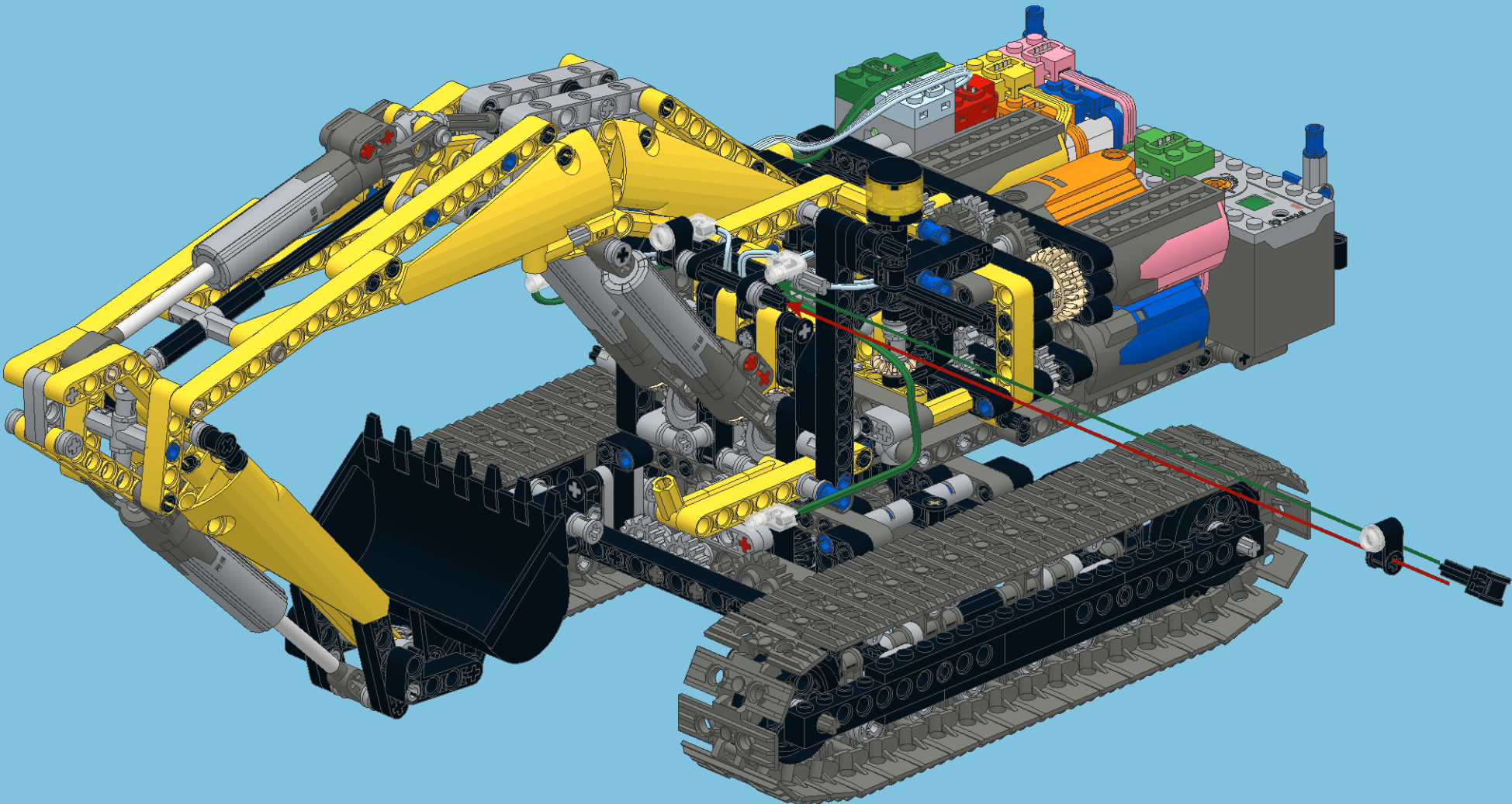
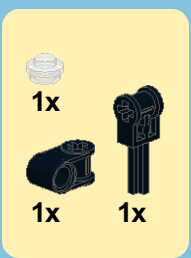








1x
1x
1x

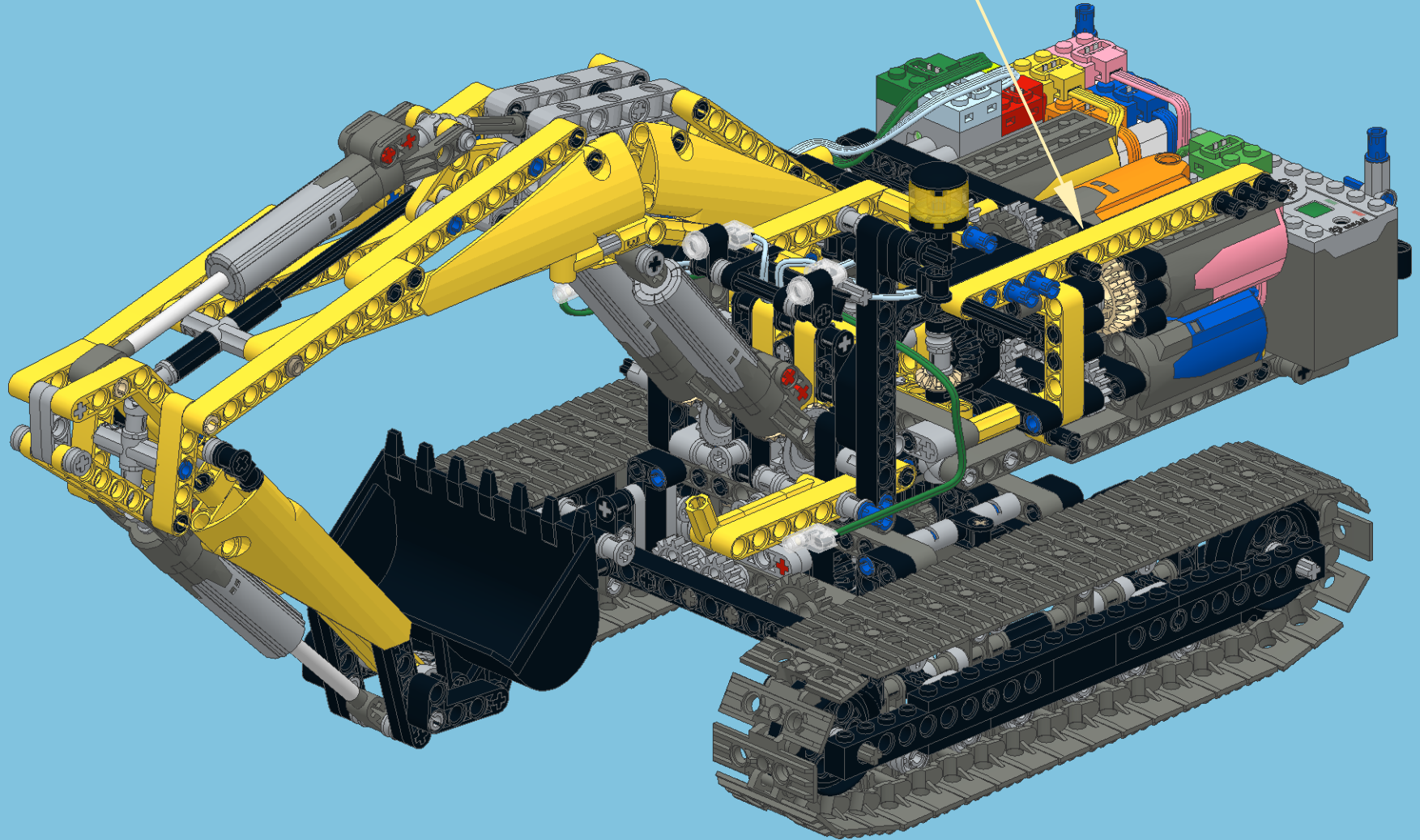
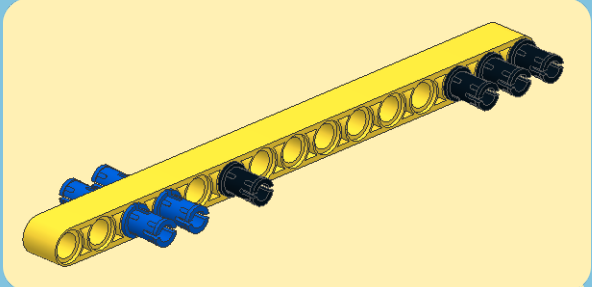
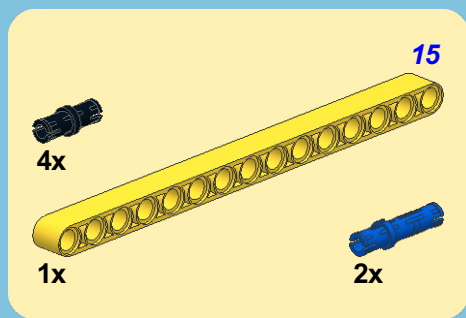




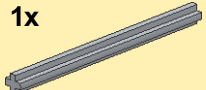

4x

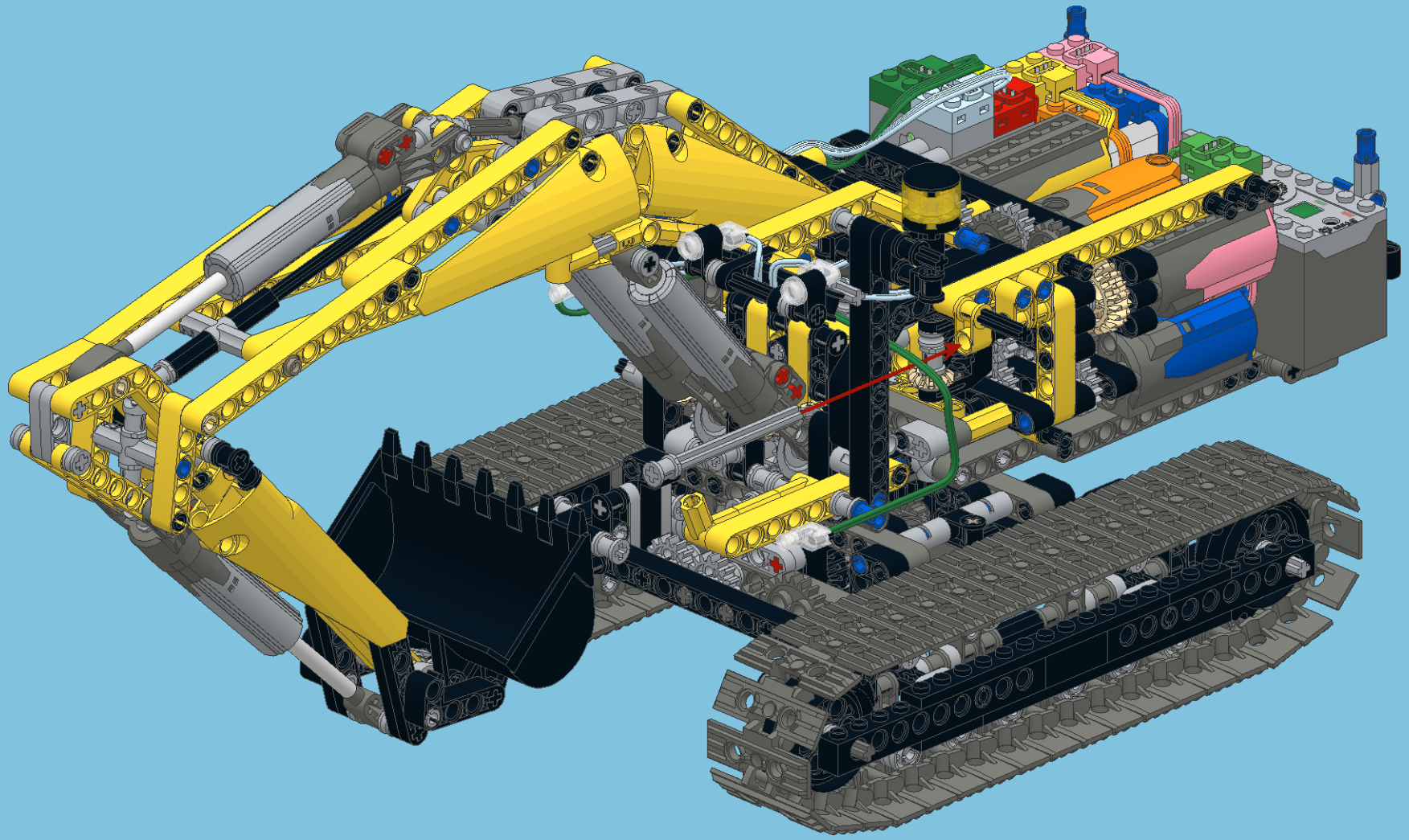
1x

15

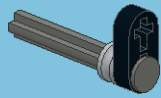
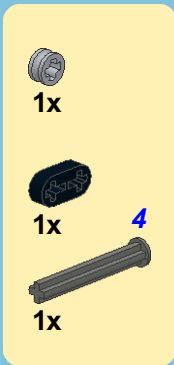
2x



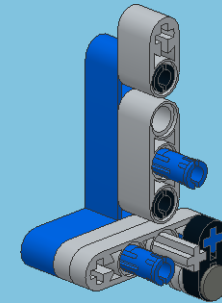
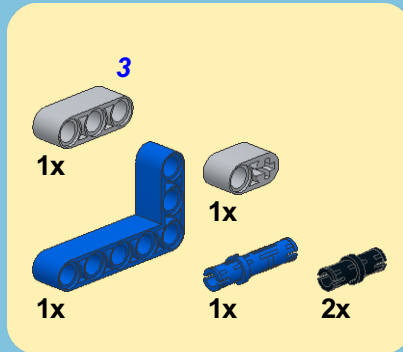
1x  7 
1x  3x 



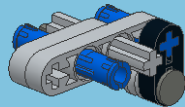
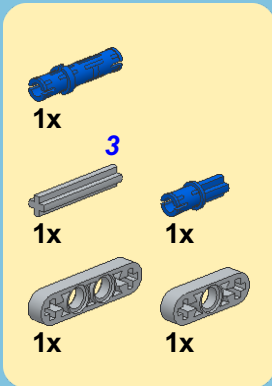
1



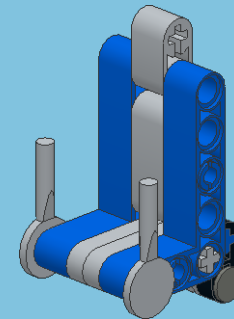
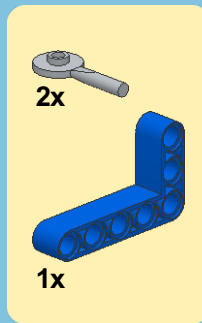
3

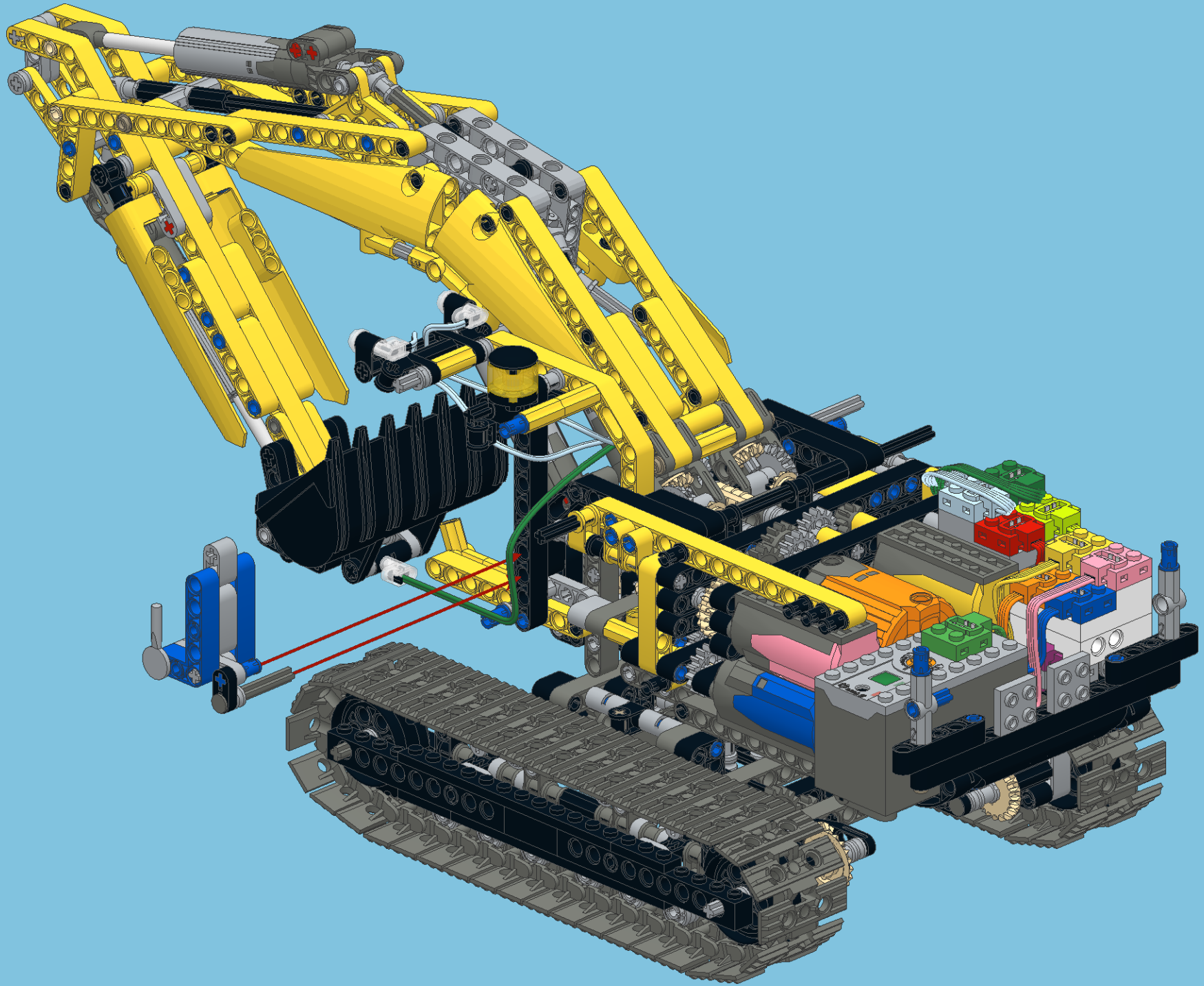


2

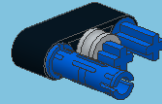
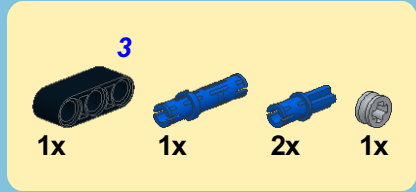


4

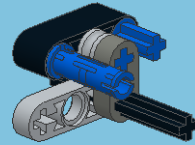
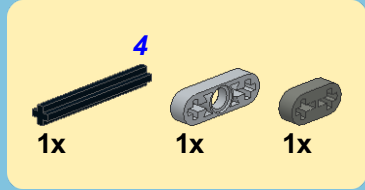




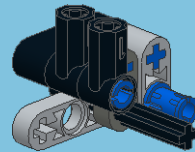
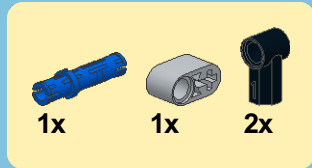
1



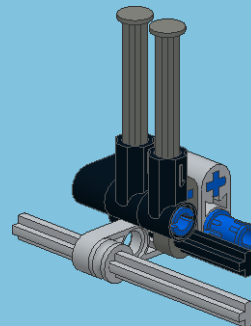
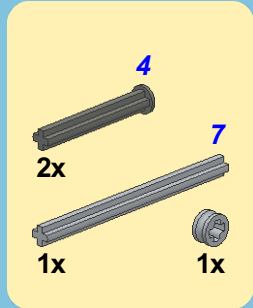
2

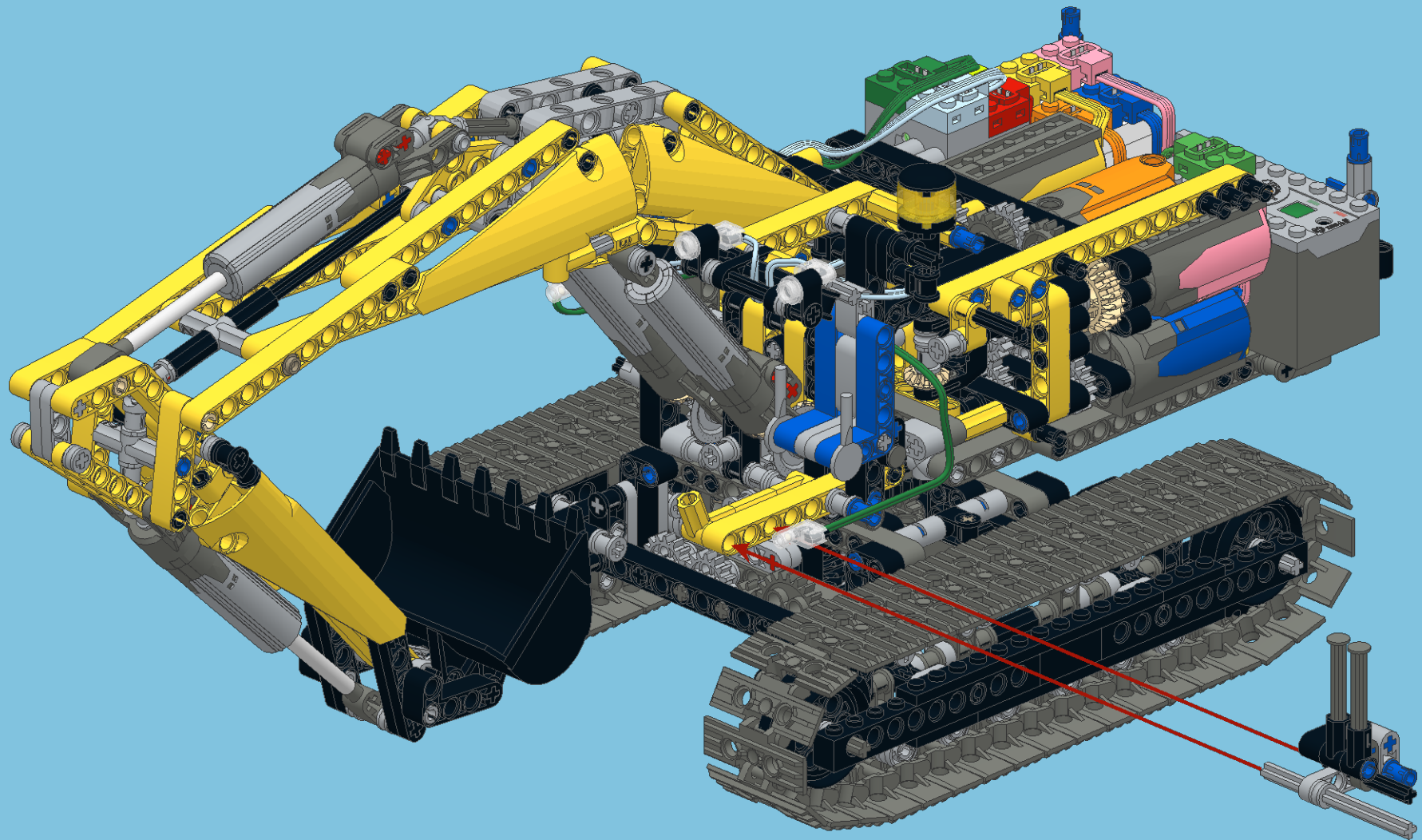



3





4

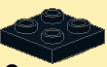





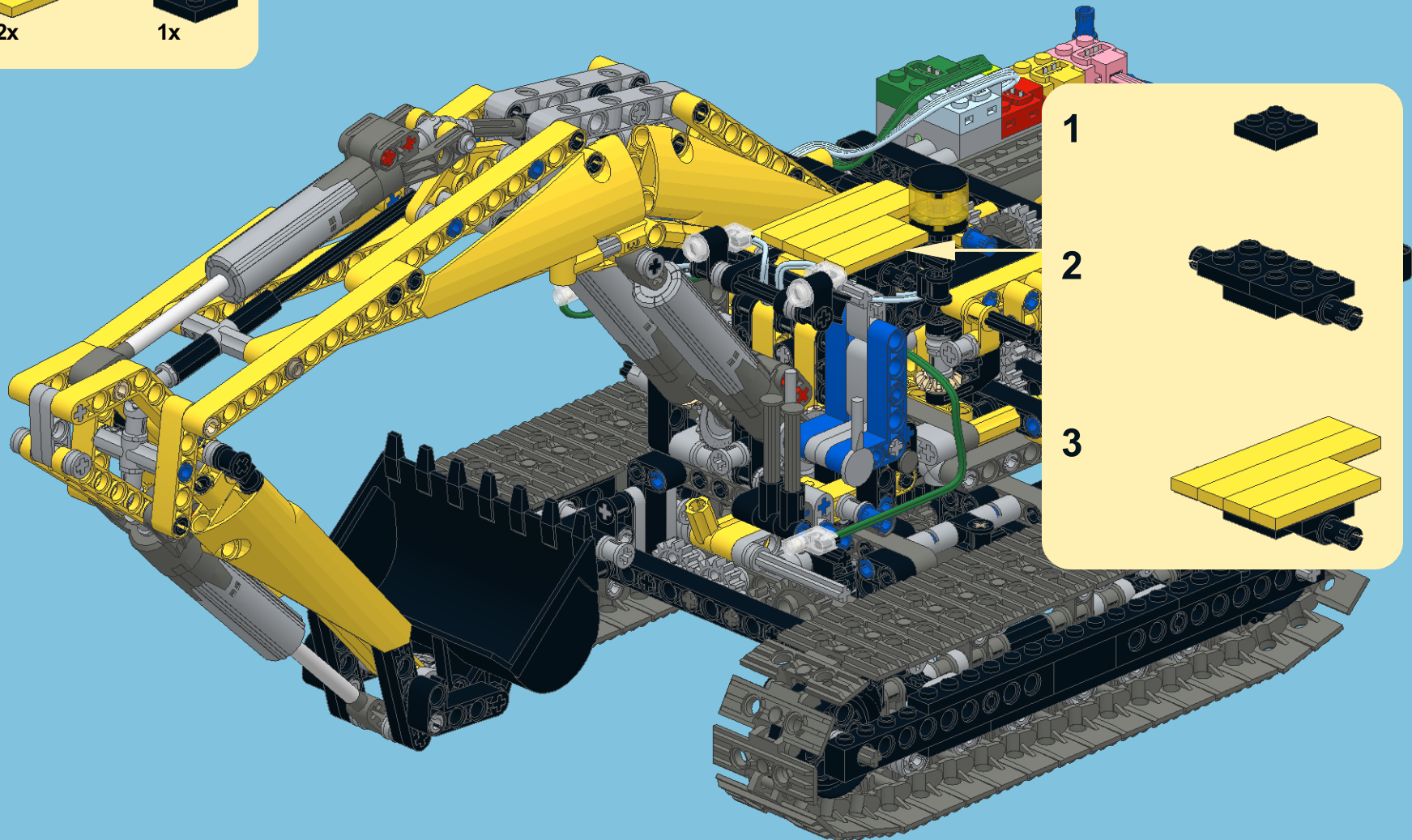
2x 

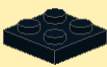
2x 

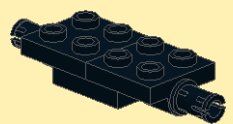
2x 

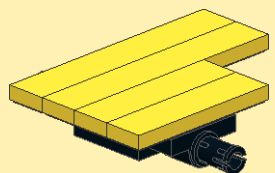
2x 

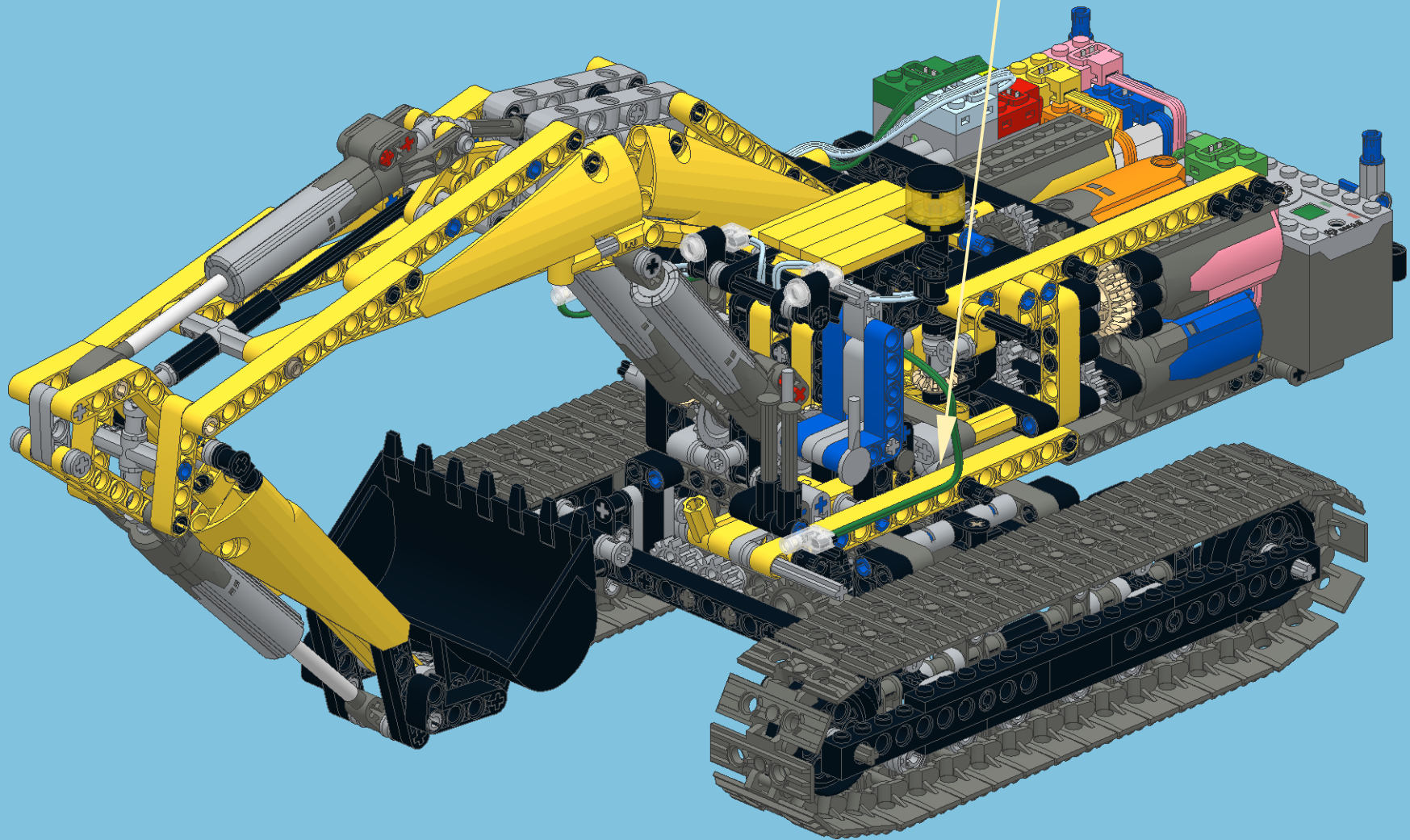
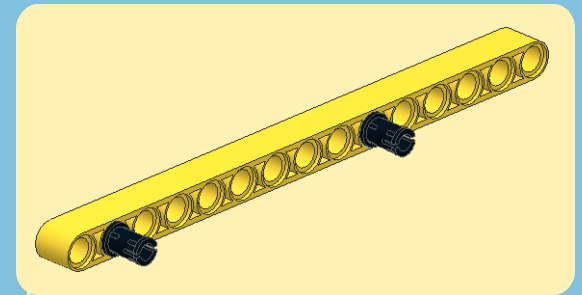
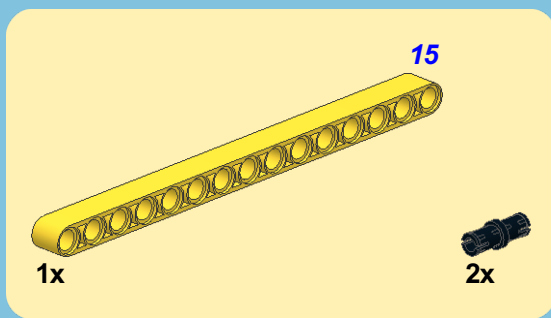
1x 

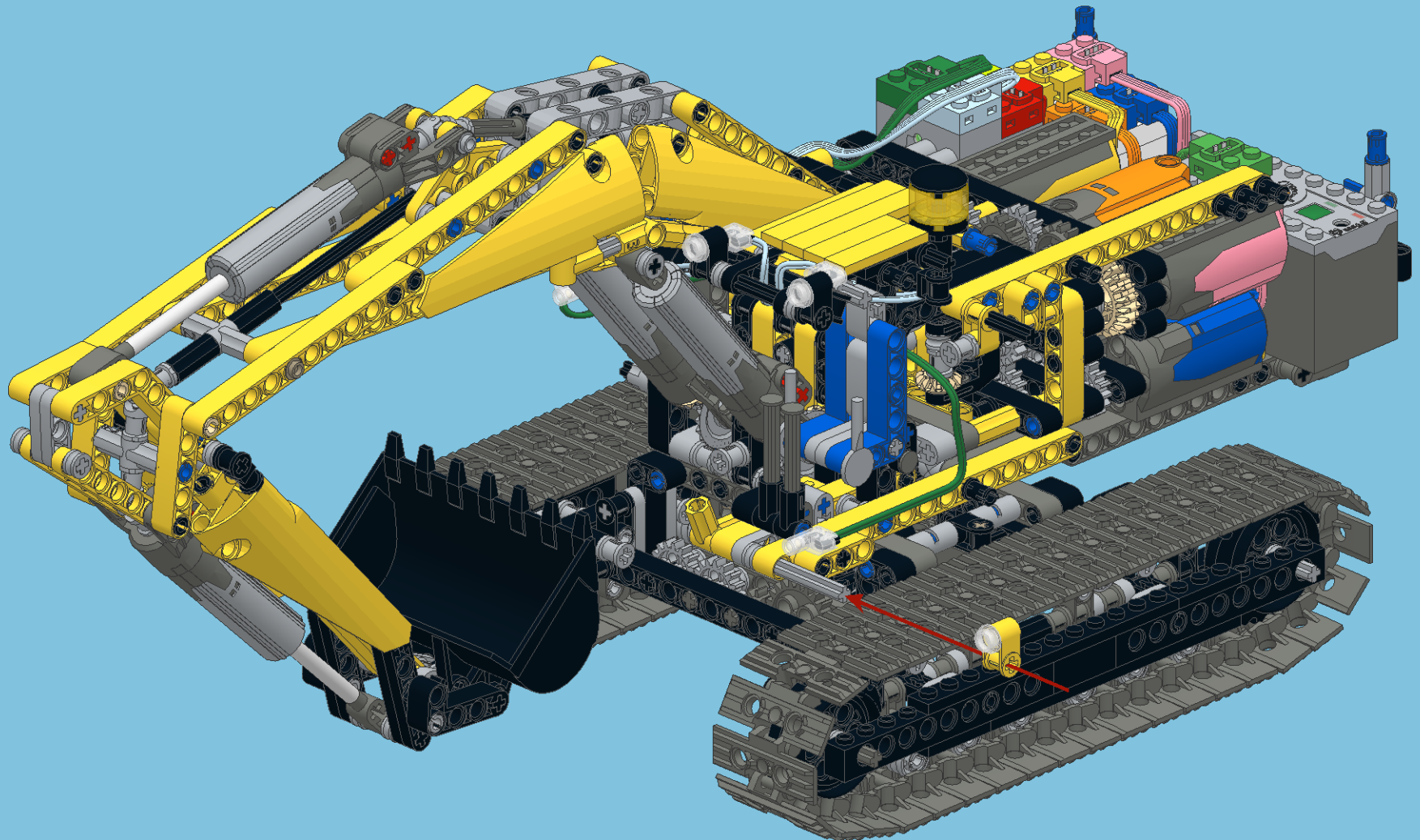
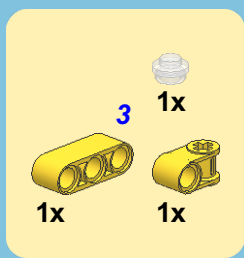


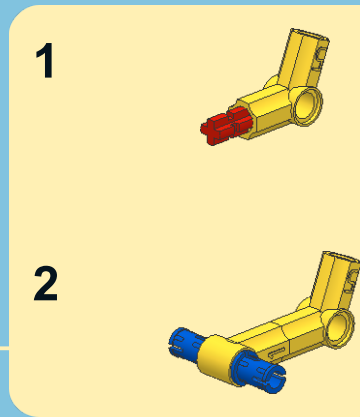
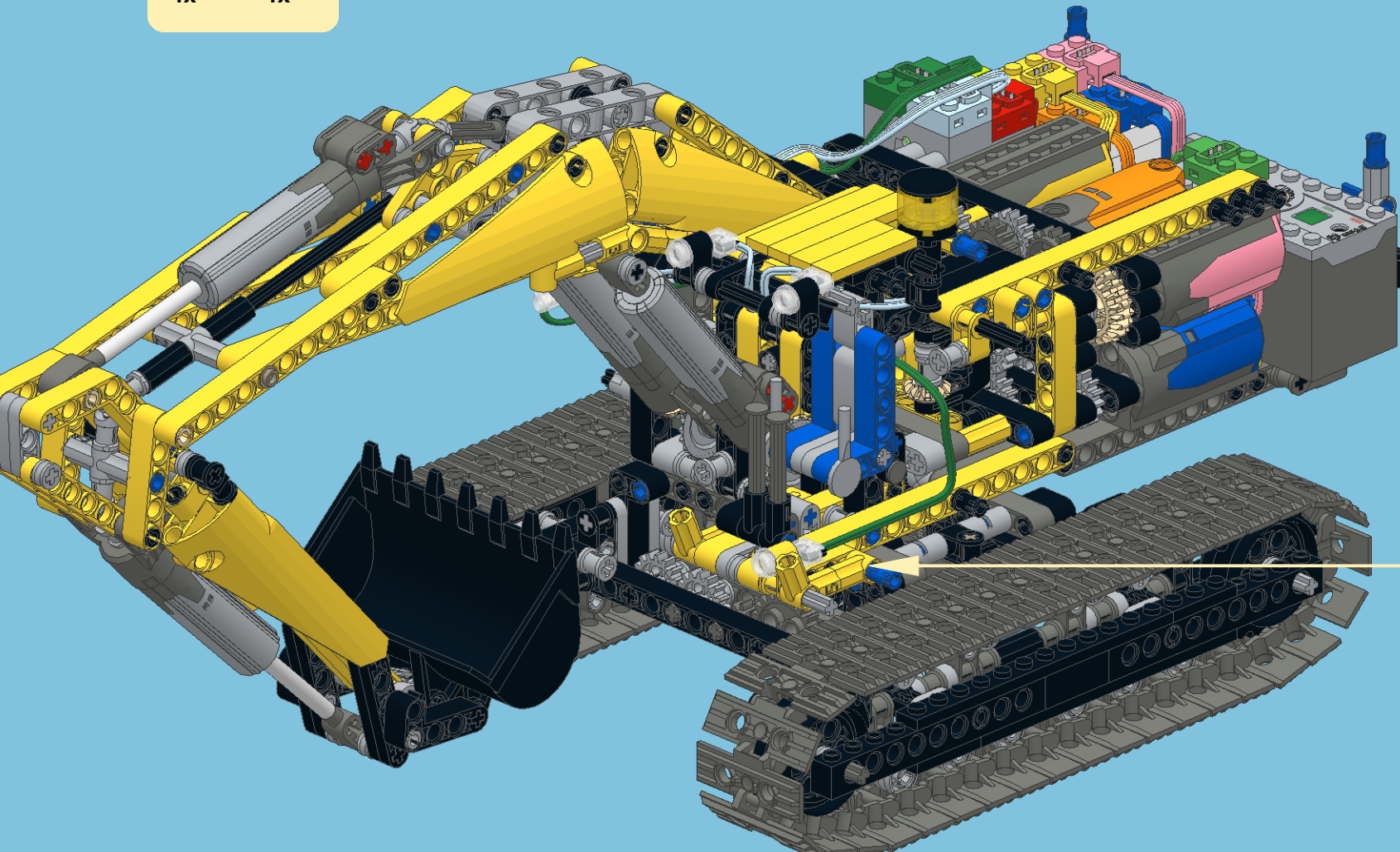
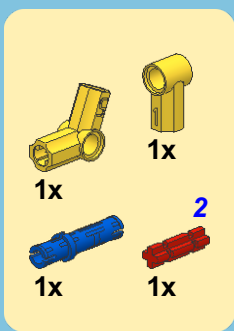
1 

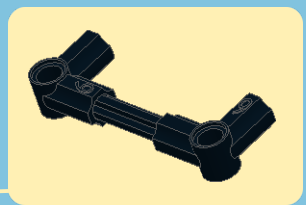
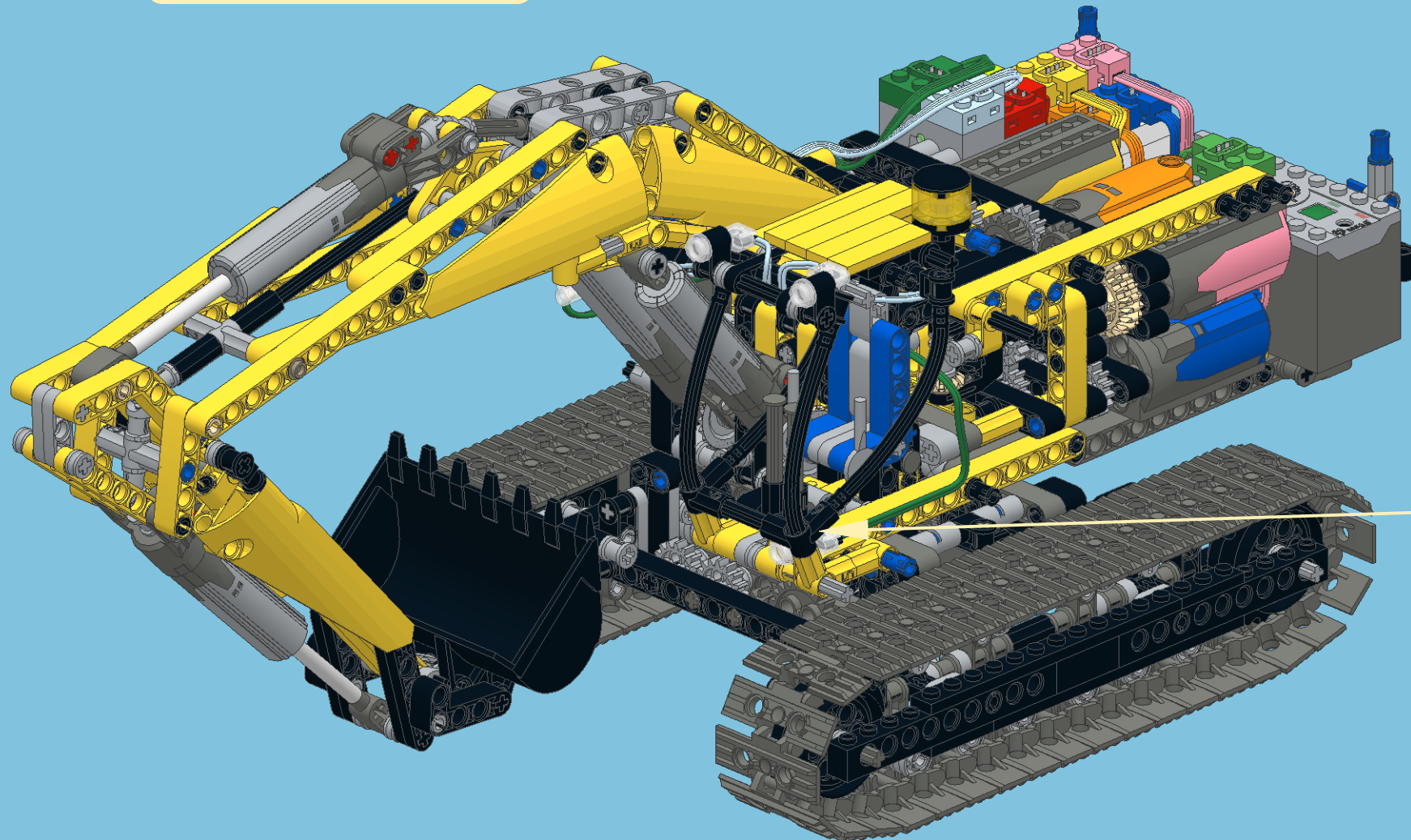
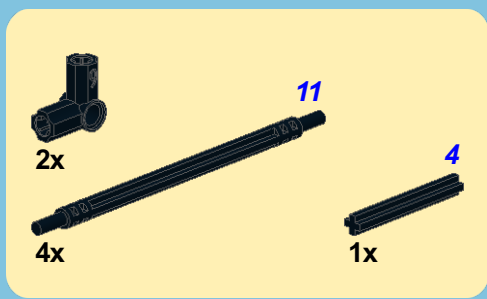
2 

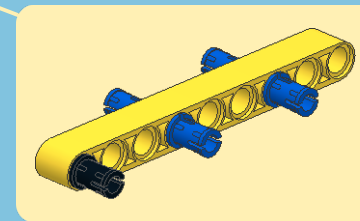
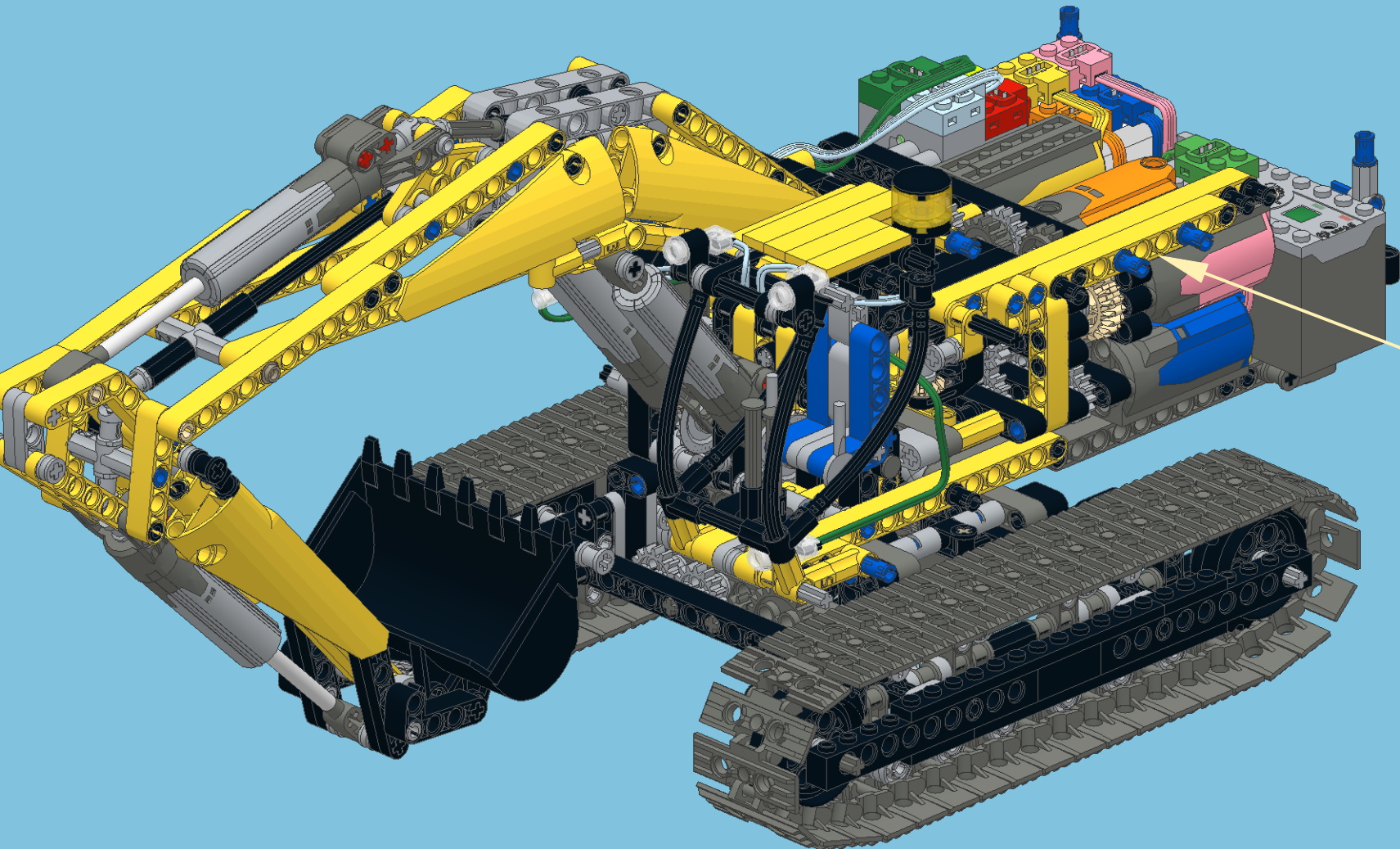
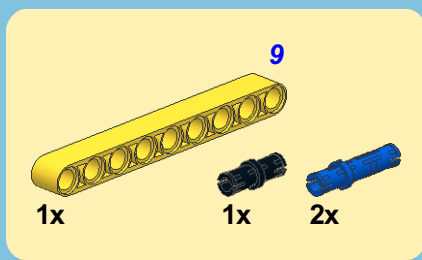
3 

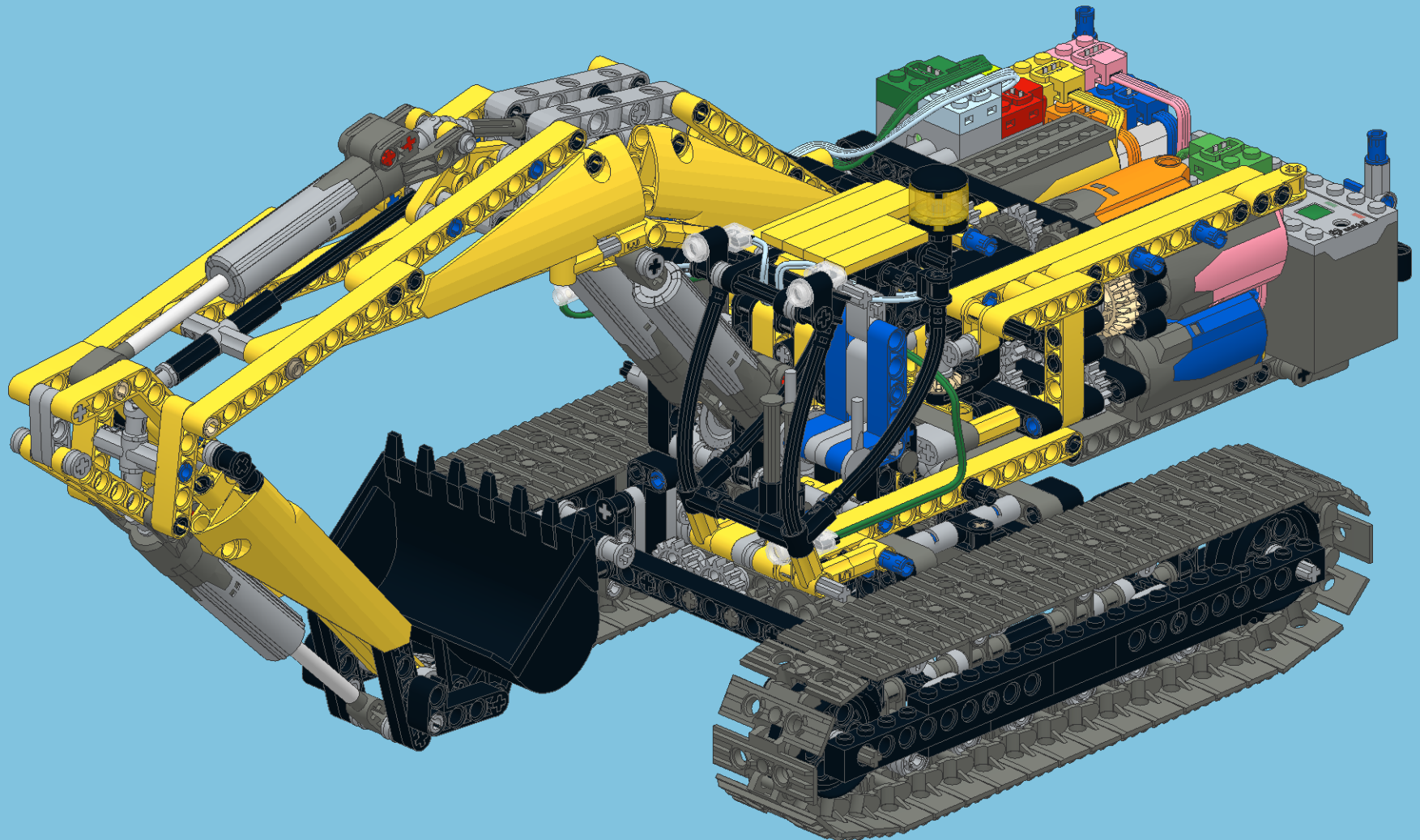
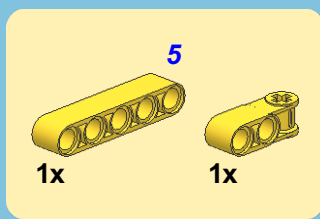


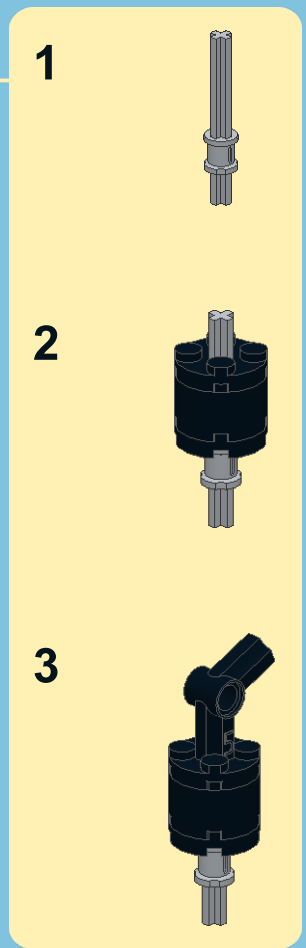
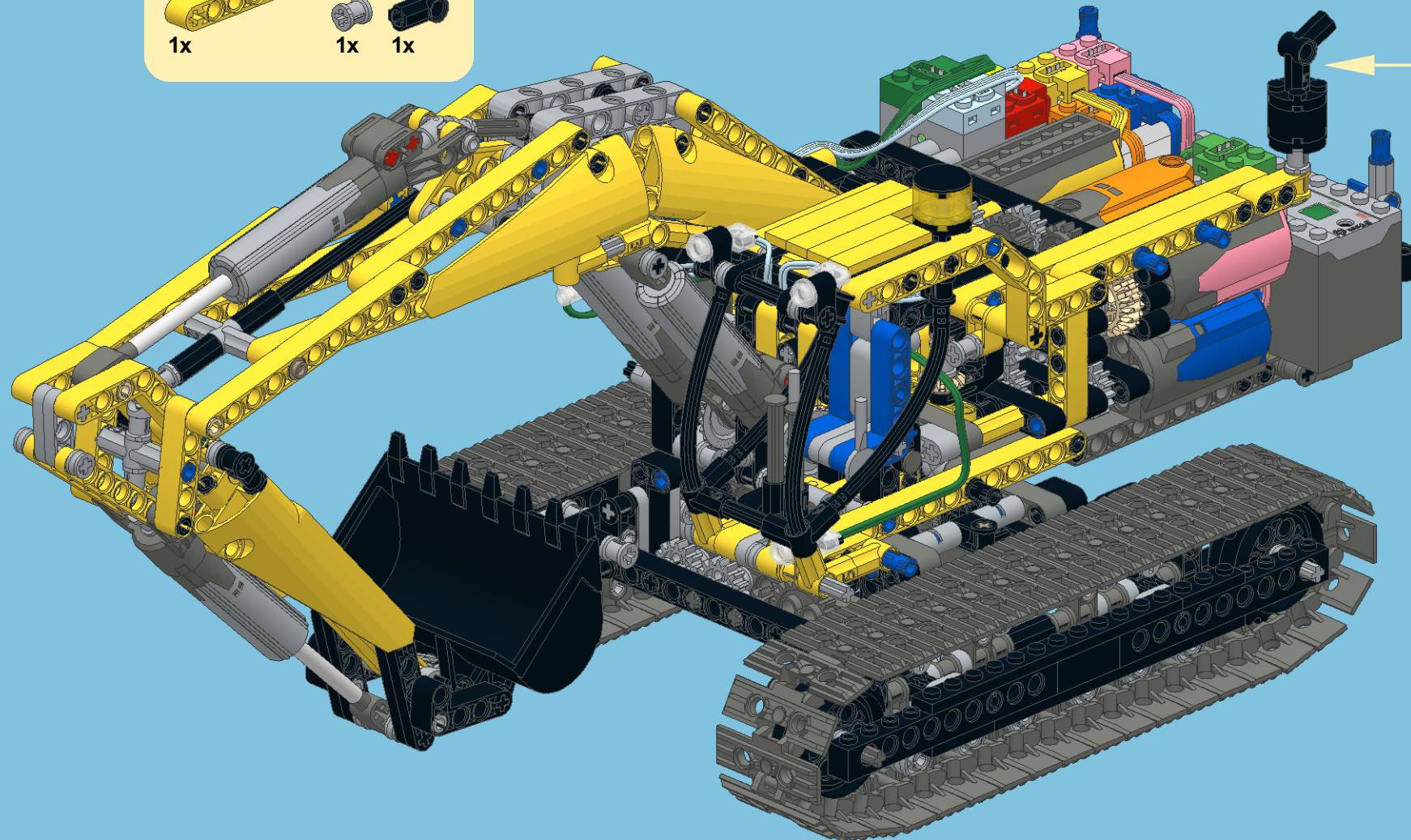
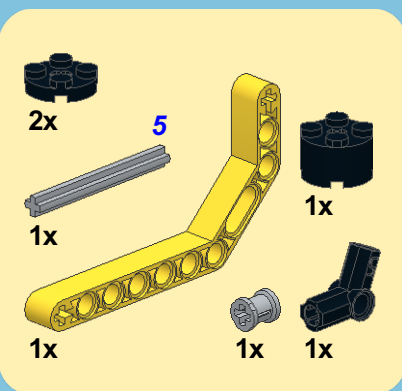


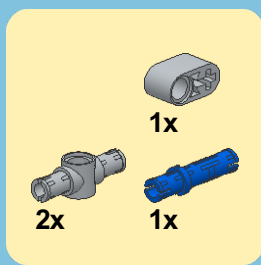






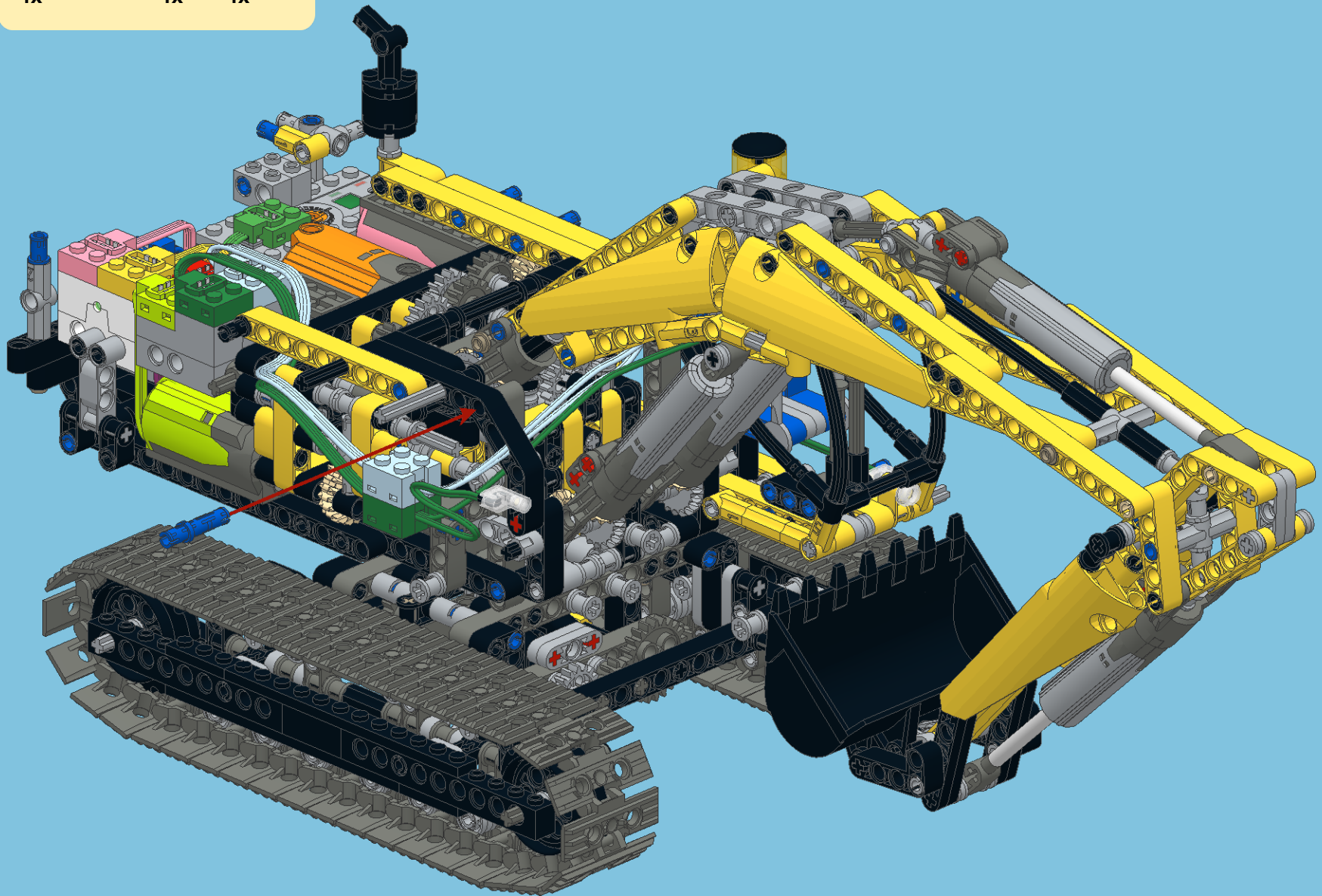
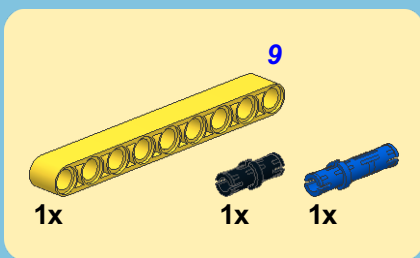


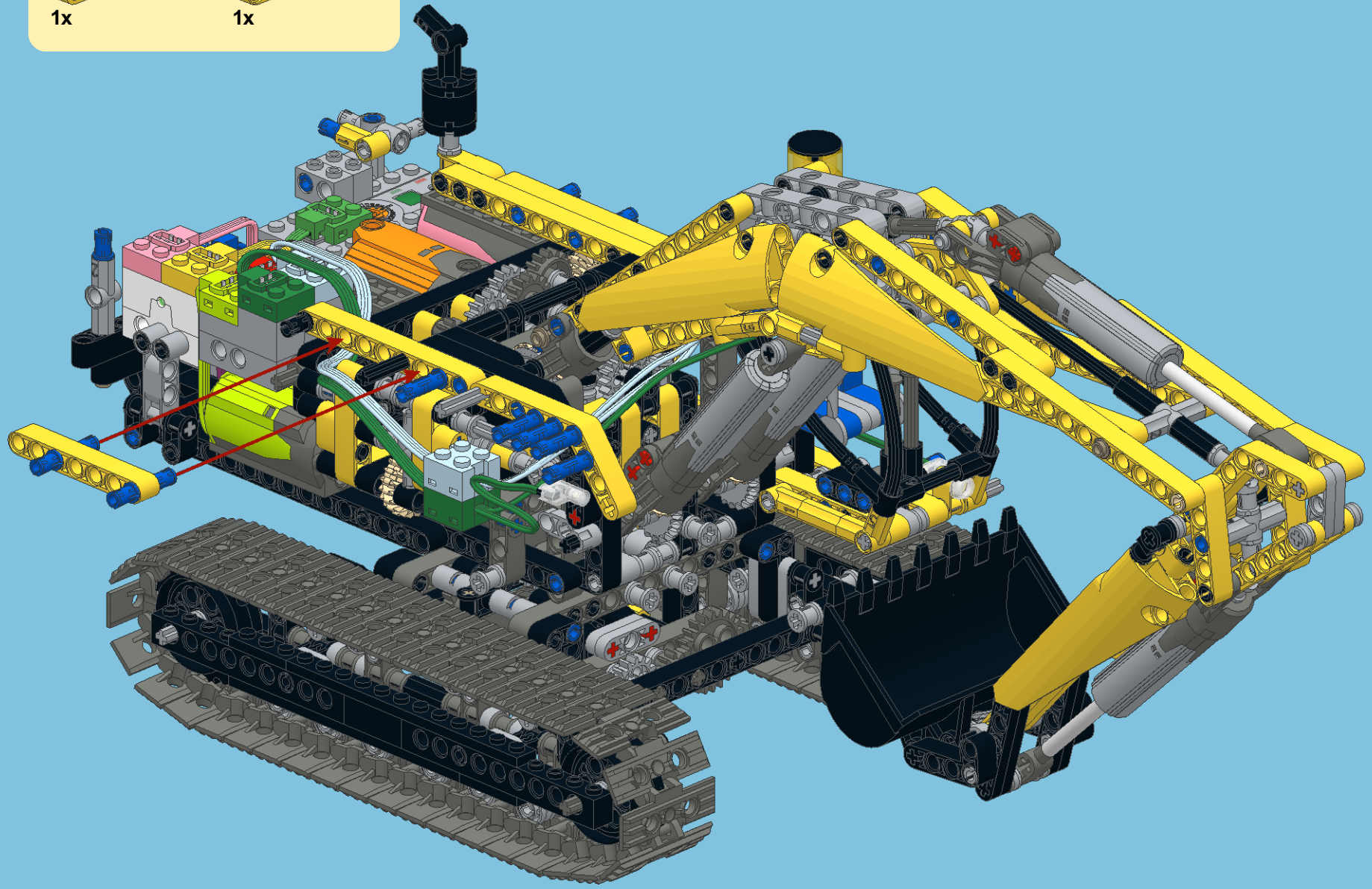
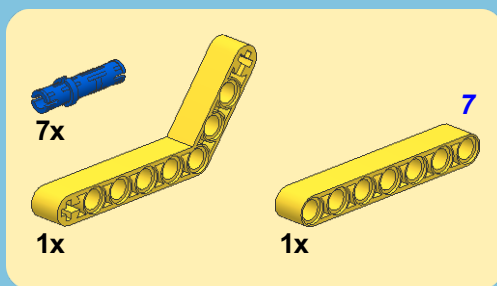




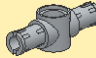



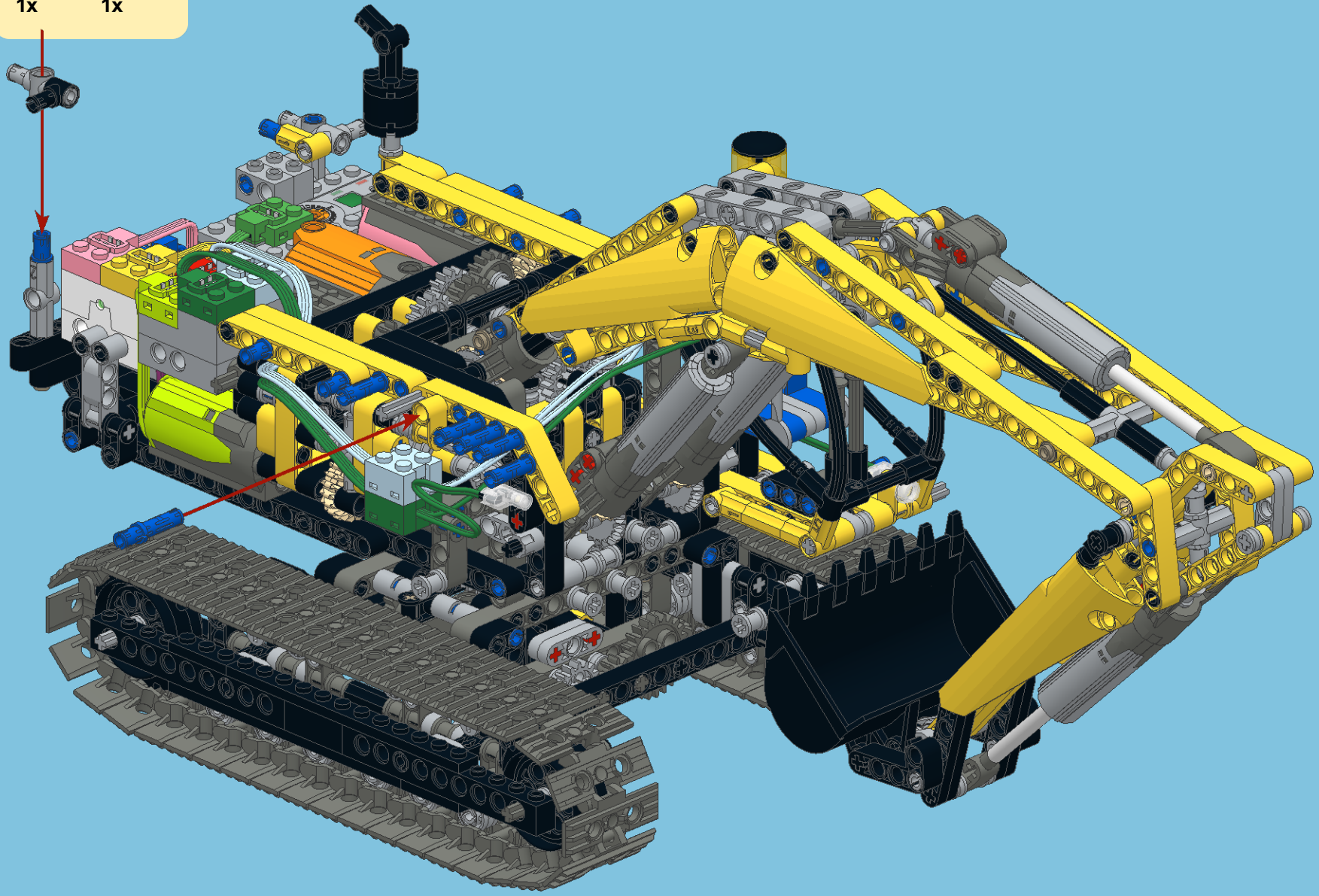
1x
2x 1x

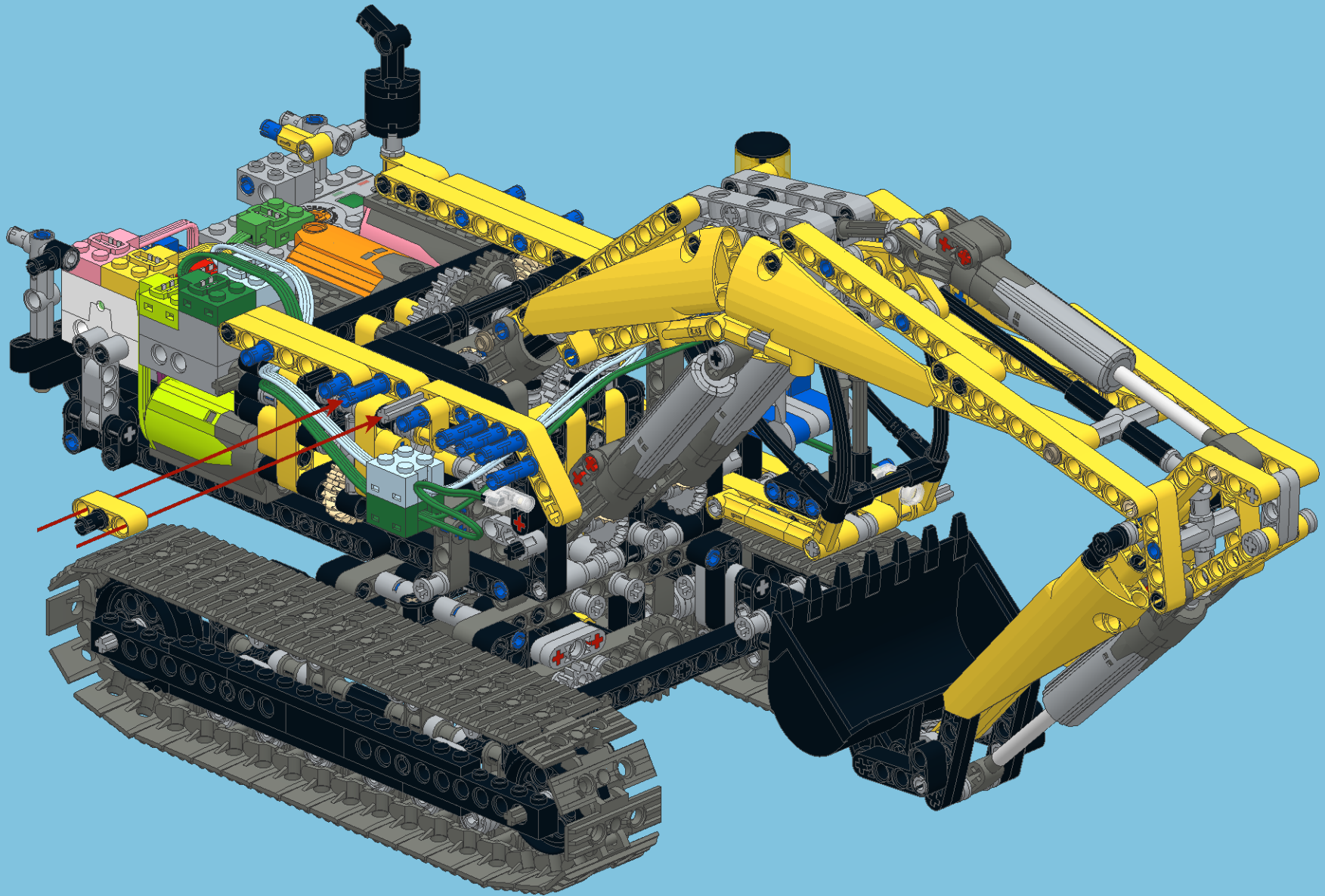
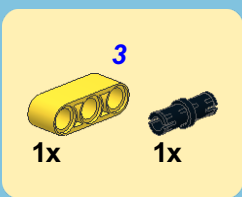


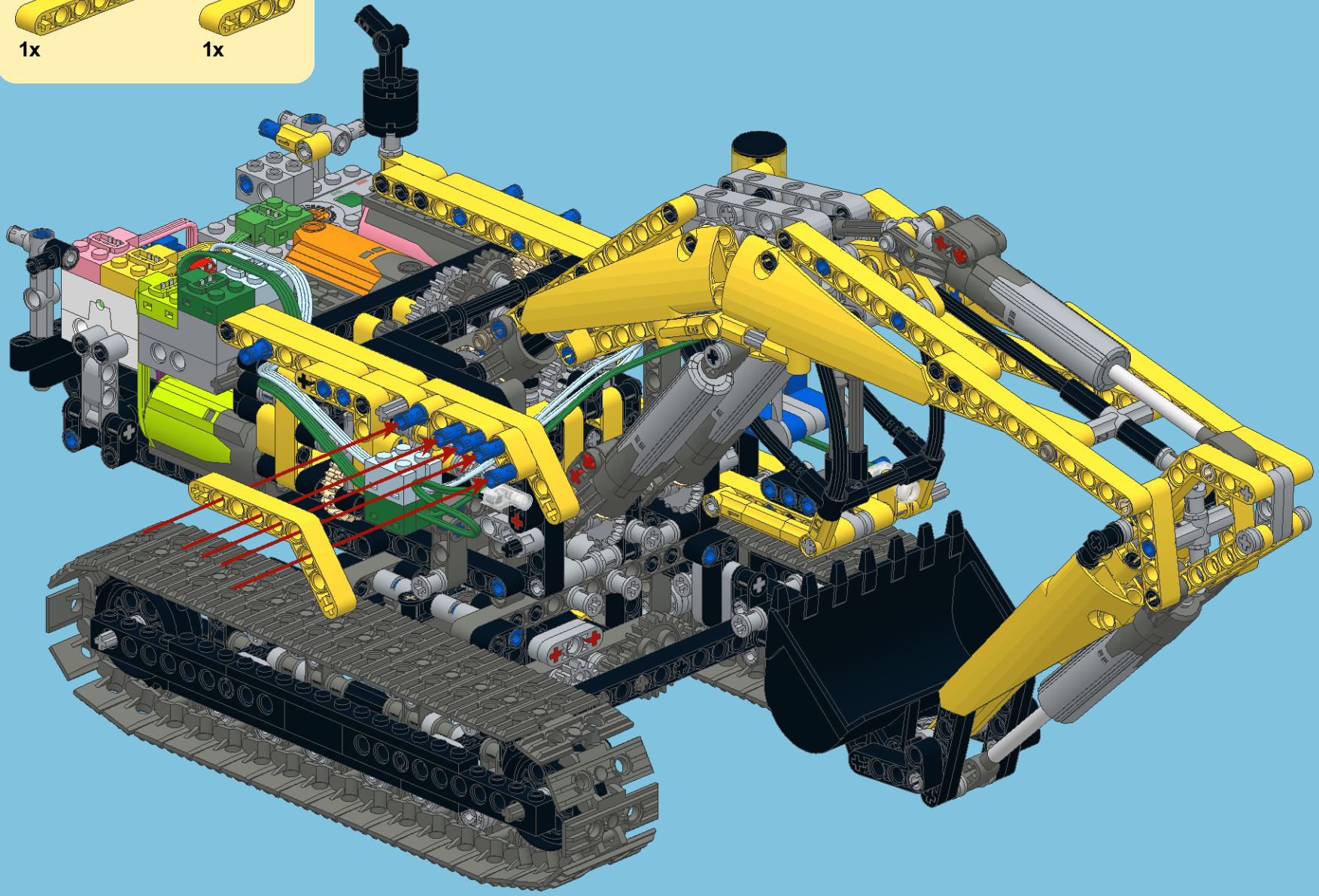
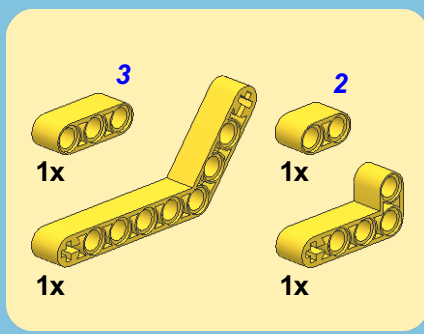




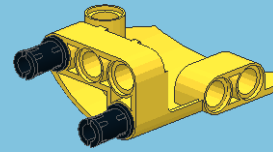
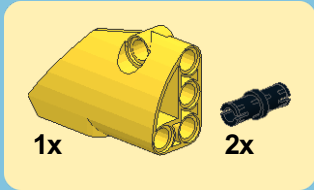
- 1x 
- 1x 
- 1x 
- 1x 



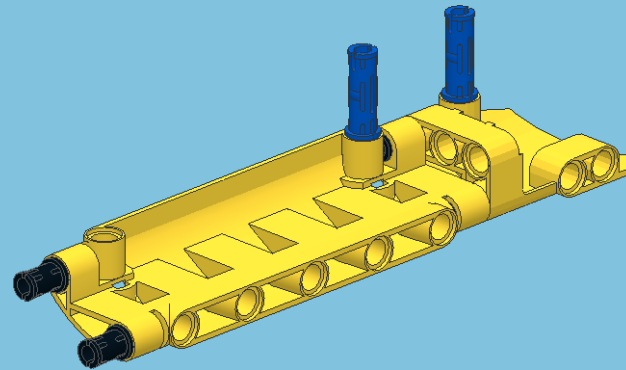
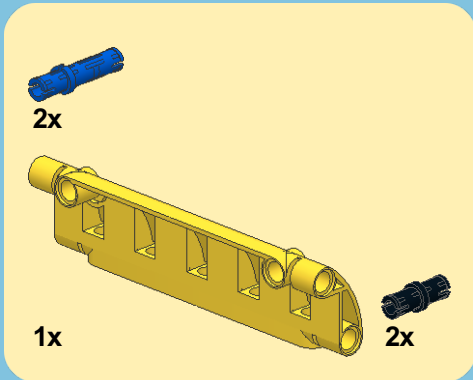




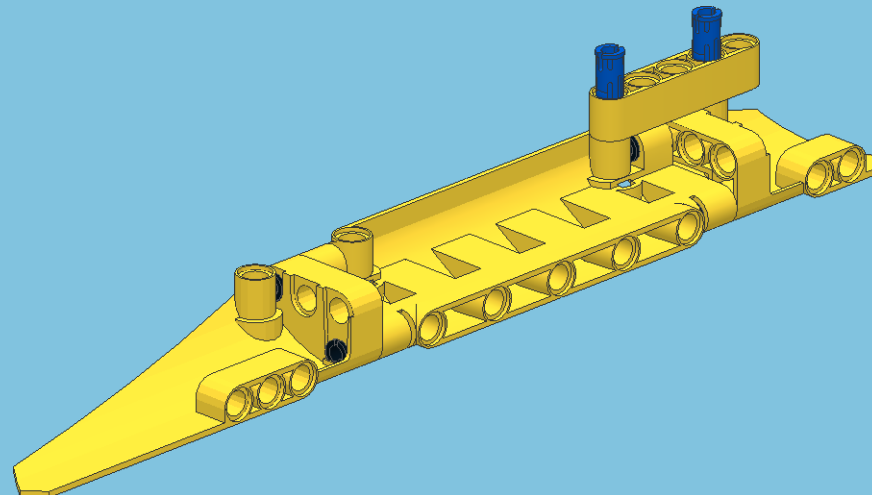
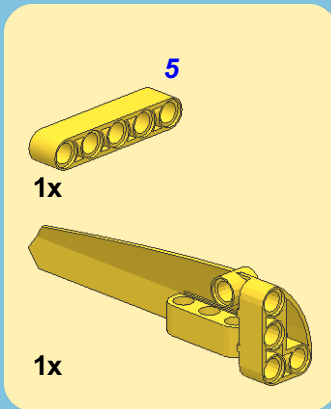
1



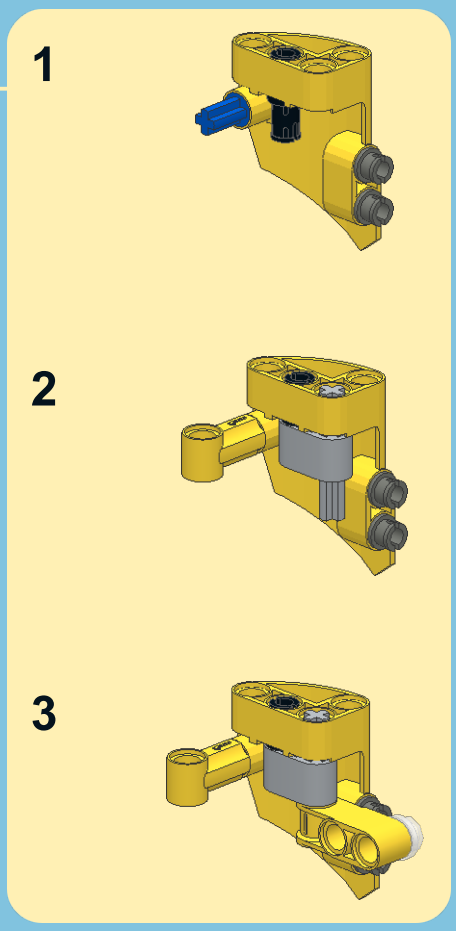
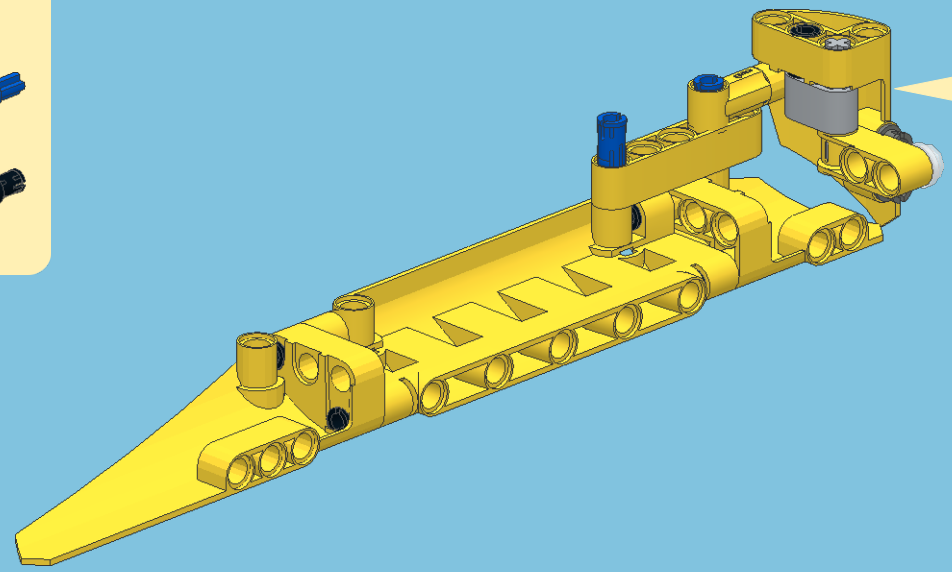
2



3



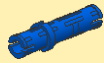
- 1x [Grey Technic Pin]
- 1x [White Technic Pin]
- 1x [Yellow Technic Pin]
- 1x [Yellow Technic Pin]
- 1x [Grey Technic Pin]
- 2x [Grey Technic Pin]
- 3 [Grey Technic Pin]
- 1x [Blue Technic Pin]
- 1x [Blue Technic Pin]
- 1x [Yellow Technic Pin]
- 1x [Black Technic Pin]



5

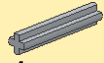


1x



1x

3



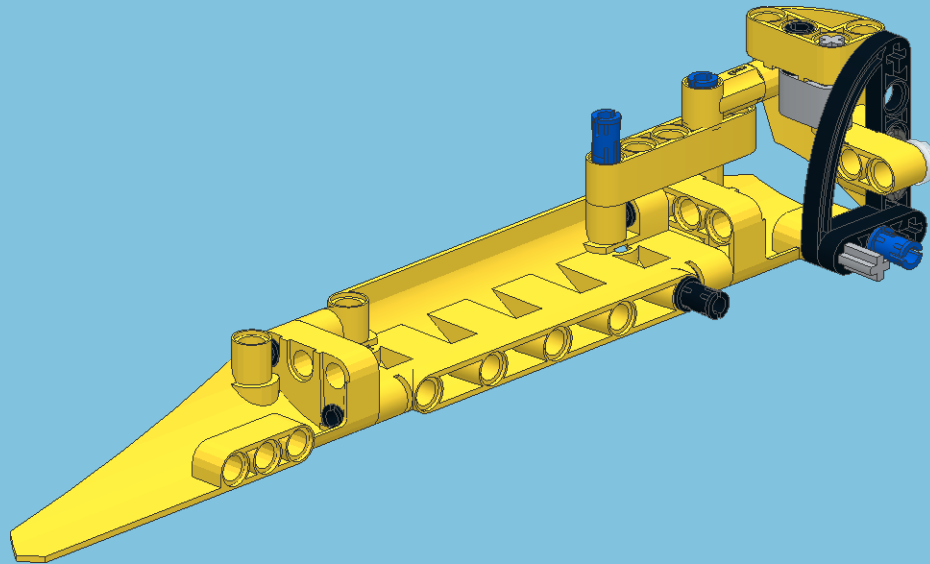
1x



1x



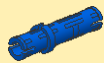
1x



6



3x

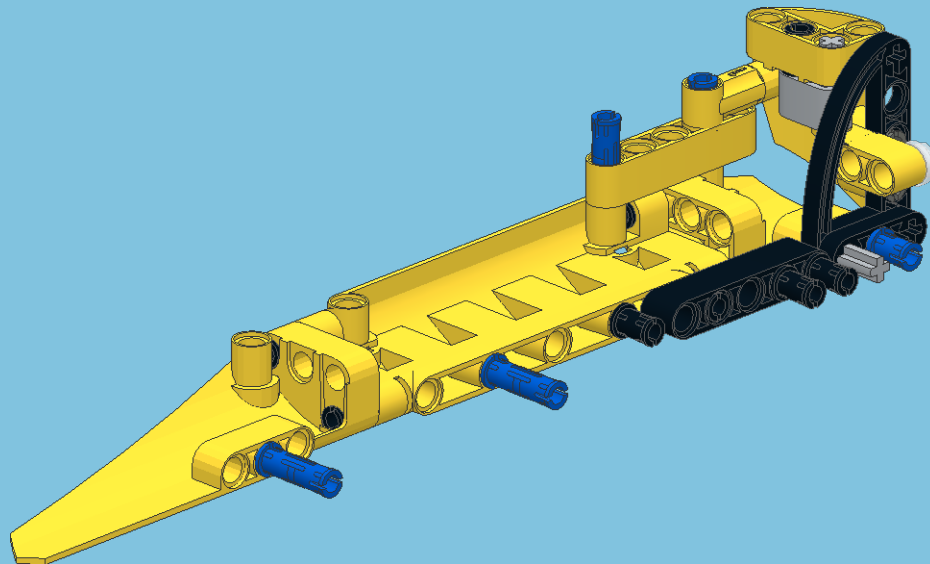


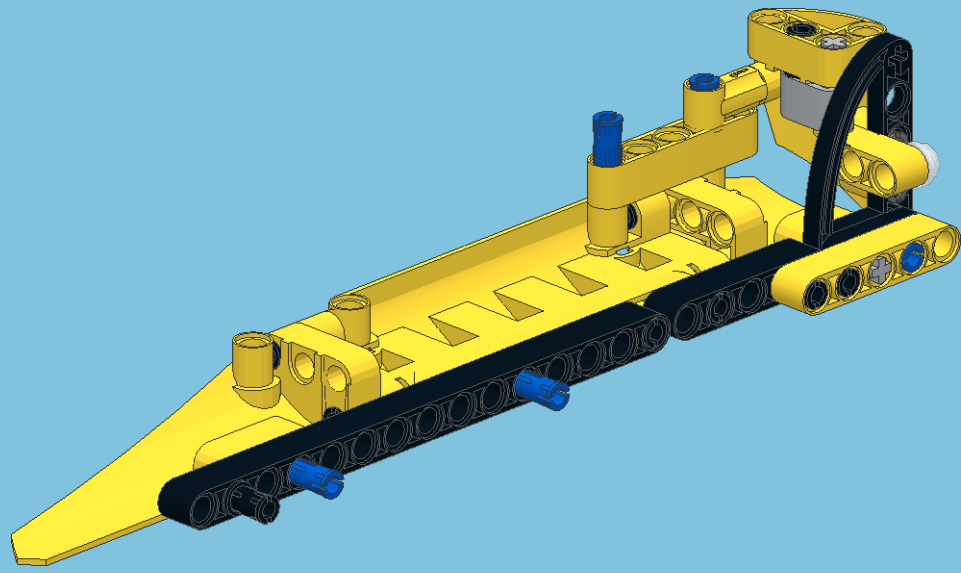
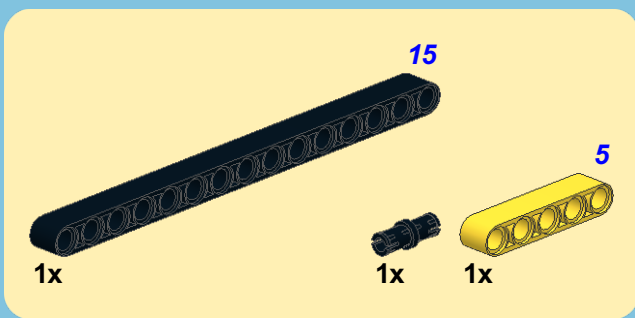
2x

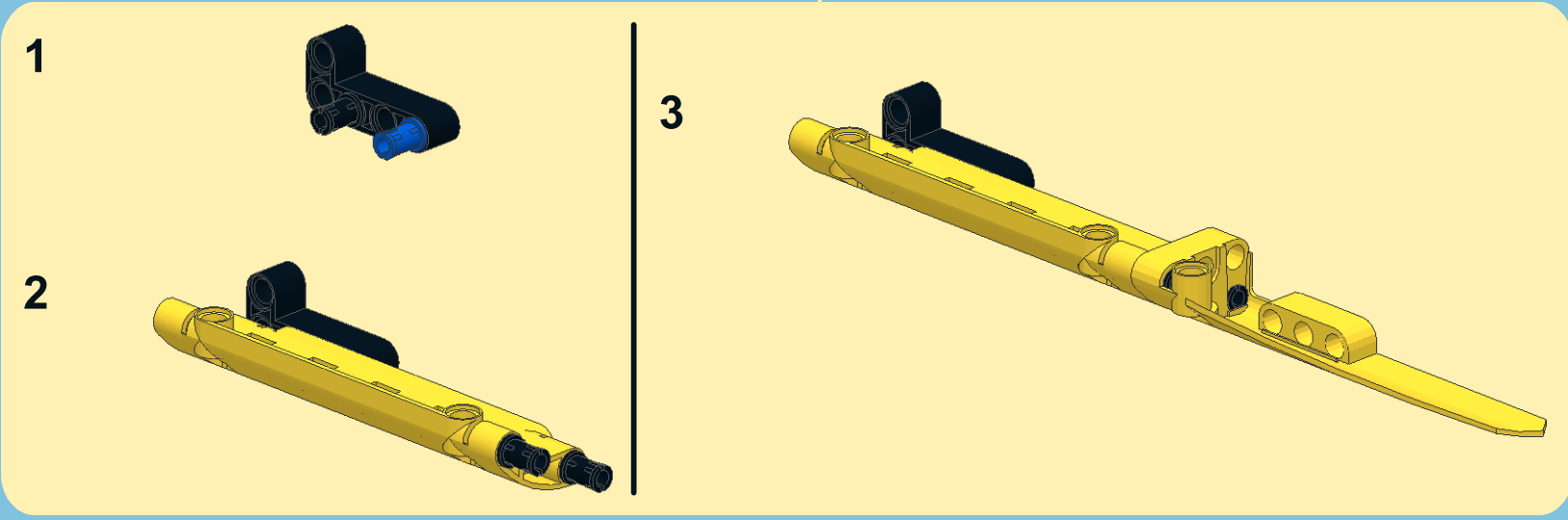
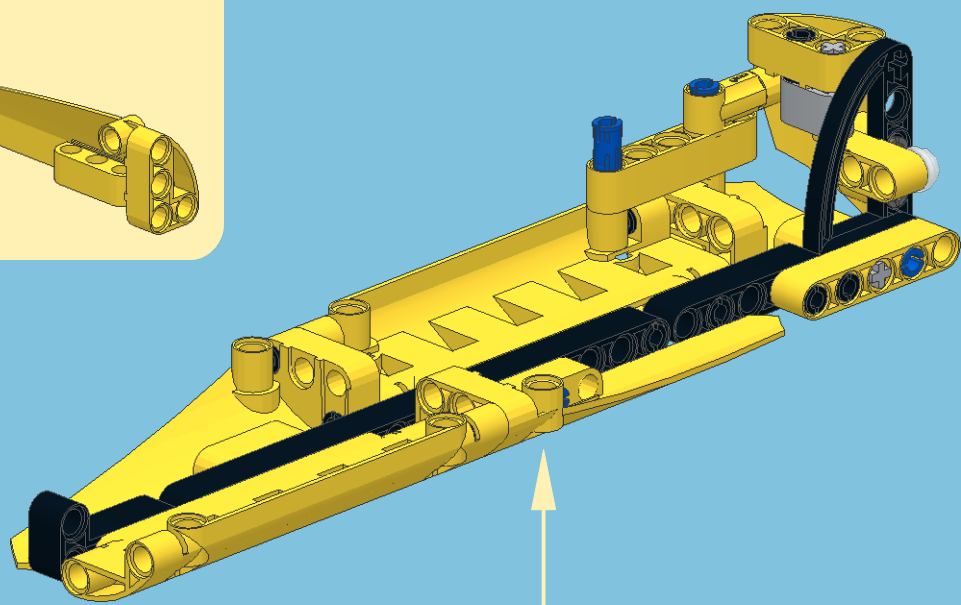
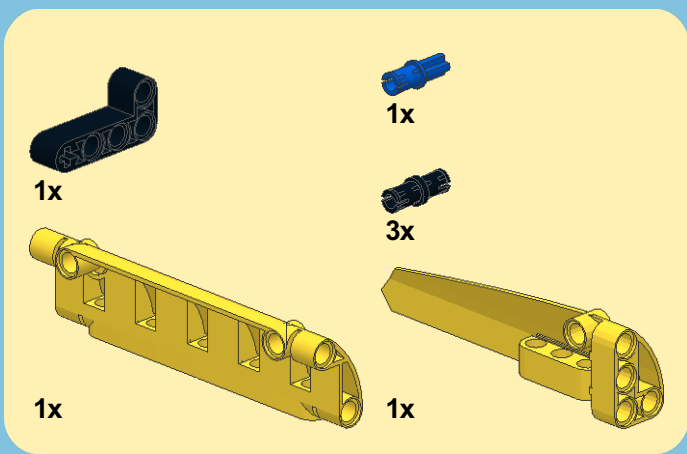
5

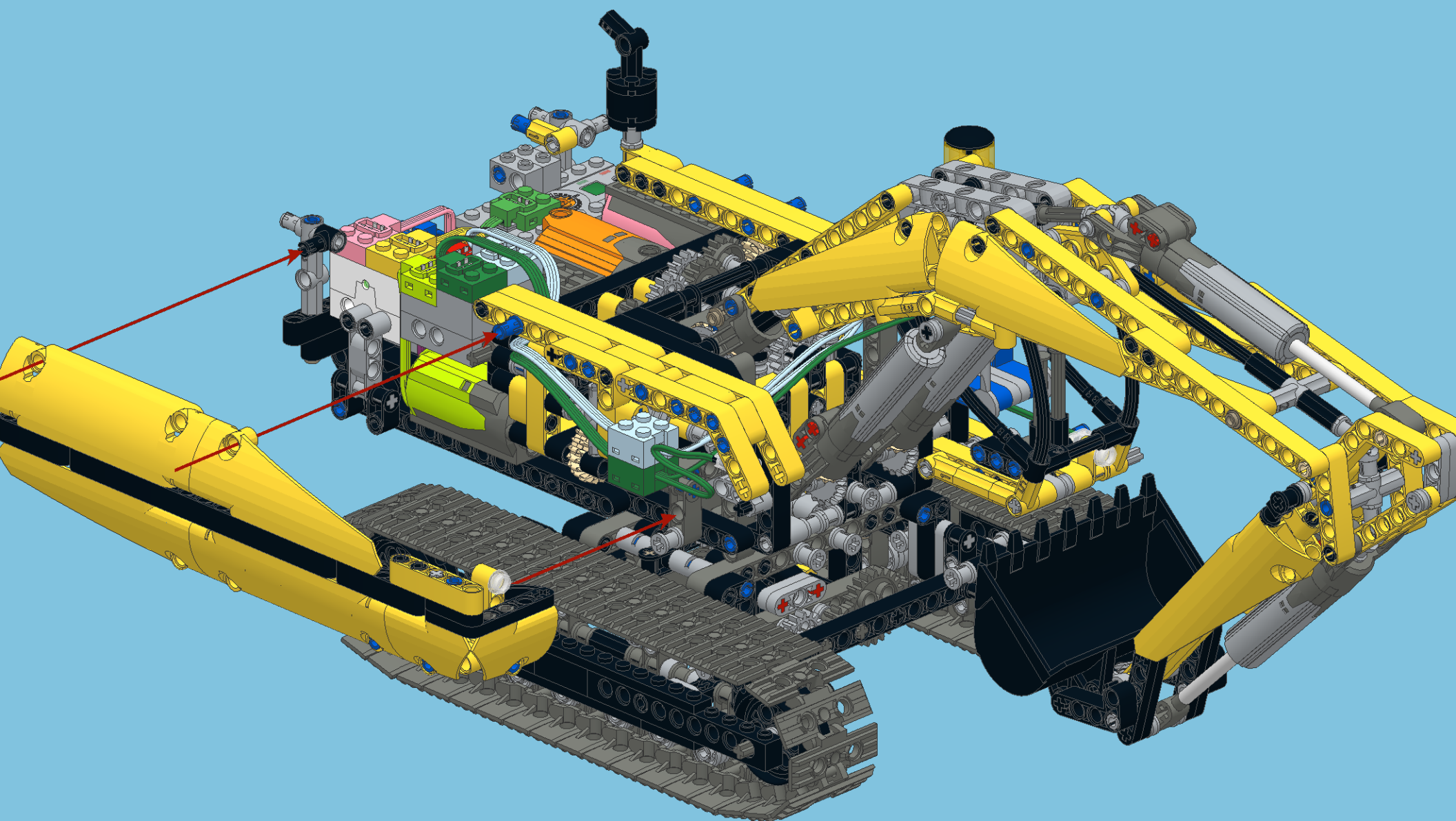


1x

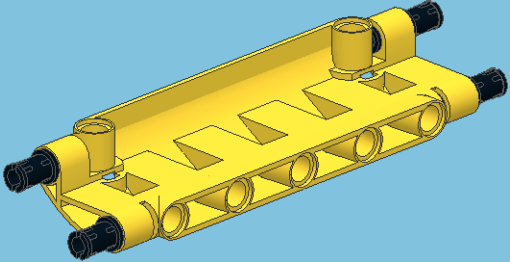
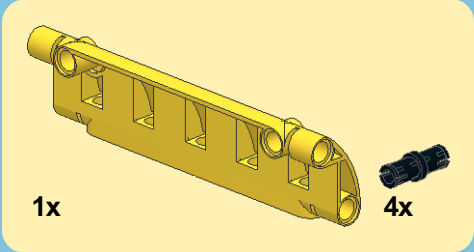




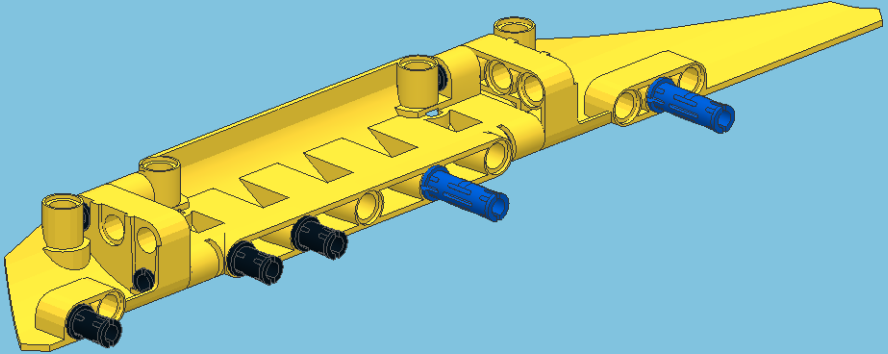
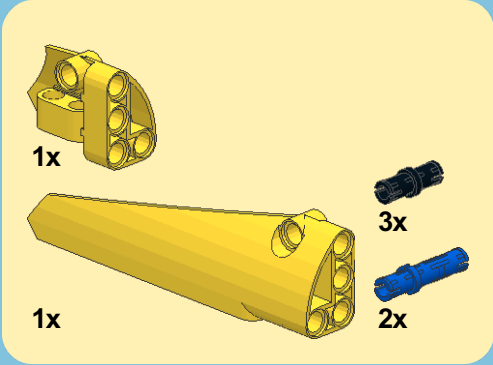




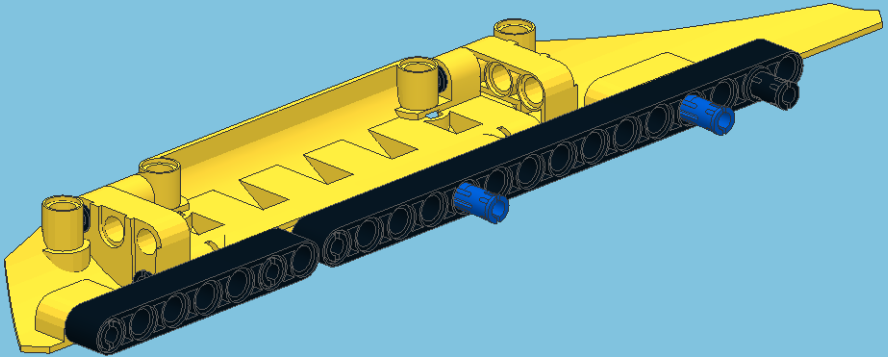
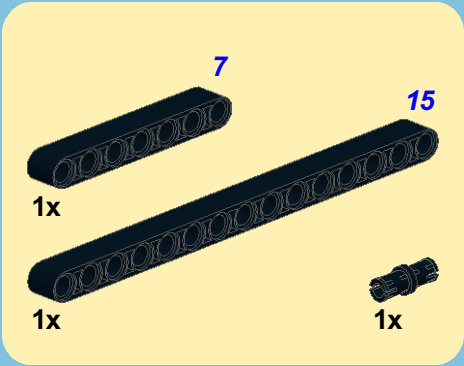
1



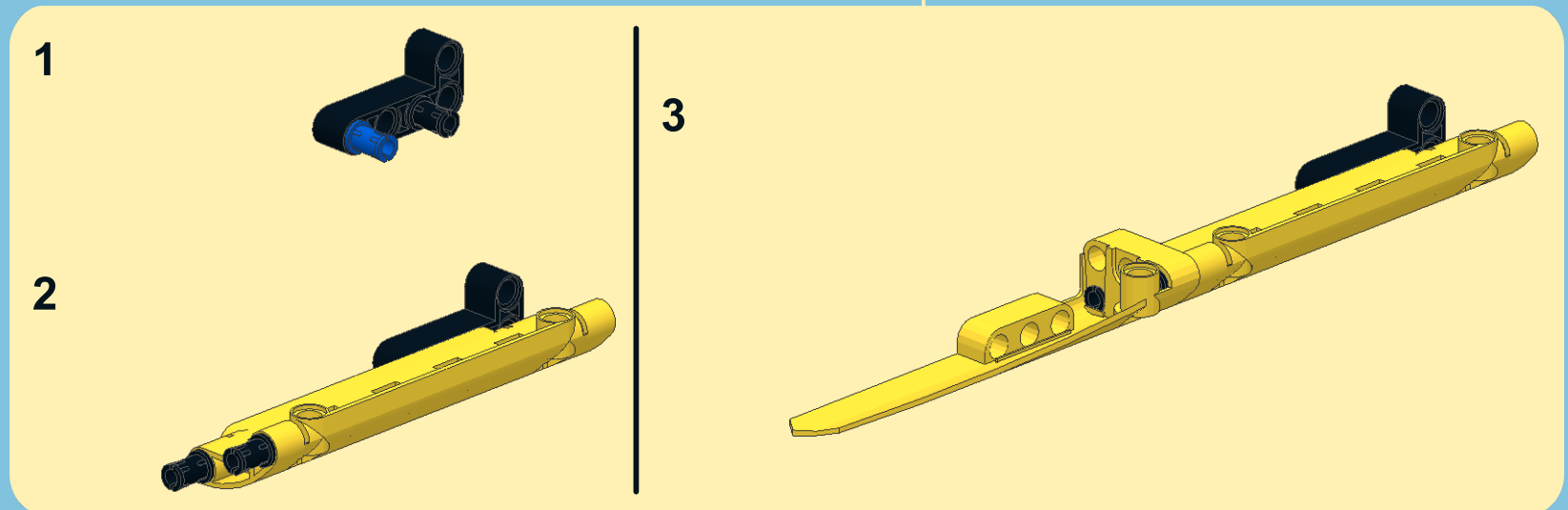
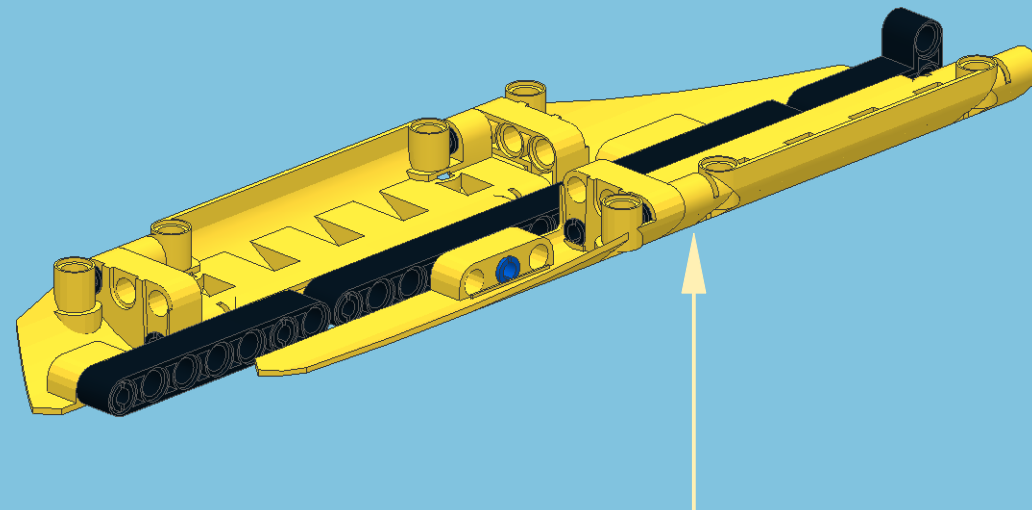
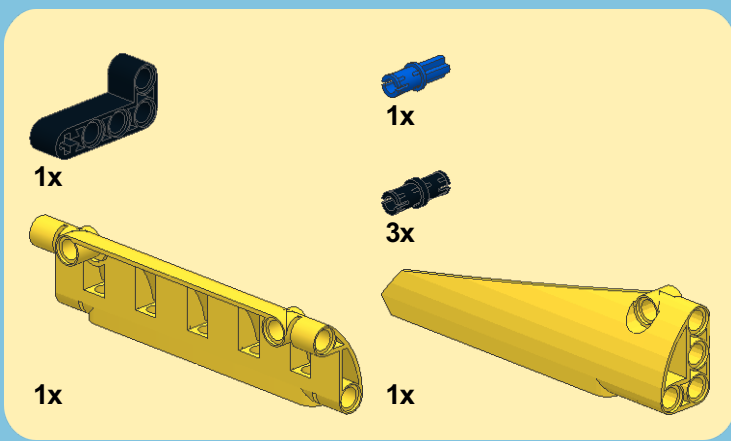
2

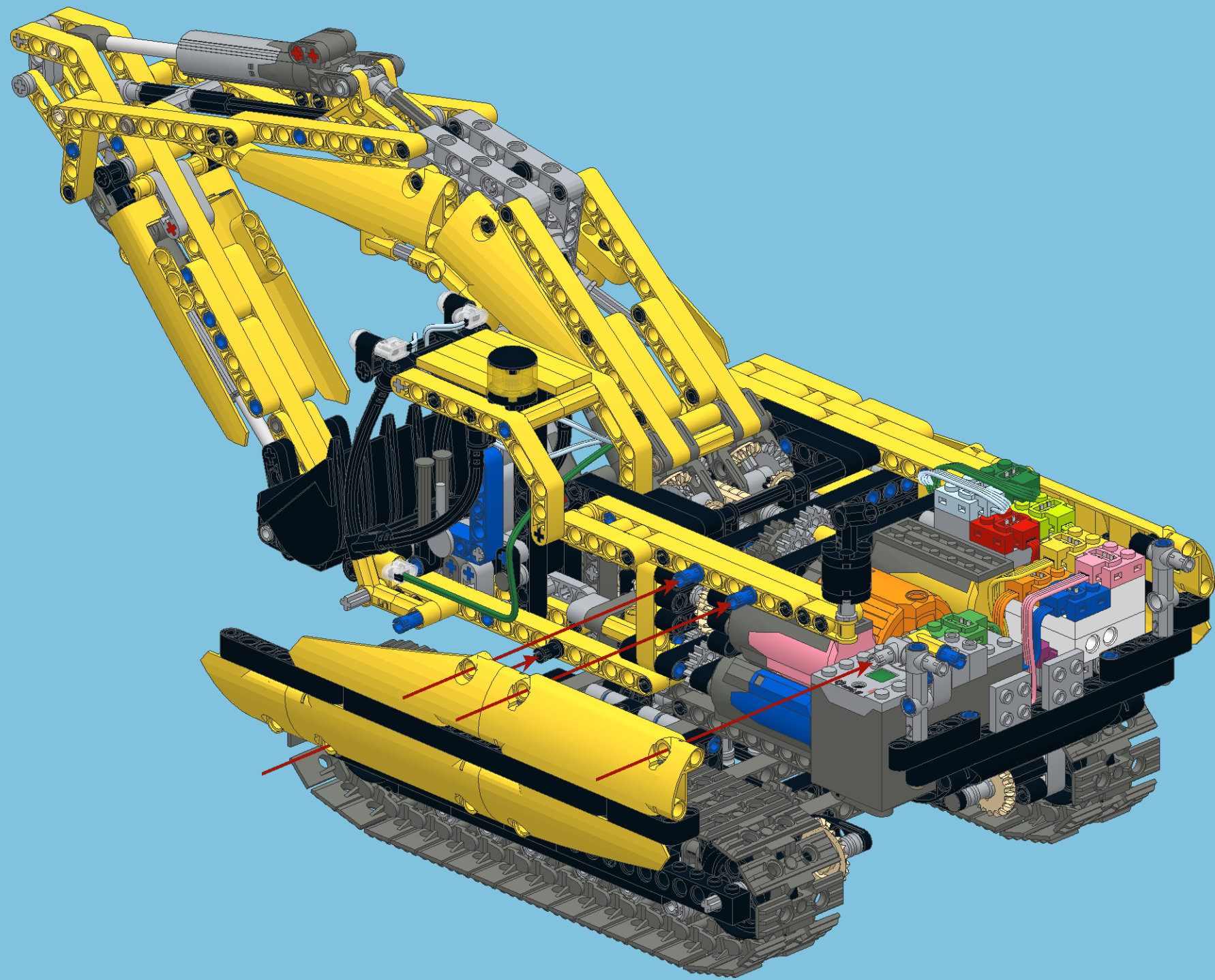


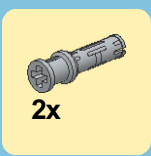
3



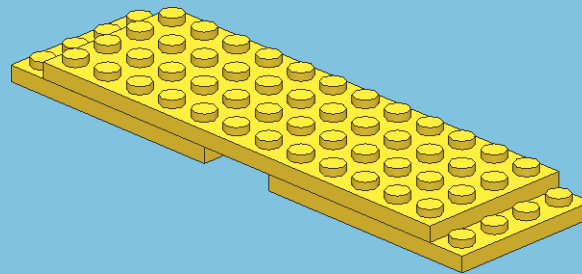
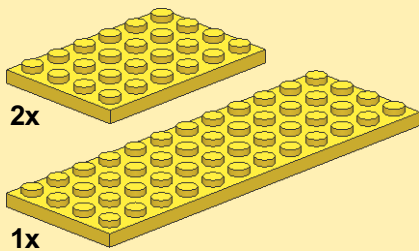
4



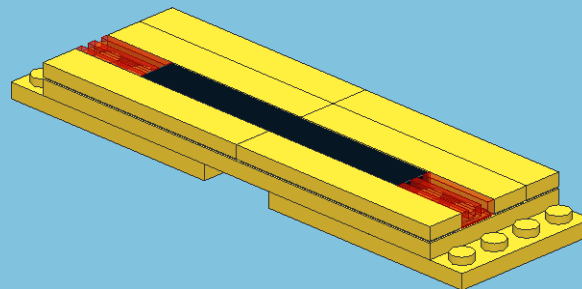
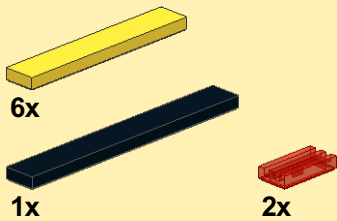




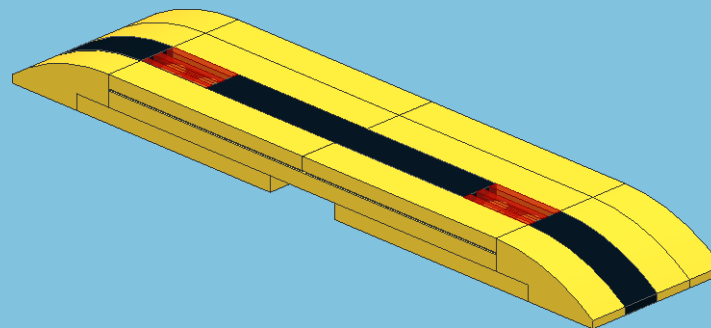
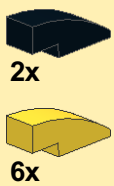
1



2



3



4

