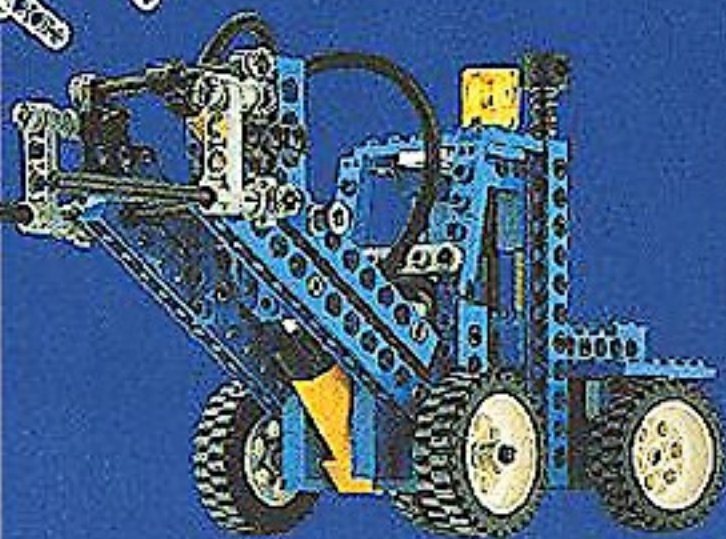
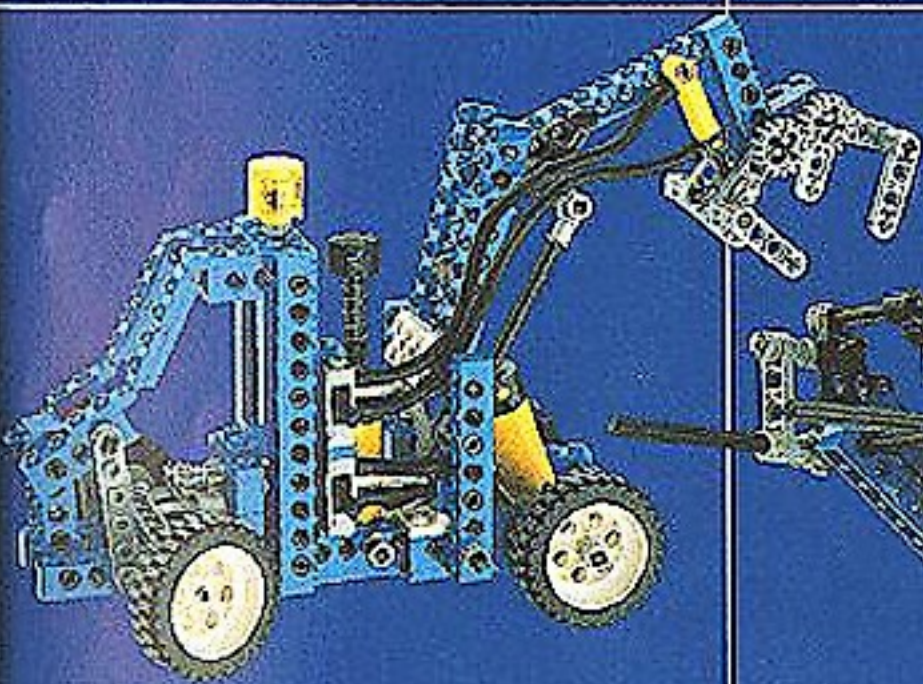
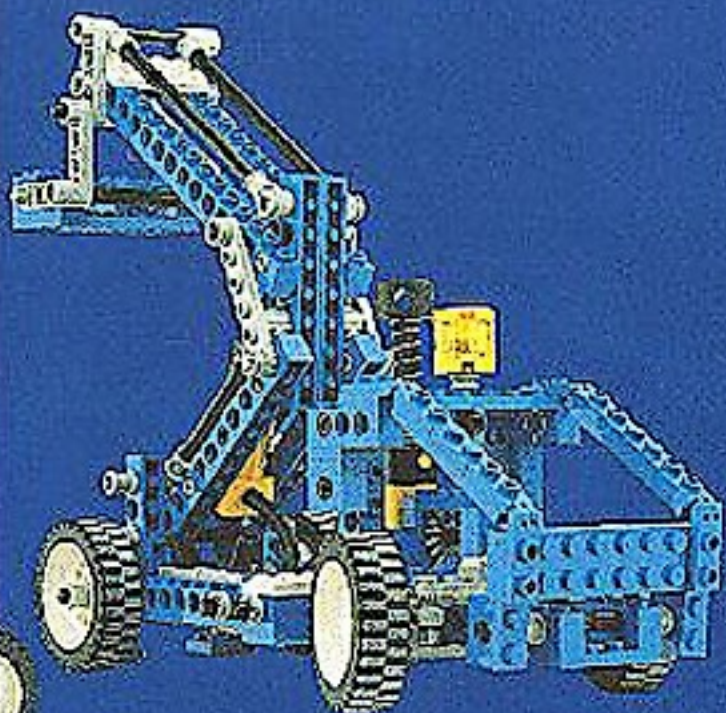
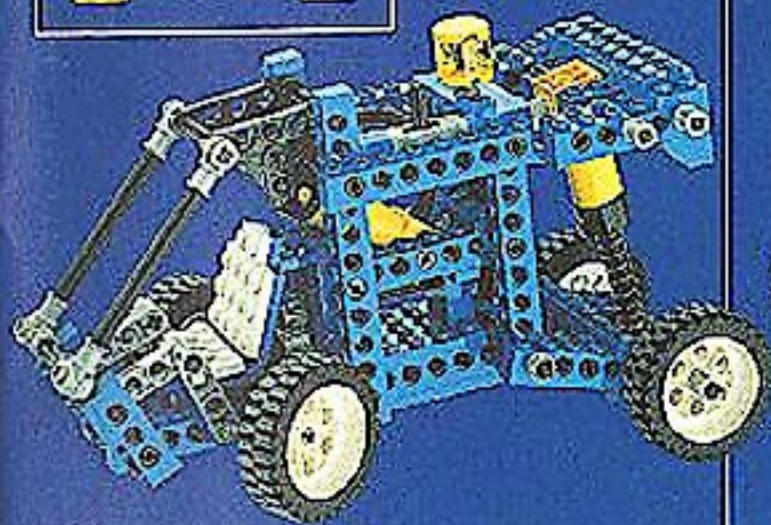
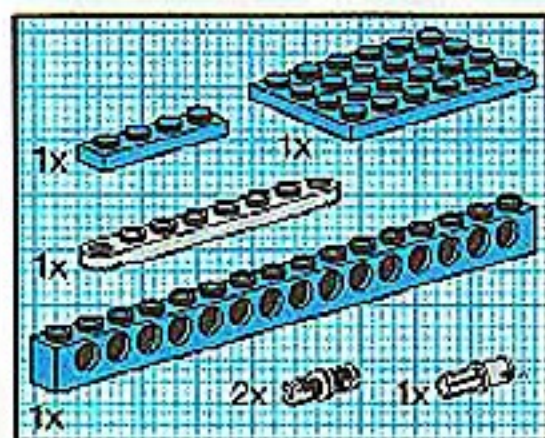
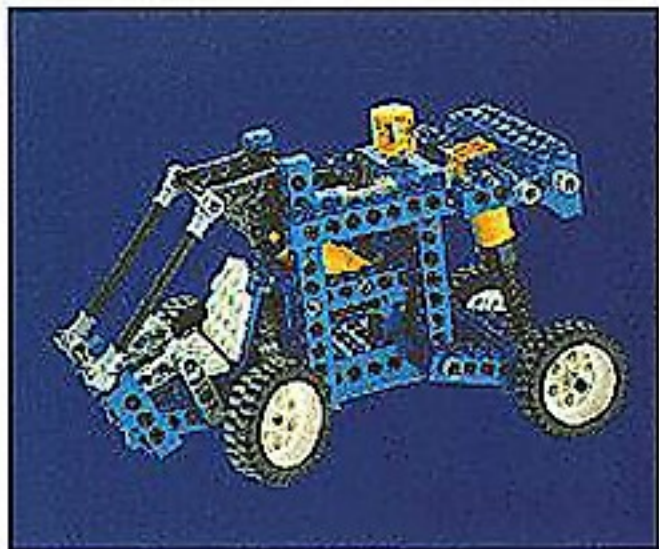




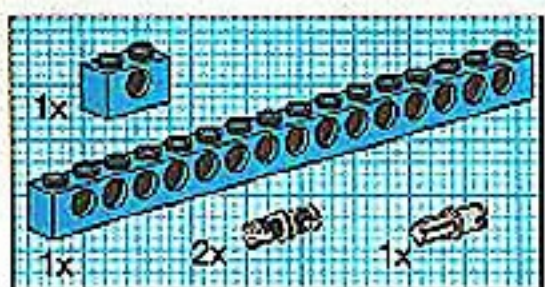
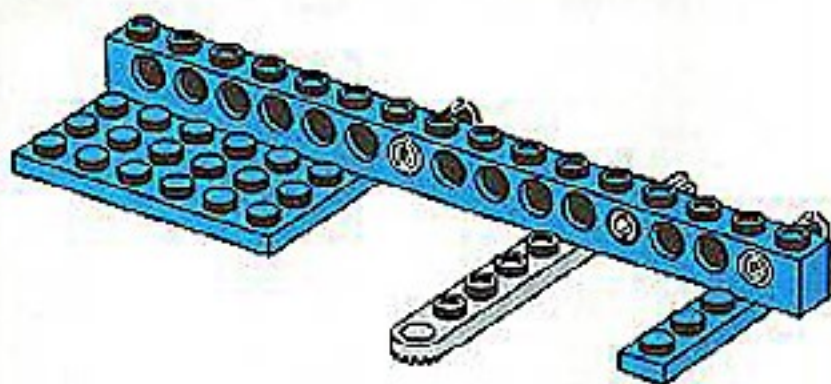
# Technic



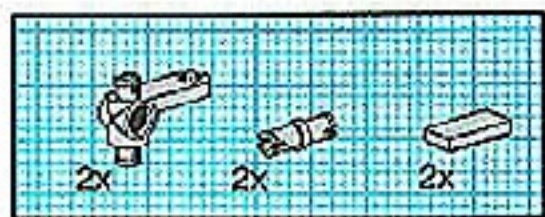
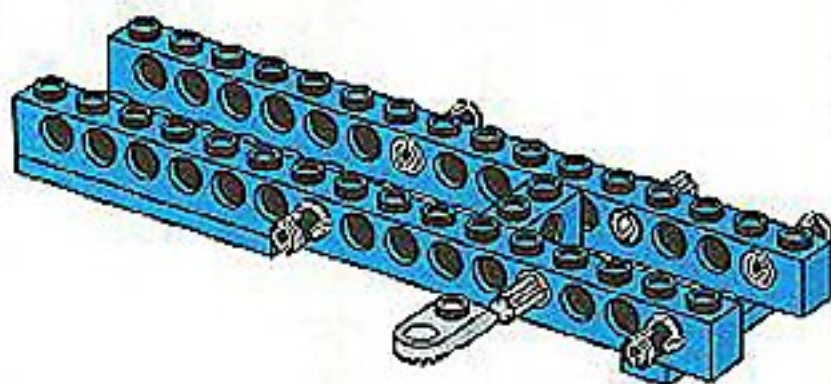
8042



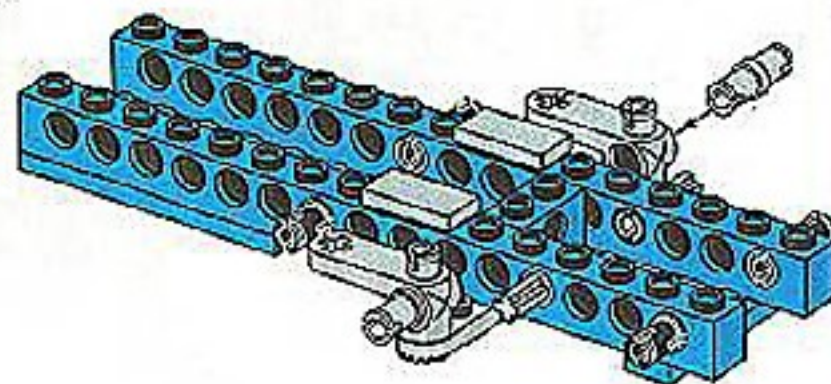
1

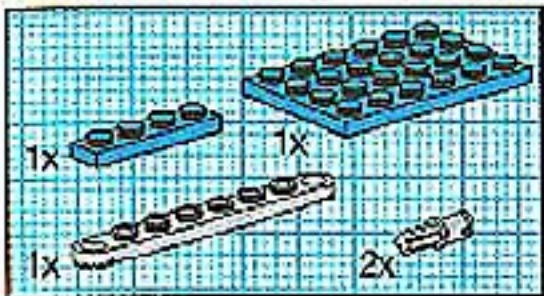


2

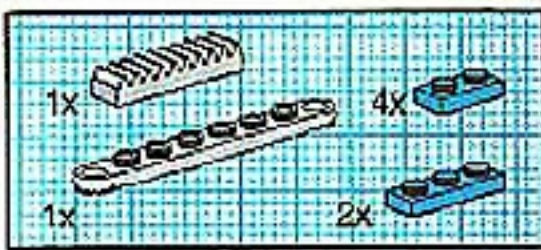
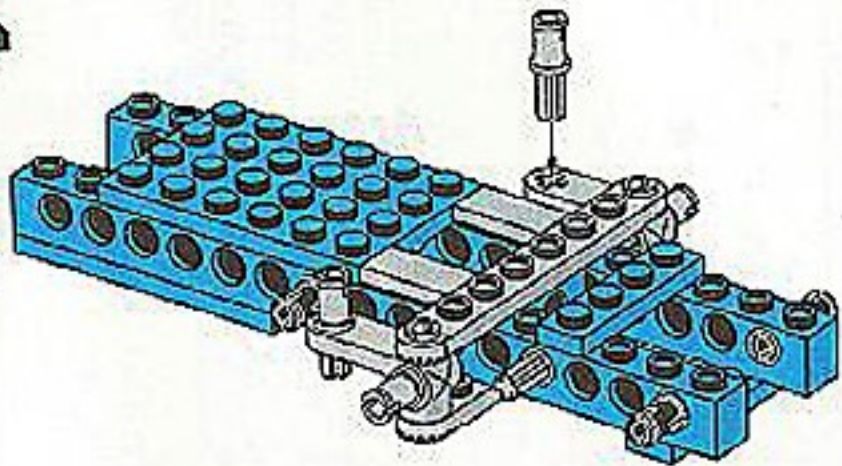


3

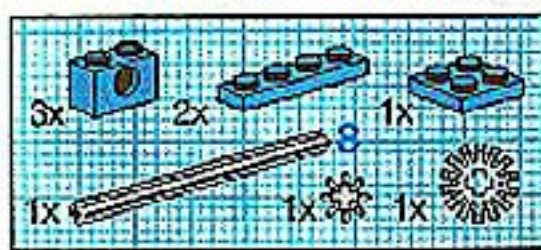
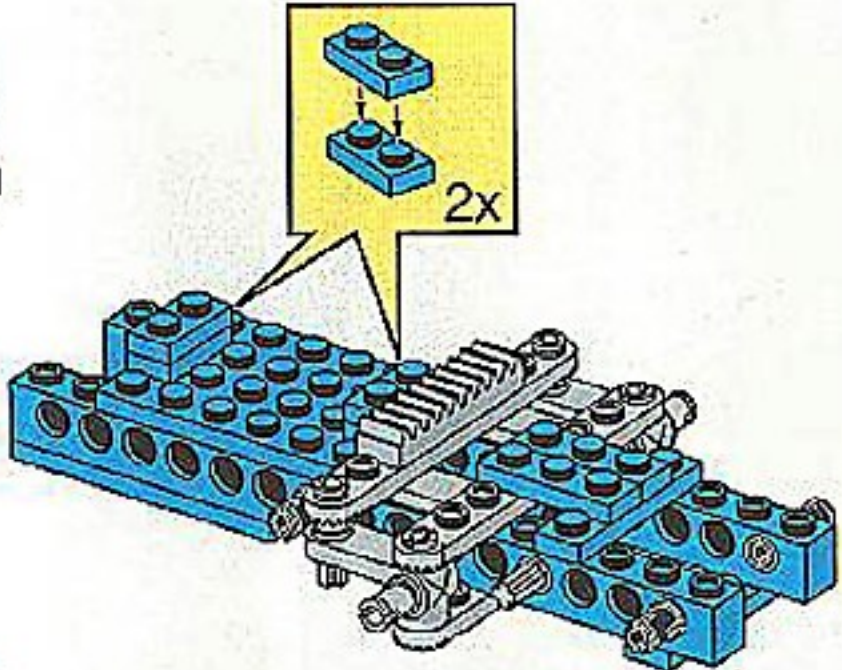




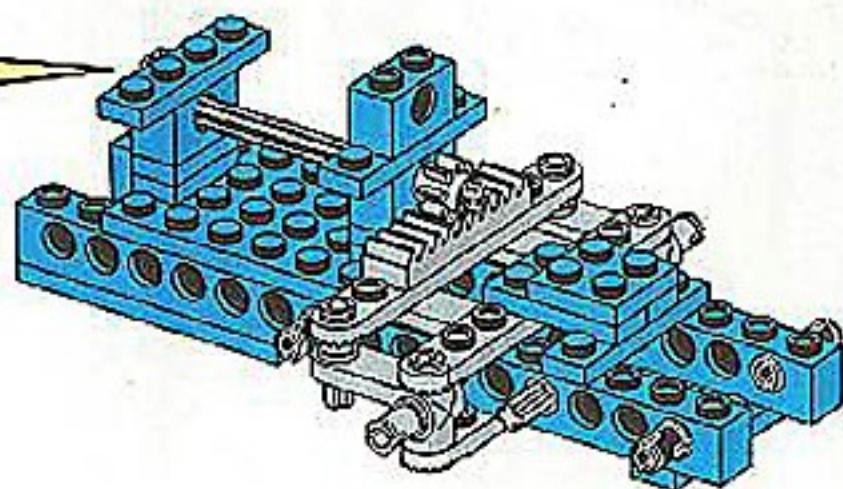
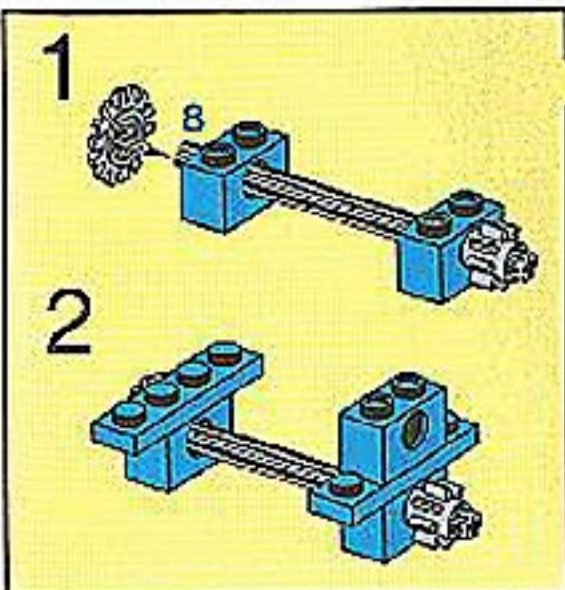
4



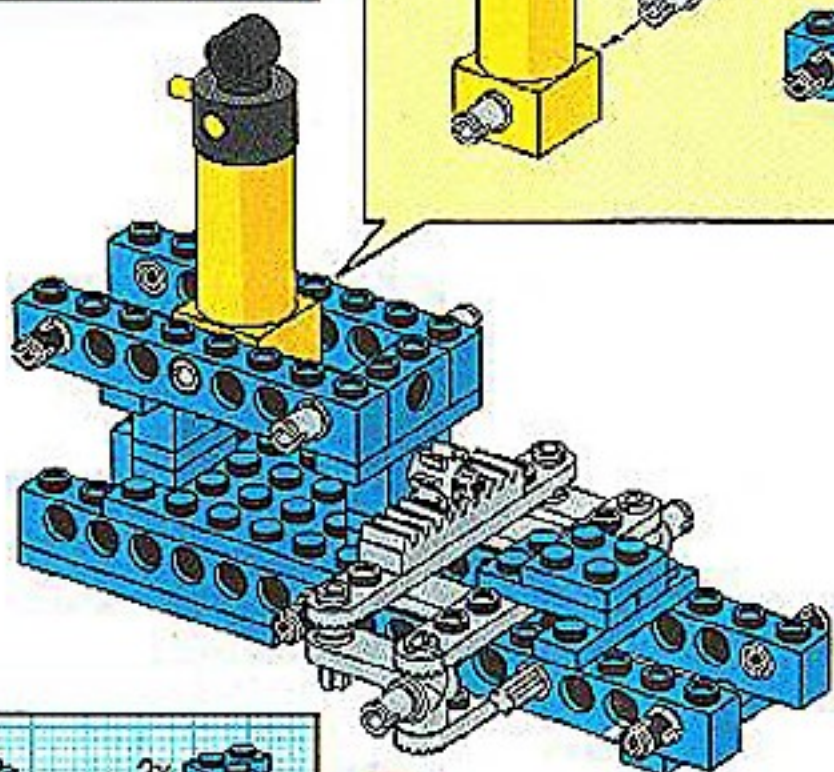
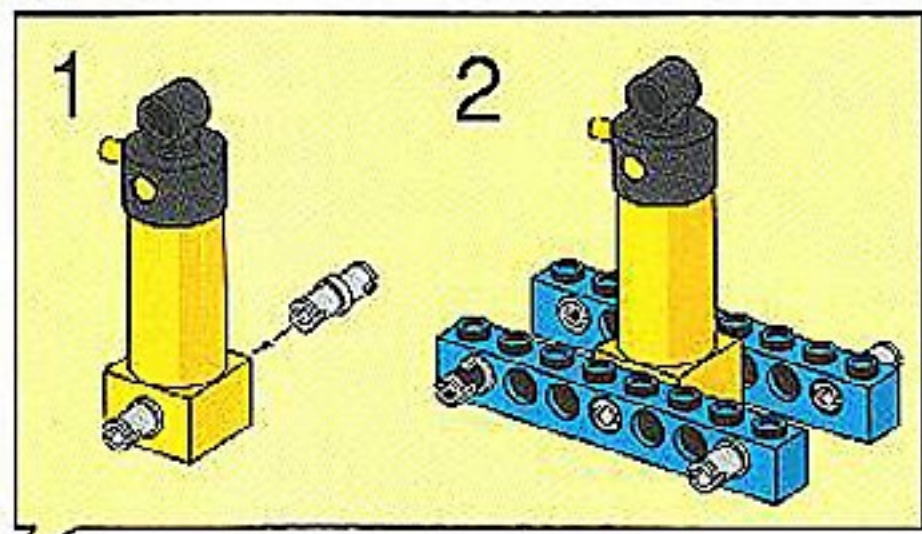
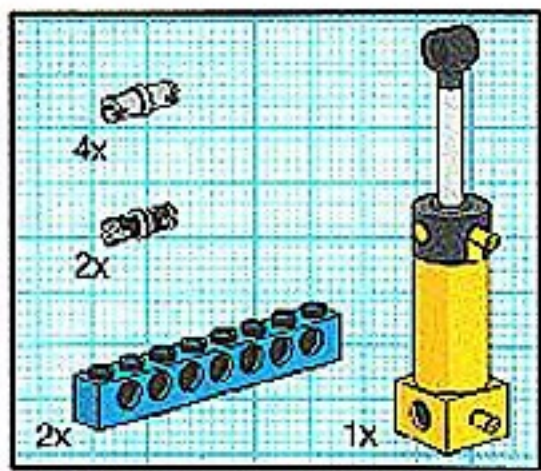
5



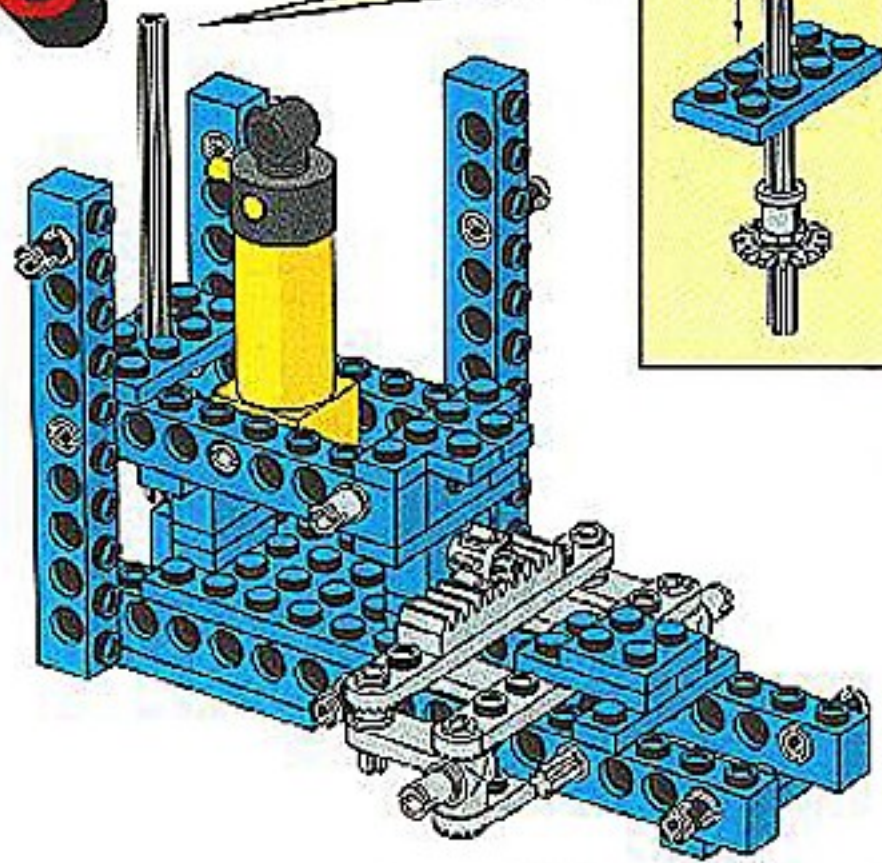
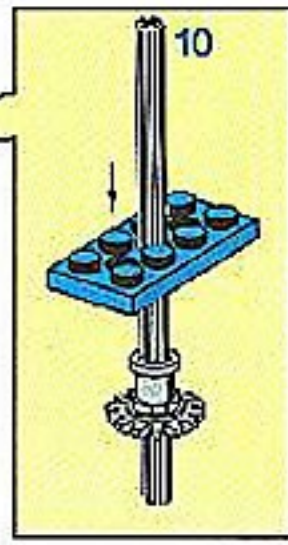
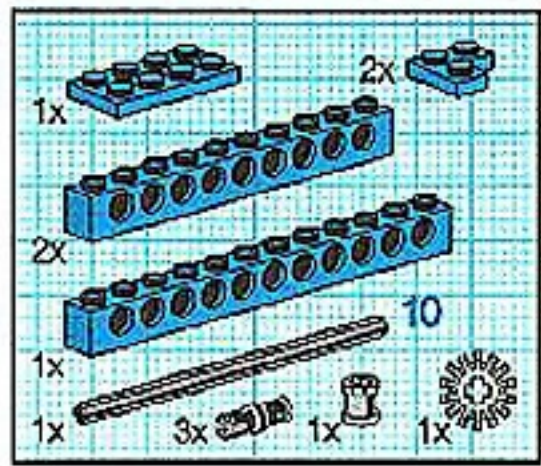
6

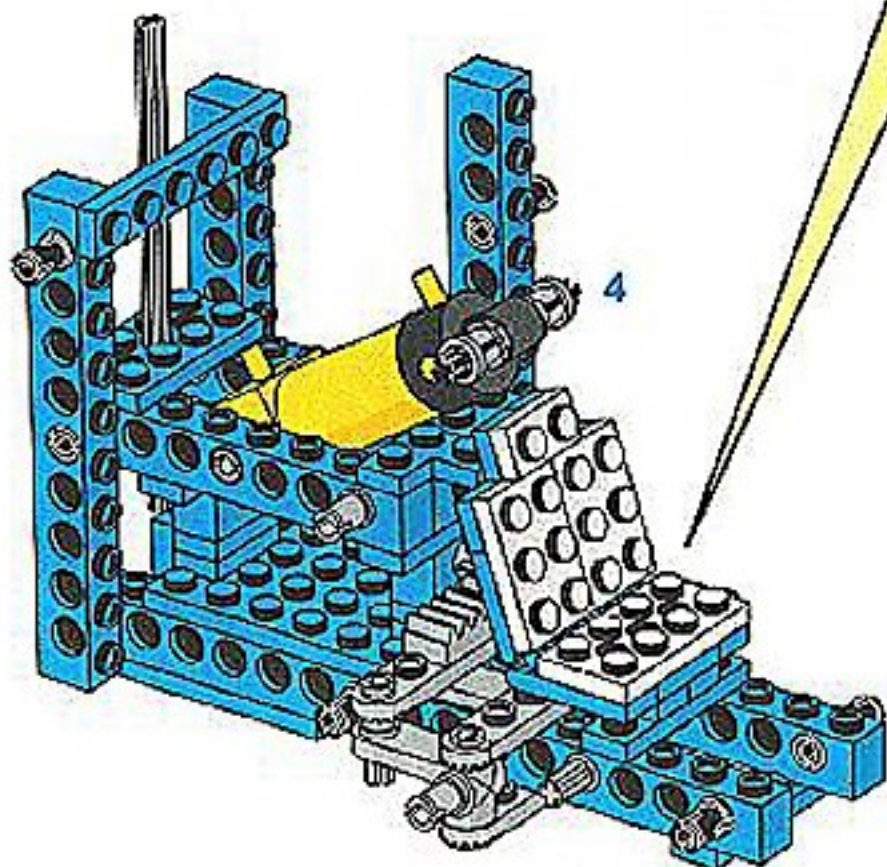
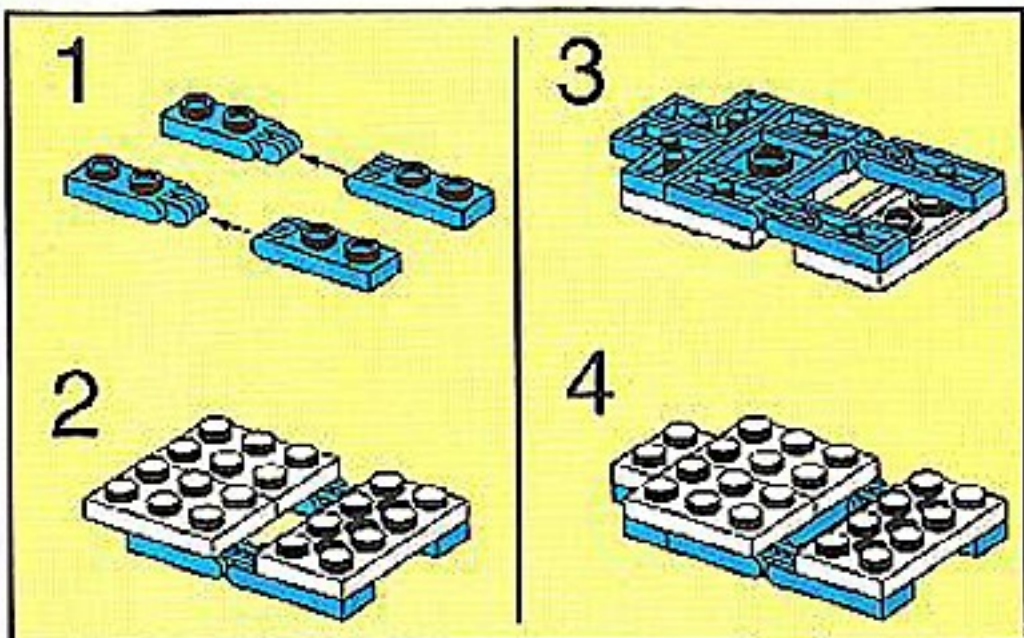
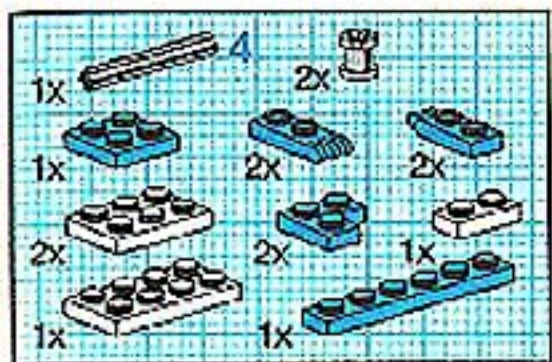


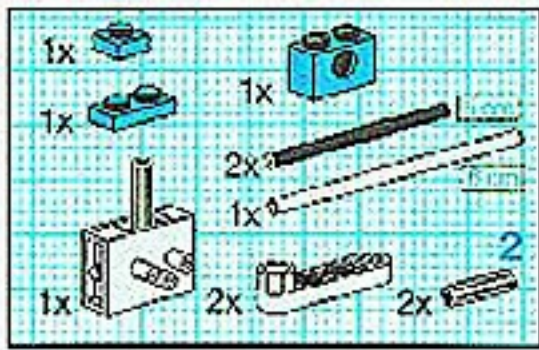
7



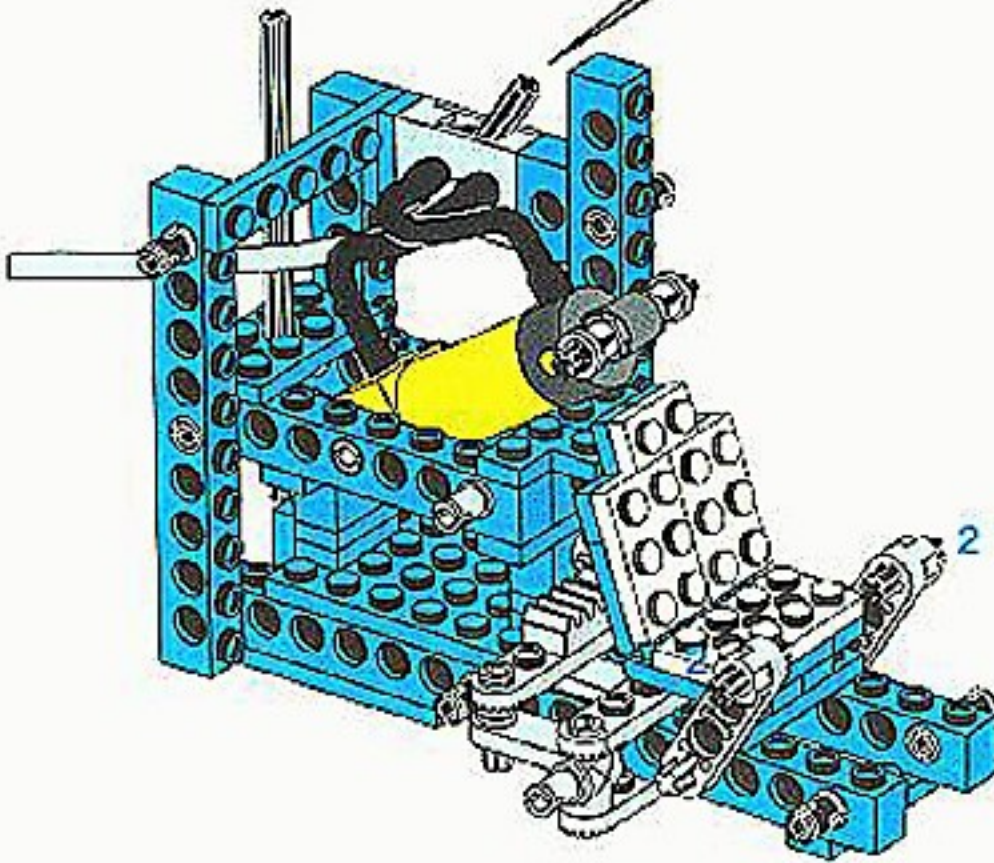
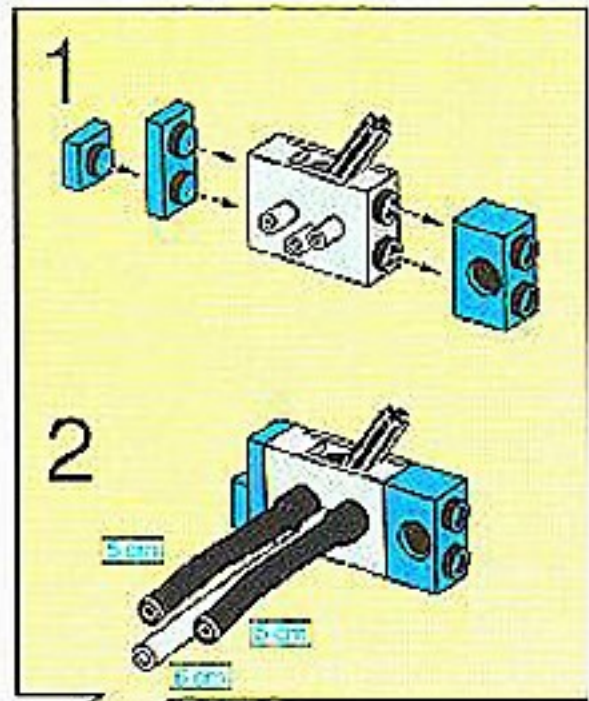
8

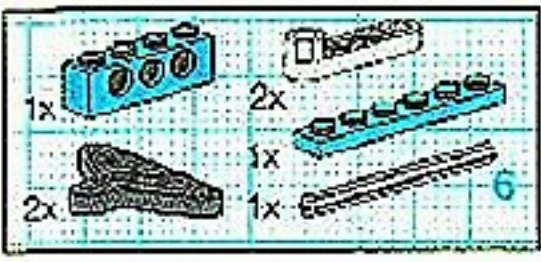




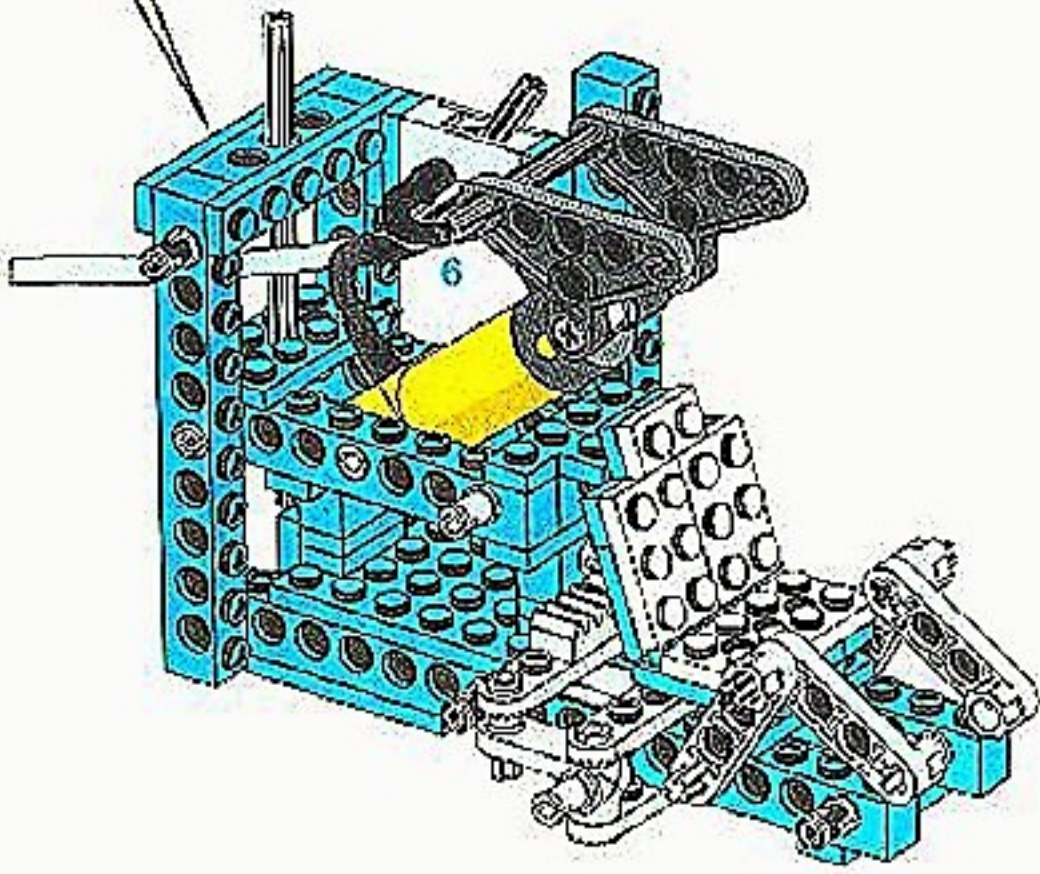
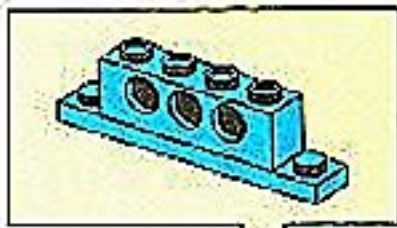


10

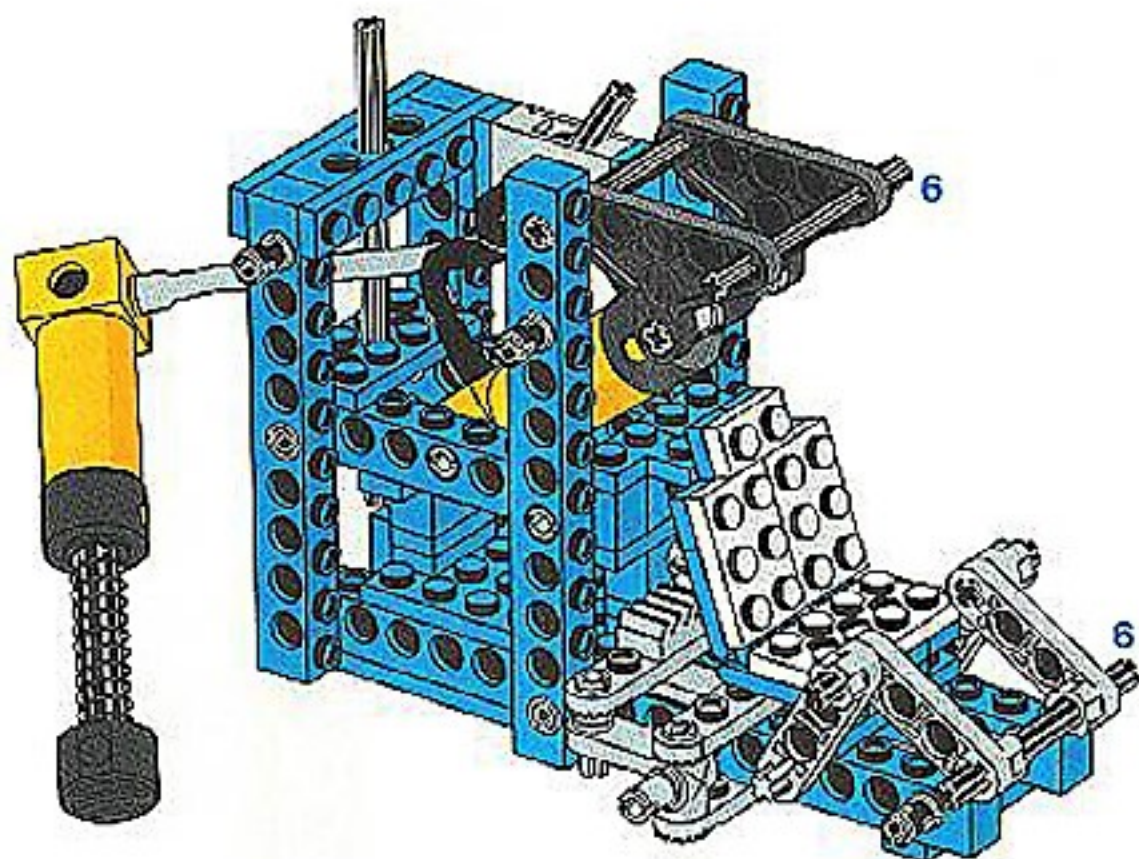
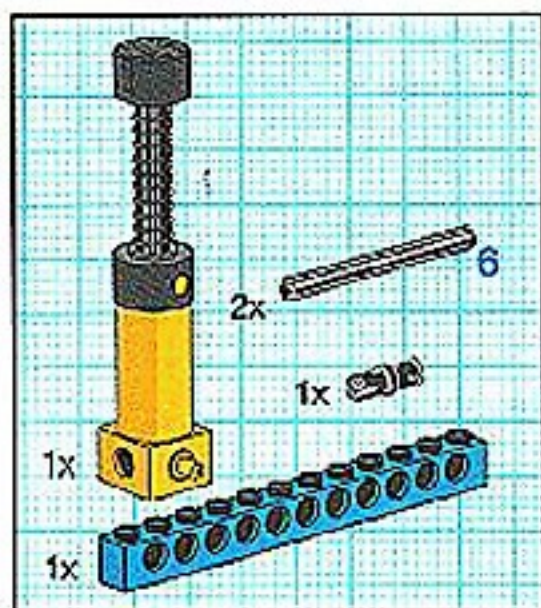




# 11

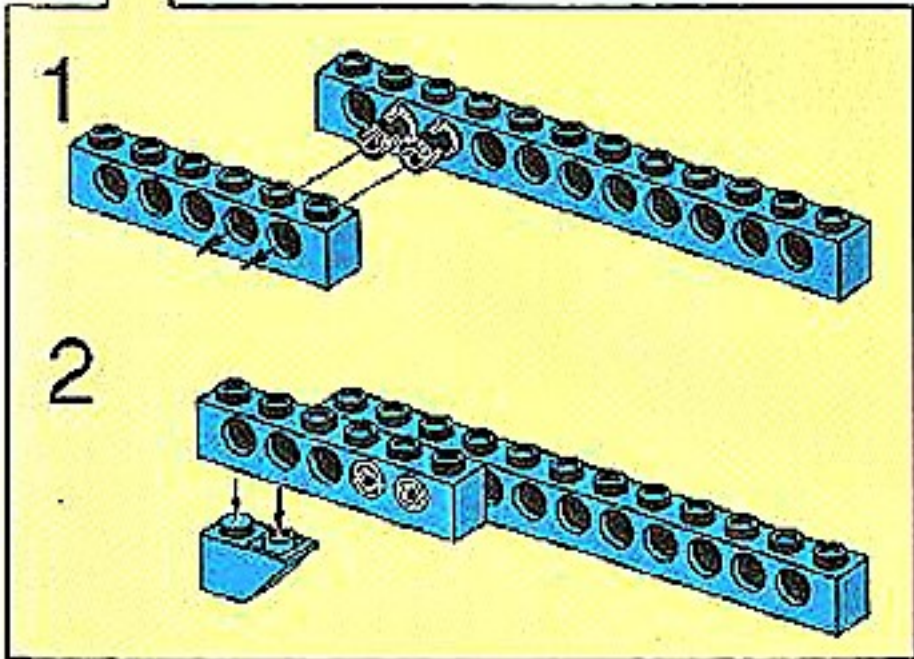
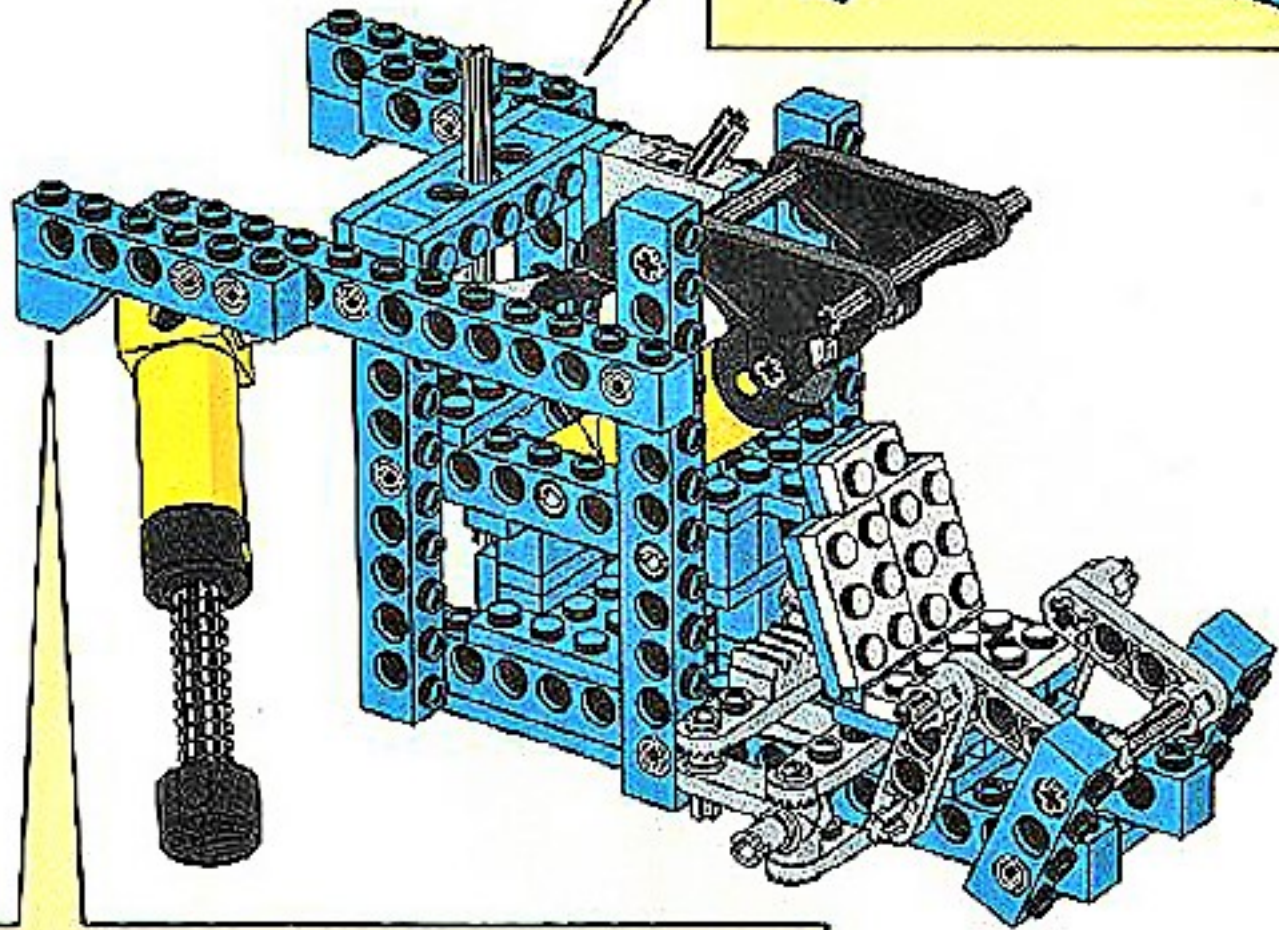
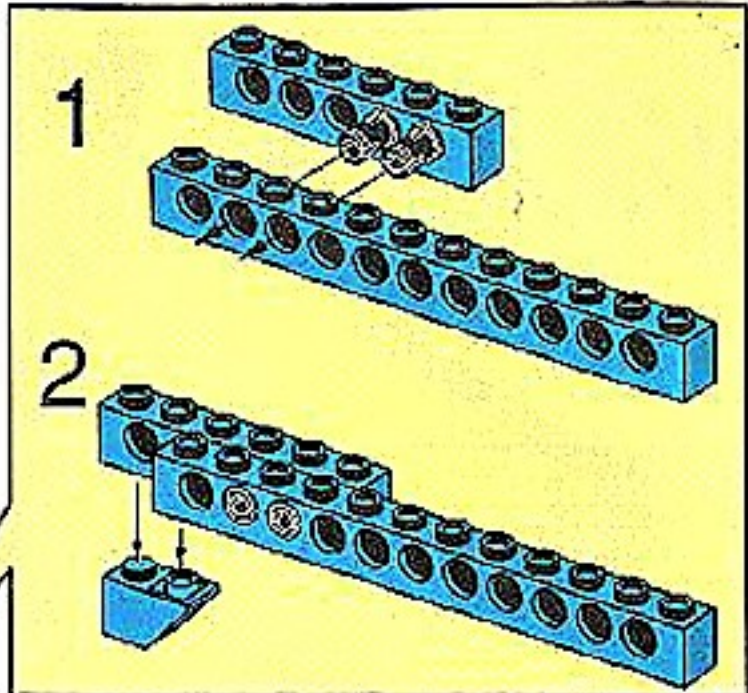
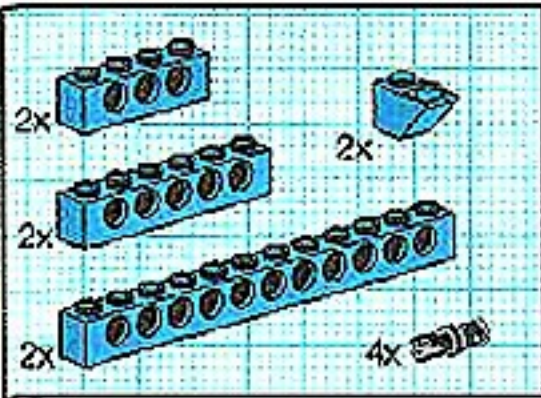


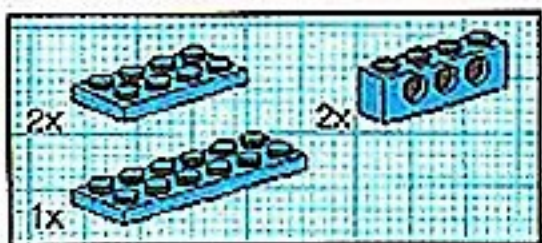
# 12



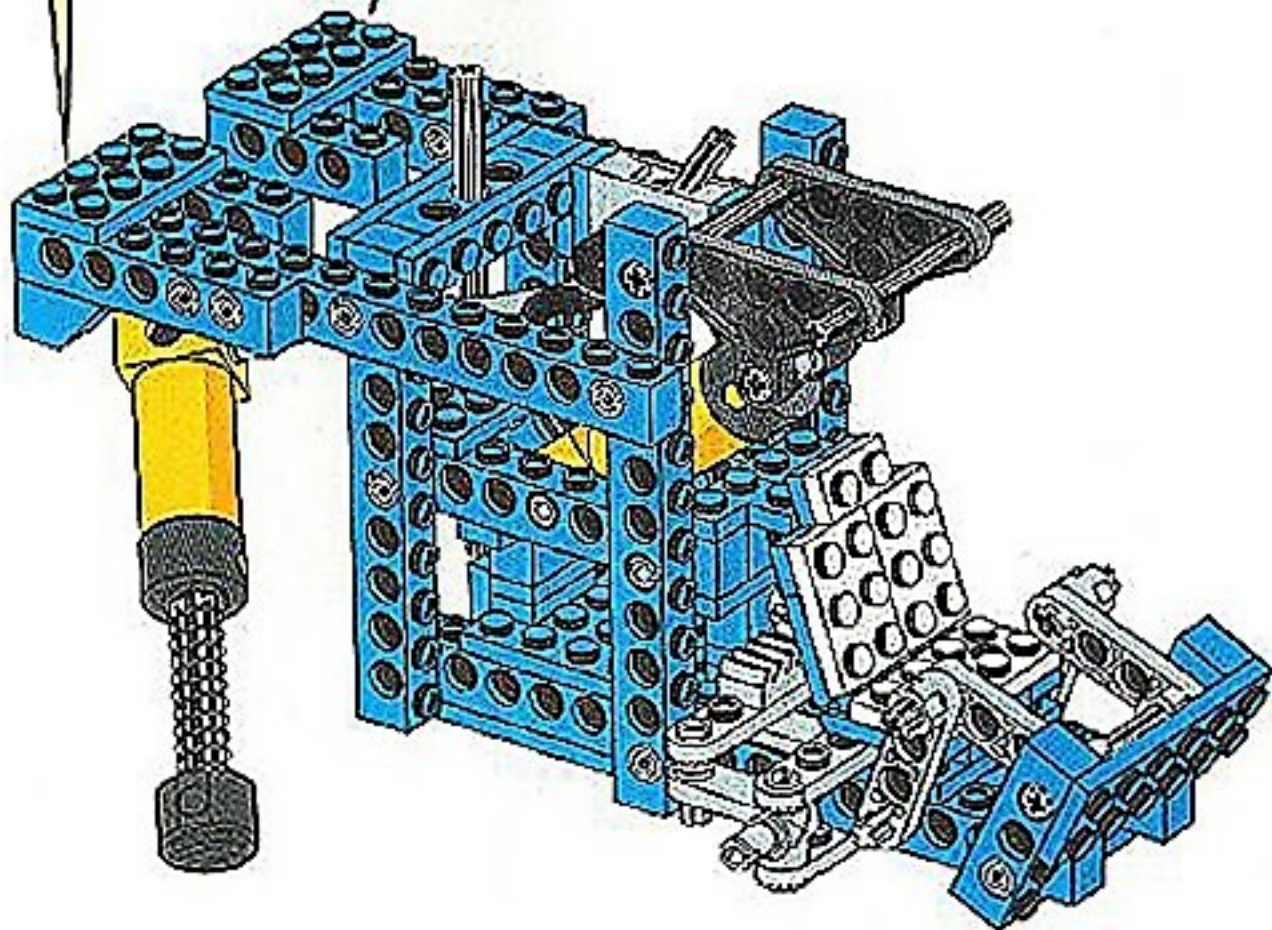
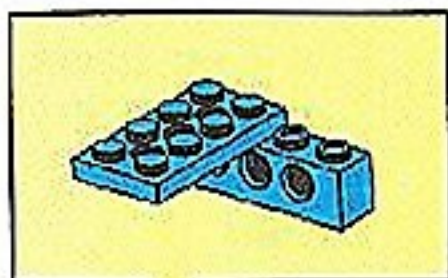


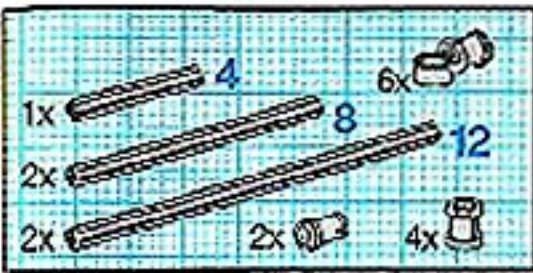
# 13



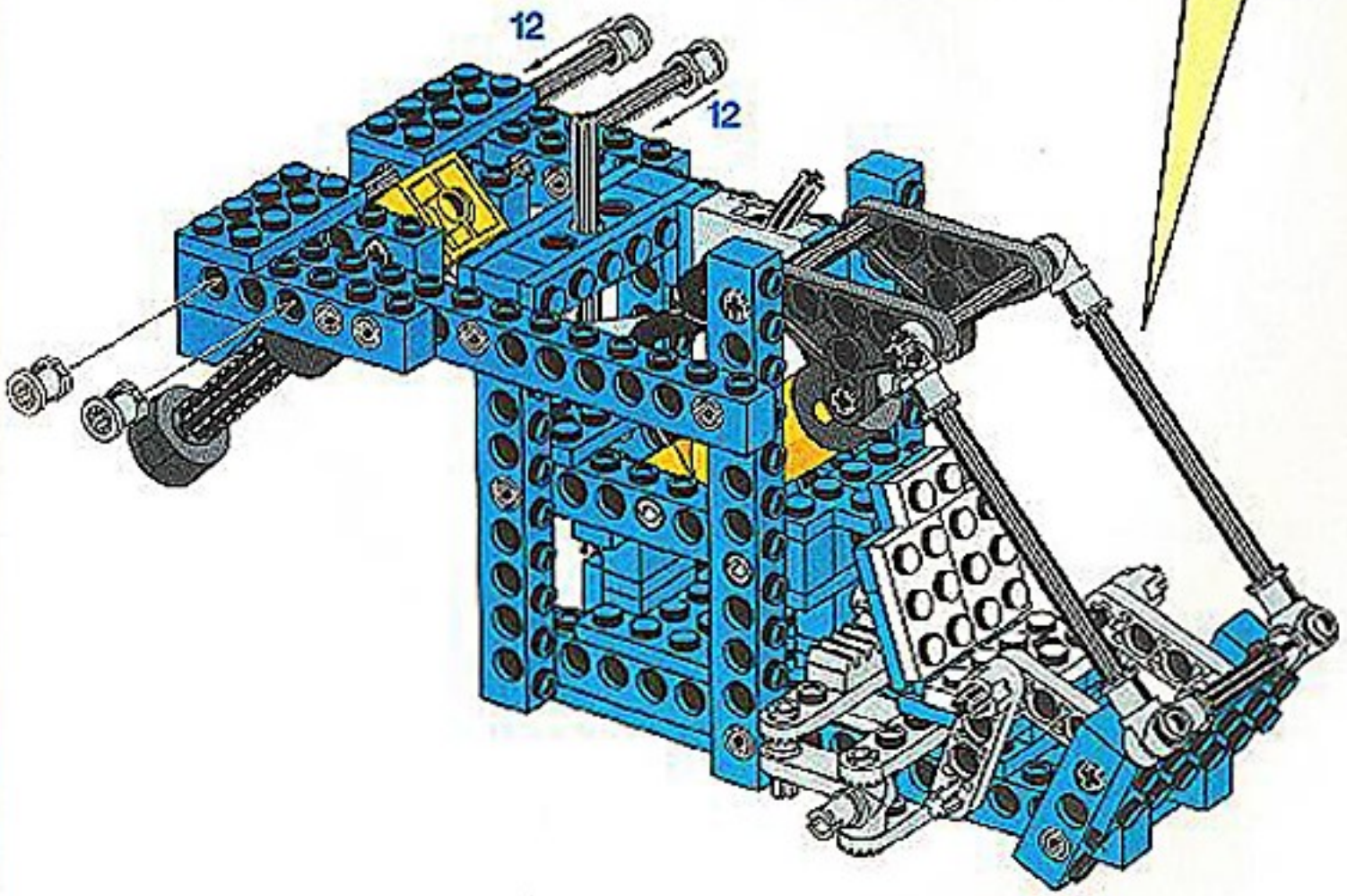
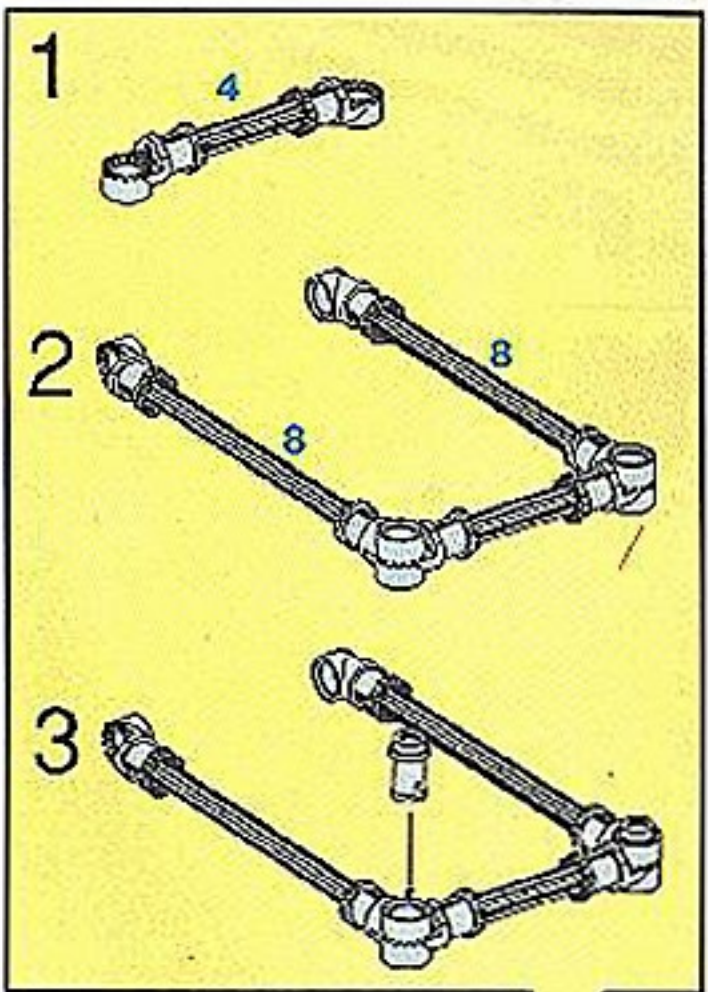


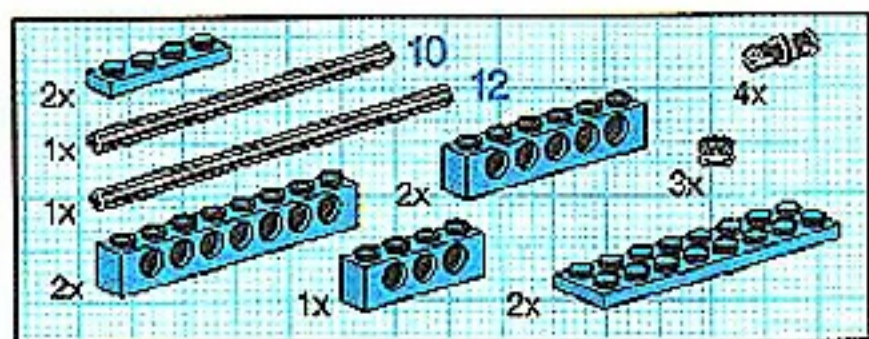
14



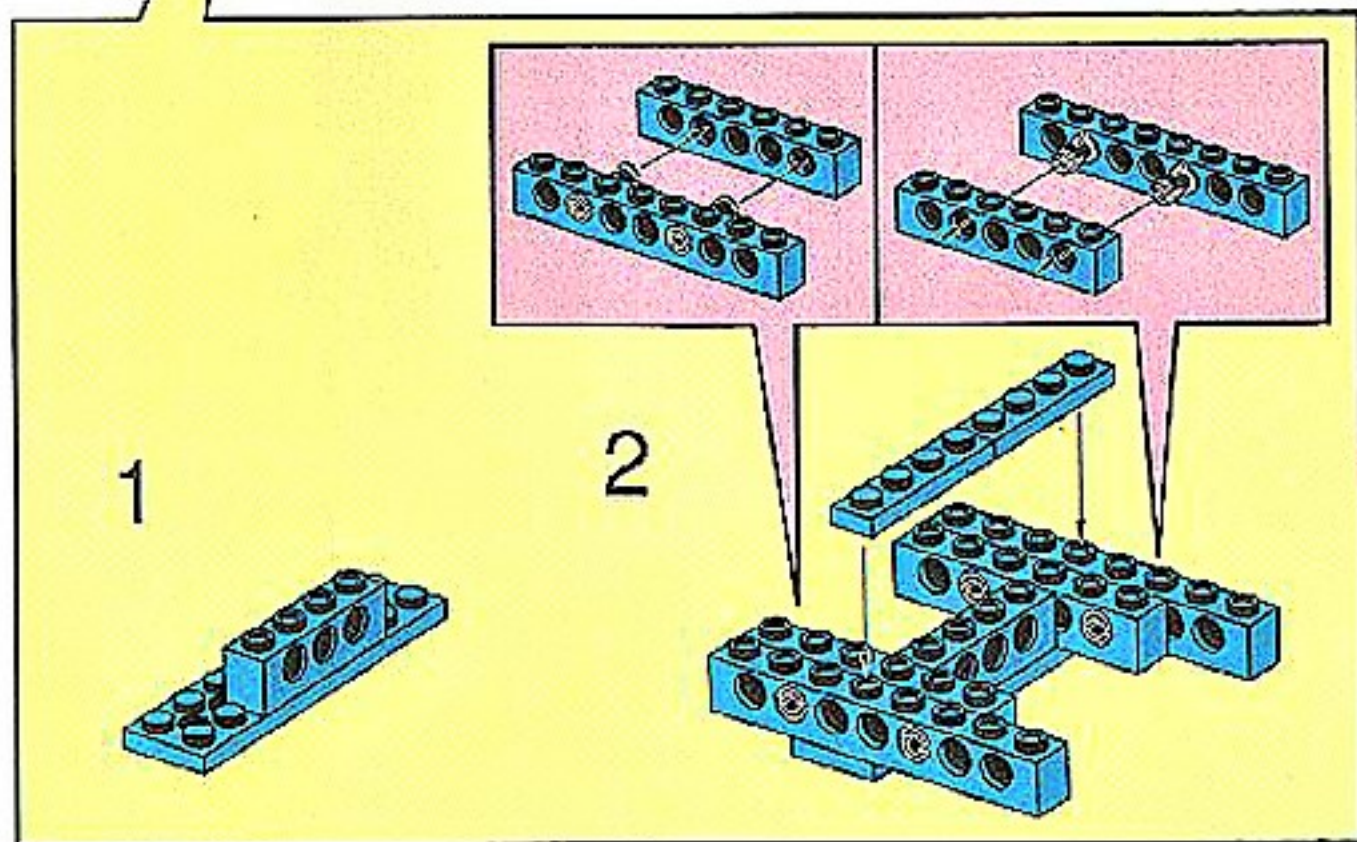
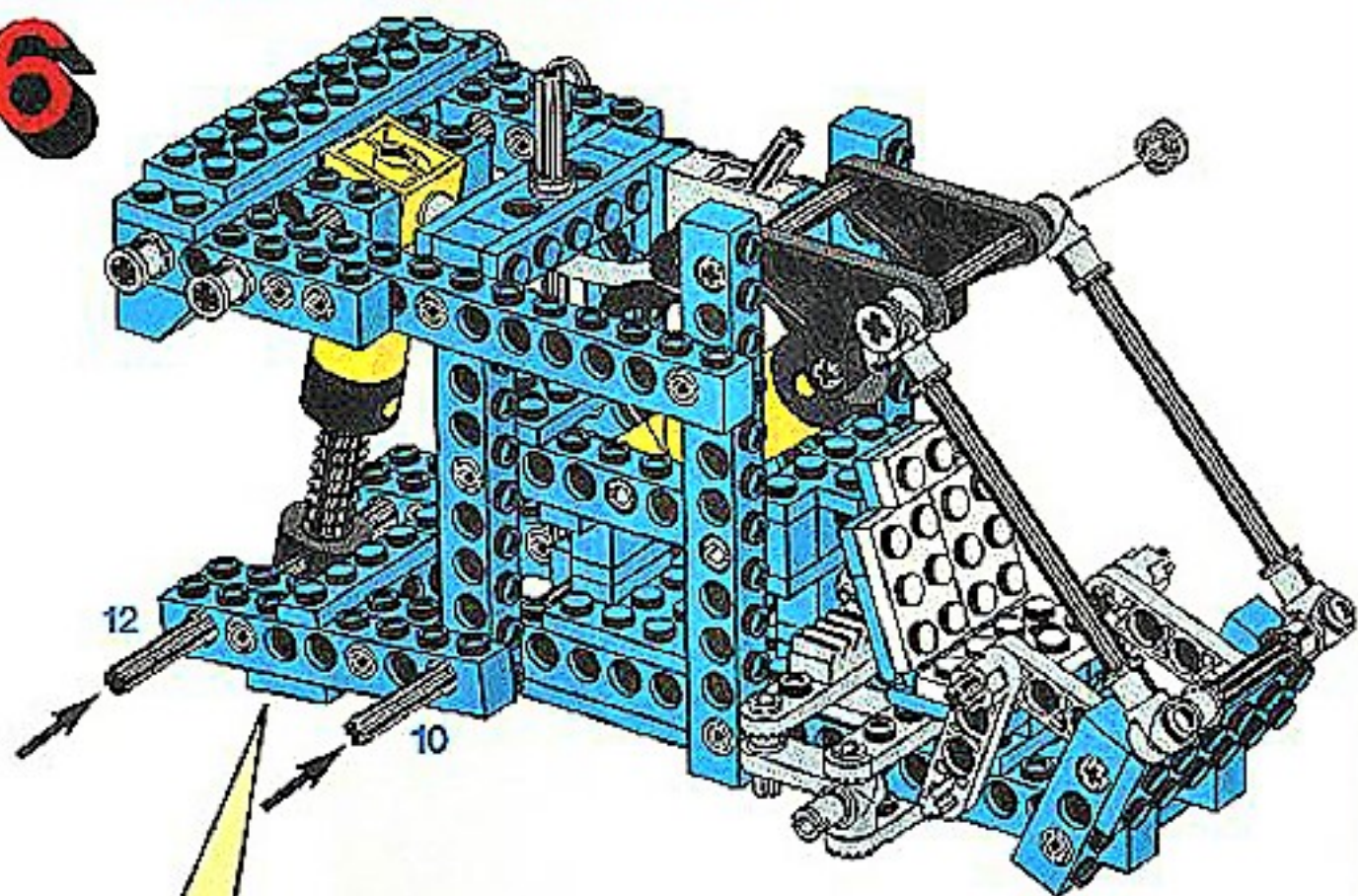


# 15

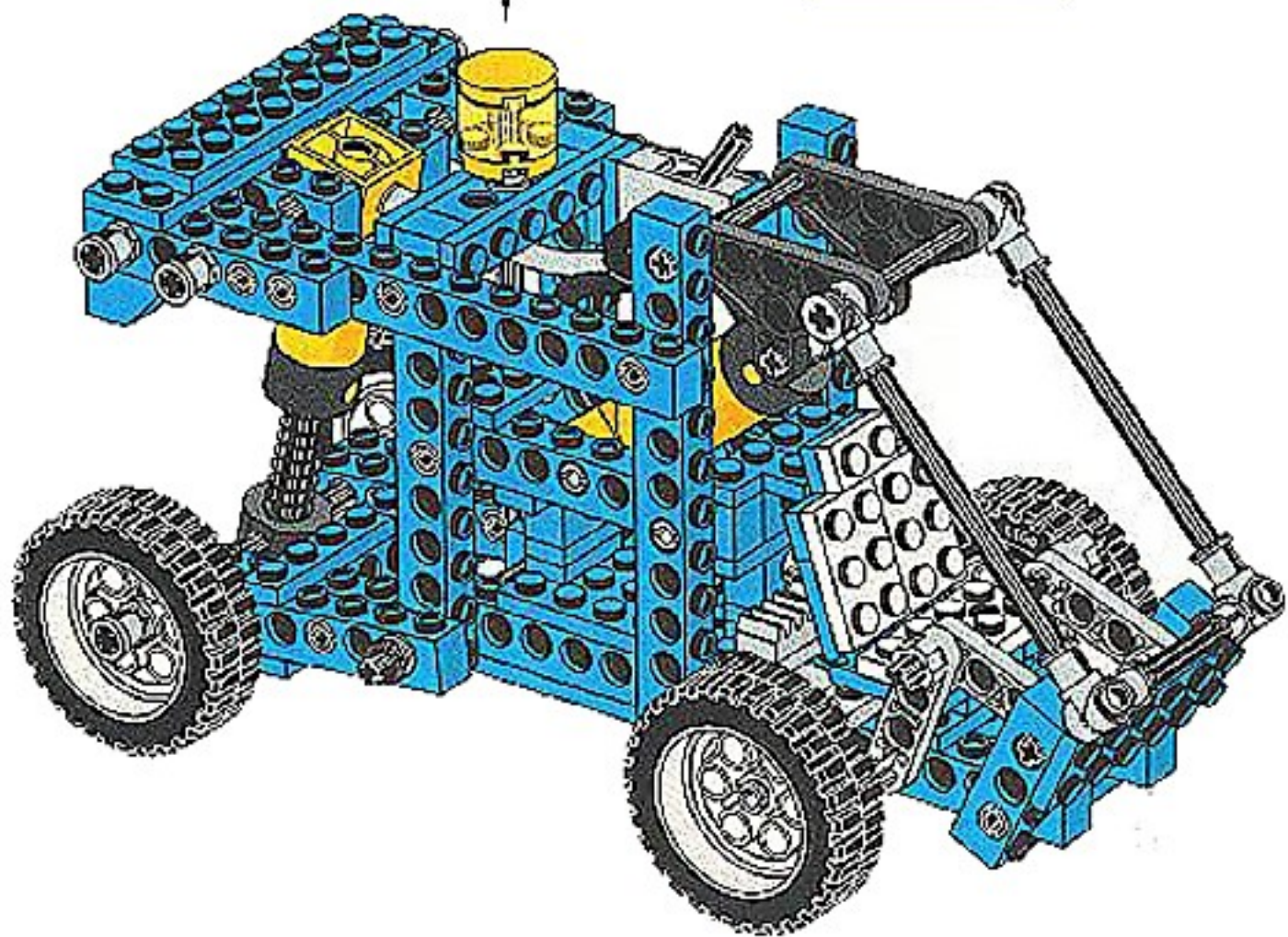
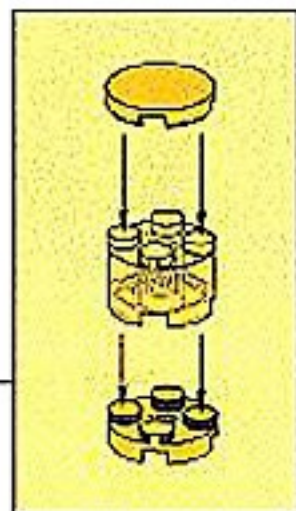
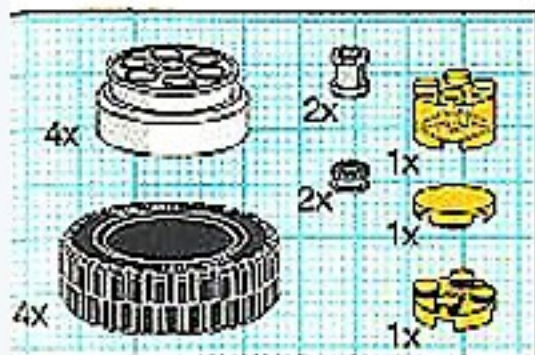


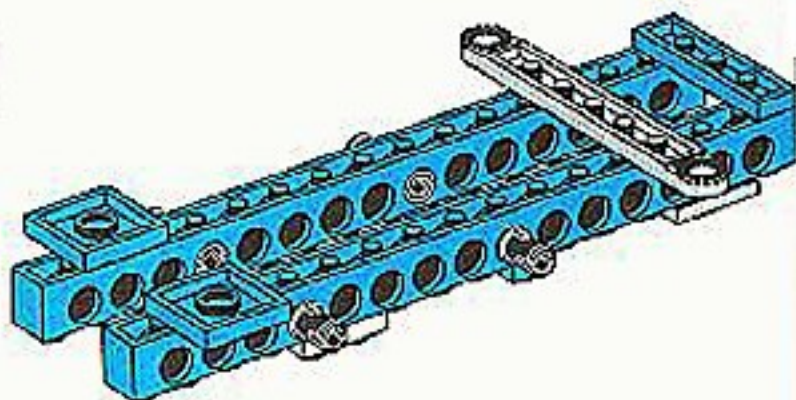
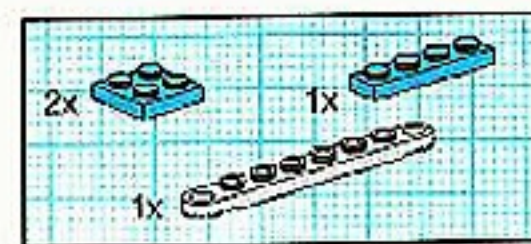
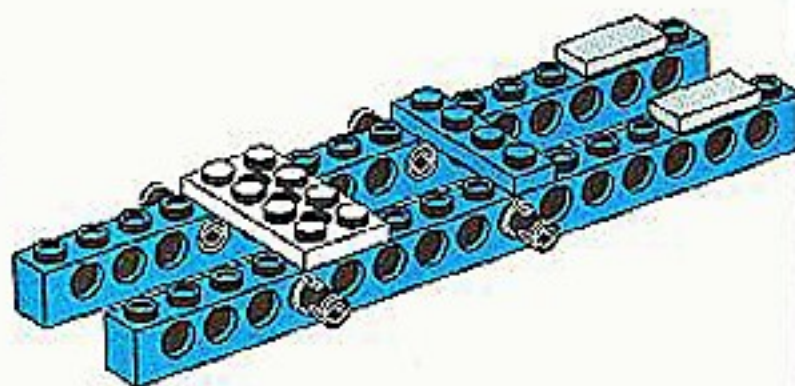
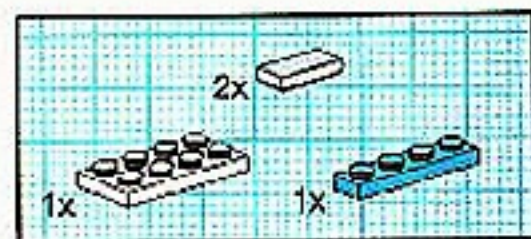
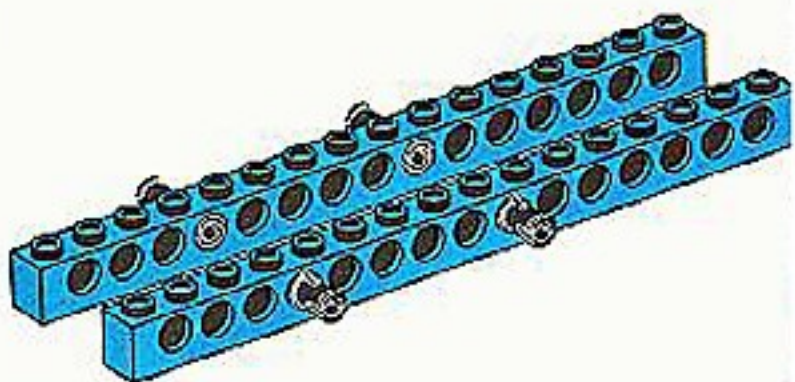
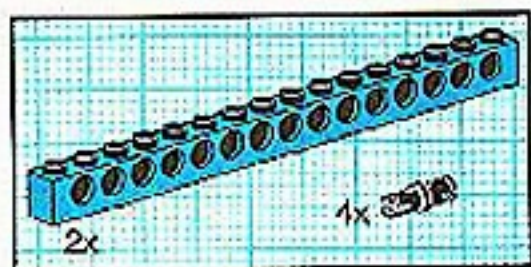
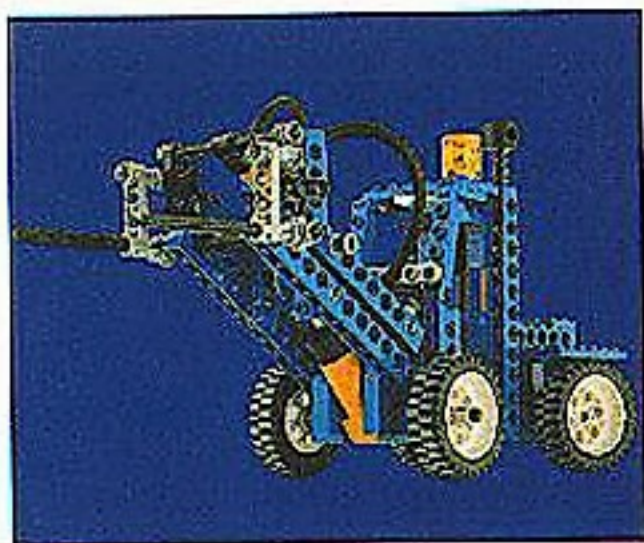


**16**



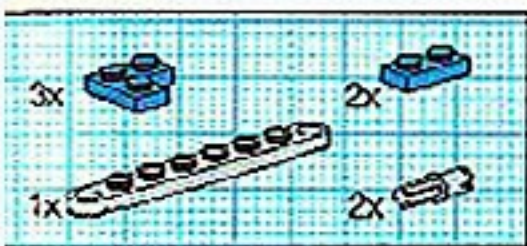
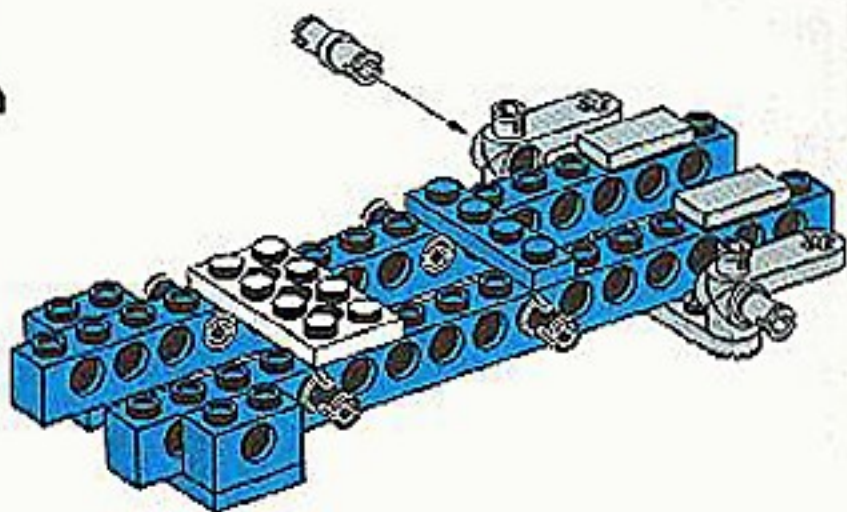
# 17



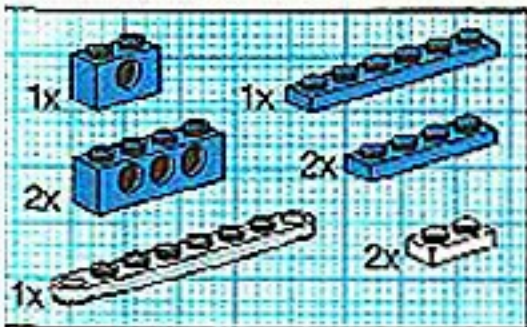
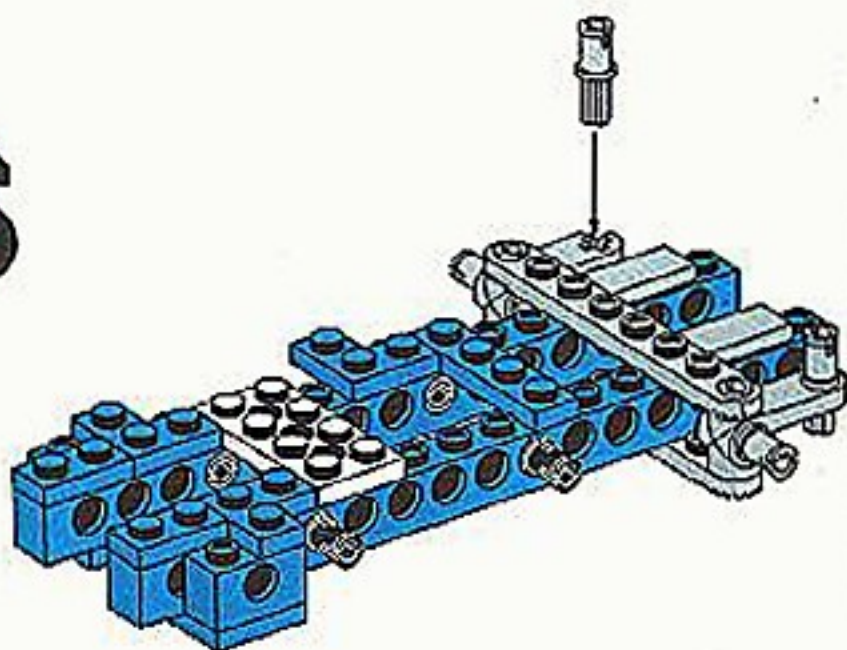




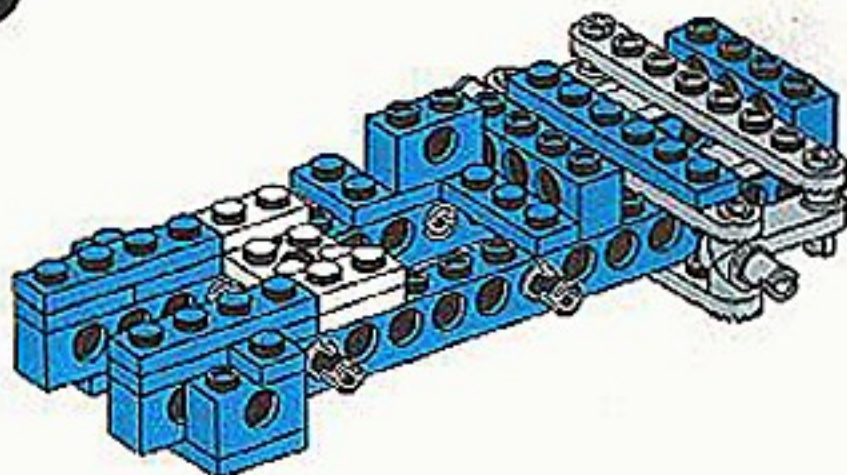
4

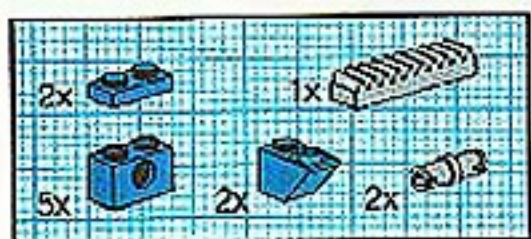


5

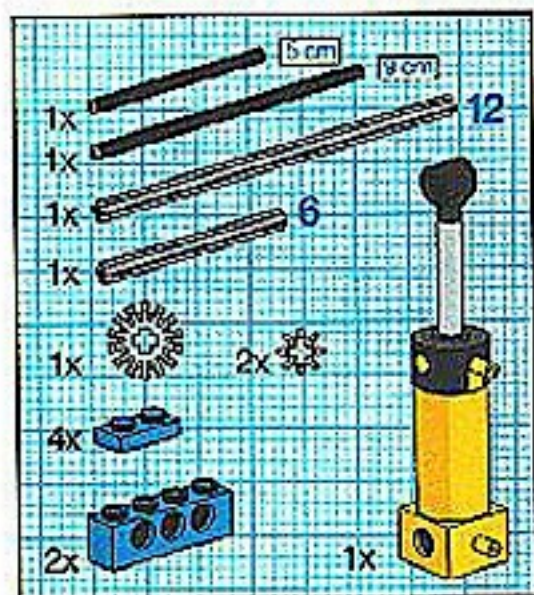
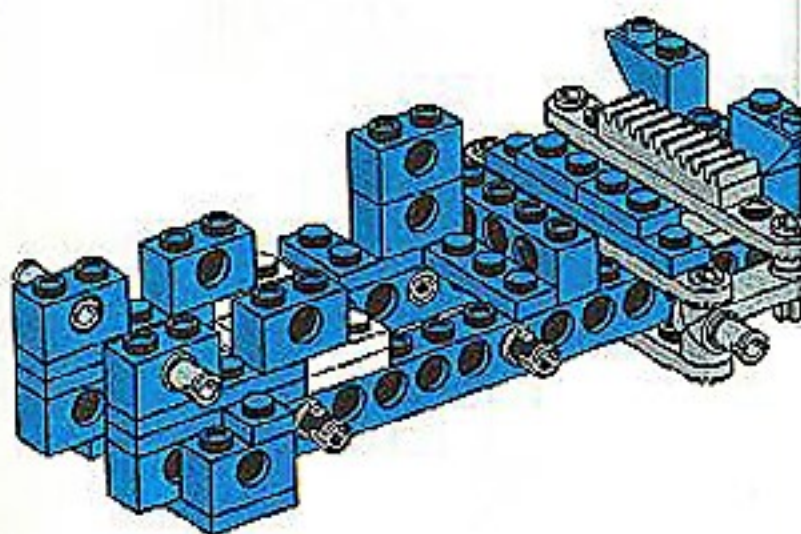


6

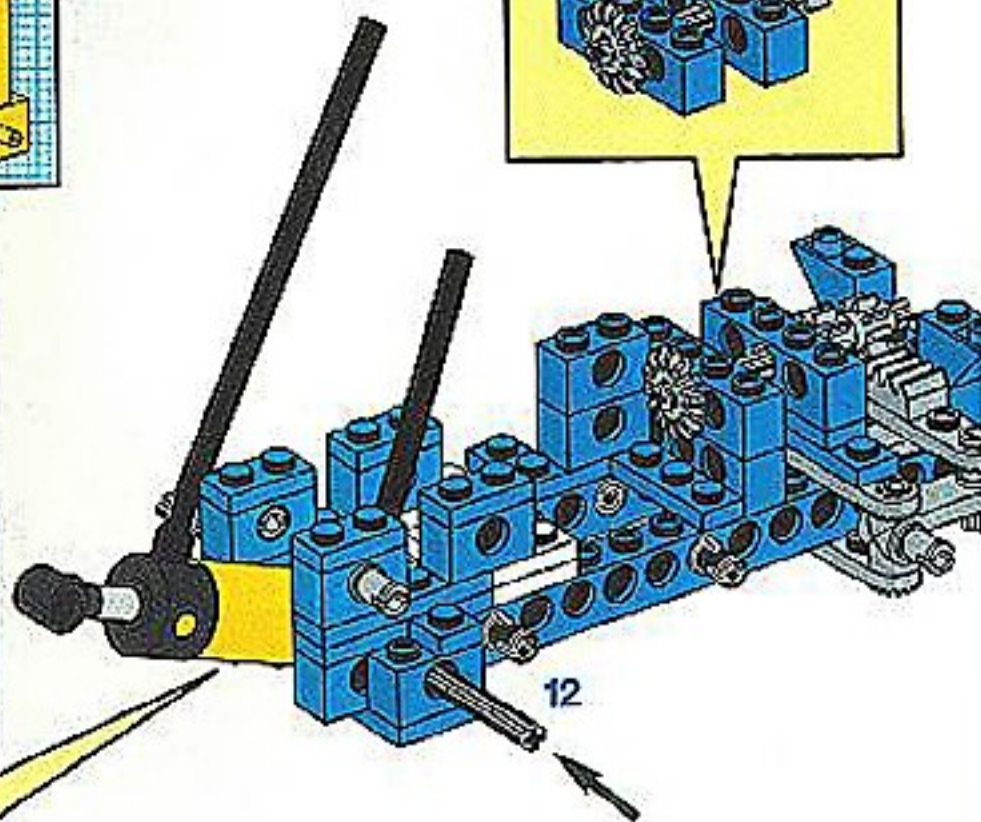
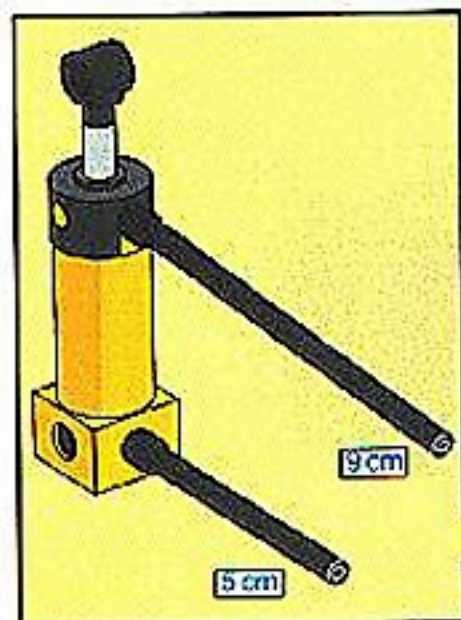
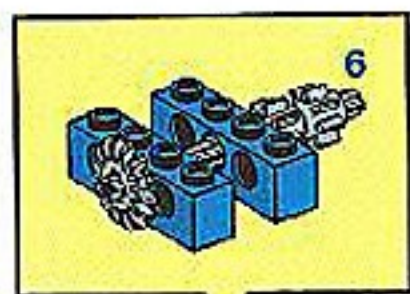




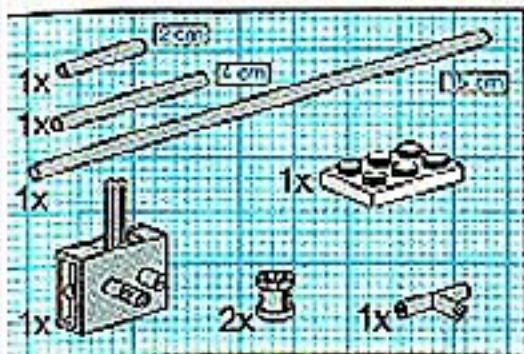
7



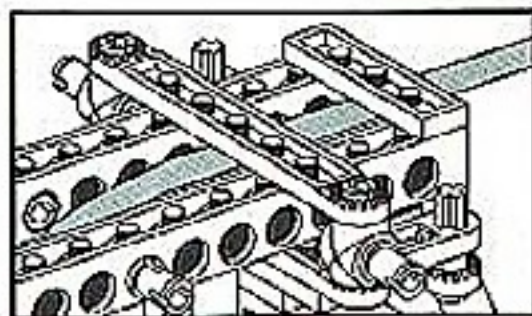
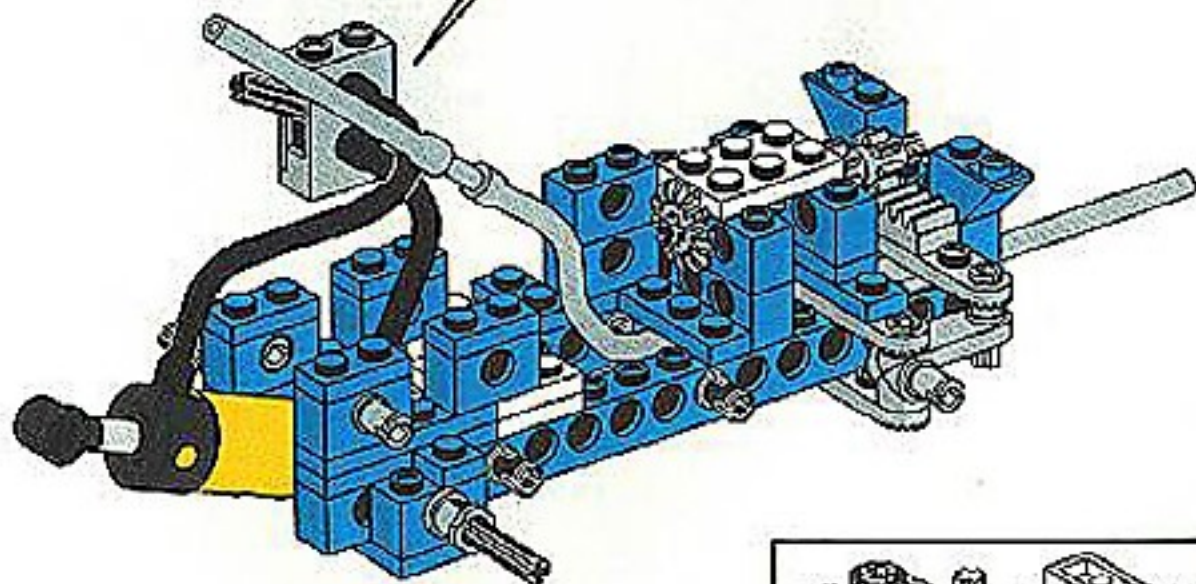
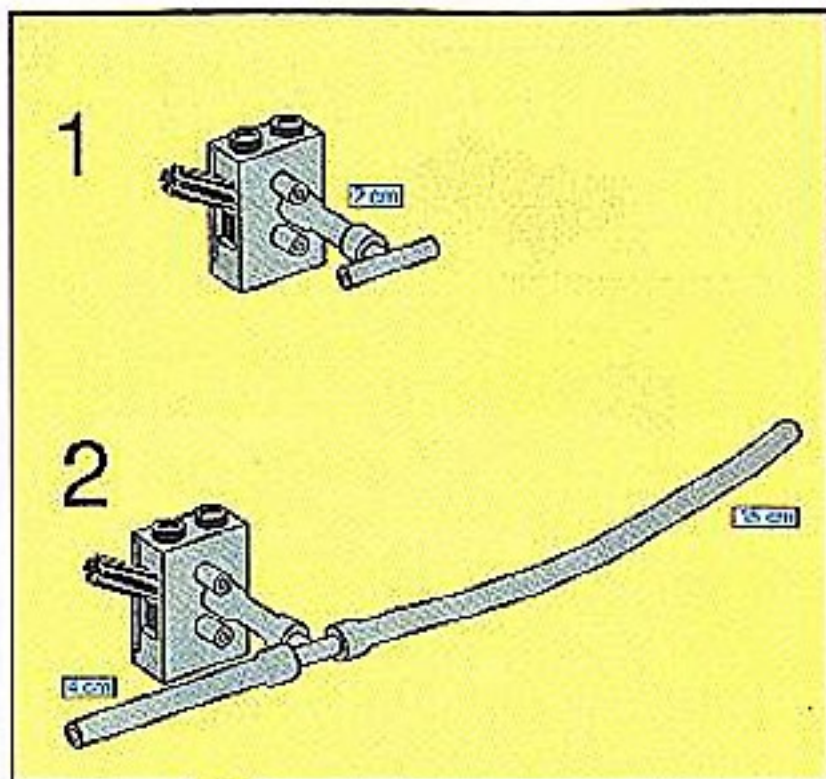
8

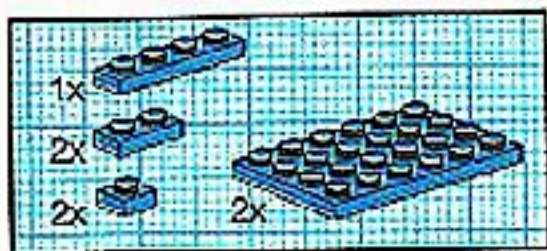




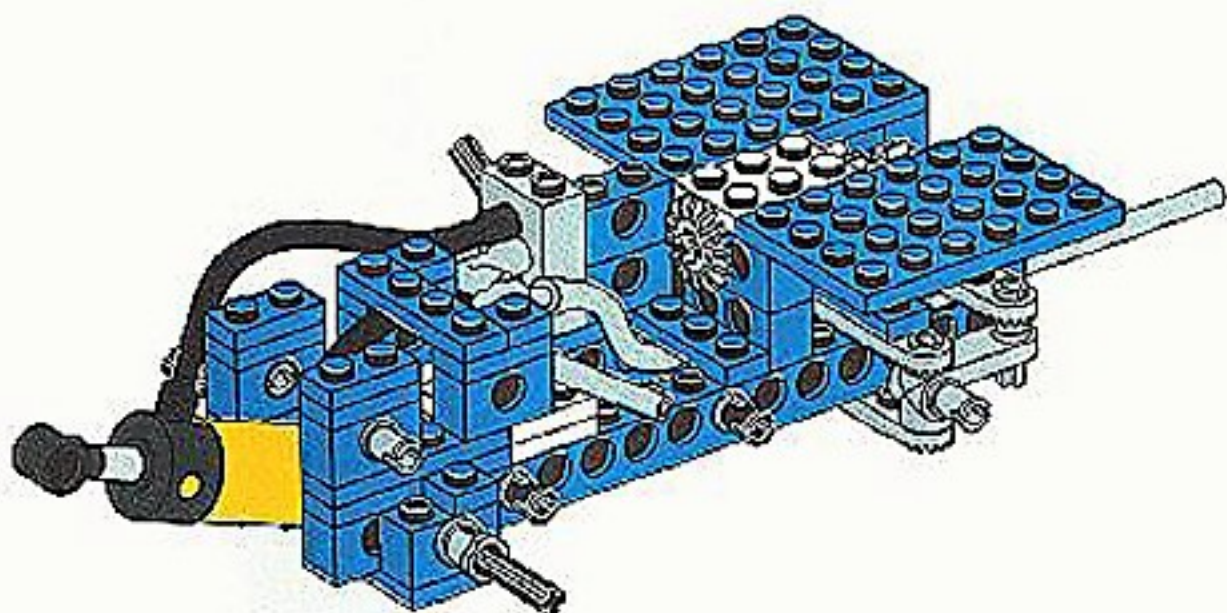


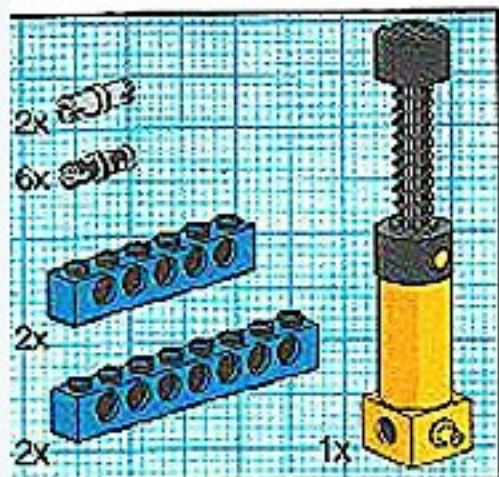
9



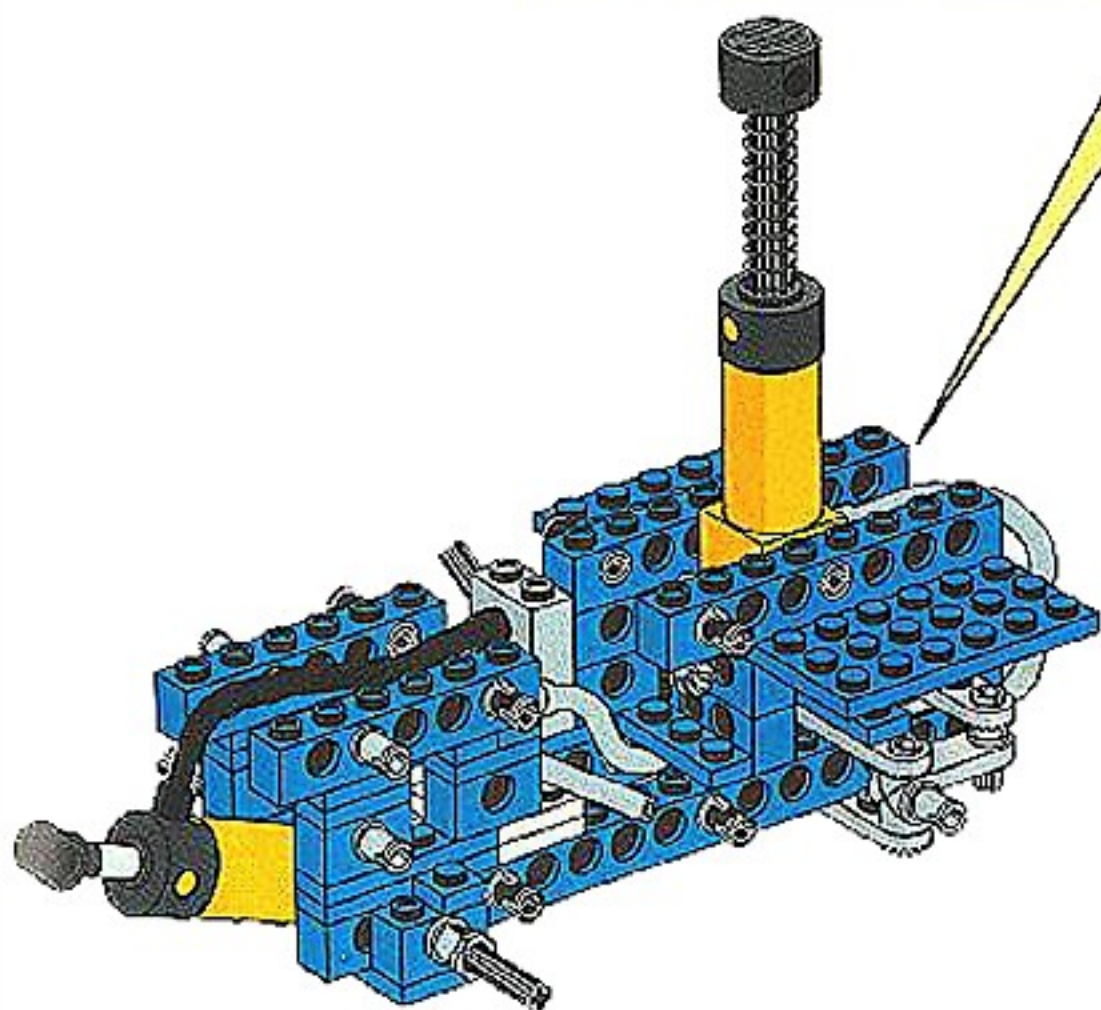
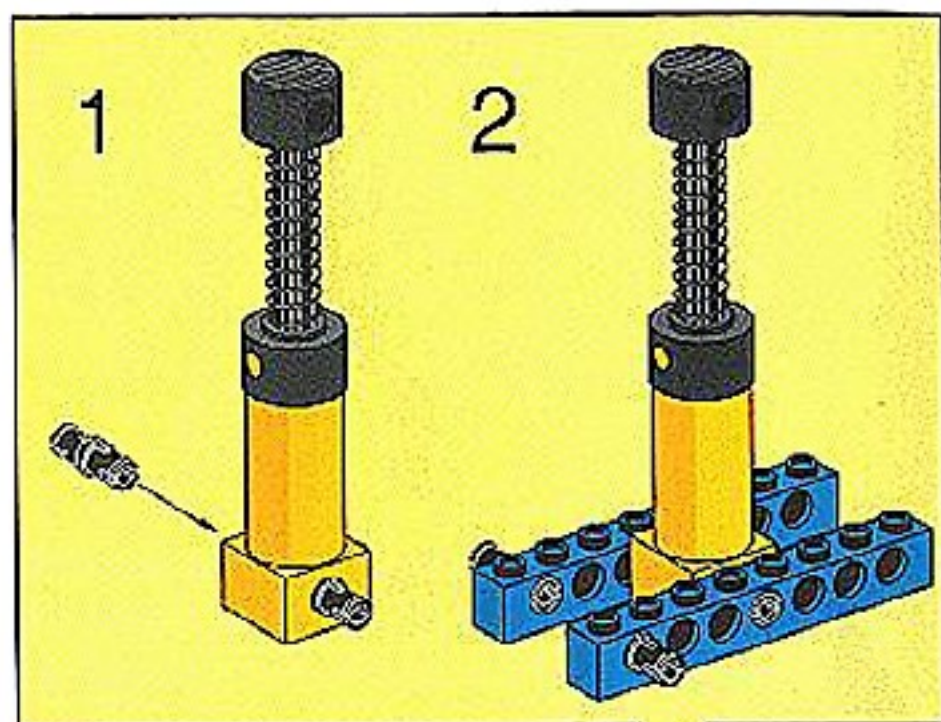


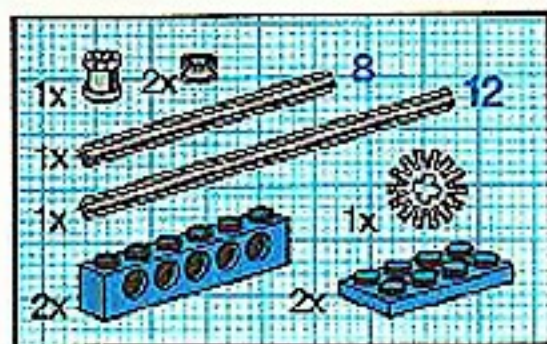
10



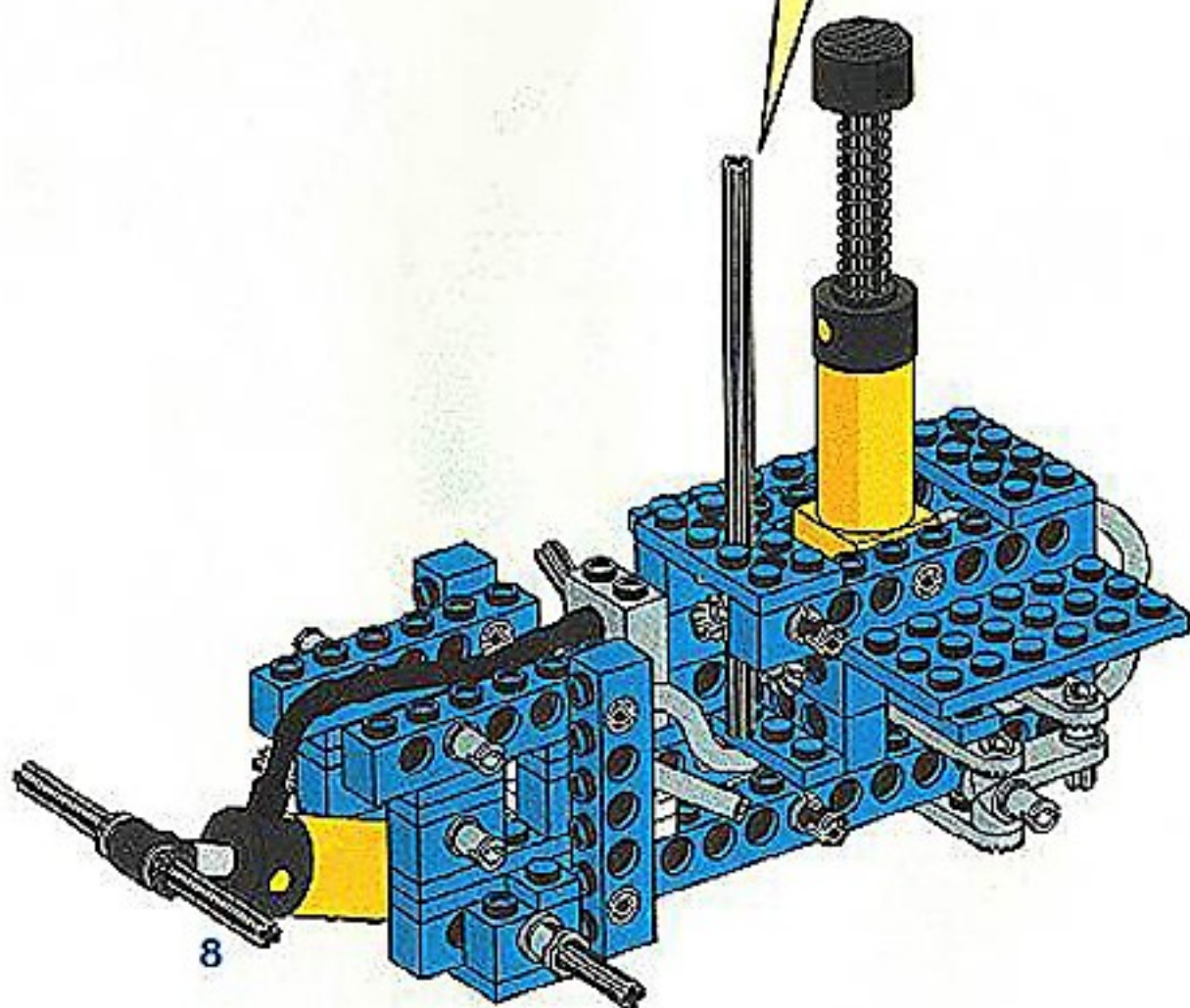
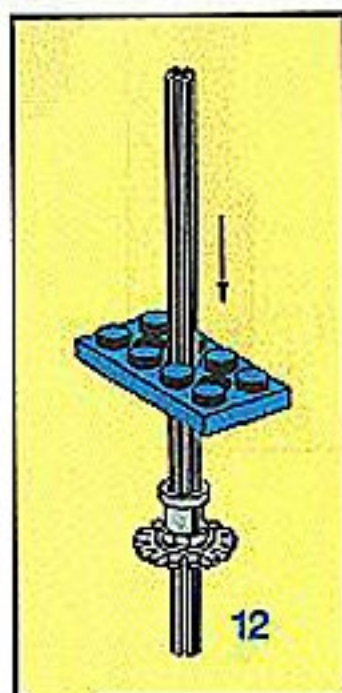


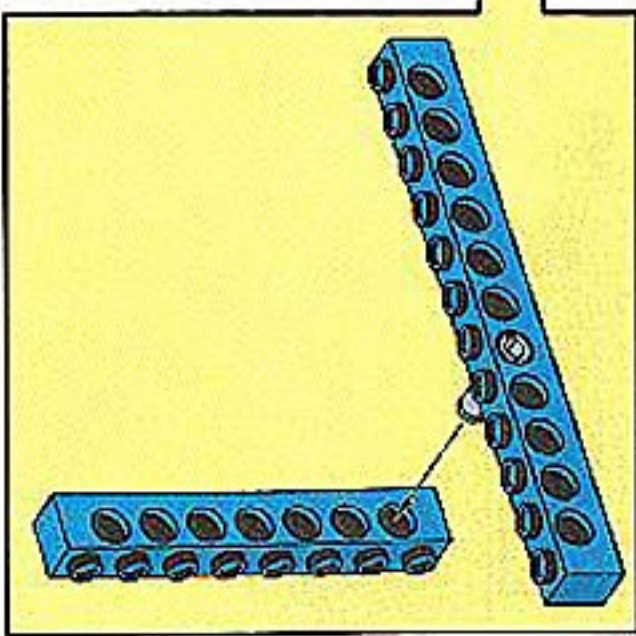
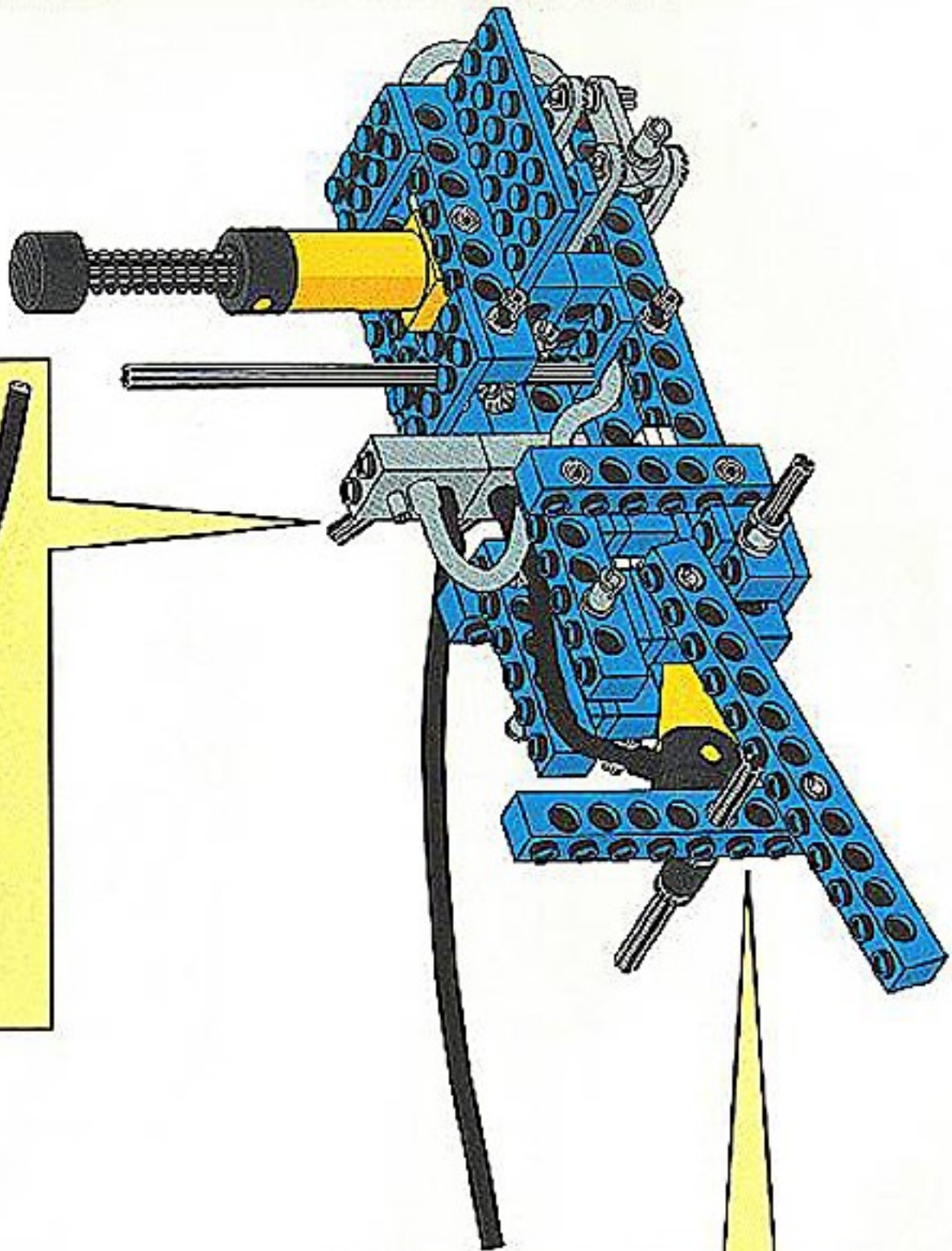
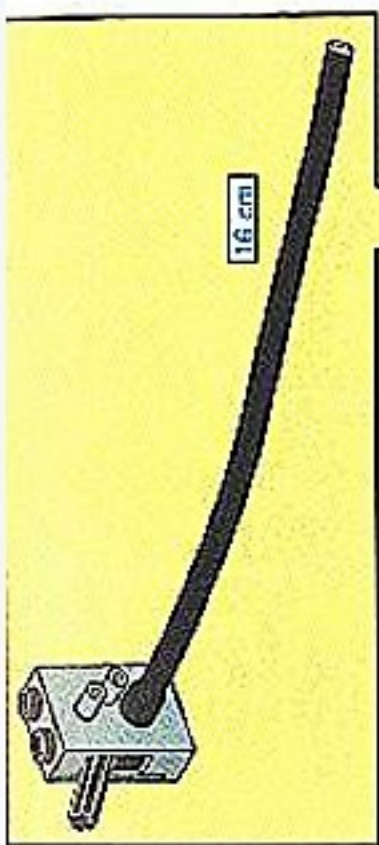
11



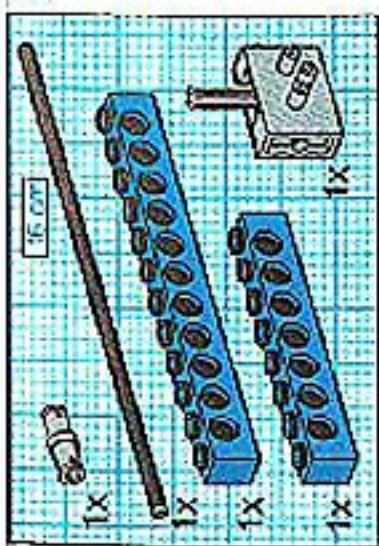


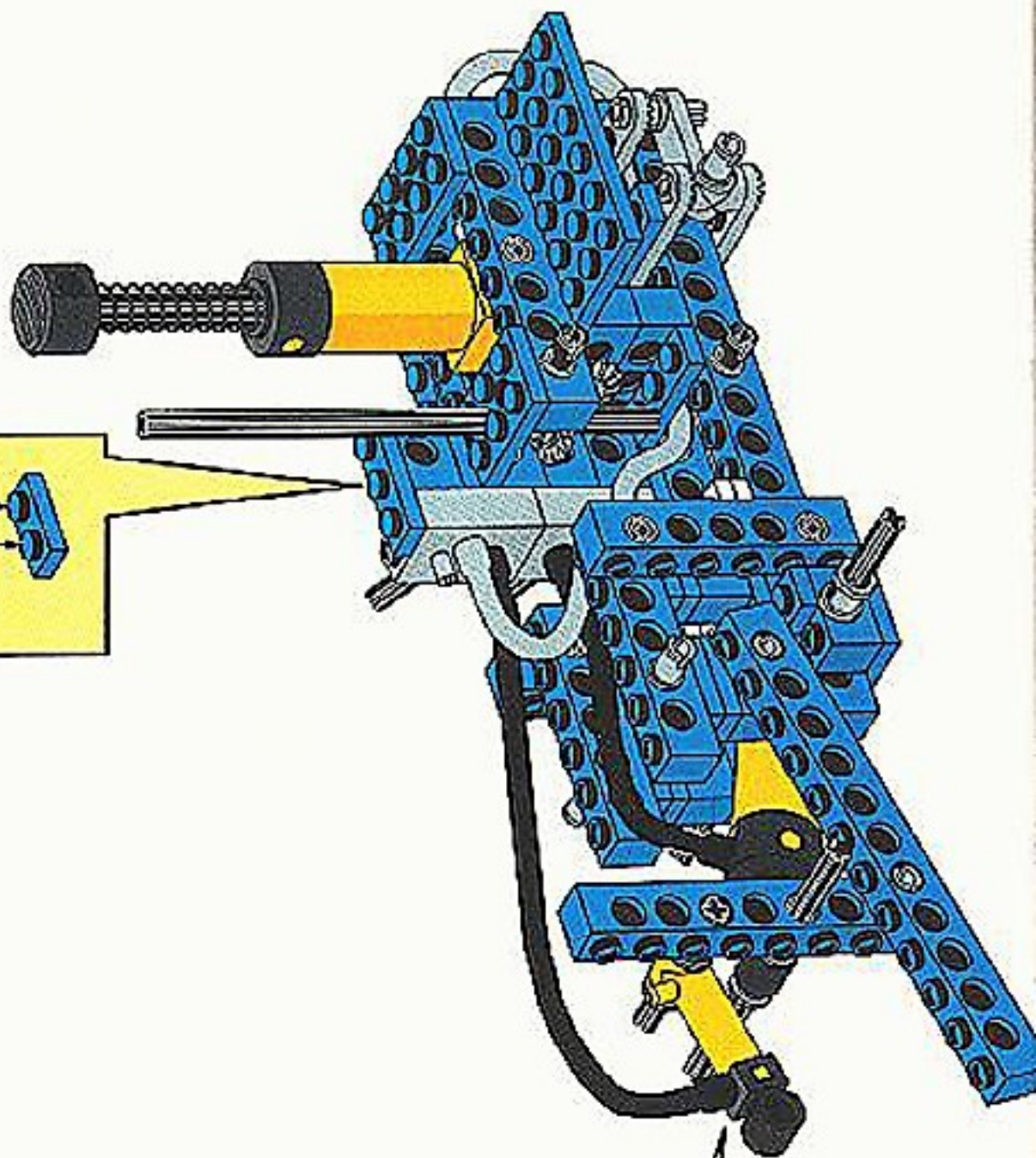
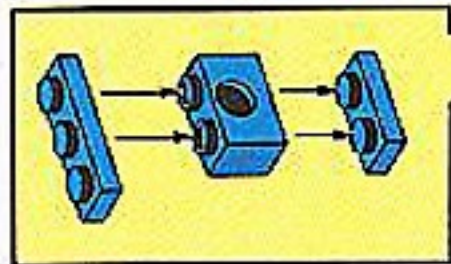
12



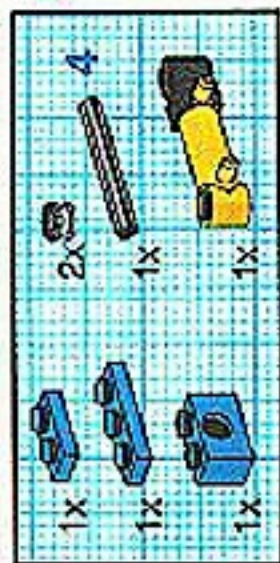


13

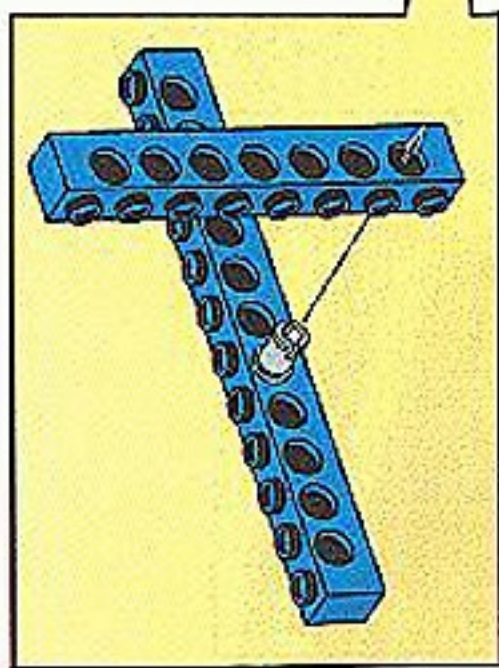
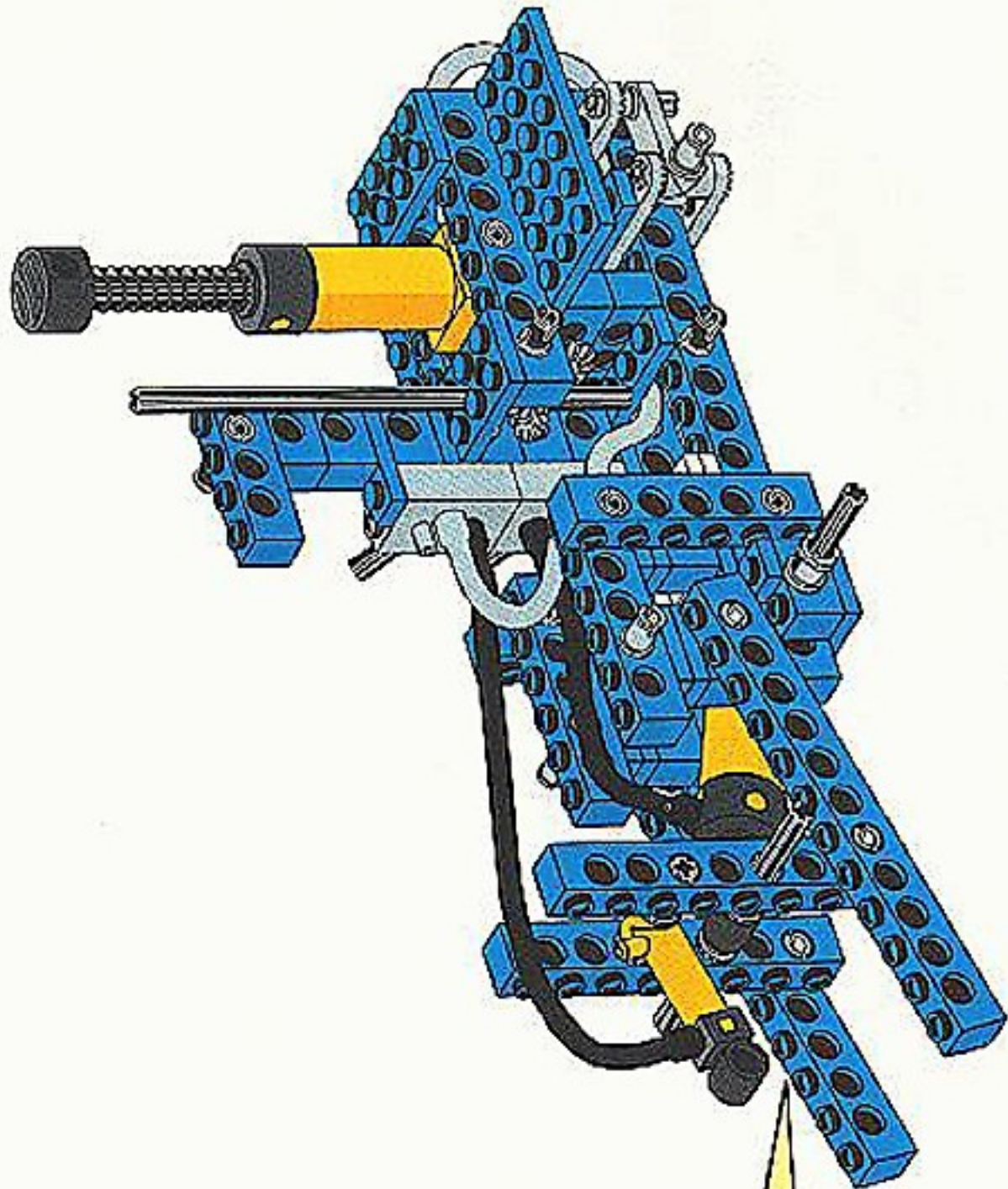
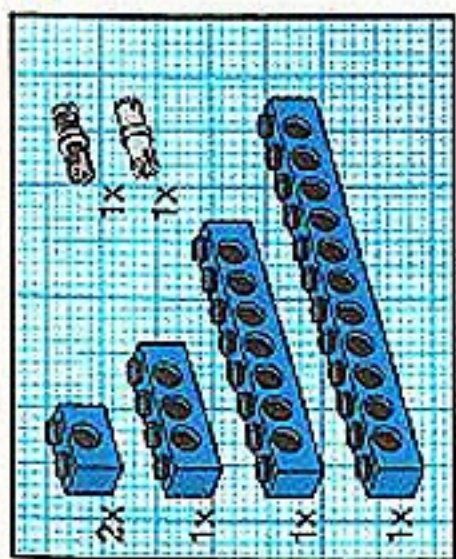


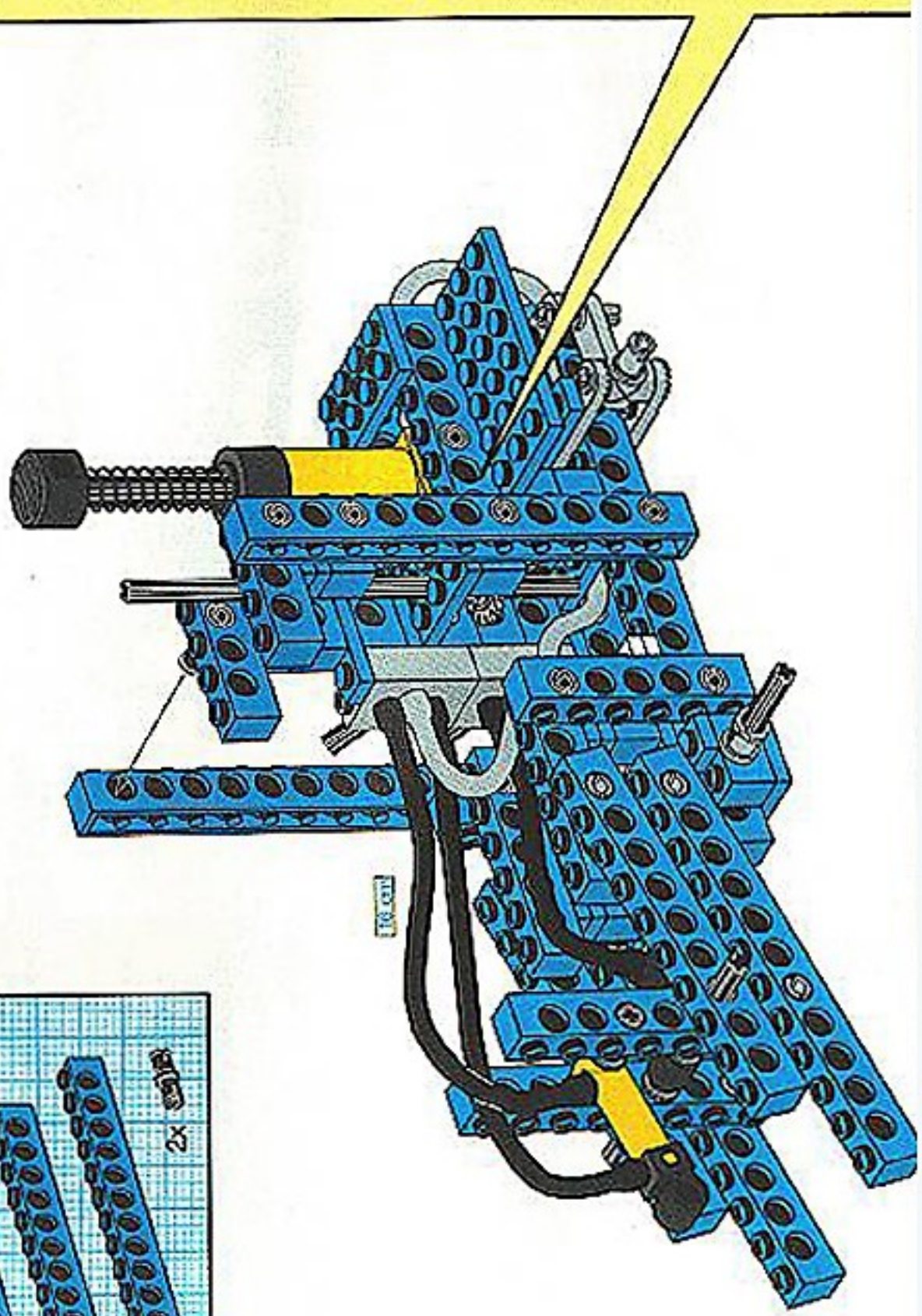
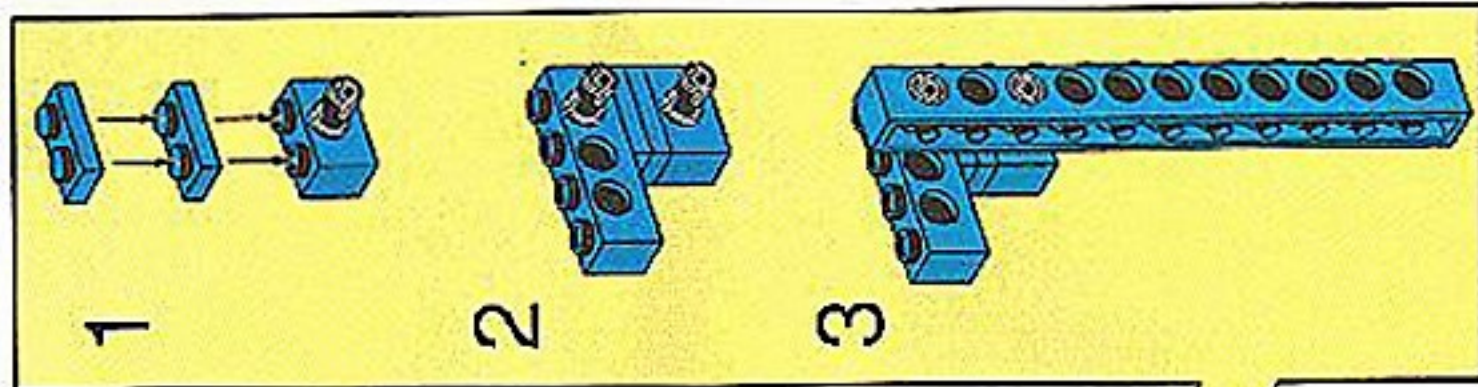


14

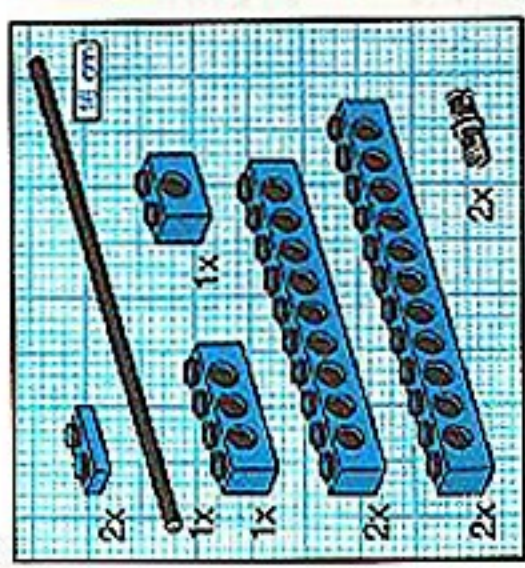


# 15



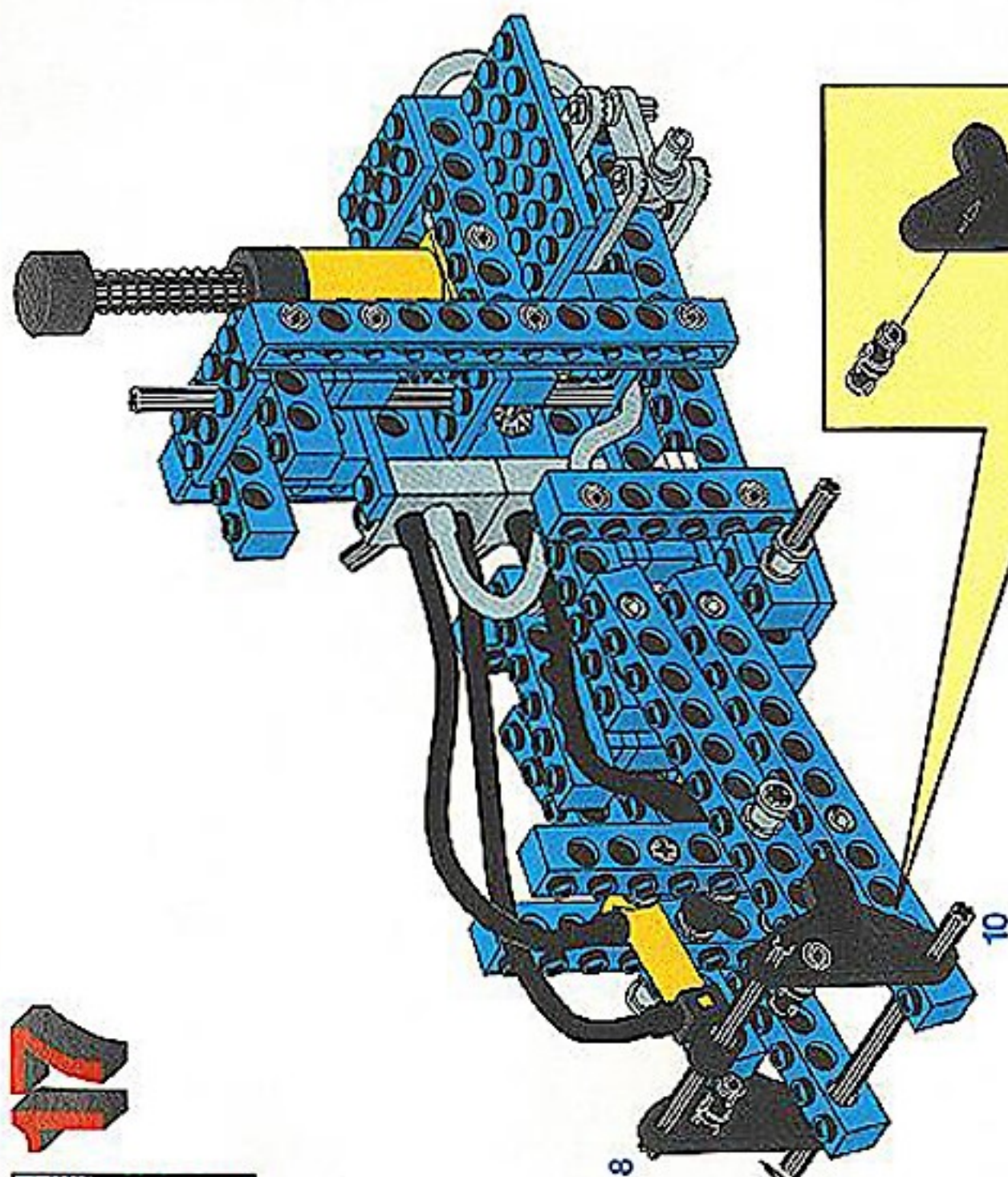
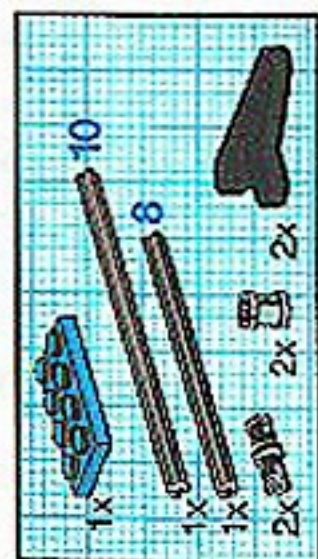


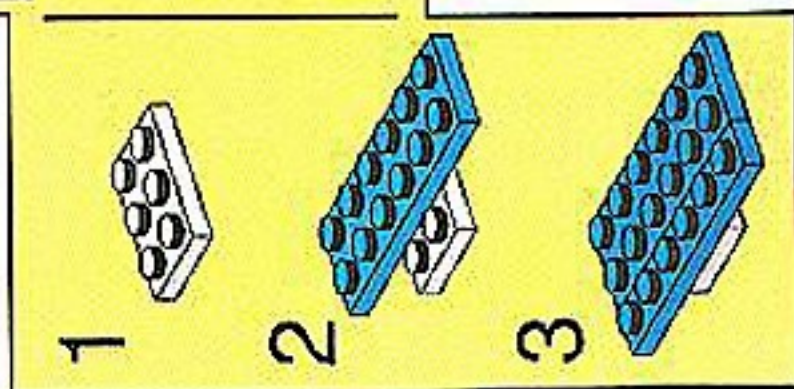
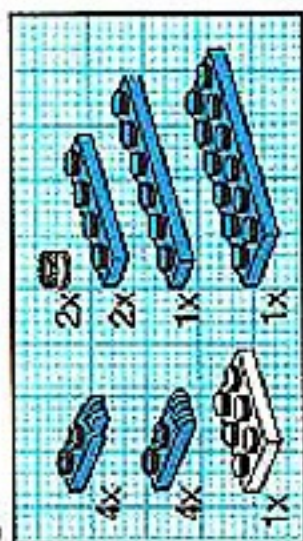
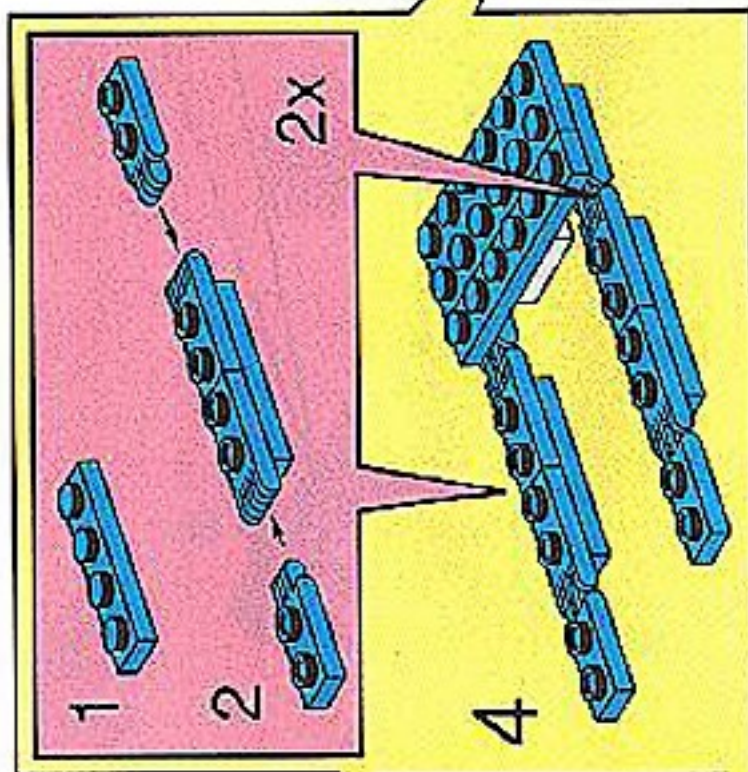
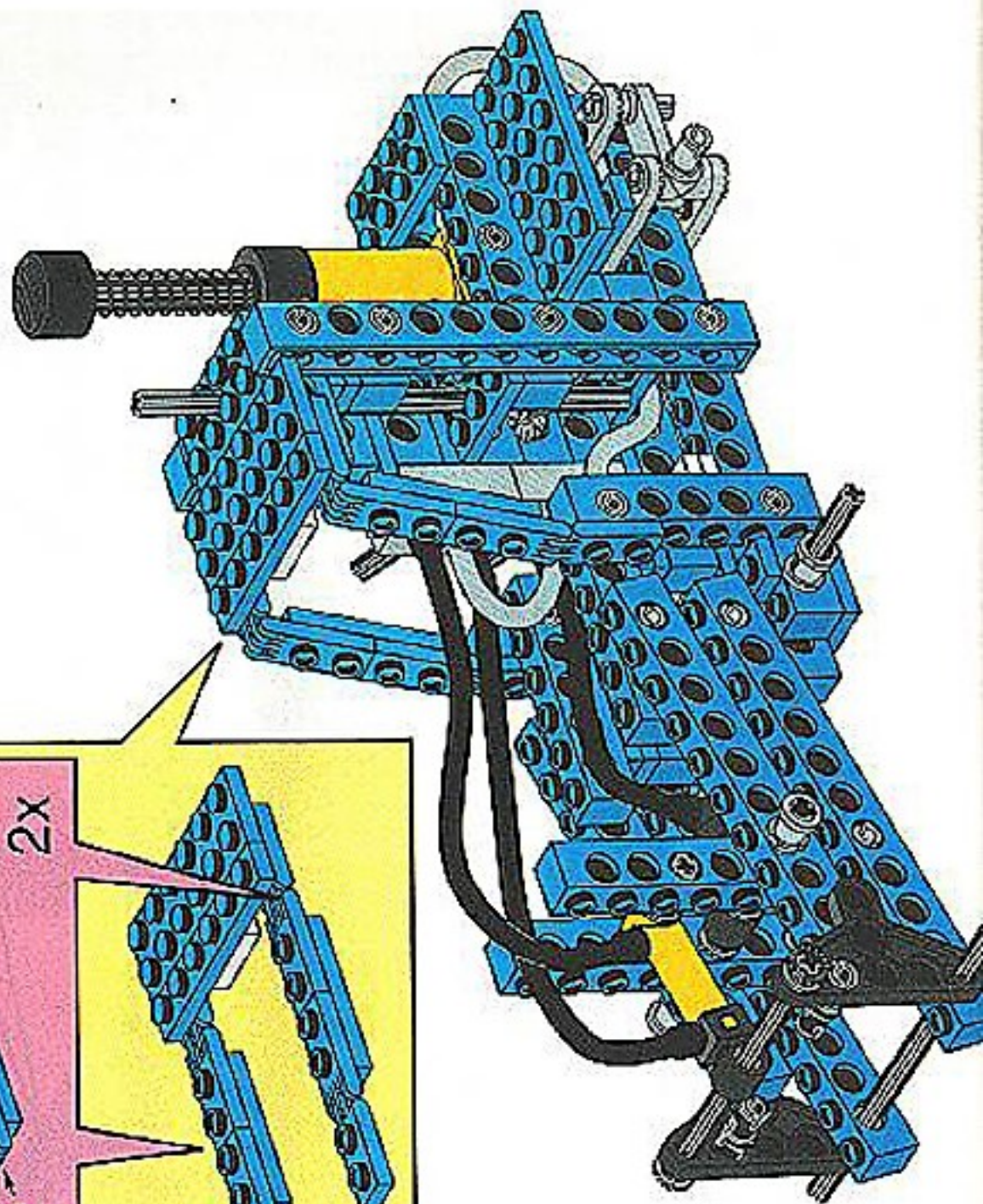
**16**

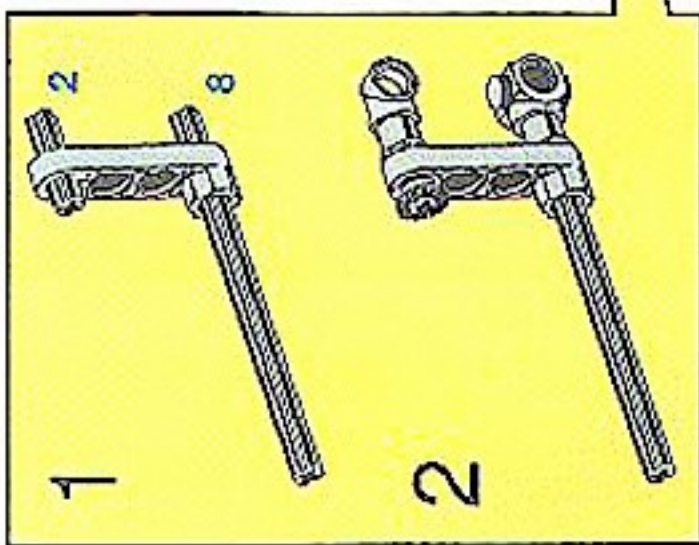
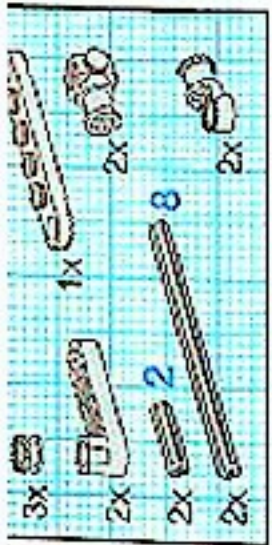
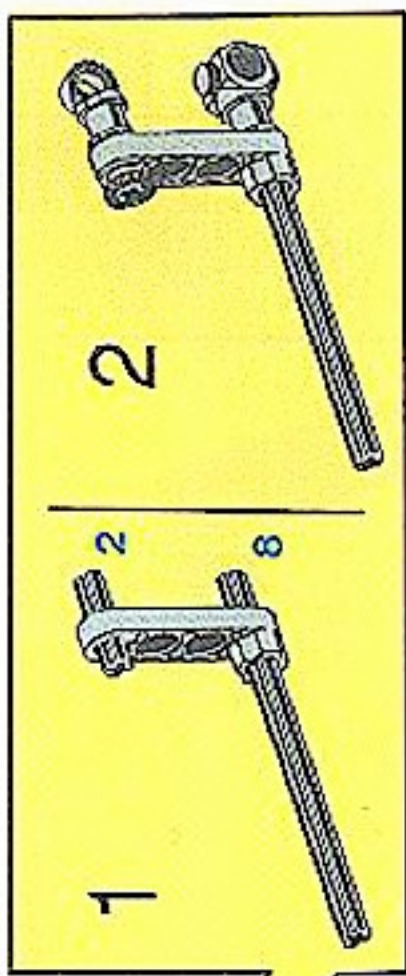
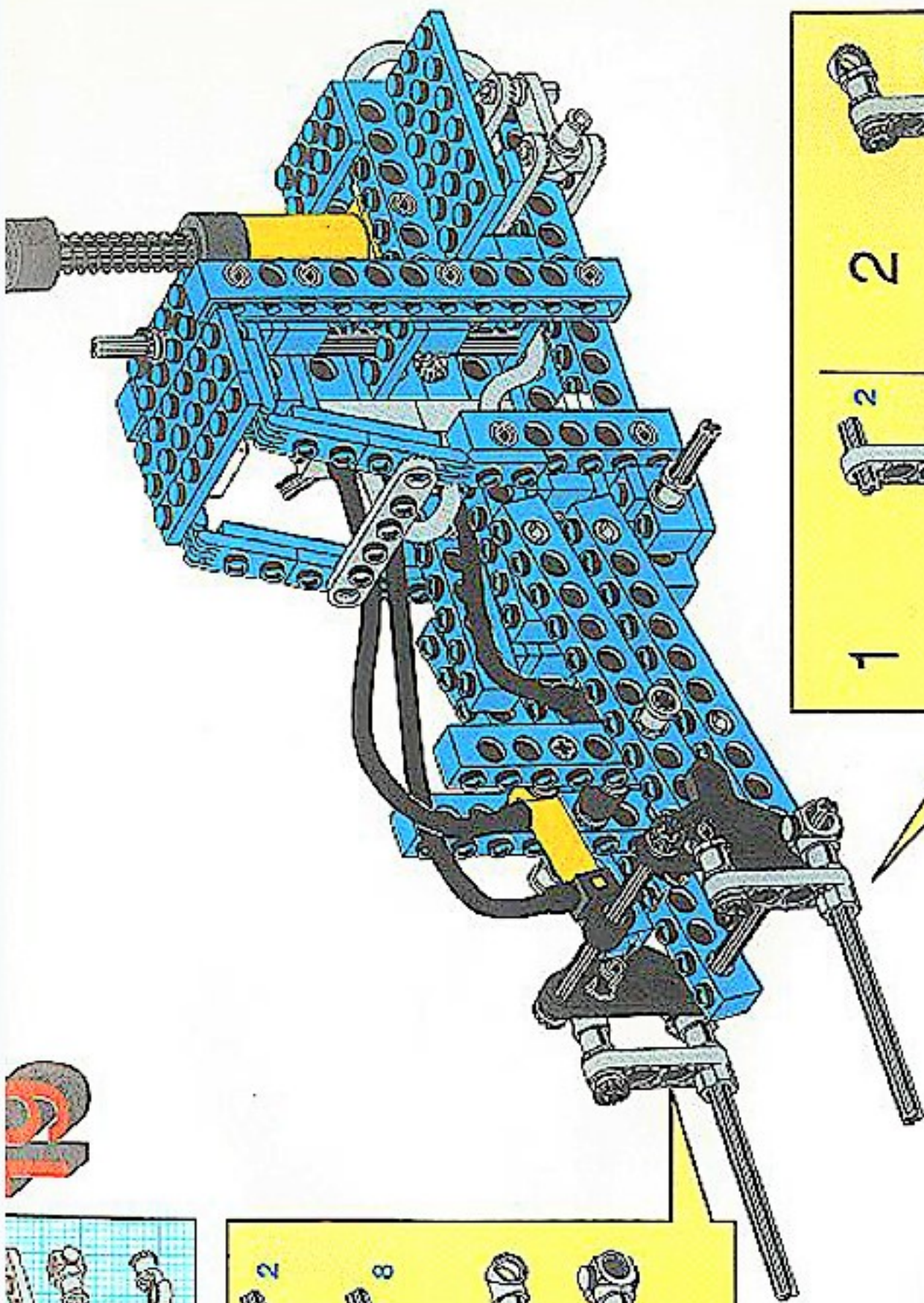


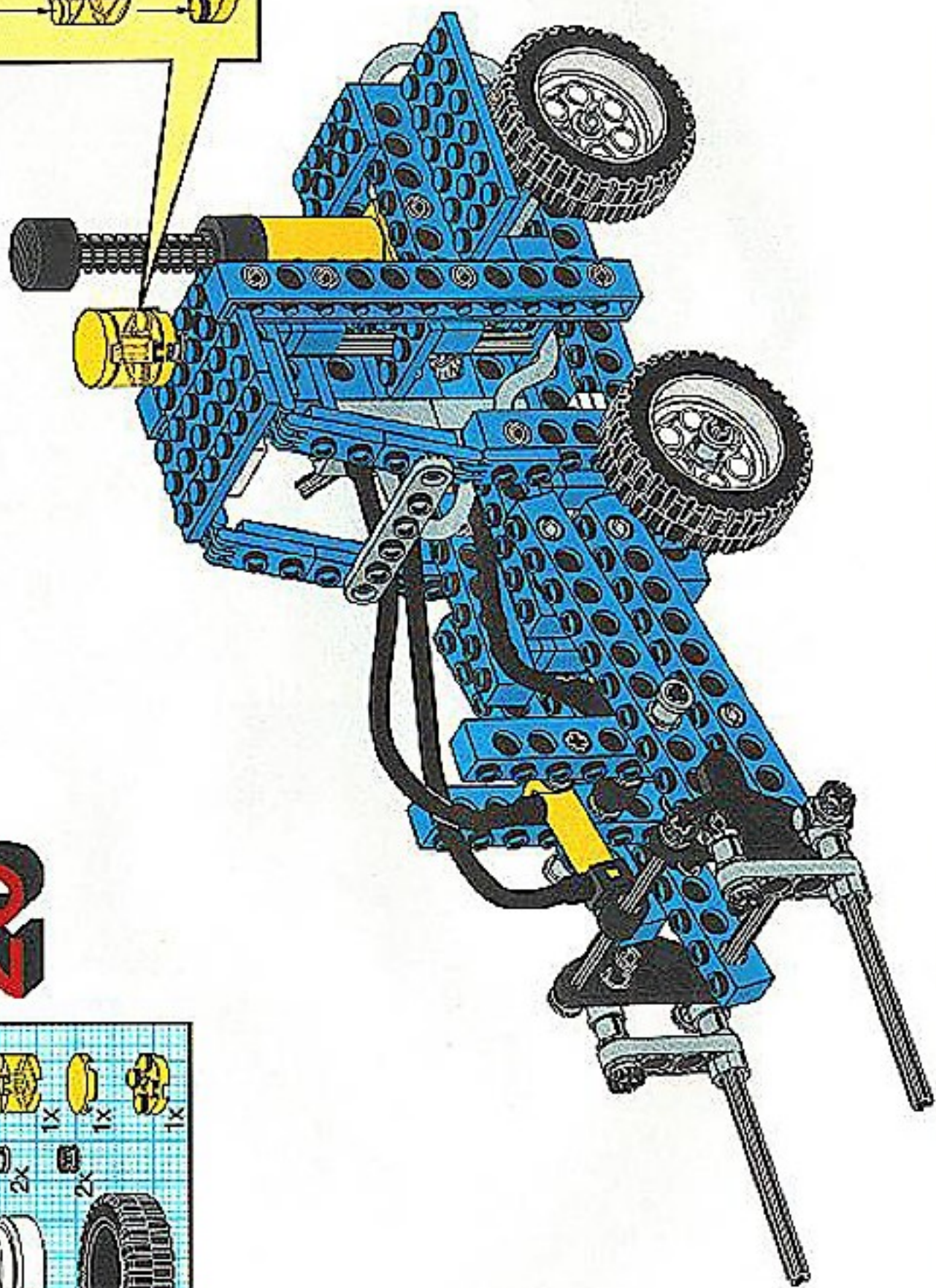


# 17

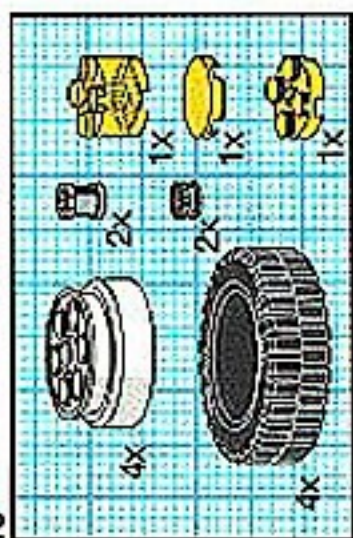


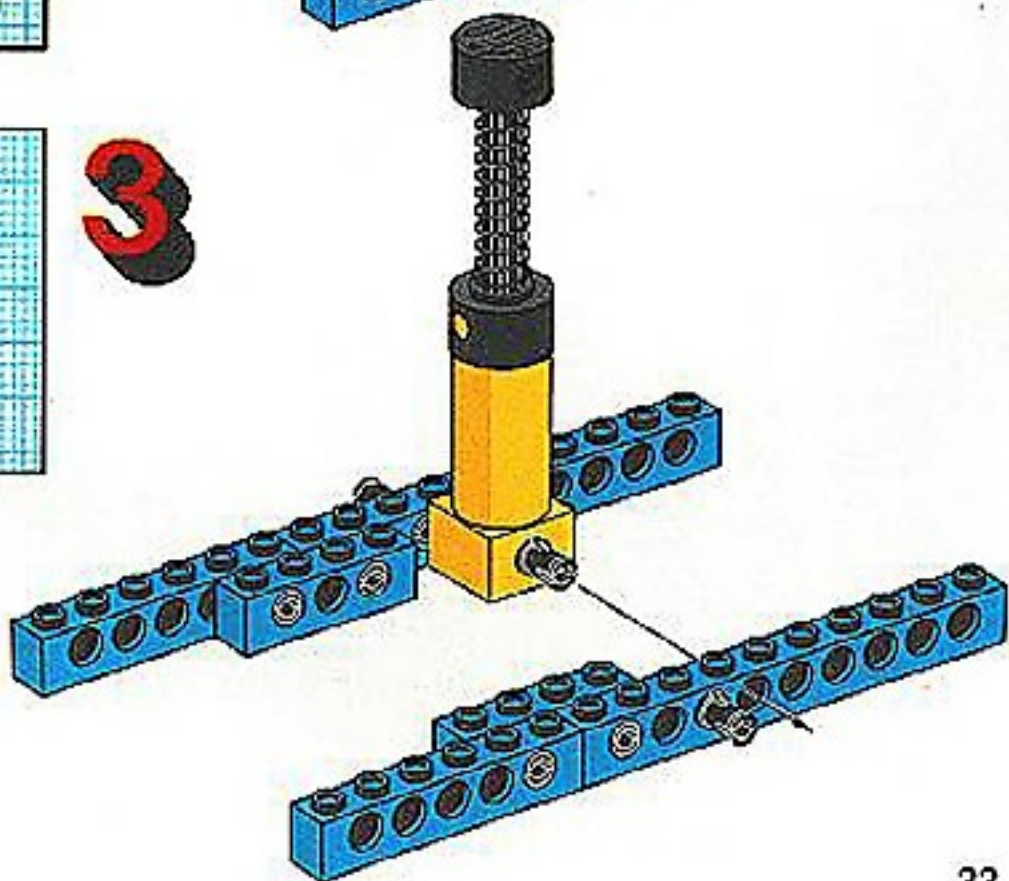
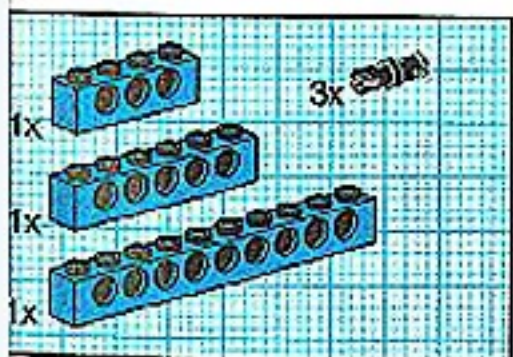
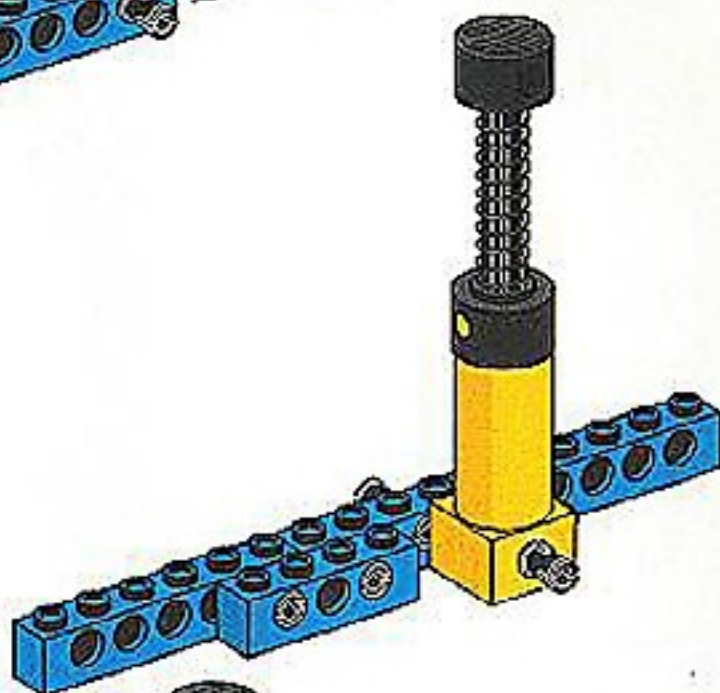
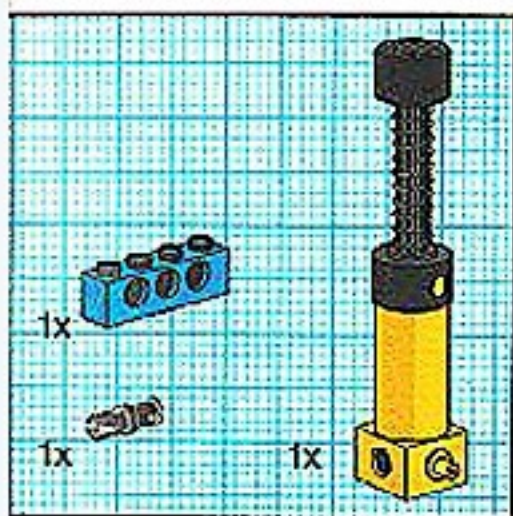
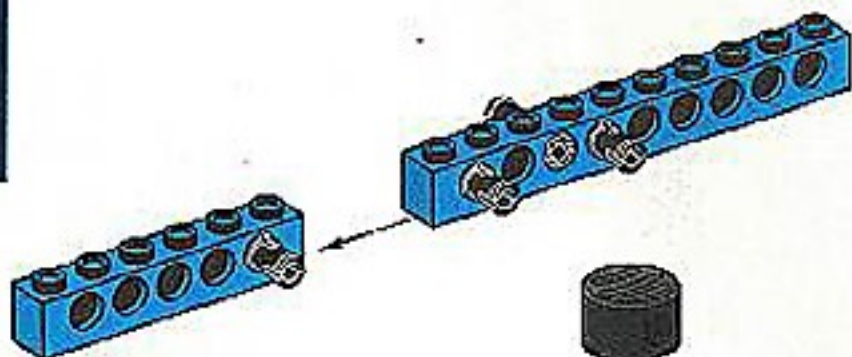
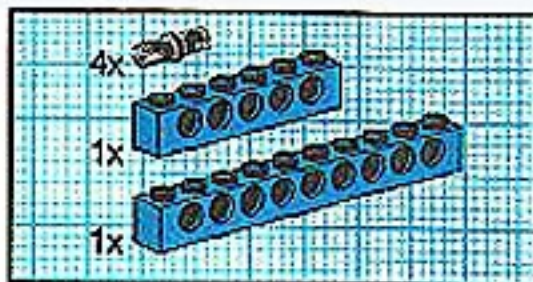


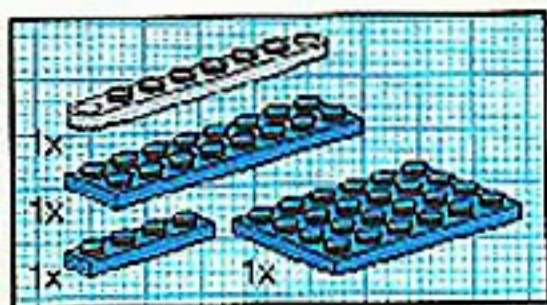




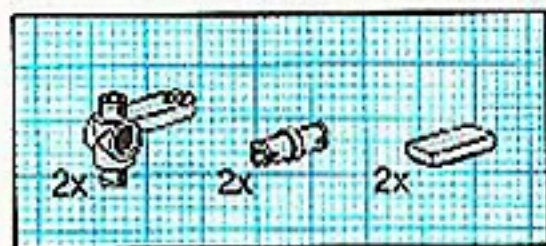
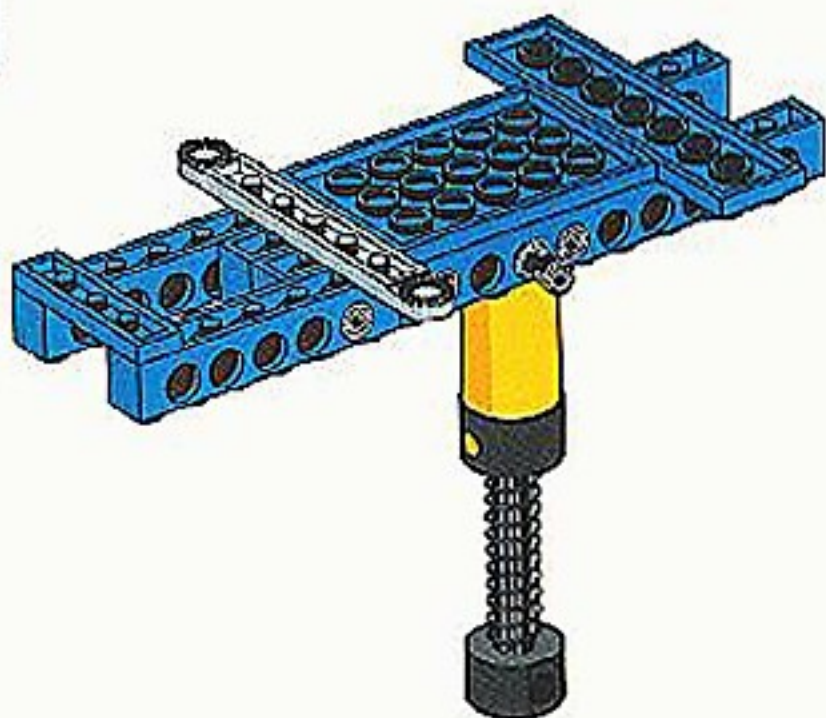
20



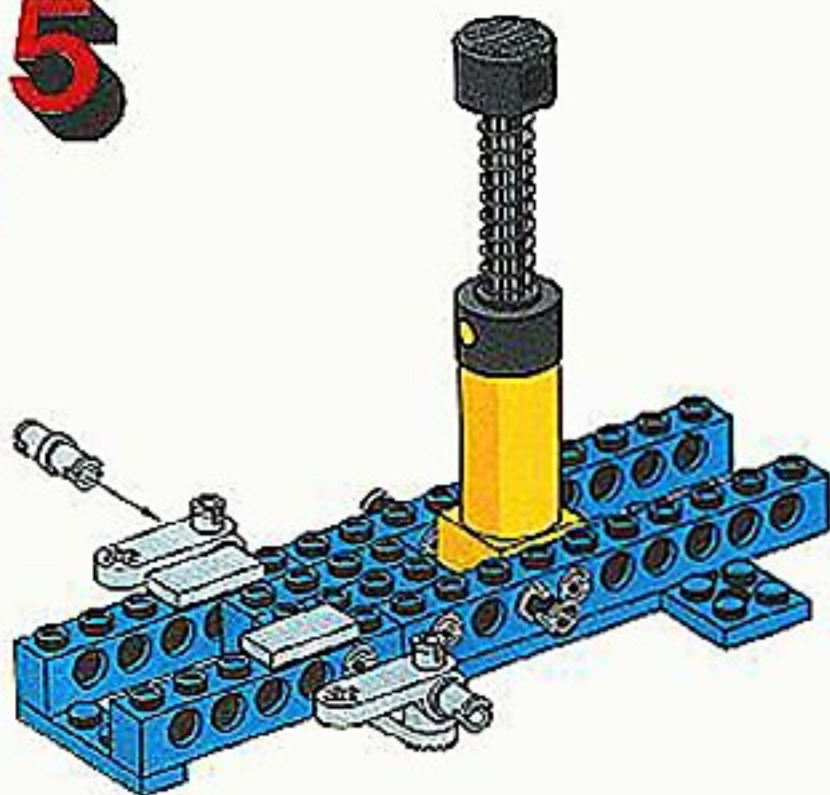


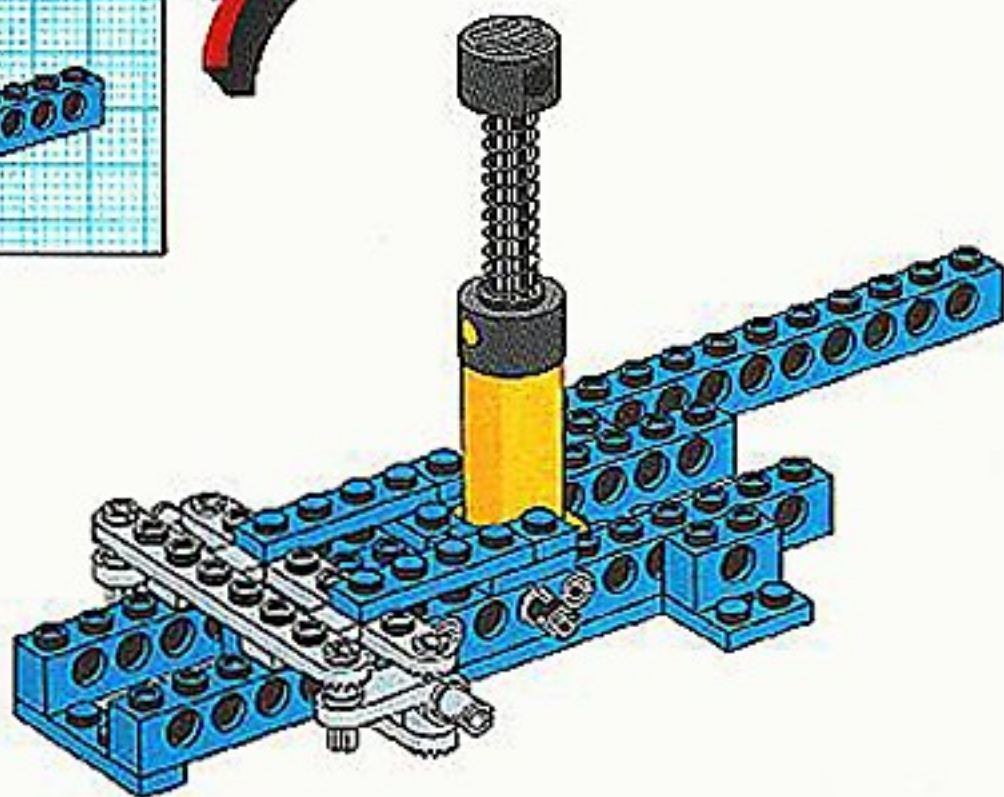
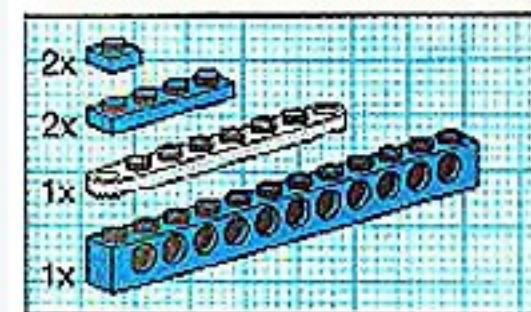
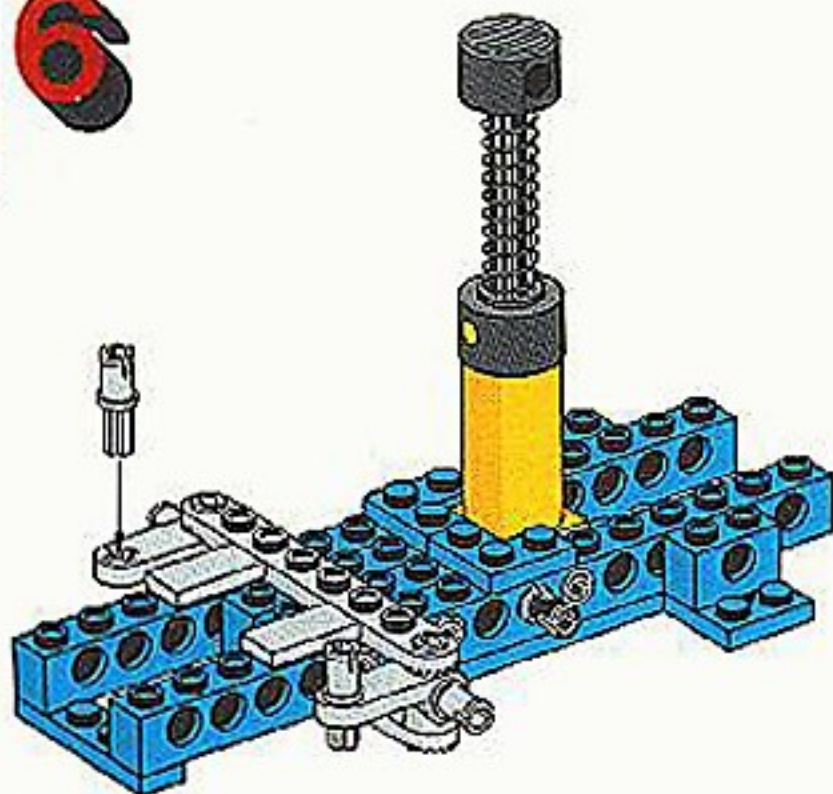


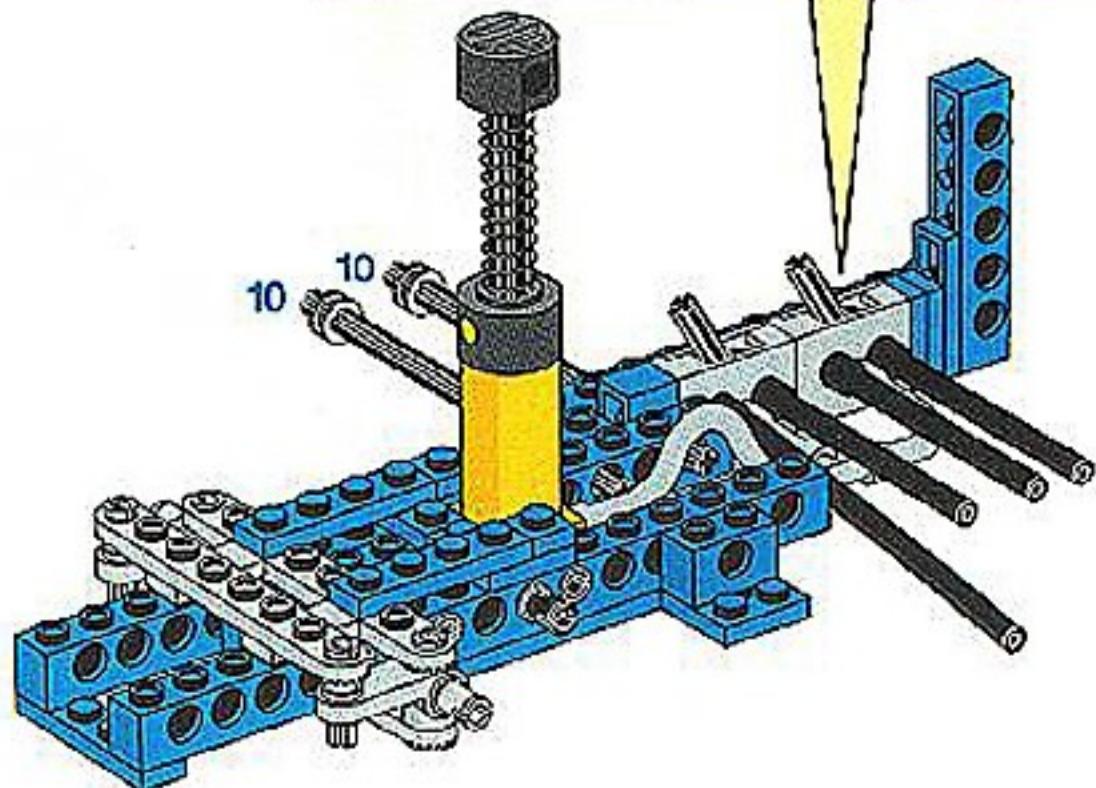
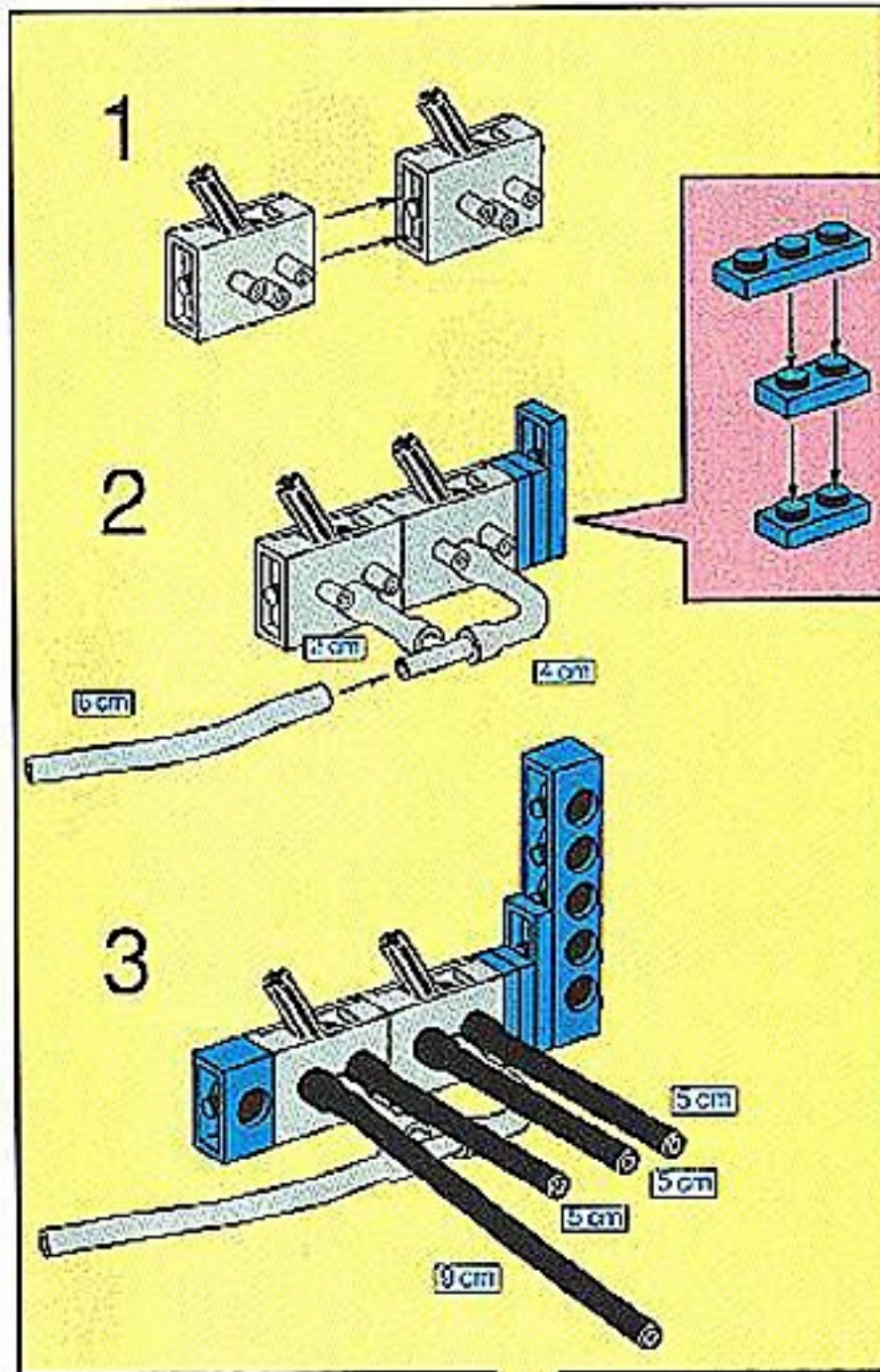
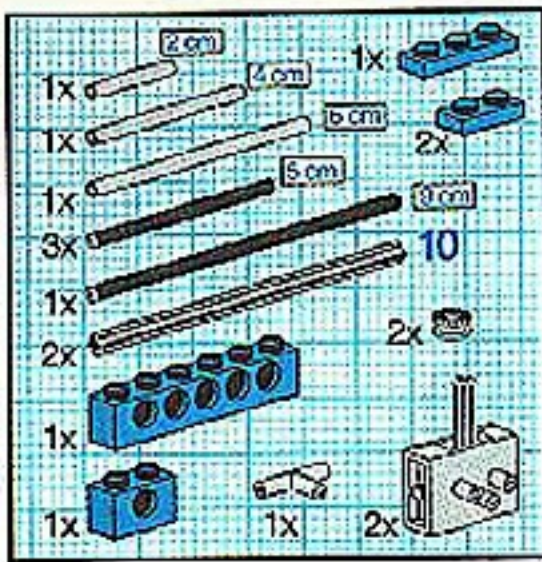
4



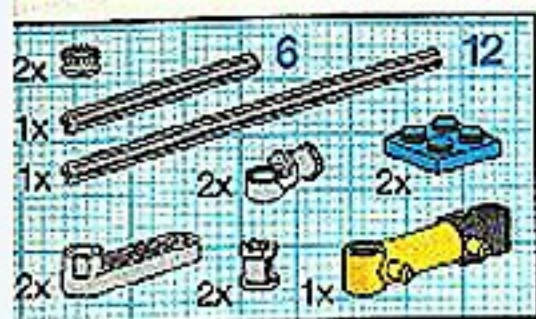
5





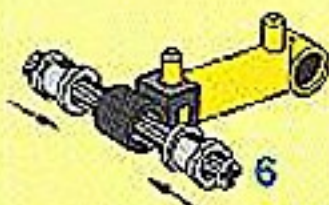




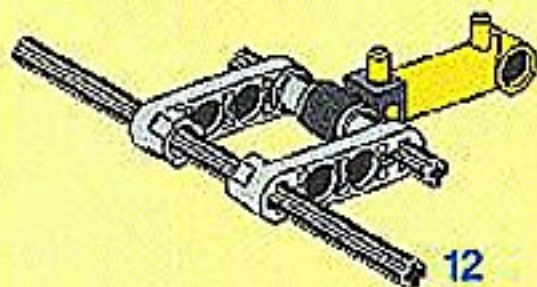


9

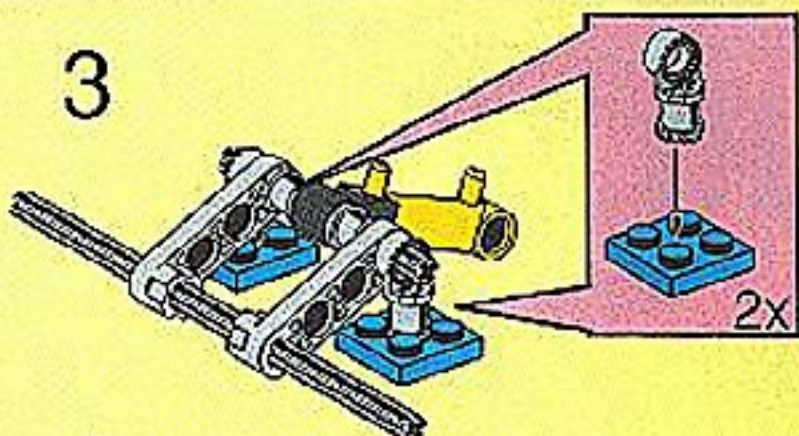
1



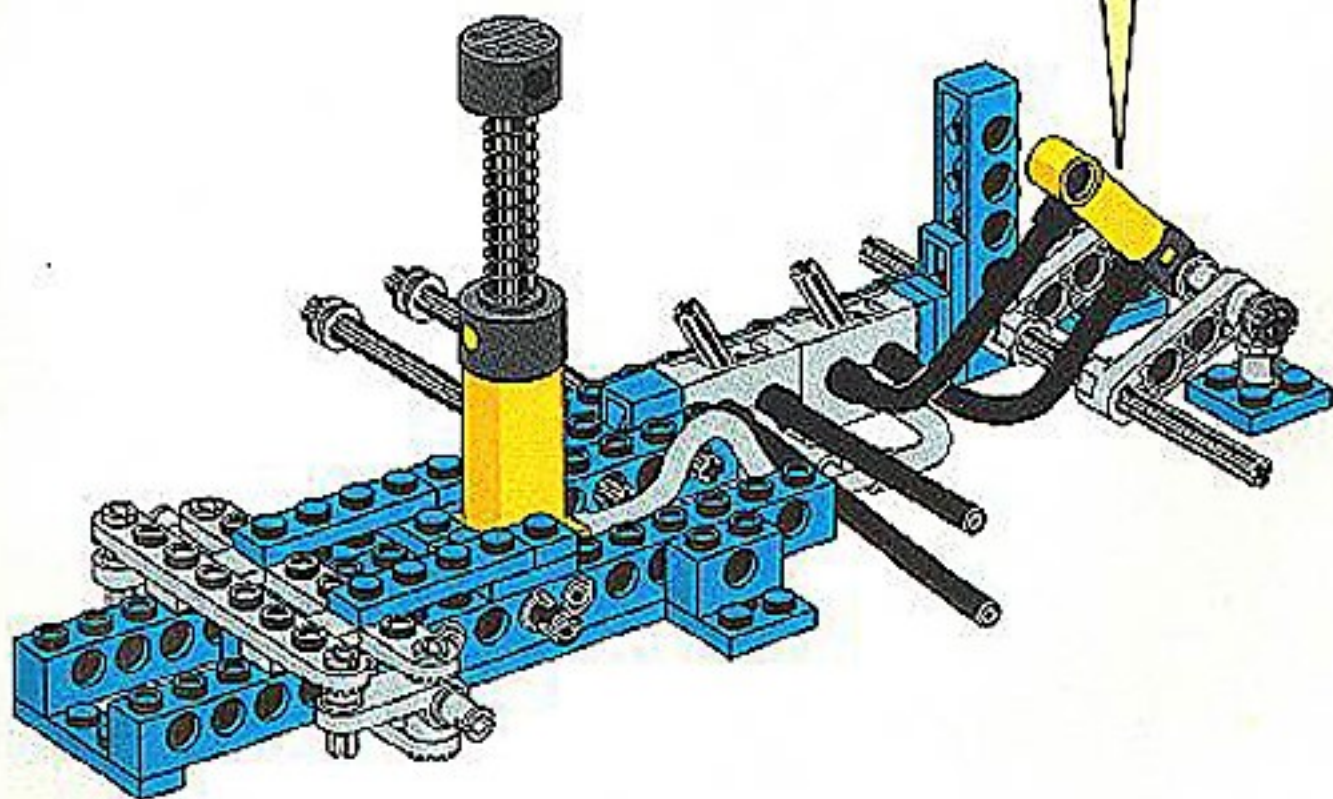
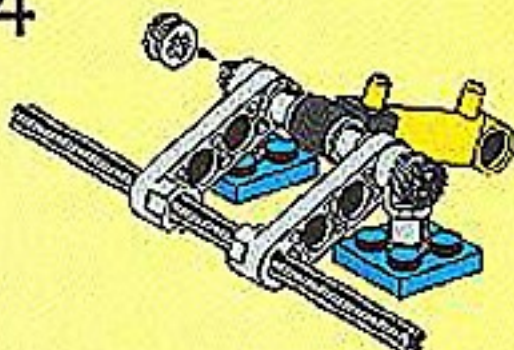
2

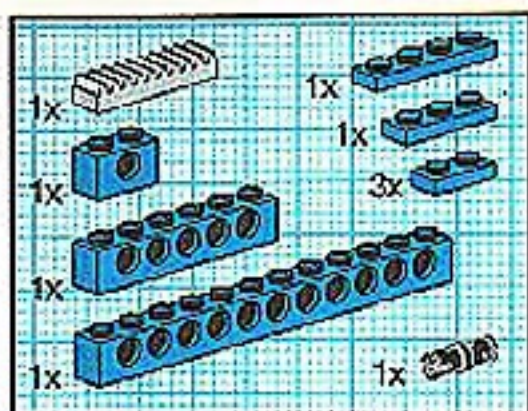


3

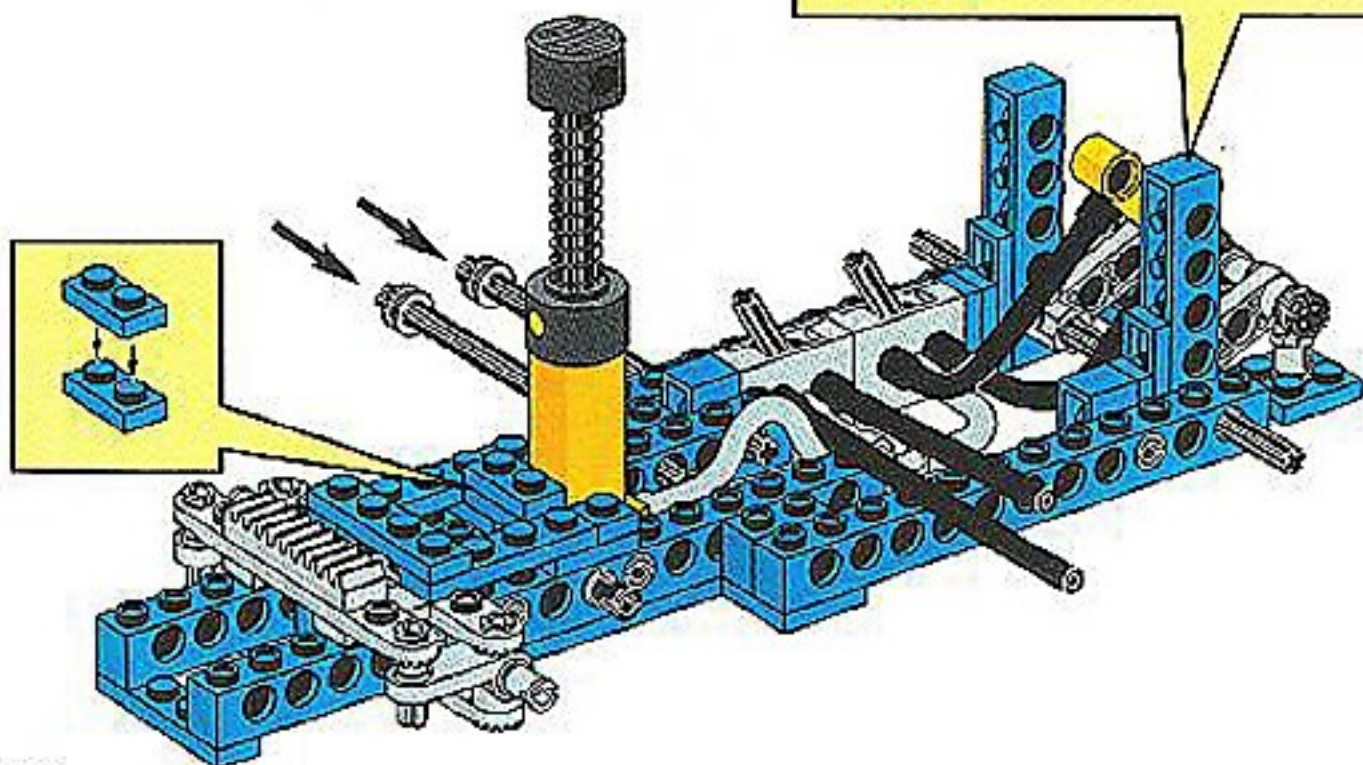
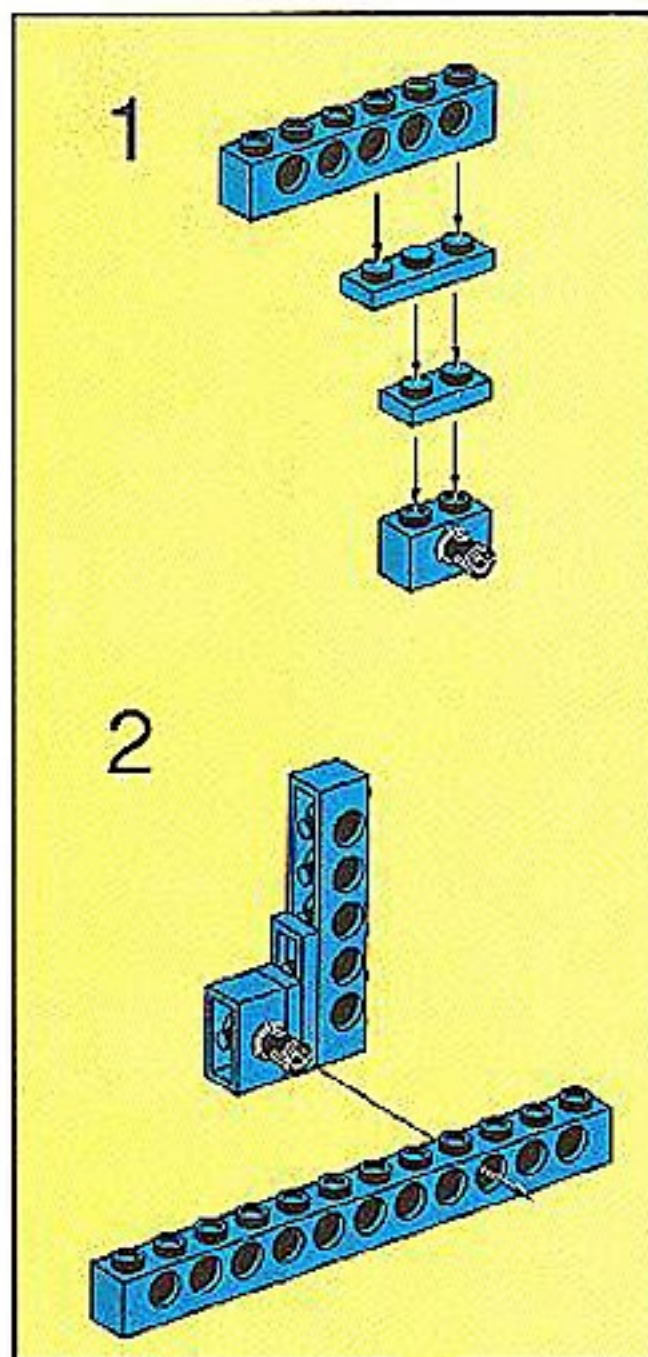


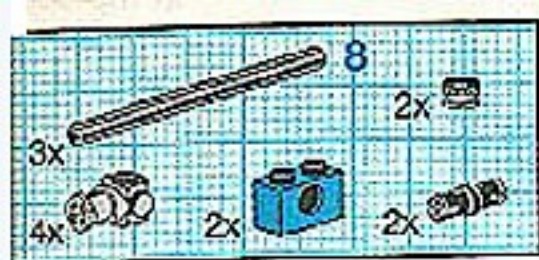
4



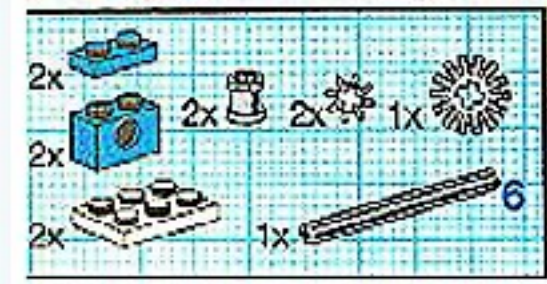
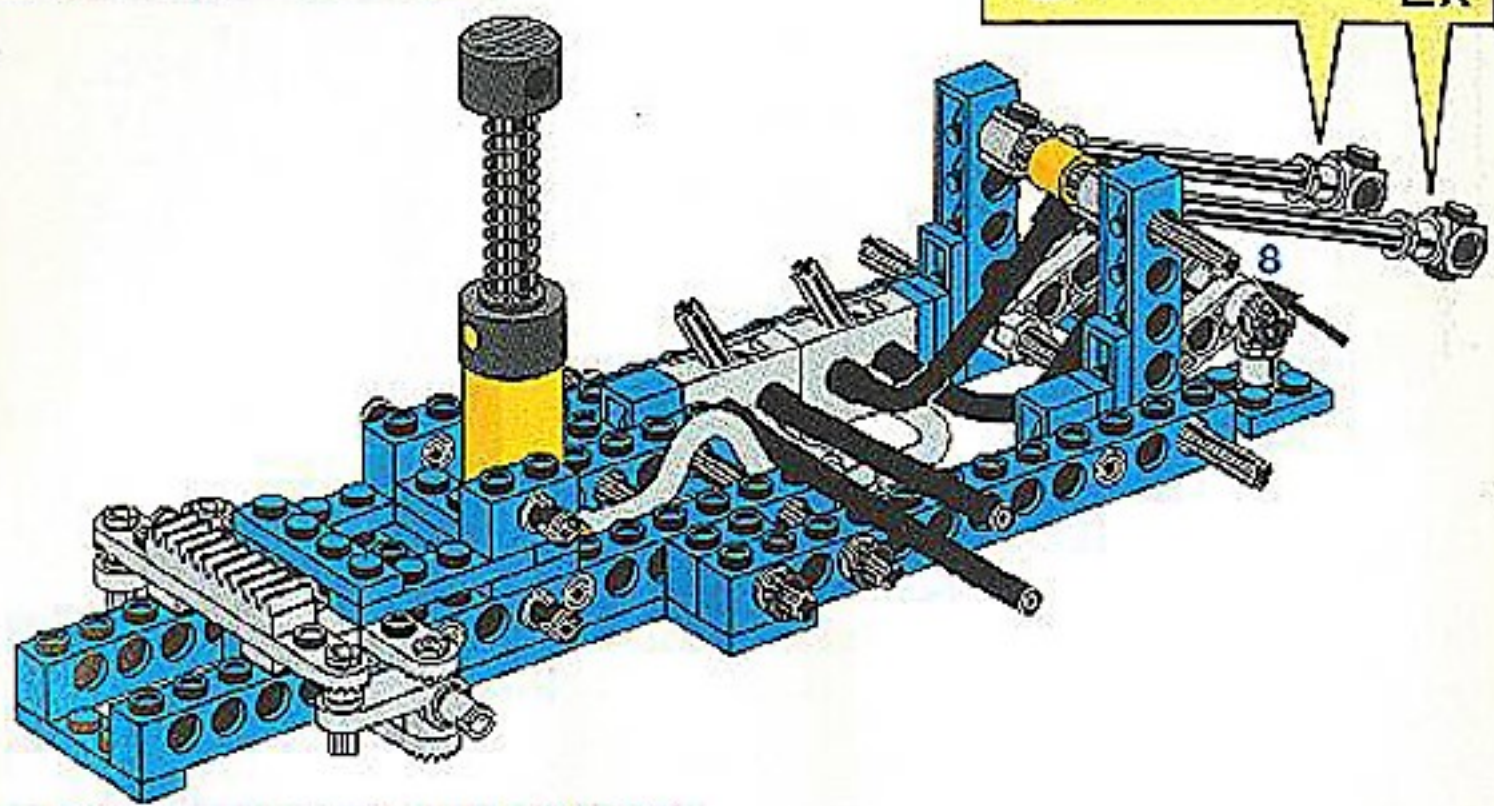
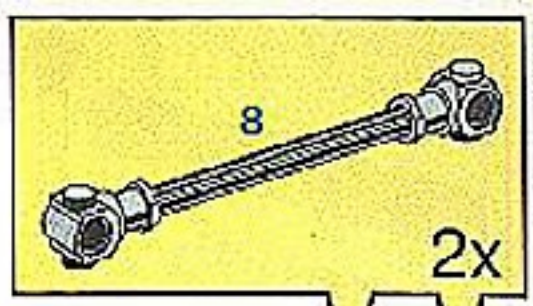


10

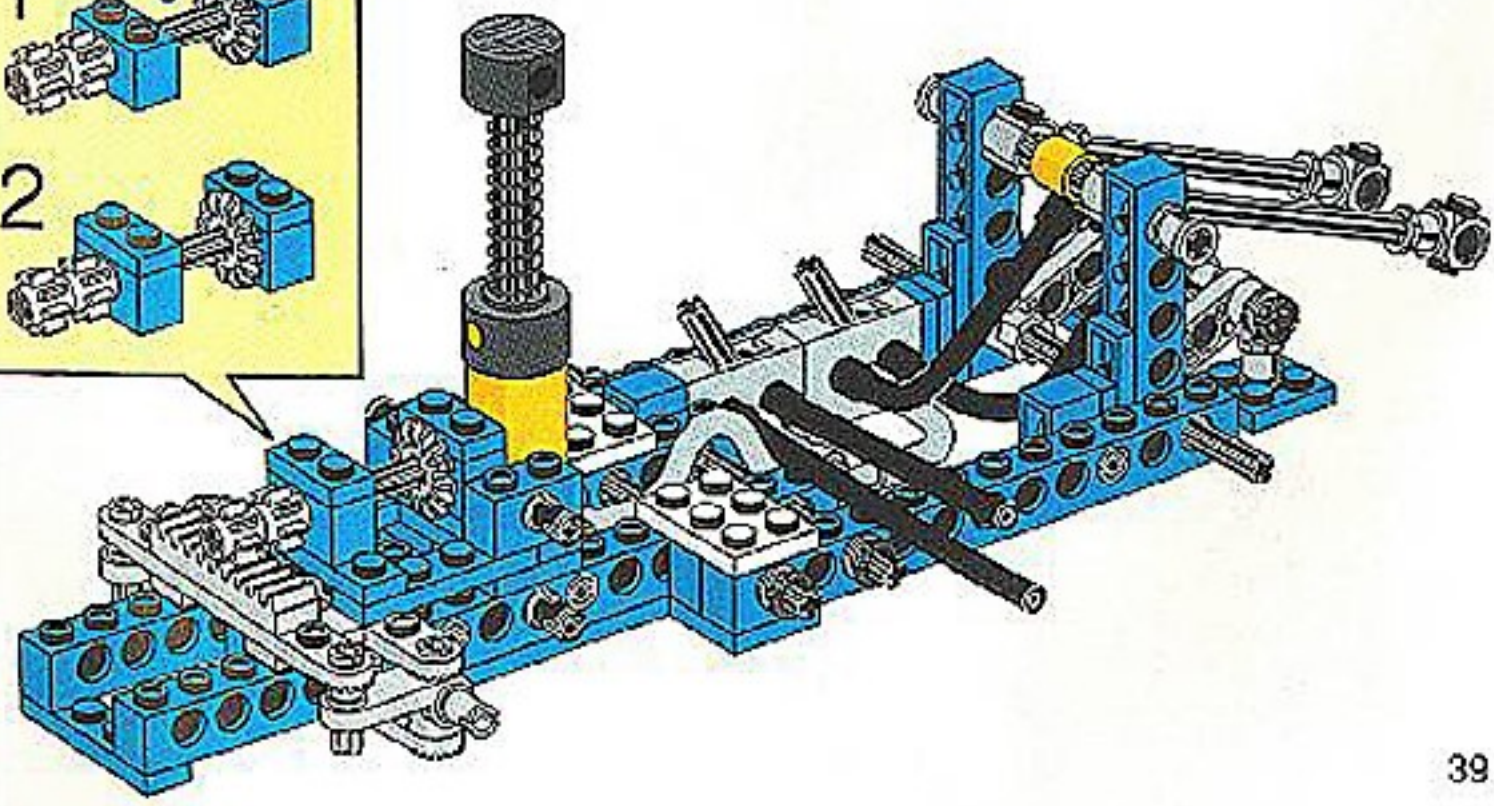
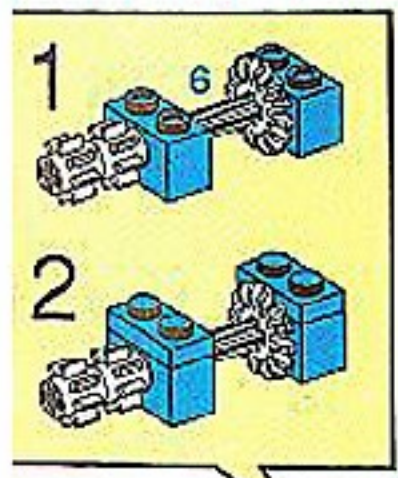


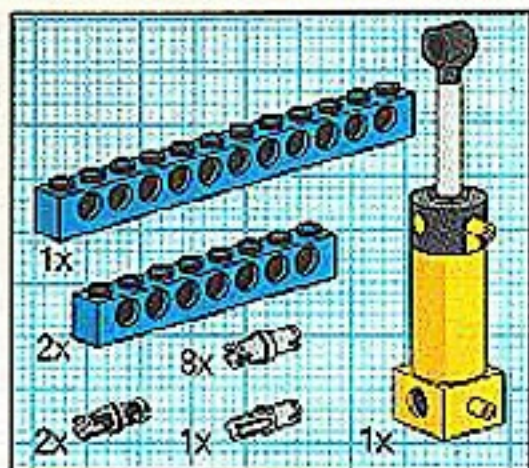


**11**

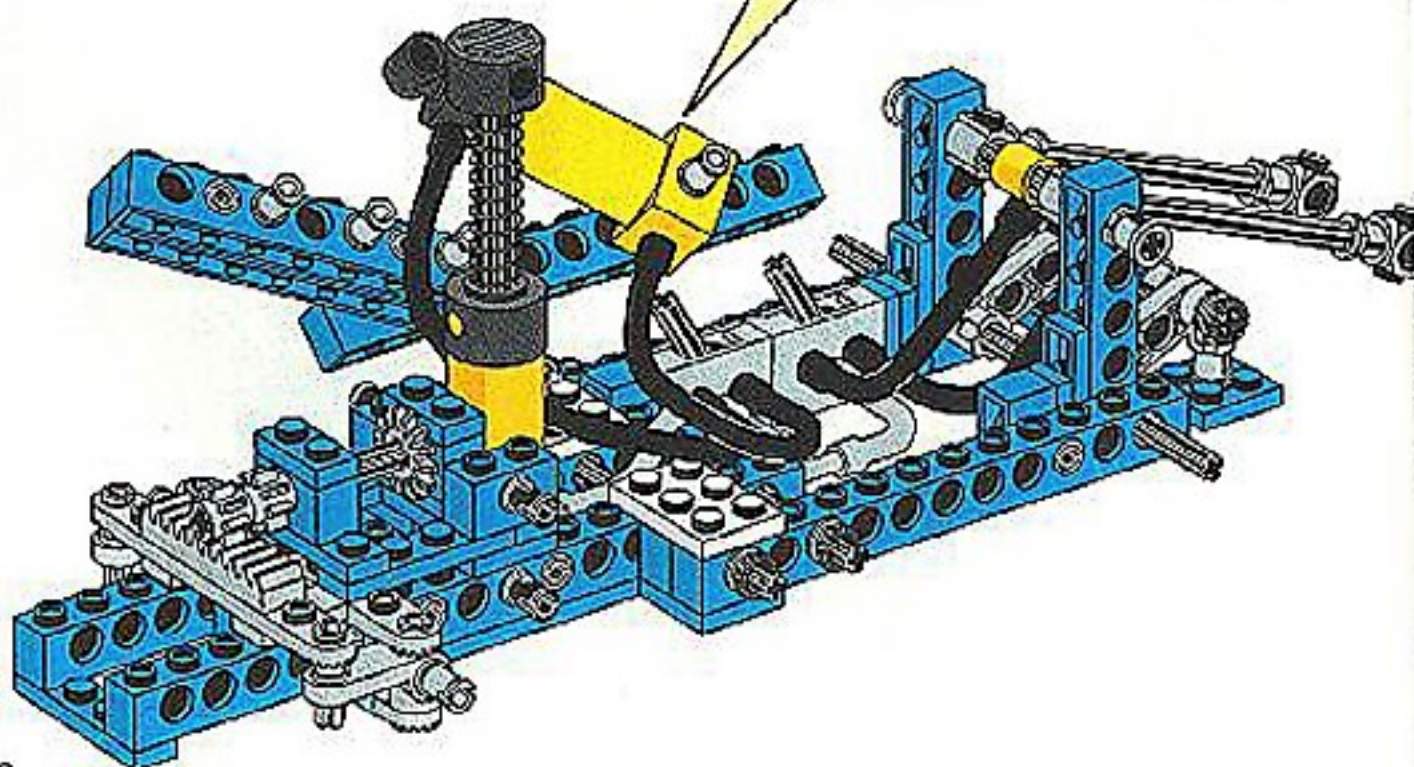
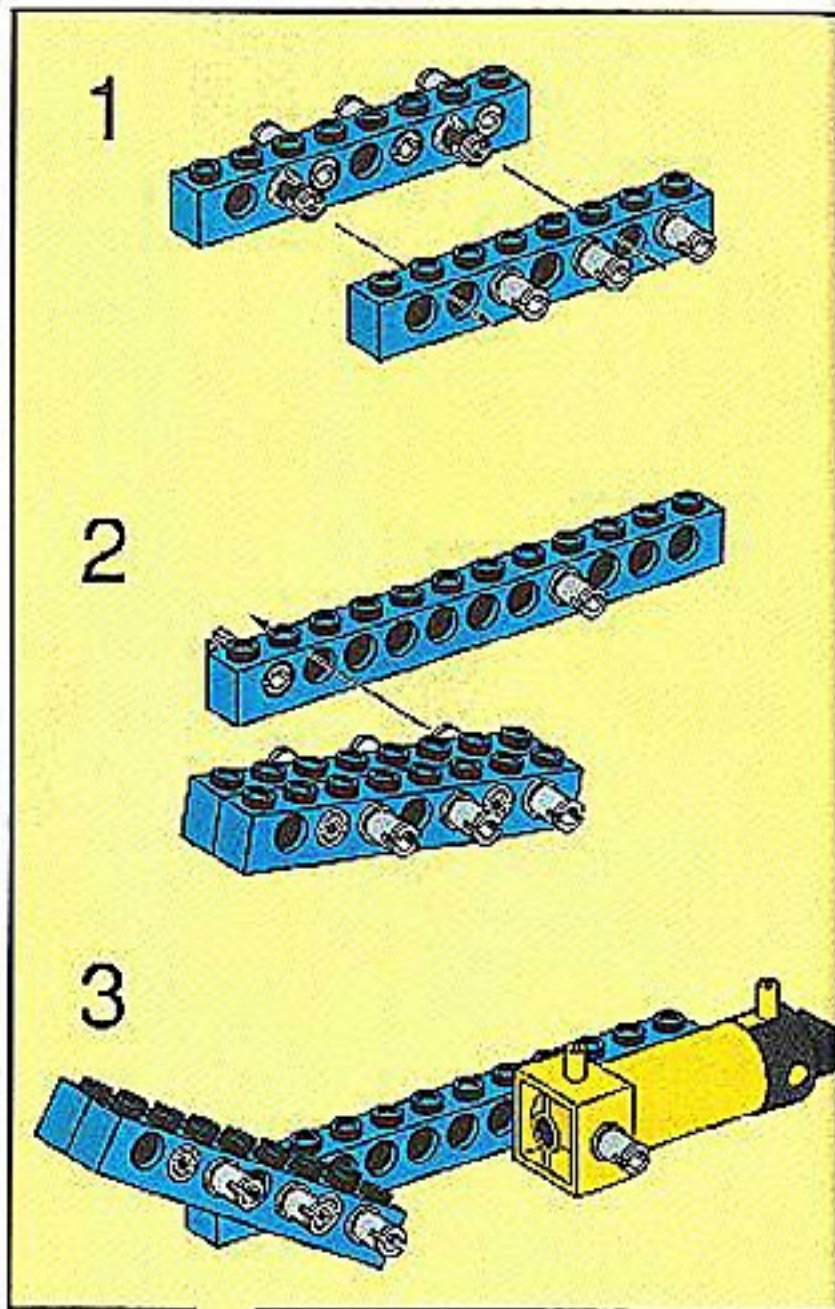


**12**

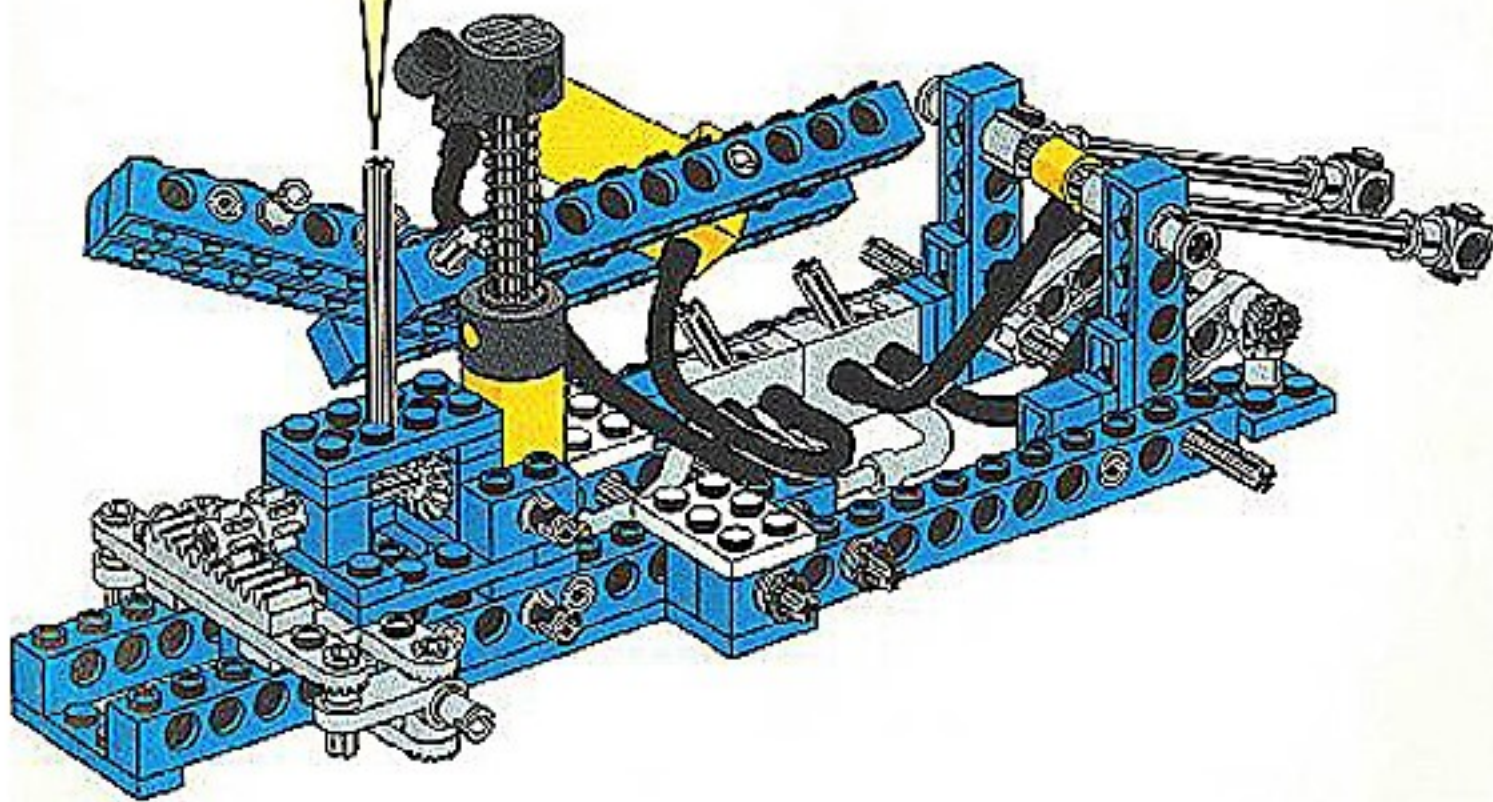
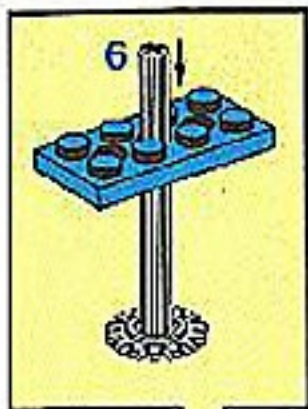
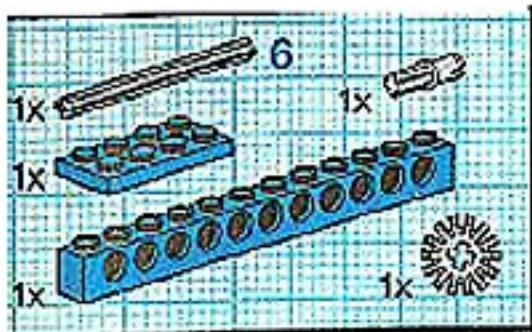


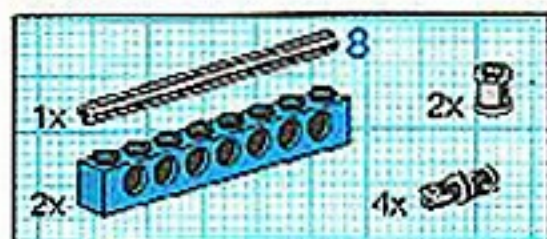


13

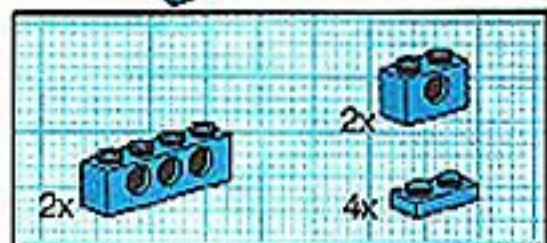
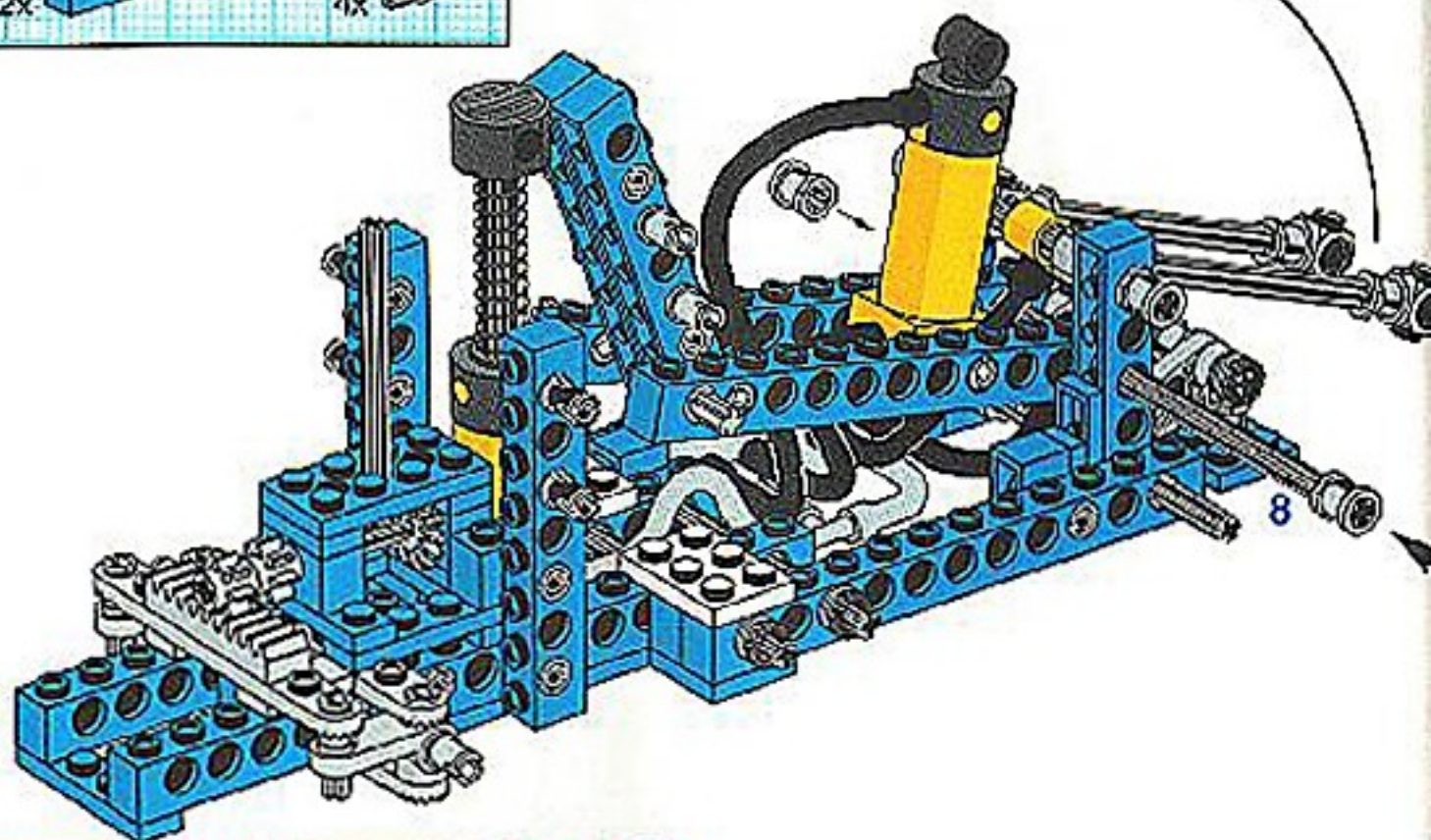


# 14

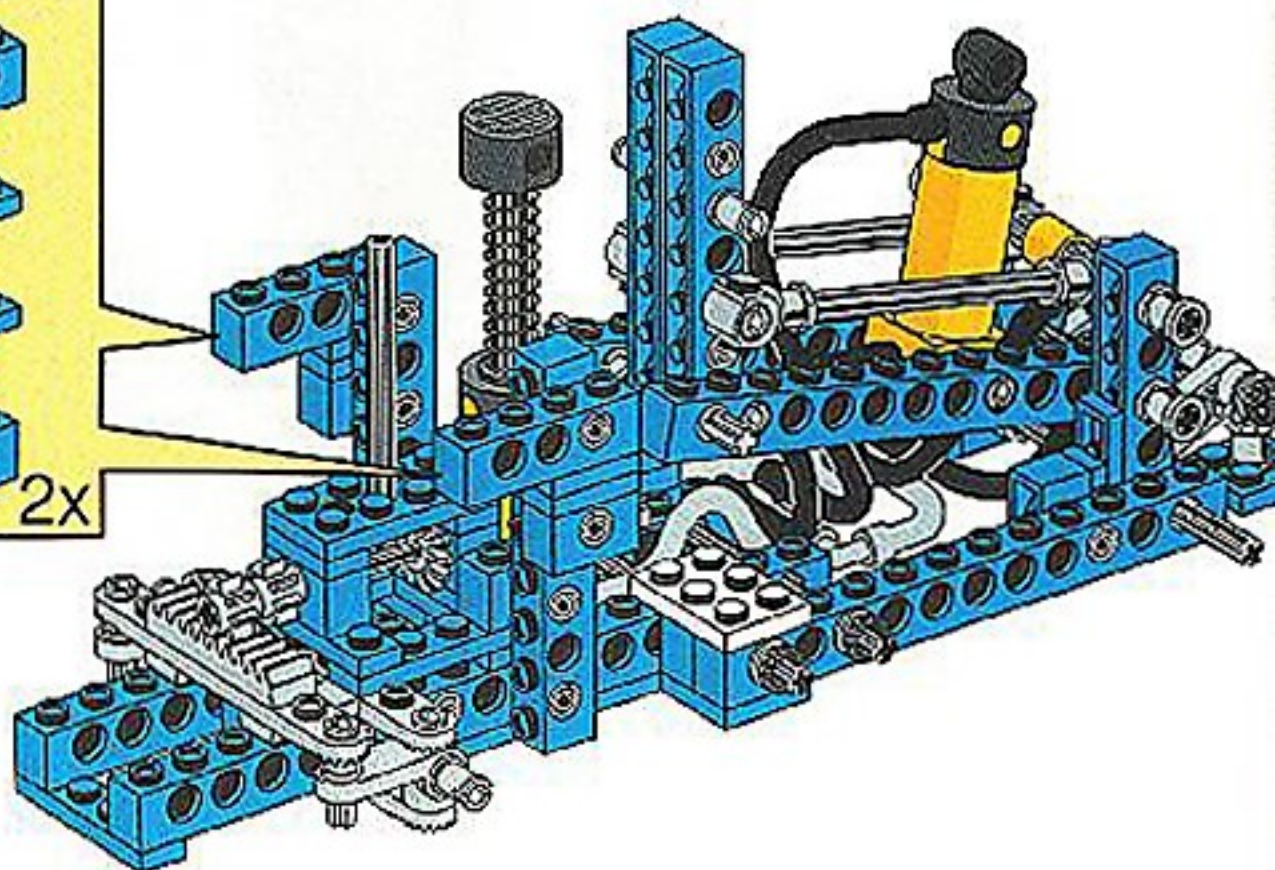
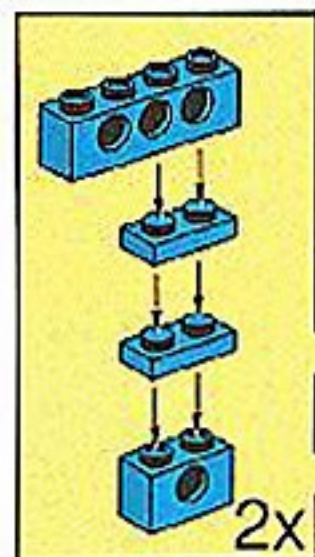


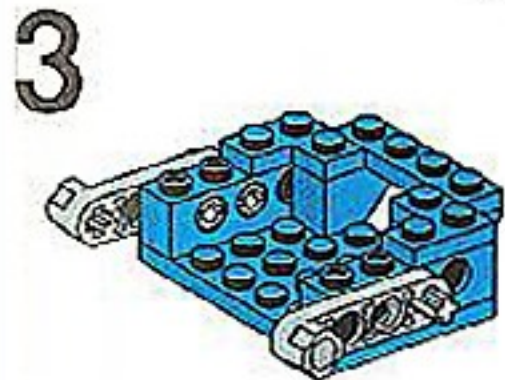
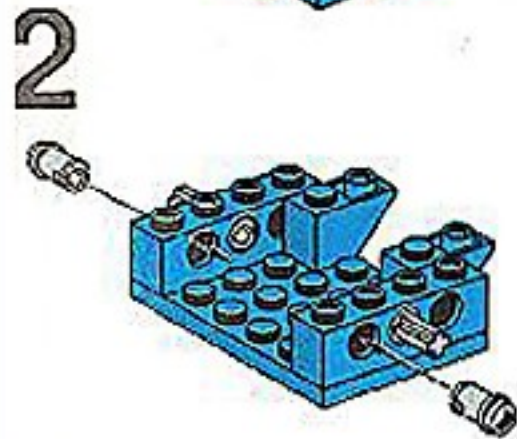
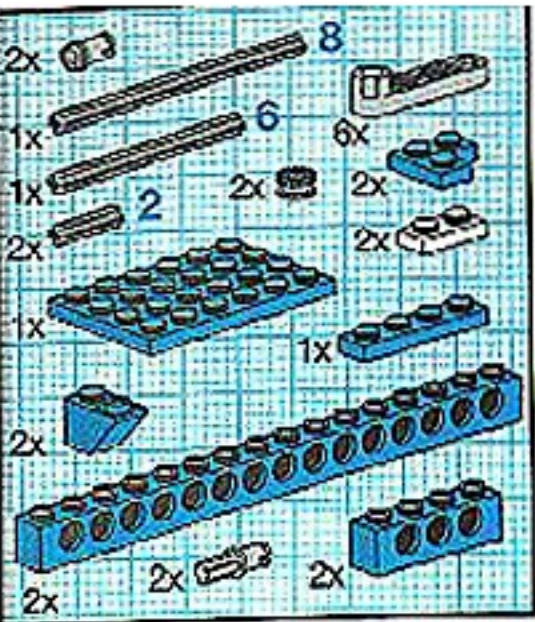


# 15

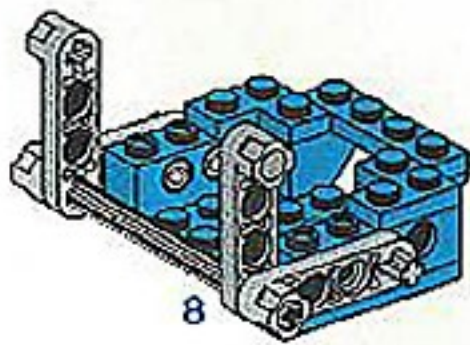


# 16

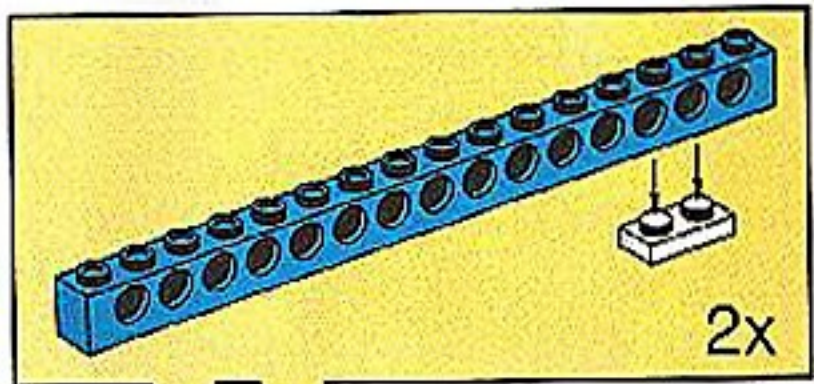
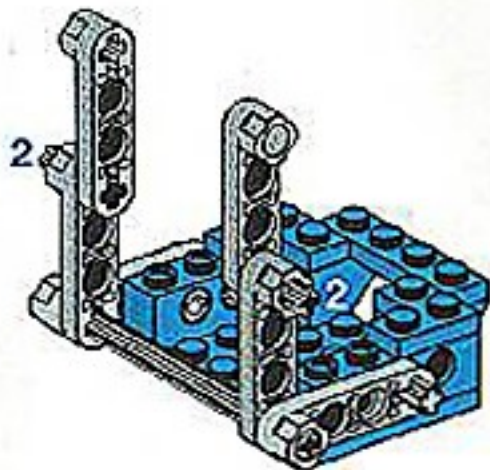




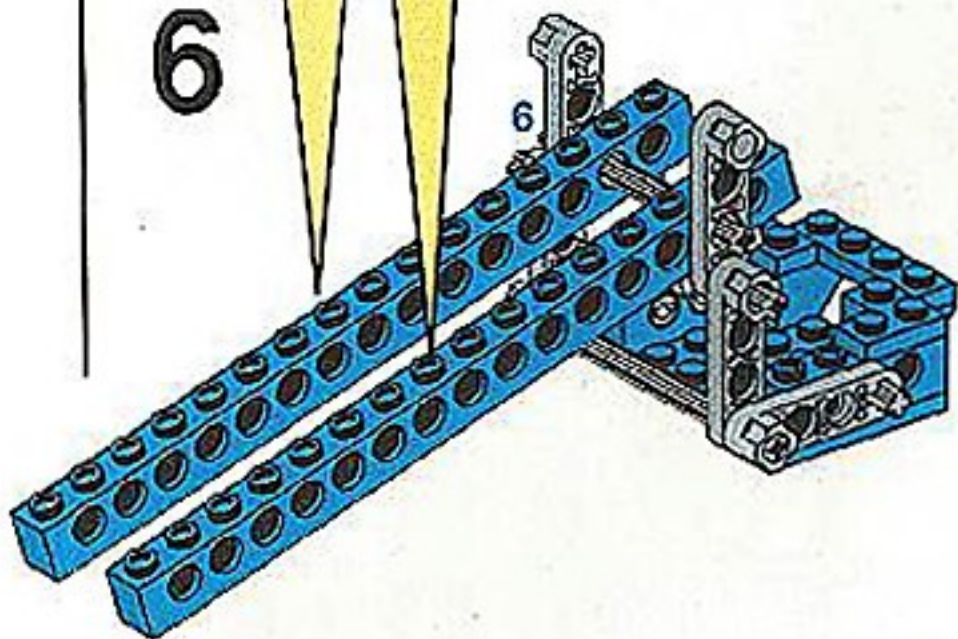
4



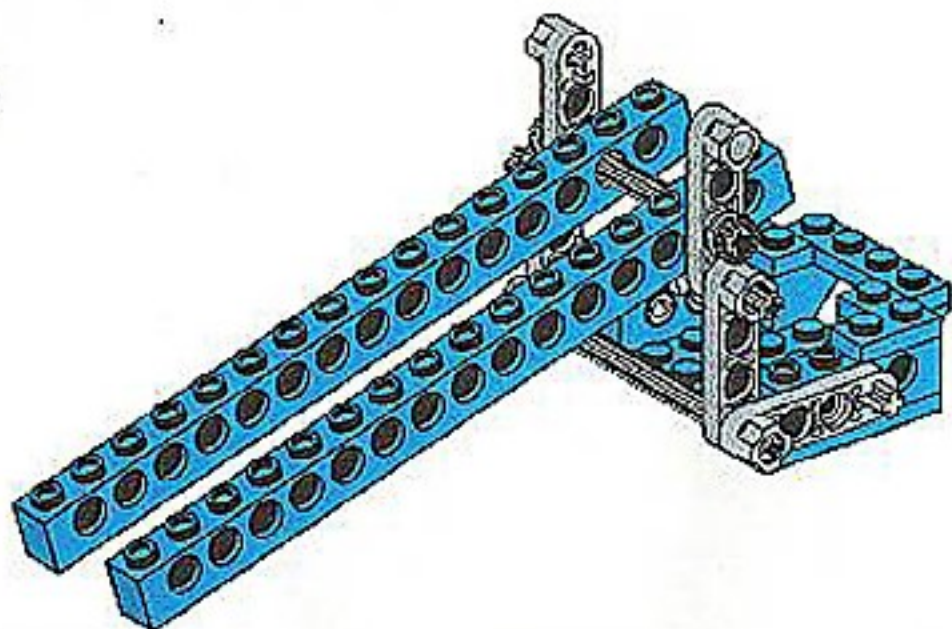
5



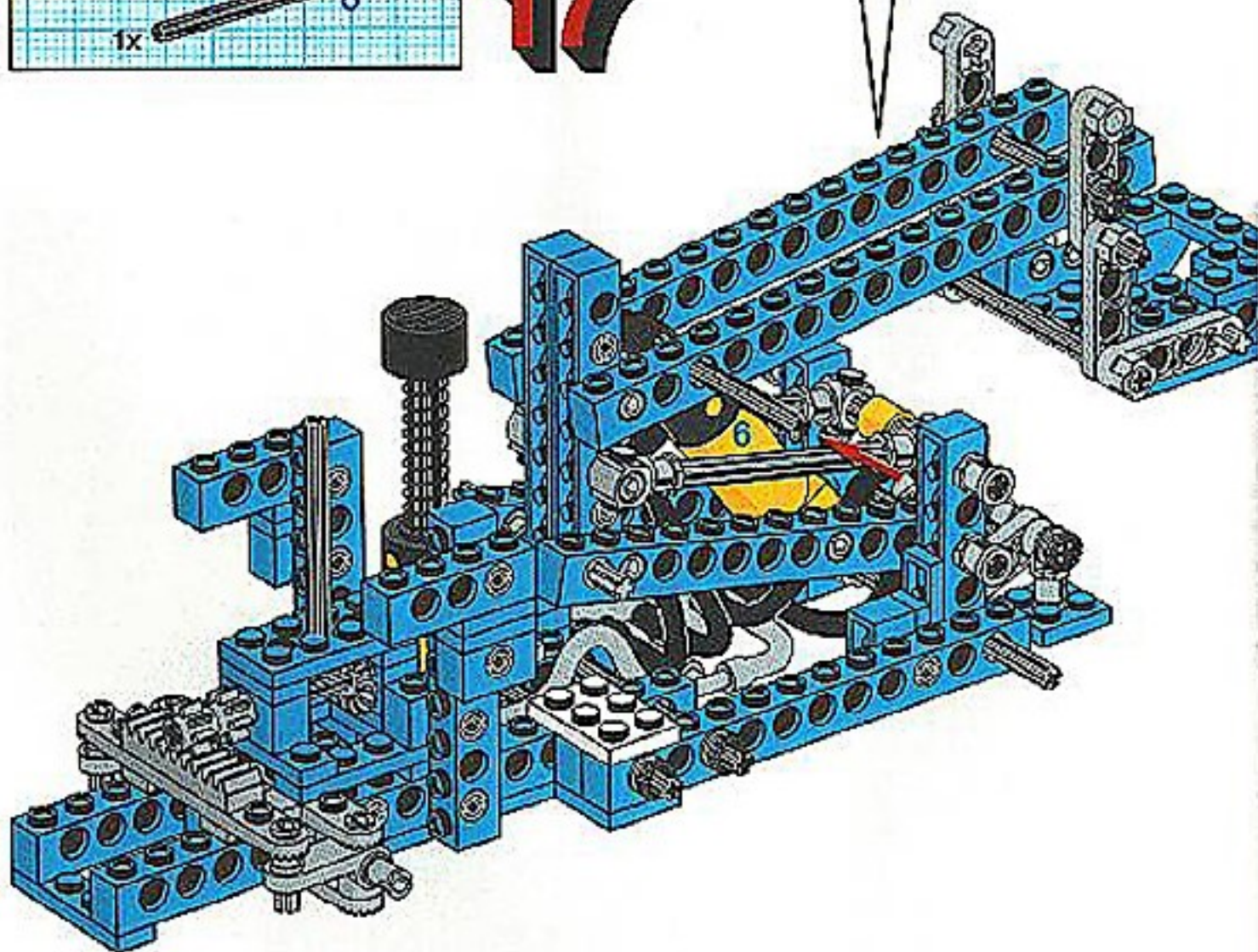
6



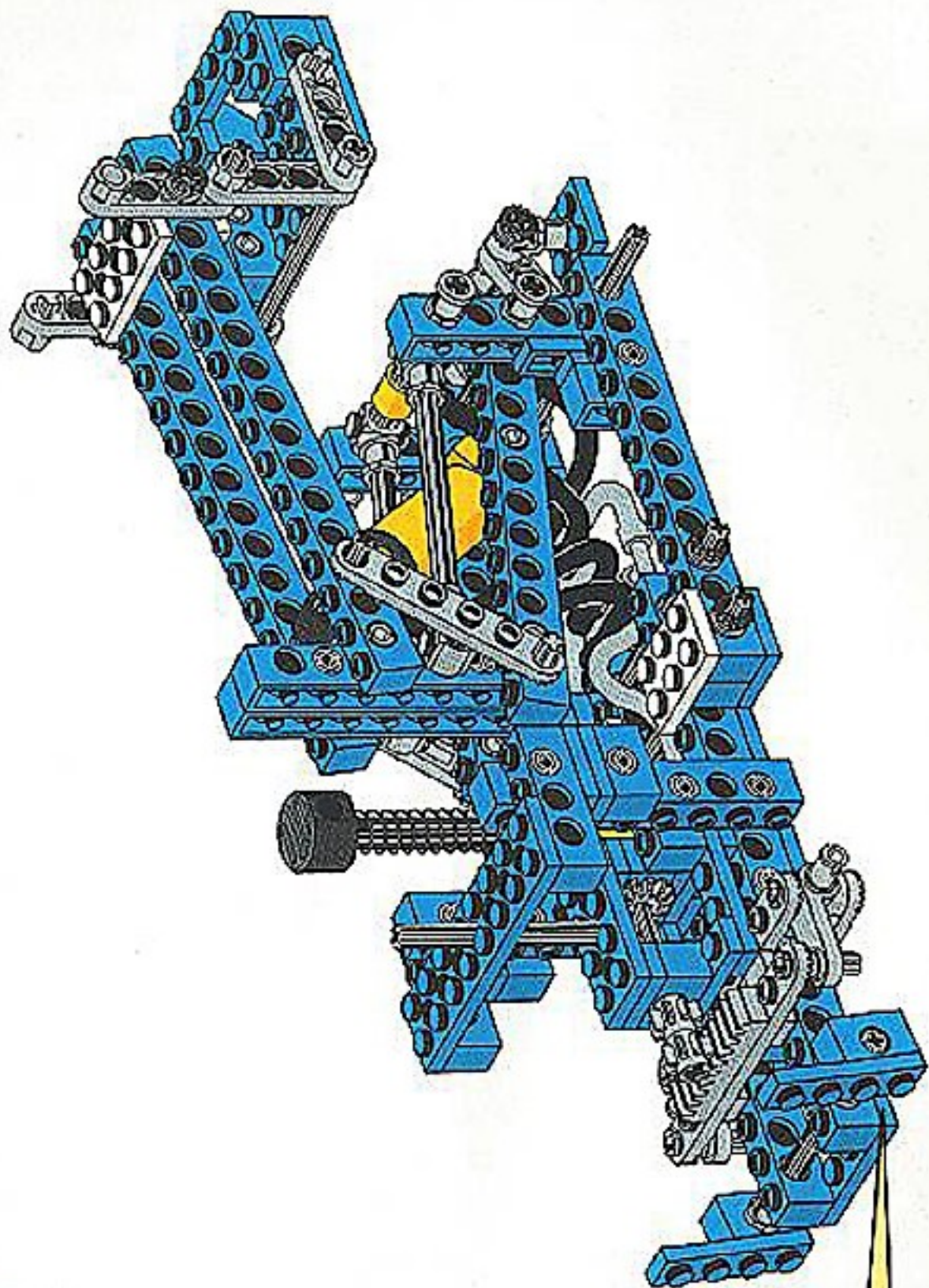
7



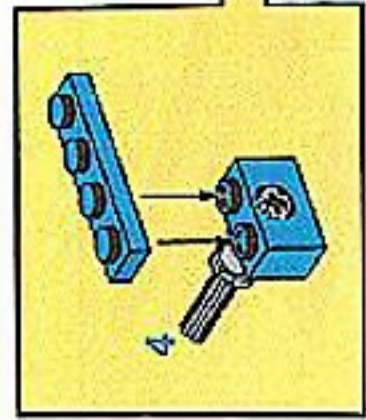
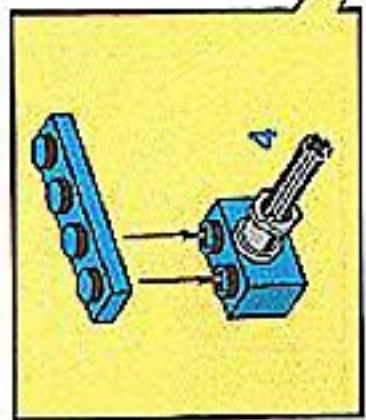
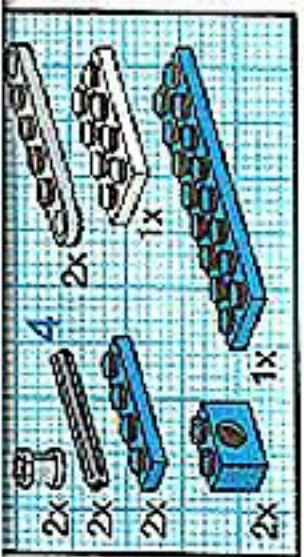
17



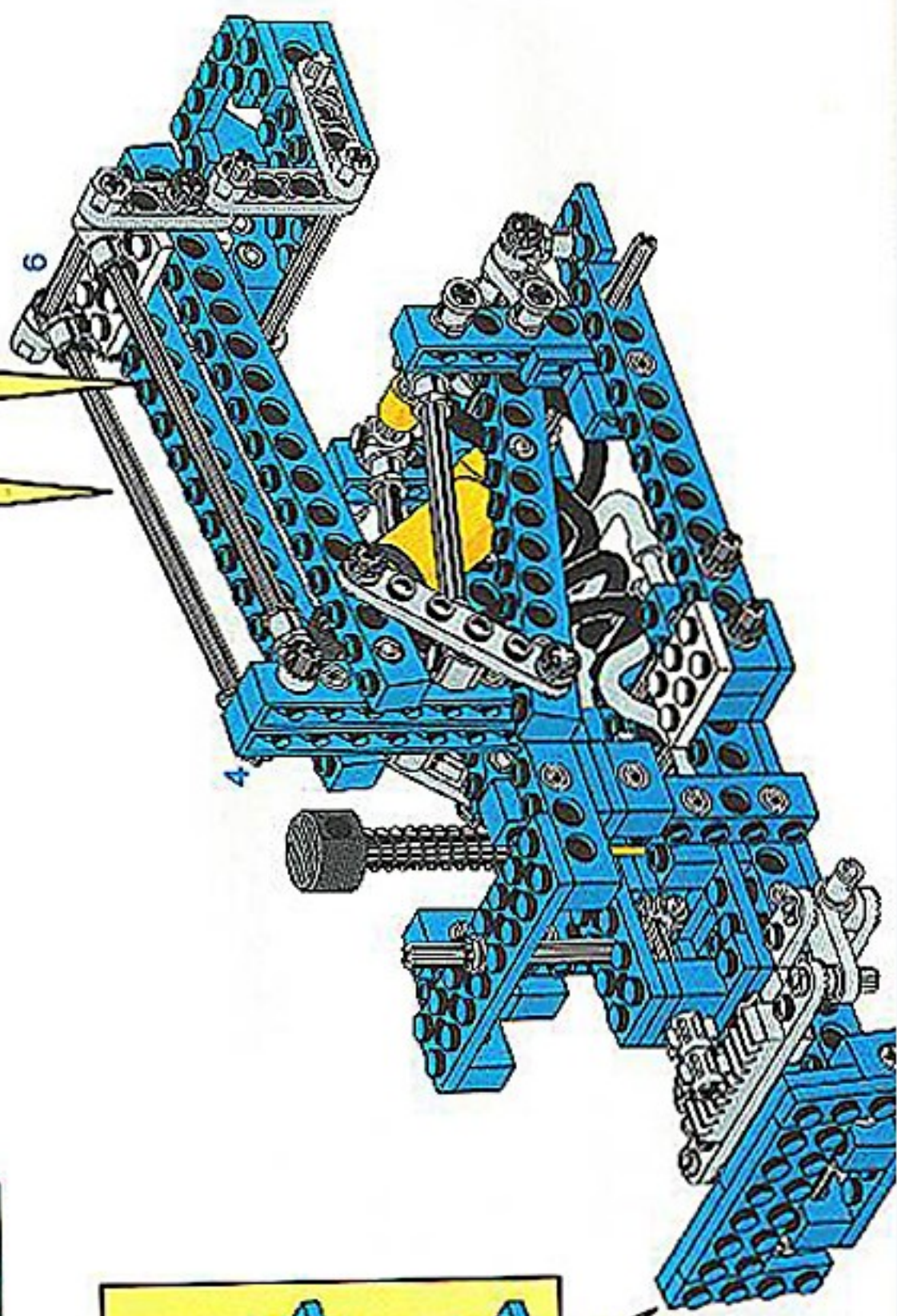
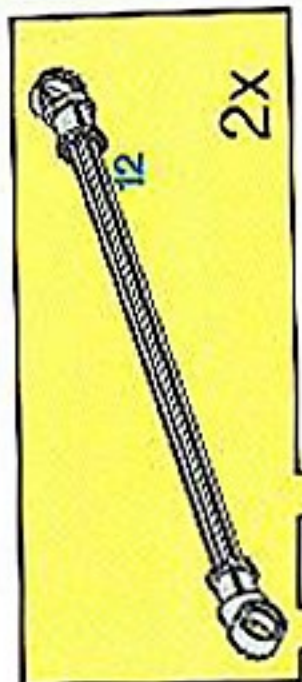
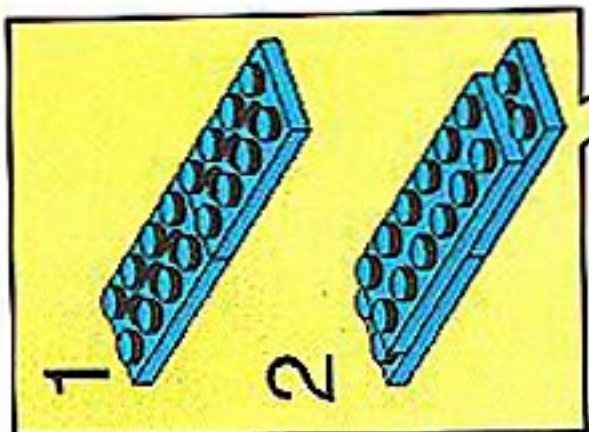
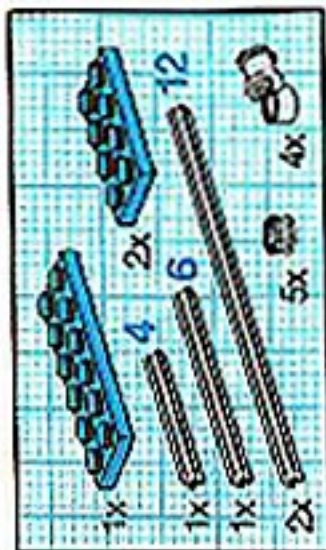




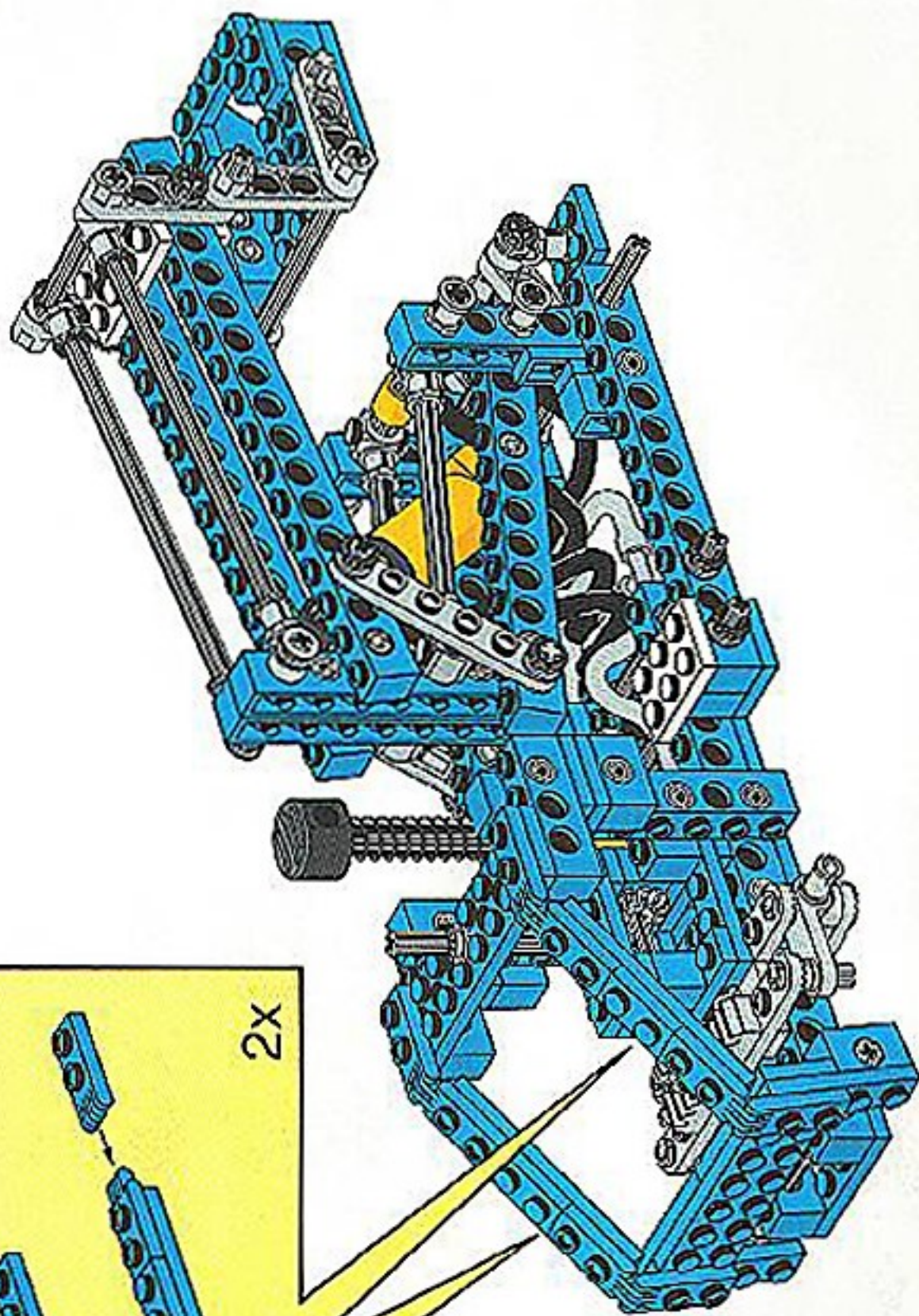
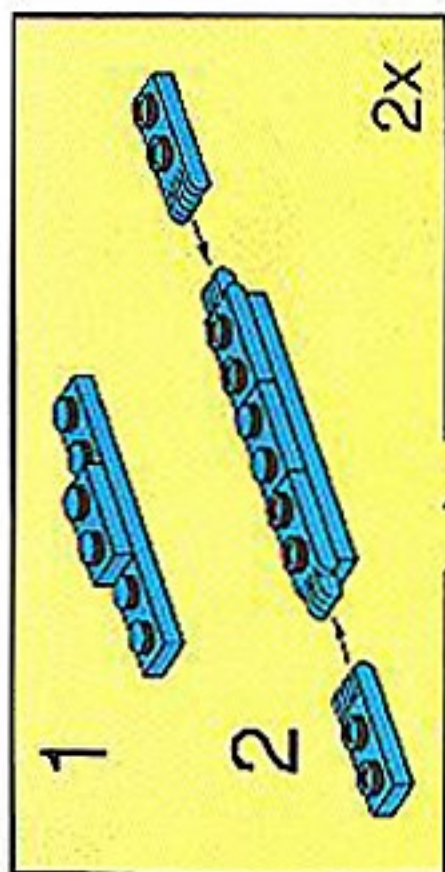
18

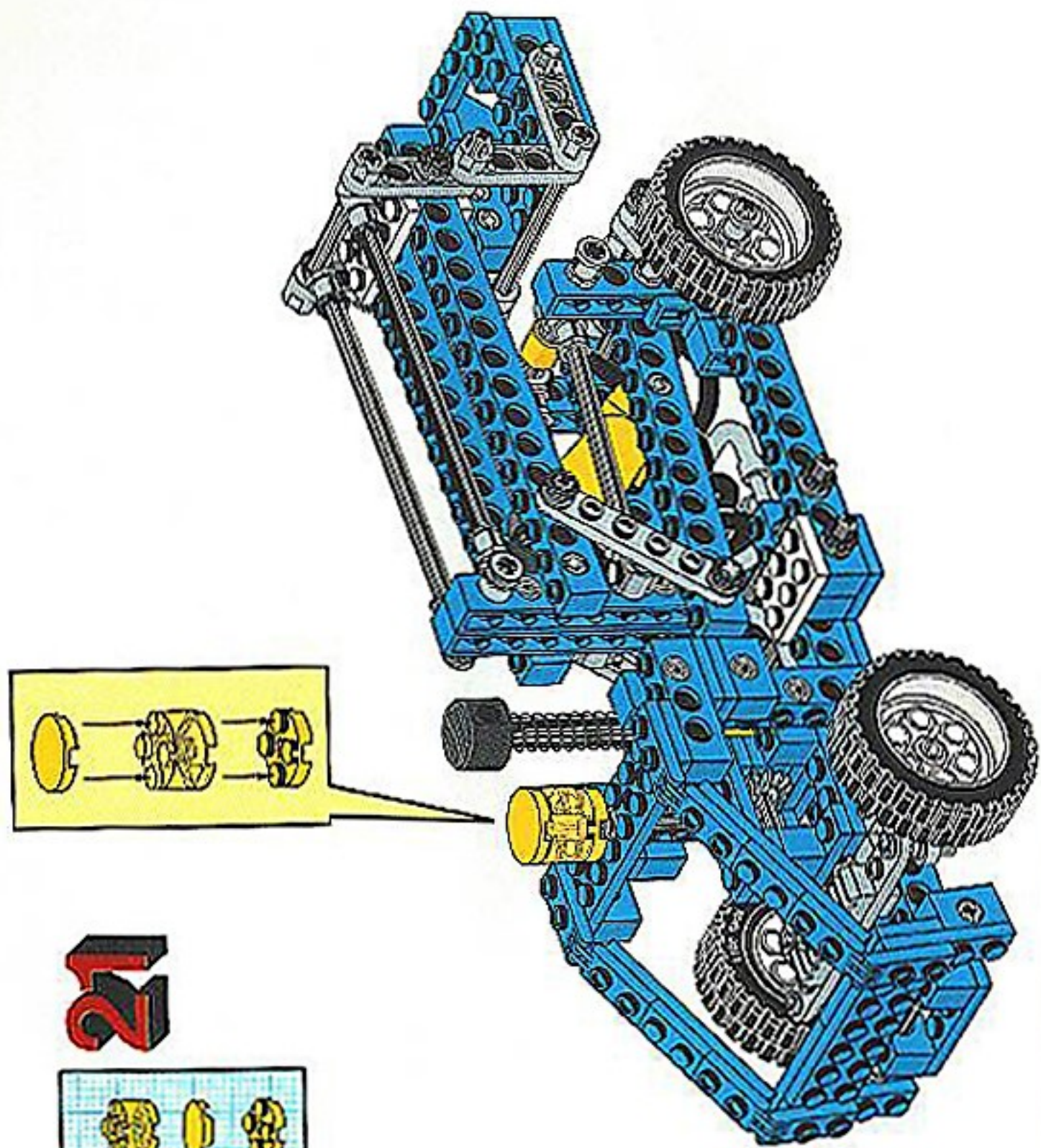


# 19



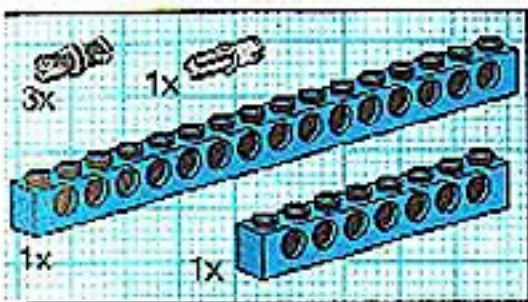
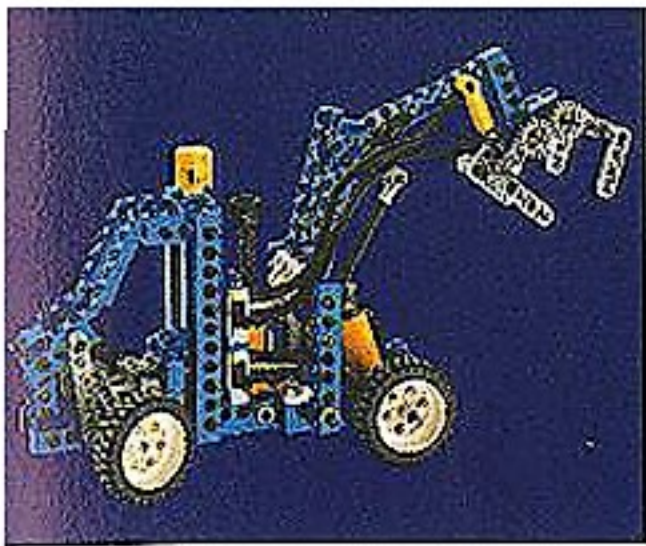
20



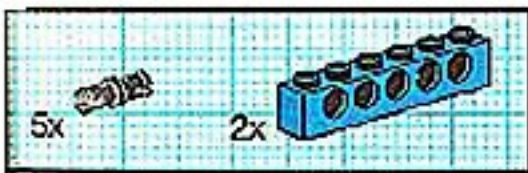
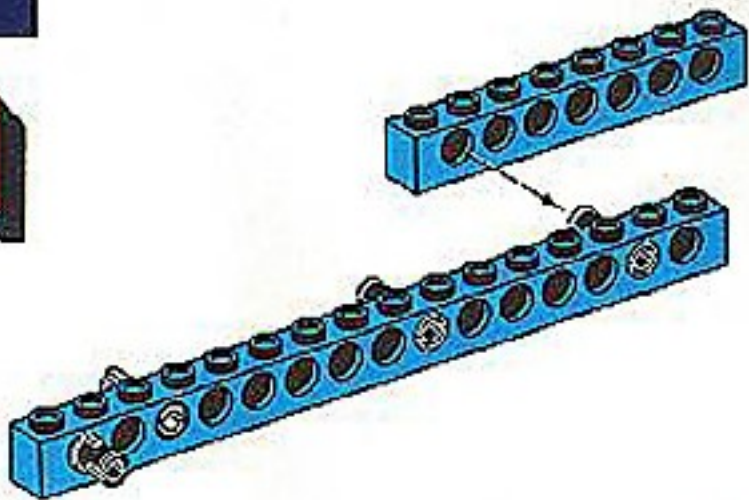


21

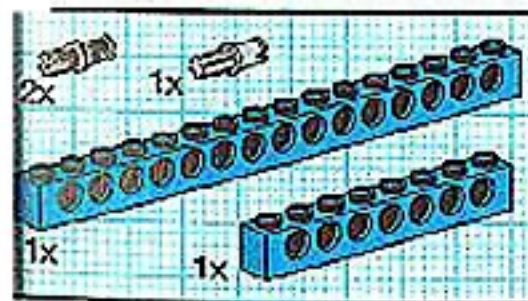
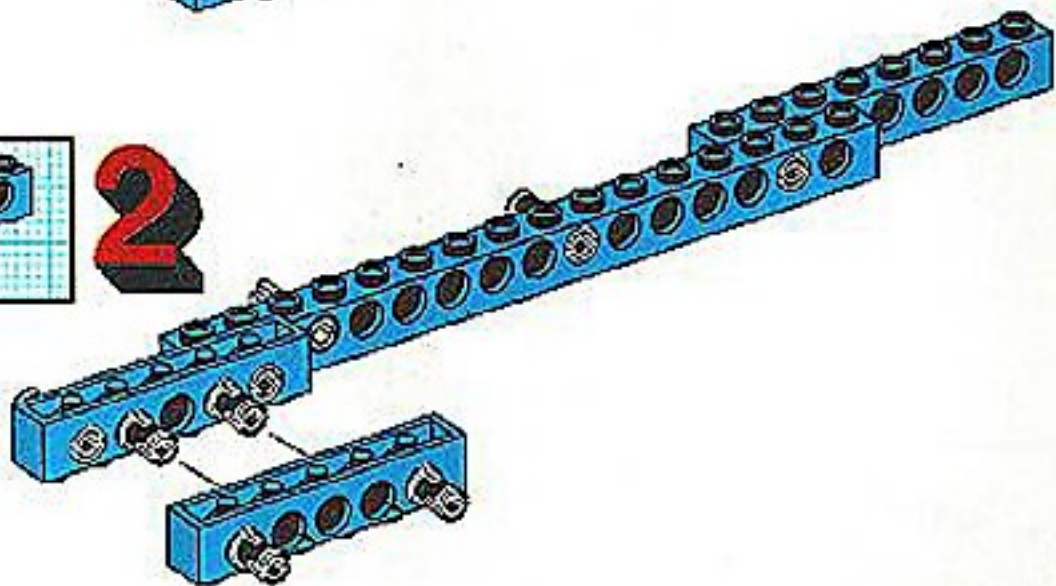




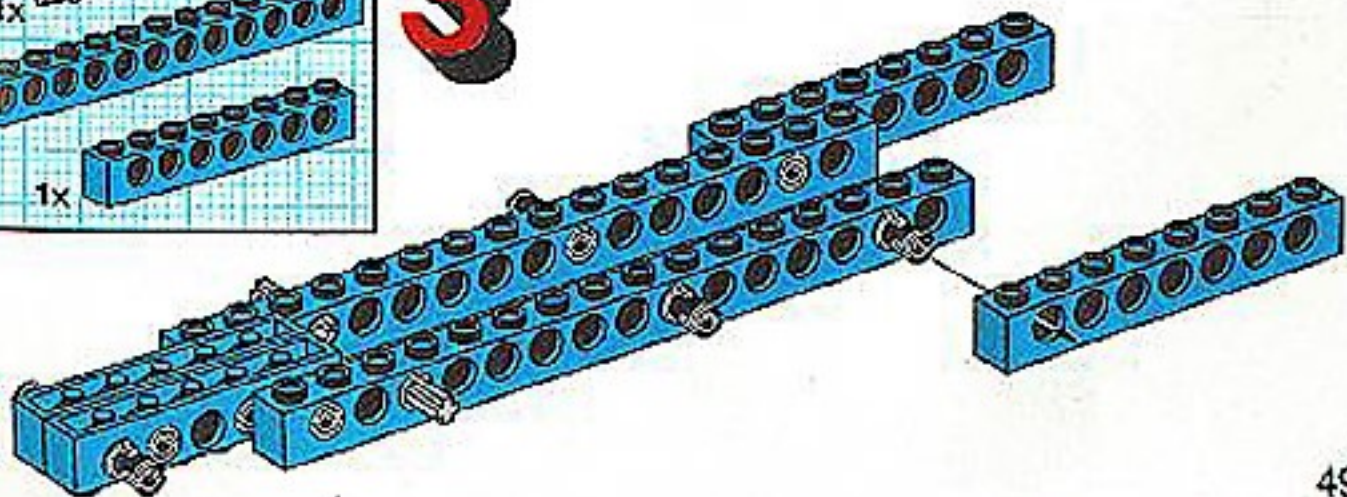
1

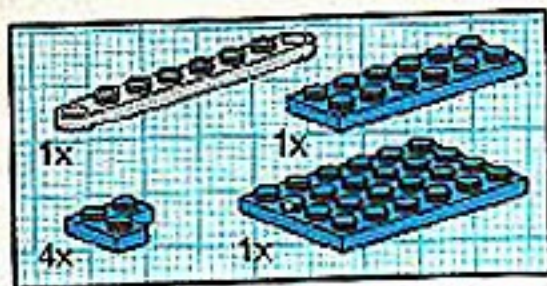


2

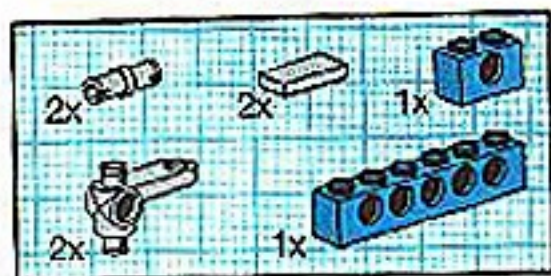
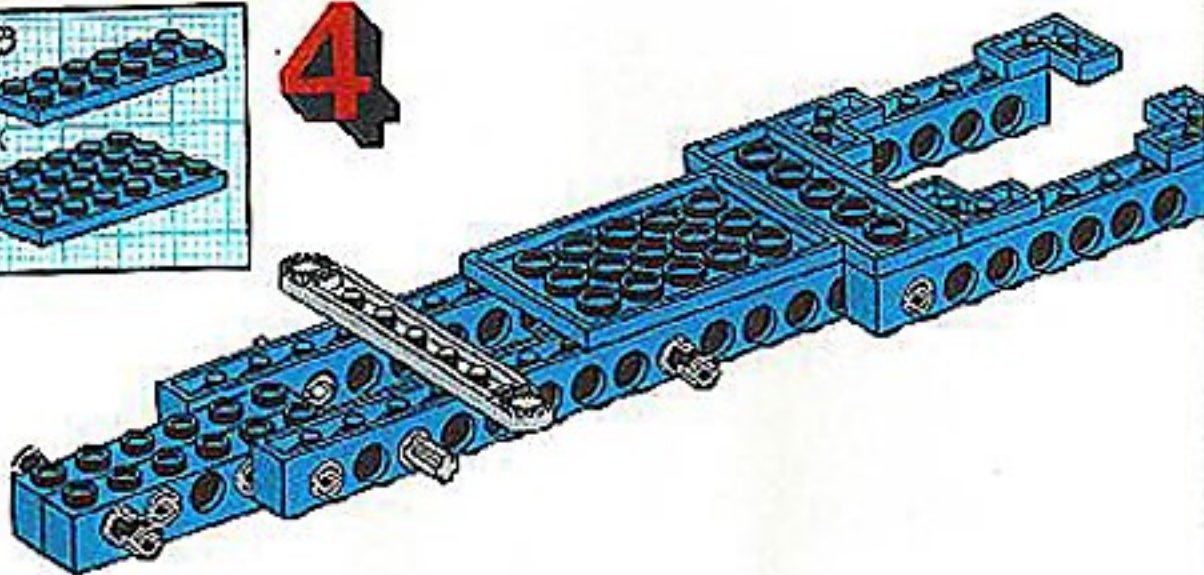


3

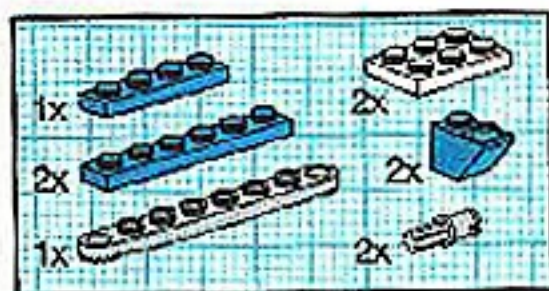
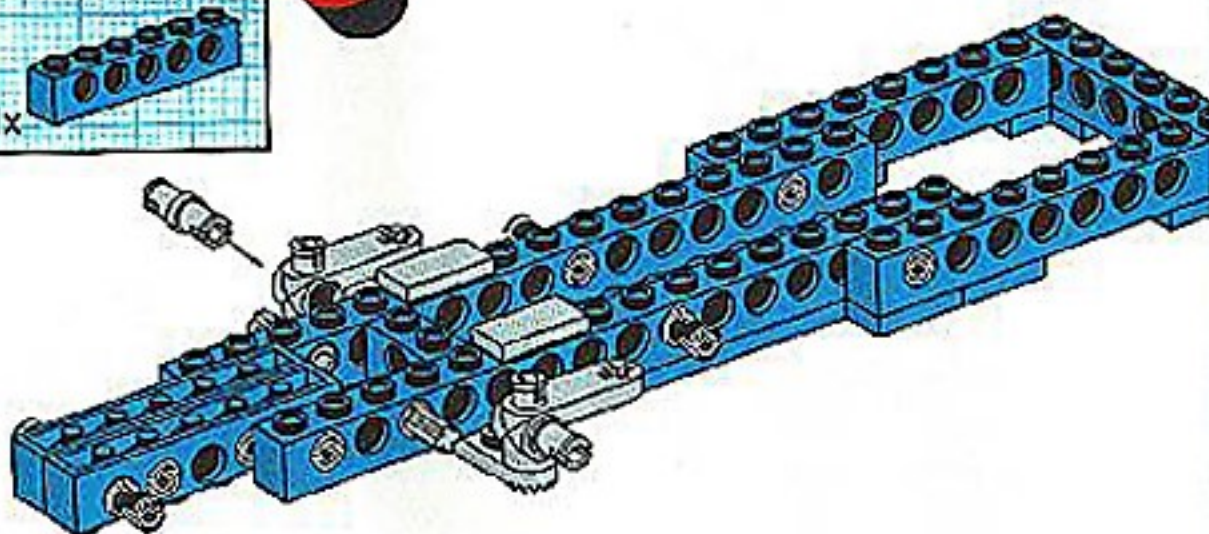




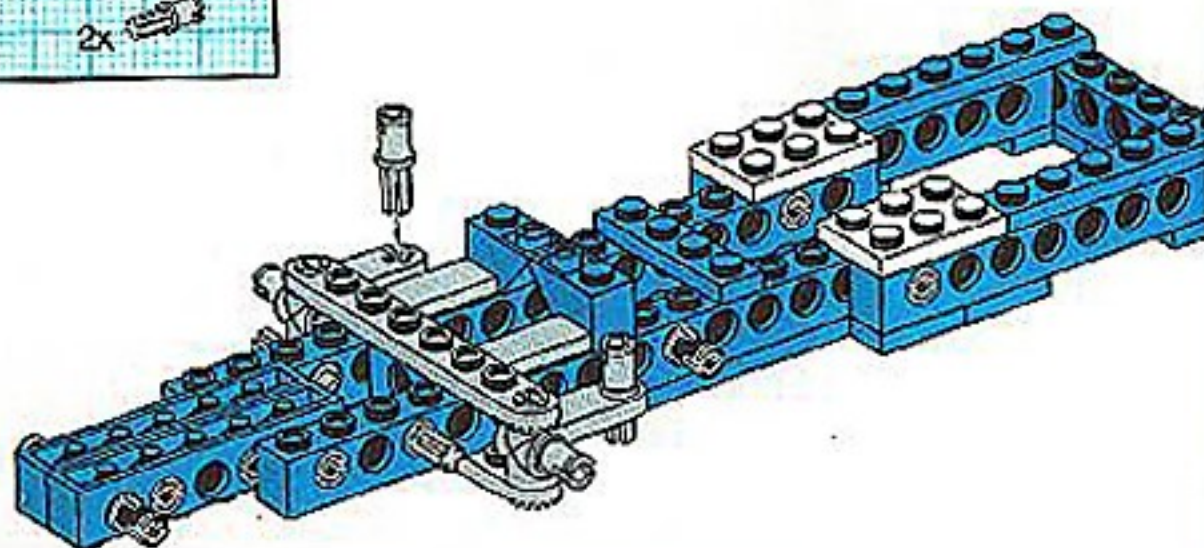
4

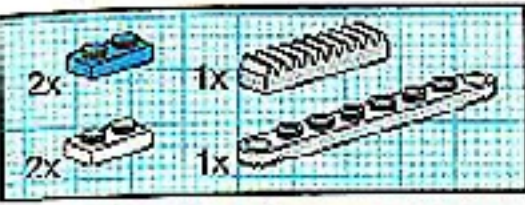


5

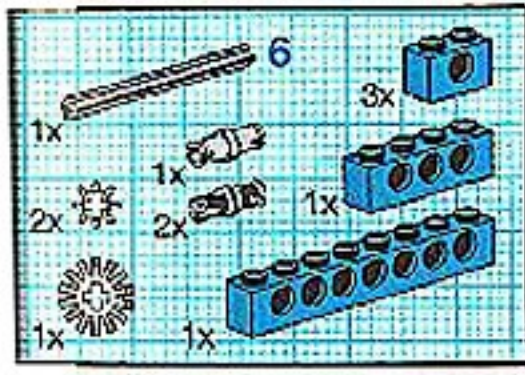
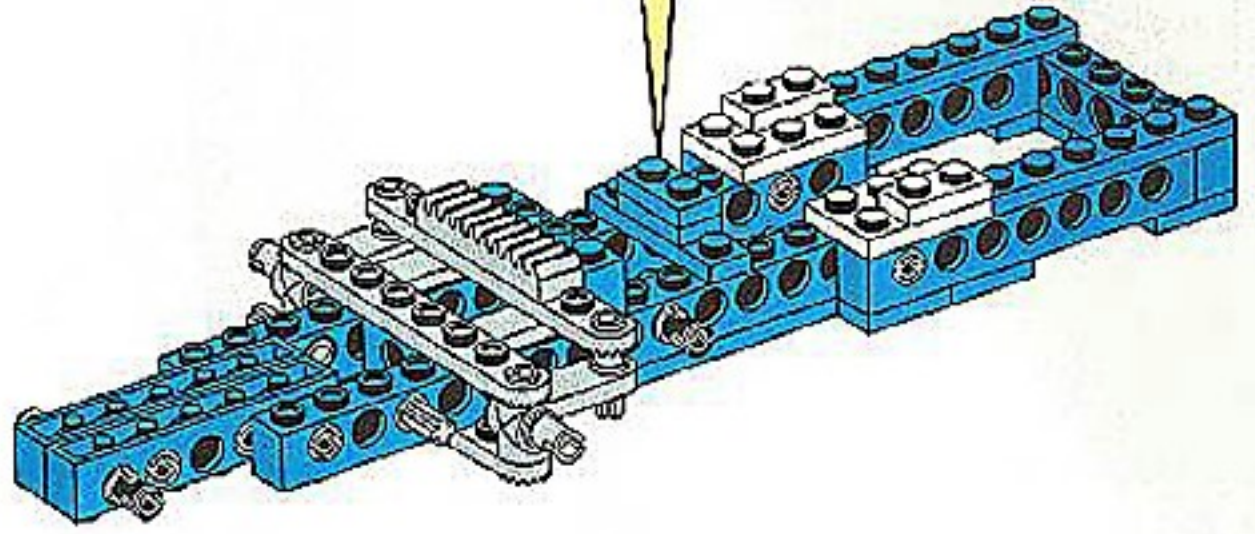


6

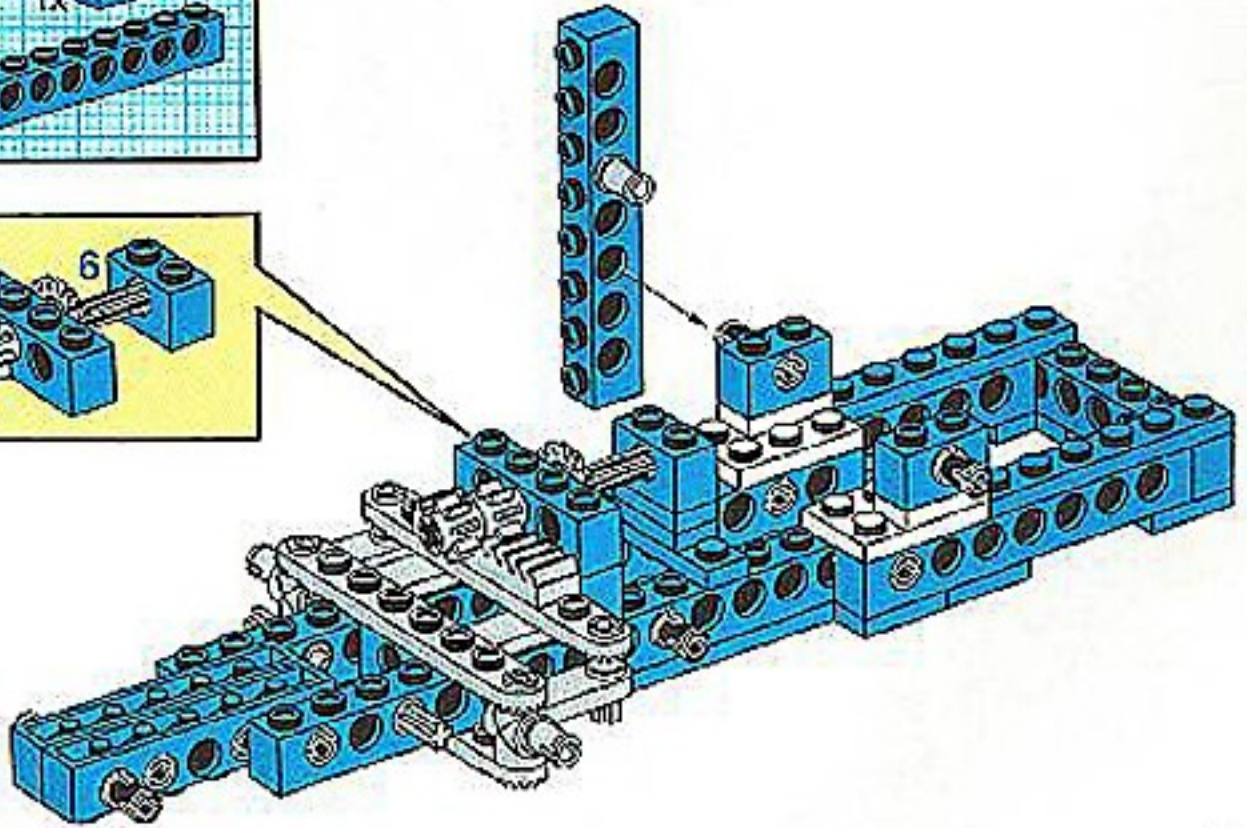
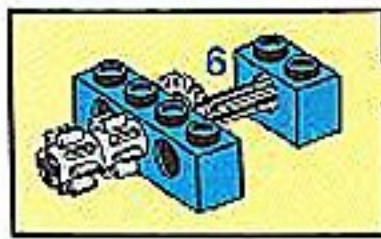


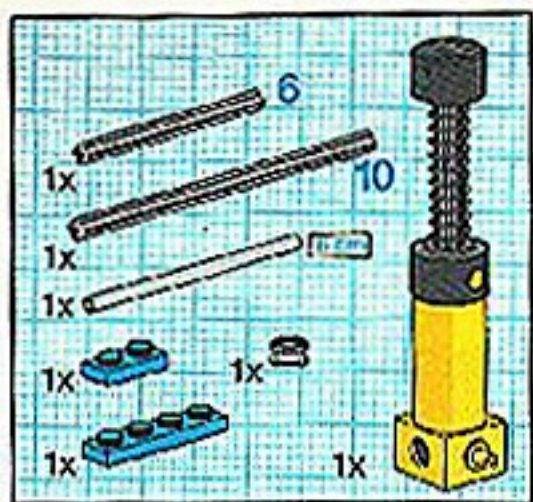


7

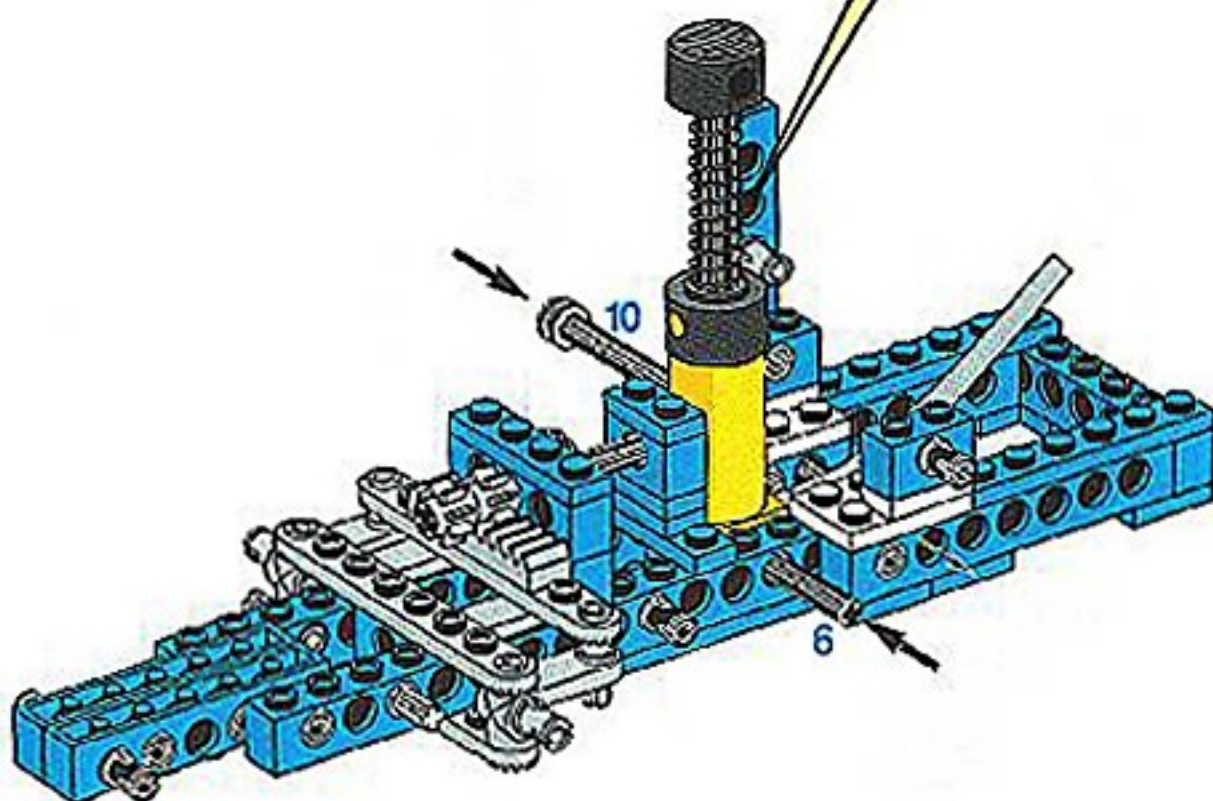
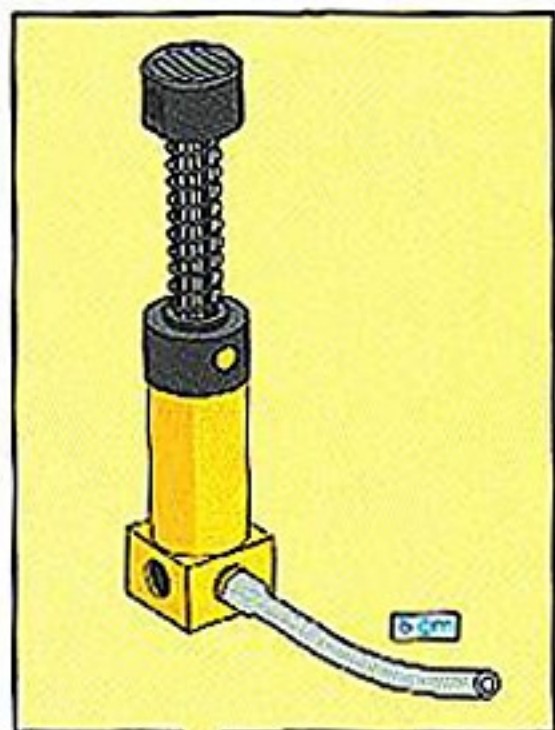


8



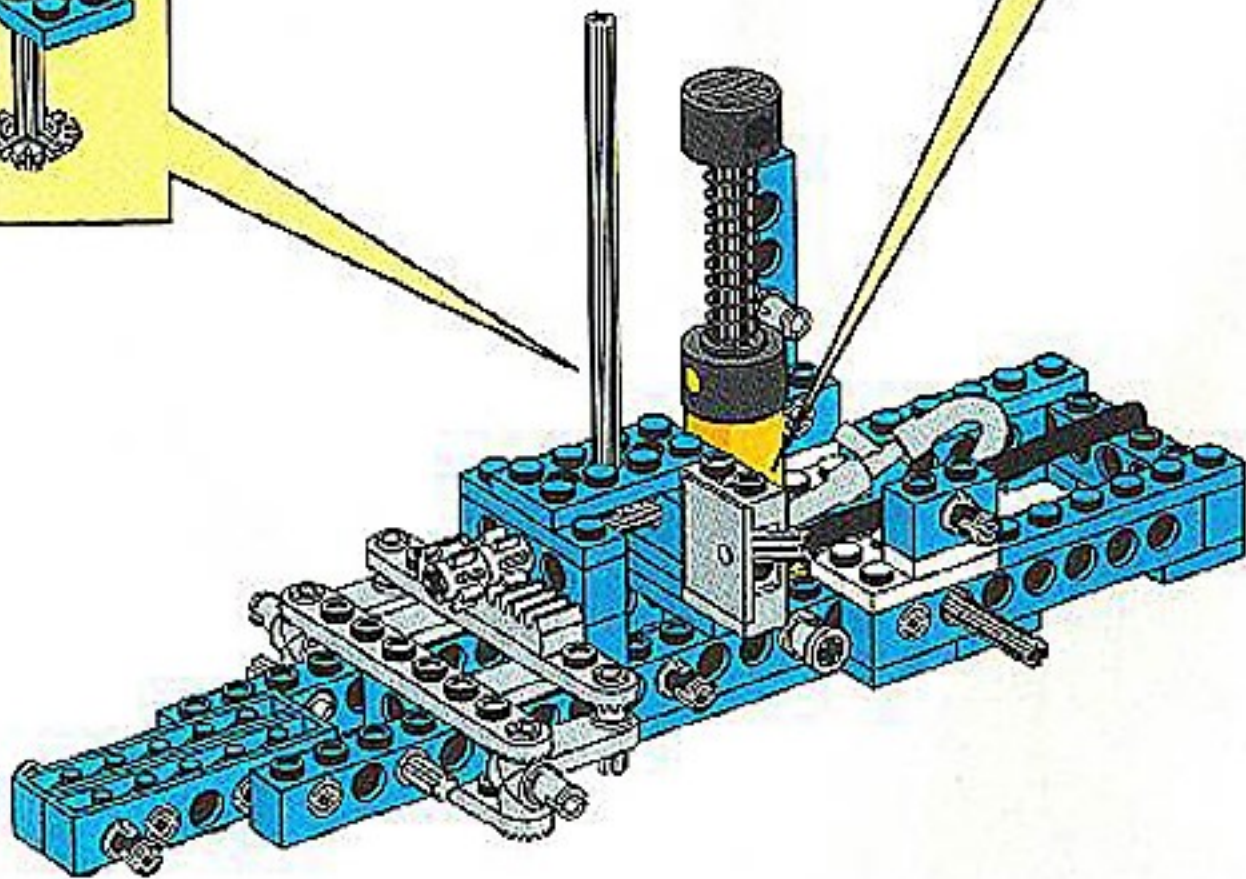
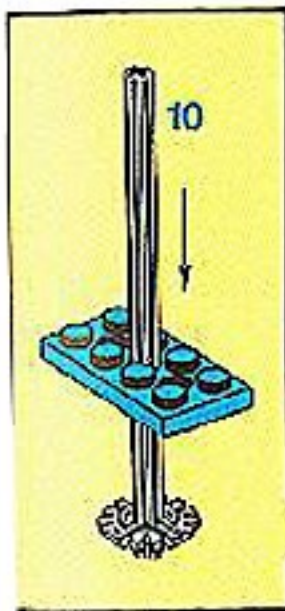
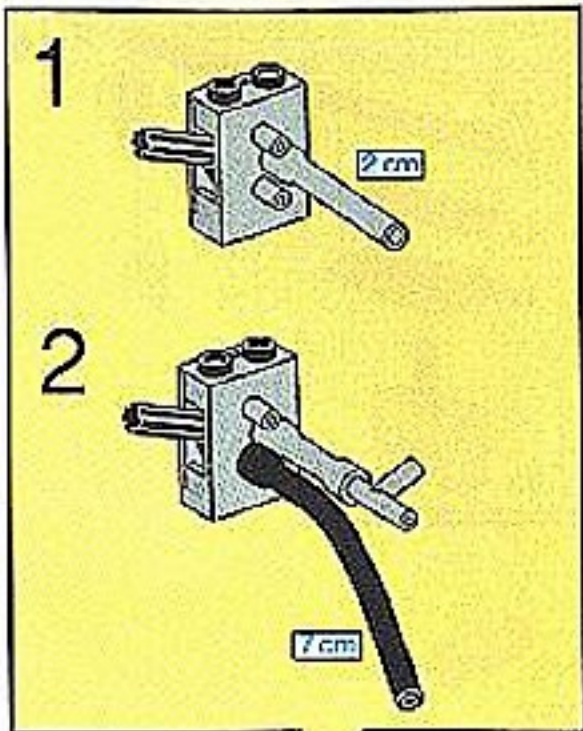
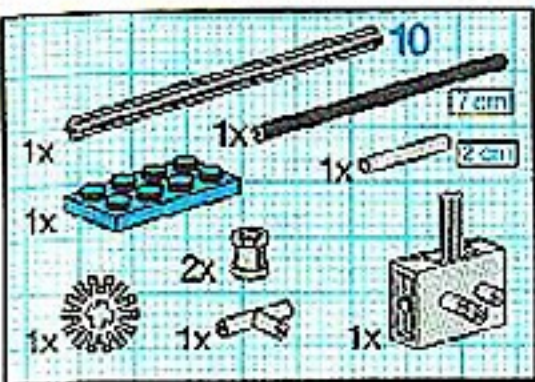


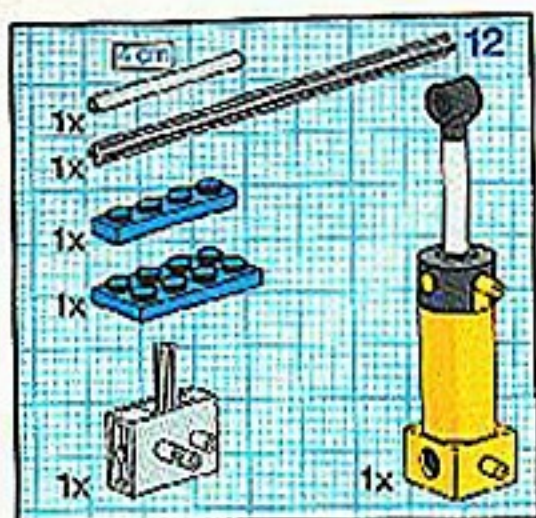
9



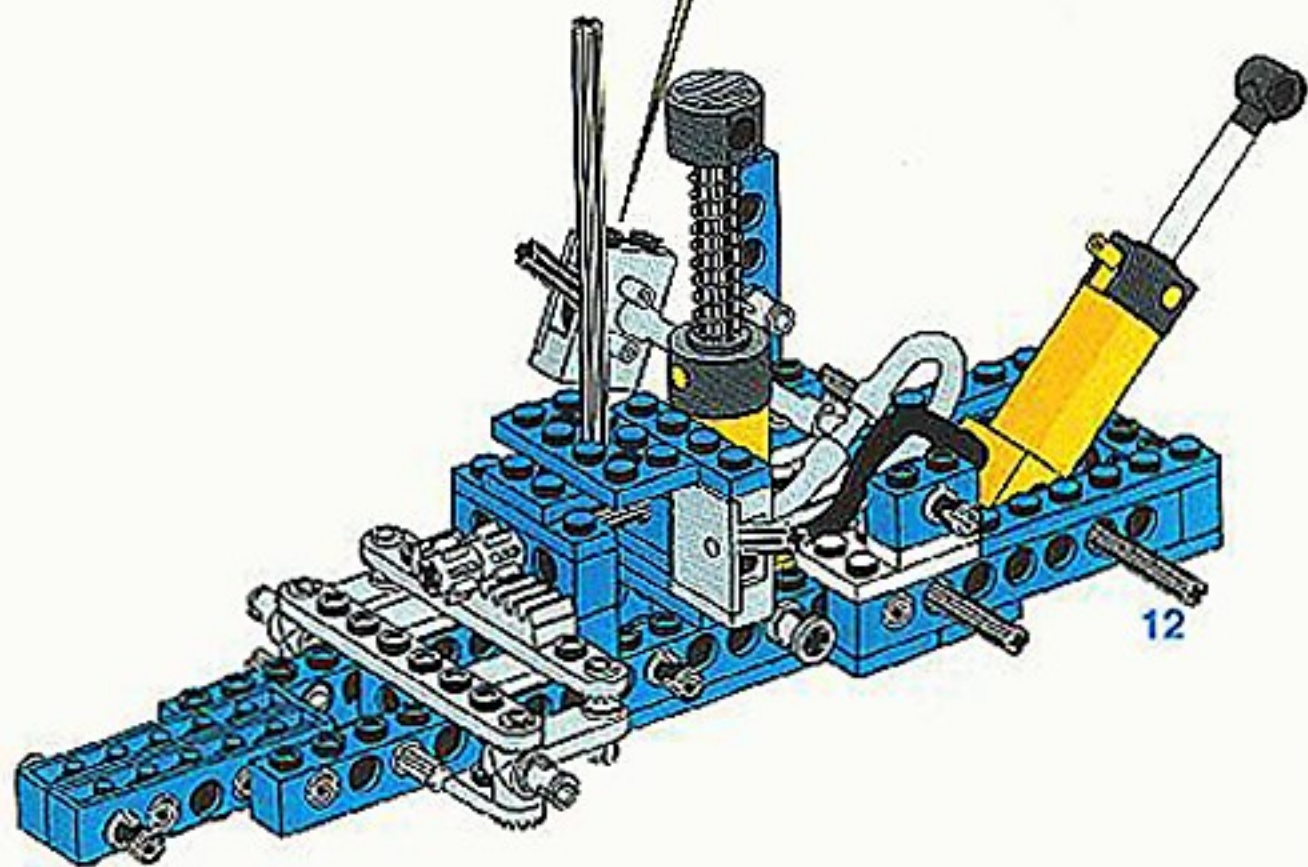
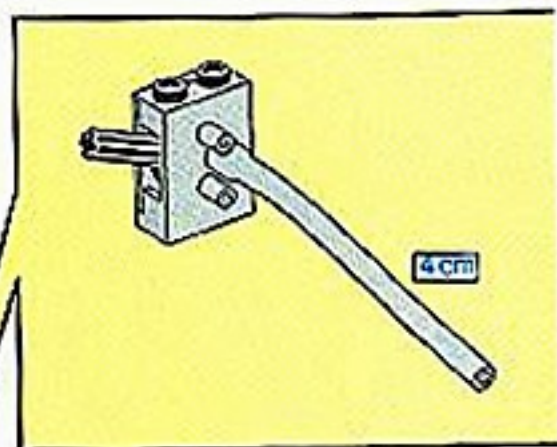


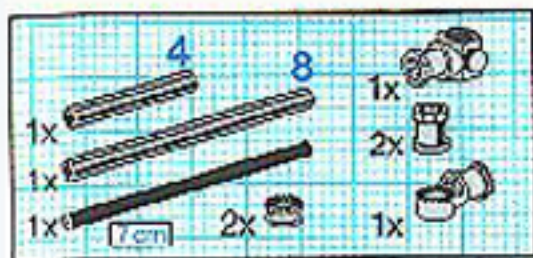
# 10



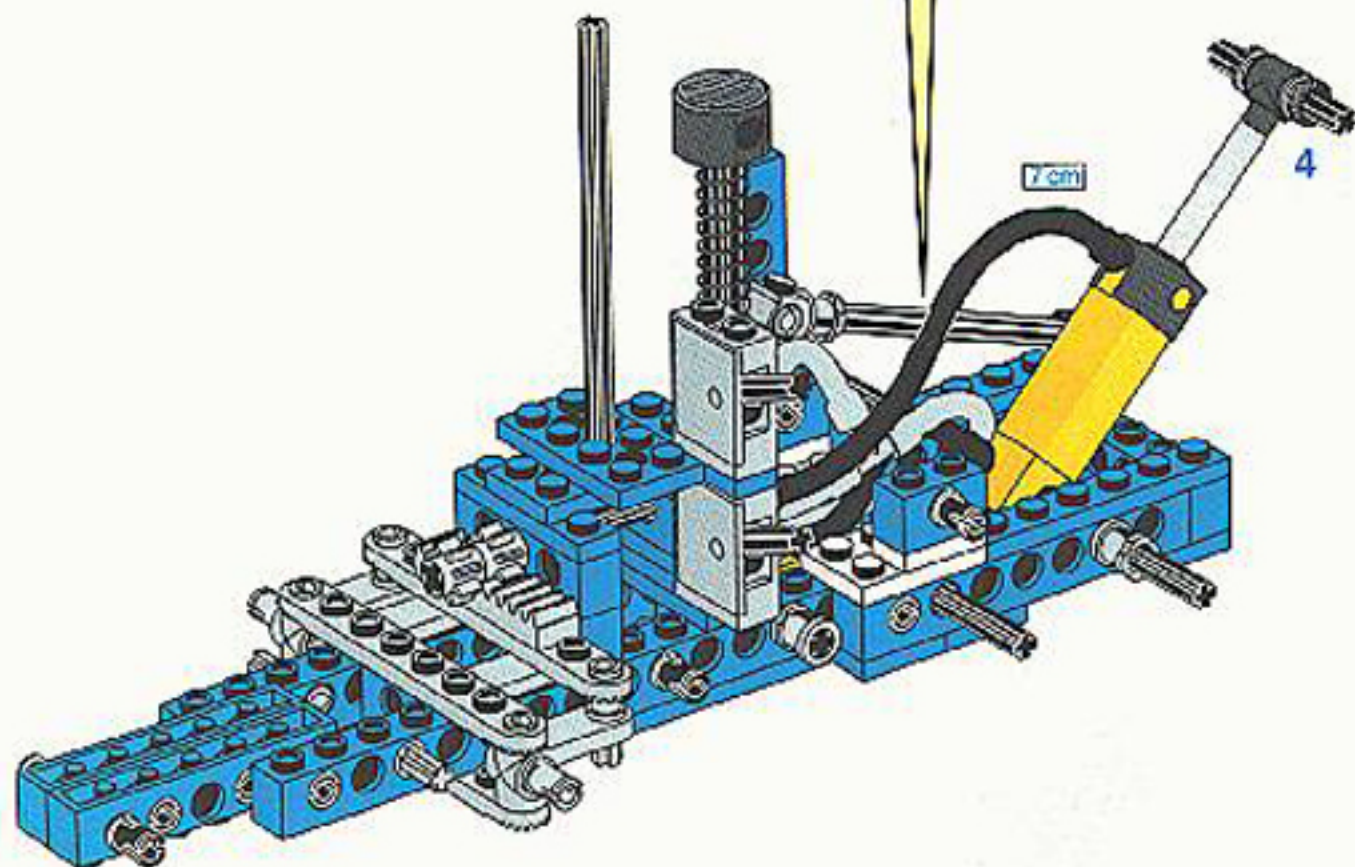
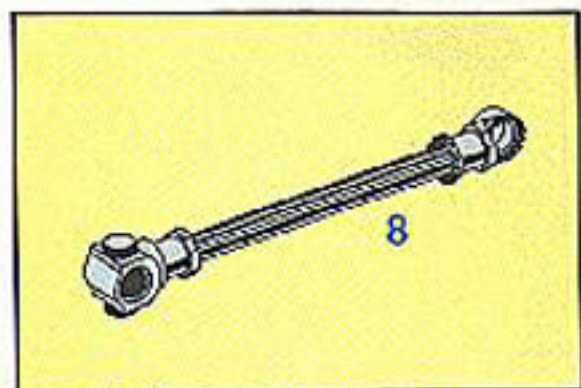


11

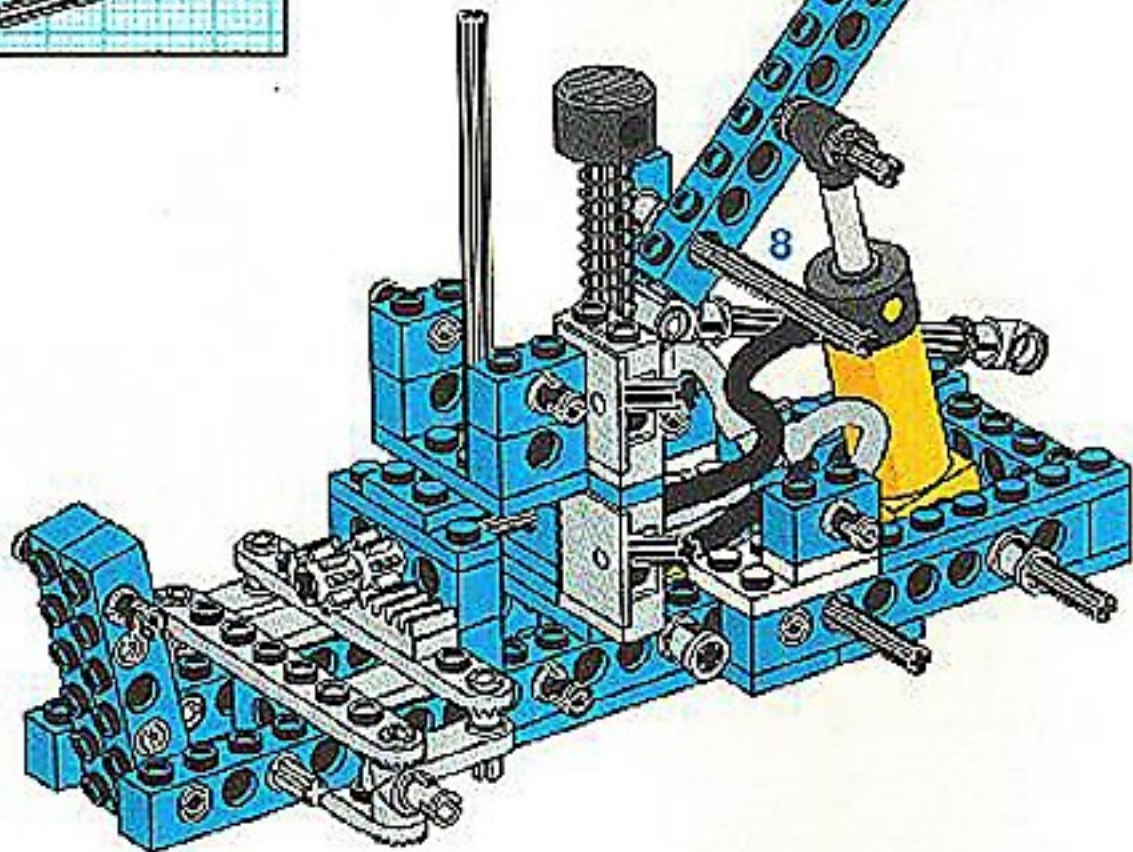
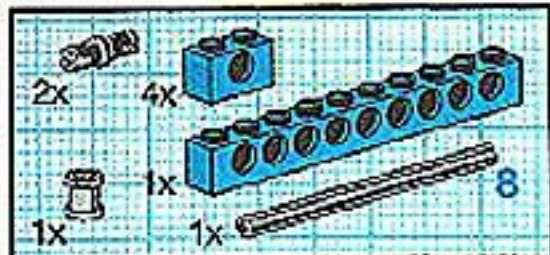




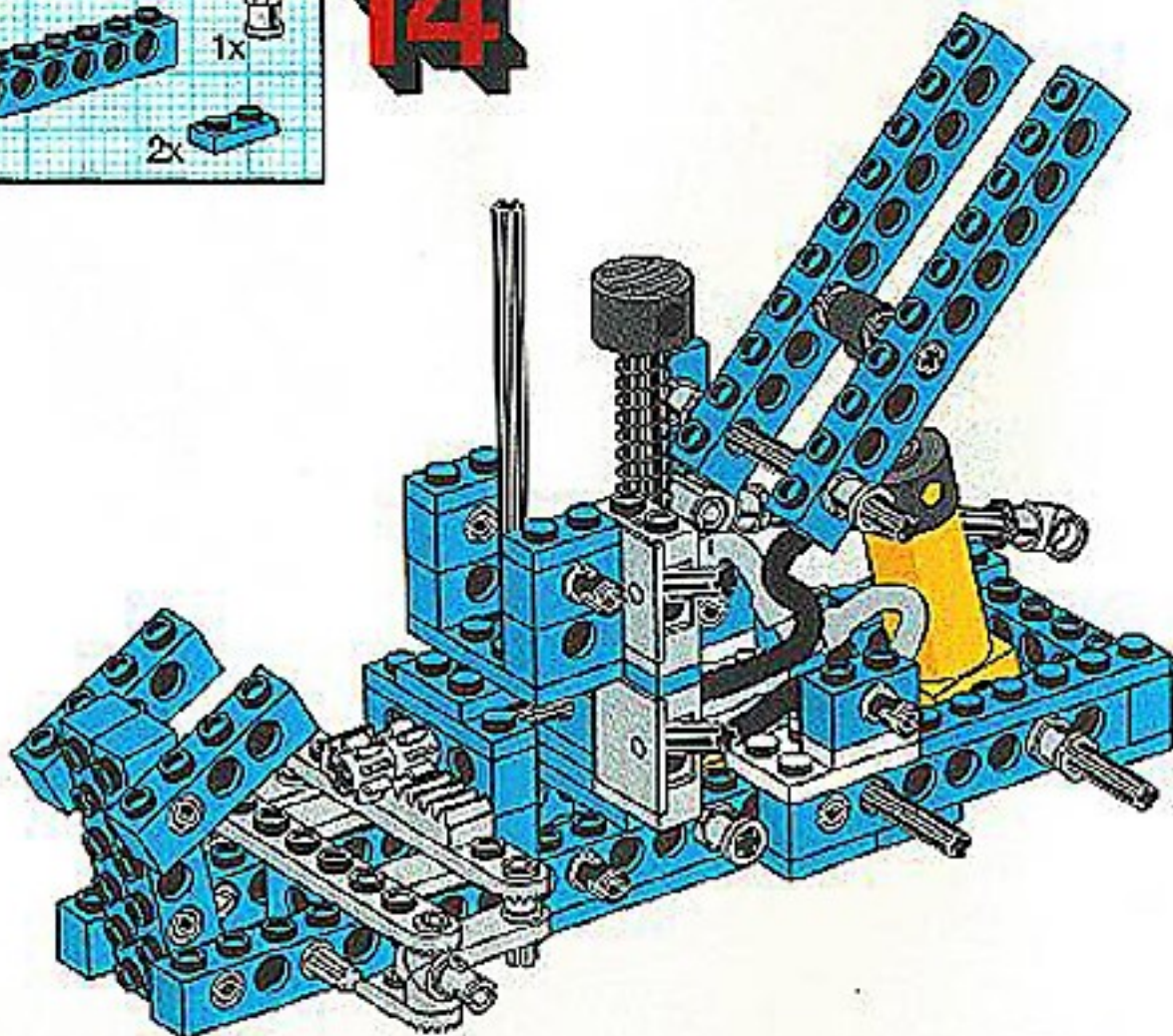
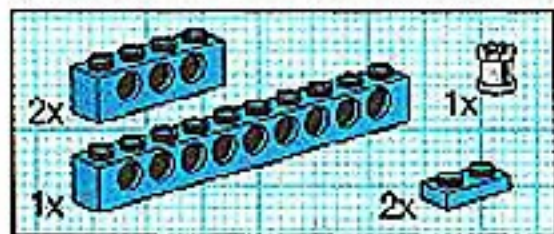
# 12

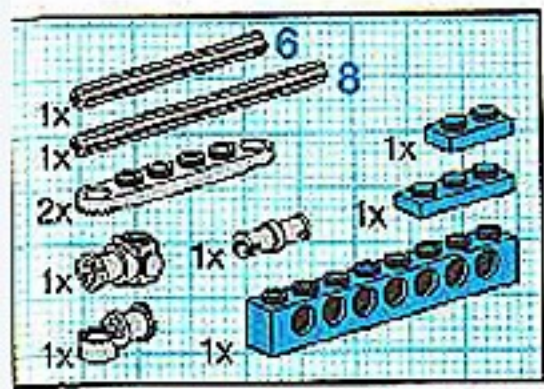


# 13

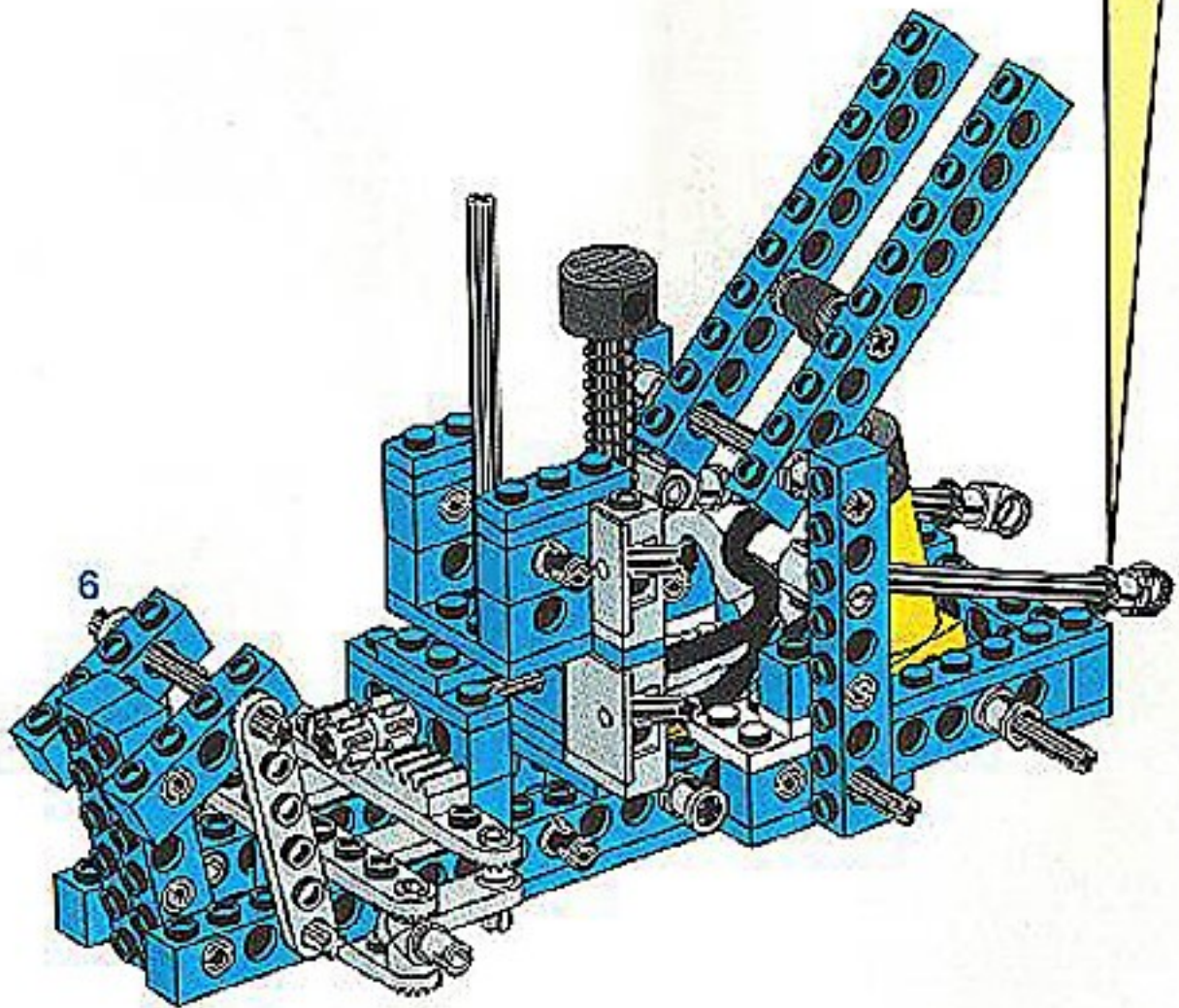
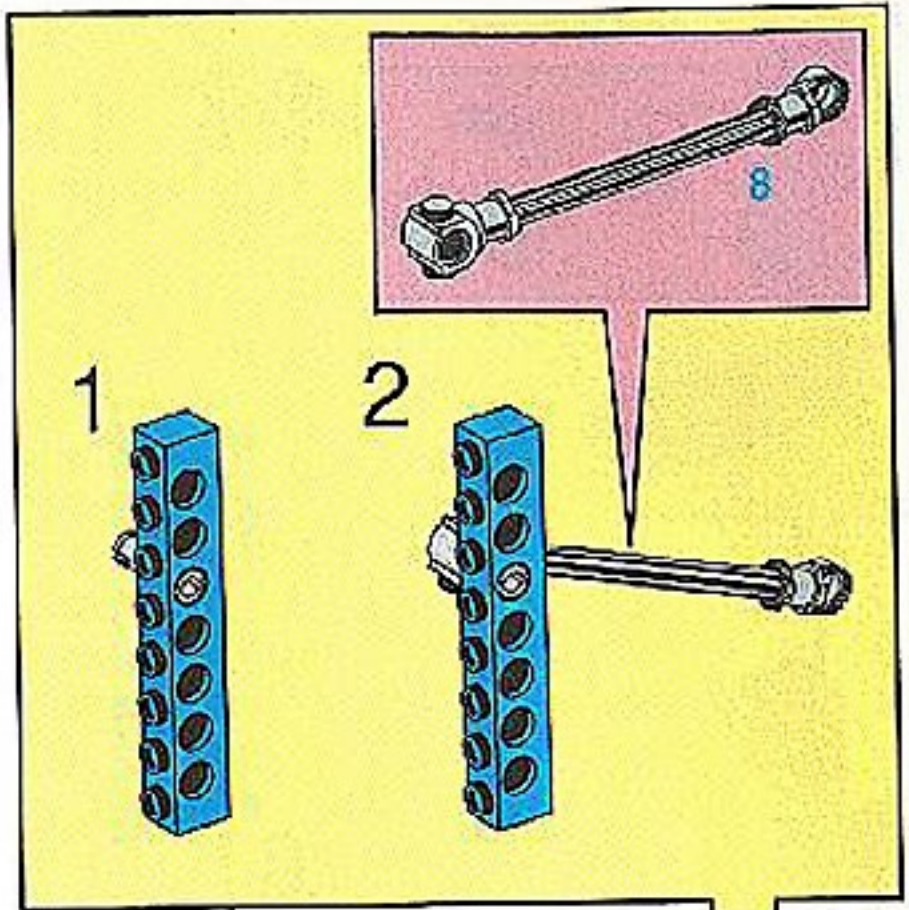


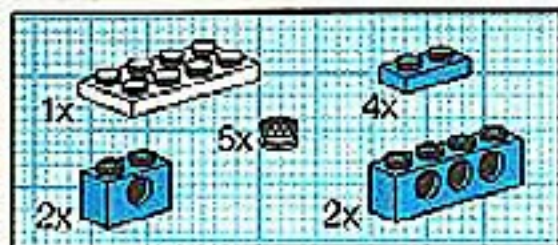
# 14



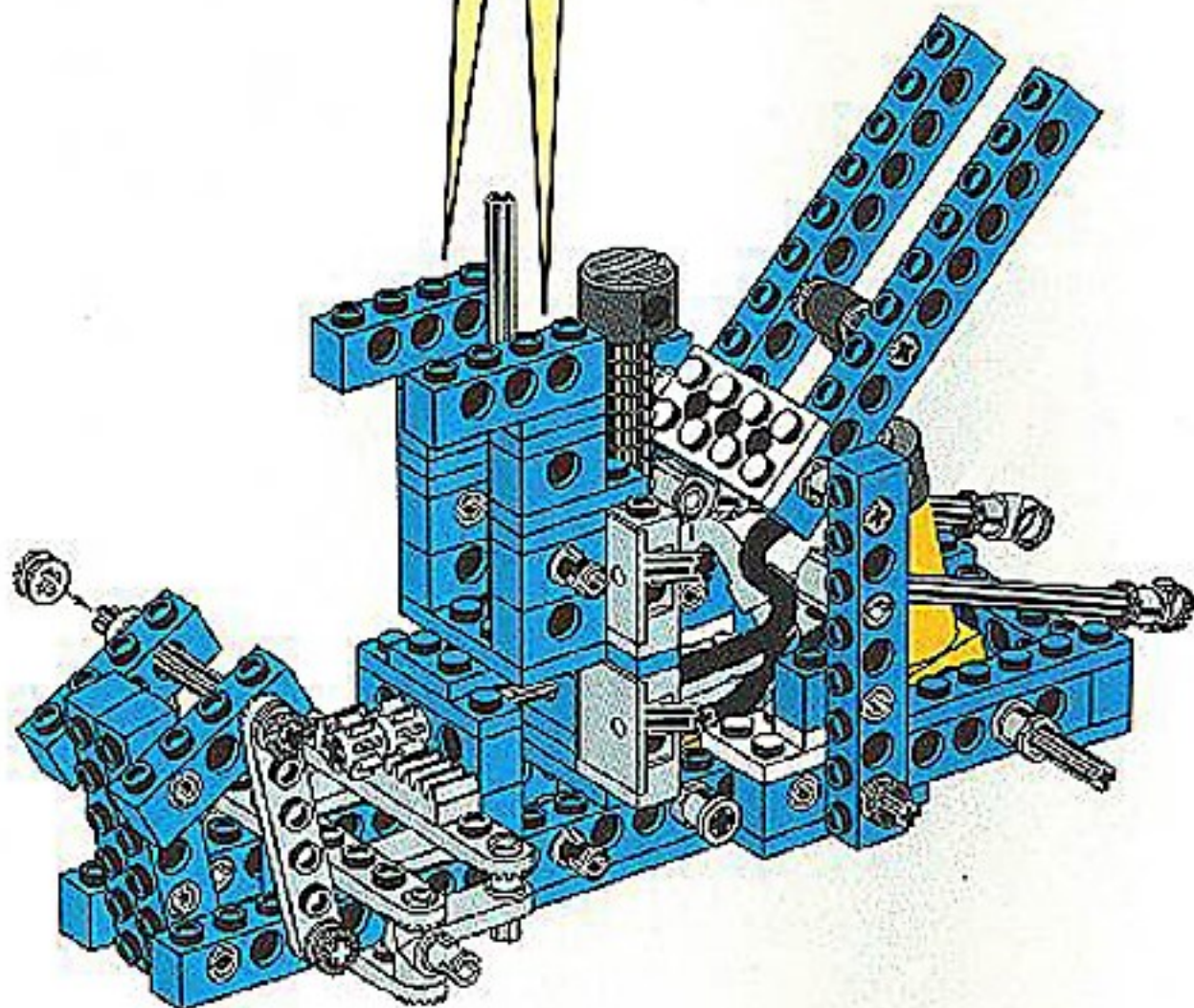
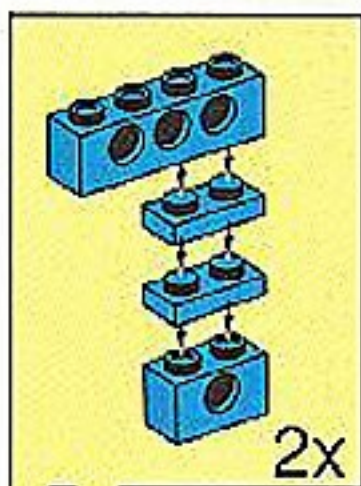


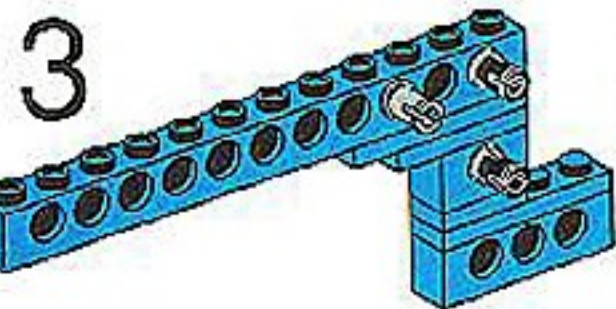
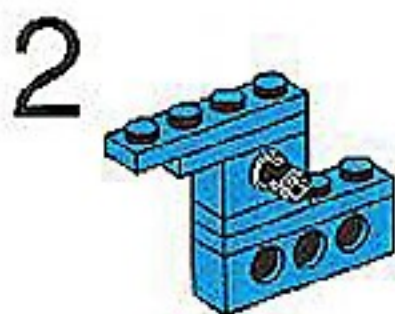
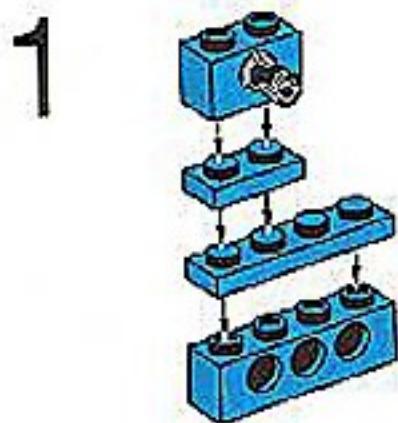
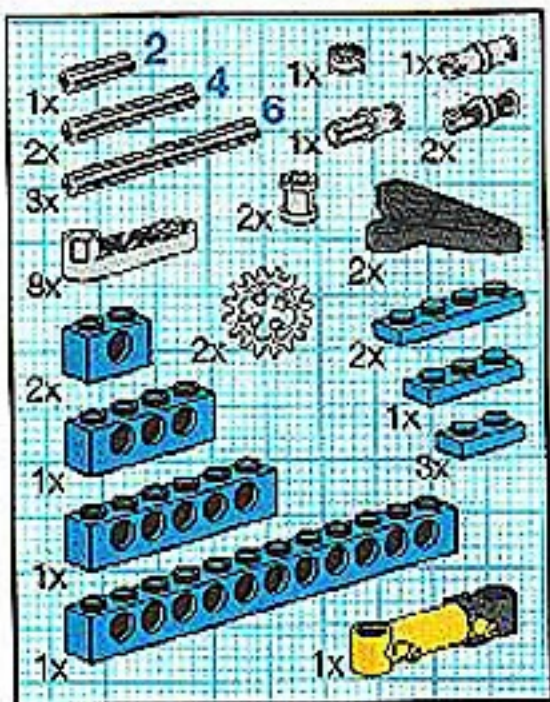
15



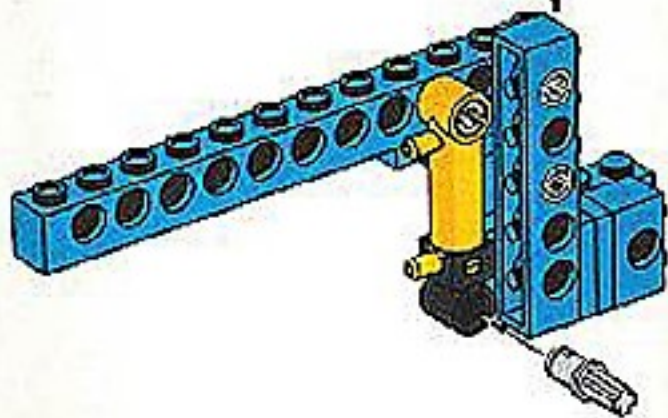
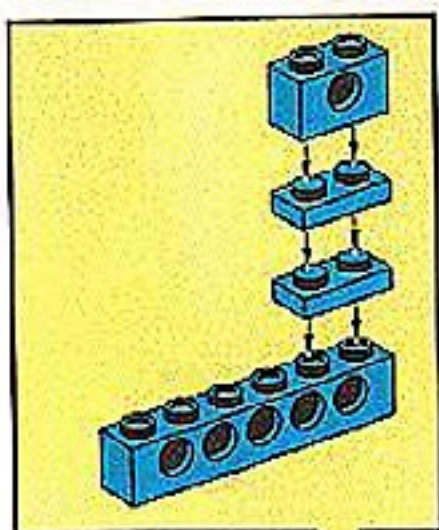


# 16

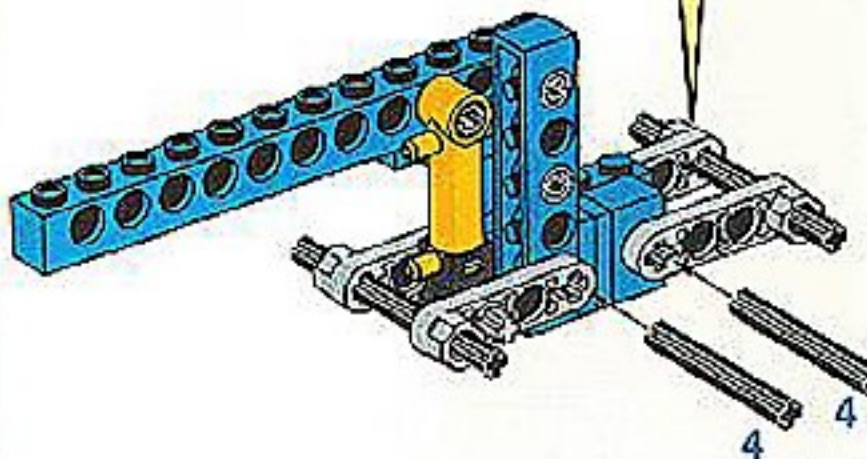
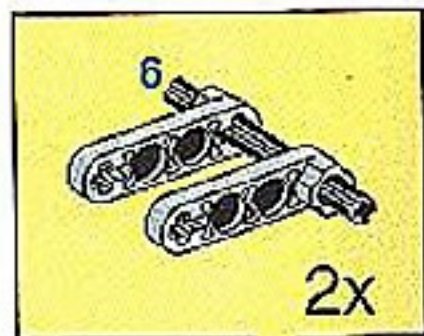




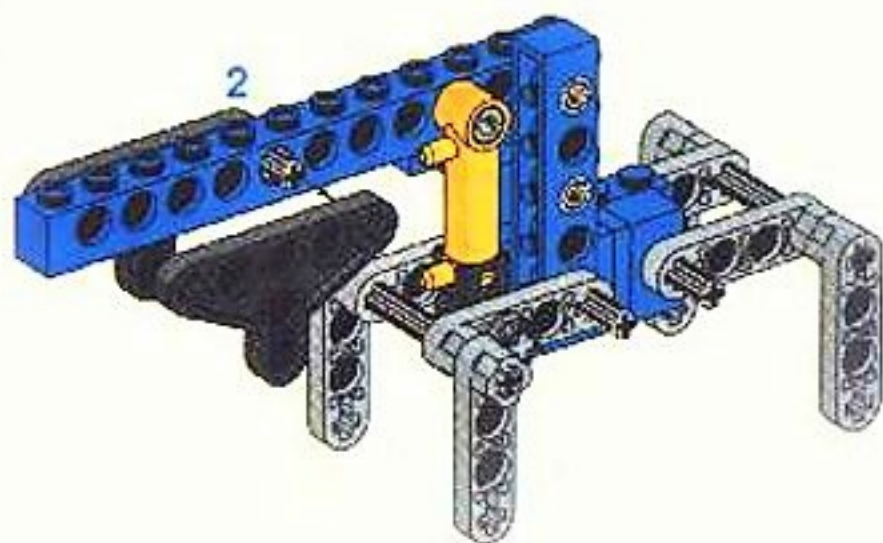
4



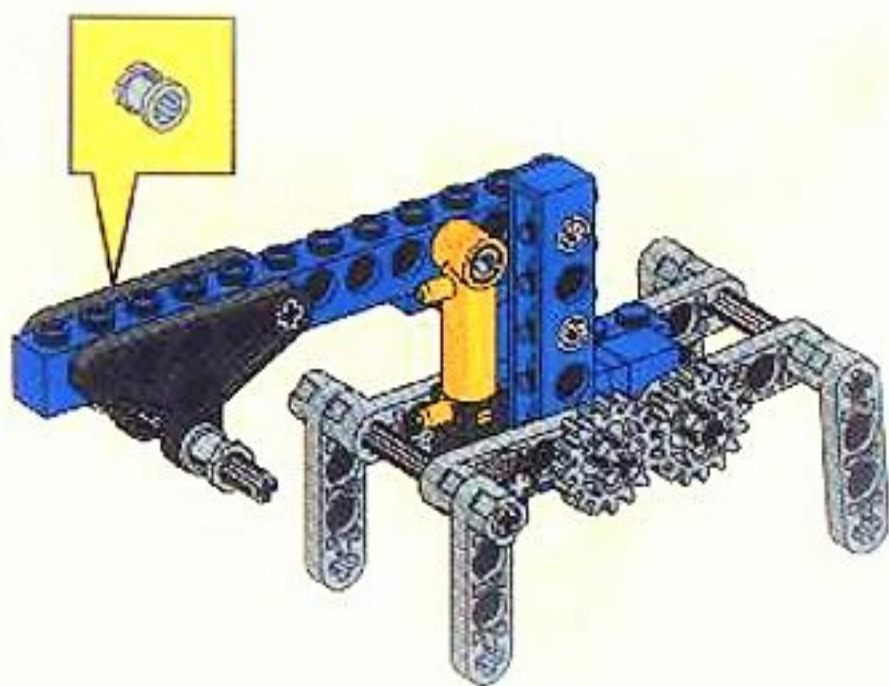
5



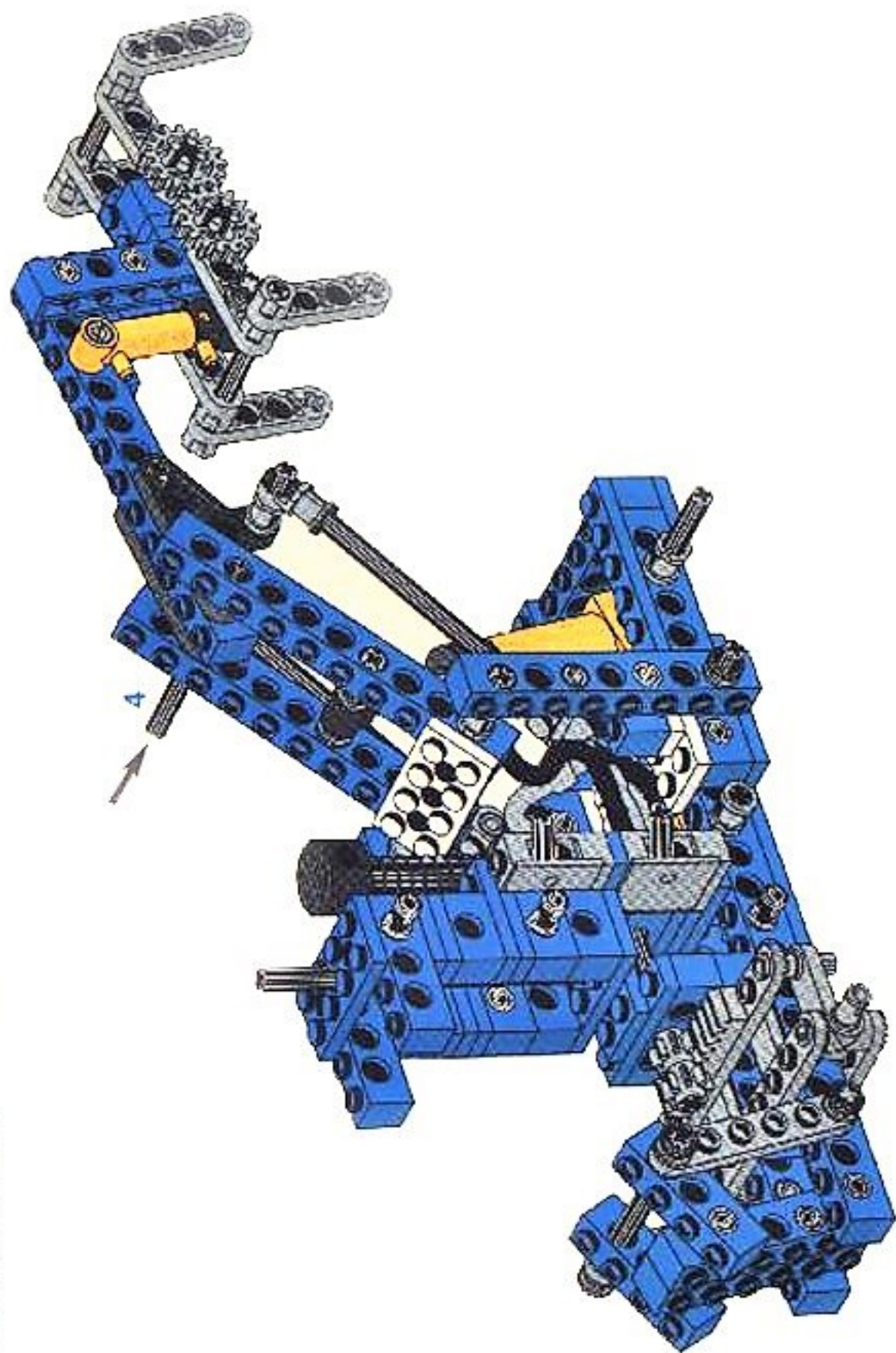
6



7



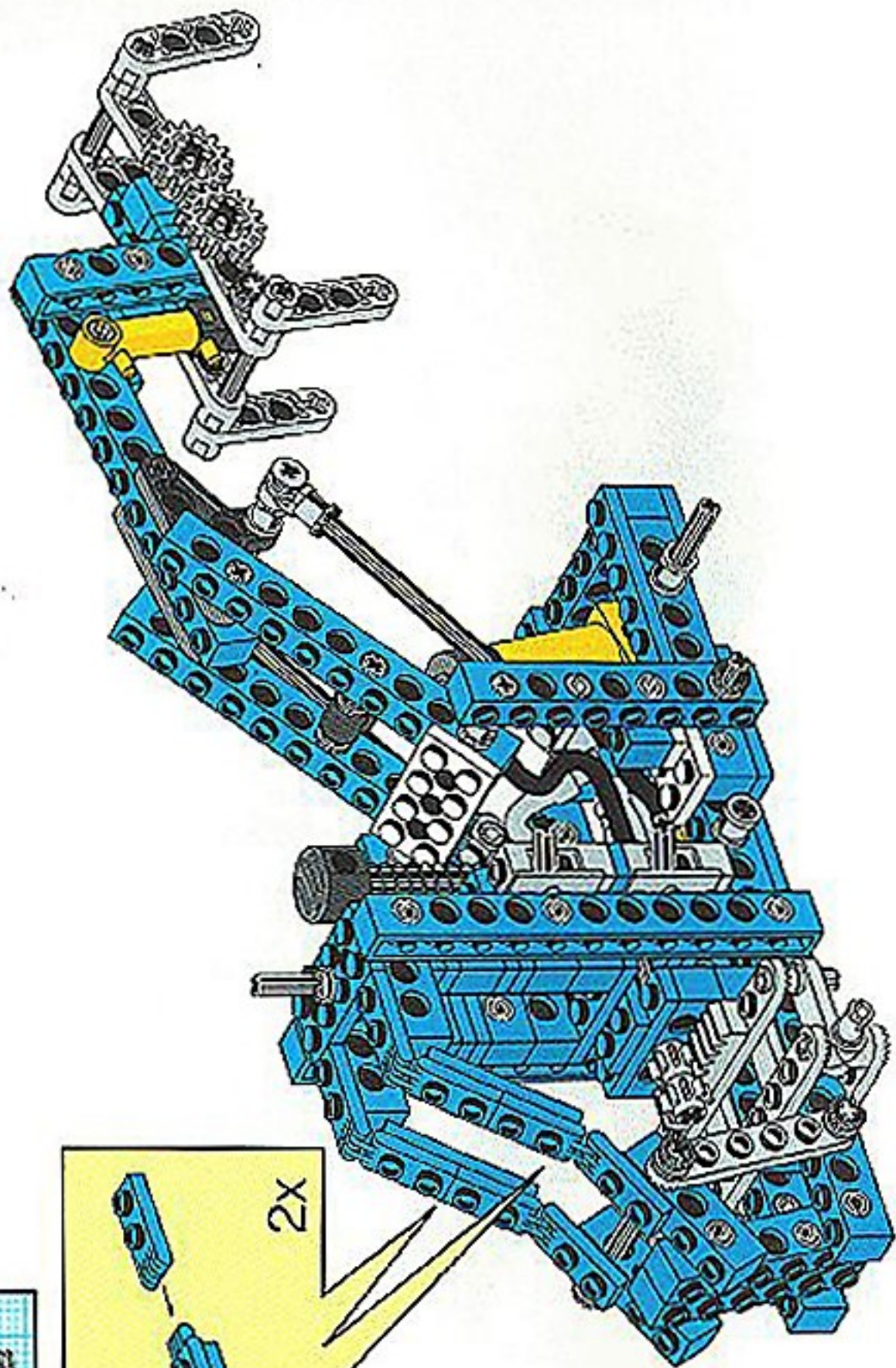
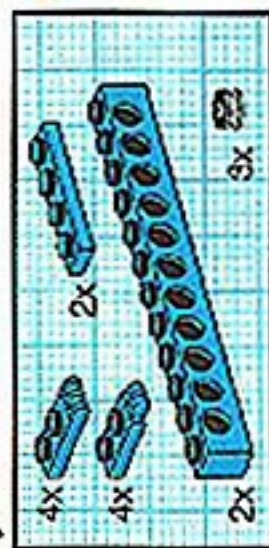


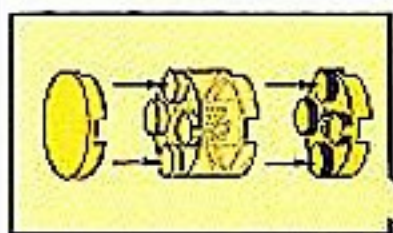
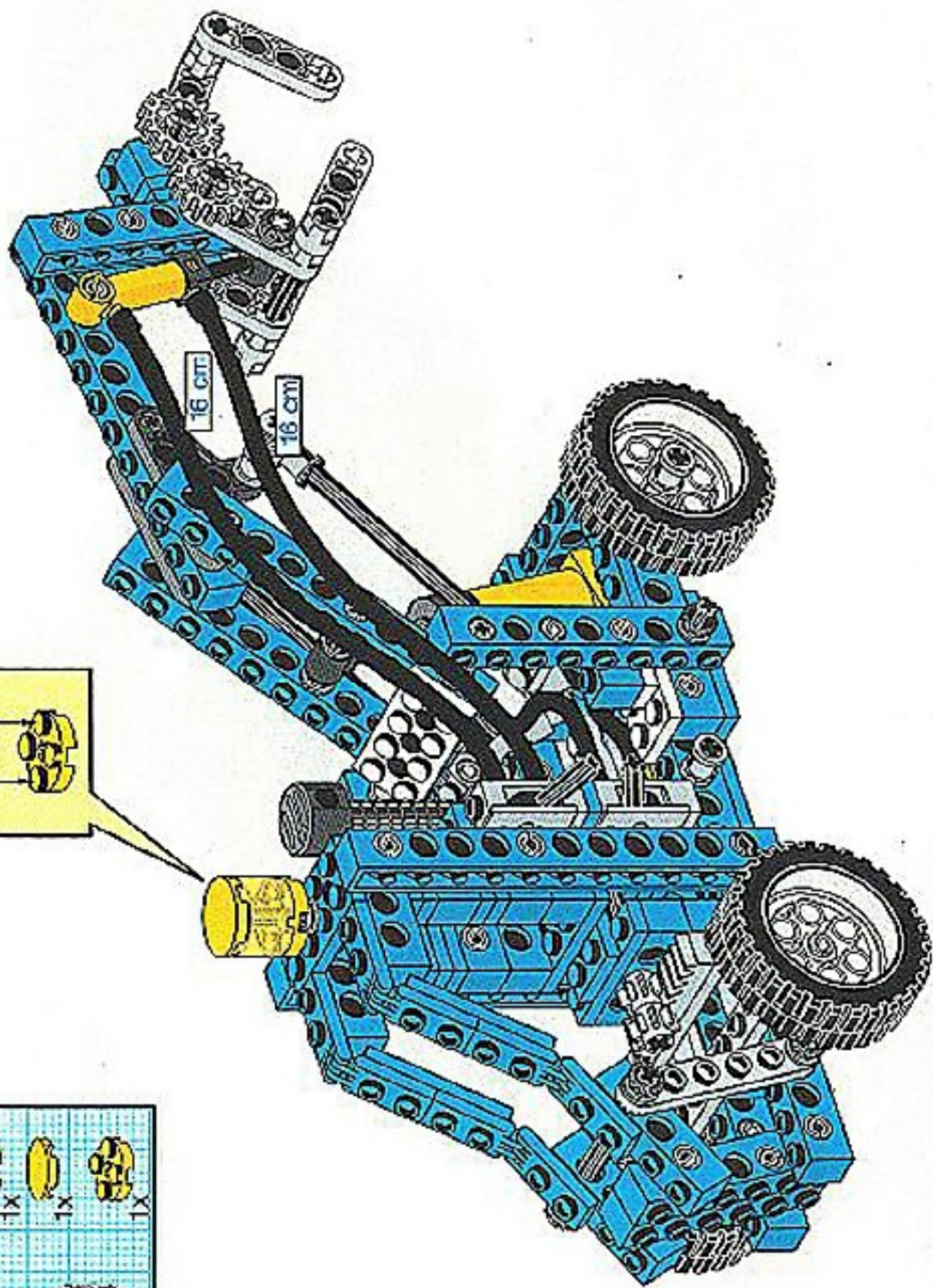


17

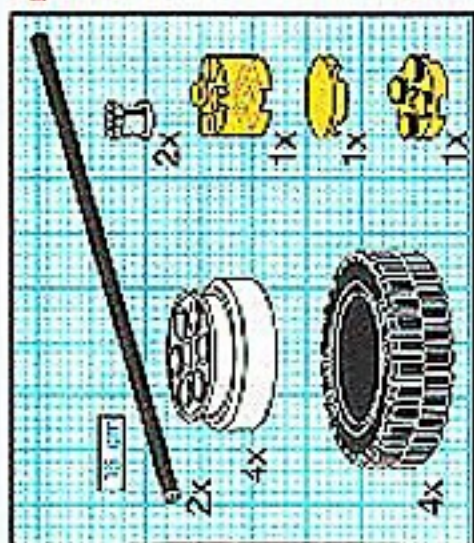


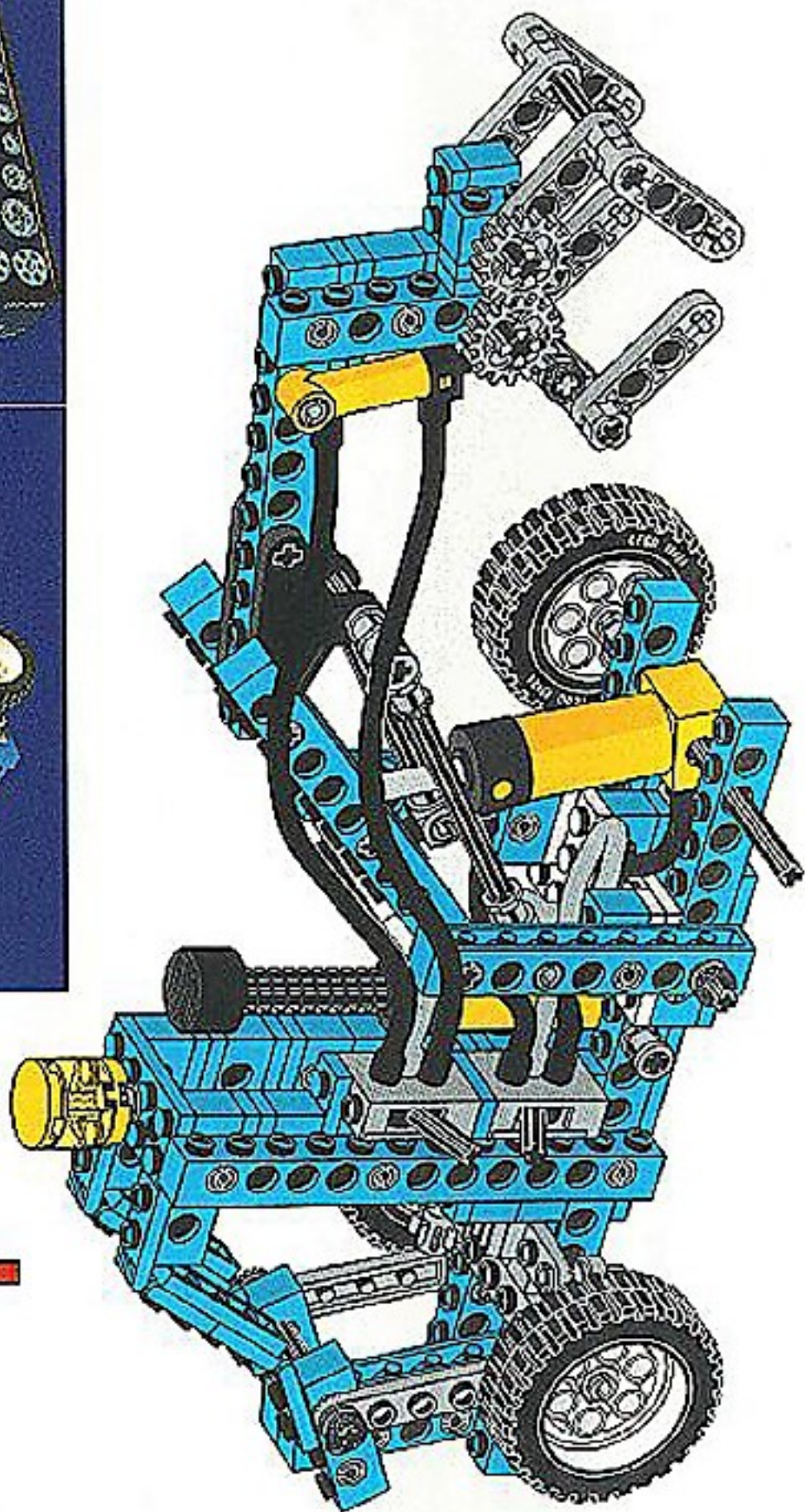
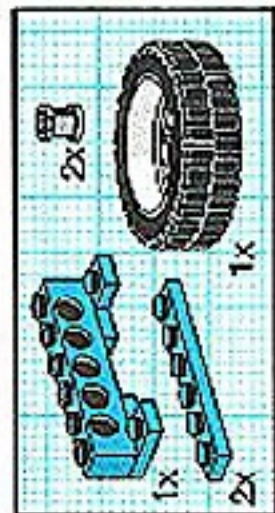
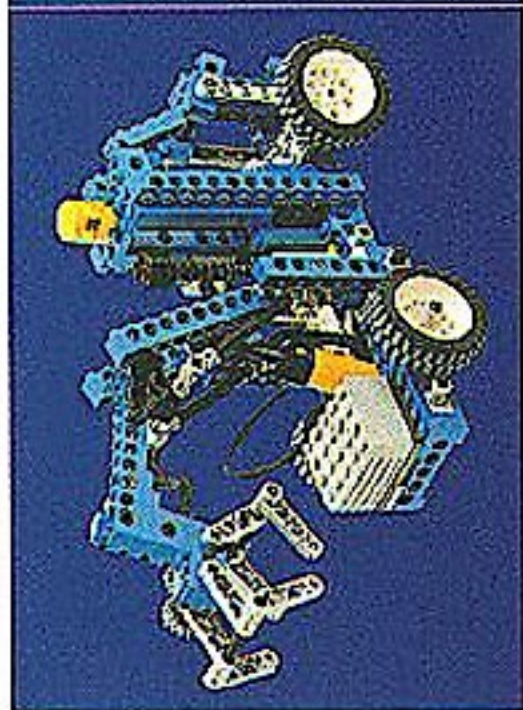
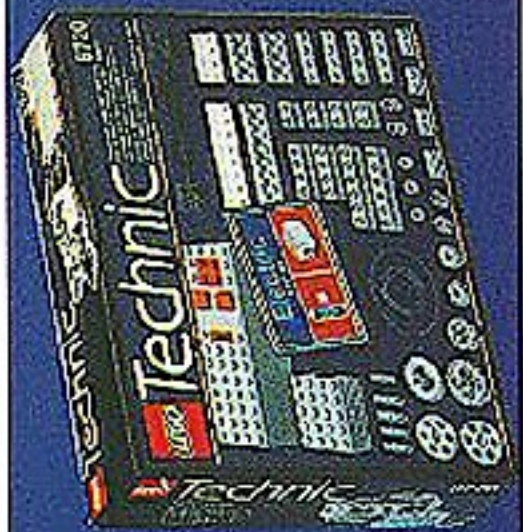
18

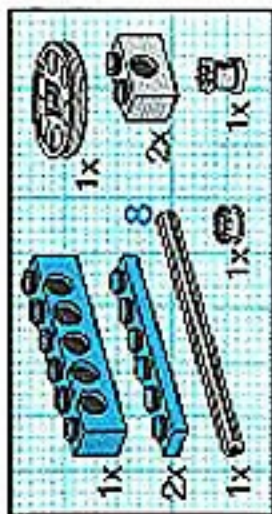




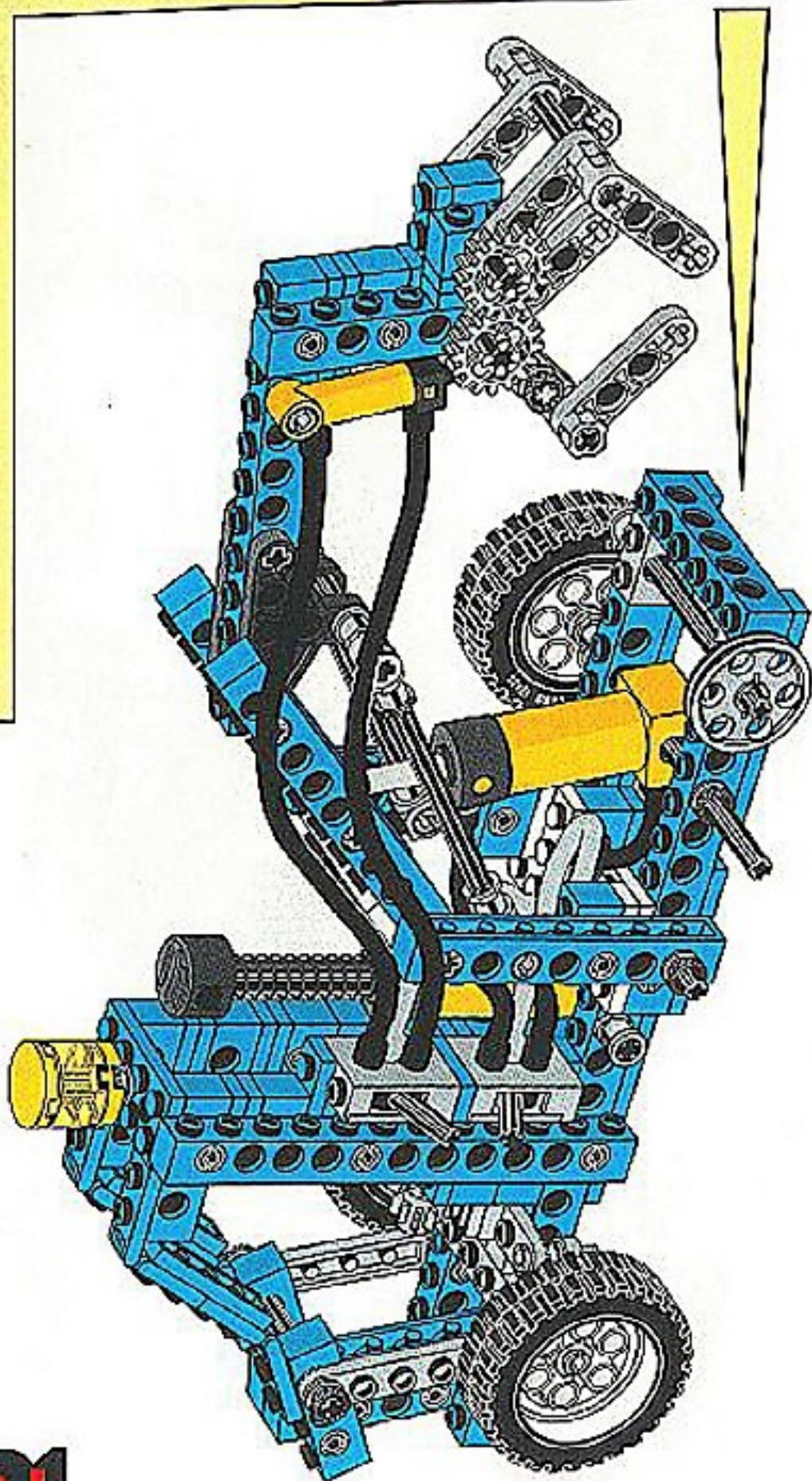
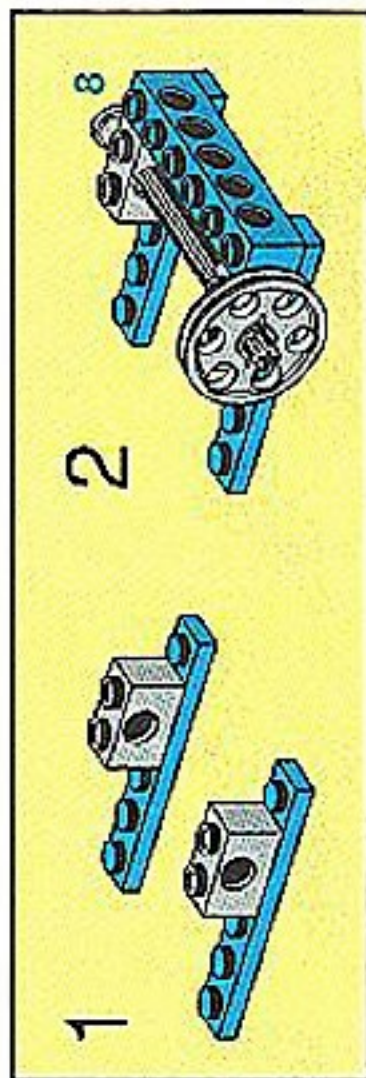
61

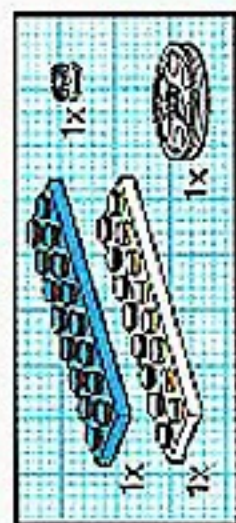




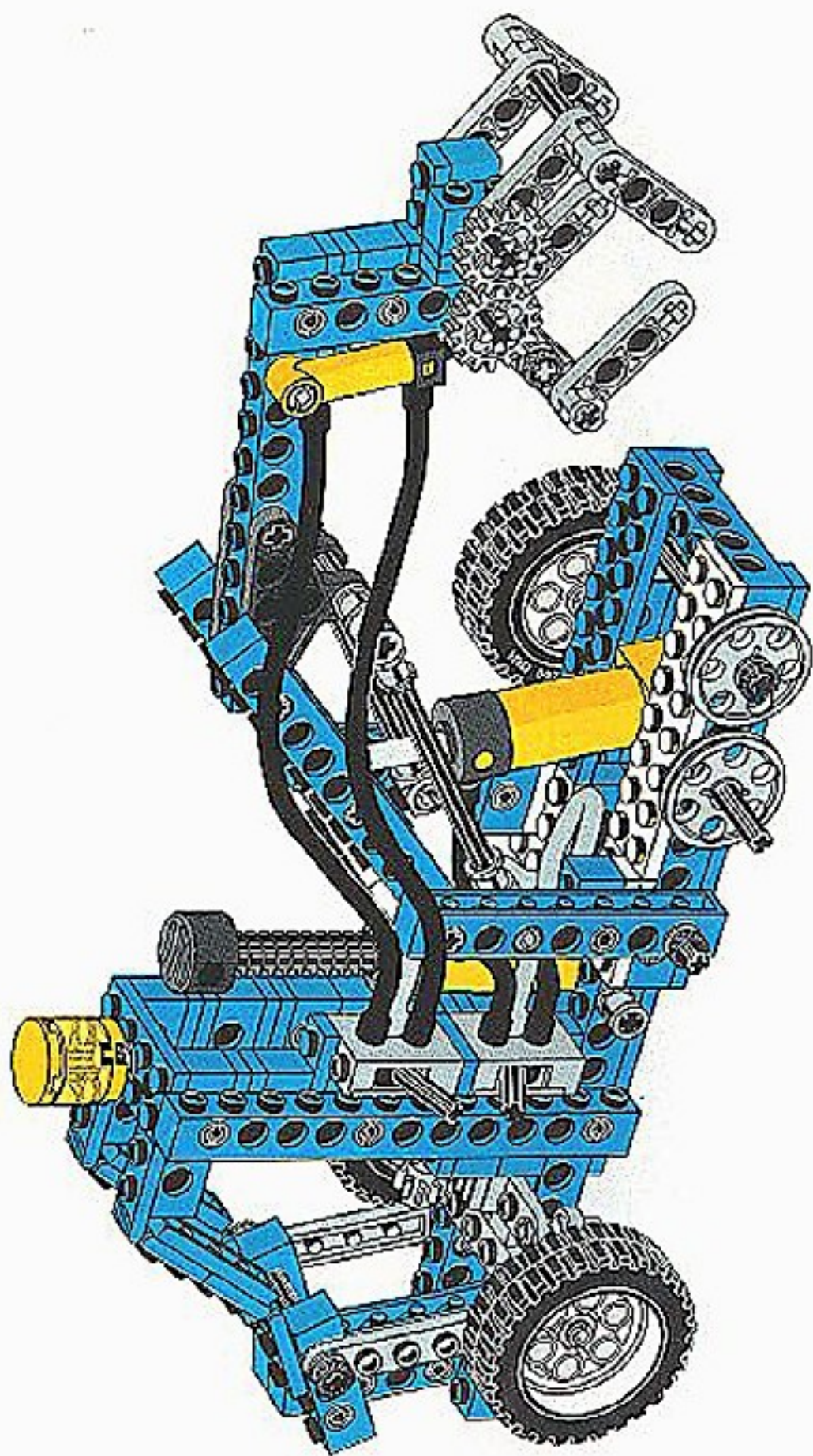


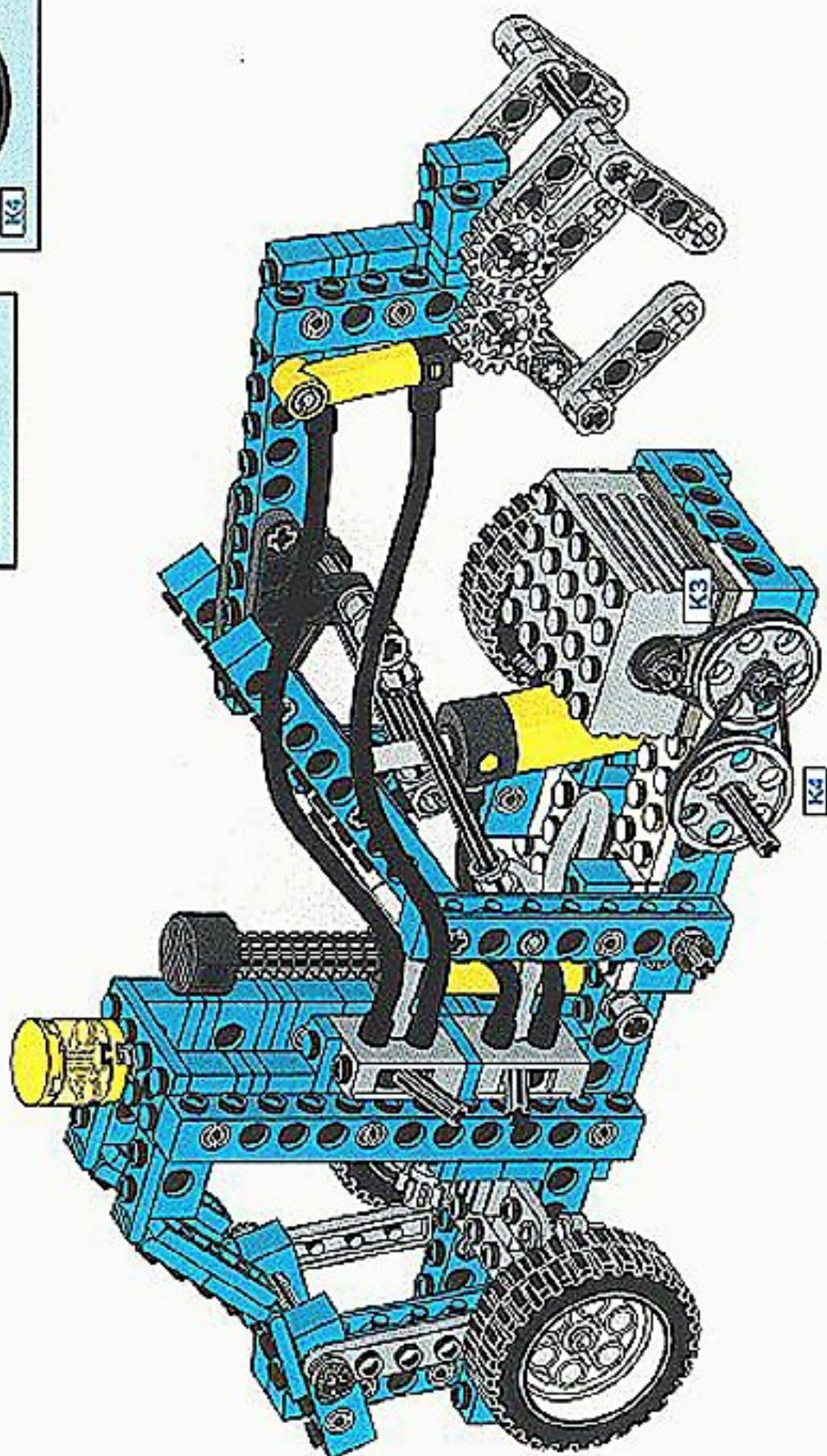
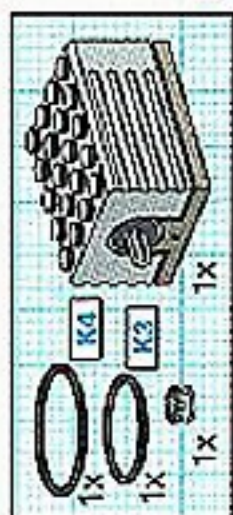
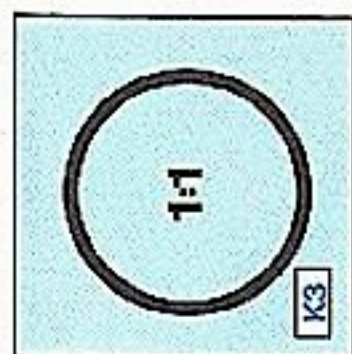
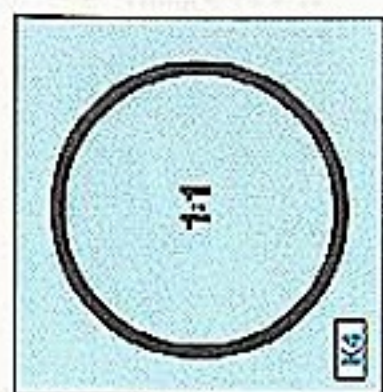
**2**





3





8042+8720

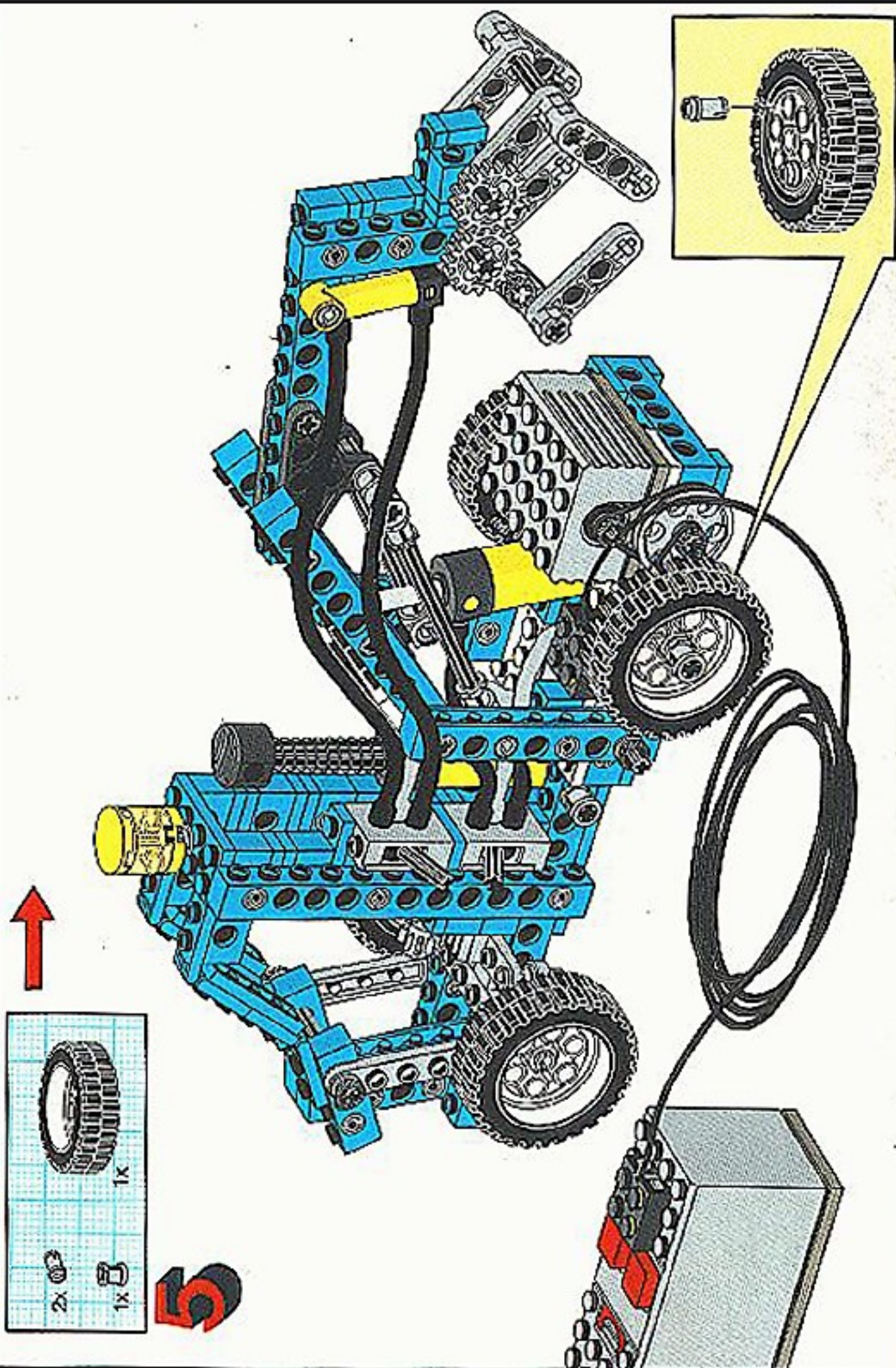


















Image	Qty	Item No	Description	MID
<b>Regular Items:</b>				
<b>Parts:</b>				
+	 *	1	<a href="#">3941</a> <b>Trans-Yellow Brick, Round 2 x 2 with Axle Hole</b> Catalog: <a href="#">Parts: Brick, Round</a> 611644	<a href="#">PG</a>
+	 *	4	<a href="#">4275</a> <b>Blue Hinge Plate 1 x 2 with 3 Fingers</b> Catalog: <a href="#">Parts: Hinge</a> Part Color Code Missing	<a href="#">PG</a>
+	 *	4	<a href="#">4276</a> <b>Blue Hinge Plate 1 x 2 with 2 Fingers</b> Catalog: <a href="#">Parts: Hinge</a> Part Color Code Missing	<a href="#">PG</a>
+	 No Image	1	<a href="#">5102c34</a> <b>Light Gray Hose, Pneumatic 4mm D. 34L / 27.2cm</b> Catalog: <a href="#">Parts: Hose, Pneumatic 4mm D.</a> Part Color Code Missing	<a href="#">PG</a>
+	 No Image	1	<a href="#">5102c89</a> <b>Black Hose, Pneumatic 4mm D. 89L / 71.2cm</b> Catalog: <a href="#">Parts: Hose, Pneumatic 4mm D.</a> Part Color Code Missing	<a href="#">PG</a>
+	 *	4	<a href="#">2420</a> <b>Blue Plate 2 x 2 Corner</b> Catalog: <a href="#">Parts: Plate</a> 242023	<a href="#">PG</a>
+	 *	1	<a href="#">3795</a> <b>Blue Plate 2 x 6</b> Catalog: <a href="#">Parts: Plate</a> 379523	<a href="#">PG</a>
+	 *	7	<a href="#">3710</a> <b>Blue Plate 1 x 4</b> Catalog: <a href="#">Parts: Plate</a> 371023	<a href="#">PG</a>
+	 *	2	<a href="#">3623</a> <b>Blue Plate 1 x 3</b> Catalog: <a href="#">Parts: Plate</a> 362323	<a href="#">PG</a>
+	 *	2	<a href="#">3021</a> <b>White Plate 2 x 3</b> Catalog: <a href="#">Parts: Plate</a> 302101	<a href="#">PG</a>
+	 *	2	<a href="#">3022</a> <b>Blue Plate 2 x 2</b> Catalog: <a href="#">Parts: Plate</a> 4613973 or 302223	<a href="#">PG</a>


+	 *	2	<a href="#">3023</a>	<b>White Plate 1 x 2</b> <a href="#">Catalog</a> : <a href="#">Parts</a> : <a href="#">Plate</a> 302301	<a href="#">PG</a>
+	 *	13	<a href="#">3023</a>	<b>Blue Plate 1 x 2</b> <a href="#">Catalog</a> : <a href="#">Parts</a> : <a href="#">Plate</a> 302323	<a href="#">PG</a>
+	 *	2	<a href="#">3024</a>	<b>Blue Plate 1 x 1</b> <a href="#">Catalog</a> : <a href="#">Parts</a> : <a href="#">Plate</a> 302423	<a href="#">PG</a>
+	 *	2	<a href="#">3032</a>	<b>Blue Plate 4 x 6</b> <a href="#">Catalog</a> : <a href="#">Parts</a> : <a href="#">Plate</a> 303223	<a href="#">PG</a>
+	 *	2	<a href="#">3666</a>	<b>Blue Plate 1 x 6</b> <a href="#">Catalog</a> : <a href="#">Parts</a> : <a href="#">Plate</a> 366623	<a href="#">PG</a>
+	 *	1	<a href="#">4032</a>	<b>Yellow Plate, Round 2 x 2 with Axle Hole</b> <a href="#">Catalog</a> : <a href="#">Parts</a> : <a href="#">Plate</a> , <a href="#">Round</a> 403224	<a href="#">PG</a>
+	 *	1	<a href="#">4697a</a>	<b>Light Gray Pneumatic T Piece First Version (T Bar)</b> <a href="#">Catalog</a> : <a href="#">Parts</a> : <a href="#">Pneumatic</a> Part Color Code Missing	<a href="#">PG</a>
+	 *	1	<a href="#">2797c02</a>	<b>Yellow Pneumatic Pump Second Version with Black Top</b> <a href="#">Catalog</a> : <a href="#">Parts</a> : <a href="#">Pneumatic</a> 4563134 or 74720	<a href="#">PG</a>
+	 *	1	<a href="#">2793c01</a>	<b>Yellow Pneumatic Cylinder with 2 Inlets Medium (48mm) with Black Top</b> <a href="#">Catalog</a> : <a href="#">Parts</a> : <a href="#">Pneumatic</a> Part Color Code Missing	<a href="#">PG</a>
+	 *	1	<a href="#">x189c01</a>	<b>Yellow Pneumatic Cylinder with 2 Inlets Small (32mm)</b> <a href="#">Catalog</a> : <a href="#">Parts</a> : <a href="#">Pneumatic</a> 6005292 or 4625540	<a href="#">PG</a>
+	 *	2	<a href="#">4694c01</a>	<b>Light Gray Pneumatic Switch with Top Studs</b> <a href="#">Catalog</a> : <a href="#">Parts</a> : <a href="#">Pneumatic</a> Part Color Code Missing	<a href="#">PG</a>
+	 *	2	<a href="#">3665</a>	<b>Blue Slope, Inverted 45 2 x 1</b> <a href="#">Catalog</a> : <a href="#">Parts</a> : <a href="#">Slope</a> , <a href="#">Inverted</a> 366523	<a href="#">PG</a>


+		15	<a href="#">4265b</a>	<b>Light Gray Technic Bush 1/2 Toothed Type II</b>	<a href="#">PG</a>
	*			<a href="#">Catalog:</a> <a href="#">Parts:</a> <a href="#">Technic</a> Part Color Code Missing	


+		12	<a href="#">3713</a>	<b>Light Gray Technic Bush</b>	<a href="#">PG</a>
	*			<a href="#">Catalog:</a> <a href="#">Parts:</a> <a href="#">Technic</a> 4125313	


+		2	<a href="#">3737</a>	<b>Black Technic, Axle 10</b>	<a href="#">PG</a>
	*			<a href="#">Catalog:</a> <a href="#">Parts:</a> <a href="#">Technic, Axle</a> 373726	


+		6	<a href="#">3749</a>	<b>Light Gray Technic, Axle Pin without Friction Ridges Lengthwise</b>	<a href="#">PG</a>
	*			<a href="#">Catalog:</a> <a href="#">Parts:</a> <a href="#">Technic, Axle</a> 4184168 or 656202	


+		2	<a href="#">3704</a>	<b>Black Technic, Axle 2</b>	<a href="#">PG</a>
	*			<a href="#">Catalog:</a> <a href="#">Parts:</a> <a href="#">Technic, Axle</a> Part Color Code Missing	


+		4	<a href="#">3705</a>	<b>Black Technic, Axle 4</b>	<a href="#">PG</a>
	*			<a href="#">Catalog:</a> <a href="#">Parts:</a> <a href="#">Technic, Axle</a> 370526	


+		6	<a href="#">3706</a>	<b>Black Technic, Axle 6</b>	<a href="#">PG</a>
	*			<a href="#">Catalog:</a> <a href="#">Parts:</a> <a href="#">Technic, Axle</a> 370626	











+		5	<a href="#">3707</a>	<b>Black Technic, Axle 8</b>	<a href="#">PG</a>
	*			<a href="#">Catalog:</a> <a href="#">Parts:</a> <a href="#">Technic, Axle</a> 370726	













+		3	<a href="#">3708</a>	<b>Black Technic, Axle 12</b>	<a href="#">PG</a>
	*			<a href="#">Catalog:</a> <a href="#">Parts:</a> <a href="#">Technic, Axle</a> 370826	

+		12	<a href="#">3700</a>	<b>Blue Technic, Brick 1 x 2 with Hole</b>	<a href="#">PG</a>
	*			<a href="#">Catalog:</a> <a href="#">Parts:</a> <a href="#">Technic, Brick</a> 370023	

+		6	<a href="#">3701</a>	<b>Blue Technic, Brick 1 x 4 with Holes</b>	<a href="#">PG</a>
	*			<a href="#">Catalog:</a> <a href="#">Parts:</a> <a href="#">Technic, Brick</a> 370123	

+		4	<a href="#">3702</a>	<b>Blue Technic, Brick 1 x 8 with Holes</b>	<a href="#">PG</a>
	*			<a href="#">Catalog:</a> <a href="#">Parts:</a> <a href="#">Technic, Brick</a> 370223	

+	 *	2	<a href="#">3703</a>	<b>Blue Technic, Brick 1 x 16 with Holes</b> Catalog: <a href="#">Parts: Technic, Brick</a> <a href="#">370323</a>	<a href="#">PG</a>
+	 *	4	<a href="#">3894</a>	<b>Blue Technic, Brick 1 x 6 with Holes</b> Catalog: <a href="#">Parts: Technic, Brick</a> <a href="#">389423</a>	<a href="#">PG</a>
+	 *	4	<a href="#">3895</a>	<b>Blue Technic, Brick 1 x 12 with Holes</b> Catalog: <a href="#">Parts: Technic, Brick</a> <a href="#">389523</a>	<a href="#">PG</a>
+	 *	2	<a href="#">2730</a>	<b>Blue Technic, Brick 1 x 10 with Holes</b> Catalog: <a href="#">Parts: Technic, Brick</a> <a href="#">273023</a>	<a href="#">PG</a>
+	 *	6	<a href="#">4273</a>	<b>Light Gray Technic, Axle and Pin Connector Toggle Joint Toothed</b> Catalog: <a href="#">Parts: Technic, Connector</a> Part Color Code Missing	<a href="#">PG</a>
+	 *	4	<a href="#">3651</a>	<b>Light Gray Technic, Axle and Pin Connector</b> Catalog: <a href="#">Parts: Technic, Connector</a> Part Color Code Missing	<a href="#">PG</a>
+	 *	2	<a href="#">3647</a>	<b>Light Gray Technic, Gear 8 Tooth Type 1</b> Catalog: <a href="#">Parts: Technic, Gear</a> <a href="#">364702</a>	<a href="#">PG</a>
+	 *	1	<a href="#">3743</a>	<b>Light Gray Technic, Gear Rack 1 x 4</b> Catalog: <a href="#">Parts: Technic, Gear</a> <a href="#">374302</a>	<a href="#">PG</a>
+	 *	2	<a href="#">4019</a>	<b>Light Gray Technic, Gear 16 Tooth (First Version - 4 Round Holes)</b> Catalog: <a href="#">Parts: Technic, Gear</a> Part Color Code Missing	<a href="#">PG</a>
+	 *	2	<a href="#">4143</a>	<b>Light Gray Technic, Gear 14 Tooth Bevel</b> Catalog: <a href="#">Parts: Technic, Gear</a> Part Color Code Missing	<a href="#">PG</a>
+	 *	8	<a href="#">2825</a>	<b>Light Gray Technic, Liftarm 1 x 4 Thin with Stud Connector</b> Catalog: <a href="#">Parts: Technic, Liftarm</a> <a href="#">4107133</a>	<a href="#">PG</a>
+	 *	2	<a href="#">2905</a>	<b>Black Technic, Liftarm Triangle Thin</b> Catalog: <a href="#">Parts: Technic, Liftarm</a> <a href="#">4142543</a> or <a href="#">290526</a>	<a href="#">PG</a>

+		2	<a href="#">4274</a>	<b>Light Gray Technic, Pin 1/2</b>	<a href="#">Catalog:</a> <a href="#">Parts:</a> <a href="#">Technic, Pin</a> <a href="#">427402</a>	<a href="#">PG</a>
+		18	<a href="#">2780</a>	<b>Black Technic, Pin with Friction Ridges Lengthwise WITH Center Slots</b>	<a href="#">Catalog:</a> <a href="#">Parts:</a> <a href="#">Technic, Pin</a> <a href="#">4121715</a> or <a href="#">278026</a>	<a href="#">PG</a>
+		10	<a href="#">3673</a>	<b>Light Gray Technic, Pin without Friction Ridges Lengthwise</b>	<a href="#">Catalog:</a> <a href="#">Parts:</a> <a href="#">Technic, Pin</a> <a href="#">4184166</a>	<a href="#">PG</a>
+		1	<a href="#">3709b</a>	<b>White Technic, Plate 2 x 4 with 3 Holes</b>	<a href="#">Catalog:</a> <a href="#">Parts:</a> <a href="#">Technic, Plate</a> <a href="#">370901</a>	<a href="#">PG</a>
+		4	<a href="#">3709b</a>	<b>Blue Technic, Plate 2 x 4 with 3 Holes</b>	<a href="#">Catalog:</a> <a href="#">Parts:</a> <a href="#">Technic, Plate</a> <a href="#">370923</a>	<a href="#">PG</a>
+		2	<a href="#">4262</a>	<b>Light Gray Technic, Plate 1 x 6 with Toothed Ends</b>	<a href="#">Catalog:</a> <a href="#">Parts:</a> <a href="#">Technic, Plate</a> <a href="#">Part Color Code Missing</a>	<a href="#">PG</a>
+		2	<a href="#">3738</a>	<b>Blue Technic, Plate 2 x 8 with 7 Holes</b>	<a href="#">Catalog:</a> <a href="#">Parts:</a> <a href="#">Technic, Plate</a> <a href="#">373823</a>	<a href="#">PG</a>
+		3	<a href="#">4442</a>	<b>Light Gray Technic, Plate 1 x 8 with Toothed Ends</b>	<a href="#">Catalog:</a> <a href="#">Parts:</a> <a href="#">Technic, Plate</a> <a href="#">Part Color Code Missing</a>	<a href="#">PG</a>
+		2	<a href="#">4261</a>	<b>Light Gray Technic, Steering Arm</b>	<a href="#">Catalog:</a> <a href="#">Parts:</a> <a href="#">Technic, Steering</a> <a href="#">Part Color Code Missing</a>	<a href="#">PG</a>
+		2	<a href="#">3069b</a>	<b>Light Gray Tile 1 x 2 with Groove</b>	<a href="#">Catalog:</a> <a href="#">Parts:</a> <a href="#">Tile</a> <a href="#">306902</a>	<a href="#">PG</a>
+		1	<a href="#">4150</a>	<b>Yellow Tile, Round 2 x 2</b>	<a href="#">Catalog:</a> <a href="#">Parts:</a> <a href="#">Tile, Round</a> <a href="#">415024</a>	<a href="#">PG</a>
+		4	<a href="#">2696</a>	<b>Black Tire 13 x 24 Model Team</b>	<a href="#">Catalog:</a> <a href="#">Parts:</a> <a href="#">Tire &amp; Tread</a> <a href="#">269626</a>	<a href="#">PG</a>

+



\*

4

[2695](#)

**White Wheel 30mm D. x 13mm (13 x 24 Model Team)**

[Catalog](#): [Parts](#): [Wheel](#)  
269501

[PG](#)

**Counterparts:**

+



\*

1

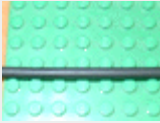
[5102c07](#)

**Light Gray Hose, Pneumatic 4mm D. 7L / 5.6cm**

[Catalog](#): [Parts](#): [Hose, Pneumatic 4mm D.](#)  
Part Color Code Missing

[PG](#)

+



\*

3

[5102c07](#)

**Black Hose, Pneumatic 4mm D. 7L / 5.6cm**

[Catalog](#): [Parts](#): [Hose, Pneumatic 4mm D.](#)  
Part Color Code Missing

[PG](#)

+



\*

2

[5102c09](#)

**Black Hose, Pneumatic 4mm D. 9L / 7.2cm**

[Catalog](#): [Parts](#): [Hose, Pneumatic 4mm D.](#)  
Part Color Code Missing

[PG](#)

+



\*

1

[5102c12](#)

**Black Hose, Pneumatic 4mm D. 12L / 9.6cm**

[Catalog](#): [Parts](#): [Hose, Pneumatic 4mm D.](#)  
4529099

[PG](#)

+



\*

1

[5102c19](#)

**Light Gray Hose, Pneumatic 4mm D. 19L / 15.2cm**

[Catalog](#): [Parts](#): [Hose, Pneumatic 4mm D.](#)  
Part Color Code Missing

[PG](#)

+



\*

2

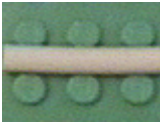
[5102c20](#)

**Black Hose, Pneumatic 4mm D. 20L / 16.0cm**

[Catalog](#): [Parts](#): [Hose, Pneumatic 4mm D.](#)  
4563307

[PG](#)

+



\*

1

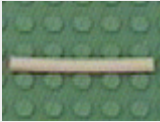
[5102c03](#)

**Light Gray Hose, Pneumatic 4mm D. 3L / 2.4cm**

[Catalog](#): [Parts](#): [Hose, Pneumatic 4mm D.](#)  
Part Color Code Missing

[PG](#)

+



\*

1

[5102c05](#)

**Light Gray Hose, Pneumatic 4mm D. 5L / 4.0cm**

[Catalog](#): [Parts](#): [Hose, Pneumatic 4mm D.](#)  
Part Color Code Missing

[PG](#)

+



\*

4

[2695c01](#) (inv)

**White Wheel 30mm D. x 13mm (13 x 24 Model Team), with Black Tire 13 x 24 Model Team (2695 / 2696)**

[Catalog](#): [Parts](#): [Wheel & Tire Assembly](#)  
Part Color Code Missing

[PG](#)

**Summary:**

Type	Unique Lots	Total Qty
<b>Regular Items:</b>		
Parts	60	230
<b>Counterparts:</b>		
Parts	9	16

[systemc1 \(577\)](#)  inventoried this Set on Nov 7, 2003, inventory last updated on Feb 16, 2013.