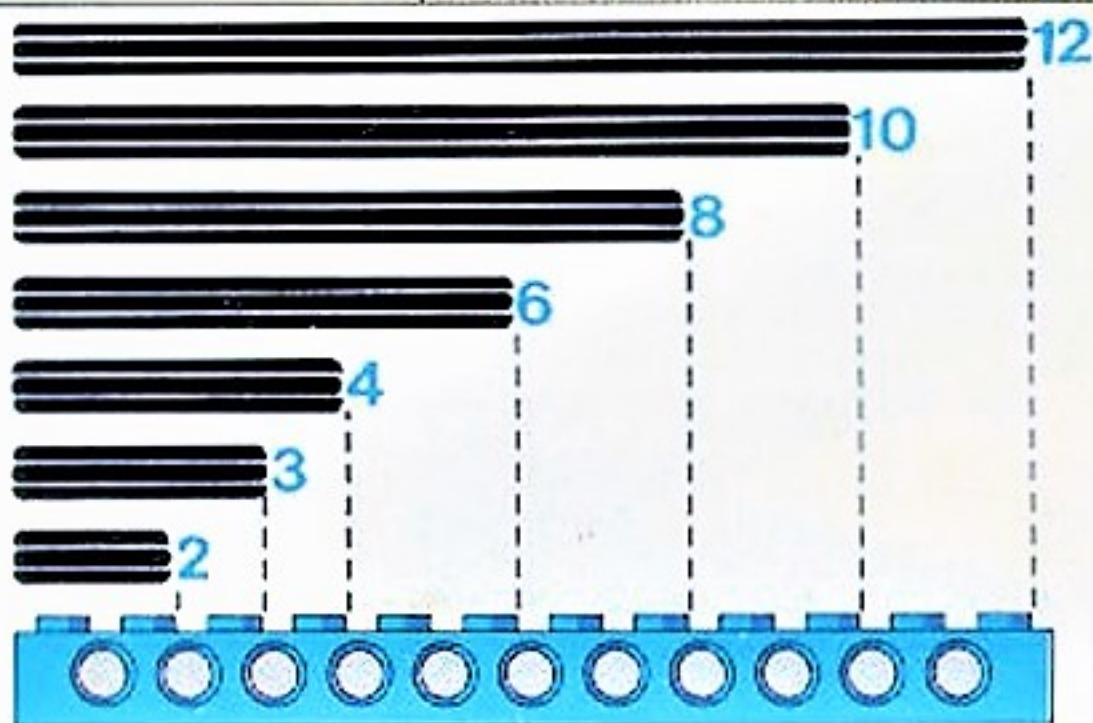


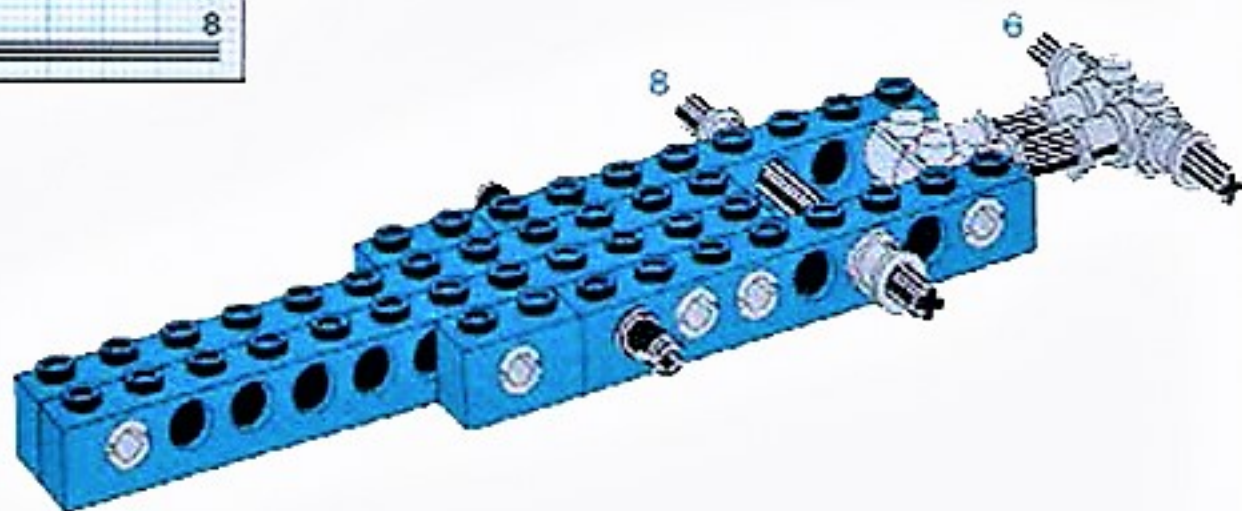
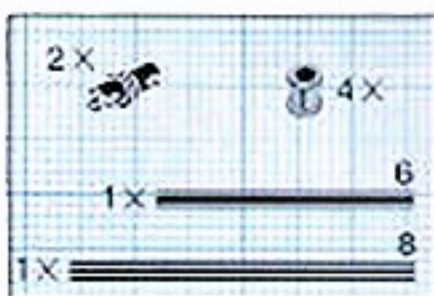
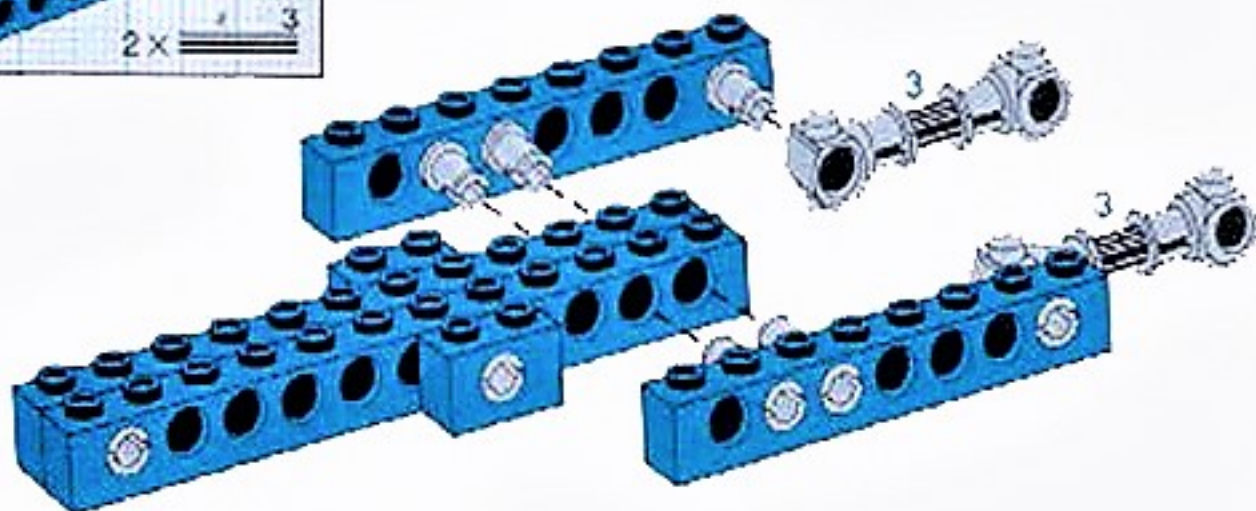
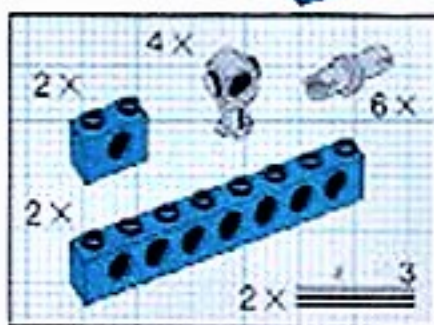
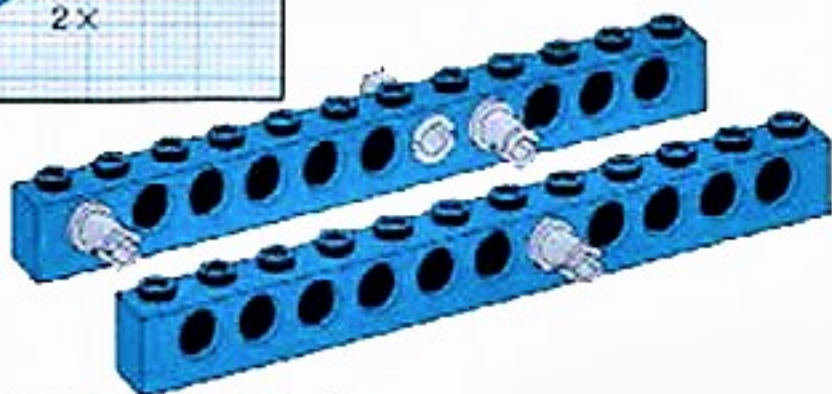
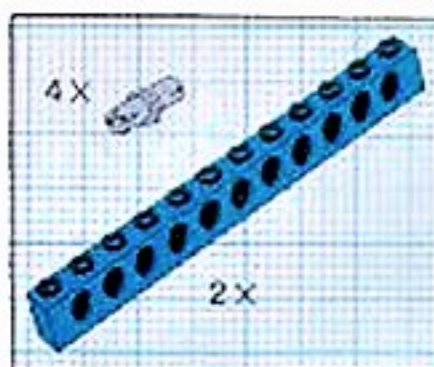
# 8035

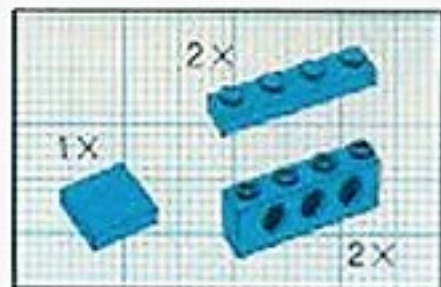
# Technic



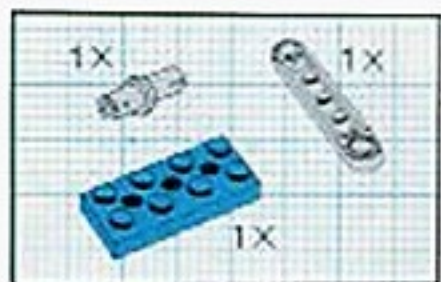
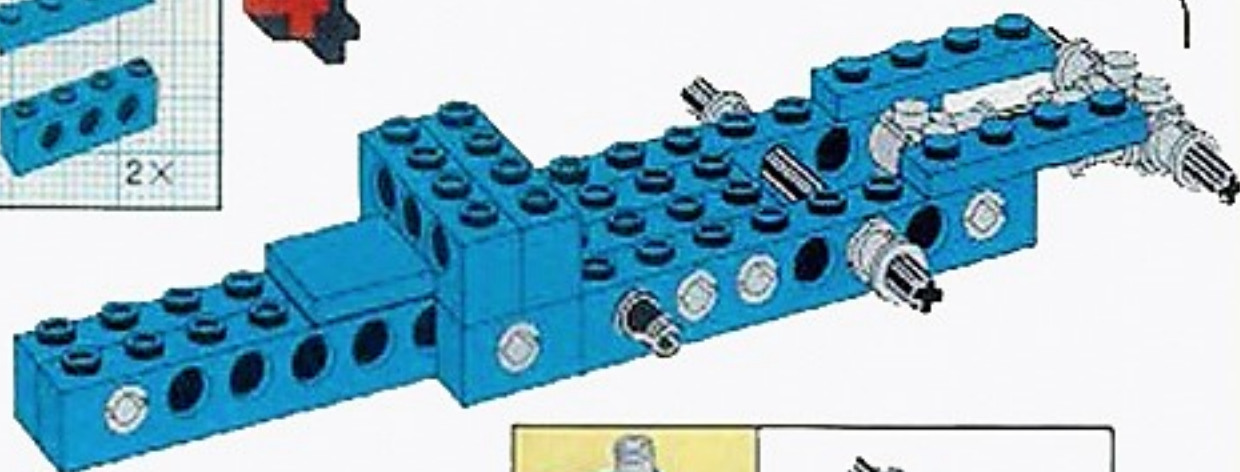
8700



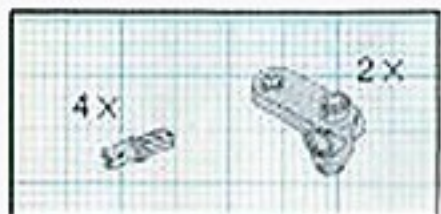
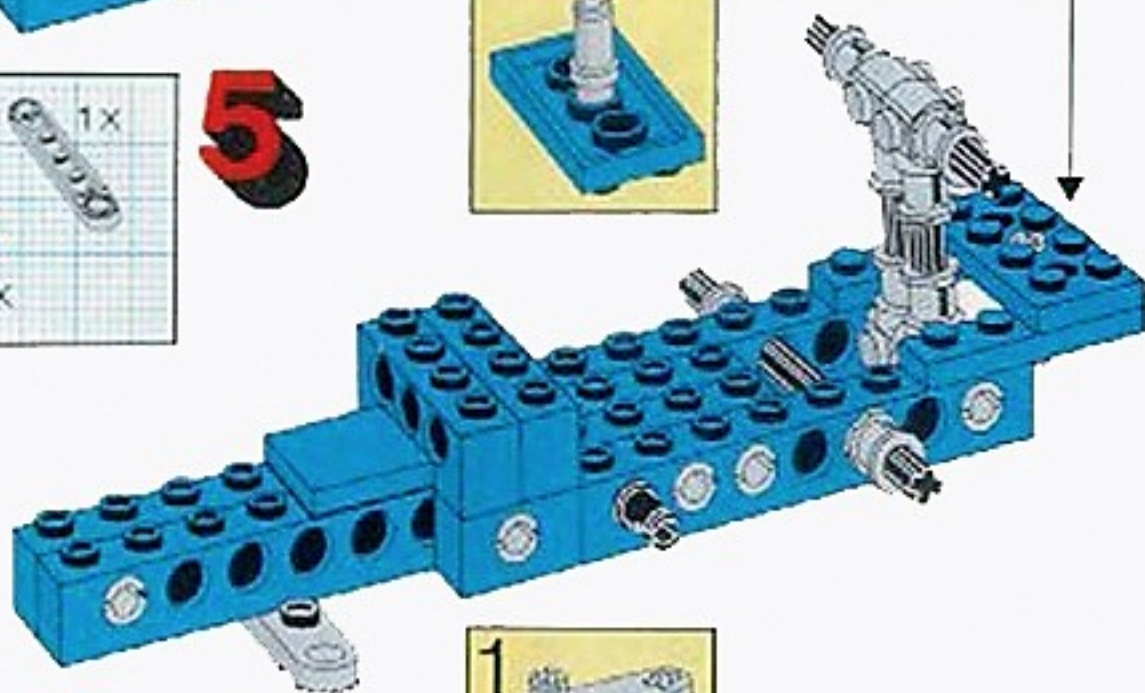




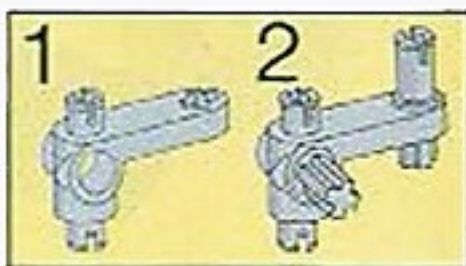
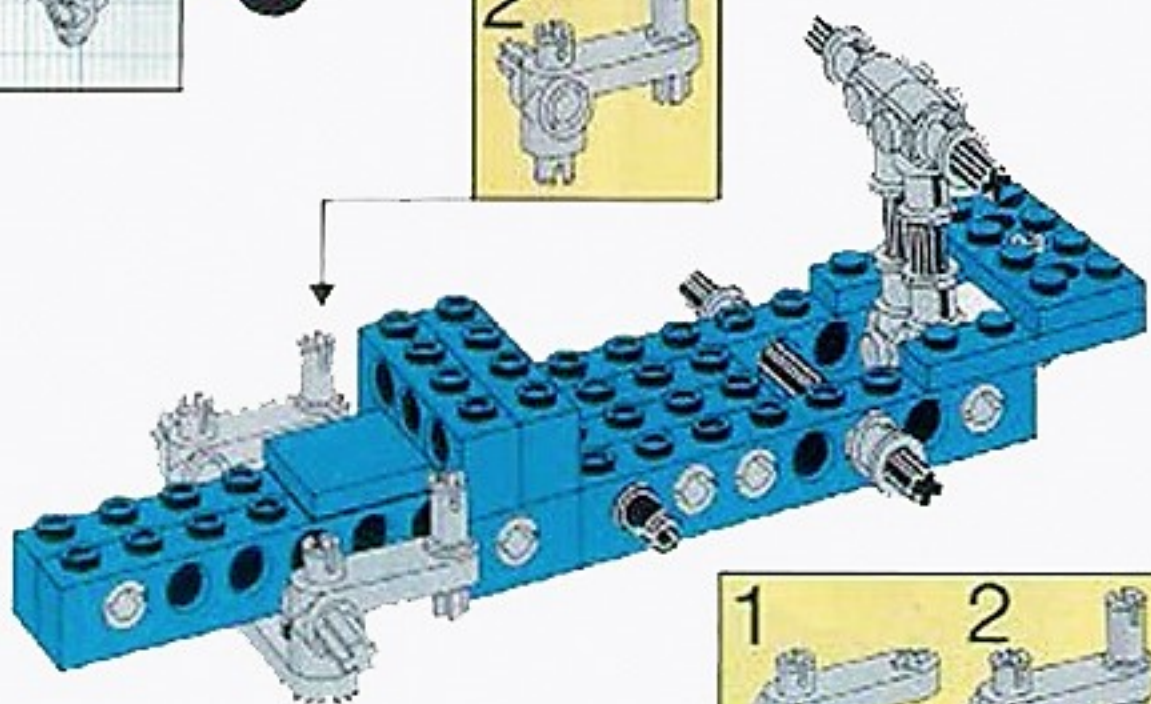
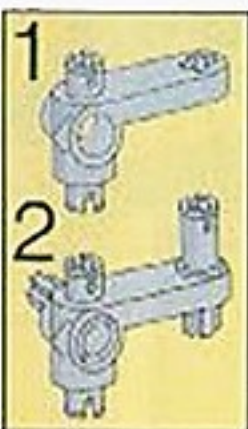
4

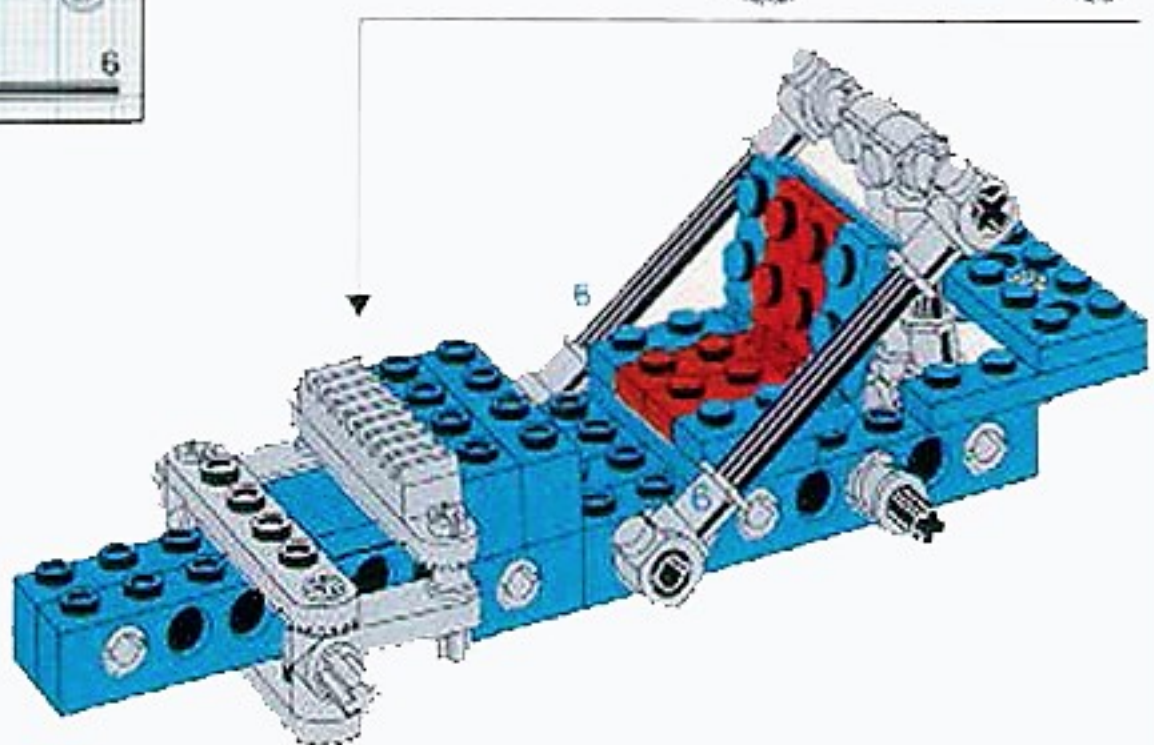
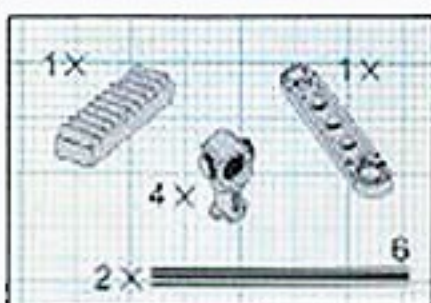
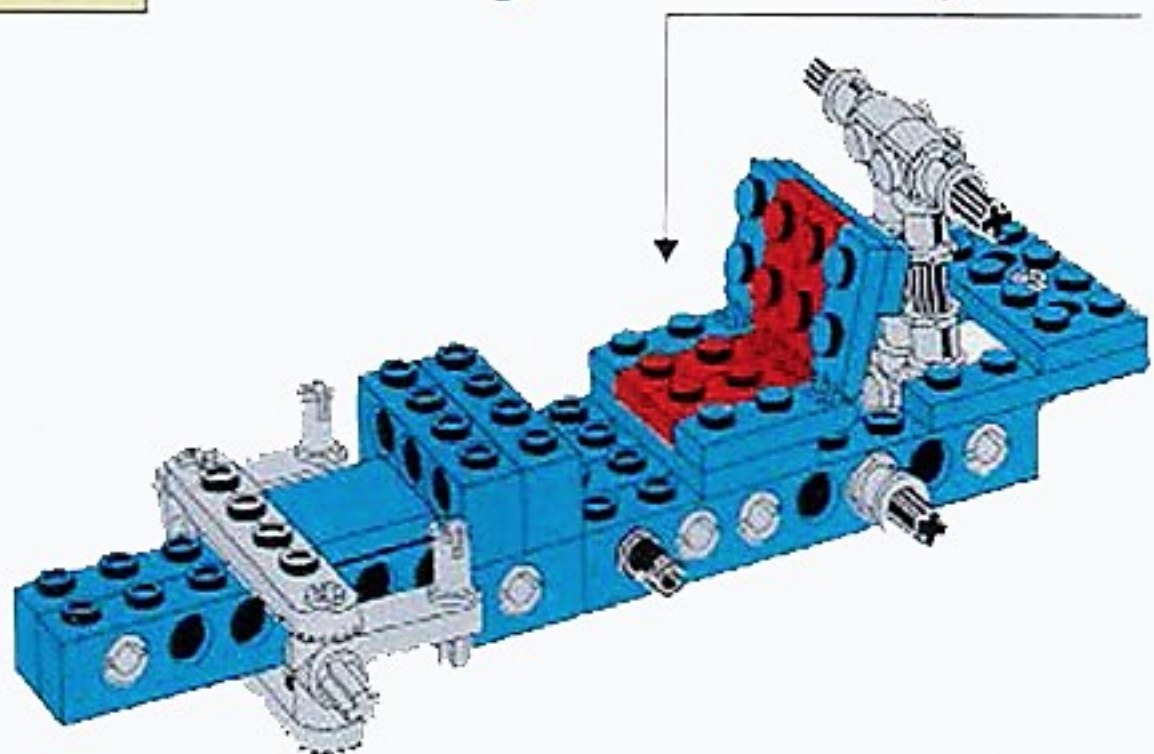
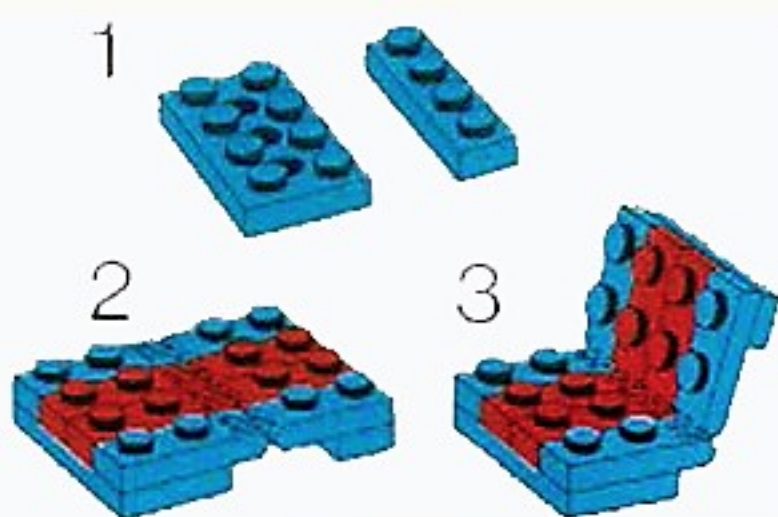
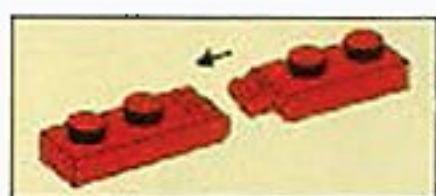
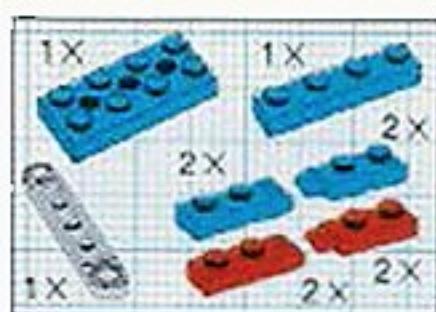


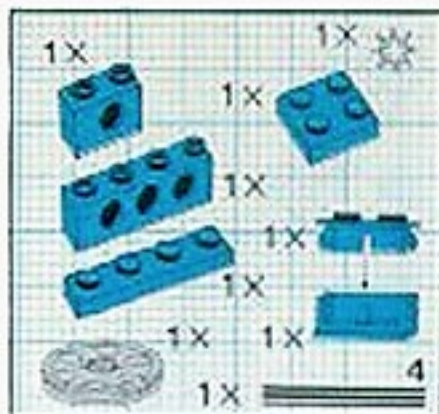
5



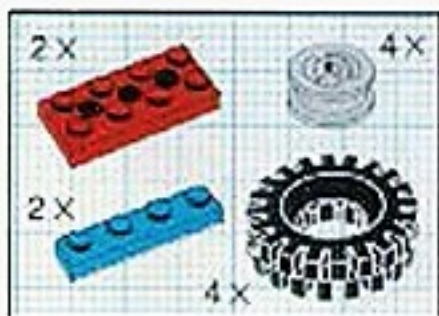
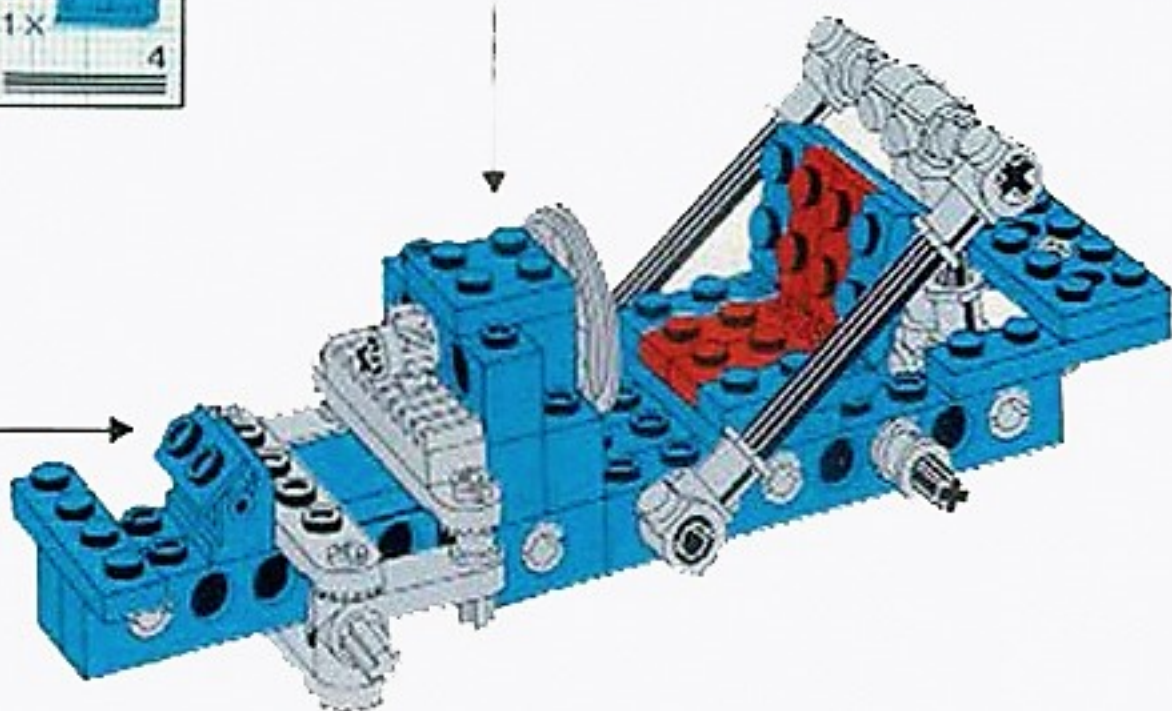
6



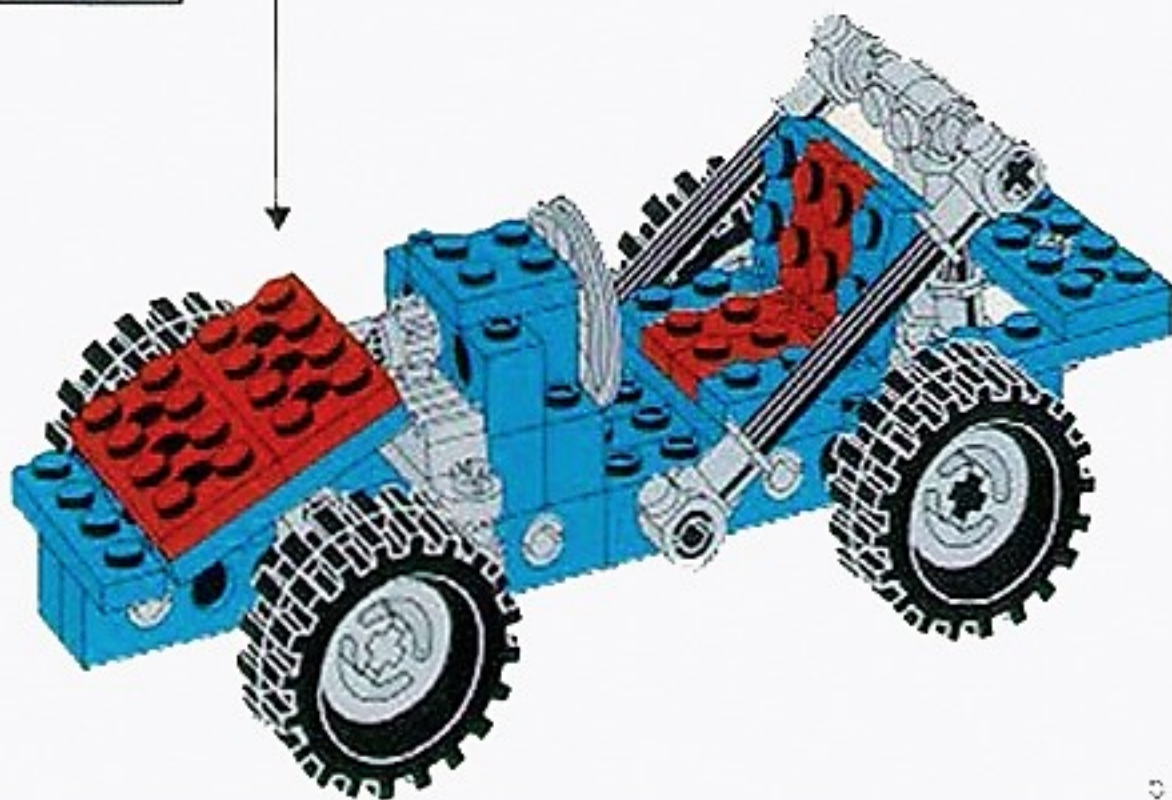
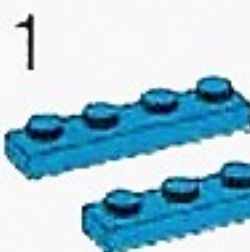


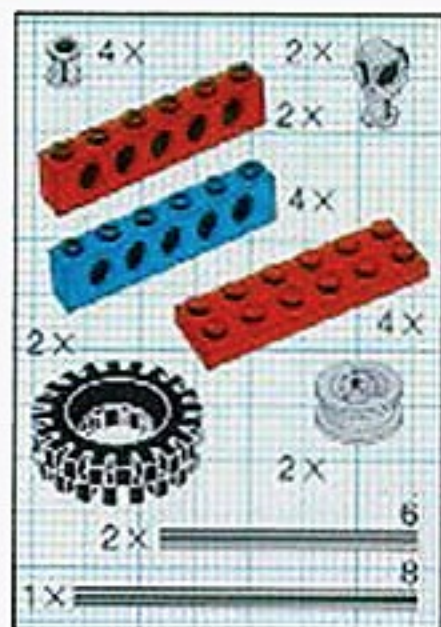


9

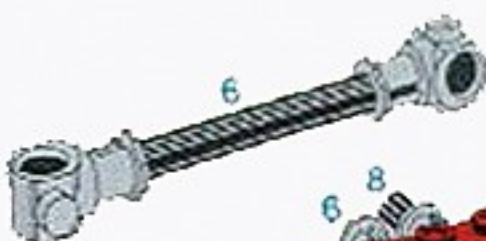


10

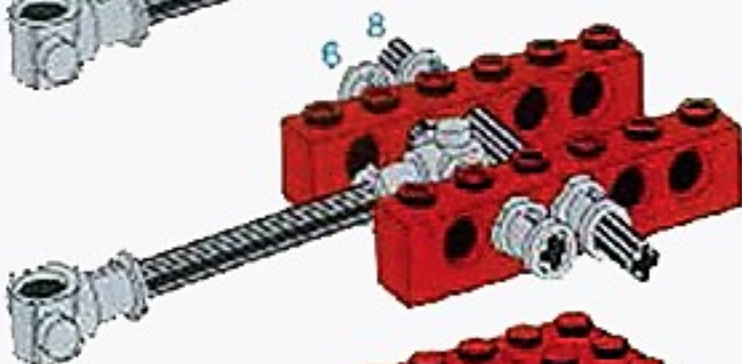




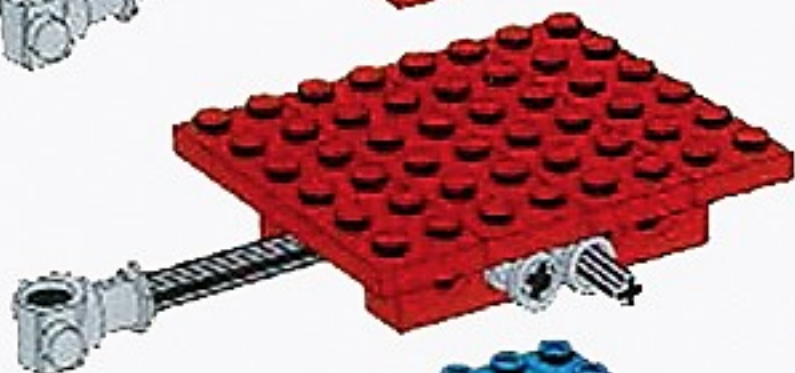
1



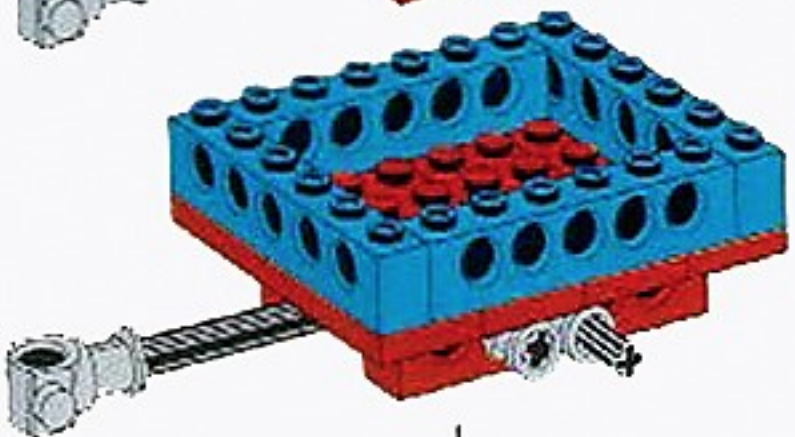
2



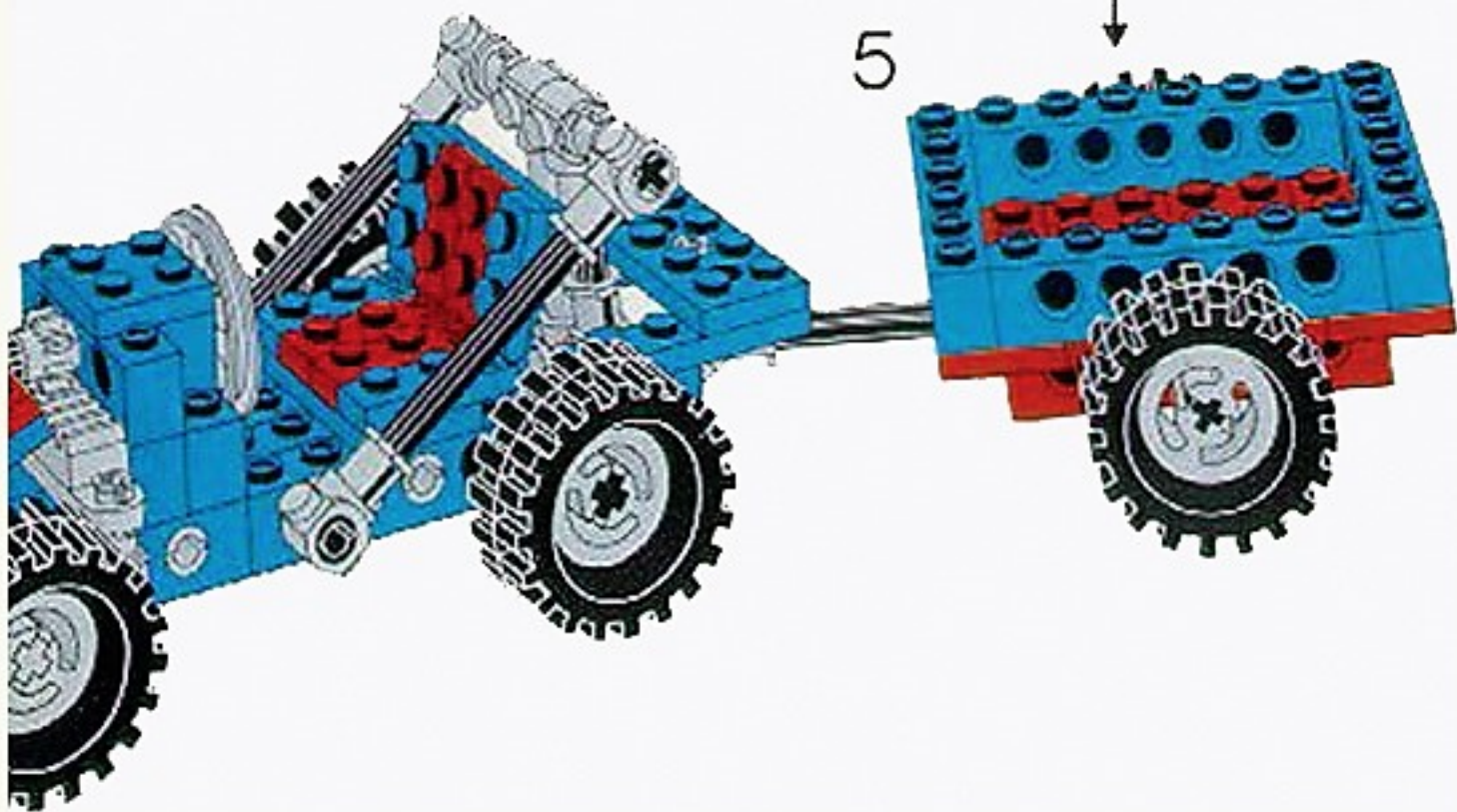
3

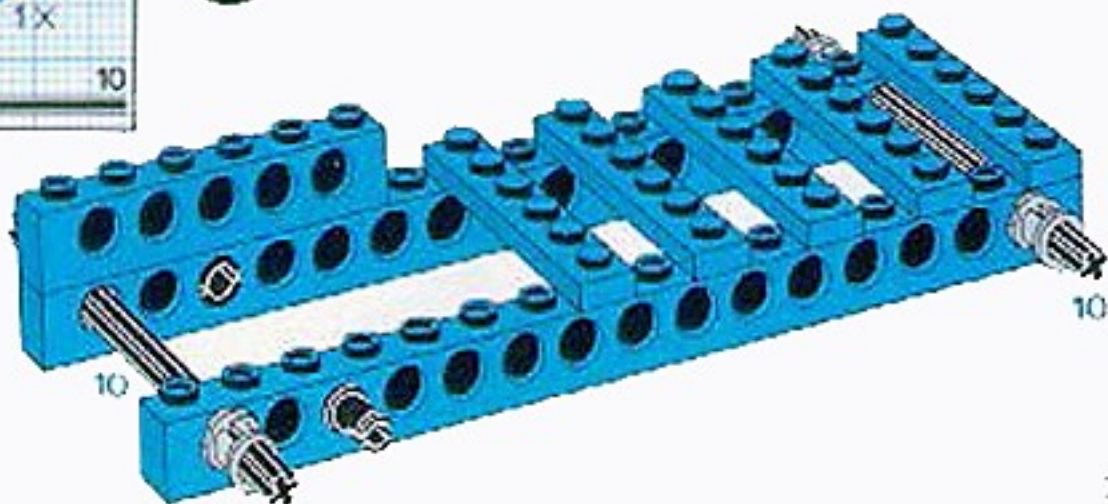
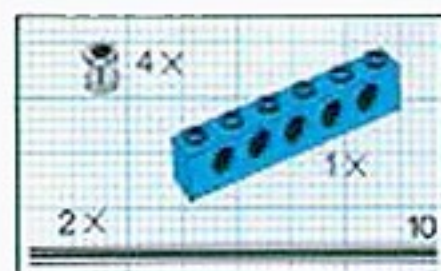
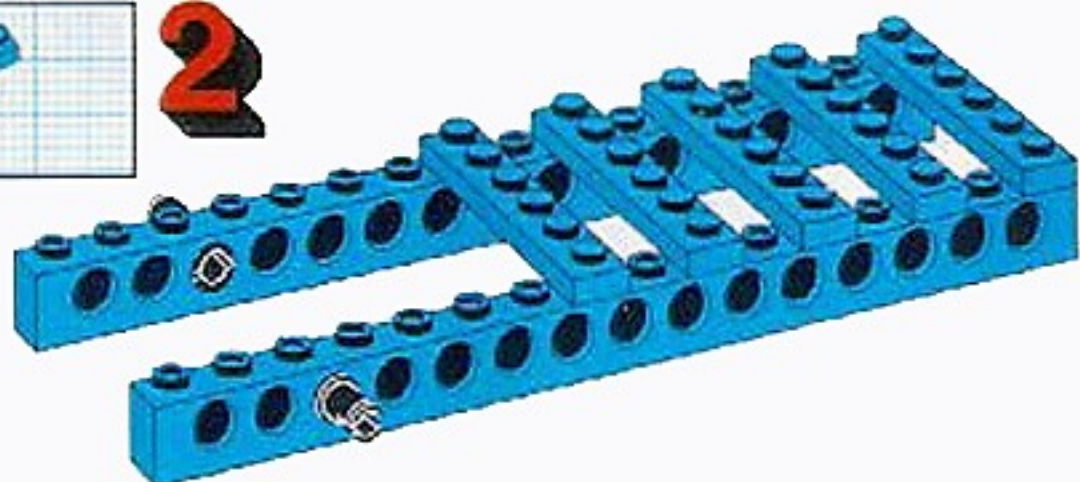
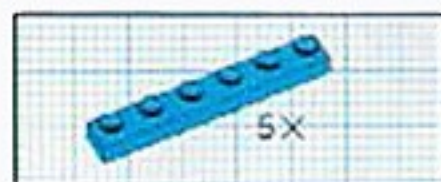
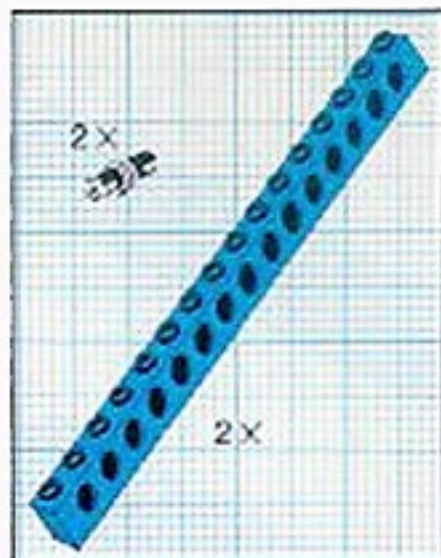


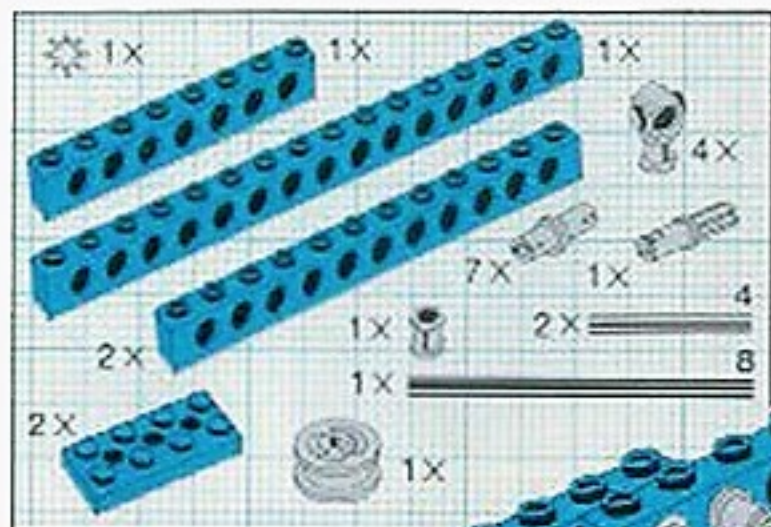
4



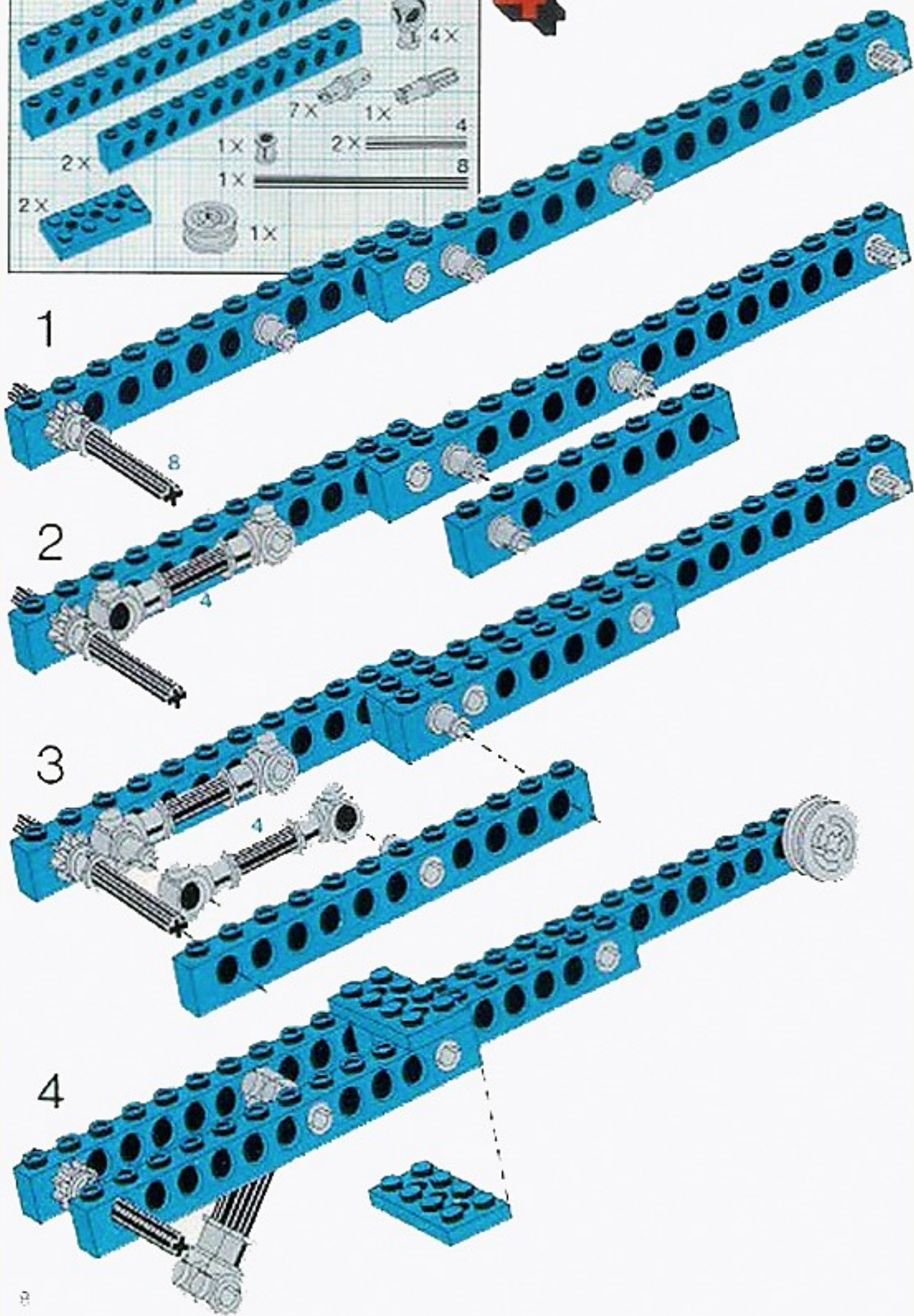
5







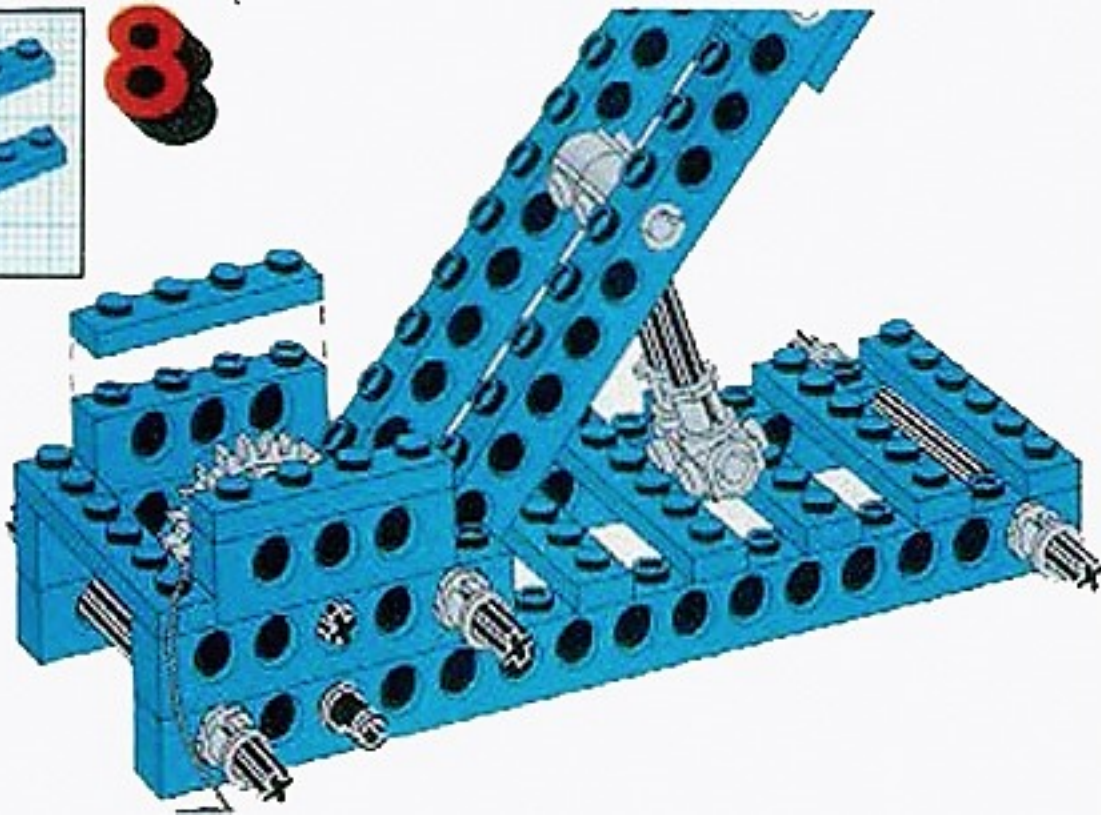
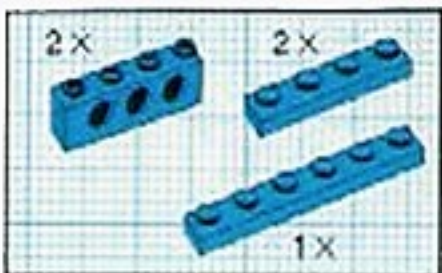
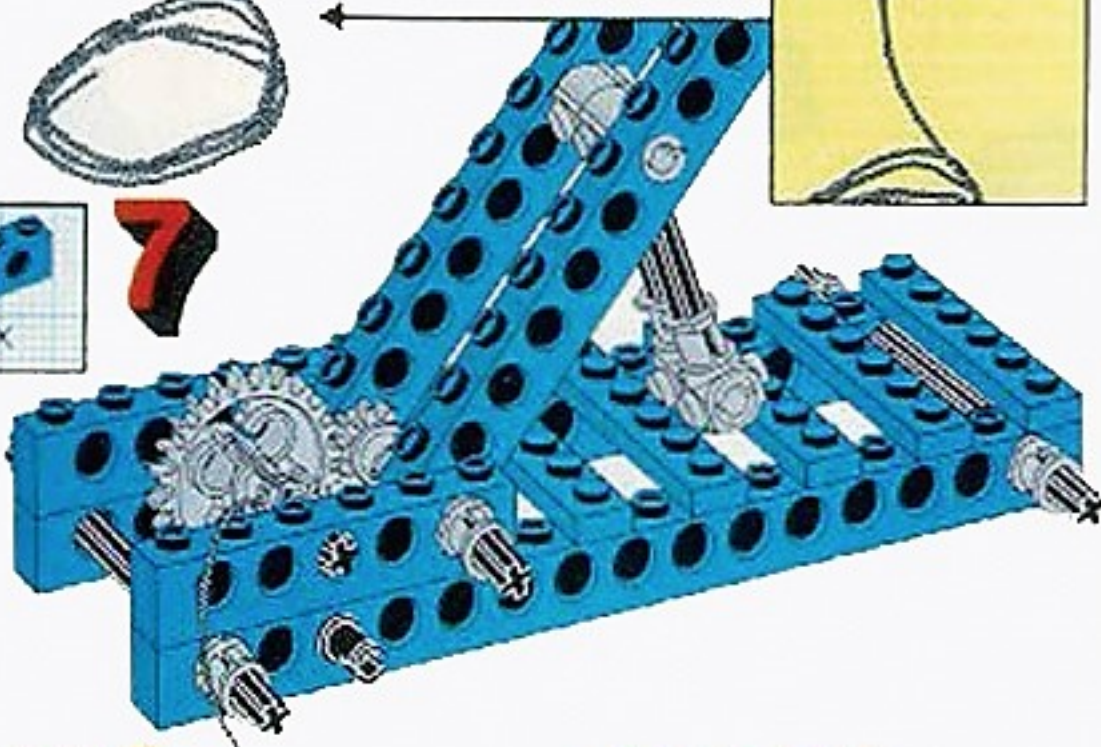
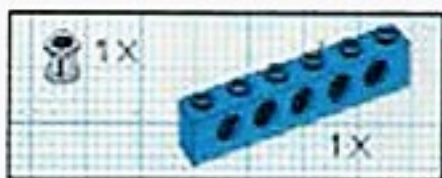
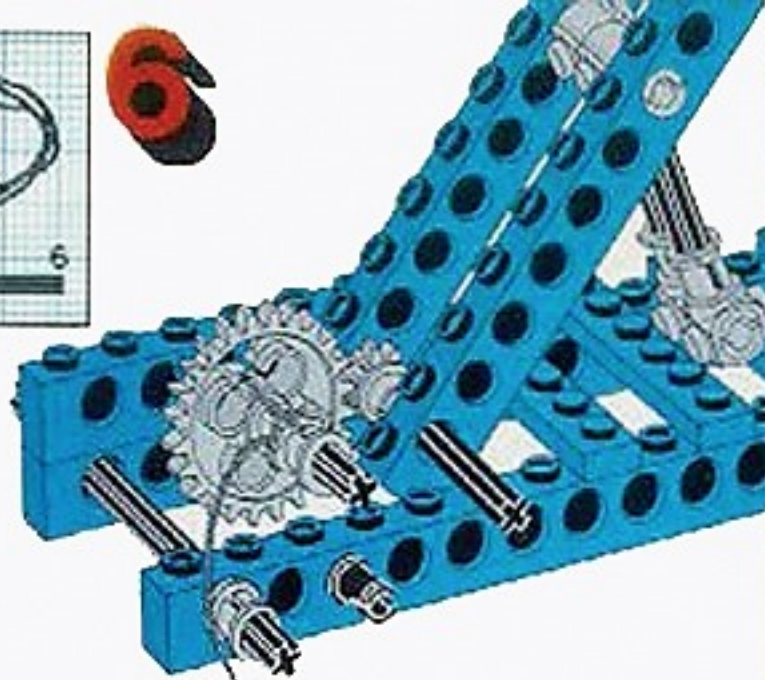
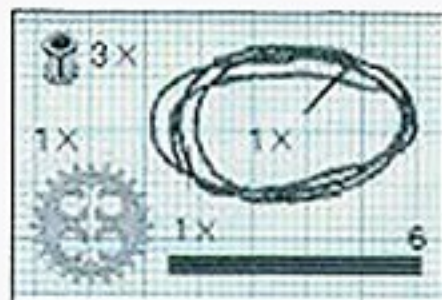
4

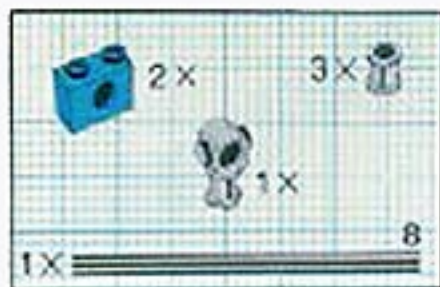




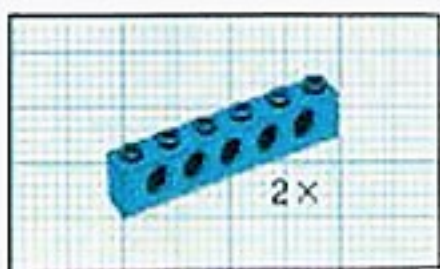
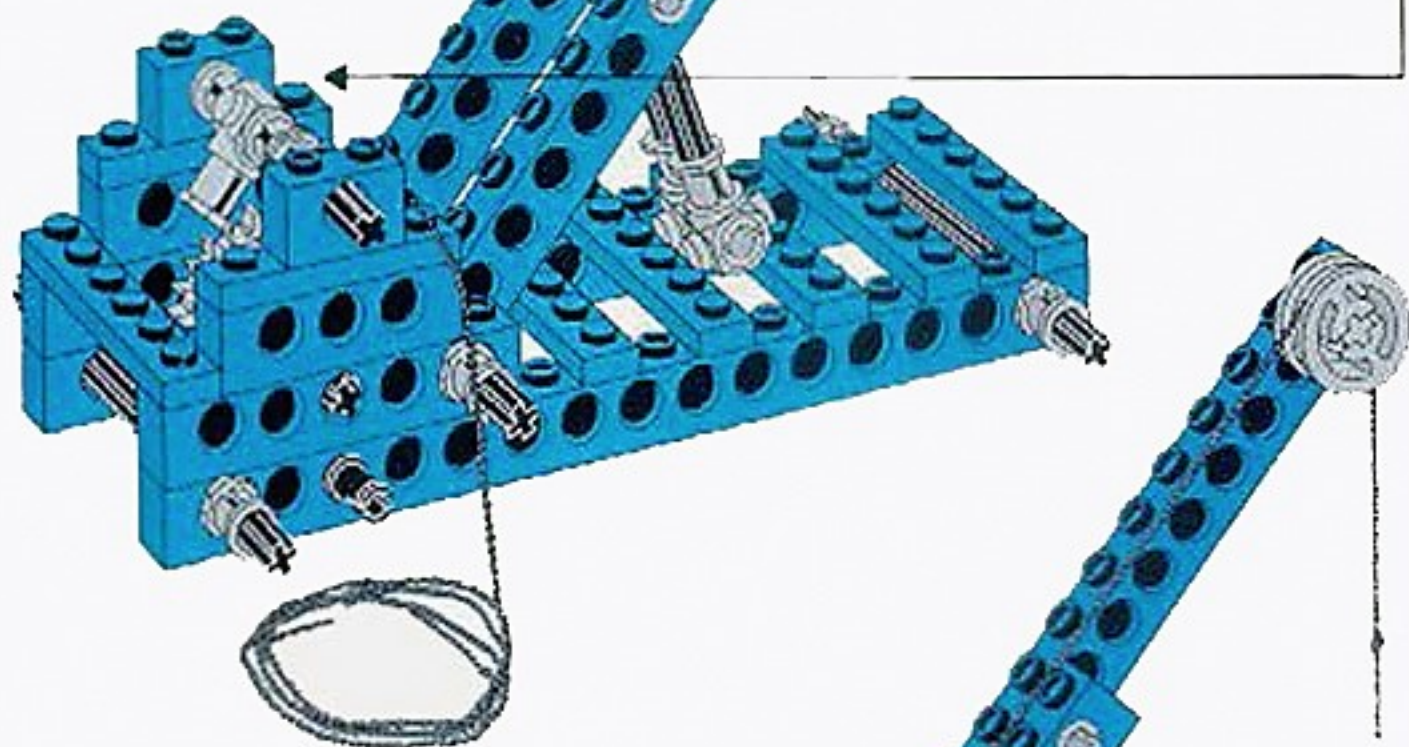
5



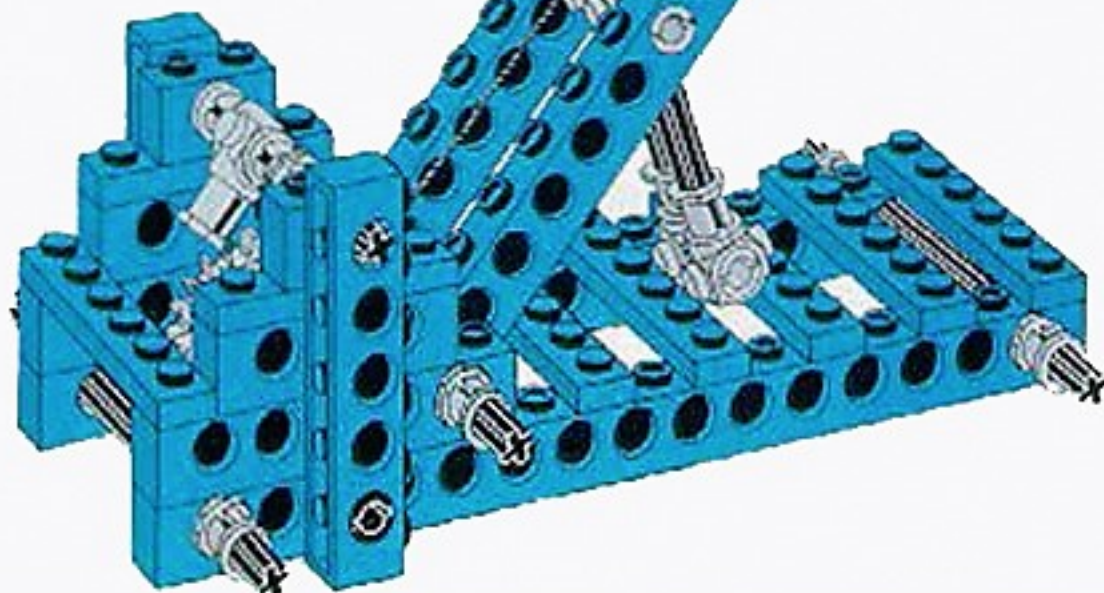


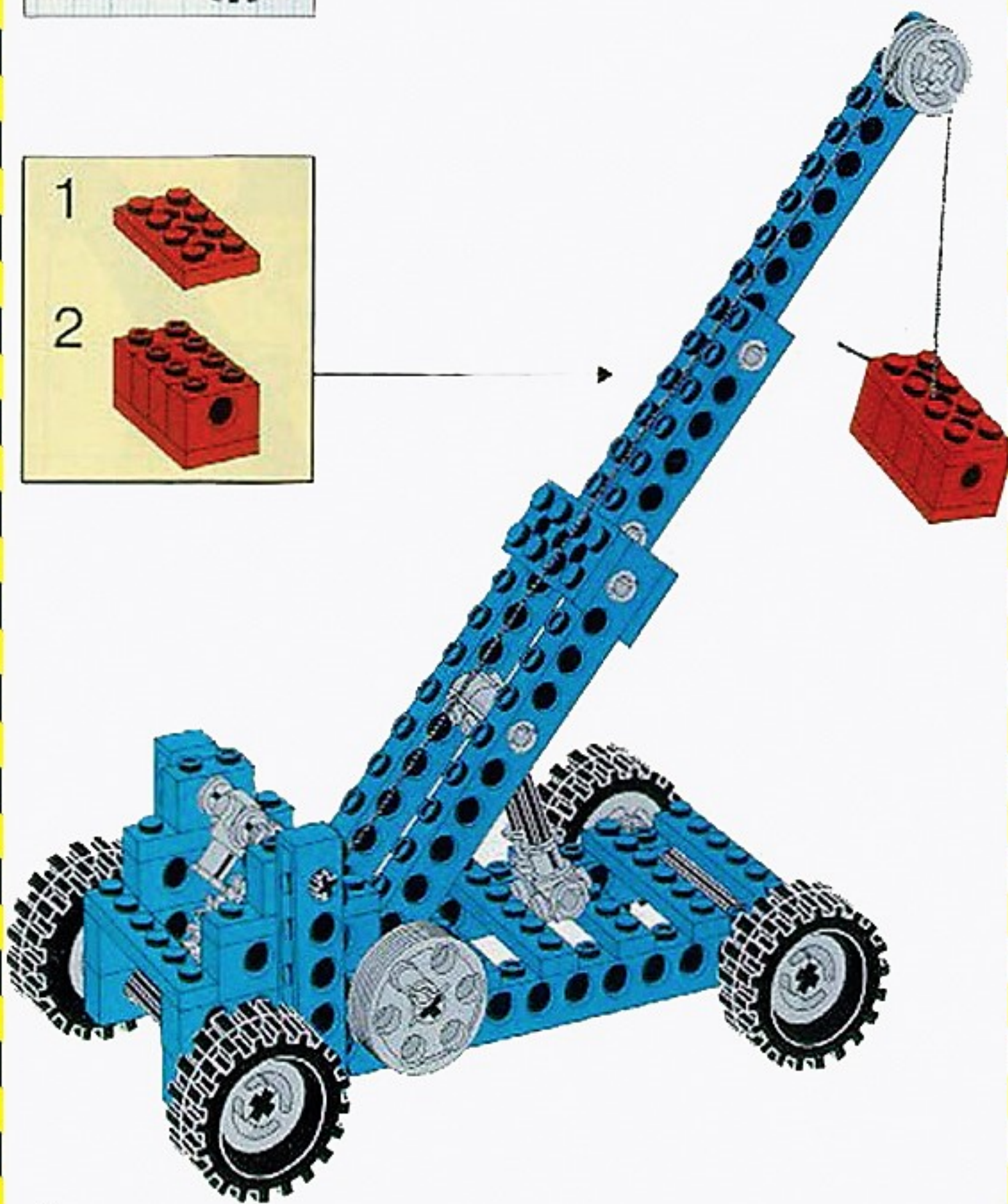
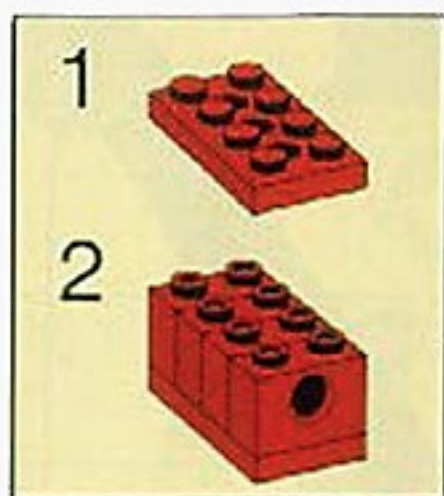


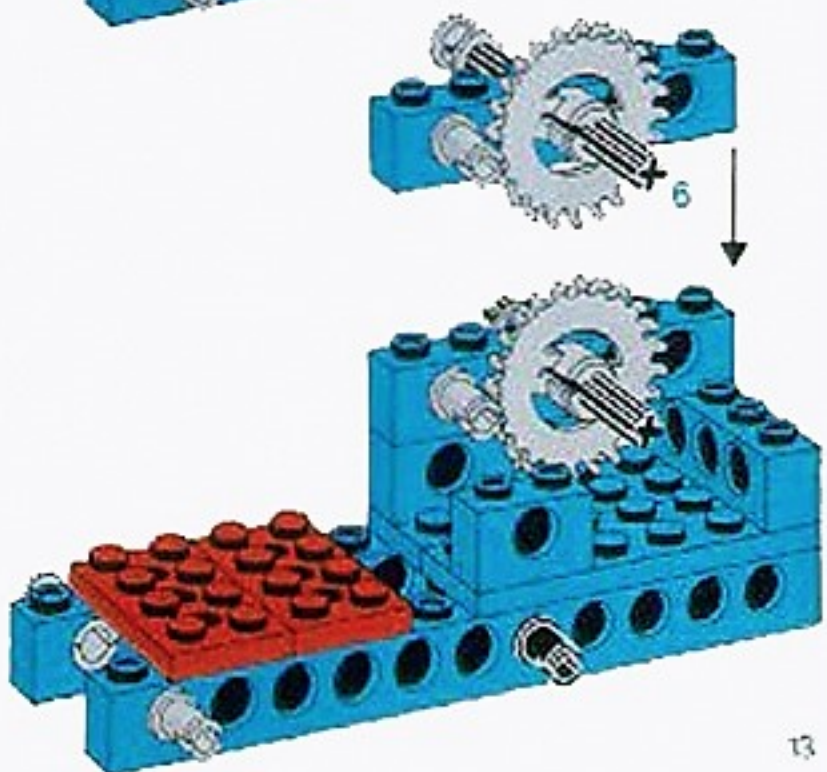
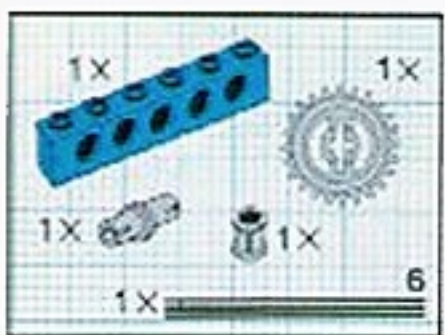
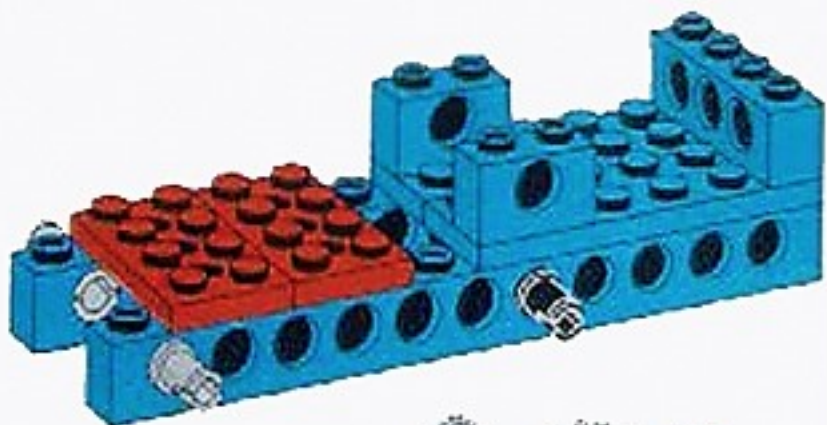
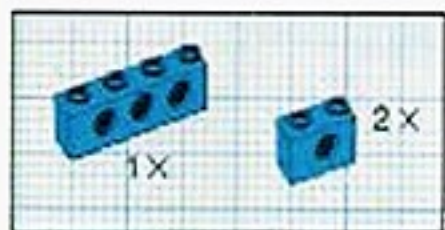
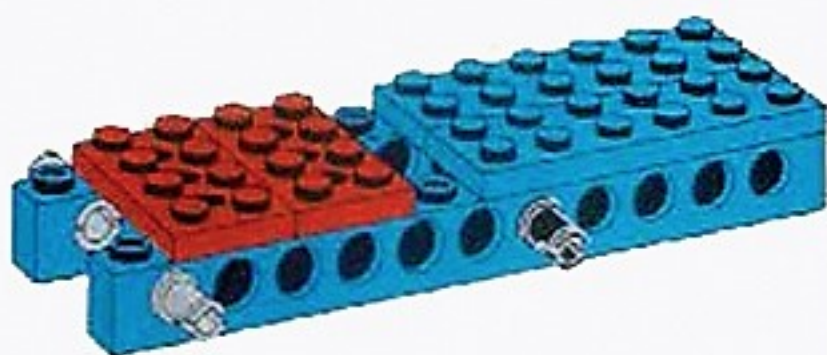
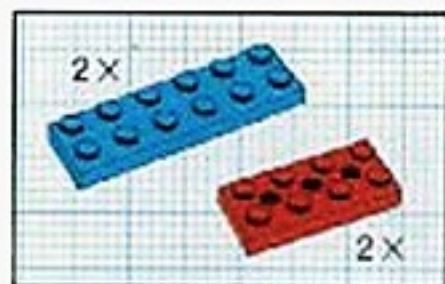
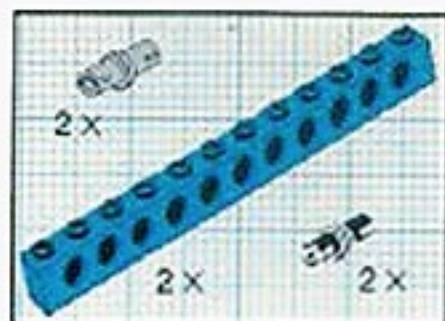
9

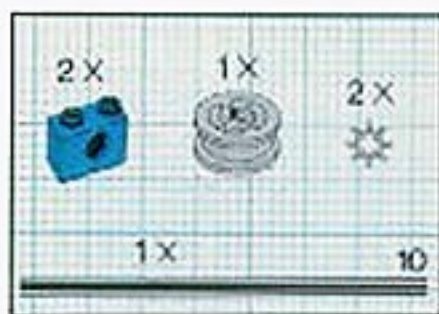


10

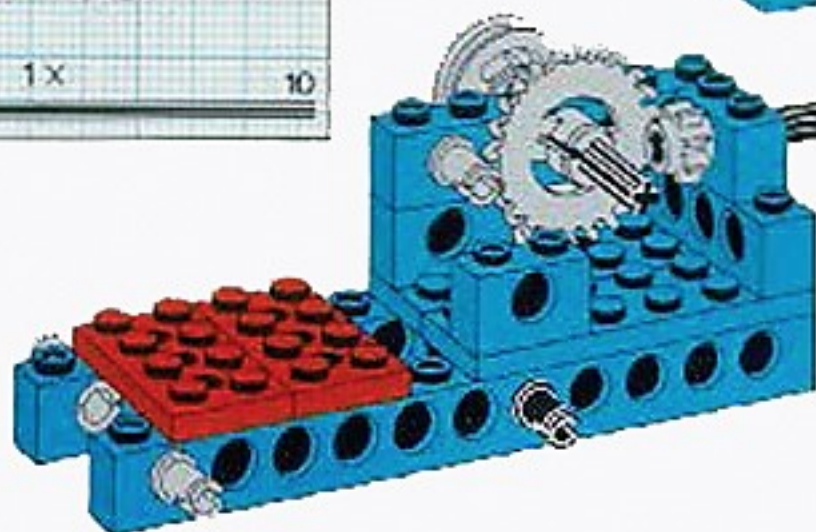
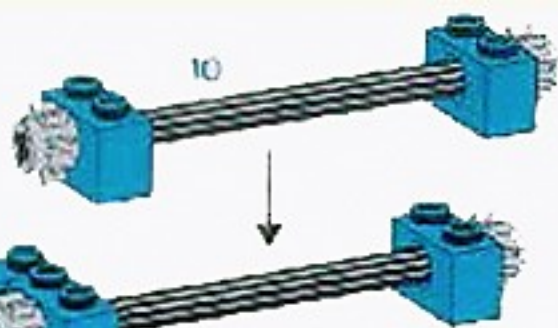




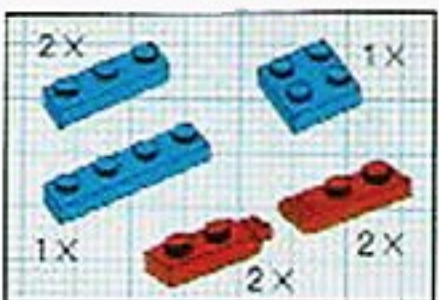
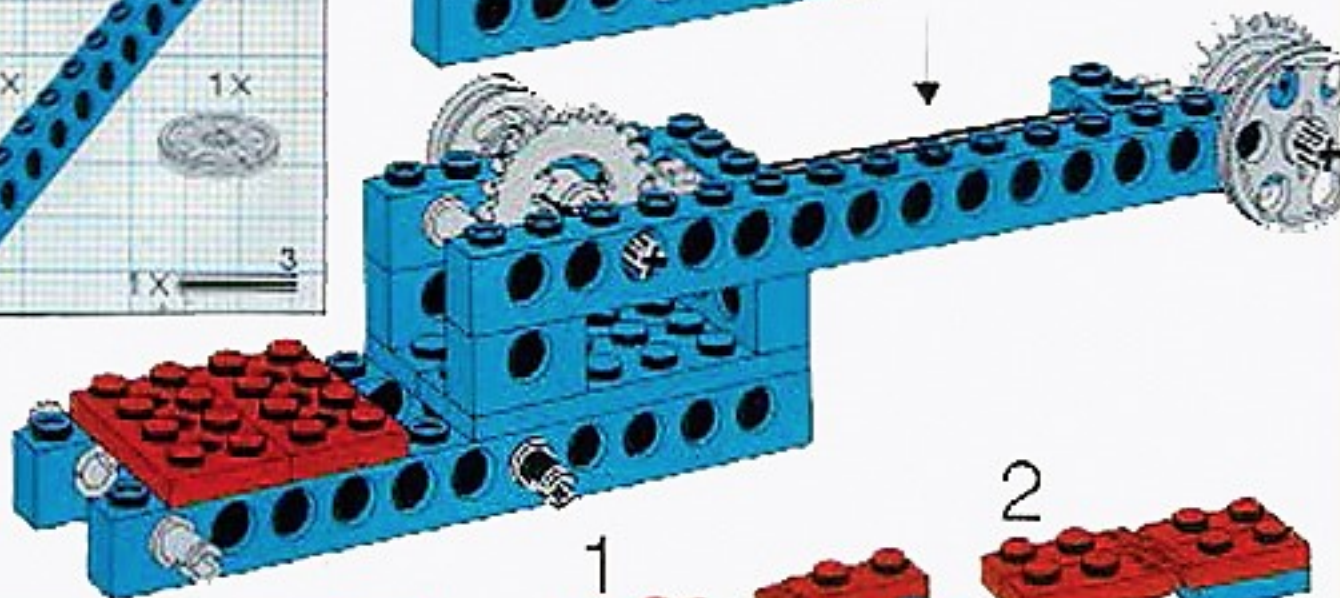




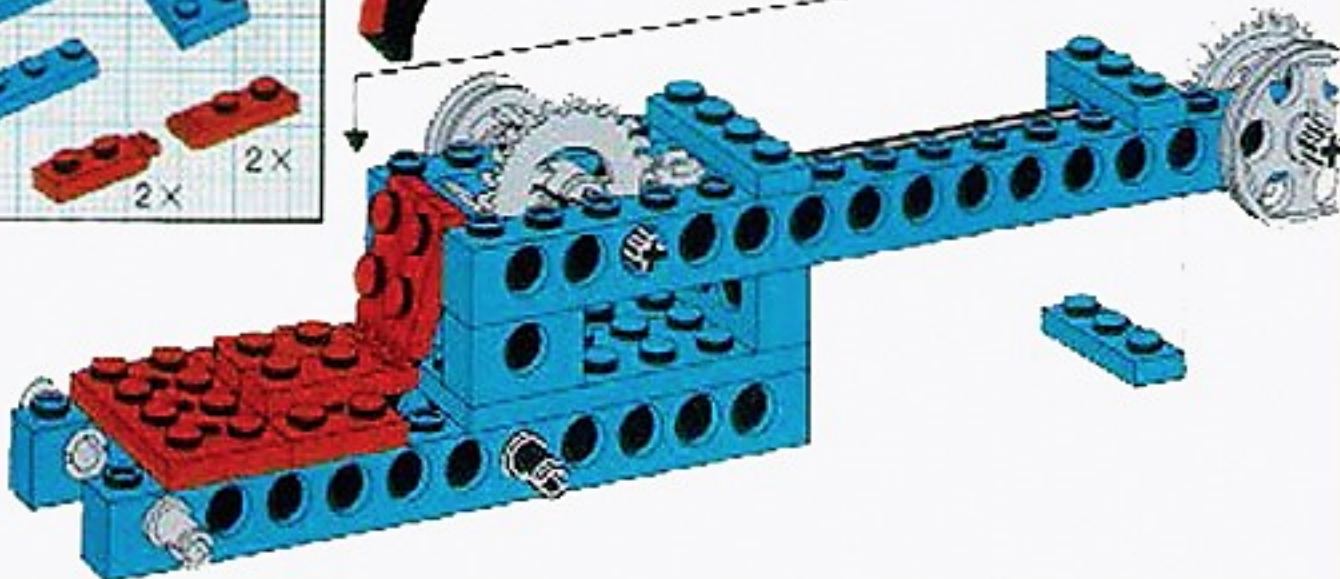
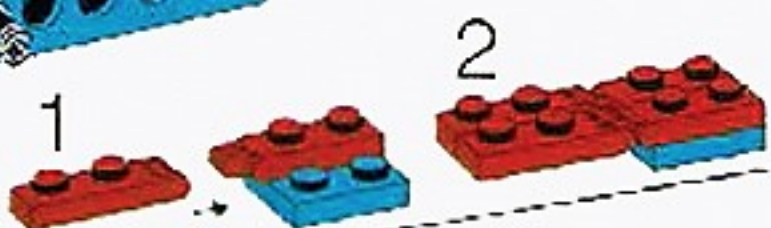
5

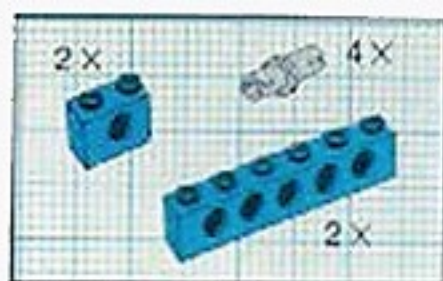


6

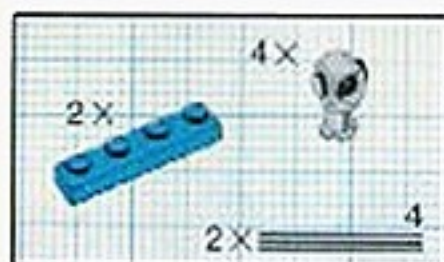
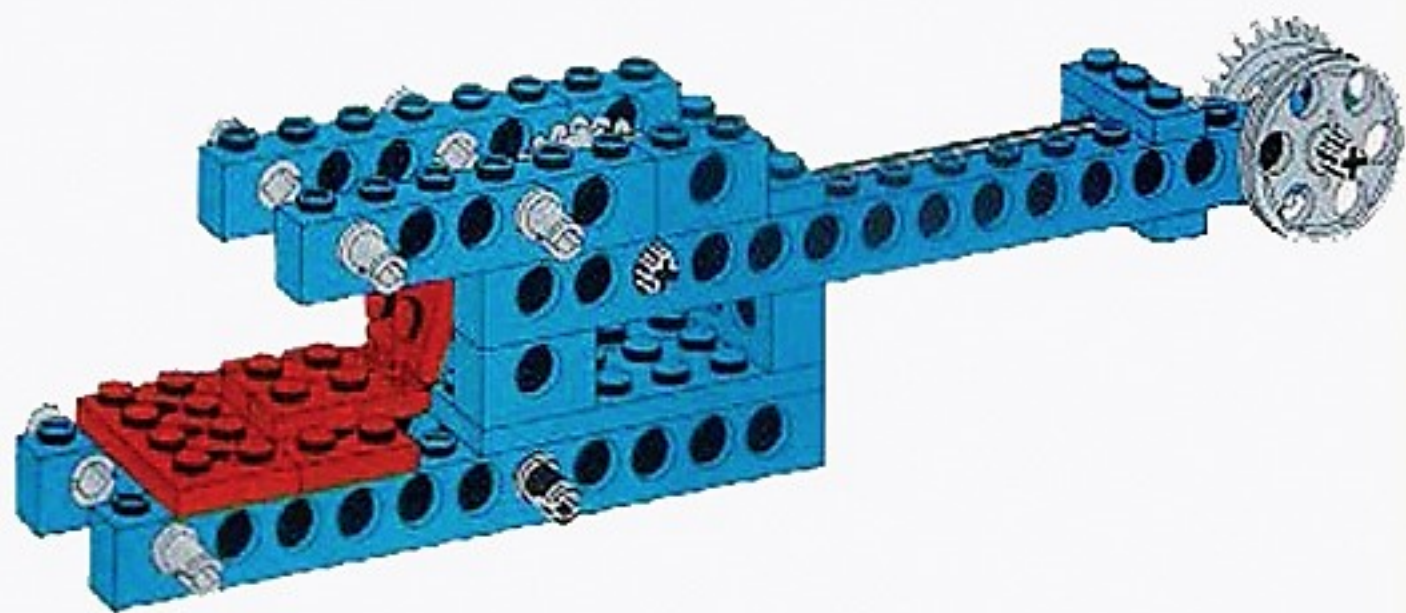


7

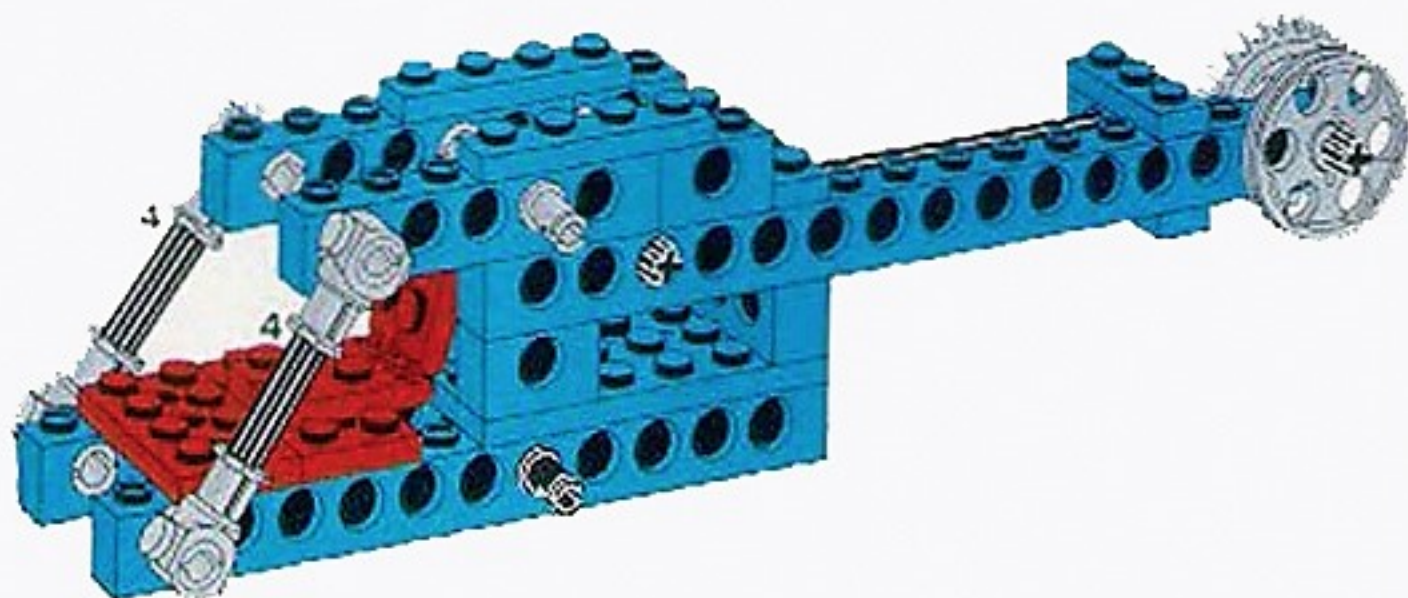


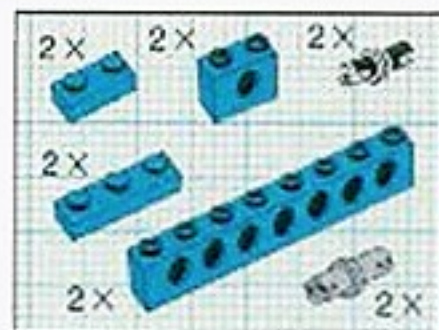


8

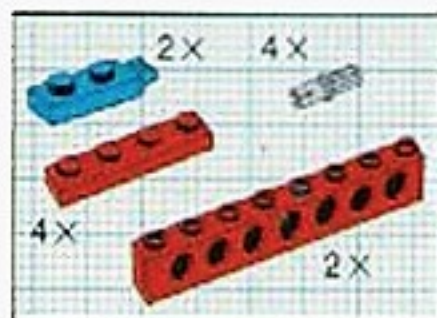
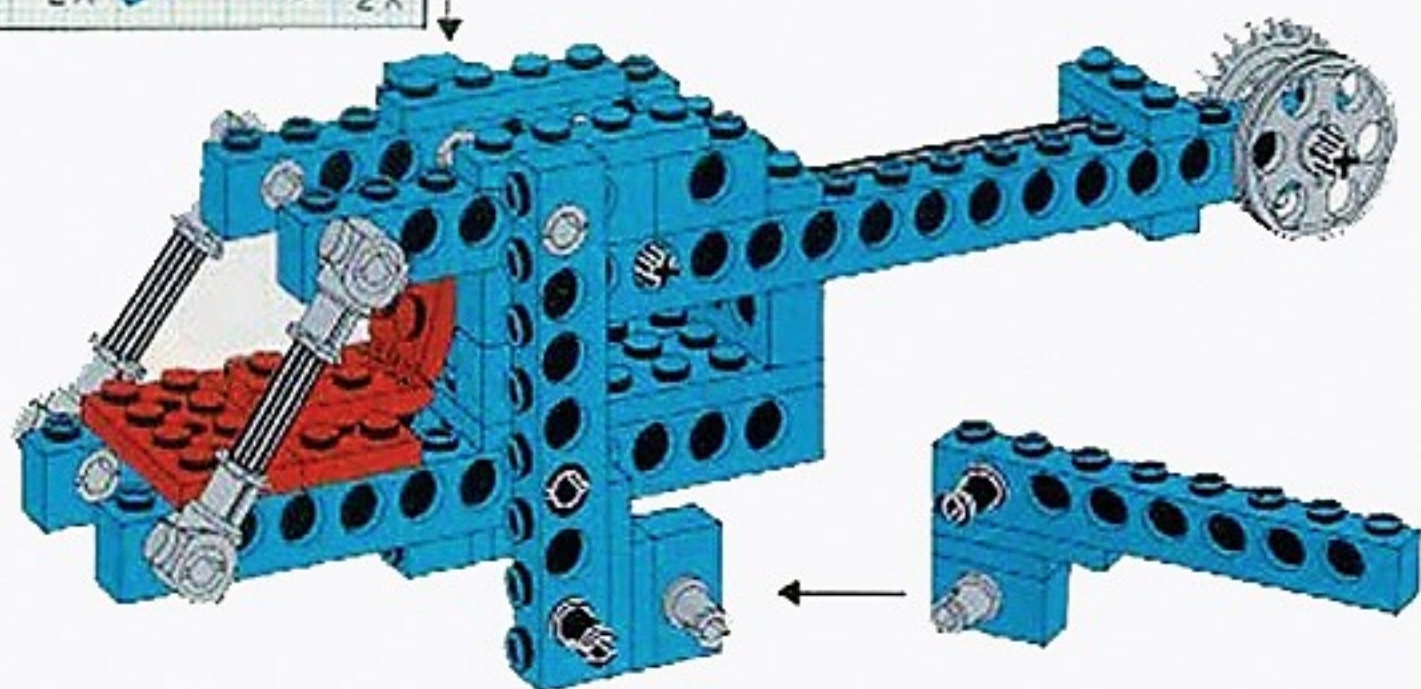


9

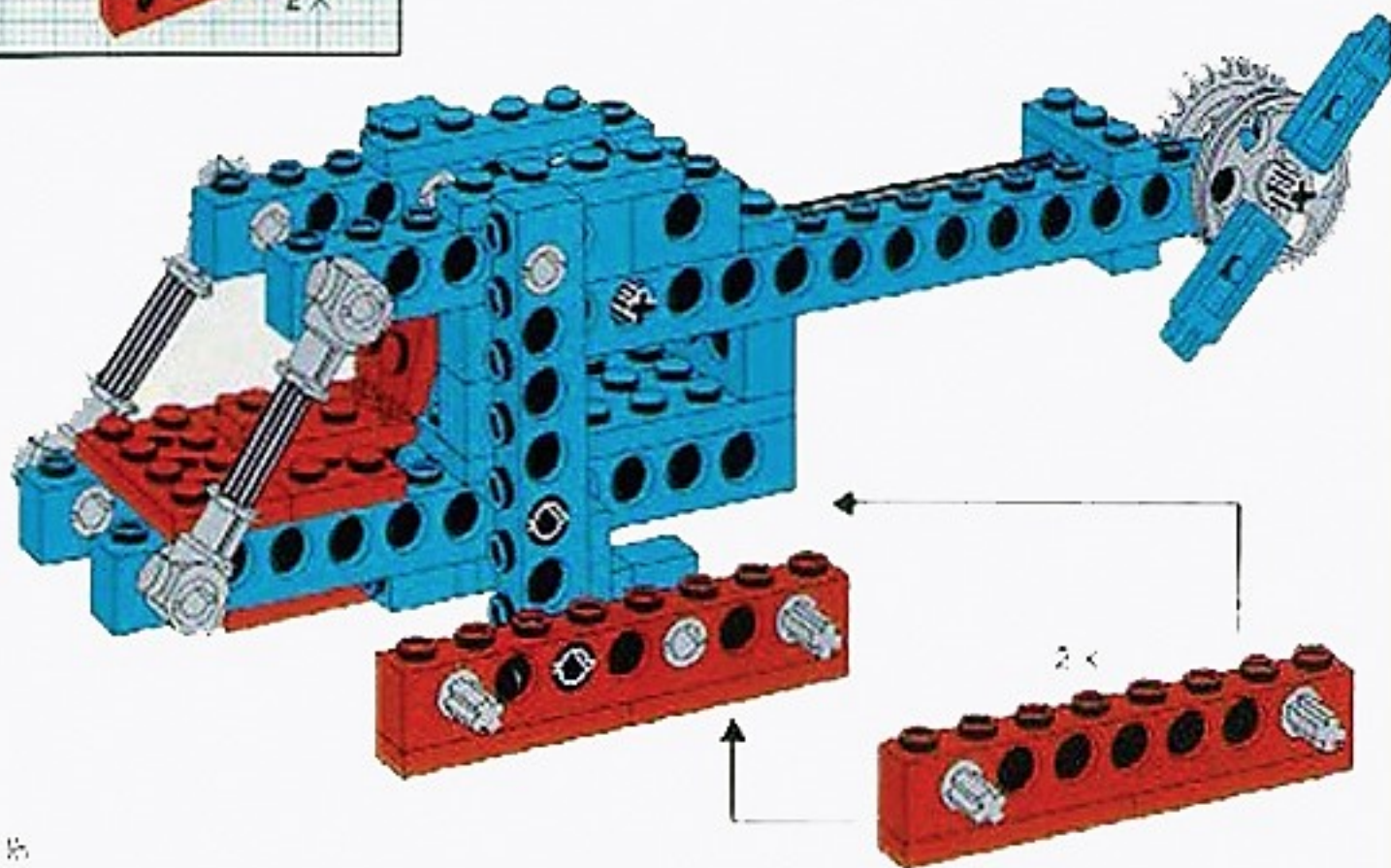




10

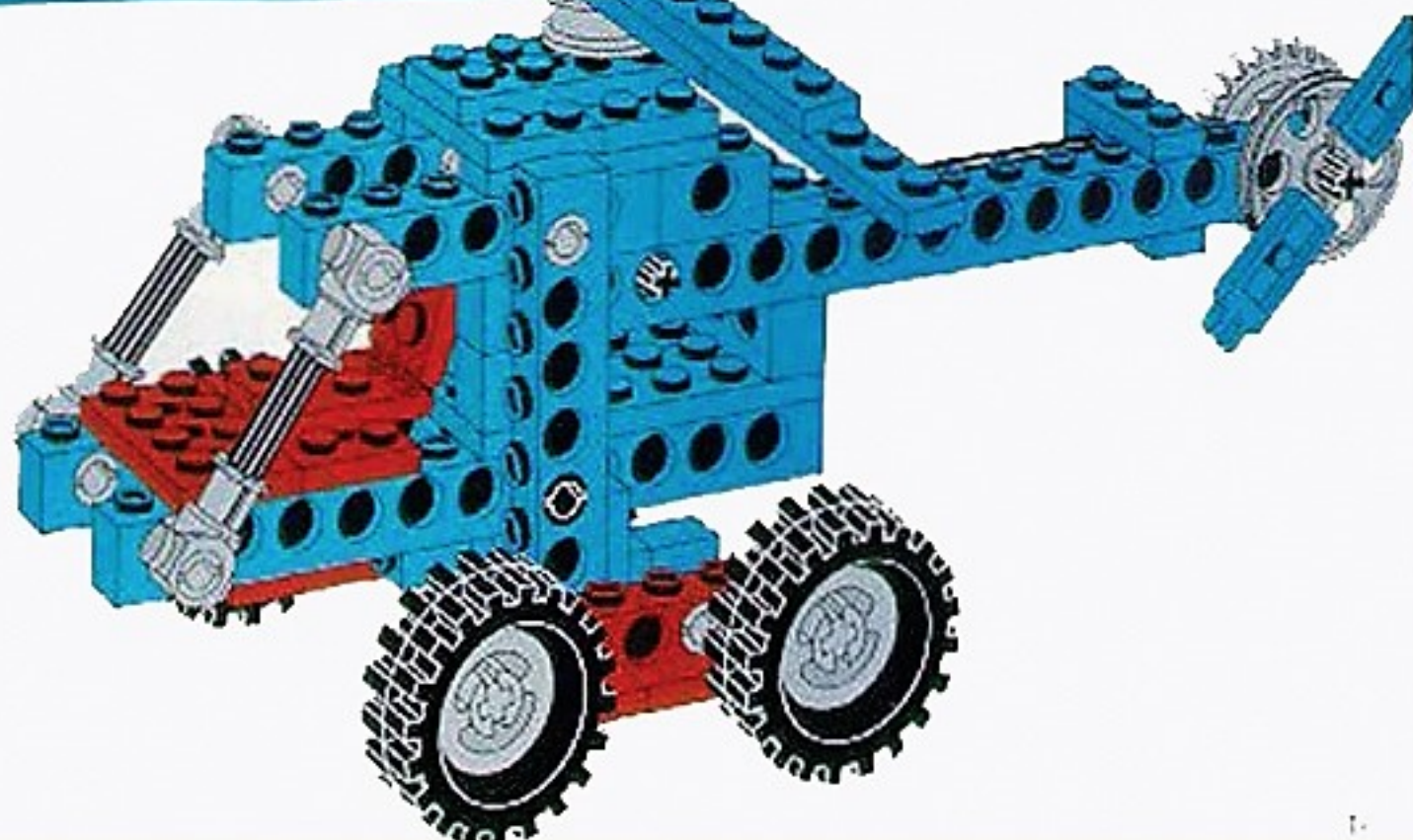
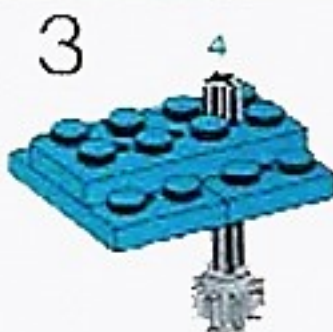
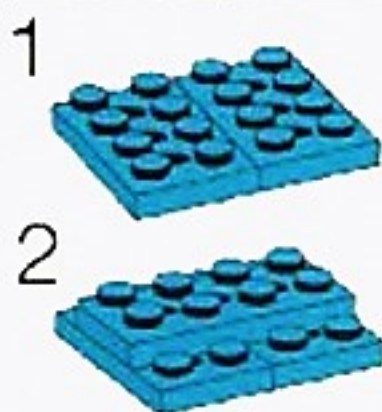
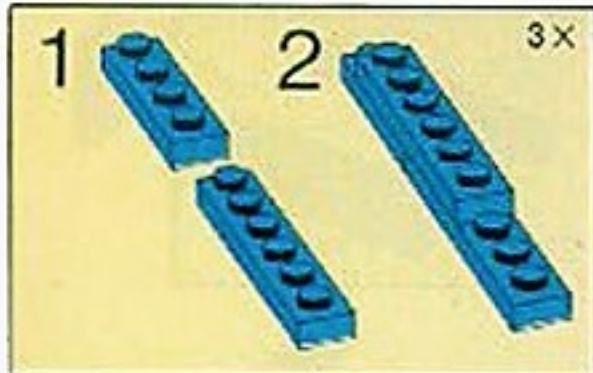


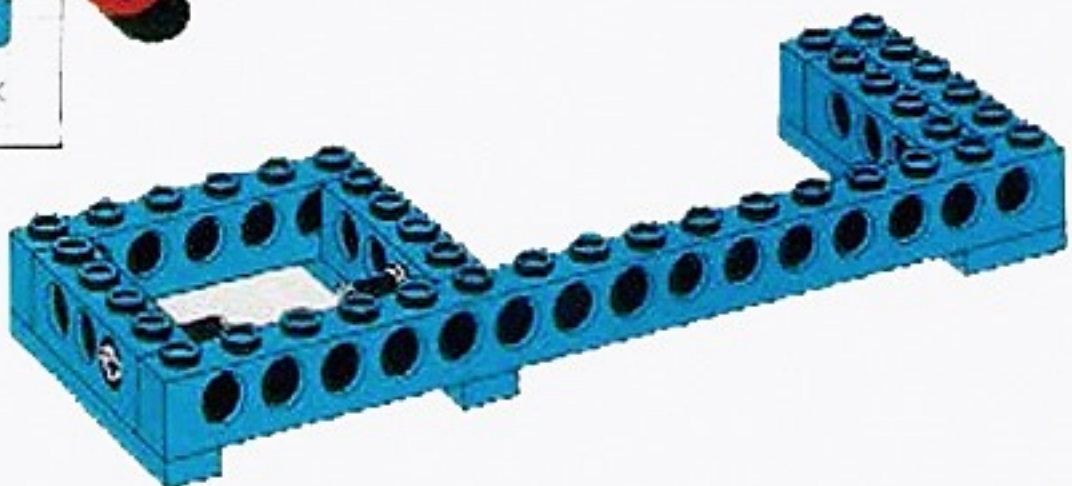
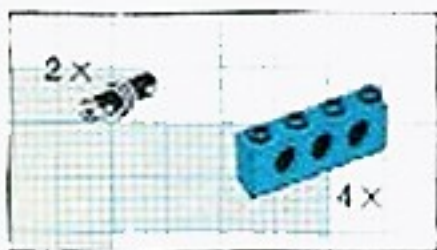
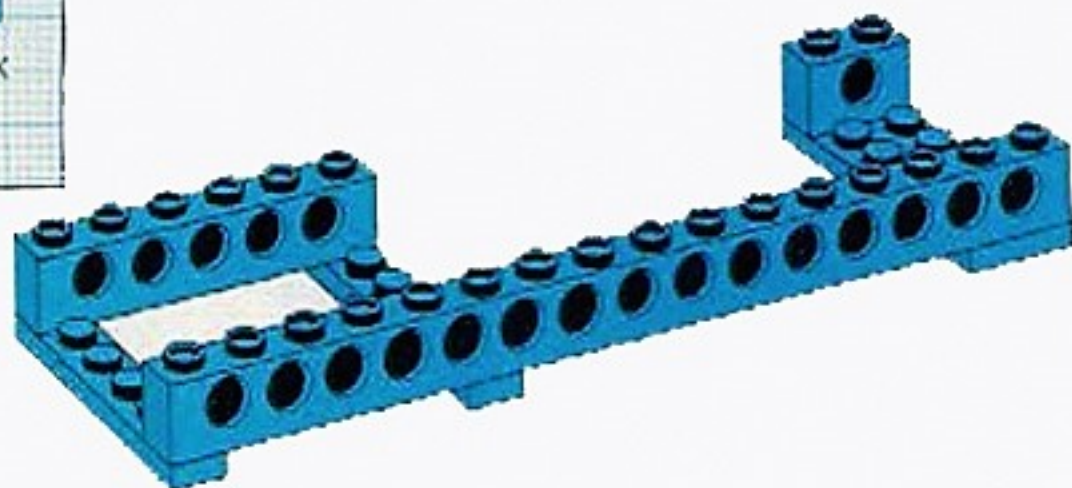
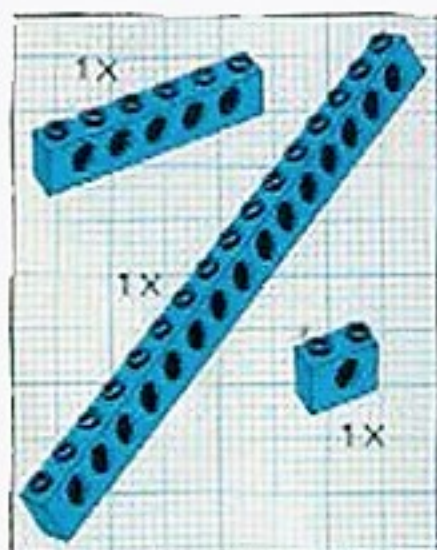
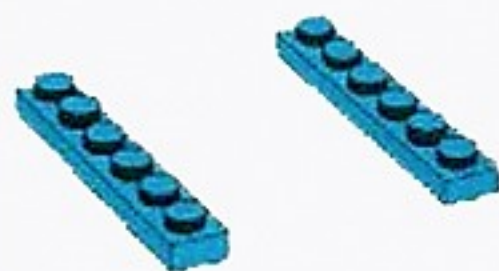
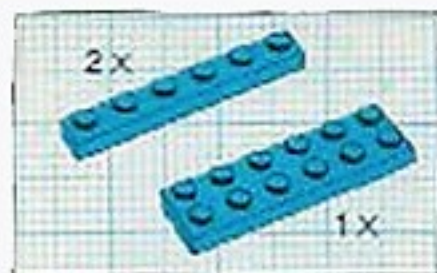
11

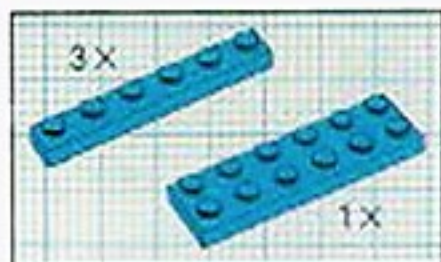




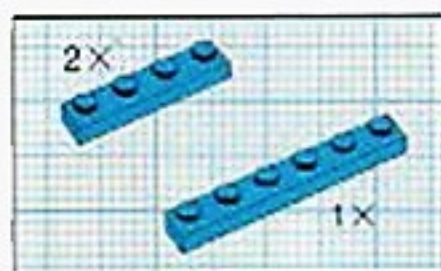
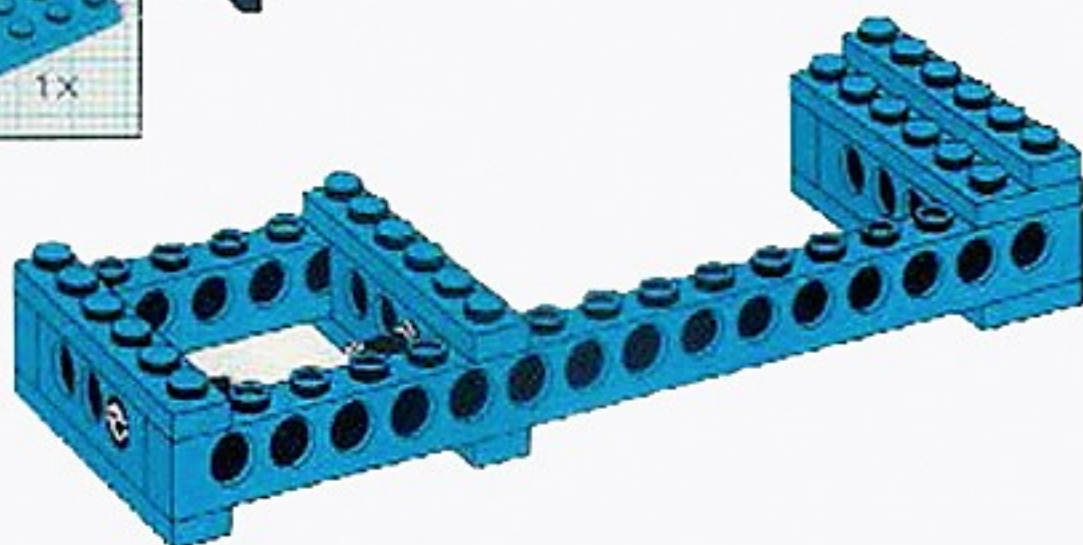
# 12



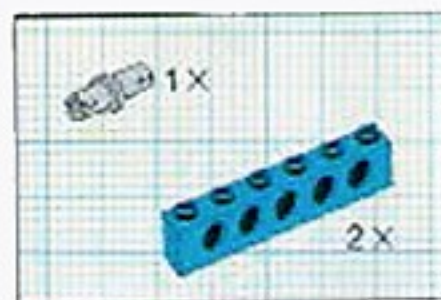
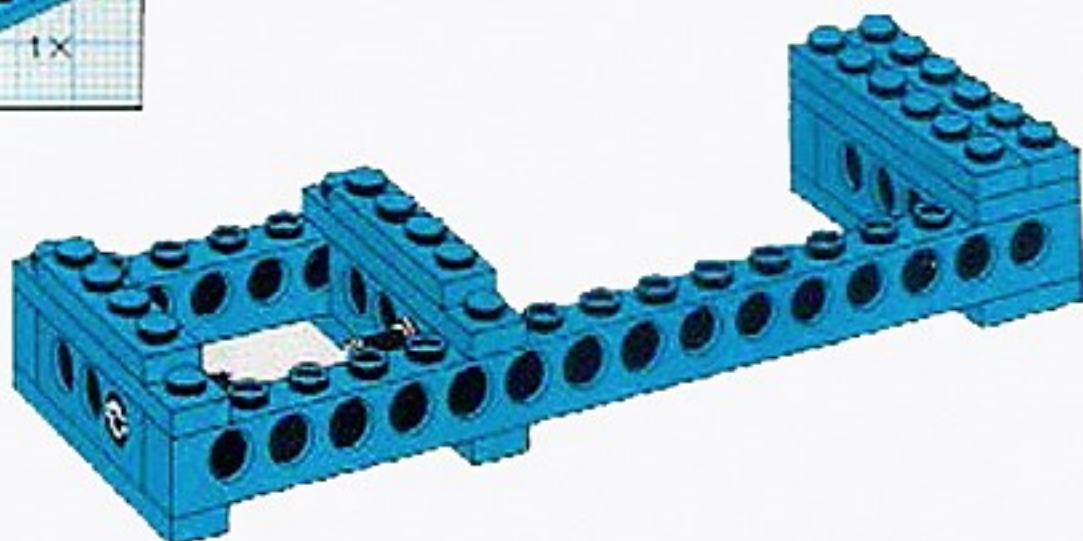




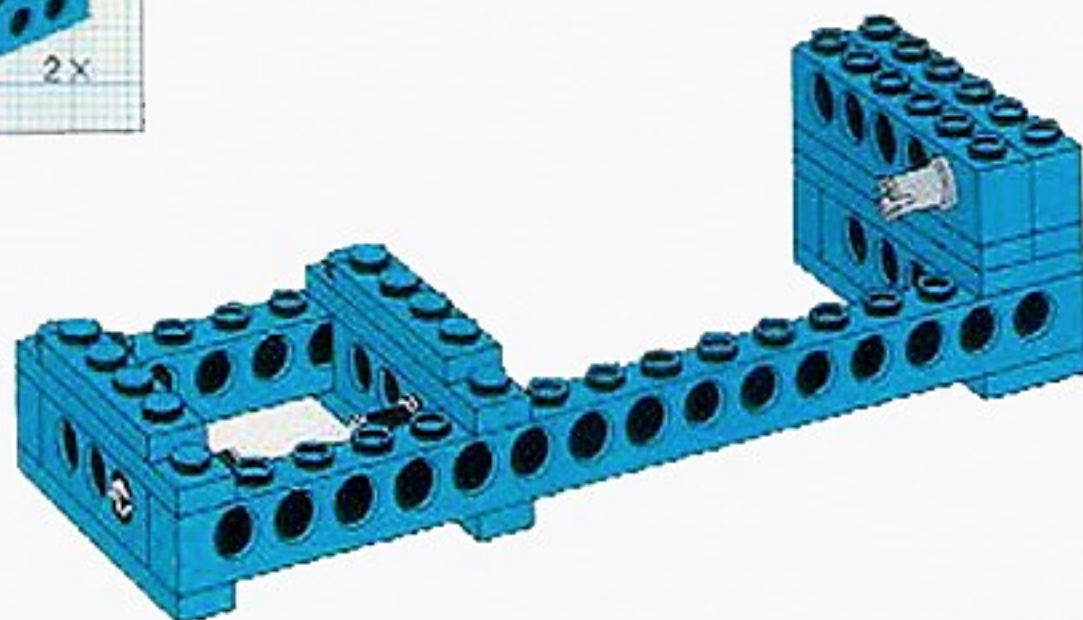
4

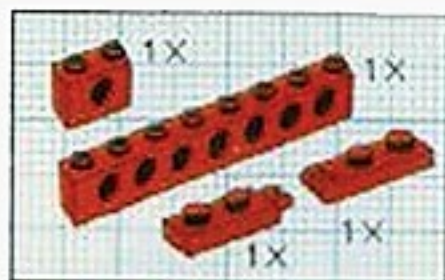


5



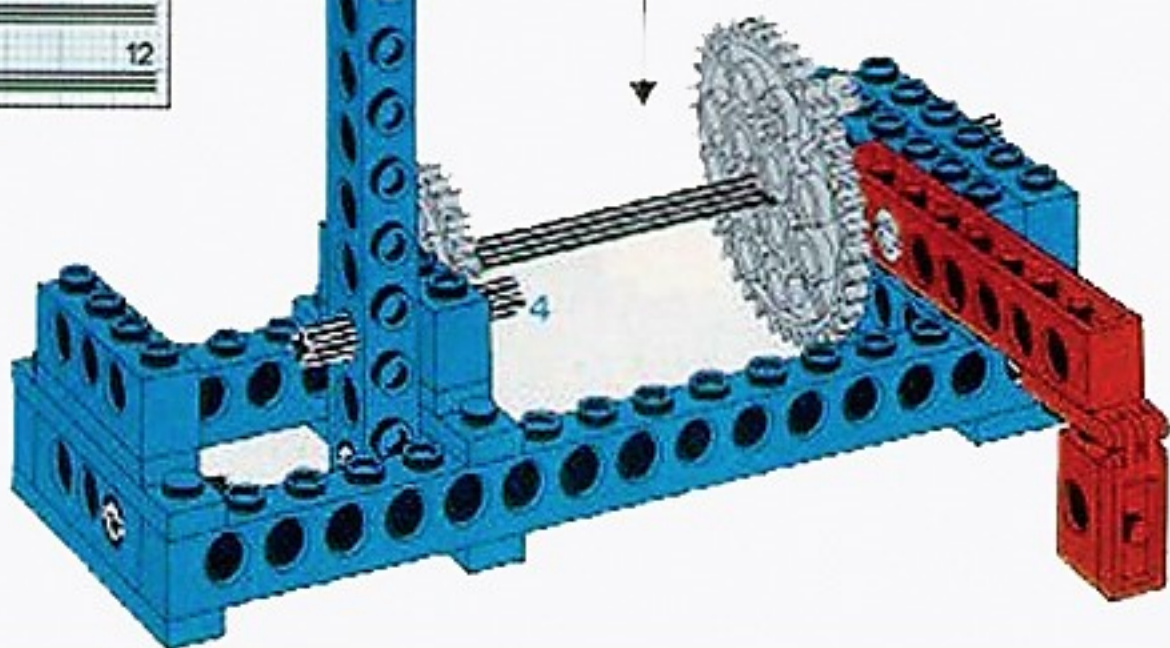
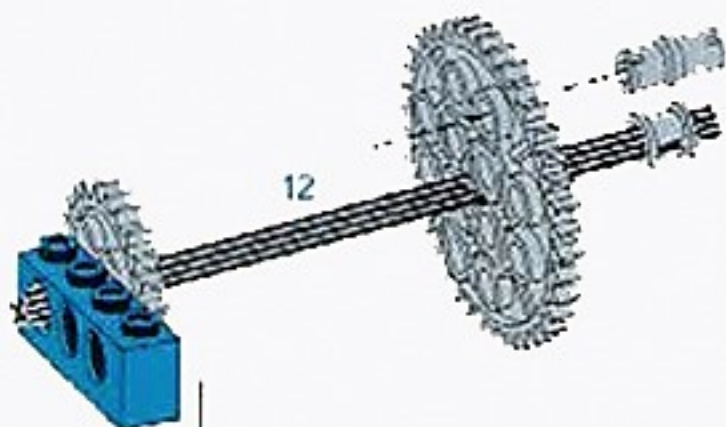
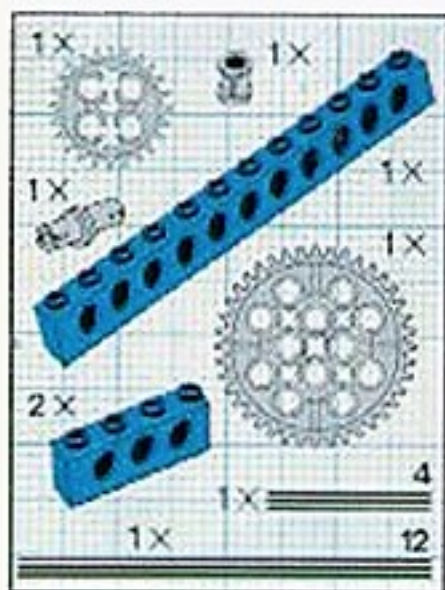
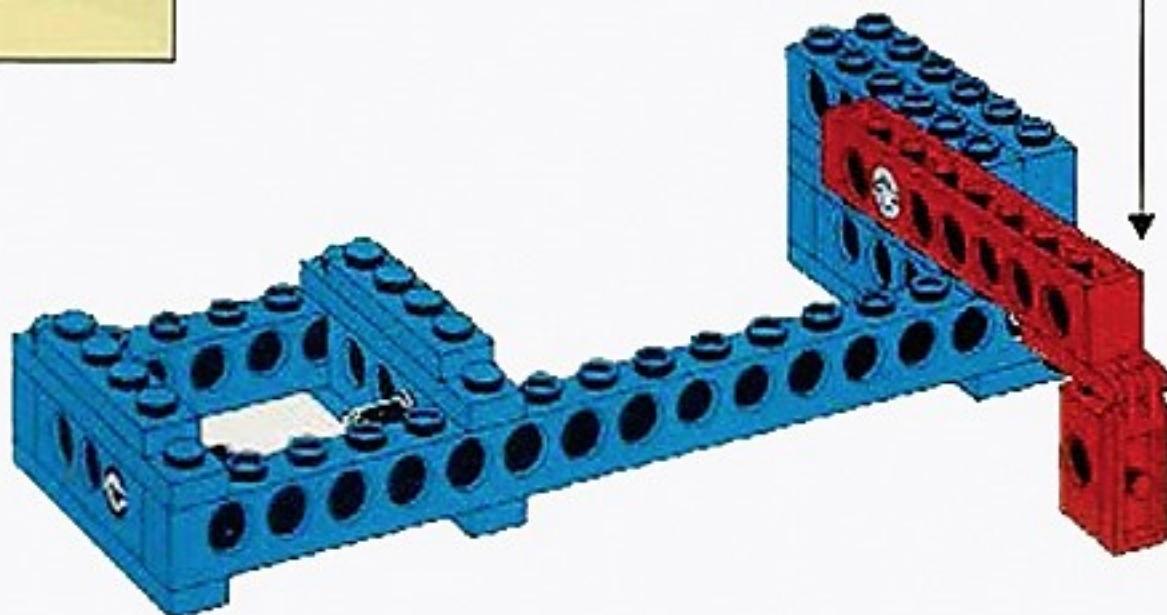
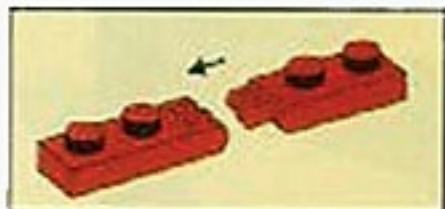
6





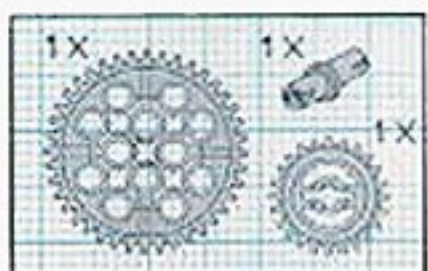
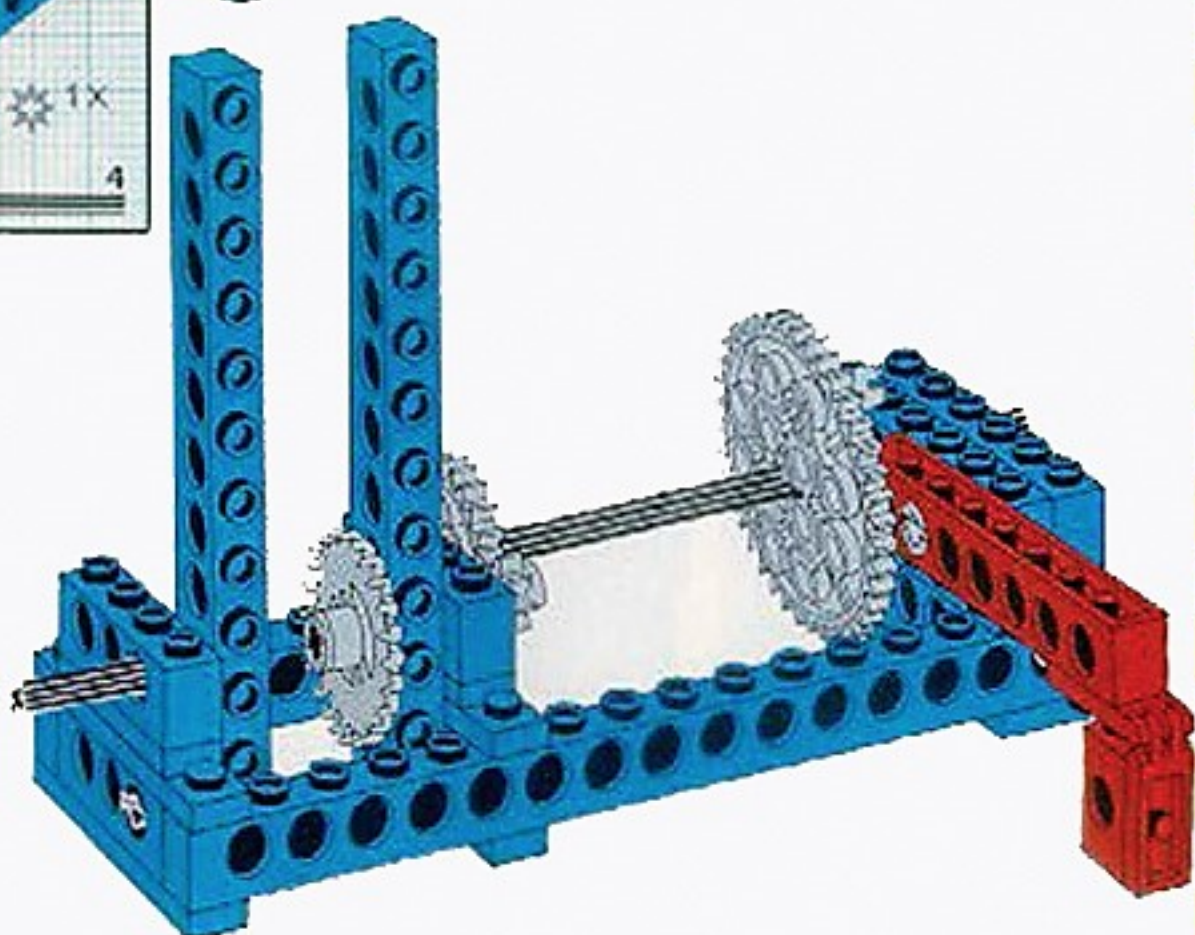
1

2

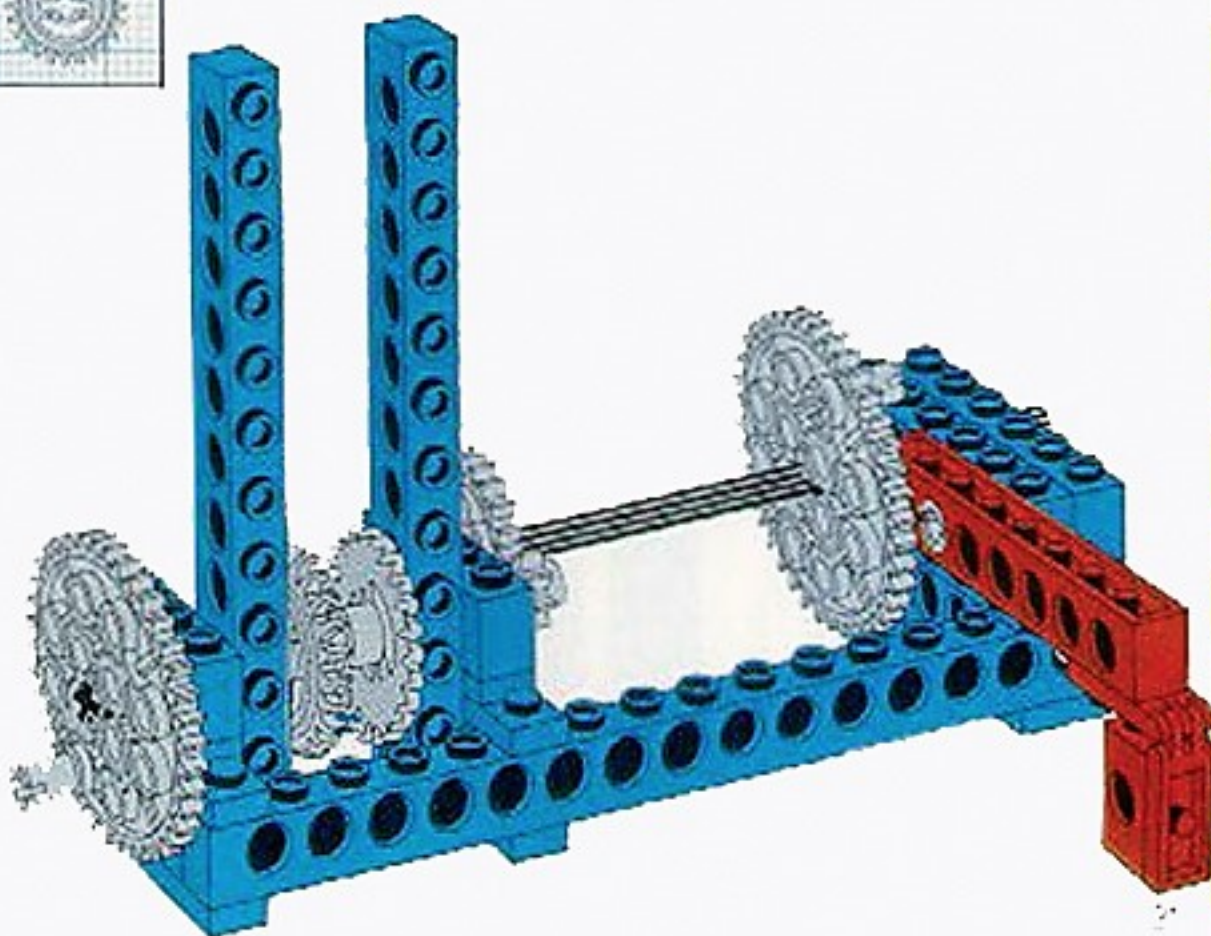


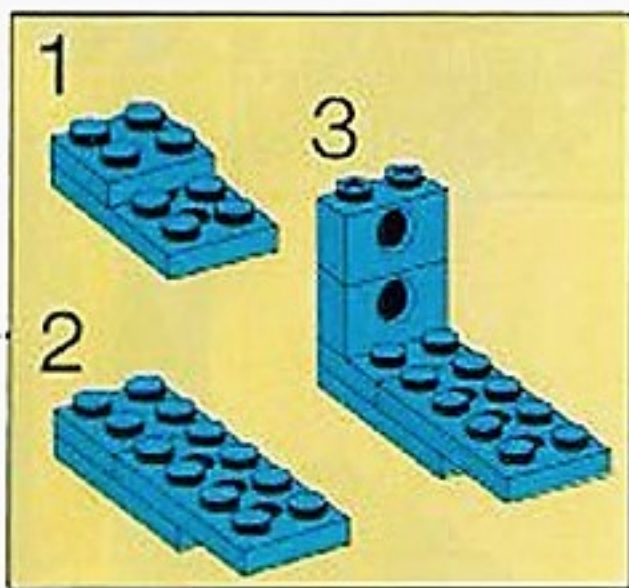
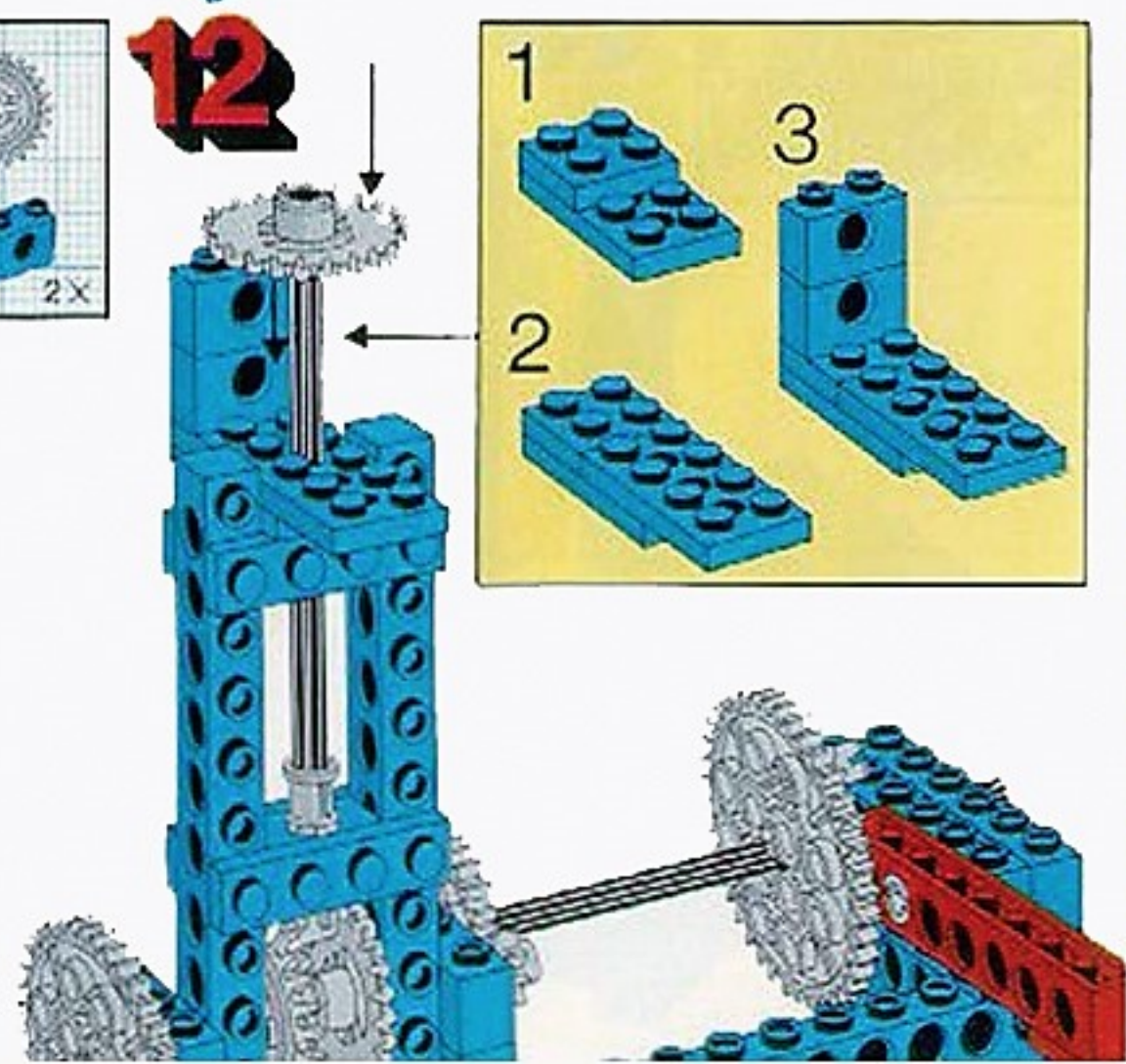
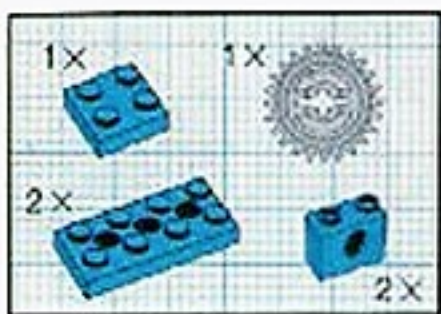
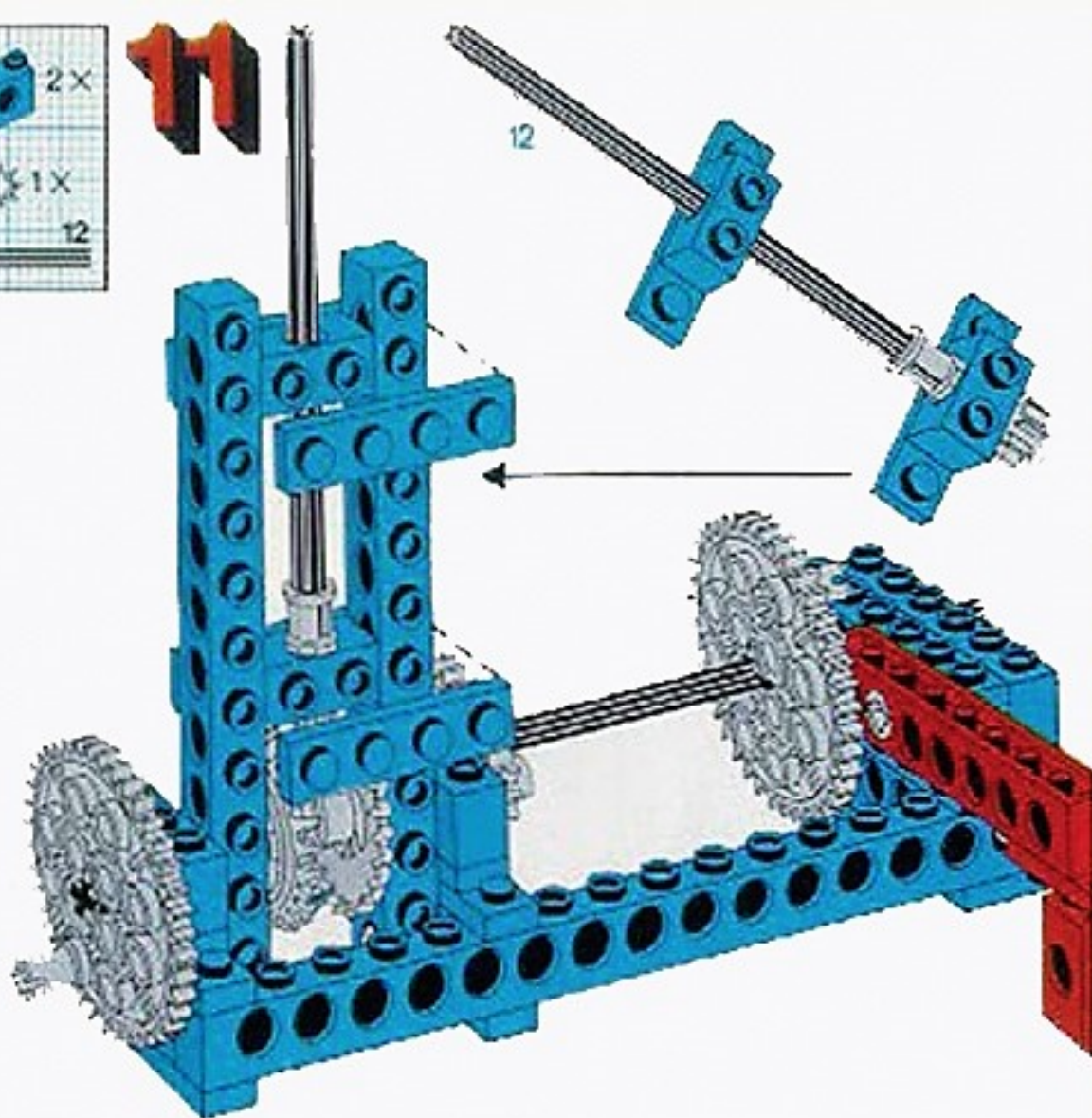
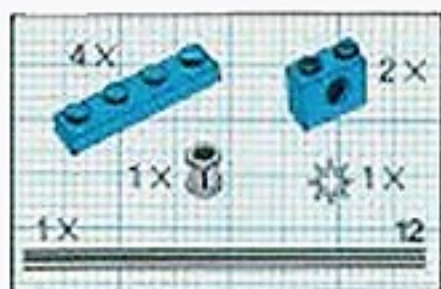


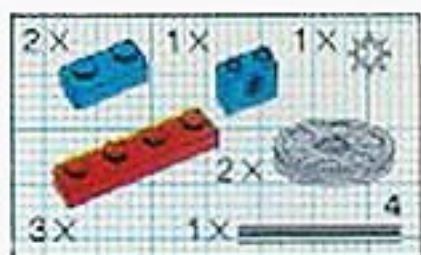
9



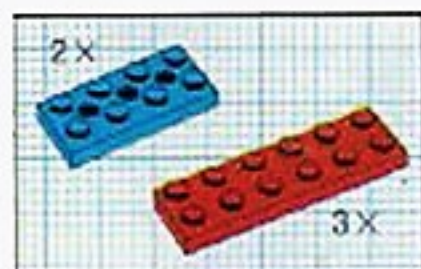
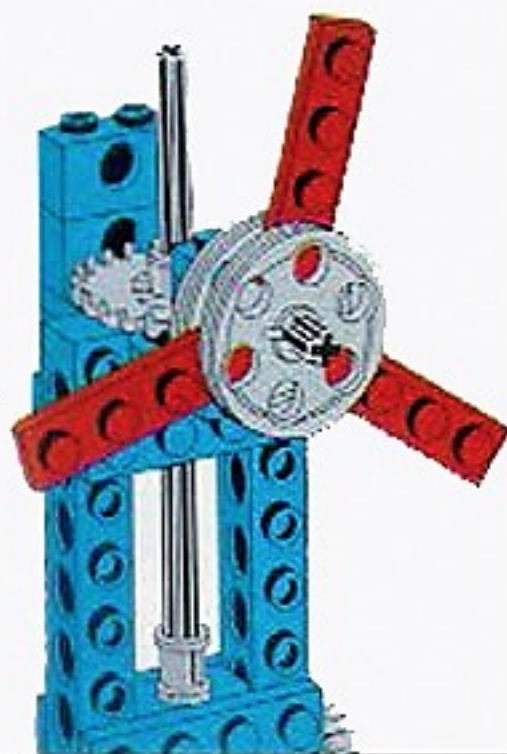
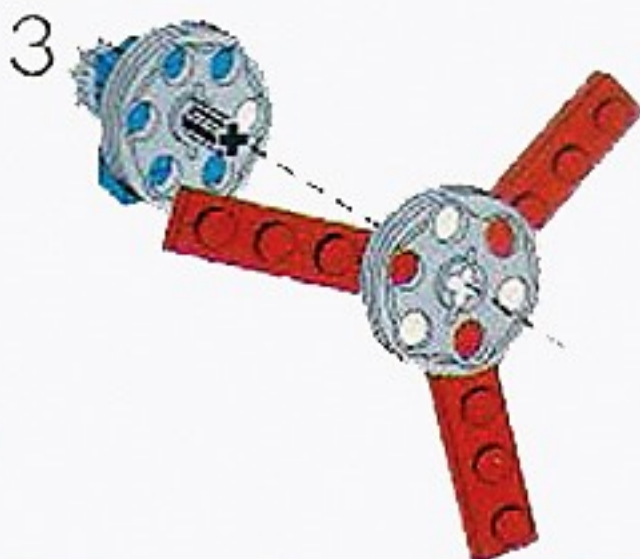
10



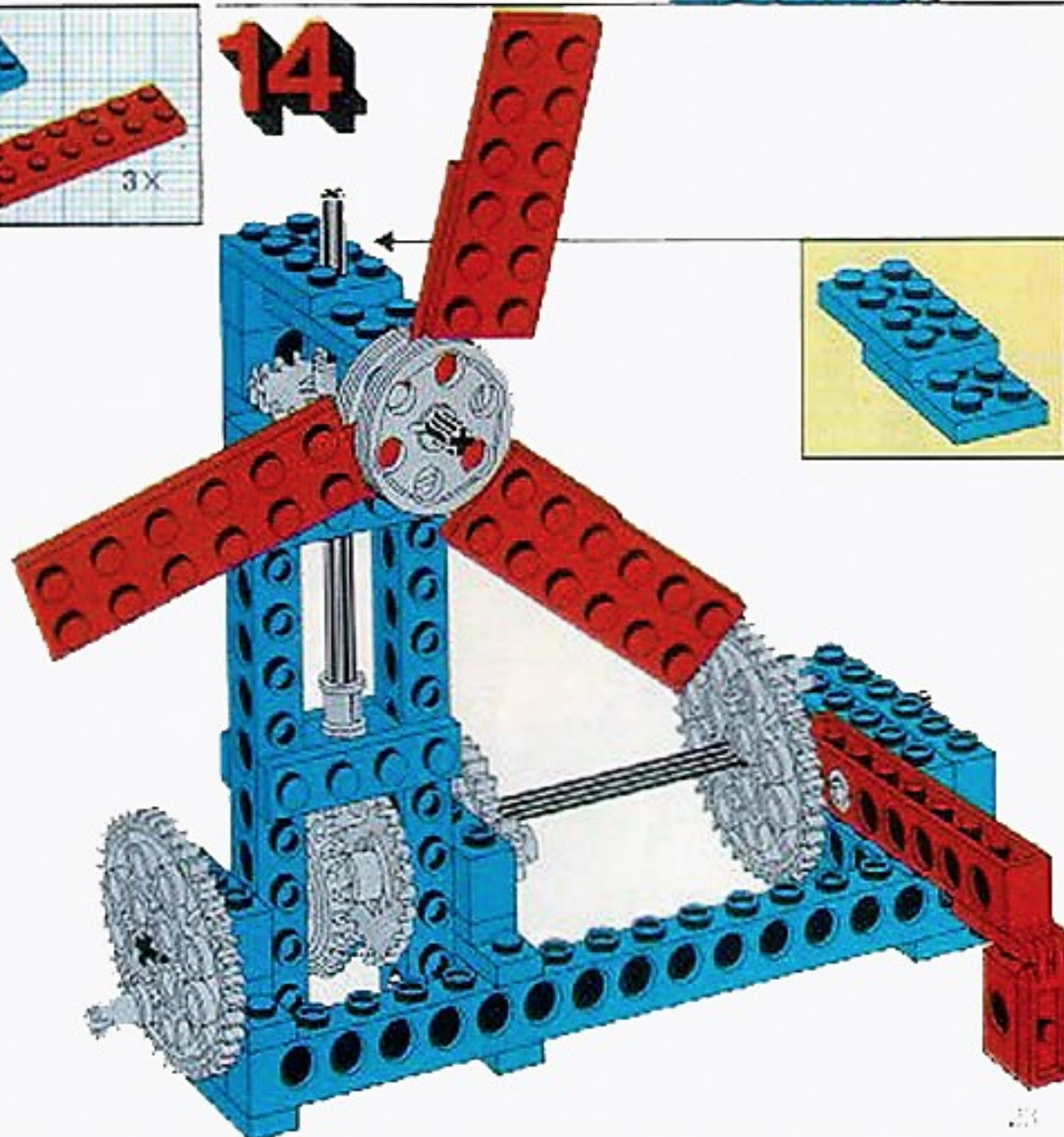


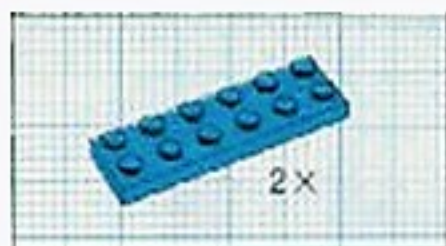


13

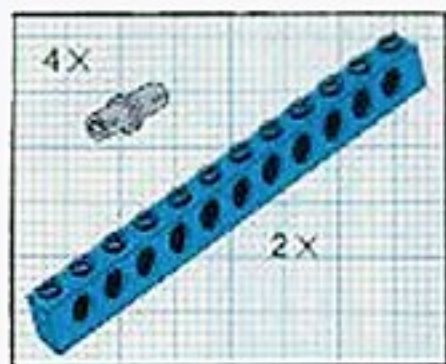


14

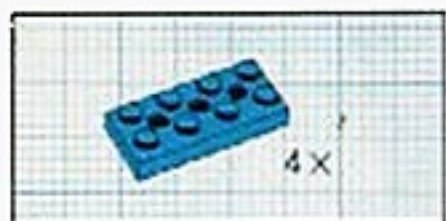
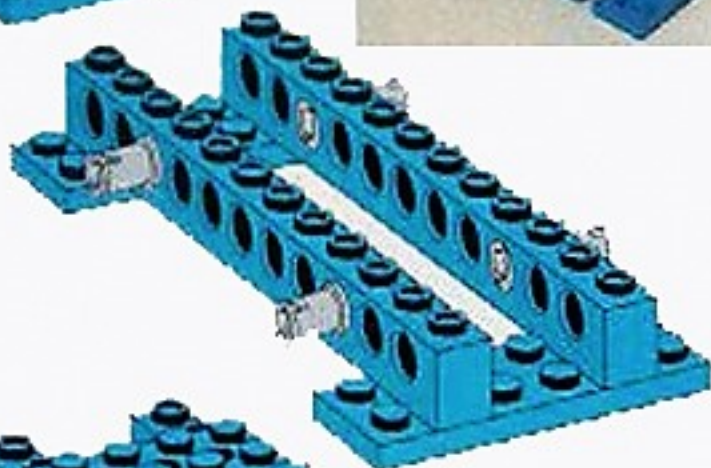




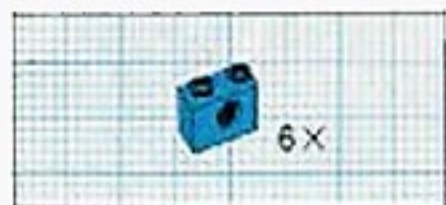
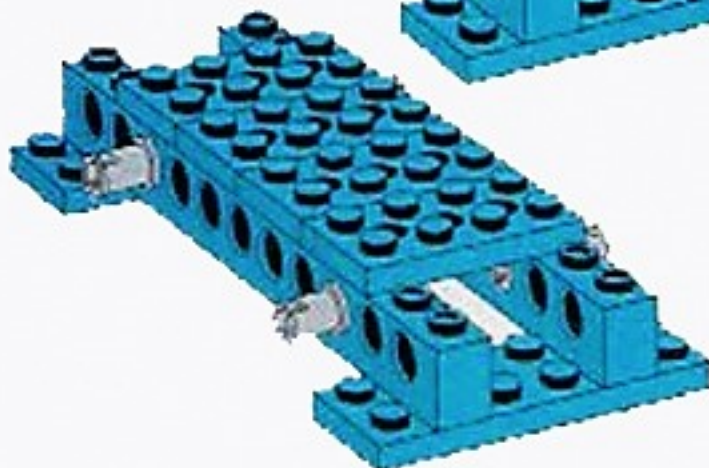
1



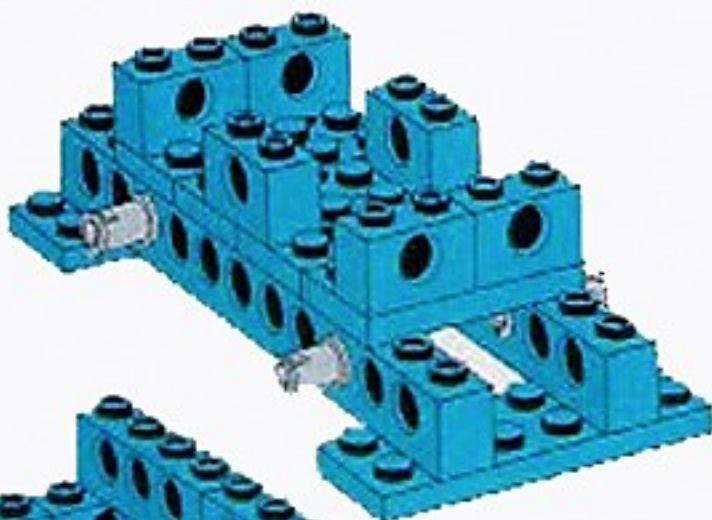
2



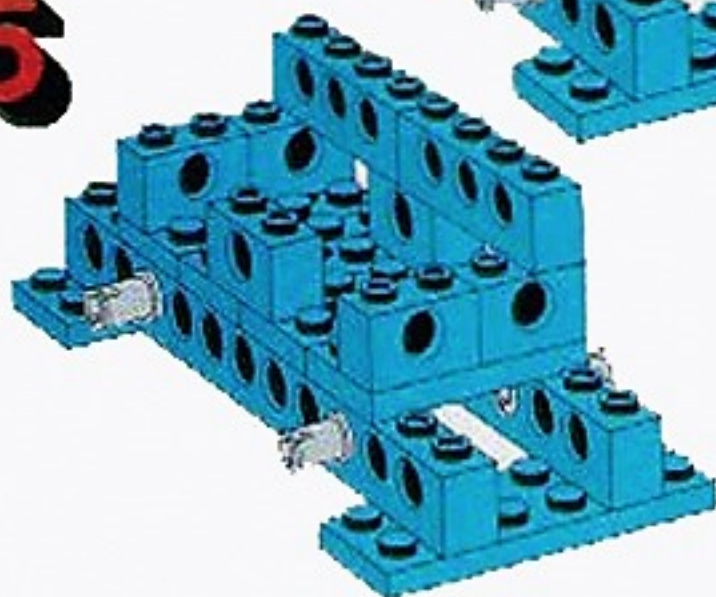
3



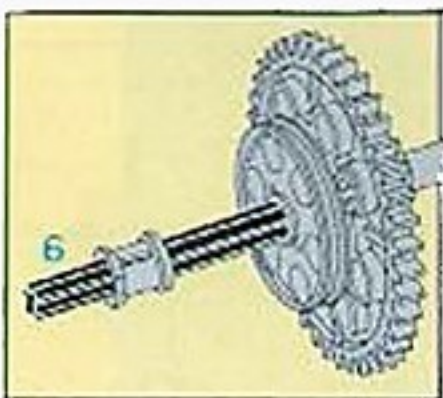
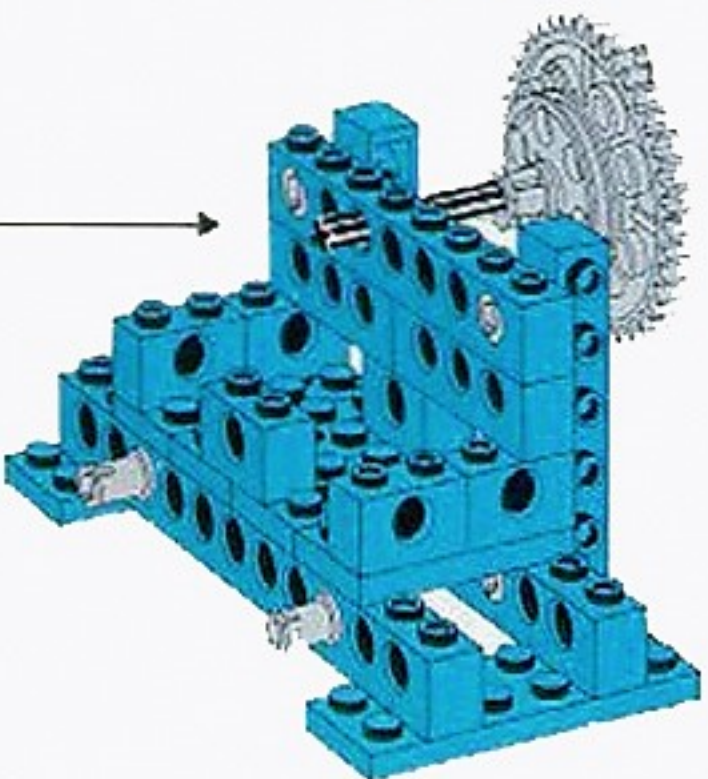
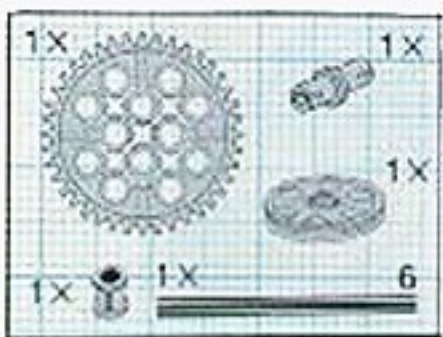
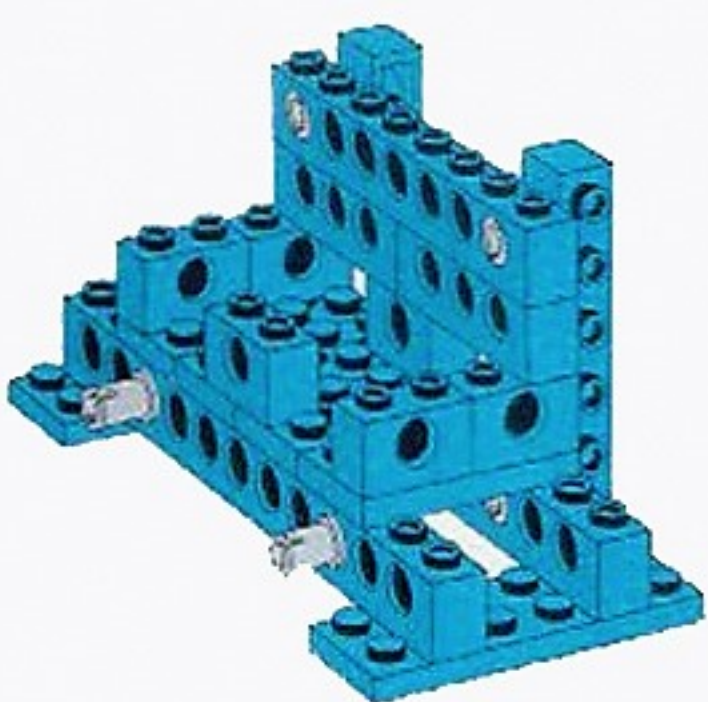
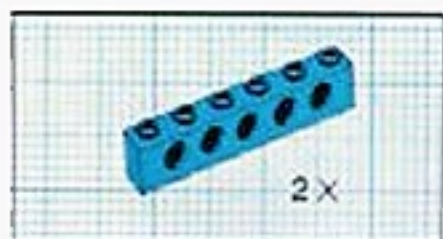
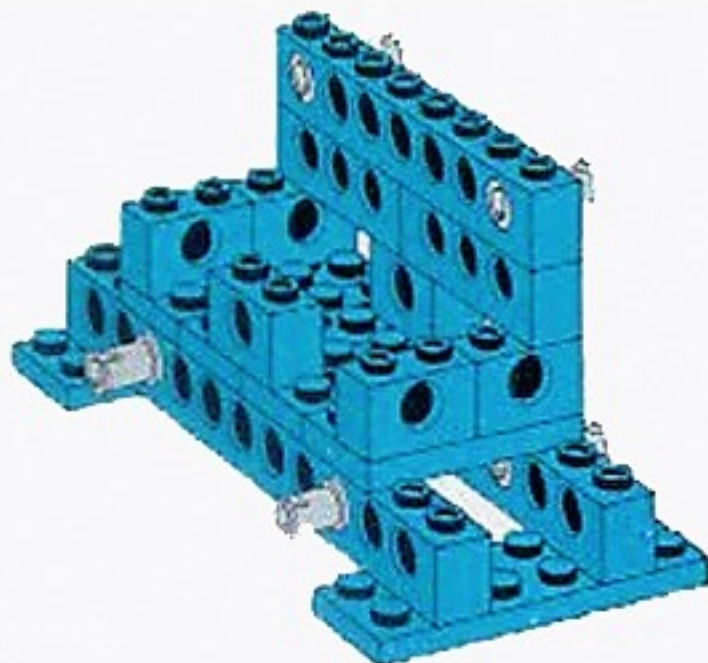
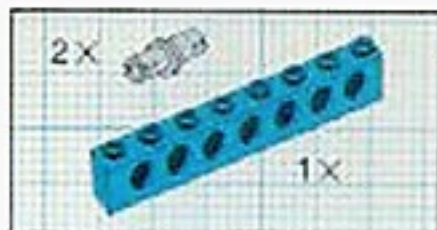
4

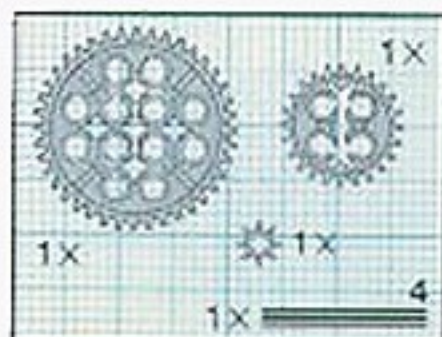


5

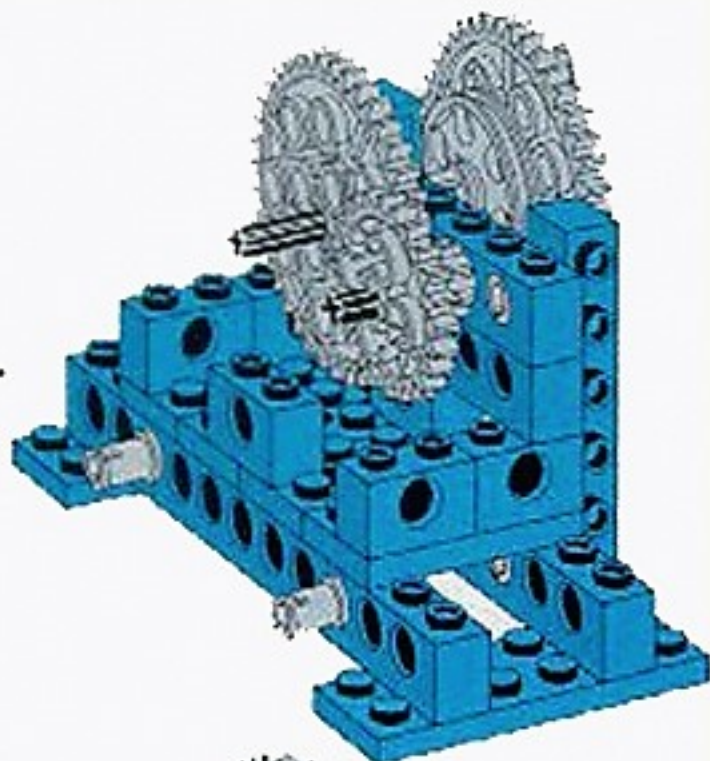
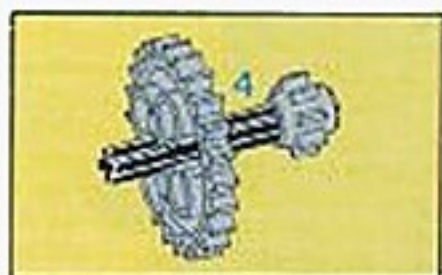




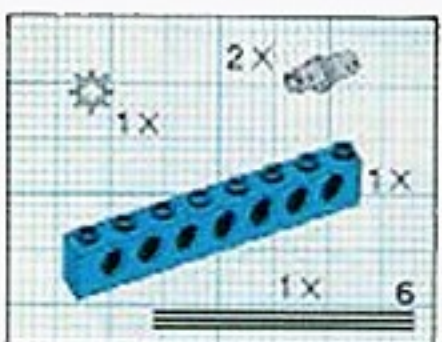
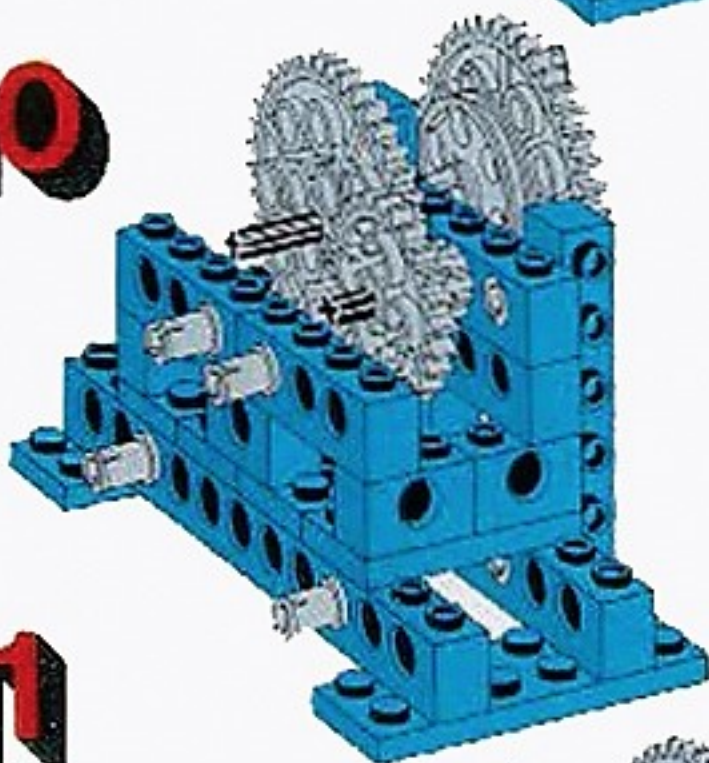




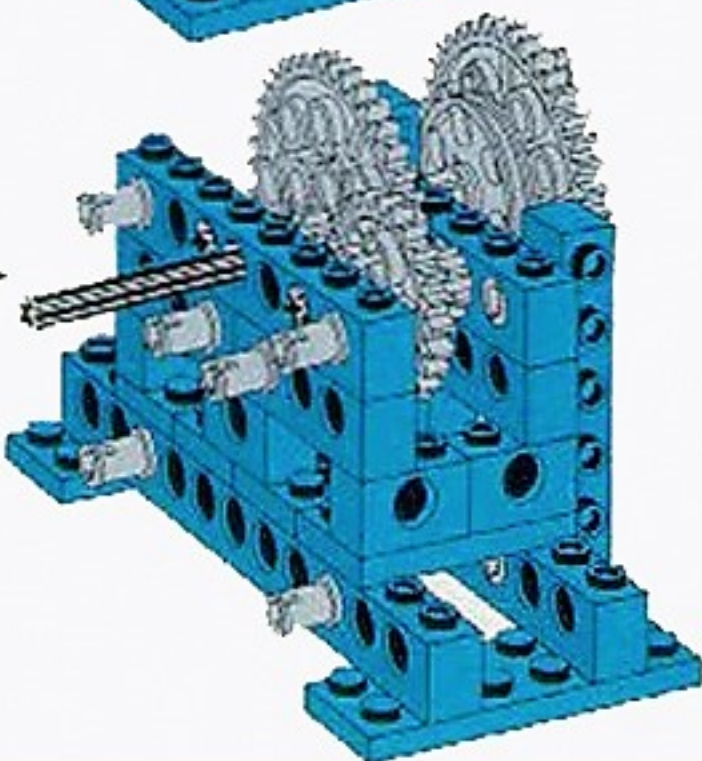
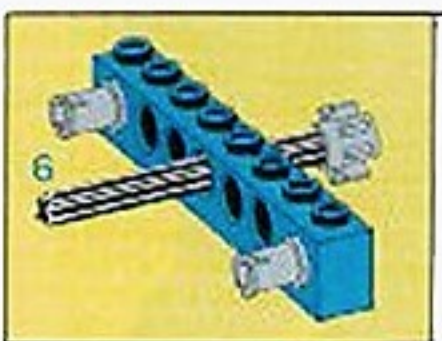
9

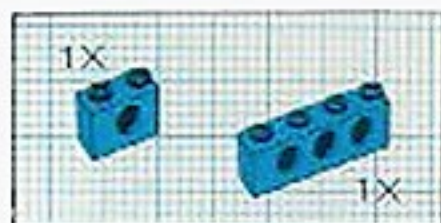


10

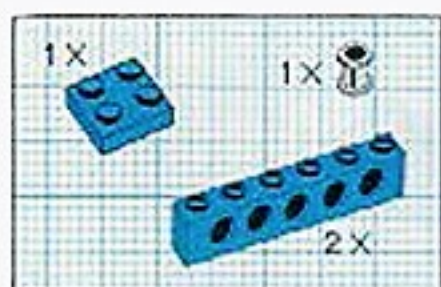
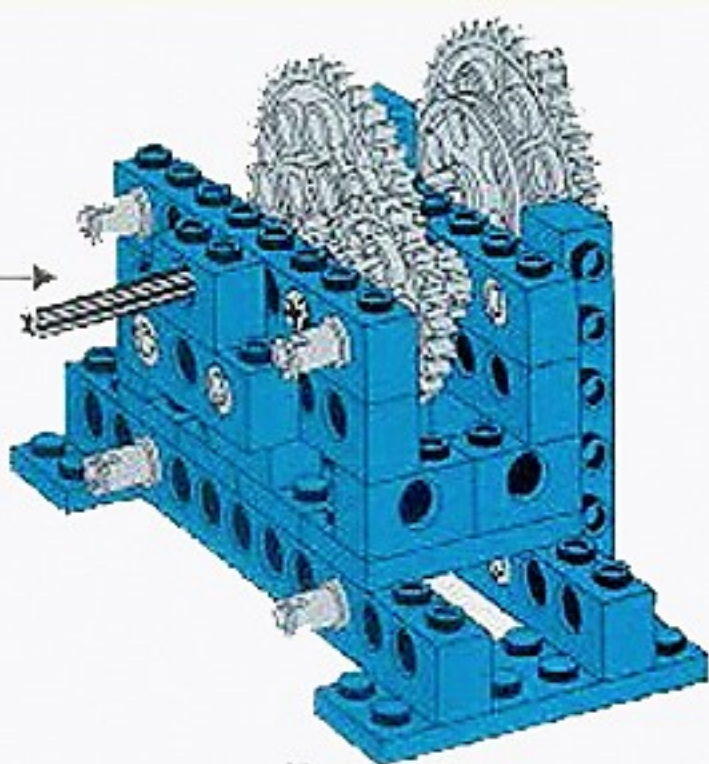
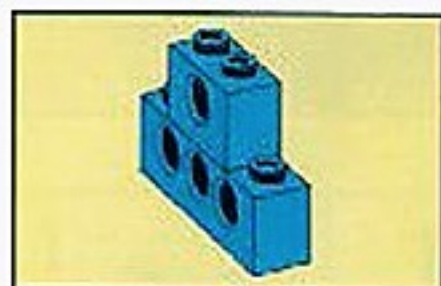


11

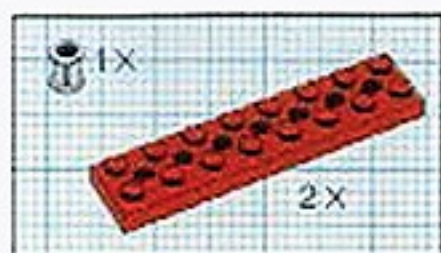
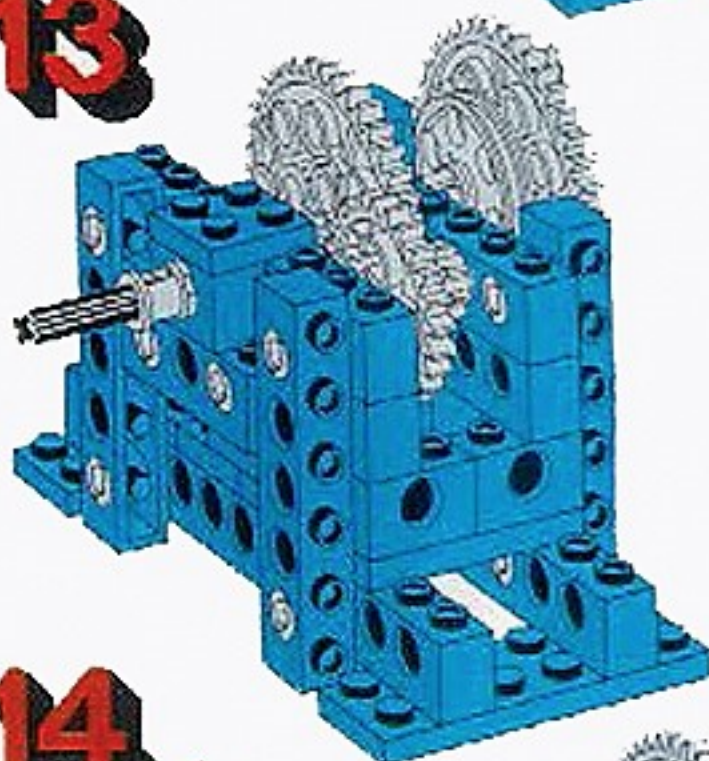




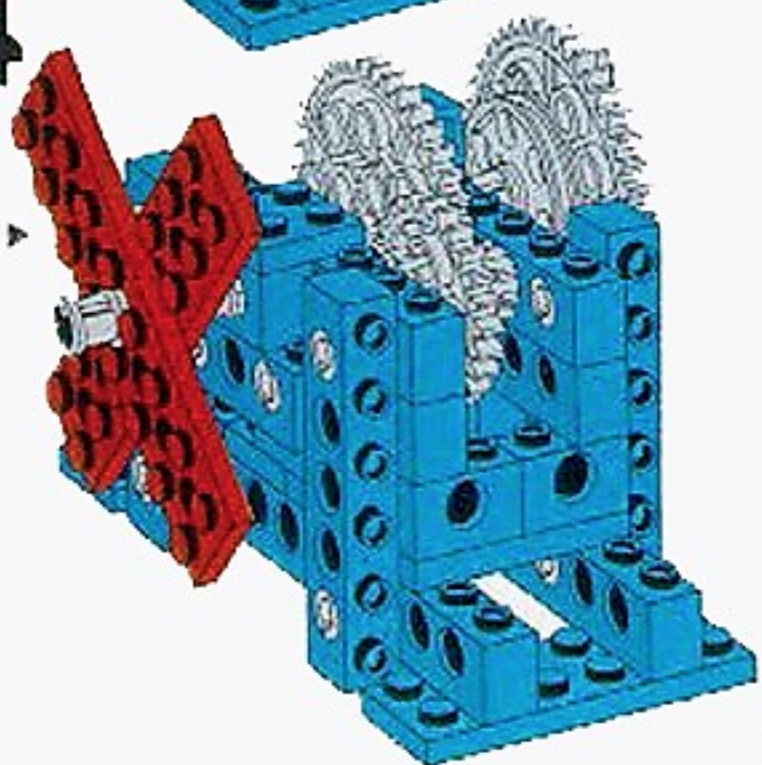
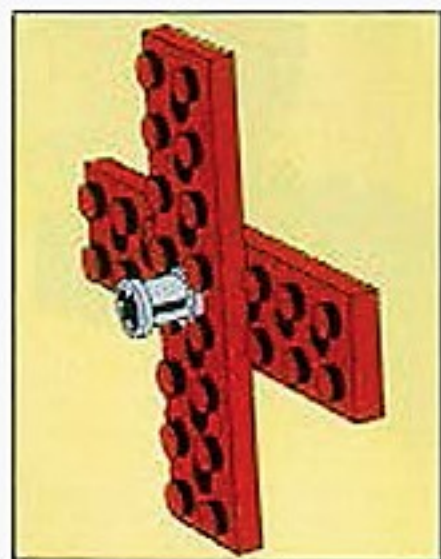
12

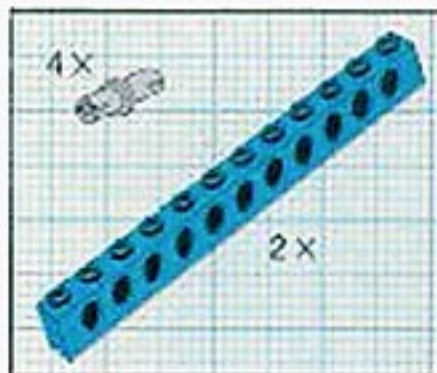


13

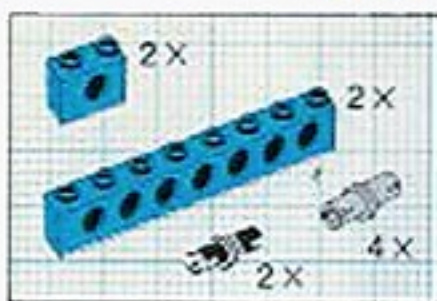
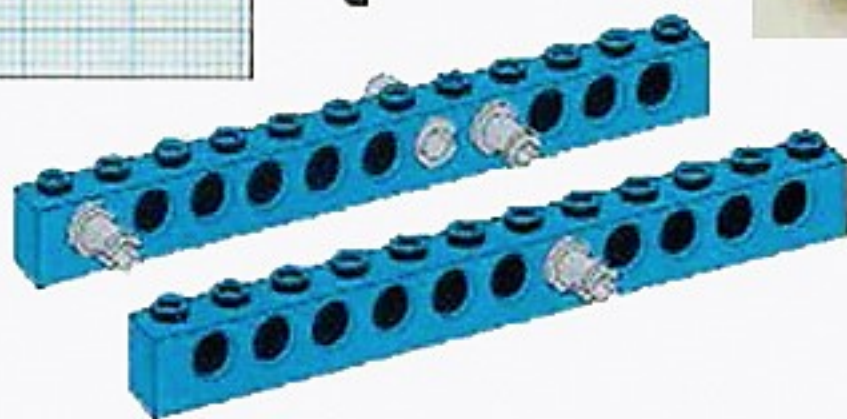


14

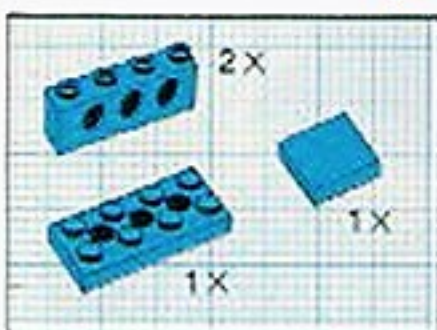




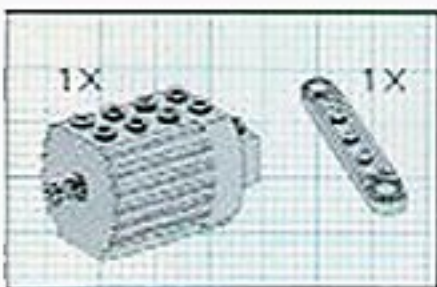
8035+8700



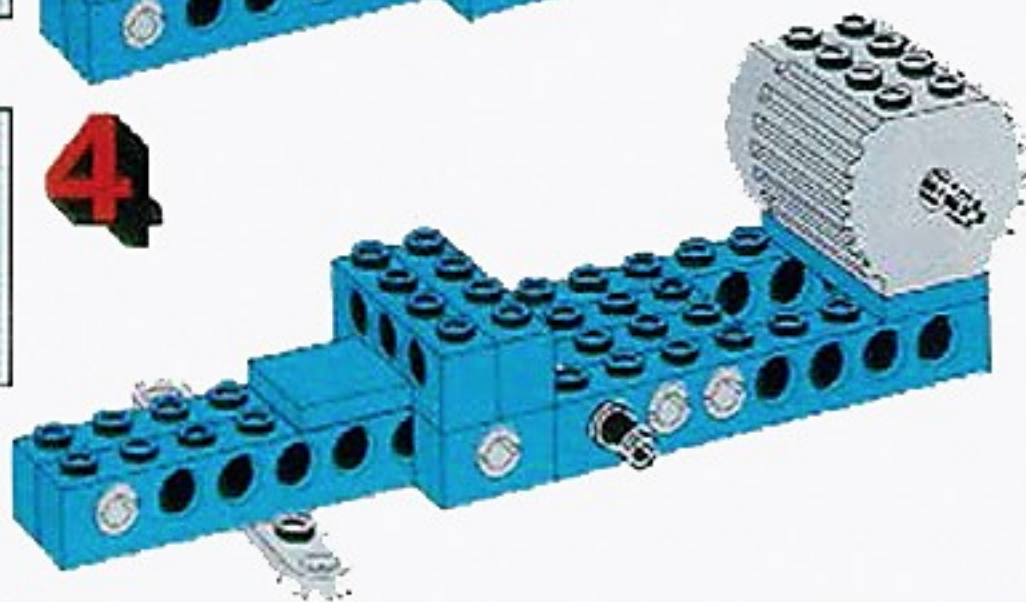
2



3

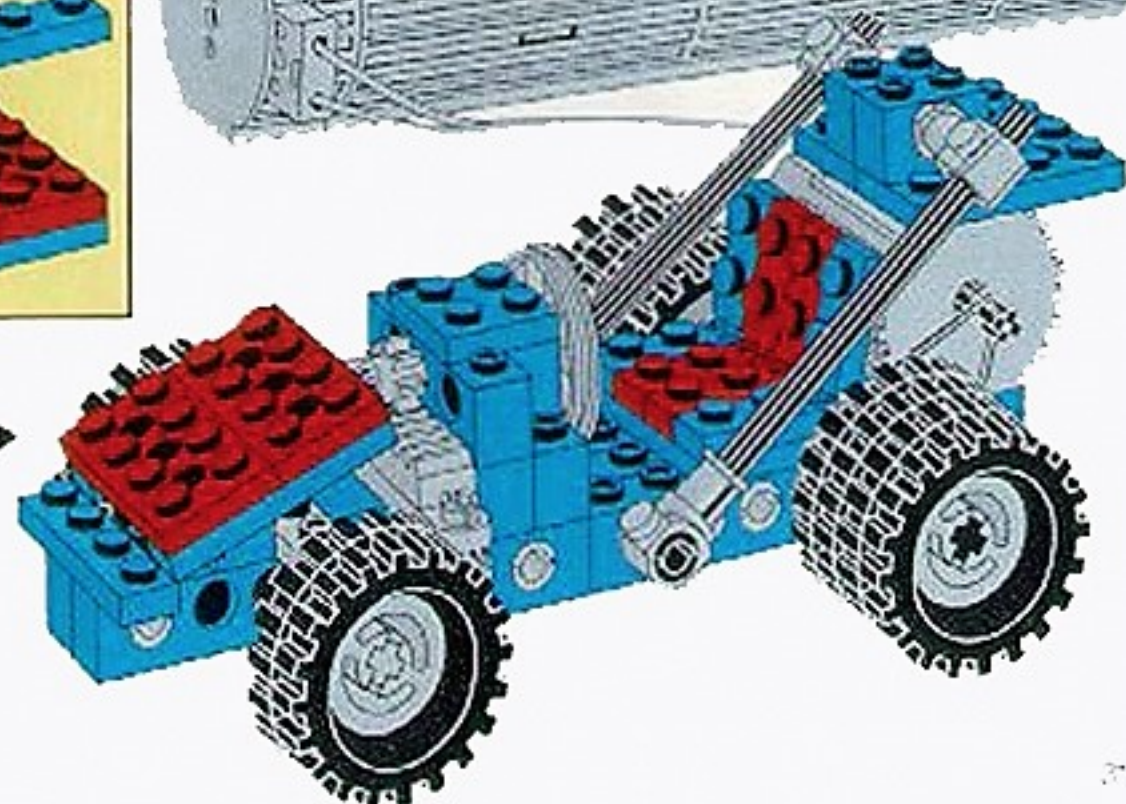
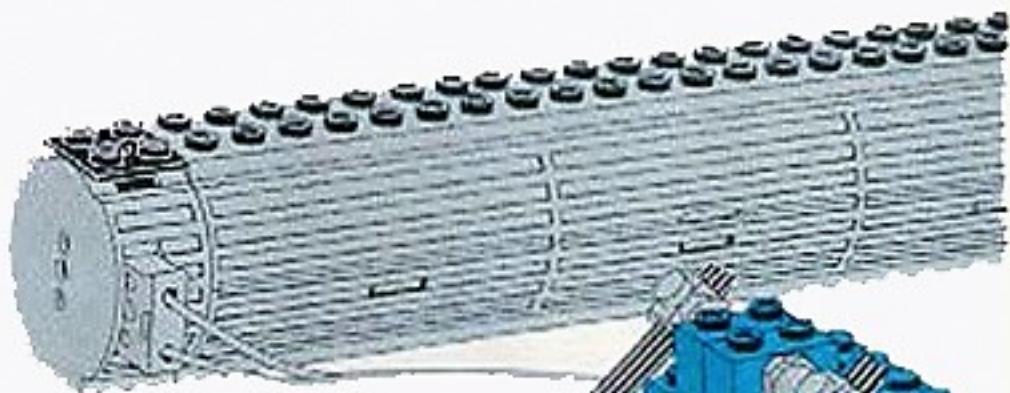
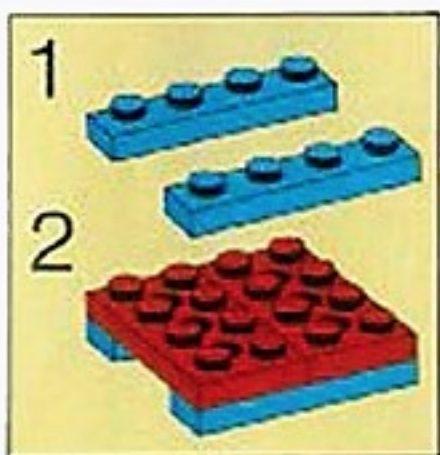
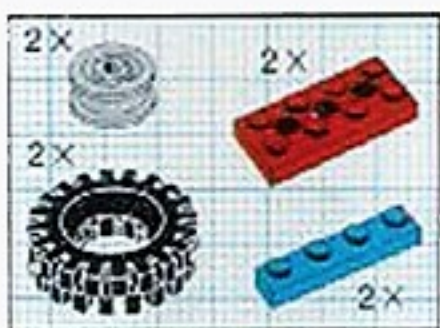
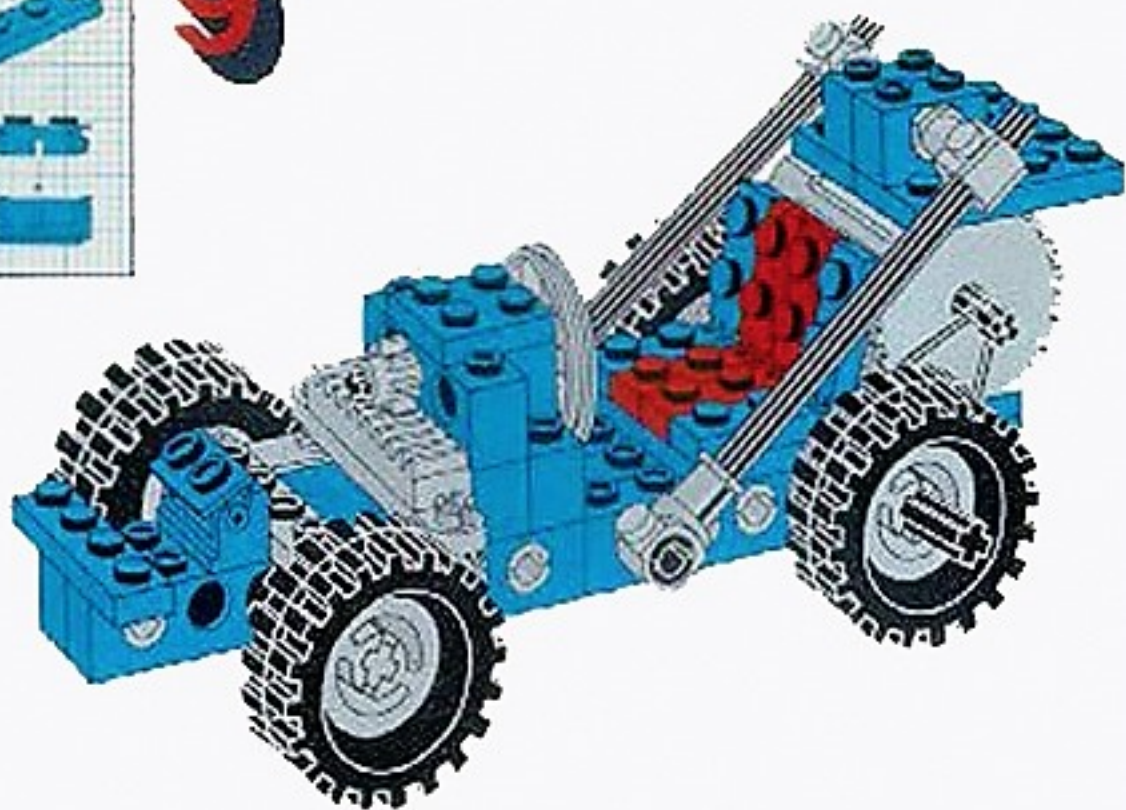
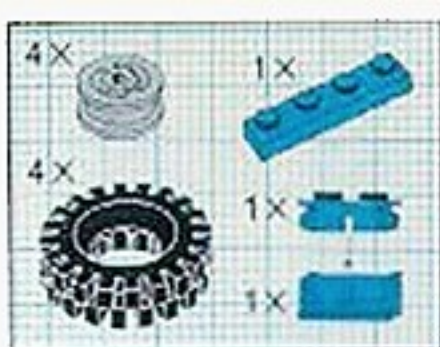


4









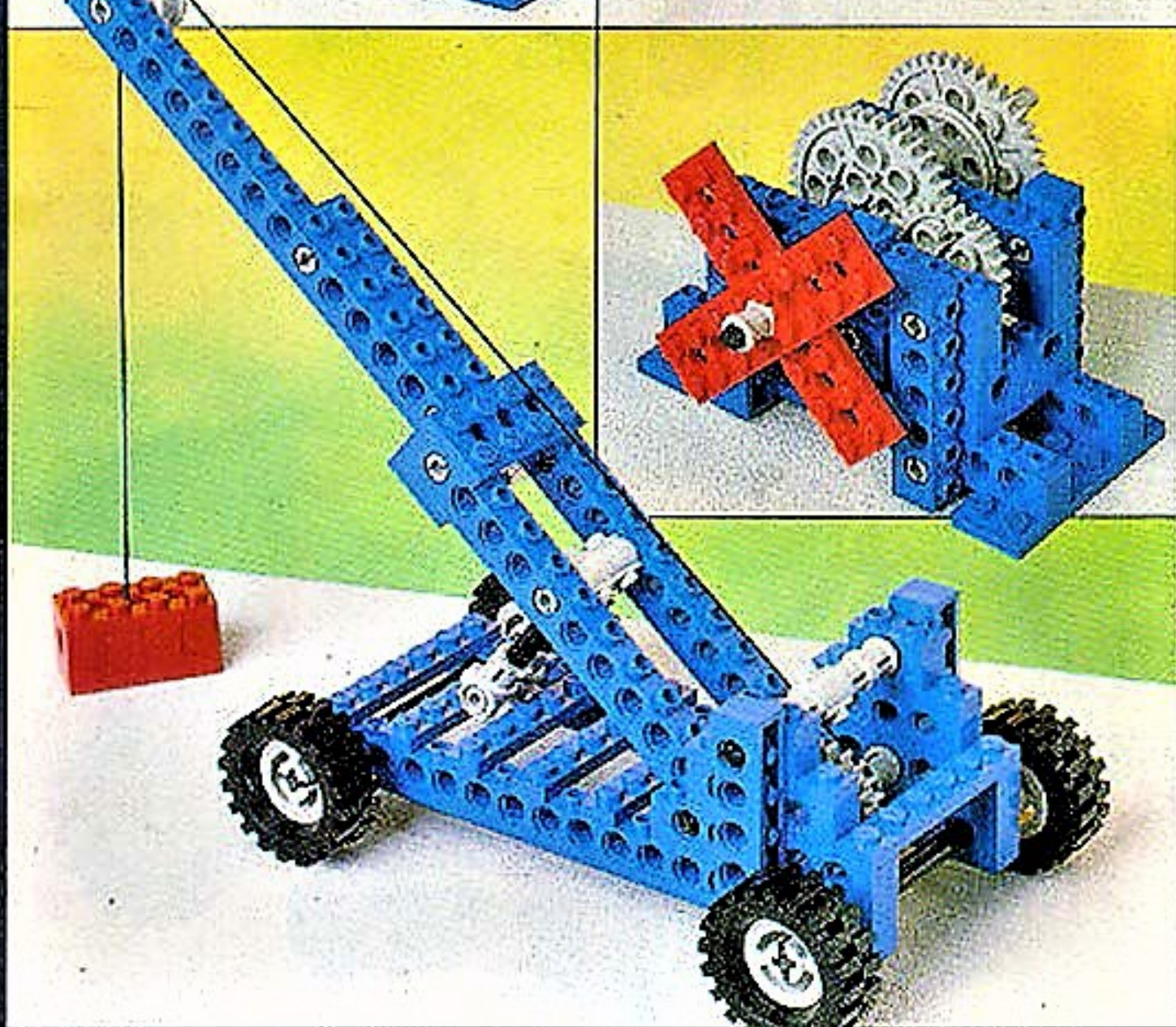
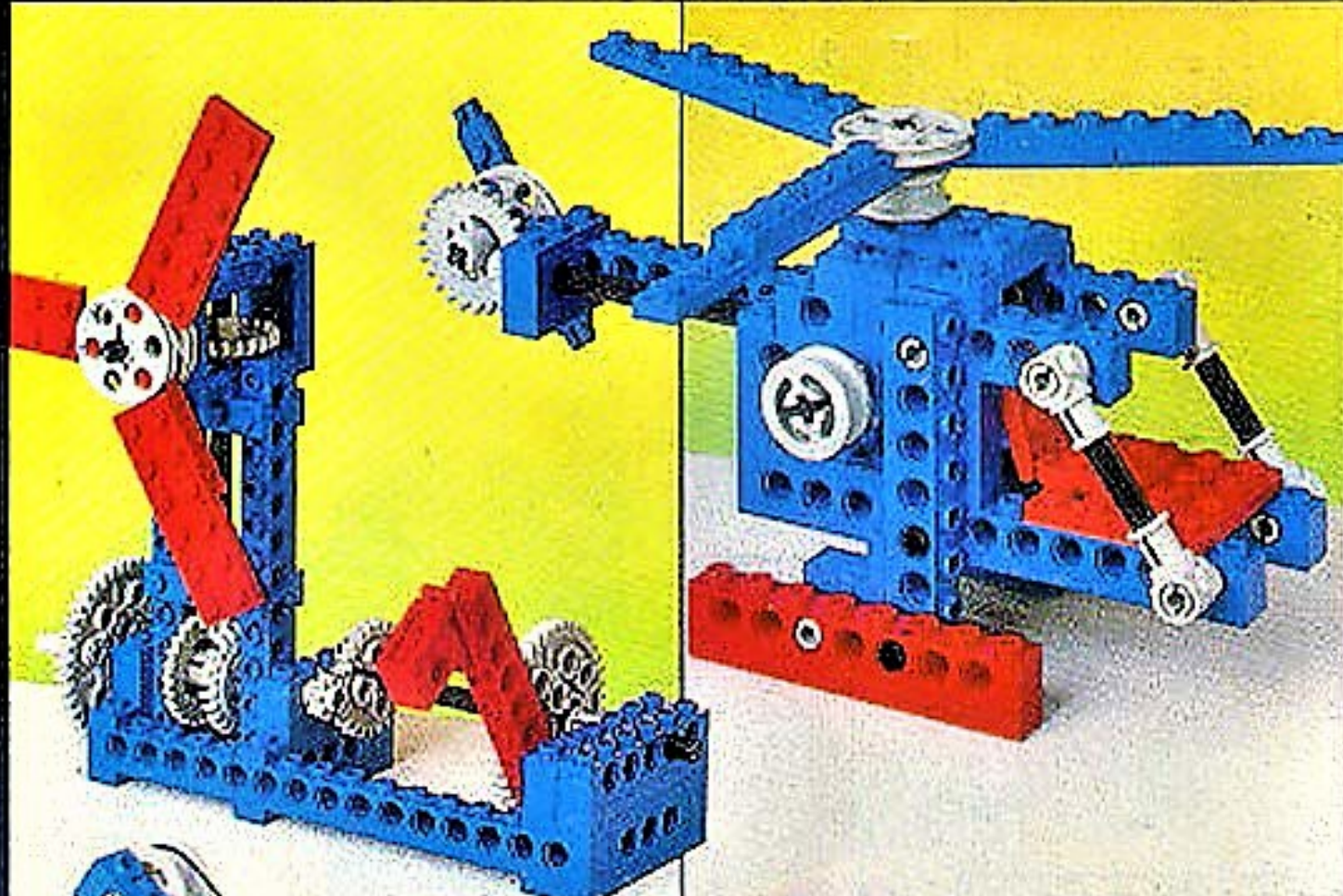
















Image	Qty	Item No	Description	MID
<b>Regular Items:</b>				
<b>Parts:</b>				
	1	<a href="#">x77</a>	<b>Black String, Cord (Undetermined Type)</b> <a href="#">Catalog:</a> <a href="#">Parts:</a> <a href="#">String</a>	<a href="#">PG</a>
+		*		
	2	<a href="#">4519</a>	<b>Black Technic, Axle 3</b> <a href="#">Catalog:</a> <a href="#">Parts:</a> <a href="#">Technic, Axle</a>	<a href="#">PG</a>
+		*		
	4	<a href="#">3705</a>	<b>Black Technic, Axle 4</b> <a href="#">Catalog:</a> <a href="#">Parts:</a> <a href="#">Technic, Axle</a>	<a href="#">PG</a>
+		*		
	5	<a href="#">3706</a>	<b>Black Technic, Axle 6</b> <a href="#">Catalog:</a> <a href="#">Parts:</a> <a href="#">Technic, Axle</a>	<a href="#">PG</a>
+		*		
	2	<a href="#">3707</a>	<b>Black Technic, Axle 8</b> <a href="#">Catalog:</a> <a href="#">Parts:</a> <a href="#">Technic, Axle</a>	<a href="#">PG</a>
+		*		
	2	<a href="#">3737</a>	<b>Black Technic, Axle 10</b> <a href="#">Catalog:</a> <a href="#">Parts:</a> <a href="#">Technic, Axle</a>	<a href="#">PG</a>
+		*		
	2	<a href="#">3708</a>	<b>Black Technic, Axle 12</b> <a href="#">Catalog:</a> <a href="#">Parts:</a> <a href="#">Technic, Axle</a>	<a href="#">PG</a>
+		*		
	4	<a href="#">4459</a>	<b>Black Technic, Pin with Friction Ridges Lengthwise WITHOUT Center Slots</b> <a href="#">Catalog:</a> <a href="#">Parts:</a> <a href="#">Technic, Pin</a>	<a href="#">PG</a>
+		*		
	6	<a href="#">2346</a>	<b>Black Tire 30 x 10.5 Offset Tread</b> <a href="#">Catalog:</a> <a href="#">Parts:</a> <a href="#">Tire &amp; Tread</a>	<a href="#">PG</a>
+		*		
	1	<a href="#">3937</a>	<b>Blue Hinge Brick 1 x 2 Base</b> <a href="#">Catalog:</a> <a href="#">Parts:</a> <a href="#">Hinge</a>	<a href="#">PG</a>
+		*		
	1	<a href="#">3938</a>	<b>Blue Hinge Brick 1 x 2 Top Plate Thin</b> <a href="#">Catalog:</a> <a href="#">Parts:</a> <a href="#">Hinge</a>	<a href="#">PG</a>
+		*		

+		2	<a href="#">4276</a>	<b>Blue Hinge Plate 1 x 2 with 2 Fingers</b> <a href="#">Catalog:</a> <a href="#">Parts:</a> <a href="#">Hinge</a>	<a href="#">PG</a>
	*				

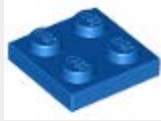
+		2	<a href="#">4275</a>	<b>Blue Hinge Plate 1 x 2 with 3 Fingers</b> <a href="#">Catalog:</a> <a href="#">Parts:</a> <a href="#">Hinge</a>	<a href="#">PG</a>
	*				

+		2	<a href="#">3023</a>	<b>Blue Plate 1 x 2</b> <a href="#">Catalog:</a> <a href="#">Parts:</a> <a href="#">Plate</a>	<a href="#">PG</a>
	*				

+		4	<a href="#">3623</a>	<b>Blue Plate 1 x 3</b> <a href="#">Catalog:</a> <a href="#">Parts:</a> <a href="#">Plate</a>	<a href="#">PG</a>
	*				

+		6	<a href="#">3710</a>	<b>Blue Plate 1 x 4</b> <a href="#">Catalog:</a> <a href="#">Parts:</a> <a href="#">Plate</a>	<a href="#">PG</a>
	*				

+		6	<a href="#">3666</a>	<b>Blue Plate 1 x 6</b> <a href="#">Catalog:</a> <a href="#">Parts:</a> <a href="#">Plate</a>	<a href="#">PG</a>
	*				

+		1	<a href="#">3022</a>	<b>Blue Plate 2 x 2</b> <a href="#">Catalog:</a> <a href="#">Parts:</a> <a href="#">Plate</a>	<a href="#">PG</a>
	*				

+		2	<a href="#">3795</a>	<b>Blue Plate 2 x 6</b> <a href="#">Catalog:</a> <a href="#">Parts:</a> <a href="#">Plate</a>	<a href="#">PG</a>
	*				

+		8	<a href="#">3700</a>	<b>Blue Technic, Brick 1 x 2 with Hole</b> <a href="#">Catalog:</a> <a href="#">Parts:</a> <a href="#">Technic, Brick</a>	<a href="#">PG</a>
	*				

+		6	<a href="#">3701</a>	<b>Blue Technic, Brick 1 x 4 with Holes</b> <a href="#">Catalog:</a> <a href="#">Parts:</a> <a href="#">Technic, Brick</a>	<a href="#">PG</a>
	*				

+		4	<a href="#">3894</a>	<b>Blue Technic, Brick 1 x 6 with Holes</b> <a href="#">Catalog:</a> <a href="#">Parts:</a> <a href="#">Technic, Brick</a>	<a href="#">PG</a>
	*				

+		2	<a href="#">3702</a>	<b>Blue Technic, Brick 1 x 8 with Holes</b> <a href="#">Catalog:</a> <a href="#">Parts:</a> <a href="#">Technic, Brick</a>	<a href="#">PG</a>
	*				


+	 *	2	<a href="#">3895</a>	<b>Blue Technic, Brick 1 x 12 with Holes</b> <a href="#">Catalog:</a> <a href="#">Parts:</a> <a href="#">Technic, Brick</a>	<a href="#">PG</a>
---	---	---	----------------------	--	--------------------


+	 *	4	<a href="#">3703</a>	<b>Blue Technic, Brick 1 x 16 with Holes</b> <a href="#">Catalog:</a> <a href="#">Parts:</a> <a href="#">Technic, Brick</a>	<a href="#">PG</a>
---	--	---	----------------------	--	--------------------

+	 *	4	<a href="#">3709b</a>	<b>Blue Technic, Plate 2 x 4 with 3 Holes</b> <a href="#">Catalog:</a> <a href="#">Parts:</a> <a href="#">Technic, Plate</a>	<a href="#">PG</a>
---	--	---	-----------------------	---	--------------------


+	 *	1	<a href="#">3068b</a>	<b>Blue Tile 2 x 2 with Groove</b> <a href="#">Catalog:</a> <a href="#">Parts:</a> <a href="#">Tile</a>	<a href="#">PG</a>
---	--	---	-----------------------	--	--------------------


+	 *	13	<a href="#">3713</a>	<b>Light Gray Technic Bush</b> <a href="#">Catalog:</a> <a href="#">Parts:</a> <a href="#">Technic</a>	<a href="#">PG</a>
---	--	----	----------------------	---	--------------------


+	 *	3	<a href="#">4185</a>	<b>Light Gray Technic Wedge Belt Wheel (Pulley)</b> <a href="#">Catalog:</a> <a href="#">Parts:</a> <a href="#">Technic</a>	<a href="#">PG</a>
---	---	---	----------------------	--	--------------------


+	 *	10	<a href="#">3651</a>	<b>Light Gray Technic, Axle and Pin Connector</b> <a href="#">Catalog:</a> <a href="#">Parts:</a> <a href="#">Technic, Connector</a>	<a href="#">PG</a>
---	--	----	----------------------	---	--------------------






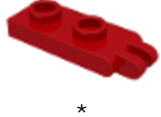



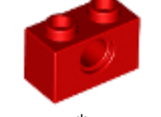


+	 *	4	<a href="#">3749</a>	<b>Light Gray Technic, Axle Pin without Friction Ridges Lengthwise</b> <a href="#">Catalog:</a> <a href="#">Parts:</a> <a href="#">Technic, Axle</a>	<a href="#">PG</a>
---	--	---	----------------------	---	--------------------

+	 *	3	<a href="#">3647</a>	<b>Light Gray Technic, Gear 8 Tooth Type 1</b> <a href="#">Catalog:</a> <a href="#">Parts:</a> <a href="#">Technic, Gear</a>	<a href="#">PG</a>
---	--	---	----------------------	---	--------------------

+	 *	1	<a href="#">x187</a>	<b>Light Gray Technic, Gear 24 Tooth (Old Style with Three Axle Holes)</b> <a href="#">Catalog:</a> <a href="#">Parts:</a> <a href="#">Technic, Gear</a>	<a href="#">PG</a>
---	--	---	----------------------	---	--------------------

+	 *	3	<a href="#">3650a</a>	<b>Light Gray Technic, Gear 24 Tooth Crown (Old Style)</b> <a href="#">Catalog:</a> <a href="#">Parts:</a> <a href="#">Technic, Gear</a>	<a href="#">PG</a>
---	--	---	-----------------------	---	--------------------

+	 *	2	<a href="#">3649</a>	<b>Light Gray Technic, Gear 40 Tooth</b> <a href="#">Catalog:</a> <a href="#">Parts:</a> <a href="#">Technic, Gear</a>	<a href="#">PG</a>
---	--	---	----------------------	---	--------------------

+		1	<a href="#">3743</a>	<b>Light Gray Technic, Gear Rack 1 x 4</b> <a href="#">Catalog: Parts: Technic, Gear</a>	<a href="#">PG</a>
	*				
+		13	<a href="#">3673</a>	<b>Light Gray Technic, Pin without Friction Ridges Lengthwise</b> <a href="#">Catalog: Parts: Technic, Pin</a>	<a href="#">PG</a>
	*				
+		3	<a href="#">4262</a>	<b>Light Gray Technic, Plate 1 x 6 with Toothed Ends</b> <a href="#">Catalog: Parts: Technic, Plate</a>	<a href="#">PG</a>
	*				
+		2	<a href="#">4261</a>	<b>Light Gray Technic, Steering Arm</b> <a href="#">Catalog: Parts: Technic, Steering</a>	<a href="#">PG</a>
	*				
+		6	<a href="#">3482</a>	<b>Light Gray Wheel with Split Axle hole</b> <a href="#">Catalog: Parts: Wheel</a>	<a href="#">PG</a>
	*				
+		2	<a href="#">4276</a>	<b>Red Hinge Plate 1 x 2 with 2 Fingers</b> <a href="#">Catalog: Parts: Hinge</a>	<a href="#">PG</a>
	*				
+		2	<a href="#">4275</a>	<b>Red Hinge Plate 1 x 2 with 3 Fingers</b> <a href="#">Catalog: Parts: Hinge</a>	<a href="#">PG</a>
	*				
+		4	<a href="#">3710</a>	<b>Red Plate 1 x 4</b> <a href="#">Catalog: Parts: Plate</a>	<a href="#">PG</a>
	*				
+		4	<a href="#">3795</a>	<b>Red Plate 2 x 6</b> <a href="#">Catalog: Parts: Plate</a>	<a href="#">PG</a>
	*				
+		4	<a href="#">3700</a>	<b>Red Technic, Brick 1 x 2 with Hole</b> <a href="#">Catalog: Parts: Technic, Brick</a>	<a href="#">PG</a>
	*				
+		2	<a href="#">3894</a>	<b>Red Technic, Brick 1 x 6 with Holes</b> <a href="#">Catalog: Parts: Technic, Brick</a>	<a href="#">PG</a>
	*				
+		2	<a href="#">3702</a>	<b>Red Technic, Brick 1 x 8 with Holes</b> <a href="#">Catalog: Parts: Technic, Brick</a>	<a href="#">PG</a>
	*				

+



\*

2

[3709b](#)

**Red Technic, Plate 2 x 4 with 3 Holes**

[Catalog:](#) [Parts:](#) [Technic, Plate](#)

[PG](#)

+



\*

2

[3738](#)

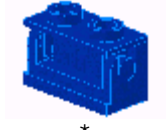
**Red Technic, Plate 2 x 8 with 7 Holes**

[Catalog:](#) [Parts:](#) [Technic, Plate](#)

[PG](#)

**Counterparts:**

+



\*

1

[3937c01](#)([inv](#))

**Blue Hinge Brick 1 x 2 Complete Assembly**

[Catalog:](#) [Parts:](#) [Hinge](#)

[PG](#)

+



\*

6

[3482c02](#)([inv](#))

**Light Gray Wheel with Split Axle hole, with Black Tire 30 x 10.5 Offset Tread (3482 / 2346)**

[Catalog:](#) [Parts:](#) [Wheel & Tire Assembly](#)

[PG](#)

**Summary:**

Type	Unique Lots	Total Qty
<b>Regular Items:</b>		
Parts	49	174
<b>Counterparts:</b>		
Parts	2	7

[ctw\\_3](#) (204) inventoried this Set on Dec 1, 2003, inventory last updated on Sep 2, 2018.