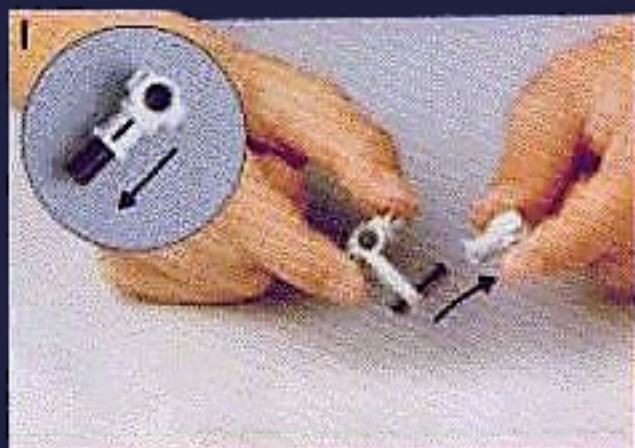
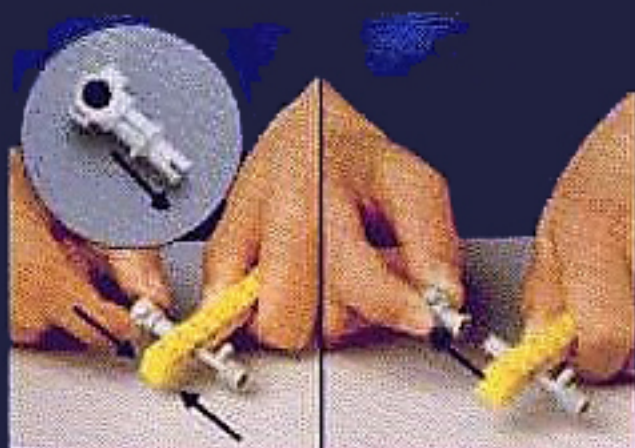
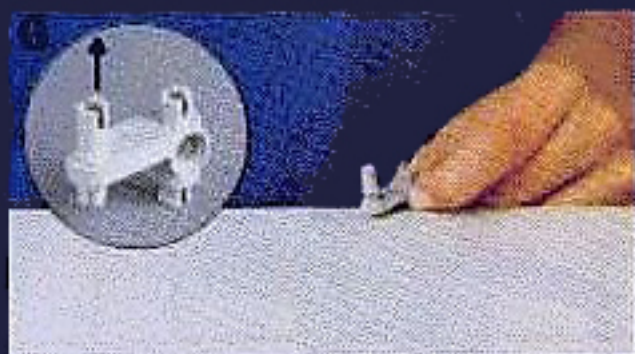
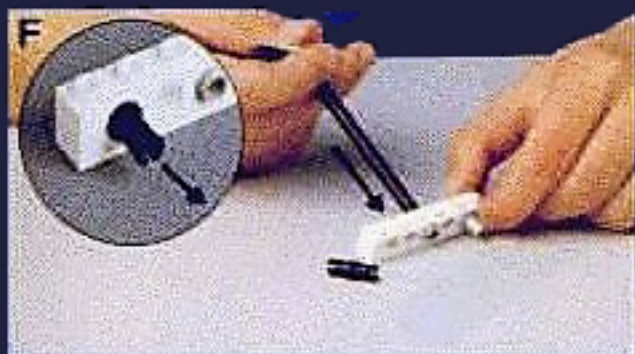
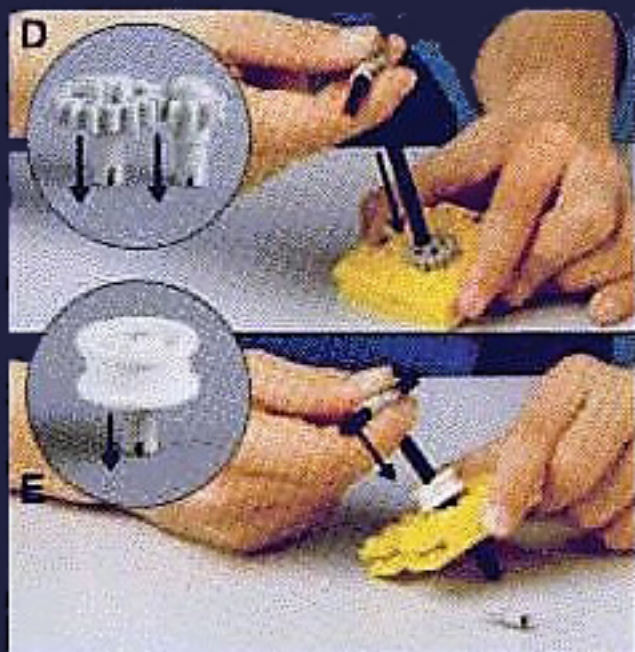
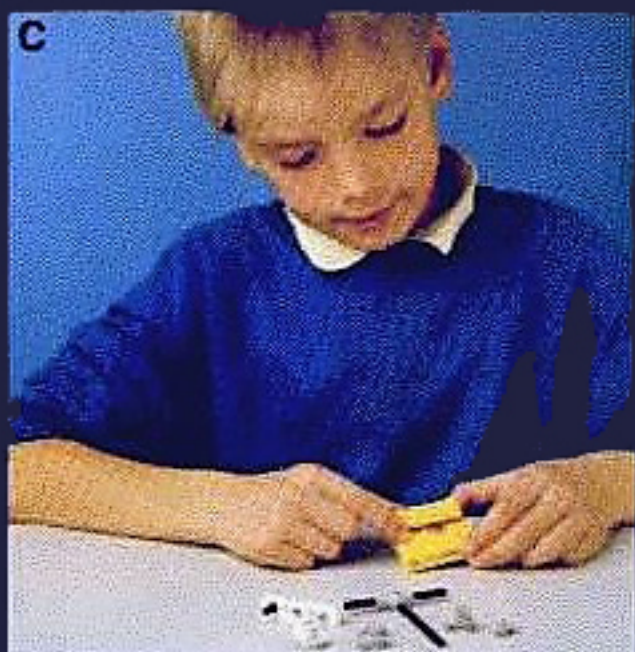
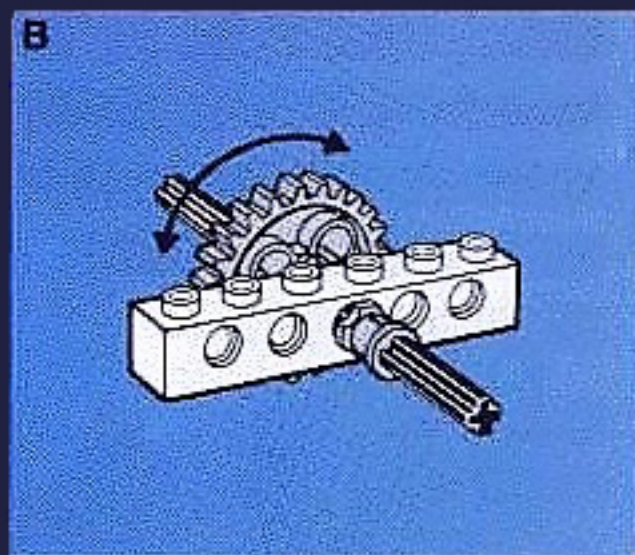
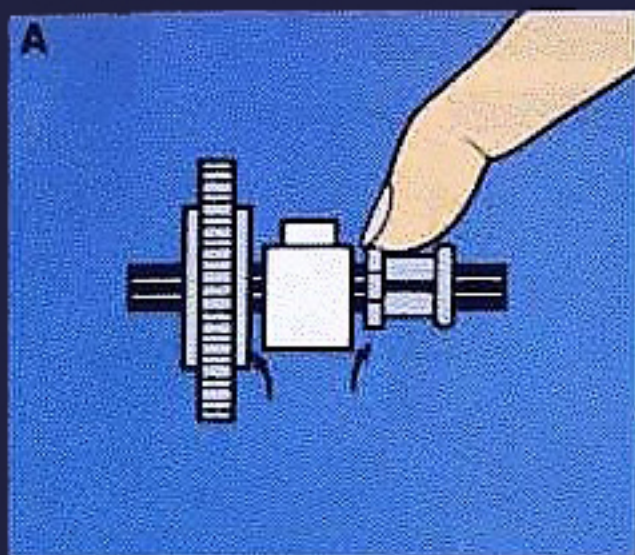


LEGO

Technic

8820





Wichtige Tips

Achte stets darauf, daß sich alle Achsen leicht drehen.

– Überzeuge Dich, daß Zahnräder und Buchsen ausreichend Spiel zum benachbarten Lagerelement (z. B. Lochbalken) haben (siehe Abbildungen A + B).

– Vergewissere Dich während des Bauens, daß alle Bewegungen leichtgängig funktionieren (z. B. Kurbelwellen).

Die Abbildungen C-I zeigen einige nützliche Tips zum Trennen der TECHNIC Elemente (die Abbildungen zeigen auch Elemente, die nicht unbedingt Bestandteil dieses Kastens sind).

Consigli utili

Sistema tutti gli assali in modo che possano muoversi liberamente.

– Fai attenzione che gli ingranaggi e le boccole non siano troppo vicini agli altri elementi. (Vedi figure A e B).

– Controlla le funzioni regolarmente durante l'assemblaggio per verificare che funzionino.

Osserva le illustrazioni C-I. Offrono utili informazioni su come separare gli elementi. (Alcuni elementi illustrati possono non essere inclusi nella tua confezione.)

Avant de commencer, lis ces quelques conseils

Ajuste bien les axes pour qu'ils tournent en douceur.

– Attention que les engrenages et les bagues ne soient pas trop serrés contre les briques (Regarde les illustrations A et B).

– Fais des essais régulièrement pendant le montage pour t'assurer que les mouvements fonctionnent normalement.

Examine attentivement les illustrations C à I. Elles te donnent des informations utiles sur la manière de séparer les éléments. (Attention : certains pièces illustrées ici peuvent ne pas faire partie de la boîte.)

Belangrijke tips

Verzeker je ervan dat alle assen soepel draaien.

– Schuif tandwielen en klembusjes niet te dicht tegen de techniekbalken aan (zie afbeelding A en B).

– Test tijdens het bouwen regelmatig alle functies om je ervan te verzekeren dat alles goed werkt.

Bekijk alle afbeeldingen C t/m I. Hierop staat afgebeeld hoe je bepaalde elementen uit elkaar kunt halen. (Het is mogelijk, dat niet alle afgebeelde elementjes in jouw doos voorkomen.)

Algunos buenos consejos

Ajusta bien todos los ejes para que funcionen de una manera suave.

– Asegurate de que los ladrillos no estén demasiado cerca de las vigas (véanse las instrucciones A y B).

– Prueba las funciones regularmente durante el montaje para asegurar que funcionen.

Estudia las instrucciones de montaje C-I. Estas instrucciones incluyen información que te ayudará la hora de separar los elementos. (Algunos de los elementos mostrados aquí no estarán incluidos en tu caja TECHNIC.)

Gode tips

Justér alle aksler, så de går let.

– Pas på, at tandhjul og bøsninger ikke sidder for tæt på bjælkerne (se tegning A & B).

– Afprøv funktionerne regelmæssigt under bygningen for at sikre, at de fungerer.

Se tegning C-I, som viser, hvordan man skiller elementerne ad. (Det er ikke sikkert, at alle de viste elementer er i din model.)

Building Hints

Adjust all axles so they run smoothly.

– Ensure that gear wheels and bushes are not too close to the beams (see illustrations A and B).

– Check technical functions regularly during assembly of the model.

Illustrations C-I give useful information on how to separate elements. (Some elements shown may not be included in your set.)



Kinntä akselit niin, että ne pyörivät hyvin ja esteettä.

– Huolehdi siitä, etteivät hammaspyörät ja holkit ole liian läheltä palikkaa (katso kuvia A ja B).

– Kokeile toimintoja aina väliä kokoamisen aikana varmistuaksesi, että kaikki toimii niin kuin pitää.

Tutki kuvia C-I. Saat niistä hyödyllistä tietoa elementtien irtottamisesta toisistaan. (Kaikki kuvissa näkyvät elementit eivät välttämättä sisälly tähän rasiaan.)



Några goda råd om din TECHNIC modell

Justera alla axlar så att de fungerar utan att ta emot någonstans

– Se till att kugghjul och bussningar inte sitter för nära klössarna (se bilderna A och B).

– Prova funktionerna då och då under monteringen för att vara säker på att de fungerar.

Studera bilderna C-I. Där hittar du viktig information om hur du skall ta isär de olika delarna. (Det kan hända att din ask inte innehåller alla de delar som visas på bilderna.)



Alguns bons conselhos: Ajuste bem todos os eixos para que se movam facilmente.

– Tenha cuidado para que as rodas dentadas e chumaceiras não fiquem demasiado perto das podras (veja ilustrações A e B).

– Ensaie regularmente as funções durante a montagem para se certificar que funcionam.

Estude as ilustrações C-I. Elas incluem informações úteis sobre a maneira de separar os elementos. (Alguns dos elementos que se mostram podem não fazer parte do seu conjunto.)



Προσαρμόστε όλους τους άξονες των τροχών έτσι ώστε να κινούνται ομαλά.

– Προσέχετε οι τροχοί και οι σύνδεσμοι να μη βόησκονται πολύ κοντά στα τουβλάκια (βλέπε εικονογράφηση A και B).

– Ελέγχετε τακτικά τις λειτουργίες κατά τη διάρκεια της κατασκευής ώστε να είστε σίγουροι ότι δουλεύουν.

Μελετήστε τις εικονογραφήσεις C-I. Περιέχουν μερικές χρήσιμες πληροφορίες για το πως χωρίζονται τα στοιχεία. (Μερικά στοιχεία που φαίνονται εδώ μπορεί να μην περιέχονται στο δικό σας κιτ!)



レゴ・テックをお買上げいただきありがとうございます。組み立てる前に次の注意事項をお読みください。

モデルの機械的な機能に注意してください。

軸輪がすべてスムーズに動くように取り付けてください。

– ギアとストッパーはあまりブロックにくっつけて取り付けないようにしてください。(図のAとBを参照)

– 組み立てた部分が正しく動くかチェックしながら、

モデルを組み立ててください。

パーツのほすし方のヒントとして、図のC-Iを参考にしてください。

(この説明書には、このセットに含まれない部品も参考として使われています。)

原稿書已經擁有了這項最新的科技組裝型，當你要開始玩之前，請先詳閱下列事項。

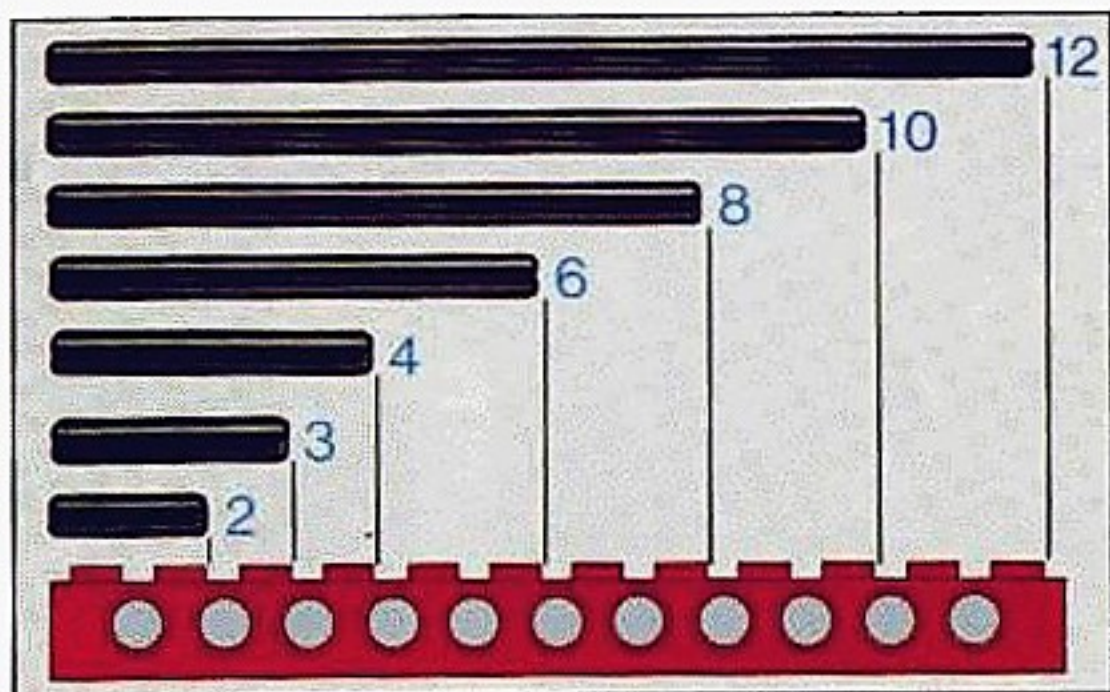
請特別注意這項組裝型的各項運作功能是否正常，尤其是要隨時調整軸輪，讓它能夠順利地運作。

– 注意大齒輪和軸輪不能太靠近顆粒。(請看圖A和B)

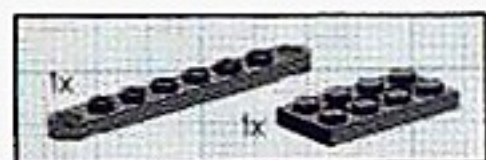
– 在裝配組合時，隨時測試一下，以確定其功能能夠運作。

請看圖C-I，圖中顯示了如何拆裝這些組合零件的方法。

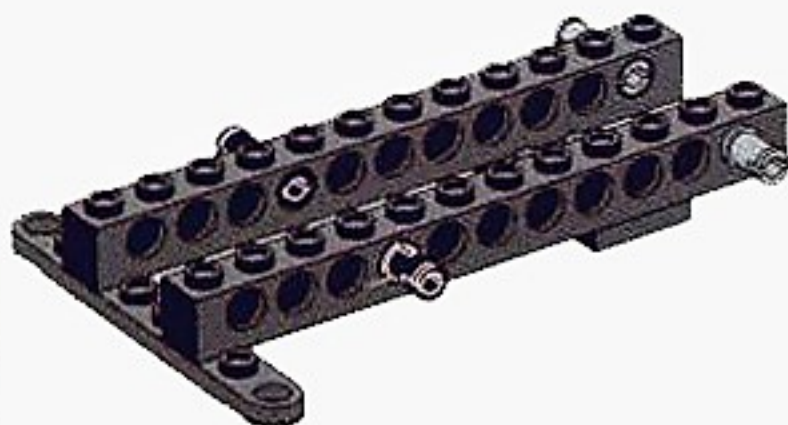
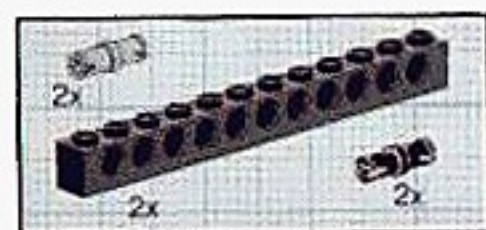
(但圖中有些零件可能不在你的組裝型裡。)



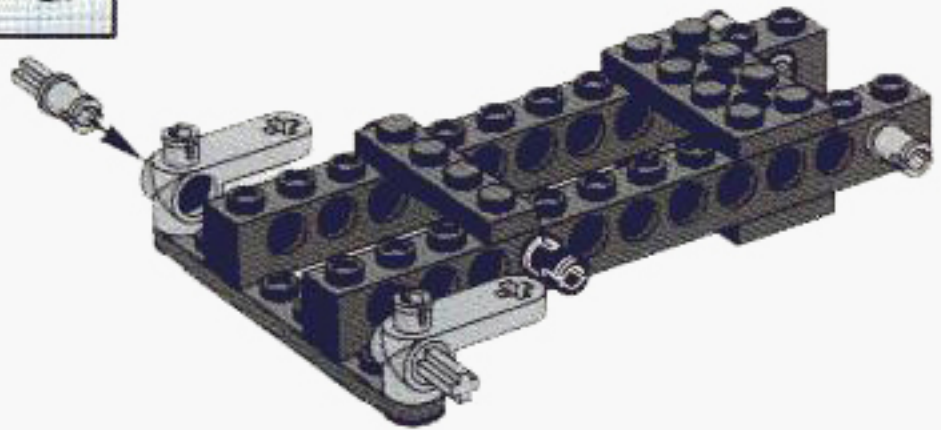
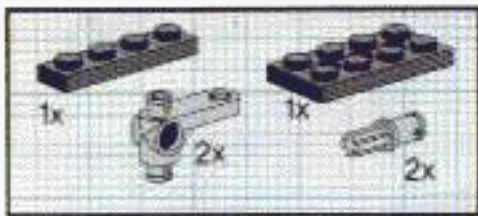
1



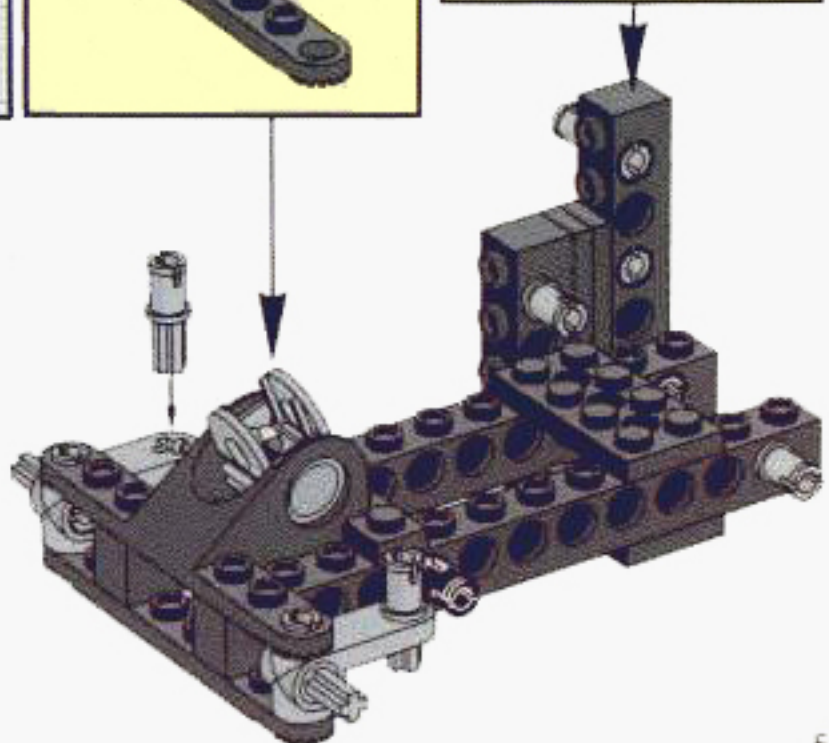
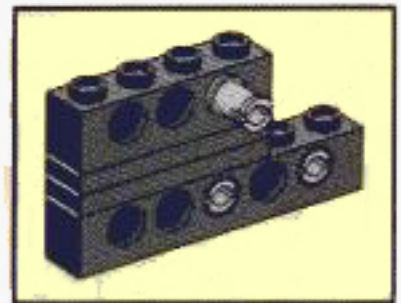
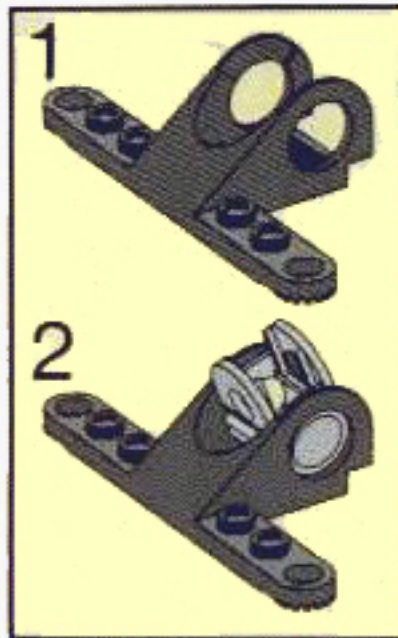
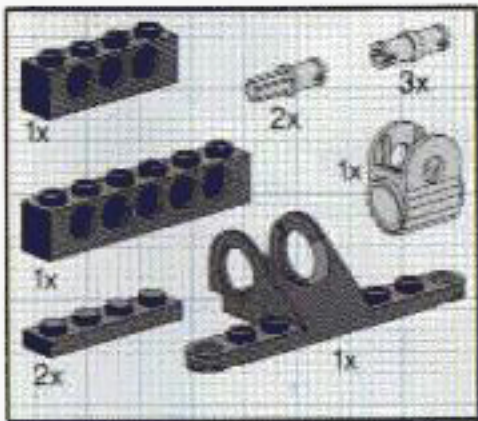
2



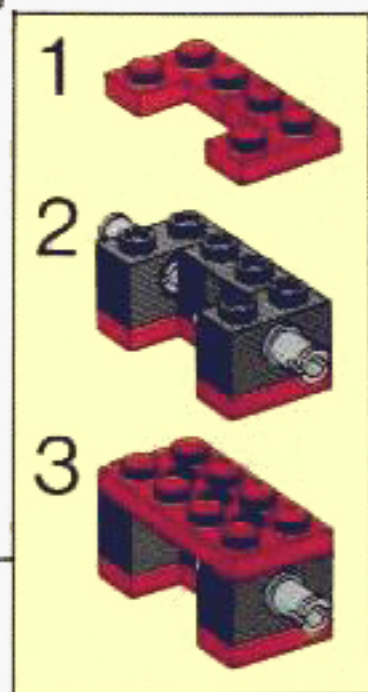
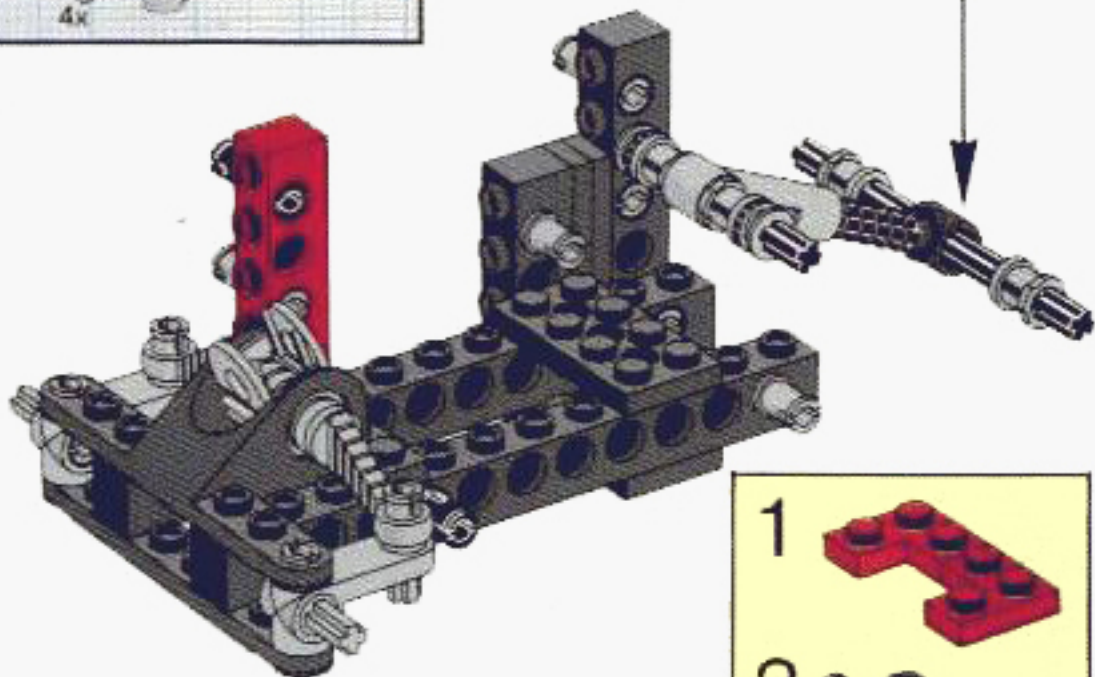
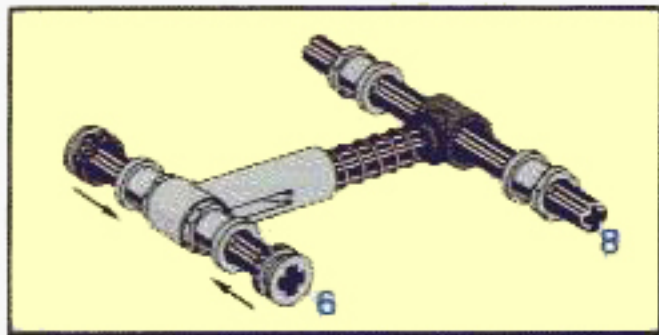
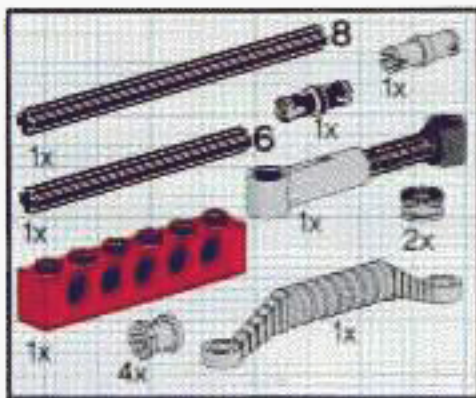
3



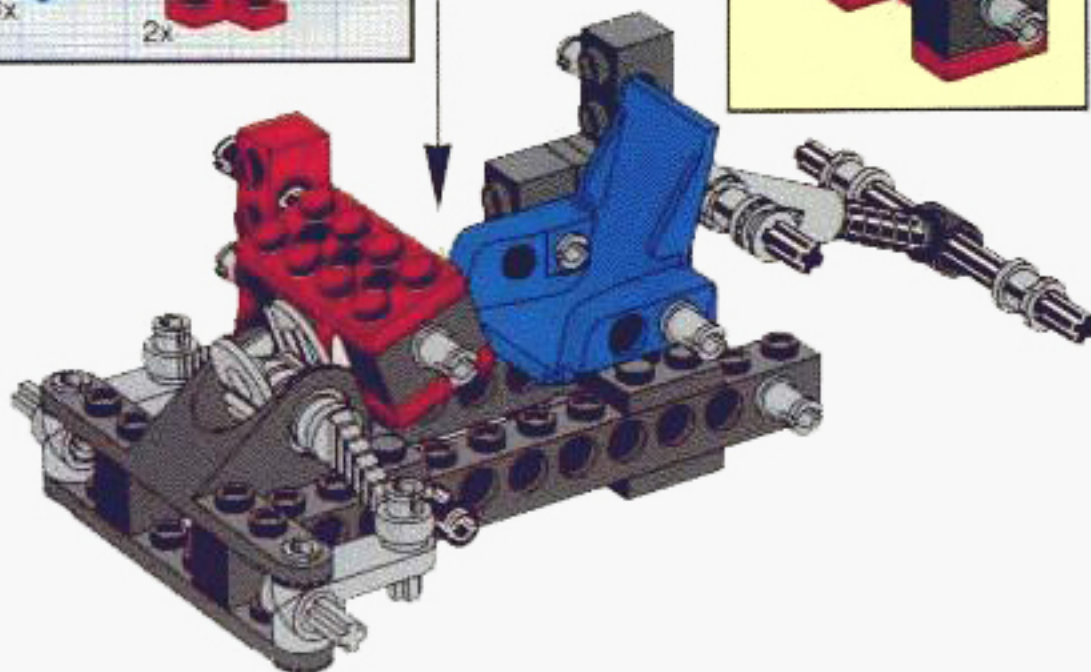
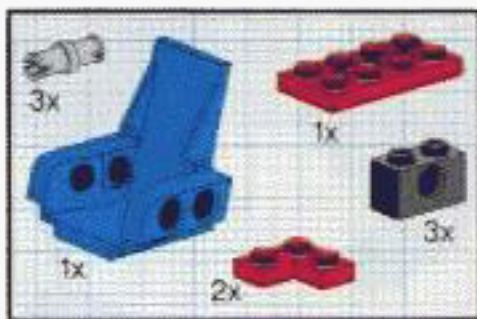
4



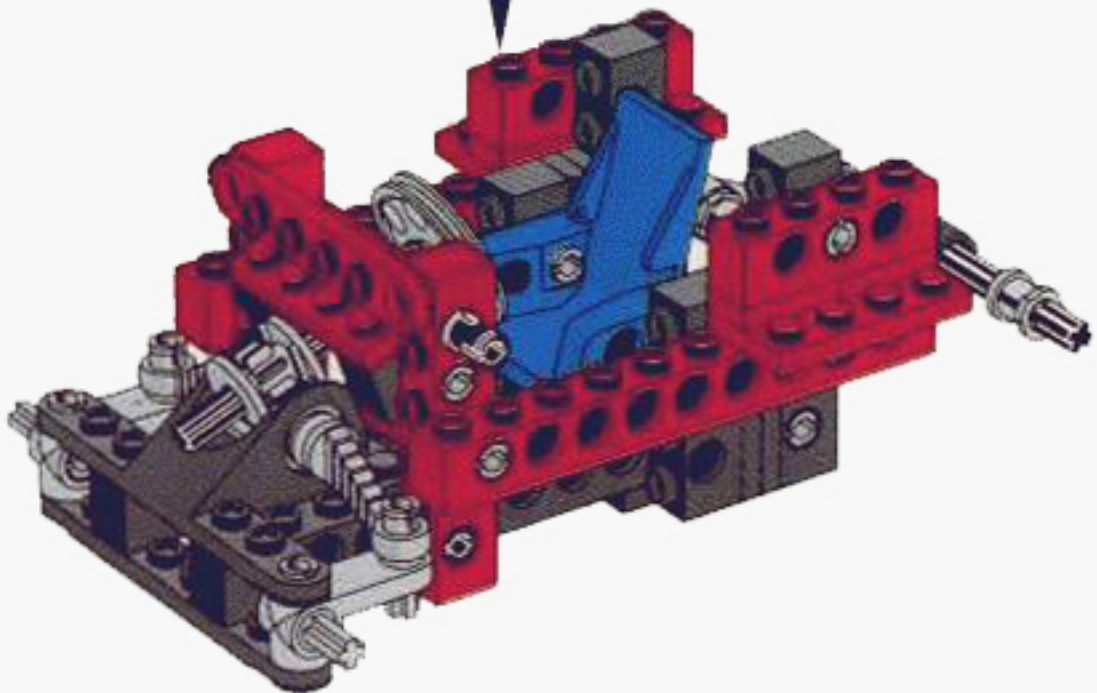
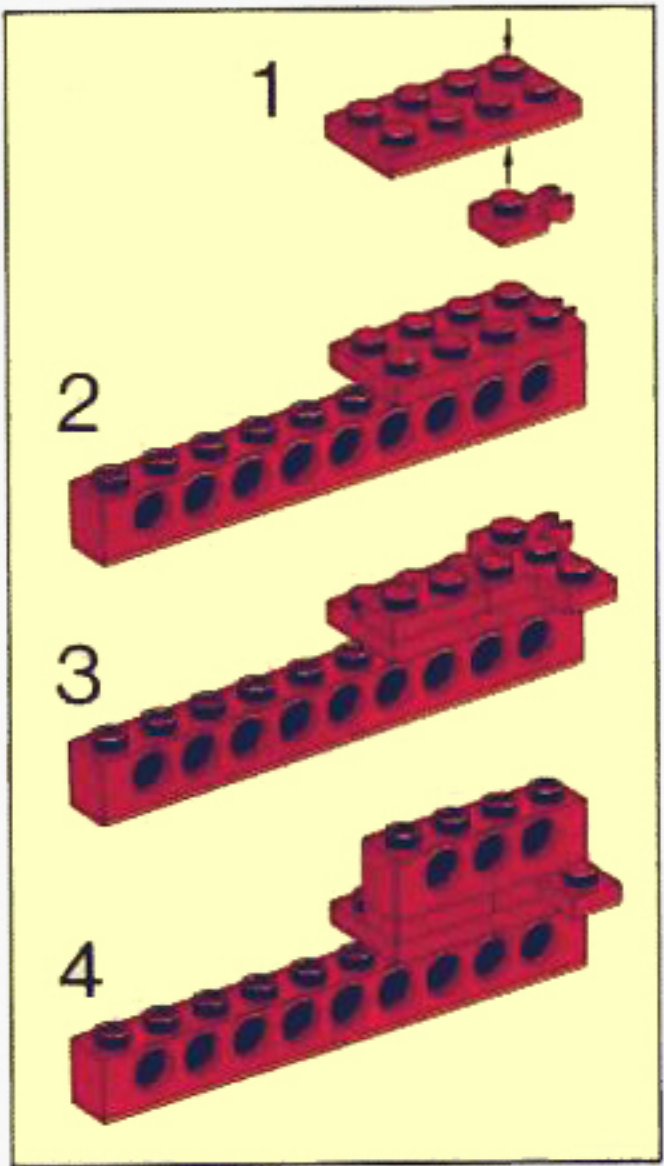
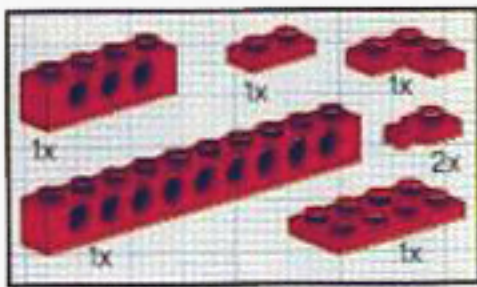
5



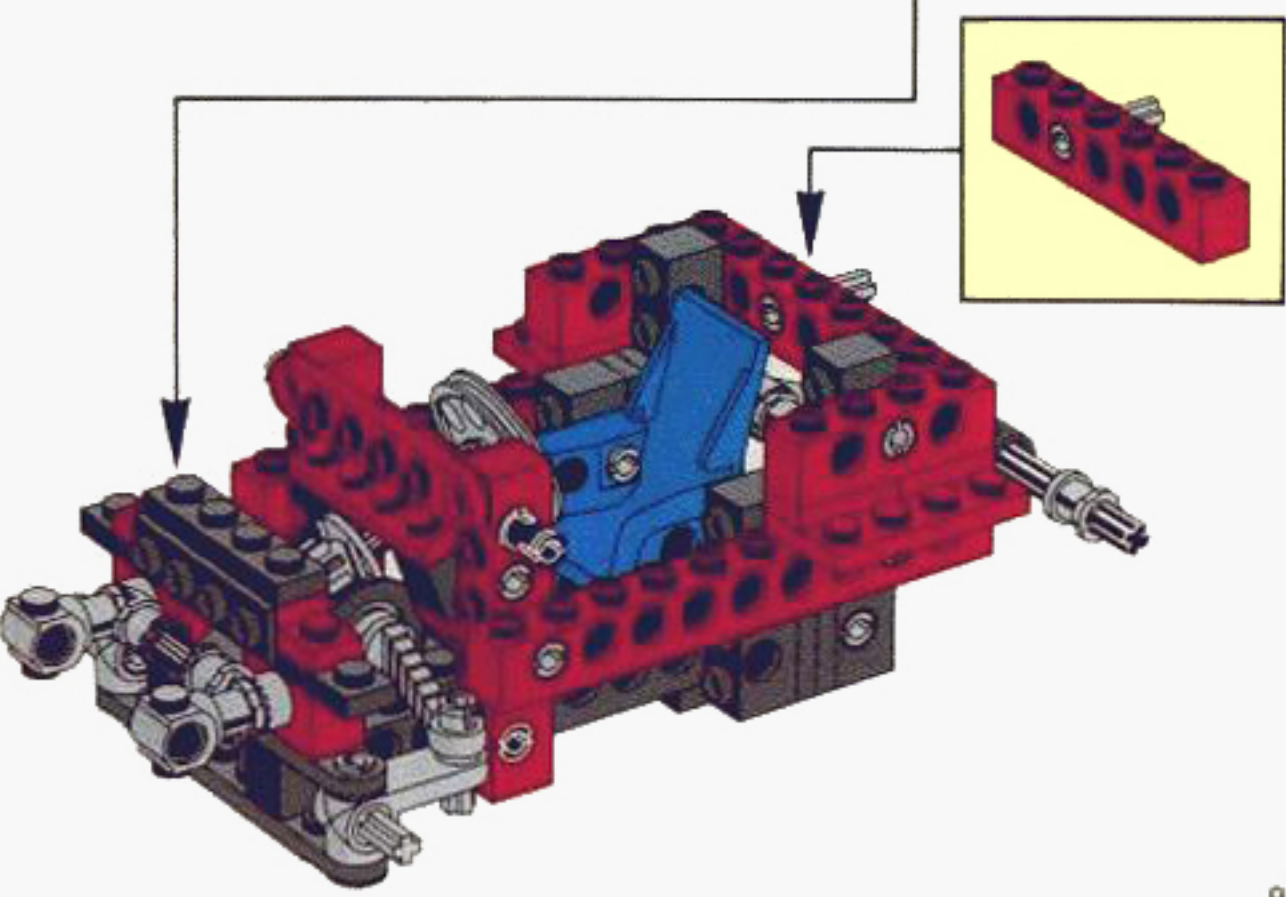
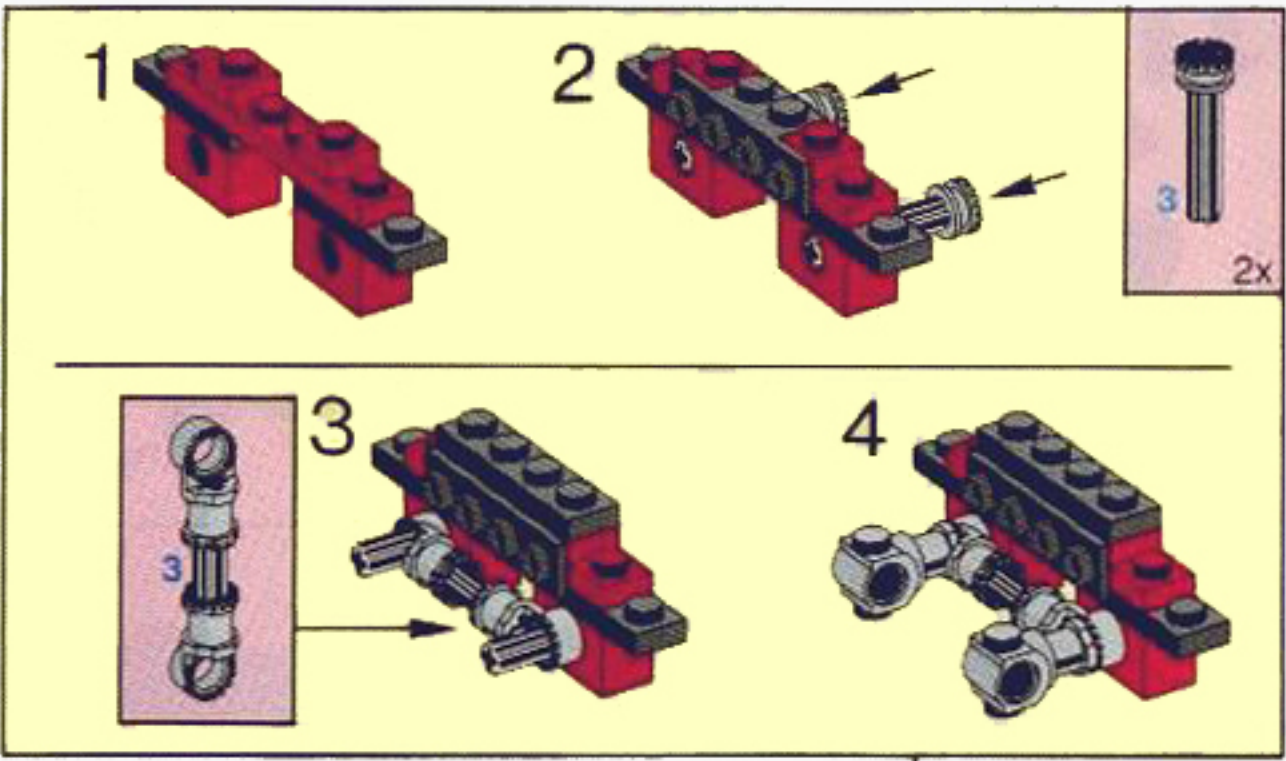
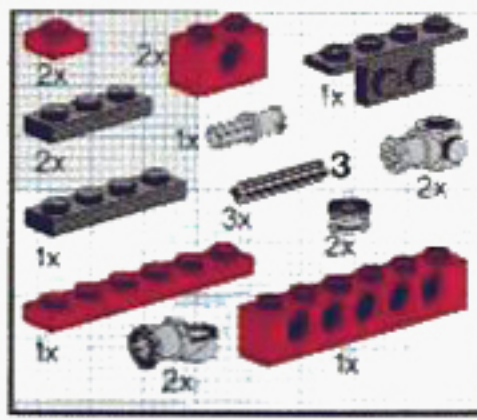
6

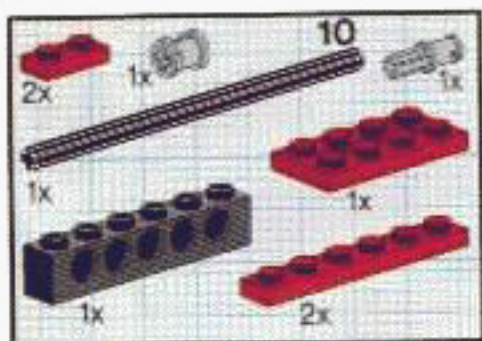


9

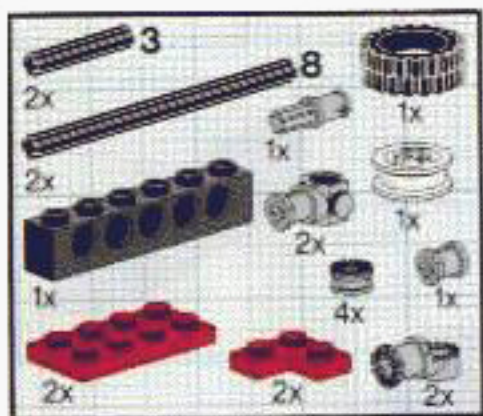
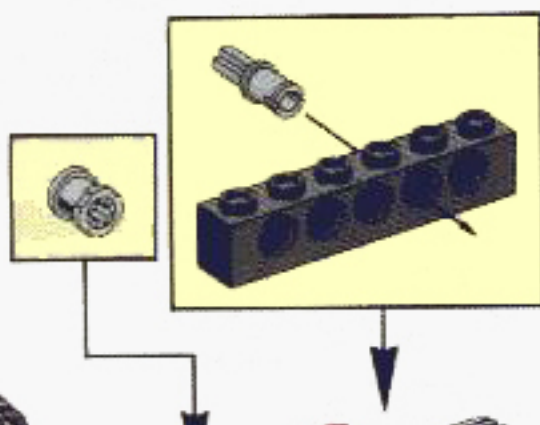
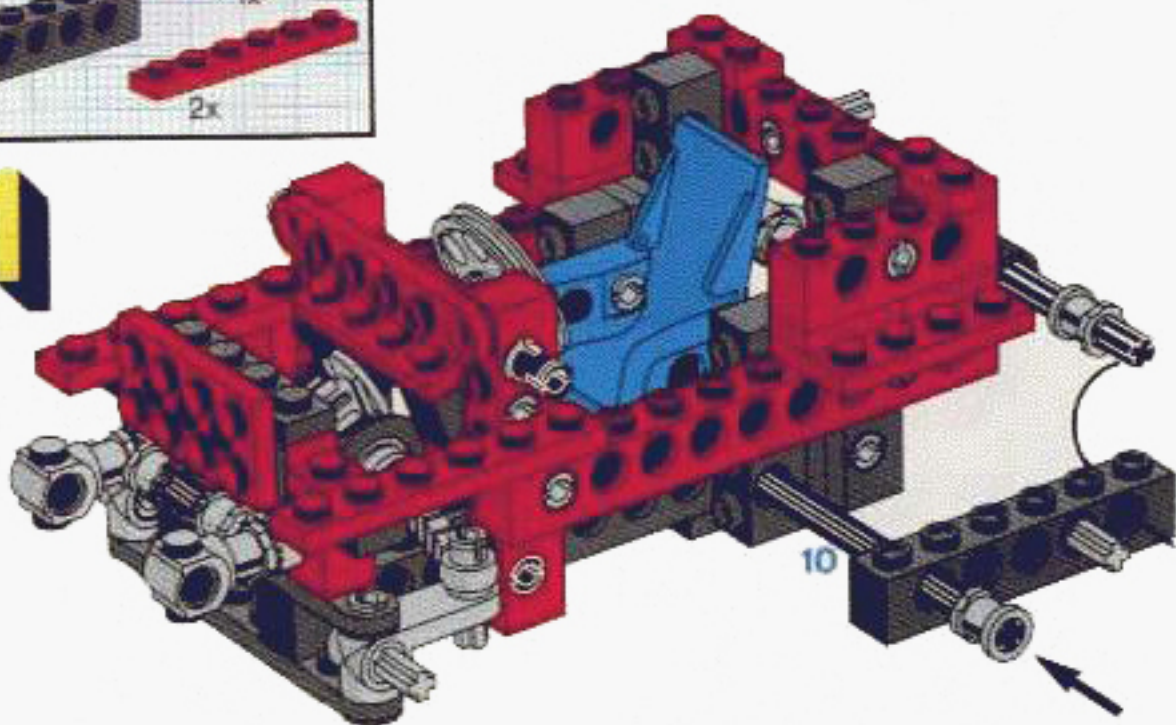


10

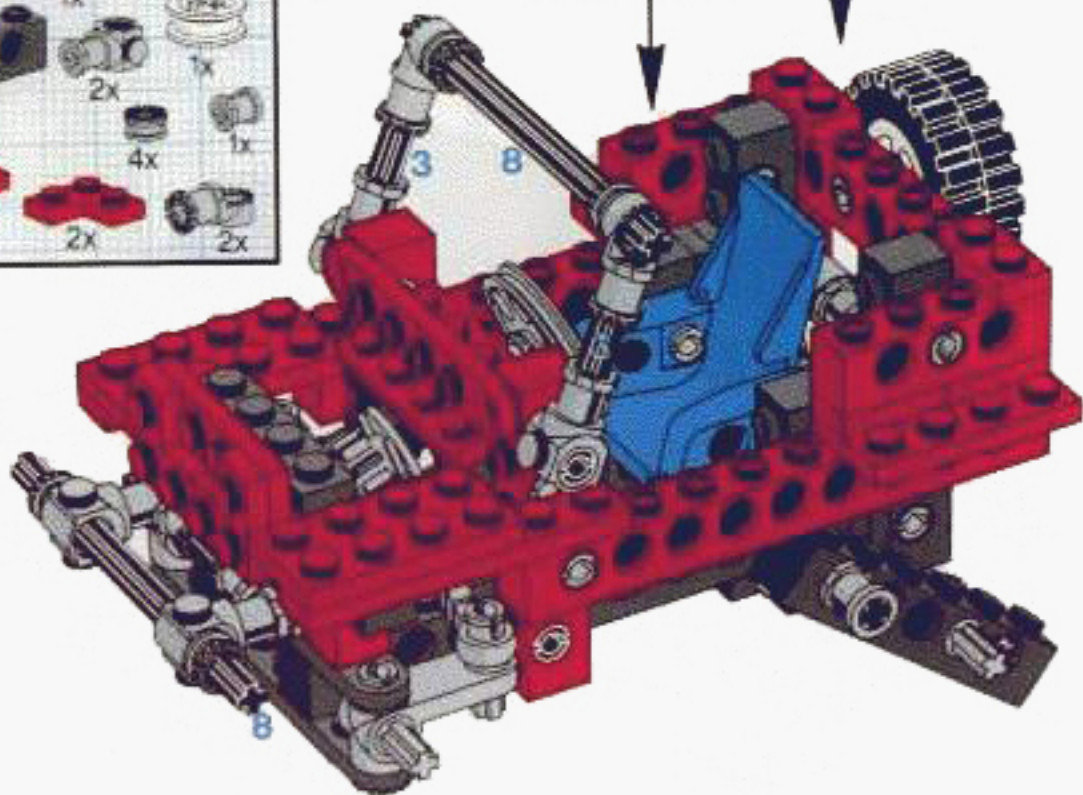




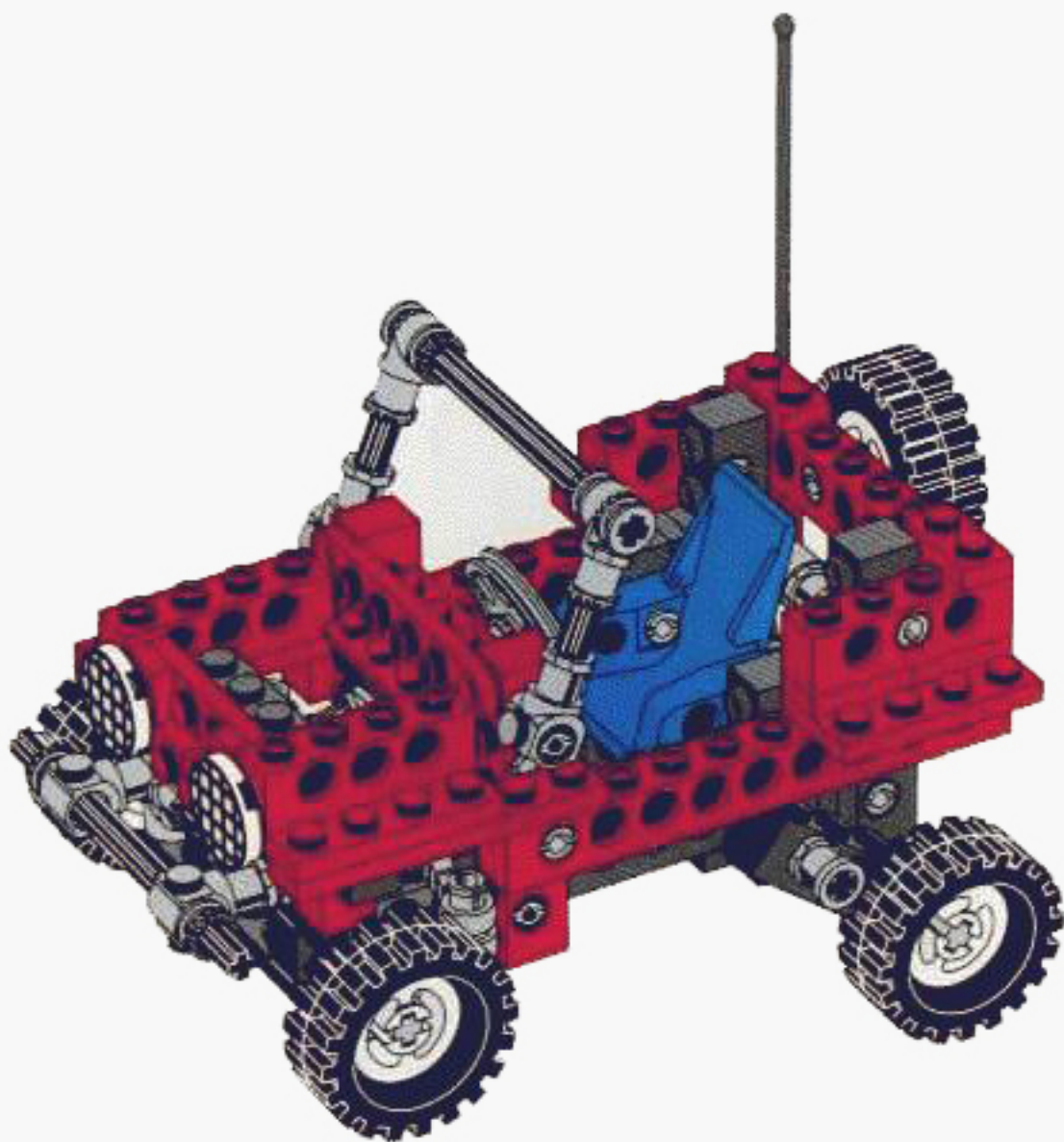
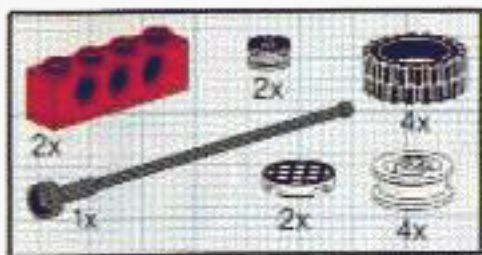
11



12



13





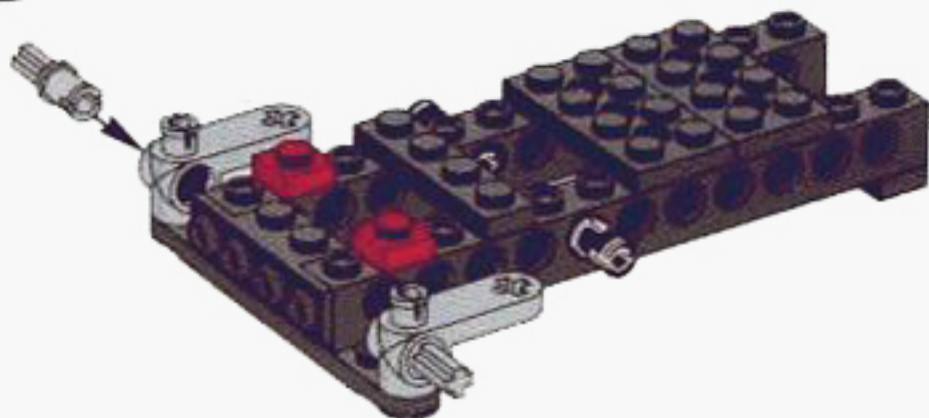
1



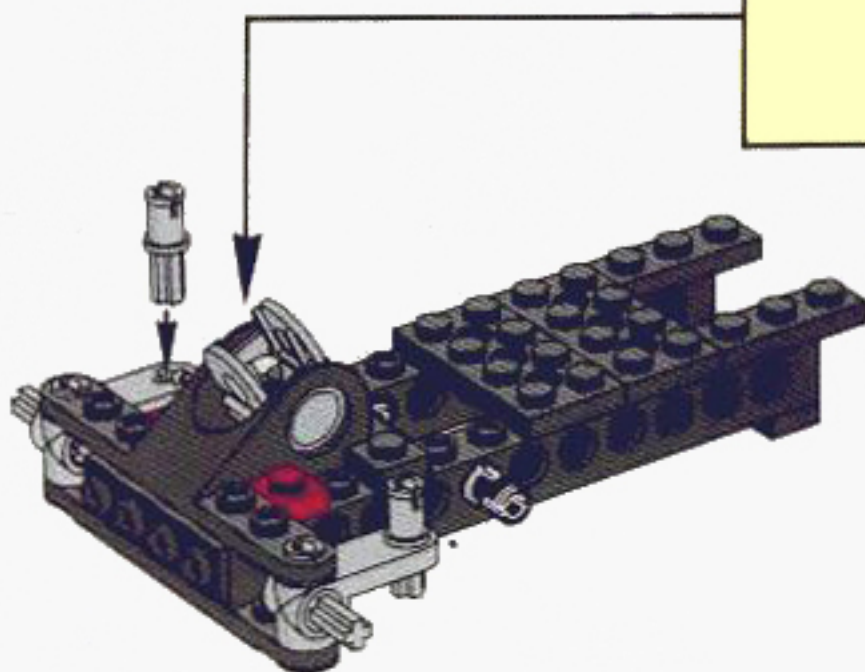
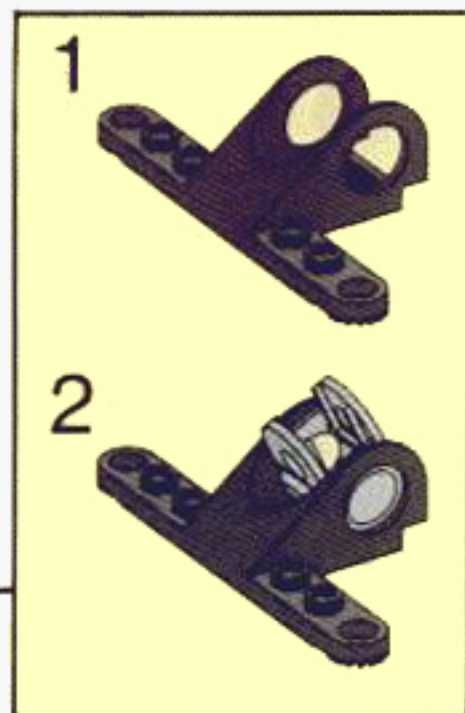
2



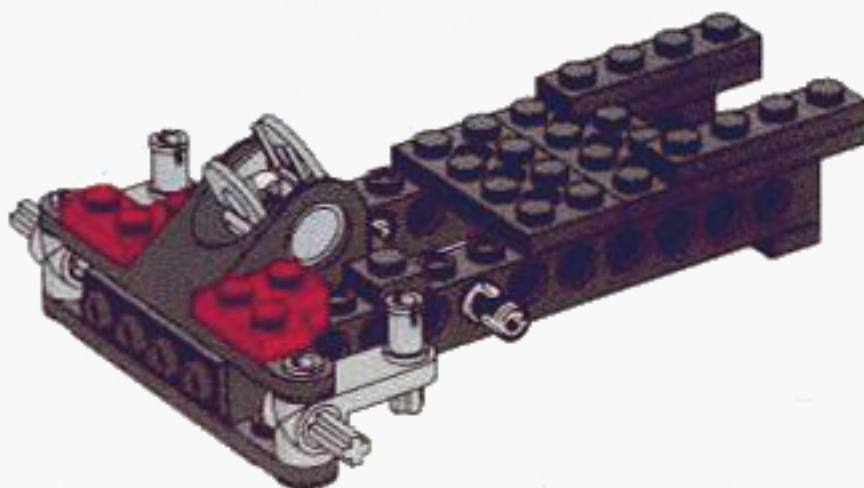
3



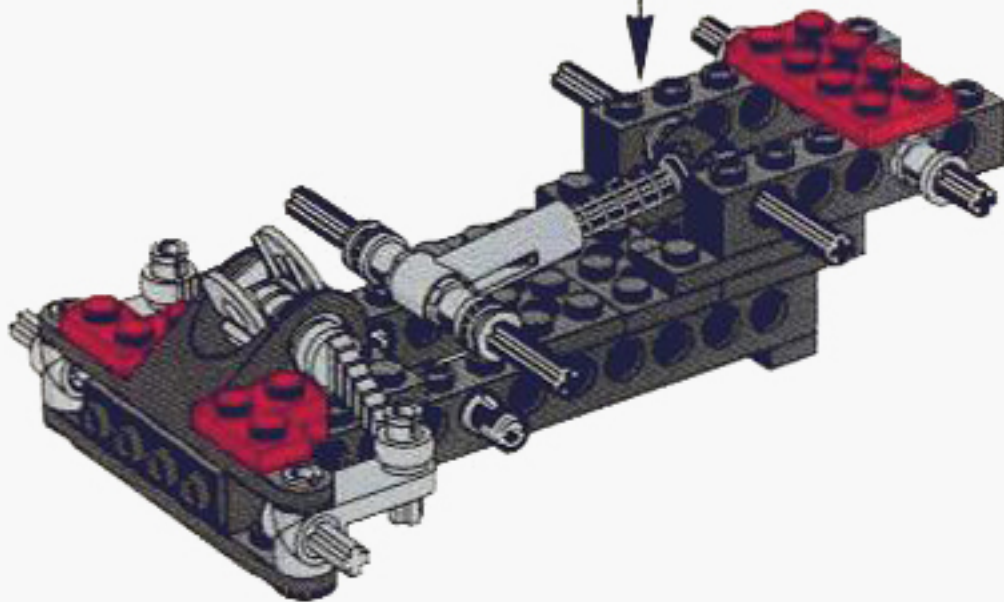
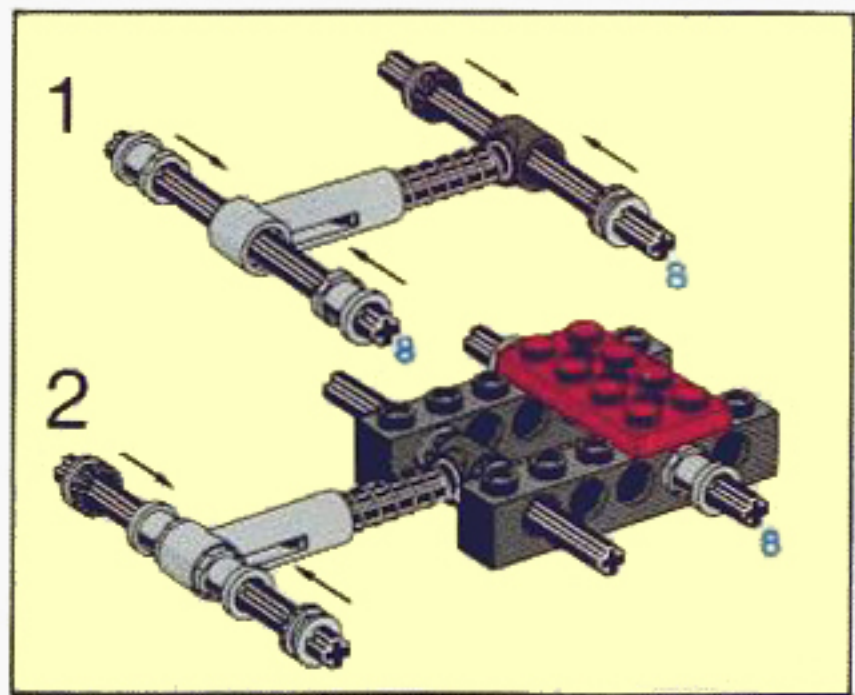
4



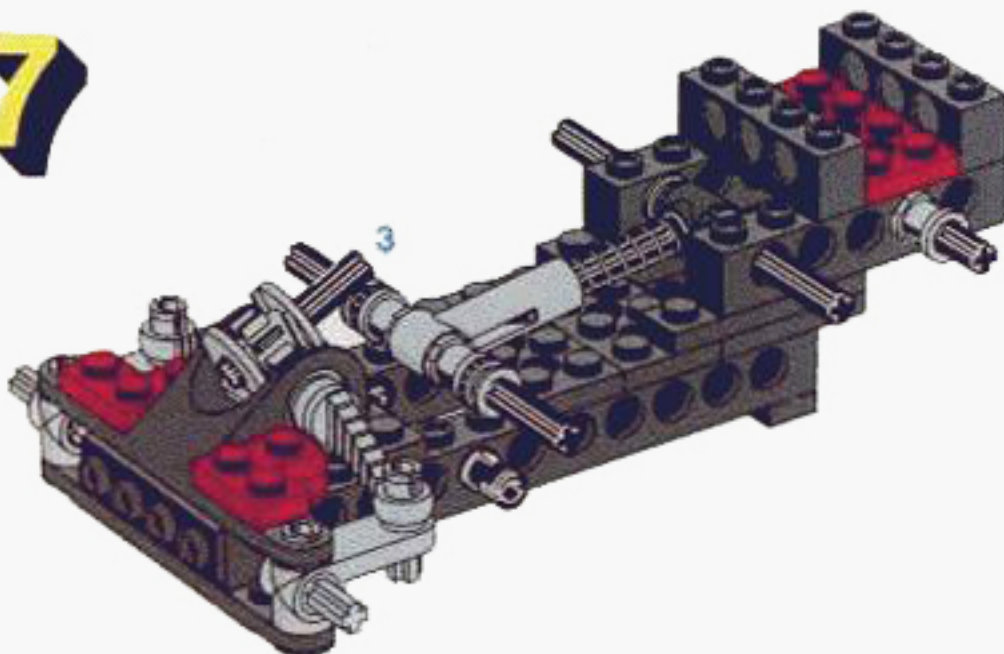
5



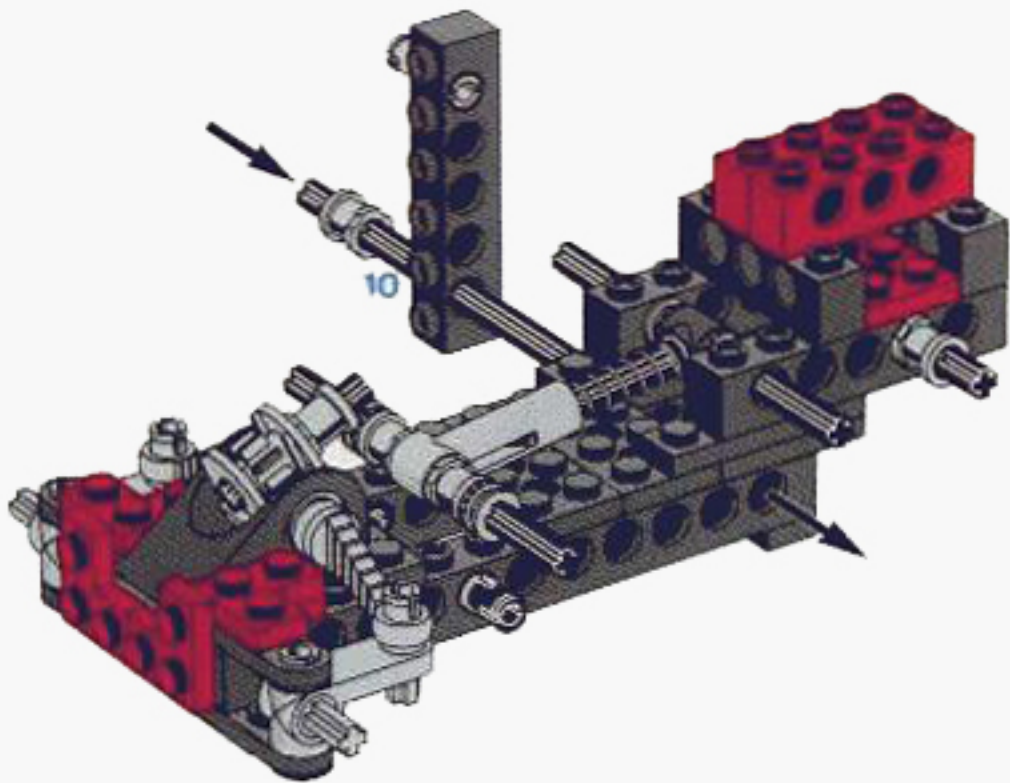
6



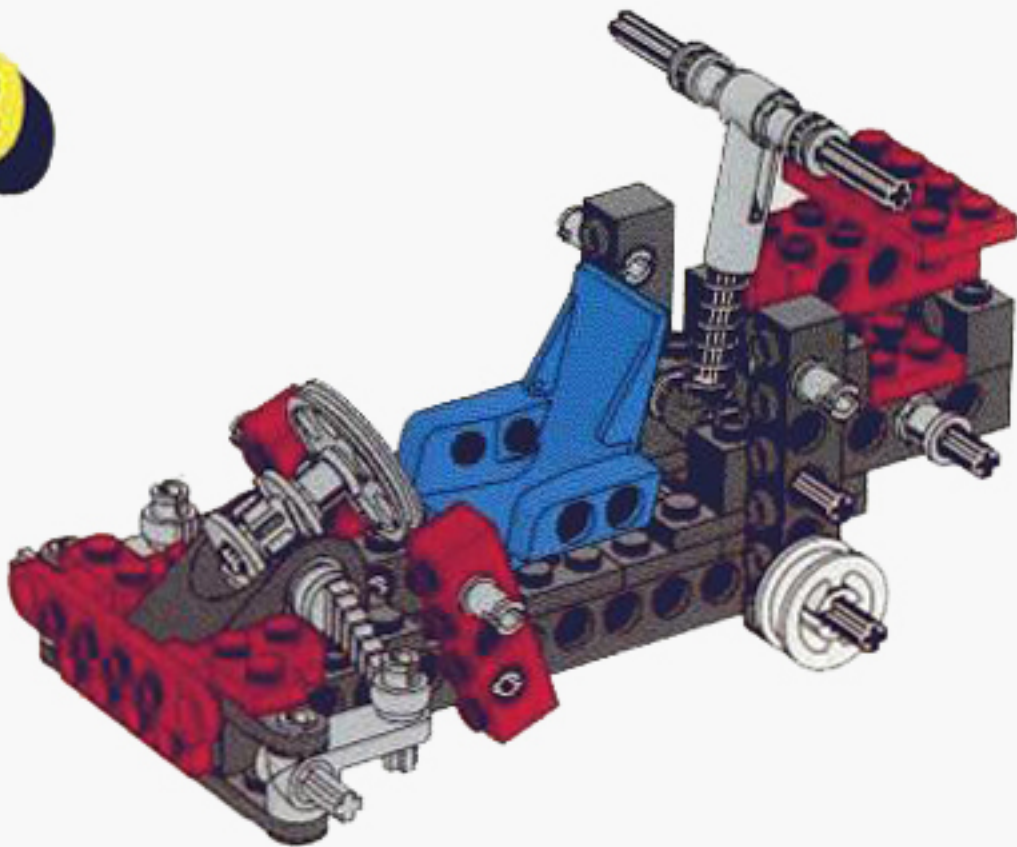
7



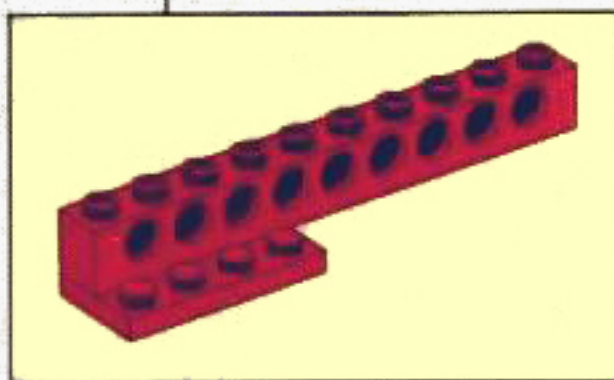
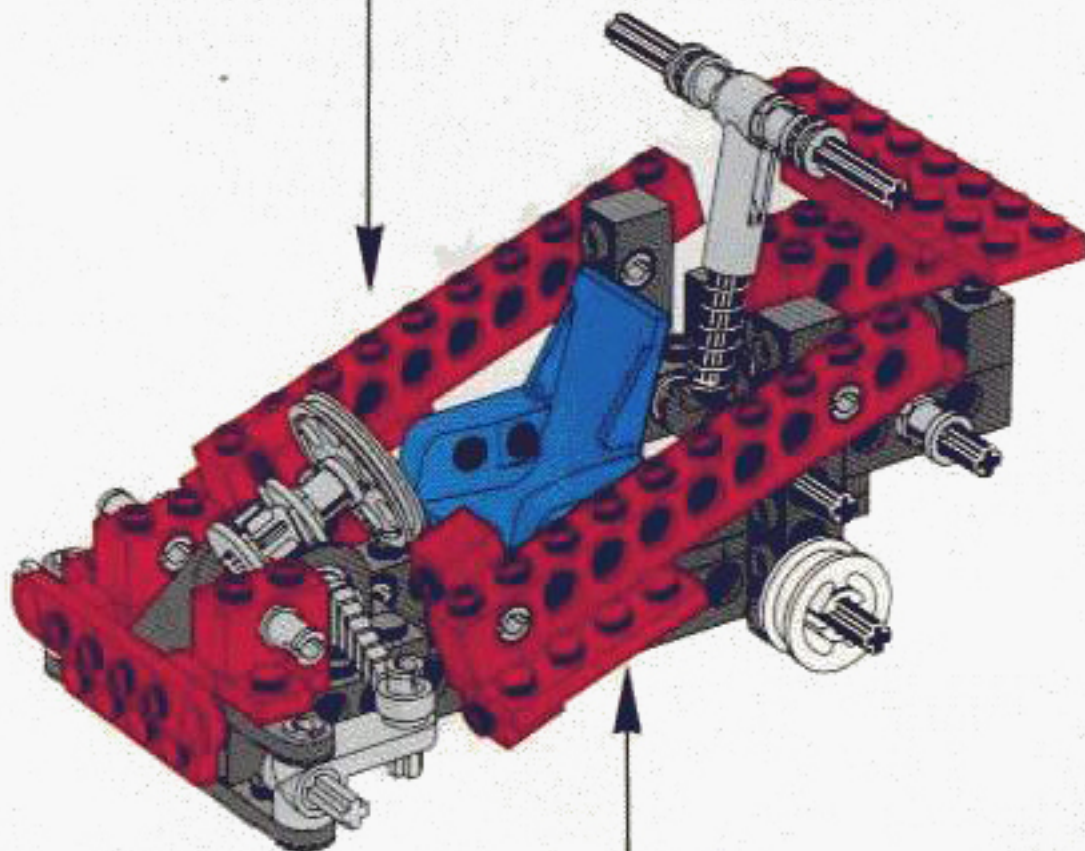
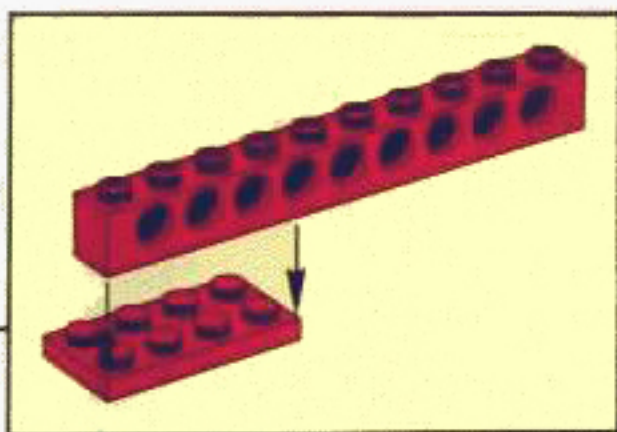
8



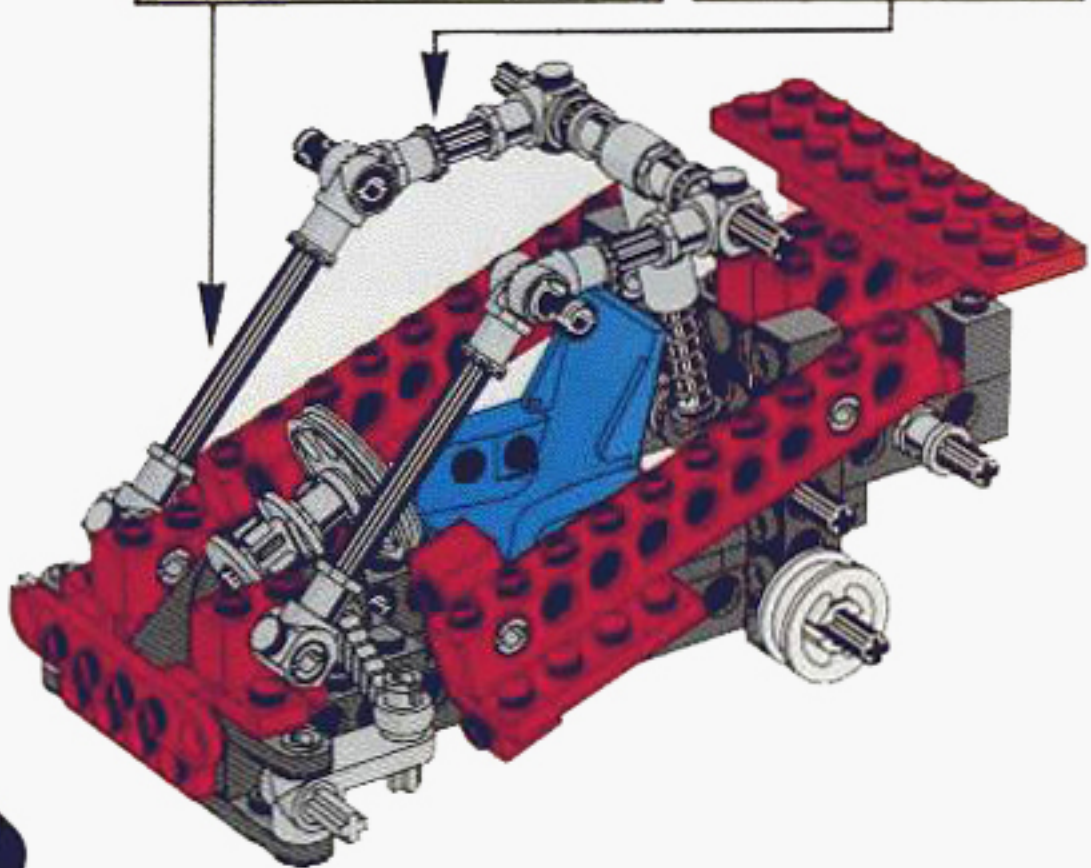
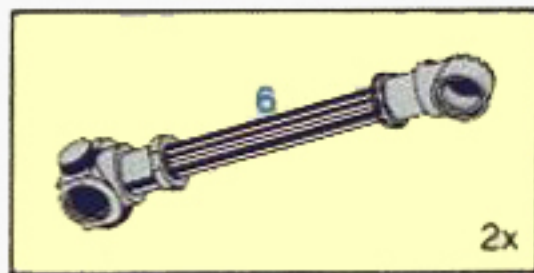
9



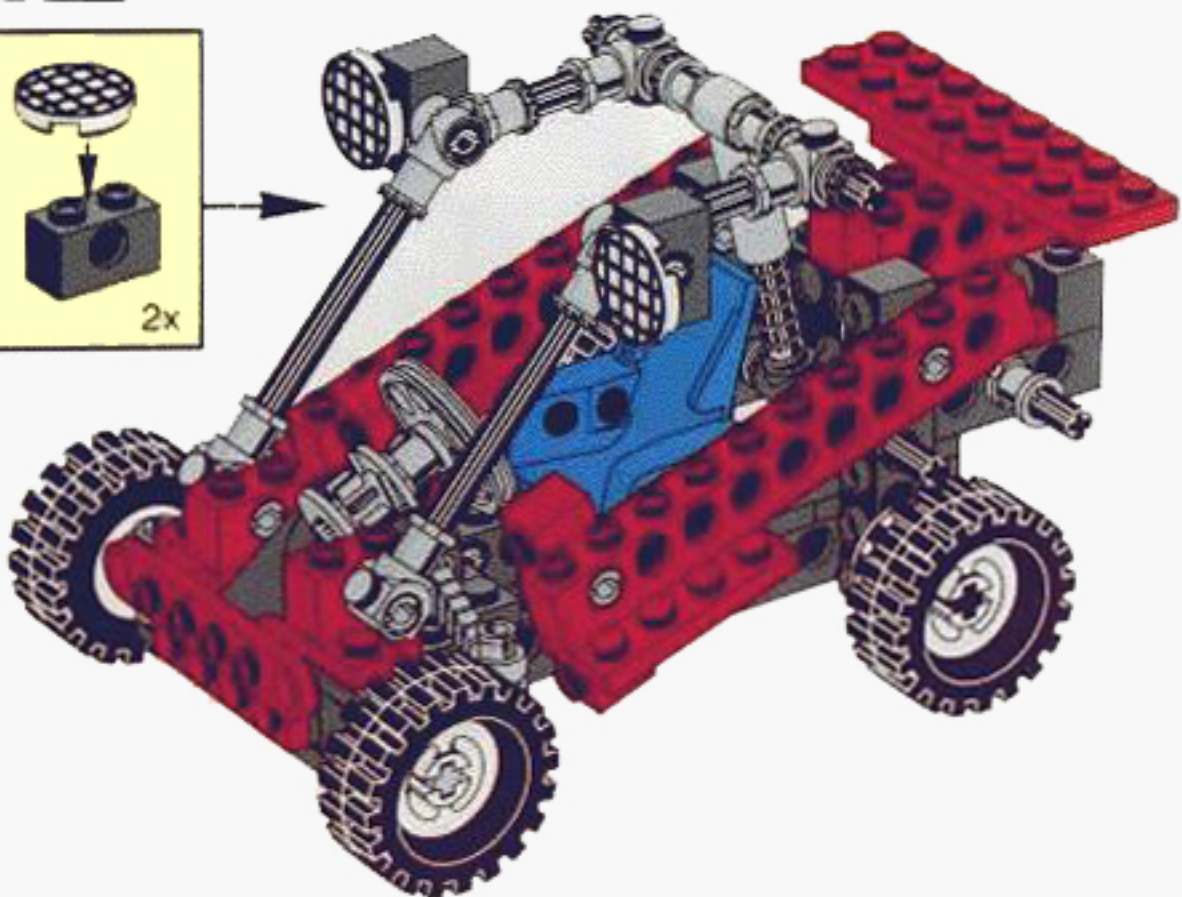
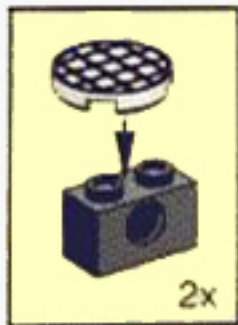
10



11



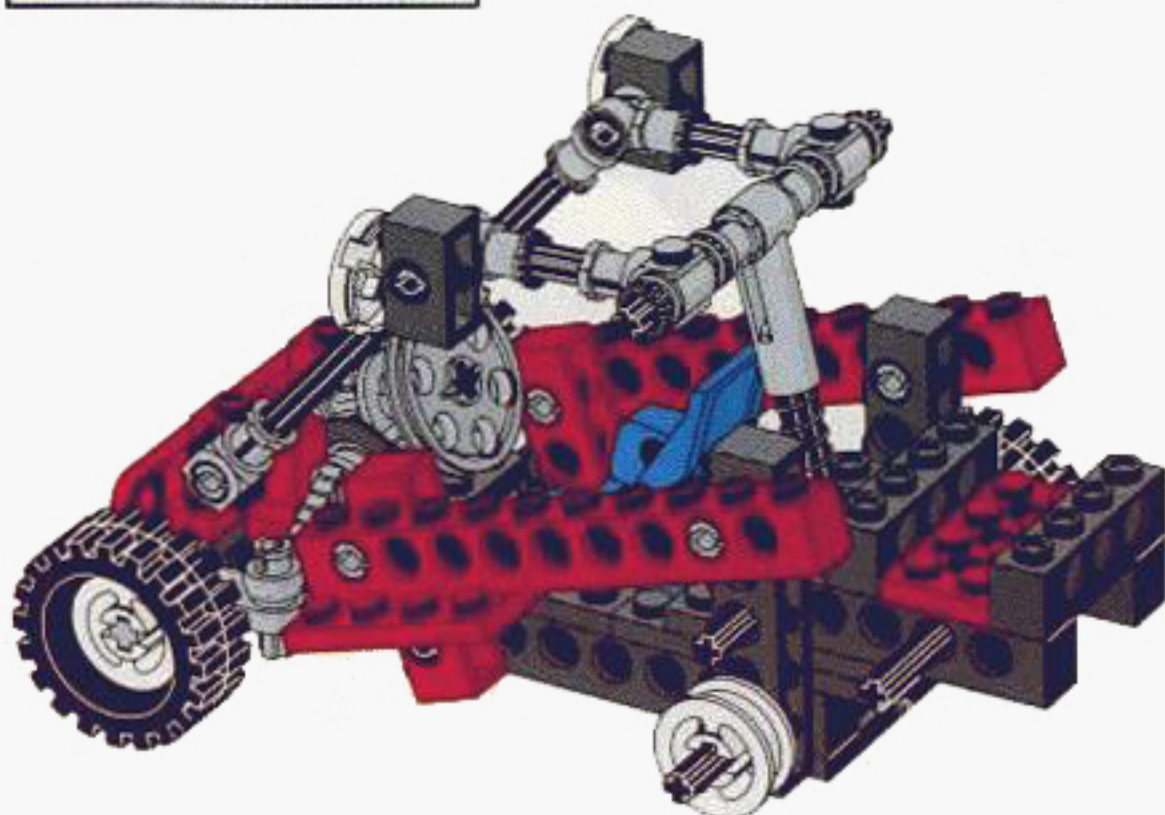
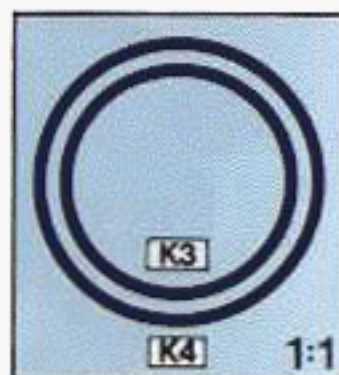
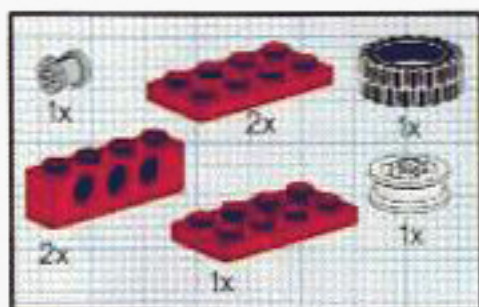
12



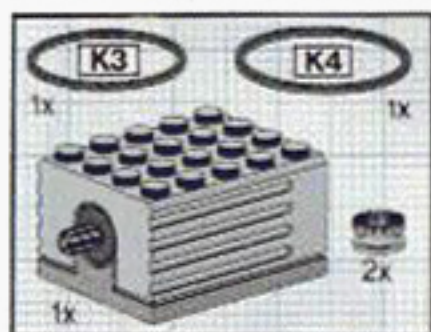
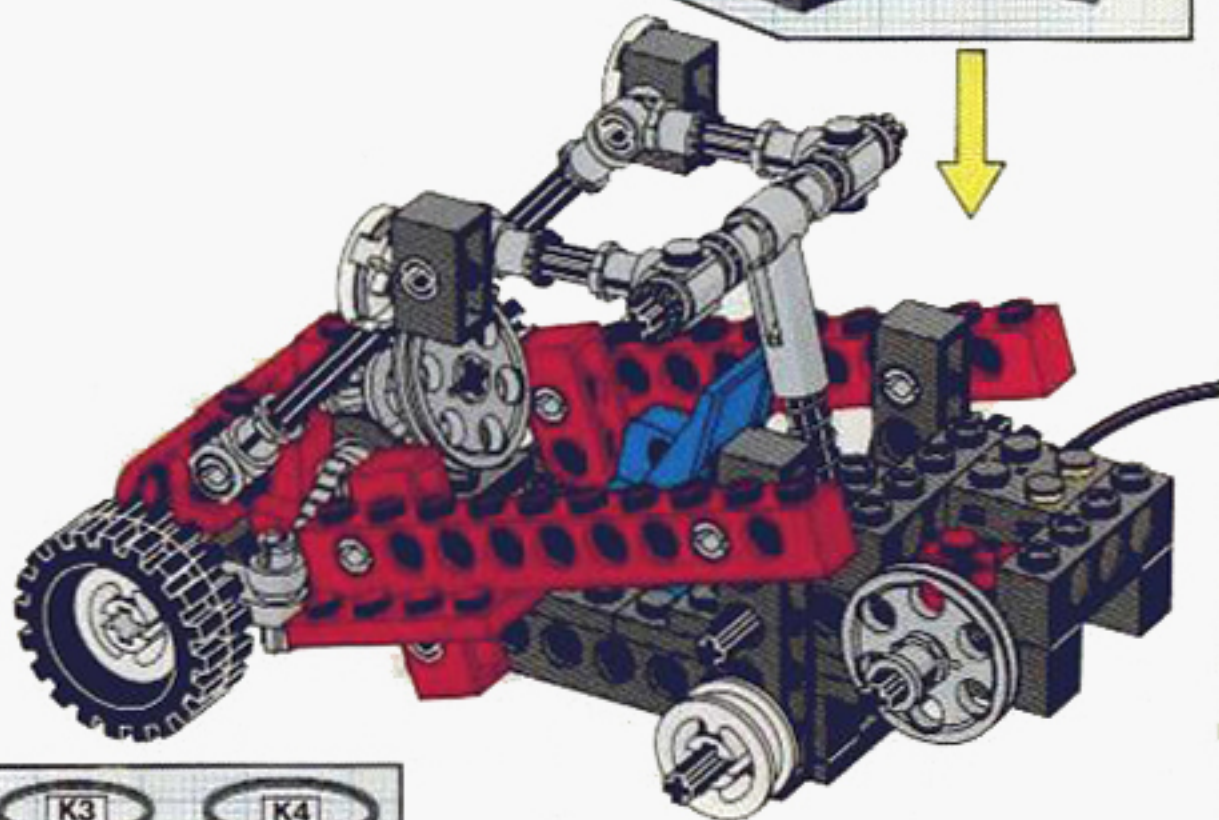
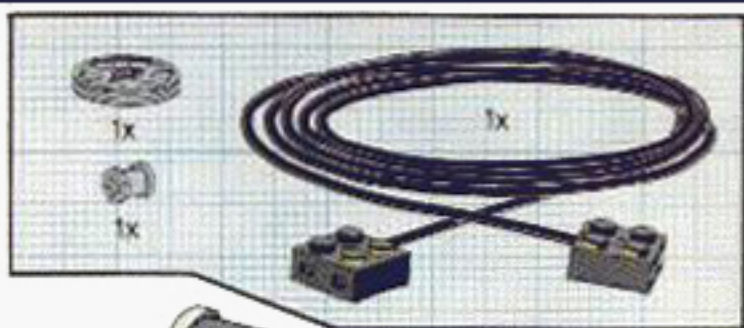
8820 + 8720



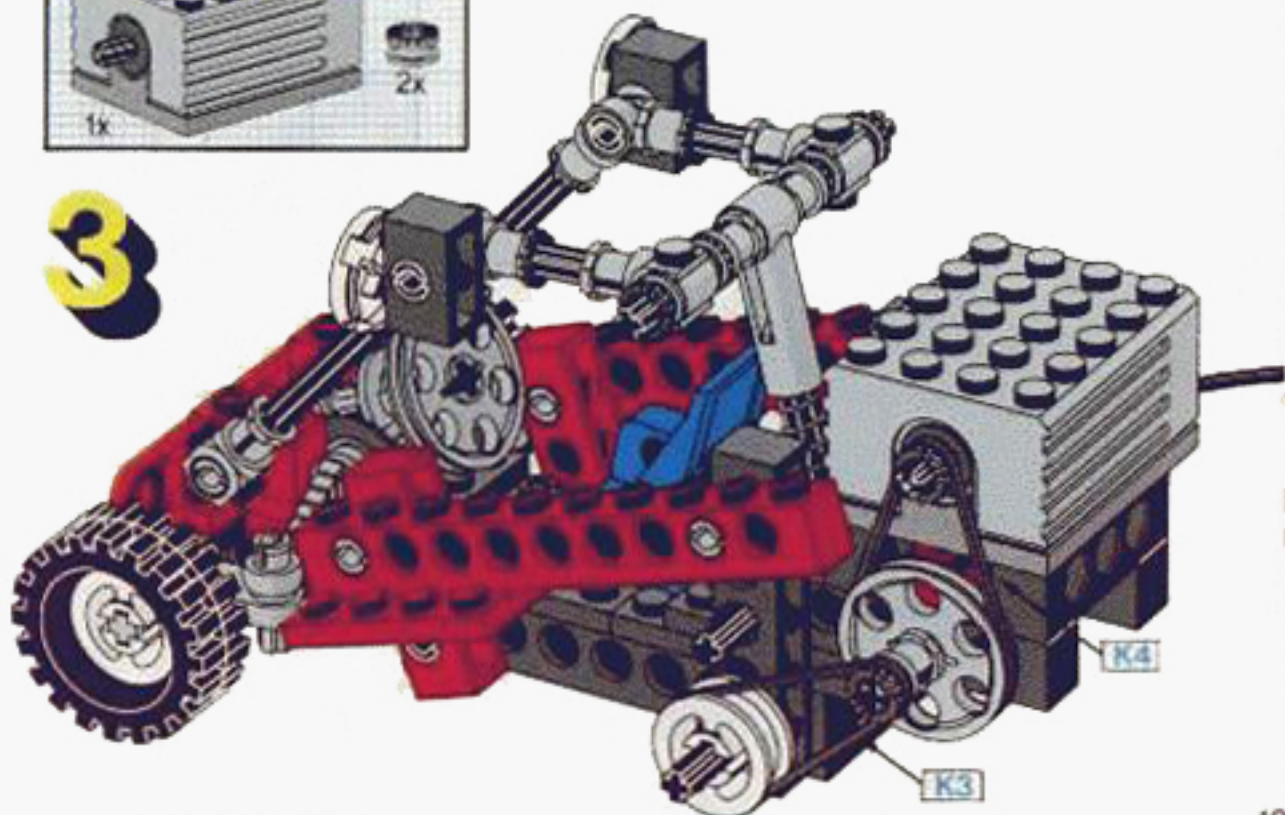
1



2



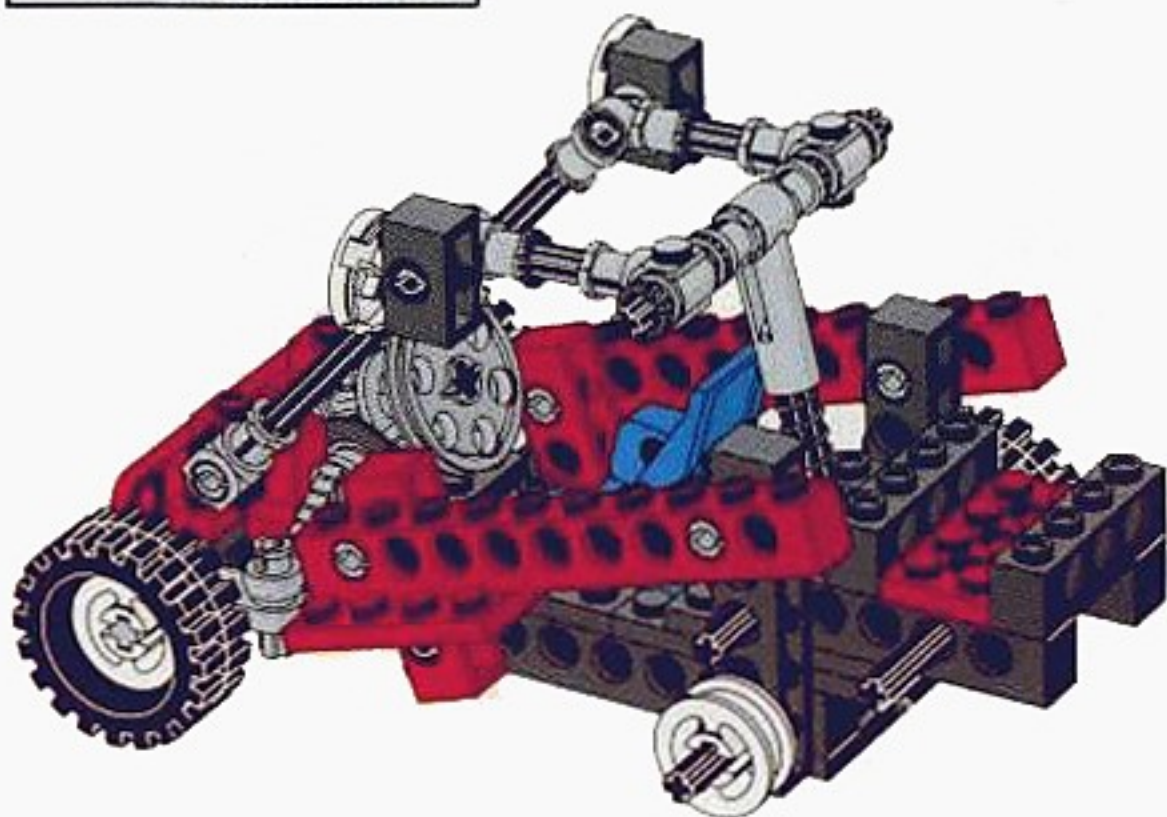
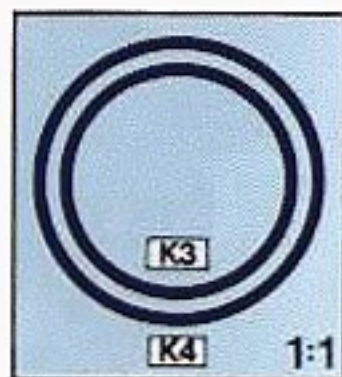
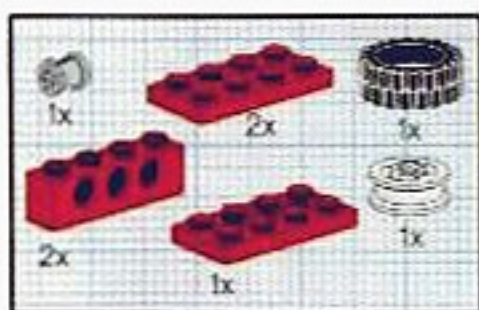
3



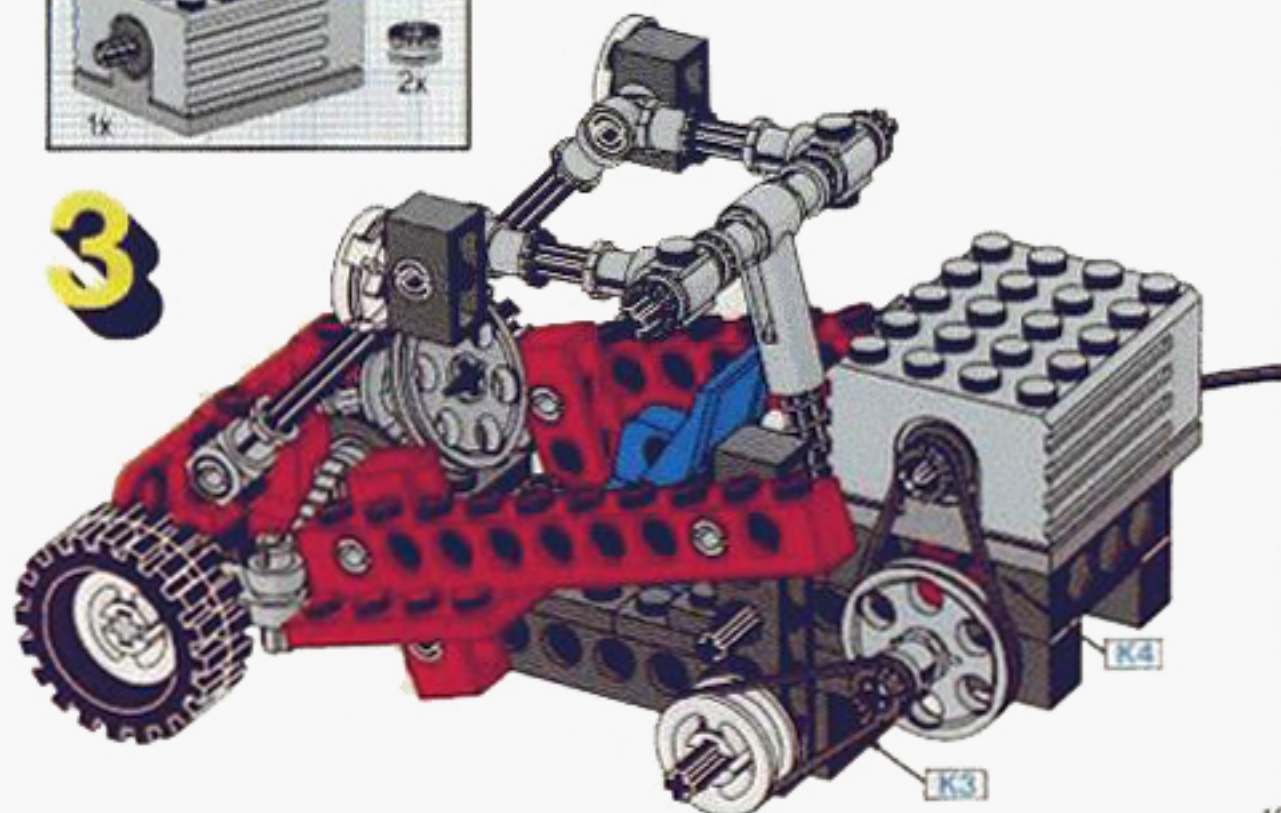
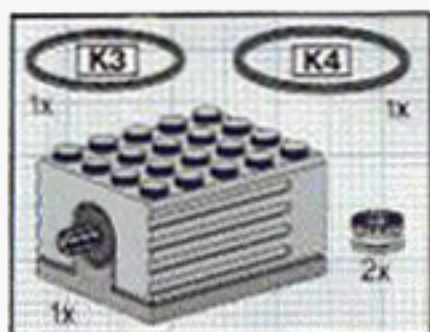
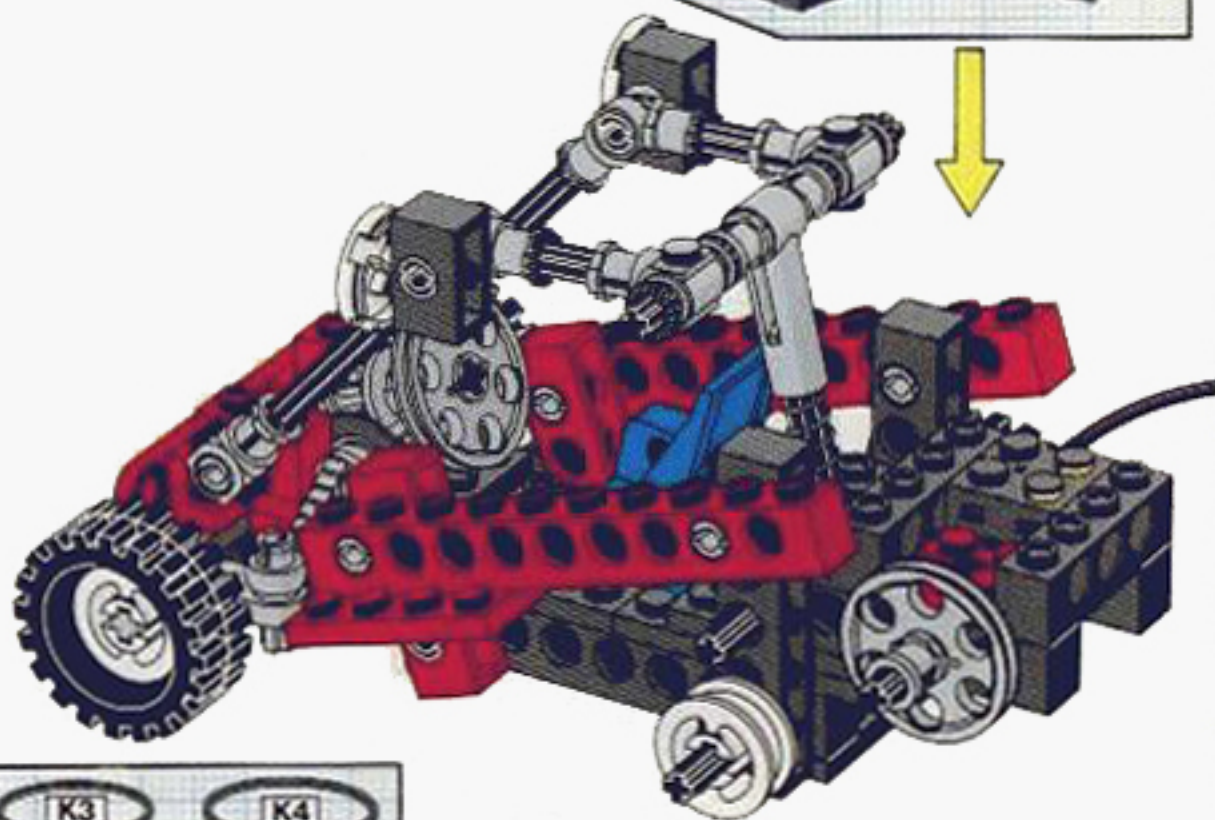
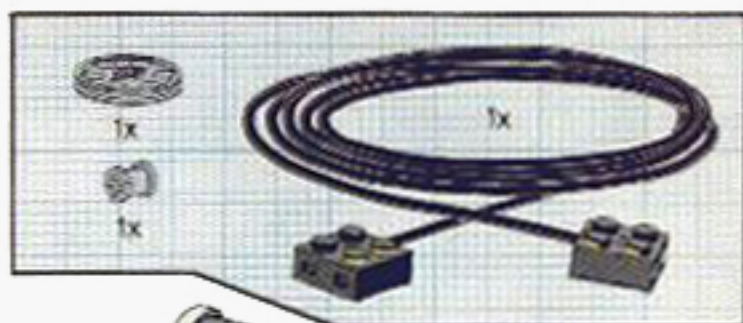
8820 + 8720



1



2



3

4

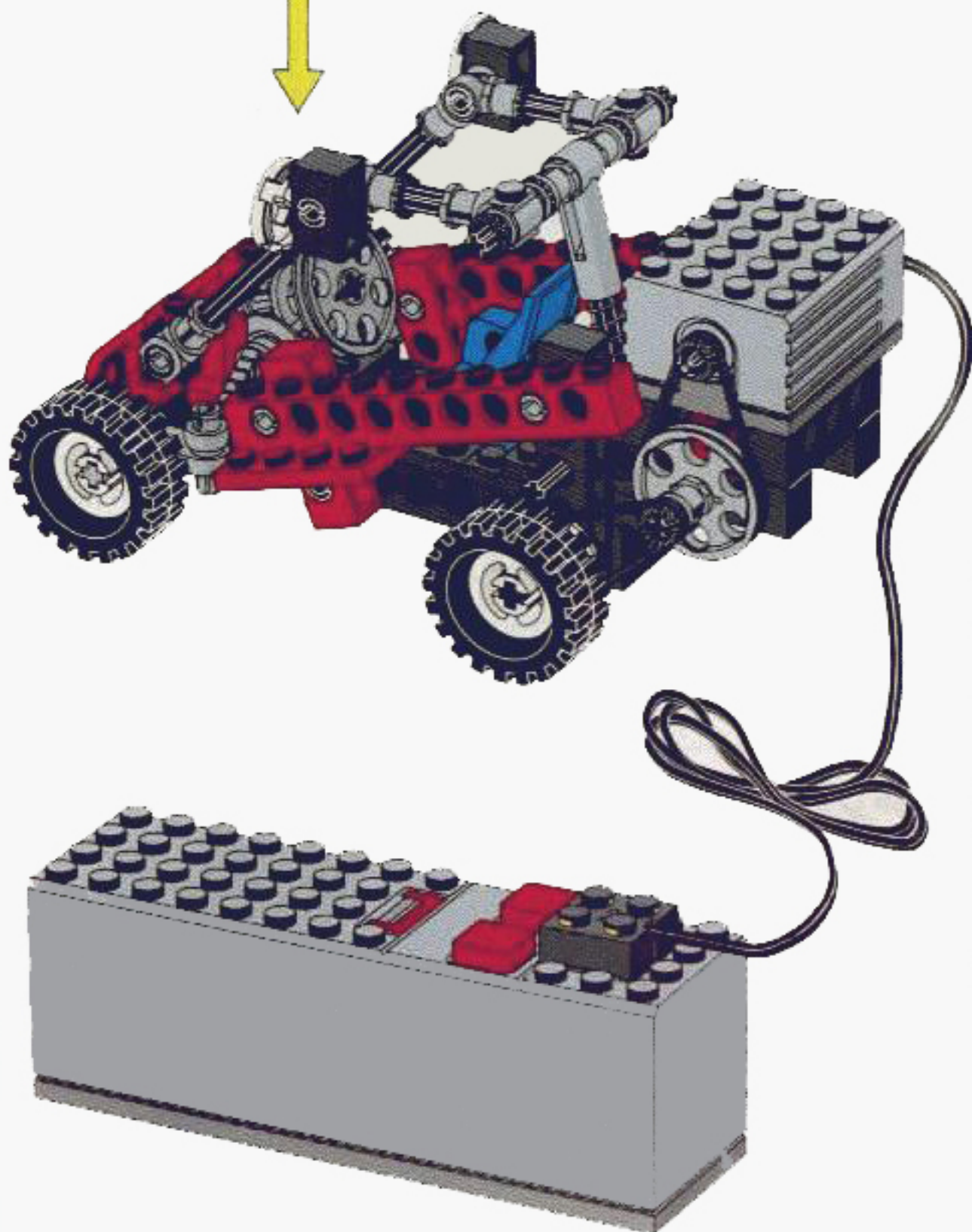
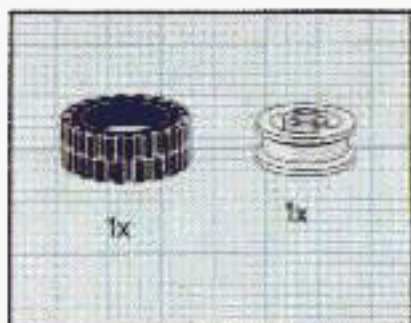


















Image	Qty	Item No	Description	MID
Regular Items:				
Parts:				
+		1	2569 Black Antenna Whip 8H Catalog: Parts: Antenna 6265148 or 6164379 or 256926	PG
*				
+		1	2436 Black Bracket 1 x 2 - 1 x 4 Catalog: Parts: Bracket 243626 or 4282746	PG
*				
+		2	3024 Red Plate 1 x 1 Catalog: Parts: Plate 302421	PG
*				
+		4	3023 Red Plate 1 x 2 Catalog: Parts: Plate 302321	PG
*				
+		2	3623 Black Plate 1 x 3 Catalog: Parts: Plate 362326	PG
*				
+		6	3710 Black Plate 1 x 4 Catalog: Parts: Plate 371026	PG
*				
+		3	3666 Red Plate 1 x 6 Catalog: Parts: Plate 366621	PG
*				
+		6	2420 Red Plate 2 x 2 Corner Catalog: Parts: Plate 242021	PG
*				
+		4	3020 Red Plate 2 x 4 Catalog: Parts: Plate 302021	PG
*				
+		2	4085c Red Plate, Modified 1 x 1 with Clip Vertical - Type 3 (thick U clip) Catalog: Parts: Plate, Modified 408521	PG
*				
+		6	3713 Light Gray Technic Bush Catalog: Parts: Technic 4125313	PG
*				


+		11	4265a	Light Gray Technic Bush 1/2 Toothed Type I Catalog: Parts: Technic Part Color Code Missing	PG
---	--	----	-----------------------	---	--------------------

+		1	2717	Blue Technic Seat 3 x 2 Base Catalog: Parts: Technic Part Color Code Missing	PG
---	---	---	----------------------	---	--------------------


+		1	4185	Light Gray Technic Wedge Belt Wheel (Pulley) Catalog: Parts: Technic 4100502	PG
---	---	---	----------------------	---	--------------------


+		5	4519	Black Technic, Axle 3 Catalog: Parts: Technic, Axle 451926	PG
---	---	---	----------------------	---	--------------------

+		2	3706	Black Technic, Axle 6 Catalog: Parts: Technic, Axle 370626	PG
---	---	---	----------------------	---	--------------------

+		3	3707	Black Technic, Axle 8 Catalog: Parts: Technic, Axle 370726	PG
---	--	---	----------------------	---	--------------------

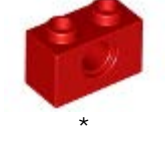
+		1	3737	Black Technic, Axle 10 Catalog: Parts: Technic, Axle 373726	PG
---	---	---	----------------------	--	--------------------













+		4	3651	Light Gray Technic, Axle and Pin Connector Catalog: Parts: Technic, Connector Part Color Code Missing	PG
---	---	---	----------------------	--	--------------------

+		4	4273	Light Gray Technic, Axle and Pin Connector Toggle Joint Toothed Catalog: Parts: Technic, Connector Part Color Code Missing	PG
---	---	---	----------------------	---	--------------------


+		7	3749	Light Gray Technic, Axle Pin without Friction Ridges Lengthwise Catalog: Parts: Technic, Axle 4184168 or 656202	PG
---	---	---	----------------------	--	--------------------


+		3	3700	Black Technic, Brick 1 x 2 with Hole Catalog: Parts: Technic, Brick 370026	PG
---	---	---	----------------------	---	--------------------


+		2	3700	Red Technic, Brick 1 x 2 with Hole Catalog: Parts: Technic, Brick 370021	PG
---	---	---	----------------------	---	--------------------


+		2	3701	Black Technic, Brick 1 x 4 with Holes Catalog: Parts: Technic, Brick 370126	PG
+		4	3701	Red Technic, Brick 1 x 4 with Holes Catalog: Parts: Technic, Brick 370121	PG
+		4	3894	Black Technic, Brick 1 x 6 with Holes Catalog: Parts: Technic, Brick 389426	PG
+		3	3894	Red Technic, Brick 1 x 6 with Holes Catalog: Parts: Technic, Brick 389421	PG
+		2	2730	Red Technic, Brick 1 x 10 with Holes Catalog: Parts: Technic, Brick 273021	PG
+		2	3895	Black Technic, Brick 1 x 12 with Holes Catalog: Parts: Technic, Brick 389526	PG
+		1	3647	Light Gray Technic, Gear 8 Tooth Type 1 Catalog: Parts: Technic, Gear 364702	PG
+		4	2780	Black Technic, Pin with Friction Ridges Lengthwise WITH Center Slots Catalog: Parts: Technic, Pin 4121715 or 278026	PG
+		12	3673	Light Gray Technic, Pin without Friction Ridges Lengthwise Catalog: Parts: Technic, Pin 4184166	PG
+		1	4262	Red Technic, Plate 1 x 6 with Toothed Ends Catalog: Parts: Technic, Plate Part Color Code Missing	PG
+		1	4442	Black Technic, Plate 1 x 8 with Toothed Ends Catalog: Parts: Technic, Plate Part Color Code Missing	PG
+		2	3709b	Black Technic, Plate 2 x 4 with 3 Holes Catalog: Parts: Technic, Plate 370926	PG


+  2 [3709b](#) **Red Technic, Plate 2 x 4 with 3 Holes**
[Catalog:](#) [Parts:](#) [Technic, Plate](#) [370921](#) [PG](#)


+  1 [731c05](#) **Light Gray Technic, Shock Absorber 6.5L - Normal Spring**
[Catalog:](#) [Parts:](#) [Technic, Shock Absorber](#)
 Part Color Code Missing [PG](#)

+  2 [4261](#) **Light Gray Technic, Steering Arm**
[Catalog:](#) [Parts:](#) [Technic, Steering](#)
 Part Color Code Missing [PG](#)


+  1 [2790](#) **Light Gray Technic, Steering Gear Holder**
[Catalog:](#) [Parts:](#) [Technic, Steering](#)
 Part Color Code Missing [PG](#)

+  1 [2791](#) **Light Gray Technic, Steering Rack**
[Catalog:](#) [Parts:](#) [Technic, Steering](#)
 Part Color Code Missing [PG](#)


+  1 [2792](#) **Black Technic, Steering Rack Top**
[Catalog:](#) [Parts:](#) [Technic, Steering](#)
 Part Color Code Missing [PG](#)

+  2 [4150p01](#) **White Tile, Round 2 x 2 with Black Grid Large Pattern**
[Catalog:](#) [Parts:](#) [Tile, Round, Decorated](#)
 Part Color Code Missing [PG](#)

+  5 [2346](#) **Black Tire 30 x 10.5 Offset Tread**
[Catalog:](#) [Parts:](#) [Tire & Tread](#)
[234626](#) [PG](#)


+  5 [3482](#) **White Wheel with Split Axle Hole**
[Catalog:](#) [Parts:](#) [Wheel](#)
 Part Color Code Missing [PG](#)

Counterparts:

+  5 [3482c02](#) (inv) **White Wheel with Split Axle Hole with Black Tire 30 x 10.5 Offset Tread (3482 / 2346)**
[Catalog:](#) [Parts:](#) [Wheel & Tire Assembly](#)
 Part Color Code Missing [PG](#)

Summary:

Type	Unique Lots	Total Qty
Regular Items:		
Parts	44	139
Counterparts:		

[ctw_3 \(204\)](#)  inventoried this Set on Dec 7, 2003, inventory last updated on Jul 2, 2019.