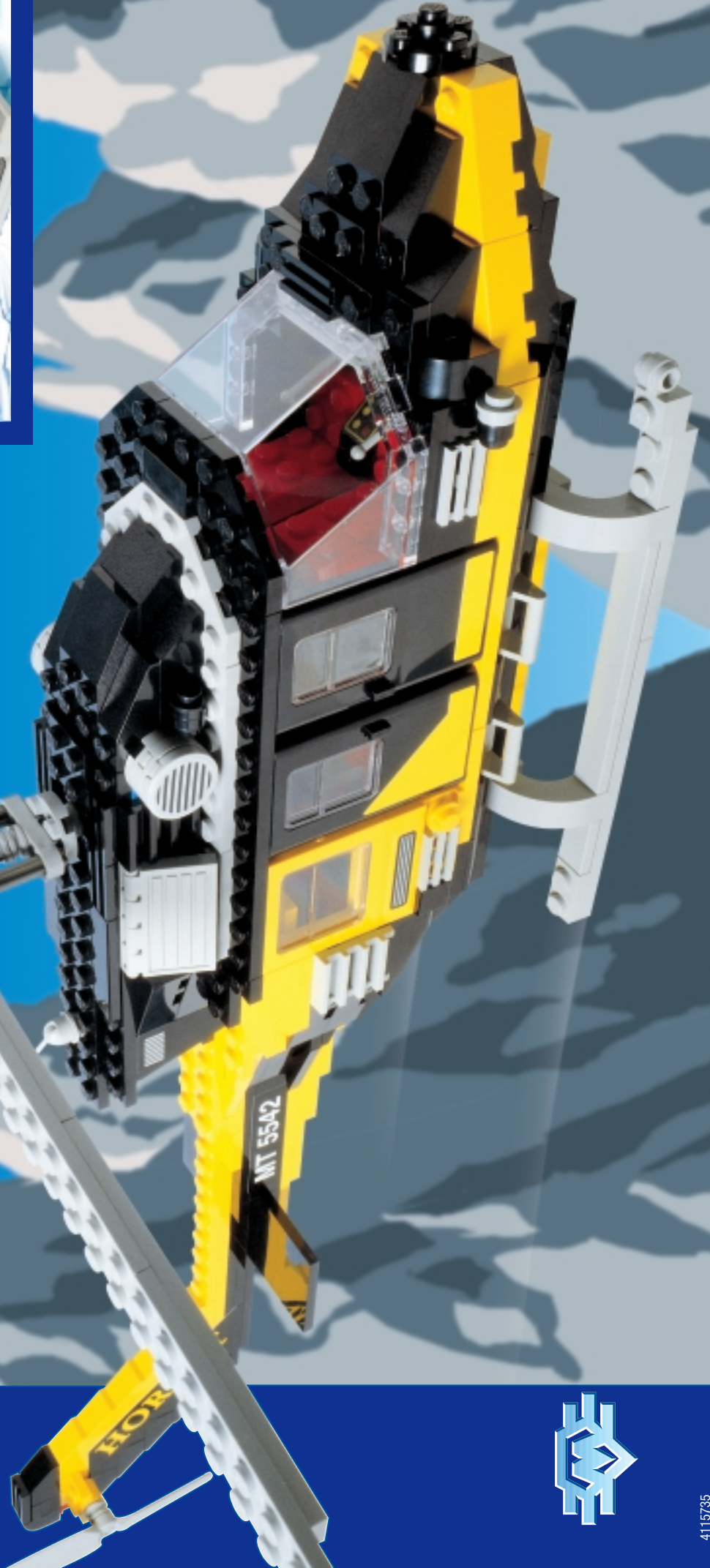


5542

MODEL
TEAM

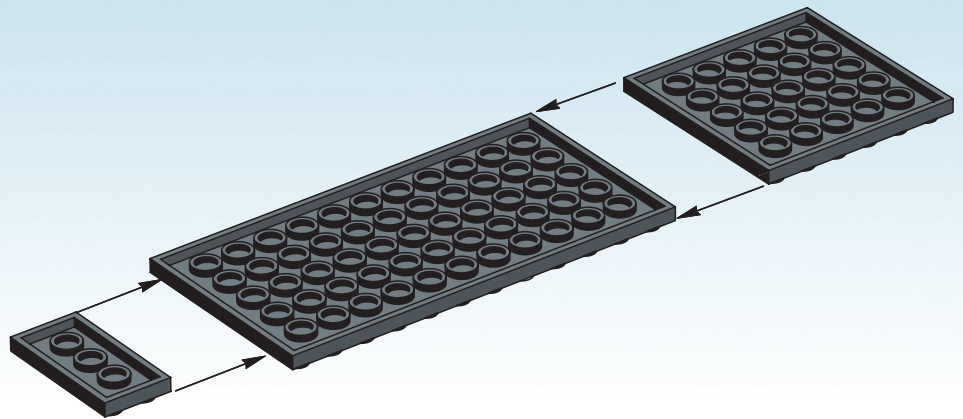
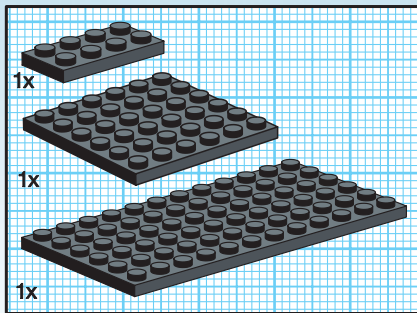
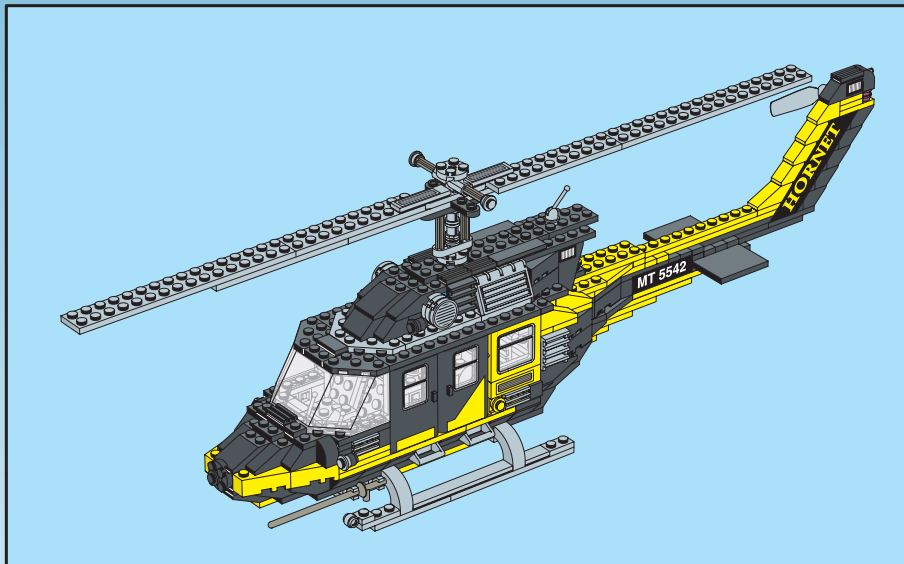
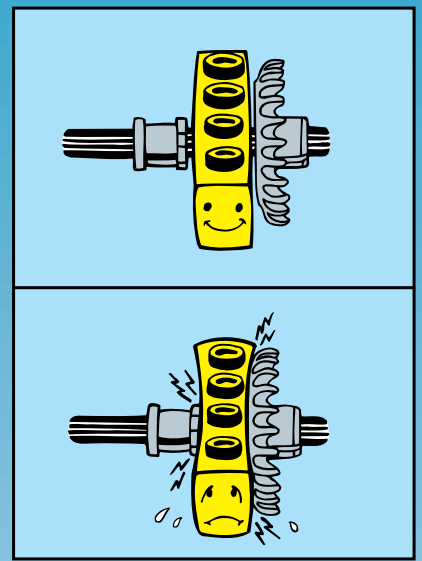
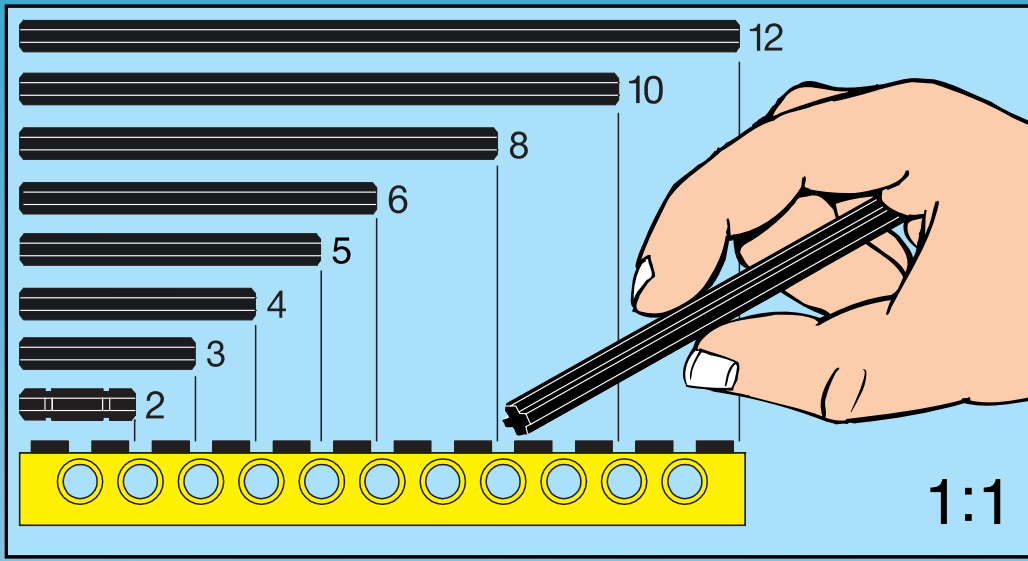


33

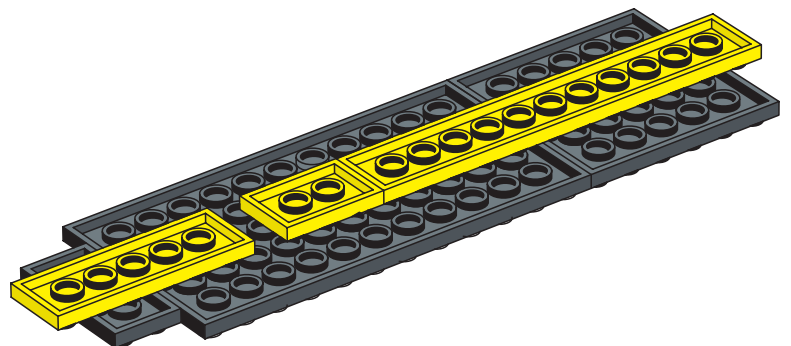
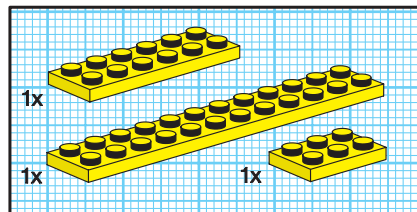


LEGO SYSTEM™

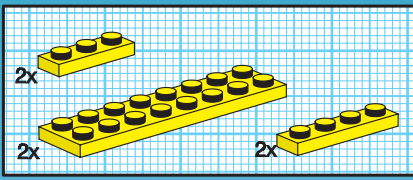




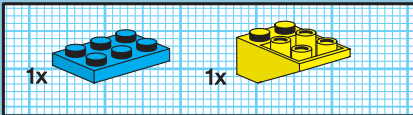
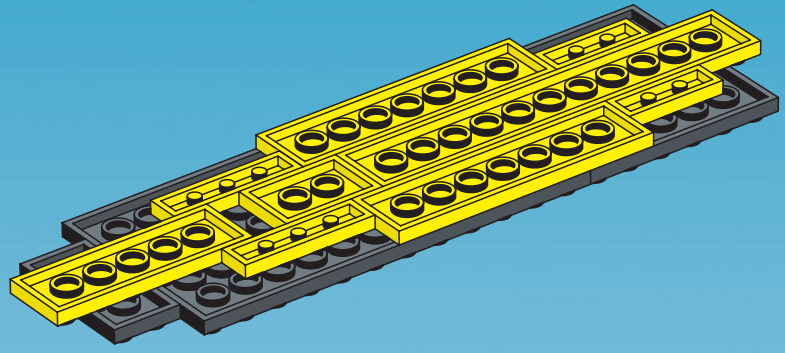
1



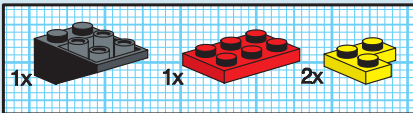
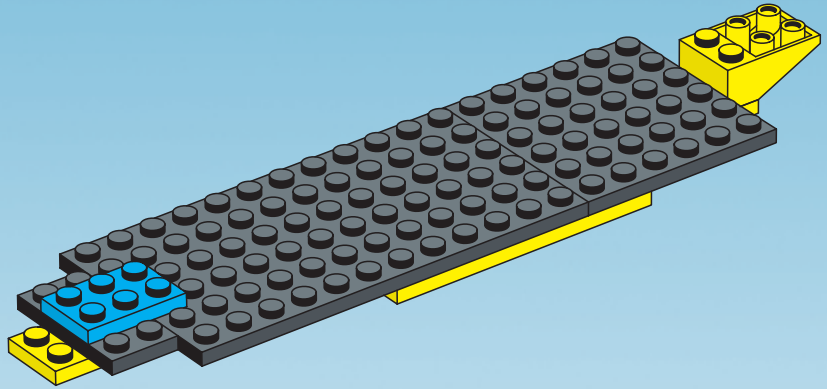
2



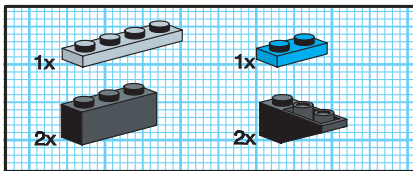
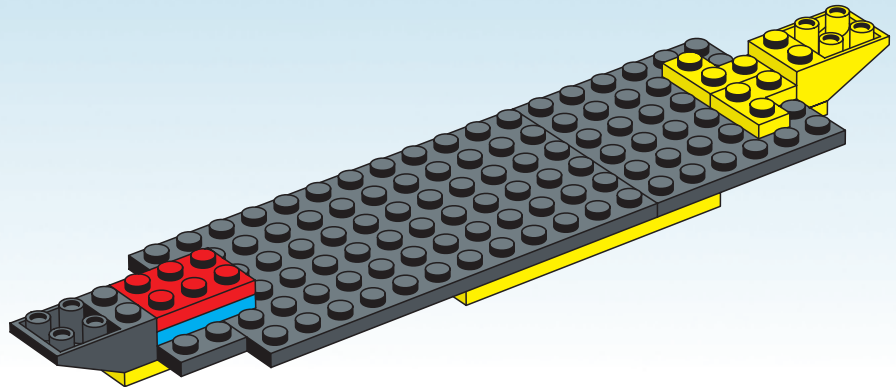
3



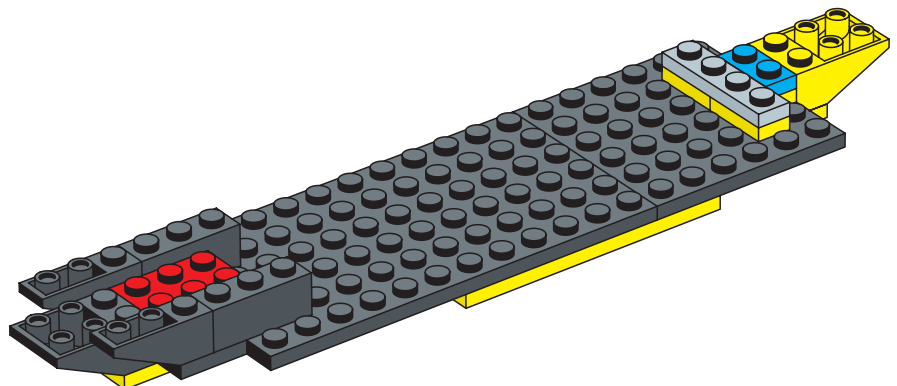
4

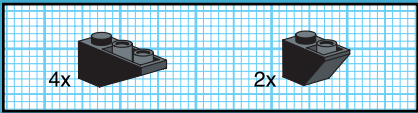


5

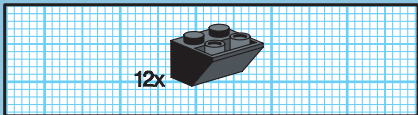
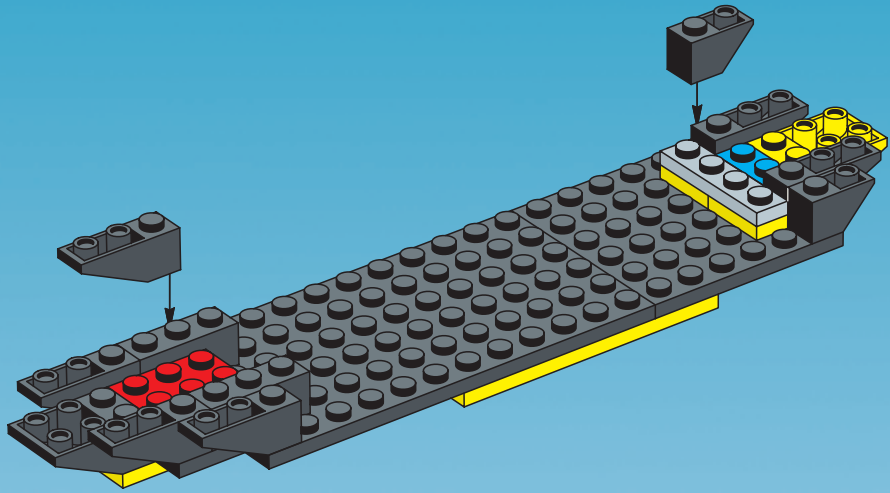


6

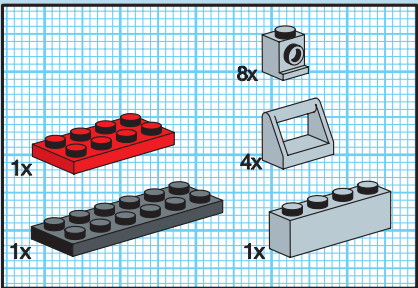
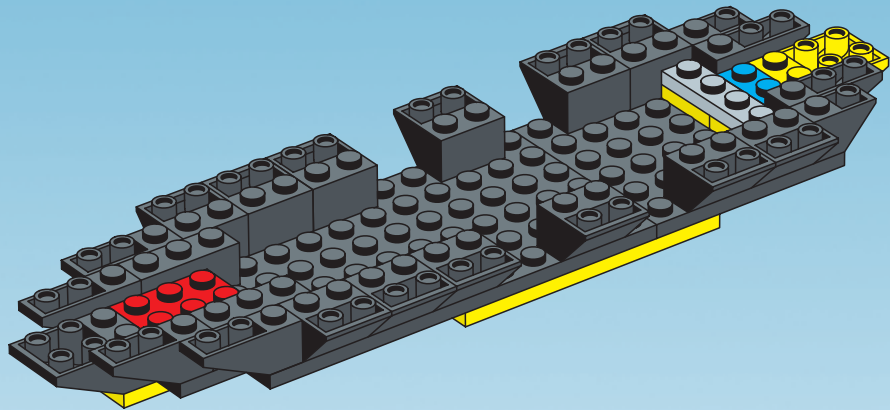




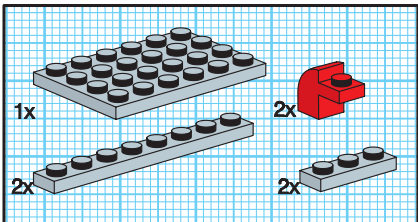
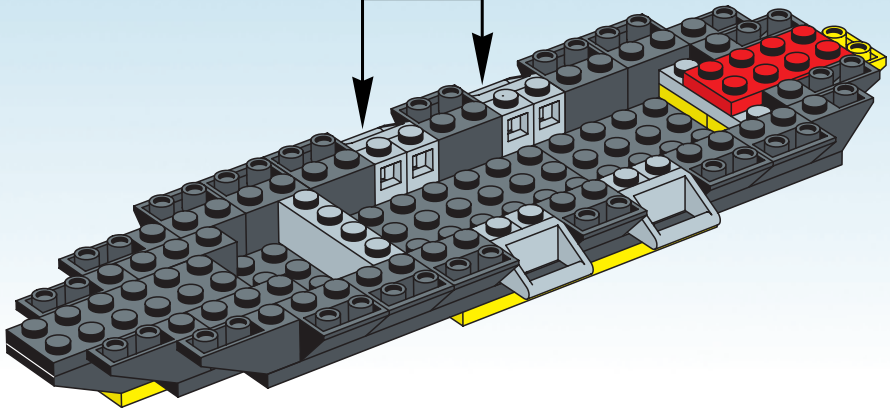
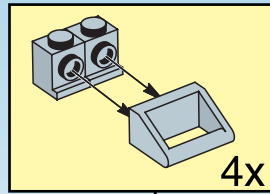
7



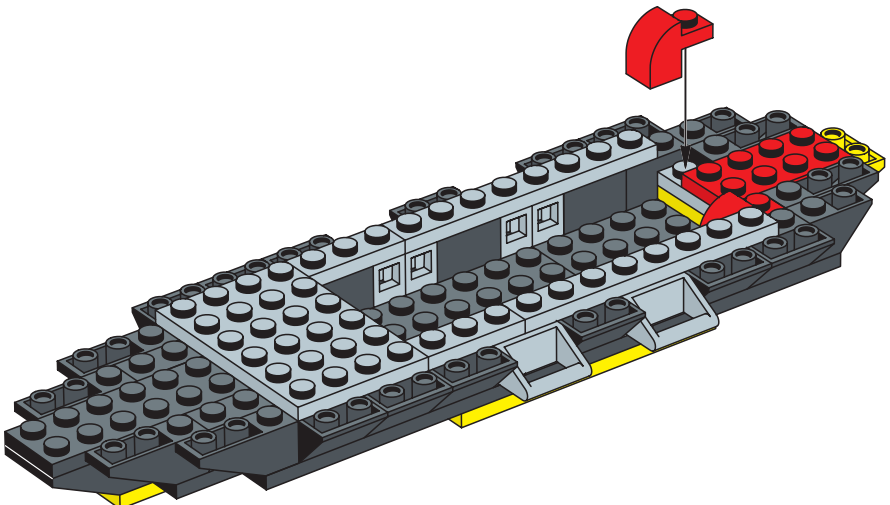
8

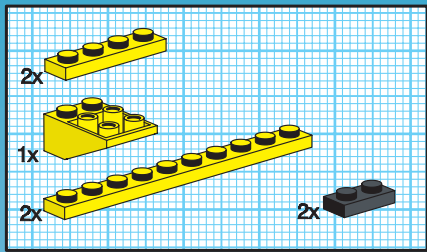


9

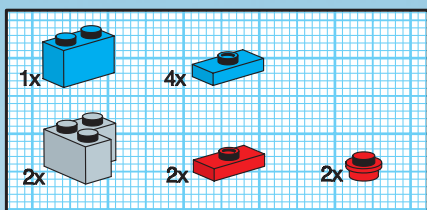
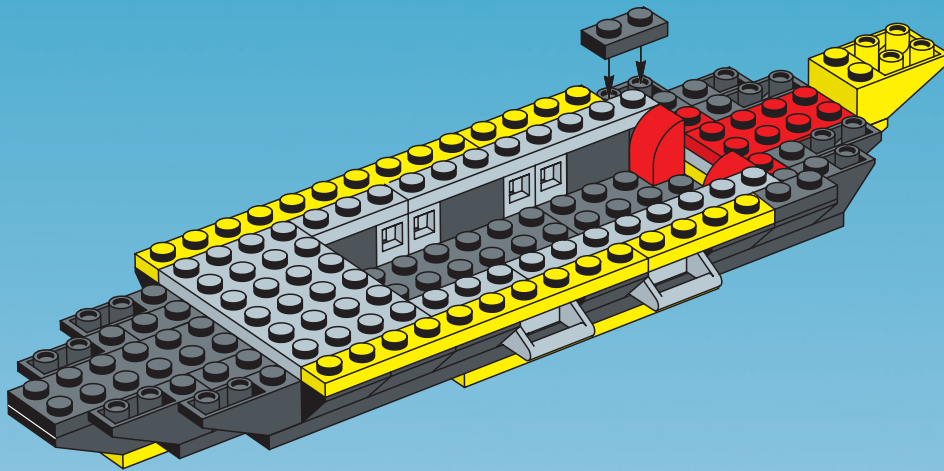


10

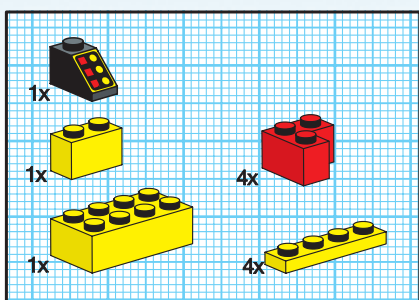
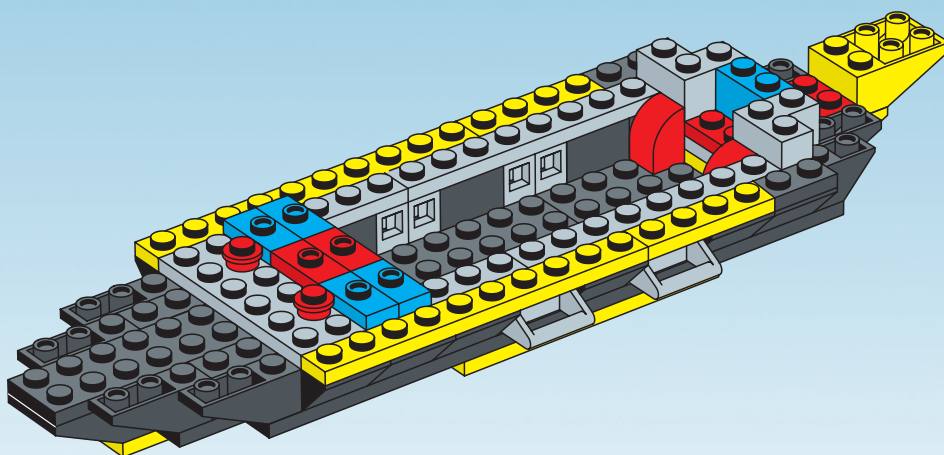




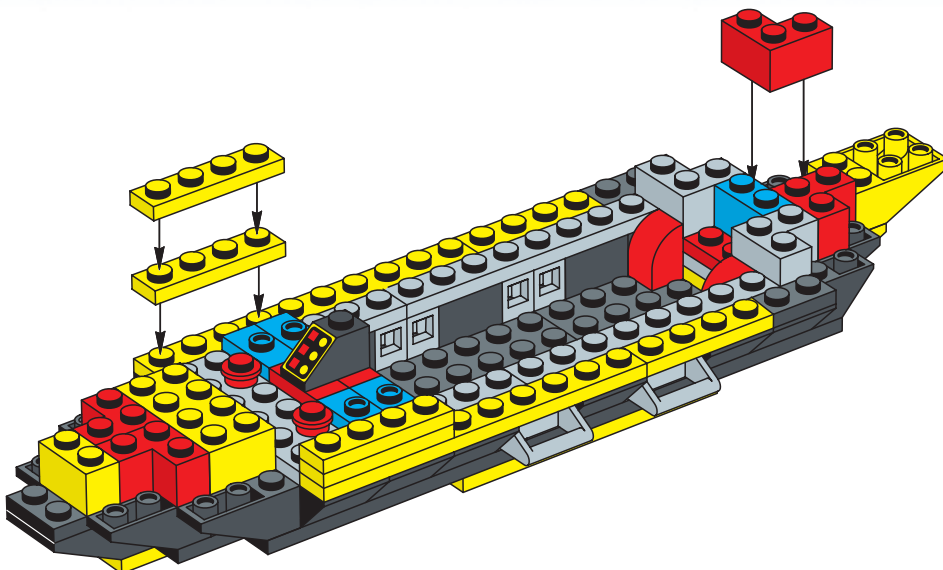
11

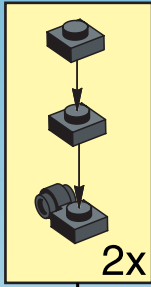
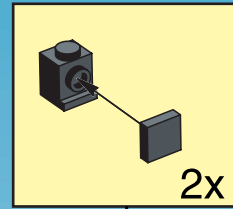
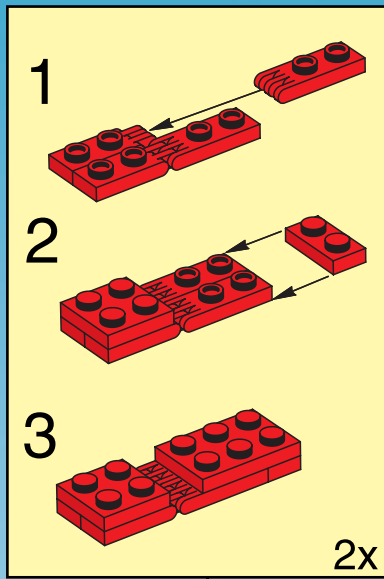
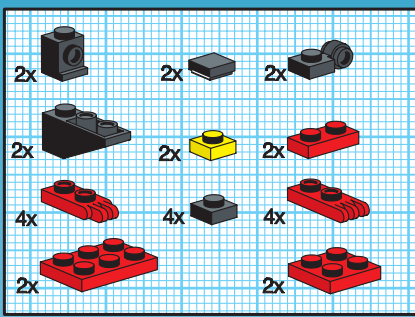


12

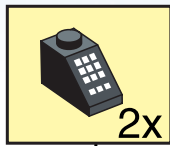
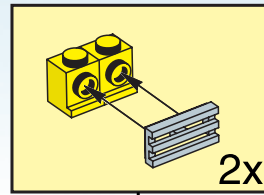
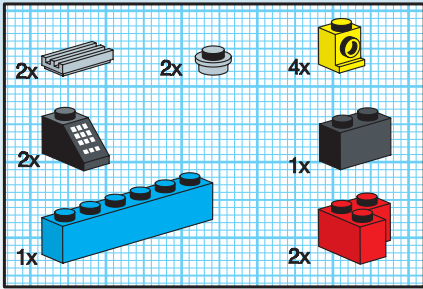
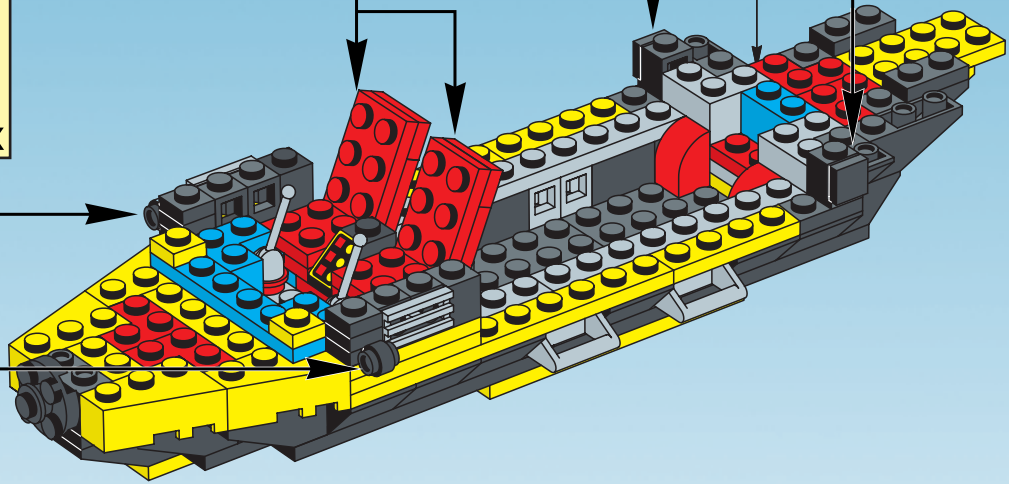


13

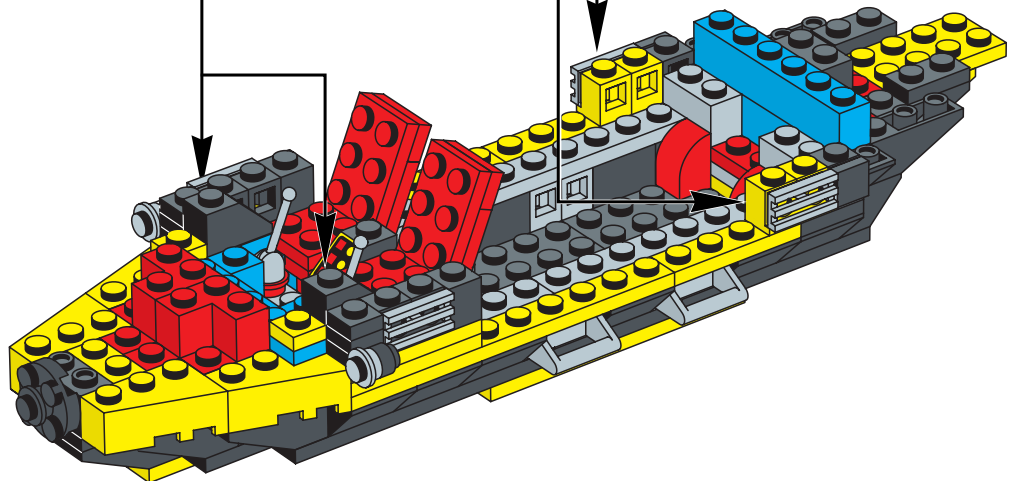


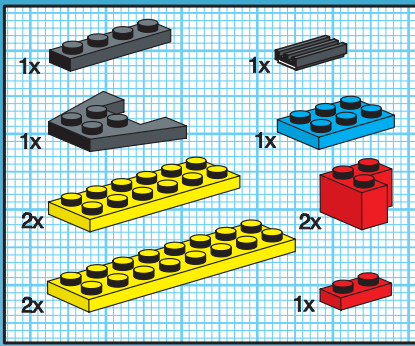


16

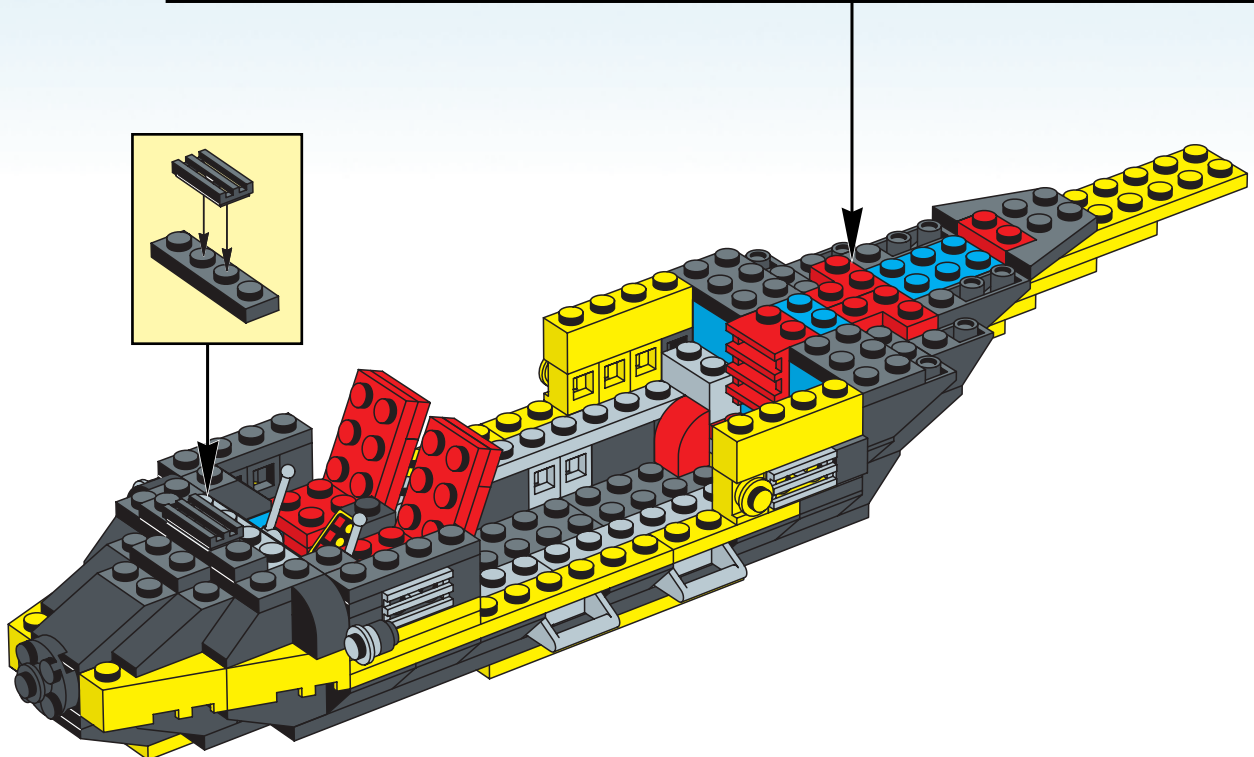
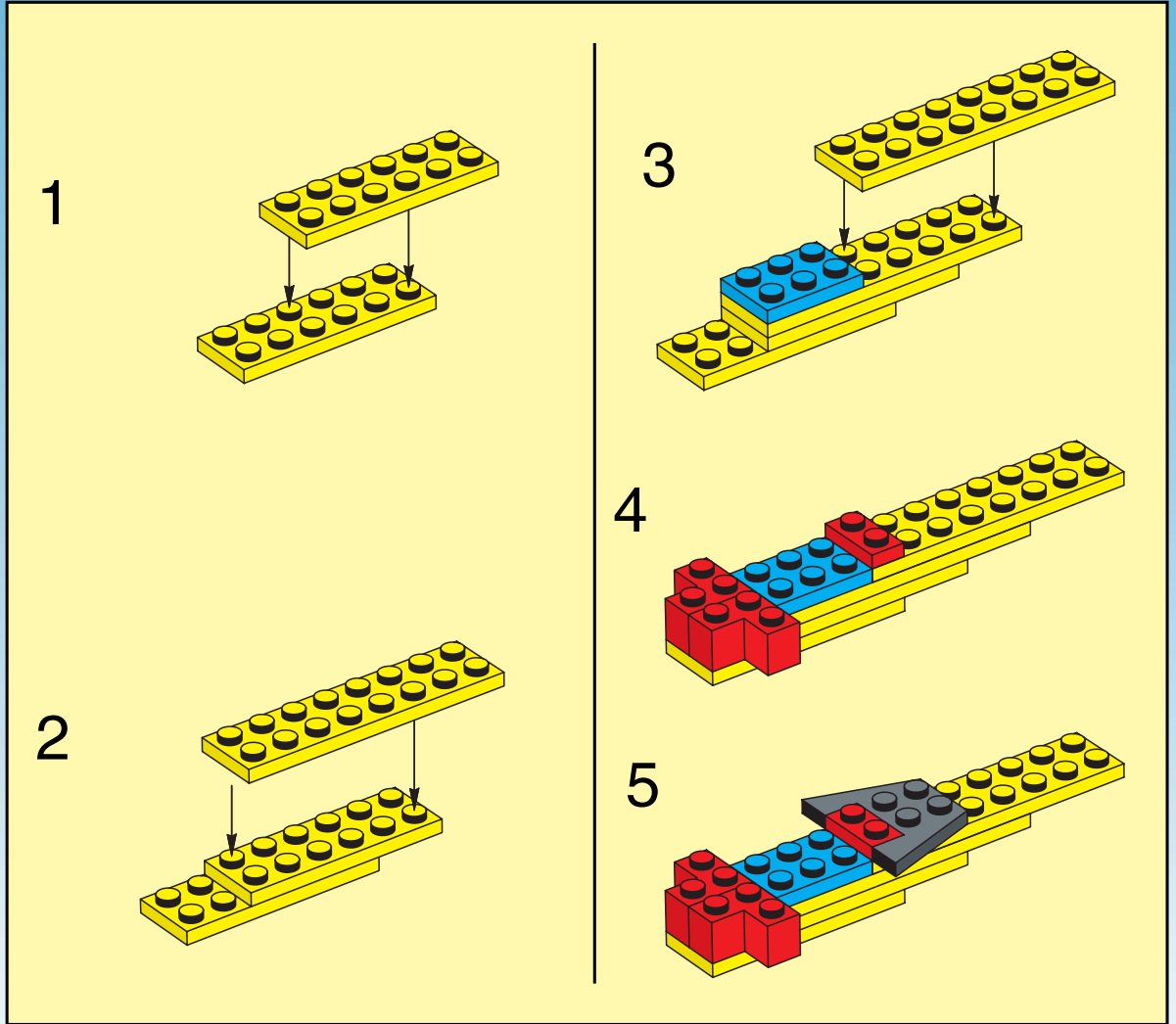


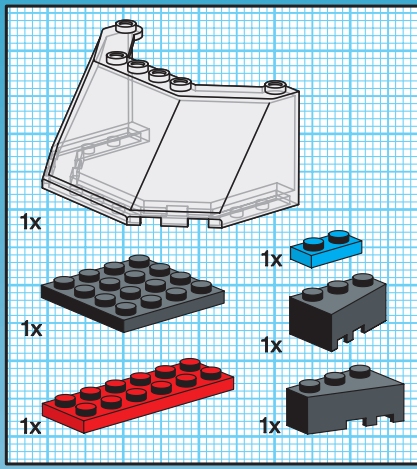
17



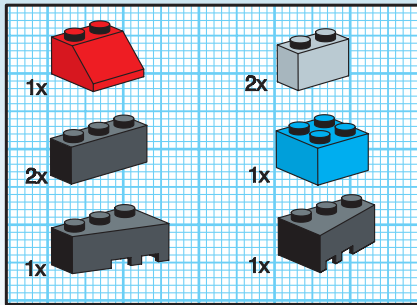
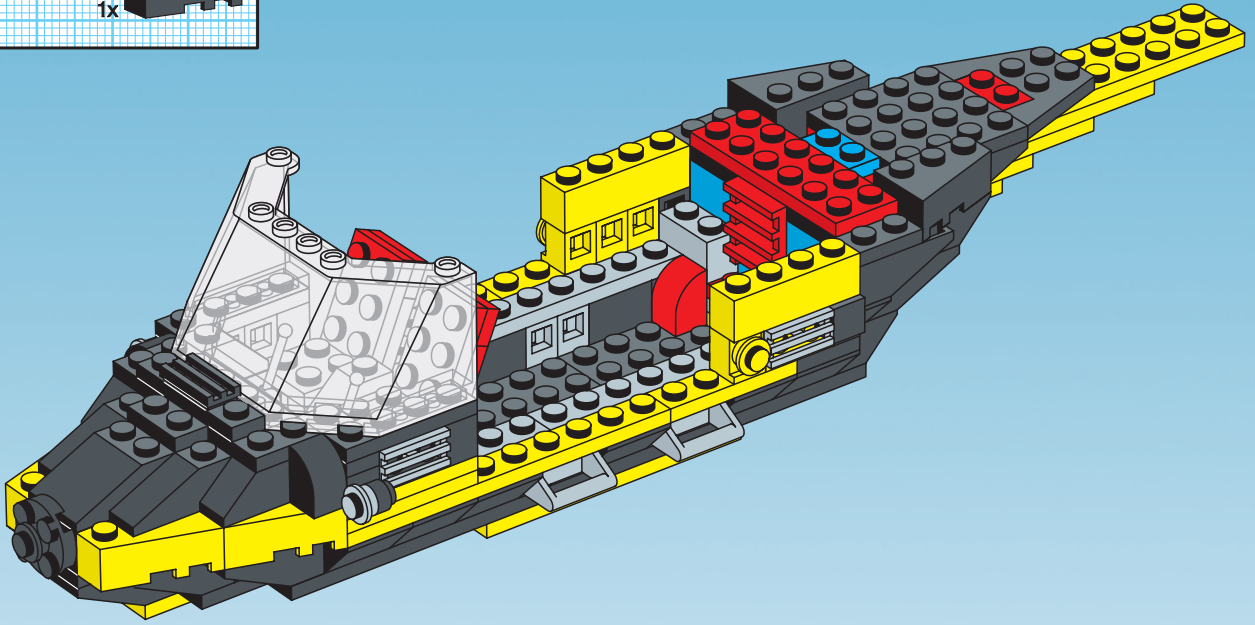


21

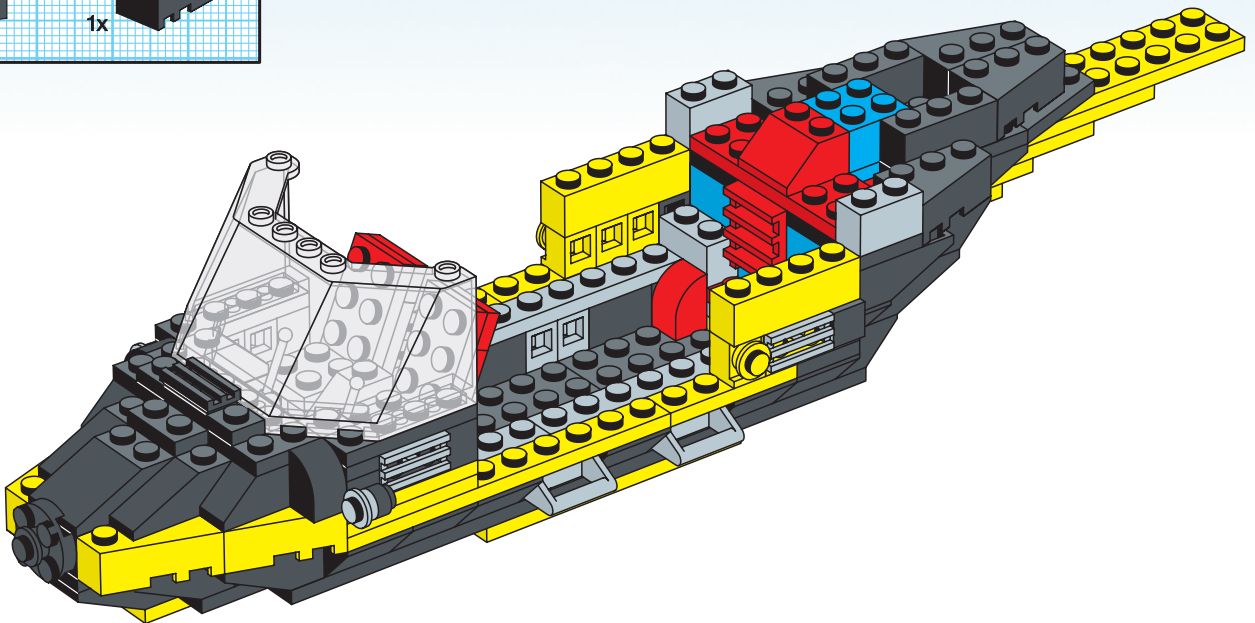


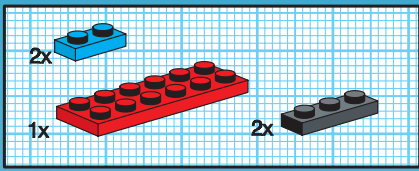


22

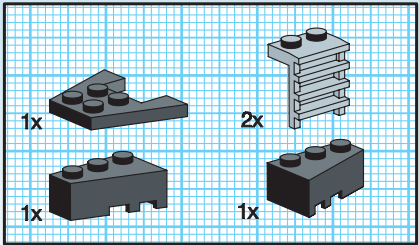
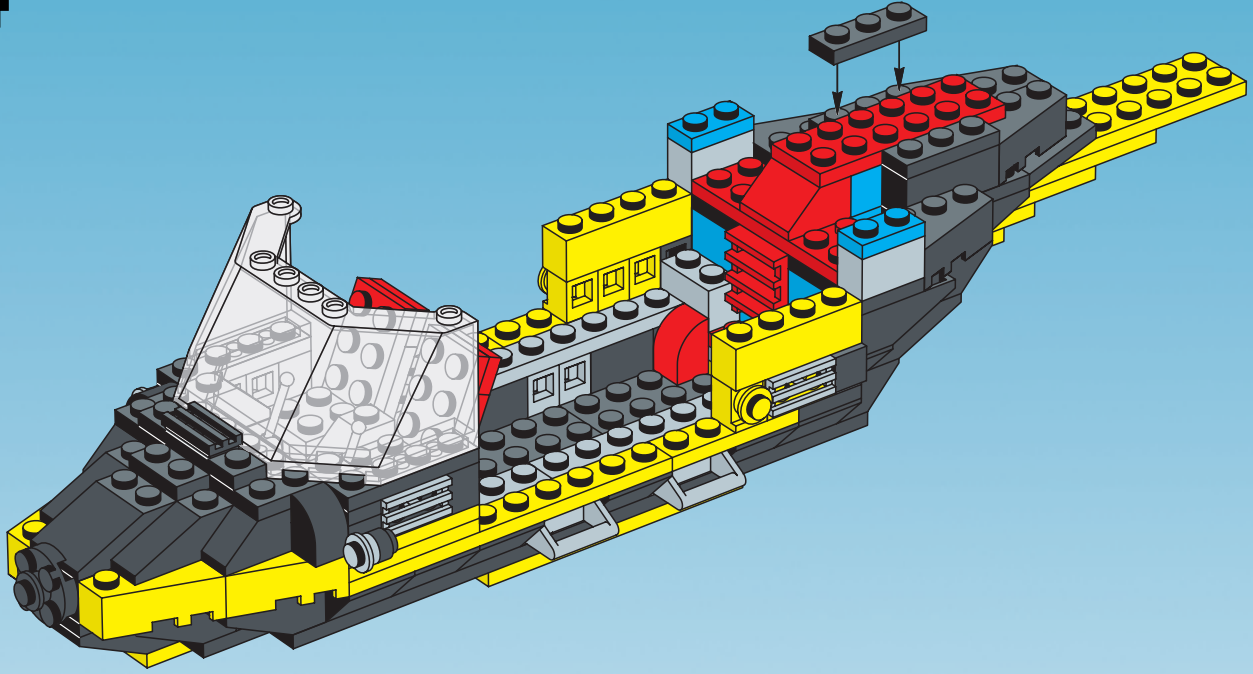


23

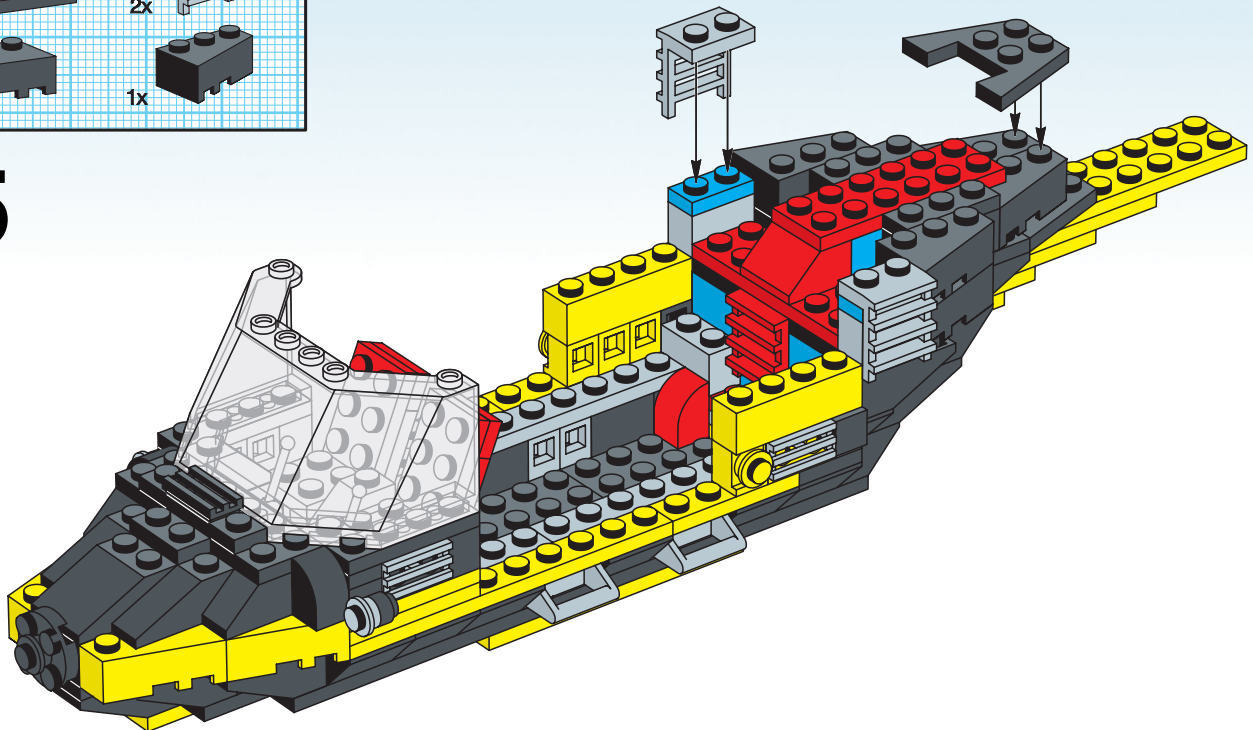


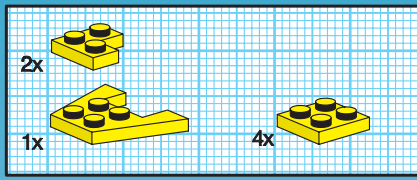


24

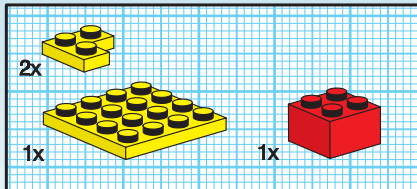
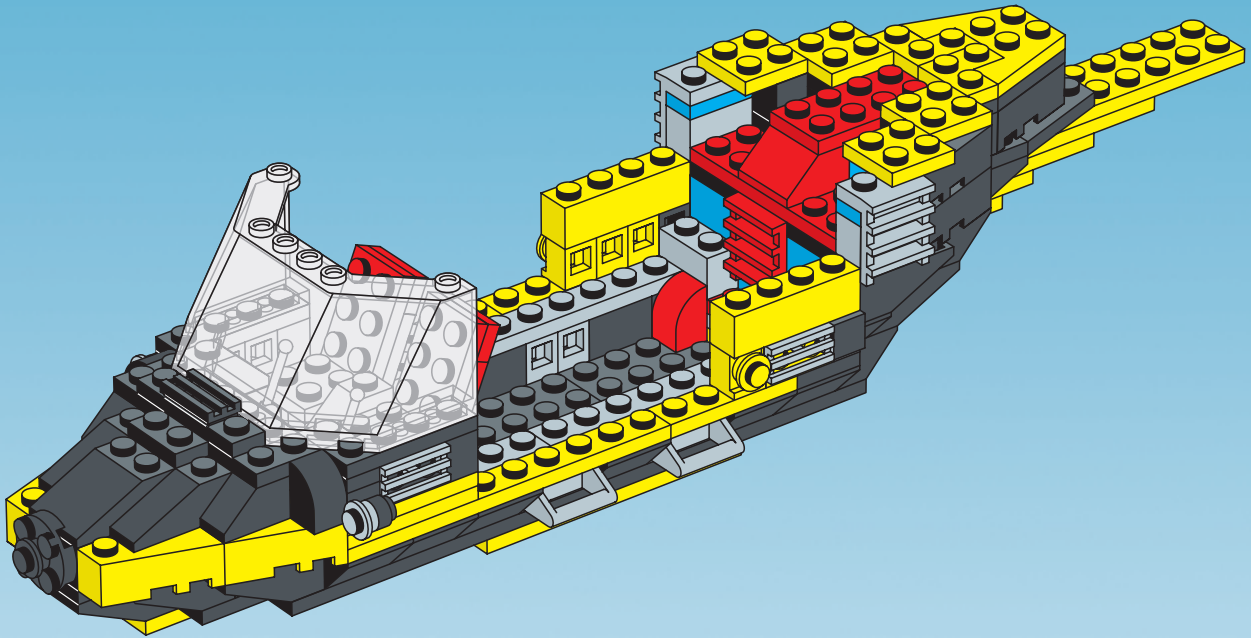


25

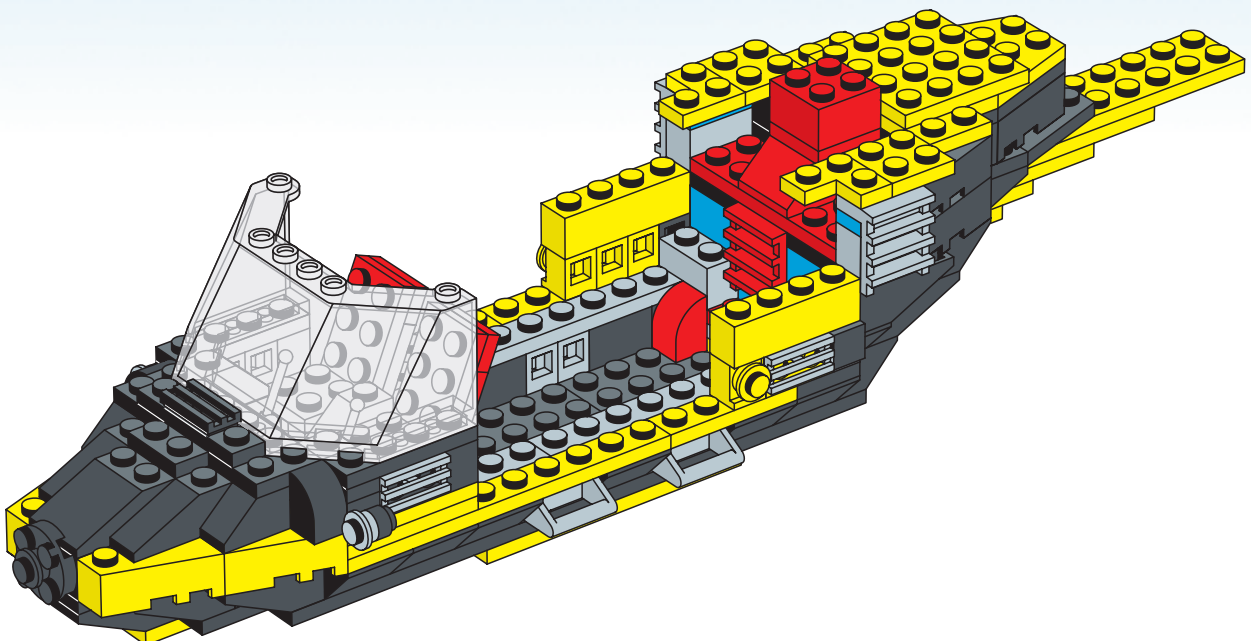


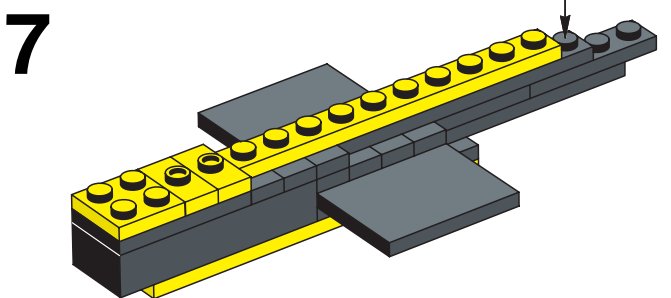
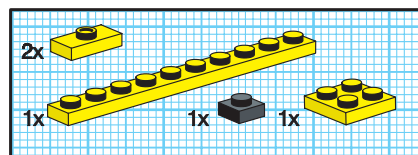
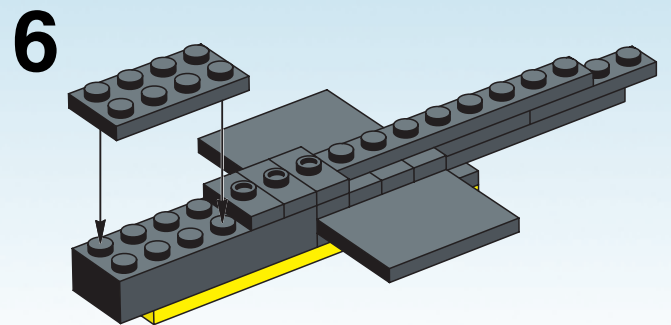
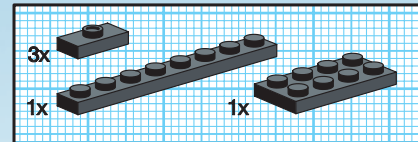
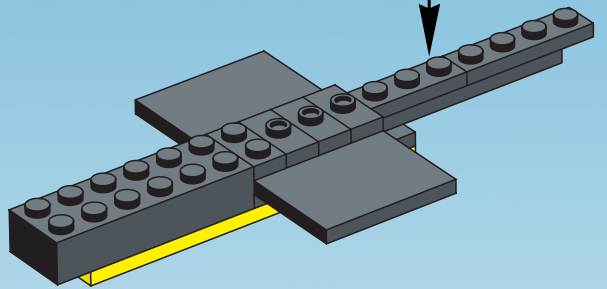
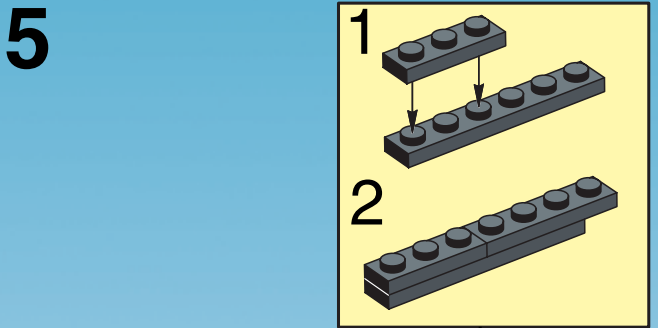
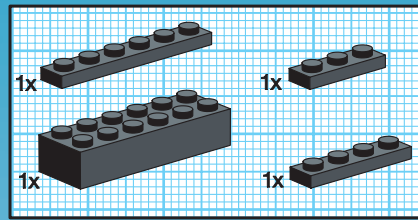
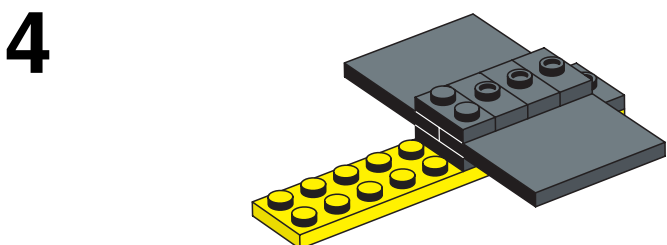
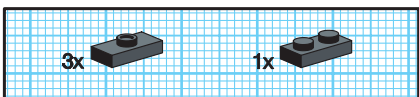
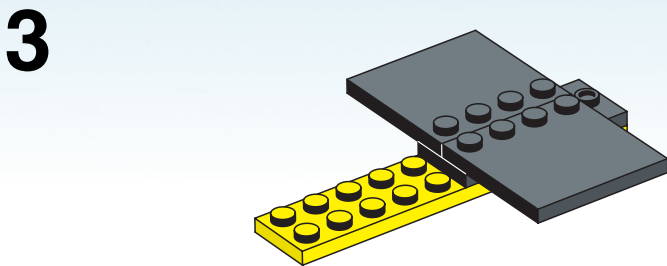
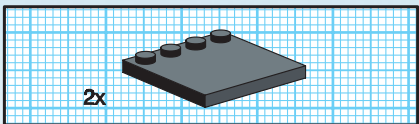
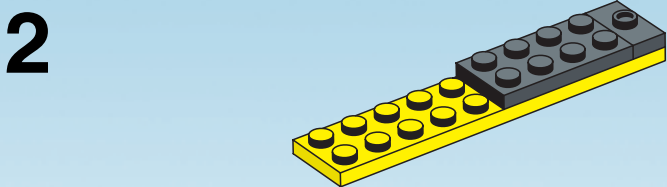
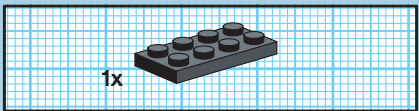
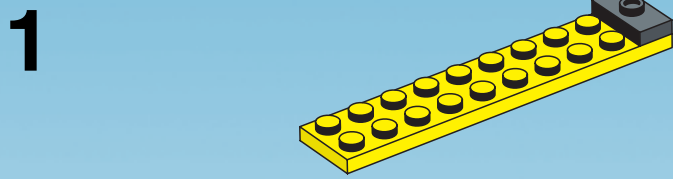
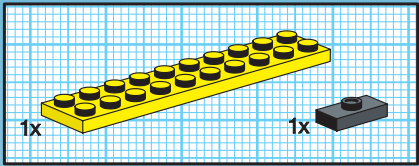
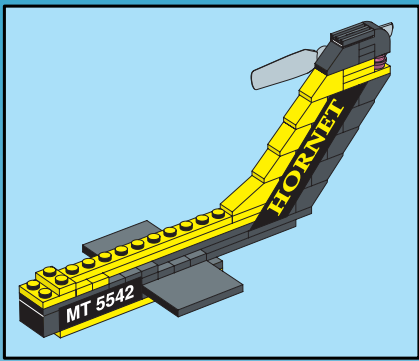


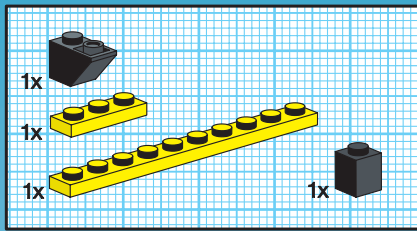
26



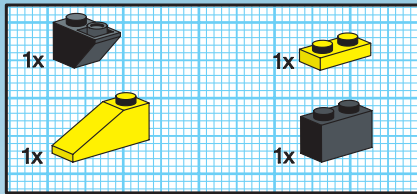
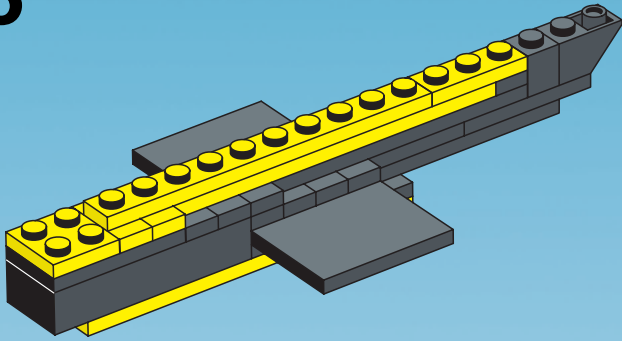
27



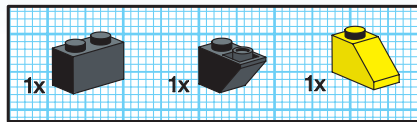
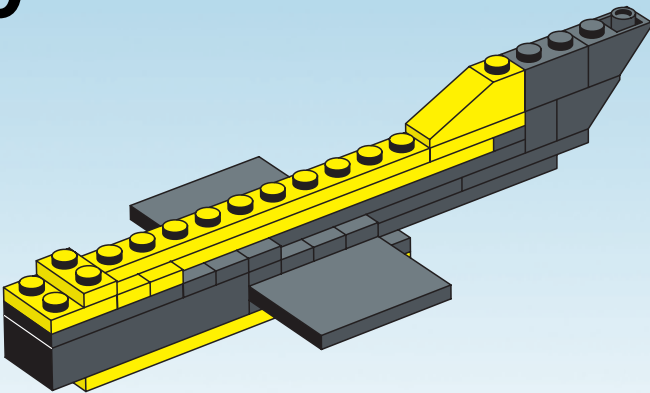




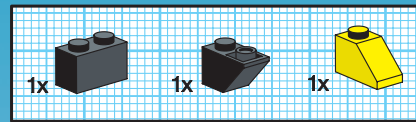
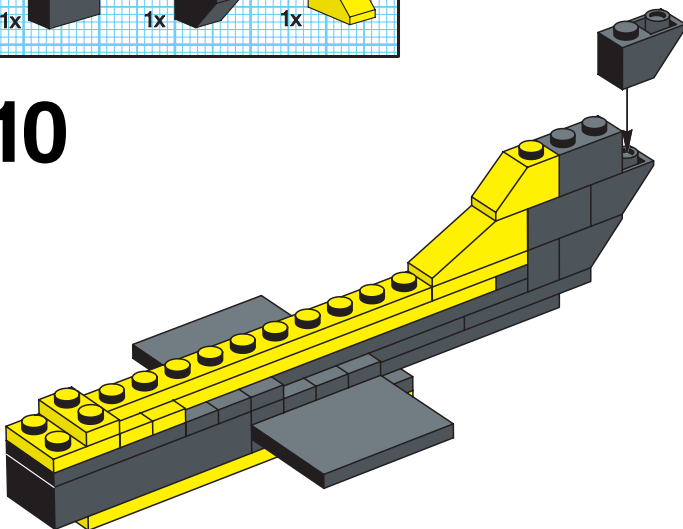
8



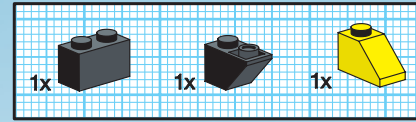
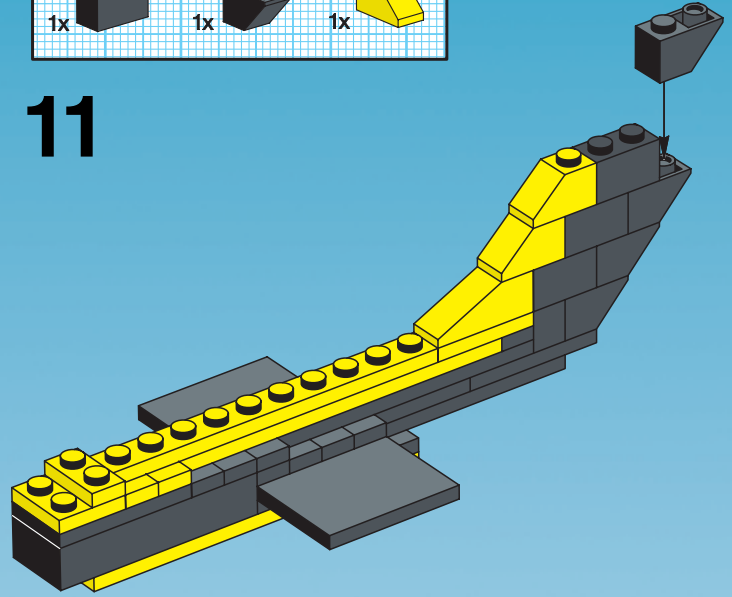
9



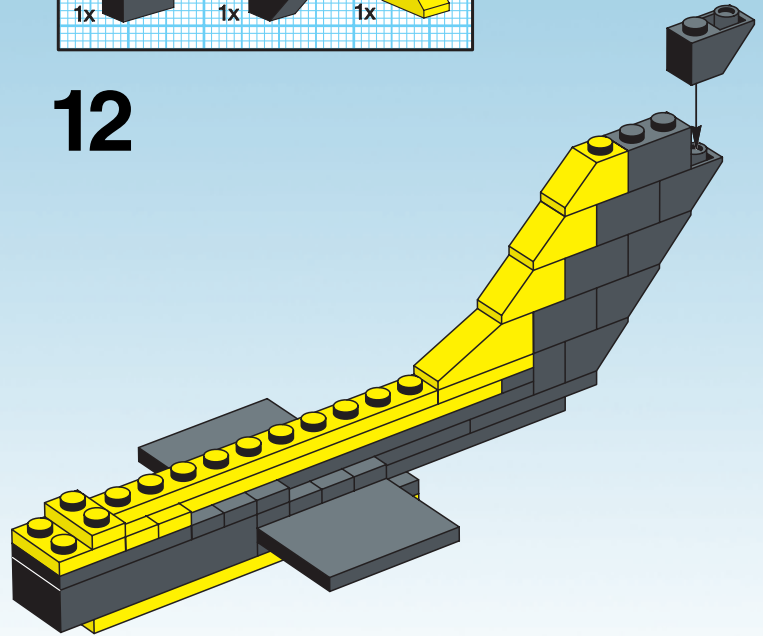
10



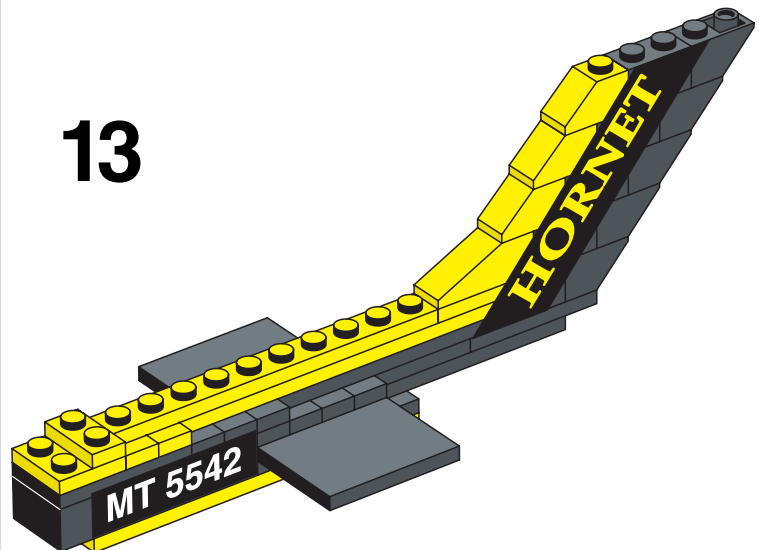
11

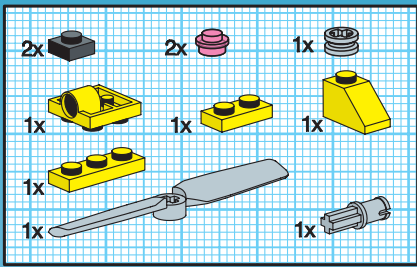


12

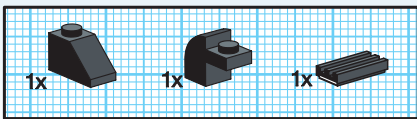
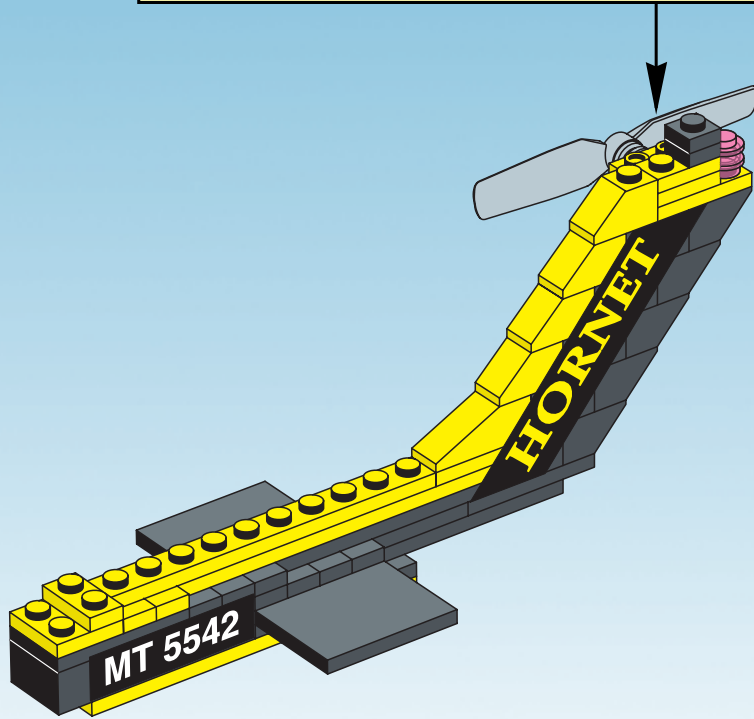
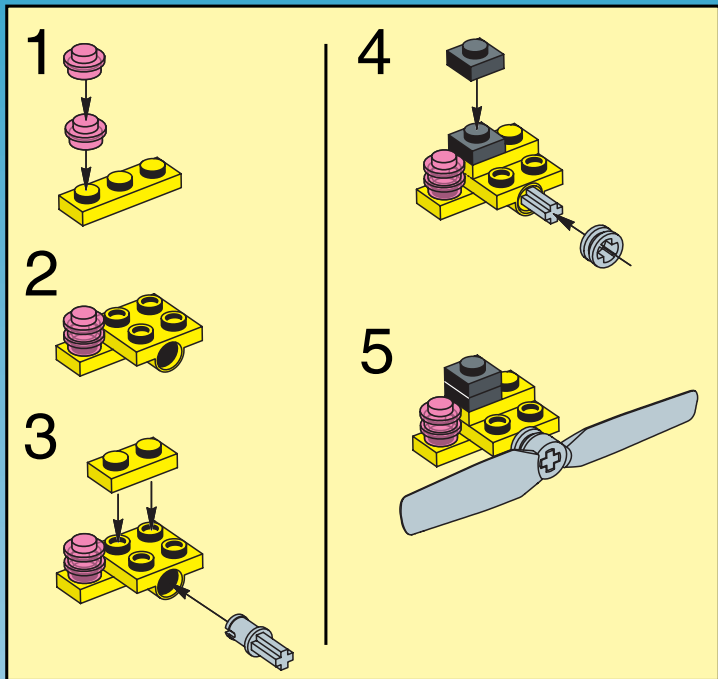


13

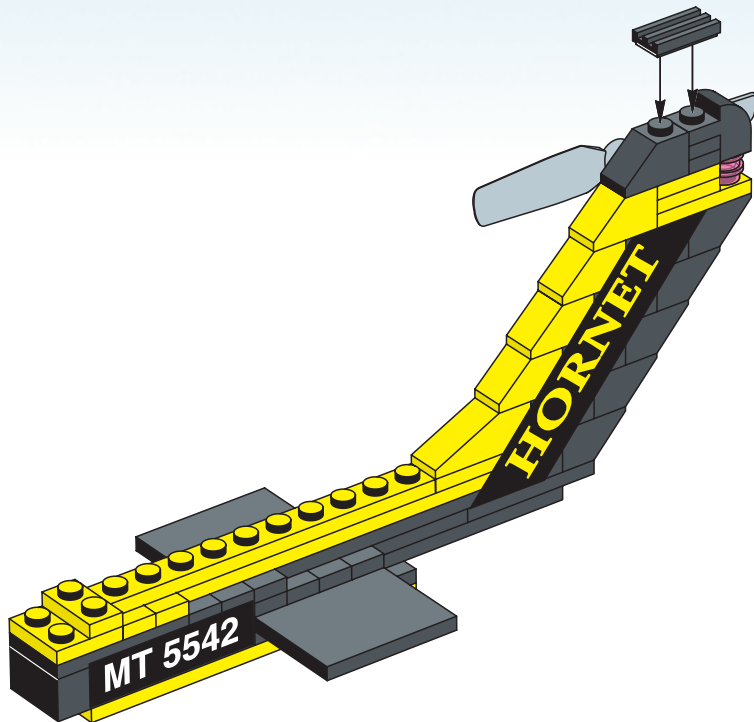


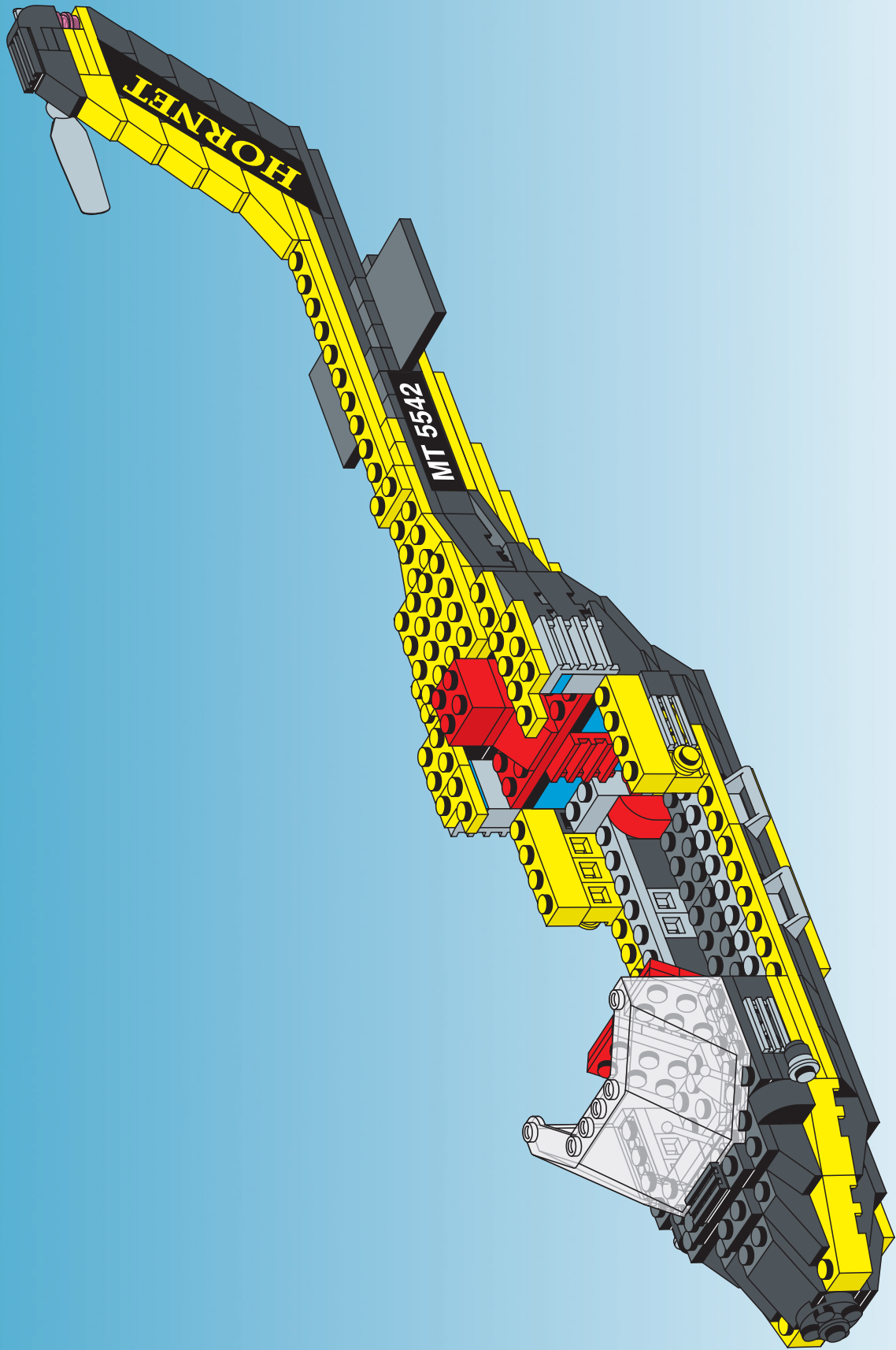


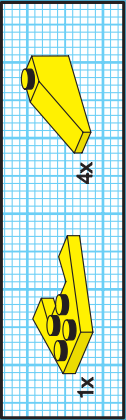
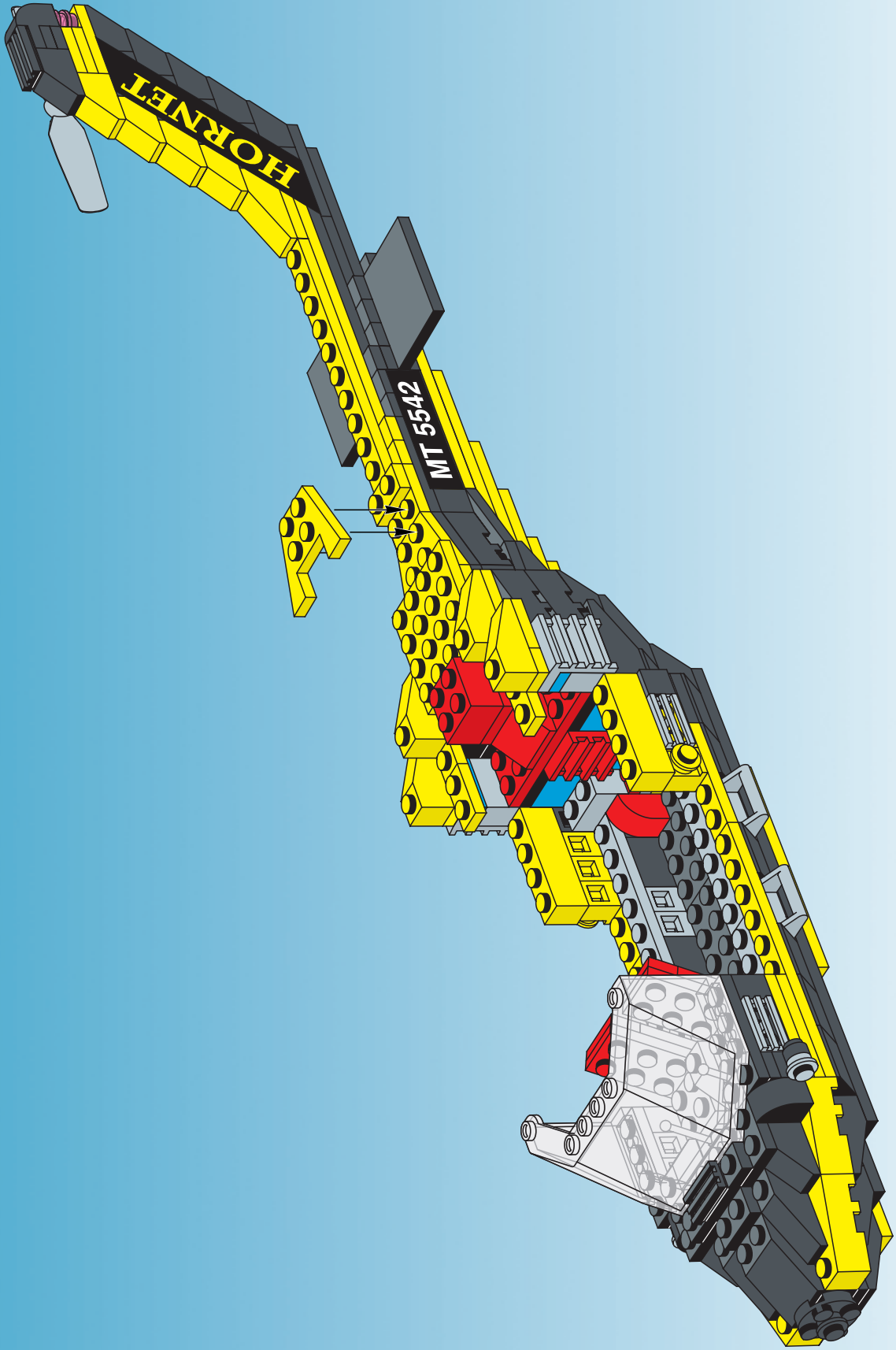
14



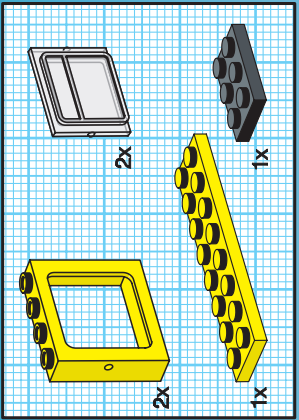
15



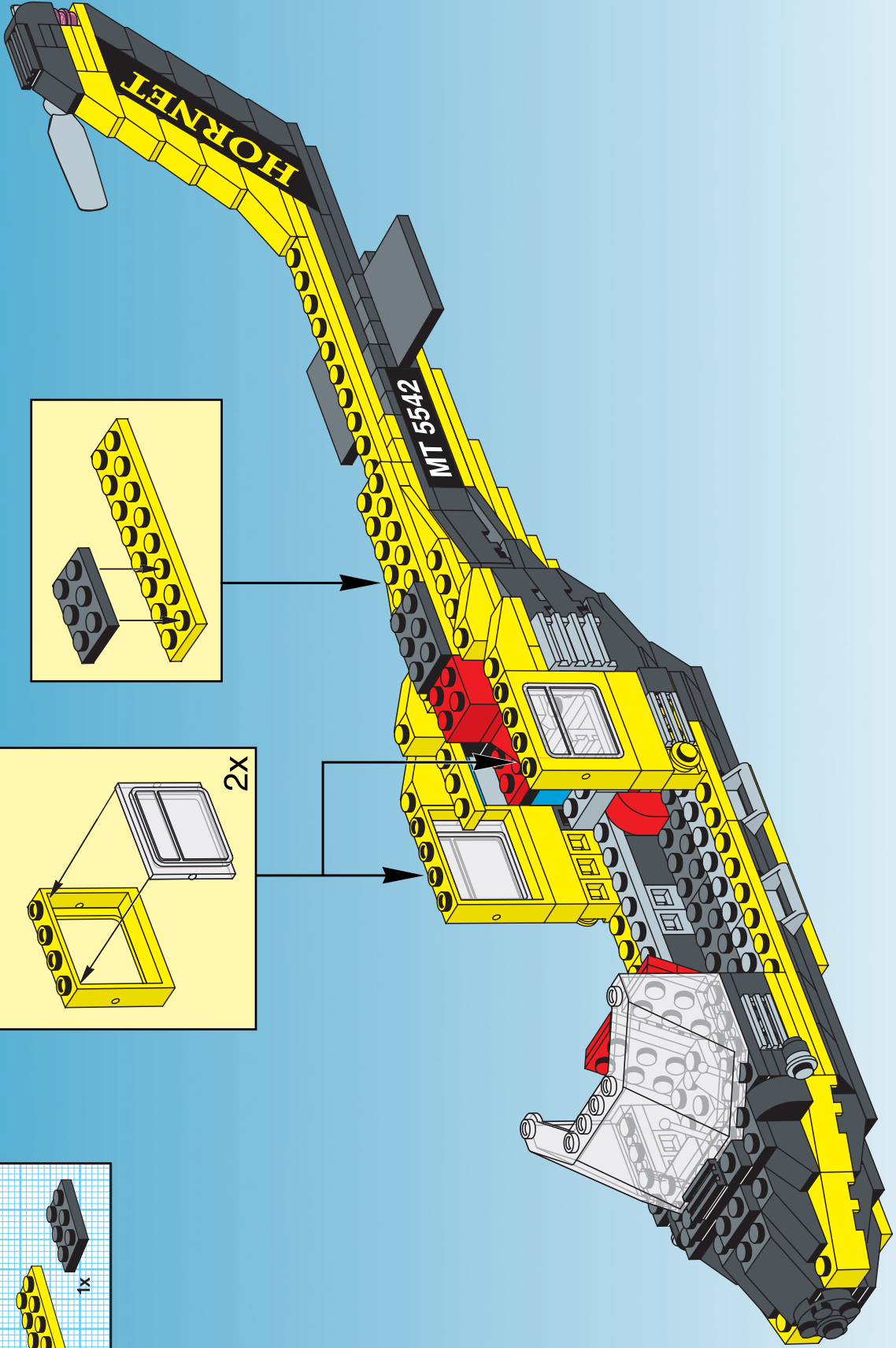
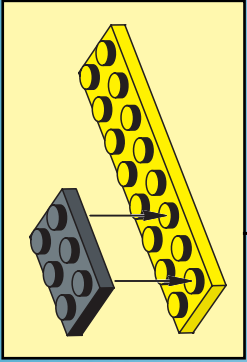
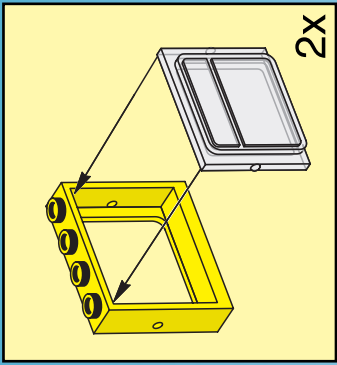


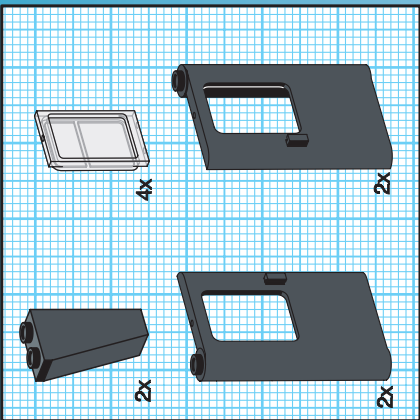
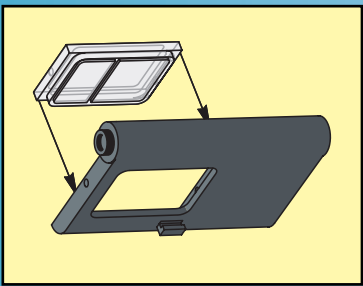
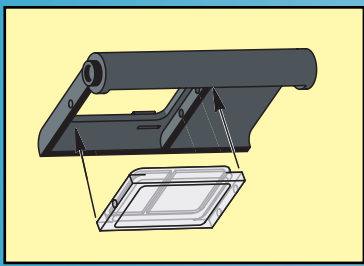
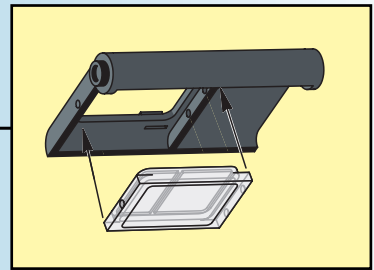
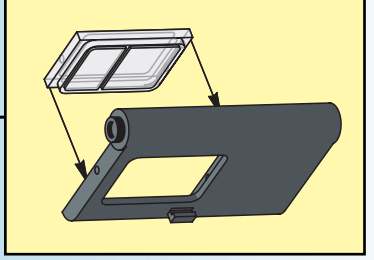
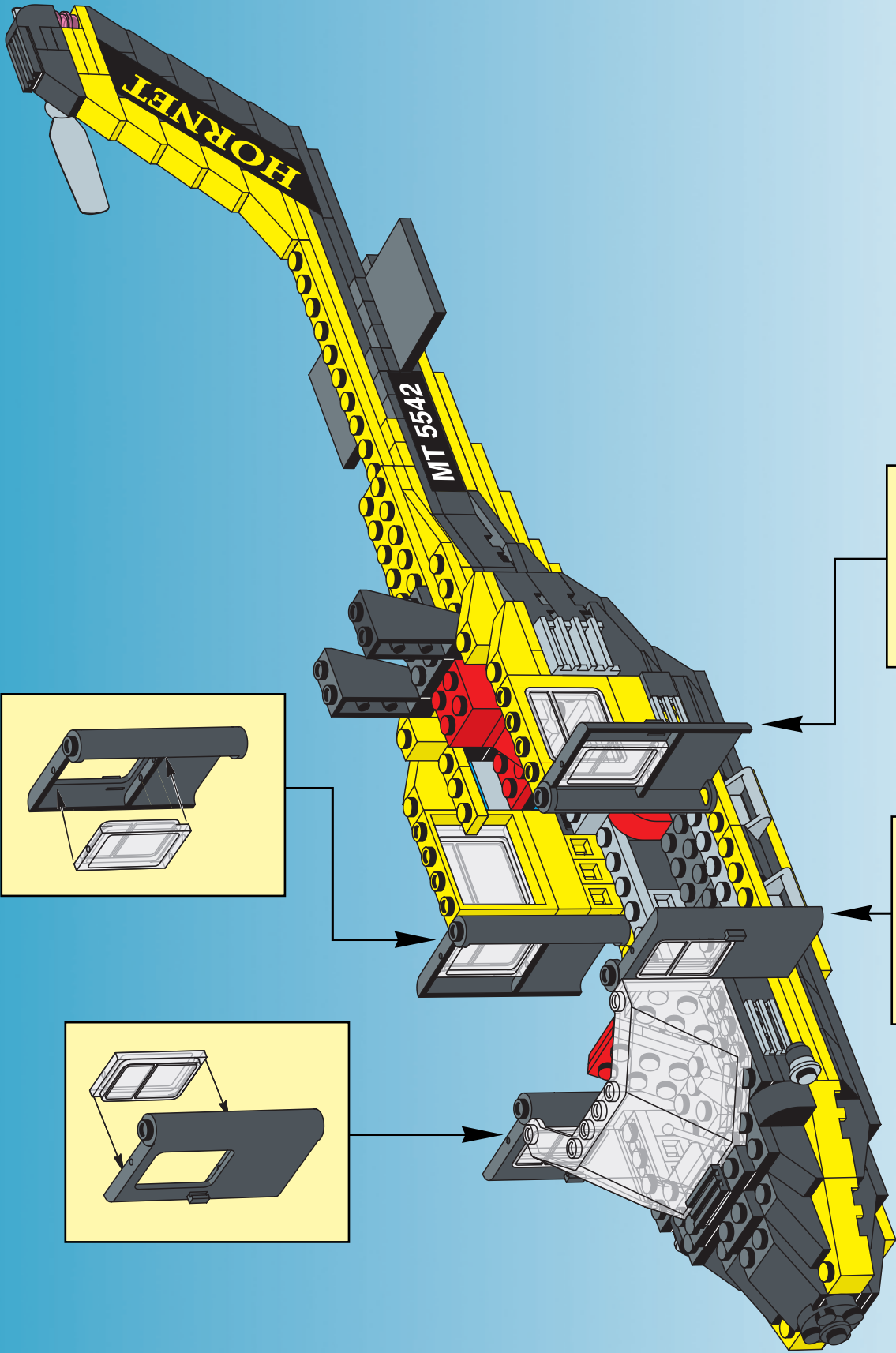


29

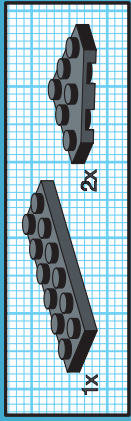


30

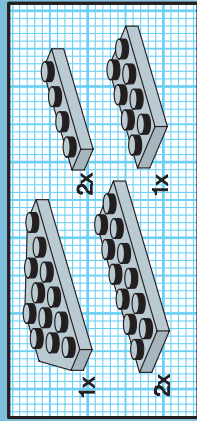
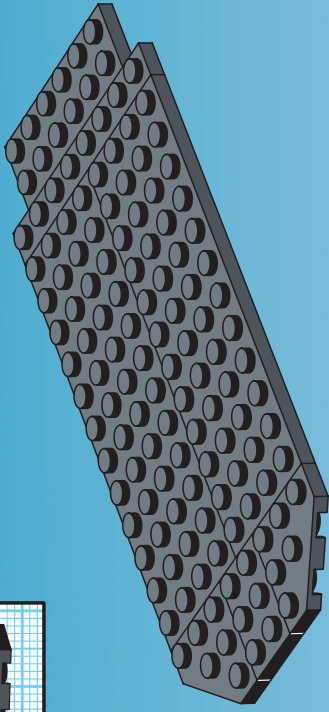




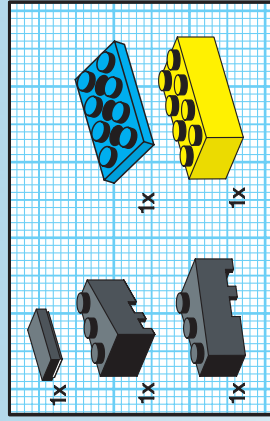
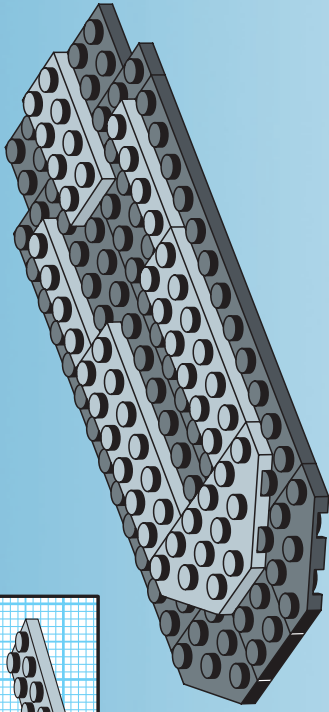
31



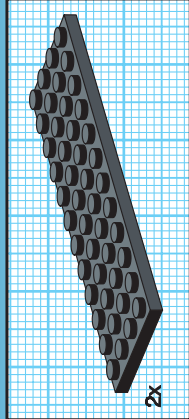
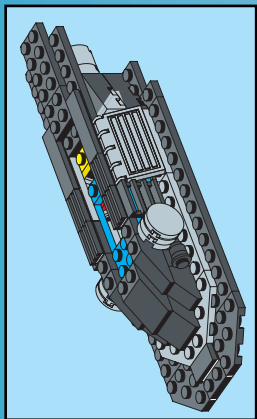
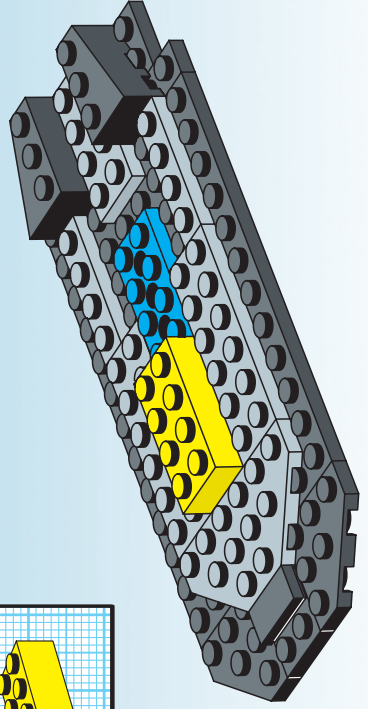
4



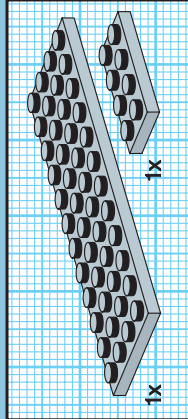
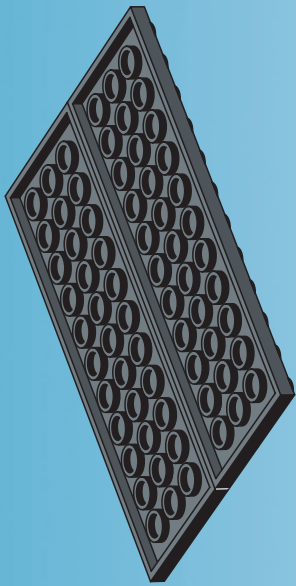
5



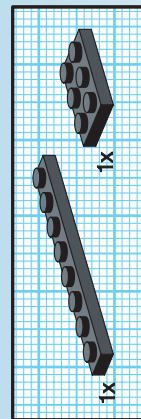
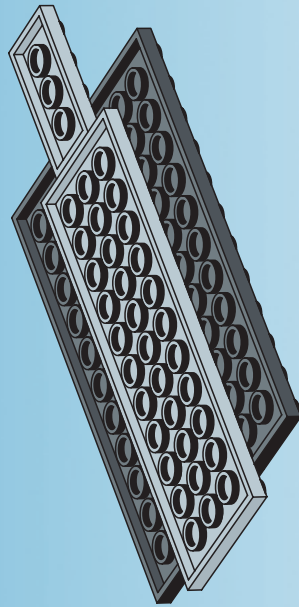
6



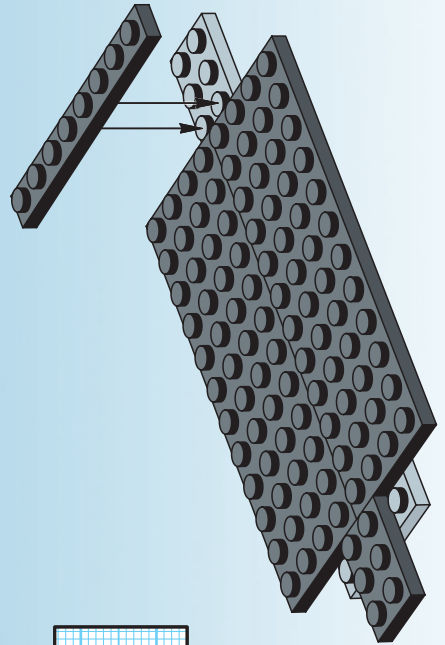
1

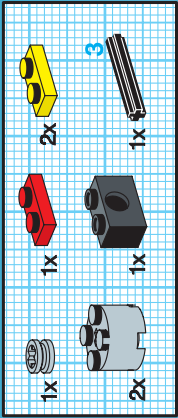


2

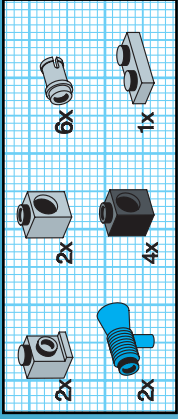
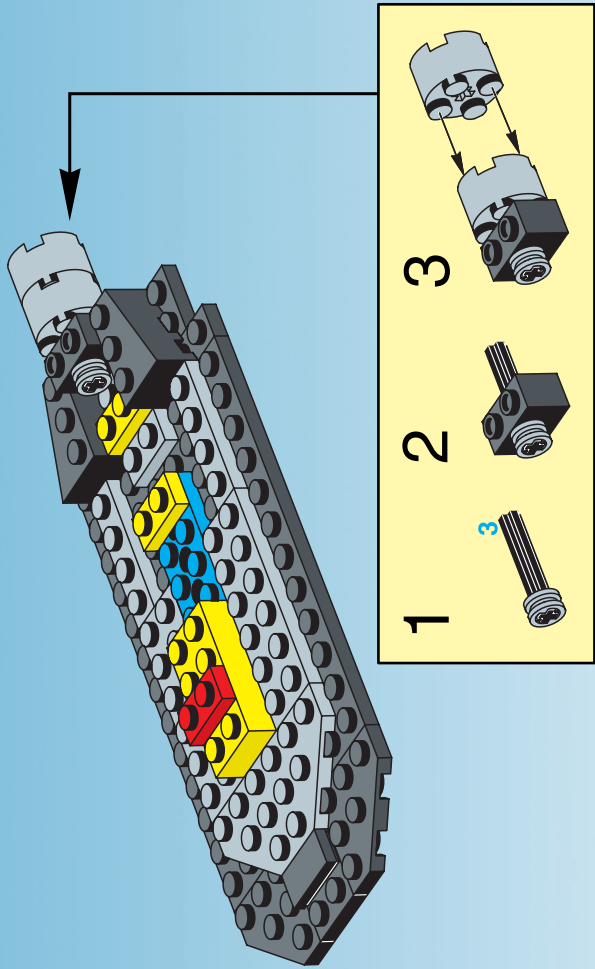


3

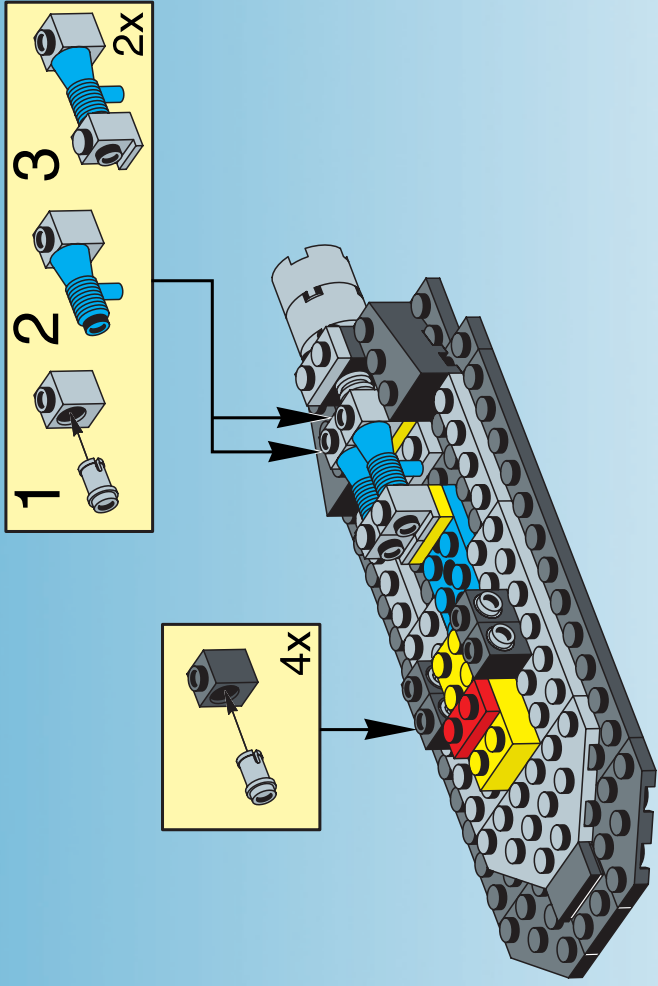


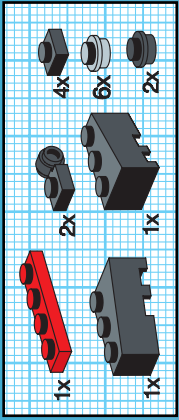


7

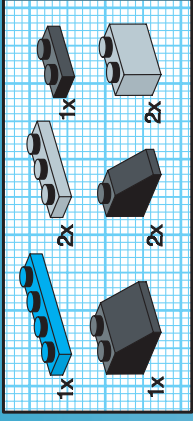
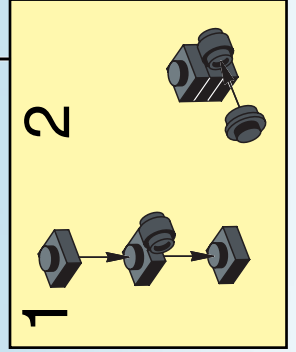
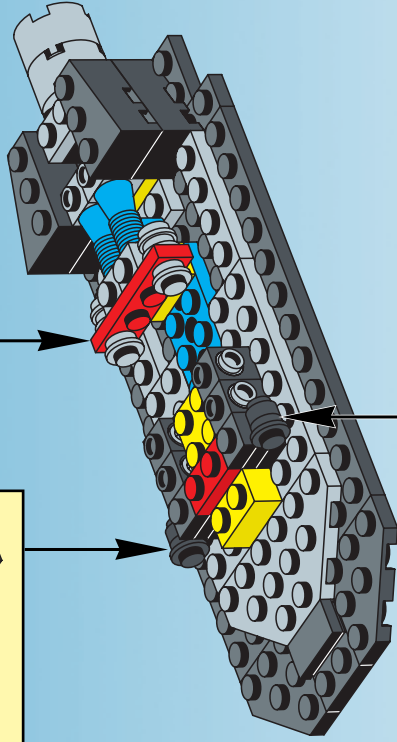
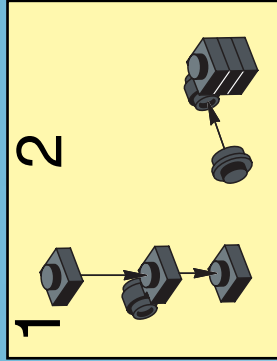
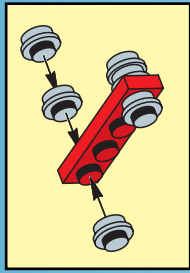


8

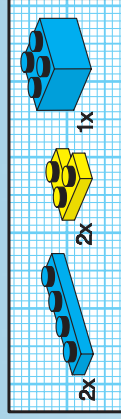
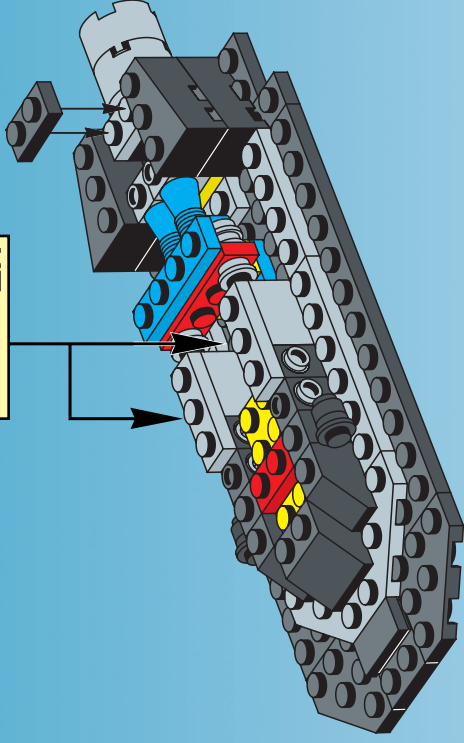
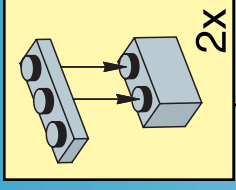




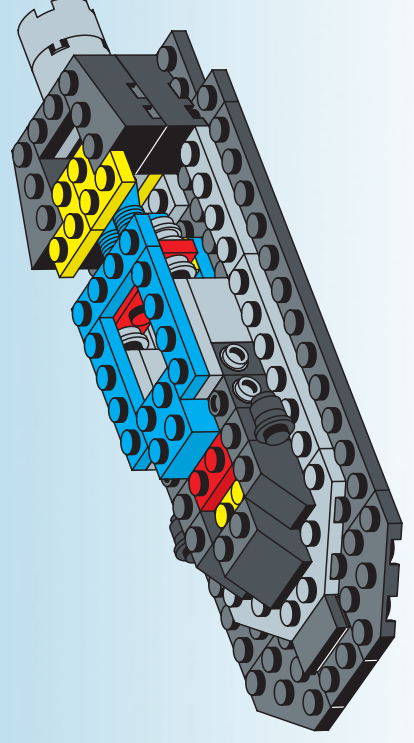
9

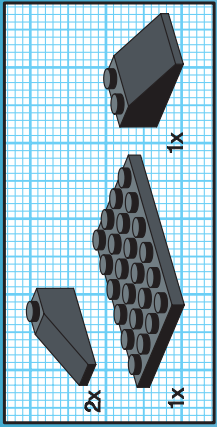


10

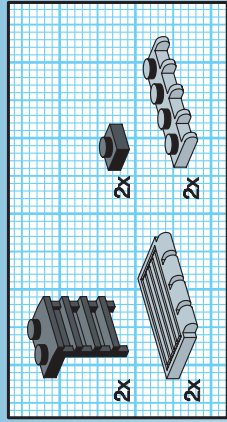
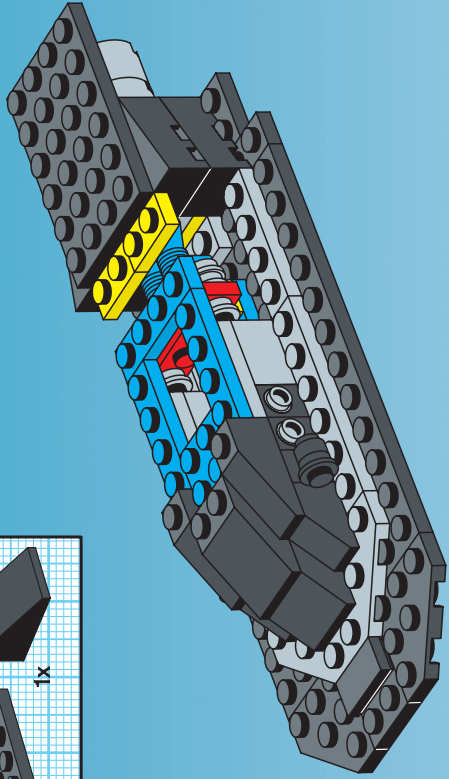


11

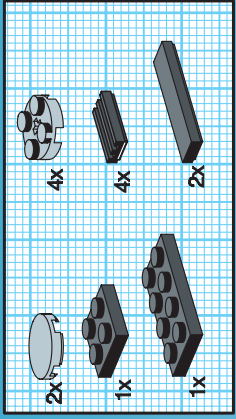
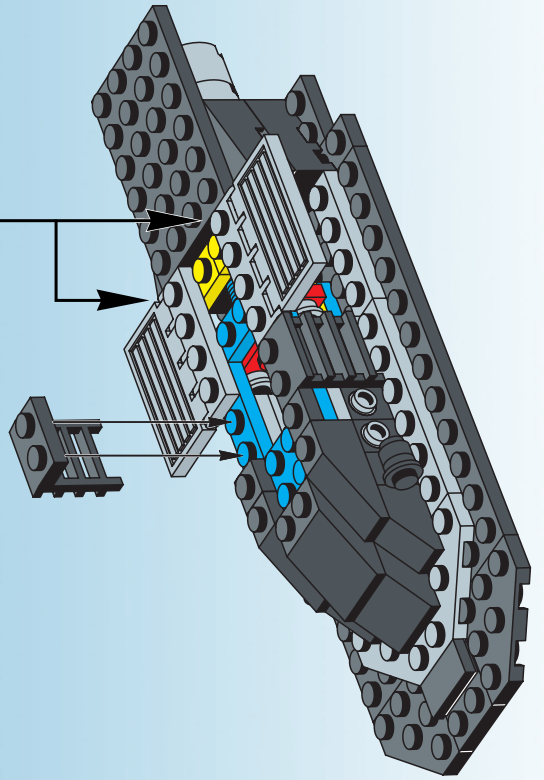
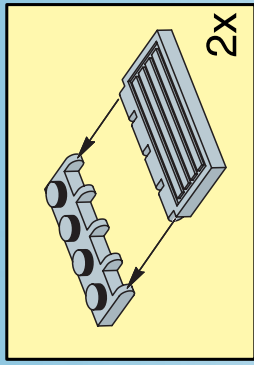




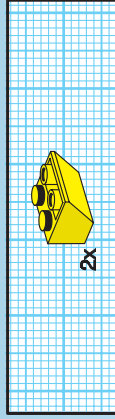
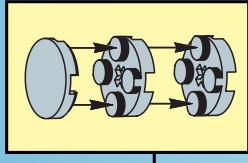
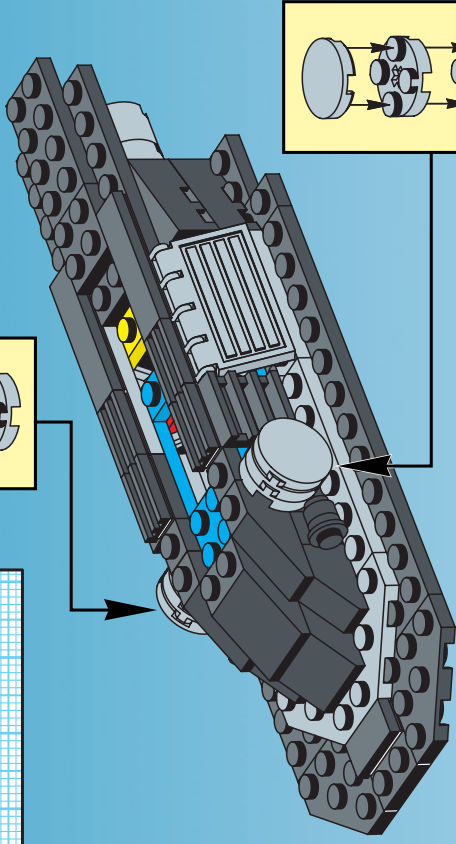
12



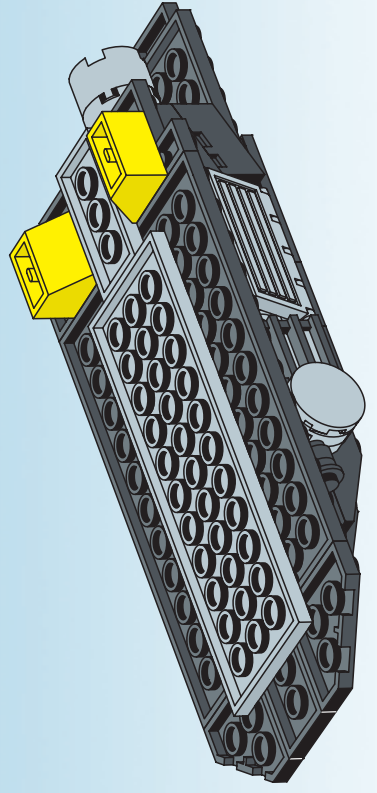
13

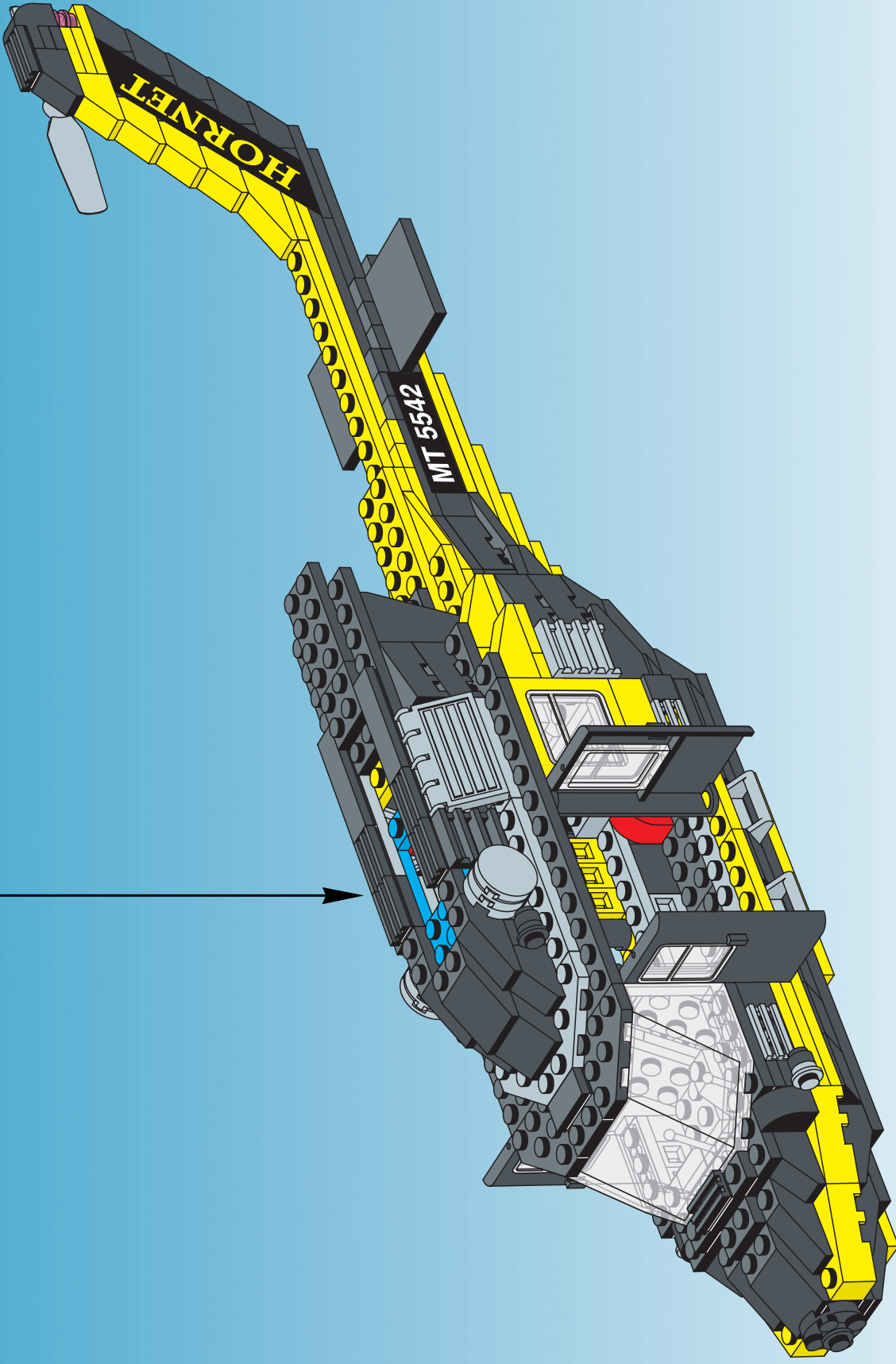


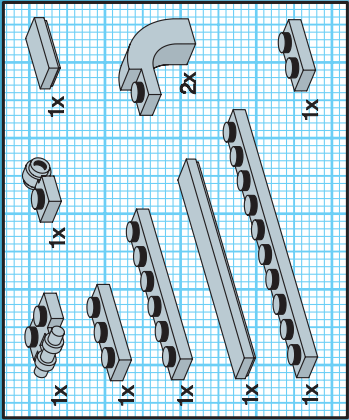
14



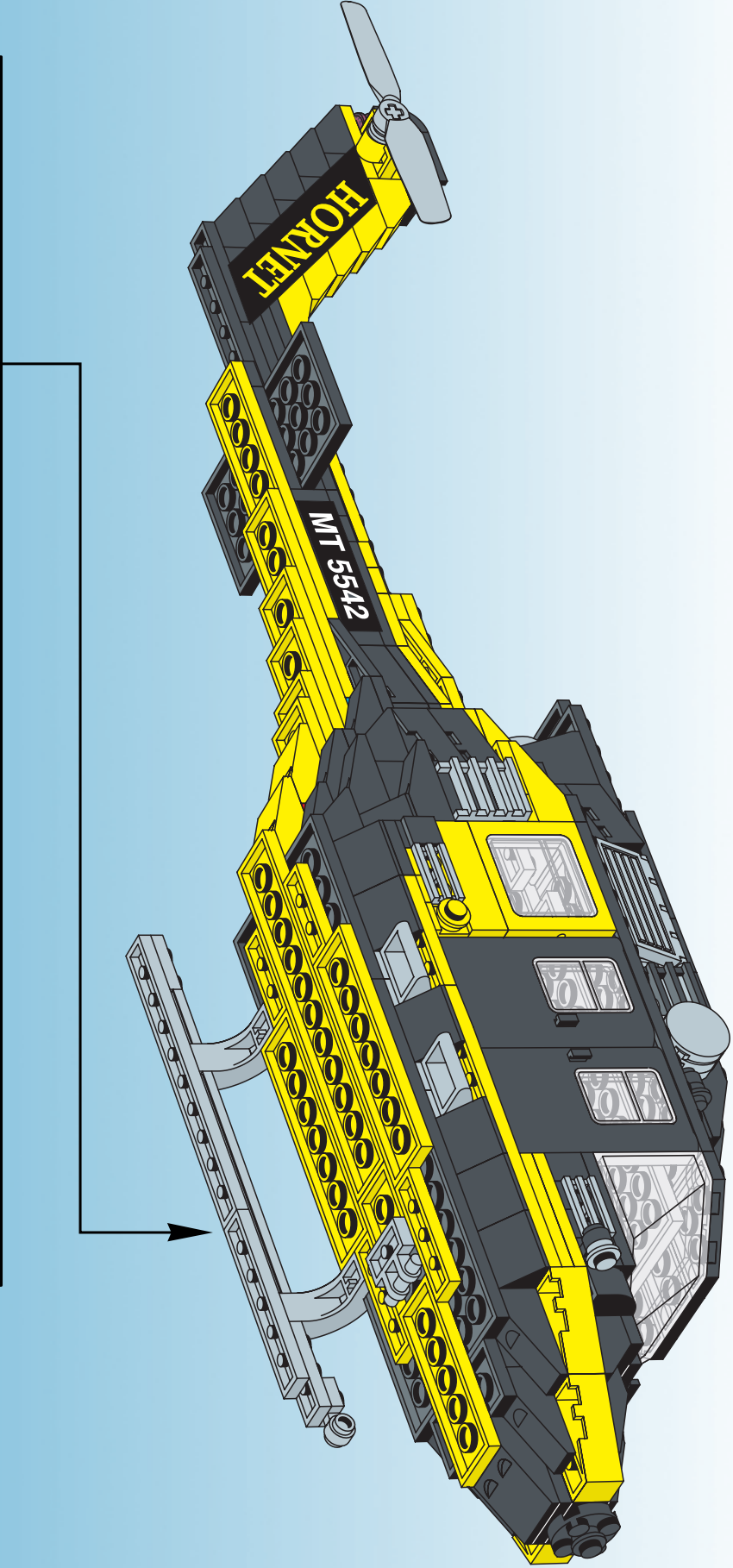
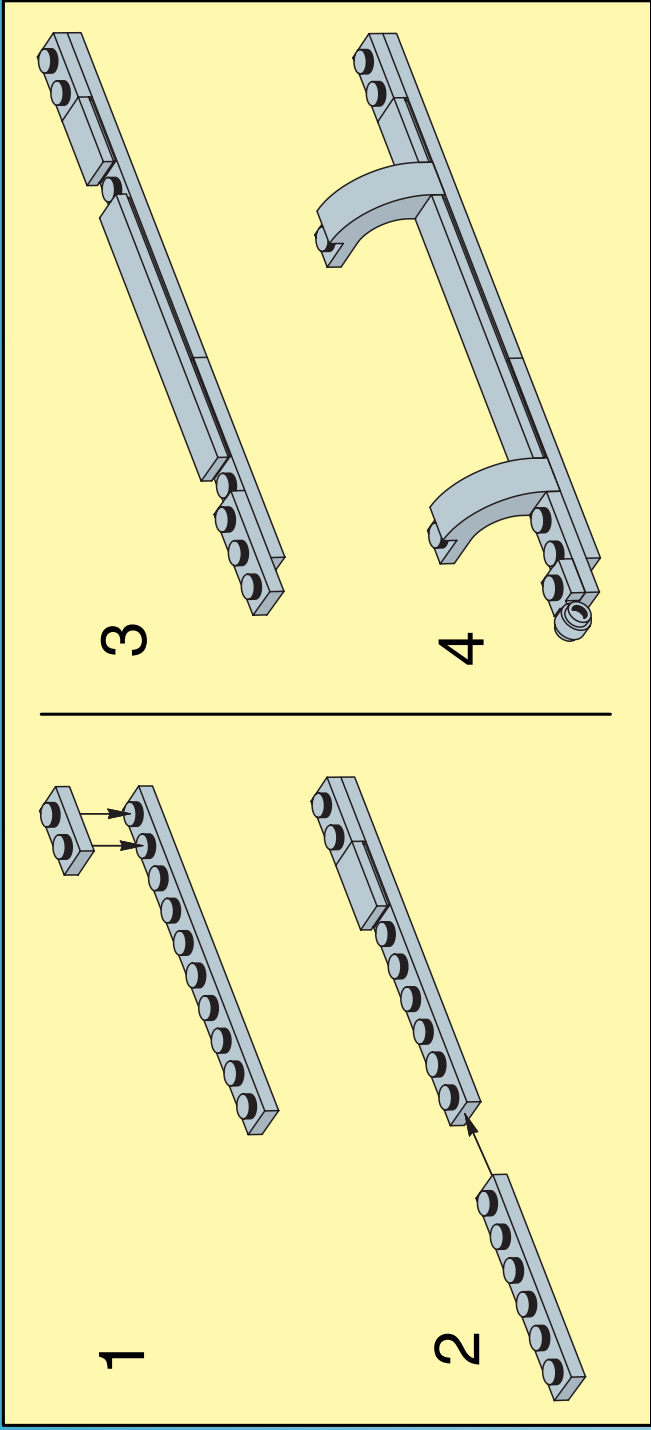
15

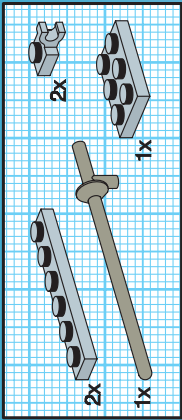




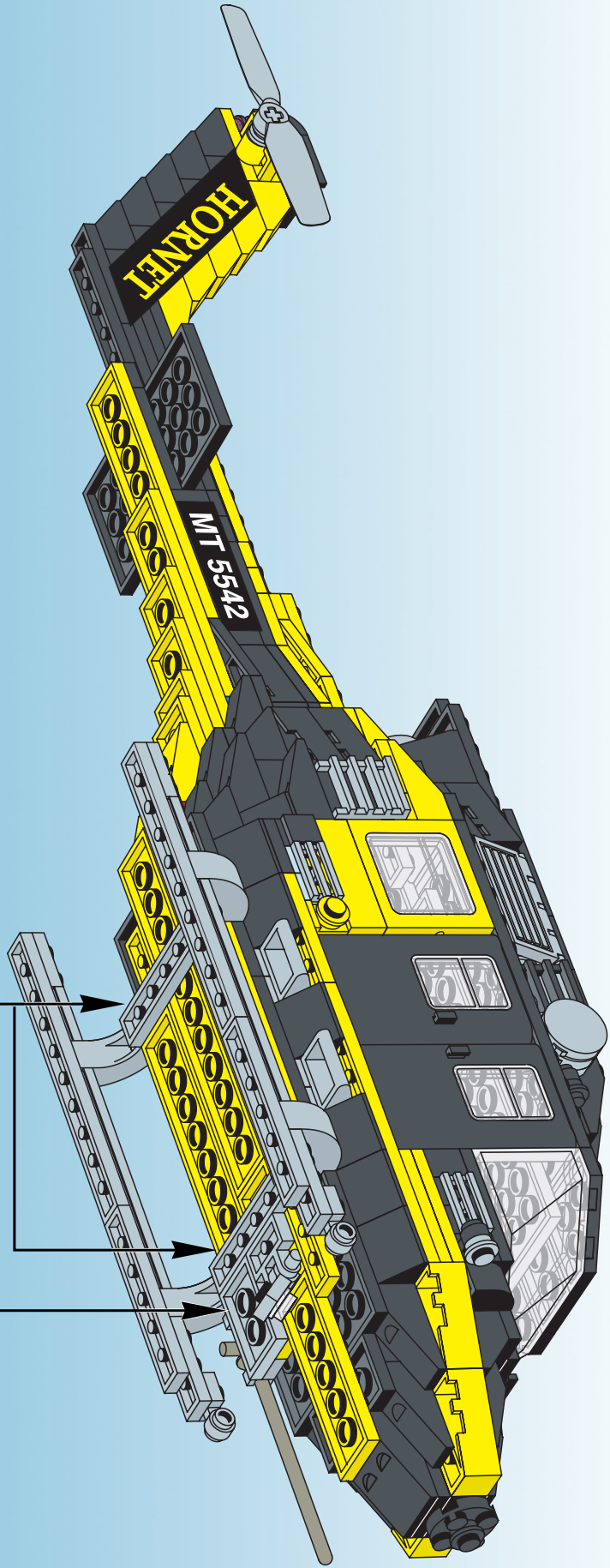
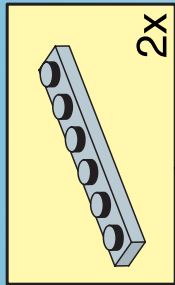
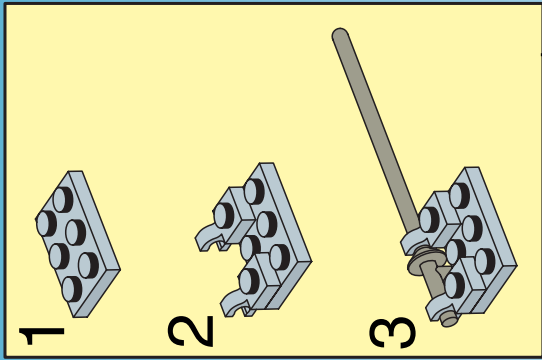


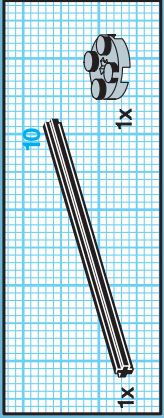
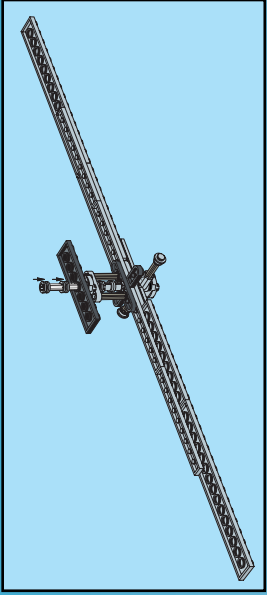
33



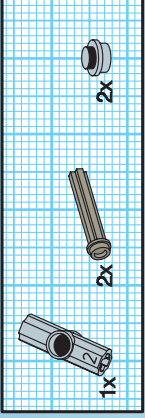


35

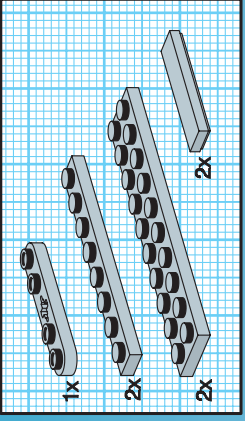
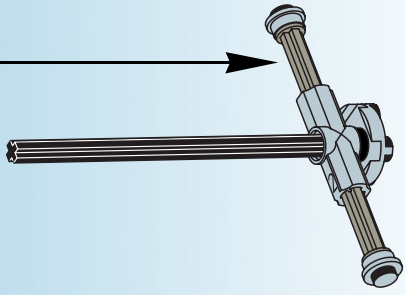
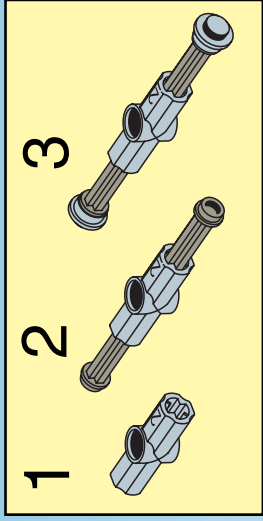




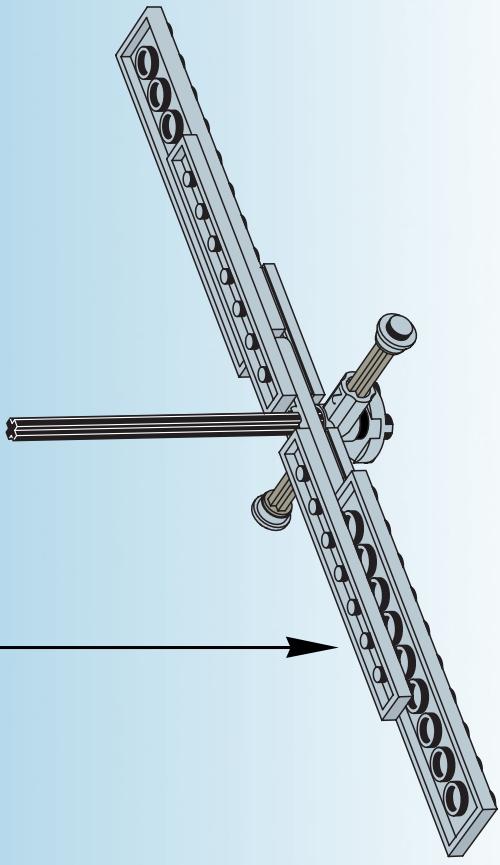
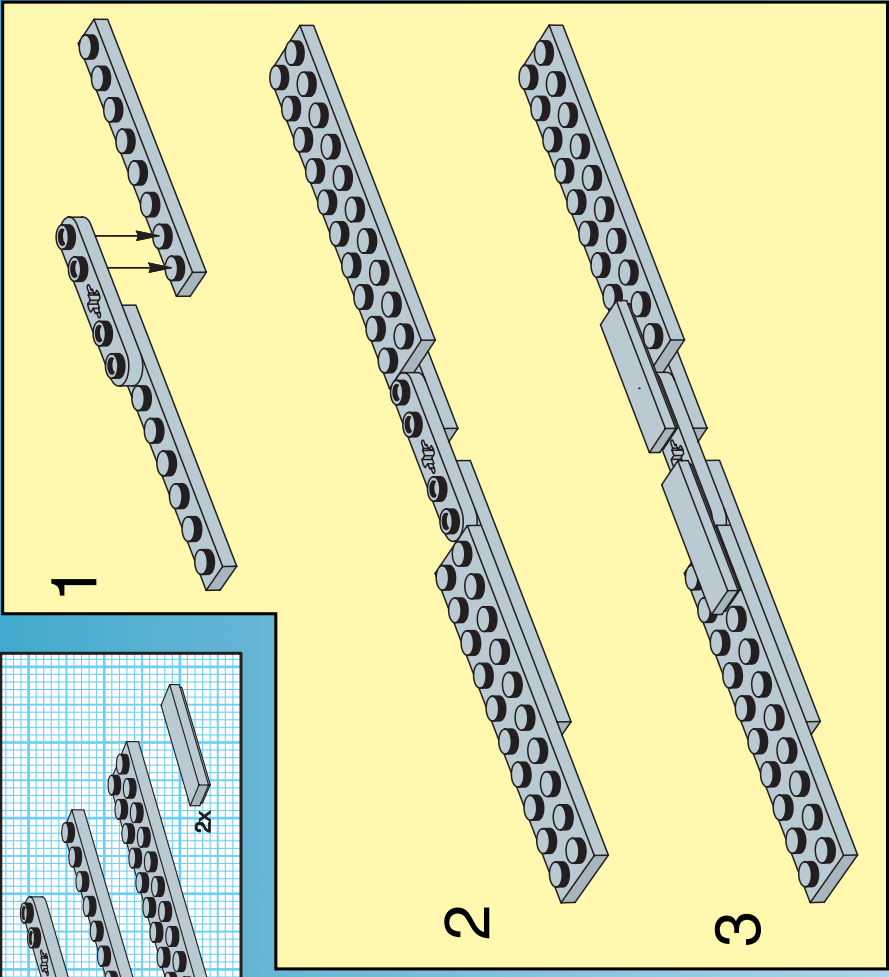
1

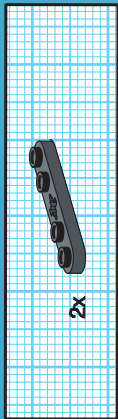


2

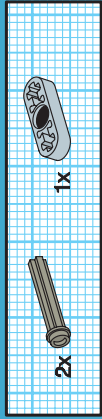
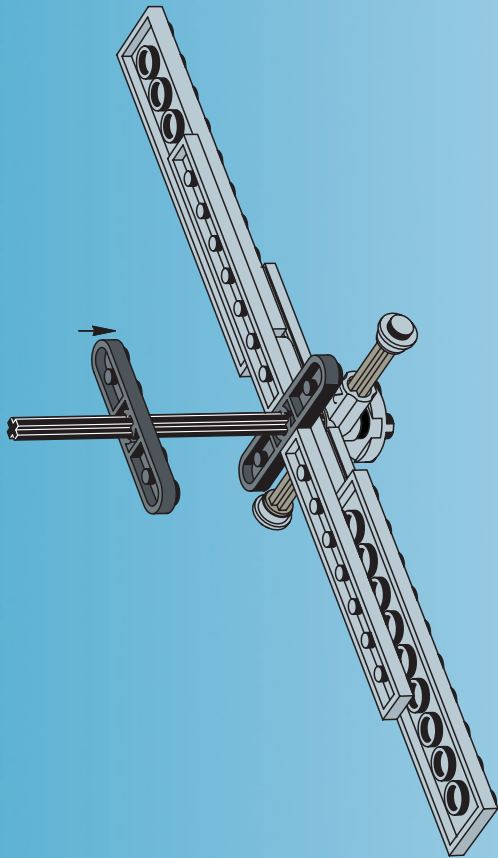


3

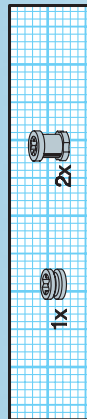
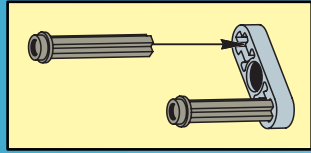
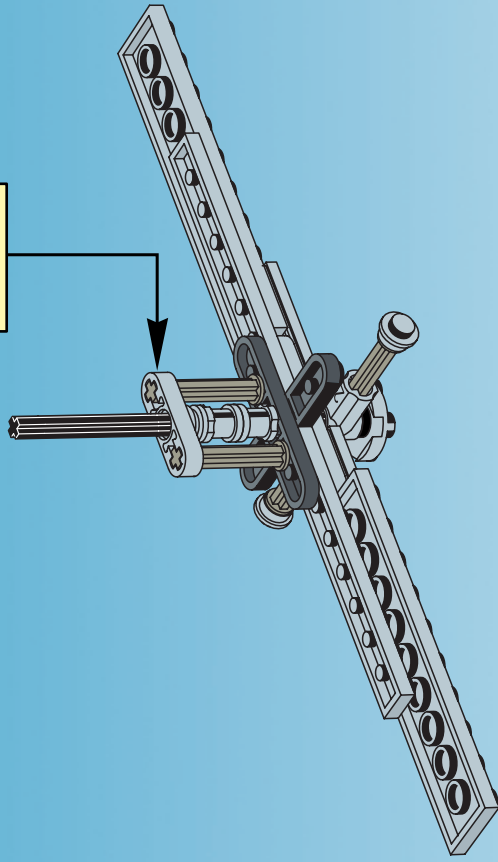




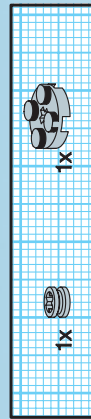
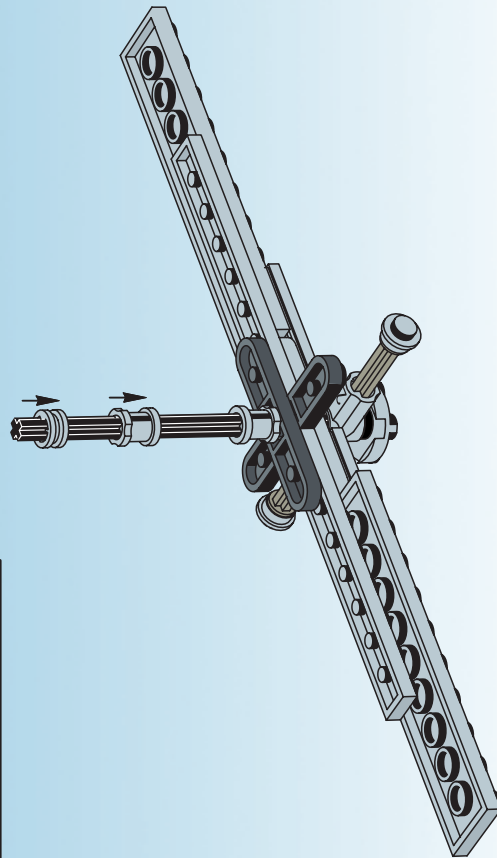
4



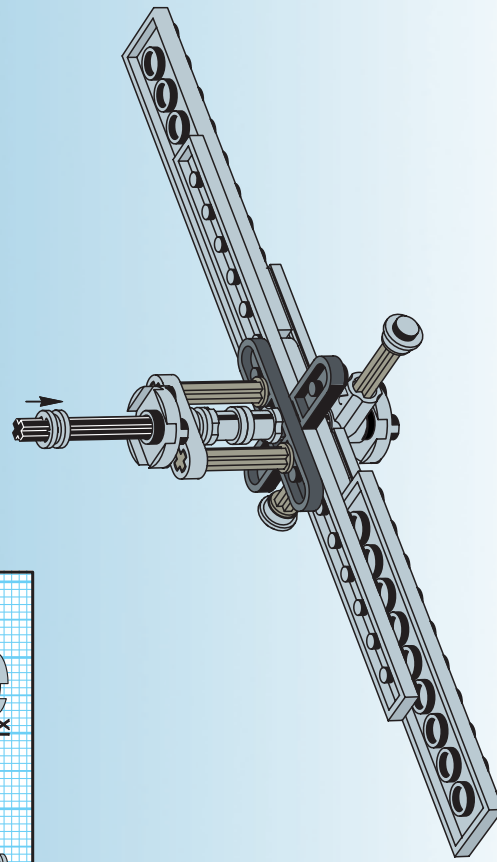
6

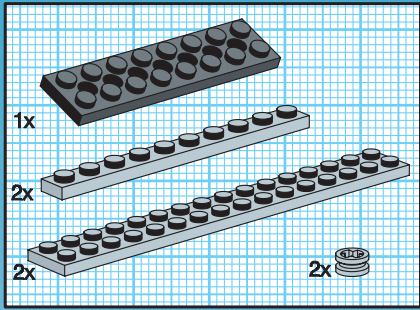


5

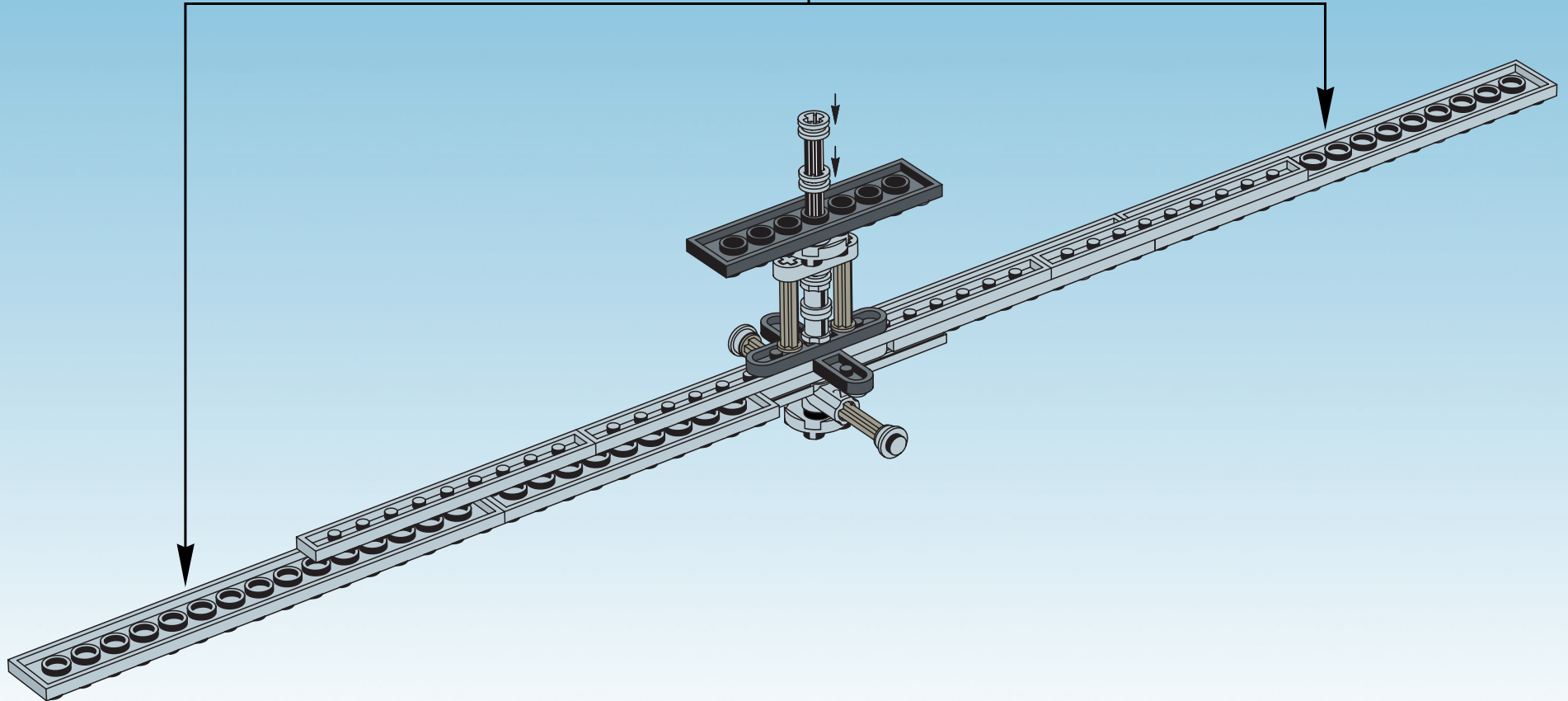
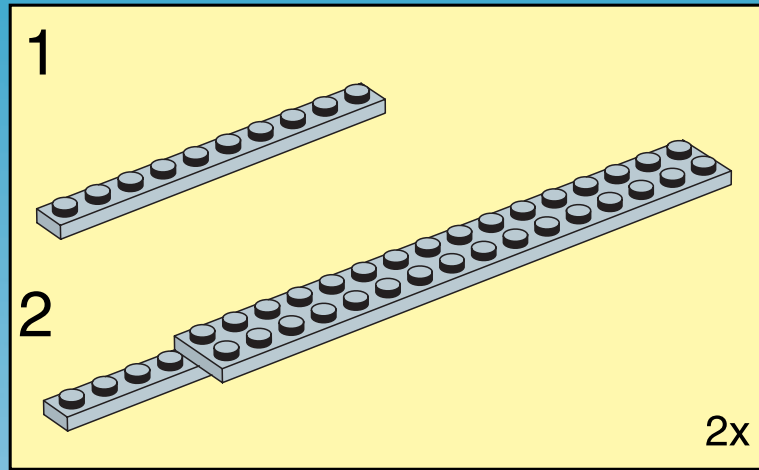


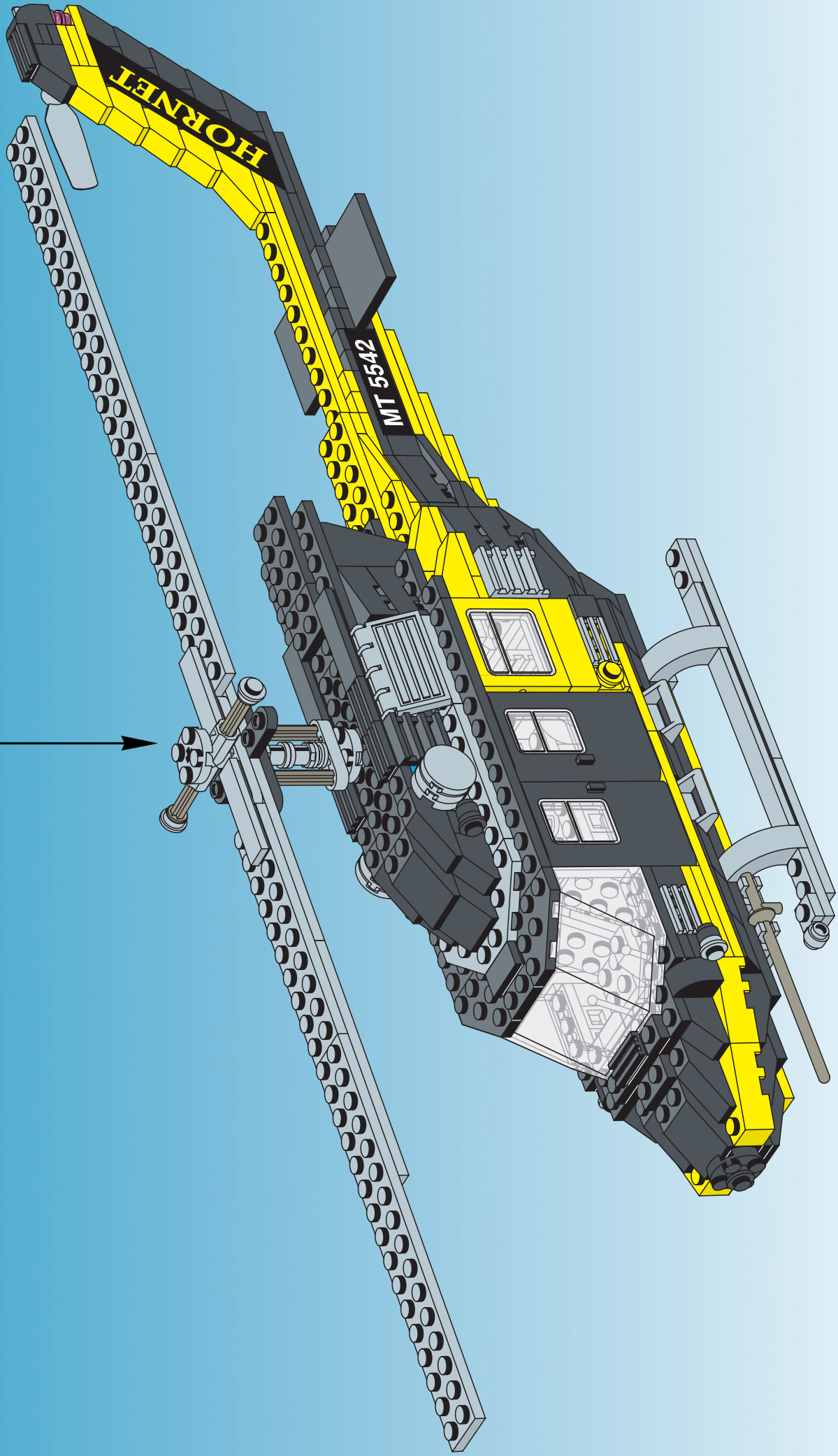
7

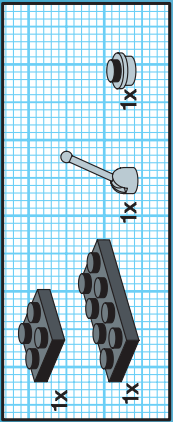




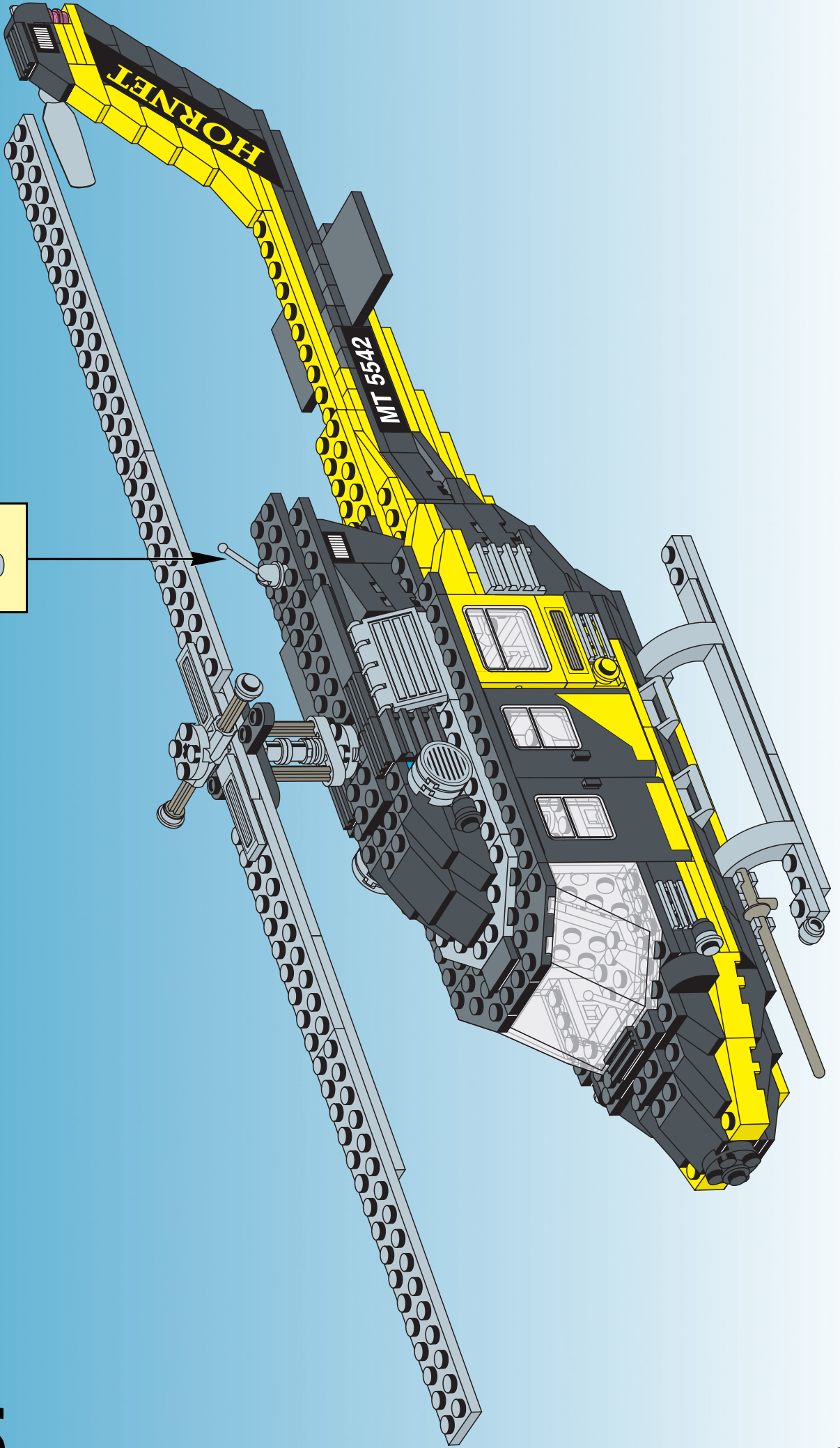
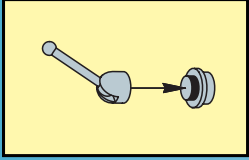
8



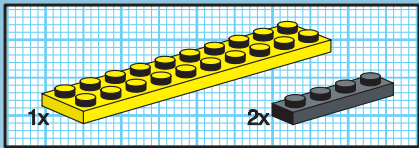
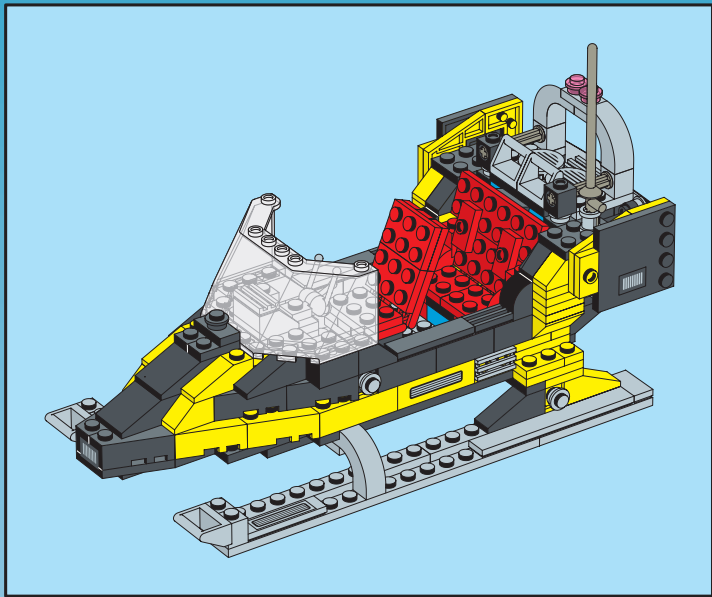




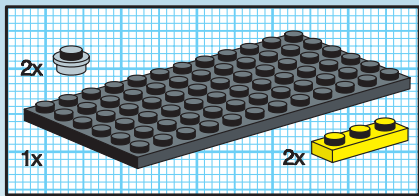
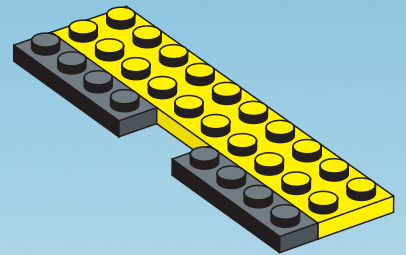
37



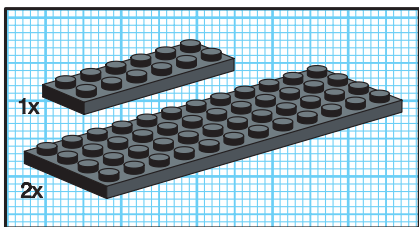
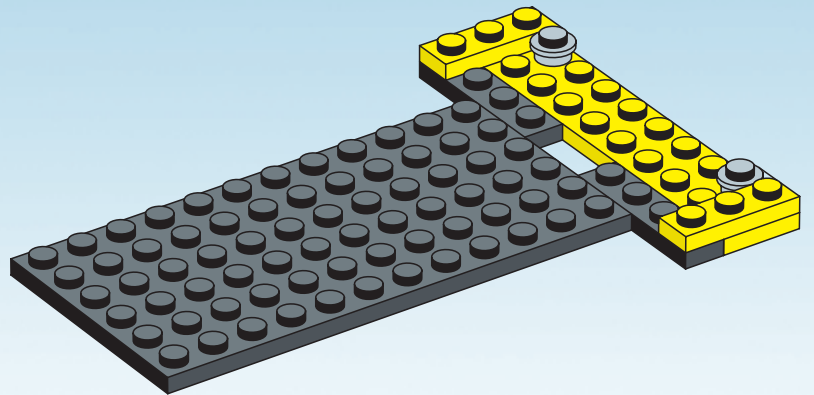




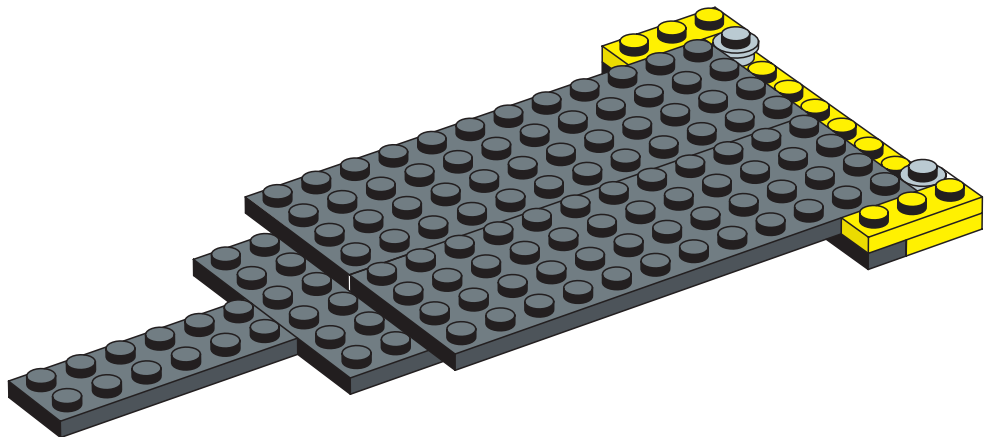
1

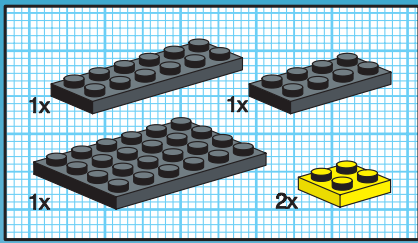


2

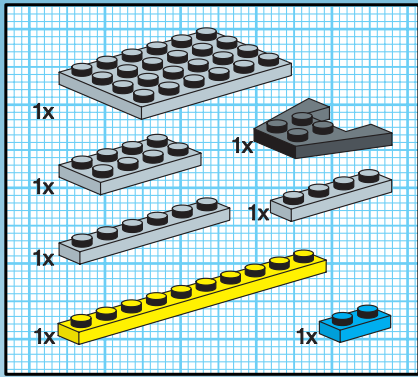
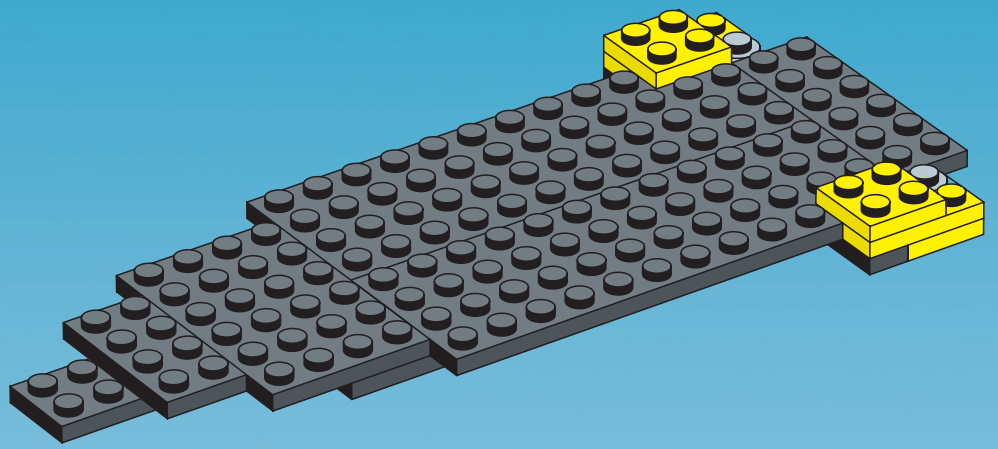


3

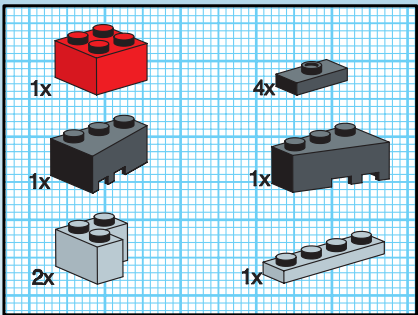
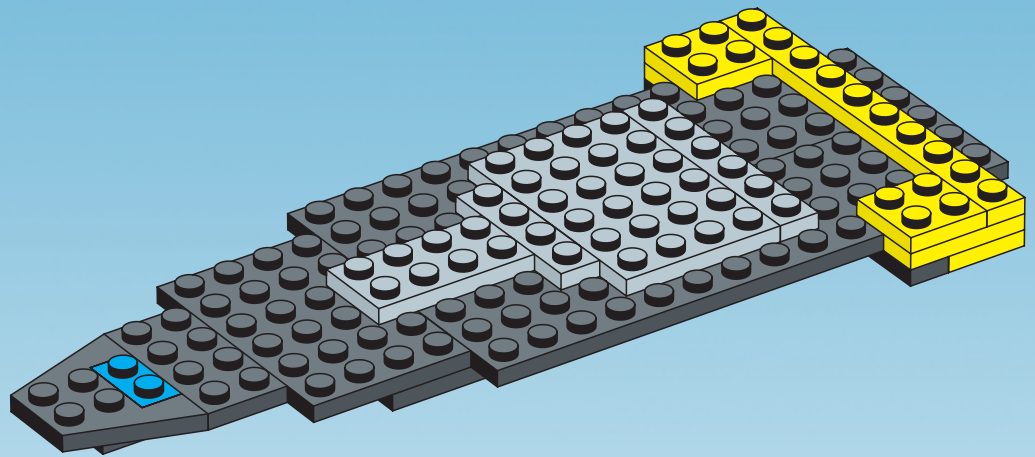




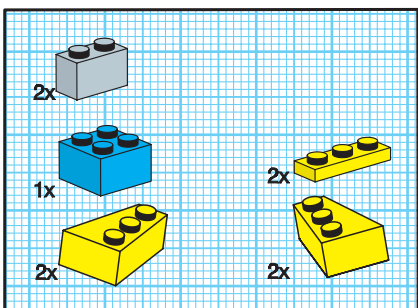
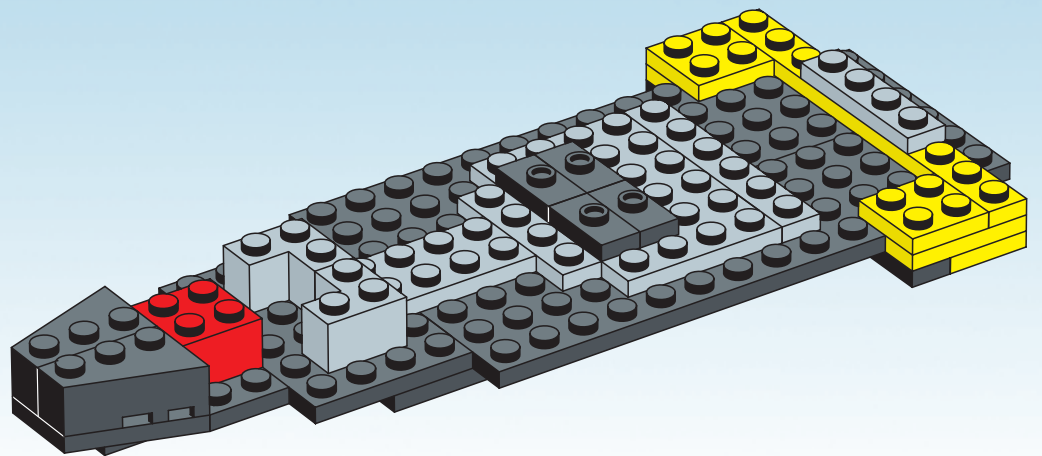
4



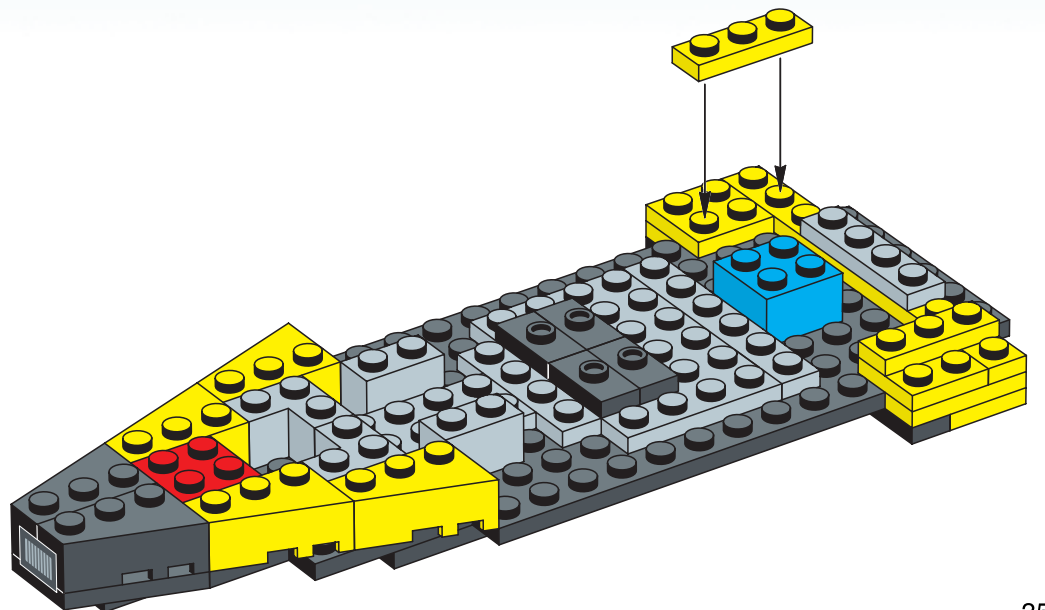
5

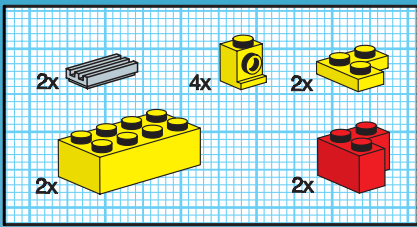


6

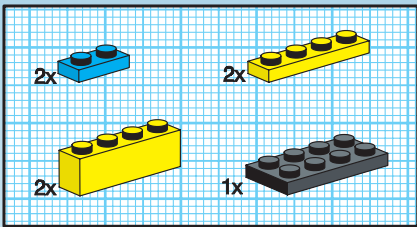
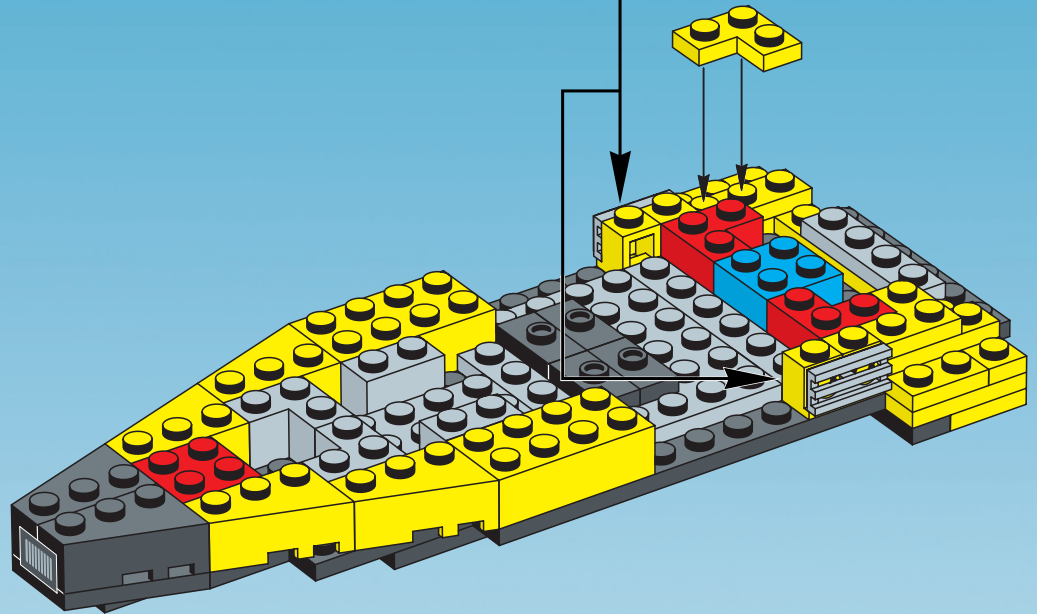
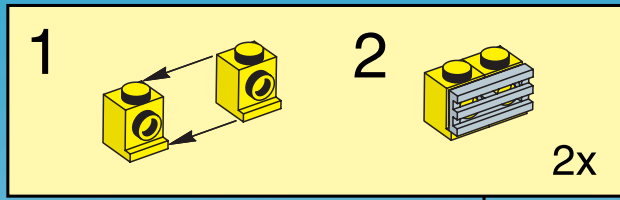


7

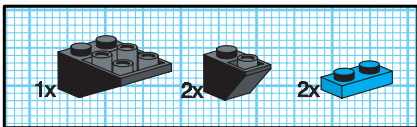
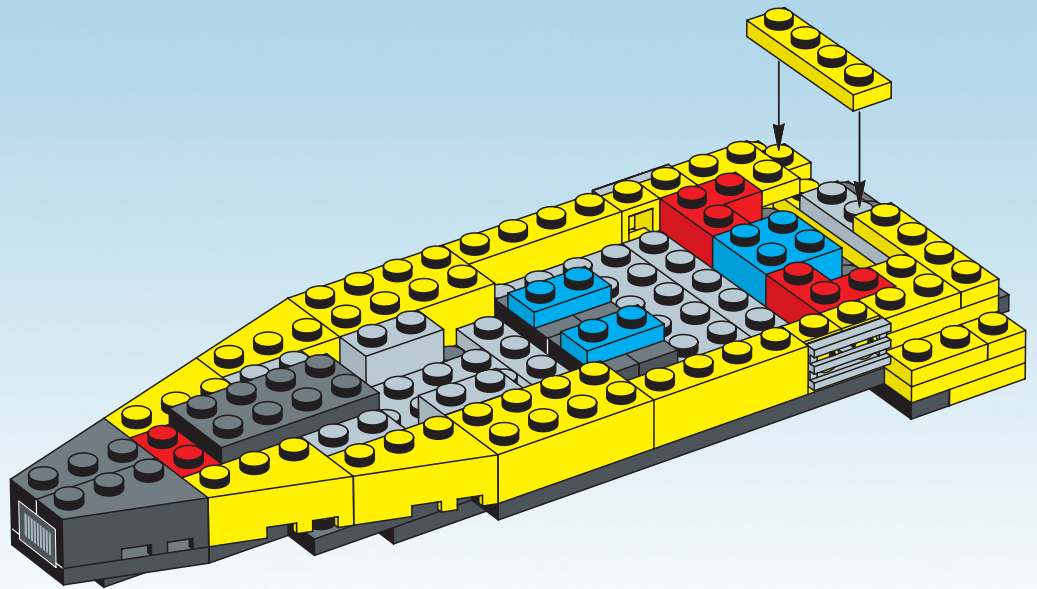




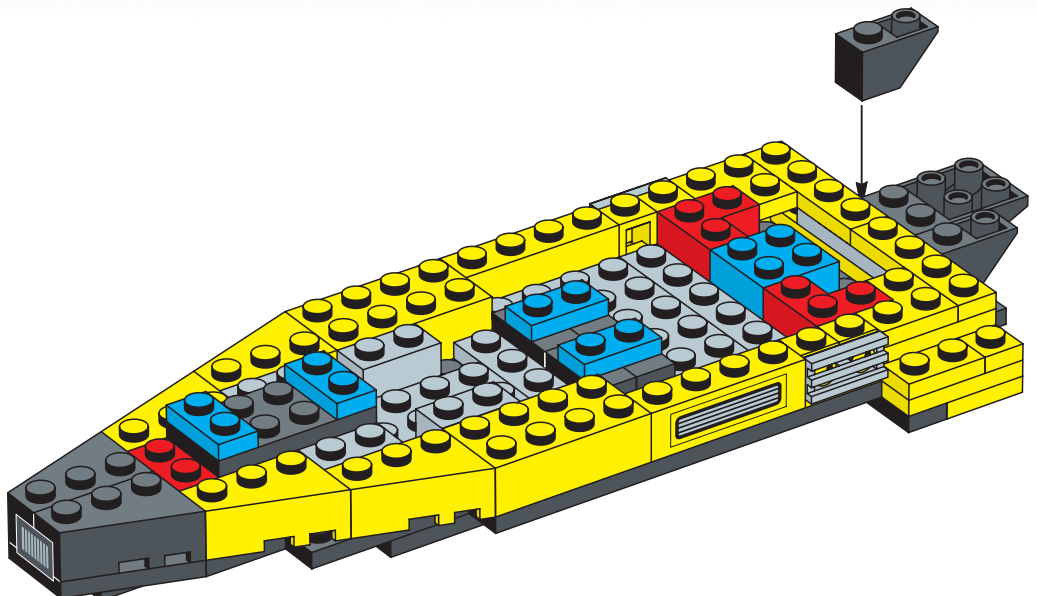
8

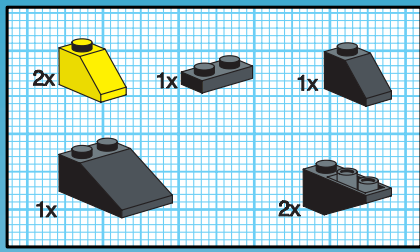


9

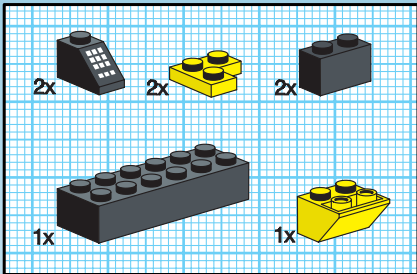
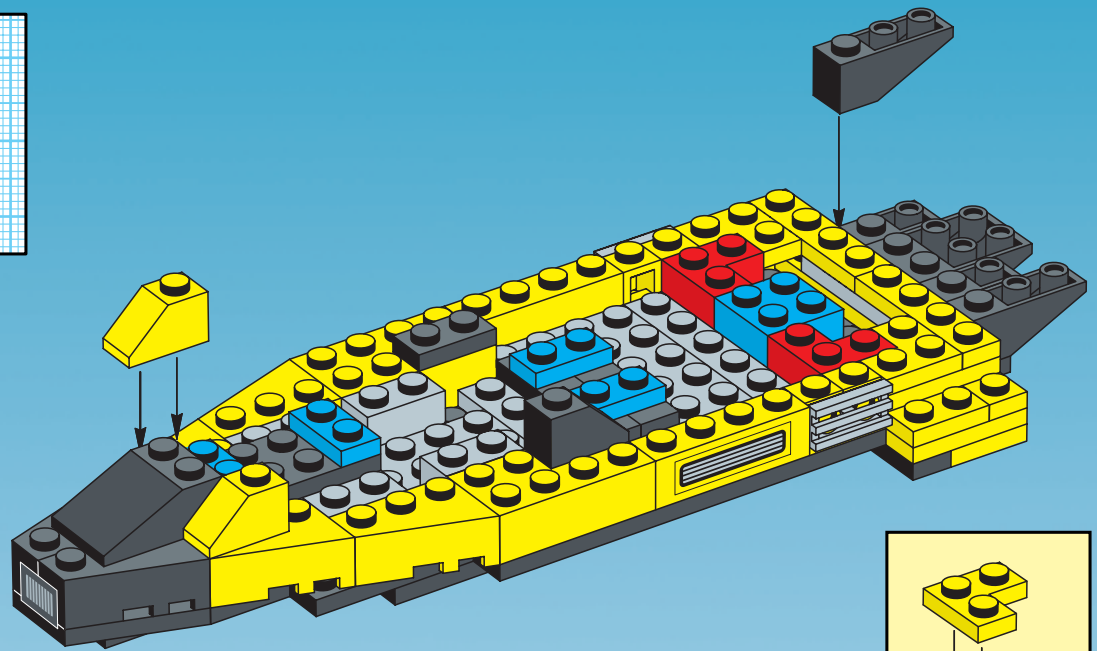


10

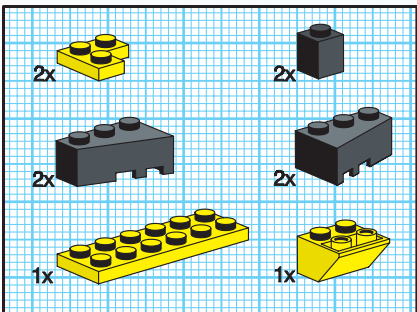
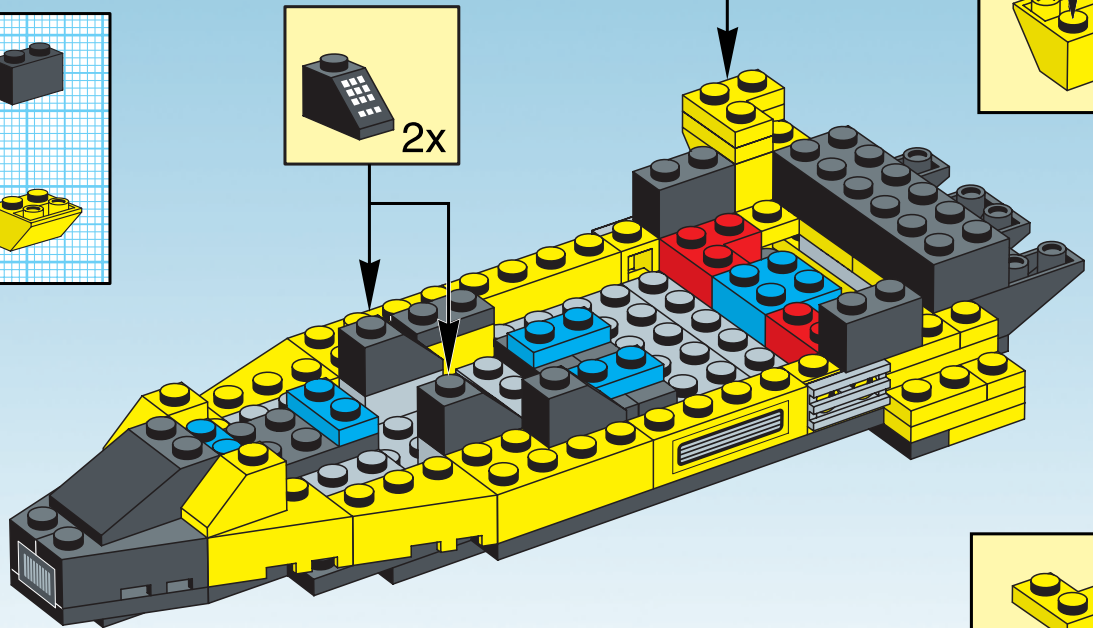




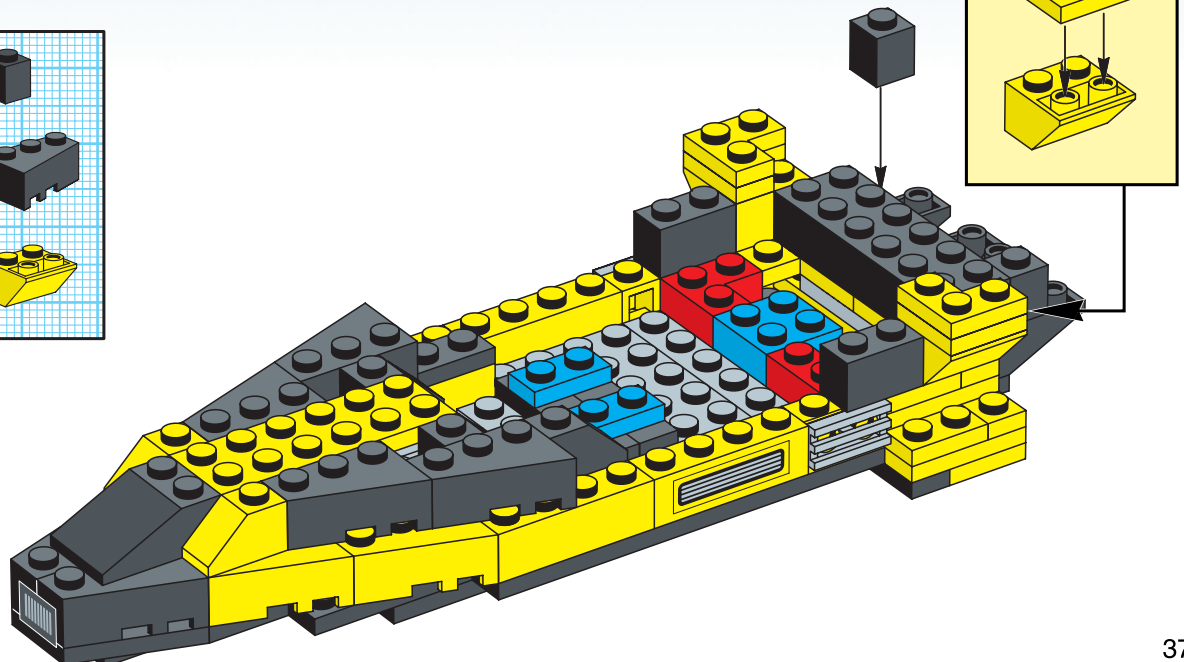
11

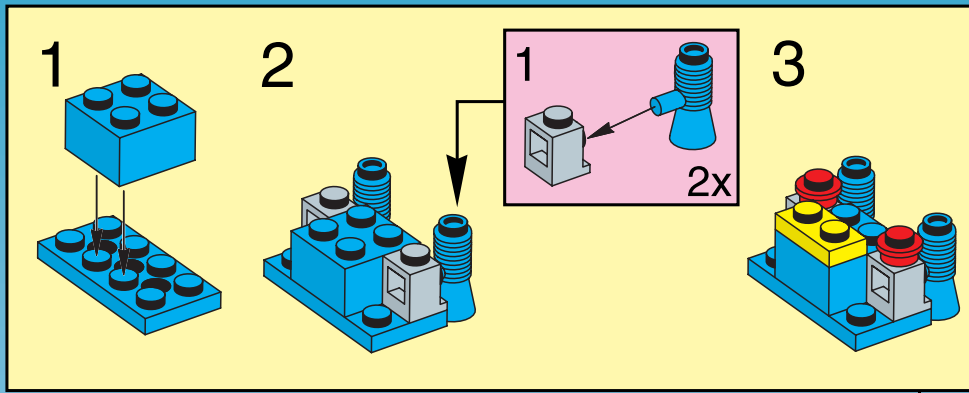
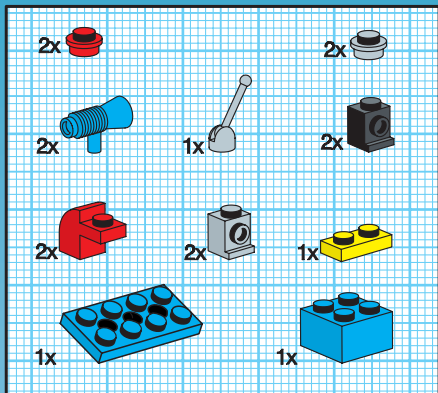


12

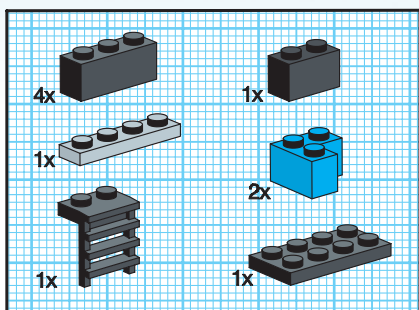
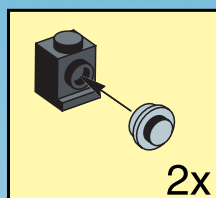
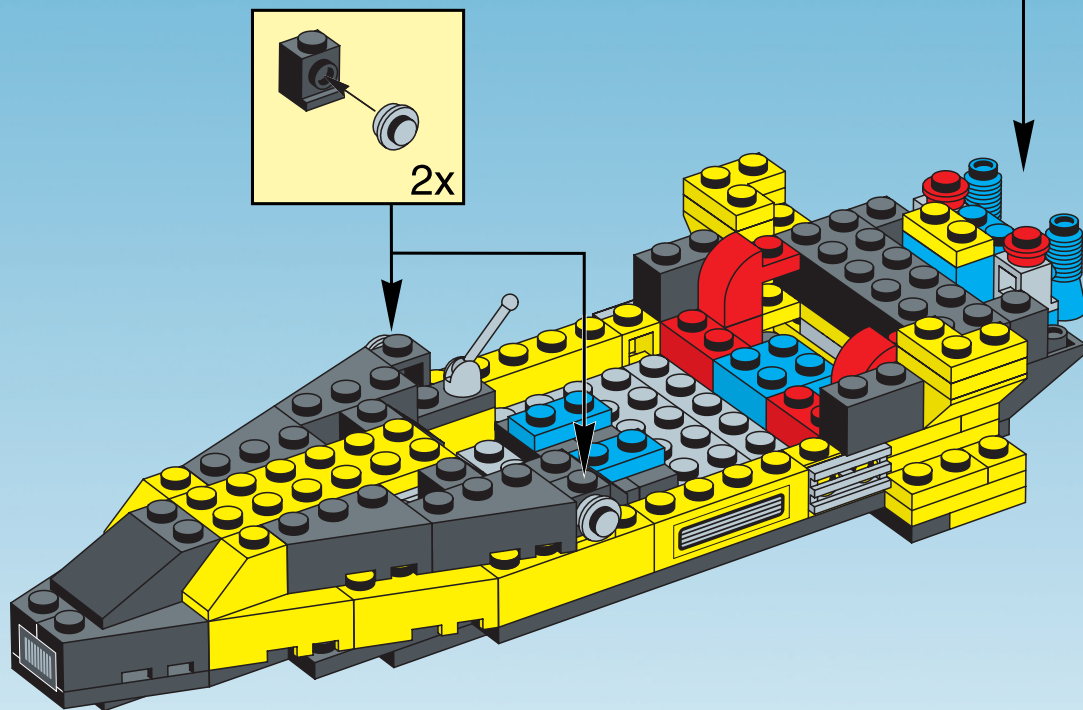


13

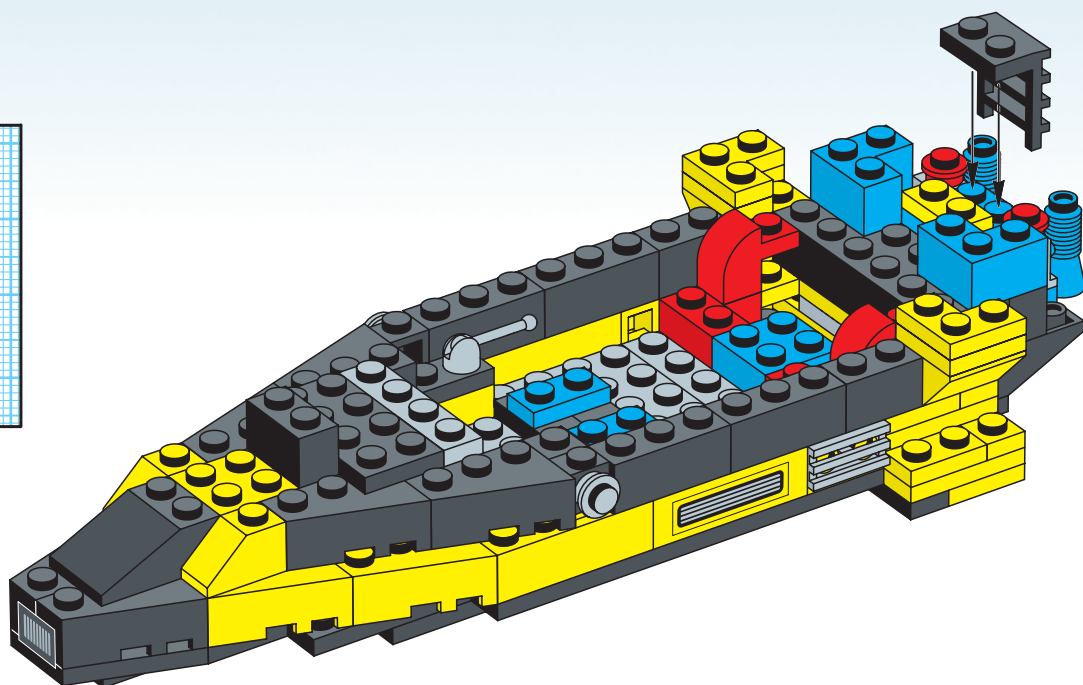


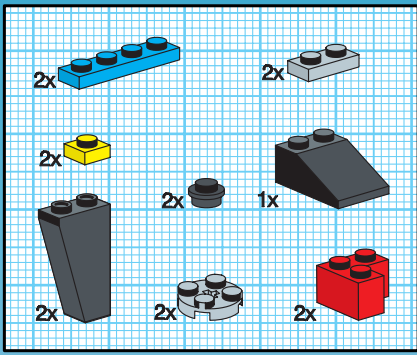


14

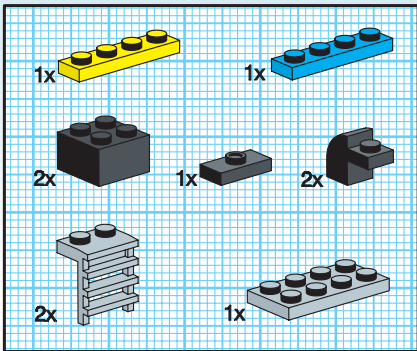
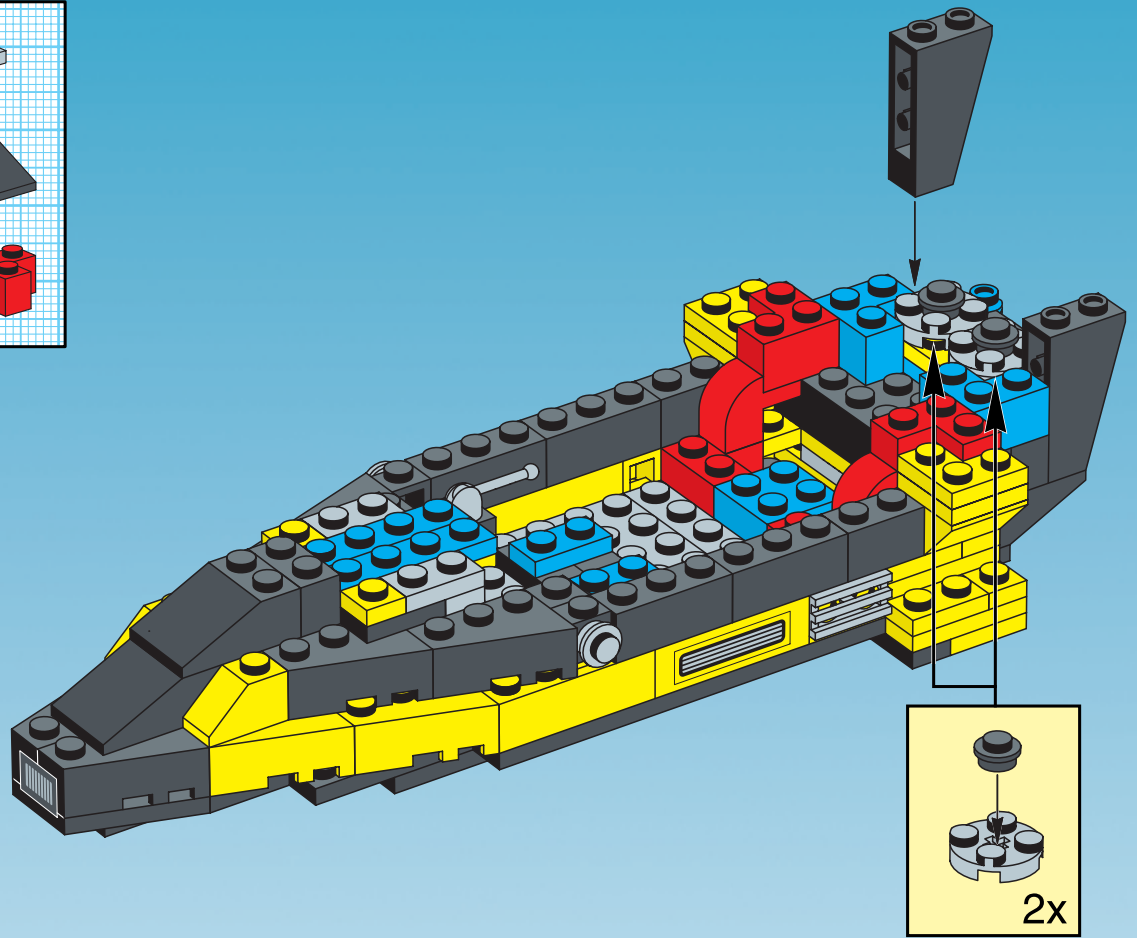


15

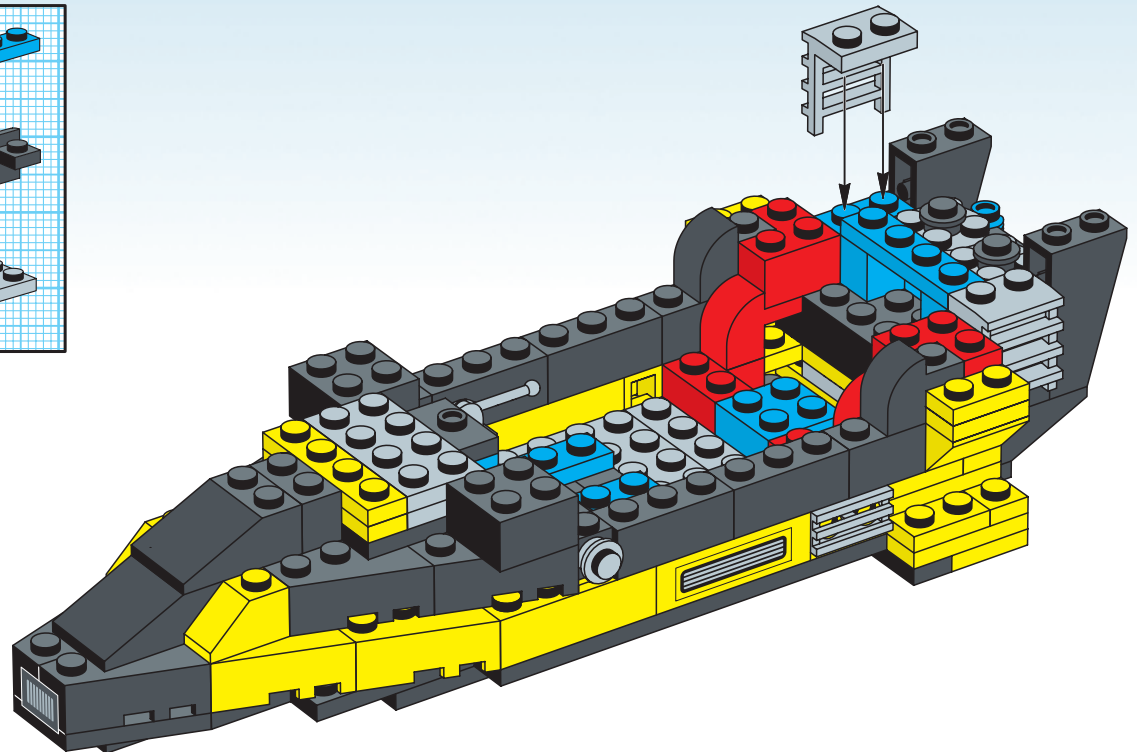


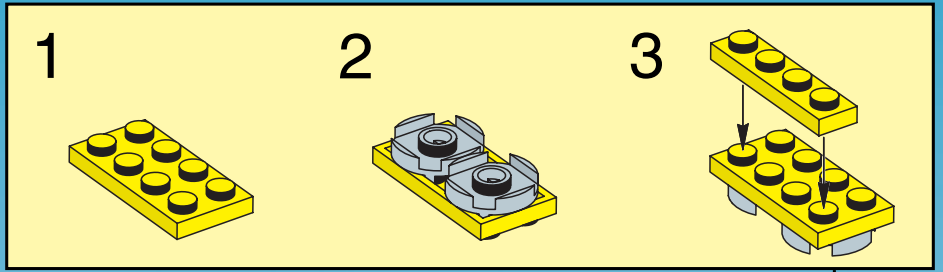
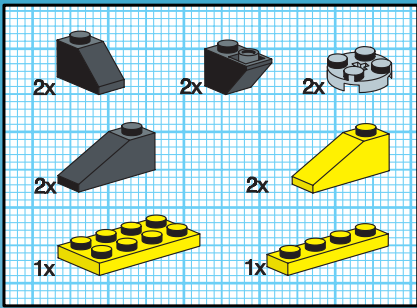


16

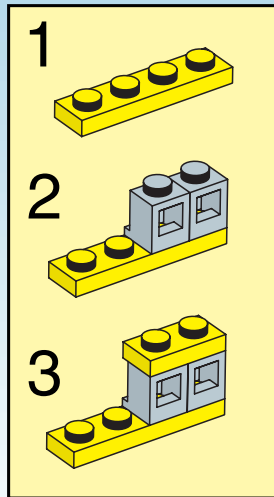
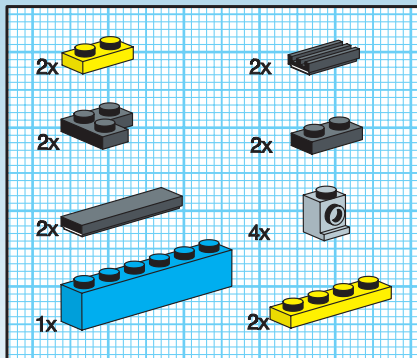
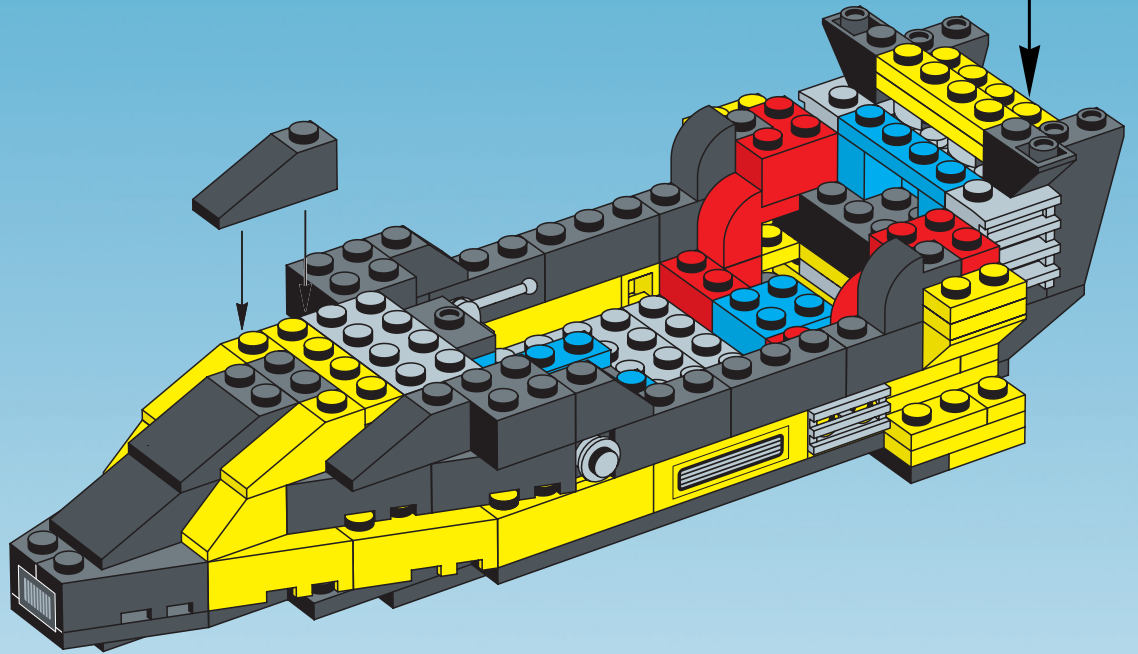


17

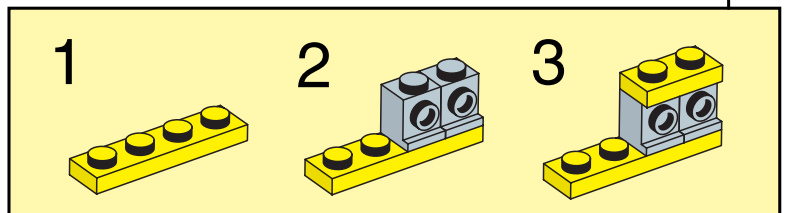
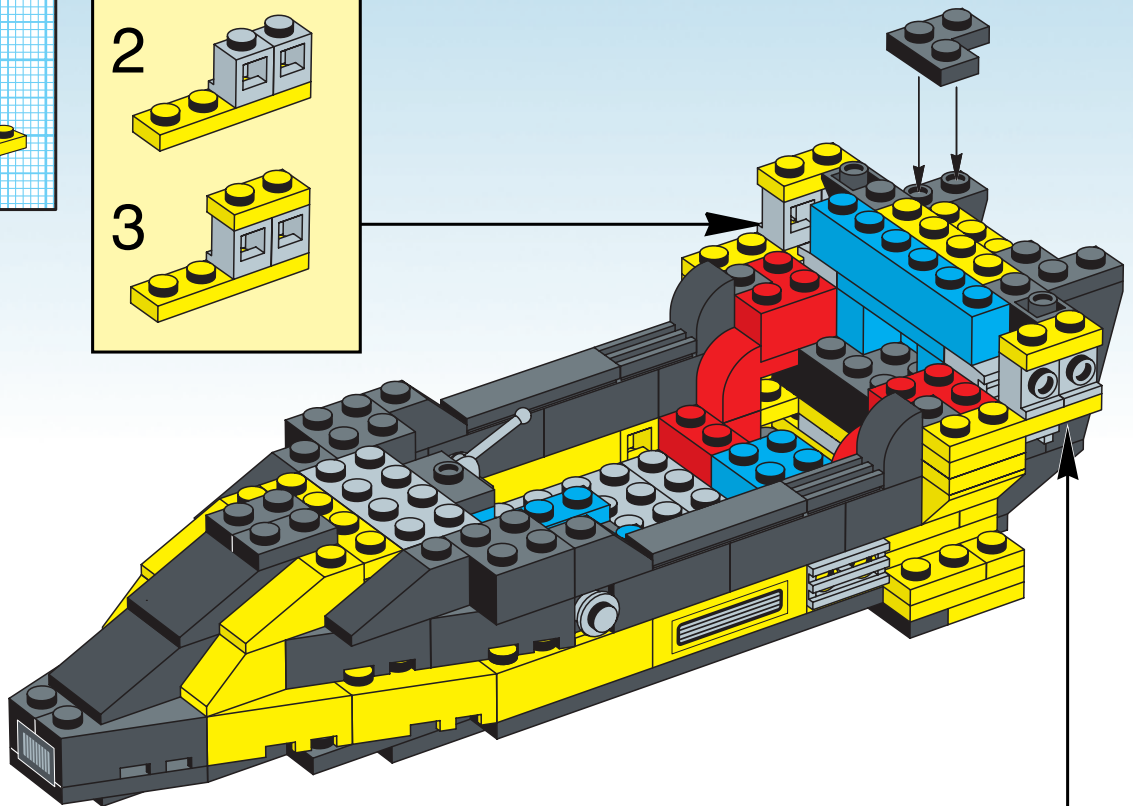


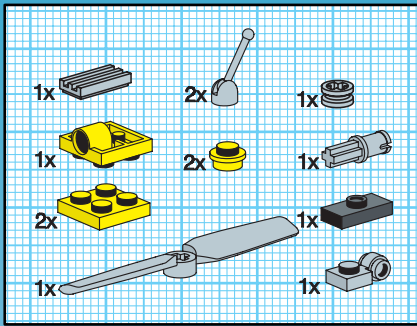


18

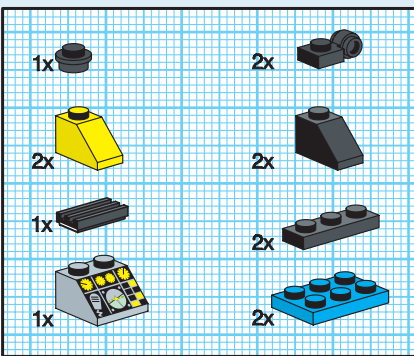
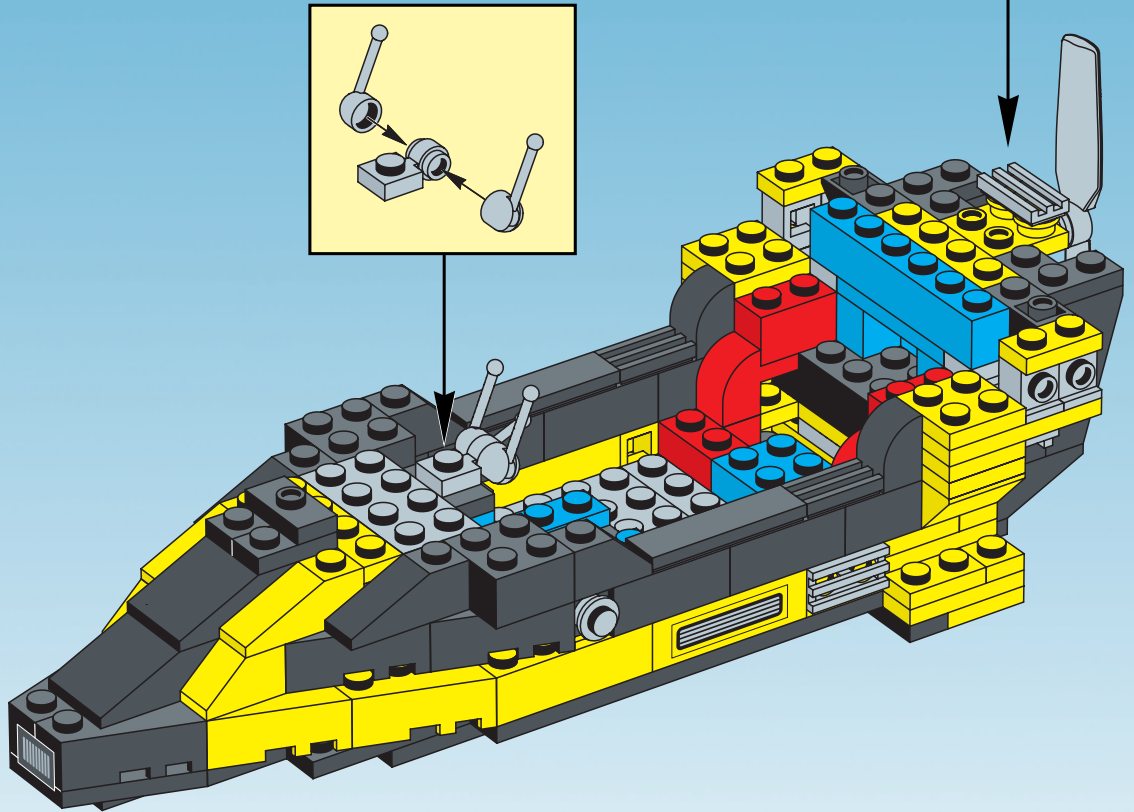
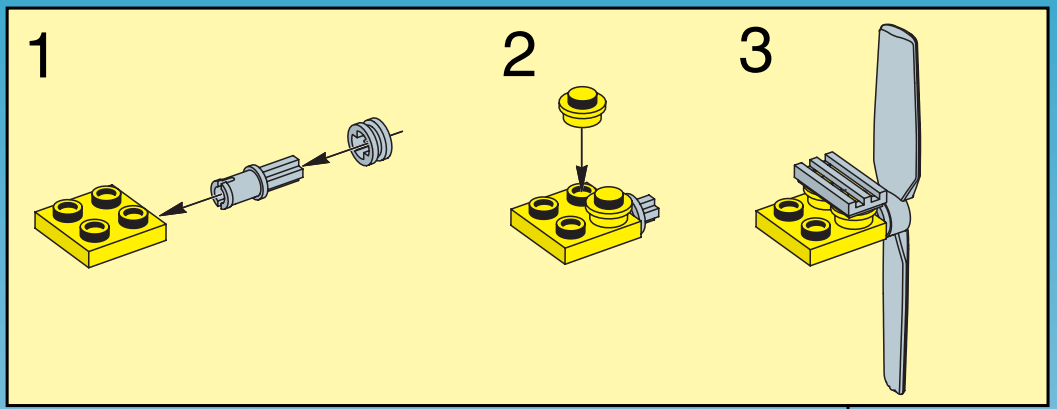


19

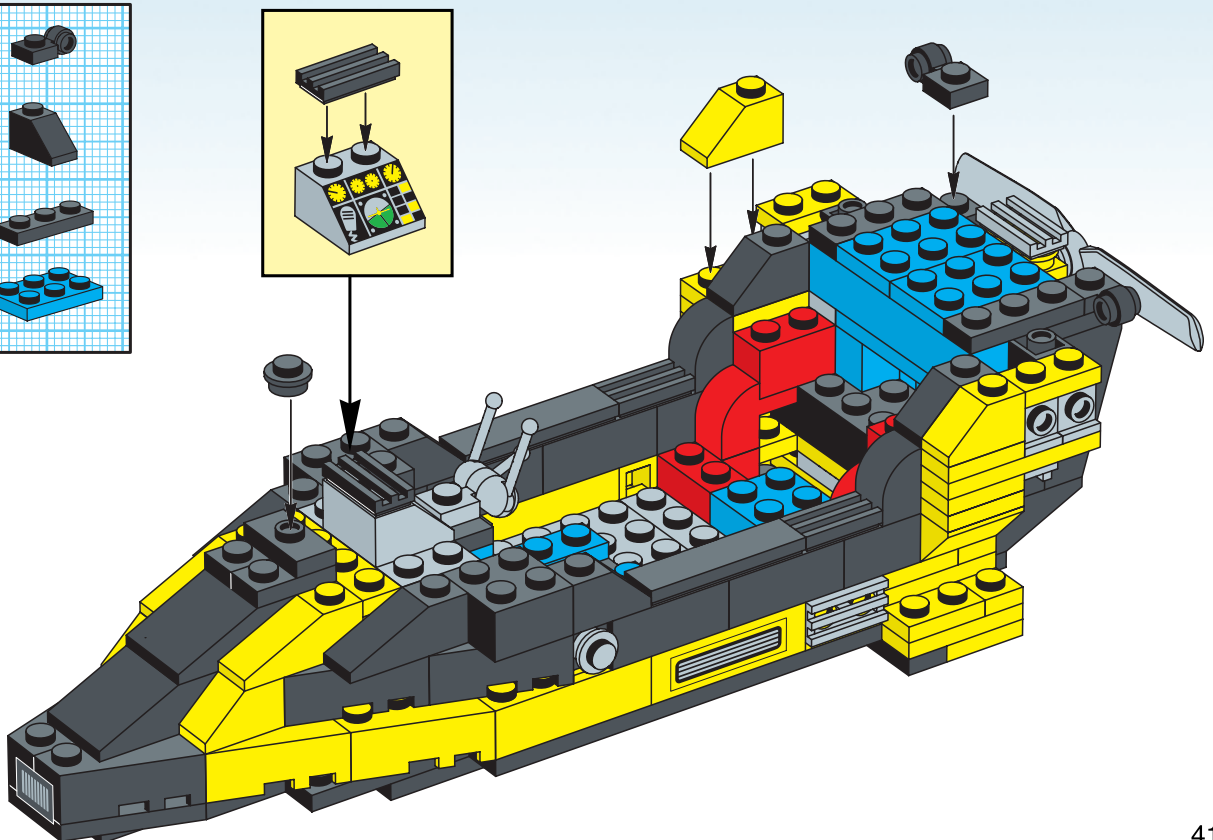


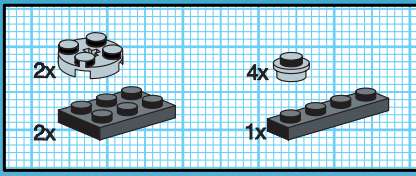


20

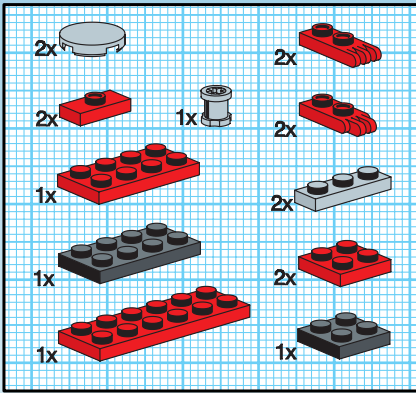
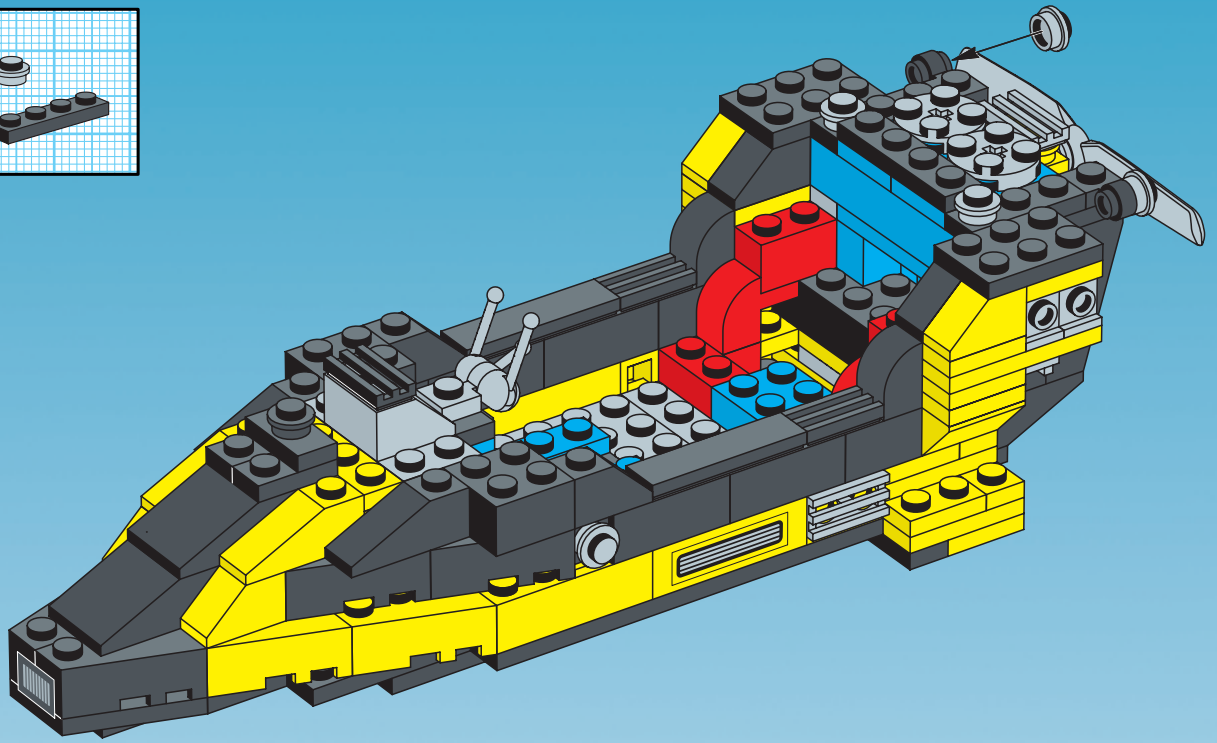


21

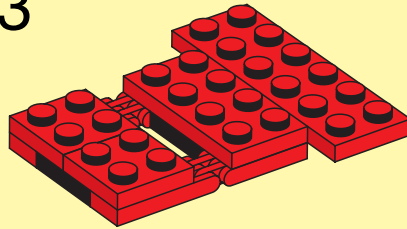




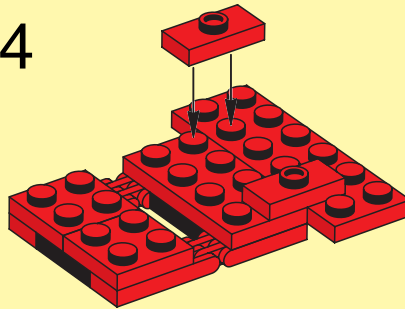
22



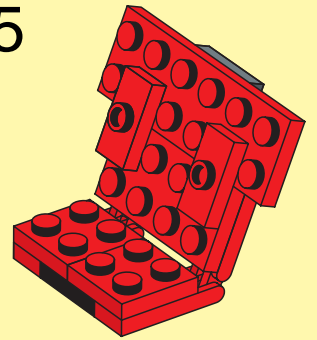
3



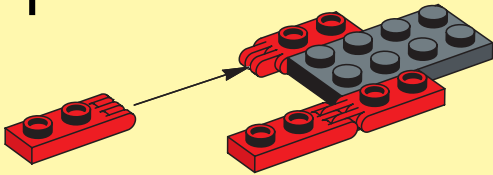
4



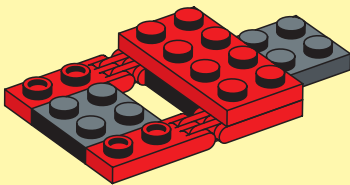
5



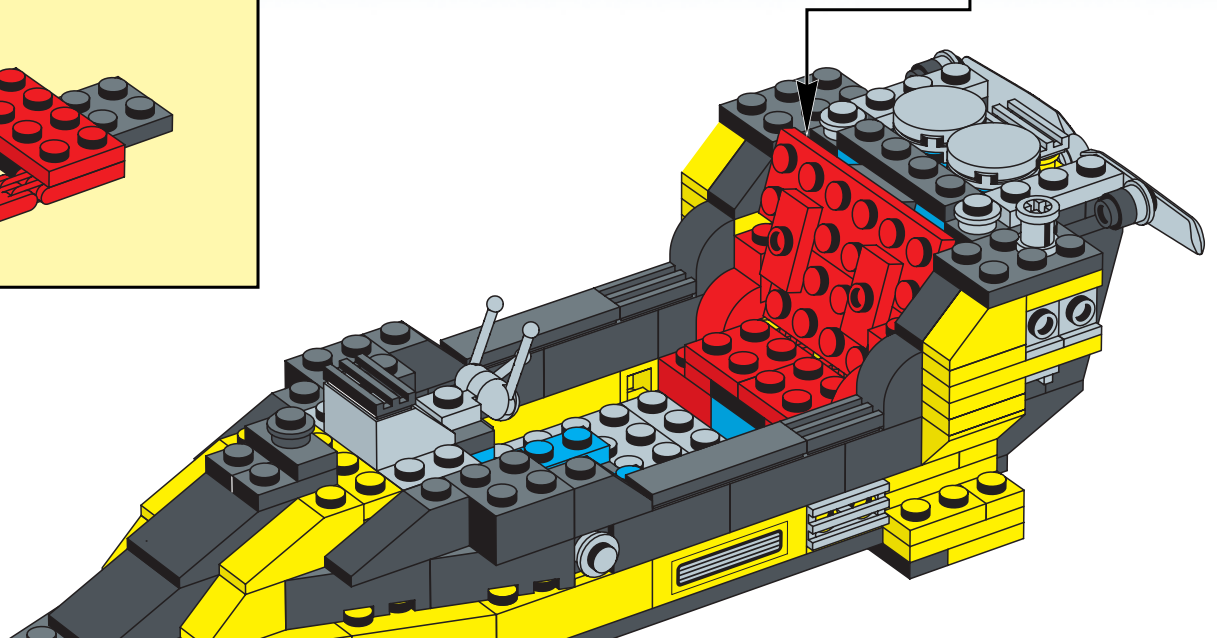
1

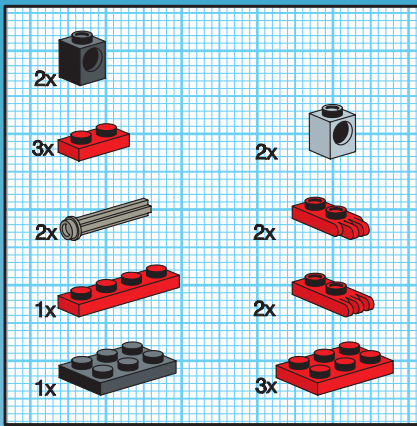


2

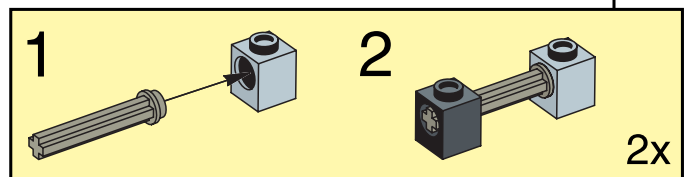
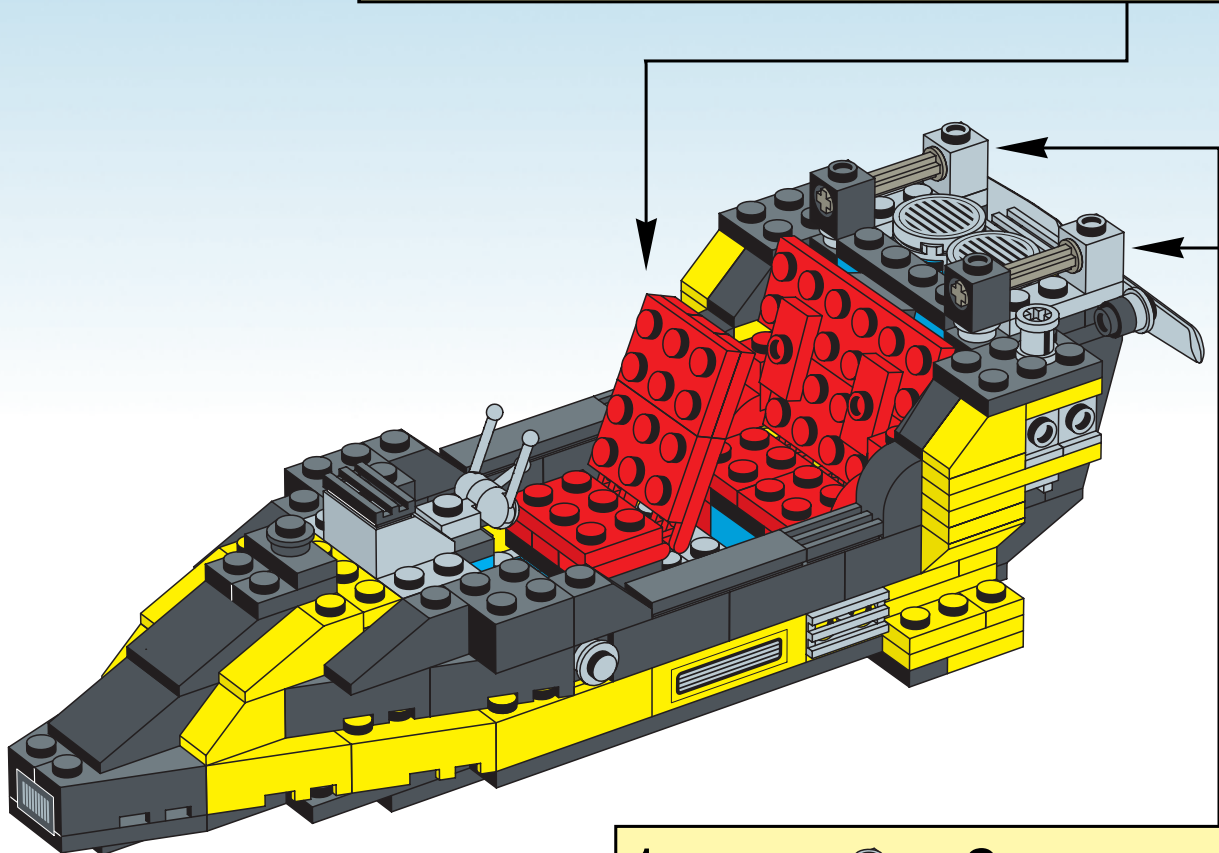
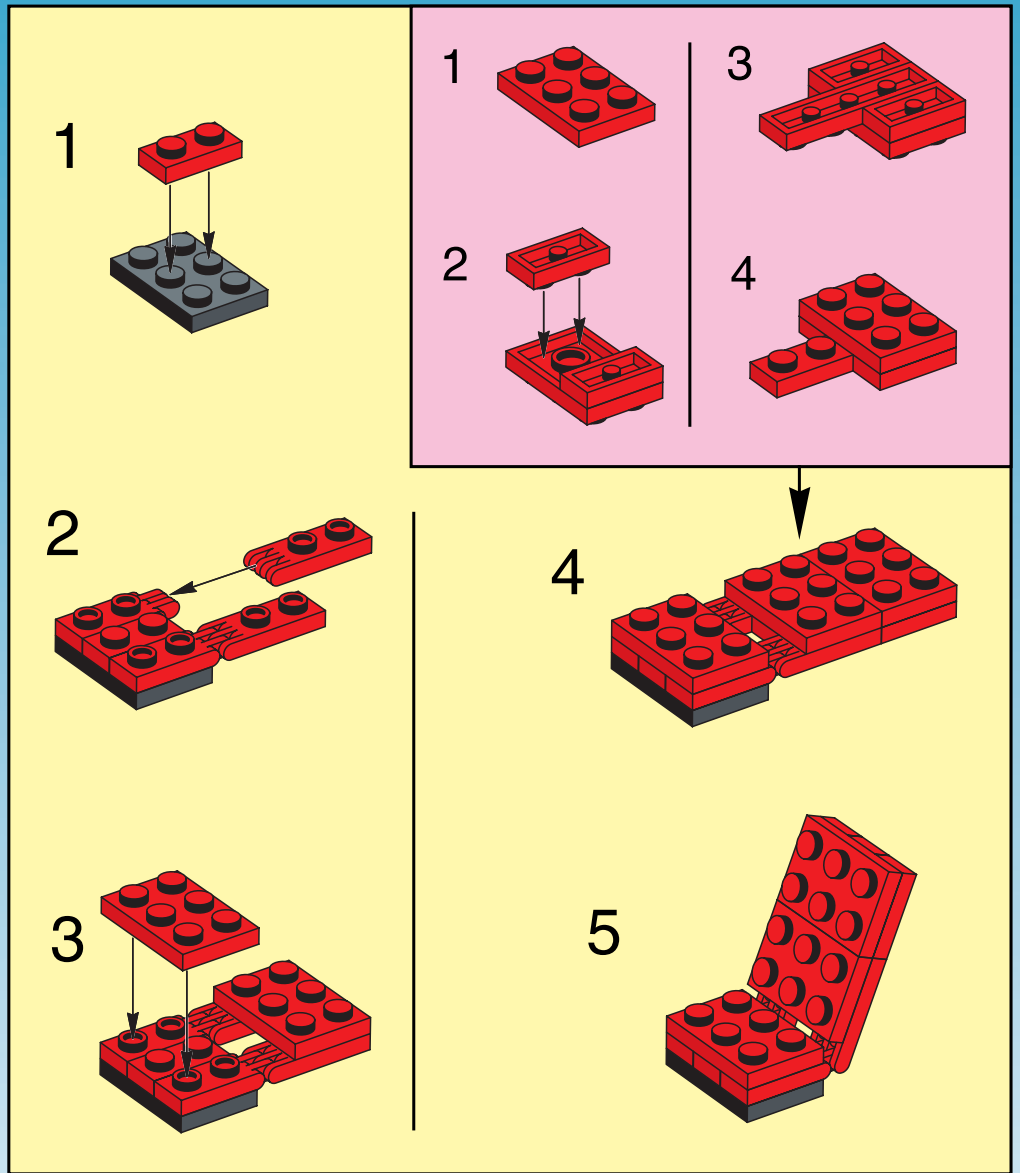


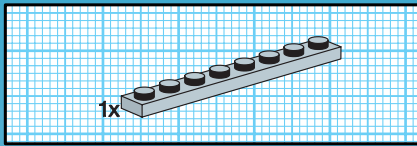
23



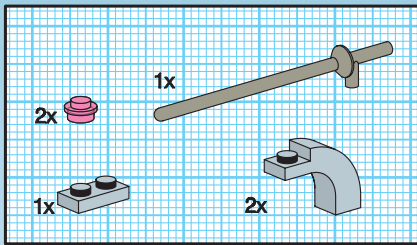
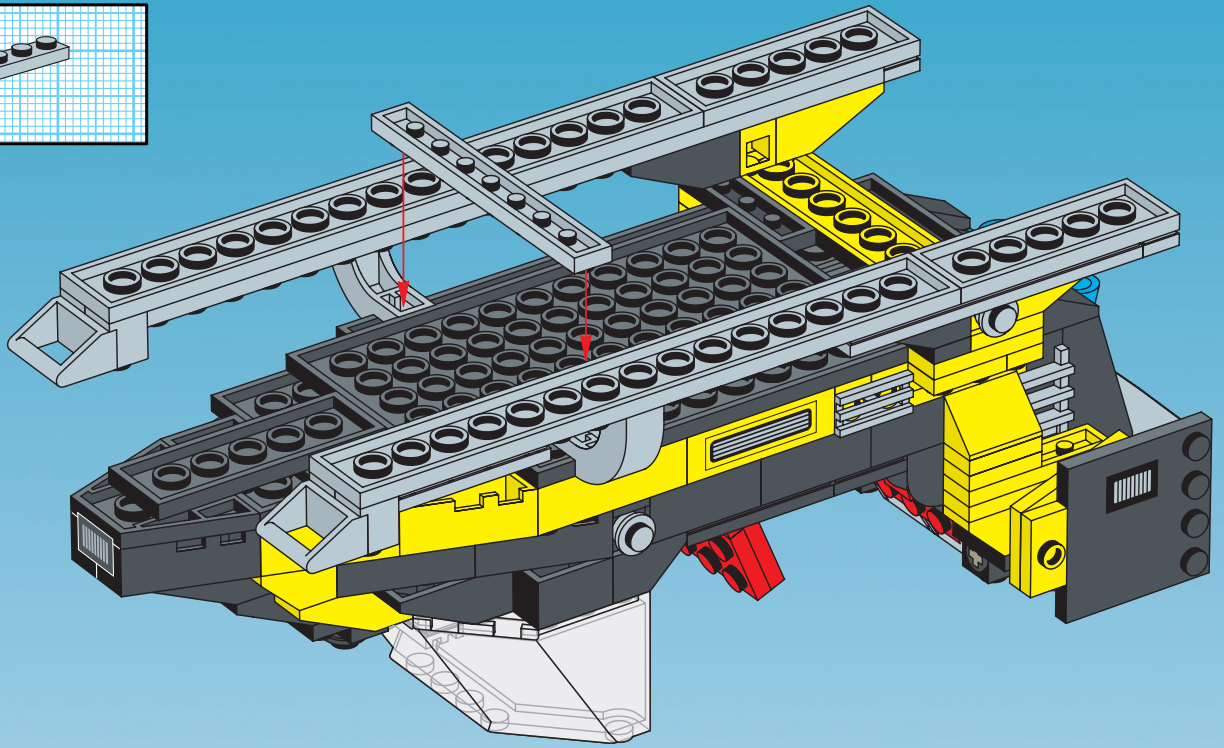


24

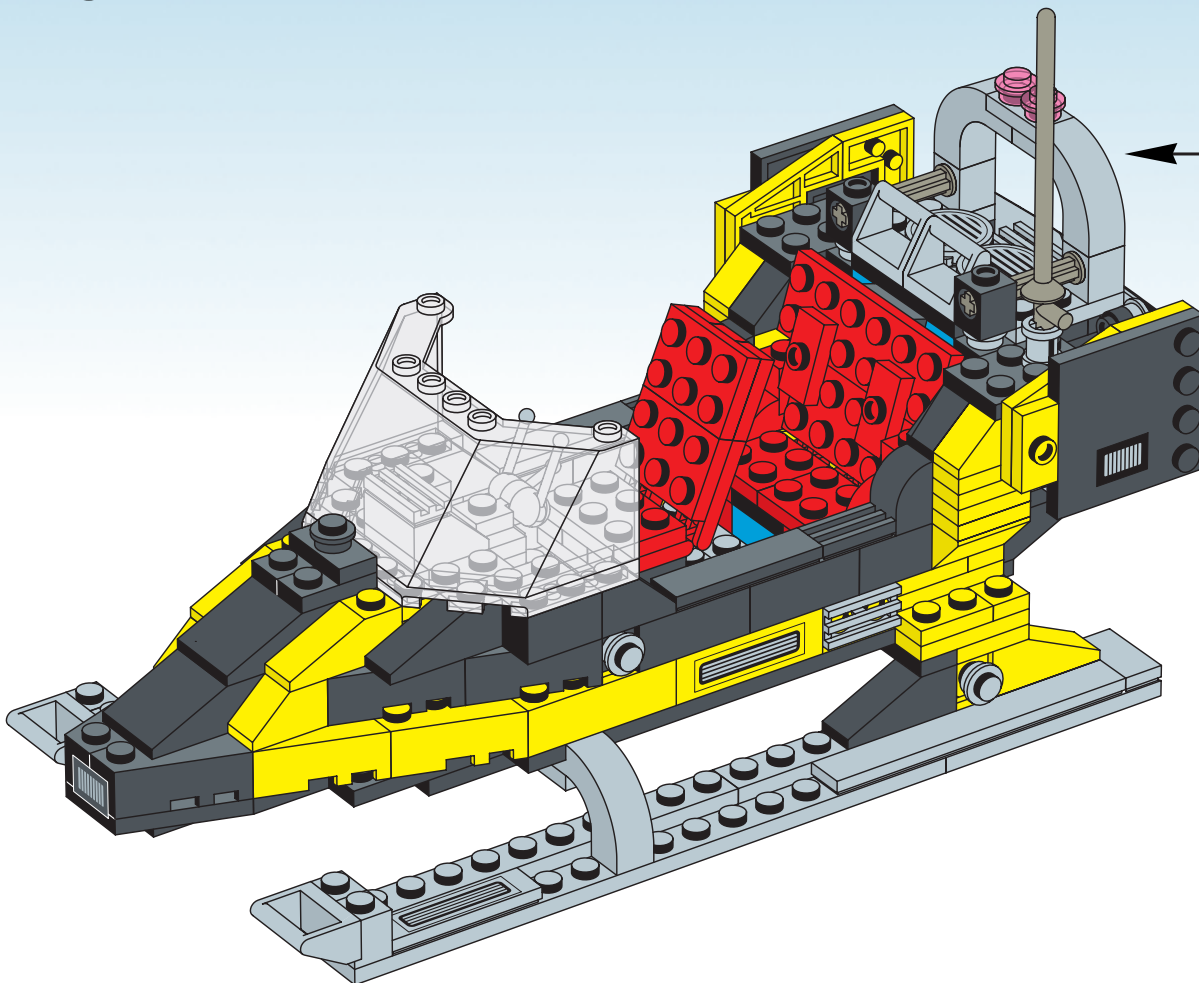
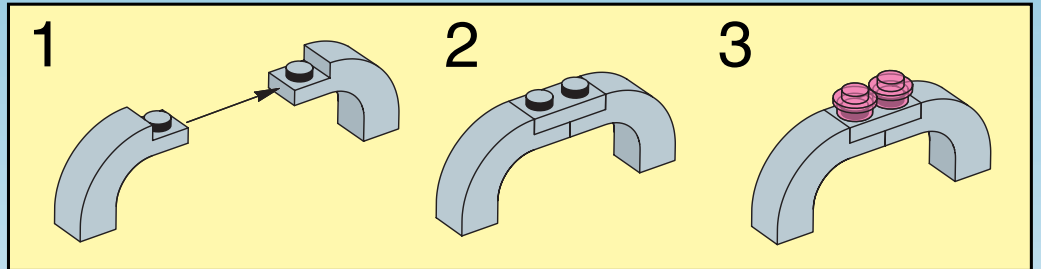




28



29











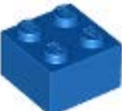














1





2




Image	Qty	Item No	Description	MID
Regular Items:				
Parts:				
+ 	3	3005	Black Brick 1 x 1 Catalog: Parts: Brick	PG
+ 	5	3004	Black Brick 1 x 2 Catalog: Parts: Brick	PG
+ 	1	3004	Blue Brick 1 x 2 Catalog: Parts: Brick	PG
+ 	4	3004	Light Gray Brick 1 x 2 Catalog: Parts: Brick	PG
+ 	1	3004	Yellow Brick 1 x 2 Catalog: Parts: Brick	PG
+ 	4	3622	Black Brick 1 x 3 Catalog: Parts: Brick	PG
+ 	1	3010	Light Gray Brick 1 x 4 Catalog: Parts: Brick	PG
+ 	2	3010	Yellow Brick 1 x 4 Catalog: Parts: Brick	PG
+ 	1	3009	Blue Brick 1 x 6 Catalog: Parts: Brick	PG
+ 	2	3003	Black Brick 2 x 2 Catalog: Parts: Brick	PG
+ 	2	3003	Blue Brick 2 x 2 Catalog: Parts: Brick	PG


+		1	3003	Red Brick 2 x 2 Catalog: Parts: Brick	PG
+		2	2357	Blue Brick 2 x 2 Corner Catalog: Parts: Brick	PG
+		2	2357	Light Gray Brick 2 x 2 Corner Catalog: Parts: Brick	PG
+		8	2357	Red Brick 2 x 2 Corner Catalog: Parts: Brick	PG
+		2	3001	Yellow Brick 2 x 4 Catalog: Parts: Brick	PG
+		1	2456	Black Brick 2 x 6 Catalog: Parts: Brick	PG
+		4	6005	Light Gray Brick, Arch 1 x 3 x 2 Curved Top Catalog: Parts: Brick, Arch	PG
+		6	4070	Black Brick, Modified 1 x 1 with Headlight Catalog: Parts: Brick, Modified	PG
+		10	4070	Light Gray Brick, Modified 1 x 1 with Headlight Catalog: Parts: Brick, Modified	PG
+		6	4070	Yellow Brick, Modified 1 x 1 with Headlight Catalog: Parts: Brick, Modified	PG
+		3	6091	Black Brick, Modified 1 x 2 x 1 1/3 with Curved Top Catalog: Parts: Brick, Modified	PG
+		2	6091	Red Brick, Modified 1 x 2 x 1 1/3 with Curved Top Catalog: Parts: Brick, Modified	PG

*
 +  2 [3941](#) **Light Gray Brick, Round 2 x 2 with Axle Hole** [PG](#)
 Catalog: [Parts: Brick, Round](#)

+  2 [4181](#) **Black Door 1 x 4 x 5 Train Left** [PG](#)
 Catalog: [Parts: Door](#)

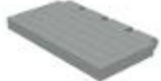
+  2 [4182](#) **Black Door 1 x 4 x 5 Train Right** [PG](#)
 Catalog: [Parts: Door](#)


+  4 [4183](#) **Trans-Clear Glass for Train Door with Lip on Top and Bottom** [PG](#)
 Catalog: [Parts: Glass](#)


+  2 [4034](#) **Trans-Clear Glass for Train Window 1 x 4 x 3** [PG](#)
 Catalog: [Parts: Glass](#)

+  4 [4276](#) **Red Hinge Plate 1 x 2 with 2 Fingers** [PG](#)
 Catalog: [Parts: Hinge](#)

+  4 [4275](#) **Red Hinge Plate 1 x 2 with 3 Fingers** [PG](#)
 Catalog: [Parts: Hinge](#)













+  2 [2873](#) **Light Gray Hinge Train Gate 2 x 4** [PG](#)
 Catalog: [Parts: Hinge](#)

+  2 [4315](#) **Light Gray Hinge Vehicle Roof Holder 1 x 4** [PG](#)
 Catalog: [Parts: Hinge](#)

+  3 [4592c03\(inv\)](#) **Light Gray Lever Small Base with Light Gray Lever** [PG](#)
 Catalog: [Parts: Lever](#)

+  2 [4349](#) **Blue Minifigure, Utensil Loudhailer / Megaphone / SW Blaster** [PG](#)
 Catalog: [Parts: Minifigure, Utensil](#)

+  1 [3849](#) **Dark Gray Minifigure, Weapon Lance** [PG](#)
 Catalog: [Parts: Minifigure, Weapon](#)

+		13	3024	Black Plate 1 x 1 Catalog: Parts: Plate	PG
+		2	3024	Yellow Plate 1 x 1 Catalog: Parts: Plate	PG
+		6	3023	Black Plate 1 x 2 Catalog: Parts: Plate	PG
+		5	3023	Blue Plate 1 x 2 Catalog: Parts: Plate	PG
+		3	3023	Light Gray Plate 1 x 2 Catalog: Parts: Plate	PG
+		4	3023	Red Plate 1 x 2 Catalog: Parts: Plate	PG
+		4	3023	Yellow Plate 1 x 2 Catalog: Parts: Plate	PG
+		3	3623	Black Plate 1 x 3 Catalog: Parts: Plate	PG
+		6	3623	Light Gray Plate 1 x 3 Catalog: Parts: Plate	PG
+		4	3623	Yellow Plate 1 x 3 Catalog: Parts: Plate	PG
+		4	3710	Black Plate 1 x 4 Catalog: Parts: Plate	PG
+		3	3710	Blue Plate 1 x 4 Catalog: Parts: Plate	PG

*

+



*

3

[3710](#)

Light Gray Plate 1 x 4

[Catalog:](#) [Parts:](#) [Plate](#)

[PG](#)

+



*

1

[3710](#)

Red Plate 1 x 4

[Catalog:](#) [Parts:](#) [Plate](#)

[PG](#)

+



*

8

[3710](#)

Yellow Plate 1 x 4

[Catalog:](#) [Parts:](#) [Plate](#)

[PG](#)

+



*

1

[3666](#)

Black Plate 1 x 6

[Catalog:](#) [Parts:](#) [Plate](#)

[PG](#)

+



*

1

[3666](#)

Blue Plate 1 x 6

[Catalog:](#) [Parts:](#) [Plate](#)

[PG](#)

+



*

4

[3666](#)

Light Gray Plate 1 x 6

[Catalog:](#) [Parts:](#) [Plate](#)

[PG](#)

+



*

2

[3460](#)

Black Plate 1 x 8

[Catalog:](#) [Parts:](#) [Plate](#)

[PG](#)

+



*

4

[3460](#)

Light Gray Plate 1 x 8

[Catalog:](#) [Parts:](#) [Plate](#)

[PG](#)

+



*

4

[4477](#)

Light Gray Plate 1 x 10

[Catalog:](#) [Parts:](#) [Plate](#)

[PG](#)

+



*

4

[4477](#)

Yellow Plate 1 x 10

[Catalog:](#) [Parts:](#) [Plate](#)

[PG](#)

+



*

3

[3022](#)

Black Plate 2 x 2

[Catalog:](#) [Parts:](#) [Plate](#)

[PG](#)

+



2

[3022](#)

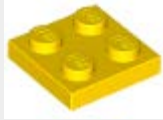
Red Plate 2 x 2

[Catalog:](#) [Parts:](#) [Plate](#)

[PG](#)

*

+



*

5

[3022](#)

Yellow Plate 2 x 2

[Catalog:](#) [Parts:](#) [Plate](#)

[PG](#)

+



*

2

[2420](#)

Black Plate 2 x 2 Corner

[Catalog:](#) [Parts:](#) [Plate](#)

[PG](#)

+



*

8

[2420](#)

Yellow Plate 2 x 2 Corner

[Catalog:](#) [Parts:](#) [Plate](#)

[PG](#)

+



*

4

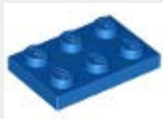
[3021](#)

Black Plate 2 x 3

[Catalog:](#) [Parts:](#) [Plate](#)

[PG](#)

+



*

2

[3021](#)

Blue Plate 2 x 3

[Catalog:](#) [Parts:](#) [Plate](#)

[PG](#)

+



*

1

[3021](#)

Light Gray Plate 2 x 3

[Catalog:](#) [Parts:](#) [Plate](#)

[PG](#)

+



*

3

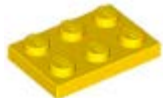
[3021](#)

Red Plate 2 x 3

[Catalog:](#) [Parts:](#) [Plate](#)

[PG](#)

+



*

1

[3021](#)

Yellow Plate 2 x 3

[Catalog:](#) [Parts:](#) [Plate](#)

[PG](#)

+



*

5

[3020](#)

Black Plate 2 x 4

[Catalog:](#) [Parts:](#) [Plate](#)

[PG](#)

+



*

2

[3020](#)

Light Gray Plate 2 x 4

[Catalog:](#) [Parts:](#) [Plate](#)

[PG](#)

+



*

1

[3020](#)

Red Plate 2 x 4

[Catalog:](#) [Parts:](#) [Plate](#)

[PG](#)

+



1

[3020](#)

Yellow Plate 2 x 4

[Catalog:](#) [Parts:](#) [Plate](#)

[PG](#)

*

+



*

2

[3795](#)

Black Plate 2 x 6
[Catalog:](#) [Parts:](#) [Plate](#)

[PG](#)

+



*

2

[3795](#)

Light Gray Plate 2 x 6
[Catalog:](#) [Parts:](#) [Plate](#)

[PG](#)

+



*

2

[3795](#)

Red Plate 2 x 6
[Catalog:](#) [Parts:](#) [Plate](#)

[PG](#)

+



*

3

[3795](#)

Yellow Plate 2 x 6
[Catalog:](#) [Parts:](#) [Plate](#)

[PG](#)

+



*

5

[3034](#)

Yellow Plate 2 x 8
[Catalog:](#) [Parts:](#) [Plate](#)

[PG](#)

+



*

2

[3832](#)

Light Gray Plate 2 x 10
[Catalog:](#) [Parts:](#) [Plate](#)

[PG](#)

+



*

1

[3832](#)

Yellow Plate 2 x 10
[Catalog:](#) [Parts:](#) [Plate](#)

[PG](#)

+



*

1

[2445](#)

Yellow Plate 2 x 12
[Catalog:](#) [Parts:](#) [Plate](#)

[PG](#)

+



*

2

[4282](#)

Light Gray Plate 2 x 16
[Catalog:](#) [Parts:](#) [Plate](#)

[PG](#)

+



*

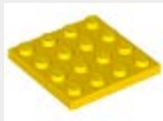
1

[3031](#)

Black Plate 4 x 4
[Catalog:](#) [Parts:](#) [Plate](#)

[PG](#)

+



*

1

[3031](#)

Yellow Plate 4 x 4
[Catalog:](#) [Parts:](#) [Plate](#)

[PG](#)

+



1

[3032](#)

Black Plate 4 x 6
[Catalog:](#) [Parts:](#) [Plate](#)

[PG](#)

*

+



1

[3032](#)

Light Gray Plate 4 x 6

[Catalog](#): [Parts](#): [Plate](#)

[PG](#)

*

+



2

[3029](#)

Black Plate 4 x 12

[Catalog](#): [Parts](#): [Plate](#)

[PG](#)

*

+



1

[3029](#)

Light Gray Plate 4 x 12

[Catalog](#): [Parts](#): [Plate](#)

[PG](#)

*

+



1

[3958](#)

Black Plate 6 x 6

[Catalog](#): [Parts](#): [Plate](#)

[PG](#)

*

+



1

[3028](#)

Black Plate 6 x 12

[Catalog](#): [Parts](#): [Plate](#)

[PG](#)

*

+



3

[6019](#)

Light Gray Plate, Modified 1 x 1 with Clip Horizontal (thick open U clip)

[Catalog](#): [Parts](#): [Plate](#): [Modified](#)

[PG](#)

*

+



4

[4081b](#)

Black Plate, Modified 1 x 1 with Clip Light - Thick Ring

[Catalog](#): [Parts](#): [Plate](#): [Modified](#)

[PG](#)

*

+



2

[4081b](#)

Light Gray Plate, Modified 1 x 1 with Clip Light - Thick Ring

[Catalog](#): [Parts](#): [Plate](#): [Modified](#)

[PG](#)

*

+



7

[3794a](#)

Black Plate, Modified 1 x 2 with 1 Stud without Groove (Jumper)

[Catalog](#): [Parts](#): [Plate](#): [Modified](#)

[PG](#)

*

+



4

[3794a](#)

Blue Plate, Modified 1 x 2 with 1 Stud without Groove (Jumper)

[Catalog](#): [Parts](#): [Plate](#): [Modified](#)

[PG](#)

*

+



2

[3794a](#)

Red Plate, Modified 1 x 2 with 1 Stud without Groove (Jumper)

[Catalog](#): [Parts](#): [Plate](#): [Modified](#)

[PG](#)

*

+



2

[3794a](#)

Yellow Plate, Modified 1 x 2 with 1 Stud without Groove (Jumper)

[Catalog](#): [Parts](#): [Plate](#): [Modified](#)

[PG](#)

*



+

1

[2540](#)

Light Gray Plate, Modified 1 x 2 with Handle on Side - Free Ends
[Catalog: Parts: Plate, Modified](#)

[PG](#)

*



+

2

[4175](#)

Black Plate, Modified 1 x 2 with Ladder
[Catalog: Parts: Plate, Modified](#)

[PG](#)

*



+

2

[4175](#)

Light Gray Plate, Modified 1 x 2 with Ladder
[Catalog: Parts: Plate, Modified](#)

[PG](#)

*



+

1

[4175](#)

Red Plate, Modified 1 x 2 with Ladder
[Catalog: Parts: Plate, Modified](#)

[PG](#)

*



+

1

[2444](#)

Yellow Plate, Modified 2 x 2 with Pin Hole
[Catalog: Parts: Plate, Modified](#)

[PG](#)

*



+

3

[4073](#)

Black Plate, Round 1 x 1
[Catalog: Parts: Plate, Round](#)

[PG](#)

*



+

11

[4073](#)

Light Gray Plate, Round 1 x 1
[Catalog: Parts: Plate, Round](#)

[PG](#)

*



+

2

[4073](#)

Red Plate, Round 1 x 1
[Catalog: Parts: Plate, Round](#)

[PG](#)

*



+

1

[4073](#)

Trans-Clear Plate, Round 1 x 1
[Catalog: Parts: Plate, Round](#)

[PG](#)

*



+

2

[4073](#)

Trans-Red Plate, Round 1 x 1
[Catalog: Parts: Plate, Round](#)

[PG](#)

*



+

2

[4073](#)

Yellow Plate, Round 1 x 1
[Catalog: Parts: Plate, Round](#)

[PG](#)

*















+


1

[4032](#)


Black Plate, Round 2 x 2 with Axle Hole
[Catalog: Parts: Plate, Round](#)


[PG](#)

+		6	4032	Light Gray Plate, Round 2 x 2 with Axle Hole Catalog: Parts: Plate, Round	PG
+		1	2952	Light Gray Propeller 2 Blade 9 Diameter Catalog: Parts: Propeller	PG
+		4	4286	Black Slope 33 3 x 1 Catalog: Parts: Slope	PG
+		5	4286	Yellow Slope 33 3 x 1 Catalog: Parts: Slope	PG
+		2	3298	Black Slope 33 3 x 2 Catalog: Parts: Slope	PG
+		5	3040	Black Slope 45 2 x 1 Catalog: Parts: Slope	PG
+		4	3040	Yellow Slope 45 2 x 1 Catalog: Parts: Slope	PG
+		1	3040p01	Black Slope 45 2 x 1 with 3 Red Lamps, 3 Yellow Buttons, Yellow Border Pattern Catalog: Parts: Slope, Decorated	PG
+		2	3040p33	Black Slope 45 2 x 1 with 9 Large + 3 Small White Buttons Pattern Catalog: Parts: Slope, Decorated	PG
+		1	3039	Black Slope 45 2 x 2 Catalog: Parts: Slope	PG
+		1	3039	Red Slope 45 2 x 2 Catalog: Parts: Slope	PG
+		2	3039pc5	Light Gray Slope 45 2 x 2 with Flight Control Pattern Catalog: Parts: Slope, Decorated	PG

+		14	4287	Black Slope, Inverted 33 3 x 1 Catalog: Parts: Slope, Inverted	PG
---	---	----	----------------------	--	--------------------

+		1	3747a	Black Slope, Inverted 33 3 x 2 without Connections between Studs Catalog: Parts: Slope, Inverted	PG
---	---	---	-----------------------	--	--------------------

+		2	3747a	Yellow Slope, Inverted 33 3 x 2 without Connections between Studs Catalog: Parts: Slope, Inverted	PG
---	---	---	-----------------------	---	--------------------


+		11	3665	Black Slope, Inverted 45 2 x 1 Catalog: Parts: Slope, Inverted	PG
---	---	----	----------------------	--	--------------------

+		12	3660	Black Slope, Inverted 45 2 x 2 Catalog: Parts: Slope, Inverted	PG
---	---	----	----------------------	--	--------------------


+		2	3660	Yellow Slope, Inverted 45 2 x 2 Catalog: Parts: Slope, Inverted	PG
---	--	---	----------------------	---	--------------------

+		2	2449	Black Slope, Inverted 75 2 x 1 x 3 Catalog: Parts: Slope, Inverted	PG
---	---	---	----------------------	--	--------------------

+		1	5542stk01	Sticker for Set 5542 - (71921/4111899) Catalog: Parts: Sticker	PG
---	---	---	---------------------------	--	--------------------

+		2	3713	Light Gray Technic Bush Catalog: Parts: Technic	PG
---	---	---	----------------------	---	--------------------

+		6	4265c	Light Gray Technic Bush 1/2 Smooth Catalog: Parts: Technic	PG
---	---	---	-----------------------	--	--------------------

+		1	4519	Black Technic, Axle 3 Catalog: Parts: Technic, Axle	PG
---	---	---	----------------------	---	--------------------

+		4	6587	Dark Gray Technic, Axle 3 with Stud Catalog: Parts: Technic, Axle	PG
---	---	---	----------------------	---	--------------------

*
 +  1 [3737](#) **Black Technic, Axle 10** [PG](#)
 Catalog: [Parts: Technic, Axle](#)


*
 +  1 [32034](#) **Light Gray Technic, Axle and Pin Connector Angled #2 - 180 degrees** [PG](#)
 Catalog: [Parts: Technic, Connector](#)


*
 +  1 [3749](#) **Light Gray Technic, Axle Pin without Friction Ridges Lengthwise** [PG](#)
 Catalog: [Parts: Technic, Axle](#)

*
 +  4 [6541](#) **Black Technic, Brick 1 x 1 with Hole** [PG](#)
 Catalog: [Parts: Technic, Brick](#)

*
 +  2 [6541](#) **Light Gray Technic, Brick 1 x 1 with Hole** [PG](#)
 Catalog: [Parts: Technic, Brick](#)

*
 +  2 [3700](#) **Black Technic, Brick 1 x 2 with Hole** [PG](#)
 Catalog: [Parts: Technic, Brick](#)

*
 +  1 [6632](#) **Light Gray Technic, Liftarm 1 x 3 Thin** [PG](#)
 Catalog: [Parts: Technic, Liftarm](#)

*
 +  7 [4274](#) **Light Gray Technic, Pin 1/2** [PG](#)
 Catalog: [Parts: Technic, Pin](#)

*
 +  2 [32124](#) **Black Technic, Plate 1 x 5 with Smooth Ends, 4 Studs and Center Axle Hole** [PG](#)
 Catalog: [Parts: Technic, Plate](#)

*
 +  1 [32124](#) **Light Gray Technic, Plate 1 x 5 with Smooth Ends, 4 Studs and Center Axle Hole** [PG](#)
 Catalog: [Parts: Technic, Plate](#)

*
 +  1 [3709b](#) **Blue Technic, Plate 2 x 4 with 3 Holes** [PG](#)
 Catalog: [Parts: Technic, Plate](#)

*
 +  1 [3738](#) **Black Technic, Plate 2 x 8 with 7 Holes** [PG](#)
 Catalog: [Parts: Technic, Plate](#)

+	*	2	3070b	Black Tile 1 x 1 with Groove (3070) Catalog: Parts: Tile	PG
---	---	---	-----------------------	--	--------------------

+	*	1	3069b	Black Tile 1 x 2 with Groove Catalog: Parts: Tile	PG
---	---	---	-----------------------	---	--------------------

+	*	2	3069b	Light Gray Tile 1 x 2 with Groove Catalog: Parts: Tile	PG
---	---	---	-----------------------	--	--------------------

+	*	2	2431	Black Tile 1 x 4 Catalog: Parts: Tile	PG
---	---	---	----------------------	---	--------------------

+	*	2	2431	Light Gray Tile 1 x 4 Catalog: Parts: Tile	PG
---	---	---	----------------------	--	--------------------

+	*	2	4162	Light Gray Tile 1 x 8 Catalog: Parts: Tile	PG
---	---	---	----------------------	--	--------------------

+	*	6	2412b	Black Tile, Modified 1 x 2 Grille with Bottom Groove / Lip Catalog: Parts: Tile, Modified	PG
---	---	---	-----------------------	---	--------------------

+	*	4	2412b	Light Gray Tile, Modified 1 x 2 Grille with Bottom Groove / Lip Catalog: Parts: Tile, Modified	PG
---	---	---	-----------------------	--	--------------------

+	*	4	2432	Light Gray Tile, Modified 1 x 2 with Handle Catalog: Parts: Tile, Modified	PG
---	---	---	----------------------	--	--------------------

+	*	2	6179	Black Tile, Modified 4 x 4 with Studs on Edge Catalog: Parts: Tile, Modified	PG
---	---	---	----------------------	--	--------------------

+	*	2	4150	Light Gray Tile, Round 2 x 2 Catalog: Parts: Tile, Round	PG
---	---	---	----------------------	--	--------------------

+	*	5	6565	Black Wedge 3 x 2 Left Catalog: Parts: Wedge	PG
---	---	---	----------------------	--	--------------------

*

+



2

[6565](#)

Yellow Wedge 3 x 2 Left

[Catalog](#): [Parts](#): [Wedge](#)

[PG](#)

*

+



5

[6564](#)

Black Wedge 3 x 2 Right

[Catalog](#): [Parts](#): [Wedge](#)

[PG](#)

*

+



2

[6564](#)

Yellow Wedge 3 x 2 Right

[Catalog](#): [Parts](#): [Wedge](#)

[PG](#)

*

+



2

[2450](#)

Black Wedge, Plate 3 x 3 Cut Corner

[Catalog](#): [Parts](#): [Wedge](#), [Plate](#)

[PG](#)

*

+



2

[4859](#)

Black Wedge, Plate 3 x 4 without Stud Notches

[Catalog](#): [Parts](#): [Wedge](#), [Plate](#)

[PG](#)

*

+



2

[4859](#)

Yellow Wedge, Plate 3 x 4 without Stud Notches

[Catalog](#): [Parts](#): [Wedge](#), [Plate](#)

[PG](#)

*

+



1

[2419](#)

Light Gray Wedge, Plate 3 x 6 Cut Corners

[Catalog](#): [Parts](#): [Wedge](#), [Plate](#)

[PG](#)

*

+



2

[4033](#)

Yellow Window 1 x 4 x 3 Train - Hollow Studs

[Catalog](#): [Parts](#): [Window](#)

[PG](#)

*

+



1

[2826](#)

Trans-Clear Windscreen 5 x 8 x 3

[Catalog](#): [Parts](#): [Windscreen](#)

[PG](#)

*

Extra Items:

+



1

[4592c03\(inv\)](#)

Light Gray Lever Small Base with Light Gray Lever

[Catalog](#): [Parts](#): [Lever](#)

[PG](#)

*

+



1










[4073](#)

Black Plate, Round 1 x 1



[Catalog](#): [Parts](#): [Plate](#), [Round](#)

[PG](#)

*

+		1	4073	Light Gray Plate, Round 1 x 1 Catalog: Parts: Plate, Round	PG
	*				
+		1	4073	Red Plate, Round 1 x 1 Catalog: Parts: Plate, Round	PG
	*				
+		1	4073	Trans-Clear Plate, Round 1 x 1 Catalog: Parts: Plate, Round	PG
	*				
+		1	4073	Trans-Red Plate, Round 1 x 1 Catalog: Parts: Plate, Round	PG
	*				
+		1	4073	Yellow Plate, Round 1 x 1 Catalog: Parts: Plate, Round	PG
	*				
+		1	3713	Light Gray Technic Bush Catalog: Parts: Technic	PG
	*				
+		1	4265c	Light Gray Technic Bush 1/2 Smooth Catalog: Parts: Technic	PG
	*				
+		1	4274	Light Gray Technic, Pin 1/2 Catalog: Parts: Technic, Pin	PG
	*				
+		1	3070b	Black Tile 1 x 1 with Groove (3070) Catalog: Parts: Tile	PG
	*				

Counterparts:

+		1	2456pb001	Black Brick 2 x 6 with 'MT 5542' Pattern on Both Sides (Stickers) - Set 5542 Catalog: Parts: Brick, Decorated	PG
	*				
+		1	4181pb006	Black Door 1 x 4 x 5 Train Left with Yellow Modified Triangle Pattern (Sticker) - Set 5542 Catalog: Parts: Door, Decorated	PG
	*				
+		1	4181pb007	Black Door 1 x 4 x 5 Train Left with Yellow Stripe Pattern (Sticker) - Set 5542 Catalog: Parts: Door, Decorated	PG



*

[Catalog: Parts: Door, Decorated](#)

+



*

1

[4182pb006](#)**Black Door 1 x 4 x 5 Train Right with Yellow Modified Triangle Pattern (Sticker) - Set 5542**[Catalog: Parts: Door, Decorated](#)[PG](#)

+



*

1

[4182pb007](#)**Black Door 1 x 4 x 5 Train Right with Yellow Stripe Pattern (Sticker) - Set 5542**[Catalog: Parts: Door, Decorated](#)[PG](#)

+



*

1

[2449pb001L](#)**Black Slope, Inverted 75 2 x 1 x 3 with Black Stripes on Light Gray Background Pattern Model Left (Sticker) - Set 5542**[Catalog: Parts: Slope, Inverted, Decorated](#)[PG](#)

+



*

1

[2449pb001R](#)**Black Slope, Inverted 75 2 x 1 x 3 with Black Stripes on Light Gray Background Pattern Model Right (Sticker) - Set 5542**[Catalog: Parts: Slope, Inverted, Decorated](#)[PG](#)

+




*

2

[4150pb015](#)**Light Gray Tile, Round 2 x 2 with Black Stripes on Light Gray Background Pattern (Sticker) - Set 5542**[Catalog: Parts: Tile, Round, Decorated](#)[PG](#)**Summary:**

Type	Unique Lots	Total Qty
Regular Items:		
Parts	164	483
Extra Items:		
Parts	11	11
Counterparts:		
Parts	8	9

[talonts \(1131\)](#)  inventoried this Set on Apr 15, 2003, inventory last updated on Mar 20, 2018.