



8+

4404







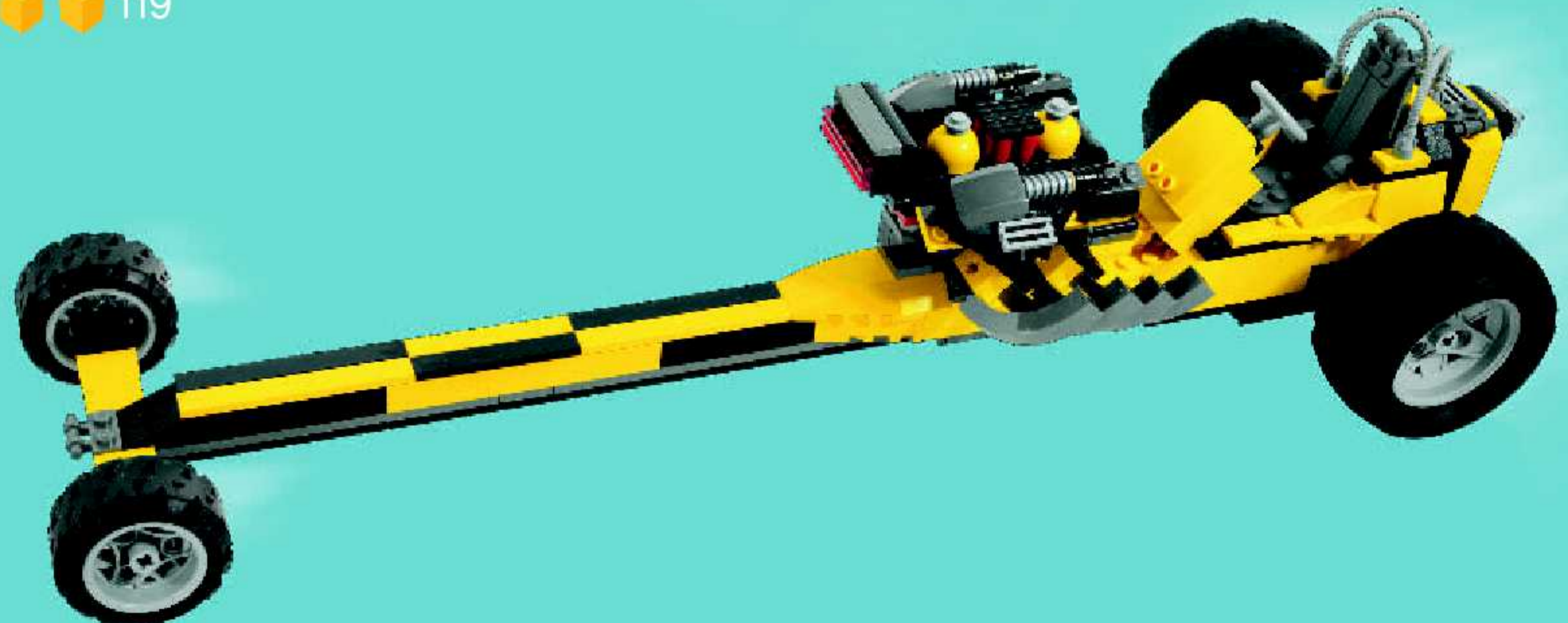
Quick Build  
Schnellbaumodelle  
Construction rapide  
Costruzione rapida  
Snel bouwen  
Construcción rápida  
Byg hurtigt  
Nopeaan rakentamiseen  
Bygg snabbt  
Construção Rápida  
**Γρήγορες Κατασκευές**  
Kísérletezőknek



Experienced Build  
Könnnermodelle  
Construction normale  
Costruzione esperta  
Bouwen voor gevorderden  
Construcción experta  
Byg videre  
Kokeneelle rakentajalle  
Bygg mer  
Construção para Experimentados  
**Επιδέξιες Κατασκευές**  
Haladóknak



Advanced Build  
Profimodelle  
Construction avancée  
Costruzione avanzata  
Geavanceerd bouwen  
Construcción avanzada  
Byg avanceret  
Taitavalle rakentajalle  
Bygg avancerat  
Construção Avançada  
**Εξελιγμένες Κατασκευές**  
Profiknak





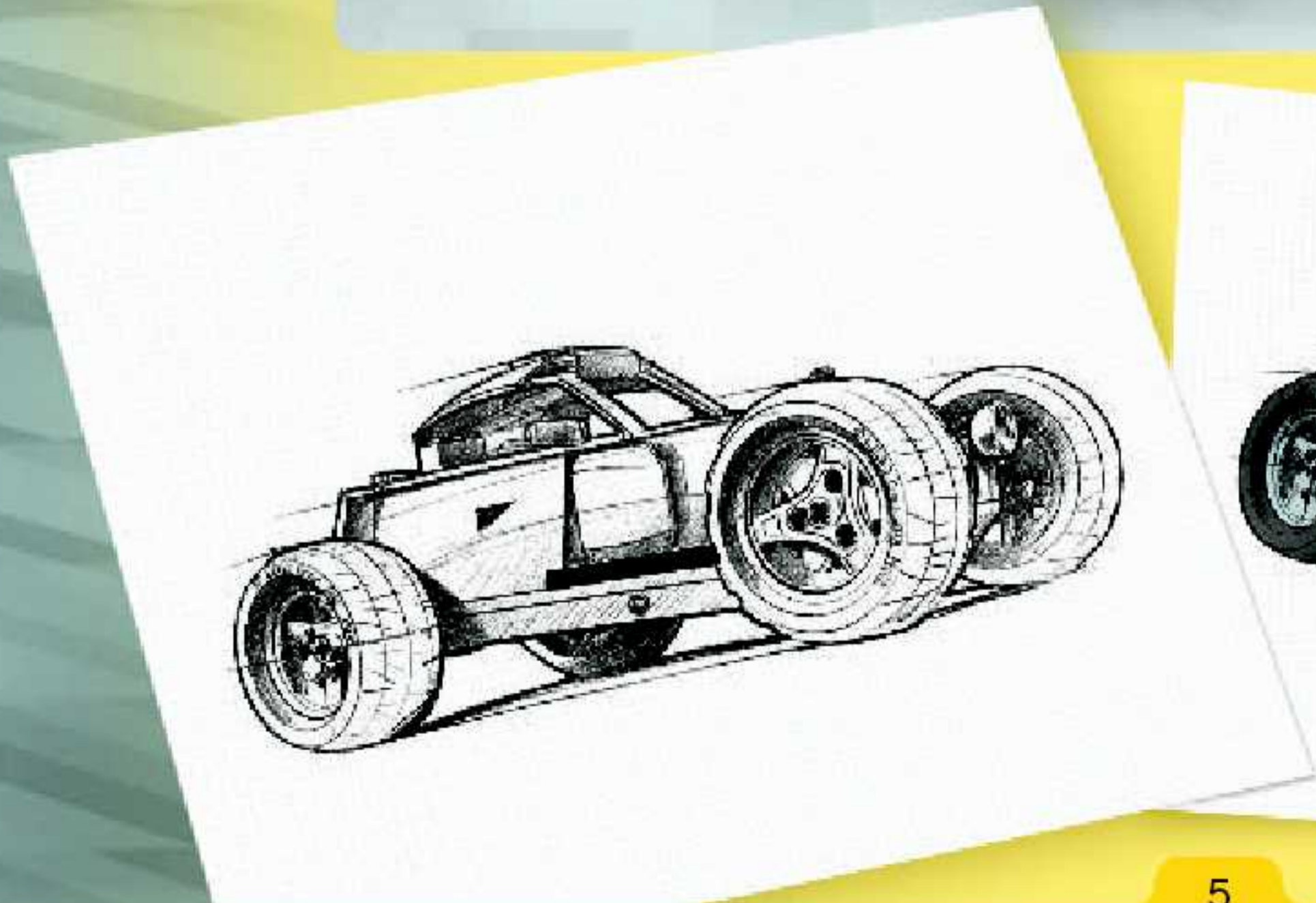
36







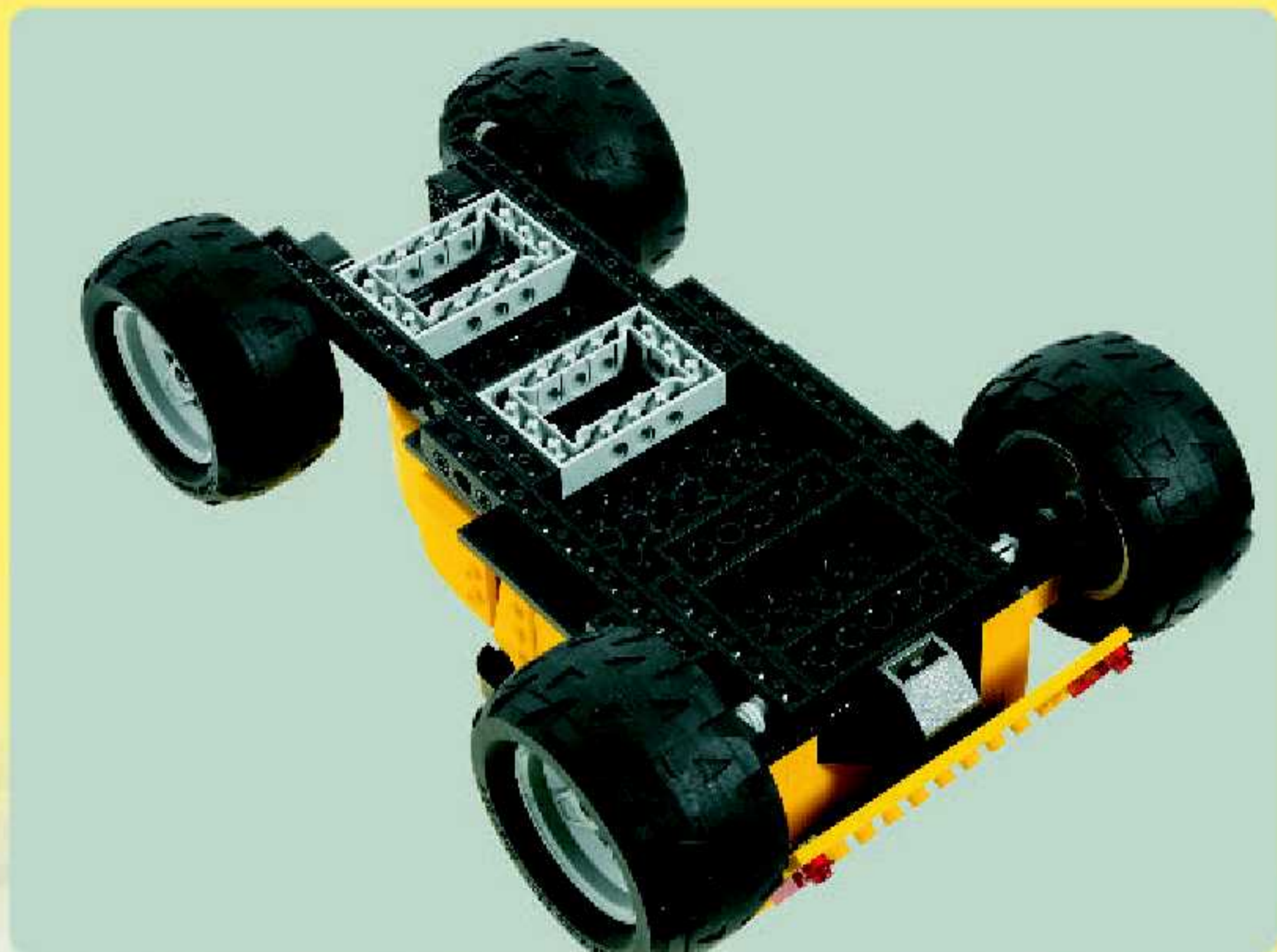








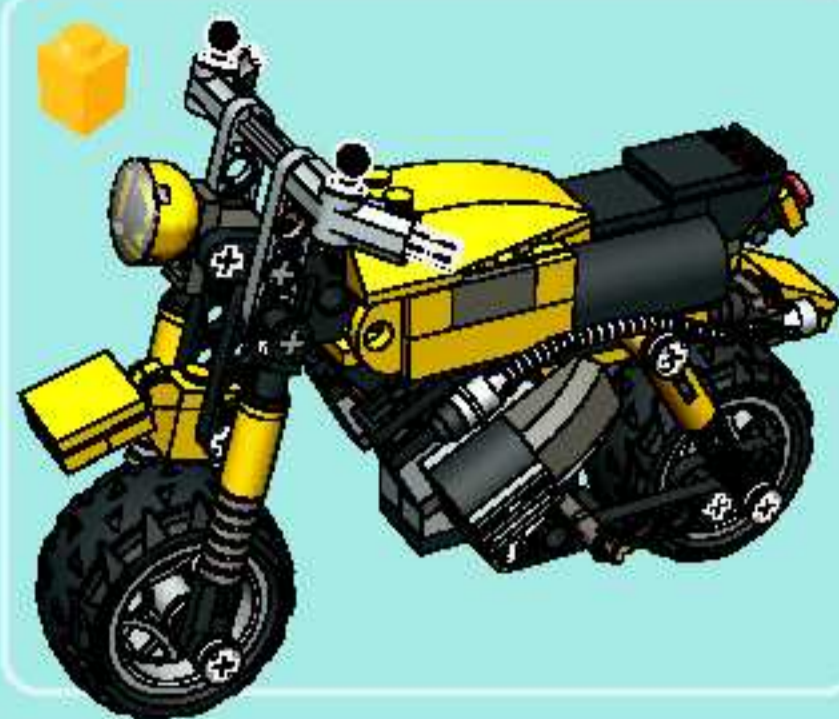












1x

1



2x

2



2x

2x

4x

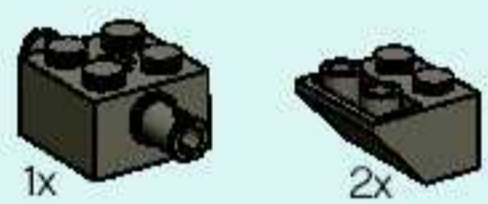
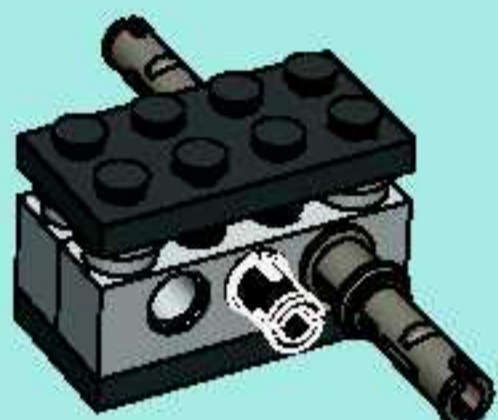
3



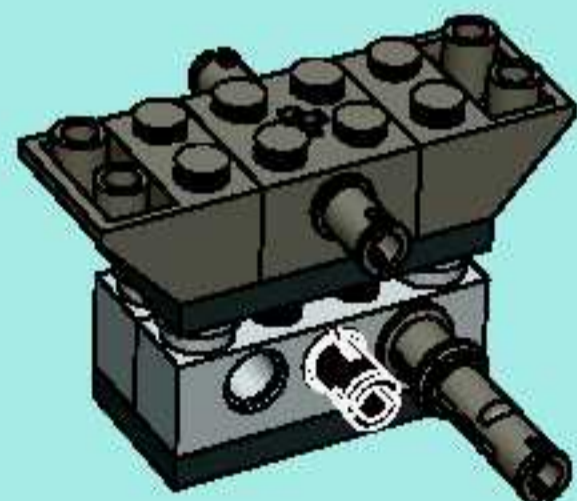




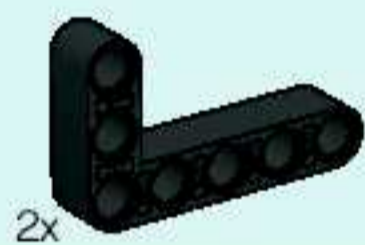
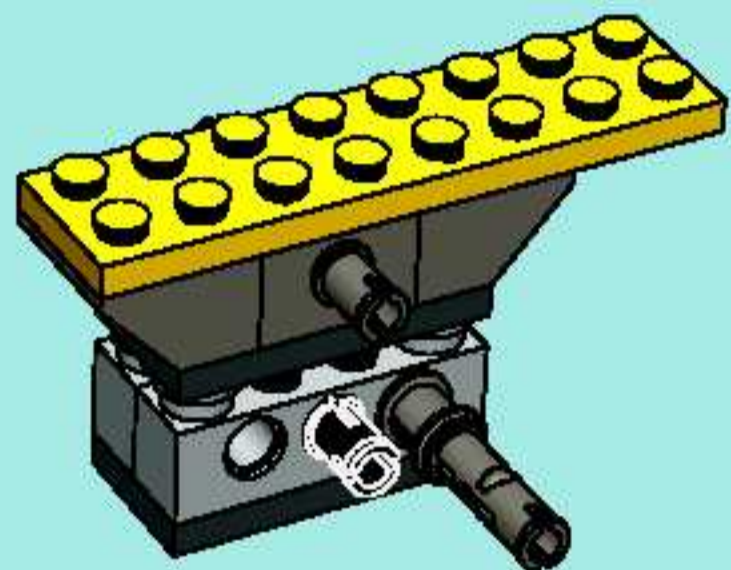
4



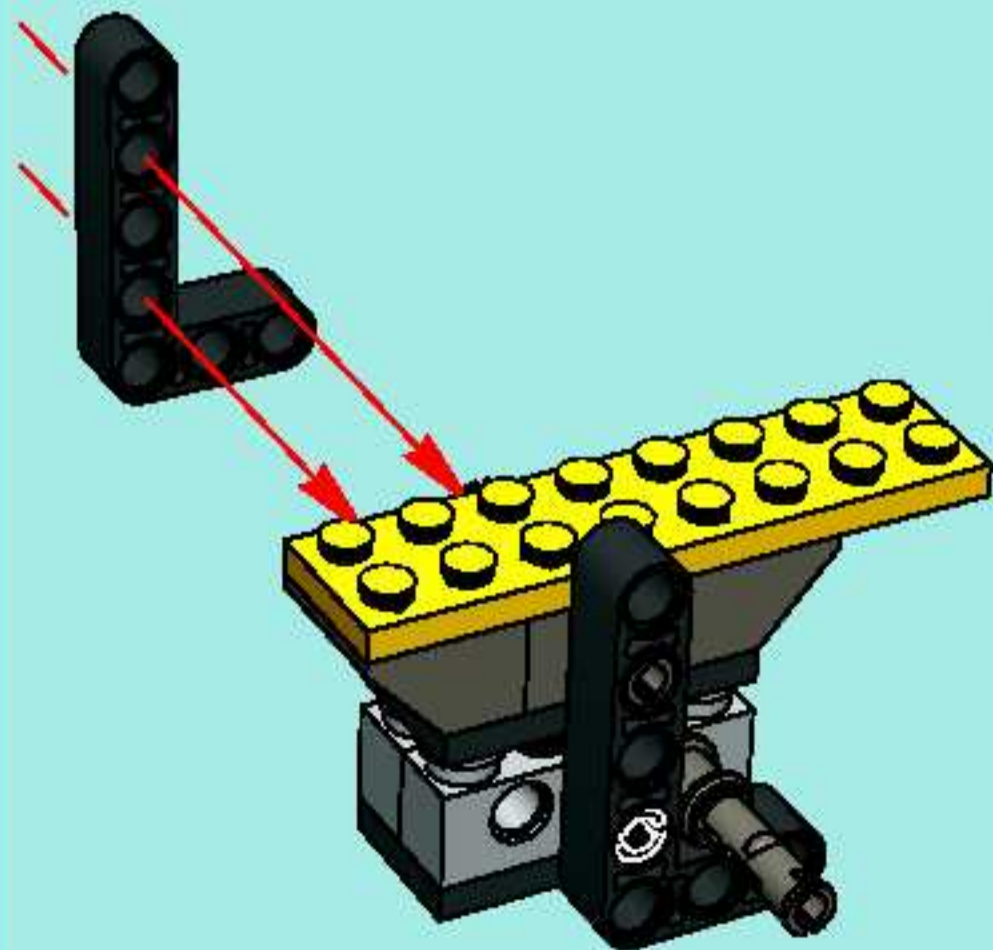
5



6





7

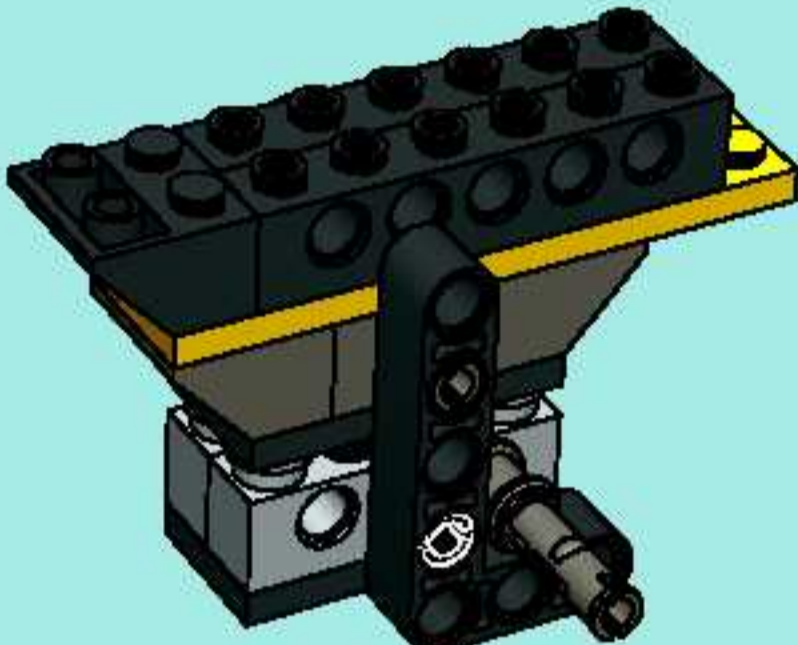






8

1x  2x 

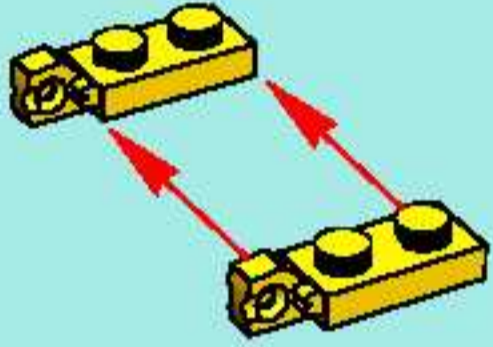



2x  1x 

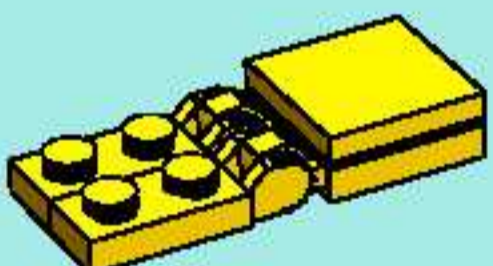
1x  2x  2x 

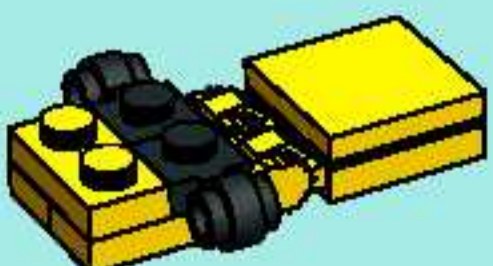
1x  2x  2x 

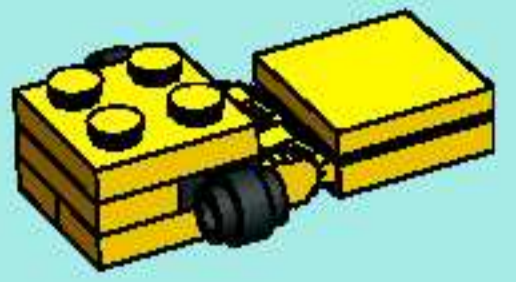
9

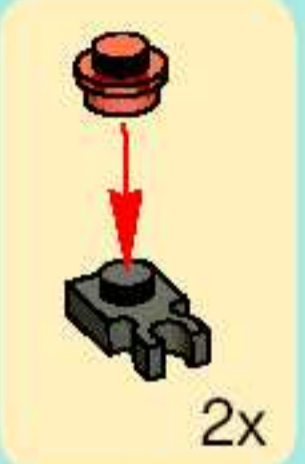
1 

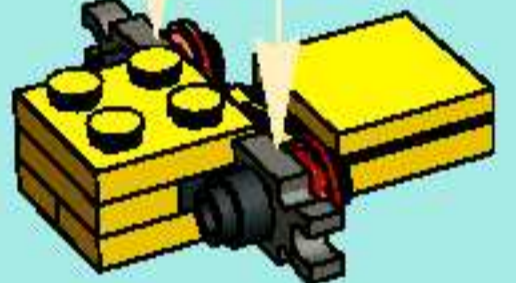
2 


3 

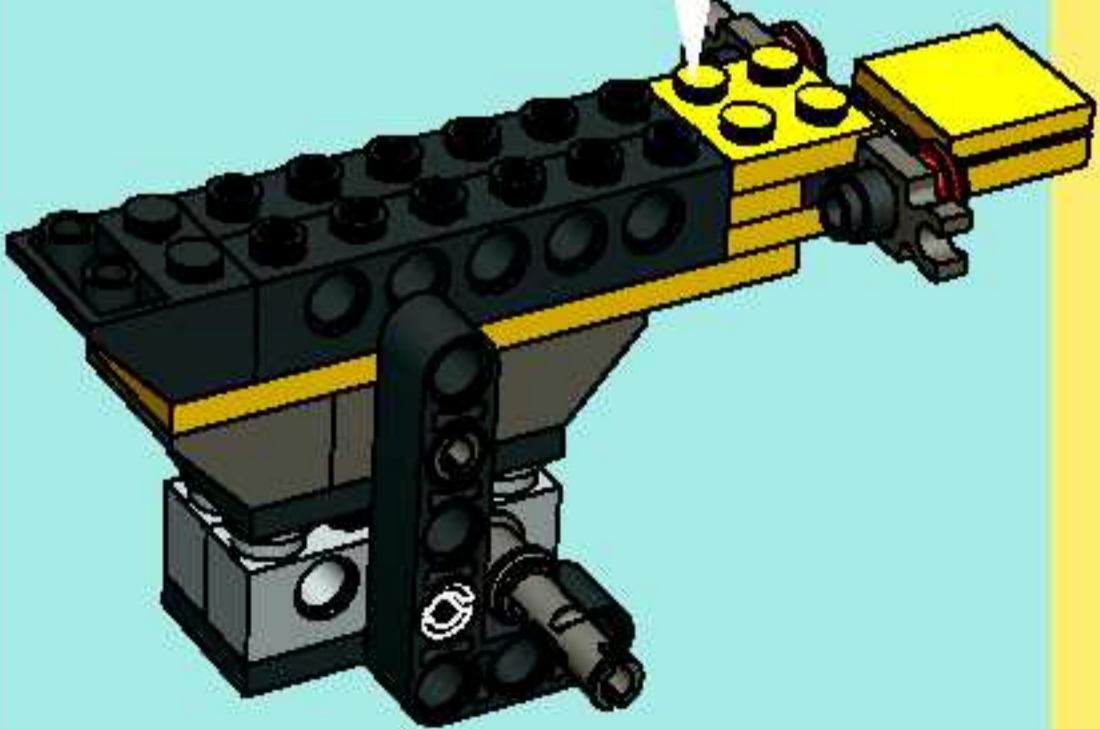
4 

5 

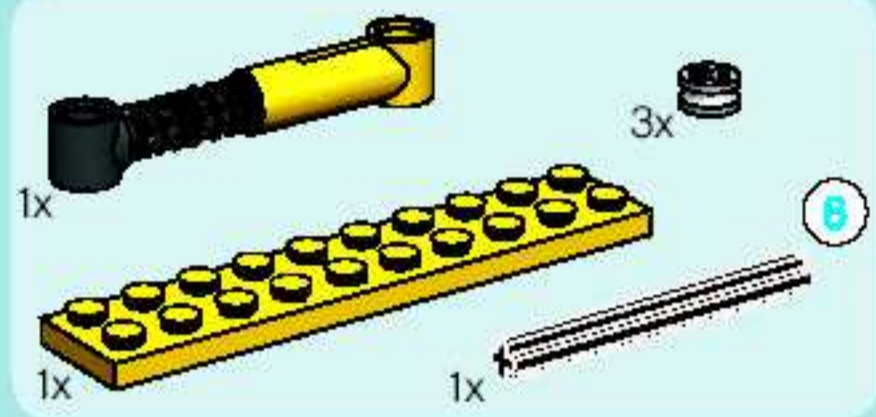
 2x

6 

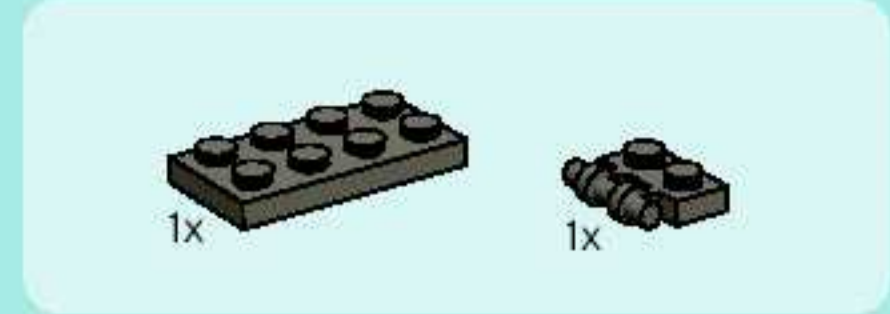
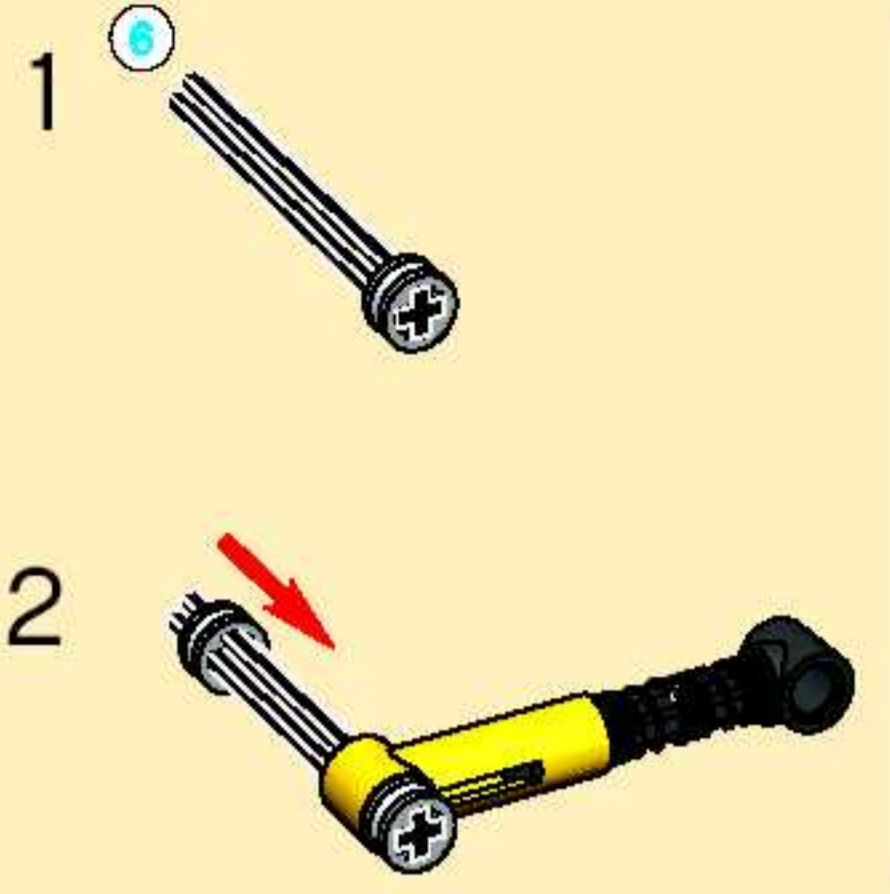
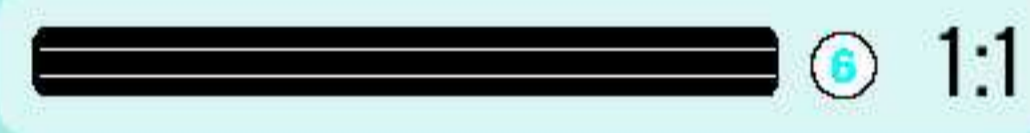
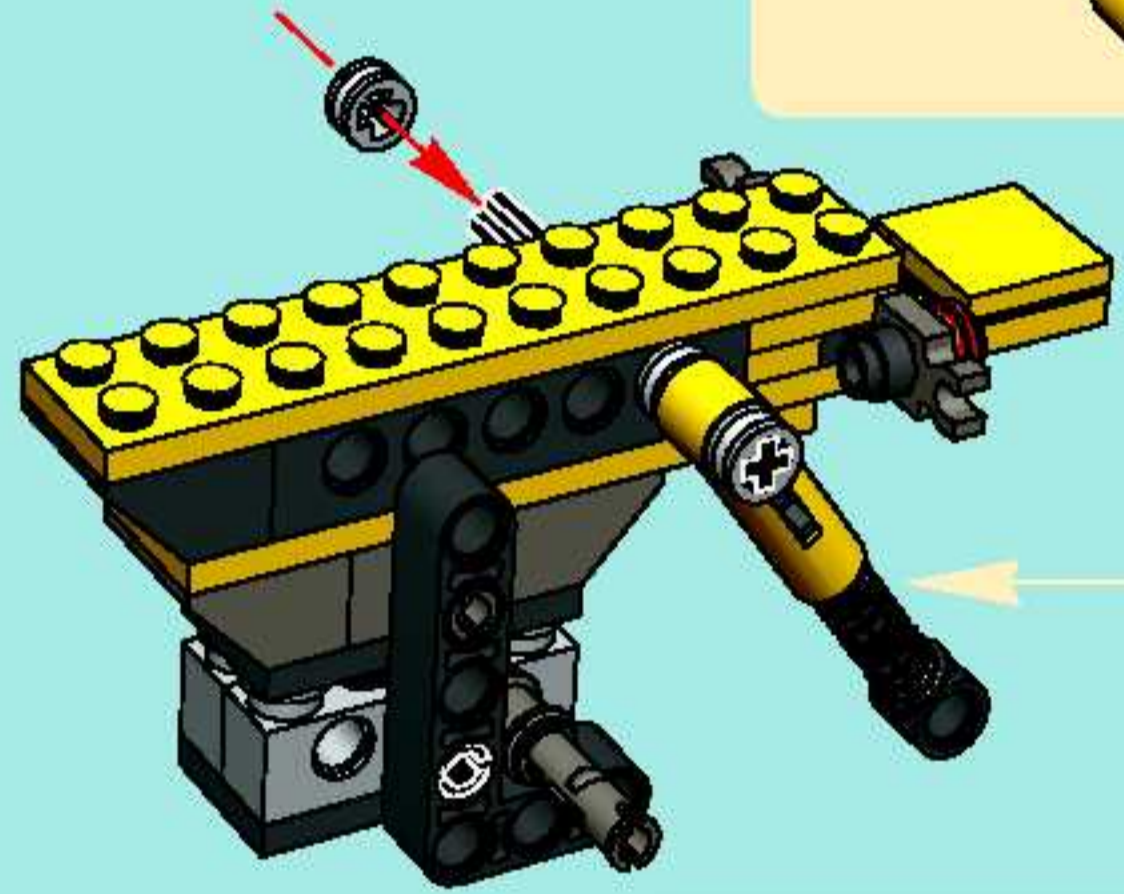




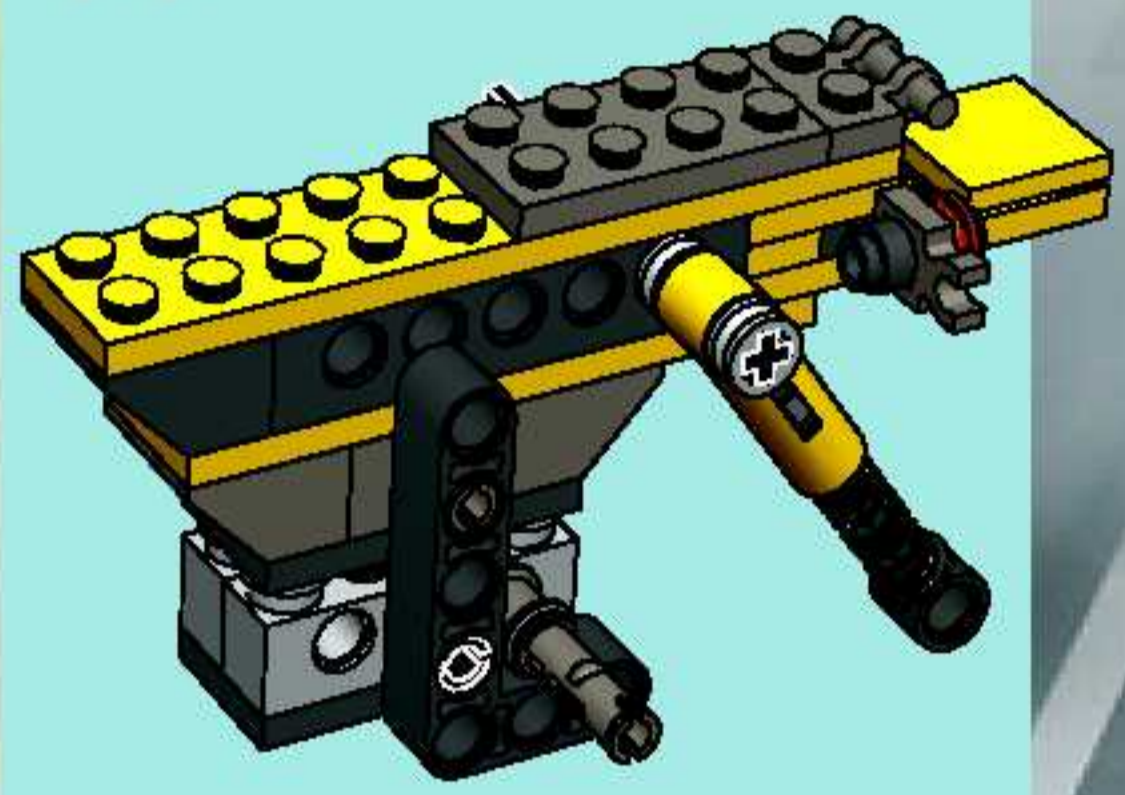




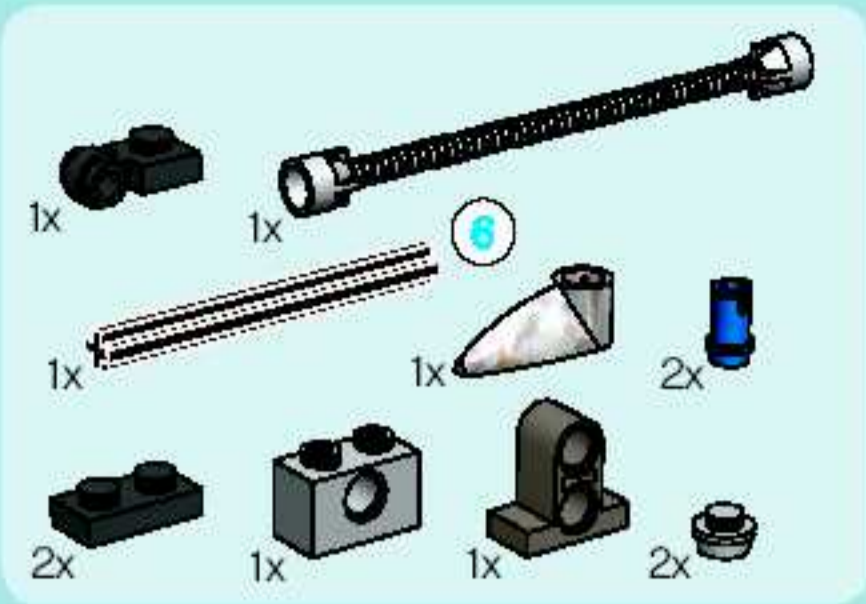
10



11







12

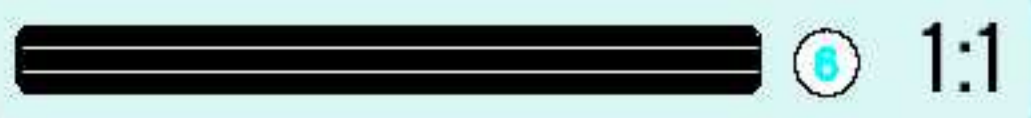
1



2



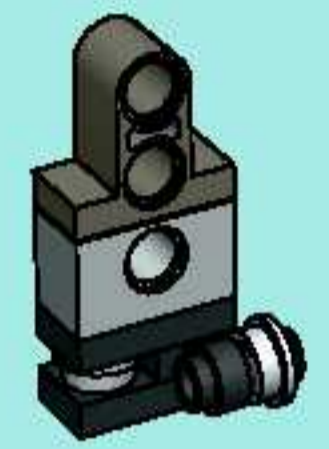
3



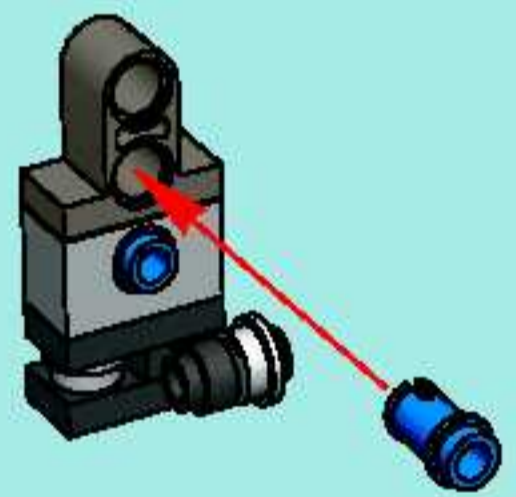
4



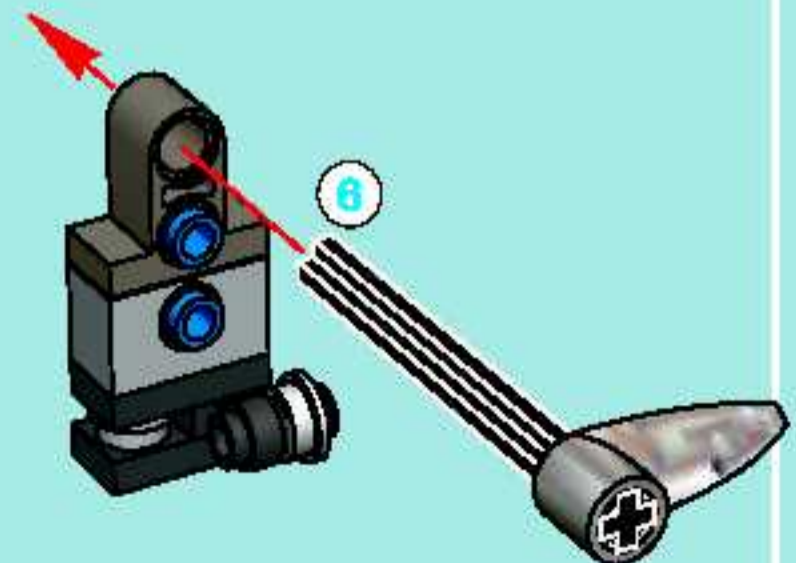
5



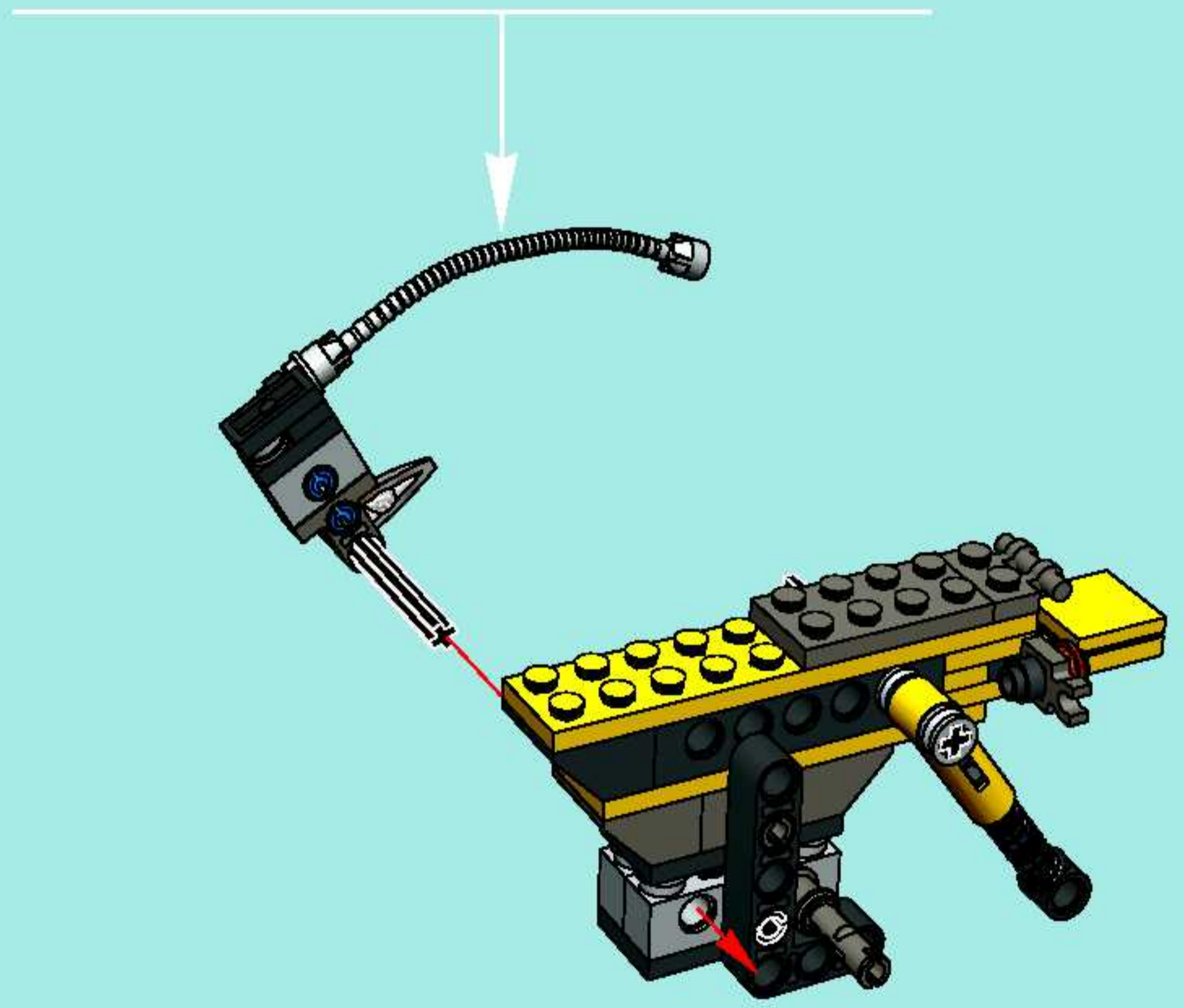
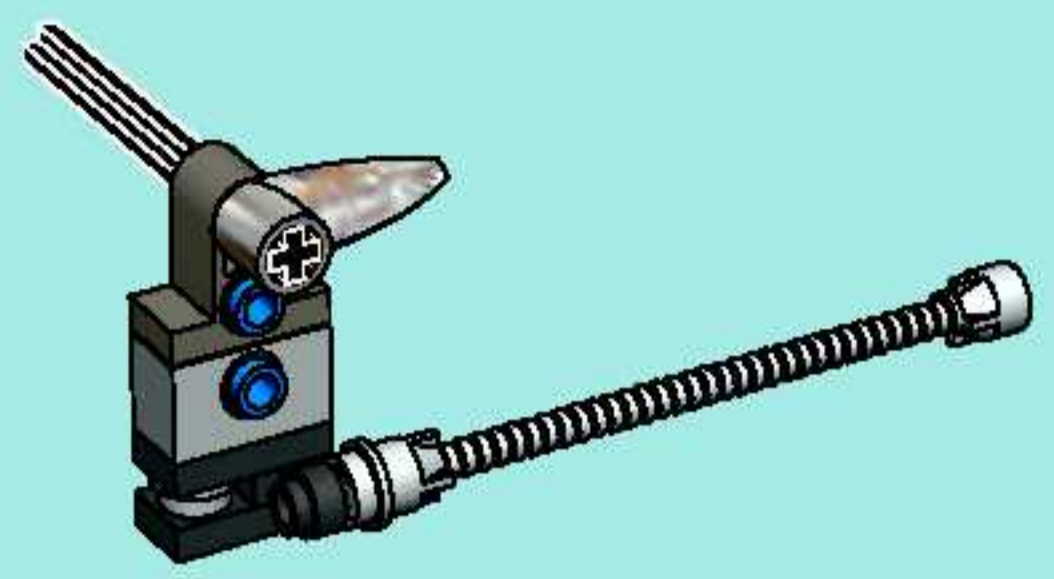
6



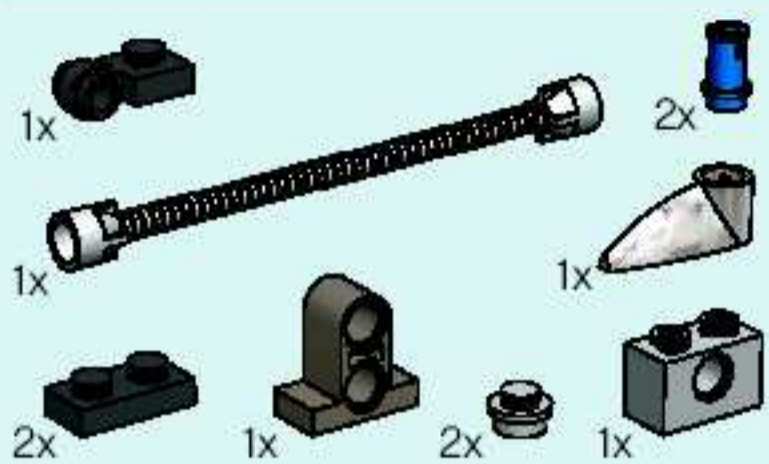
7



8







13

1



2



3



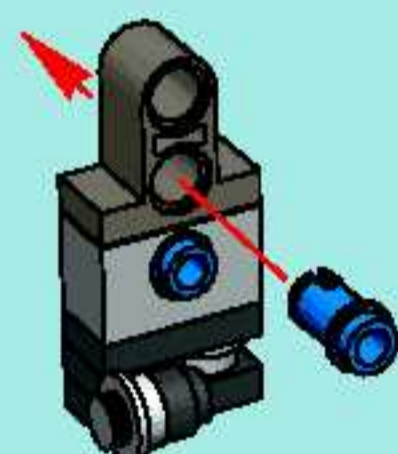
4



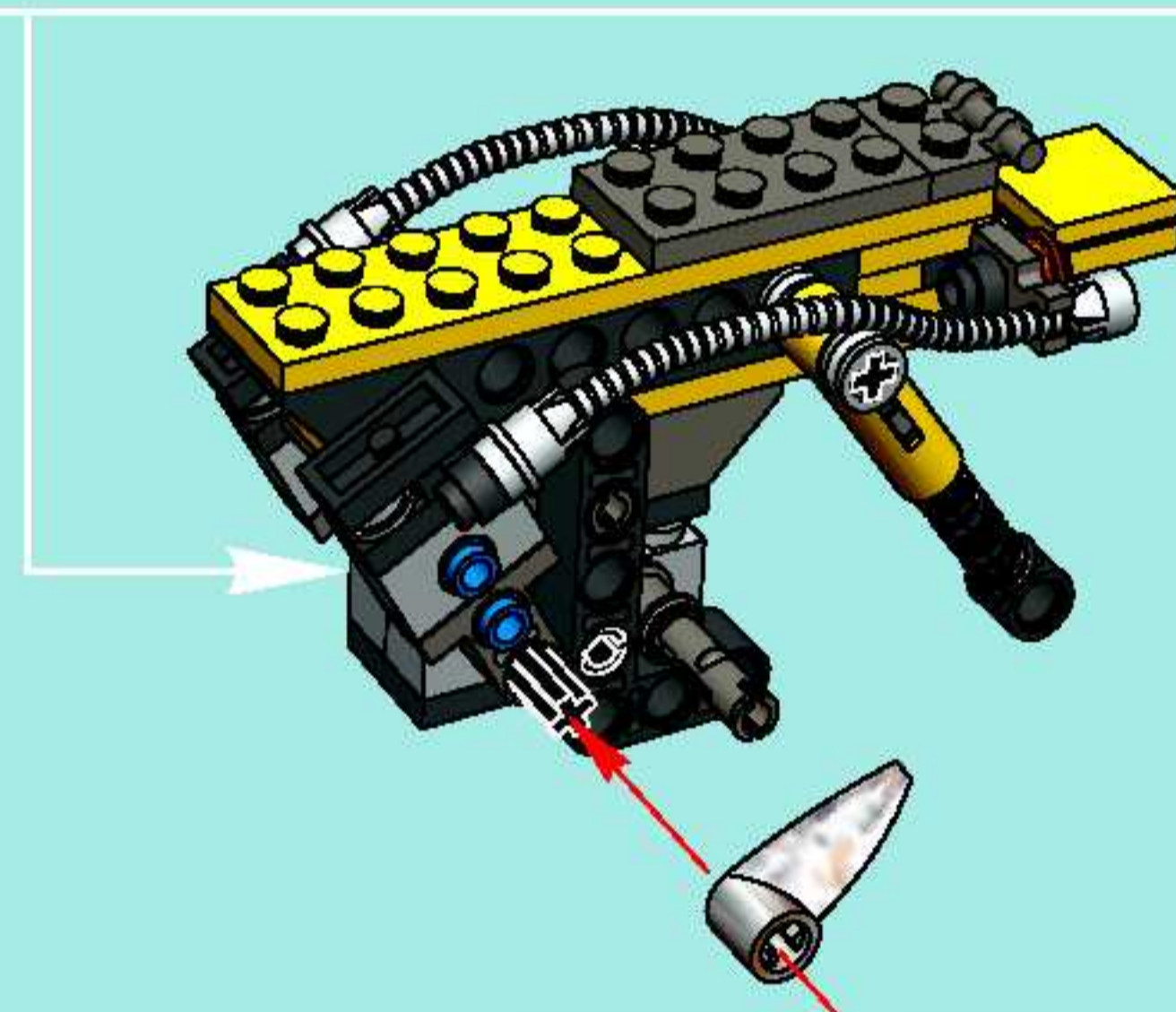
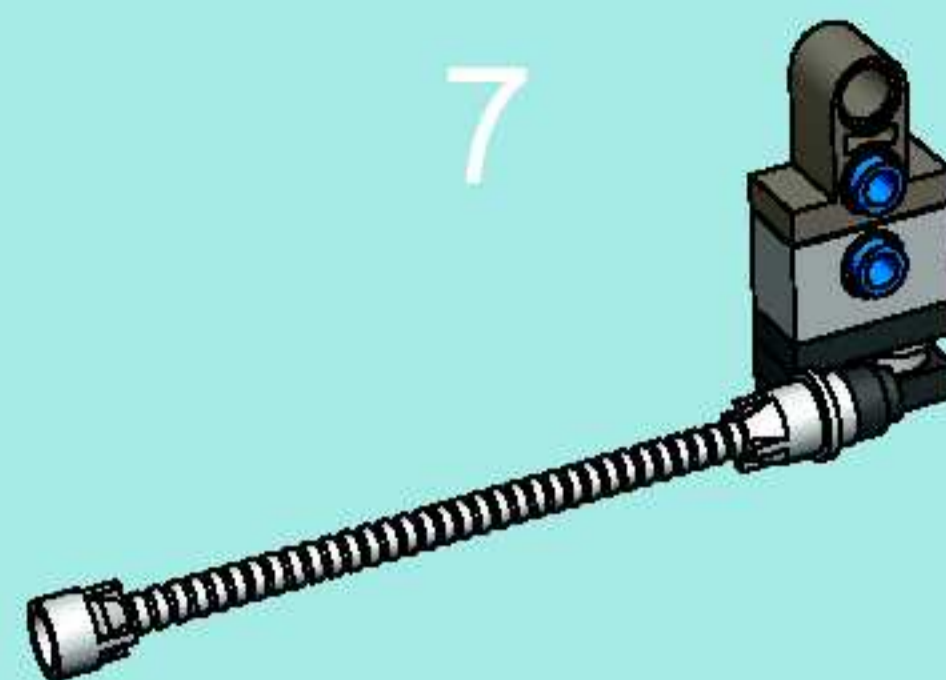
5



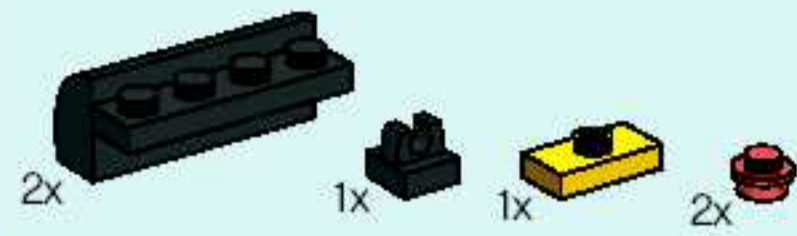
6



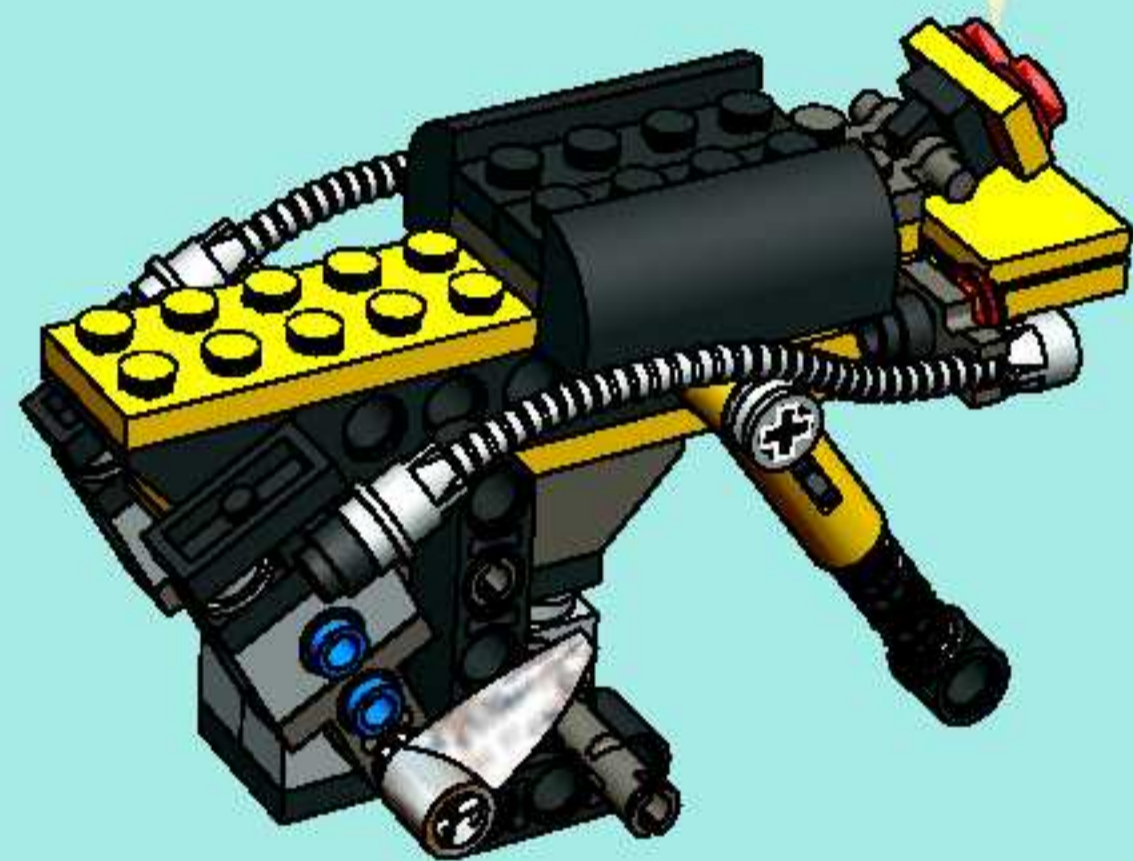
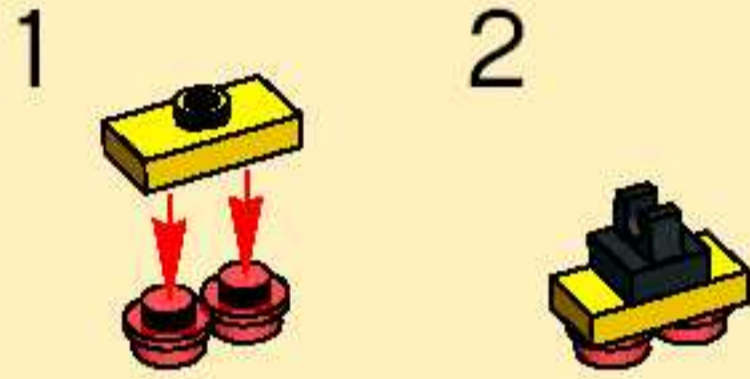
7



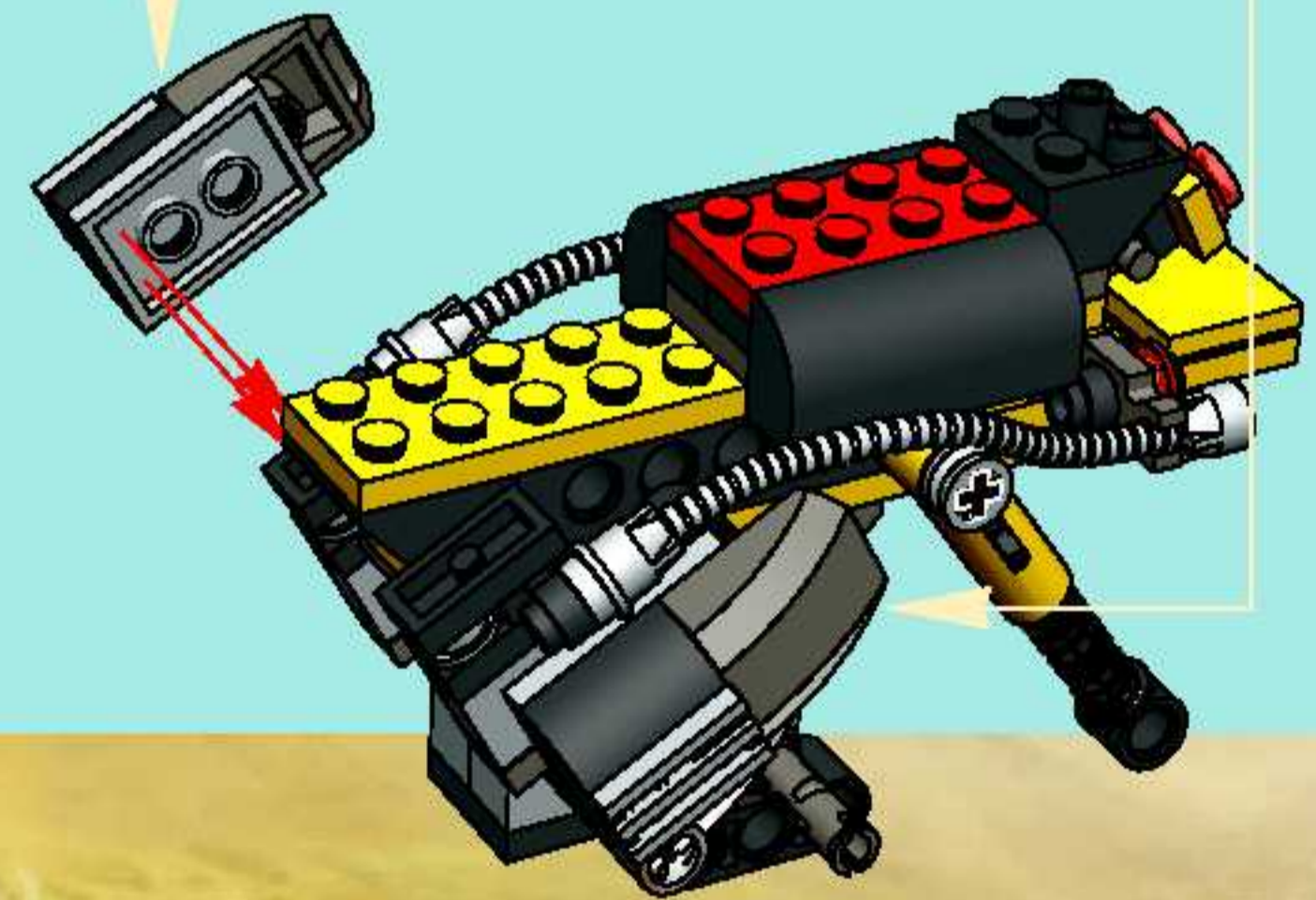
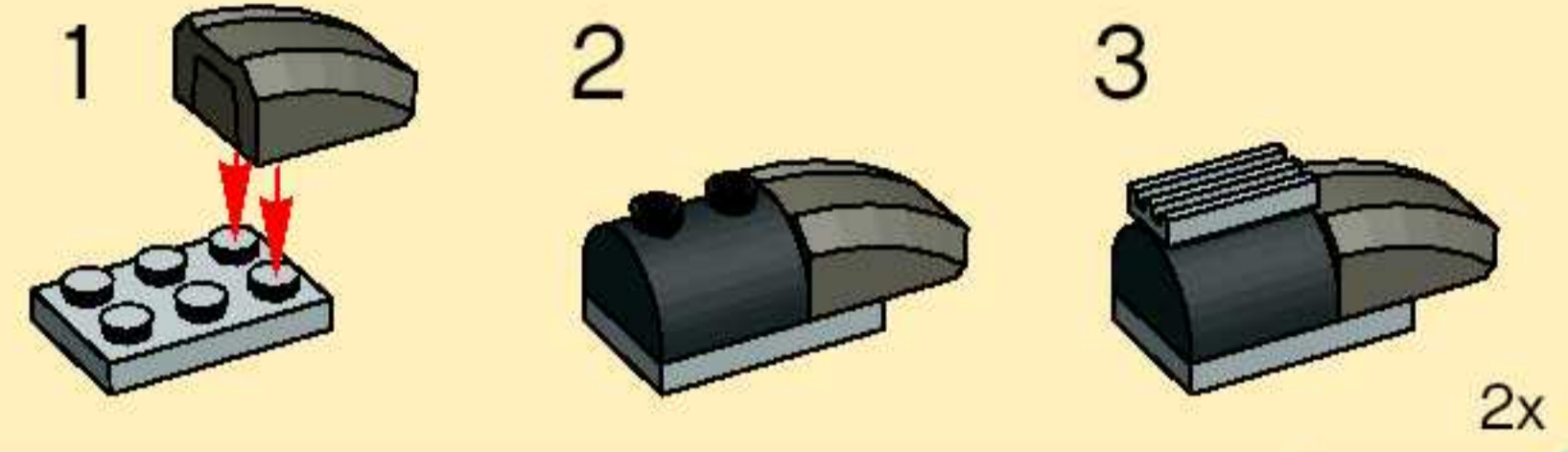




14



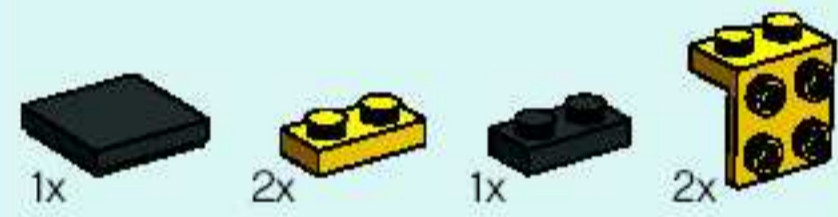
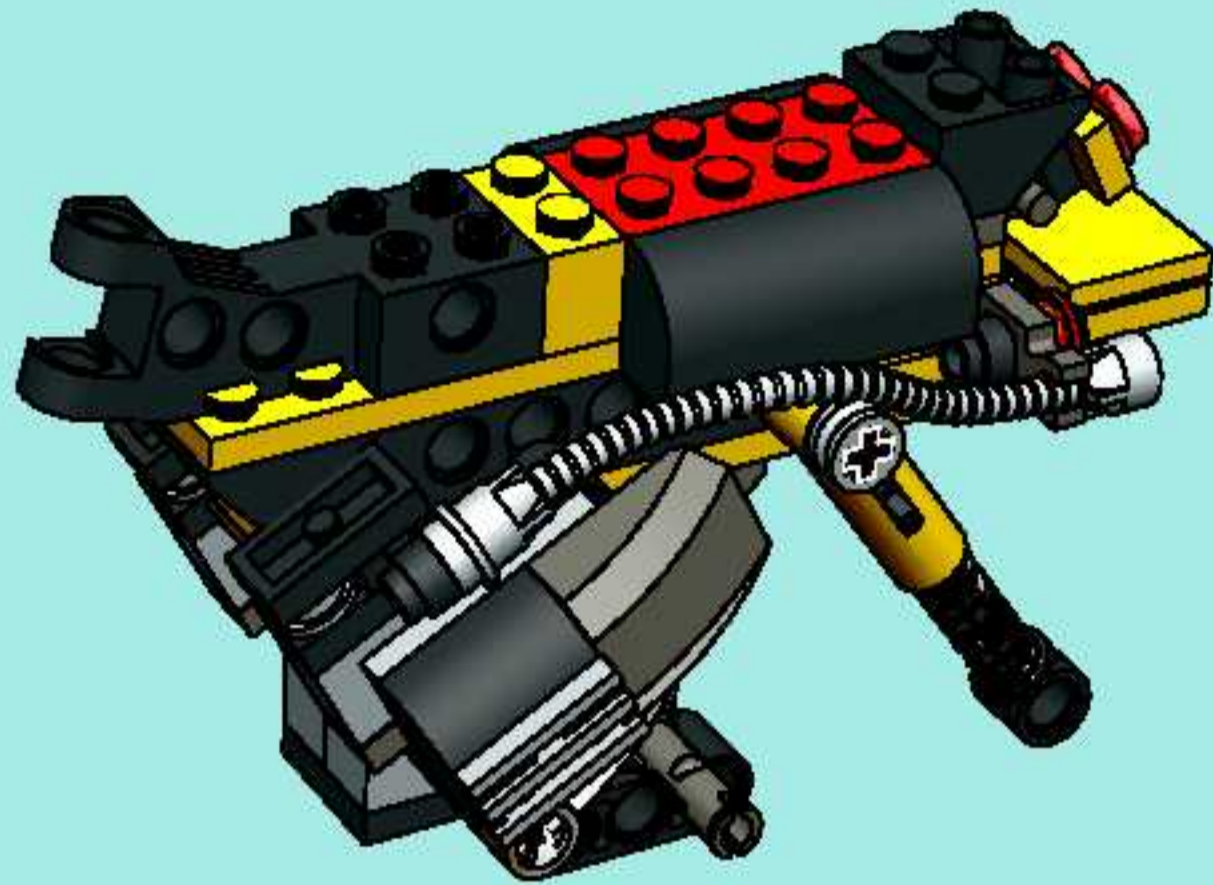
15



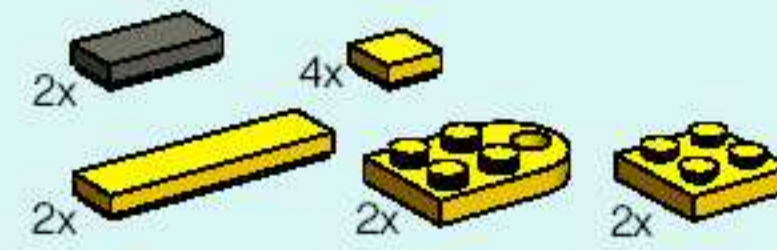
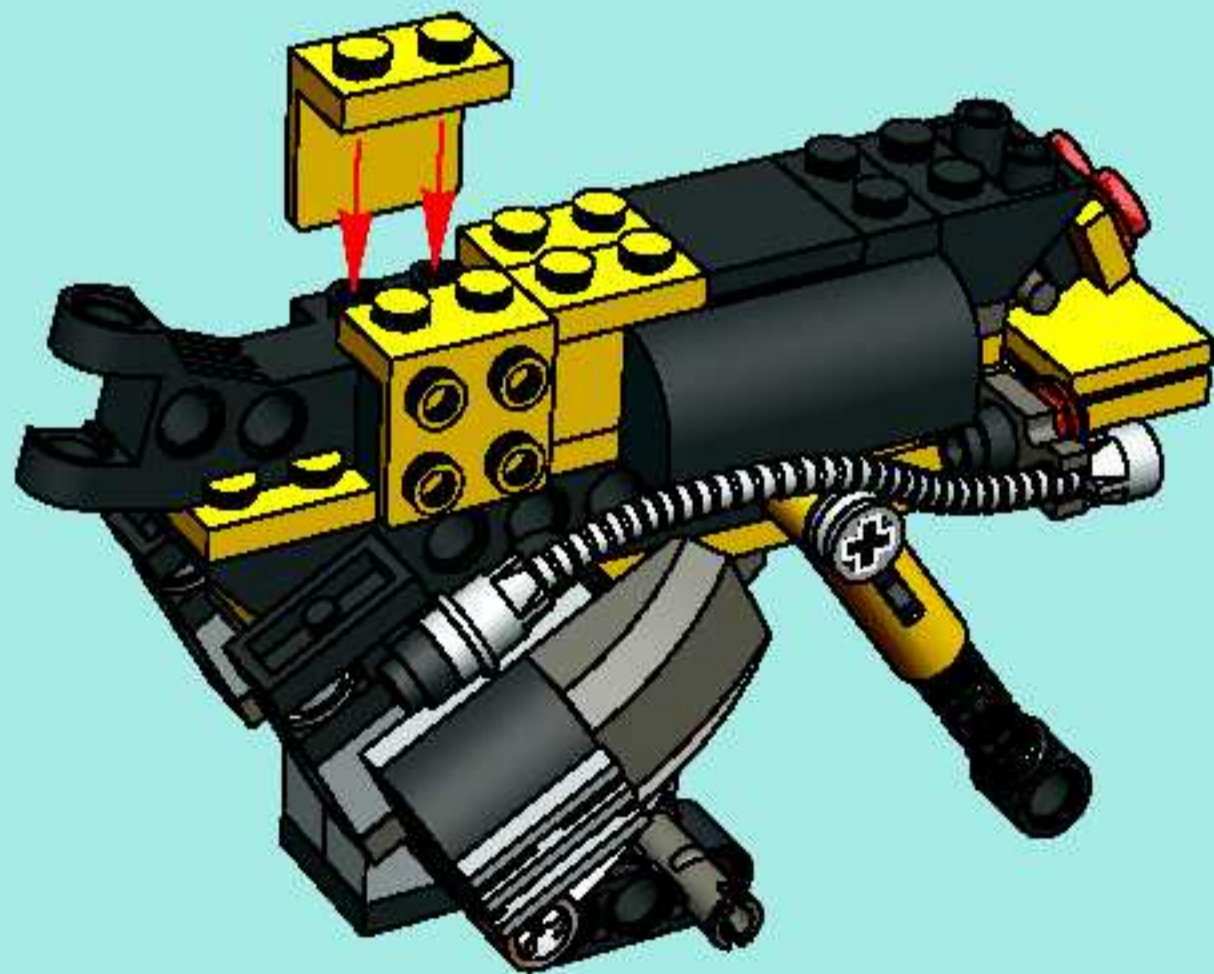




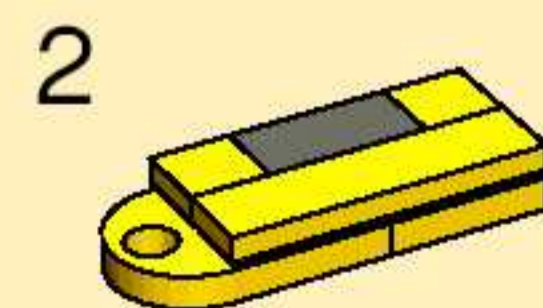
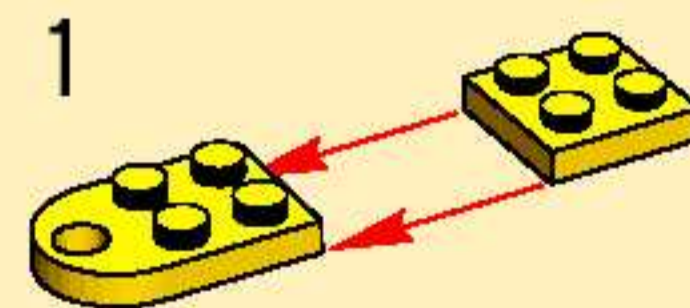
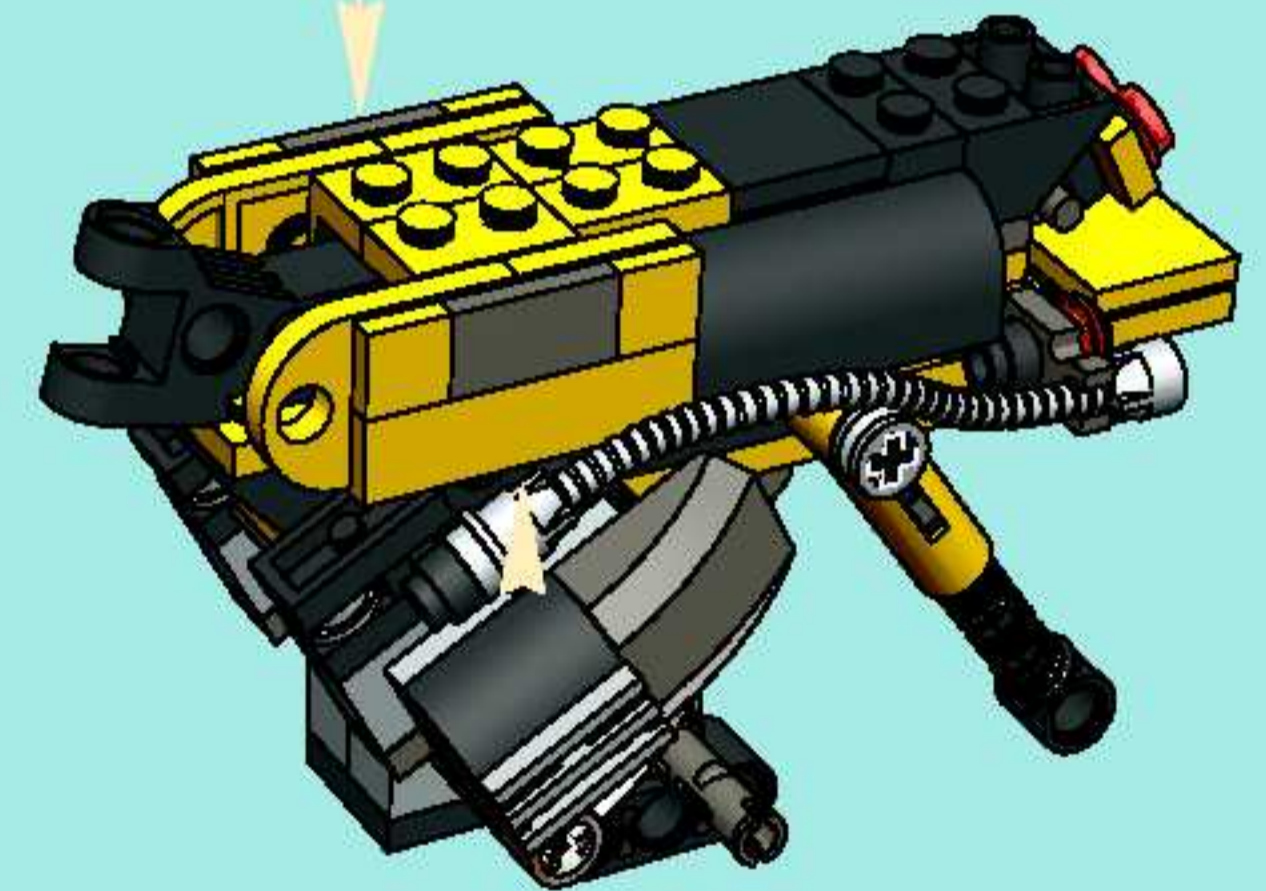
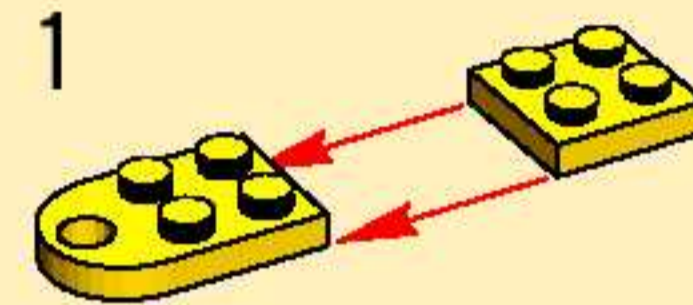
16



17



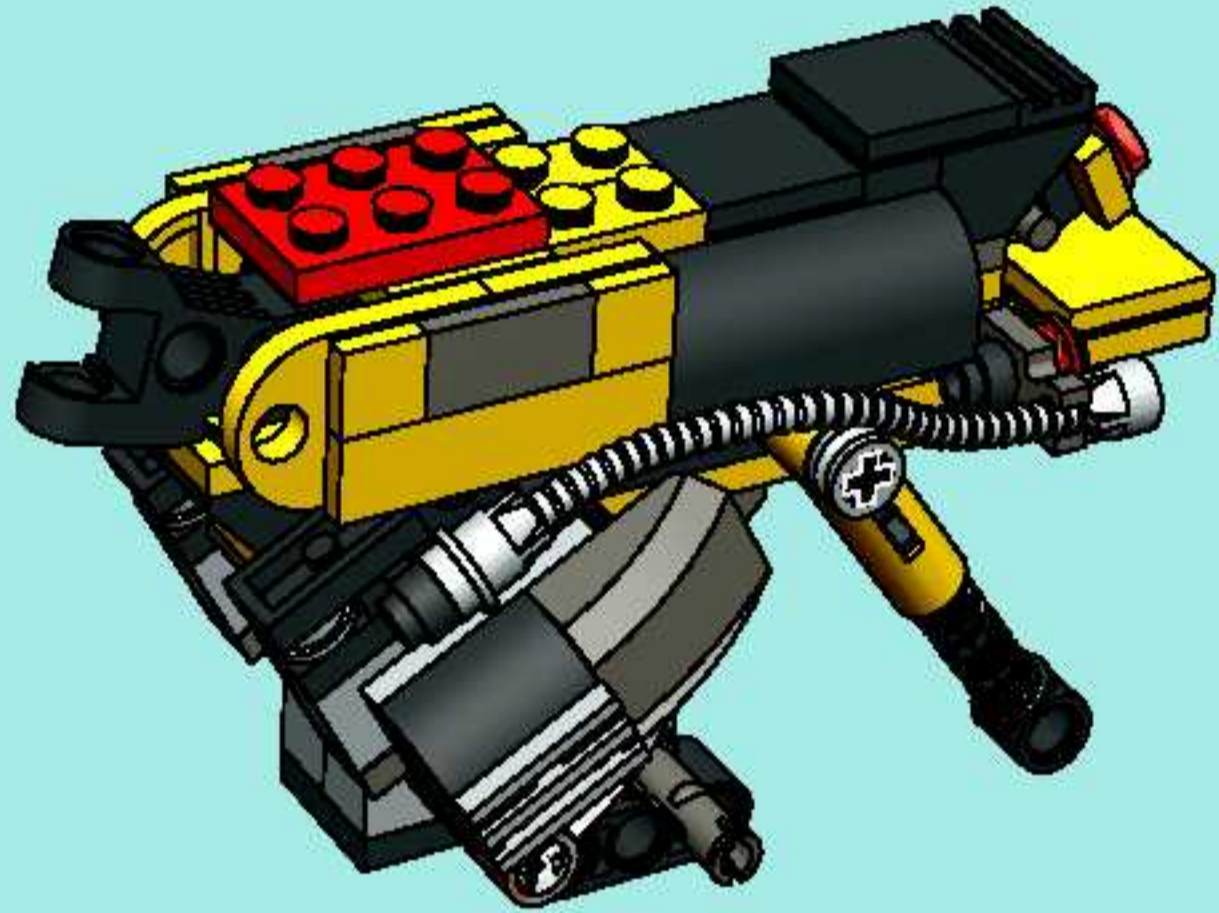
18



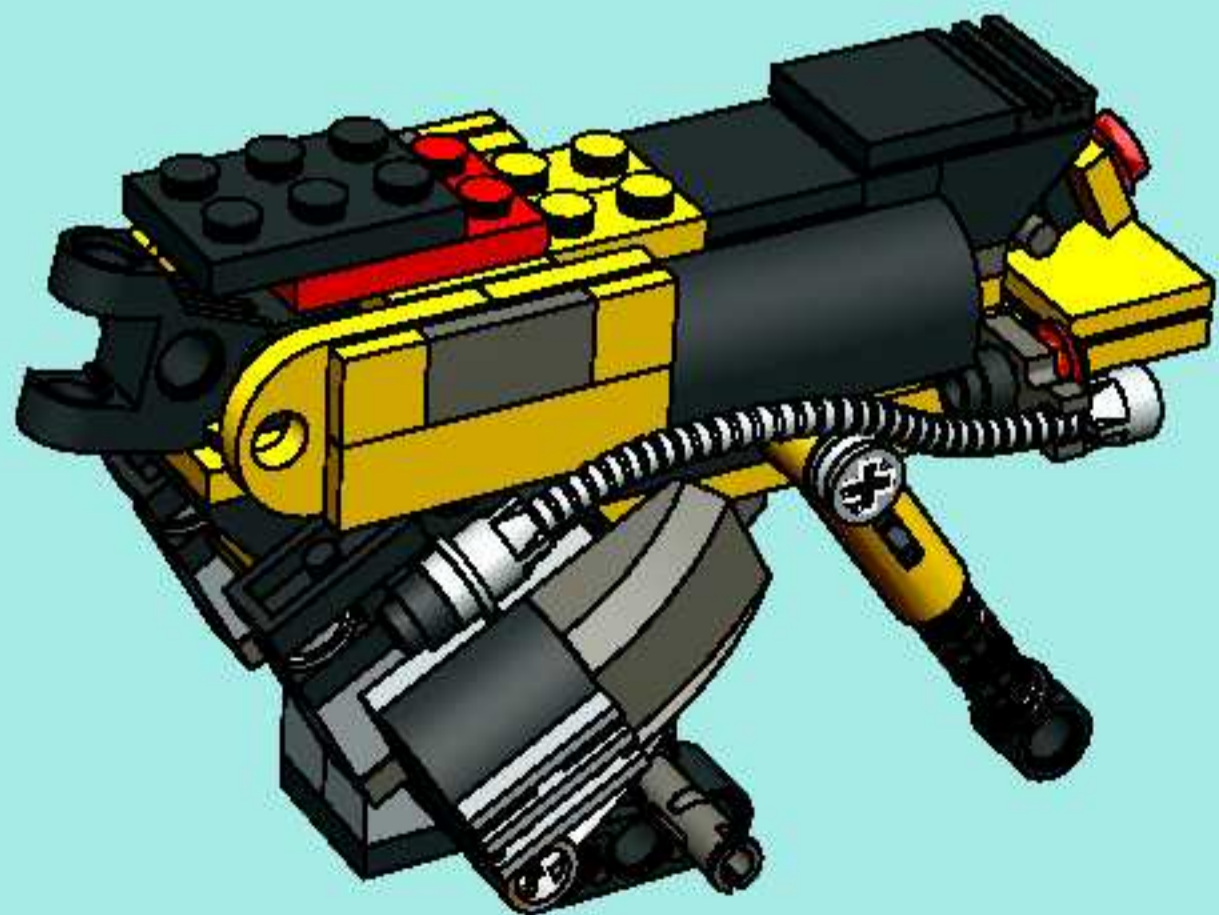




19

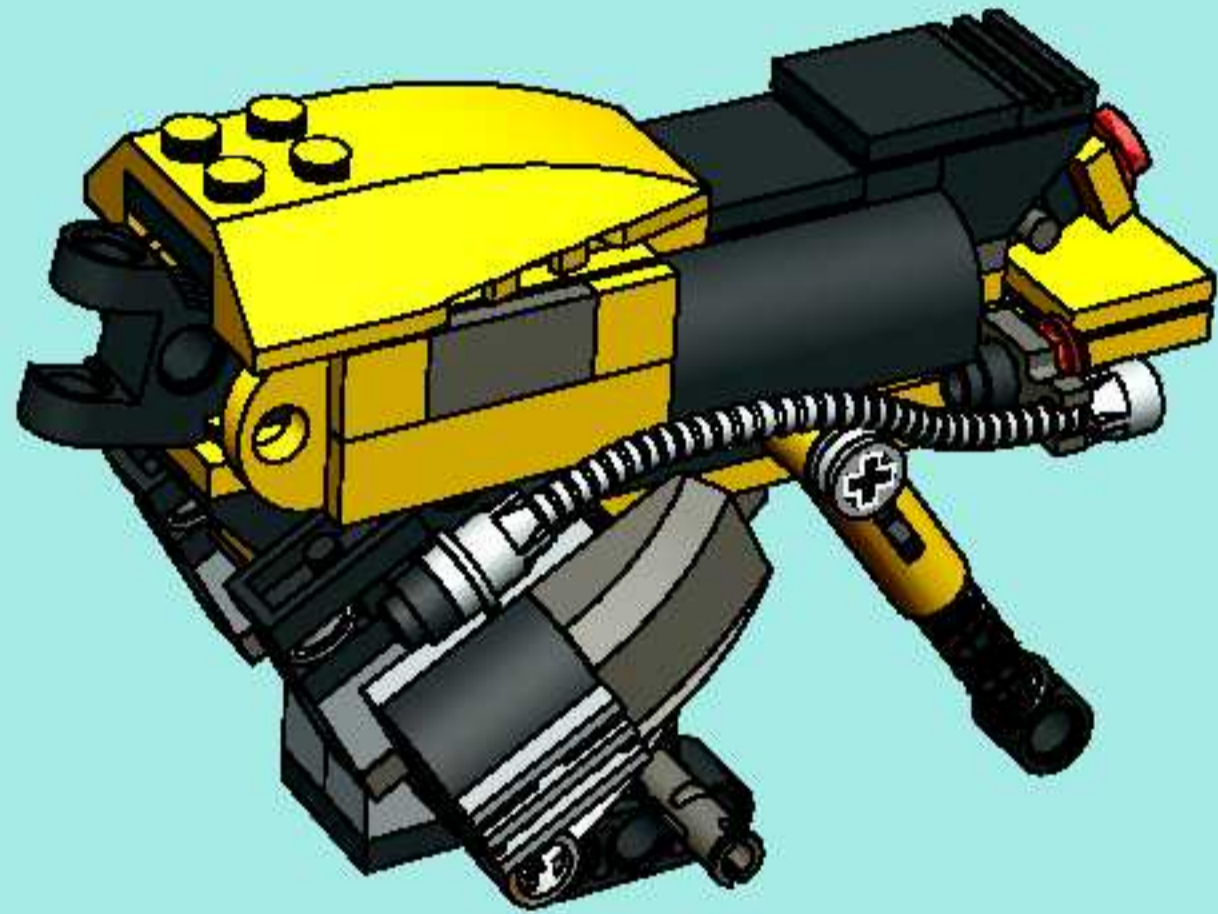
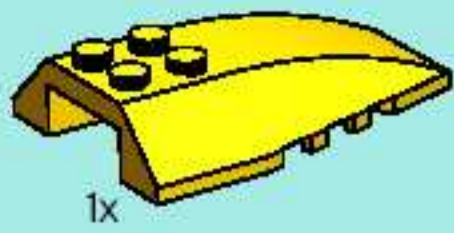


20

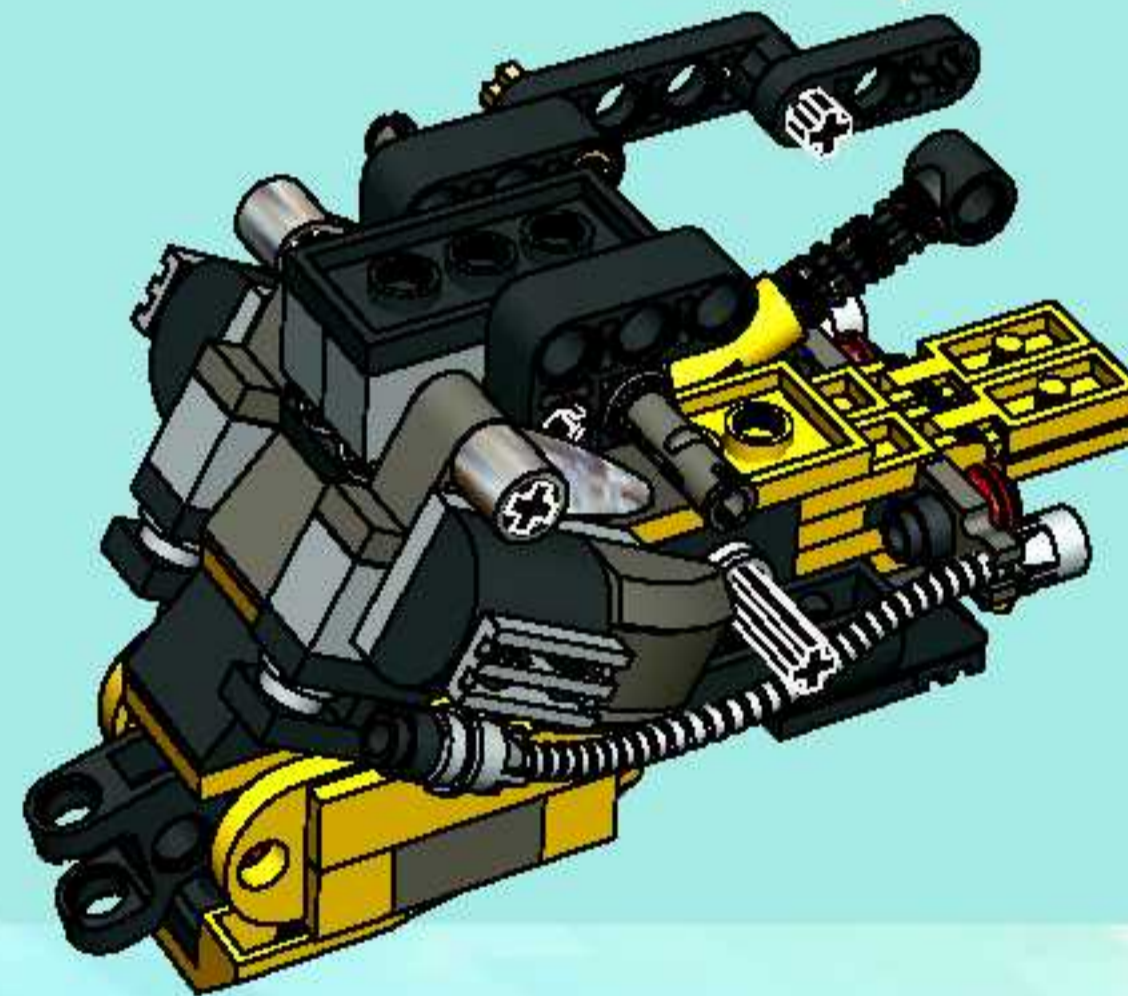
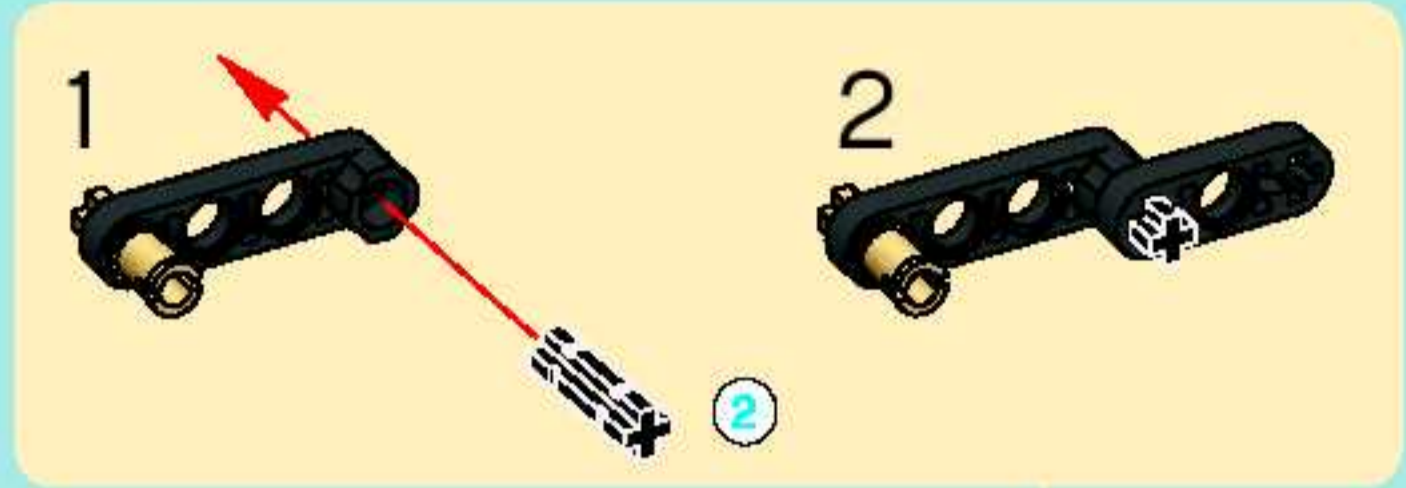




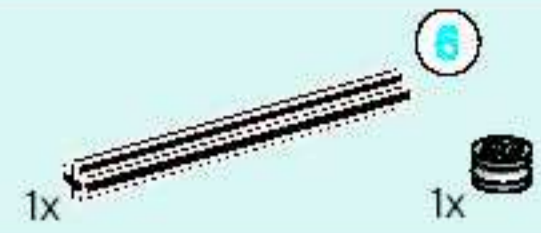
21



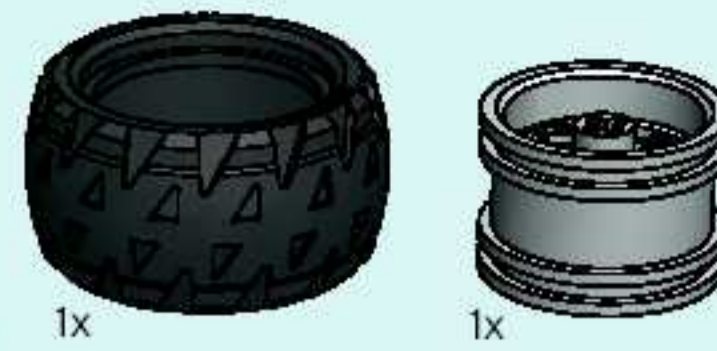
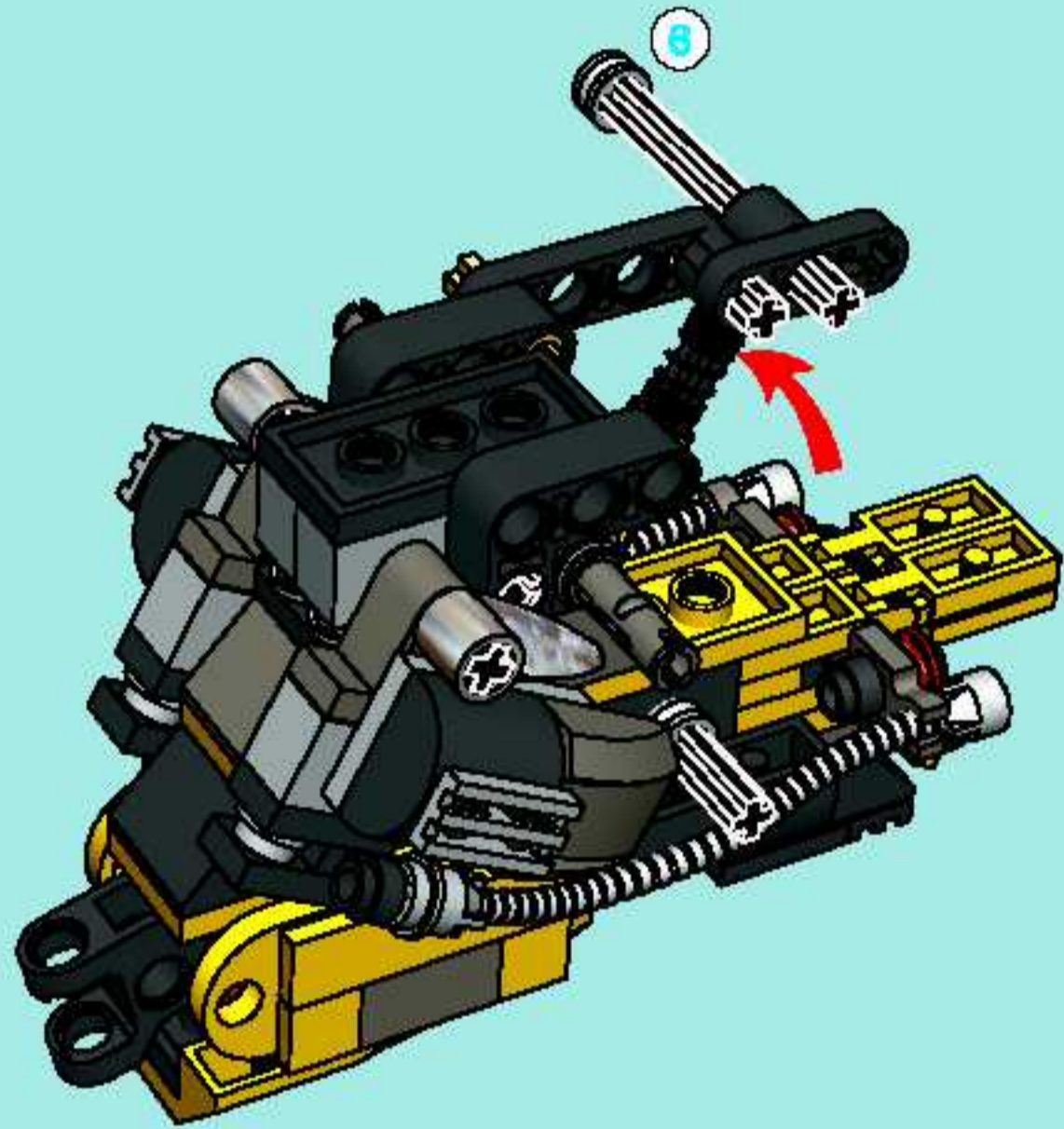
22



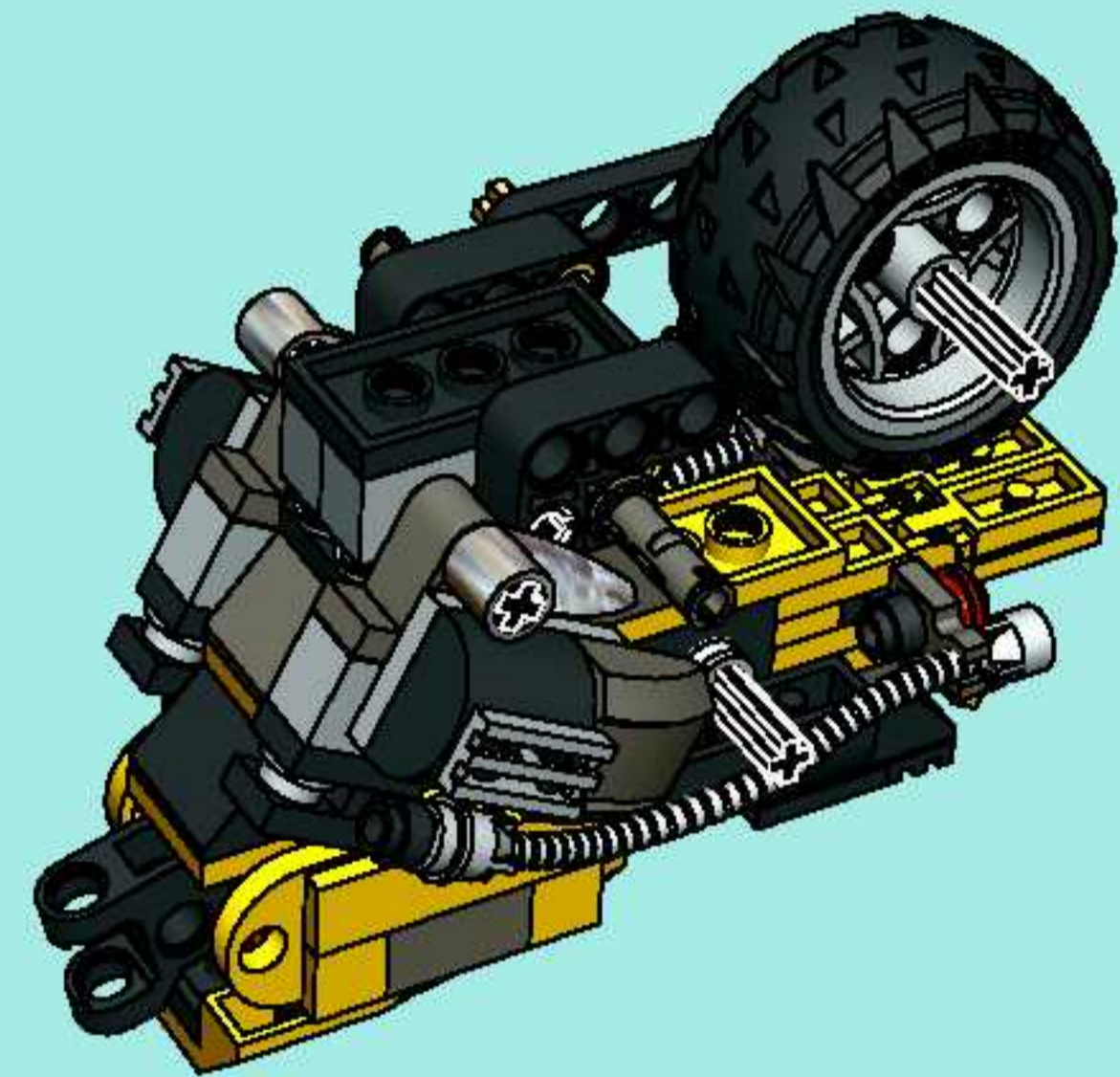




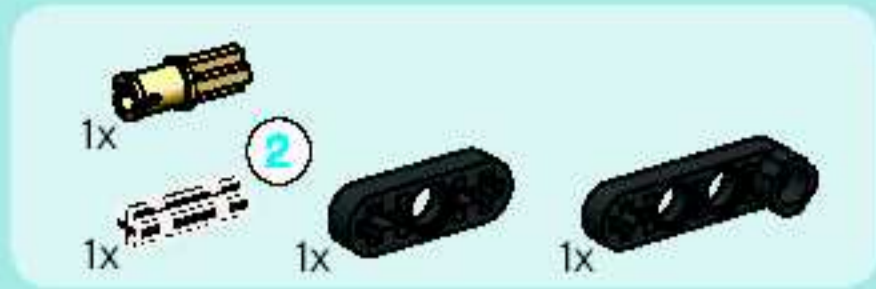
23



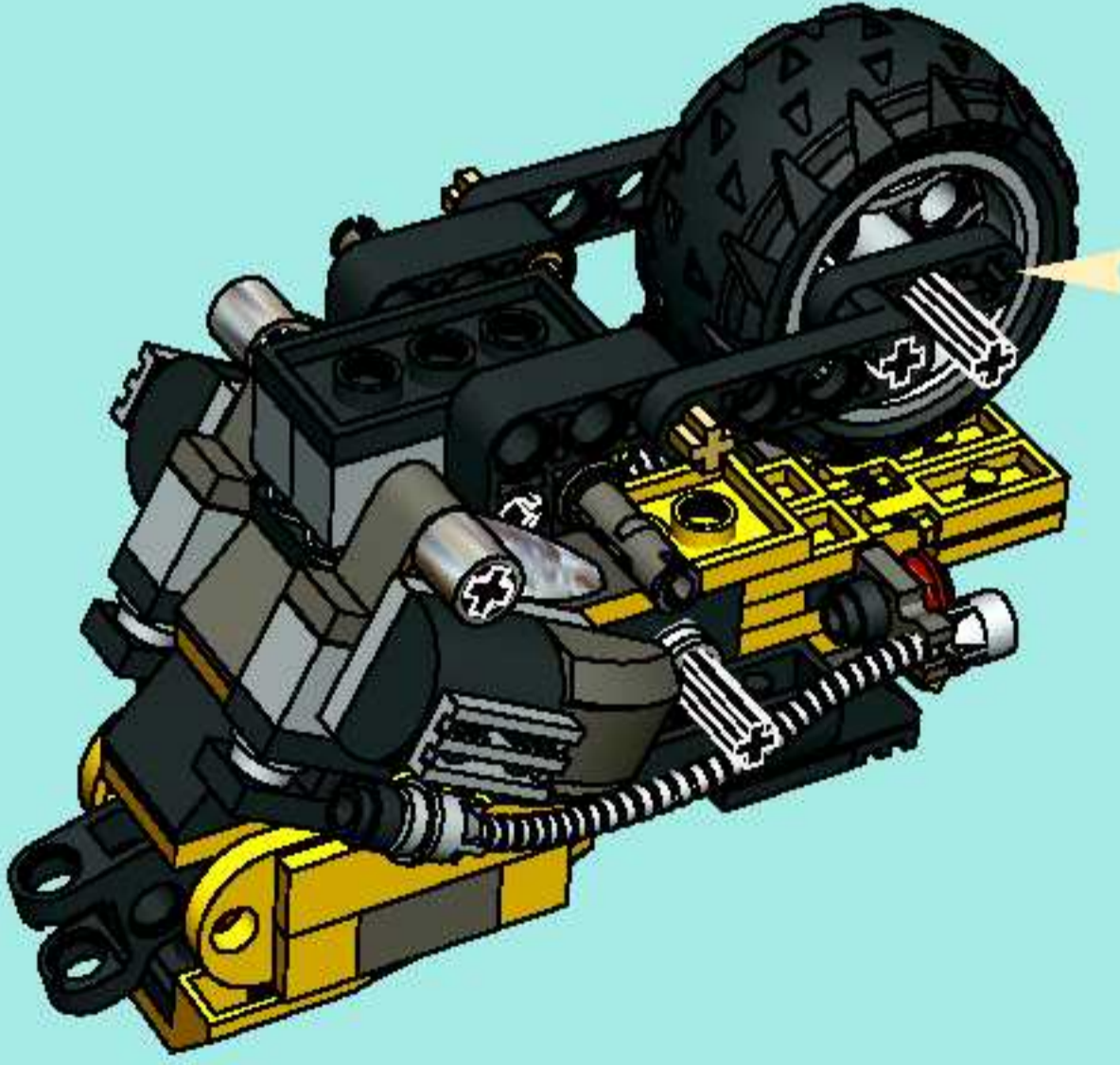
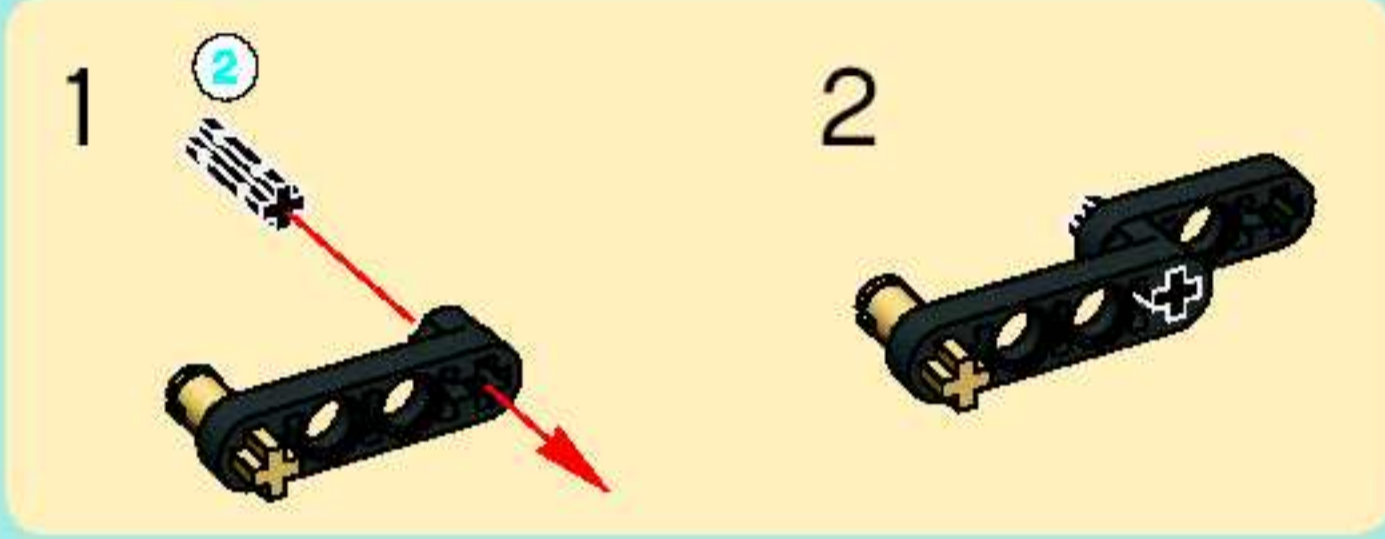
24



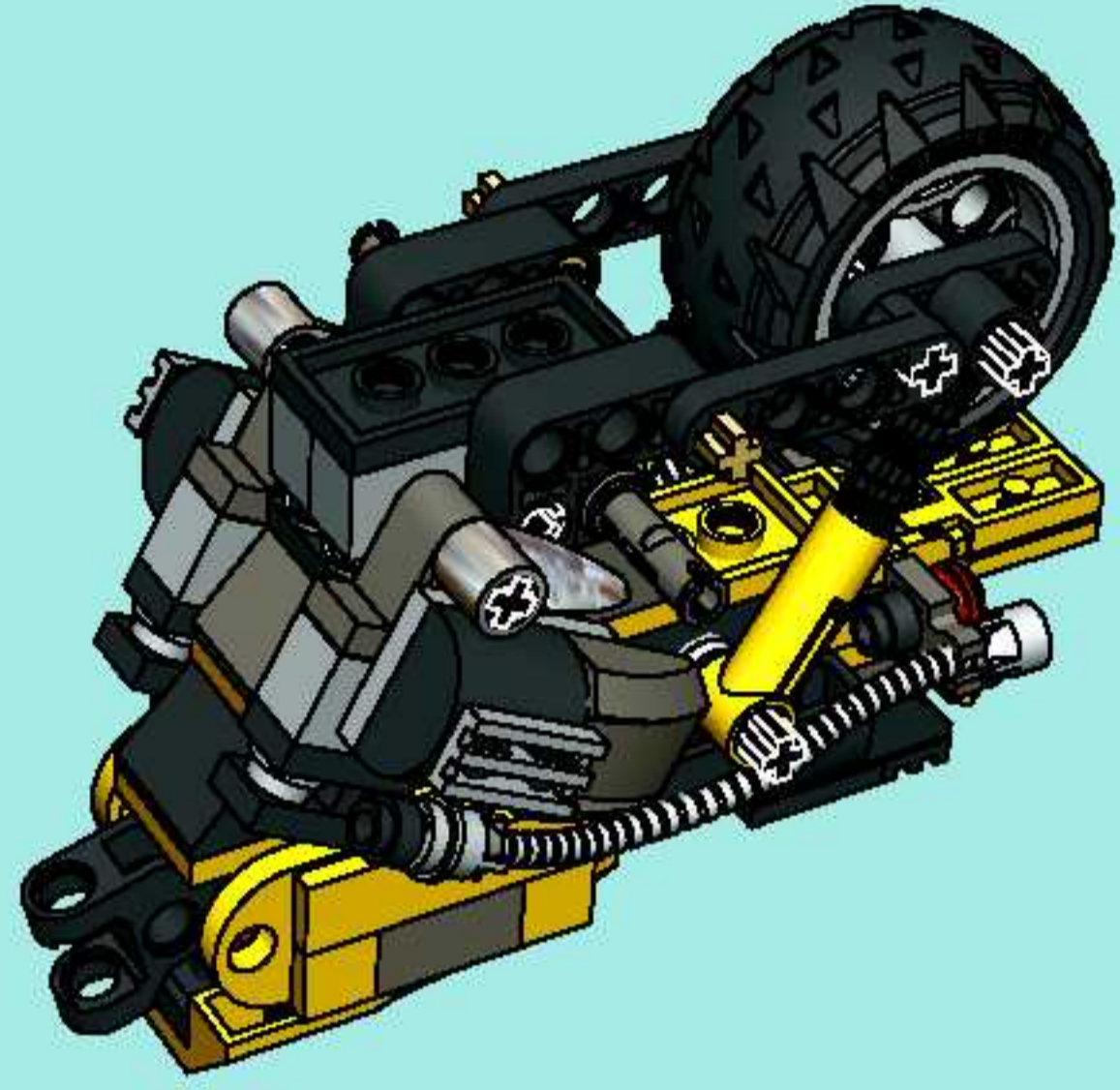




25



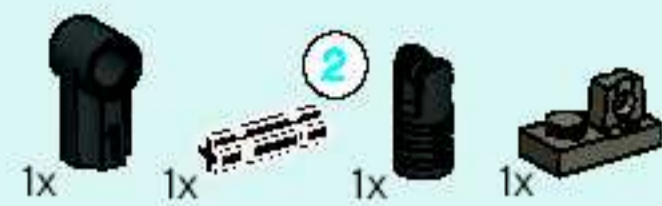
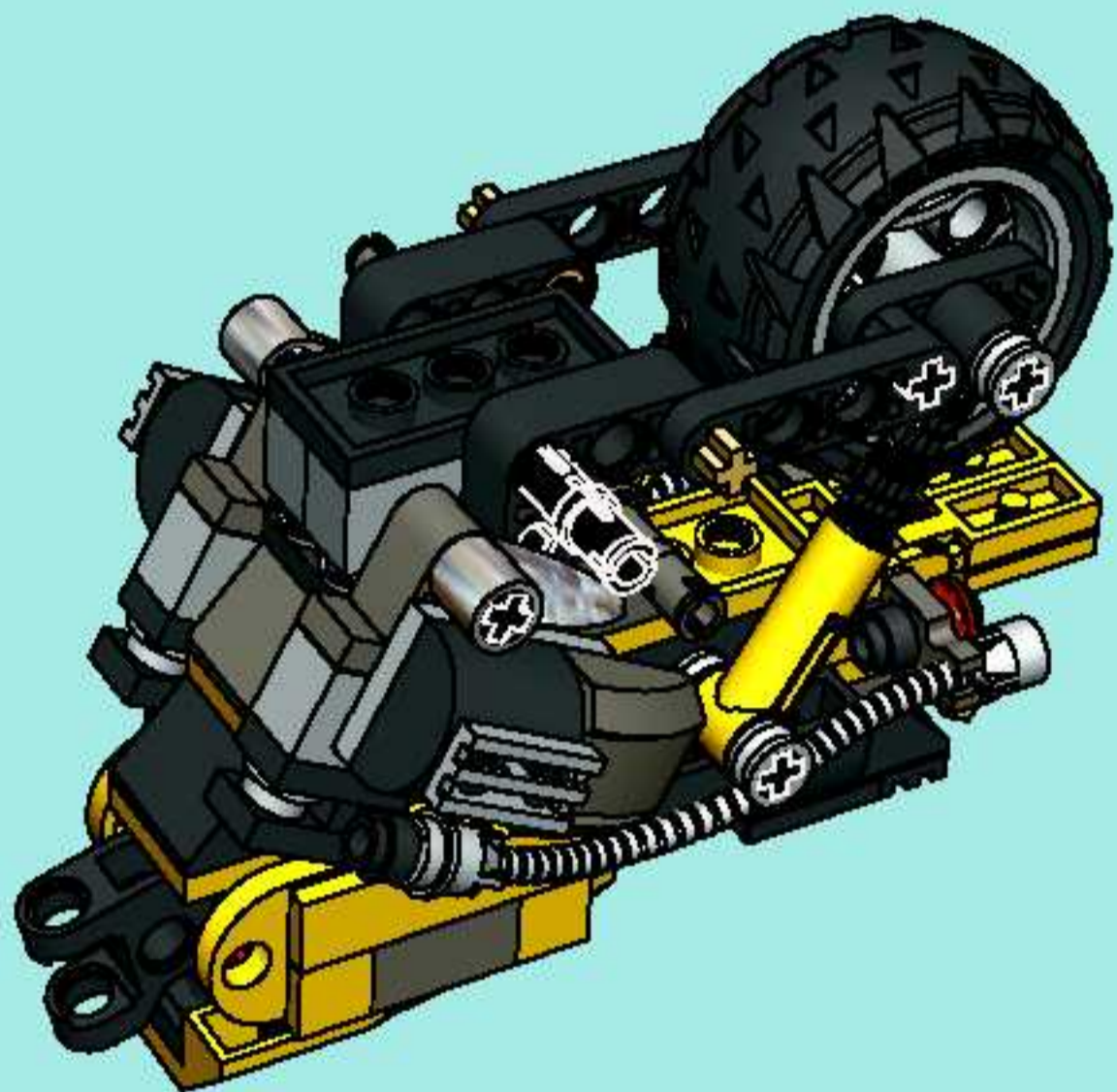
26



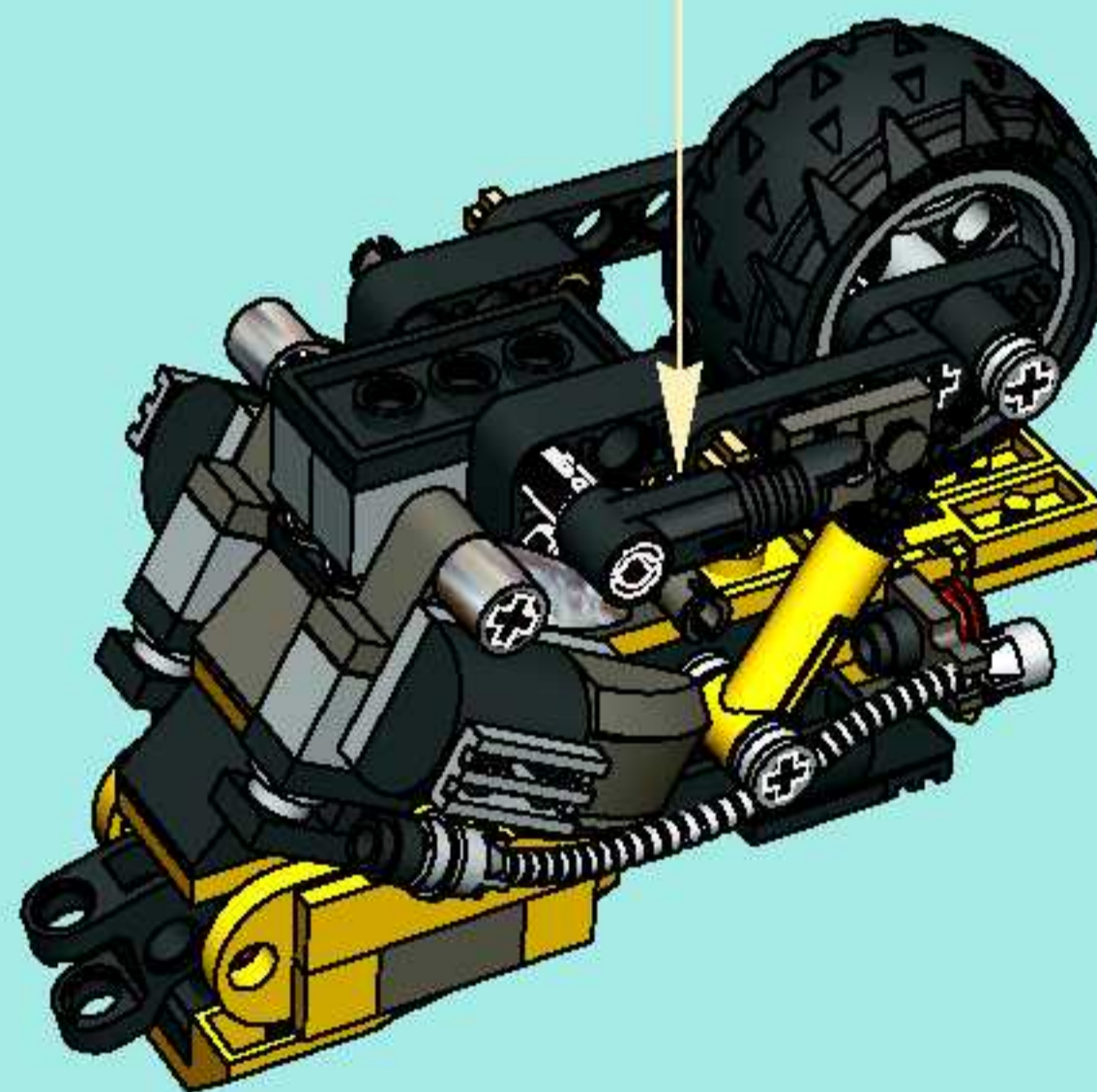
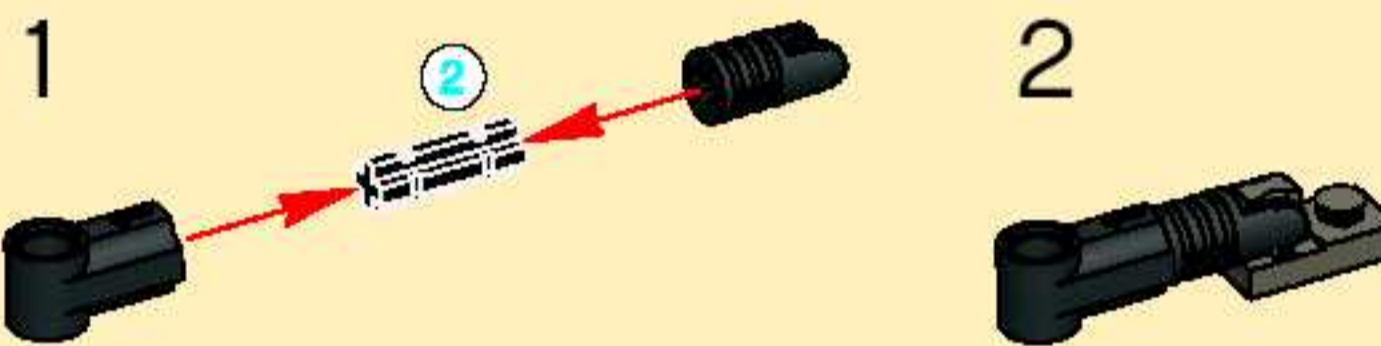




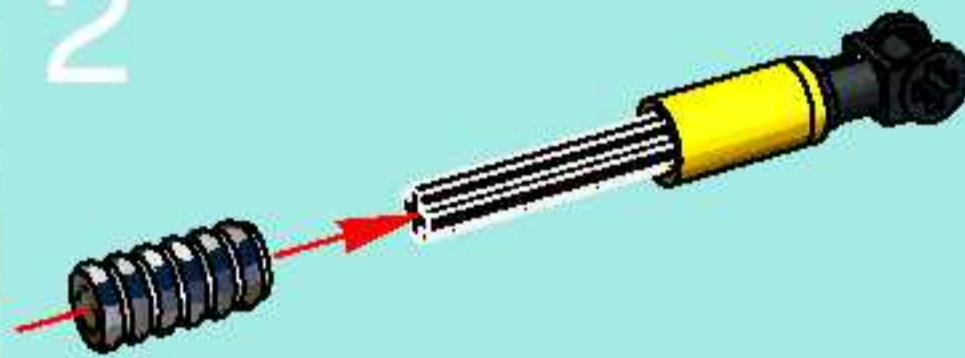
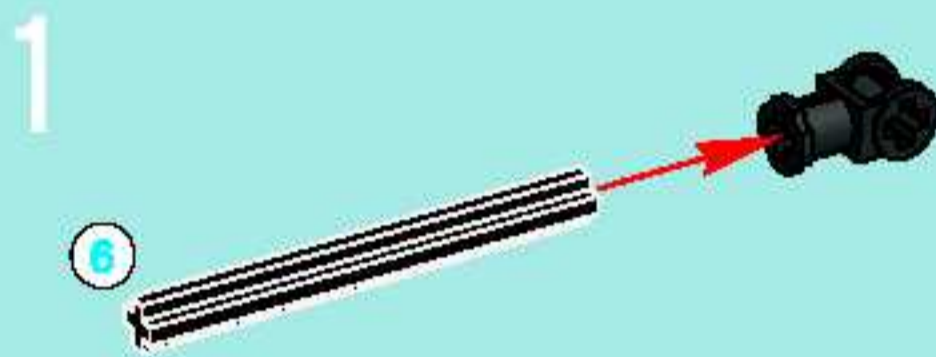
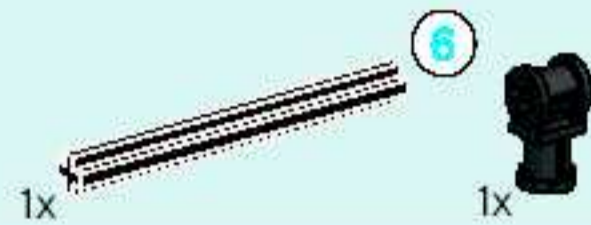
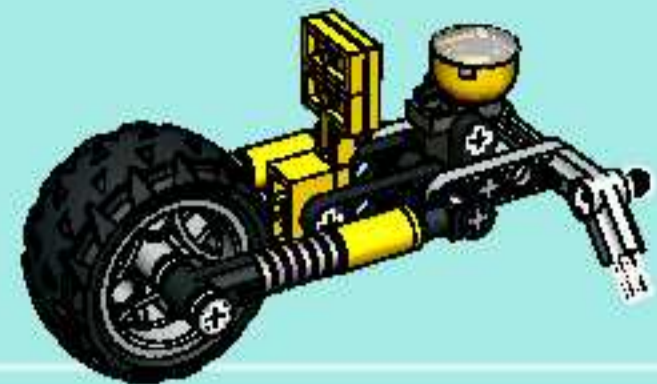
27



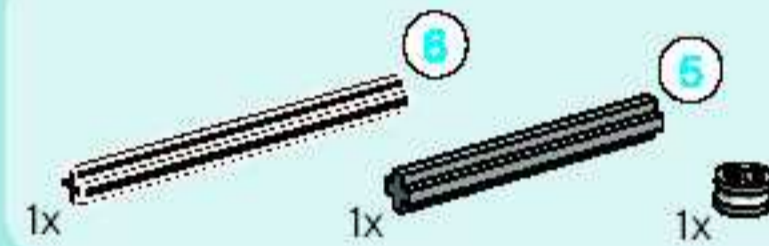
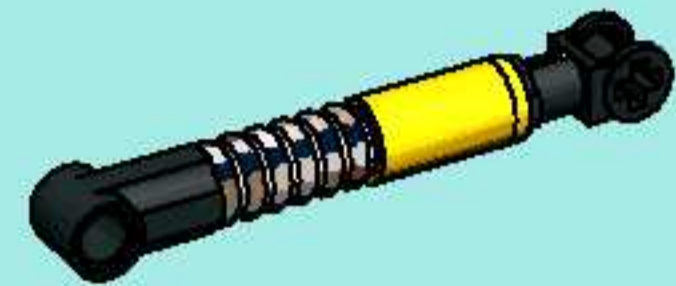
28



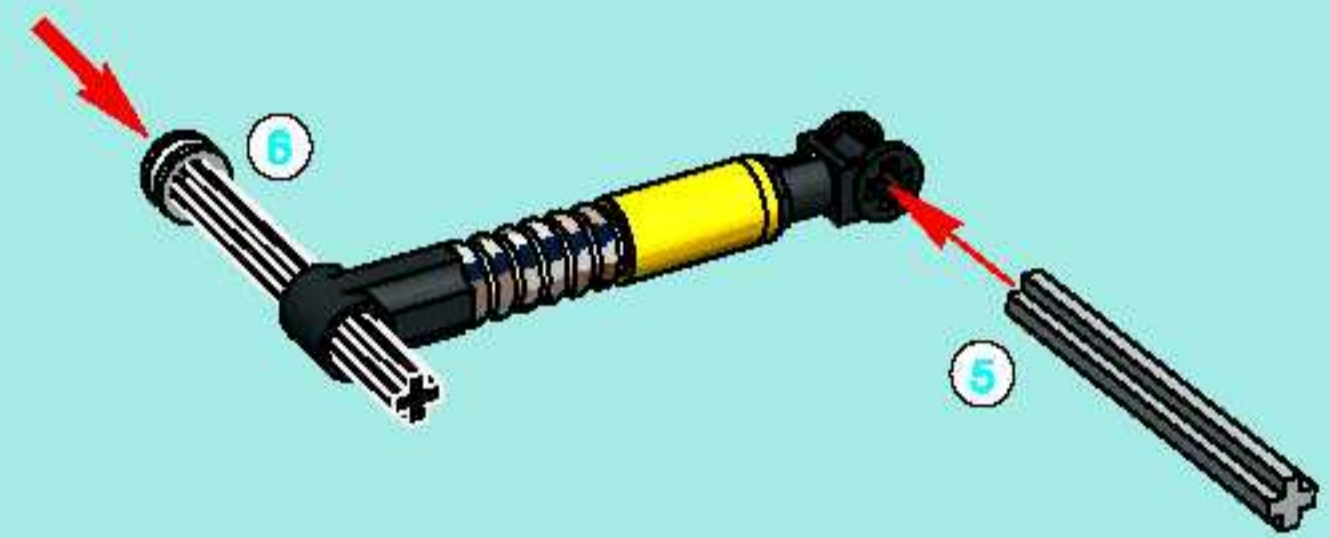




3



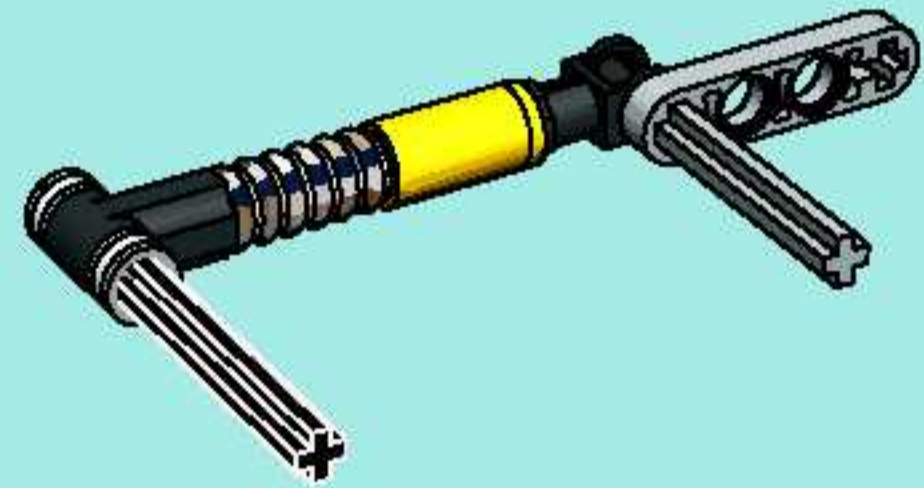
4



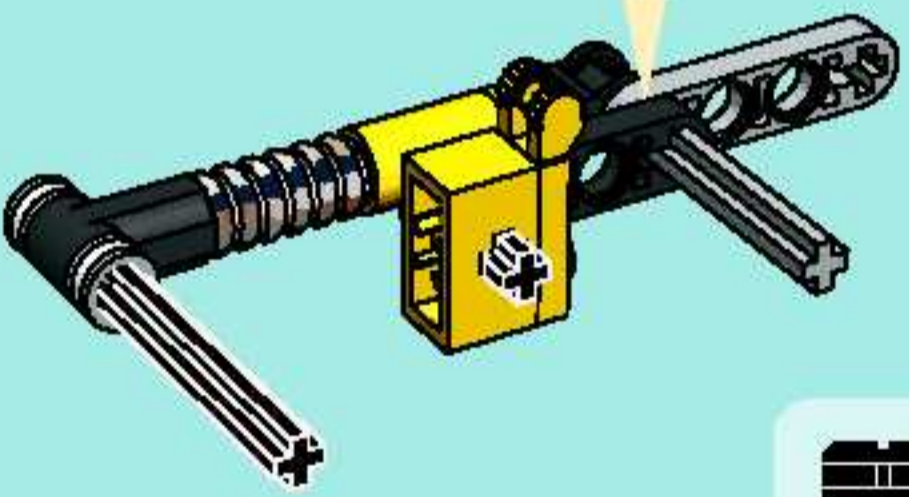
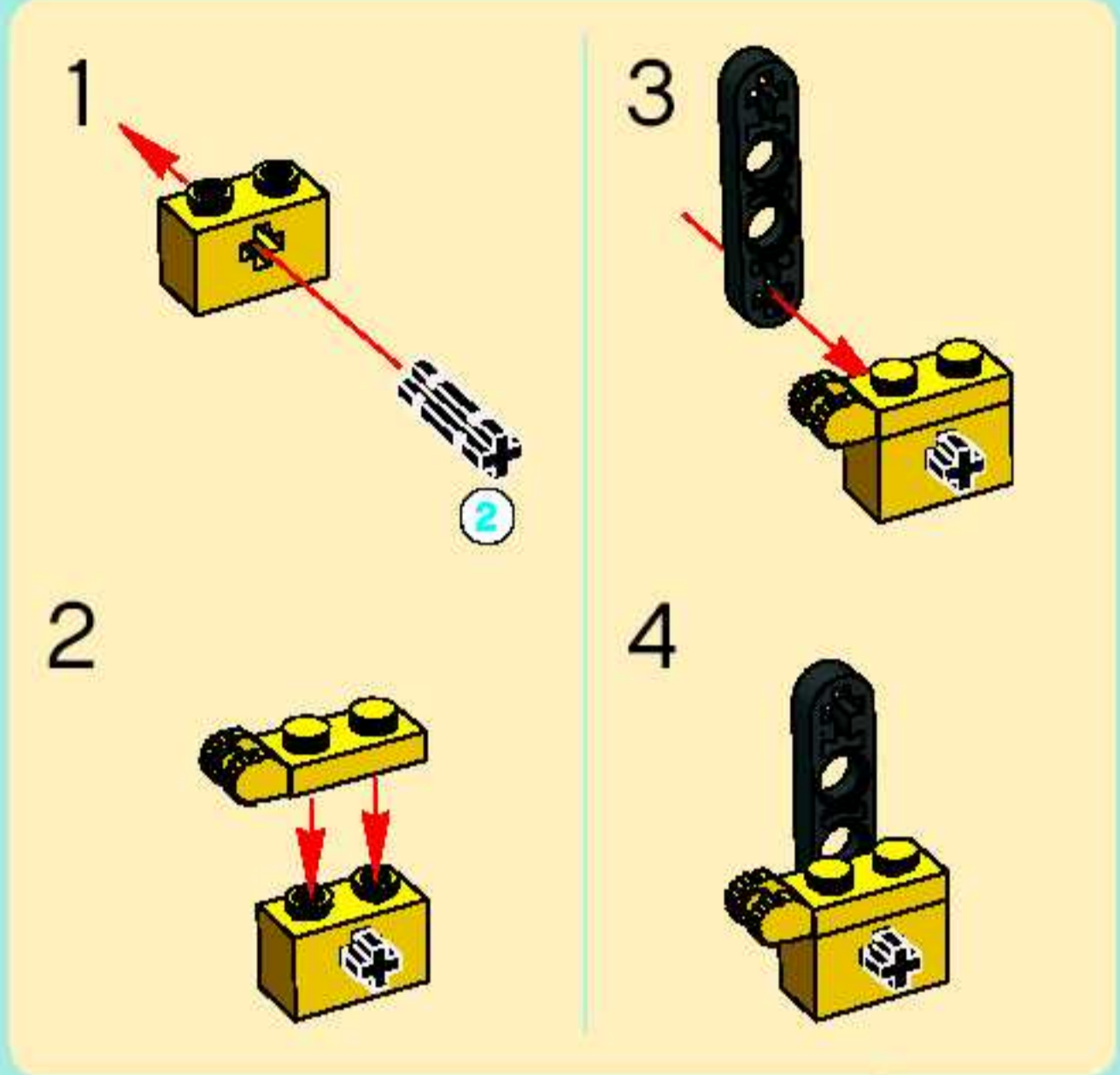




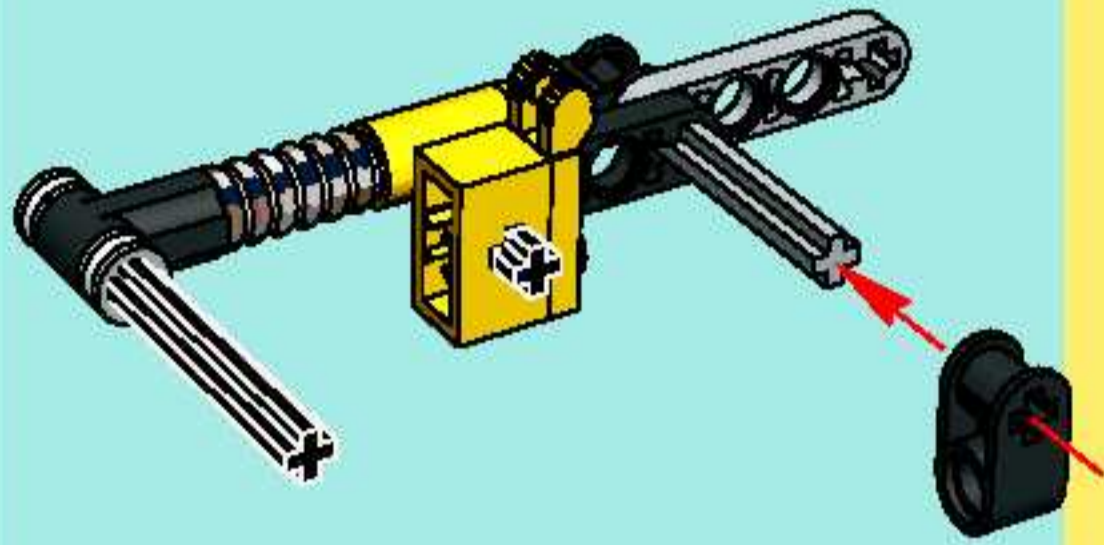
5



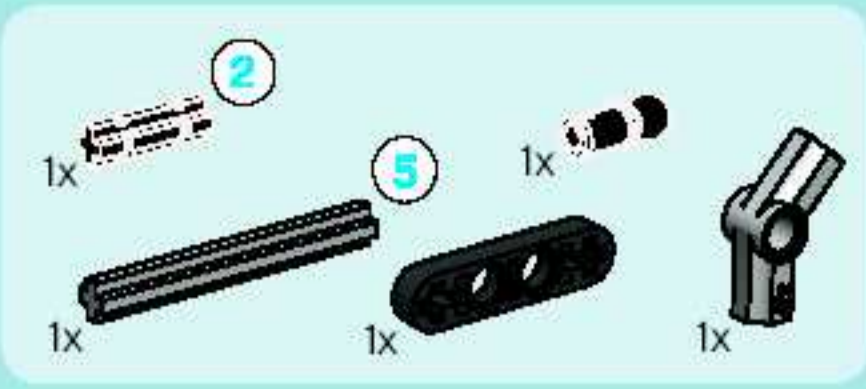
6



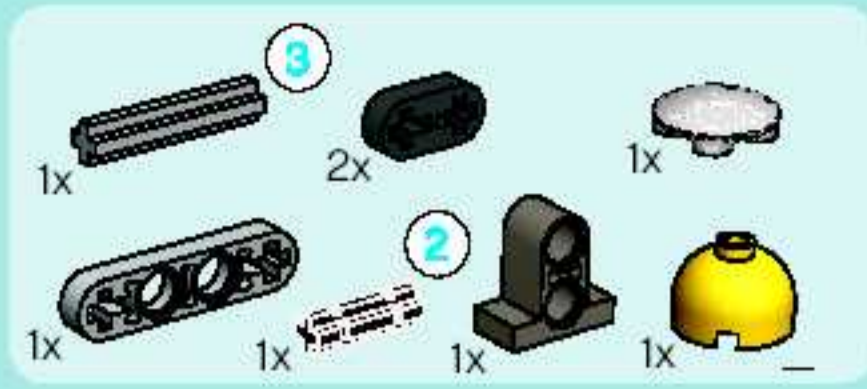
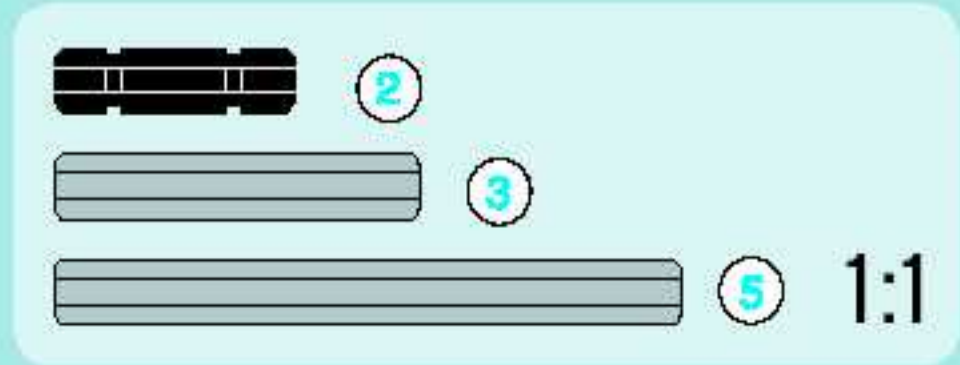
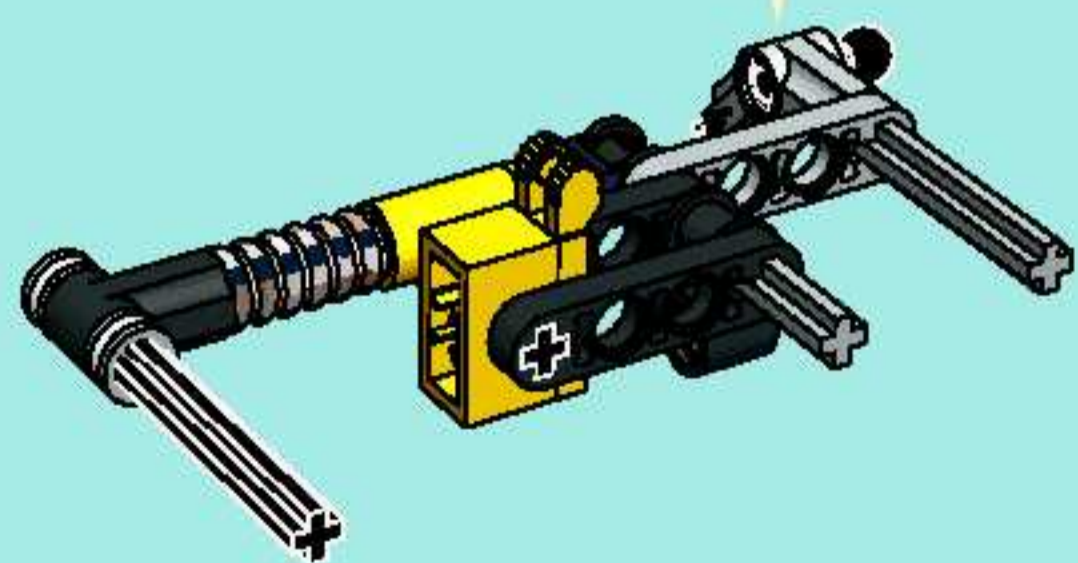
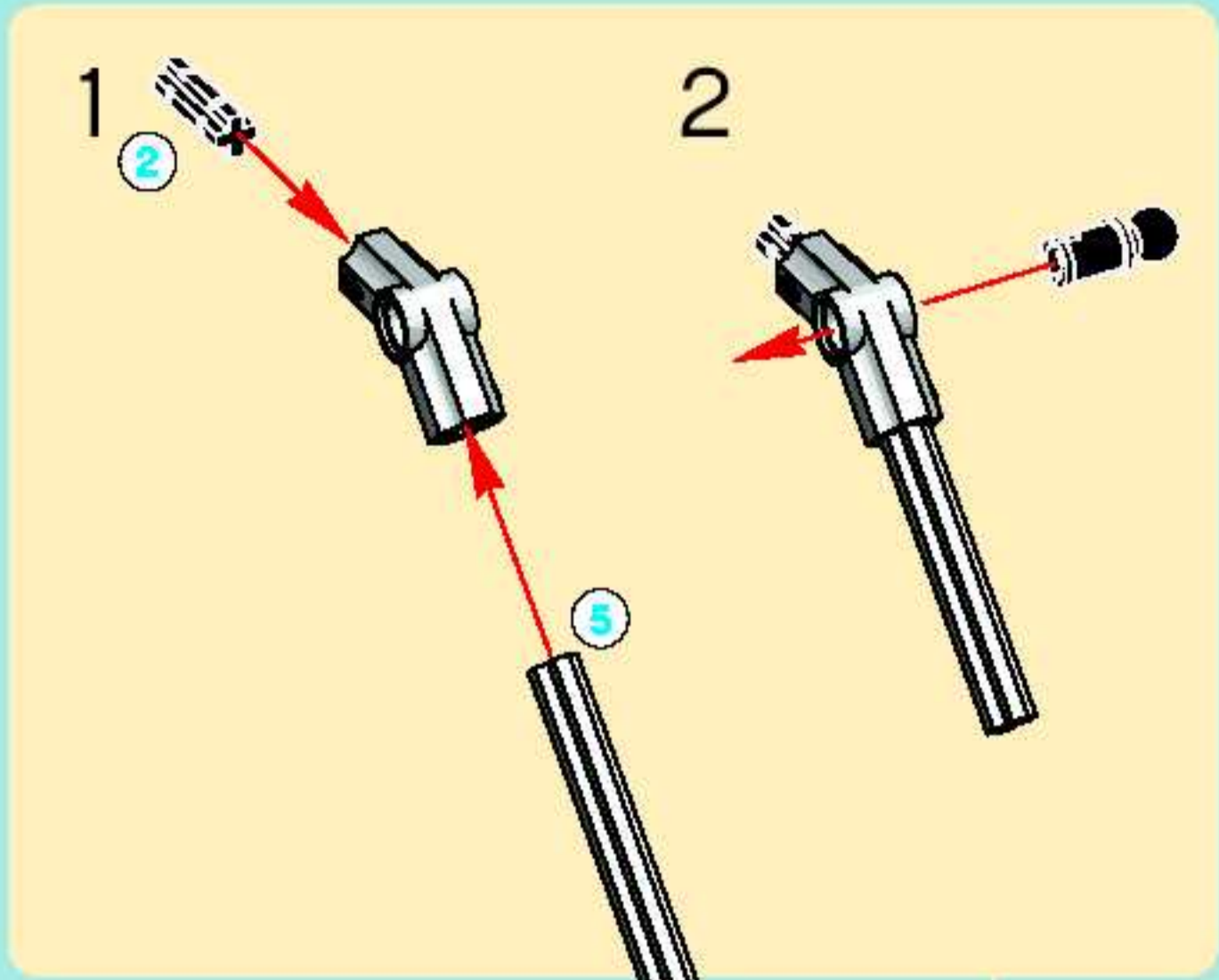
7



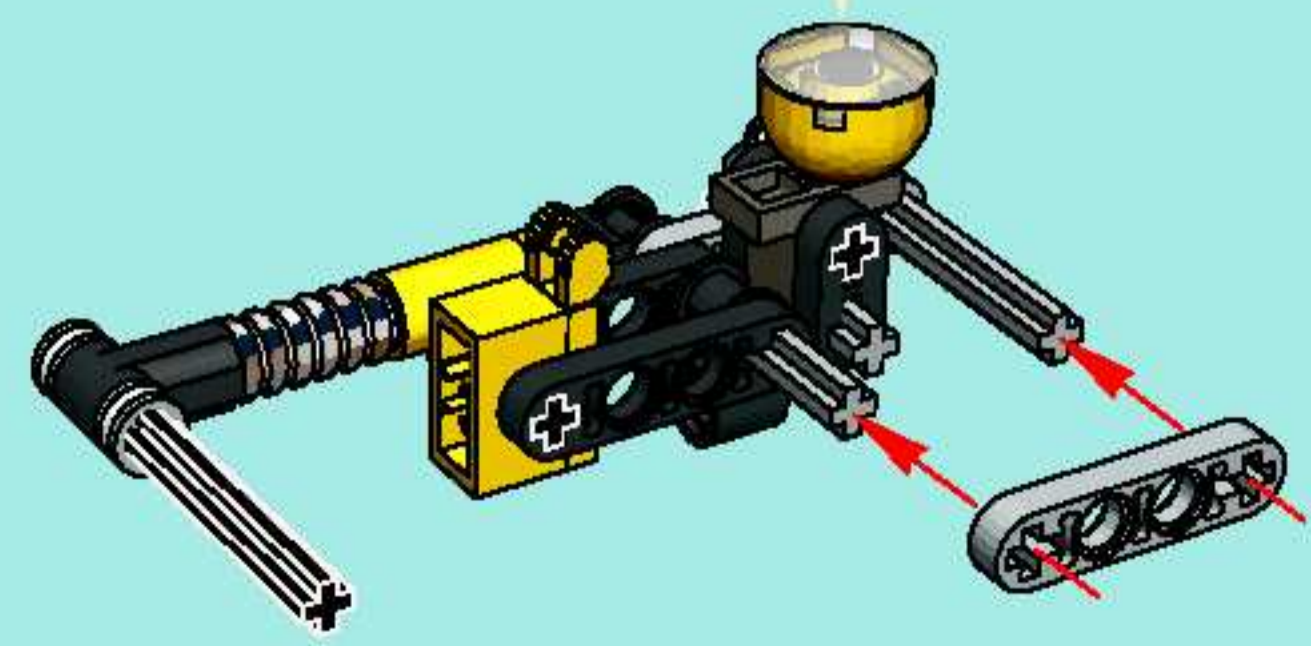
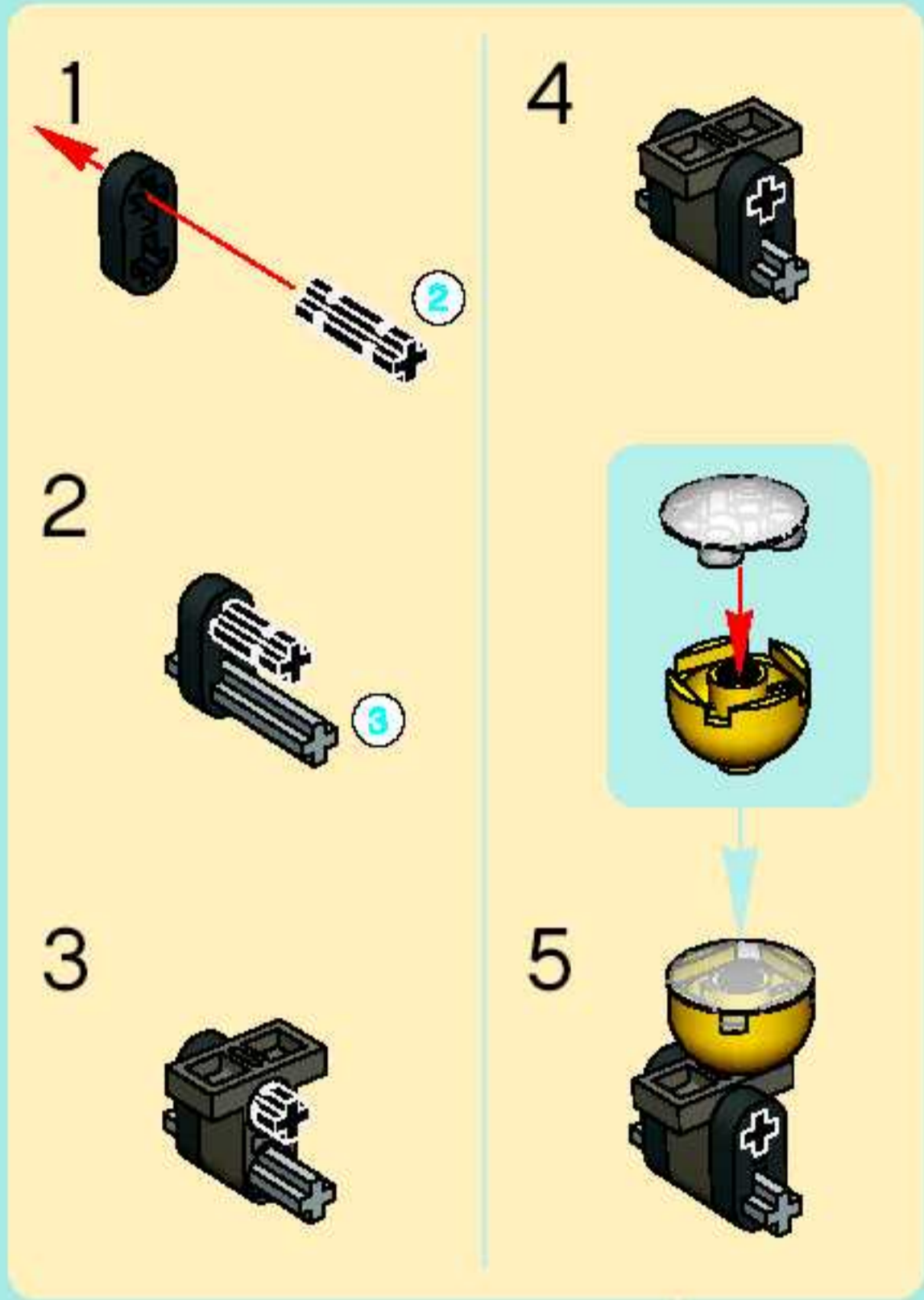




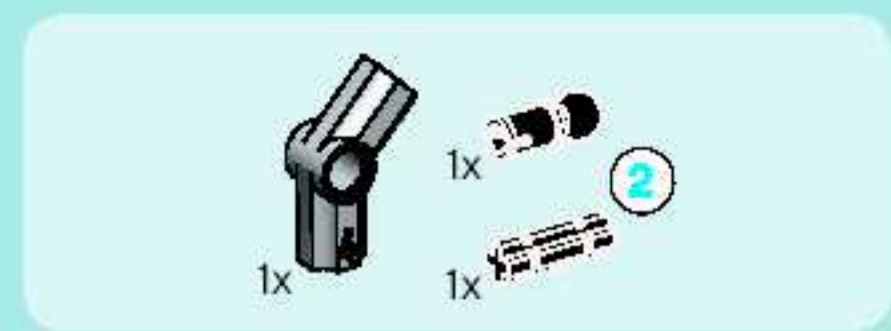
8



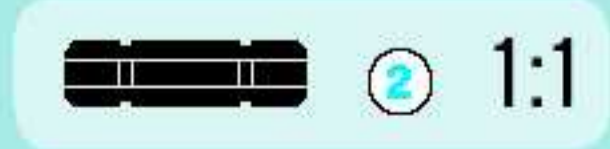
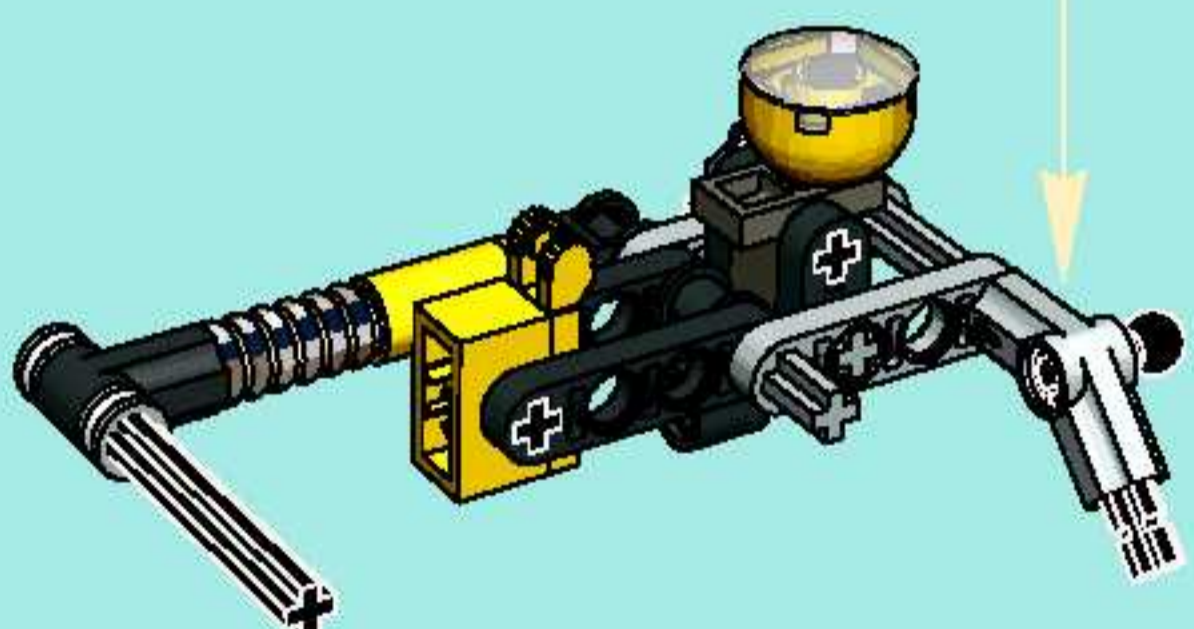
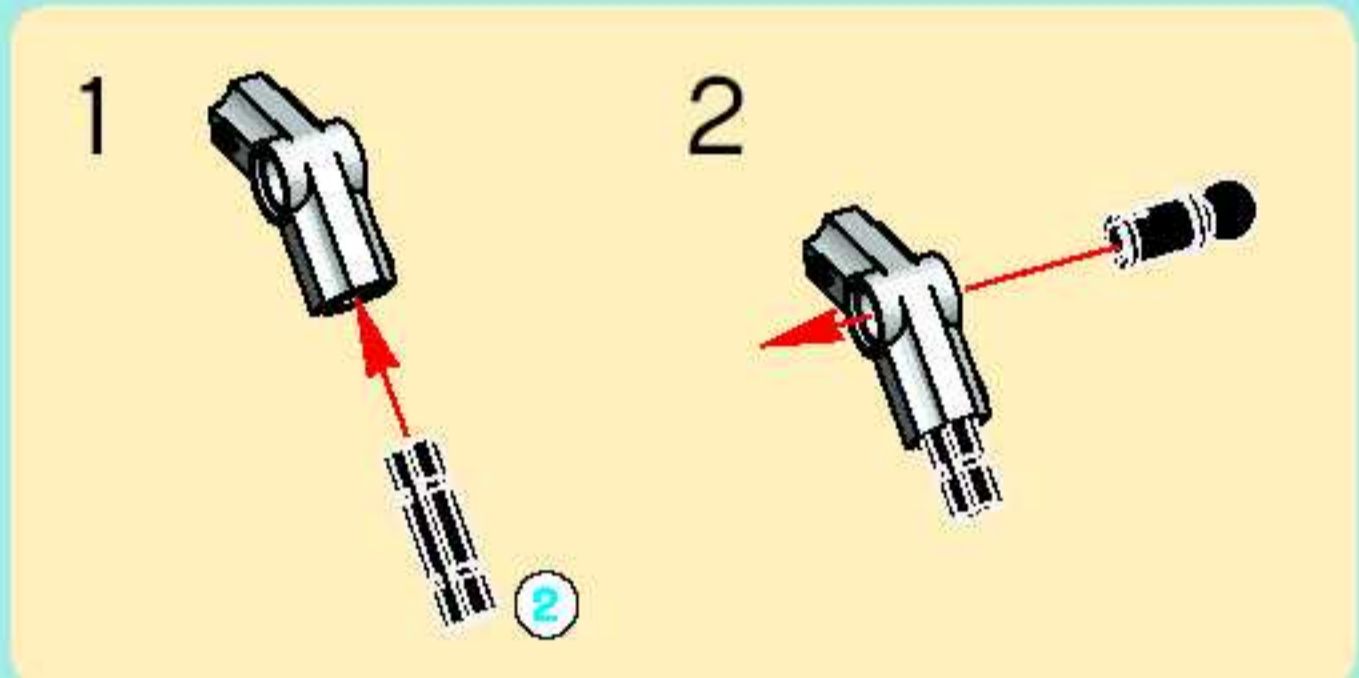
9



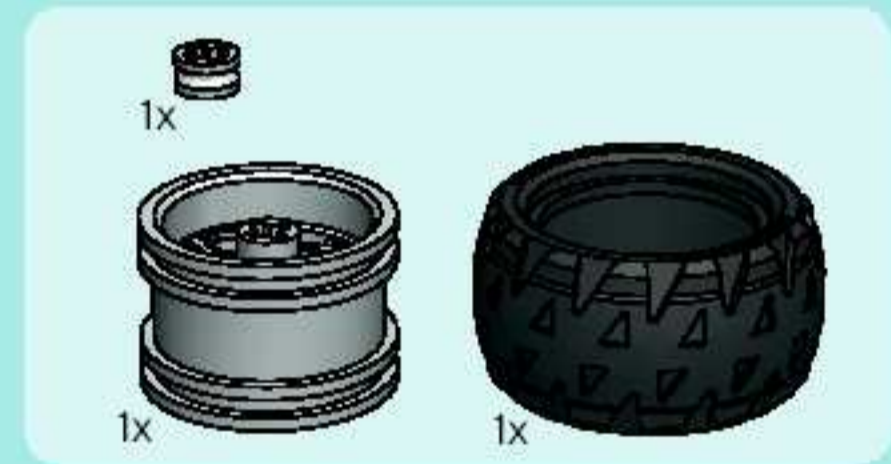
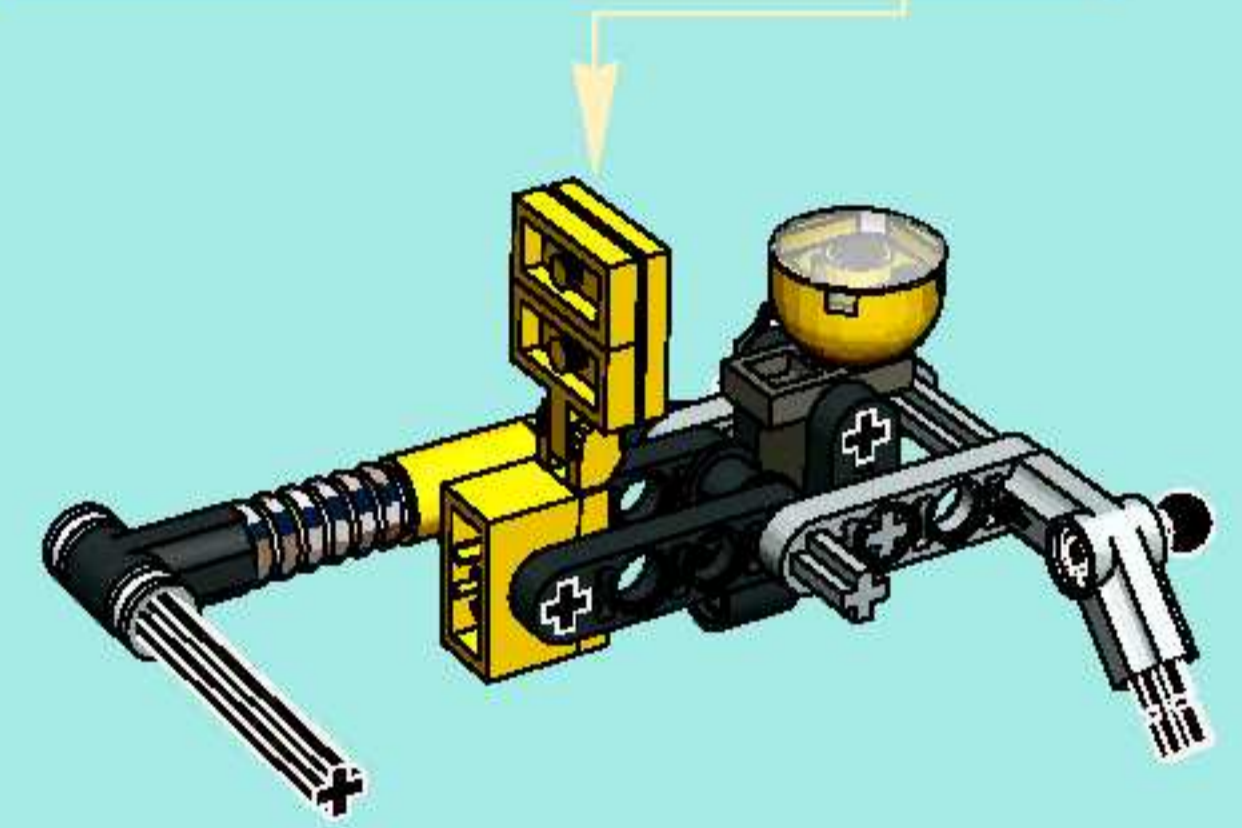




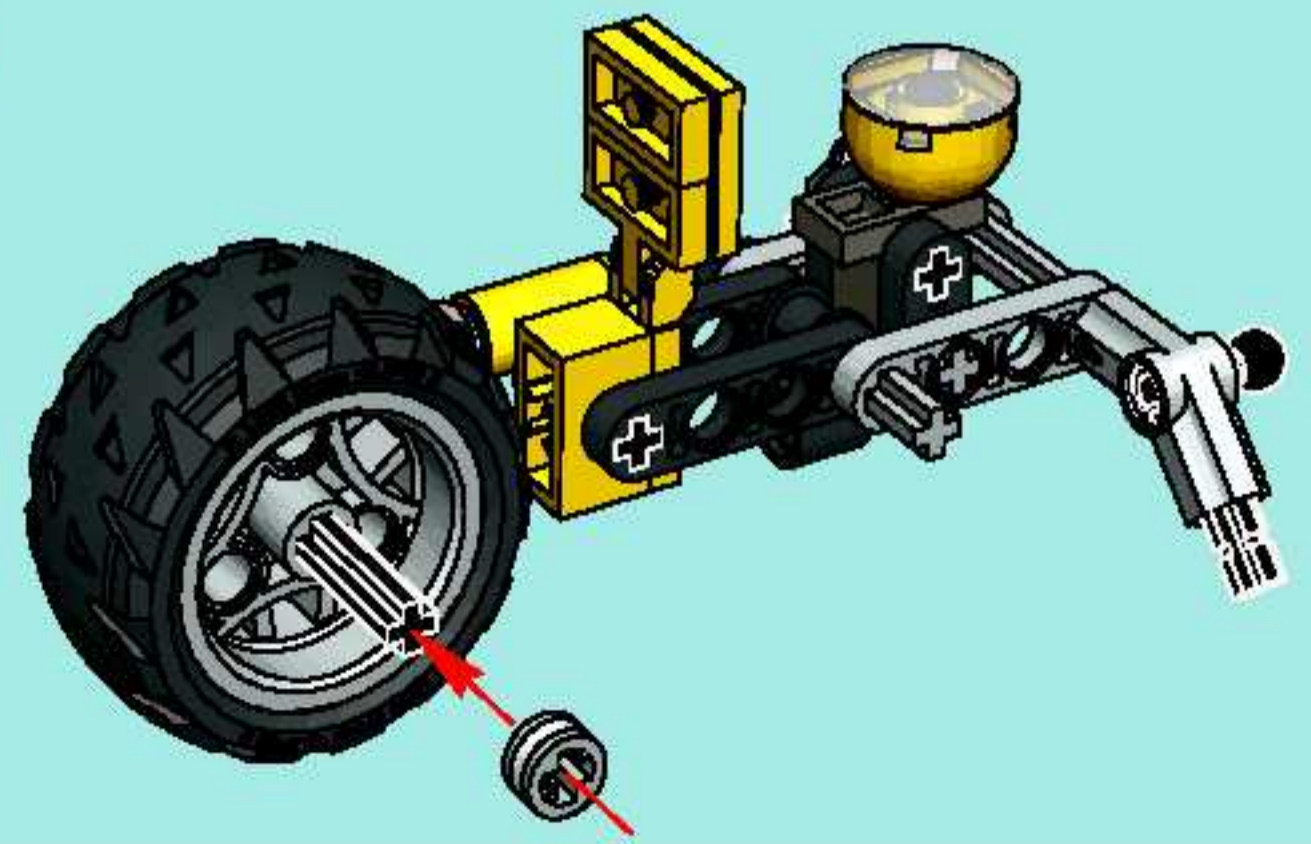
10



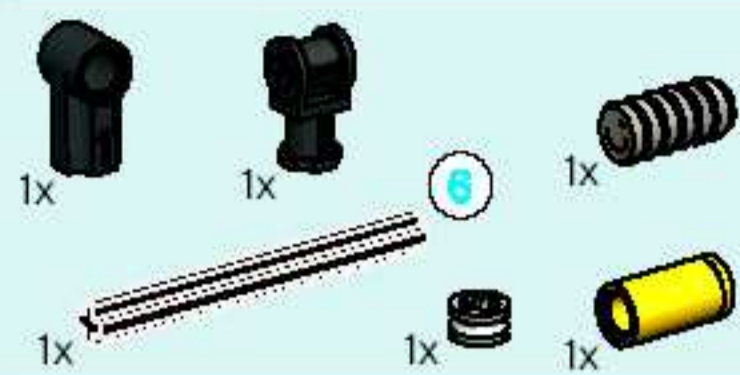
11



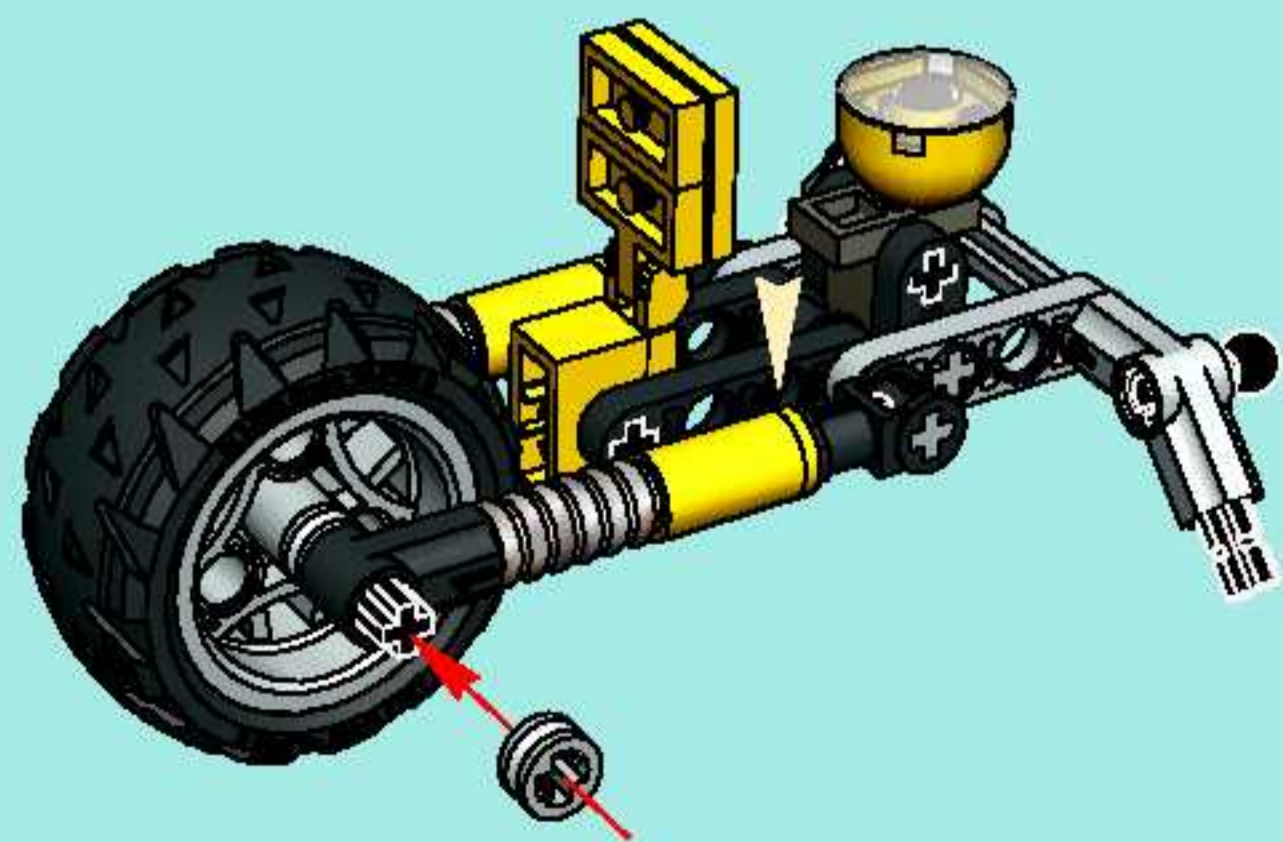
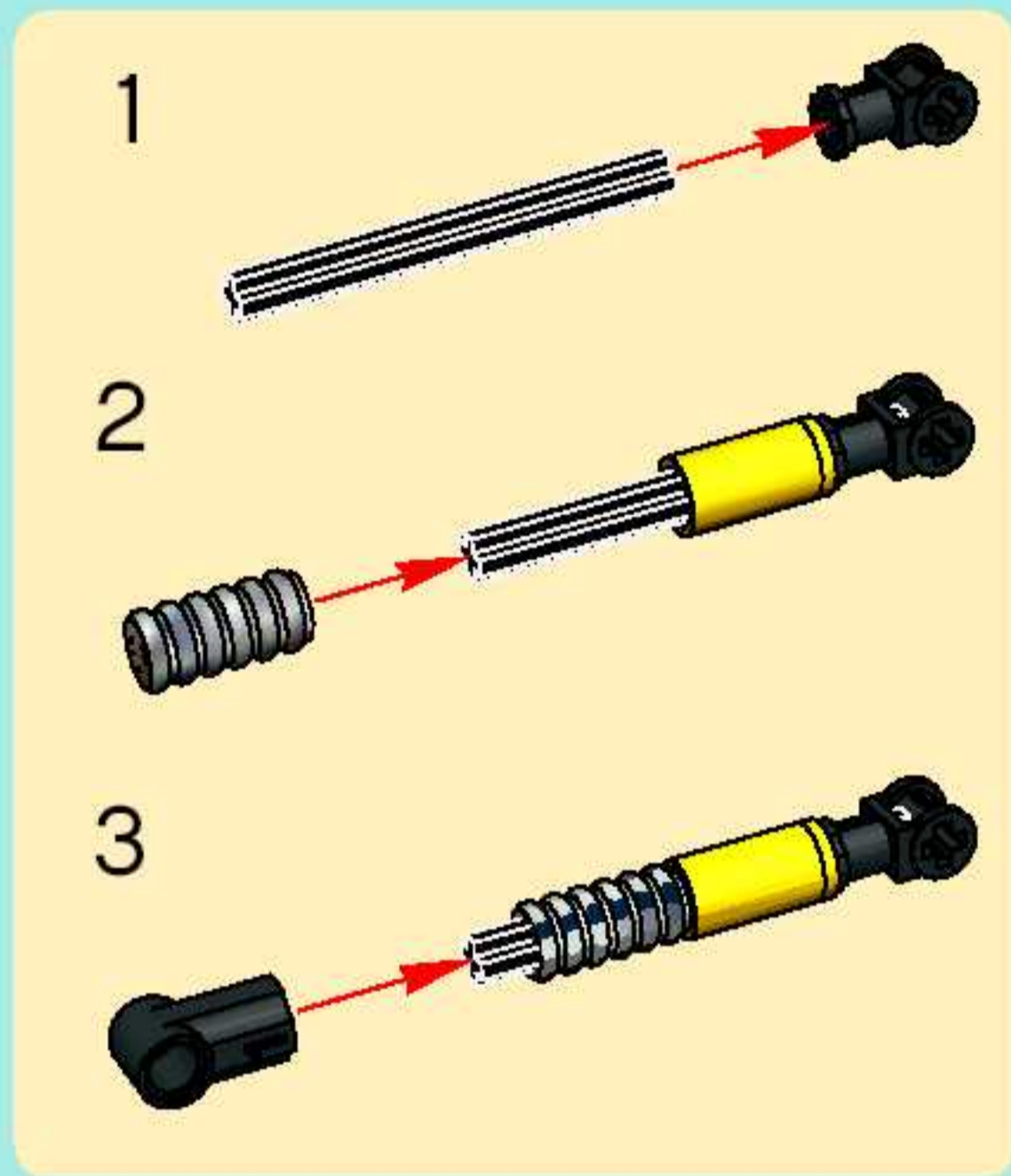
12







13



29



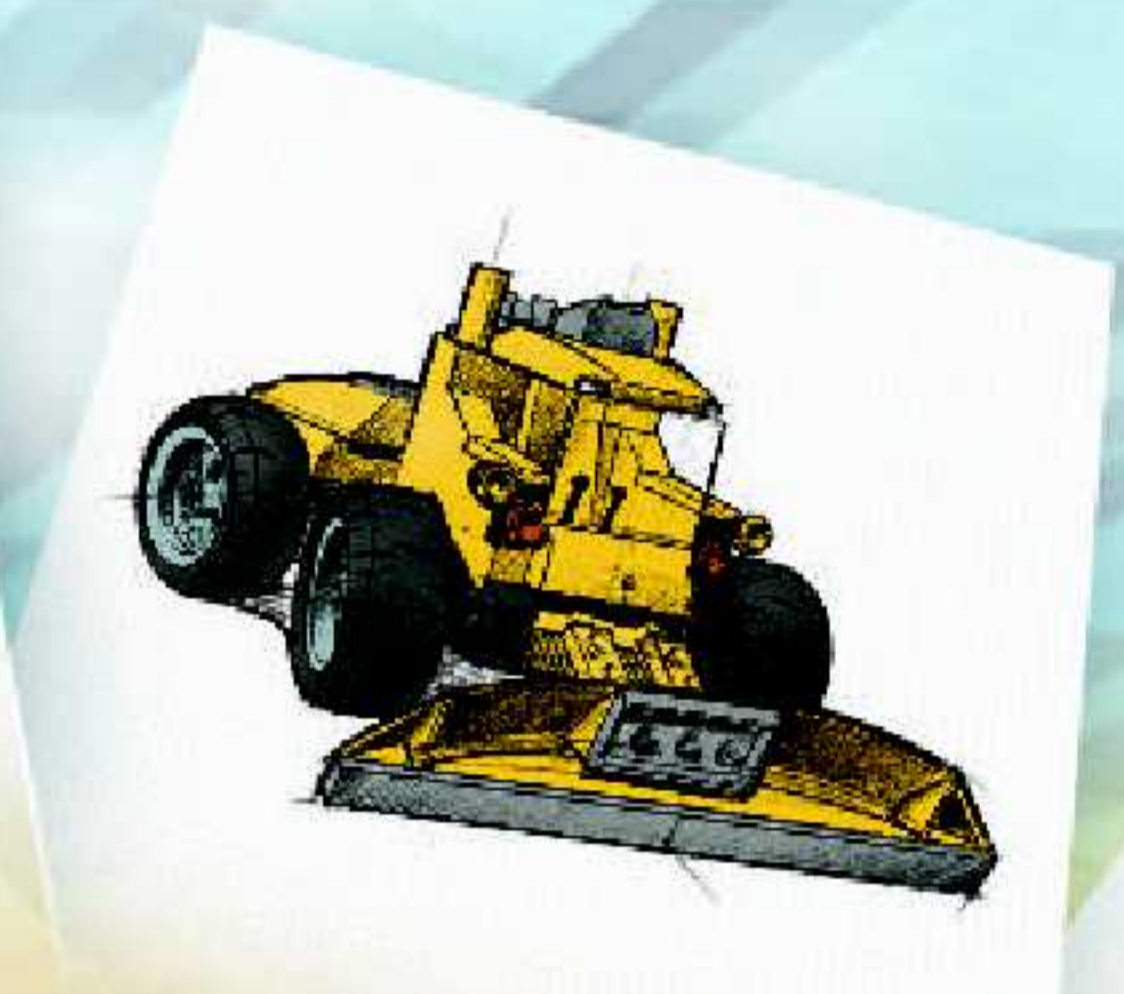
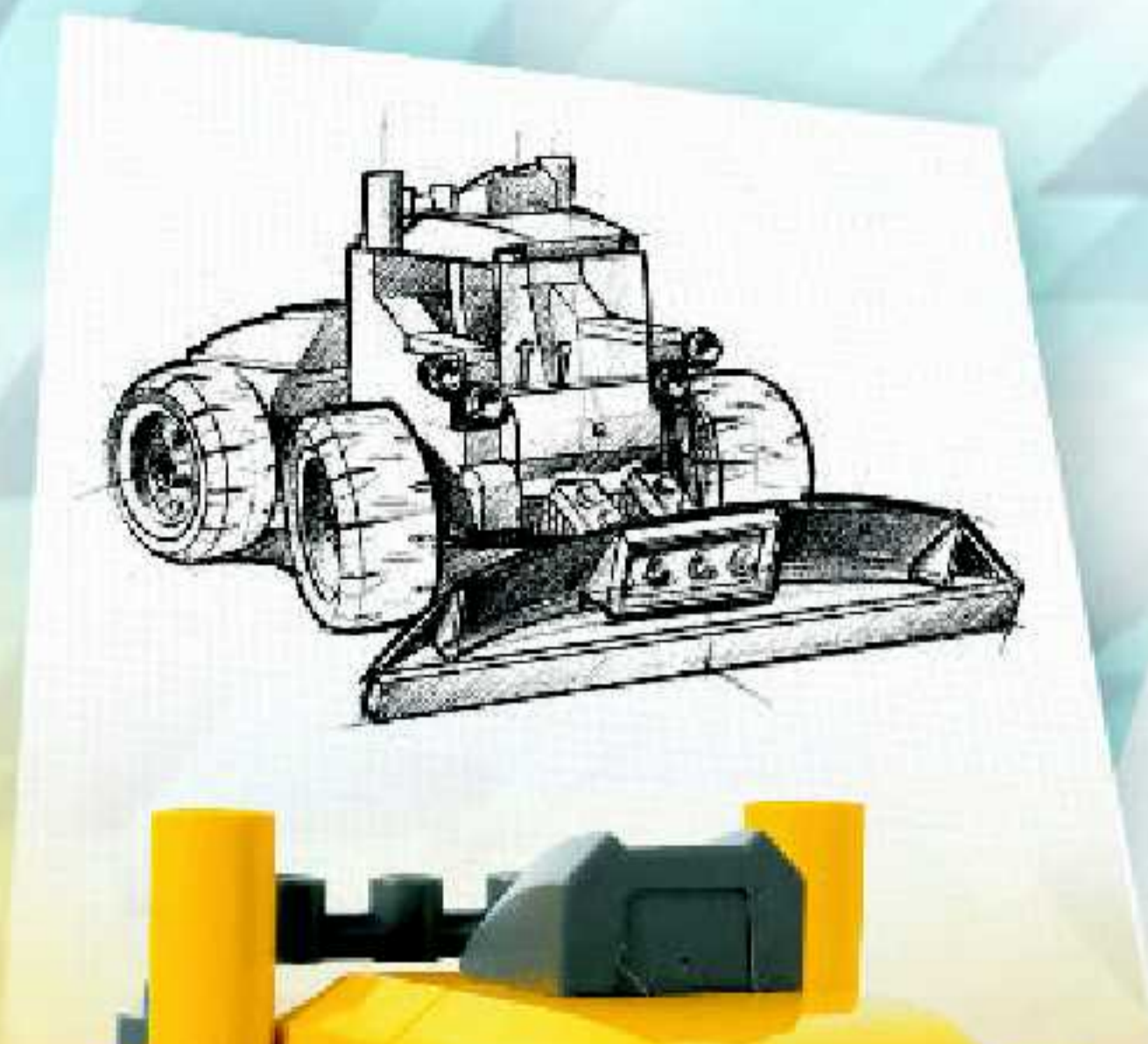




























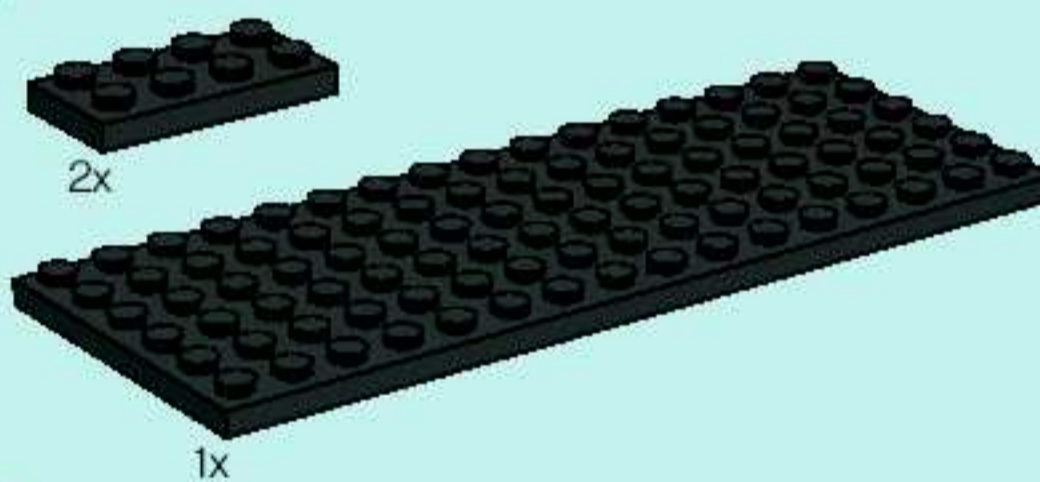
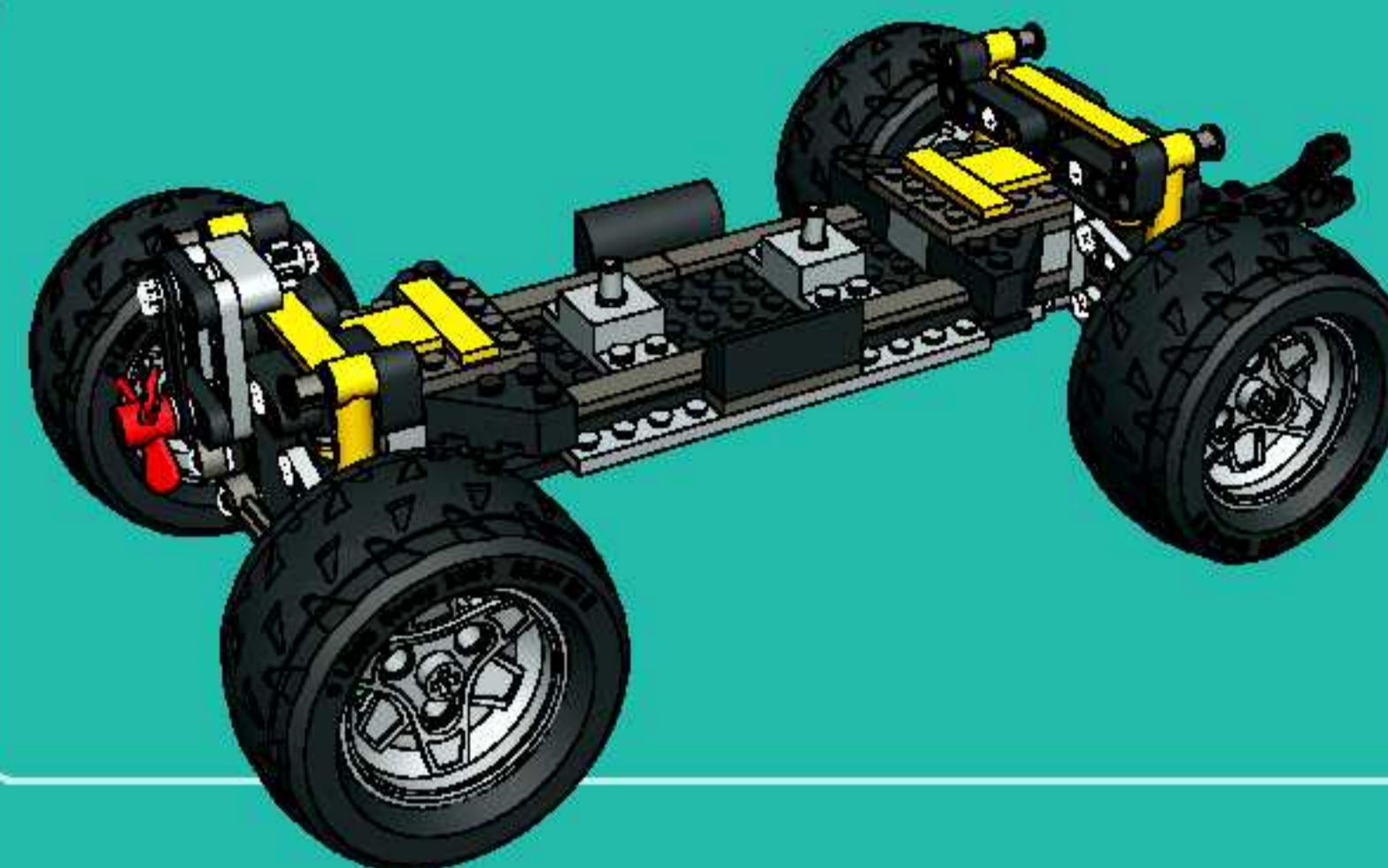




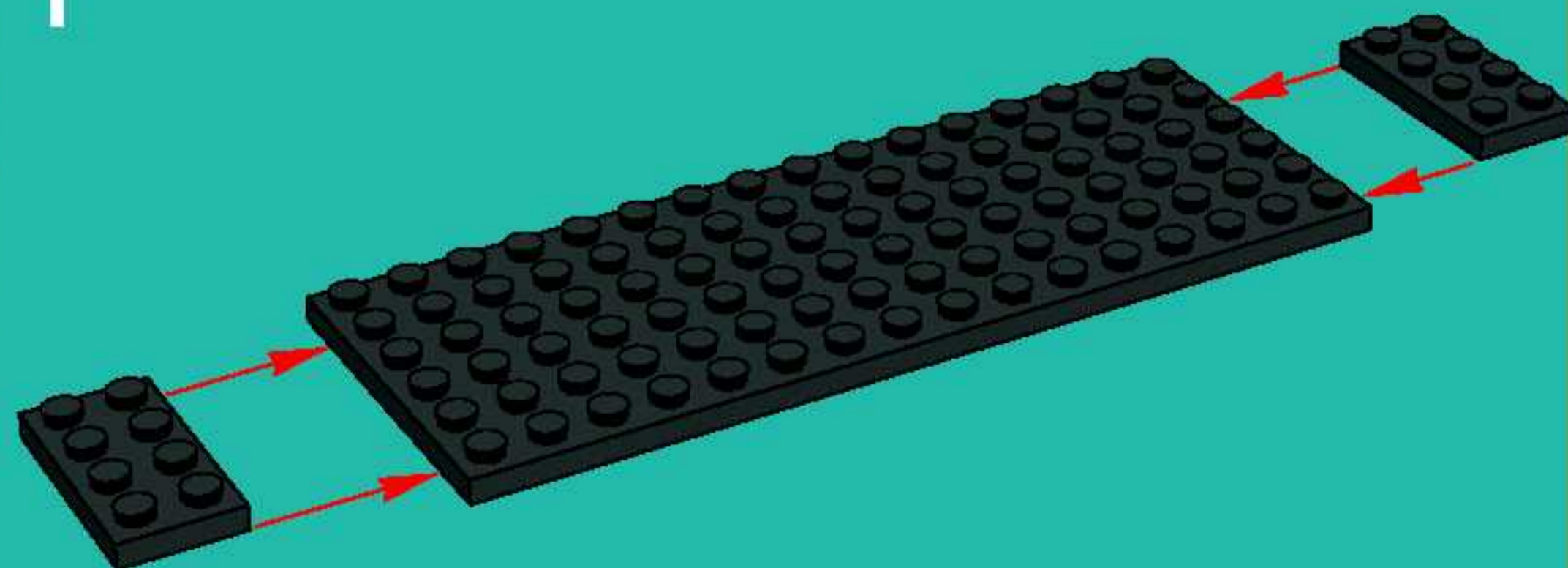






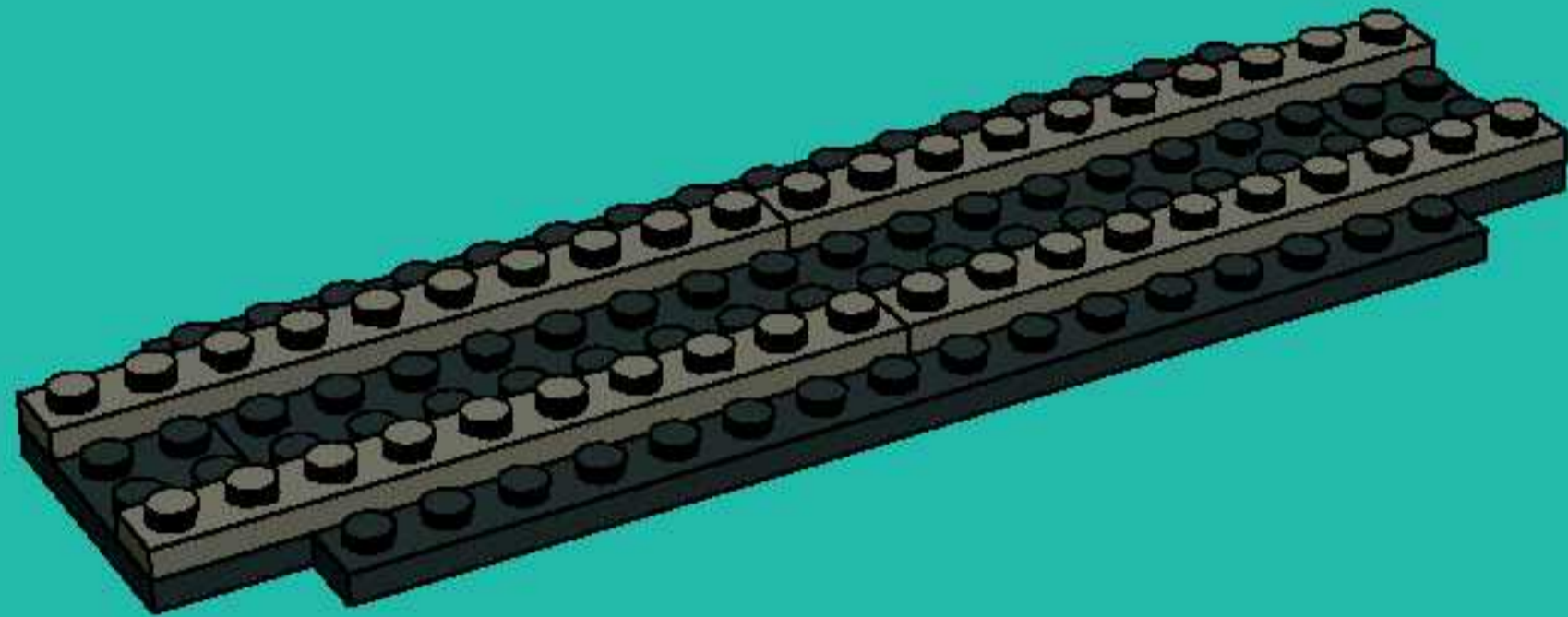
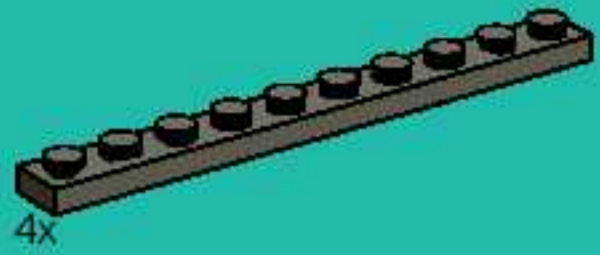


1

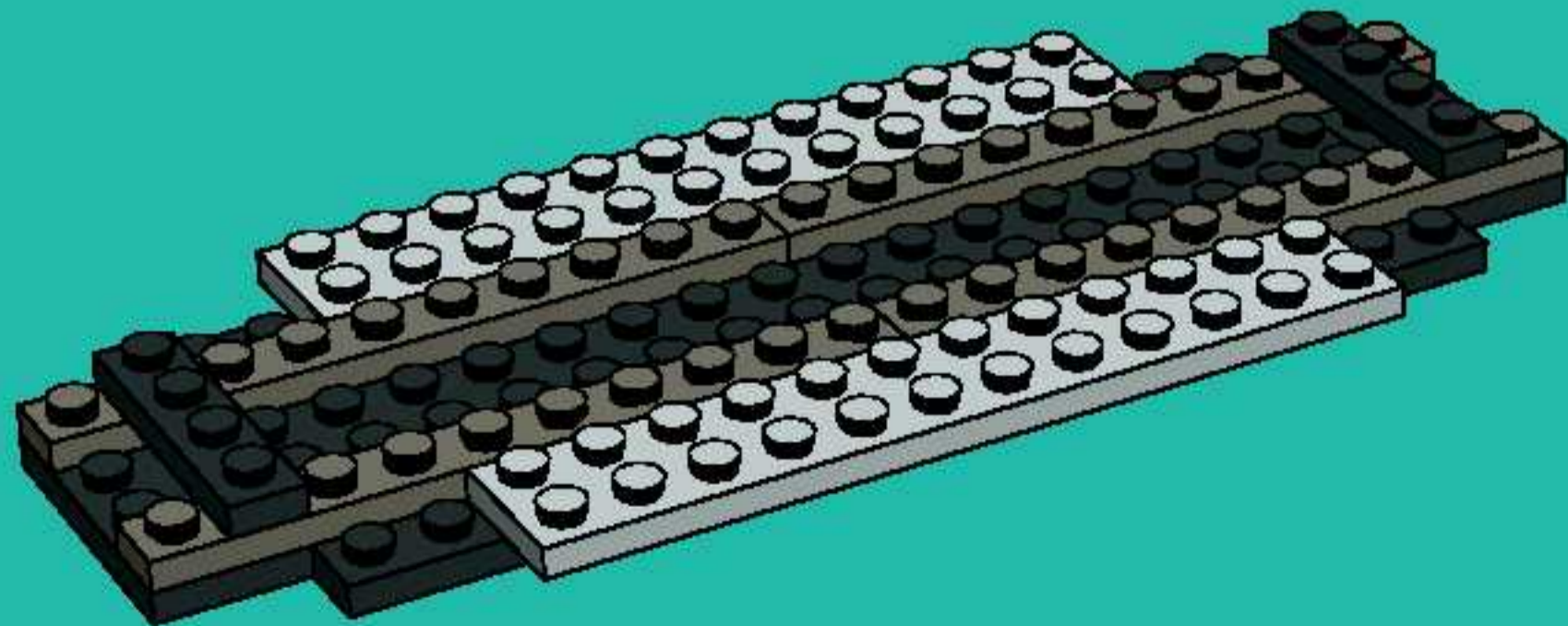
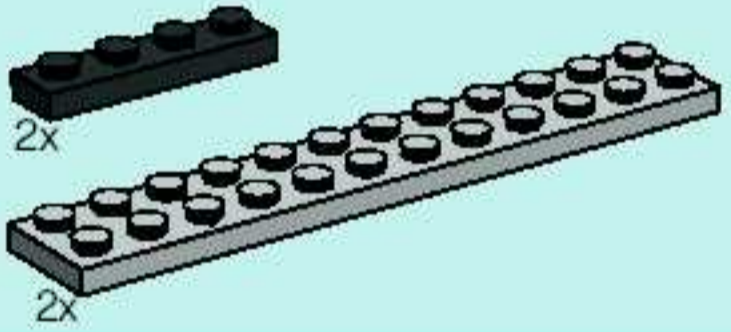




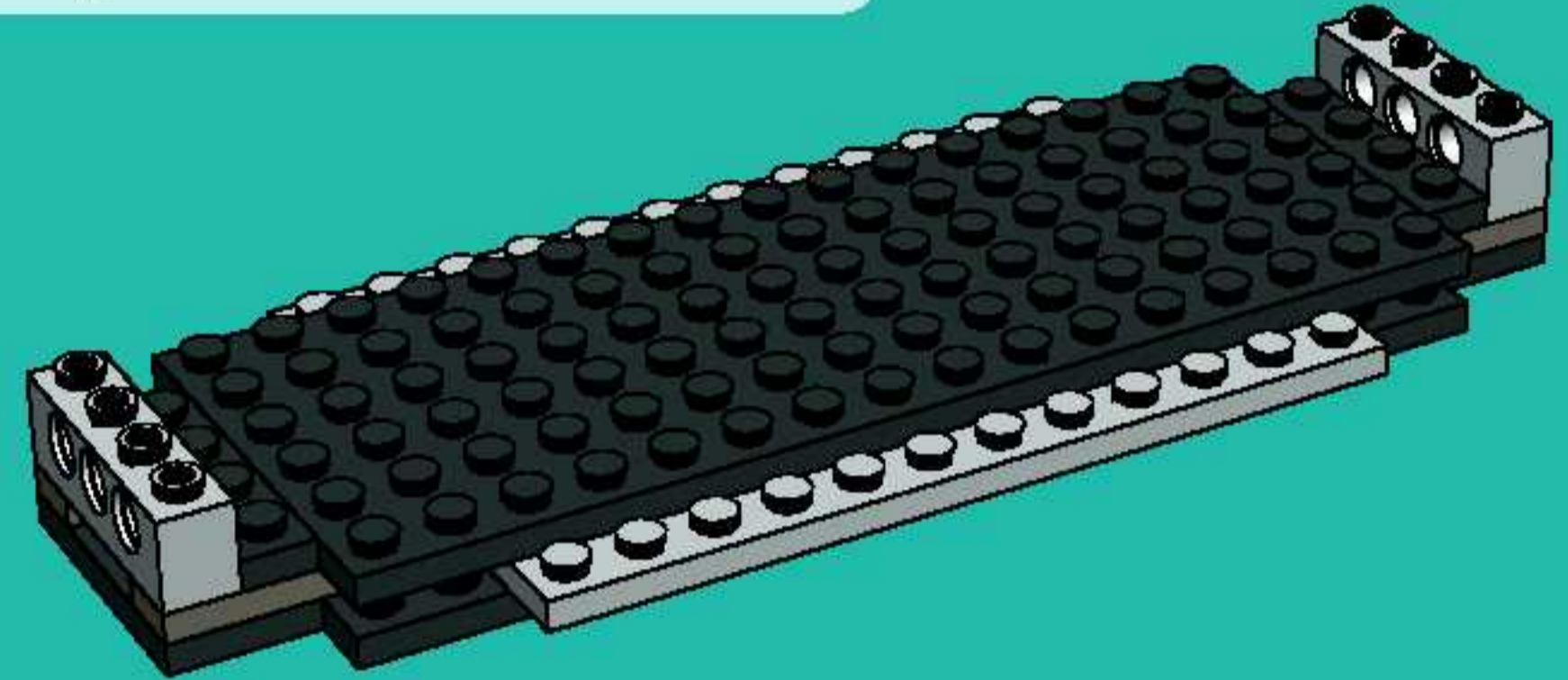
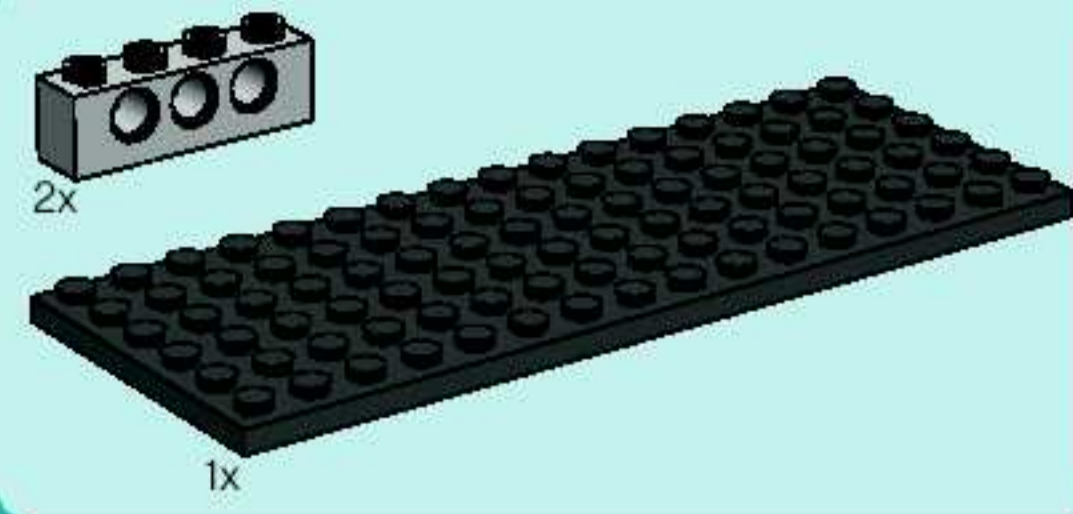
2



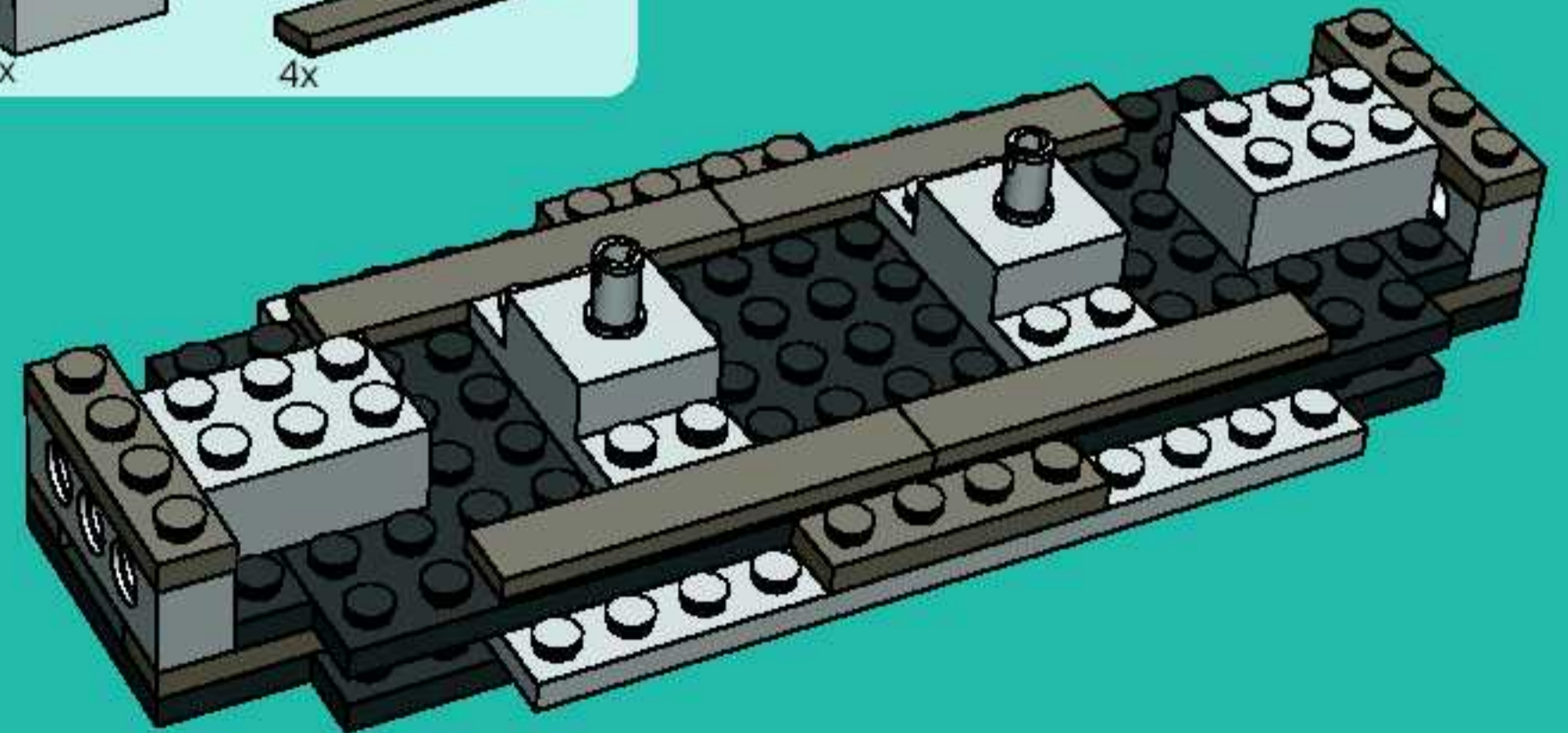
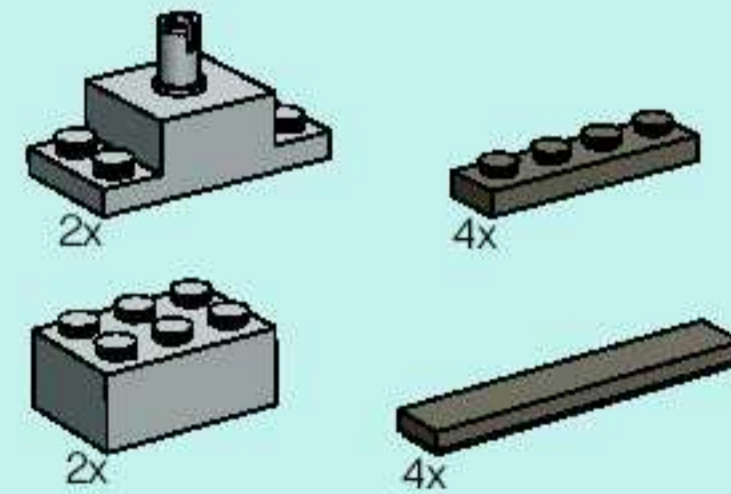
3



4



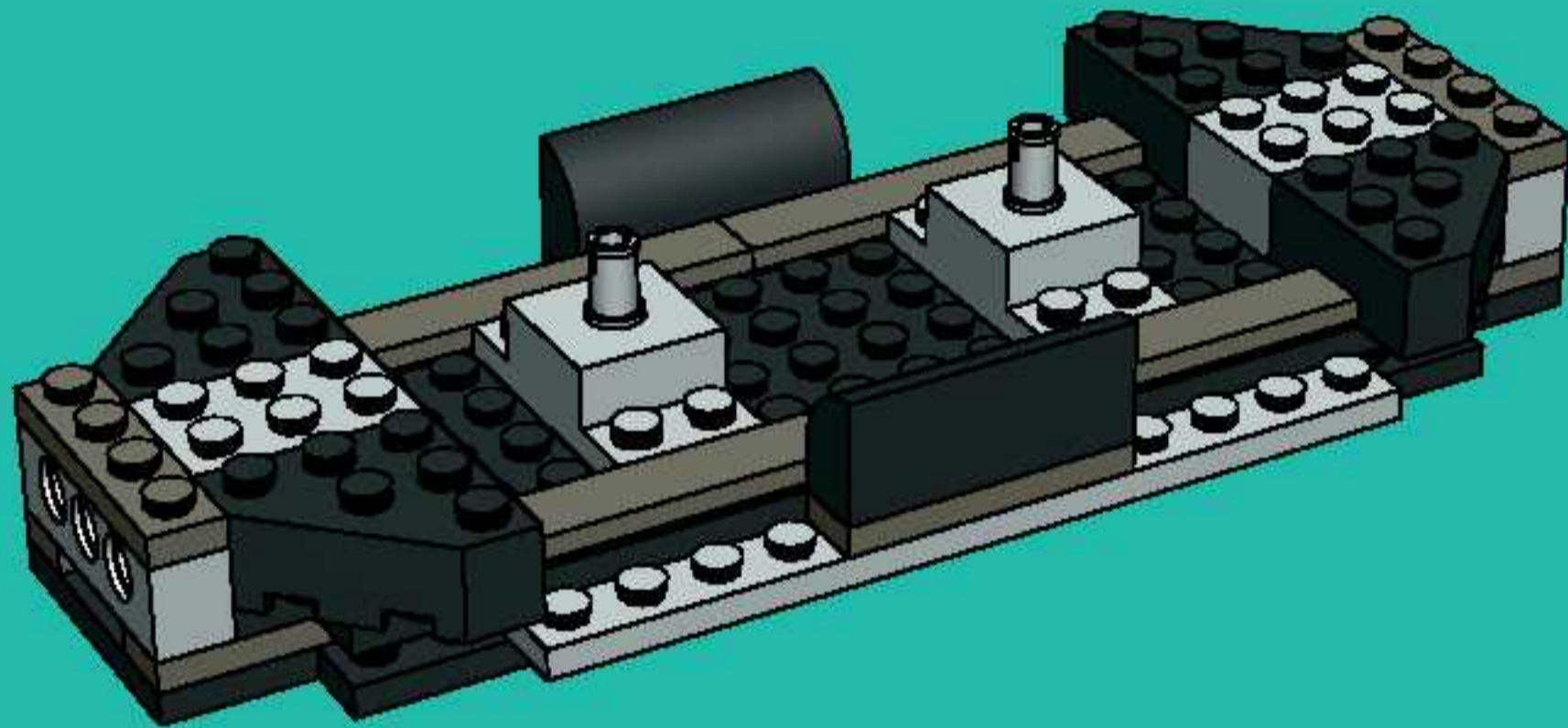
5



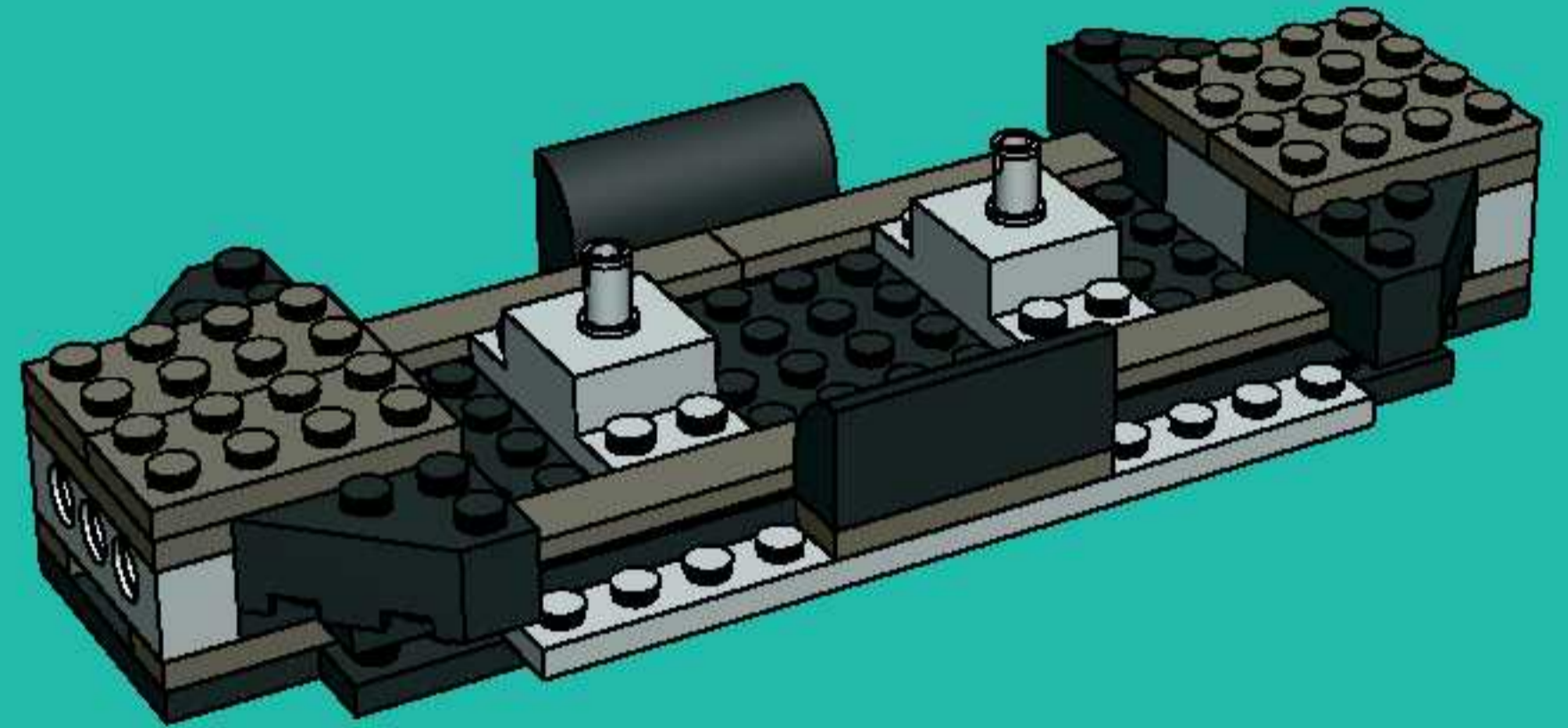




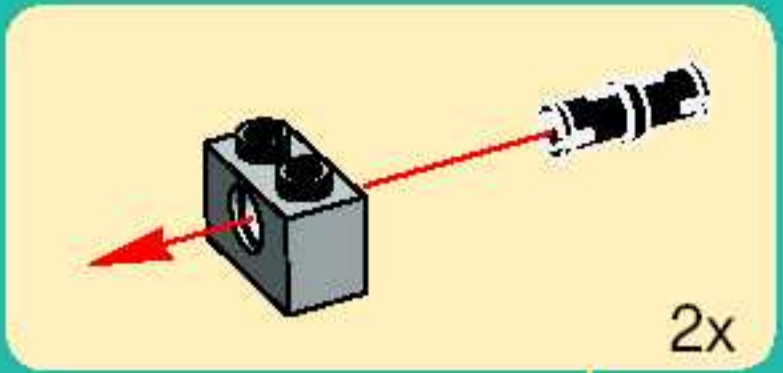
6



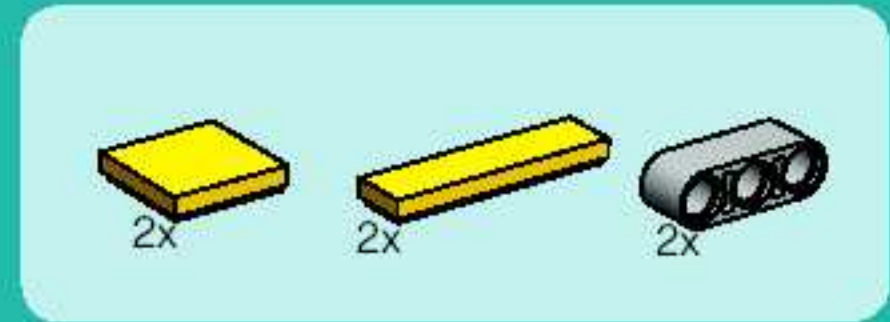
7



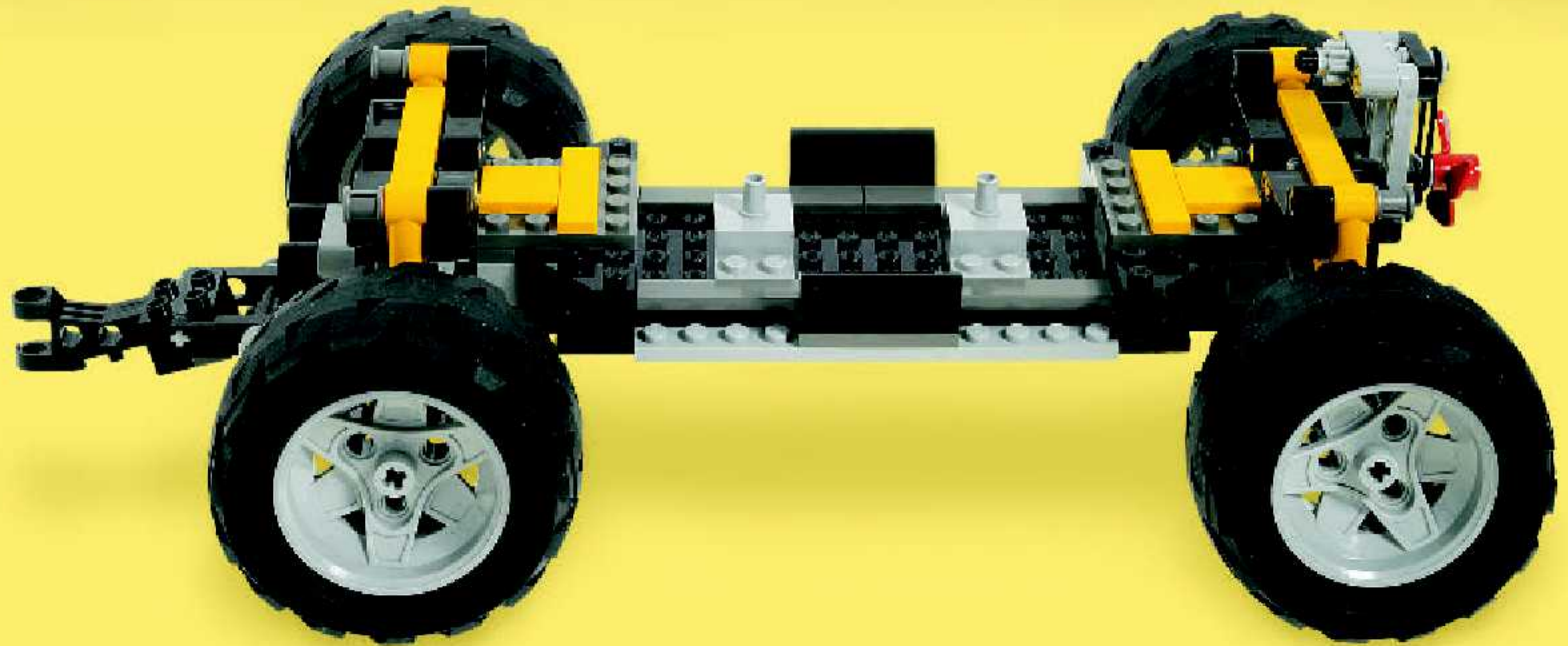
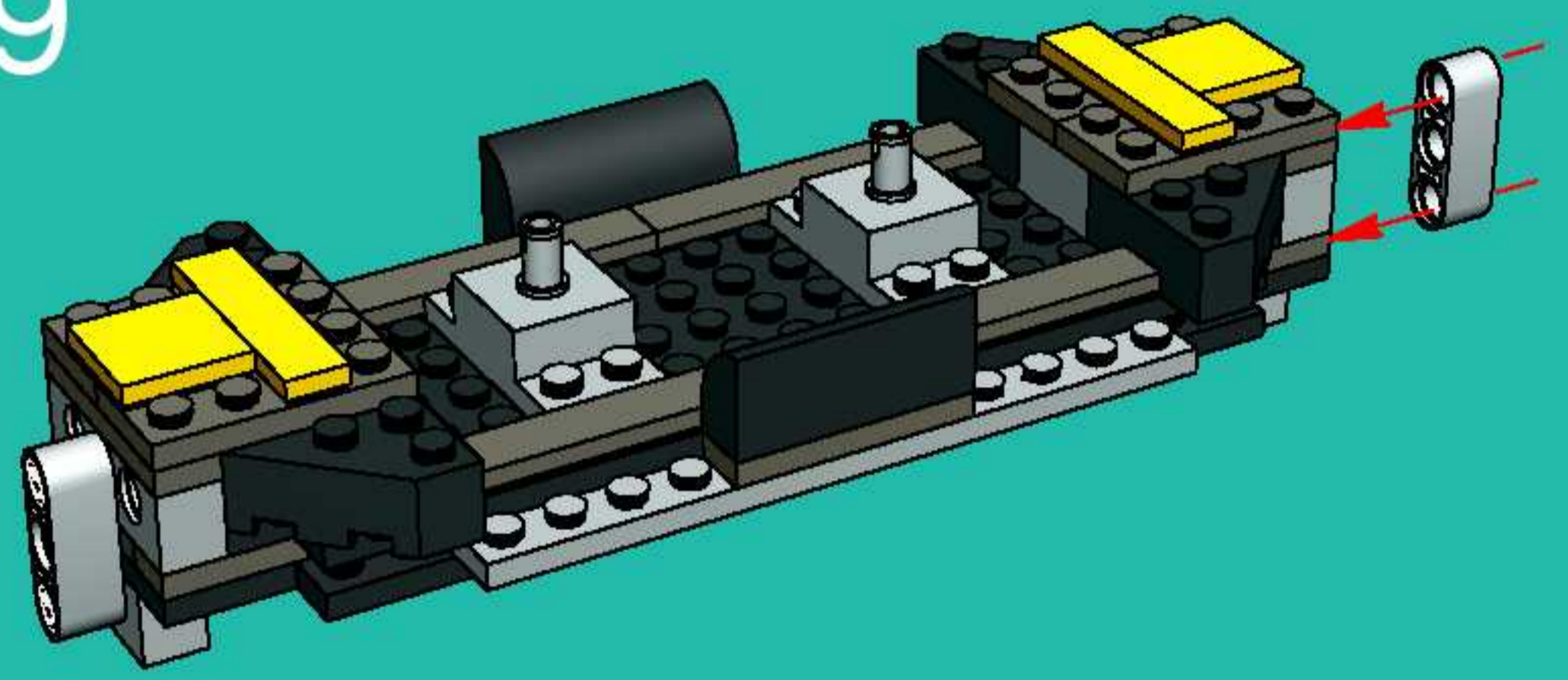




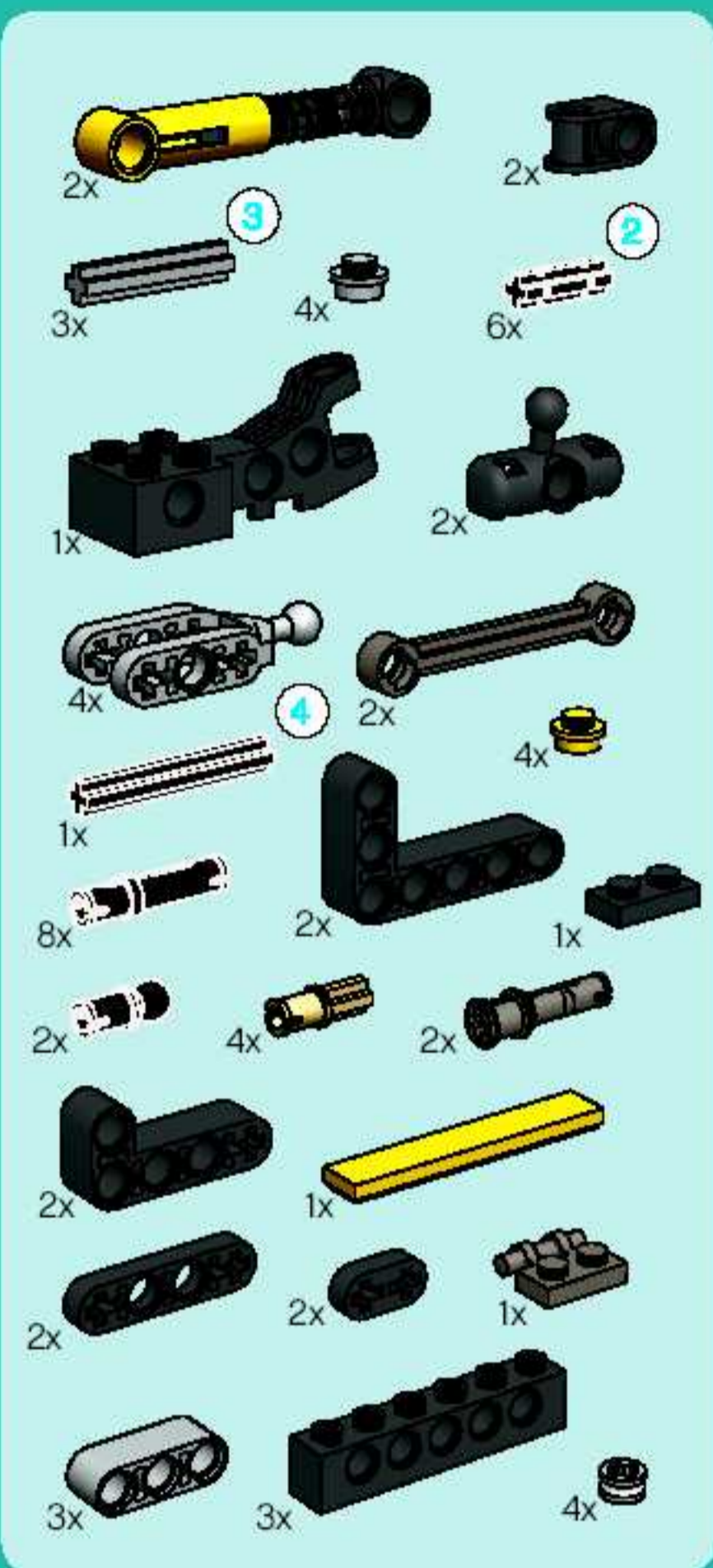
8



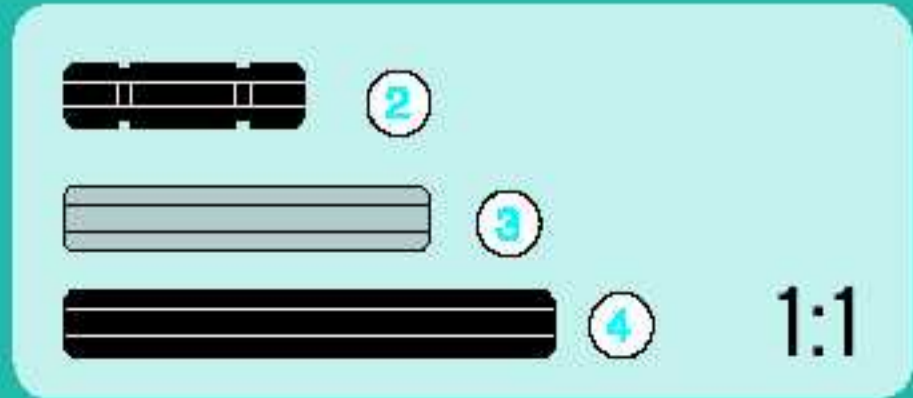
9



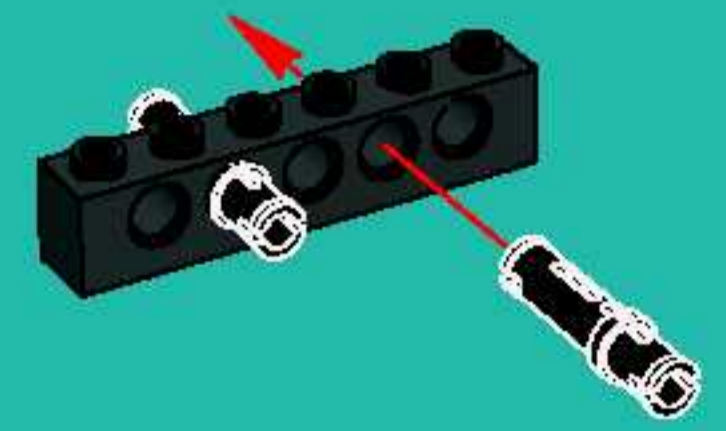




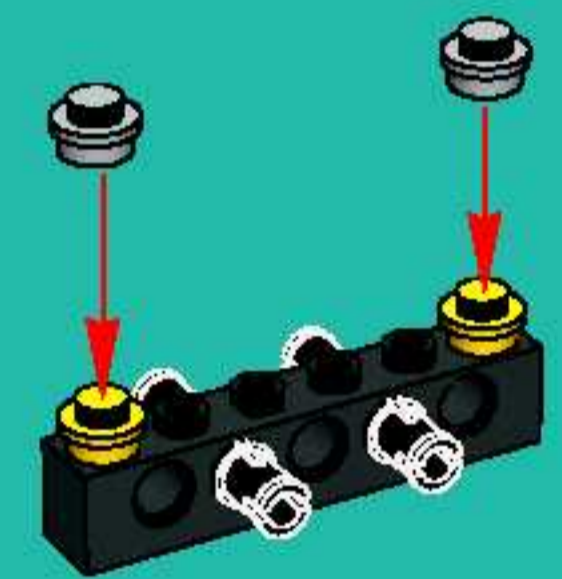
10



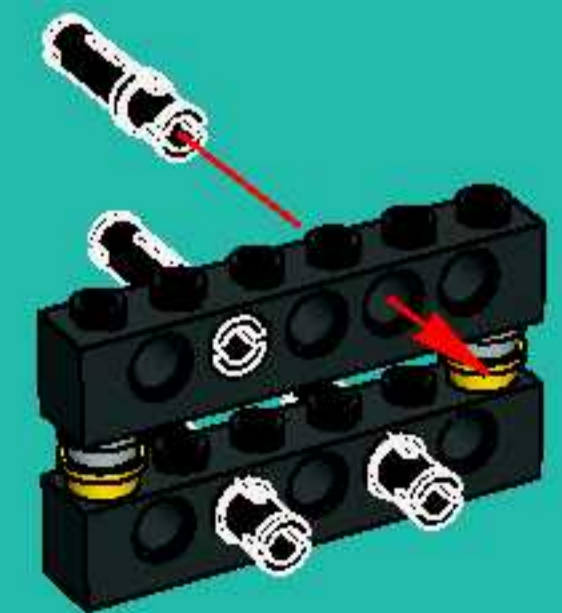
1



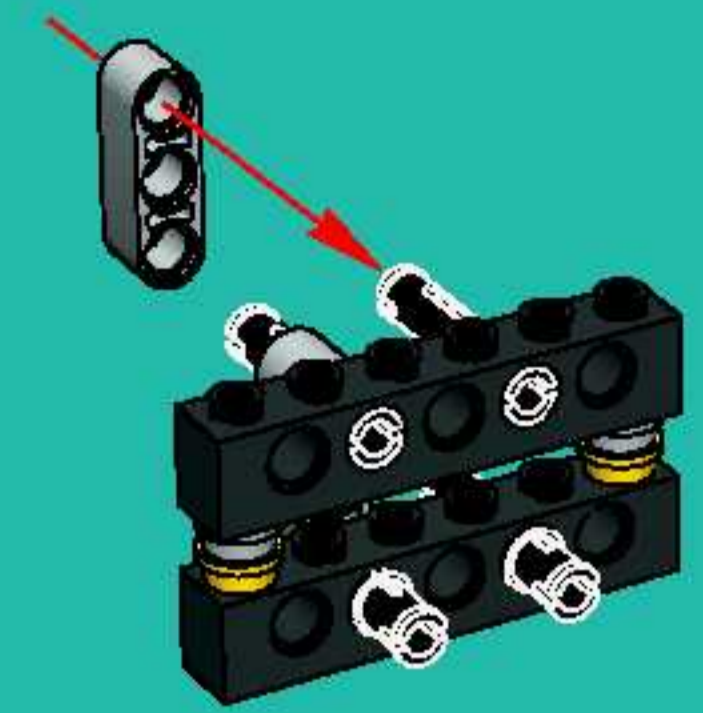
2



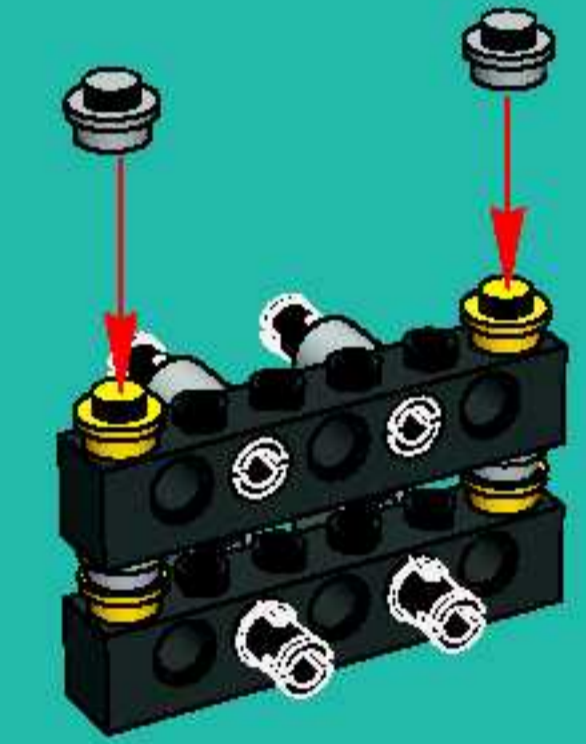
3



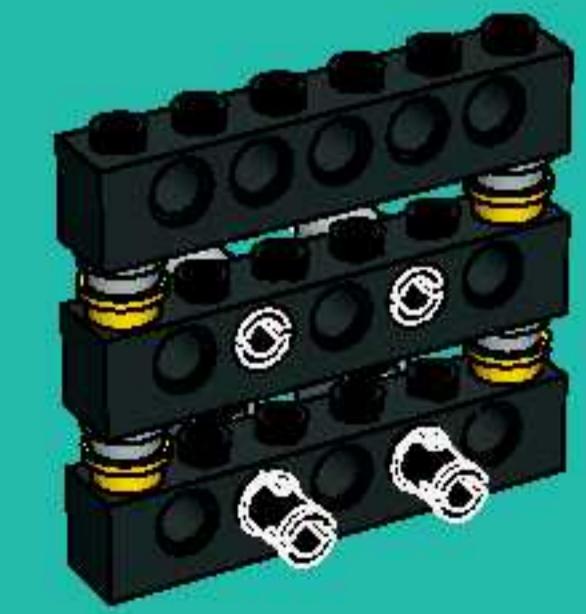
4



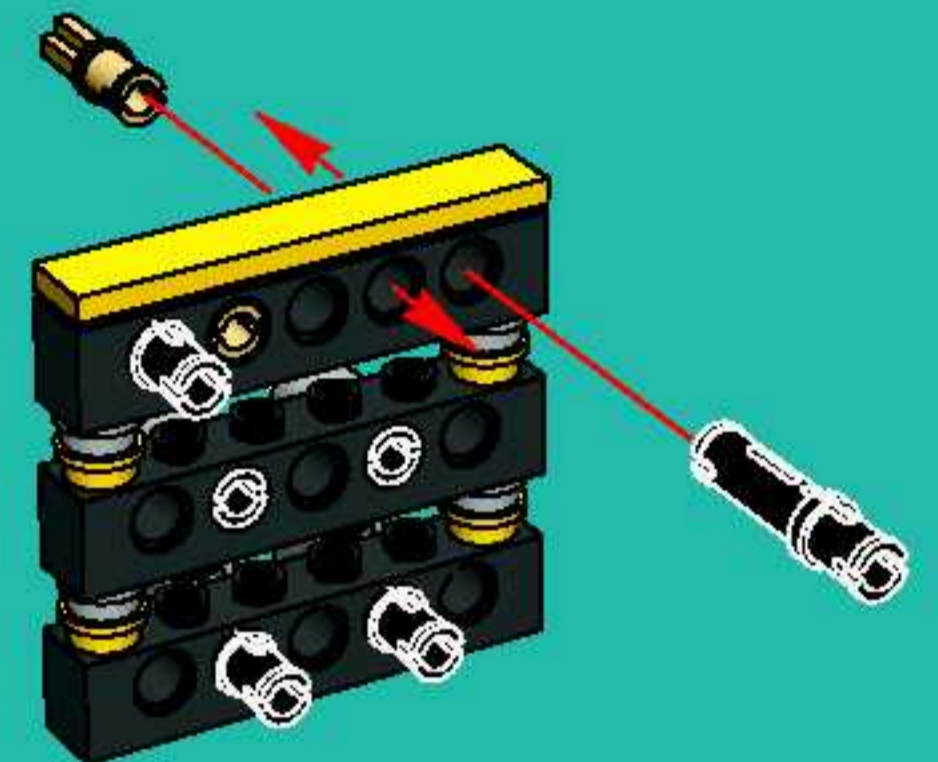
5



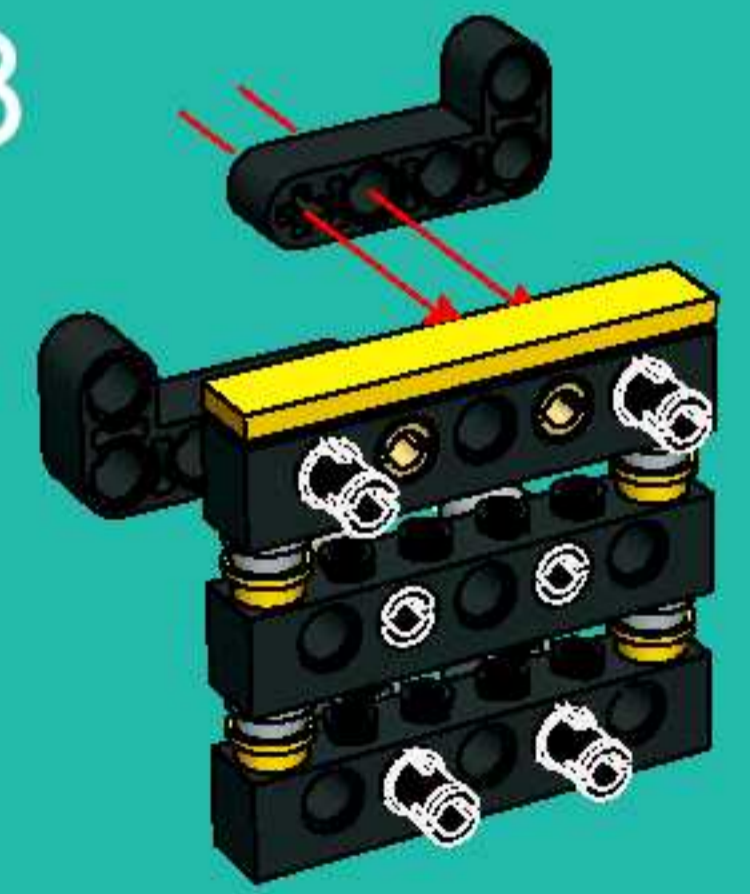
6



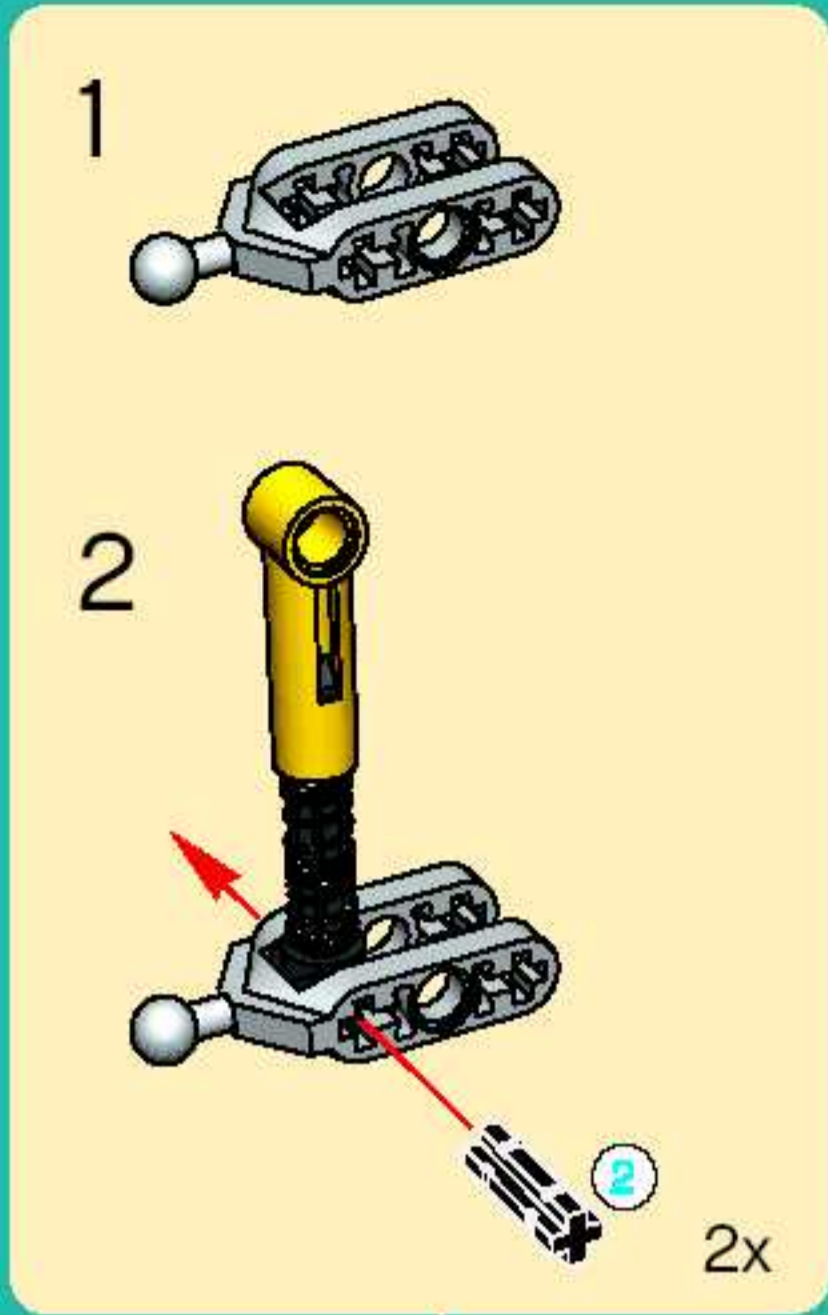
7



8



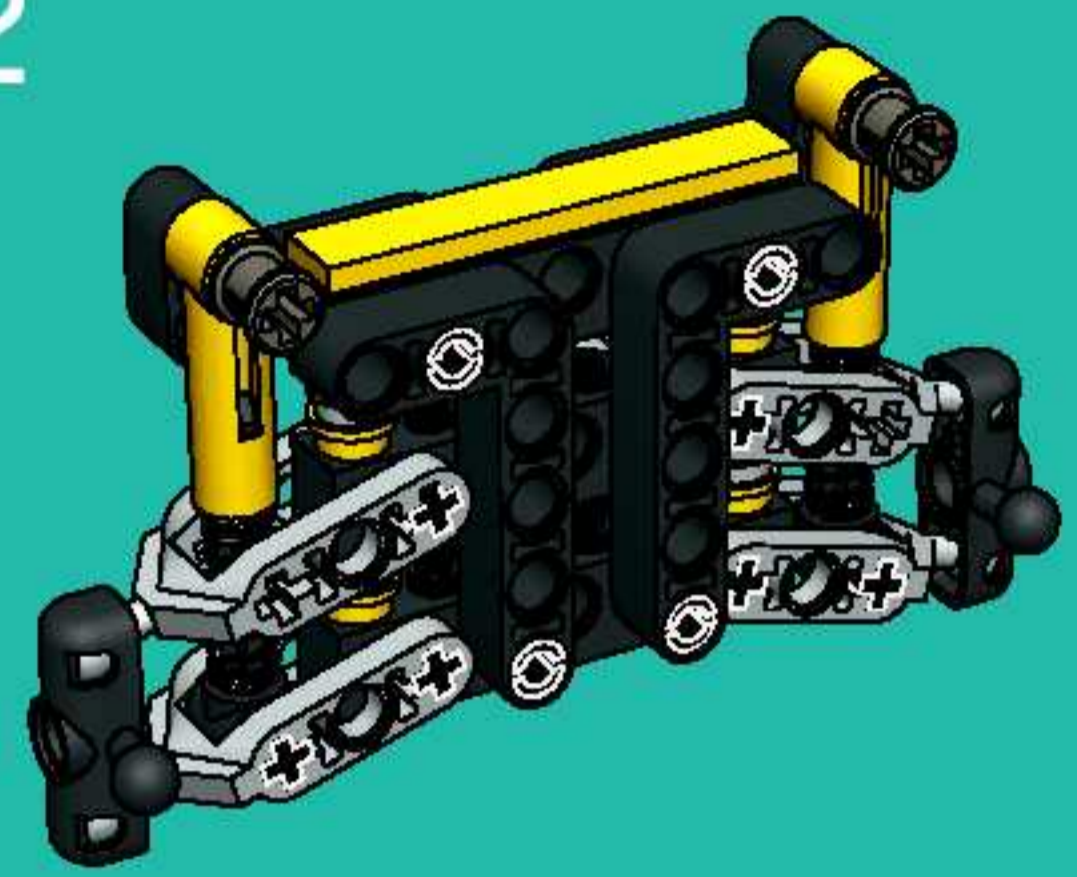




10



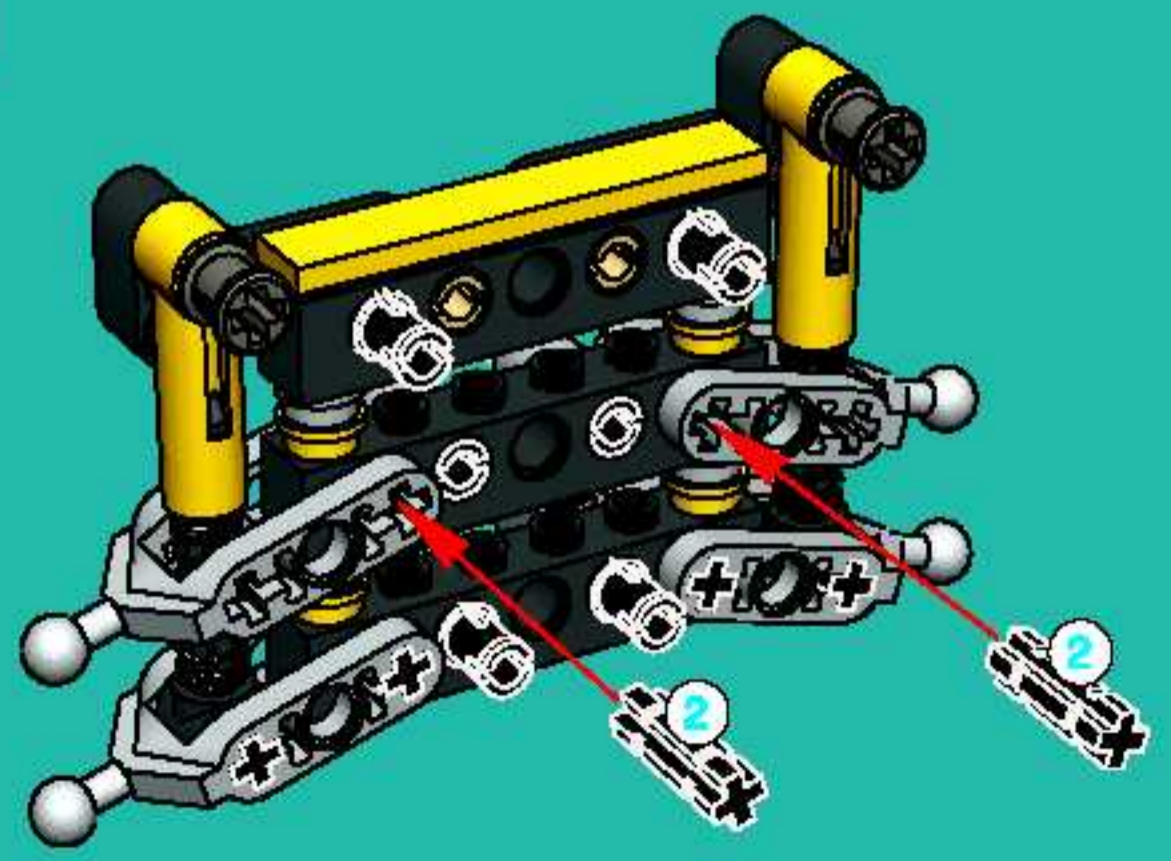
12



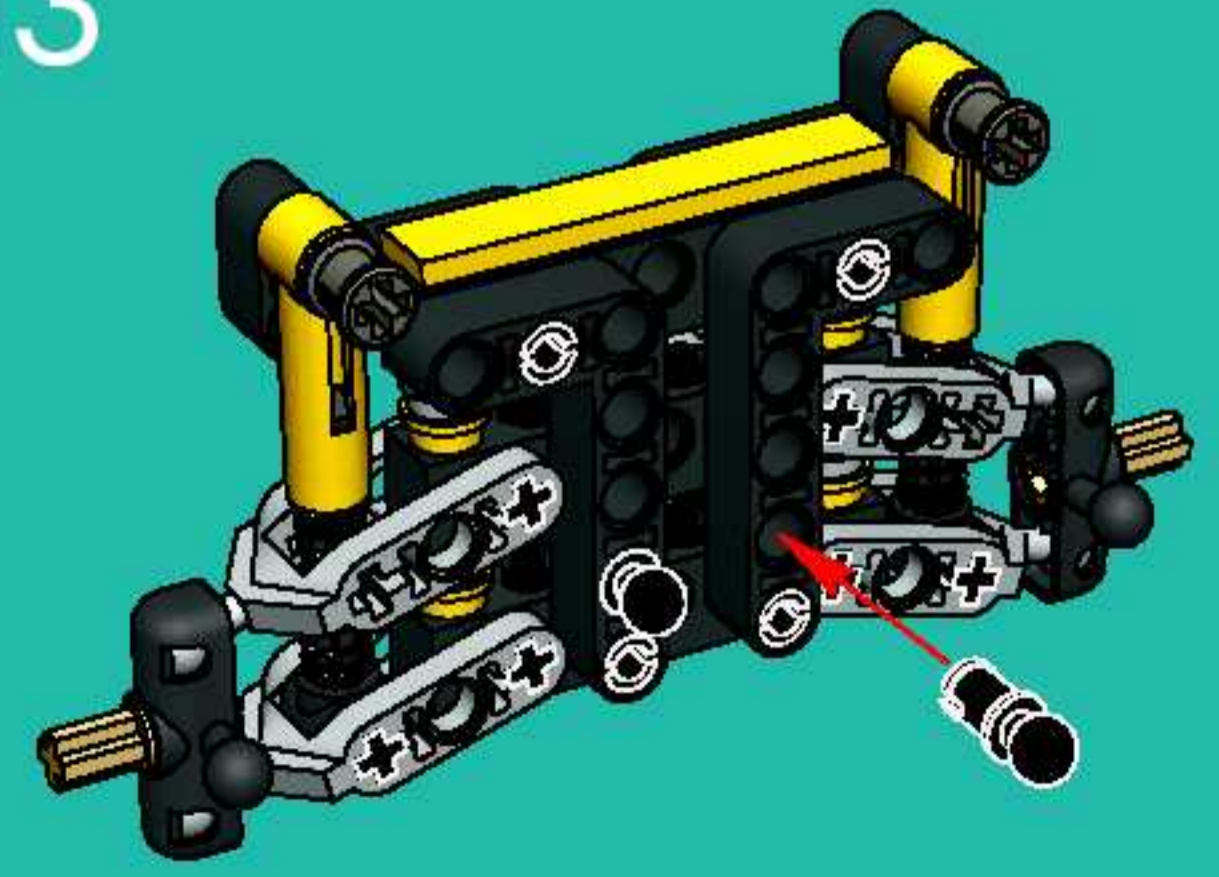
9



11

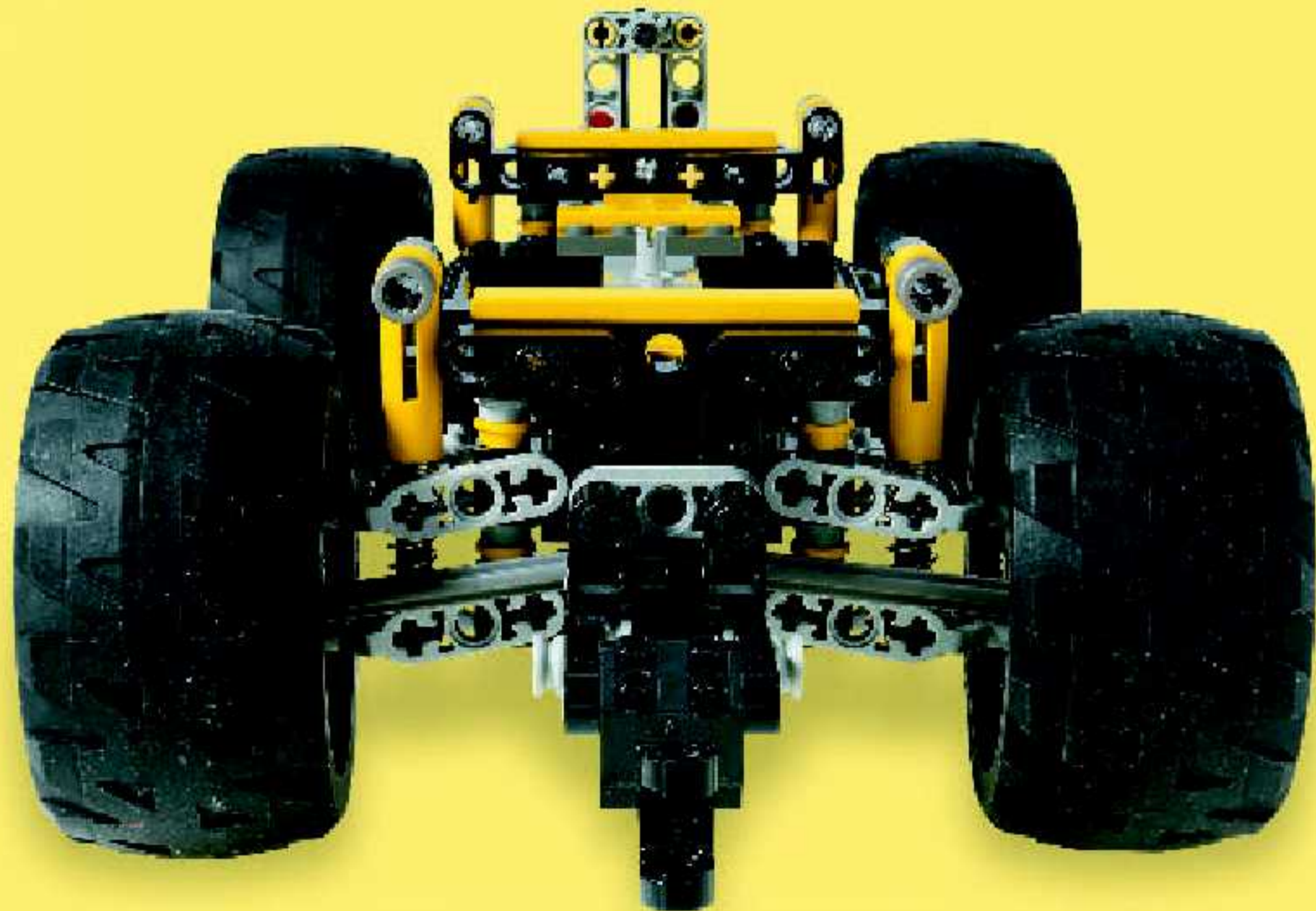
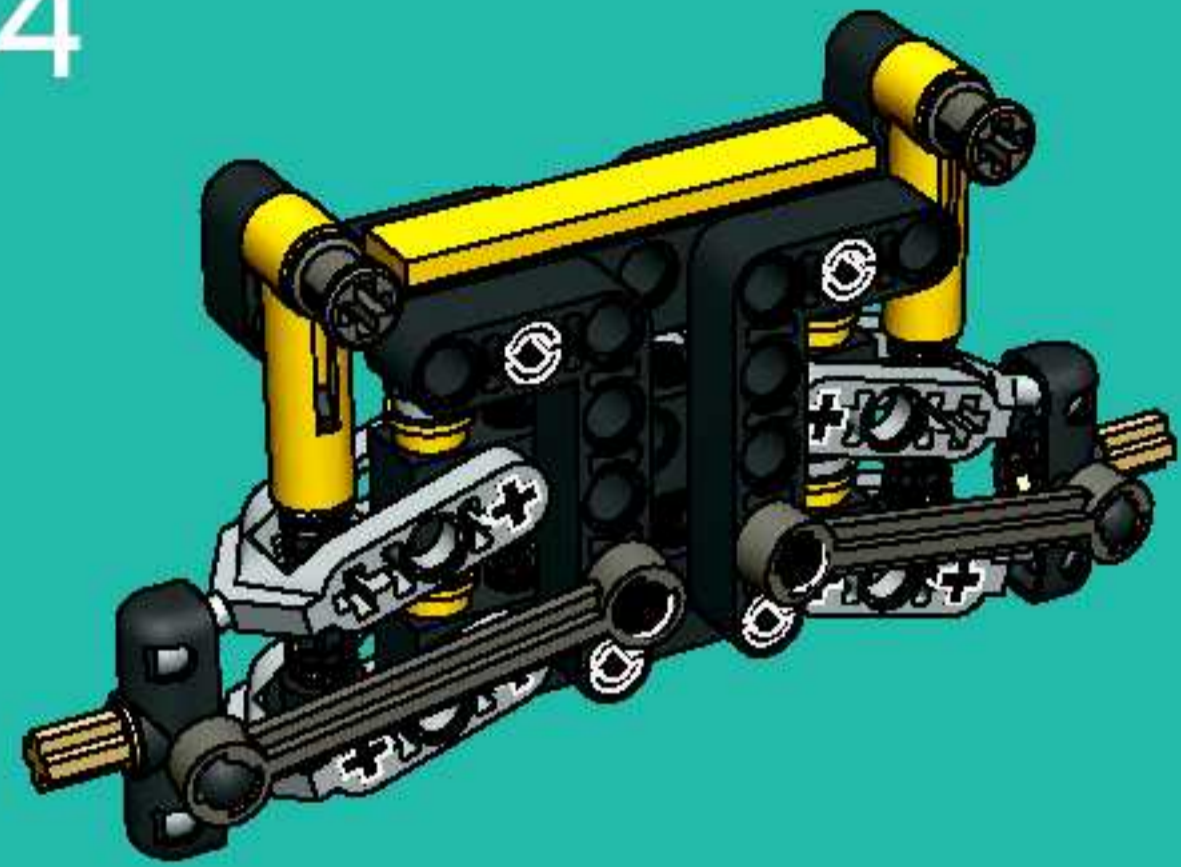


13

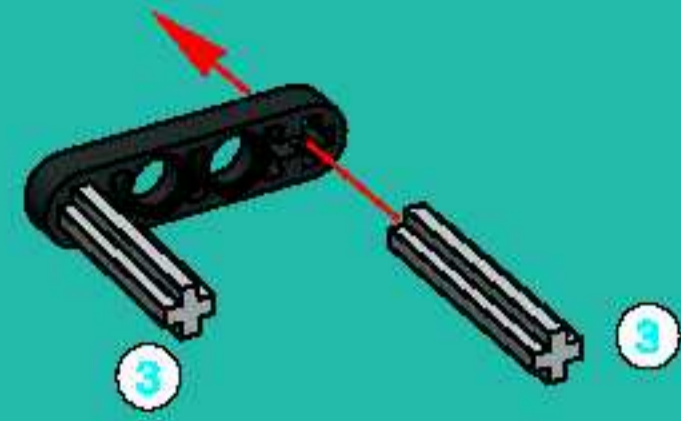




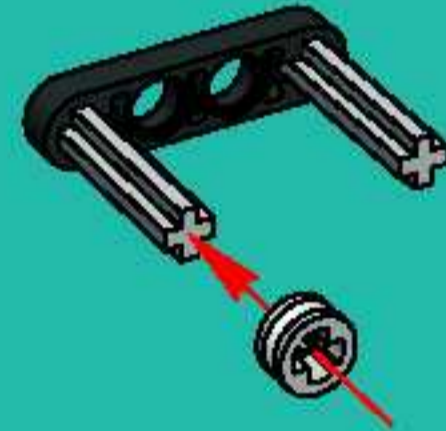
14



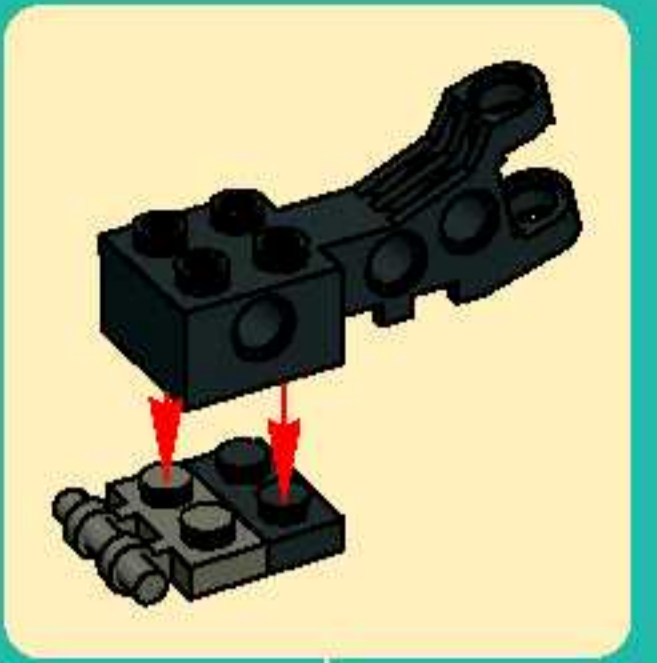
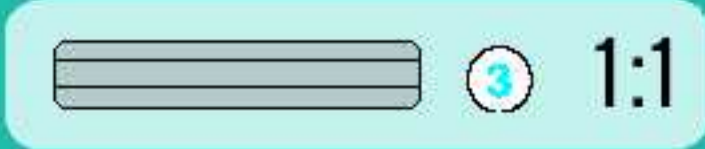
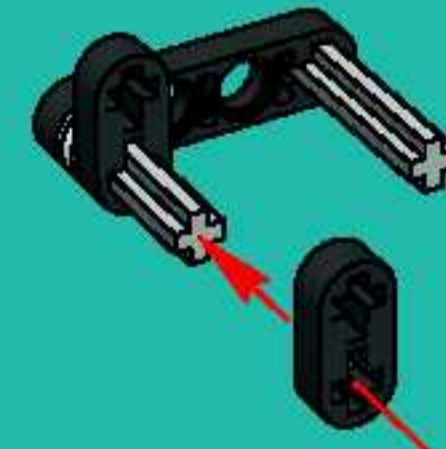
1



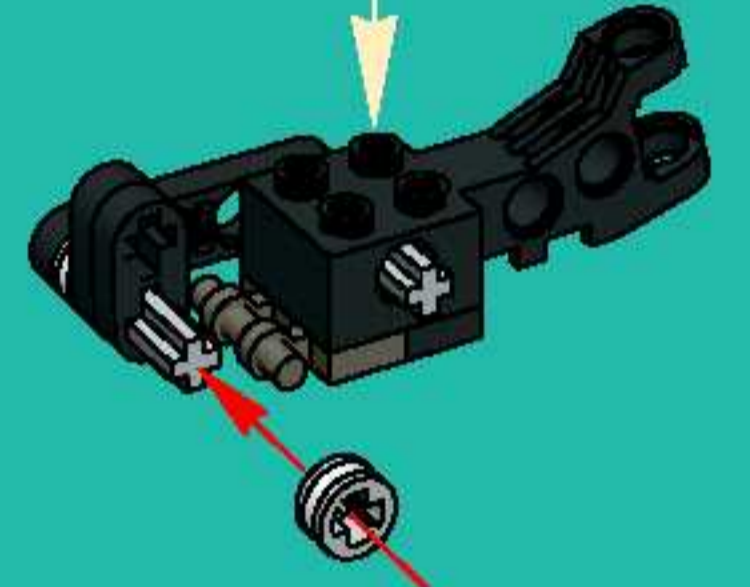
2



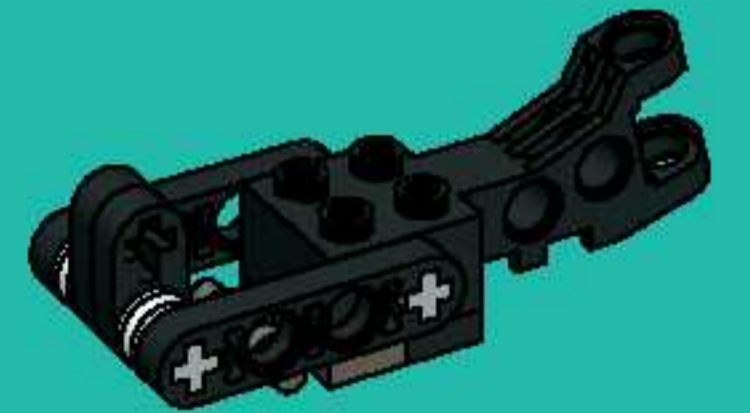
3



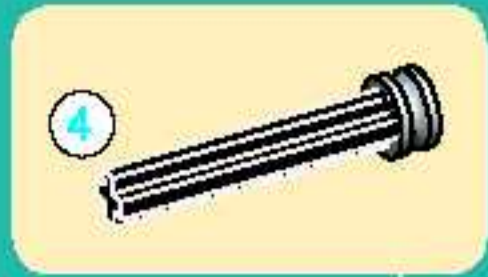
4



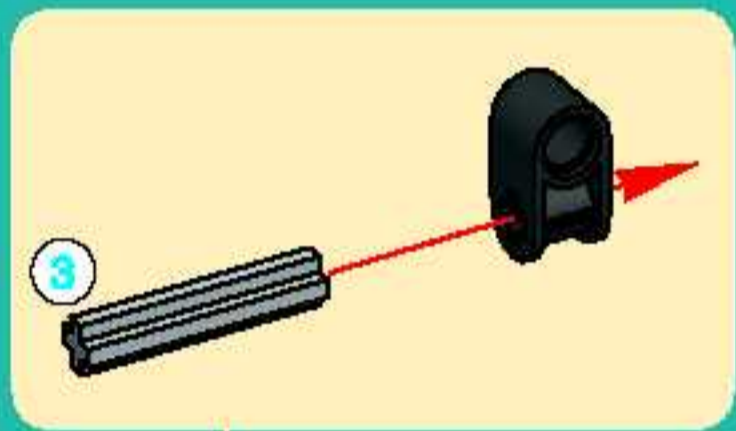
5



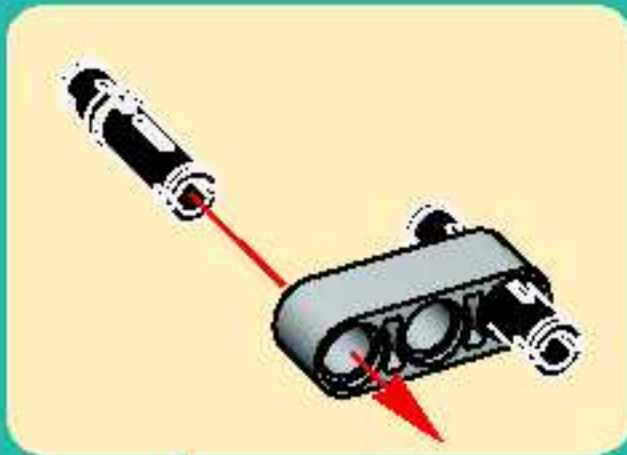
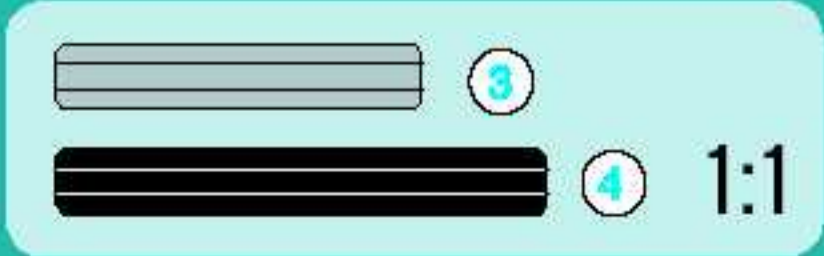
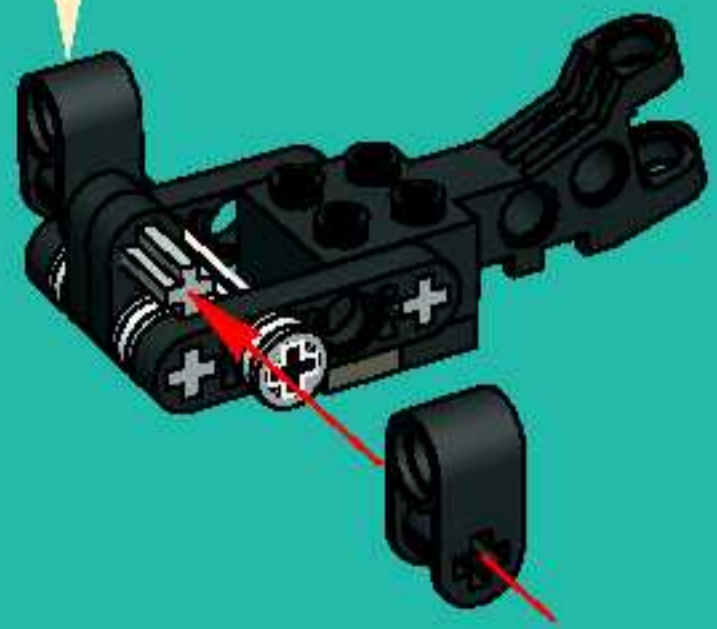




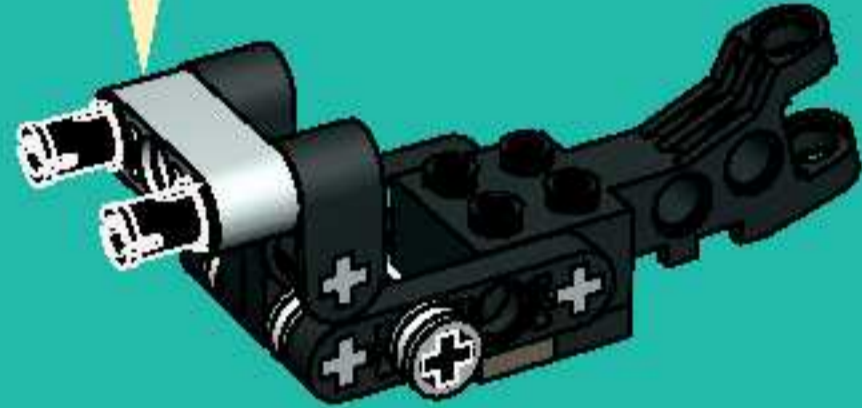
6



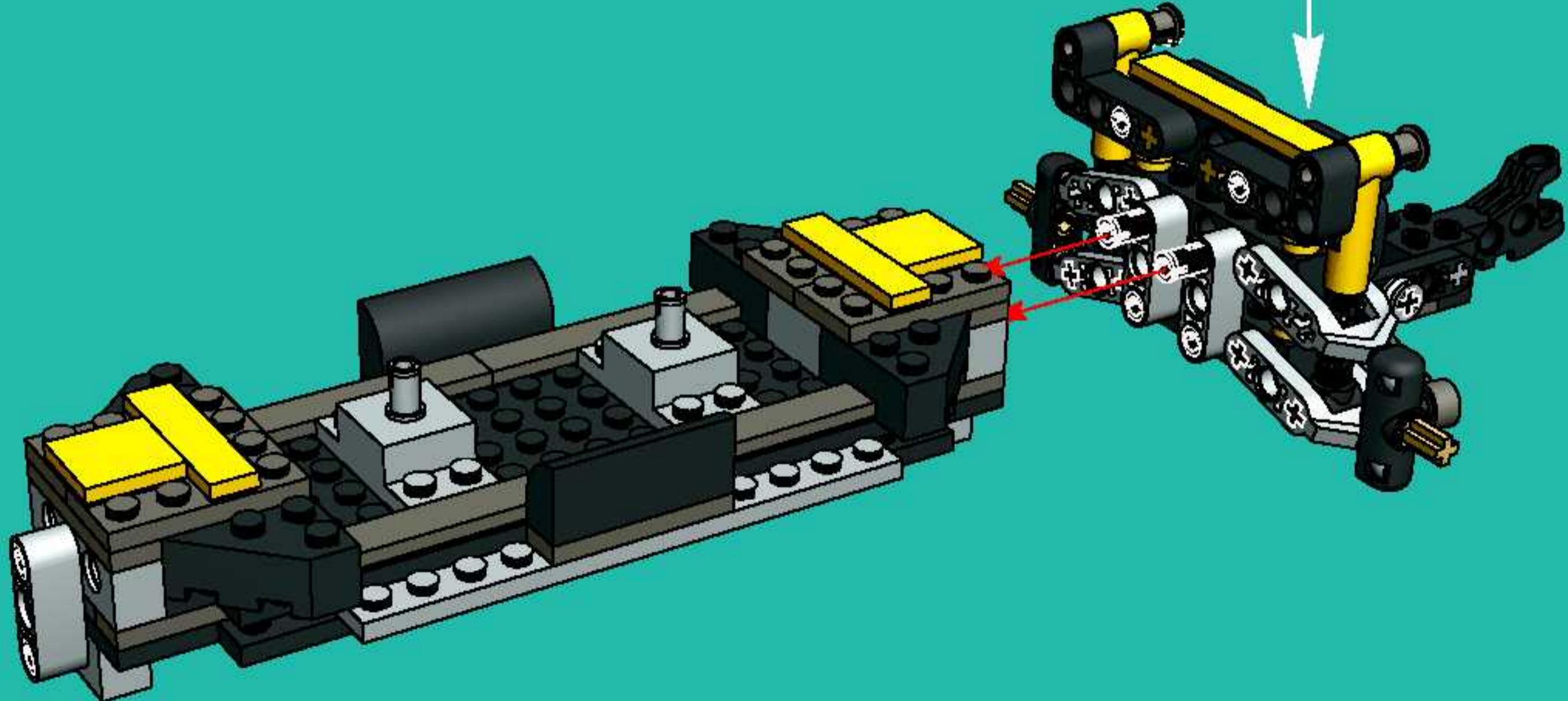
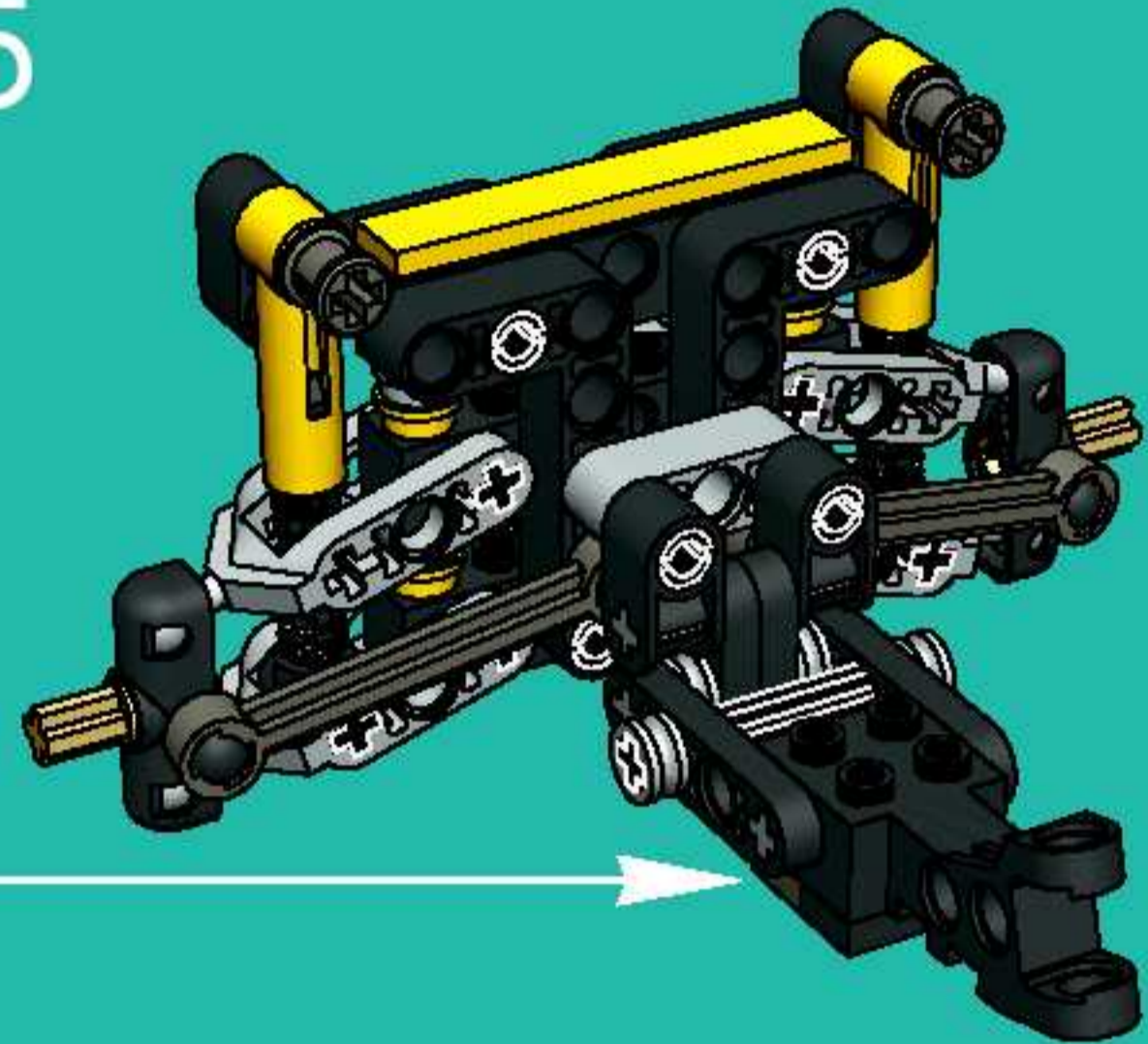
7



8



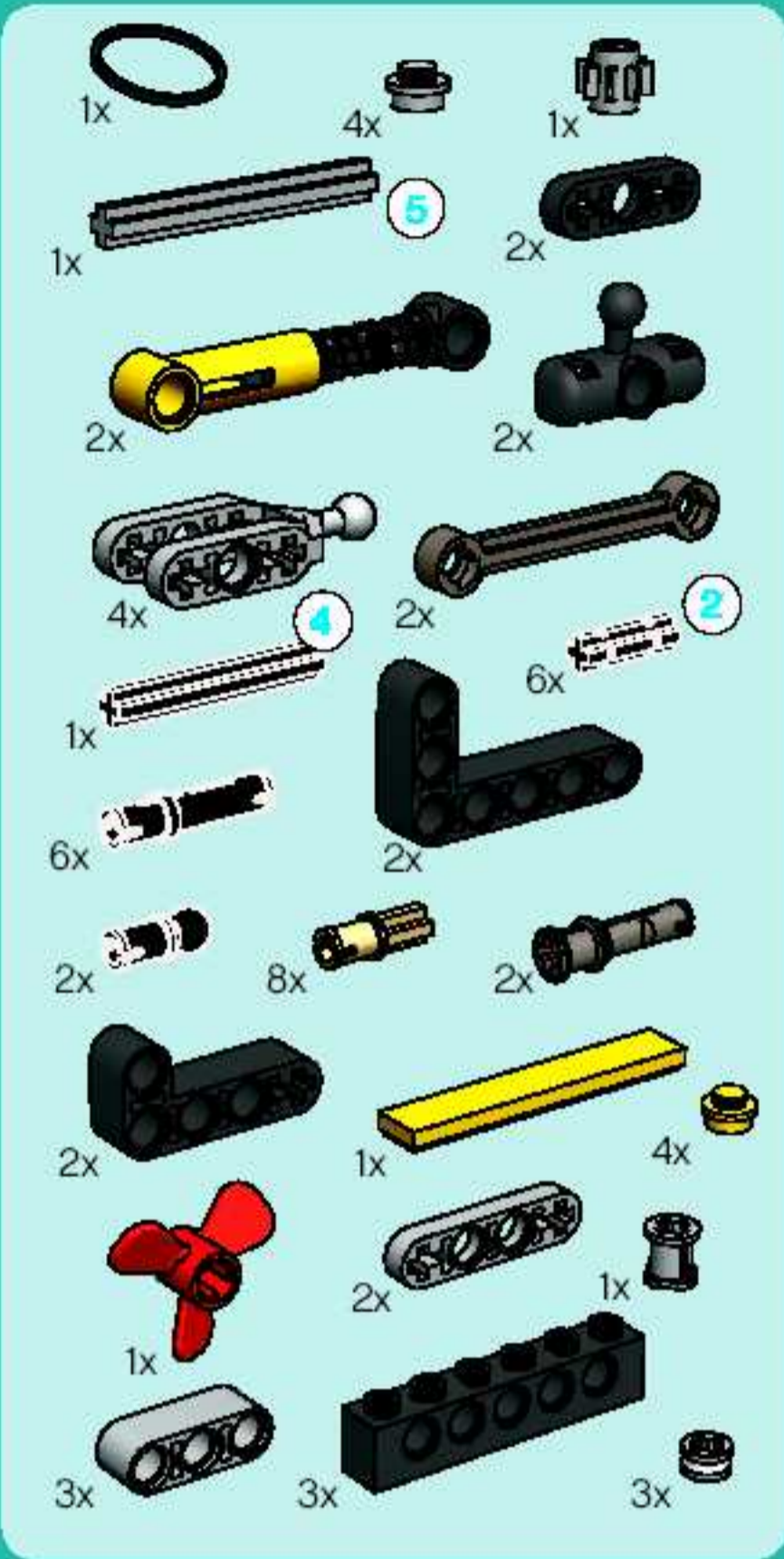
15



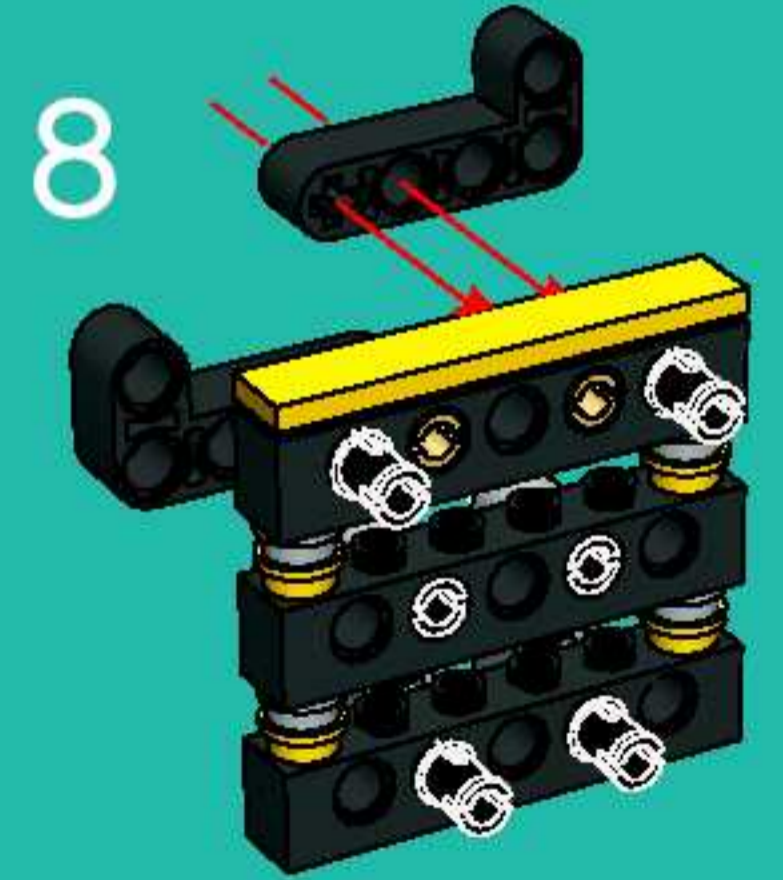
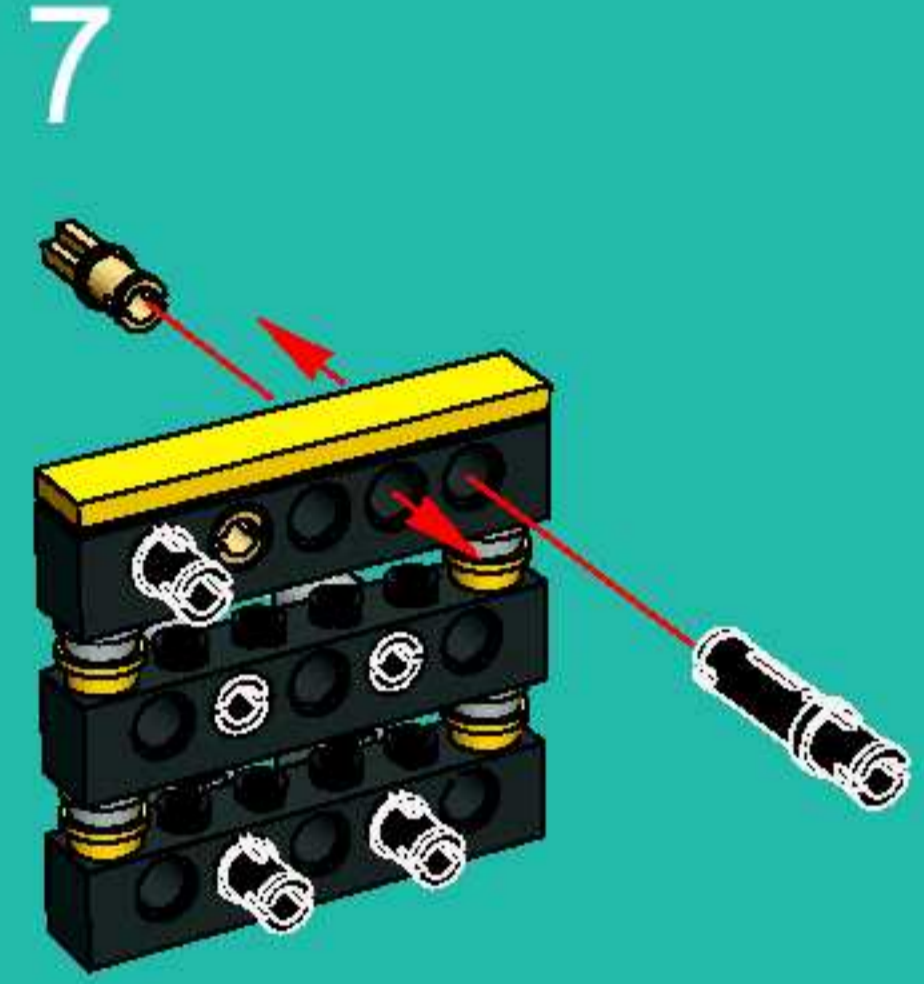
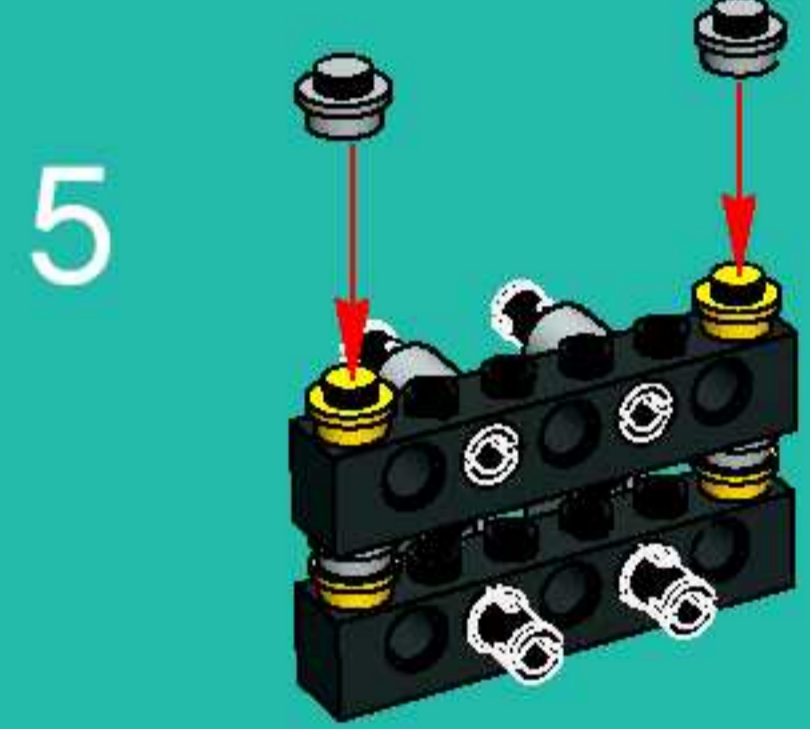
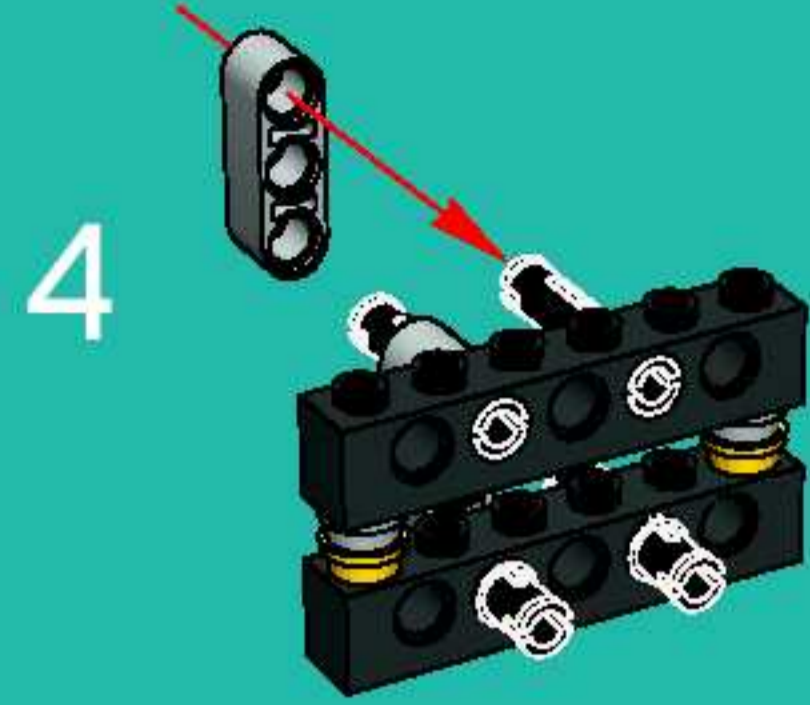
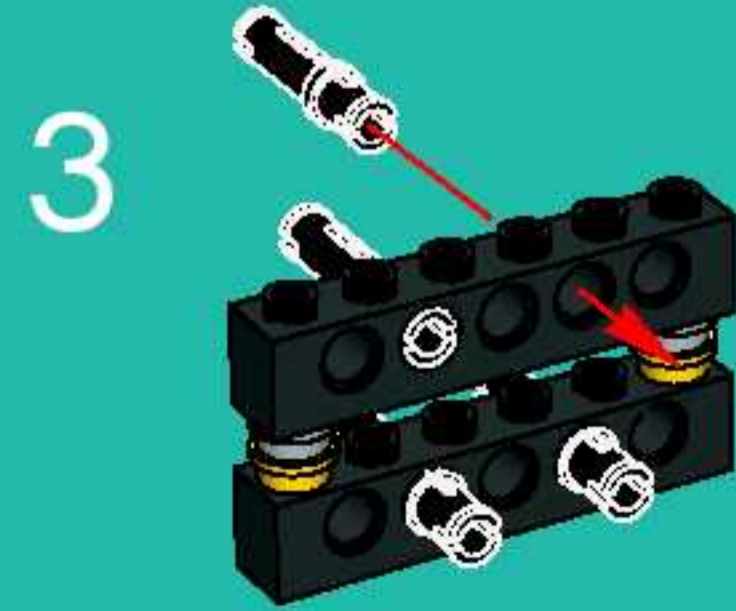
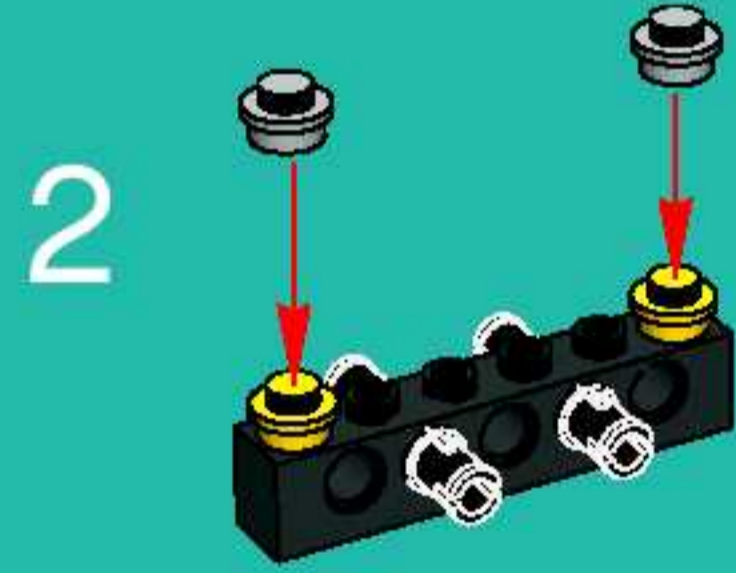
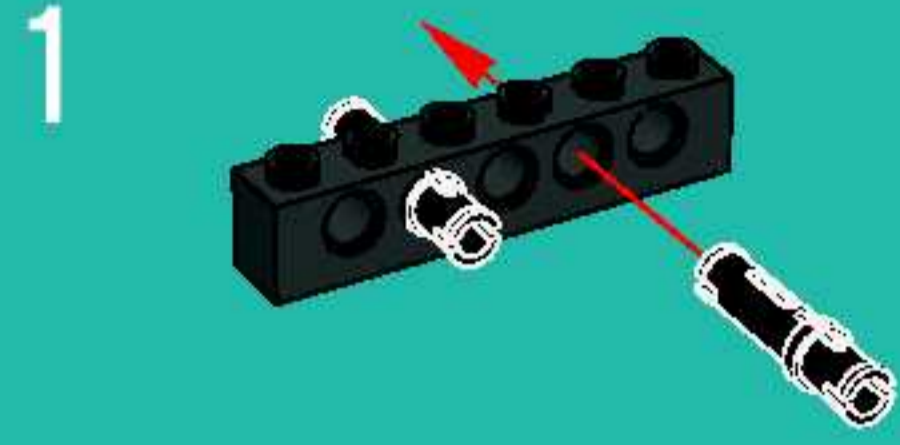
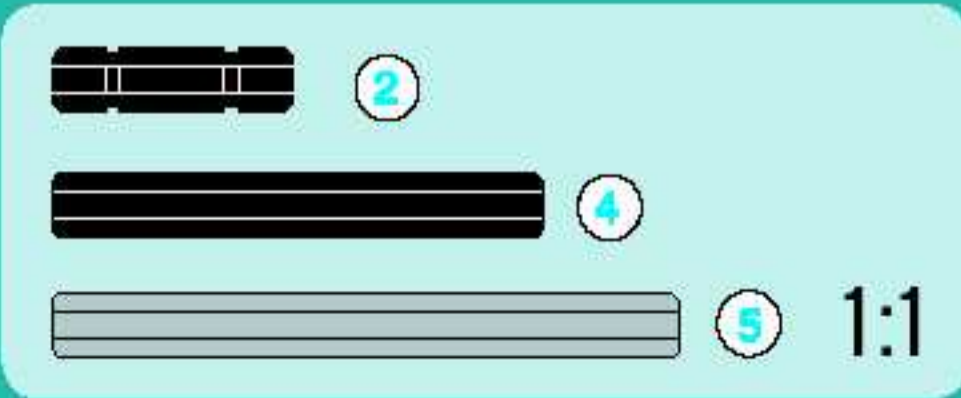




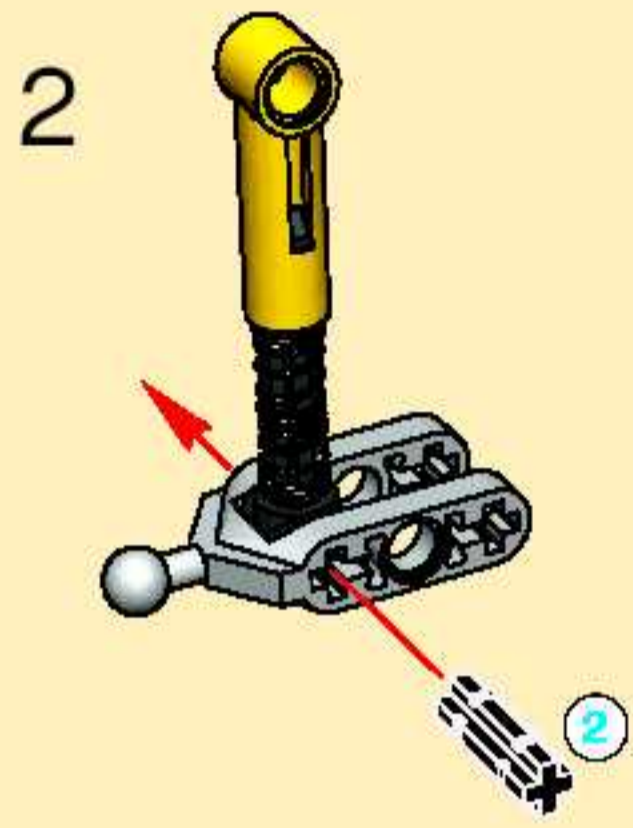
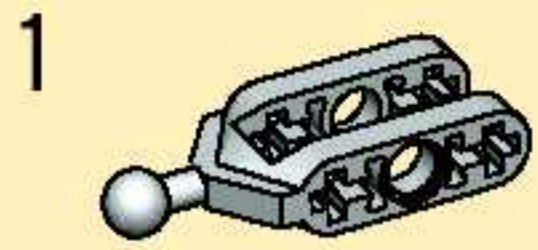




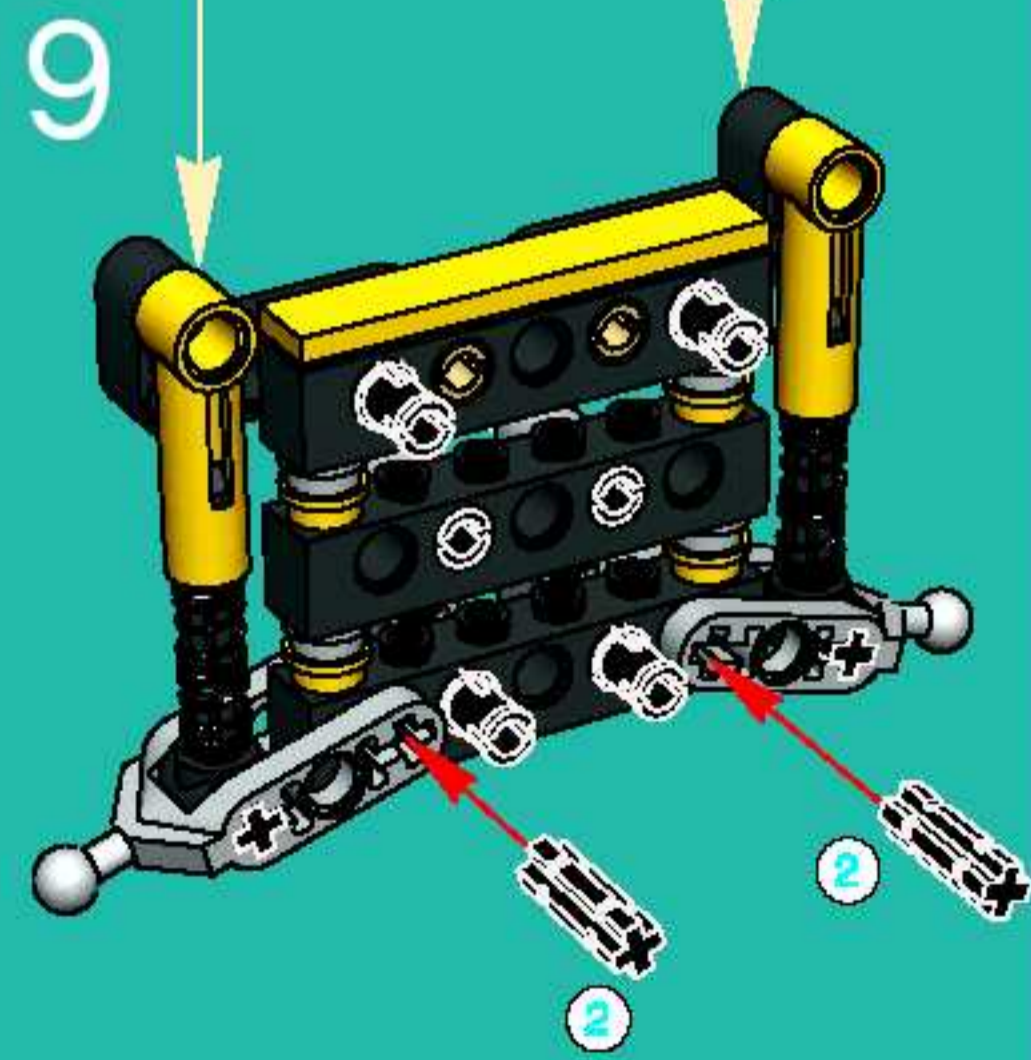
# 11





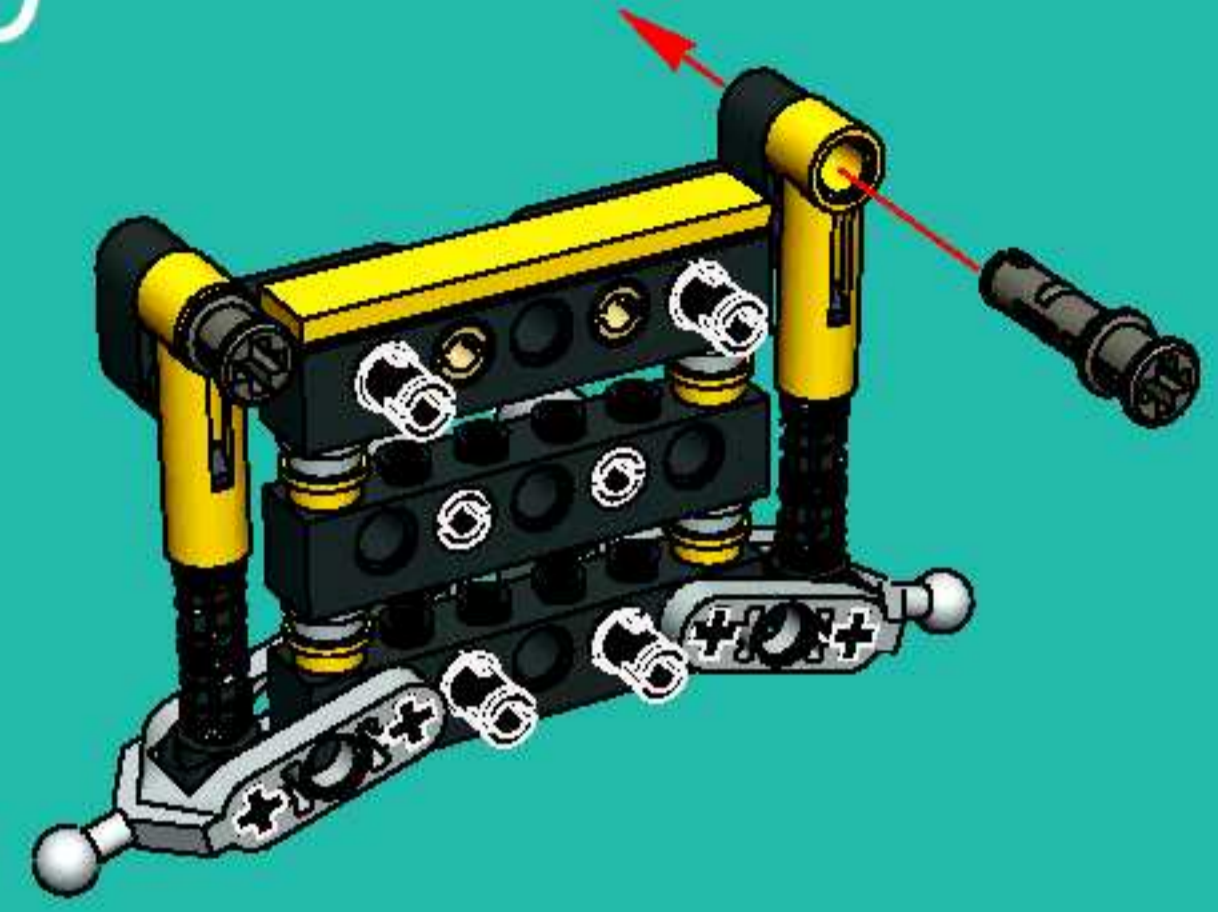


2x

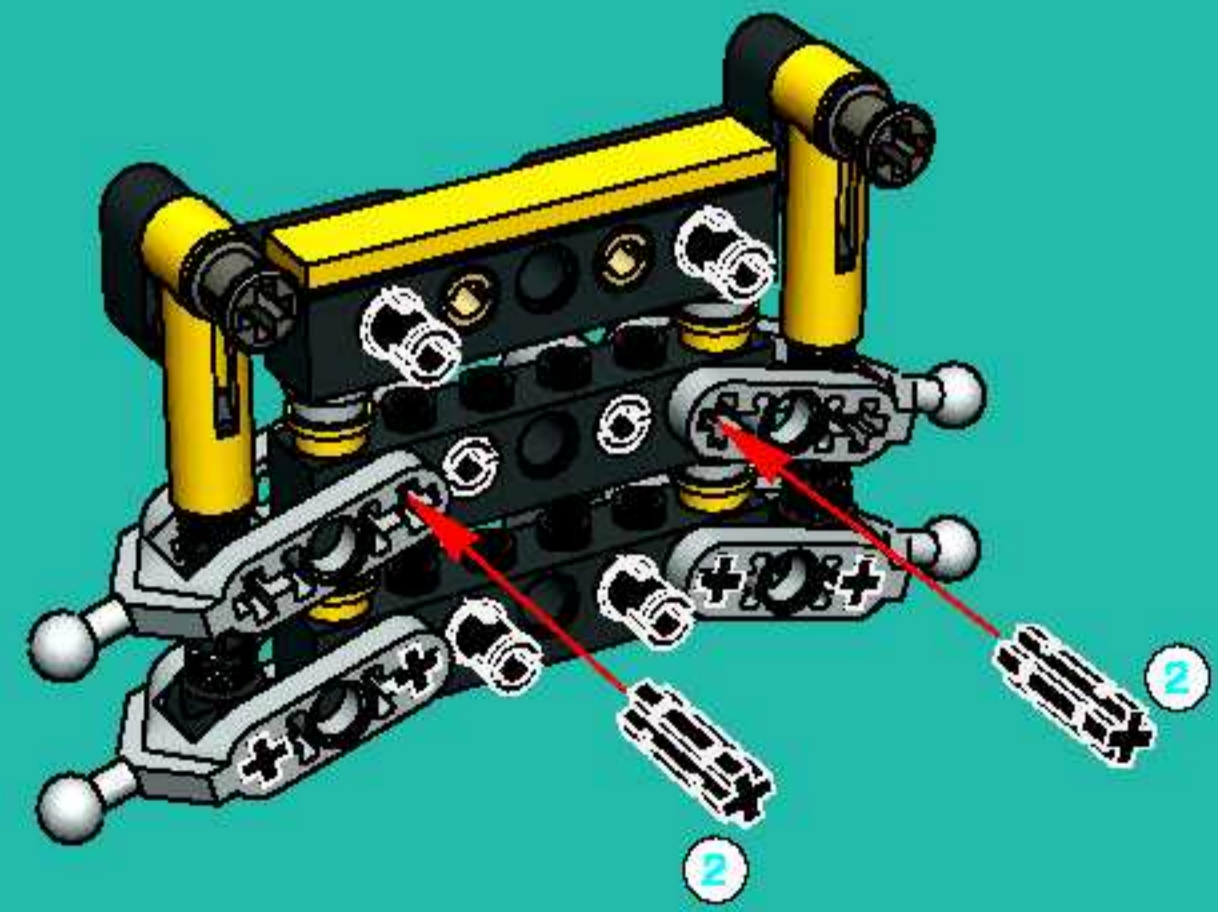


2 1:1

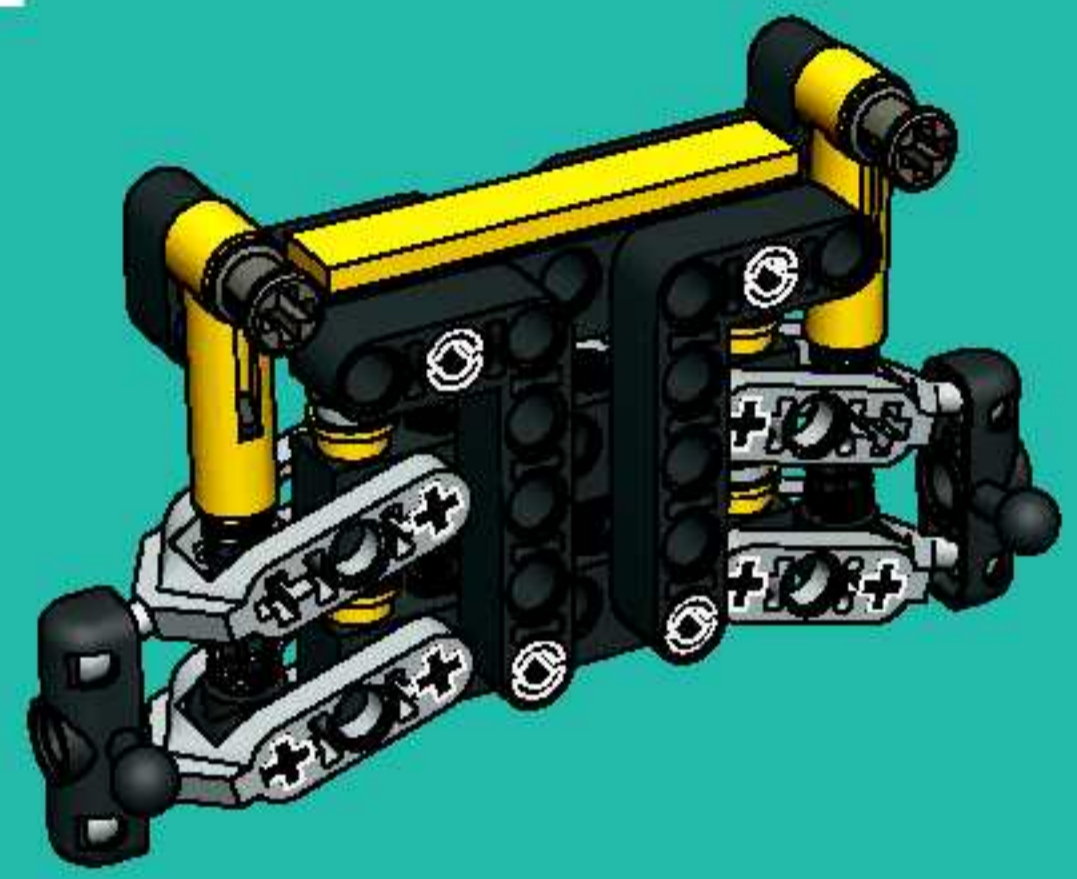
10



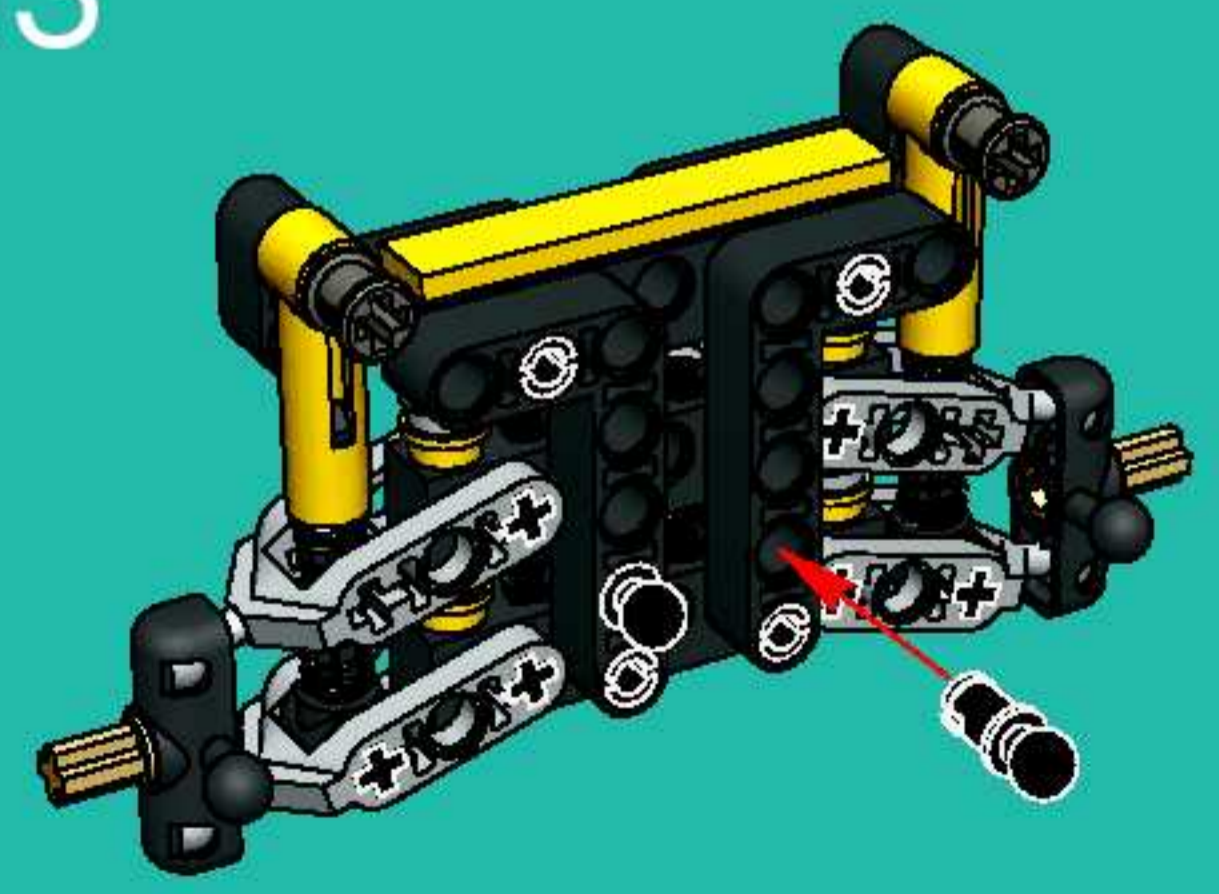
11



12

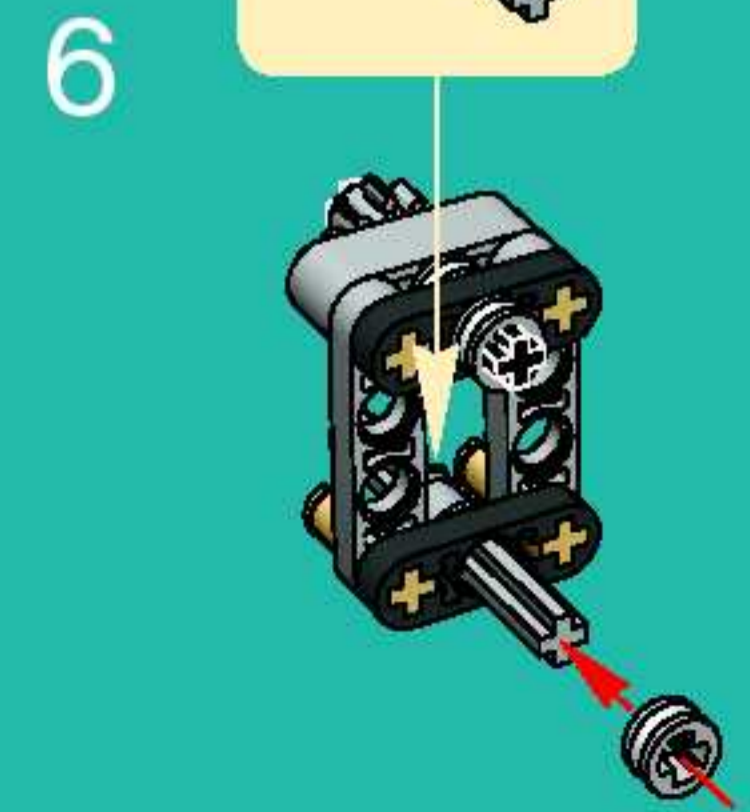
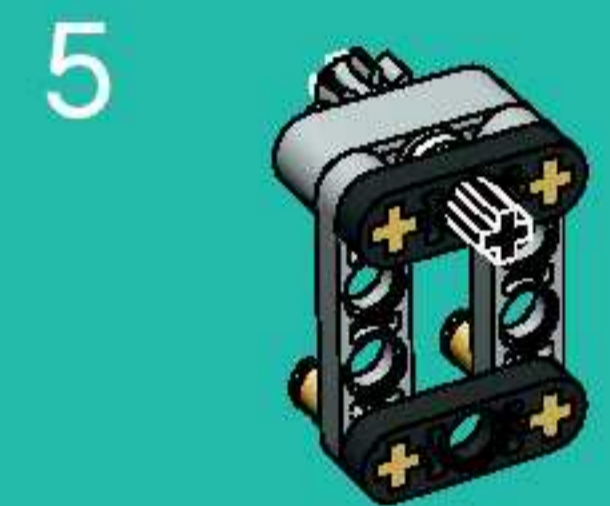
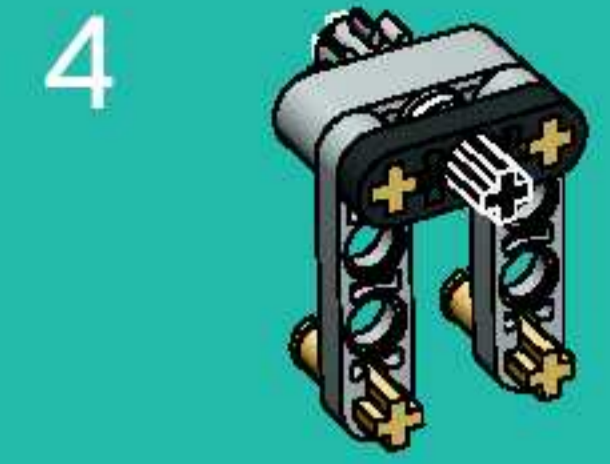
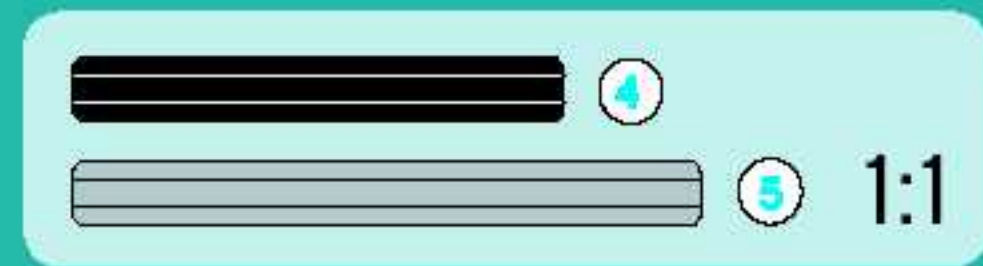
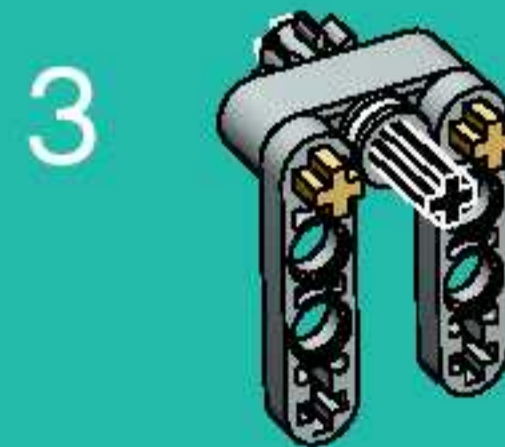
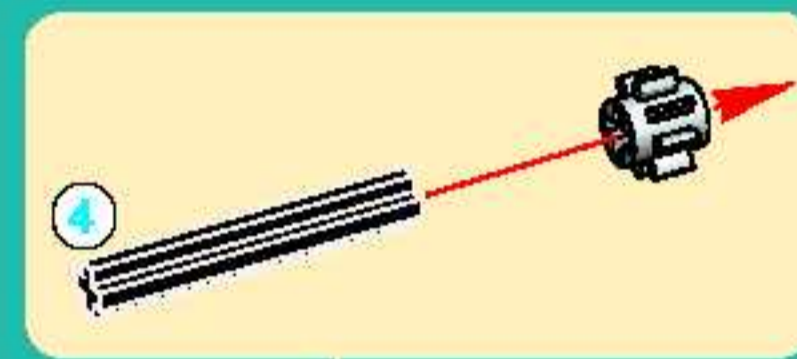
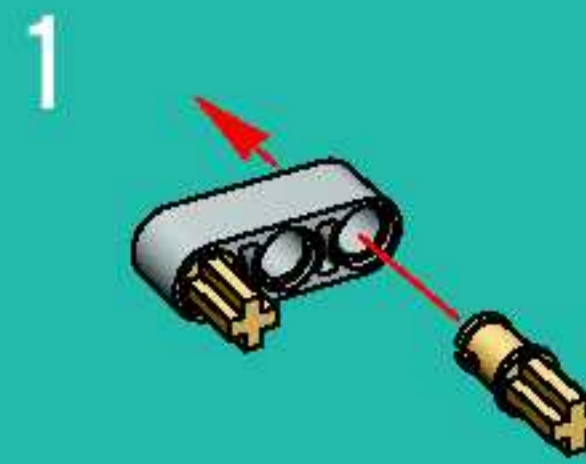
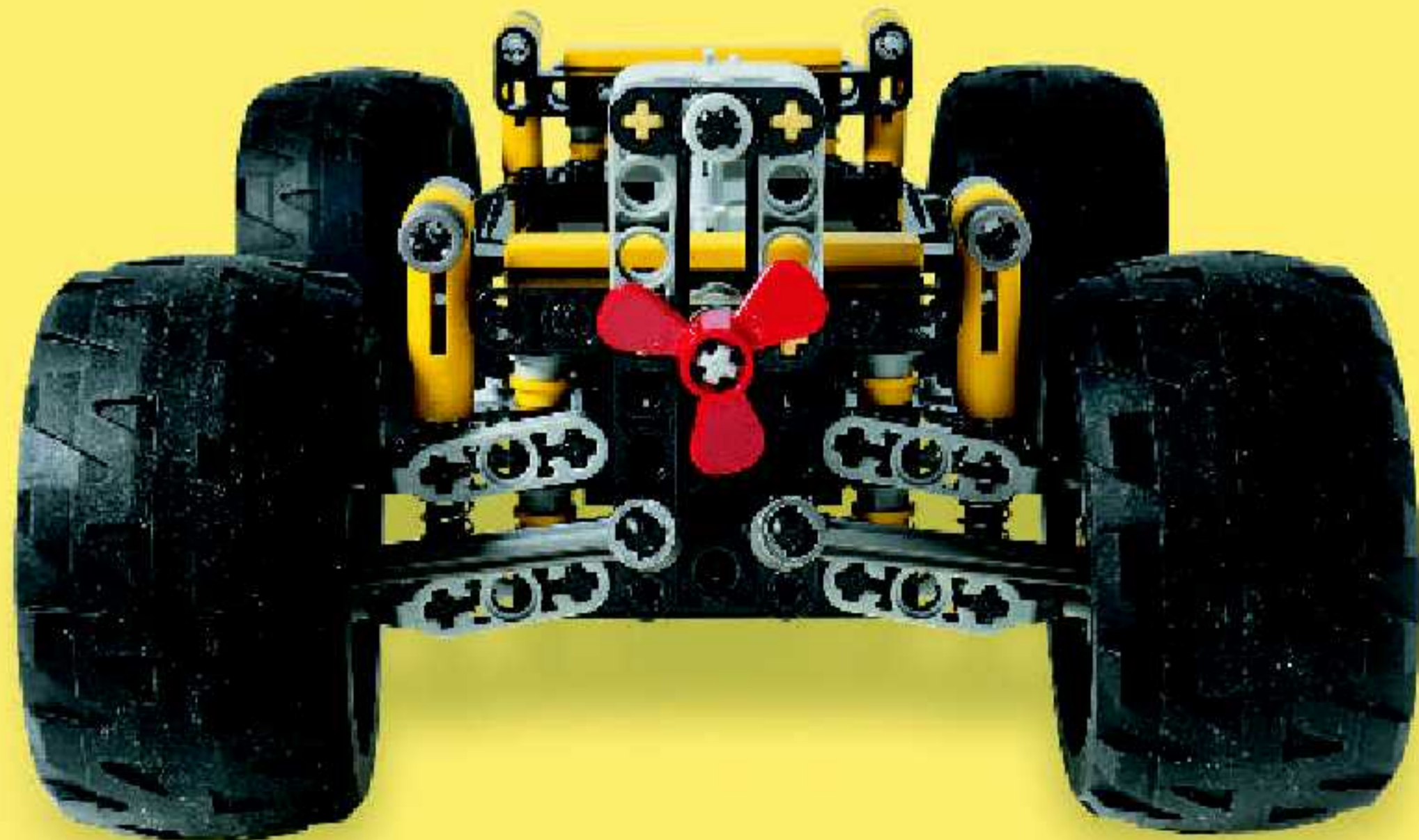
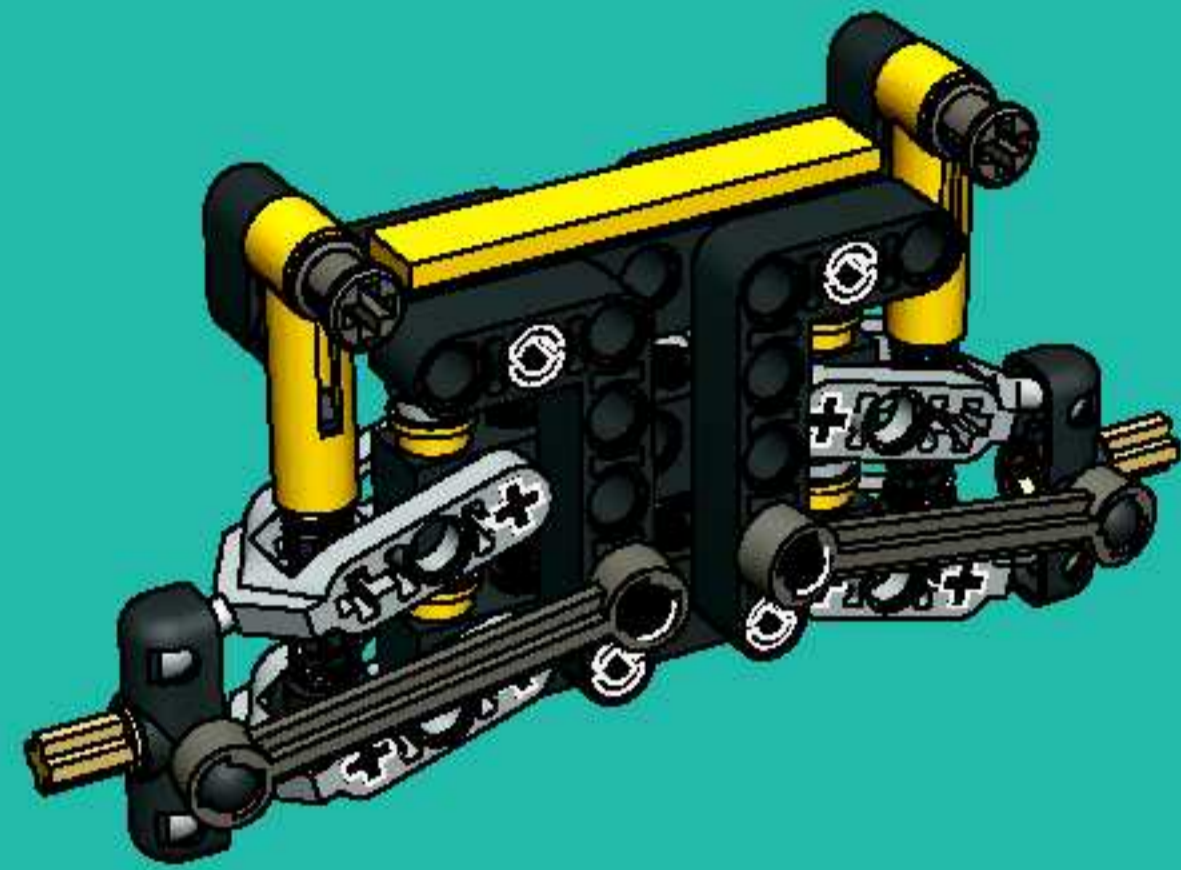


13





14





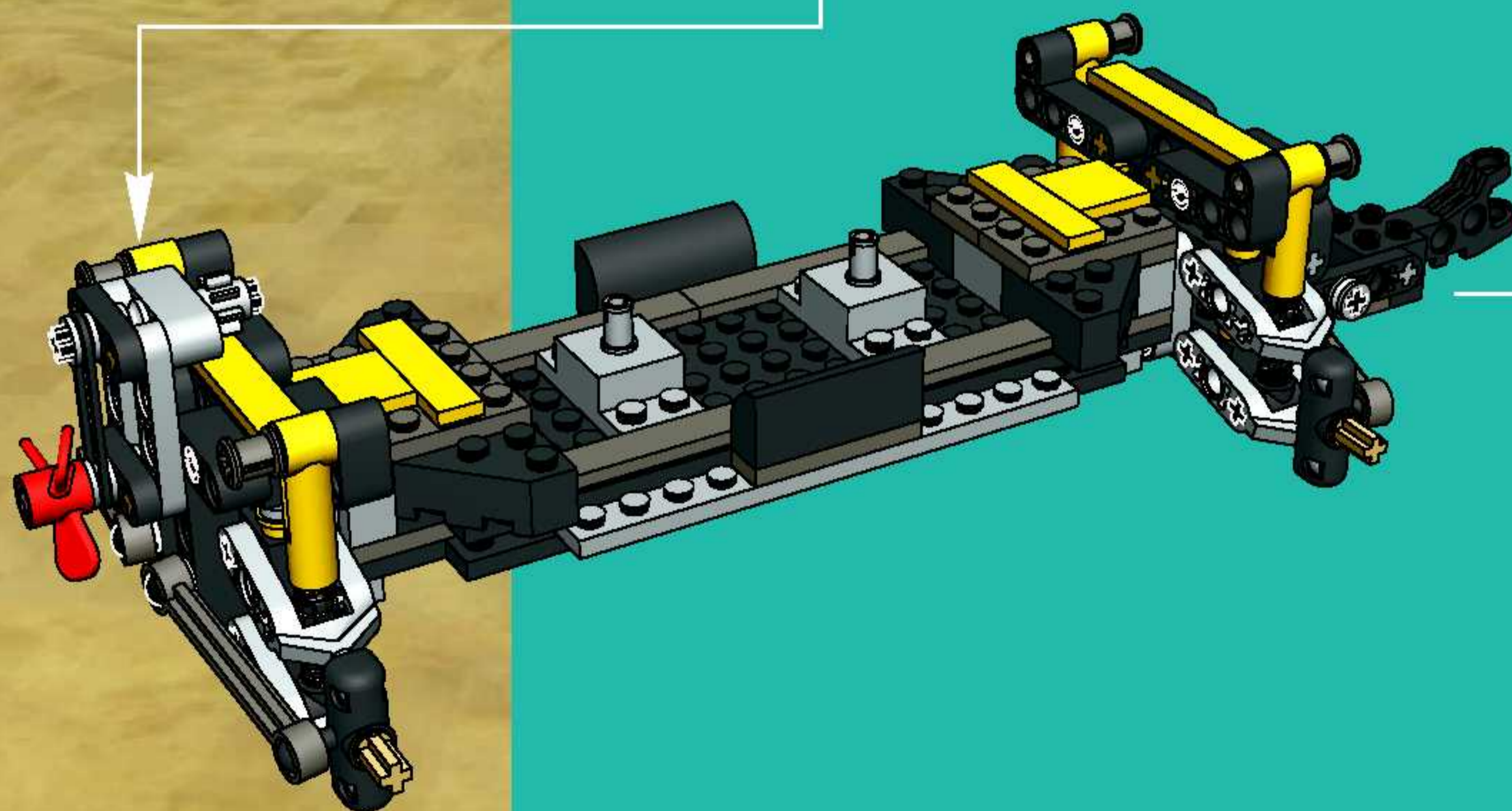
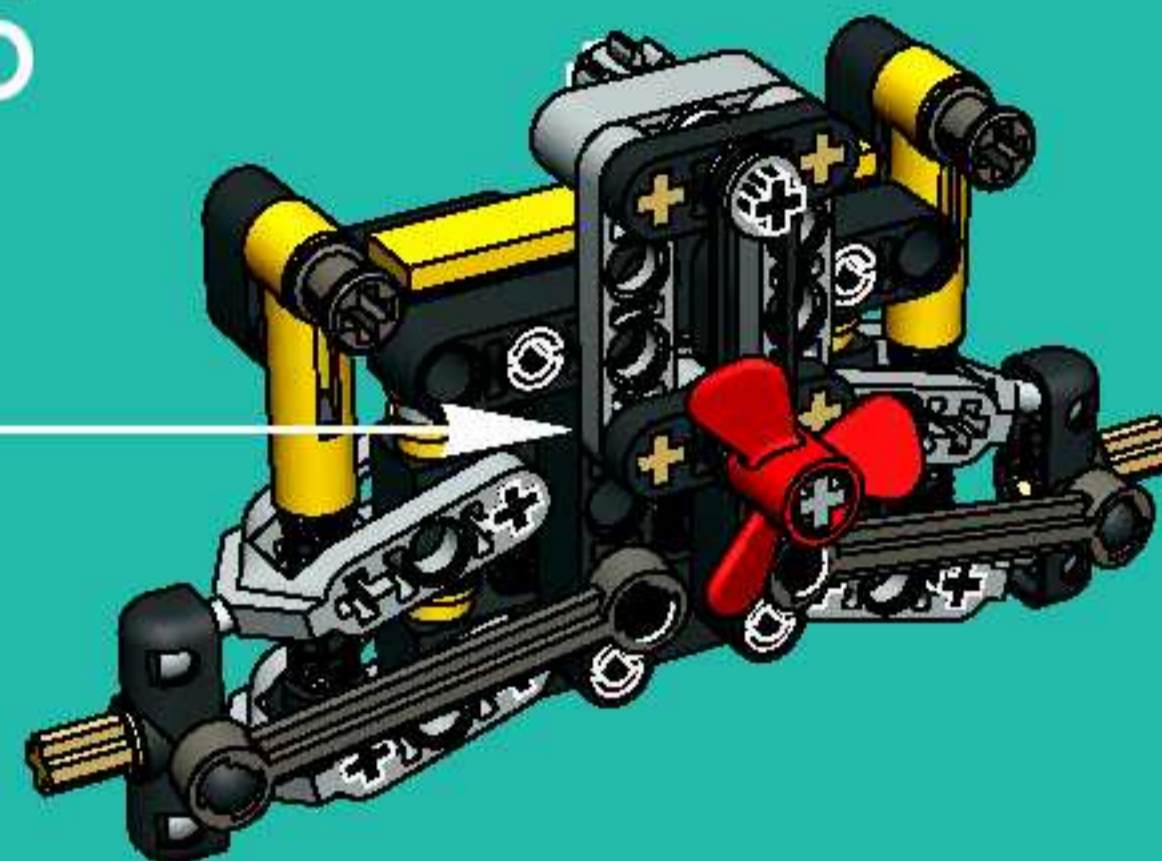
7



8



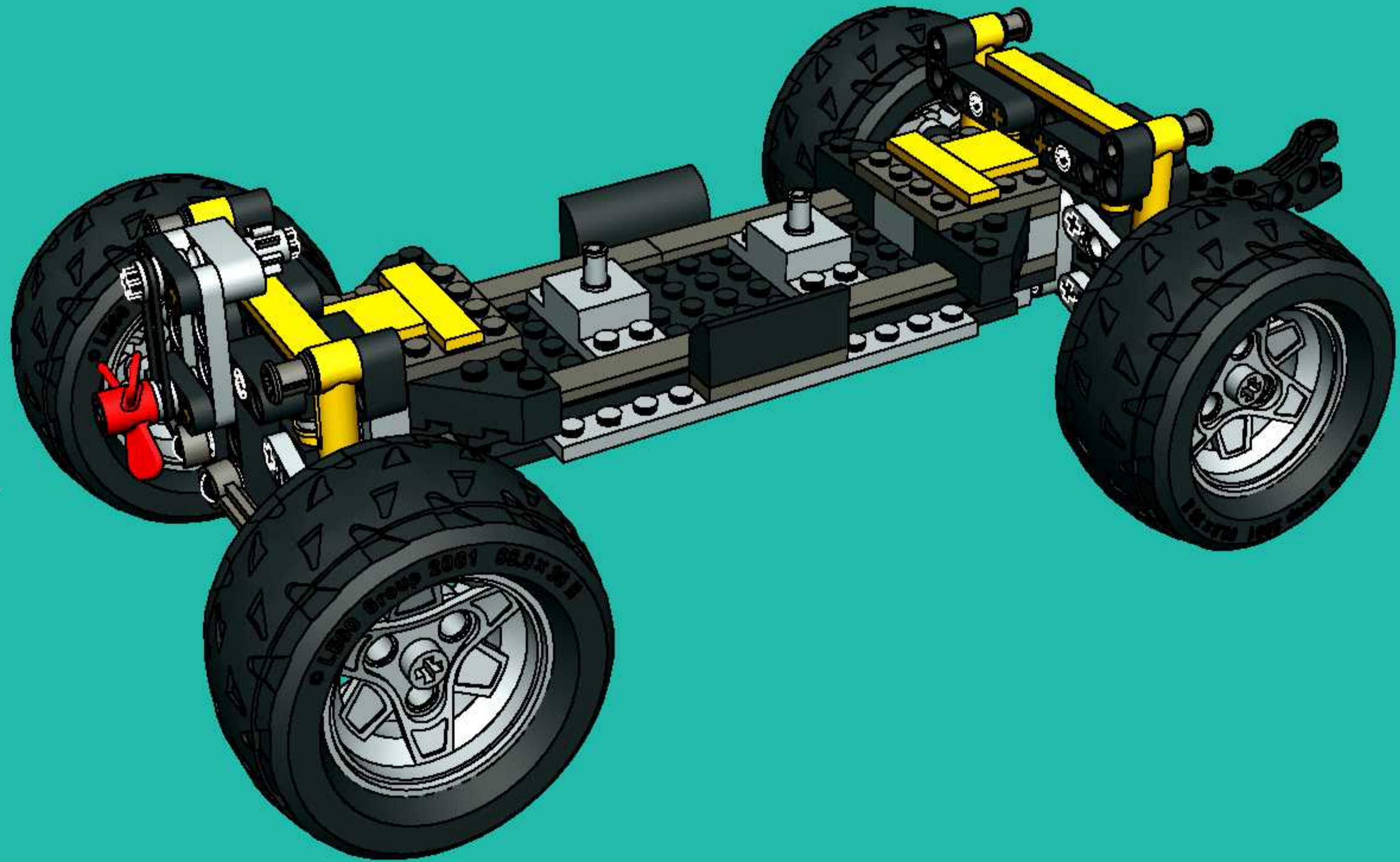
15



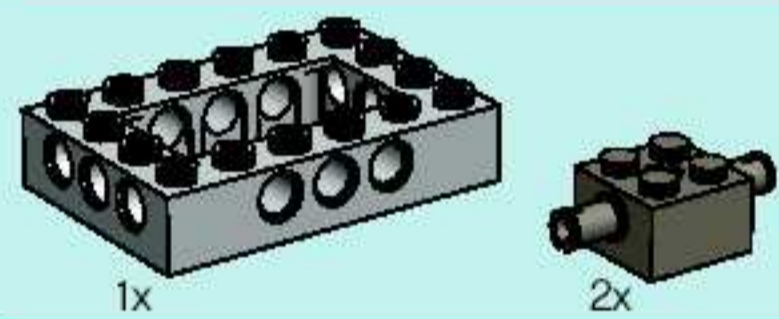
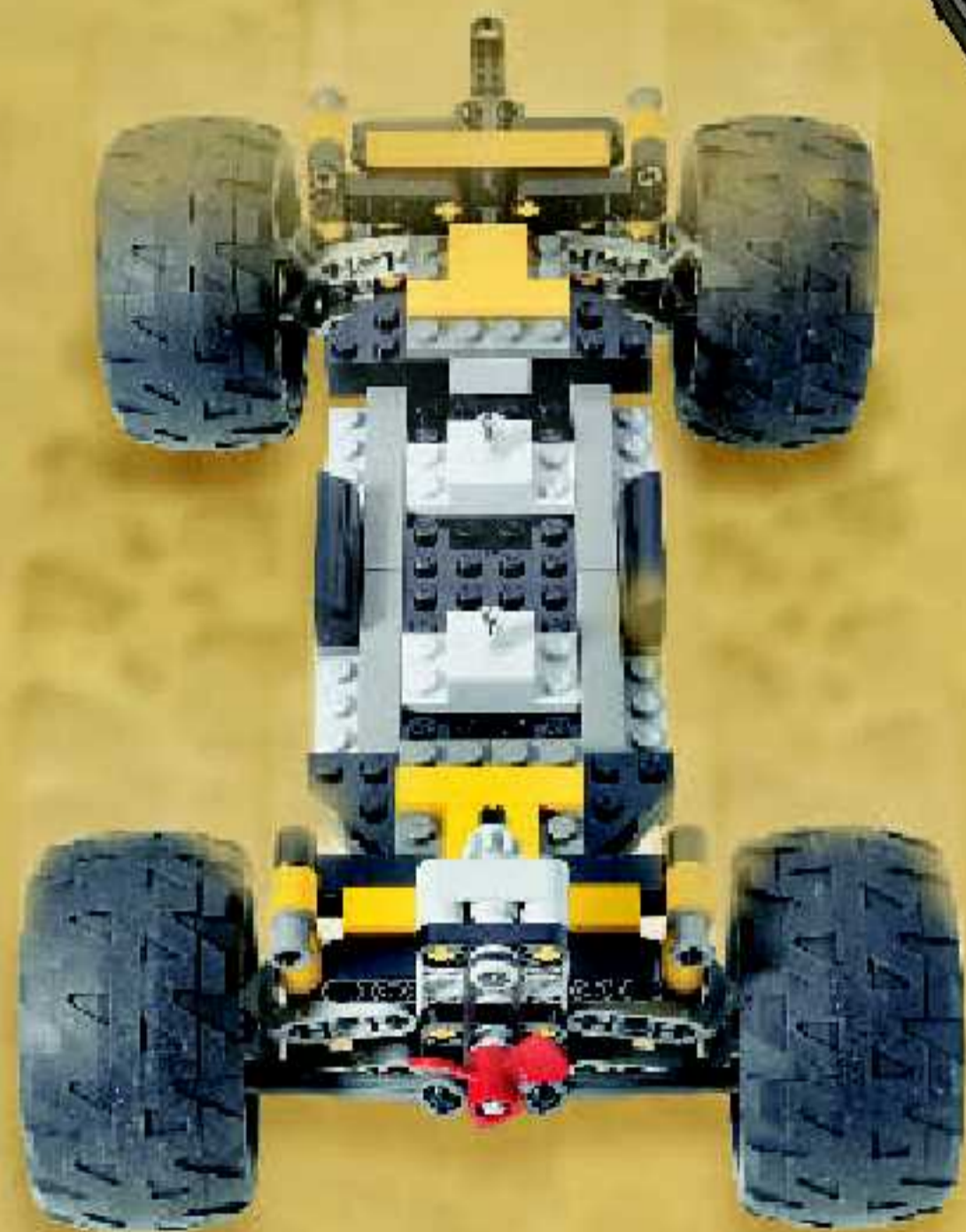
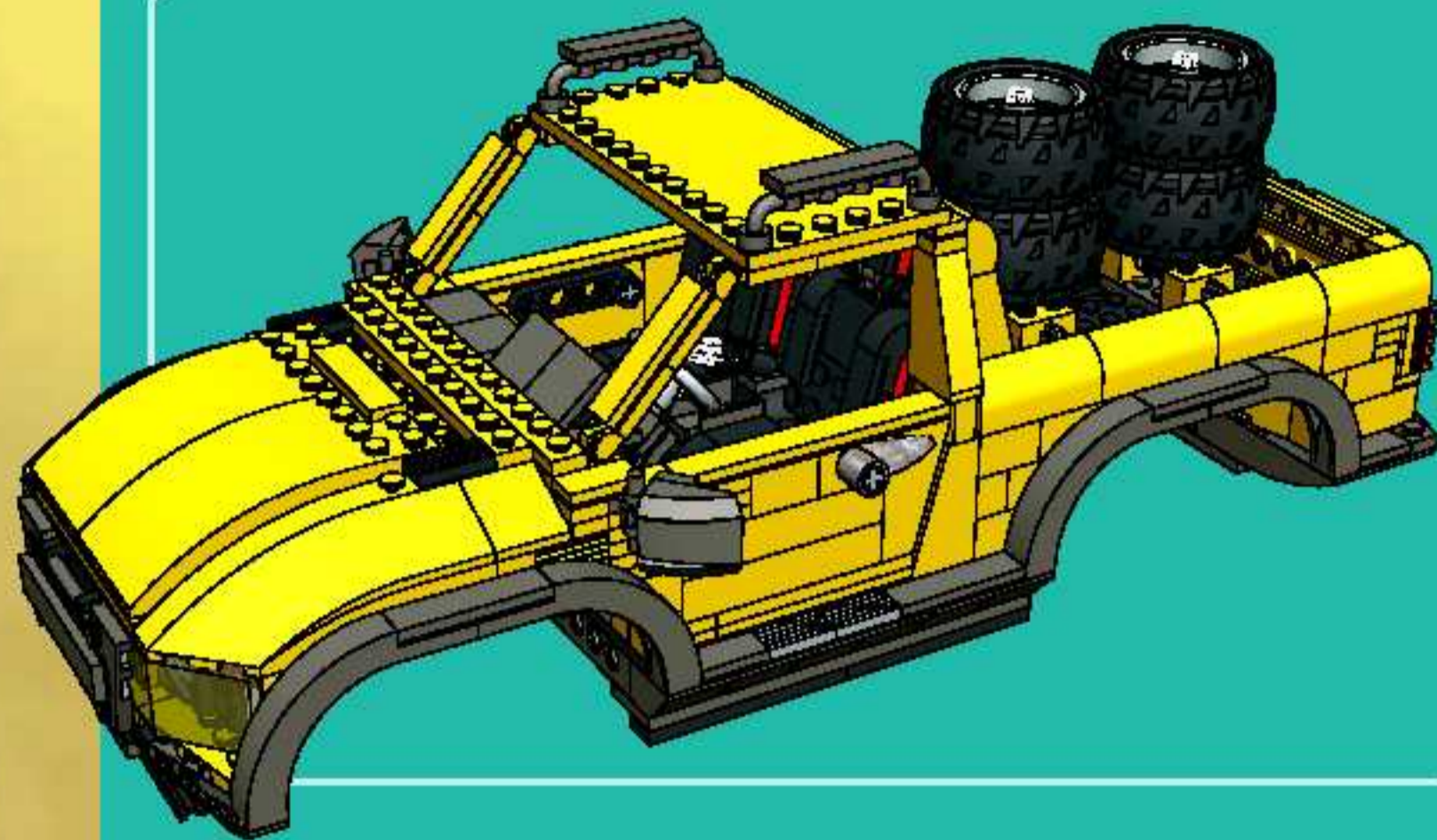




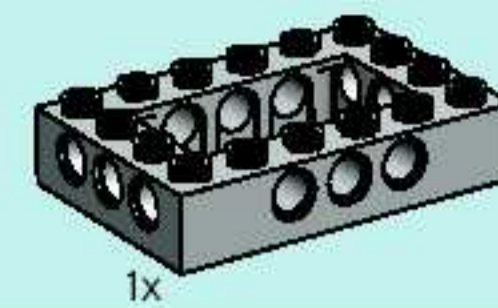
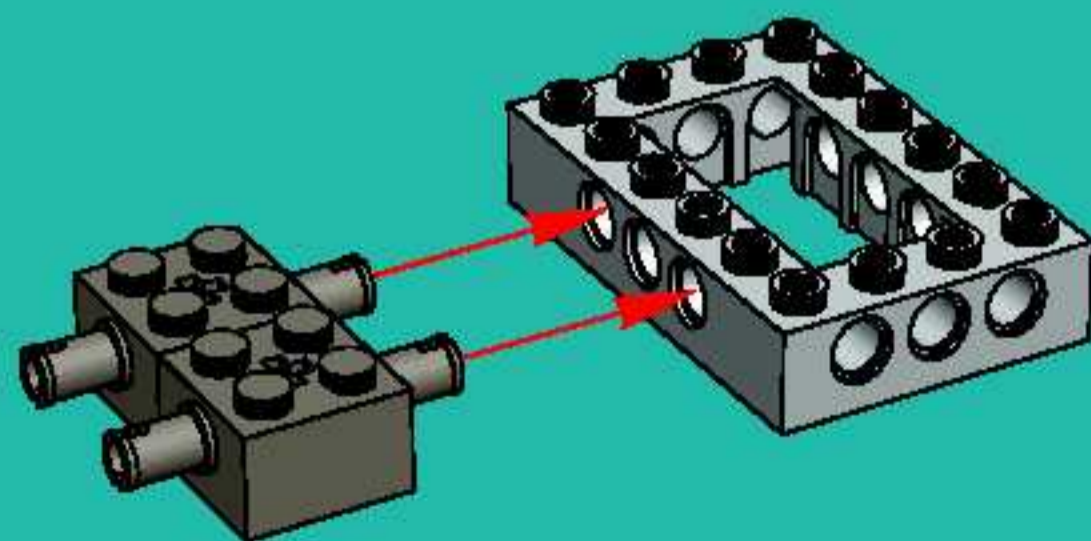
12



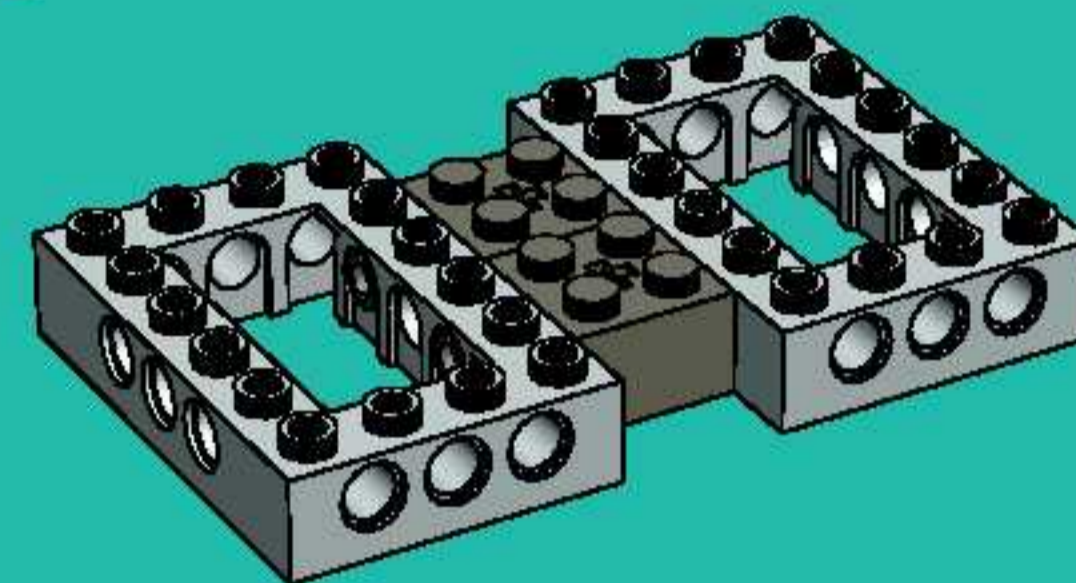




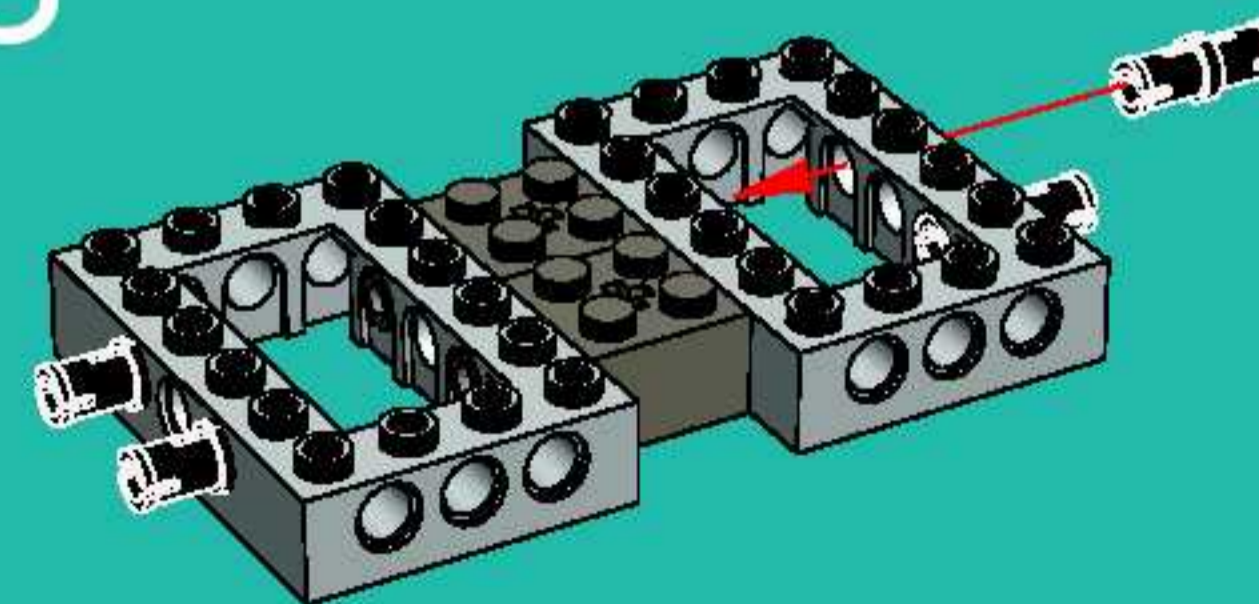
1



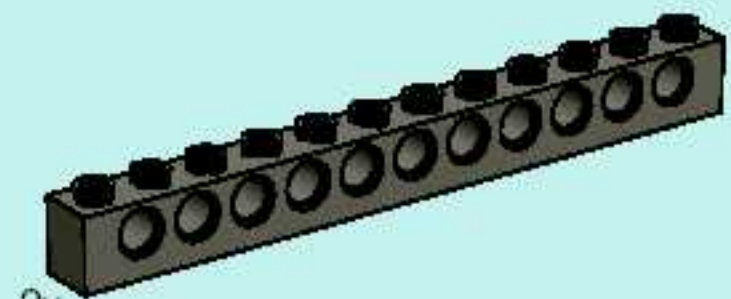
2



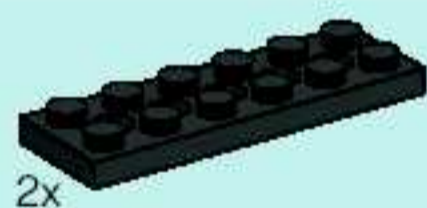
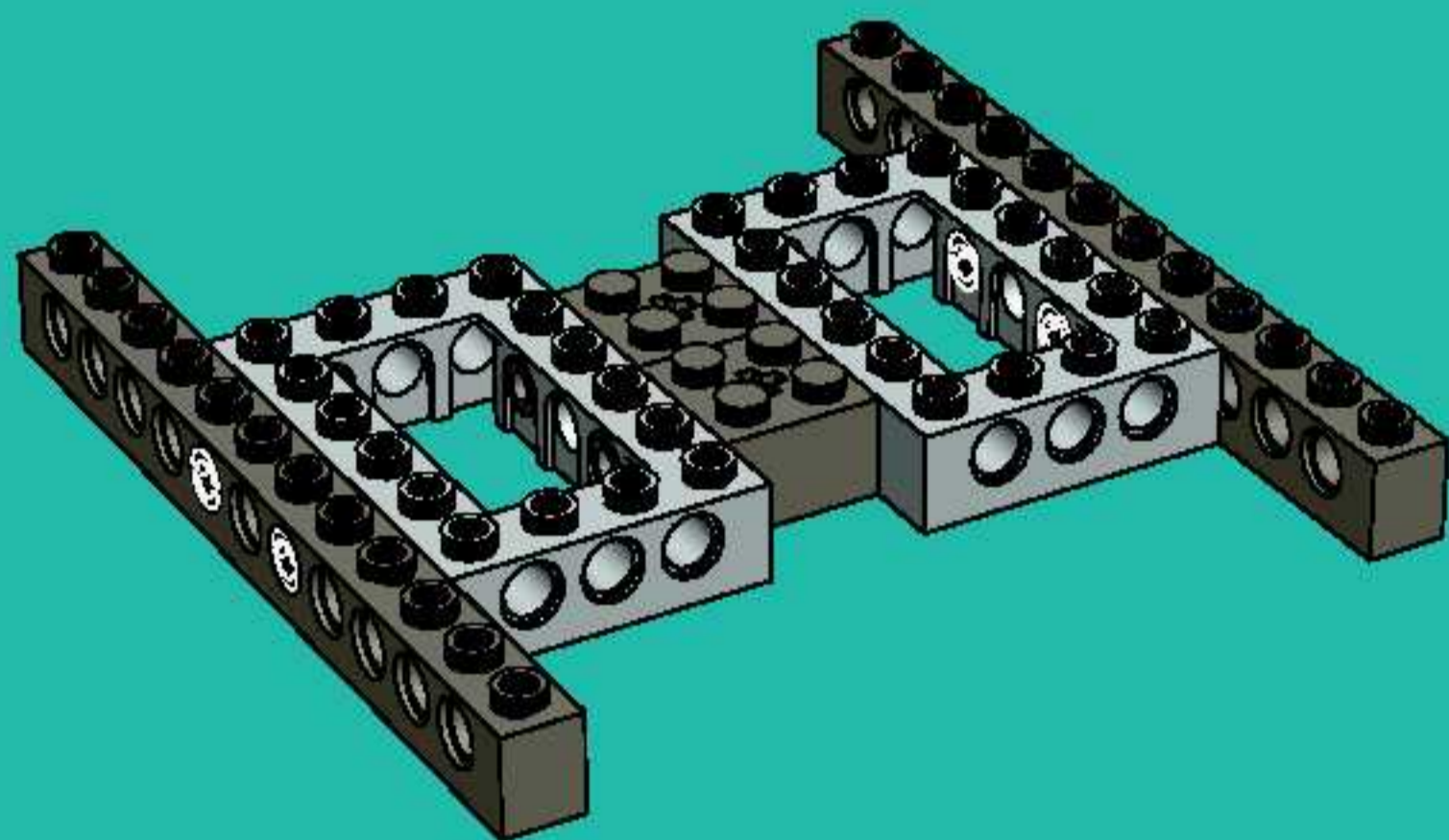
3



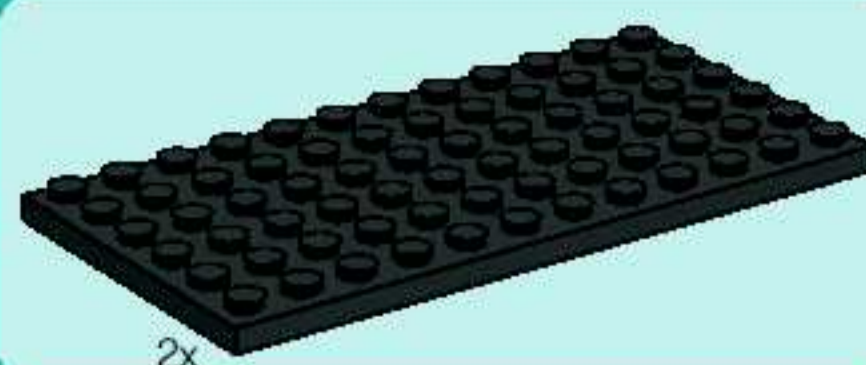
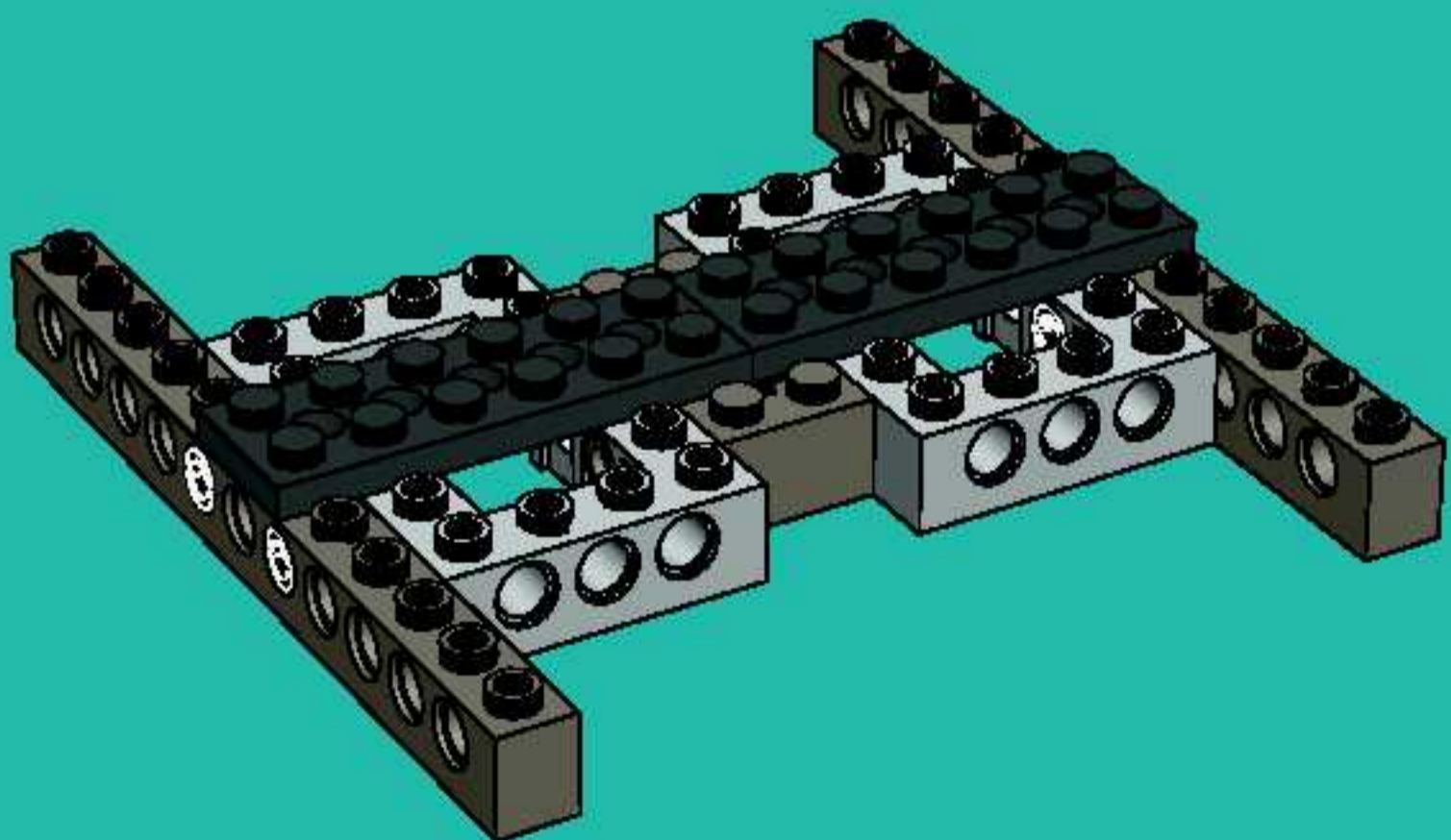




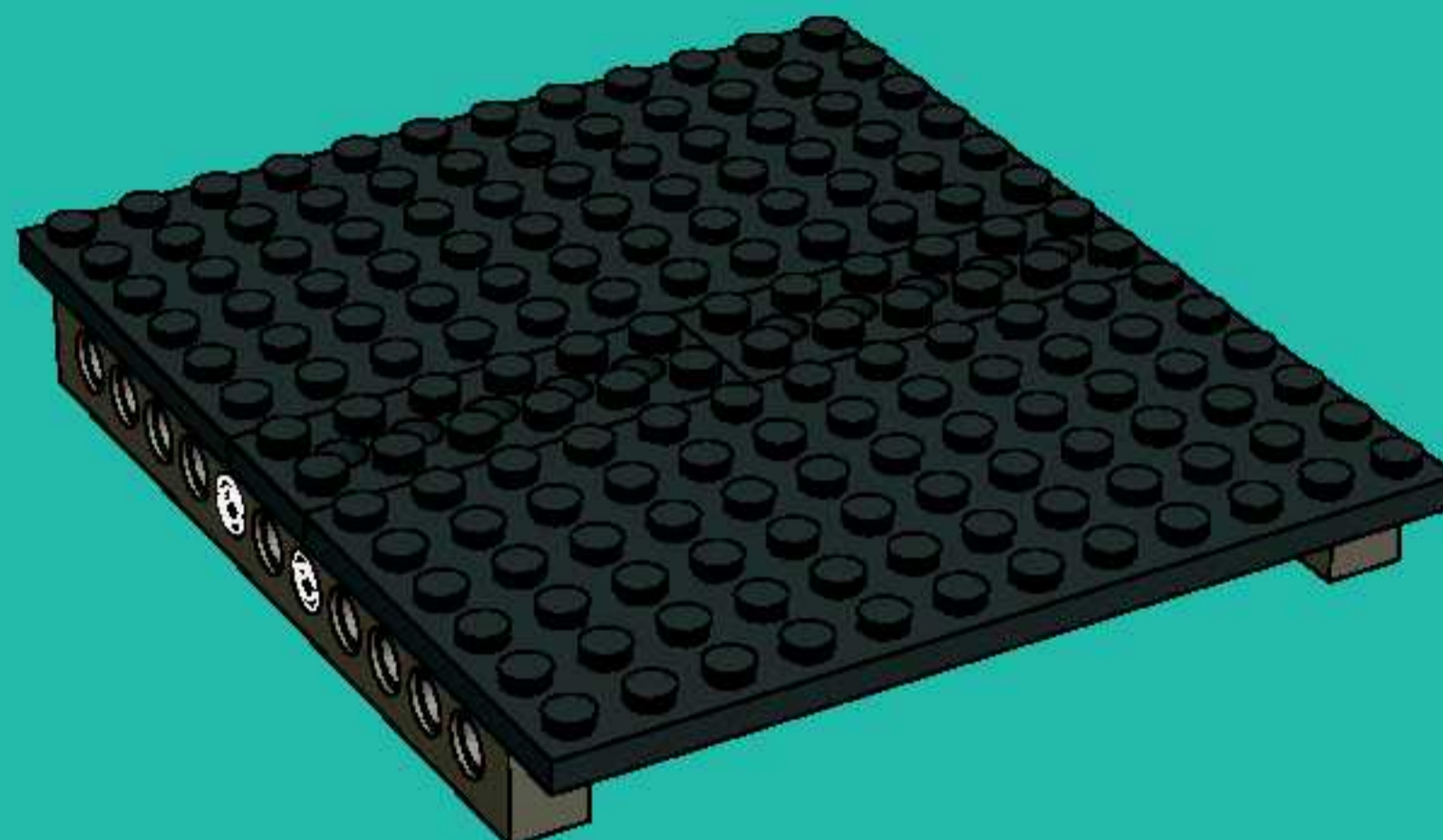
4



5



6

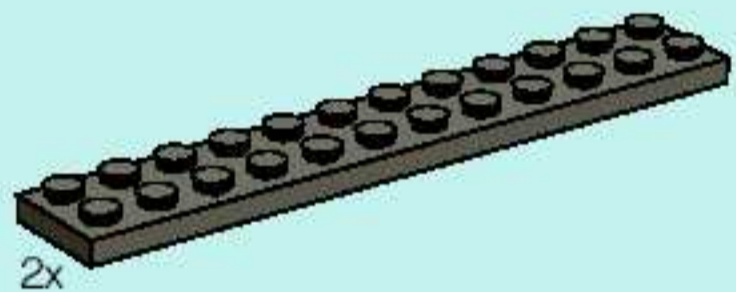
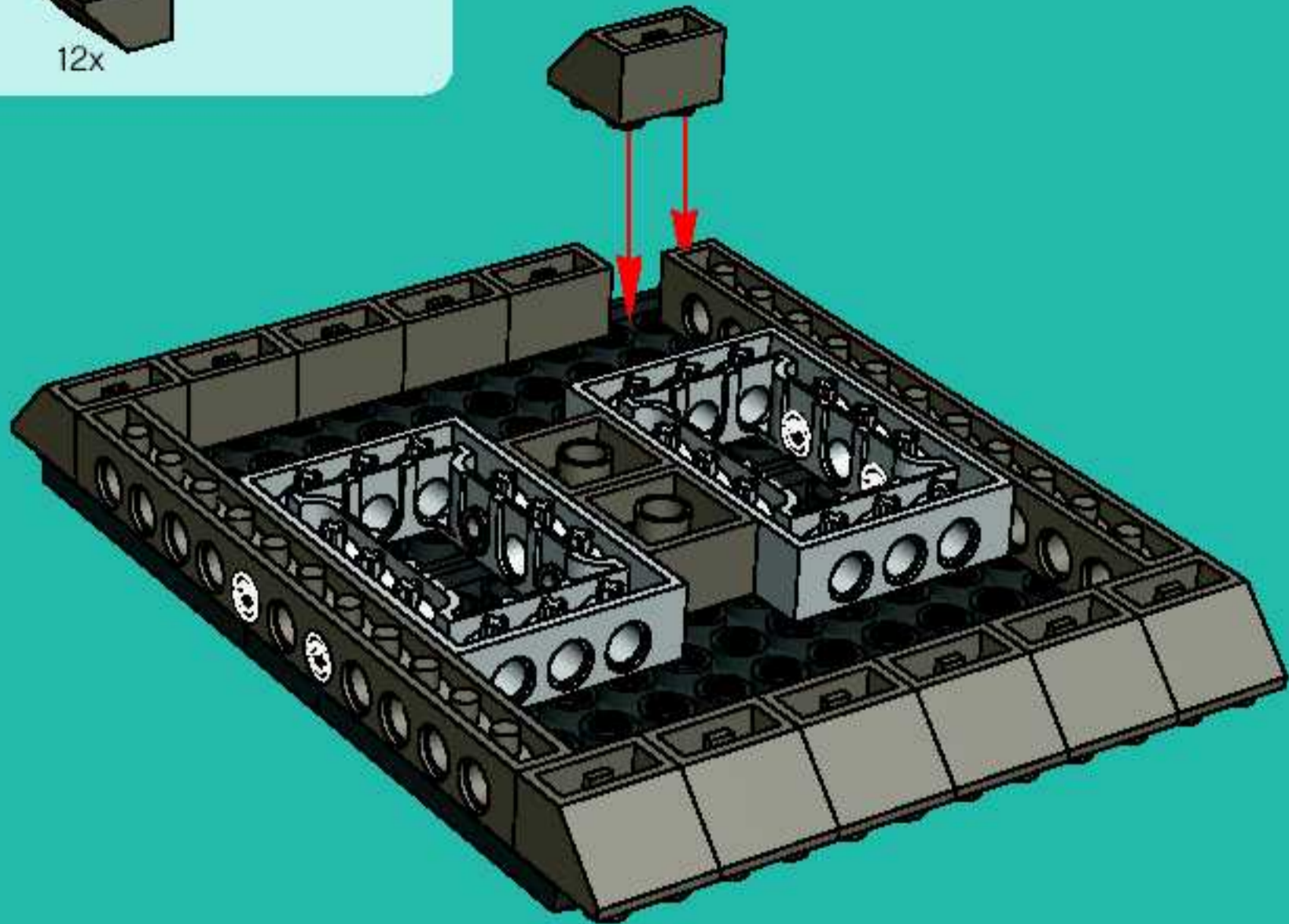






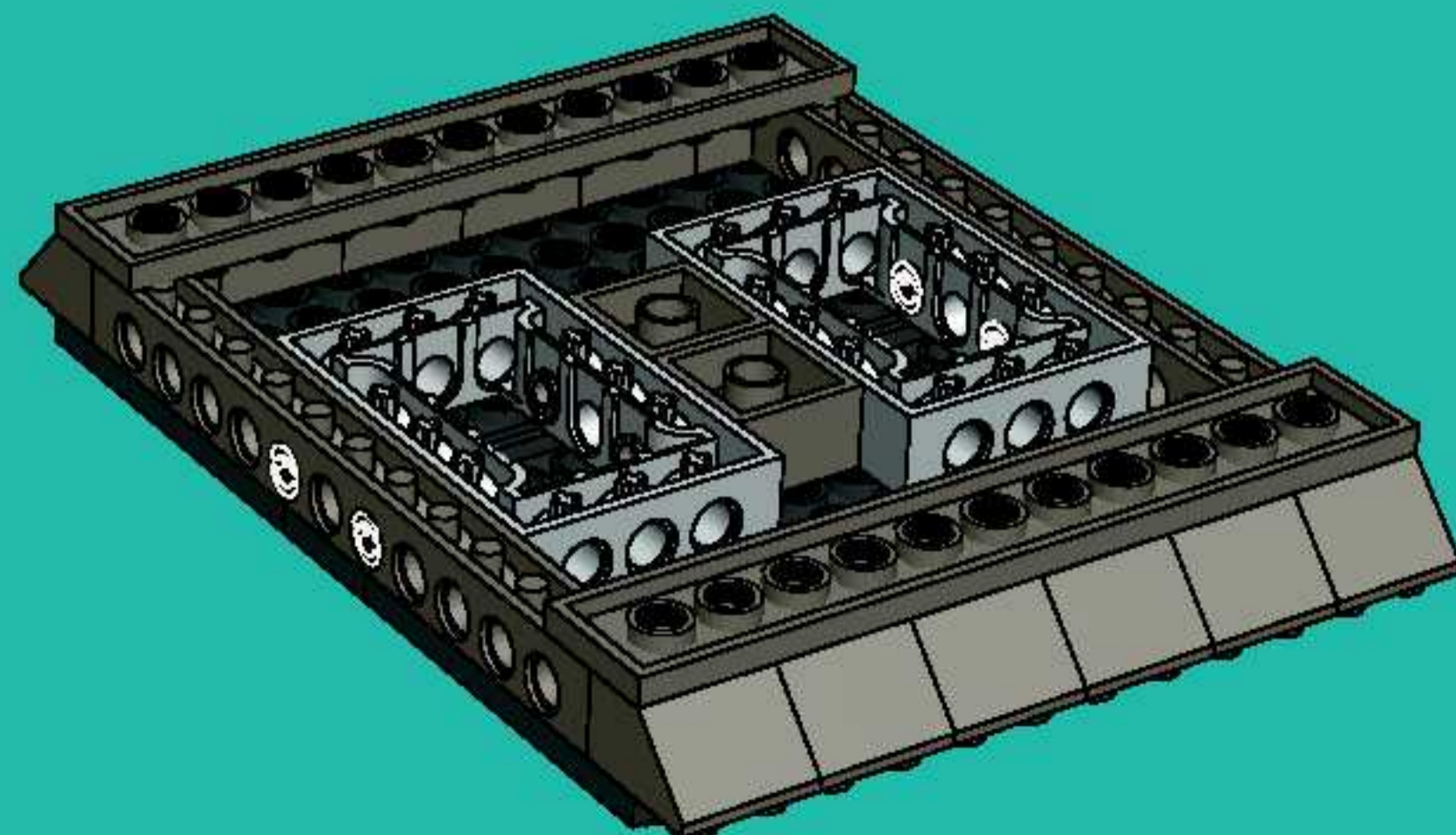
12x

7



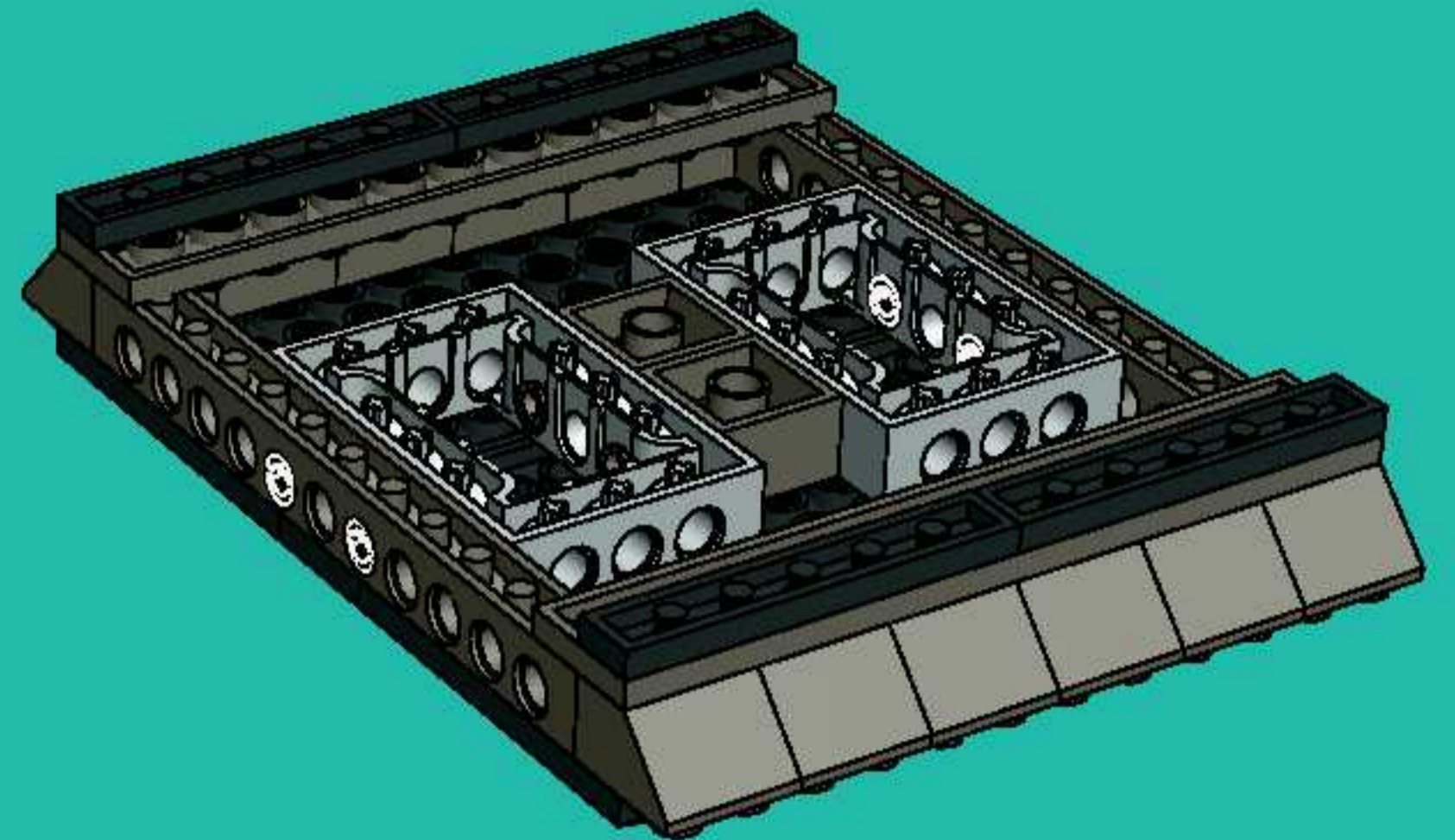
2x

8



4x

9



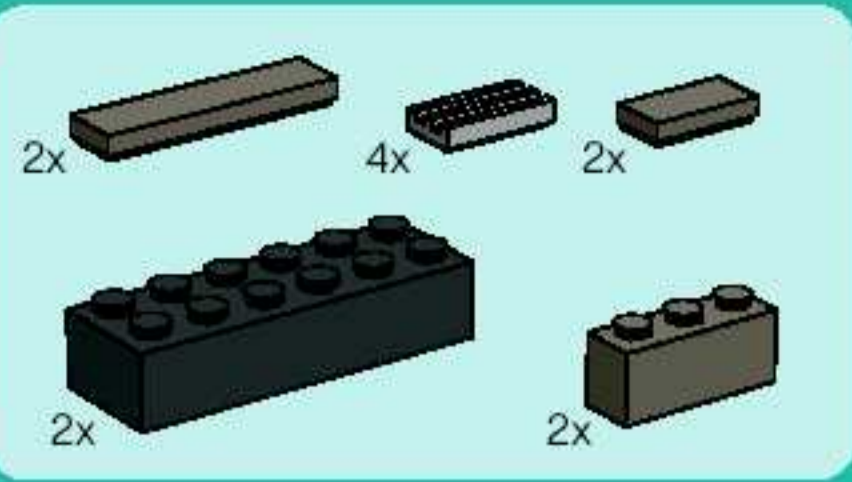
1x

1x

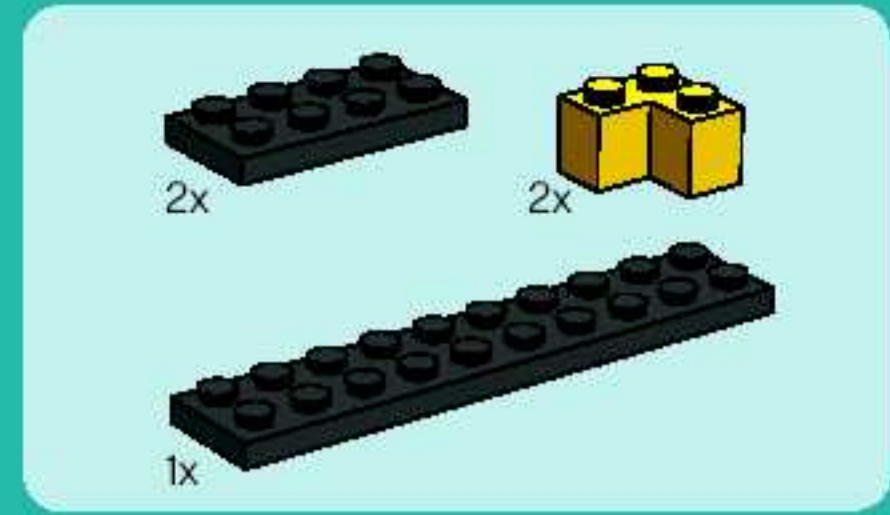
10



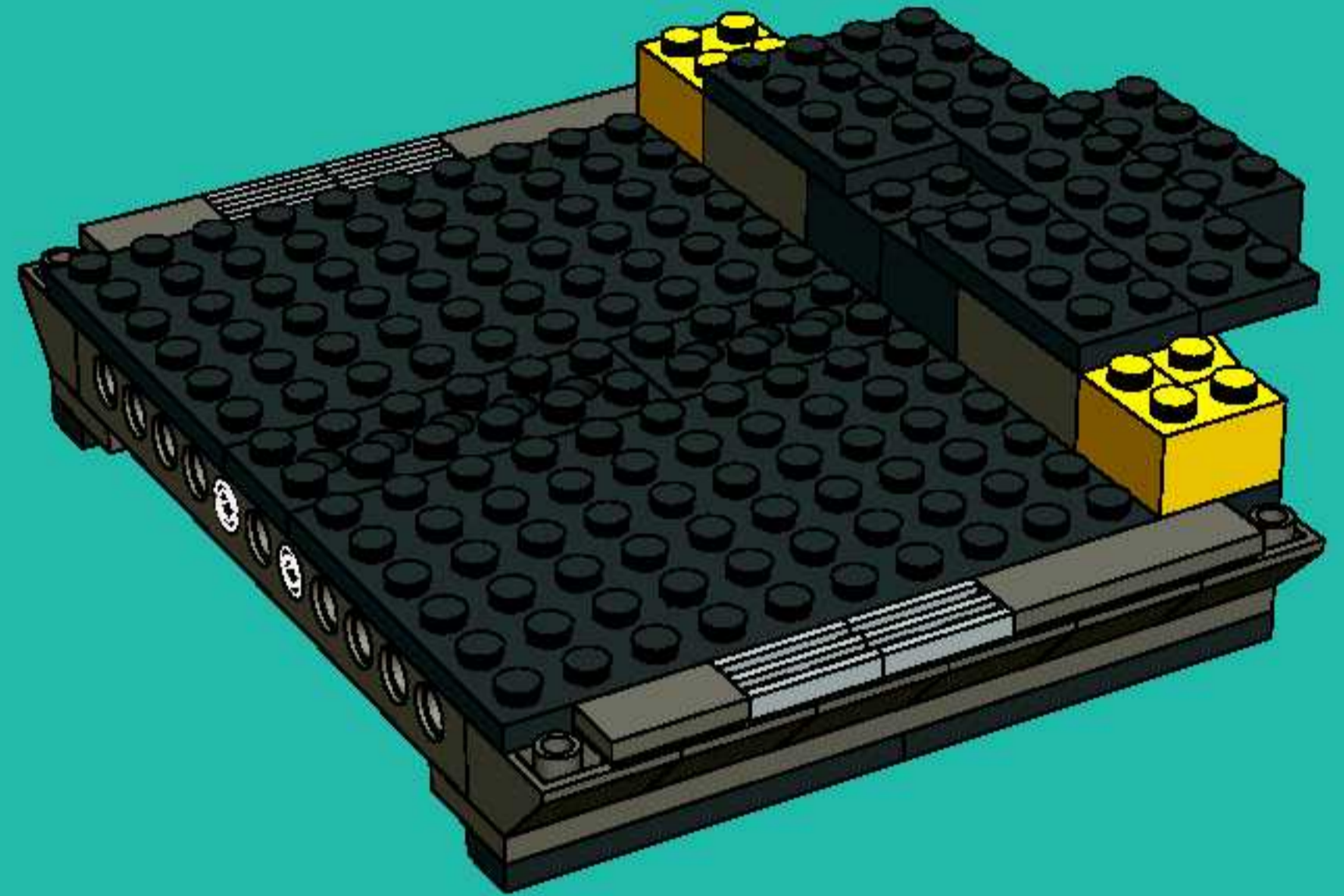




11

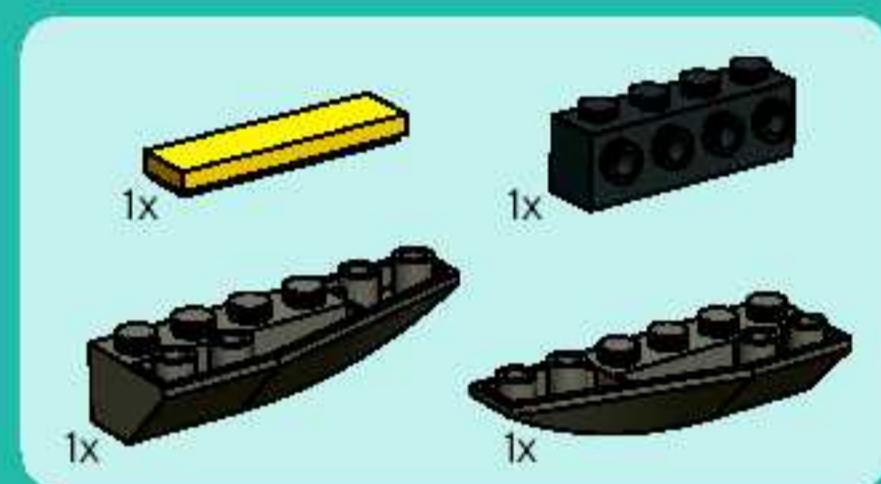
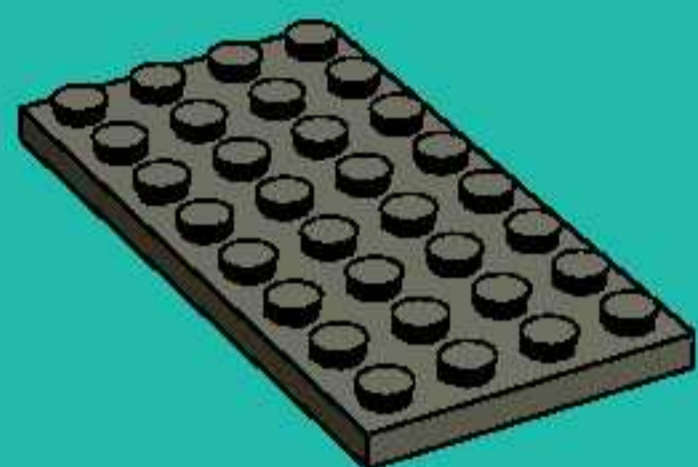
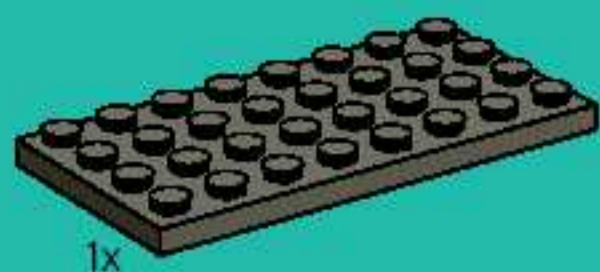


12

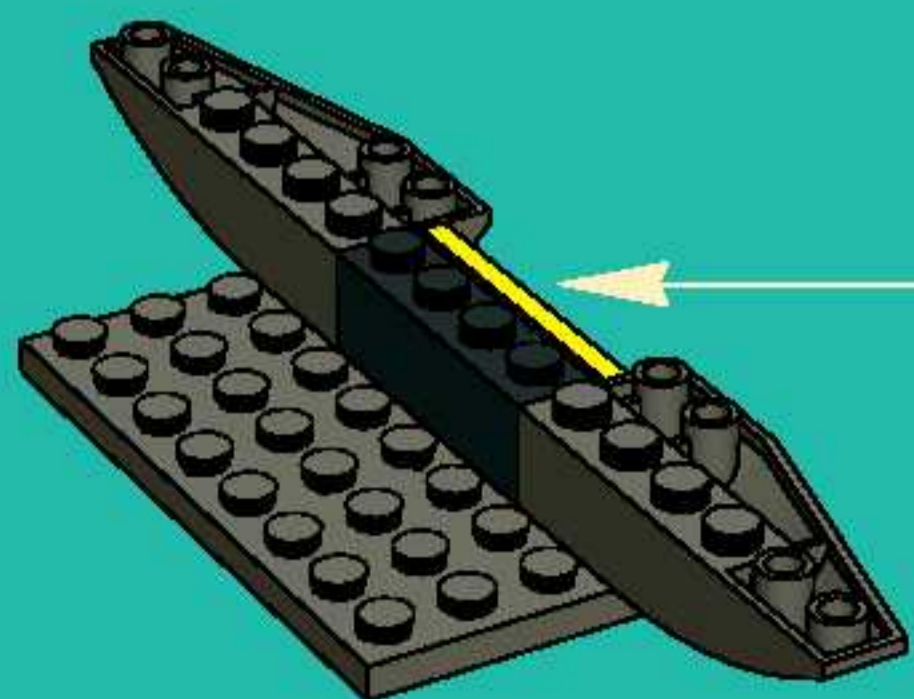
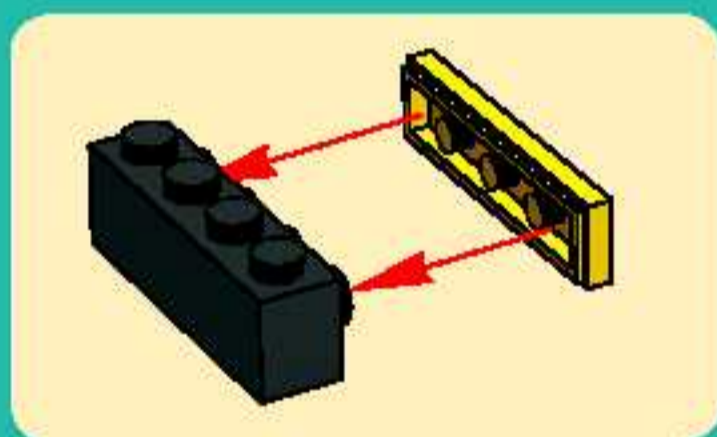




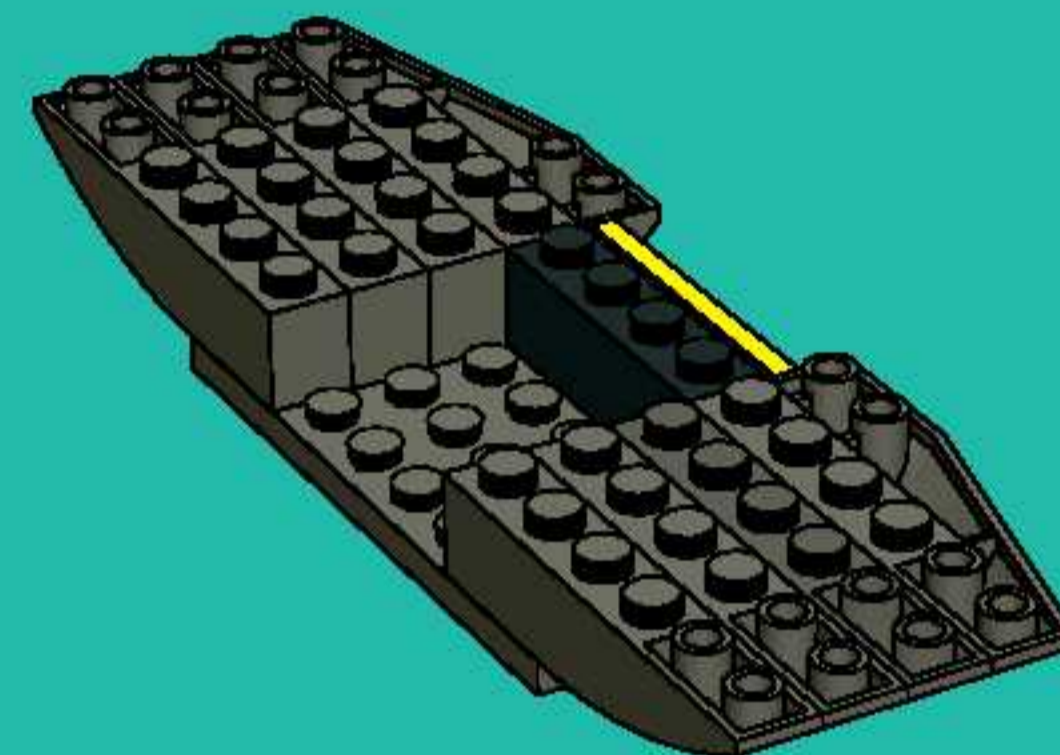
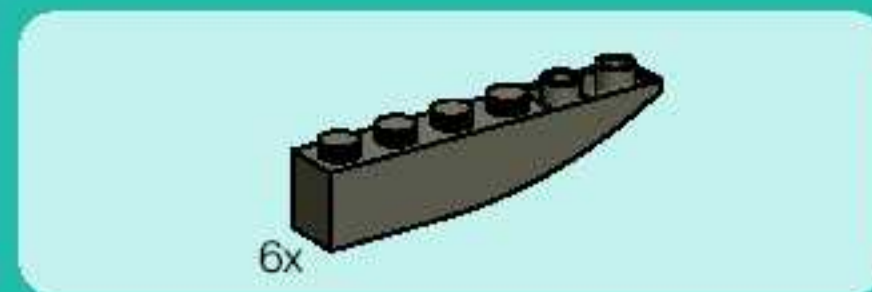
1



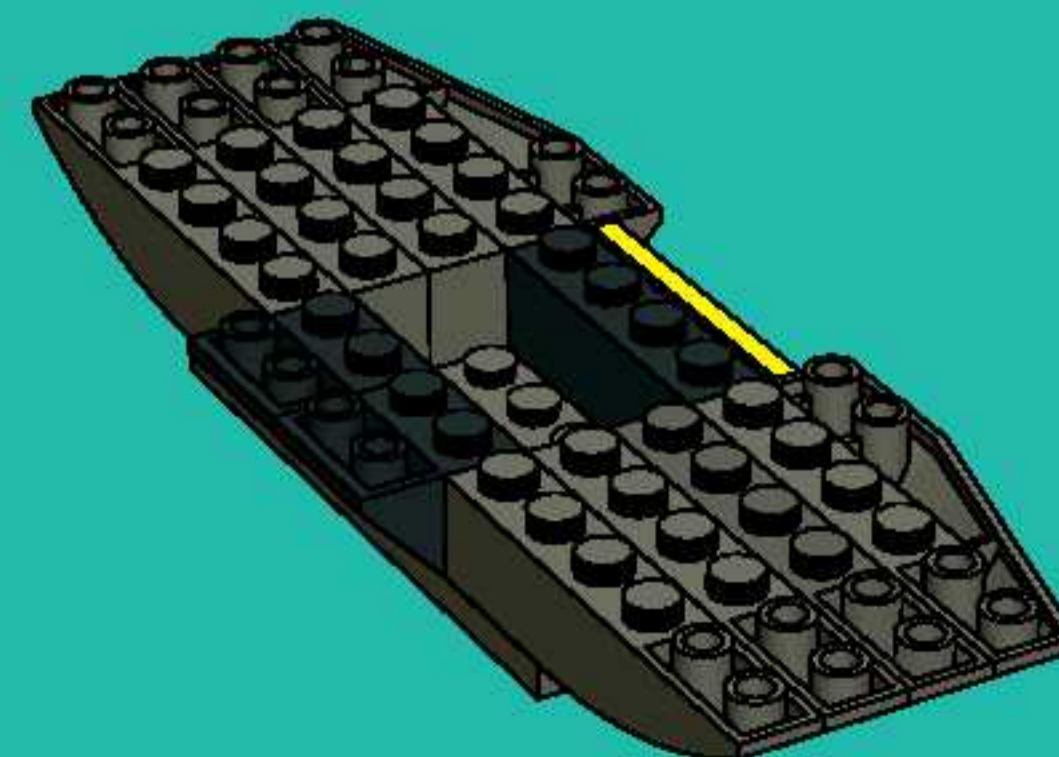
2



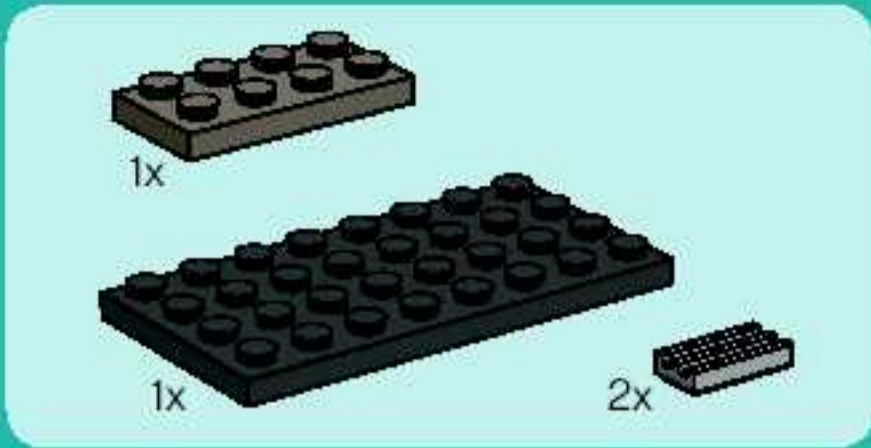
3



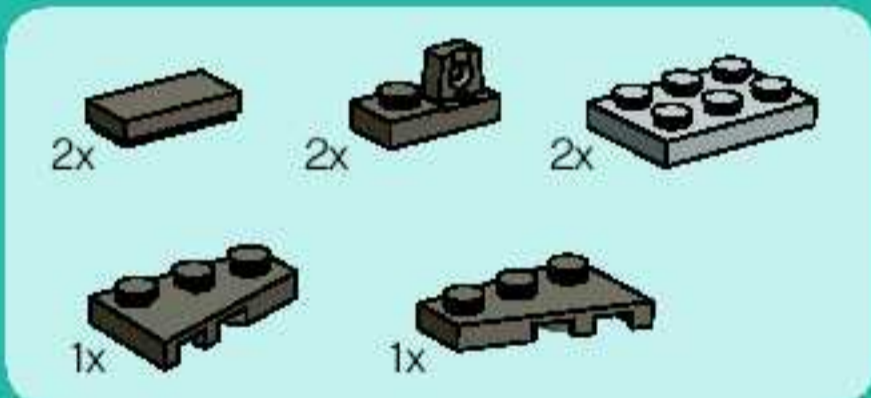
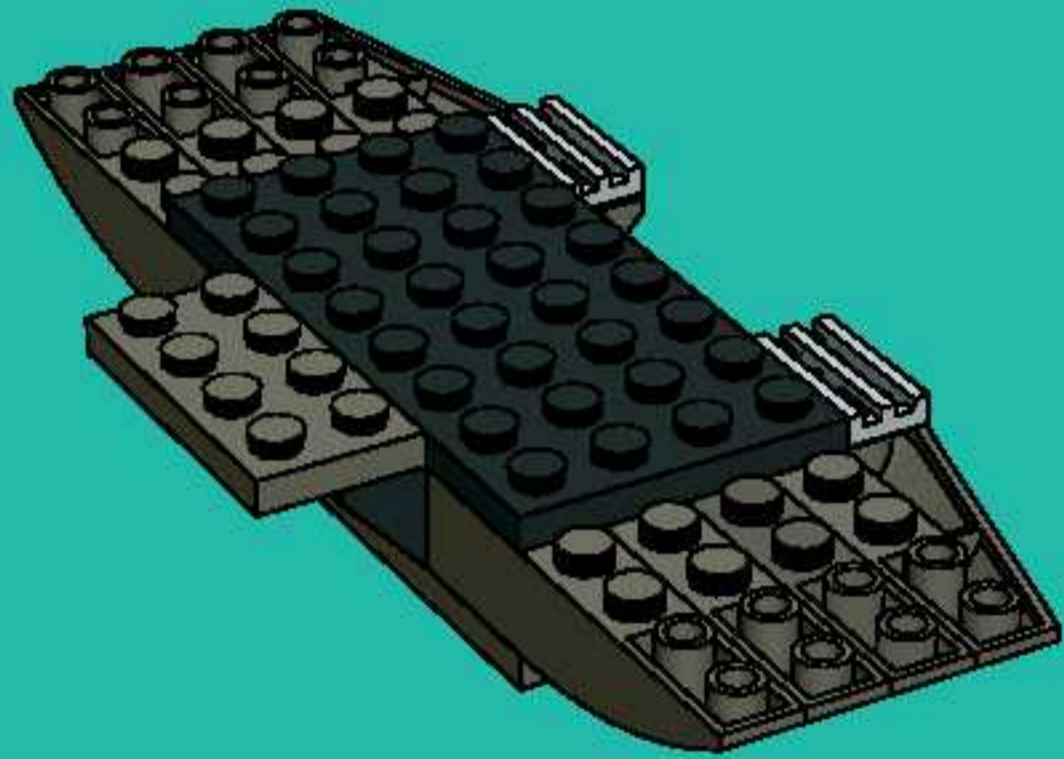
4



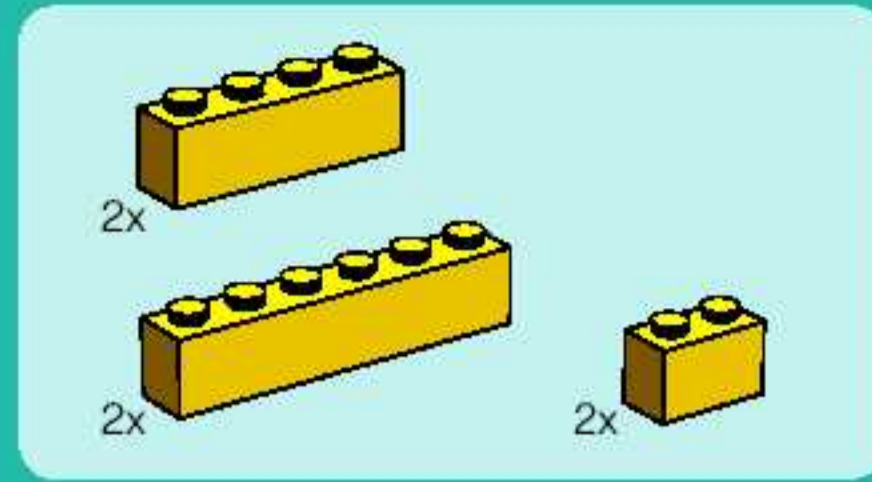
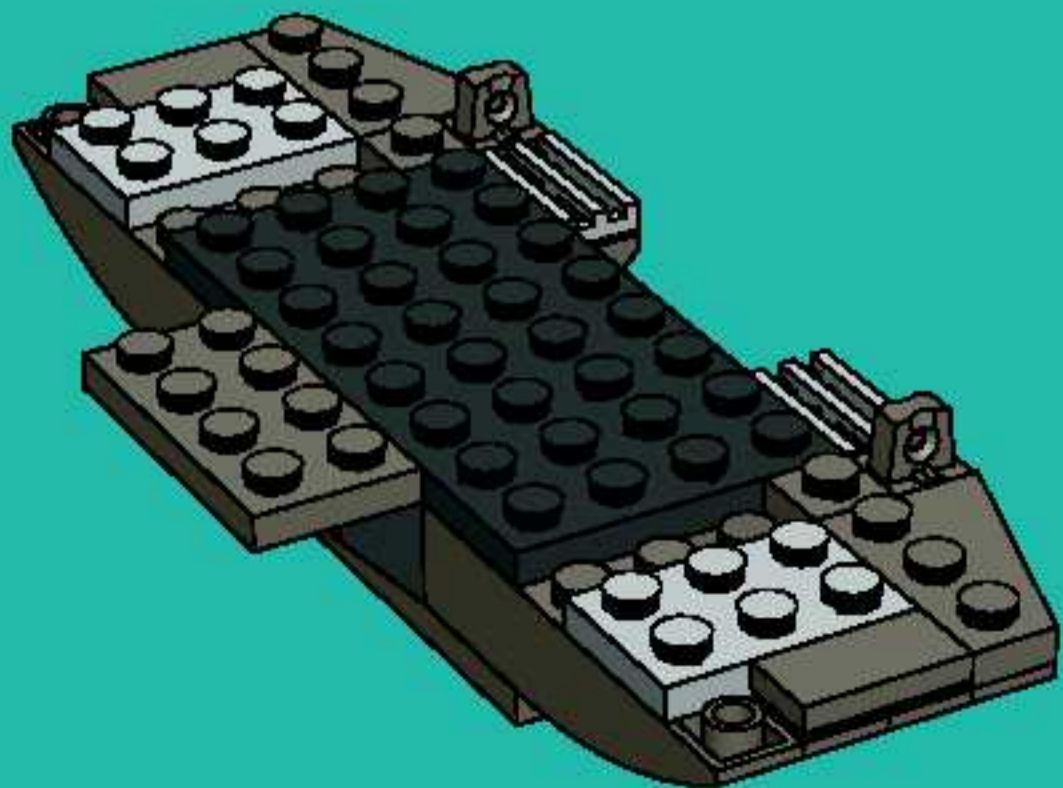




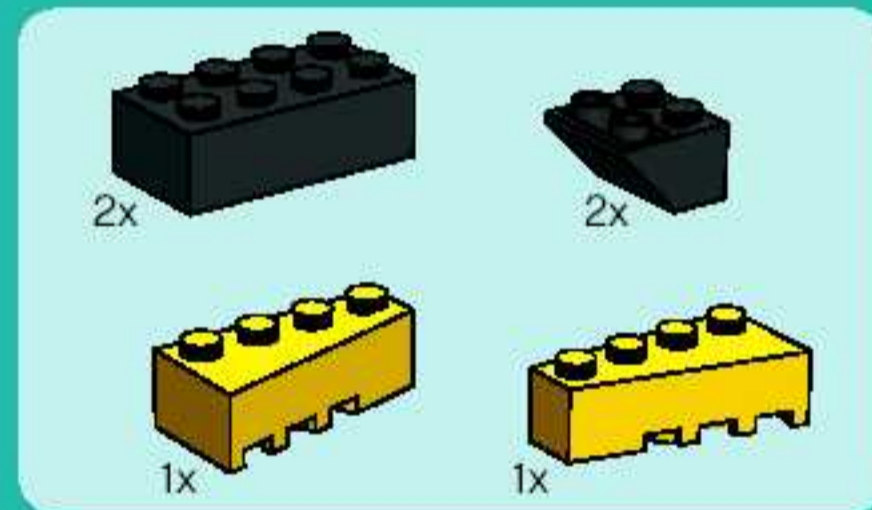
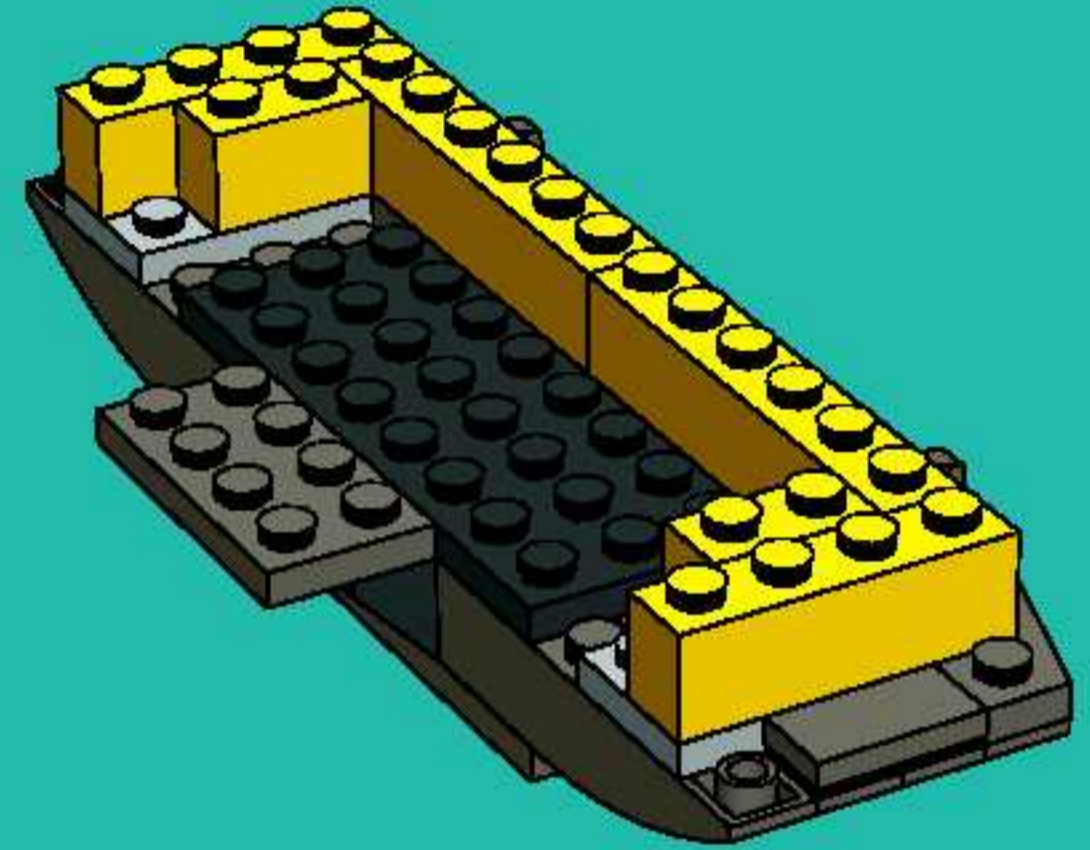
5



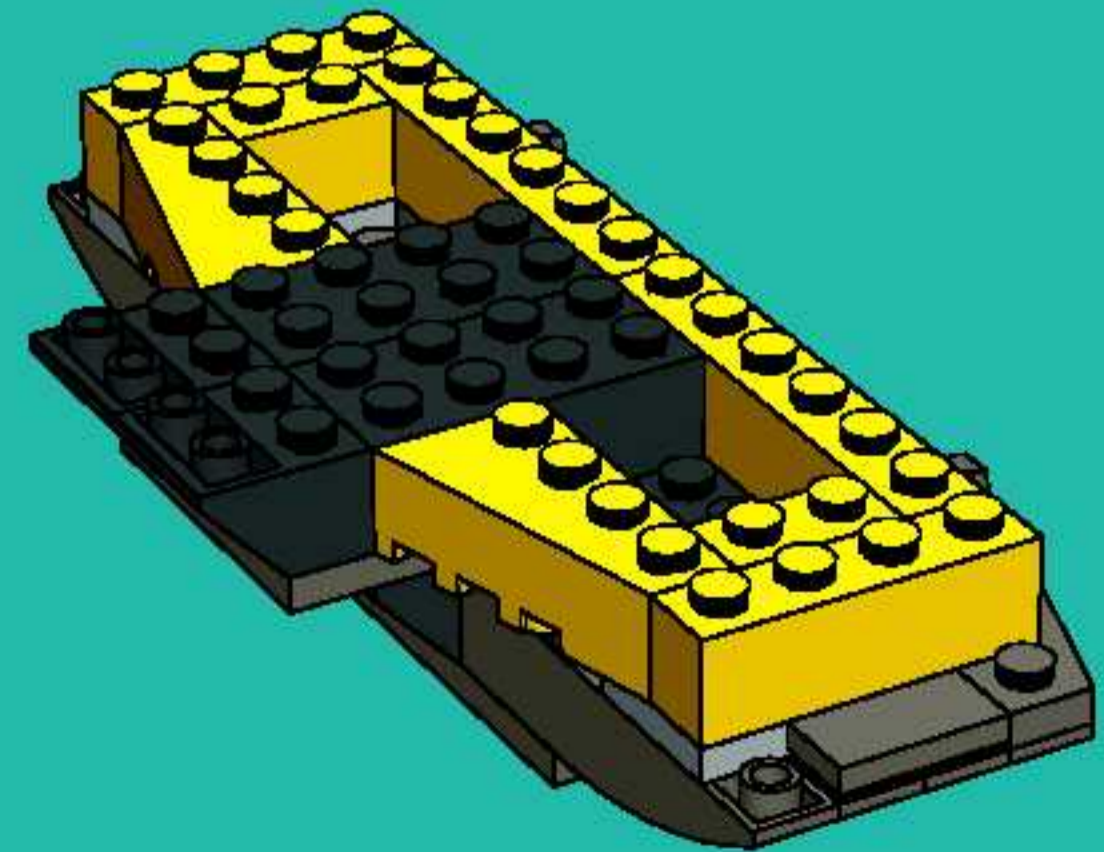
6



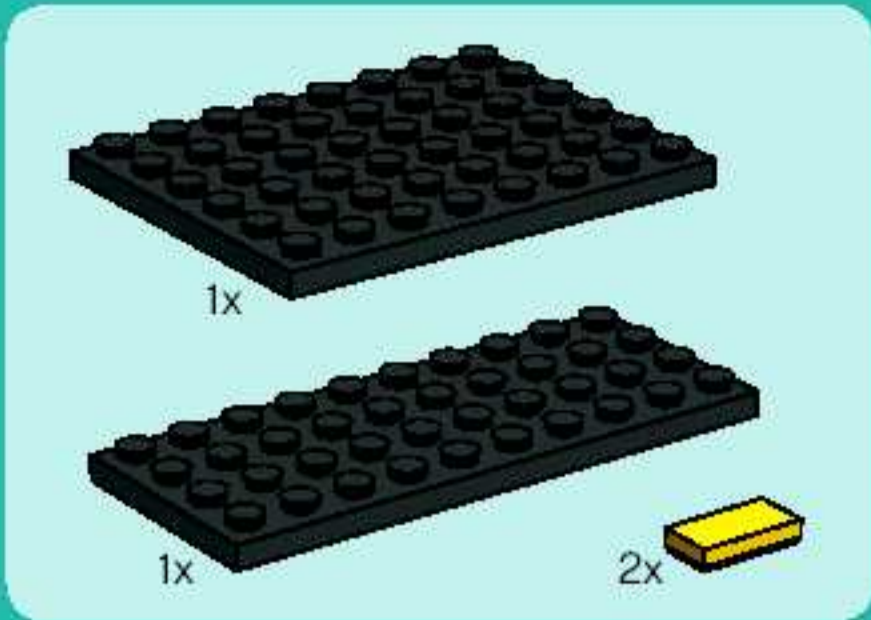
7



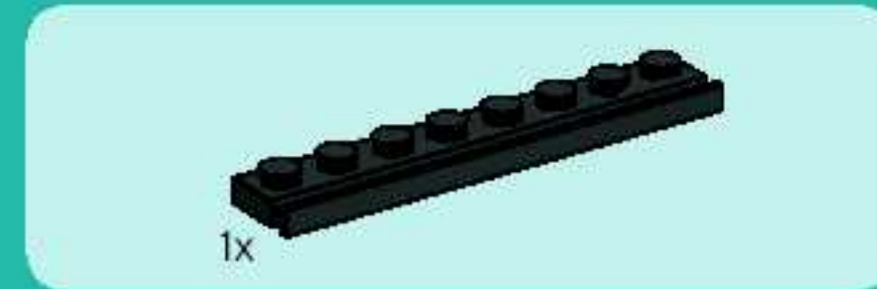
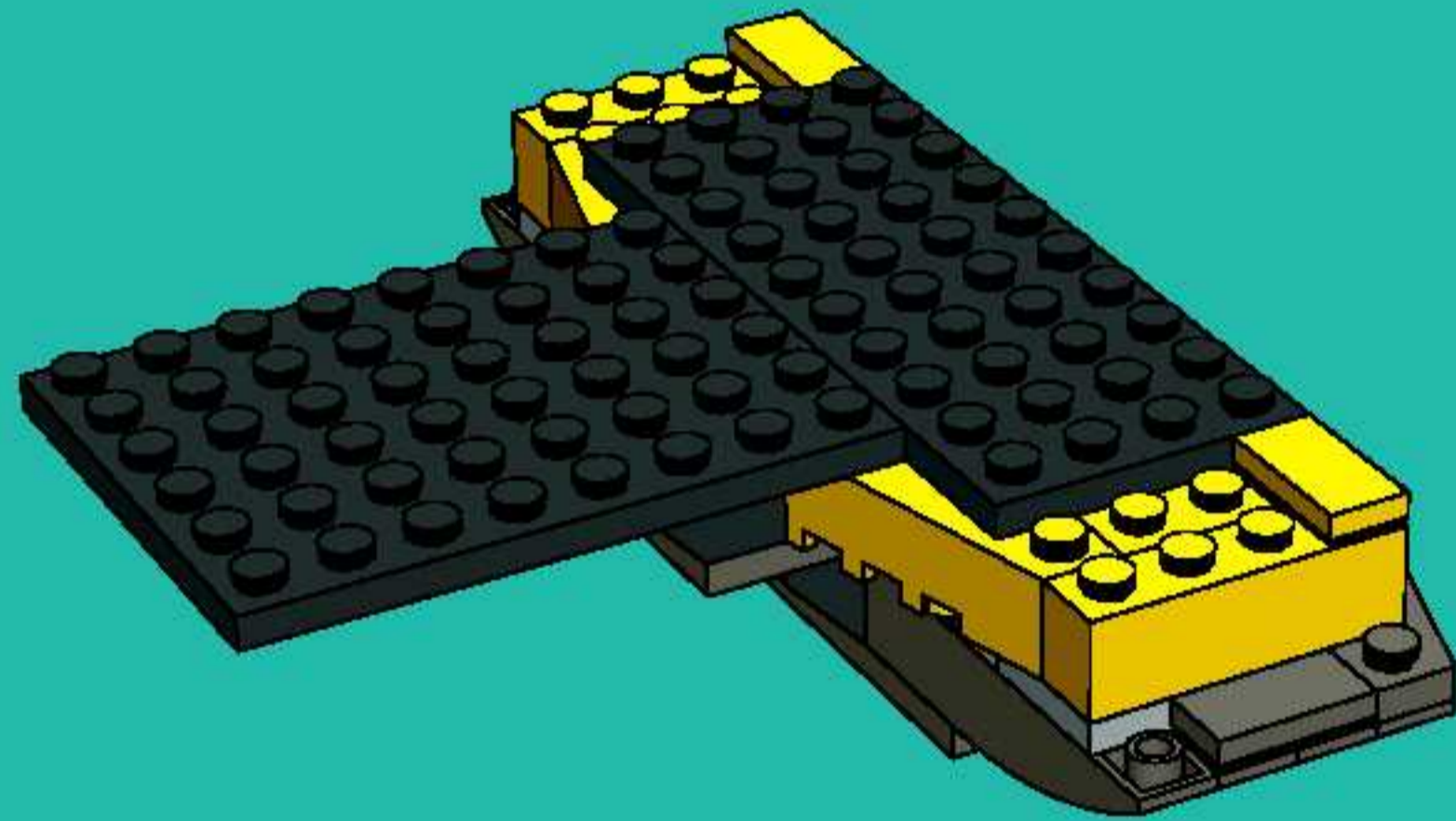
8



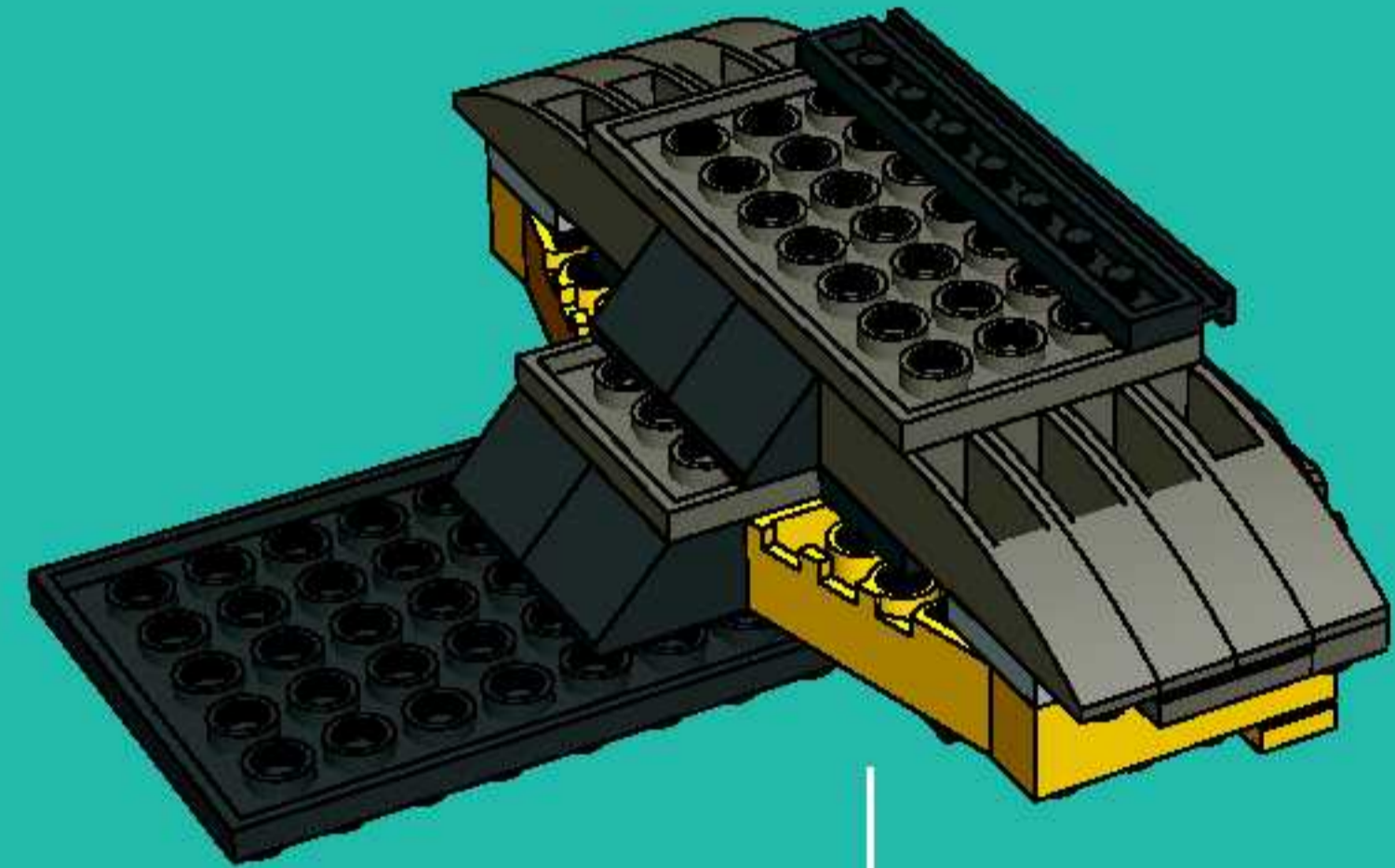




9

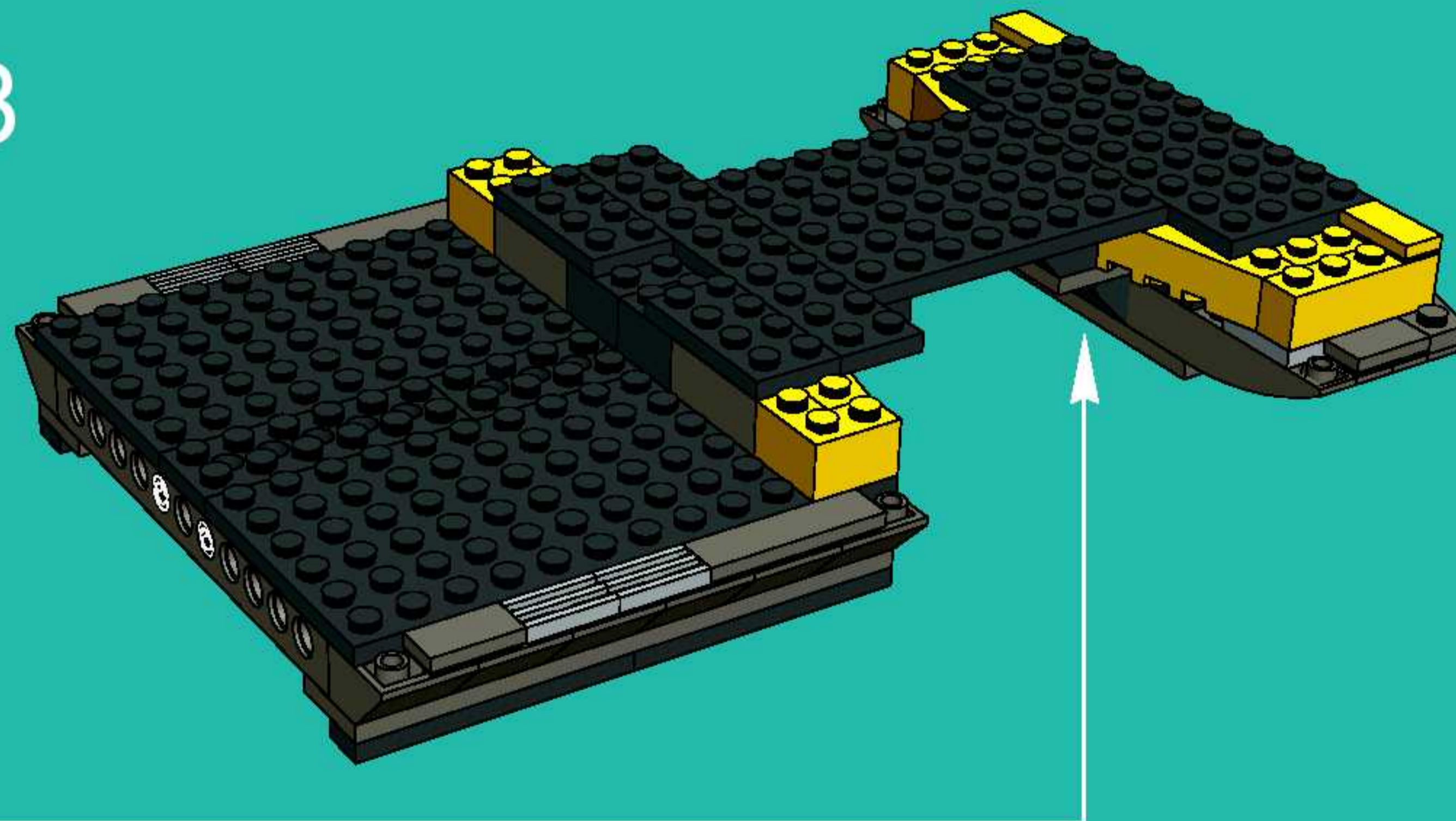


10





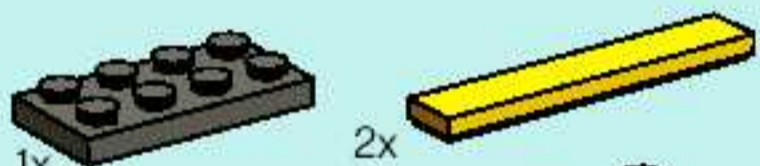
13







14



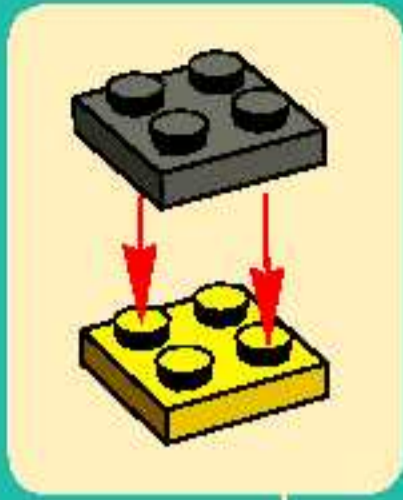
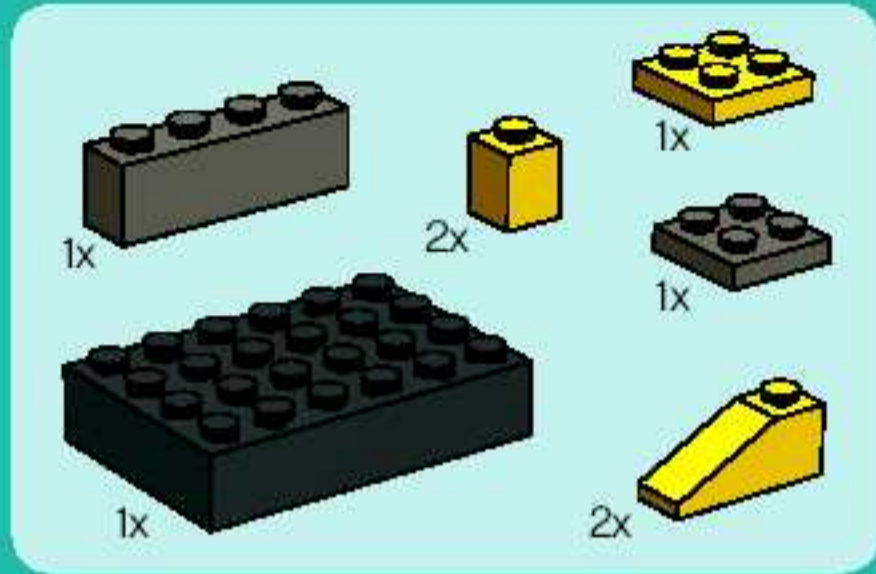
15



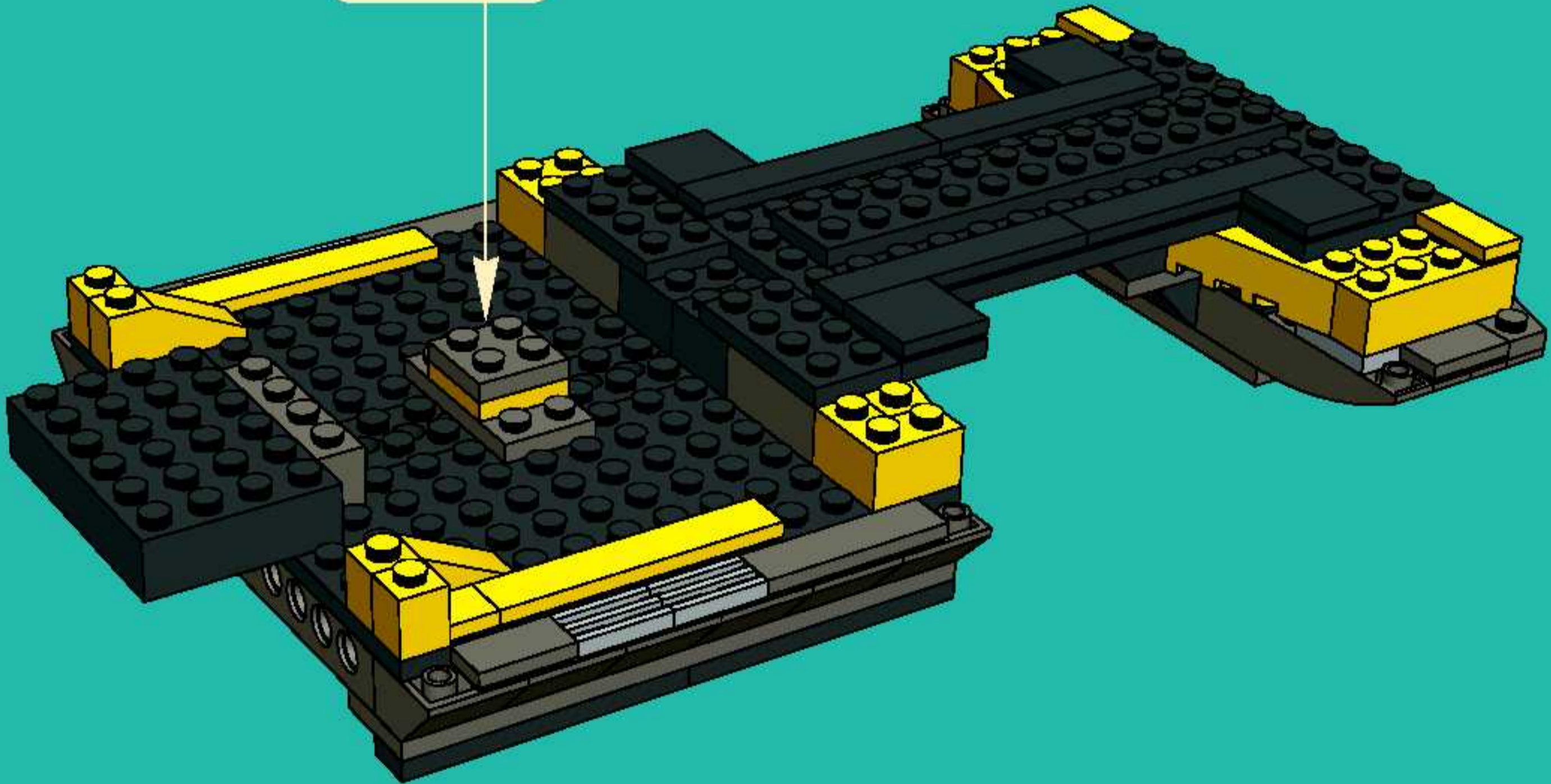




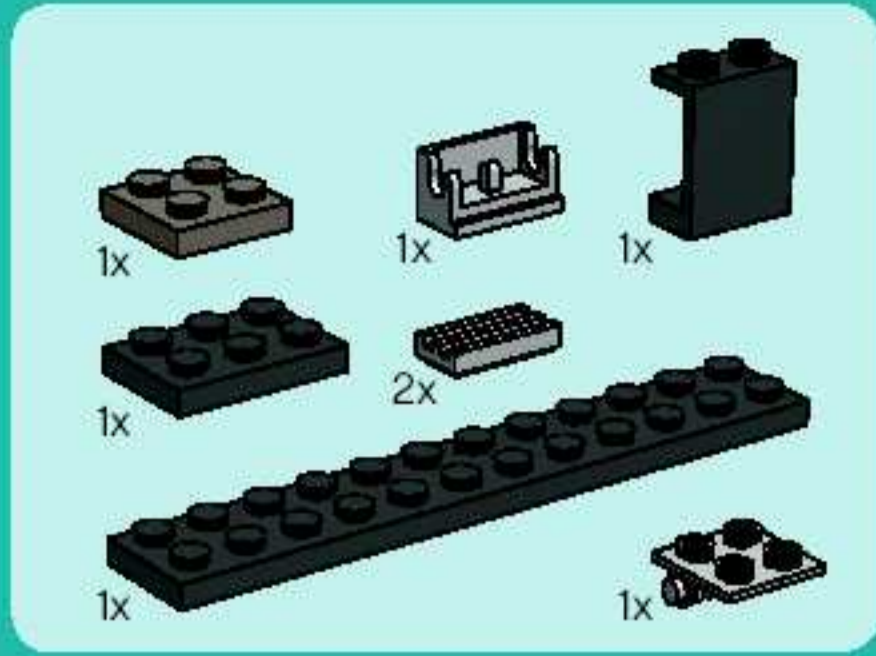




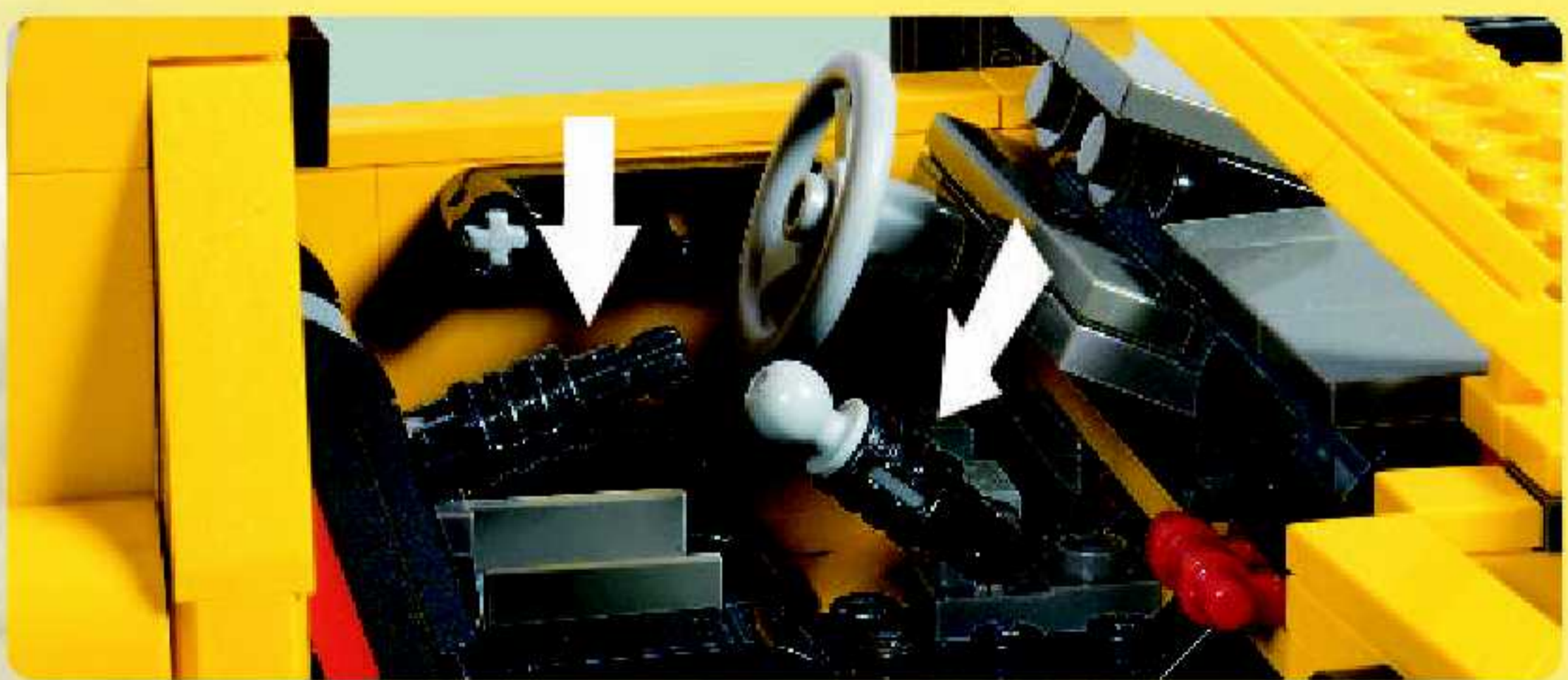
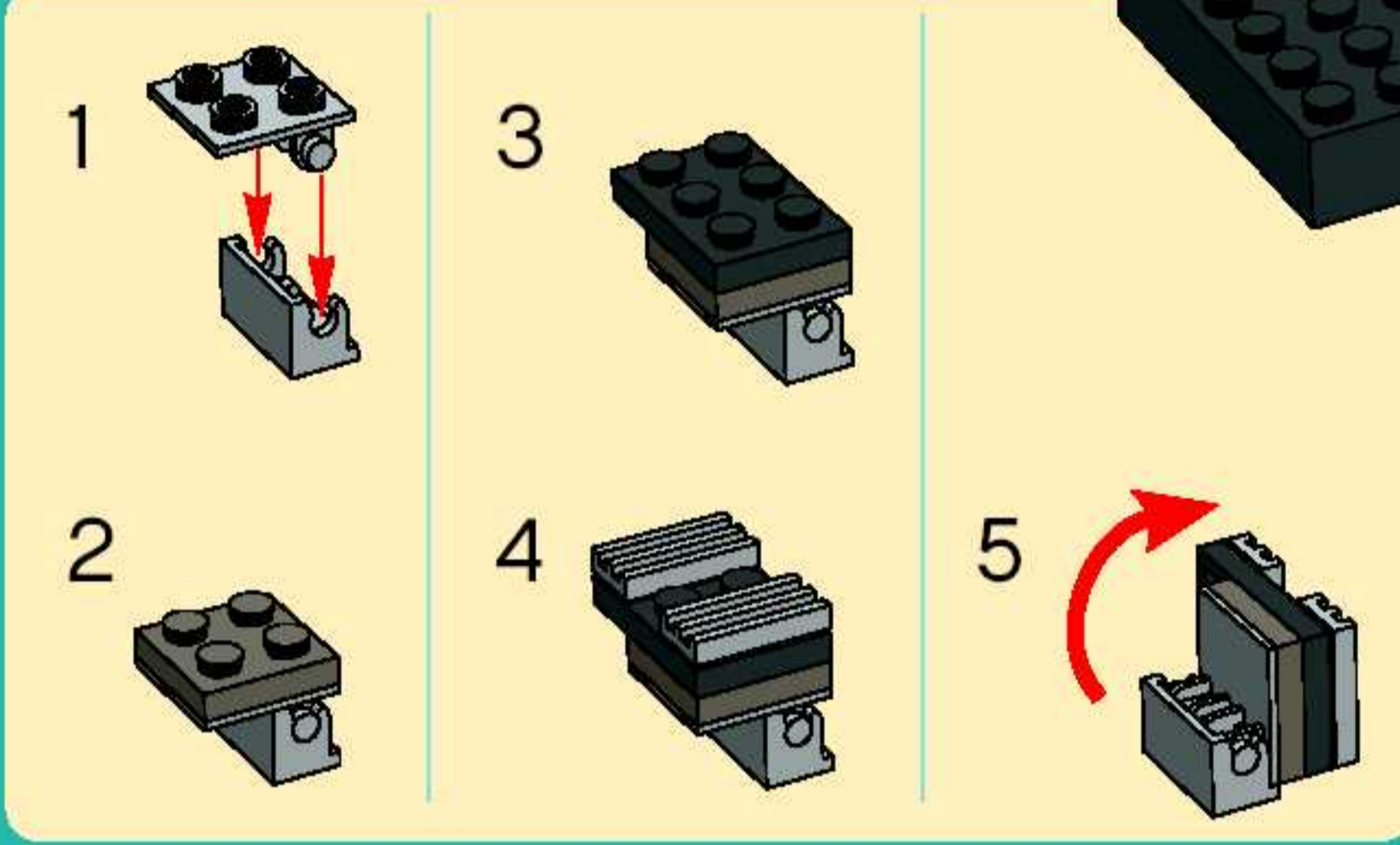
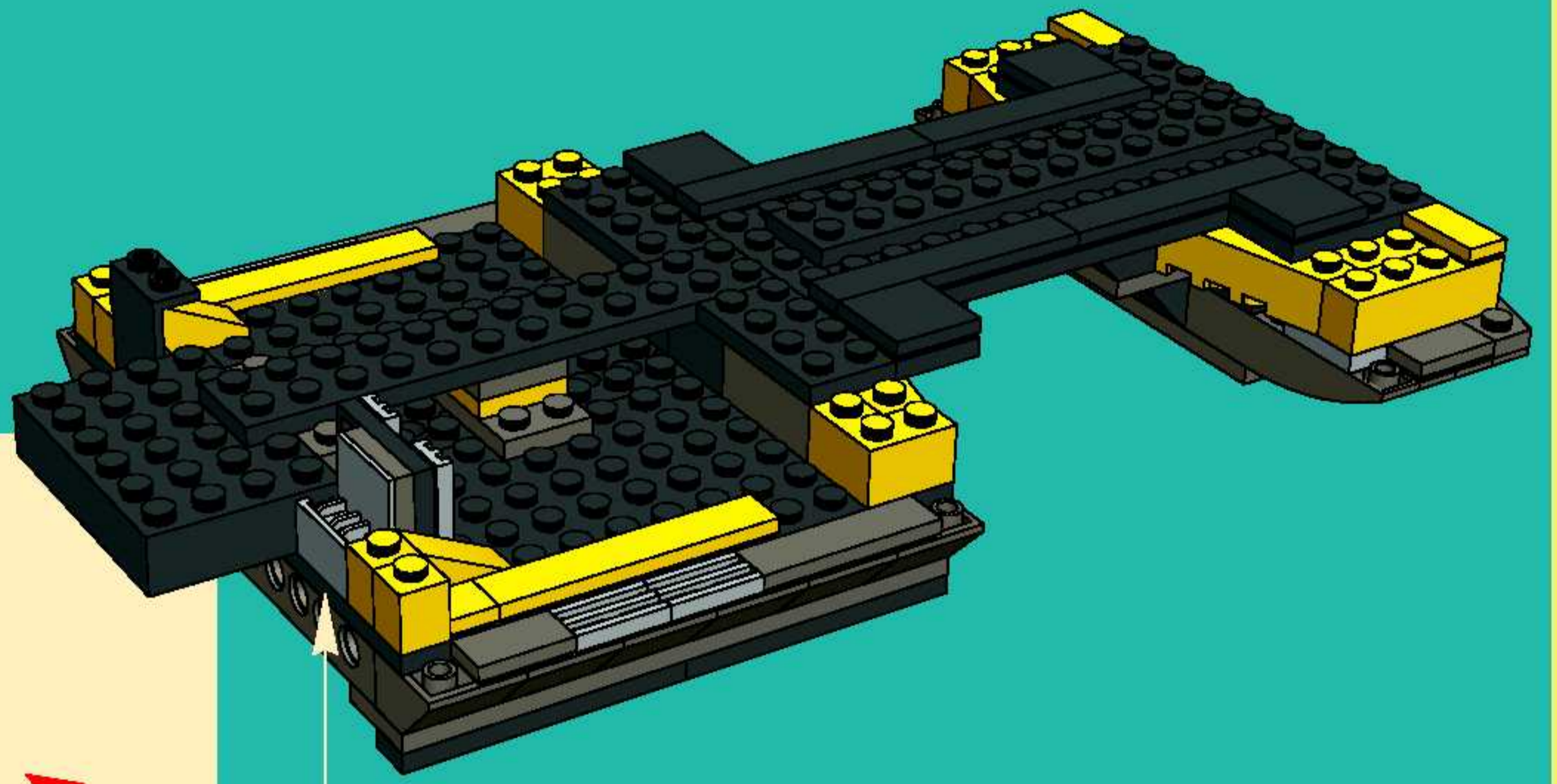
16



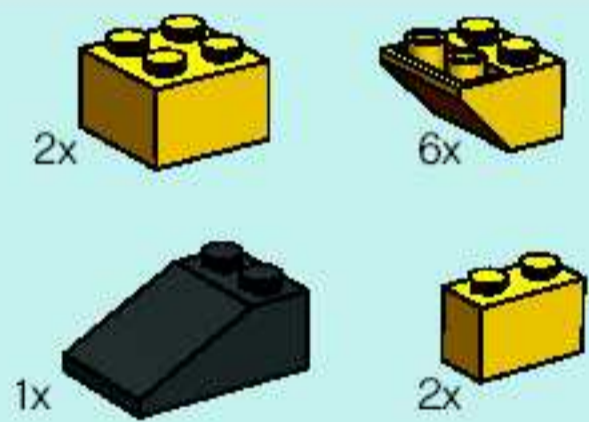




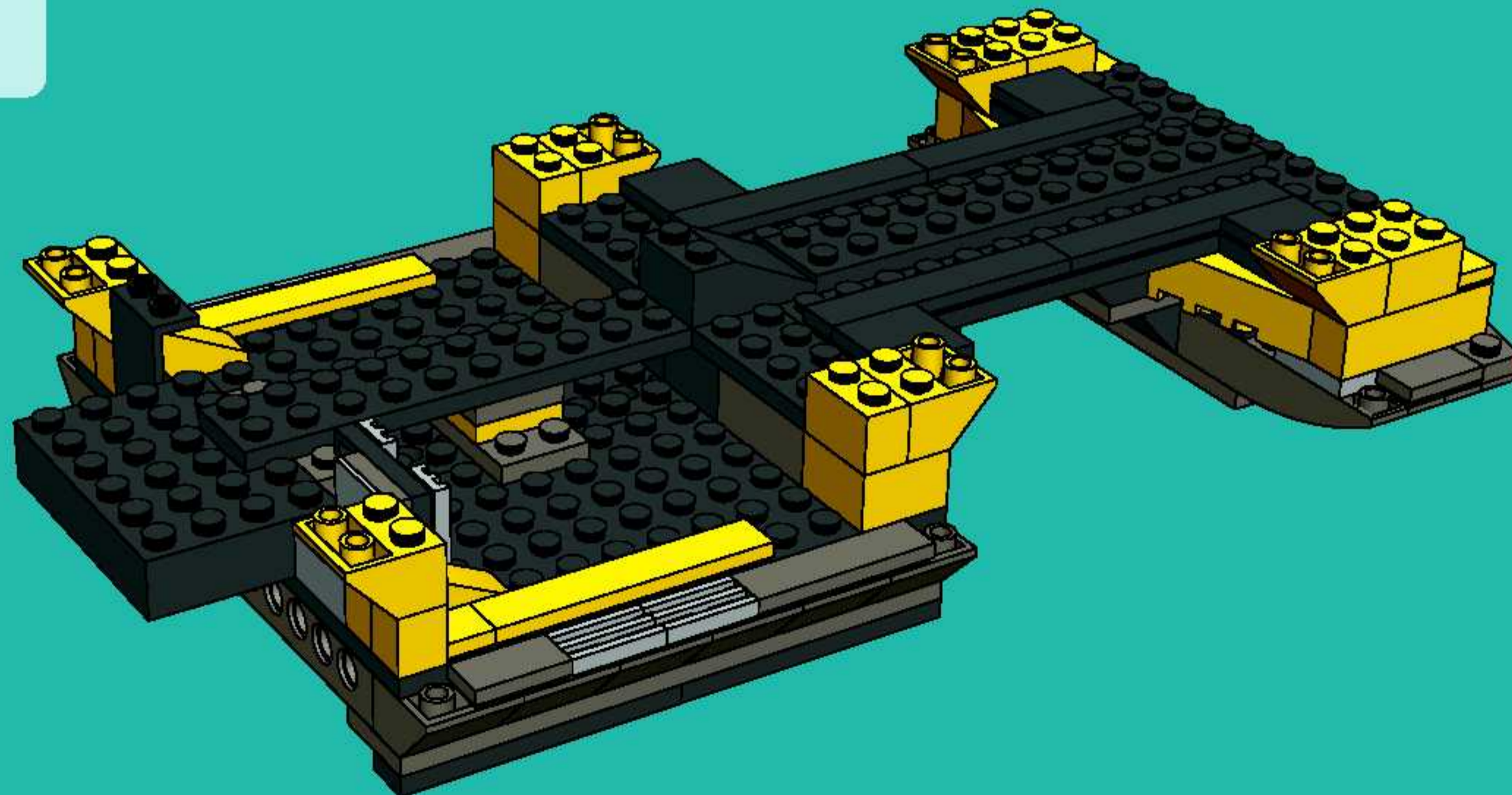
17



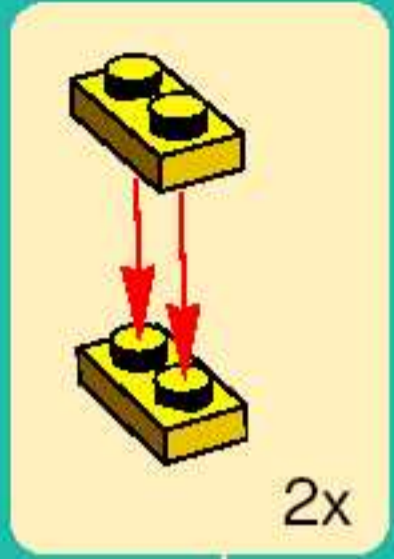
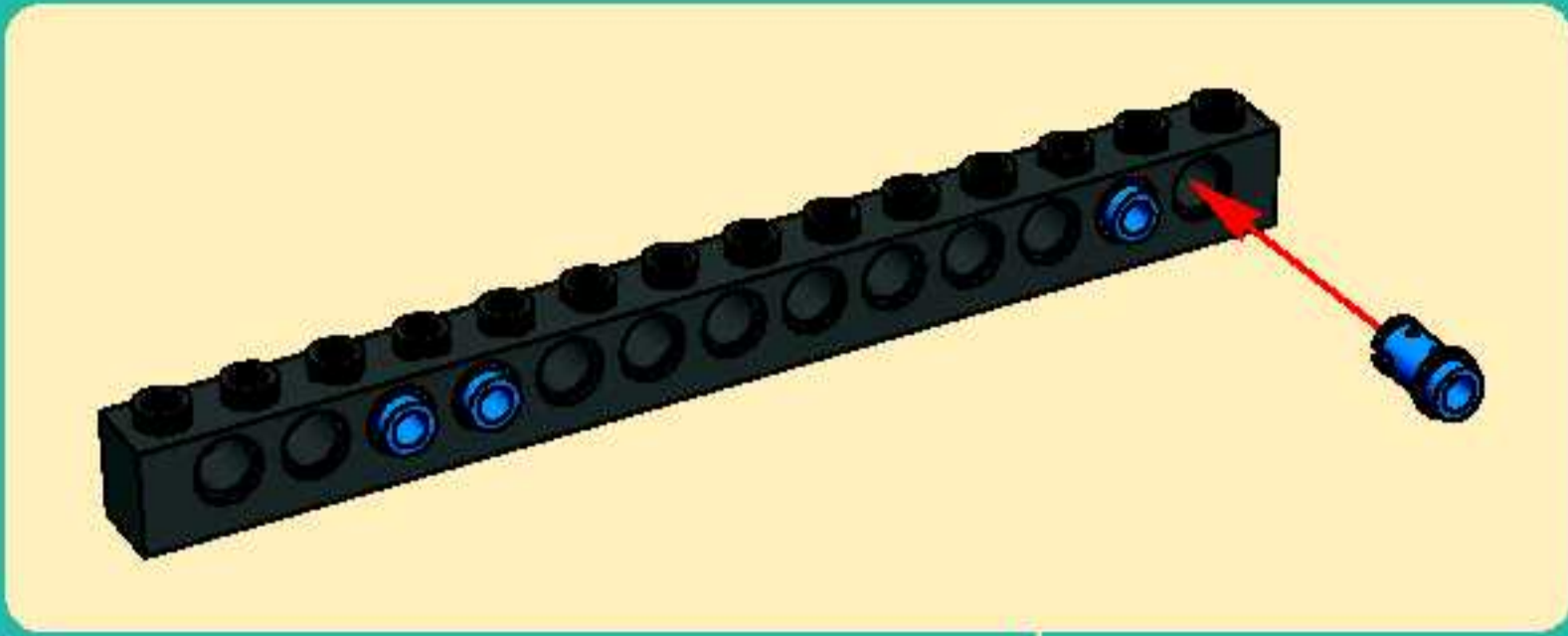
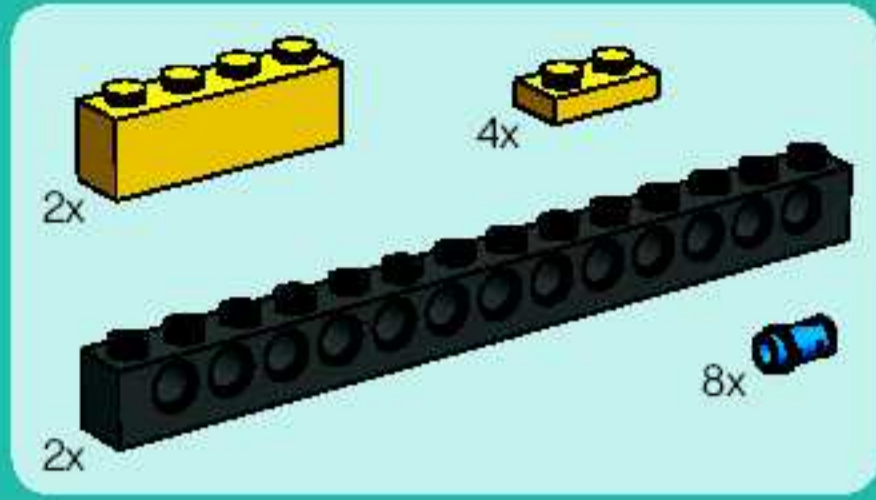




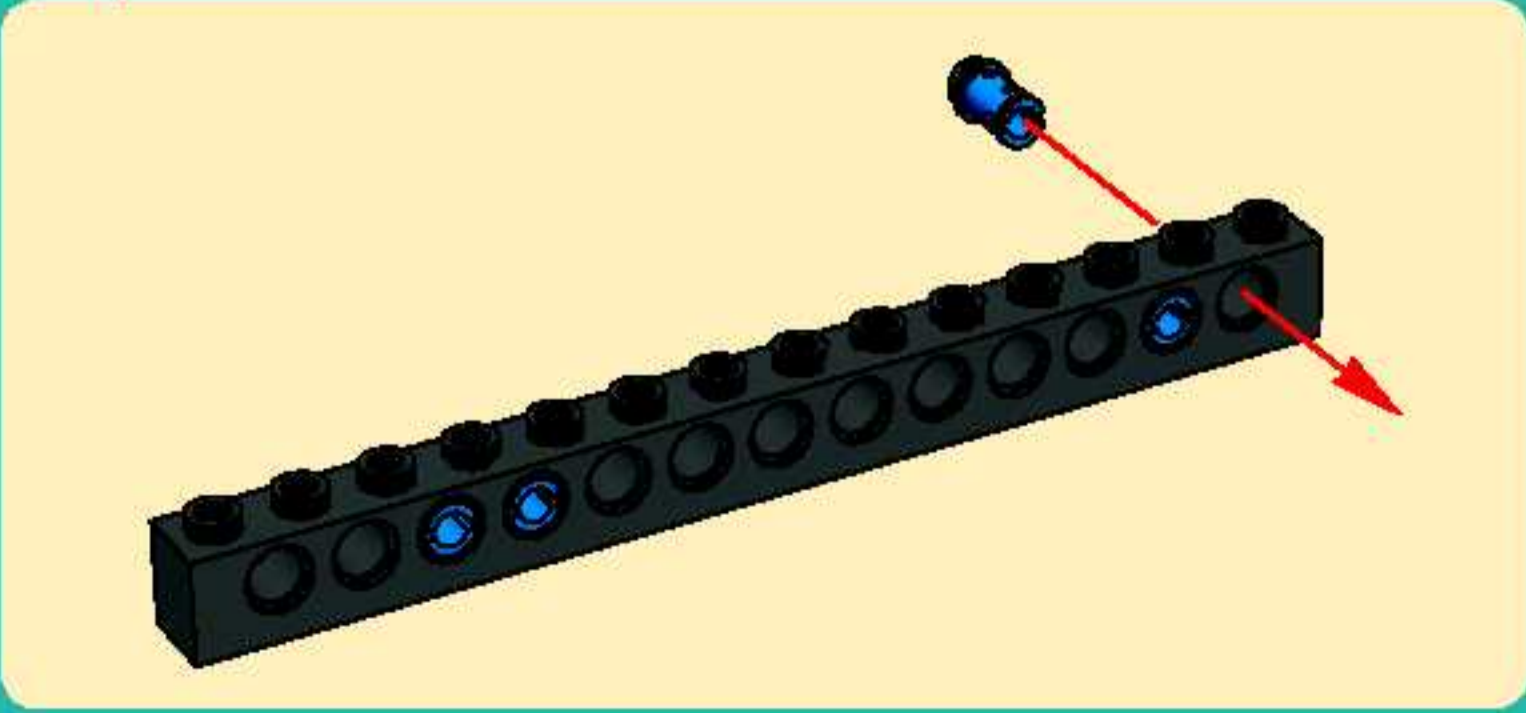
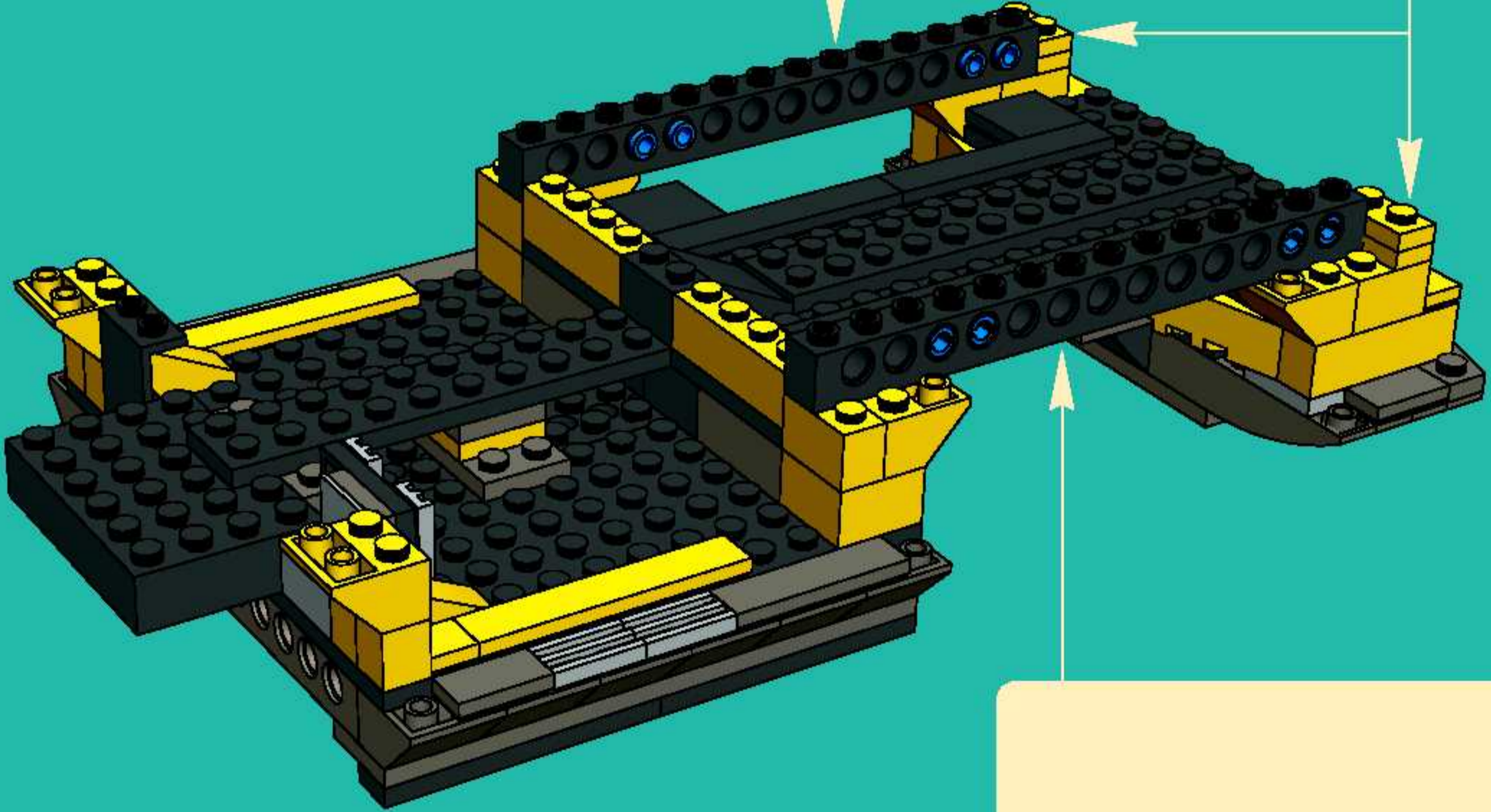
18



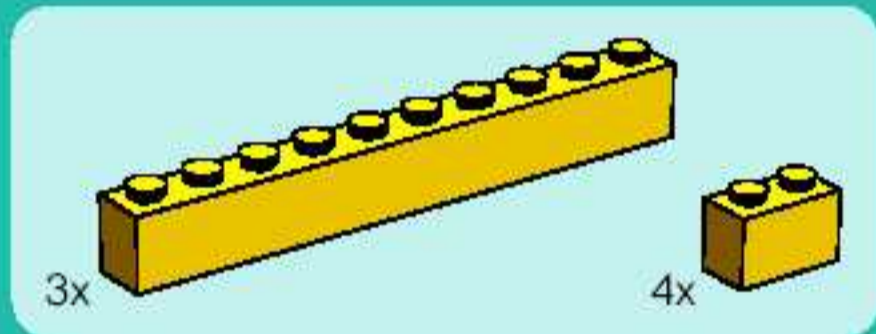




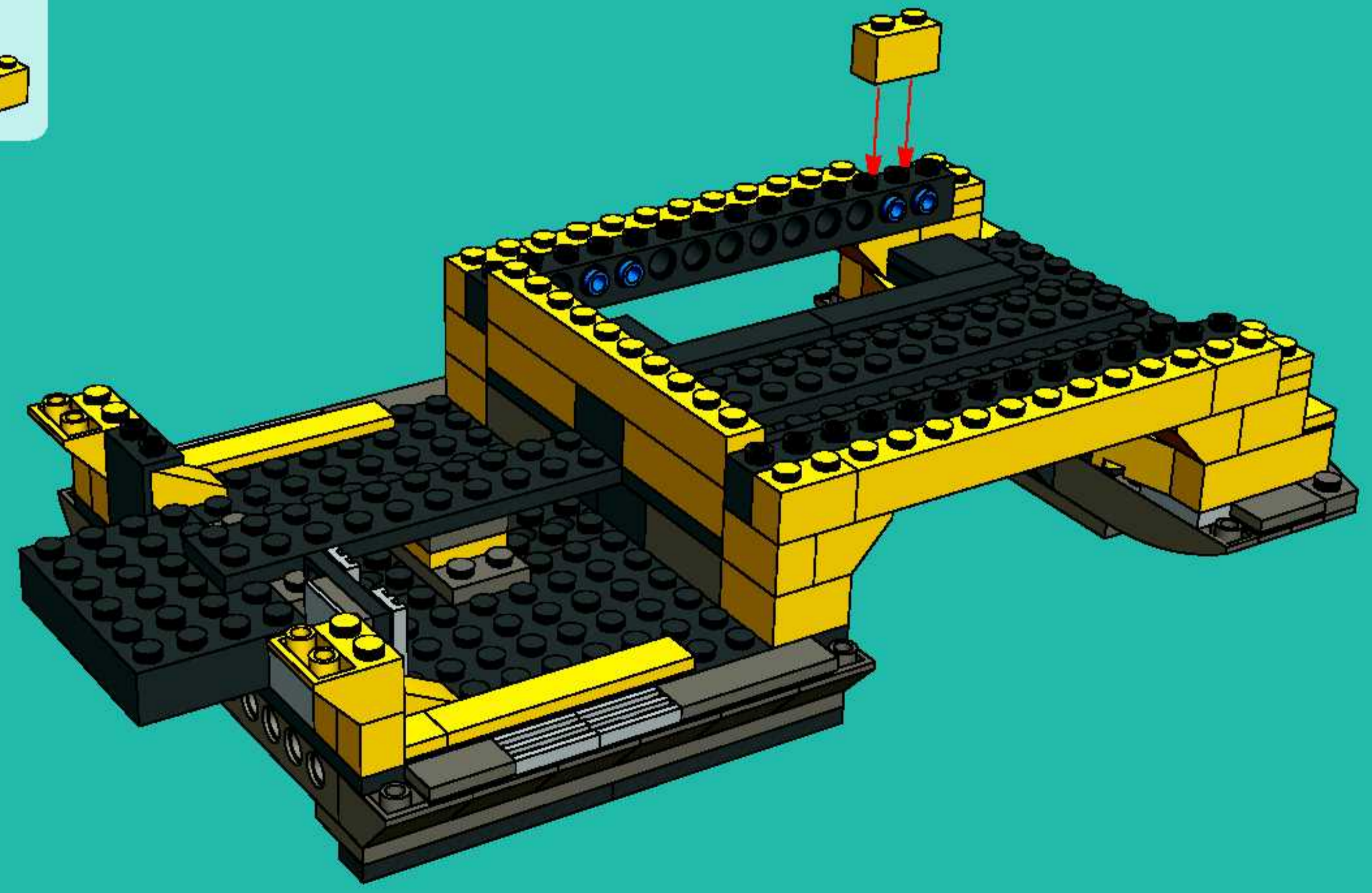
19



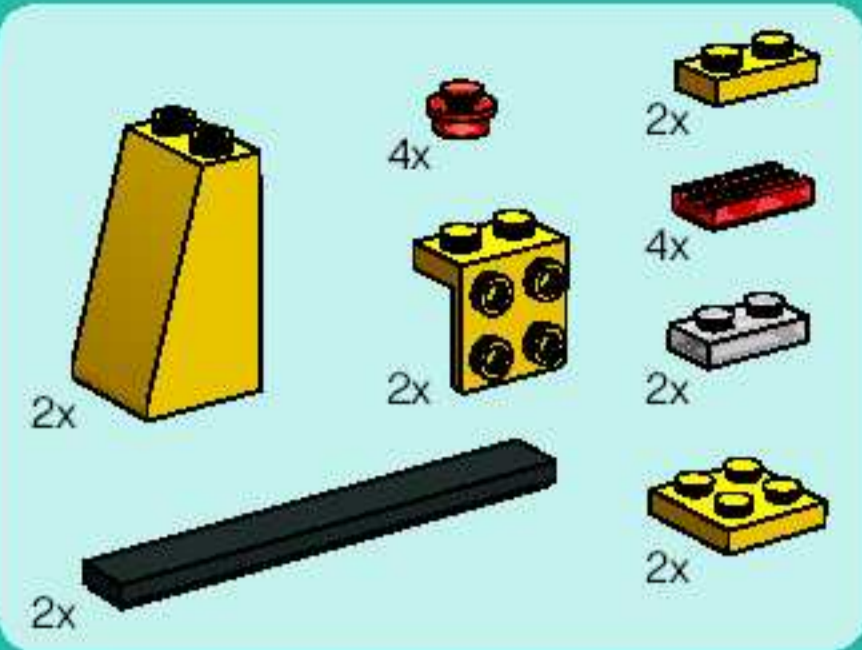




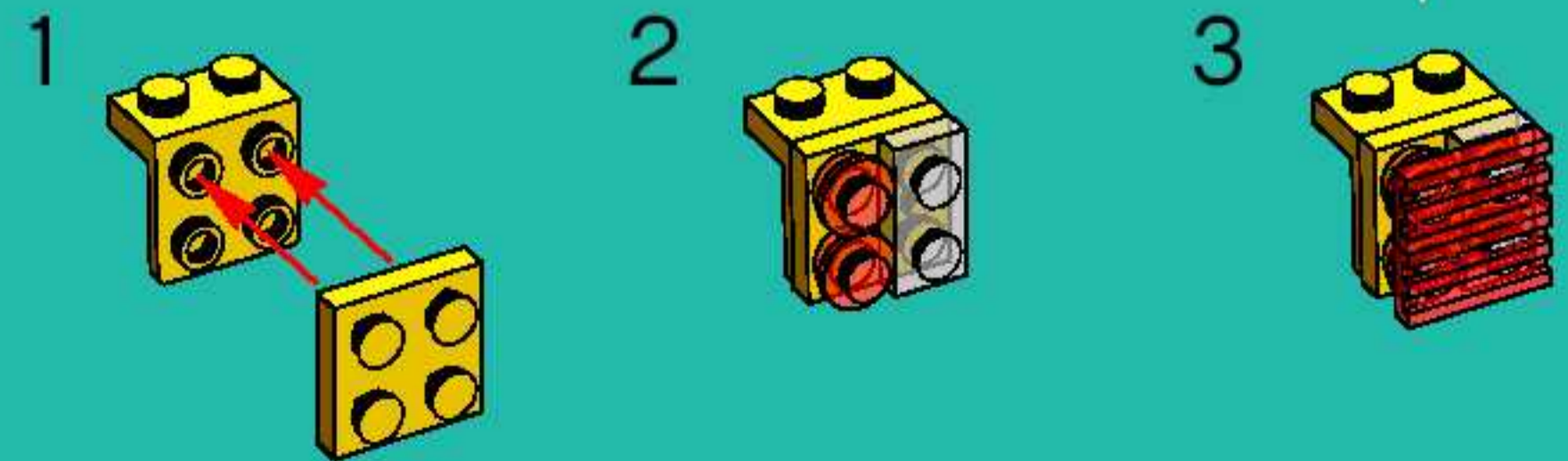
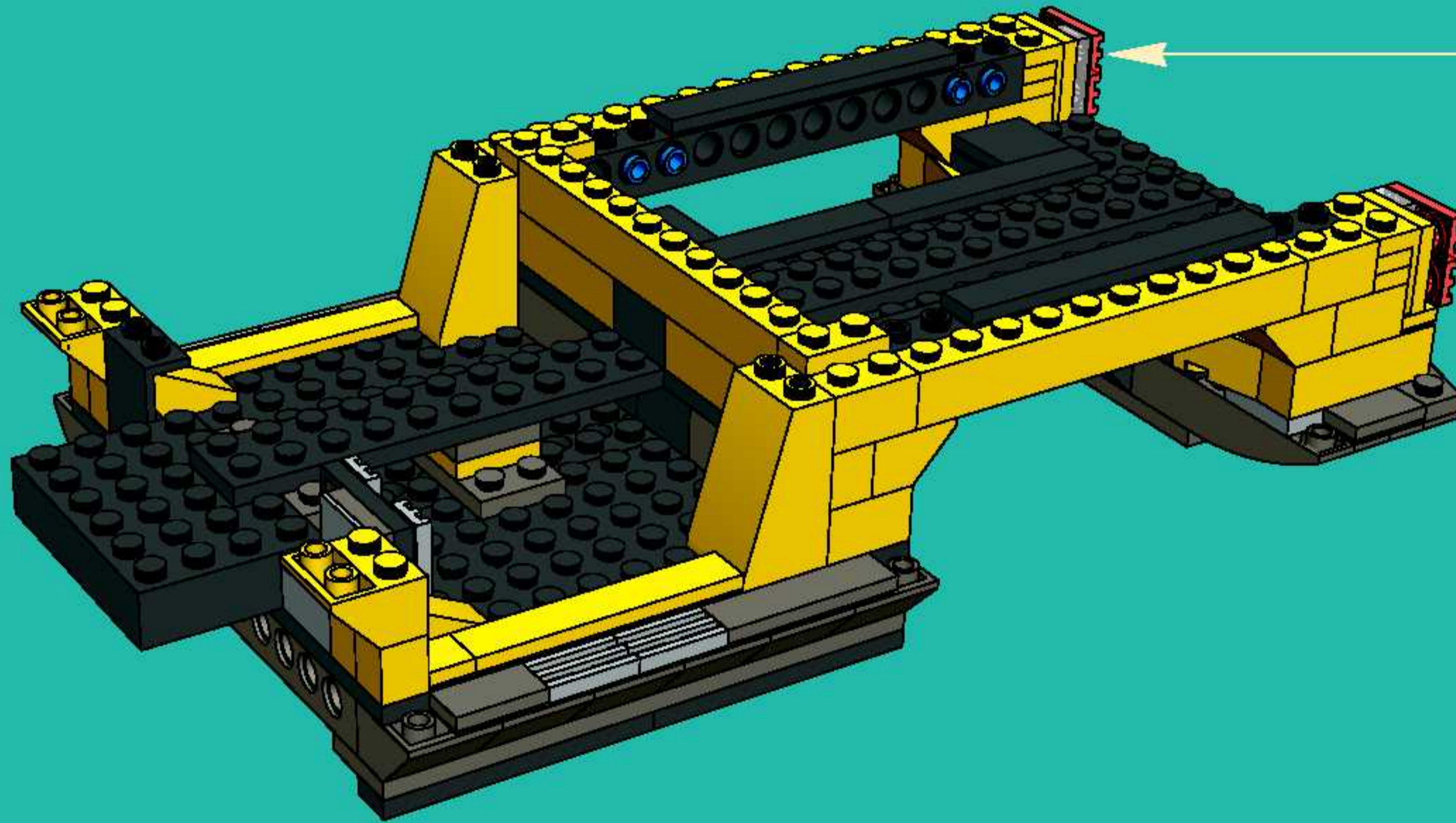
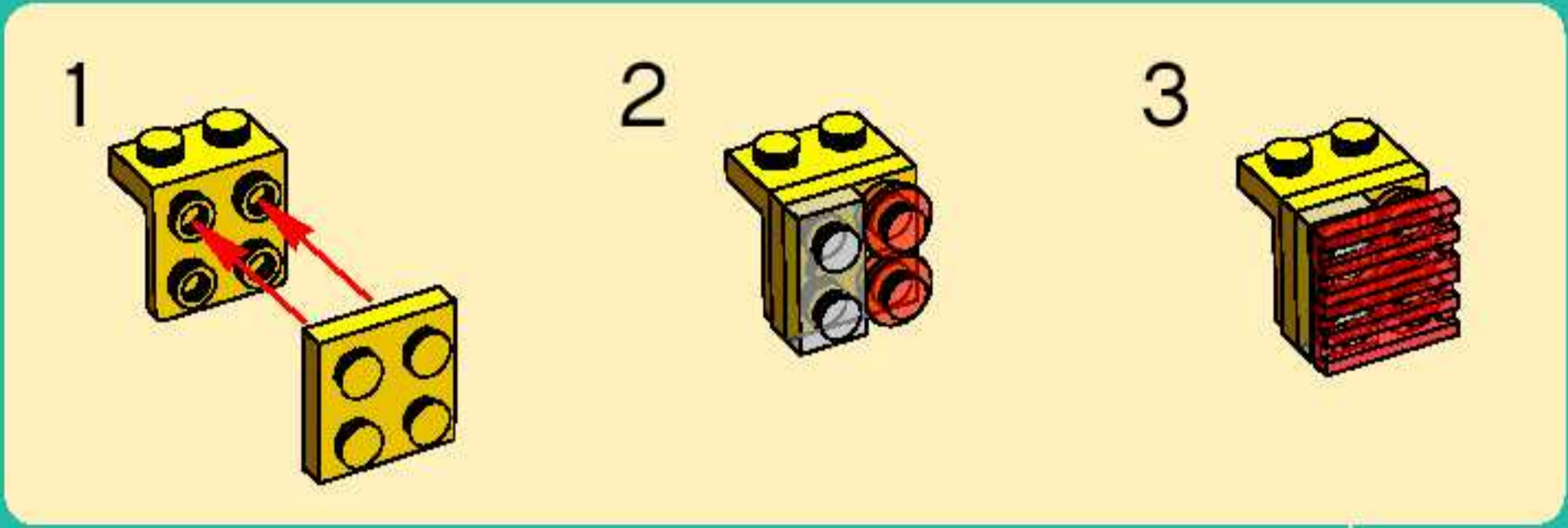
20



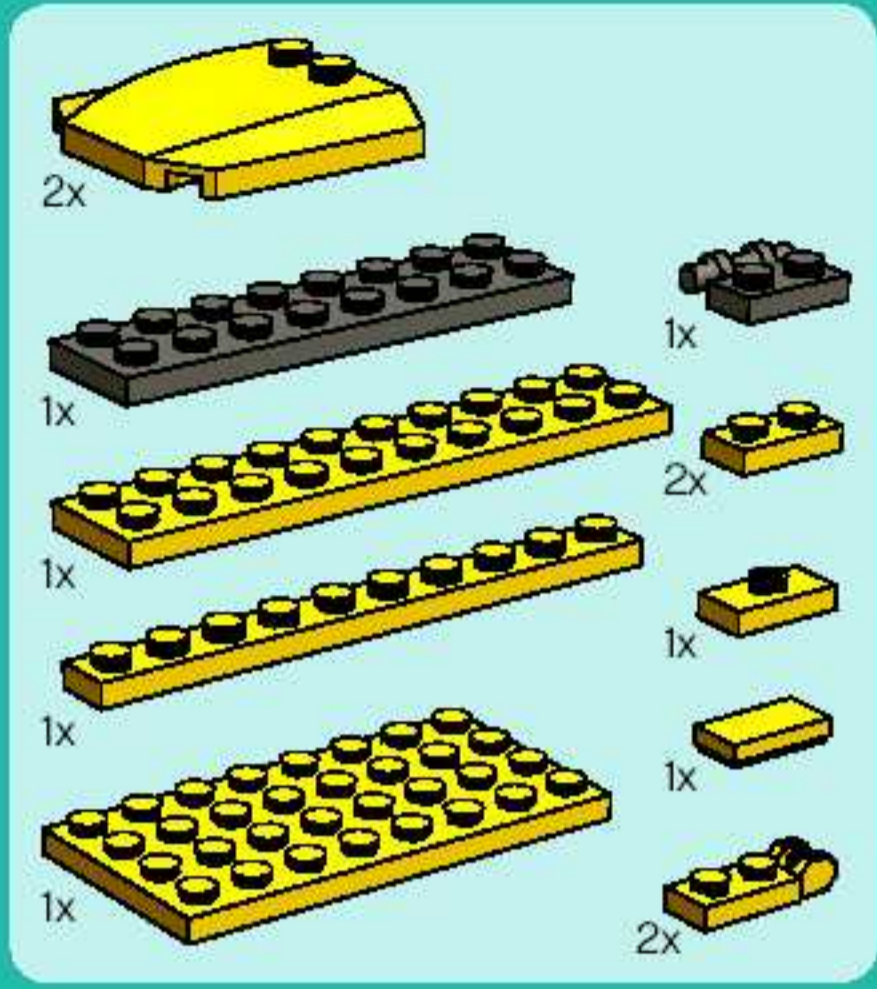




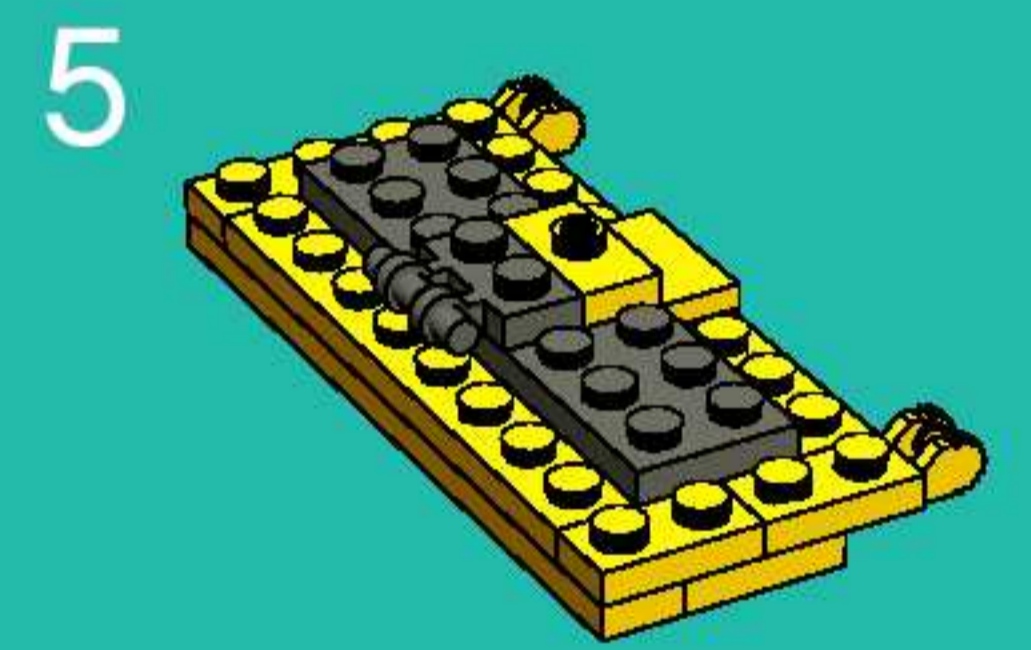
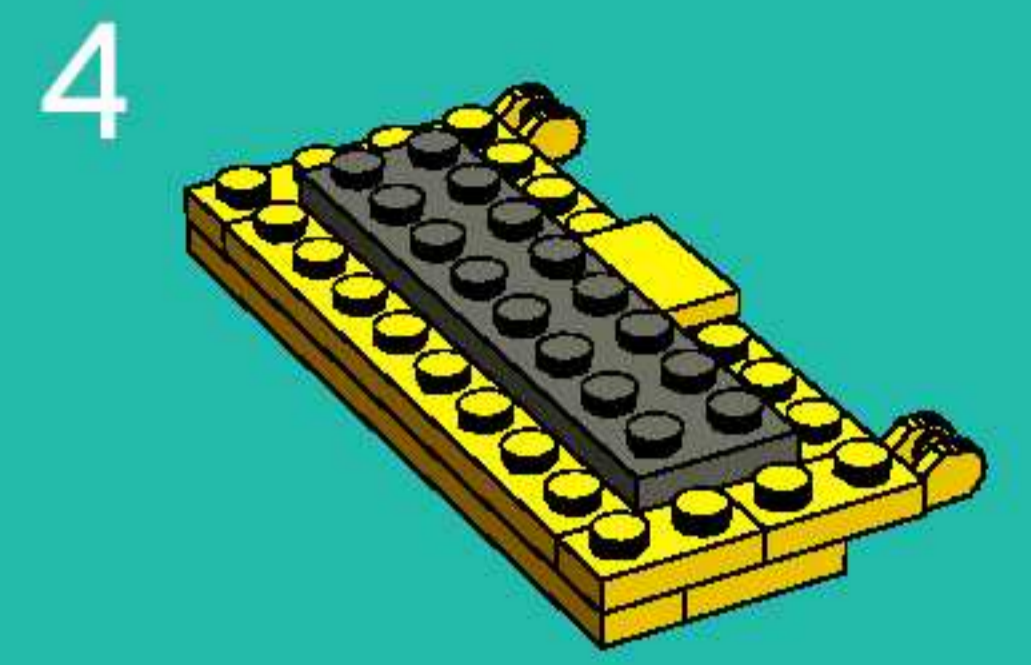
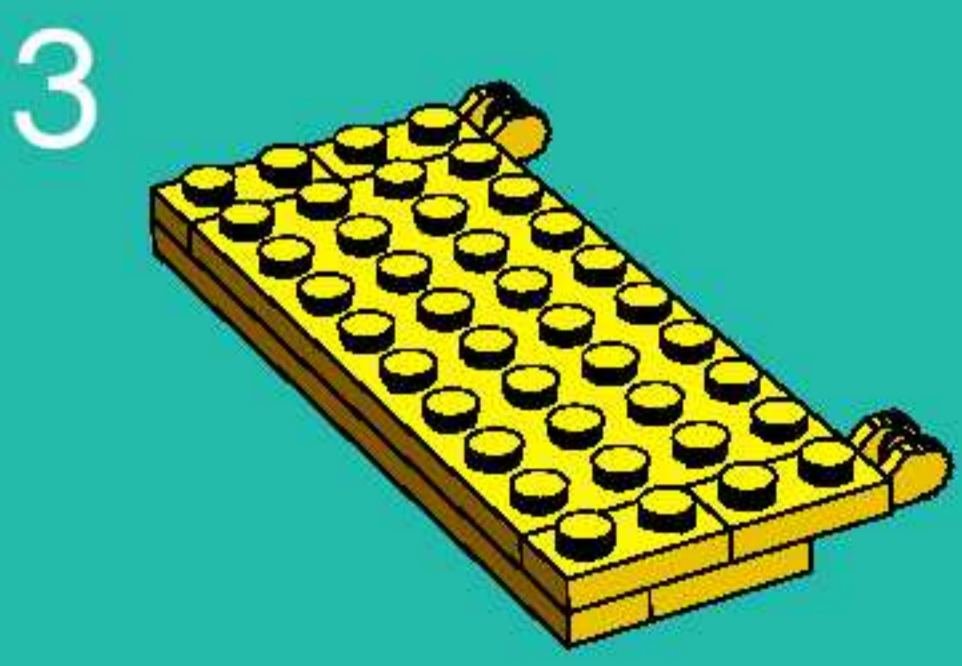
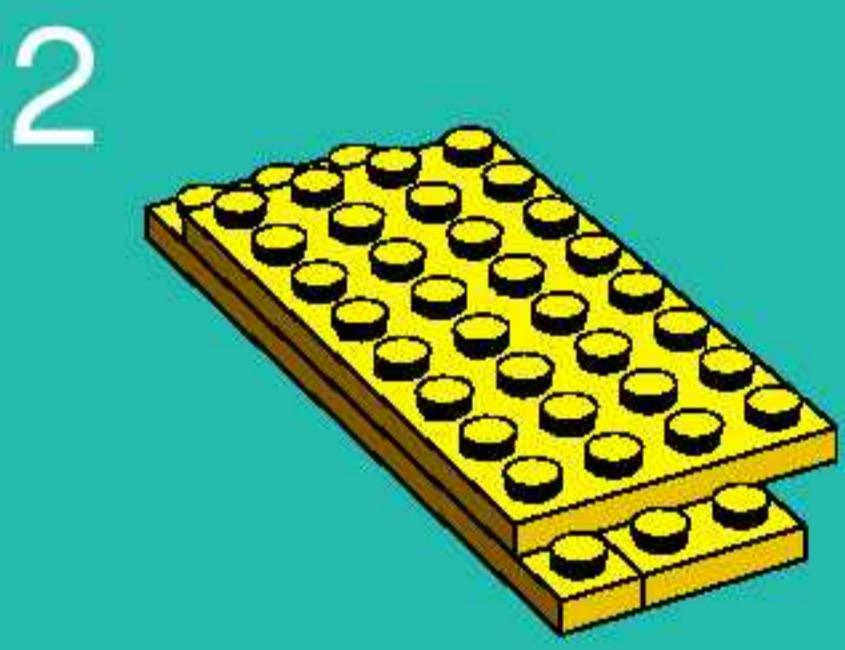
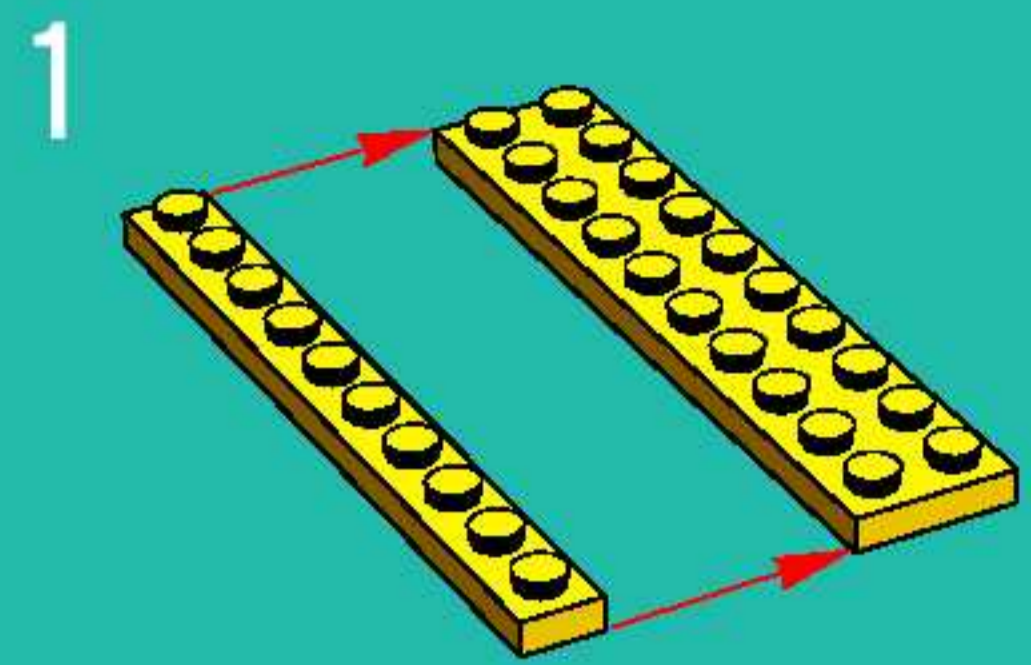
21



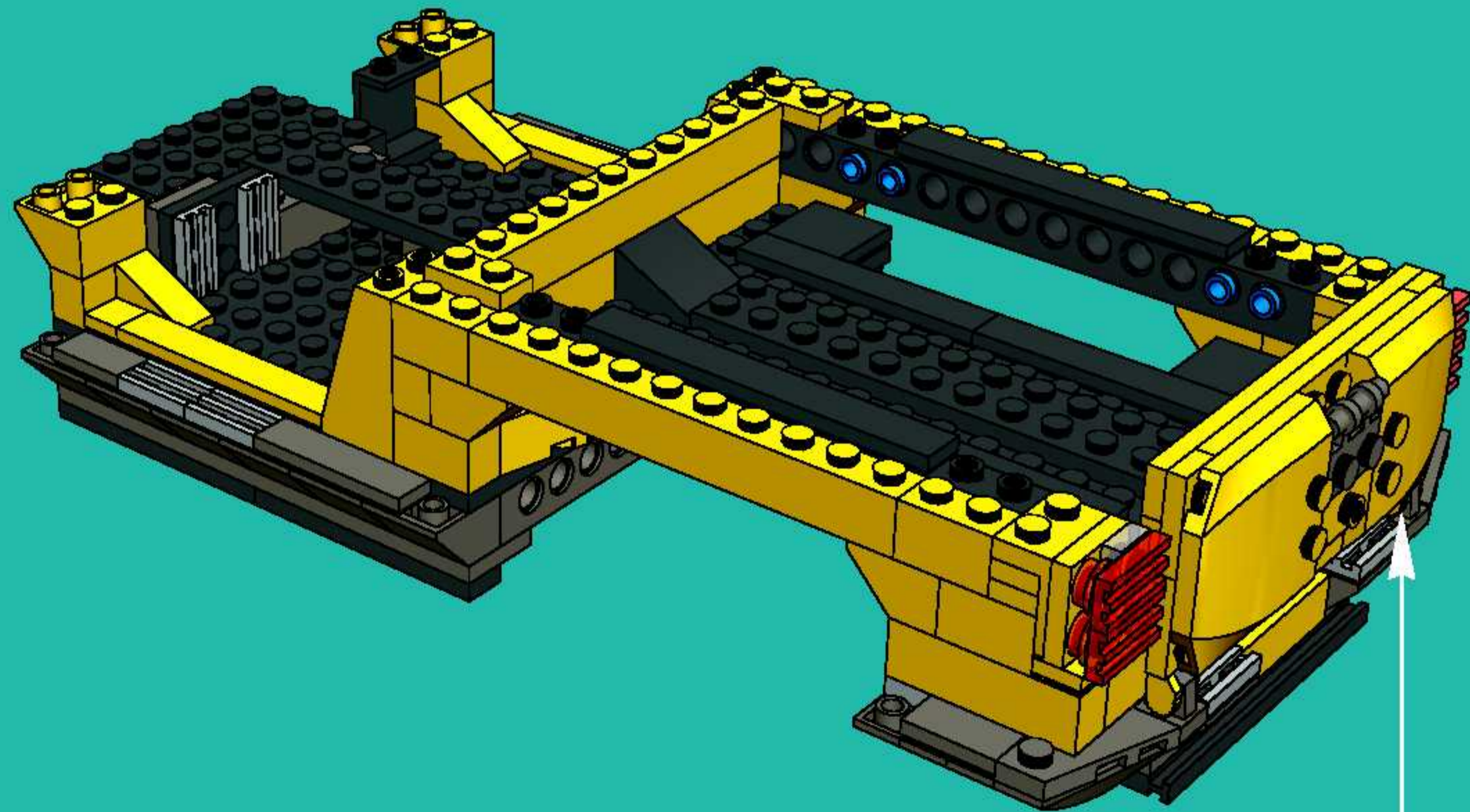




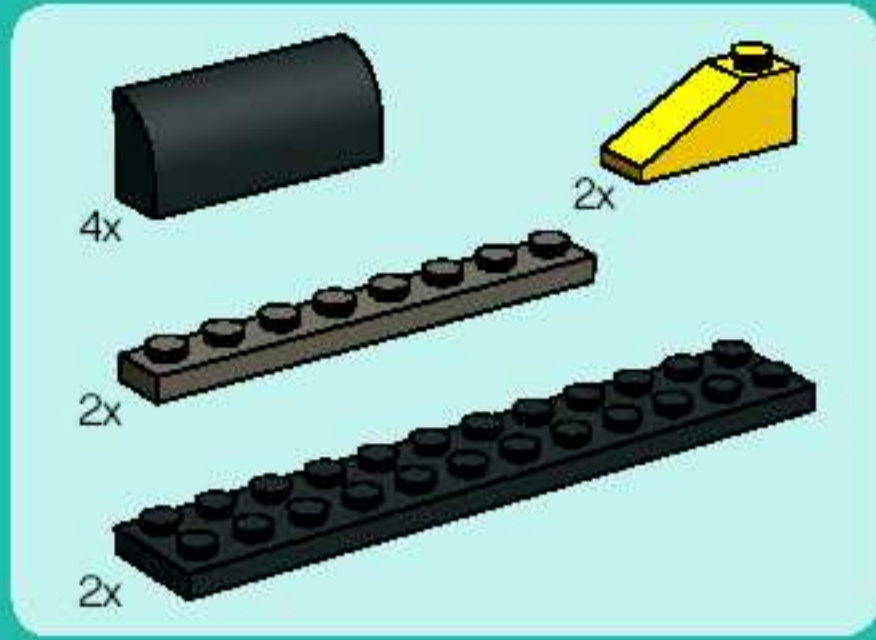
22



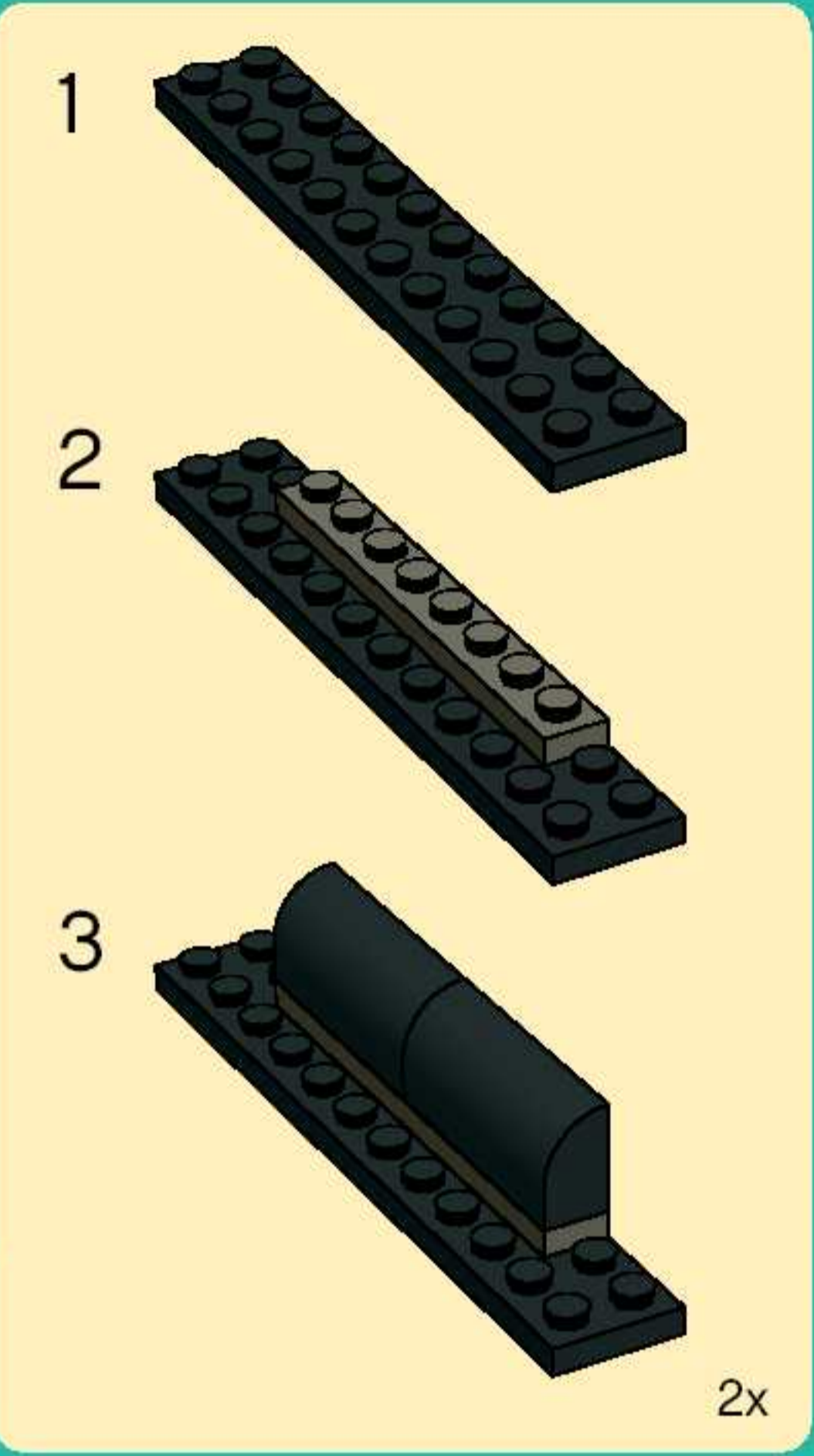








23



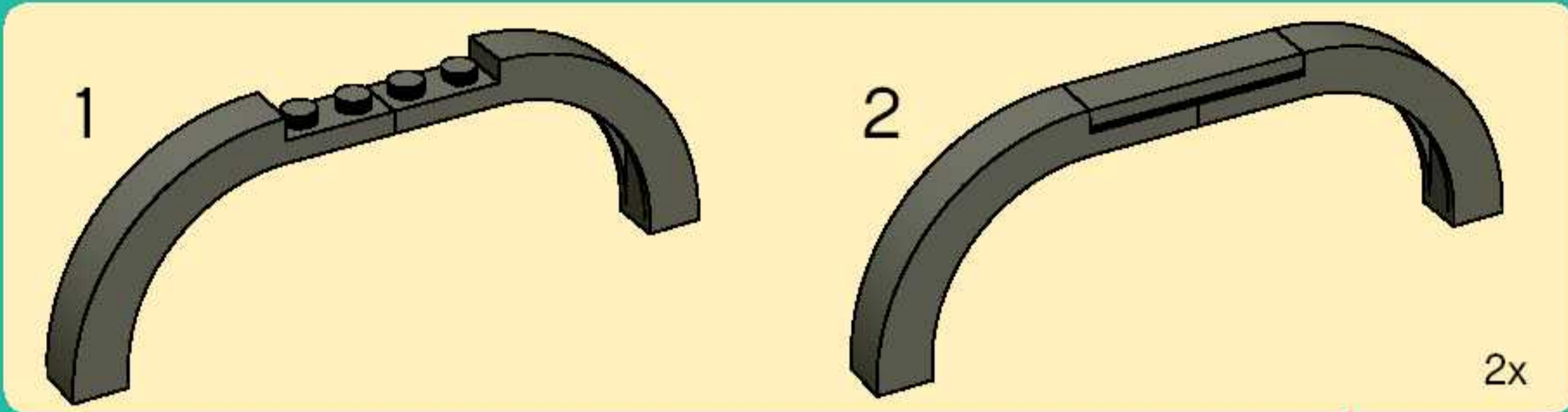
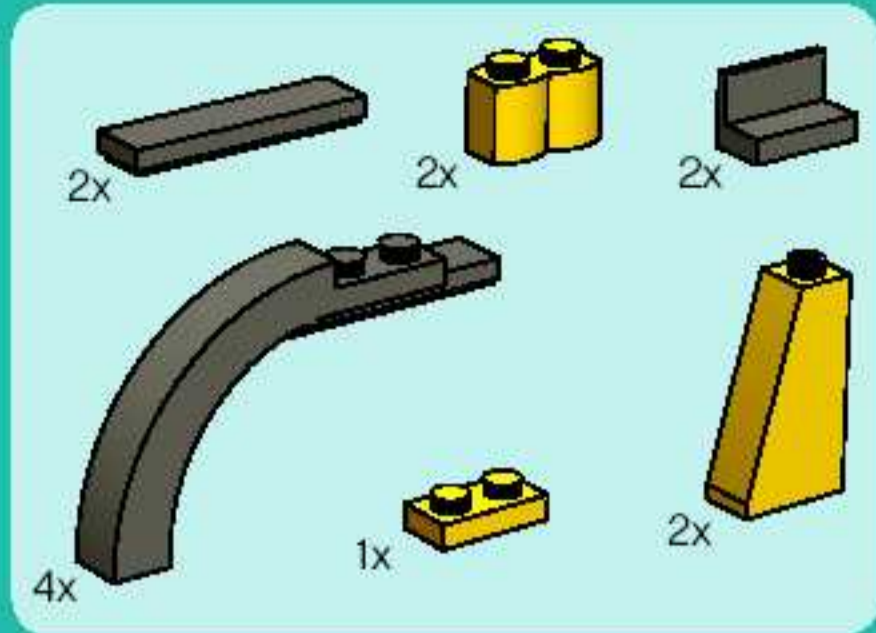




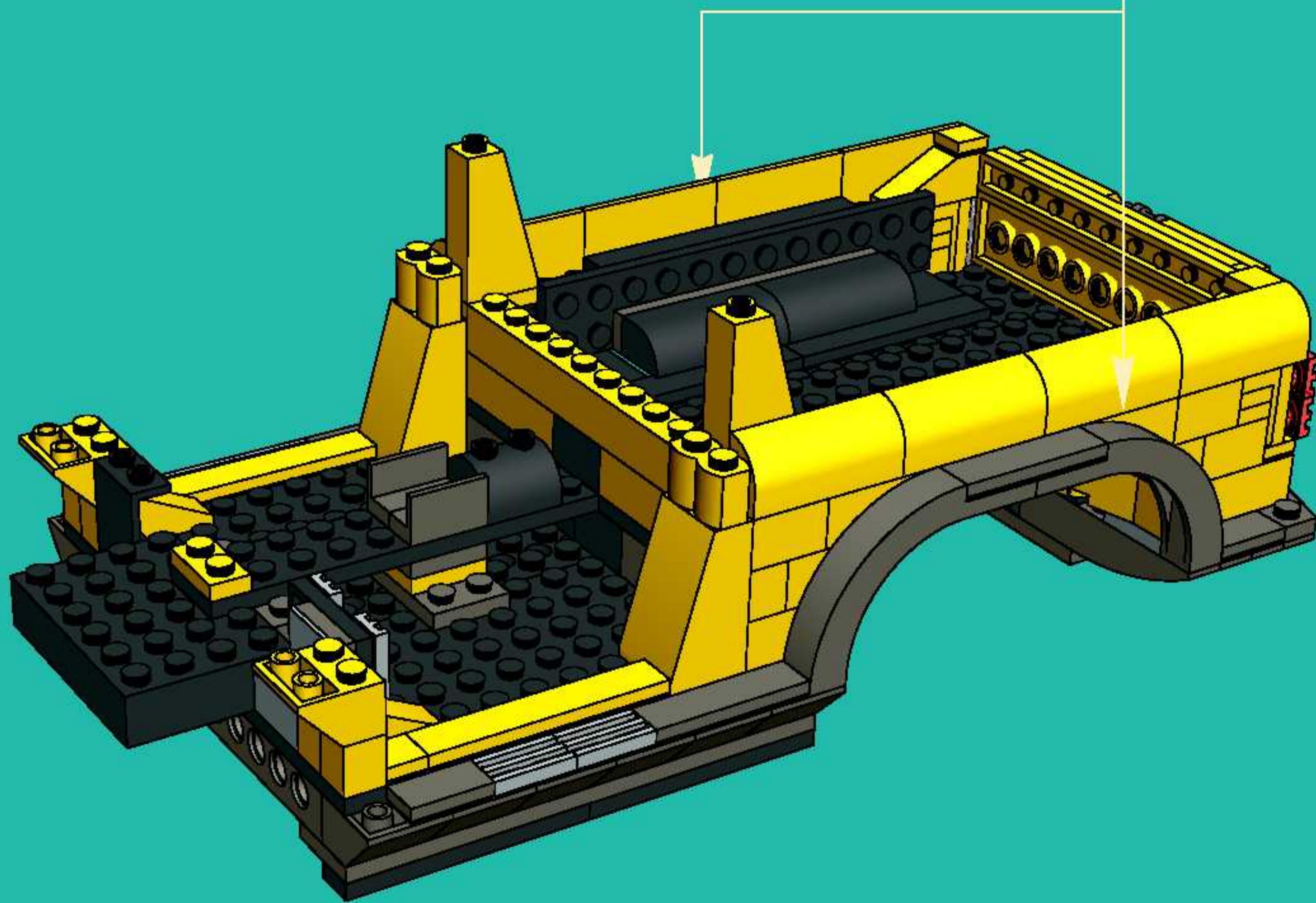
24



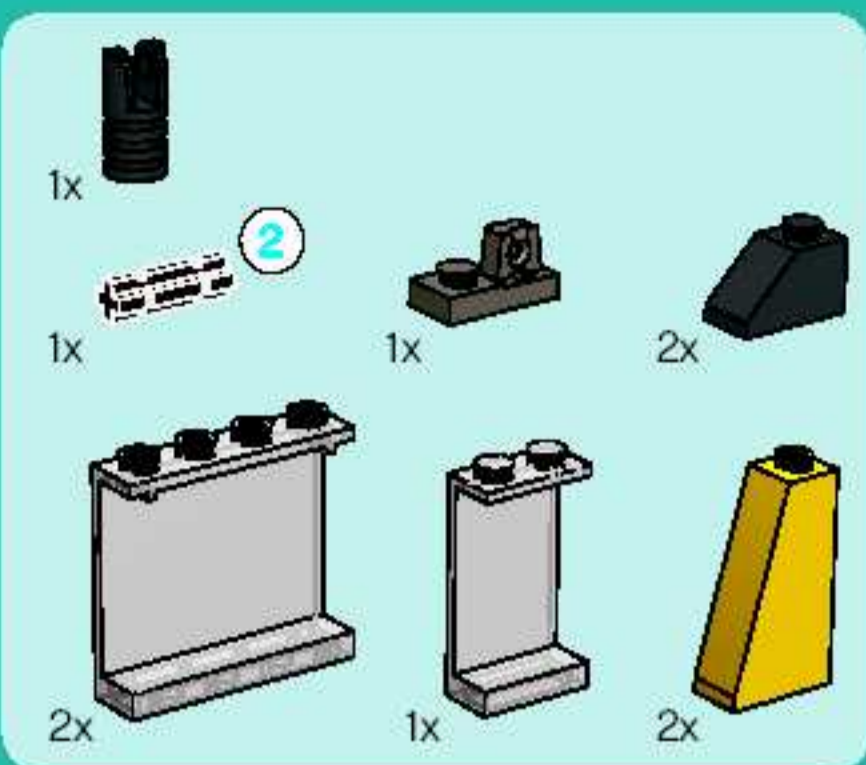




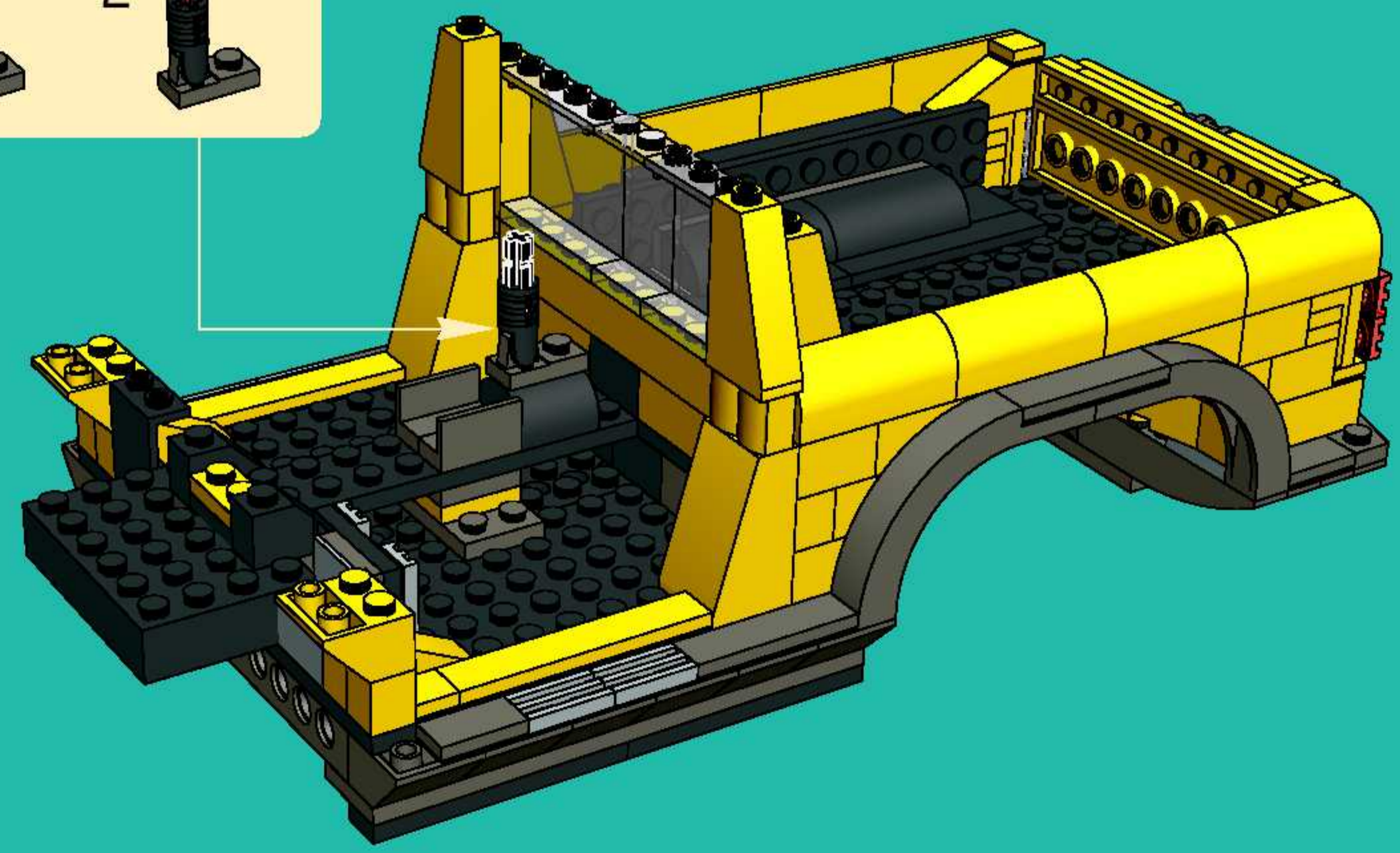
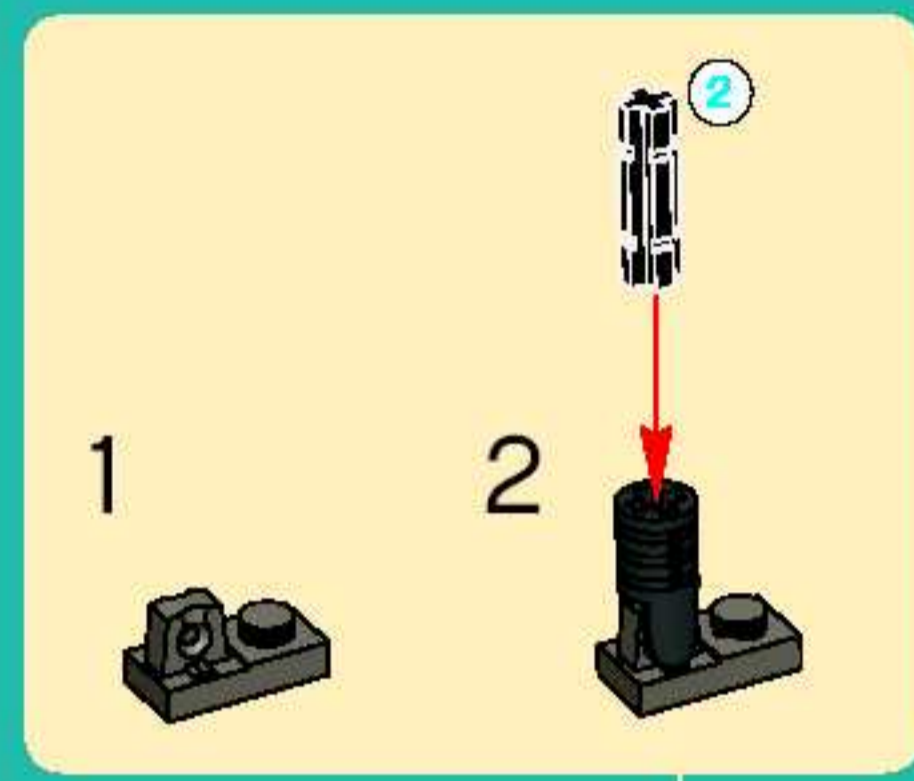
25



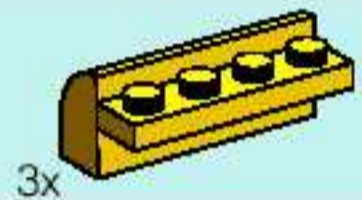




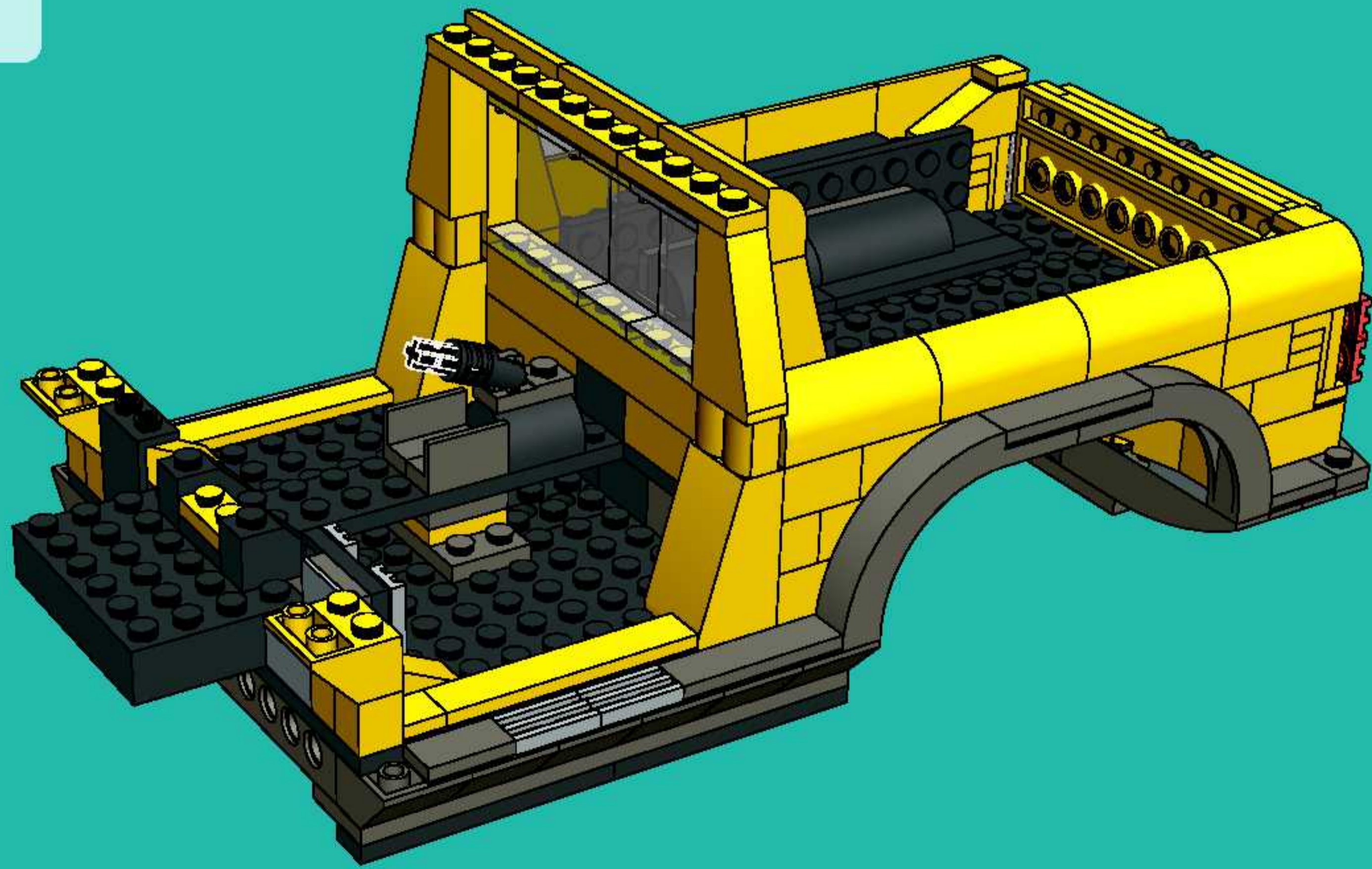
26



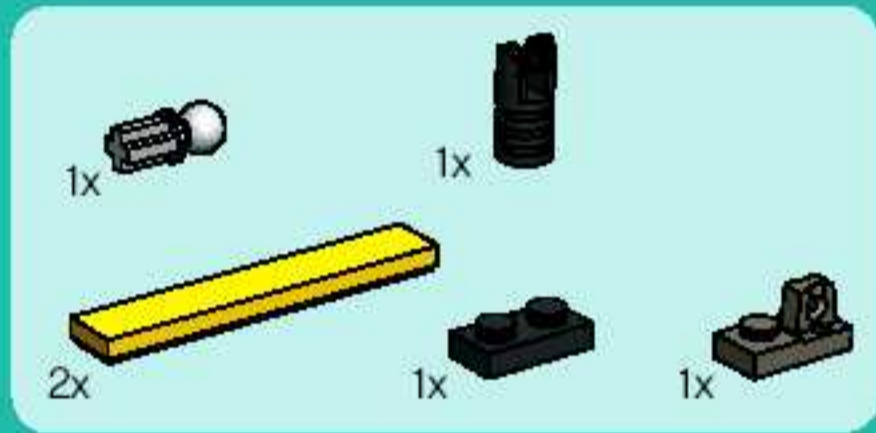




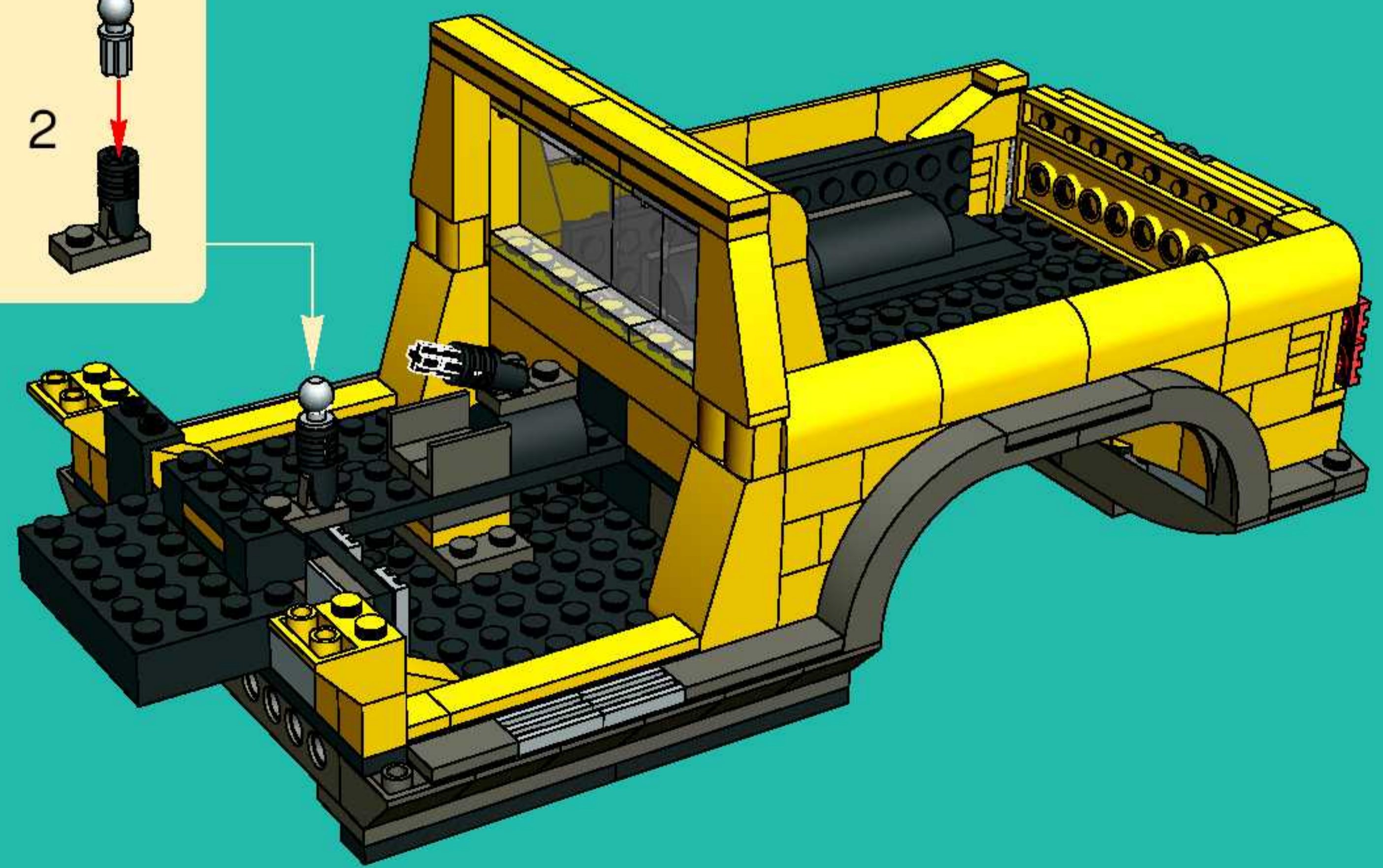
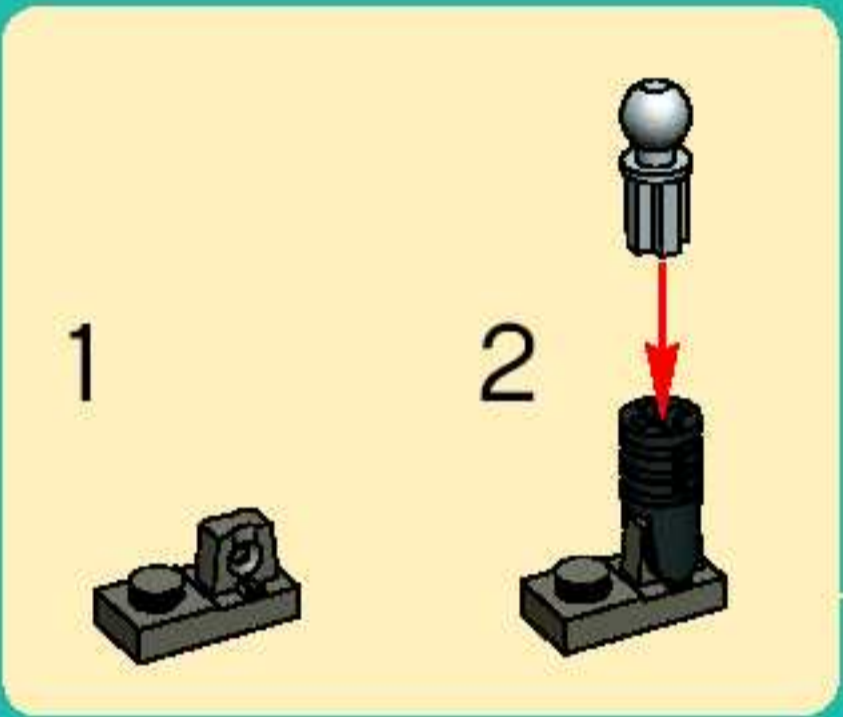
27



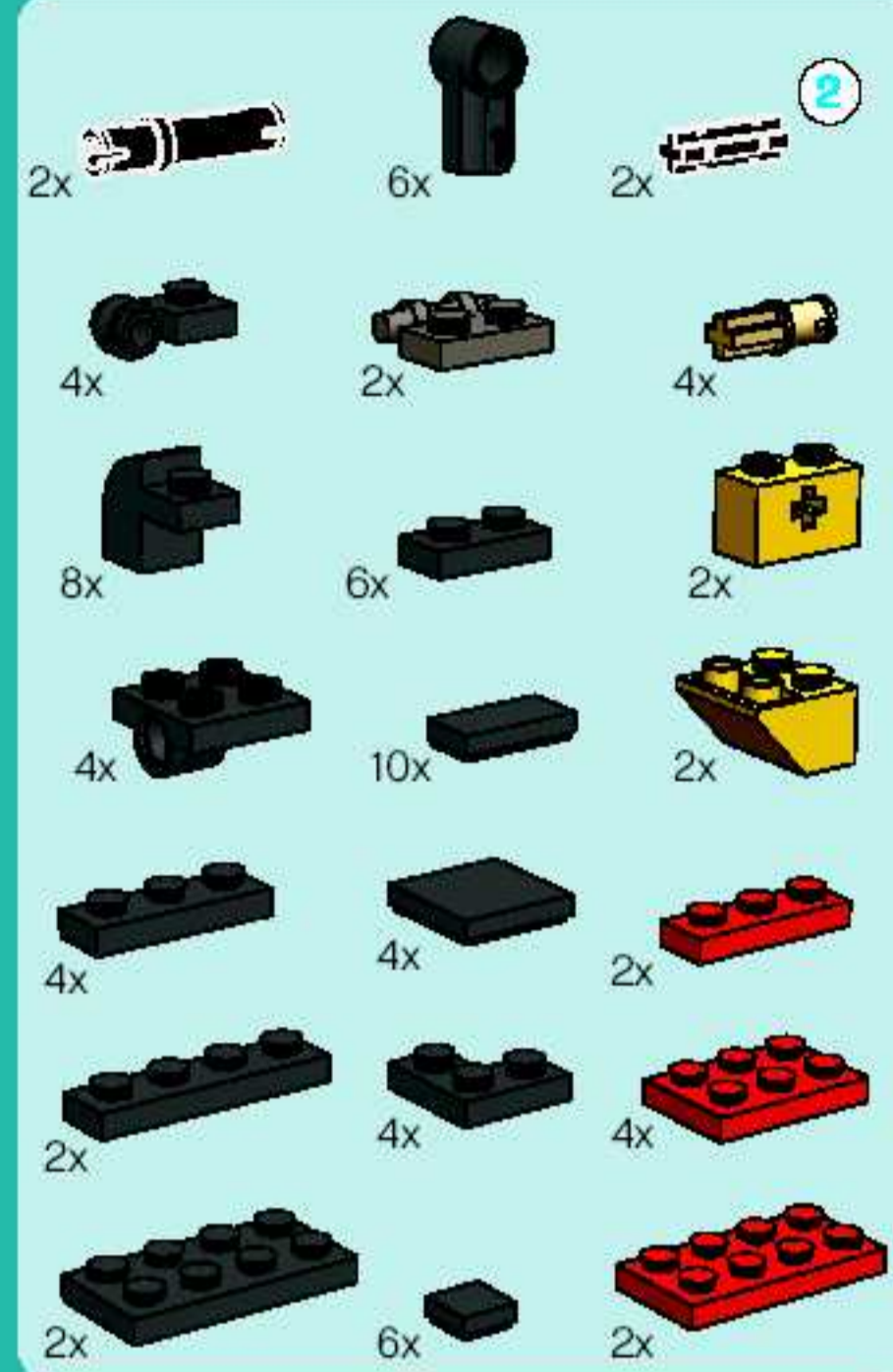




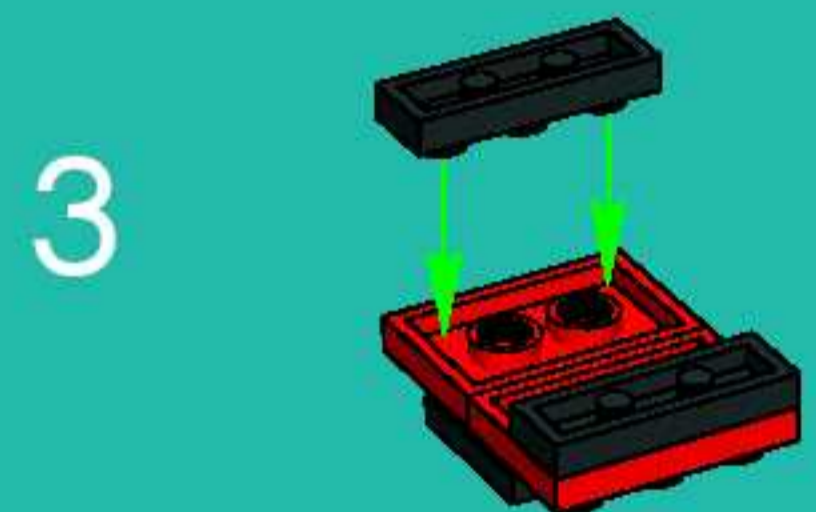
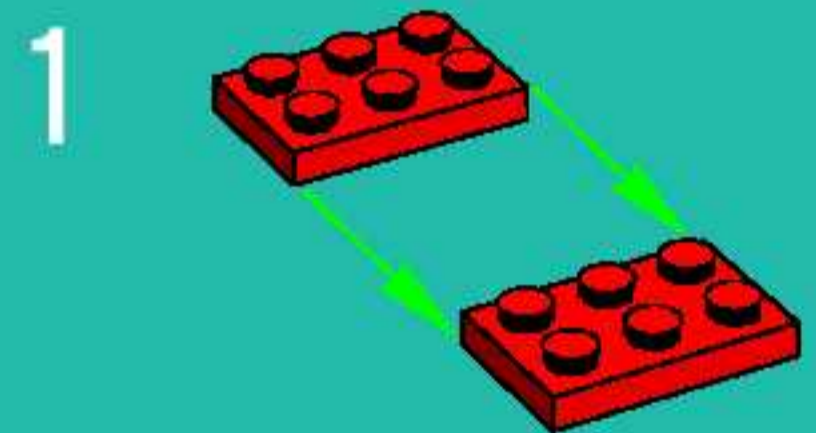
28







29





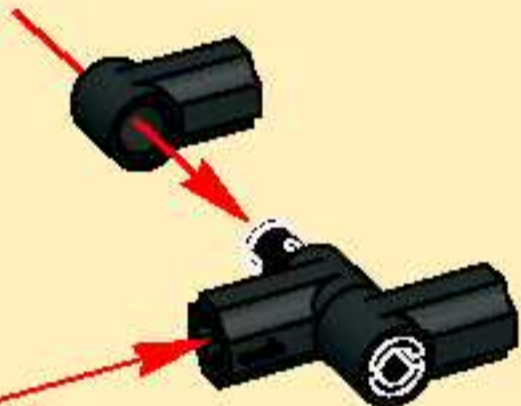
5



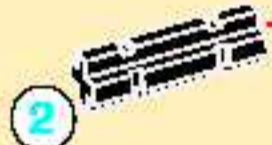
1



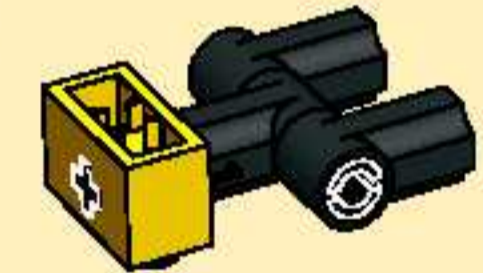
2



2



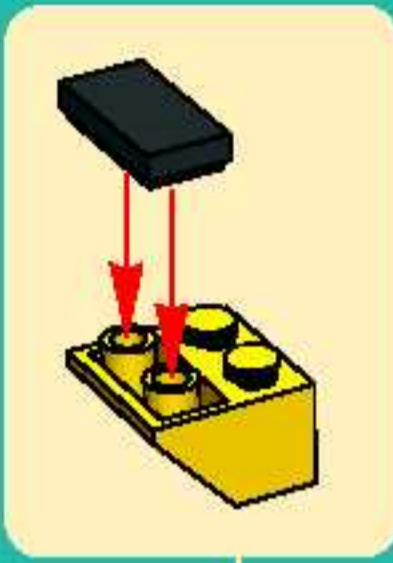
3



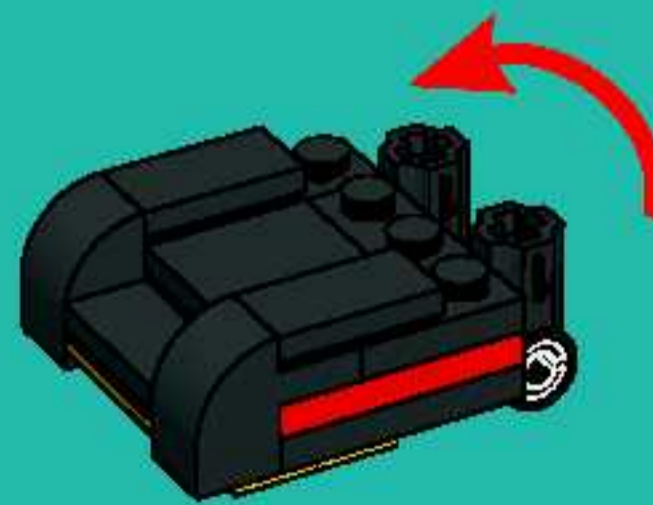
6



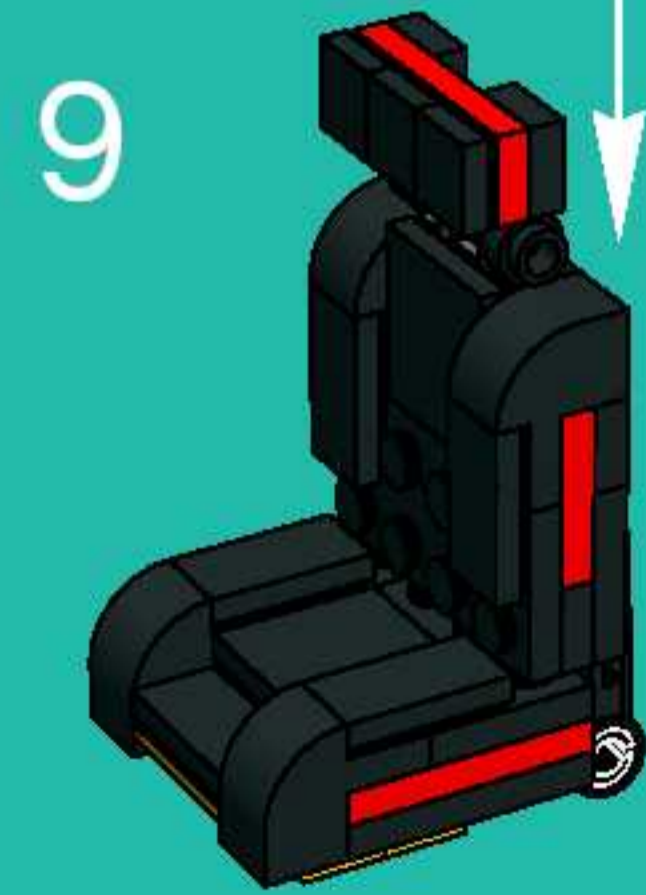
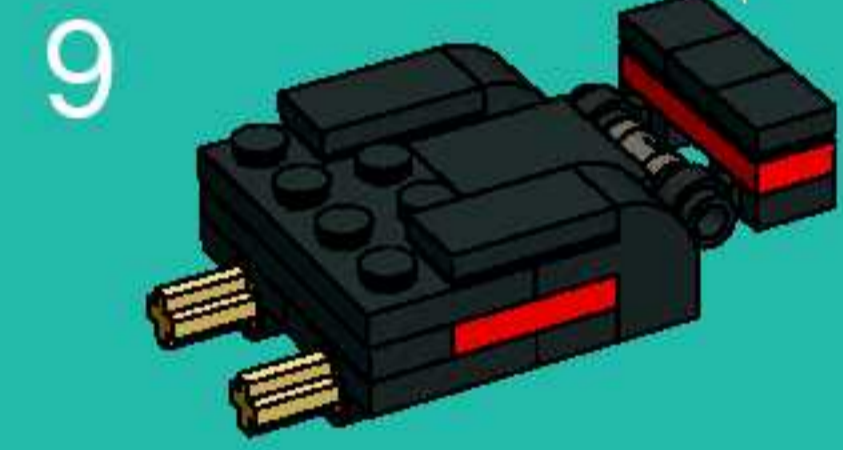
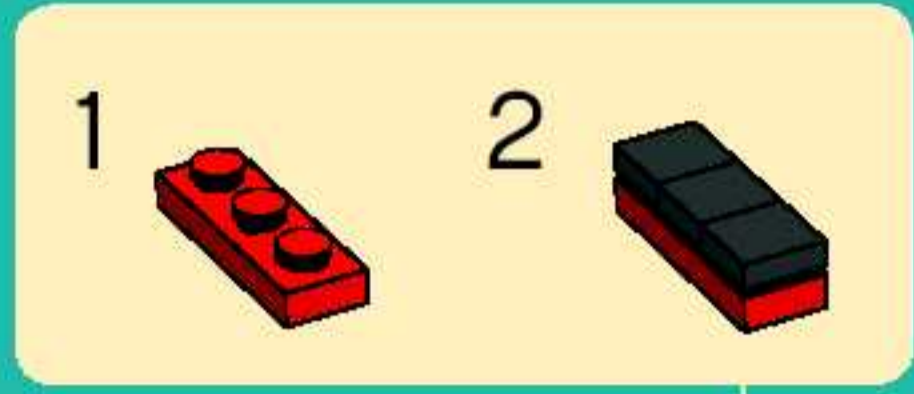
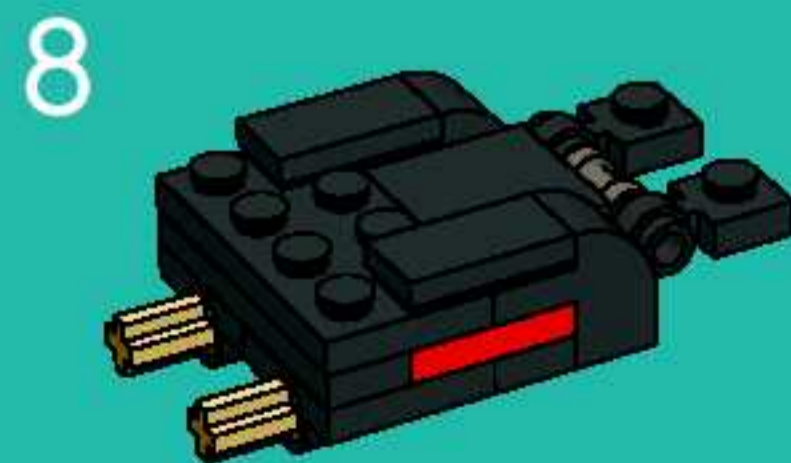
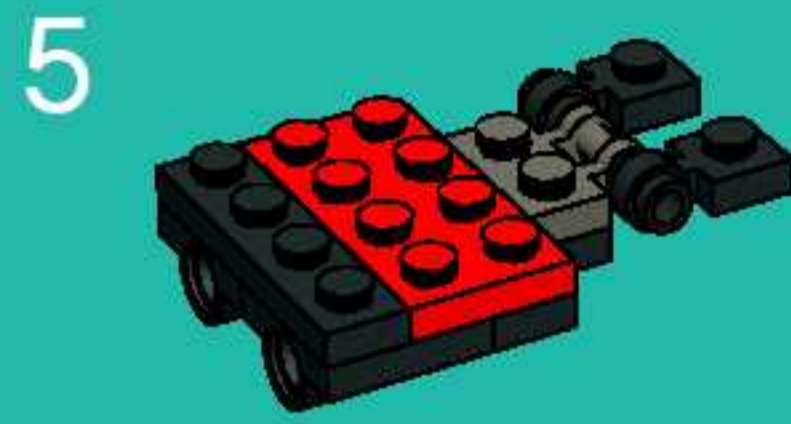
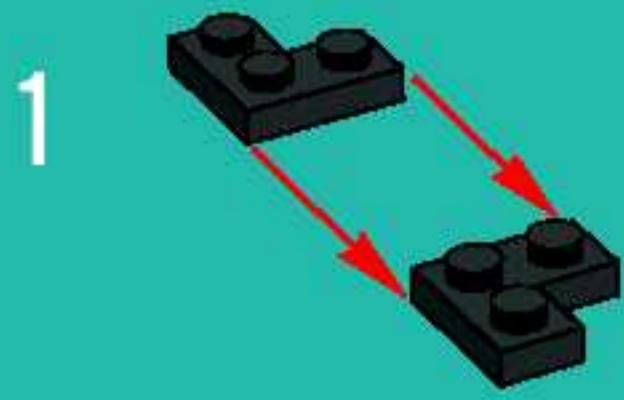
7



8





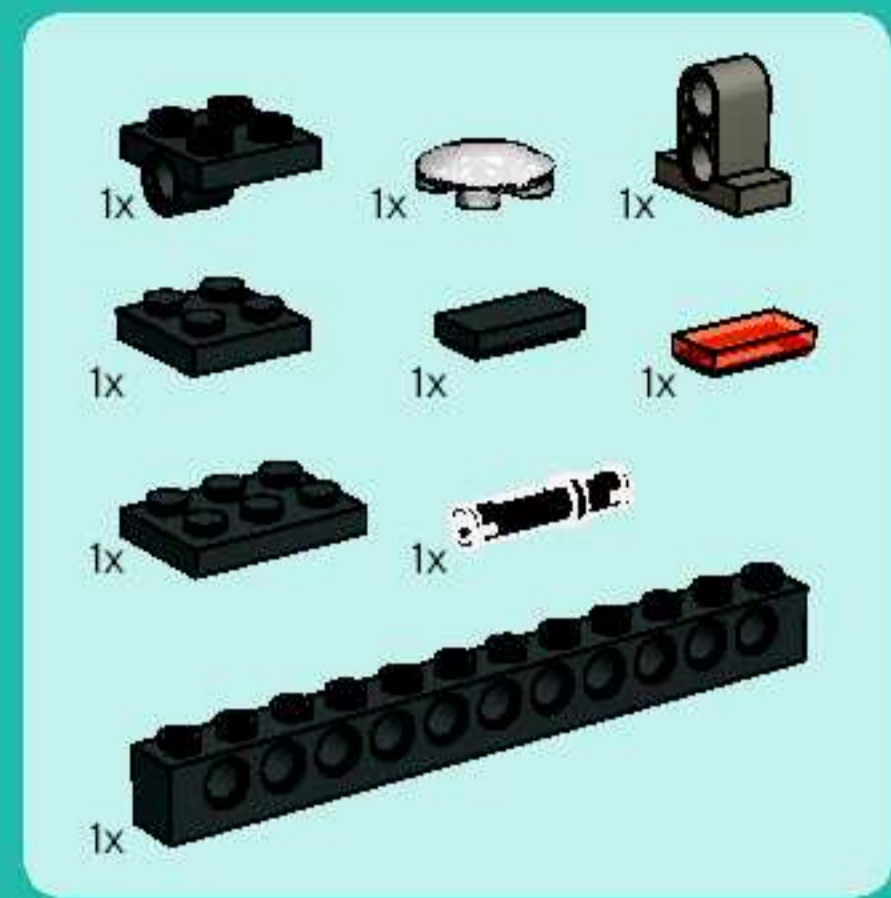


2x

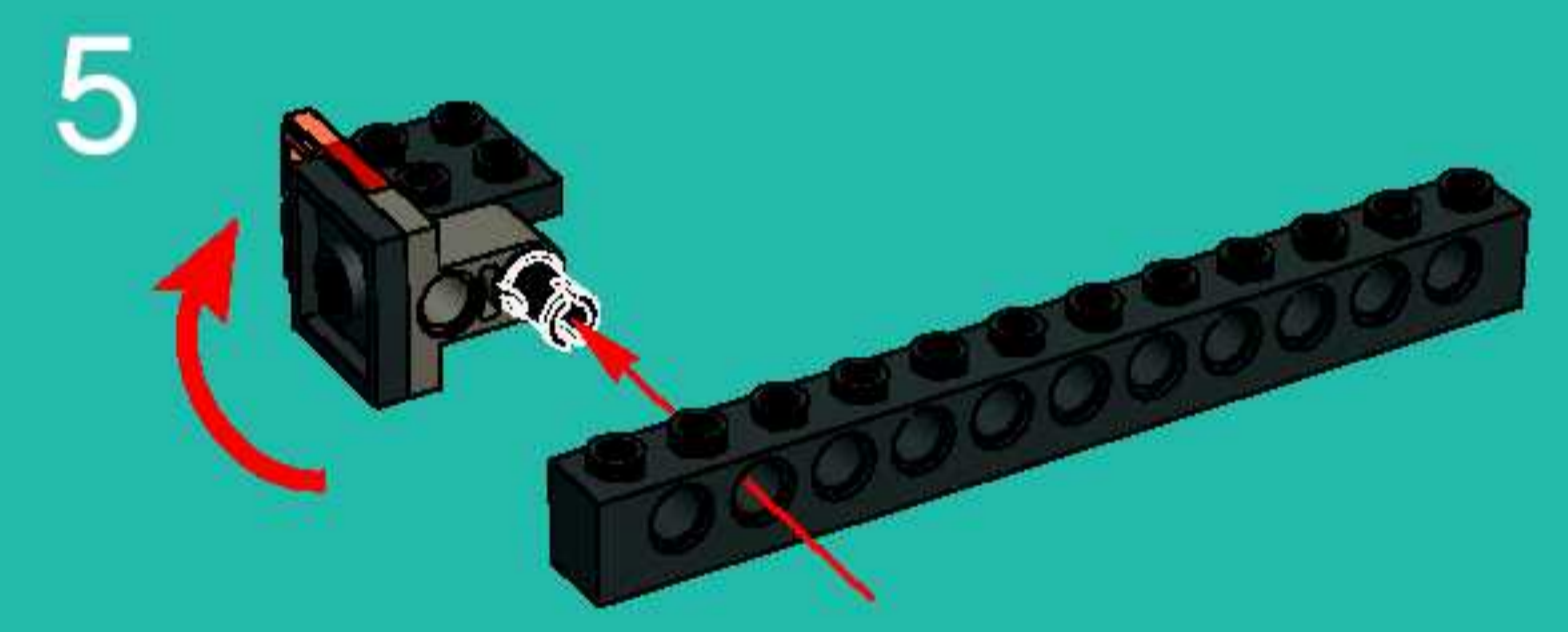
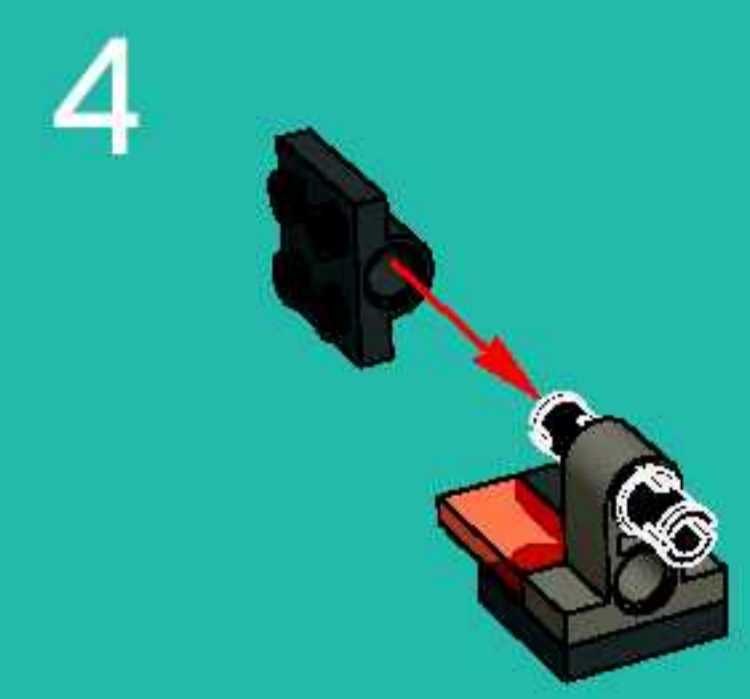








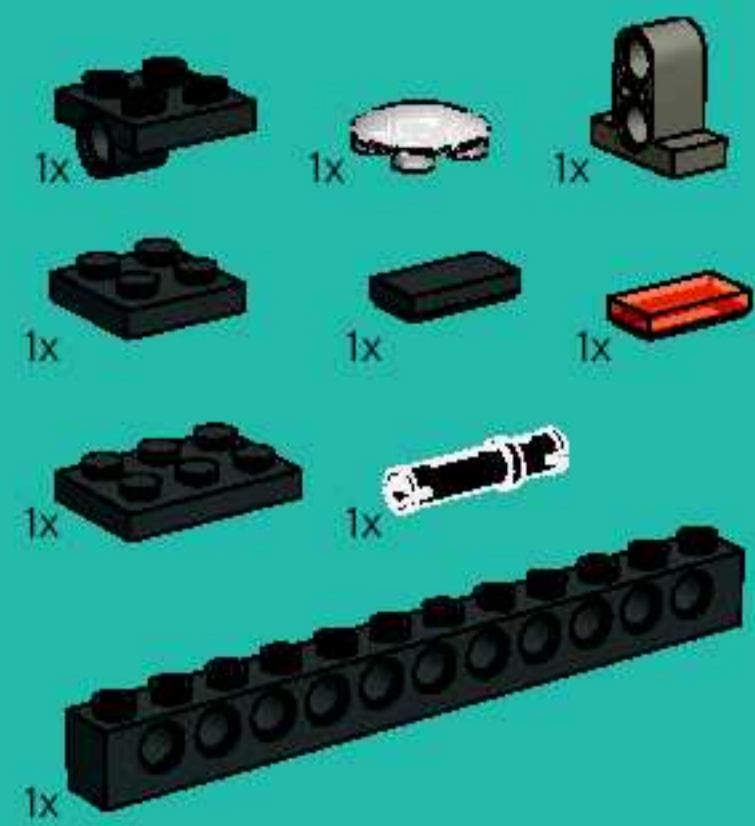
30



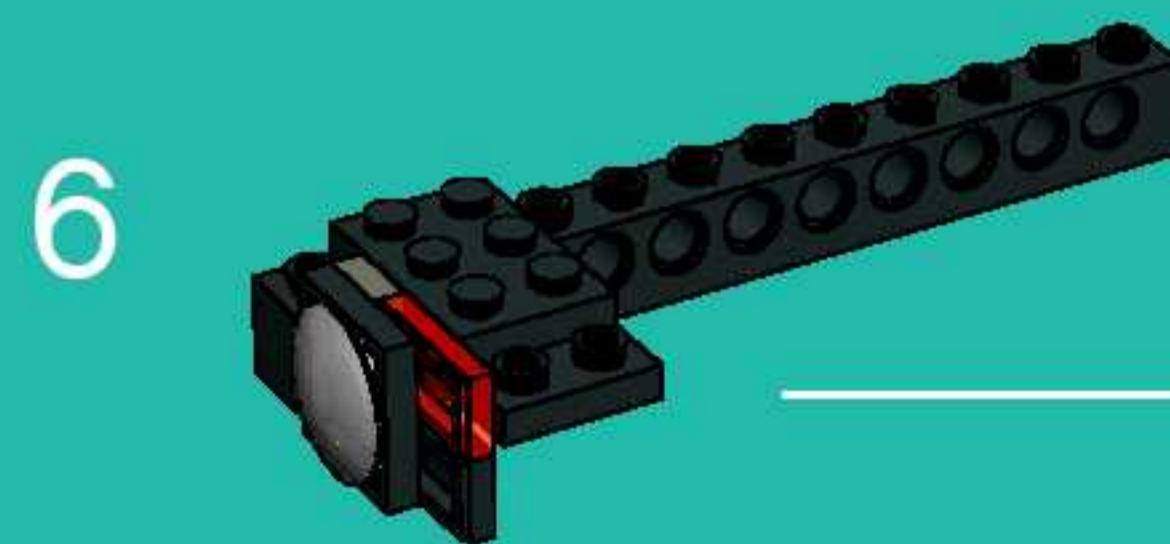
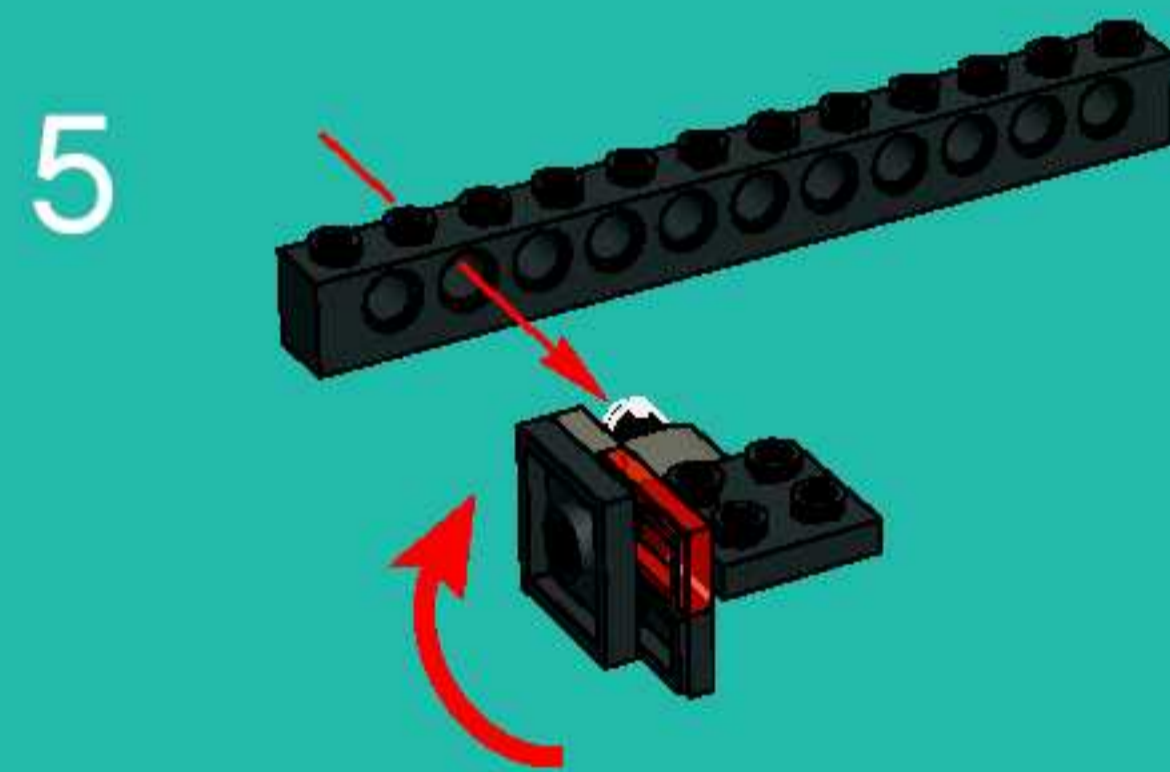
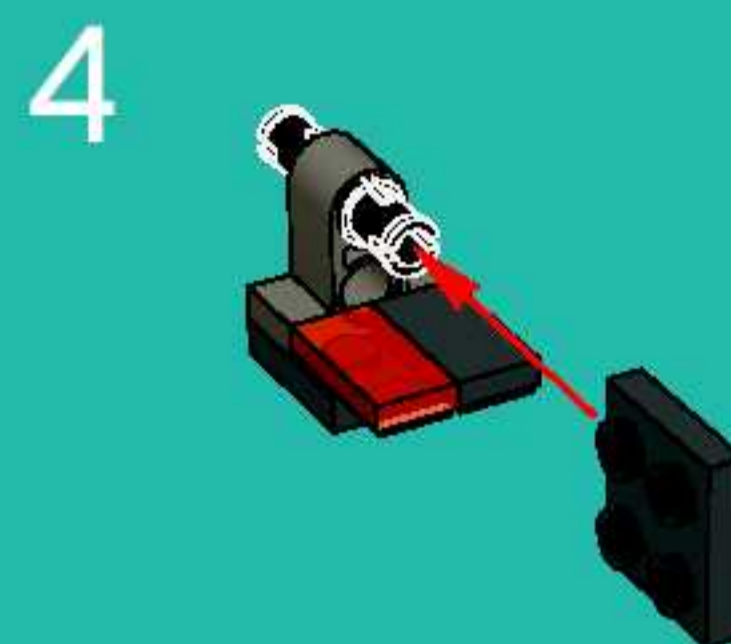
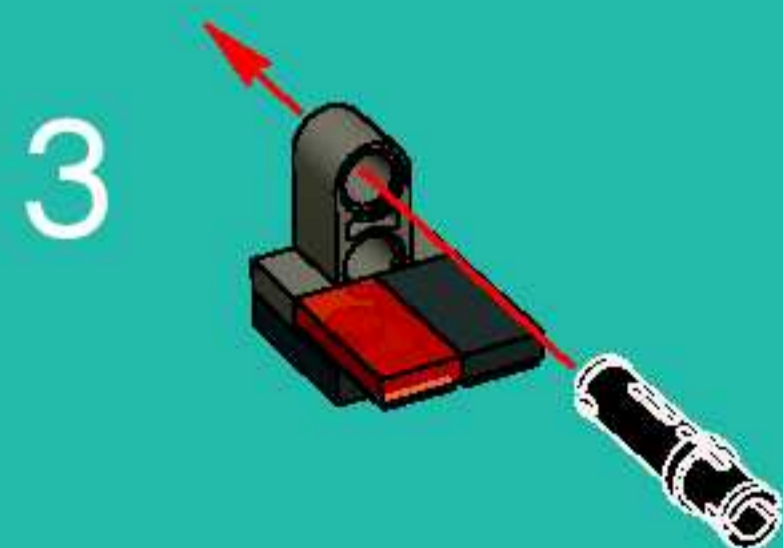








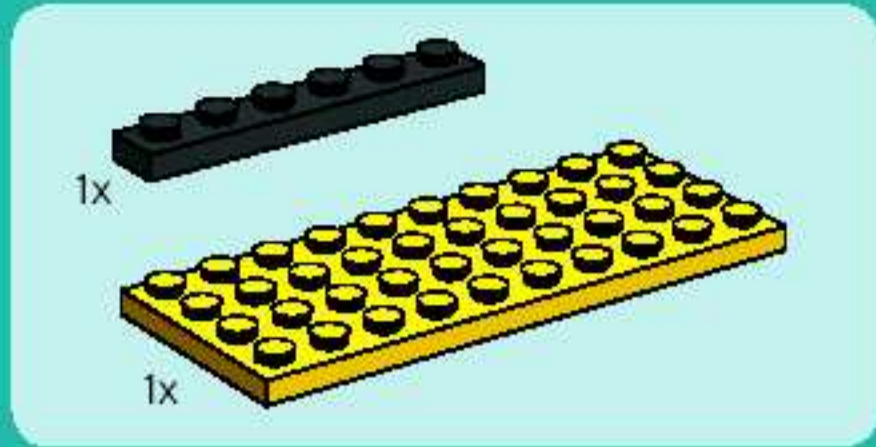
31







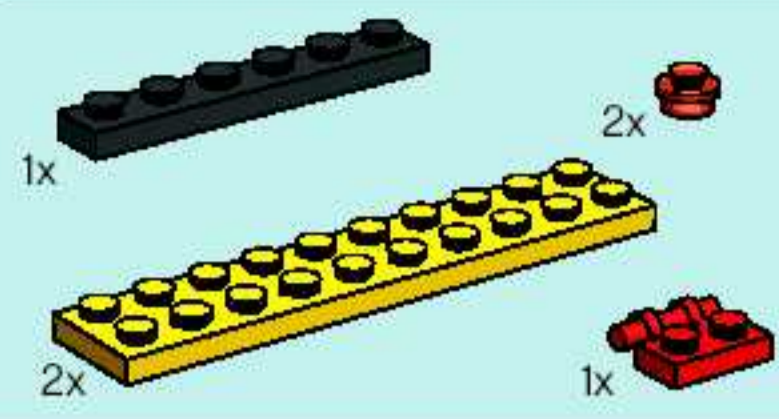




32



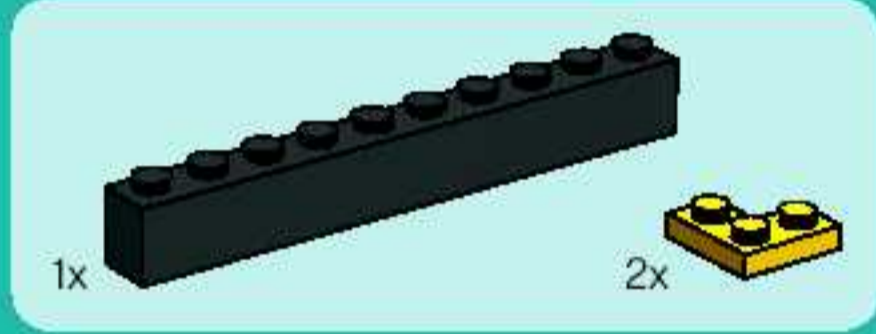




33



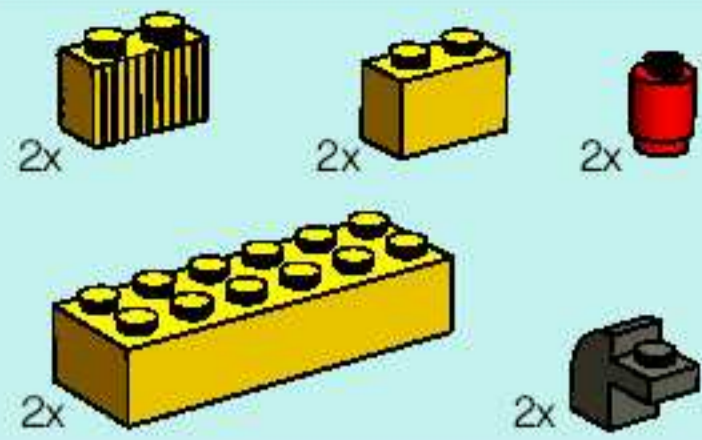




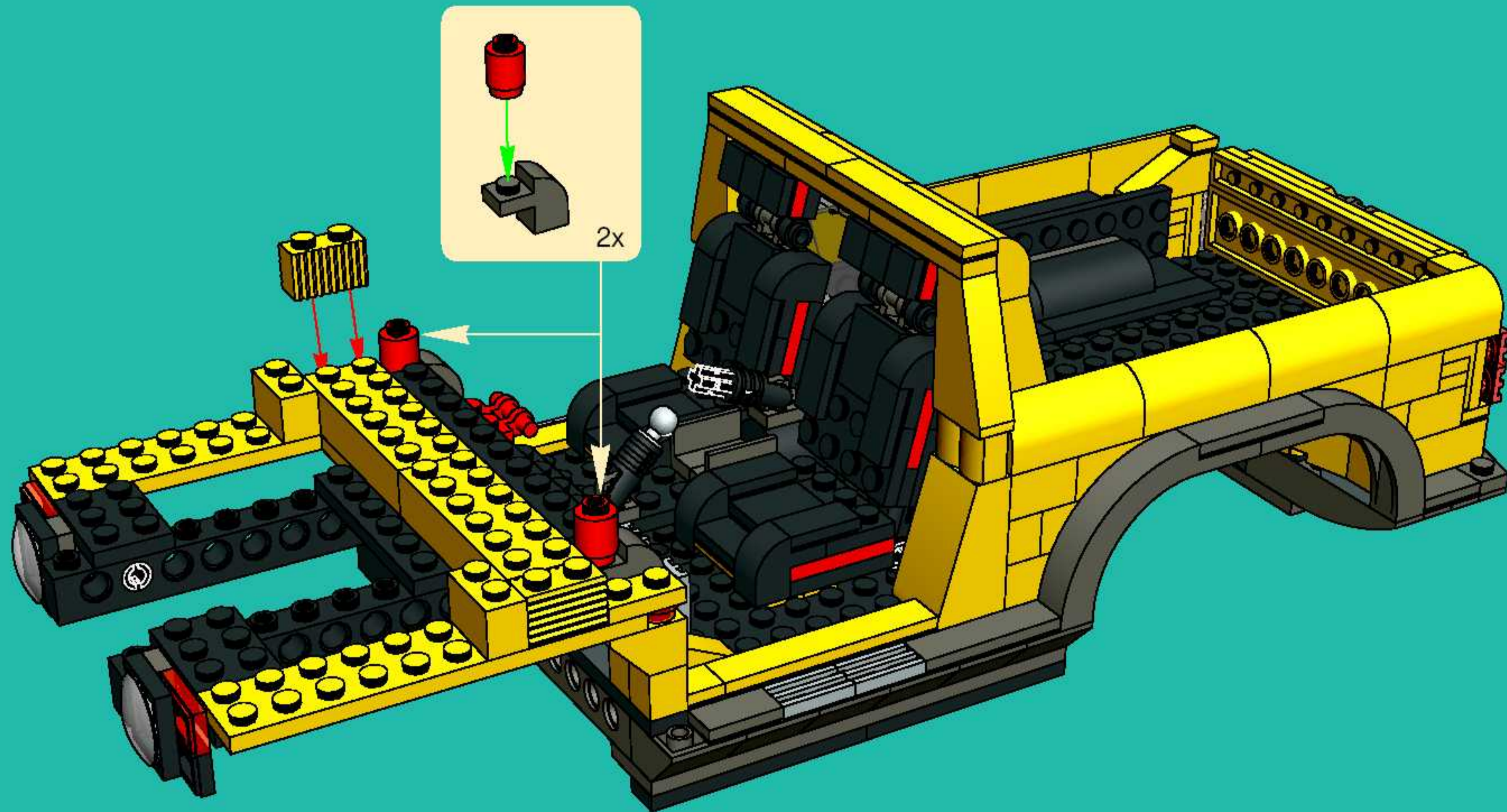
34



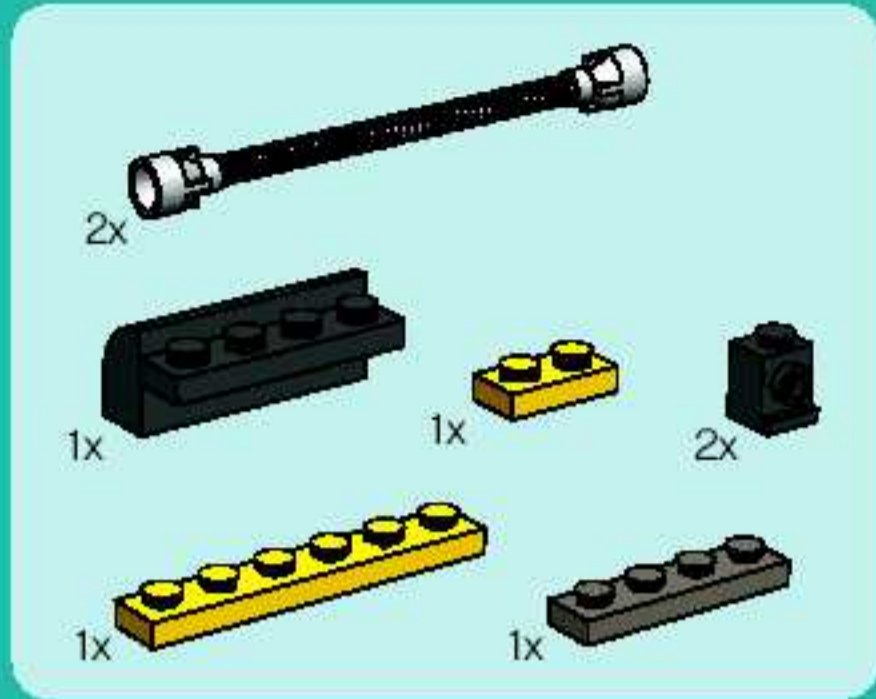




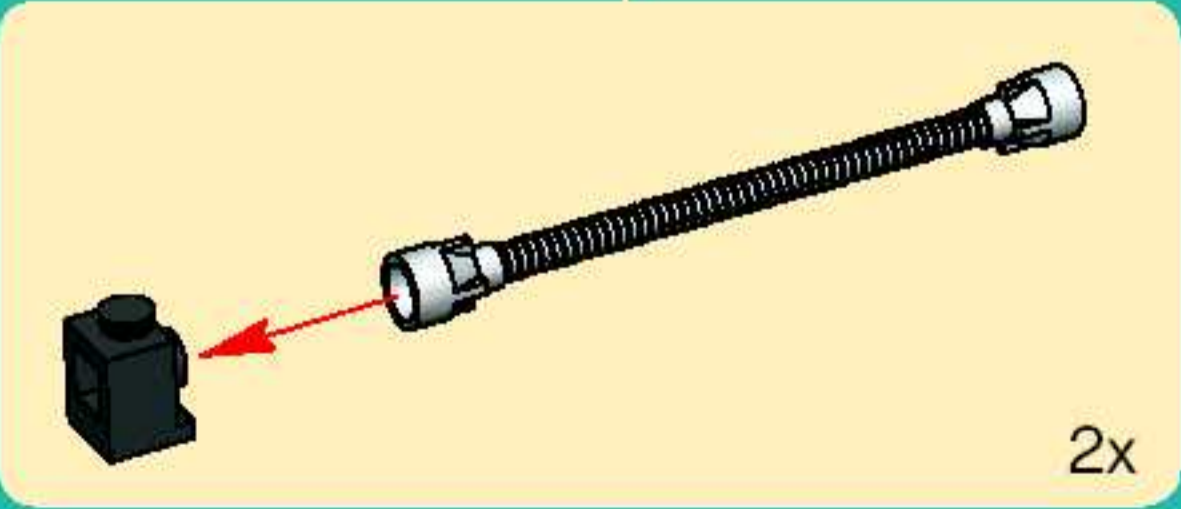
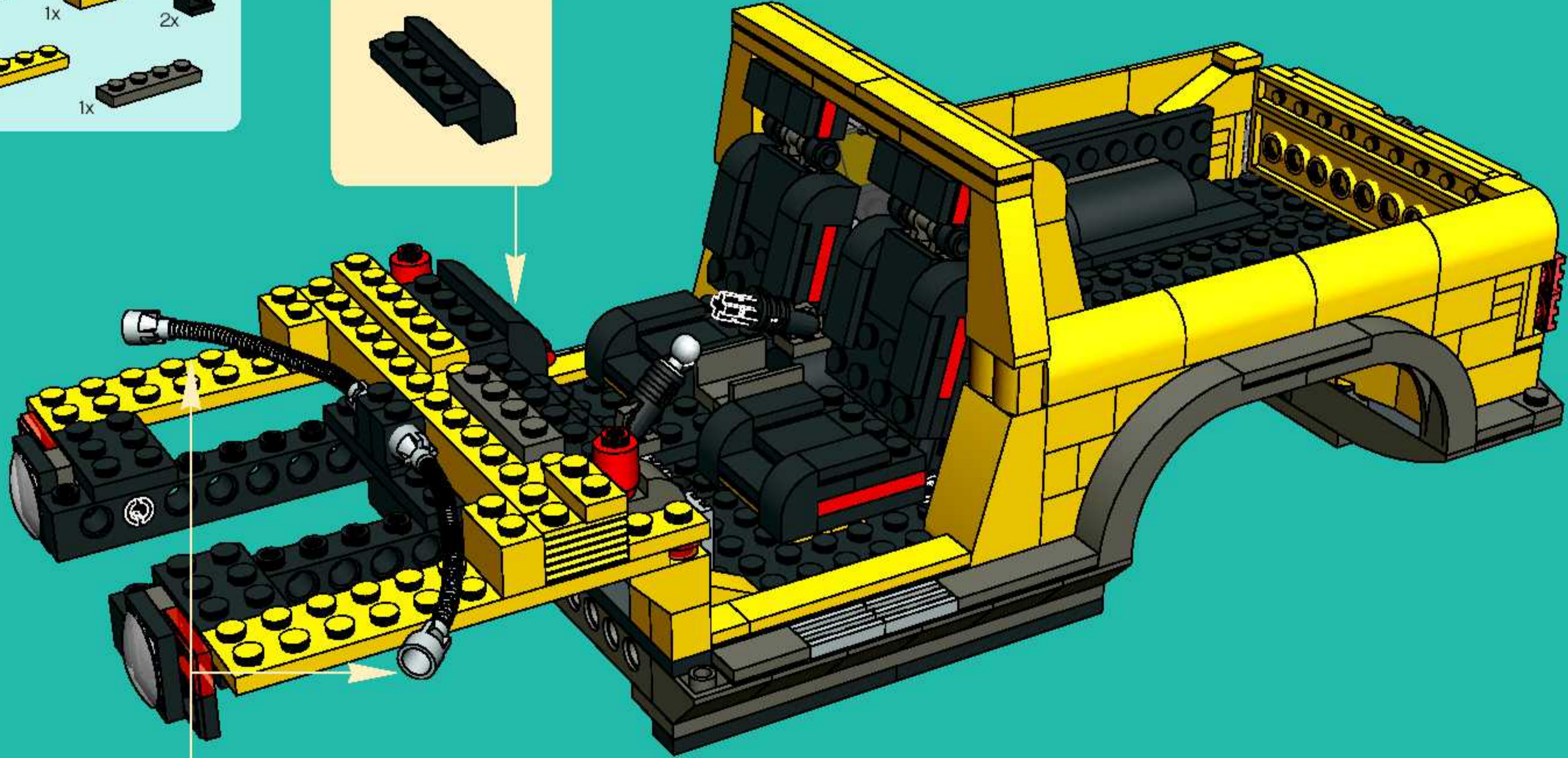
35







36



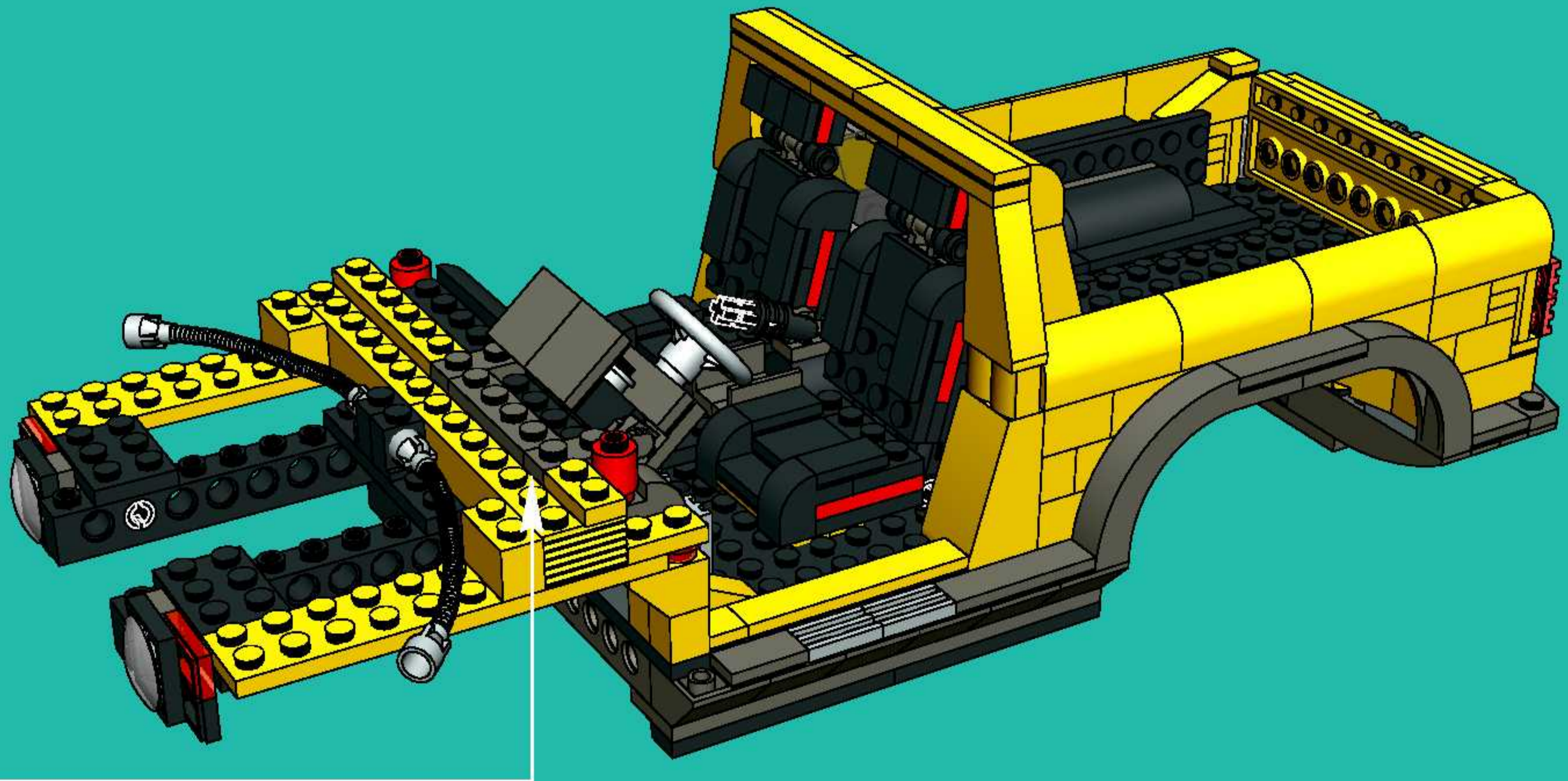








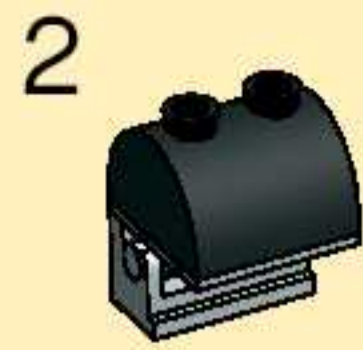
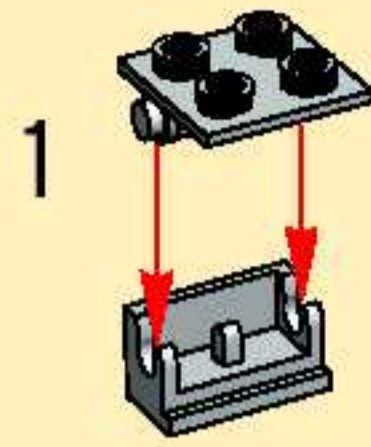




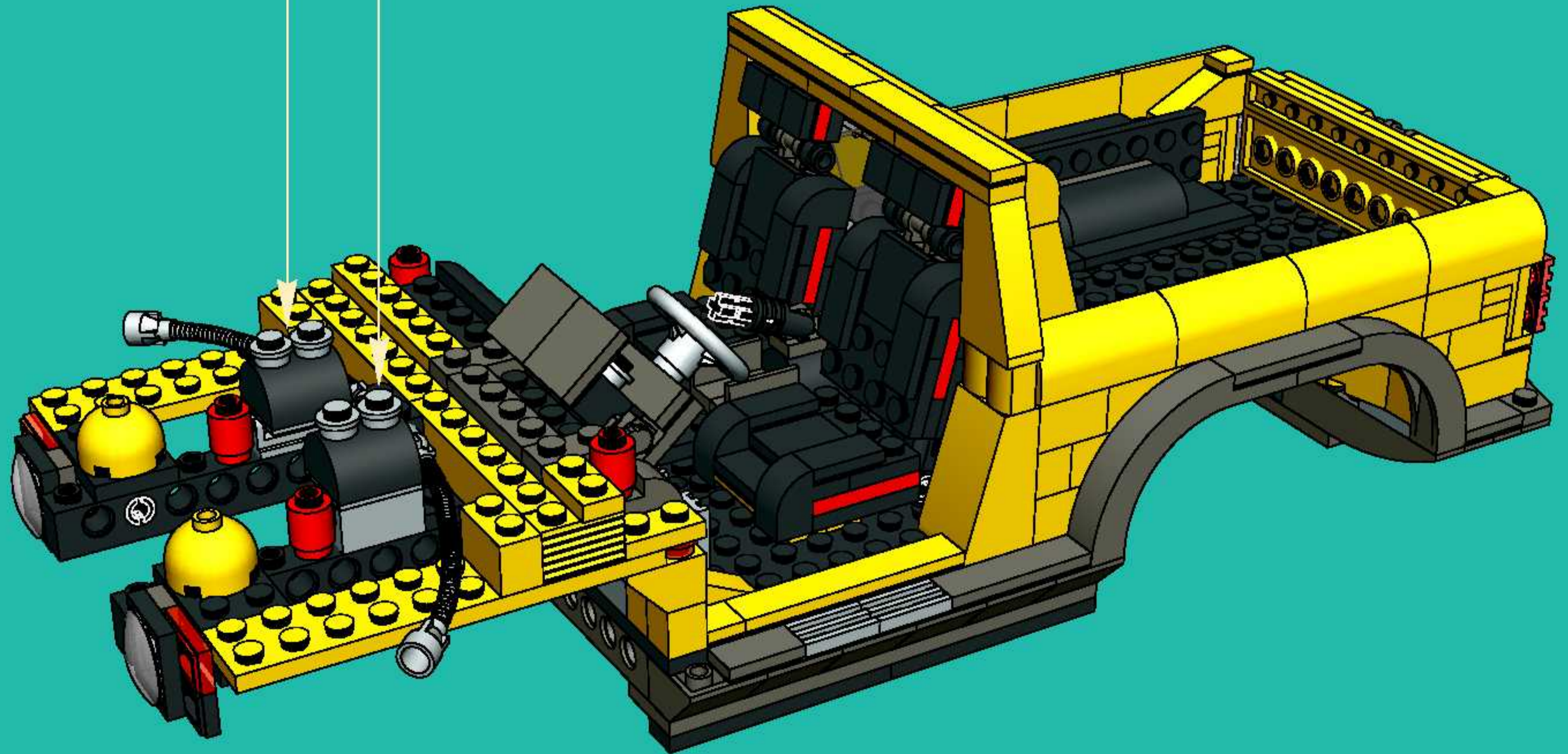




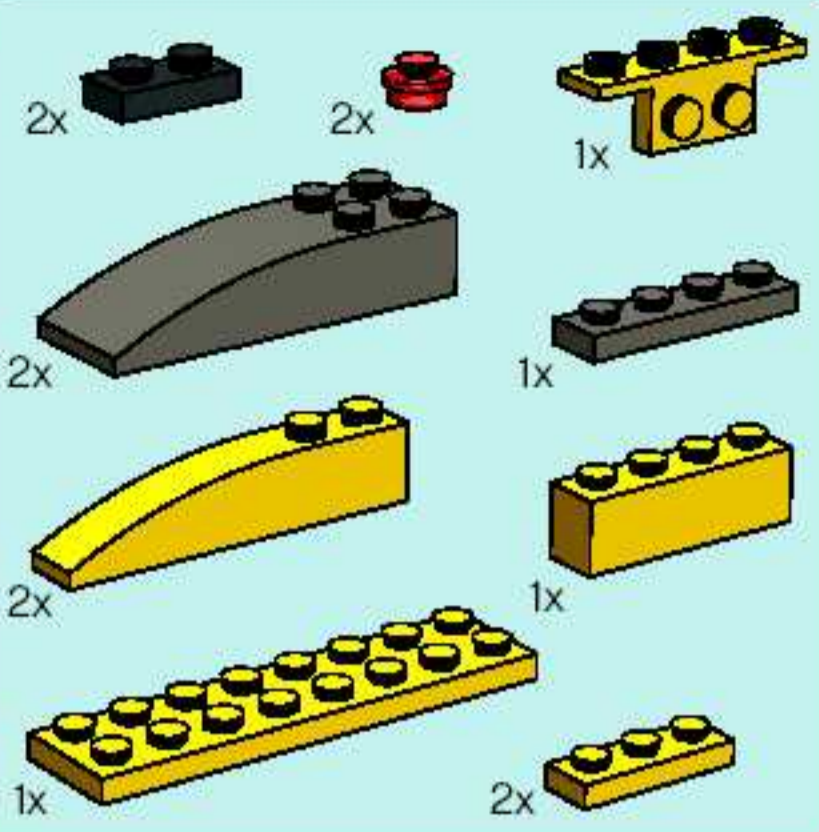
38



2x



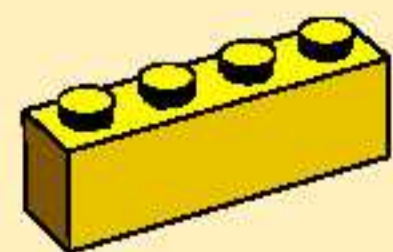




39



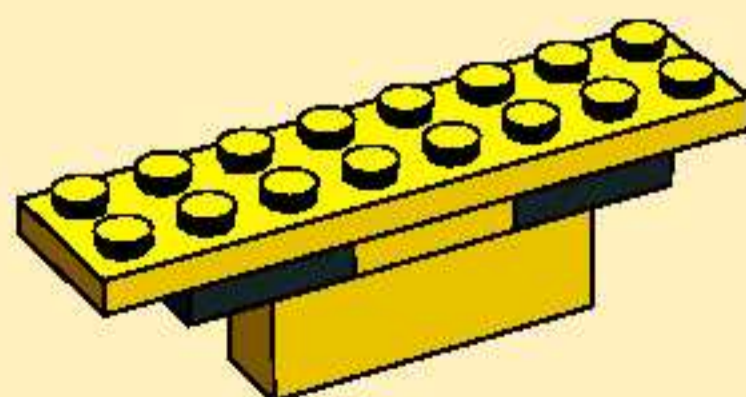
1



2



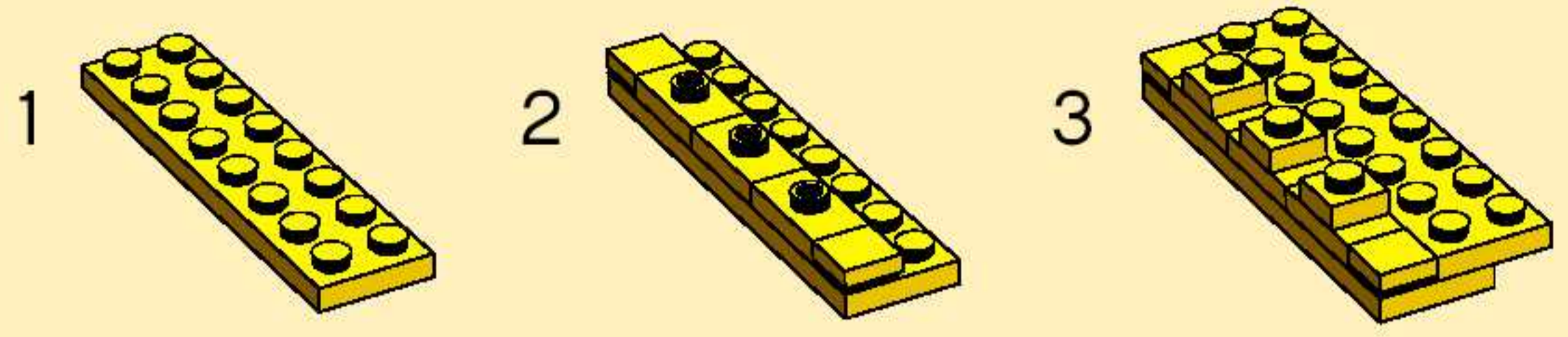
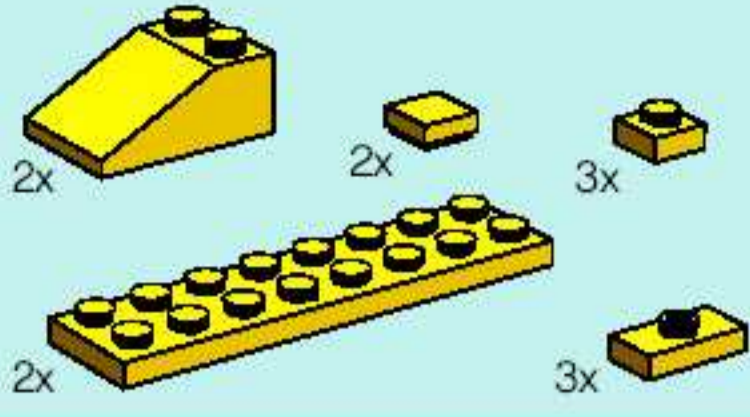
3







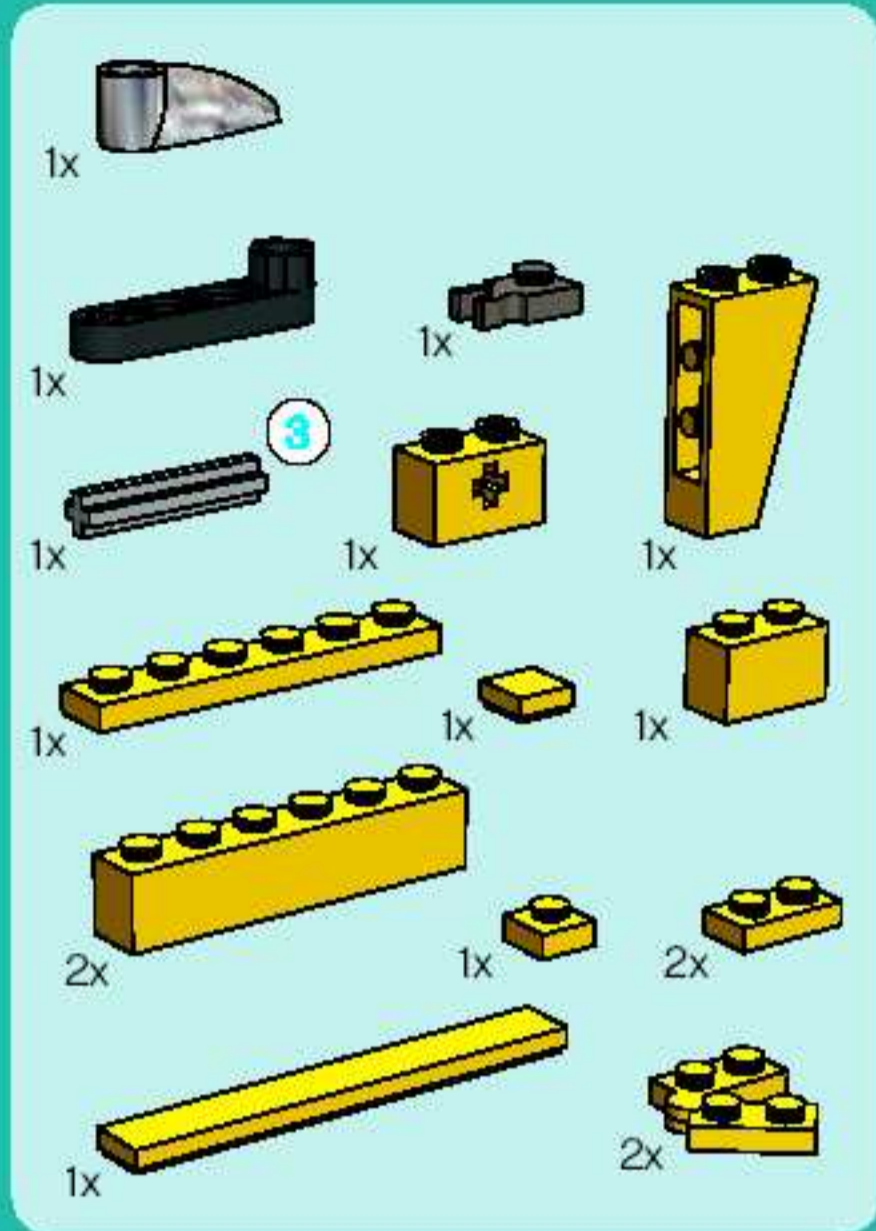




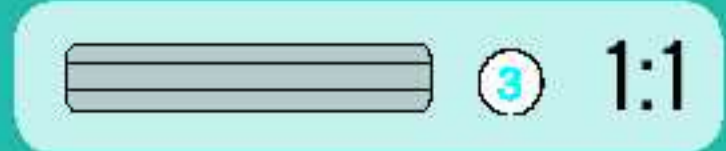
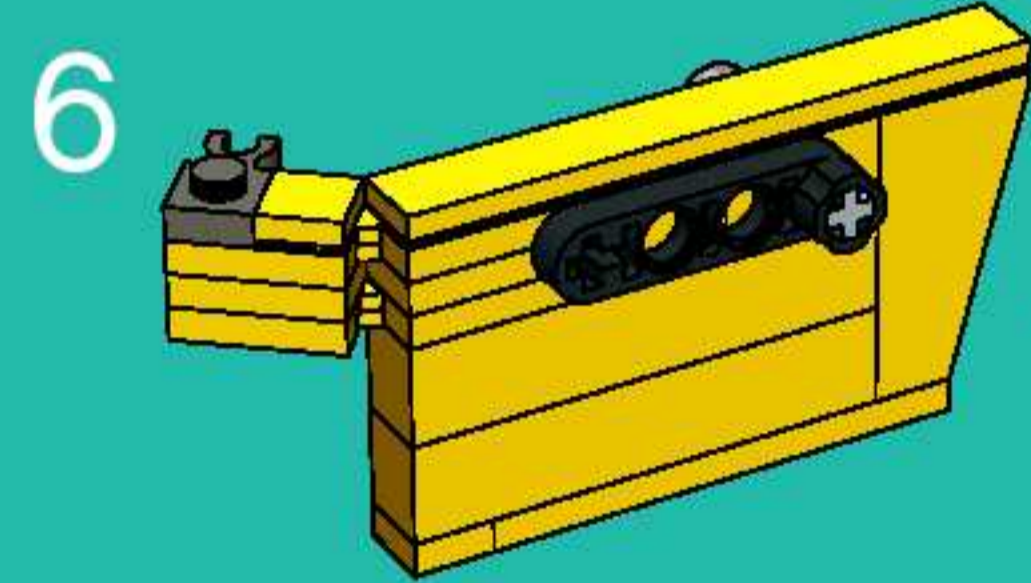
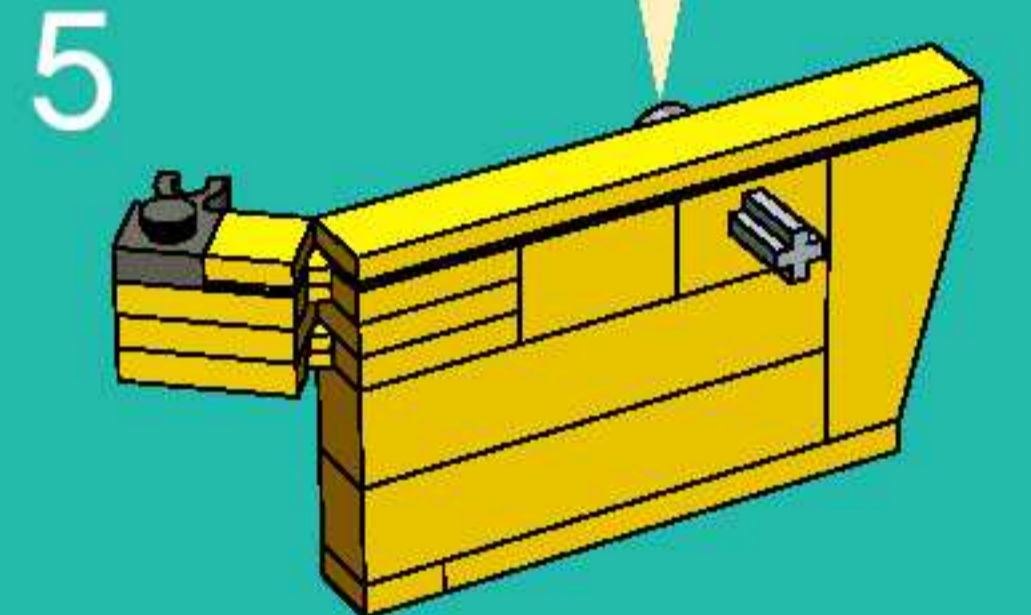
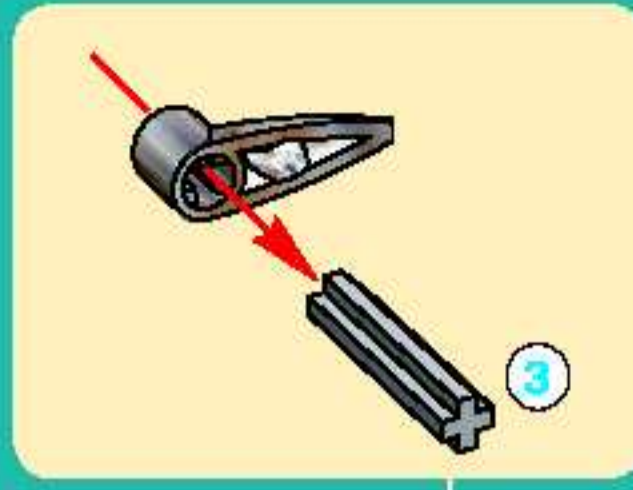
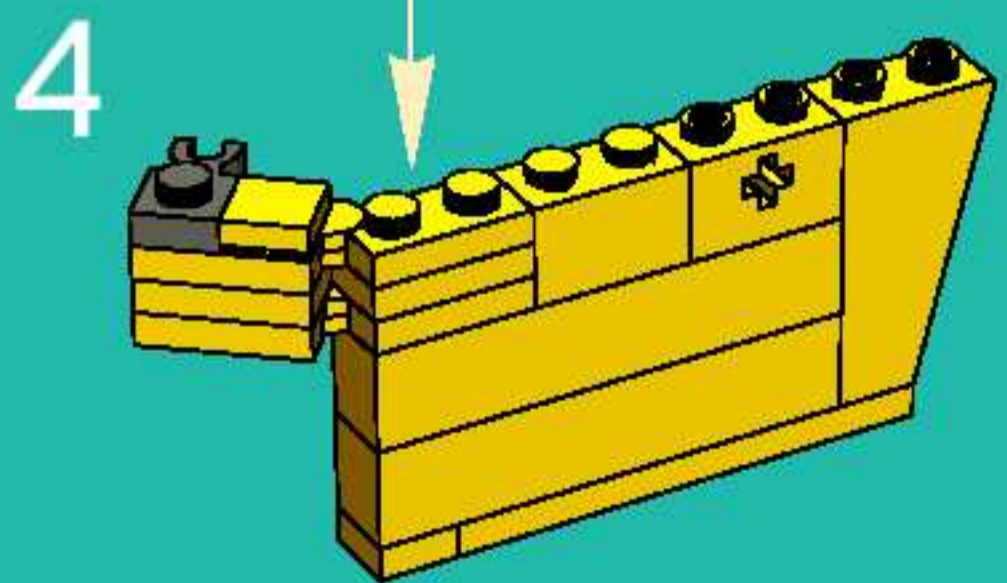
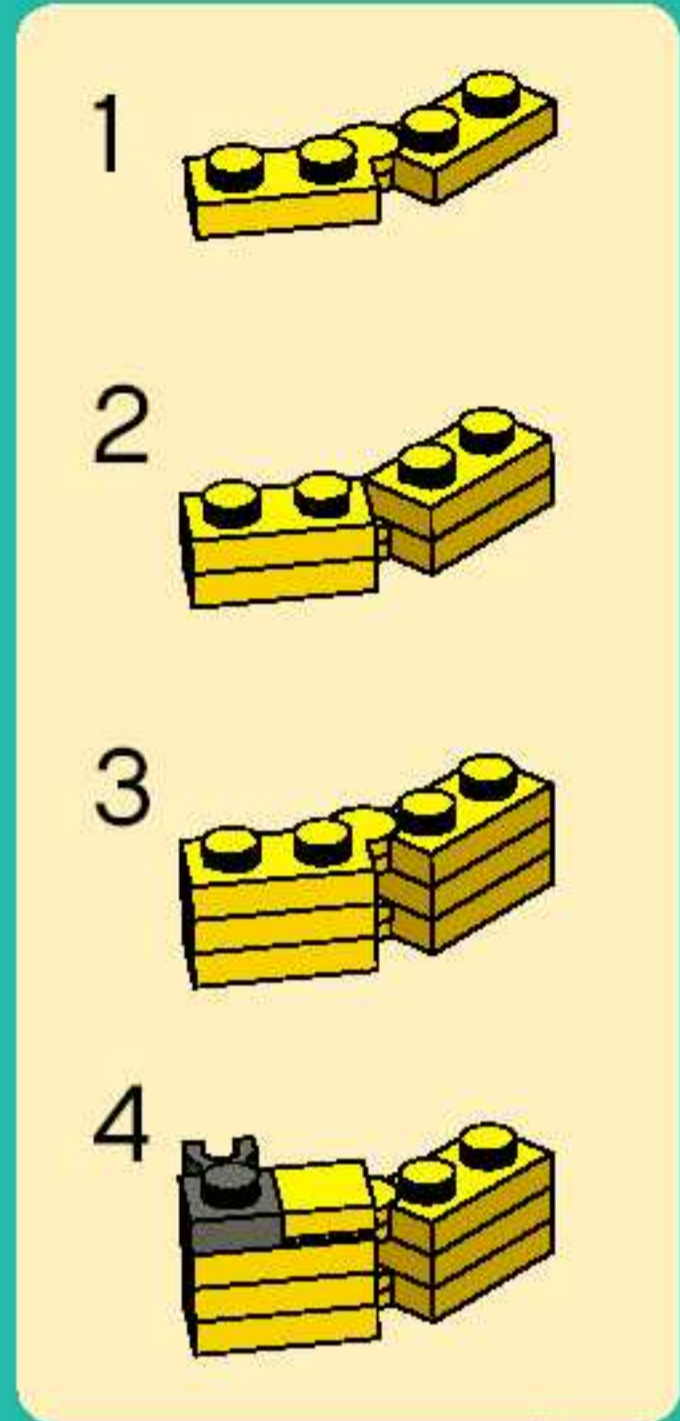
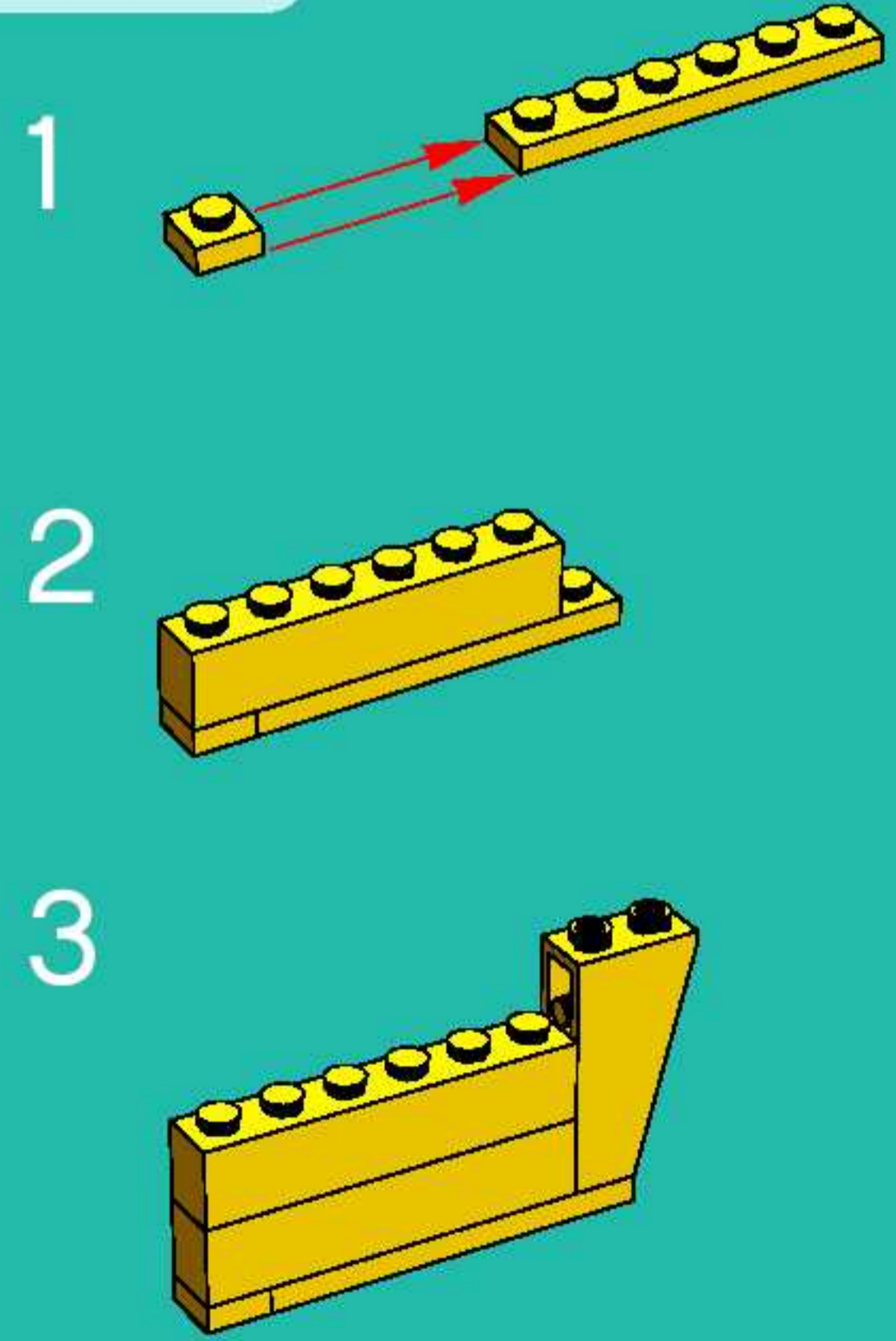
40







41



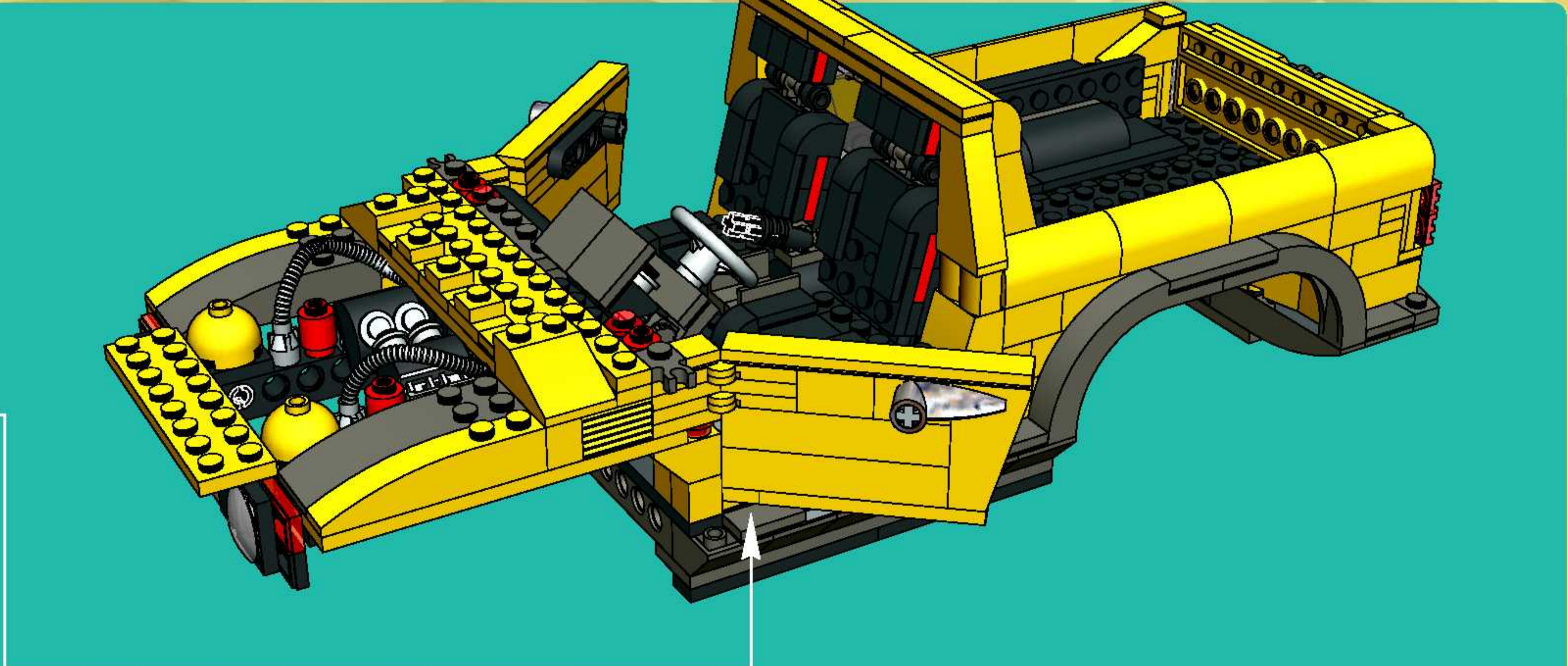




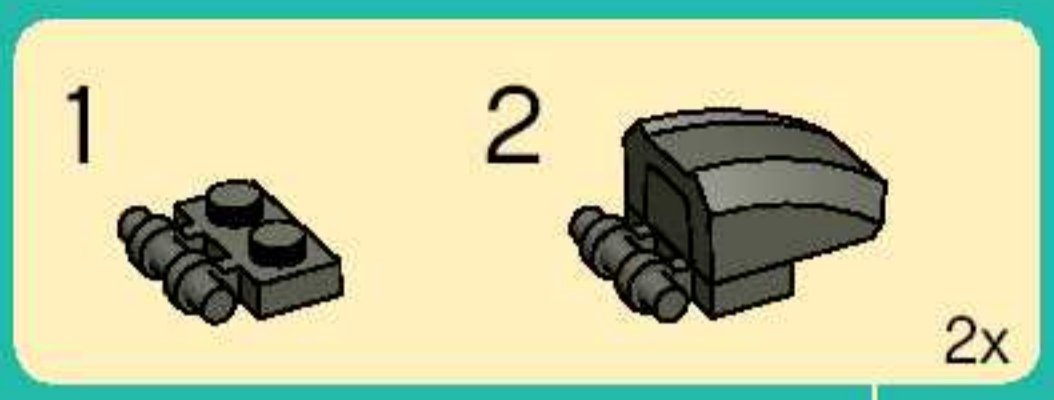
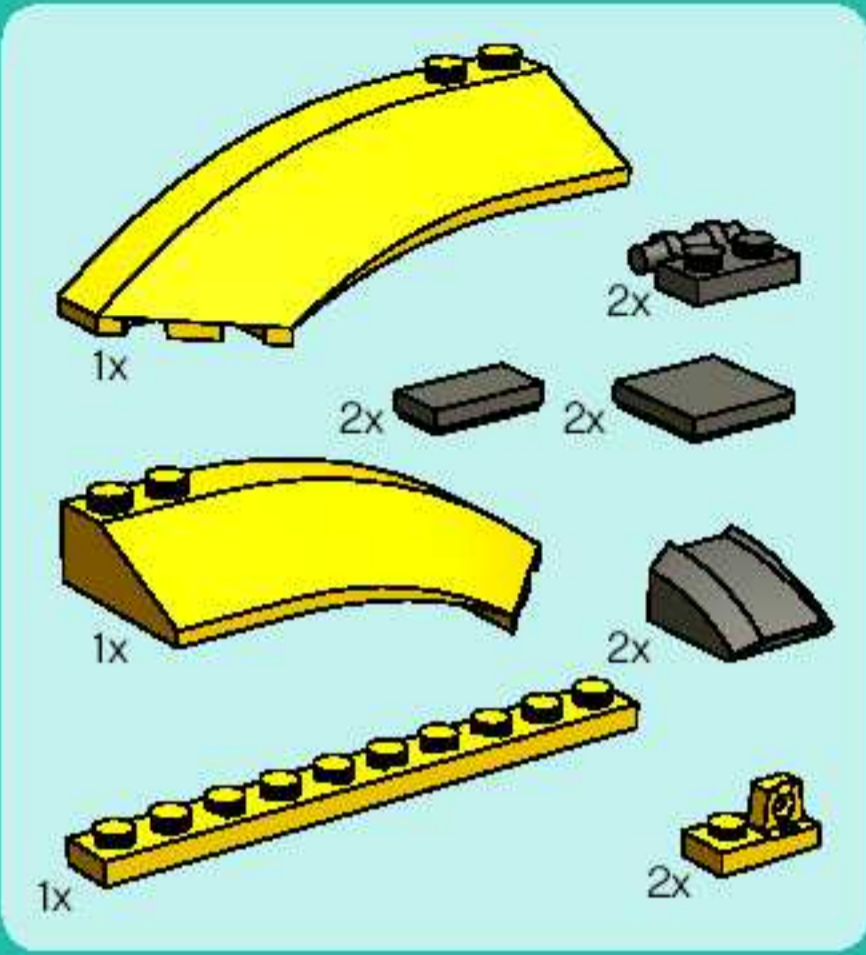




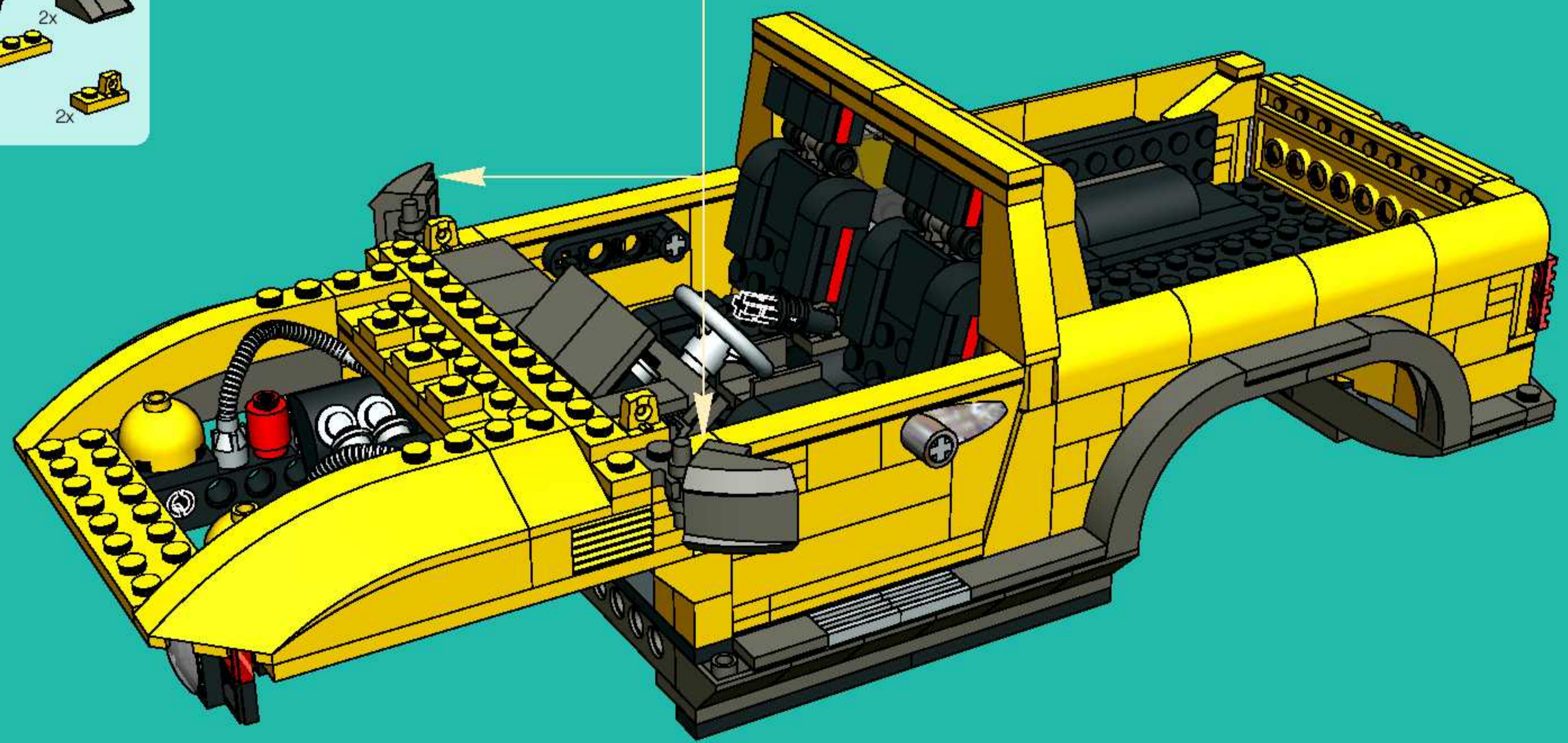




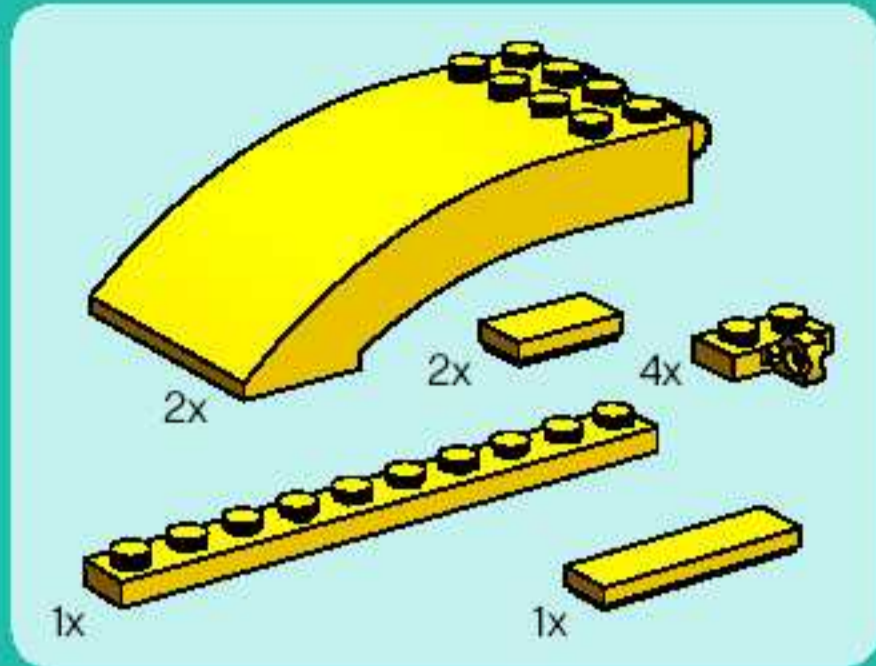




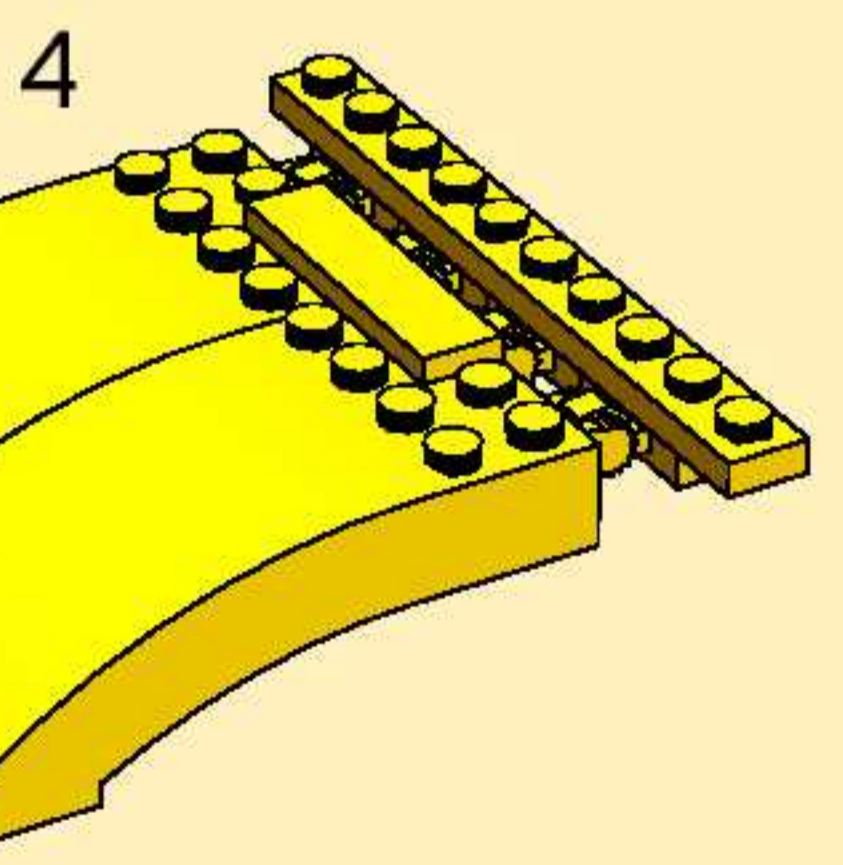
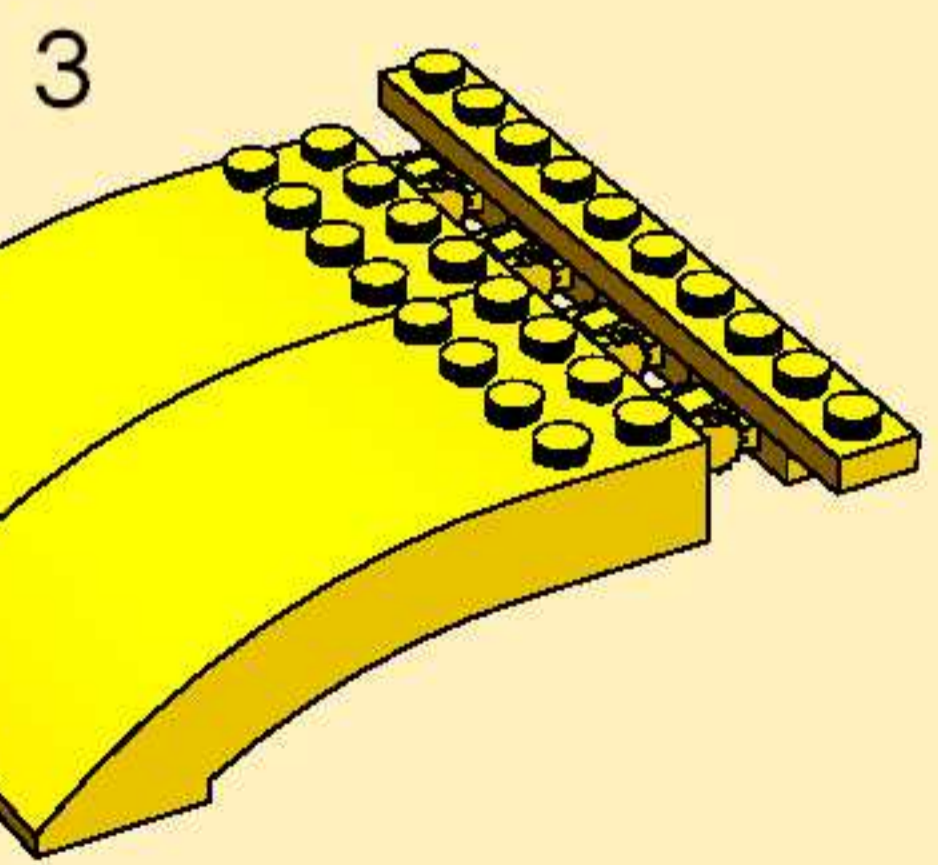
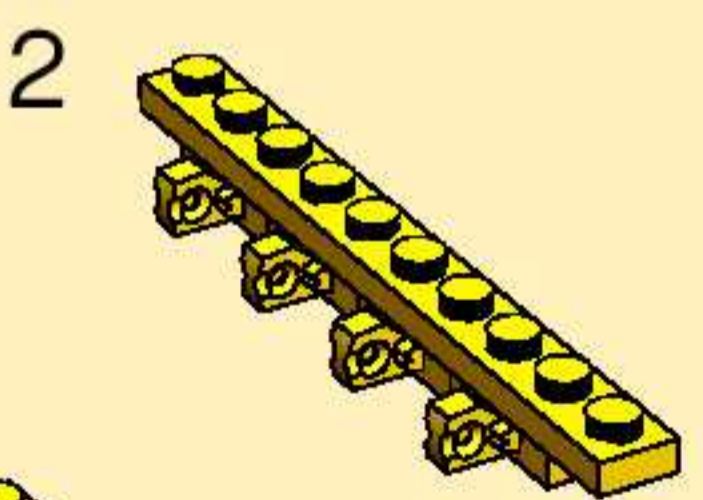
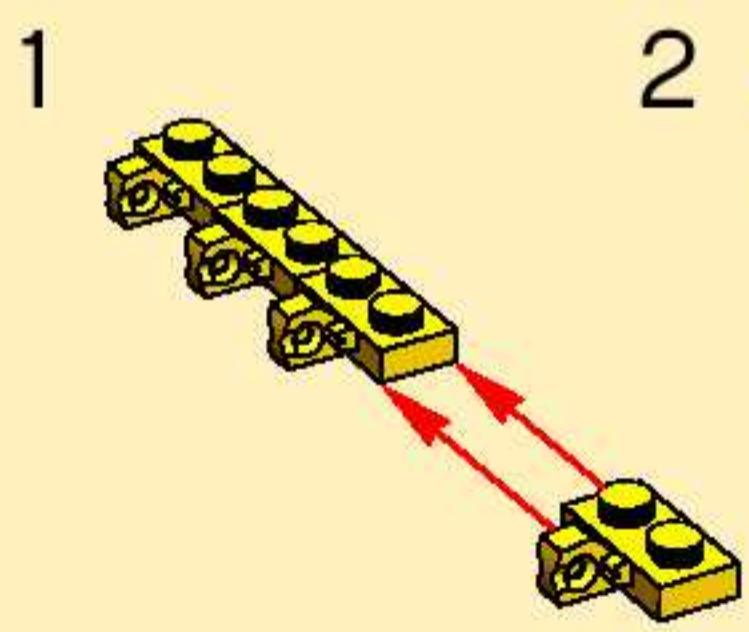
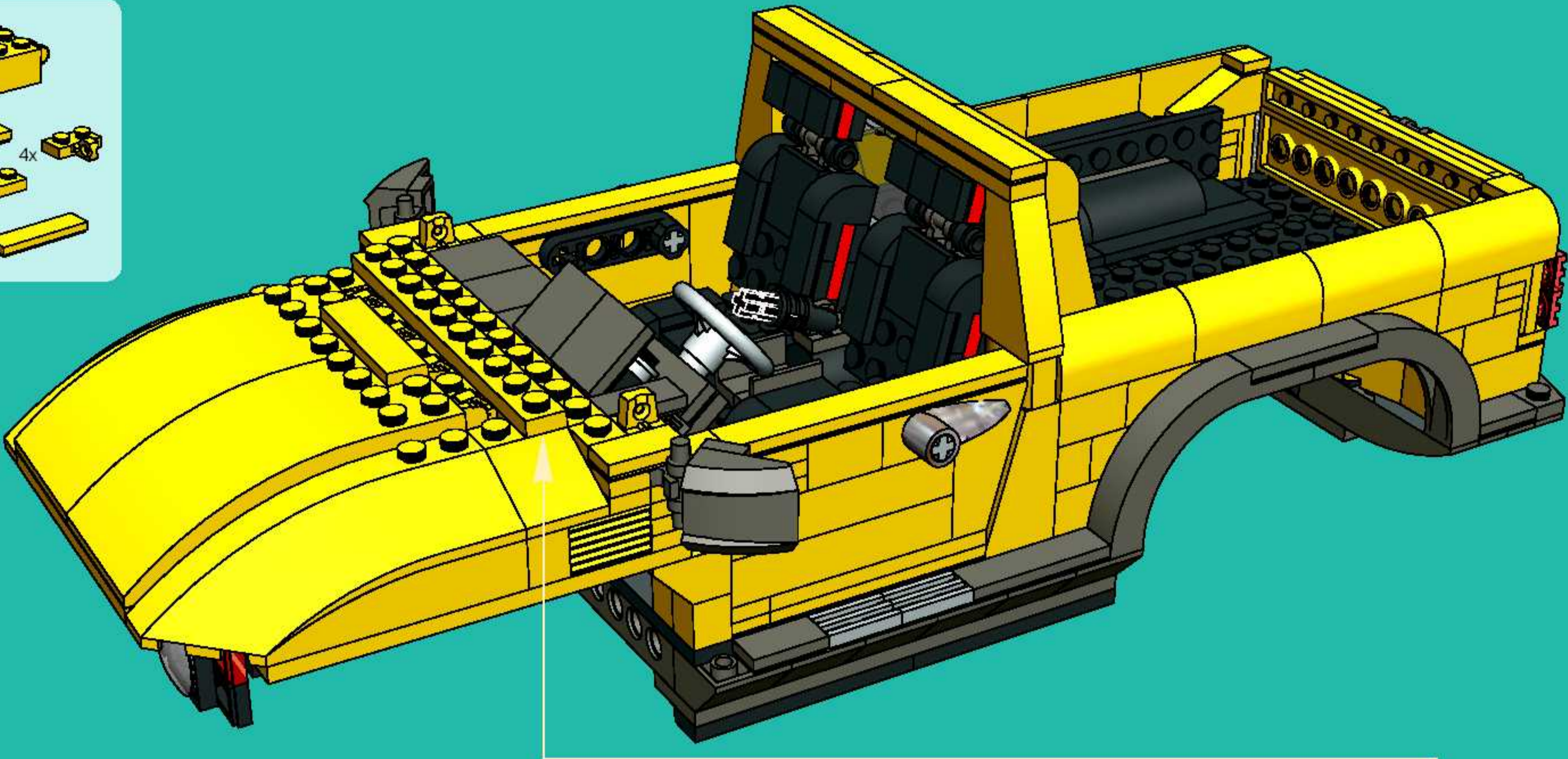
43



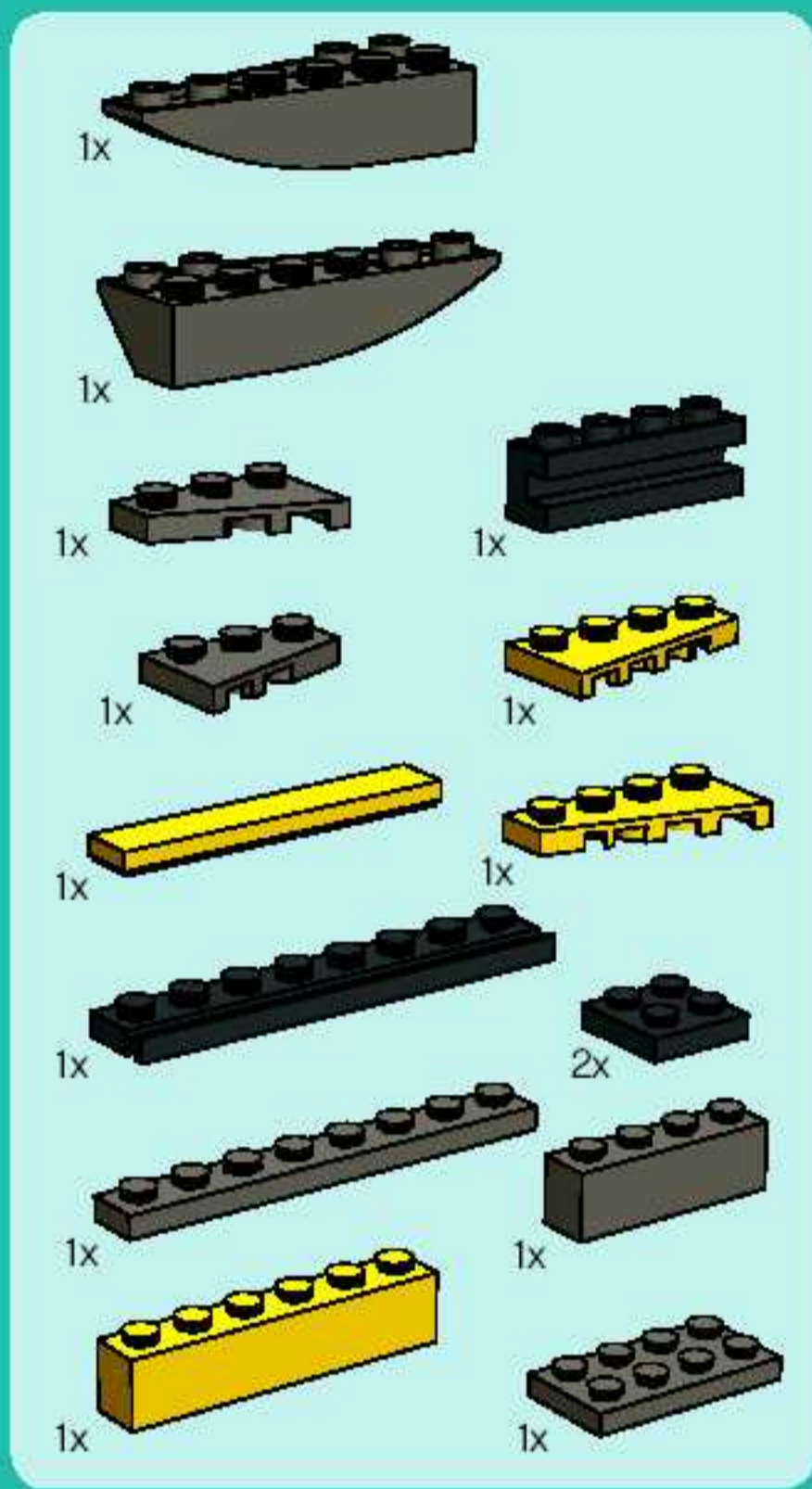




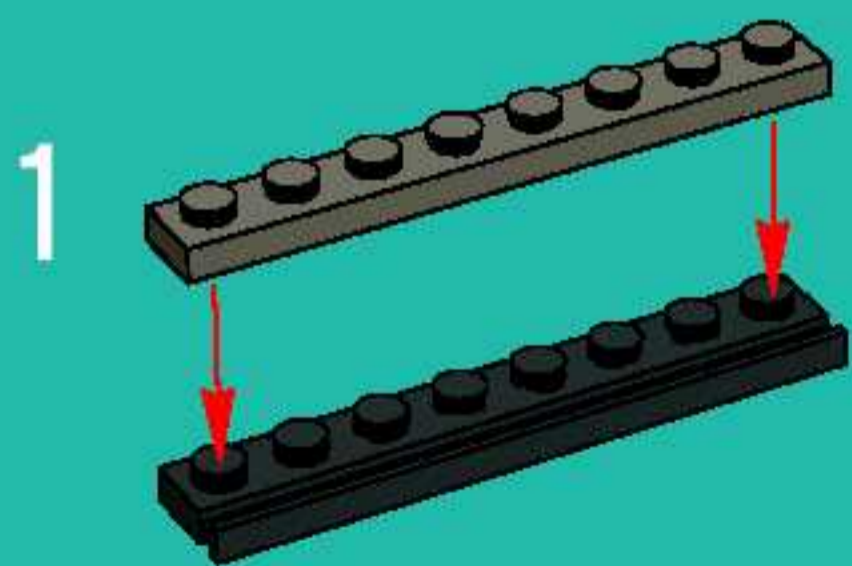
44



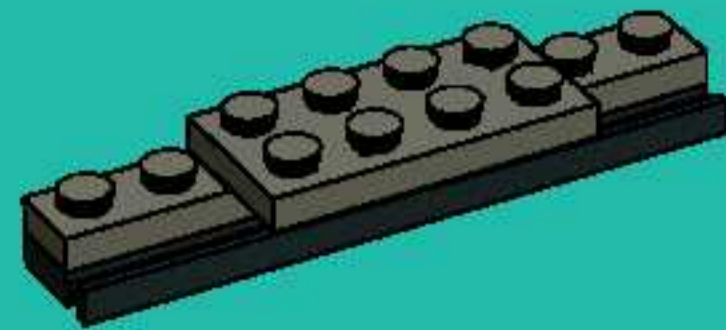




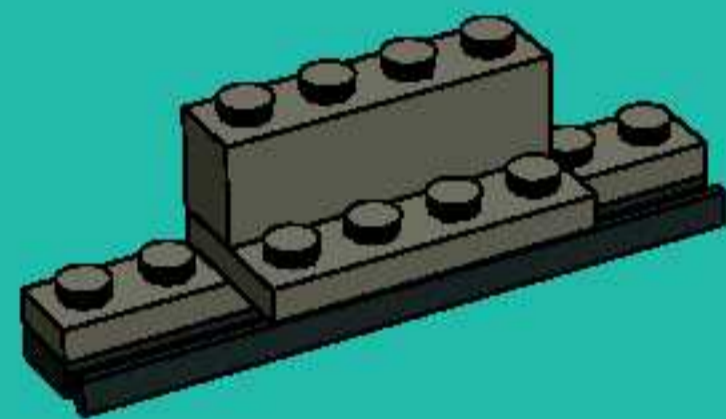
45



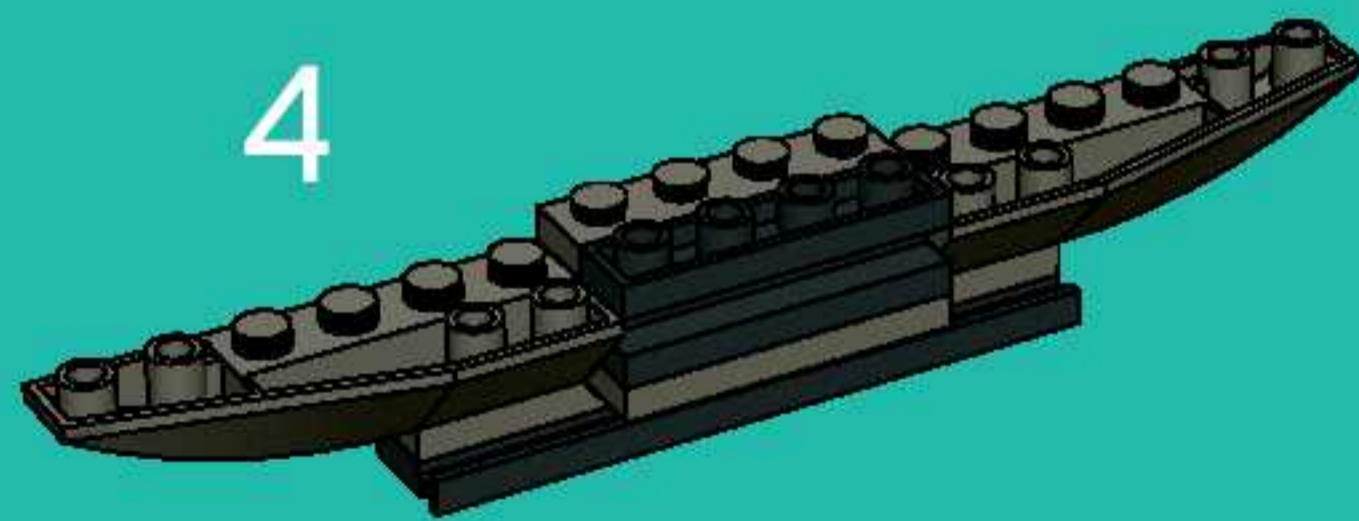
2



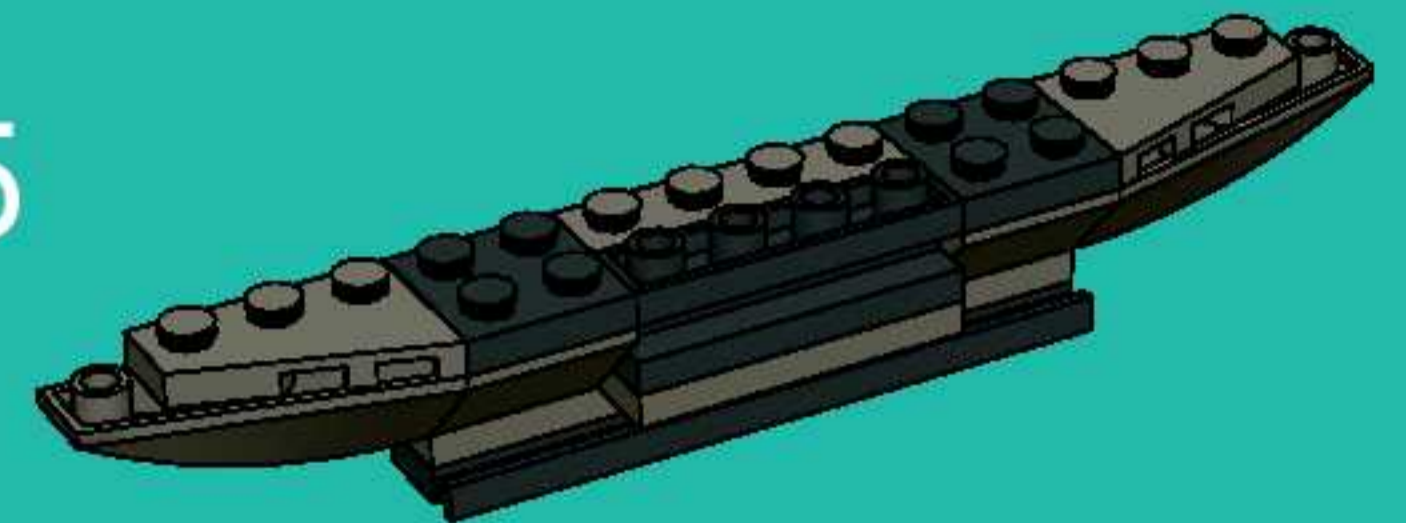
3



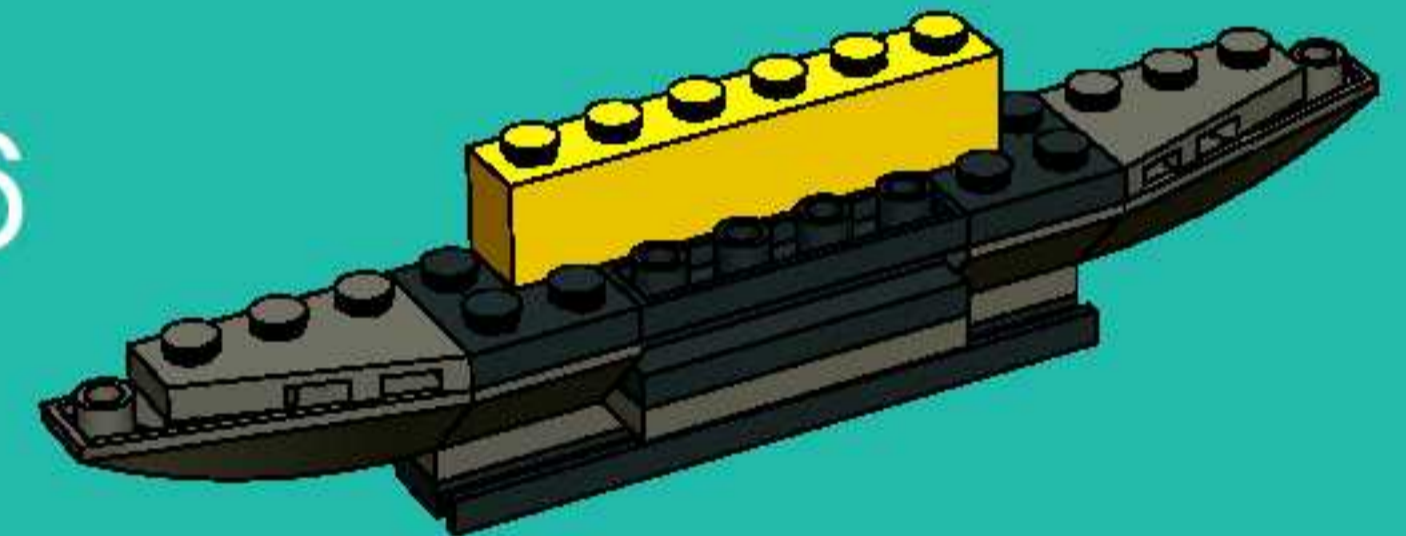
4



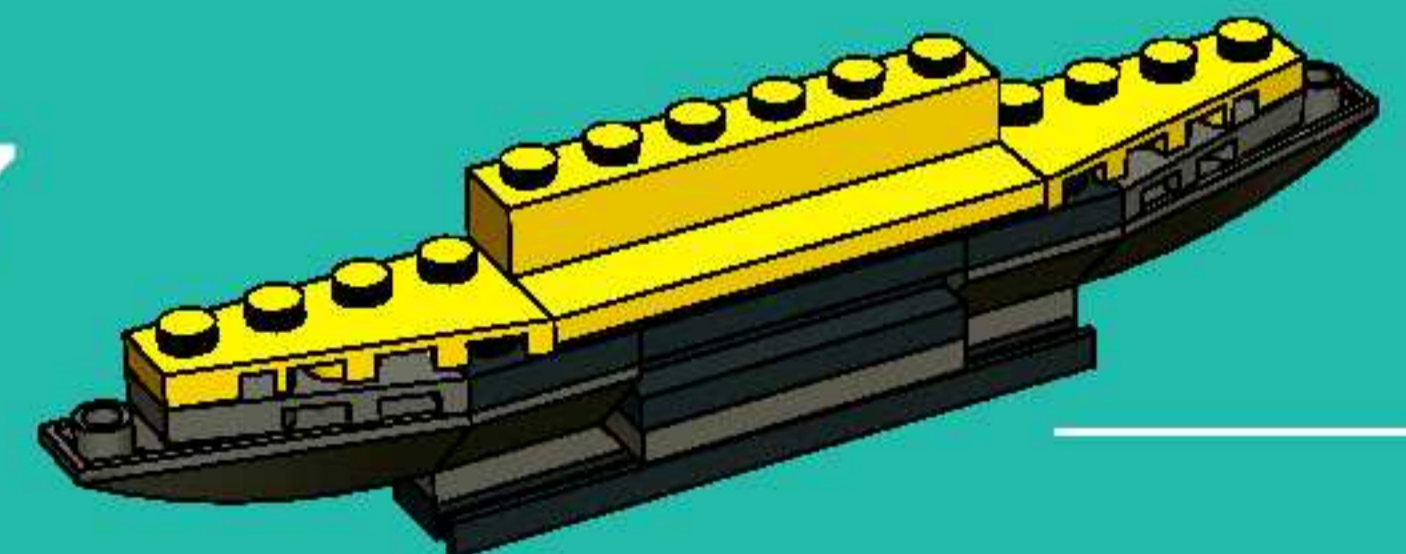
5



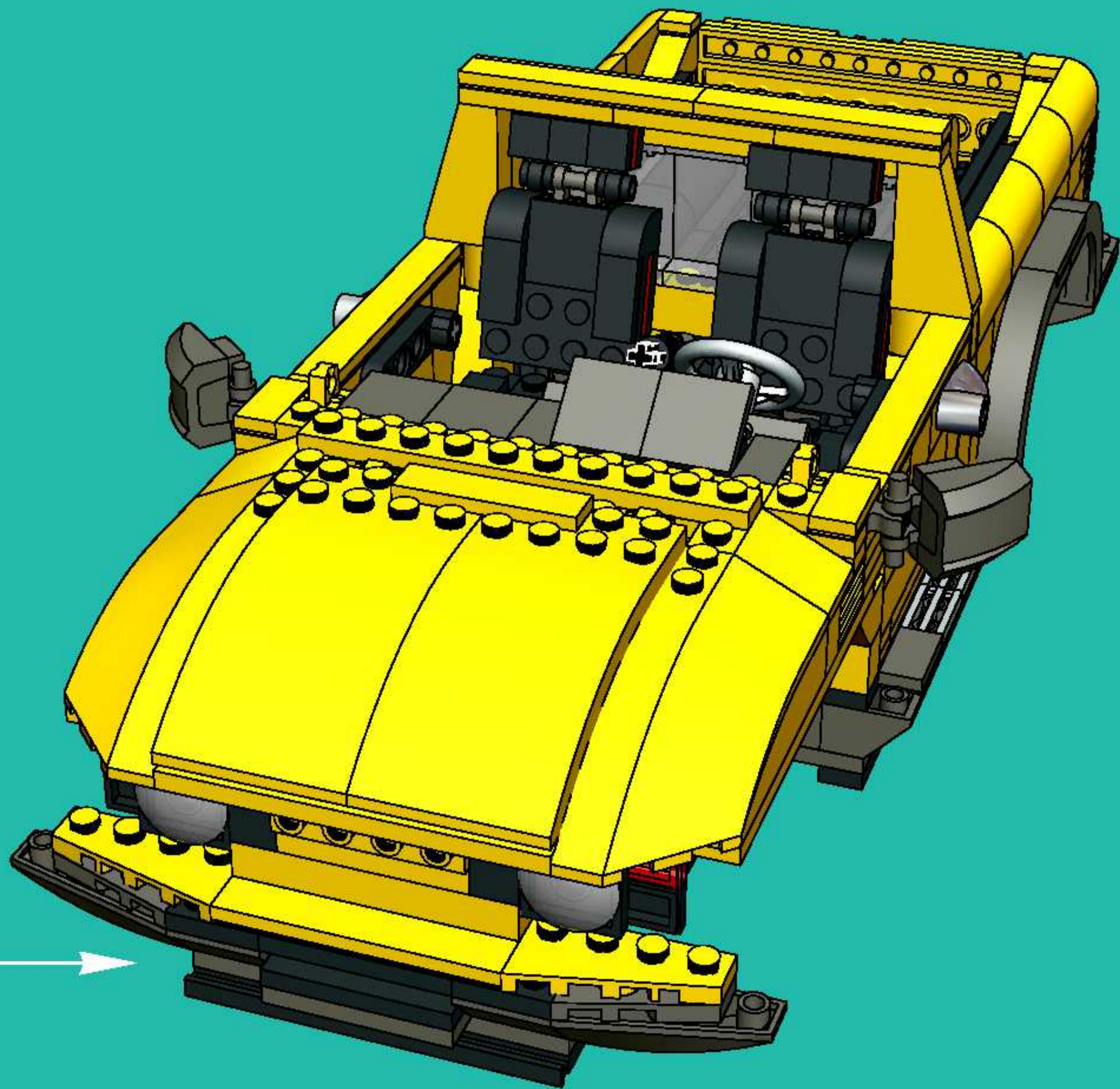
6



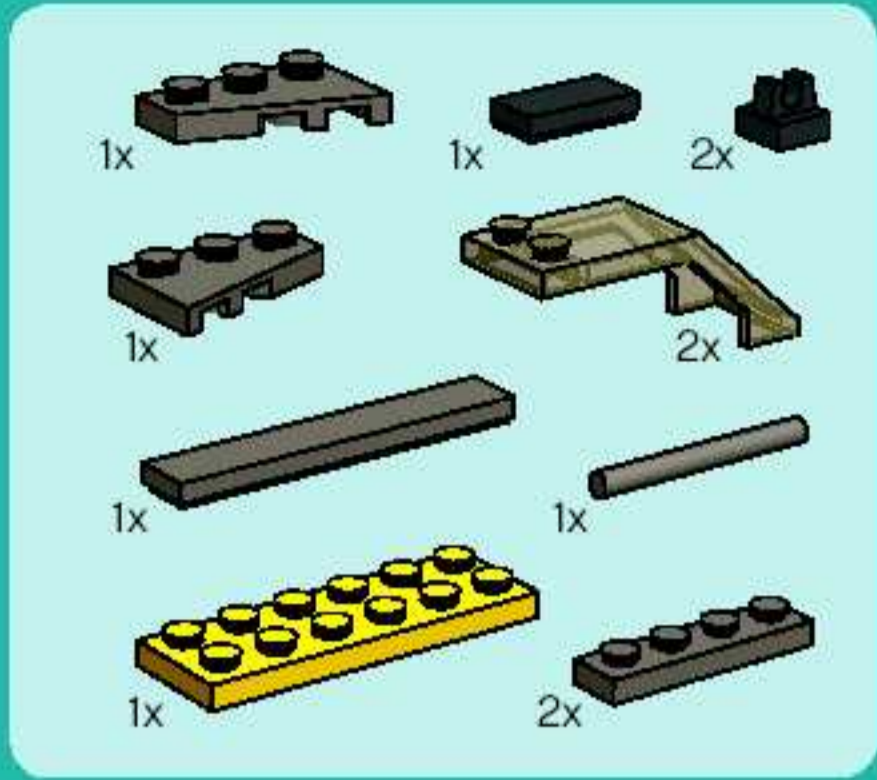
7





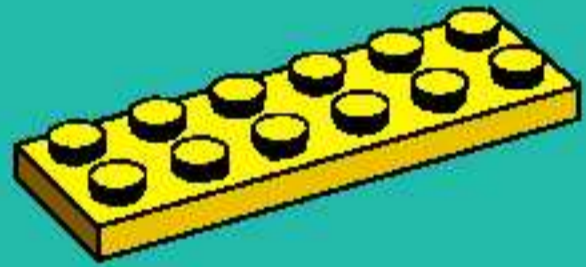




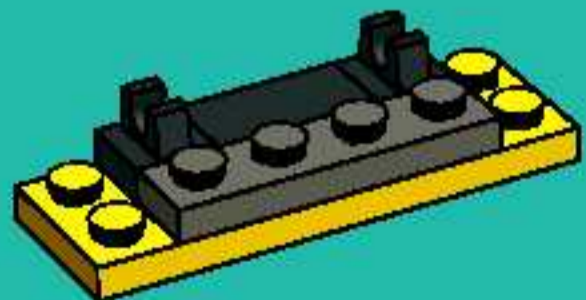


46

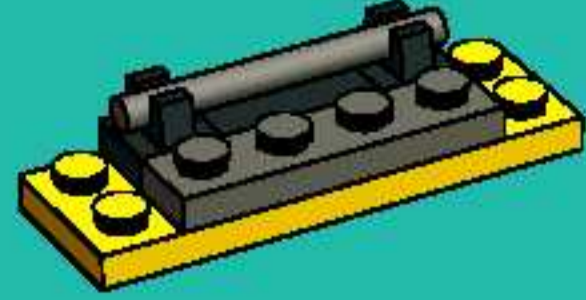
1



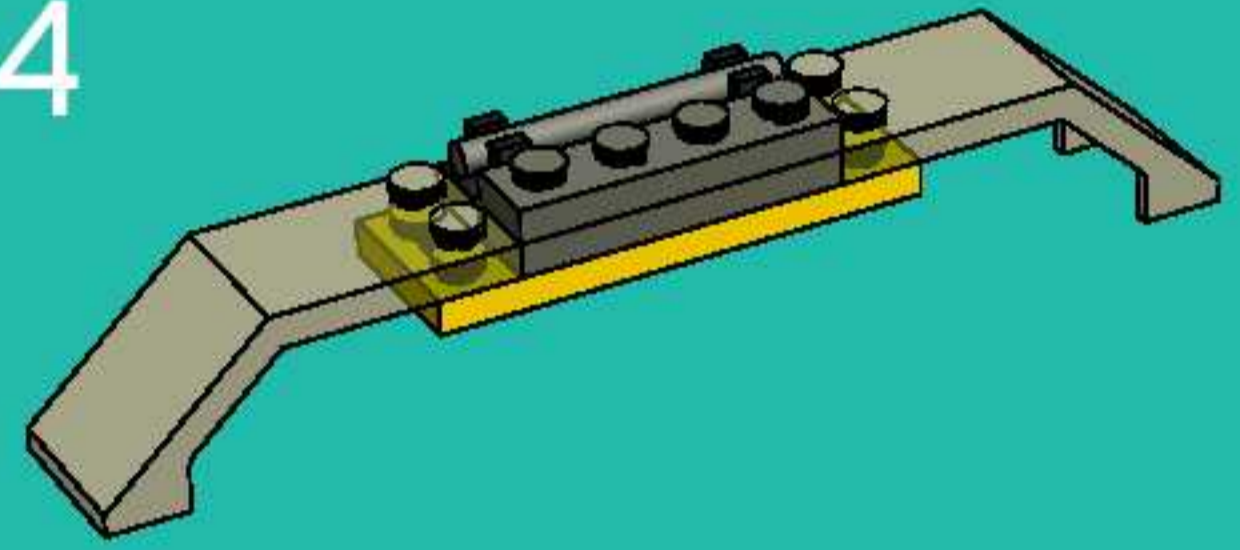
2



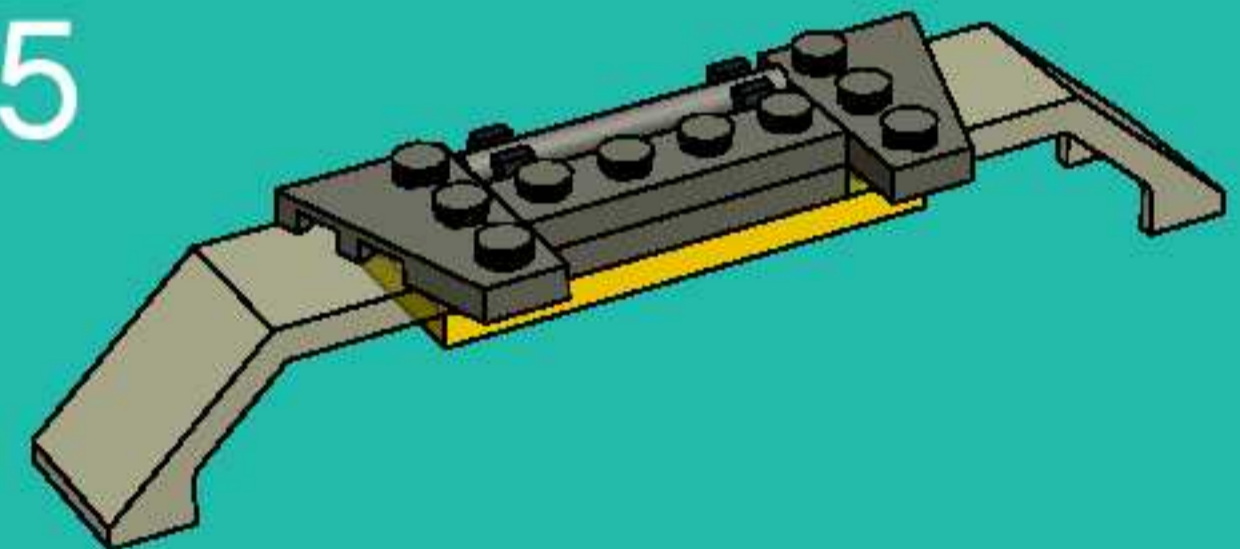
3



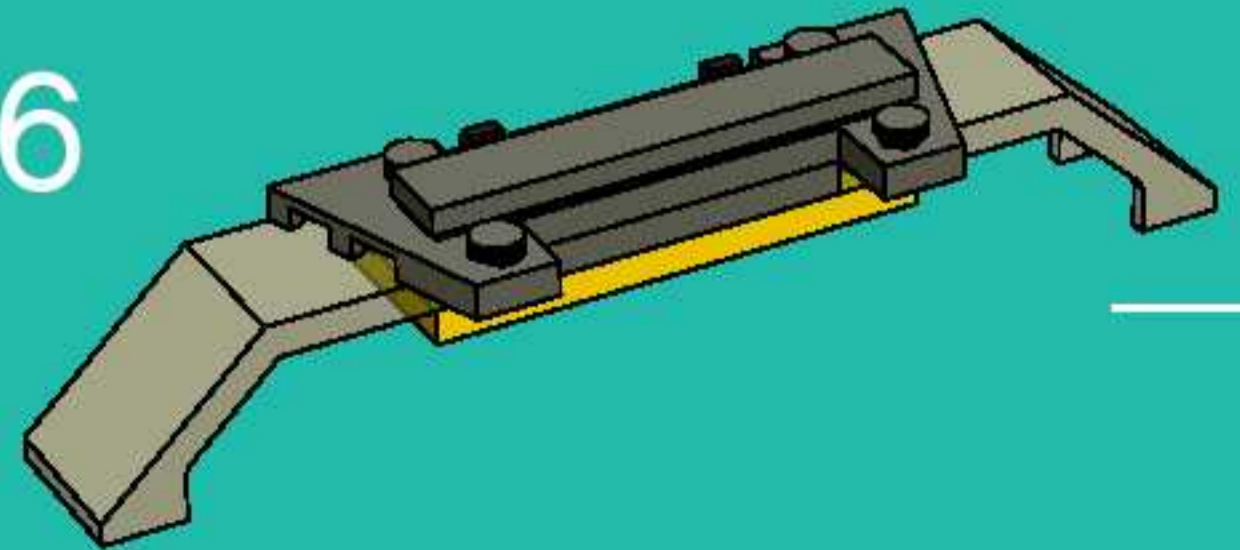
4



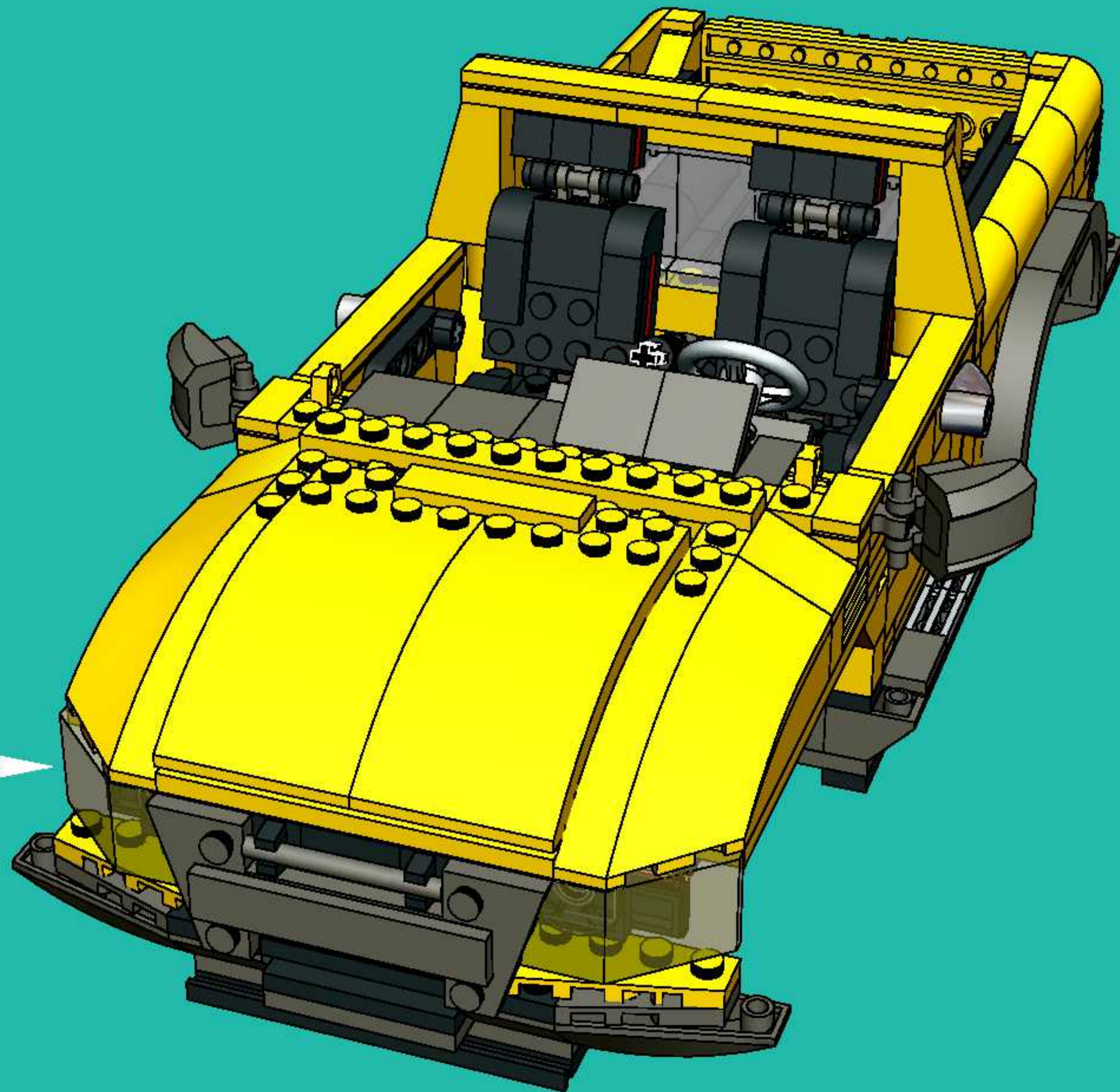
5



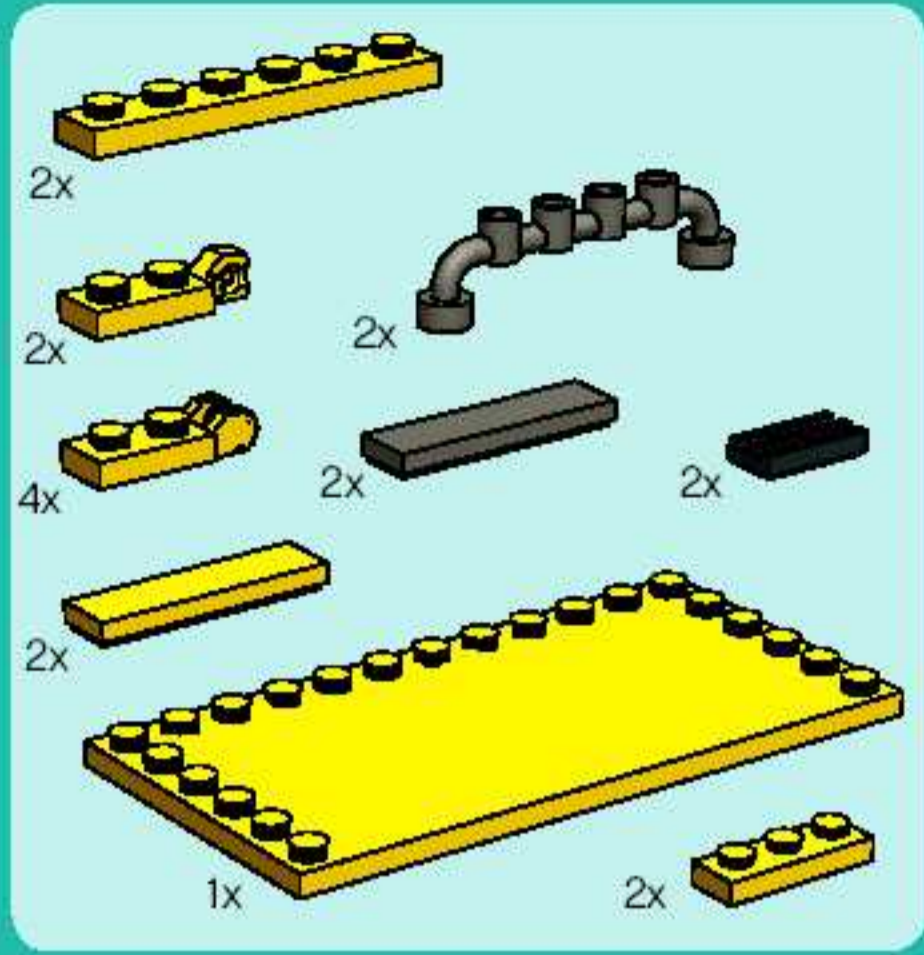
6



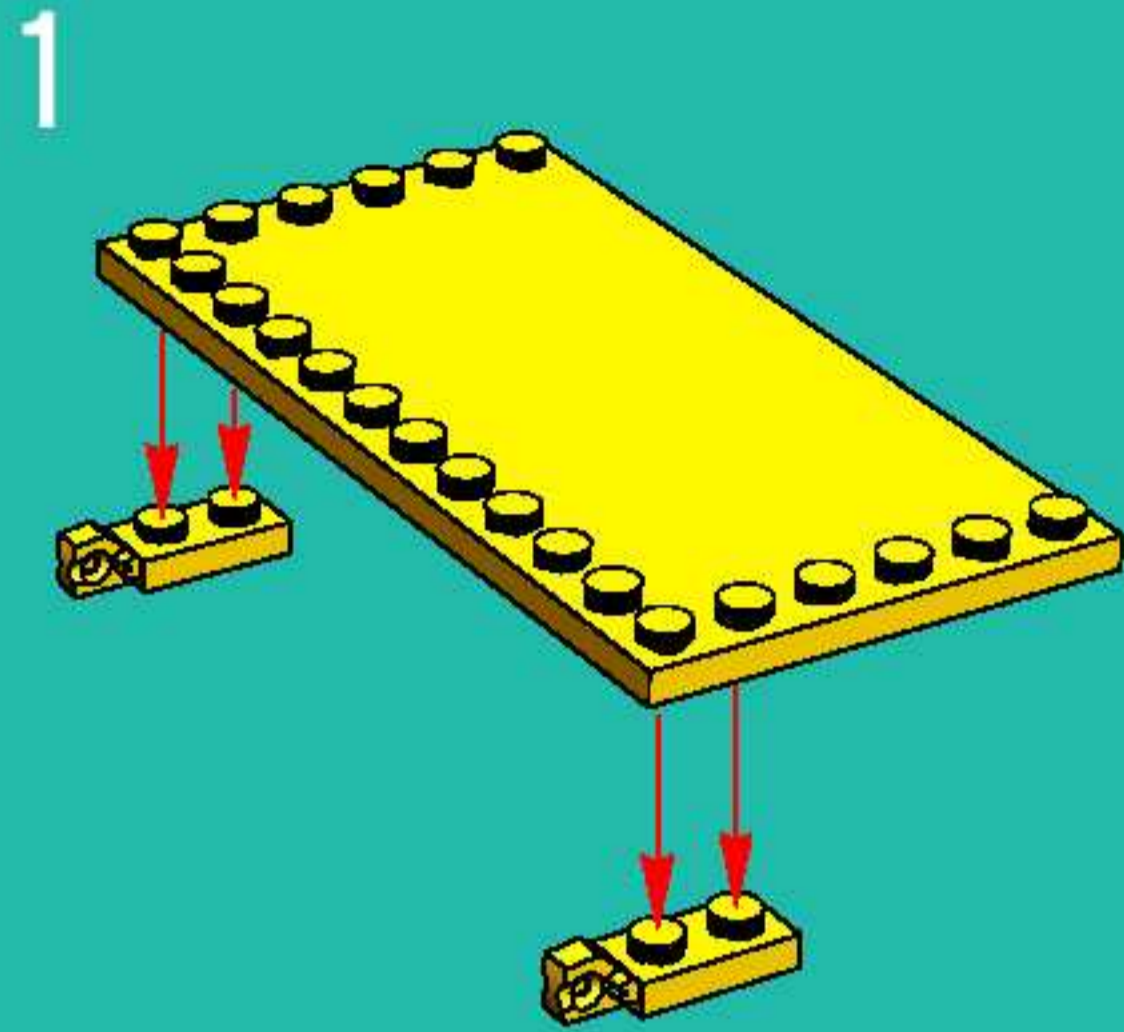




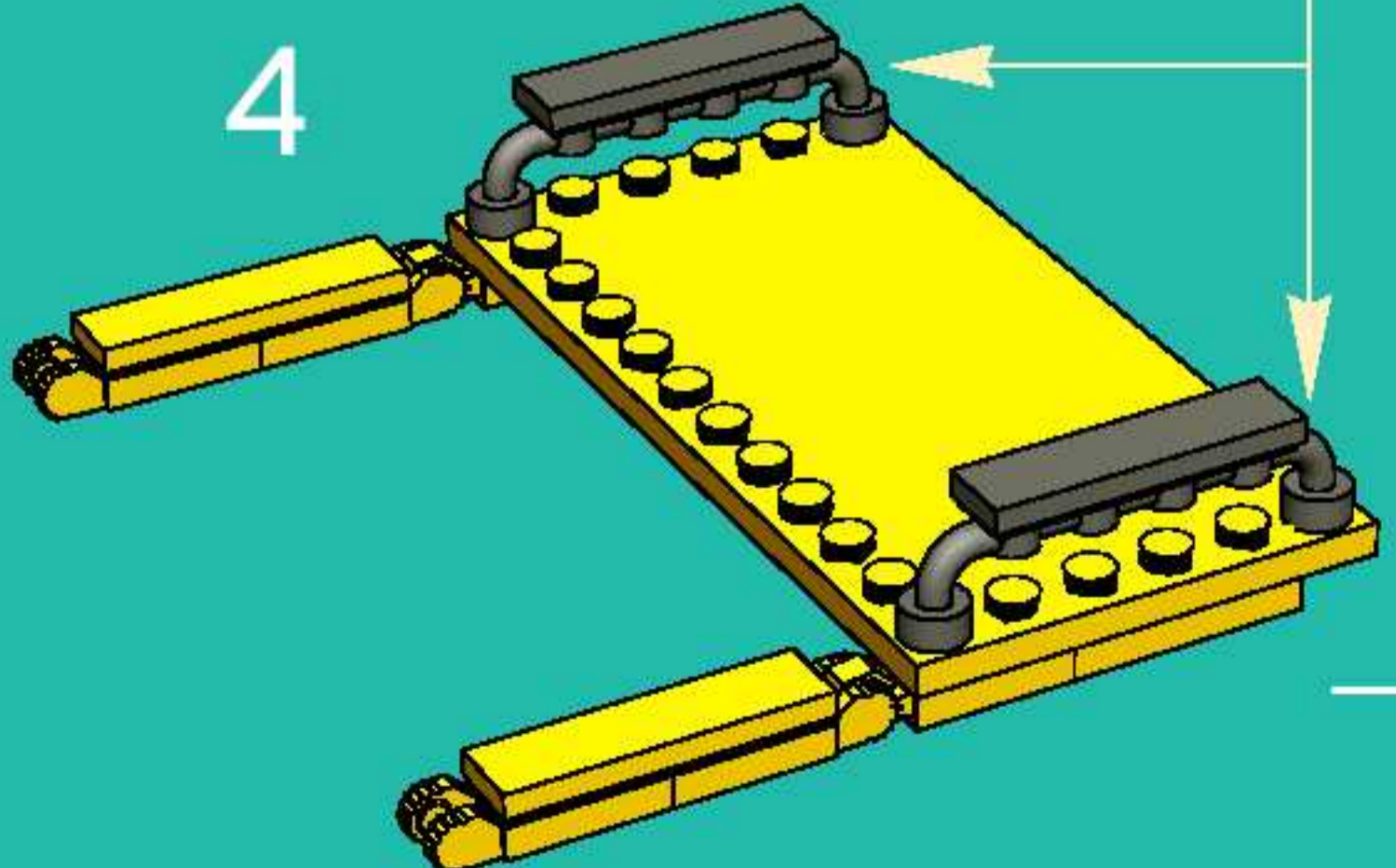
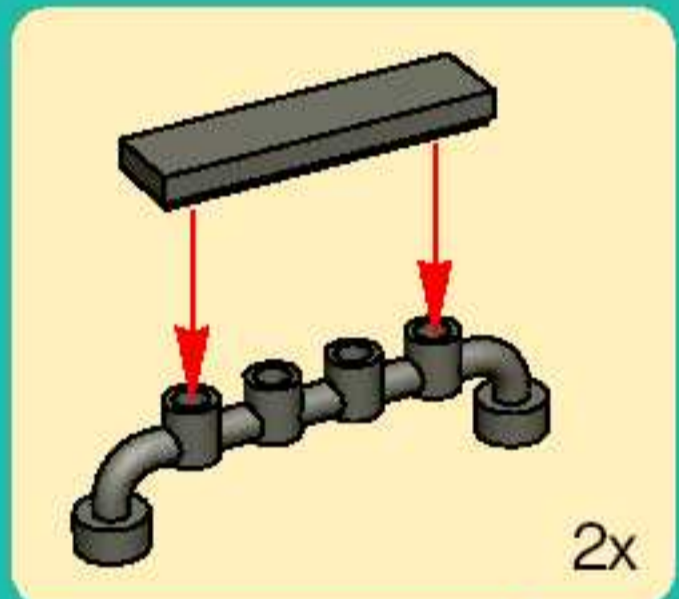
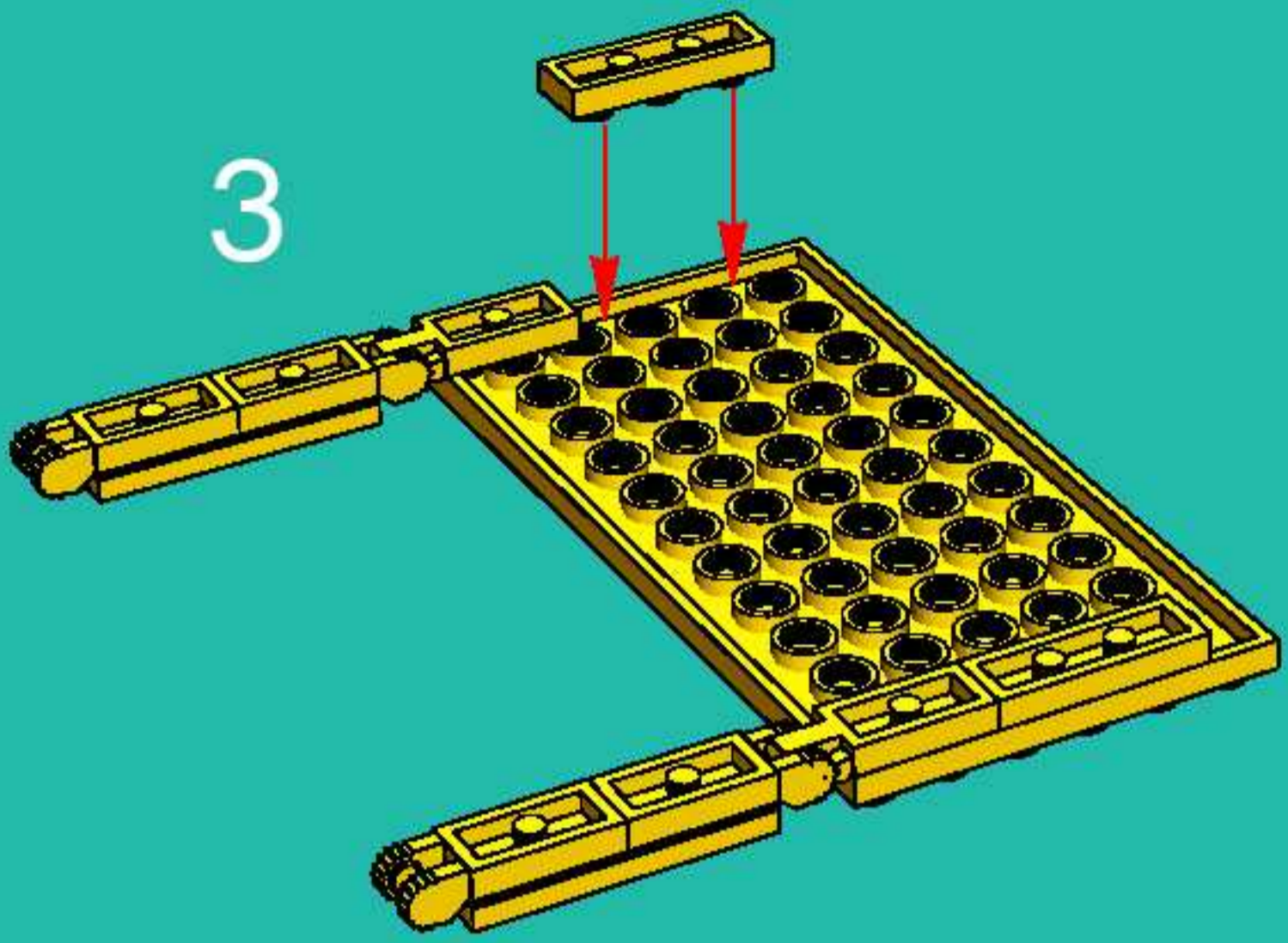
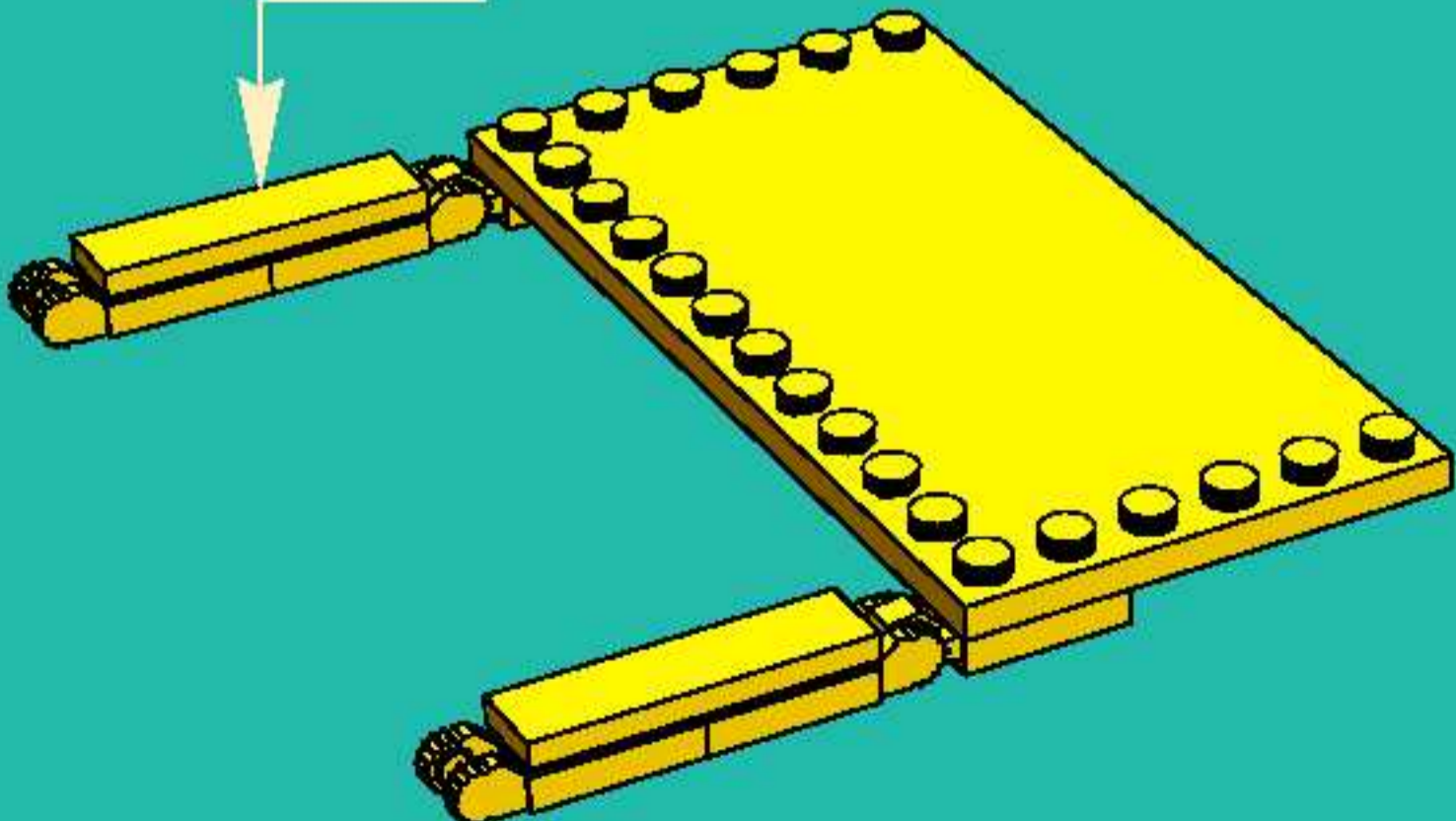




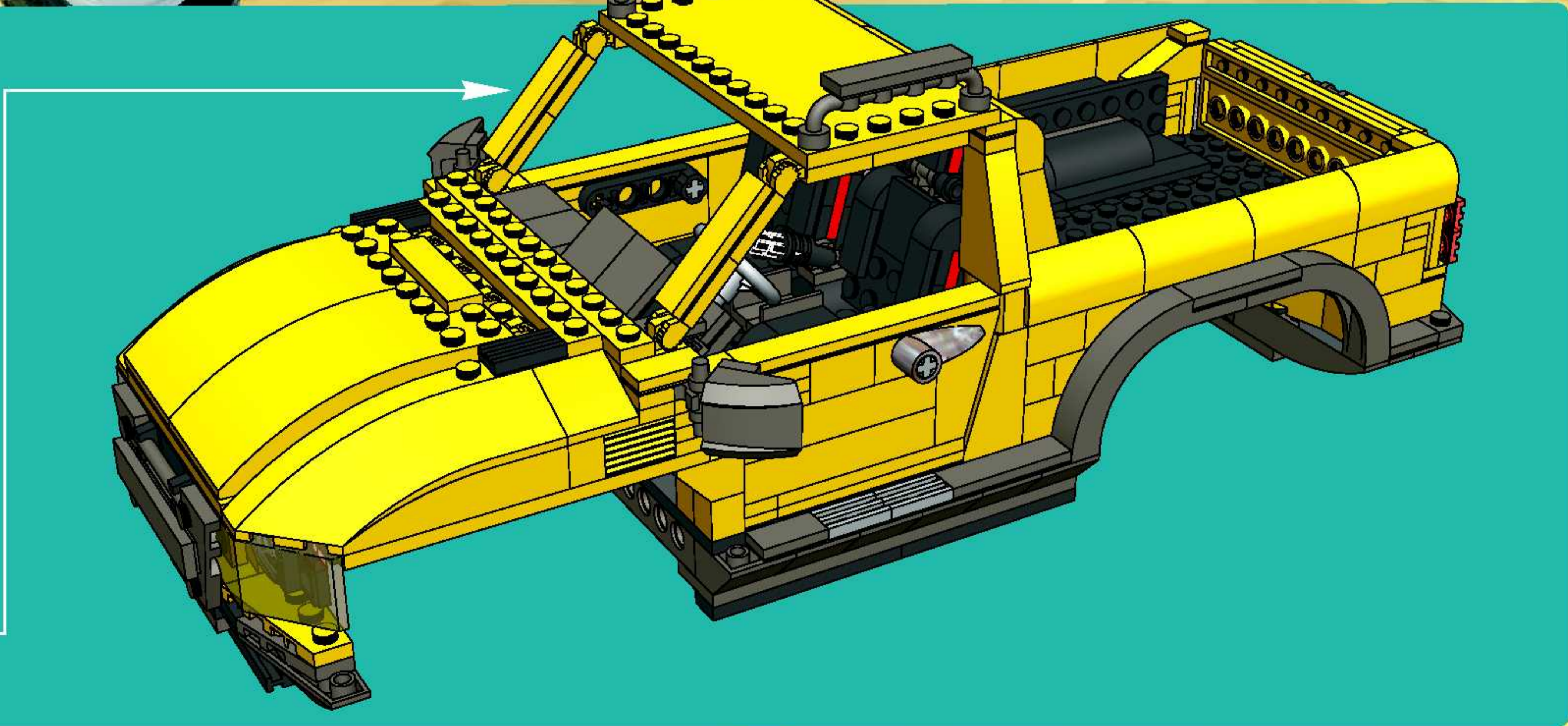
47



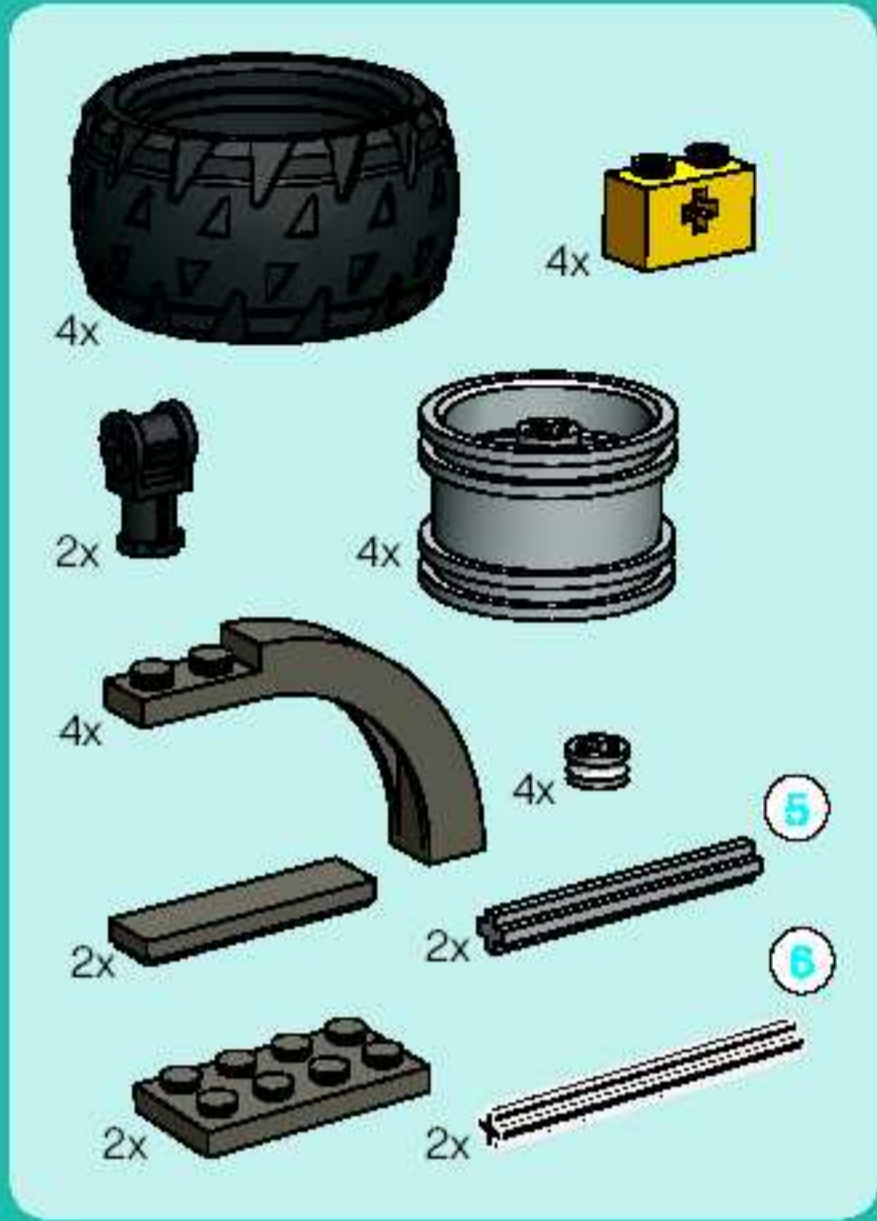
2



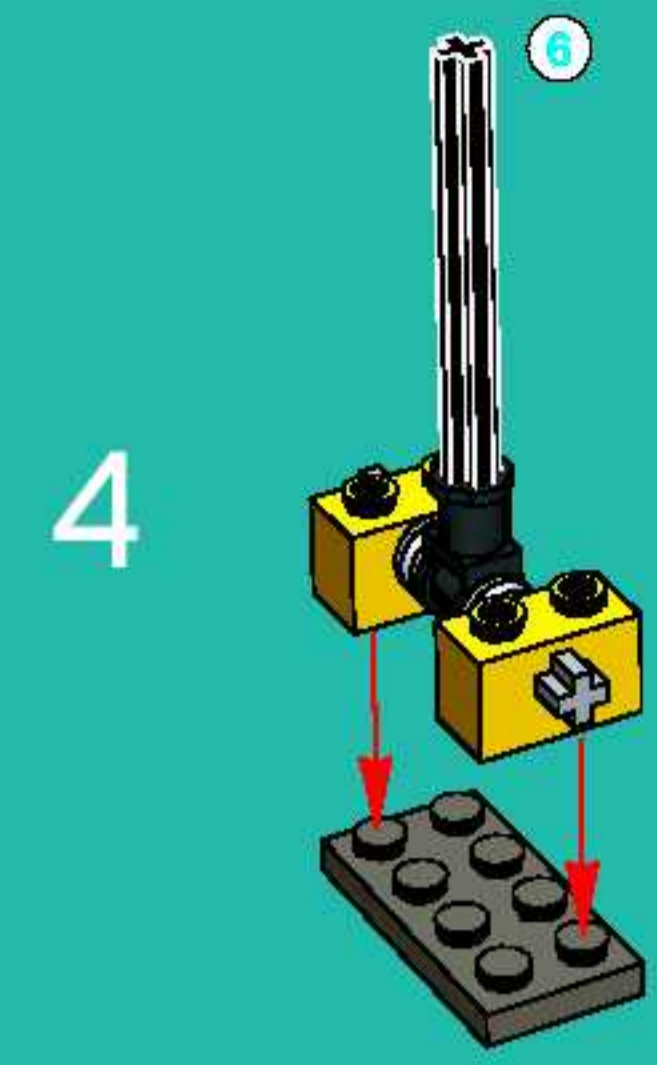
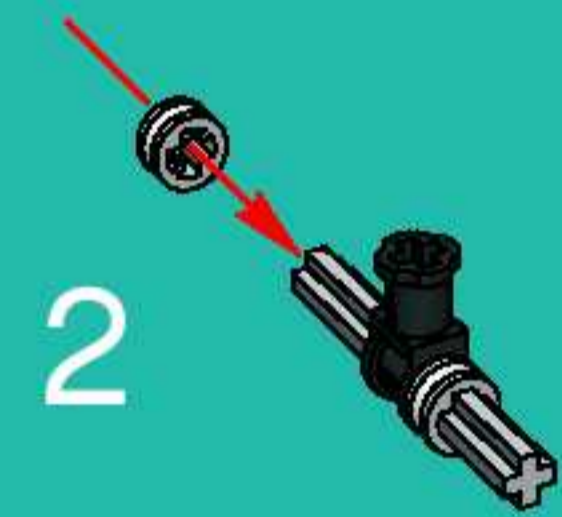
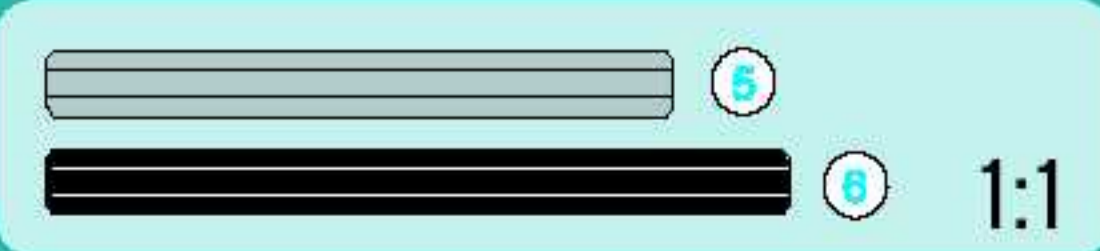






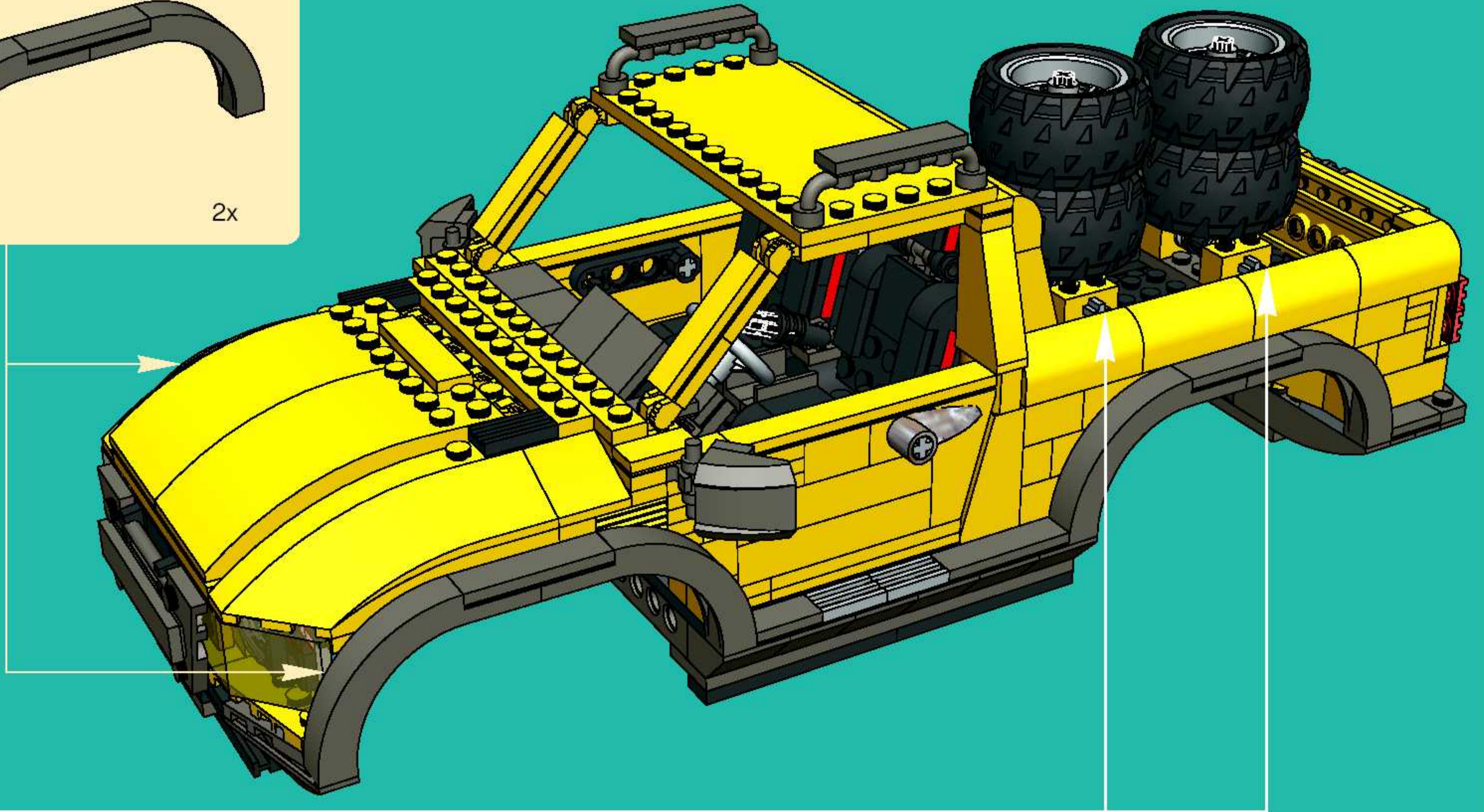
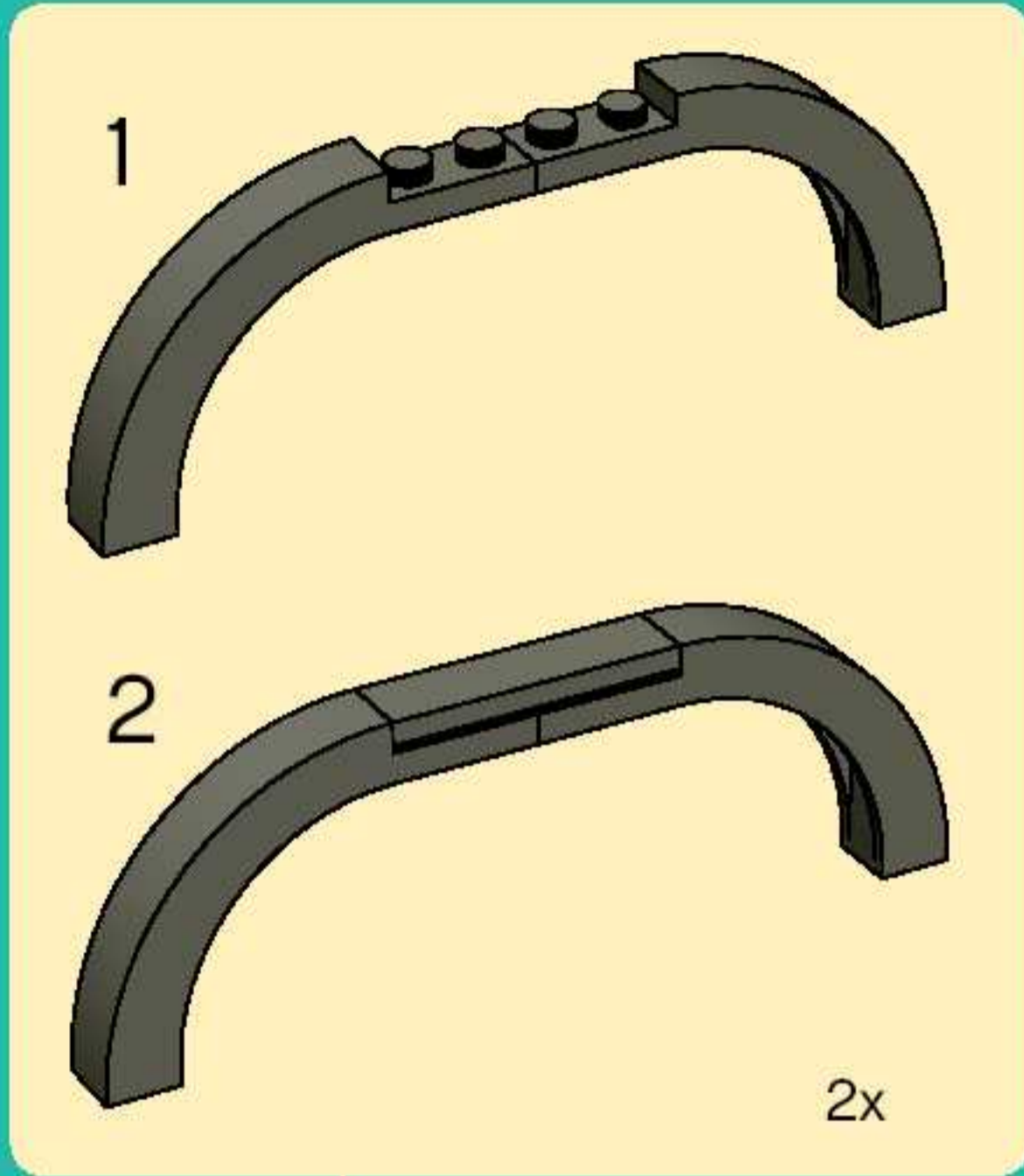


48



2x







49



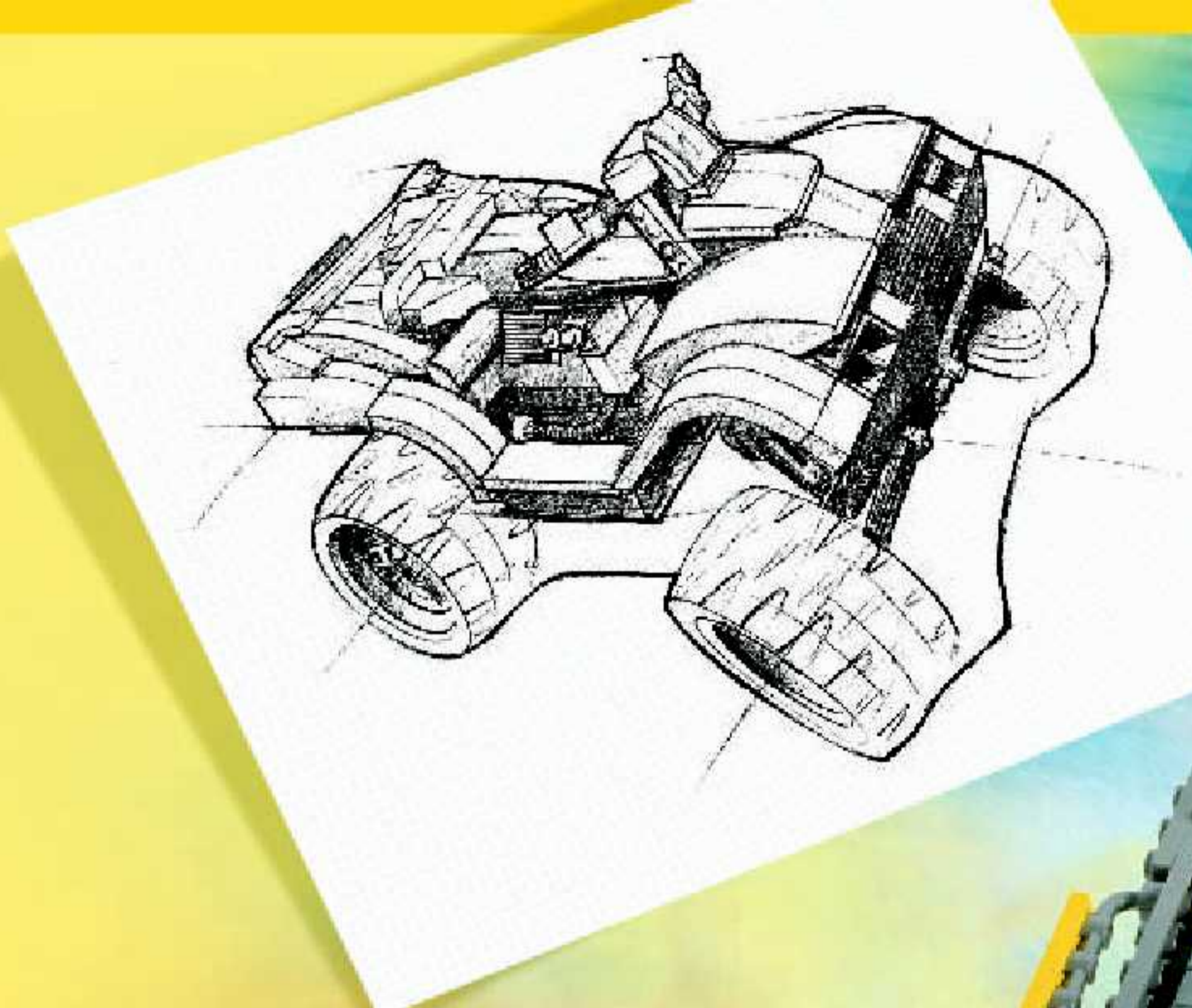
























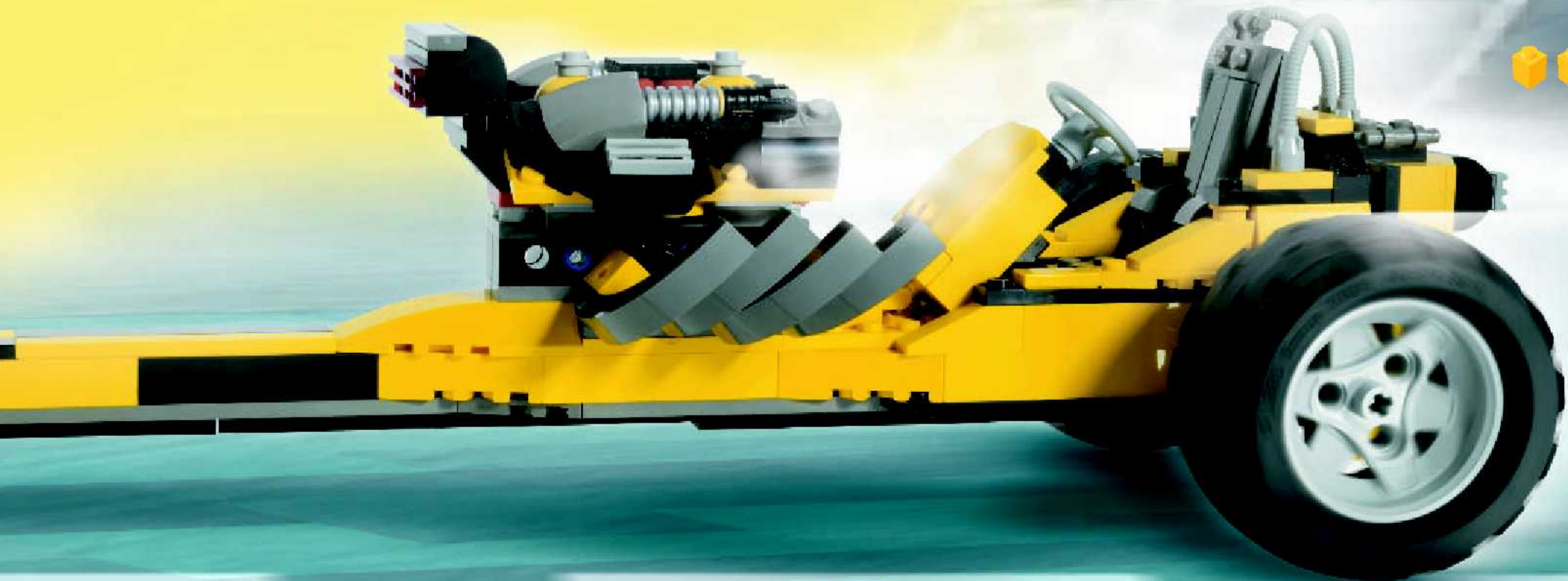
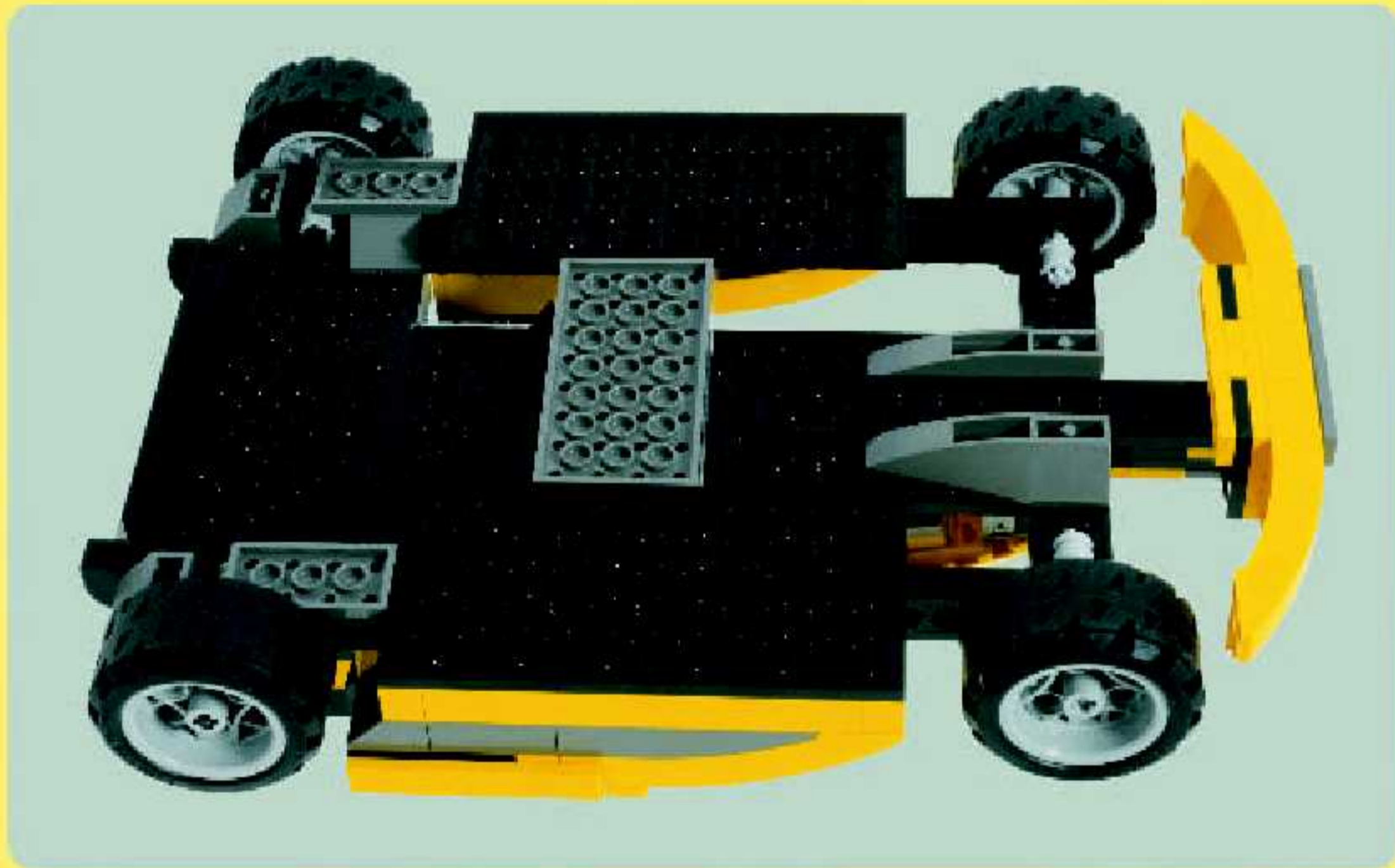








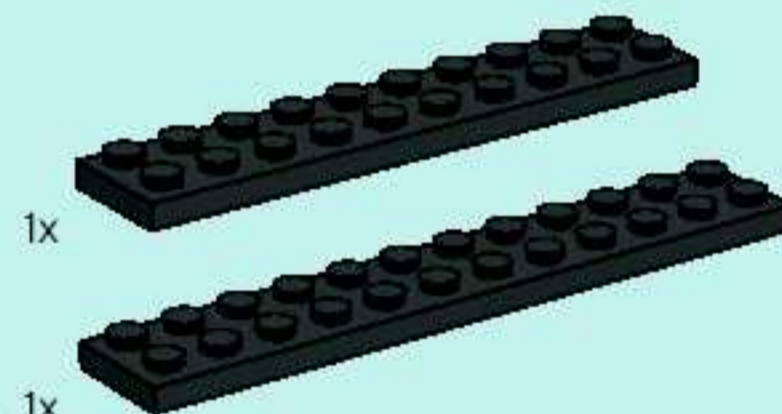
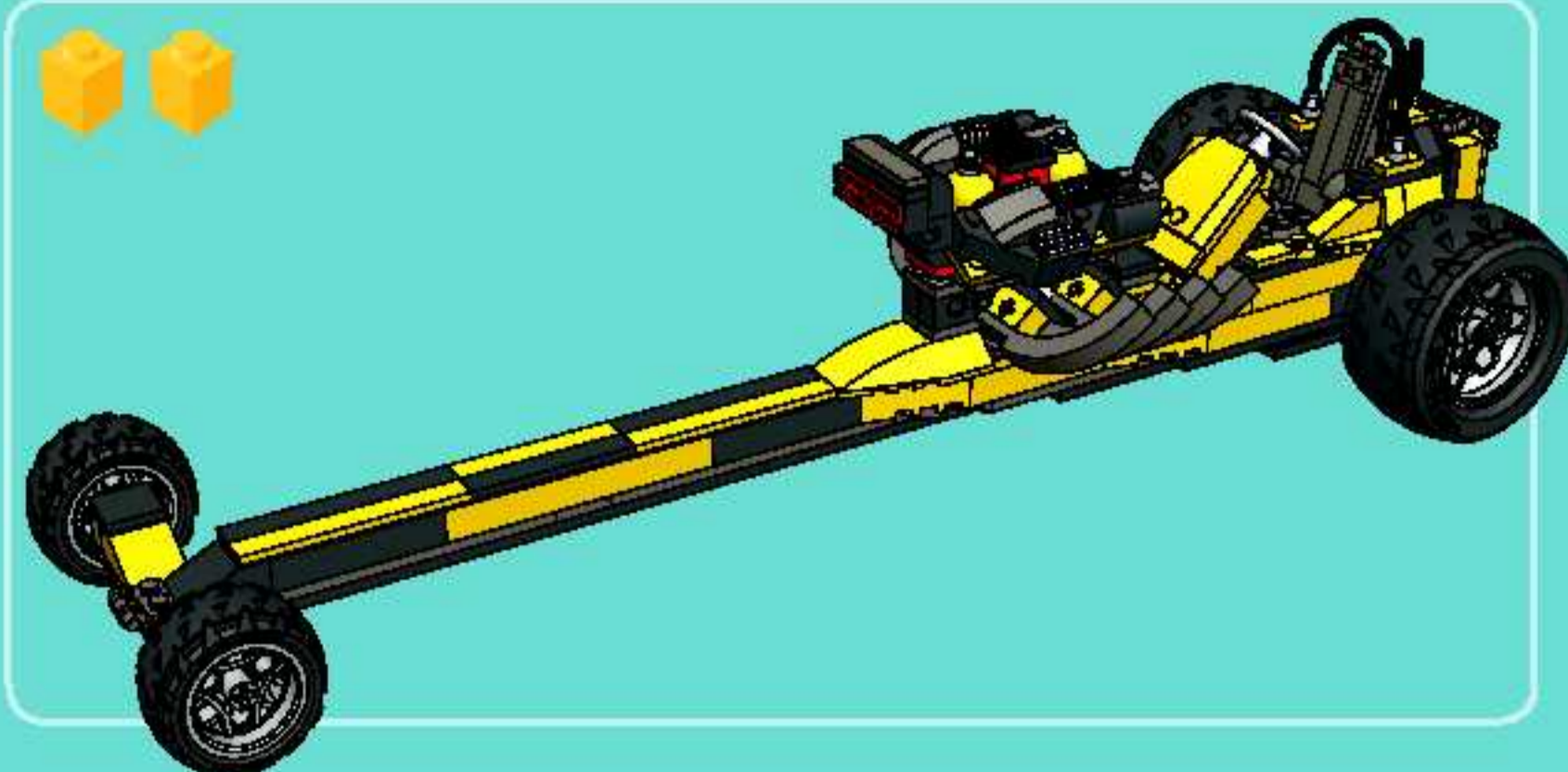








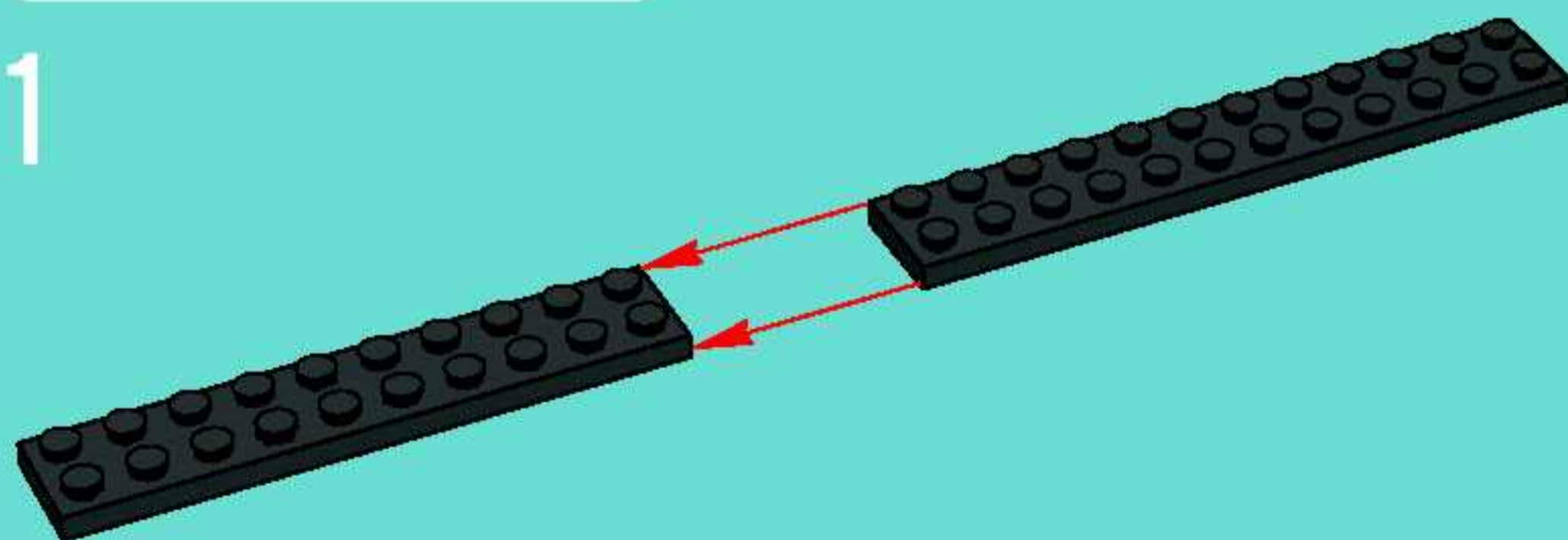




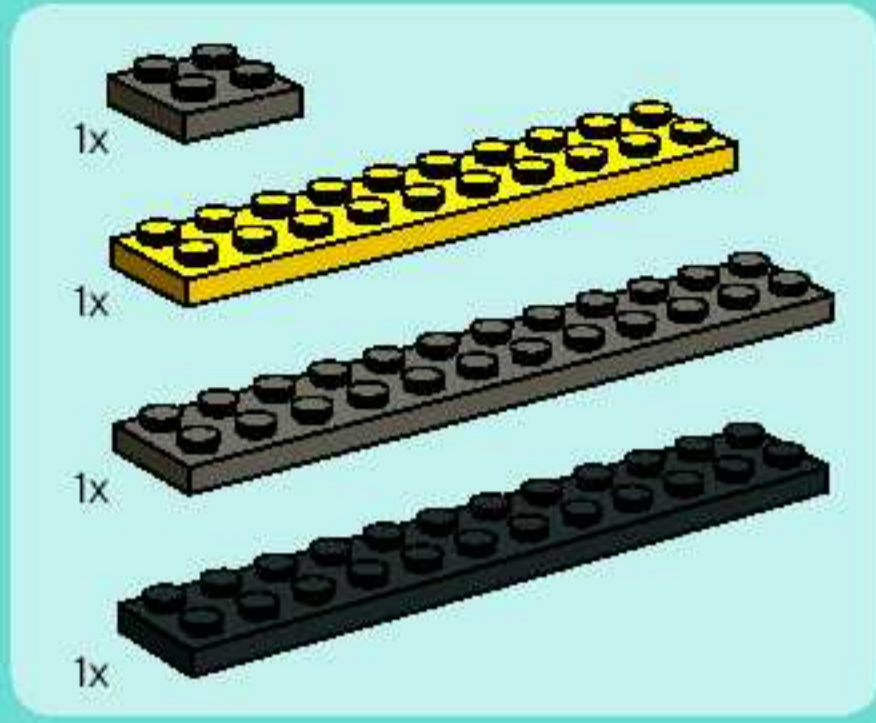
1x

1x

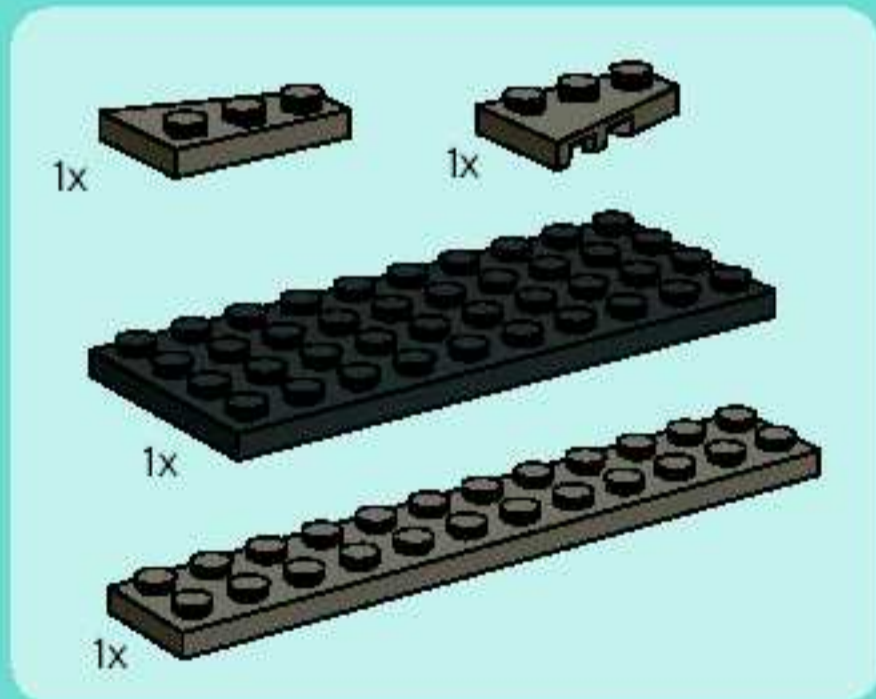
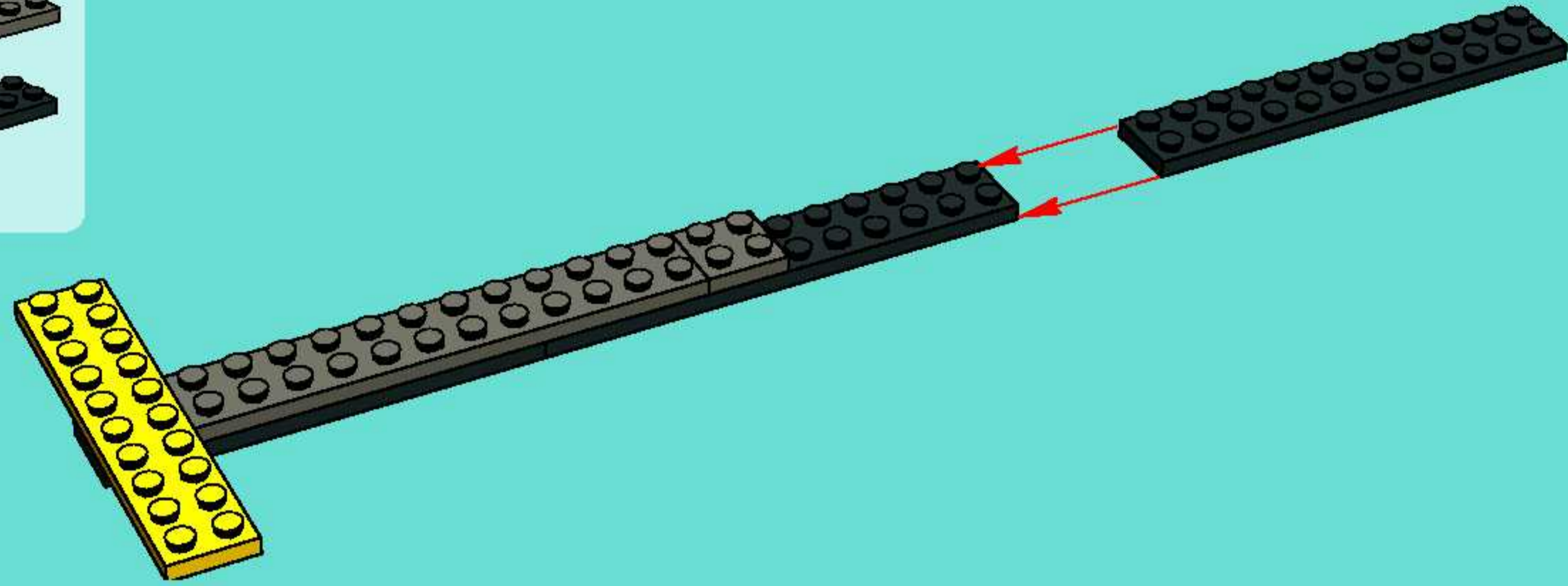
1



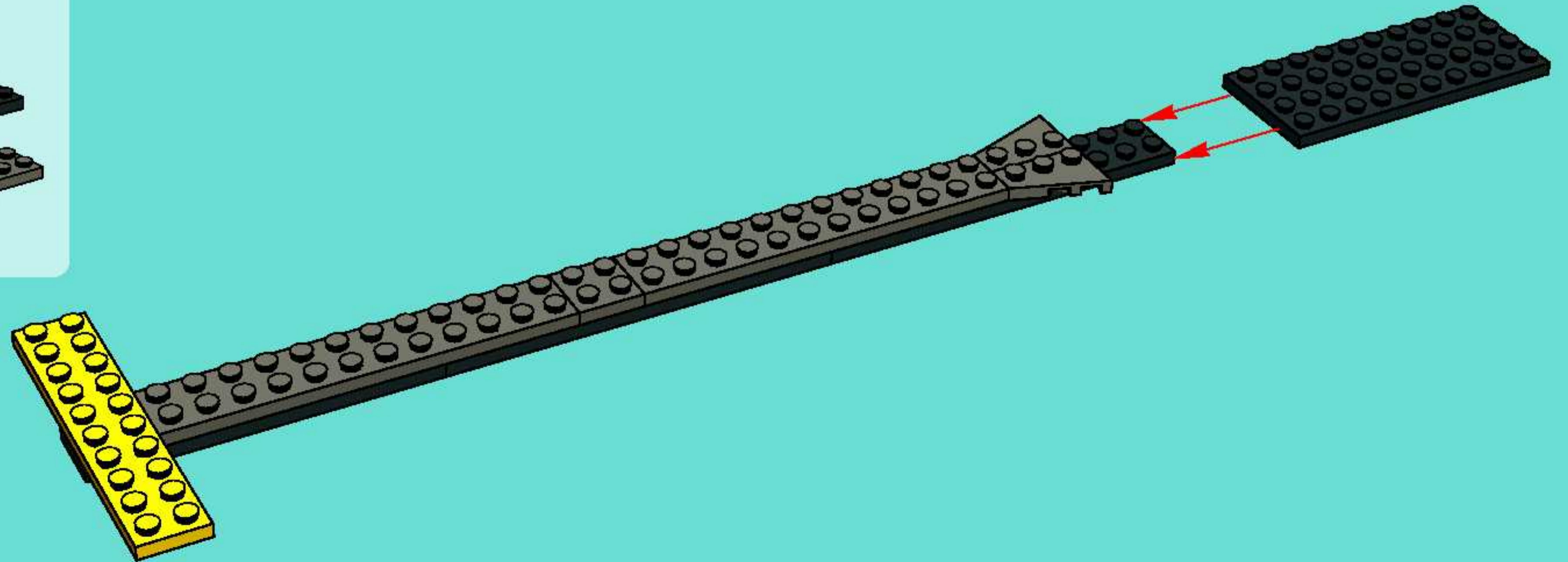




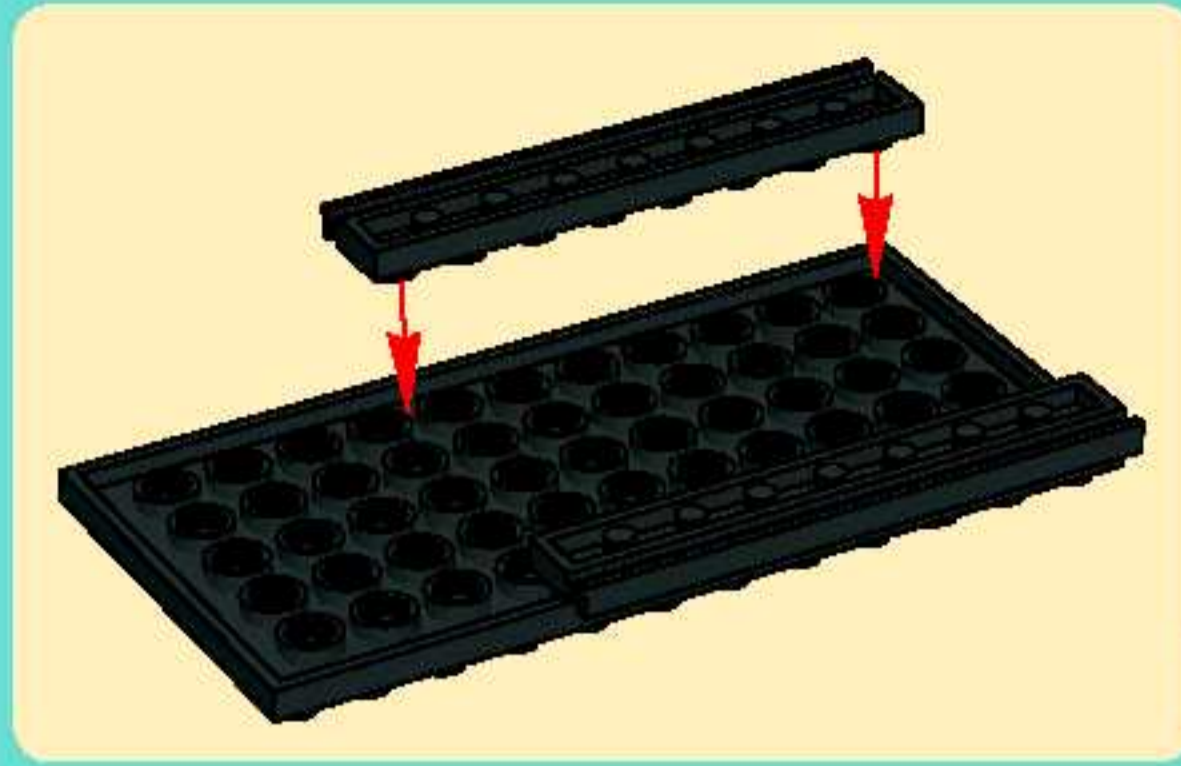
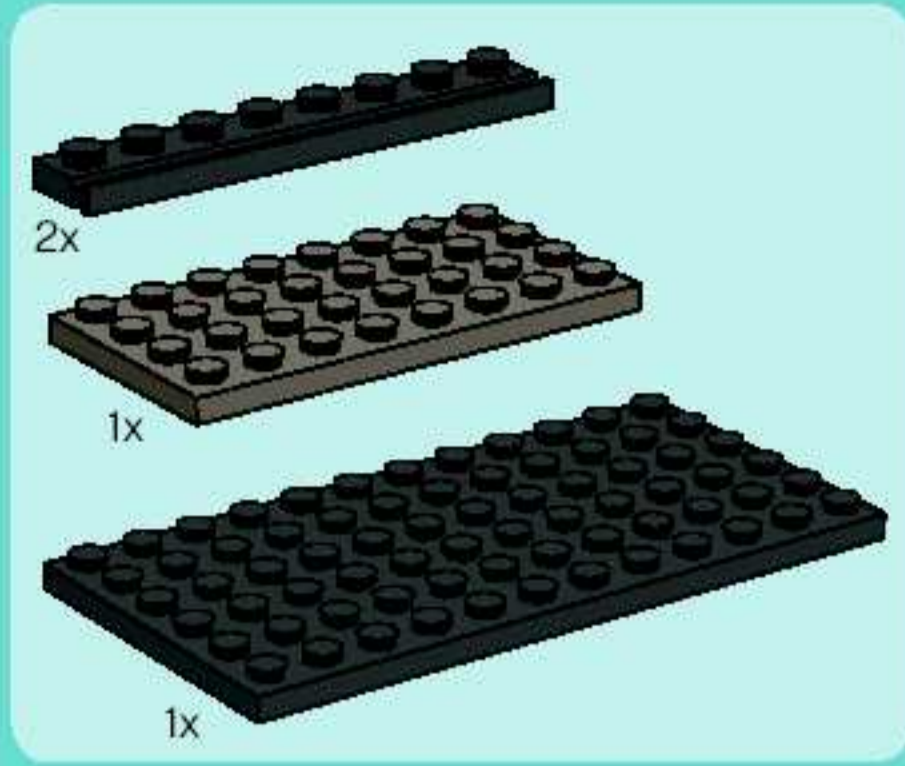
2



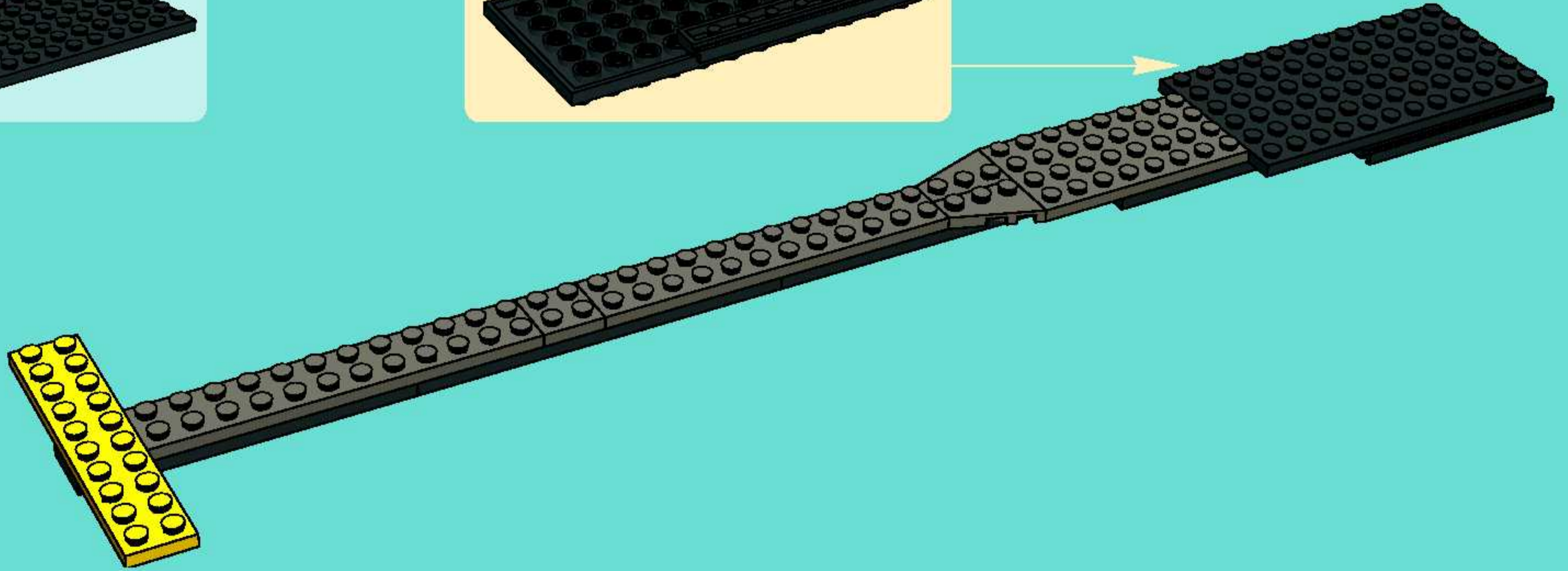
3



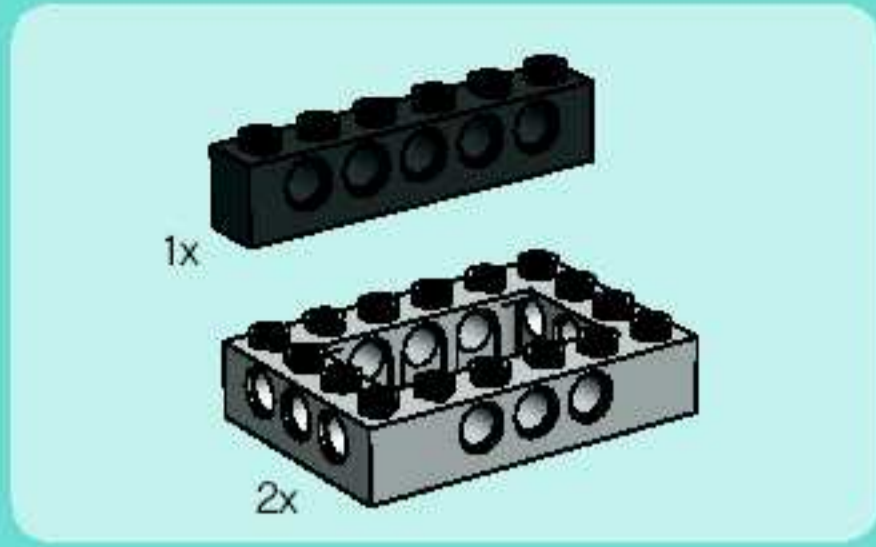




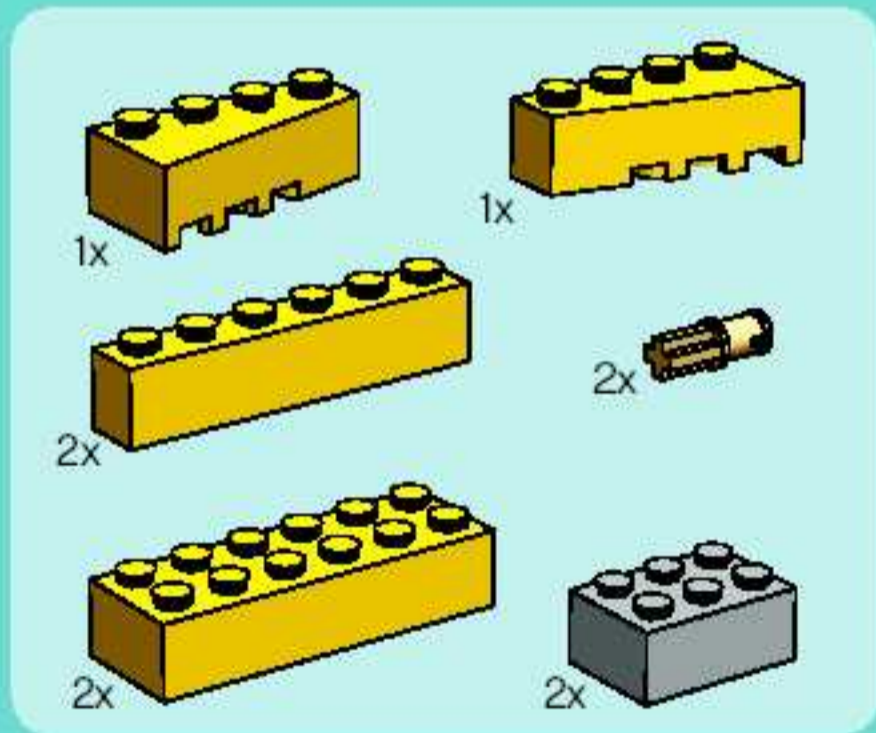
4



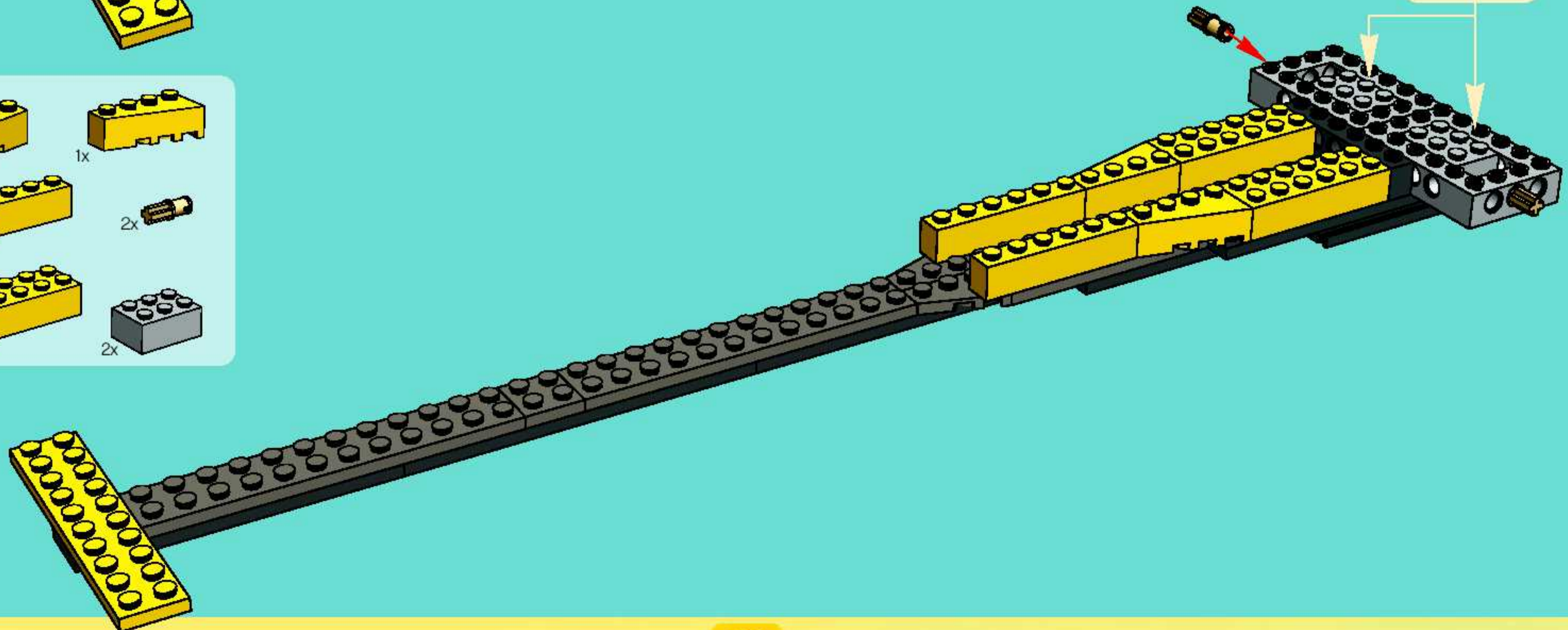




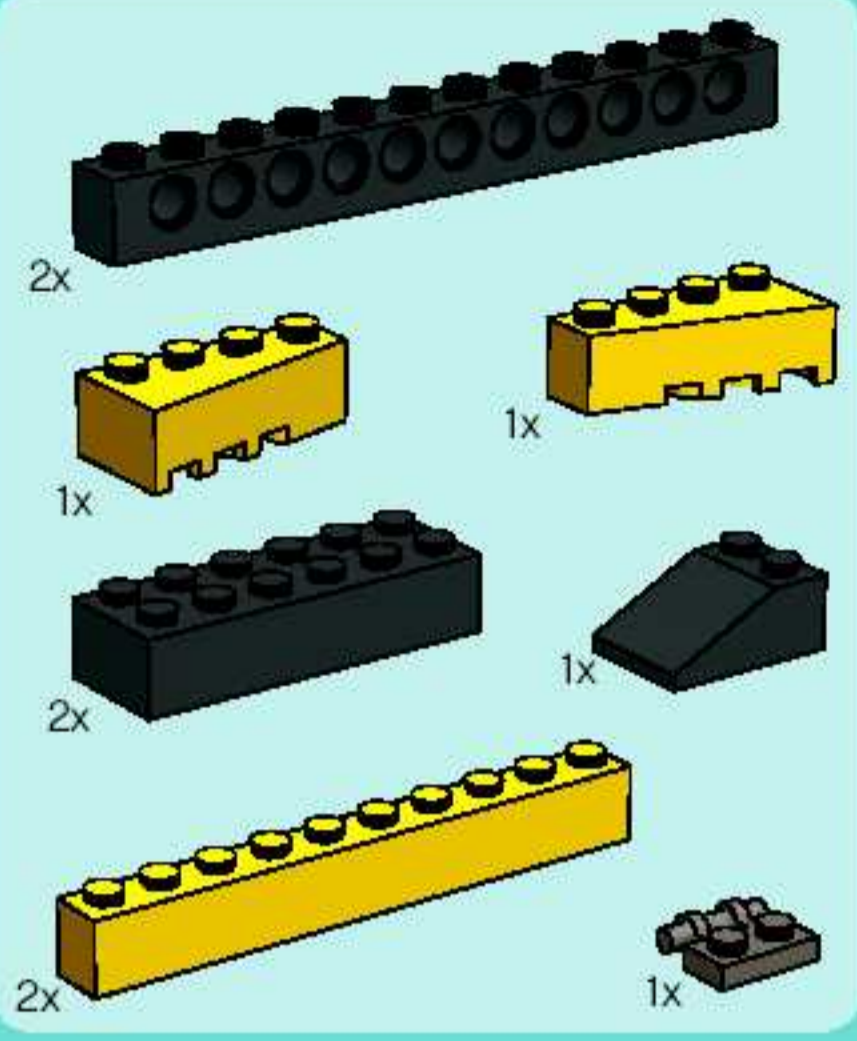
5



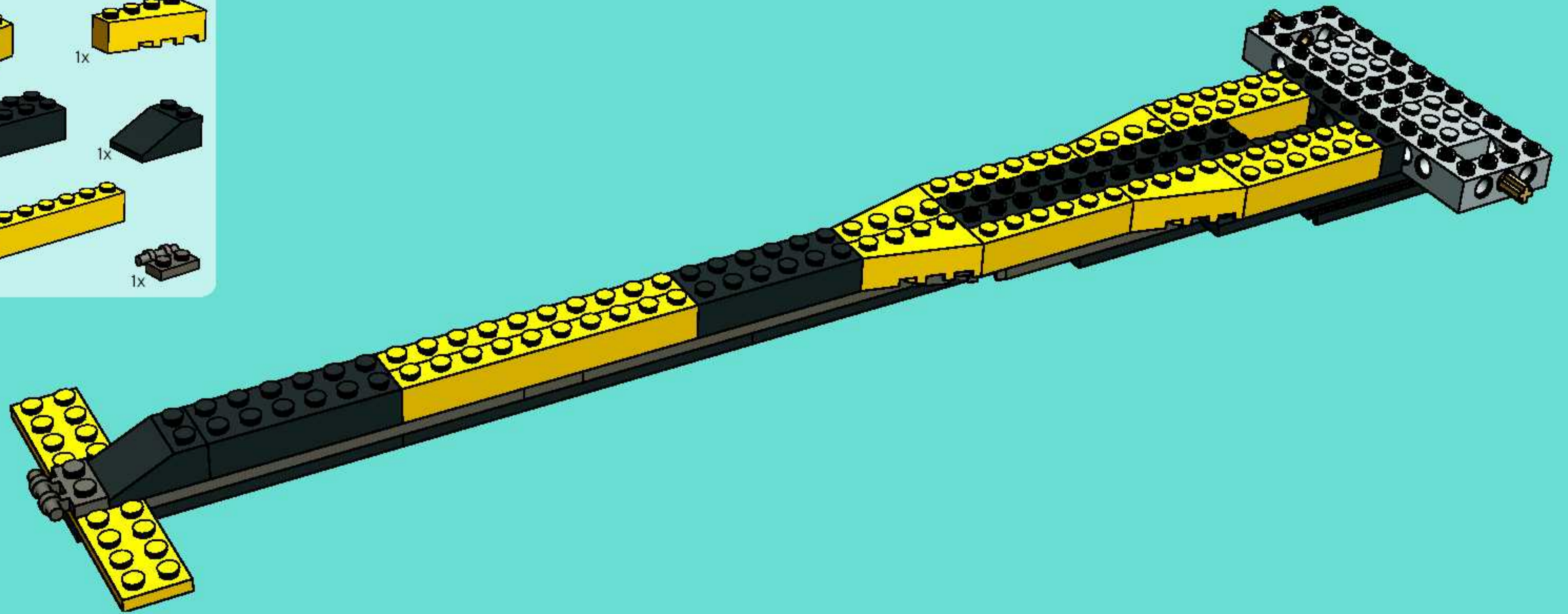
6



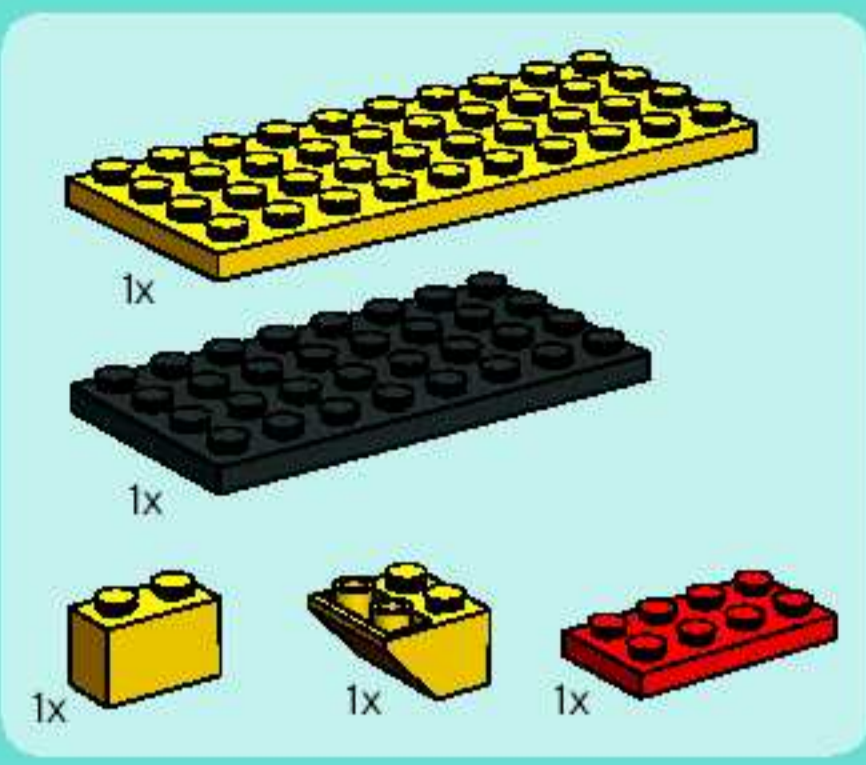




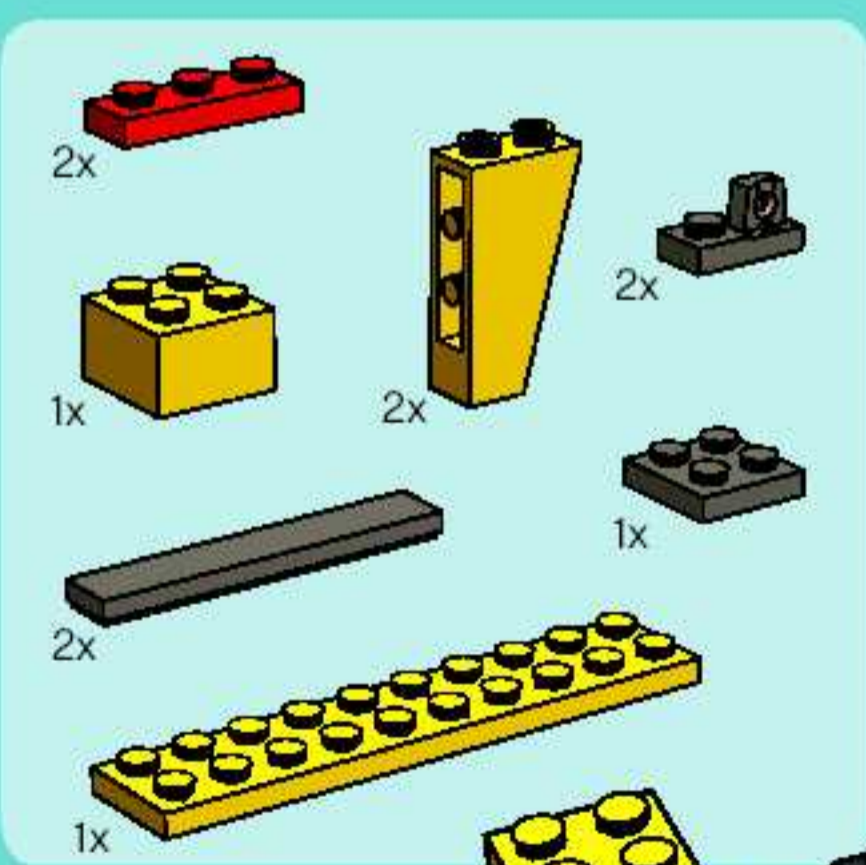
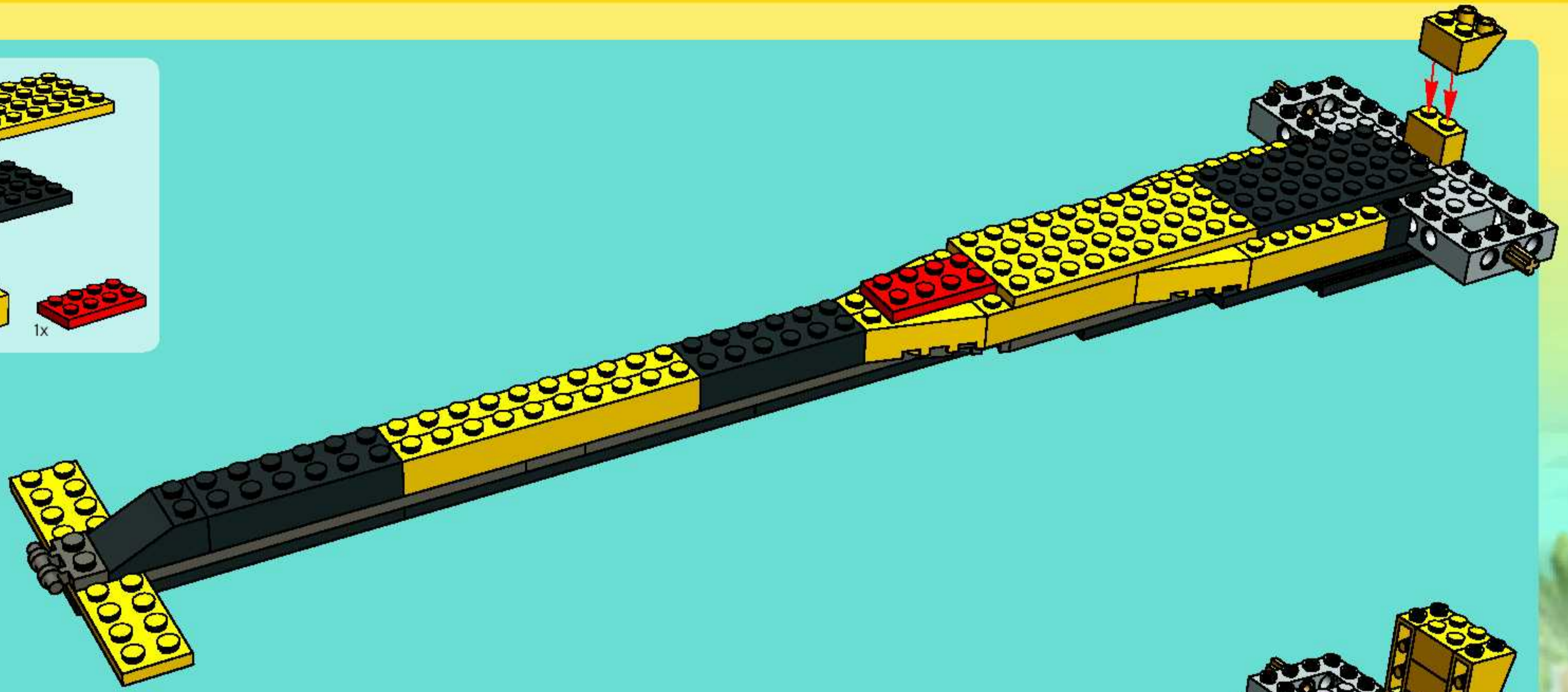
7



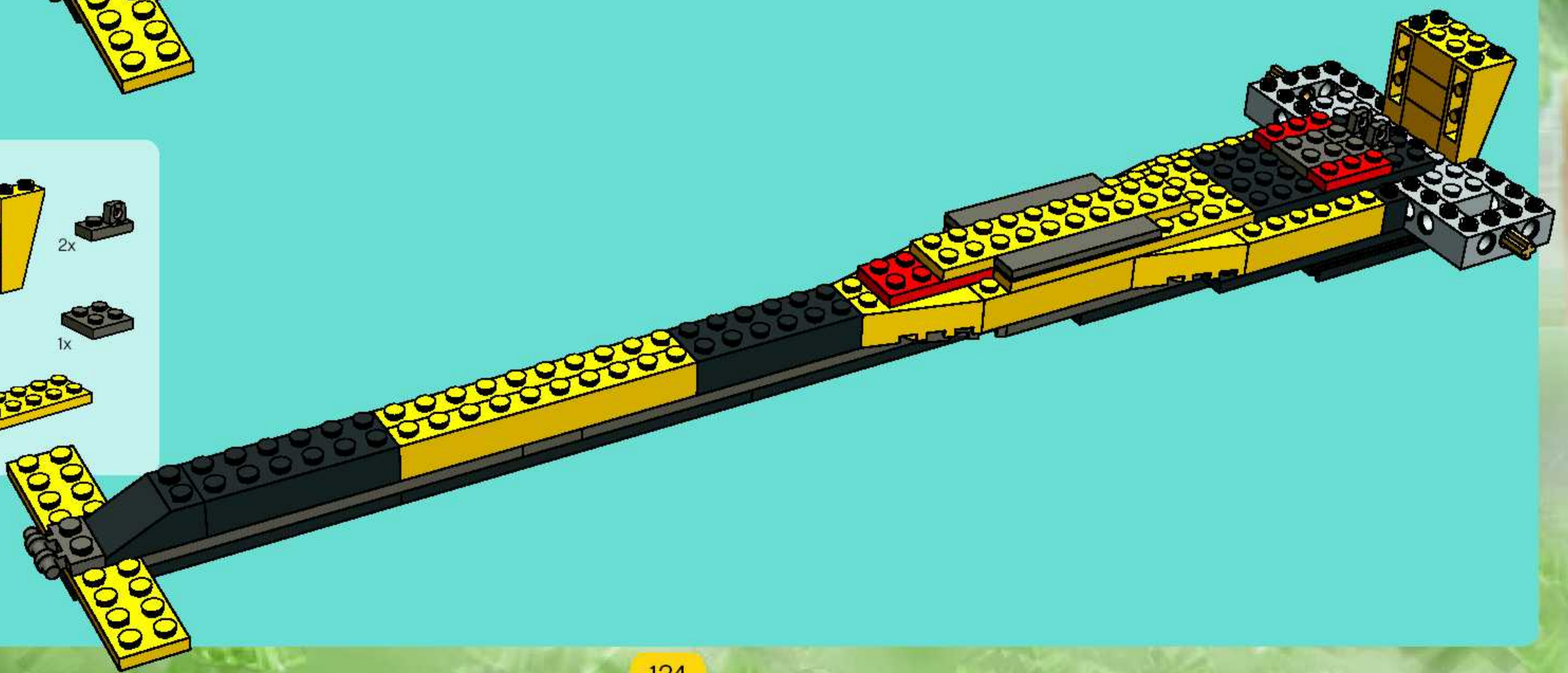




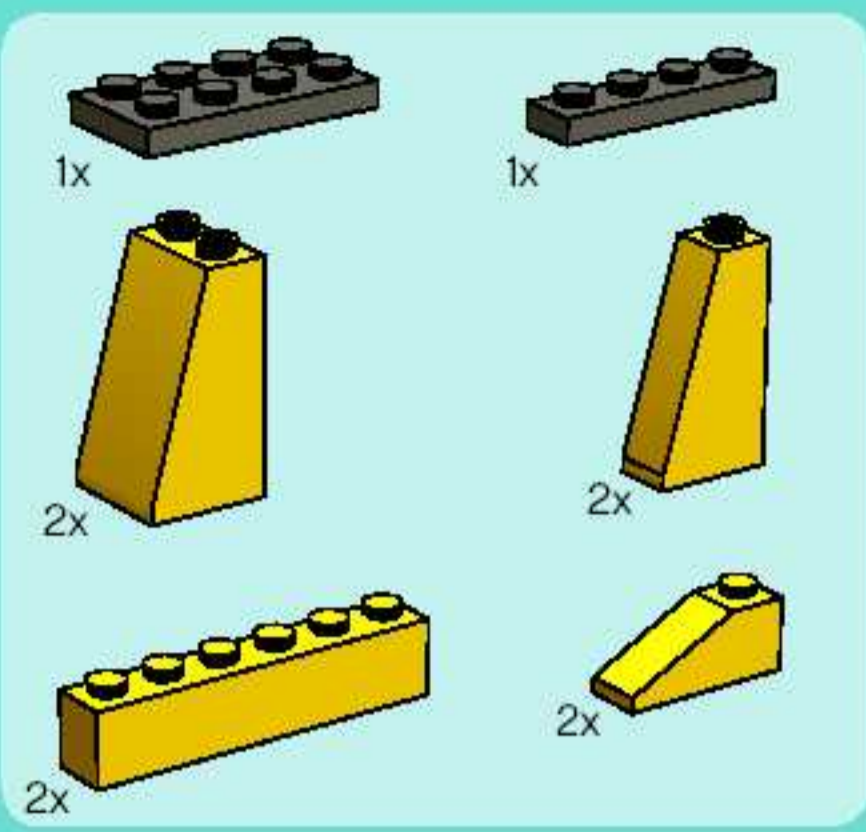
8



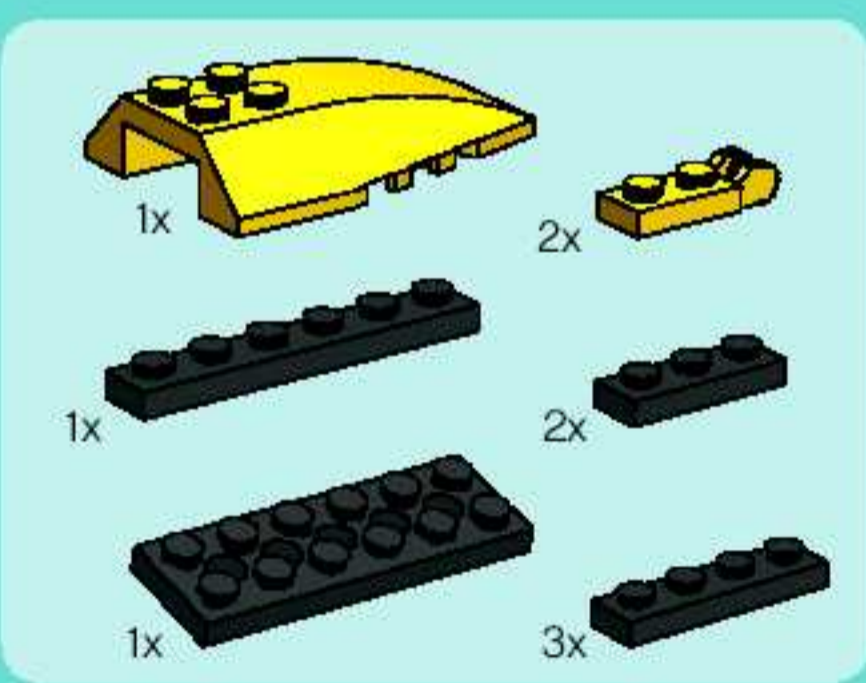
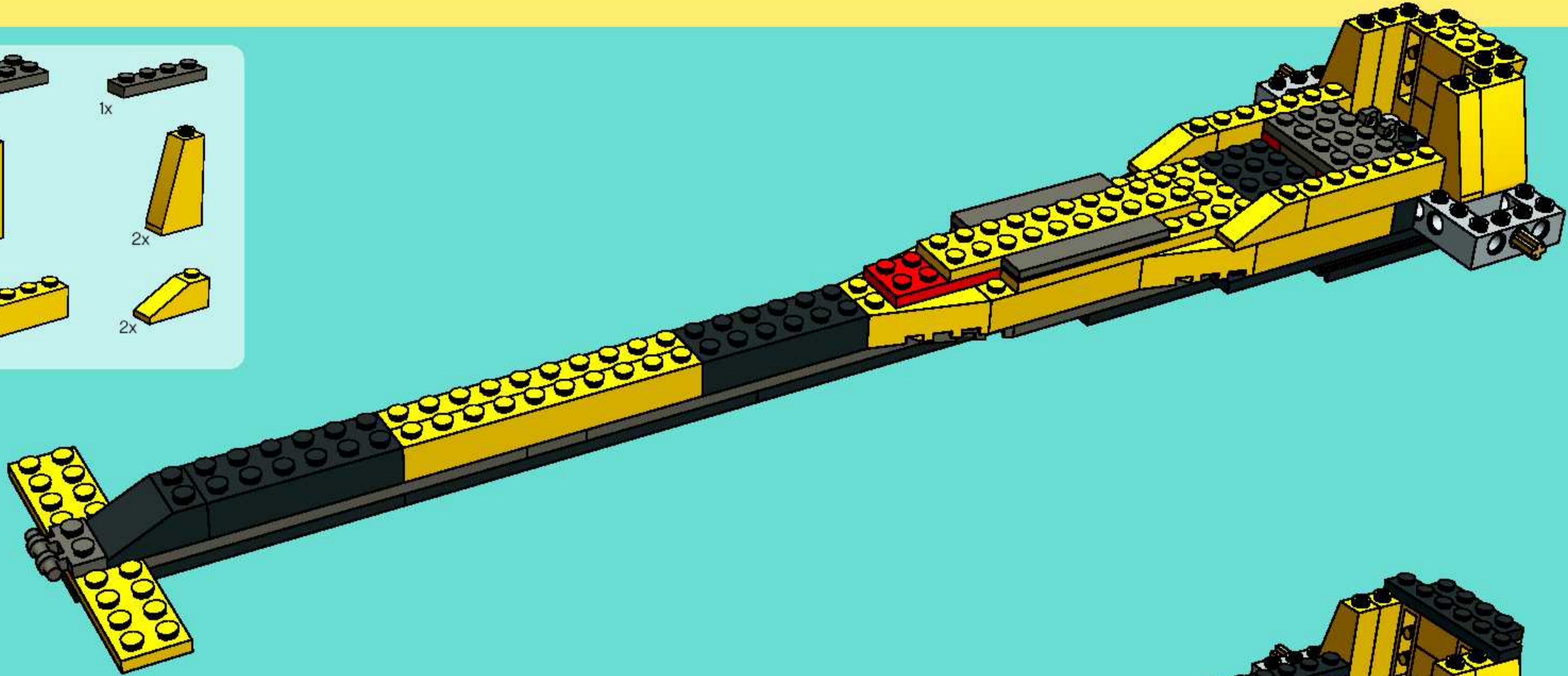
9



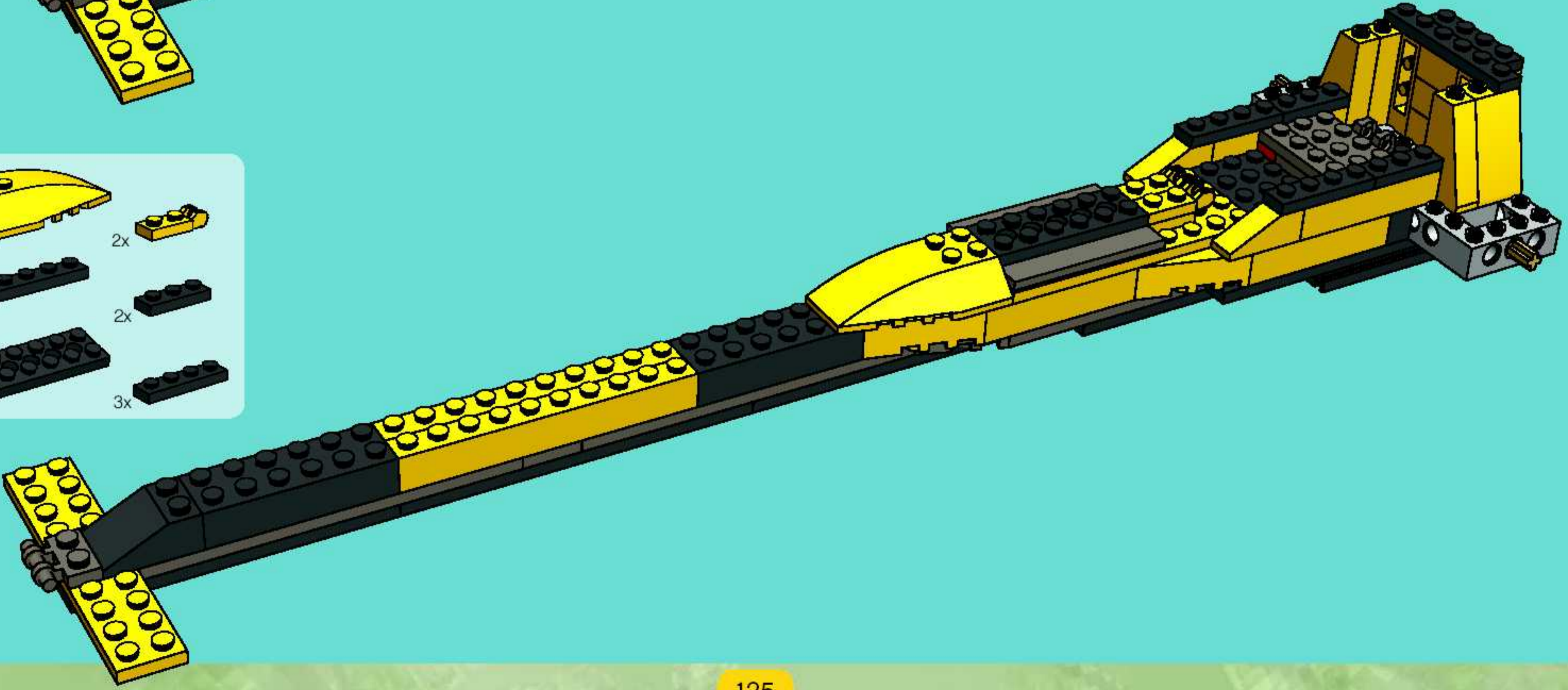




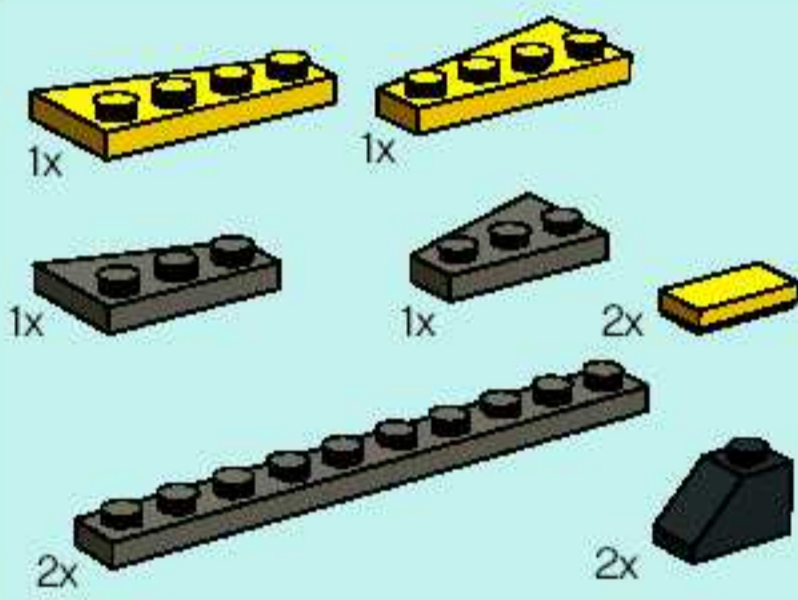
10



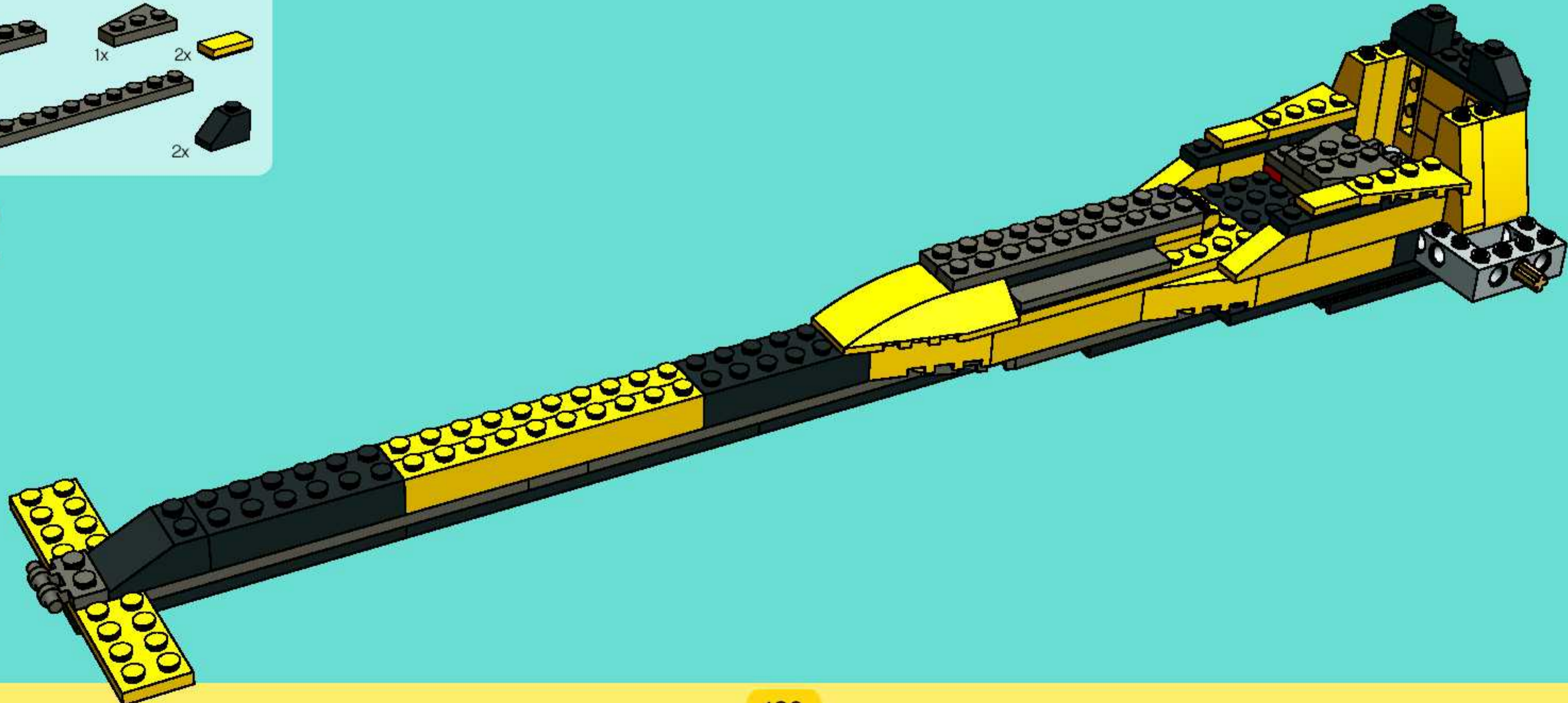
11



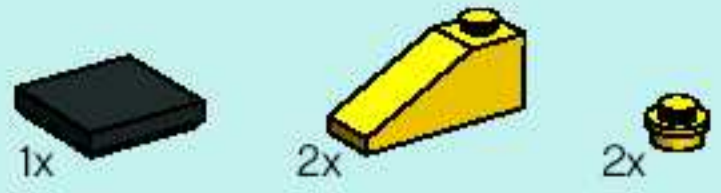




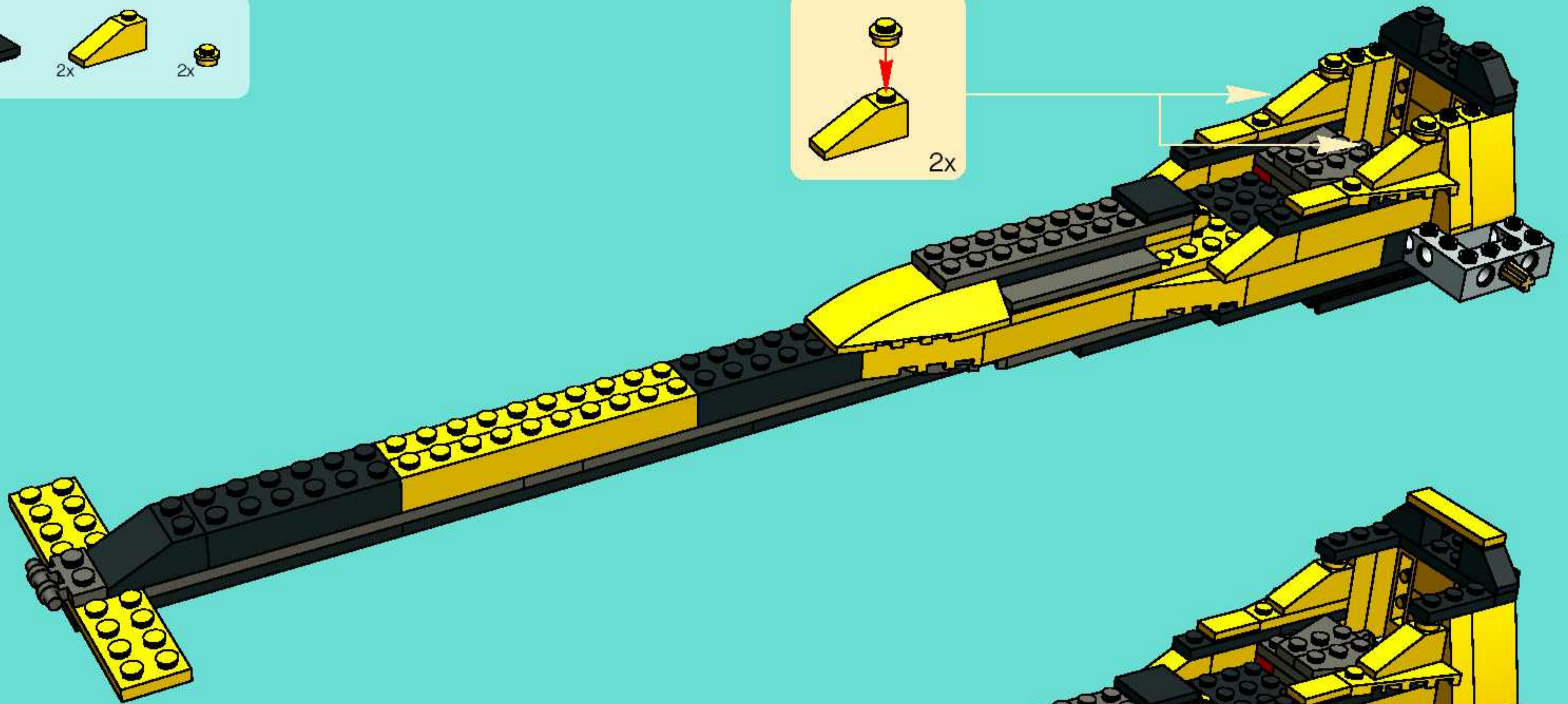
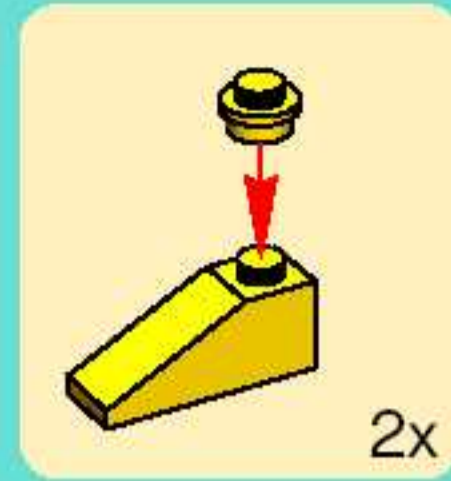
12



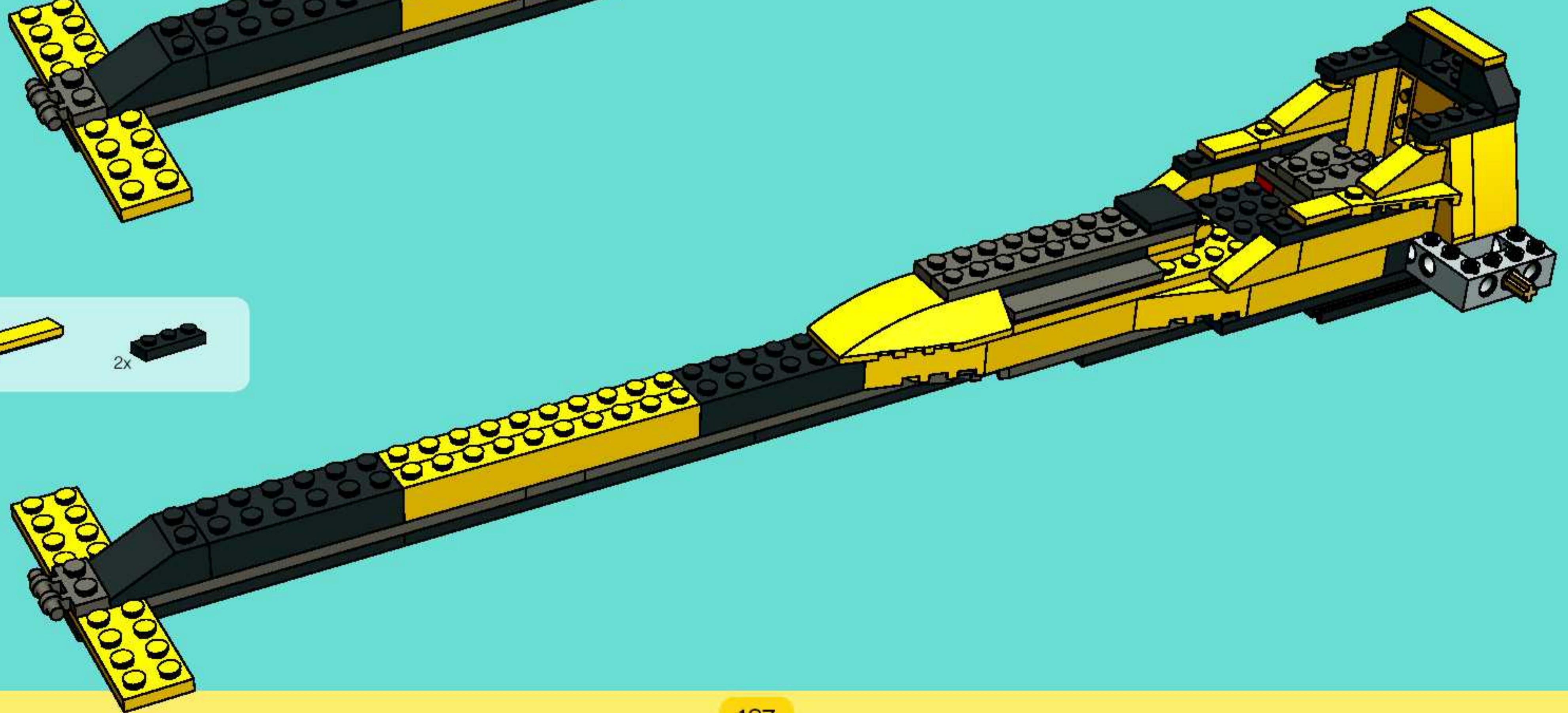




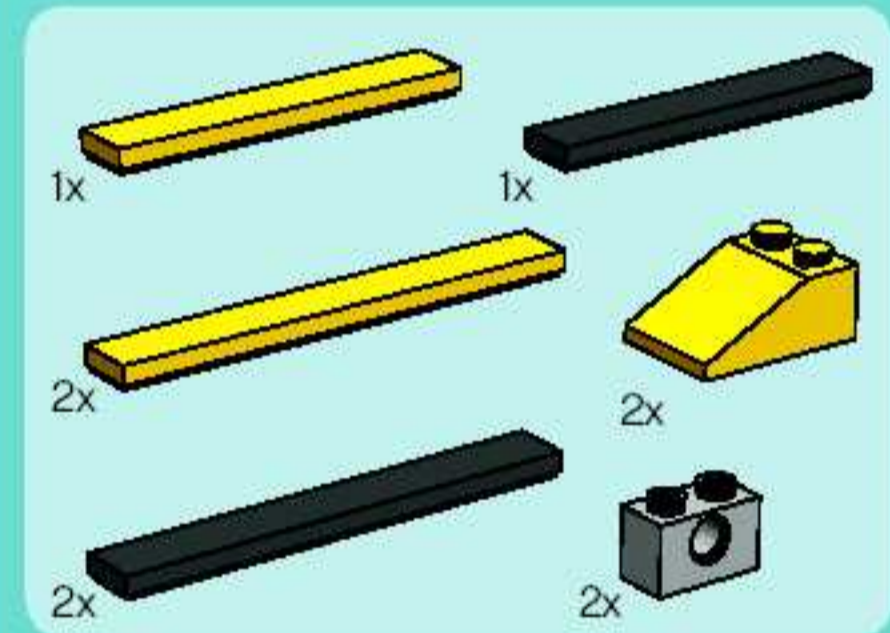
13



14







15







2x

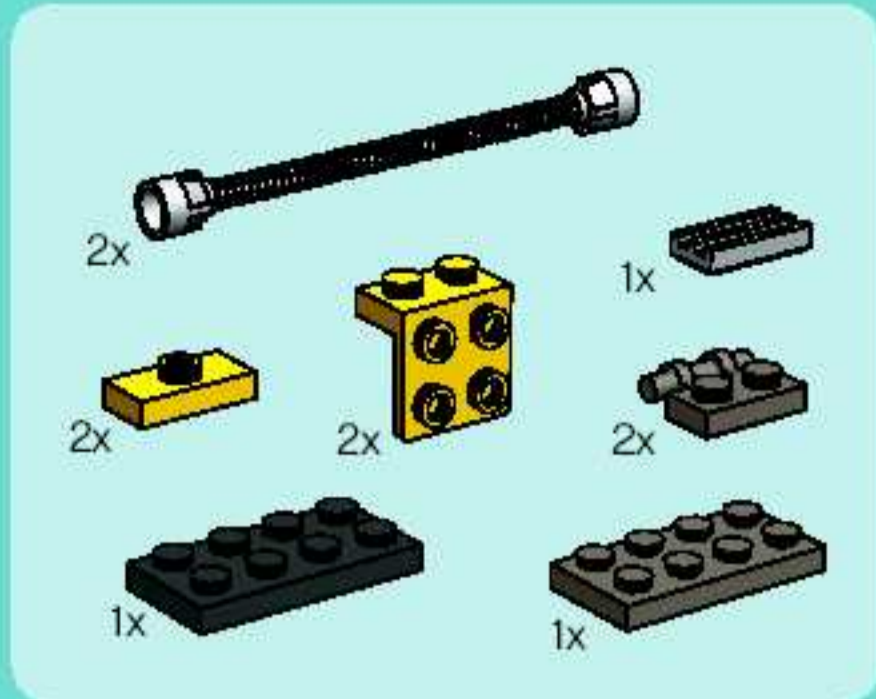


2x

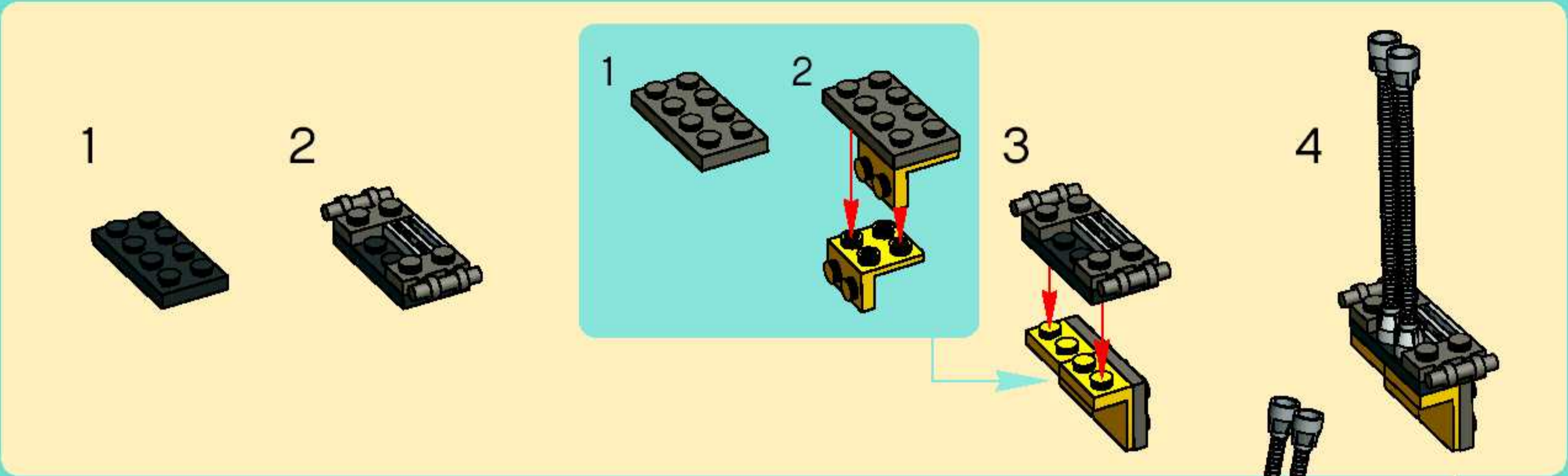
16



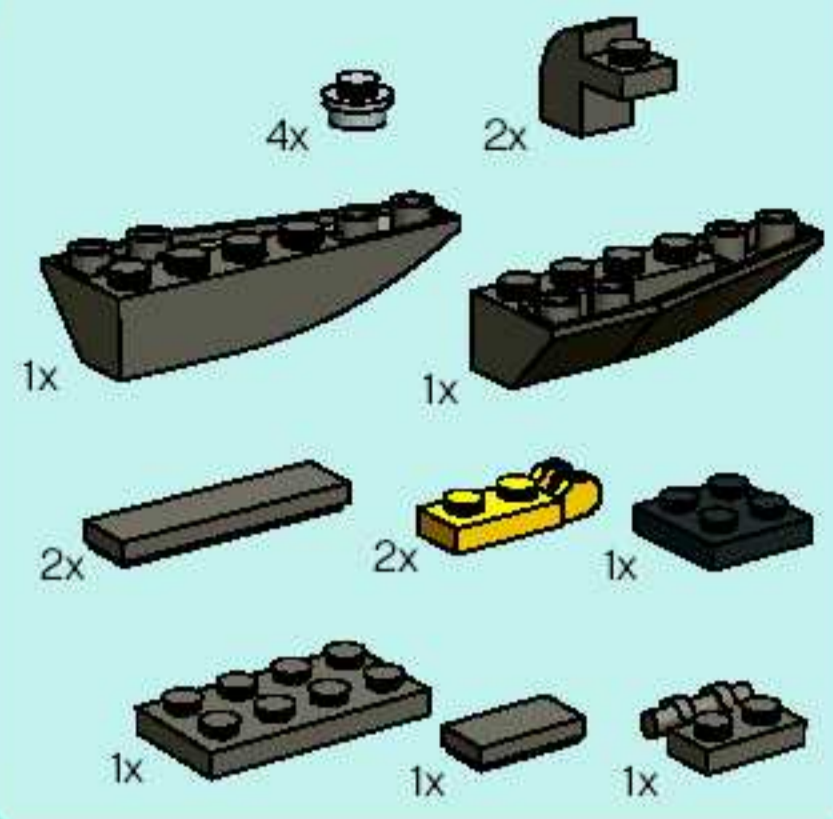




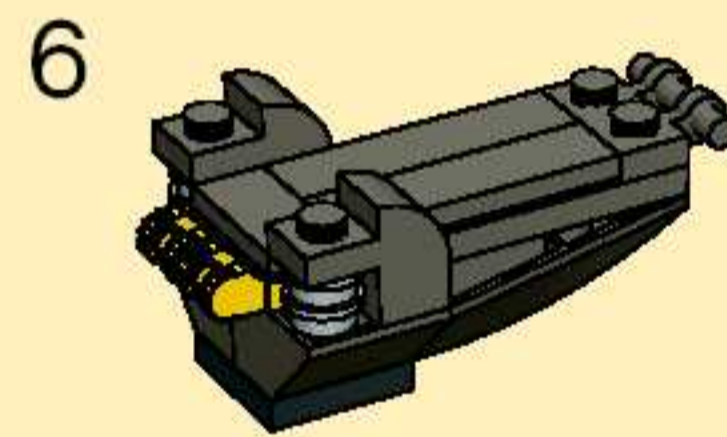
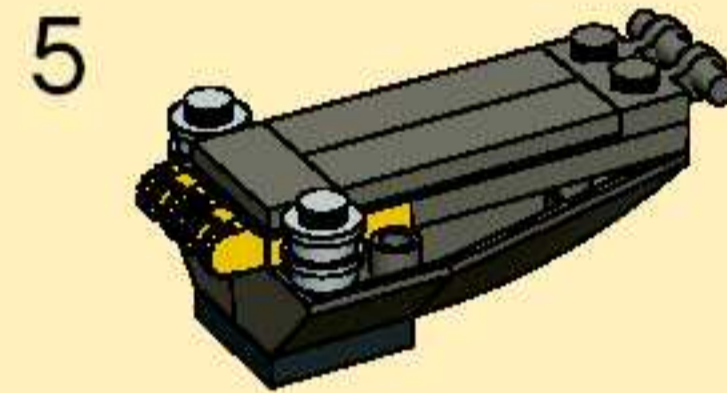
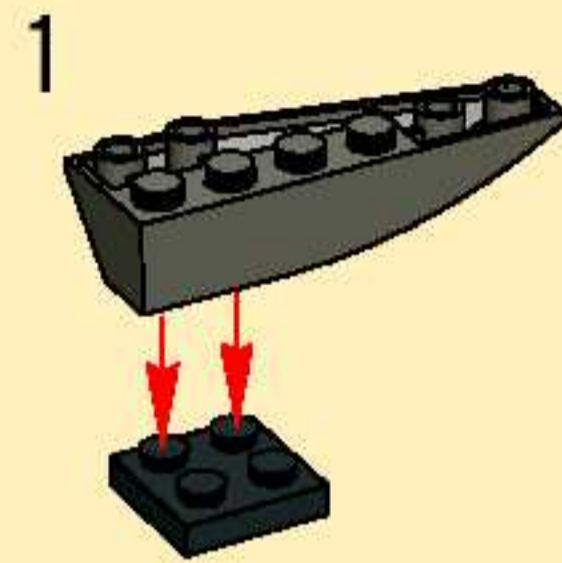
17



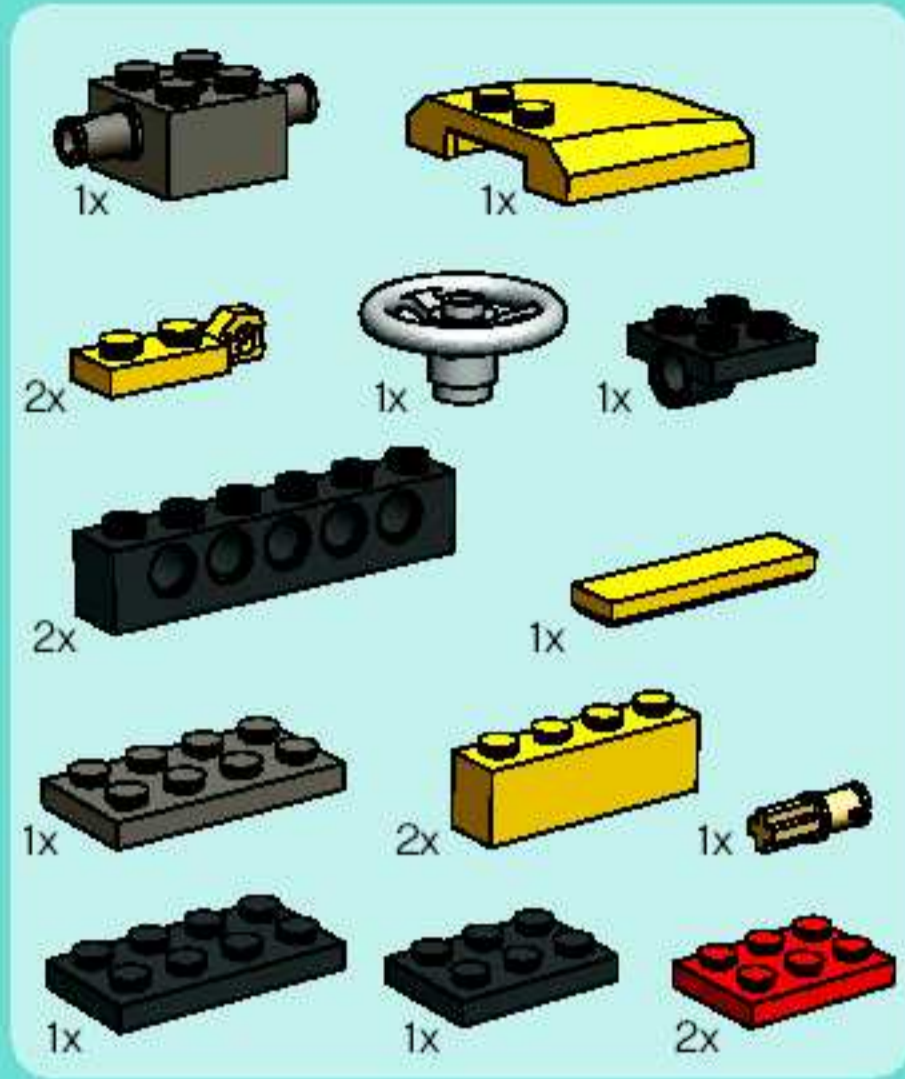




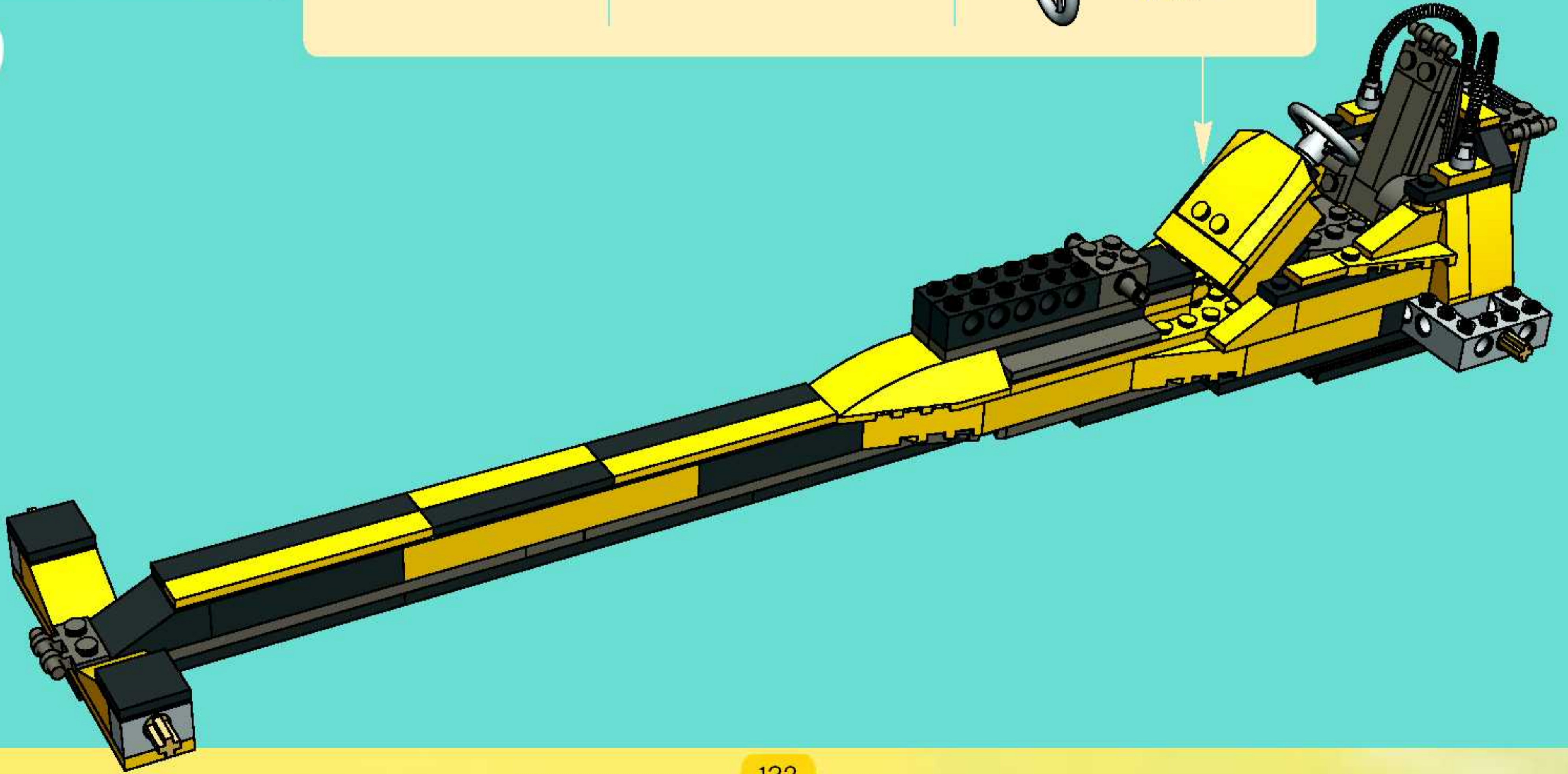
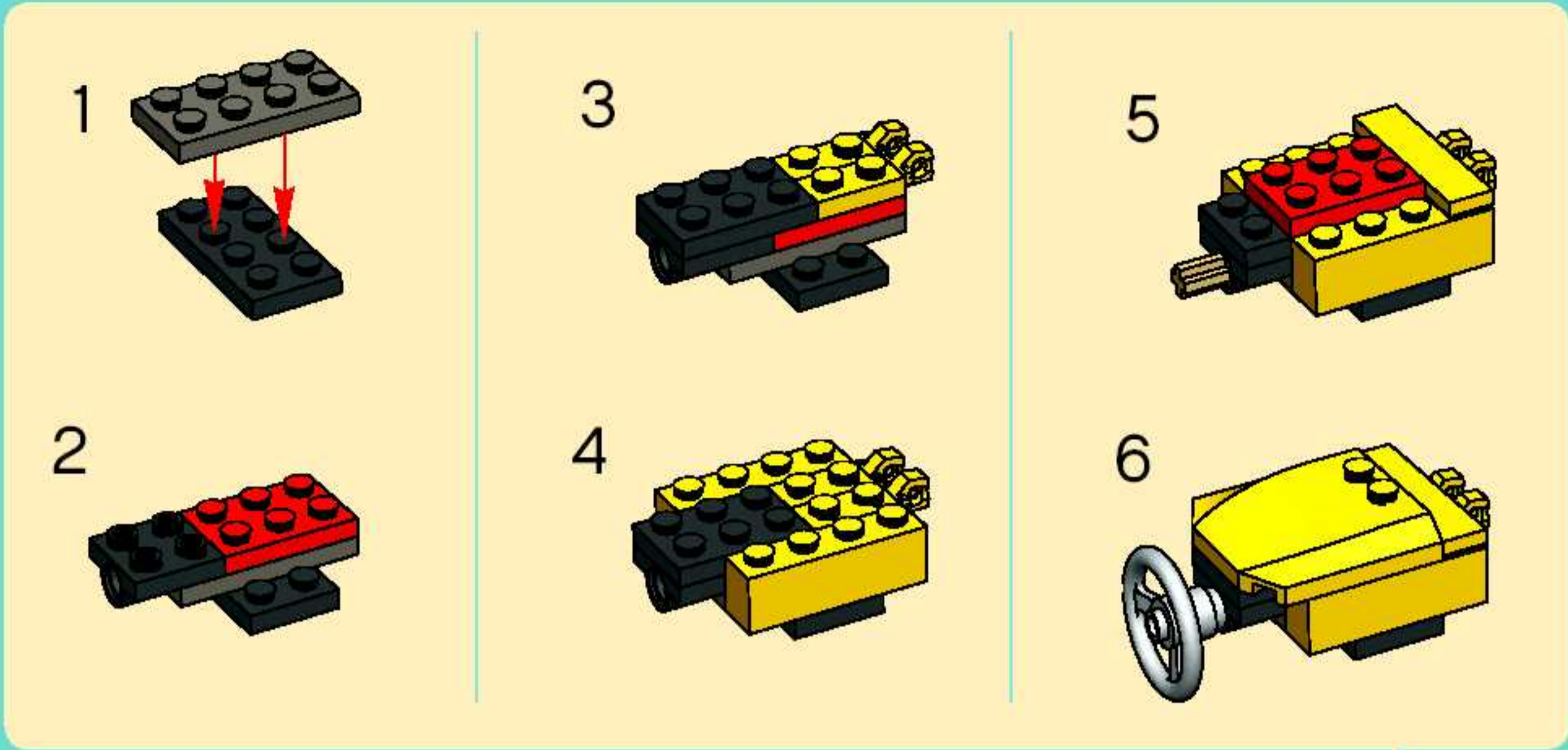
18







19





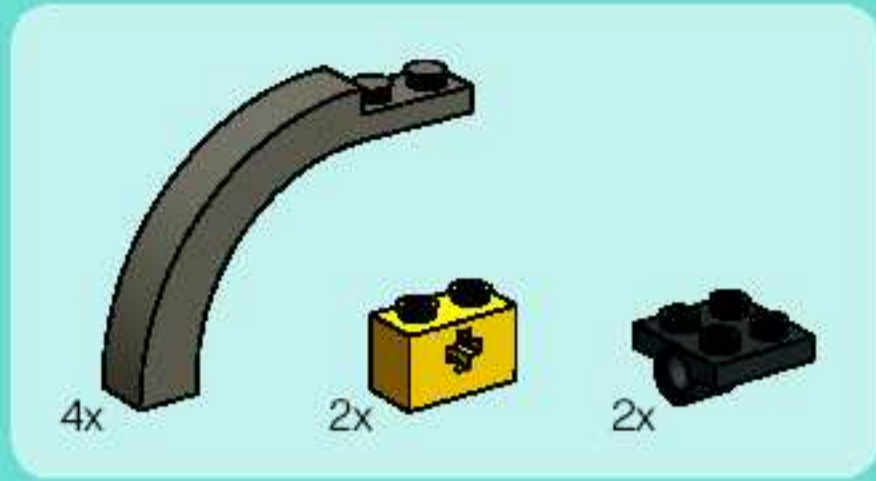
4x

2x

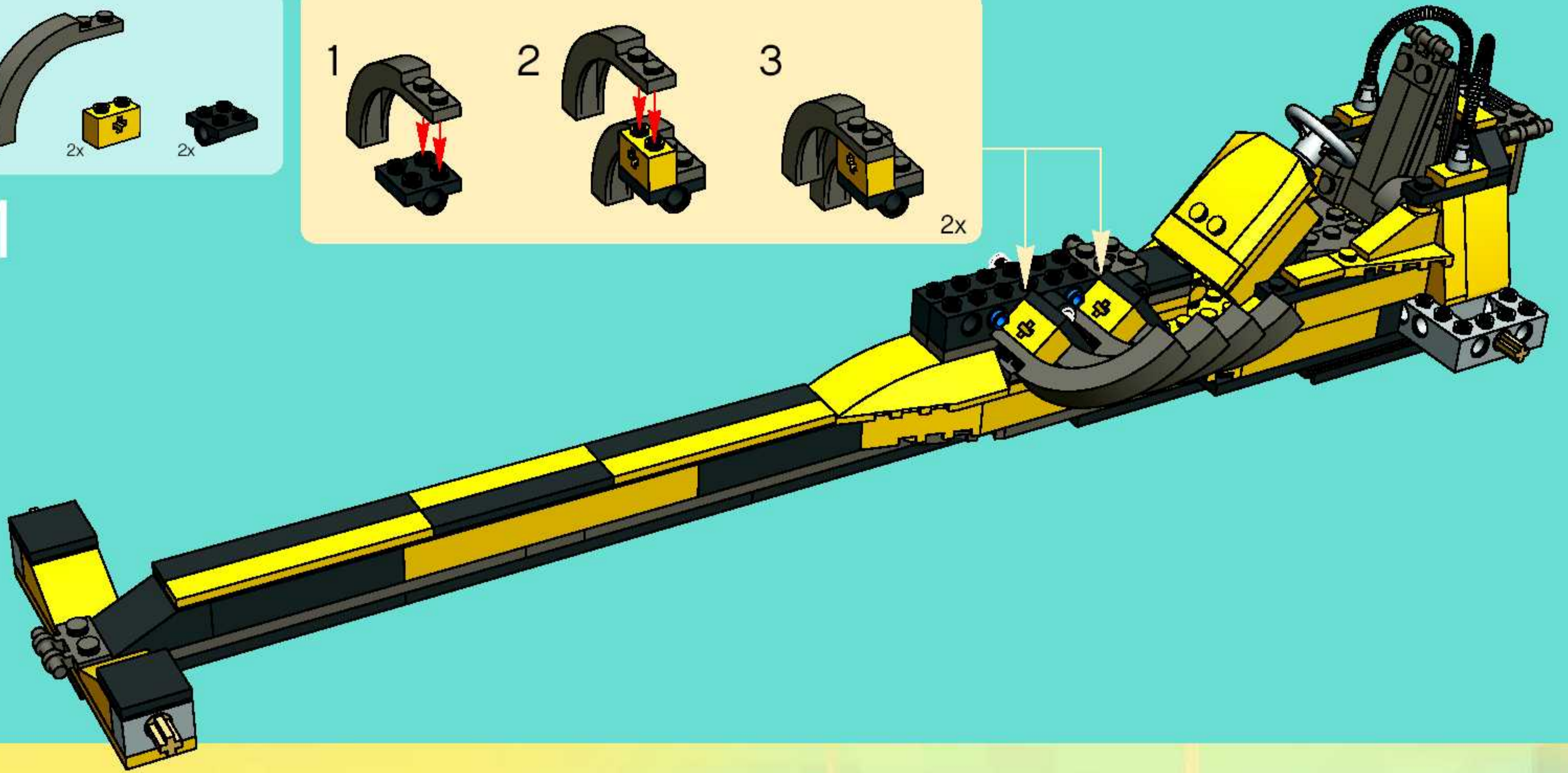
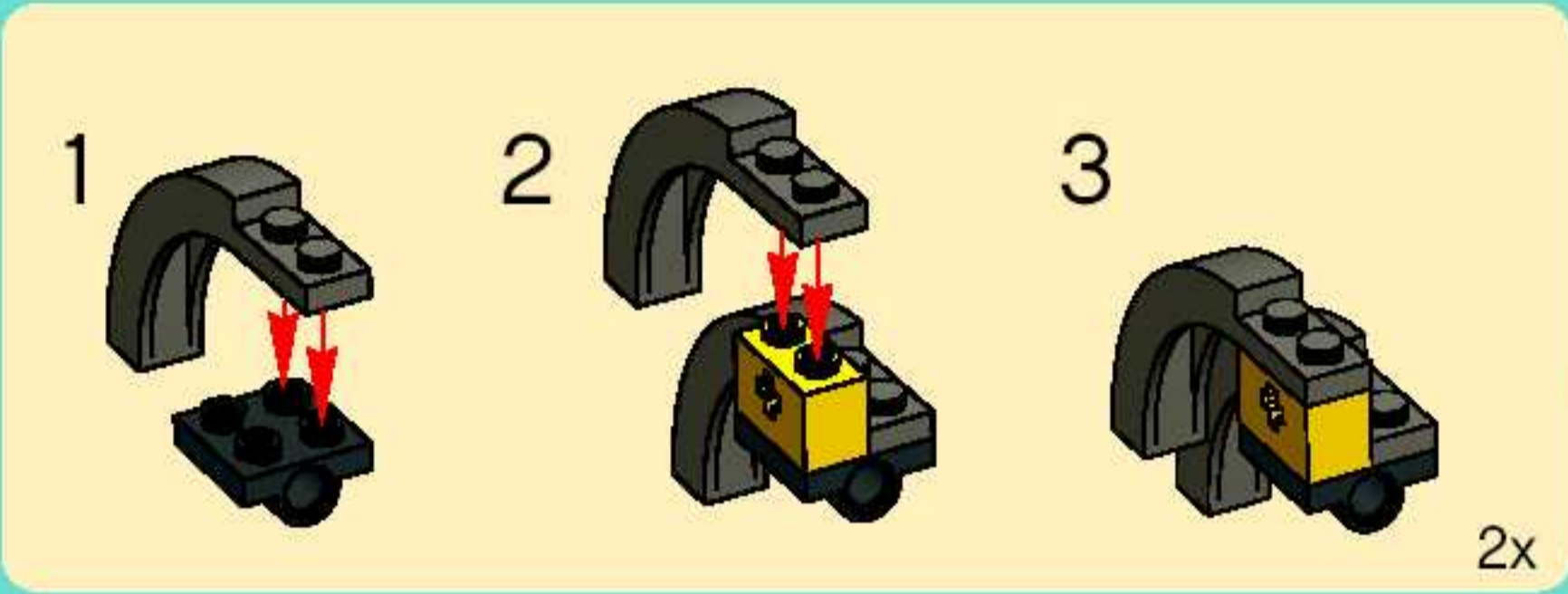
20



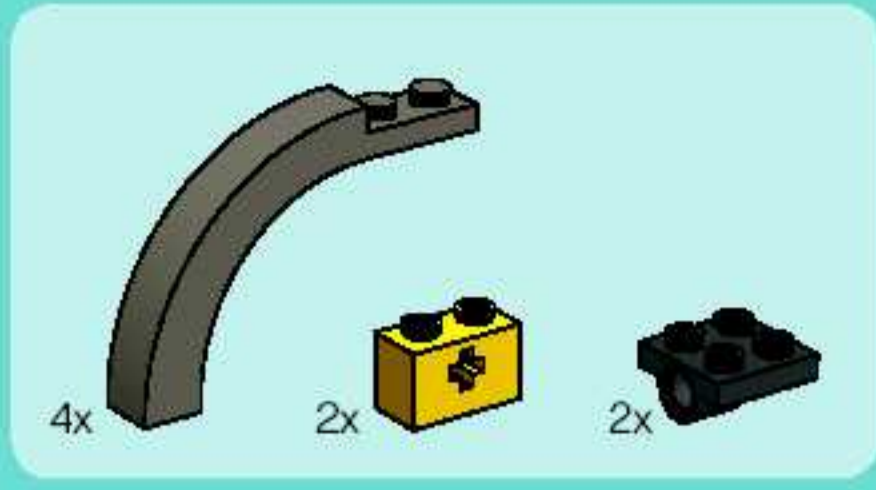




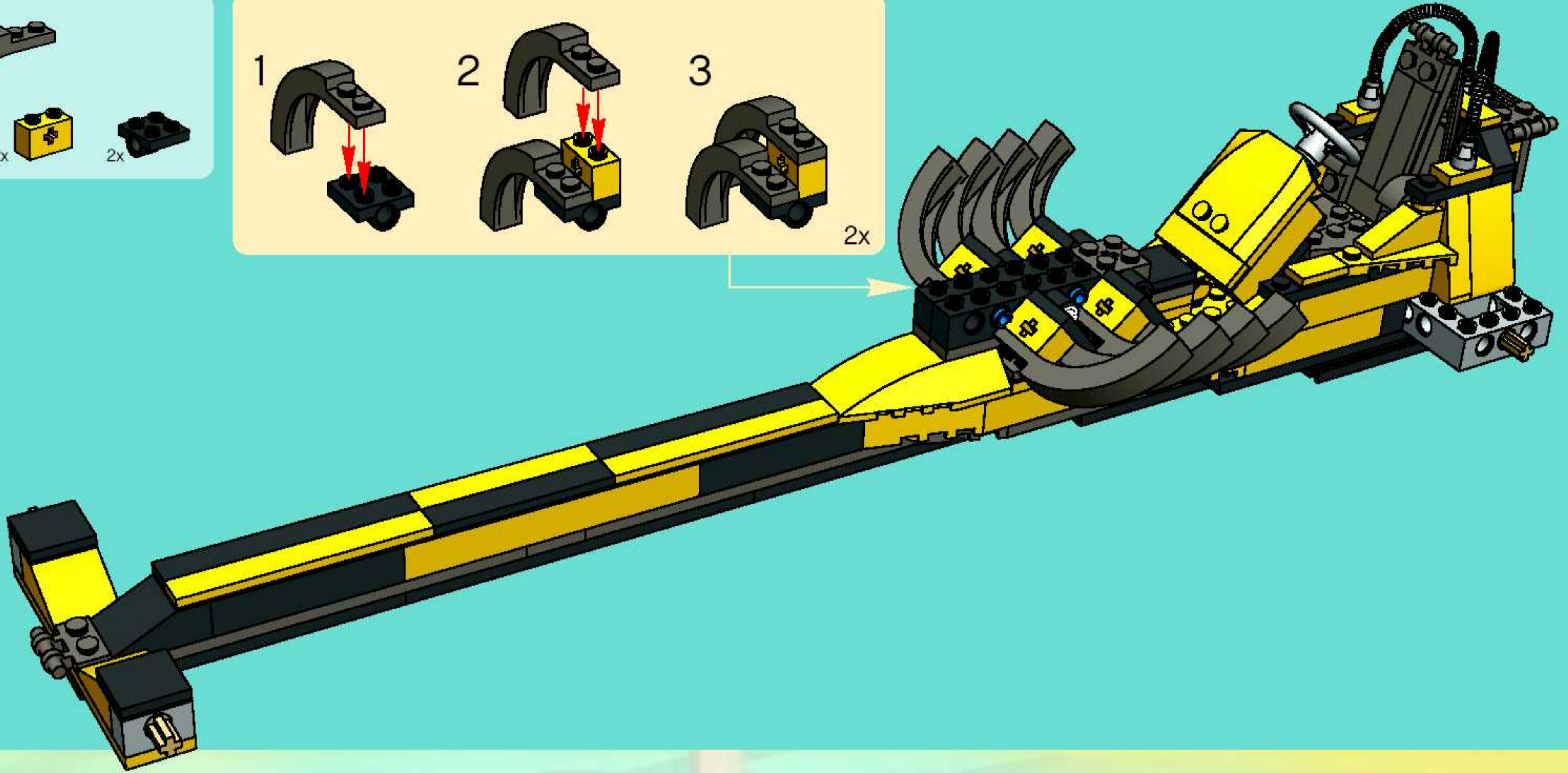
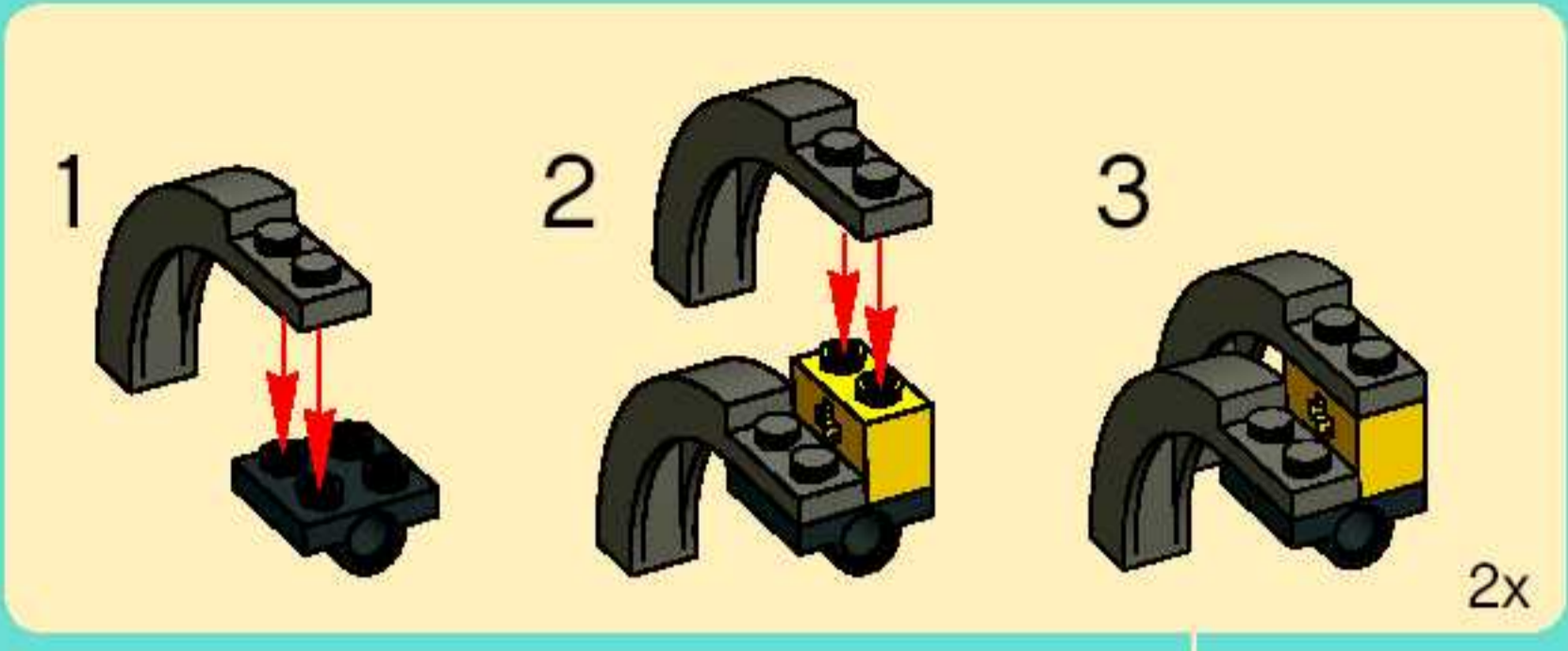
21



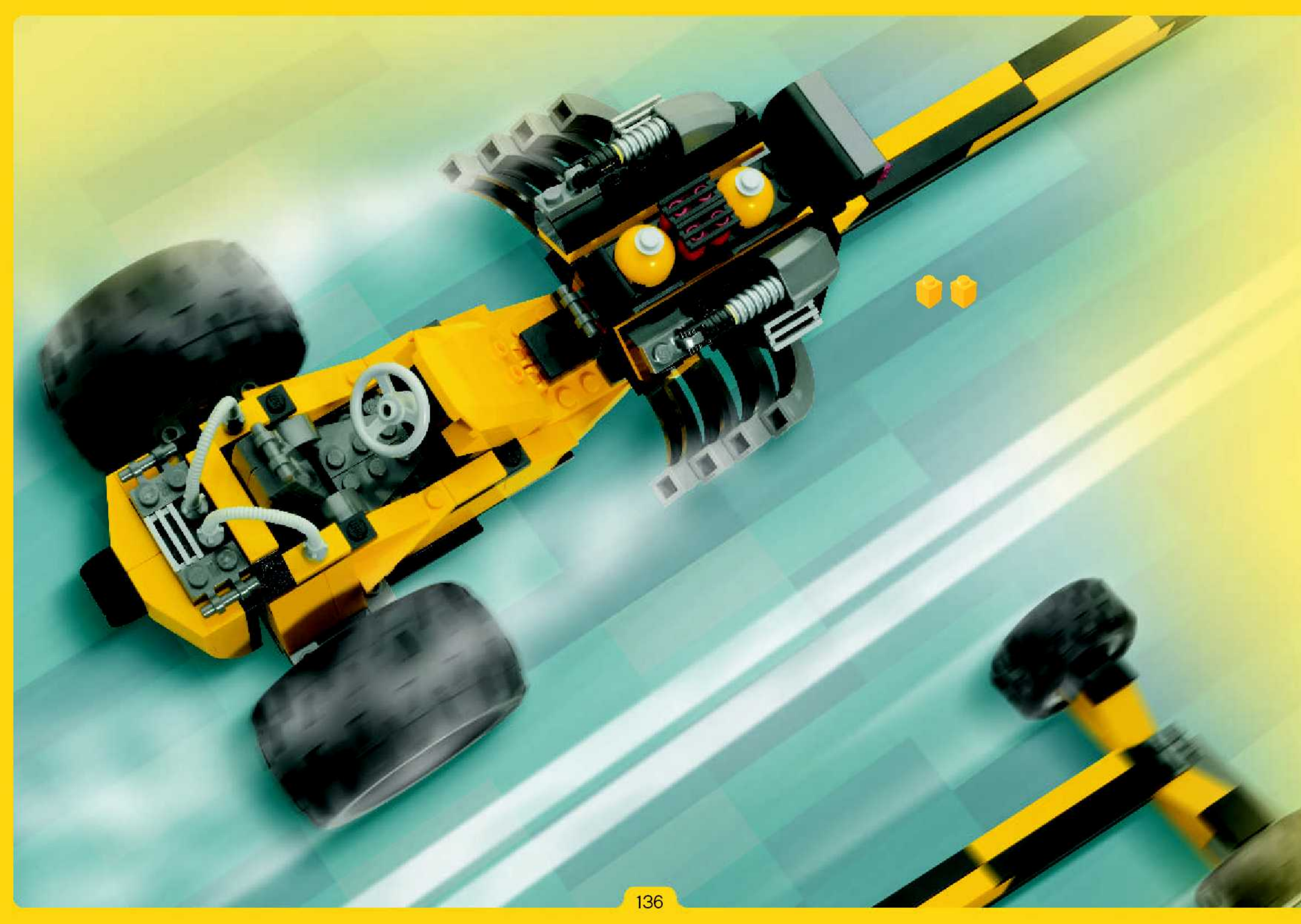




22



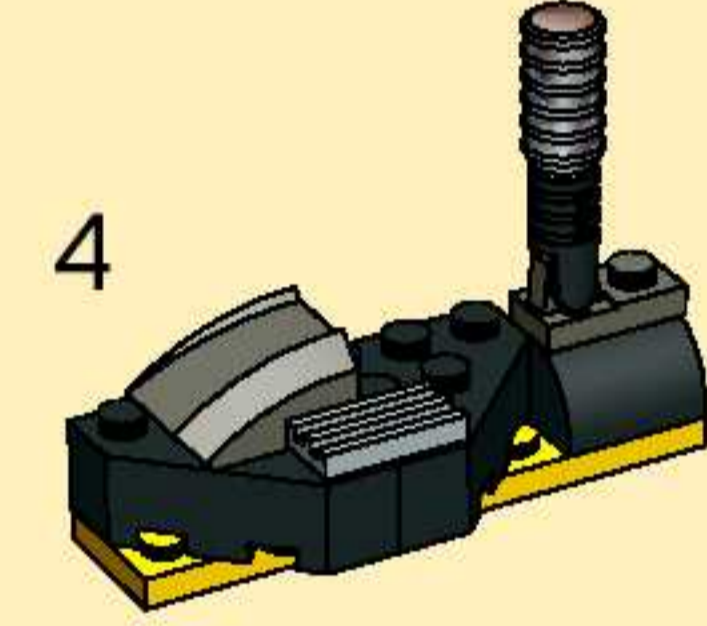
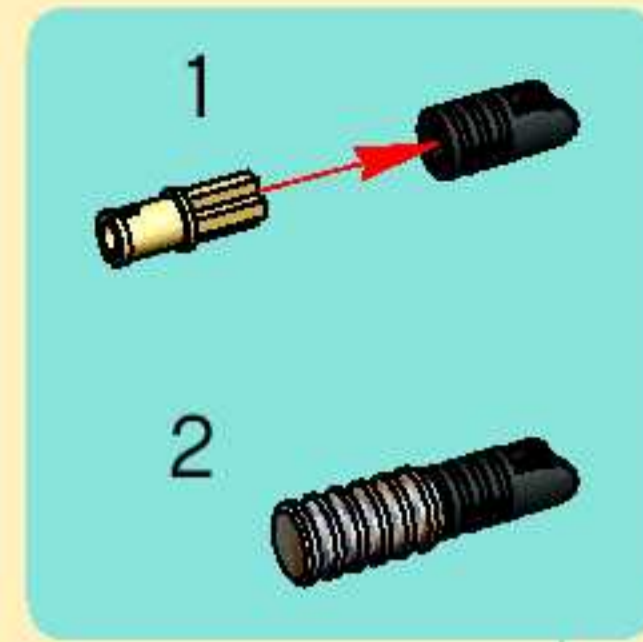
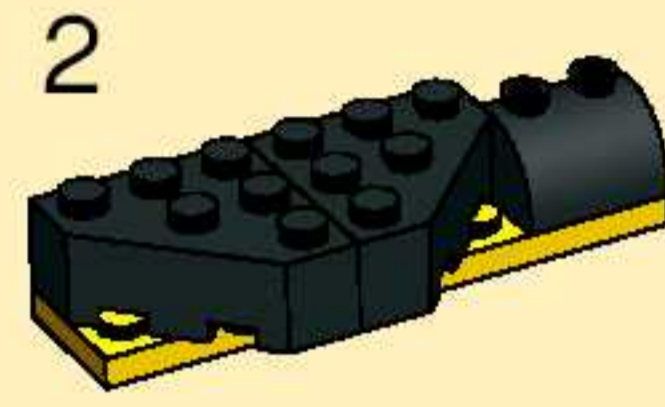
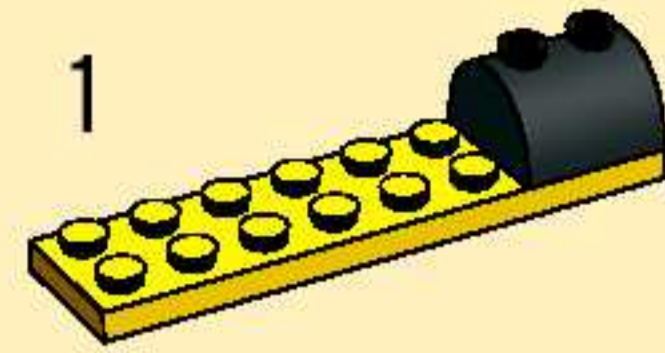
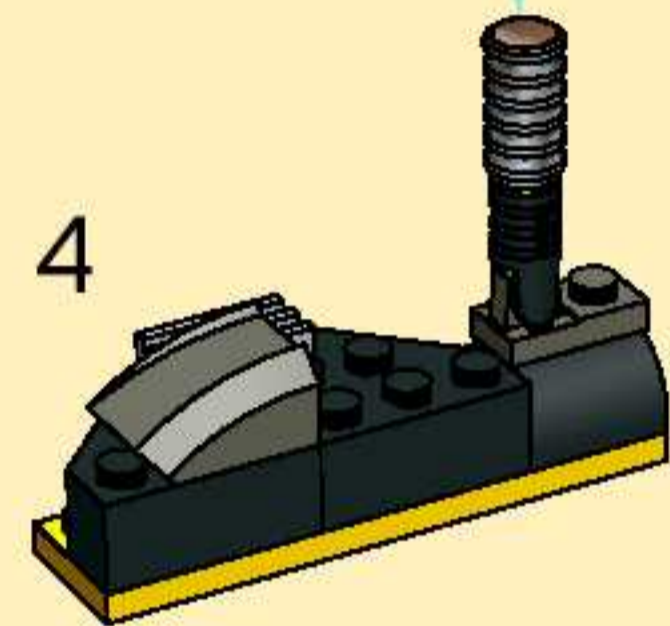
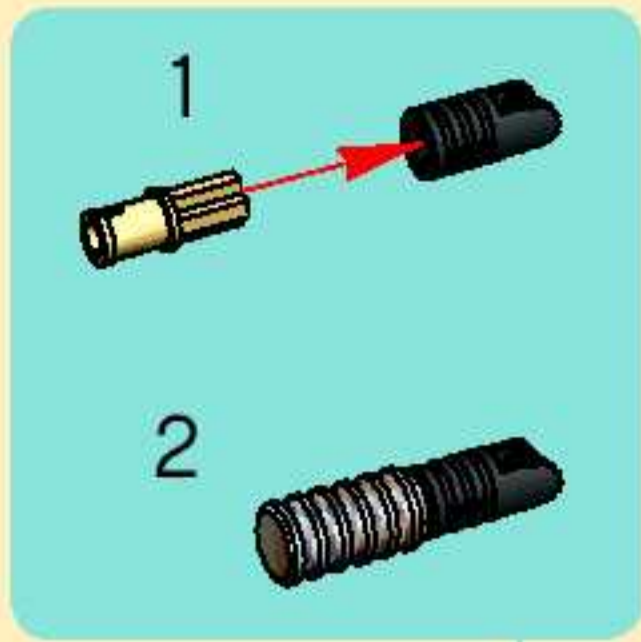
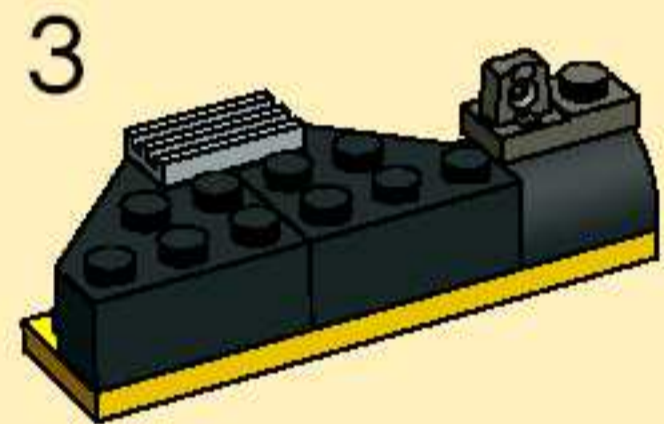
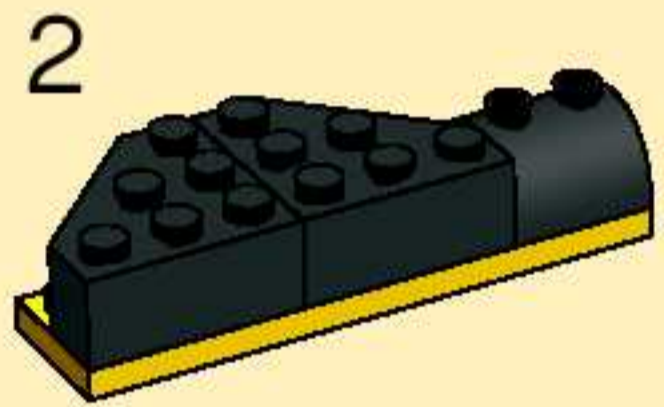
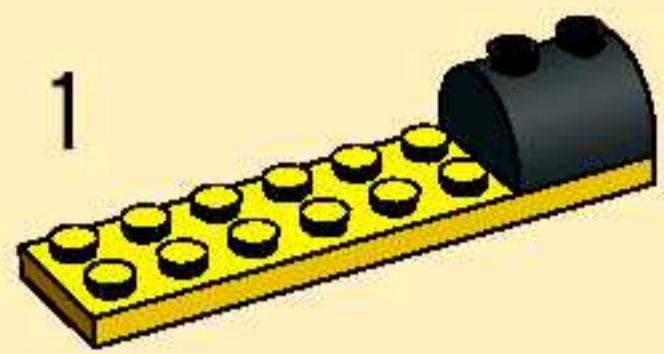








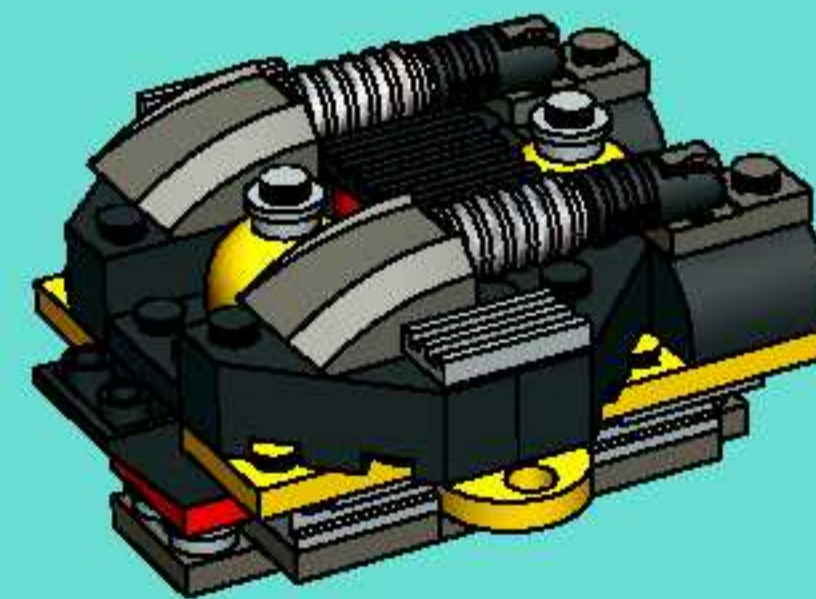




8



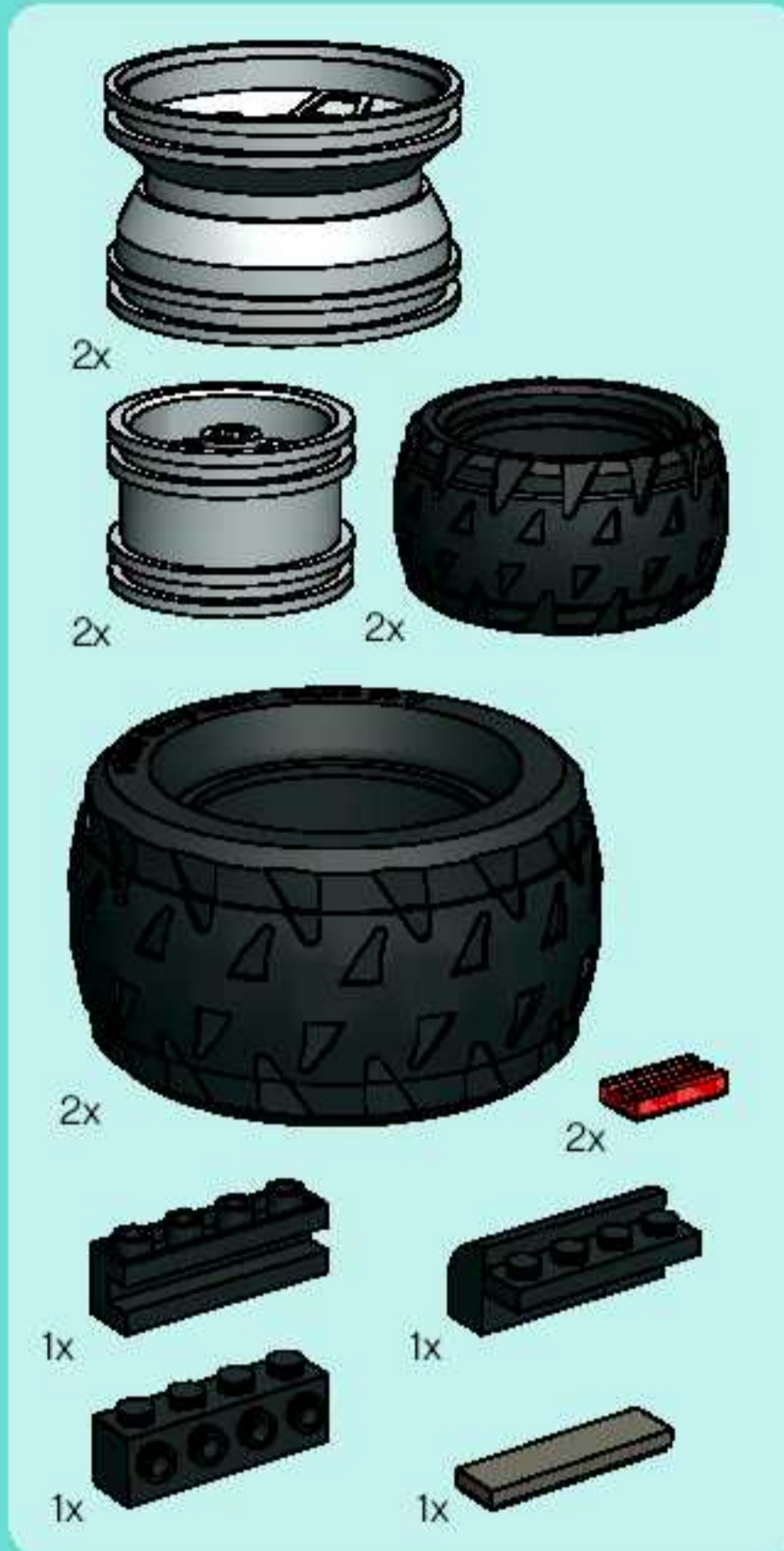
9



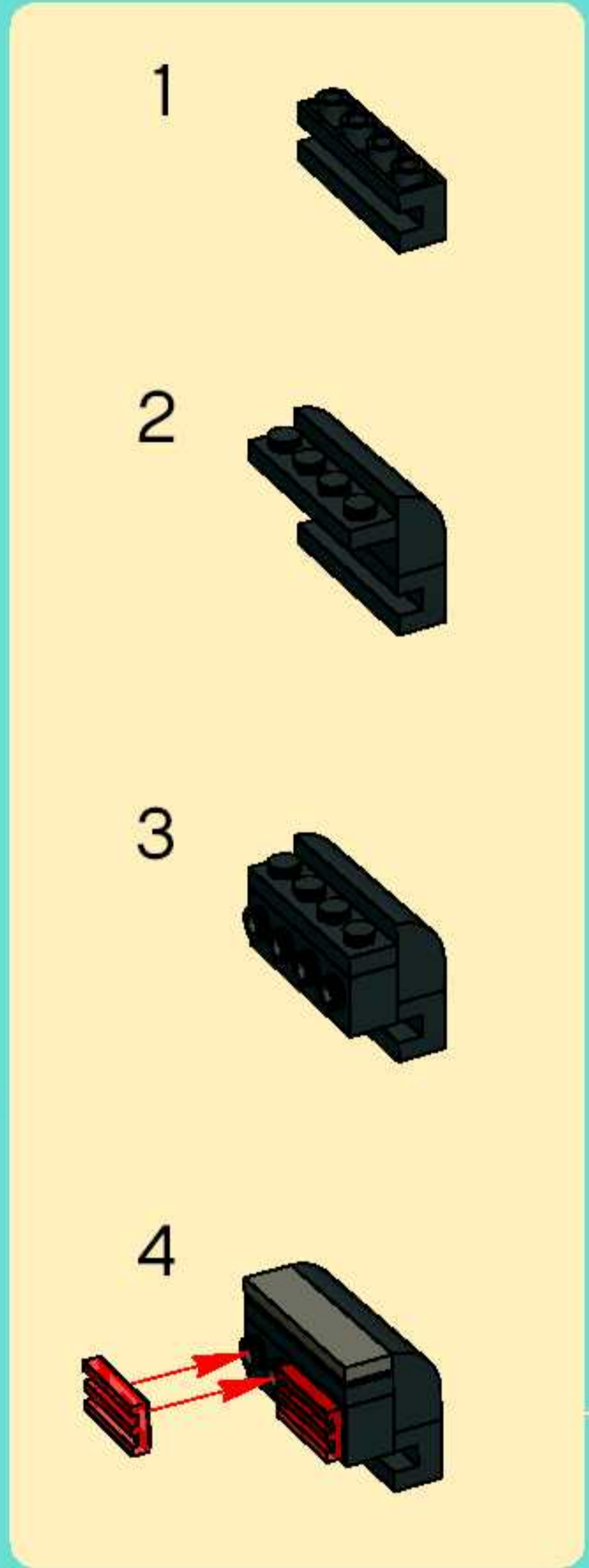




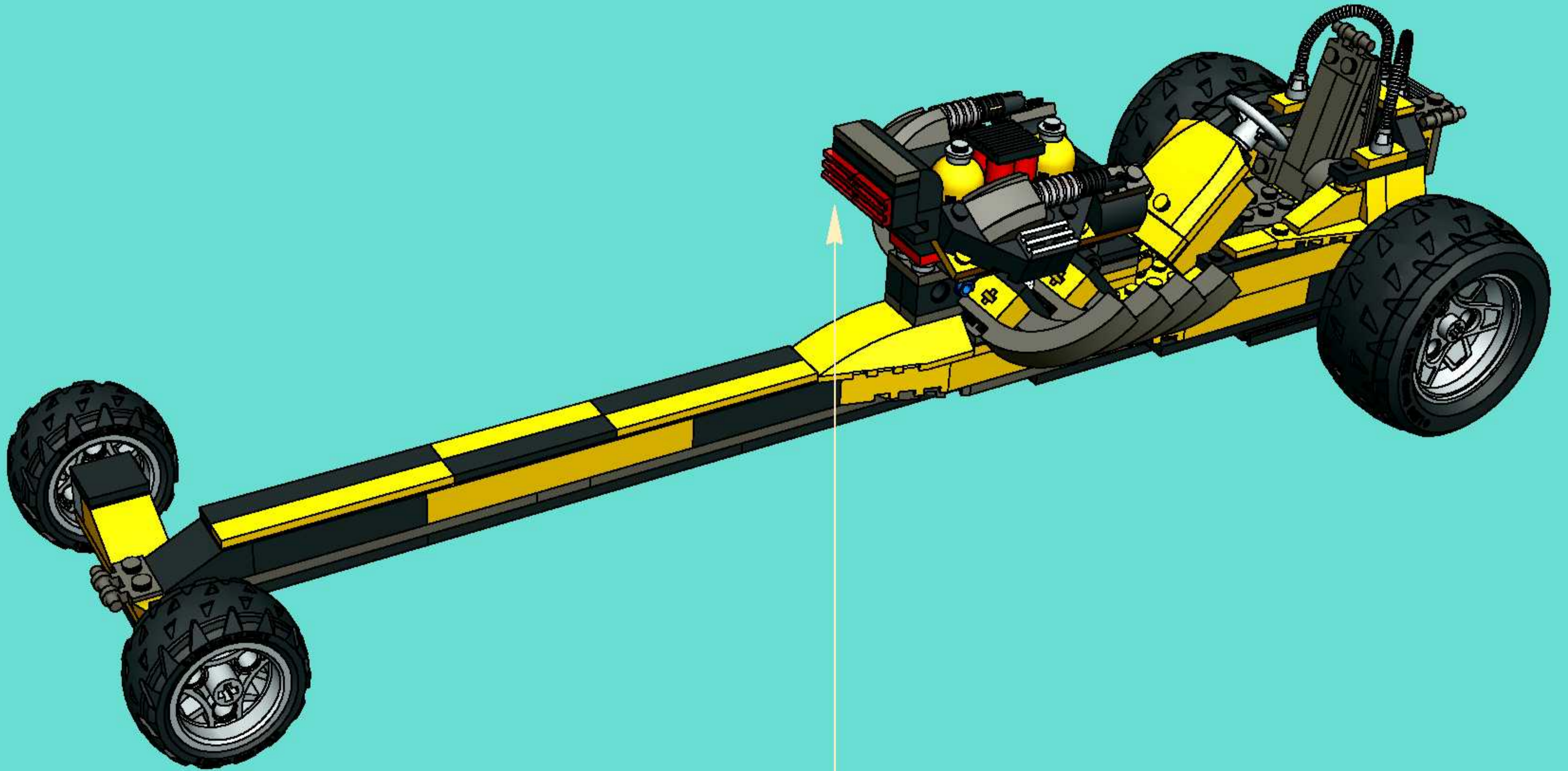




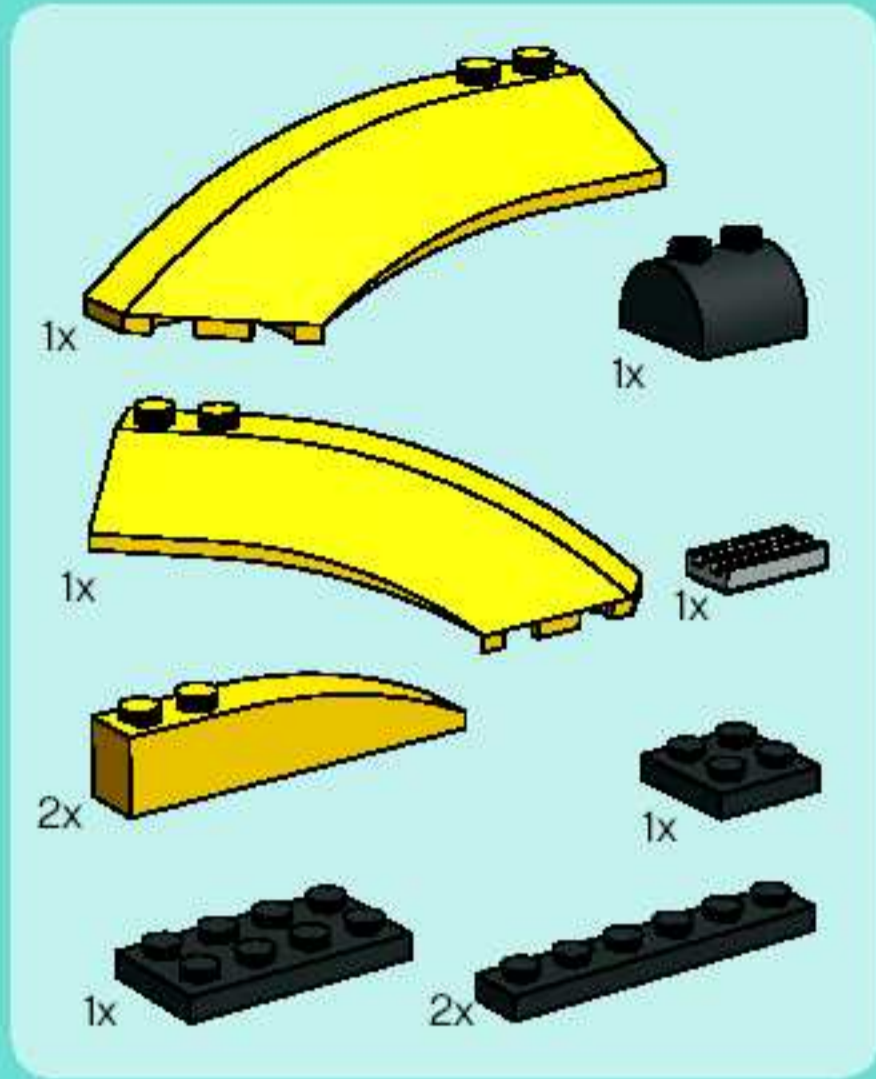
24



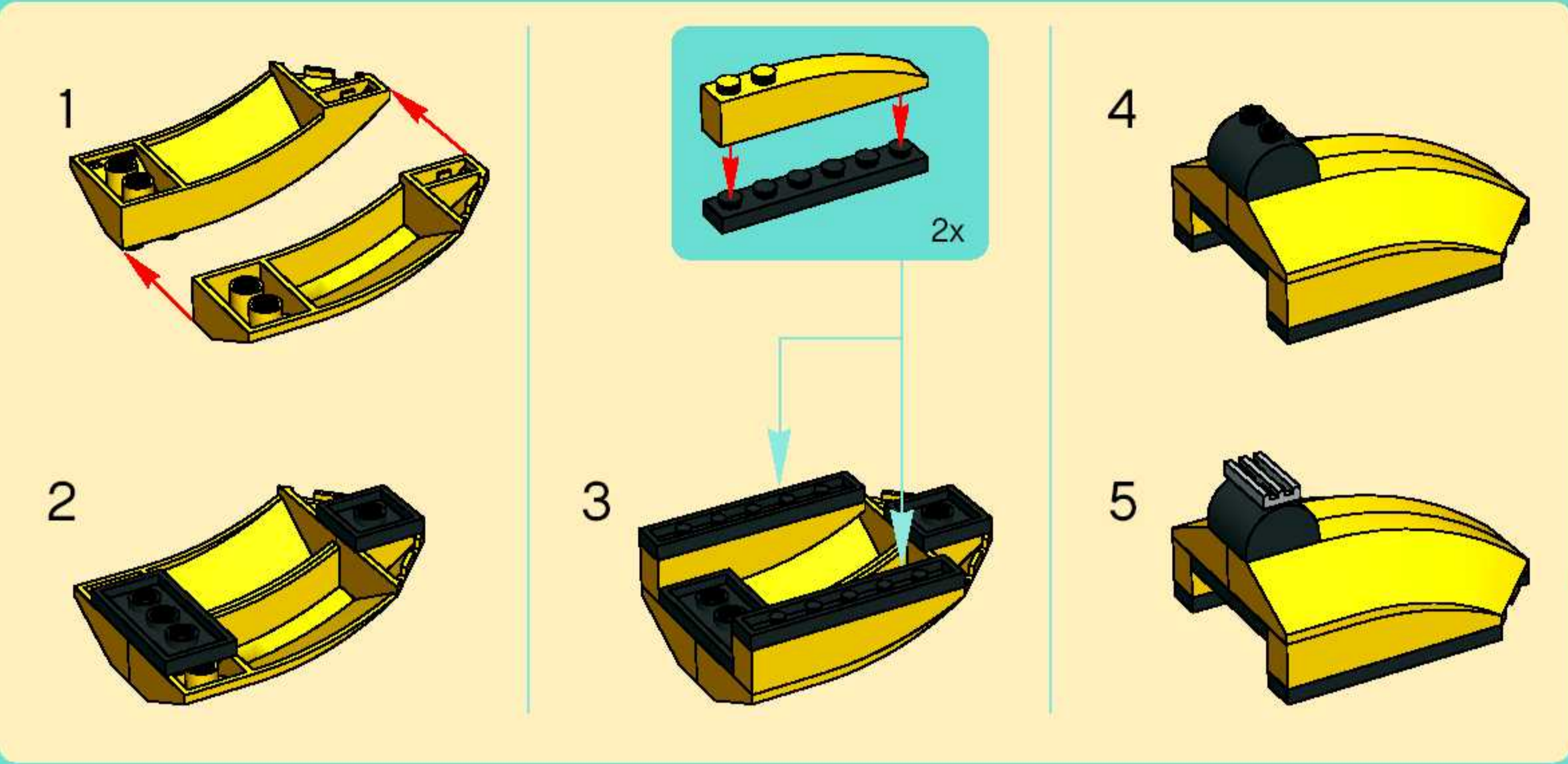




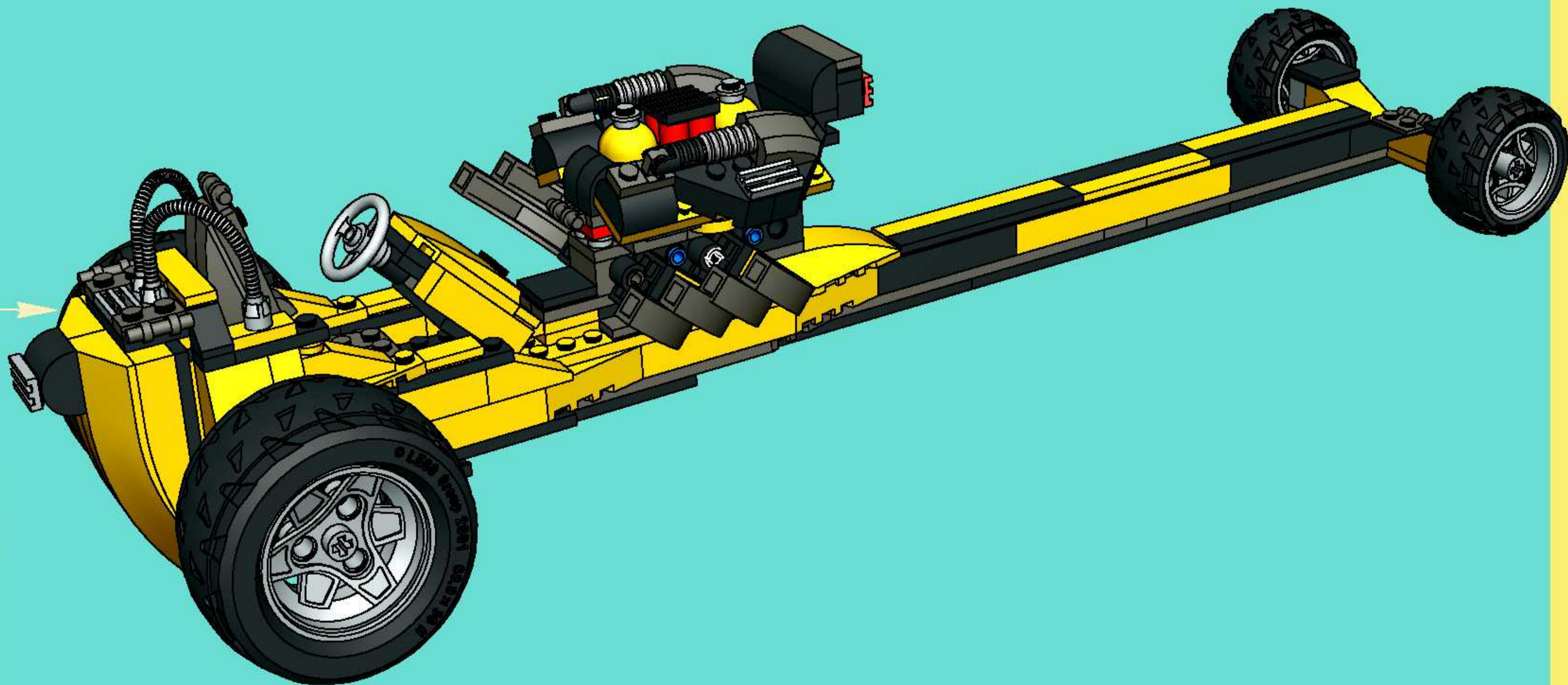




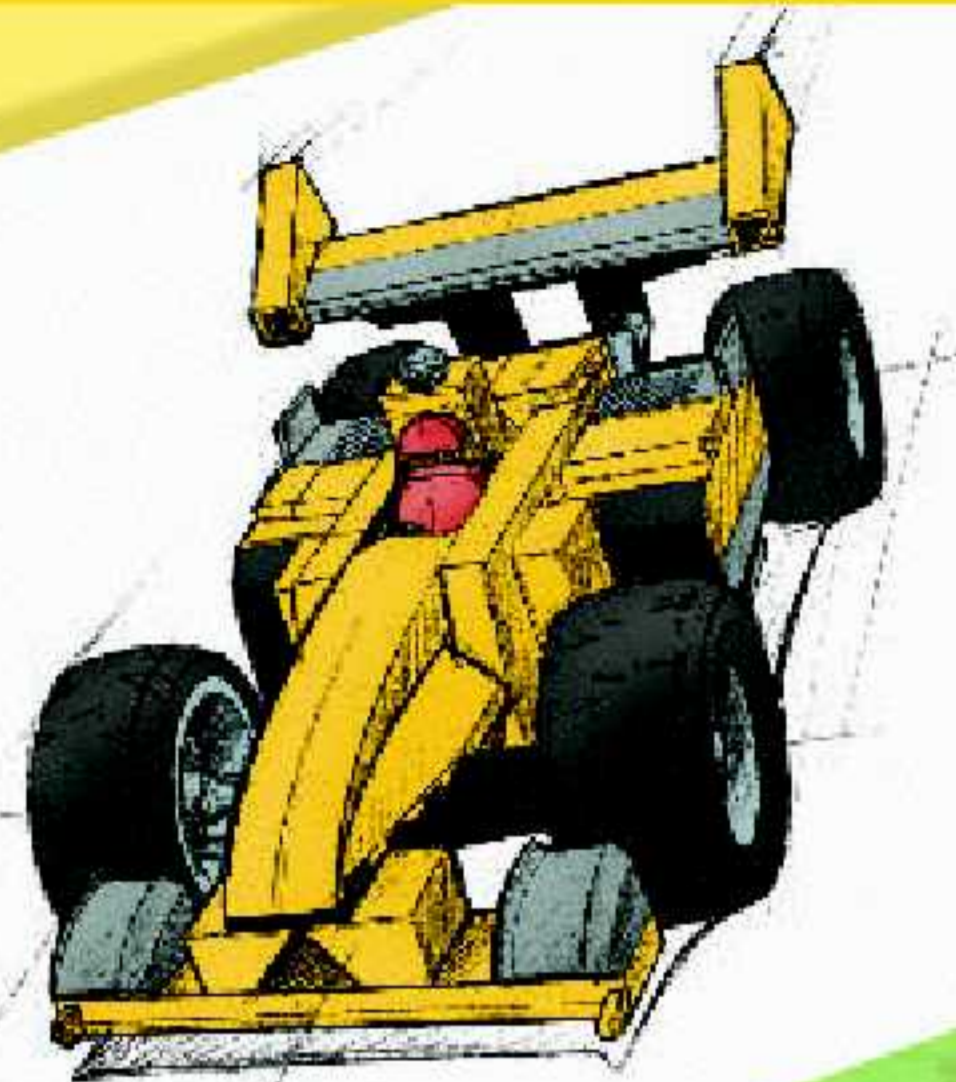
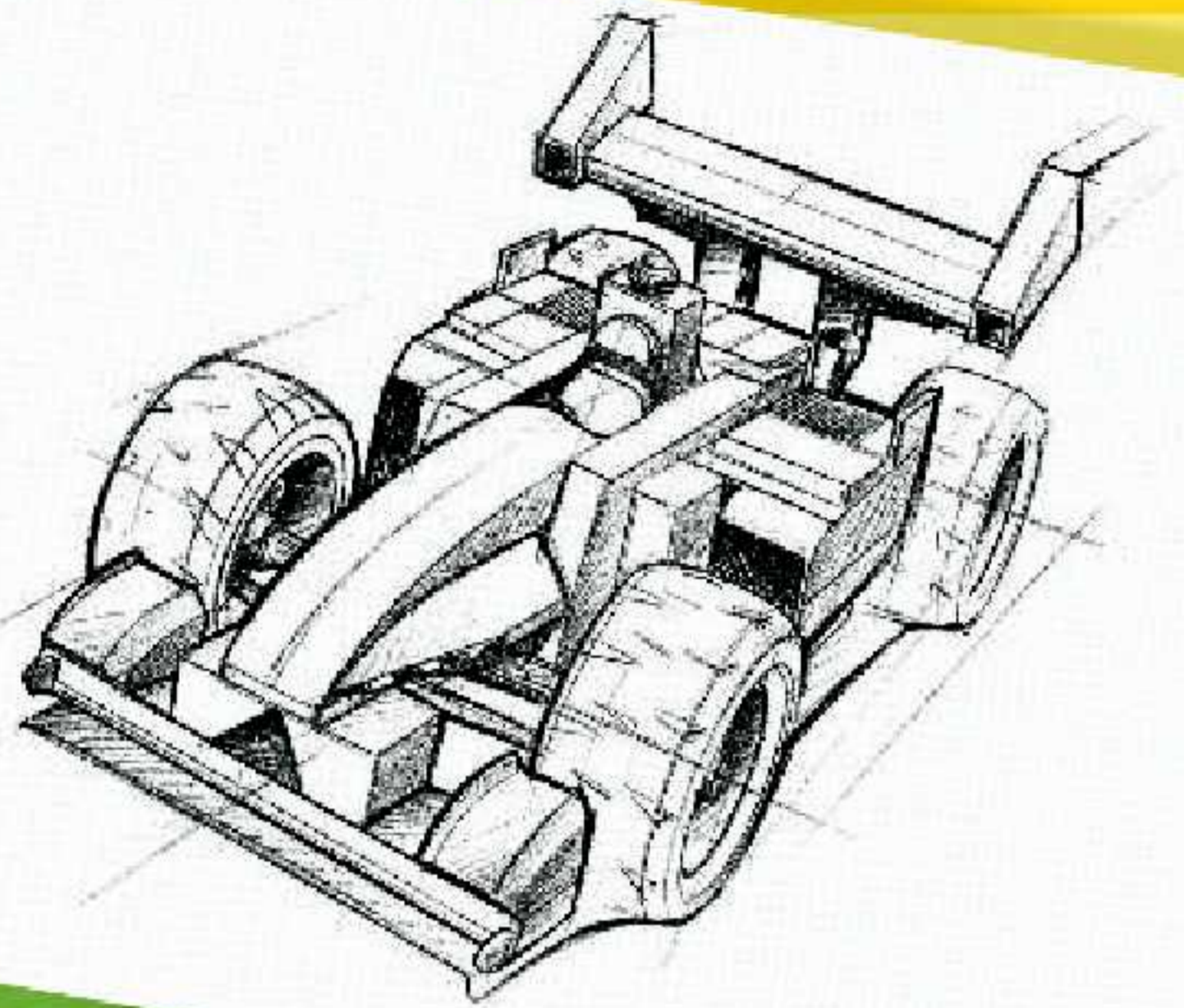
25



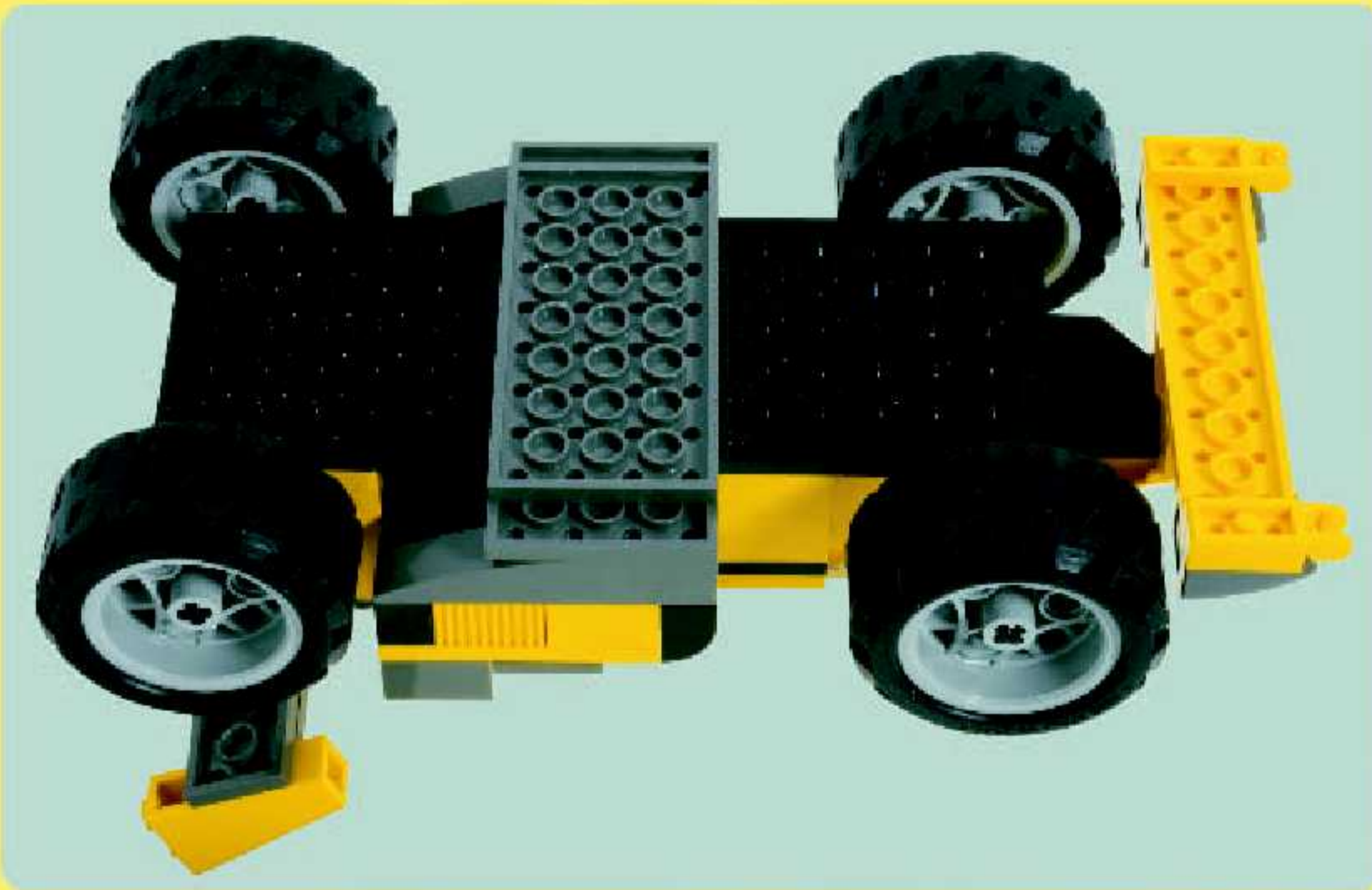


















# Win! Gagne! Gewinne! 当たります



## Win LEGO® products

We would really like to know what you think about your new LEGO® product.

If you could help us by answering a few questions at [www.acnielsen.alm.dk/lego](http://www.acnielsen.alm.dk/lego) then you are in with a chance of winning an exciting LEGO prize.

It will only take you about 3 minutes!



Estimado usuario LEGO®

Al contestar algunas preguntas en Inglés, francés, alemán o japonés, en el sitio [www.acnielsen.alm.dk/lego](http://www.acnielsen.alm.dk/lego), podrás participar en el sorteo de algunos valiosos premios LEGO®.



## Gagne des produits LEGO®

Nous aimerions beaucoup savoir ce que tu penses de ton nouveau produit LEGO®.

Si tu veux bien nous aider en répondant à quelques questions sur [www.acnielsen.alm.dk/lego](http://www.acnielsen.alm.dk/lego), tu recevras peut-être bientôt l'un des nombreux super-prix offerts par LEGO aux participants.

Et cela ne te prendra que 3 minutes environ !



Kedves Ifjú LEGO® Vásárló

Ha ellátogatsz a [www.acnielsen.alm.dk/lego](http://www.acnielsen.alm.dk/lego) honlapra és ott angol, francia, német vagy japán nyelven megválaszolsz néhány kérdést, akkor részt veszel egy versenyben, amelyben értékes LEGO® díjakat nyerhetsz.



## Gewinne LEGO® Produkte

Wir sind sehr an deiner Meinung über dein neues LEGO® Produkt Interessiert.

Wenn du uns den Gefallen tust und unter [www.acnielsen.alm.dk/lego](http://www.acnielsen.alm.dk/lego) Fragen beantwortest, kannst du einen tollen LEGO Preis gewinnen.

Das Ganze dauert nur etwa 3 Minuten!



Caro Consumidor da LEGO®

Ao responder a algumas perguntas em Inglês, Francês, Alemão ou Japonês no endereço [www.acnielsen.alm.dk/lego](http://www.acnielsen.alm.dk/lego) irá participar num concurso para ganhar valiosos prémios da LEGO®.



## 抽選でレゴ製品が当たります

私たちは、皆さんがレゴ製品についてどんな感想をお持ちか、是非知りたいと思っています。

[www.acnielsen.alm.dk/lego](http://www.acnielsen.alm.dk/lego)にアクセスいただき、質問にご回答いただきますと、抽選で楽しいレゴ製品が当たります。

アンケートのご回答には、ほんの3分ほどしかかかりません!

34503





Designer Set



4403



4402














4/2003

©2003 LEGO Group.

4220165



Image	Qty	Item No	Description	MID
<b>Regular Items:</b>				
<b>Parts:</b>				
	2	<a href="#">6140</a>	<b>Dark Gray Bar 1 x 6 with Hollow Studs</b> Catalog: <a href="#">Parts: Bar</a> Part Color Code Missing	<a href="#">PG</a>
			*	
	1	<a href="#">30374</a>	<b>Dark Gray Bar 4L (Lightsaber Blade / Wand)</b> Catalog: <a href="#">Parts: Bar</a> Part Color Code Missing	<a href="#">PG</a>
			*	
	2	<a href="#">x346</a>	<b>Pearl Light Gray Bionicle 1 x 3 Tooth with Axle Hole</b> Catalog: <a href="#">Parts: Bionicle</a> 4177440	<a href="#">PG</a>
			*	
	1	<a href="#">2436</a>	<b>Yellow Bracket 1 x 2 - 1 x 4</b> Catalog: <a href="#">Parts: Bracket</a> 243624 or 4282745	<a href="#">PG</a>
			*	
	2	<a href="#">44728</a>	<b>Yellow Bracket 1 x 2 - 2 x 2</b> Catalog: <a href="#">Parts: Bracket</a> 6117938 or 4615642 or 4199298 or 4277925	<a href="#">PG</a>
			*	
	2	<a href="#">3005</a>	<b>Yellow Brick 1 x 1</b> Catalog: <a href="#">Parts: Brick</a> 300524	<a href="#">PG</a>
			*	
	12	<a href="#">3004</a>	<b>Yellow Brick 1 x 2</b> Catalog: <a href="#">Parts: Brick</a> 4613966 or 300424	<a href="#">PG</a>
			*	
	2	<a href="#">3622</a>	<b>Dark Gray Brick 1 x 3</b> Catalog: <a href="#">Parts: Brick</a> 4114313	<a href="#">PG</a>
			*	
	2	<a href="#">3010</a>	<b>Dark Gray Brick 1 x 4</b> Catalog: <a href="#">Parts: Brick</a> 4114308	<a href="#">PG</a>
			*	
	5	<a href="#">3010</a>	<b>Yellow Brick 1 x 4</b> Catalog: <a href="#">Parts: Brick</a> 301024	<a href="#">PG</a>
			*	
	7	<a href="#">3009</a>	<b>Yellow Brick 1 x 6</b> Catalog: <a href="#">Parts: Brick</a> 300924	<a href="#">PG</a>
			*	




+		1	<a href="#">6111</a>	<b>Black Brick 1 x 10</b> Catalog: <a href="#">Parts: Brick</a> 611126	<a href="#">PG</a>
---	--	---	----------------------	--	--------------------

+		3	<a href="#">6111</a>	<b>Yellow Brick 1 x 10</b> Catalog: <a href="#">Parts: Brick</a> 4200026	<a href="#">PG</a>
---	---	---	----------------------	--	--------------------

+		2	<a href="#">3003</a>	<b>Yellow Brick 2 x 2</b> Catalog: <a href="#">Parts: Brick</a> 300324	<a href="#">PG</a>
---	---	---	----------------------	--	--------------------

+		2	<a href="#">2357</a>	<b>Yellow Brick 2 x 2 Corner</b> Catalog: <a href="#">Parts: Brick</a> 235724	<a href="#">PG</a>
---	---	---	----------------------	---	--------------------


+		2	<a href="#">3002</a>	<b>Light Gray Brick 2 x 3</b> Catalog: <a href="#">Parts: Brick</a> 300202	<a href="#">PG</a>
---	---	---	----------------------	--	--------------------


+		2	<a href="#">3001</a>	<b>Black Brick 2 x 4</b> Catalog: <a href="#">Parts: Brick</a> 300126	<a href="#">PG</a>
---	--	---	----------------------	---	--------------------

+		2	<a href="#">2456</a>	<b>Black Brick 2 x 6</b> Catalog: <a href="#">Parts: Brick</a> 245626 or 4181144	<a href="#">PG</a>
---	---	---	----------------------	--	--------------------

+		2	<a href="#">2456</a>	<b>Yellow Brick 2 x 6</b> Catalog: <a href="#">Parts: Brick</a> 245624 or 4181143	<a href="#">PG</a>
---	---	---	----------------------	---	--------------------

+		1	<a href="#">2356</a>	<b>Black Brick 4 x 6</b> Catalog: <a href="#">Parts: Brick</a> 4163289 or 4181124	<a href="#">PG</a>
---	---	---	----------------------	---	--------------------

+		8	<a href="#">6060</a>	<b>Dark Gray Brick, Arch 1 x 6 x 3 1/3 Curved Top</b> Catalog: <a href="#">Parts: Brick, Arch</a> 4195171	<a href="#">PG</a>
---	---	---	----------------------	---	--------------------













+		2	<a href="#">4070</a>	<b>Black Brick, Modified 1 x 1 with Headlight</b> Catalog: <a href="#">Parts: Brick, Modified</a> 407026	<a href="#">PG</a>
---	---	---	----------------------	--	--------------------

+		2	<a href="#">30136</a>	<b>Yellow Brick, Modified 1 x 2 Log</b> Catalog: <a href="#">Parts: Brick, Modified</a> 4204626 or 4519908	<a href="#">PG</a>
---	---	---	-----------------------	--	--------------------





+		2	<a href="#">2877</a>	<b>Yellow Brick, Modified 1 x 2 with Grille (Flutes)</b> Catalog: <a href="#">Parts: Brick, Modified</a> 287724	<a href="#">PG</a>
+		8	<a href="#">6091</a>	<b>Black Brick, Modified 1 x 2 x 1 1/3 with Curved Top</b> Catalog: <a href="#">Parts: Brick, Modified</a> 6184784 or 609126	<a href="#">PG</a>
+		2	<a href="#">6091</a>	<b>Dark Gray Brick, Modified 1 x 2 x 1 1/3 with Curved Top</b> Catalog: <a href="#">Parts: Brick, Modified</a> 4118747 or 4162486	<a href="#">PG</a>
+		2	<a href="#">30414</a>	<b>Black Brick, Modified 1 x 4 with 4 Studs on 1 Side</b> Catalog: <a href="#">Parts: Brick, Modified</a> 4162443	<a href="#">PG</a>
+		1	<a href="#">2653</a>	<b>Black Brick, Modified 1 x 4 with Groove</b> Catalog: <a href="#">Parts: Brick, Modified</a> 265326	<a href="#">PG</a>
+		6	<a href="#">6191</a>	<b>Black Brick, Modified 1 x 4 x 1 1/3 No Studs, Curved Top</b> Catalog: <a href="#">Parts: Brick, Modified</a> 6019726 or 4200031	<a href="#">PG</a>
+		8	<a href="#">6191</a>	<b>Yellow Brick, Modified 1 x 4 x 1 1/3 No Studs, Curved Top</b> Catalog: <a href="#">Parts: Brick, Modified</a> 6019725 or 4200030	<a href="#">PG</a>
+		3	<a href="#">30165</a>	<b>Black Brick, Modified 2 x 2 Curved Top with 2 Top Studs</b> Catalog: <a href="#">Parts: Brick, Modified</a> 4113231 or 4200023	<a href="#">PG</a>
+		2	<a href="#">30000</a>	<b>Dark Gray Brick, Modified 2 x 2 with Pins and Axle Hole</b> Catalog: <a href="#">Parts: Brick, Modified</a> 3000027	<a href="#">PG</a>
+		2	<a href="#">30592</a>	<b>Light Gray Brick, Modified 2 x 2 with Top Pin and 1 x 2 Side Plates</b> Catalog: <a href="#">Parts: Brick, Modified</a> 4143056	<a href="#">PG</a>
+		2	<a href="#">6081</a>	<b>Black Brick, Modified 2 x 4 x 1 1/3 with Curved Top</b> Catalog: <a href="#">Parts: Brick, Modified</a> 6174252 or 4125550	<a href="#">PG</a>
+		3	<a href="#">6081</a>	<b>Yellow Brick, Modified 2 x 4 x 1 1/3 with Curved Top</b> Catalog: <a href="#">Parts: Brick, Modified</a> 4204625	<a href="#">PG</a>





+		4	<a href="#">3062b</a>	<b>Red Brick, Round 1 x 1 Open Stud</b>	<a href="#">PG</a>
	*			<a href="#">Catalog: Parts: Brick, Round</a> 306221	
+		2	<a href="#">553a</a>	<b>Yellow Brick, Round 2 x 2 Dome Top - Blocked Open Stud without Bottom Axle Holder</b>	<a href="#">PG</a>
	*			<a href="#">Catalog: Parts: Brick, Round</a> 4216656	
+		4	<a href="#">3937</a>	<b>Light Gray Hinge Brick 1 x 2 Base</b>	<a href="#">PG</a>
	*			<a href="#">Catalog: Parts: Hinge</a> 393702	
+		4	<a href="#">6134</a>	<b>Light Gray Hinge Brick 2 x 2 Top</b>	<a href="#">PG</a>
	*			<a href="#">Catalog: Parts: Hinge</a> Part Color Code Missing	
+		2	<a href="#">30553</a>	<b>Black Hinge Cylinder 1 x 2 Locking with 2 Fingers and Axle Hole on Ends</b>	<a href="#">PG</a>
	*			<a href="#">Catalog: Parts: Hinge</a> 4143372	
+		2	<a href="#">44301a</a>	<b>Yellow Hinge Plate 1 x 2 Locking with 1 Finger On End with Bottom Groove</b>	<a href="#">PG</a>
	*			<a href="#">Catalog: Parts: Hinge</a> 4588025 or 4183041 or 4295303	
+		4	<a href="#">44567a</a>	<b>Yellow Hinge Plate 1 x 2 Locking with 1 Finger on Side with Bottom Groove</b>	<a href="#">PG</a>
	*			<a href="#">Catalog: Parts: Hinge</a> 4185617	
+		6	<a href="#">30383</a>	<b>Dark Gray Hinge Plate 1 x 2 Locking with 1 Finger On Top</b>	<a href="#">PG</a>
	*			<a href="#">Catalog: Parts: Hinge</a> 4144572	
+		2	<a href="#">30383</a>	<b>Yellow Hinge Plate 1 x 2 Locking with 1 Finger On Top</b>	<a href="#">PG</a>
	*			<a href="#">Catalog: Parts: Hinge</a> 6131898 or 6036874 or 4199293	
+		2	<a href="#">44302a</a>	<b>Dark Gray Hinge Plate 1 x 2 Locking with 2 Fingers on End with Bottom Groove</b>	<a href="#">PG</a>
	*			<a href="#">Catalog: Parts: Hinge</a> 4183061	
+		6	<a href="#">44302a</a>	<b>Yellow Hinge Plate 1 x 2 Locking with 2 Fingers on End with Bottom Groove</b>	<a href="#">PG</a>
	*			<a href="#">Catalog: Parts: Hinge</a> 4183981	
+		4	<a href="#">2429c01(inv)</a>	<b>Yellow Hinge Plate 1 x 4 Swivel Top / Base</b>	<a href="#">PG</a>
	*			<a href="#">Catalog: Parts: Hinge</a> 6102768 or 4205196	





+		2	<a href="#">73590c02a</a>	<b>Light Gray Hose, Flexible 8.5L with Tabbed Ends (Ends same color as Tube)</b> <a href="#">Catalog: Parts: Hose</a> Part Color Code Missing	<a href="#">PG</a>
---	--	---	---------------------------	---	--------------------


+		2	<a href="#">78c02</a>	<b>Flat Silver Hose, Ribbed 7mm D. 2L</b> <a href="#">Catalog: Parts: Hose, Ribbed 7mm D.</a> 4620070 or 4142060 or 4495192	<a href="#">PG</a>
---	---	---	-----------------------	---	--------------------


+		2	<a href="#">4865</a>	<b>Dark Gray Panel 1 x 2 x 1</b> <a href="#">Catalog: Parts: Panel</a> 4118746	<a href="#">PG</a>
---	---	---	----------------------	--	--------------------


+		1	<a href="#">4864b</a>	<b>Black Panel 1 x 2 x 2 - Hollow Studs</b> <a href="#">Catalog: Parts: Panel</a> 486426 or 4113021	<a href="#">PG</a>
---	---	---	-----------------------	---	--------------------

+		1	<a href="#">2362a</a>	<b>Trans-Clear Panel 1 x 2 x 3 - Solid Studs</b> <a href="#">Catalog: Parts: Panel</a> 4100381	<a href="#">PG</a>
---	---	---	-----------------------	--	--------------------


+		2	<a href="#">4215b</a>	<b>Trans-Clear Panel 1 x 4 x 3 - Hollow Studs</b> <a href="#">Catalog: Parts: Panel</a> 4129534	<a href="#">PG</a>
---	--	---	-----------------------	---	--------------------


+		5	<a href="#">3024</a>	<b>Yellow Plate 1 x 1</b> <a href="#">Catalog: Parts: Plate</a> 302424	<a href="#">PG</a>
---	---	---	----------------------	--	--------------------

+		10	<a href="#">3023</a>	<b>Black Plate 1 x 2</b> <a href="#">Catalog: Parts: Plate</a> 302326	<a href="#">PG</a>
---	---	----	----------------------	---	--------------------


+		2	<a href="#">3023</a>	<b>Trans-Clear Plate 1 x 2</b> <a href="#">Catalog: Parts: Plate</a> 6240204 or 622540 or 4167842	<a href="#">PG</a>
---	---	---	----------------------	---	--------------------

+		14	<a href="#">3023</a>	<b>Yellow Plate 1 x 2</b> <a href="#">Catalog: Parts: Plate</a> 302324	<a href="#">PG</a>
---	---	----	----------------------	--	--------------------


+		4	<a href="#">3623</a>	<b>Black Plate 1 x 3</b> <a href="#">Catalog: Parts: Plate</a> 362326	<a href="#">PG</a>
---	---	---	----------------------	---	--------------------

+		2	<a href="#">3623</a>	<b>Red Plate 1 x 3</b> <a href="#">Catalog: Parts: Plate</a> 362321	<a href="#">PG</a>
---	---	---	----------------------	---	--------------------




+		4	<a href="#">3623</a>	<b>Yellow Plate 1 x 3</b> Catalog: <a href="#">Parts: Plate</a> 362324	<a href="#">PG</a>
---	--	---	----------------------	--	--------------------

\*

+		5	<a href="#">3710</a>	<b>Black Plate 1 x 4</b> Catalog: <a href="#">Parts: Plate</a> 371026	<a href="#">PG</a>
---	---	---	----------------------	---	--------------------


\*

+		8	<a href="#">3710</a>	<b>Dark Gray Plate 1 x 4</b> Catalog: <a href="#">Parts: Plate</a> 371027	<a href="#">PG</a>
---	---	---	----------------------	---	--------------------


\*

+		6	<a href="#">3666</a>	<b>Black Plate 1 x 6</b> Catalog: <a href="#">Parts: Plate</a> 366626	<a href="#">PG</a>
---	---	---	----------------------	---	--------------------


\*

+		5	<a href="#">3666</a>	<b>Yellow Plate 1 x 6</b> Catalog: <a href="#">Parts: Plate</a> 366624	<a href="#">PG</a>
---	---	---	----------------------	--	--------------------


\*

+		3	<a href="#">3460</a>	<b>Dark Gray Plate 1 x 8</b> Catalog: <a href="#">Parts: Plate</a> 346027	<a href="#">PG</a>
---	---	---	----------------------	---	--------------------


\*

+		4	<a href="#">4477</a>	<b>Dark Gray Plate 1 x 10</b> Catalog: <a href="#">Parts: Plate</a> Part Color Code Missing	<a href="#">PG</a>
---	---	---	----------------------	---	--------------------


\*

+		3	<a href="#">4477</a>	<b>Yellow Plate 1 x 10</b> Catalog: <a href="#">Parts: Plate</a> 6079138 or 447724	<a href="#">PG</a>
---	---	---	----------------------	--	--------------------


\*

+		4	<a href="#">3022</a>	<b>Black Plate 2 x 2</b> Catalog: <a href="#">Parts: Plate</a> 302226	<a href="#">PG</a>
---	---	---	----------------------	---	--------------------


\*

+		3	<a href="#">3022</a>	<b>Dark Gray Plate 2 x 2</b> Catalog: <a href="#">Parts: Plate</a> 4114003	<a href="#">PG</a>
---	---	---	----------------------	--	--------------------

\*


+		3	<a href="#">3022</a>	<b>Yellow Plate 2 x 2</b> Catalog: <a href="#">Parts: Plate</a> 4613978 or 302224	<a href="#">PG</a>
---	---	---	----------------------	---	--------------------

\*


+		4	<a href="#">2420</a>	<b>Black Plate 2 x 2 Corner</b> Catalog: <a href="#">Parts: Plate</a> 242026	<a href="#">PG</a>
---	---	---	----------------------	--	--------------------

\*





+		2	<a href="#">2420</a>	<b>Yellow Plate 2 x 2 Corner</b> Catalog: <a href="#">Parts: Plate</a> 242024	<a href="#">PG</a>
---	--	---	----------------------	---	--------------------

+		3	<a href="#">3021</a>	<b>Black Plate 2 x 3</b> Catalog: <a href="#">Parts: Plate</a> 302126	<a href="#">PG</a>
---	---	---	----------------------	---	--------------------

+		2	<a href="#">3021</a>	<b>Light Gray Plate 2 x 3</b> Catalog: <a href="#">Parts: Plate</a> 302102	<a href="#">PG</a>
---	---	---	----------------------	--	--------------------


+		4	<a href="#">3021</a>	<b>Red Plate 2 x 3</b> Catalog: <a href="#">Parts: Plate</a> 302121	<a href="#">PG</a>
---	---	---	----------------------	---	--------------------


+		6	<a href="#">3020</a>	<b>Black Plate 2 x 4</b> Catalog: <a href="#">Parts: Plate</a> 302026	<a href="#">PG</a>
---	---	---	----------------------	---	--------------------


+		9	<a href="#">3020</a>	<b>Dark Gray Plate 2 x 4</b> Catalog: <a href="#">Parts: Plate</a> 4112232	<a href="#">PG</a>
---	--	---	----------------------	--	--------------------

+		2	<a href="#">3020</a>	<b>Red Plate 2 x 4</b> Catalog: <a href="#">Parts: Plate</a> 302021	<a href="#">PG</a>
---	---	---	----------------------	---	--------------------

+		1	<a href="#">3795</a>	<b>Yellow Plate 2 x 6</b> Catalog: <a href="#">Parts: Plate</a> 379524	<a href="#">PG</a>
---	---	---	----------------------	--	--------------------













+		1	<a href="#">3034</a>	<b>Dark Gray Plate 2 x 8</b> Catalog: <a href="#">Parts: Plate</a> 303427	<a href="#">PG</a>
---	---	---	----------------------	---	--------------------

+		3	<a href="#">3034</a>	<b>Yellow Plate 2 x 8</b> Catalog: <a href="#">Parts: Plate</a> 303424	<a href="#">PG</a>
---	---	---	----------------------	--	--------------------













+		1	<a href="#">3832</a>	<b>Black Plate 2 x 10</b> Catalog: <a href="#">Parts: Plate</a> 383226	<a href="#">PG</a>
---	---	---	----------------------	--	--------------------

+		3	<a href="#">3832</a>	<b>Yellow Plate 2 x 10</b> Catalog: <a href="#">Parts: Plate</a> 383224	<a href="#">PG</a>
---	---	---	----------------------	---	--------------------







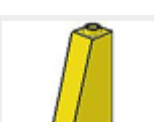







+	 *	4	<a href="#">2445</a>	<b>Black Plate 2 x 12</b> <a href="#">Catalog: Parts: Plate</a> 244526	<a href="#">PG</a>
+	 *	2	<a href="#">2445</a>	<b>Dark Gray Plate 2 x 12</b> <a href="#">Catalog: Parts: Plate</a> 4112847	<a href="#">PG</a>
+	 *	2	<a href="#">2445</a>	<b>Light Gray Plate 2 x 12</b> <a href="#">Catalog: Parts: Plate</a> Part Color Code Missing	<a href="#">PG</a>
+	 *	1	<a href="#">3035</a>	<b>Black Plate 4 x 8</b> <a href="#">Catalog: Parts: Plate</a> 303526	<a href="#">PG</a>
+	 *	1	<a href="#">3035</a>	<b>Dark Gray Plate 4 x 8</b> <a href="#">Catalog: Parts: Plate</a> 4110027	<a href="#">PG</a>
+	 *	1	<a href="#">3035</a>	<b>Yellow Plate 4 x 8</b> <a href="#">Catalog: Parts: Plate</a> 303524	<a href="#">PG</a>
+	 *	1	<a href="#">3030</a>	<b>Black Plate 4 x 10</b> <a href="#">Catalog: Parts: Plate</a> 303026	<a href="#">PG</a>
+	 *	1	<a href="#">3030</a>	<b>Yellow Plate 4 x 10</b> <a href="#">Catalog: Parts: Plate</a> 4200024	<a href="#">PG</a>
+	 *	1	<a href="#">3036</a>	<b>Black Plate 6 x 8</b> <a href="#">Catalog: Parts: Plate</a> 303626	<a href="#">PG</a>
+	 *	2	<a href="#">3028</a>	<b>Black Plate 6 x 12</b> <a href="#">Catalog: Parts: Plate</a> 302826	<a href="#">PG</a>
+	 *	2	<a href="#">3027</a>	<b>Black Plate 6 x 16</b> <a href="#">Catalog: Parts: Plate</a> 302726	<a href="#">PG</a>
+	 *	4	<a href="#">4081b</a>	<b>Black Plate, Modified 1 x 1 with Clip Light - Thick Ring</b> <a href="#">Catalog: Parts: Plate, Modified</a> 4632571 or 6281993 or 408126	<a href="#">PG</a>















+		2	<a href="#">4085c</a>	<b>Dark Gray Plate, Modified 1 x 1 with Clip Vertical - Type 3 (thick U clip)</b> <a href="#">Catalog:</a> <a href="#">Parts:</a> <a href="#">Plate, Modified</a> 4124060	<a href="#">PG</a>
+		4	<a href="#">3794a</a>	<b>Yellow Plate, Modified 1 x 2 with 1 Stud without Groove (Jumper)</b> <a href="#">Catalog:</a> <a href="#">Parts:</a> <a href="#">Plate, Modified</a> 379424	<a href="#">PG</a>
+		6	<a href="#">2540</a>	<b>Dark Gray Plate, Modified 1 x 2 with Handle on Side - Free Ends</b> <a href="#">Catalog:</a> <a href="#">Parts:</a> <a href="#">Plate, Modified</a> 4140589	<a href="#">PG</a>
+		1	<a href="#">2540</a>	<b>Red Plate, Modified 1 x 2 with Handle on Side - Free Ends</b> <a href="#">Catalog:</a> <a href="#">Parts:</a> <a href="#">Plate, Modified</a> 254021 or 4140585	<a href="#">PG</a>
+		2	<a href="#">4510</a>	<b>Black Plate, Modified 1 x 8 with Door Rail</b> <a href="#">Catalog:</a> <a href="#">Parts:</a> <a href="#">Plate, Modified</a> 4286009	<a href="#">PG</a>
+		7	<a href="#">2444</a>	<b>Black Plate, Modified 2 x 2 with Pin Hole</b> <a href="#">Catalog:</a> <a href="#">Parts:</a> <a href="#">Plate, Modified</a> 244426	<a href="#">PG</a>
+		2	<a href="#">3176</a>	<b>Yellow Plate, Modified 3 x 2 with Hole</b> <a href="#">Catalog:</a> <a href="#">Parts:</a> <a href="#">Plate, Modified</a> 4141738 or 4188313	<a href="#">PG</a>
+		14	<a href="#">4073</a>	<b>Light Gray Plate, Round 1 x 1 Straight Side</b> <a href="#">Catalog:</a> <a href="#">Parts:</a> <a href="#">Plate, Round</a> Part Color Code Missing	<a href="#">PG</a>
+		6	<a href="#">4073</a>	<b>Trans-Neon Orange Plate, Round 1 x 1 Straight Side</b> <a href="#">Catalog:</a> <a href="#">Parts:</a> <a href="#">Plate, Round</a> 6240218 or 3005747	<a href="#">PG</a>
+		2	<a href="#">4073</a>	<b>Trans-Red Plate, Round 1 x 1 Straight Side</b> <a href="#">Catalog:</a> <a href="#">Parts:</a> <a href="#">Plate, Round</a> 6208450 or 3005741	<a href="#">PG</a>
+		8	<a href="#">4073</a>	<b>Yellow Plate, Round 1 x 1 Straight Side</b> <a href="#">Catalog:</a> <a href="#">Parts:</a> <a href="#">Plate, Round</a> 614124	<a href="#">PG</a>
+		2	<a href="#">2654</a>	<b>Trans-Clear Plate, Round 2 x 2 with Rounded Bottom (Boat Stud)</b> <a href="#">Catalog:</a> <a href="#">Parts:</a> <a href="#">Plate, Round</a> 6163901 or 4199303 or 4278412	<a href="#">PG</a>




+	 *	1	<a href="#">6041</a>	<b>Red Propeller 3 Blade 3 Diameter</b> <a href="#">Catalog:</a> <a href="#">Parts:</a> <a href="#">Propeller</a> 6173893 or 4163288 or 604121	<a href="#">PG</a>
+	 *	1	<a href="#">x88</a>	<b>Black Rubber Band Small (Square Cross Section)</b> <a href="#">Catalog:</a> <a href="#">Parts:</a> <a href="#">Rubber Band &amp; Belt</a> 4107153	<a href="#">PG</a>
+	 *	4	<a href="#">4286</a>	<b>Yellow Slope 33 3 x 1</b> <a href="#">Catalog:</a> <a href="#">Parts:</a> <a href="#">Slope</a> 428624	<a href="#">PG</a>
+	 *	1	<a href="#">3298</a>	<b>Black Slope 33 3 x 2</b> <a href="#">Catalog:</a> <a href="#">Parts:</a> <a href="#">Slope</a> 329826	<a href="#">PG</a>
+	 *	2	<a href="#">3298</a>	<b>Yellow Slope 33 3 x 2</b> <a href="#">Catalog:</a> <a href="#">Parts:</a> <a href="#">Slope</a> 329824	<a href="#">PG</a>
+	 *	2	<a href="#">3040</a>	<b>Black Slope 45 2 x 1</b> <a href="#">Catalog:</a> <a href="#">Parts:</a> <a href="#">Slope</a> 304026 or 4121966	<a href="#">PG</a>
+	 *	4	<a href="#">4460a</a>	<b>Yellow Slope 75 2 x 1 x 3 - Open Stud</b> <a href="#">Catalog:</a> <a href="#">Parts:</a> <a href="#">Slope</a> 446024 or 4189323	<a href="#">PG</a>
+	 *	2	<a href="#">3684a</a>	<b>Yellow Slope 75 2 x 2 x 3 - Hollow Studs</b> <a href="#">Catalog:</a> <a href="#">Parts:</a> <a href="#">Slope</a> Part Color Code Missing	<a href="#">PG</a>
+	 *	2	<a href="#">30602</a>	<b>Dark Gray Slope, Curved 2 x 2 Lip, No Studs</b> <a href="#">Catalog:</a> <a href="#">Parts:</a> <a href="#">Slope, Curved</a> 4192271	<a href="#">PG</a>
+	 *	2	<a href="#">42022</a>	<b>Yellow Slope, Curved 6 x 1</b> <a href="#">Catalog:</a> <a href="#">Parts:</a> <a href="#">Slope, Curved</a> 4160392	<a href="#">PG</a>
+	 *	6	<a href="#">42023</a>	<b>Dark Gray Slope, Curved 6 x 1 Inverted</b> <a href="#">Catalog:</a> <a href="#">Parts:</a> <a href="#">Slope, Curved</a> 4160410	<a href="#">PG</a>
+	 *	2	<a href="#">44126</a>	<b>Dark Gray Slope, Curved 6 x 2</b> <a href="#">Catalog:</a> <a href="#">Parts:</a> <a href="#">Slope, Curved</a> 4180549	<a href="#">PG</a>




+		4	<a href="#">3660</a>	<b>Black Slope, Inverted 45 2 x 2</b> <a href="#">Catalog: Parts: Slope, Inverted</a> 366026	<a href="#">PG</a>
+		12	<a href="#">3660</a>	<b>Dark Gray Slope, Inverted 45 2 x 2</b> <a href="#">Catalog: Parts: Slope, Inverted</a> 366027	<a href="#">PG</a>
+		8	<a href="#">3660</a>	<b>Yellow Slope, Inverted 45 2 x 2</b> <a href="#">Catalog: Parts: Slope, Inverted</a> 366024	<a href="#">PG</a>
+		2	<a href="#">2449</a>	<b>Yellow Slope, Inverted 75 2 x 1 x 3</b> <a href="#">Catalog: Parts: Slope, Inverted</a> 6146485 or 6005032 or 4162736	<a href="#">PG</a>
+		1	<a href="#">3713</a>	<b>Light Gray Technic Bush</b> <a href="#">Catalog: Parts: Technic</a> 4125313	<a href="#">PG</a>
+		11	<a href="#">4265c</a>	<b>Light Gray Technic Bush 1/2 Smooth</b> <a href="#">Catalog: Parts: Technic</a> 4110050	<a href="#">PG</a>
+		1	<a href="#">2904</a>	<b>Black Technic Motorcycle Pivot</b> <a href="#">Catalog: Parts: Technic</a> 6181757 or 4295131 or 4543263	<a href="#">PG</a>
+		15	<a href="#">32062</a>	<b>Black Technic, Axle 2 Notched</b> <a href="#">Catalog: Parts: Technic, Axle</a> 3206226 or 4109810	<a href="#">PG</a>
+		5	<a href="#">4519</a>	<b>Light Gray Technic, Axle 3</b> <a href="#">Catalog: Parts: Technic, Axle</a> 4186007	<a href="#">PG</a>
+		2	<a href="#">3705</a>	<b>Black Technic, Axle 4</b> <a href="#">Catalog: Parts: Technic, Axle</a> 370526	<a href="#">PG</a>
+		3	<a href="#">32073</a>	<b>Light Gray Technic, Axle 5</b> <a href="#">Catalog: Parts: Technic, Axle</a> 4141482	<a href="#">PG</a>
+		6	<a href="#">3706</a>	<b>Black Technic, Axle 6</b> <a href="#">Catalog: Parts: Technic, Axle</a> 370626	<a href="#">PG</a>




+		2	<a href="#">3708</a>	<b>Black Technic, Axle 12</b> Catalog: <a href="#">Parts: Technic, Axle</a> 370826	<a href="#">PG</a>
---	--	---	----------------------	--	--------------------


\*

+		6	<a href="#">32013</a>	<b>Black Technic, Axle and Pin Connector Angled #1</b> Catalog: <a href="#">Parts: Technic, Connector</a> 6284699 or 4107085	<a href="#">PG</a>
---	---	---	-----------------------	--	--------------------


\*

+		2	<a href="#">32192</a>	<b>Light Gray Technic, Axle and Pin Connector Angled #4 - 135 degrees</b> Catalog: <a href="#">Parts: Technic, Connector</a> 4154762	<a href="#">PG</a>
---	---	---	-----------------------	--	--------------------


\*

+		2	<a href="#">6536</a>	<b>Black Technic, Axle and Pin Connector Perpendicular</b> Catalog: <a href="#">Parts: Technic, Connector</a> 6261371 or 4173668 or 653626	<a href="#">PG</a>
---	---	---	----------------------	--	--------------------


\*

+		2	<a href="#">32039</a>	<b>Black Technic, Axle Connector with Axle Hole</b> Catalog: <a href="#">Parts: Technic, Connector</a> 3203926 or 4107081	<a href="#">PG</a>
---	---	---	-----------------------	---	--------------------

\*

+		17	<a href="#">3749</a>	<b>Tan Technic, Axle Pin without Friction Ridges Lengthwise</b> Catalog: <a href="#">Parts: Technic, Axle</a> 4666579 or 65625 or 4186017	<a href="#">PG</a>
---	--	----	----------------------	---	--------------------

\*

+		1	<a href="#">2736</a>	<b>Light Gray Technic, Axle Towball</b> Catalog: <a href="#">Parts: Technic, Axle</a> 273602	<a href="#">PG</a>
---	---	---	----------------------	--	--------------------


\*

+		8	<a href="#">32064c</a>	<b>Yellow Technic, Brick 1 x 2 with Axle Hole and Inside Side Supports</b> Catalog: <a href="#">Parts: Technic, Brick</a> Part Color Code Missing	<a href="#">PG</a>
---	---	---	------------------------	---	--------------------


\*

+		2	<a href="#">3700</a>	<b>Light Gray Technic, Brick 1 x 2 with Hole</b> Catalog: <a href="#">Parts: Technic, Brick</a> 370002	<a href="#">PG</a>
---	---	---	----------------------	--	--------------------

\*

+		2	<a href="#">3701</a>	<b>Light Gray Technic, Brick 1 x 4 with Holes</b> Catalog: <a href="#">Parts: Technic, Brick</a> 370102	<a href="#">PG</a>
---	---	---	----------------------	---	--------------------

\*


+		6	<a href="#">3894</a>	<b>Black Technic, Brick 1 x 6 with Holes</b> Catalog: <a href="#">Parts: Technic, Brick</a> 389426	<a href="#">PG</a>
---	---	---	----------------------	--	--------------------


\*


+		2	<a href="#">3895</a>	<b>Black Technic, Brick 1 x 12 with Holes</b> Catalog: <a href="#">Parts: Technic, Brick</a> 389526	<a href="#">PG</a>
---	---	---	----------------------	---	--------------------

\*




+	 *	2	<a href="#">3895</a>	<b>Dark Gray Technic, Brick 1 x 12 with Holes</b> Catalog: <a href="#">Parts: Technic, Brick</a> 4200025	<a href="#">PG</a>
---	---	---	----------------------	--	--------------------


+	 *	2	<a href="#">32018</a>	<b>Black Technic, Brick 1 x 14 with Holes</b> Catalog: <a href="#">Parts: Technic, Brick</a> 4107558	<a href="#">PG</a>
---	--	---	-----------------------	--	--------------------


+	 *	2	<a href="#">40344</a>	<b>Light Gray Technic, Brick 4 x 6 Open Center</b> Catalog: <a href="#">Parts: Technic, Brick</a> 4155381	<a href="#">PG</a>
---	--	---	-----------------------	---	--------------------


+	 *	1	<a href="#">3647</a>	<b>Light Gray Technic, Gear 8 Tooth Type 1</b> Catalog: <a href="#">Parts: Technic, Gear</a> 364702	<a href="#">PG</a>
---	--	---	----------------------	---	--------------------


+	 *	2	<a href="#">41677</a>	<b>Black Technic, Liftarm 1 x 2 Thin</b> Catalog: <a href="#">Parts: Technic, Liftarm</a> 4167726 or 4164133	<a href="#">PG</a>
---	--	---	-----------------------	--	--------------------


+	 *	8	<a href="#">32523</a>	<b>Light Gray Technic, Liftarm 1 x 3 Thick</b> Catalog: <a href="#">Parts: Technic, Liftarm</a> 4142599	<a href="#">PG</a>
---	---	---	-----------------------	---	--------------------


+	 *	2	<a href="#">6632</a>	<b>Black Technic, Liftarm 1 x 3 Thin</b> Catalog: <a href="#">Parts: Technic, Liftarm</a> 4107828 or 663226	<a href="#">PG</a>
---	--	---	----------------------	---	--------------------

+	 *	2	<a href="#">32449</a>	<b>Black Technic, Liftarm 1 x 4 Thin</b> Catalog: <a href="#">Parts: Technic, Liftarm</a> 3244926 or 4142236	<a href="#">PG</a>
---	--	---	-----------------------	--	--------------------













+	 *	2	<a href="#">32449</a>	<b>Light Gray Technic, Liftarm 1 x 4 Thin</b> Catalog: <a href="#">Parts: Technic, Liftarm</a> 4141603	<a href="#">PG</a>
---	--	---	-----------------------	--	--------------------

+	 *	2	<a href="#">2825</a>	<b>Black Technic, Liftarm 1 x 4 Thin with Stud Connector</b> Catalog: <a href="#">Parts: Technic, Liftarm</a> 3200626 or 4107136	<a href="#">PG</a>
---	--	---	----------------------	--	--------------------

+	 *	4	<a href="#">32140</a>	<b>Black Technic, Liftarm 2 x 4 L-Shape Thick</b> Catalog: <a href="#">Parts: Technic, Liftarm</a> 6271825 or 3214026 or 4120017	<a href="#">PG</a>
---	--	---	-----------------------	--	--------------------

+	 *	4	<a href="#">32526</a>	<b>Black Technic, Liftarm 3 x 5 L-Shape Thick</b> Catalog: <a href="#">Parts: Technic, Liftarm</a> 3252626 or 4142823	<a href="#">PG</a>
---	--	---	-----------------------	---	--------------------



+	 *	4	<a href="#">2739b</a>	<b>Dark Gray Technic, Link 1 x 6 with Stoppers</b> Catalog: <a href="#">Parts: Technic, Link</a> 4100406	<a href="#">PG</a>
+	 *	8	<a href="#">4274</a>	<b>Blue Technic, Pin 1/2</b> Catalog: <a href="#">Parts: Technic, Pin</a> 4143005	<a href="#">PG</a>
+	 *	18	<a href="#">6558</a>	<b>Black Technic, Pin 3L with Friction Ridges Lengthwise</b> Catalog: <a href="#">Parts: Technic, Pin</a> 655826	<a href="#">PG</a>
+	 *	4	<a href="#">32054</a>	<b>Dark Gray Technic, Pin 3L with Friction Ridges Lengthwise and Stop Bush</b> Catalog: <a href="#">Parts: Technic, Pin</a> 4141437	<a href="#">PG</a>
+	 *	3	<a href="#">32530</a>	<b>Dark Gray Technic, Pin Connector Plate 1 x 2 x 1 2/3 with 2 Holes (Double on Top)</b> Catalog: <a href="#">Parts: Technic, Connector</a> 4157827	<a href="#">PG</a>
+	 *	2	<a href="#">75535</a>	<b>Yellow Technic, Pin Connector Round 2L without Slot (Pin Joiner Round)</b> Catalog: <a href="#">Parts: Technic, Connector</a> 75644	<a href="#">PG</a>
+	 *	4	<a href="#">6628</a>	<b>Black Technic, Pin with Friction Ridges Lengthwise and Towball</b> Catalog: <a href="#">Parts: Technic, Pin</a> 662826 or 4184169	<a href="#">PG</a>
+	 *	8	<a href="#">2780</a>	<b>Black Technic, Pin with Friction Ridges Lengthwise WITH Center Slots</b> Catalog: <a href="#">Parts: Technic, Pin</a> 4121715 or 278026	<a href="#">PG</a>
+	 *	2	<a href="#">32001</a>	<b>Black Technic, Plate 2 x 6 with 5 Holes</b> Catalog: <a href="#">Parts: Technic, Plate</a> 3200126	<a href="#">PG</a>
+	 *	4	<a href="#">731c04 (inv)</a>	<b>Yellow Technic, Shock Absorber 6.5L - Hard Spring</b> Catalog: <a href="#">Parts: Technic, Shock Absorber</a> 6027566 or 4142622 or 7653726	<a href="#">PG</a>
+	 *	4	<a href="#">6571</a>	<b>Black Technic, Steering Arm Small with Pin Hole and Ball (Towball)</b> Catalog: <a href="#">Parts: Technic, Steering</a> 4543367 or 657126	<a href="#">PG</a>
+	 *	8	<a href="#">6572</a>	<b>Light Gray Technic, Steering Knuckle Arm with Ball Joint (Towball)</b> Catalog: <a href="#">Parts: Technic, Steering</a> Part Color Code Missing	<a href="#">PG</a>




+	 *	1	<a href="#">2819</a>	<b>Light Gray Technic, Steering Wheel Small, 3 Studs Diameter</b> <a href="#">Catalog: Parts: Technic, Steering</a> Part Color Code Missing	<a href="#">PG</a>
+	 *	6	<a href="#">3070b</a>	<b>Black Tile 1 x 1 with Groove (3070)</b> <a href="#">Catalog: Parts: Tile</a> 307026	<a href="#">PG</a>
+	 *	8	<a href="#">3070b</a>	<b>Yellow Tile 1 x 1 with Groove (3070)</b> <a href="#">Catalog: Parts: Tile</a> 307024	<a href="#">PG</a>
+	 *	13	<a href="#">3069b</a>	<b>Black Tile 1 x 2 with Groove</b> <a href="#">Catalog: Parts: Tile</a> 306926	<a href="#">PG</a>
+	 *	6	<a href="#">3069b</a>	<b>Dark Gray Tile 1 x 2 with Groove</b> <a href="#">Catalog: Parts: Tile</a> 4109959	<a href="#">PG</a>
+	 *	2	<a href="#">3069b</a>	<b>Trans-Neon Orange Tile 1 x 2 with Groove</b> <a href="#">Catalog: Parts: Tile</a> 4204537	<a href="#">PG</a>
+	 *	5	<a href="#">3069b</a>	<b>Yellow Tile 1 x 2 with Groove</b> <a href="#">Catalog: Parts: Tile</a> 306924	<a href="#">PG</a>
+	 *	8	<a href="#">2431</a>	<b>Dark Gray Tile 1 x 4</b> <a href="#">Catalog: Parts: Tile</a> 4109979	<a href="#">PG</a>
+	 *	6	<a href="#">2431</a>	<b>Yellow Tile 1 x 4</b> <a href="#">Catalog: Parts: Tile</a> 243124	<a href="#">PG</a>
+	 *	4	<a href="#">6636</a>	<b>Black Tile 1 x 6</b> <a href="#">Catalog: Parts: Tile</a> 663626	<a href="#">PG</a>
+	 *	6	<a href="#">6636</a>	<b>Dark Gray Tile 1 x 6</b> <a href="#">Catalog: Parts: Tile</a> 4129575	<a href="#">PG</a>
+	 *	7	<a href="#">6636</a>	<b>Yellow Tile 1 x 6</b> <a href="#">Catalog: Parts: Tile</a> 663624	<a href="#">PG</a>





+		2	<a href="#">4162</a>	<b>Black Tile 1 x 8</b> <a href="#">Catalog:</a> <a href="#">Parts:</a> <a href="#">Tile</a> 416226	<a href="#">PG</a>
	*				

+		2	<a href="#">4162</a>	<b>Yellow Tile 1 x 8</b> <a href="#">Catalog:</a> <a href="#">Parts:</a> <a href="#">Tile</a> 416224 or 4189400	<a href="#">PG</a>
	*				

+		8	<a href="#">3068b</a>	<b>Black Tile 2 x 2 with Groove</b> <a href="#">Catalog:</a> <a href="#">Parts:</a> <a href="#">Tile</a> 306826	<a href="#">PG</a>
	*				

+		4	<a href="#">3068b</a>	<b>Dark Gray Tile 2 x 2 with Groove</b> <a href="#">Catalog:</a> <a href="#">Parts:</a> <a href="#">Tile</a> 4109986	<a href="#">PG</a>
	*				

+		2	<a href="#">3068b</a>	<b>Yellow Tile 2 x 2 with Groove</b> <a href="#">Catalog:</a> <a href="#">Parts:</a> <a href="#">Tile</a> 306824	<a href="#">PG</a>
	*				


+		2	<a href="#">2555</a>	<b>Black Tile, Modified 1 x 1 with Clip</b> <a href="#">Catalog:</a> <a href="#">Parts:</a> <a href="#">Tile, Modified</a> 6030718 or 255526	<a href="#">PG</a>
	*				


+		2	<a href="#">2412b</a>	<b>Black Tile, Modified 1 x 2 Grille with Bottom Groove / Lip</b> <a href="#">Catalog:</a> <a href="#">Parts:</a> <a href="#">Tile, Modified</a> 241226	<a href="#">PG</a>
	*				

+		8	<a href="#">2412b</a>	<b>Light Gray Tile, Modified 1 x 2 Grille with Bottom Groove / Lip</b> <a href="#">Catalog:</a> <a href="#">Parts:</a> <a href="#">Tile, Modified</a> 241202	<a href="#">PG</a>
	*				




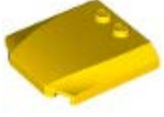








+		4	<a href="#">2412b</a>	<b>Trans-Red Tile, Modified 1 x 2 Grille with Bottom Groove / Lip</b> <a href="#">Catalog:</a> <a href="#">Parts:</a> <a href="#">Tile, Modified</a> 6250158 or 4190187 or 3024441	<a href="#">PG</a>
	*				

+		1	<a href="#">6178</a>	<b>Yellow Tile, Modified 6 x 12 with Studs on Edges</b> <a href="#">Catalog:</a> <a href="#">Parts:</a> <a href="#">Tile, Modified</a> 4295304 or 4542680	<a href="#">PG</a>
	*				


+		4	<a href="#">44308</a>	<b>Black Tire 43.2 x 22 H</b> <a href="#">Catalog:</a> <a href="#">Parts:</a> <a href="#">Tire &amp; Tread</a> 4184285	<a href="#">PG</a>
	*				


+		4	<a href="#">41893</a>	<b>Black Tire 68.8 x 36 H</b> <a href="#">Catalog:</a> <a href="#">Parts:</a> <a href="#">Tire &amp; Tread</a> 4192762 or 4189326	<a href="#">PG</a>
	*				





+	 *	4	<a href="#">30505</a>	<b>Black Wedge 3 x 3 Cut Corner</b> <a href="#">Catalog: Parts: Wedge</a> 4159550	<a href="#">PG</a>
+	 *	2	<a href="#">41768</a>	<b>Yellow Wedge 4 x 2 Left</b> <a href="#">Catalog: Parts: Wedge</a> 4160348	<a href="#">PG</a>
+	 *	2	<a href="#">41767</a>	<b>Yellow Wedge 4 x 2 Right</b> <a href="#">Catalog: Parts: Wedge</a> 4160333	<a href="#">PG</a>
+	 *	2	<a href="#">45677</a>	<b>Yellow Wedge 4 x 4 x 2/3 Triple Curved</b> <a href="#">Catalog: Parts: Wedge</a> 4193073	<a href="#">PG</a>
+	 *	2	<a href="#">41765</a>	<b>Dark Gray Wedge 6 x 2 Inverted Left</b> <a href="#">Catalog: Parts: Wedge</a> 4161282	<a href="#">PG</a>
+	 *	2	<a href="#">41764</a>	<b>Dark Gray Wedge 6 x 2 Inverted Right</b> <a href="#">Catalog: Parts: Wedge</a> 4161267	<a href="#">PG</a>
+	 *	1	<a href="#">43712</a>	<b>Yellow Wedge 6 x 4 Triple Curved</b> <a href="#">Catalog: Parts: Wedge</a> 6097645 or 4180483	<a href="#">PG</a>
+	 *	1	<a href="#">41750</a>	<b>Yellow Wedge 8 x 3 x 2 Open Left</b> <a href="#">Catalog: Parts: Wedge</a> 4625820 or 4161223 or 4501968	<a href="#">PG</a>
+	 *	1	<a href="#">41749</a>	<b>Yellow Wedge 8 x 3 x 2 Open Right</b> <a href="#">Catalog: Parts: Wedge</a> 4625815 or 4161207 or 4501967	<a href="#">PG</a>
+	 *	3	<a href="#">43723</a>	<b>Dark Gray Wedge, Plate 3 x 2 Left</b> <a href="#">Catalog: Parts: Wedge, Plate</a> 4180537	<a href="#">PG</a>
+	 *	3	<a href="#">43722</a>	<b>Dark Gray Wedge, Plate 3 x 2 Right</b> <a href="#">Catalog: Parts: Wedge, Plate</a> 4180509	<a href="#">PG</a>
+	 *	1	<a href="#">41770</a>	<b>Yellow Wedge, Plate 4 x 2 Left</b> <a href="#">Catalog: Parts: Wedge, Plate</a> 4161331	<a href="#">PG</a>




+	 *	1	<a href="#">41769</a>	<b>Yellow Wedge, Plate 4 x 2 Right</b> <a href="#">Catalog: Parts: Wedge, Plate</a> 4160868	<a href="#">PG</a>
---	---	---	-----------------------	---	--------------------


+	 *	4	<a href="#">44292</a>	<b>Light Gray Wheel 30.4mm D. x 20mm with 3 Pin Holes</b> <a href="#">Catalog: Parts: Wheel</a> Part Color Code Missing	<a href="#">PG</a>
---	--	---	-----------------------	---	--------------------


+	 *	4	<a href="#">41896</a>	<b>Light Gray Wheel 43.2mm D. x 26mm Technic Racing Small, 3 Pin Holes</b> <a href="#">Catalog: Parts: Wheel</a> 4180144	<a href="#">PG</a>
---	--	---	-----------------------	--	--------------------

+	 *	2	<a href="#">6070</a>	<b>Trans-Black Windscreen 5 x 2 x 1 2/3</b> <a href="#">Catalog: Parts: Windscreen</a> 4204624	<a href="#">PG</a>
---	--	---	----------------------	--	--------------------


+	 *	2	<a href="#">46413</a>	<b>Yellow Windscreen 8 x 4 x 2 Curved with Locking Dual 2 Fingers</b> <a href="#">Catalog: Parts: Windscreen</a> 4199297 or 4583915 or 4501969	<a href="#">PG</a>
---	--	---	-----------------------	--	--------------------


**Extra Items:**


+	 *	1	<a href="#">4073</a>	<b>Light Gray Plate, Round 1 x 1 Straight Side</b> <a href="#">Catalog: Parts: Plate, Round</a> Part Color Code Missing	<a href="#">PG</a>
---	---	---	----------------------	---	--------------------


+	 *	1	<a href="#">4073</a>	<b>Trans-Neon Orange Plate, Round 1 x 1 Straight Side</b> <a href="#">Catalog: Parts: Plate, Round</a> 6240218 or 3005747	<a href="#">PG</a>
---	--	---	----------------------	---	--------------------

+	 *	1	<a href="#">4073</a>	<b>Trans-Red Plate, Round 1 x 1 Straight Side</b> <a href="#">Catalog: Parts: Plate, Round</a> 6208450 or 3005741	<a href="#">PG</a>
---	--	---	----------------------	---	--------------------

+	 *	1	<a href="#">4073</a>	<b>Yellow Plate, Round 1 x 1 Straight Side</b> <a href="#">Catalog: Parts: Plate, Round</a> 614124	<a href="#">PG</a>
---	--	---	----------------------	--	--------------------

+	 *	1	<a href="#">41752</a>	<b>Dark Gray Rubber Band / Belt Holder 2 x 4 x 2 1/3</b> <a href="#">Catalog: Parts: Rubber Band &amp; Belt</a> Part Color Code Missing	<a href="#">PG</a>
---	--	---	-----------------------	---	--------------------

+	 *	3	<a href="#">x88</a>	<b>Black Rubber Band Small (Square Cross Section)</b> <a href="#">Catalog: Parts: Rubber Band &amp; Belt</a> 4107153	<a href="#">PG</a>
---	--	---	---------------------	--	--------------------

+	 *	1	<a href="#">3713</a>	<b>Light Gray Technic Bush</b> <a href="#">Catalog: Parts: Technic</a> 4125313	<a href="#">PG</a>
---	--	---	----------------------	--	--------------------





\*

+



\*

1

[4265c](#)**Light Gray Technic Bush 1/2 Smooth**[Catalog: Parts: Technic](#)  
4110050[PG](#)

+



\*

1

[4274](#)**Blue Technic, Pin 1/2**[Catalog: Parts: Technic, Pin](#)  
4143005[PG](#)

+

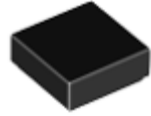


\*

1

[2780](#)**Black Technic, Pin with Friction Ridges Lengthwise WITH Center Slots**[Catalog: Parts: Technic, Pin](#)  
4121715 or 278026[PG](#)

+



\*

1

[3070b](#)**Black Tile 1 x 1 with Groove (3070)**[Catalog: Parts: Tile](#)  
307026[PG](#)

+



\*

1

[3070b](#)**Yellow Tile 1 x 1 with Groove (3070)**[Catalog: Parts: Tile](#)  
307024[PG](#)**Counterparts:**

+



\*

4

[44292c01\(inv\)](#)**Light Gray Wheel 30.4mm D. x 20mm with 3 Pin Holes with Black Tire 43.2 x 22 H (44292 / 44308)**[Catalog: Parts: Wheel & Tire Assembly](#)  
Part Color Code Missing[PG](#)

+



\*

4

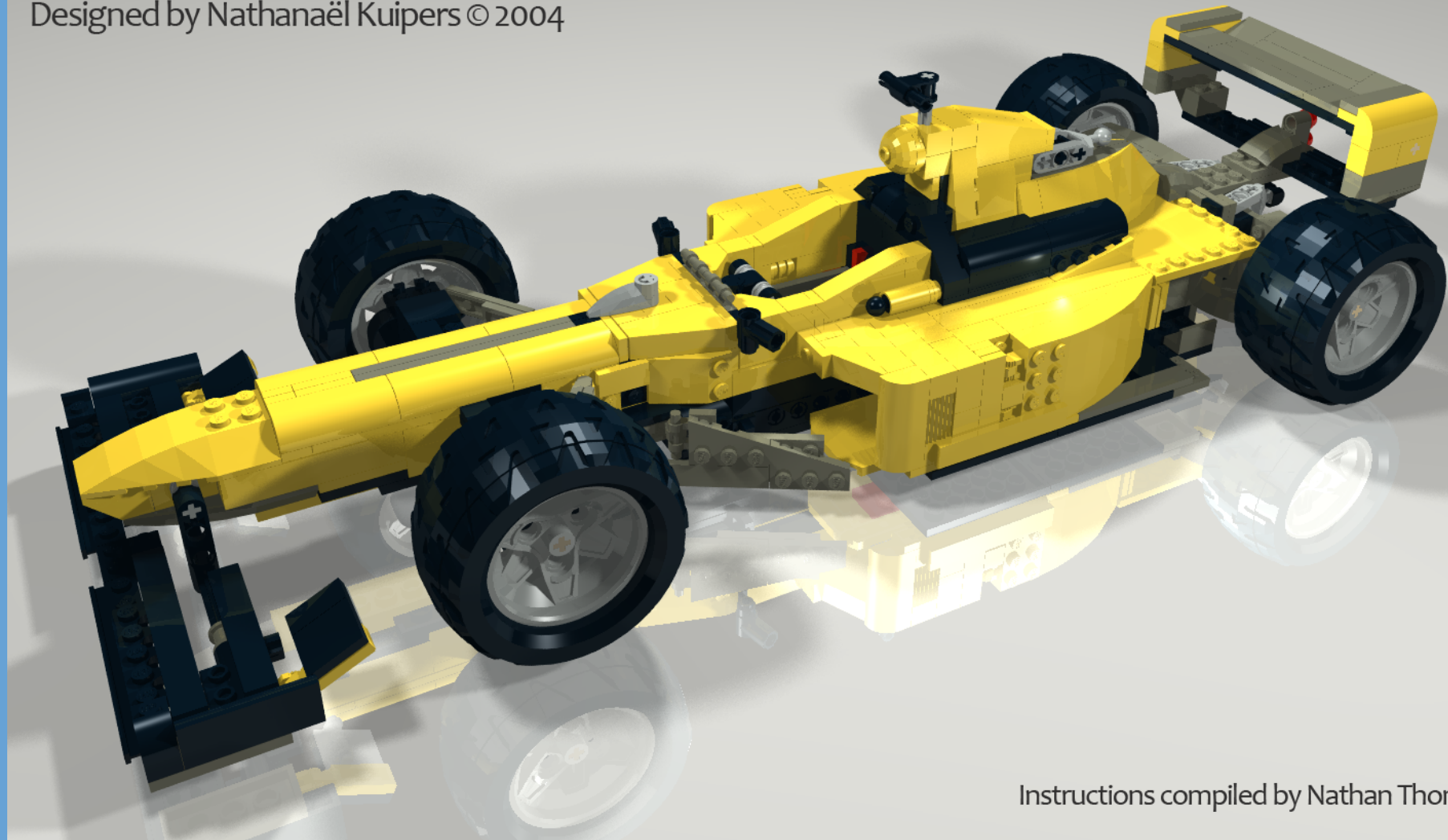
[41896c02\(inv\)](#)**Light Gray Wheel 43.2mm D. x 26mm Technic Racing Small, 3 Pin Holes with Black Tire 68.8 x 36 H (41896 / 41893)**[Catalog: Parts: Wheel & Tire Assembly](#)  
Part Color Code Missing[PG](#)**Summary:**

Type	Unique Lots	Total Qty
<b>Regular Items:</b>		
Parts	208	769
<b>Extra Items:</b>		
Parts	12	14
<b>Counterparts:</b>		
Parts	2	8



# Formula 1 MOC (alternate build for LEGO set 4404)

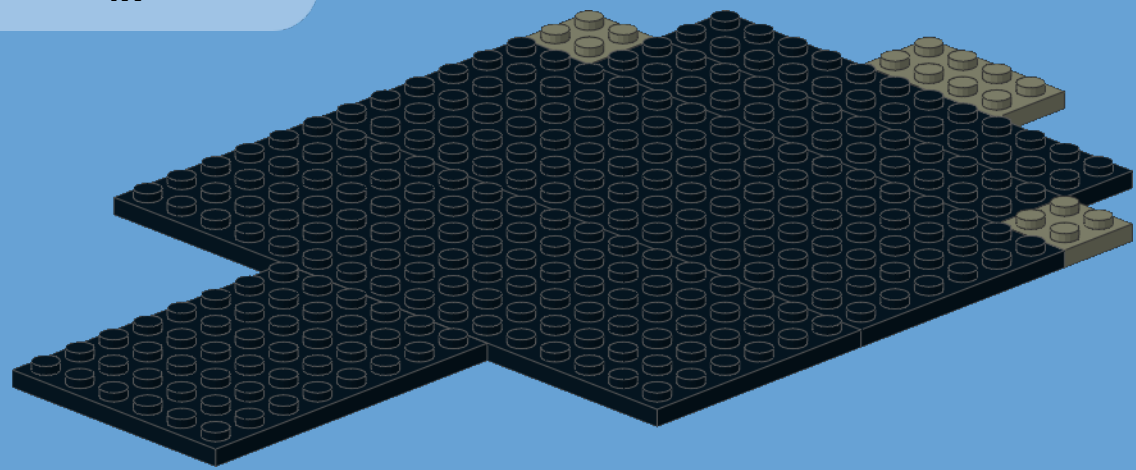
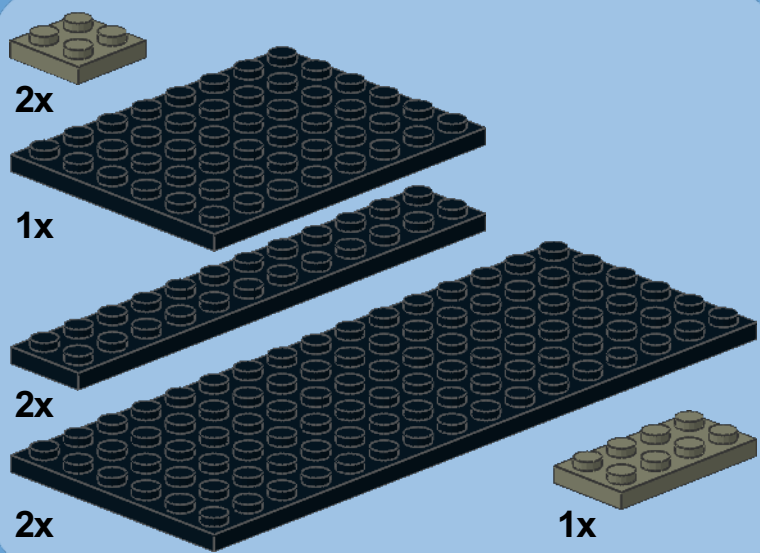
Designed by Nathanaël Kuipers © 2004



Instructions compiled by Nathan Thom

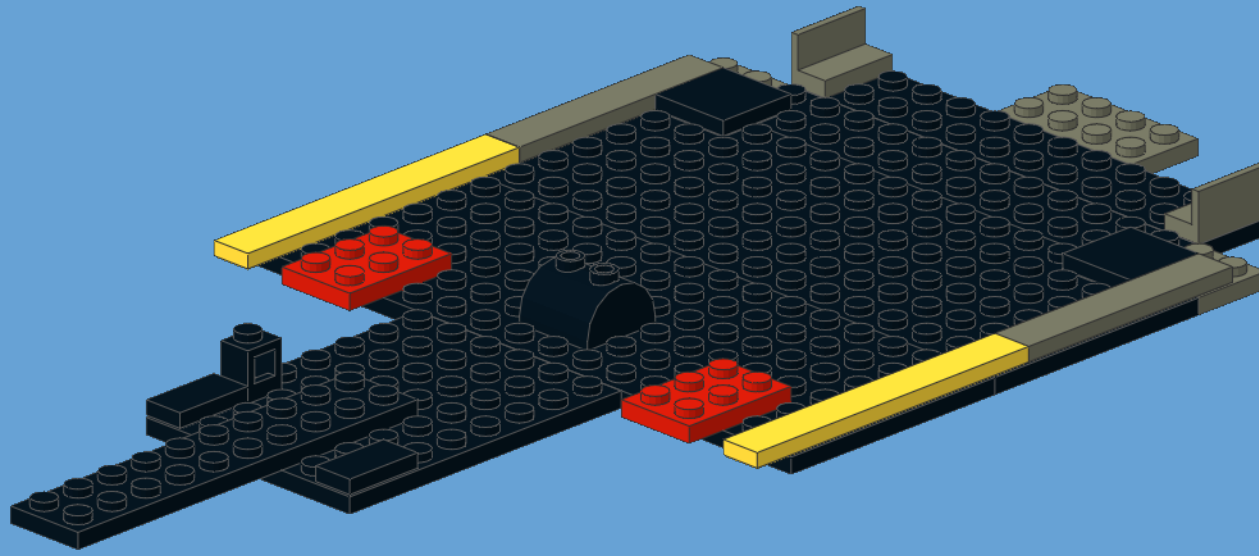
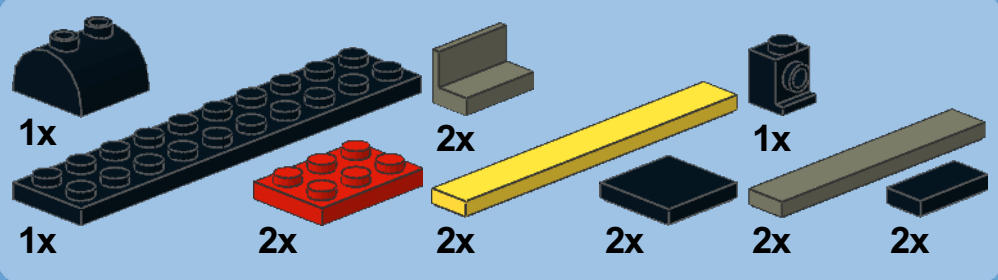


1



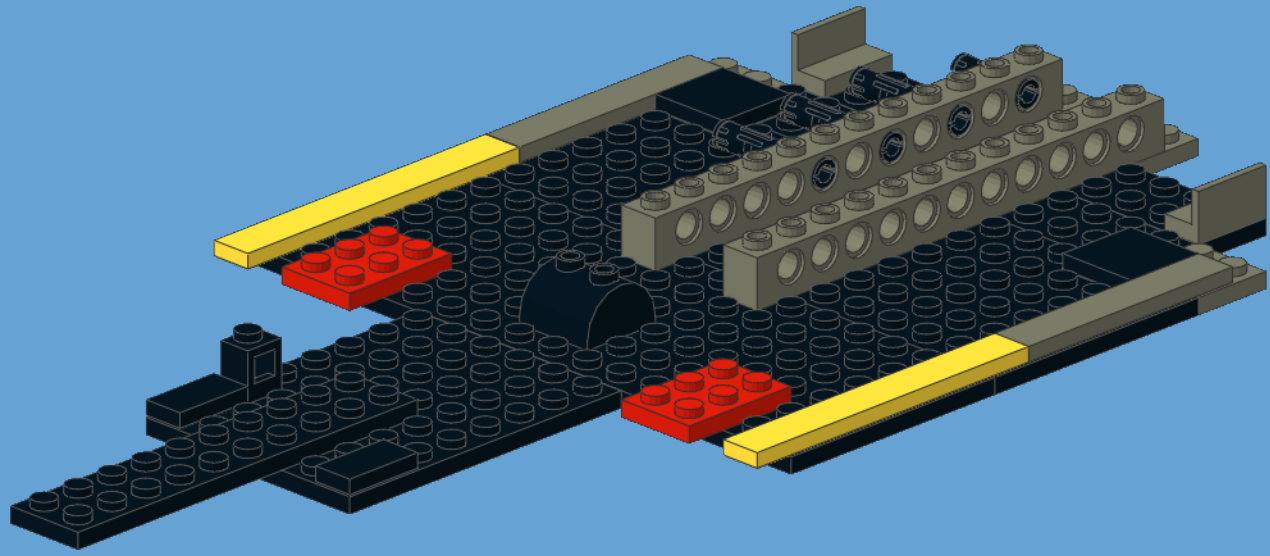
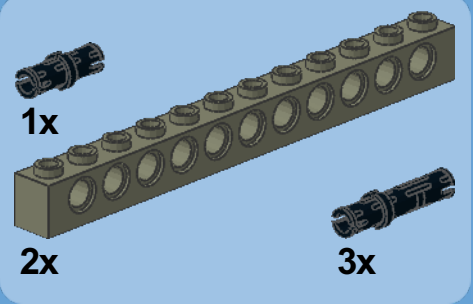


2



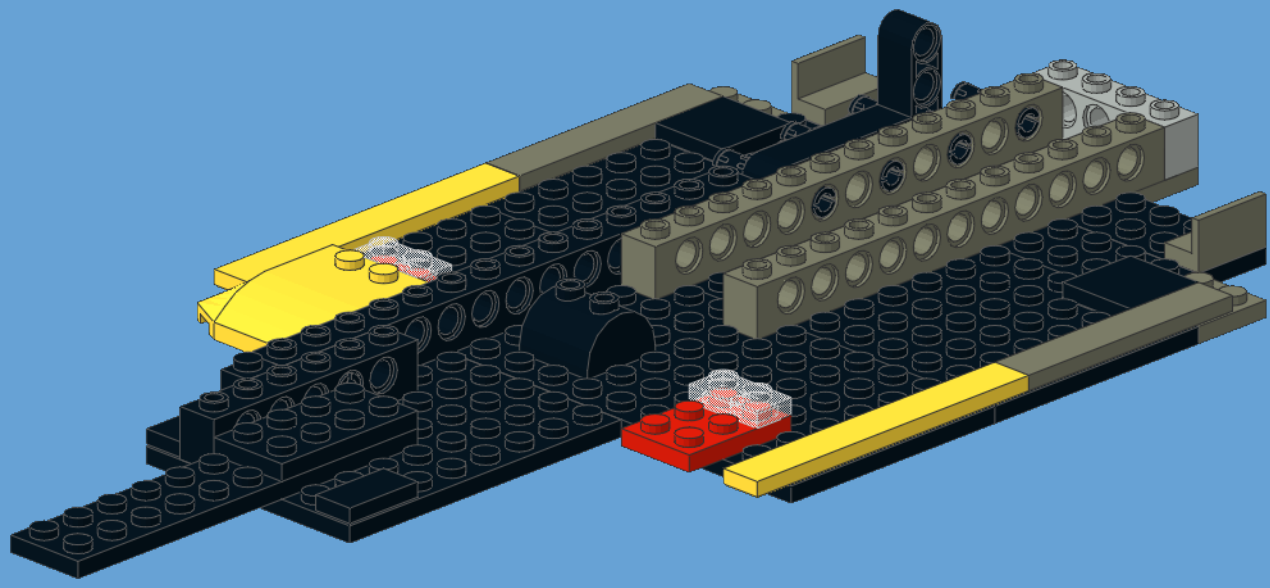
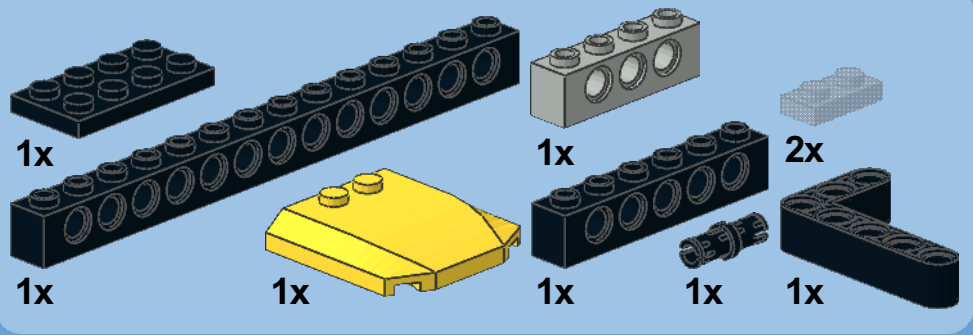


3



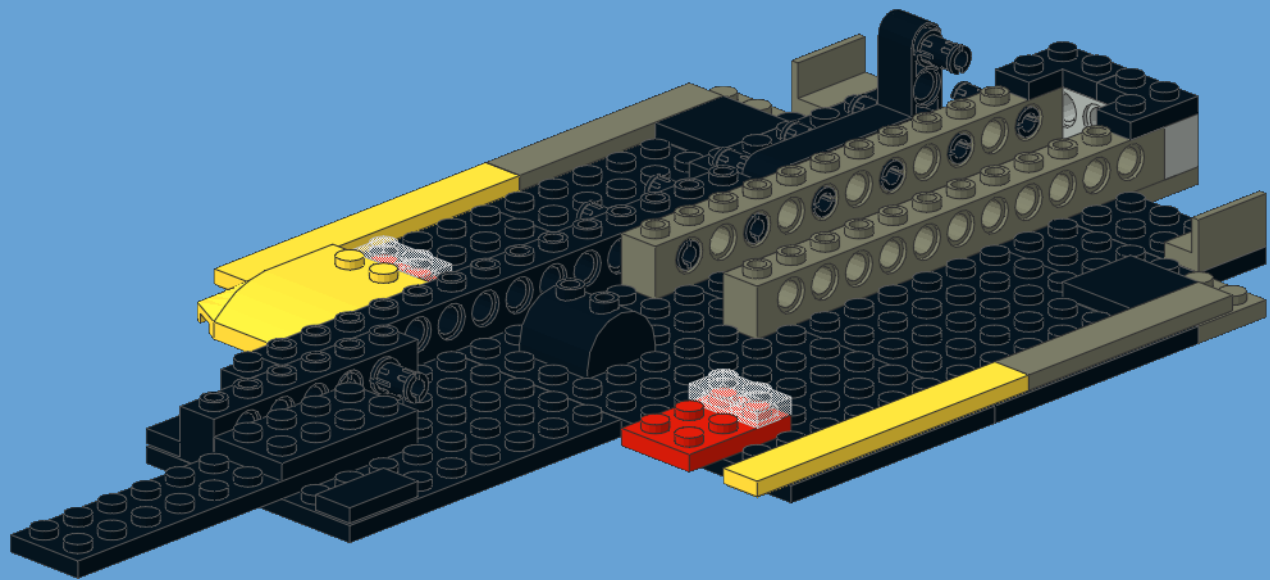
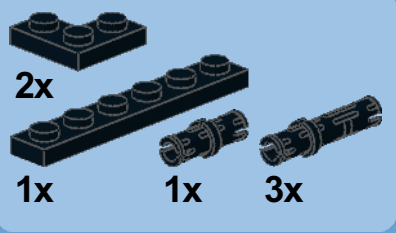


4



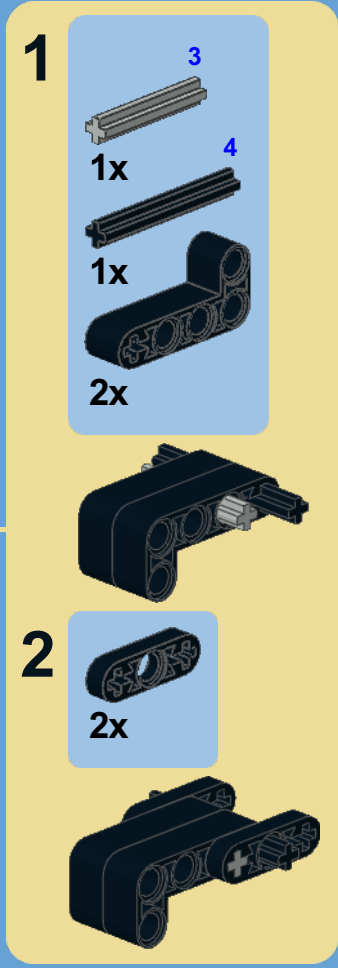
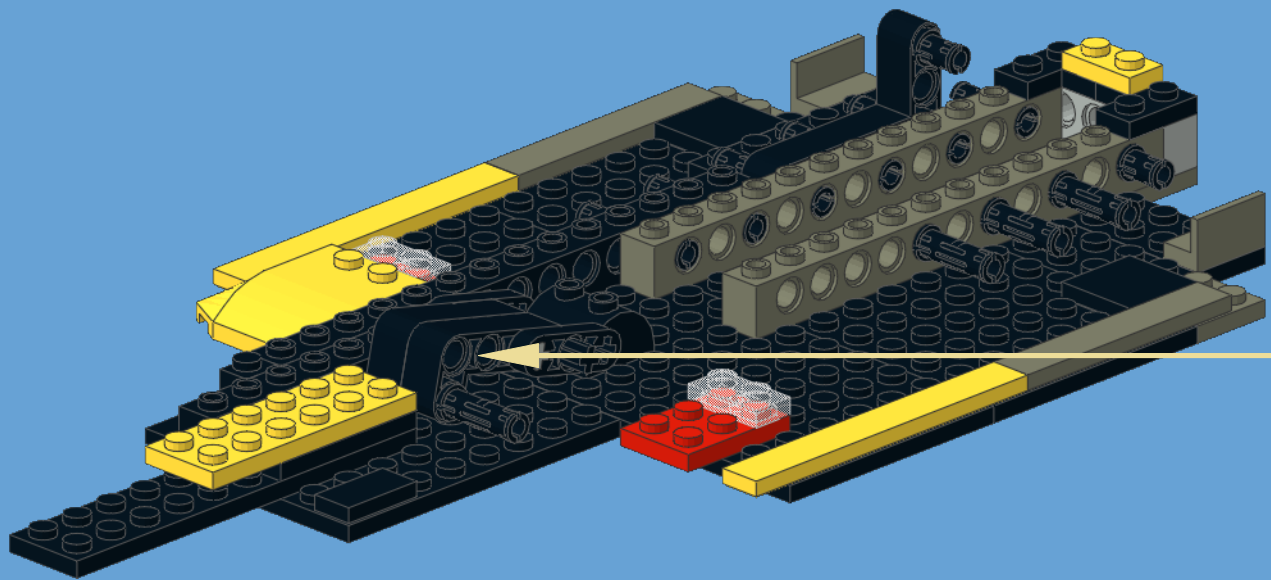
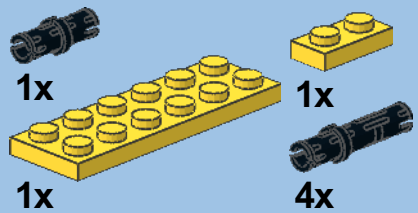


5



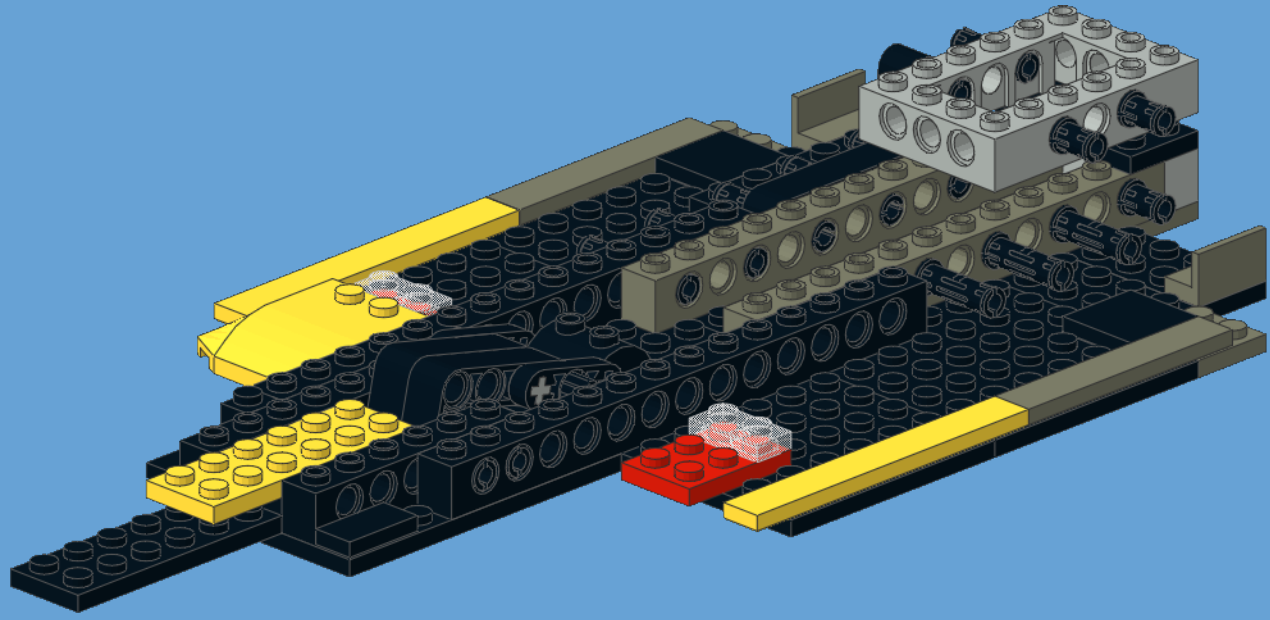
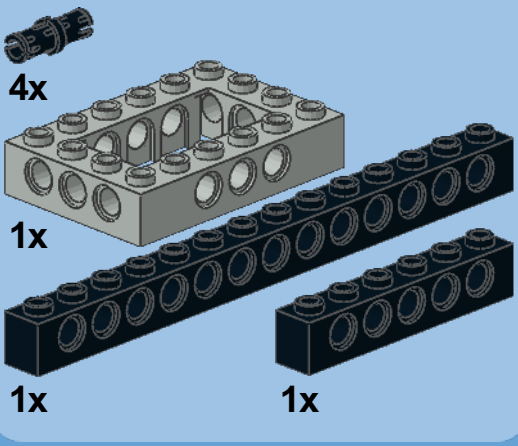


6





7



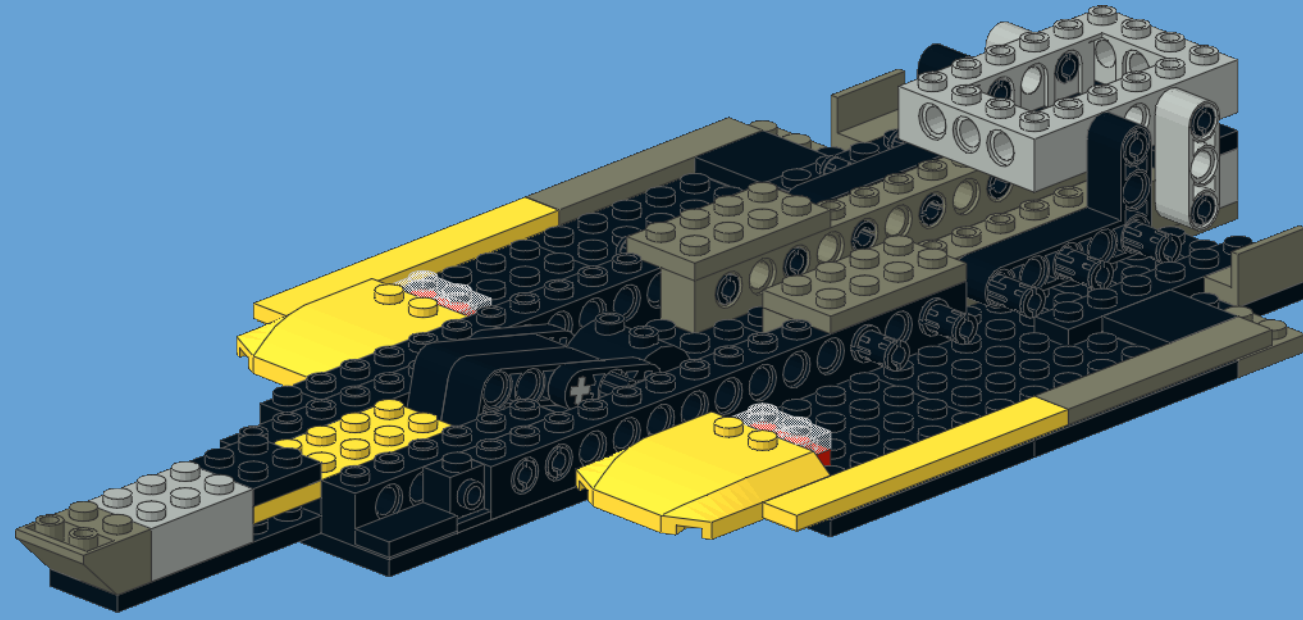






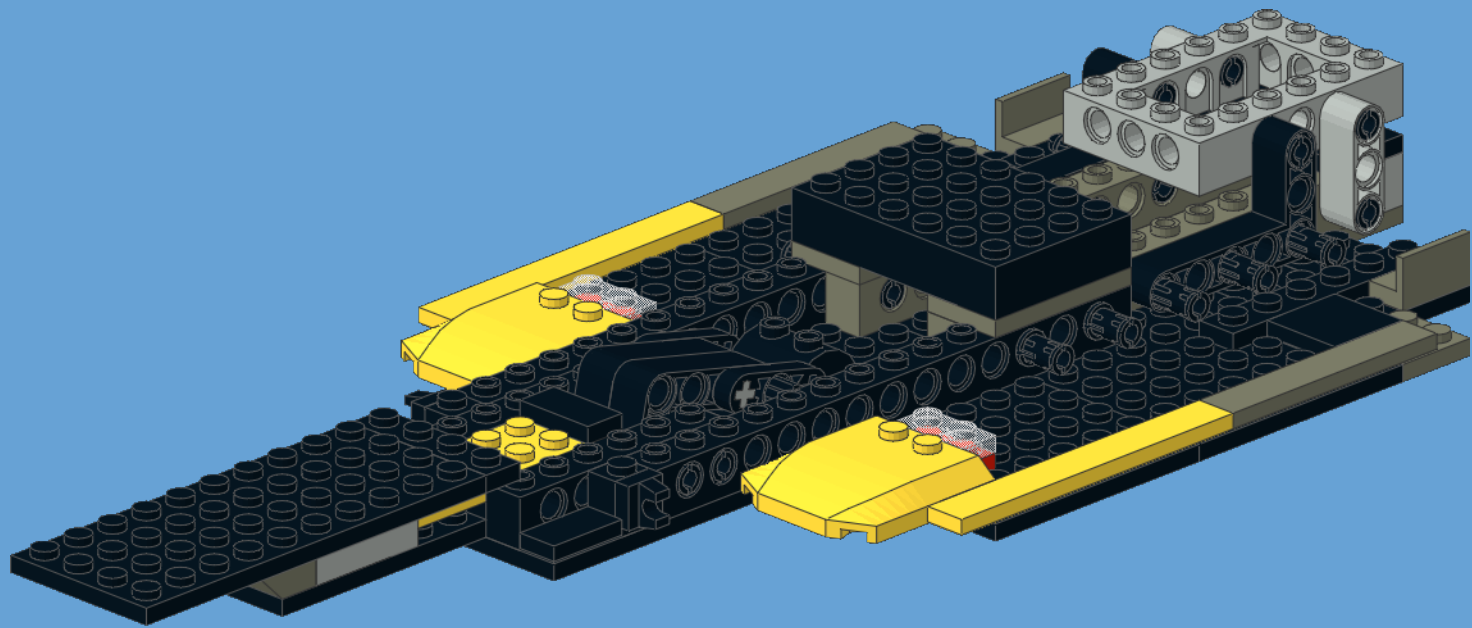
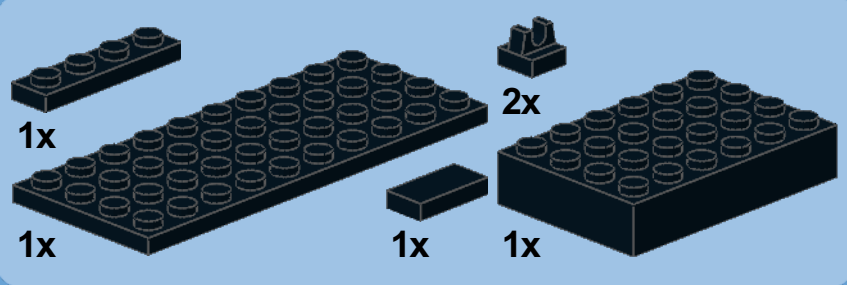
9

- 1x
- 1x
- 2x
- 1x
- 1x
- 1x

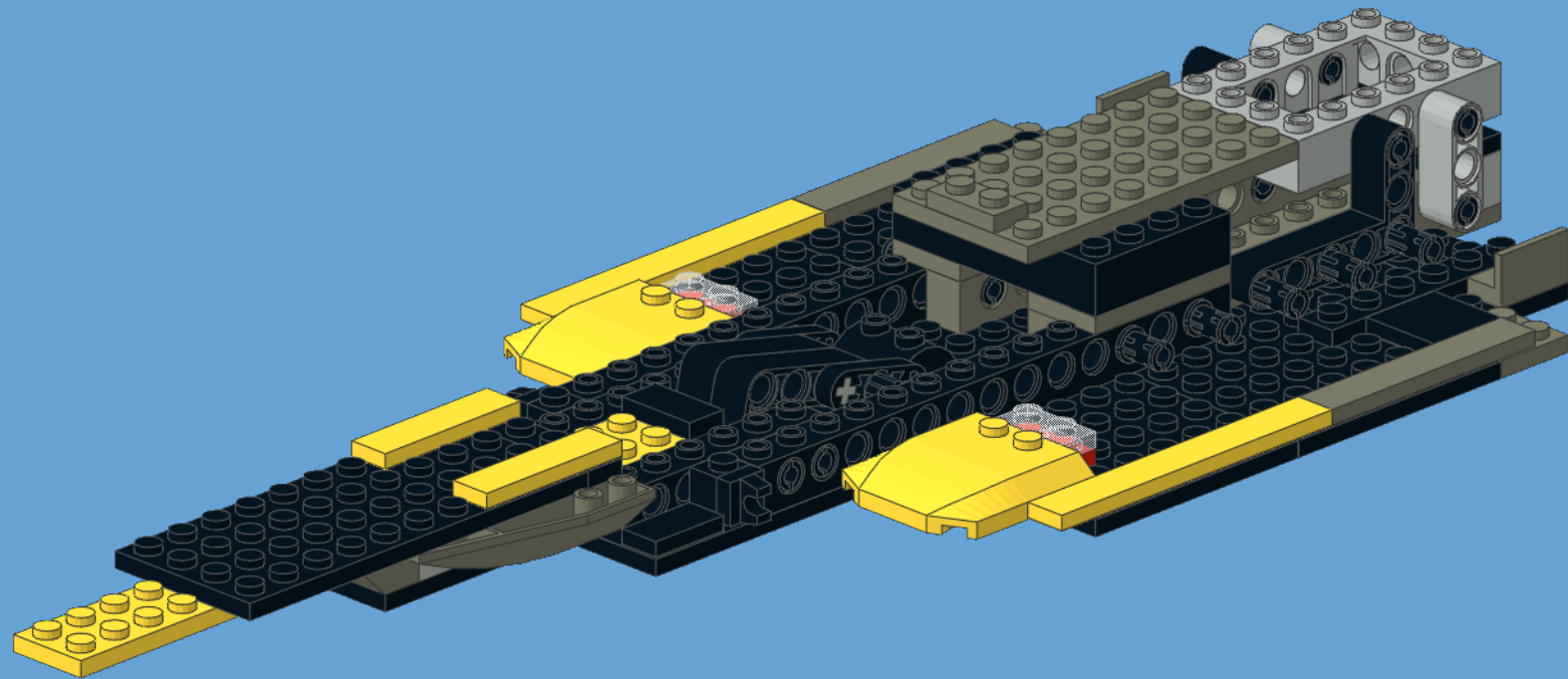
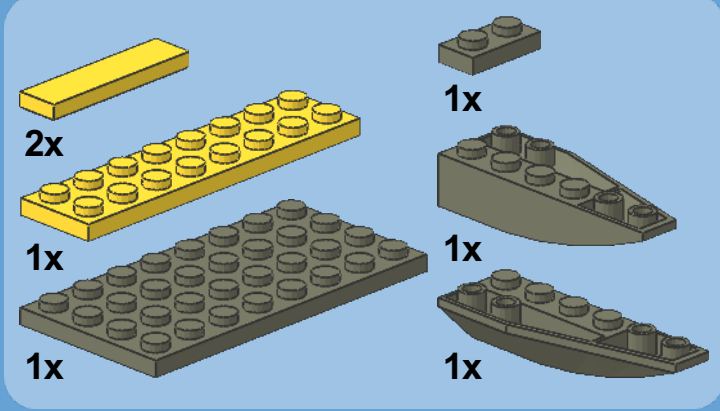




10





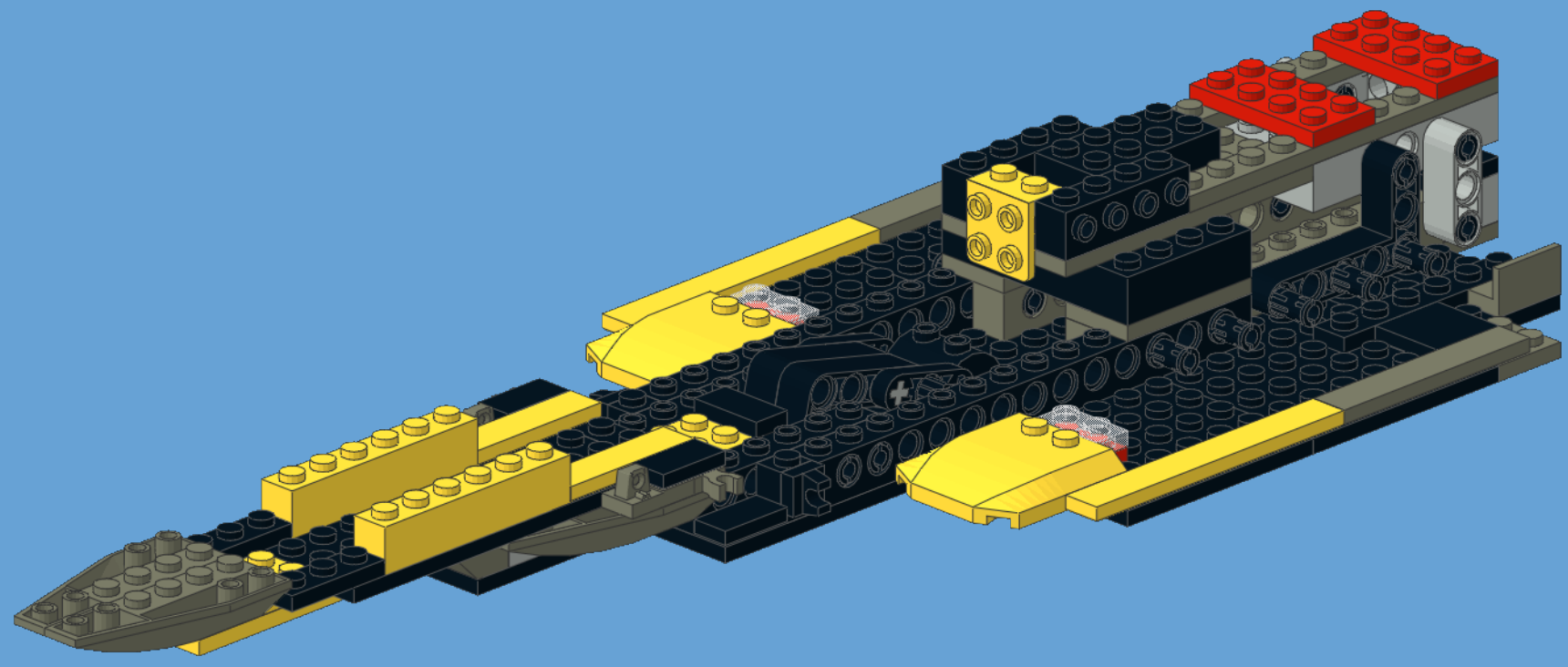
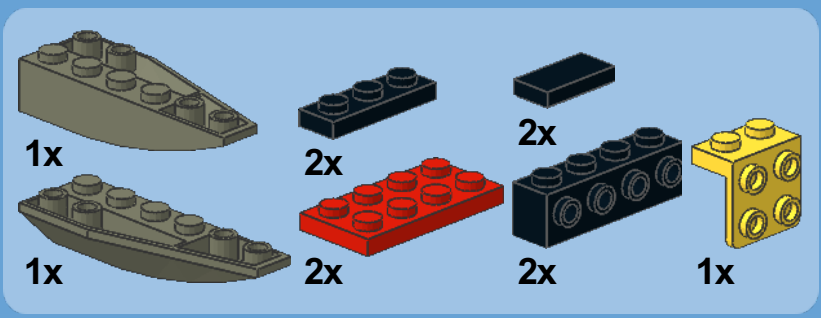




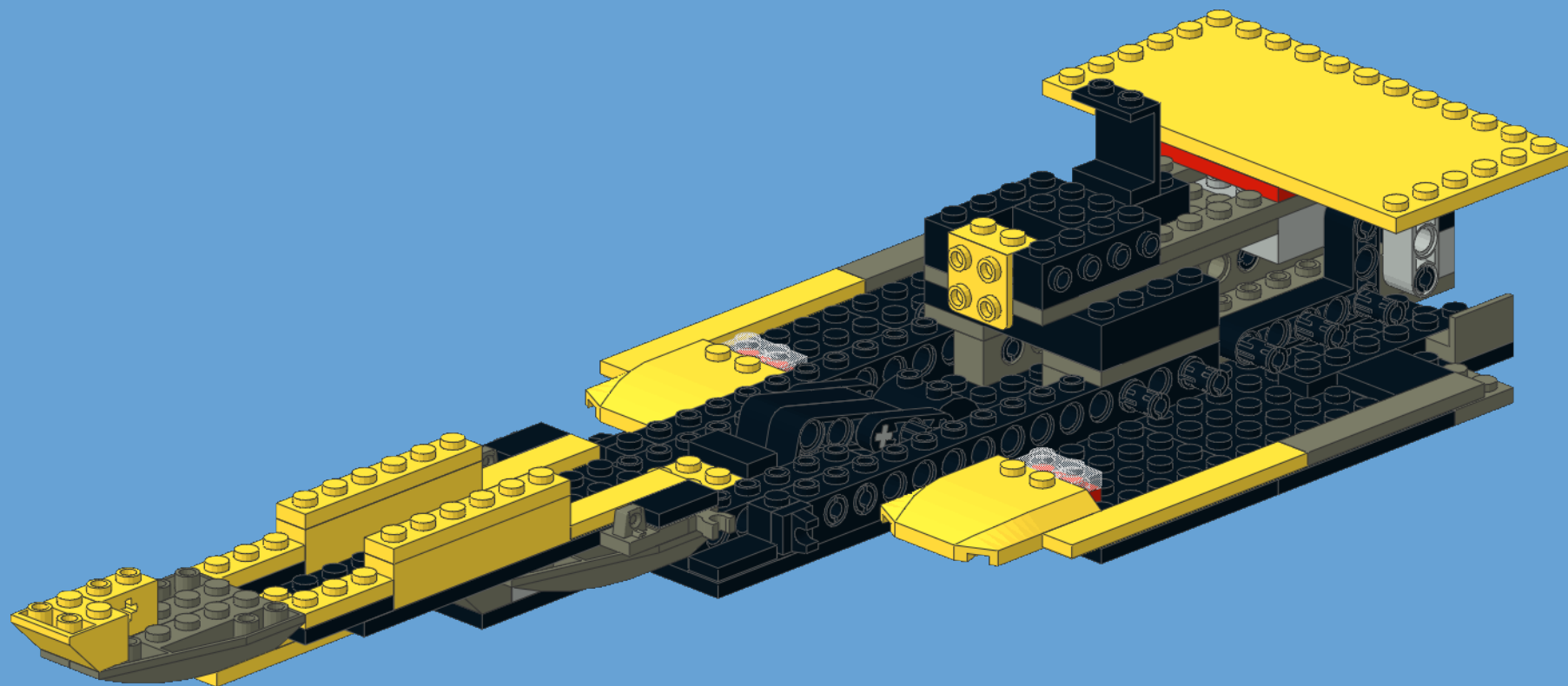
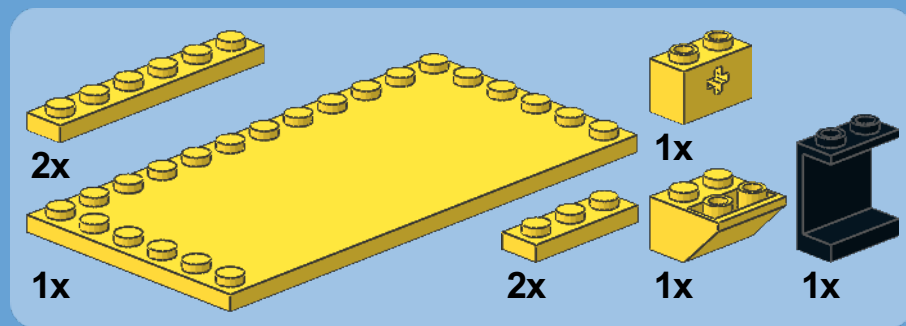




# 13



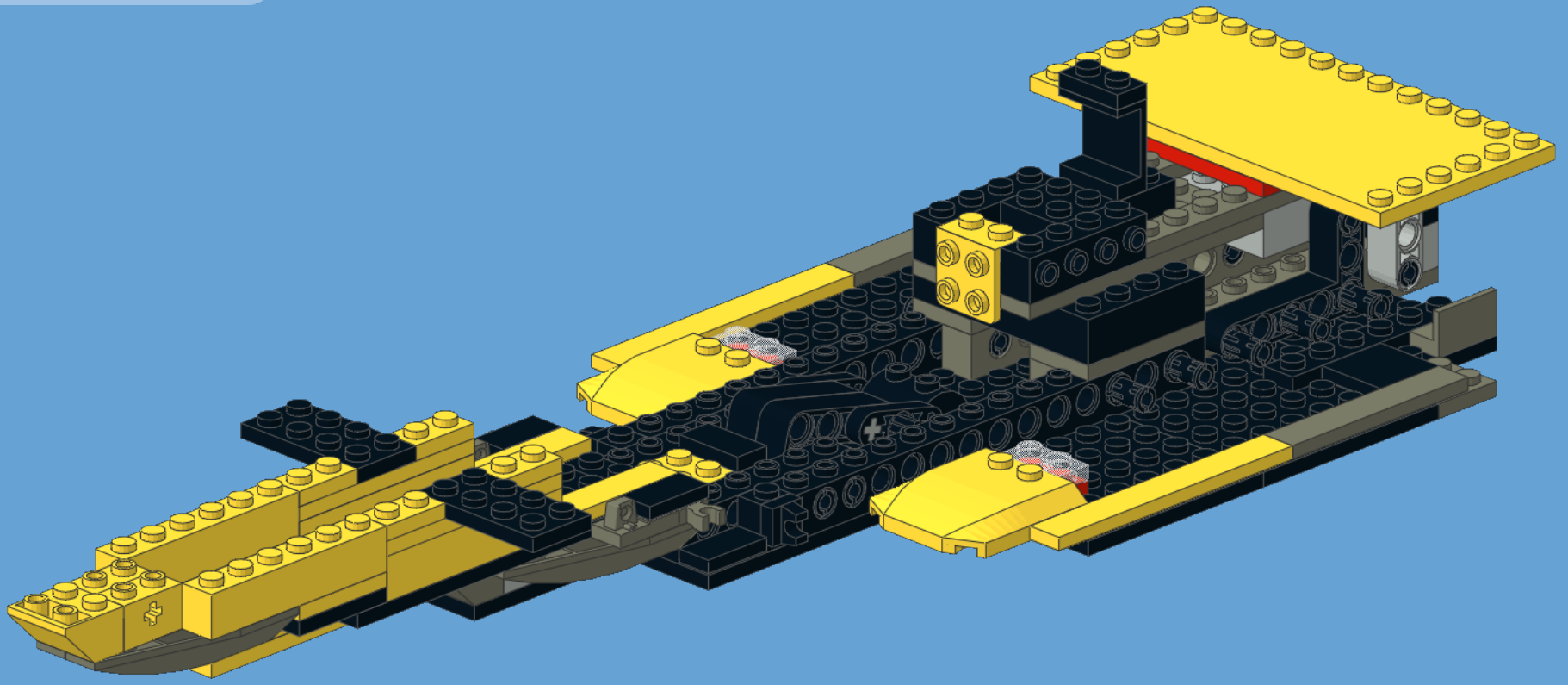






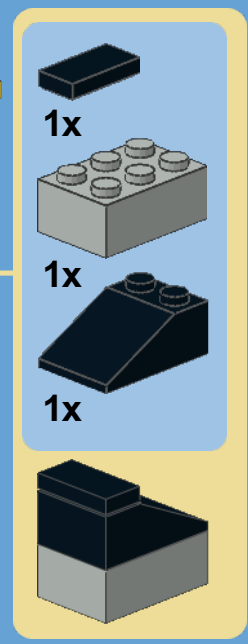
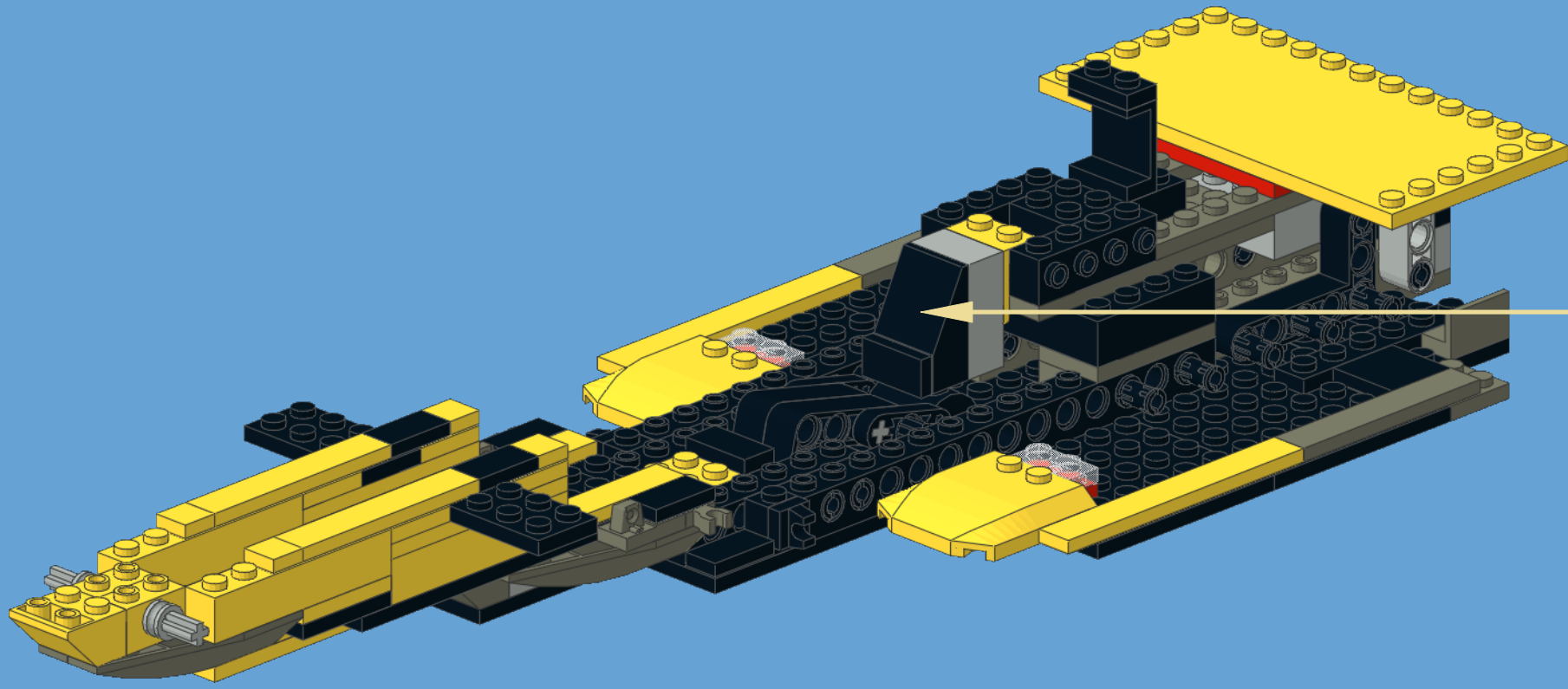
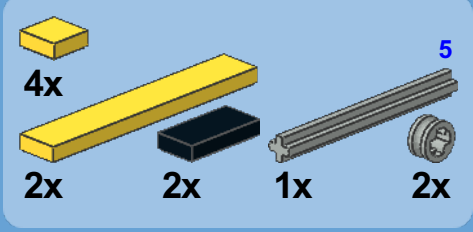
15

- 2x [Black 1x6 Technic Brick]
- 2x [Yellow 1x6 Technic Brick]
- 1x [Black 1x2 Technic Brick]
- 4x [Yellow 1x2 Technic Brick]
- 1x [Yellow 1x2 Technic Brick with Cross]



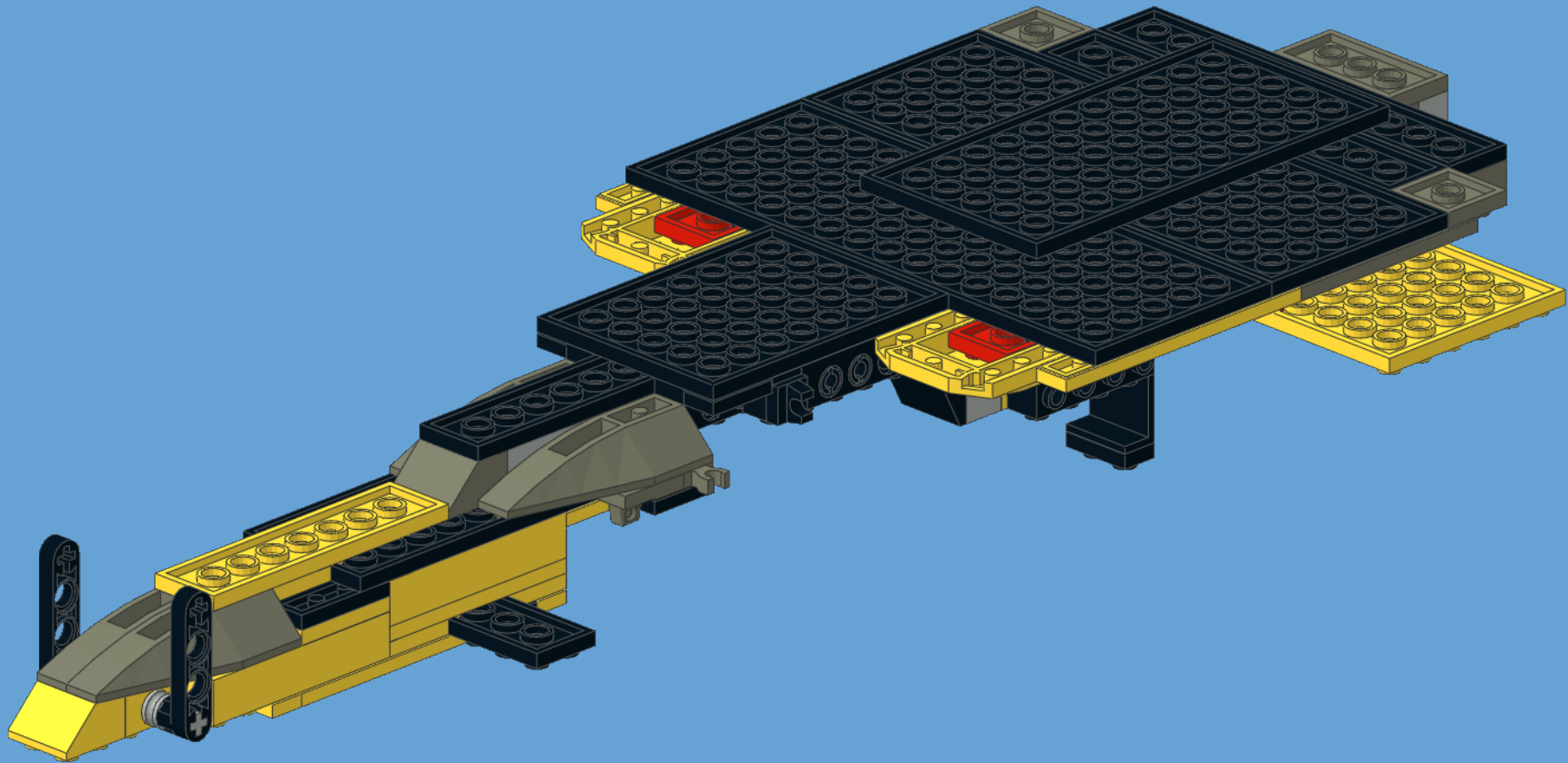
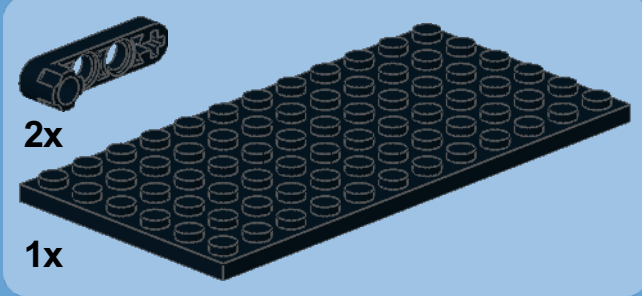


# 16

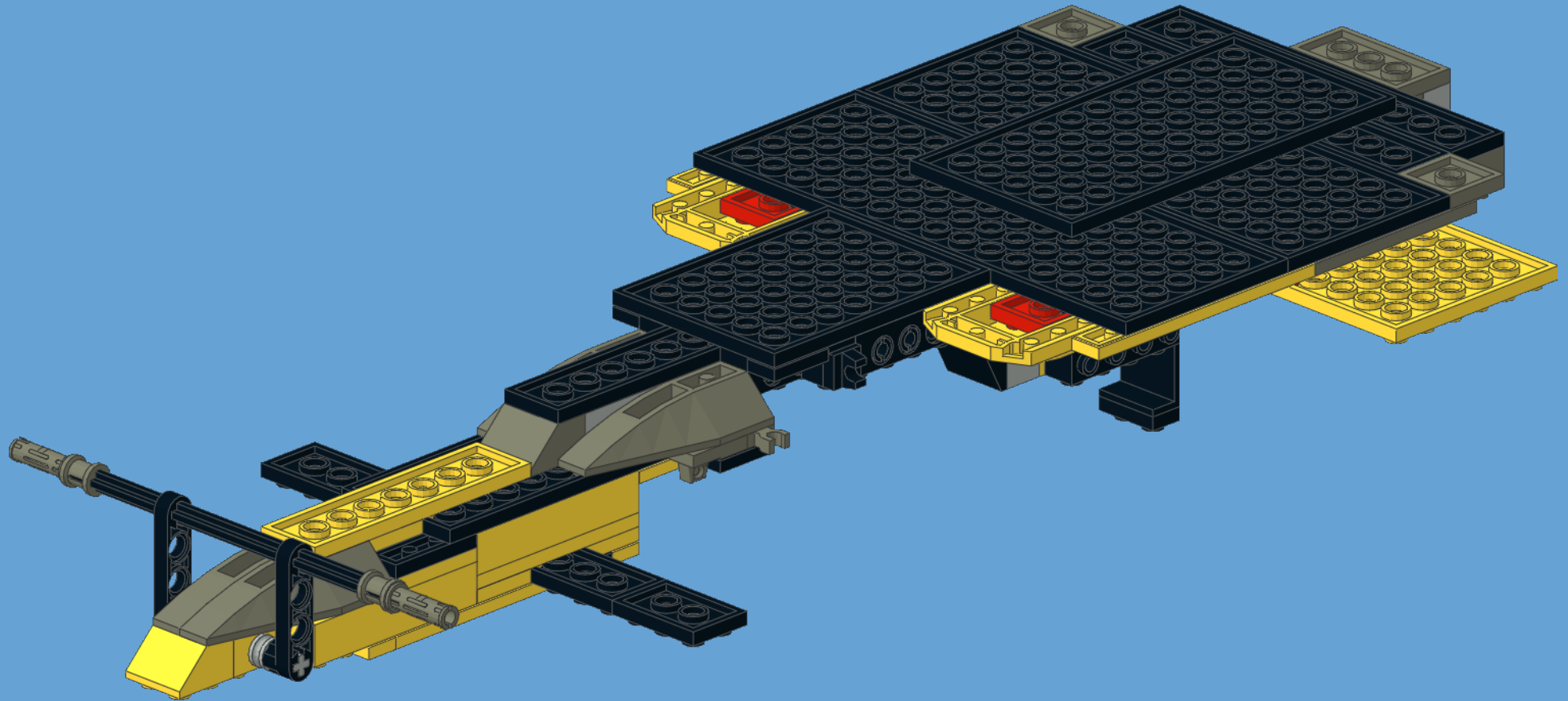
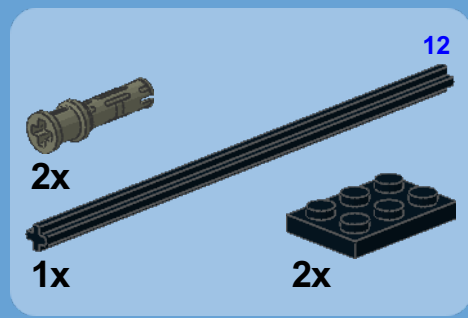




17

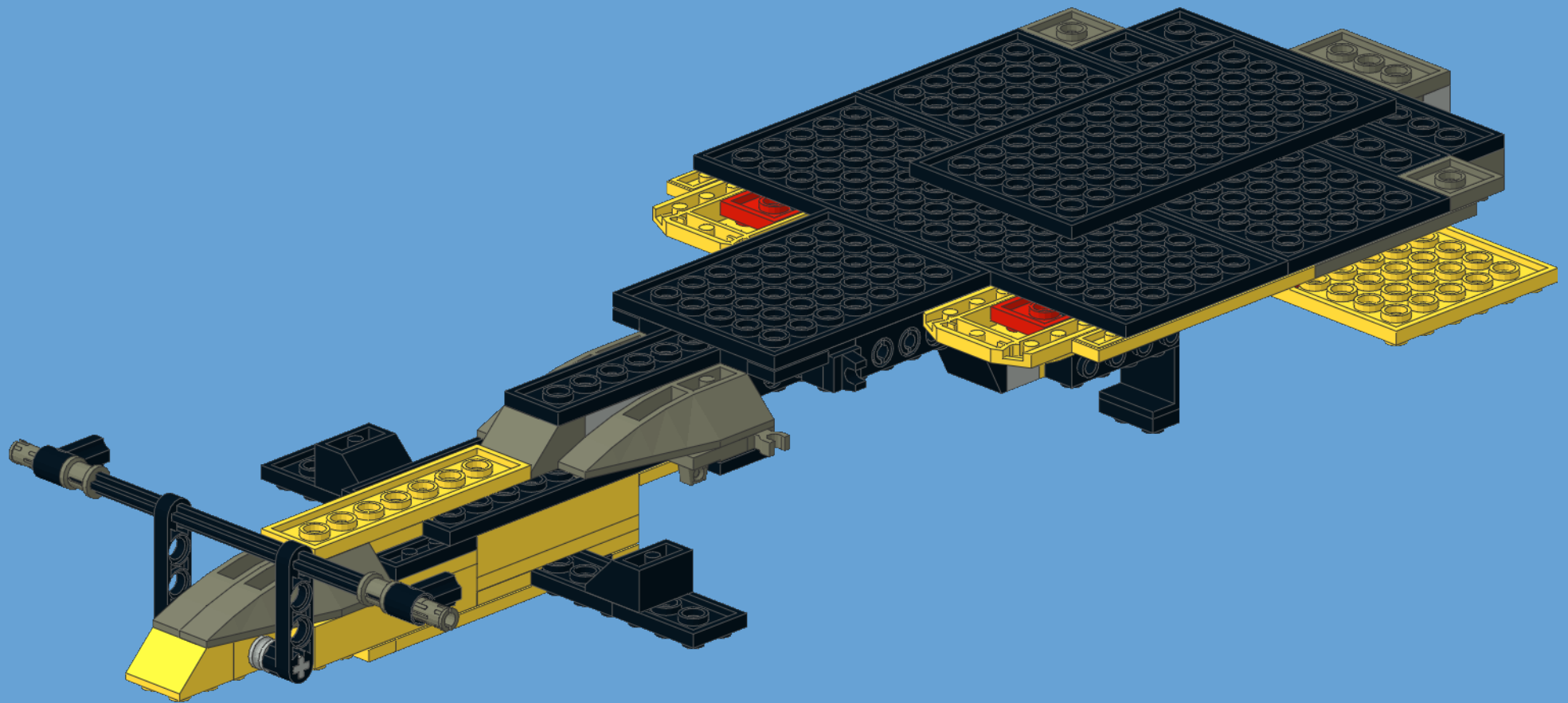
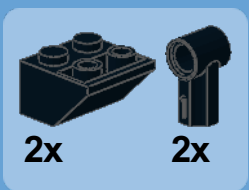






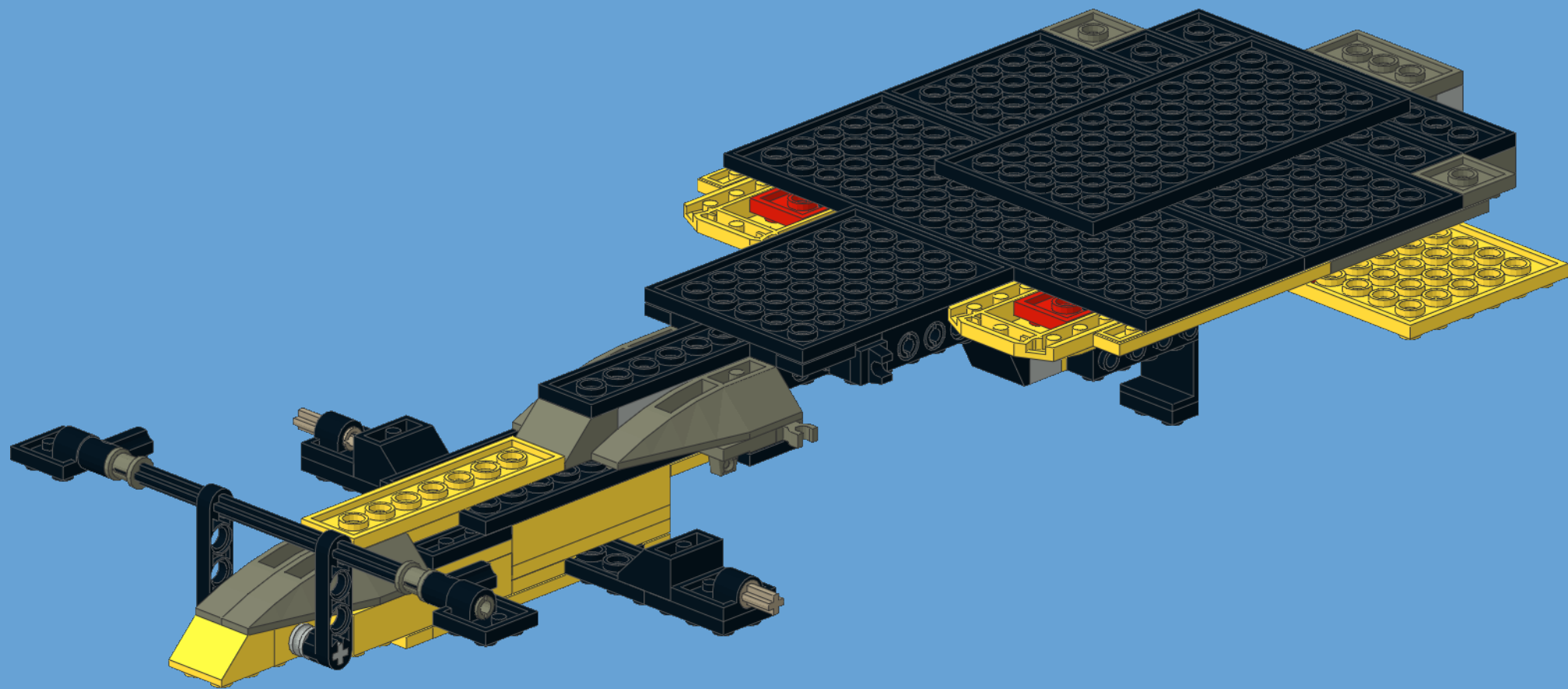


19

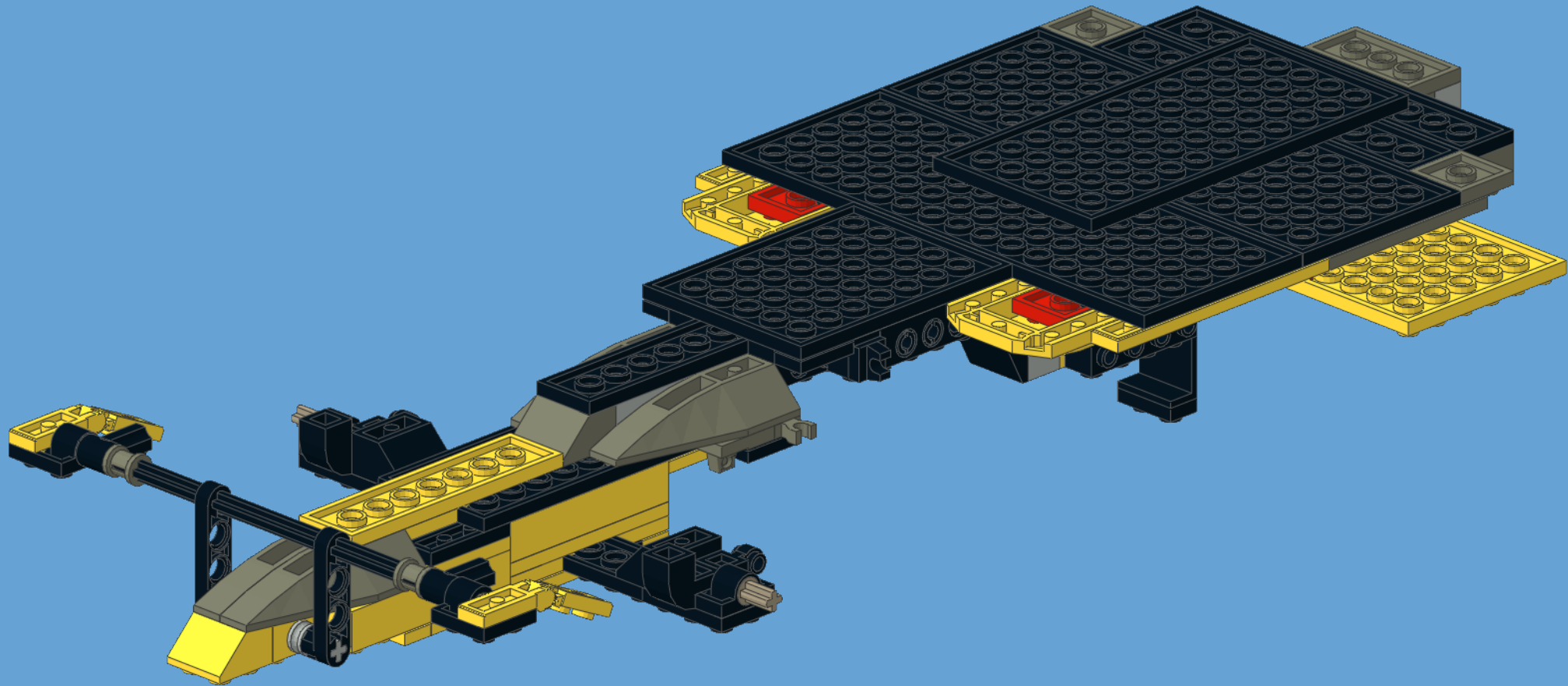
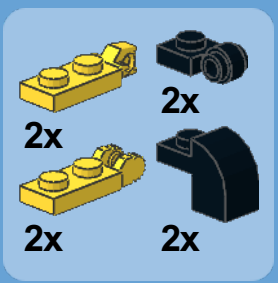




20

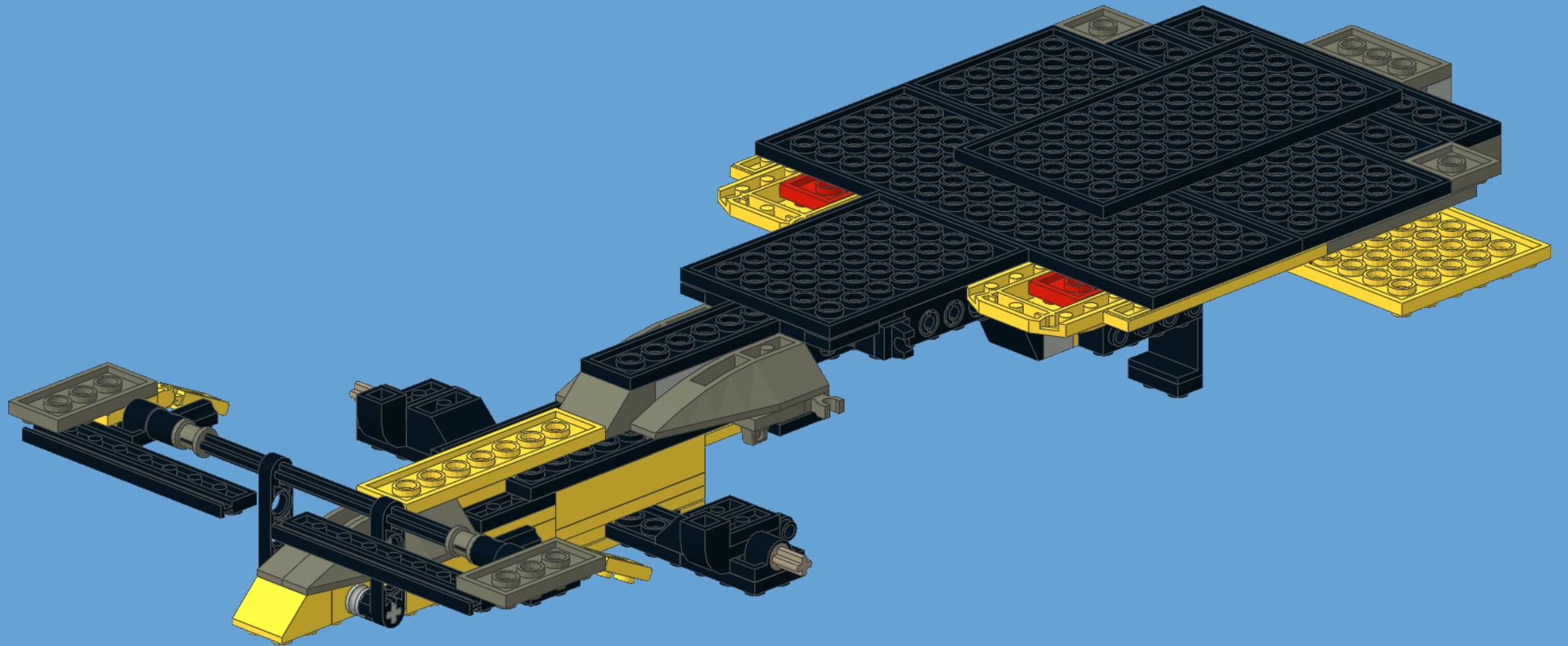
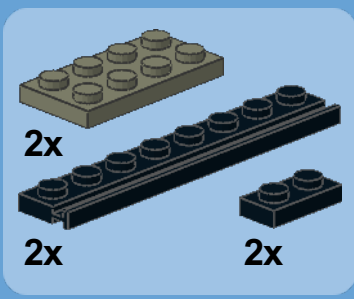






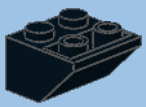


22

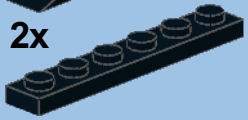




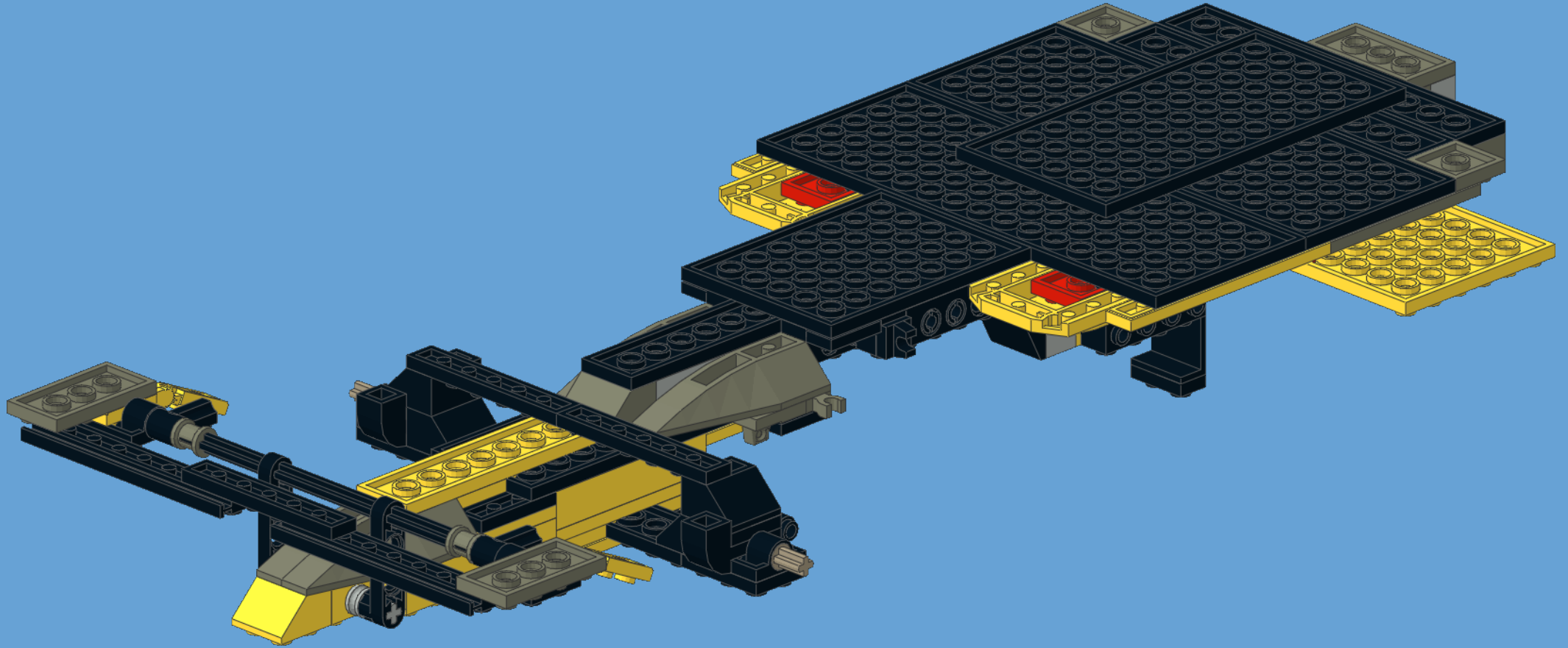
23



2x



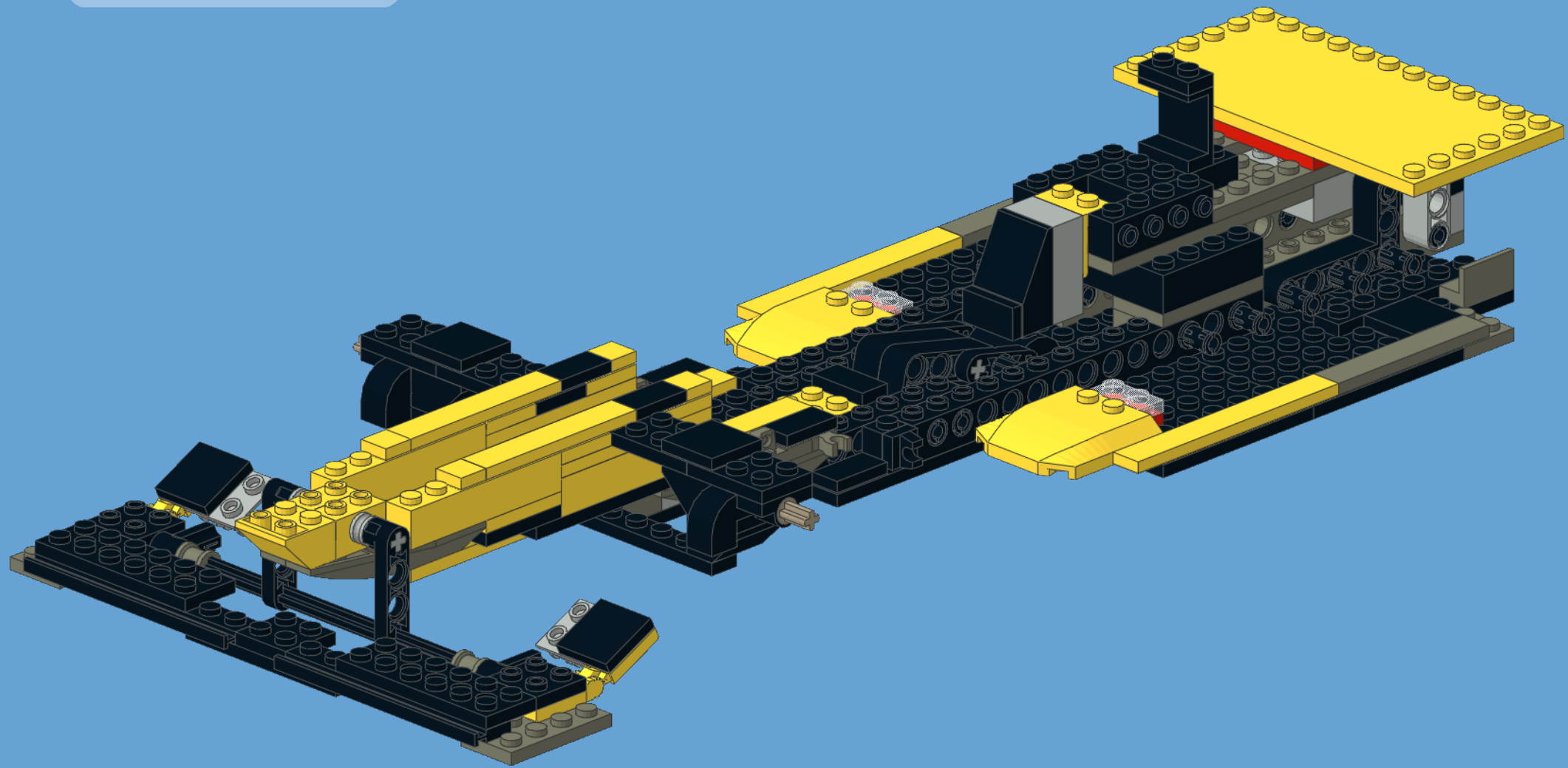
3x







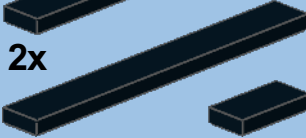
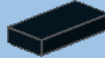
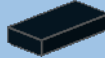
1x  
2x

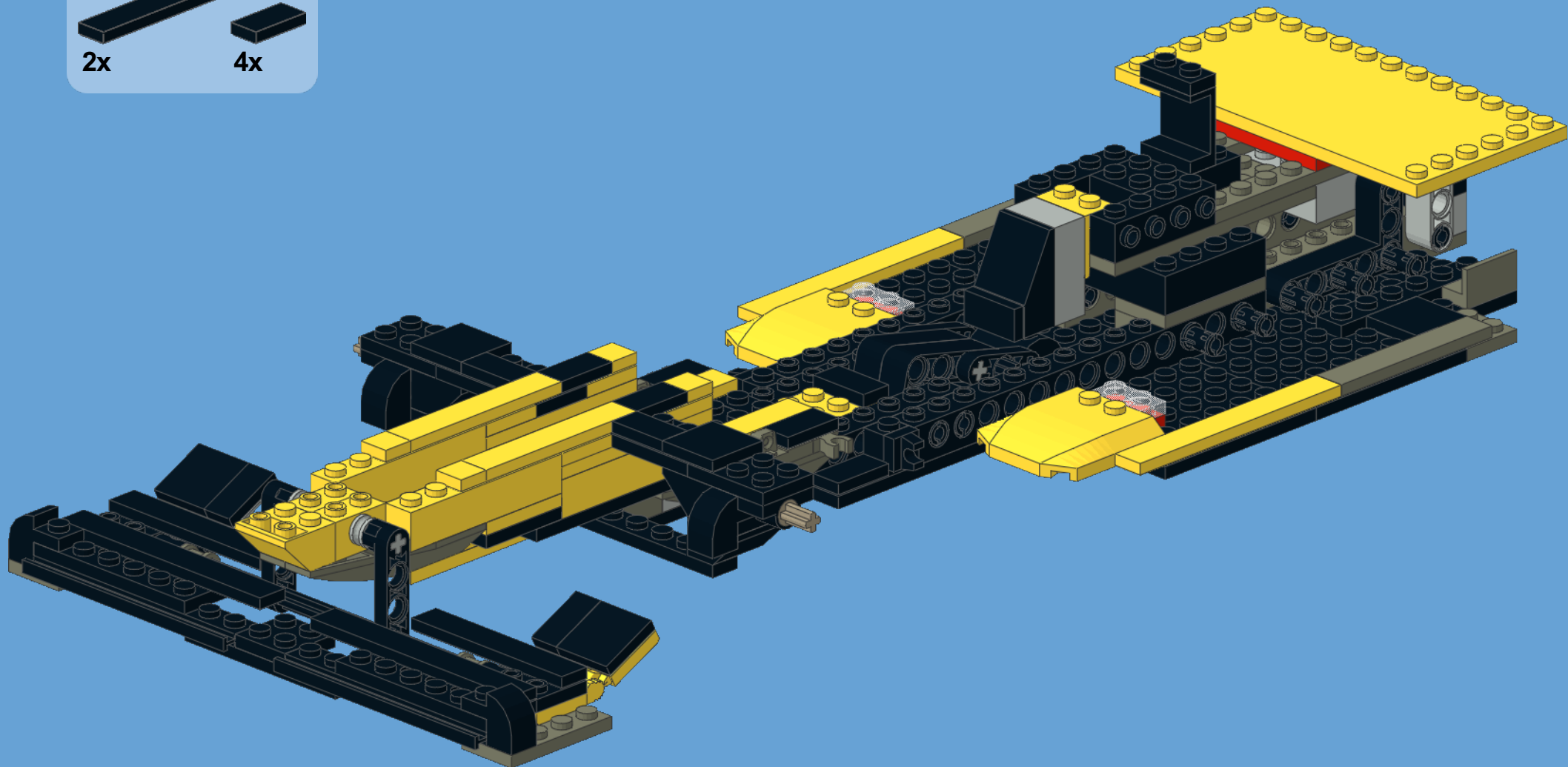
4x  
2x





25

- 2x 
- 2x 
- 2x 
- 2x 
- 4x 

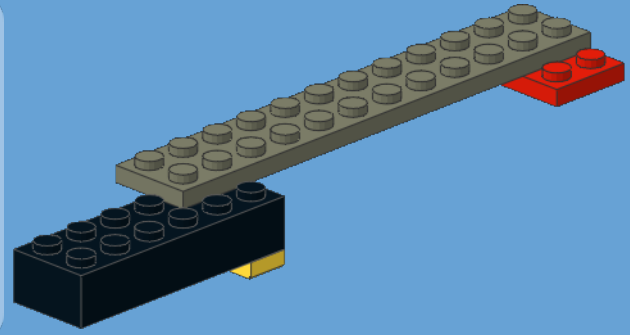
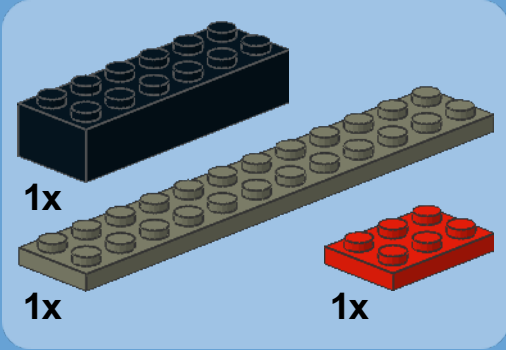




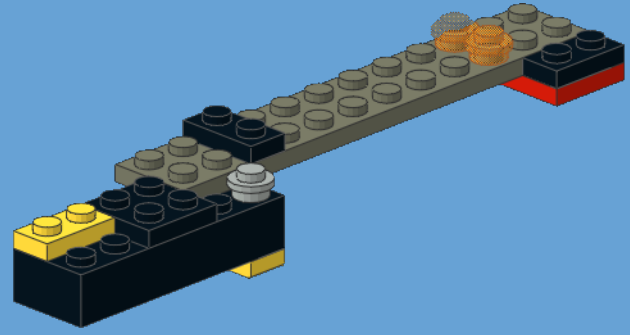
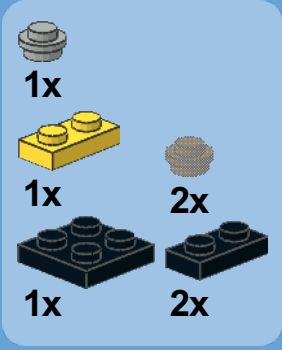
1



2

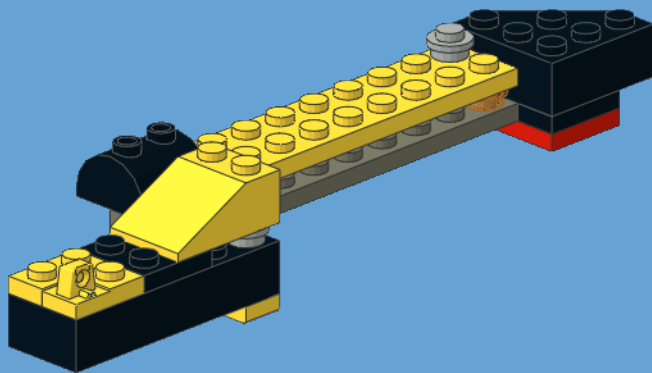
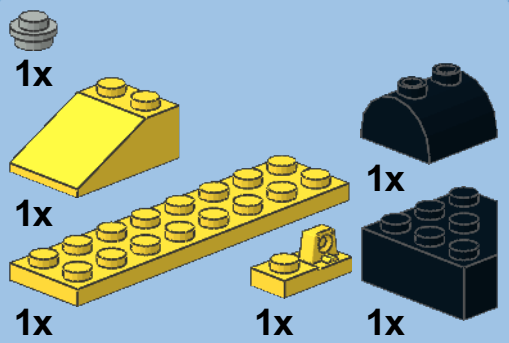


3

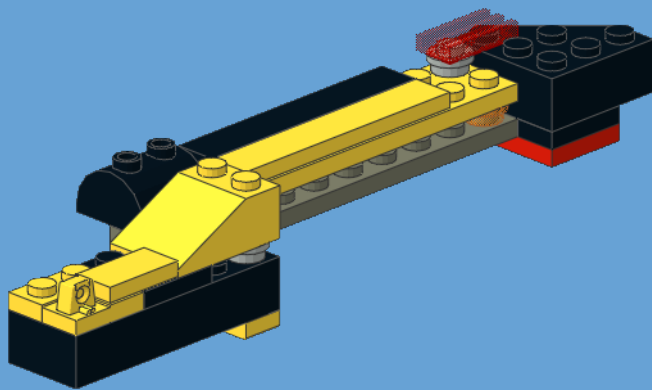
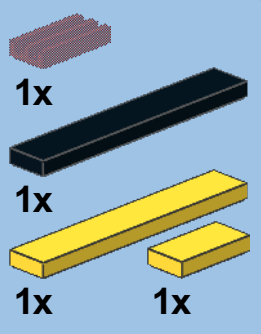




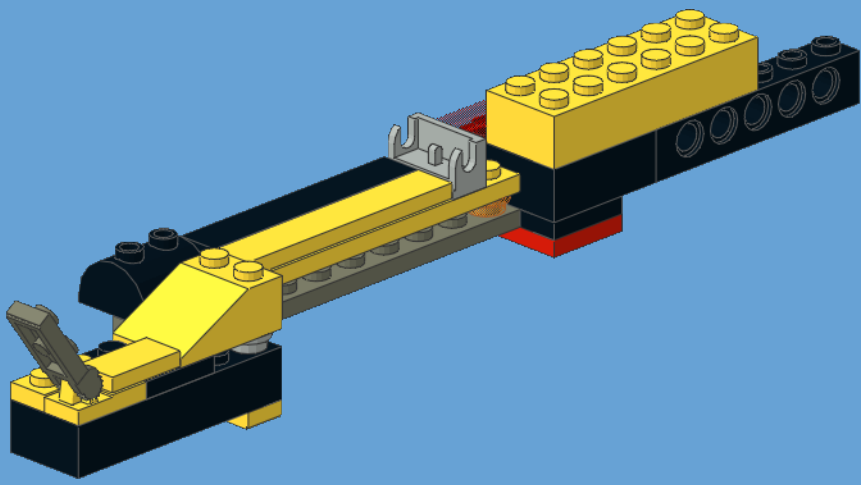
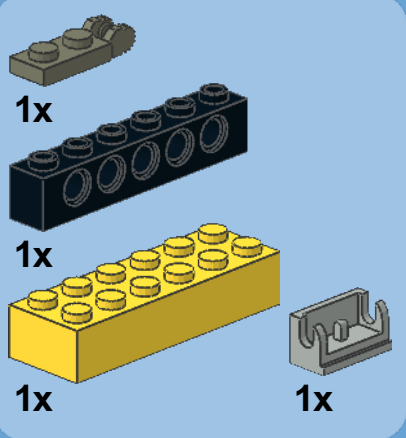
4



5

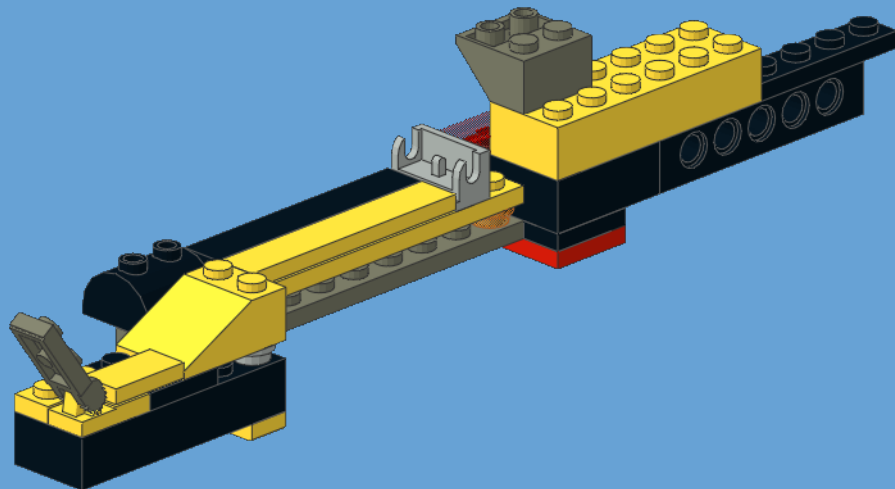
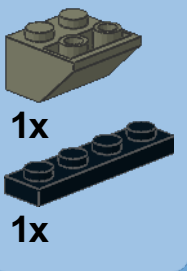


6

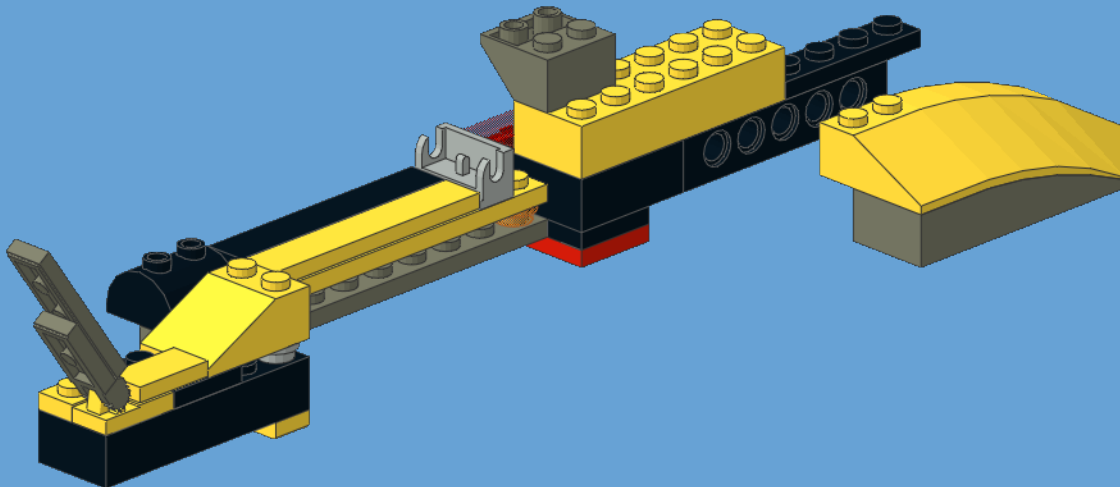
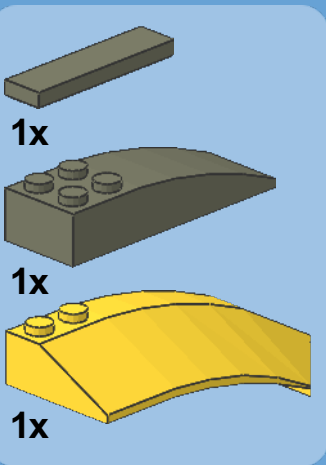




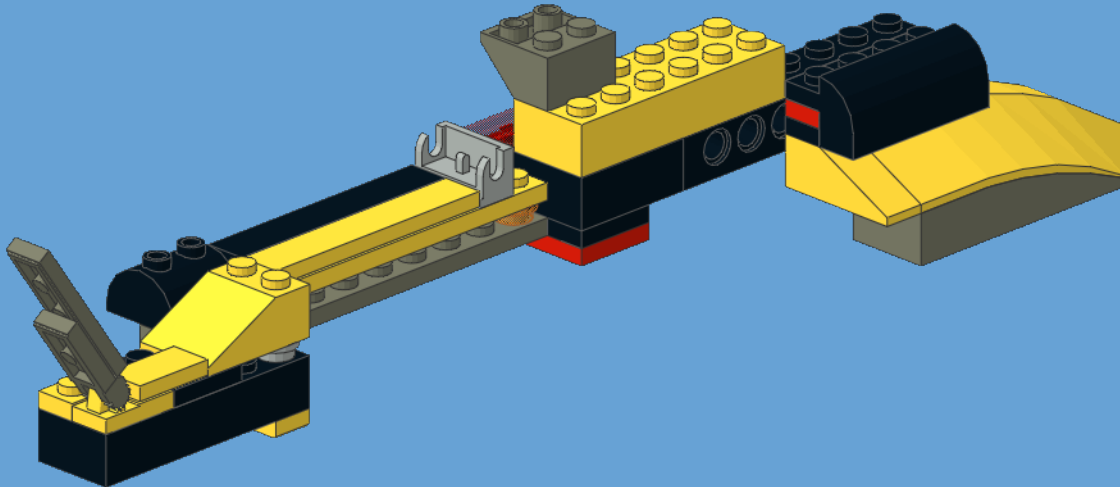
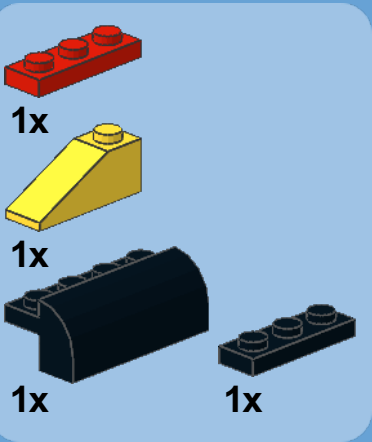
7



8

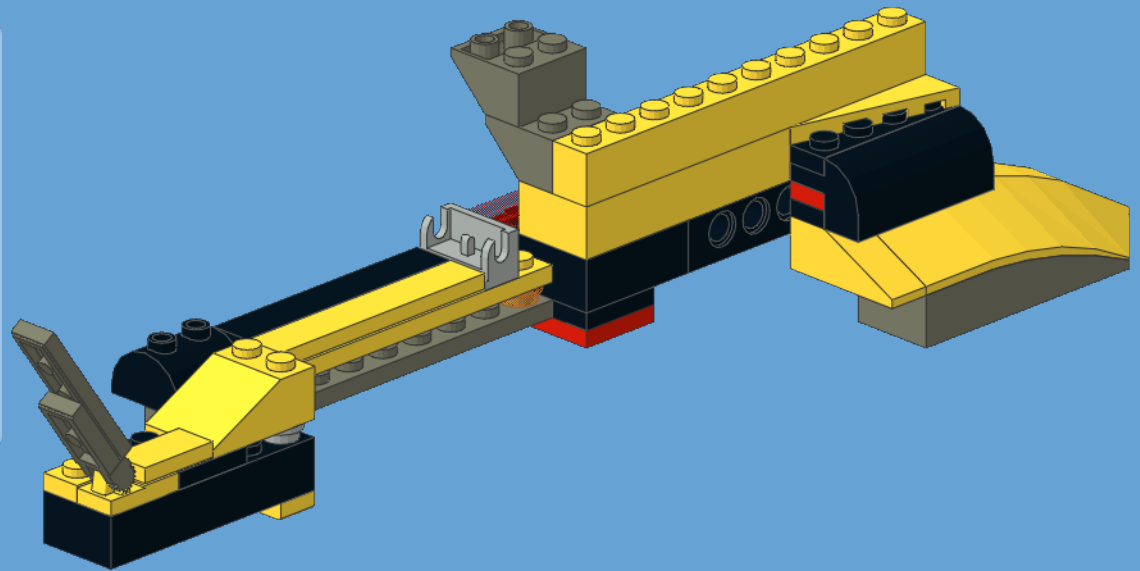
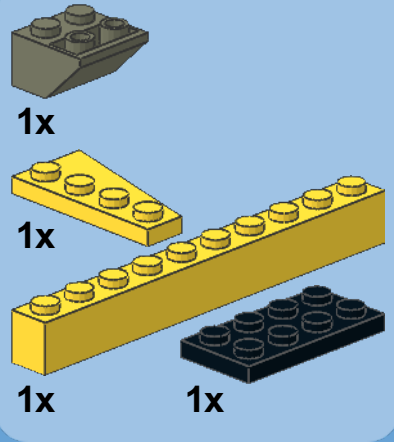


9

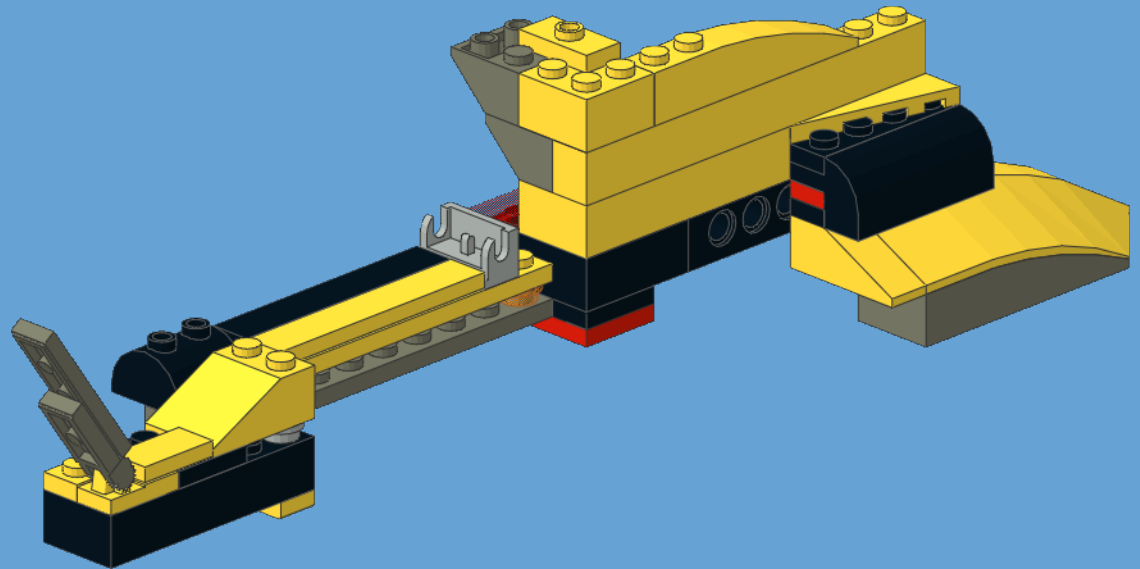
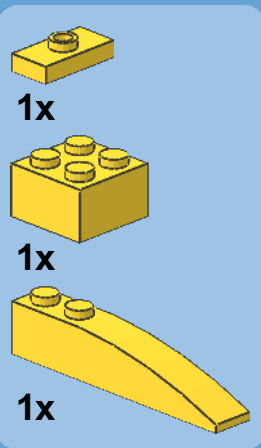




# 10



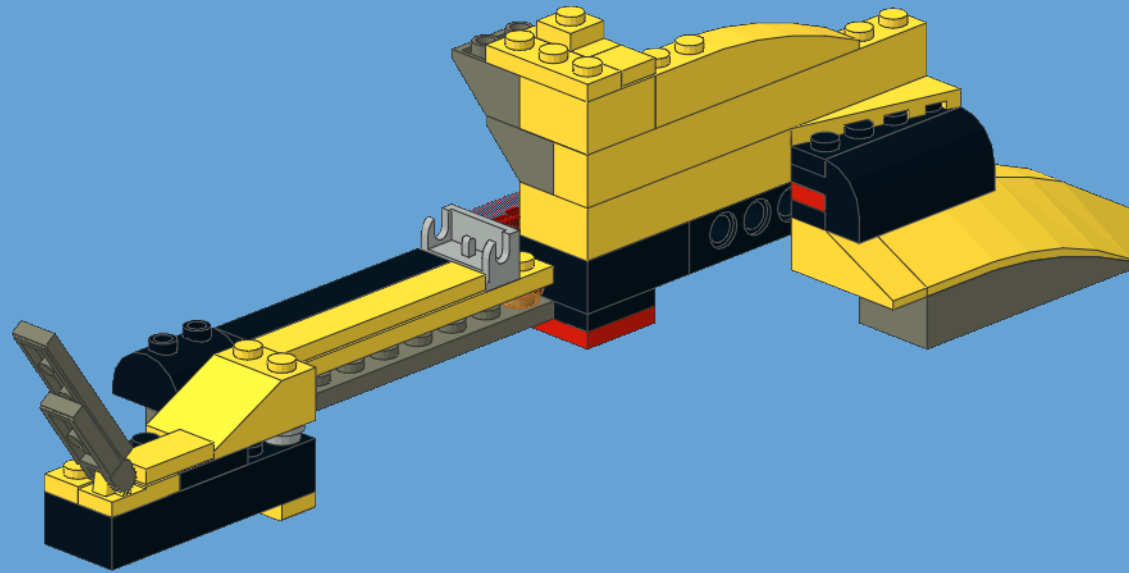
# 11





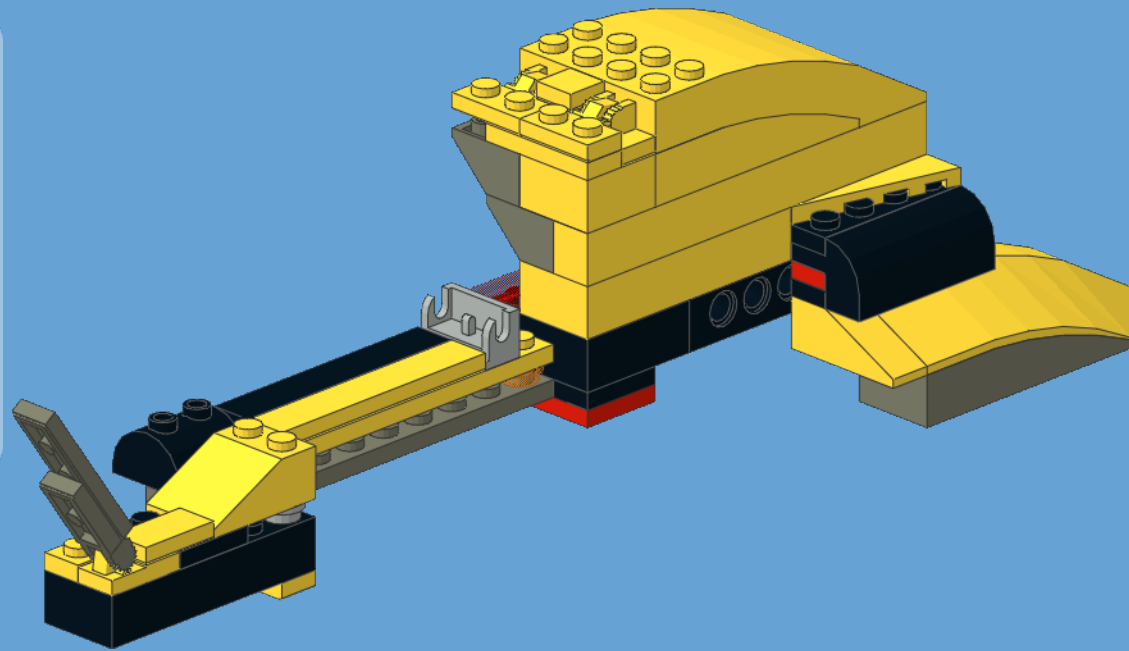
# 12

- 1x
- 1x
- 1x
- 1x



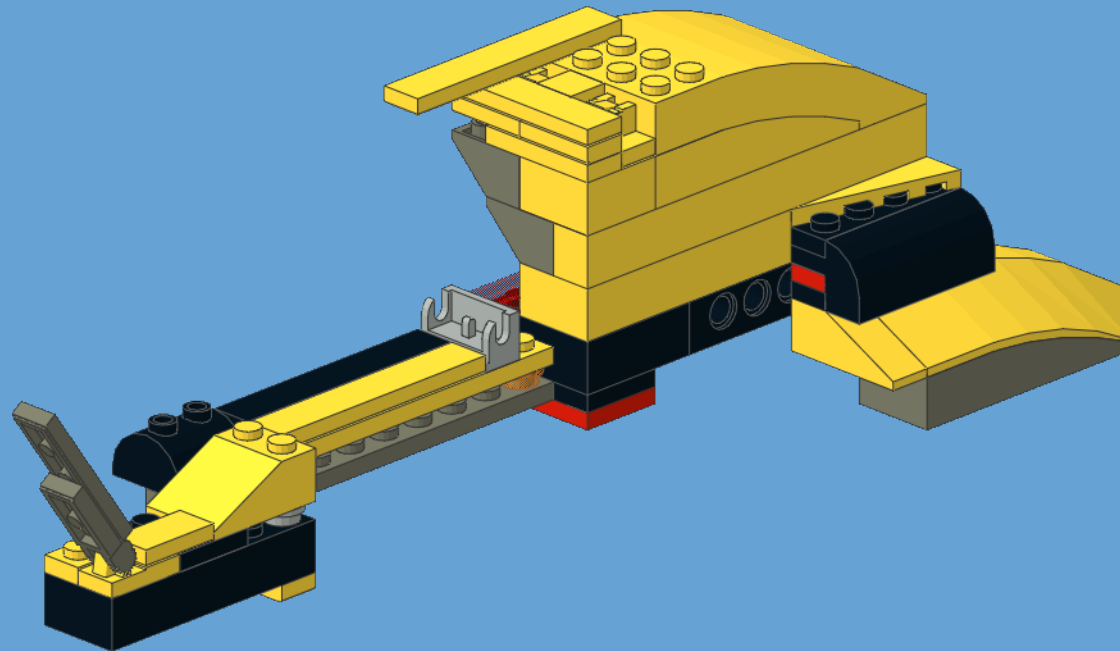
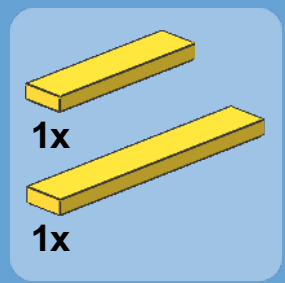
# 13

- 1x
- 2x
- 1x



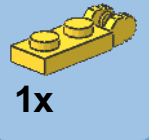


14





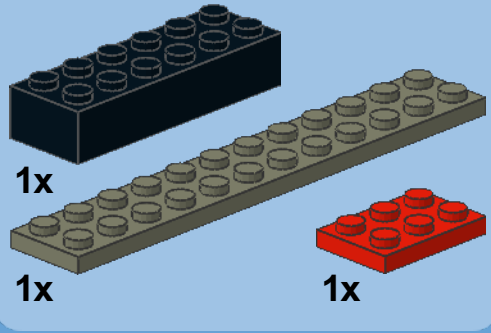
1



1x



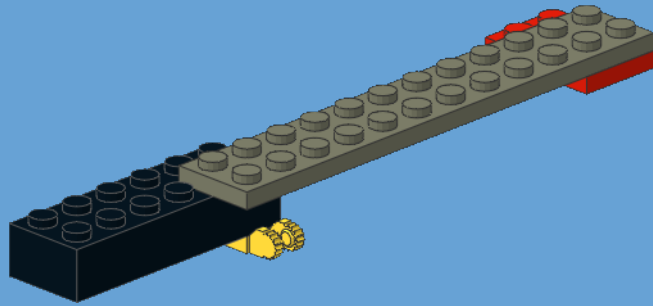
2



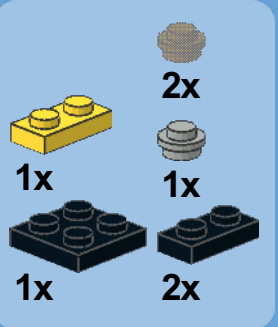
1x

1x

1x



3



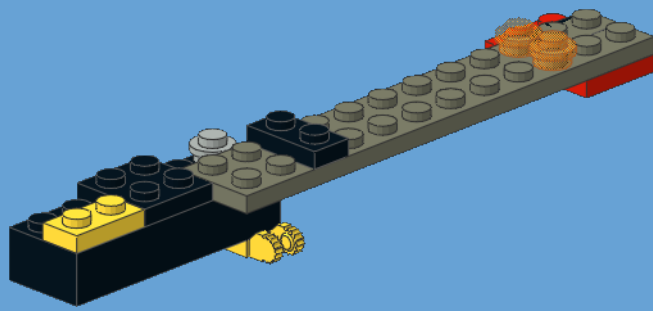
1x

1x

2x

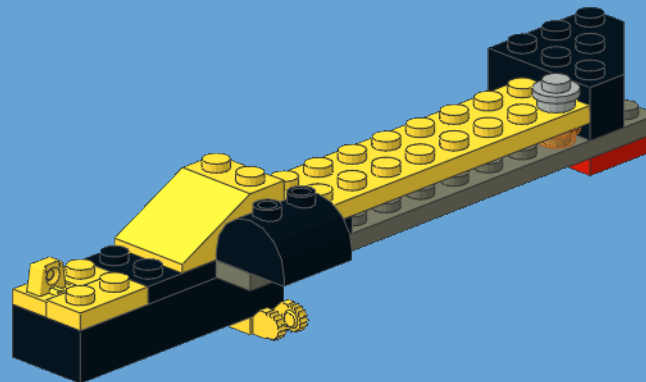
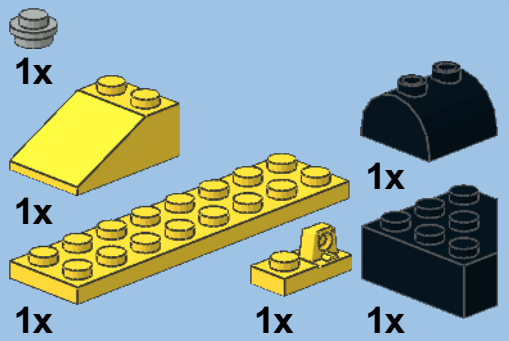
1x

2x

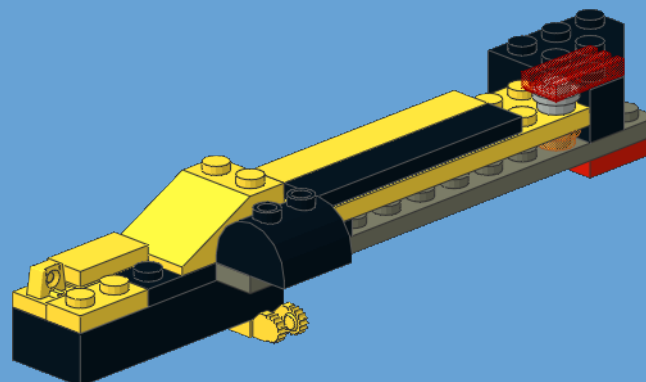
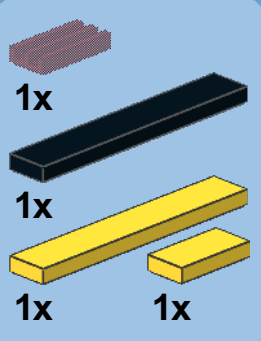




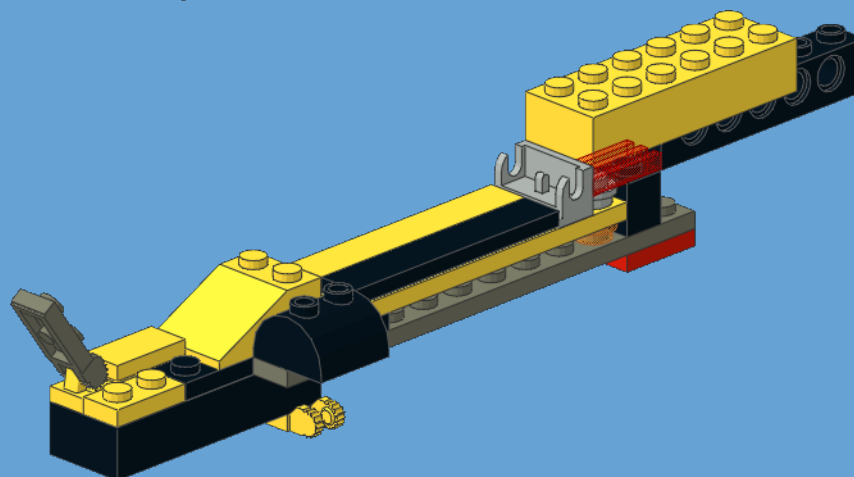
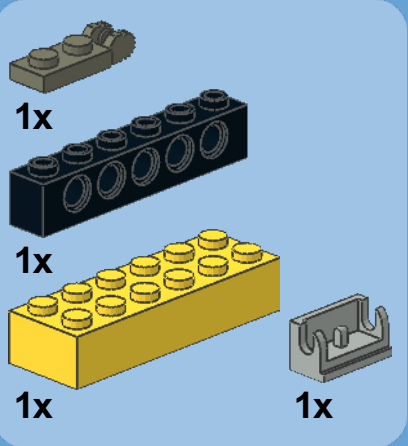
4



5



6





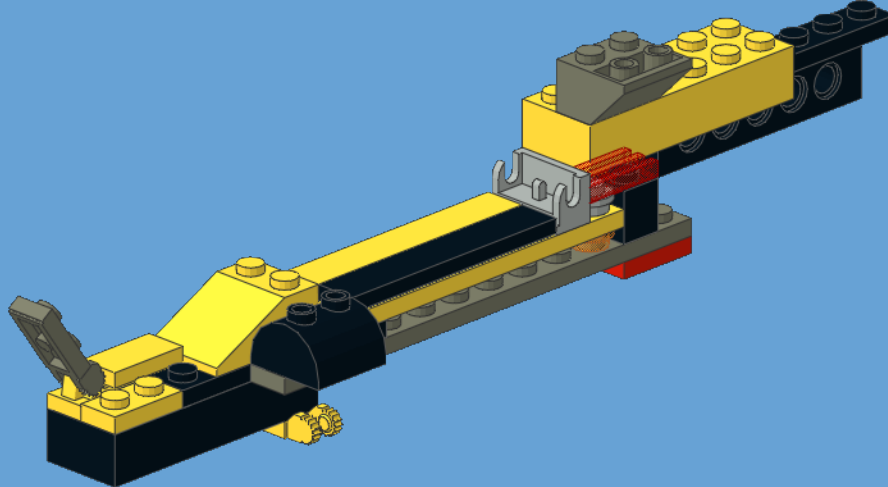
7



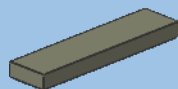
1x



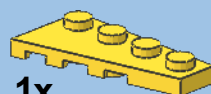
1x



8



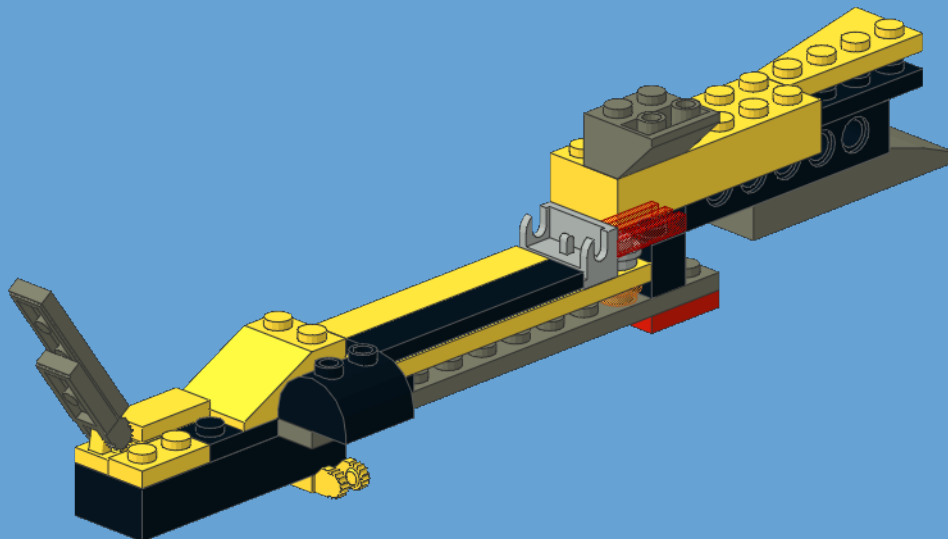
1x



1x



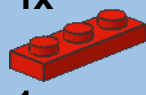
1x



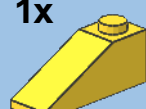
9



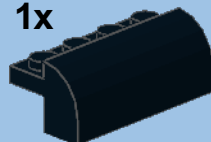
1x



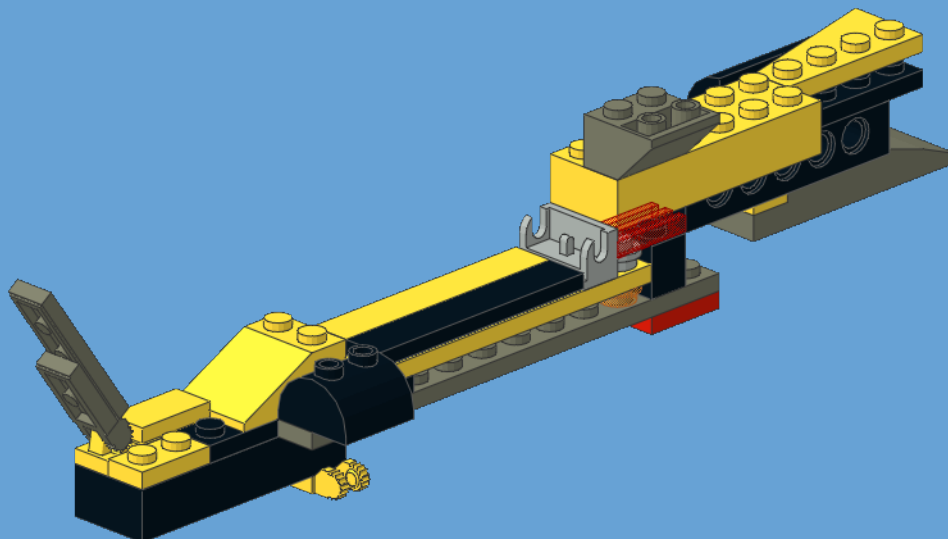
1x



1x



1x

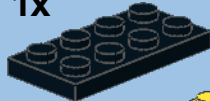




# 10



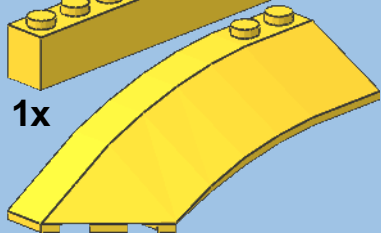
1x



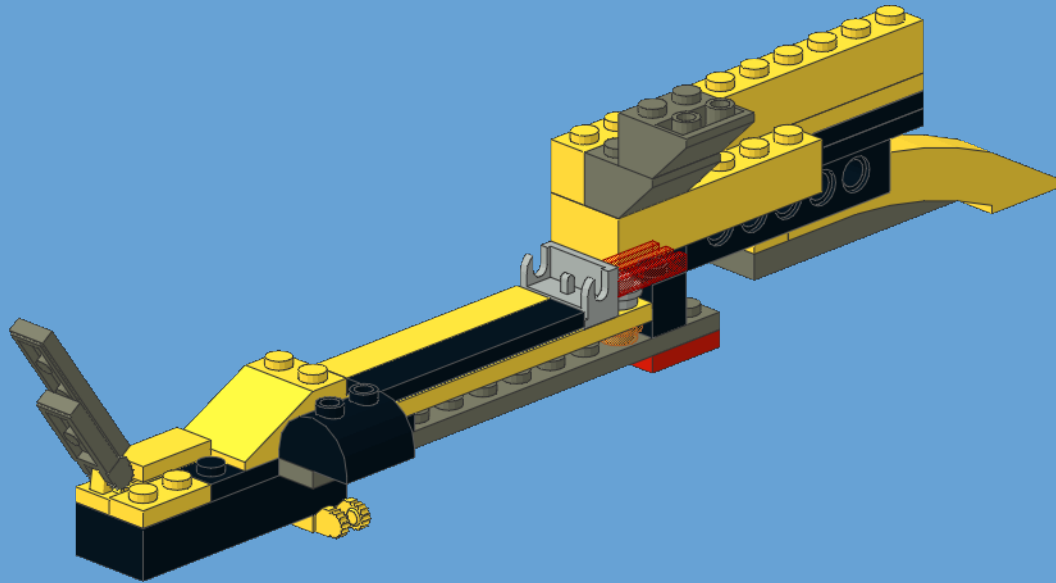
1x



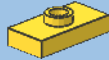
1x



1x



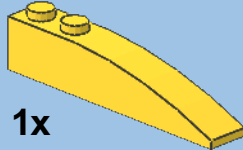
# 11



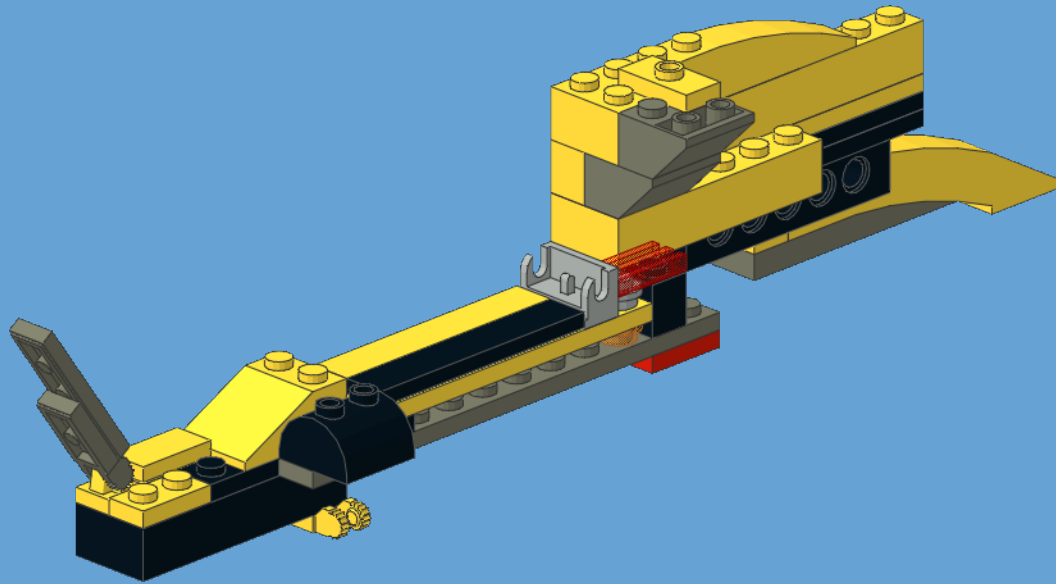
1x



1x



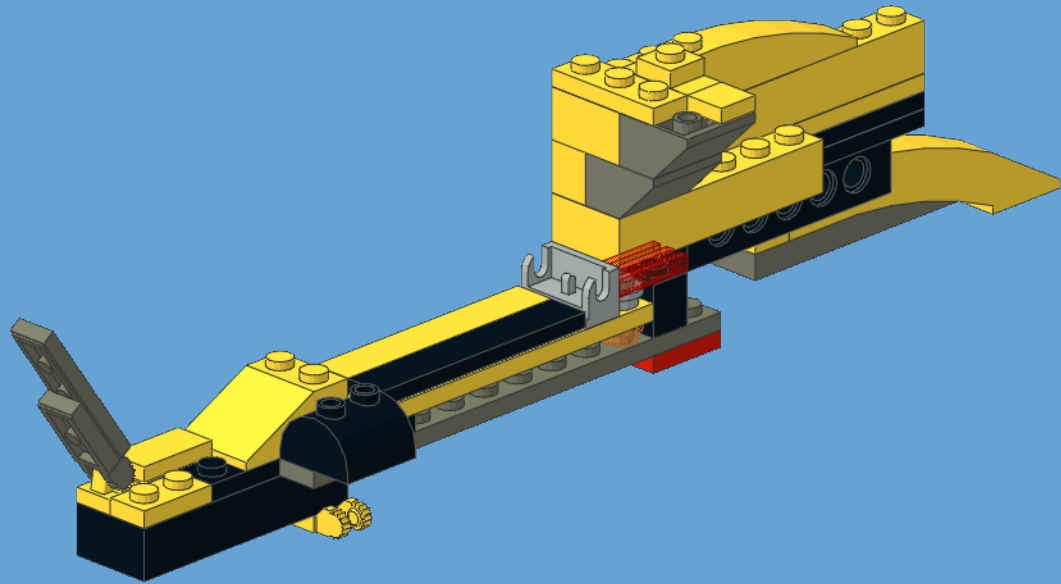
1x





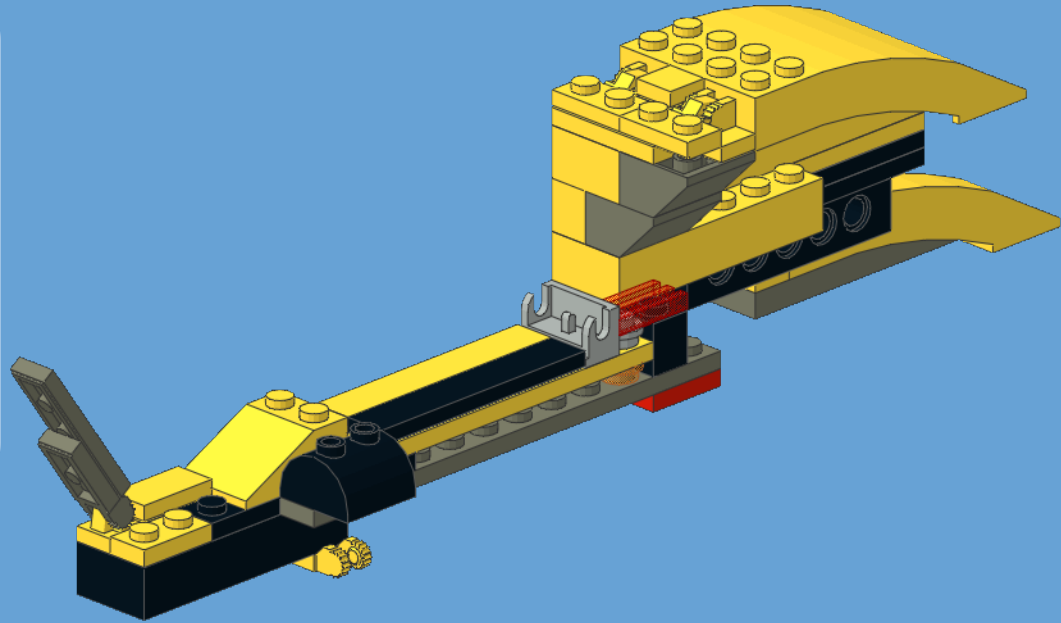
# 12

- 1x
- 1x
- 1x



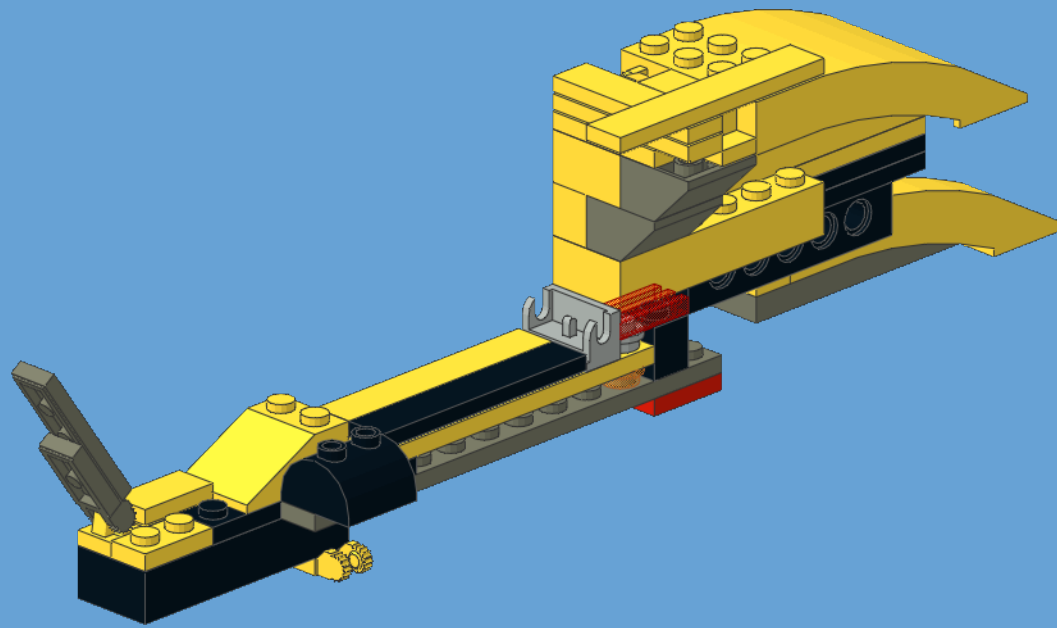
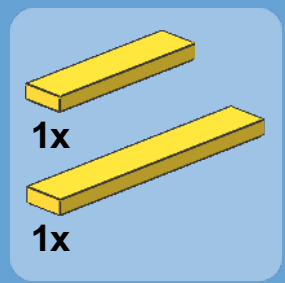
# 13

- 1x
- 2x
- 1x



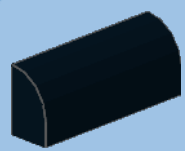


14

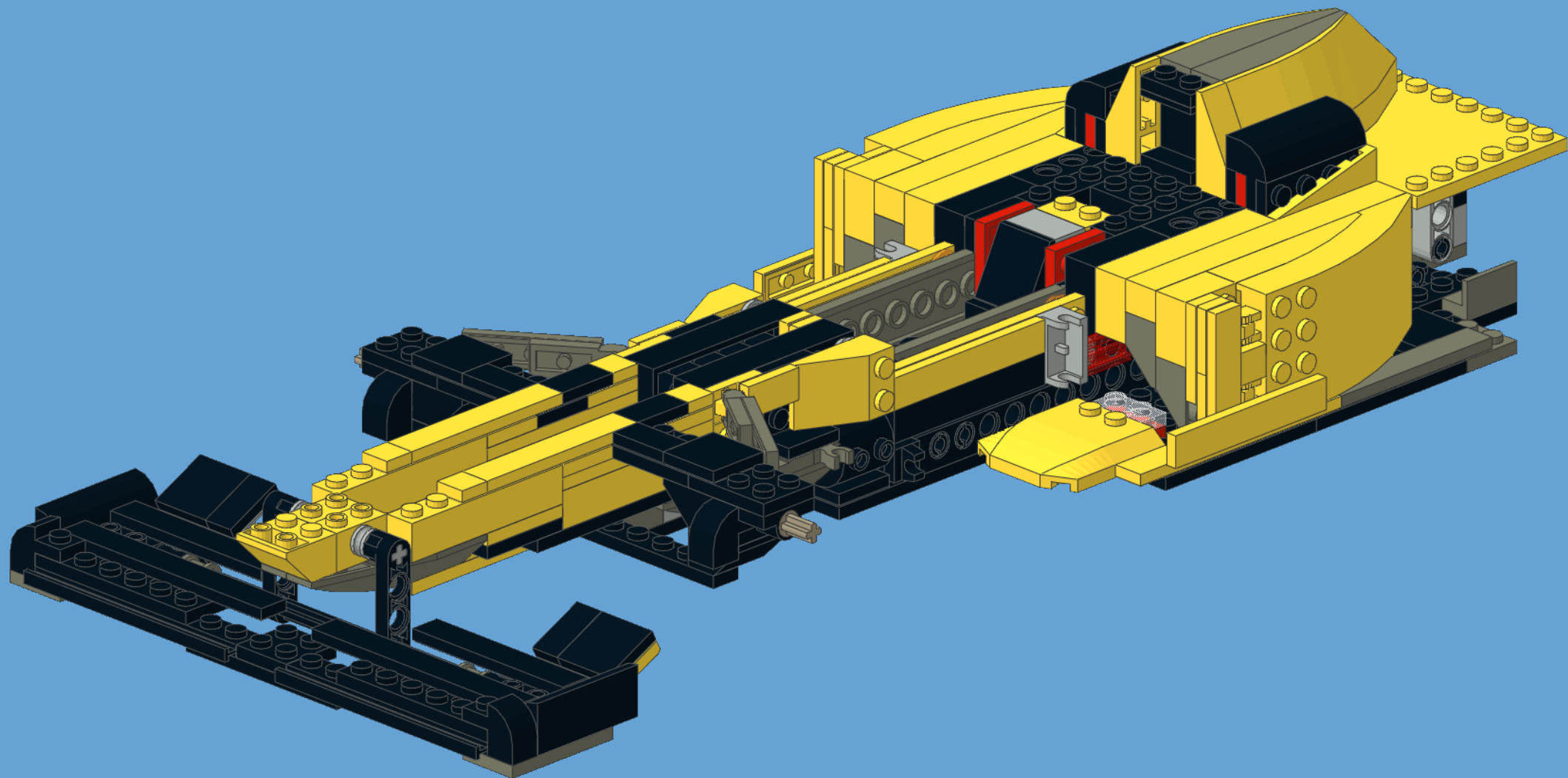




26

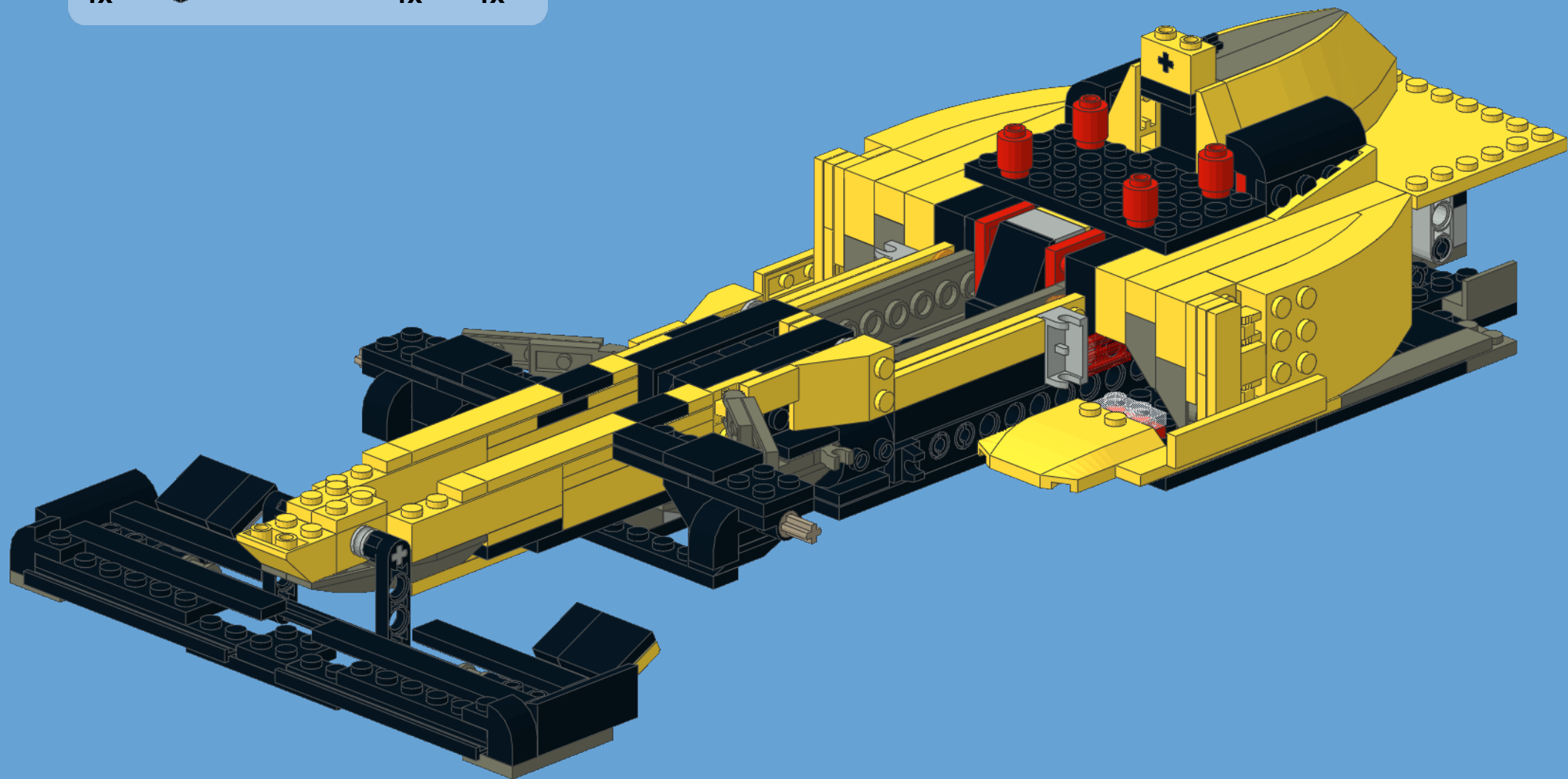
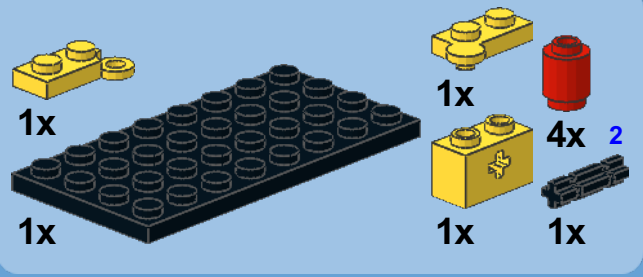


2x







27

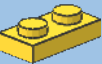





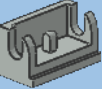
28

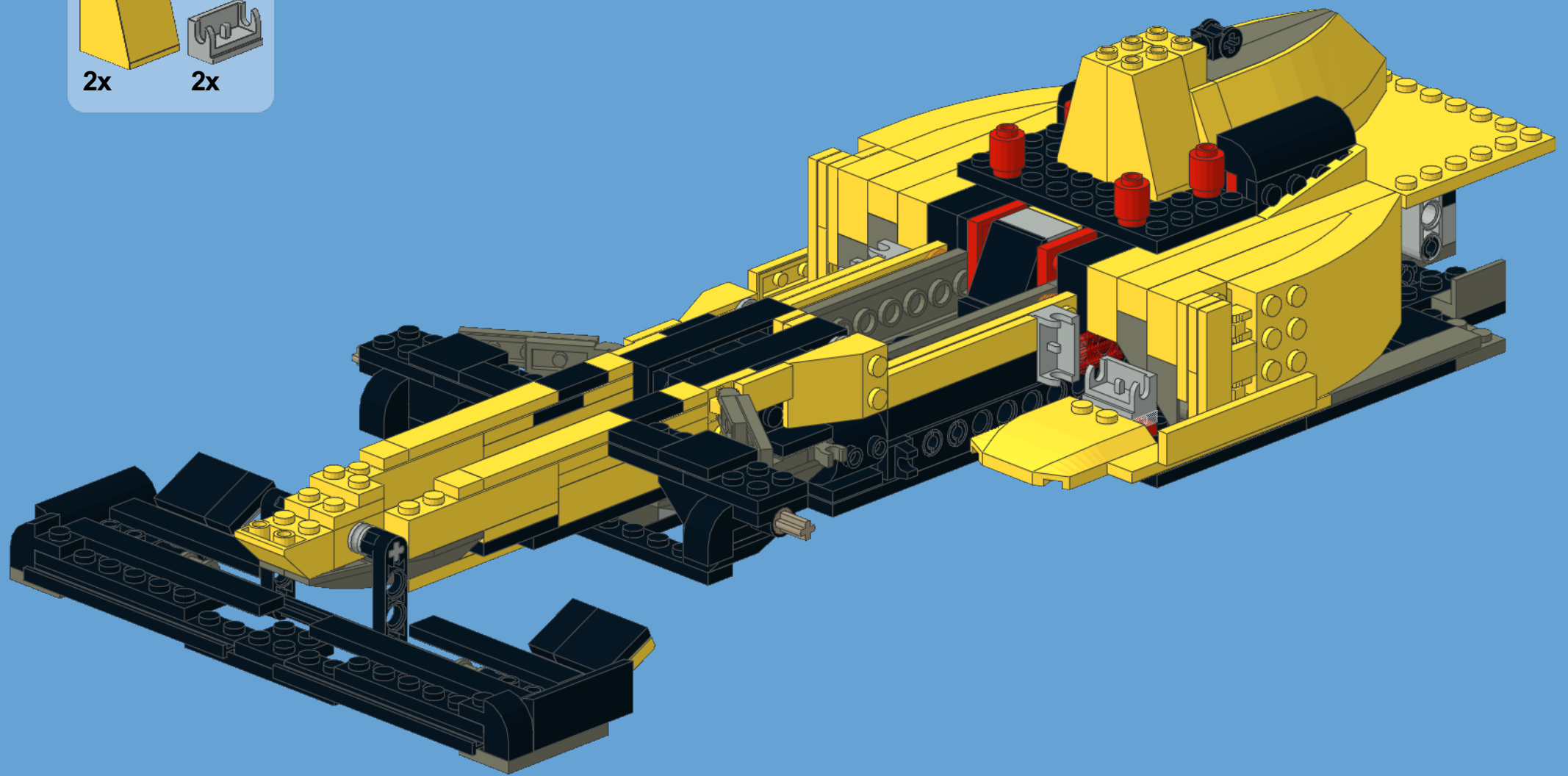
1x 

1x 

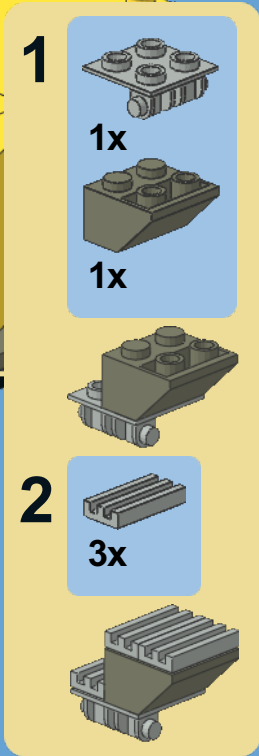
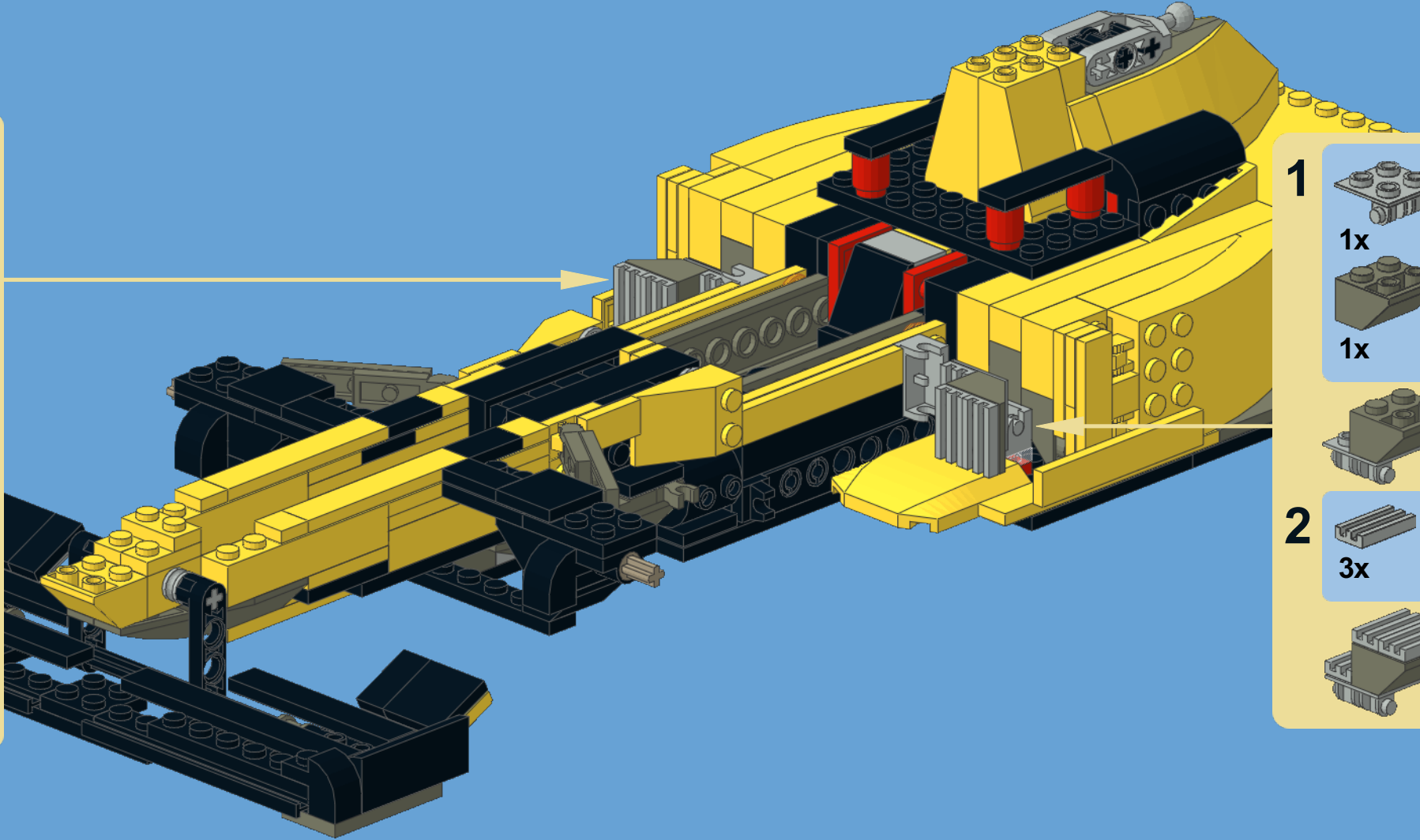
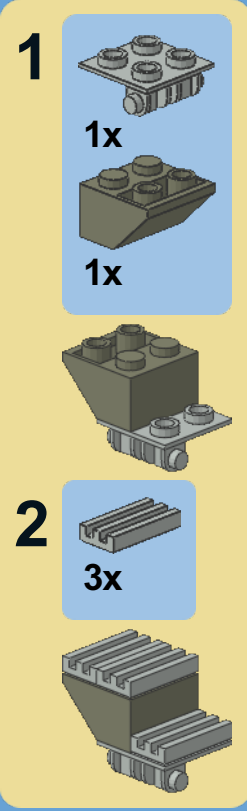
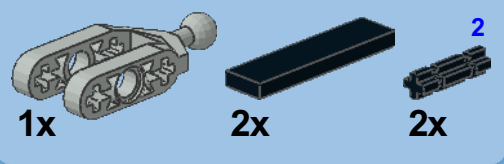
1x 

2x 

2x 

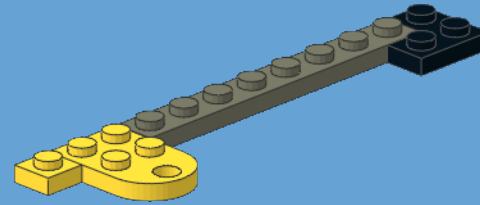
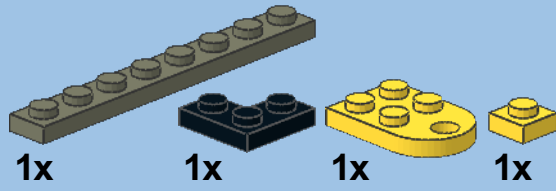




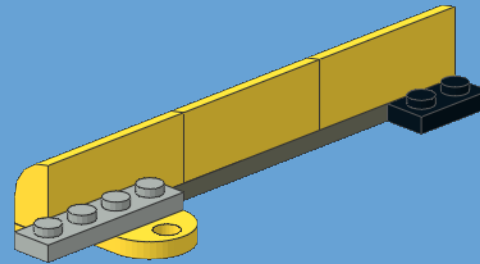
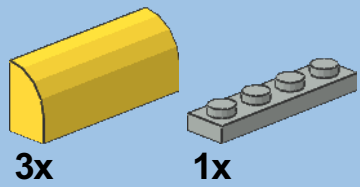




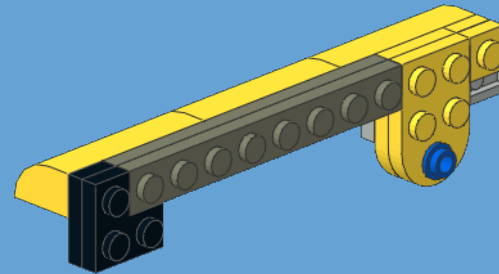
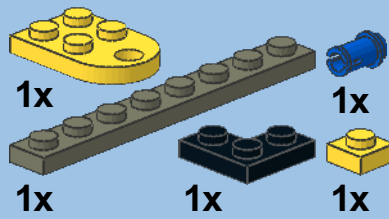
1



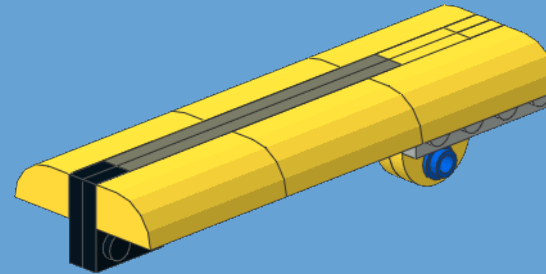
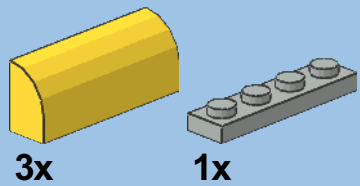
2



3

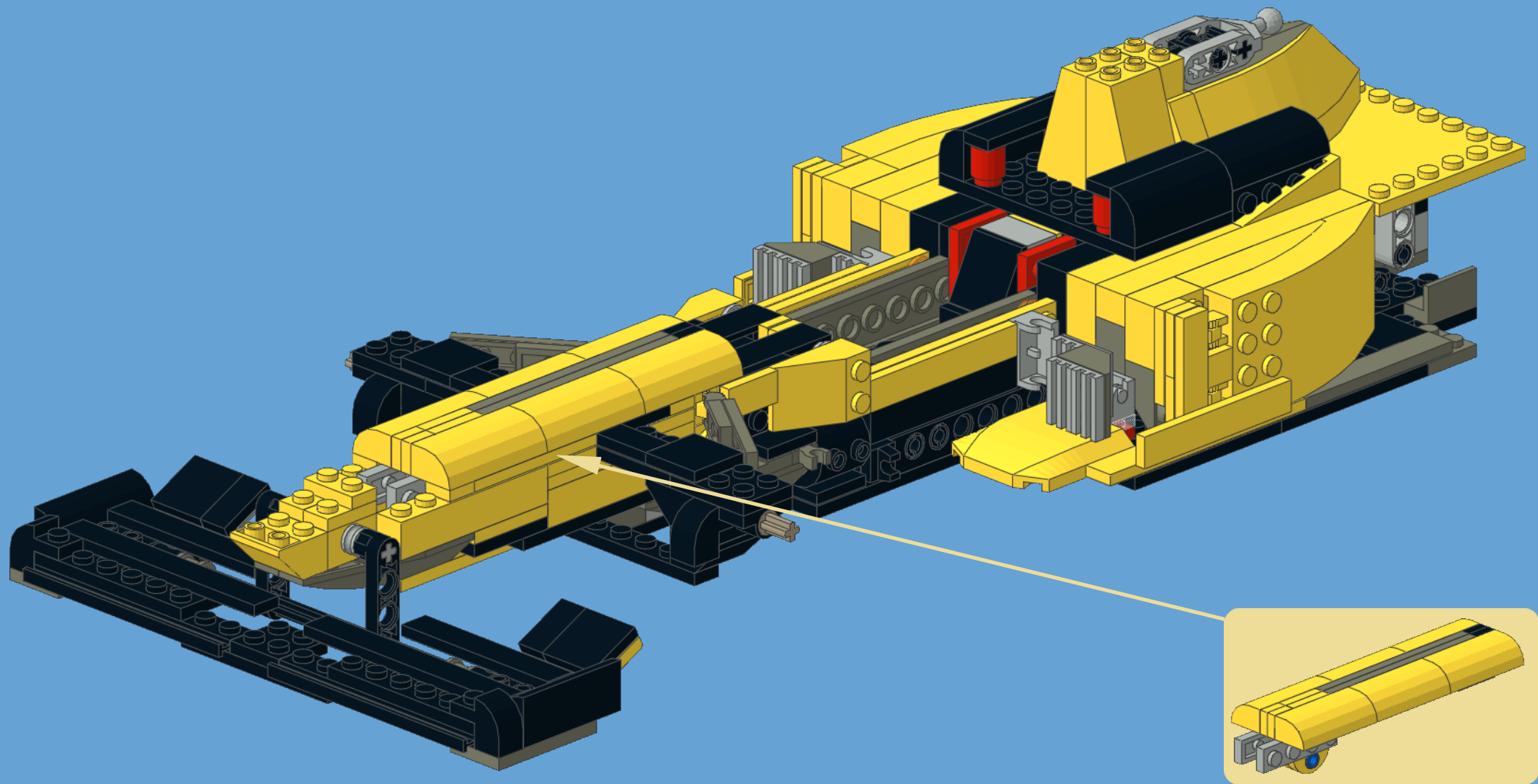
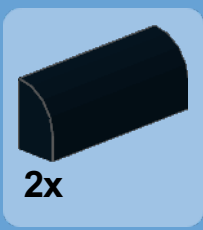


4



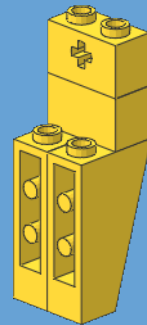
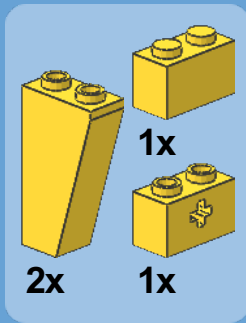


30

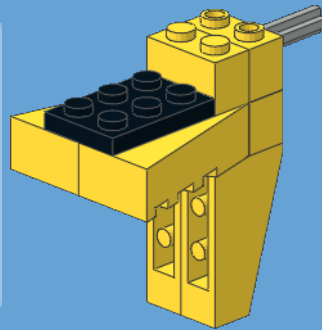
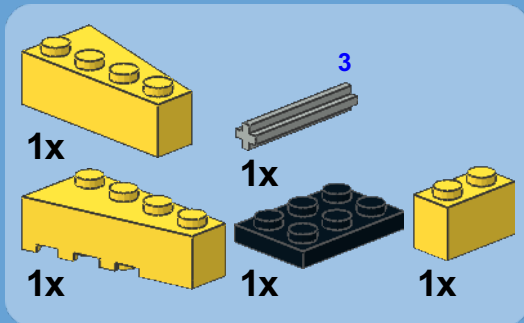




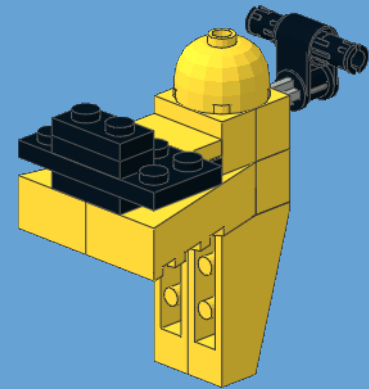
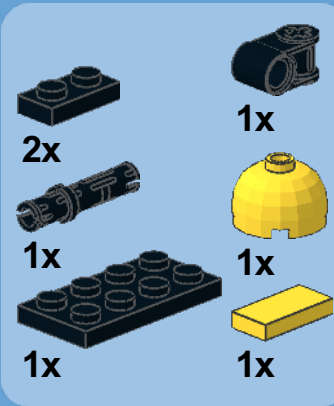
1



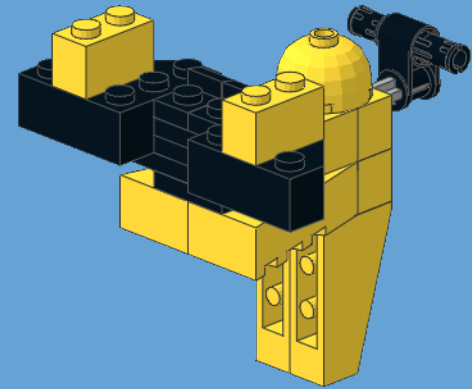
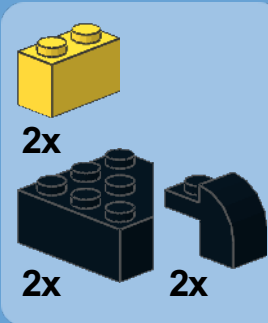
2



3



4

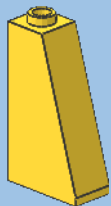




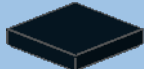
5



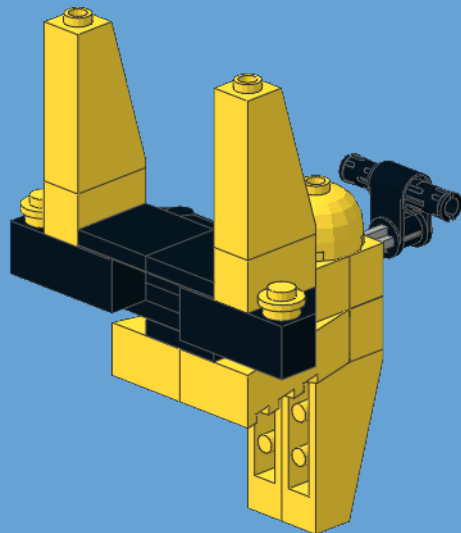
2x



2x



2x



7



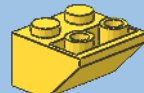
2x



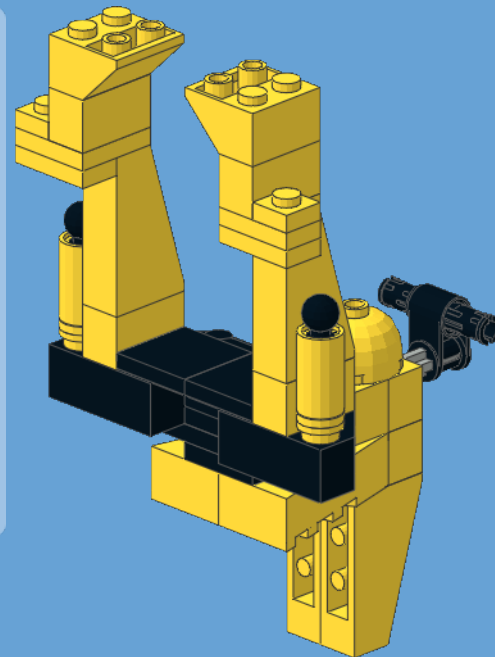
2x



2x



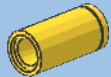
2x



6



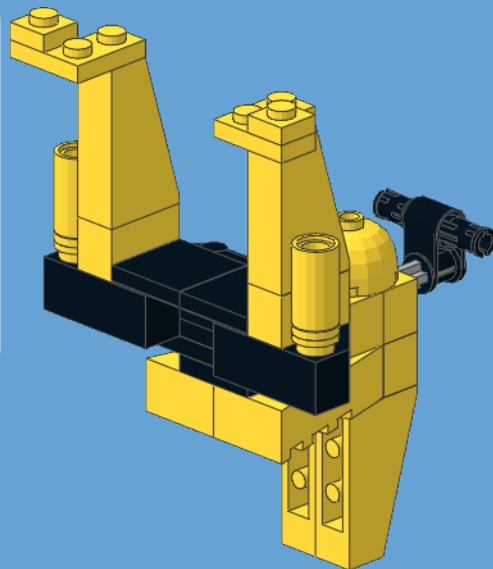
2x



2x



2x



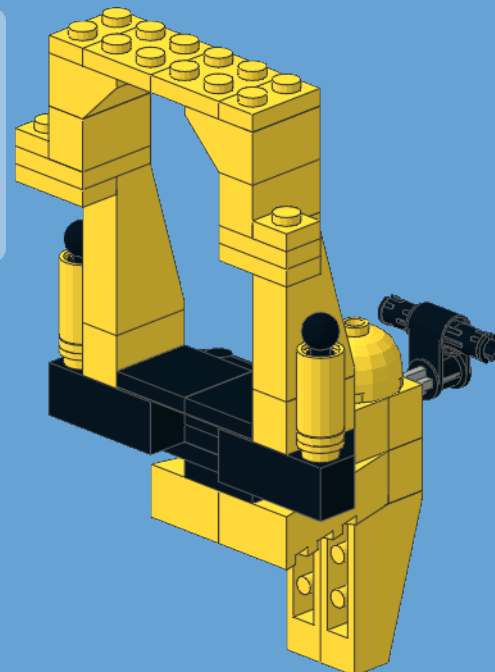
8



2x

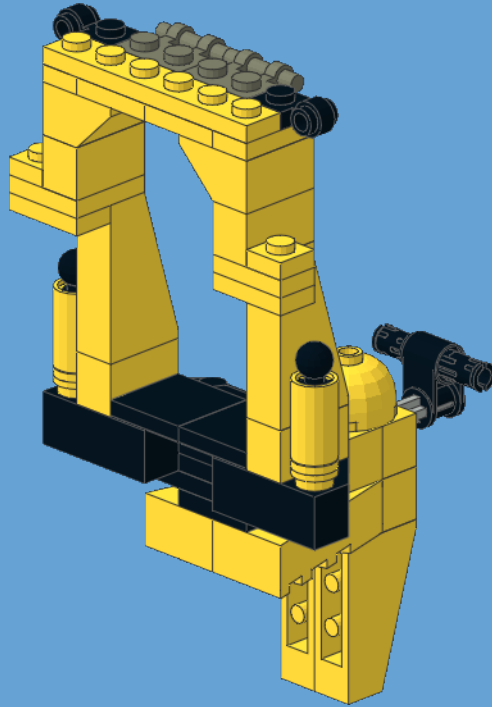
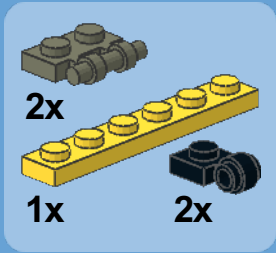


2x

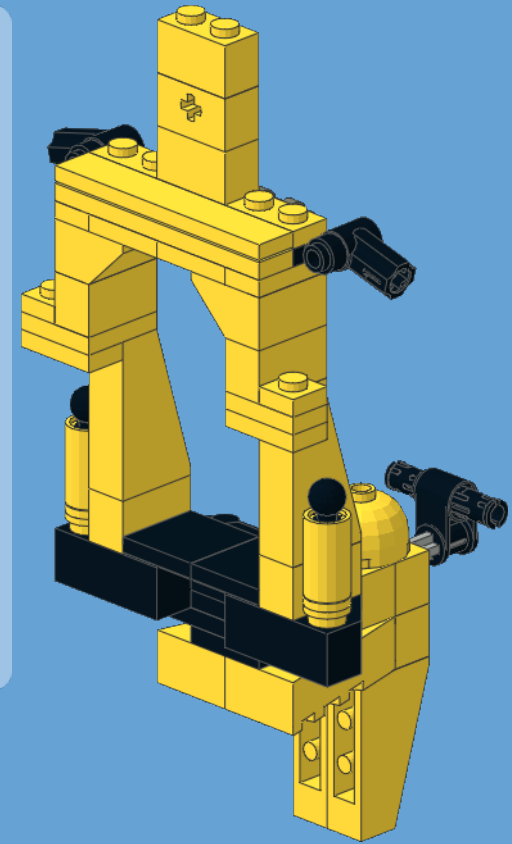
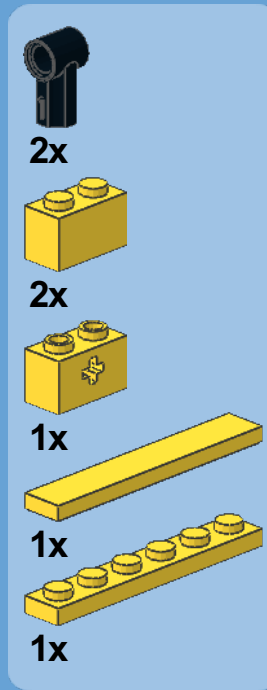




9


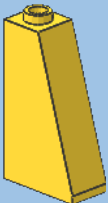





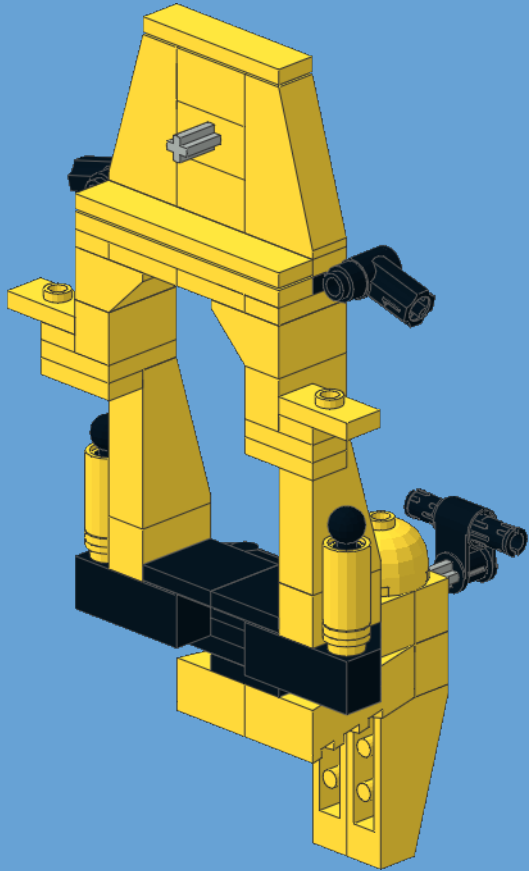
10





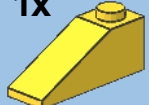


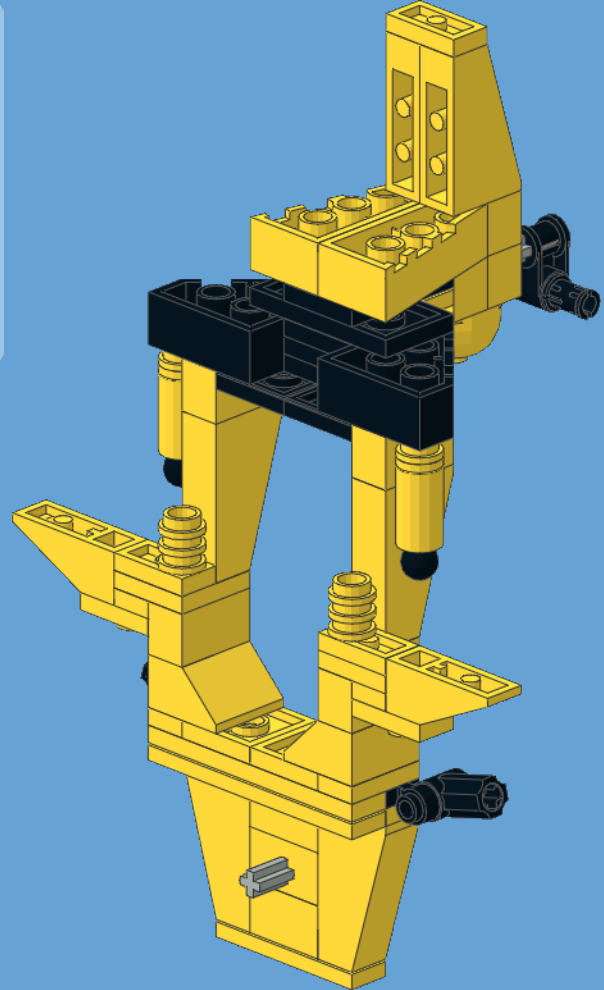
# 11

- 2x 
- 2x 
- 2x  3
- 1x 
- 1x 



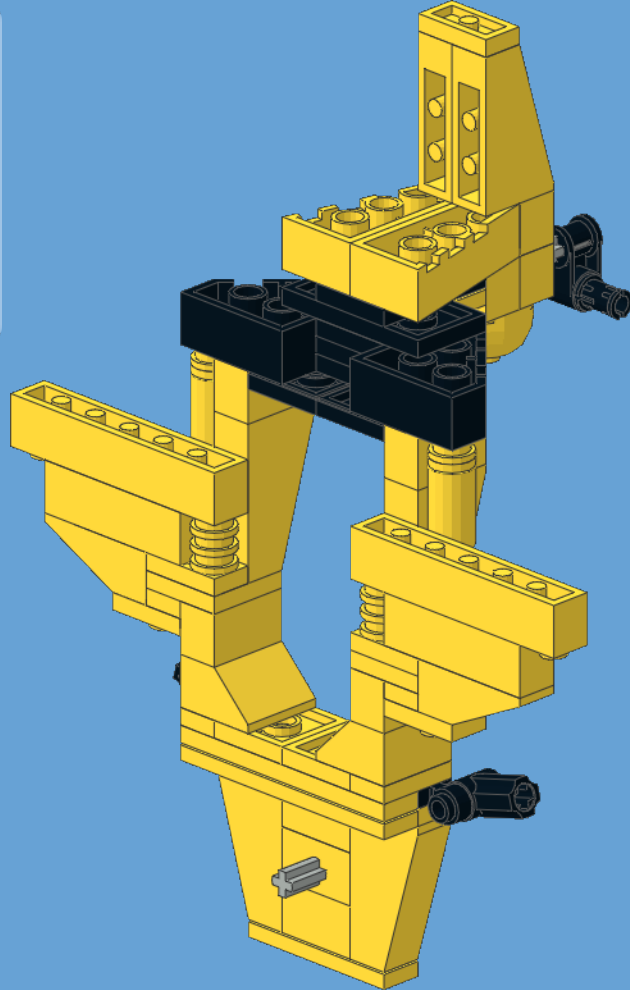
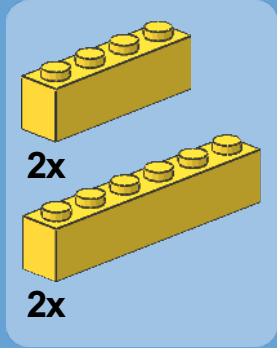
# 12

- 6x 
- 1x 
- 2x 

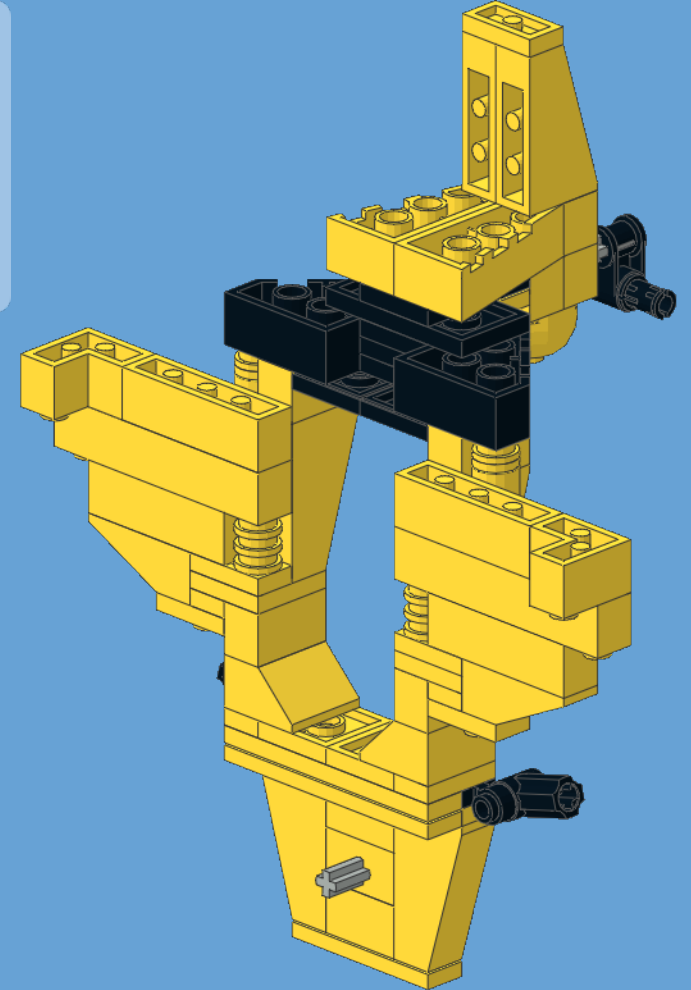
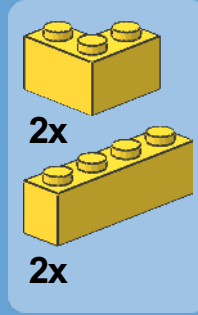




# 13



# 14





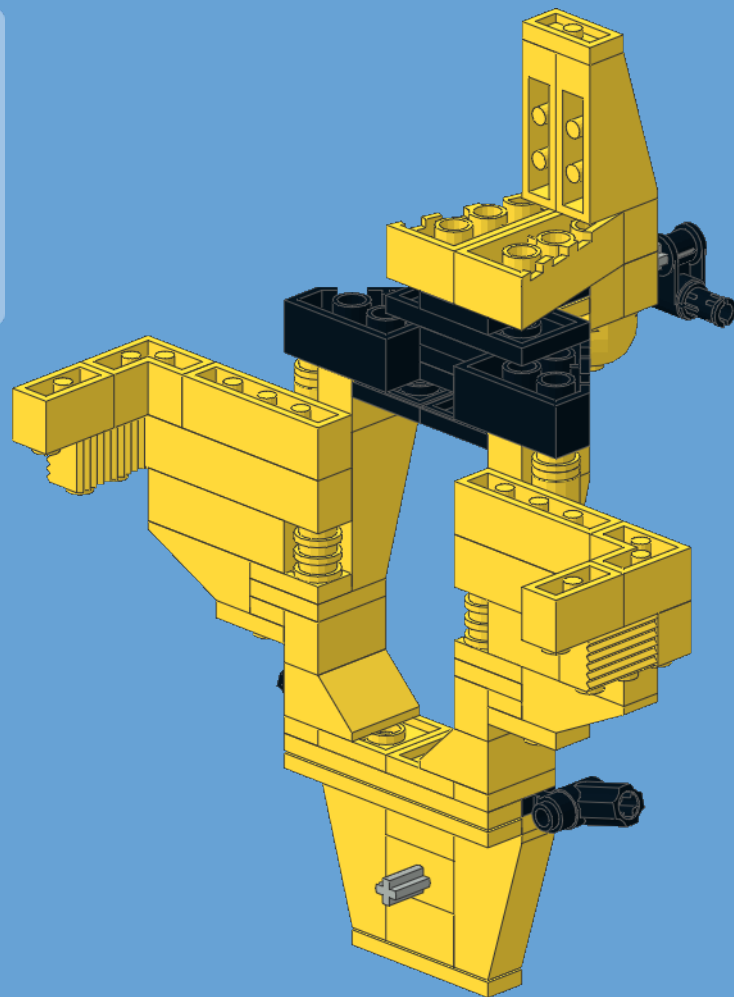
# 15



2x



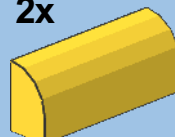
2x



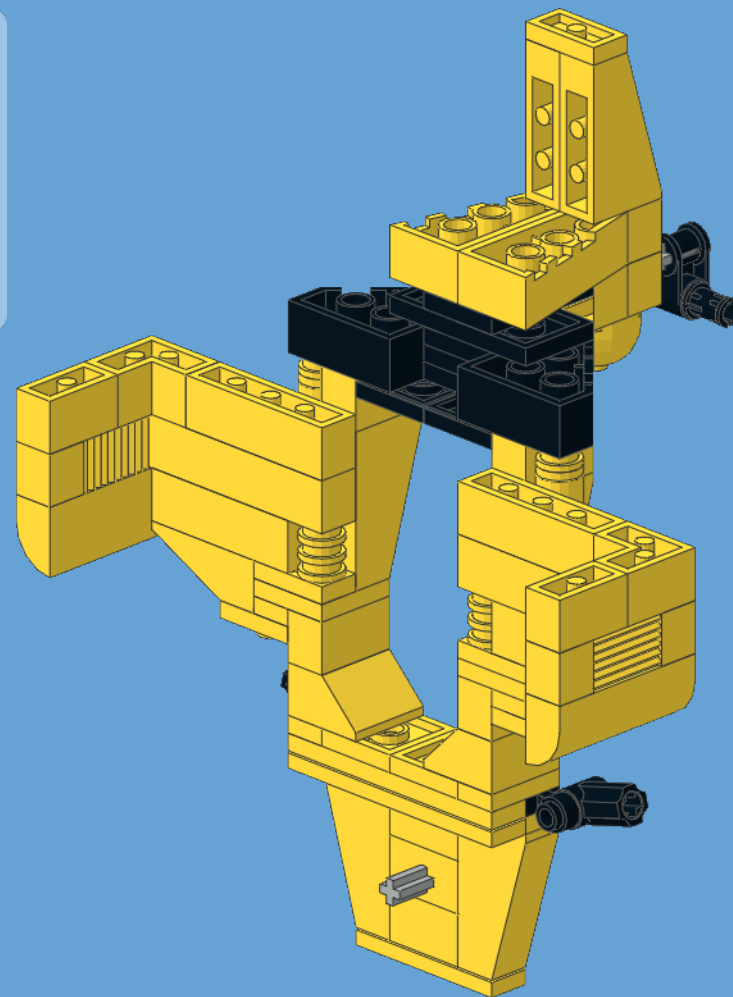
# 16



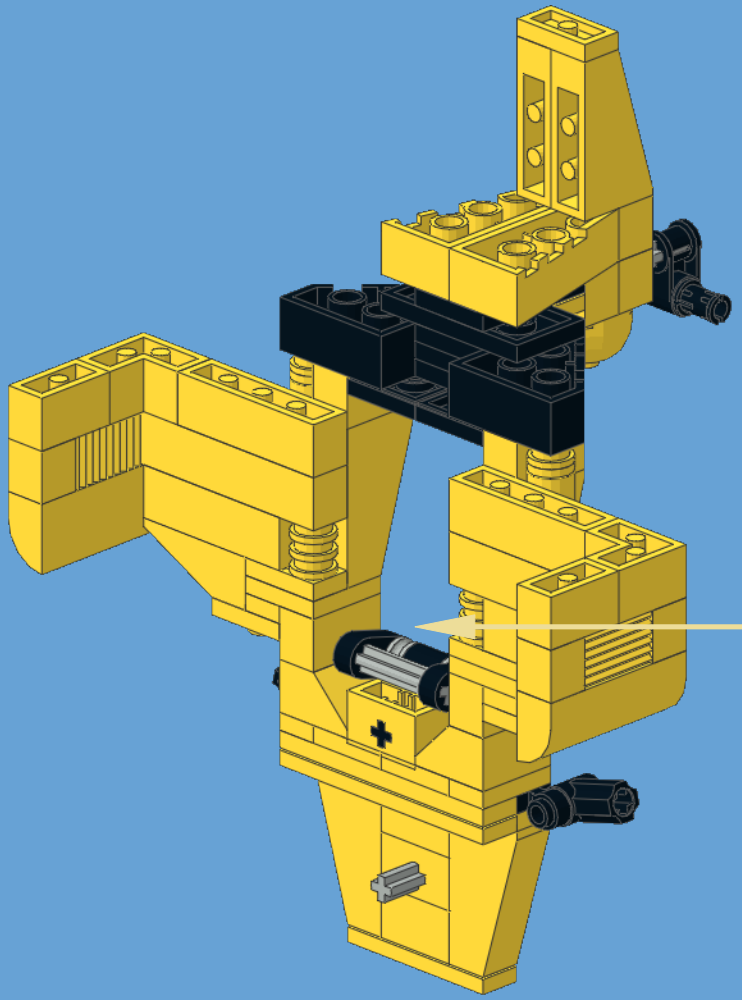
2x










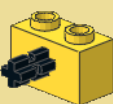
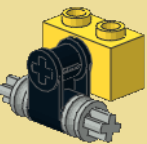
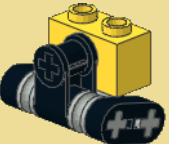


2x



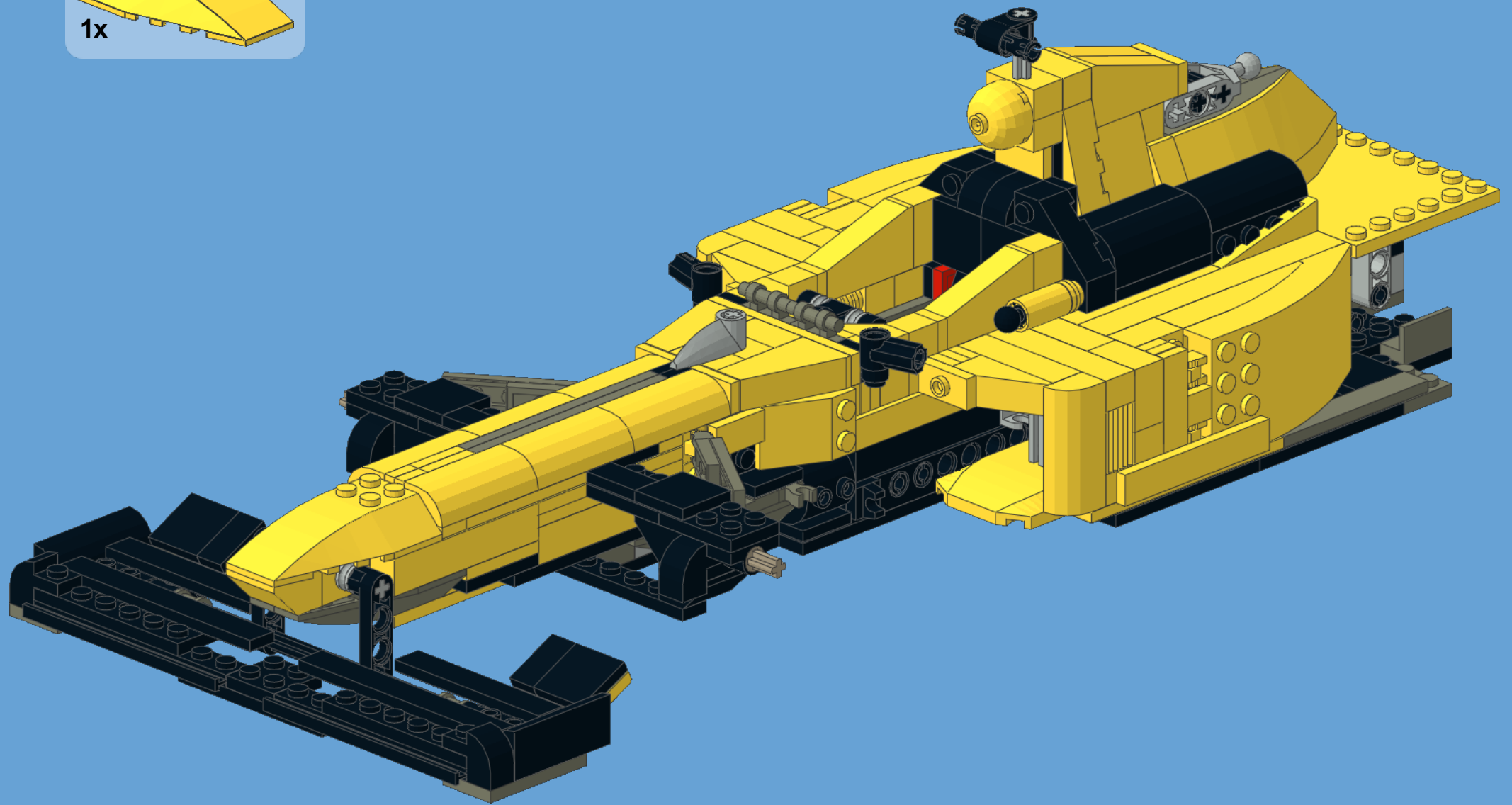
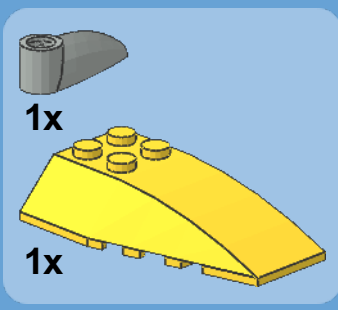




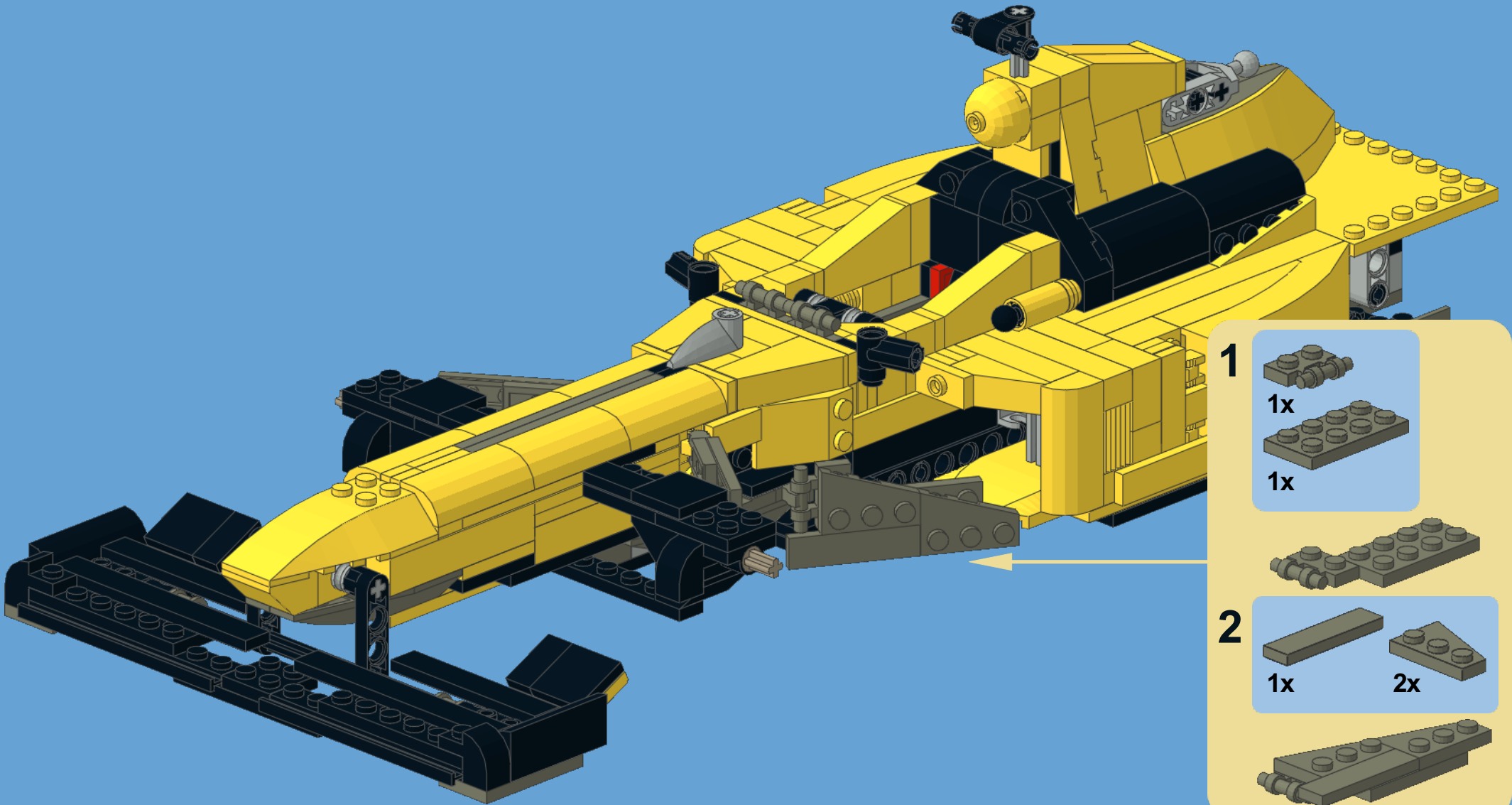
<b>1</b>	<b>2</b>	<b>3</b>
 1x	 2x	 2x
 1x	 1x	 1x
 1x	 1x	 1x
		



31







**1**

1x

1x

**2**

1x

2x

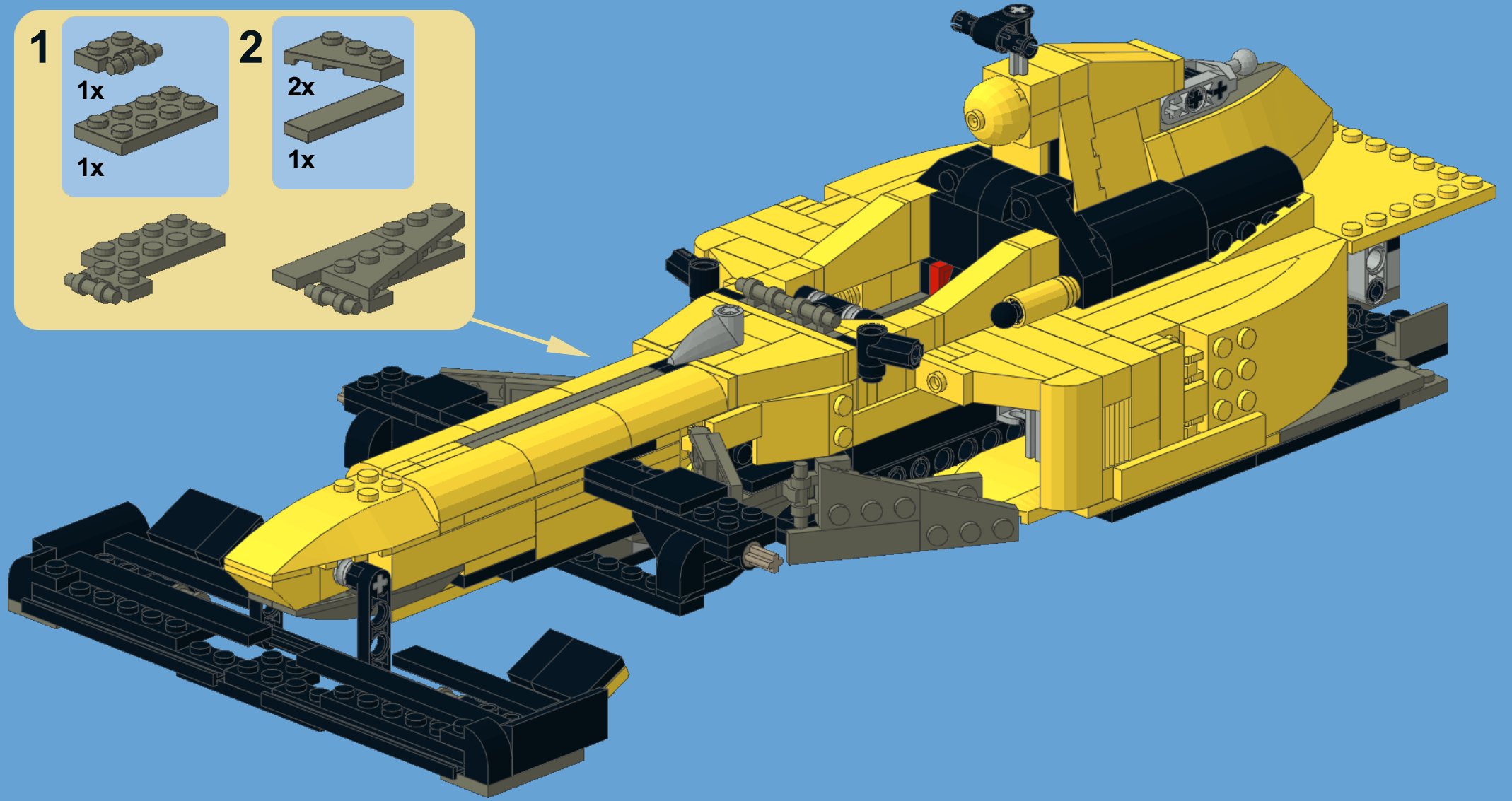


**1**

- 1x
- 1x
- 1x

**2**

- 2x
- 1x

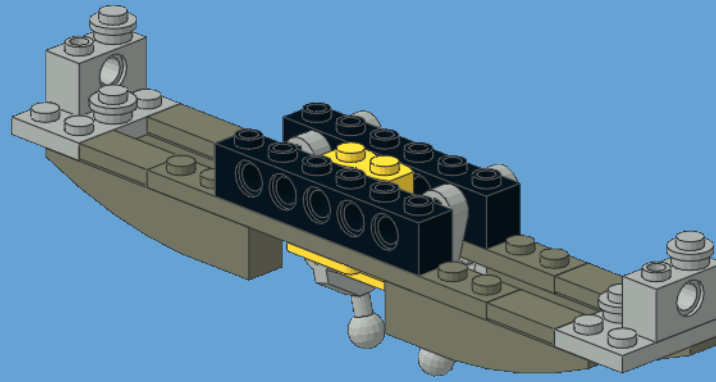
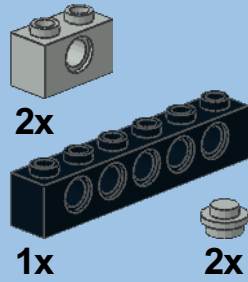




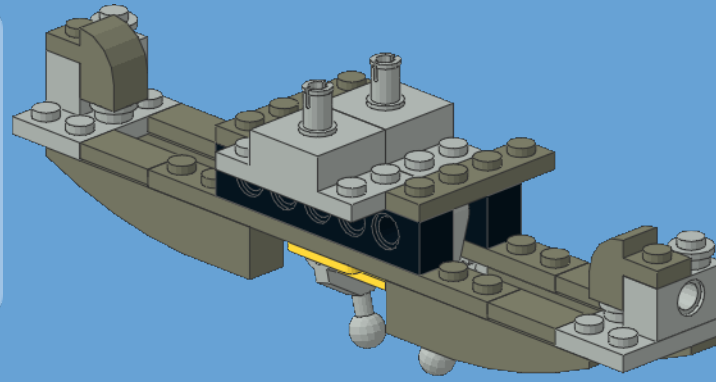
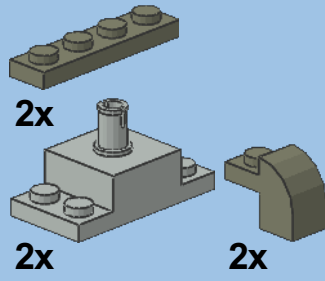




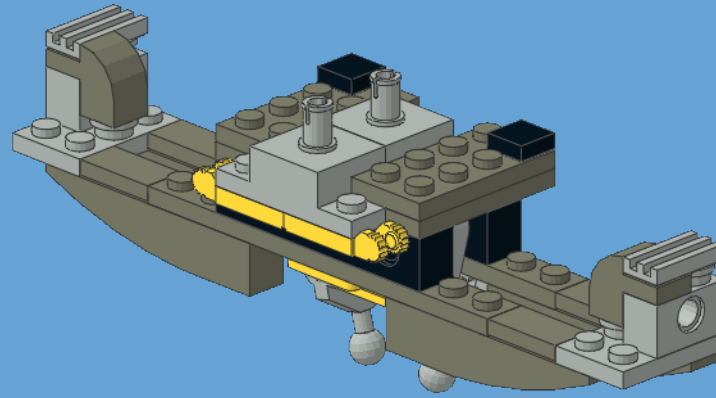
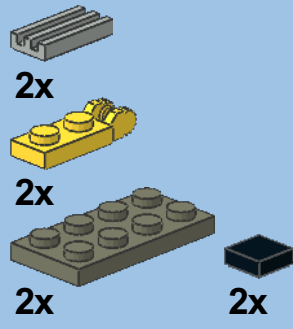
5



6

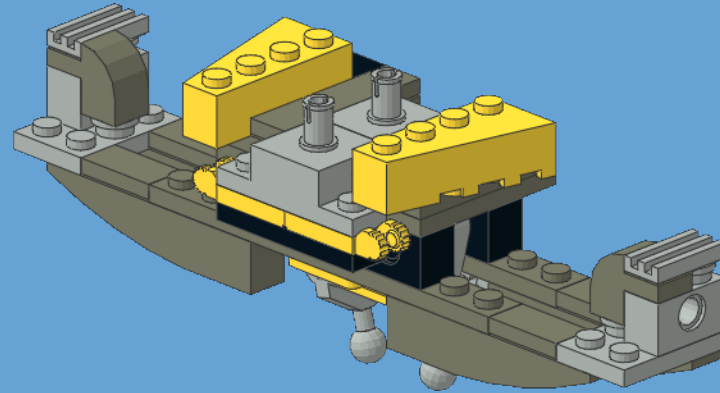
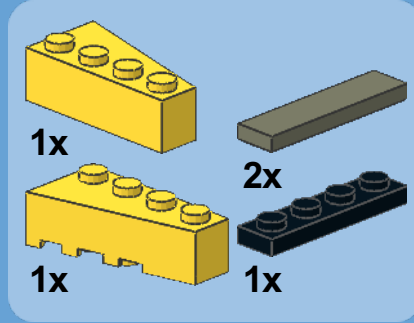


7

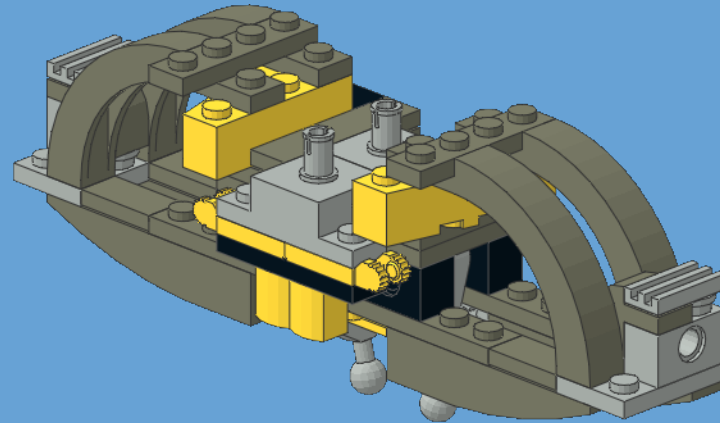
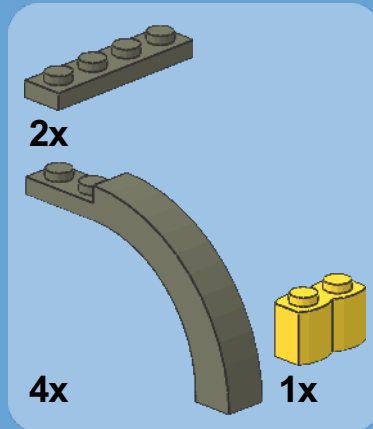




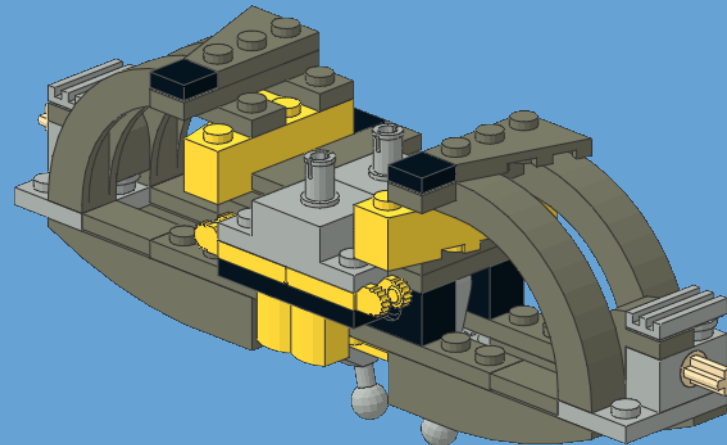
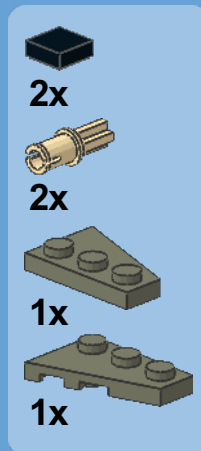
8



9



10

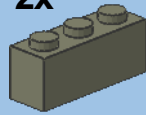




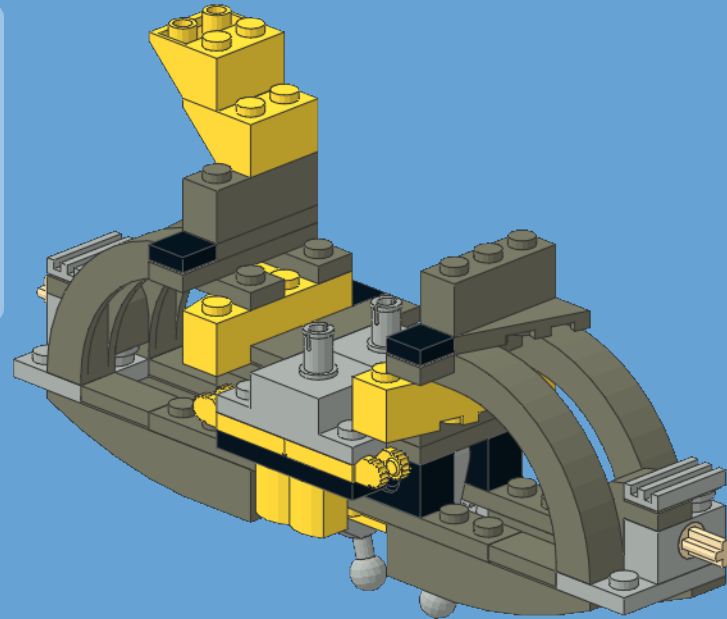
# 11



2x



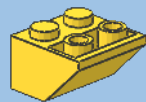
2x



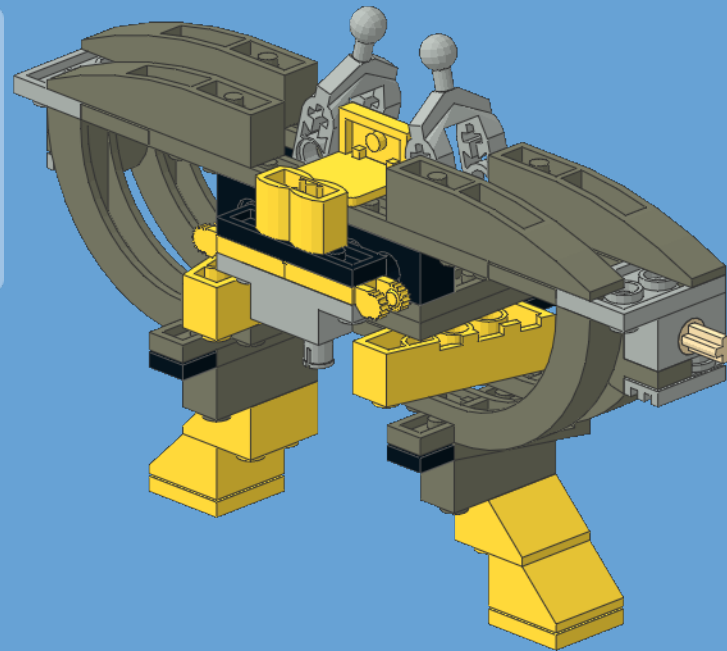
# 12



2x

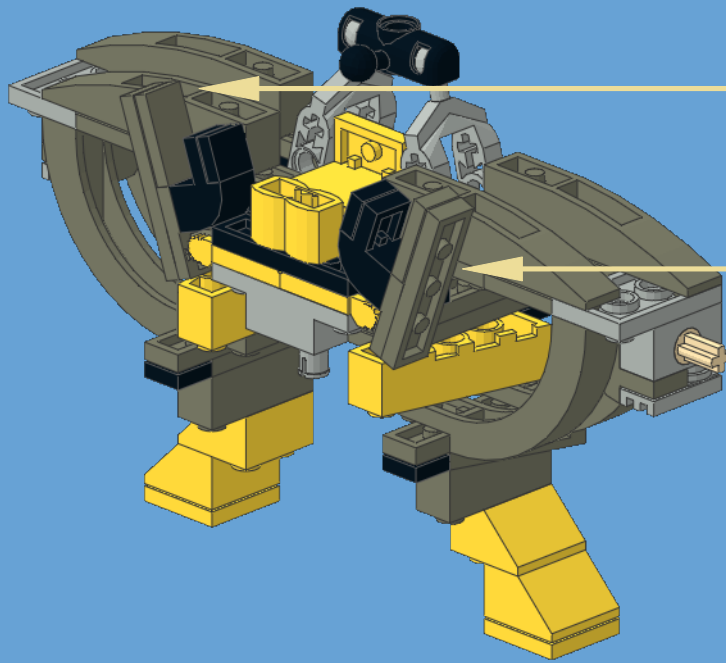
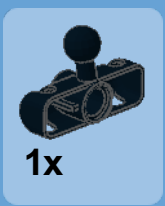


2x

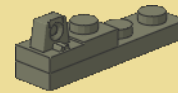
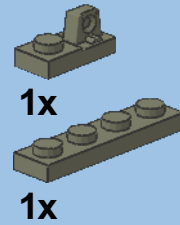




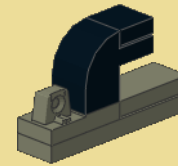
# 13



1

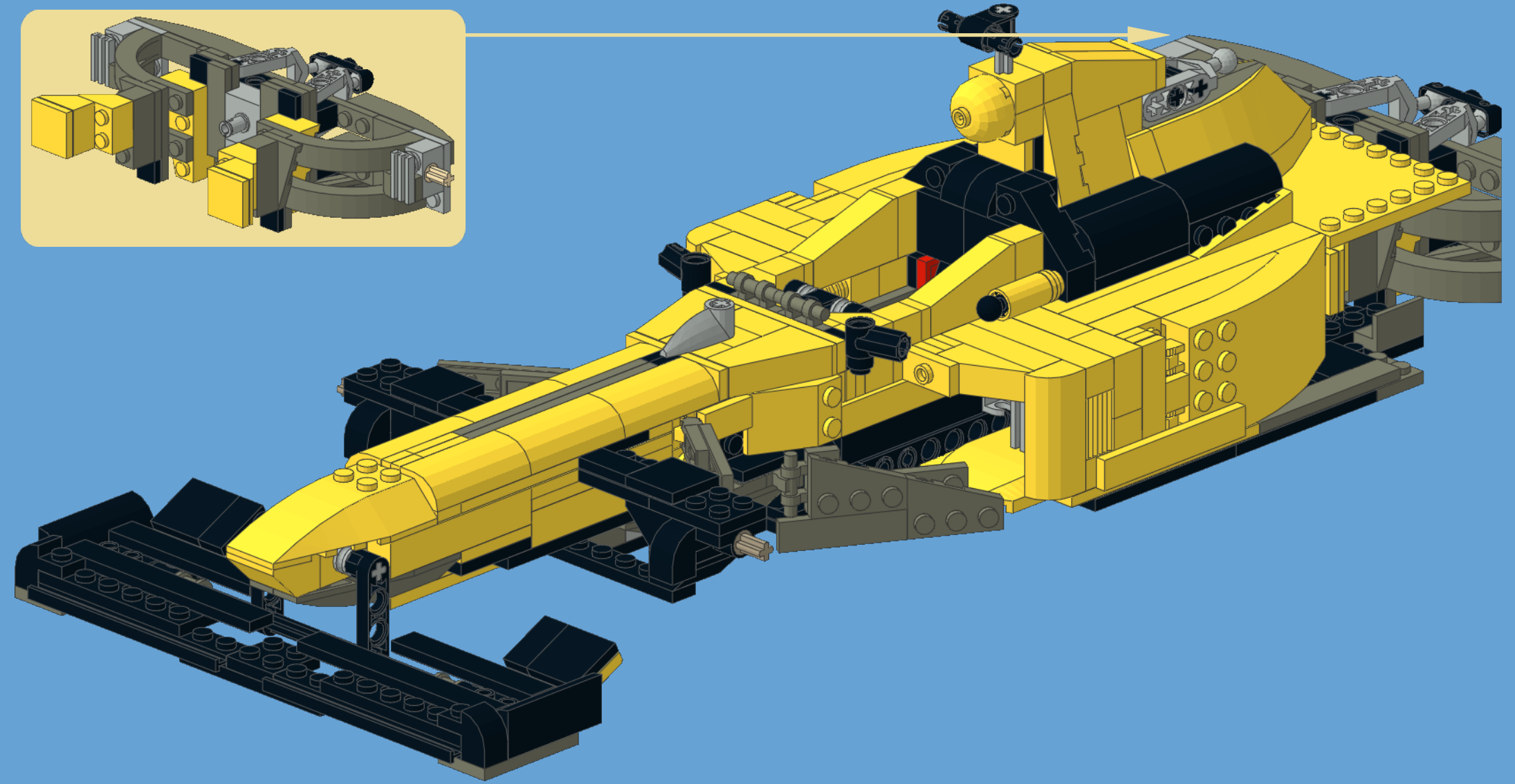
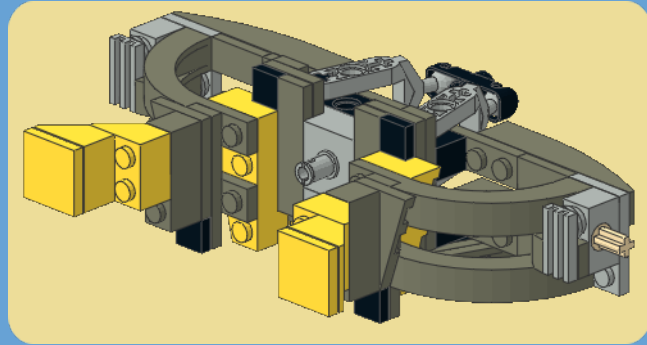


2



x2



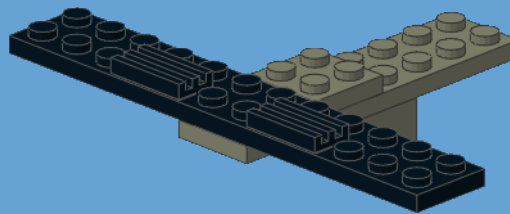
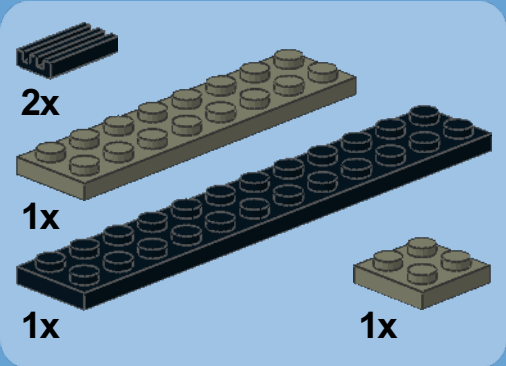




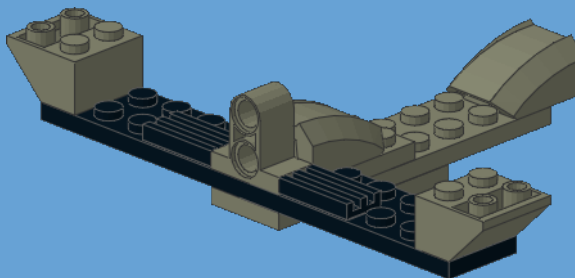
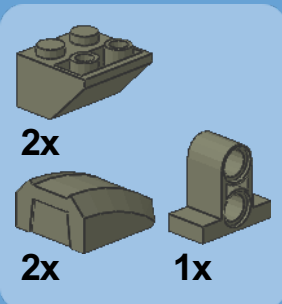
1



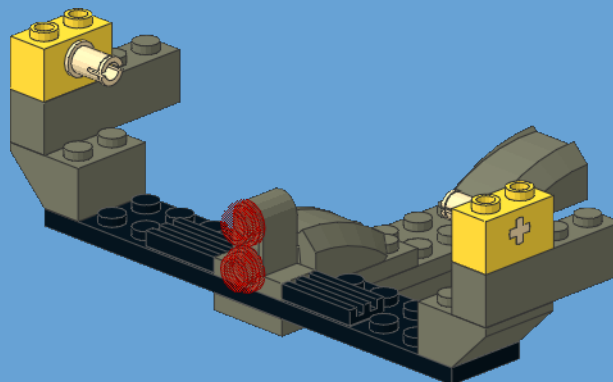
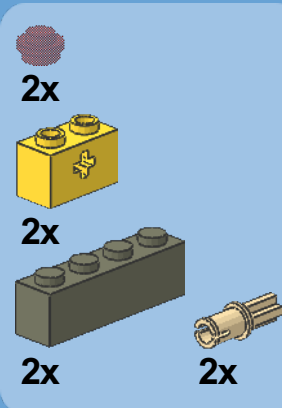
2



3

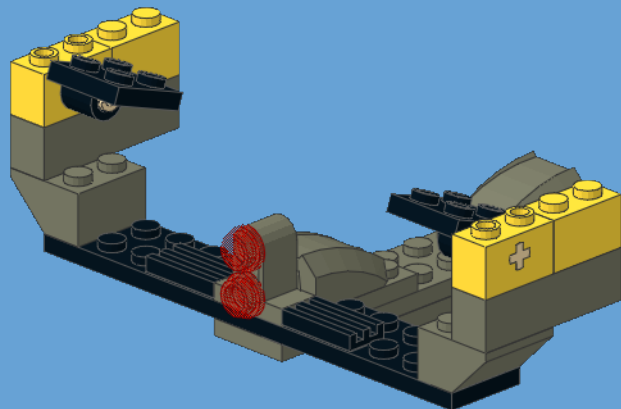
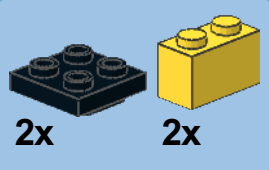


4

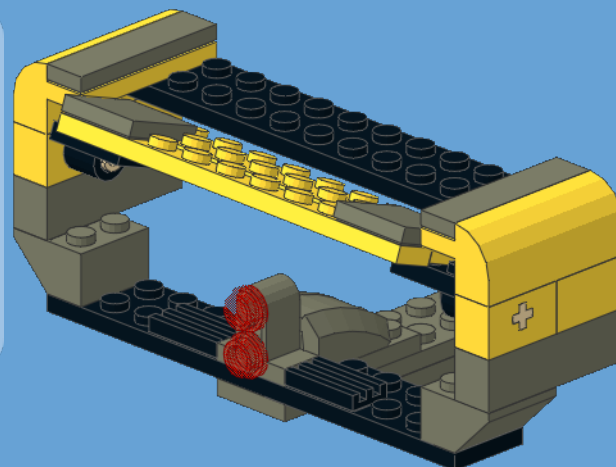
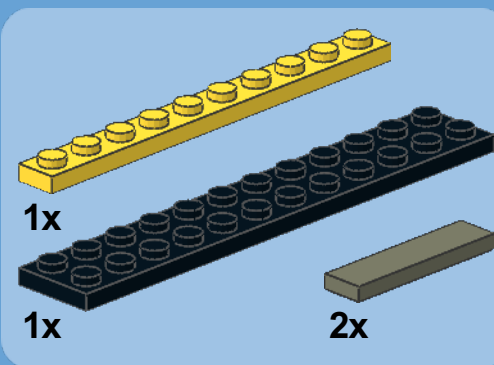




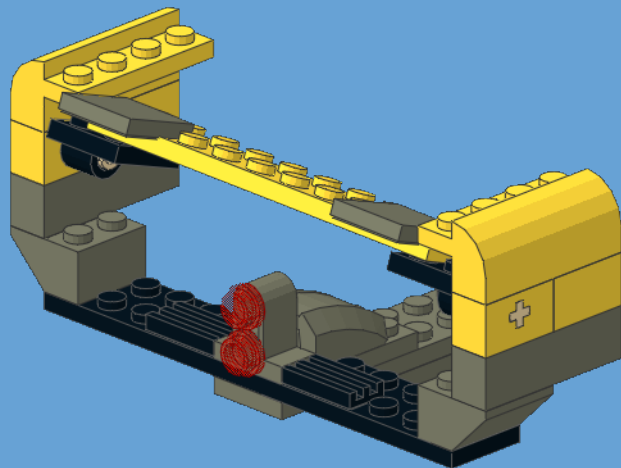
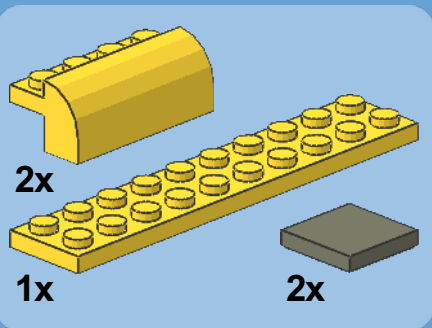
5



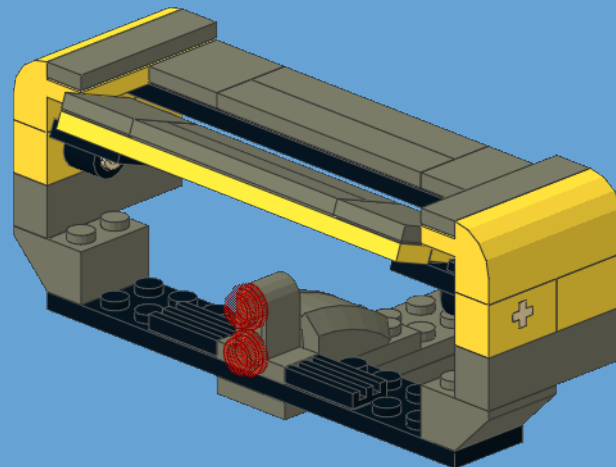
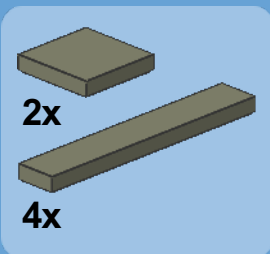
7



6

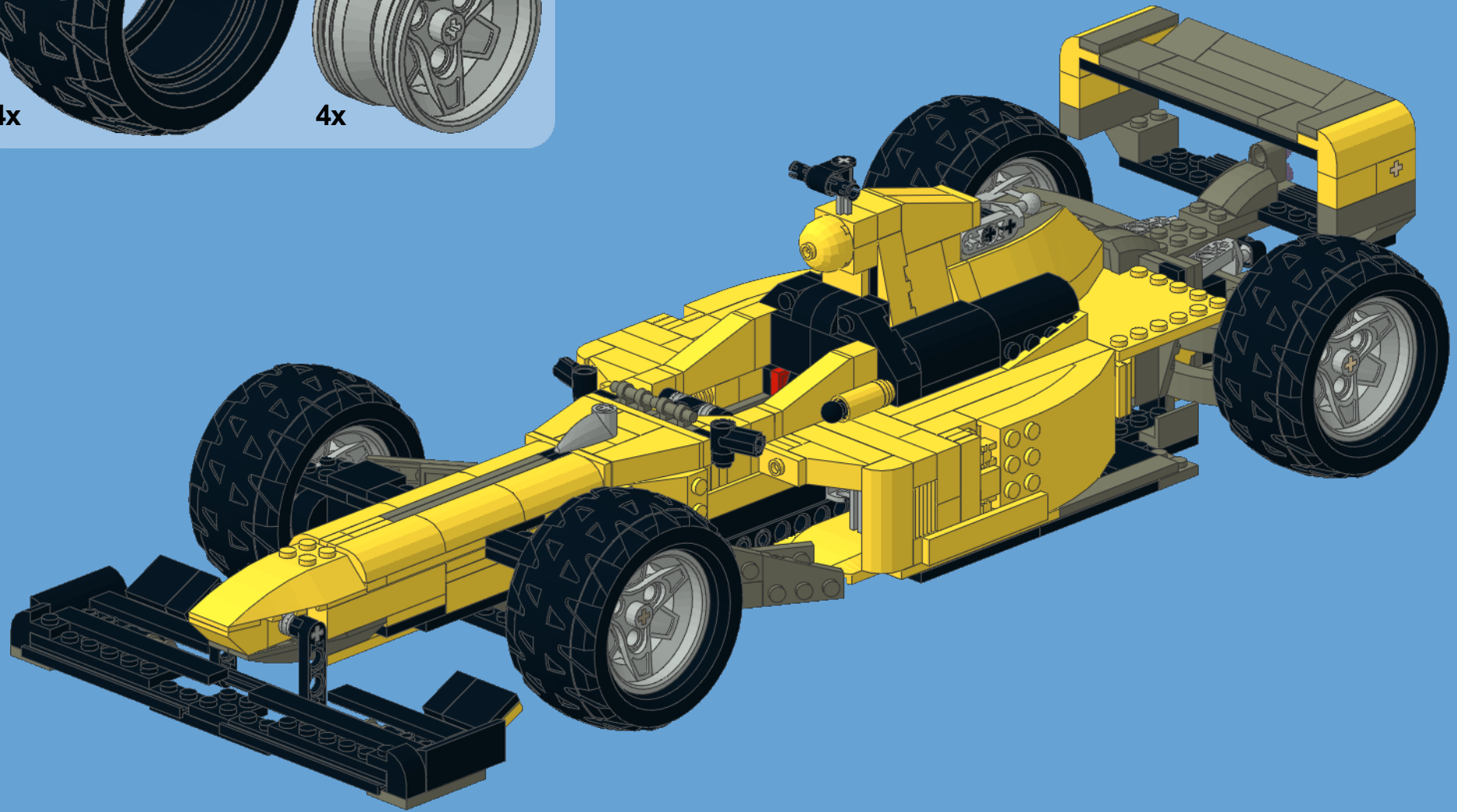
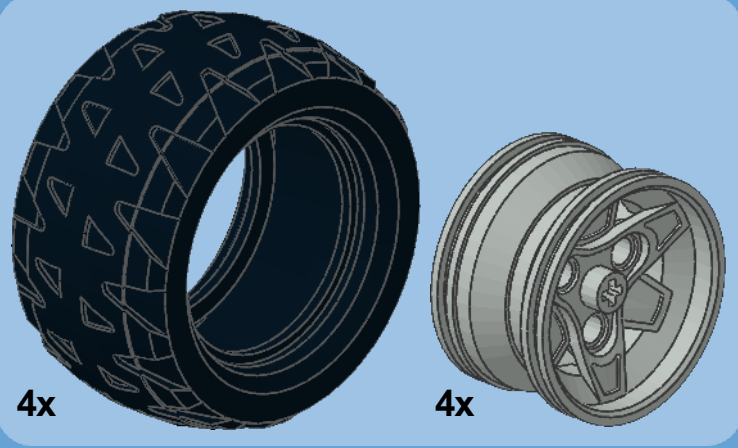


8





35







113



114







