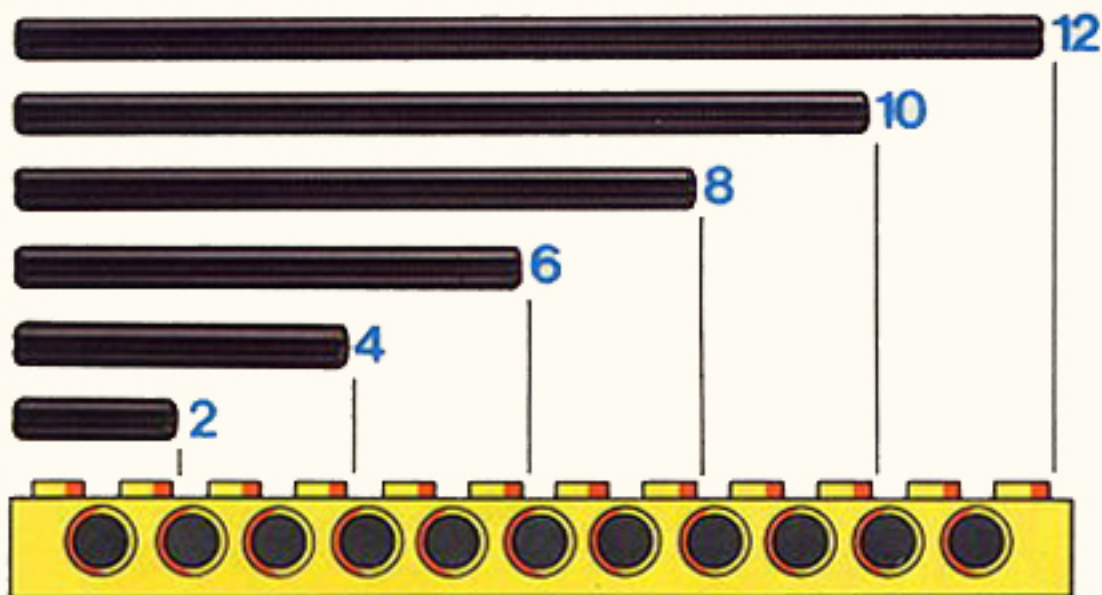
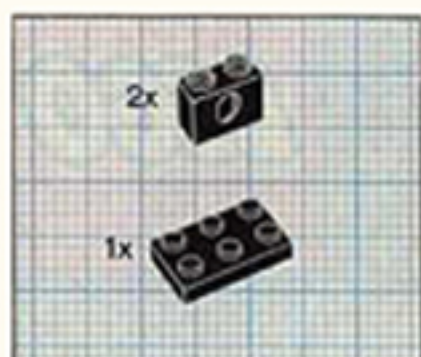


# 1924

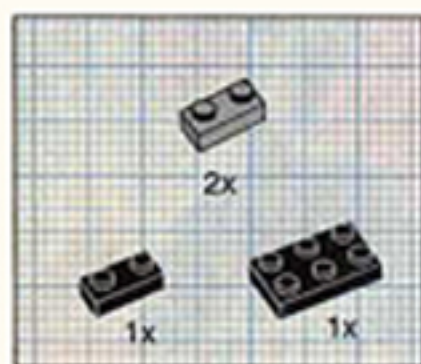
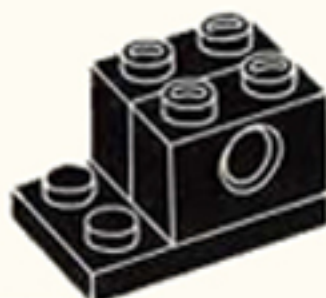
# LEGO



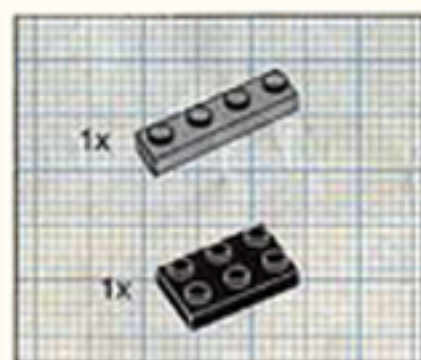




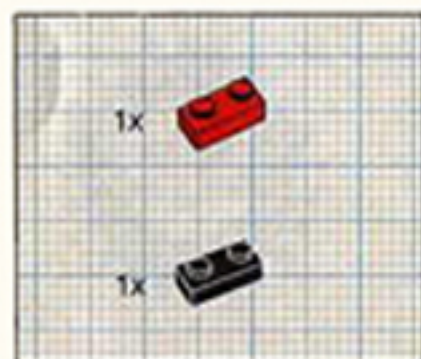
1



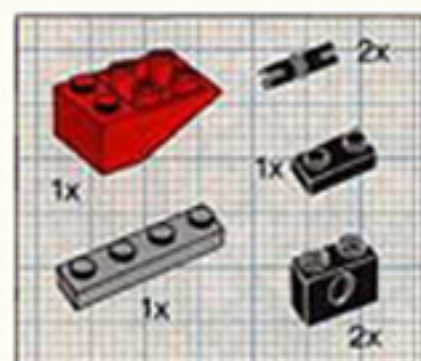
2



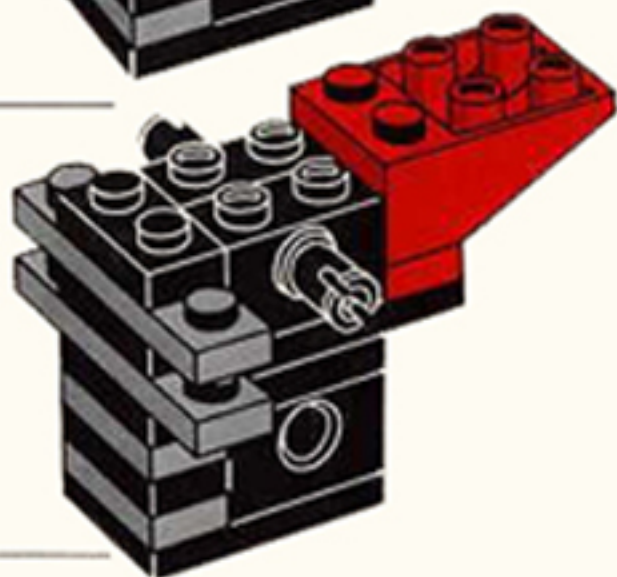
3



4

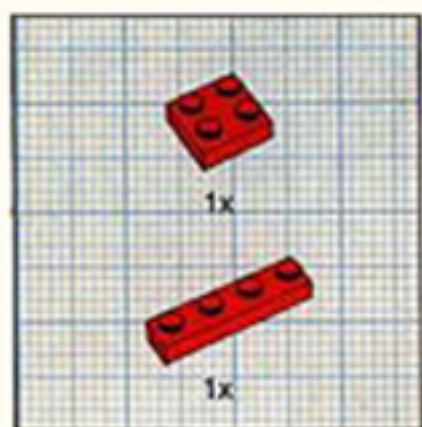


5

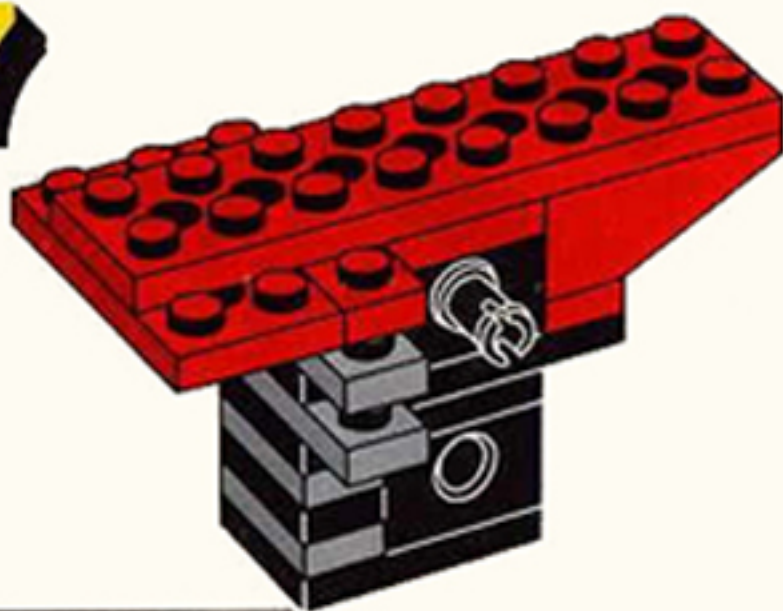
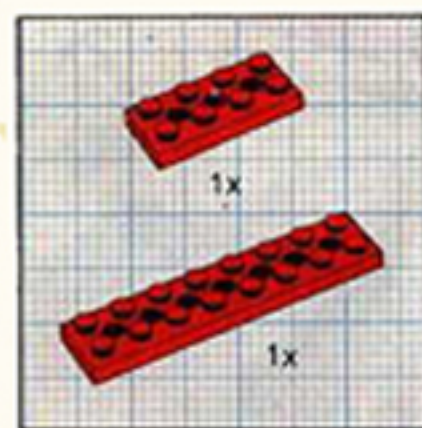




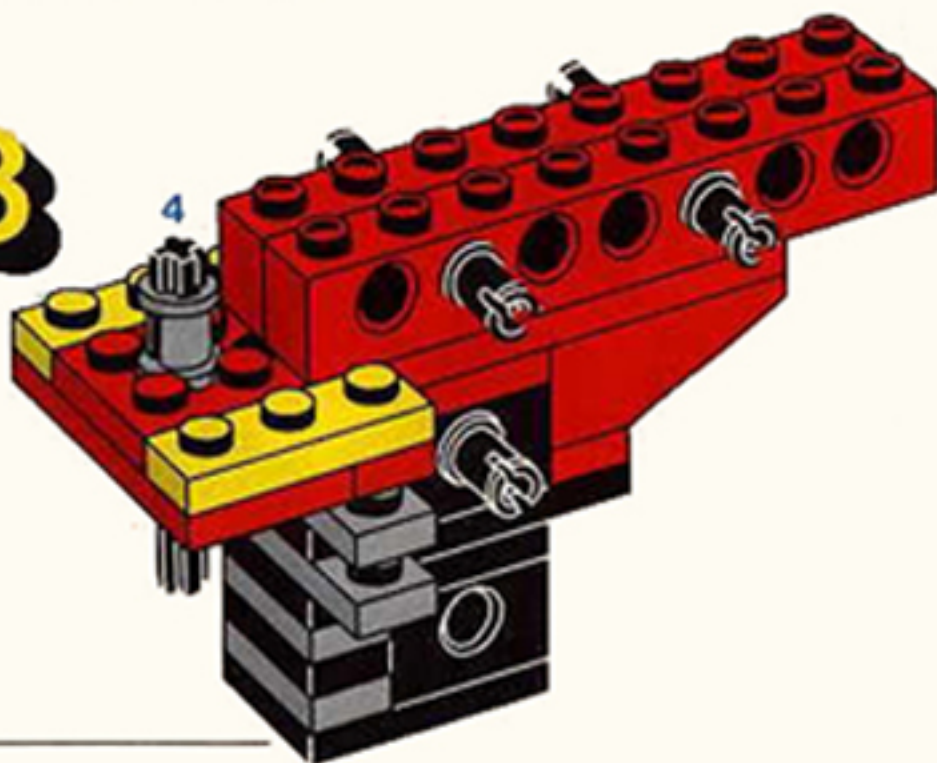
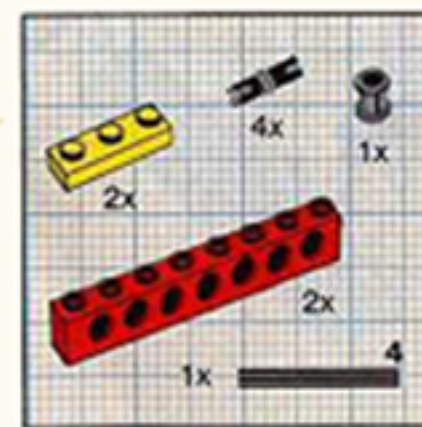
6



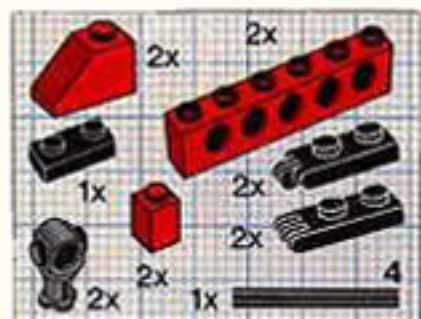
7



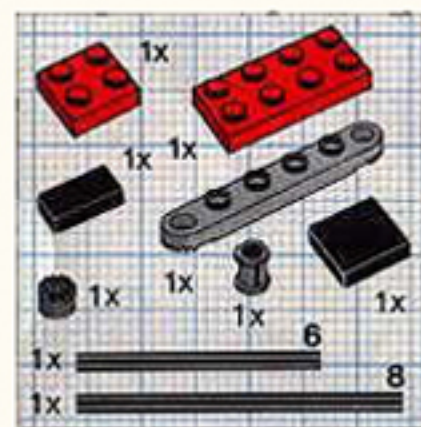
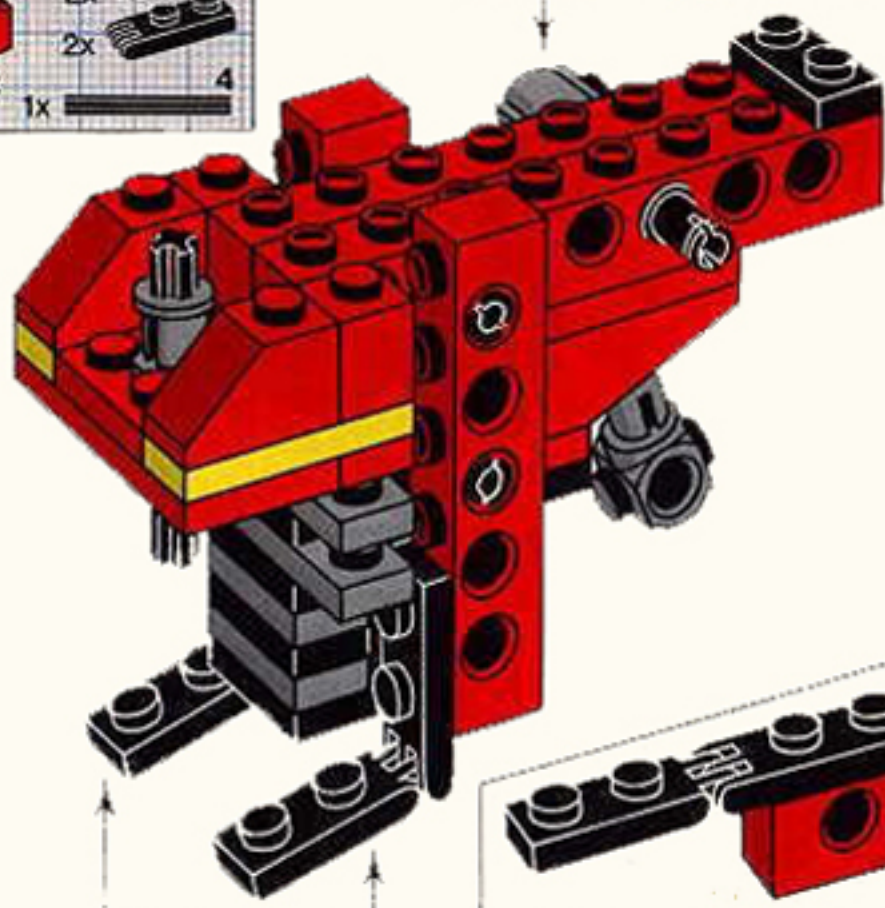
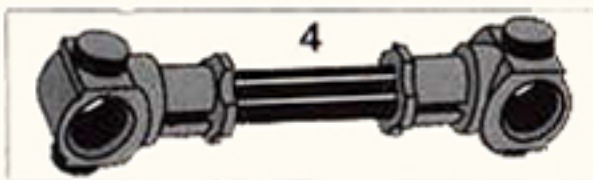
8



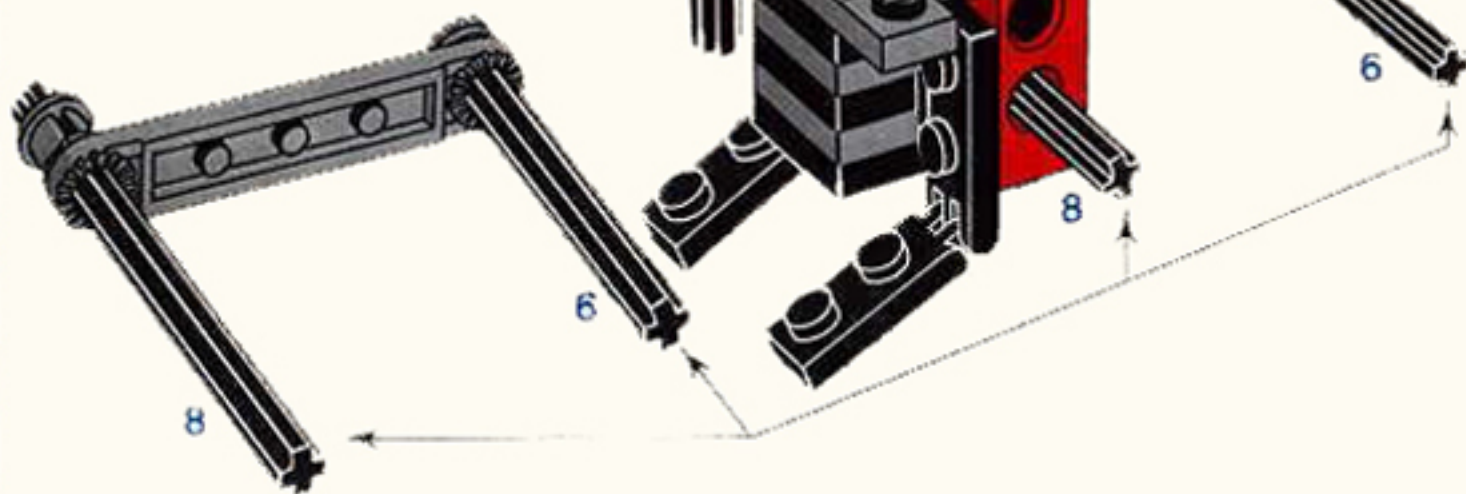
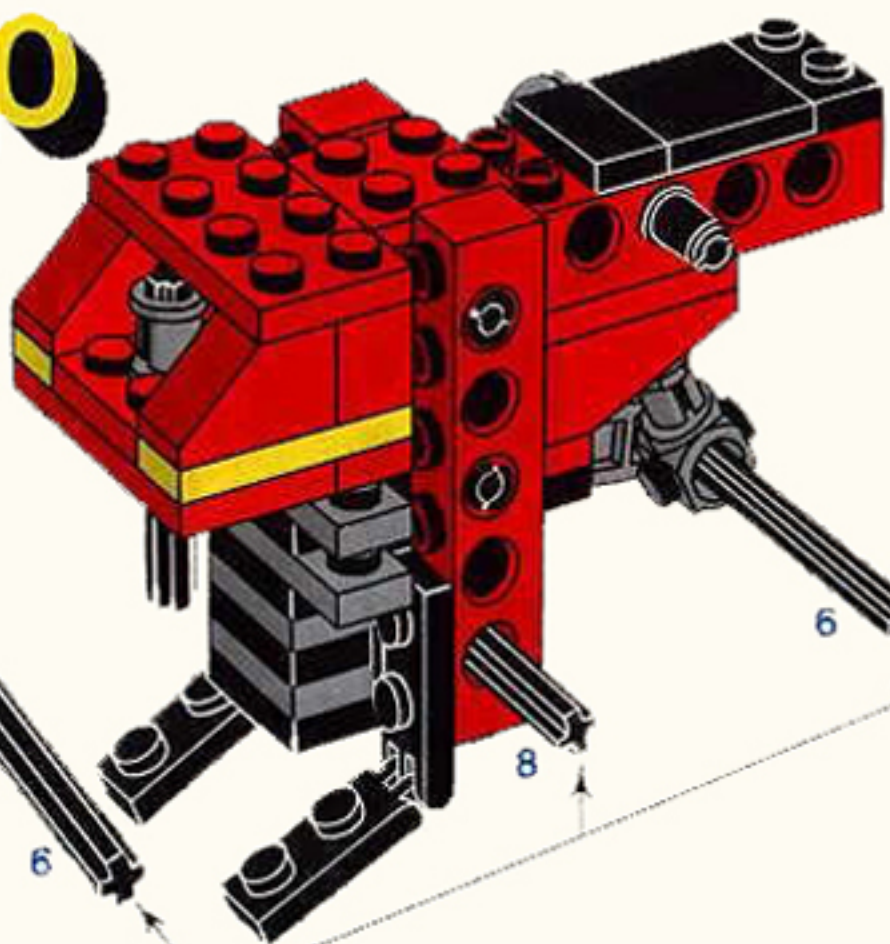




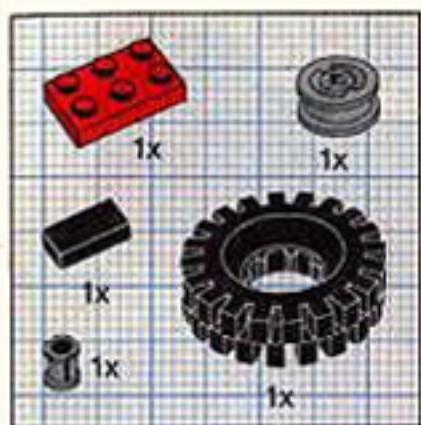
9



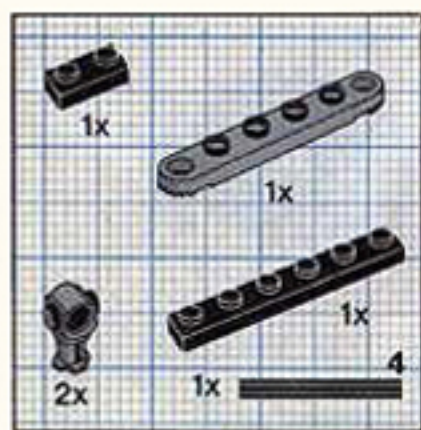
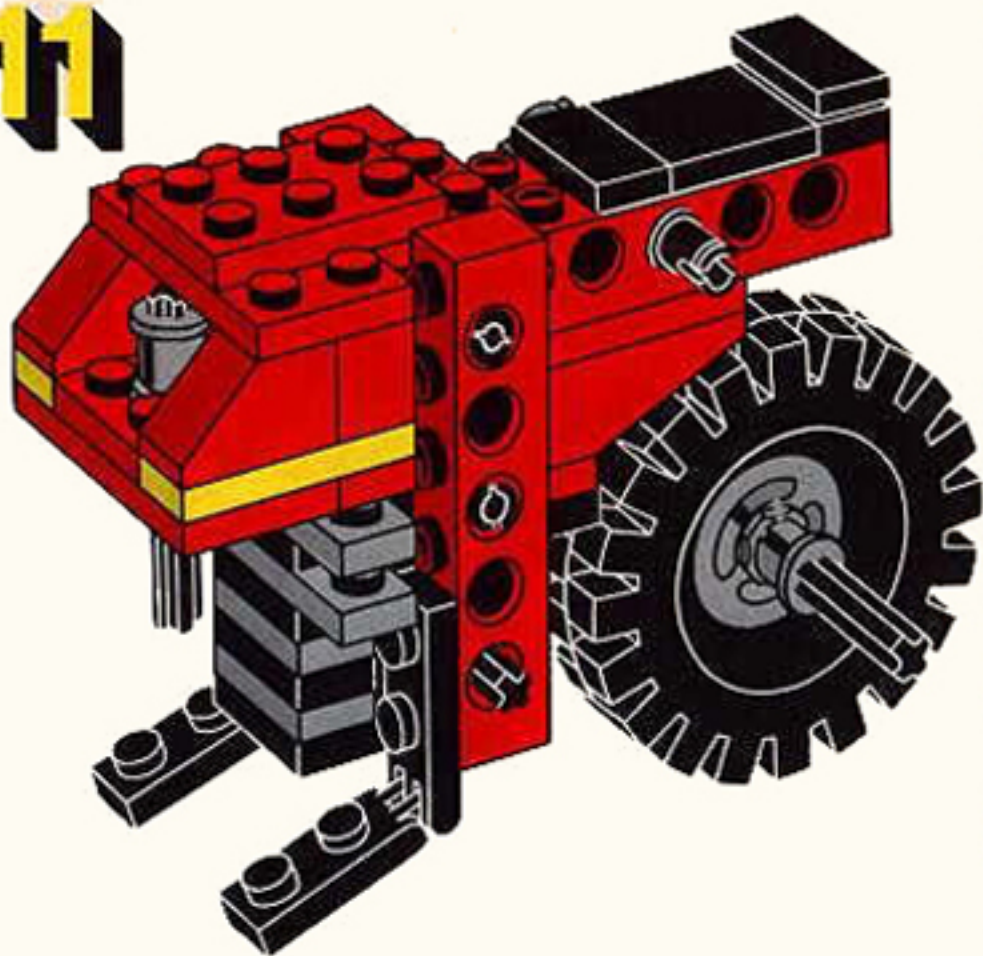
10



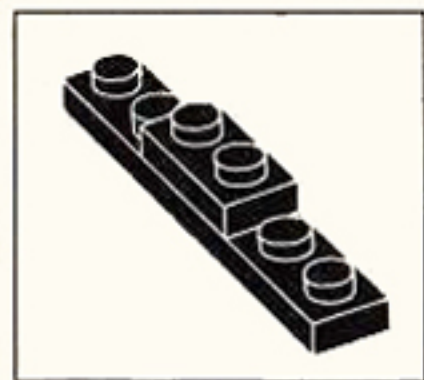
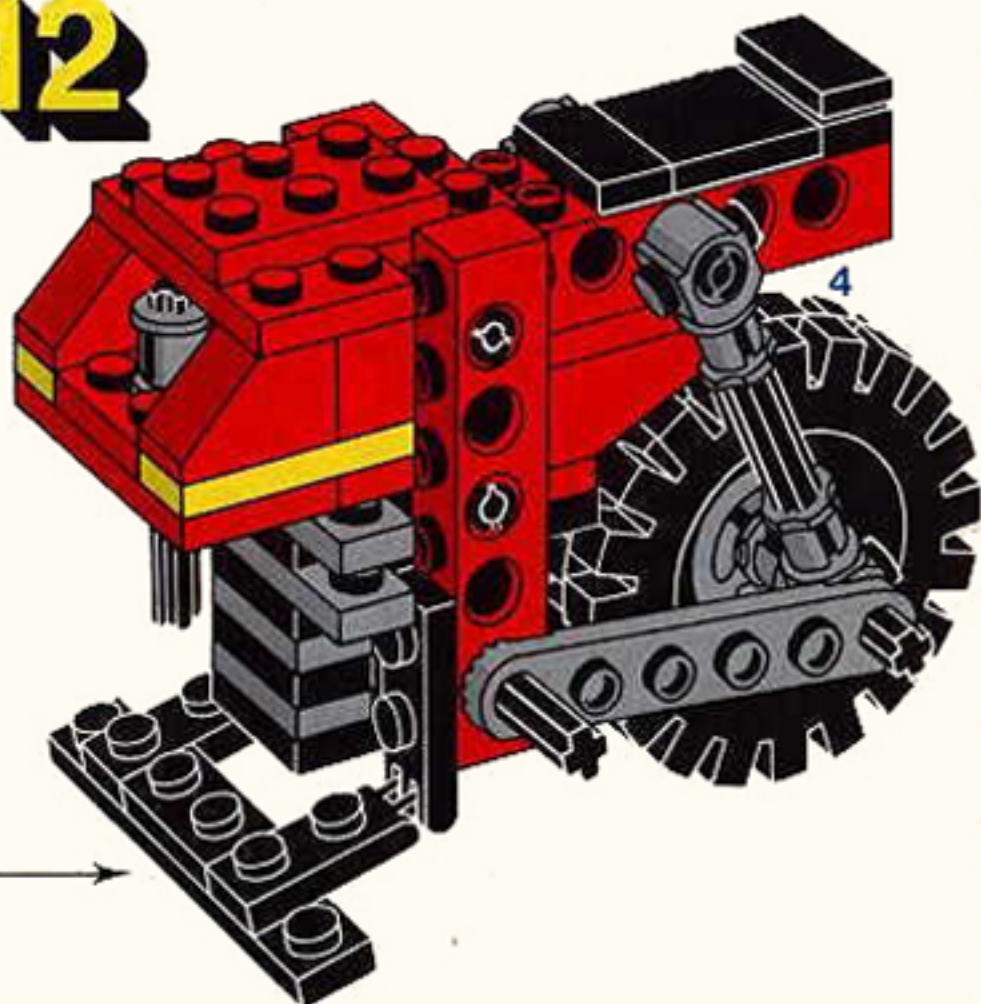




11

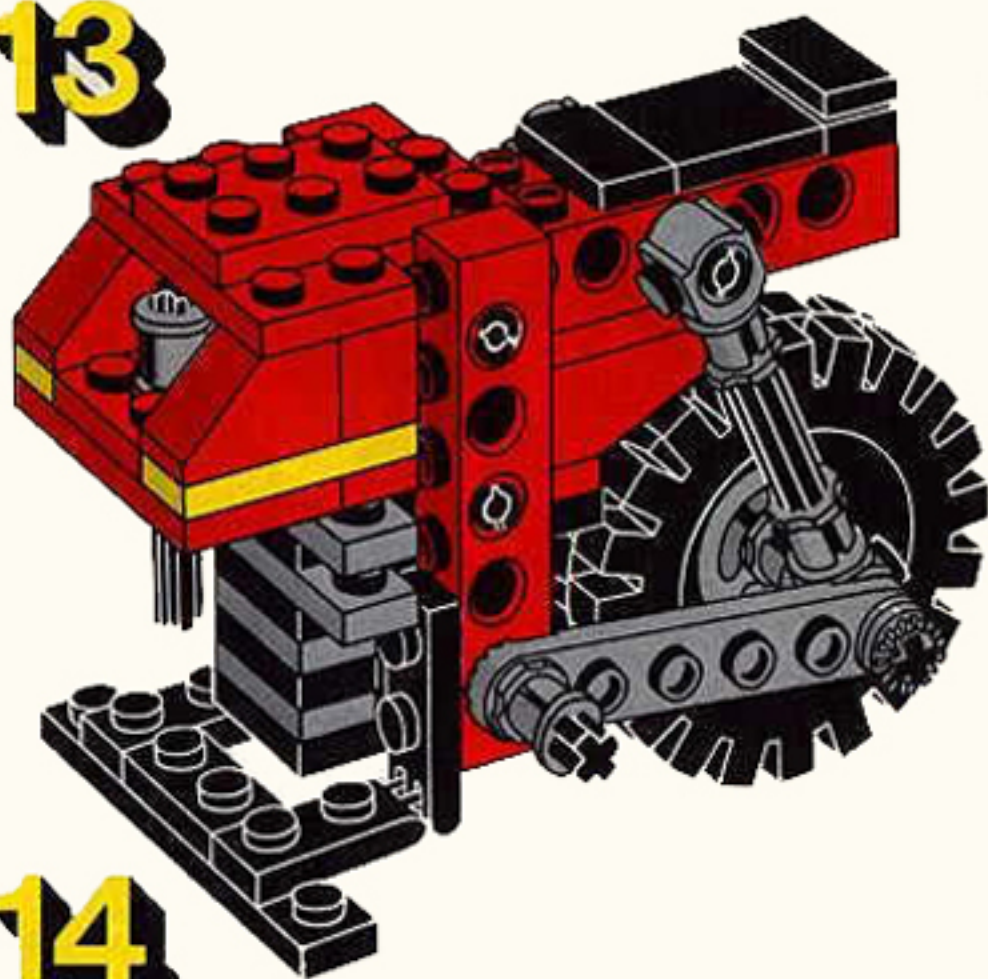
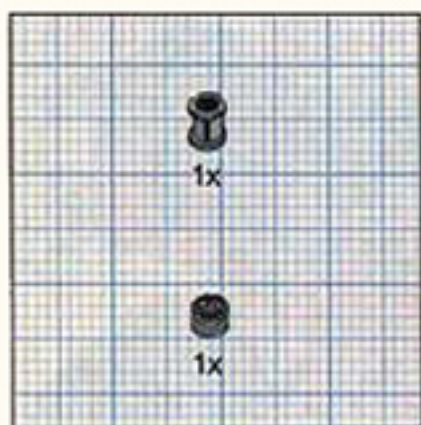


12

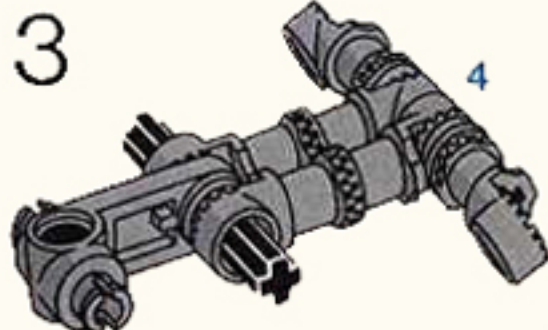
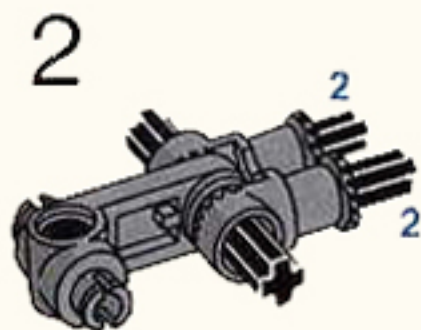
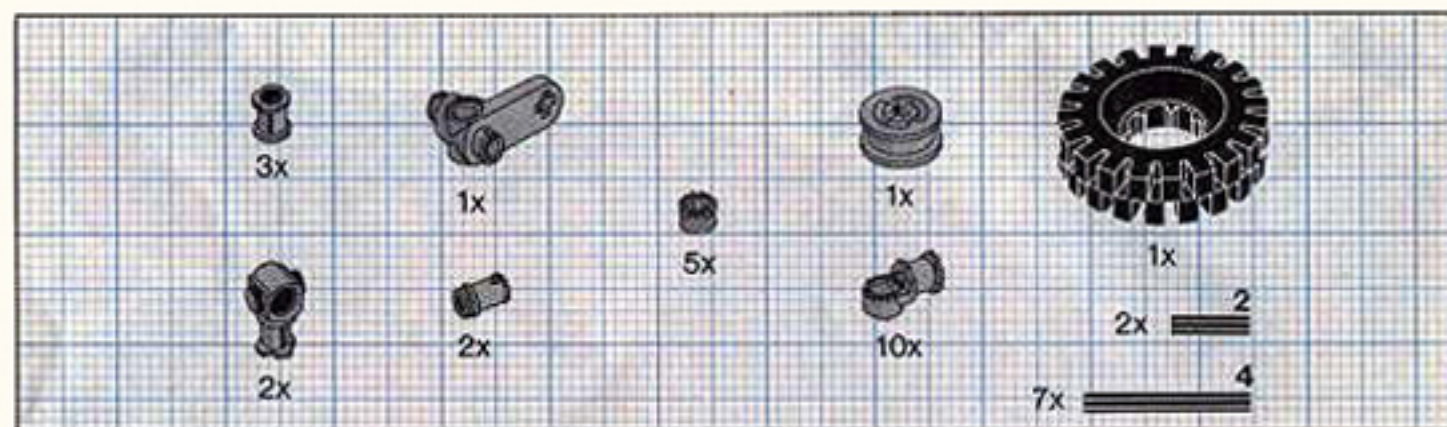




# 13



# 14









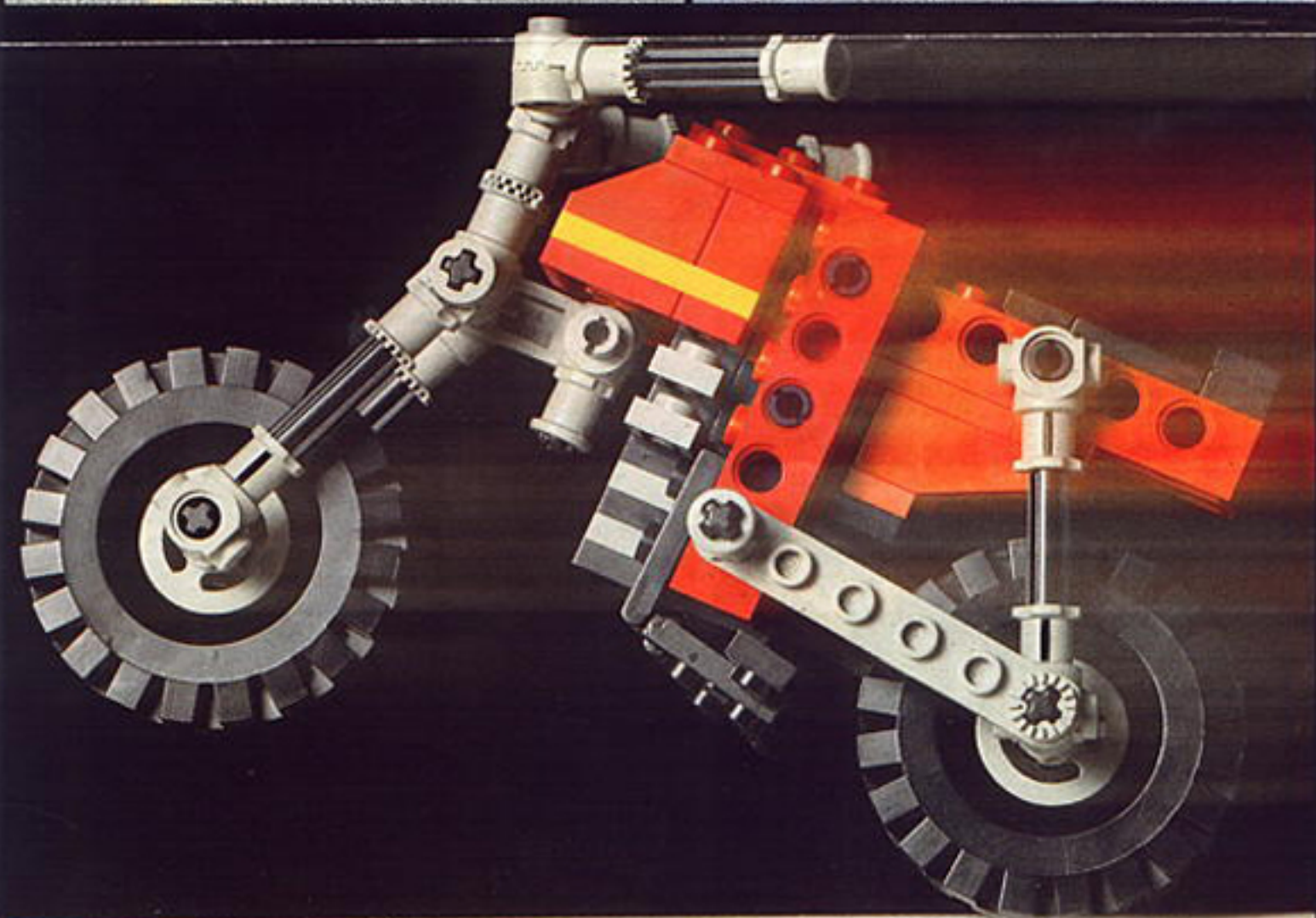
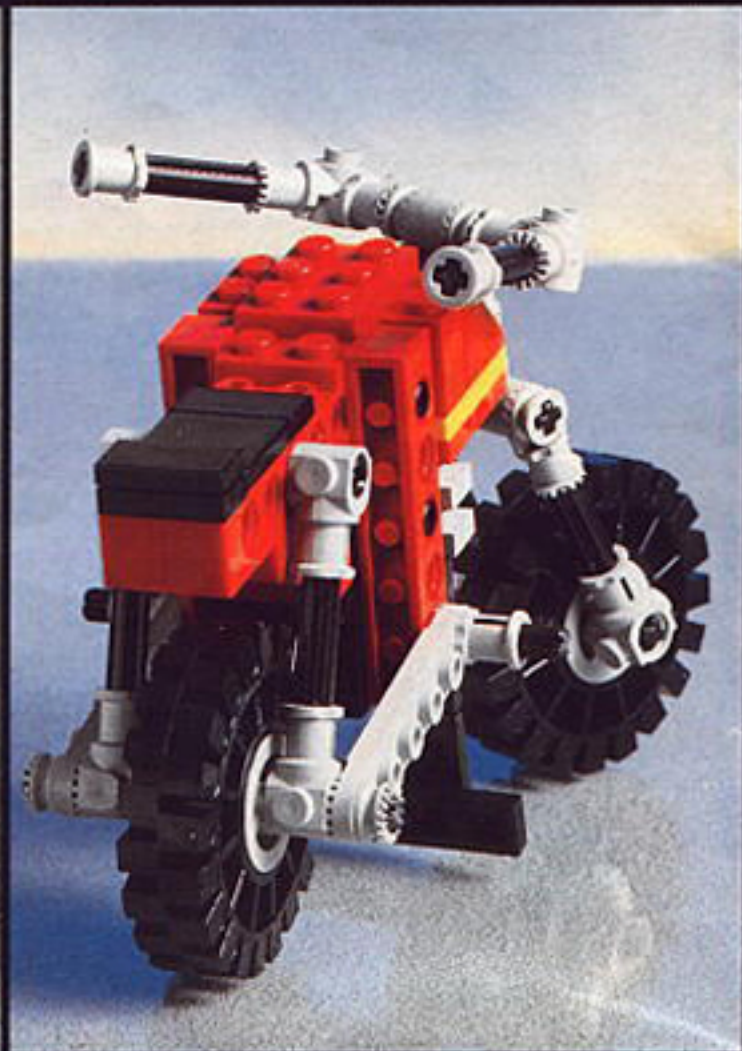
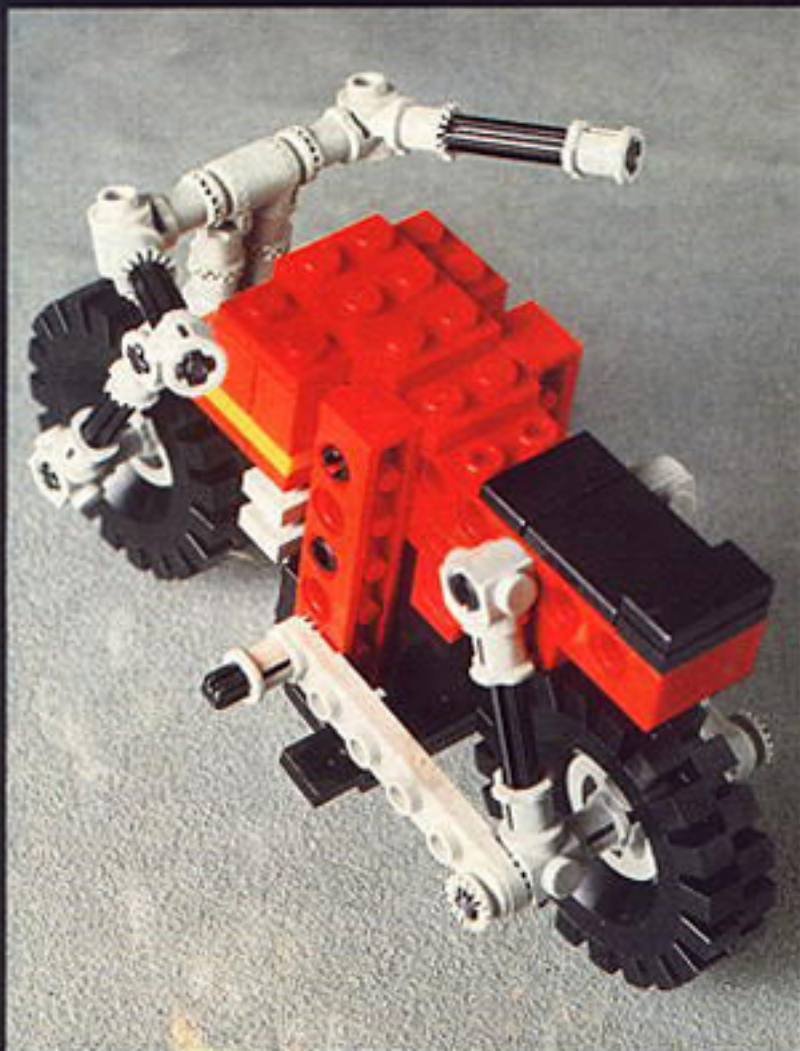












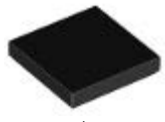




Image	Qty	Item No	Description	MID
<b>Regular Items:</b>				
<b>Parts:</b>				
	2	<a href="#">4276a</a>	<b>Black Hinge Plate 1 x 2 with 2 Fingers and Solid Studs</b> Catalog: <a href="#">Parts: Hinge</a> Part Color Code Missing	<a href="#">PG</a>
*				
	2	<a href="#">4275a</a>	<b>Black Hinge Plate 1 x 2 with 3 Fingers and Solid Studs</b> Catalog: <a href="#">Parts: Hinge</a> Part Color Code Missing	<a href="#">PG</a>
*				
	5	<a href="#">3023</a>	<b>Black Plate 1 x 2</b> Catalog: <a href="#">Parts: Plate</a> 302326	<a href="#">PG</a>
*				
	1	<a href="#">3666</a>	<b>Black Plate 1 x 6</b> Catalog: <a href="#">Parts: Plate</a> 366626	<a href="#">PG</a>
*				
	3	<a href="#">3021</a>	<b>Black Plate 2 x 3</b> Catalog: <a href="#">Parts: Plate</a> 302126	<a href="#">PG</a>
*				
	2	<a href="#">3704</a>	<b>Black Technic, Axle 2</b> Catalog: <a href="#">Parts: Technic, Axle</a> Part Color Code Missing	<a href="#">PG</a>
*				
	10	<a href="#">3705</a>	<b>Black Technic, Axle 4</b> Catalog: <a href="#">Parts: Technic, Axle</a> 370526	<a href="#">PG</a>
*				
	1	<a href="#">3706</a>	<b>Black Technic, Axle 6</b> Catalog: <a href="#">Parts: Technic, Axle</a> 370626	<a href="#">PG</a>
*				
	1	<a href="#">3707</a>	<b>Black Technic, Axle 8</b> Catalog: <a href="#">Parts: Technic, Axle</a> 370726	<a href="#">PG</a>
*				
	4	<a href="#">3700</a>	<b>Black Technic, Brick 1 x 2 with Hole</b> Catalog: <a href="#">Parts: Technic, Brick</a> 370026	<a href="#">PG</a>
*				
	6	<a href="#">4459</a>	<b>Black Technic, Pin with Friction Ridges Lengthwise WITHOUT Center Slots</b> Catalog: <a href="#">Parts: Technic, Pin</a> Part Color Code Missing	<a href="#">PG</a>
*				



+	 *	2	<a href="#">3069b</a>	<b>Black Tile 1 x 2 with Groove</b> <a href="#">Catalog</a> : <a href="#">Parts</a> : <a href="#">Tile</a> 306926	<a href="#">PG</a>
---	---	---	-----------------------	---	--------------------

+	 *	1	<a href="#">3068b</a>	<b>Black Tile 2 x 2 with Groove</b> <a href="#">Catalog</a> : <a href="#">Parts</a> : <a href="#">Tile</a> 306826	<a href="#">PG</a>
---	--	---	-----------------------	---	--------------------


+	 *	2	<a href="#">3634</a>	<b>Black Tire 17 x 43</b> <a href="#">Catalog</a> : <a href="#">Parts</a> : <a href="#">Tire &amp; Tread</a> 4523564 or 363426	<a href="#">PG</a>
---	--	---	----------------------	--	--------------------

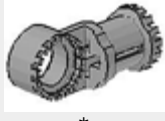
+	 *	2	<a href="#">3023</a>	<b>Light Gray Plate 1 x 2</b> <a href="#">Catalog</a> : <a href="#">Parts</a> : <a href="#">Plate</a> 302302	<a href="#">PG</a>
---	--	---	----------------------	--	--------------------


+	 *	2	<a href="#">3710</a>	<b>Light Gray Plate 1 x 4</b> <a href="#">Catalog</a> : <a href="#">Parts</a> : <a href="#">Plate</a> 371002	<a href="#">PG</a>
---	--	---	----------------------	--	--------------------


+	 *	8	<a href="#">3713</a>	<b>Light Gray Technic Bush</b> <a href="#">Catalog</a> : <a href="#">Parts</a> : <a href="#">Technic</a> 4125313	<a href="#">PG</a>
---	---	---	----------------------	--	--------------------


+	 *	7	<a href="#">4265a</a>	<b>Light Gray Technic Bush 1/2 Toothed Type I</b> <a href="#">Catalog</a> : <a href="#">Parts</a> : <a href="#">Technic</a> Part Color Code Missing	<a href="#">PG</a>
---	--	---	-----------------------	---	--------------------

+	 *	6	<a href="#">3651</a>	<b>Light Gray Technic, Axle and Pin Connector</b> <a href="#">Catalog</a> : <a href="#">Parts</a> : <a href="#">Technic</a> , <a href="#">Connector</a> Part Color Code Missing	<a href="#">PG</a>
---	--	---	----------------------	---	--------------------








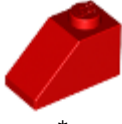

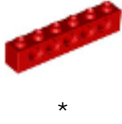


+	 *	10	<a href="#">4273</a>	<b>Light Gray Technic, Axle and Pin Connector Toggle Joint Toothed</b> <a href="#">Catalog</a> : <a href="#">Parts</a> : <a href="#">Technic</a> , <a href="#">Connector</a> Part Color Code Missing	<a href="#">PG</a>
---	--	----	----------------------	--	--------------------

+	 *	2	<a href="#">4274</a>	<b>Light Gray Technic, Pin 1/2</b> <a href="#">Catalog</a> : <a href="#">Parts</a> : <a href="#">Technic</a> , <a href="#">Pin</a> 427402	<a href="#">PG</a>
---	--	---	----------------------	---	--------------------

+	 *	2	<a href="#">4262</a>	<b>Light Gray Technic, Plate 1 x 6 with Toothed Ends</b> <a href="#">Catalog</a> : <a href="#">Parts</a> : <a href="#">Technic</a> , <a href="#">Plate</a> Part Color Code Missing	<a href="#">PG</a>
---	--	---	----------------------	--	--------------------

+	 *	1	<a href="#">4261</a>	<b>Light Gray Technic, Steering Arm</b> <a href="#">Catalog</a> : <a href="#">Parts</a> : <a href="#">Technic</a> , <a href="#">Steering</a> Part Color Code Missing	<a href="#">PG</a>
---	--	---	----------------------	--	--------------------



+		2	<a href="#">3482</a>	<b>Light Gray Wheel with Split Axle hole</b> <a href="#">Catalog: Parts: Wheel</a> Part Color Code Missing	<a href="#">PG</a>
+		2	<a href="#">3005</a>	<b>Red Brick 1 x 1</b> <a href="#">Catalog: Parts: Brick</a> 300521	<a href="#">PG</a>
+		1	<a href="#">3023</a>	<b>Red Plate 1 x 2</b> <a href="#">Catalog: Parts: Plate</a> 302321	<a href="#">PG</a>
+		1	<a href="#">3710</a>	<b>Red Plate 1 x 4</b> <a href="#">Catalog: Parts: Plate</a> 371021	<a href="#">PG</a>
+		2	<a href="#">3022</a>	<b>Red Plate 2 x 2</b> <a href="#">Catalog: Parts: Plate</a> 4613974 or 302221	<a href="#">PG</a>
+		1	<a href="#">3021</a>	<b>Red Plate 2 x 3</b> <a href="#">Catalog: Parts: Plate</a> 302121	<a href="#">PG</a>
+		1	<a href="#">3020</a>	<b>Red Plate 2 x 4</b> <a href="#">Catalog: Parts: Plate</a> 302021	<a href="#">PG</a>
+		2	<a href="#">3040</a>	<b>Red Slope 45 2 x 1</b> <a href="#">Catalog: Parts: Slope</a> 304021 or 4121934	<a href="#">PG</a>
+		1	<a href="#">3747a</a>	<b>Red Slope, Inverted 33 3 x 2 without Connections between Studs</b> <a href="#">Catalog: Parts: Slope, Inverted</a> 4500462 or 374721	<a href="#">PG</a>
+		2	<a href="#">3894</a>	<b>Red Technic, Brick 1 x 6 with Holes</b> <a href="#">Catalog: Parts: Technic, Brick</a> 389421	<a href="#">PG</a>
+		2	<a href="#">3702</a>	<b>Red Technic, Brick 1 x 8 with Holes</b> <a href="#">Catalog: Parts: Technic, Brick</a> 370221	<a href="#">PG</a>
+		1	<a href="#">3709b</a>	<b>Red Technic, Plate 2 x 4 with 3 Holes</b> <a href="#">Catalog: Parts: Technic, Plate</a> 370921	<a href="#">PG</a>



+



\*

1

[3738](#)

**Red Technic, Plate 2 x 8 with 7 Holes**

[Catalog:](#) [Parts:](#) [Technic, Plate](#)  
373821

[PG](#)

+



\*

2

[3623](#)

**Yellow Plate 1 x 3**

[Catalog:](#) [Parts:](#) [Plate](#)  
362324

[PG](#)

**Counterparts:**

+



\*

2

[3482c03\(inv\)](#)

**Light Gray Wheel with Split Axle hole, with Black Tire 17 x 43 (3482 / 3634)**

[Catalog:](#) [Parts:](#) [Wheel & Tire Assembly](#)  
[Part Color Code Missing](#)

[PG](#)

**Summary:**

Type	Unique Lots	Total Qty
<b>Regular Items:</b>		
Parts	37	103
<b>Counterparts:</b>		
Parts	1	2

**Source:**

Instructions

[Admin](#) inventoried this Set on Mar 6, 2007, inventory last updated on Mar 12, 2011.