

These instruction have been modified from the original, parts are Lego,  
parts are from Alex and the other parts are my own ideas.

(inspired by Nitroeumel1 <https://www.youtube.com/watch?v=tvPBUIOrR0>  
Markus Schoenlinner <https://www.youtube.com/watch?v=GFF6CXRMVA4> )

Original Construction and Cad - Markus Schoenlinner

Original Instruction - Zeimet Alex

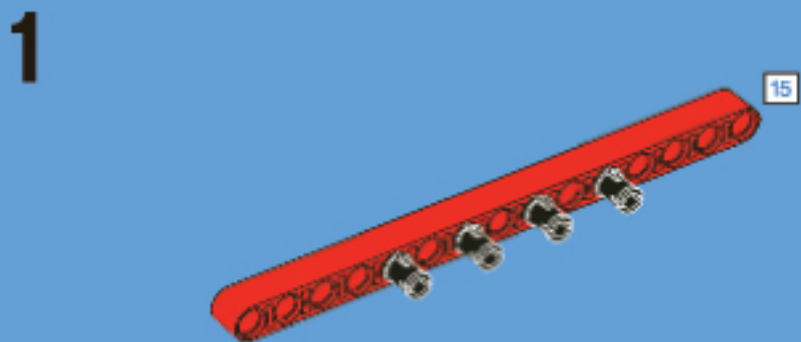
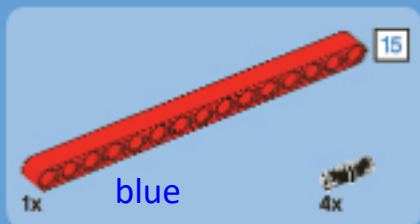
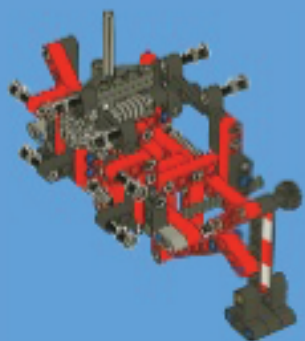
These instructions have been modified from the original, in parts from Lego, in parts from Alex and the other parts my own modifications.

(inspired by Nitroeumel1 <https://www.youtube.com/watch?v=tvPBUDlOrR0>  
Markus Schoenlinner <https://www.youtube.com/watch?v=GFF6CXRmVA4> )

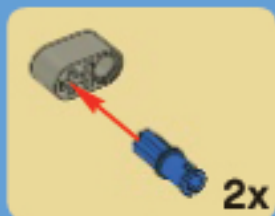
Original Construction and CAD - Markus Schoenlinner

Original Instruction - Zeimet Alex

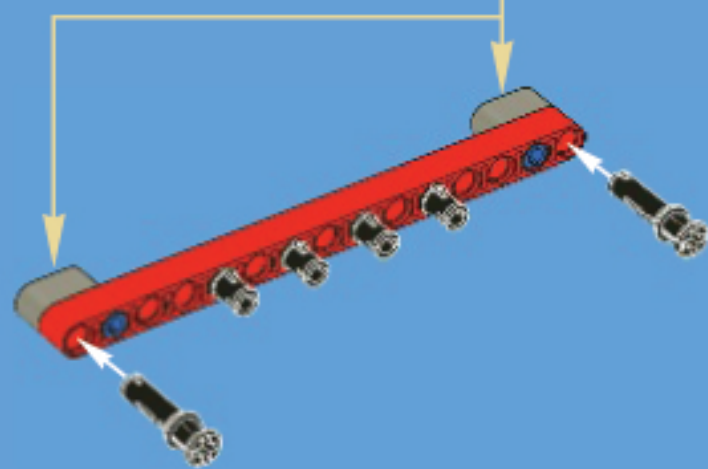
# Crane base Lego instruction



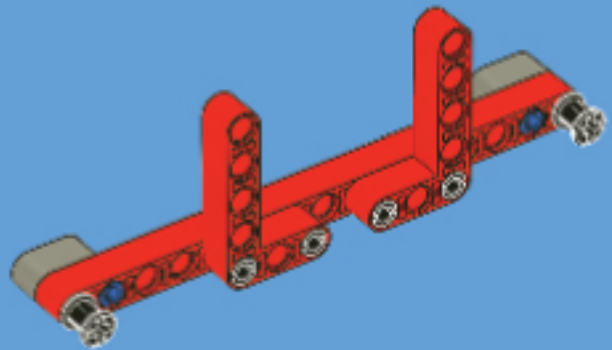
blue dark grey



**2**



**3**

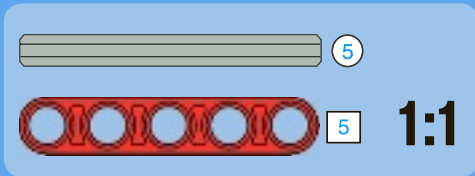
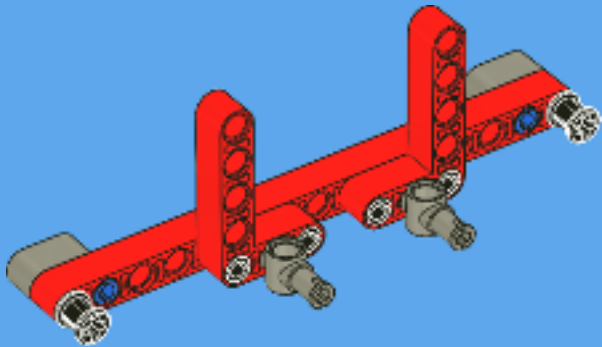




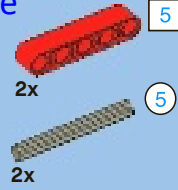
replace with 3 blue pin  
and dark grey spacer

# 4

see next page



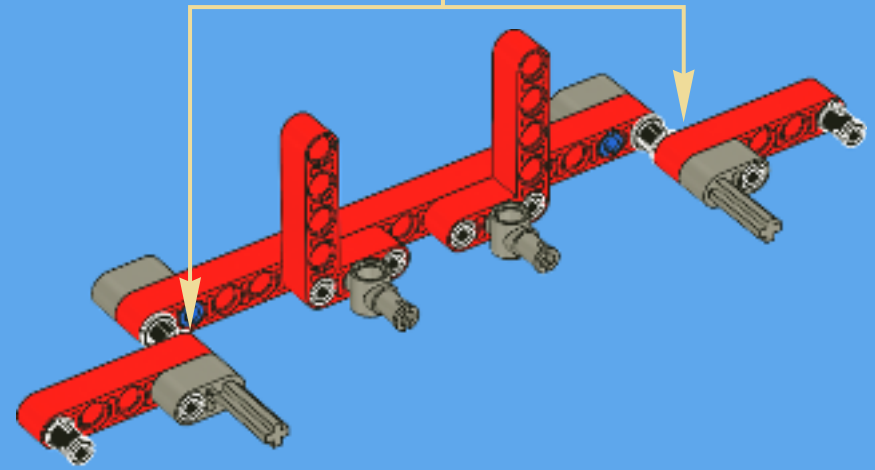
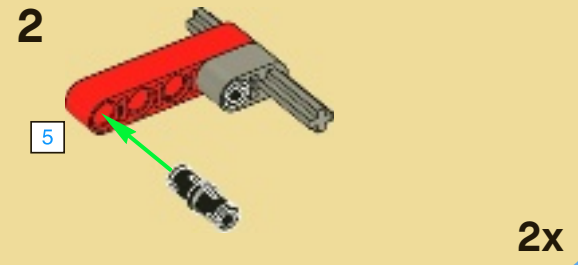
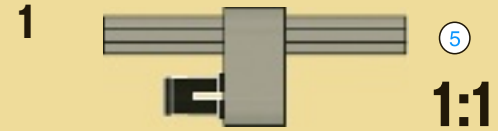
blue

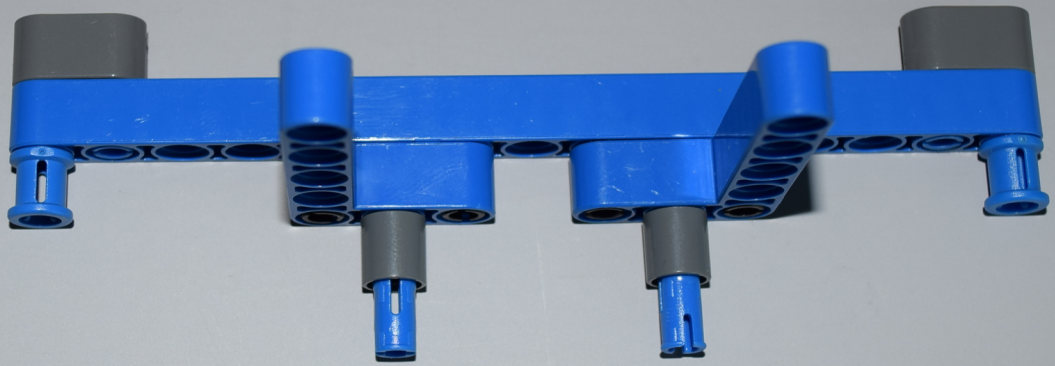


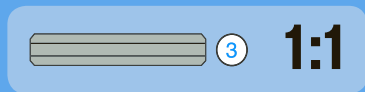
dark grey



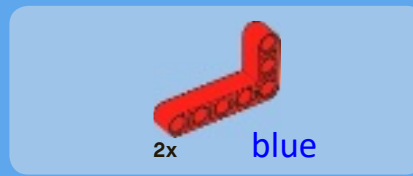
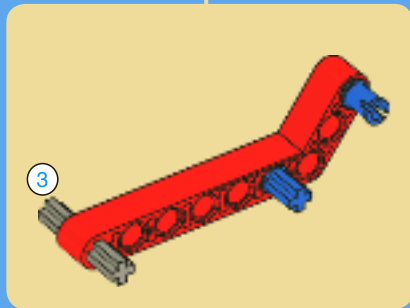
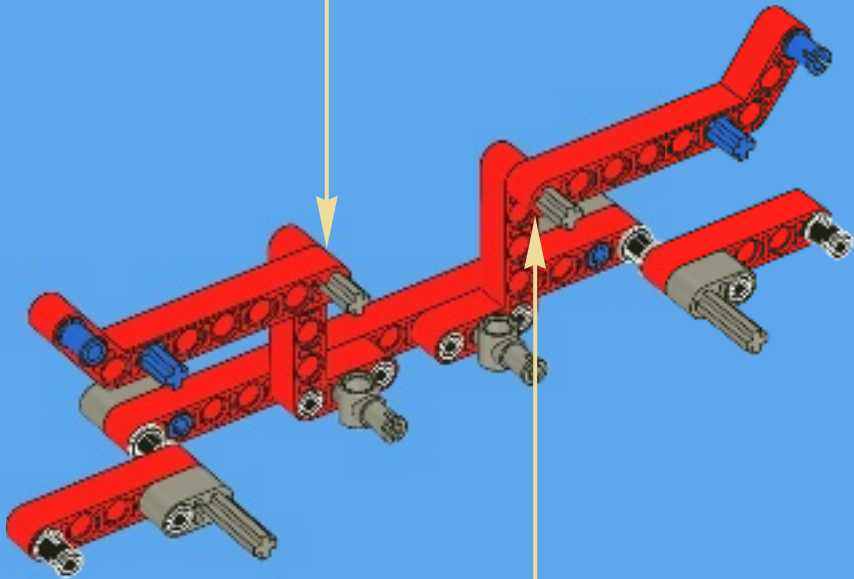
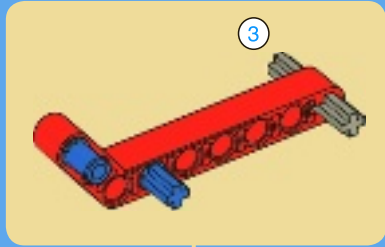
# 5



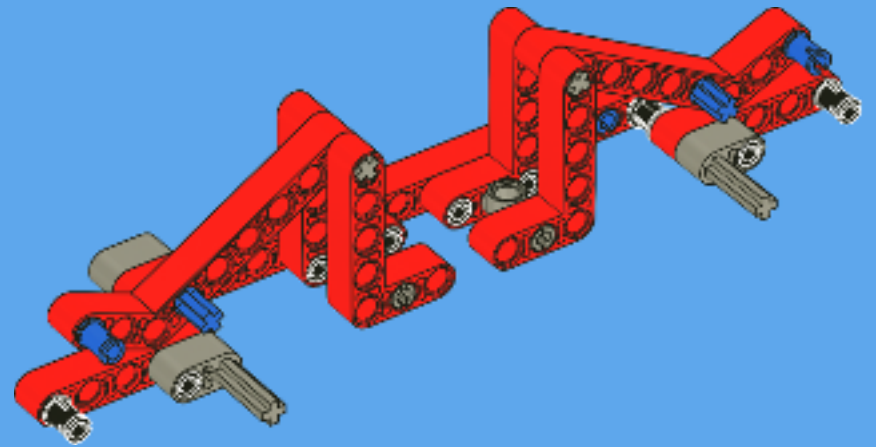


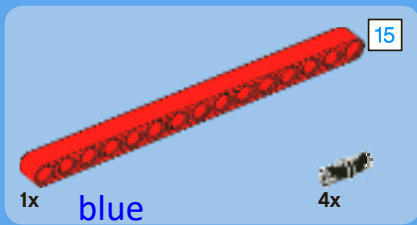


6

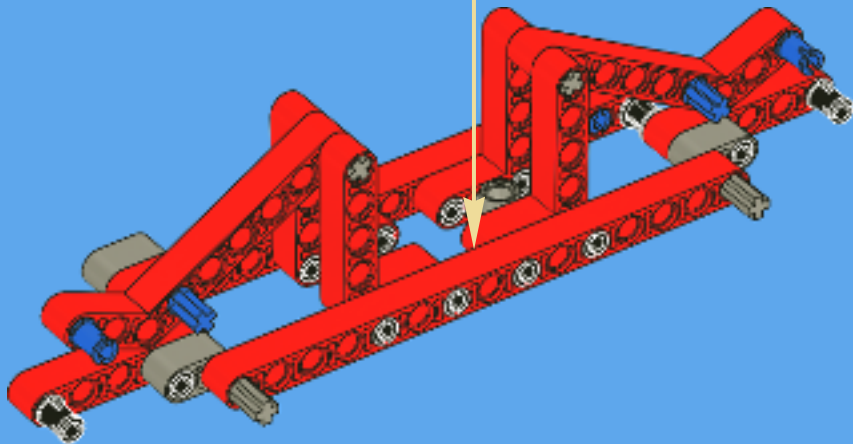
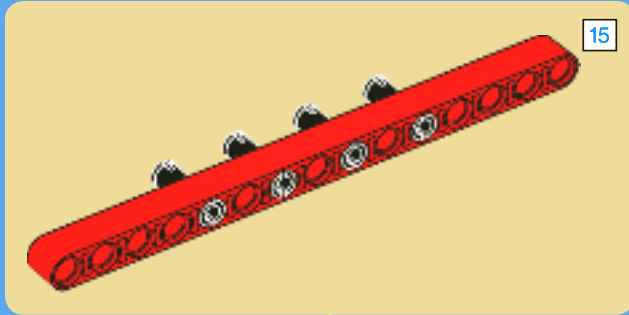


7





8



black



2x



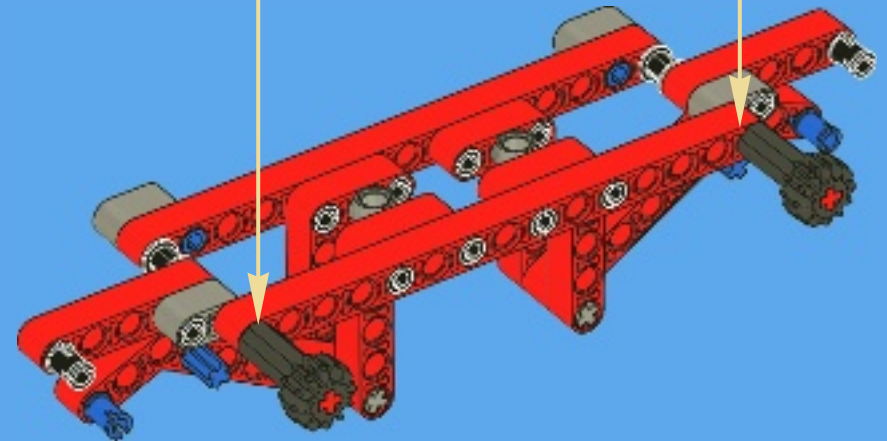
2x

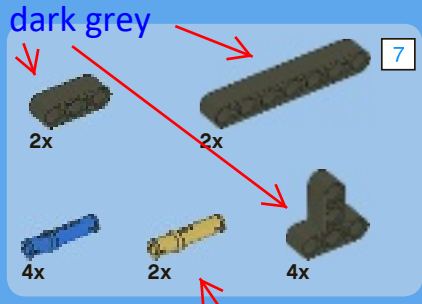


2x

blue

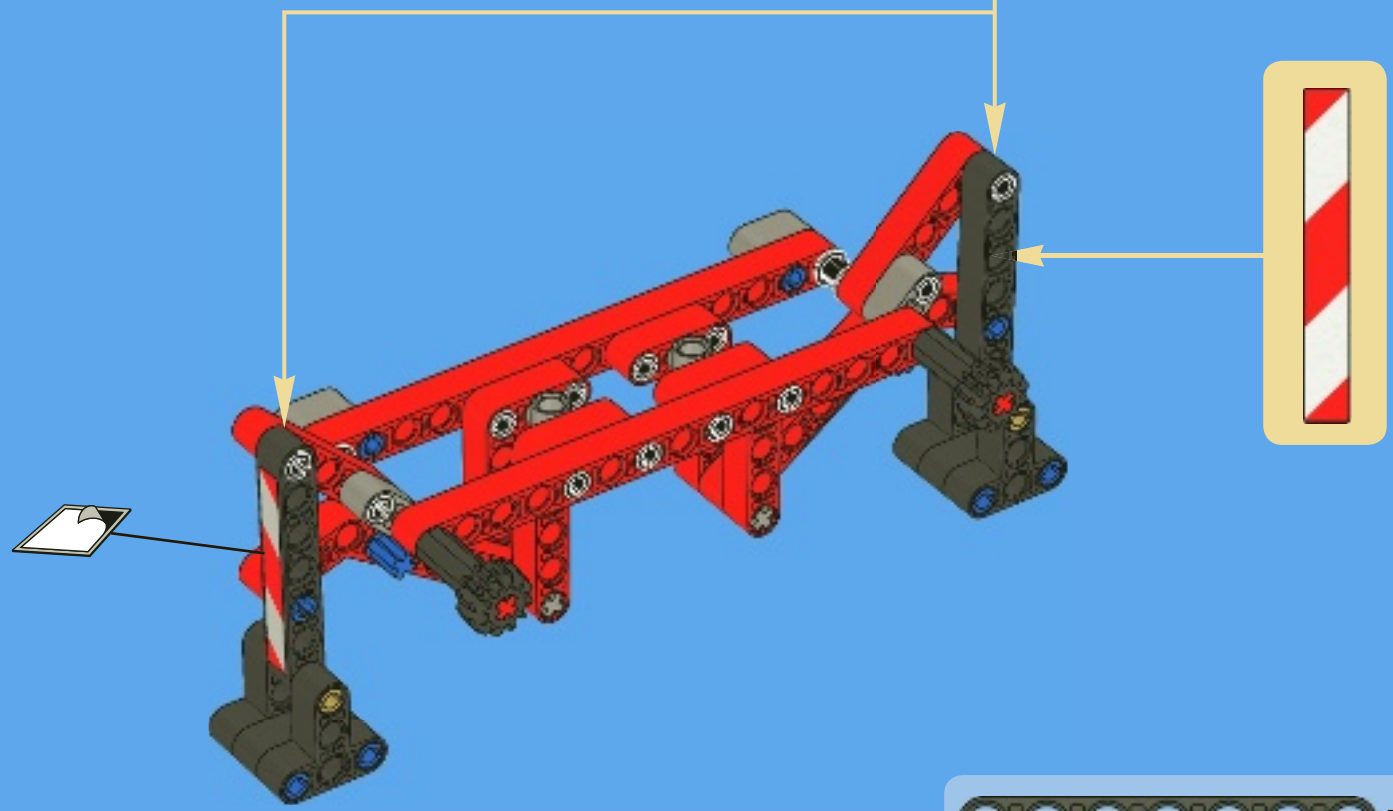
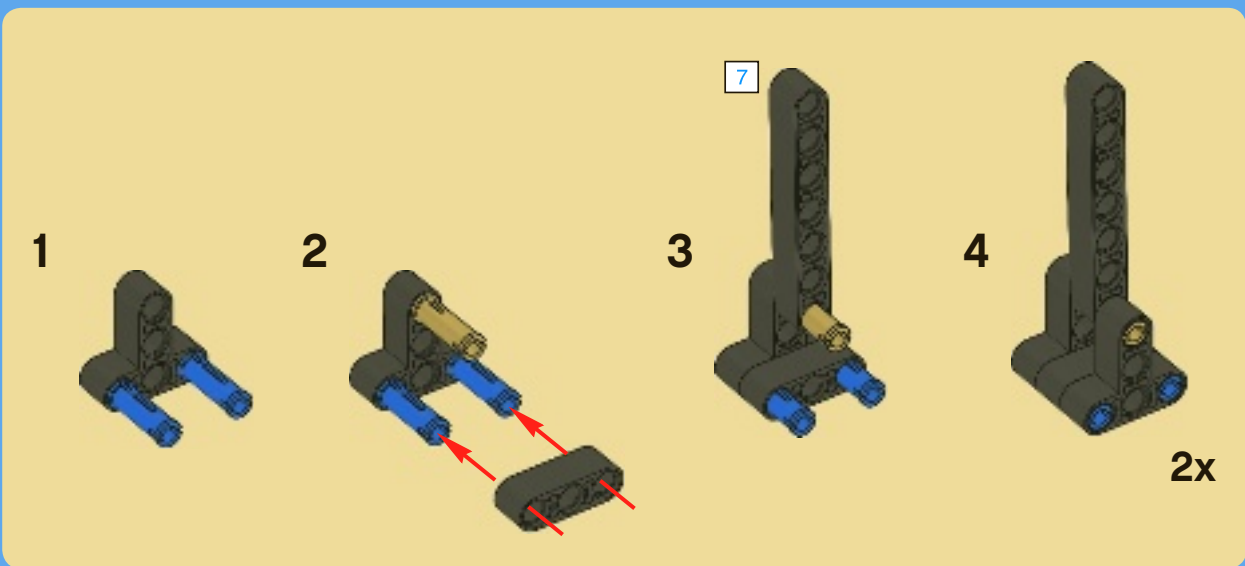
9



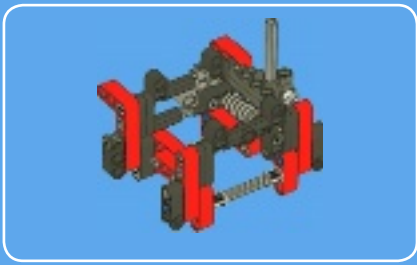



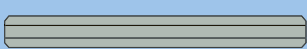
10



light grey







 3  
 5 **1:1**

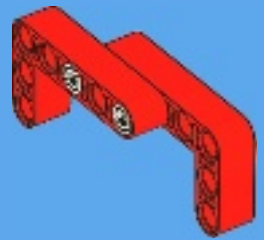
 2x  
 1x



1



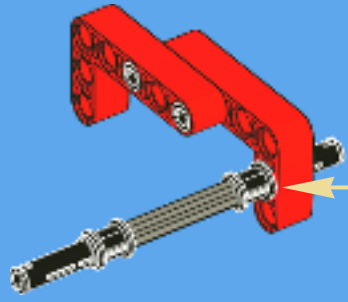
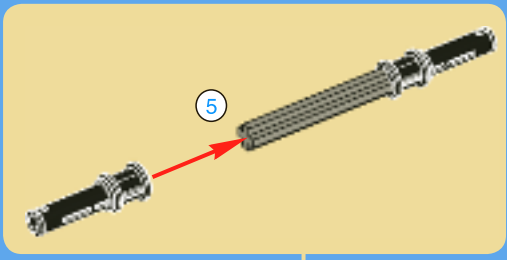
 1x dark grey

2



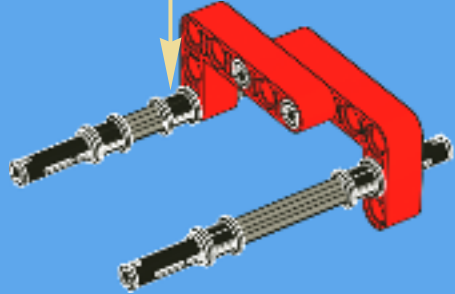
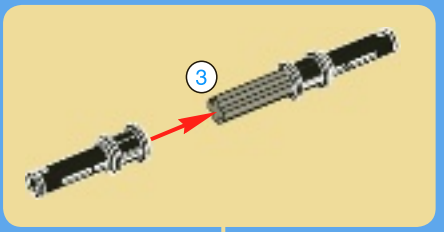
blue  
 2x  
 5  
 1x

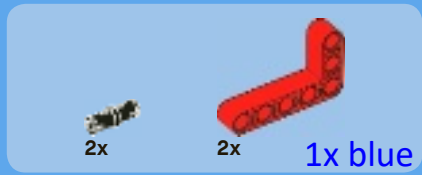
3



blue  
 2x  
 3  
 1x

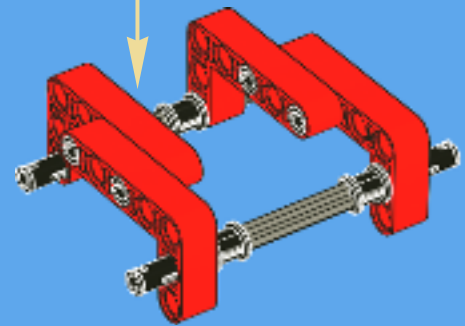
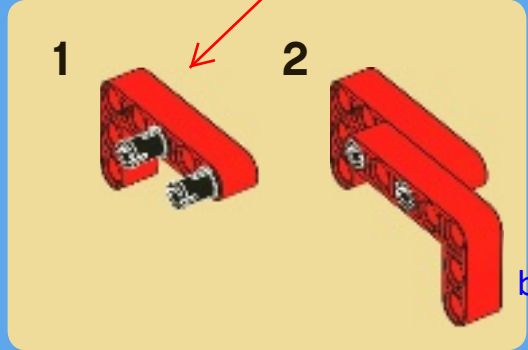
4





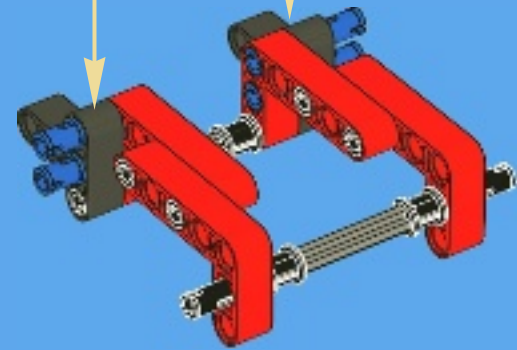
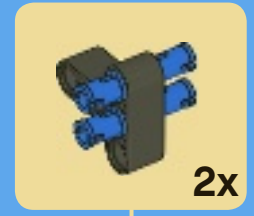
5

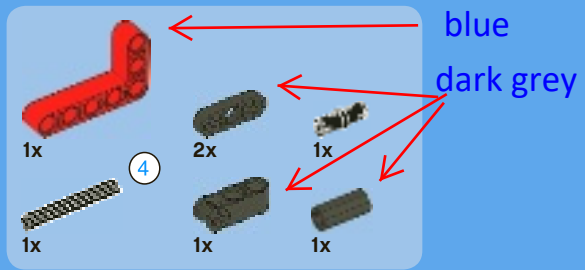
1x blue & 1x dark grey



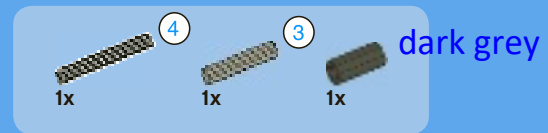
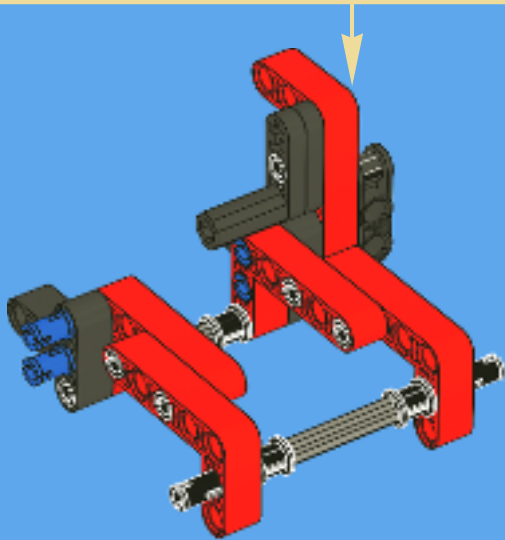
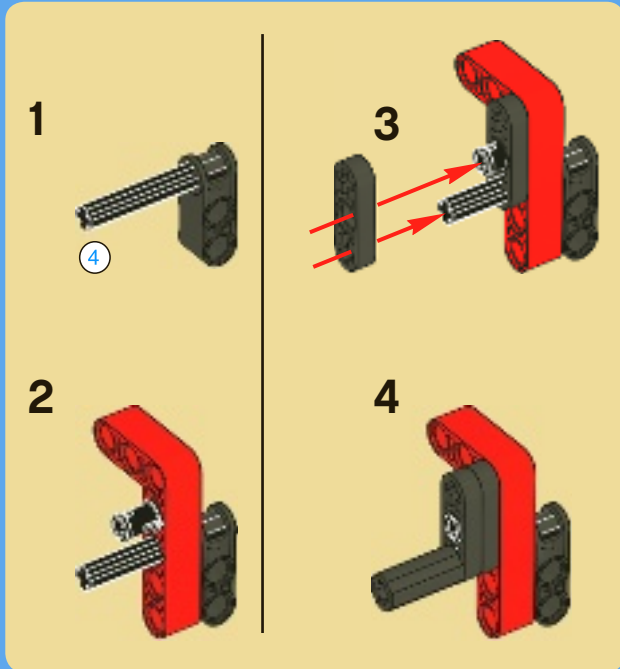
6

dark grey

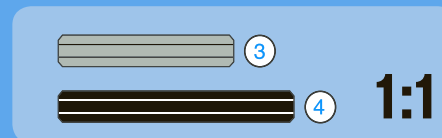
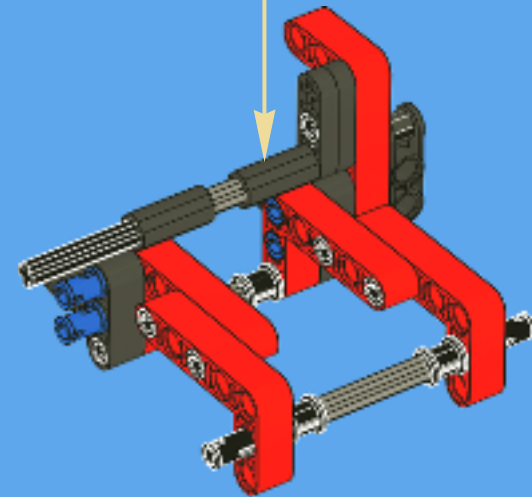
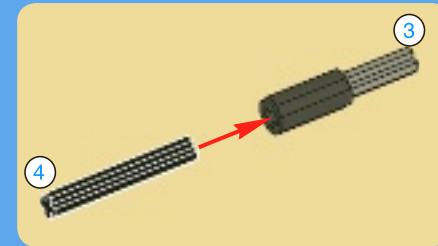


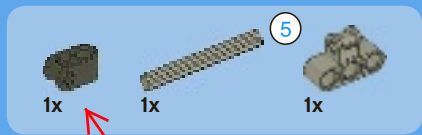


7

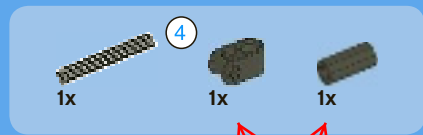
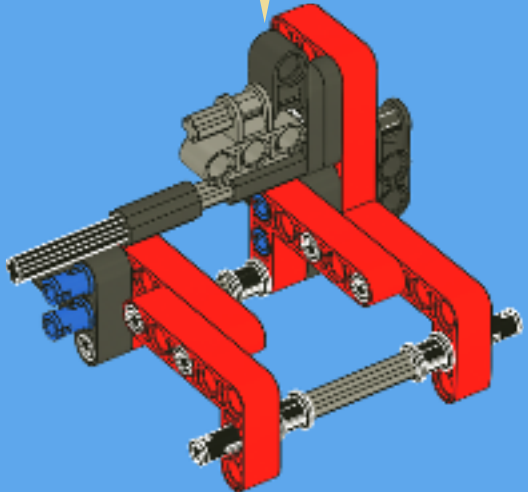
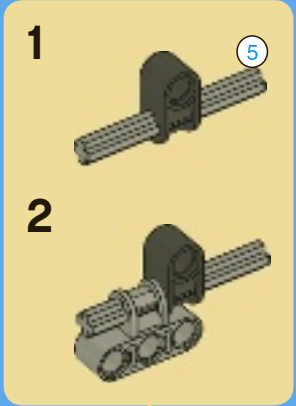
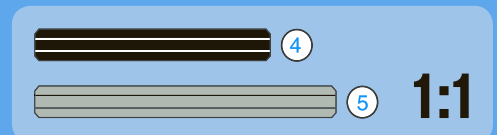


8

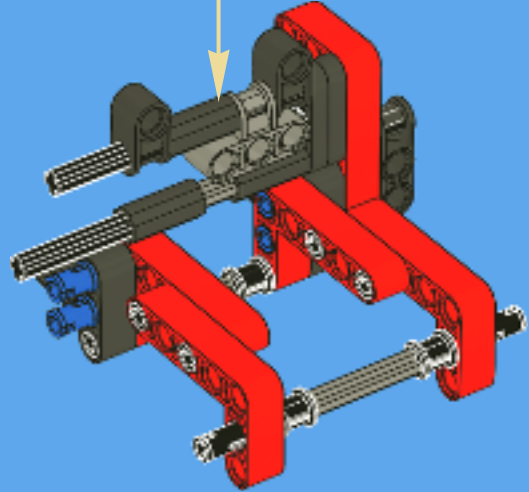
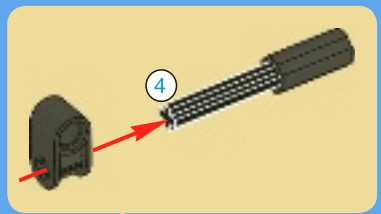




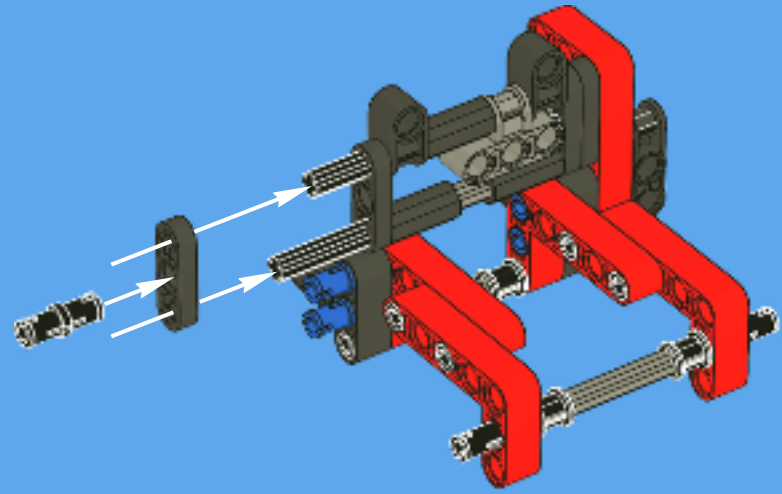
9 dark grey



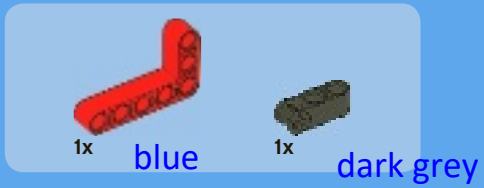
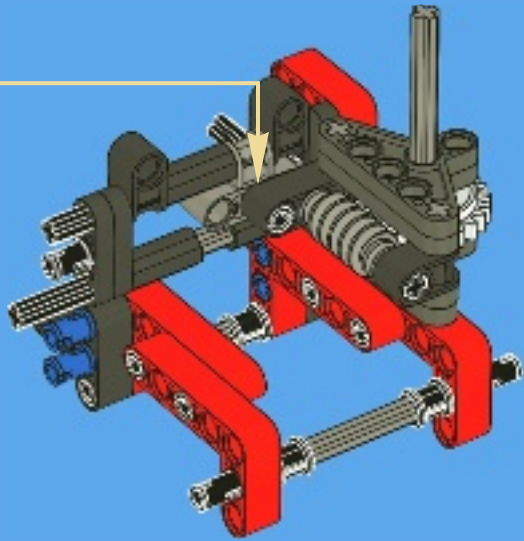
10 dark grey



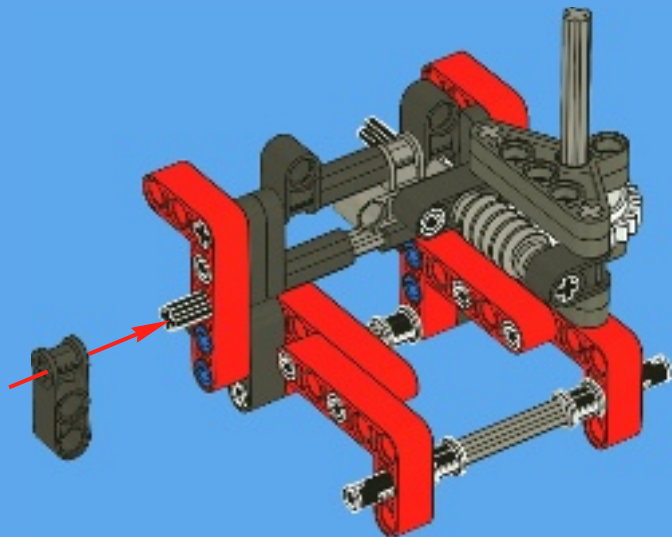
11







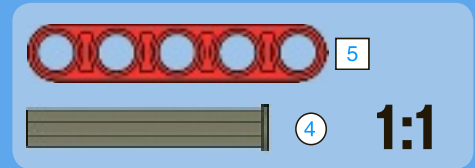
13



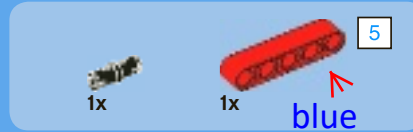
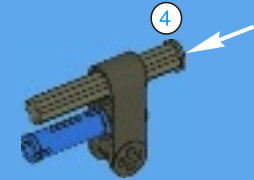
dark grey



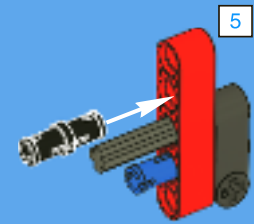
1



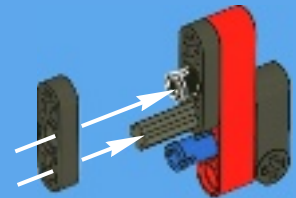
1:1



2



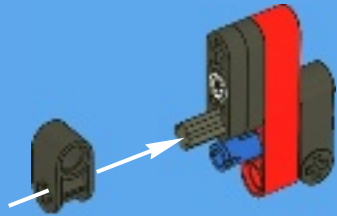
3



1x blue

4 1:1

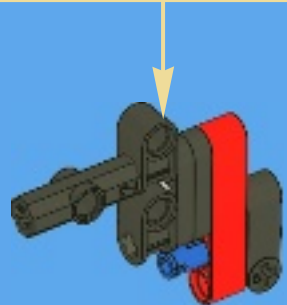
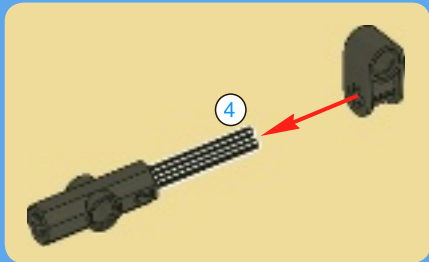
4



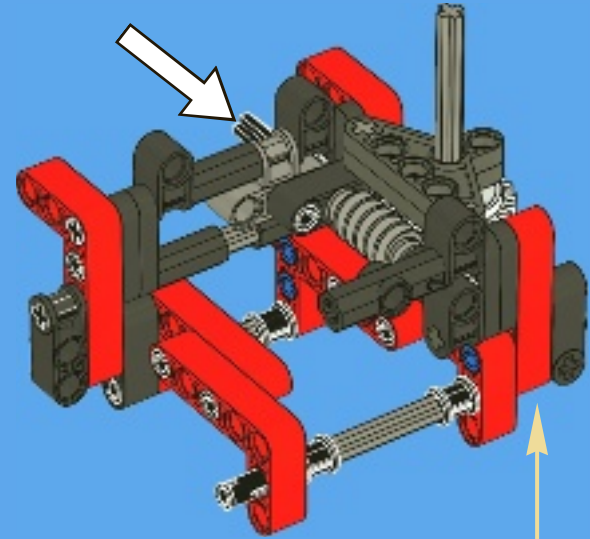
blue

4 1x 1x 1x

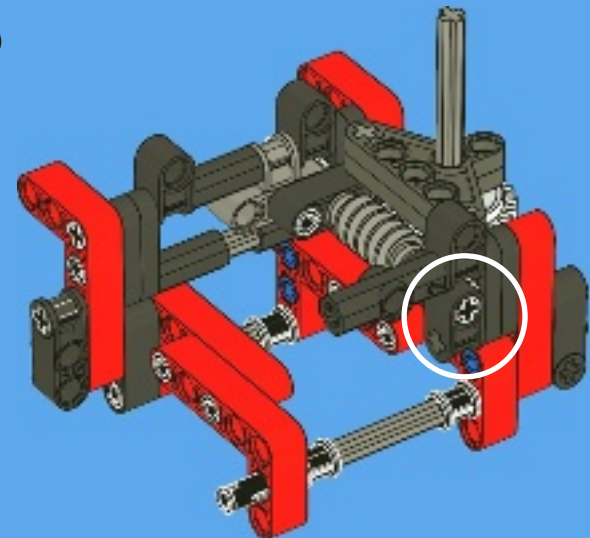
5



14



15





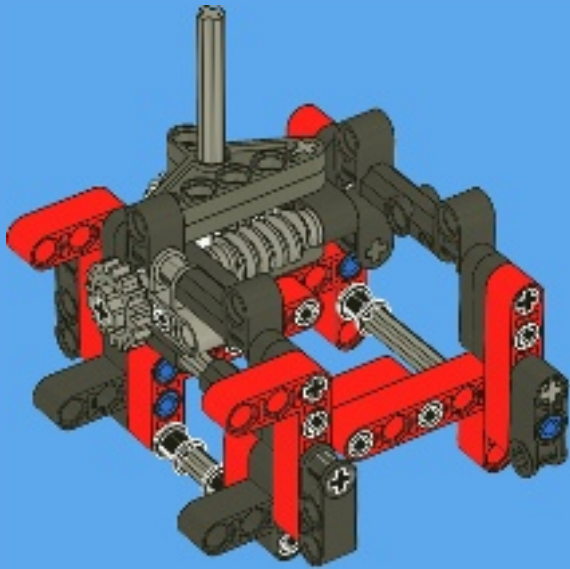




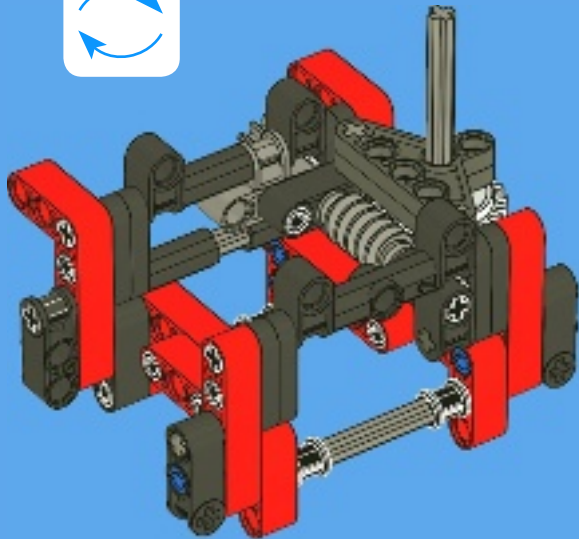
1x



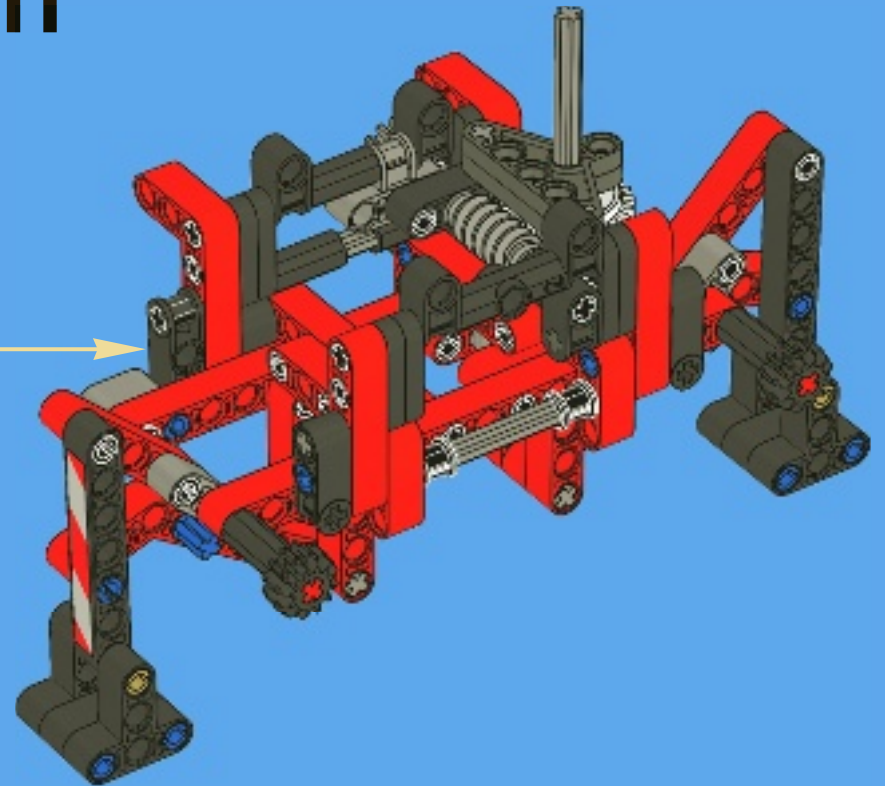
17



18

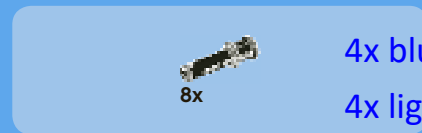
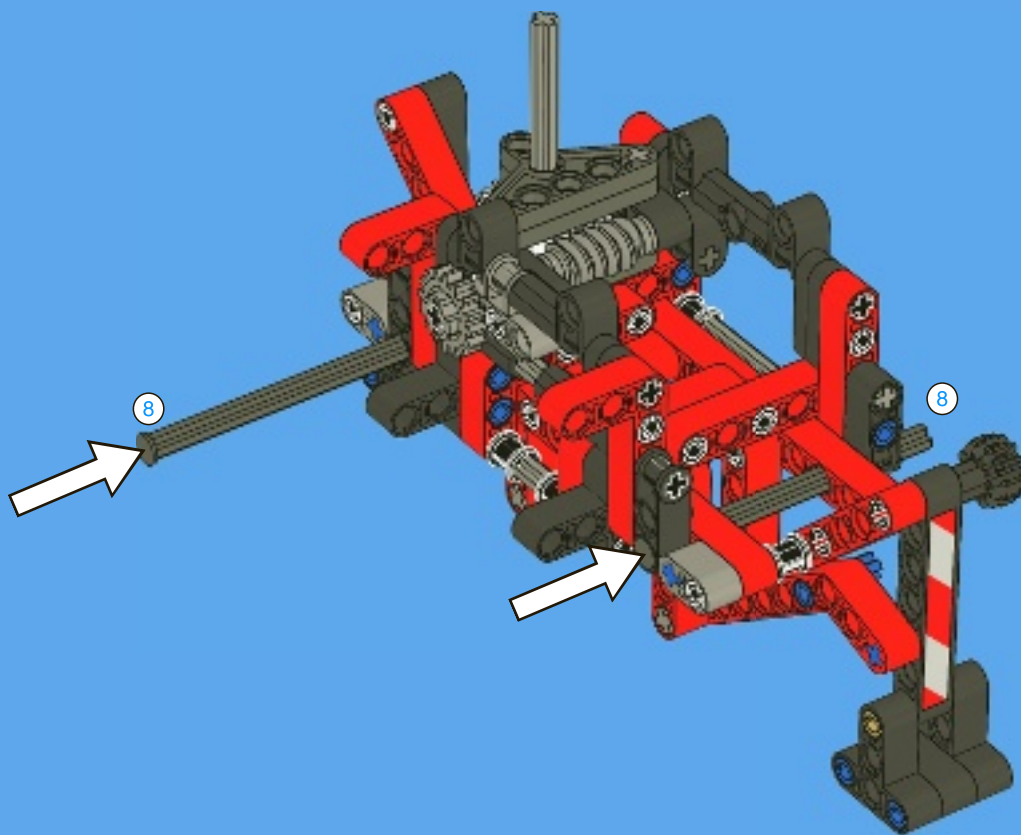


11

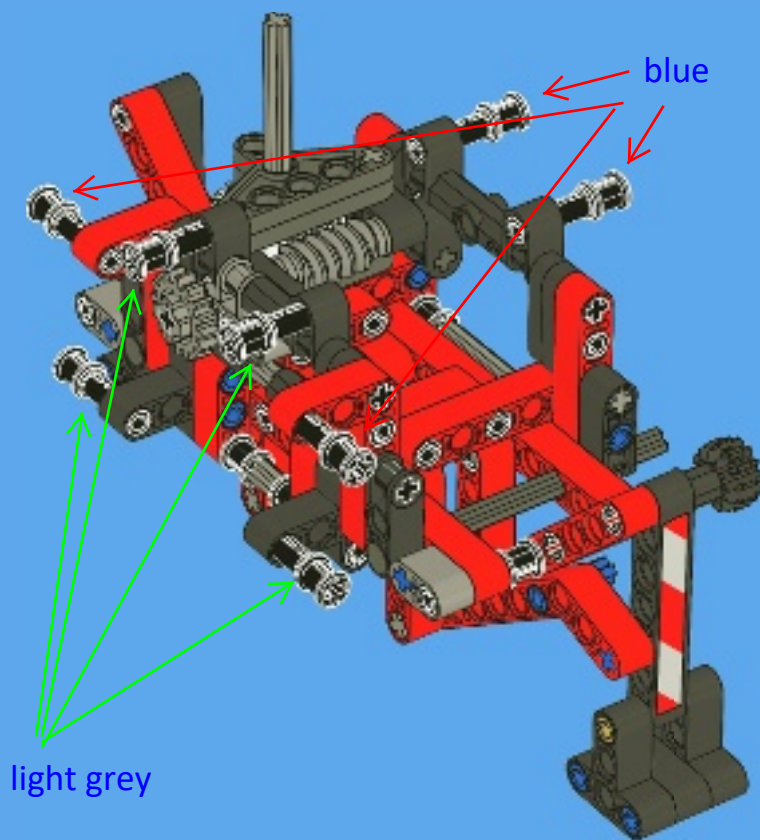




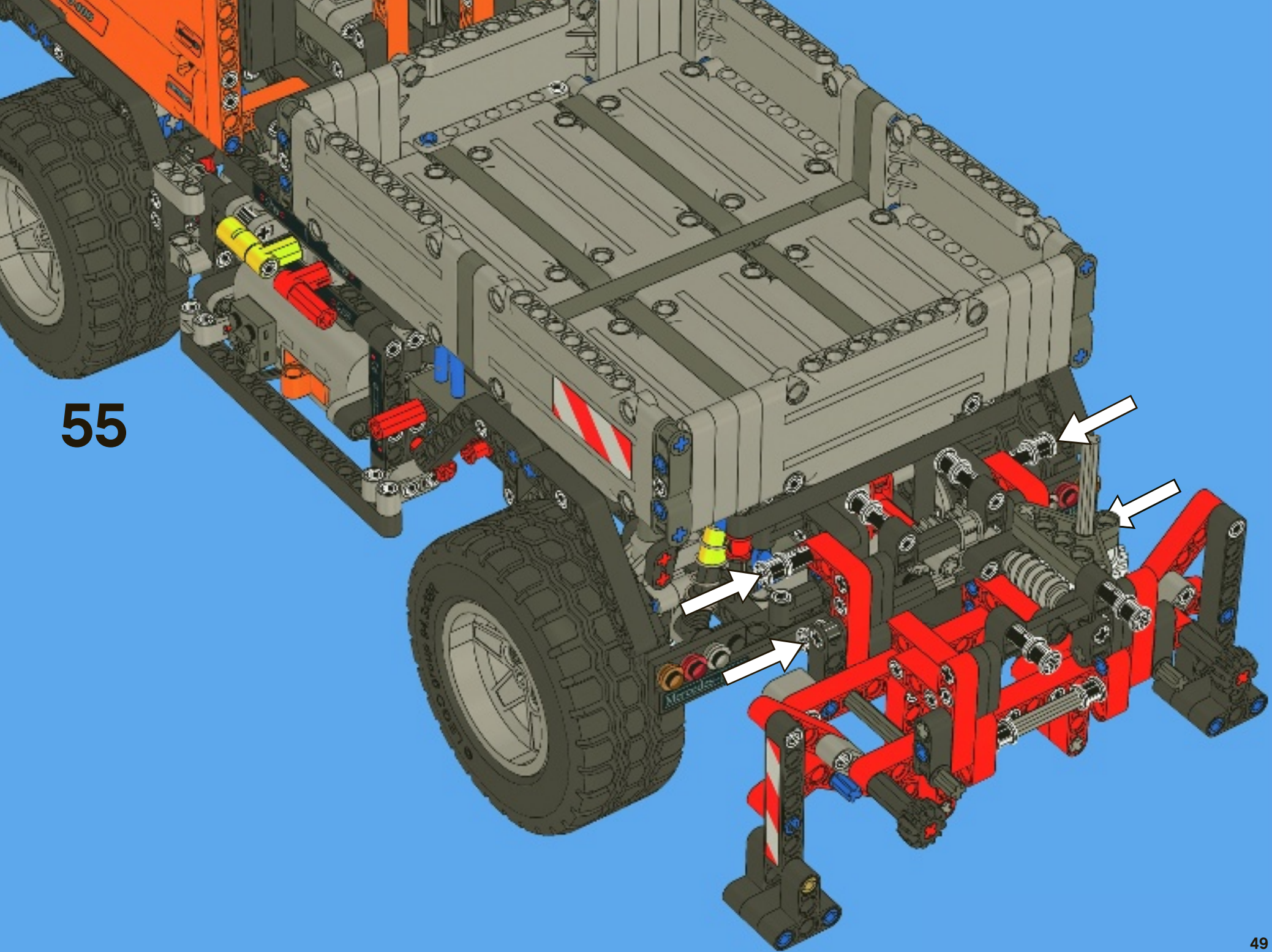
12

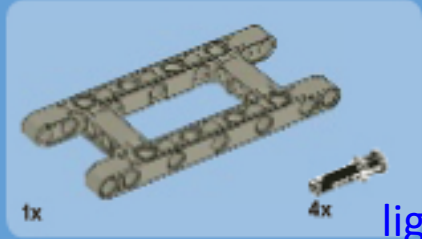
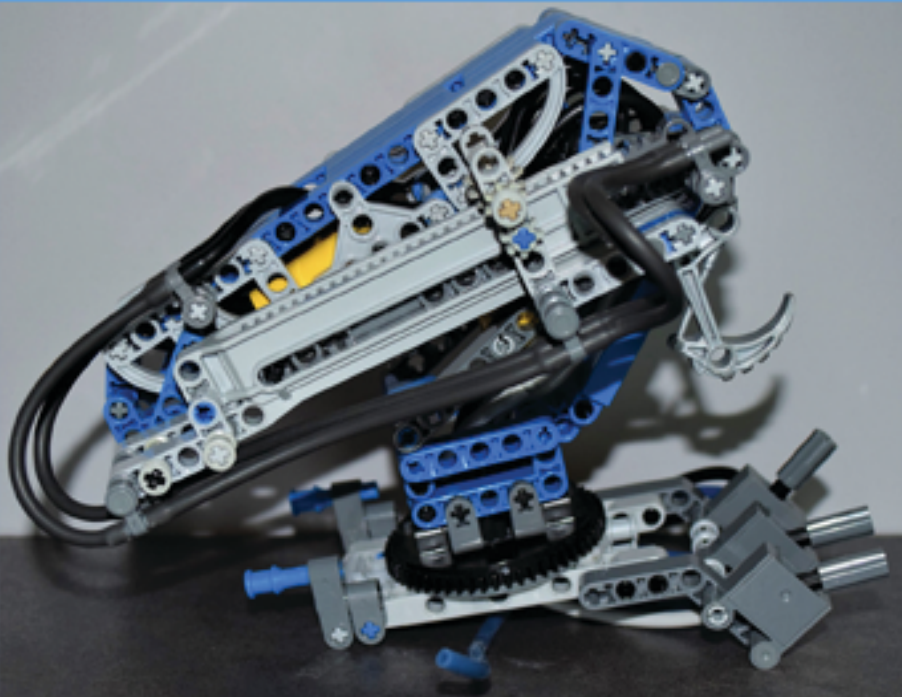


13



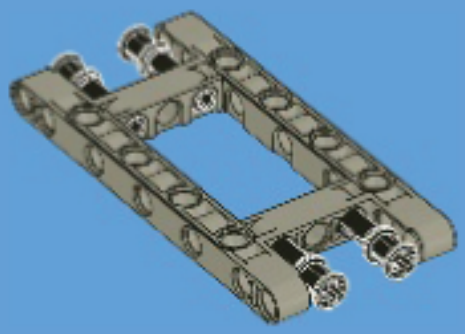
55



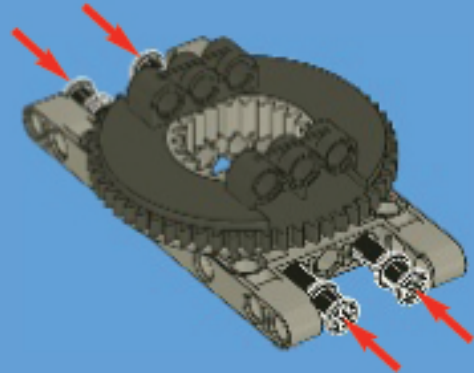


light grey

1



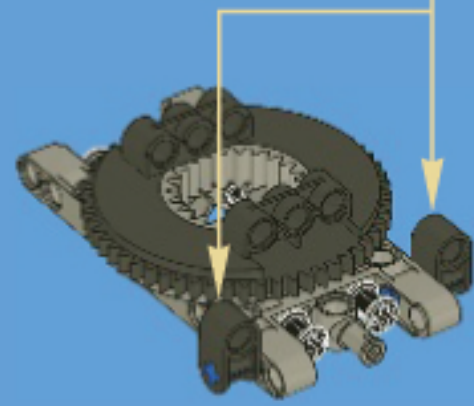
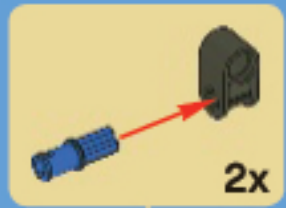
2



dark grey



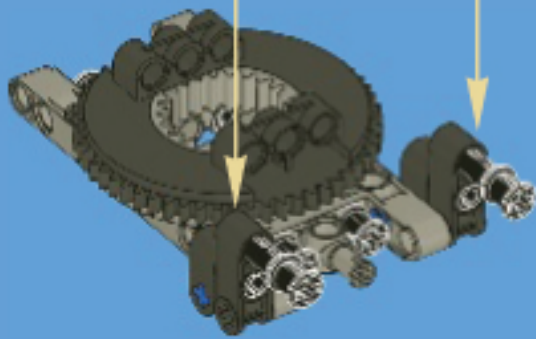
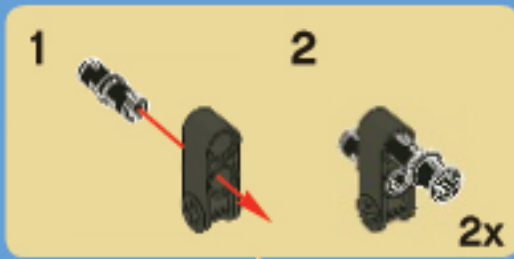
3





4

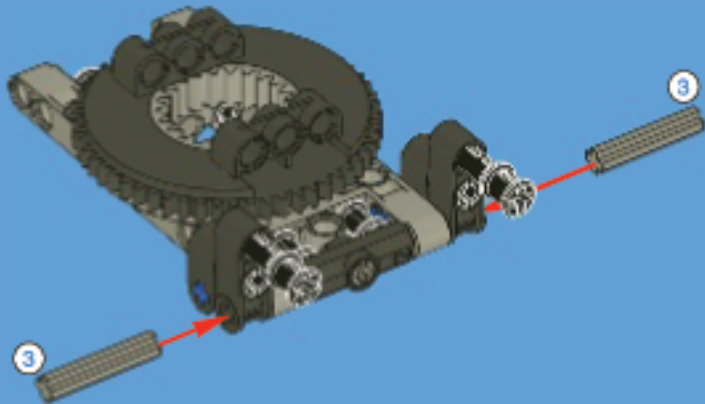
dark grey



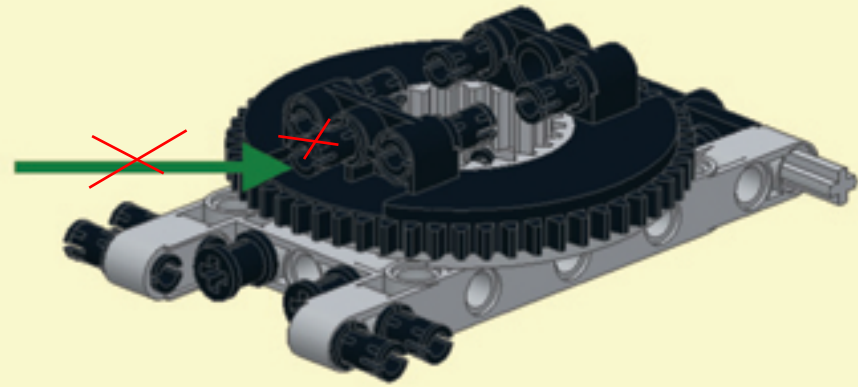
light grey



5



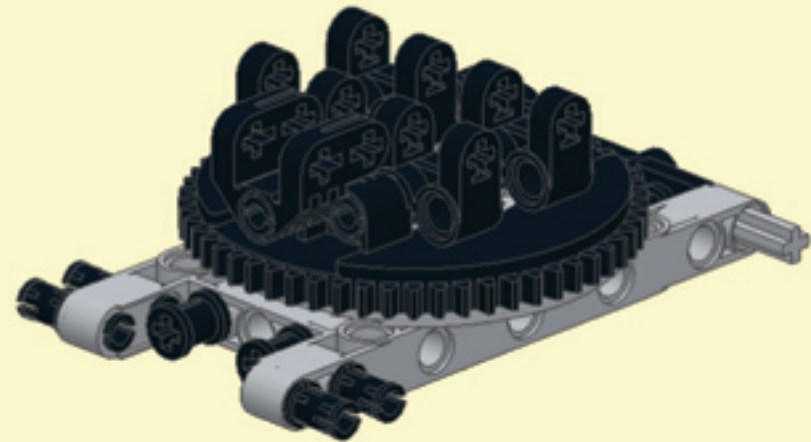
3



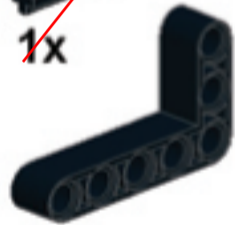
4



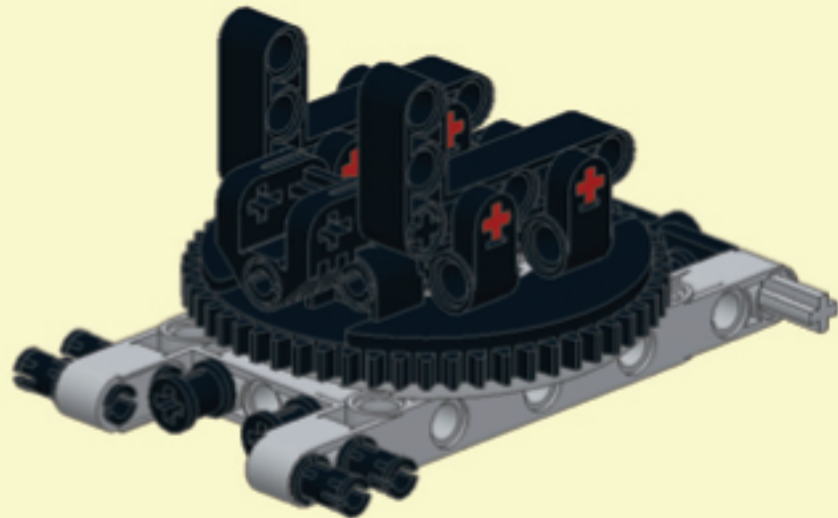
dark grey



5



black



9



3x

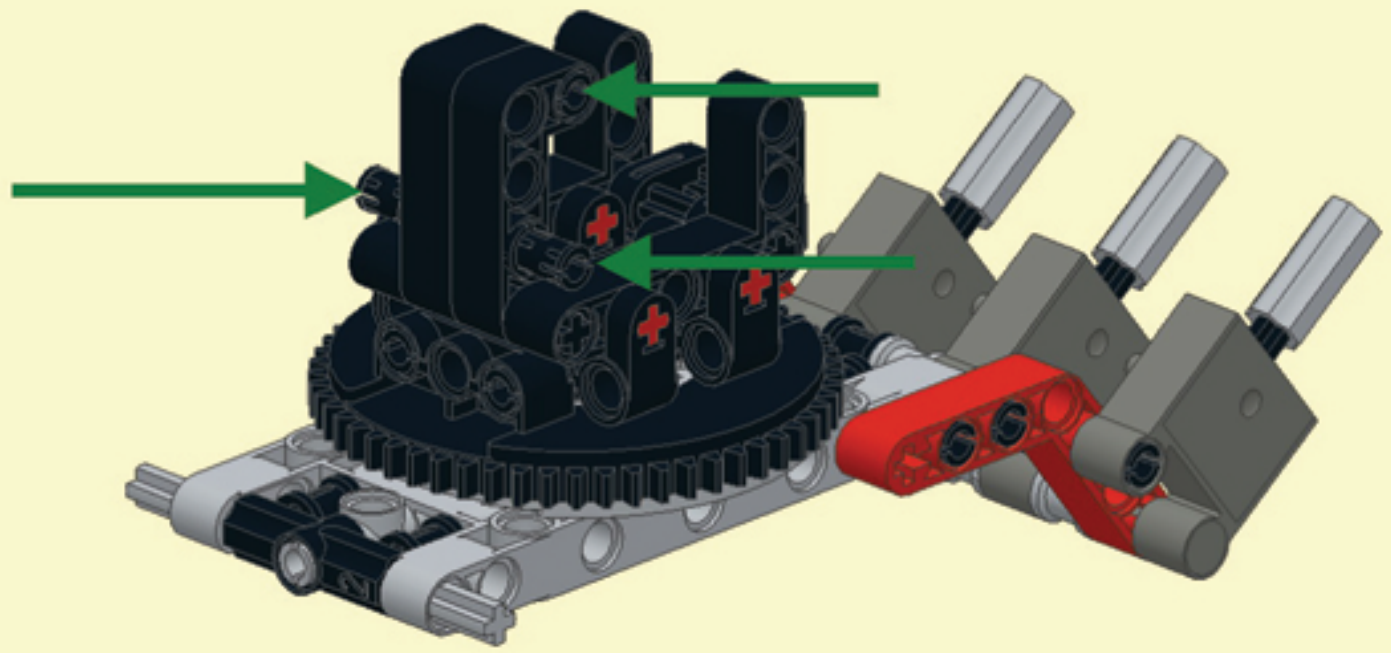
4



1x



2x blue



10



~~2x~~

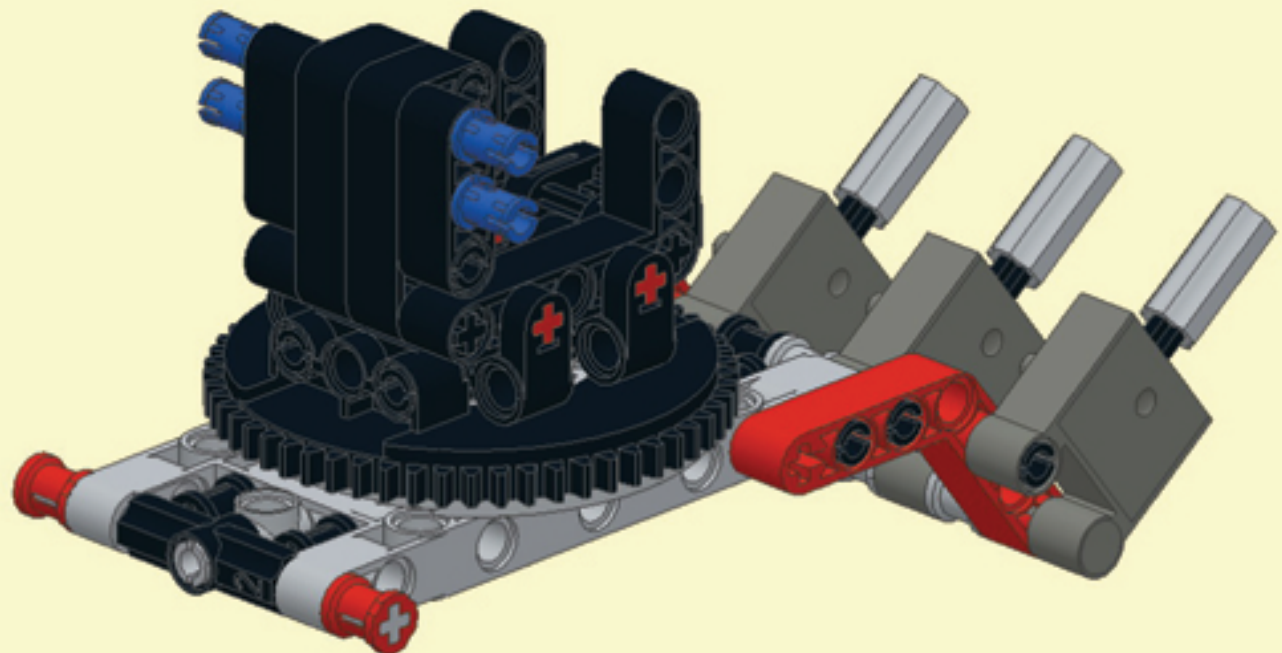


4x

3

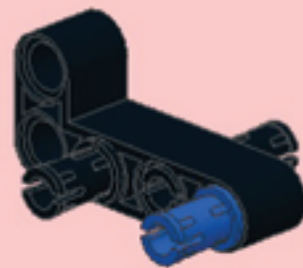
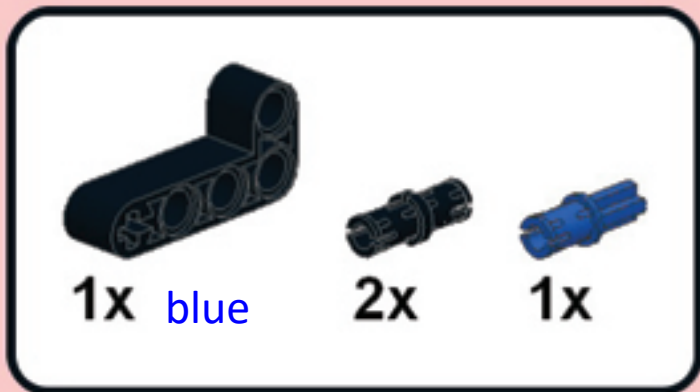


2x blue

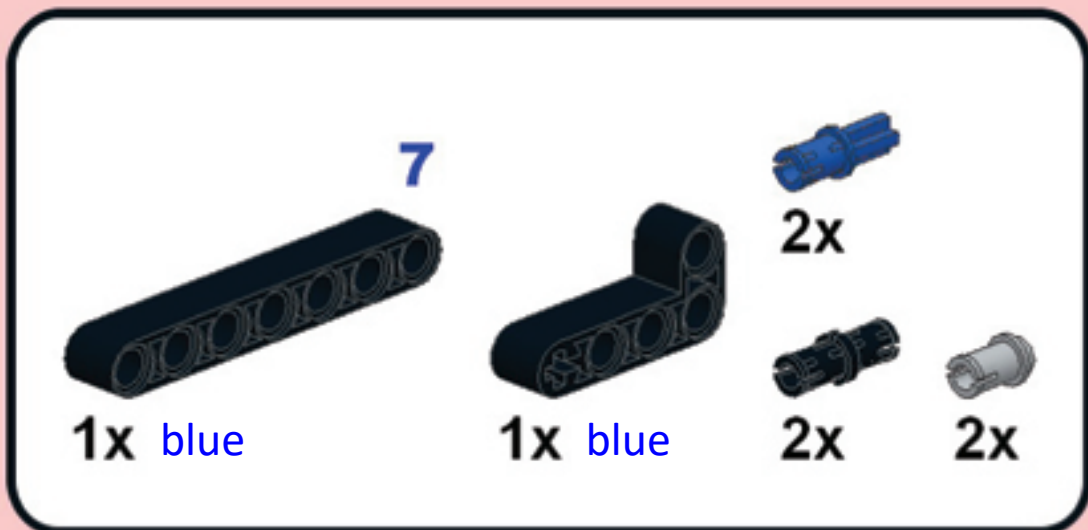




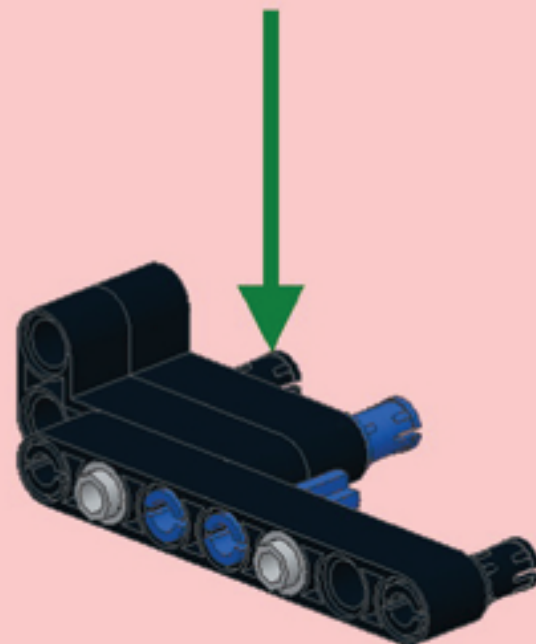
1



2



blue



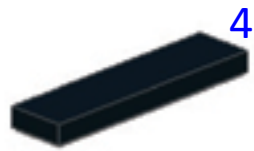
3



2x

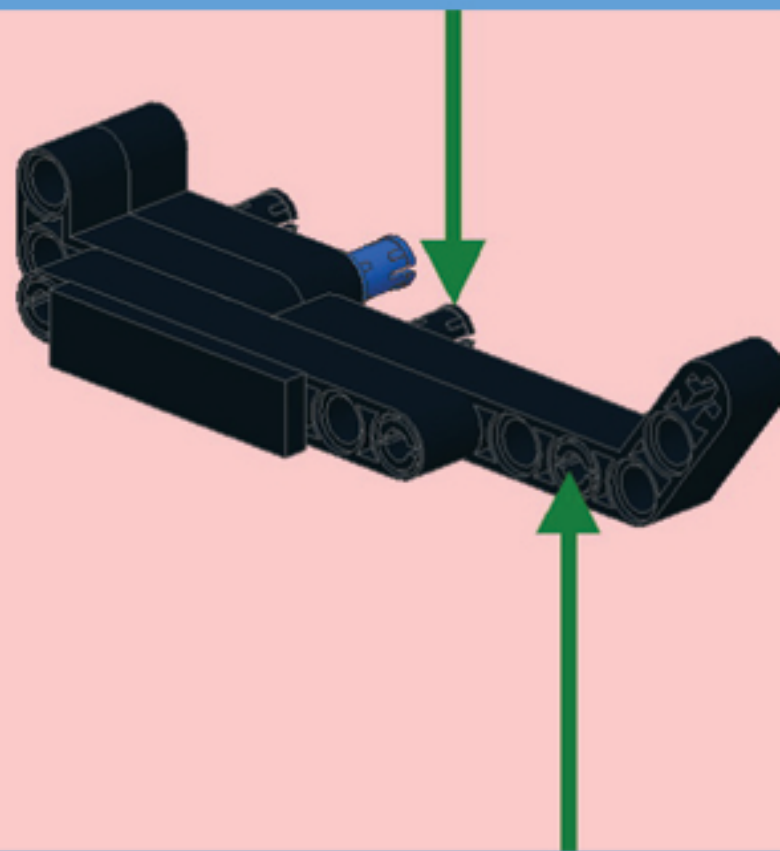


1x blue



4

1x blue



4



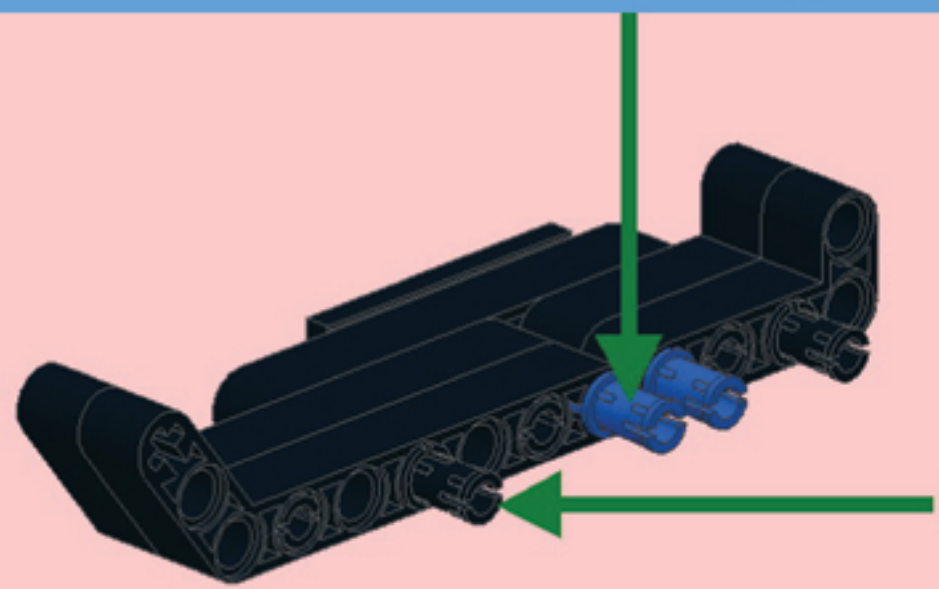
1x



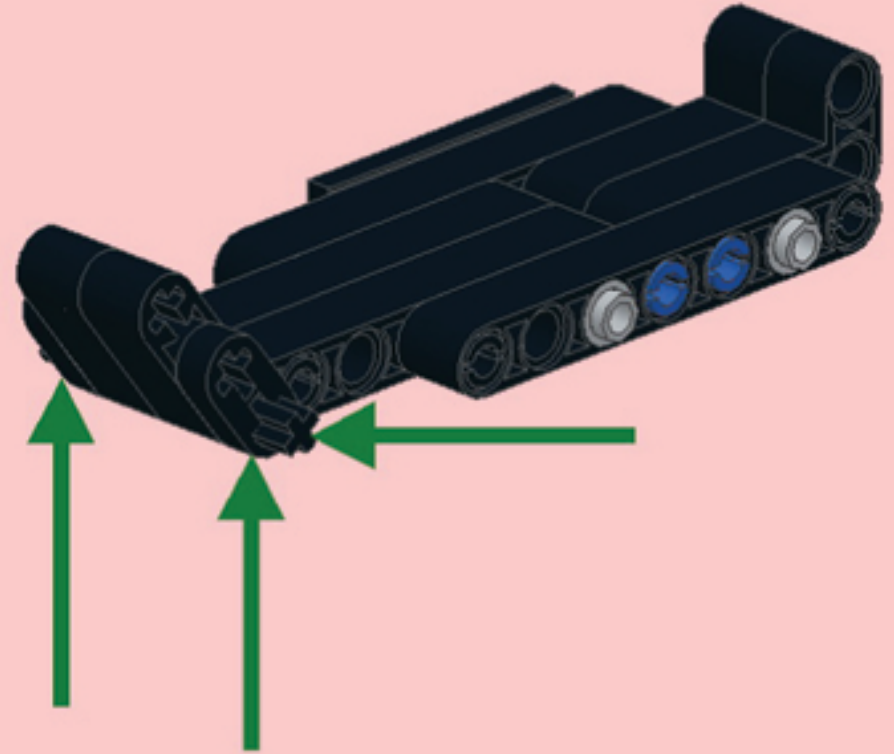
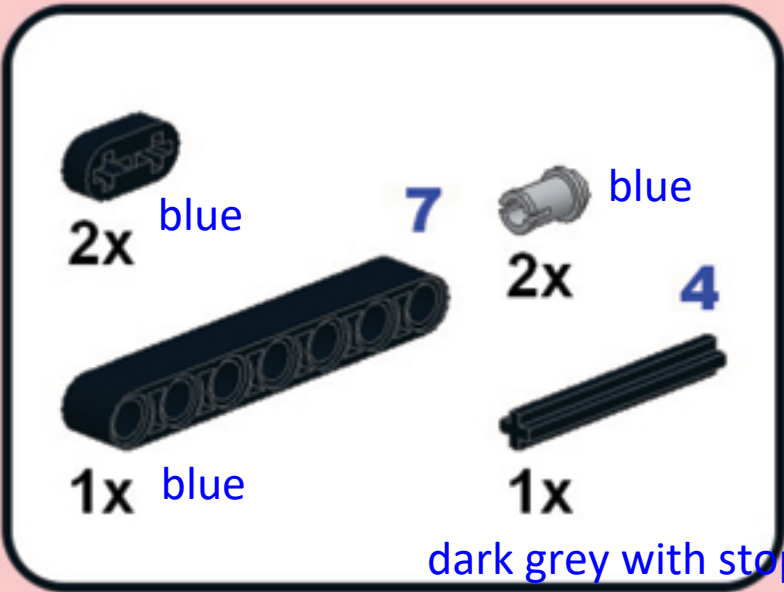
1x blue



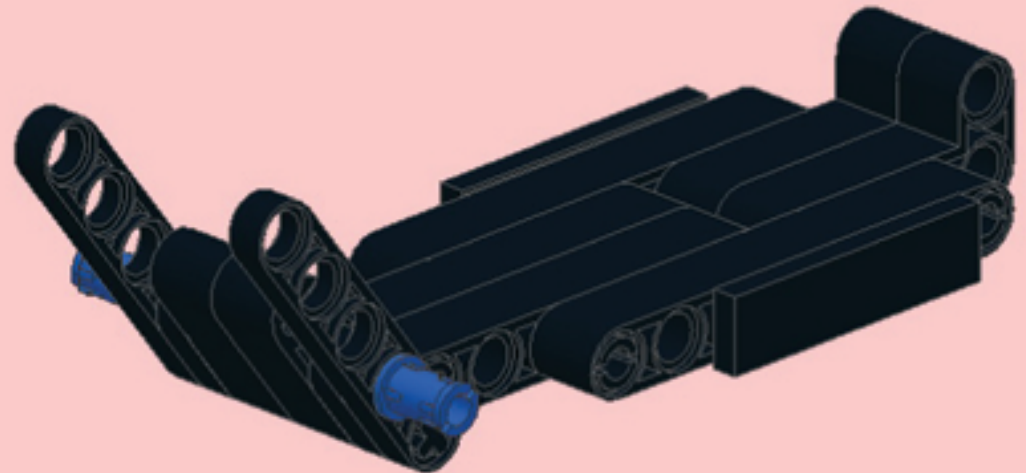
1x



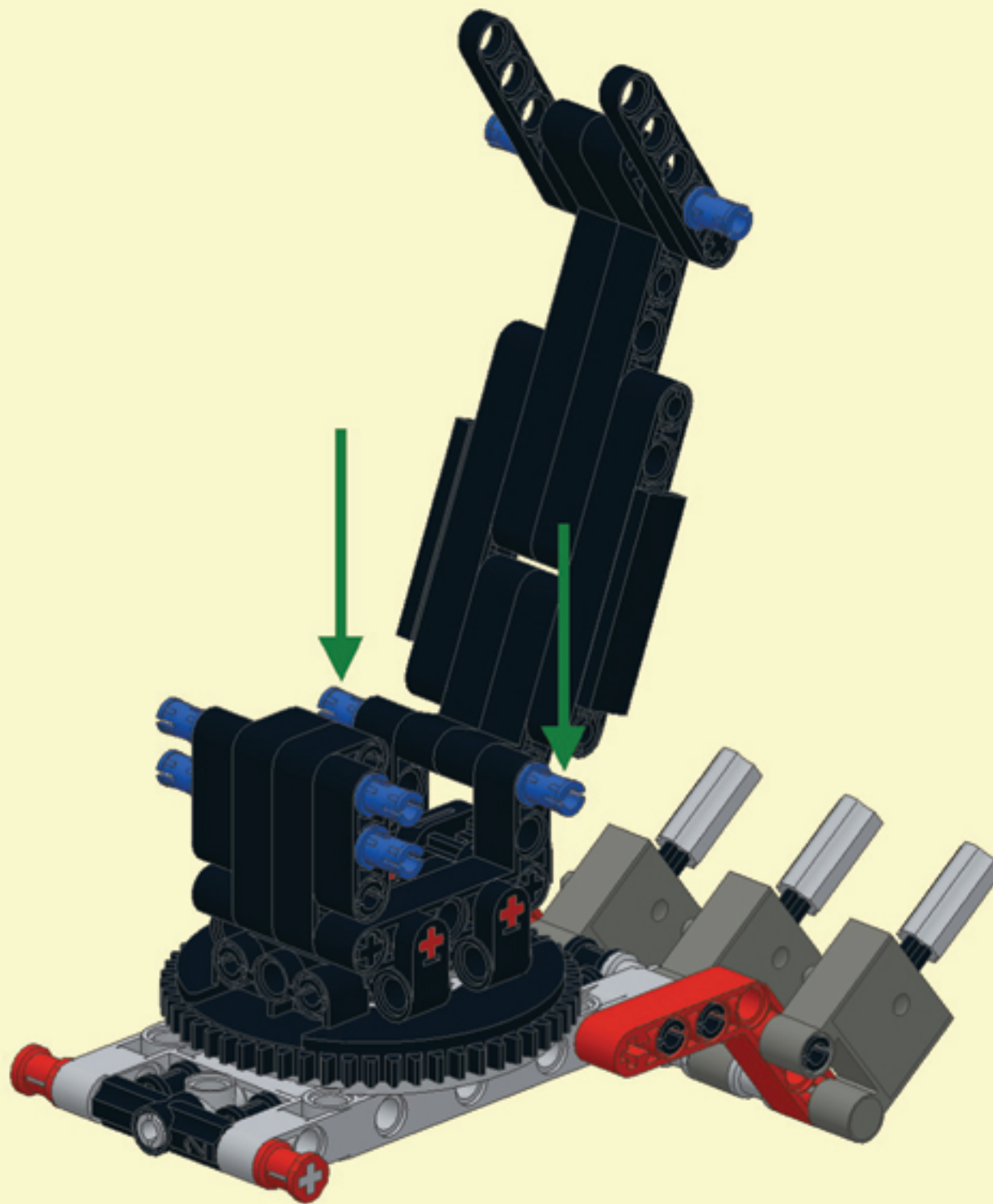
5



6



11

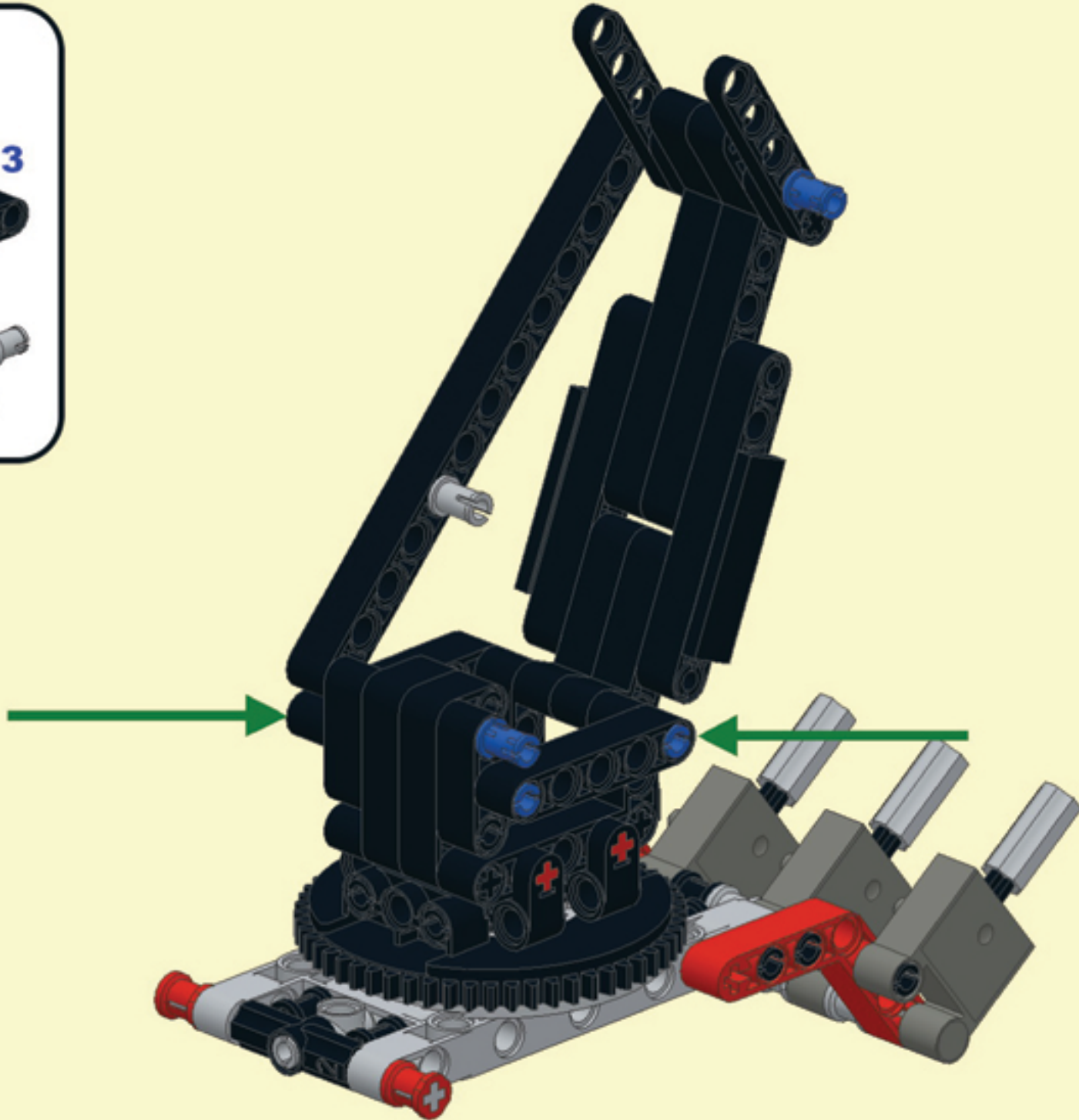


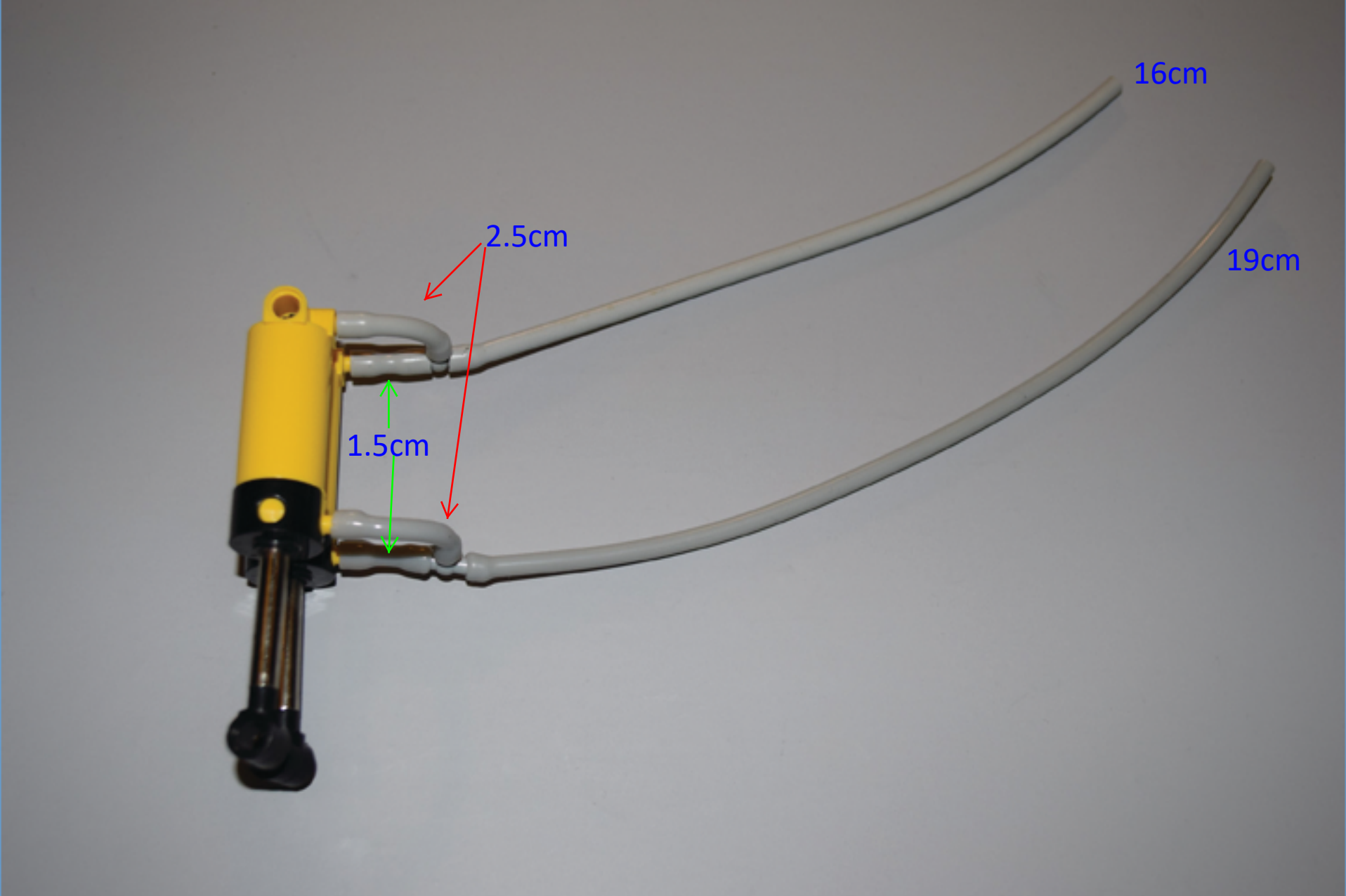
12

5  
2x blue

13  
1x blue

1x





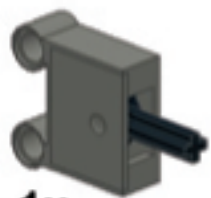
16cm

2.5cm

19cm

1.5cm

6



1x



1x

dark grey



1x

light grey



1x



1x



1x

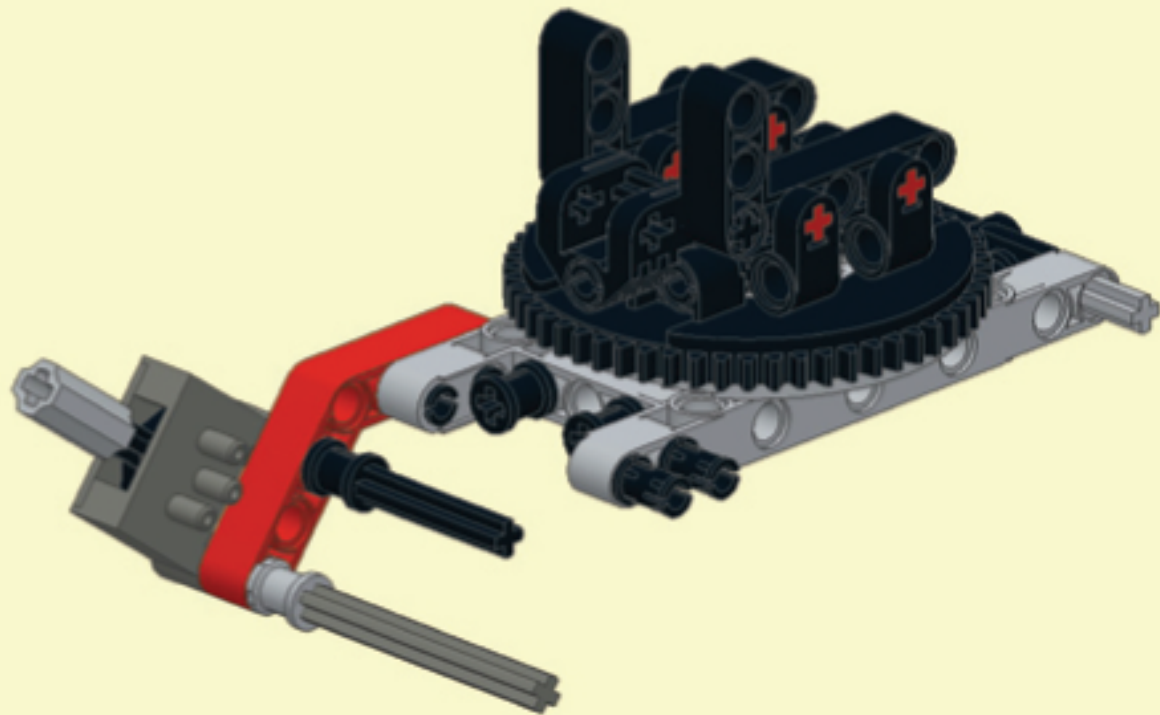
4

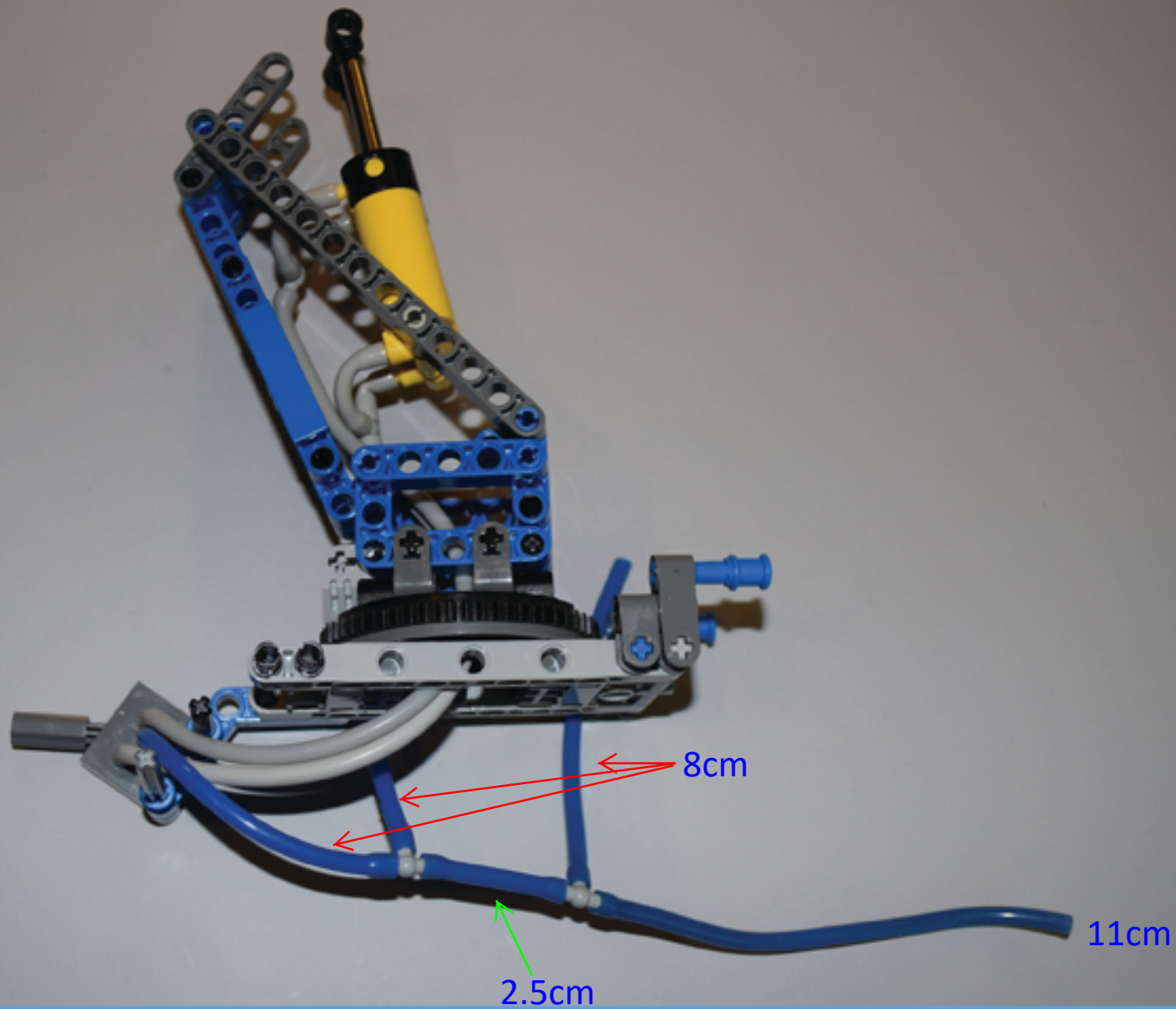


1x



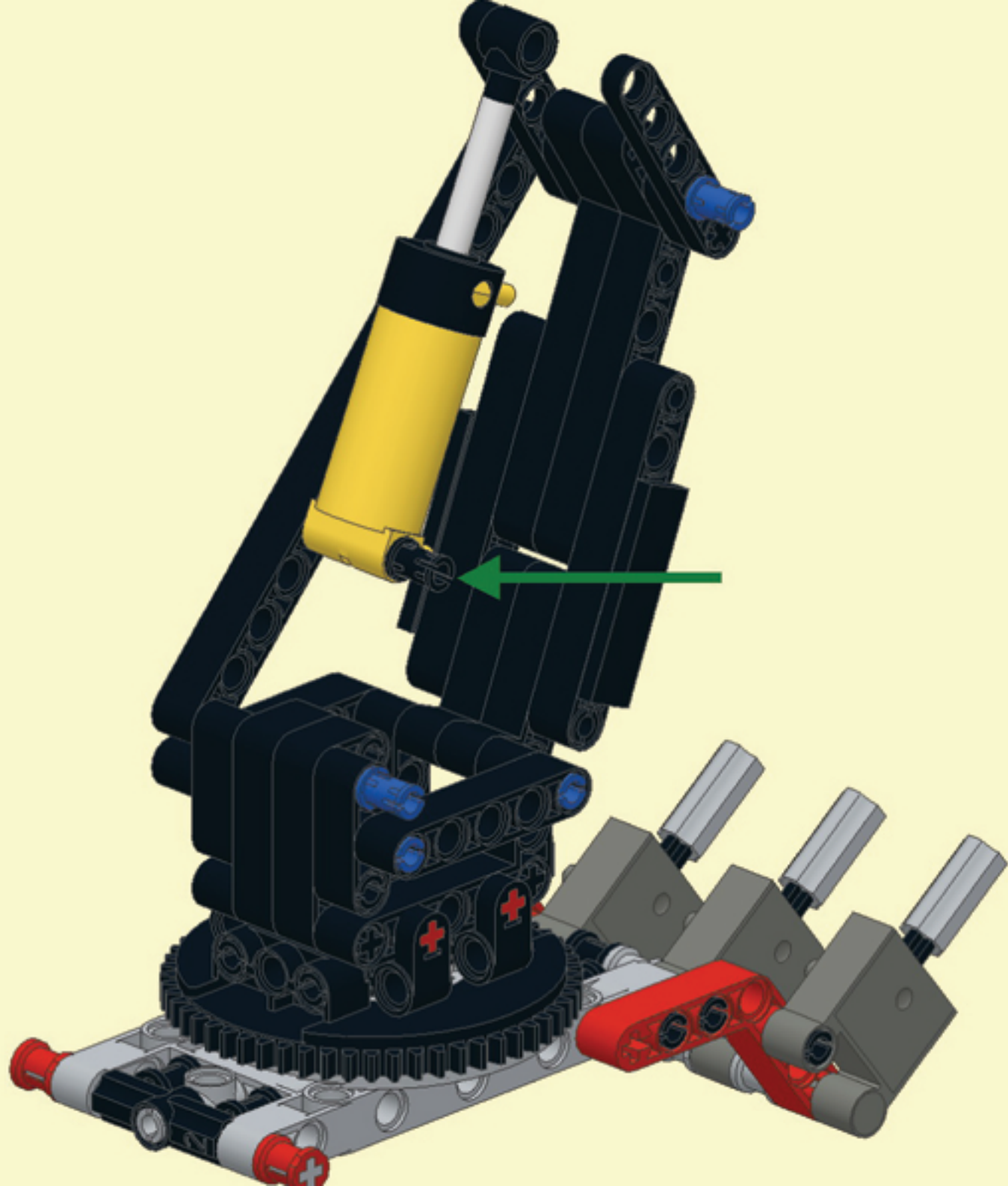
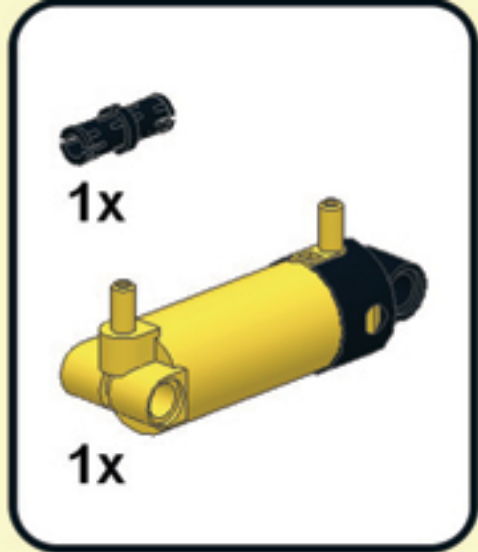
1x



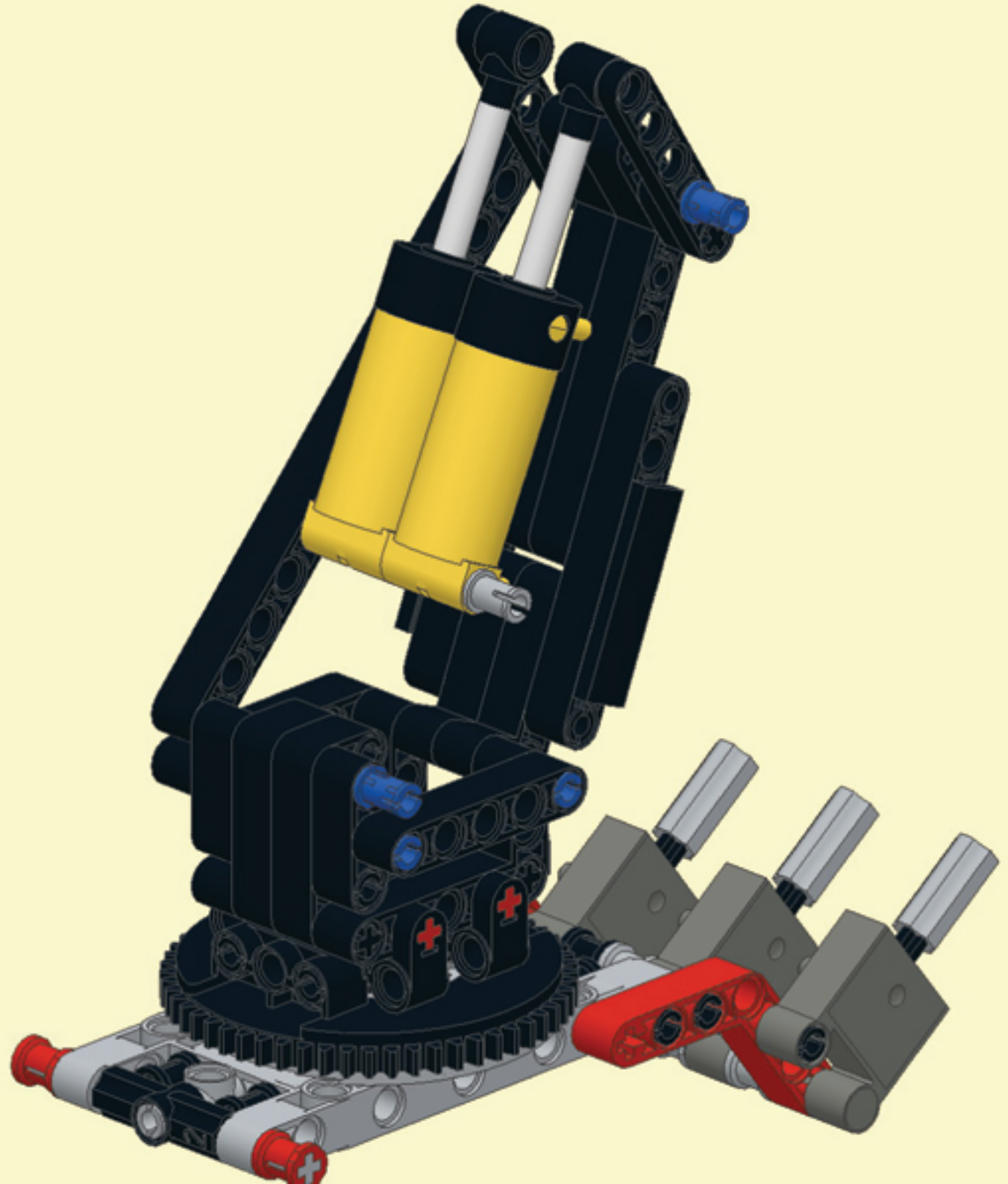
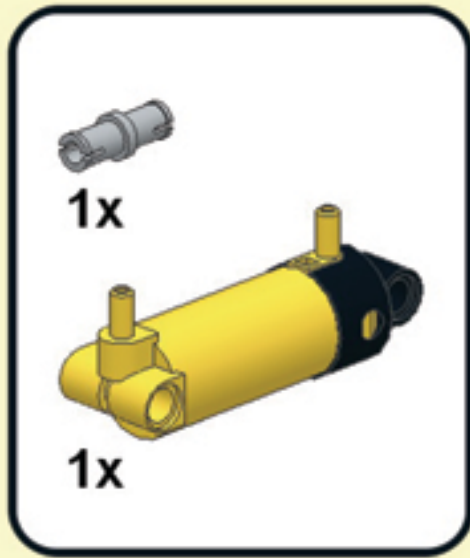




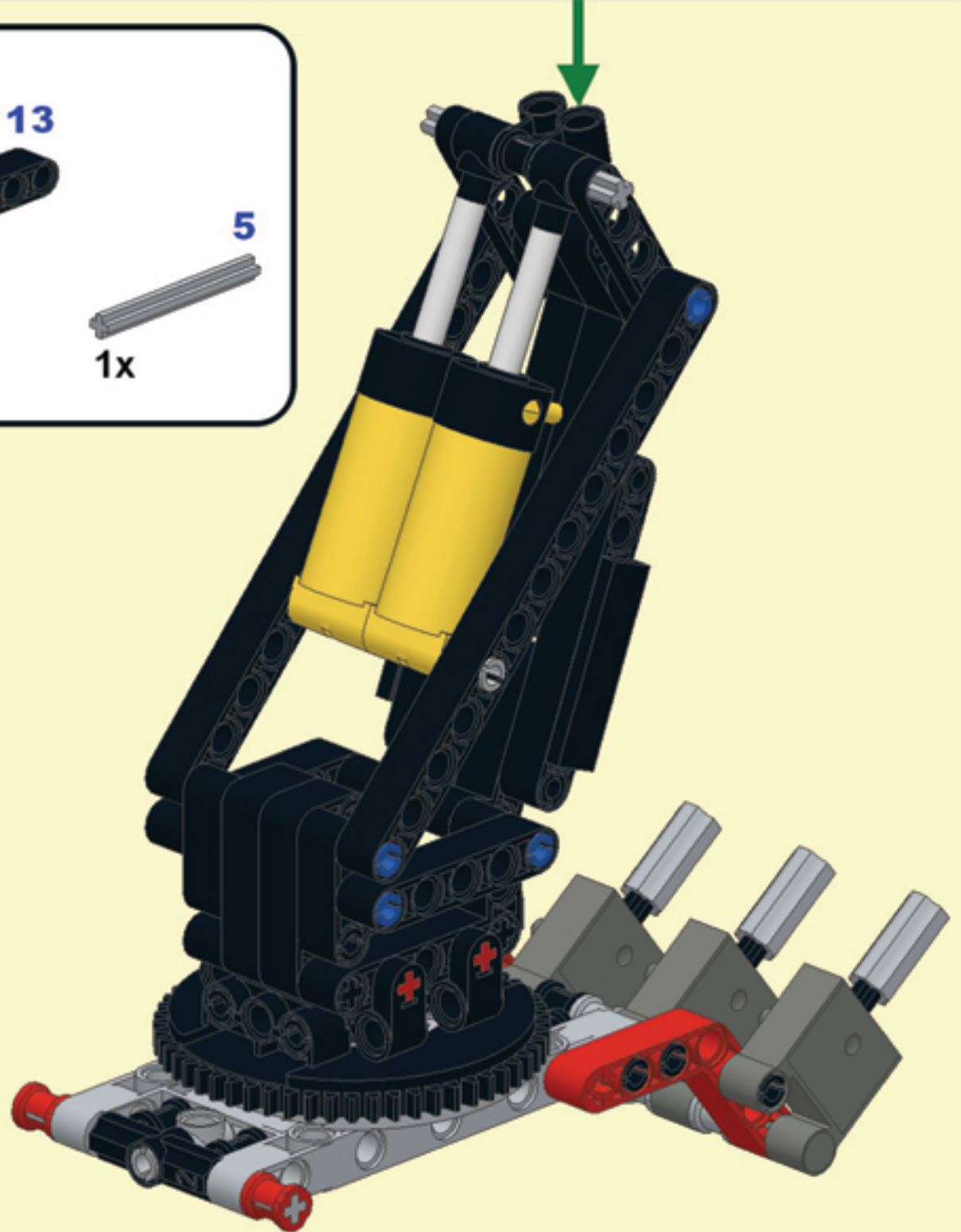
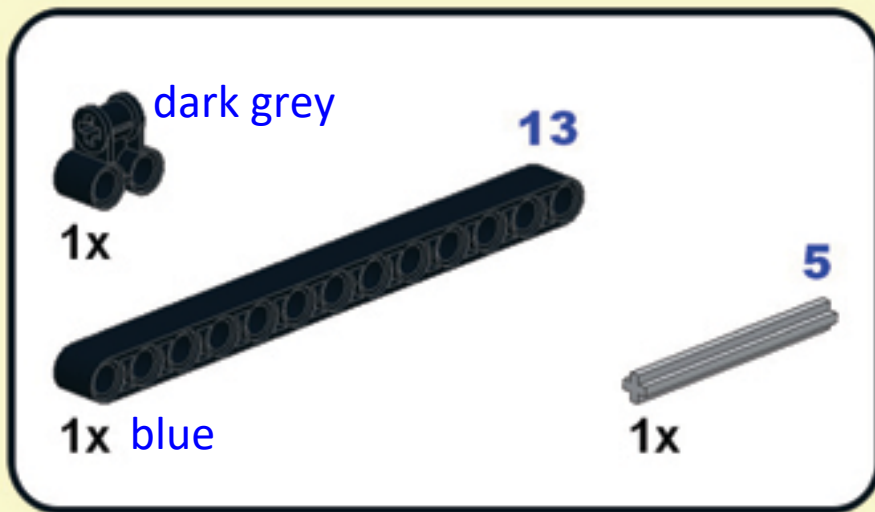
13



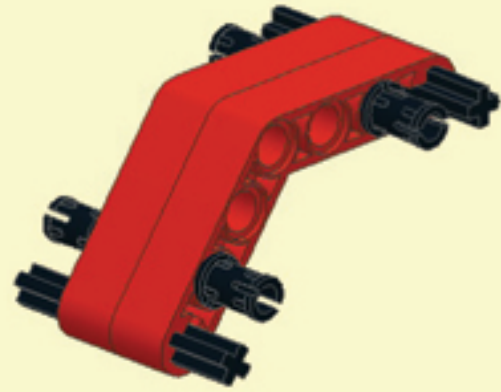
14



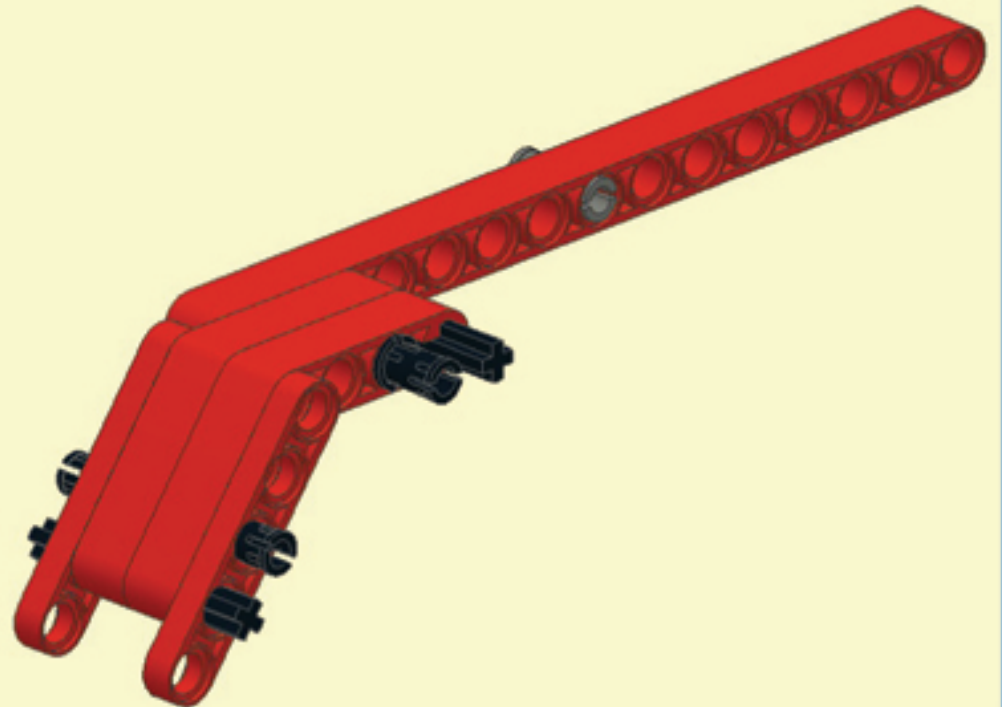
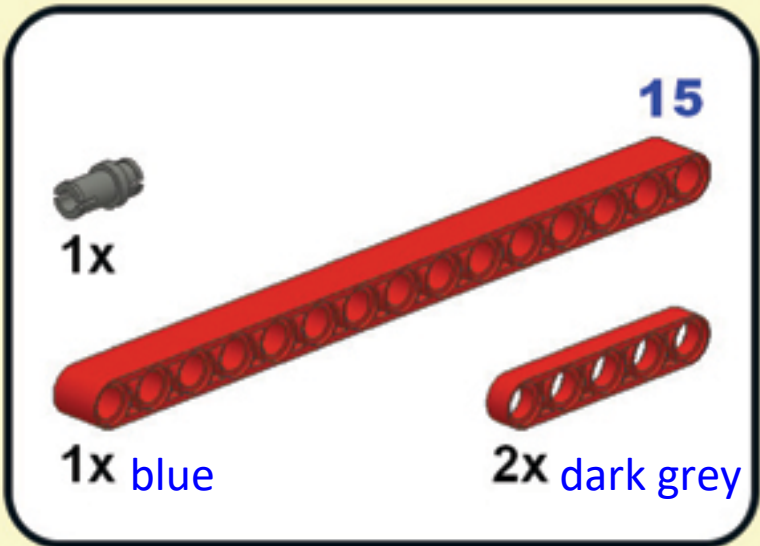
15



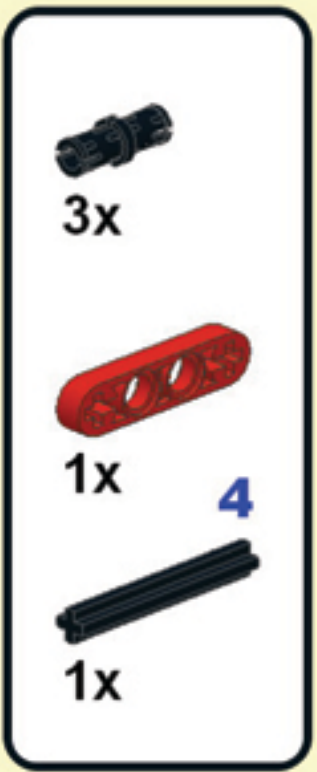
1



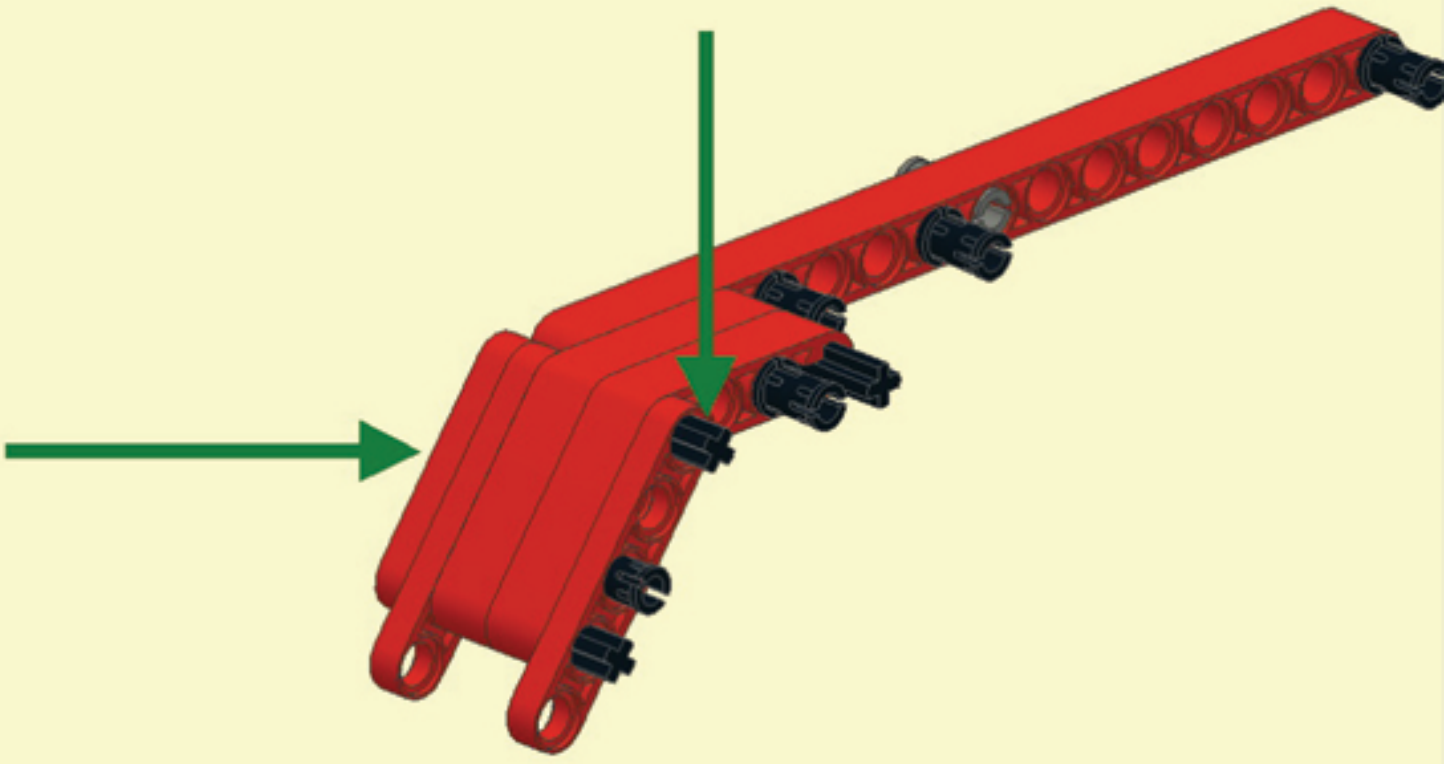
2



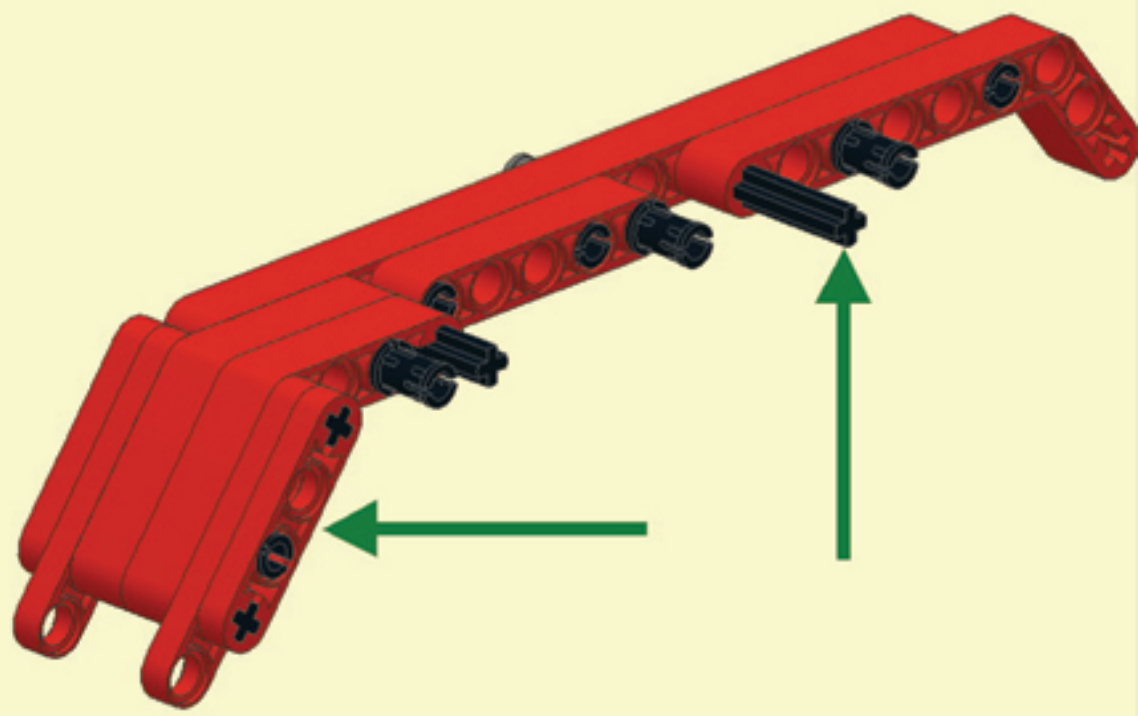
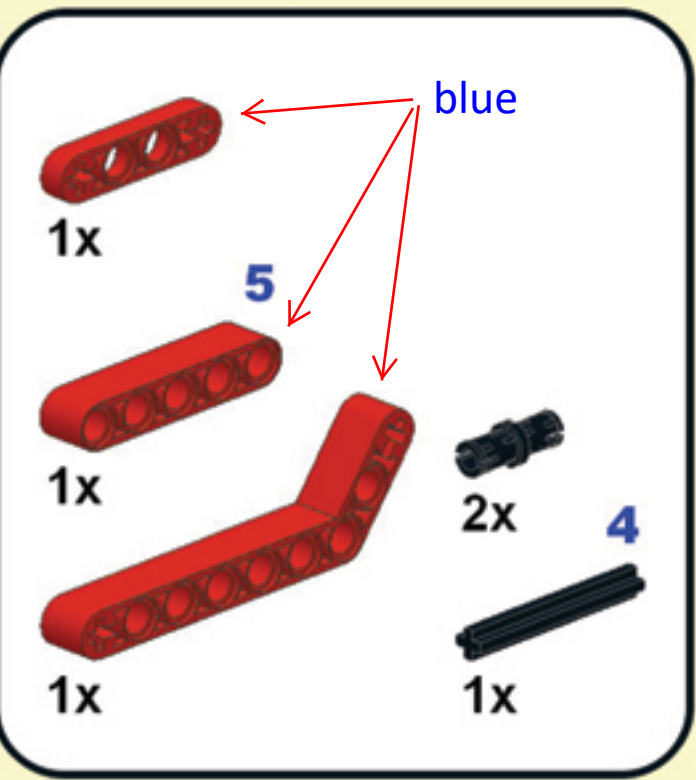
3



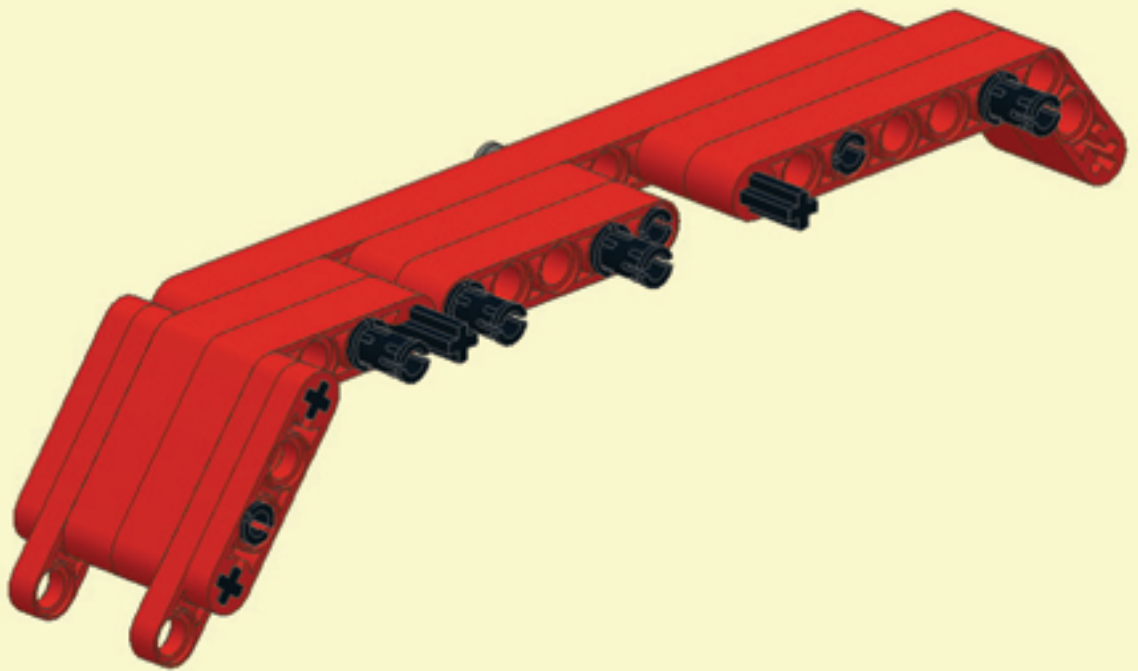
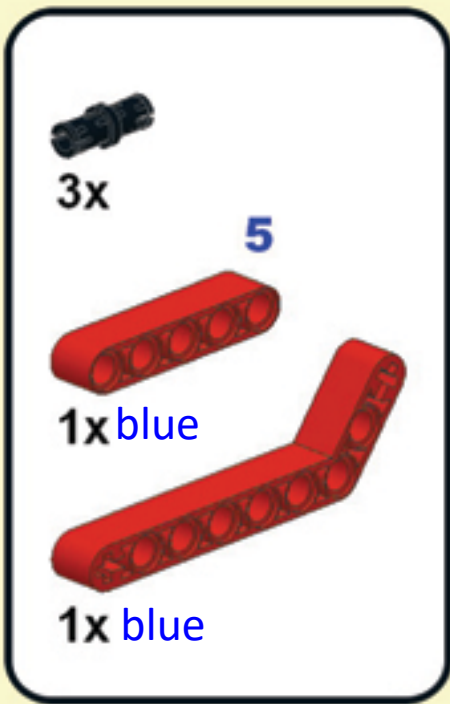
blue



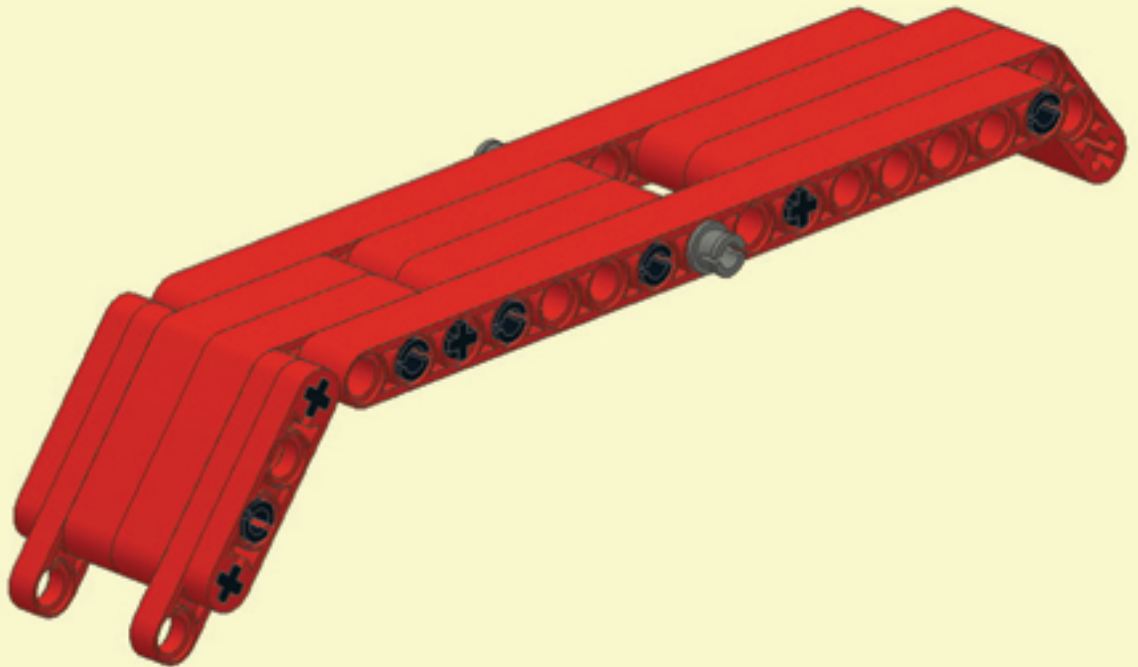
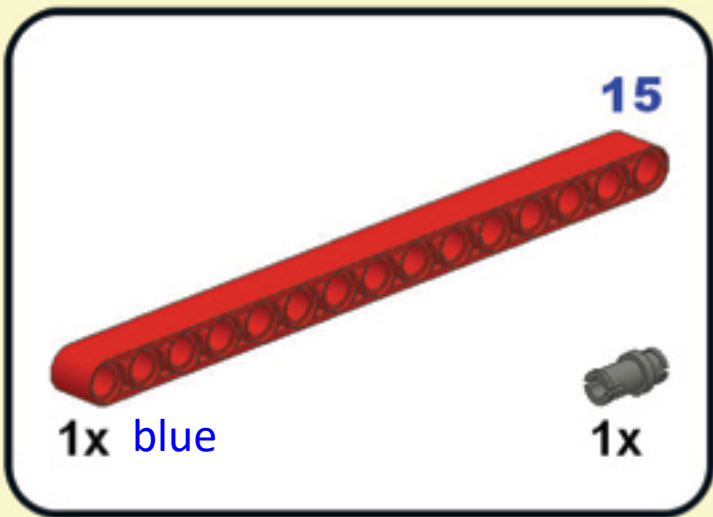
4



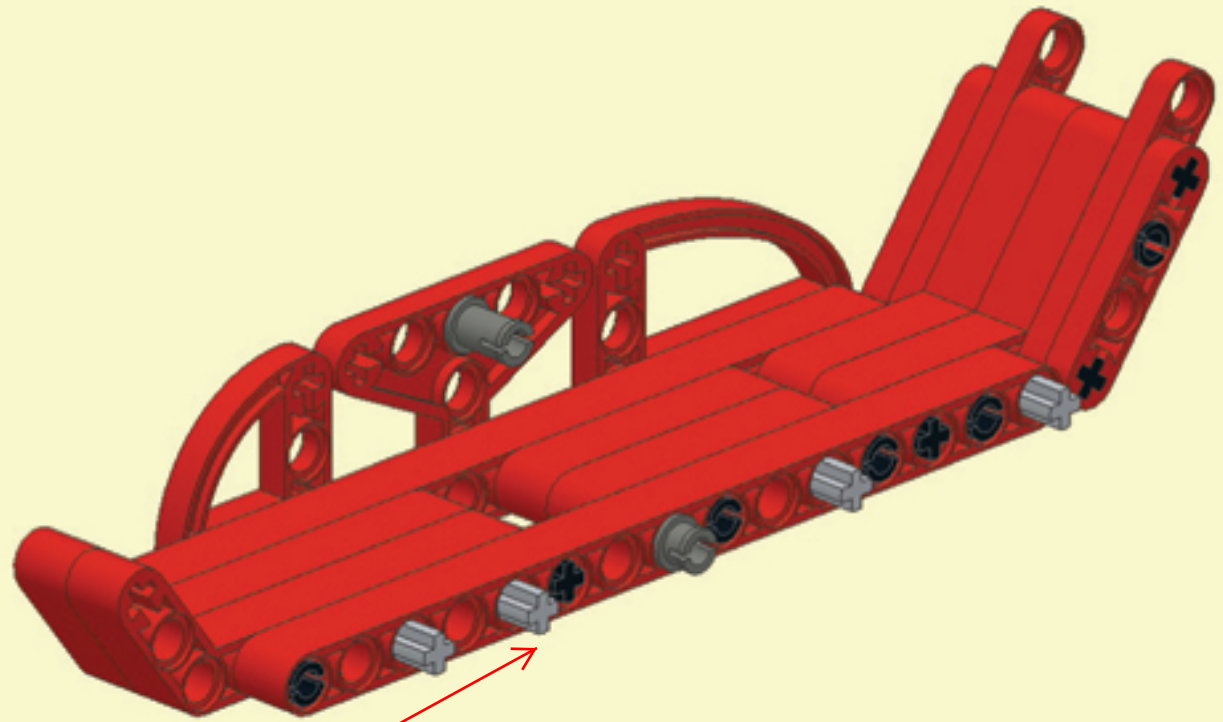
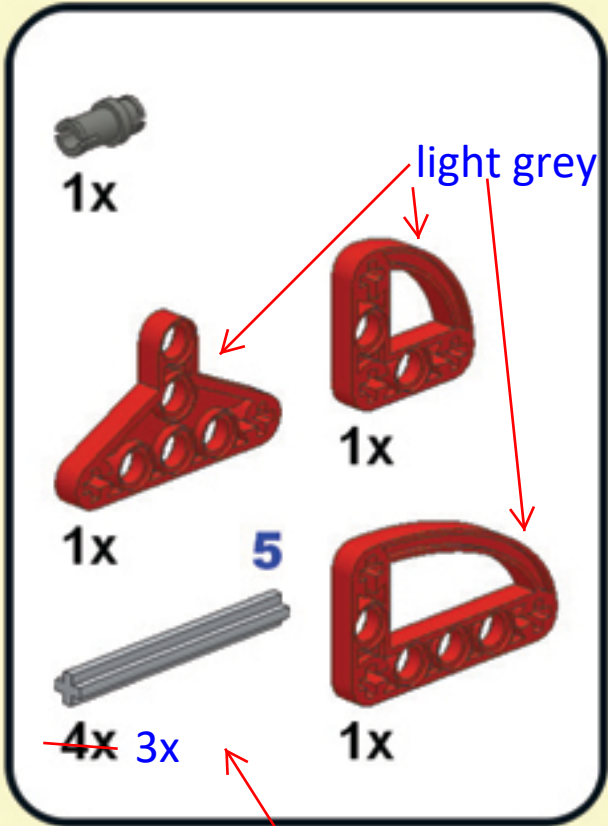
5



6



7



& 1x 7 axle

8



1x



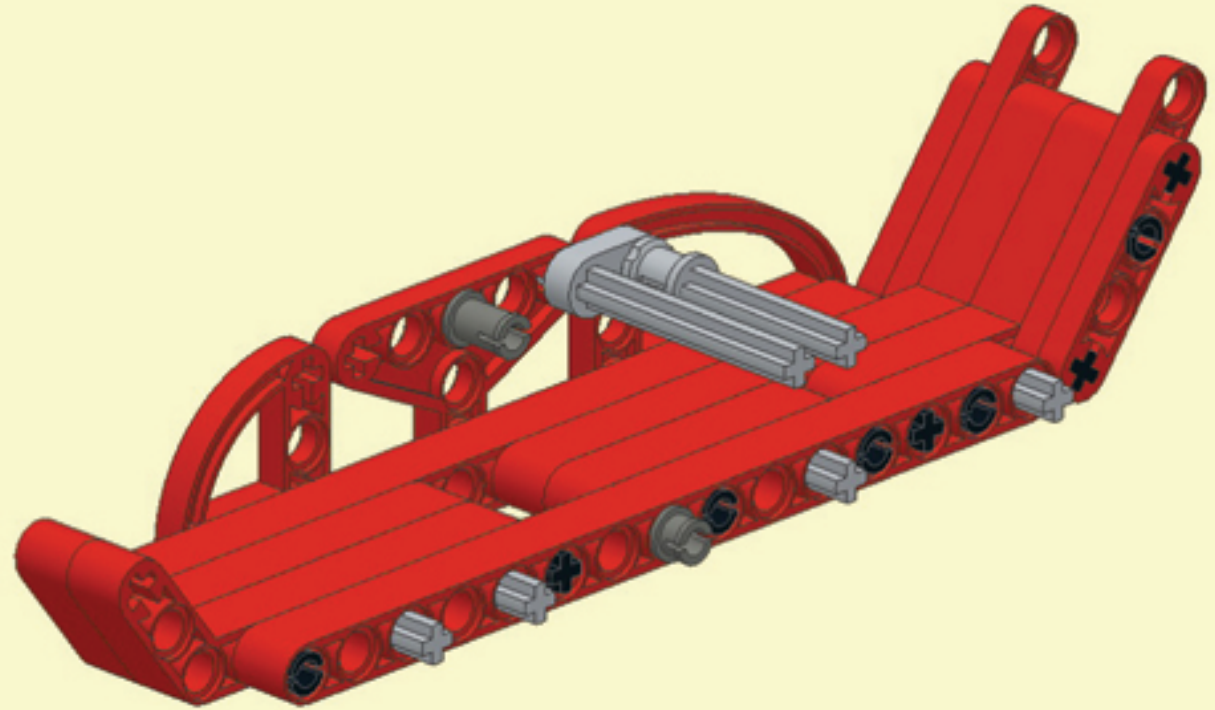
blue

1x

5



2x





9

2x light grey

~~1x~~

5

1x

1x

1x

1x

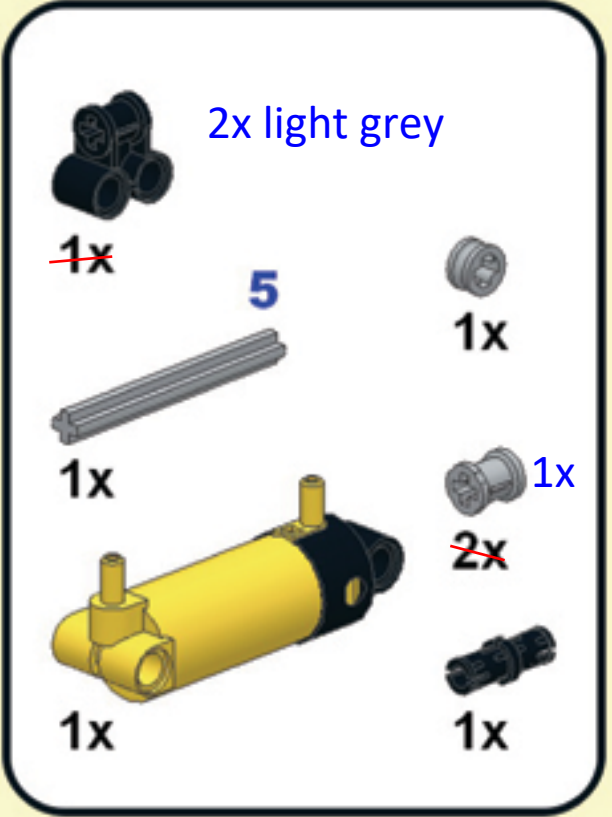
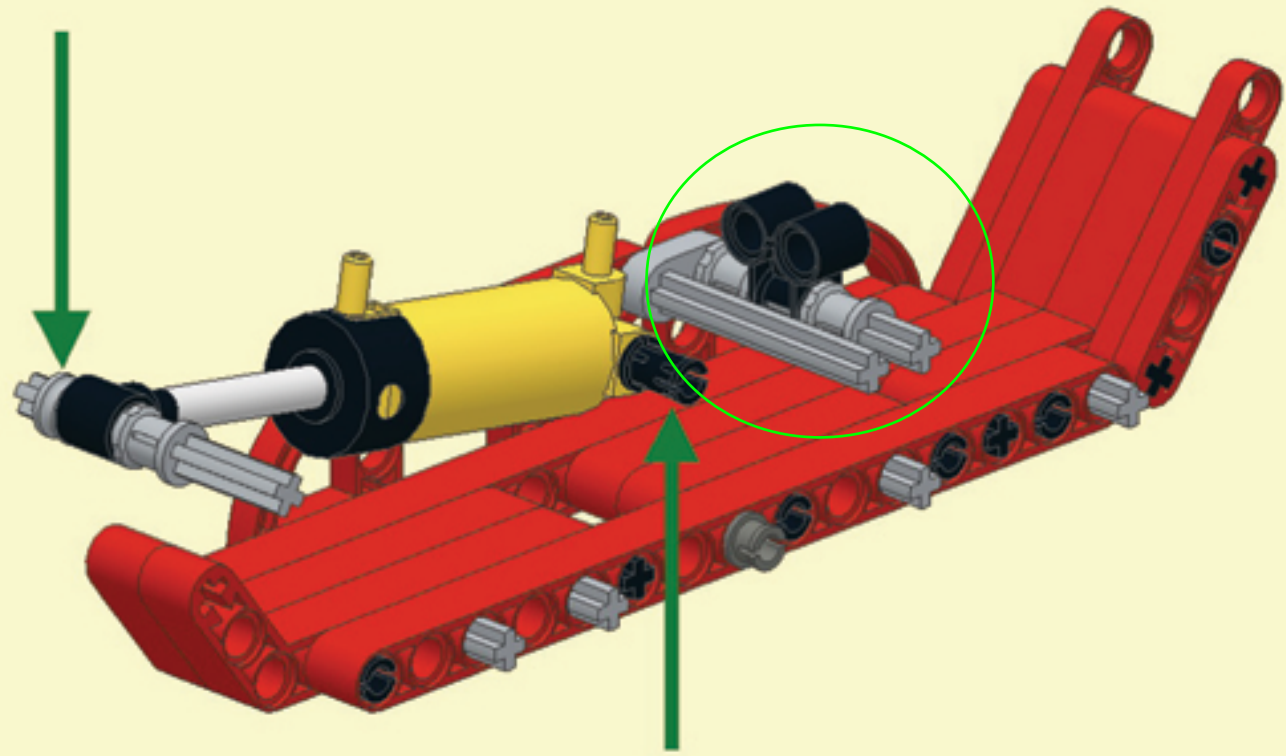
1x

1x

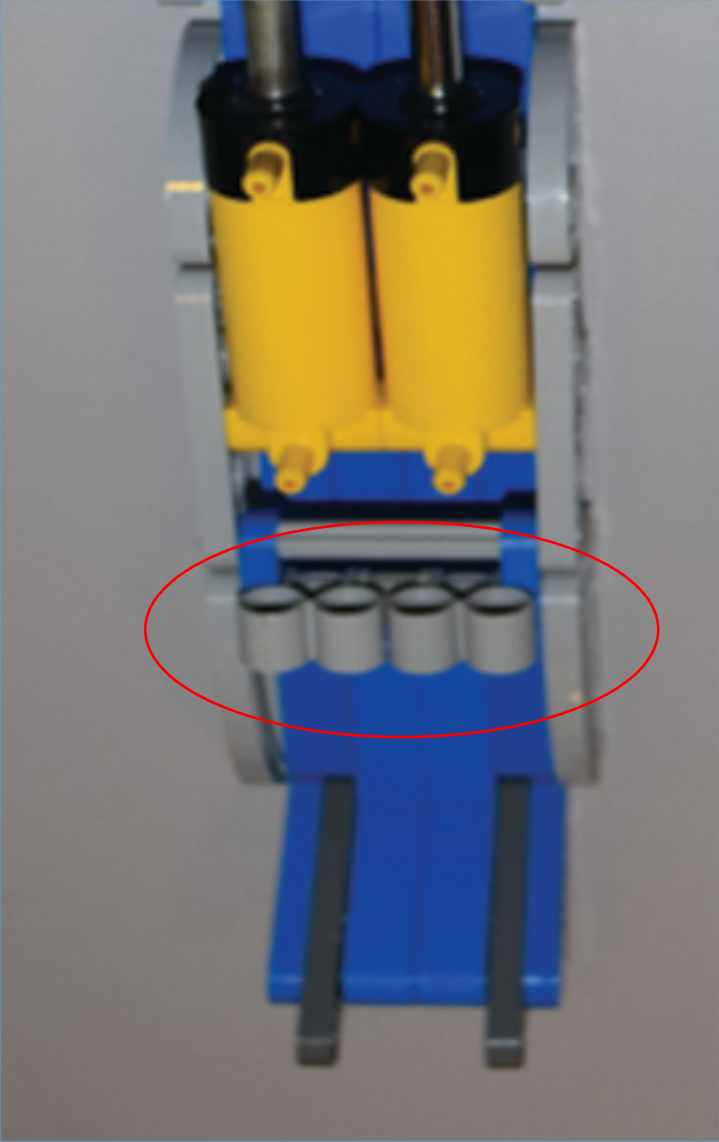
1x

1x

1x

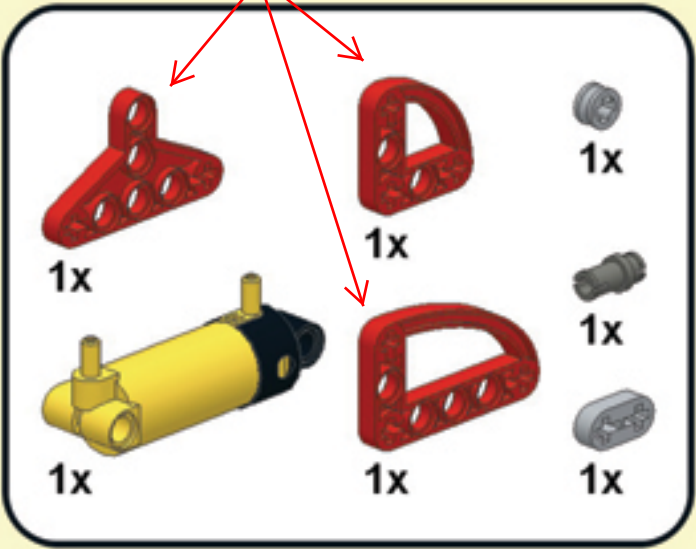
A parts list for step 9 of a LEGO assembly. It includes: 2x light grey connectors (top left); 1x black connector (top left, crossed out); 5 grey axles (middle left); 1x yellow motor (bottom left); 1x grey axle with bush (middle right); 1x grey axle with bush (bottom right, crossed out); 1x grey axle with bush (bottom right); 1x black axle with bush (bottom right).

see next page

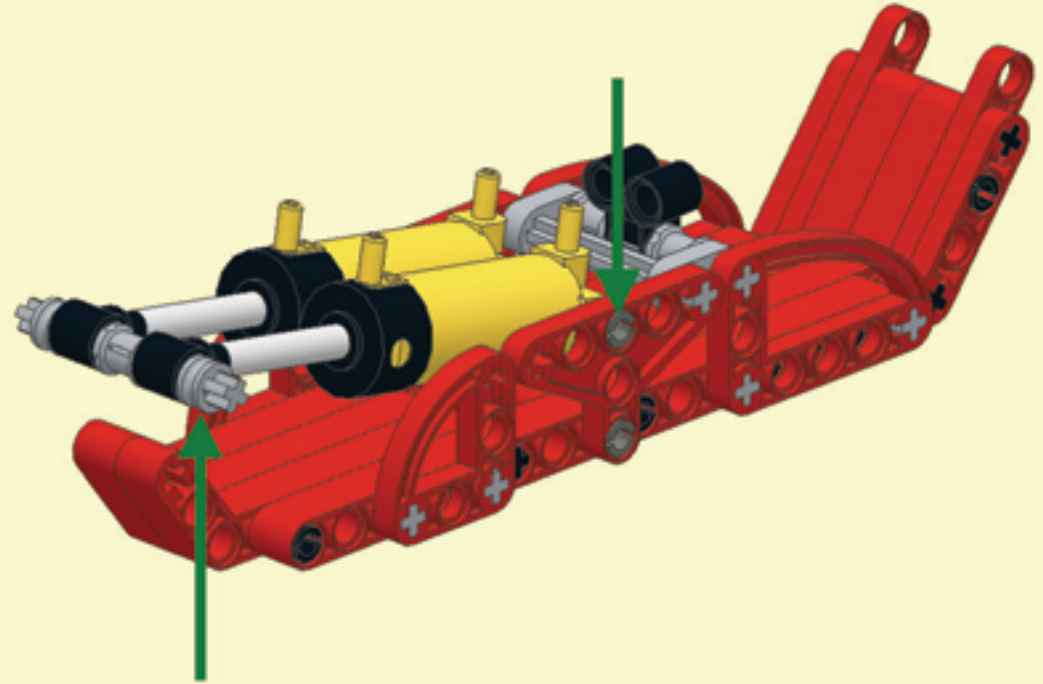


light grey

10

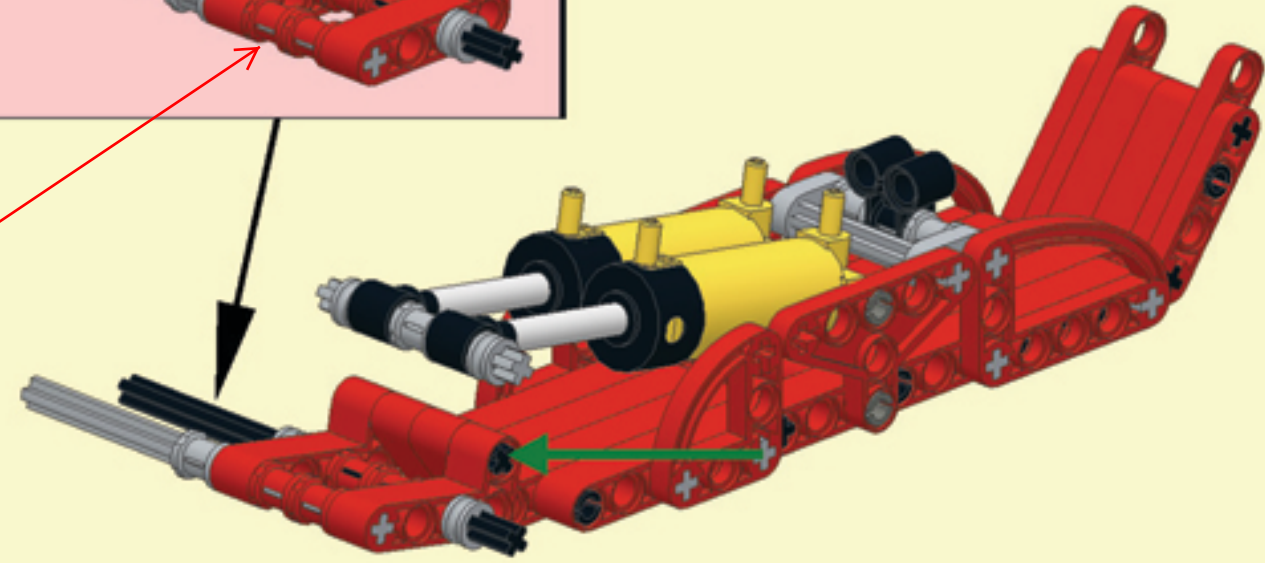


blue



11

	blue		9		2x
2x			4x	blue	
	10		4		
1x			1x		
			1x		
1x			1x		



dark grey with stopper

12

light grey

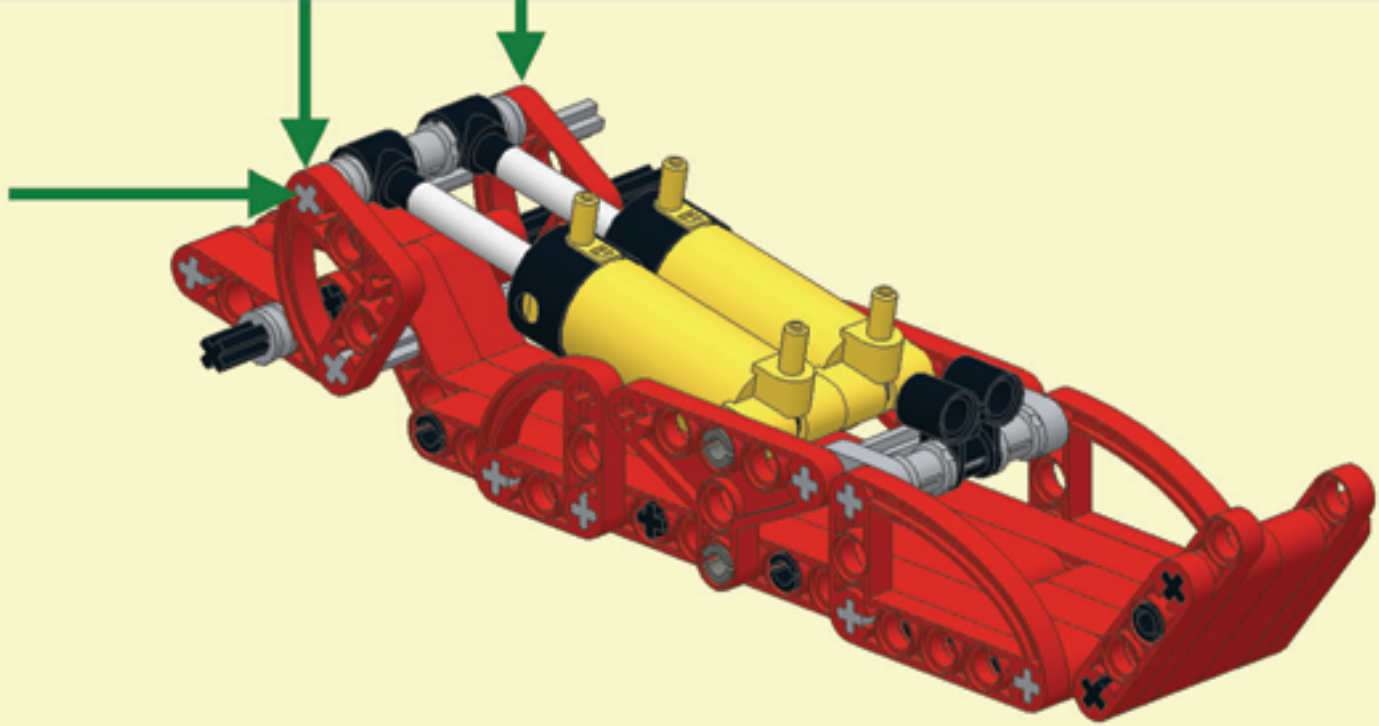


2x

5



1x



13



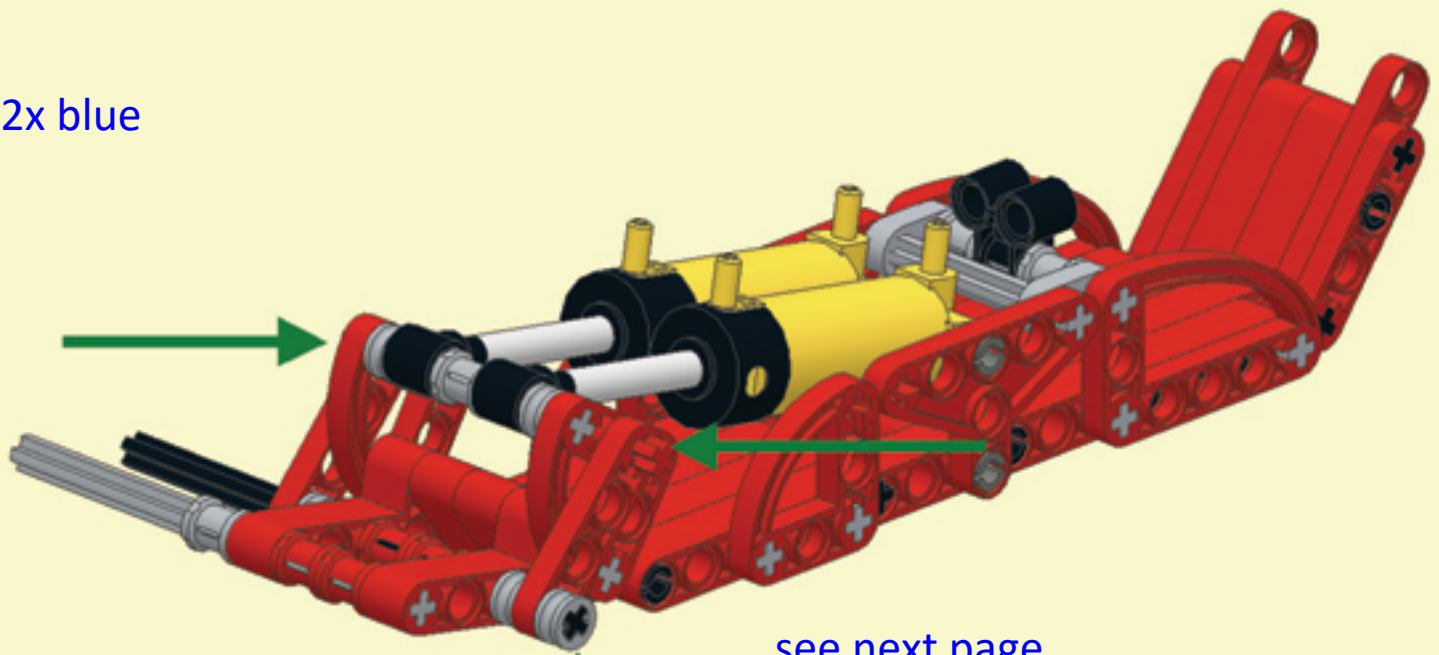
5x 3x grey & 2x blue

~~1x~~

2

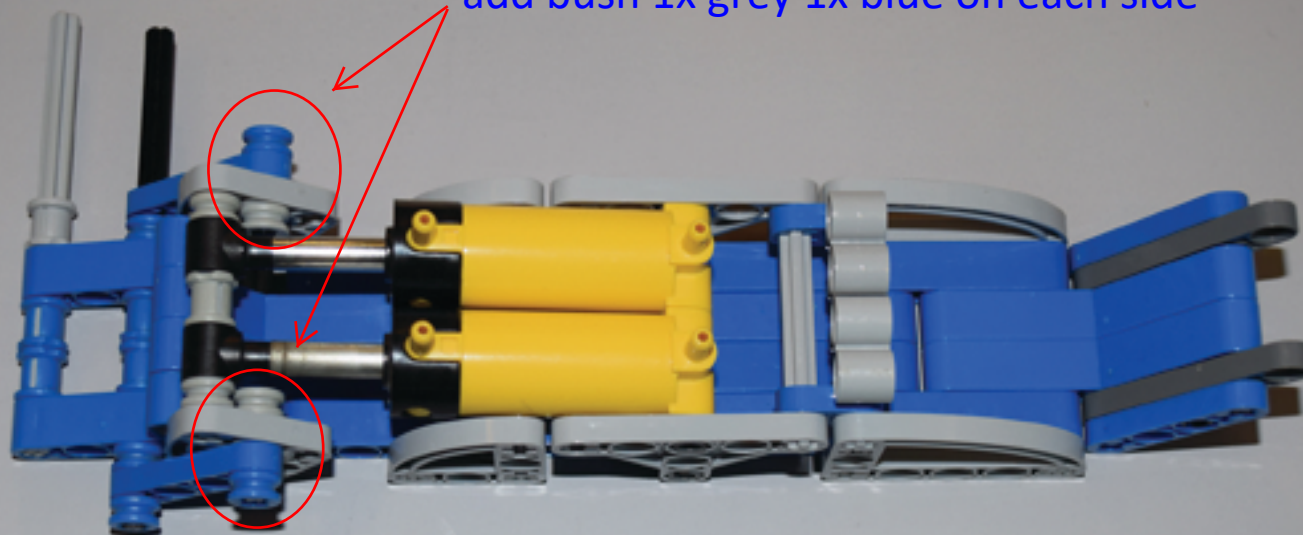
2x black

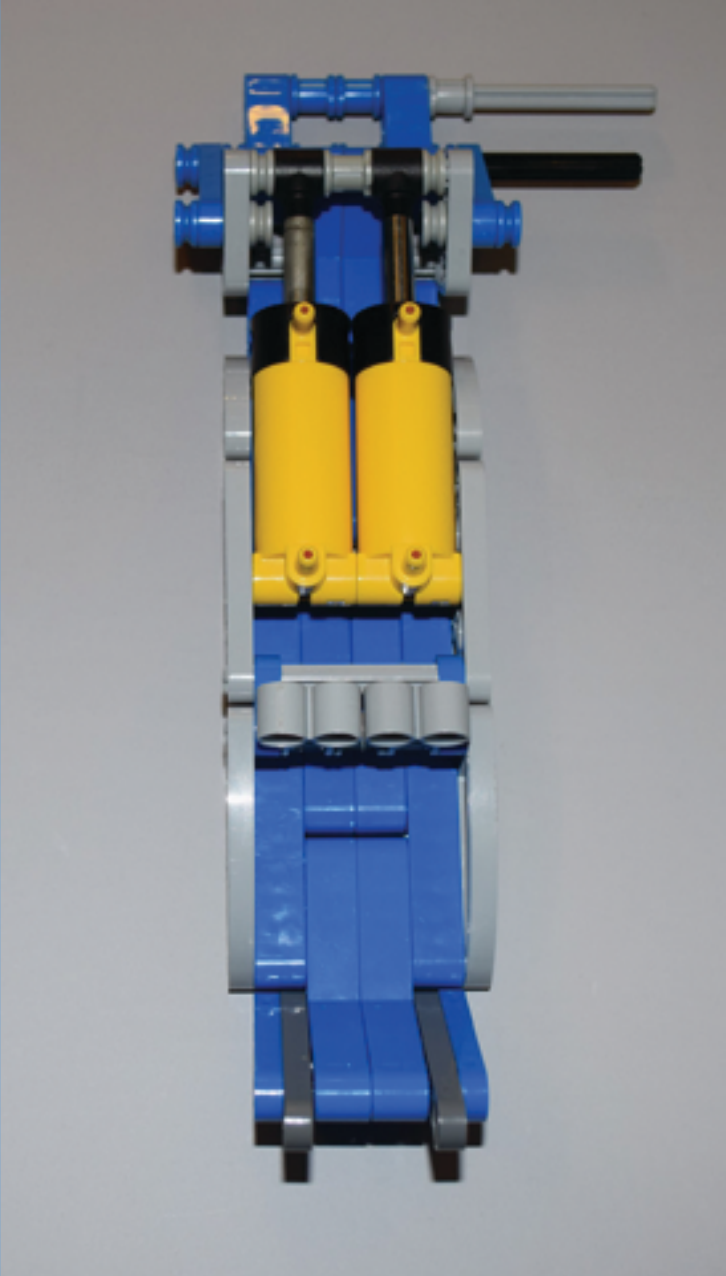
2x blue

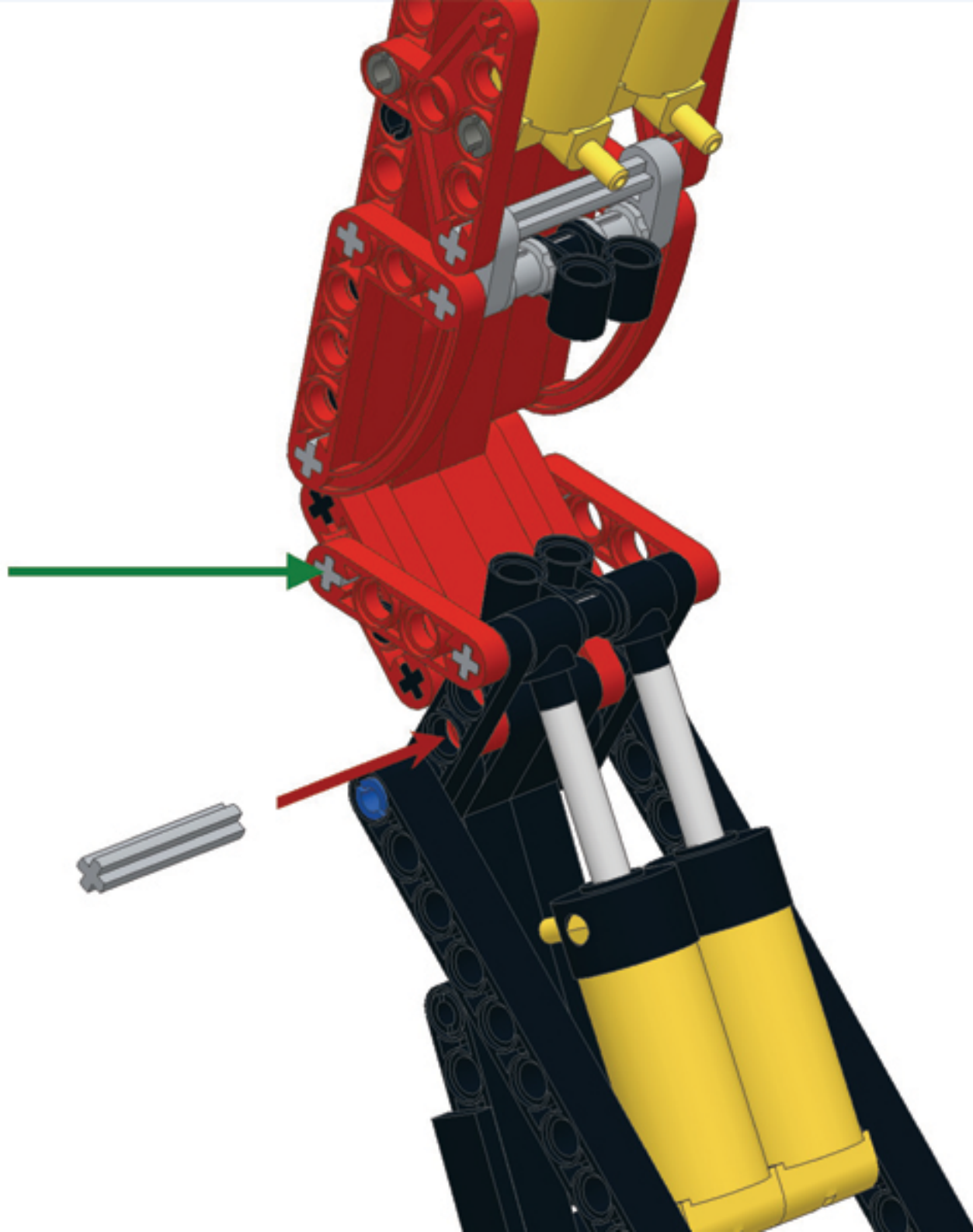
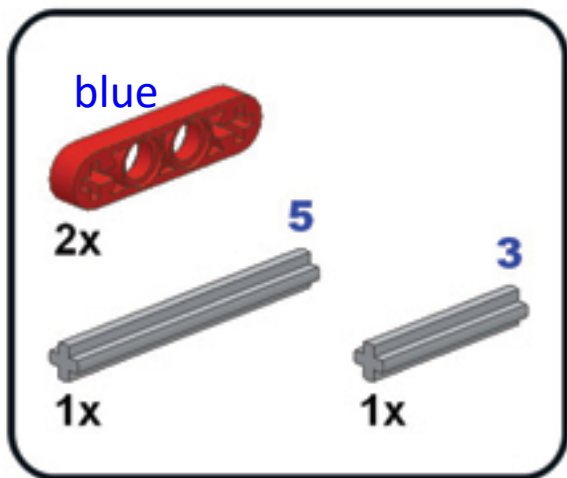
see next page

add bush 1x grey 1x blue on each side

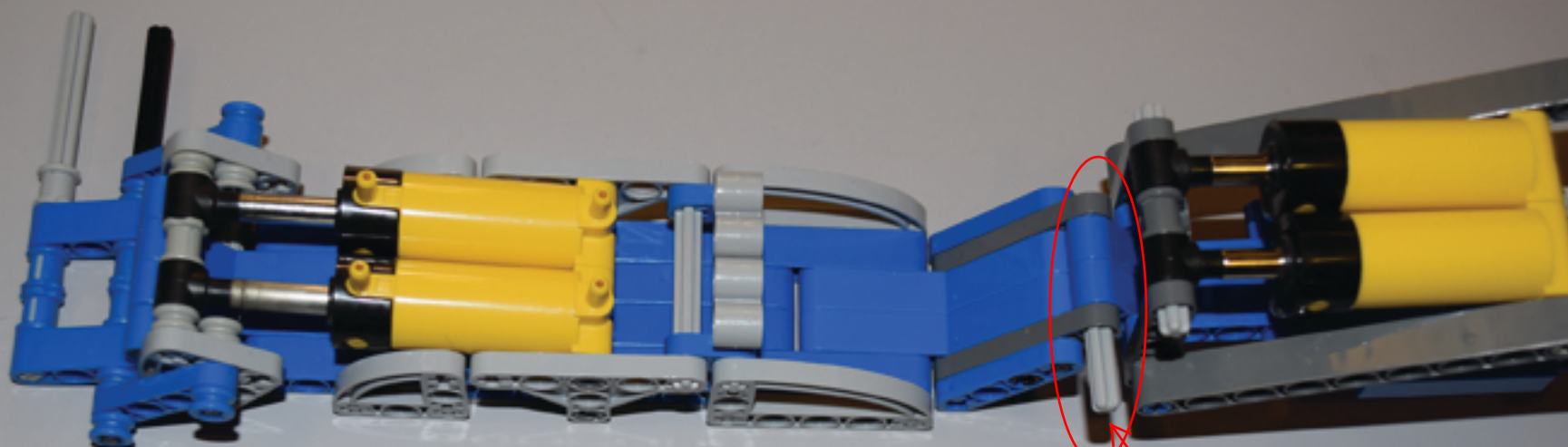




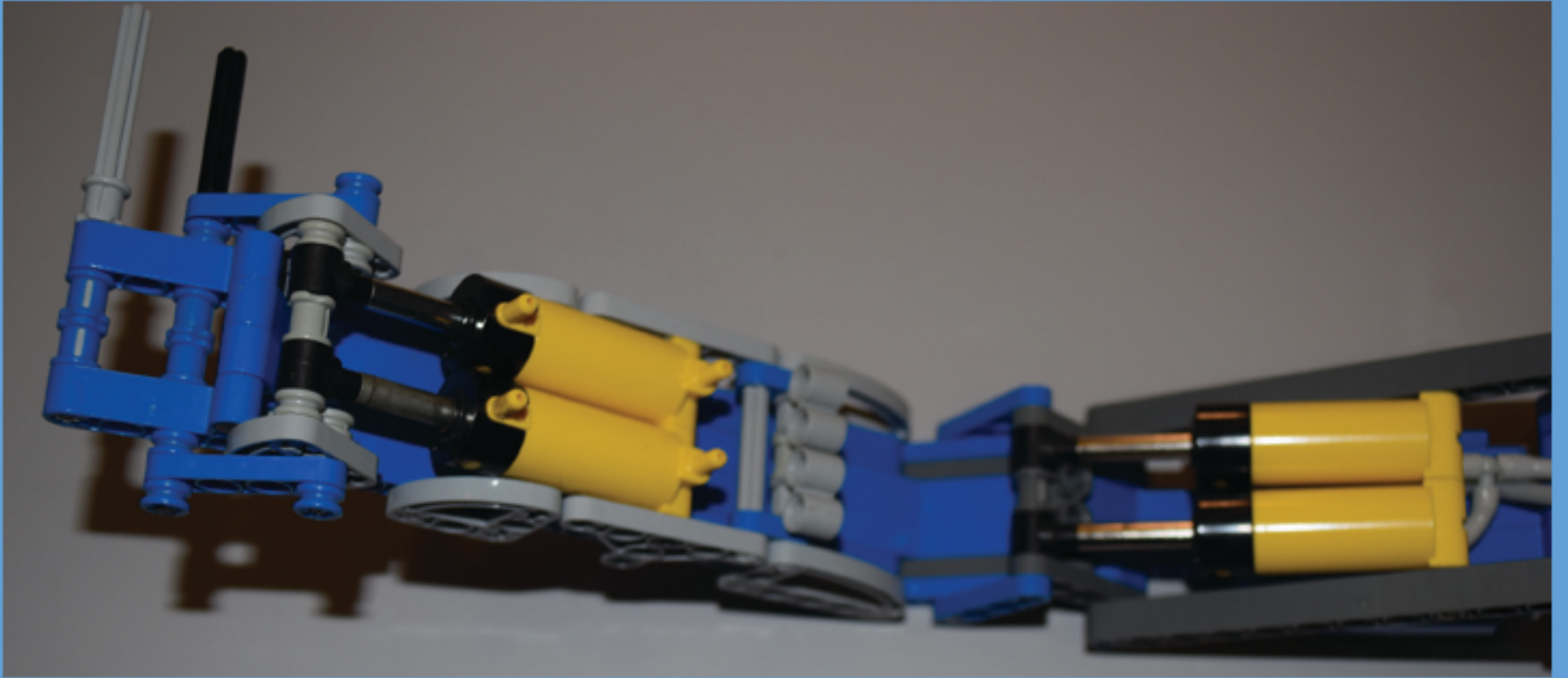
3

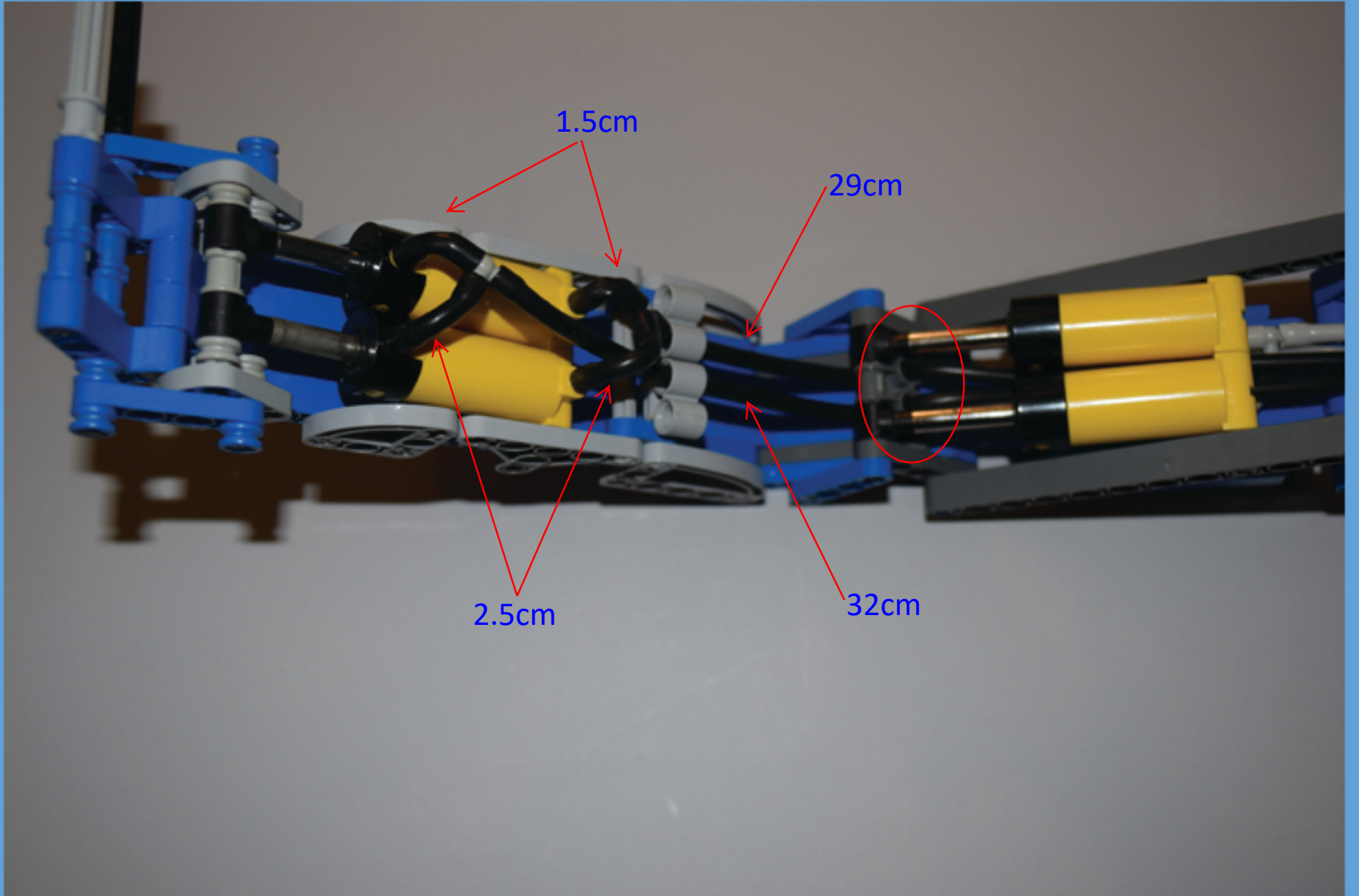






push





1.5cm

29cm

2.5cm

32cm

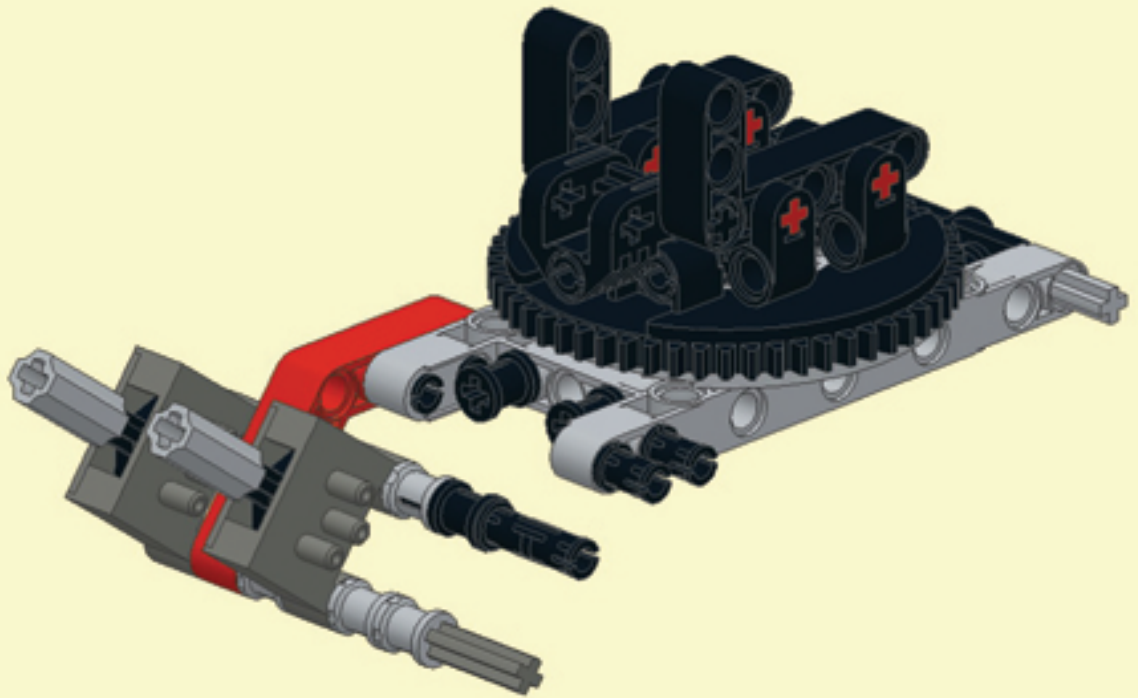
7

3x  
light grey

1x

1x 1x

dark grey

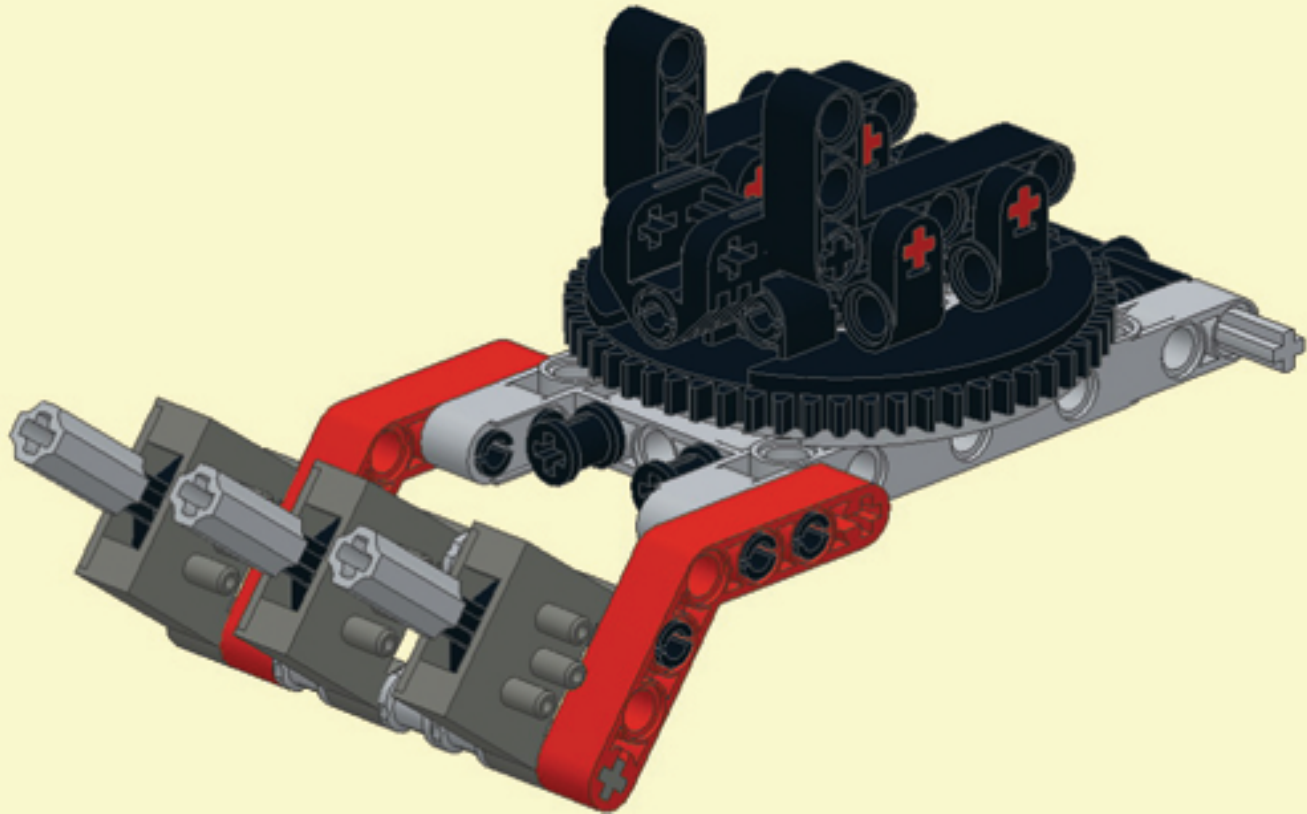


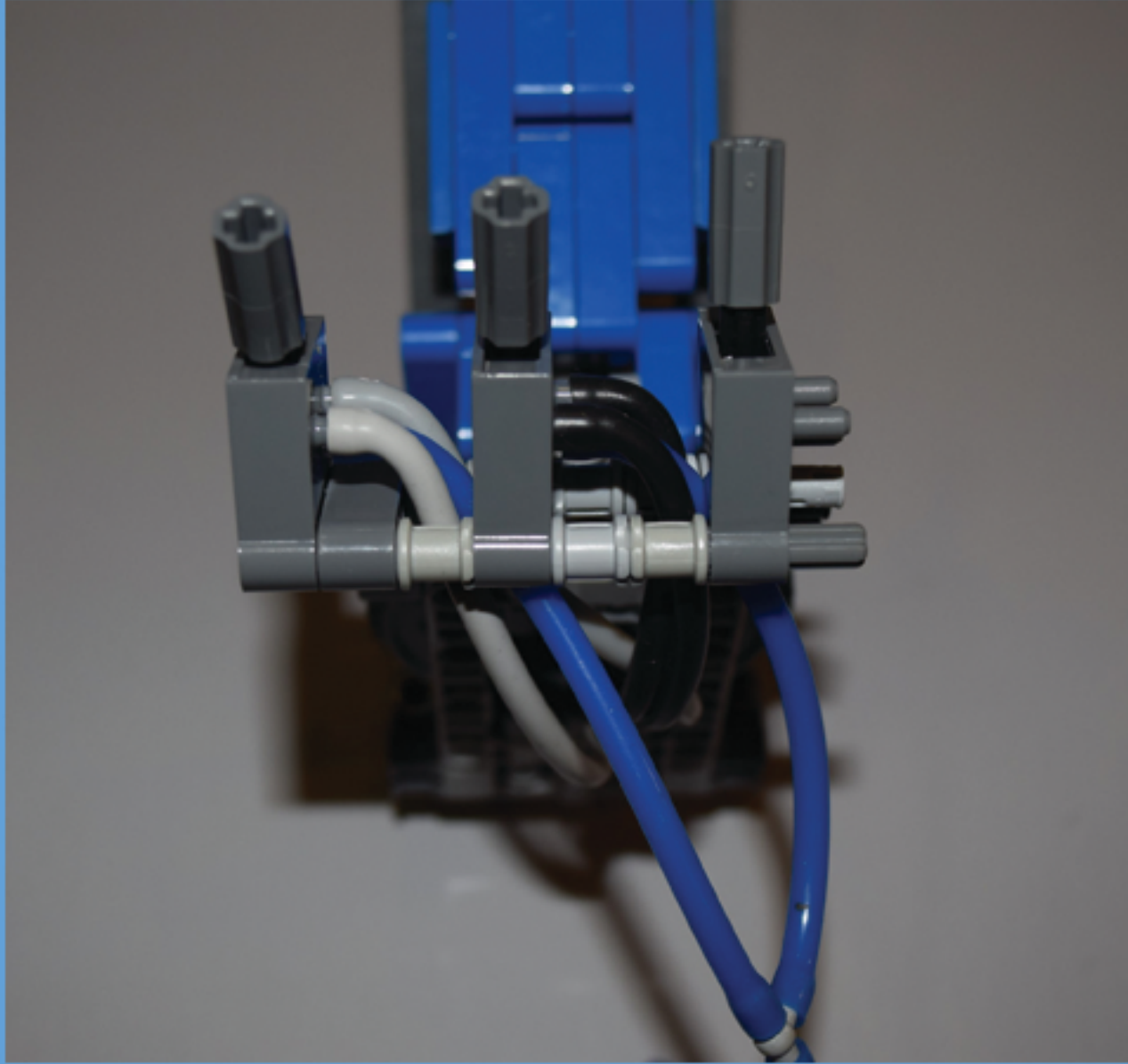
8

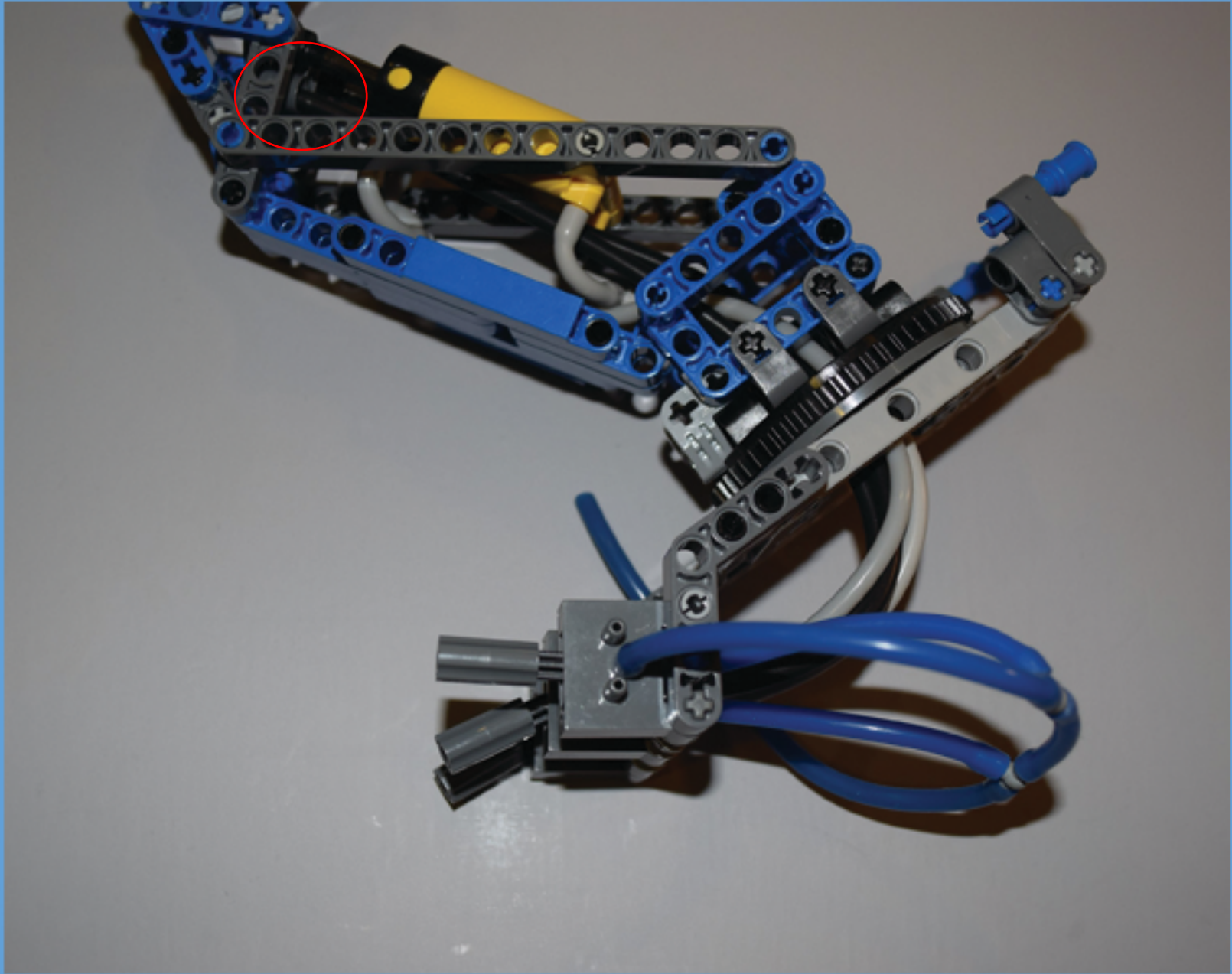
1x

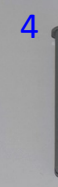
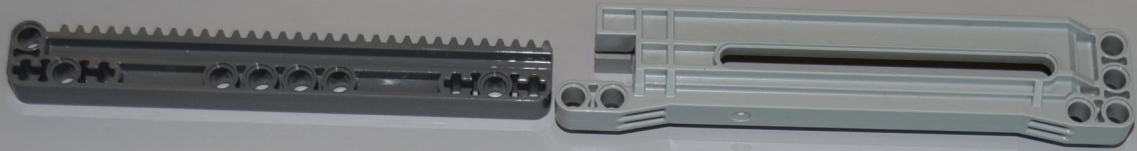
1x blue

1x







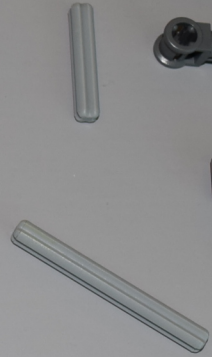


5



5





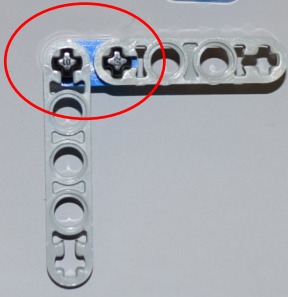


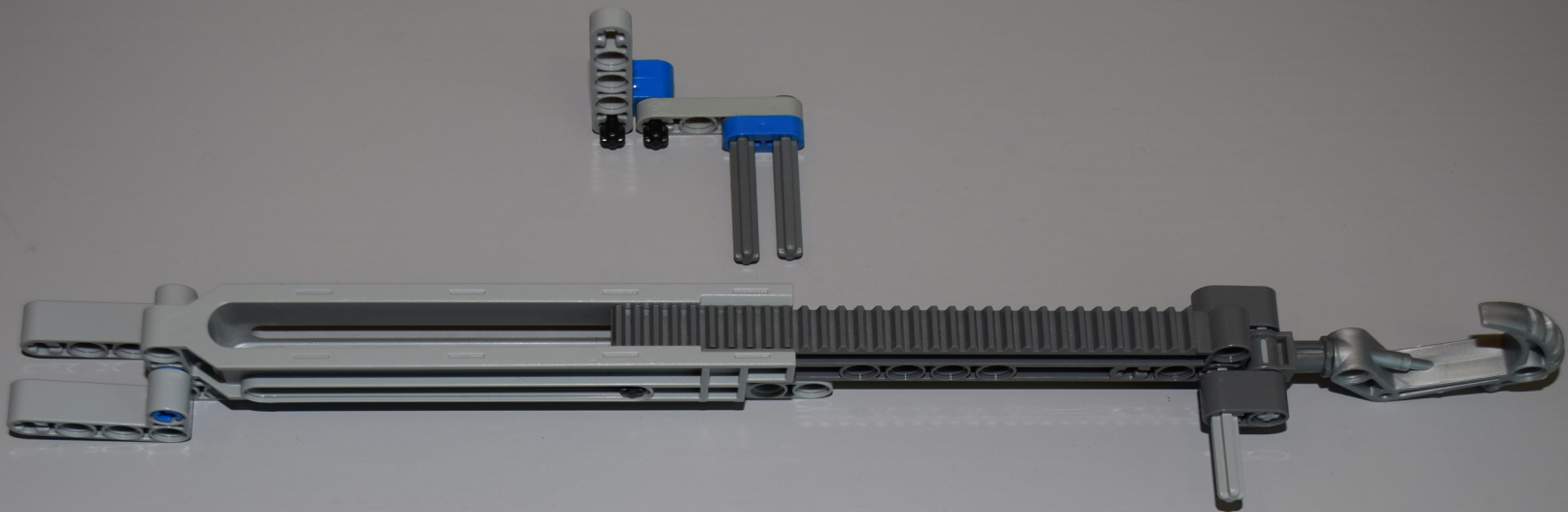


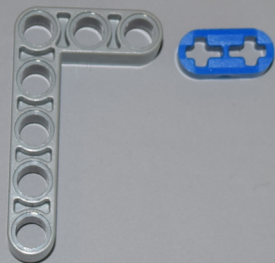
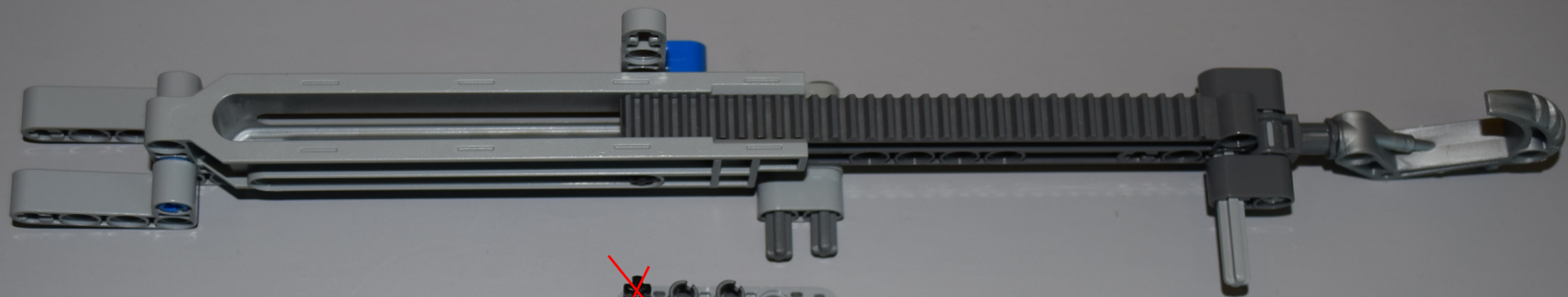
5

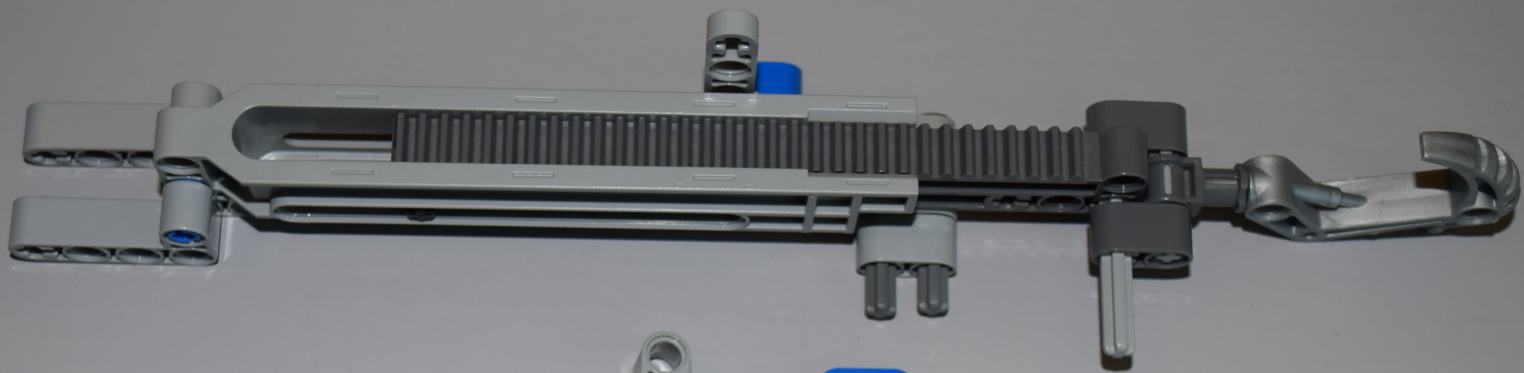


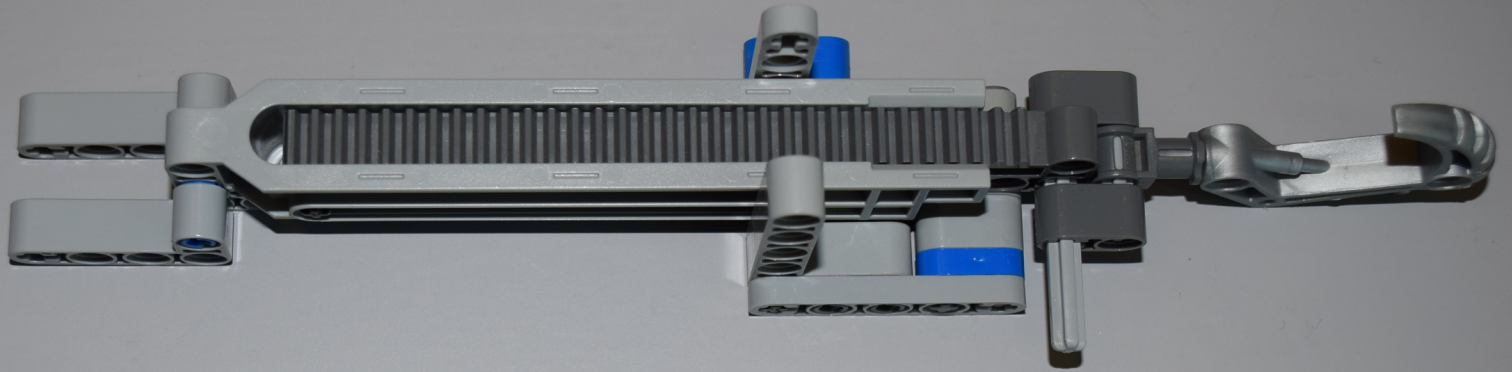
3

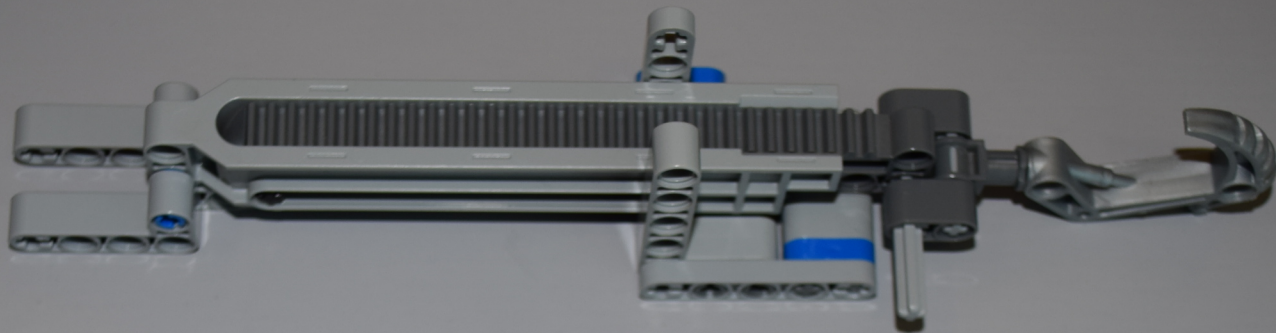


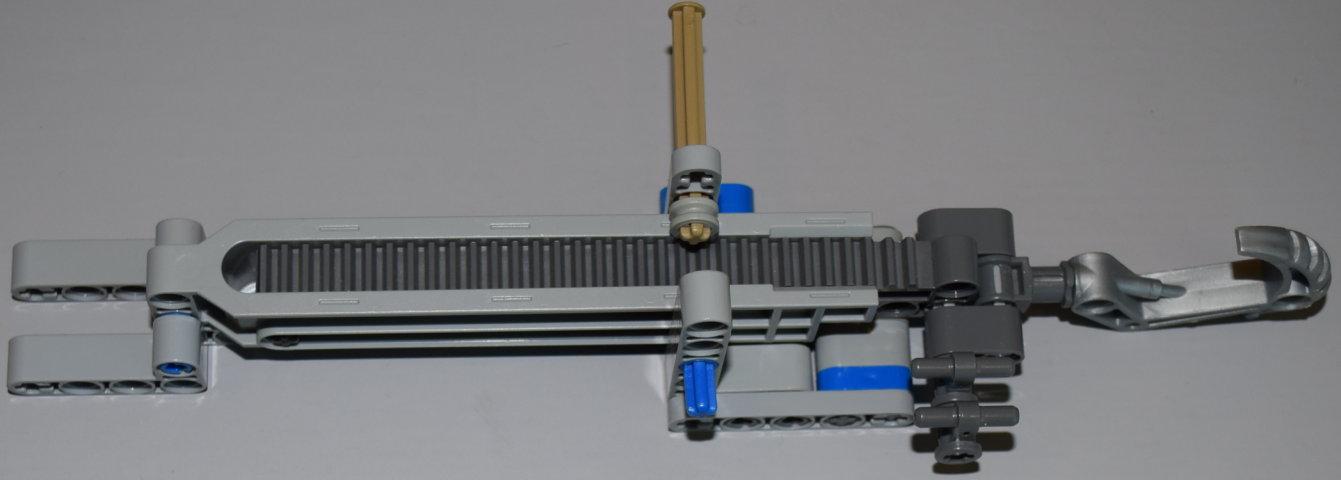


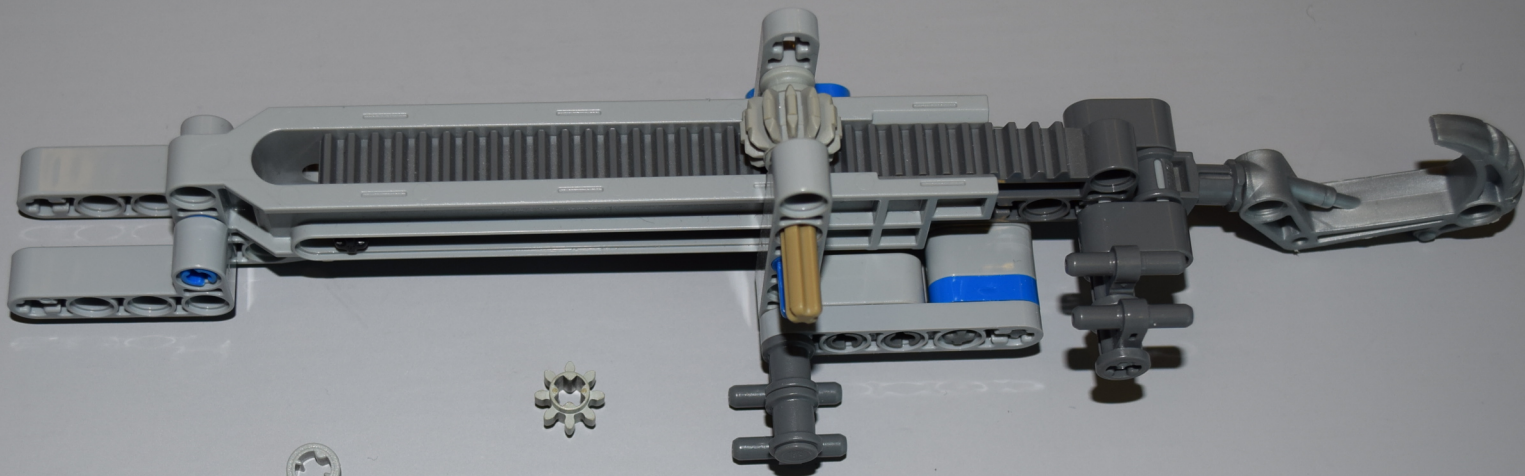




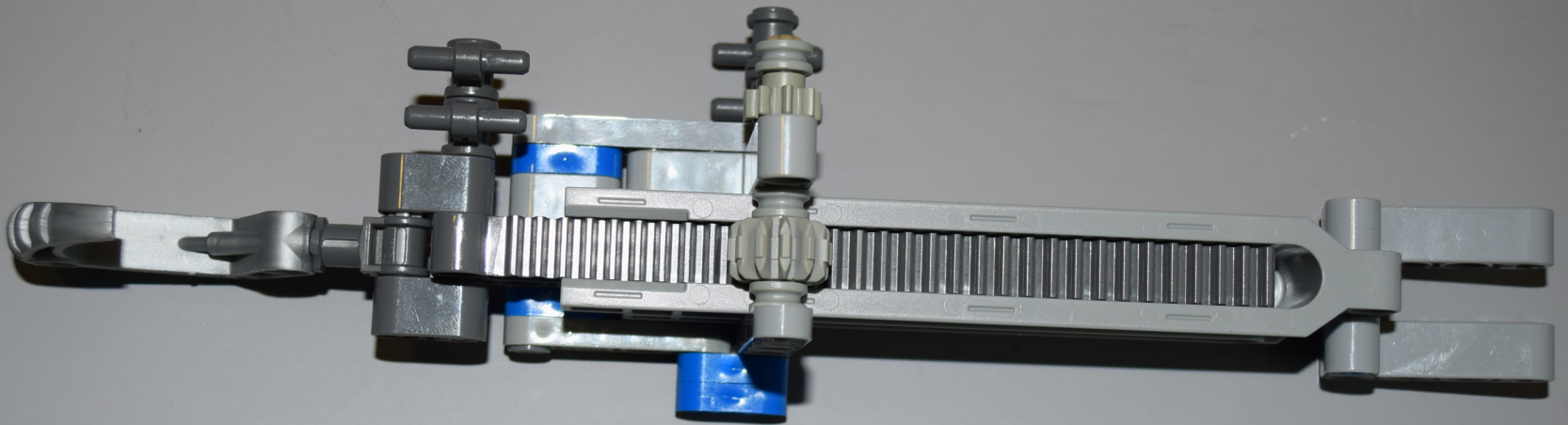


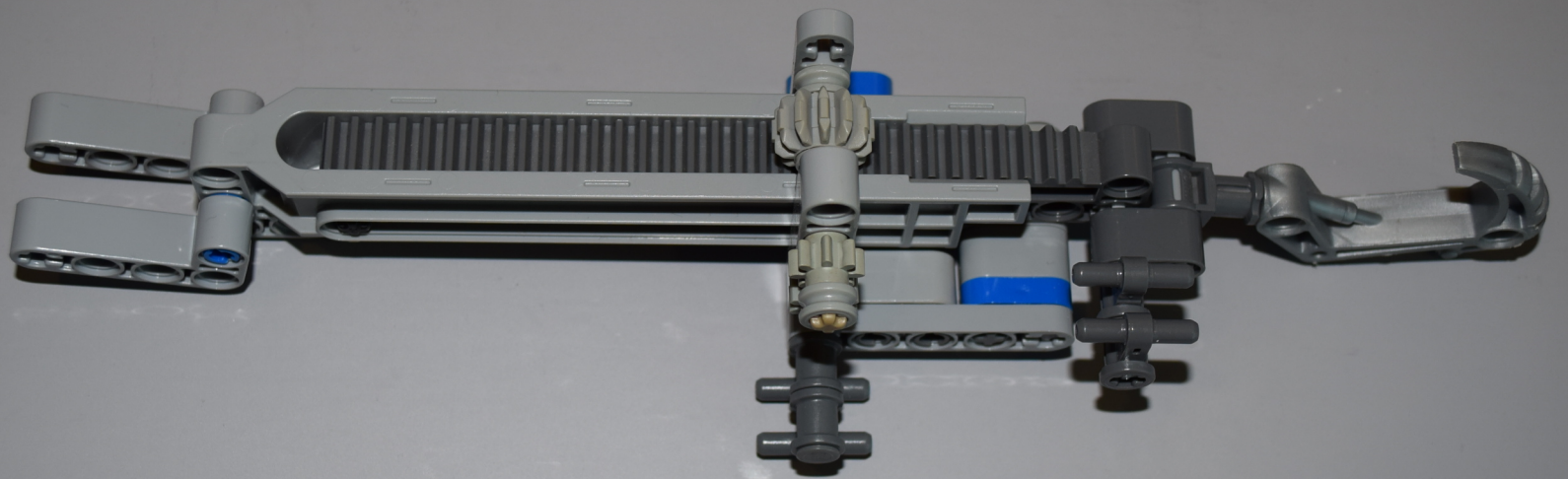


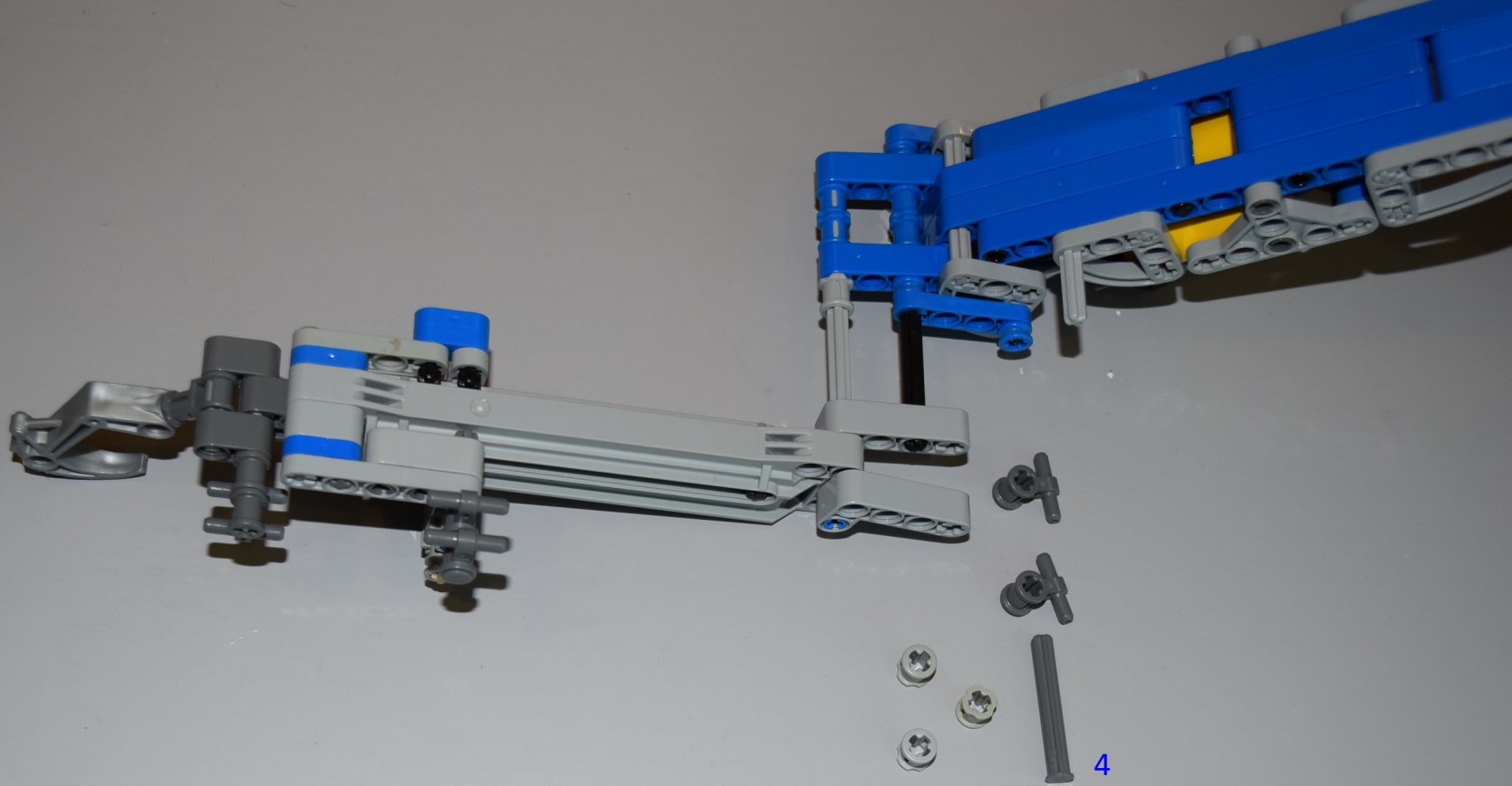


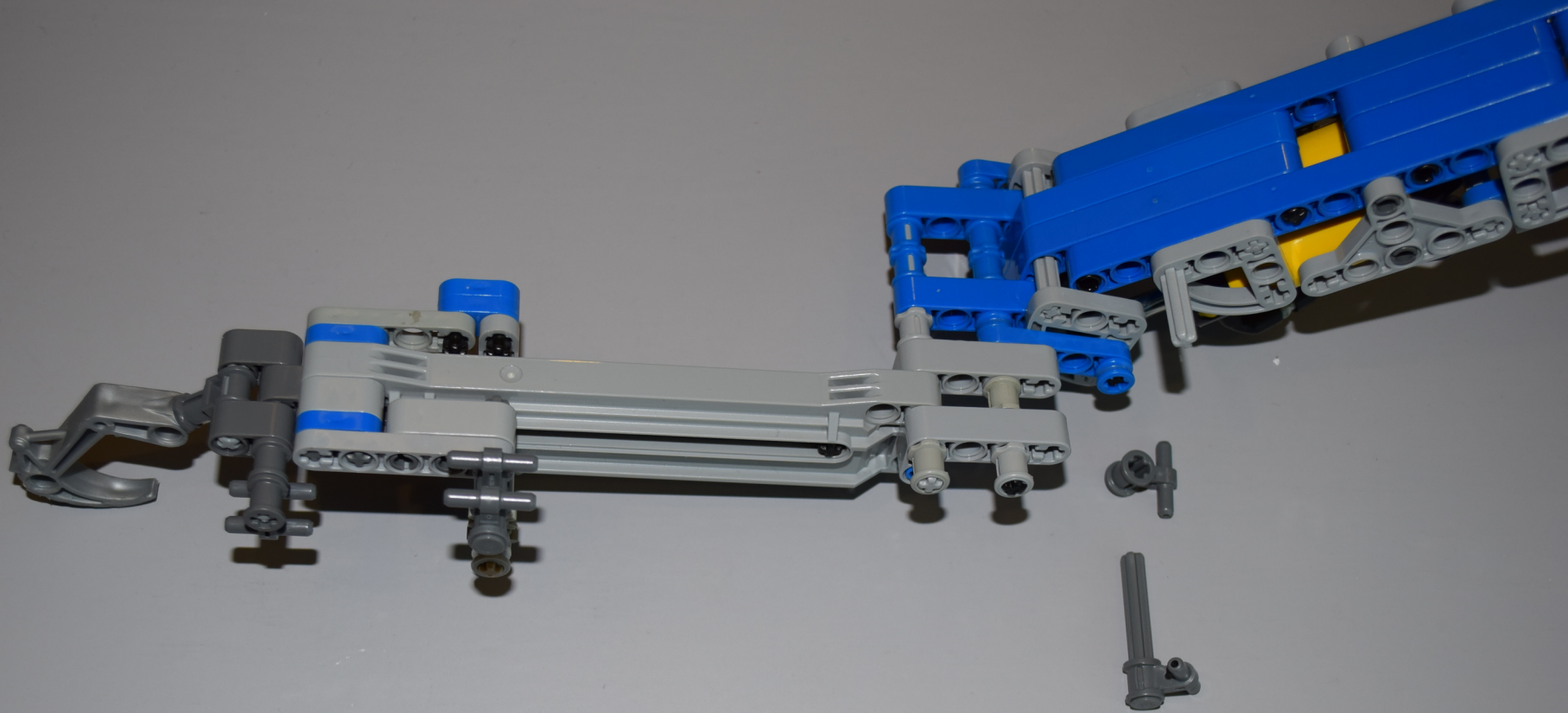


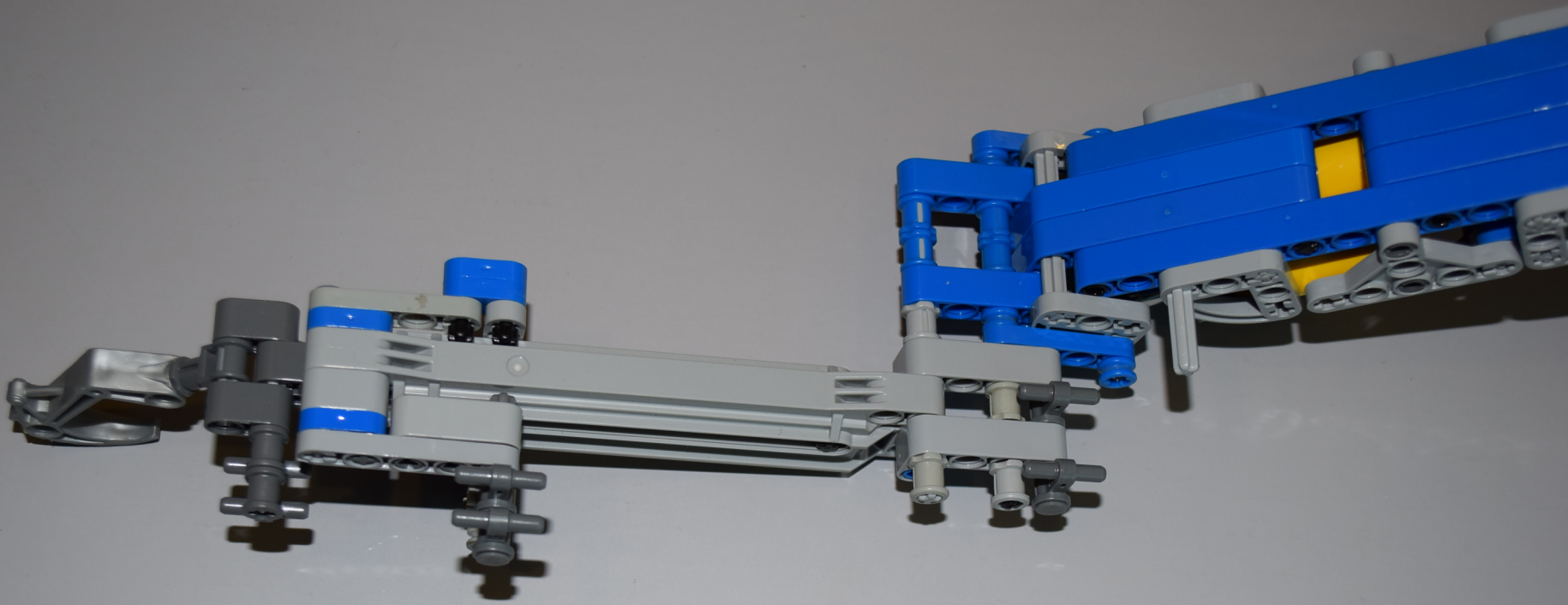


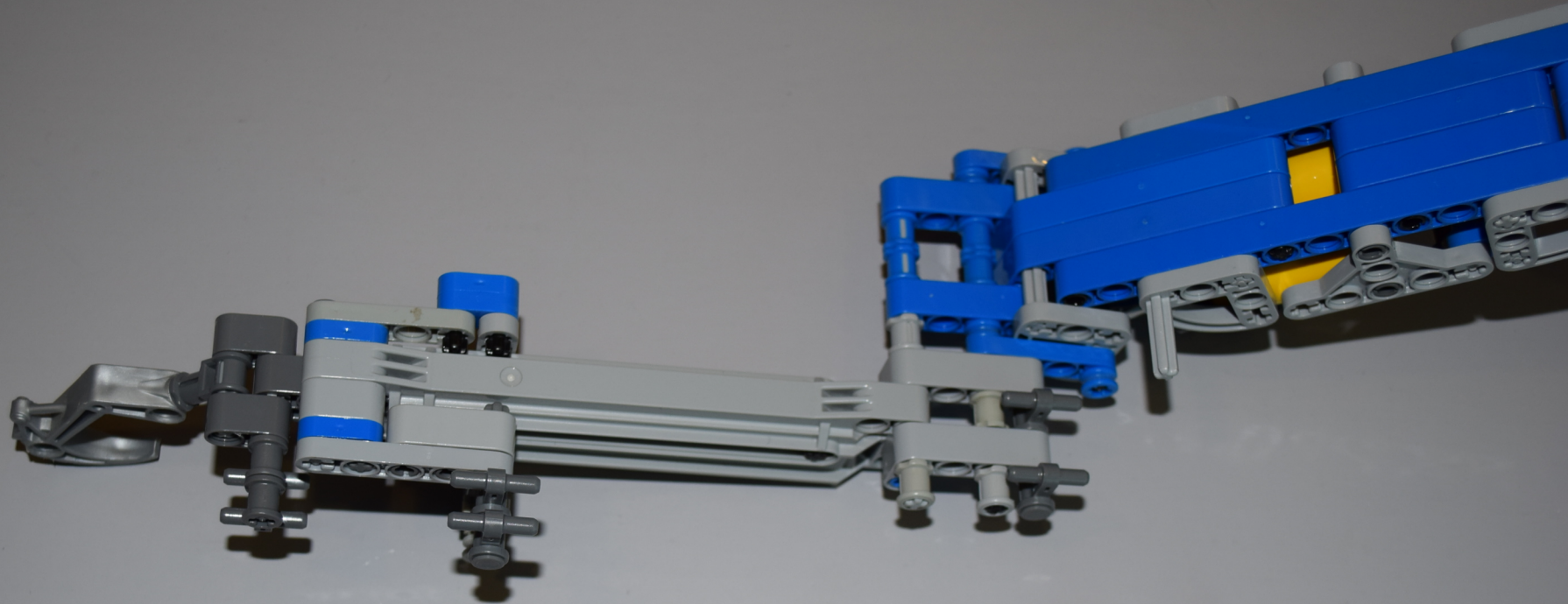


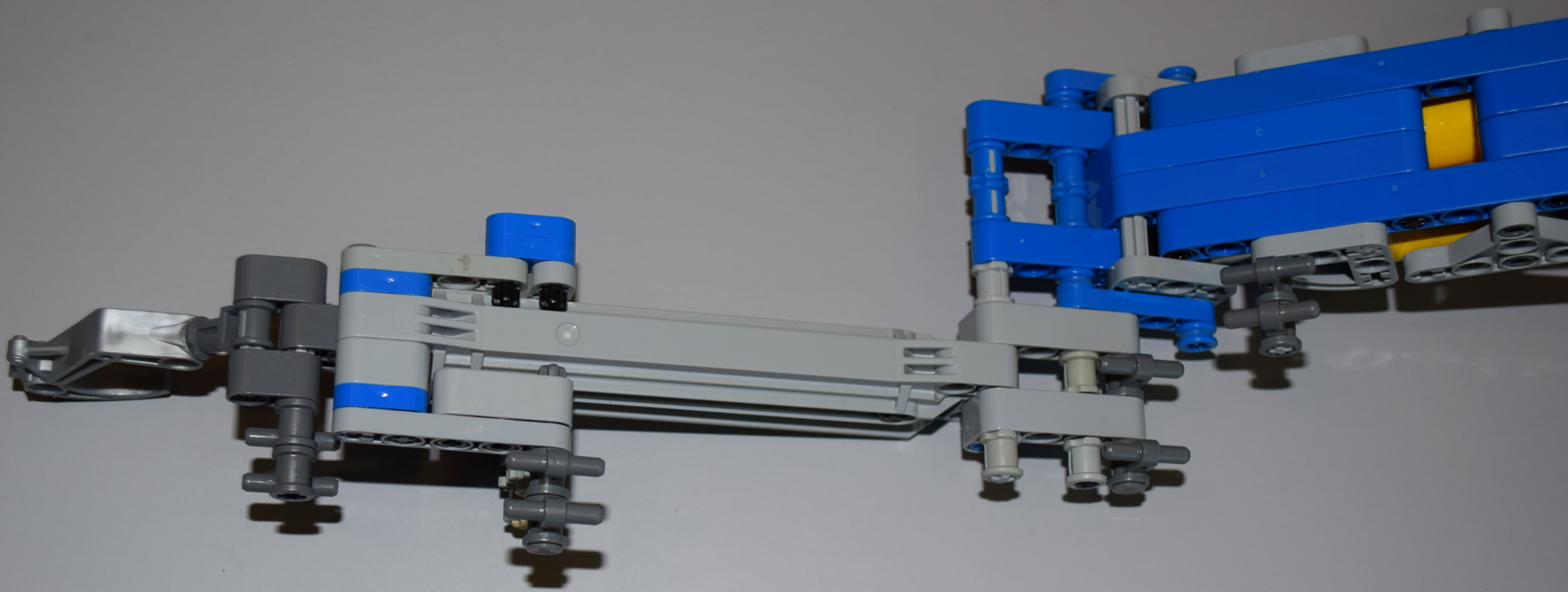


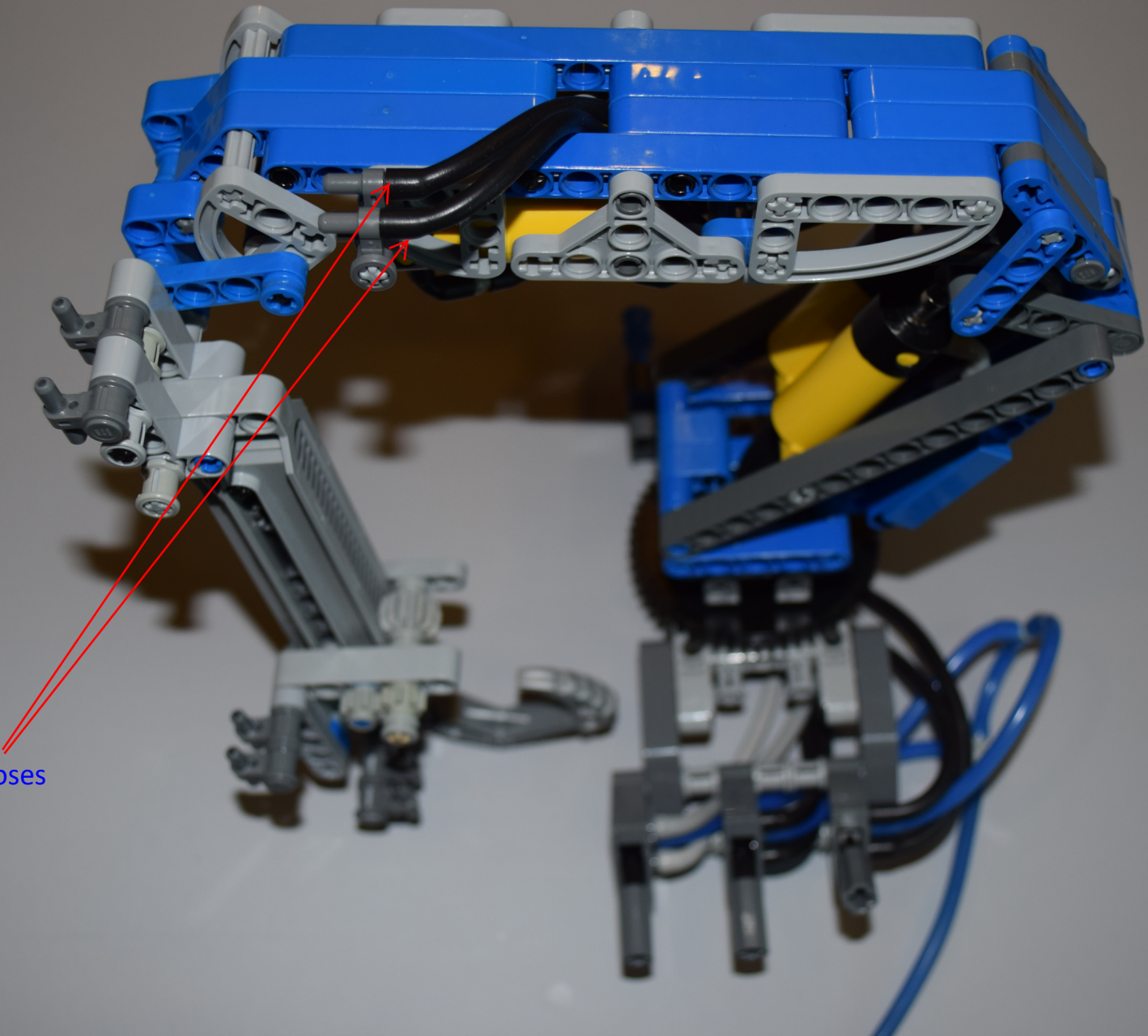






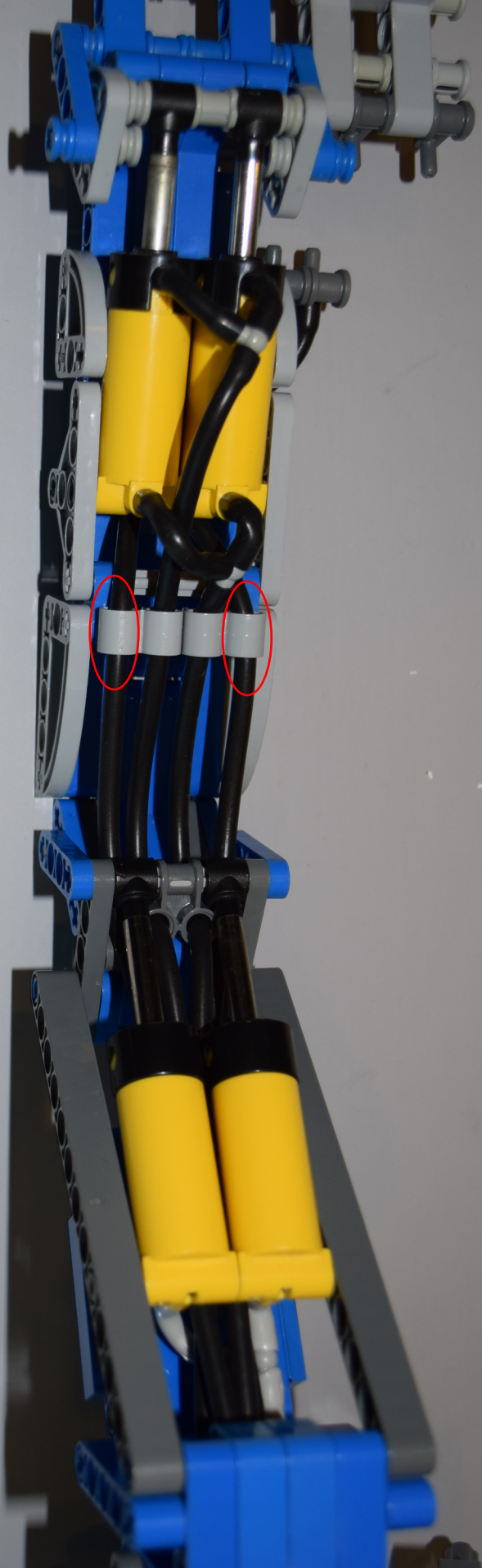


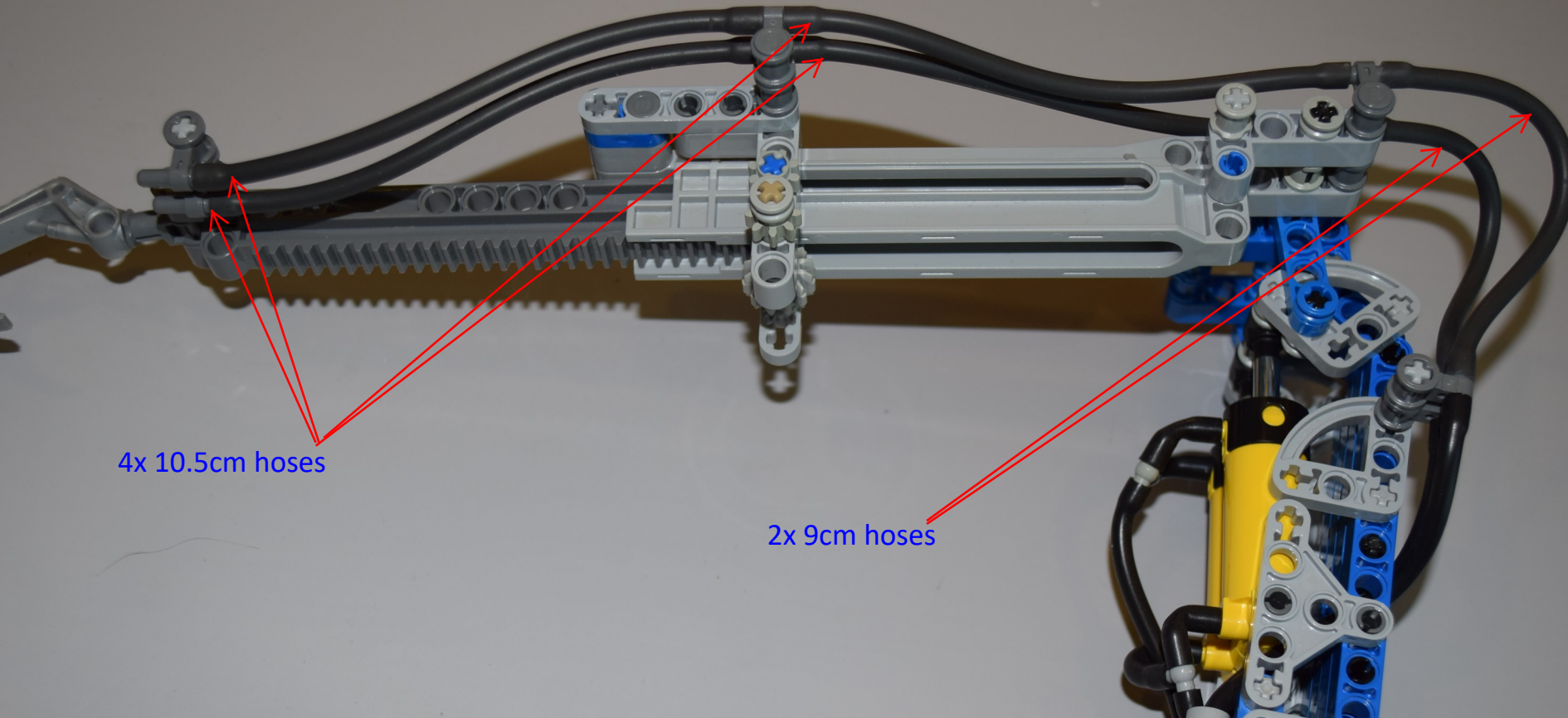




2x 39.5cm hoses







4x 10.5cm hoses

2x 9cm hoses

