

LEGO 8110 MOC RC

These instructions have been modified.



MOC 3286	
Name	8110 Unimog MOC RC
Designer	jb70
Designed	2015
Parts	2547
Theme	Technic
Modification of	8110-1 Unimog U400

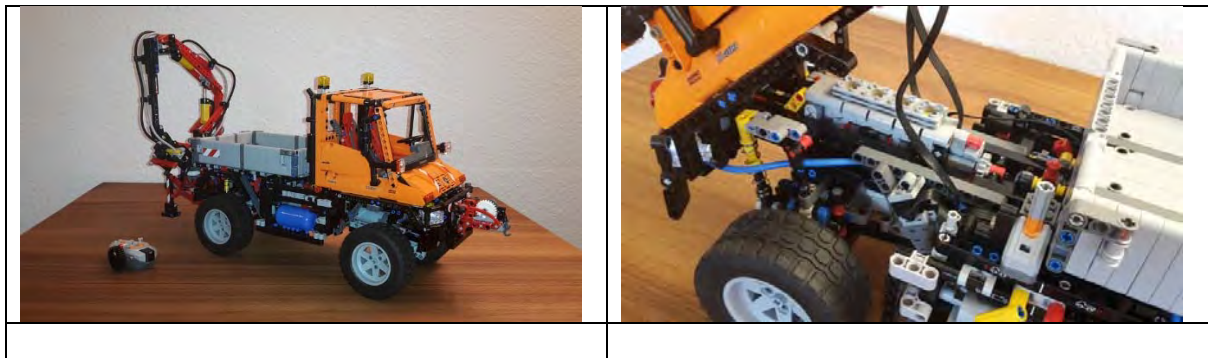
This is my personal MOC of the awesome 8110 Lego Unimog.

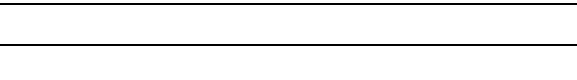
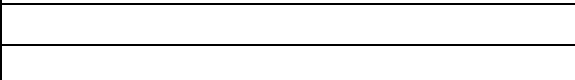
I liked to keep most of the original design, but adding additional technical features by using the plenty of space available in this model.

Additional Features:

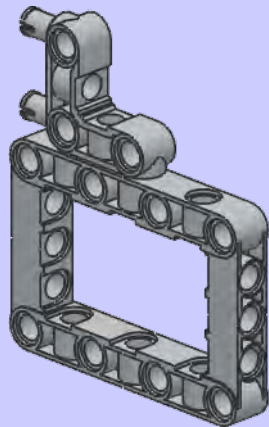
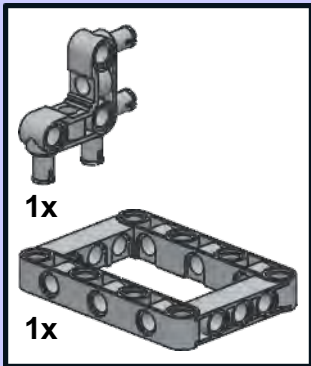
- RC controlled drive with XL-motor with two switchable gears (fast/slow) with 4WD and original fake engine
- Can climb slopes up to 65% in low gear
- RC controlled steering with servo motor mounted on front axle
- LED for front lights
- PF switch to control M-motor for pneumatic pump and working devices
- Pneumatic airtank mounted on right side (looks pretty awesome like some real tank)
- Double air pump working 180° phase shifted to balance motor load
- Pneumatic driven 3-side tilting bed (modified by myself to optimize handling, but inspired by eurobricks member Kumbbl (<http://www.eurobricks.com/forum/index.php?showtopic=57543&st=1675#entry1939279>), who was inspired by barman and tripletschiee). Thankx to eurobrick community for sharing these great ideas!
- optimized fixture for tilting cabin
- and last but not least red seats (must be for me!)

Full instructions included (302 pages PDF generated by LPub3D).

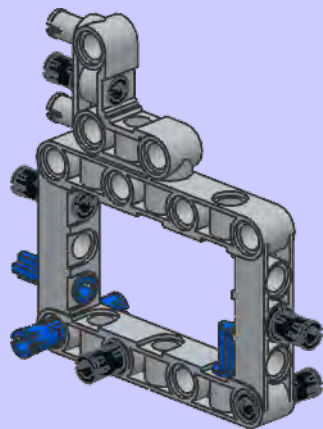




1



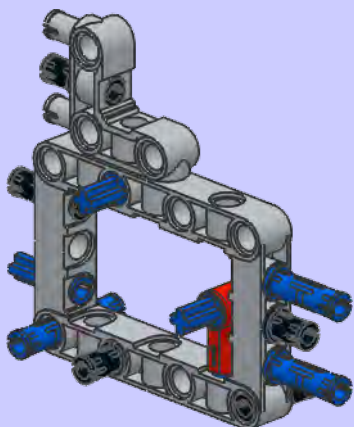
2



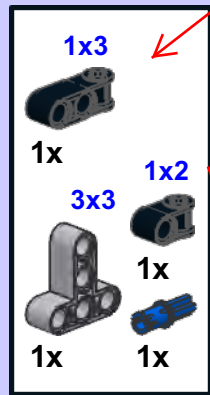
3



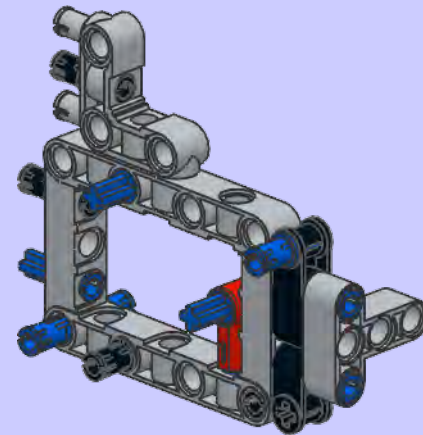
light grey



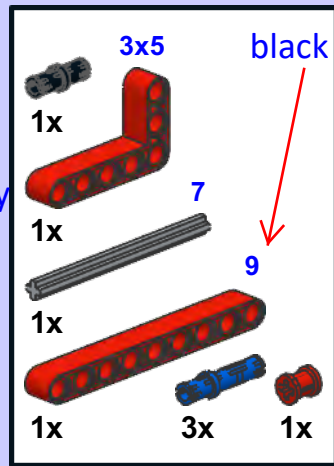
4



light grey

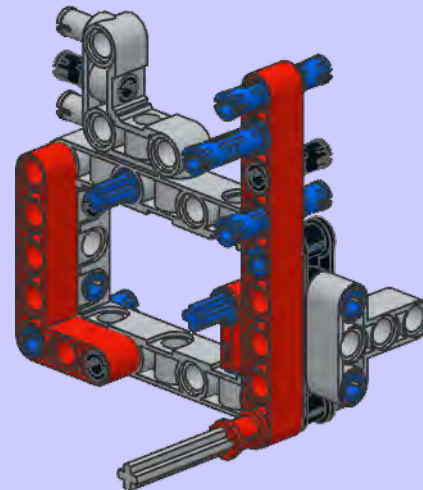


5



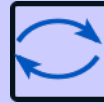
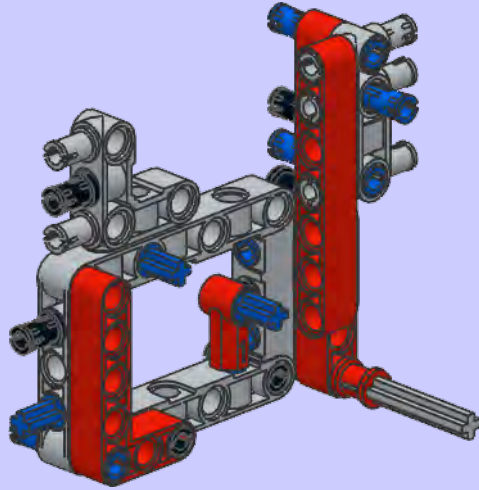
black

light grey



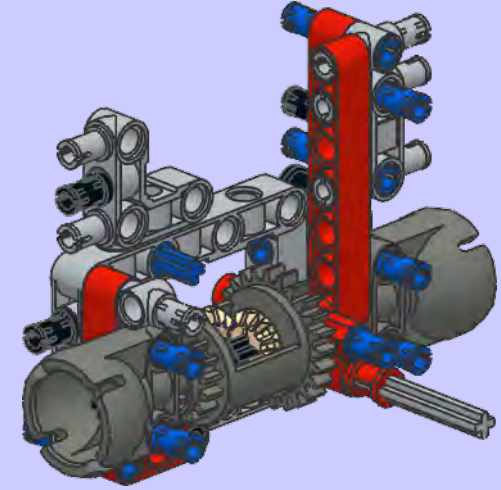
6

- 1x
- 1x
- 1x
- 1x black



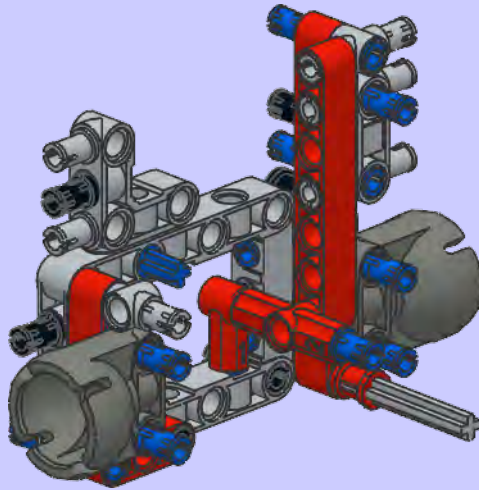
8

- 3x
- 1x
- 1x
- 1x



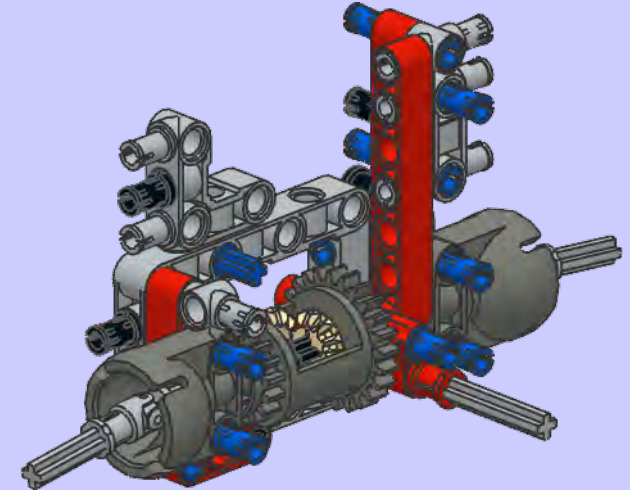
7

- 1x
- 4x
- 1x
- 1x
- 2x
- 1x
- light grey

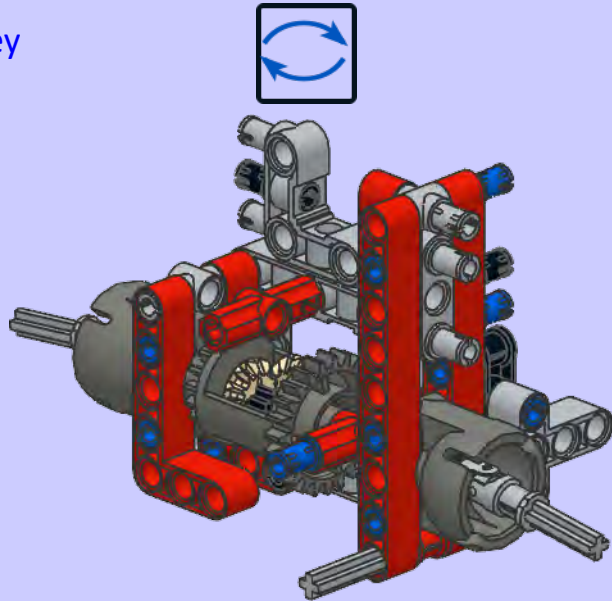
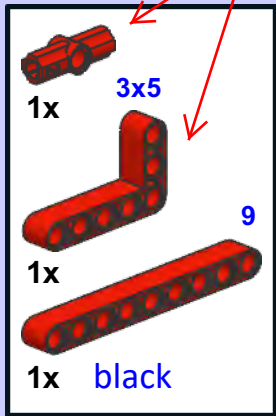


9

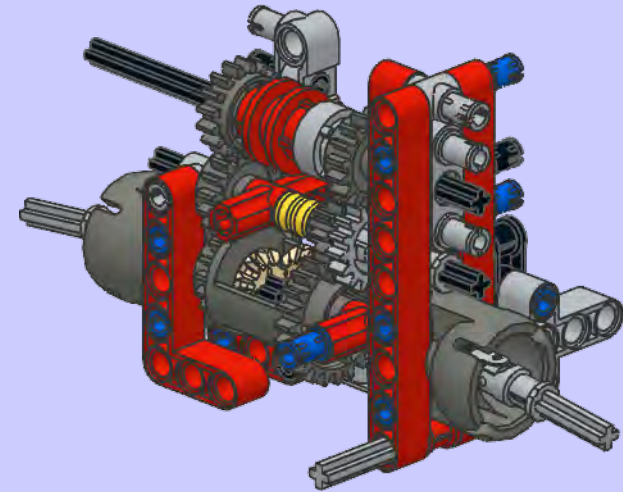
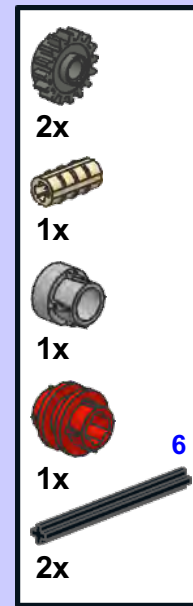
- 2x
- 2x
- 3



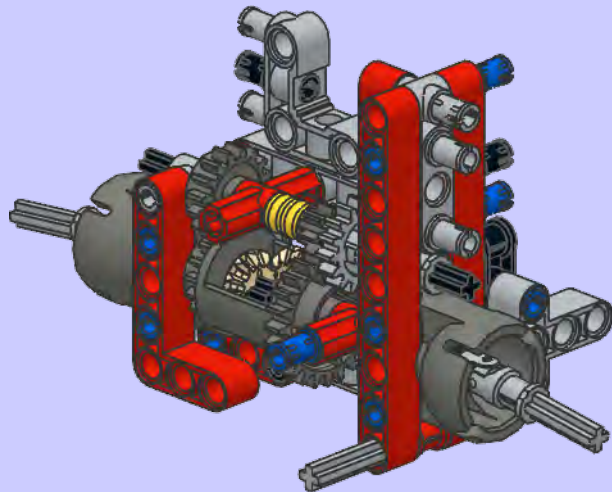
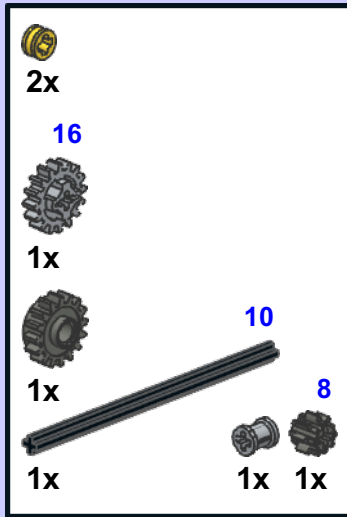
10



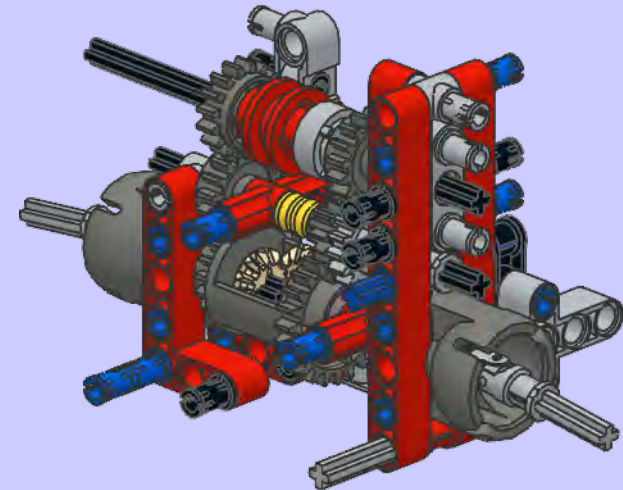
12

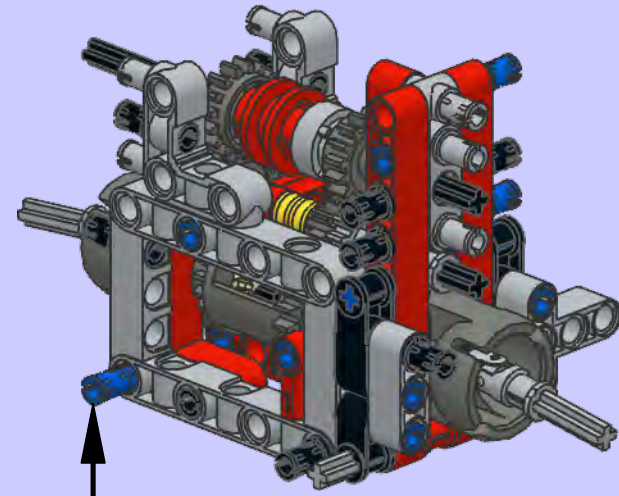


11



13





1

1x
1x

2

2x 4x 1x

3

1x3 1x2
1x 1x 1x

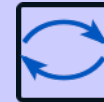
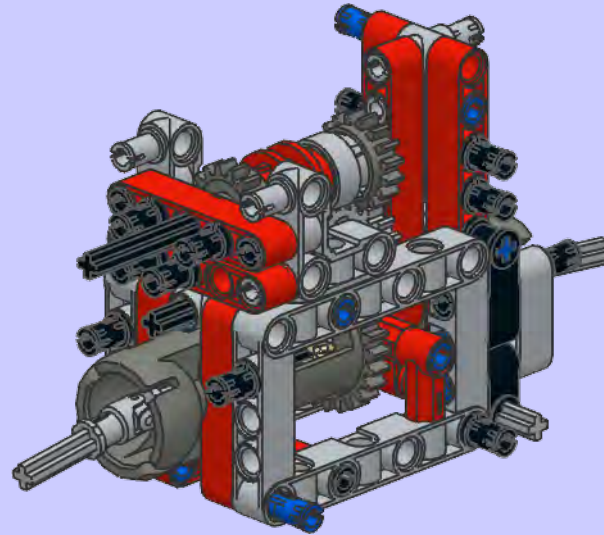
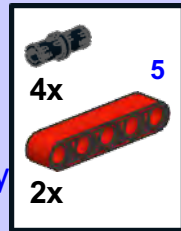
all light grey

4

3
1x 1x

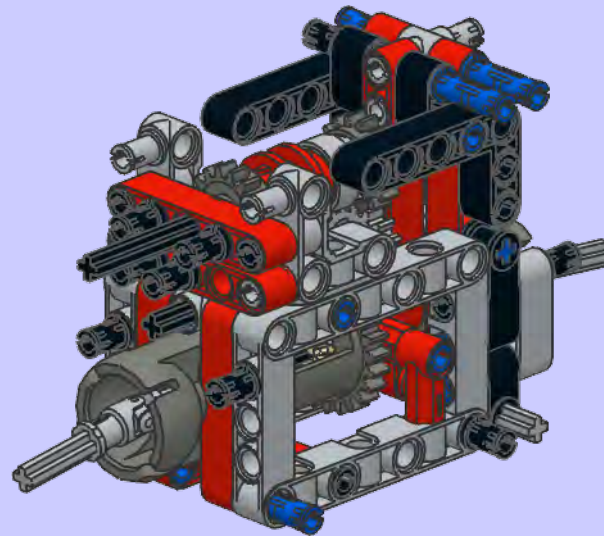
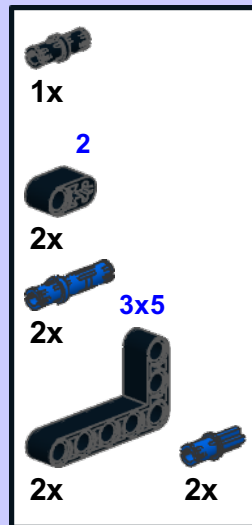
15

light grey

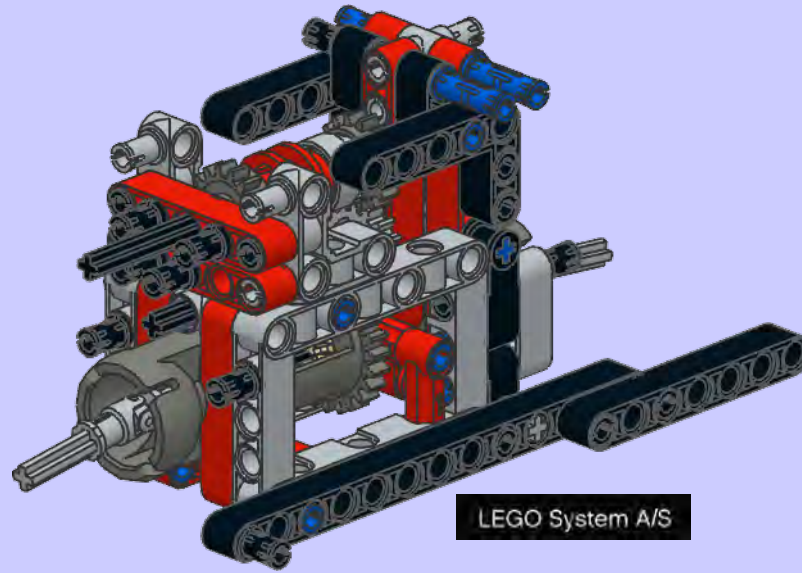
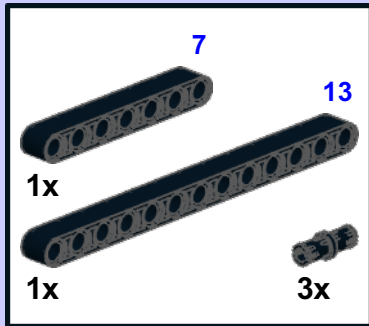


16

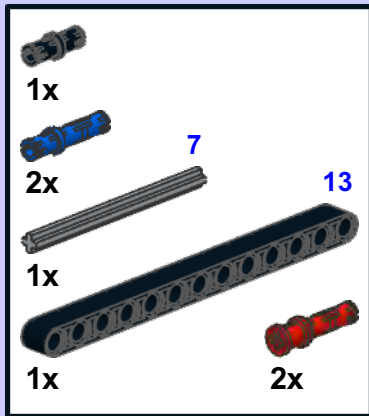
light grey



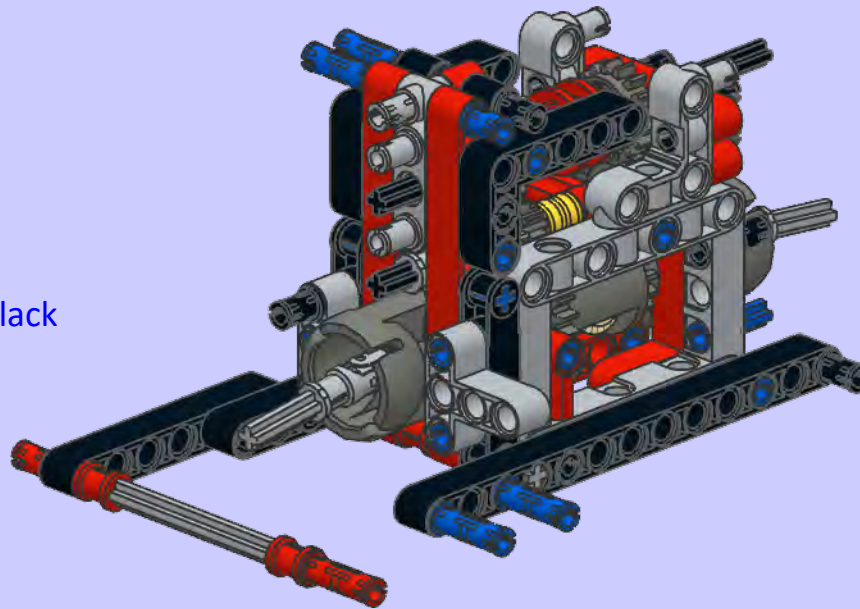
17



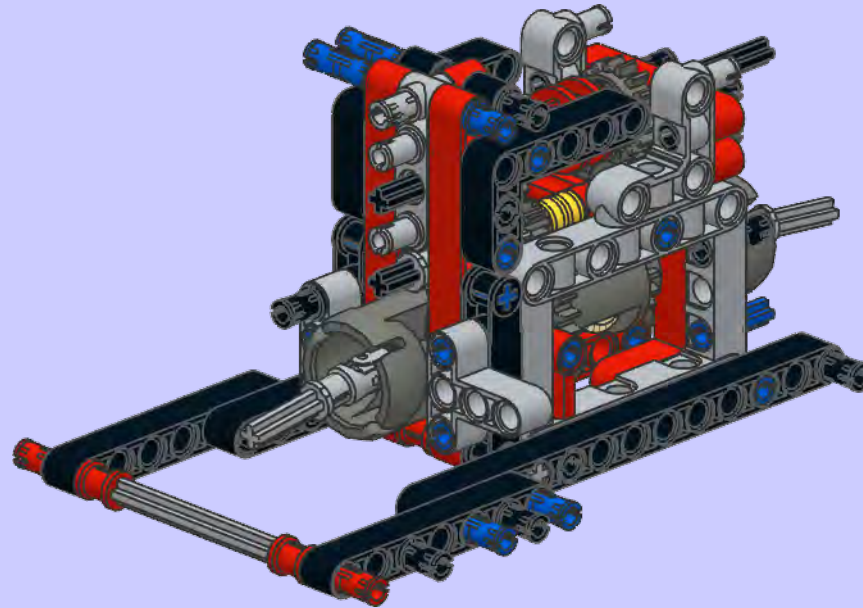
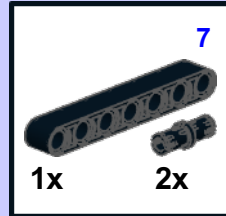
18



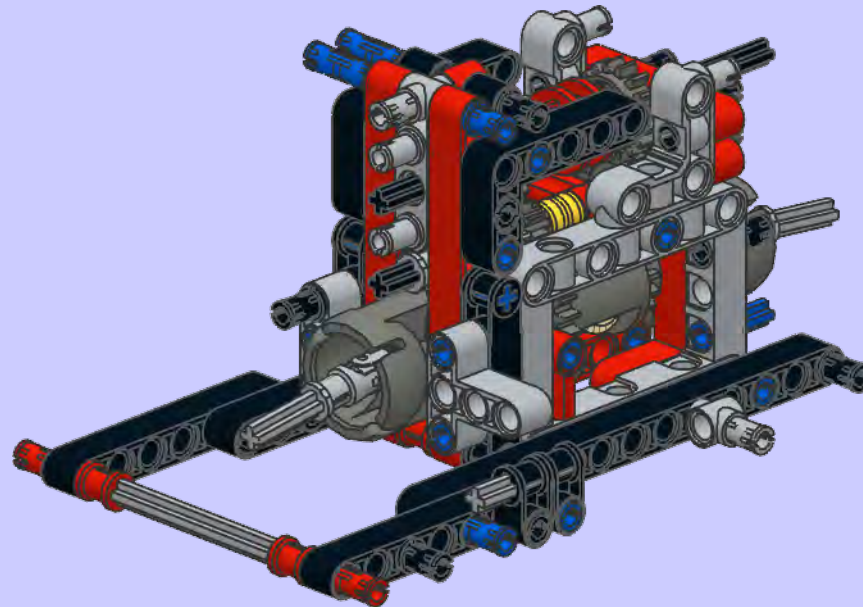
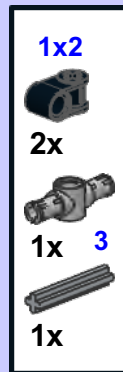
black



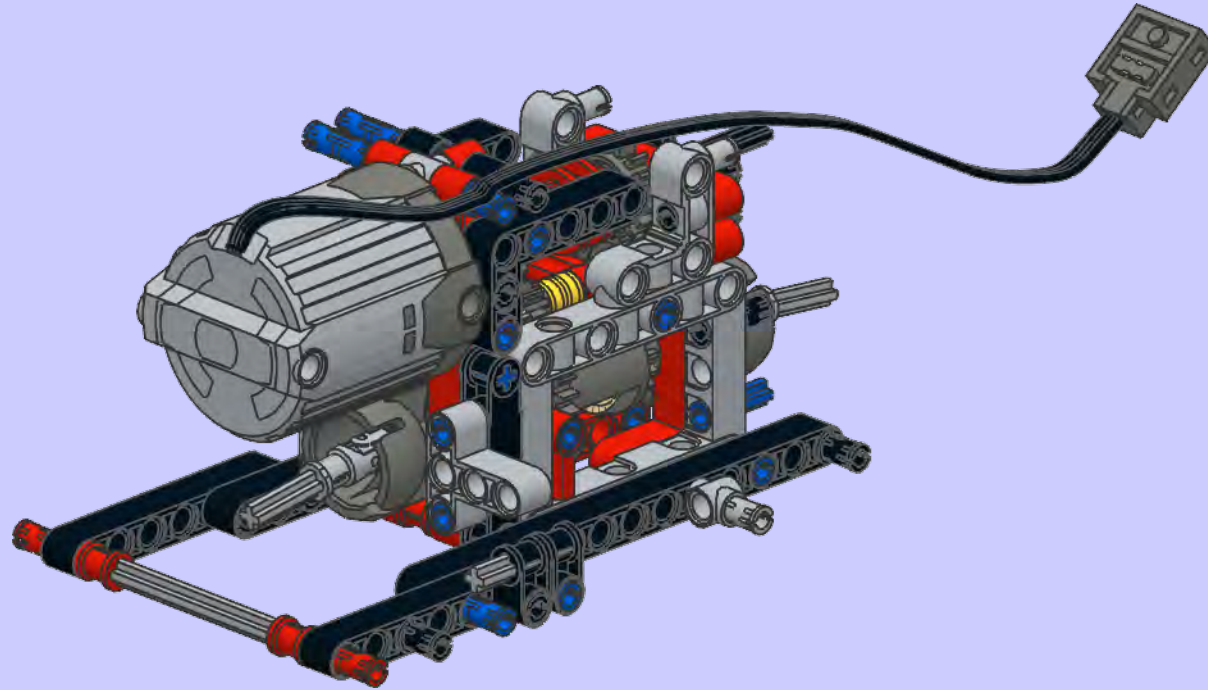
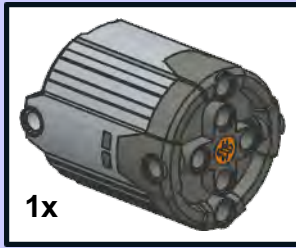
19



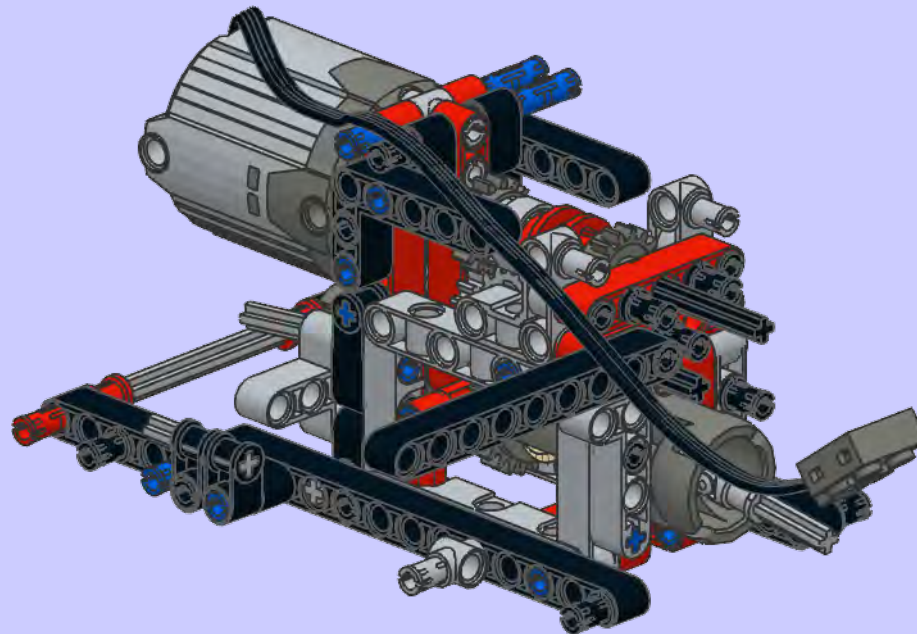
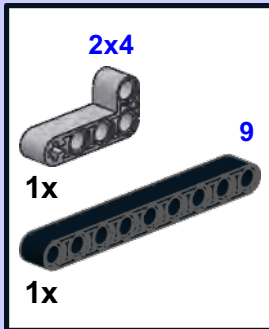
20



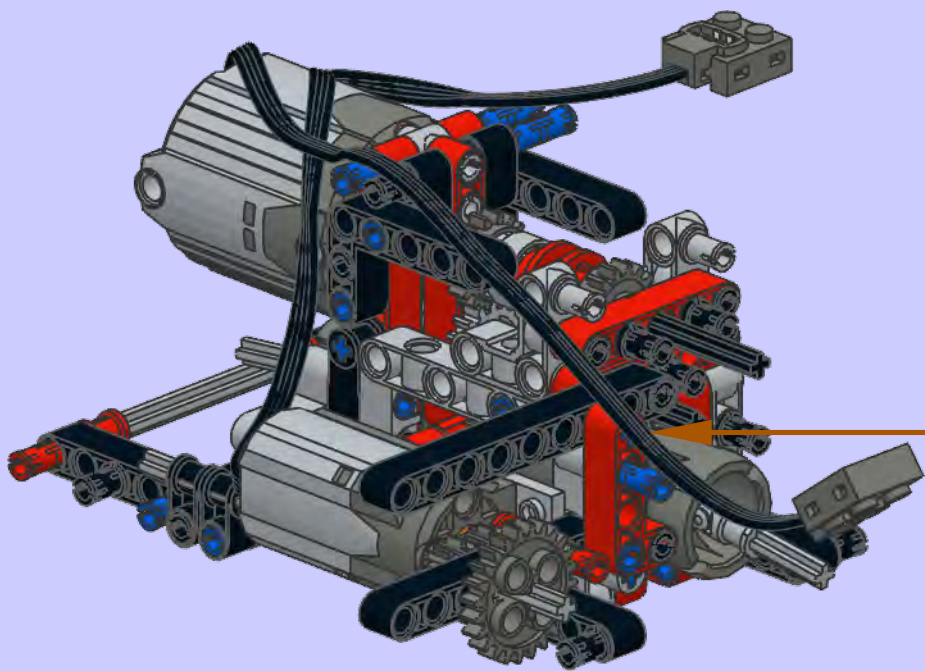
21



22



23



1

3
1x
1x
1x

2

8
1x
1x

3

5
1x
1x
2x2
1x
8
1x

4

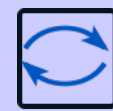
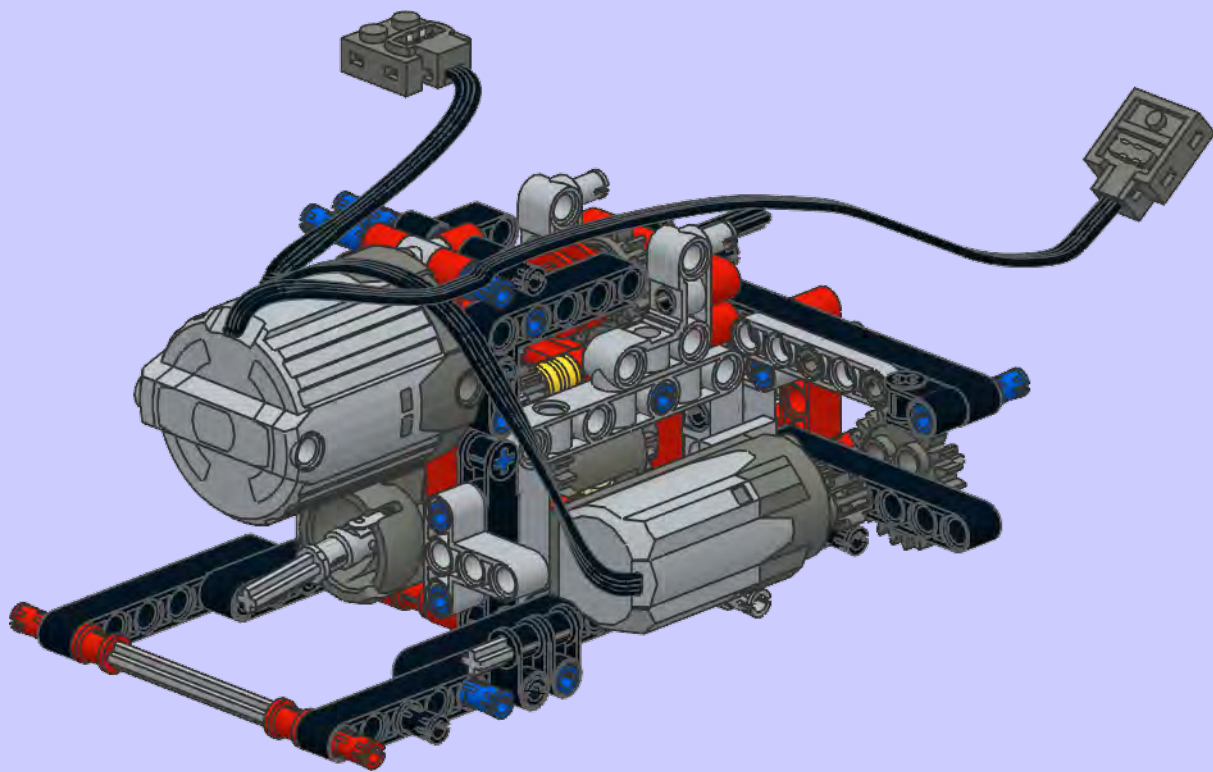
7
1x
1x

5

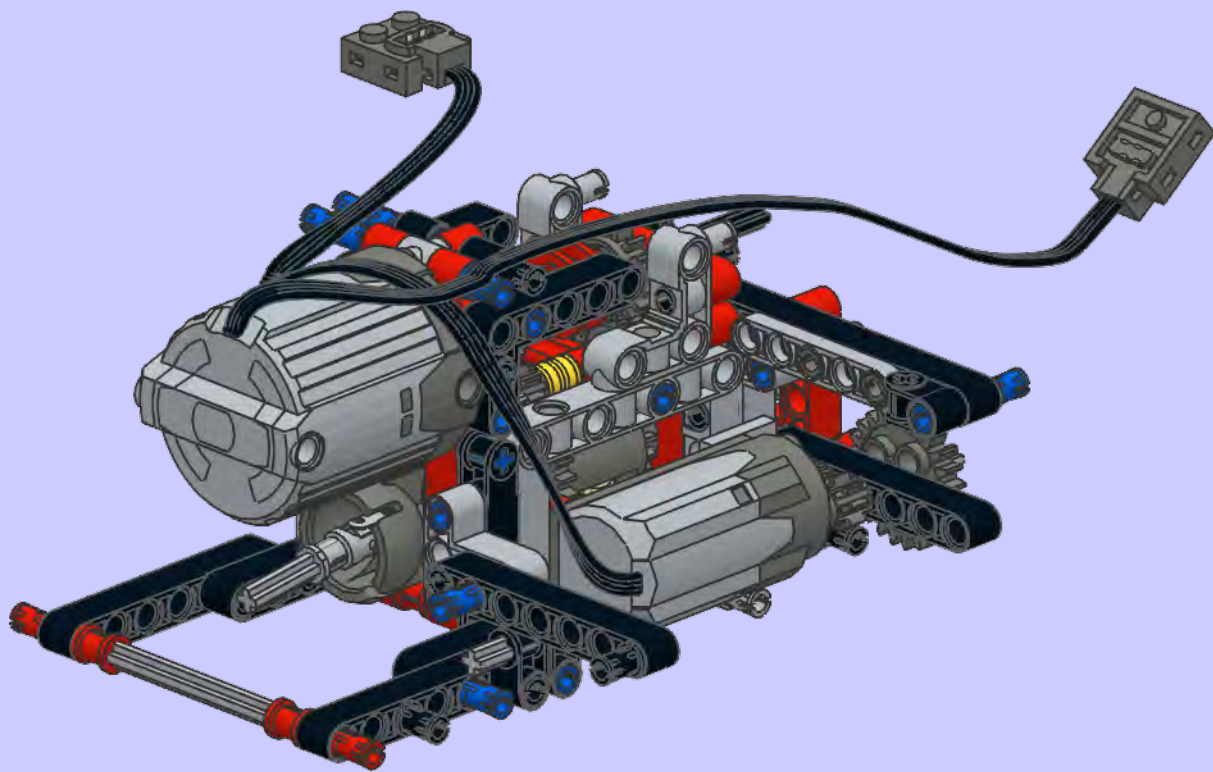
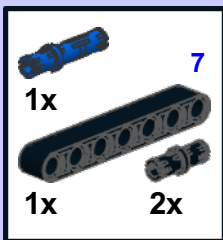
2x4
1x
1x
1x
light grey

Assembly steps 1 through 5 are shown in a grid. Each step includes a list of parts with their quantities and a corresponding diagram showing the parts being added to the mechanism. Step 1: 1x grey axle (3), 1x grey motor, 1x blue pin. Step 2: 1x red axle (8), 1x grey gear (8). Step 3: 1x blue pin (5), 1x grey axle, 1x grey 2x2 plate, 1x grey gear (8). Step 4: 1x grey axle (7), 1x grey gear (7). Step 5: 1x red 2x4 L-shaped beam (light grey), 1x grey axle, 1x blue pin, 1x blue pin.

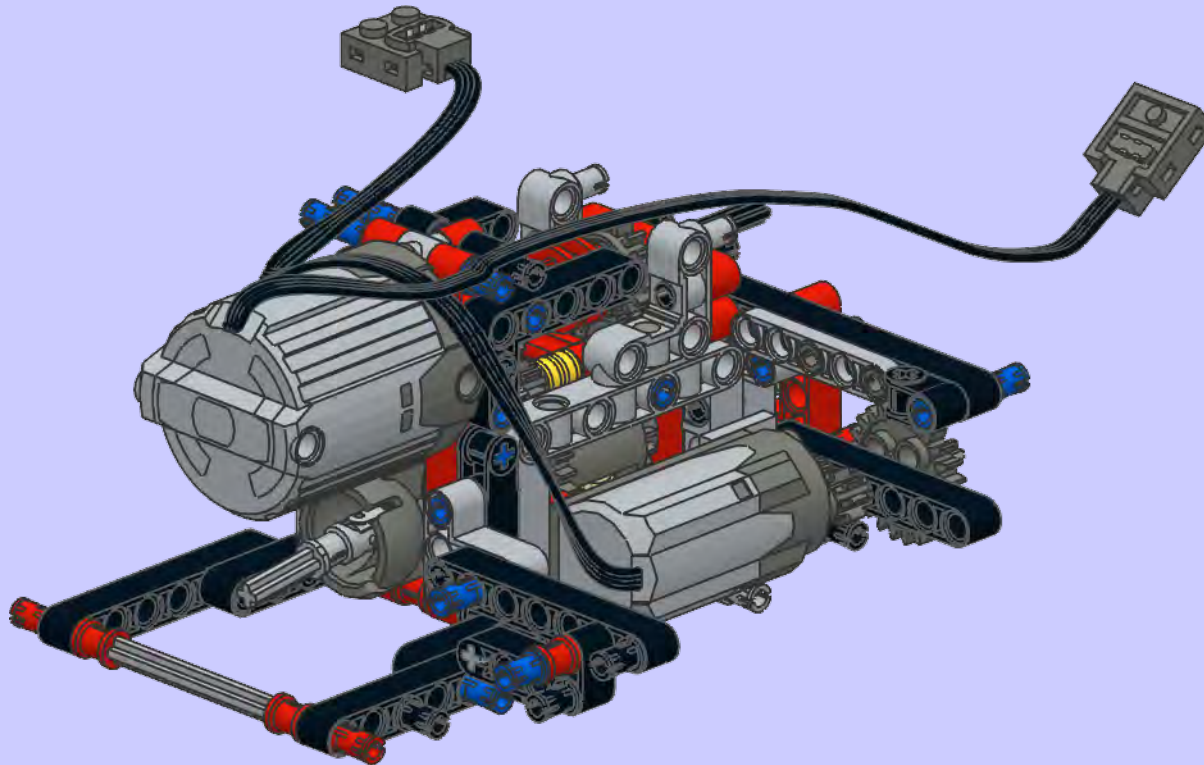
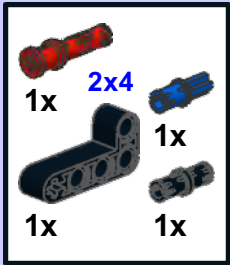
24



25



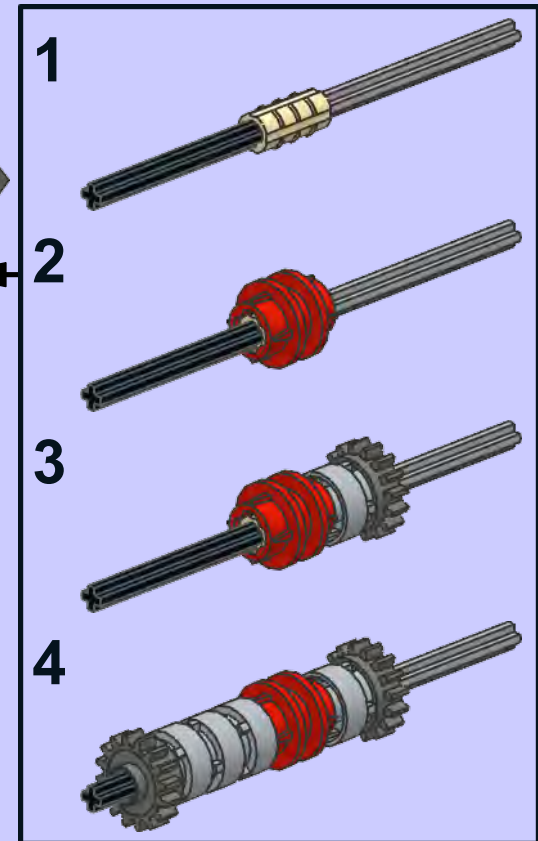
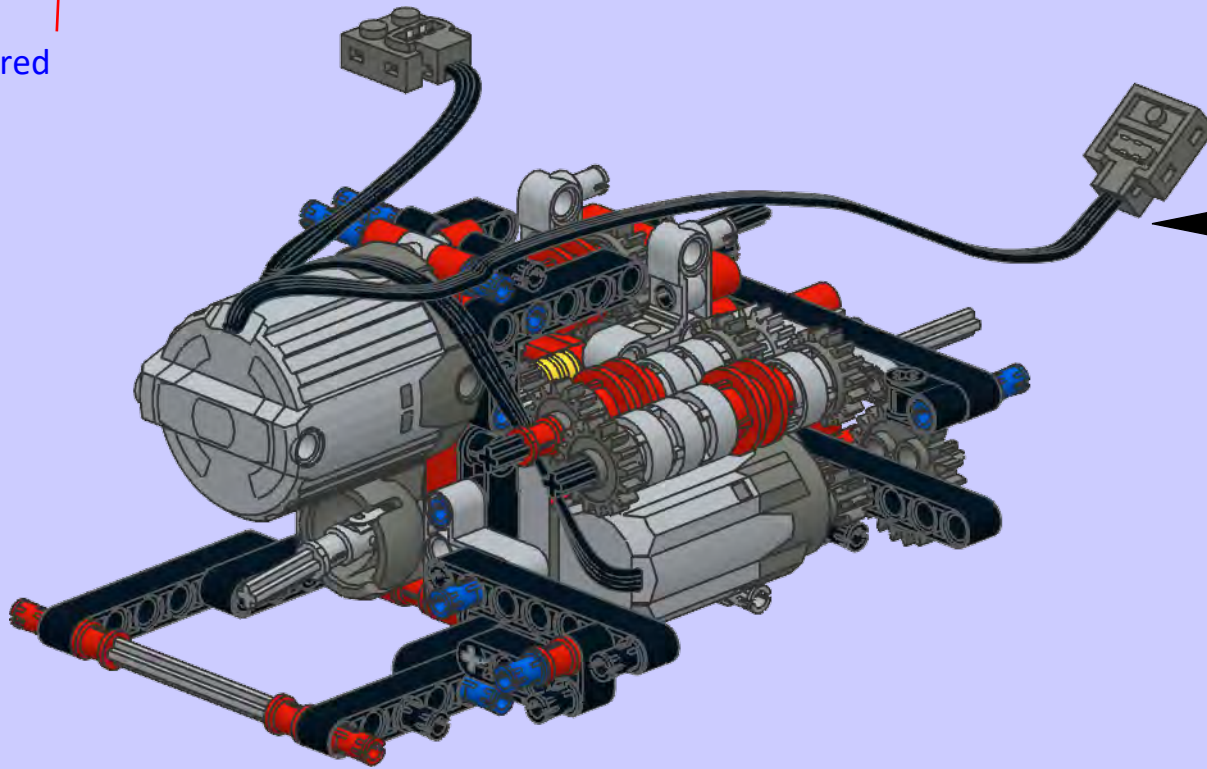
26



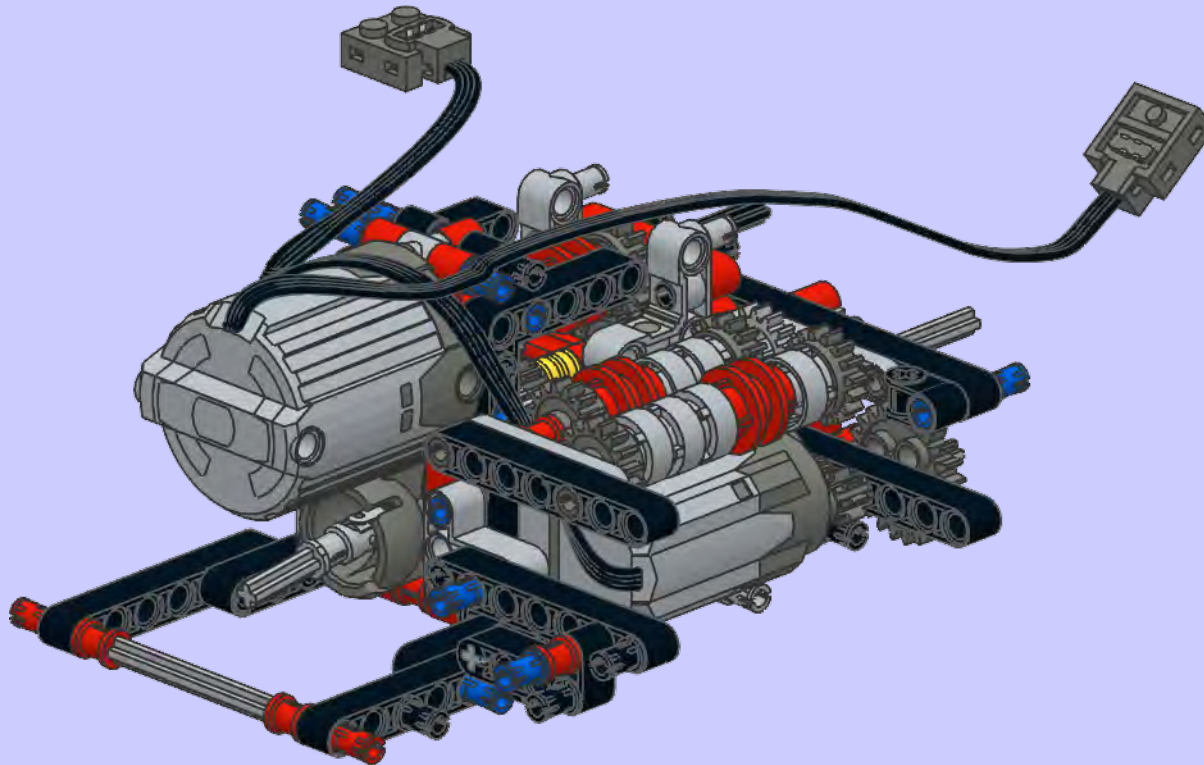
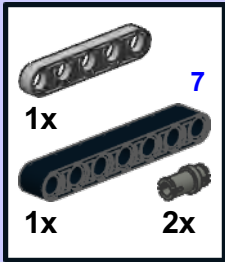
28



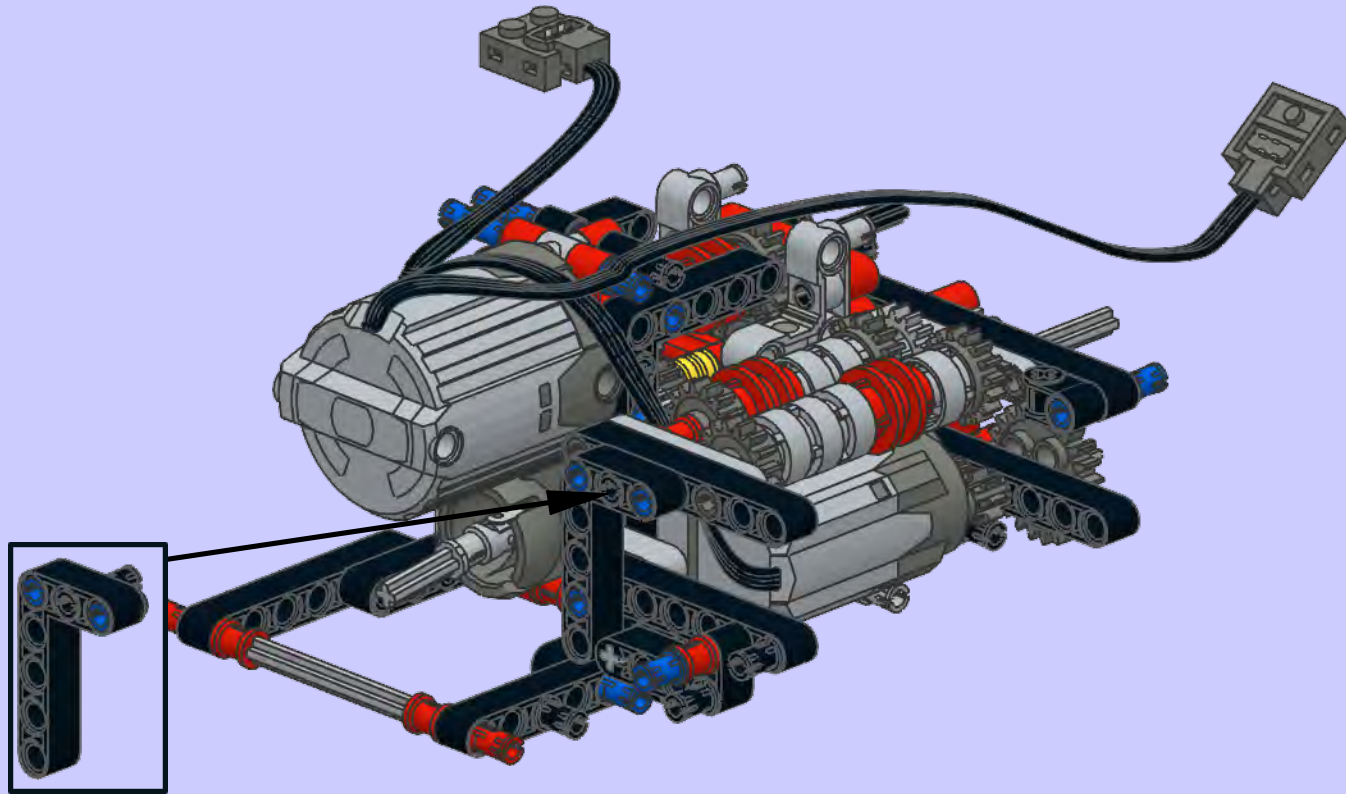
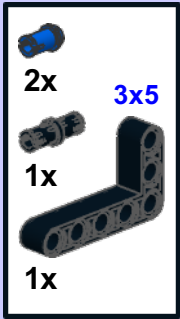
red



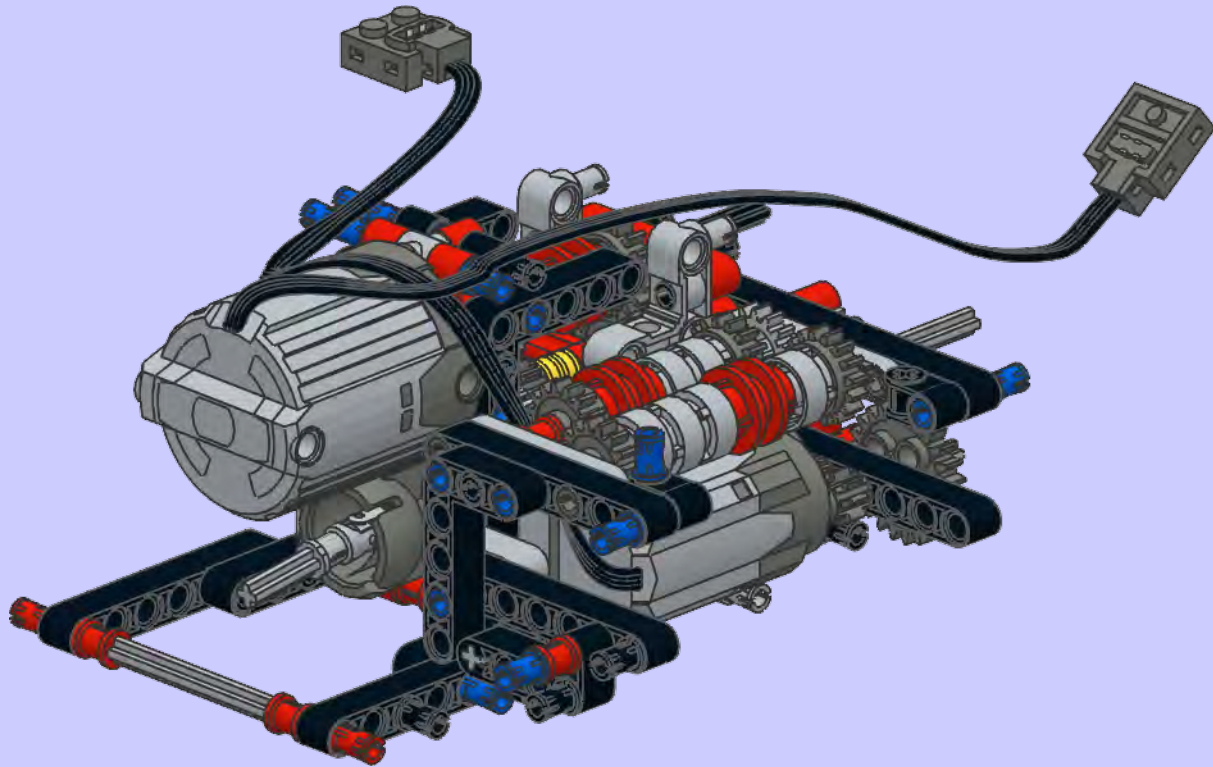
29



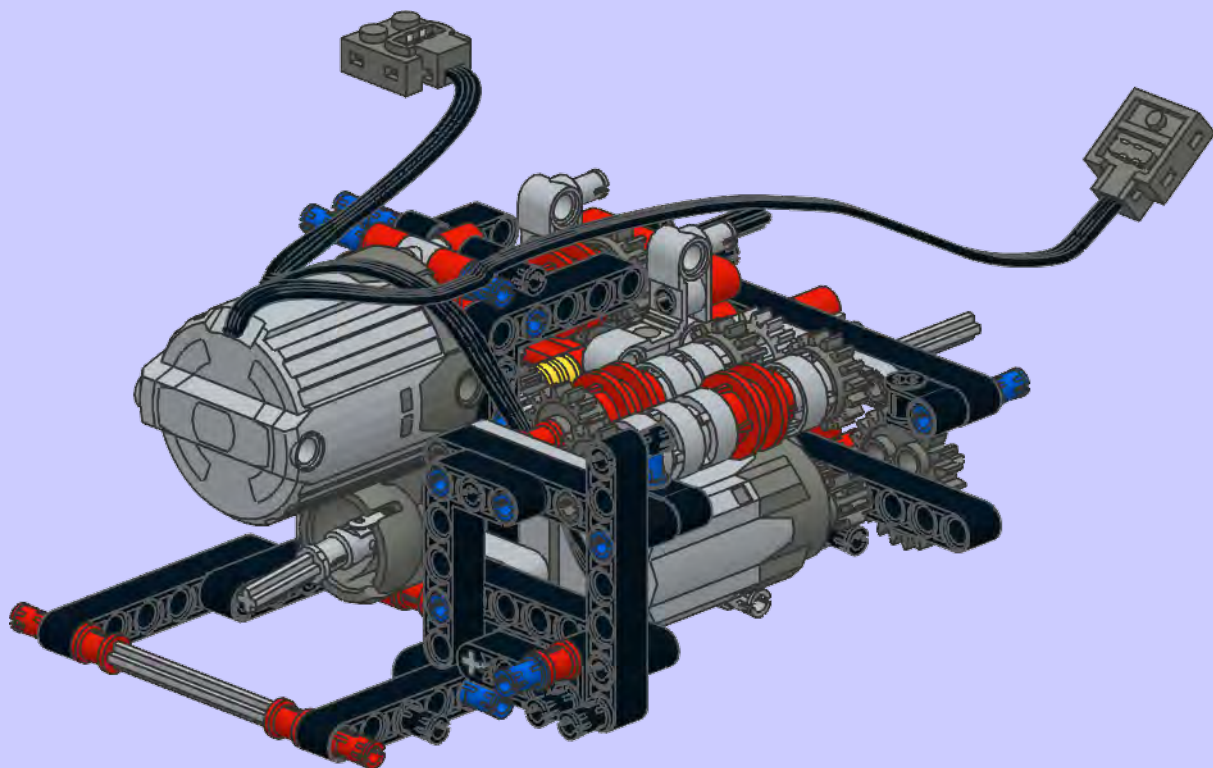
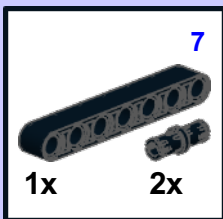
30



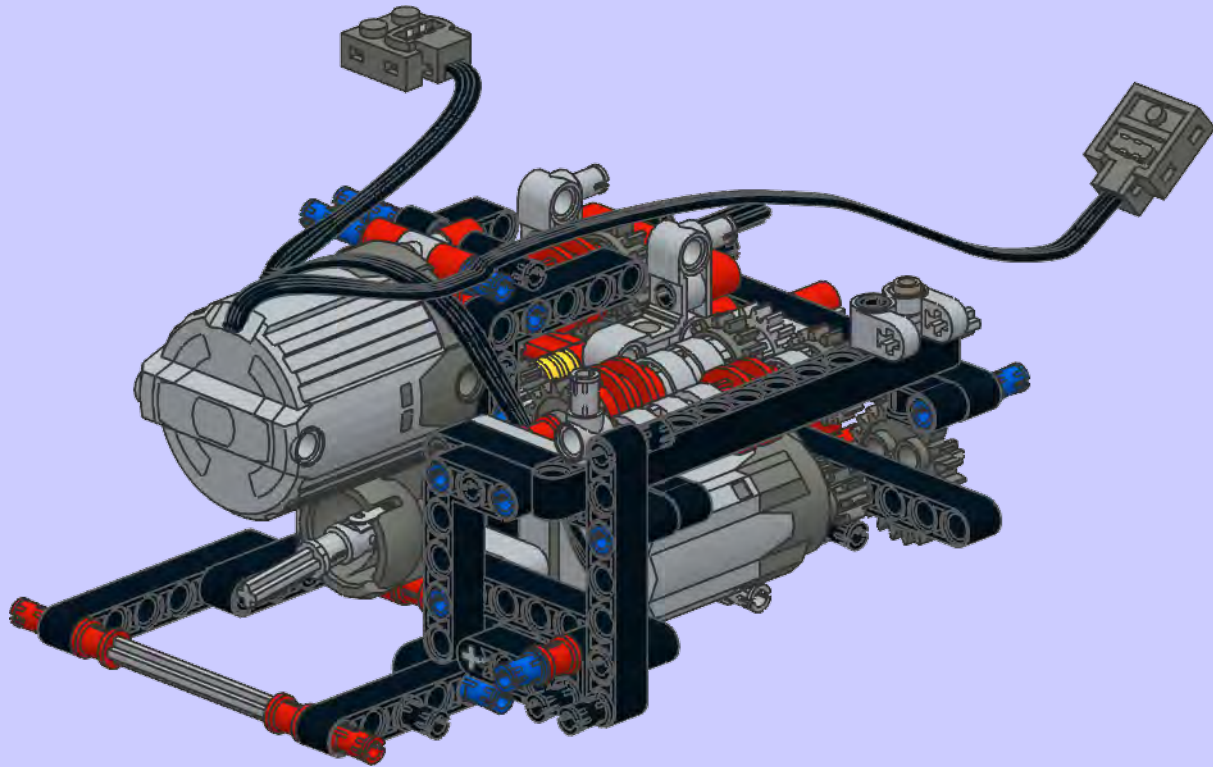
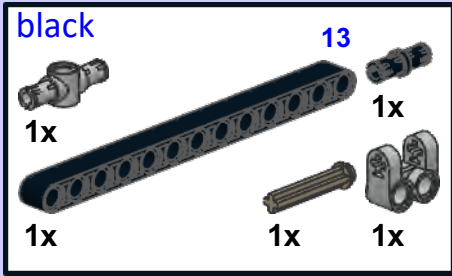
31



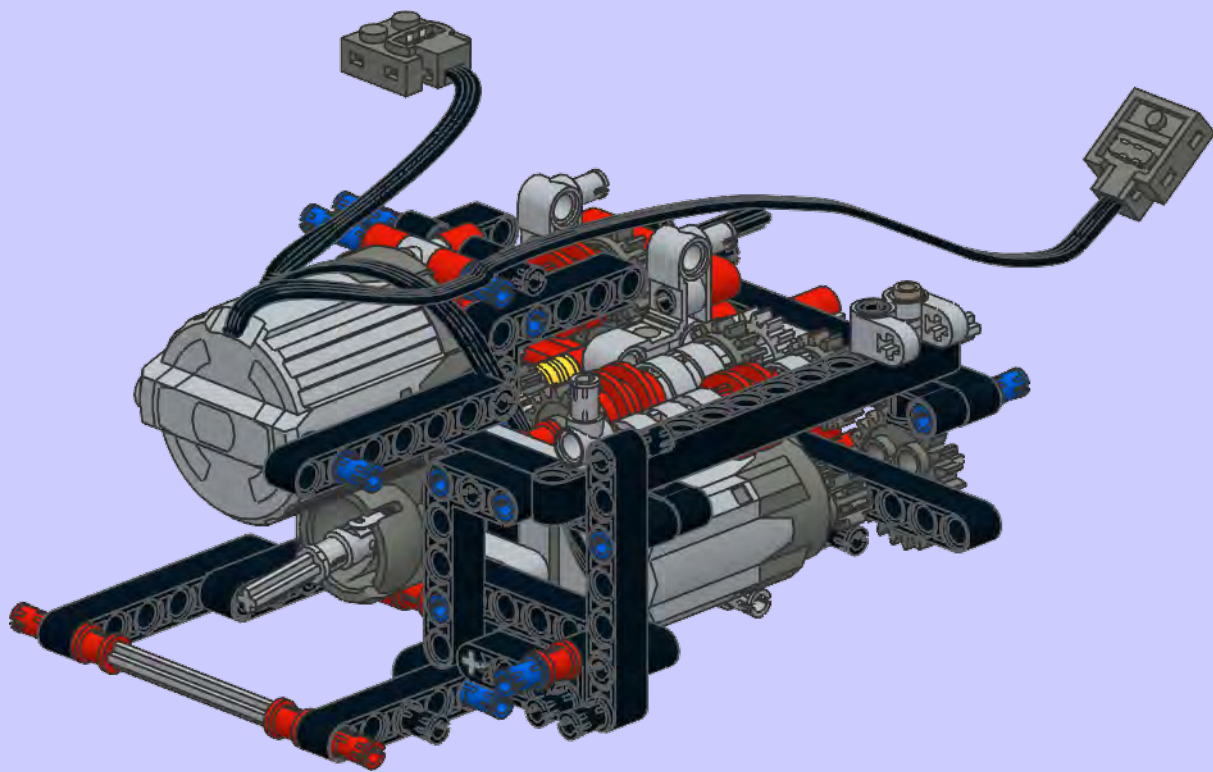
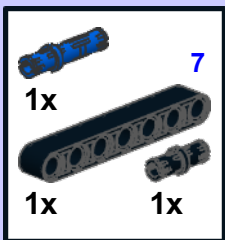
32



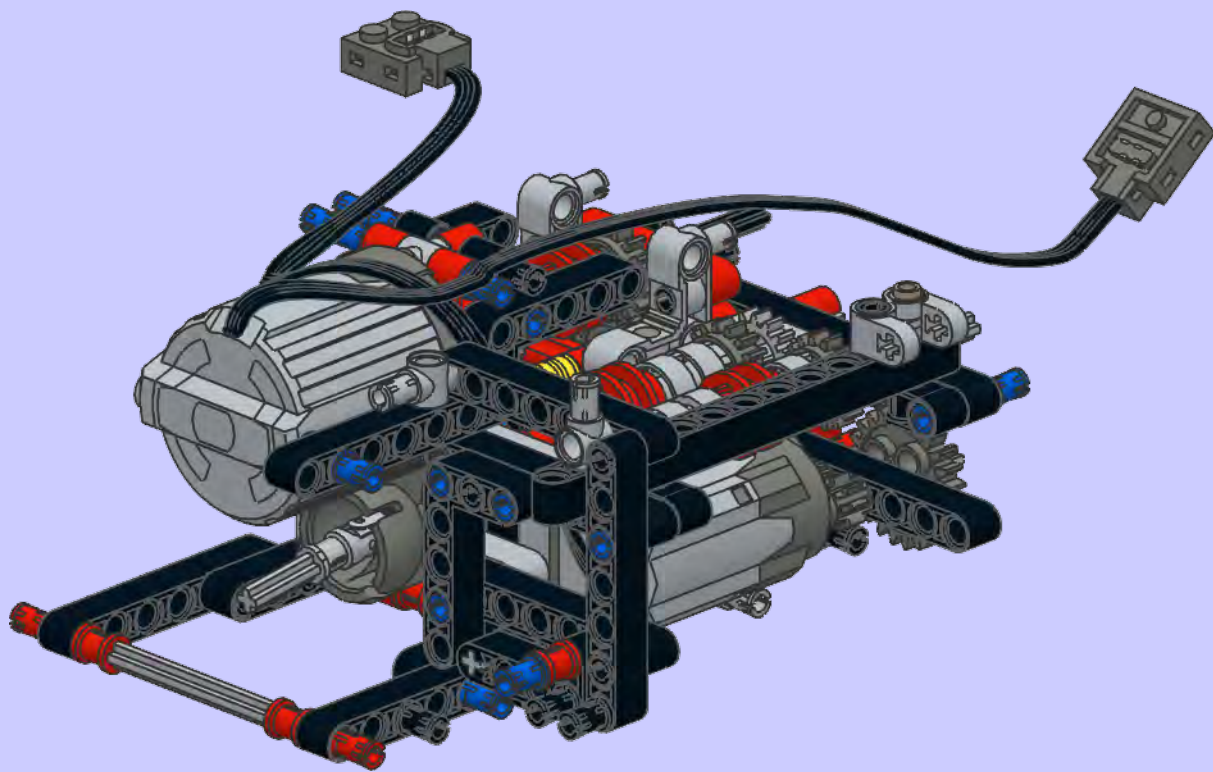
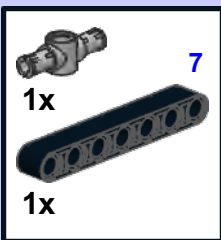
33



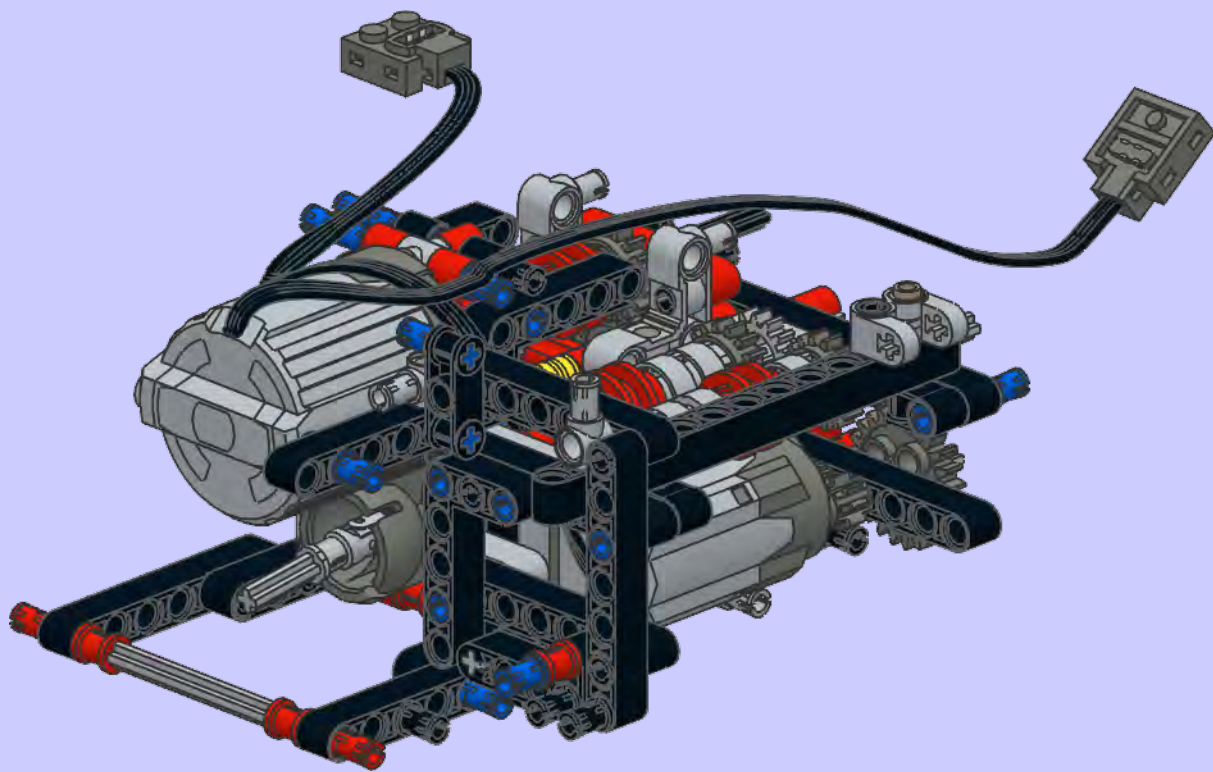
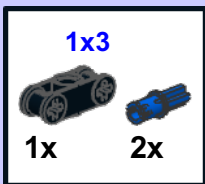
34



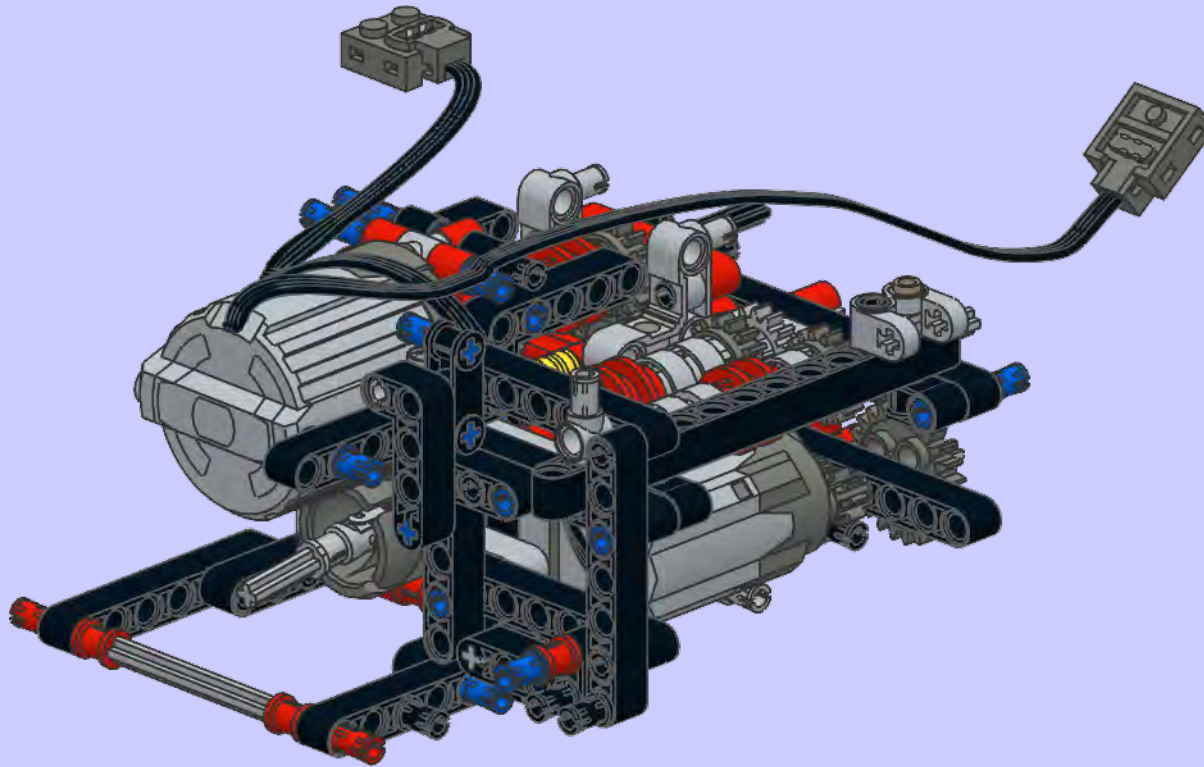
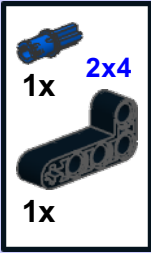
35



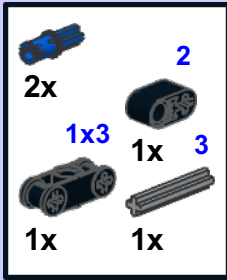
36



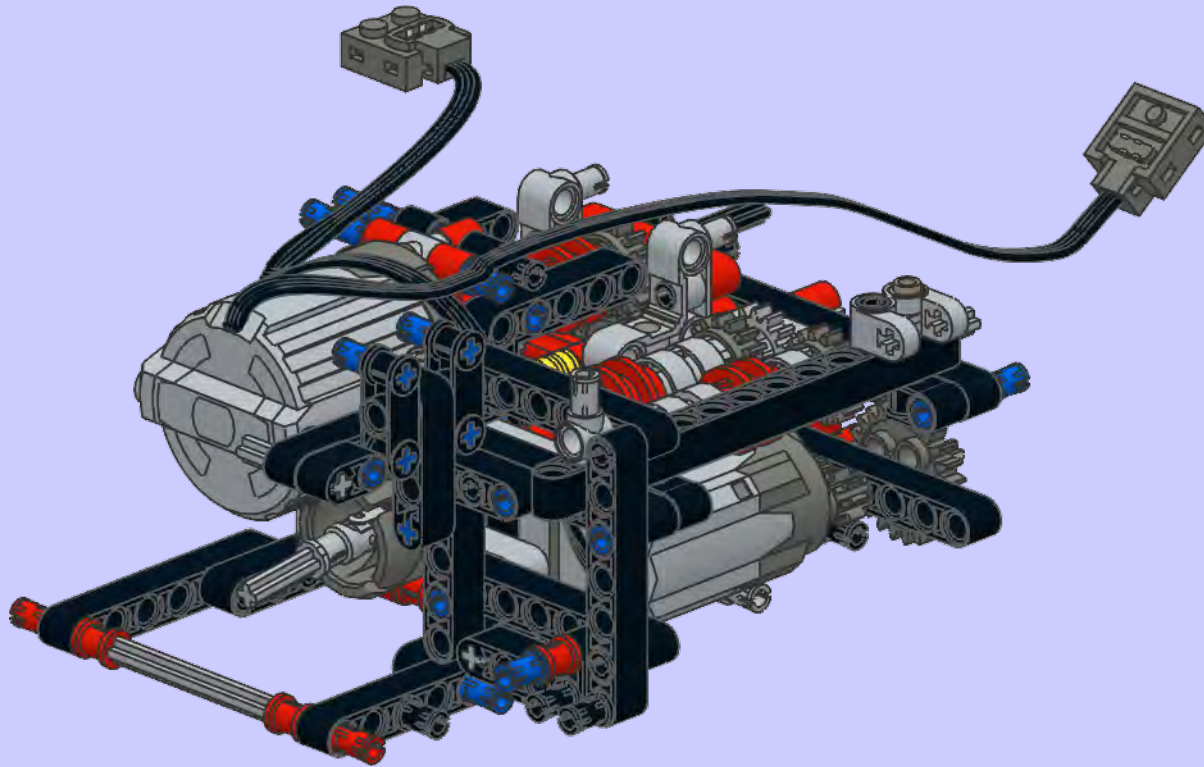
37




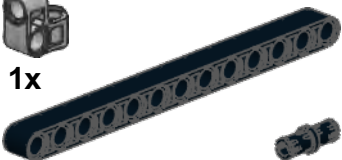


38

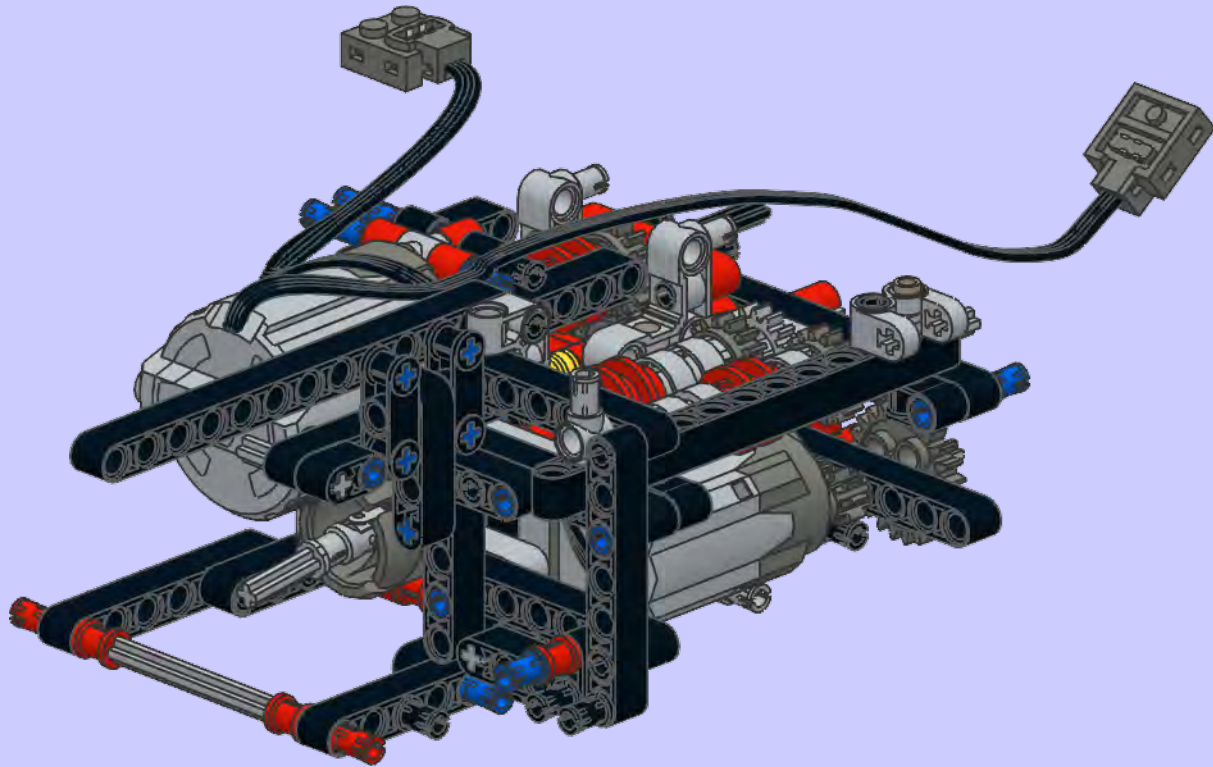


light grey

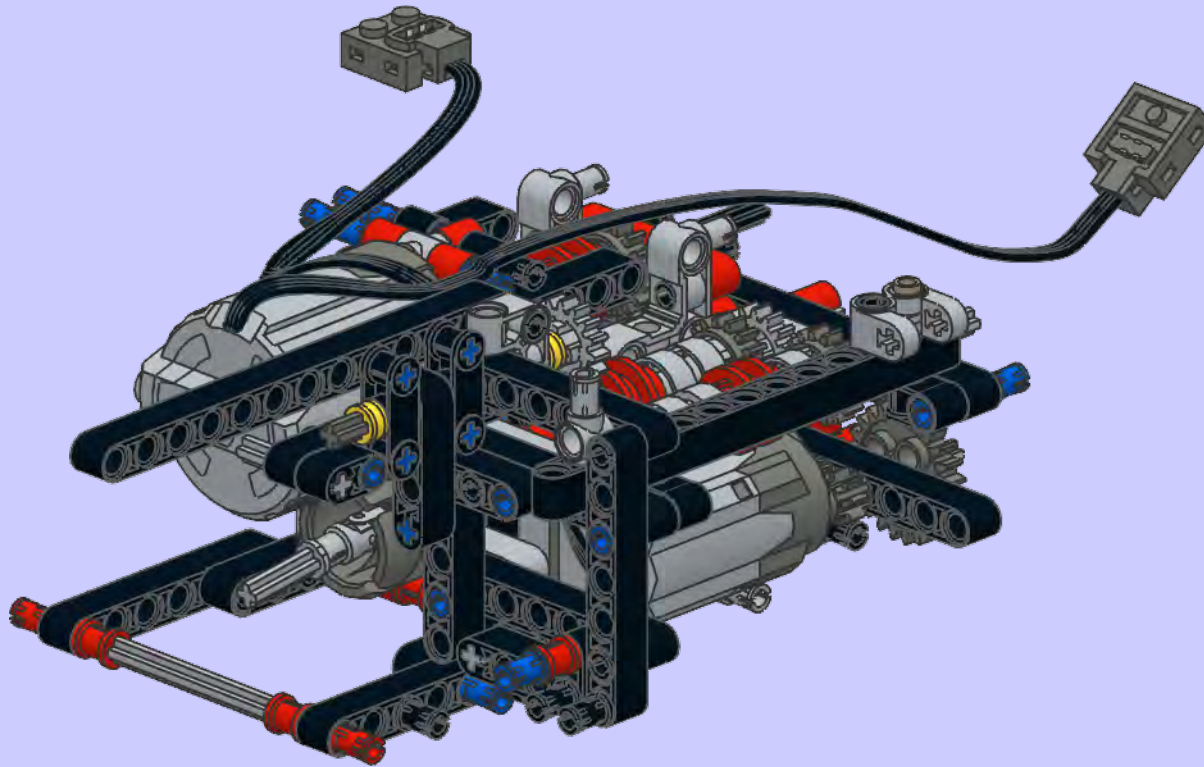
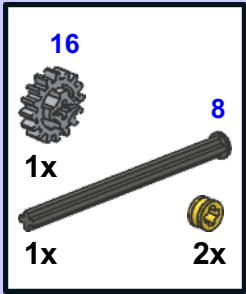


39

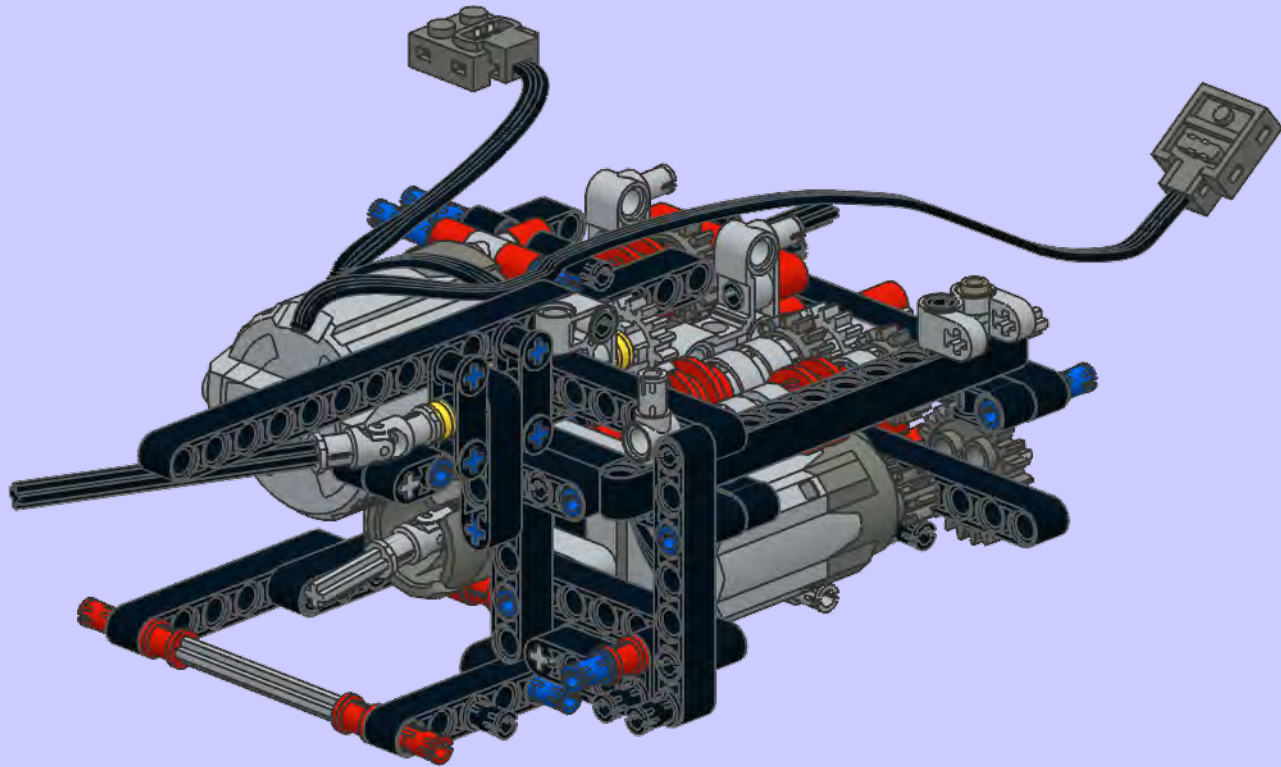
	2x2		13
1x			
	1x		1x
1x			



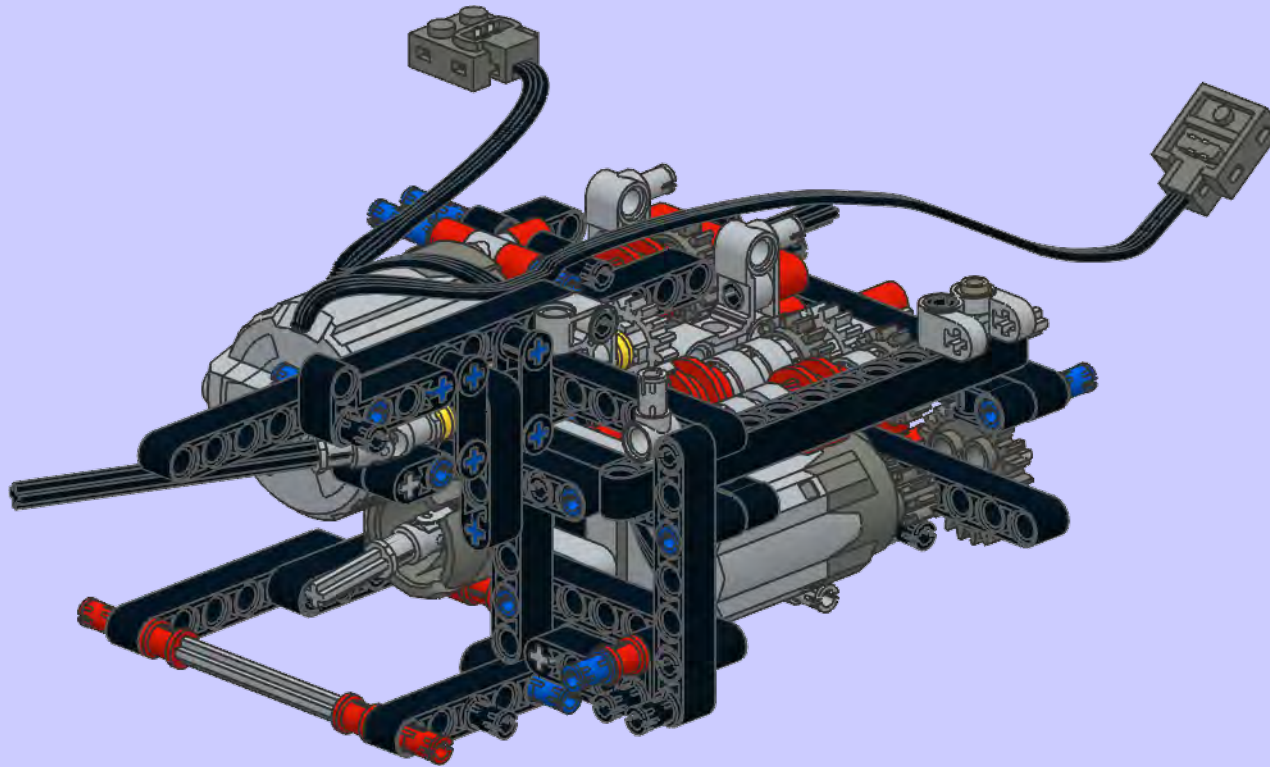
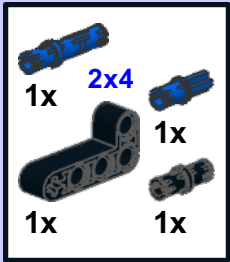
40



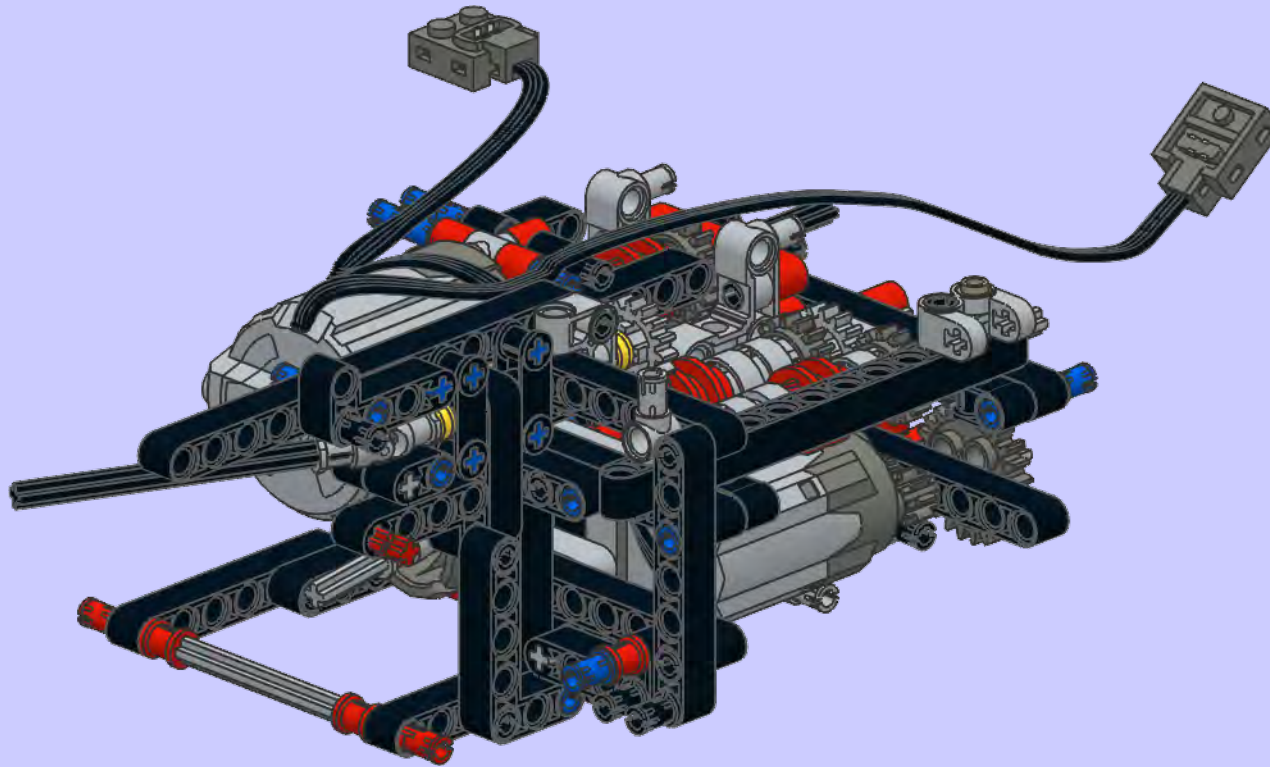
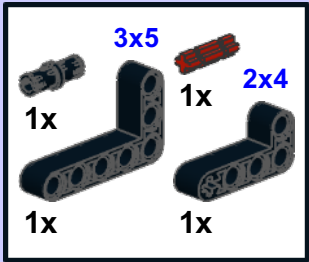
41



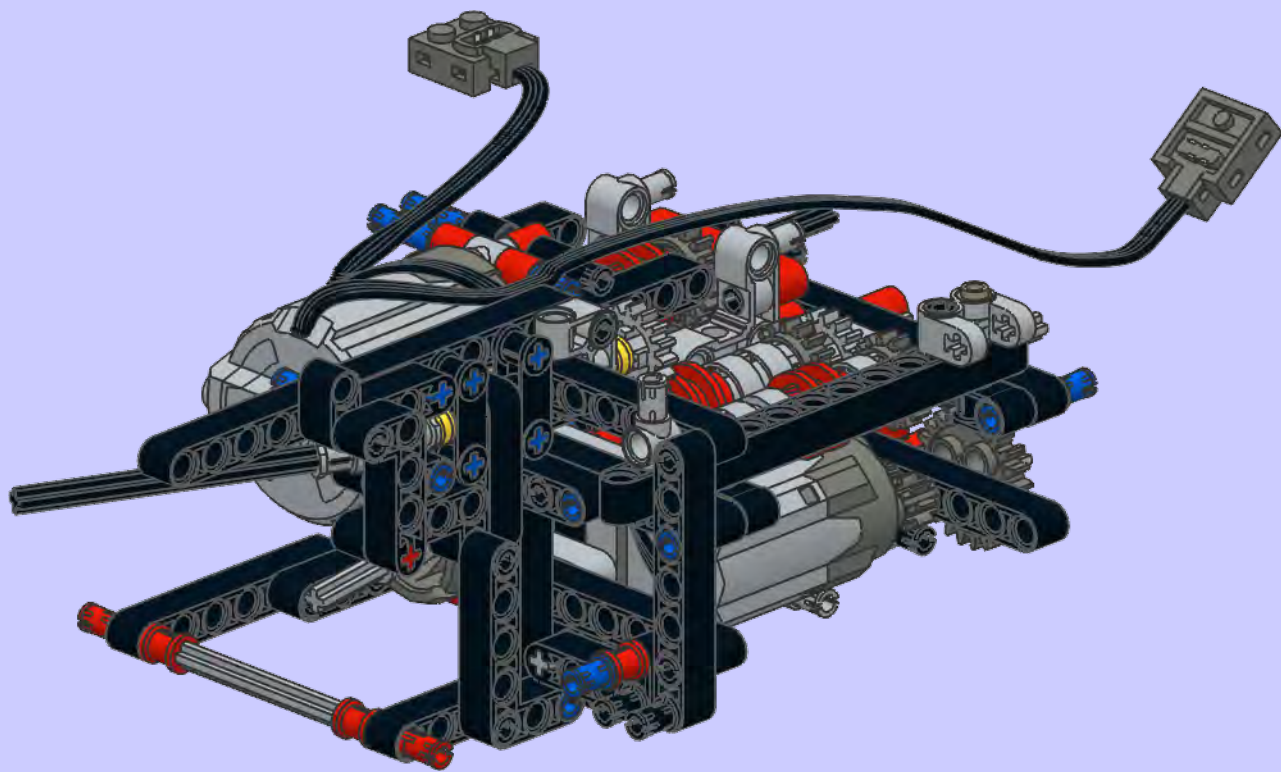
42



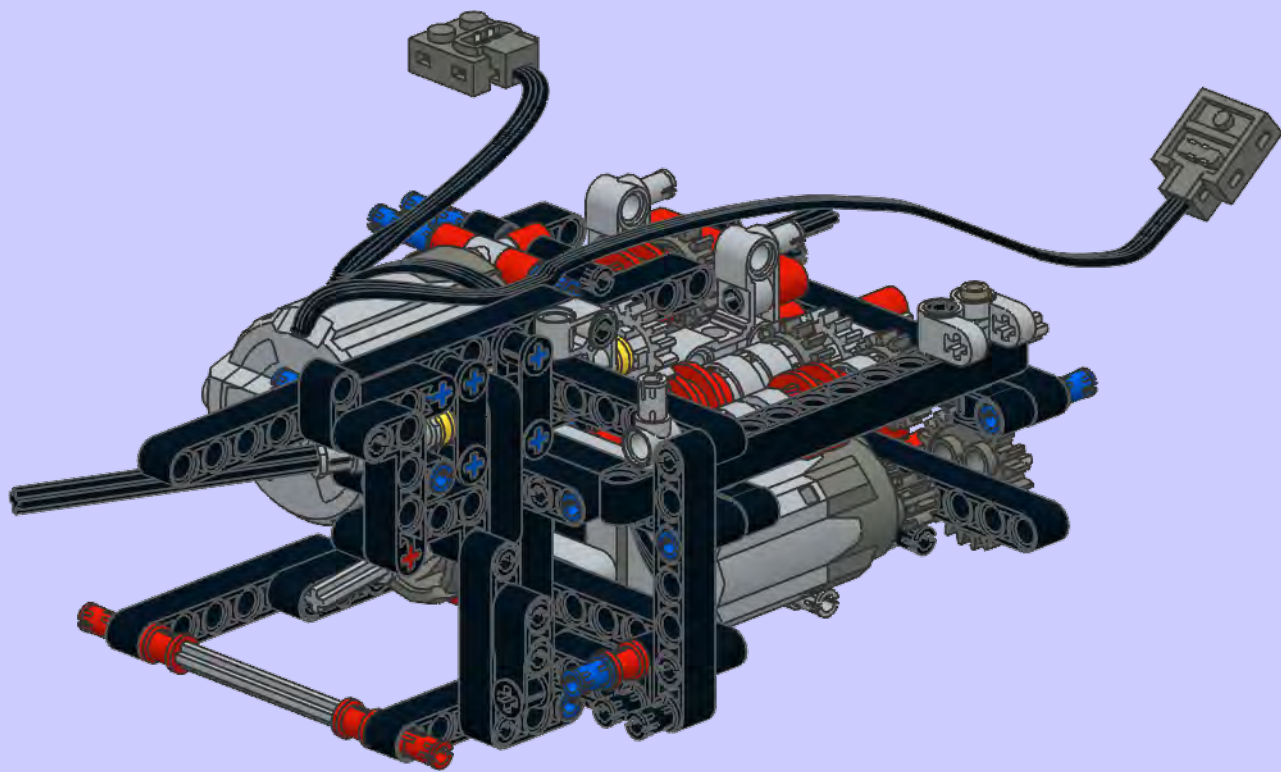
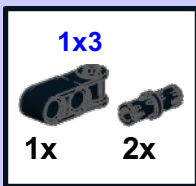
43



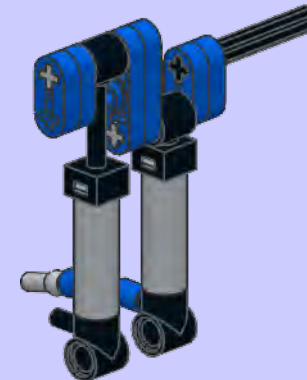
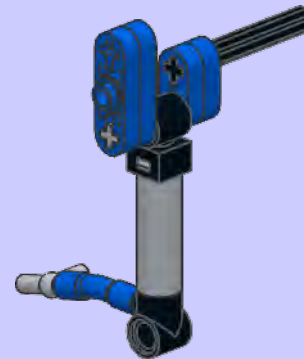
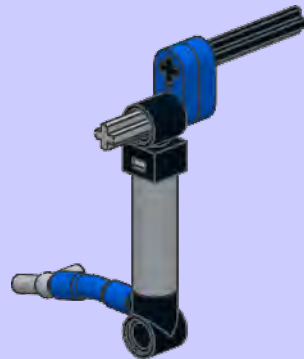
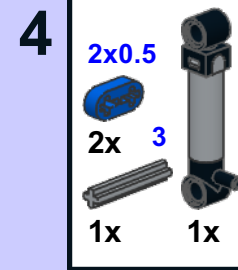
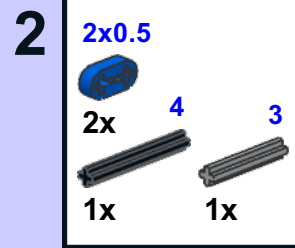
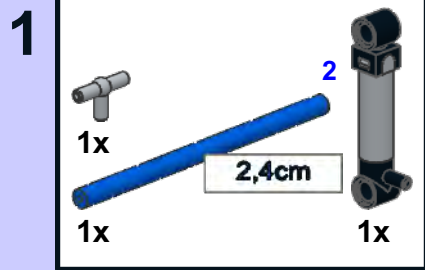
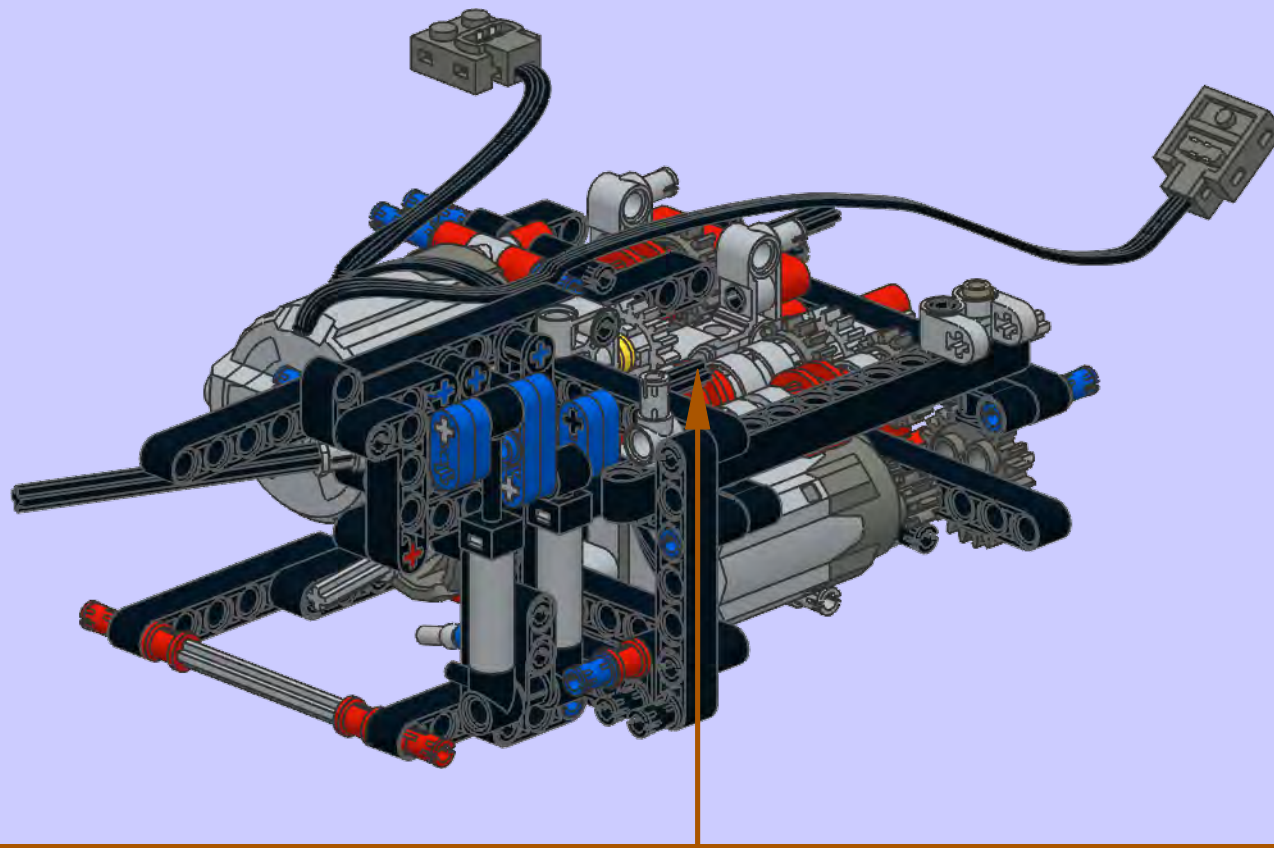
44



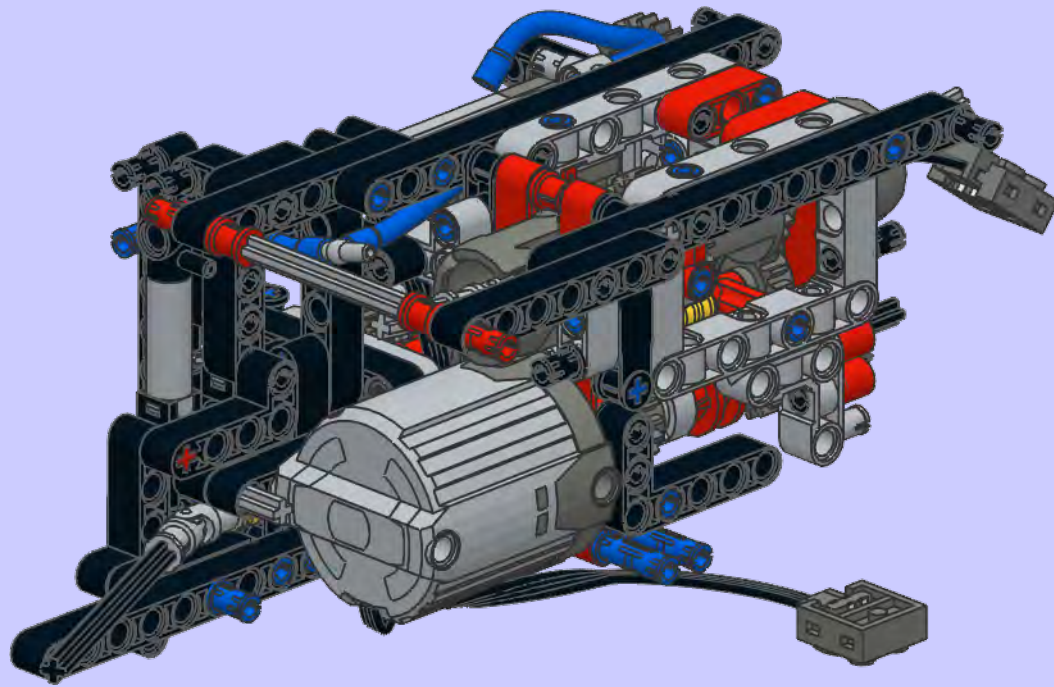
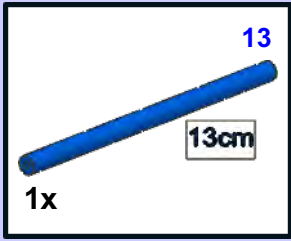
45



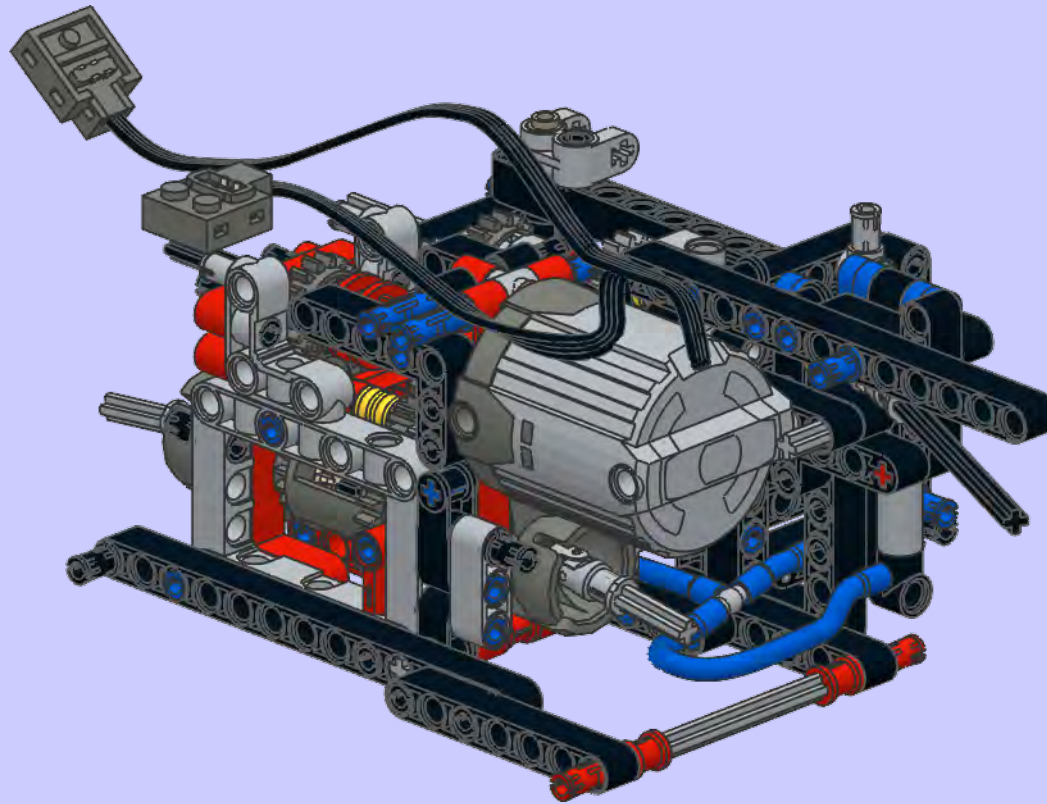
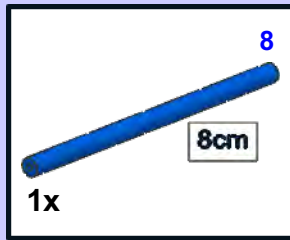
46



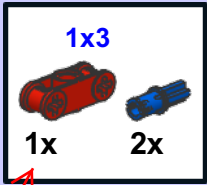
47



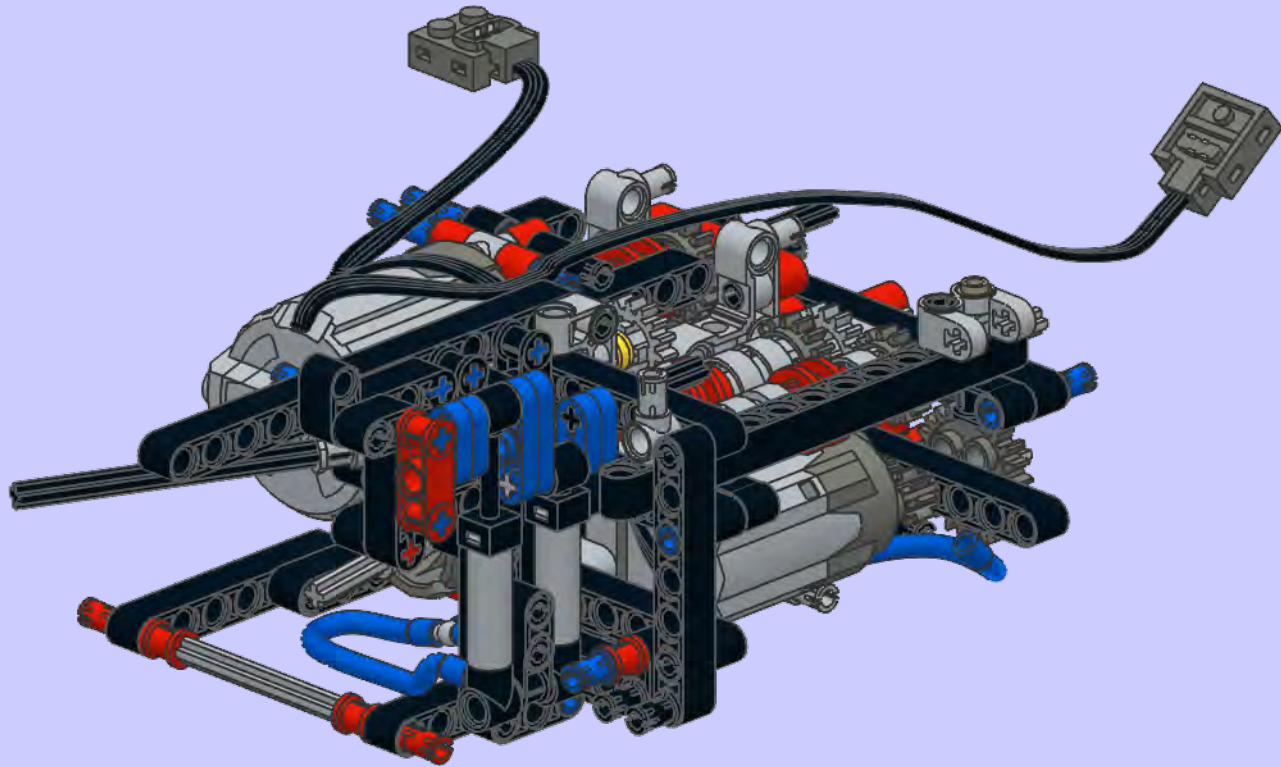
48



49

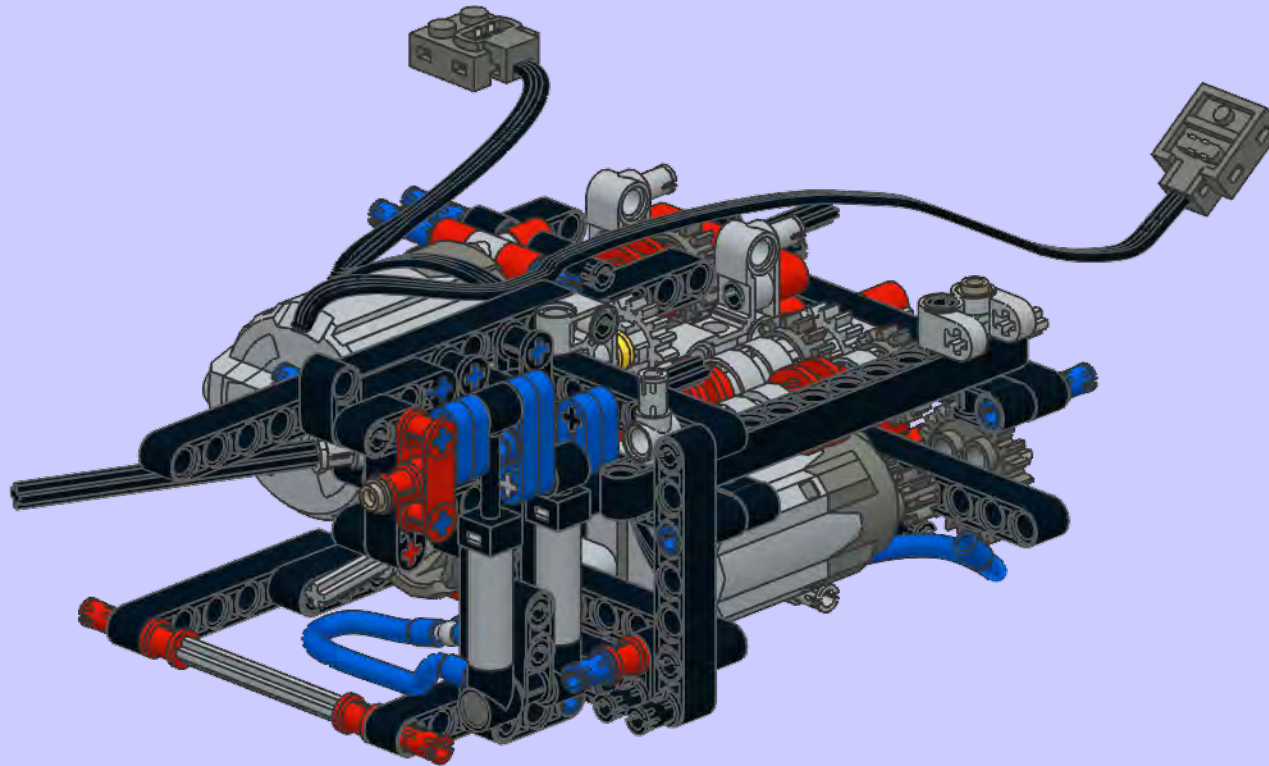


black



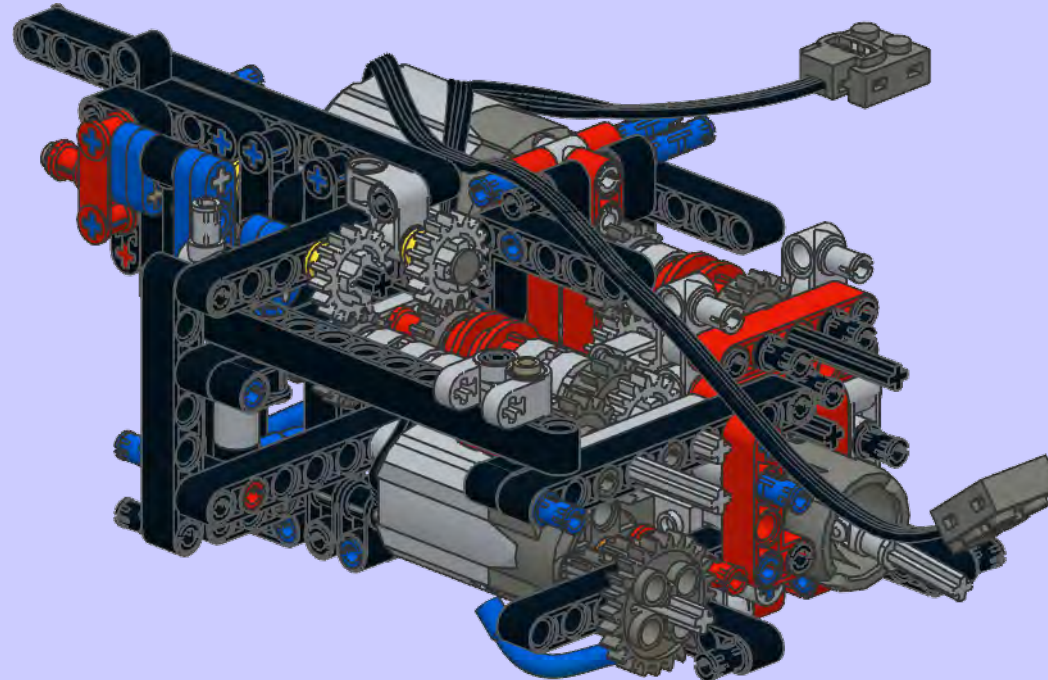
50

-  1x
-  1x
-  1x 4
-  1x



51

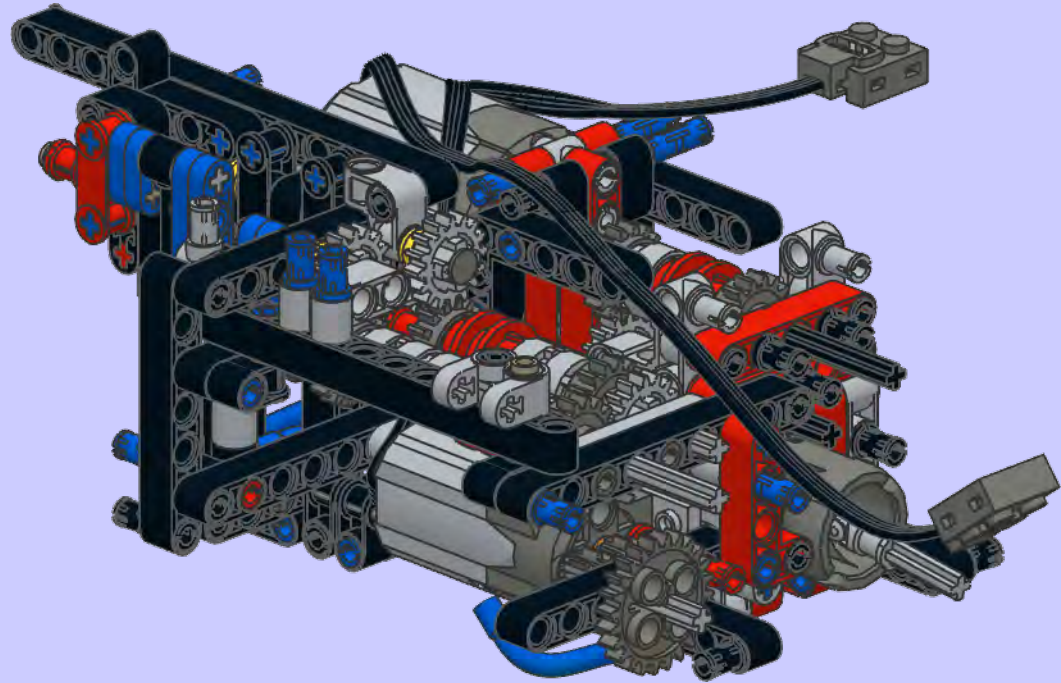
-  1x
- 16
-  1x



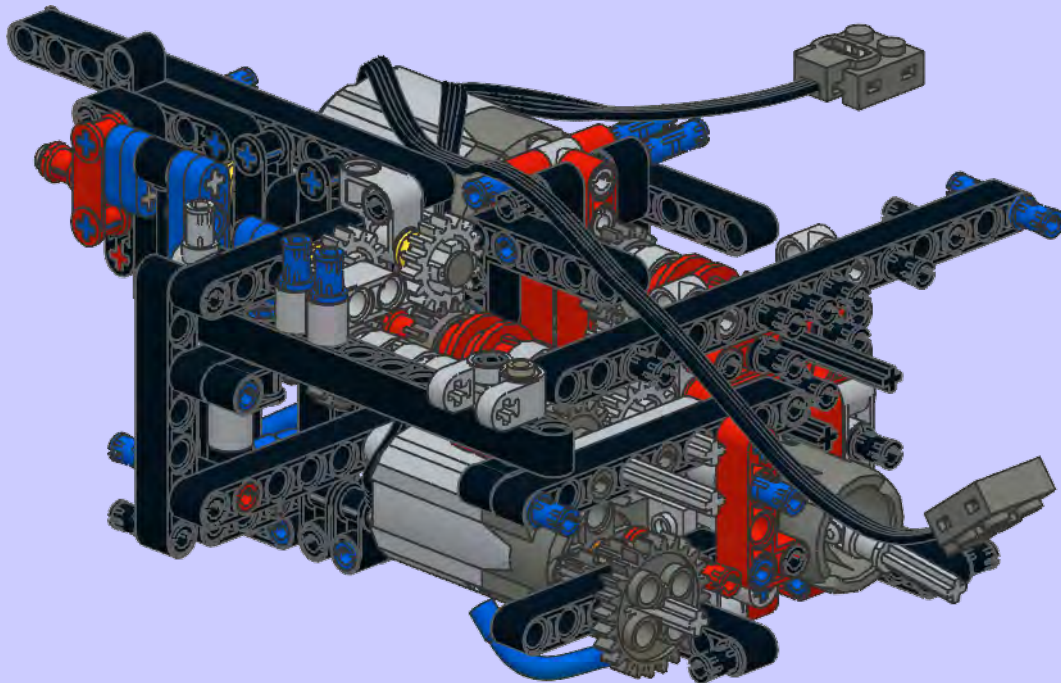
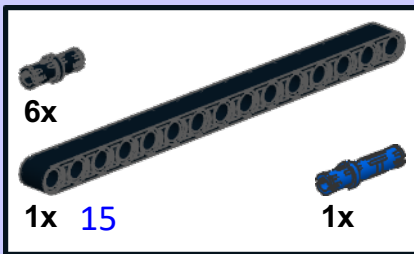
52






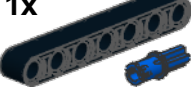


black

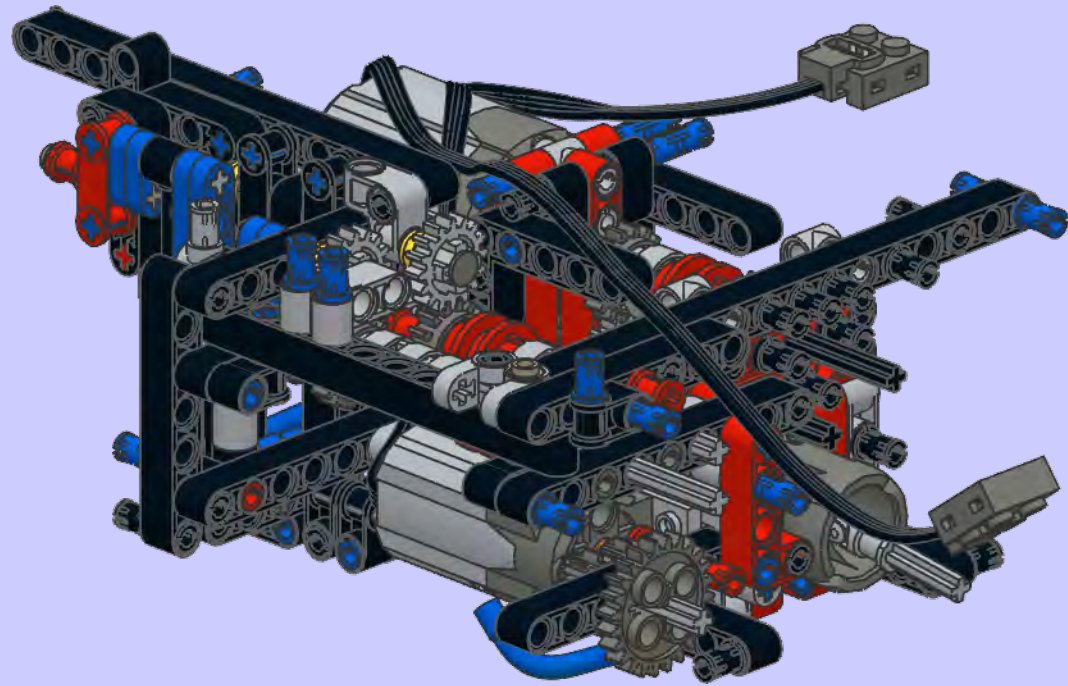


53



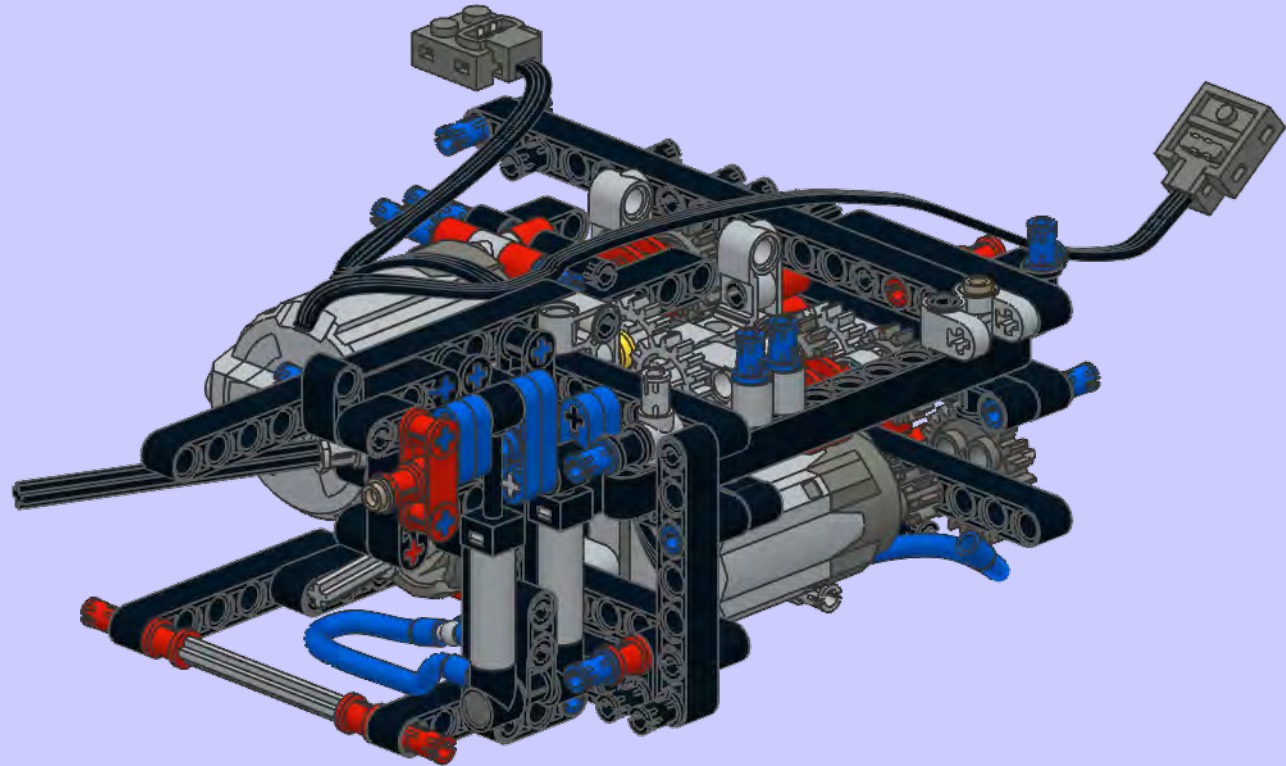
54

- 1x2 
- 1x 
- 1x 
- 1x 
- 7 
- 1x 



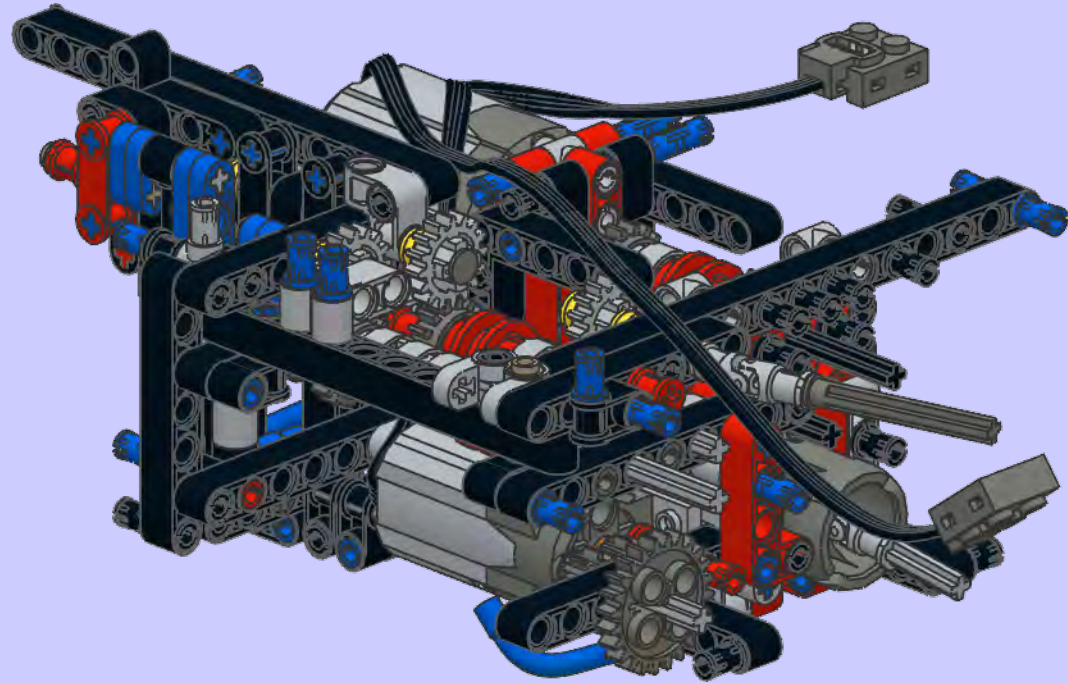
55

- 1x 
- 1x 








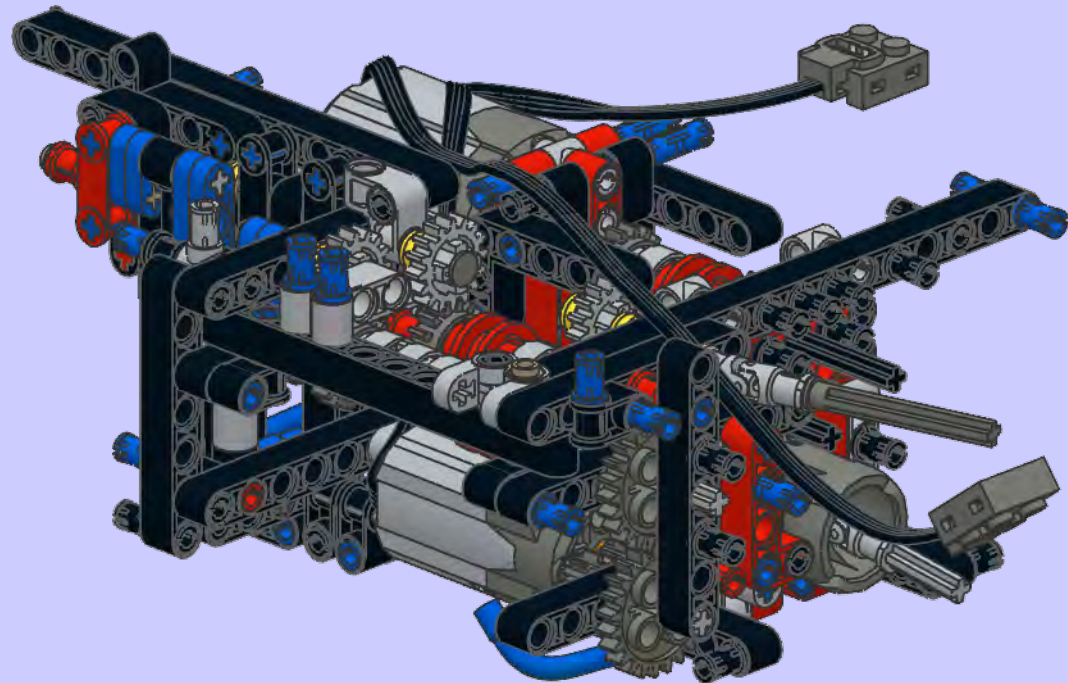
56

-  2x
-  16
-  1x 3L 5
-  1x
-  1x
-  1x

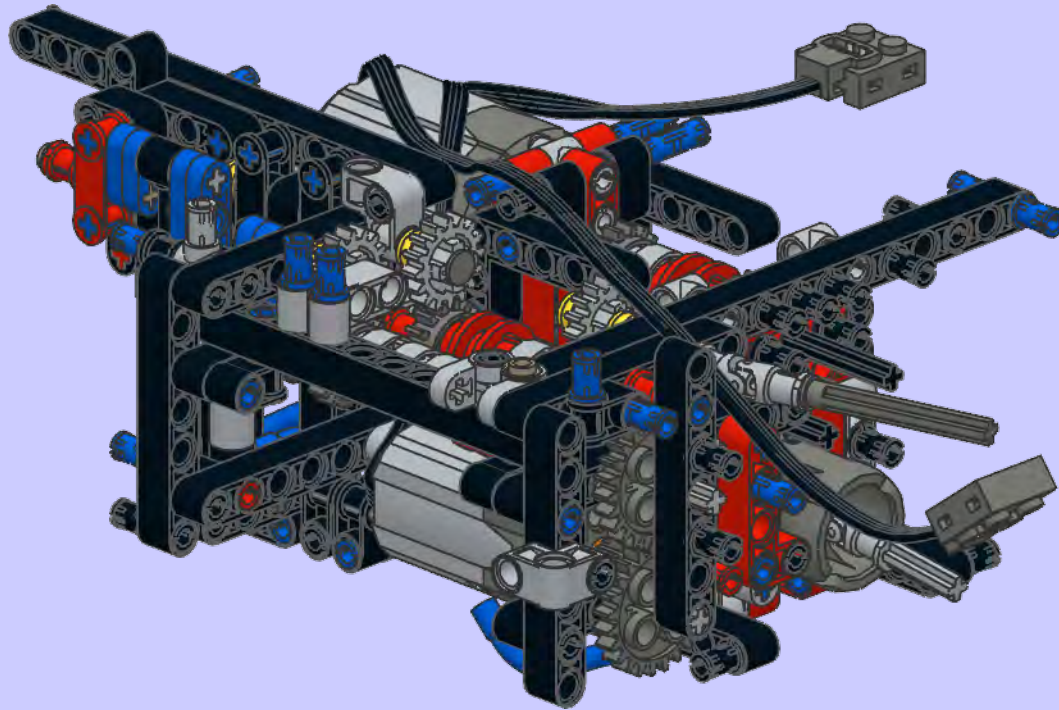
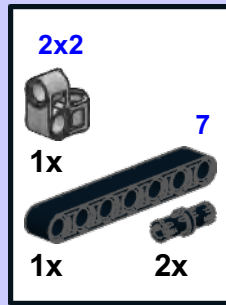


57

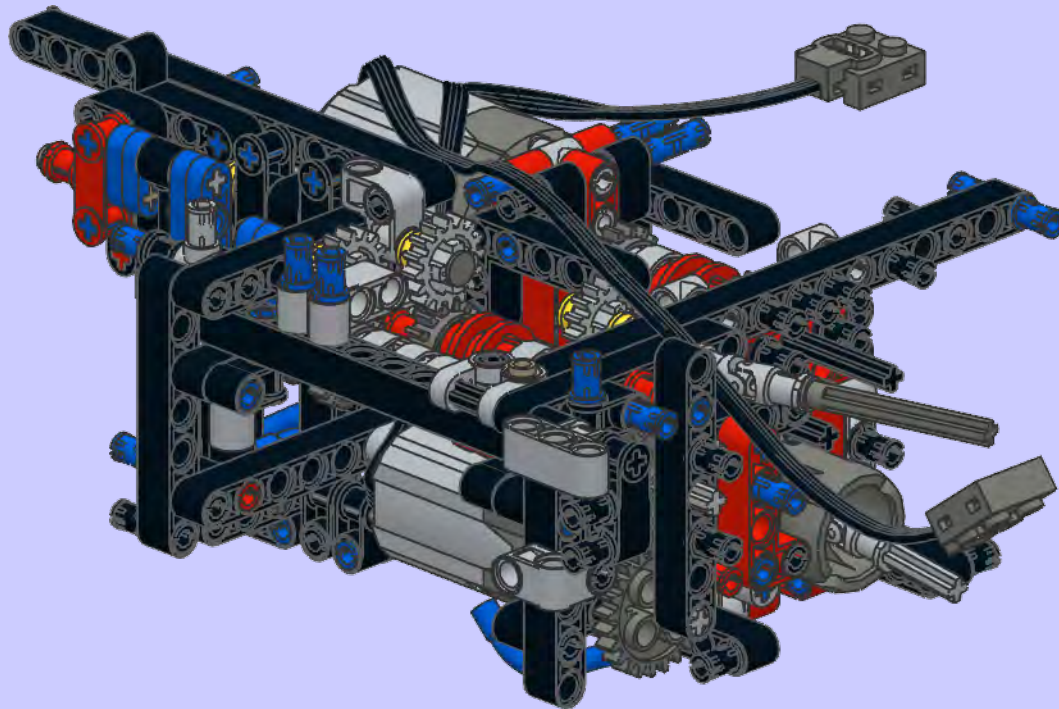
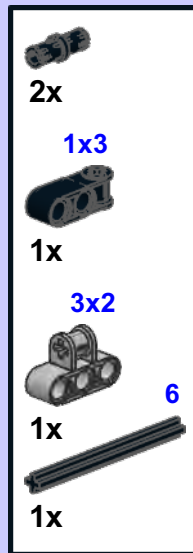
-  1x
-  1x
-  1x 7
-  1x
-  2x



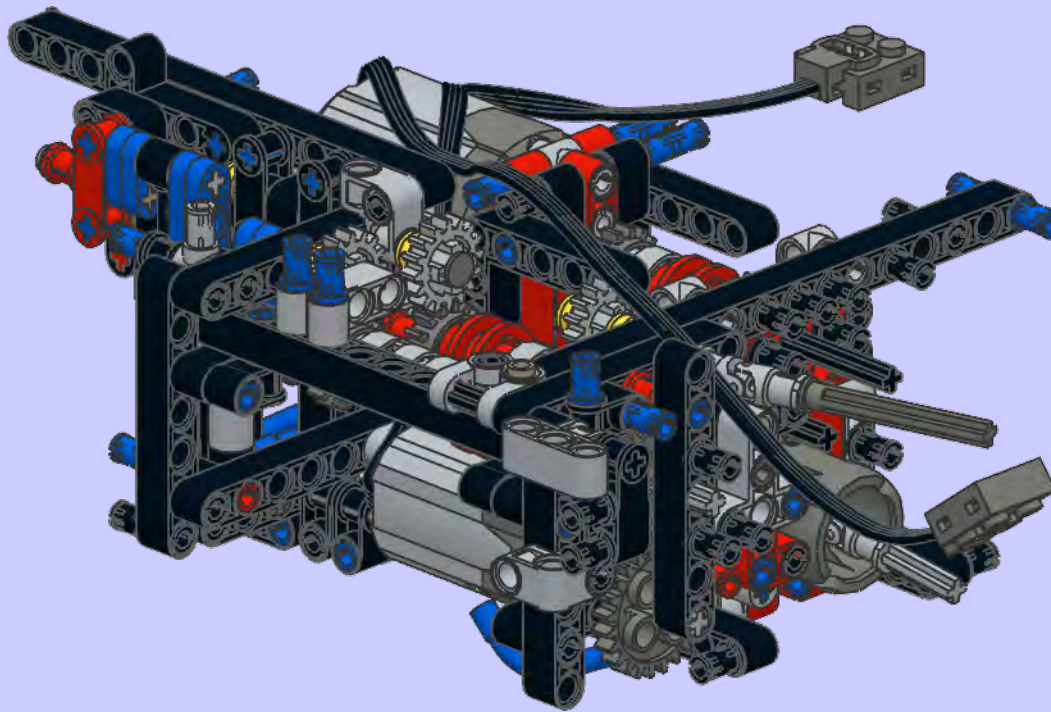
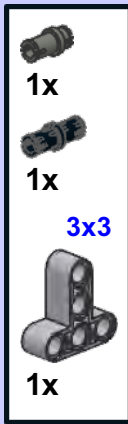
58



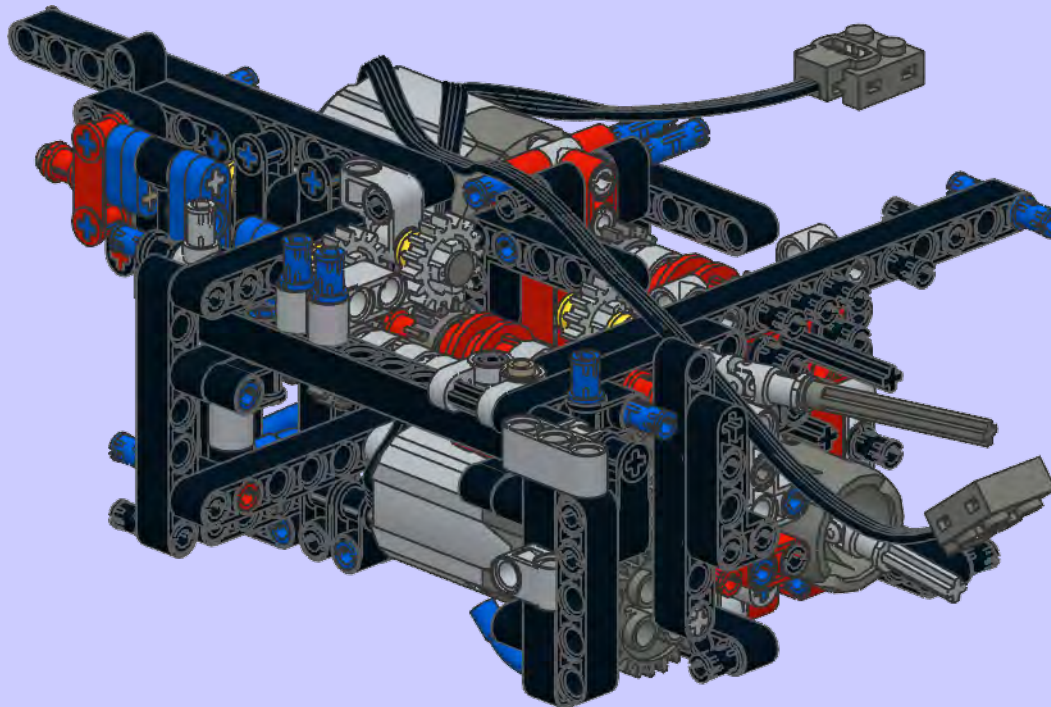
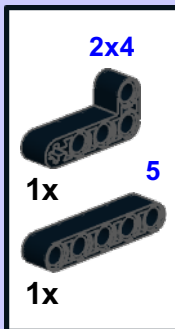
59



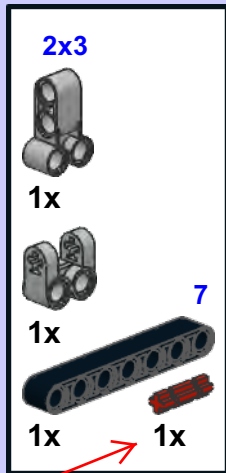
60



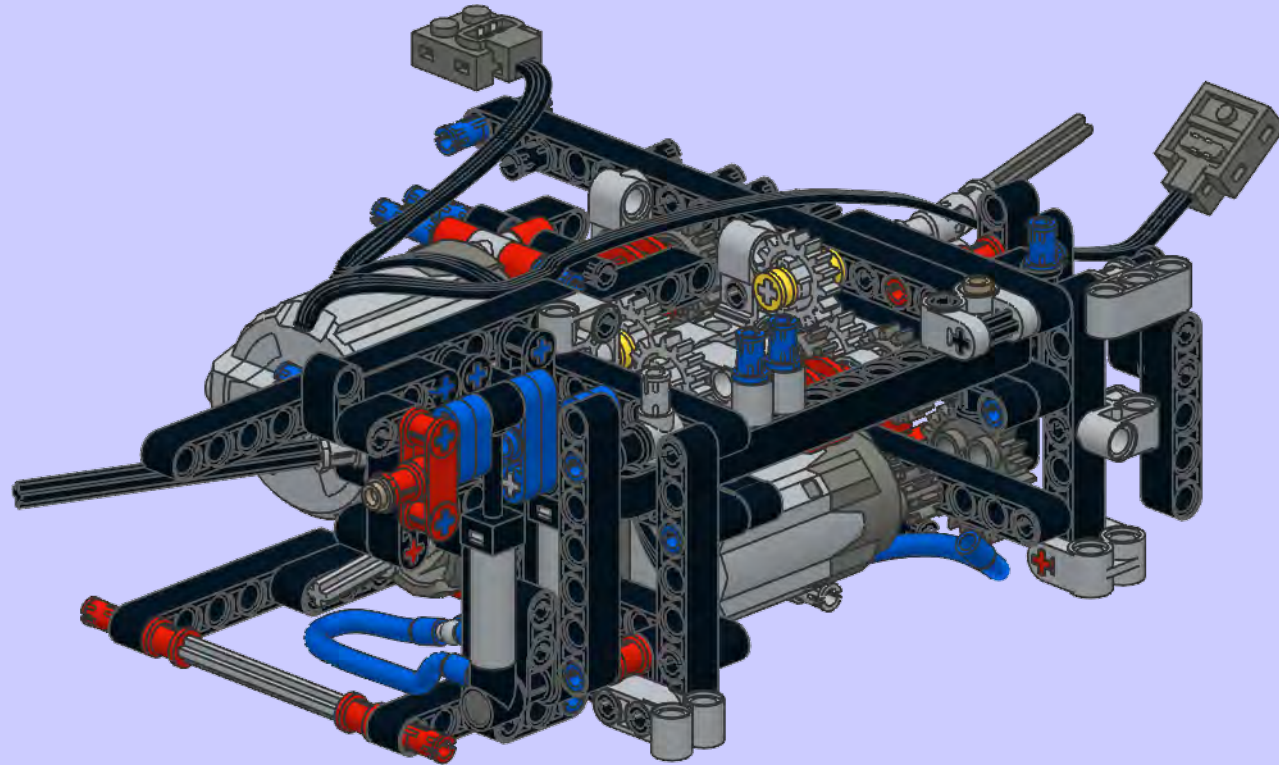
61



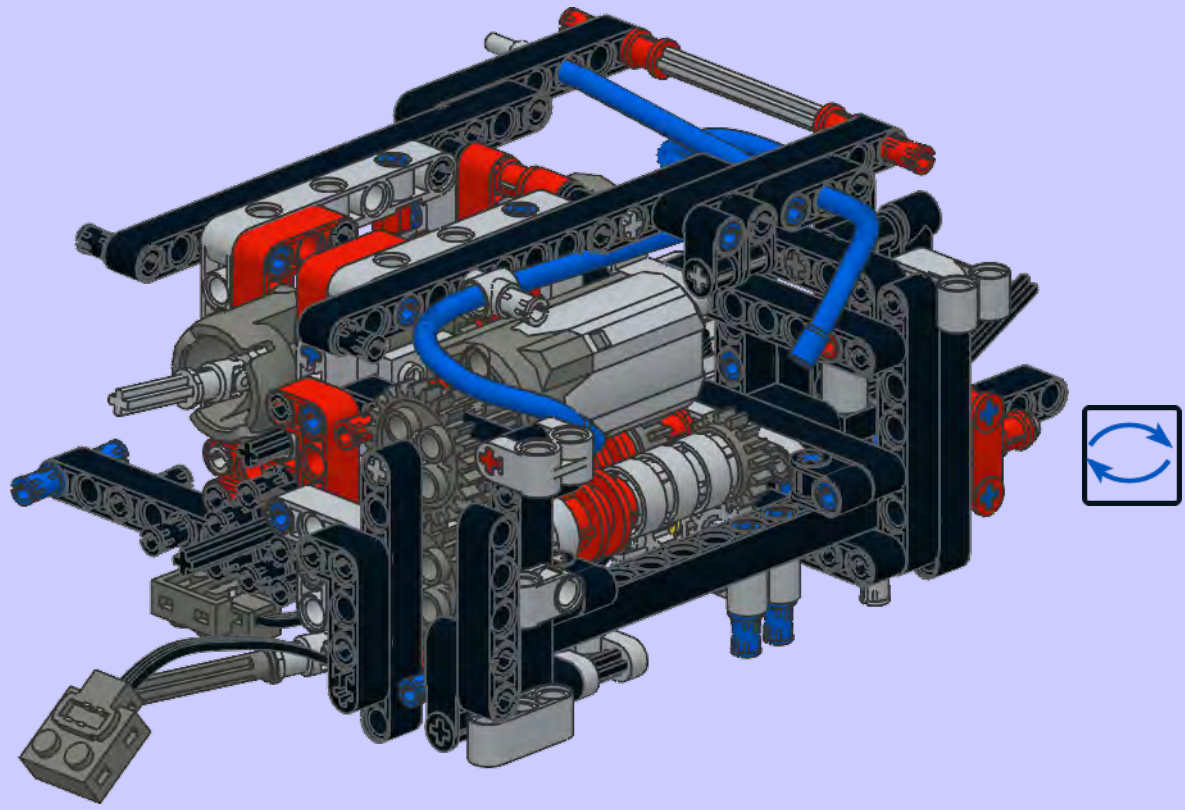
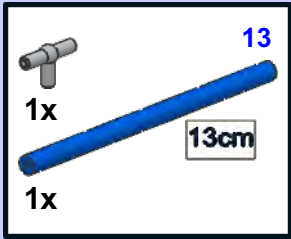
62

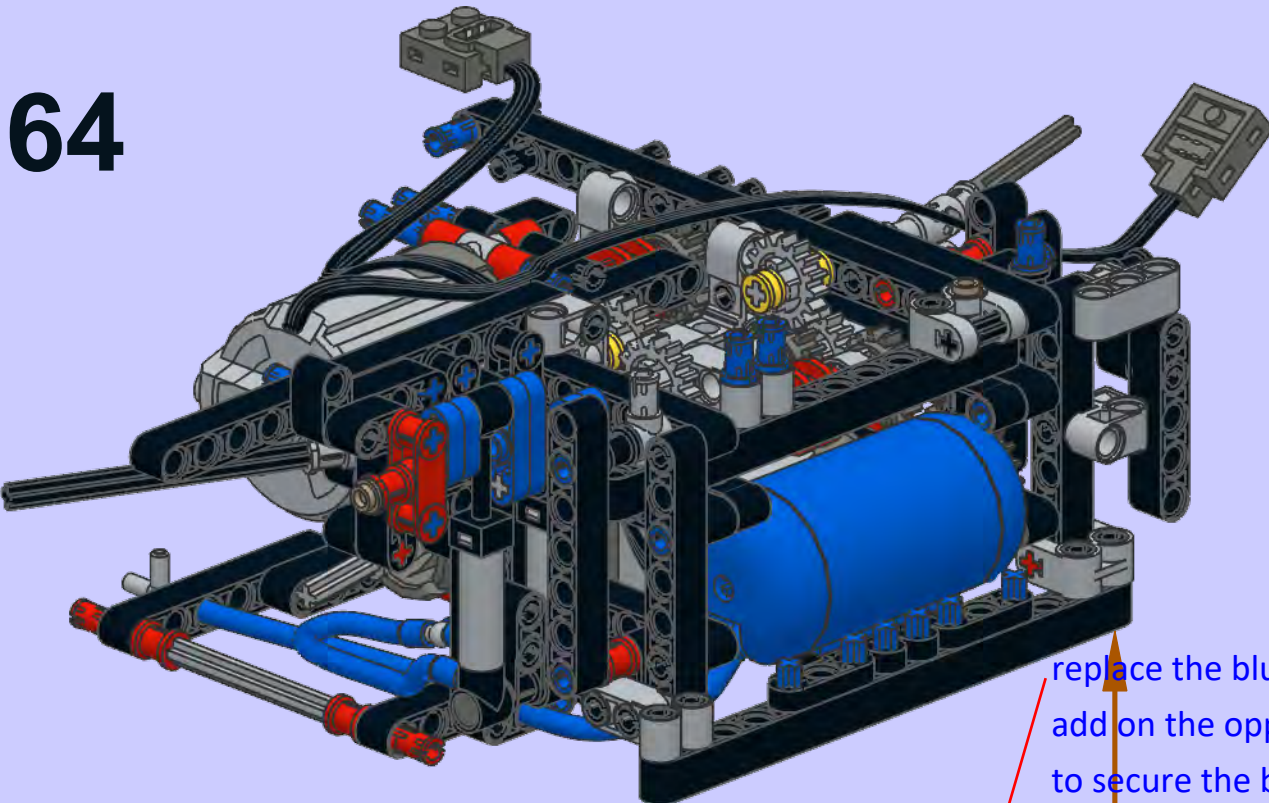


black

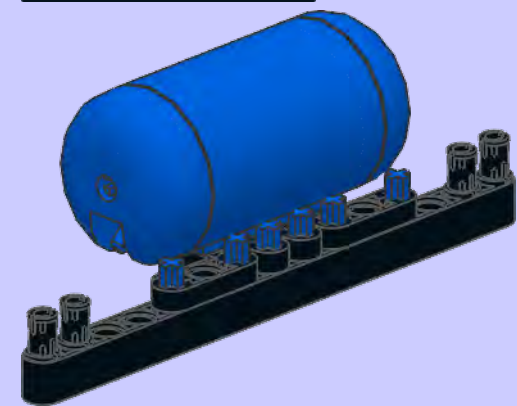
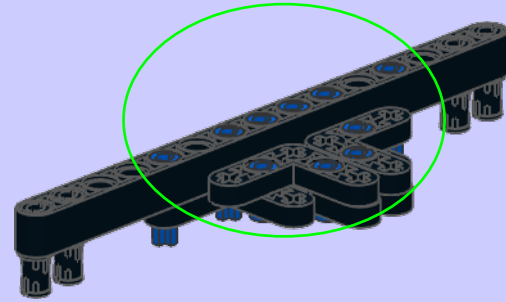
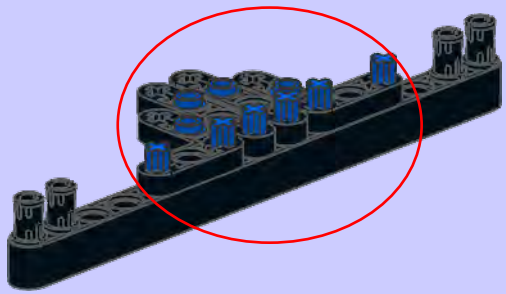
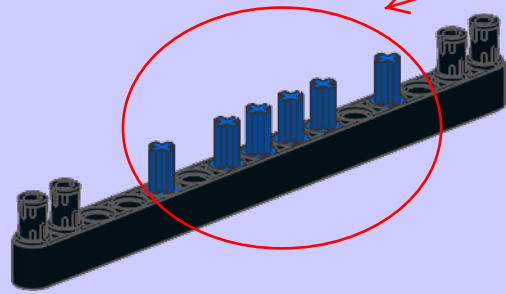
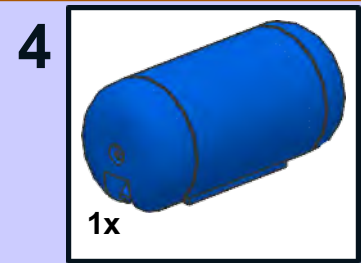
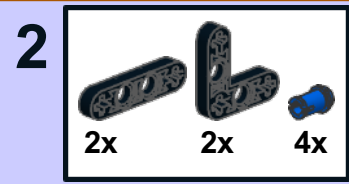
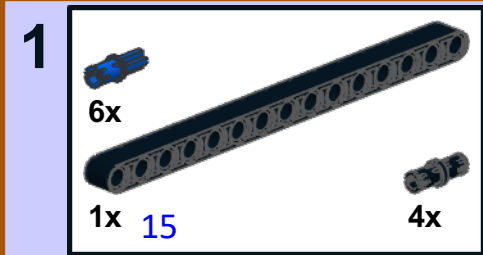


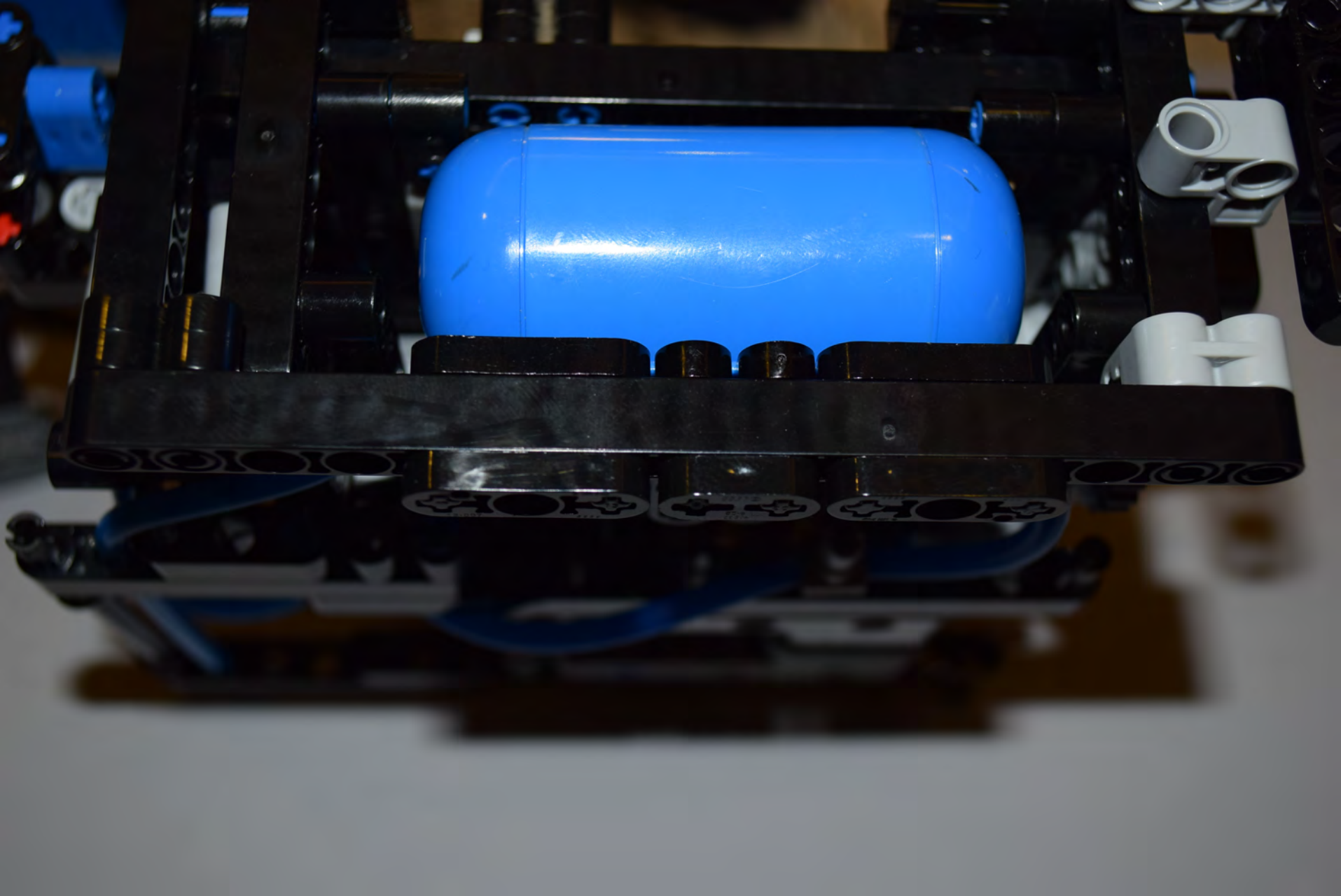
63



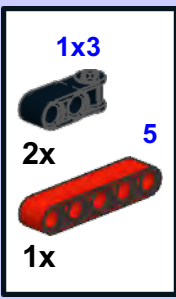


replace the blue pins with 6x 2 black axes,
add on the opposite site 2x 1x3 1/2 black liftarms and 1x 1x2 1/2 black liftarm
to secure the black axes see picture next page

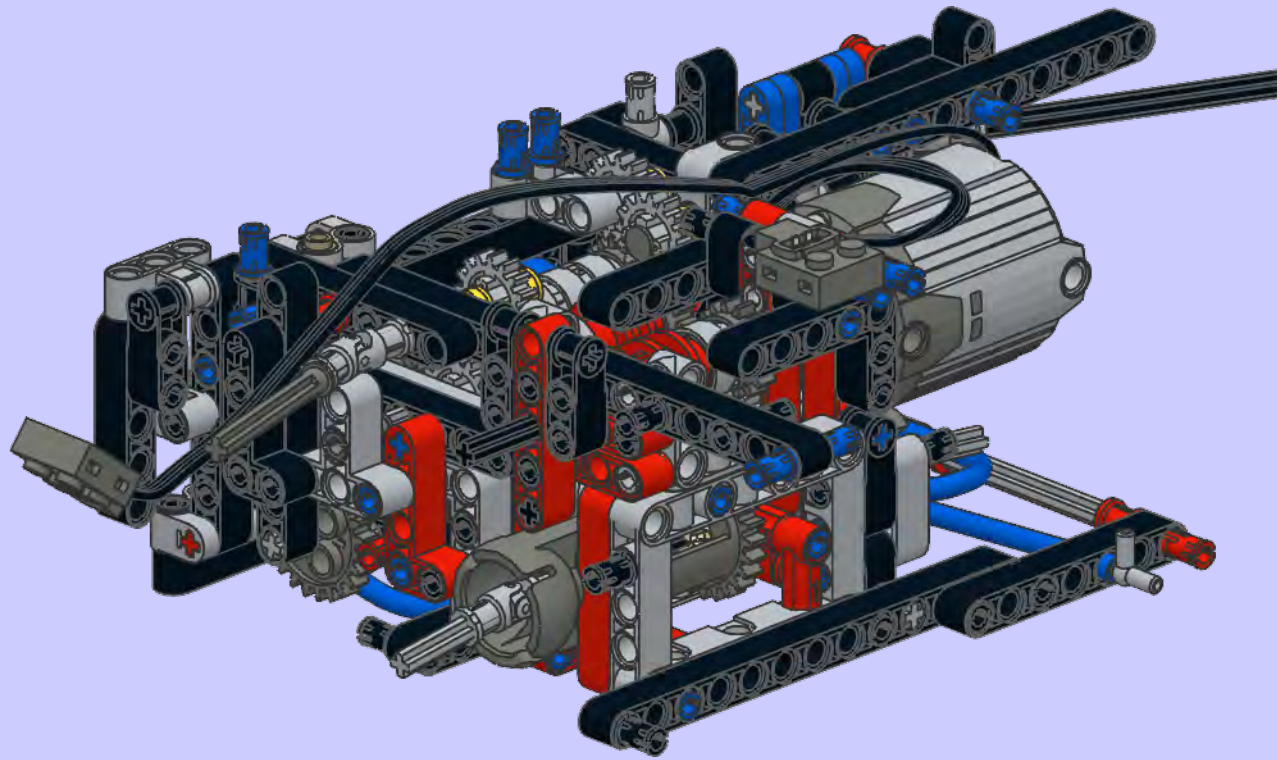




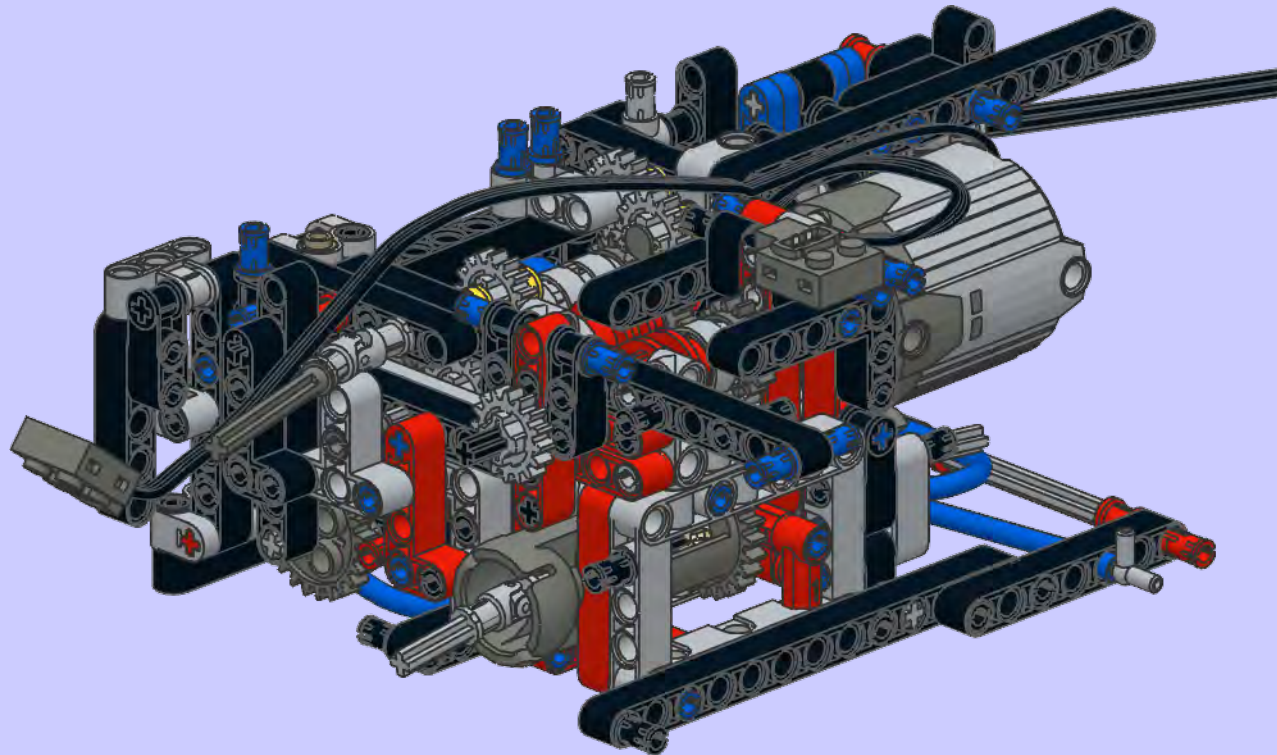
65



black

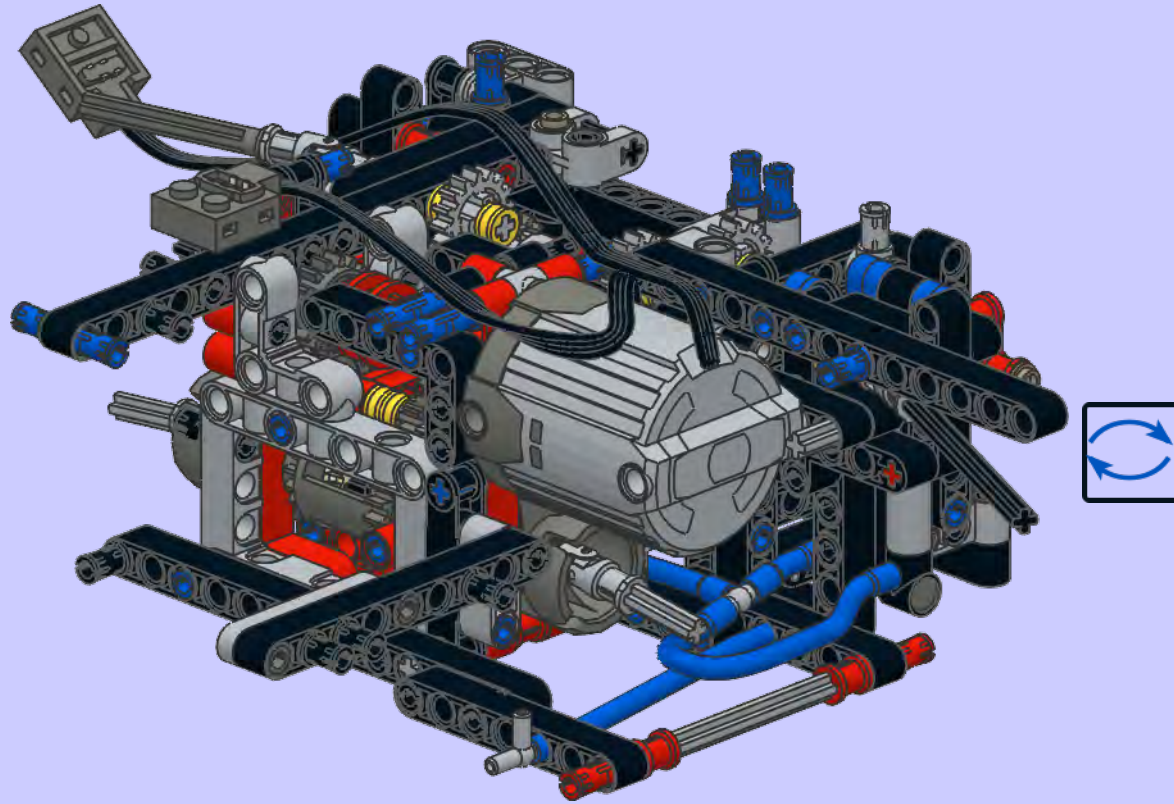
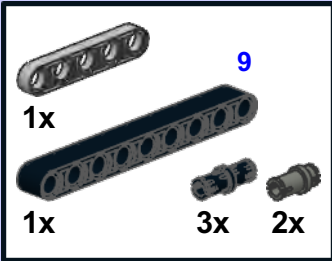


66



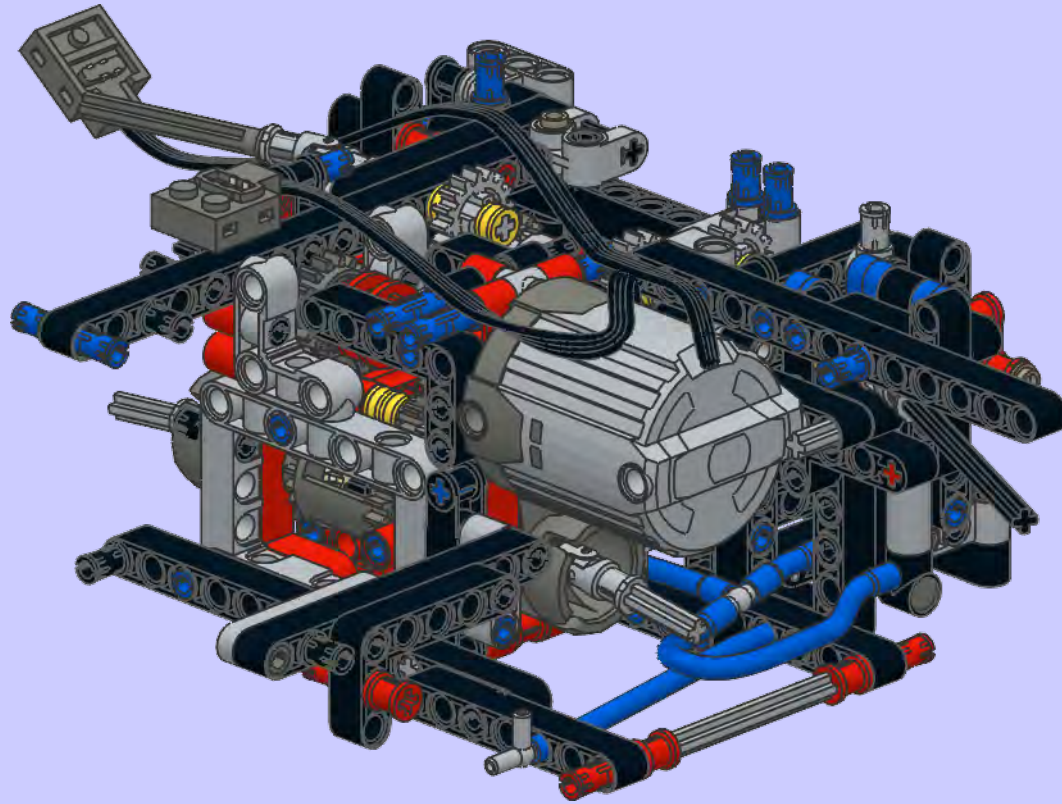
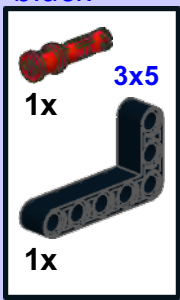
67

black



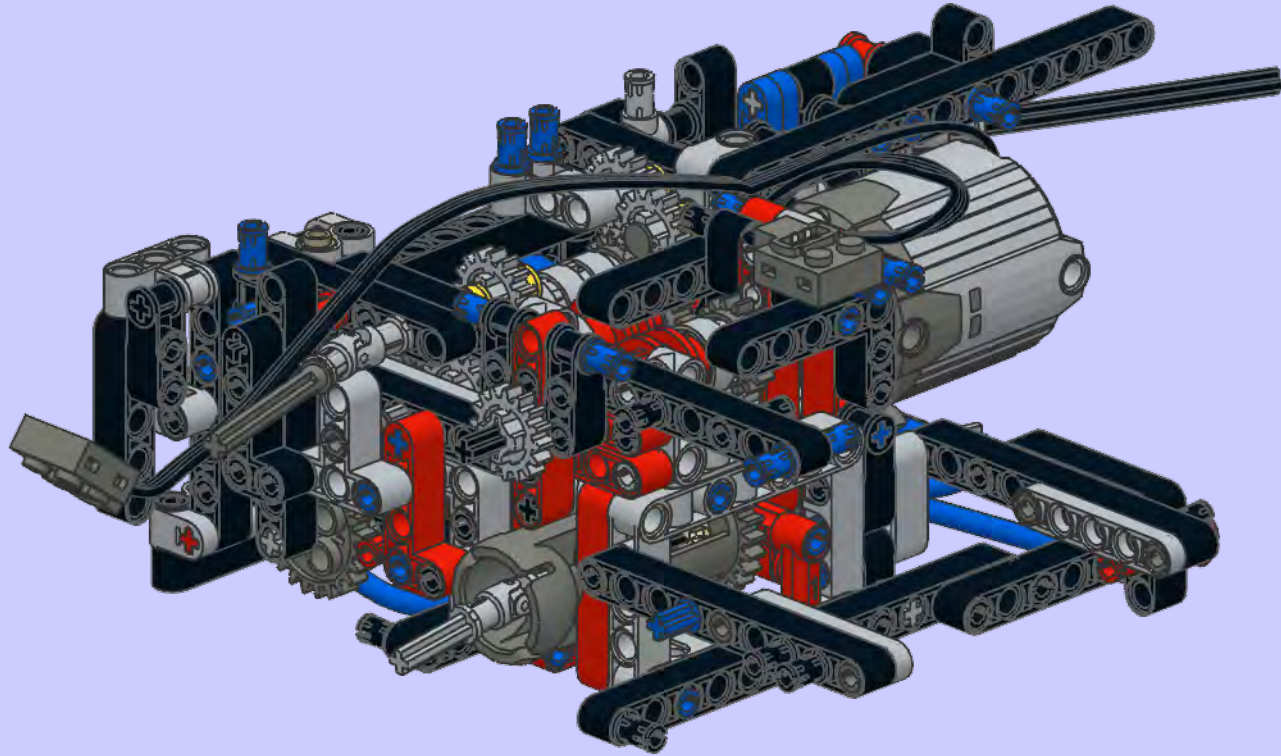
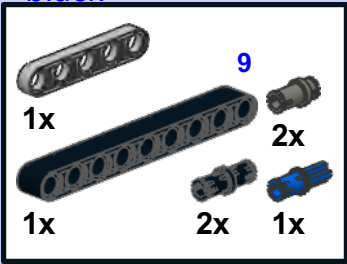
68

black



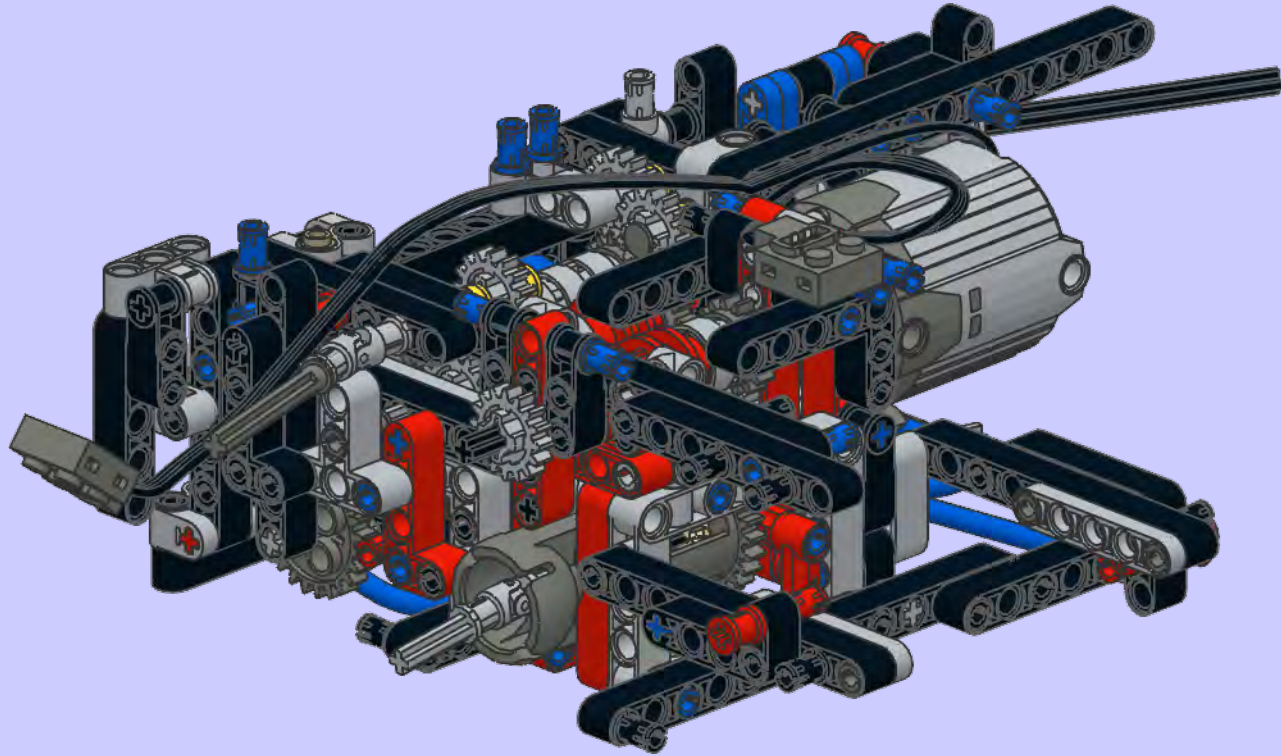
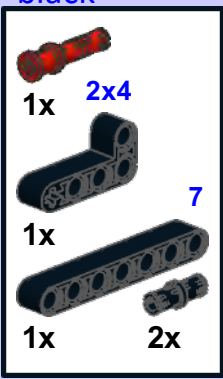
69

black

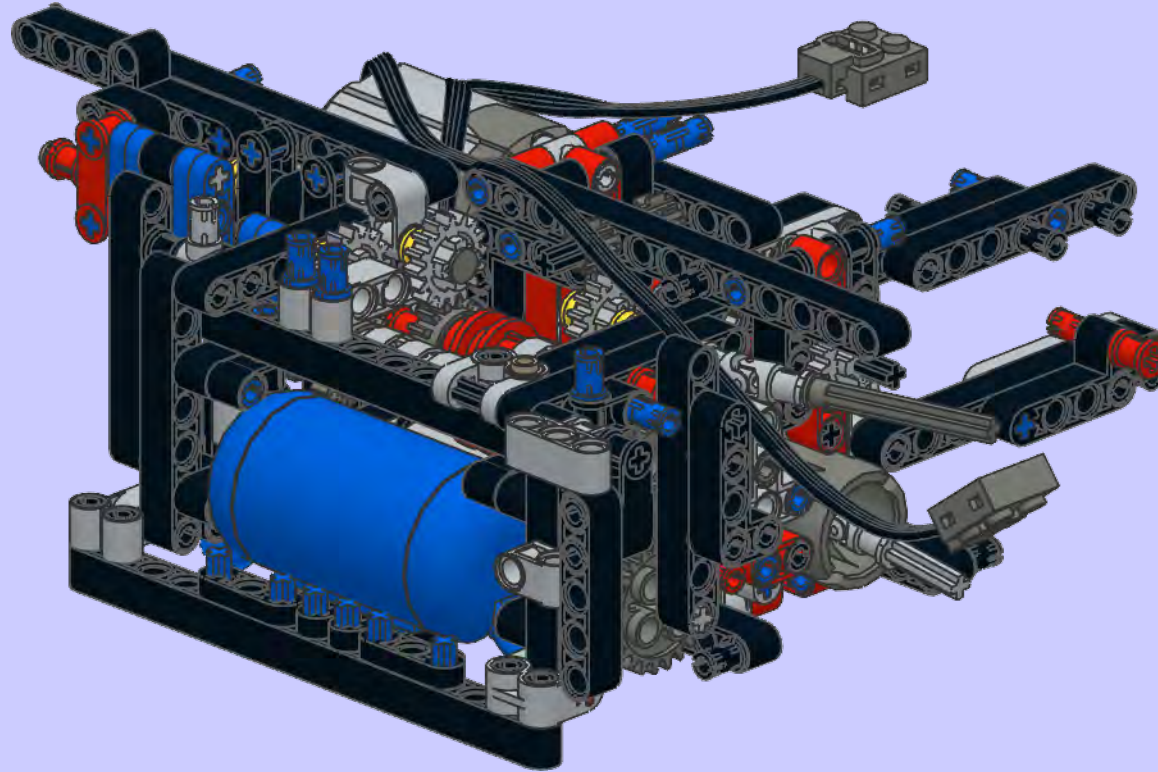
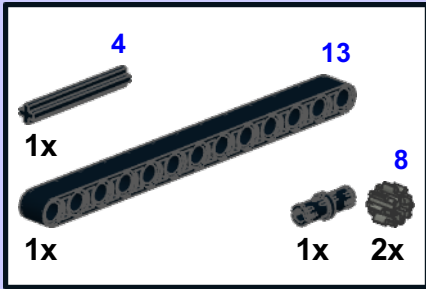


70

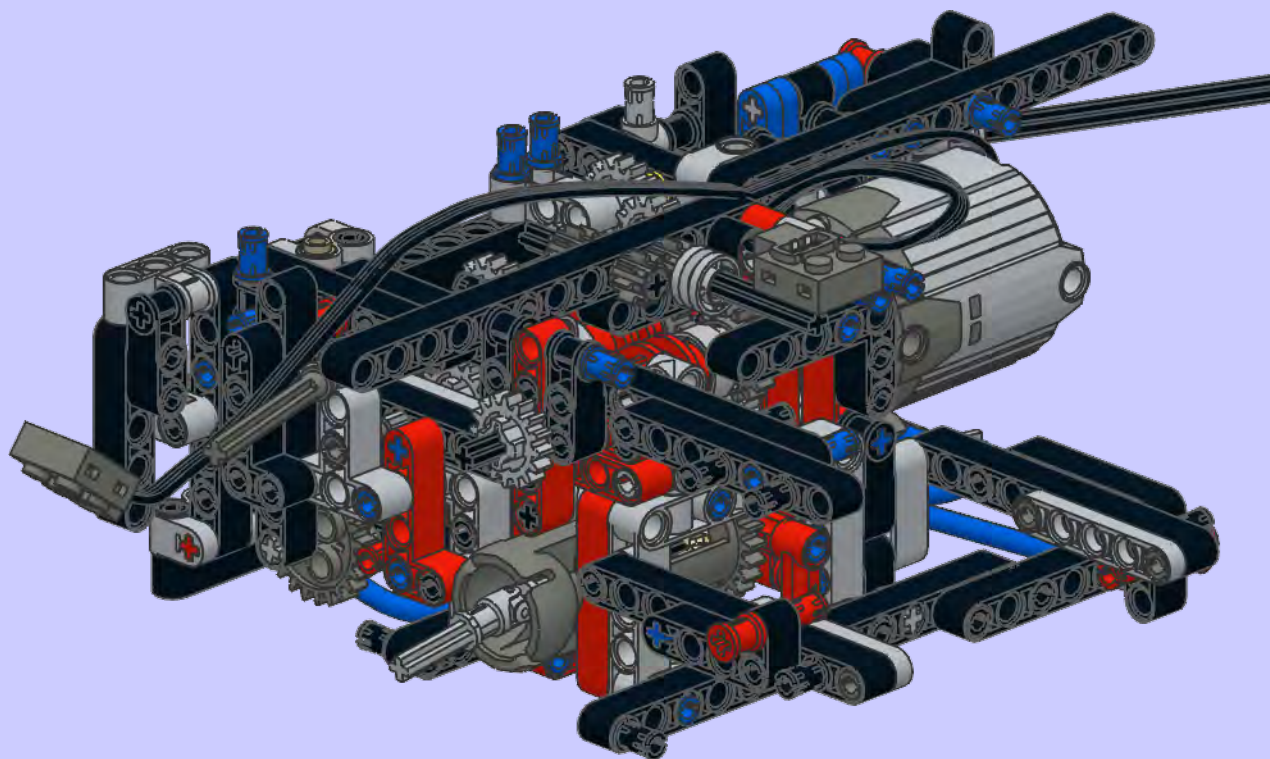
black

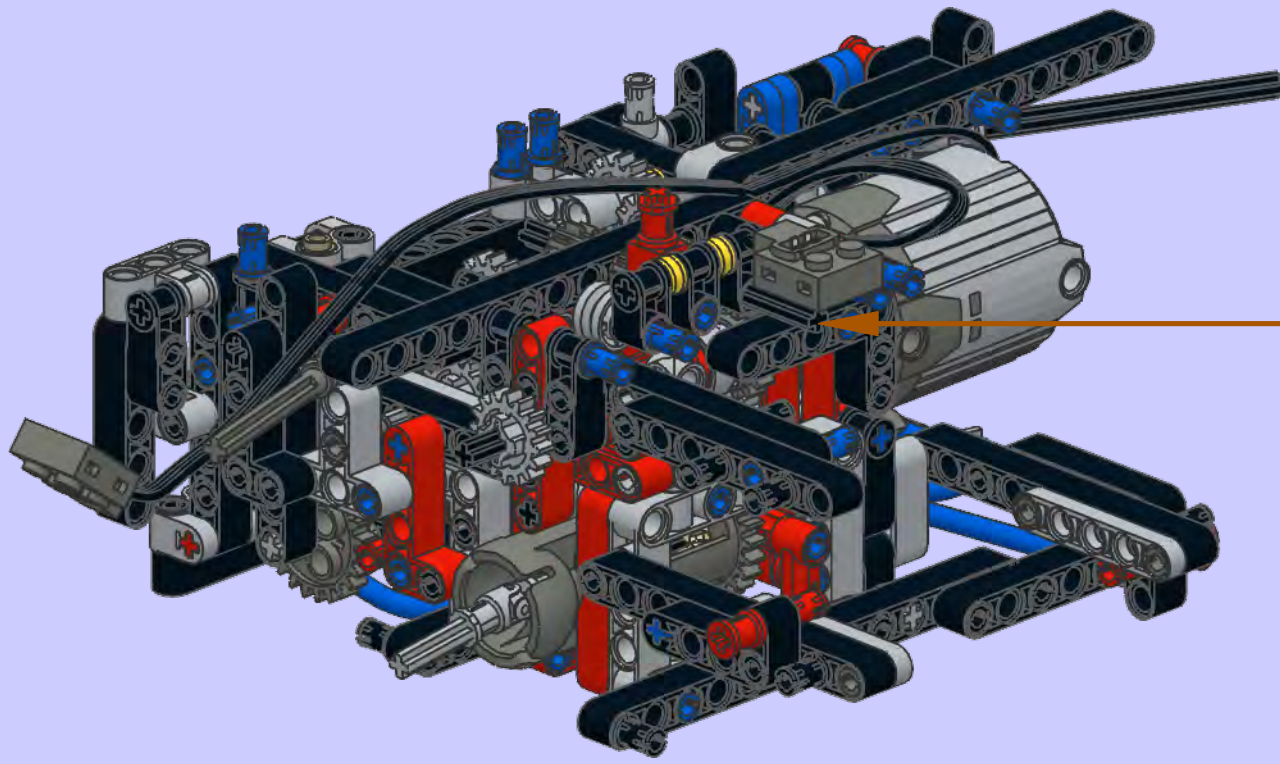















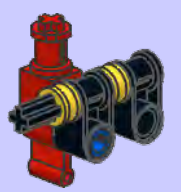
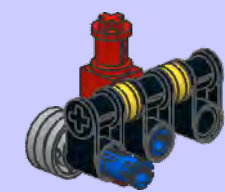
71



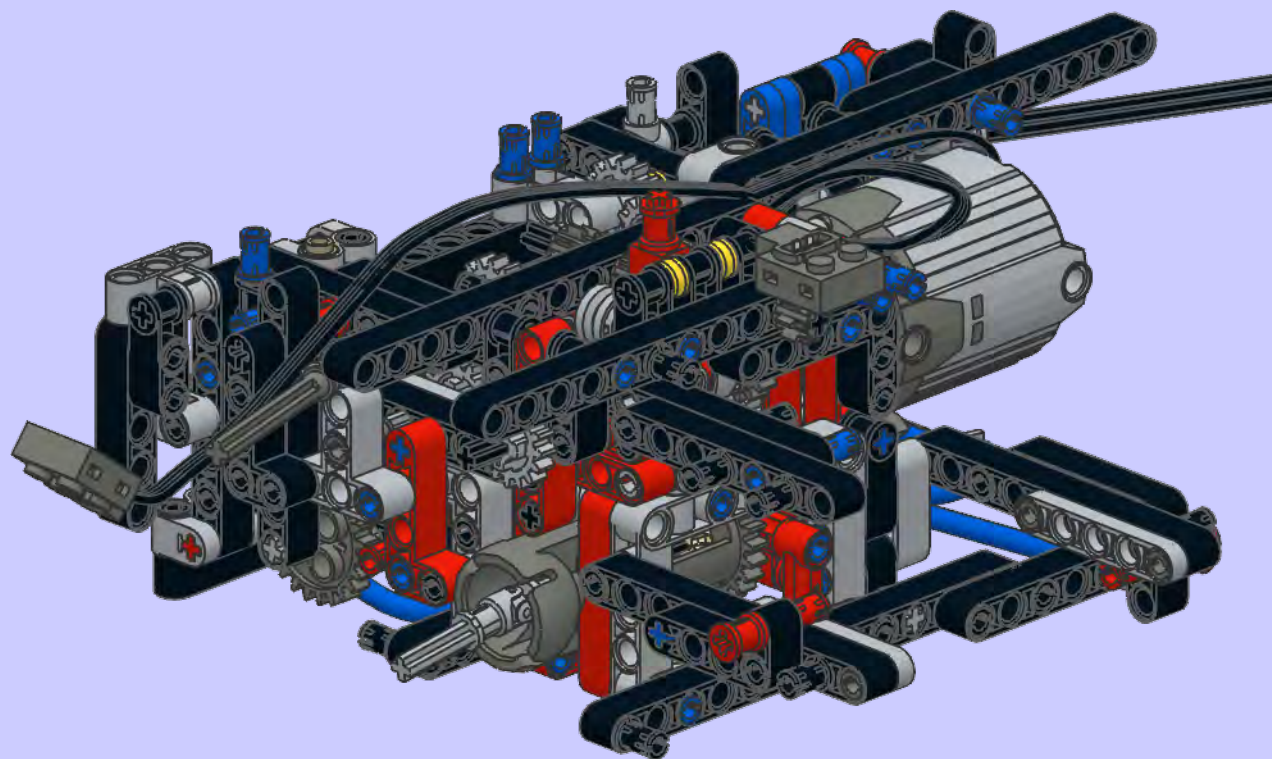
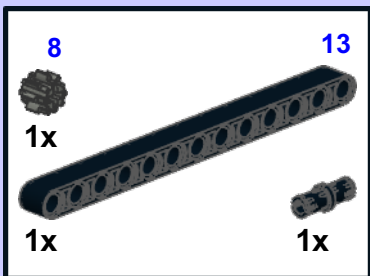
72







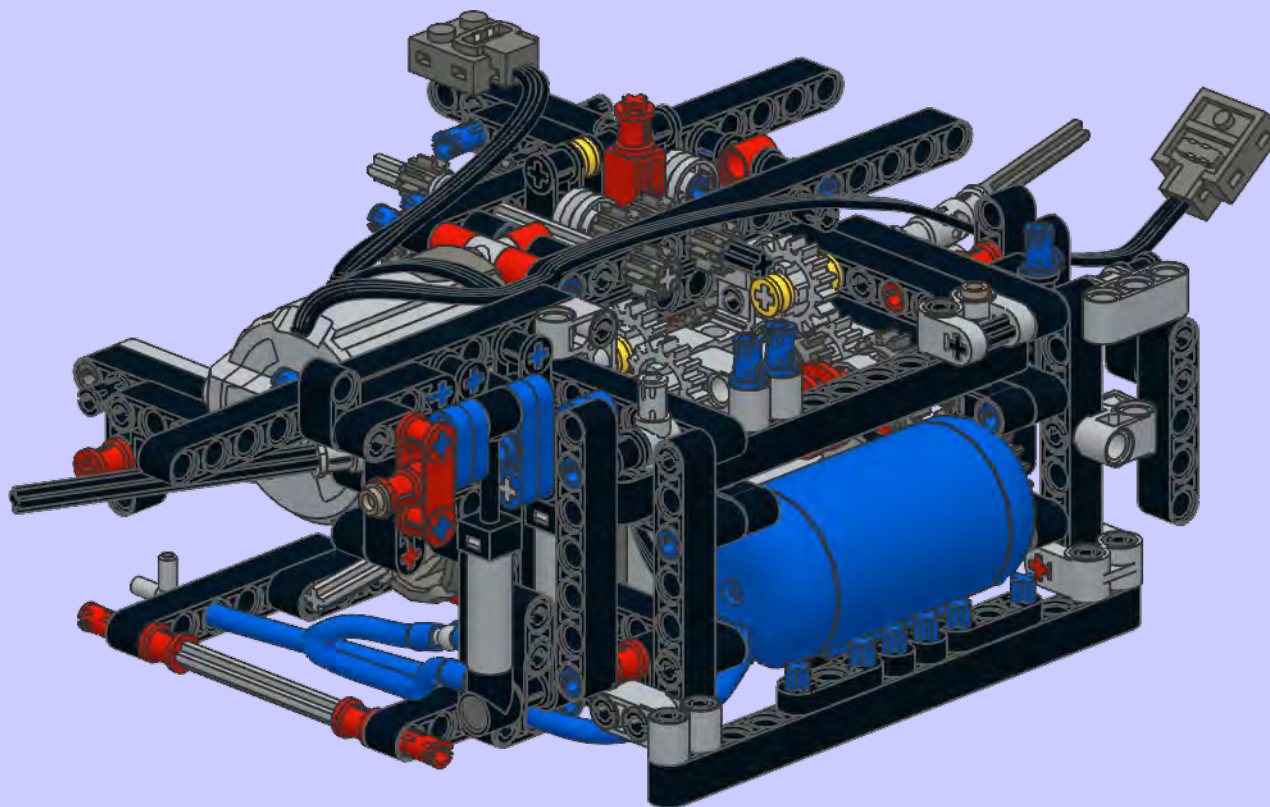
1	 2x  1x2  2x  1x  1x	2	 1x  1x  1x	3	 1x  1x  1x2  1x	
						

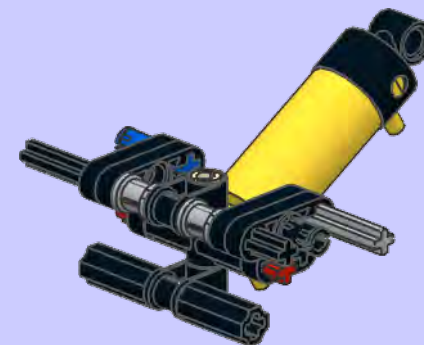
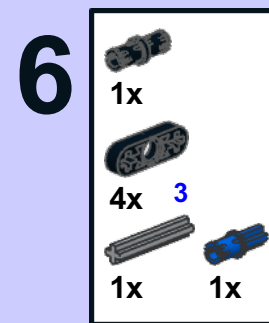
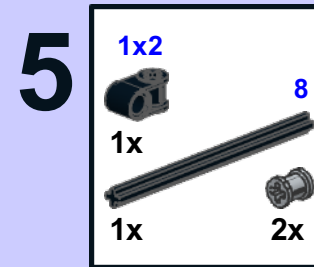
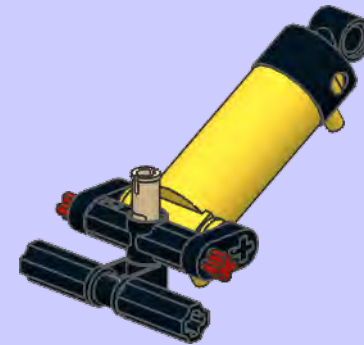
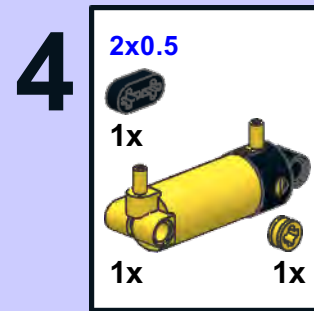
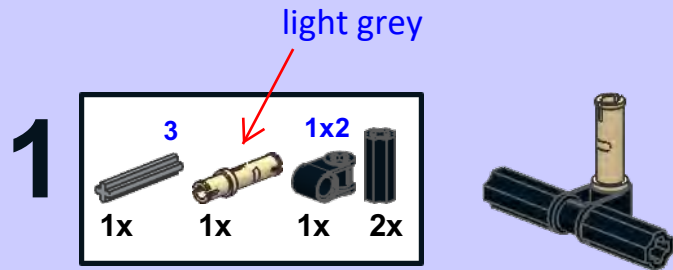
74



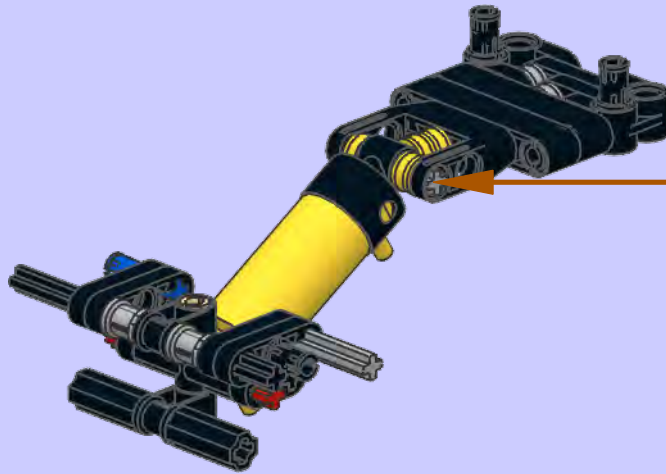
75

	8		9
2x			
	1x		1x

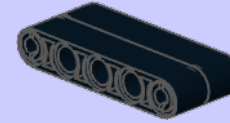
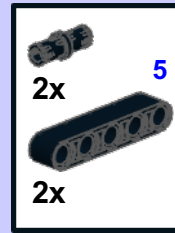




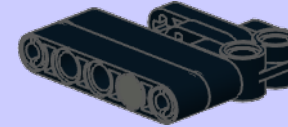
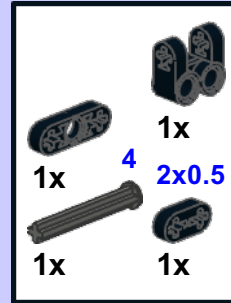
7



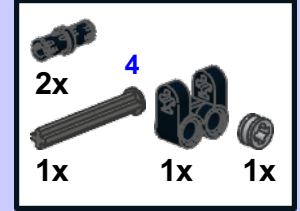
1



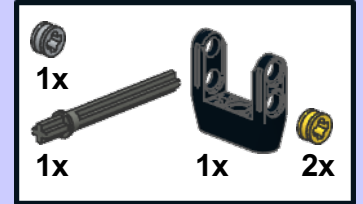
2



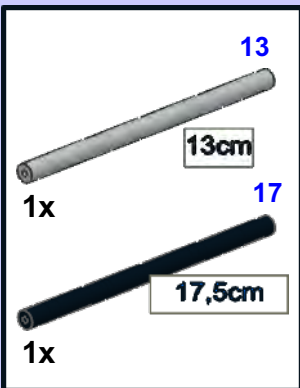
3



4



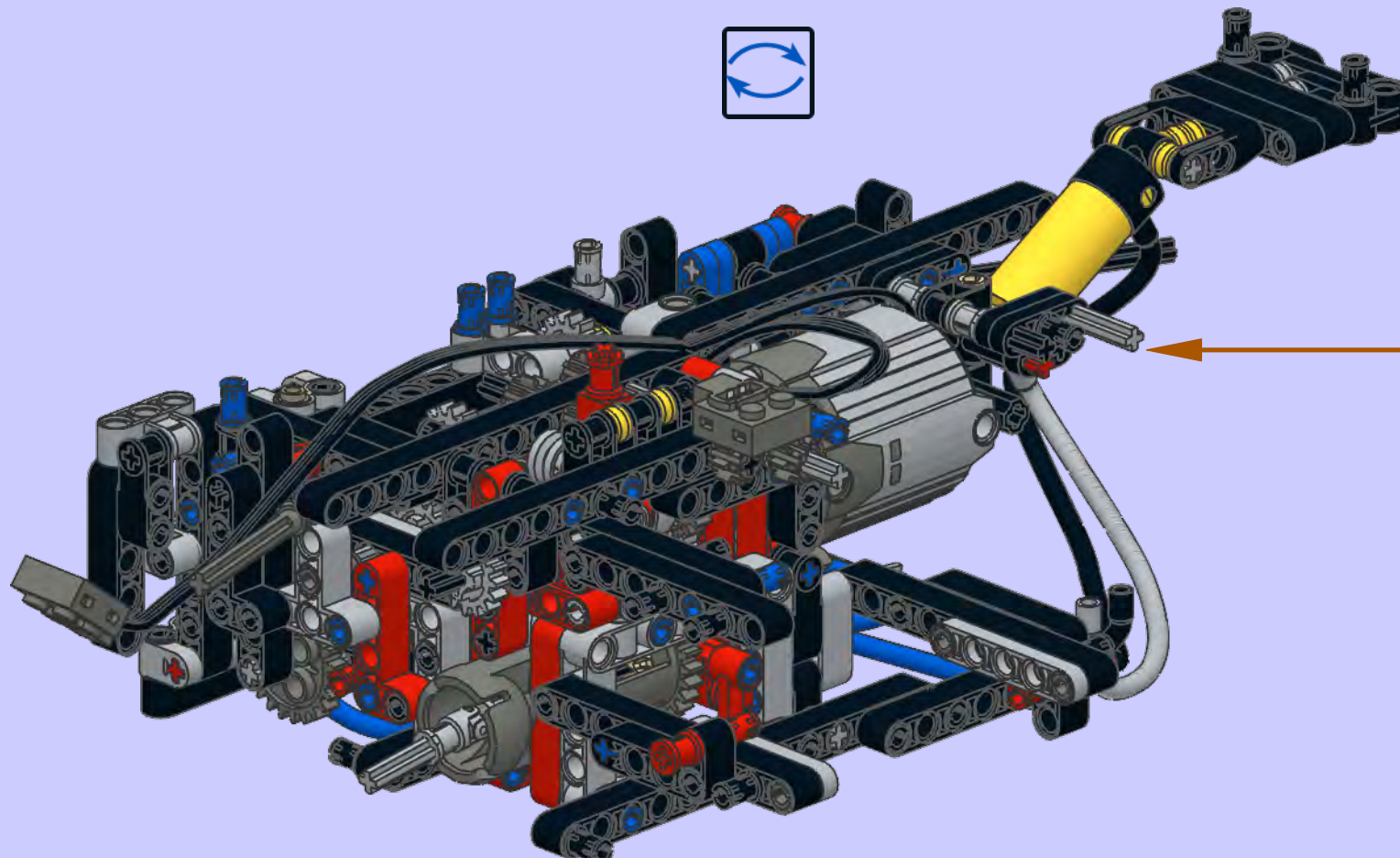
8



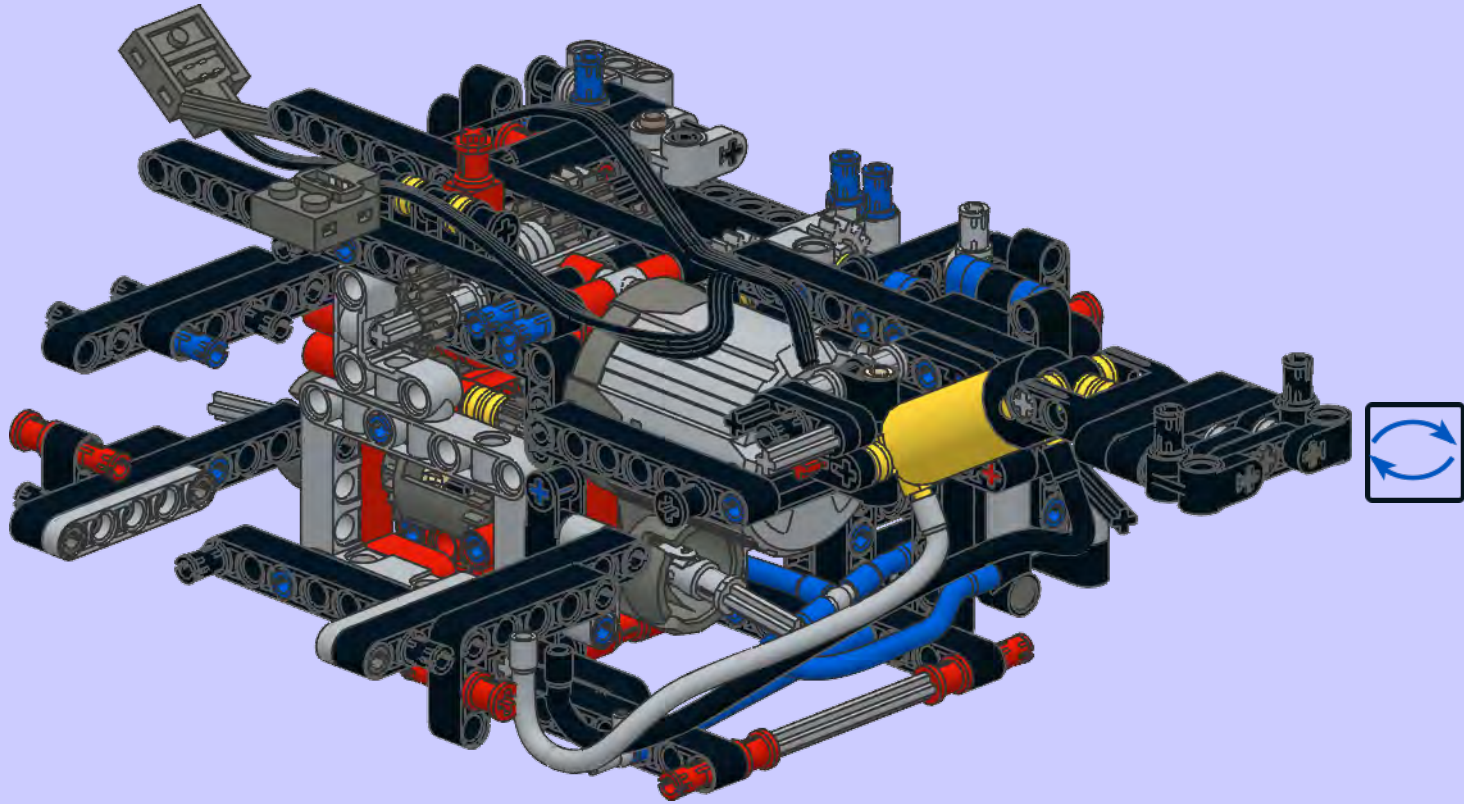
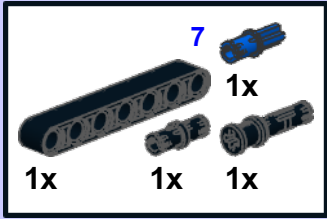
all transparent



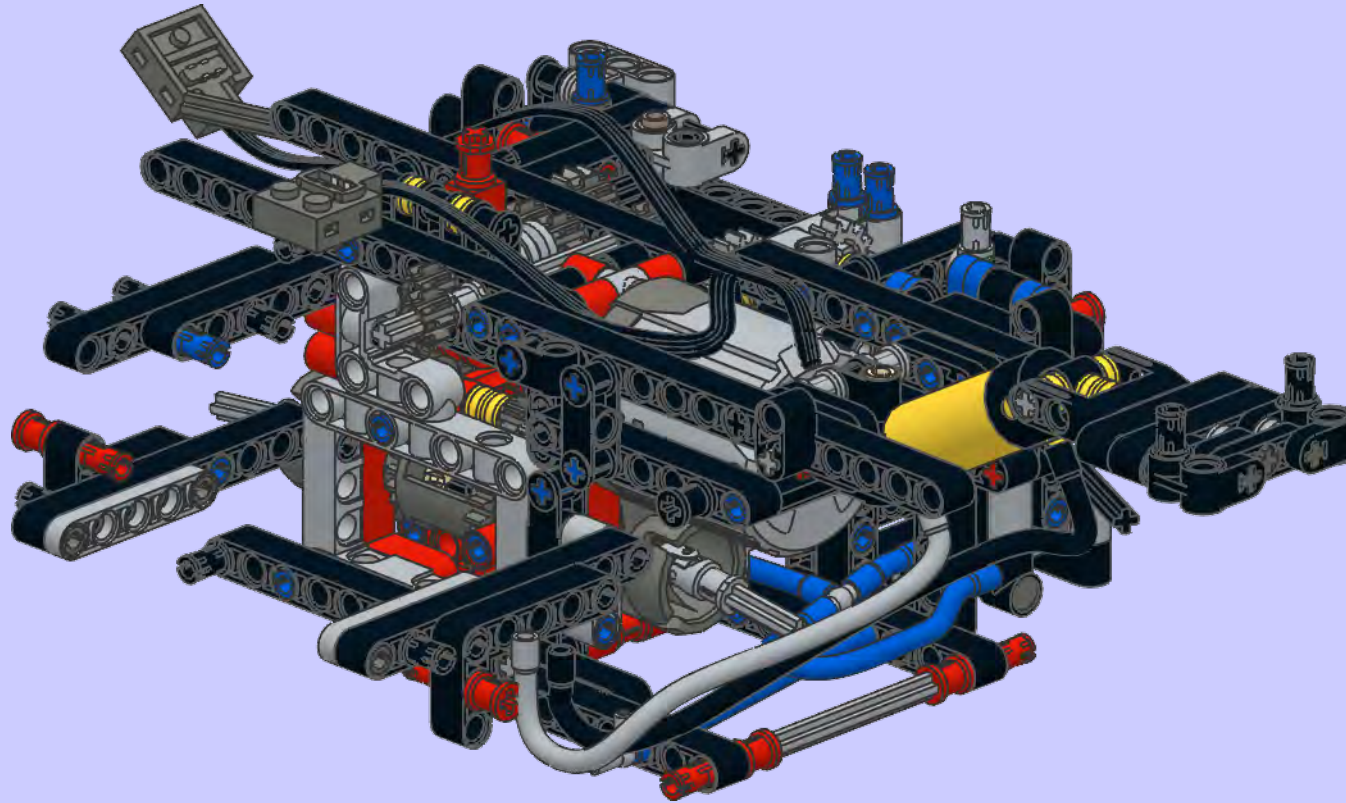
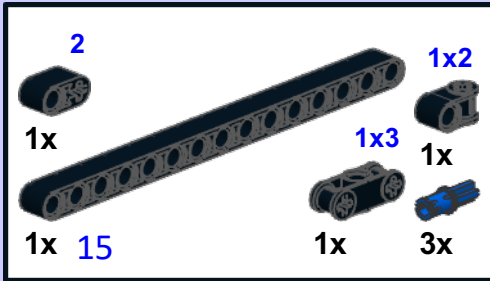
76



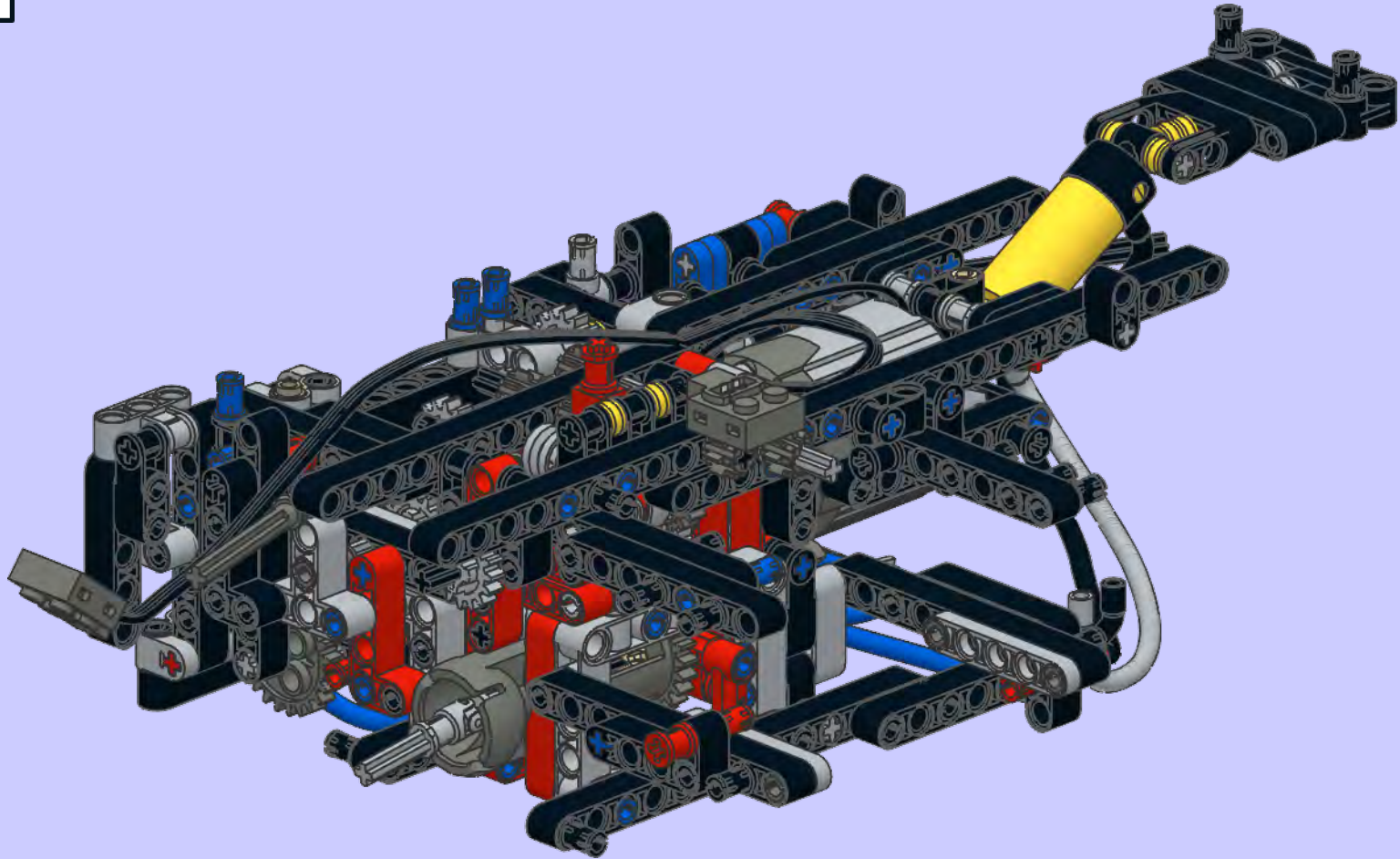
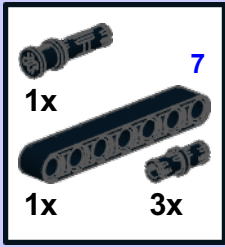
77



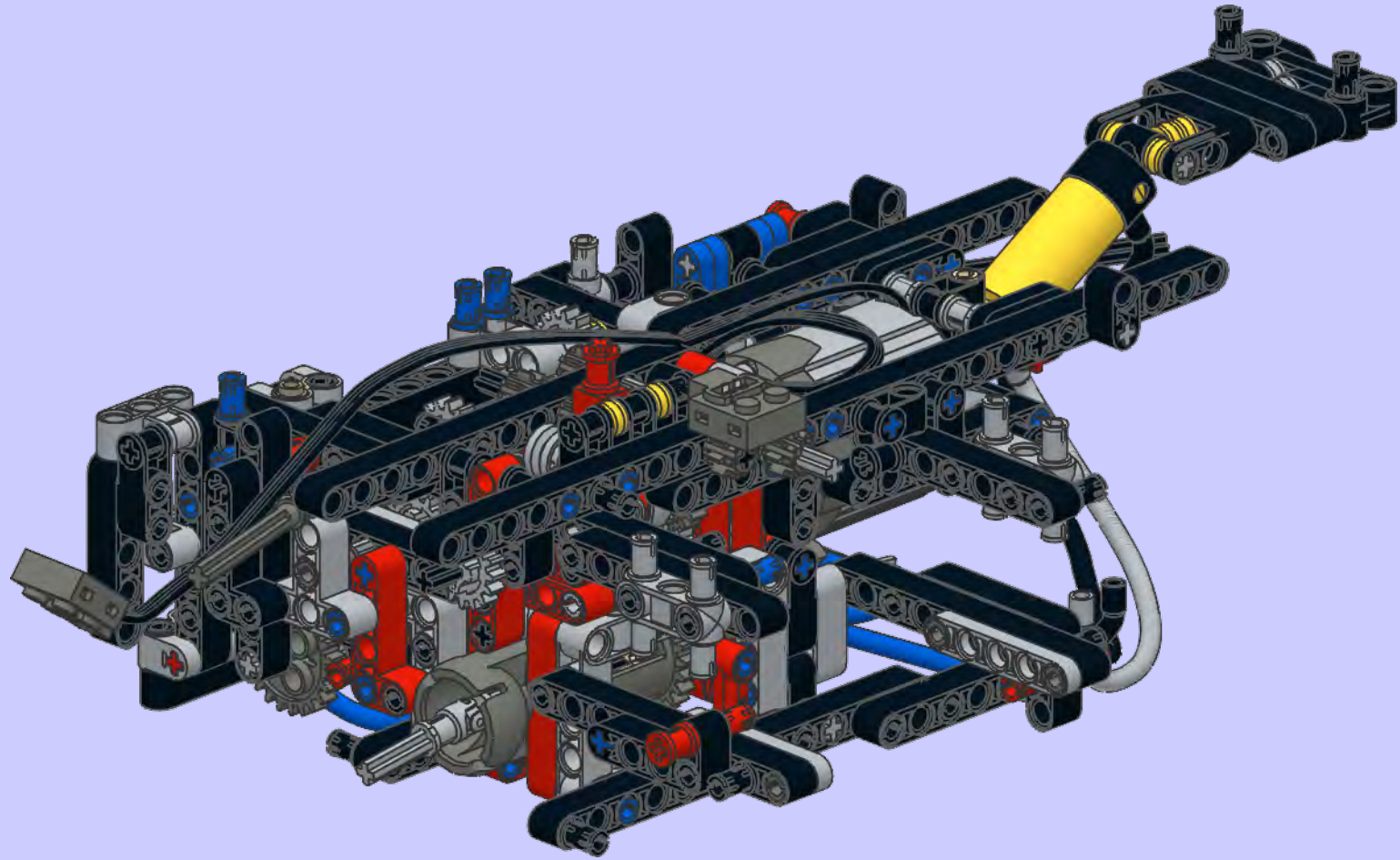
78



79



80



light grey

1

- 1x [grey connector]
- 5 [grey beam]
- 1x [grey beam]
- 7 [grey axle]
- 2x [grey axle]
- 2x [grey axle]

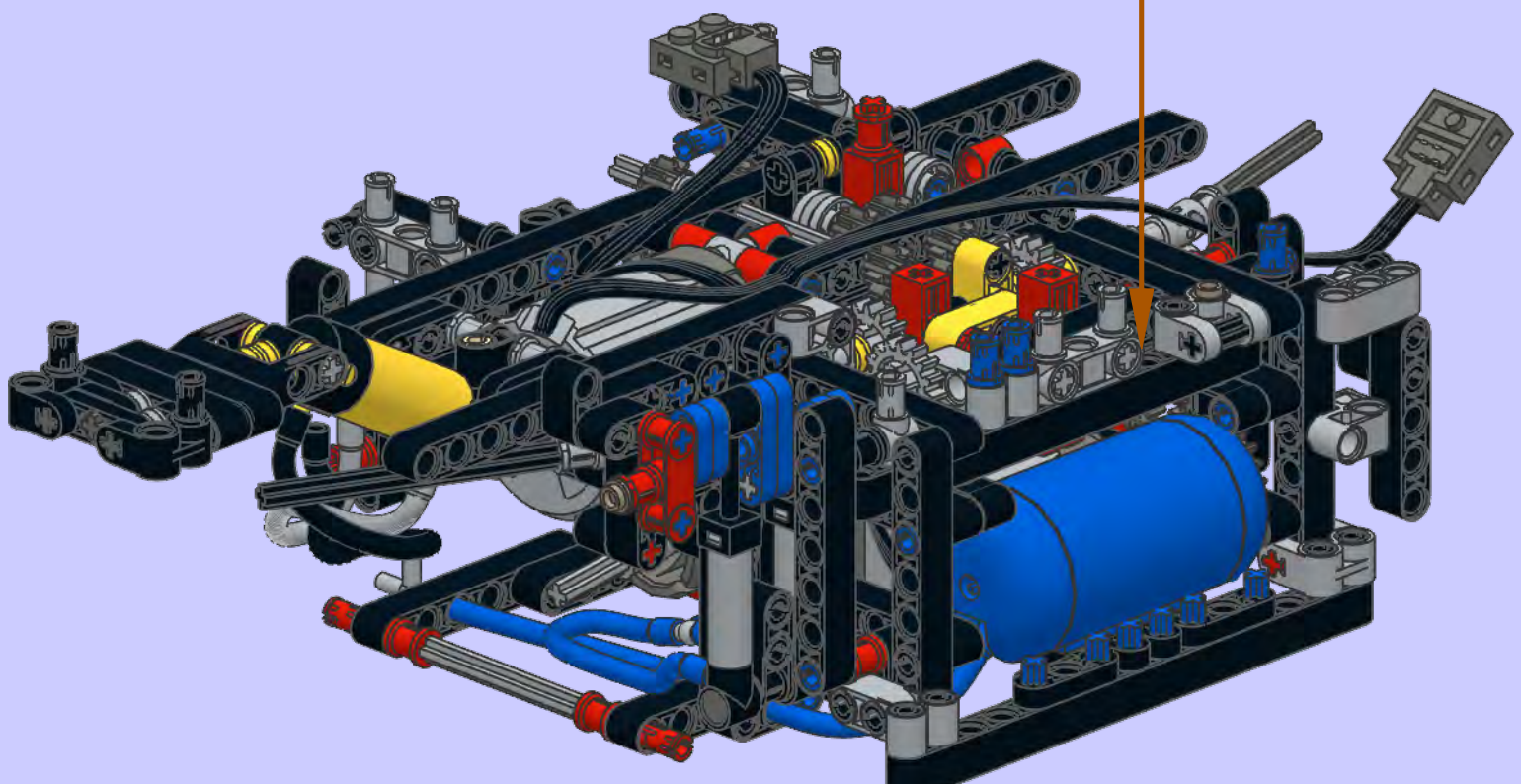
2

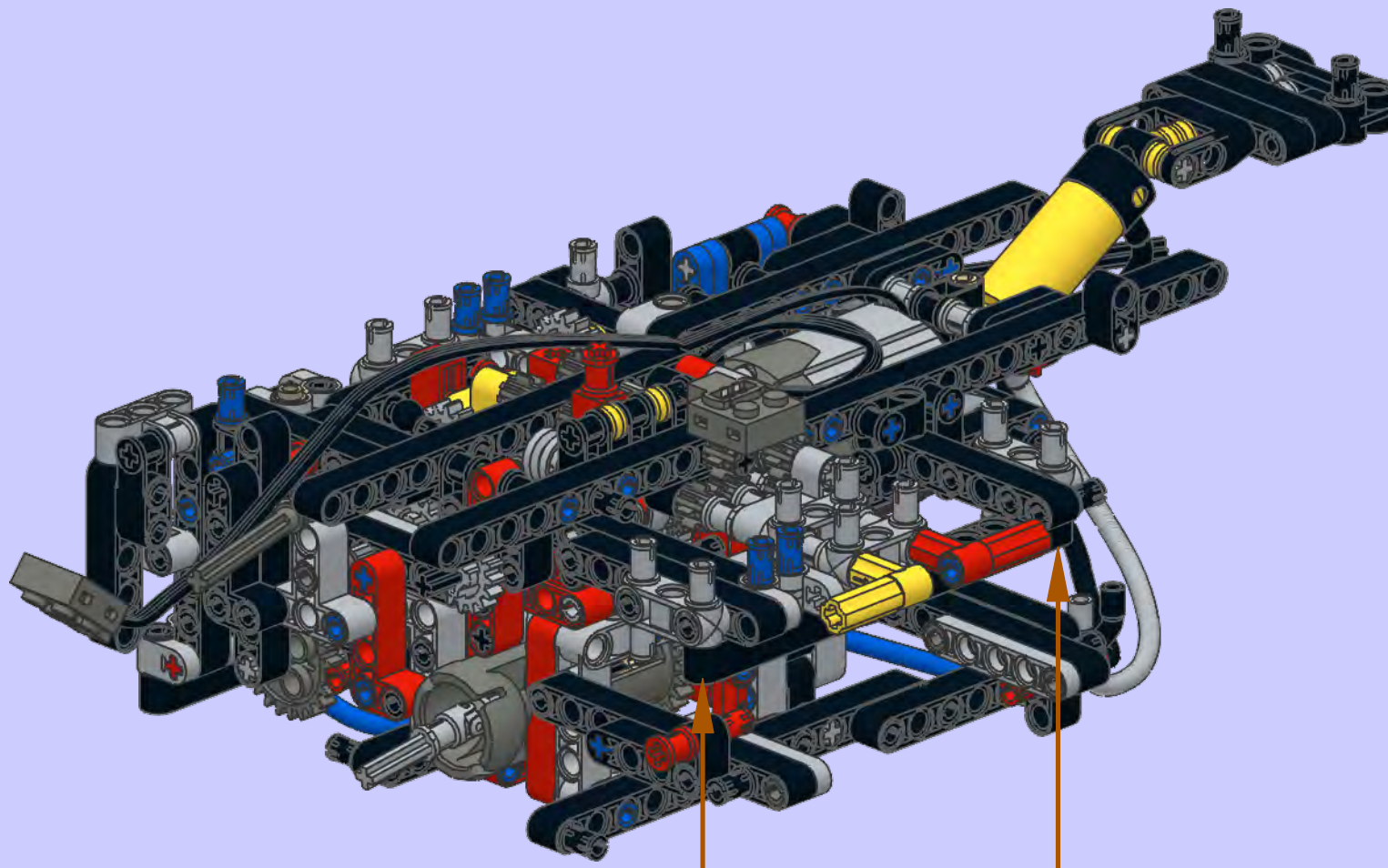
- 1x [black pin]
- 1x [red pin]
- 3 [yellow axle]
- 1x [red pin]

3

- 1x [yellow axle]
- 1x [red pin]
- 8 [grey axle]
- 1x [red pin]
- 2x [grey axle]

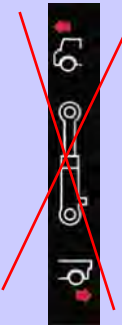
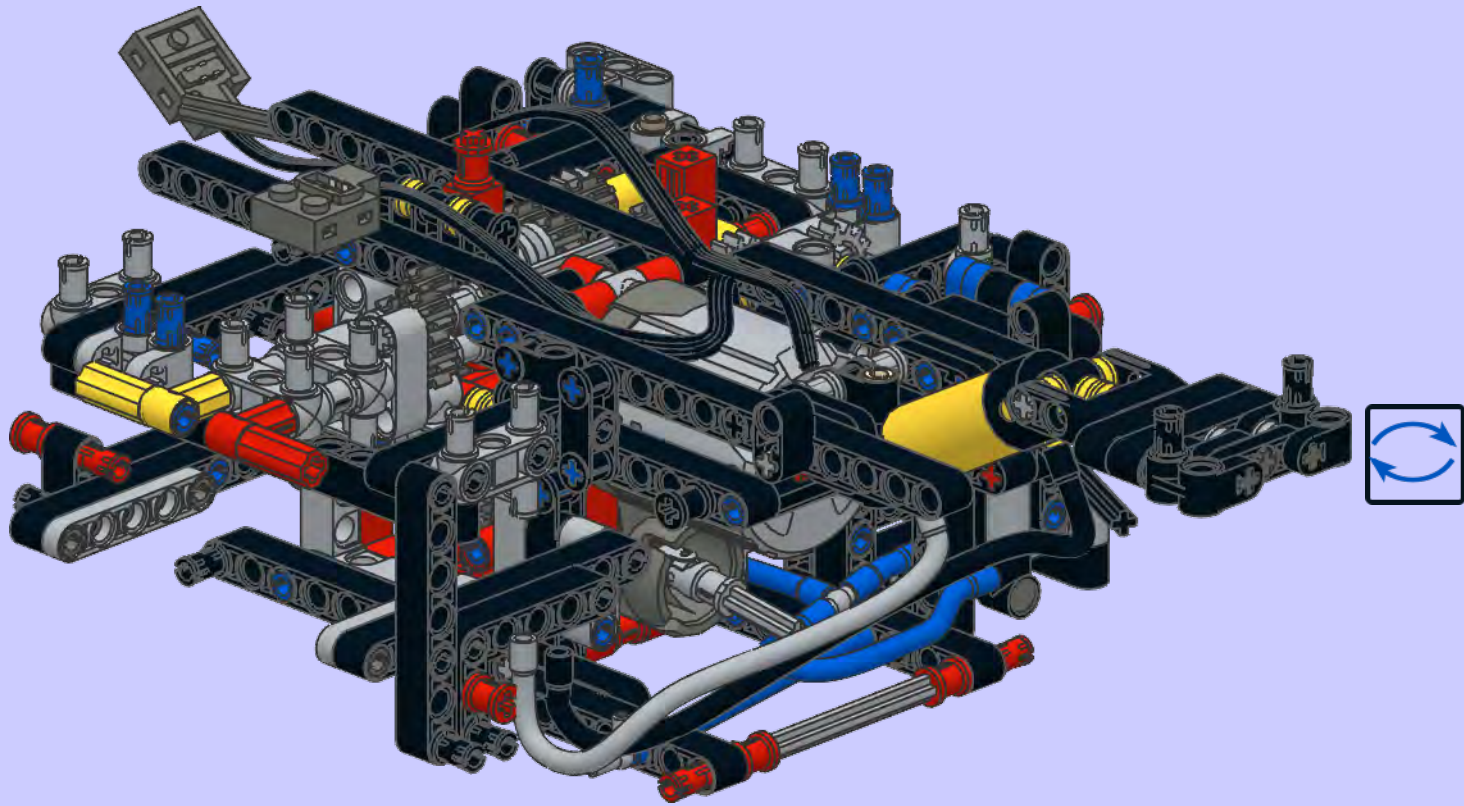
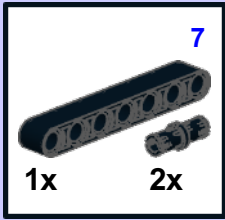
light grey





<p>1</p> <p>dark grey</p> <p>1x</p> <p>8</p> <p>2x</p> <p>2x</p> <p>2x</p> <p>2x</p> <p>1x</p>	<p>2</p> <p>black</p> <p>13</p> <p>1x</p> <p>1x</p> <p>2x</p> <p>1x</p> <p>1x</p>	<p>3</p> <p>3x3</p> <p>4</p> <p>3x</p> <p>1x</p> <p>1x</p> <p>8</p> <p>3x</p>
<p>black</p>	<p>black</p>	<p>dark grey</p>

83

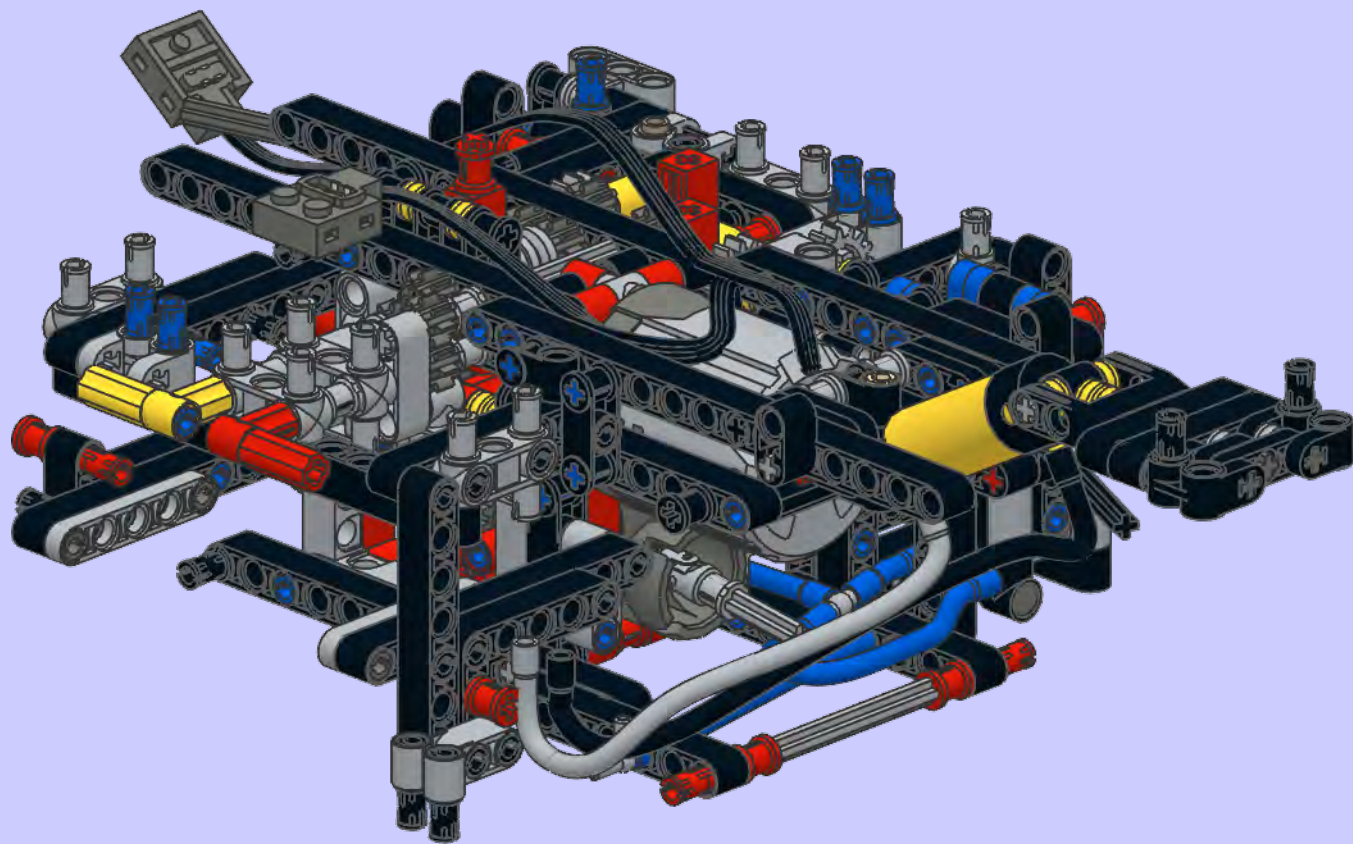


84

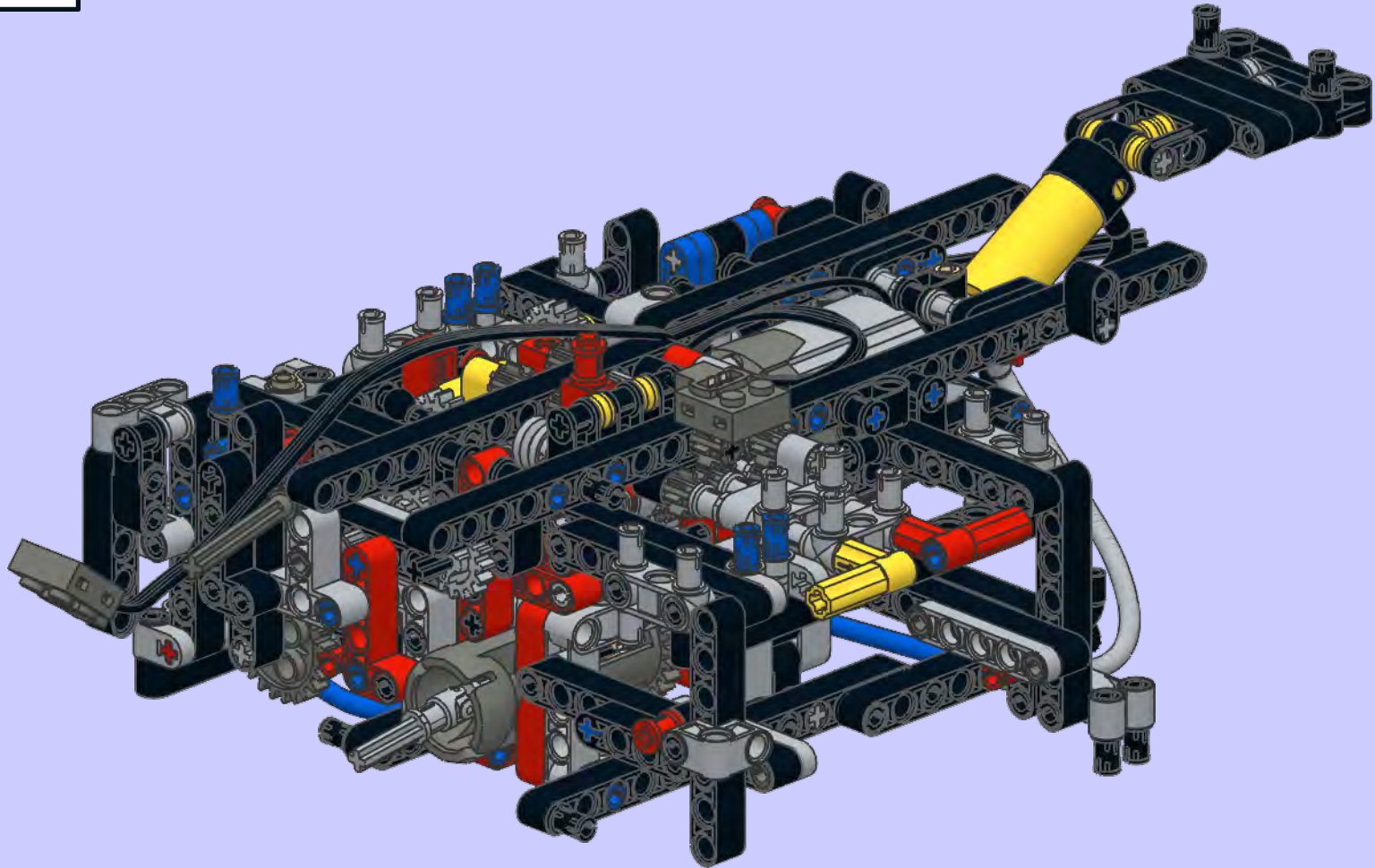
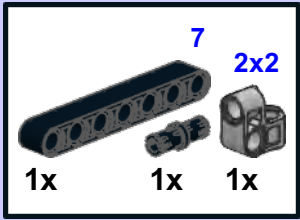
2x3 black



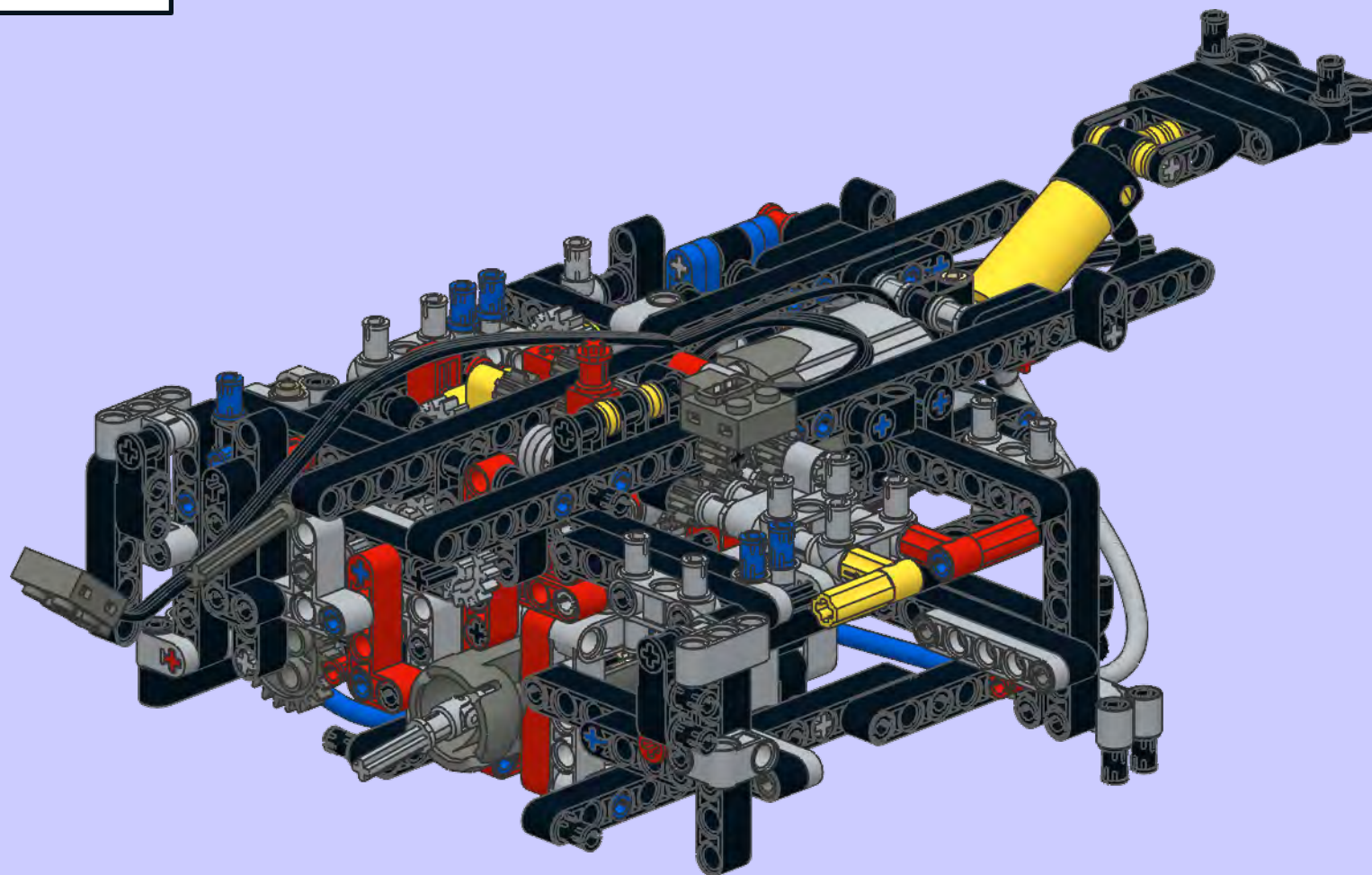
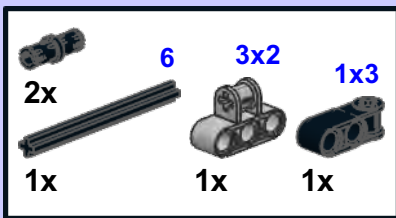
1x 2x



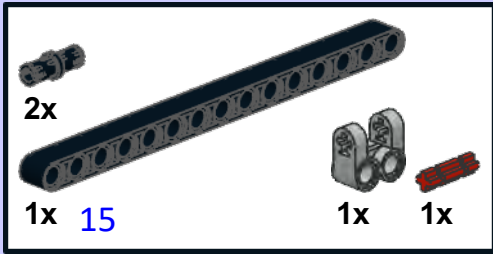
85



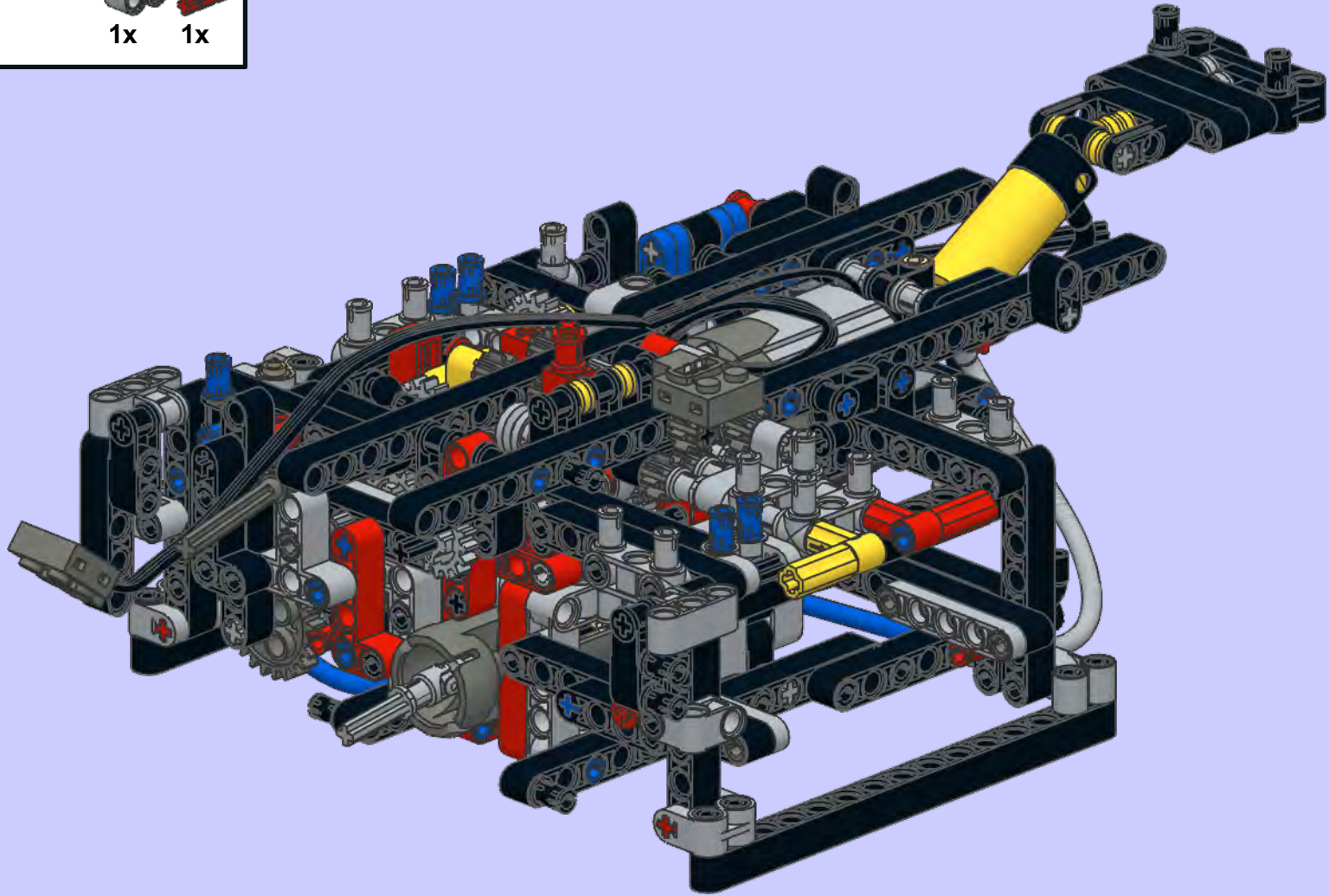
86



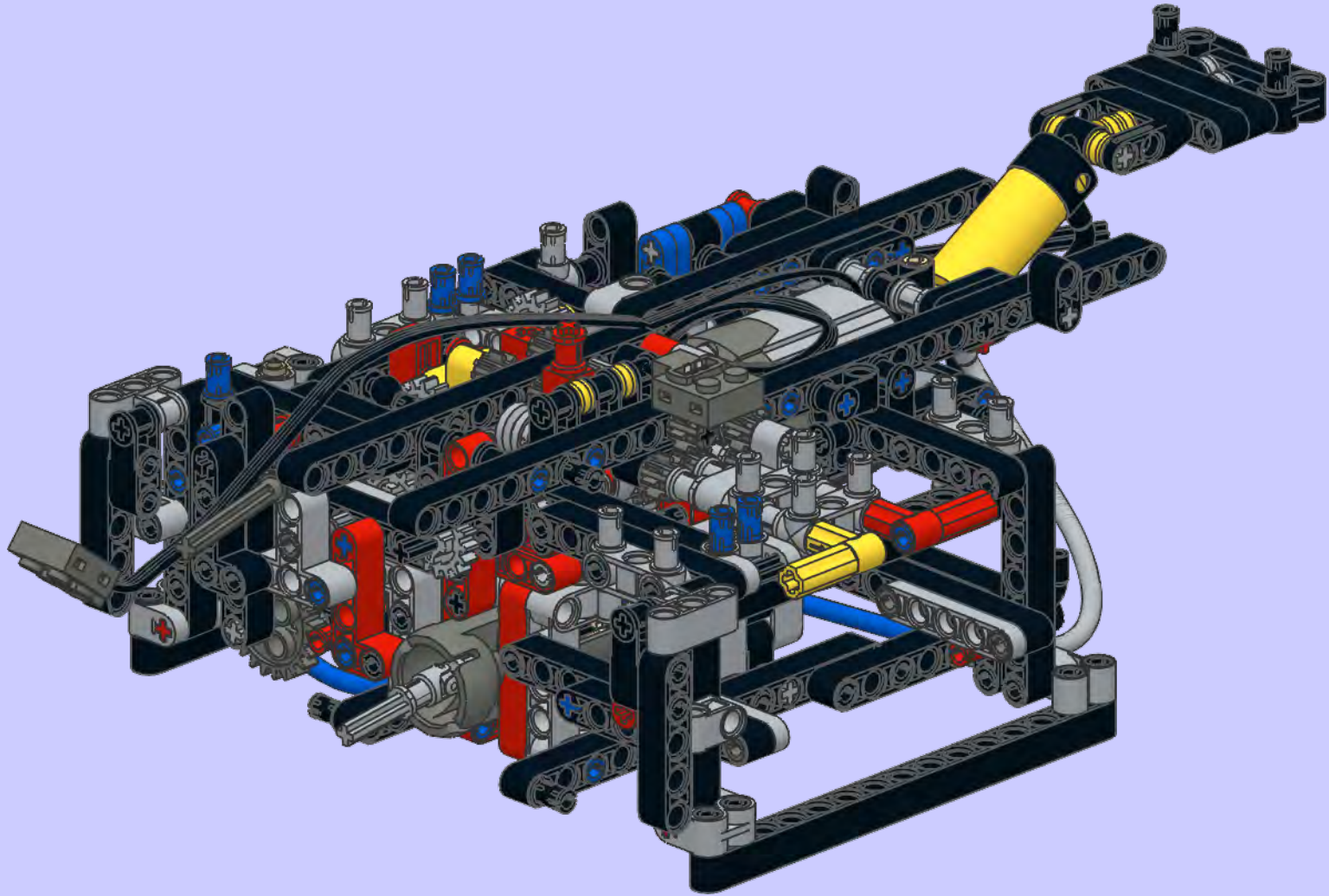
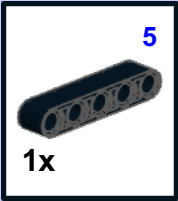
87





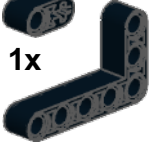


black

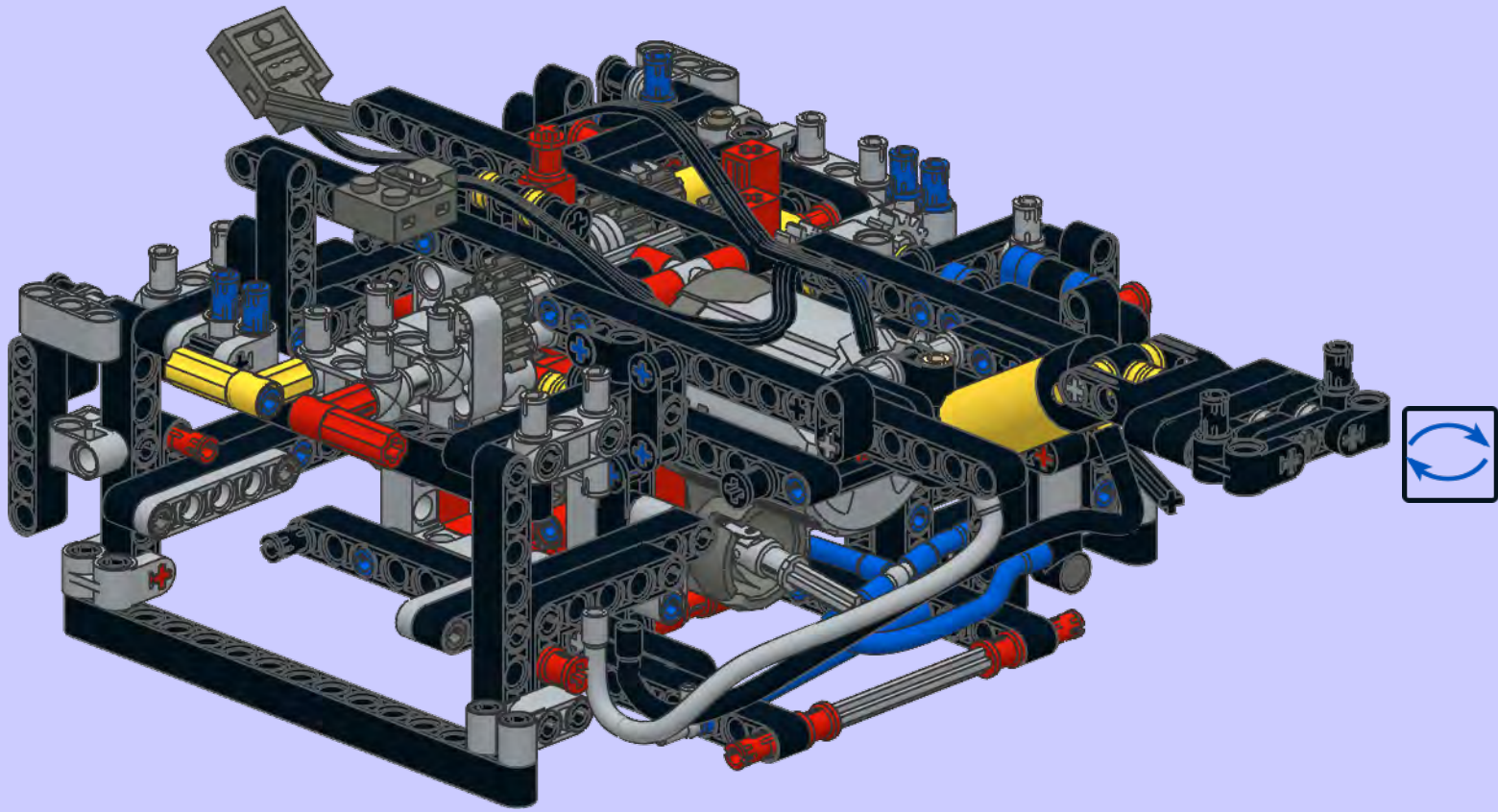


88

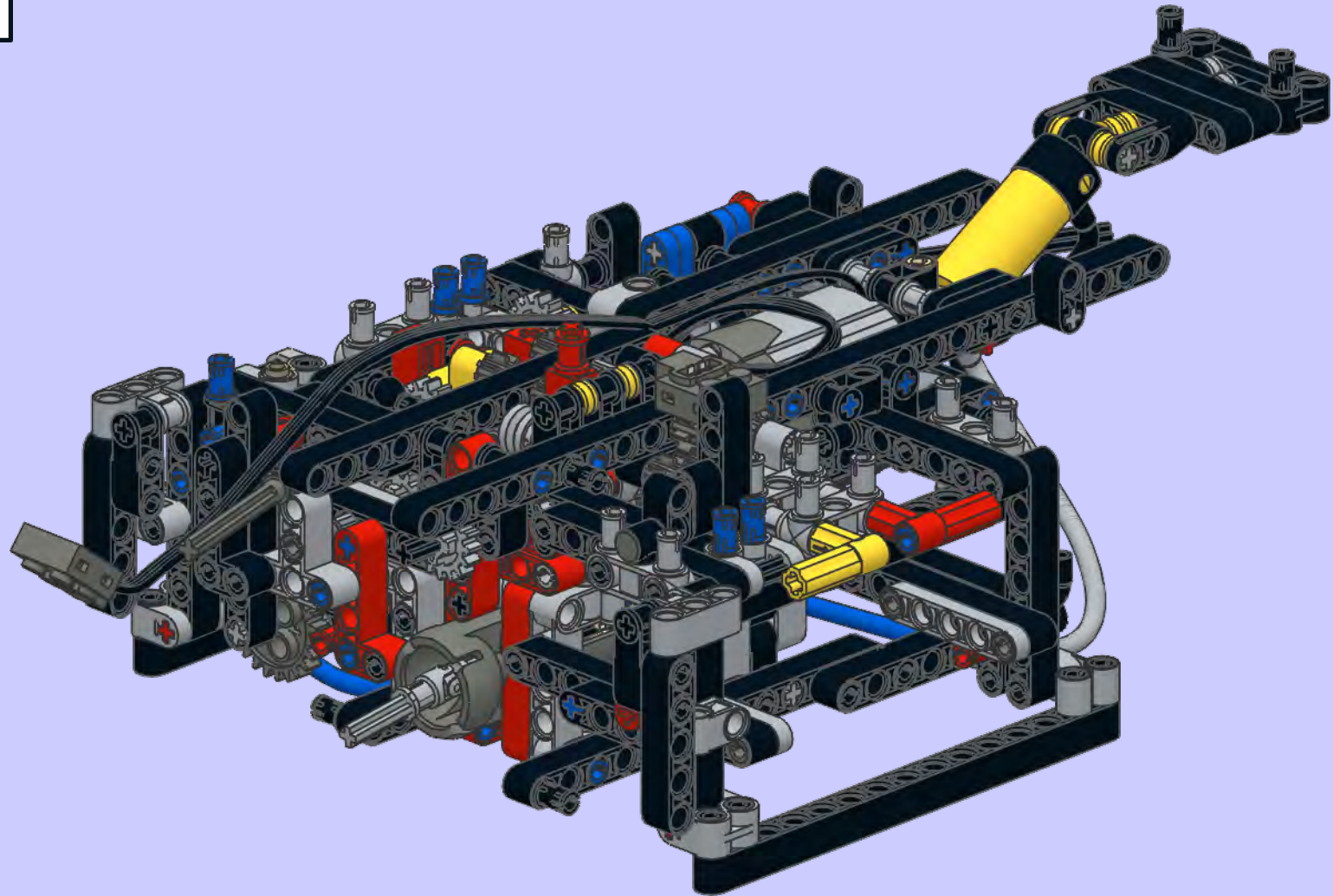


89

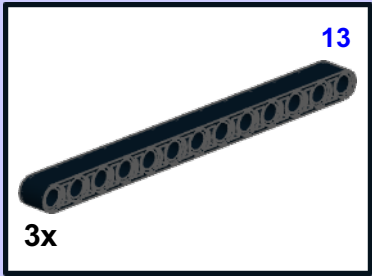
-  1x
-  2
-  3x5
-  1x
-  1x



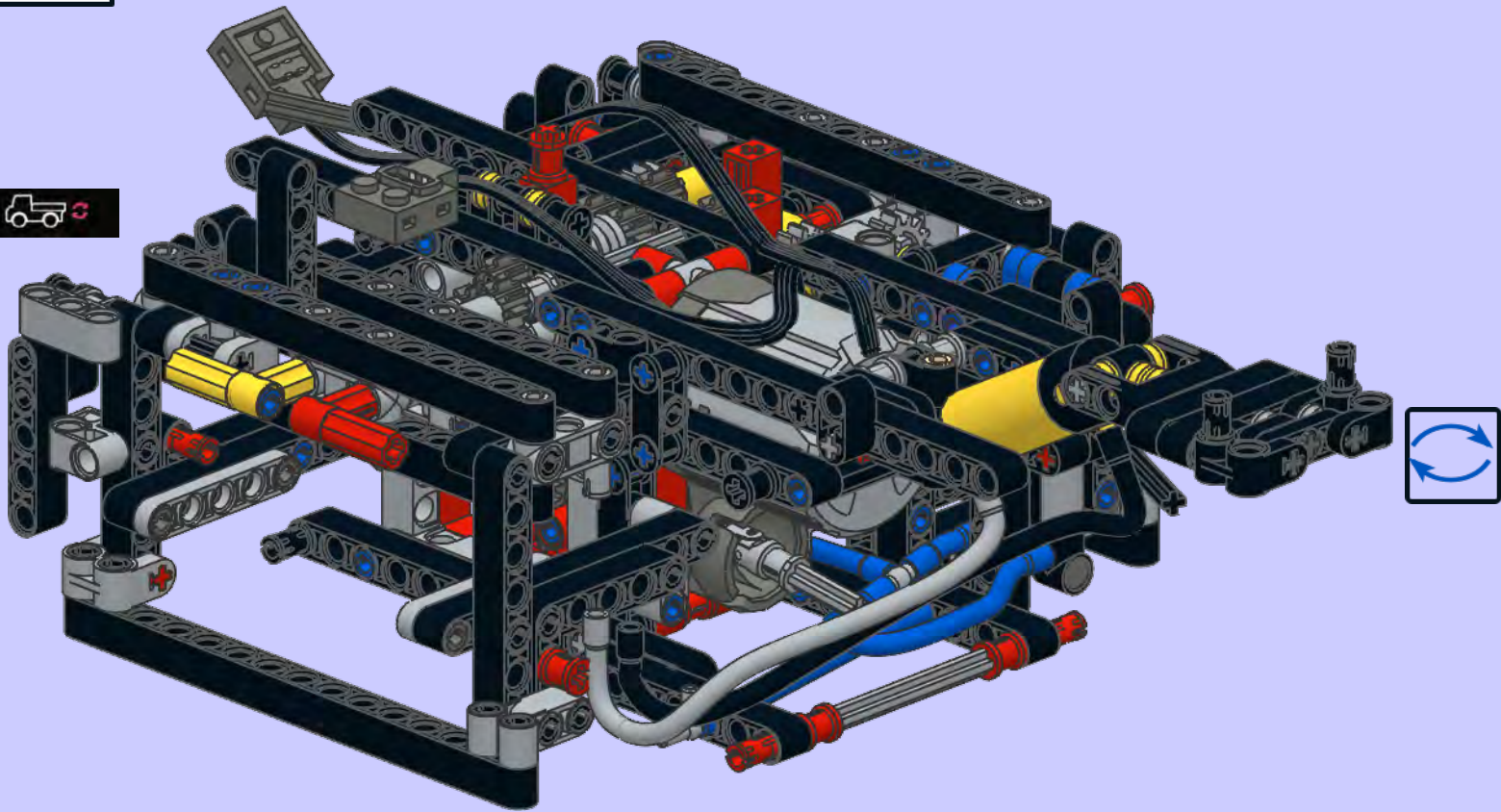
90



91

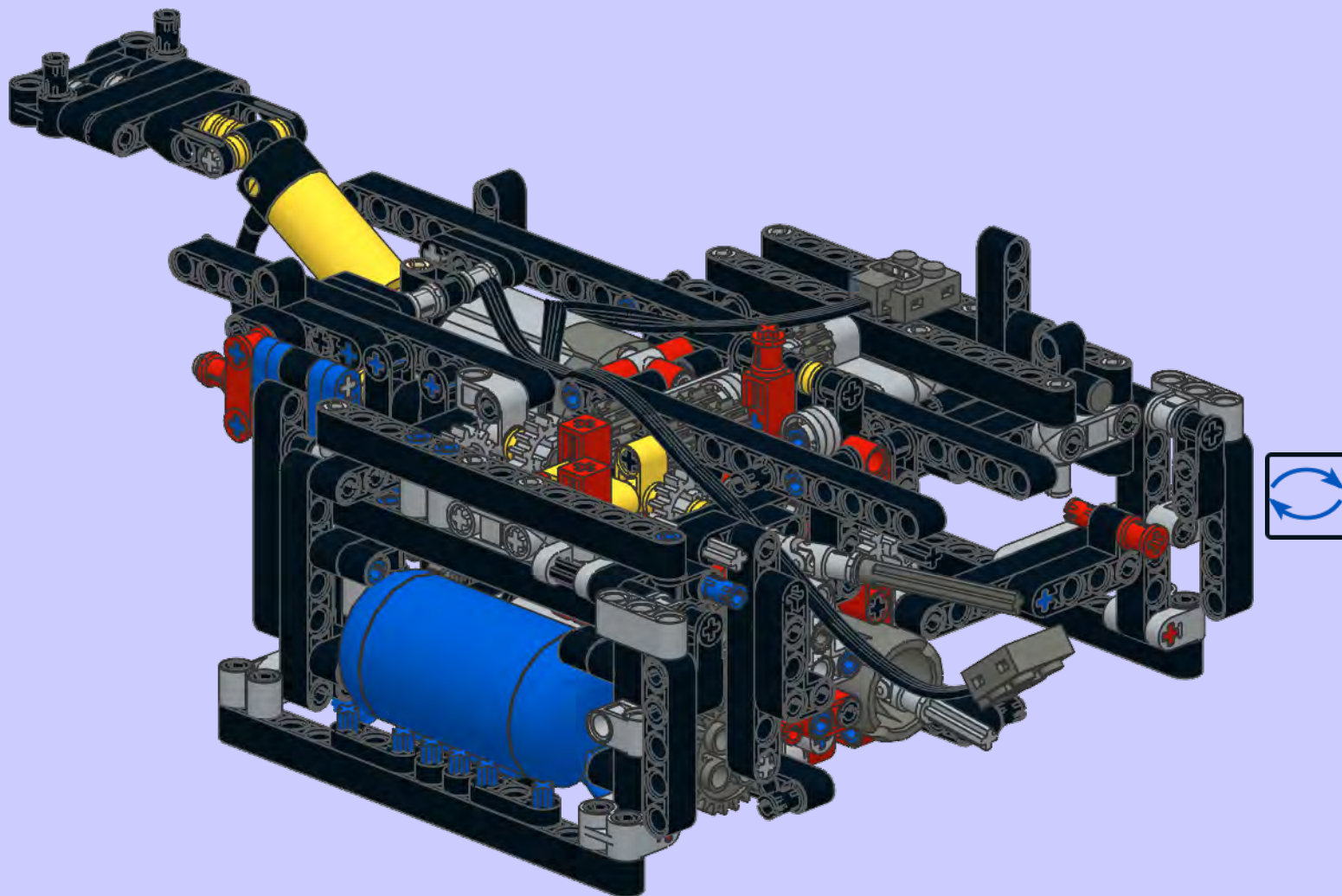


3x





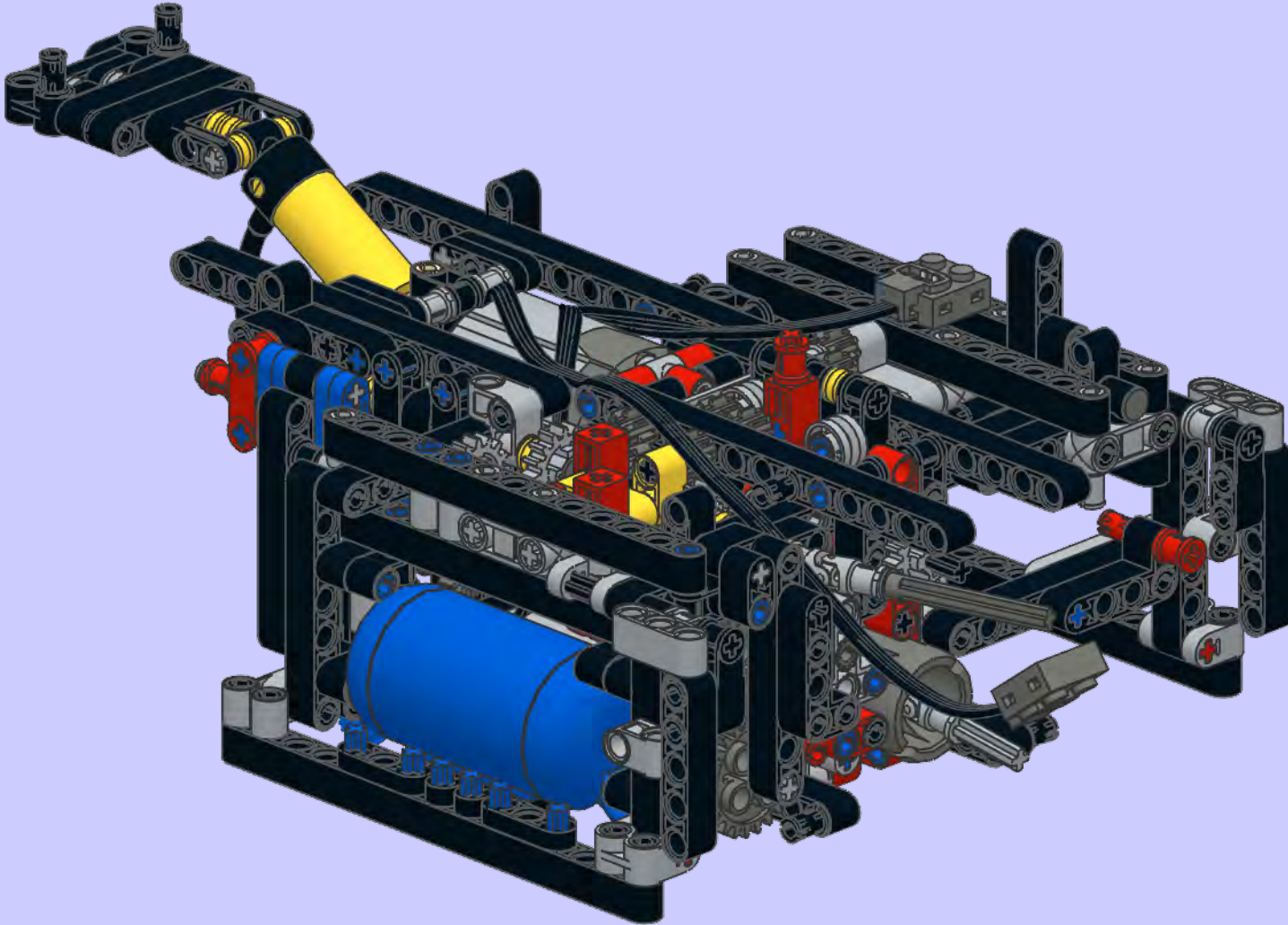
92

- 1x 
- 2 
- 1x  3
- 1x 

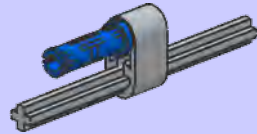
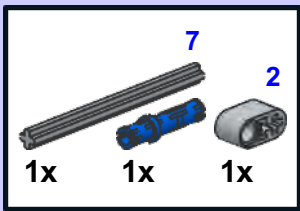


93

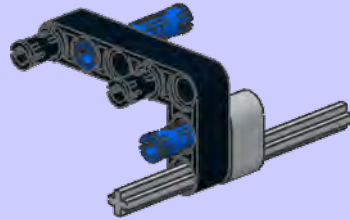
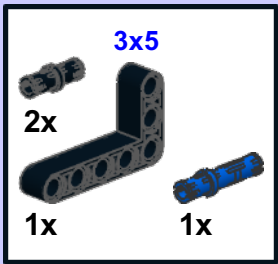
2	1x2
	
1x	1x



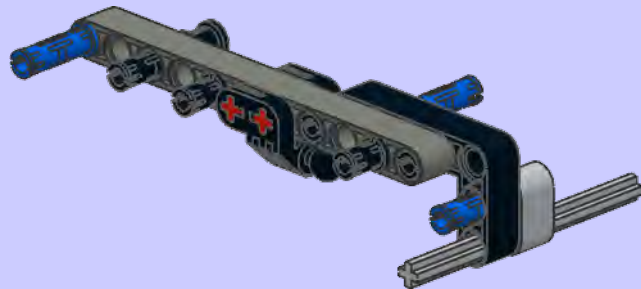
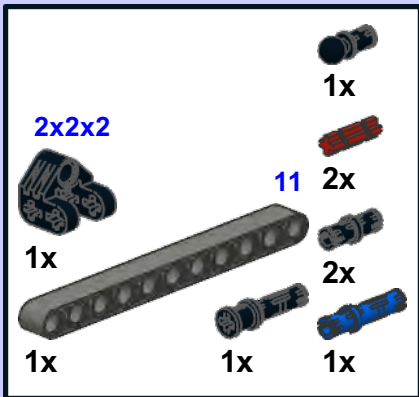
1



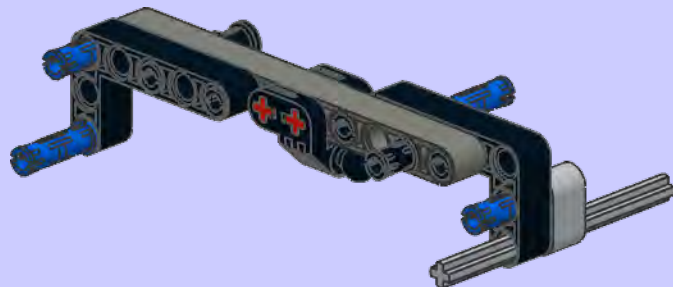
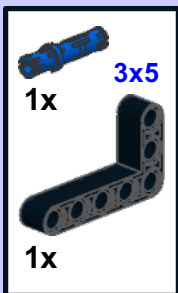
2



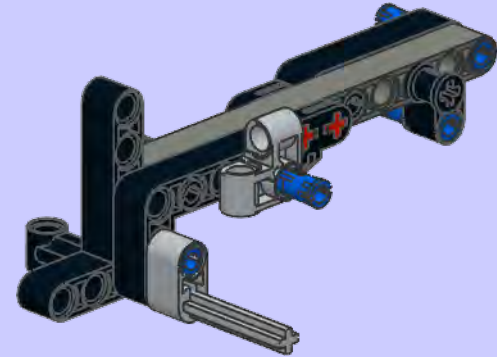
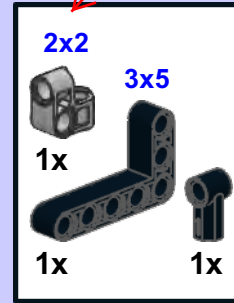
3



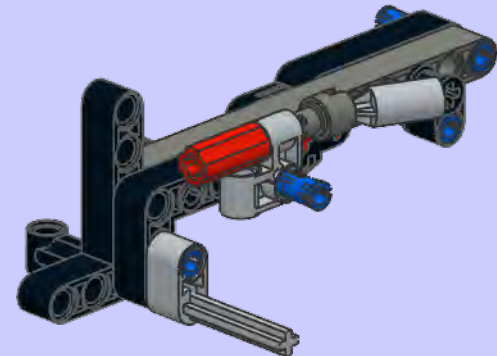
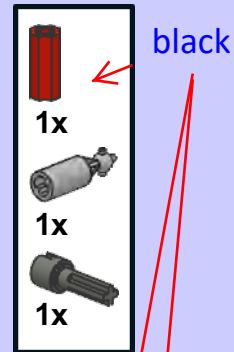
4



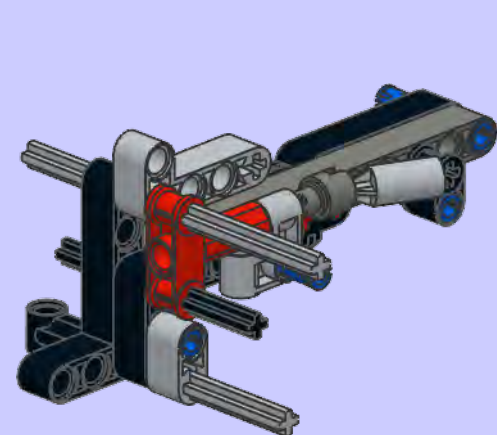
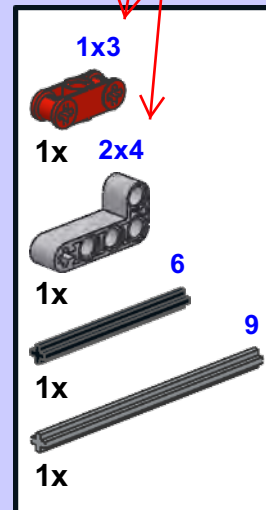
5



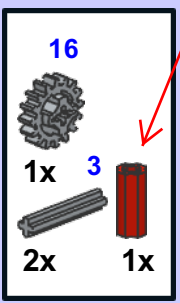
6



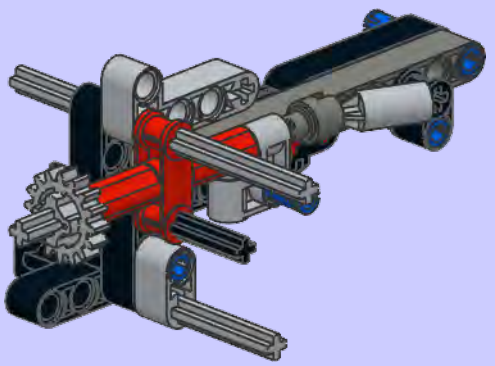
7



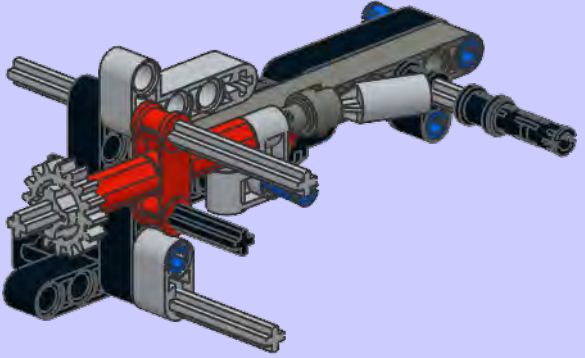
8



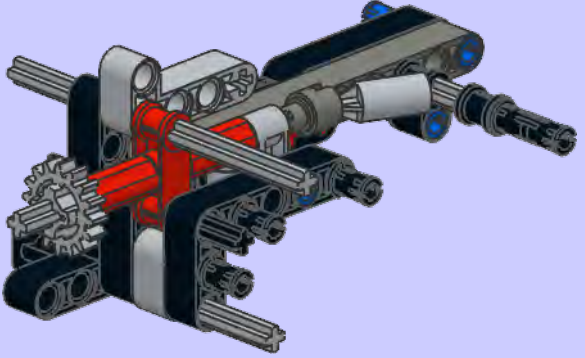
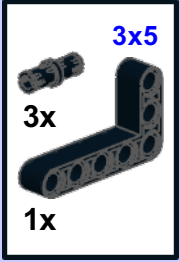
black



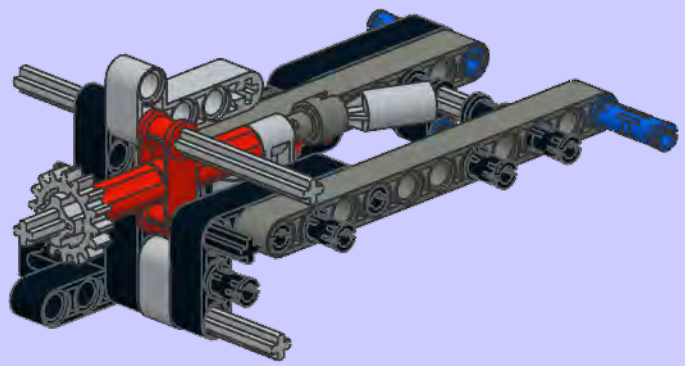
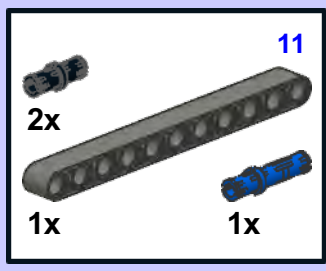
9



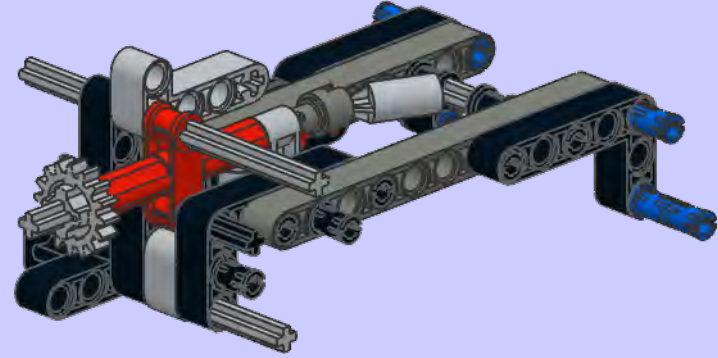
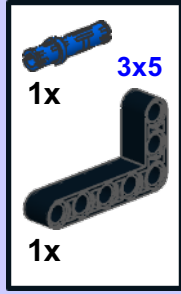
10



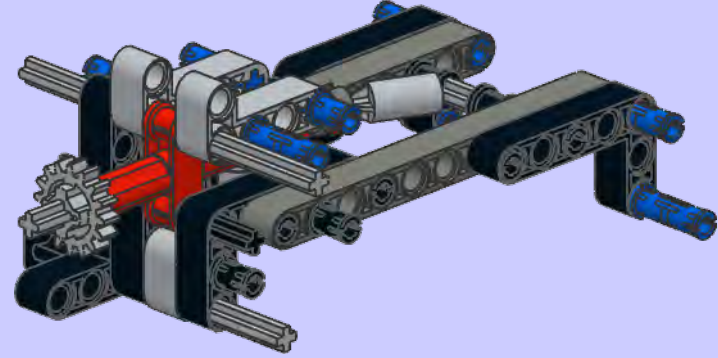
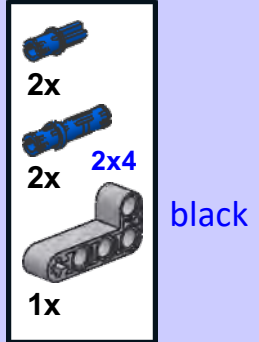
11



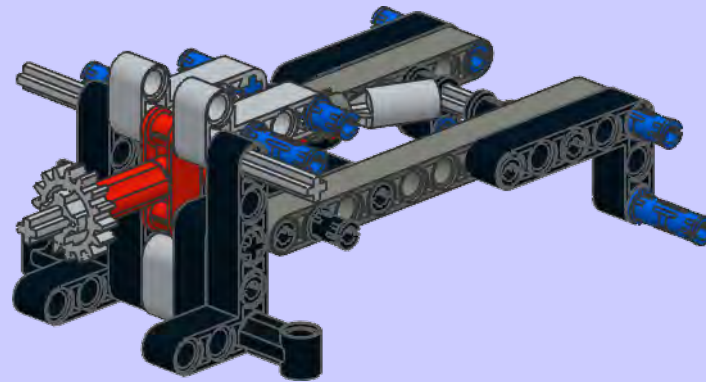
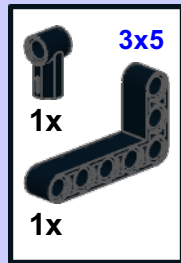
12



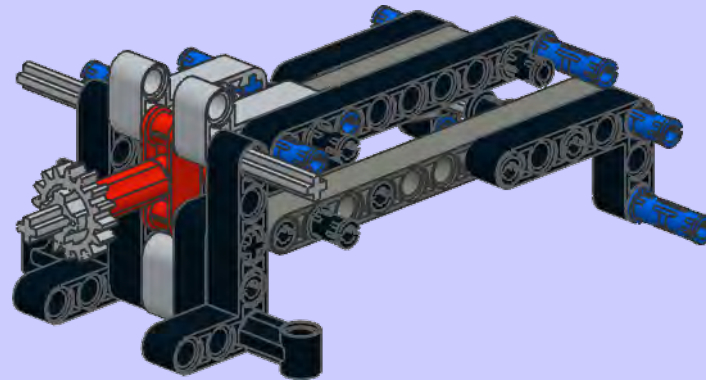
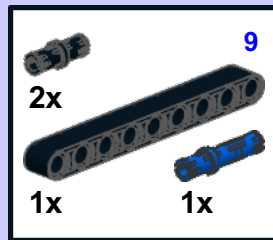
13

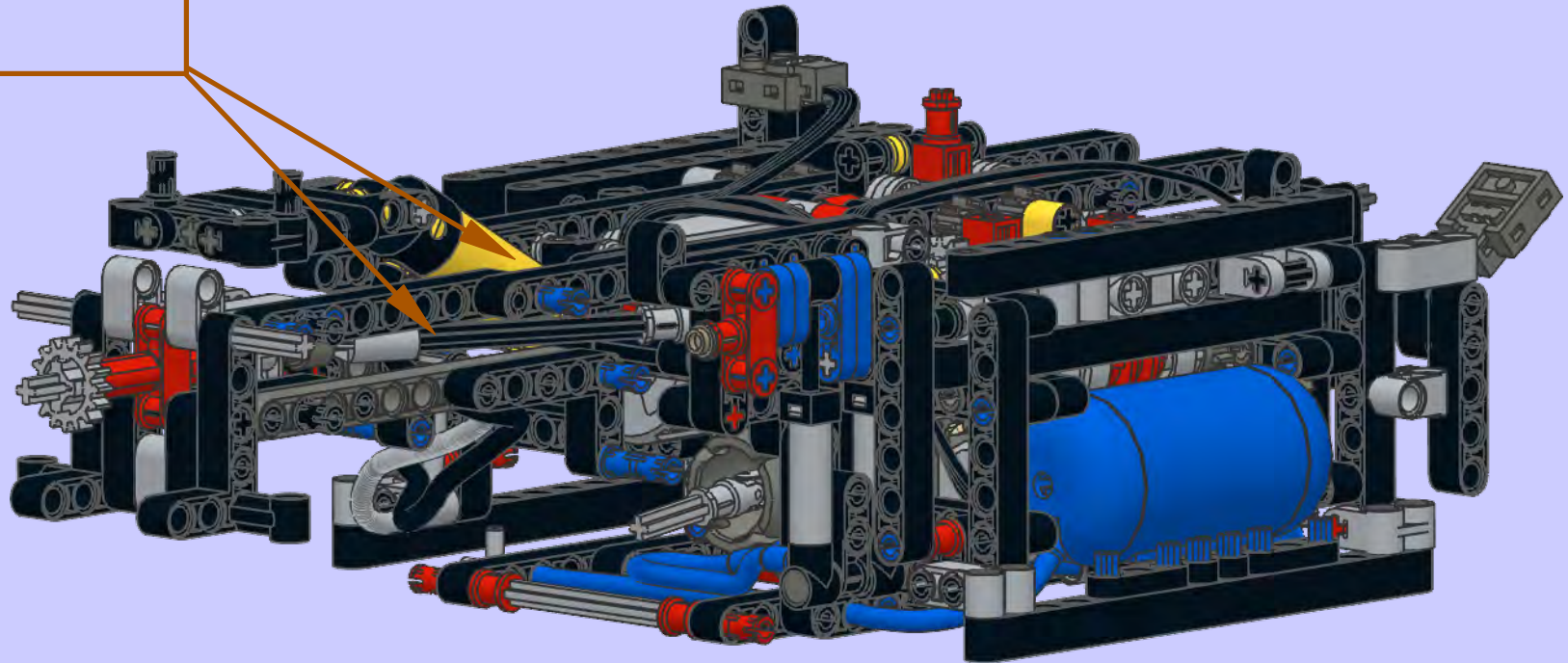
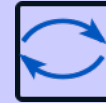
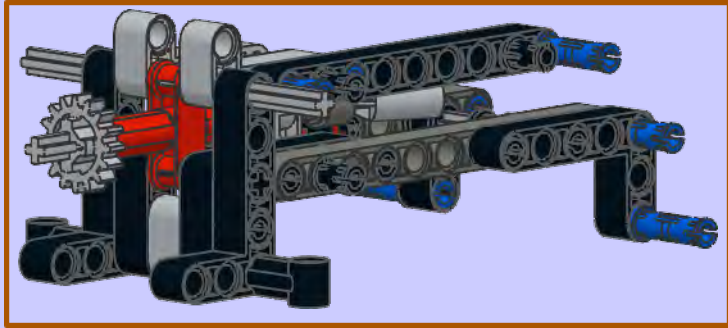


14

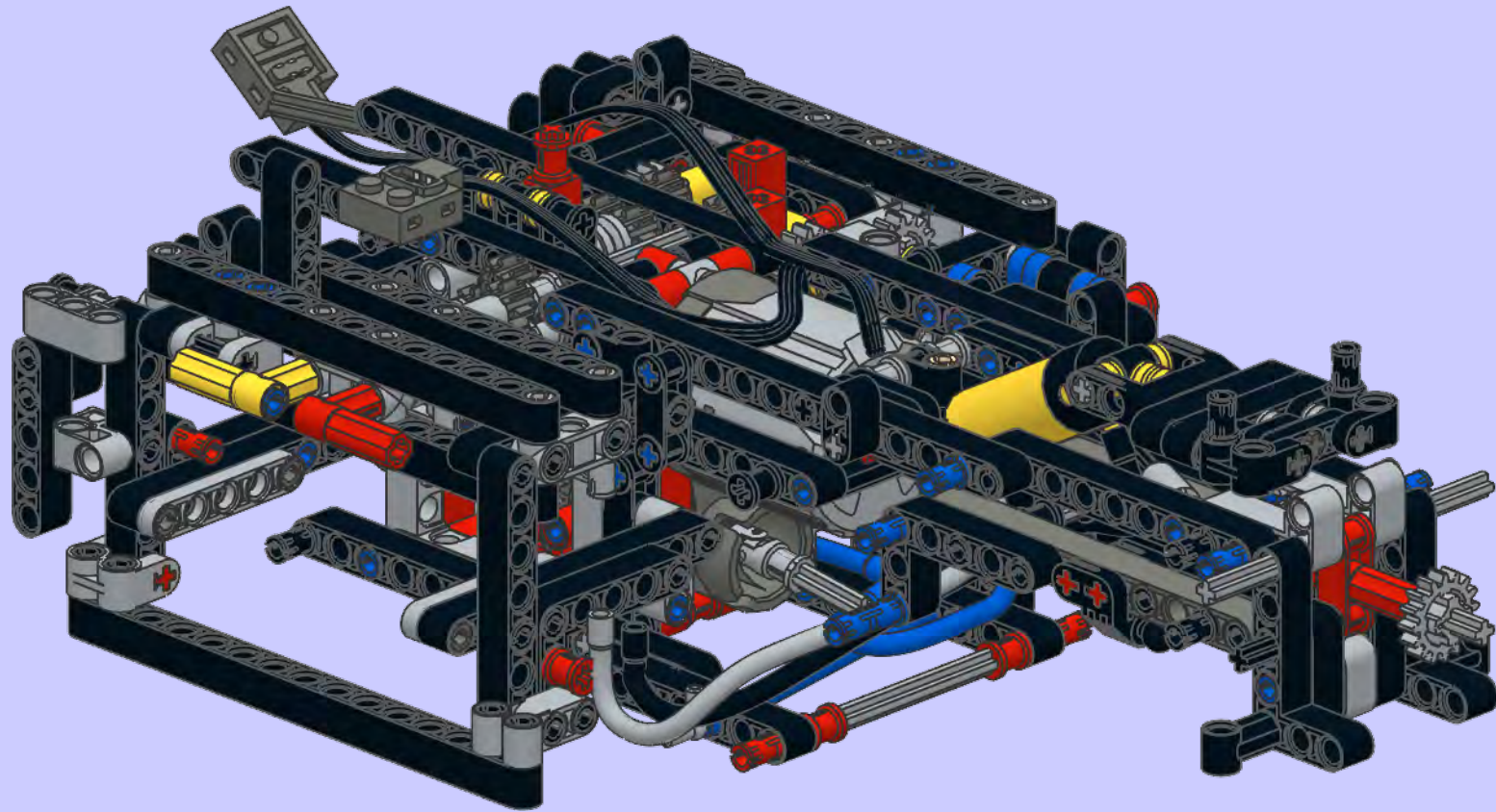
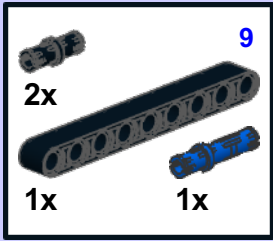


15

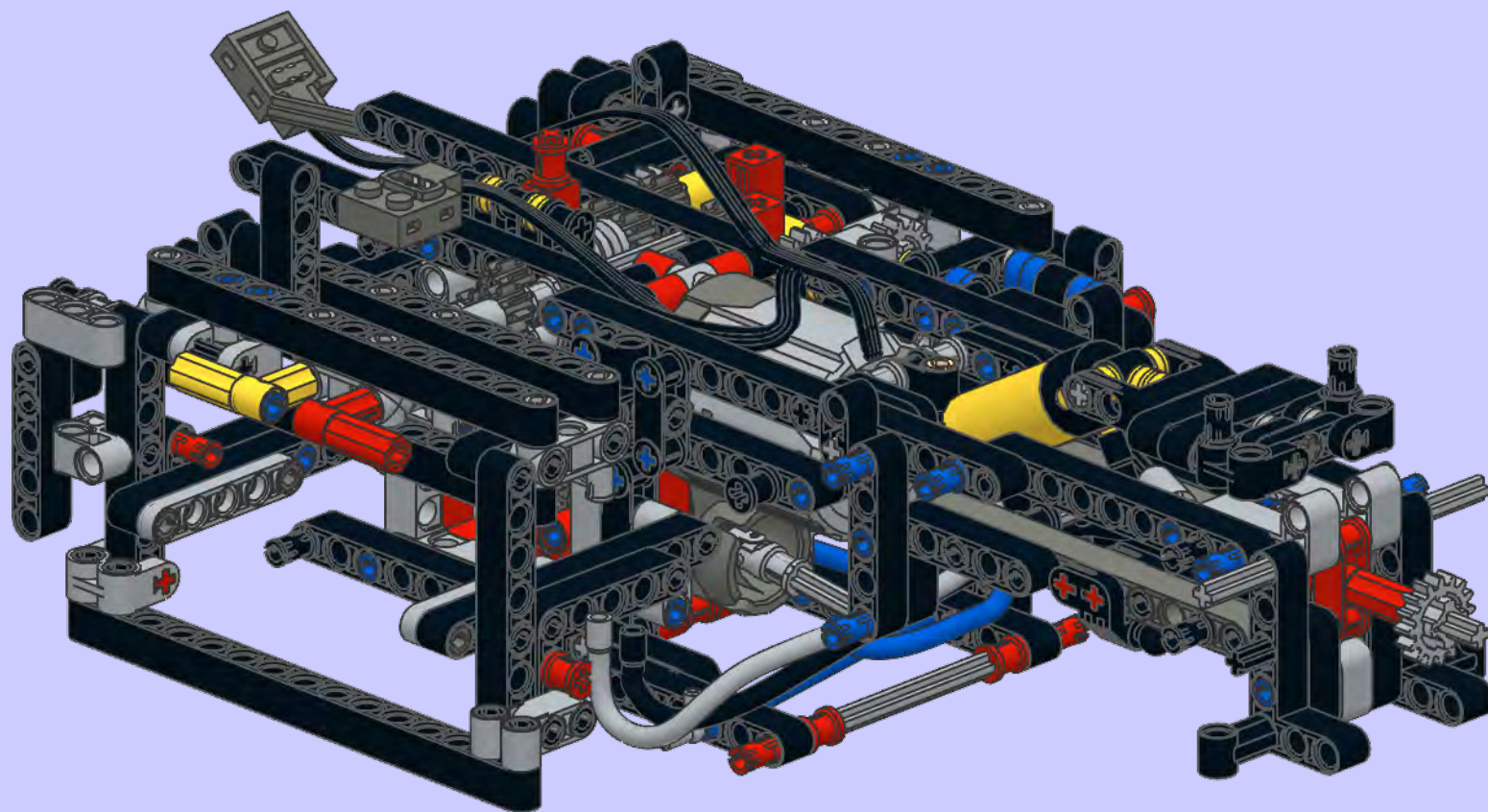
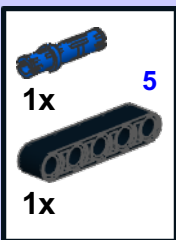




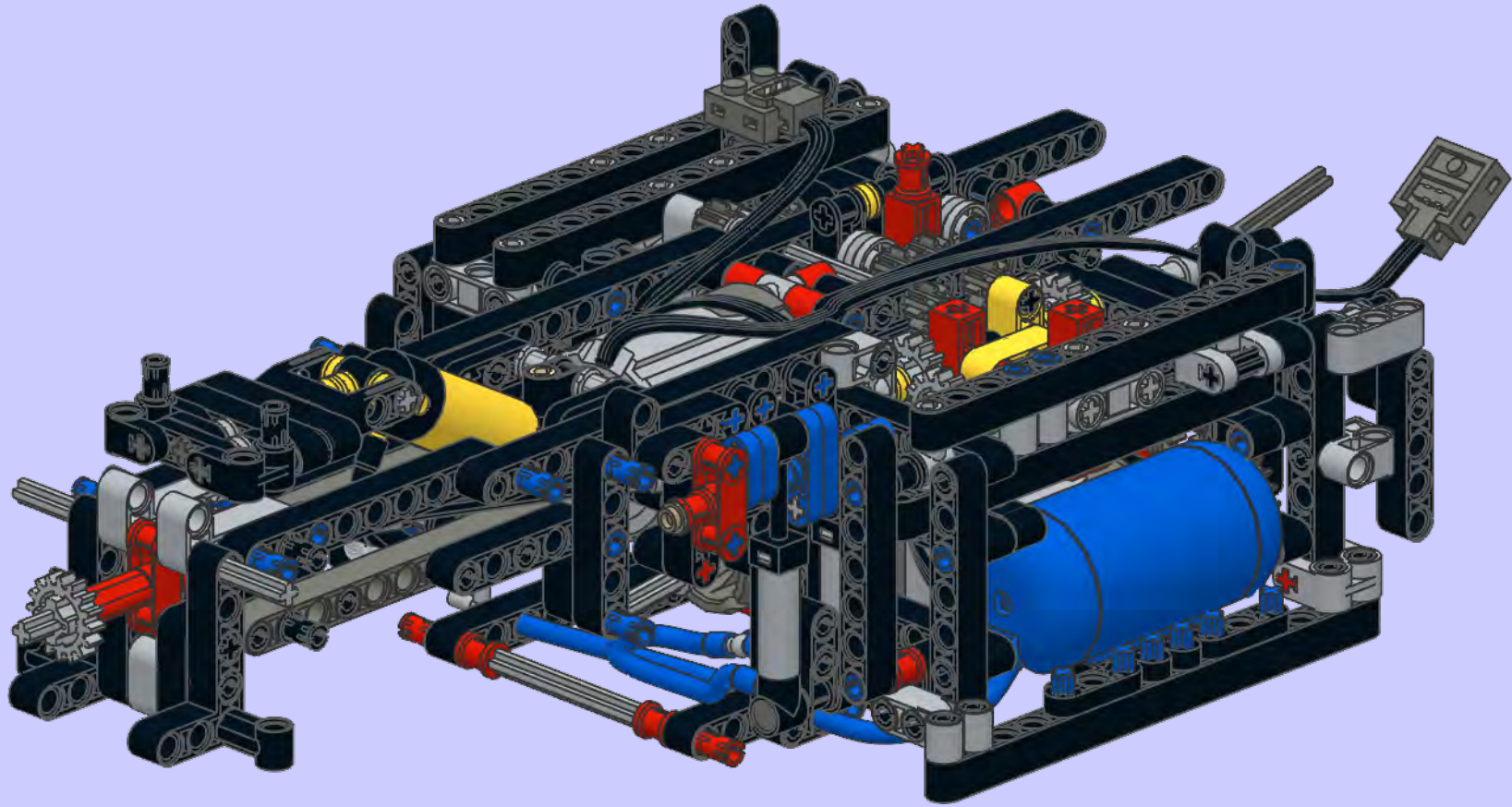
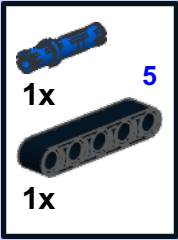
95



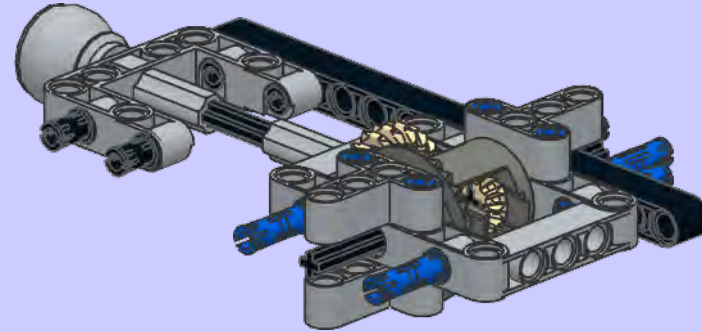
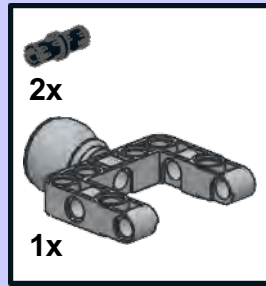
96



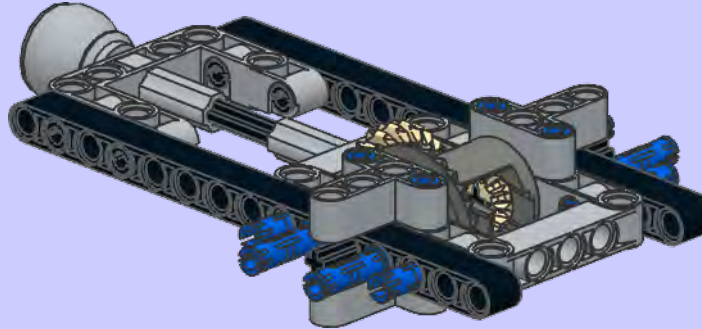
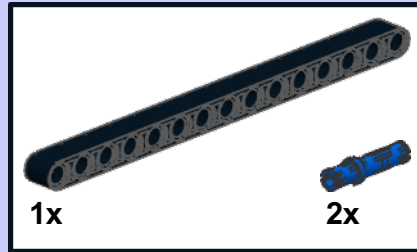
97



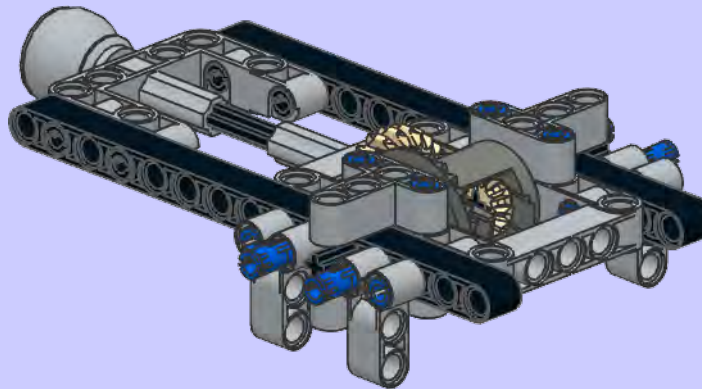
8



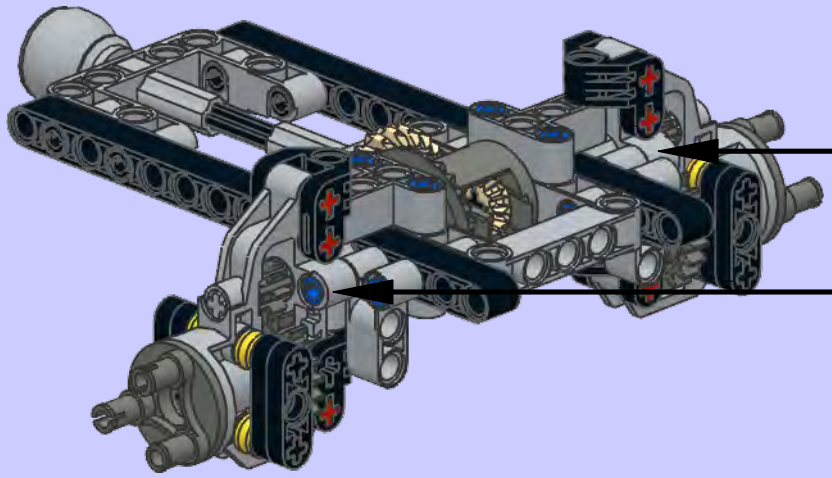
9



10



11



1

1x

2

1x 1x

3

1x 1x 1x

use 3 tan axle with stopper

4

2x2x2
1x 1x

black

5

2x2x2
1x 2x

black

6

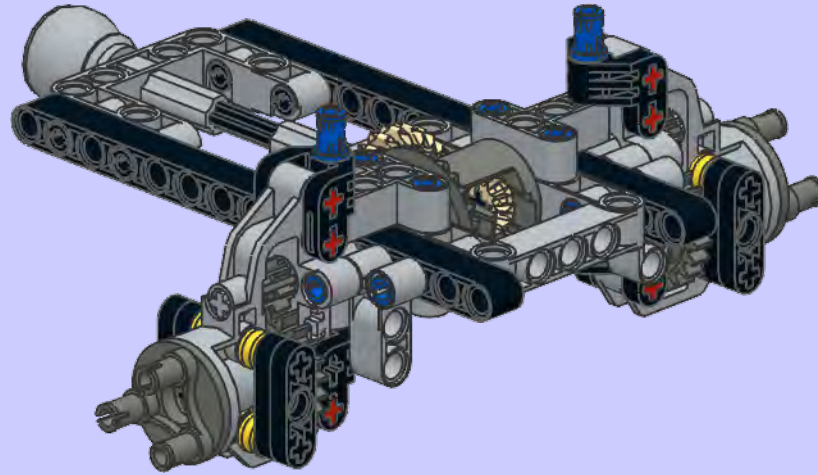
2x 4
2x 2x

7

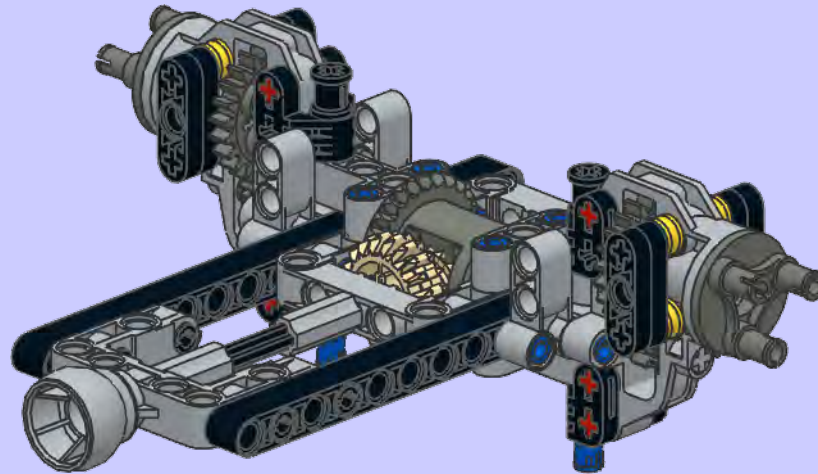
2x 2x

x2

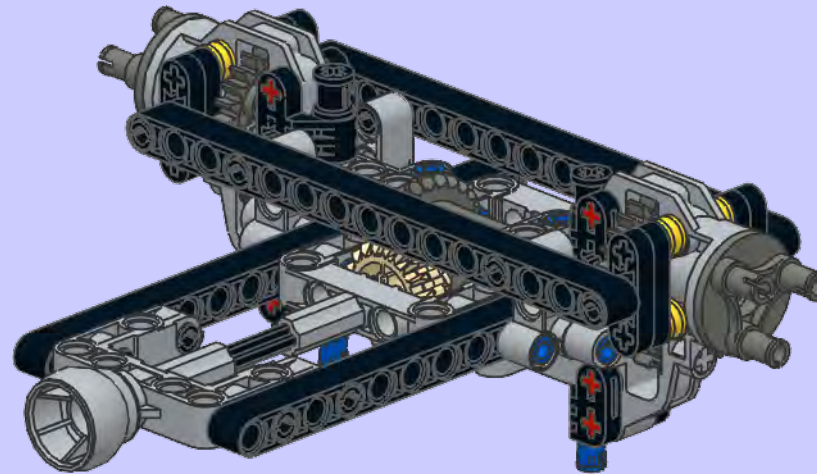
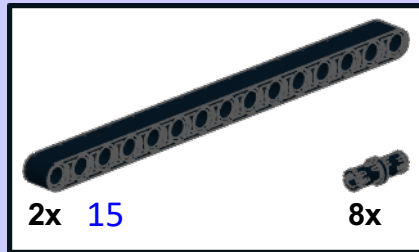
12



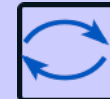
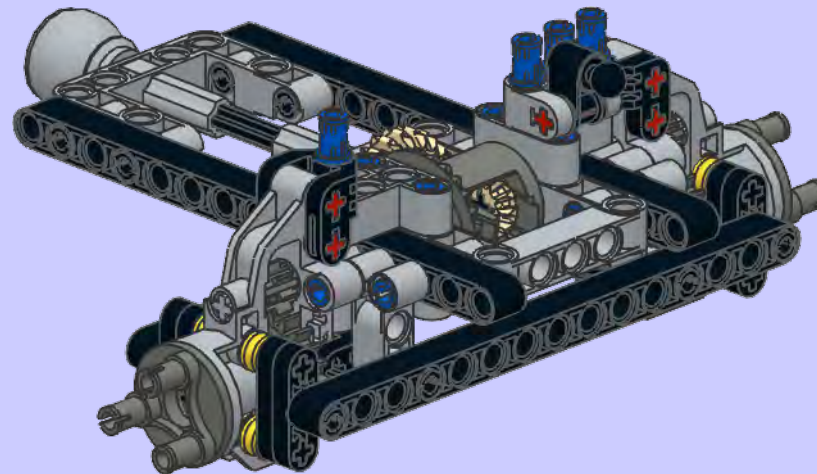
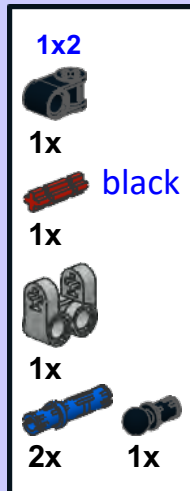
13



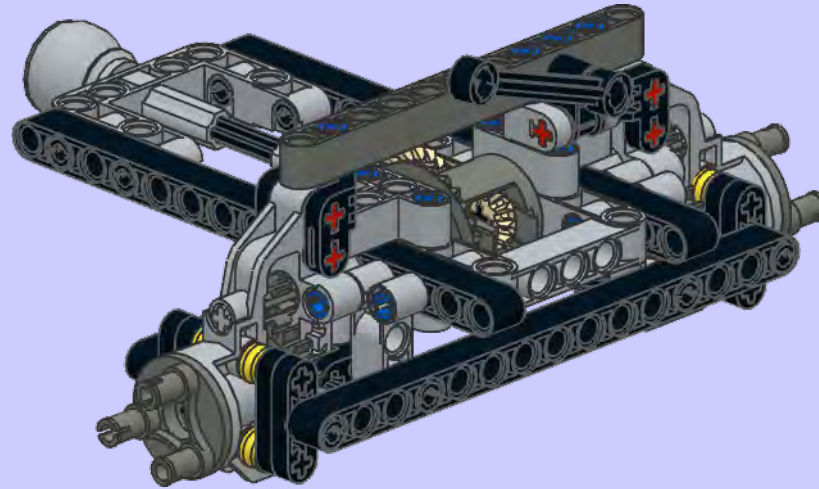
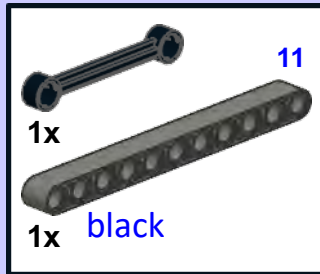
14



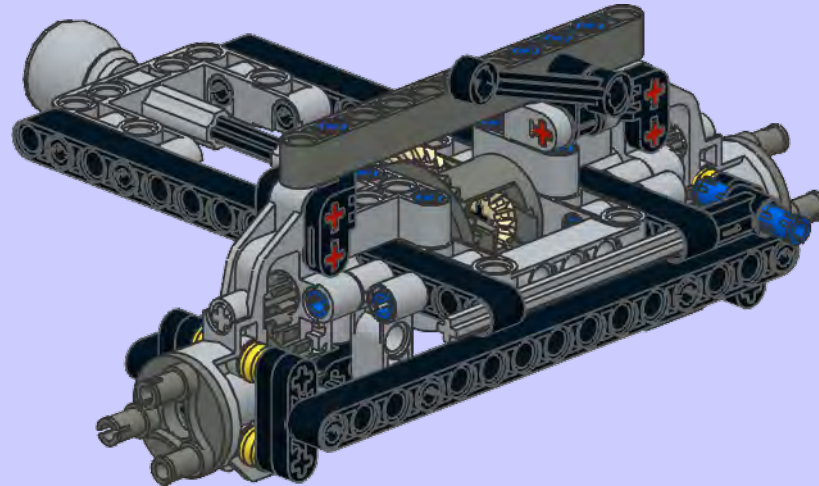
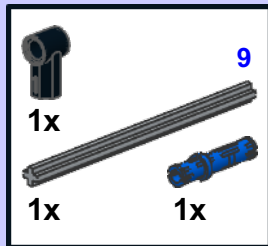
15



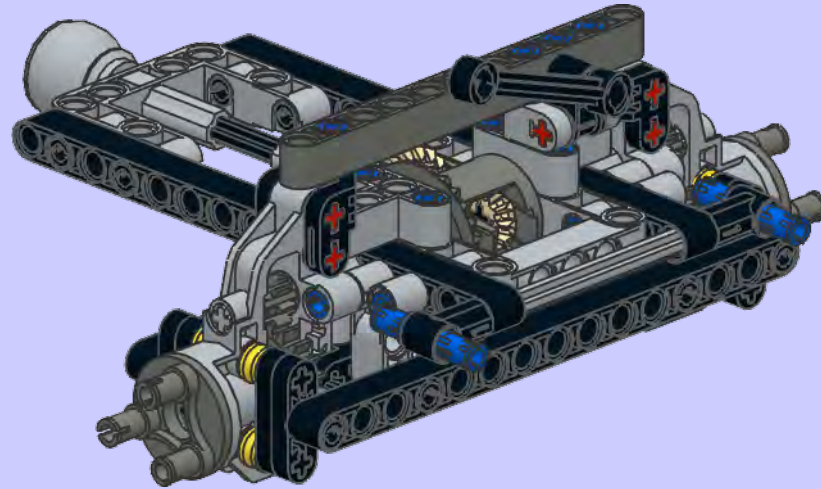
16



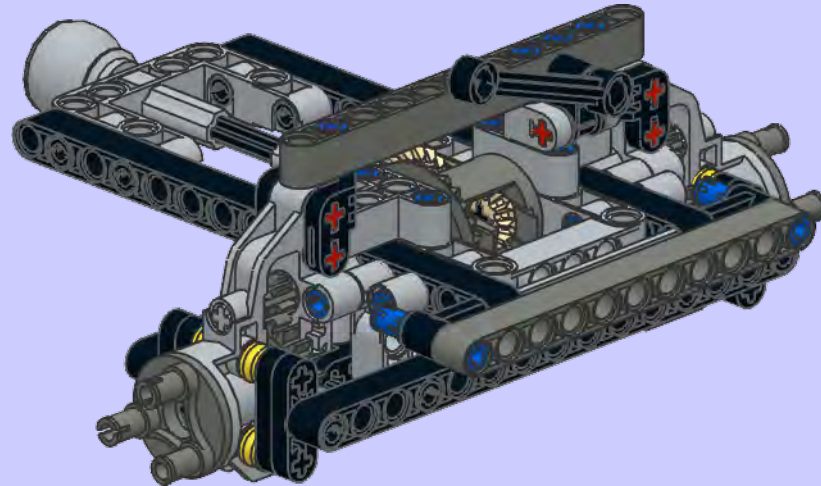
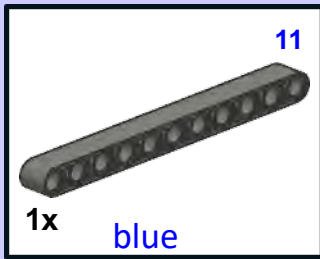
17



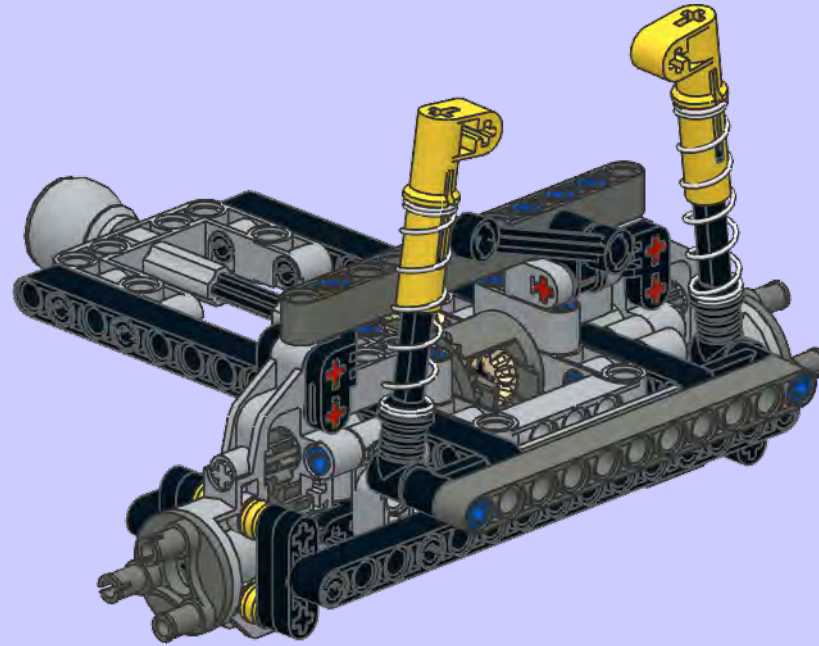
18



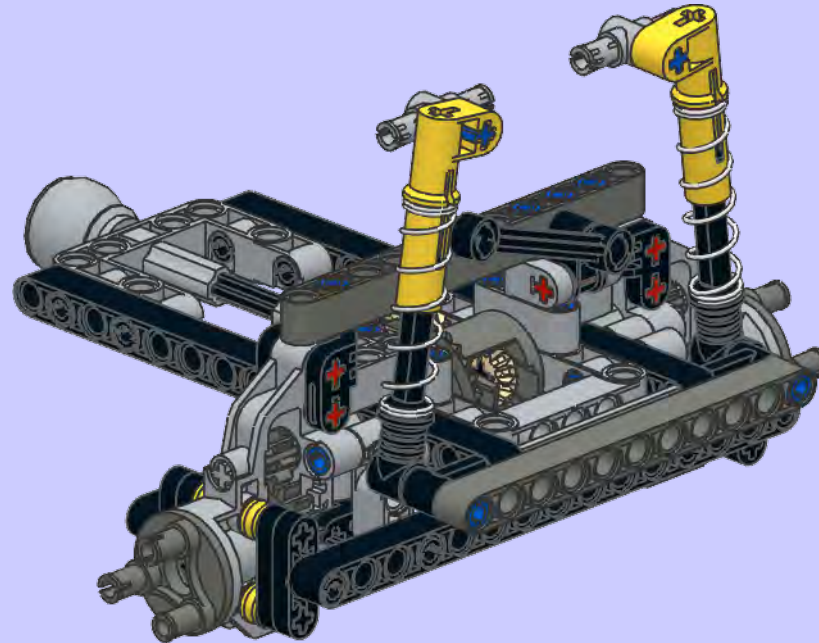
19



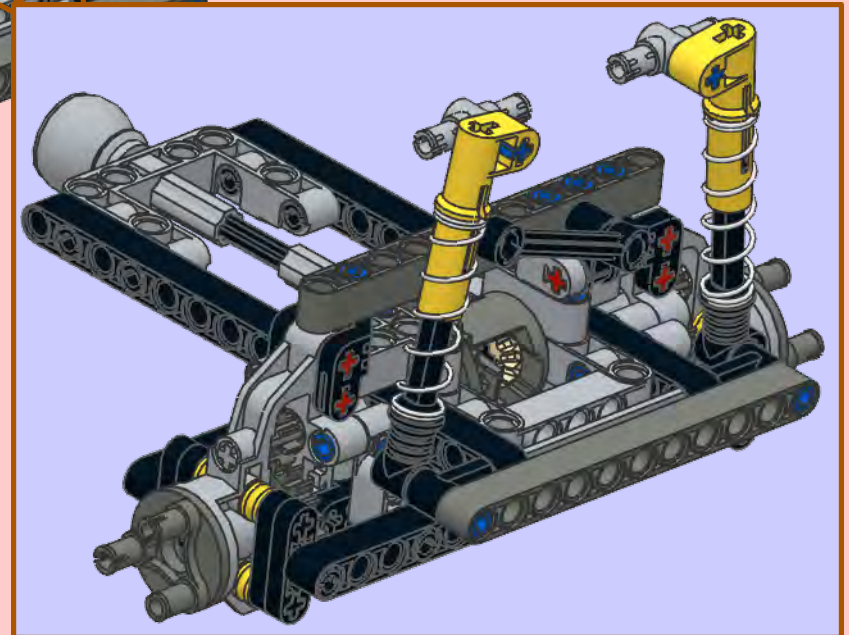
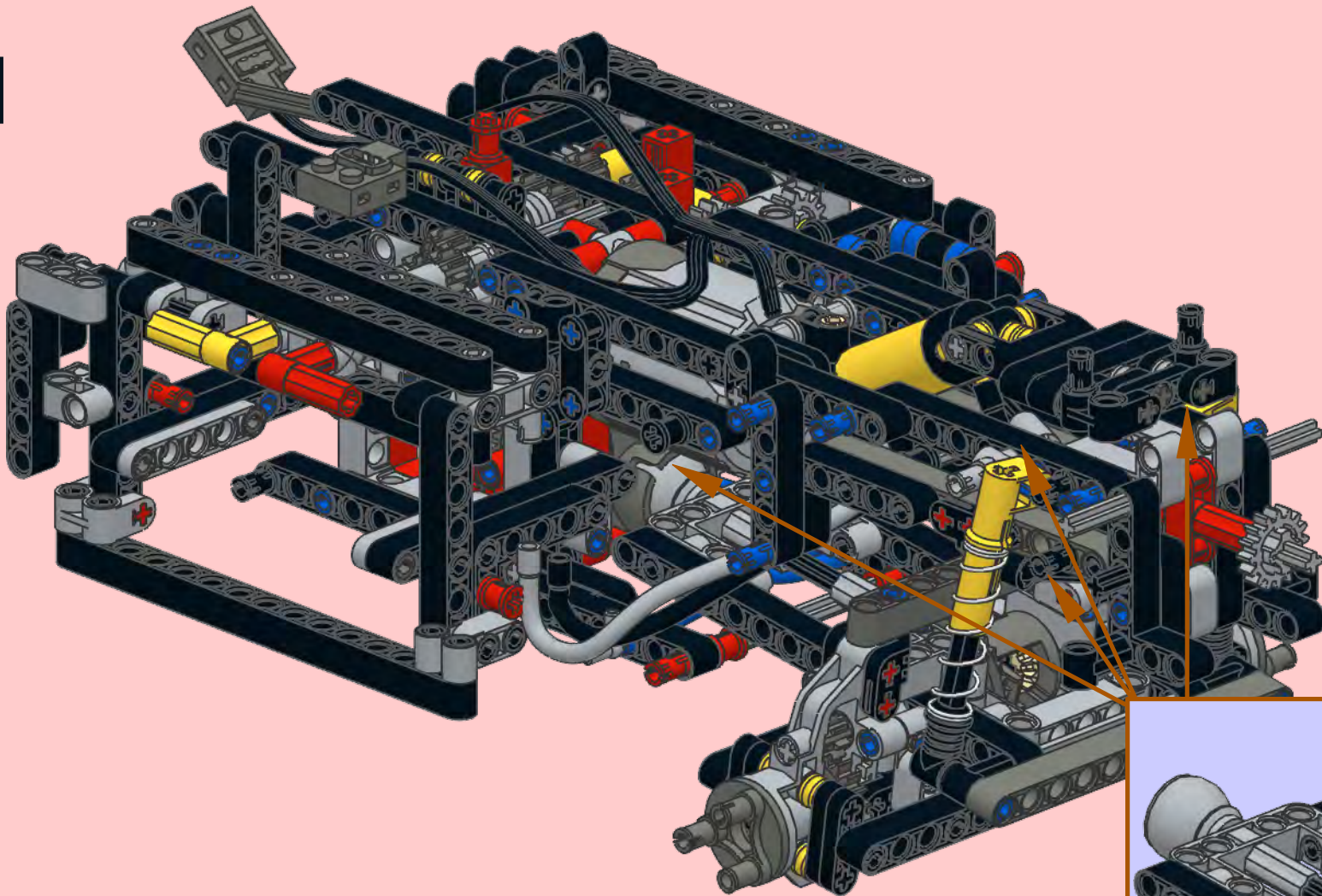
20



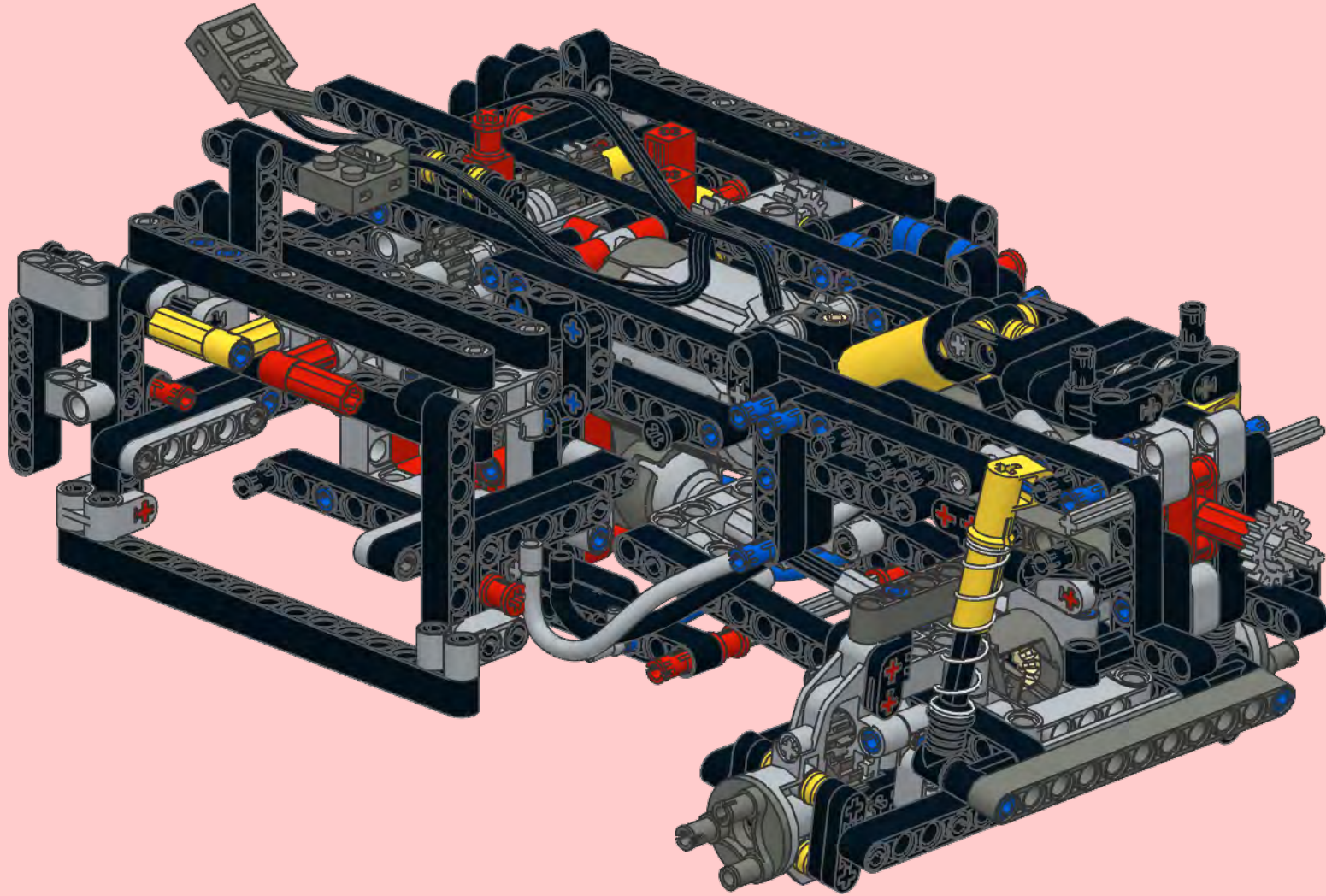
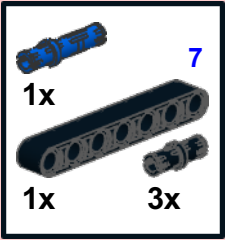
21



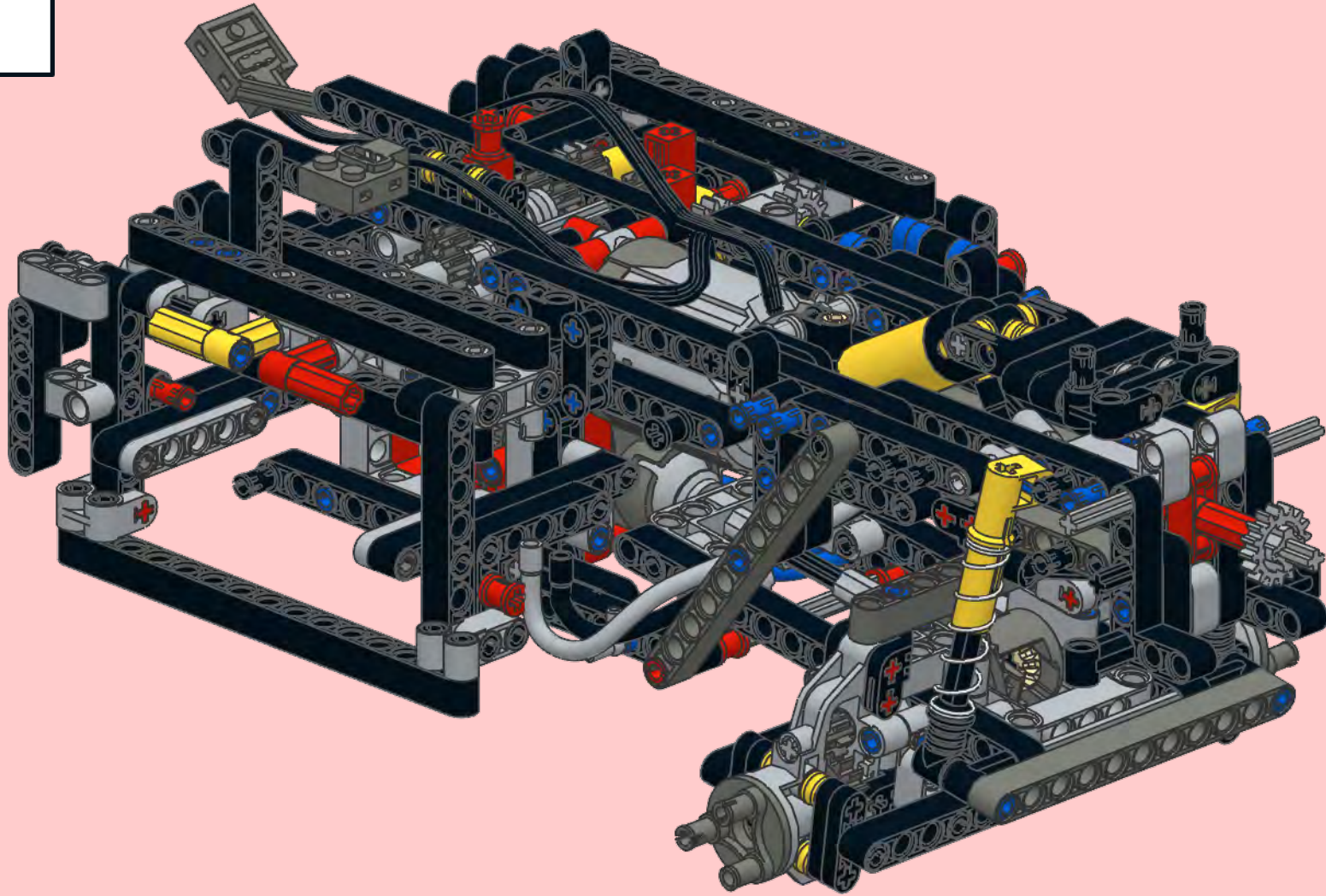
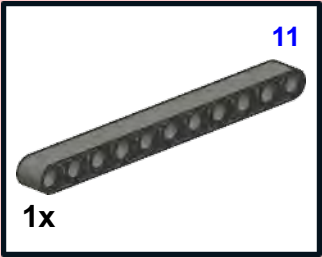
1



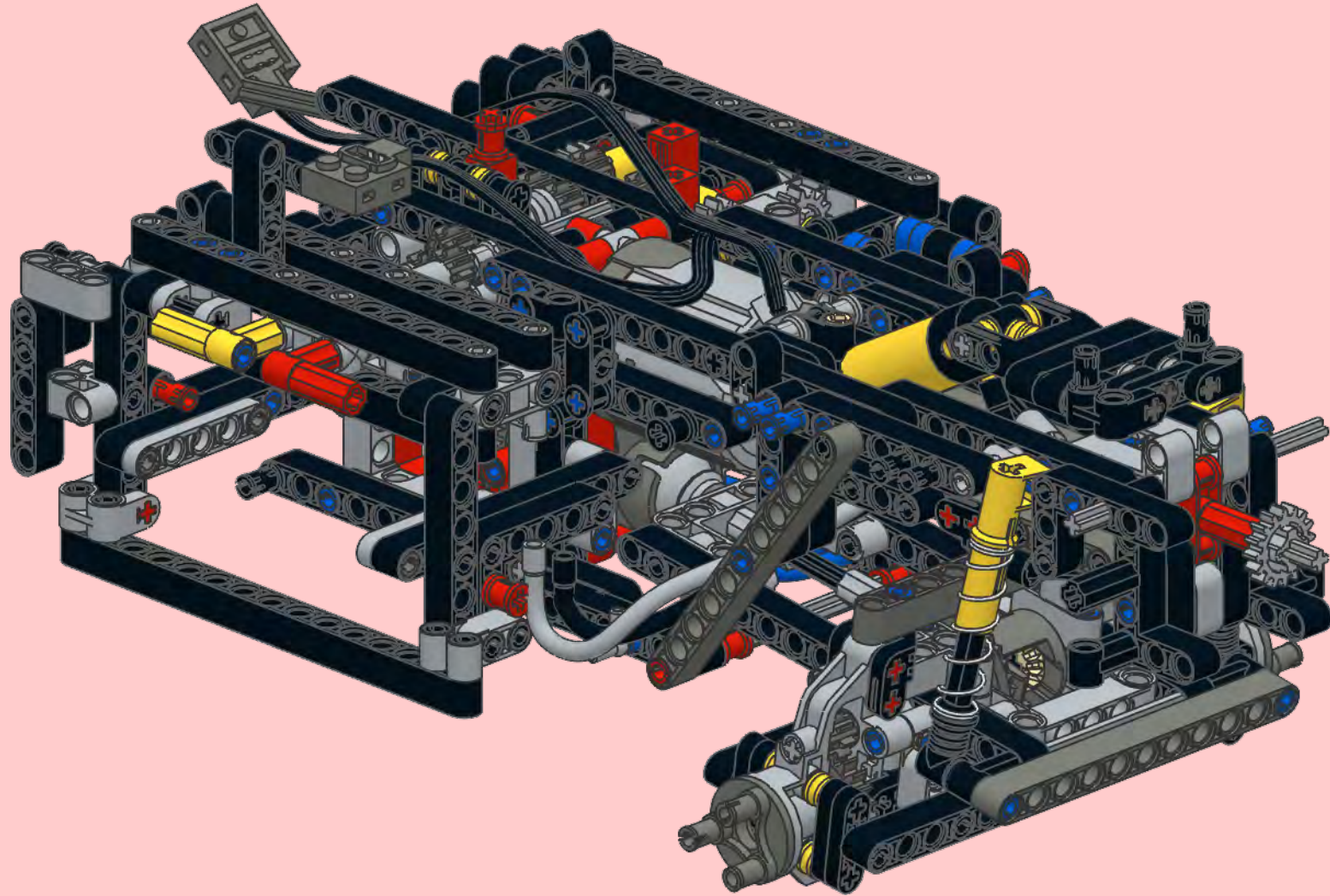
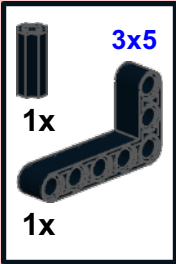
2



3



4



5

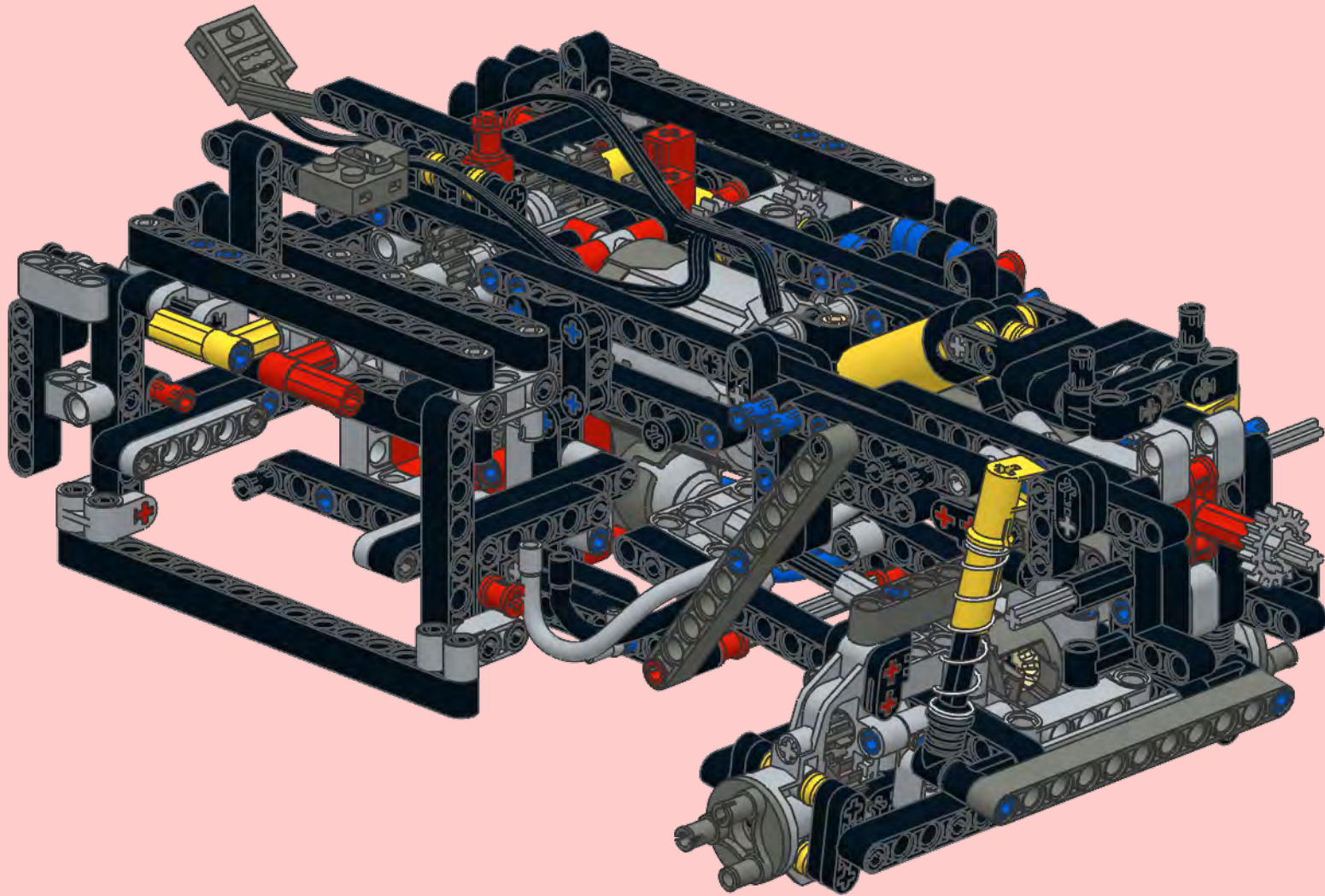
2x0.5



2x 3

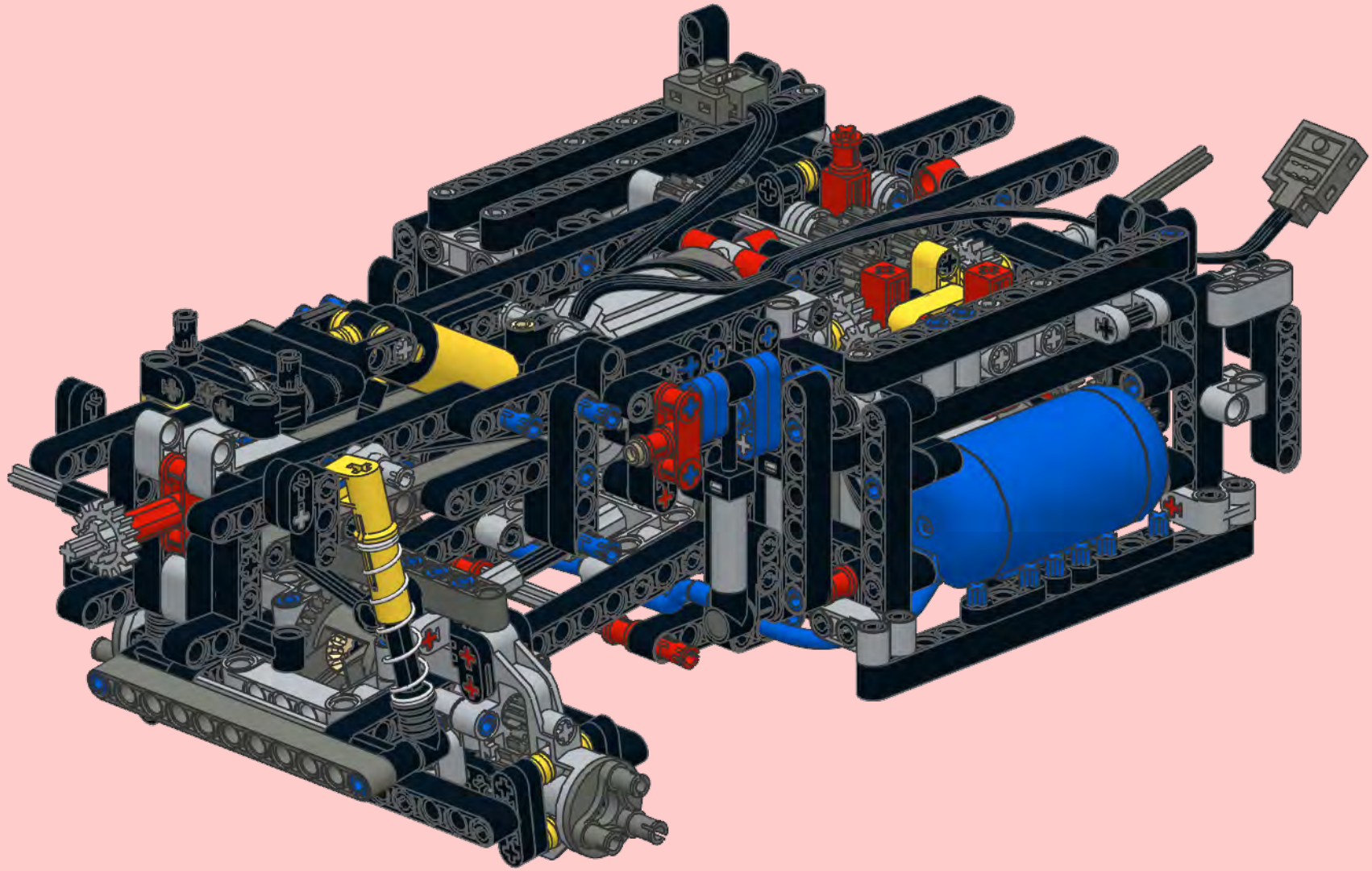
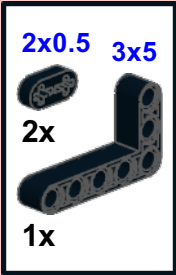


1x

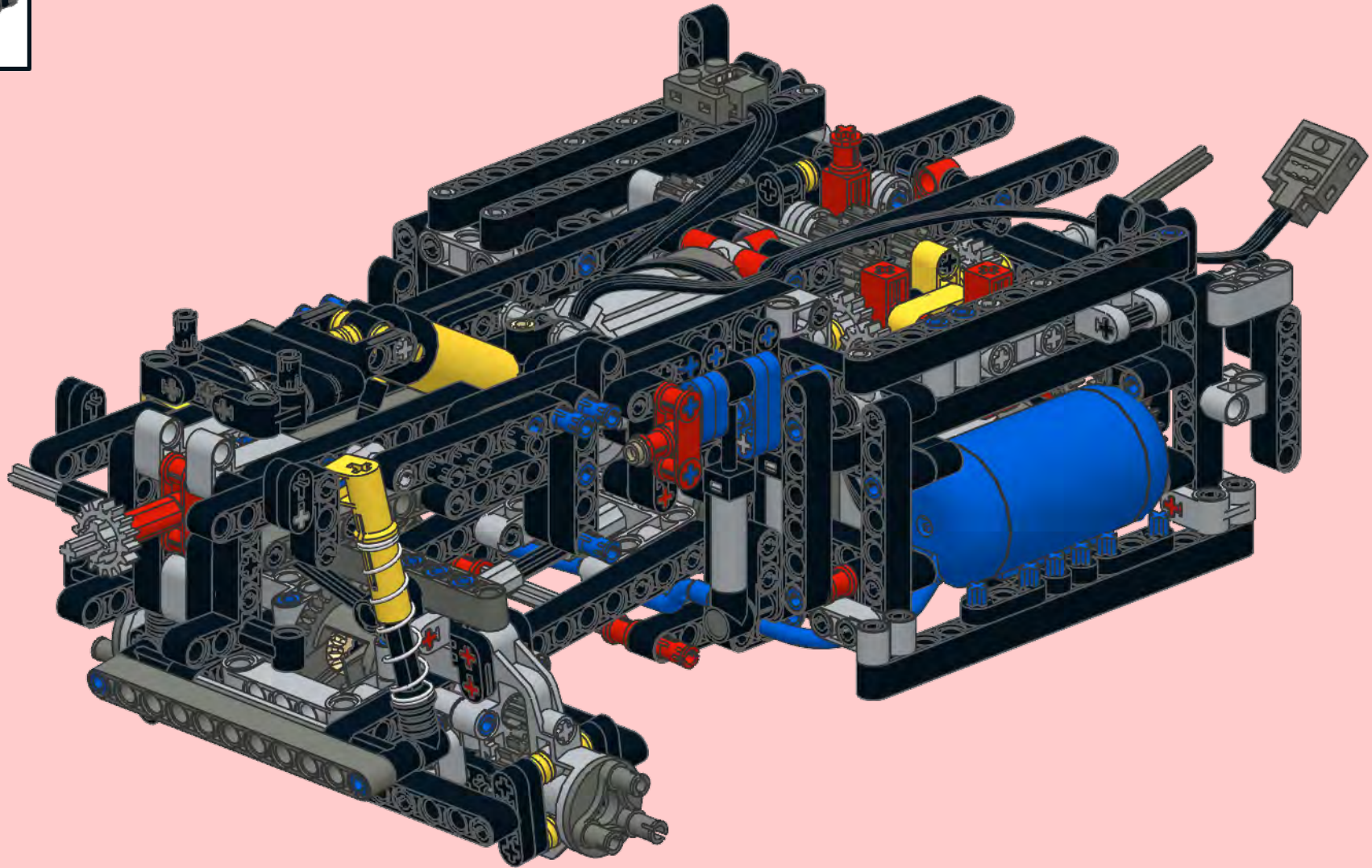
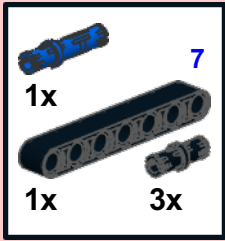


6

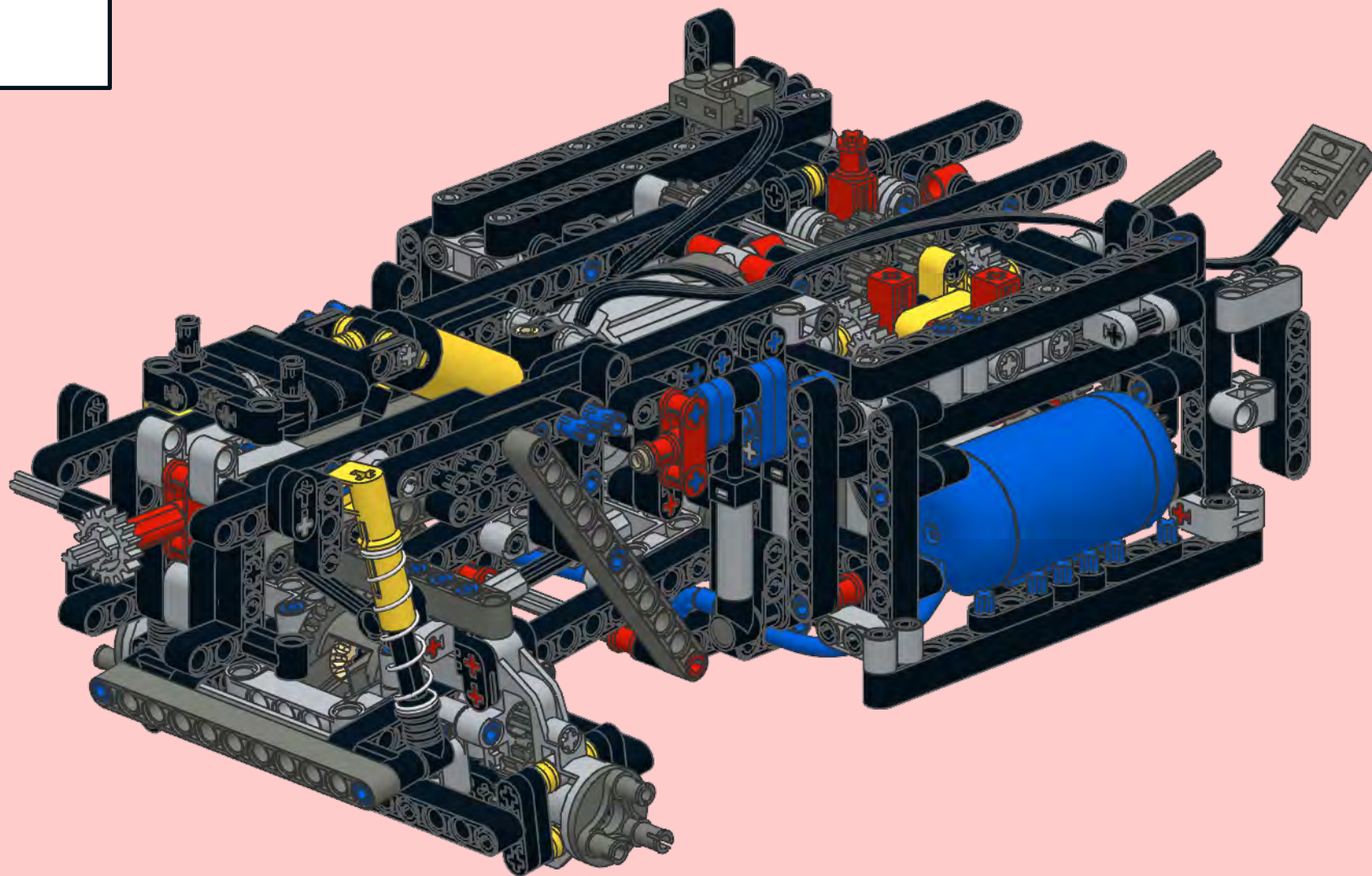
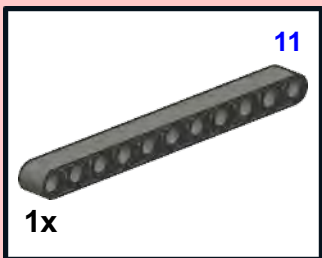
2x0.5 3x5
2x
1x



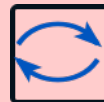
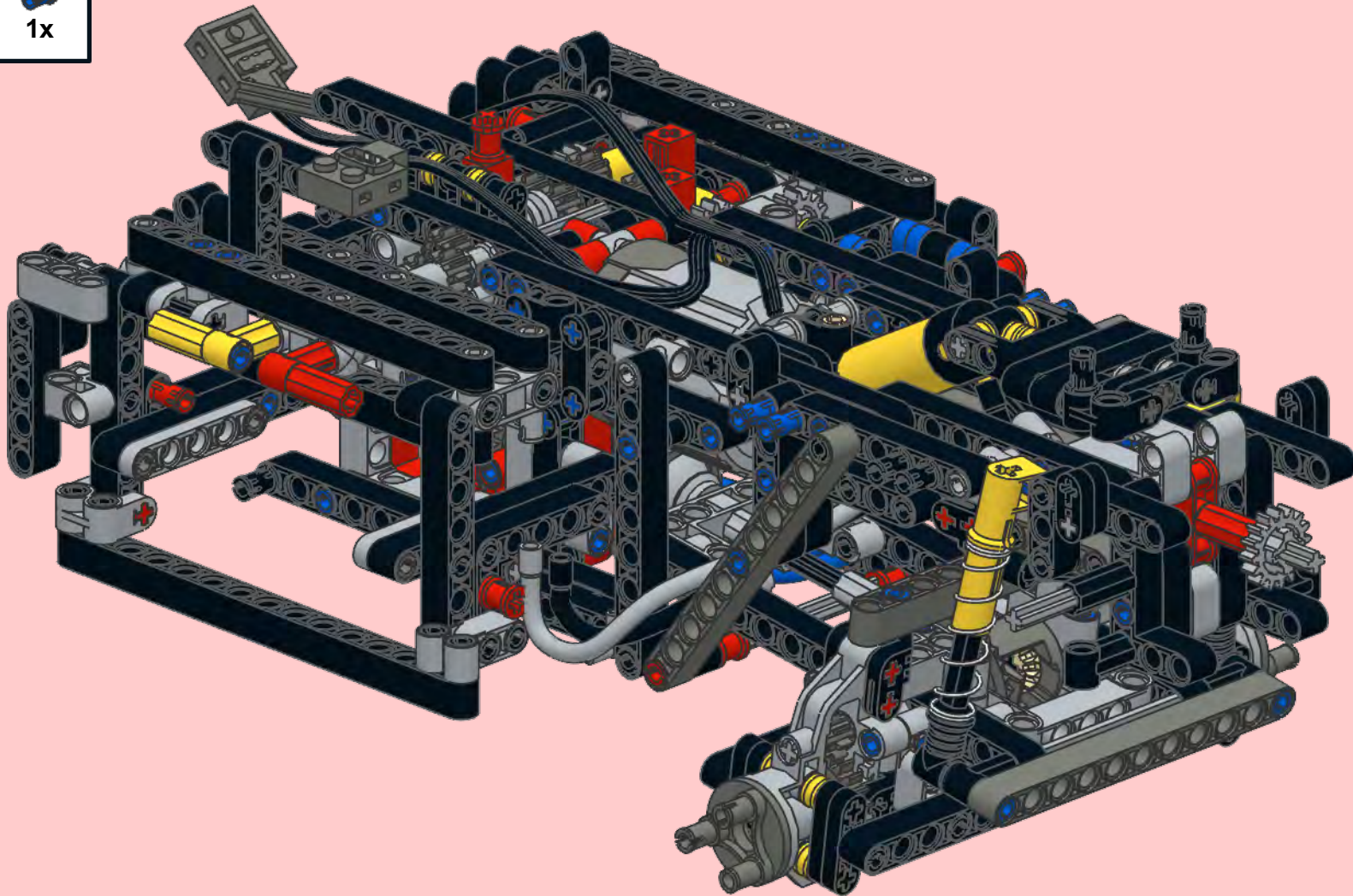
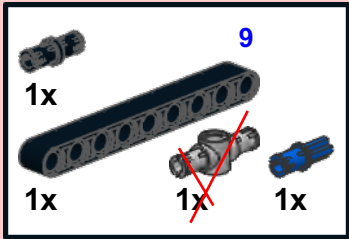
7



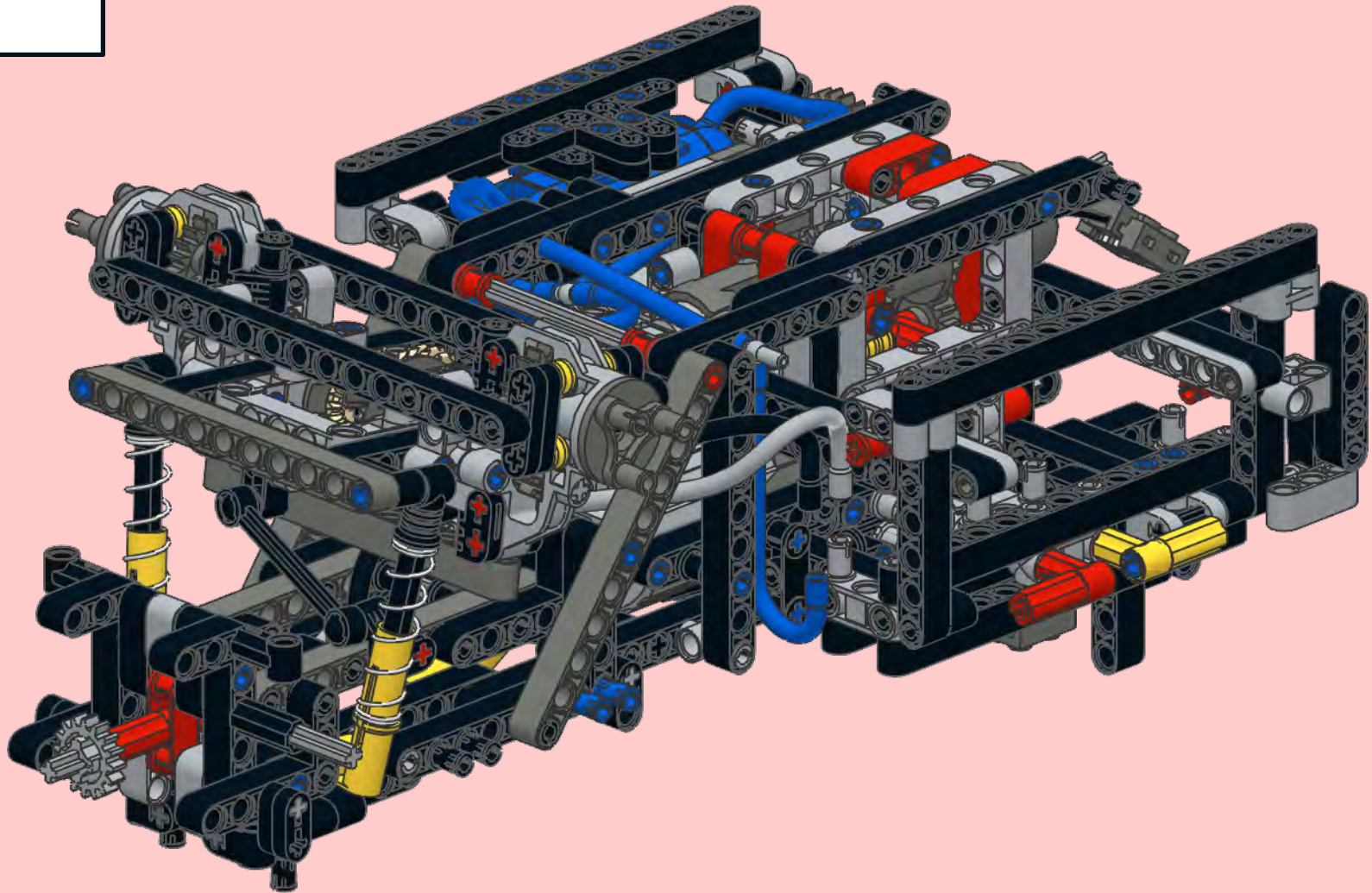
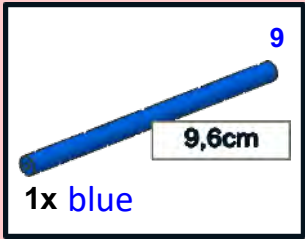
8














9



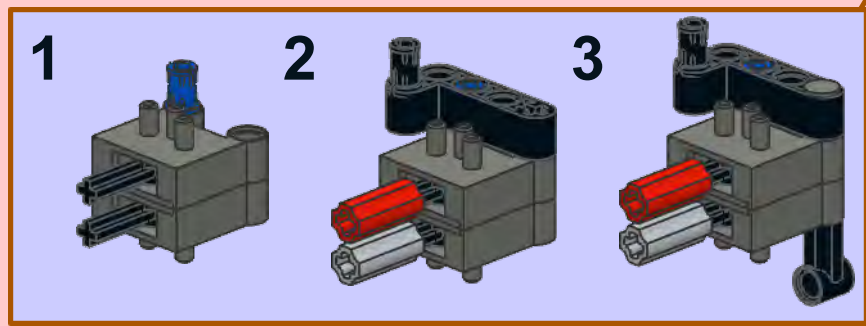
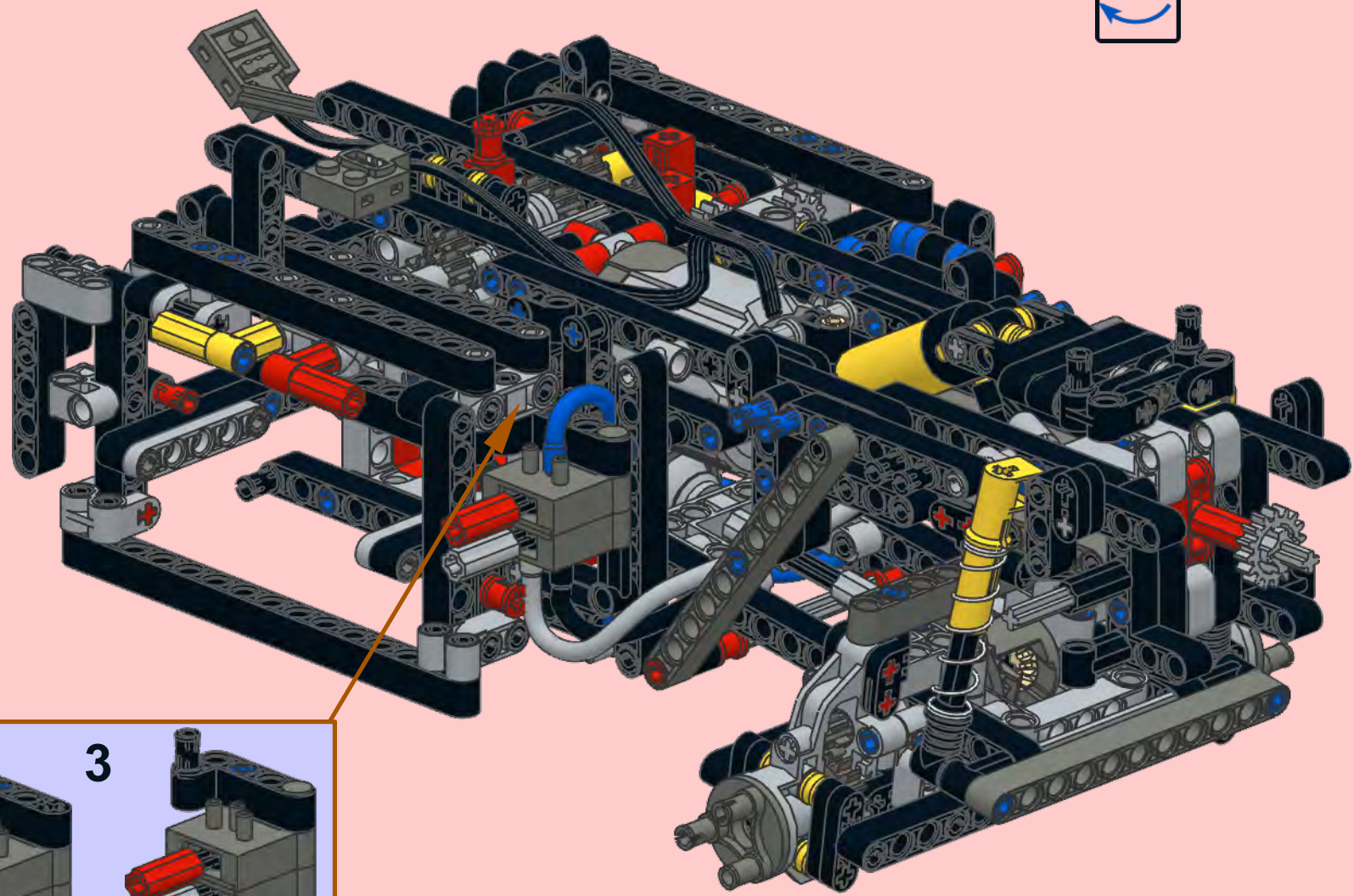
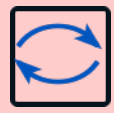
10



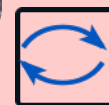
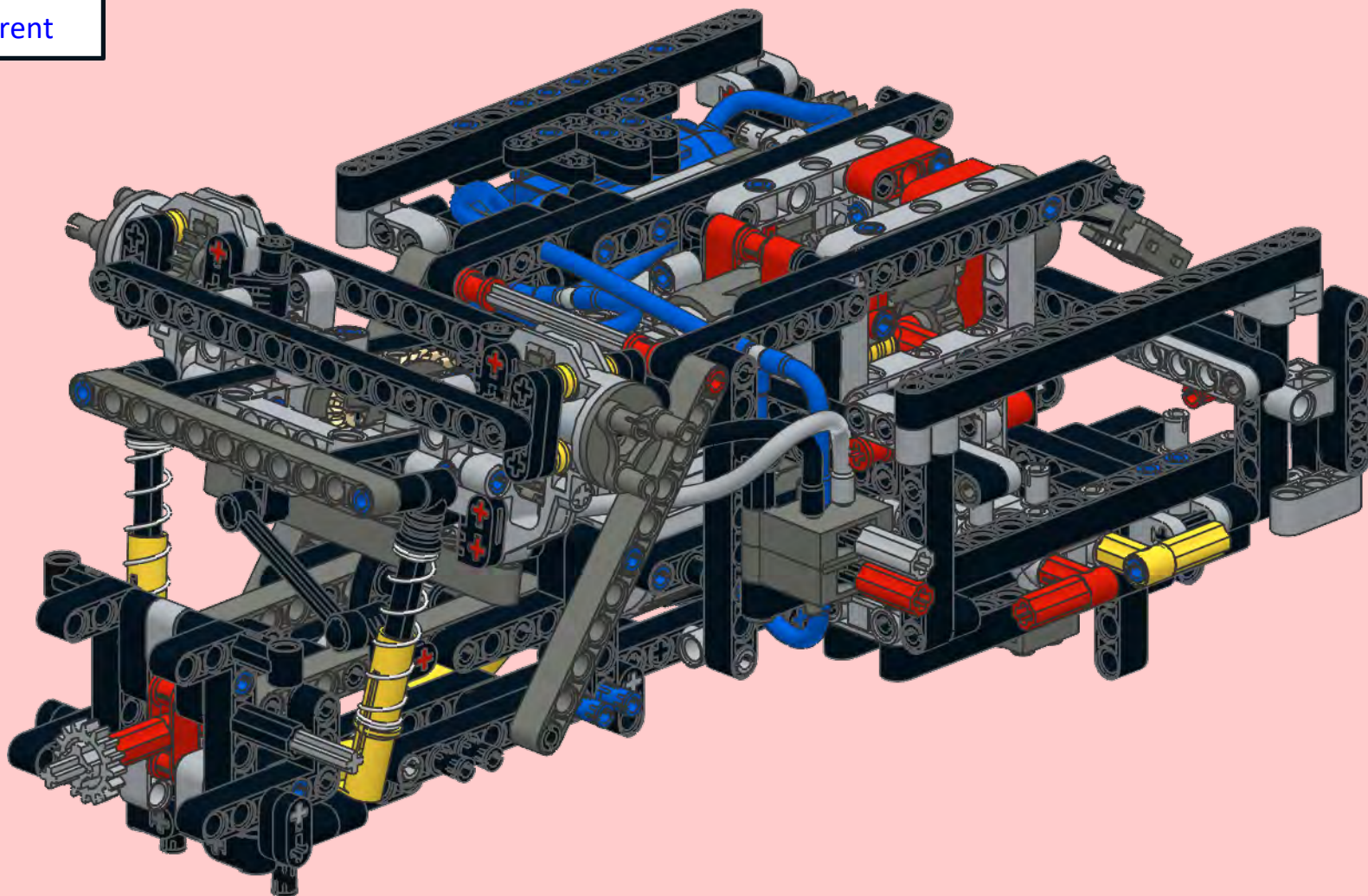
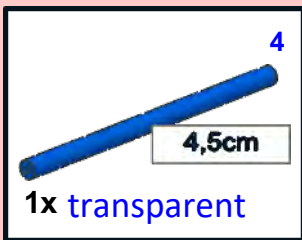
11

- 1x  4
- 1x  1x
- 1x  2x4
- 1x  1x
- 1x  1x
- 1x  1x
- 2x  1x
- 1x  1x
- 1x  1x
- 1x  1x
- 1x  1x

blue



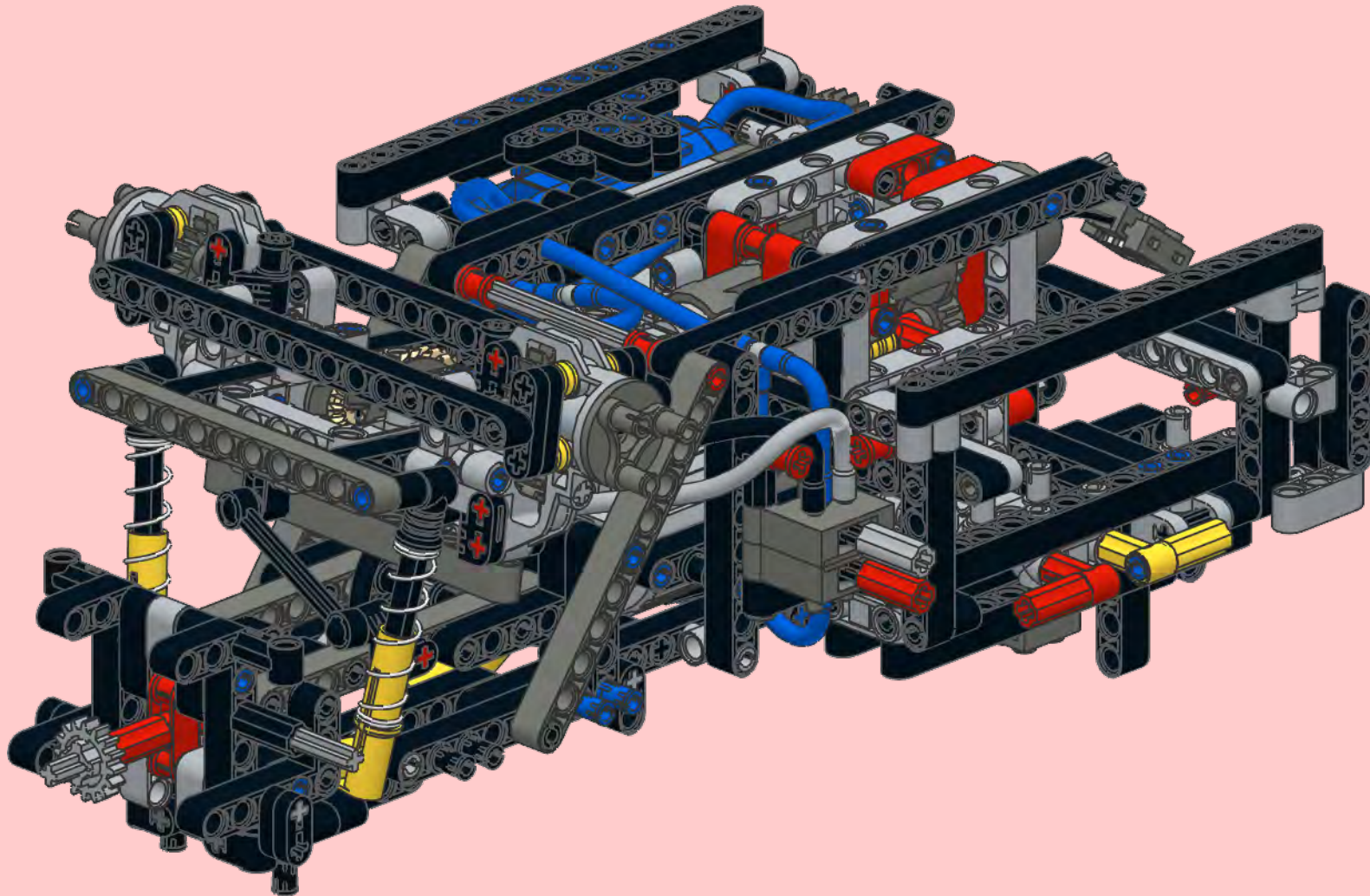
12



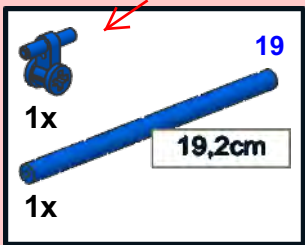
13



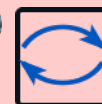
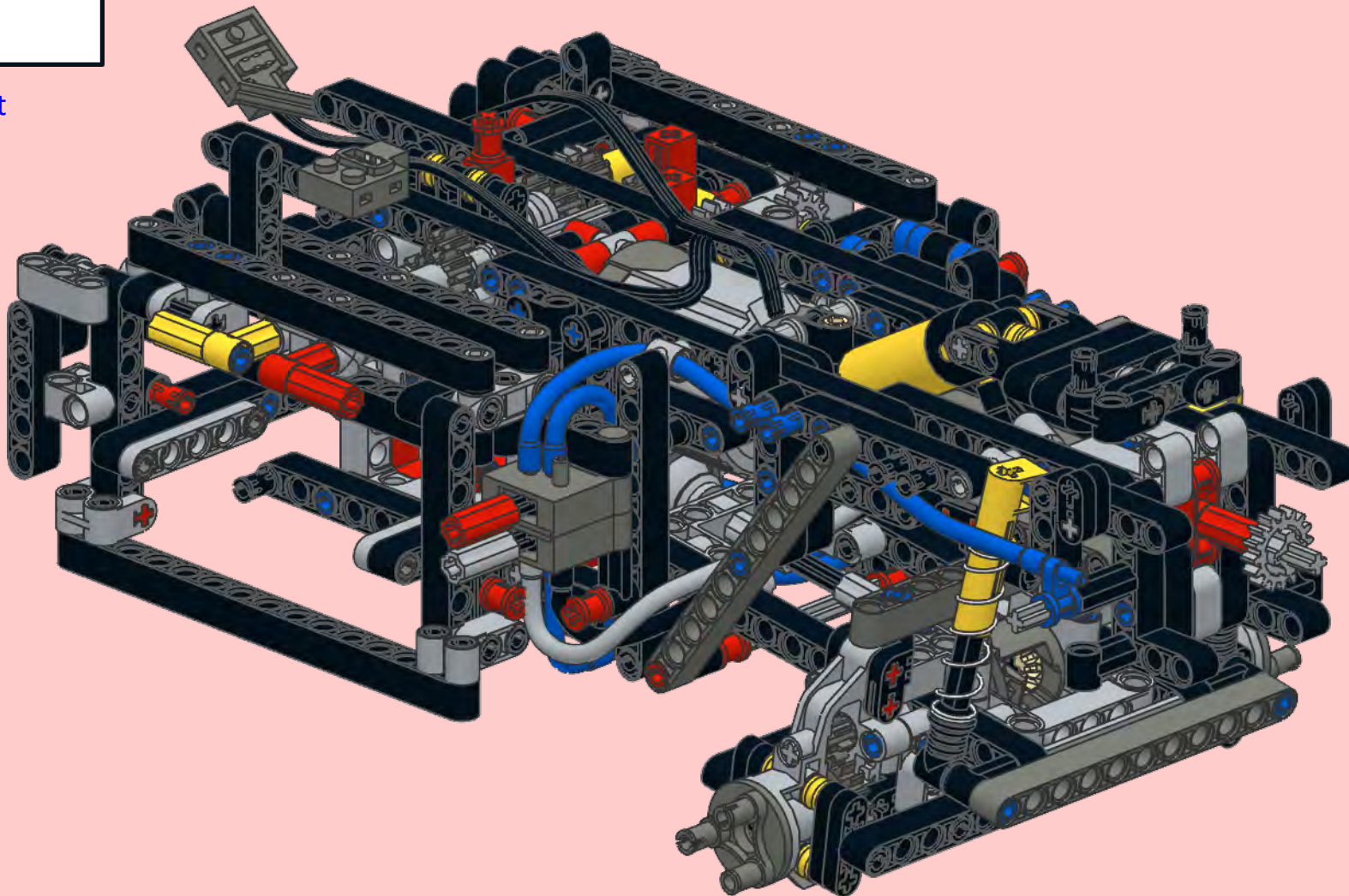
black



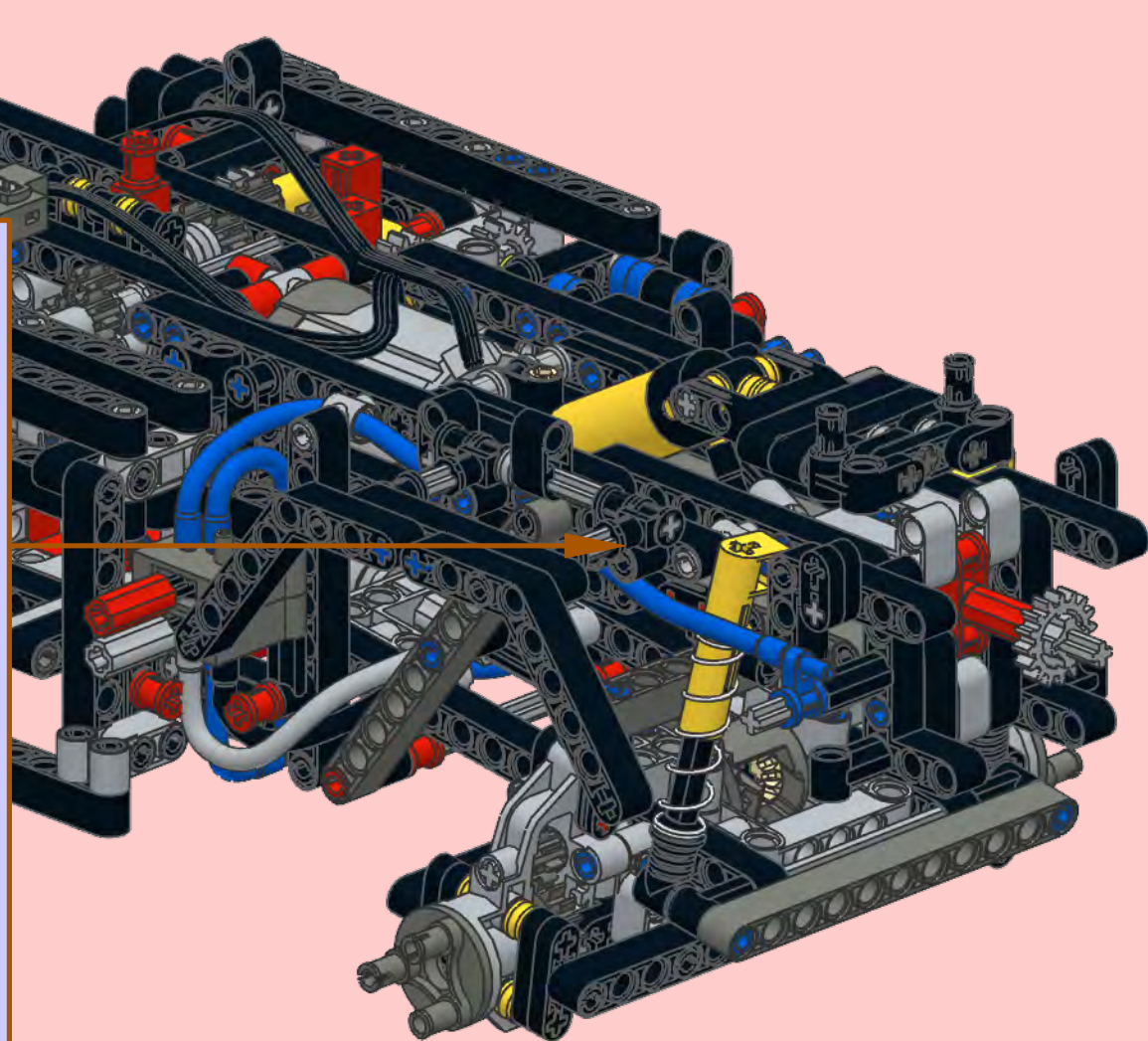
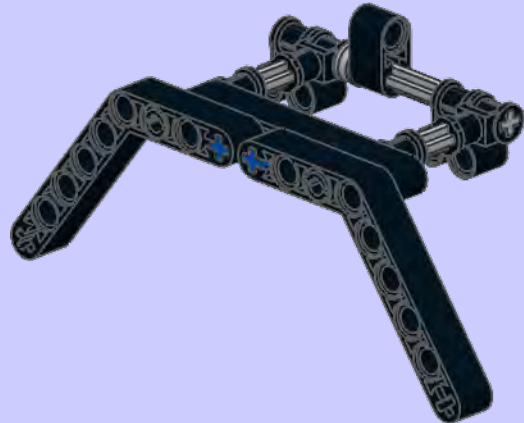
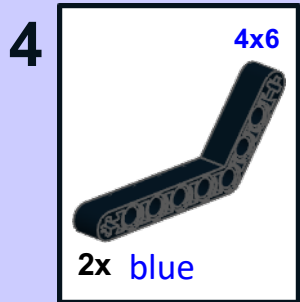
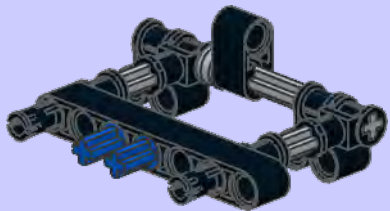
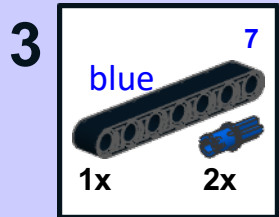
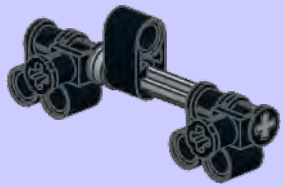
14



transparent



15



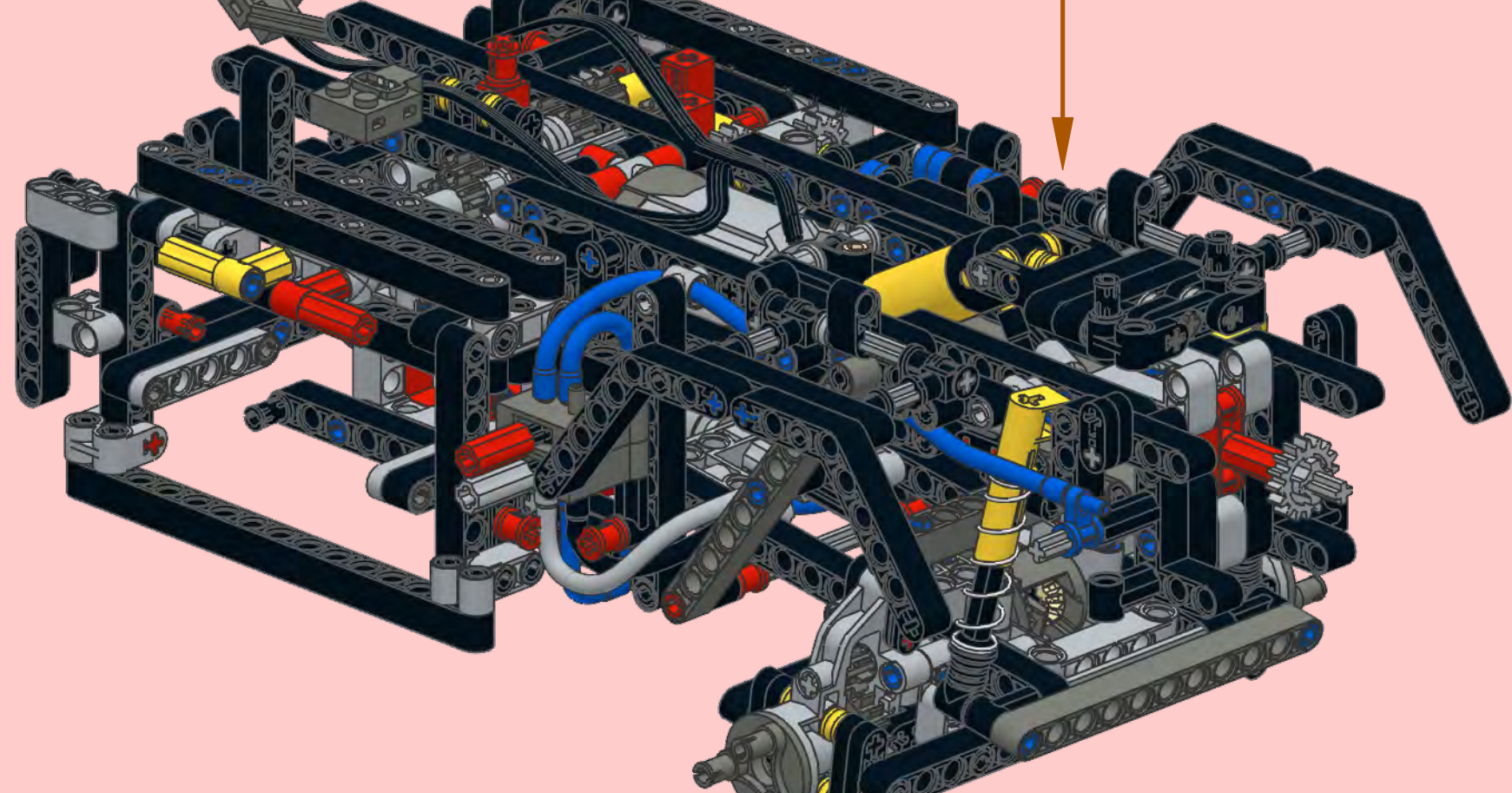
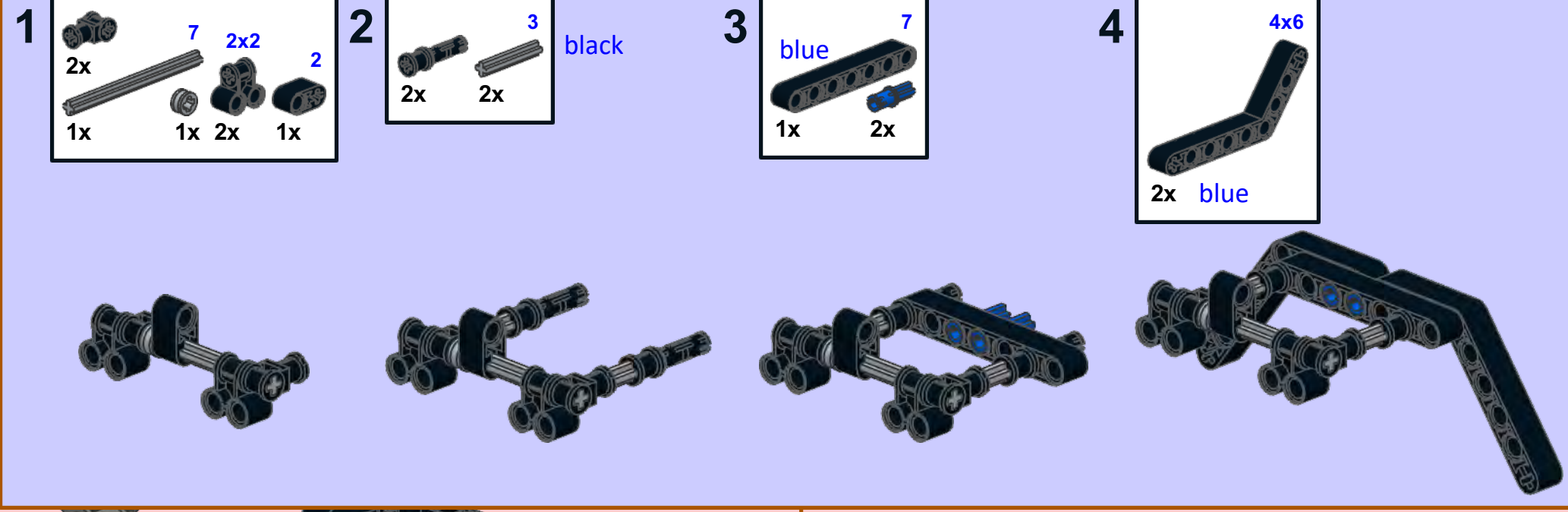
16

1 2x 7 2x2 2
1x 1x 2x 1x

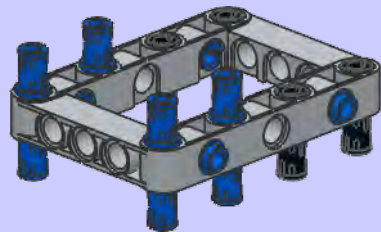
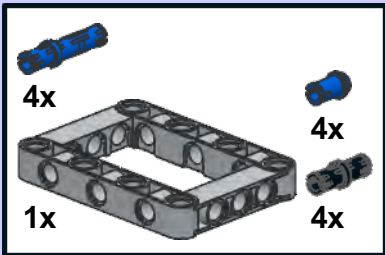
2 2x 3 black 2x

3 blue 7 1x 2x

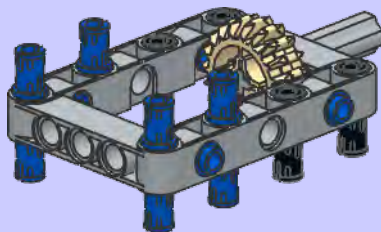
4 4x6 2x blue



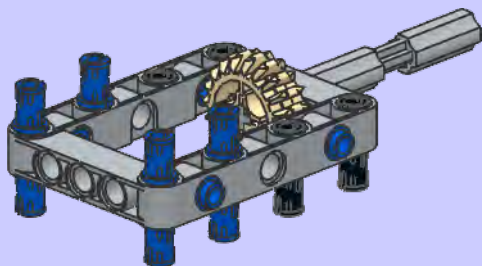
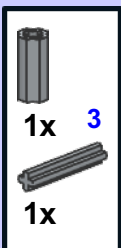
1



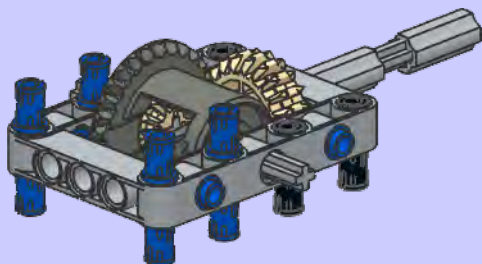
2



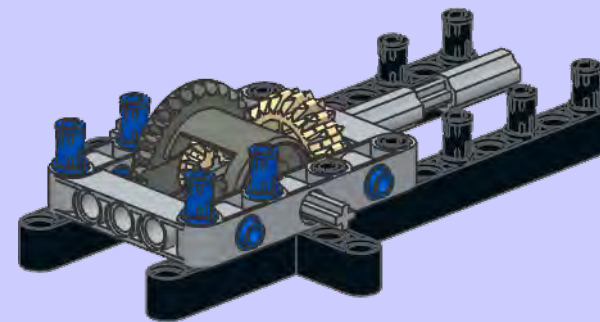
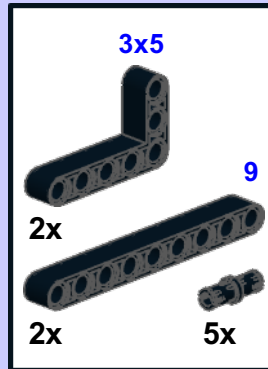
3



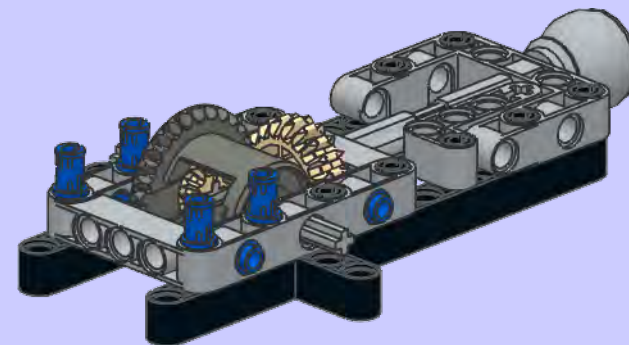
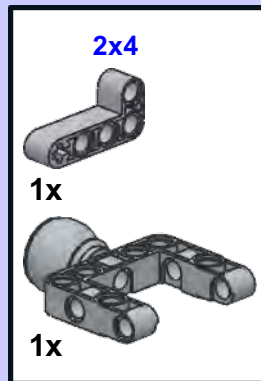
4



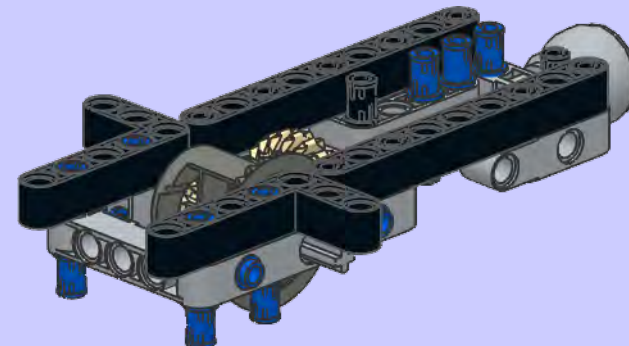
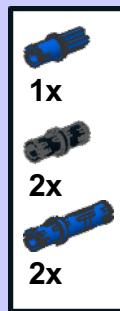
5



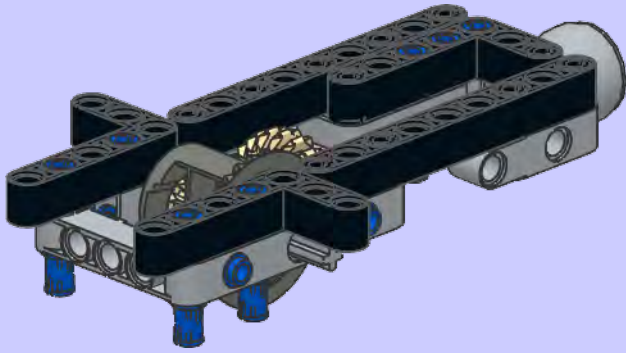
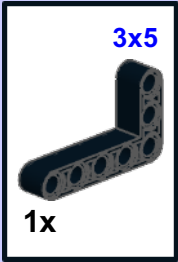
6



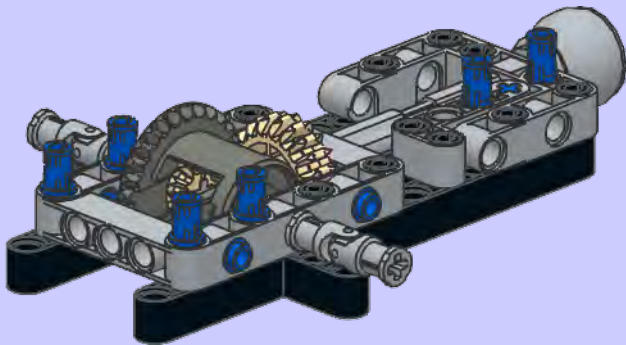
7



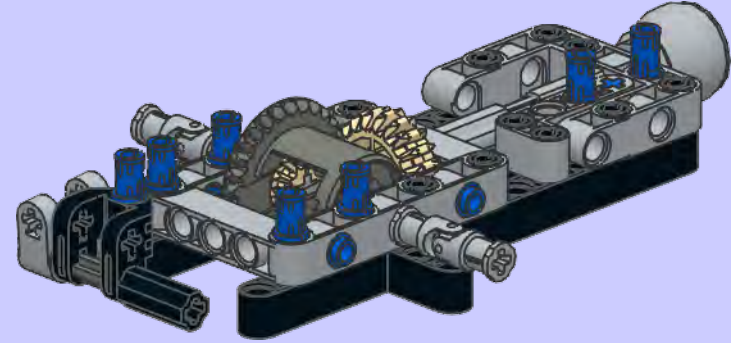
8



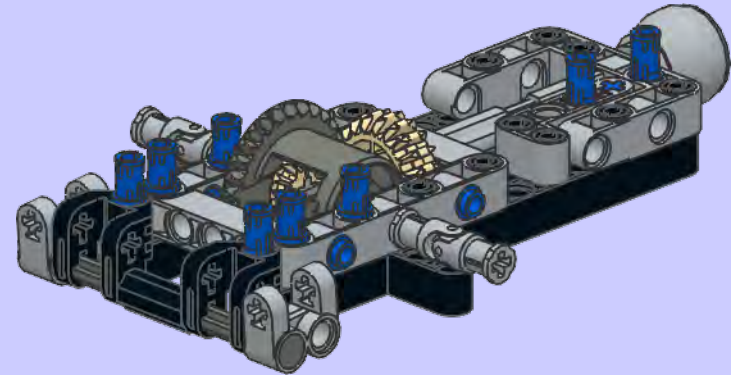
9



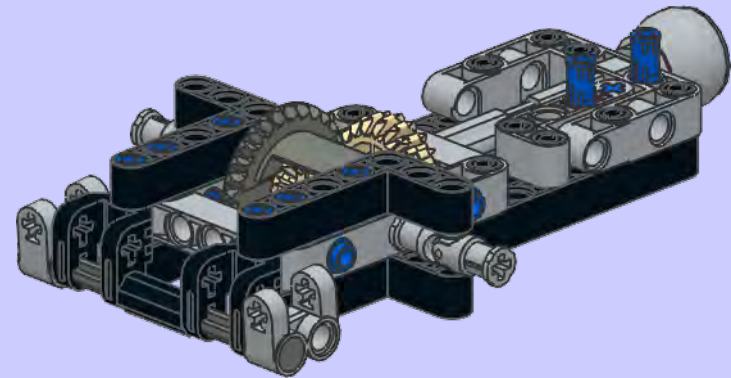
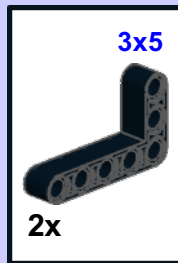
10



11



12



13

1 1x 1x 1x 1x 8

2 1x 4 1x

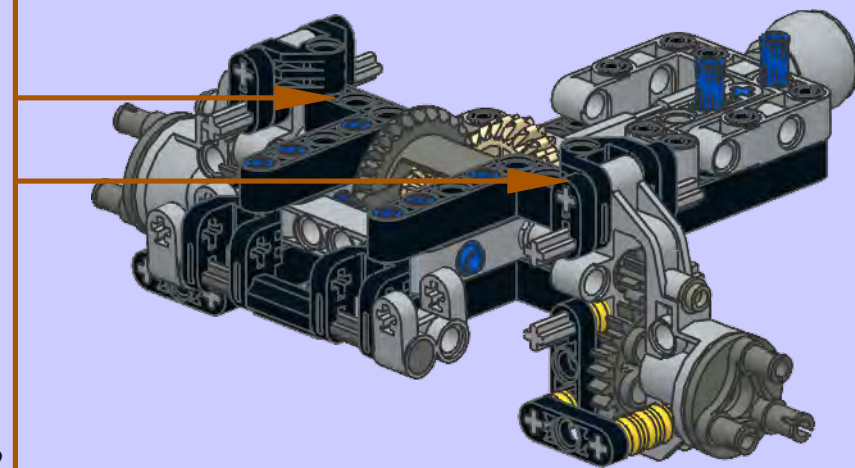
3 1x 3 1x 5 2x2x2 2x

4 2x 5 8x

5 4x 2x blue light grey

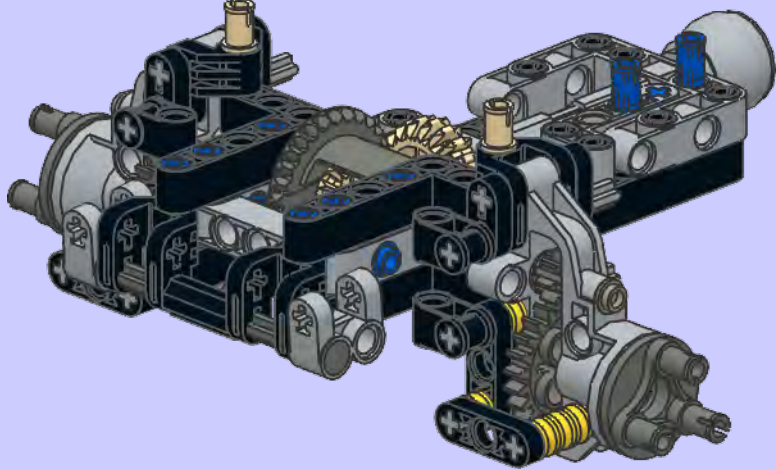
6 1x 5 2x0.5 2x blue

x2



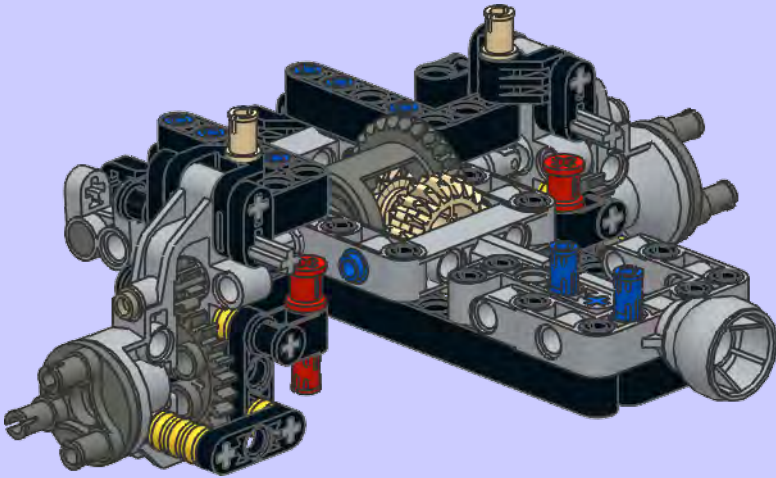
14

- 1x2 
- 4x 
- 2x 



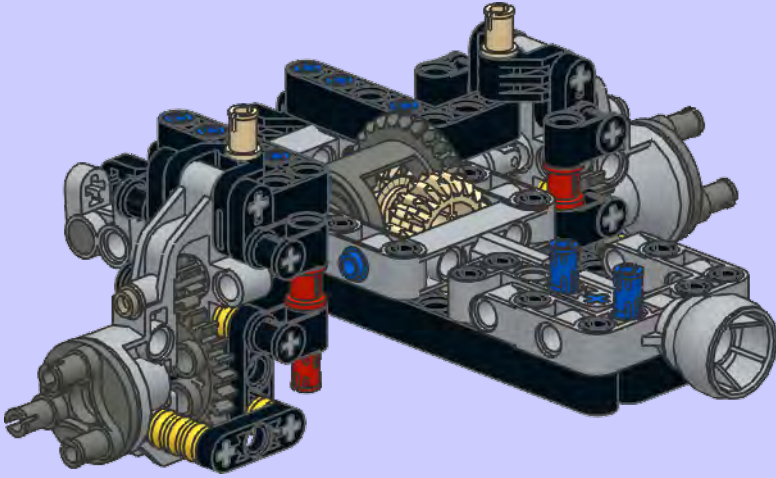
15

- 1x2 
- 2x 
- black 
- 2x 

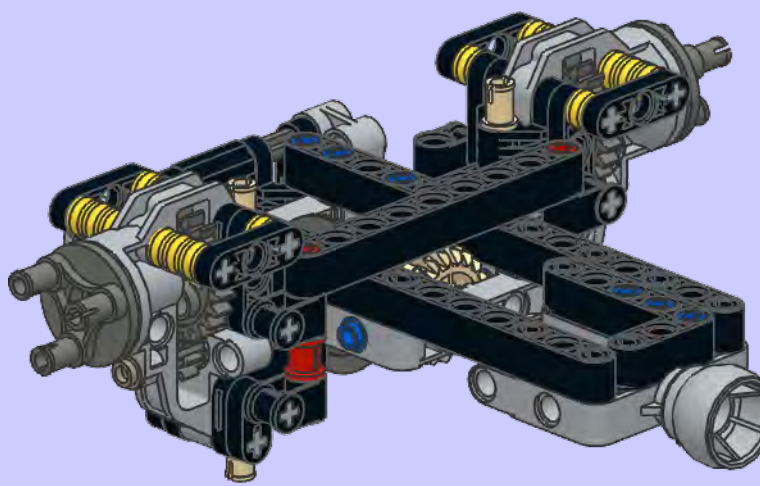
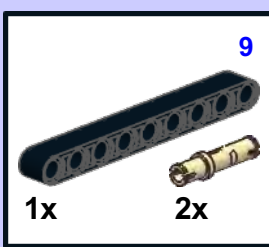


16

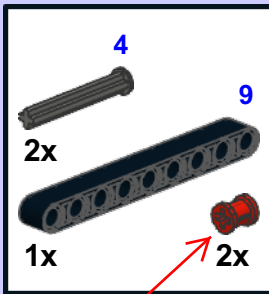
- 1x2 
- 2x 



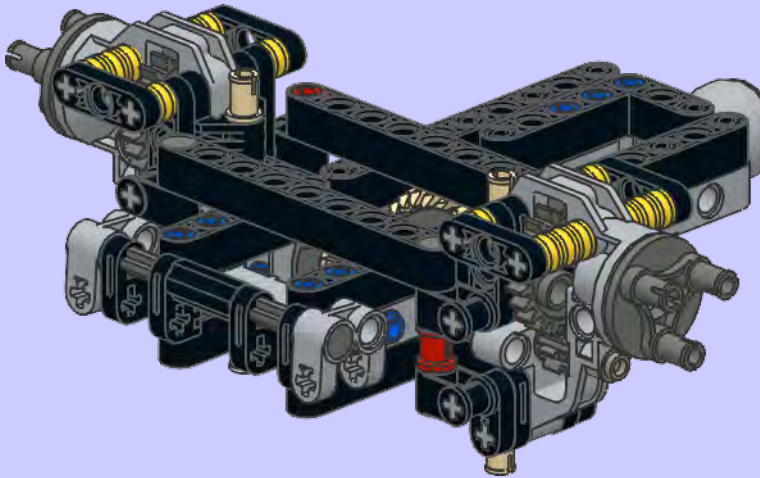
17



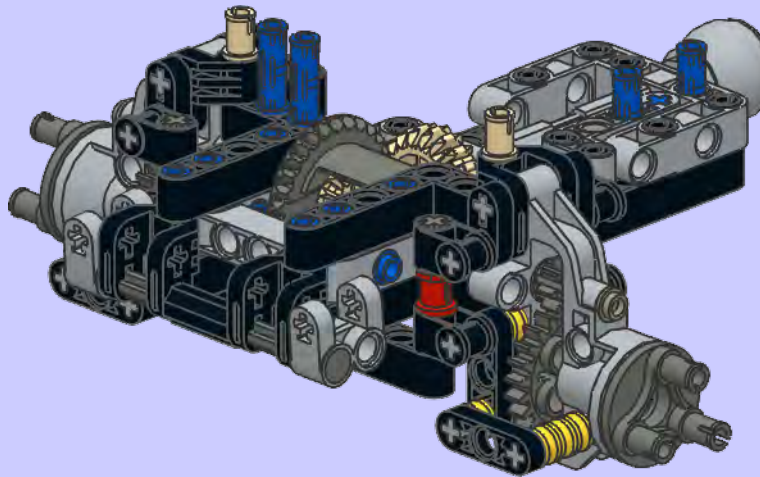
18



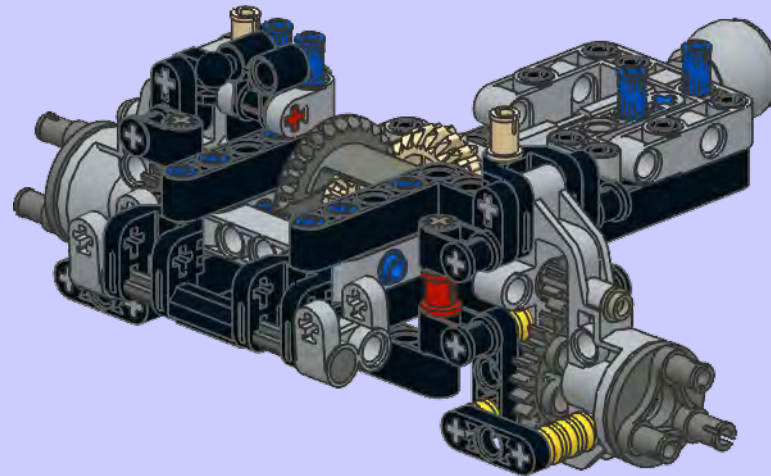
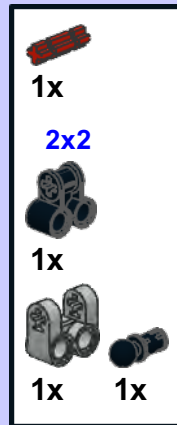
light grey



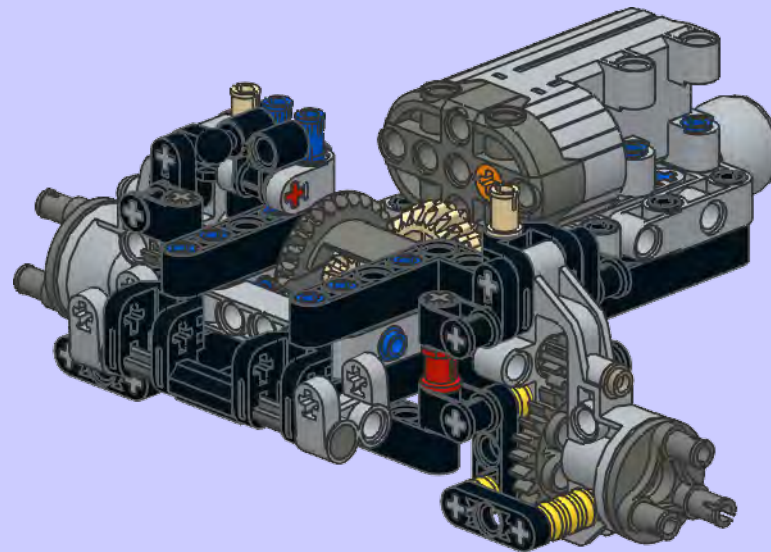
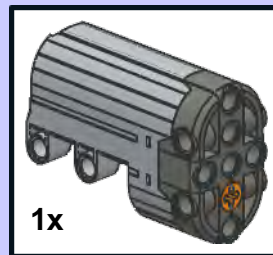
19

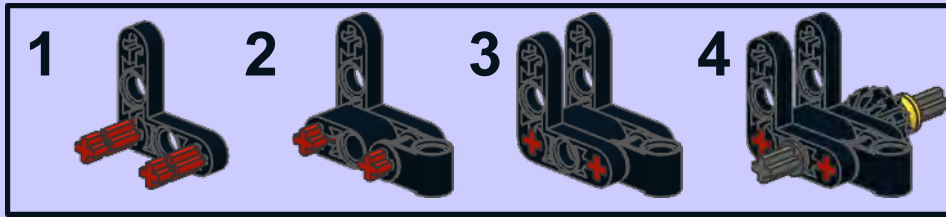


20



21

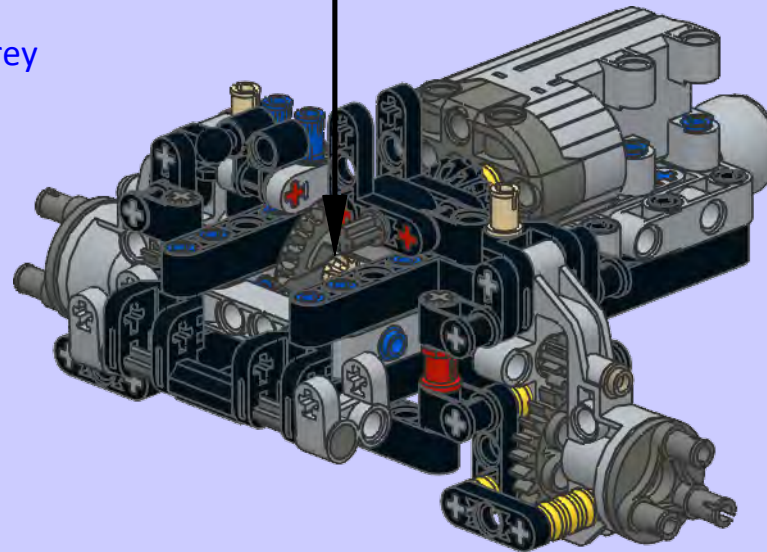




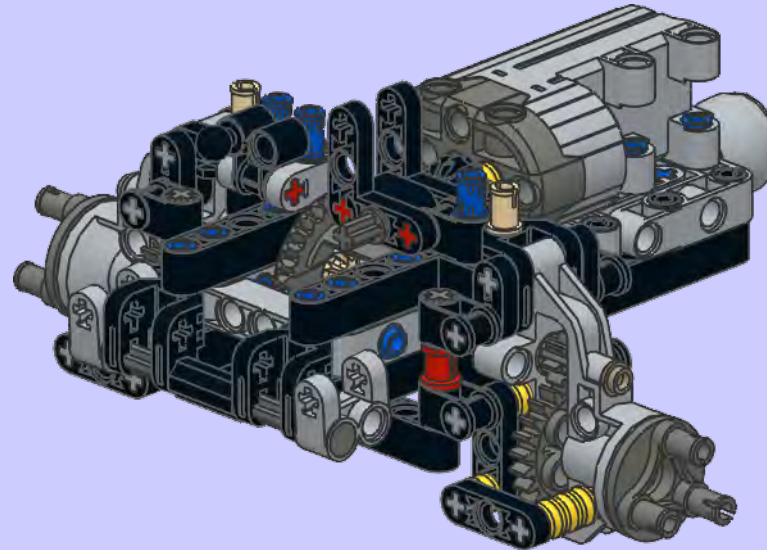
22



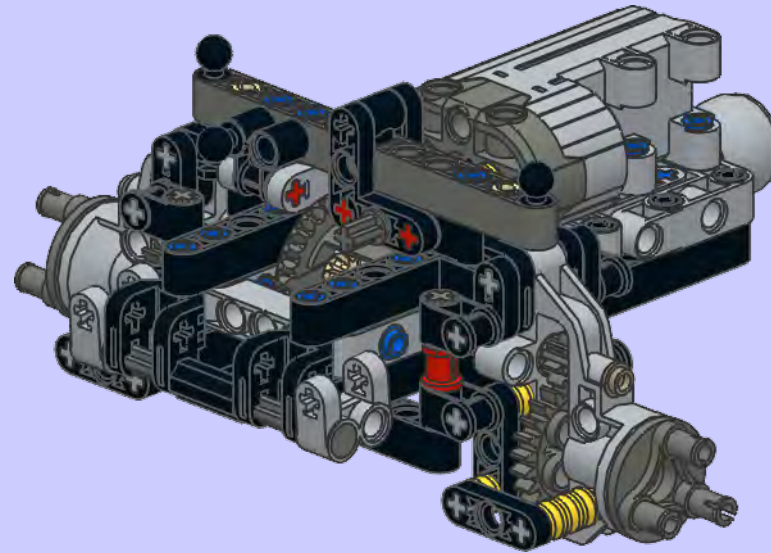
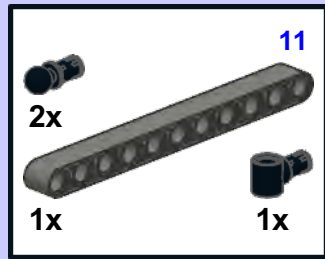
light grey



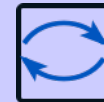
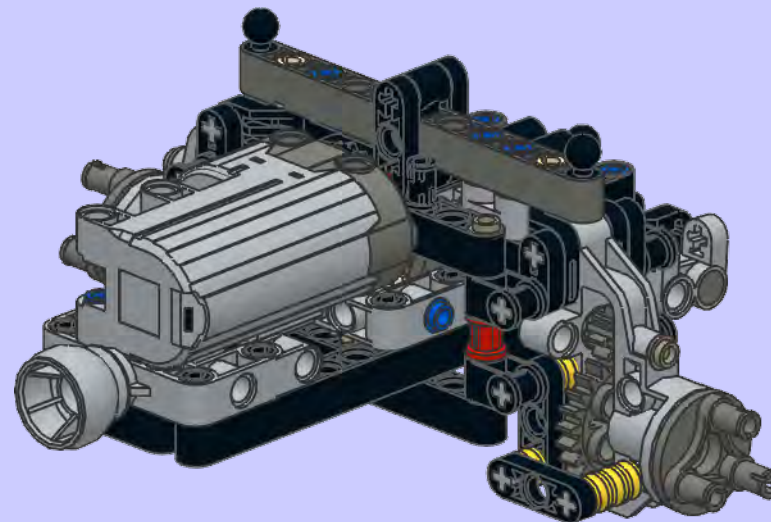
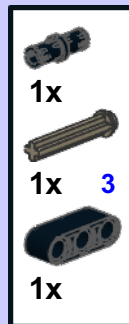
23



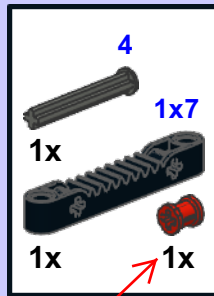
24



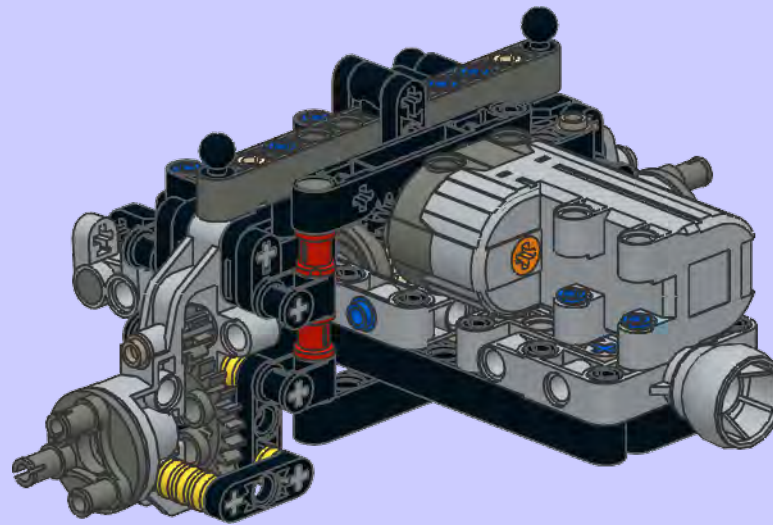
25



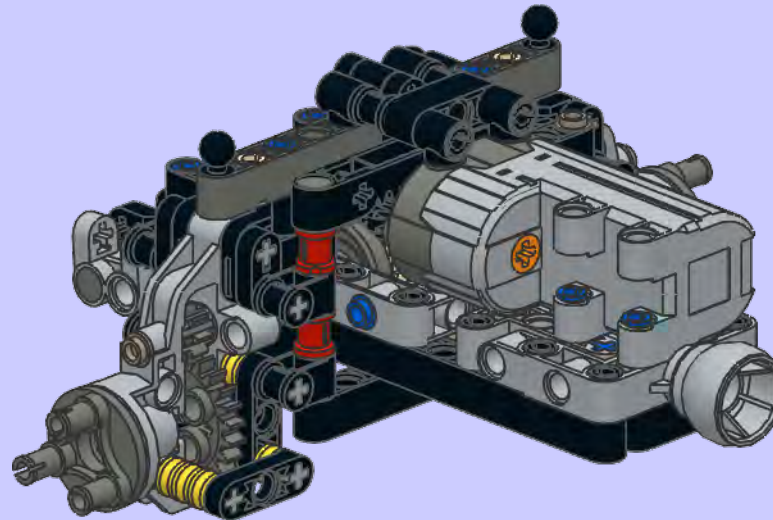
26



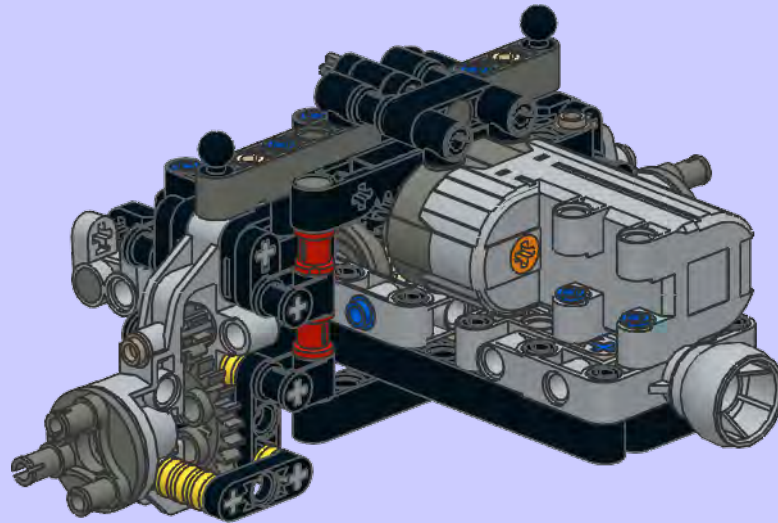
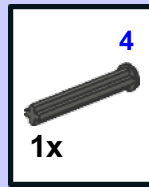
light grey



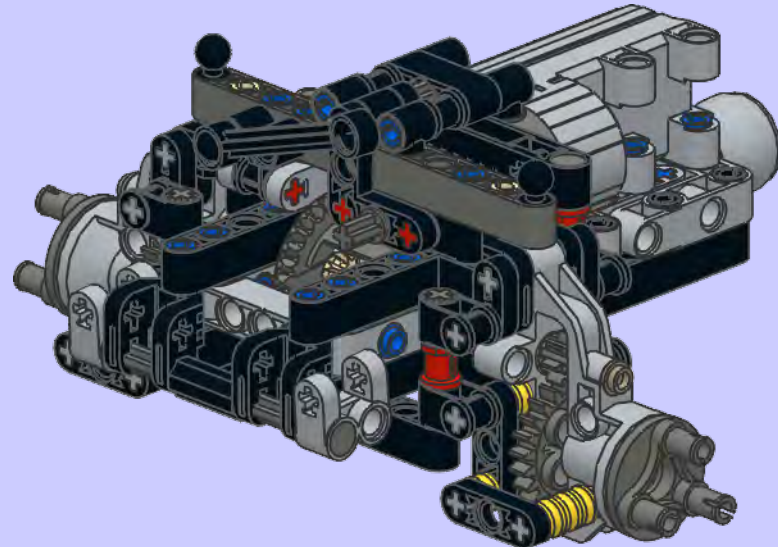
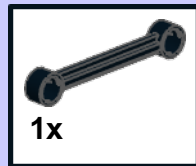
27



28

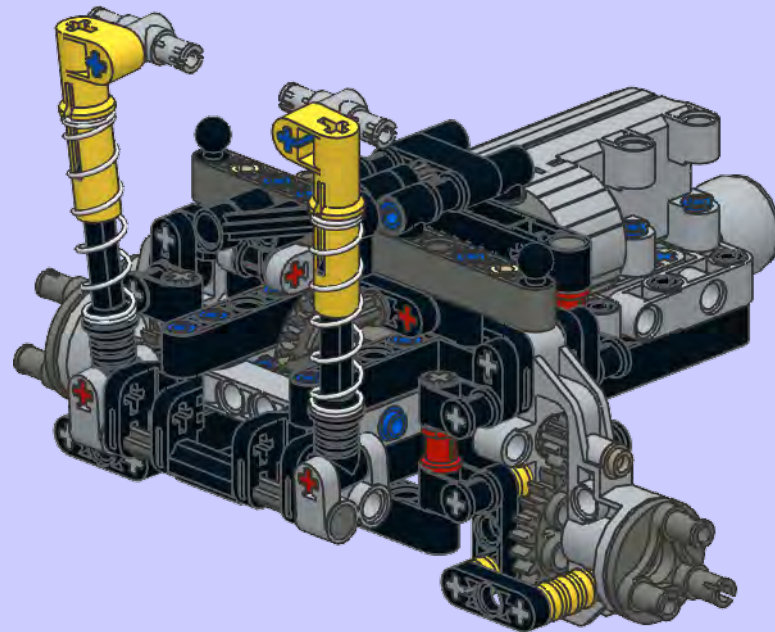


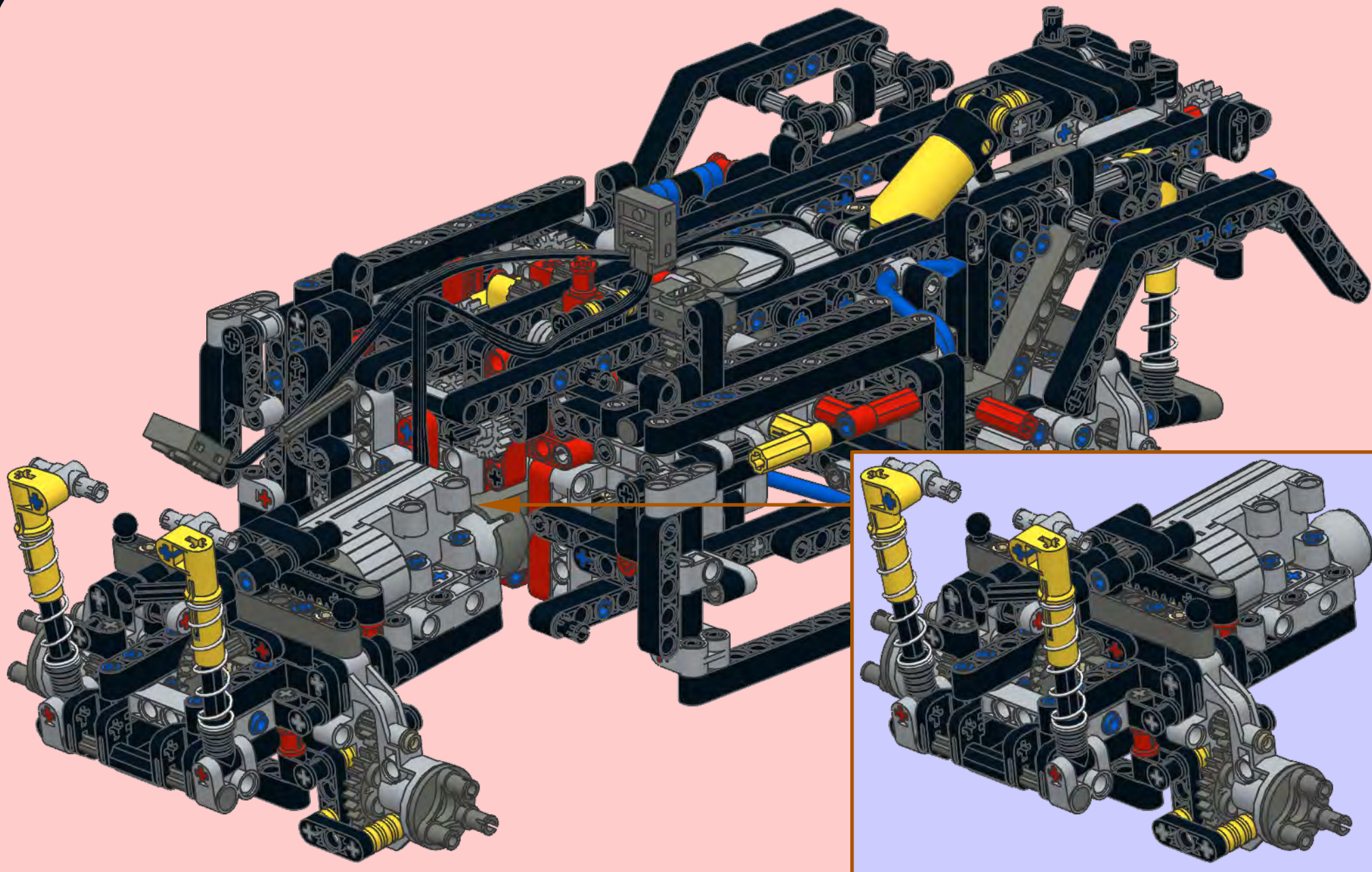
29



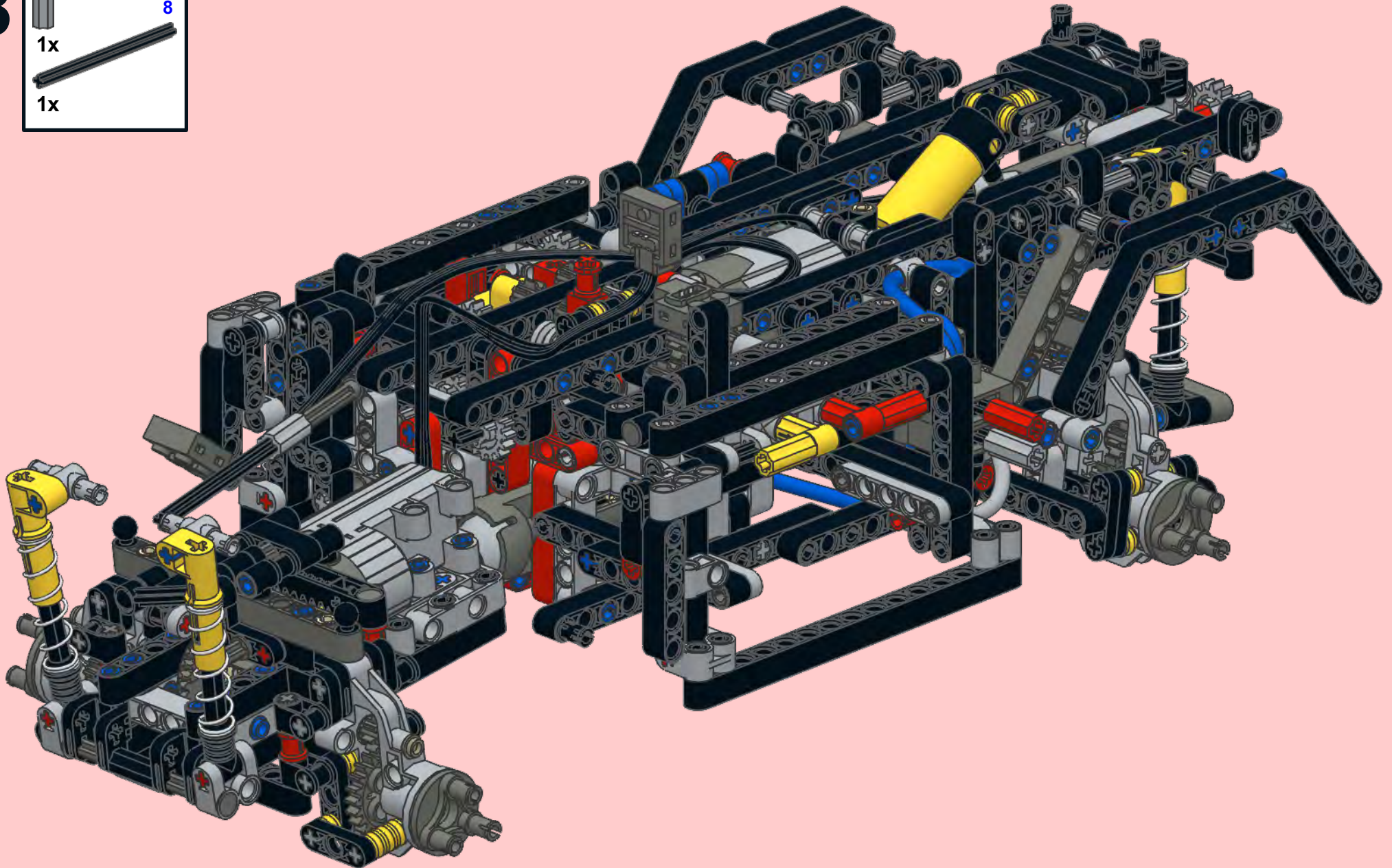
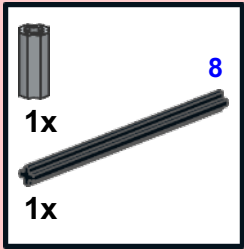
30

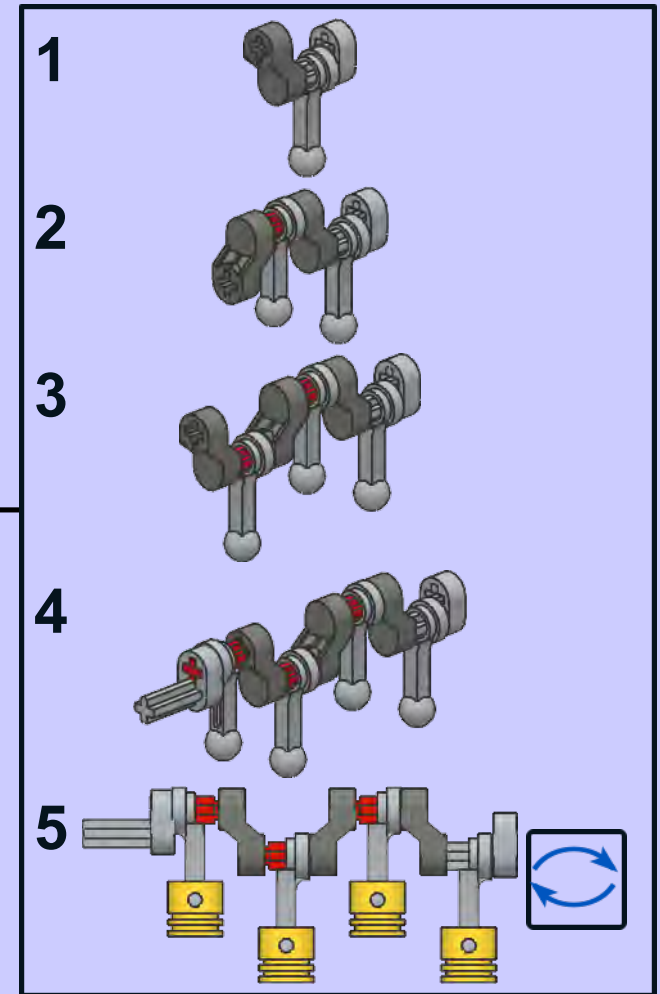
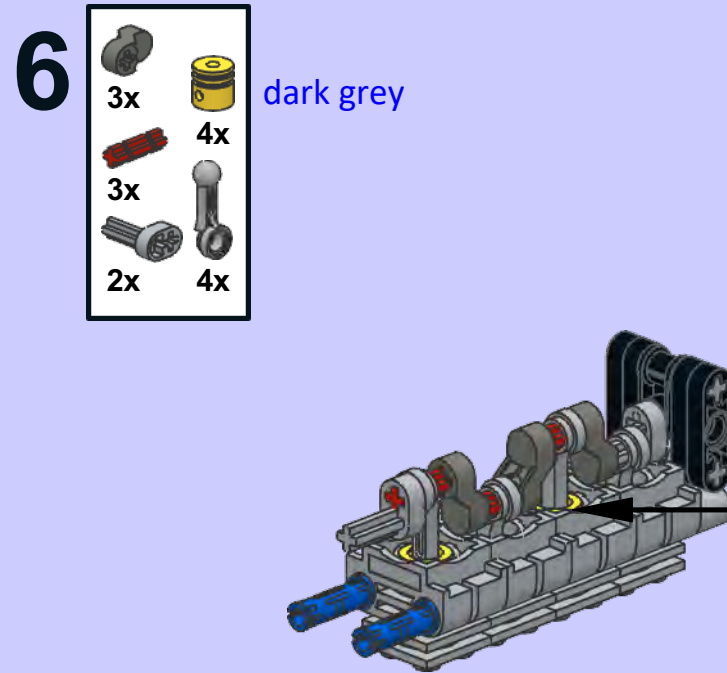
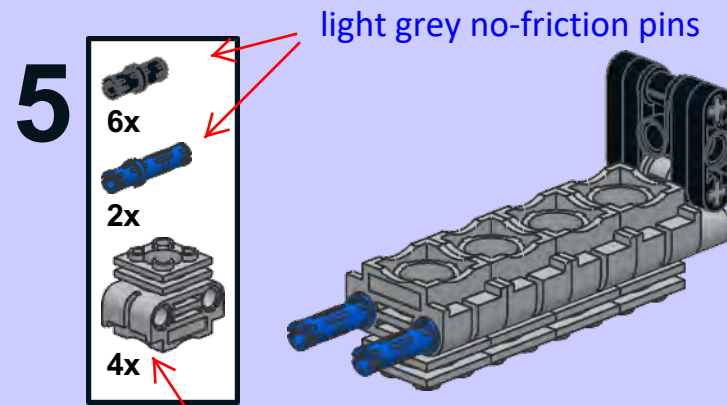
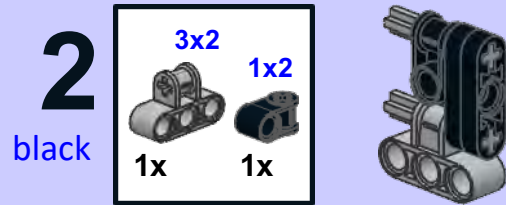
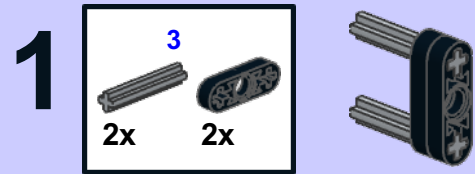
black



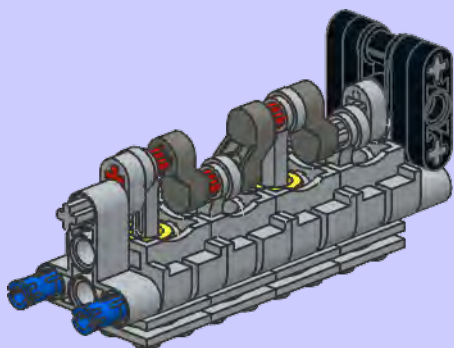


18

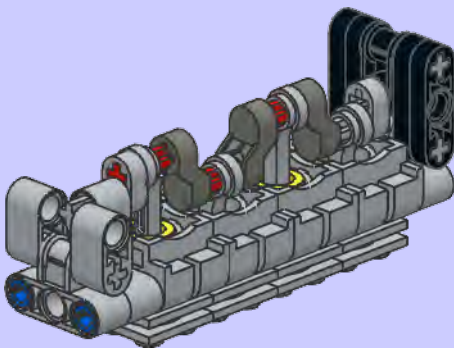
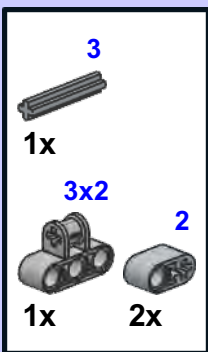




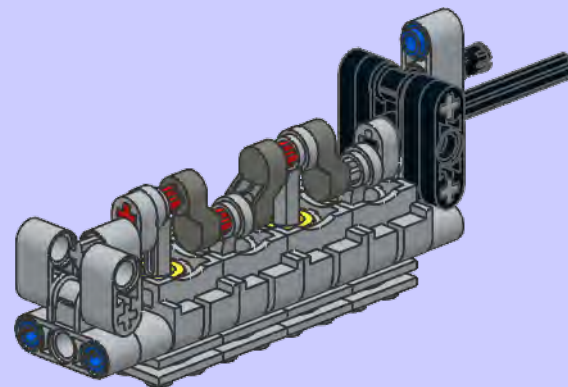
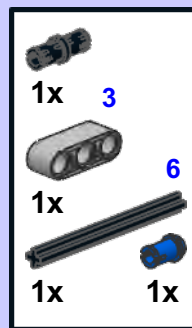
7



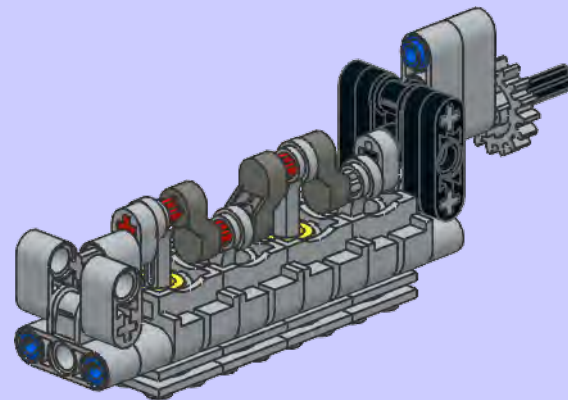
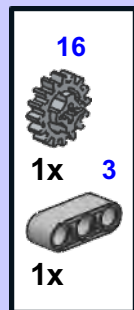
8



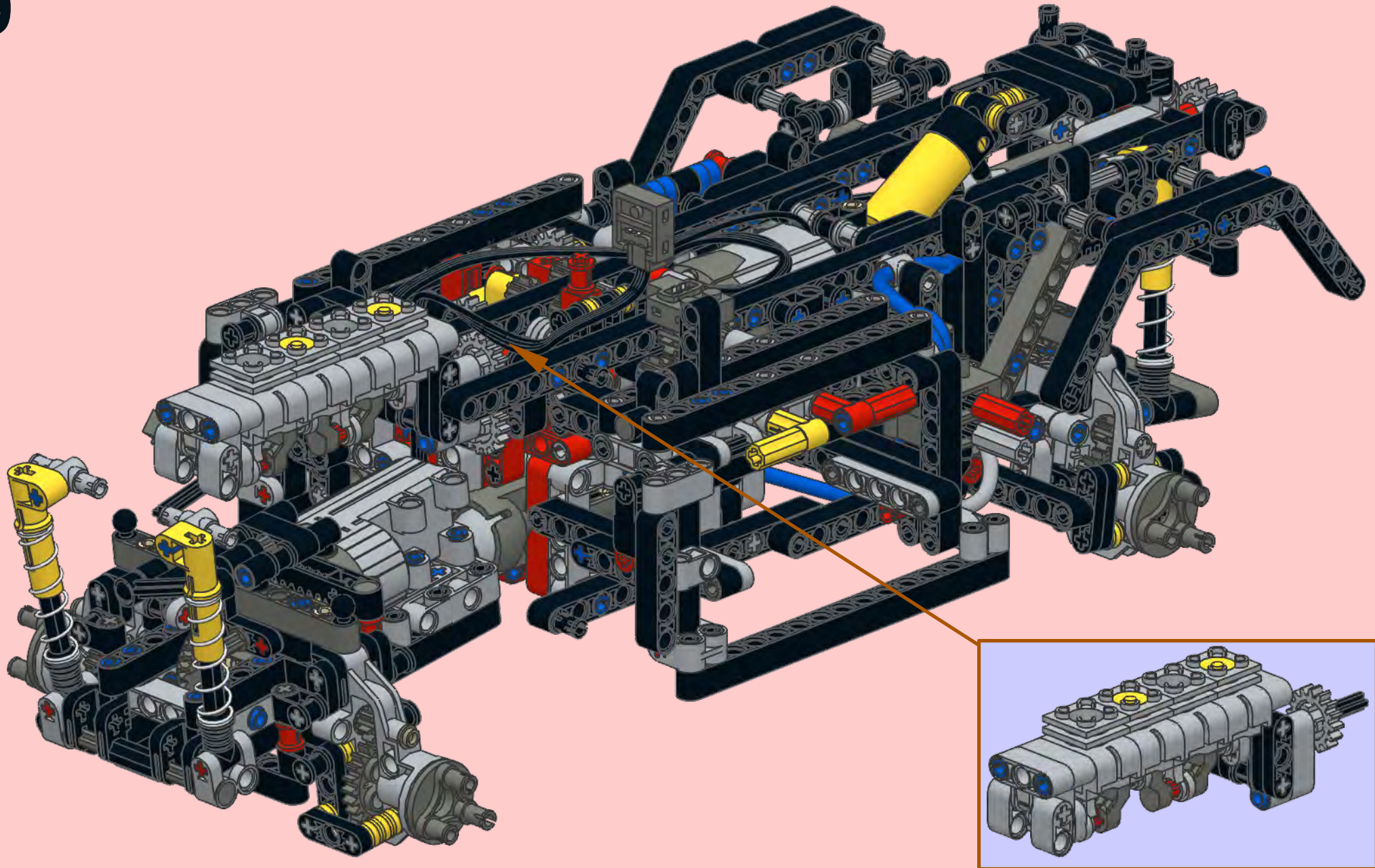
9



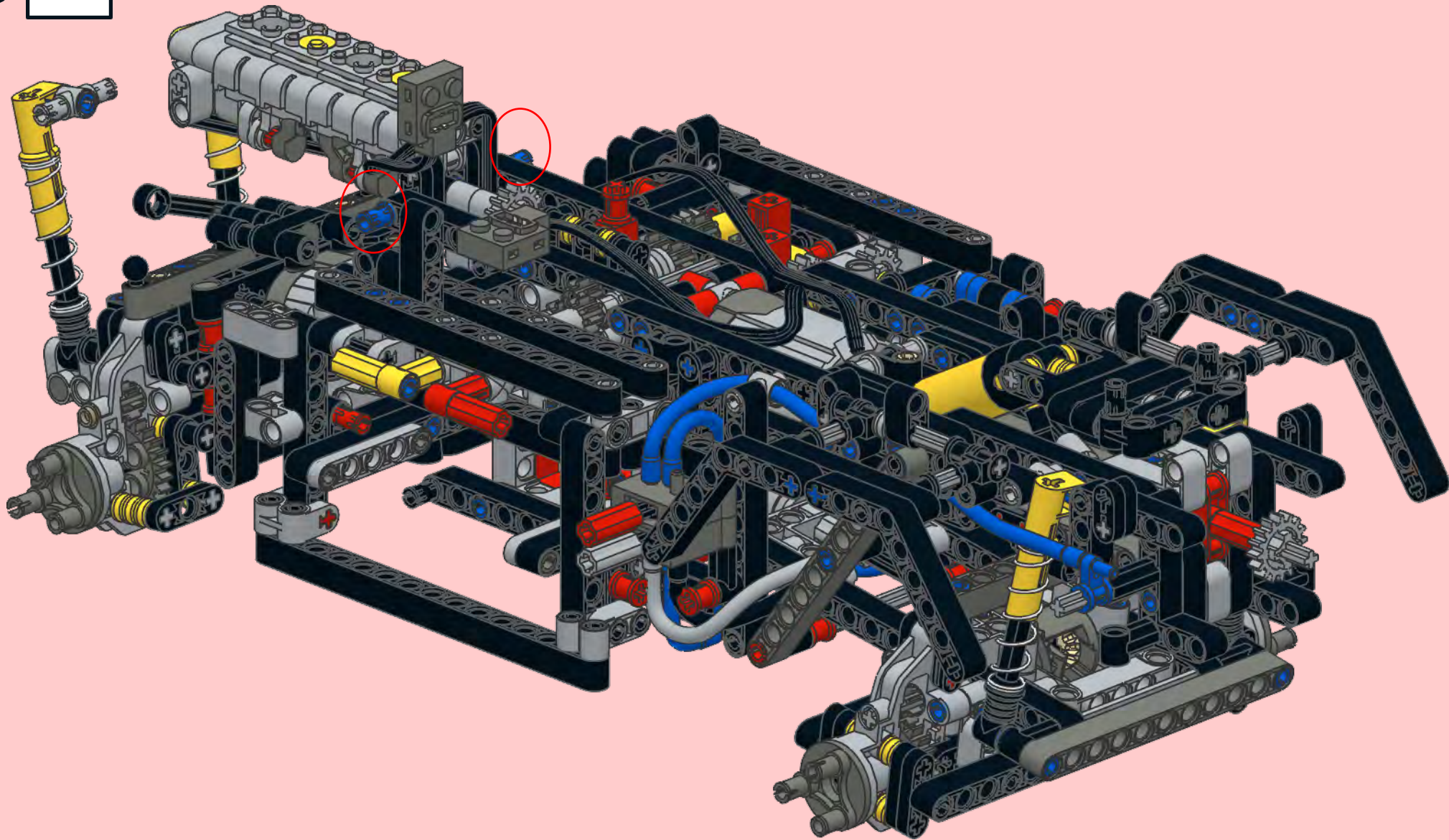
10



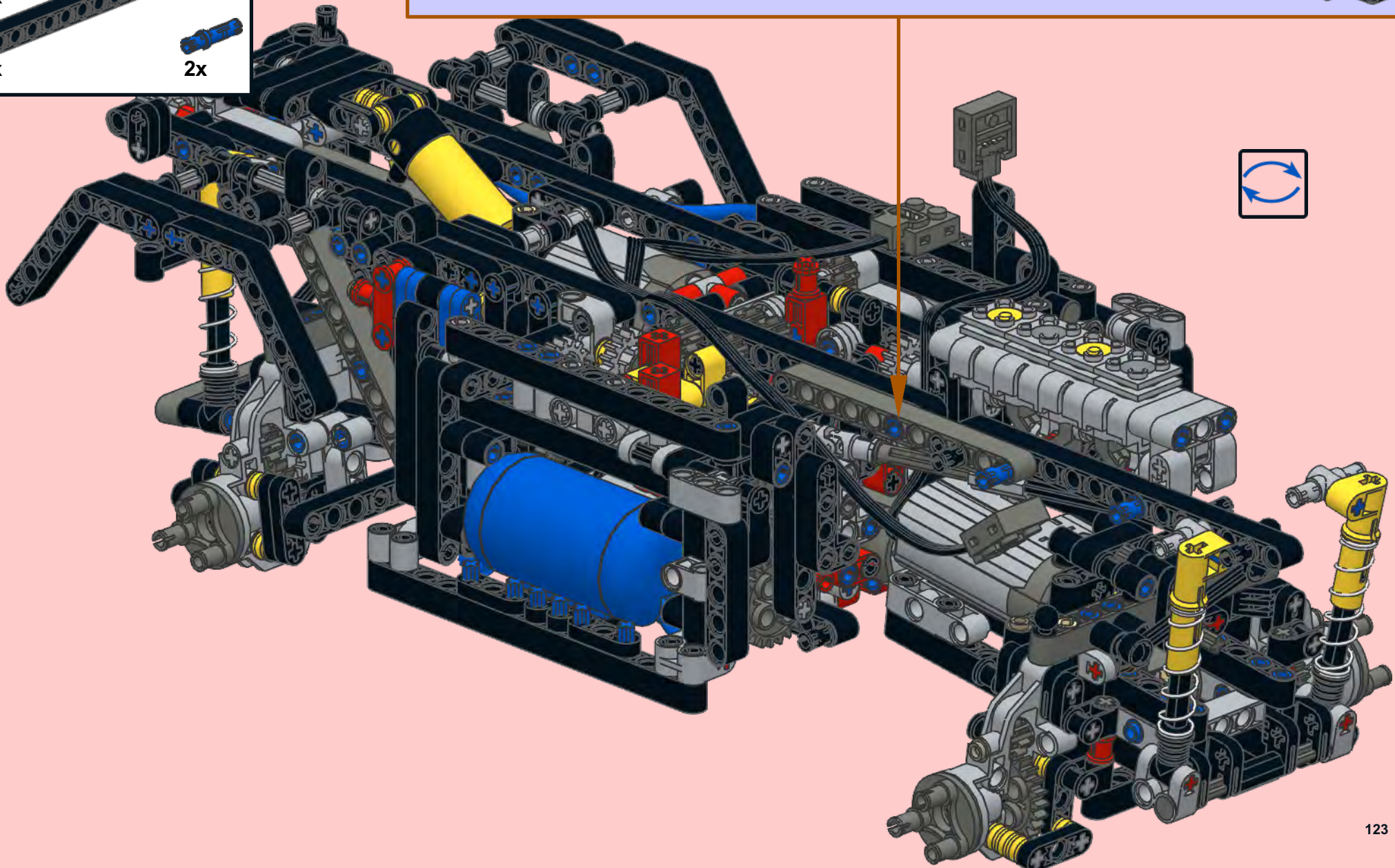
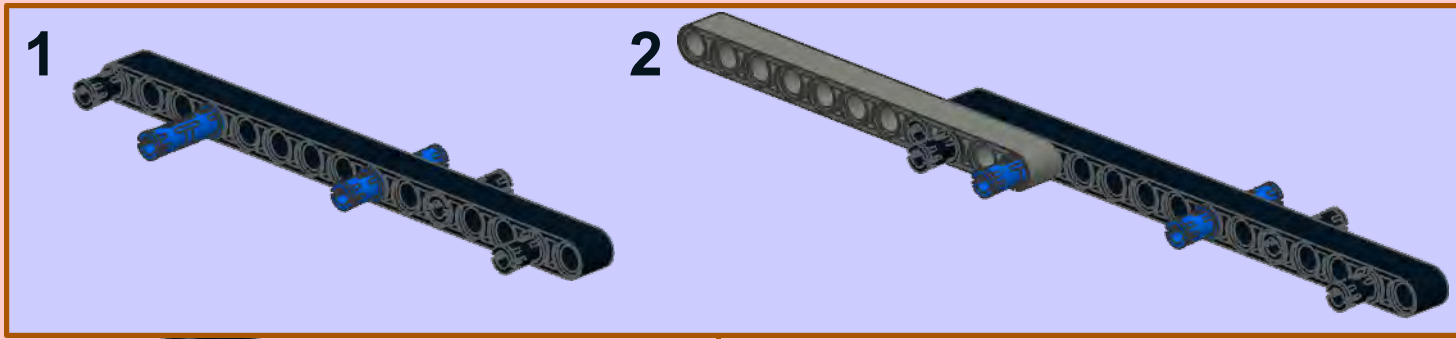
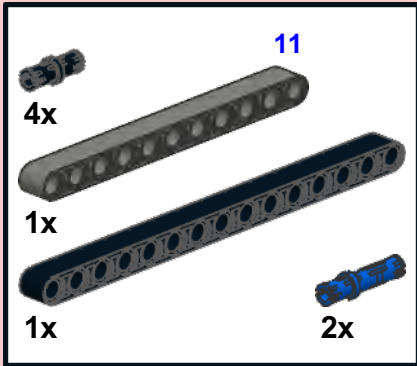
19



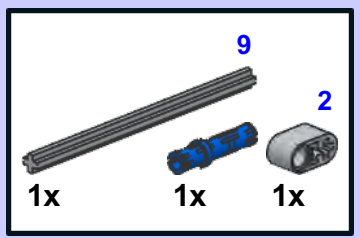
20



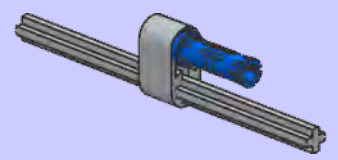
21



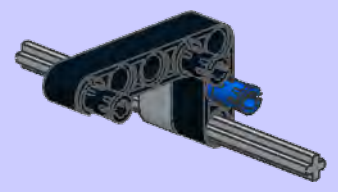
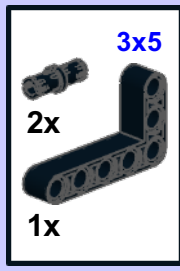
1



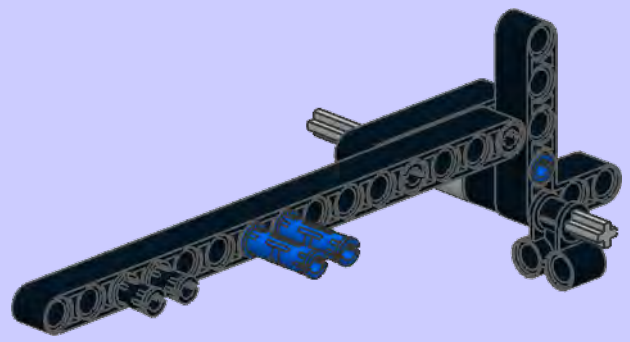
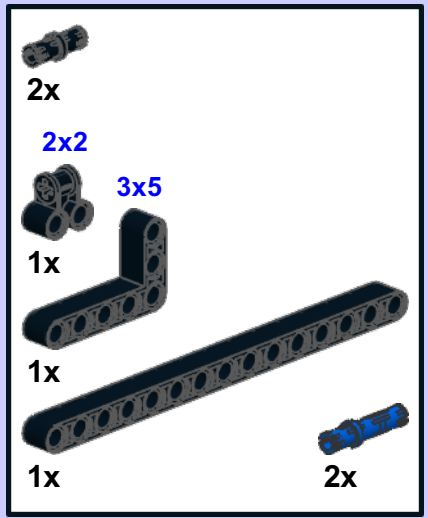
black



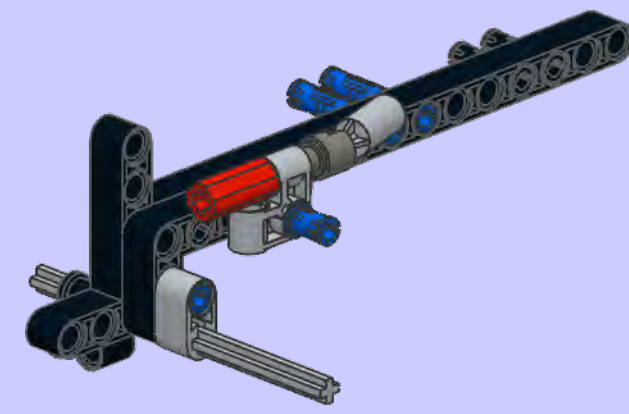
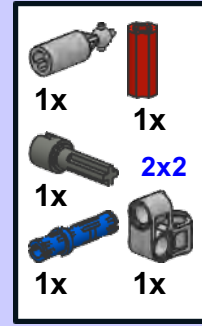
2



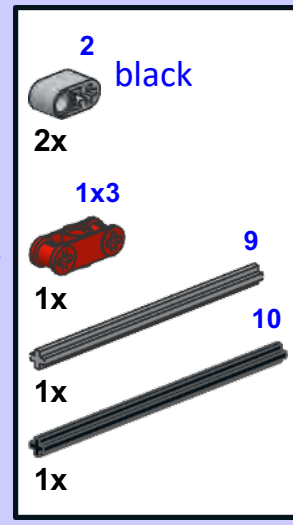
3



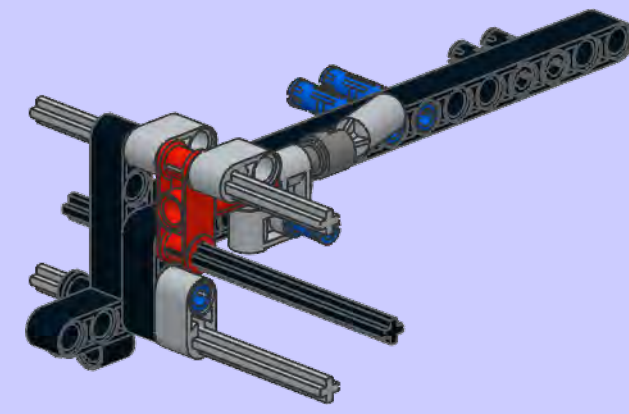
4



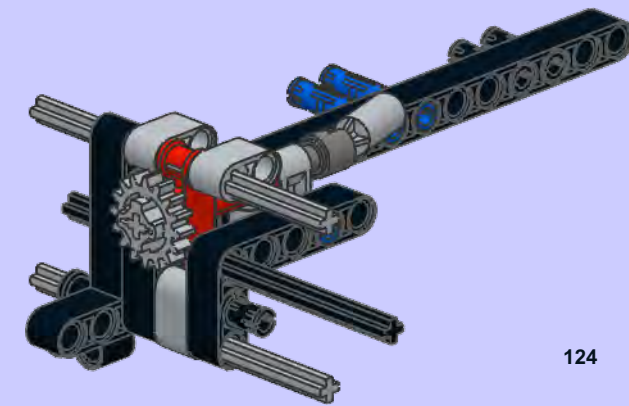
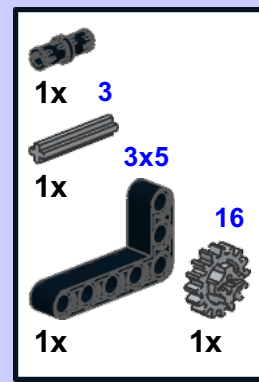
5



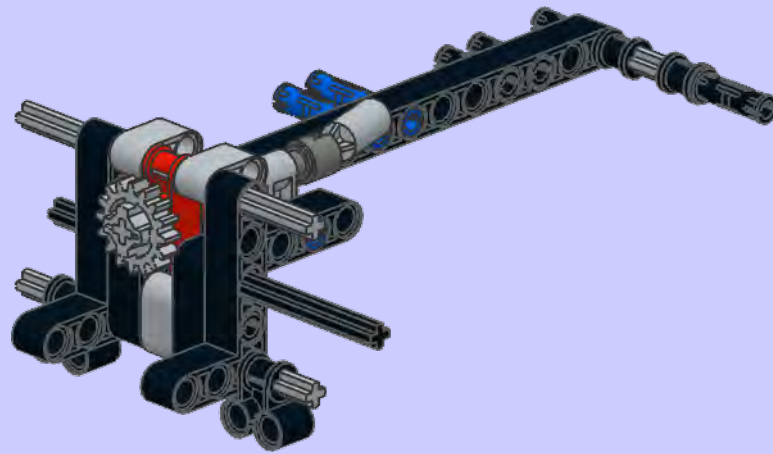
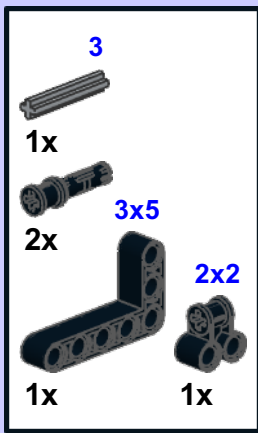
black



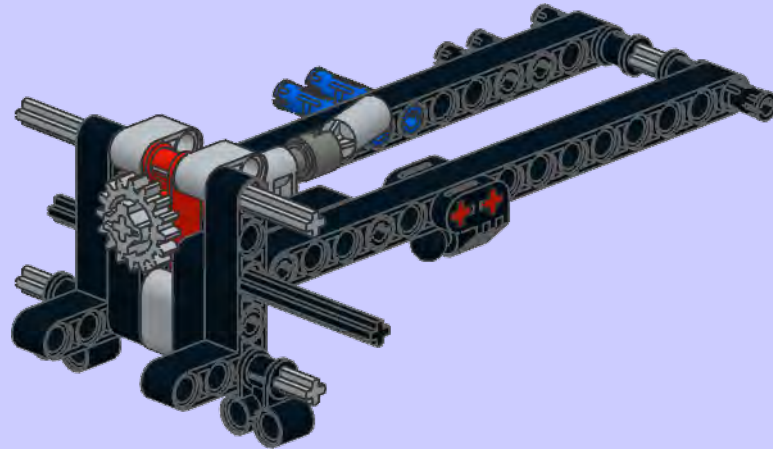
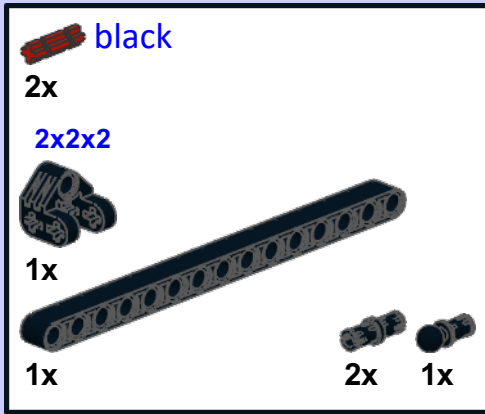
6



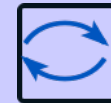
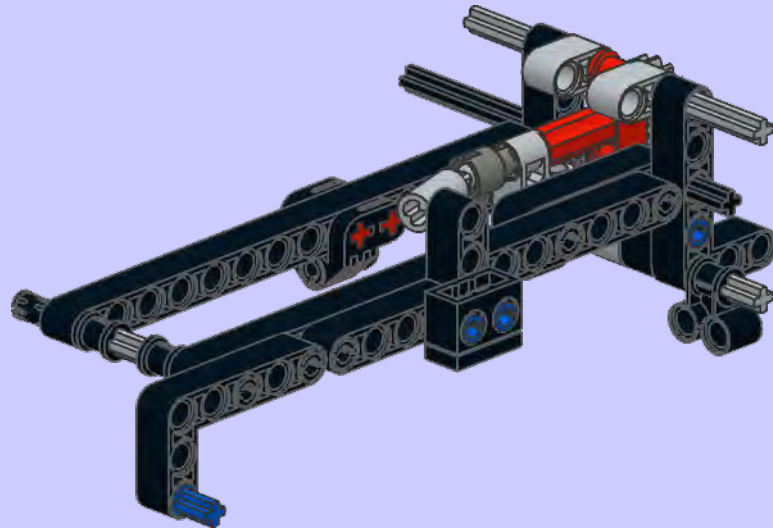
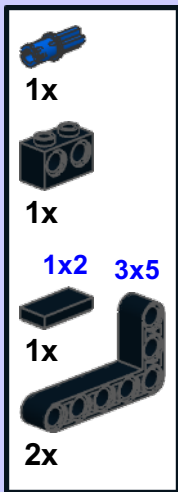
7



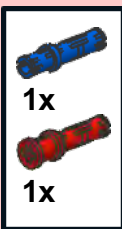
8



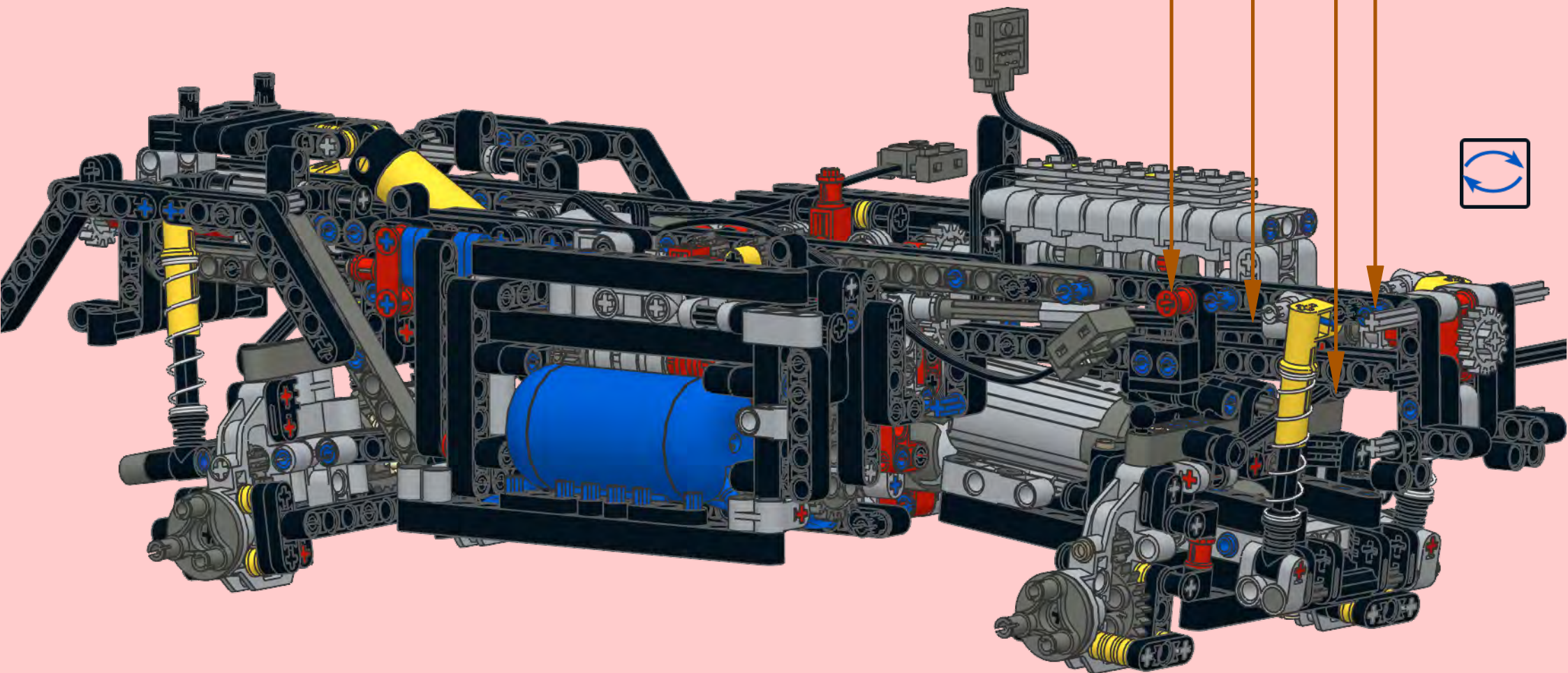
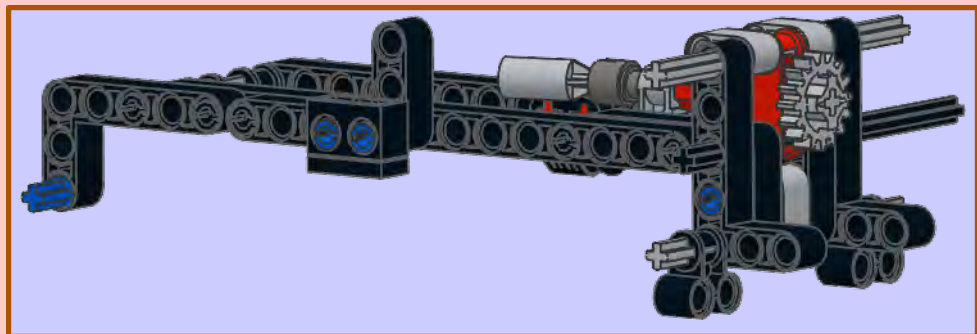
9






22

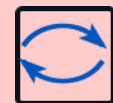
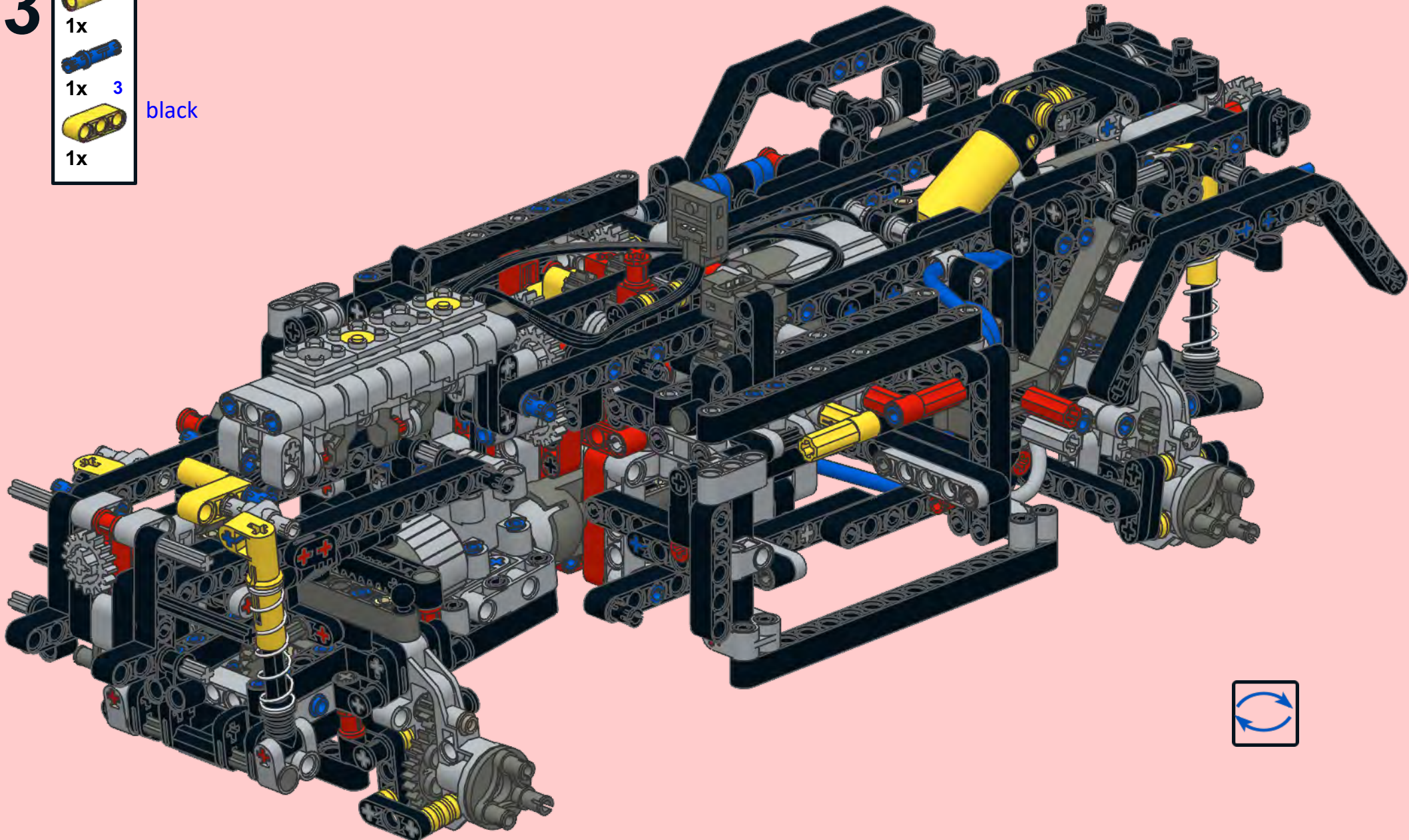


black

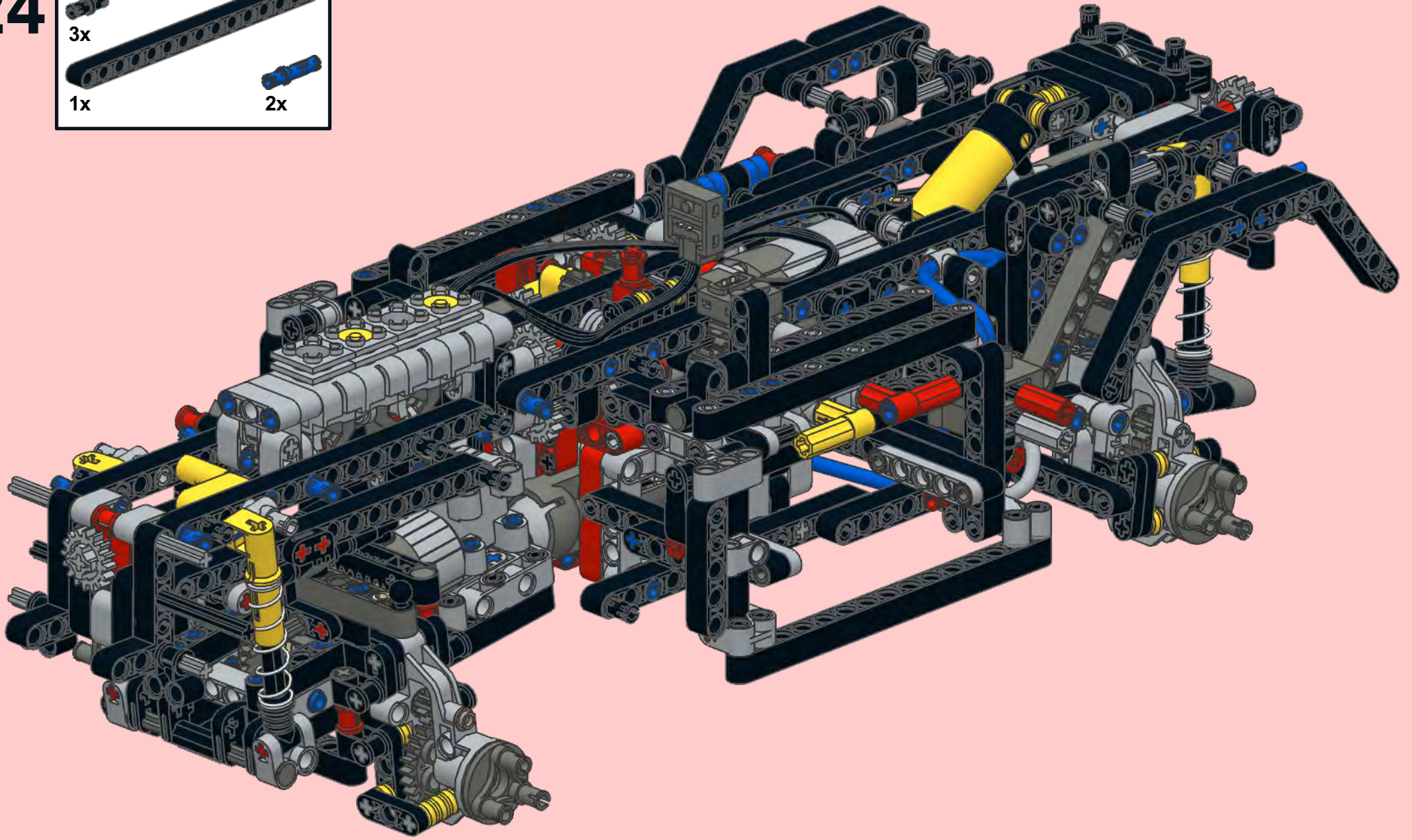
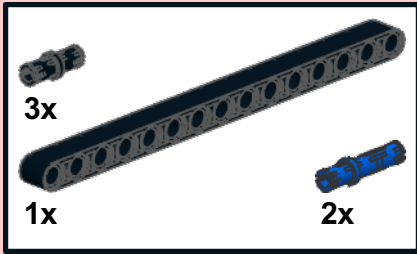


23

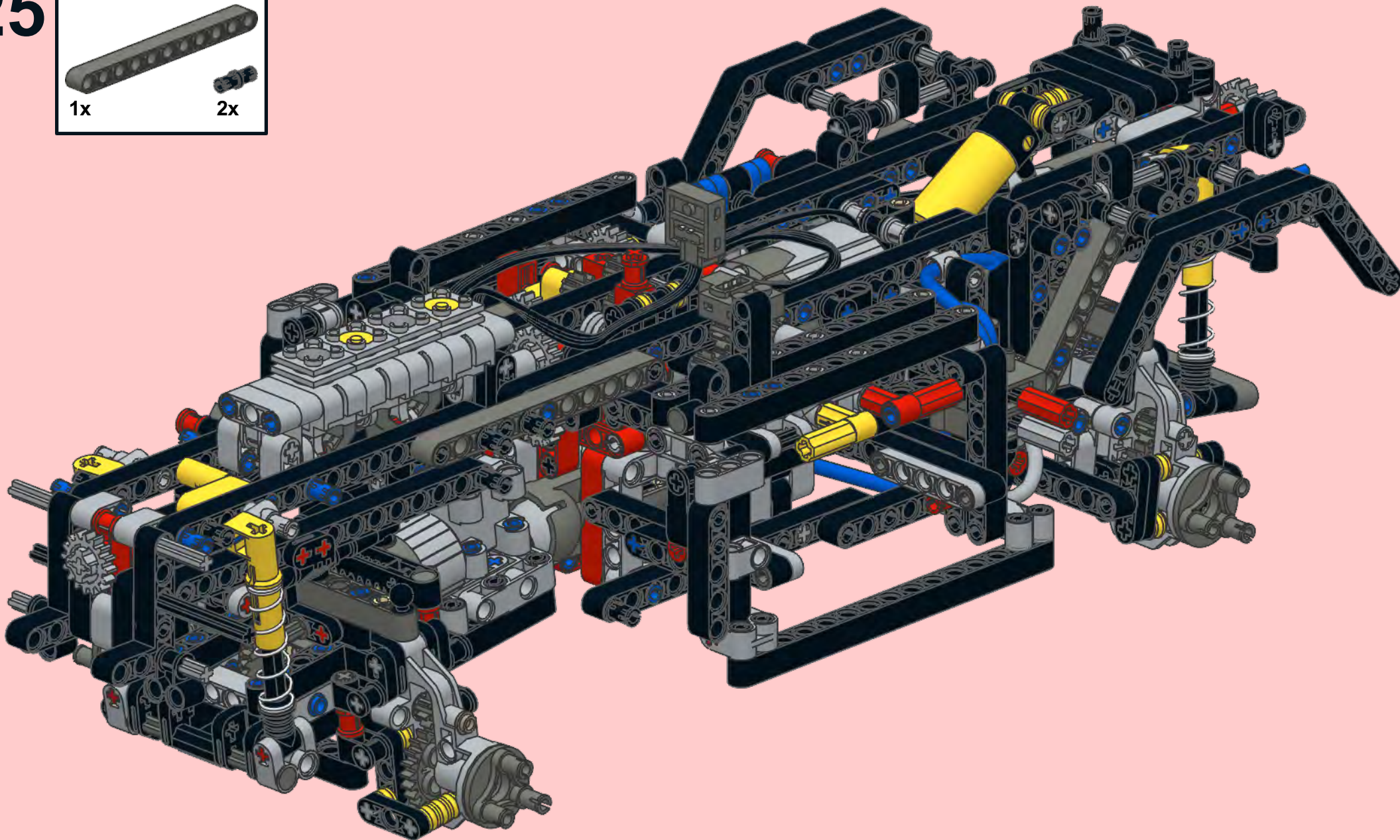
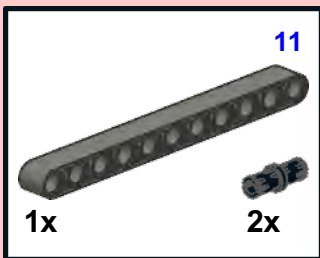
-  1x black
-  1x 3
-  1x black



24

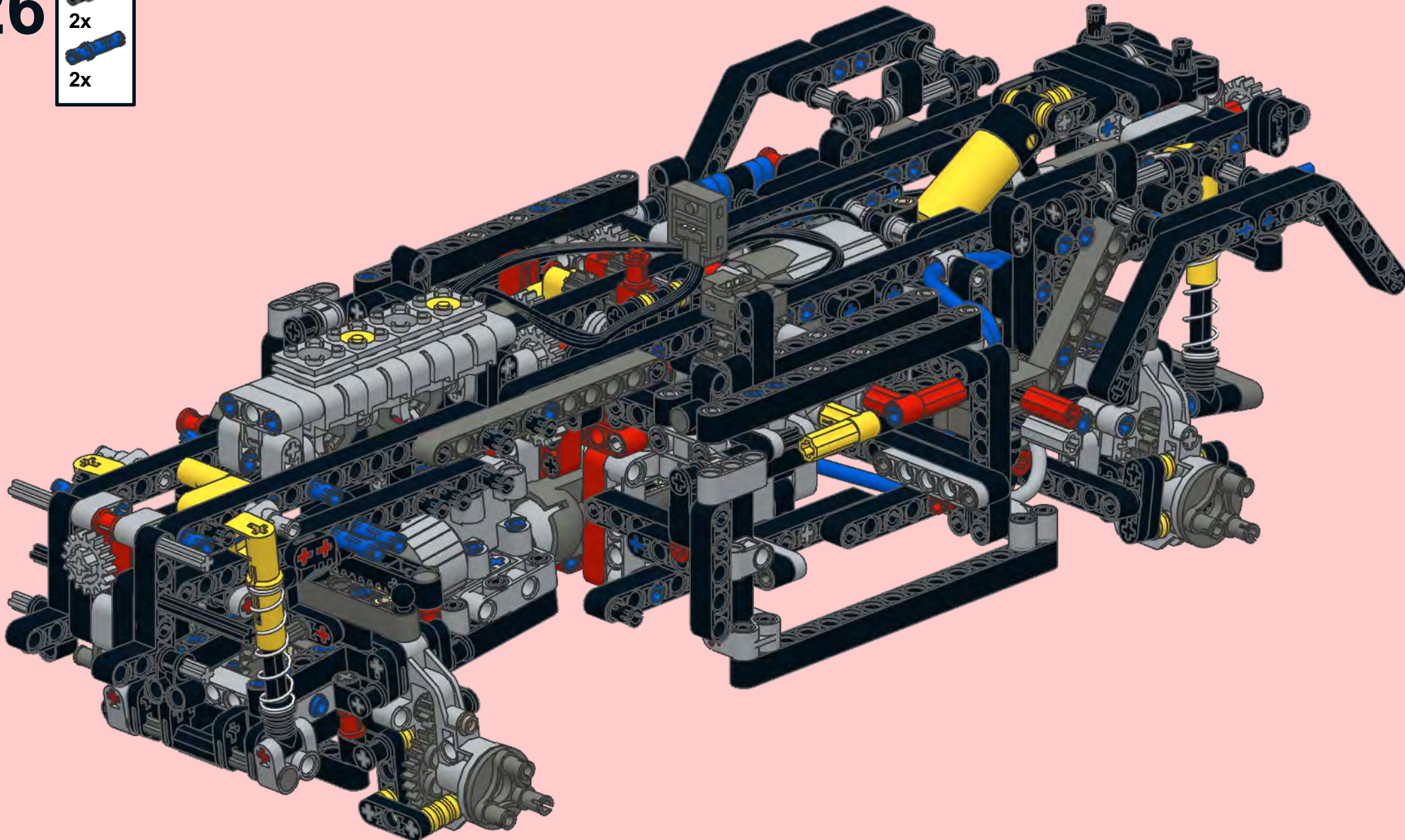


25



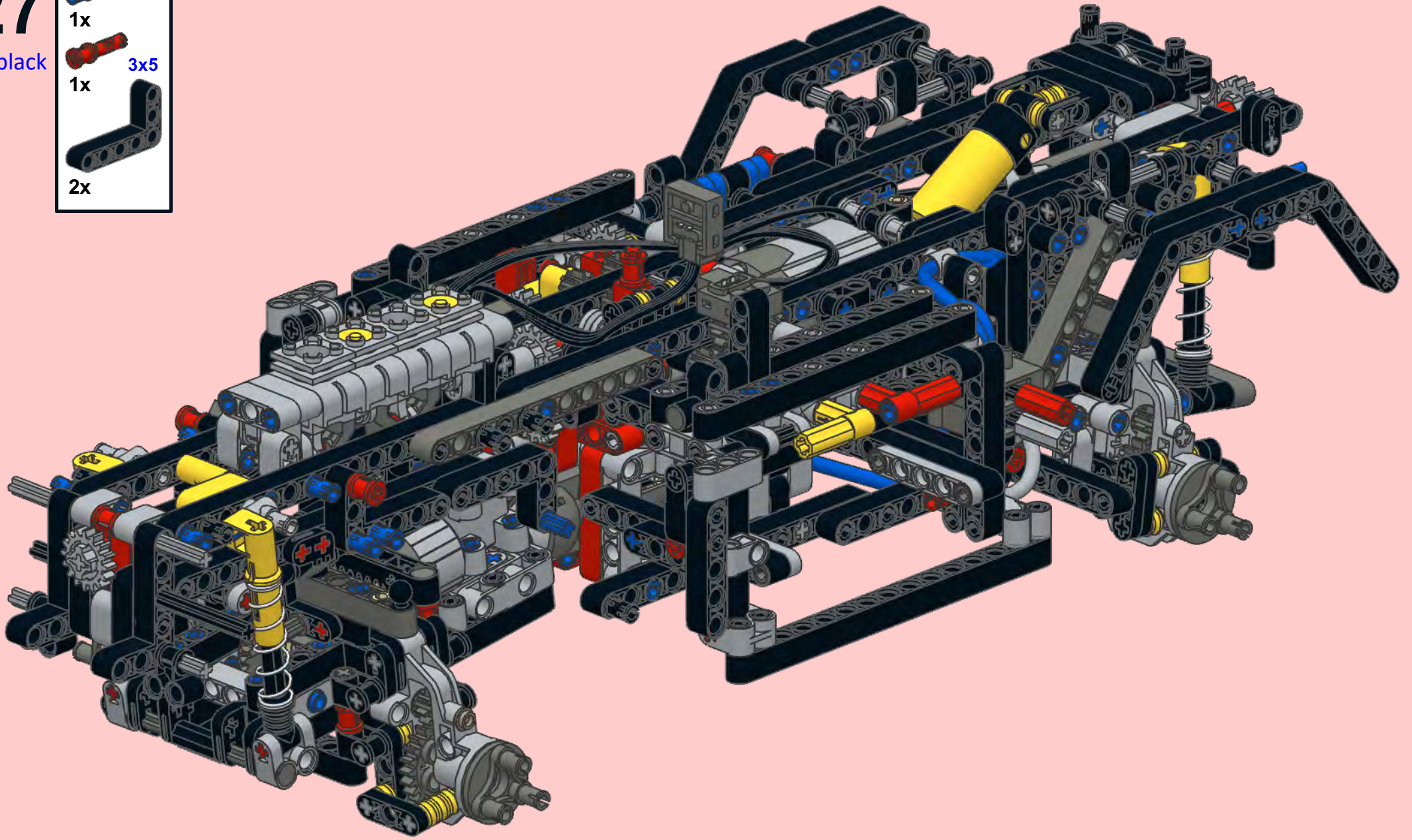
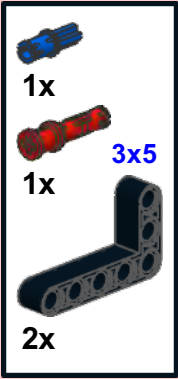
26

-  2x
-  2x

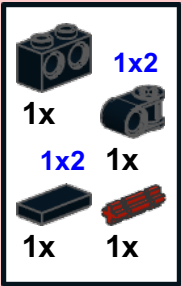


27

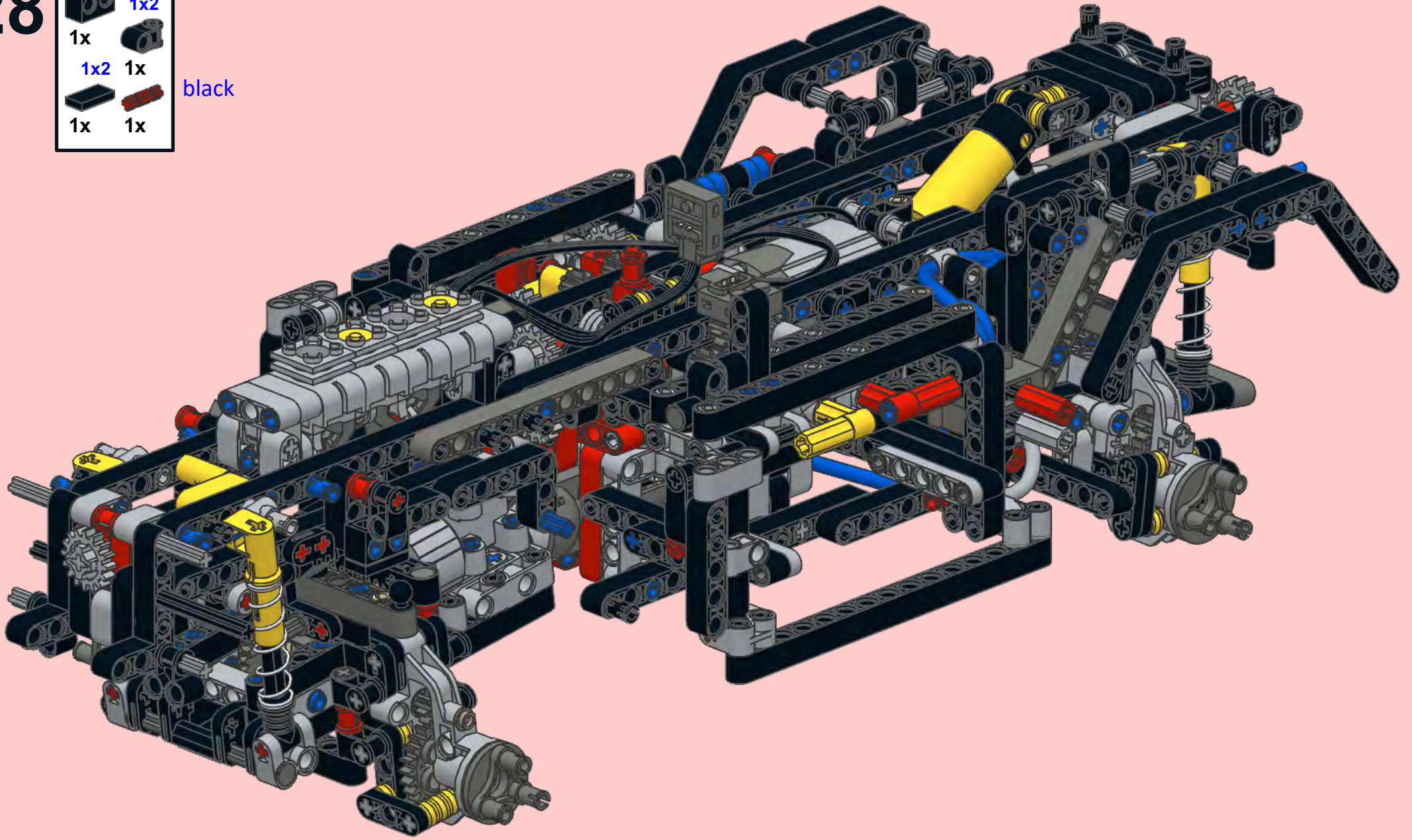
black



28

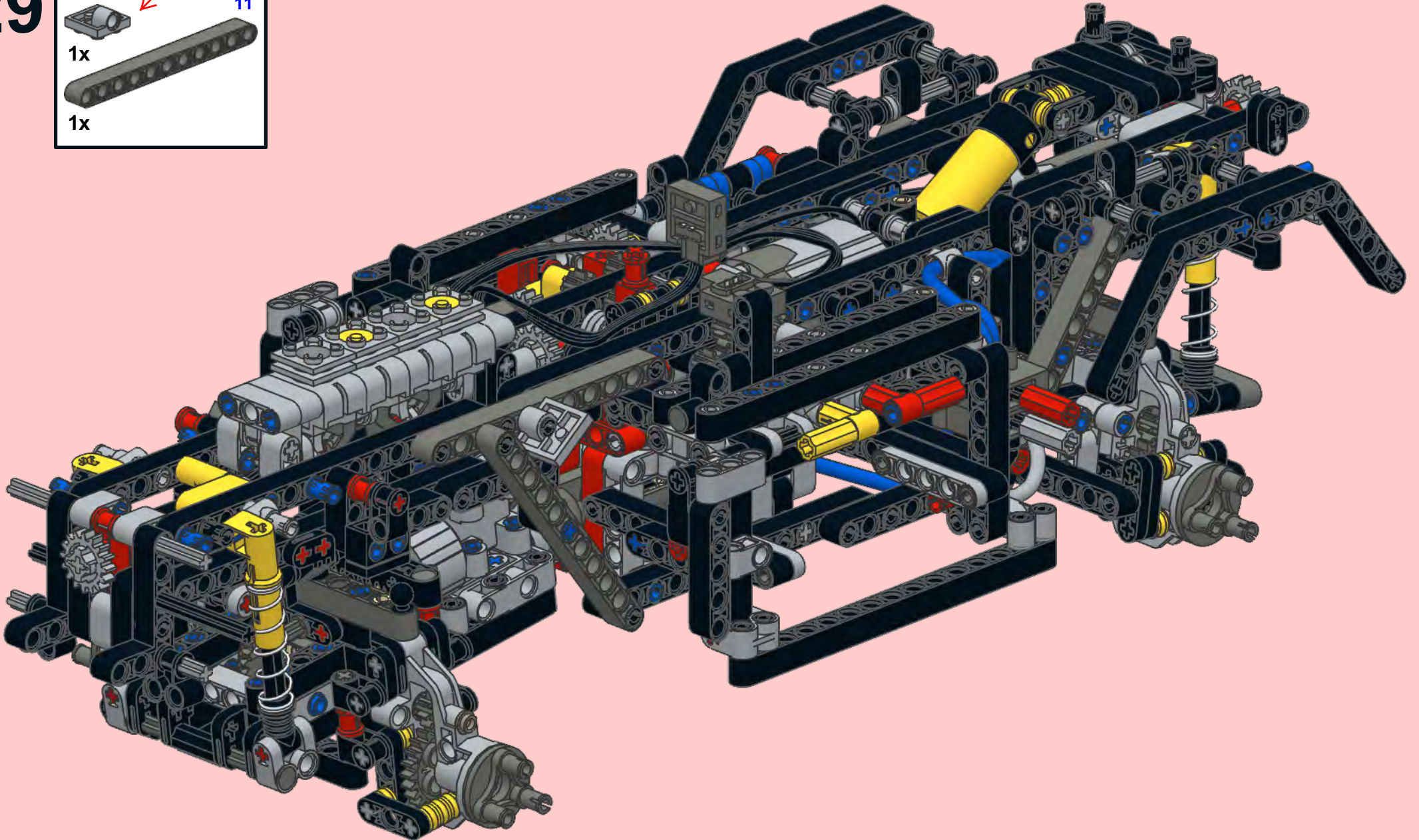
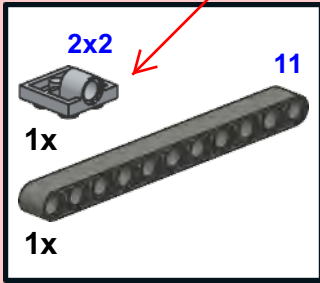


black



29

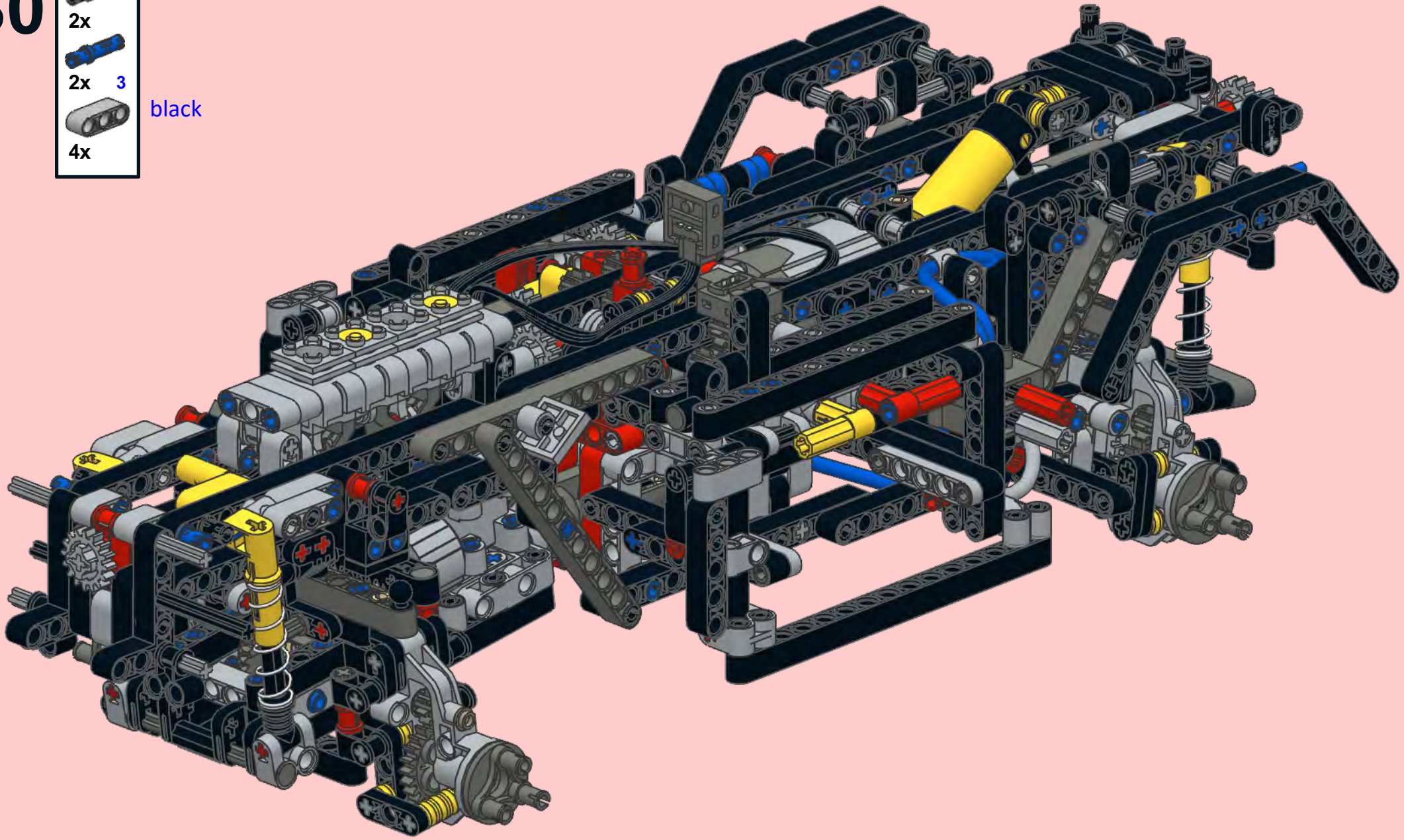
black two holes



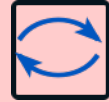
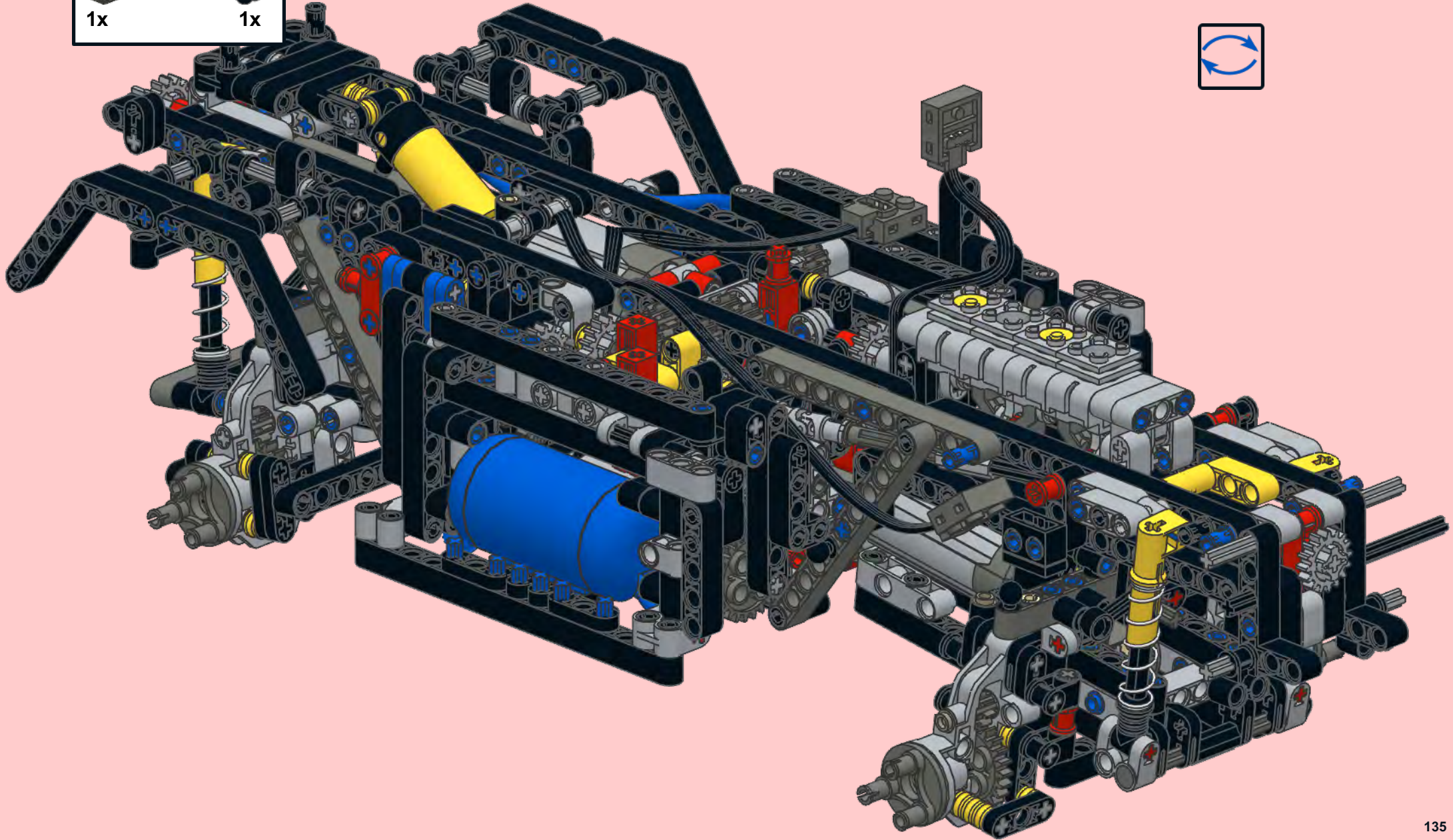
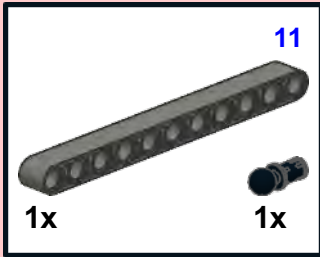
30

- 2x 
- 2x 
- 3 
- 4x 

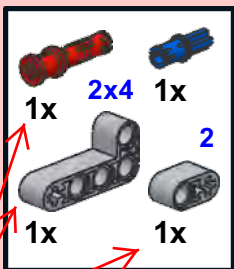
black



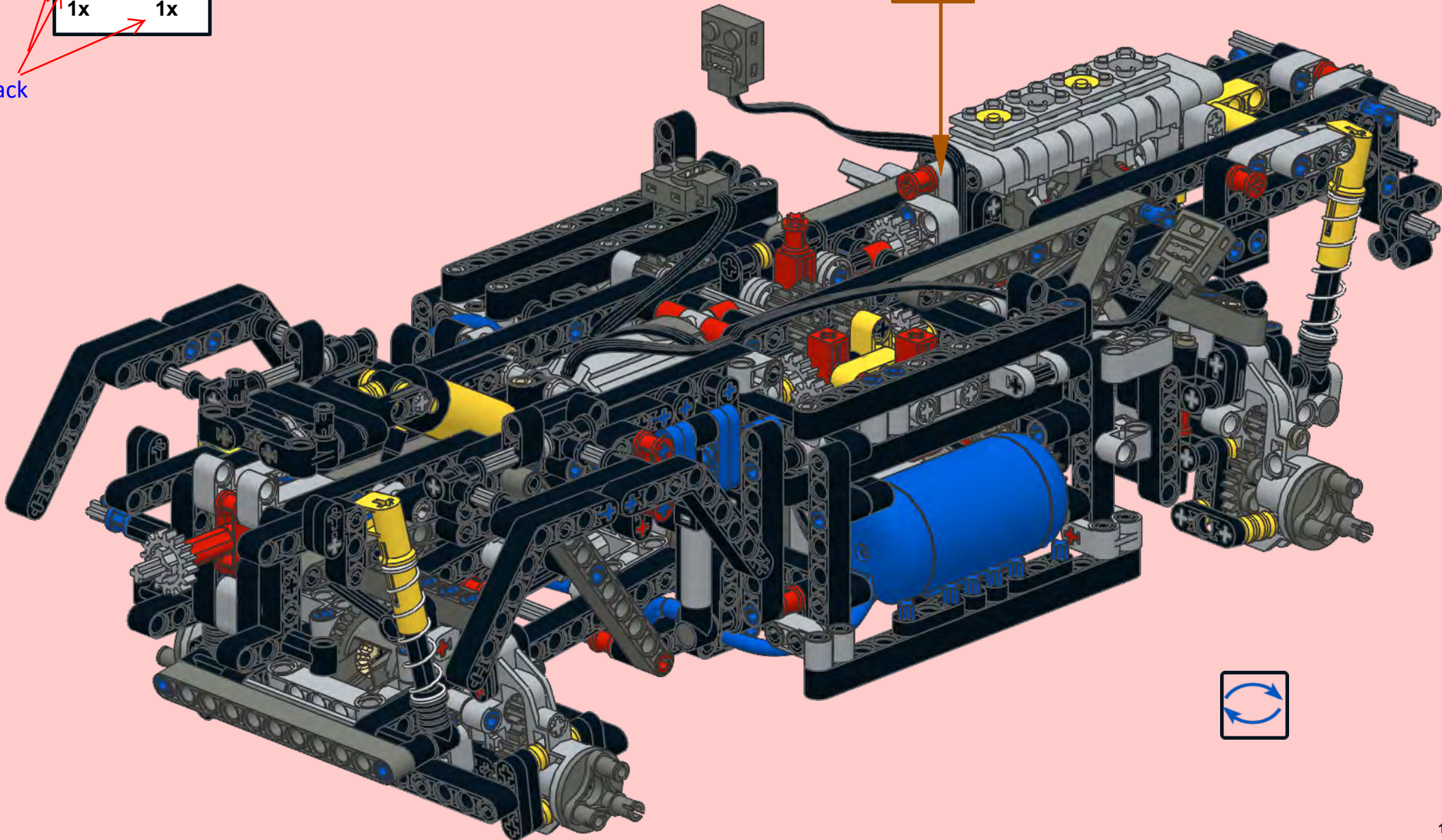
31



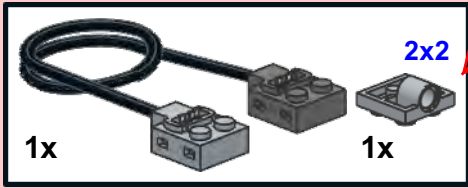
32



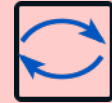
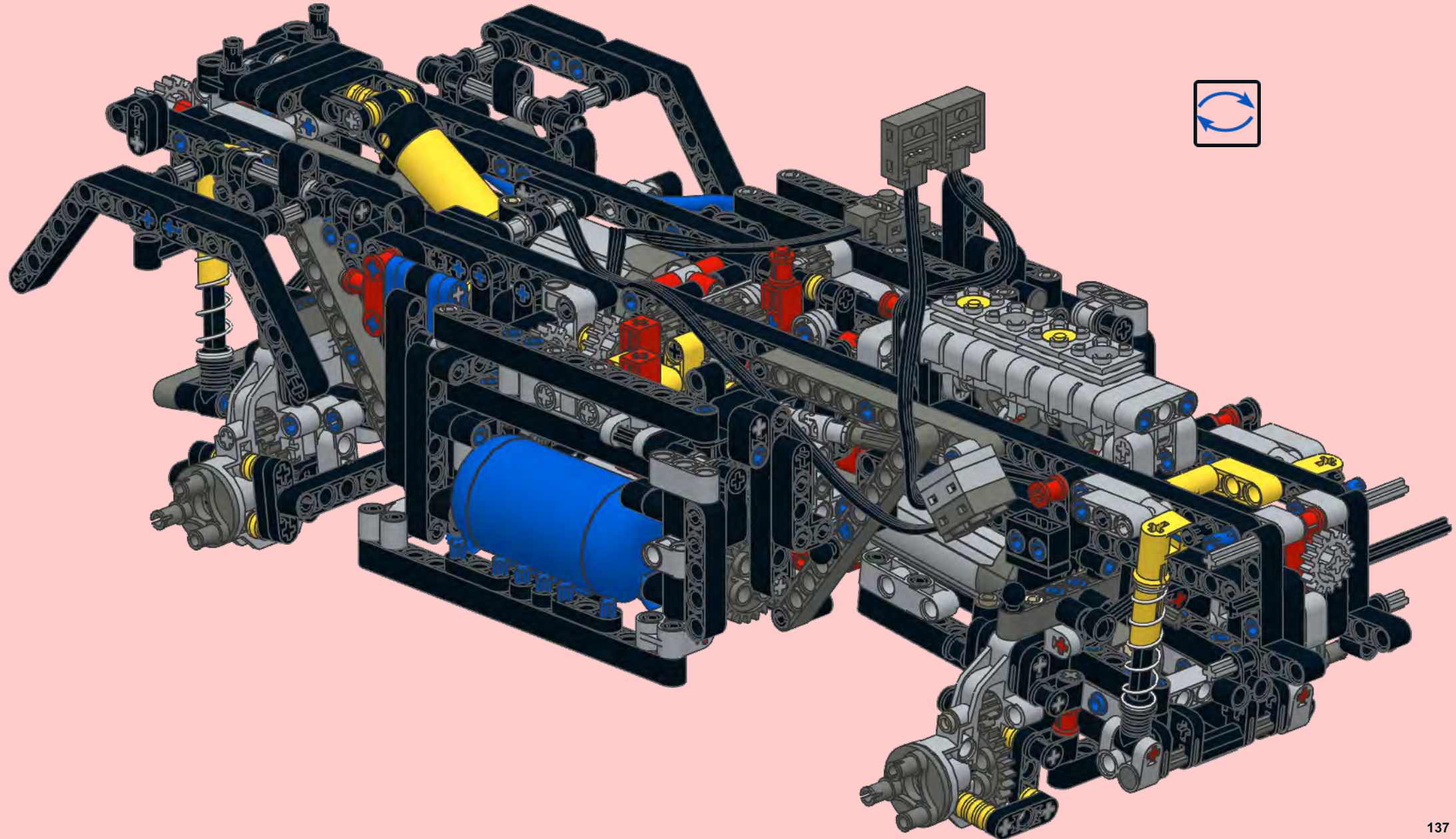
black



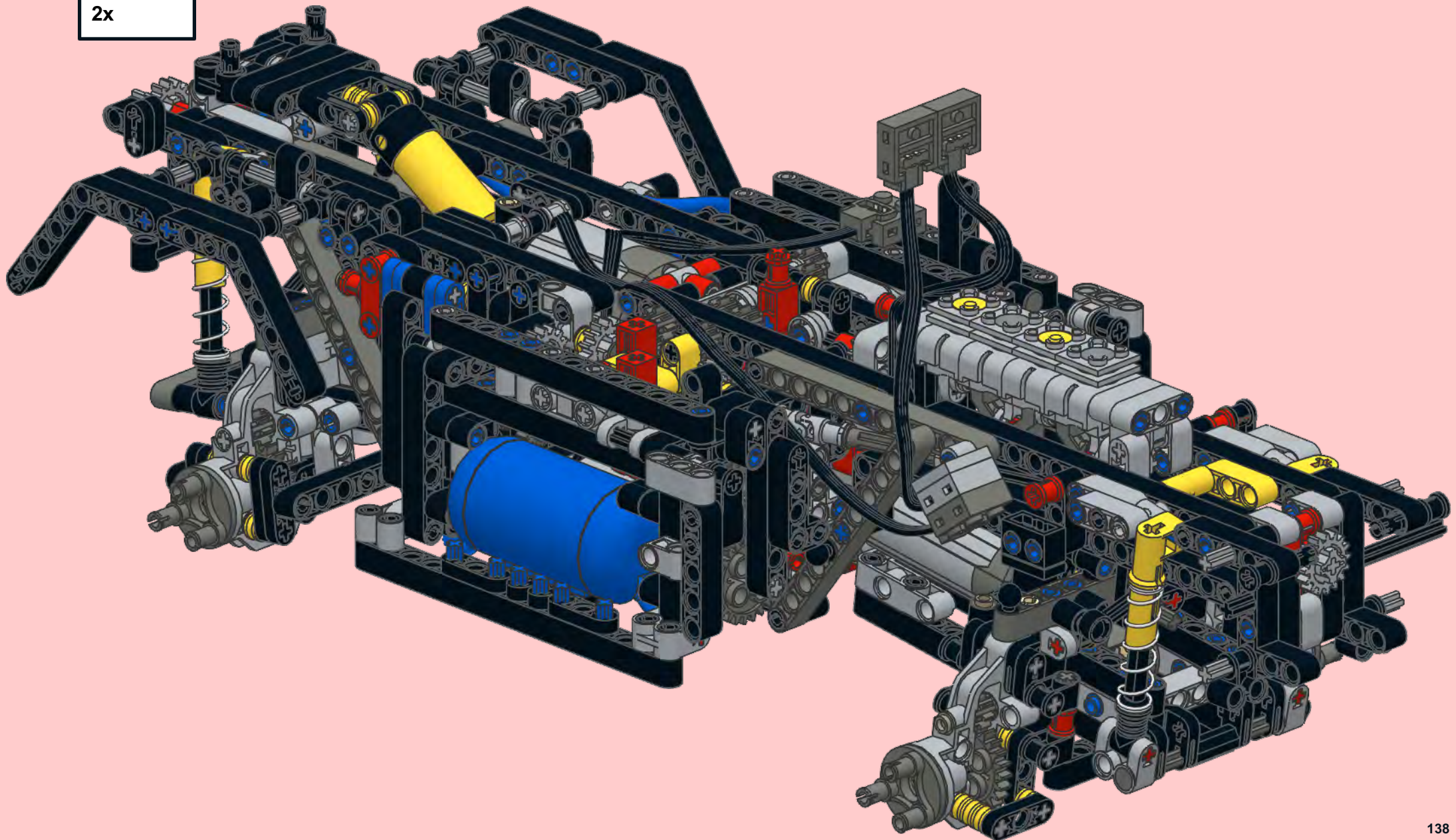
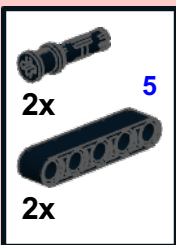
33



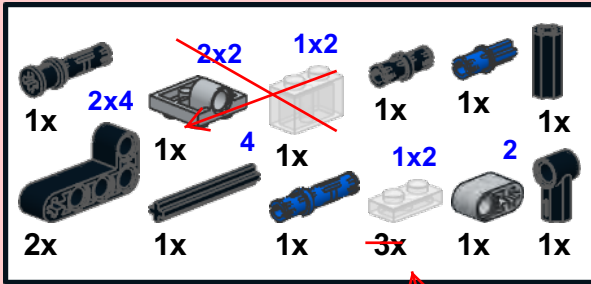
black two holes



34

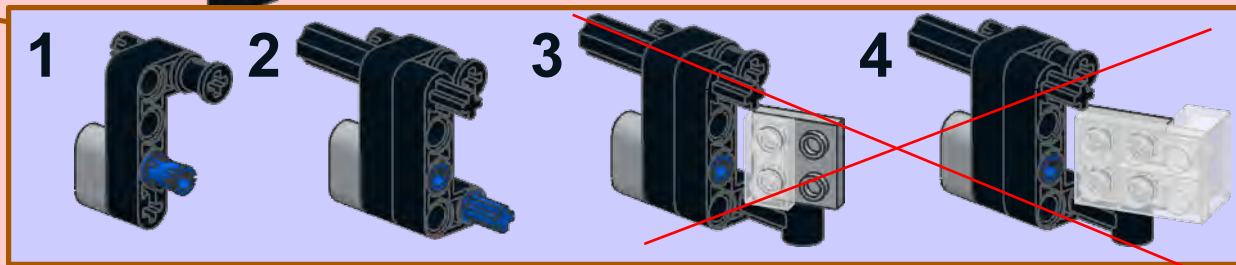
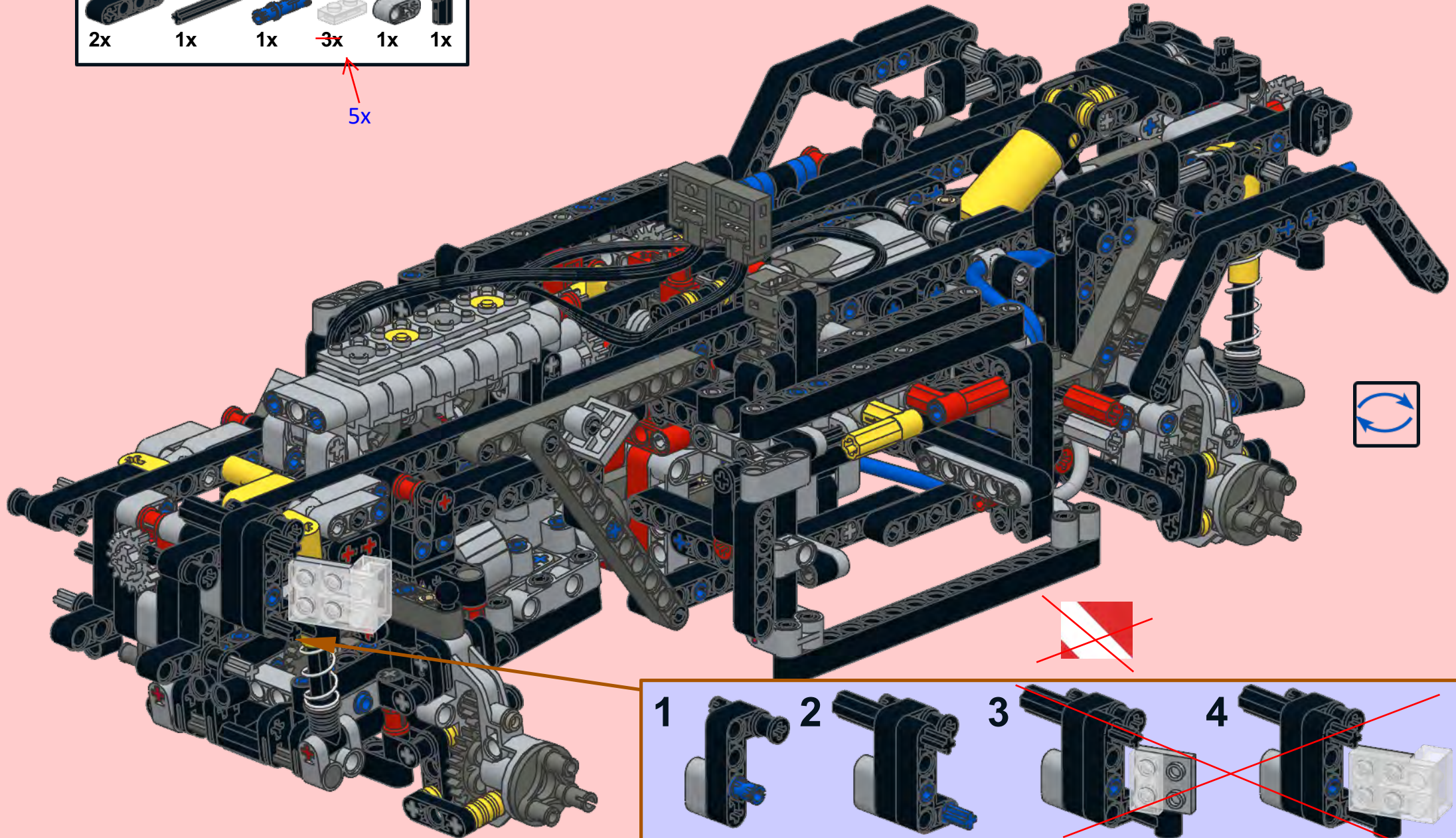


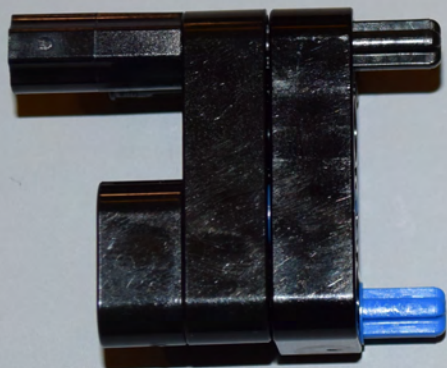
35

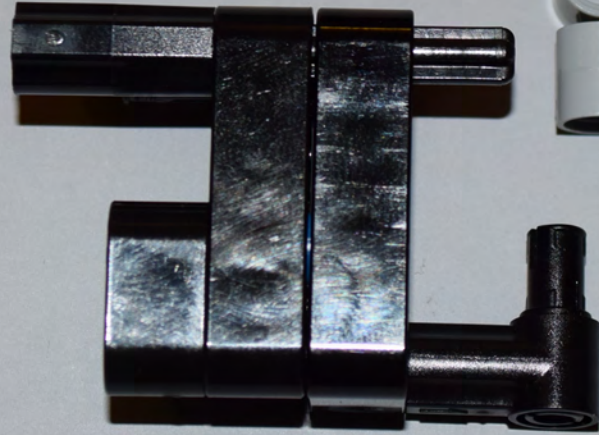
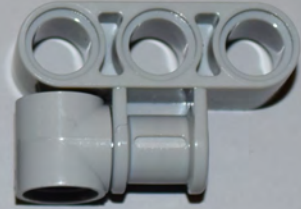


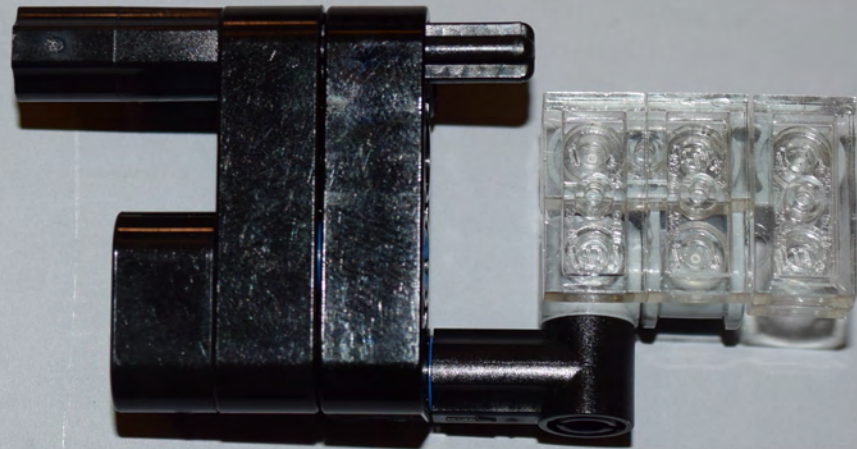
build until step2, then see picture next pages

5x

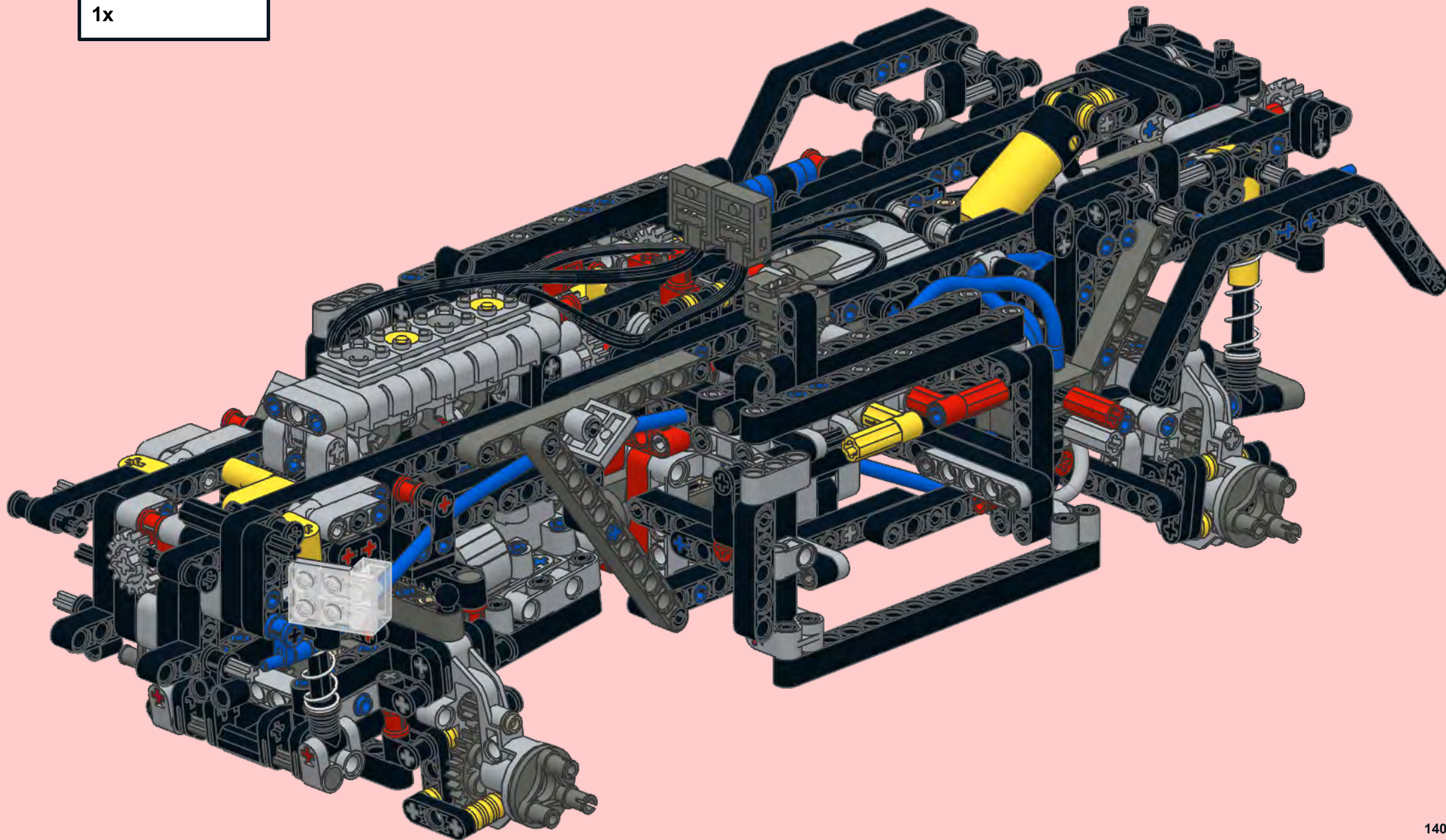
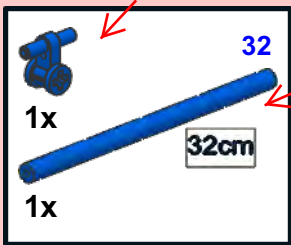


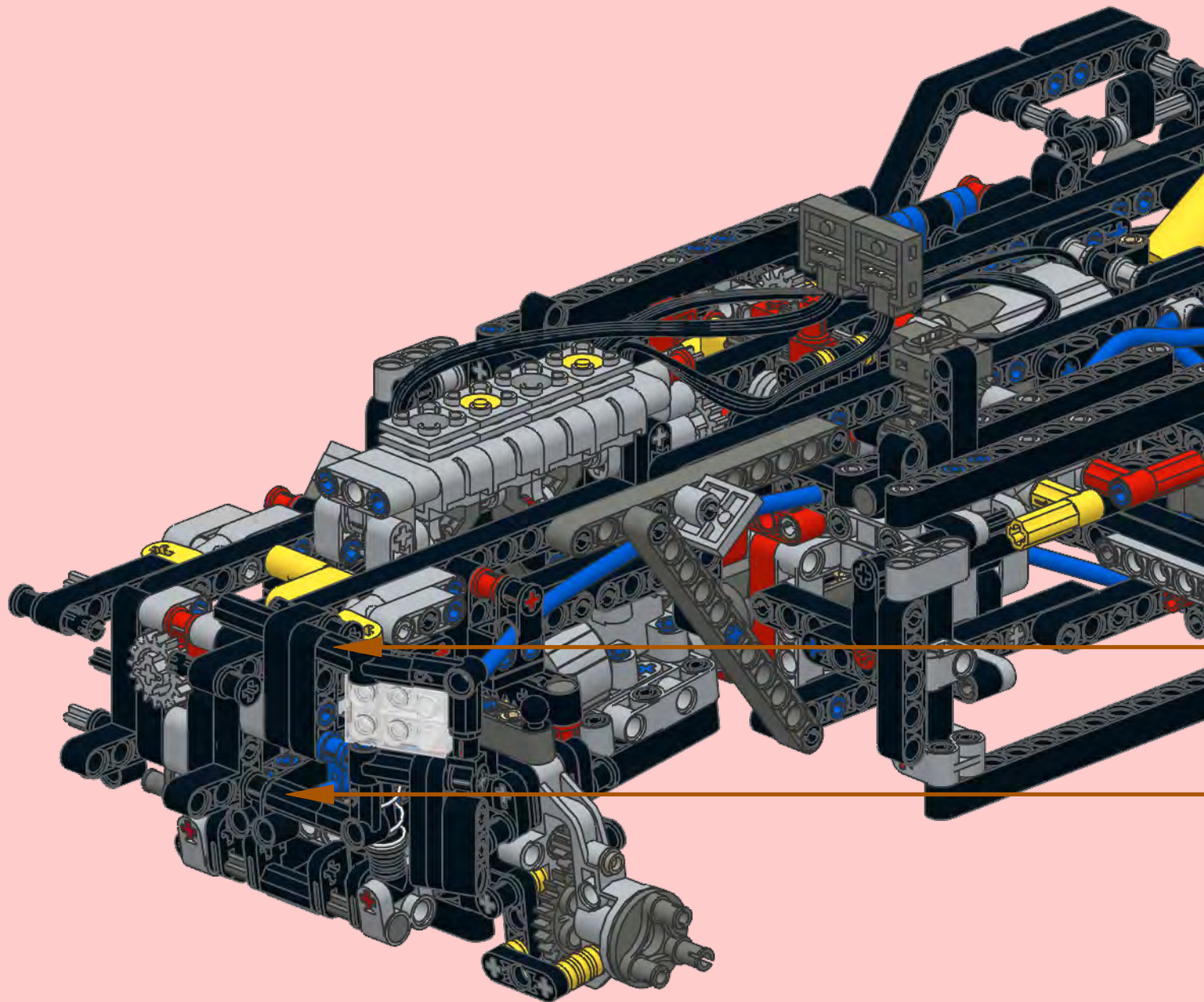






36





1

- 2x [Grey Pin]
- 2x [Grey Technic Beam 1x3]

2

- 1x [Red Technic Pin]
- 1x [Grey Technic Pin]
- 1x [Grey Technic Pin]
- 3 [Grey Technic Pin]
- 1x [Grey Technic Pin]
- 3 [Grey Technic Pin]
- 1x [Grey Technic Beam 1x3]

3

- 1x [Blue Technic Pin]
- 1x [Grey Technic Pin]
- 1x [Grey Technic Pin]
- 1x [Grey Technic Pin]
- 1x [Red Technic Pin]

black

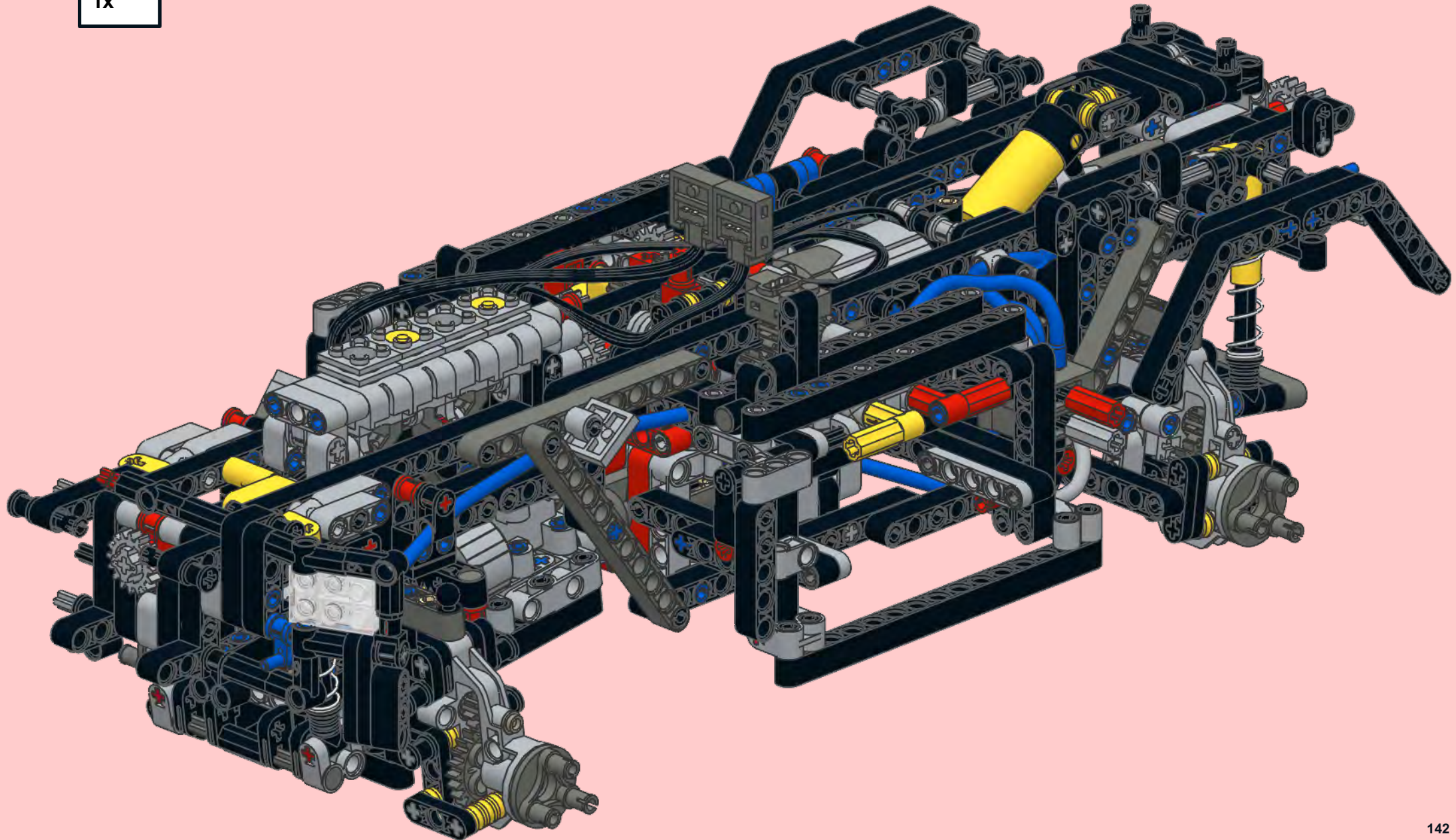
4

- 1x [Red Technic Pin]
- 1x [Grey Technic Pin]
- 1x [Grey Technic Pin]

5

- 1x [Grey Technic Pin]

38



see next pages

1

2 black

- 1x [grey bush]
- 1x [blue axle]
- 1x [grey axle]
- 1x [grey axle]
- 2x4 [grey L-technic beam]
- 1x [grey L-technic beam]

2

- 1x [grey axle]
- 2x4 [grey L-technic beam]
- 1x [grey L-technic beam]
- 1x [grey L-technic beam]
- 2x [blue axle]

3

- 1x [grey axle]
- 1x [grey axle]
- 1x [grey axle]

4

- 1x [red axle]
- ~~1x2~~ [grey 1x2 brick]
- 1x [grey L-technic beam]
- ~~2x2~~ [grey 2x2 brick]
- 1x [grey L-technic beam]
- 3 [grey L-technic beam]
- 1x2 [grey L-technic beam]
- 1x [grey L-technic beam]
- ~~3x~~ 5x [grey L-technic beam]

black

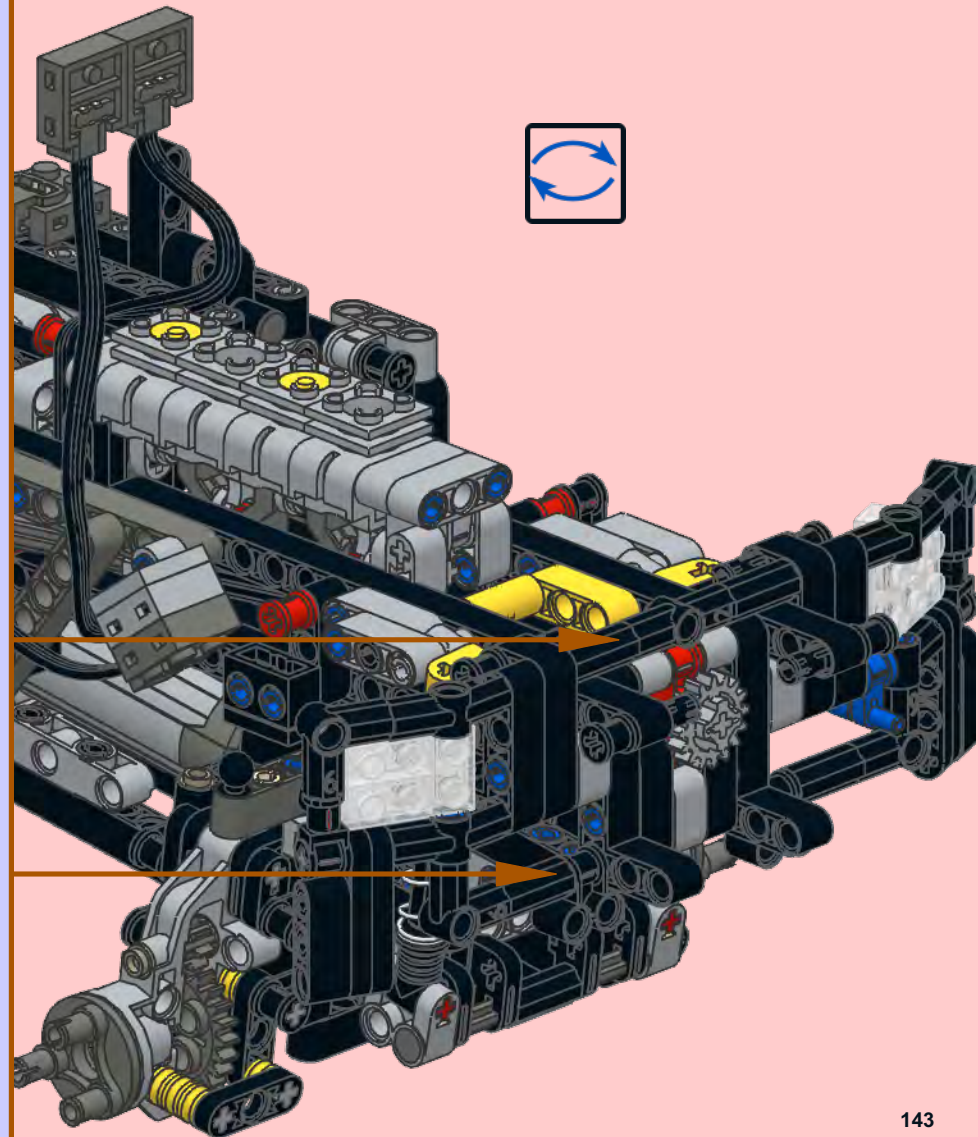
5

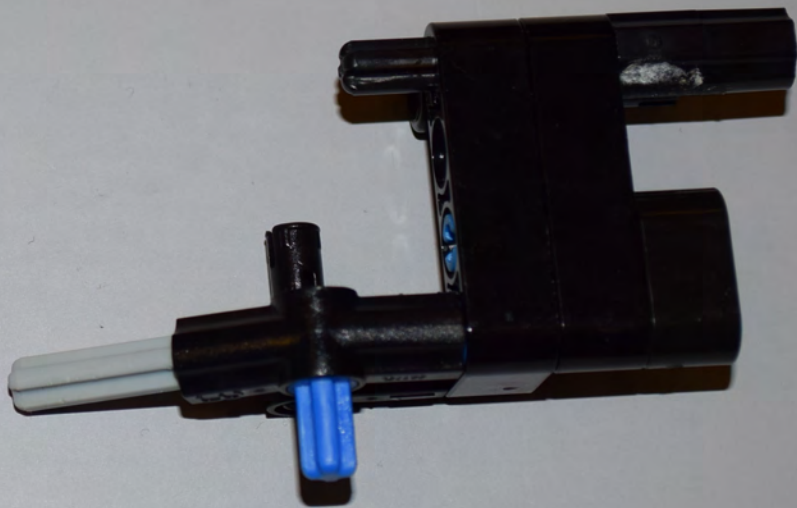
- 2x [grey axle]
- 1x [red axle]
- 2x [grey axle]
- 1x [grey axle]
- 1x [grey axle]

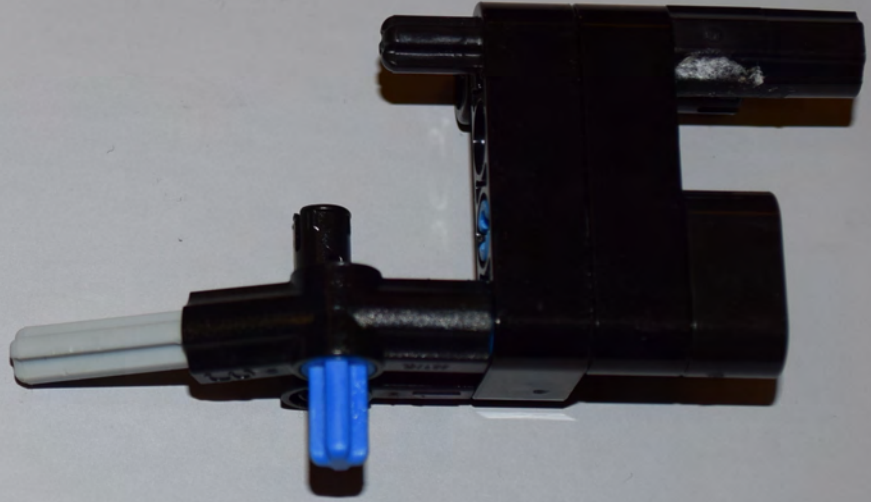
6

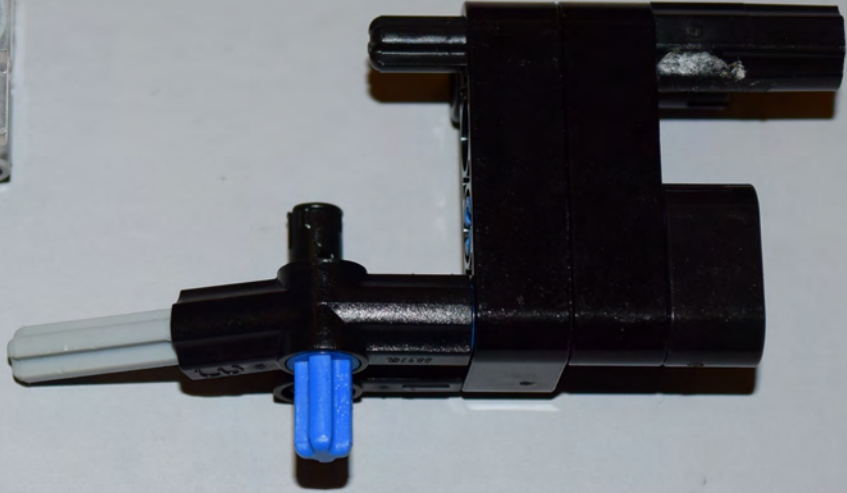
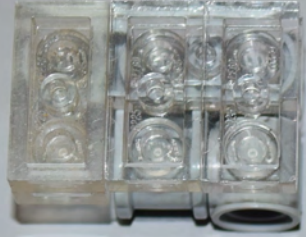
- 3 [grey L-technic beam]
- 1x [red axle]
- 1x [grey L-technic beam]
- 1x [grey L-technic beam]

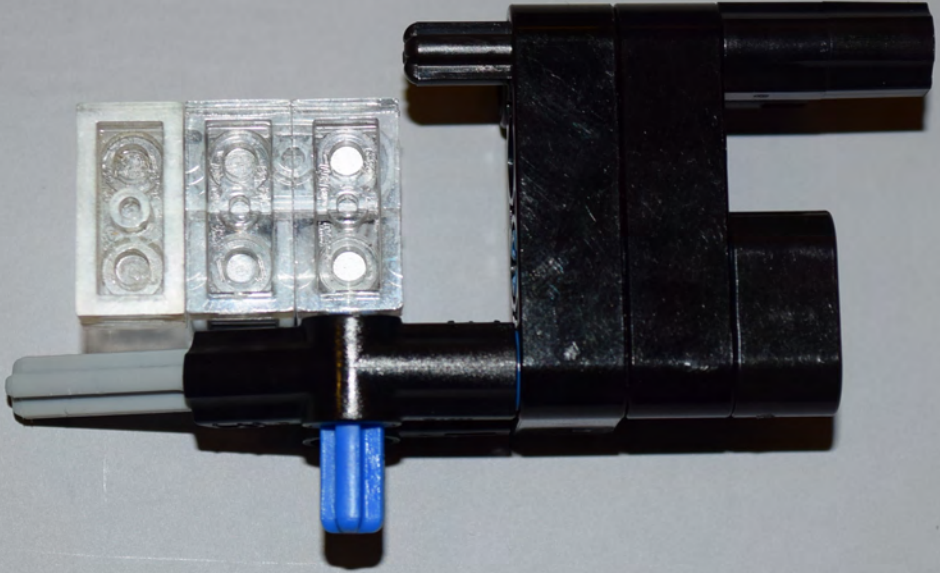
black







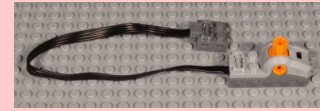




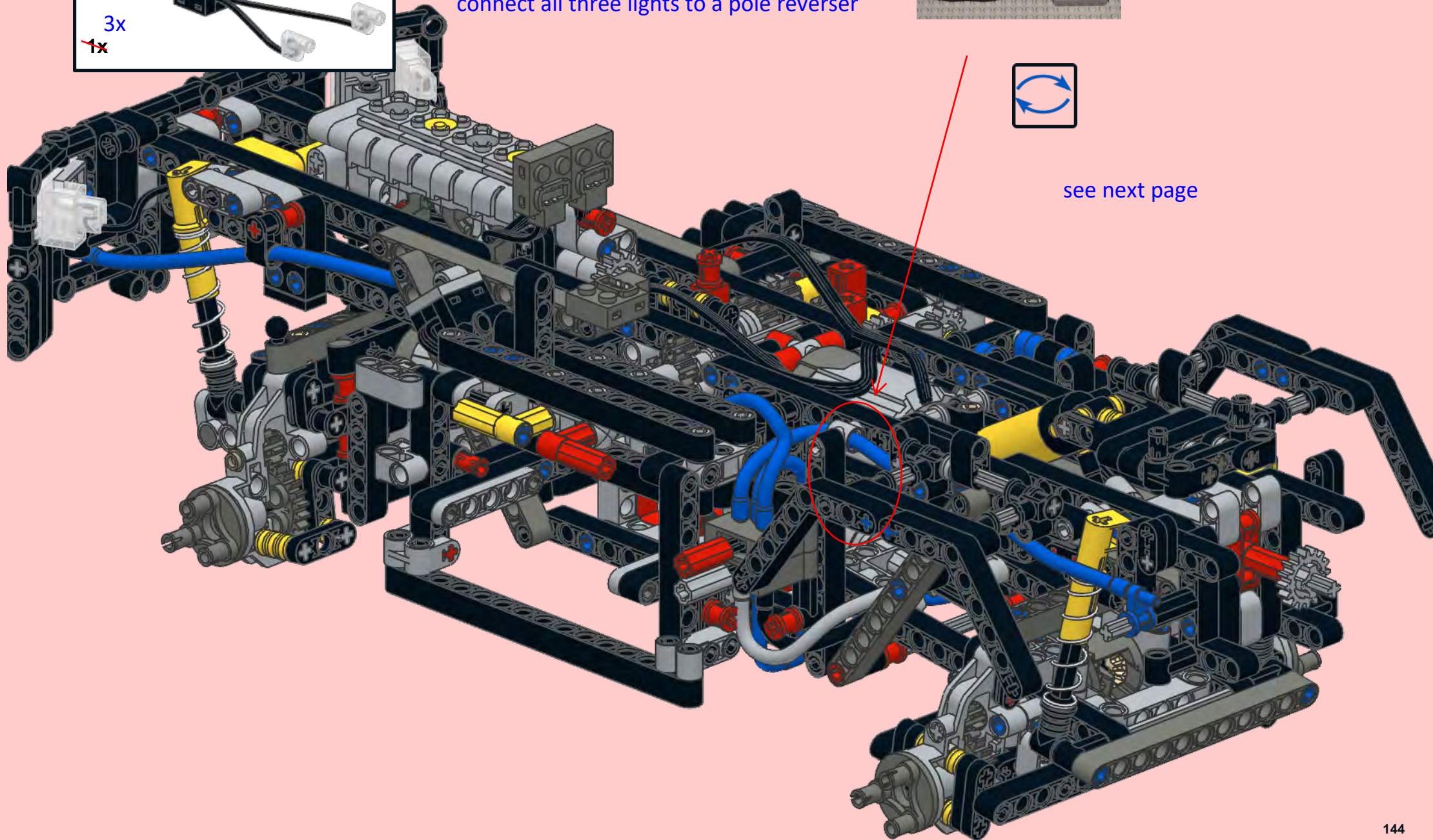
40

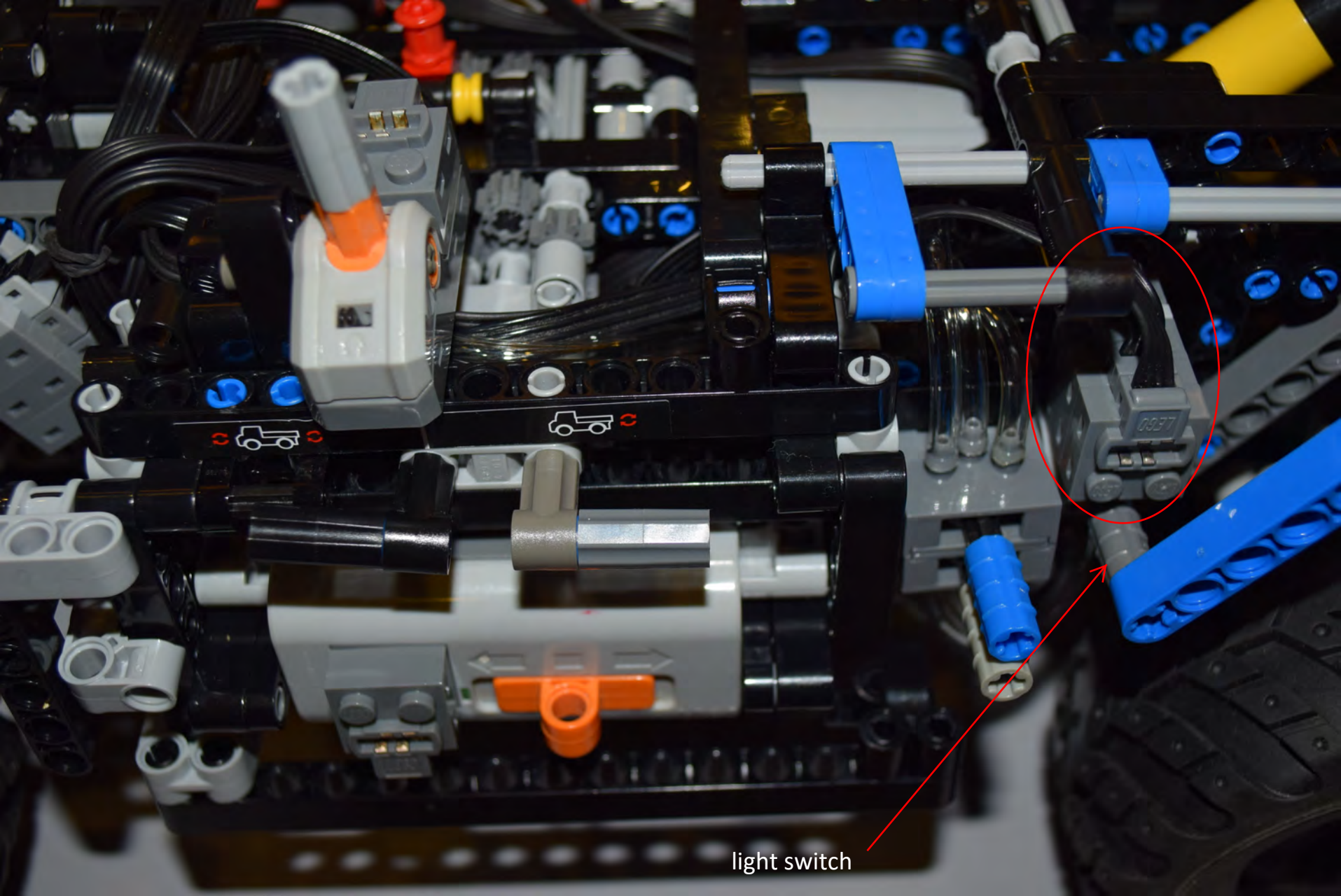


two lights on either side for the front
one light for the back
connect all three lights to a pole reverser



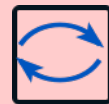
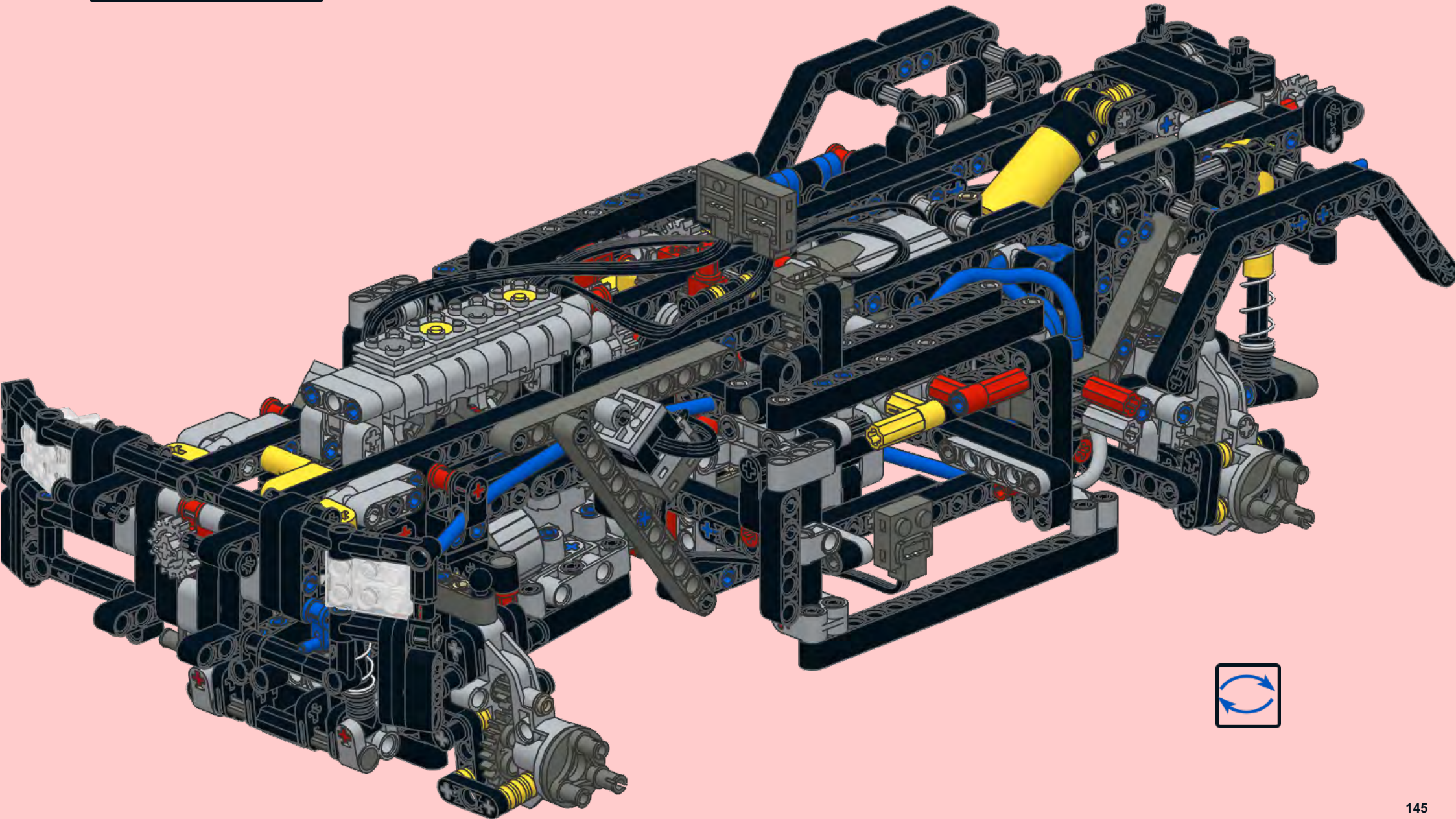
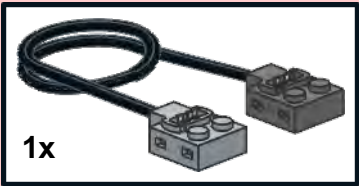
see next page



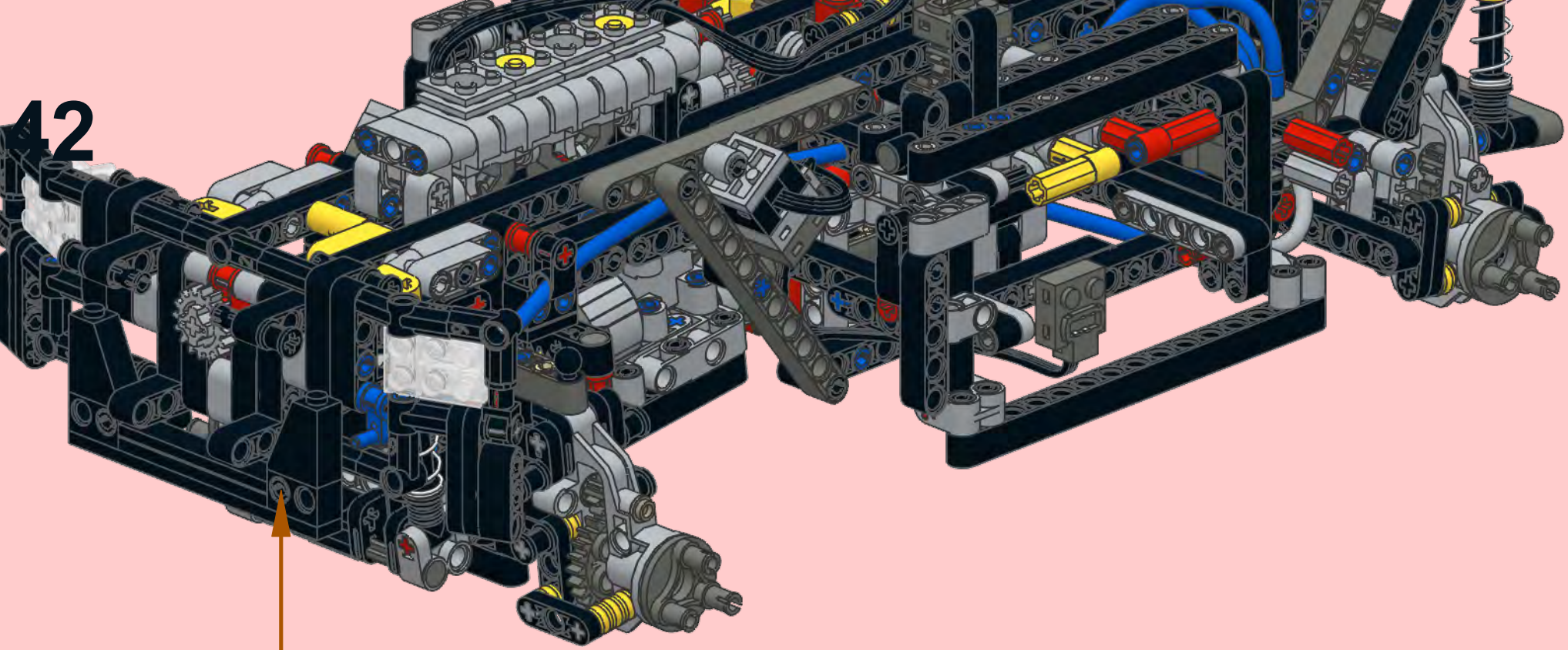


light switch

41



42



1

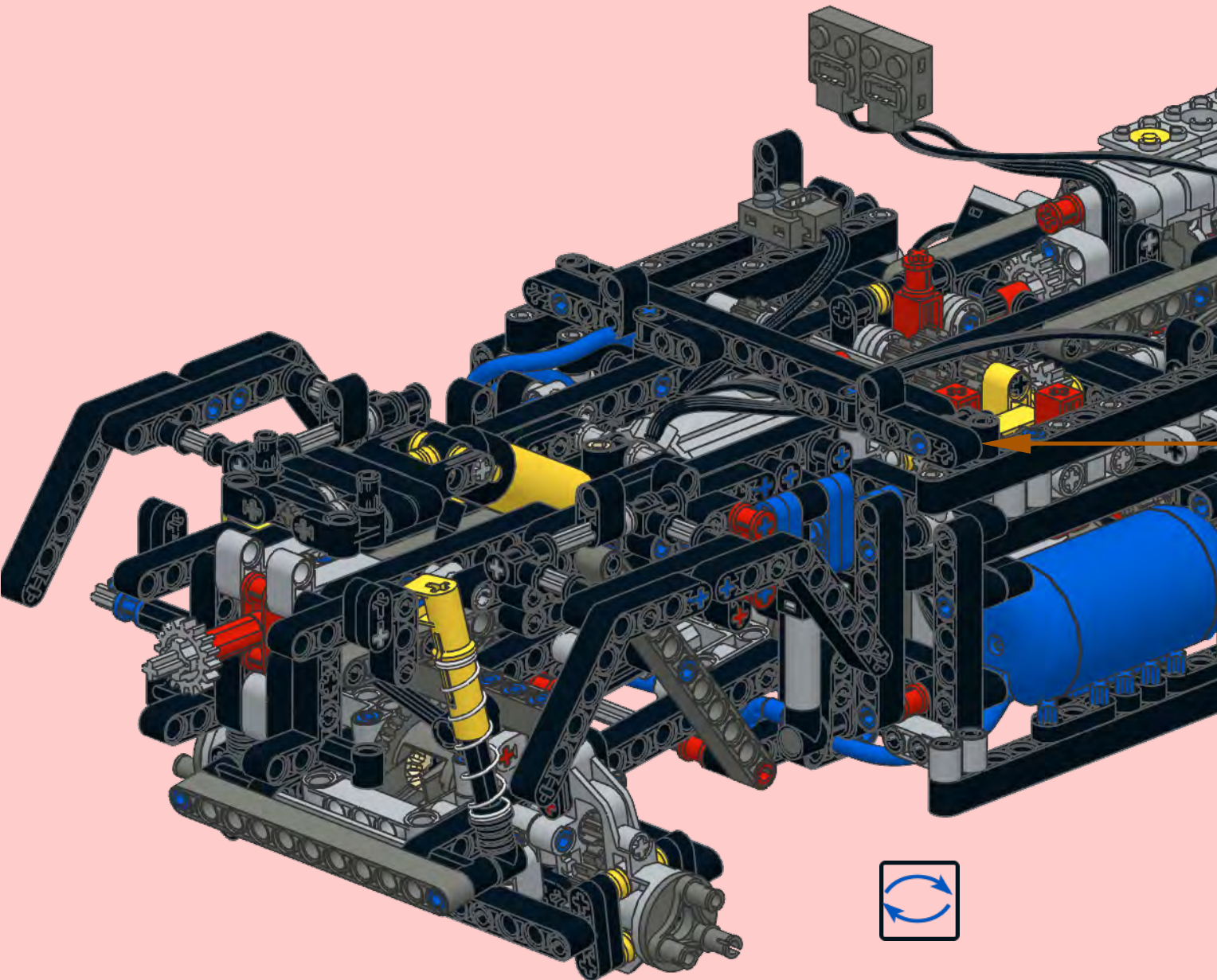
1x 1x6
1x 1x10
1x 1x10

2

2x 2x 2x

3

2x



1

13
1x 8x

2

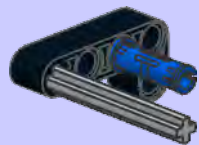
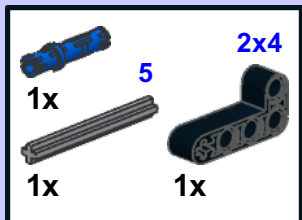
2x4 1x3
2x 2x 4x

3

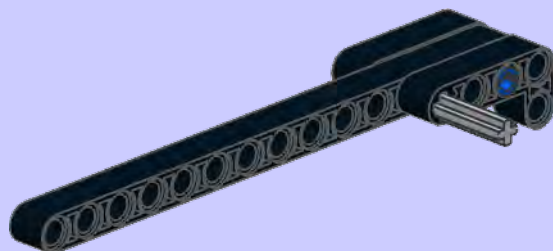
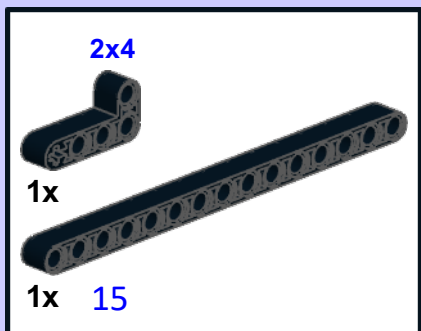
1x2
2x 2x

Detailed description of the assembly steps: Step 1 shows a long black Technic beam (13 holes) and a grey Technic pin (8 holes). Step 2 shows a 2x4 Technic L-shaped connector, a 1x3 Technic L-shaped connector, and a blue Technic pin (4 holes). Step 3 shows a grey Technic pin (2 holes) and a grey Technic bush (2 holes). The assembly steps are shown in a sequence from top to bottom, with the final assembly shown at the bottom of the right panel.

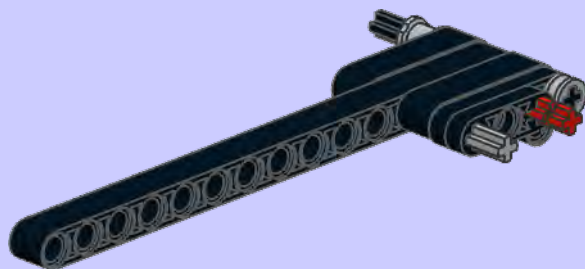
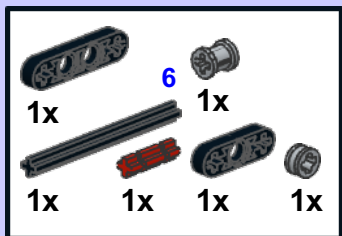
1



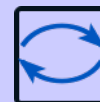
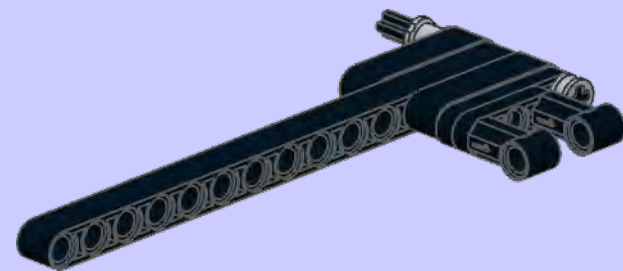
2



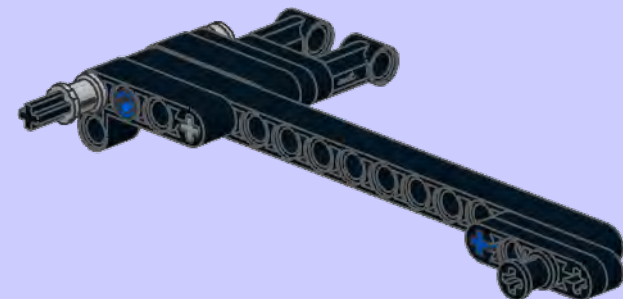
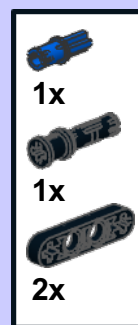
3



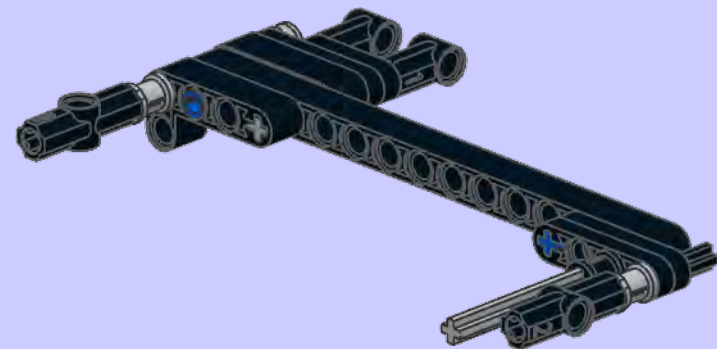
4



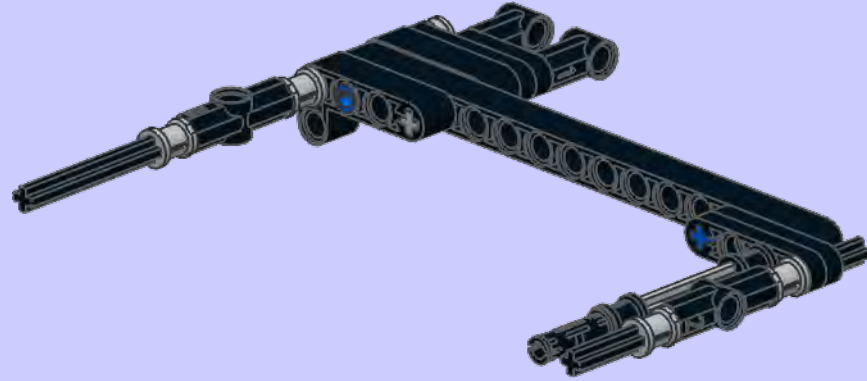
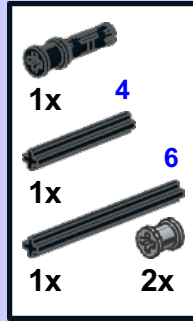
5



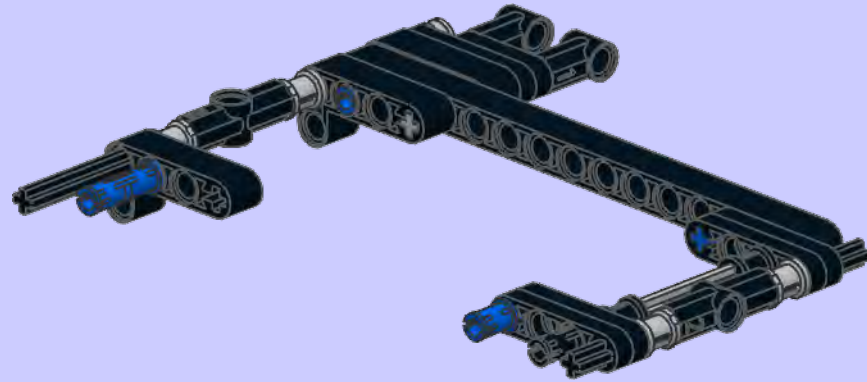
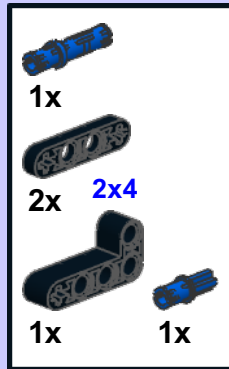
6



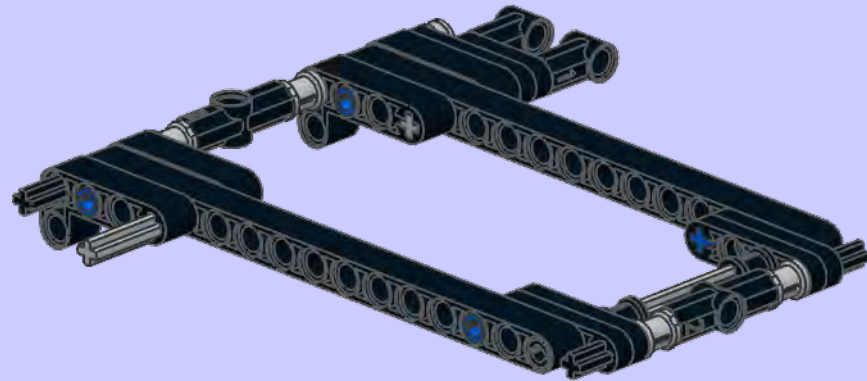
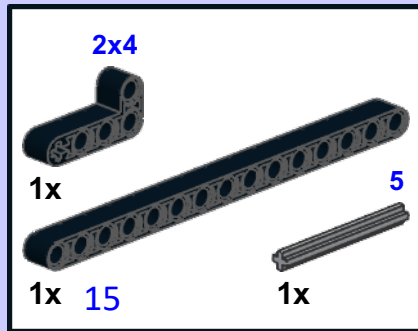
7



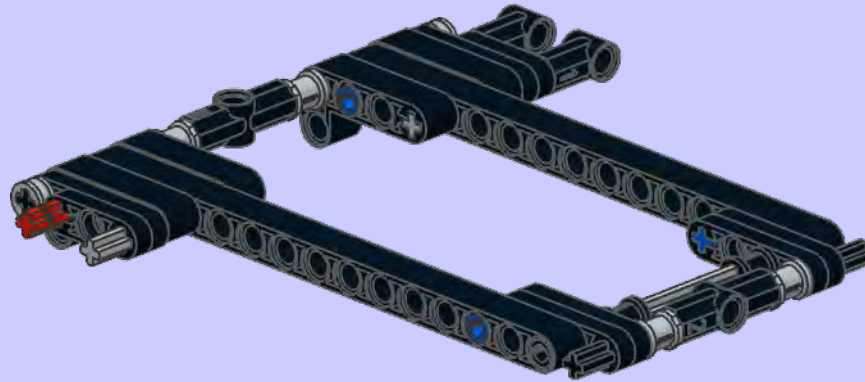
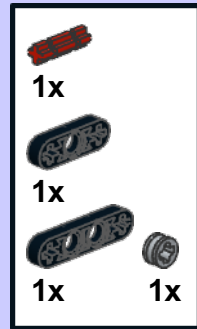
8



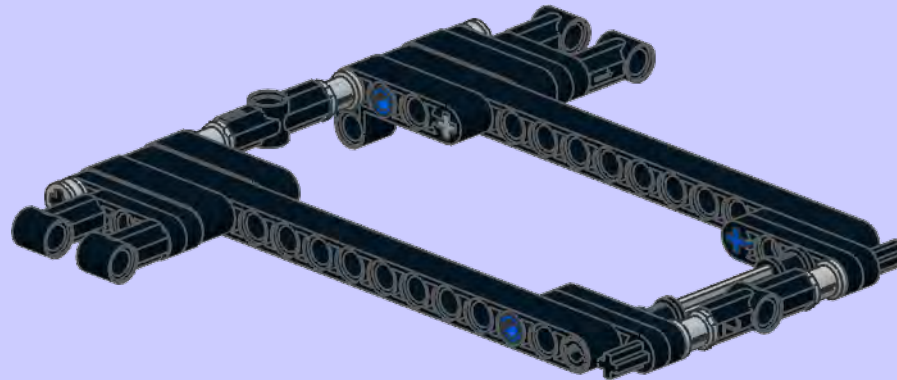
9



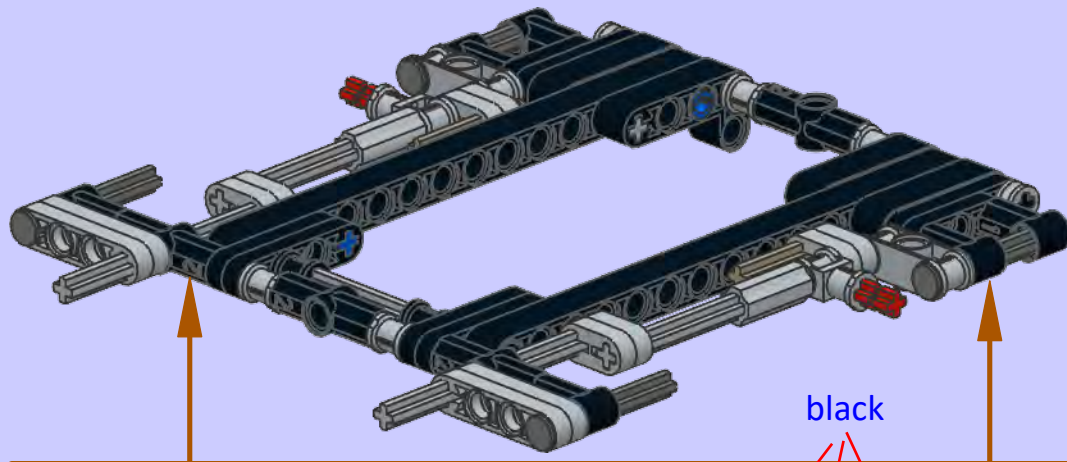
10



11



12



black

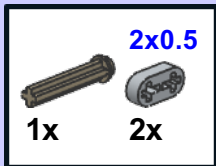
1



black



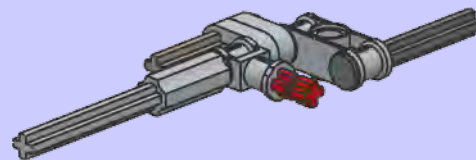
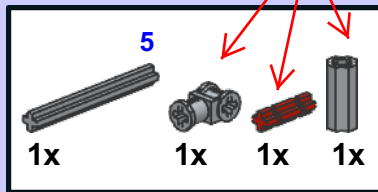
2



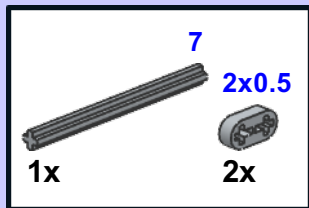
blue



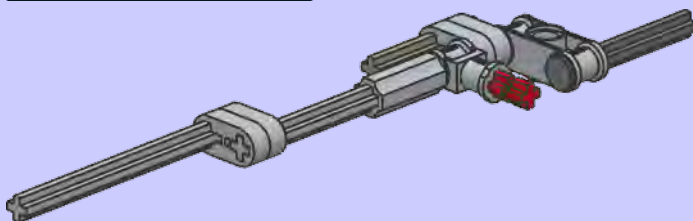
3



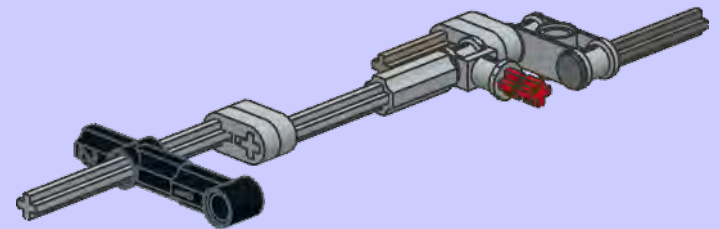
4



blue



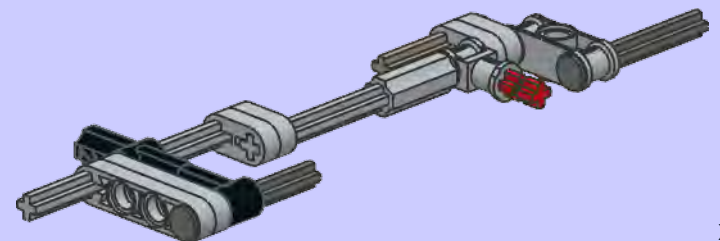
5



6

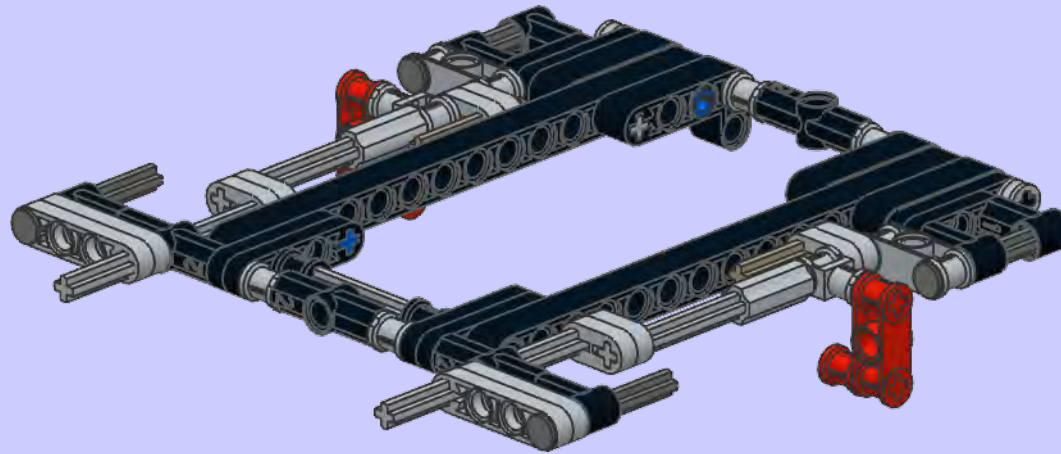
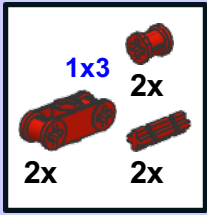


blue

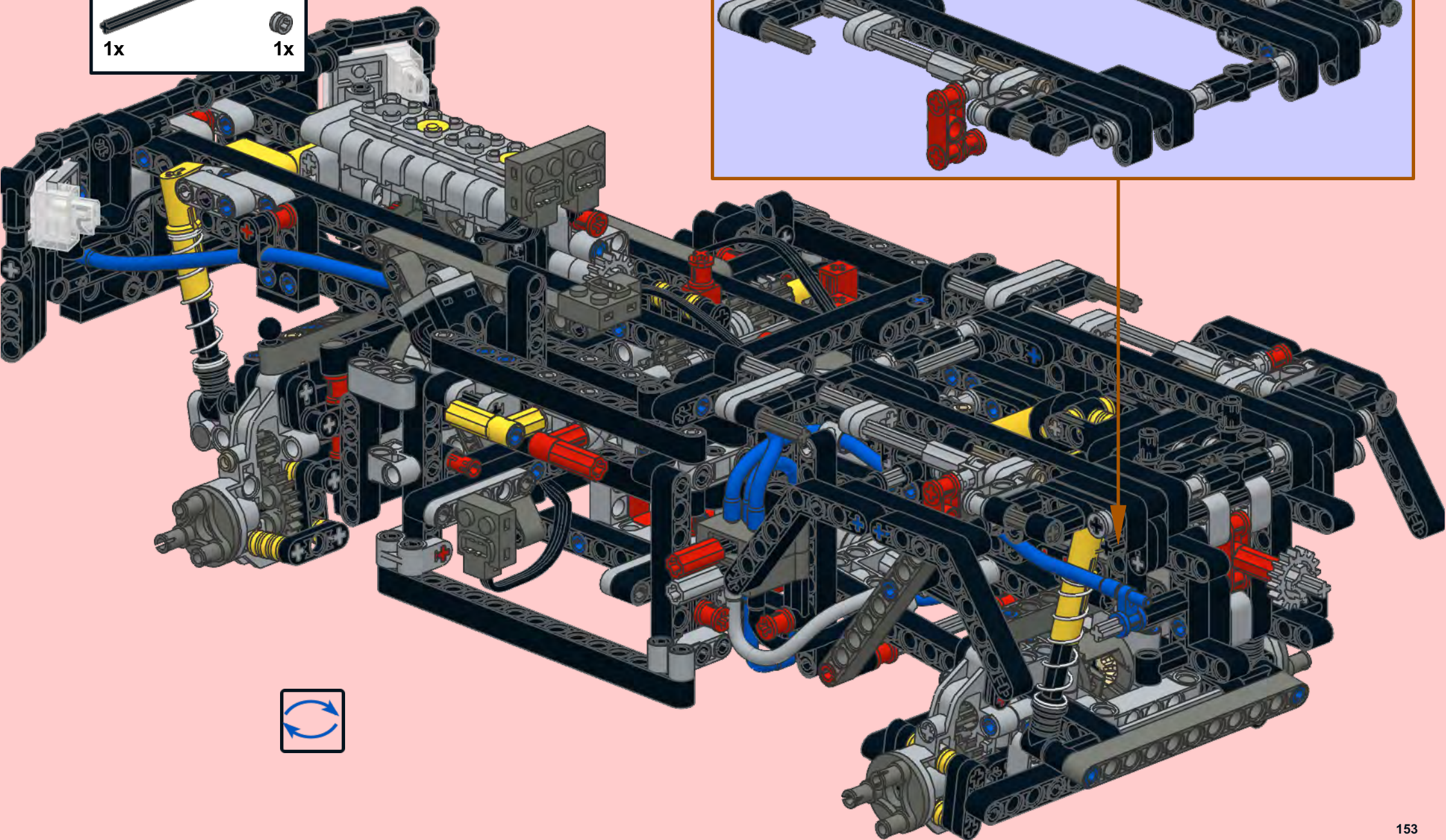
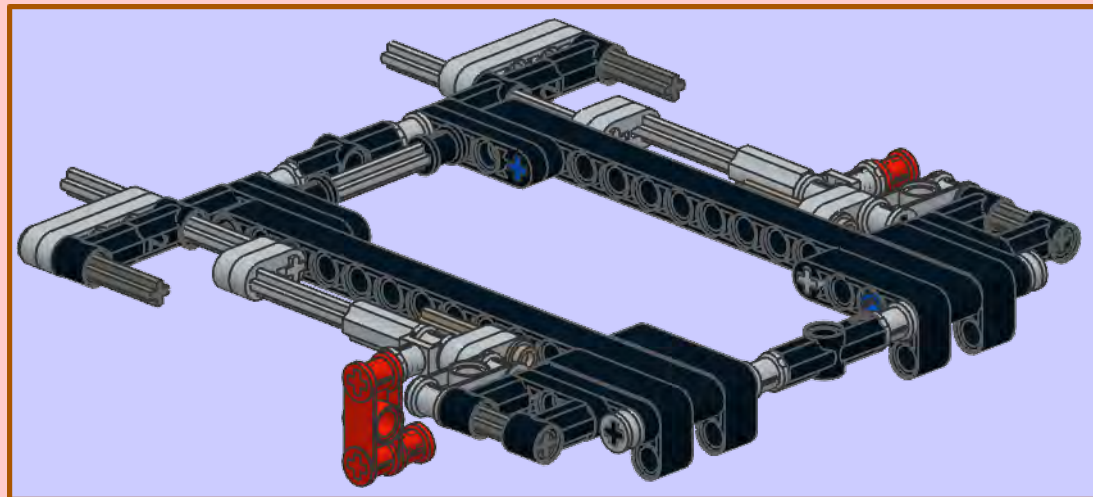
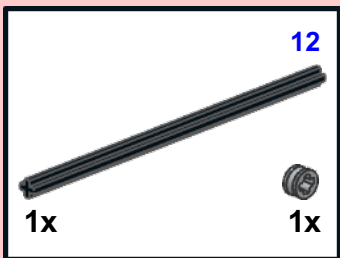


x2

13



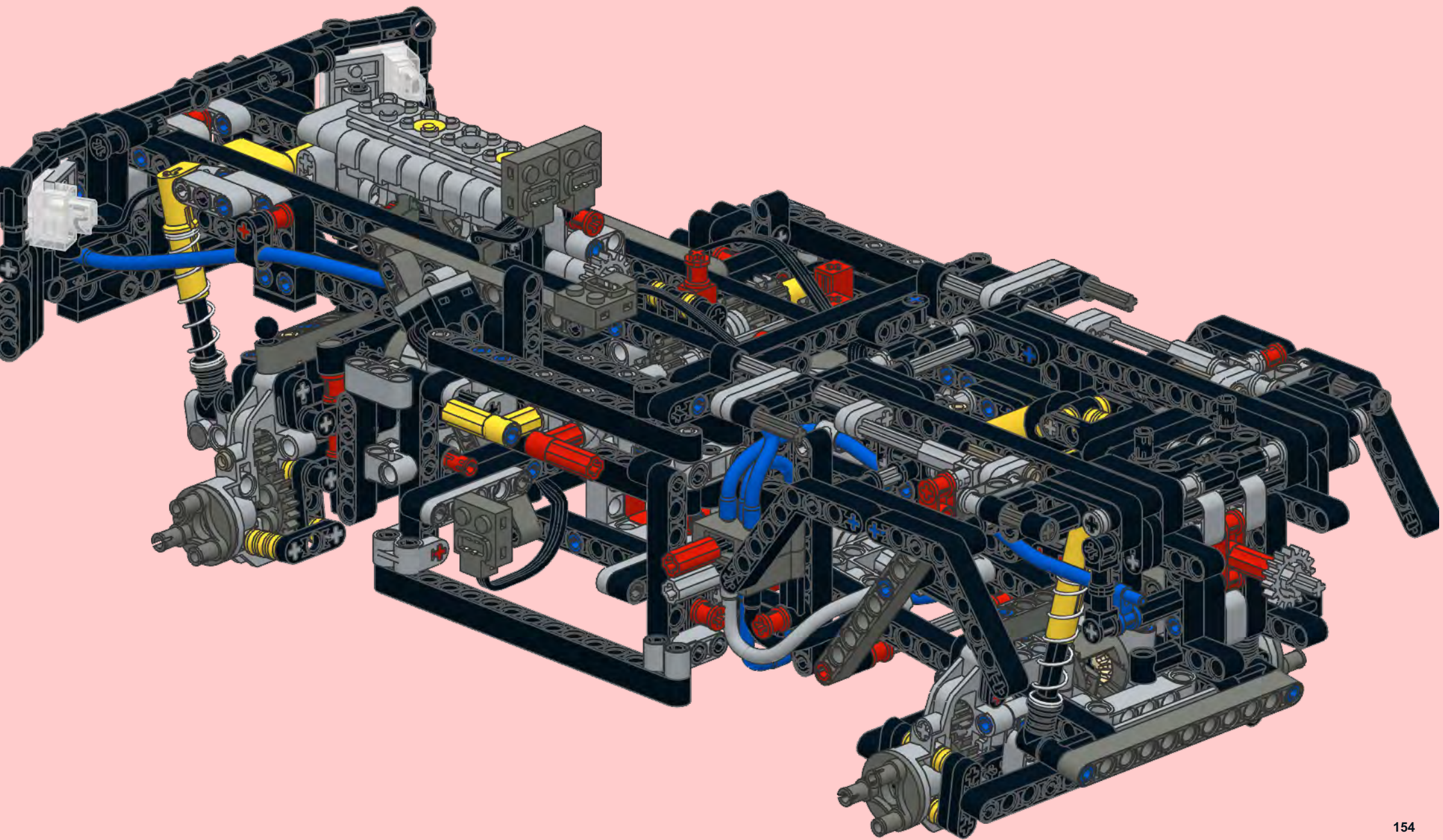
44



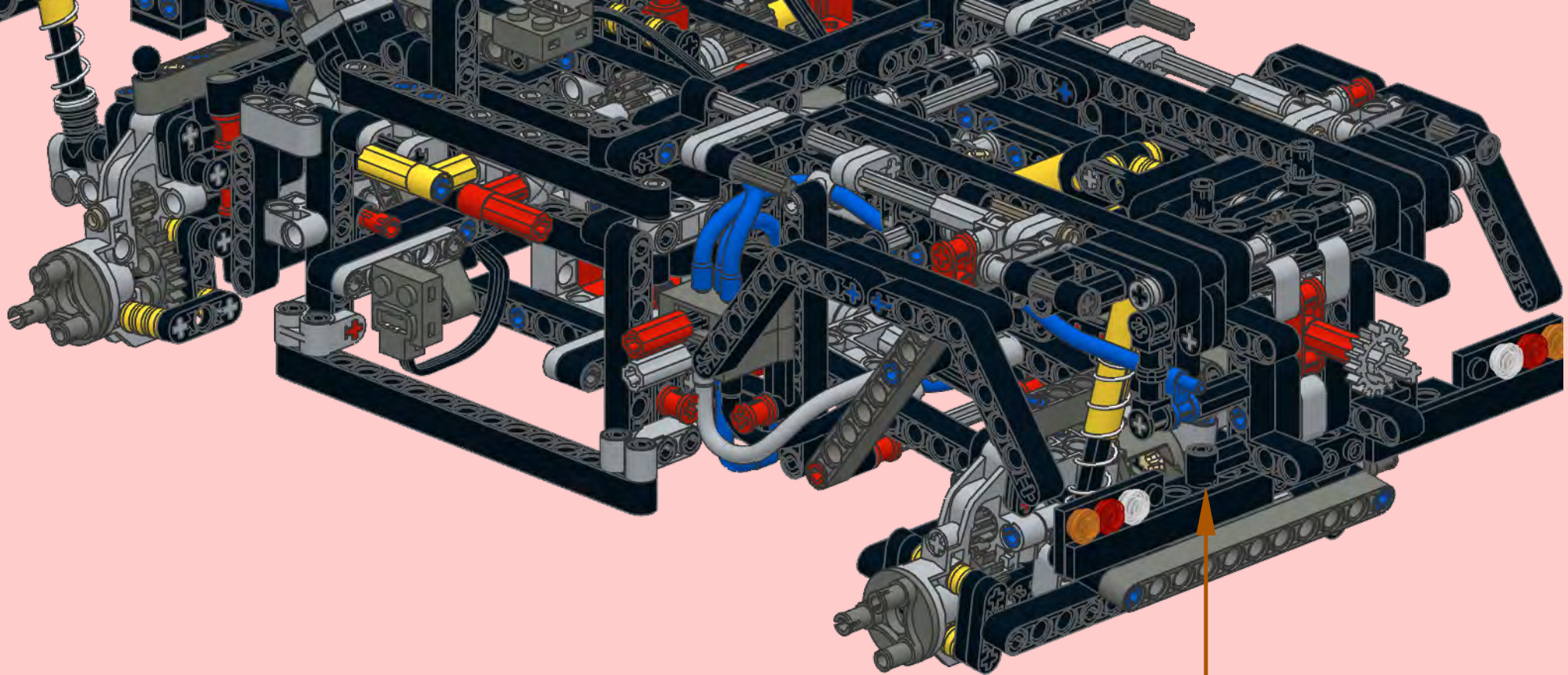
45



black



46



1

1x12

1x

2x

2

2x

~~Mercedes-Benz~~

~~Mercedes-Benz~~

3

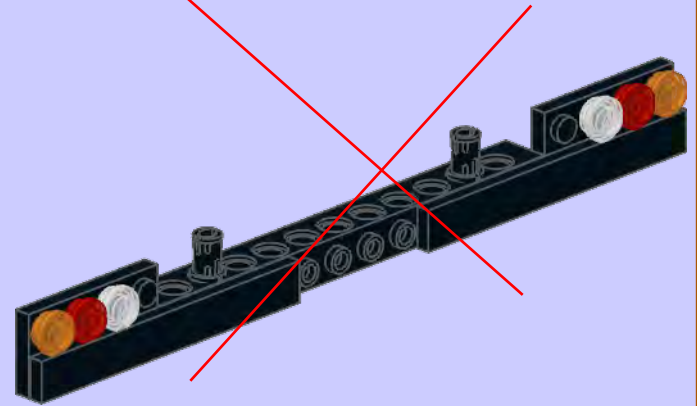
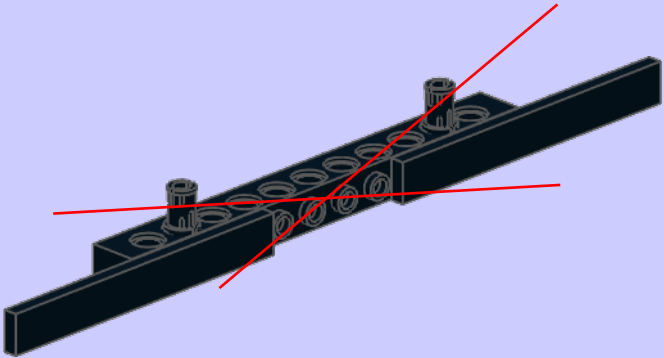
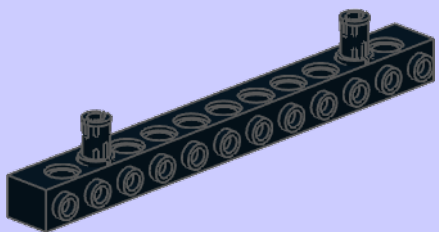
2x4

2x

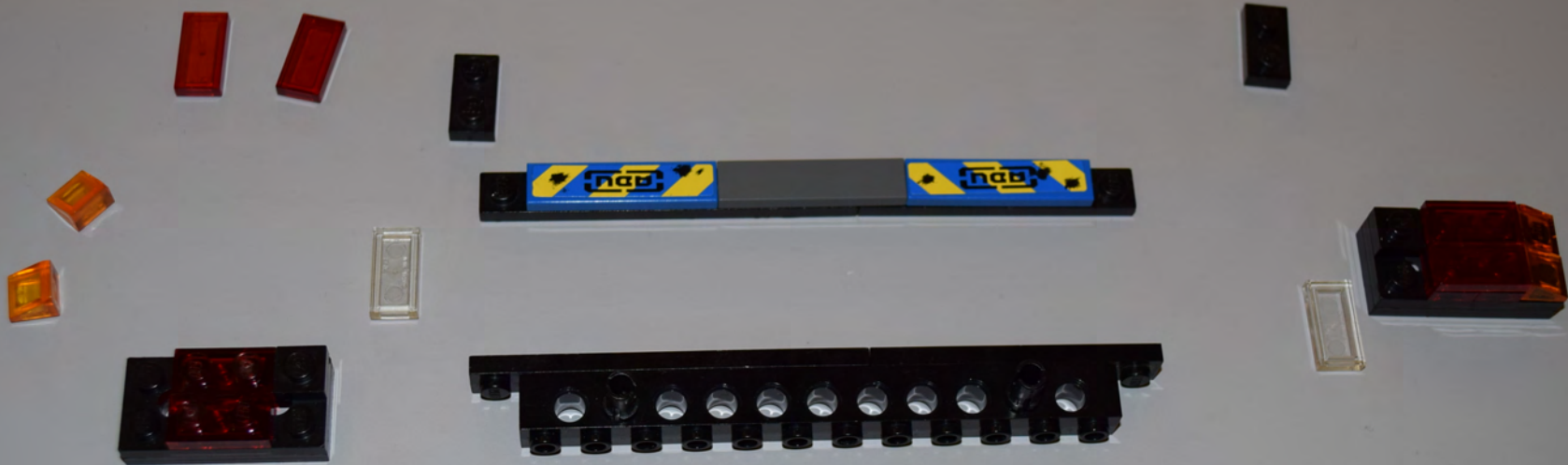
1x1 2x

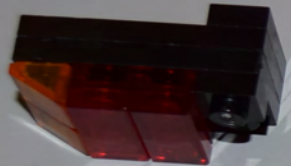
1x1 2x

1x1 2x



see next pages



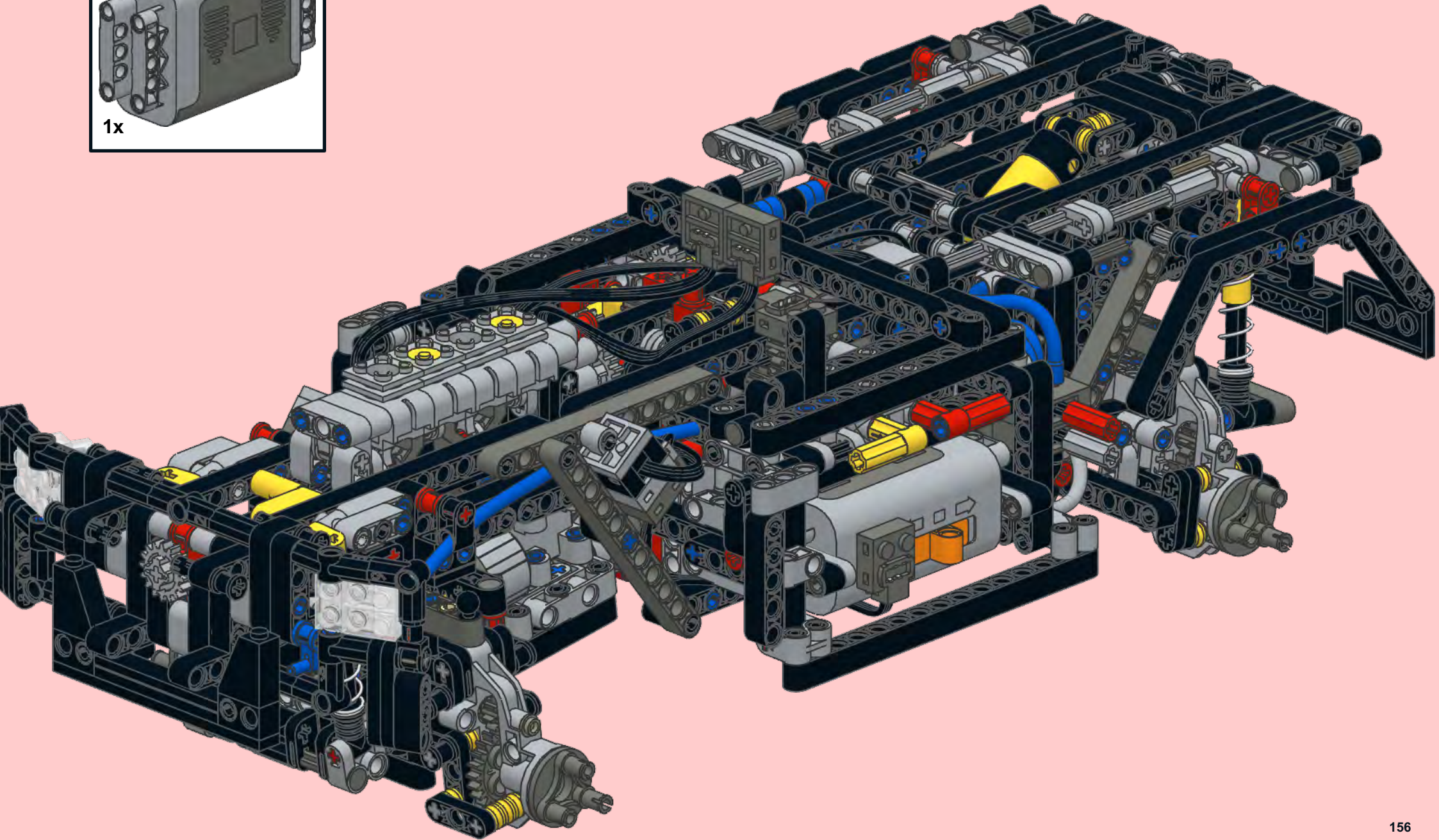
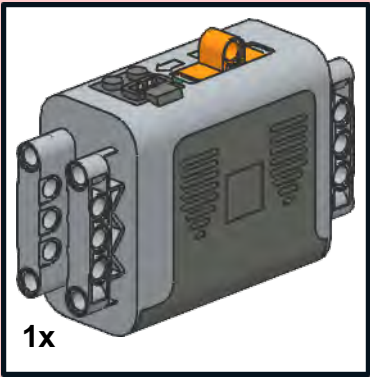




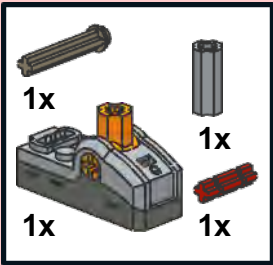
connect the lights, centre



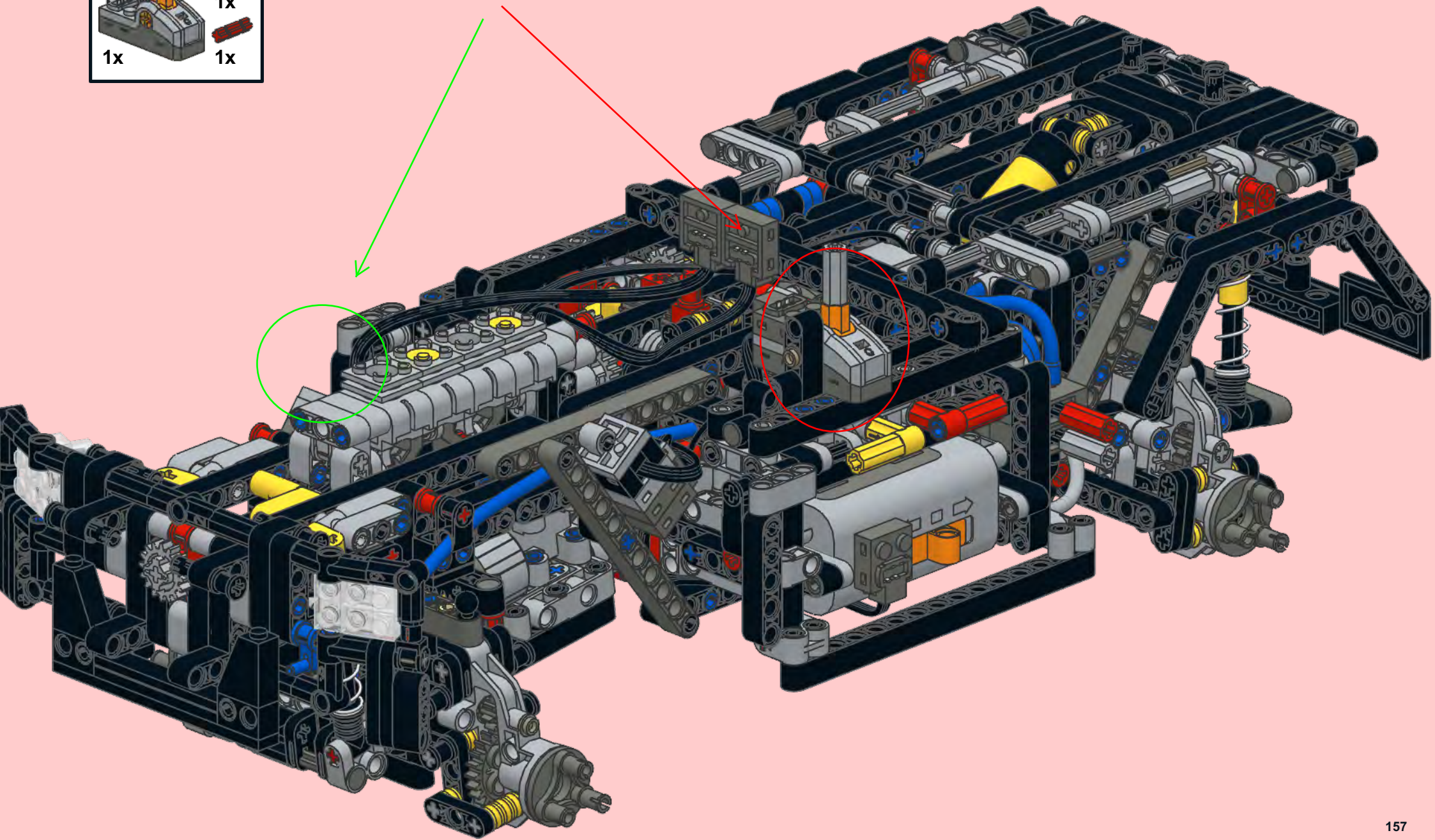
47

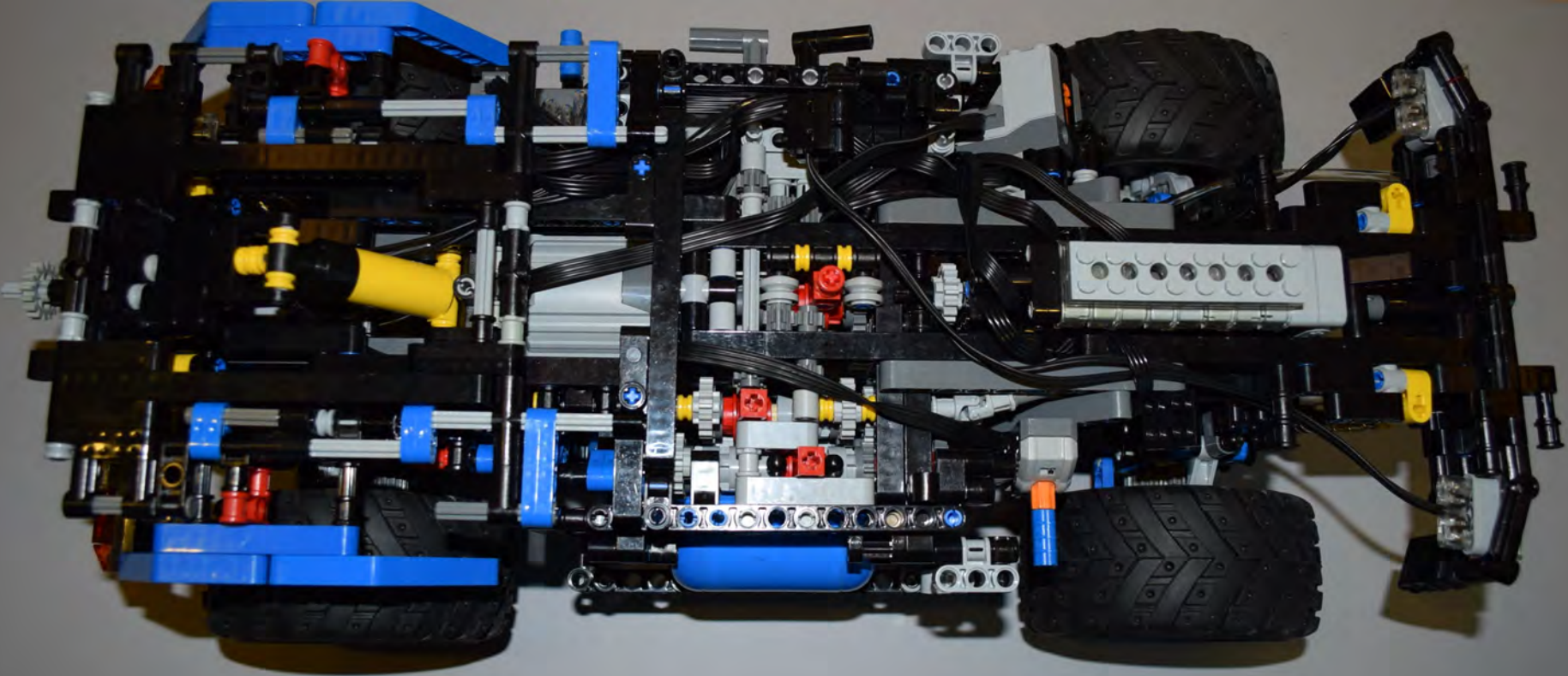


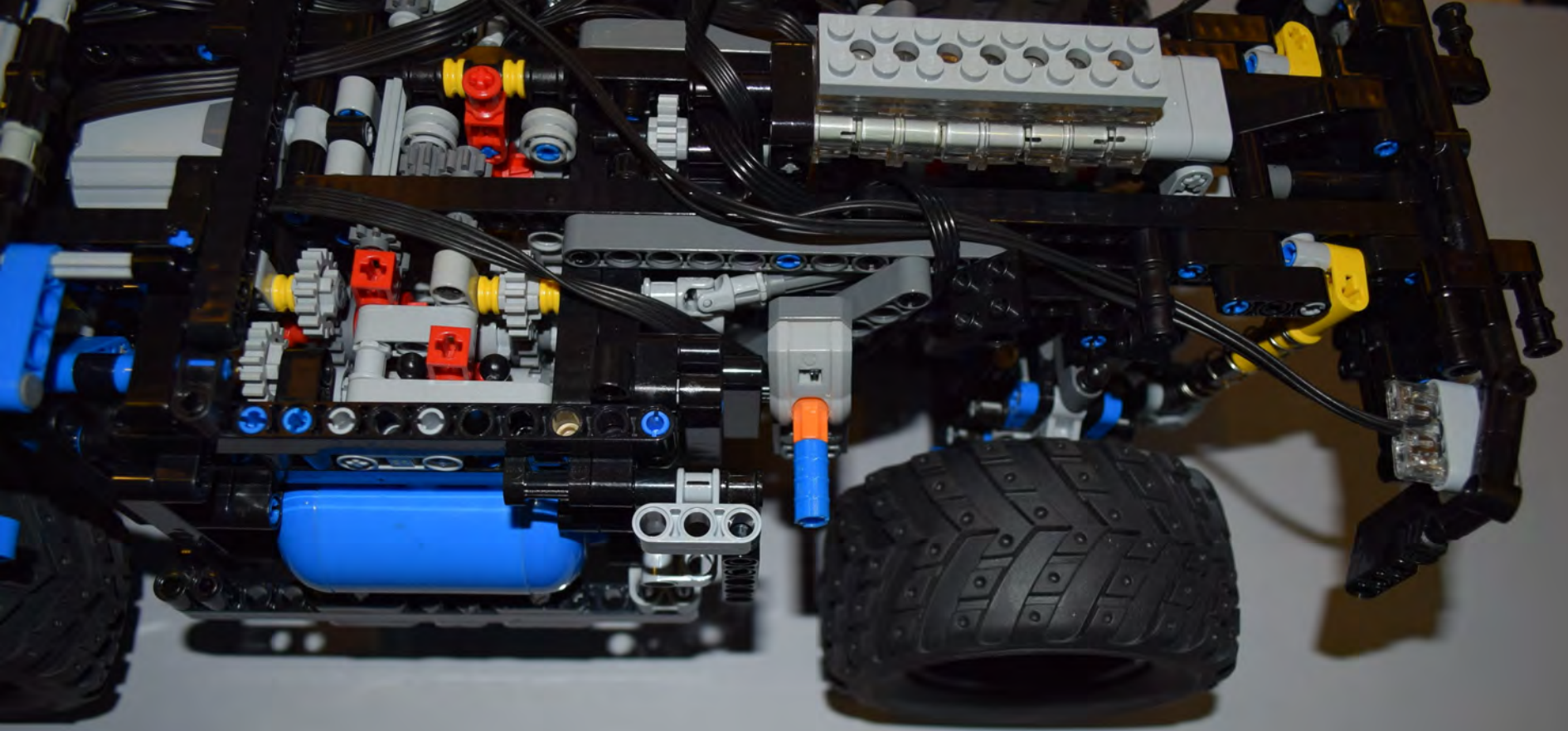
48

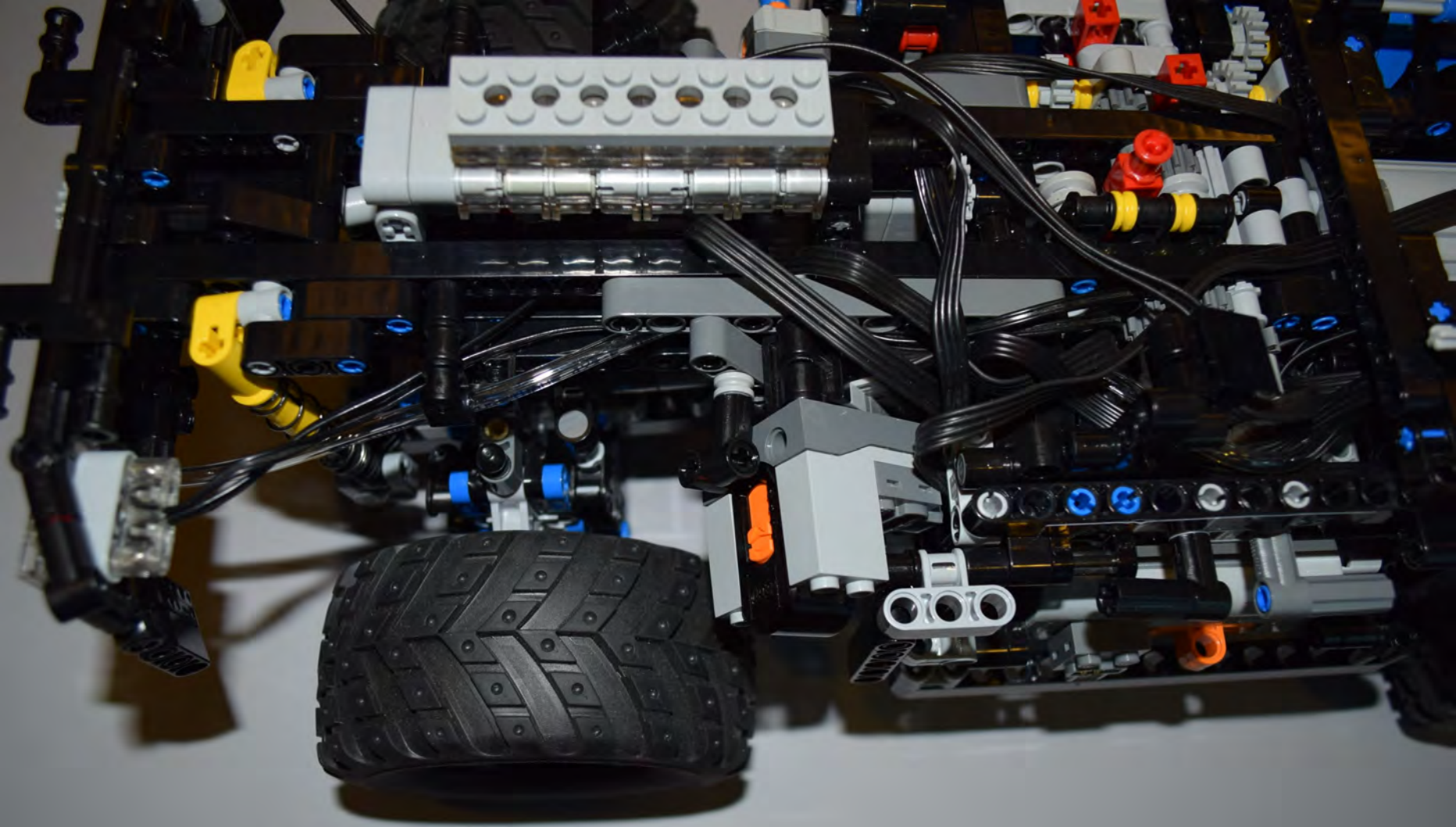


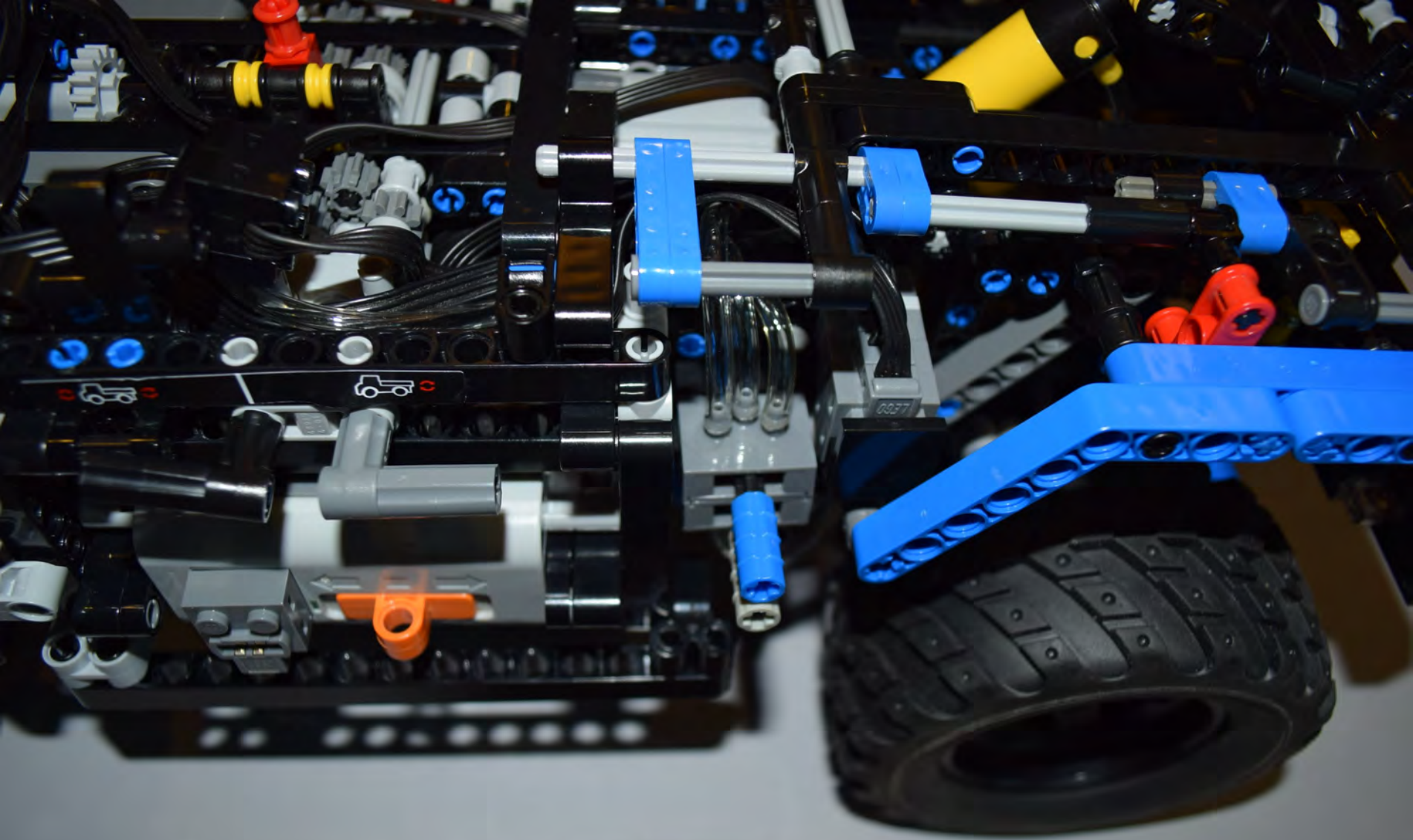
move here, see next pages

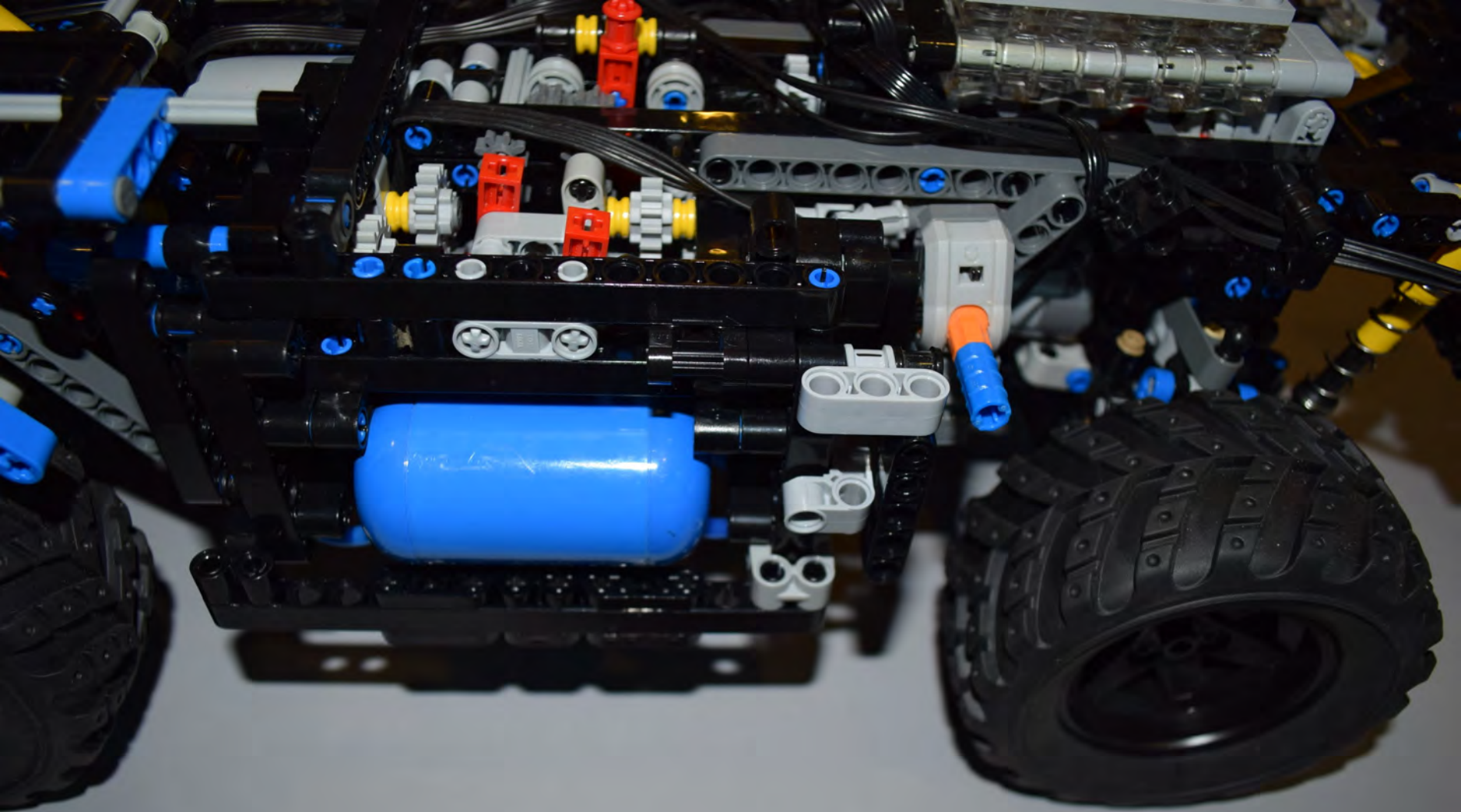






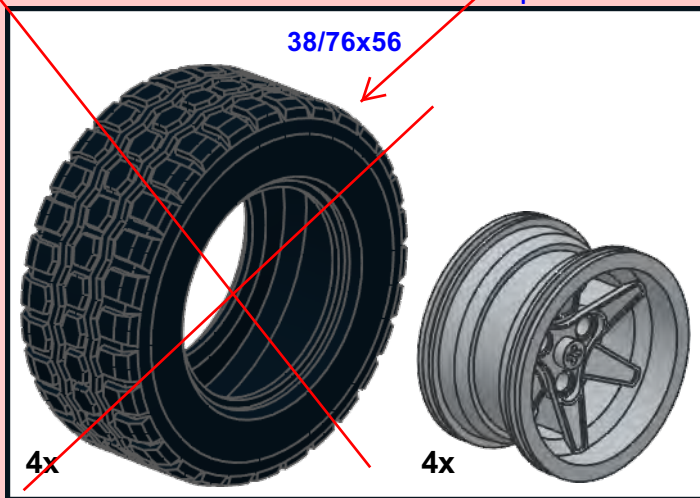




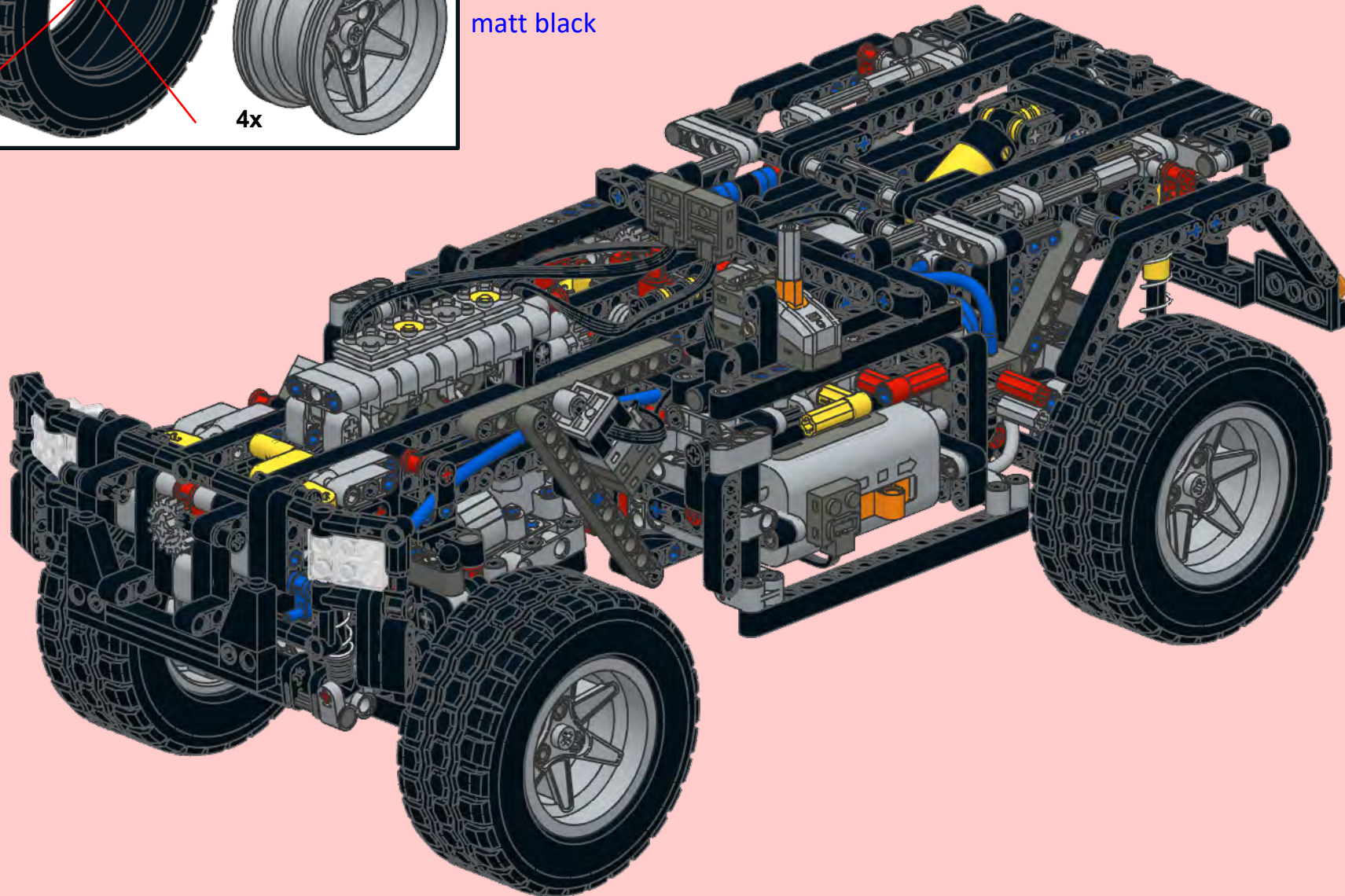


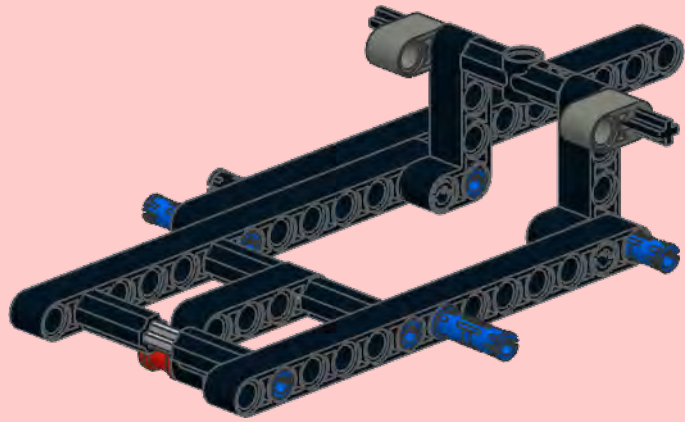
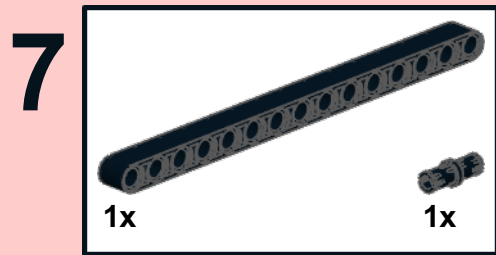
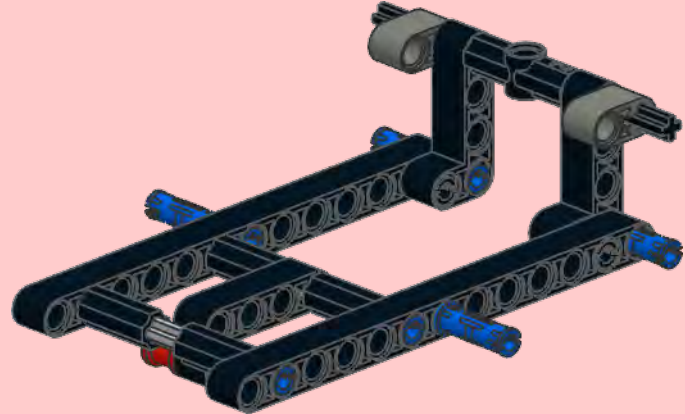
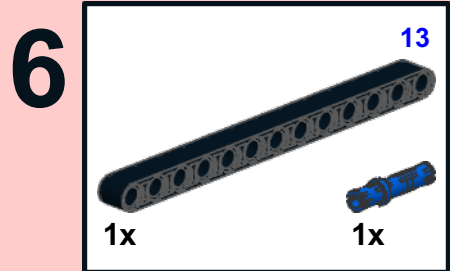
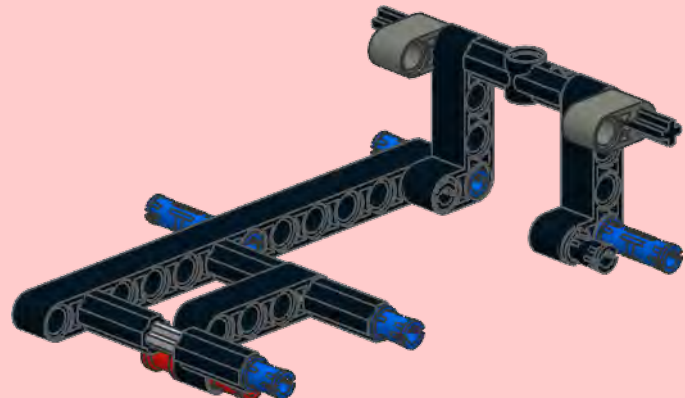
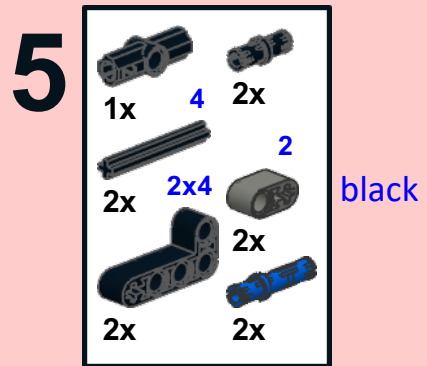
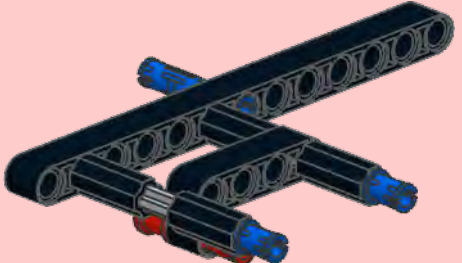
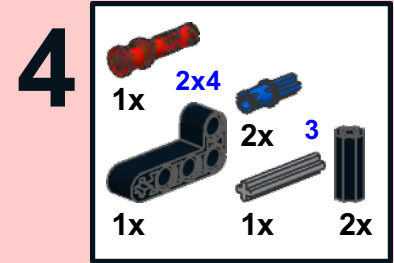
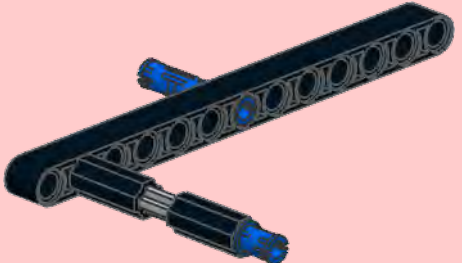
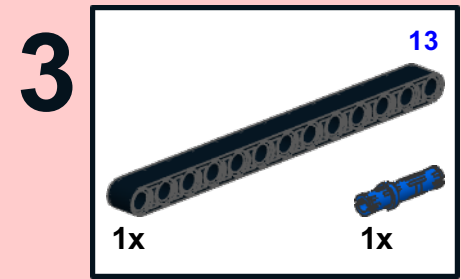
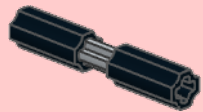
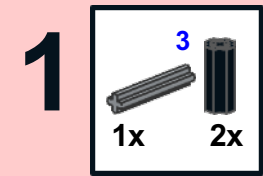
49

replace with the bigger tires



matt black

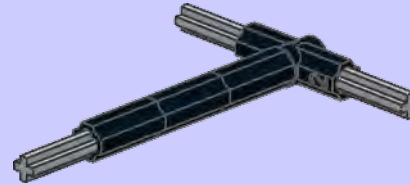




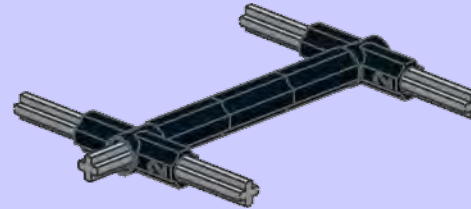
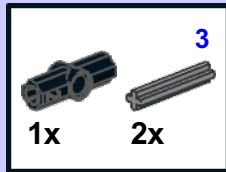
1



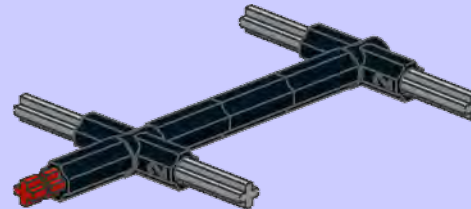
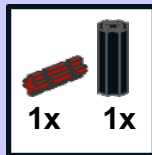
2



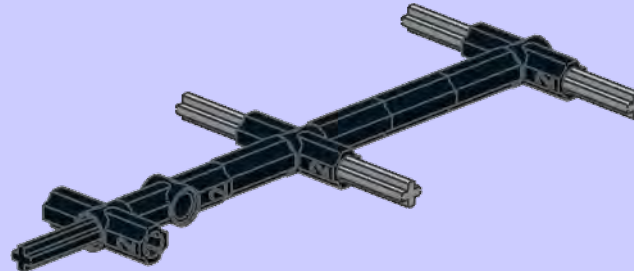
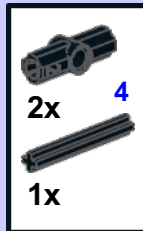
3



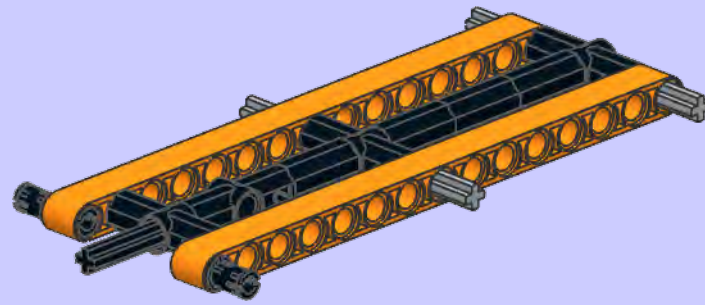
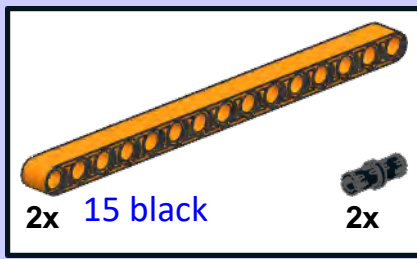
4



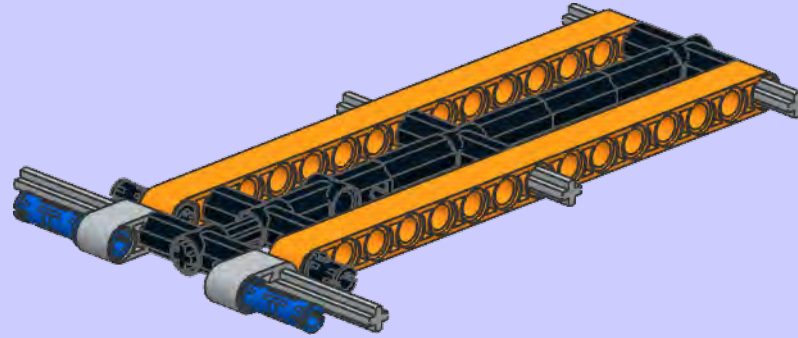
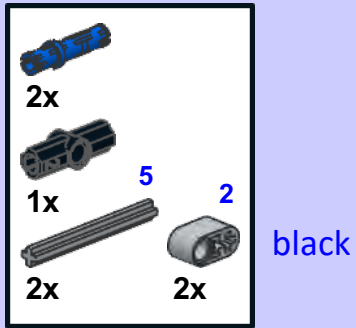
5



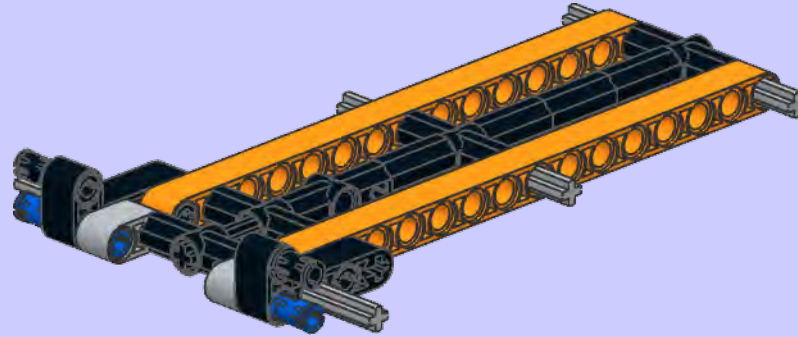
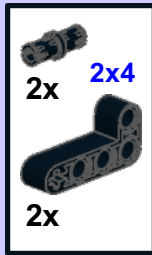
6



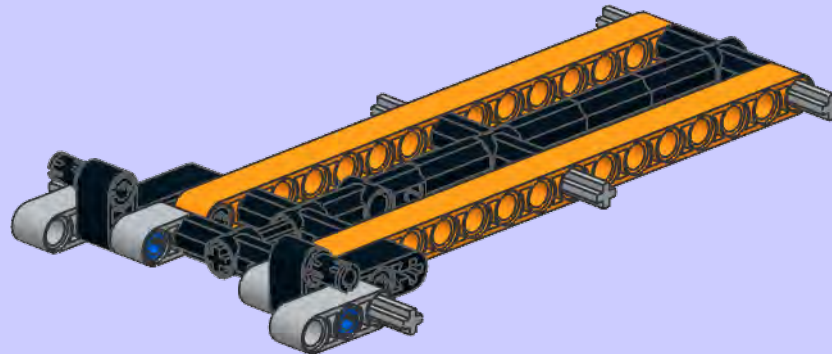
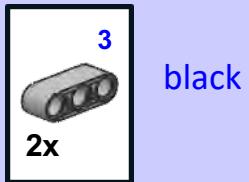
7

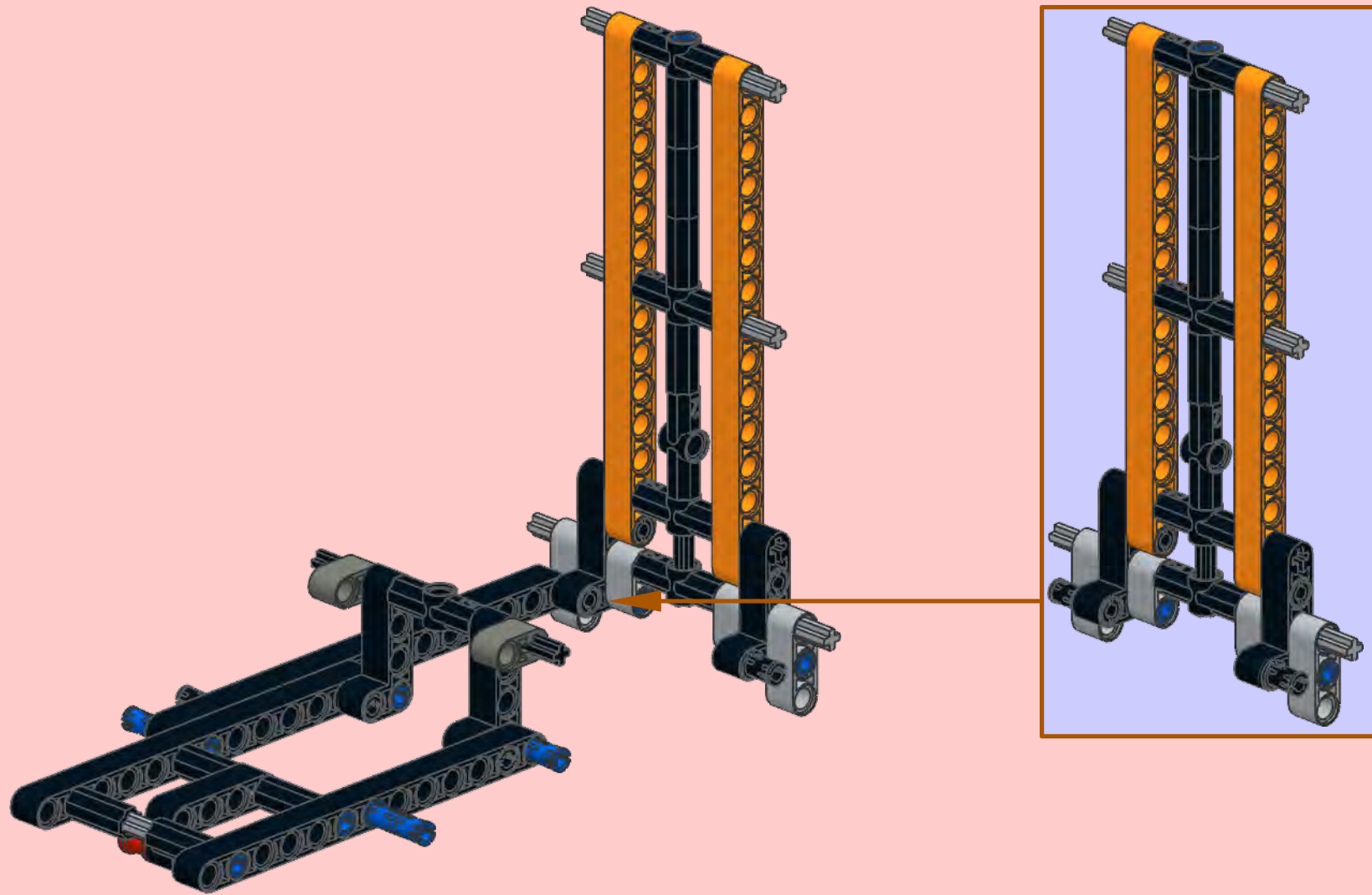


8

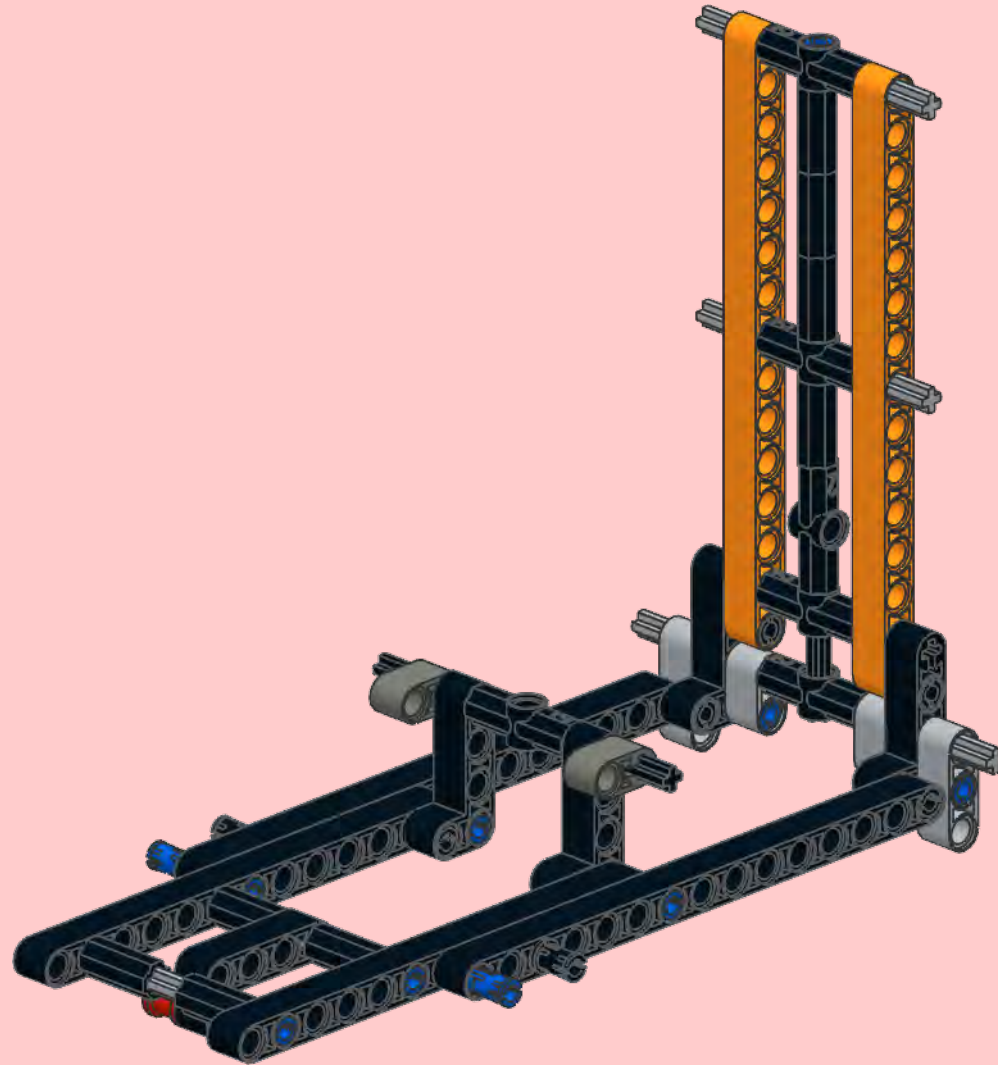


9

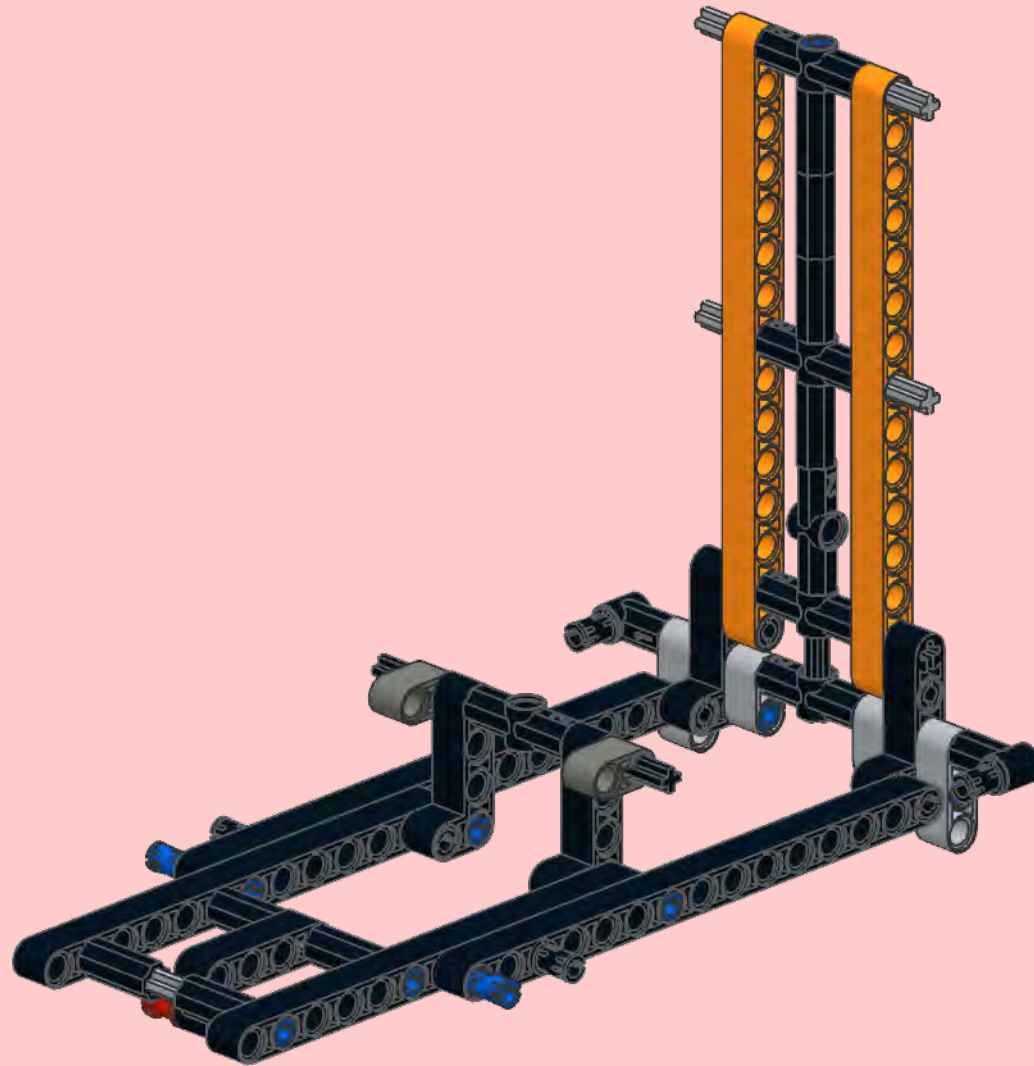
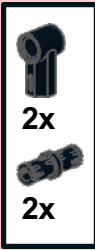




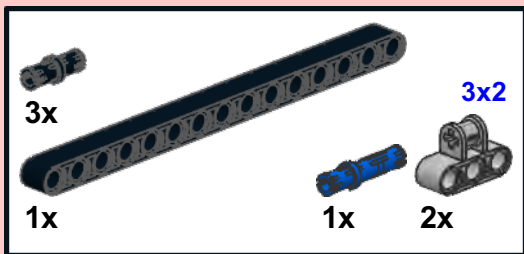
9



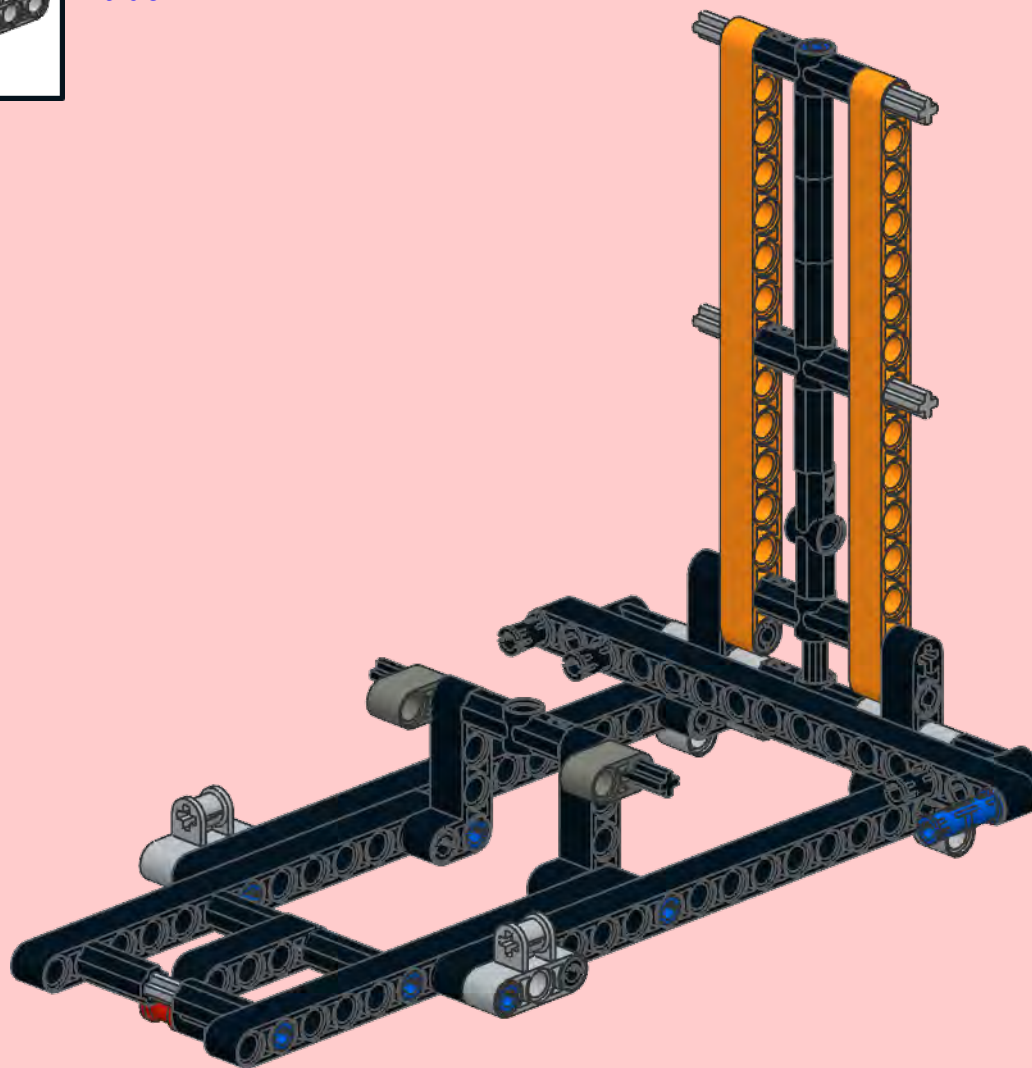
10



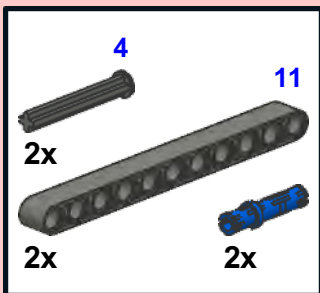
11



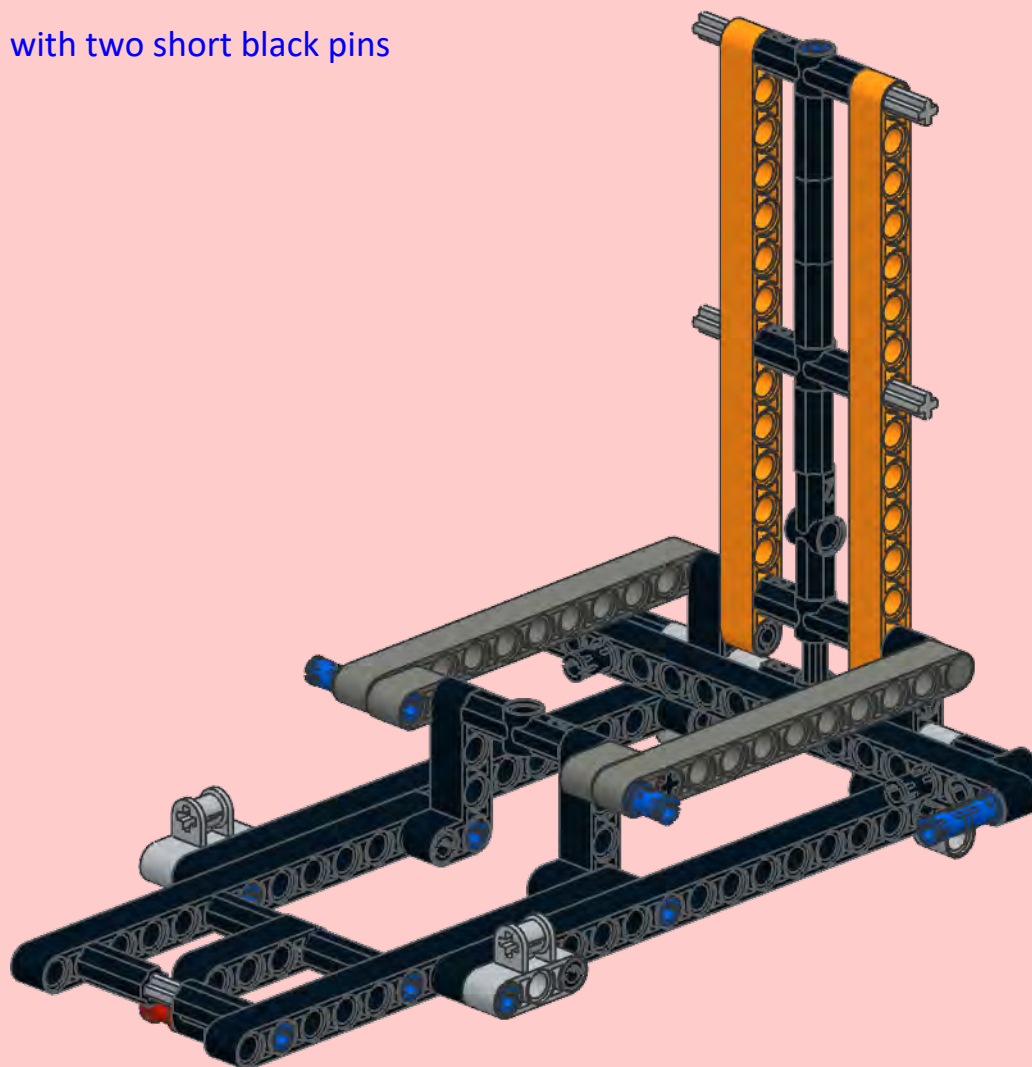
black



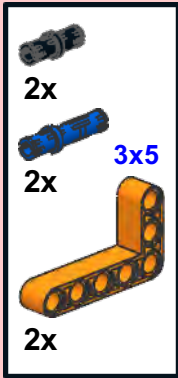
12



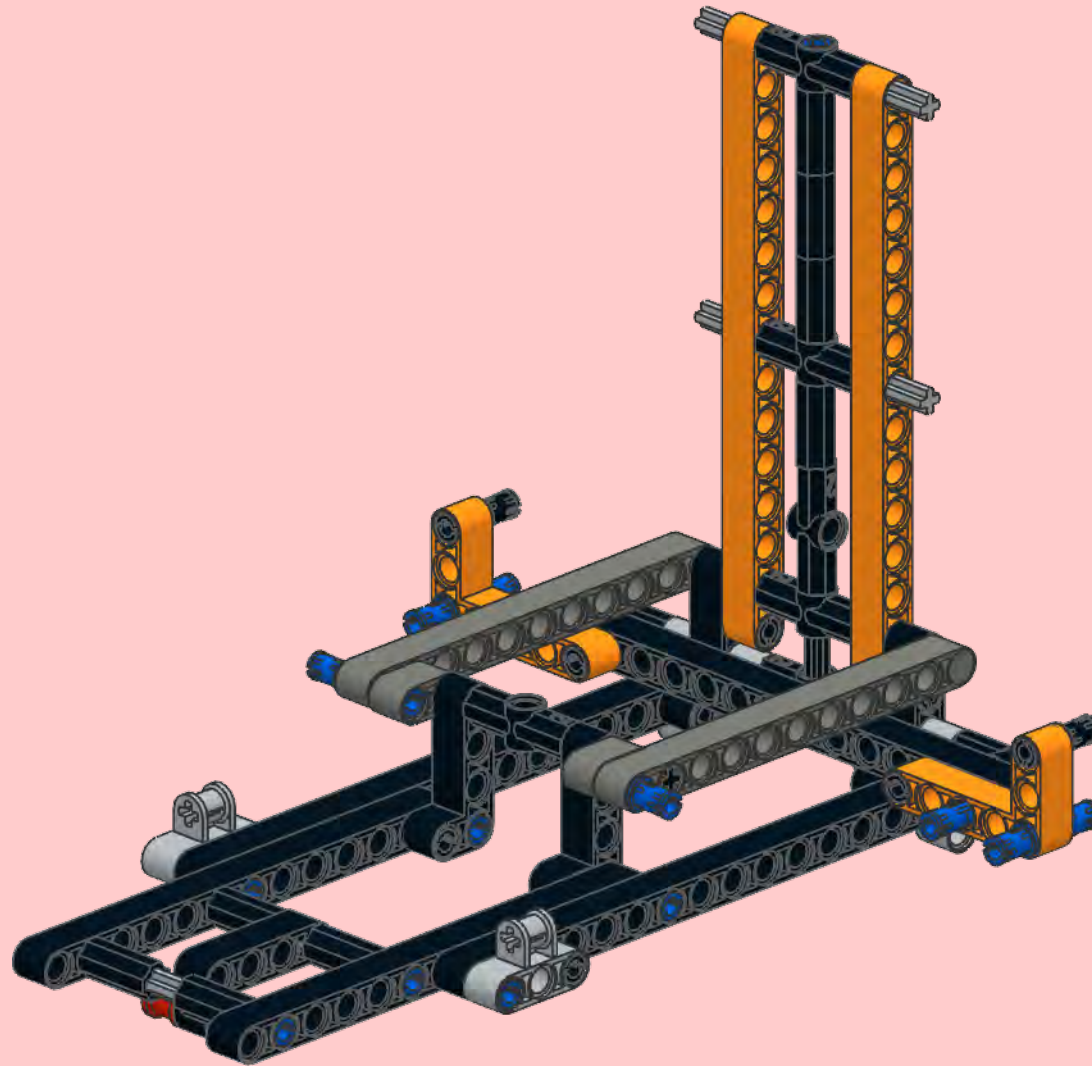
change with two short black pins



13



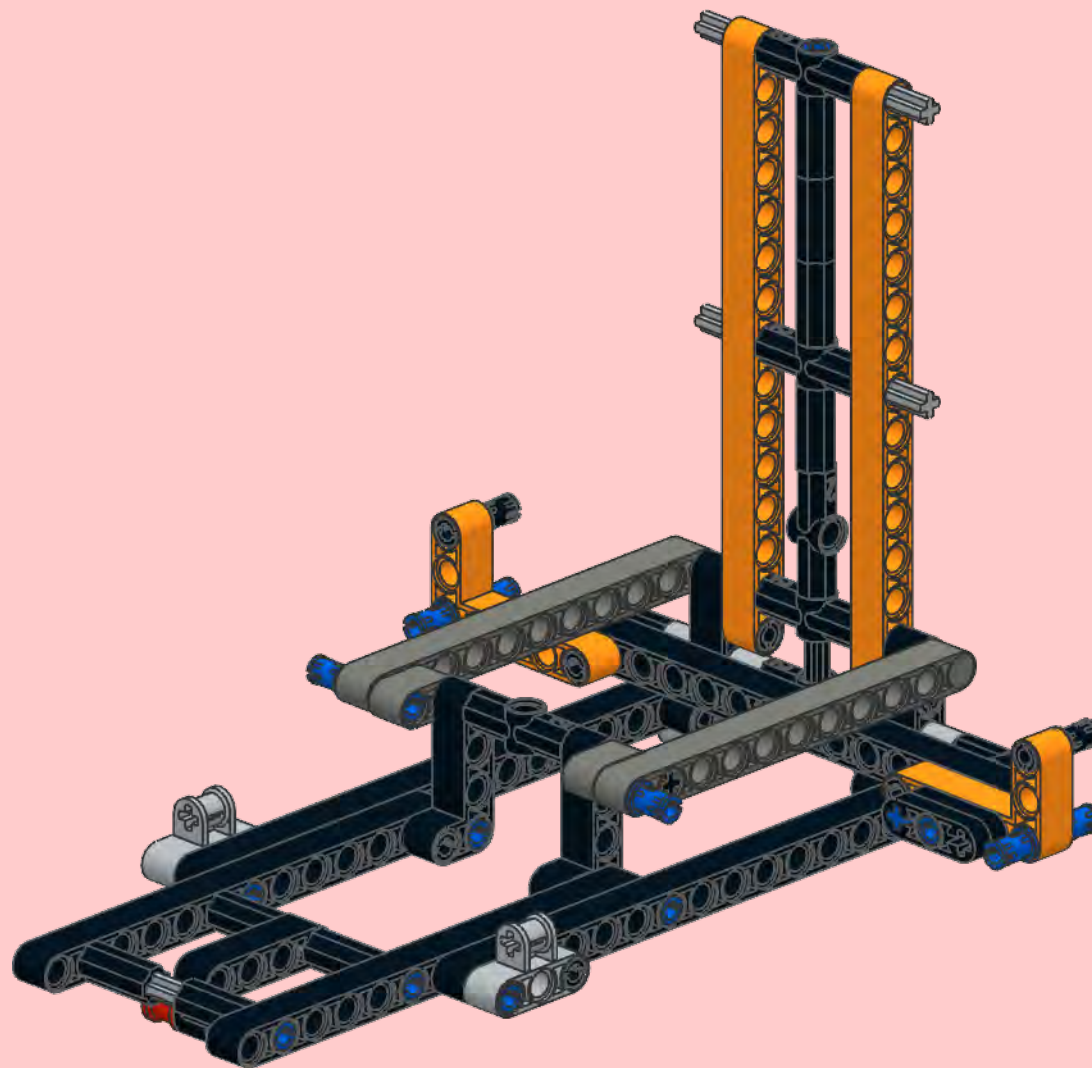
black






14

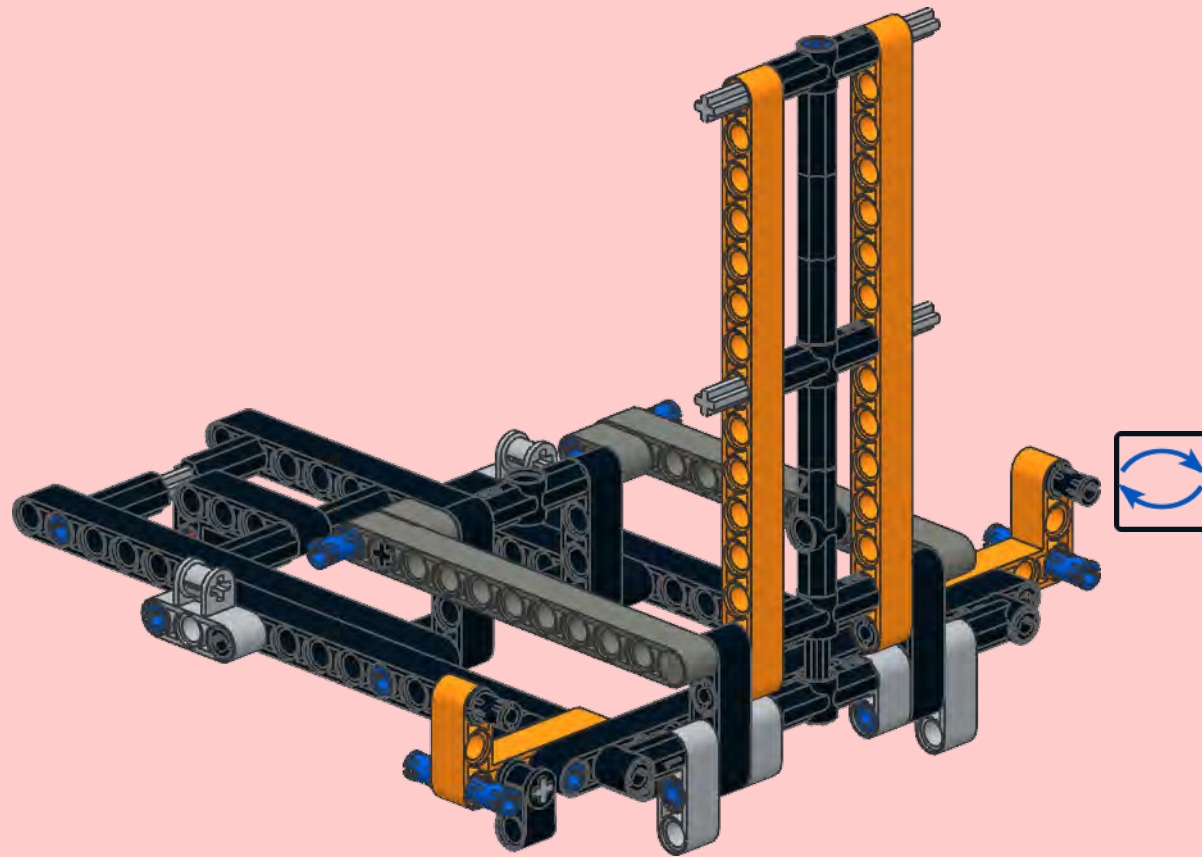


2x = on both sides

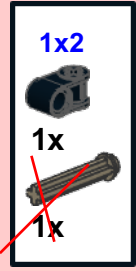


15

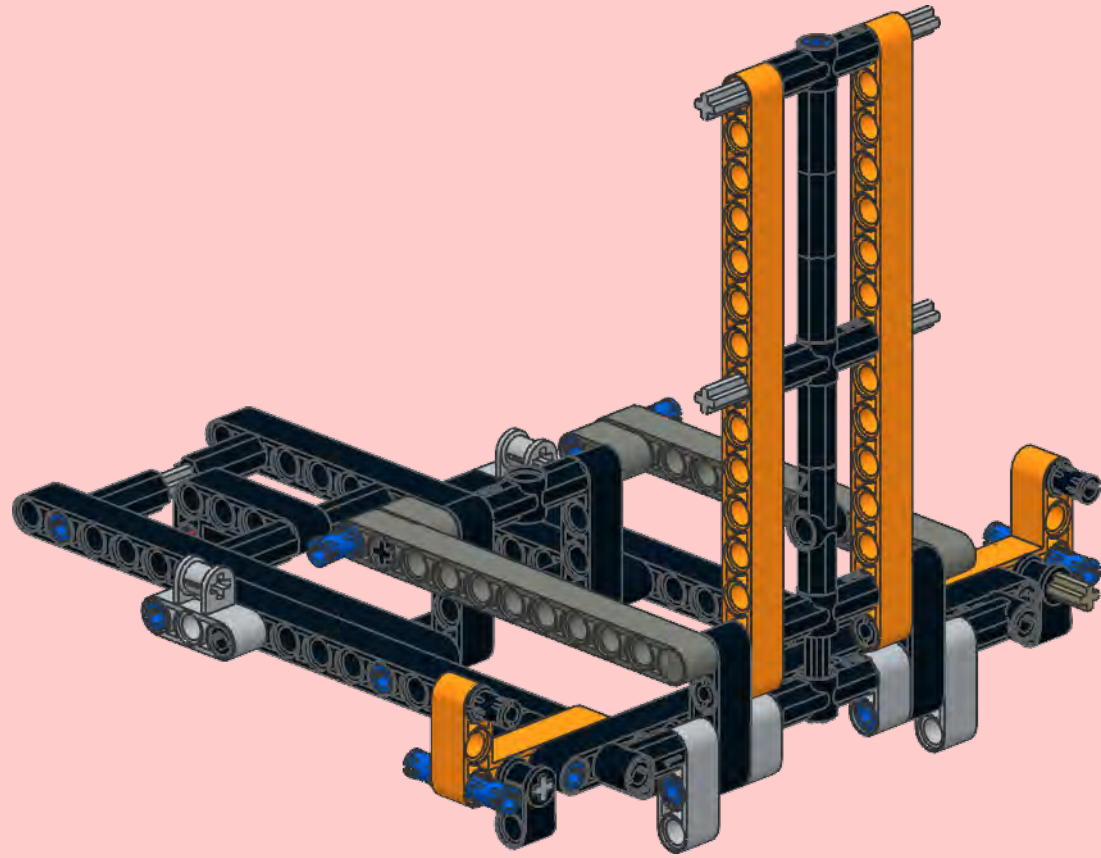
- 1x2 
- 1x 3 
- 1x 



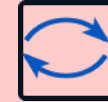
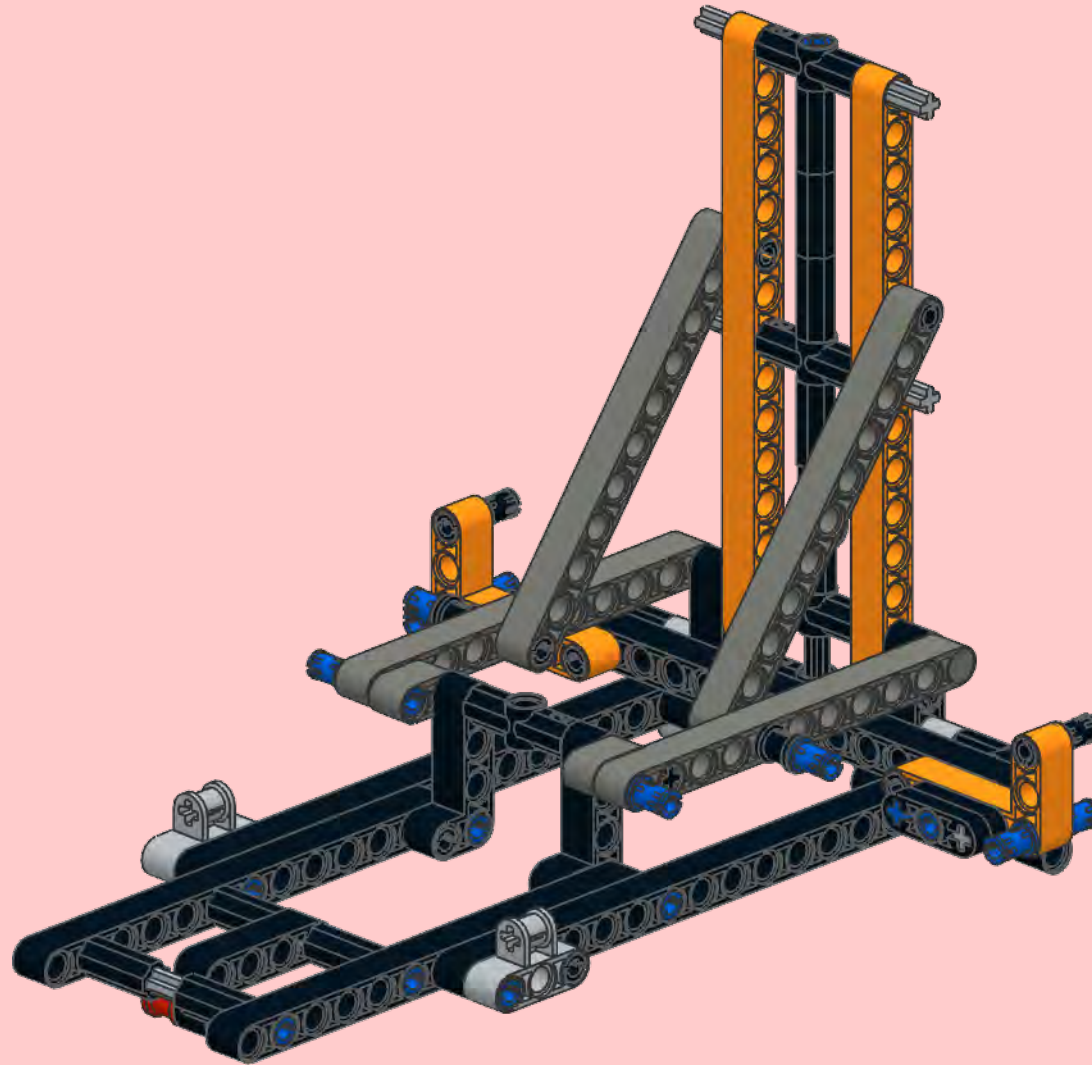
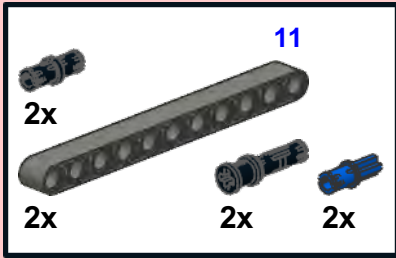
16



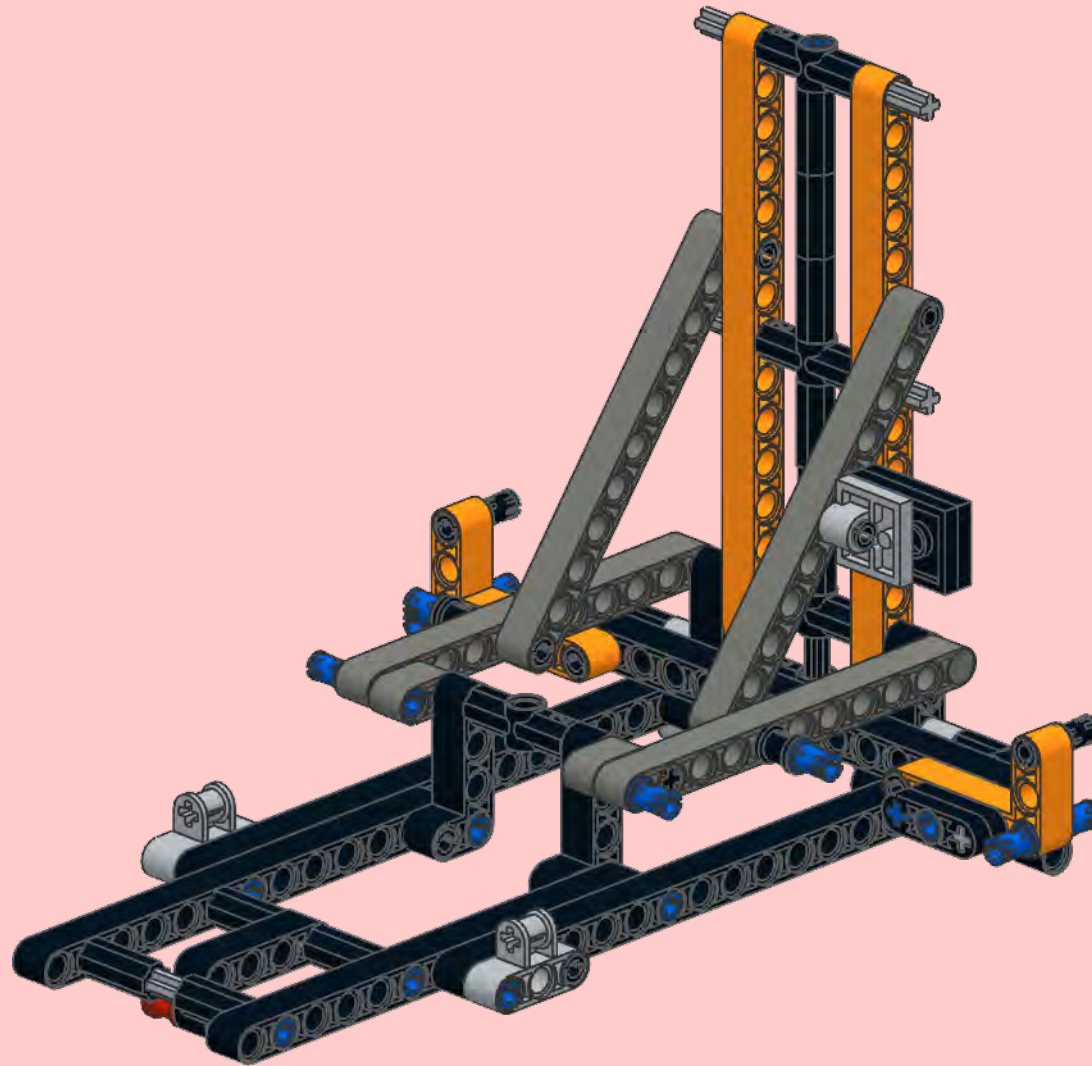
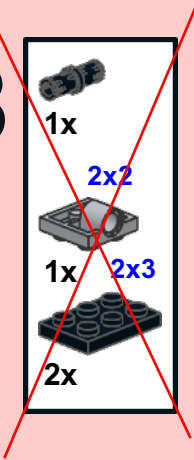
replace with 4 axle



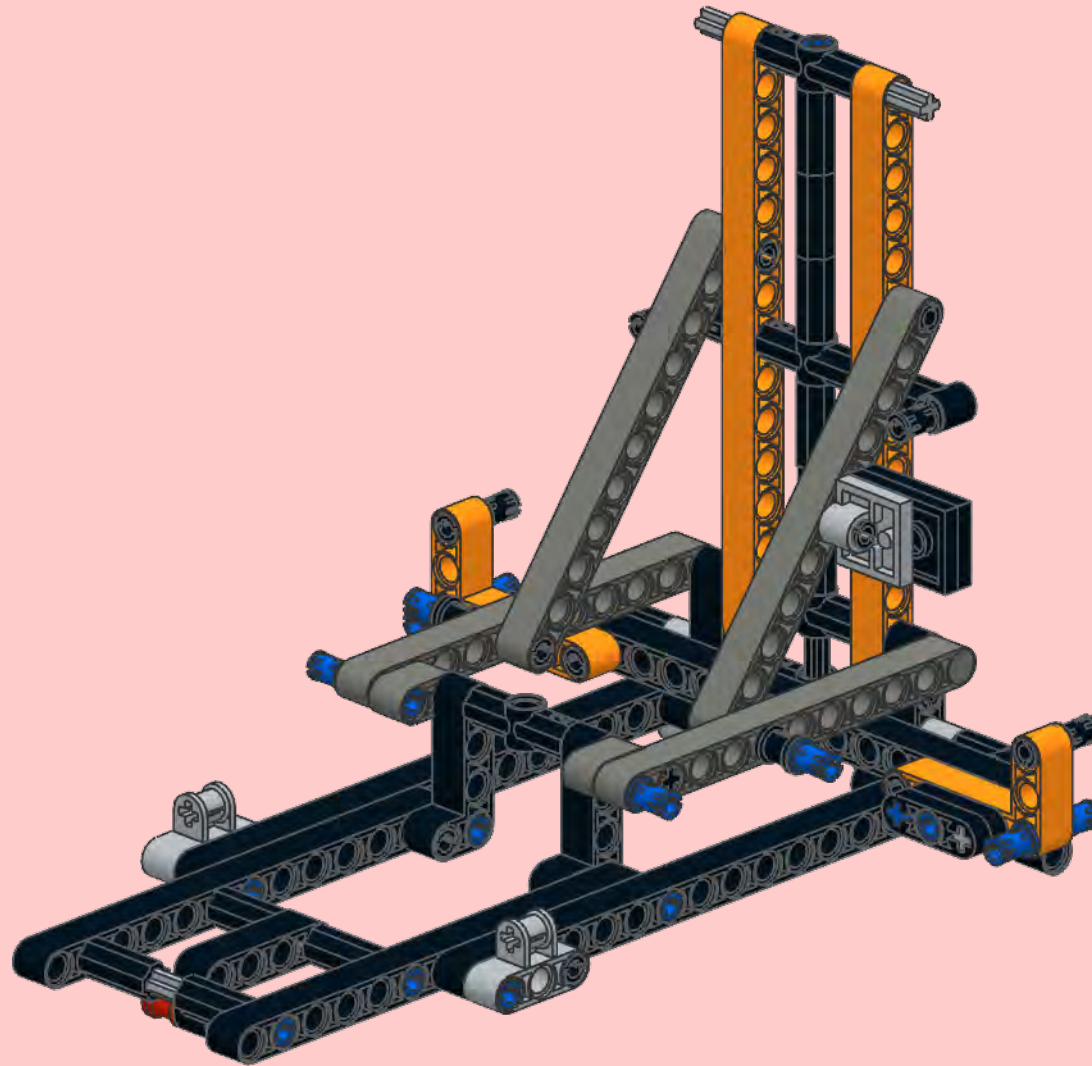
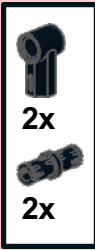
17



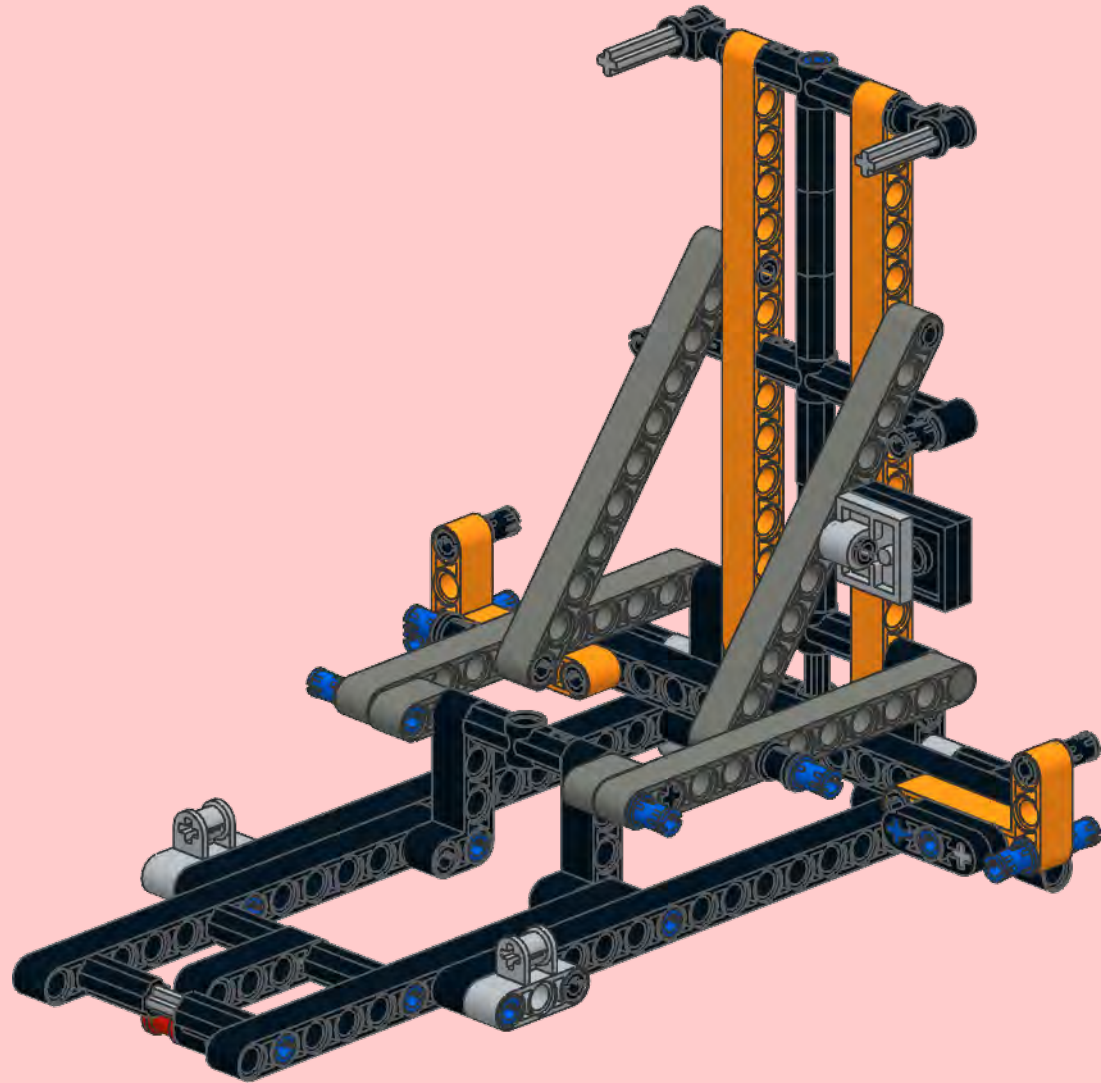
18



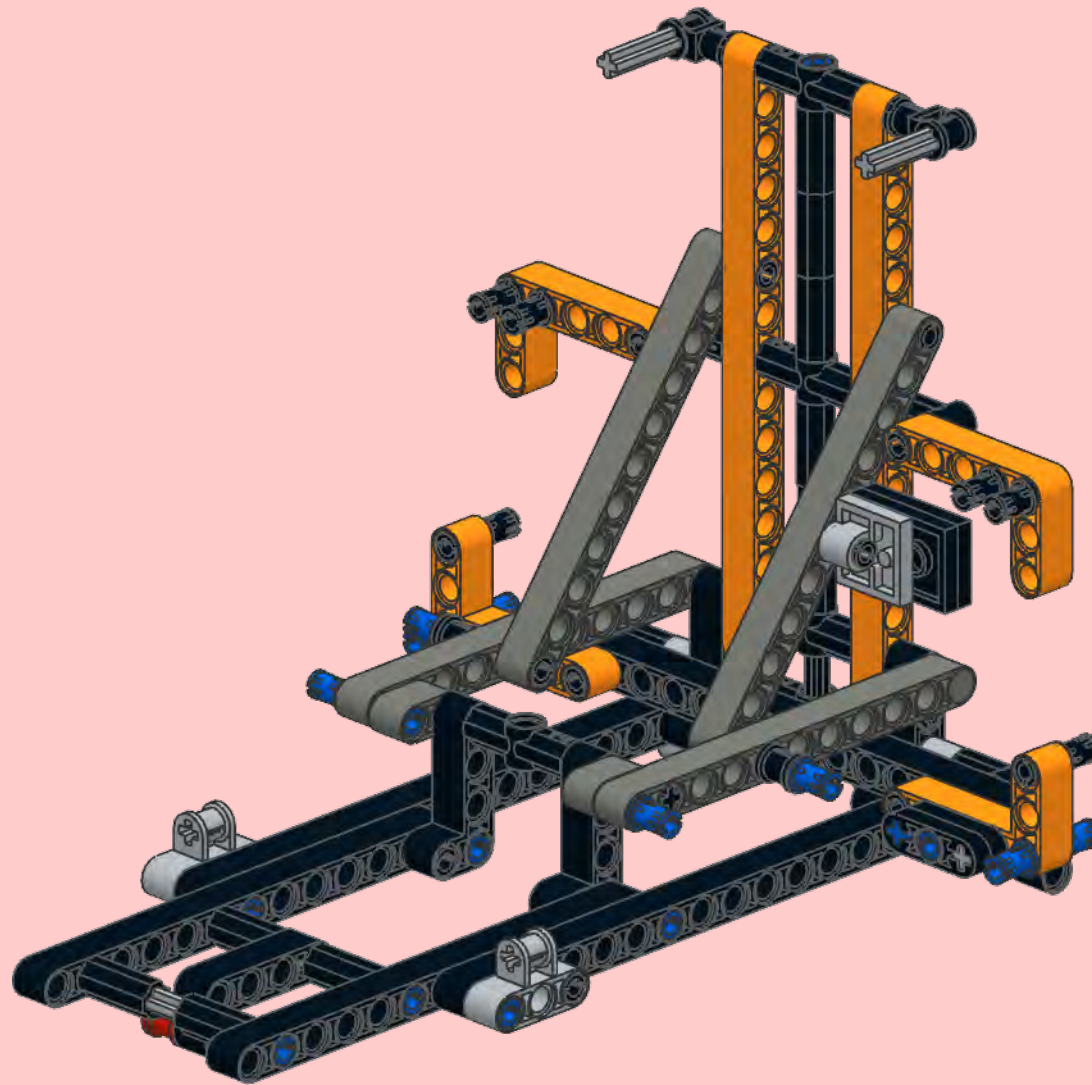
19



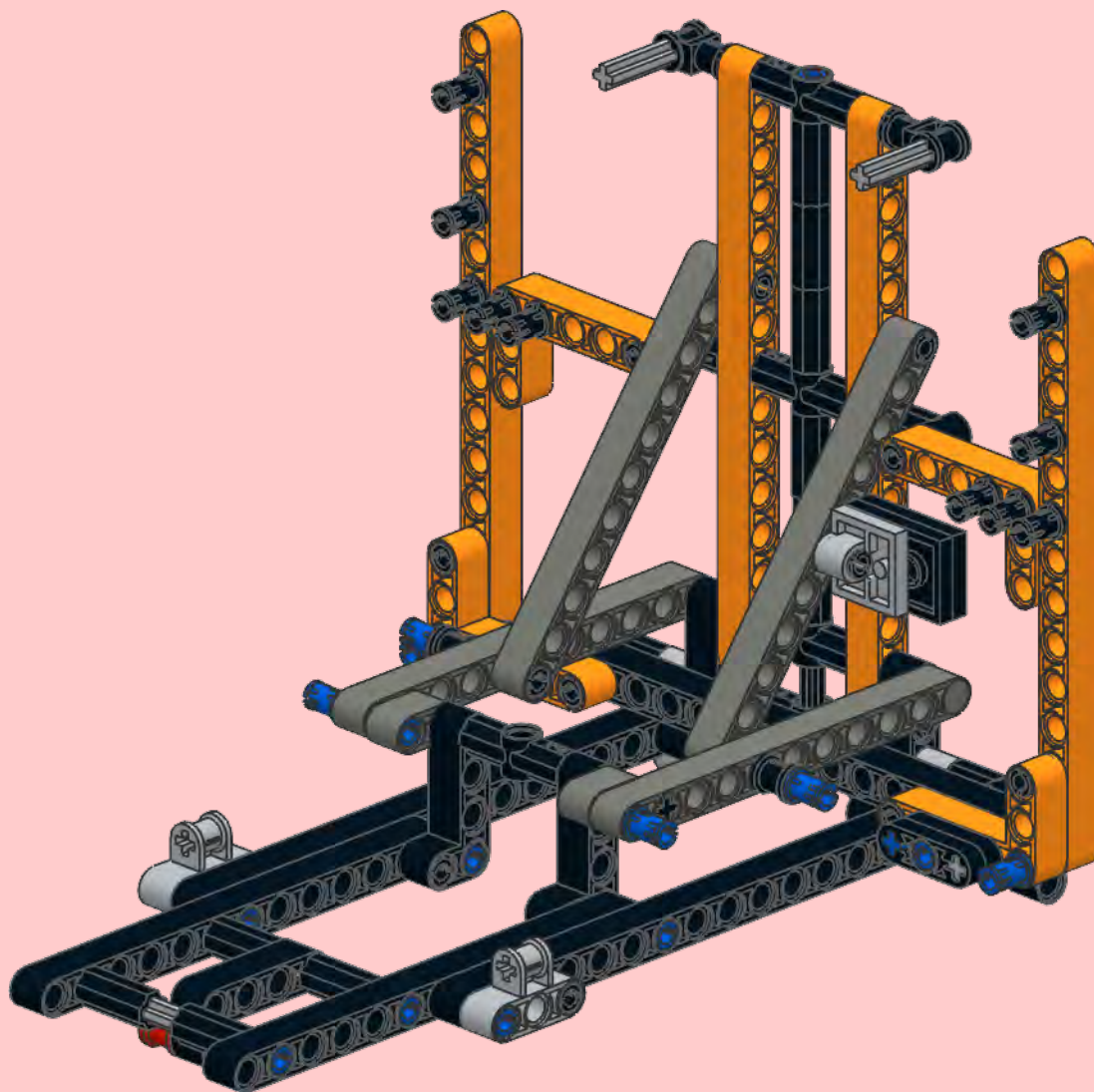
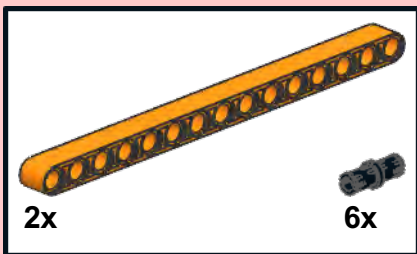
20



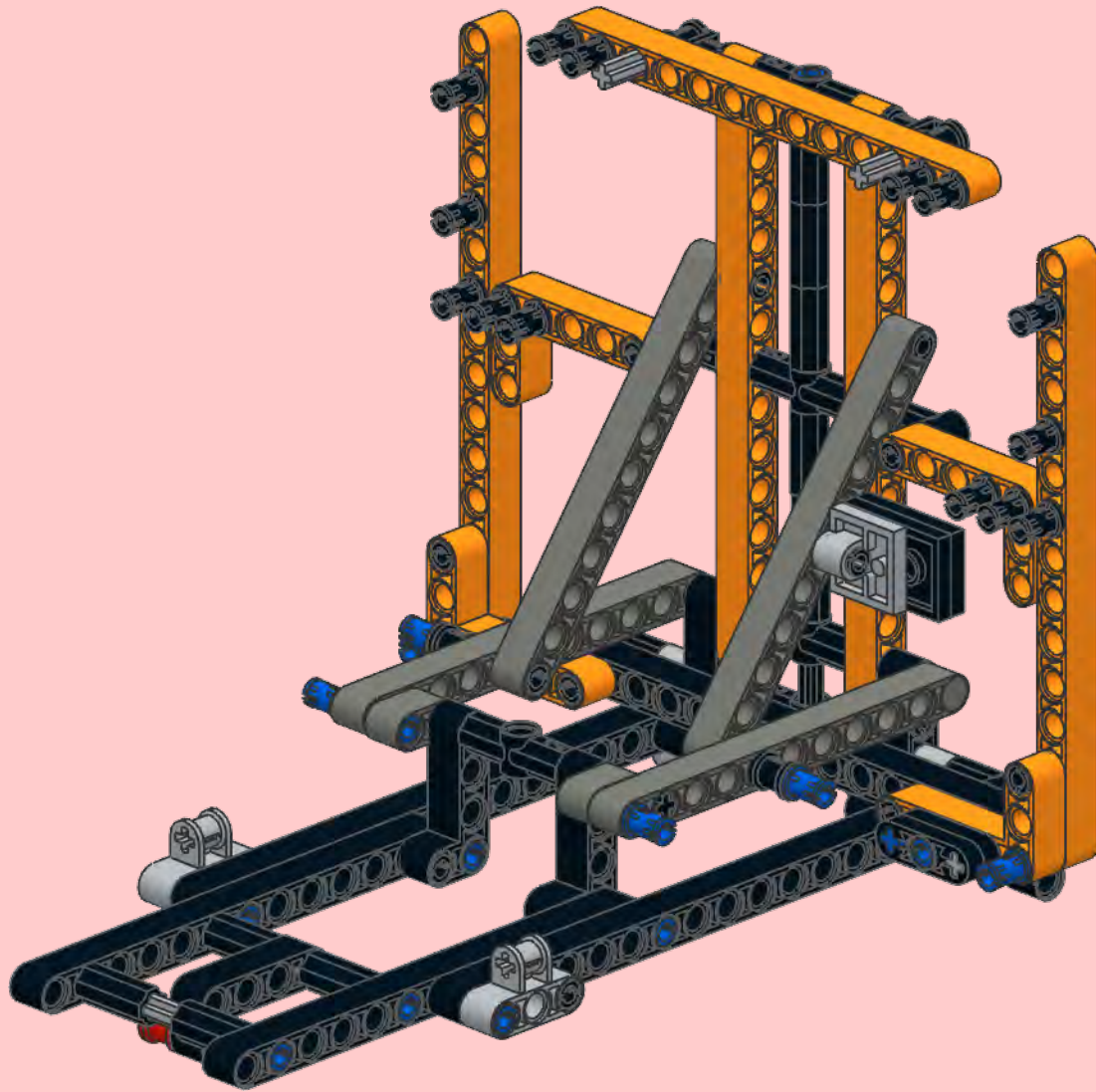
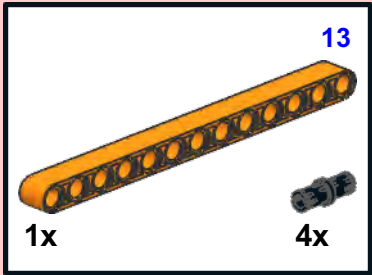
21



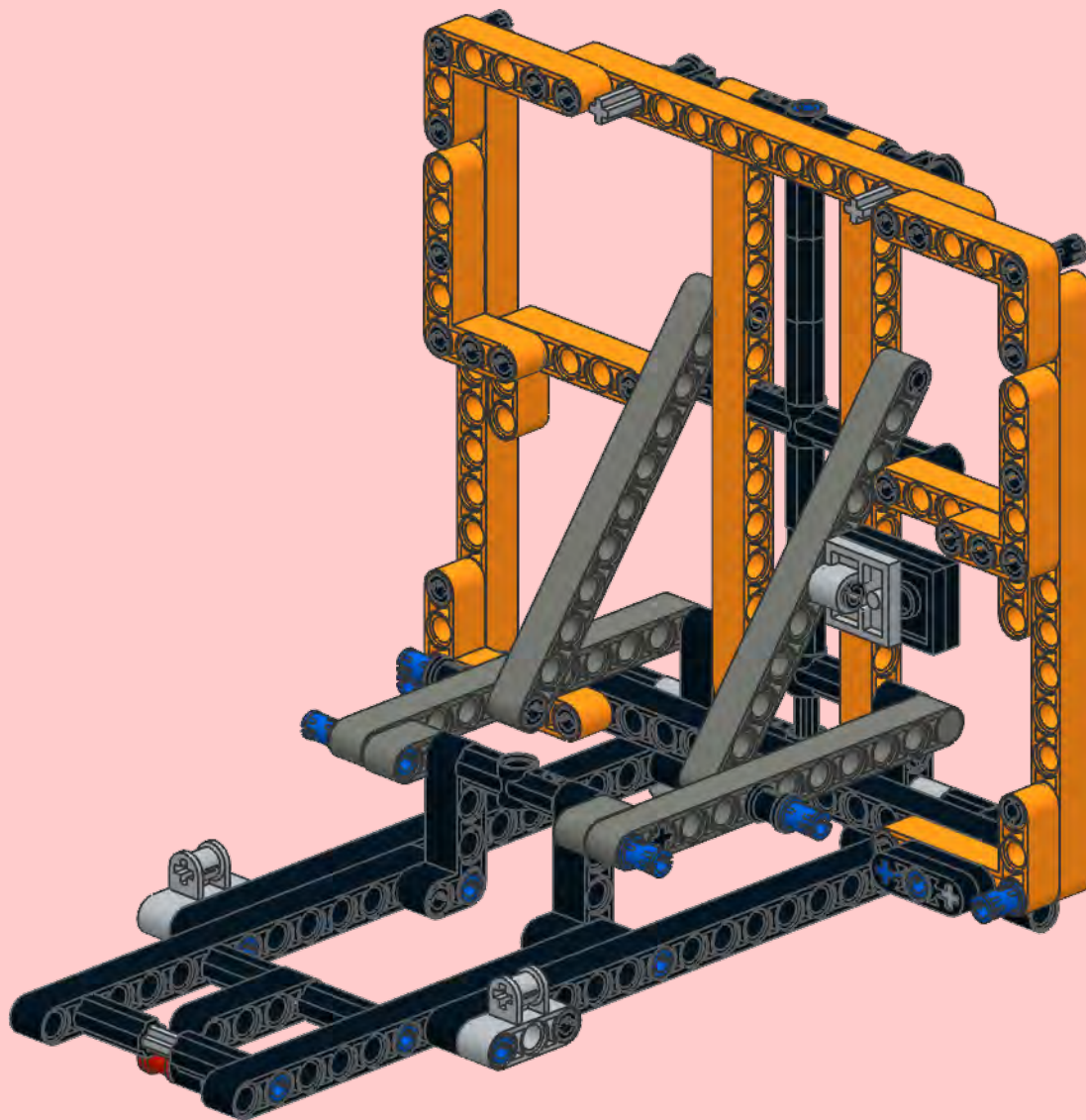
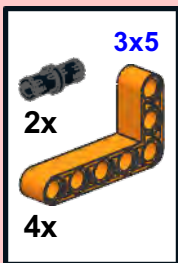
22



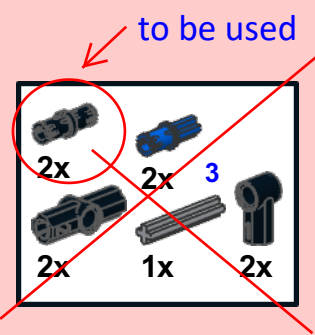
23



24

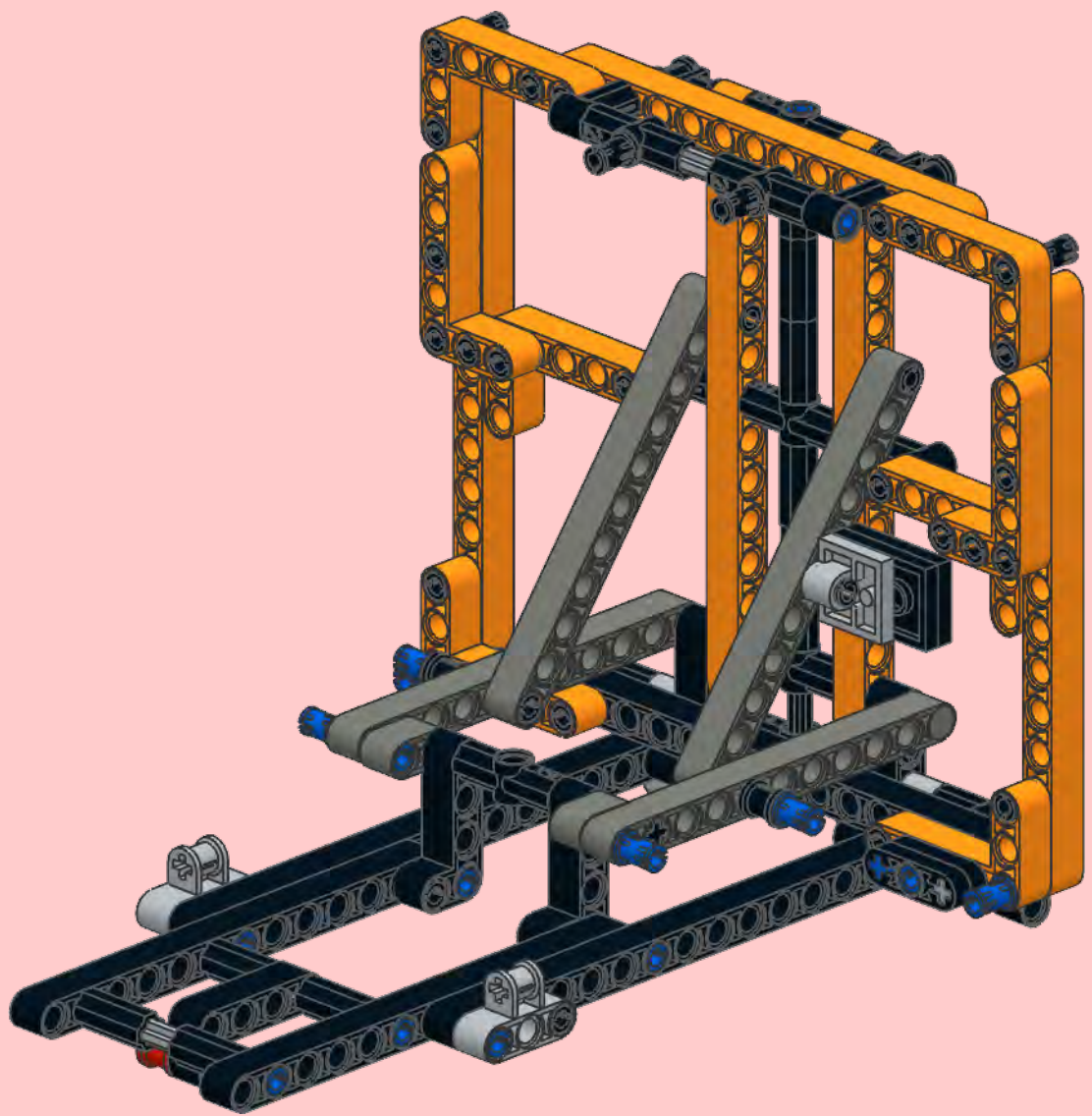


25



to be used

replace with 1x 1x9 black liftarm



1 #3
1x 2x

2 2x4
2x 1x
1x 1x

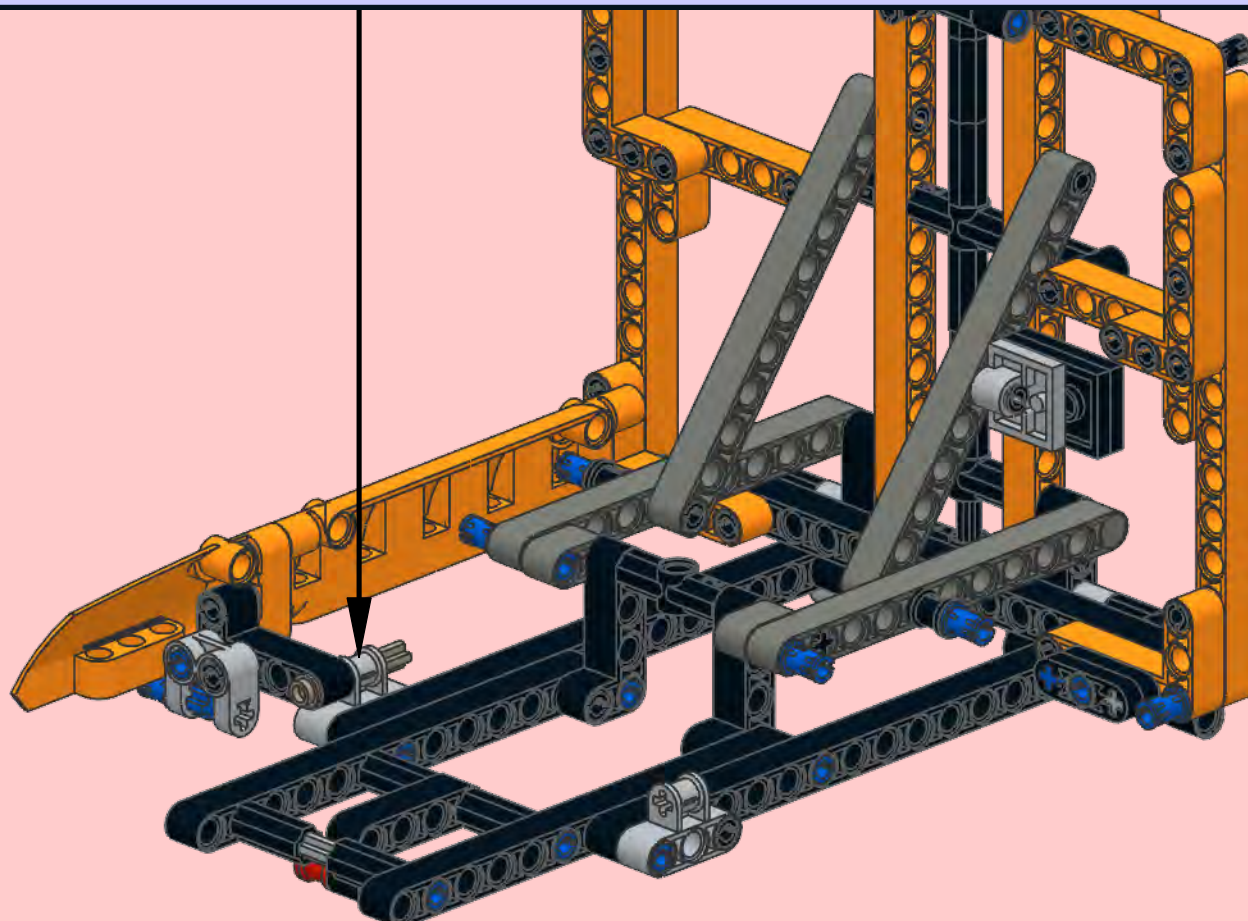
3 1x 1x 1x

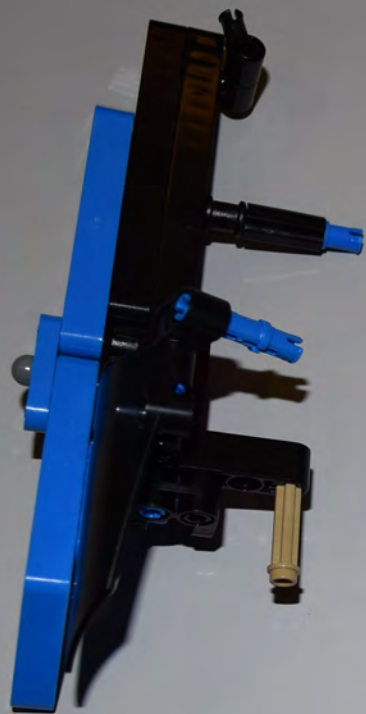
4 11x2x3
1x

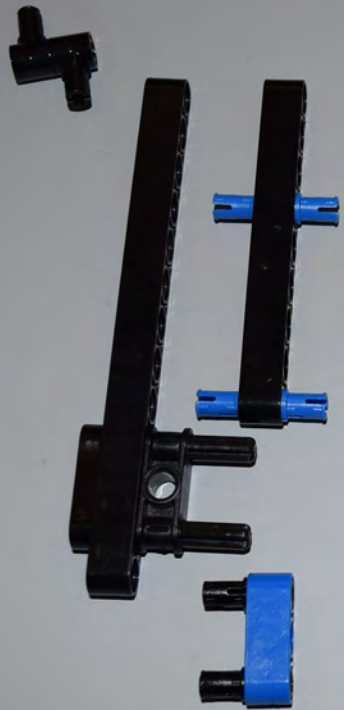
BLUETEC

U400

see pictures next page

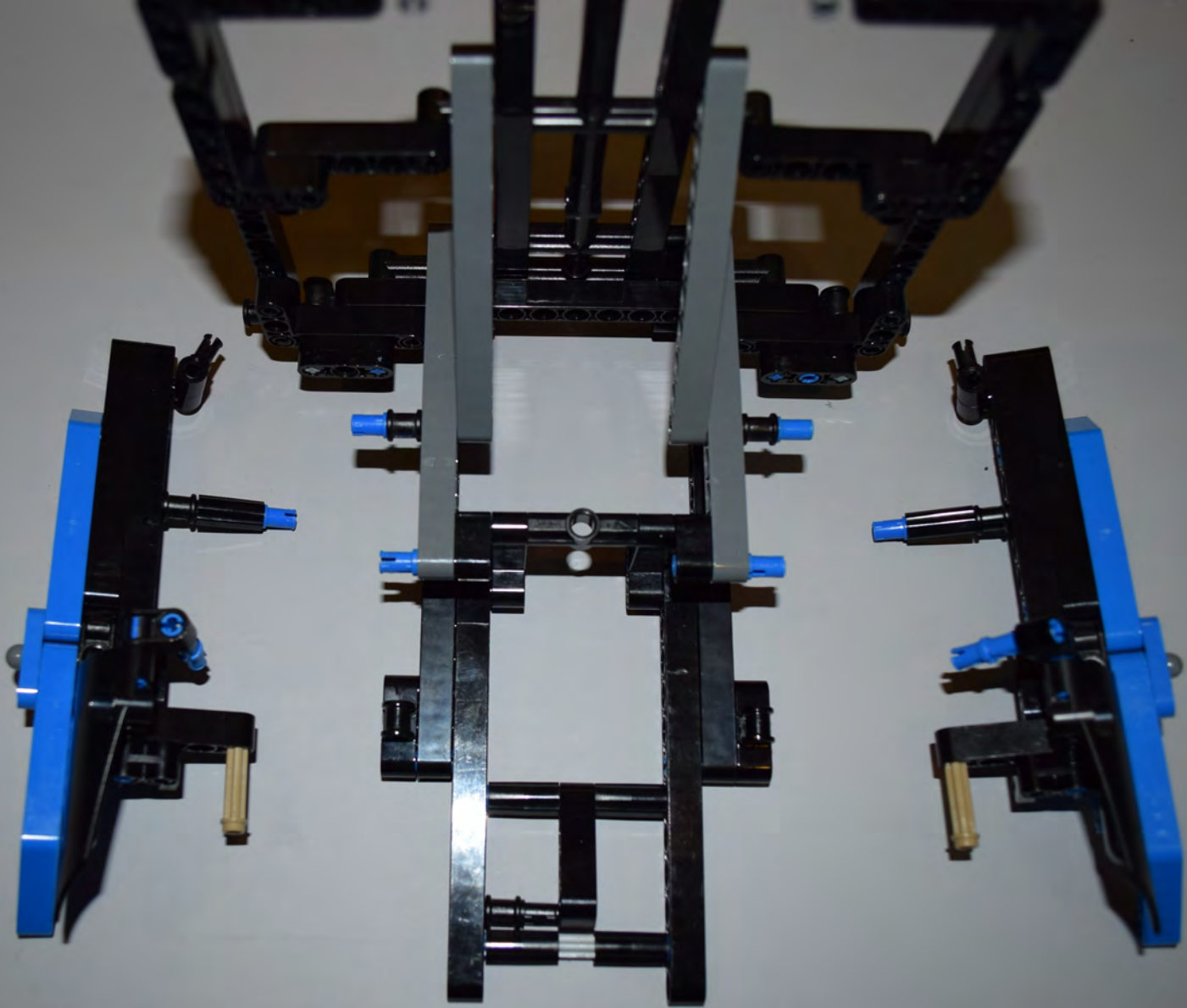


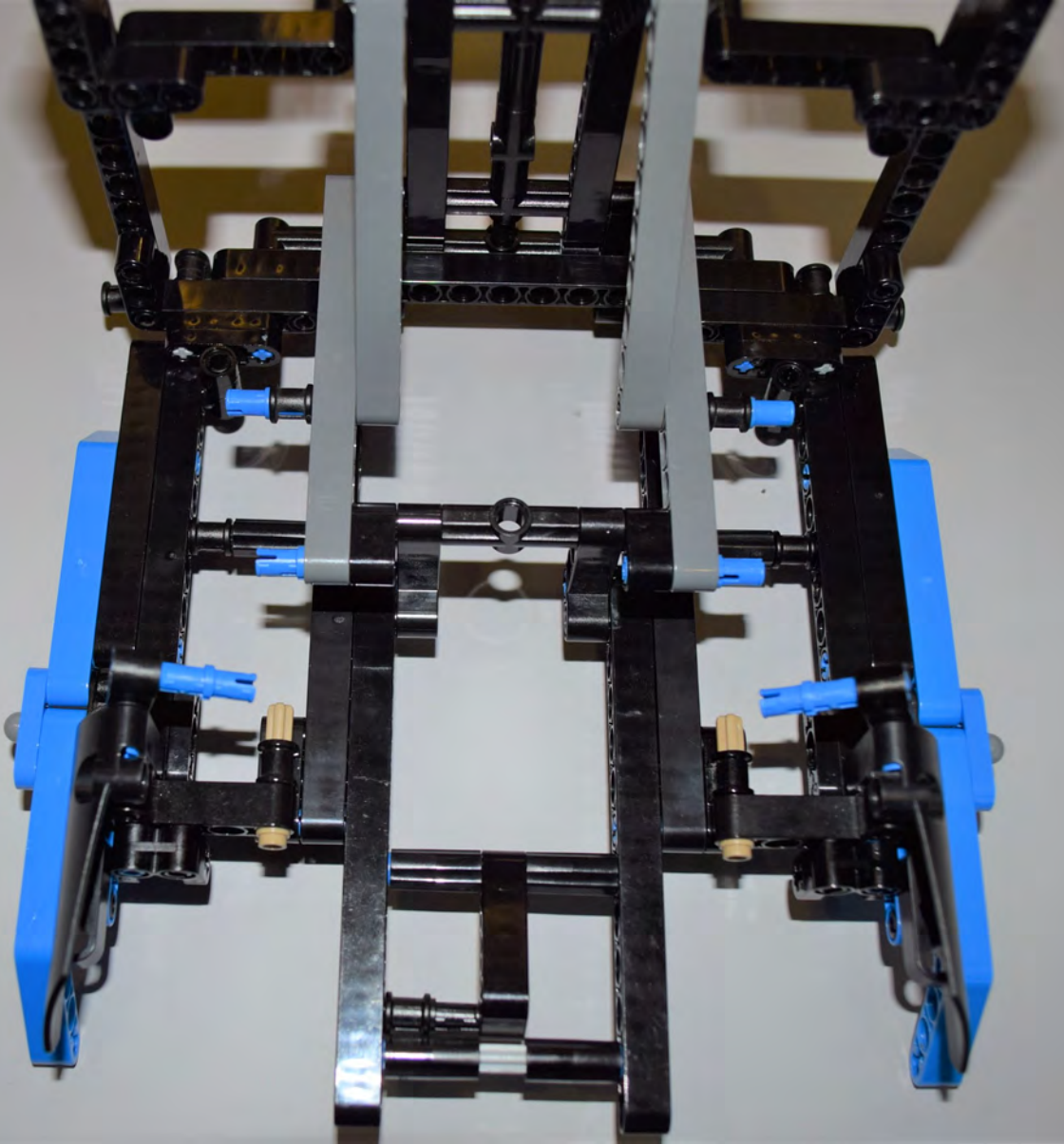


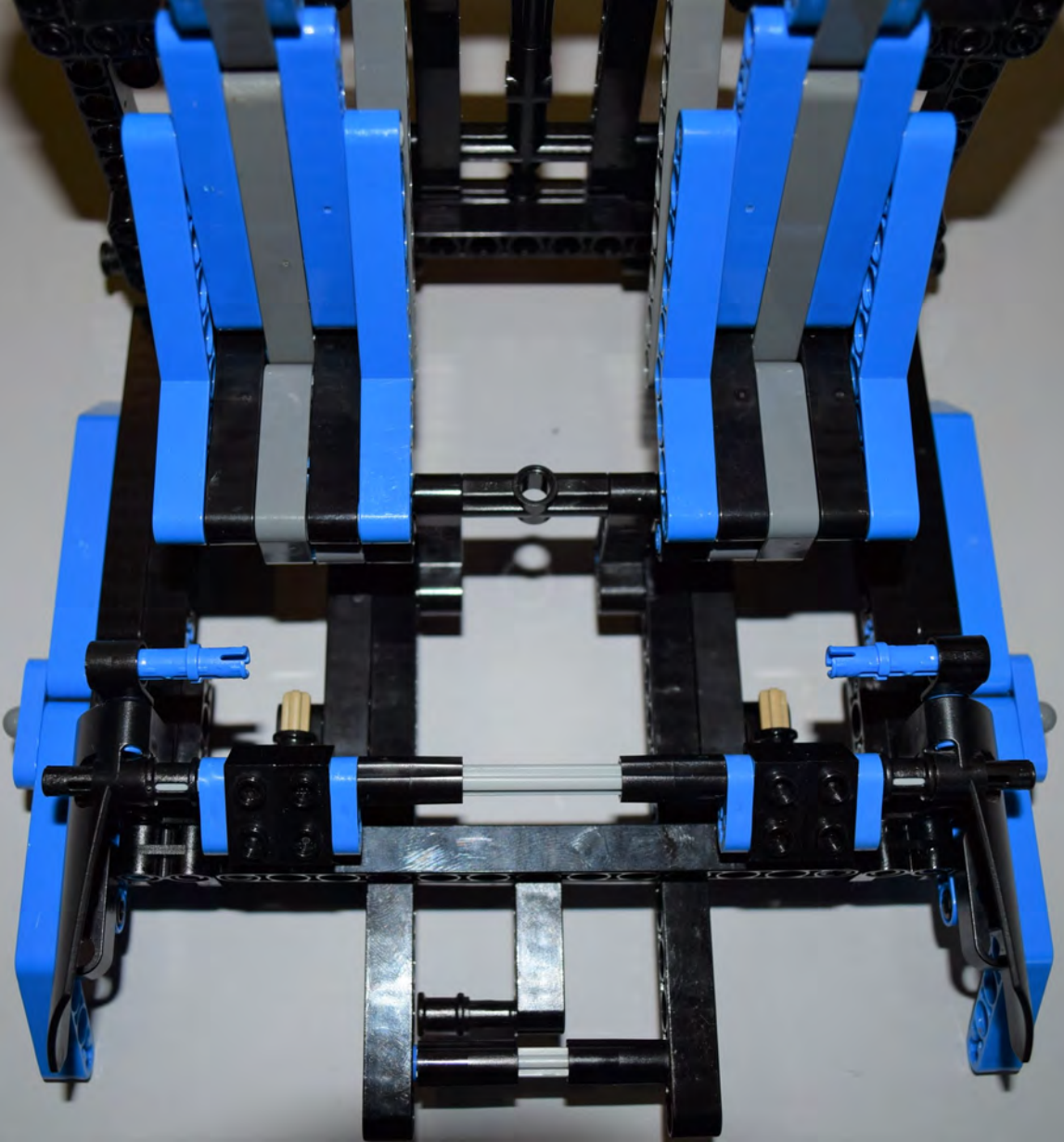










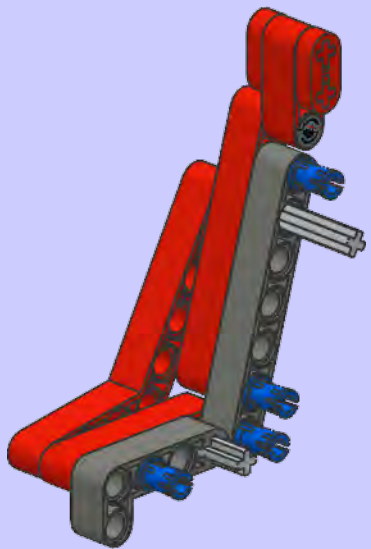


7

blue

1x 5 4x6

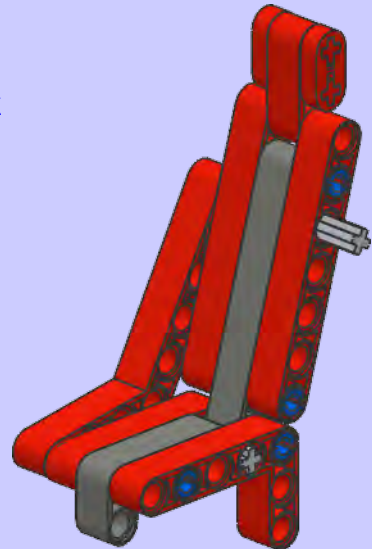
1x 1x



9

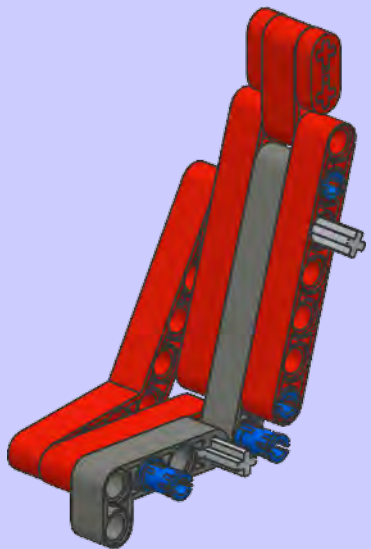
black

1x 3x5



8

1x blue 7

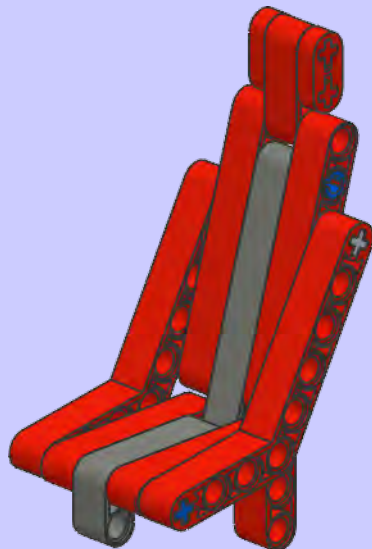


10

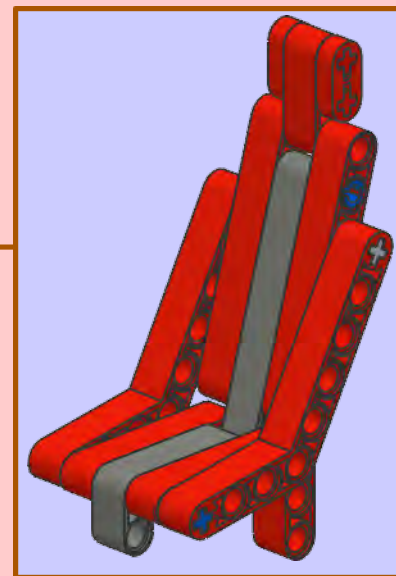
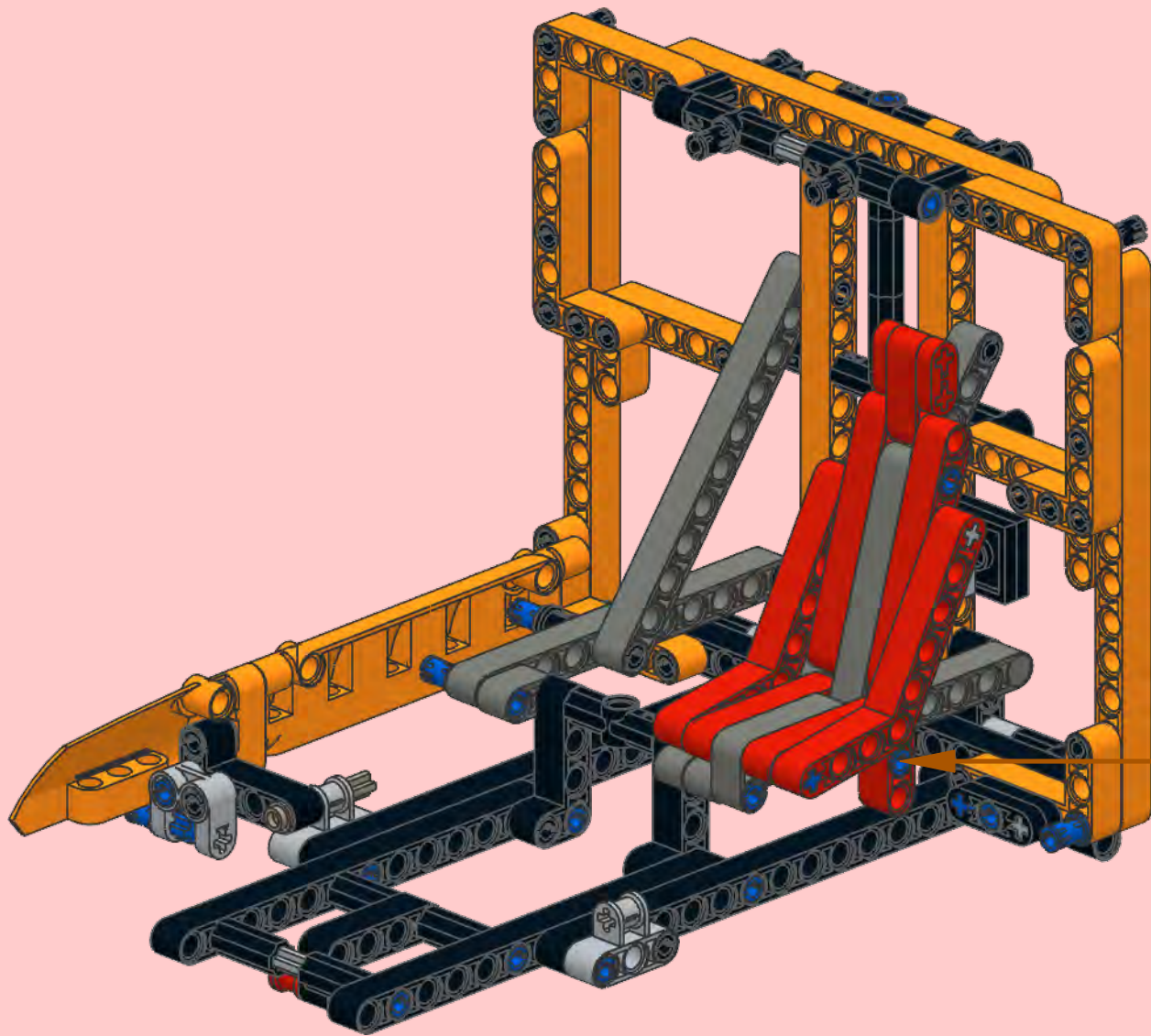
blue

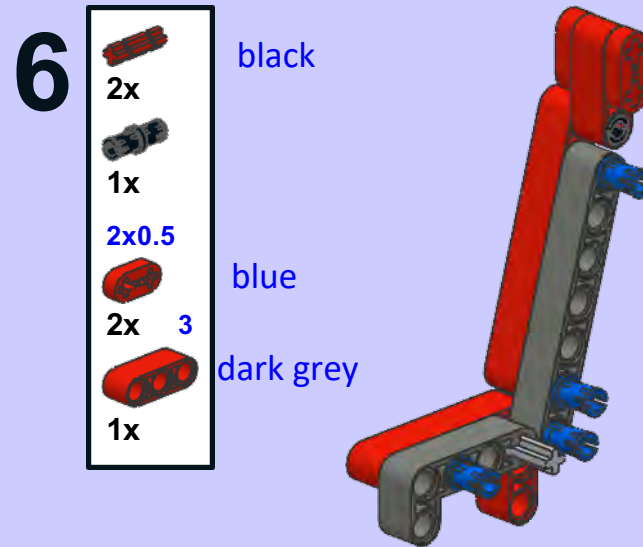
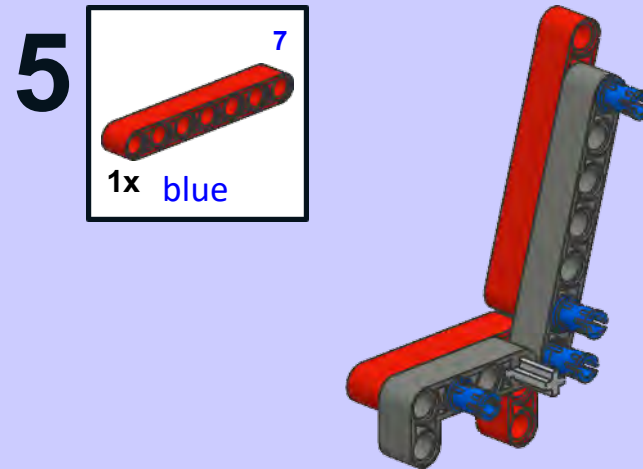
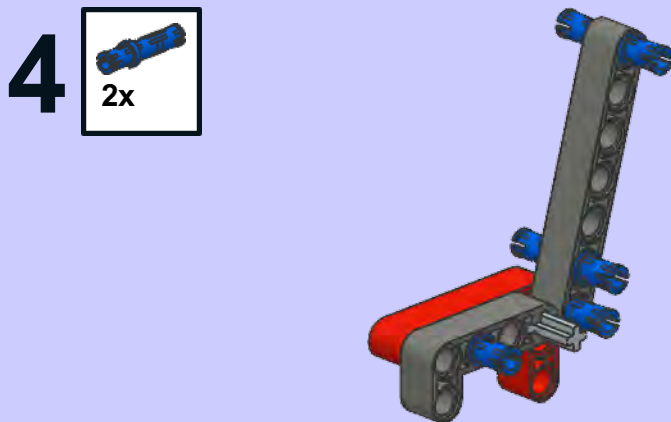
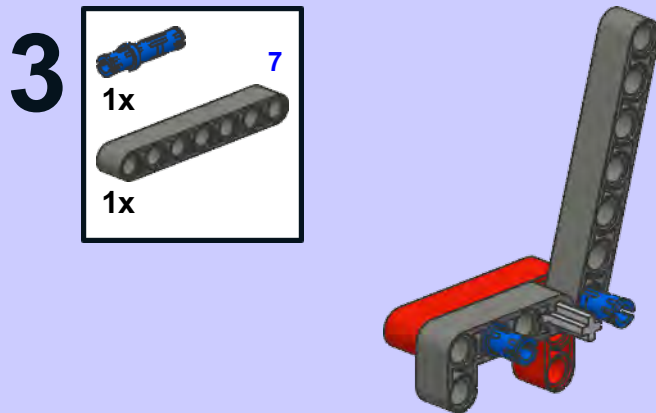
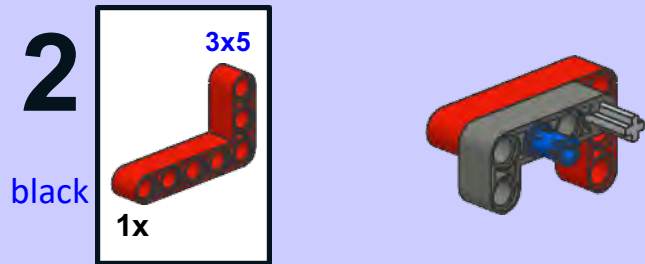
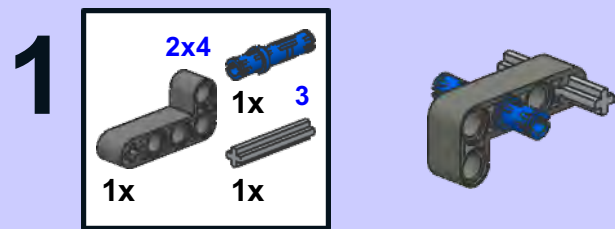
1x 4x6

1x 1x



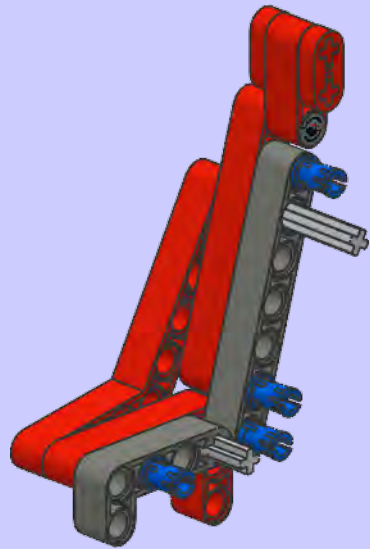
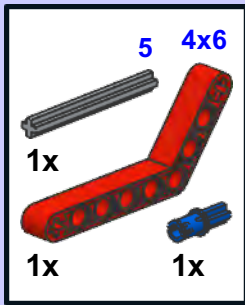
27



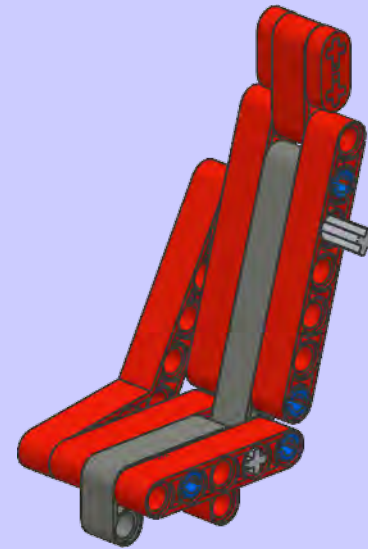
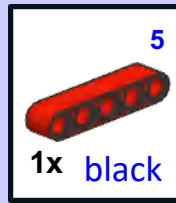


7

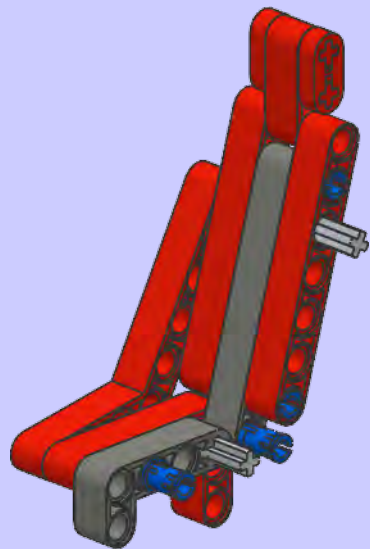
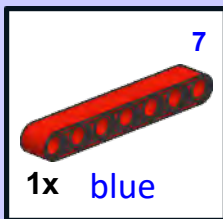
blue



9

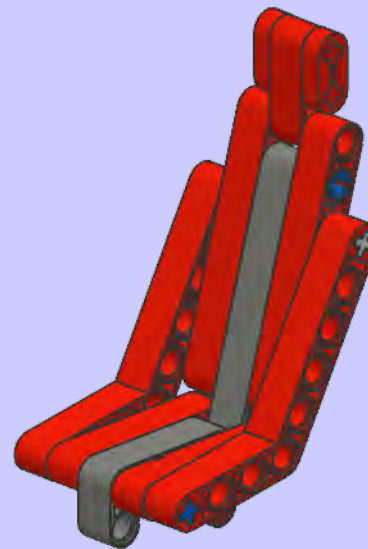
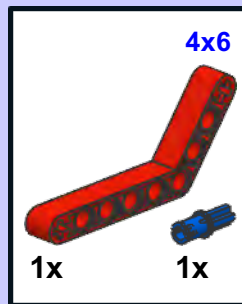


8

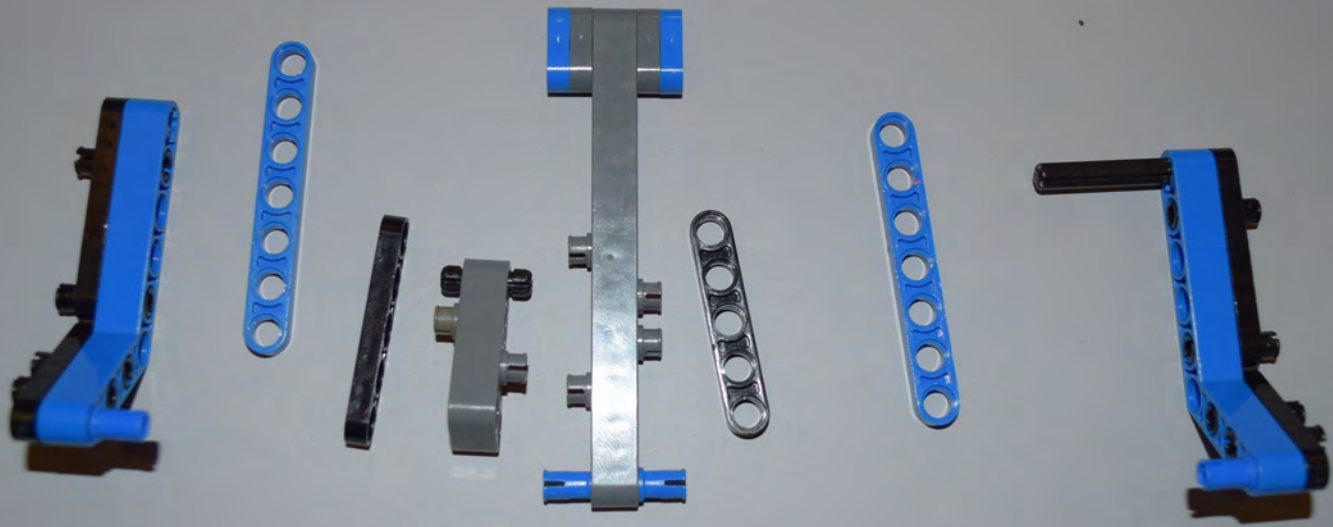


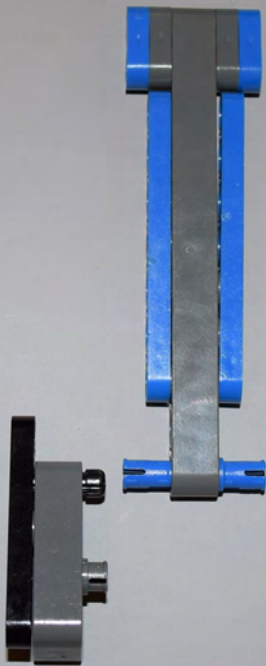
10

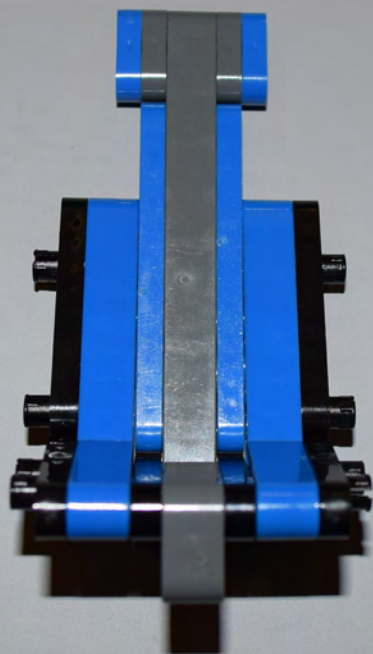
blue

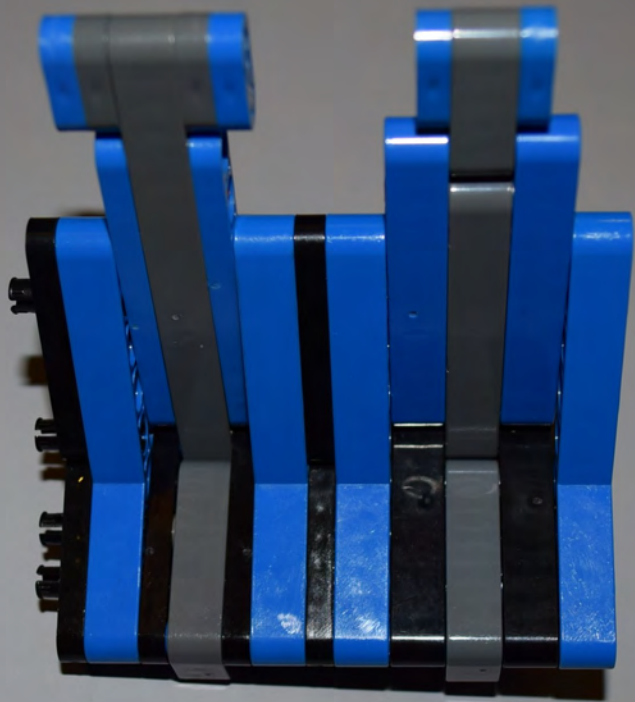


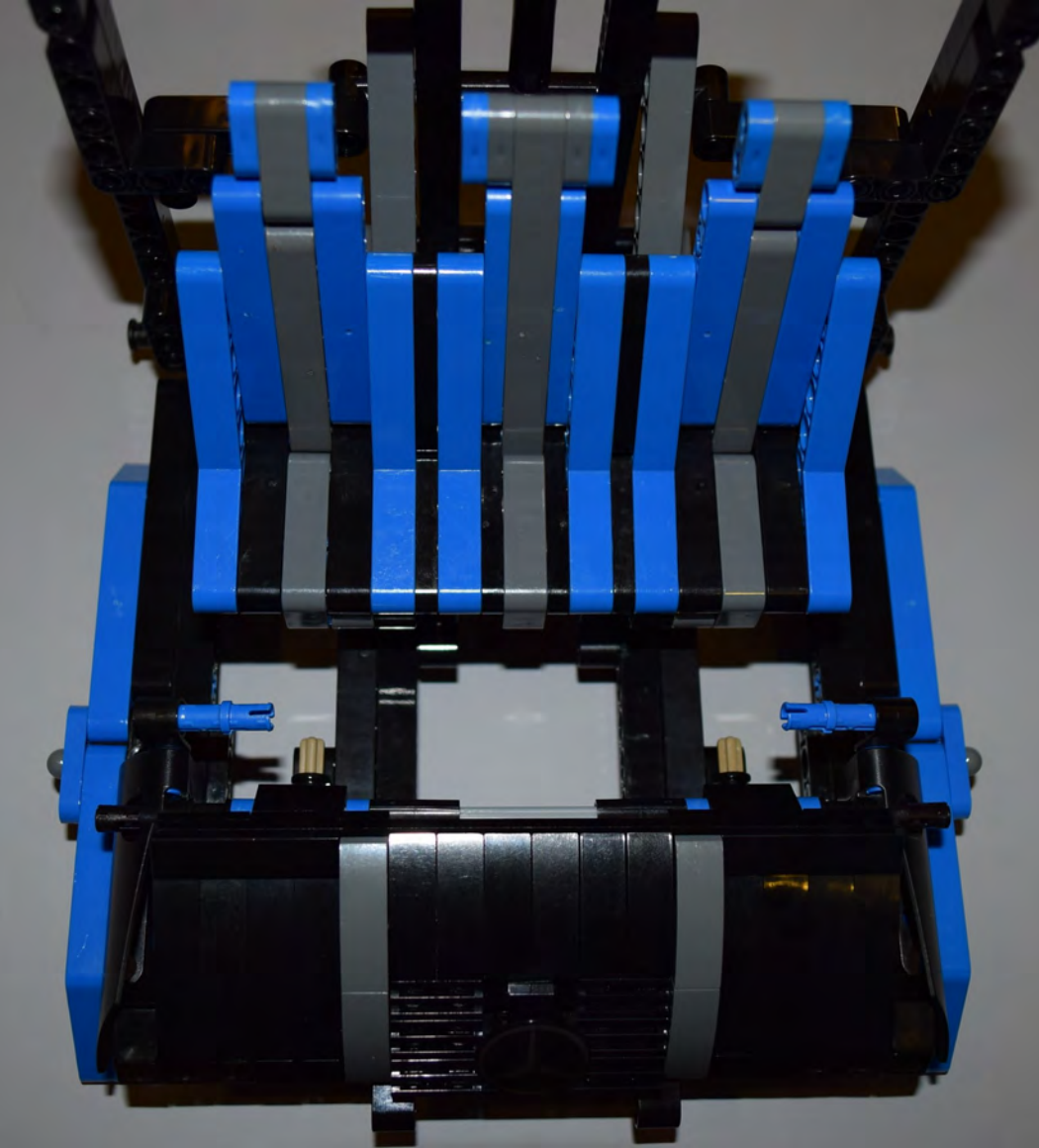
add third seat see next picture

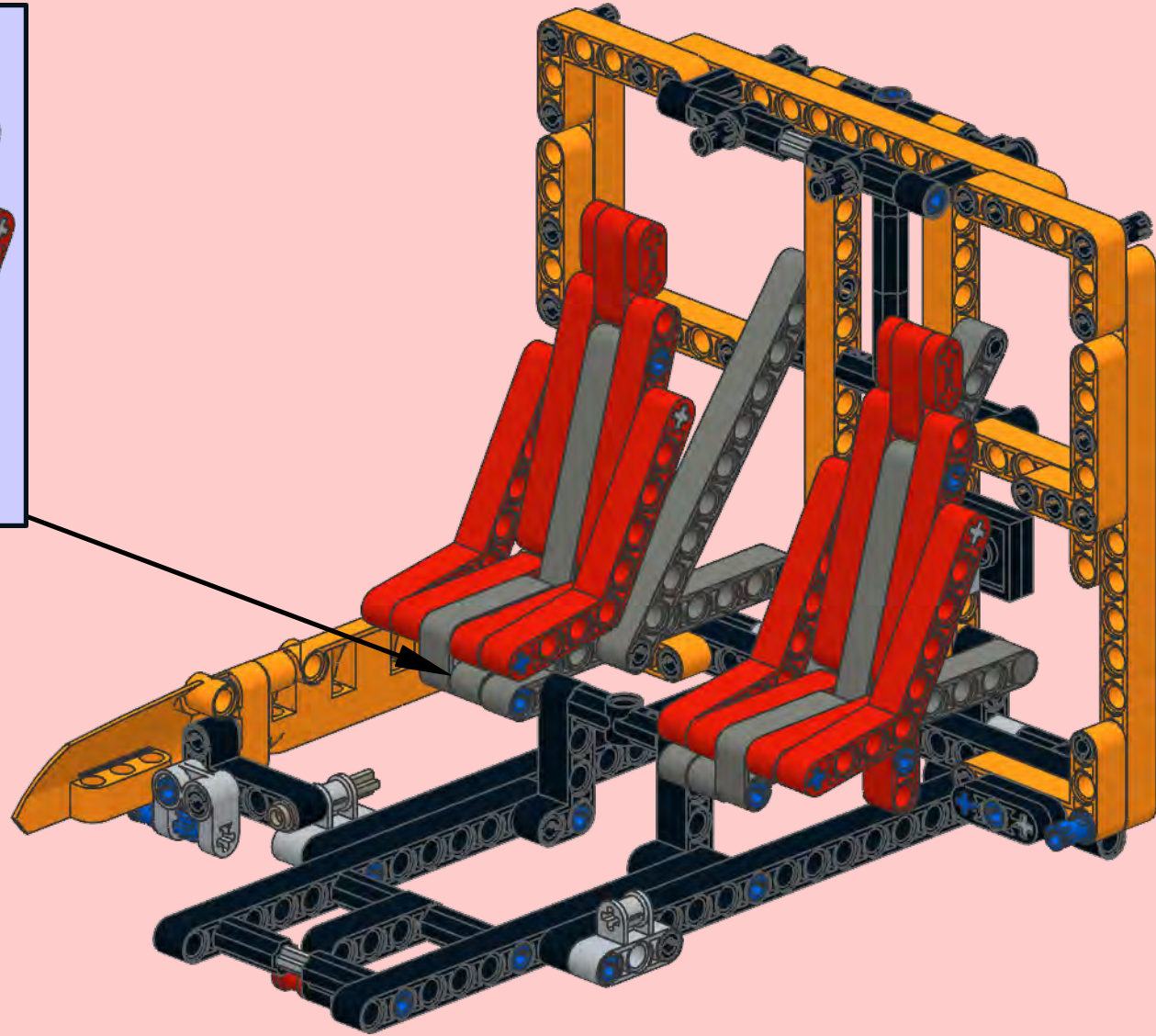
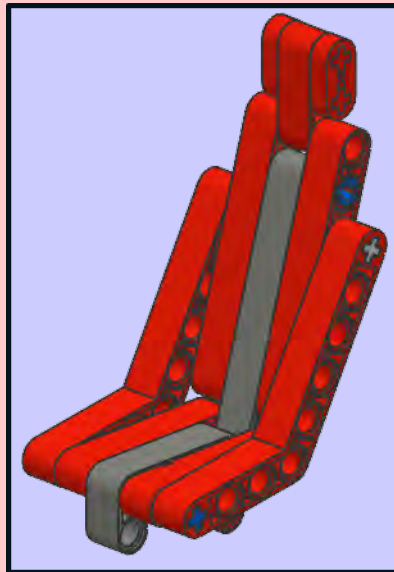


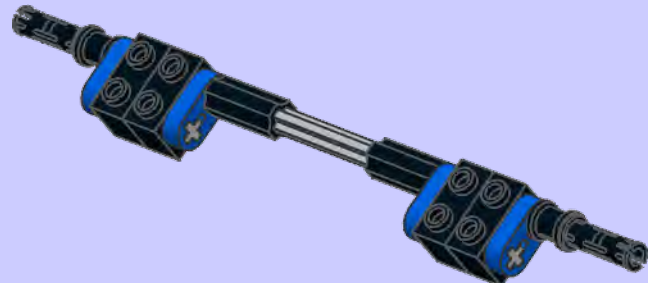
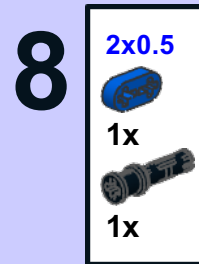
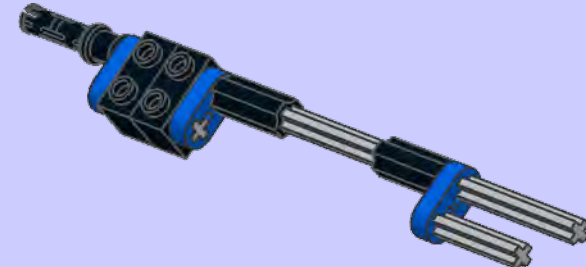
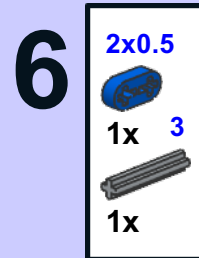
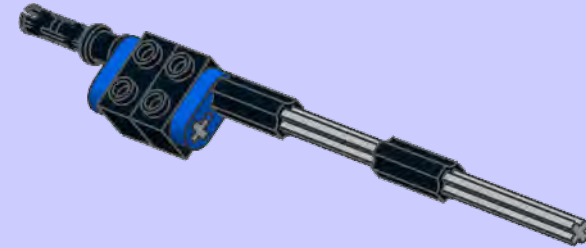
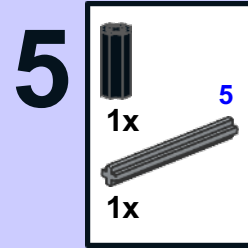
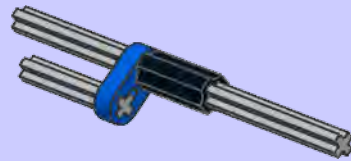
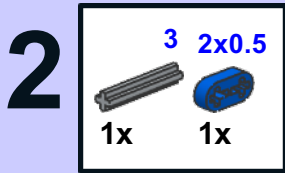
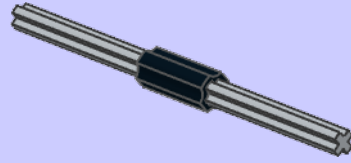
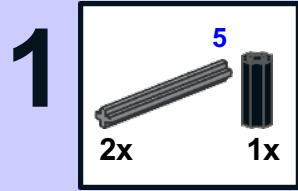




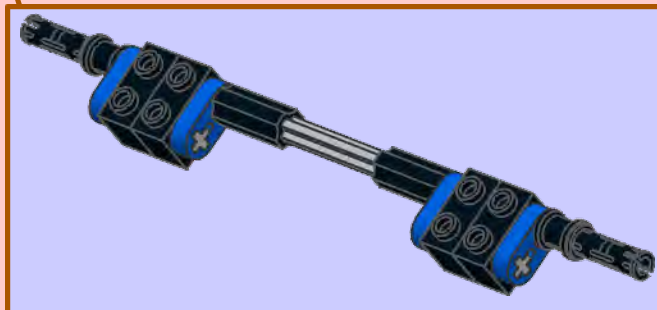
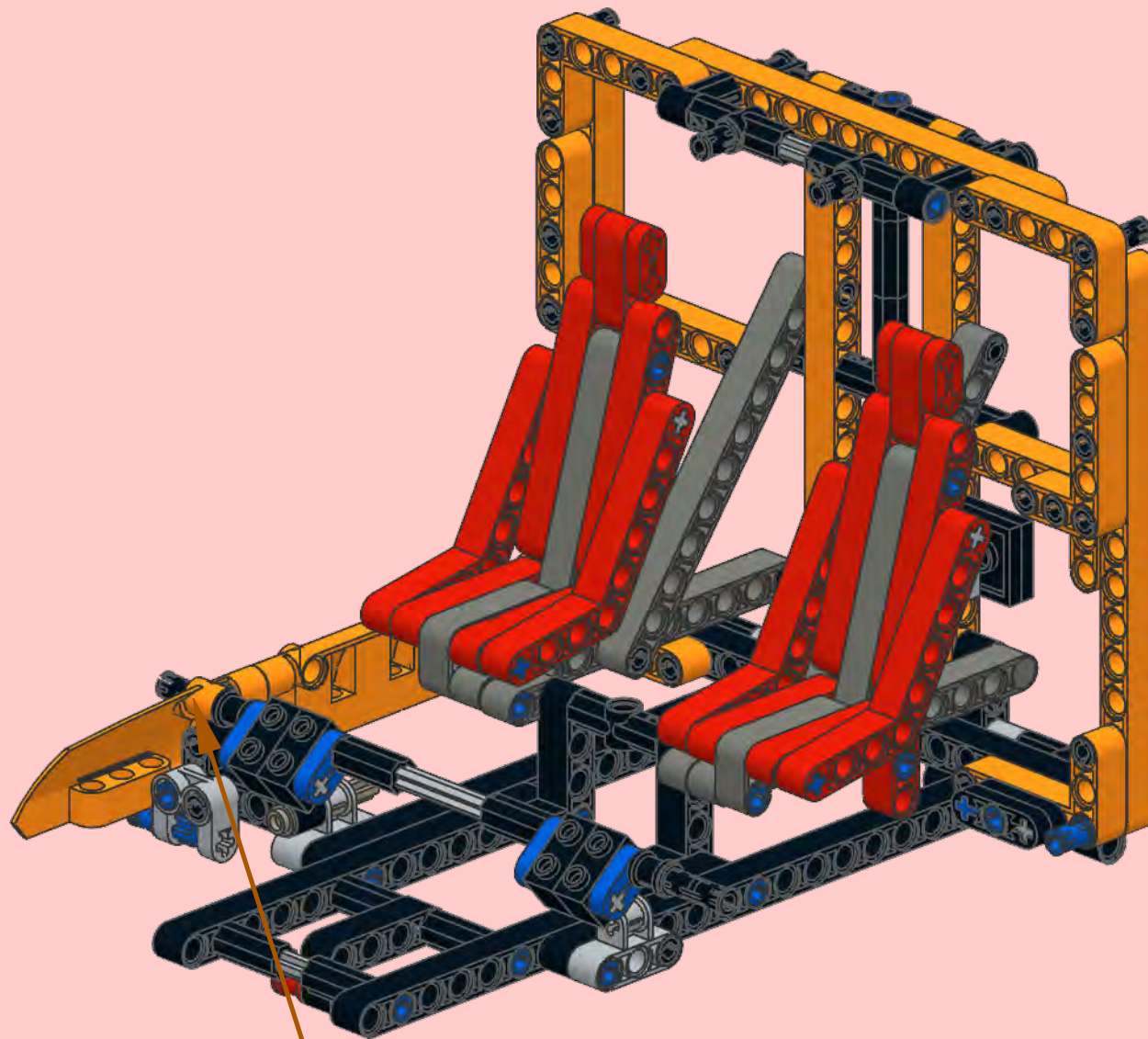








29



30

1

- 2x [Grey Pin]
- 1x [Blue Pin]
- 1x [Grey Pin]
- 1x [Grey Technic Beam 1x4]

2

- 1x [Blue Pin]
- 1x [Grey Pin]
- 1x [Grey Technic Beam 1x4]
- 1x [Grey Technic Beam 1x4]

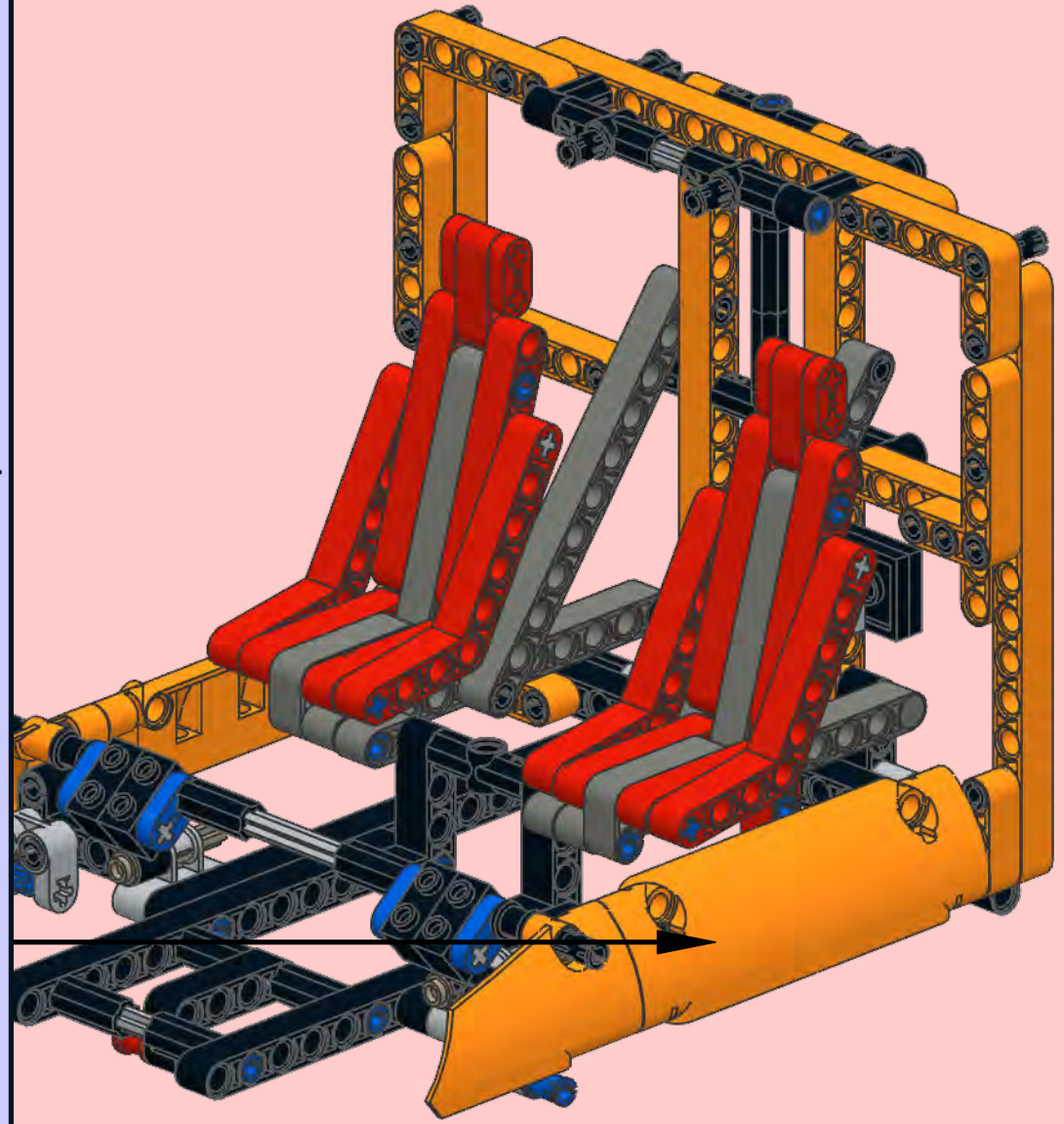
3

- 2x [Grey Pin]
- 1x [Orange Motor U400]
- #4 [Grey Technic Beam 1x4]

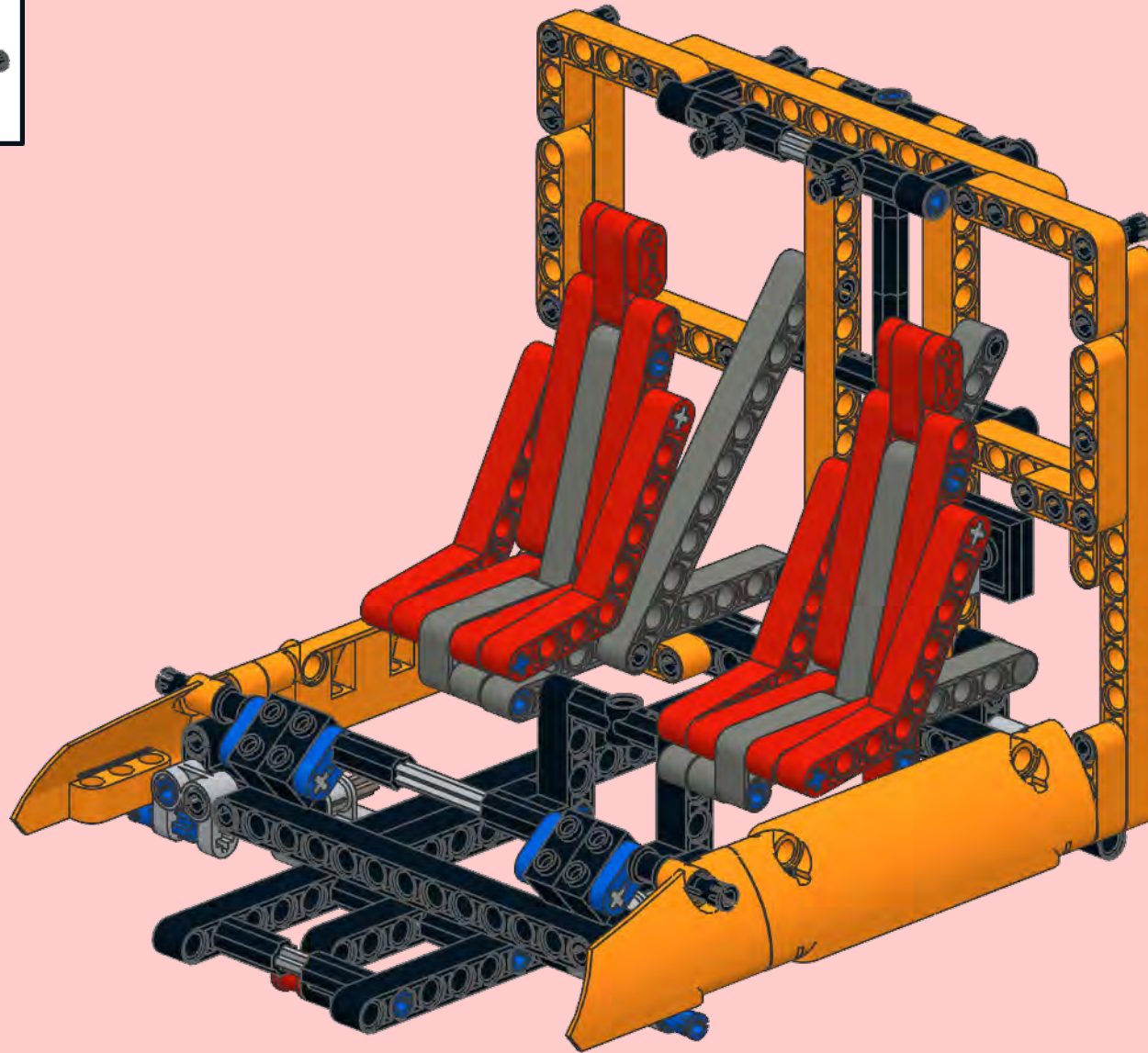
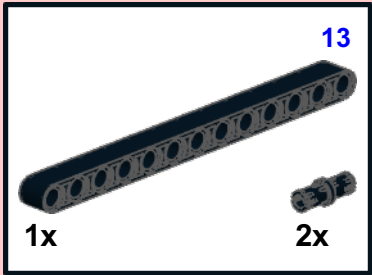
4

- 1x [Orange Technic Beam 11x2x3]

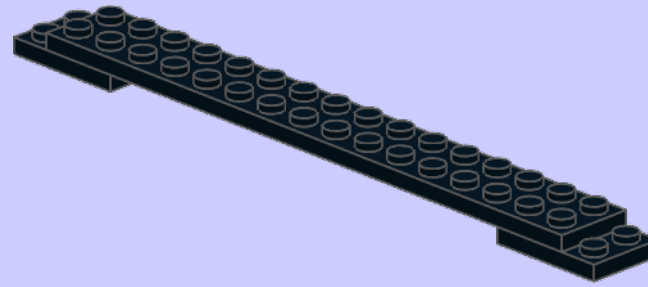
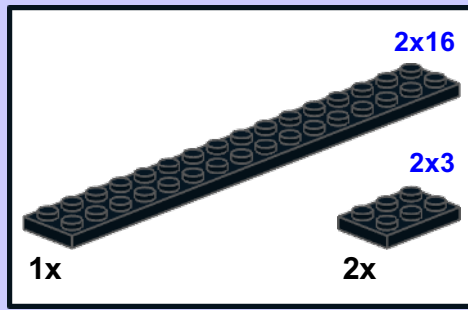
U400



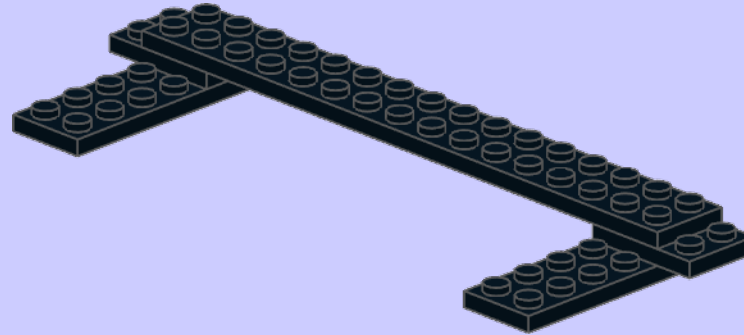
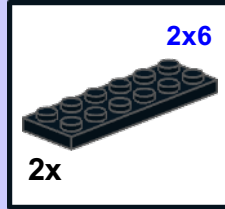
31



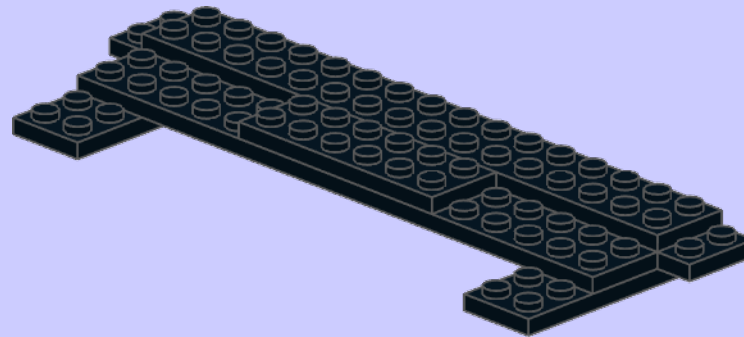
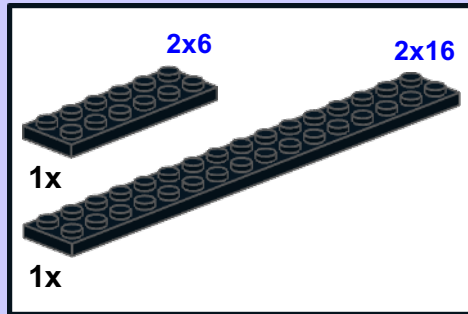
1



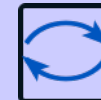
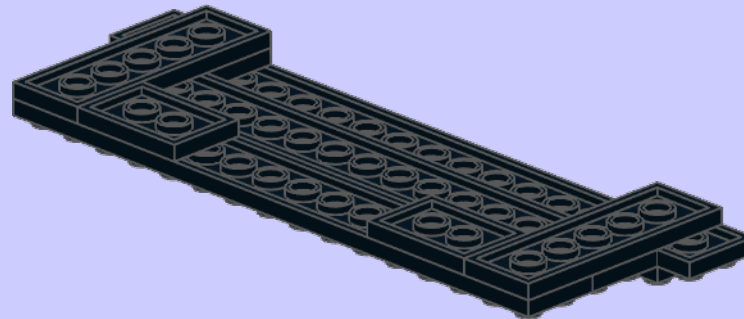
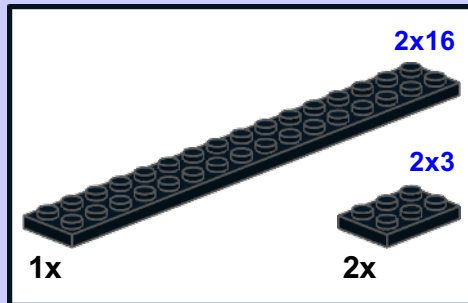
2



3

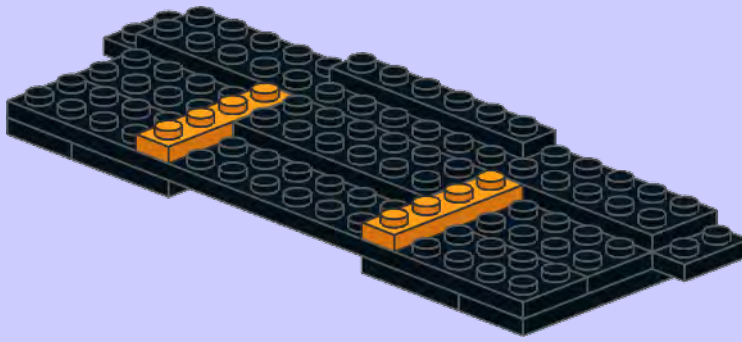


4



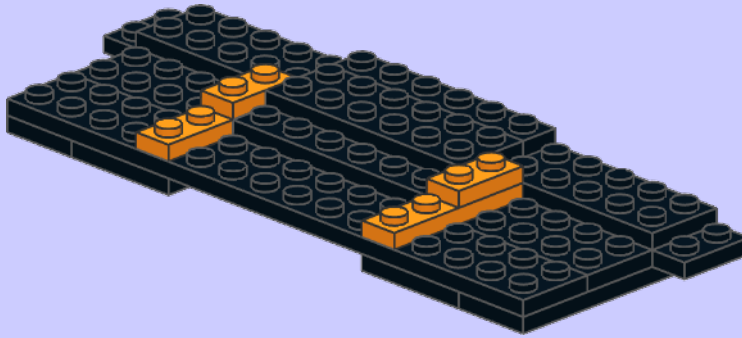
5

- black 1x4
- 1x6
- 2x
- 1x



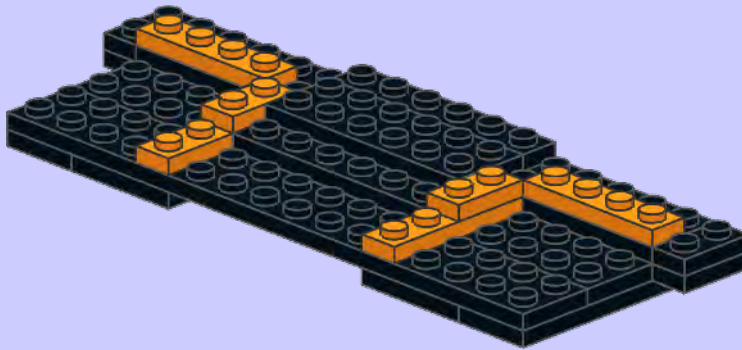
6

- 1x2 black
- 2x6
- 2x
- 1x



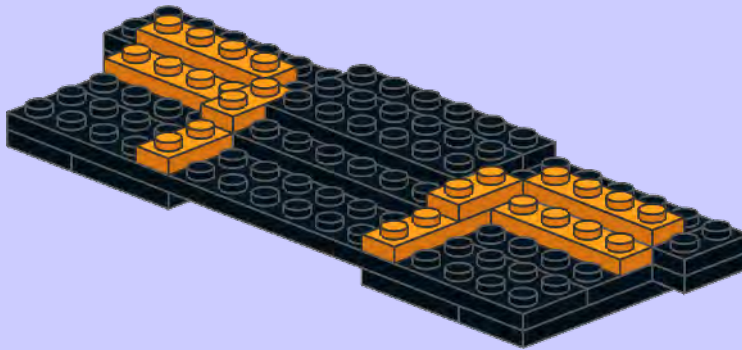
7

- 1x2
- 1x4
- 2x
- 2x black



8

- 1x4
- 2x black

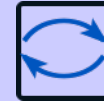
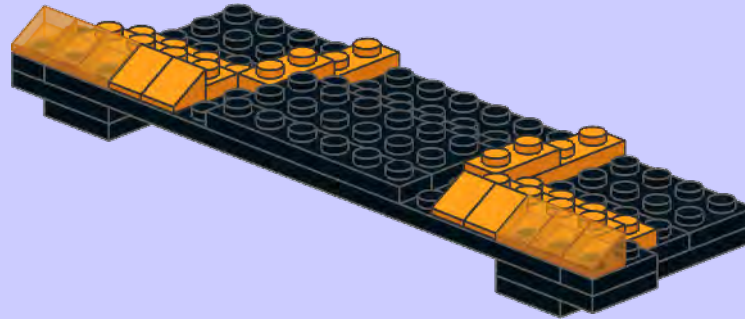


9

transparent black



black

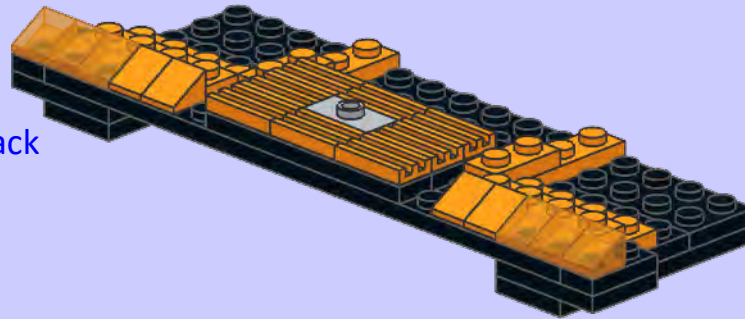


10

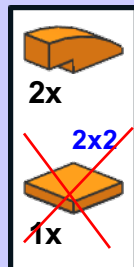


black

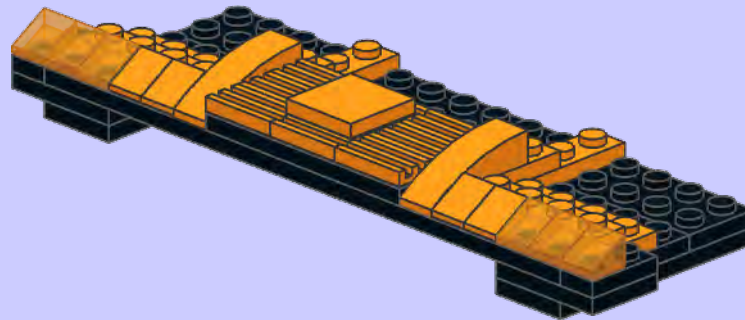
black



11



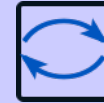
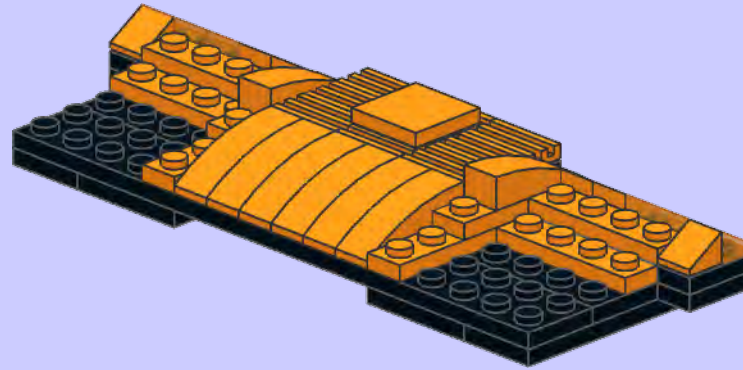
dark grey



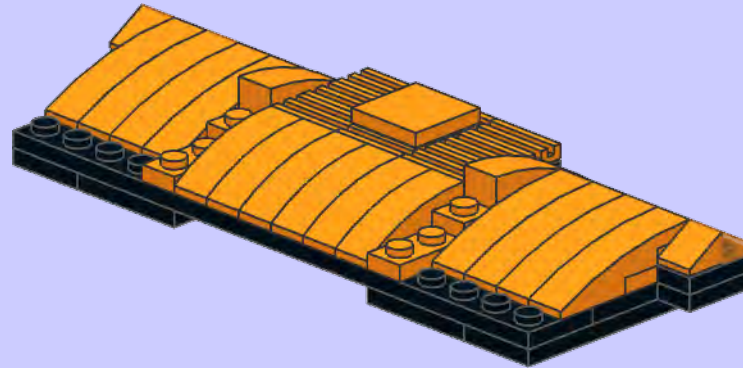
12



↑
all black
↓

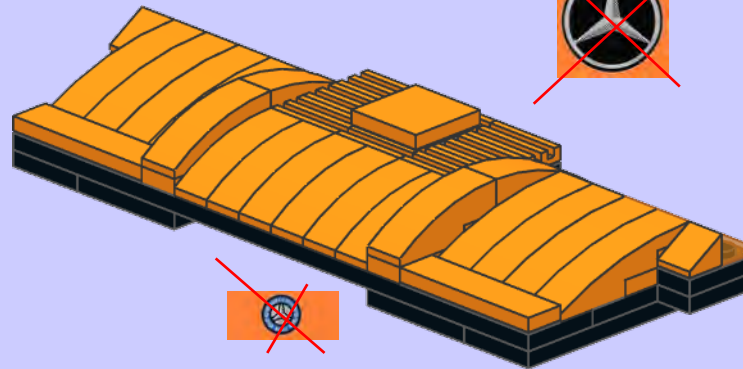
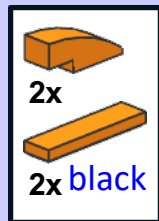


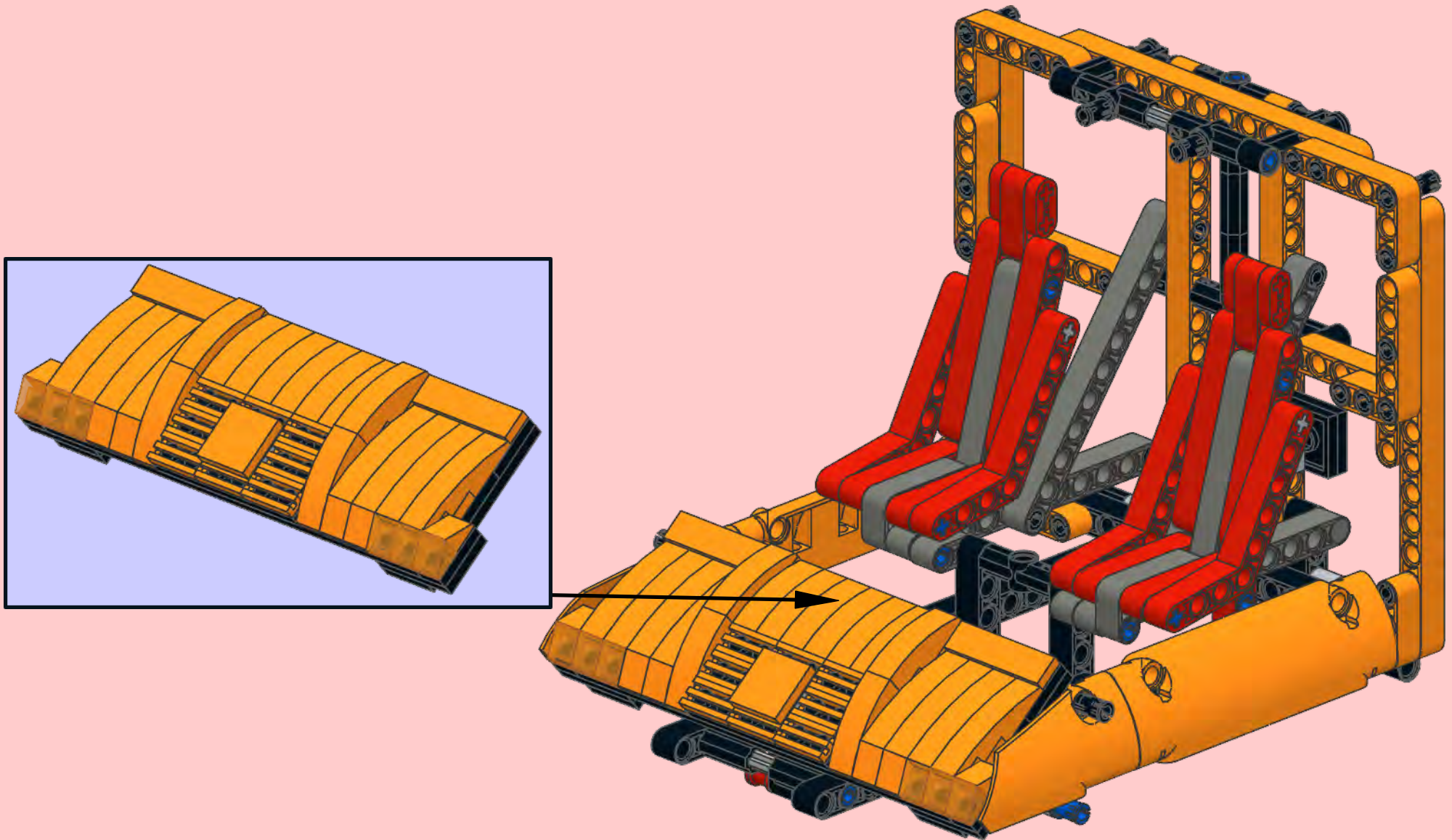
13



dark grey

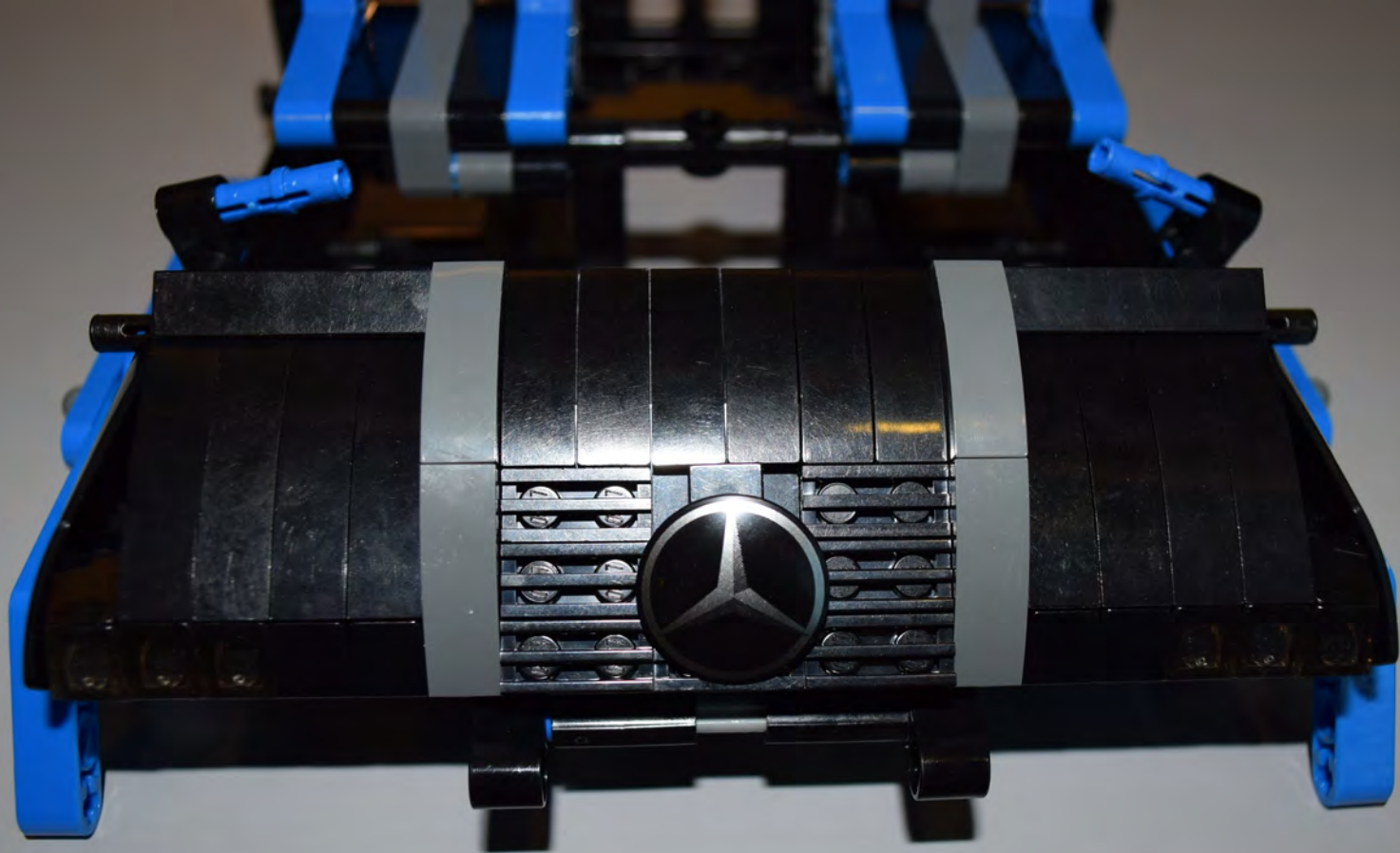
14



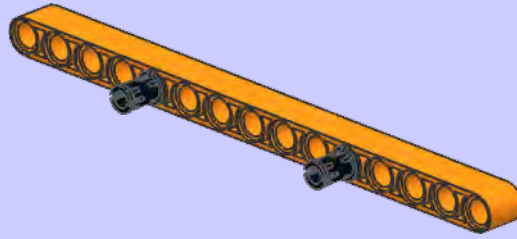
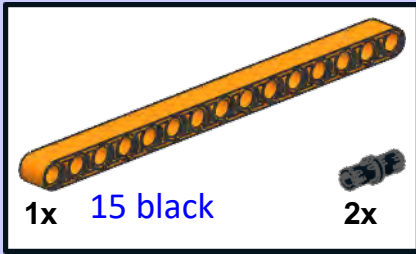


see next pages

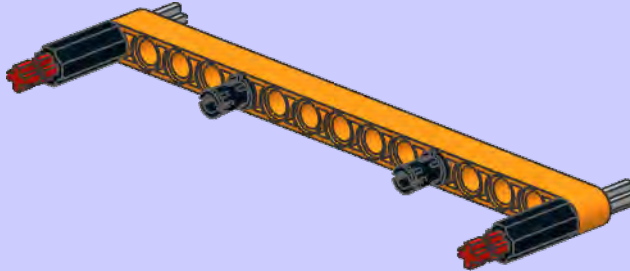
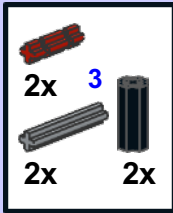




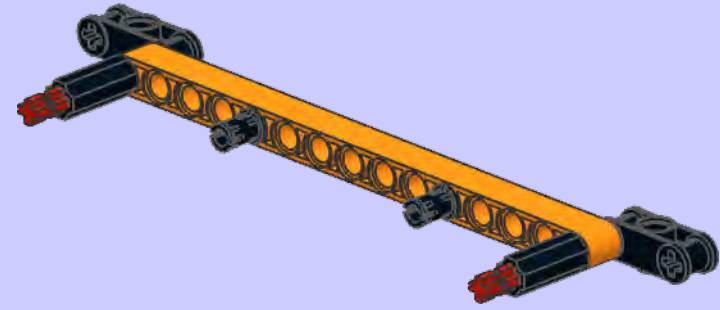
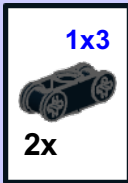
1



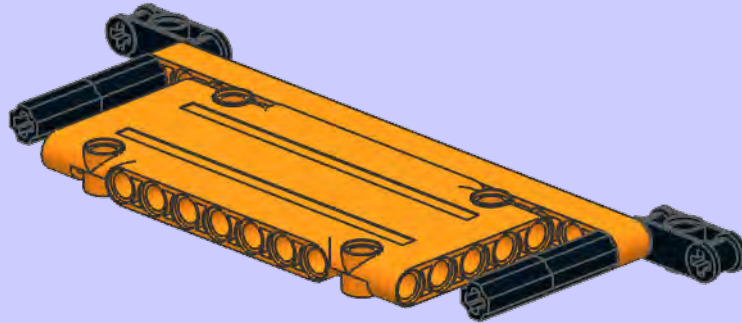
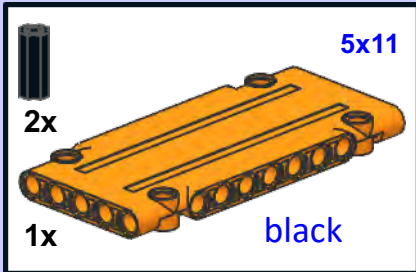
2



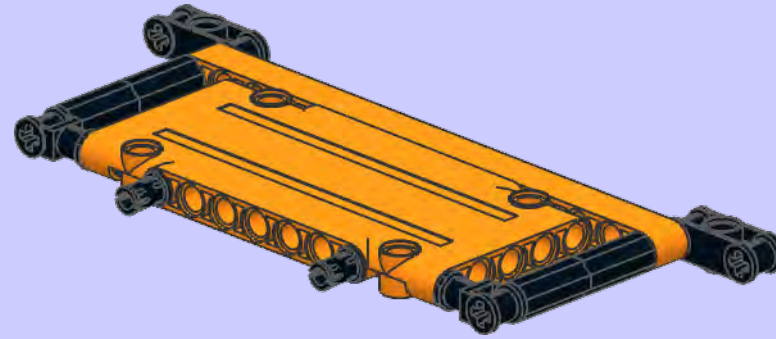
3



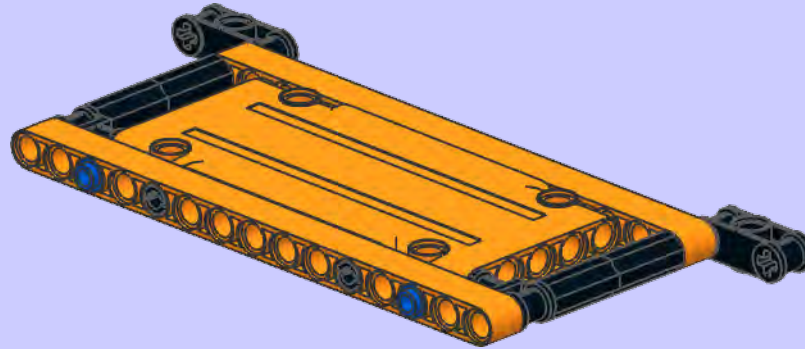
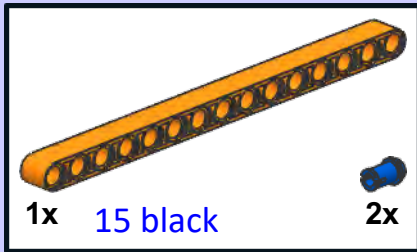
4



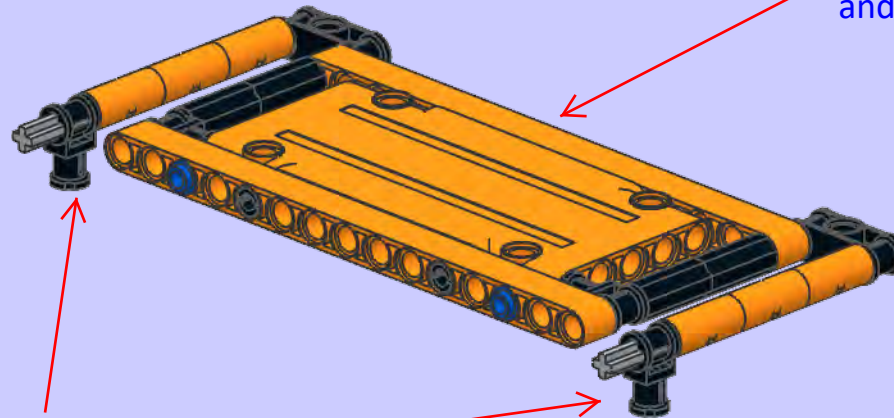
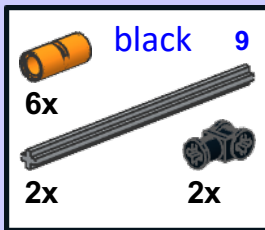
5



6



7

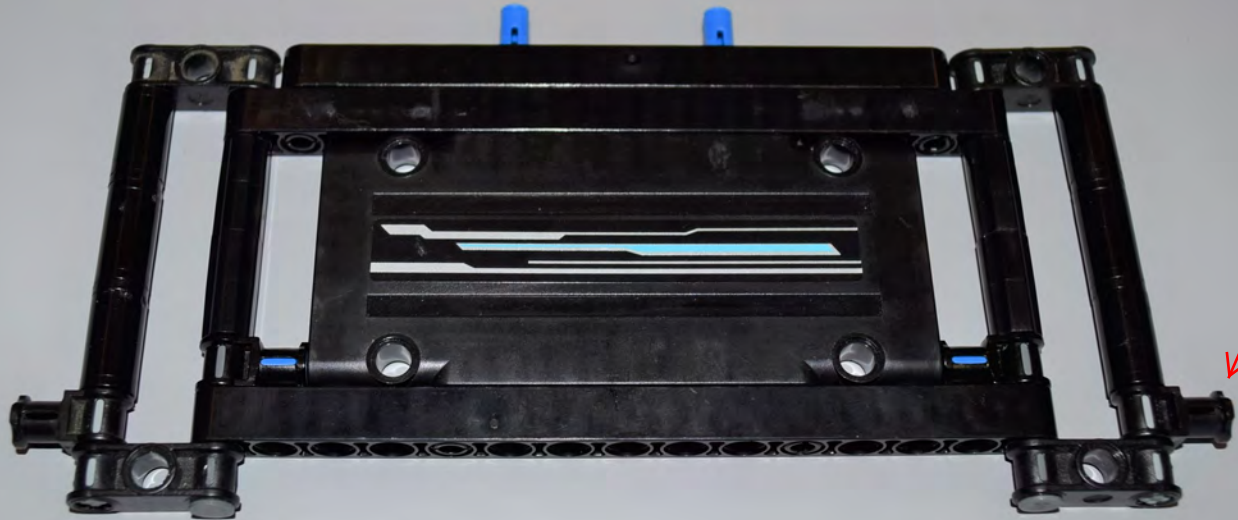


add 1x 1x13 black liftarm
and 2x 1-3 blue pins

turn 180 degrees

see next page

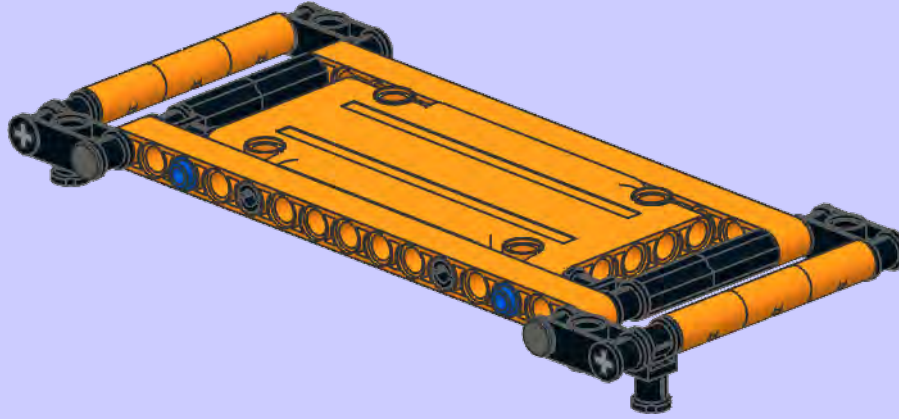
turn 90degrees
face upwards



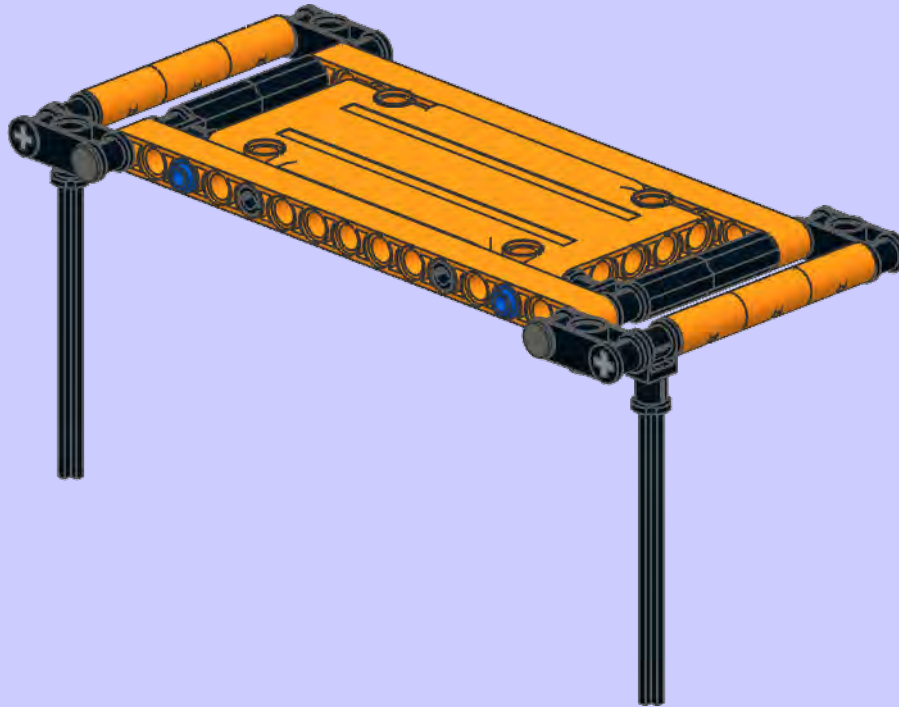
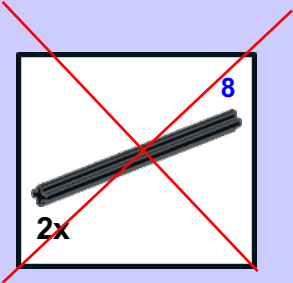
turn 90degrees
face upwards



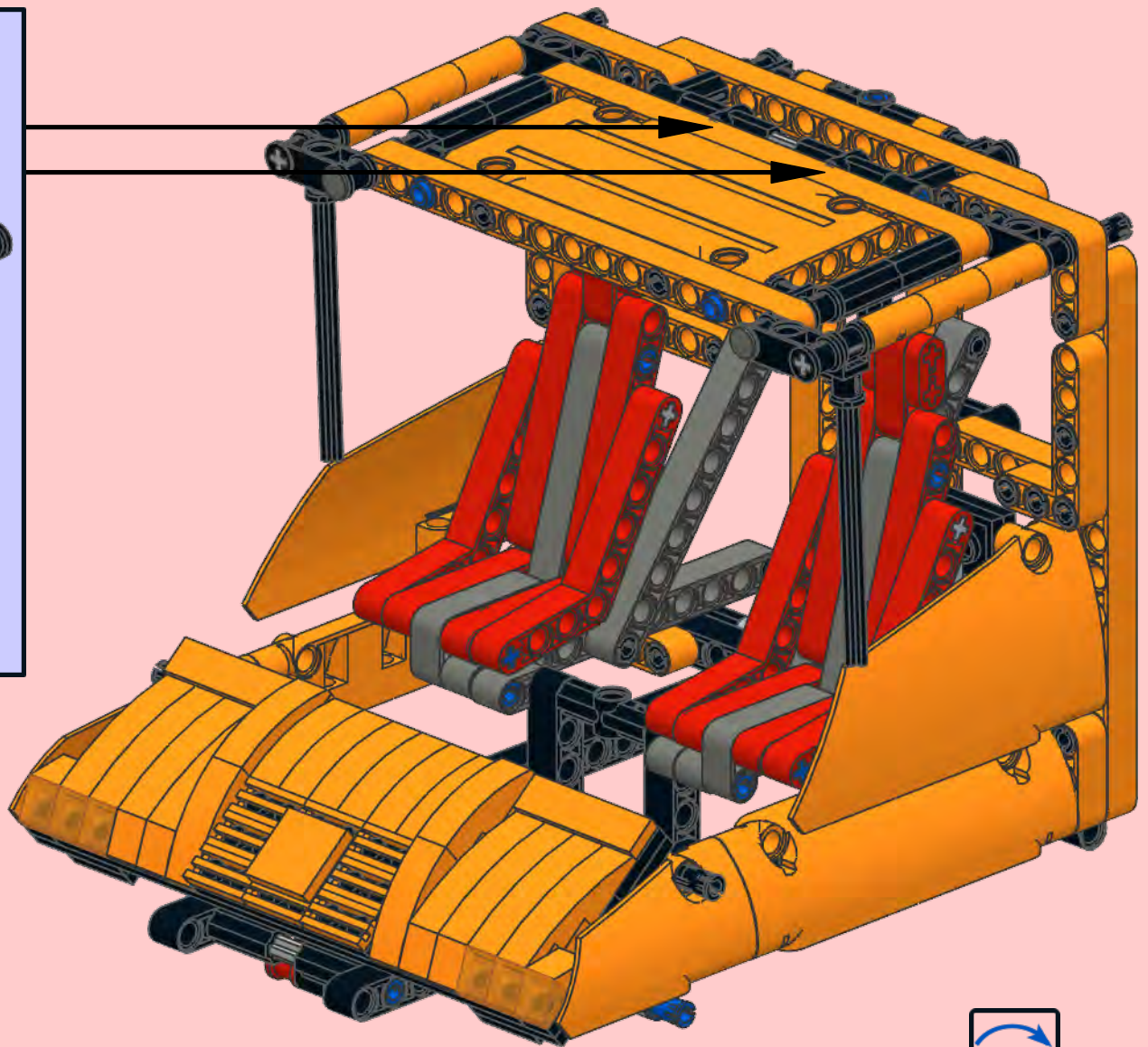
8



9



35



36

1

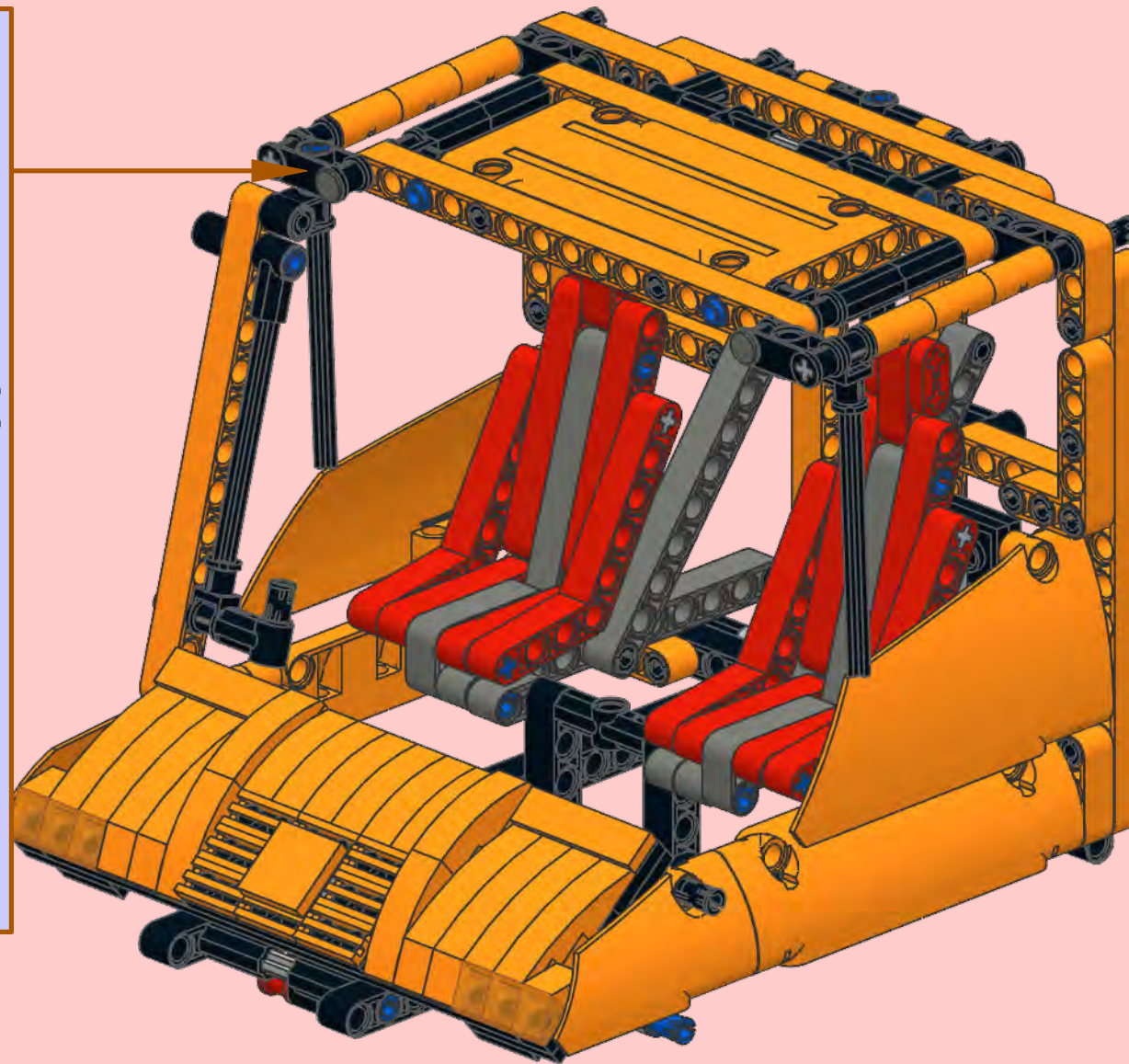
- 2x (blue)
- 13 (black)
- 1x (black)
- 1x (black)

2

- 1x (black)
- 1x (black)
- 1x (black)
- 1x (black)
- 8 (black)
- 1x (black)
- 1x (black)

3

- 1x (blue)
- 1x (black)
- 1x (black)
- 1x (black)
- 1x2 (blue)
- 1x (black)
- 1x (black)



37

1

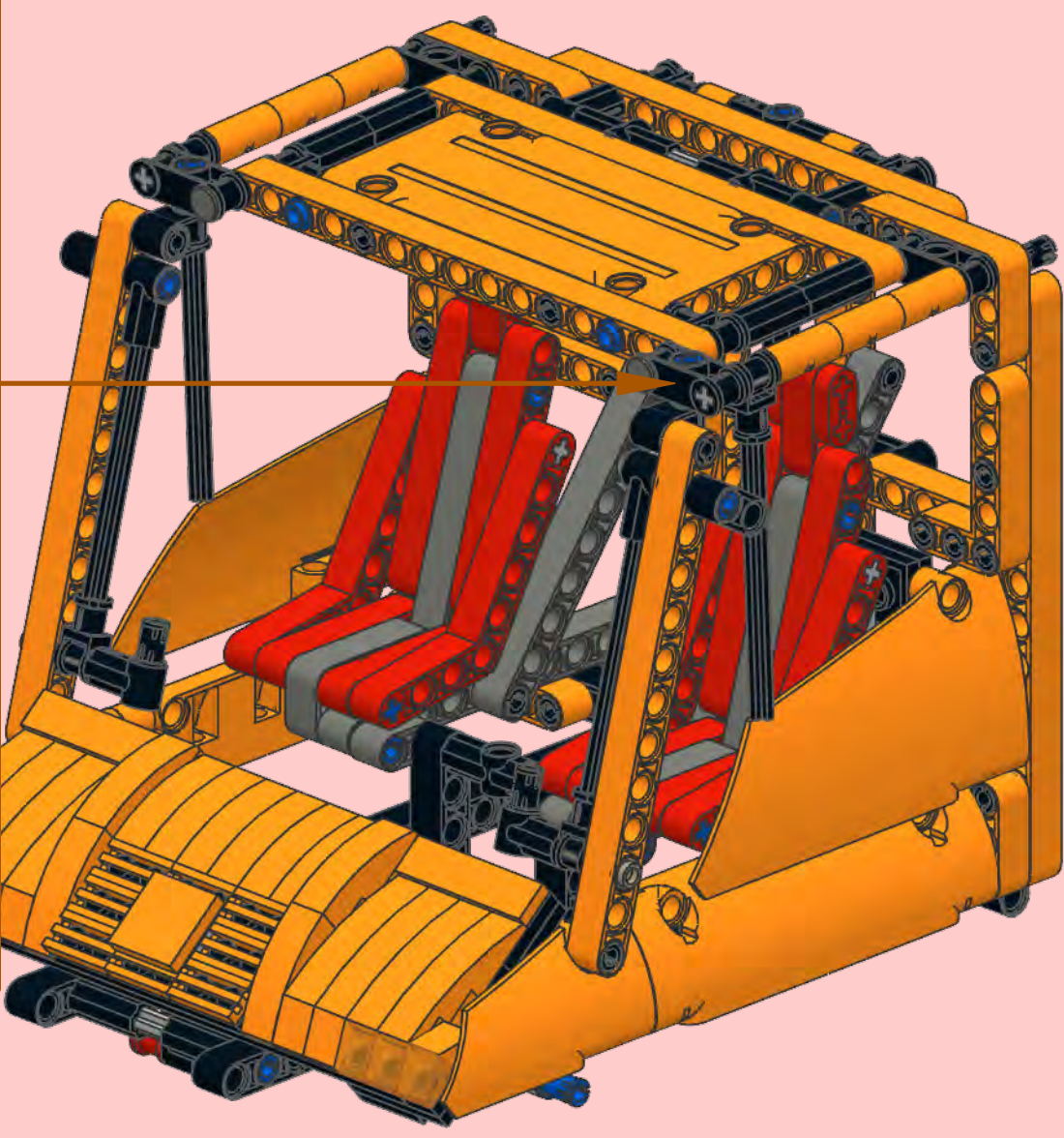
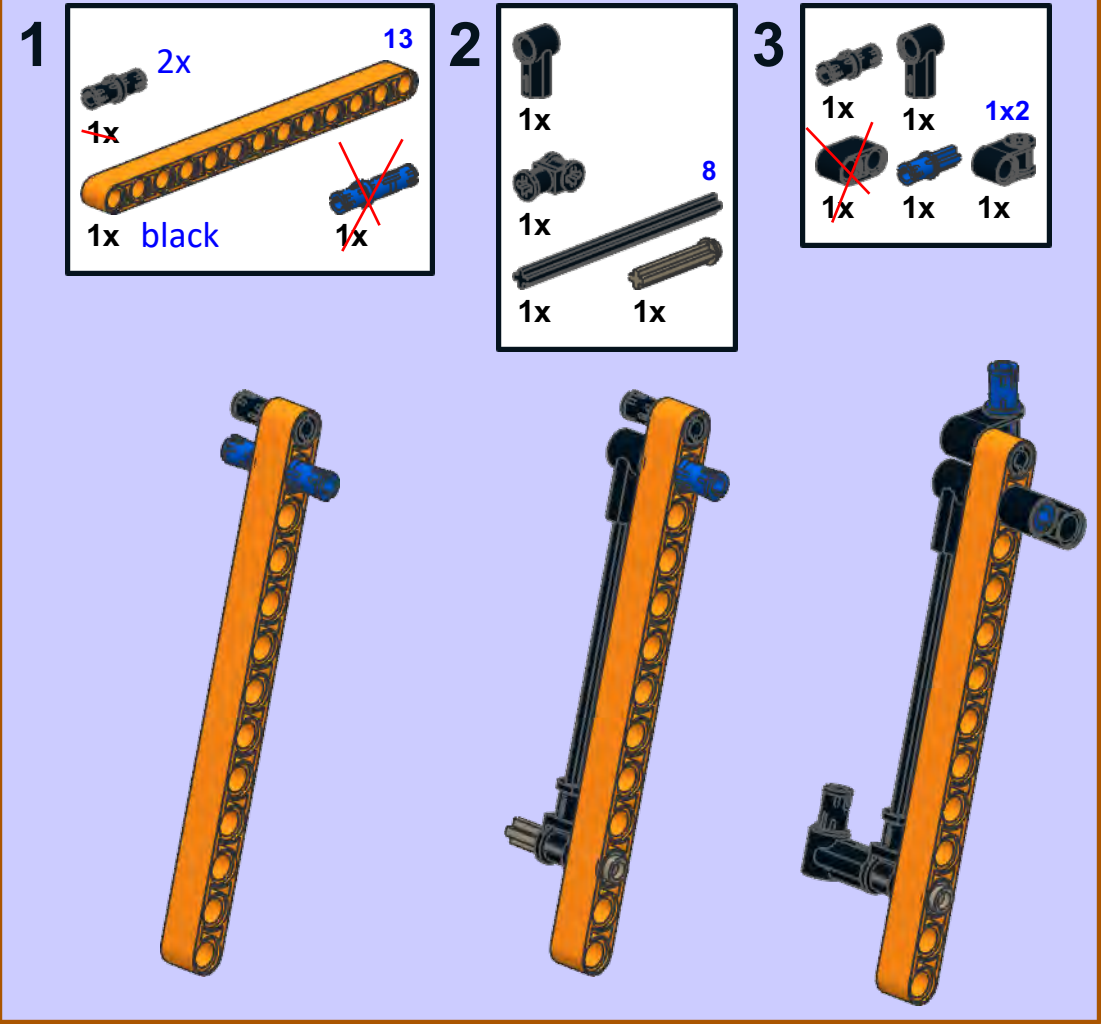
2x
4x
1x black
13
1x

2

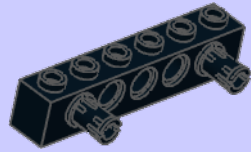
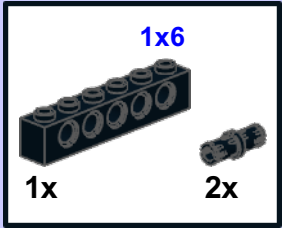
1x
1x
1x
8
1x
1x

3

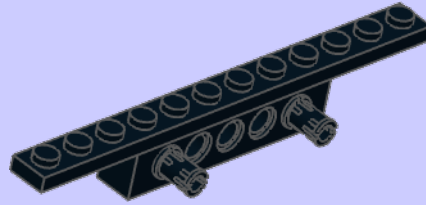
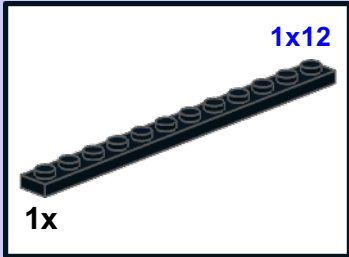
1x
1x
1x
1x
1x
1x2



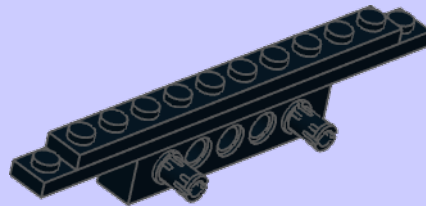
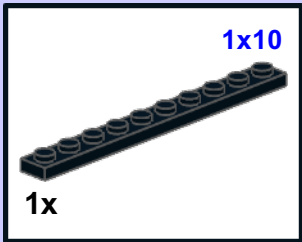
1



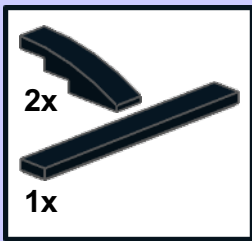
2



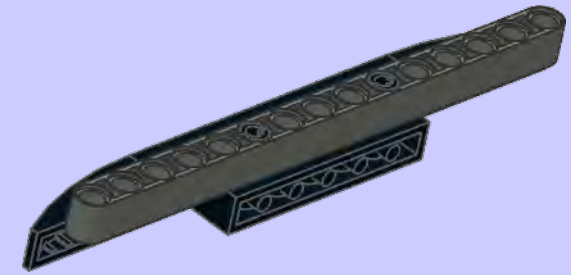
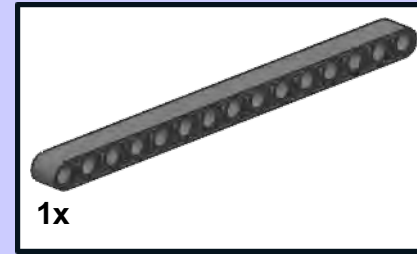
3



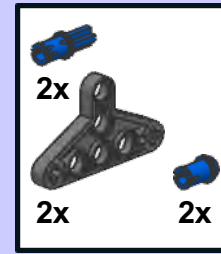
4



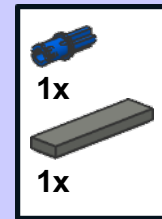
5



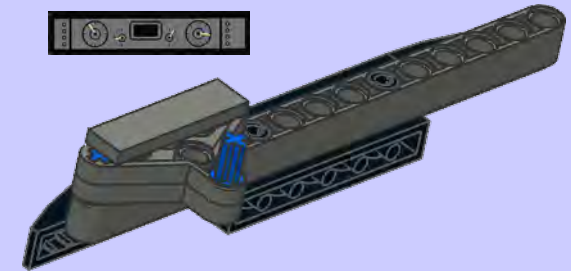
6



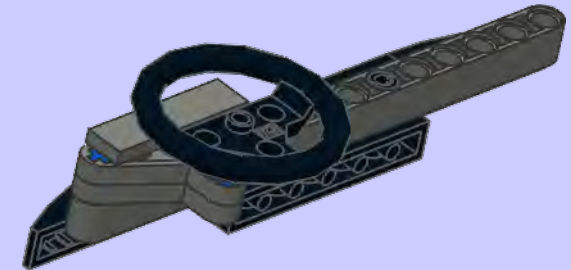
7



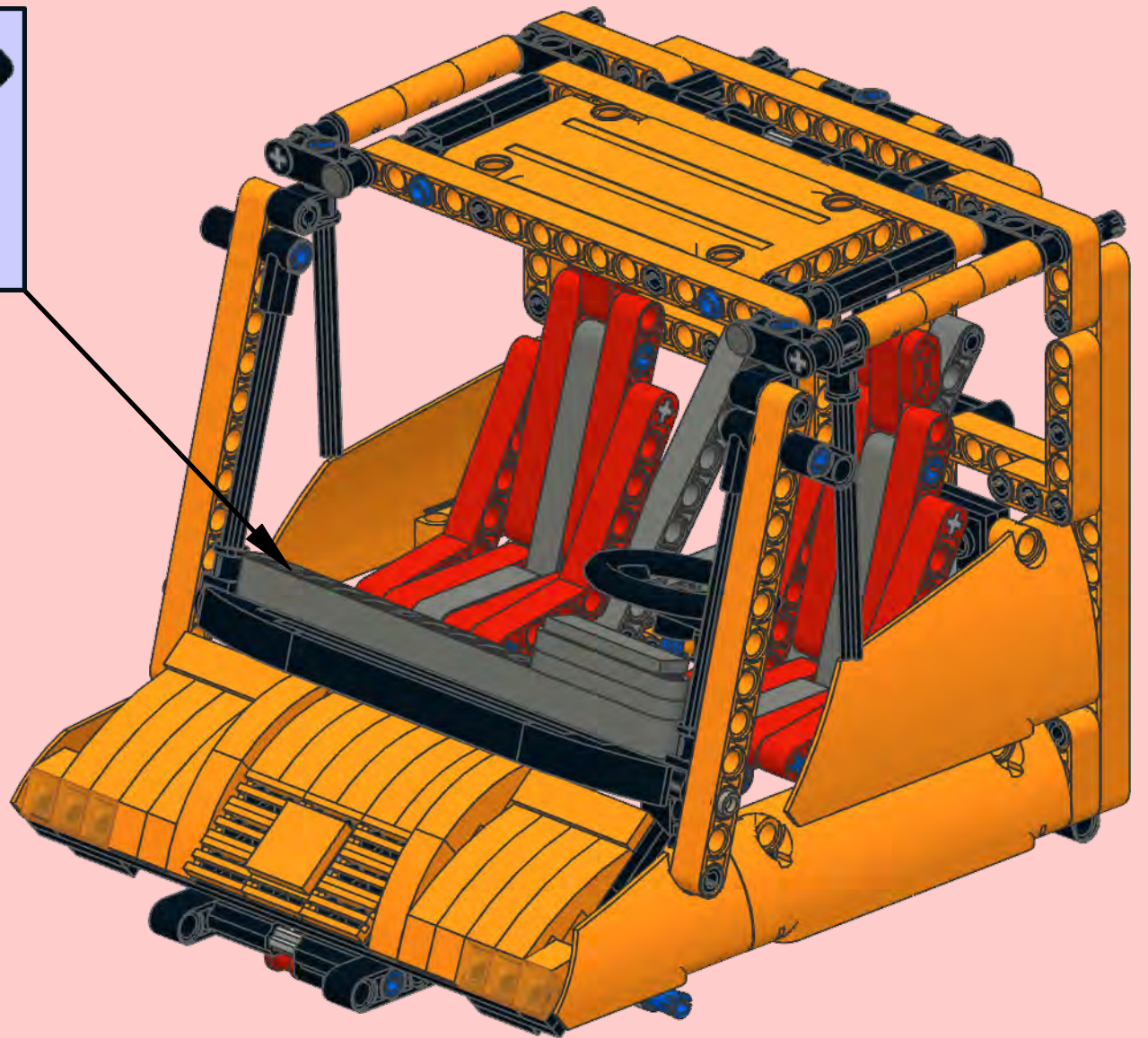
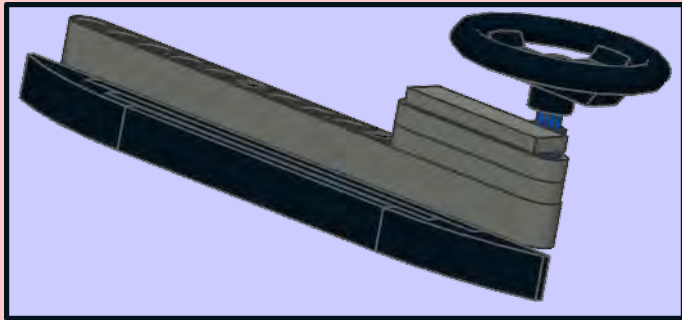
with pattern



8



38



see next pages



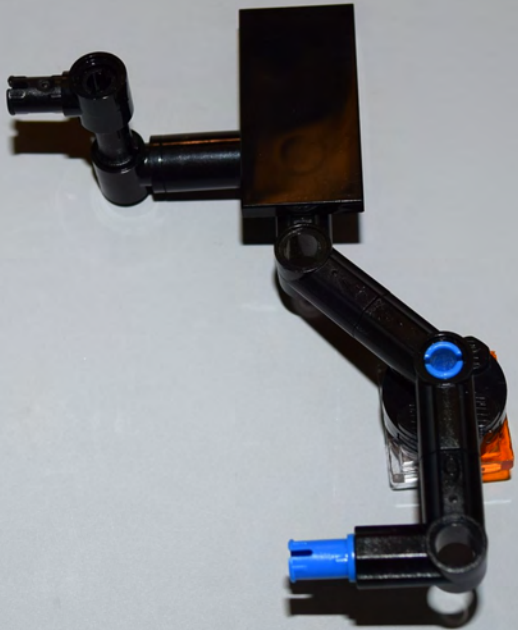


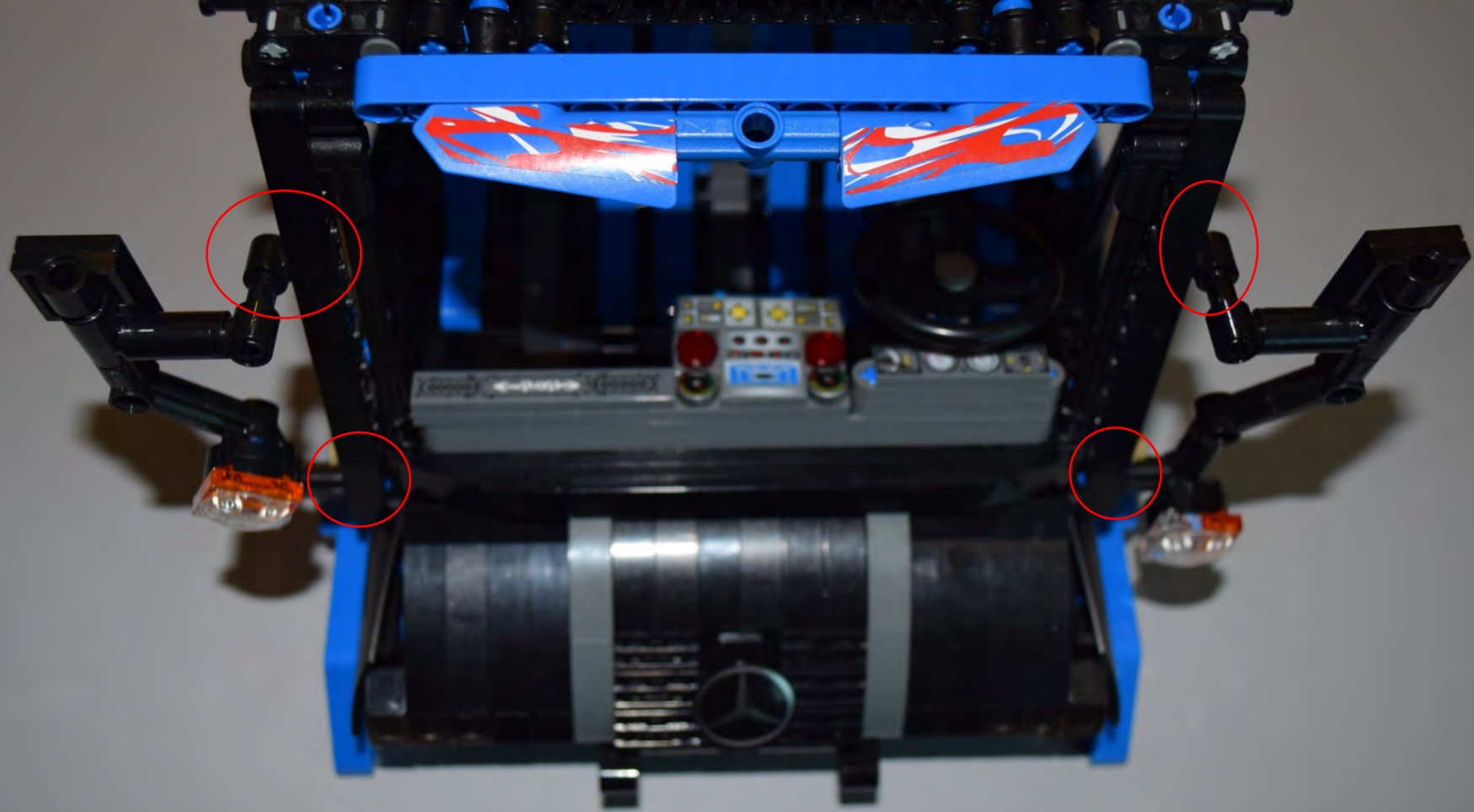


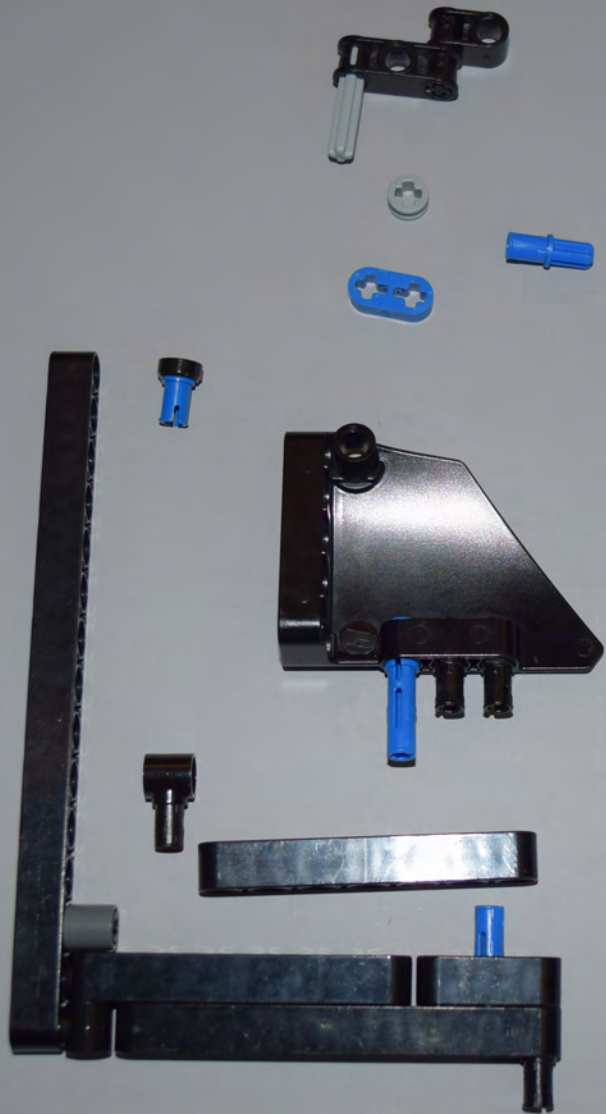


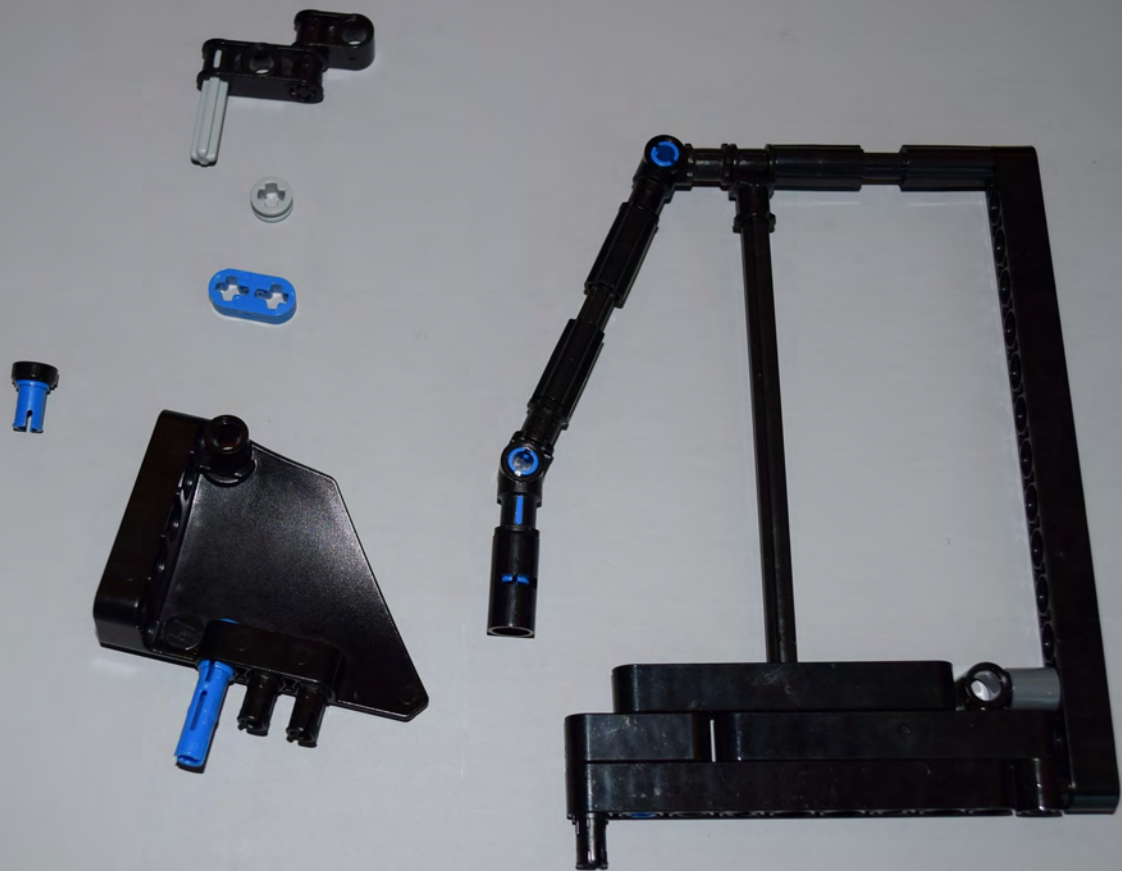
















front

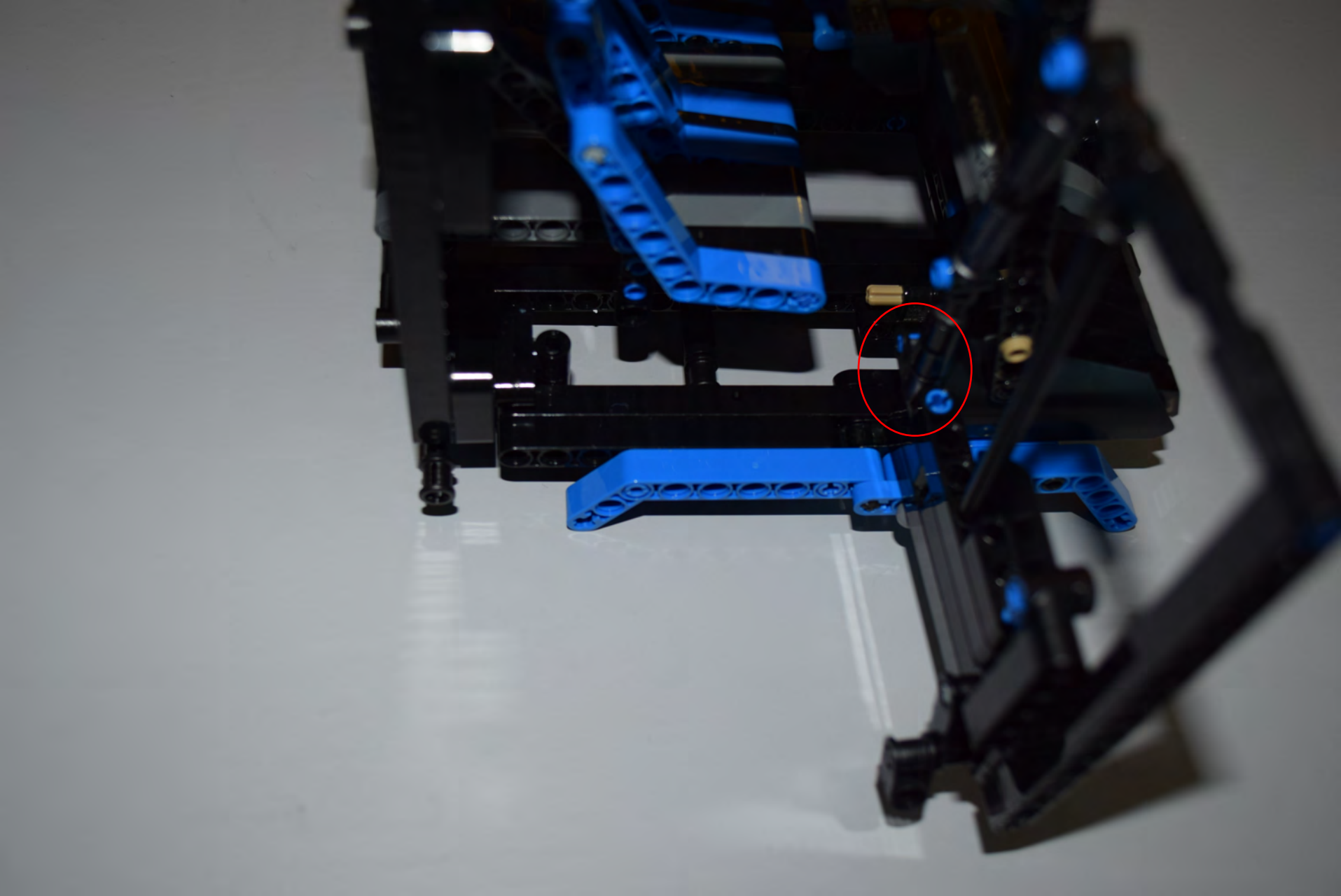


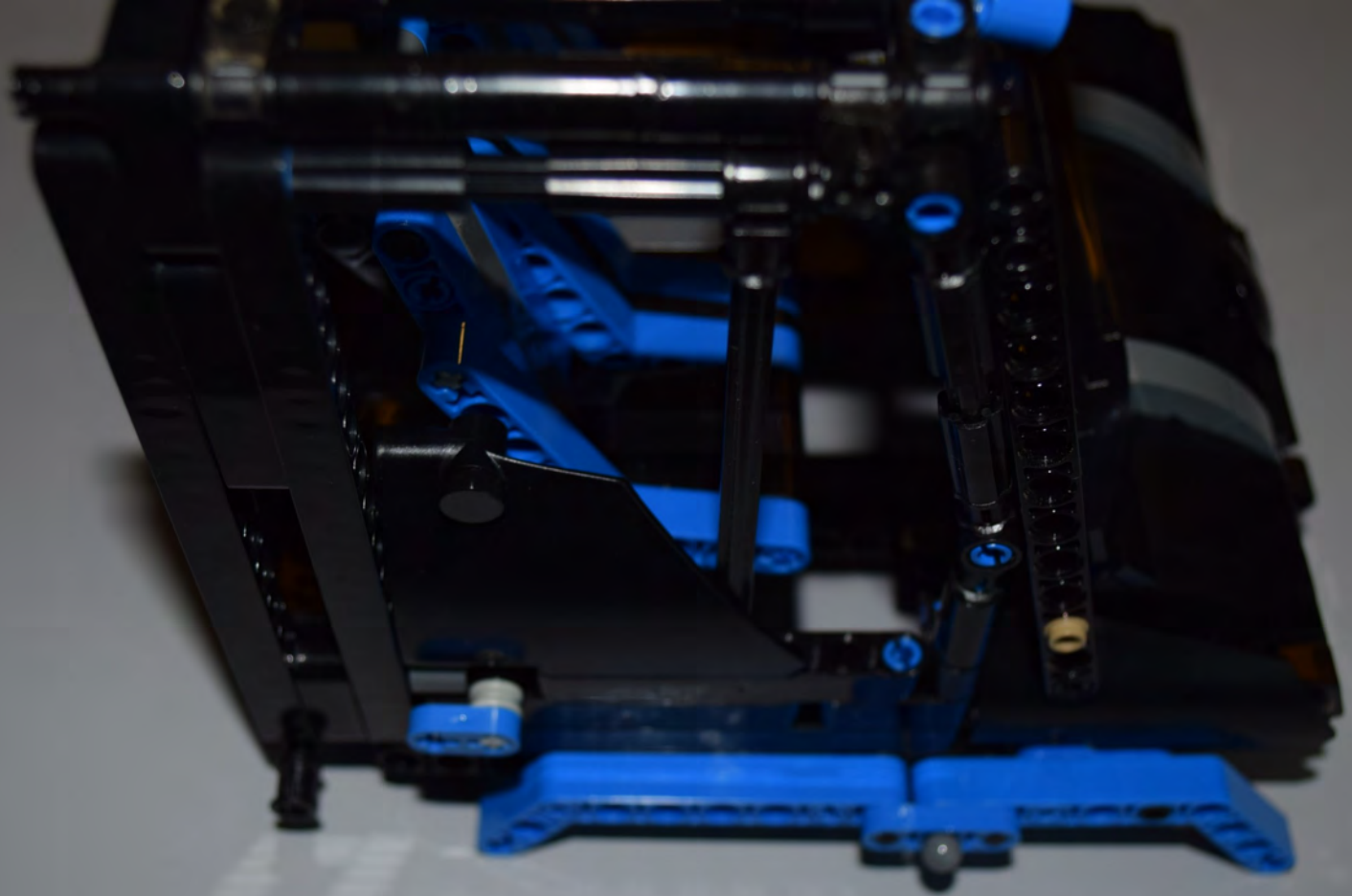
back

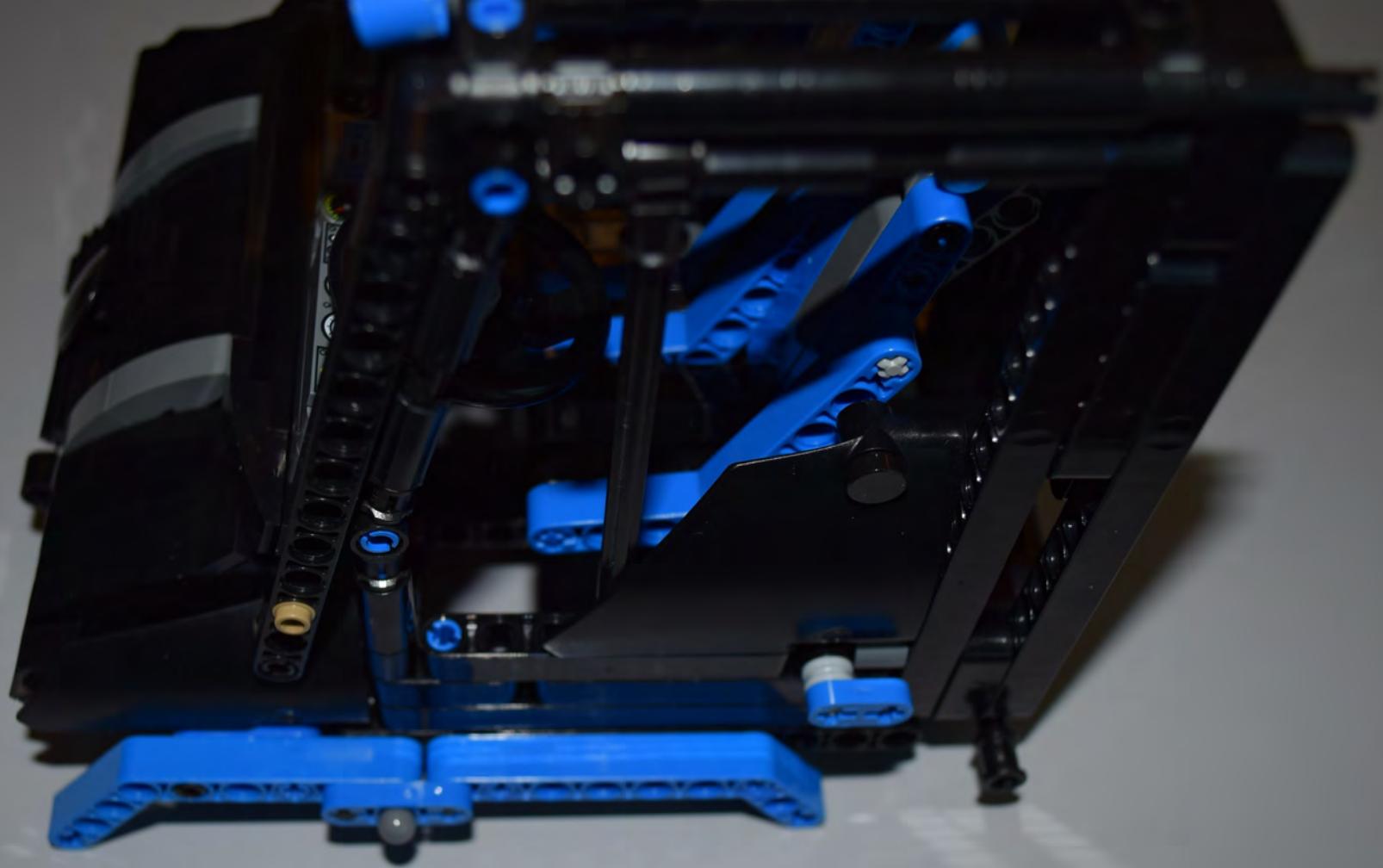


A close-up photograph of a LEGO Technic assembly. The structure is primarily black, with several blue Technic beams and pins. A red circle highlights a specific blue pin that is partially inserted into a hole in a black Technic beam. The pin is oriented vertically, and the instruction text below it indicates it should be pushed down. The background is a plain, light-colored surface.





turn and push the blue pin down



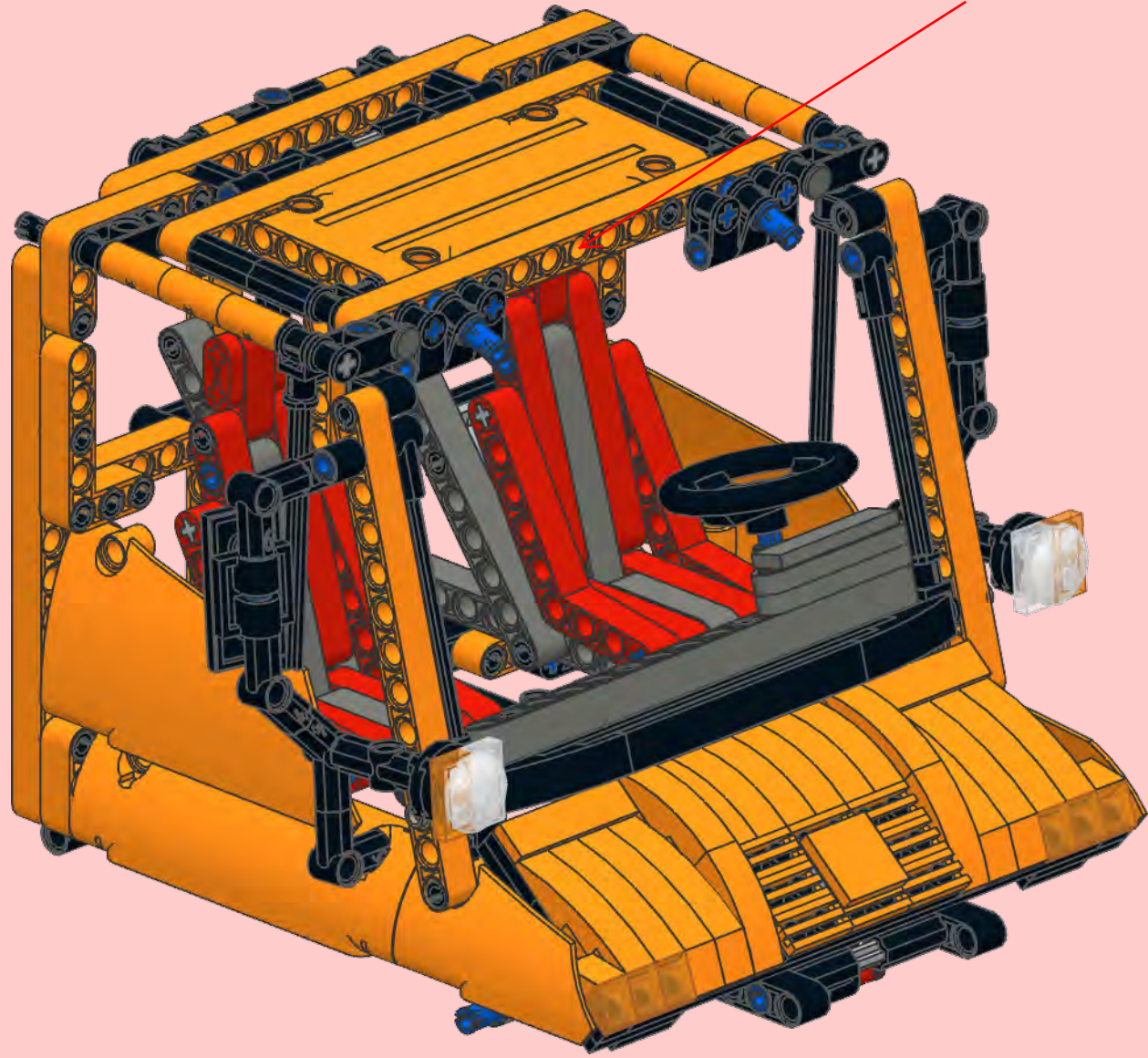




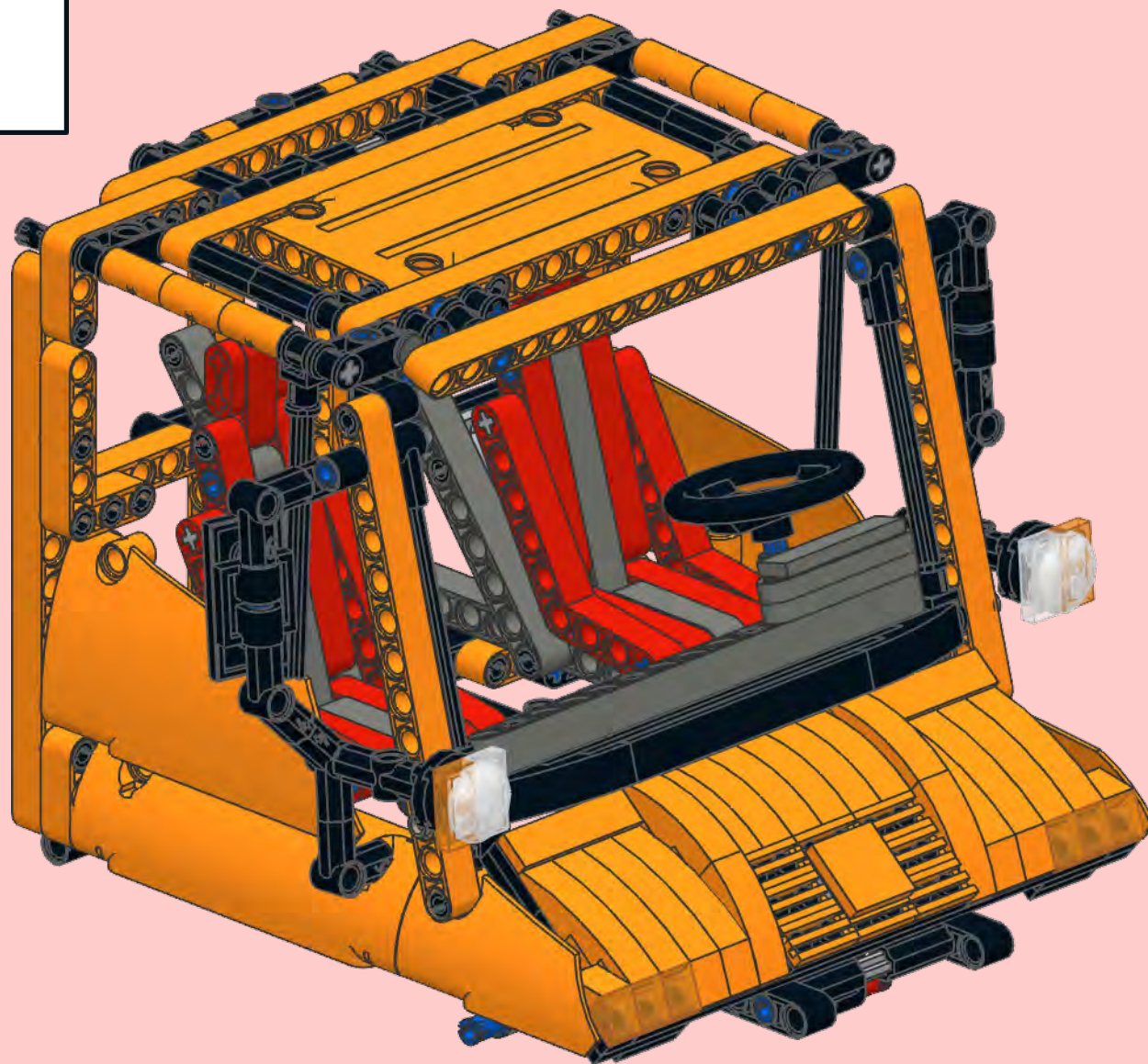
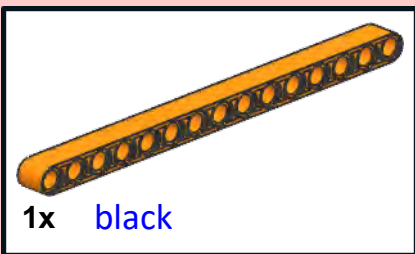
41

	6x		1x2
	2x		6x

add 1x 1x7 black liftarm and 2x black pins



42

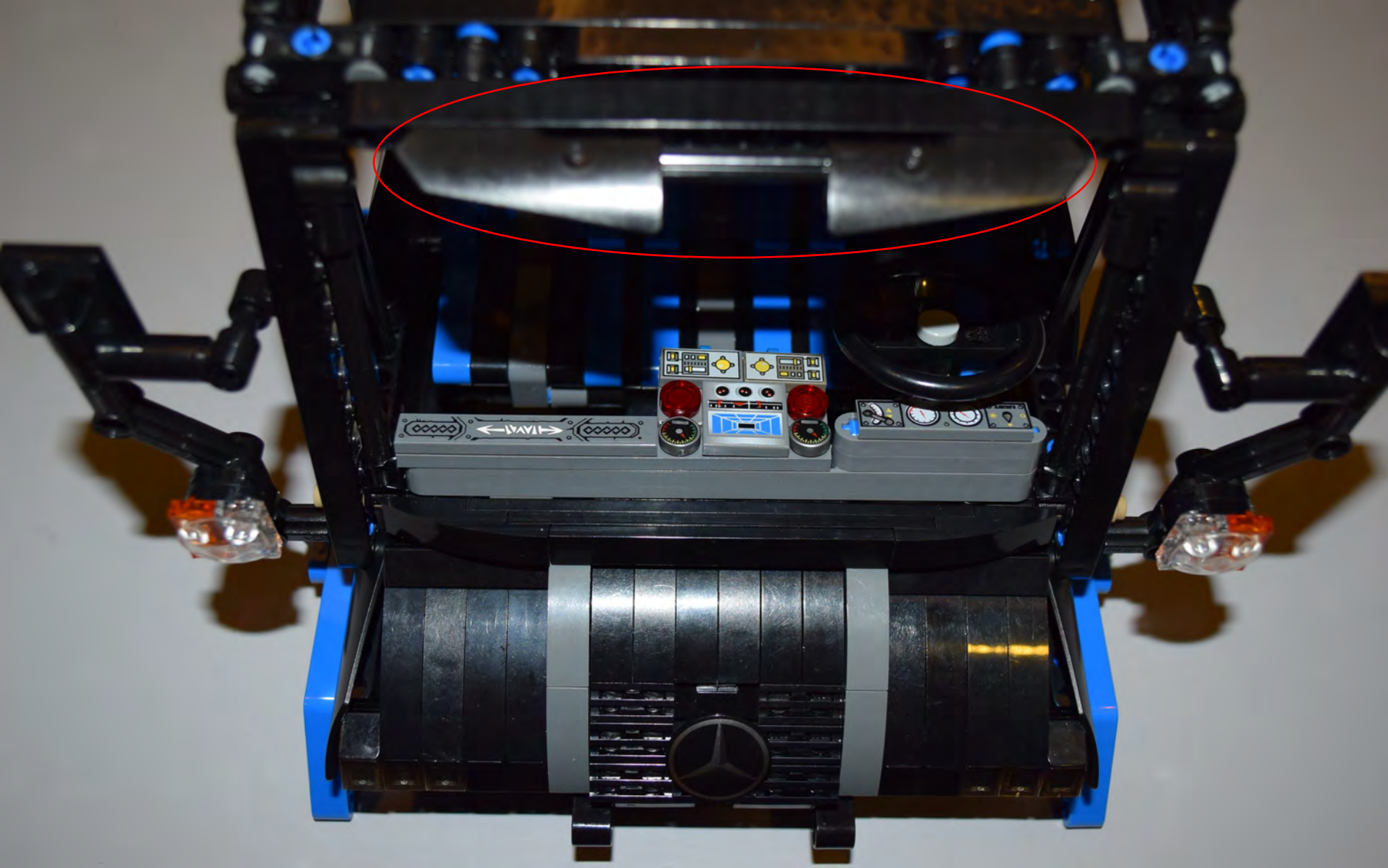


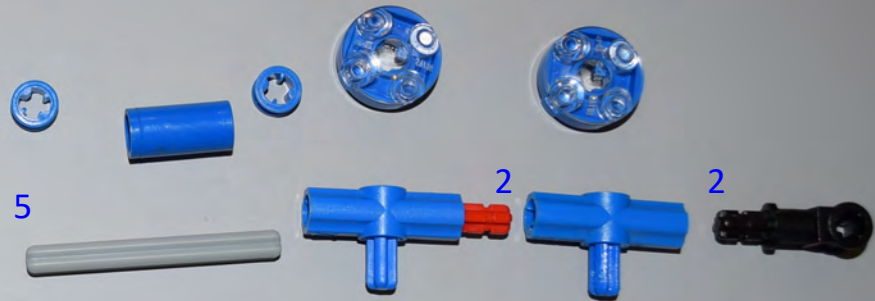


5









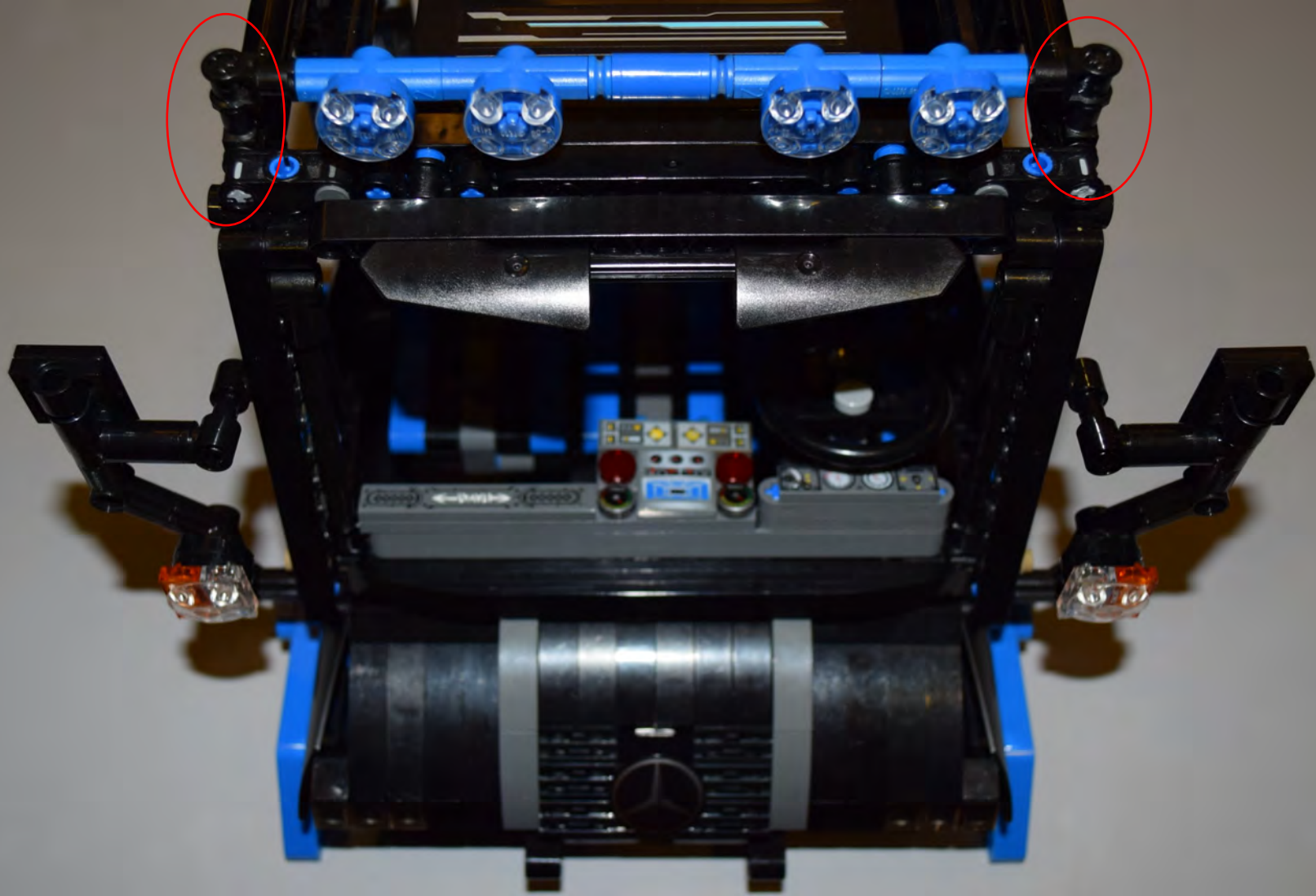




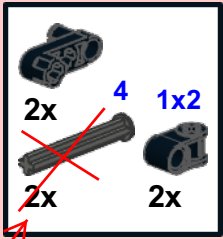




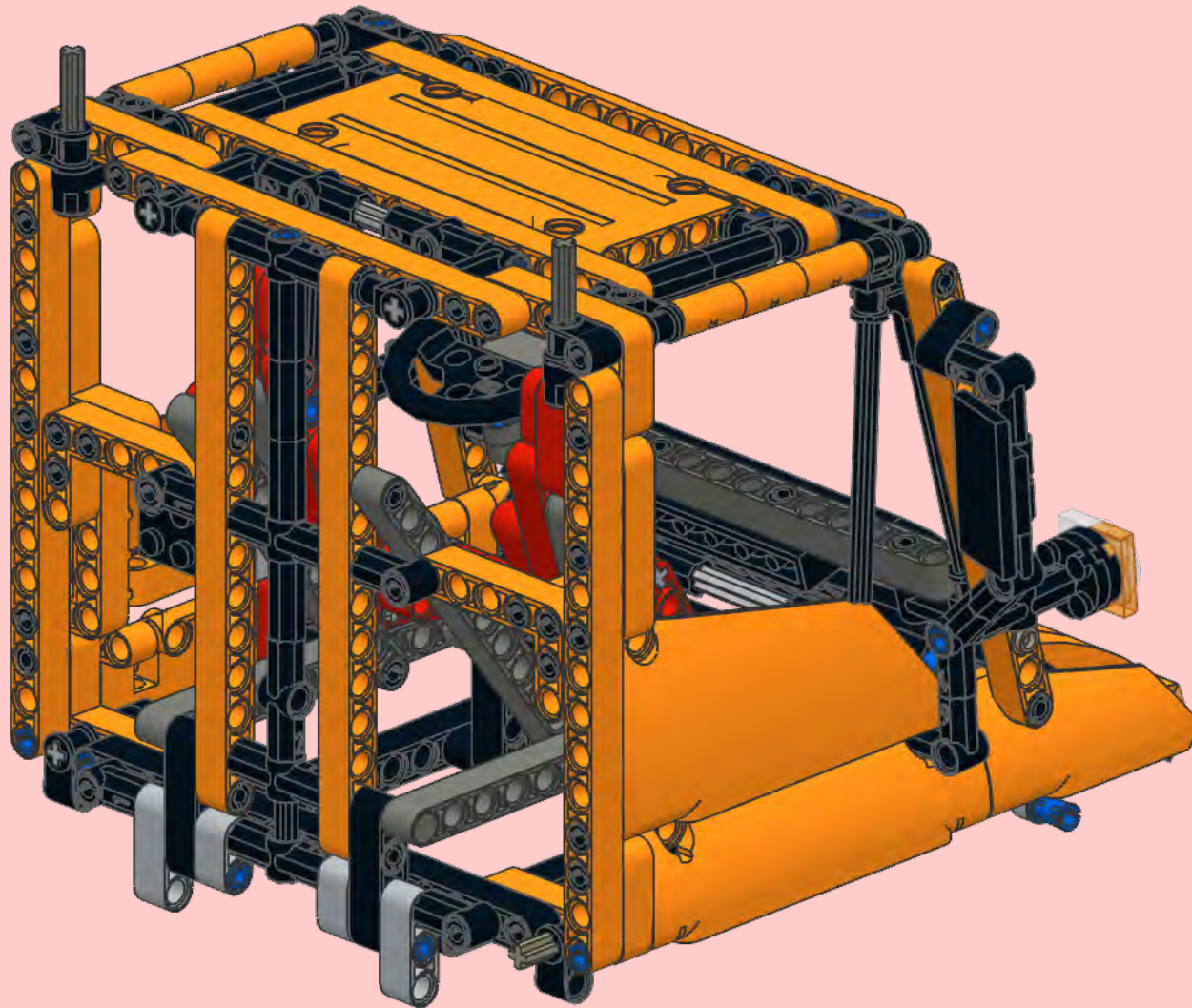




43

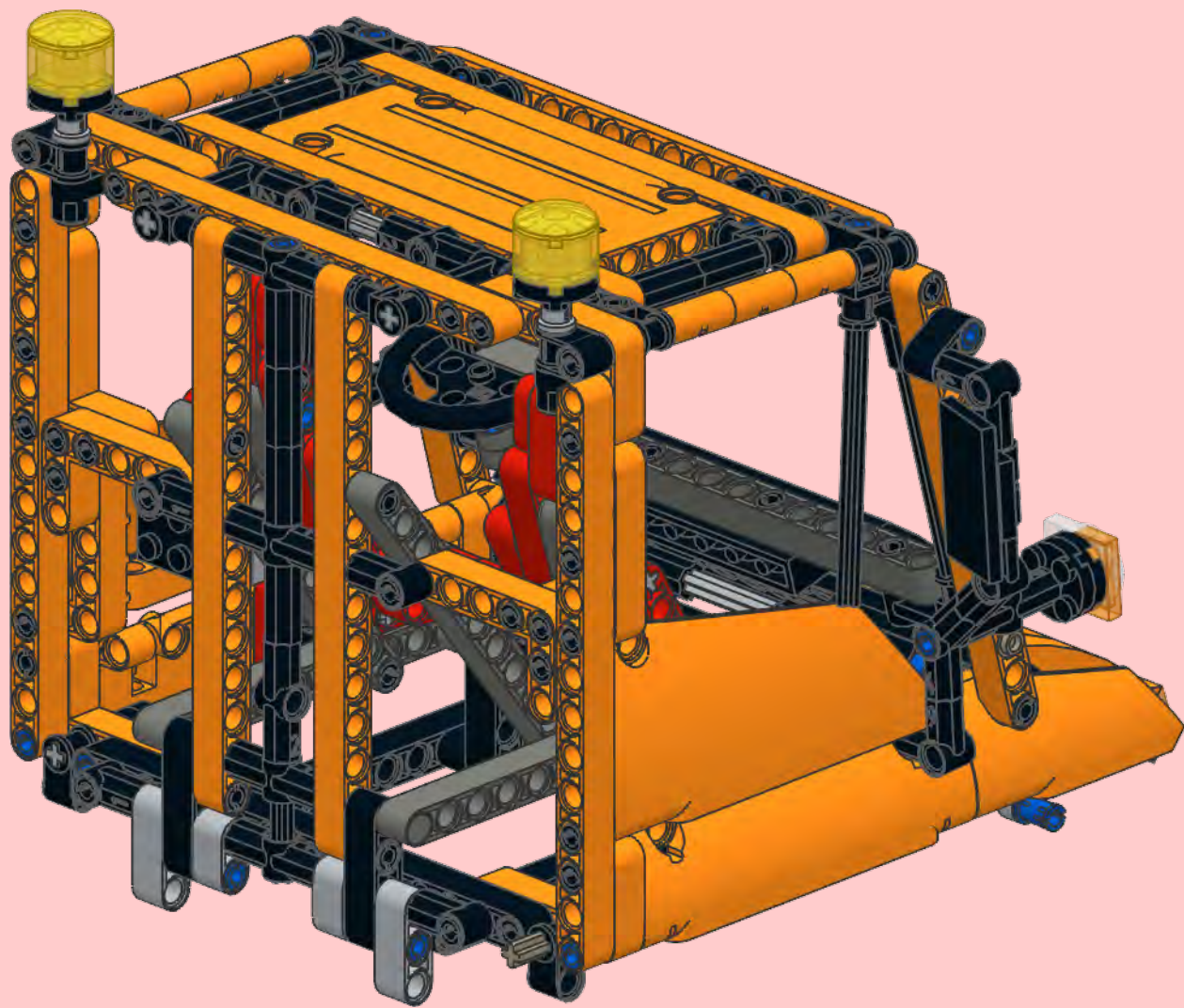


replace with 2x 3 grey axle

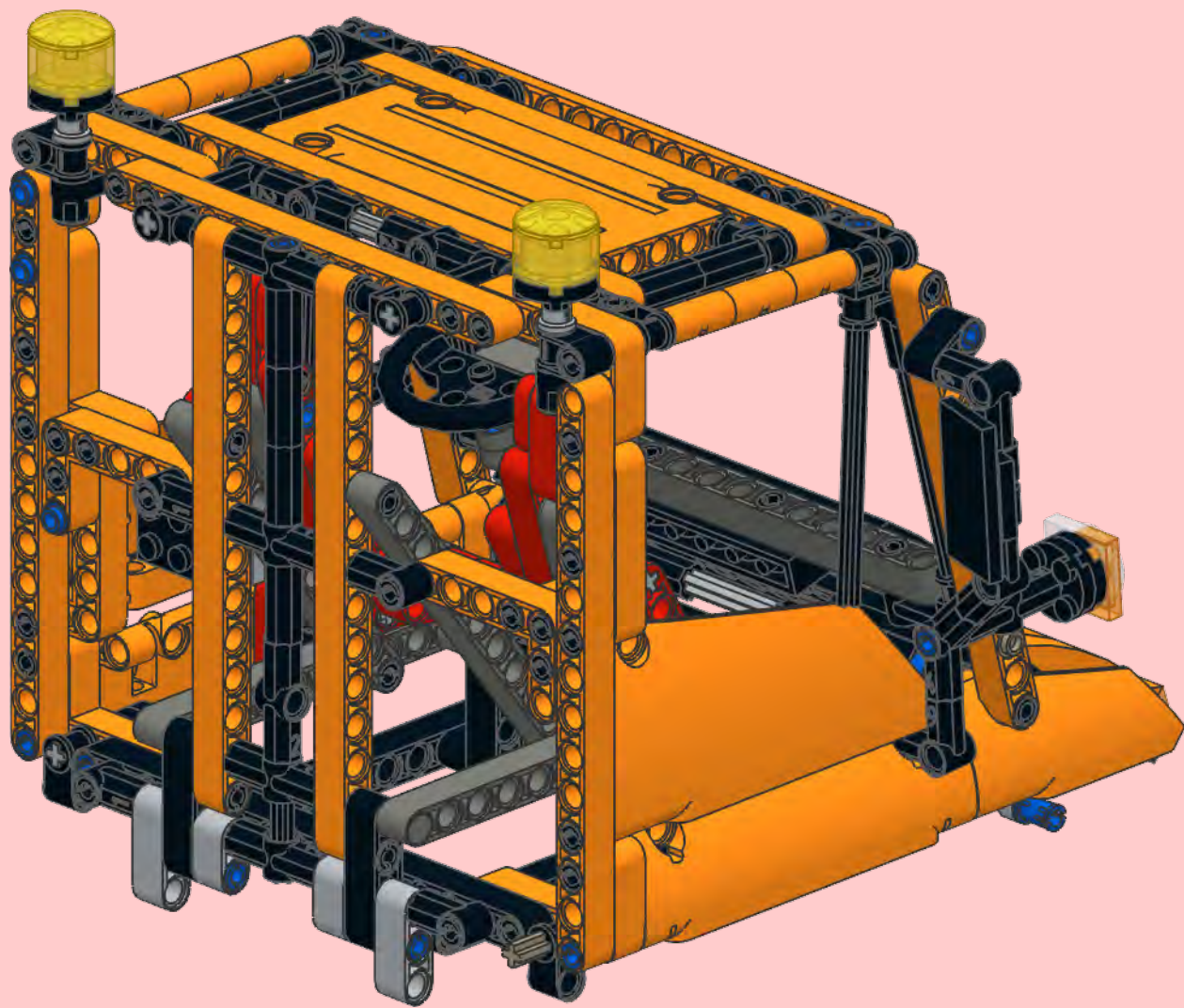


44

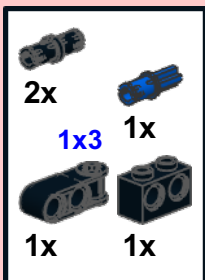
	
2x	2x
	
2x	2x



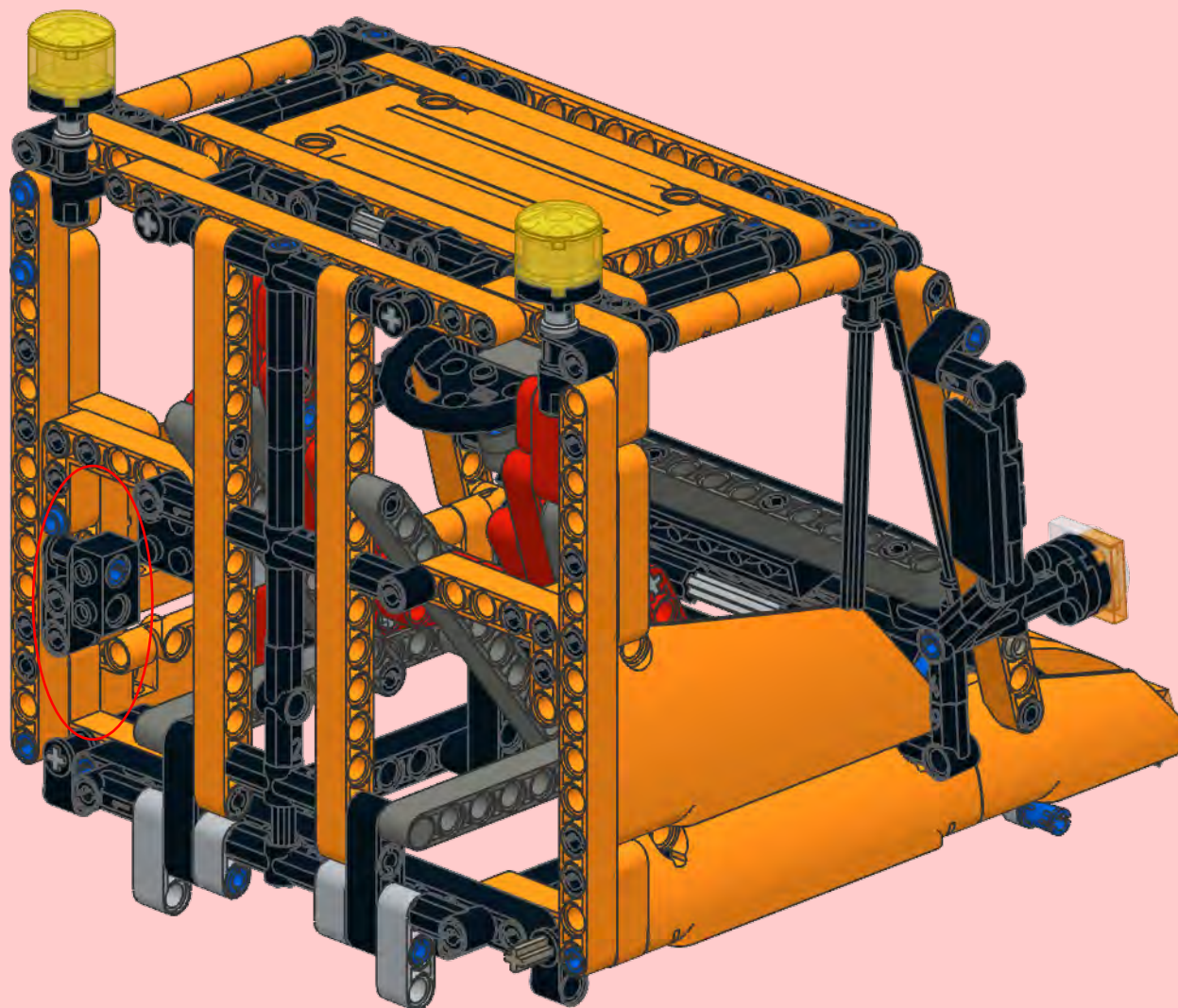
45

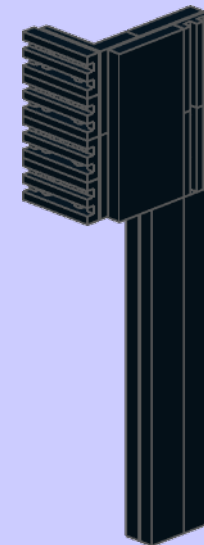
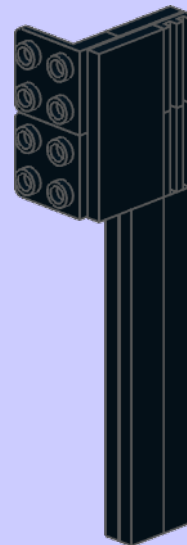
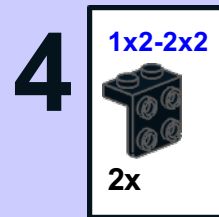
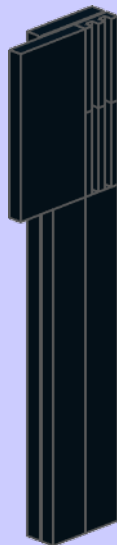
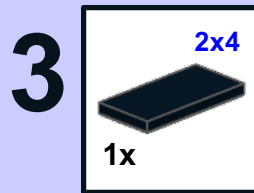
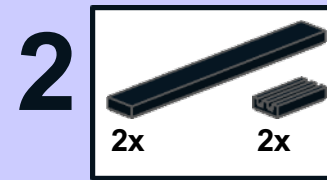
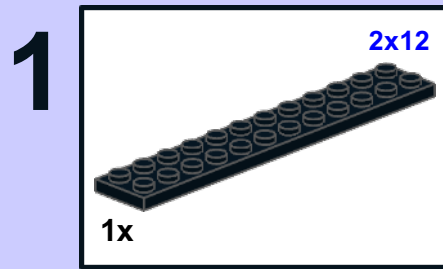


46

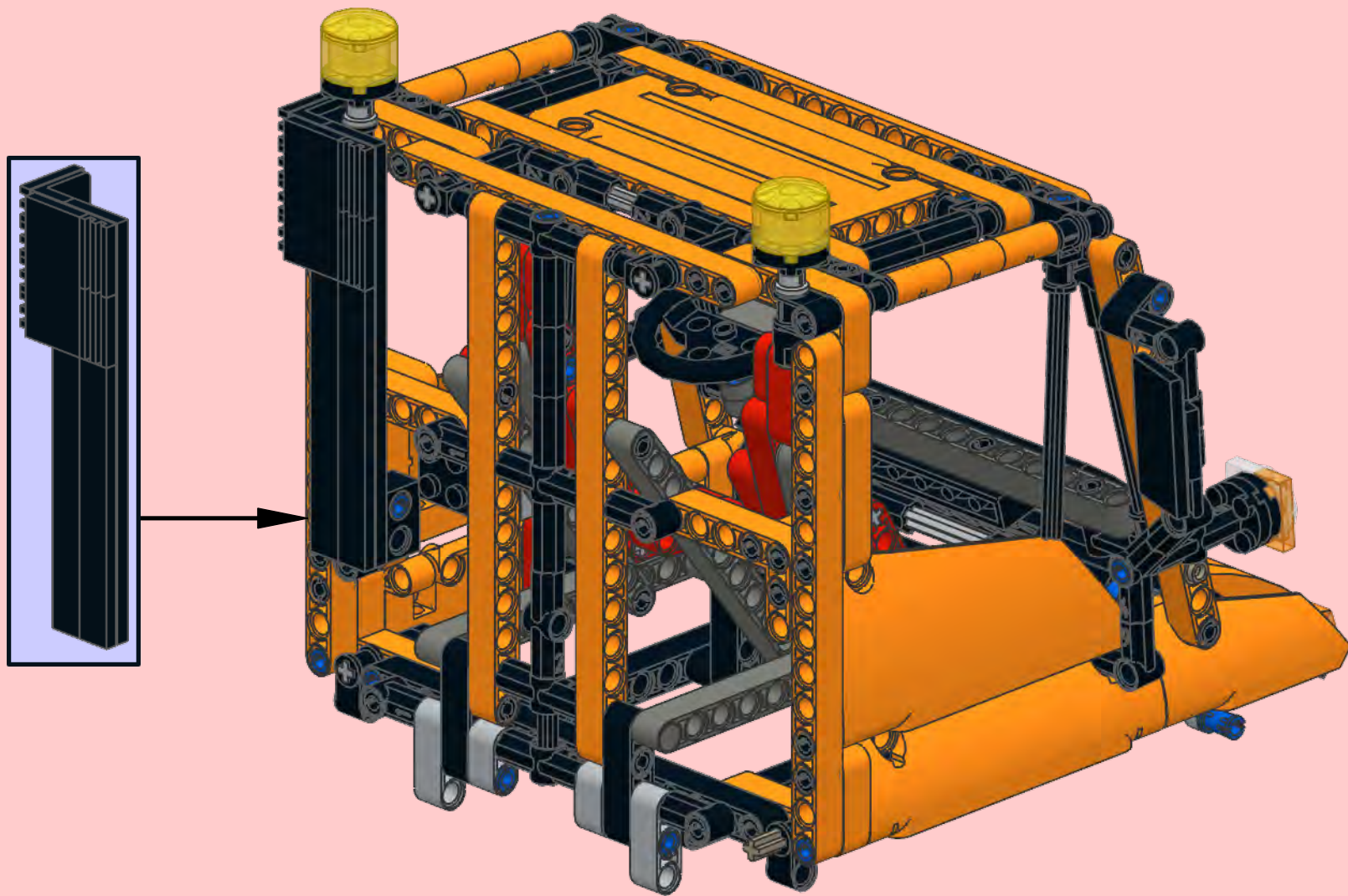


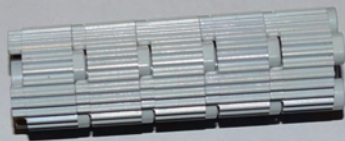
add 1x 1x5 black liftarm
and 1x black pin



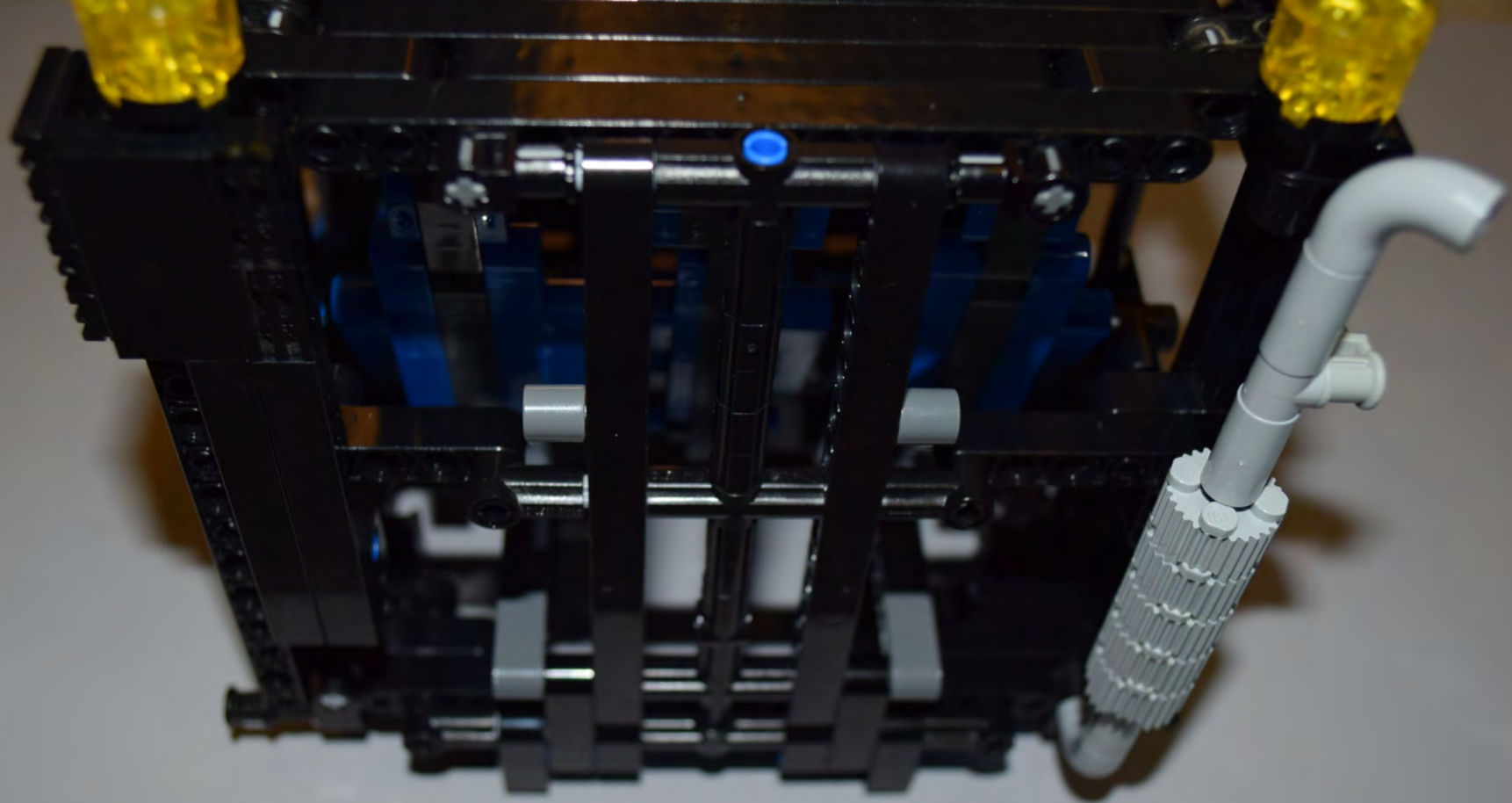


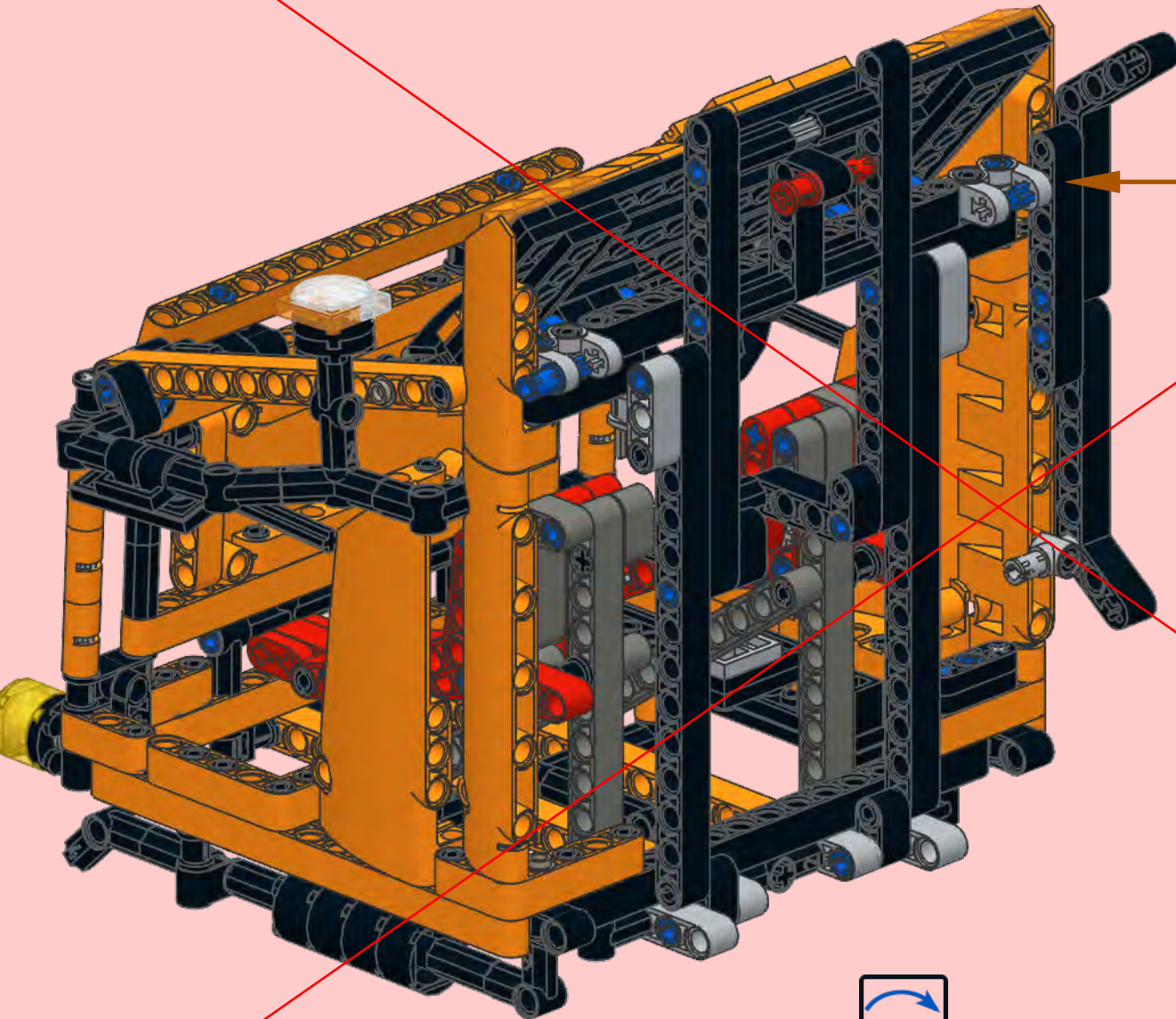
47











1

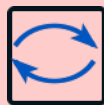
1x 1x 1x 3x7 1x

2

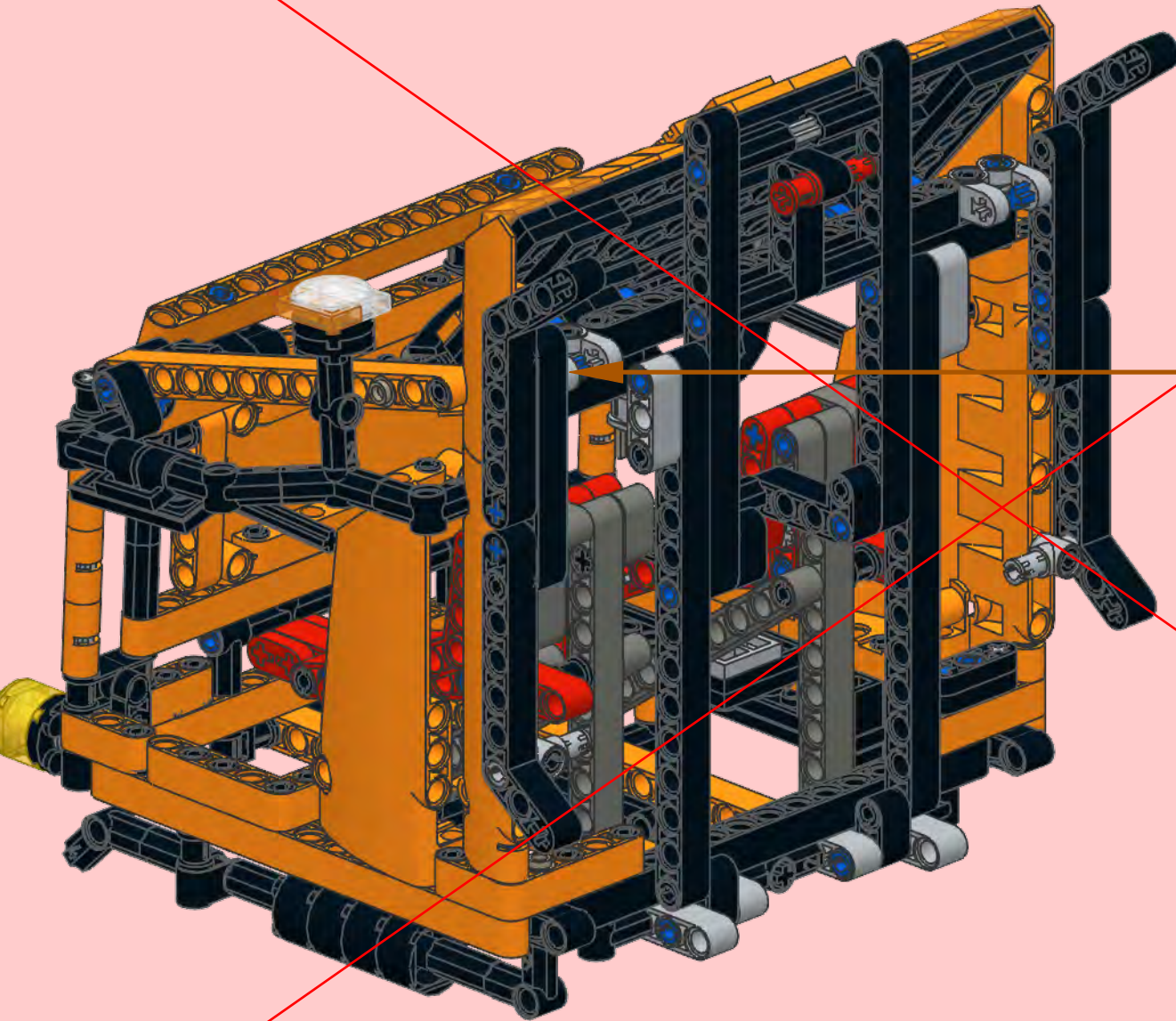
1x 1x 1x 7 1x

3

1x 1x 1x 4x6 1x

A sub-assembly diagram showing three steps to build a vertical component. Step 1 shows a blue pin being inserted into a hole of a black 3x7 Technic beam. Step 2 shows a grey bush being inserted into the end of the beam, and a grey axle being inserted into the hole where the pin was. Step 3 shows a blue pin being inserted into a hole of a black 4x6 Technic beam, which is then attached to the end of the 3x7 beam. Below the steps, three 3D renderings show the component at each stage of assembly.

see page 203



1

1x 1x 1x 1x

3x7

2

1x 1x 1x

7

3

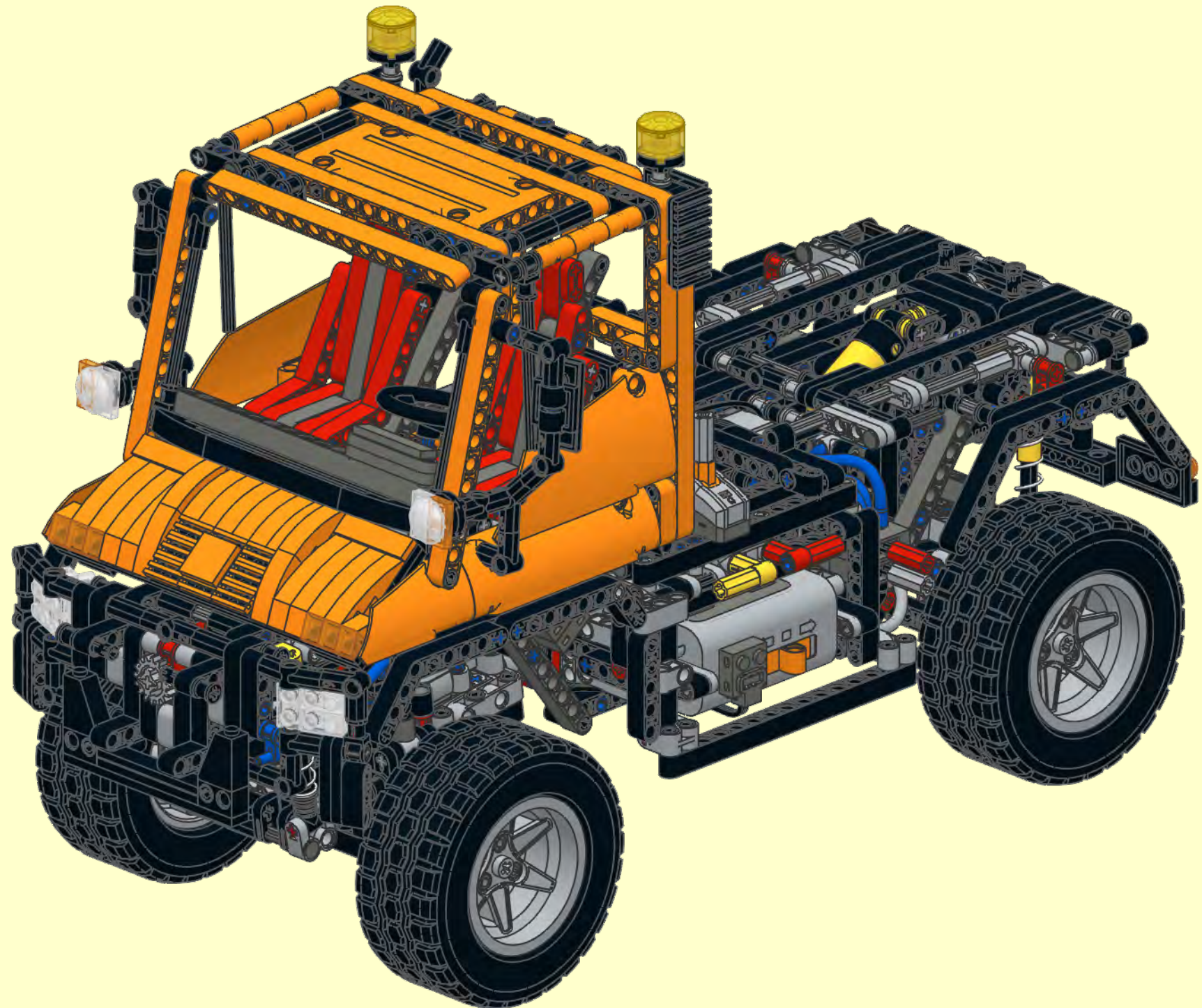
1x 1x 1x 1x

4x6

This block contains three numbered sub-diagrams (1, 2, and 3) illustrating the assembly of a vertical beam structure. Each sub-diagram shows a specific step with the required parts and their quantities. Step 1 shows a 3x7 L-shaped beam being joined to a 1x7 beam. Step 2 shows a 1x7 beam being joined to a 1x7 beam. Step 3 shows a 4x6 L-shaped beam being joined to a 1x7 beam. Below the sub-diagrams are three larger images showing the final assembled vertical beam structure from different perspectives.

see page 203

1

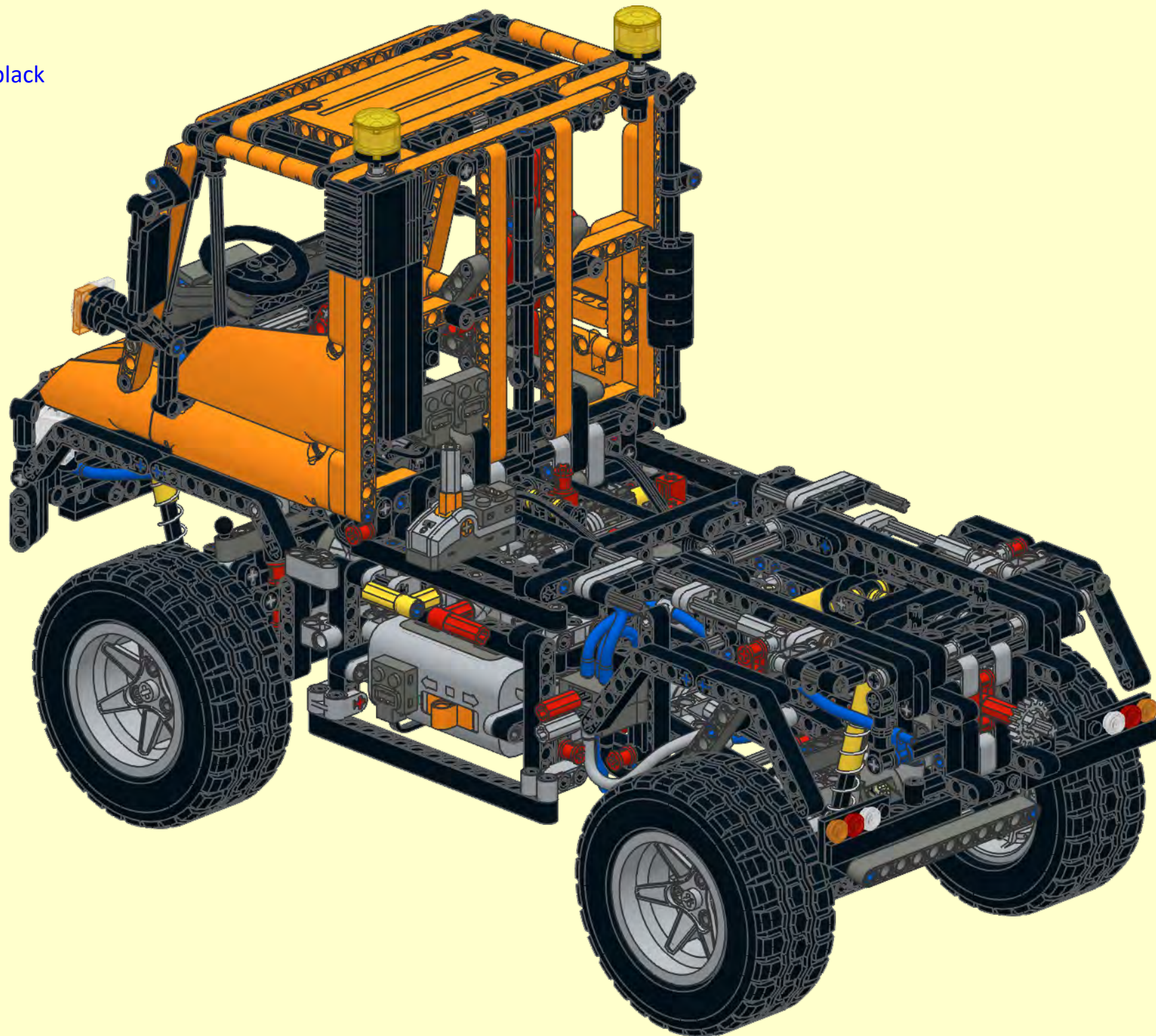




2



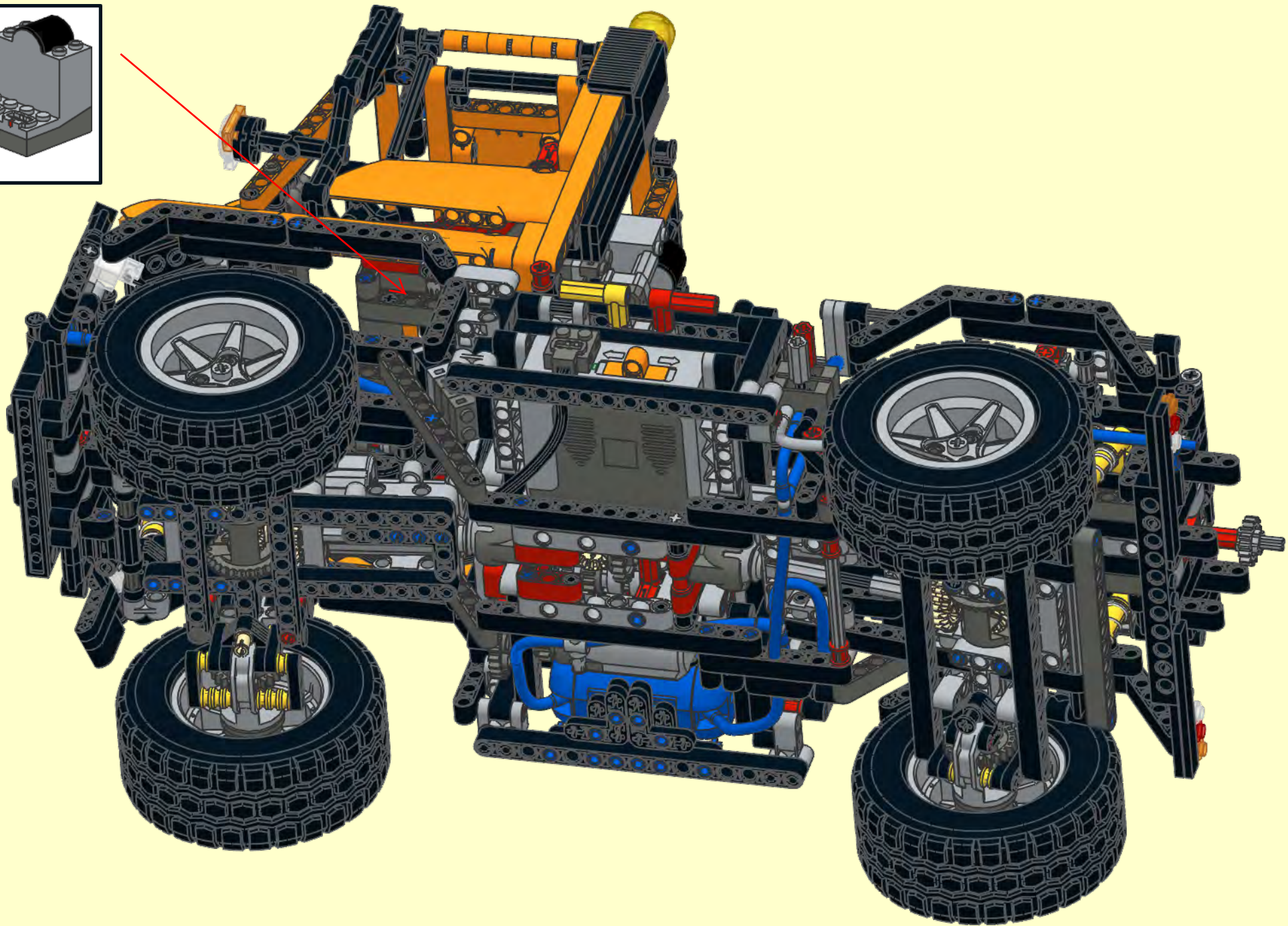
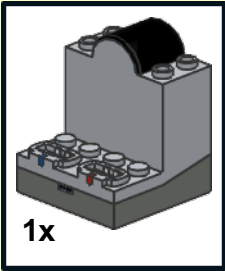
black



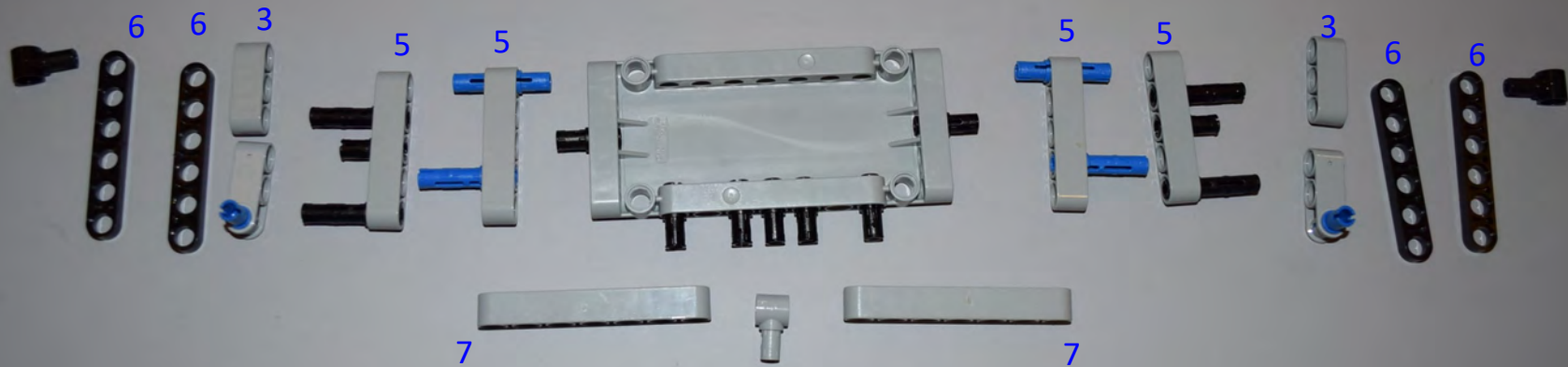


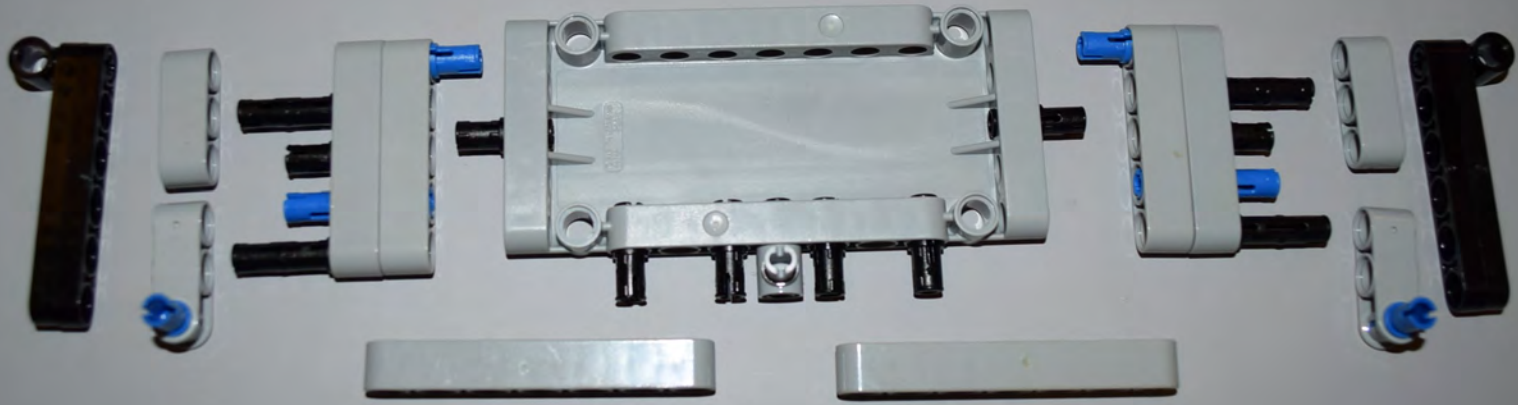
see page 290

3



Tilting Bed - Back-Side



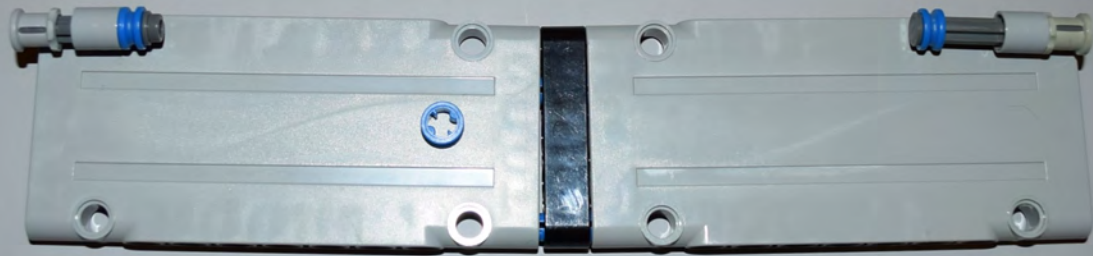




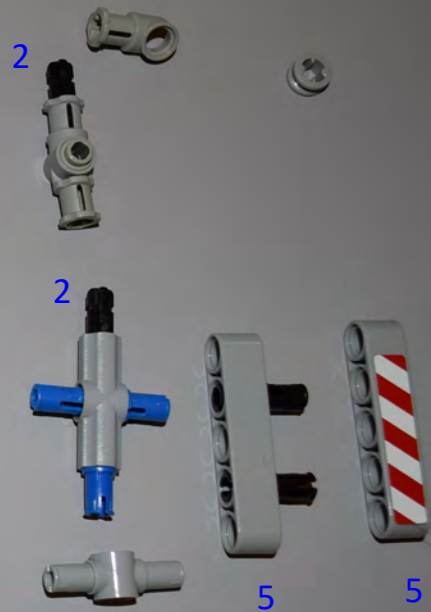
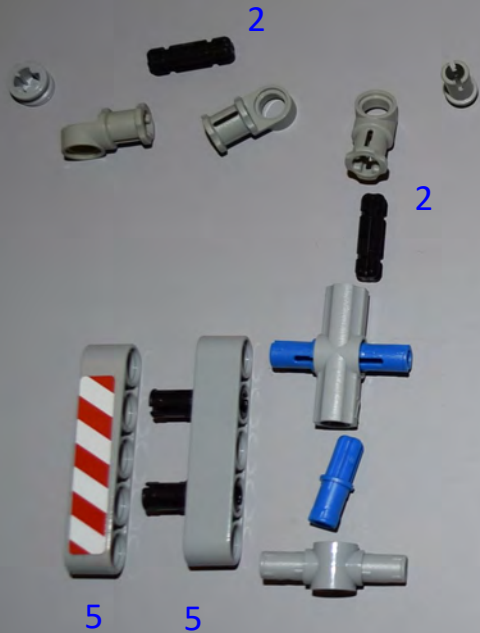
Tilting Bed - Left & right Side





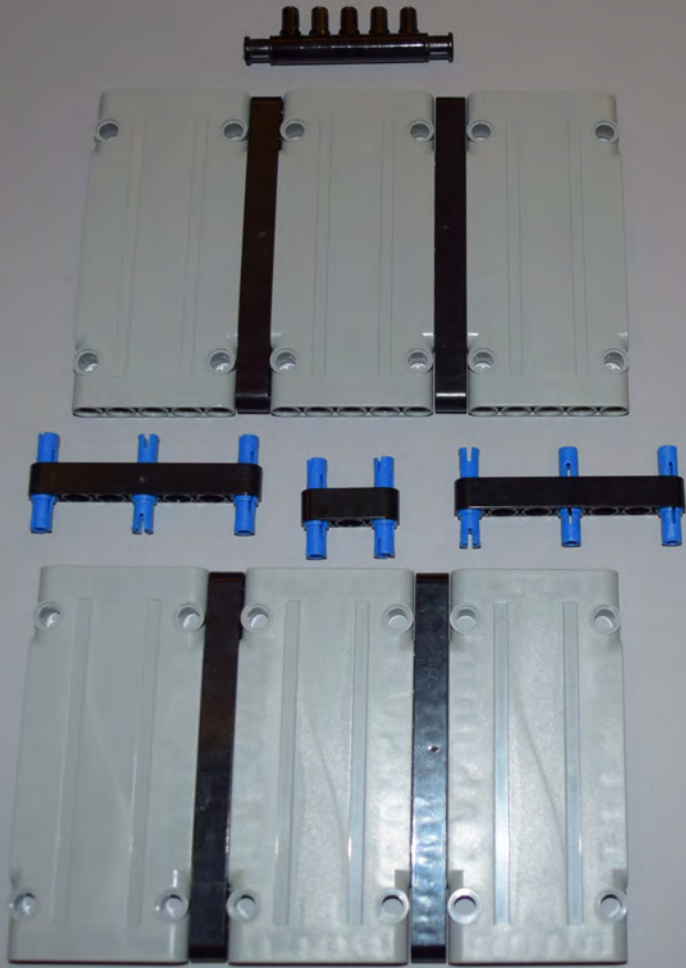


Tilting Bed - Rear

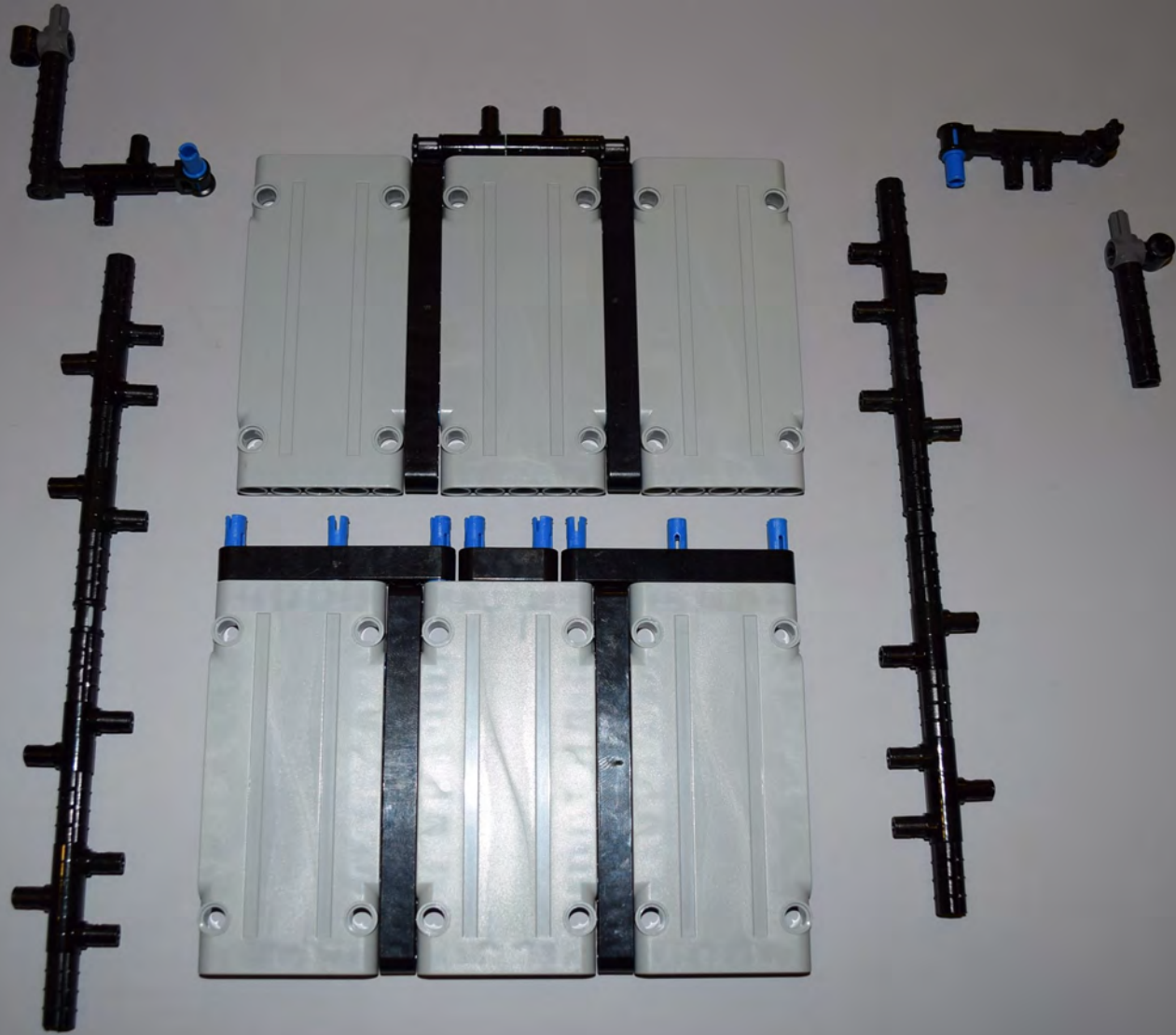


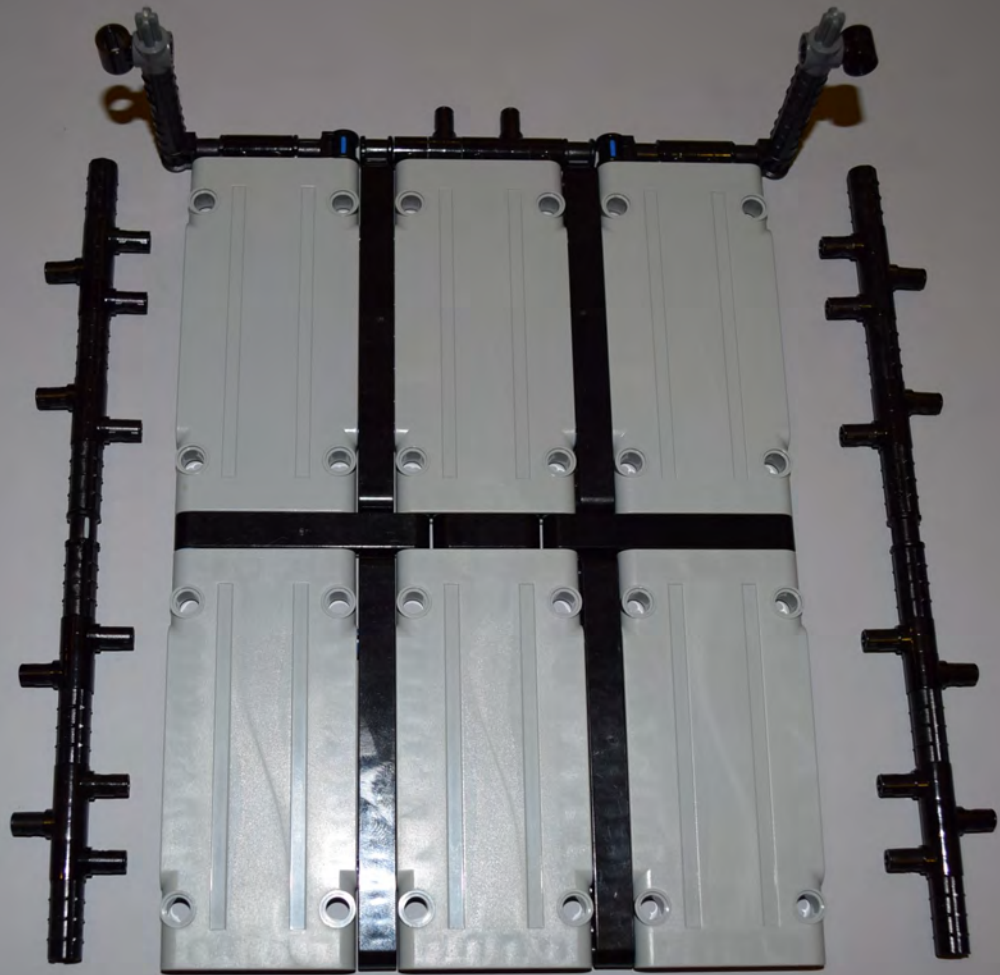










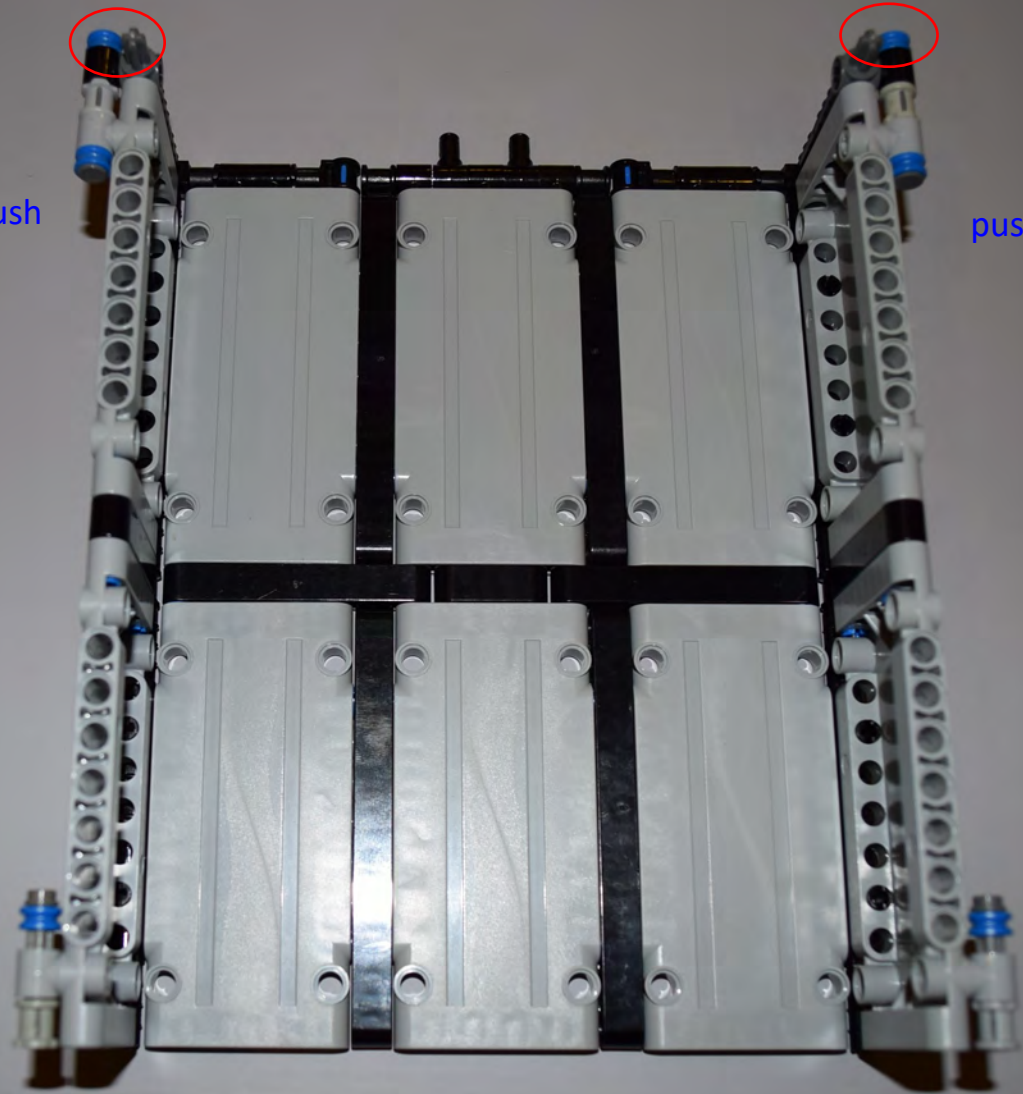




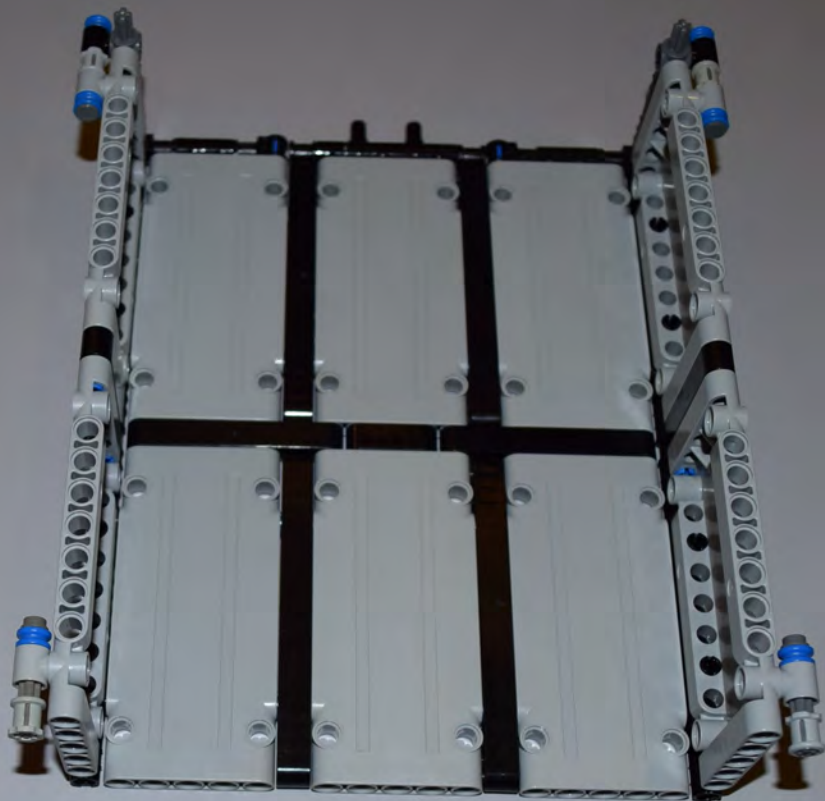




push



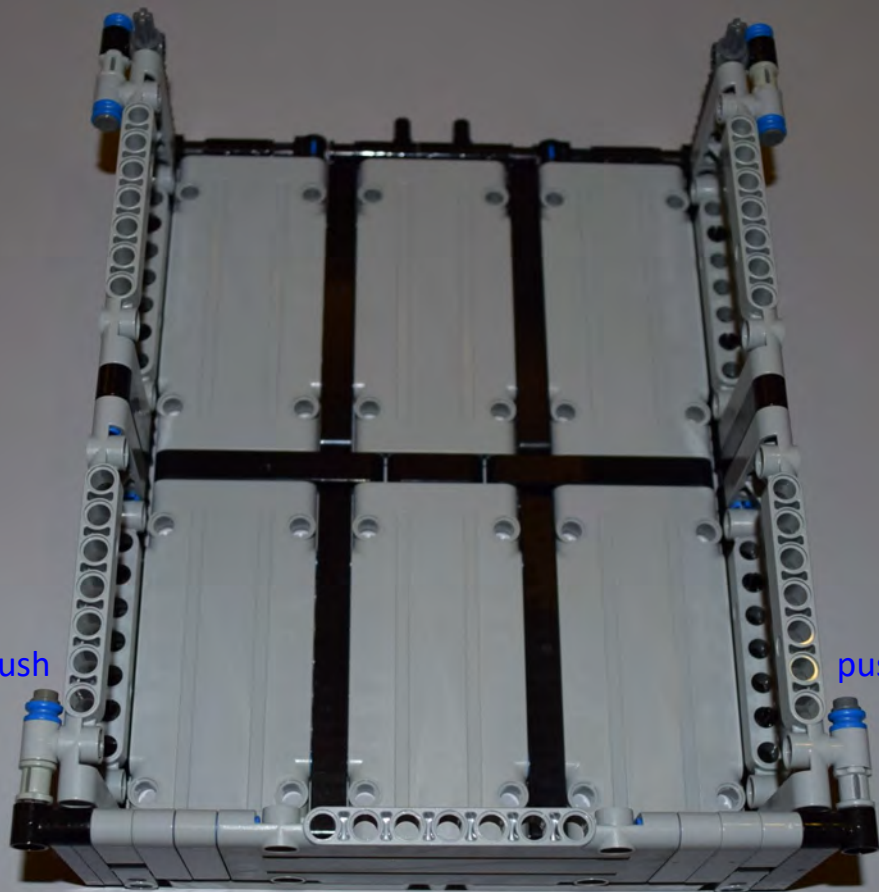
push



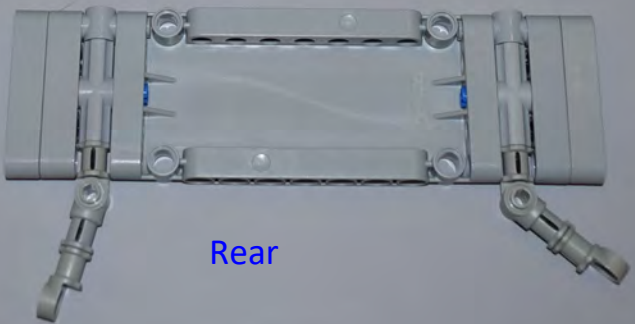
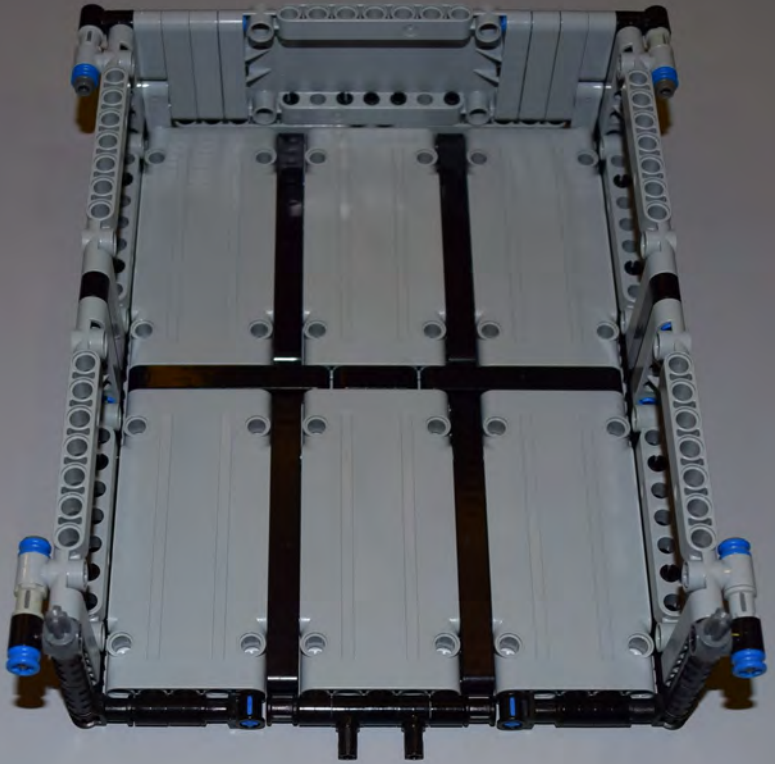
Back Side



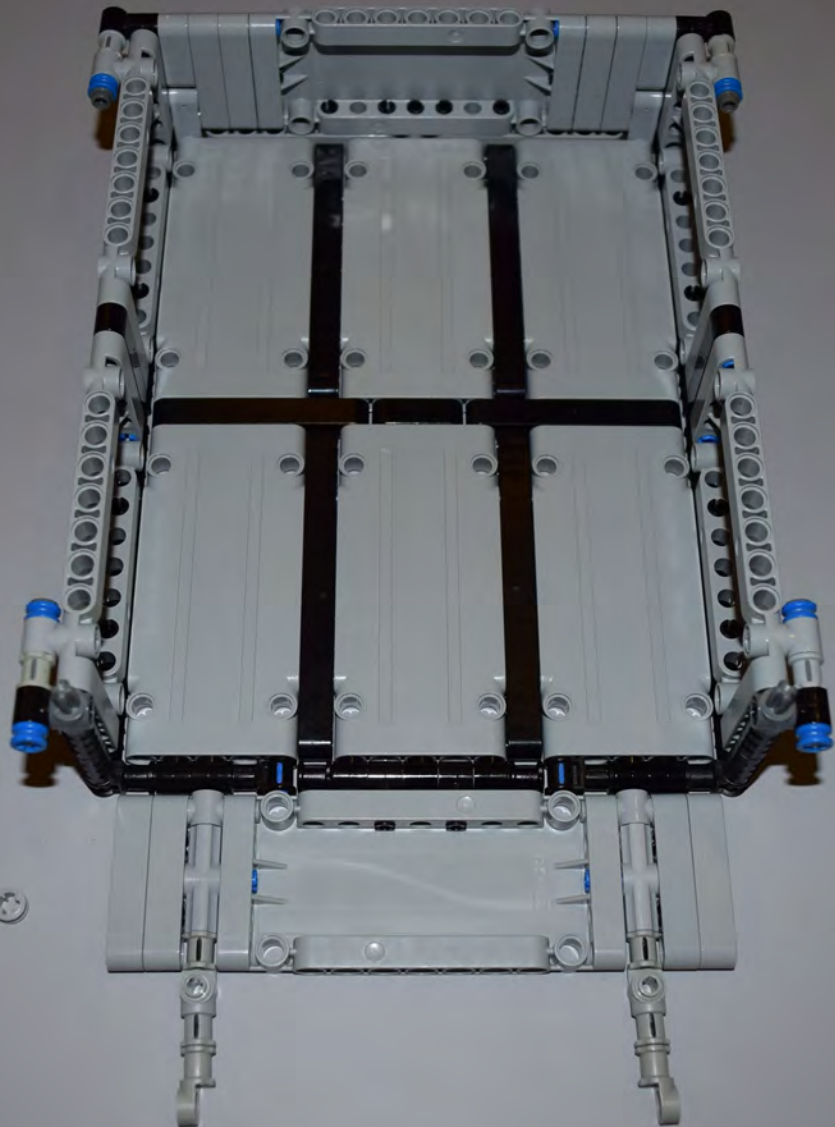
push

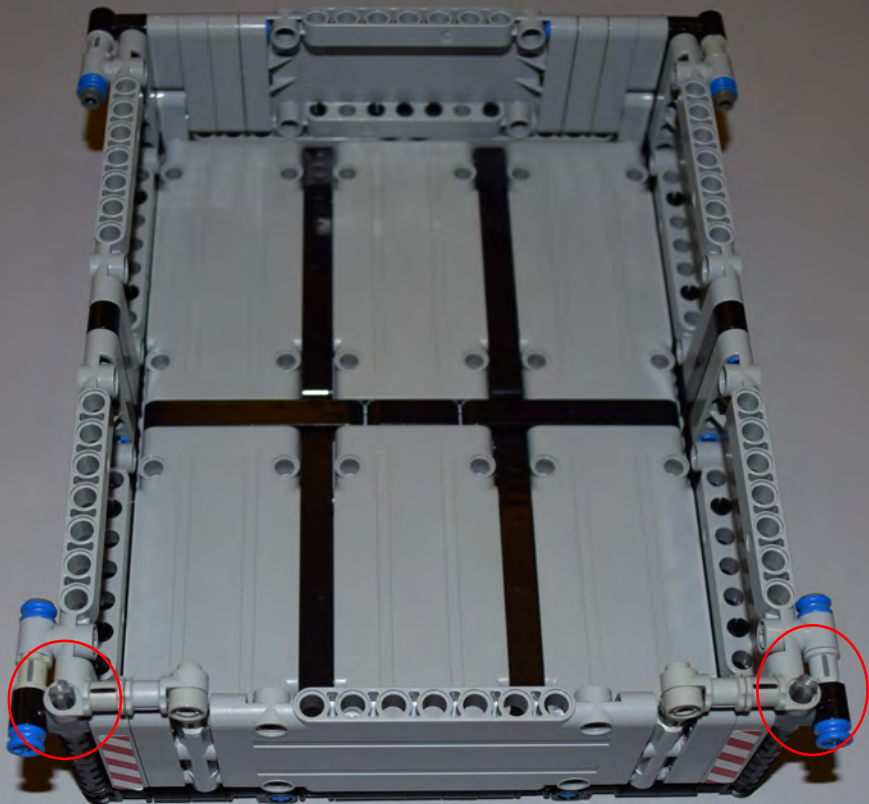


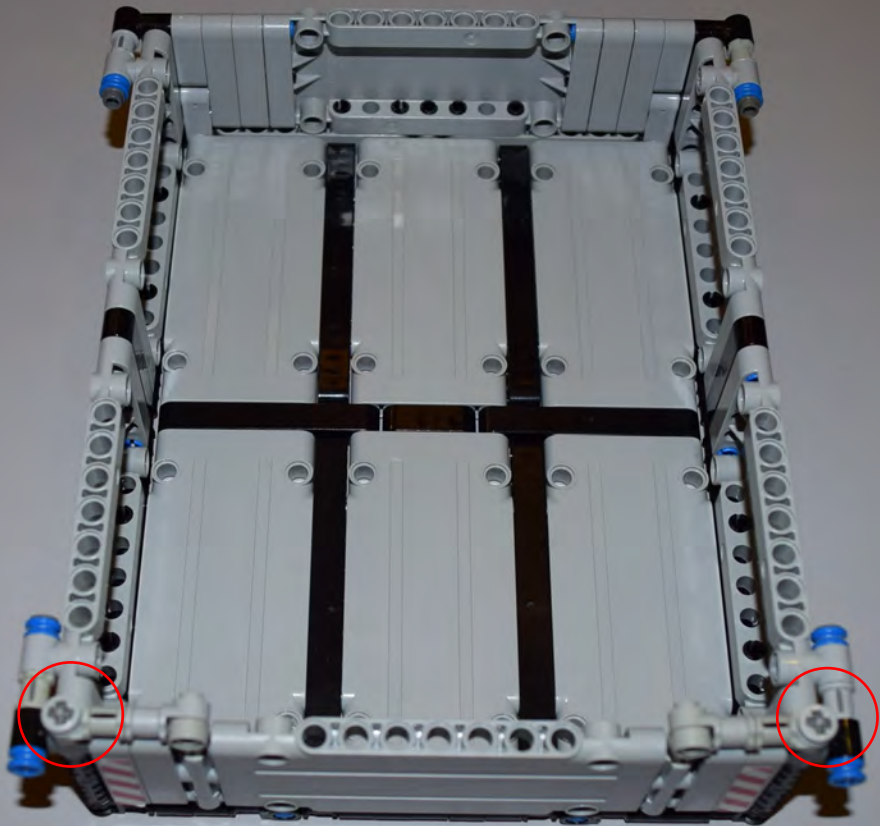
push



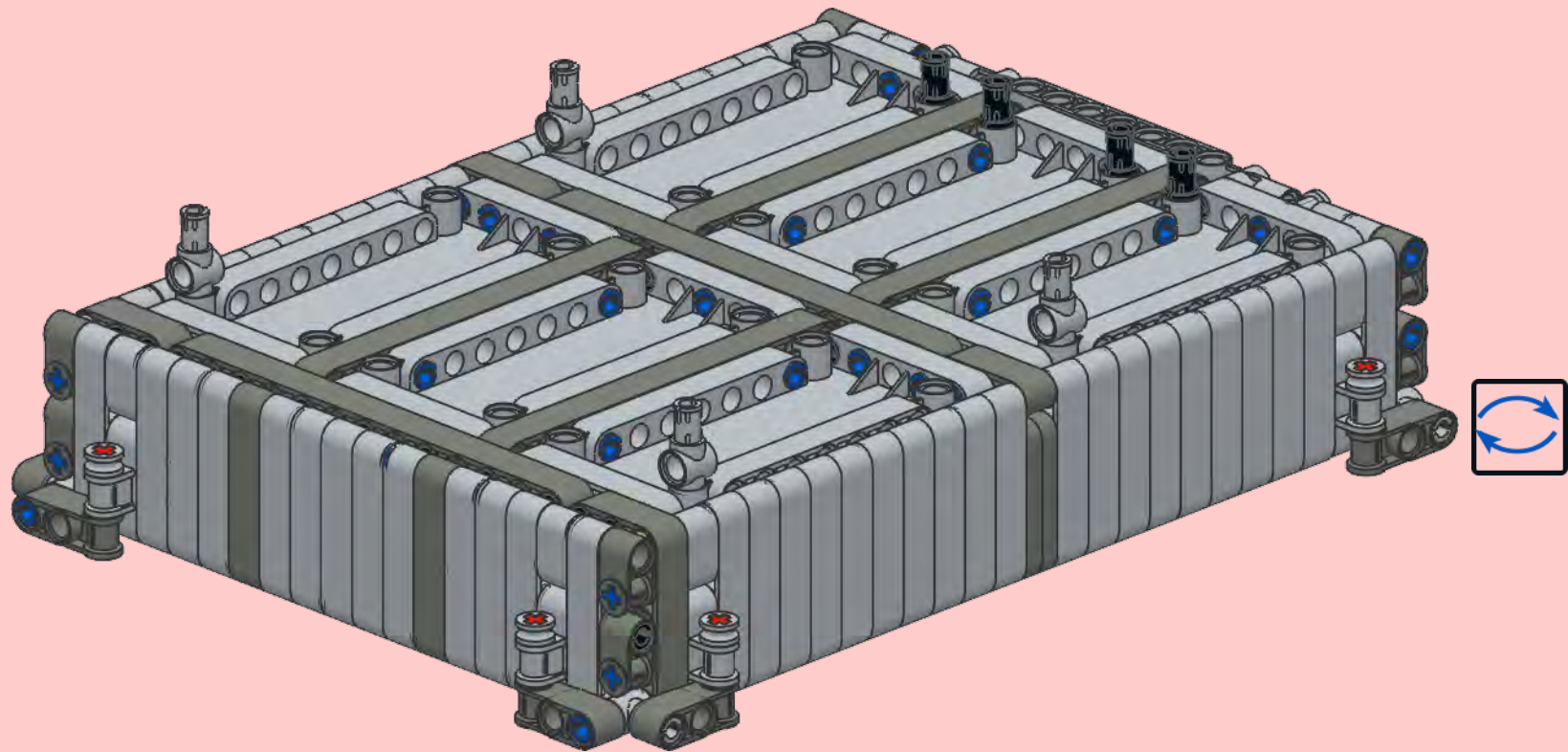
Rear





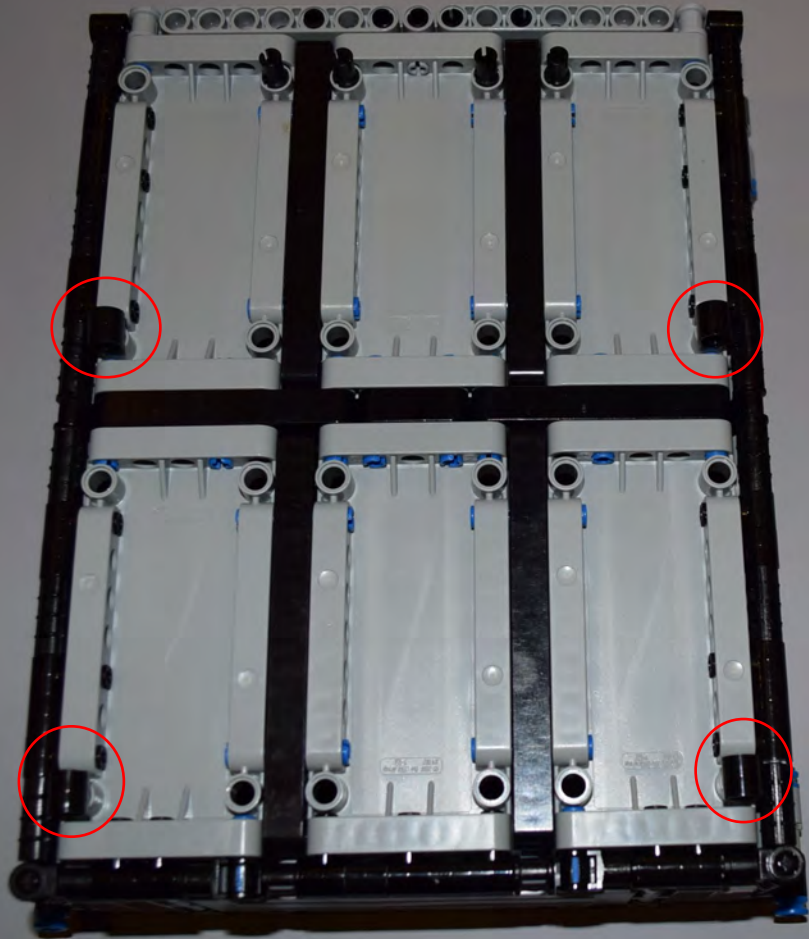


18

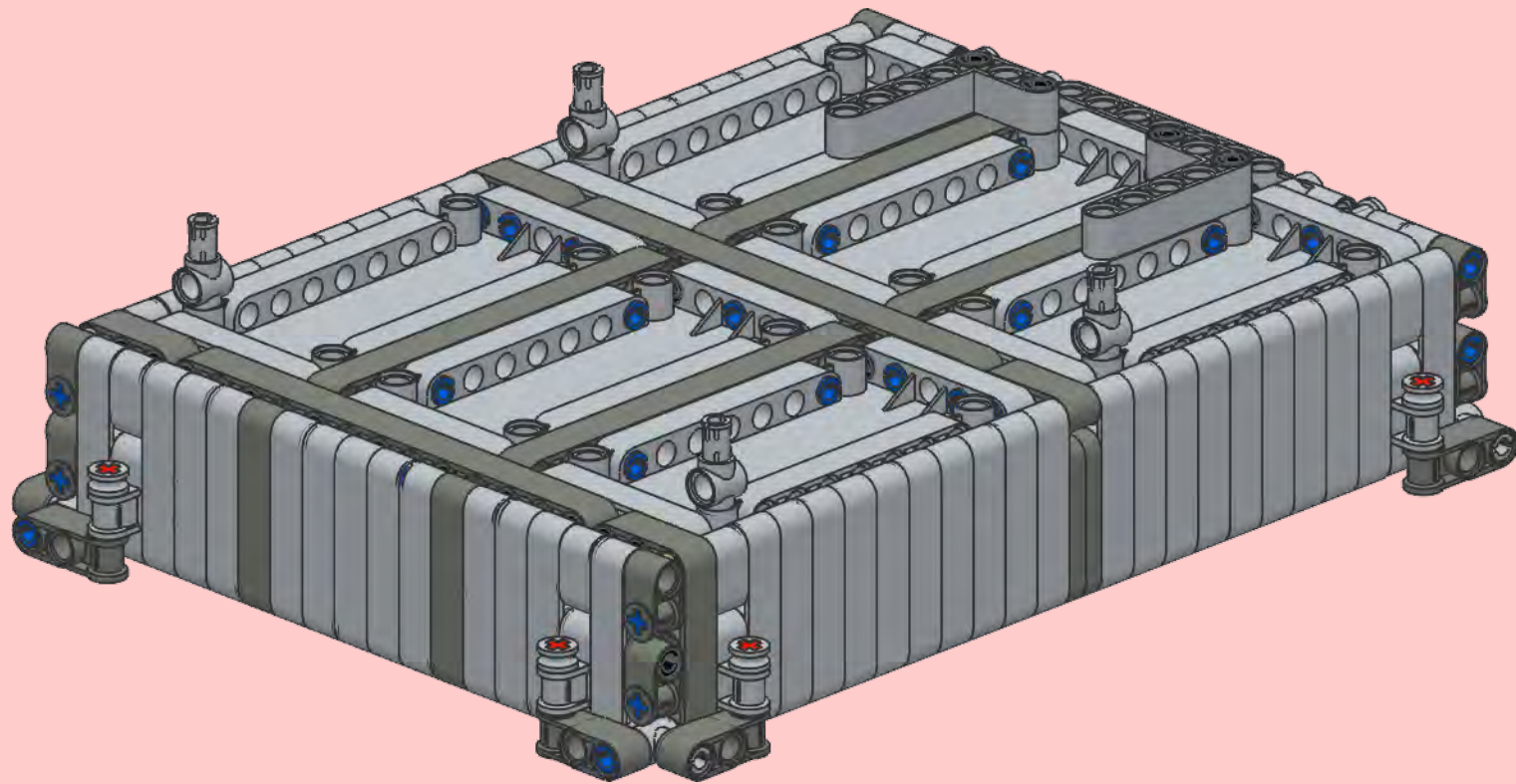


see next page





19



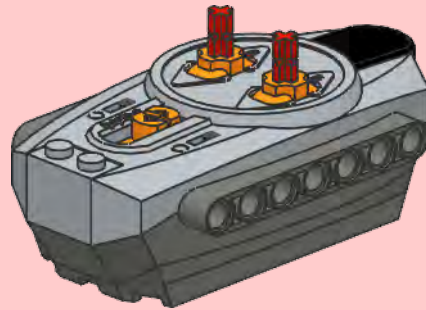
see next page



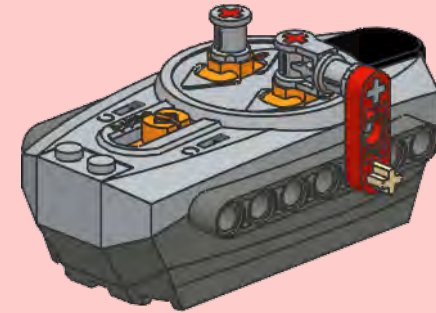
4



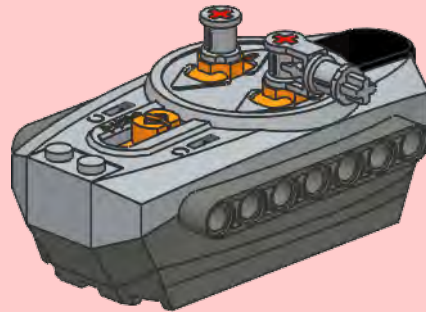
1



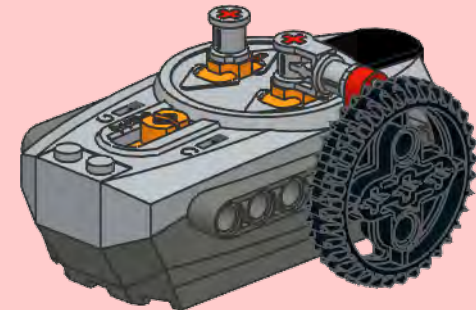
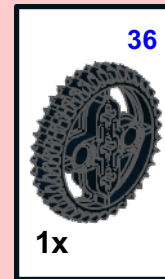
3



2



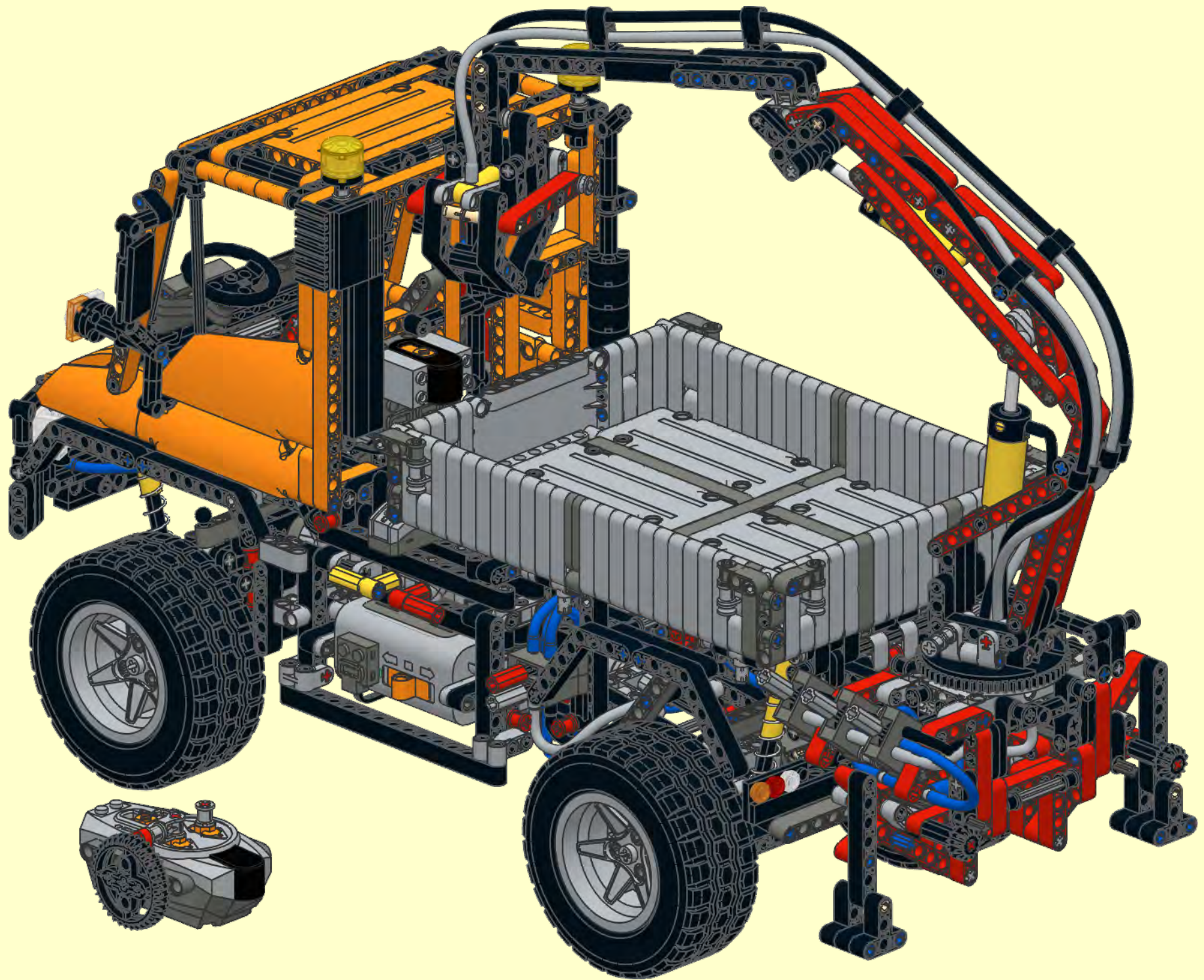
4



5



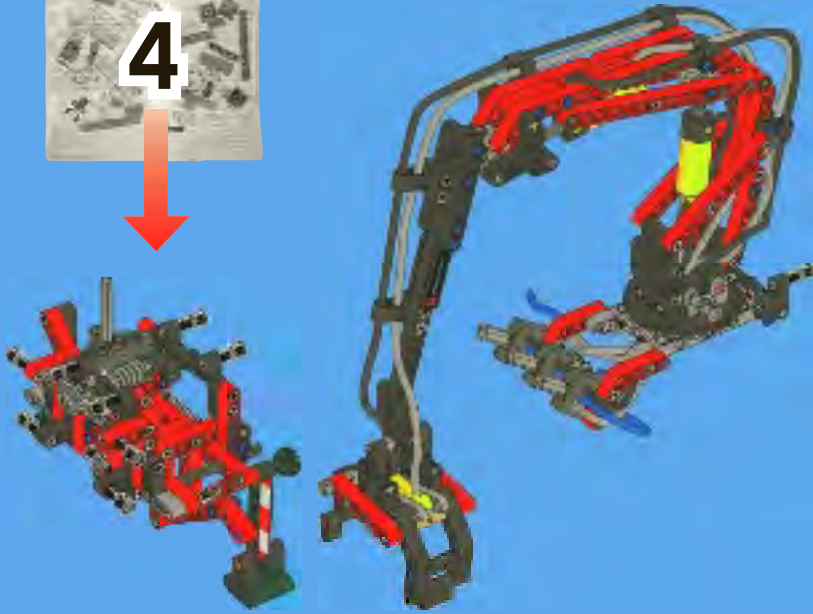
6



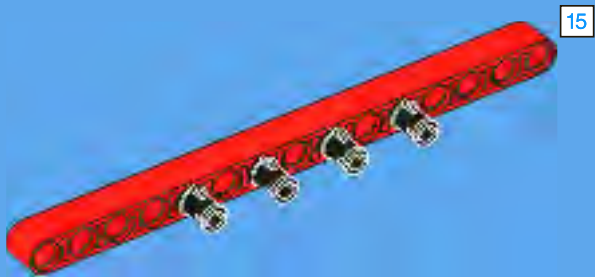
Crane Lego instruction



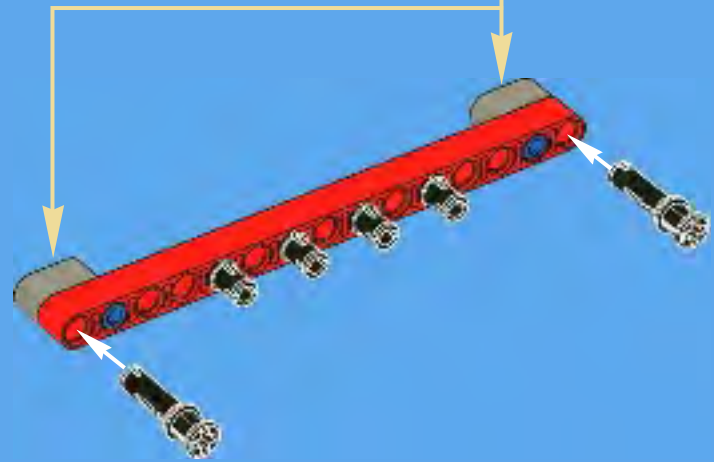
4



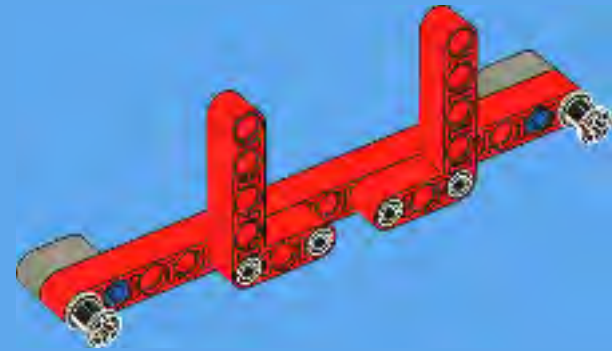
1



2



3



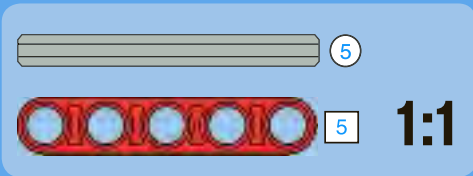
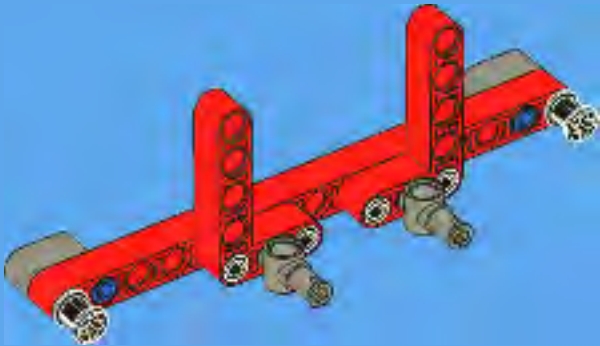


2x

replace with 3 blue pin
and dark grey spacer

4

see next page



blue



2x



2x



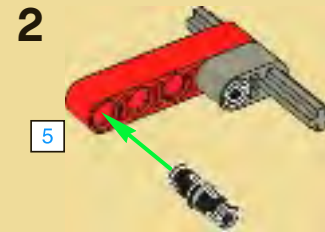
2x



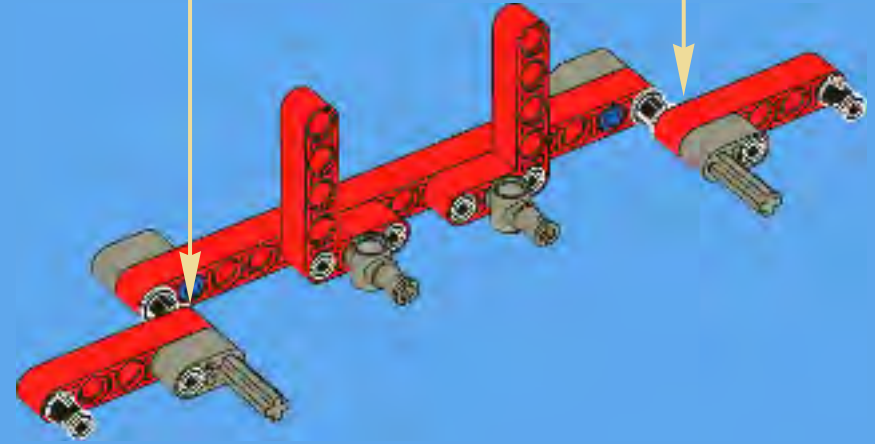
4x

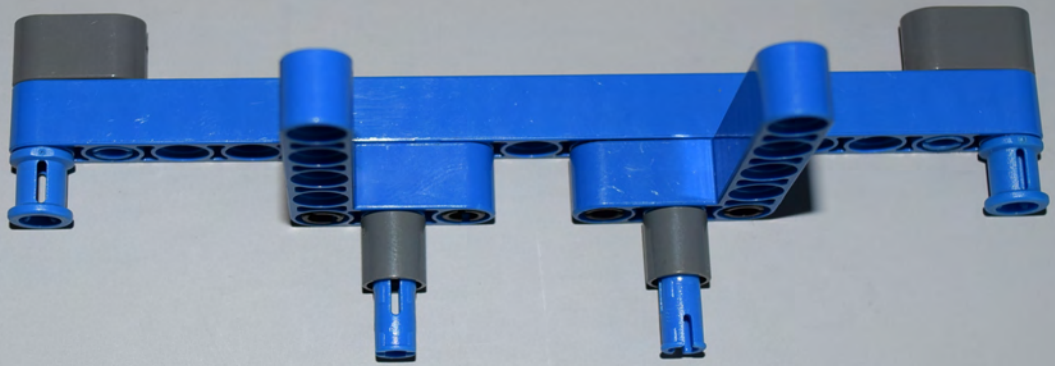
dark grey

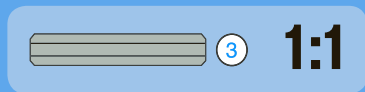
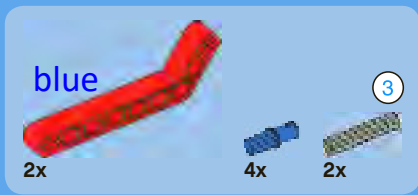
5



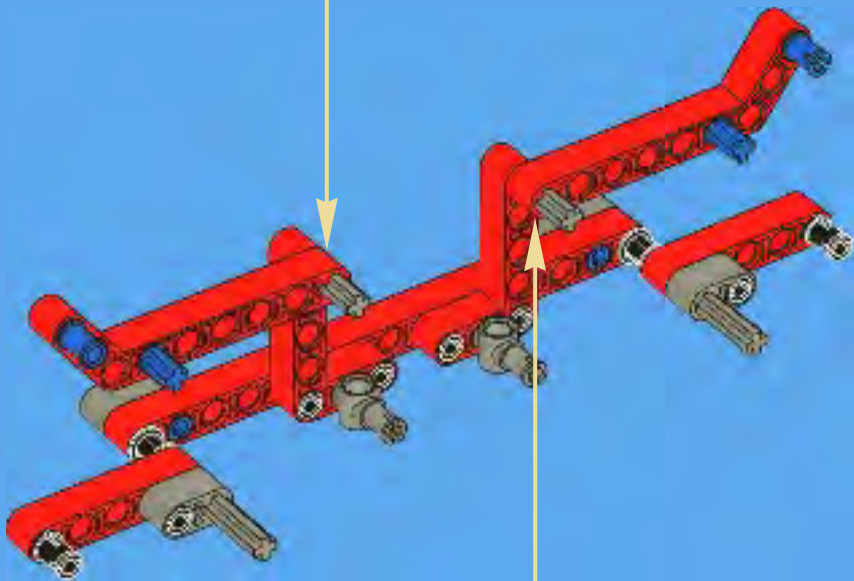
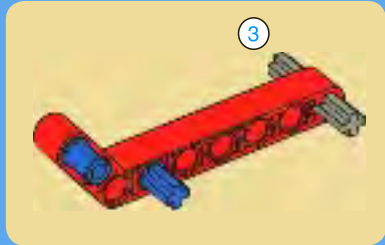
2x



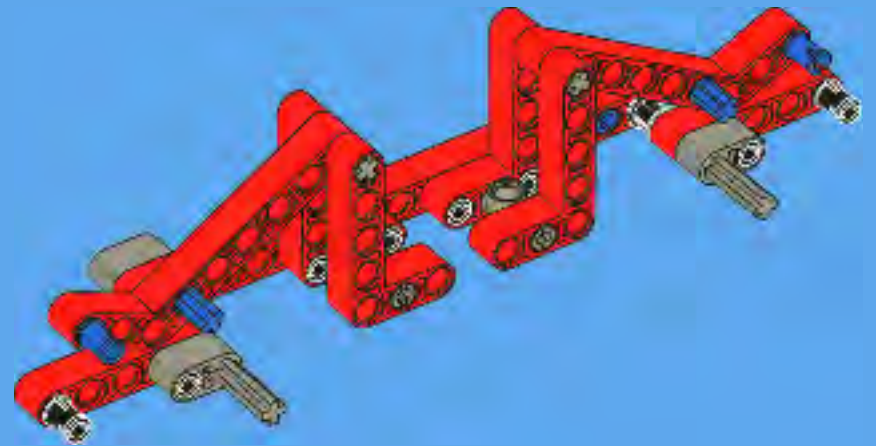




6

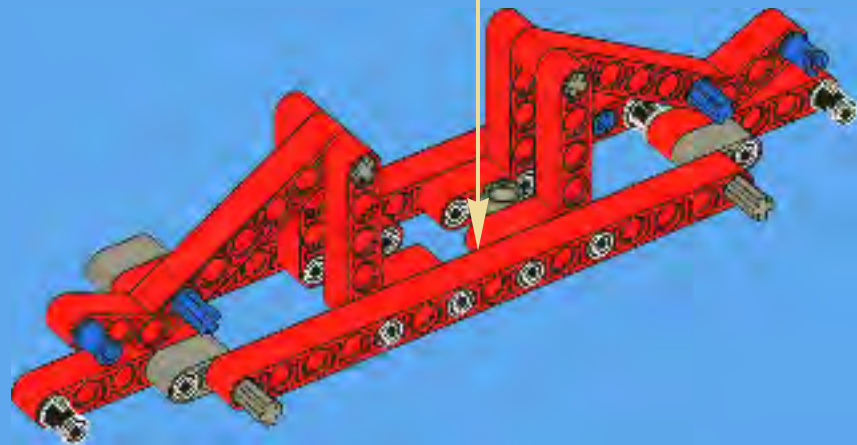


7

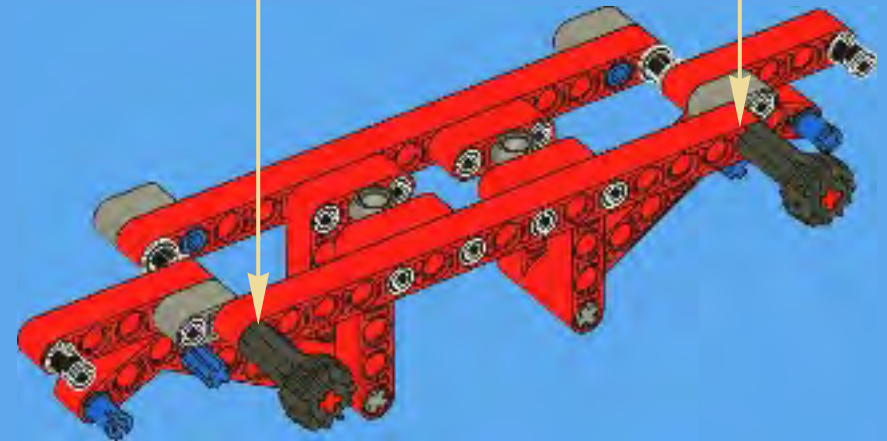




8



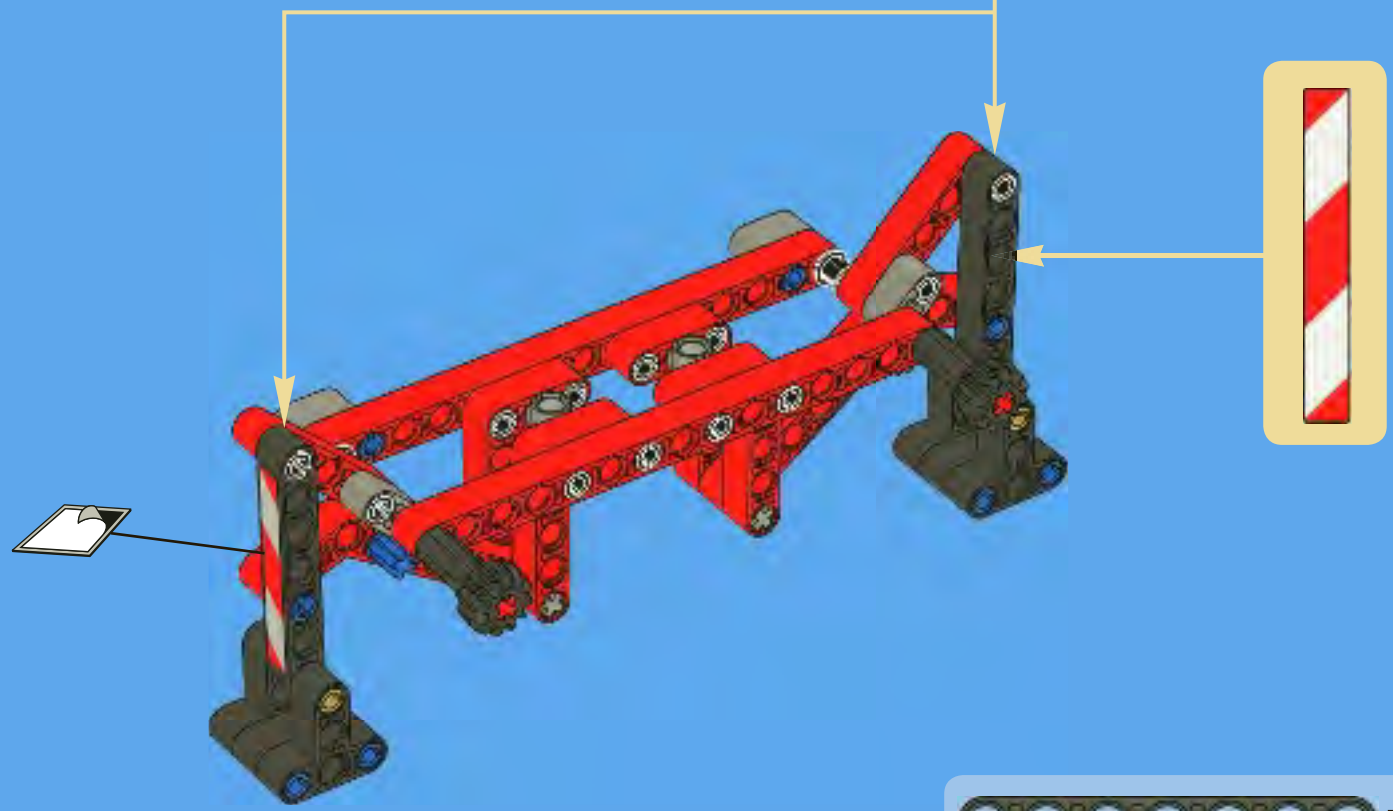
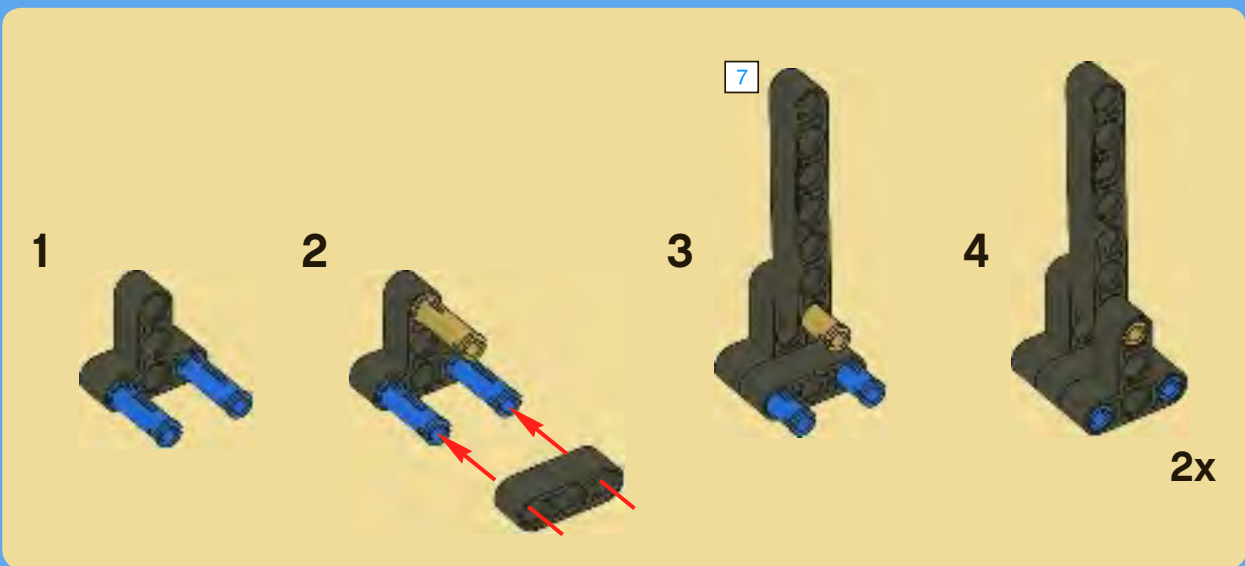
9

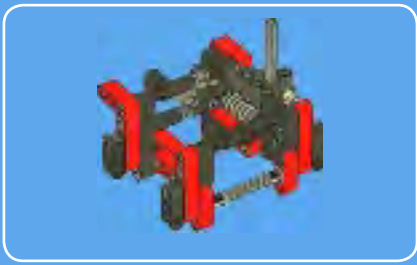



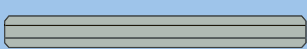


10

light grey





 ③
 ⑤ **1:1**

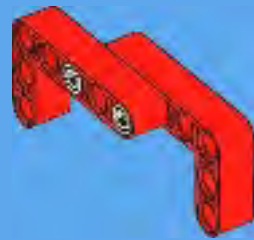
 2x
 1x



1



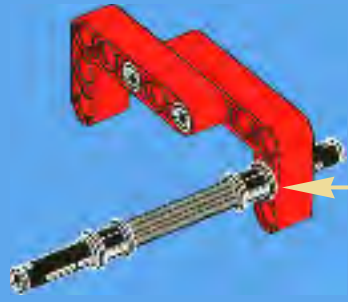
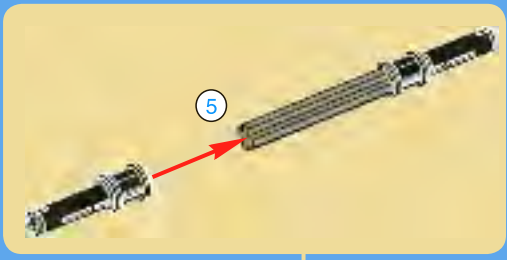
 1x **dark grey**

2



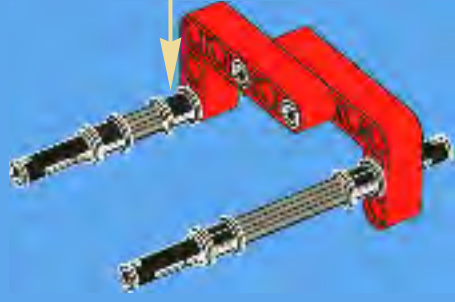
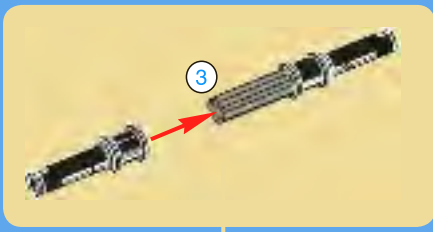
blue
 2x
 ⑤ 1x

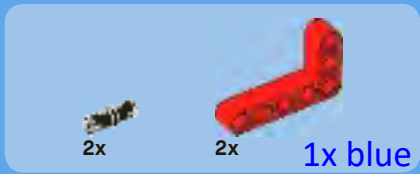
3



blue
 2x
 ③ 1x

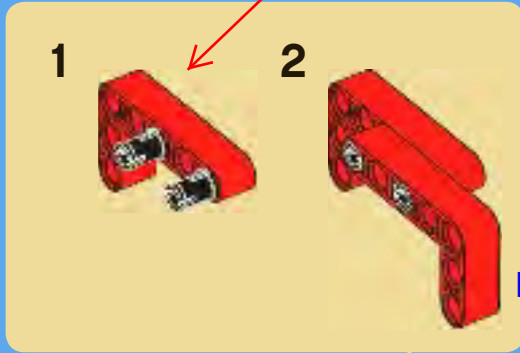
4



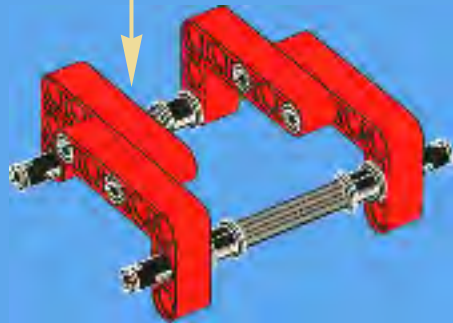


5

1x blue & 1x dark grey

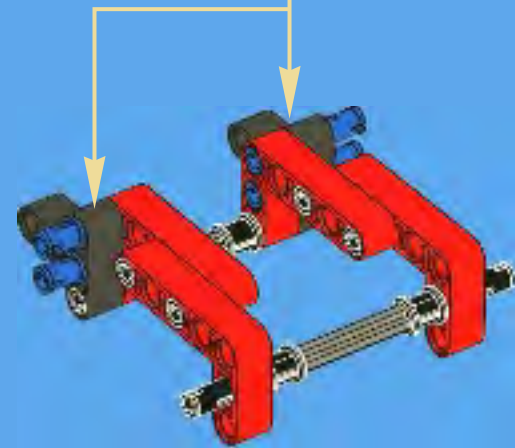


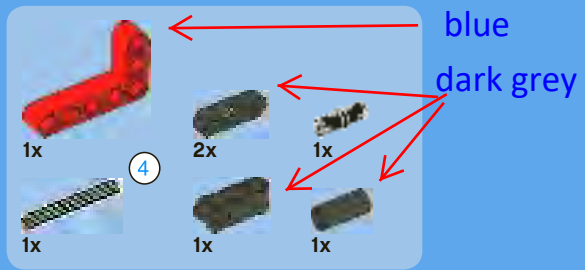
blue



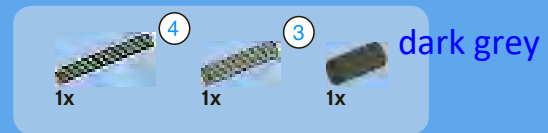
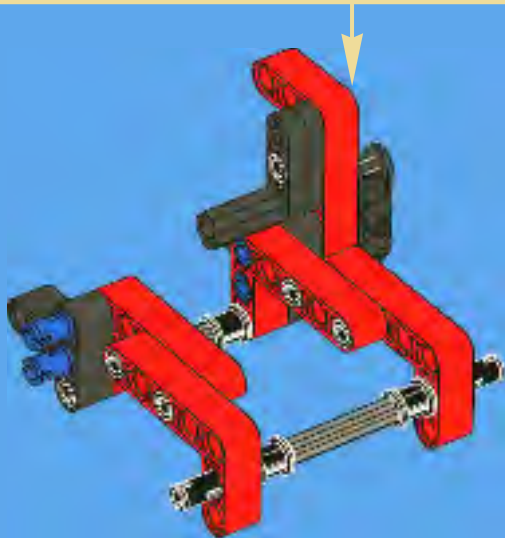
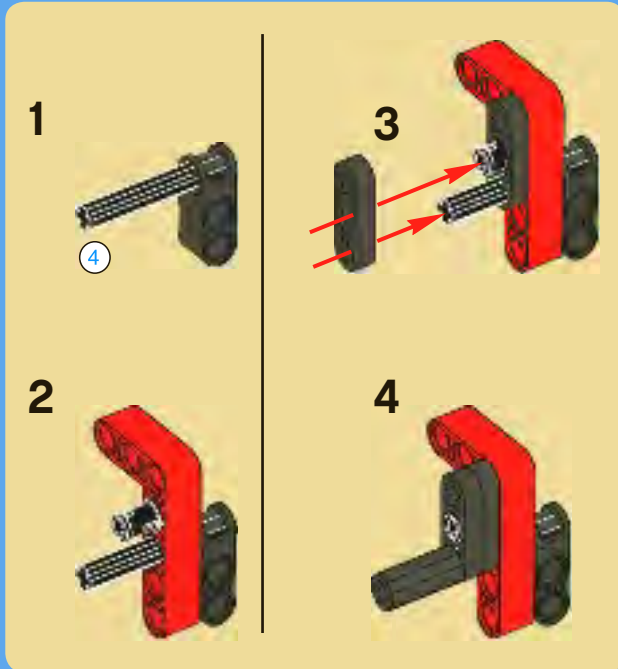
6

dark grey

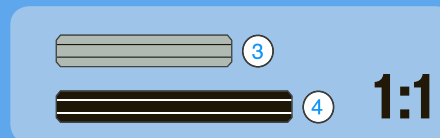
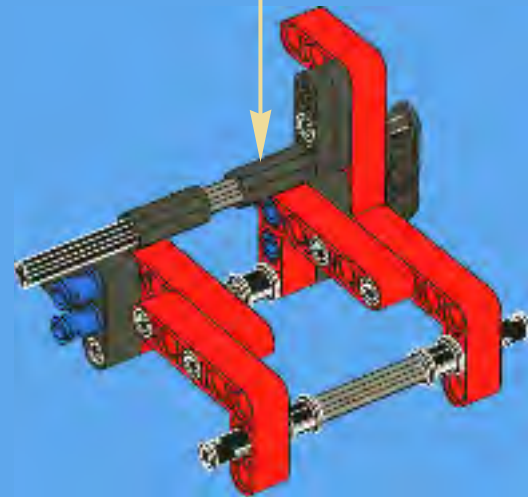
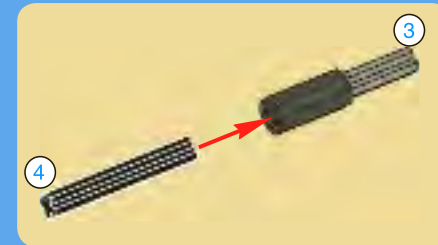


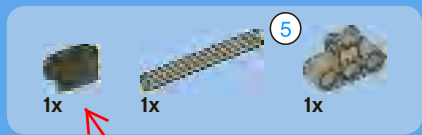


7

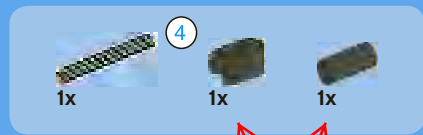
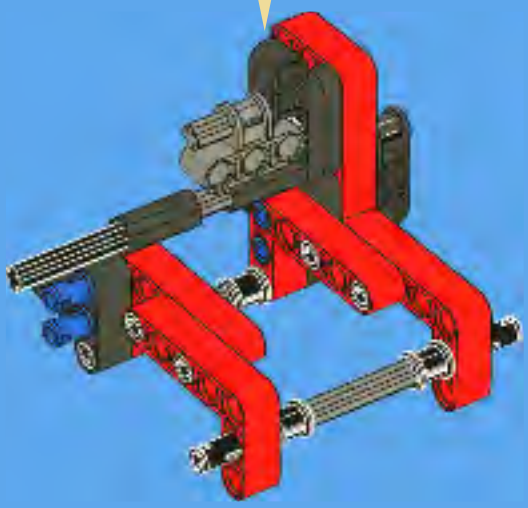
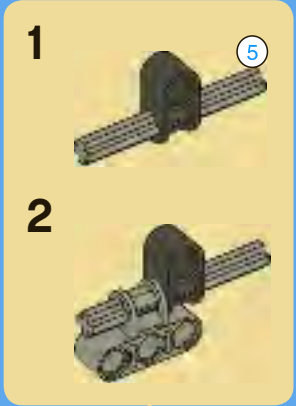
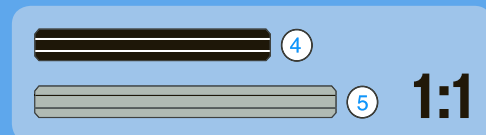


8

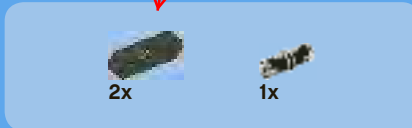
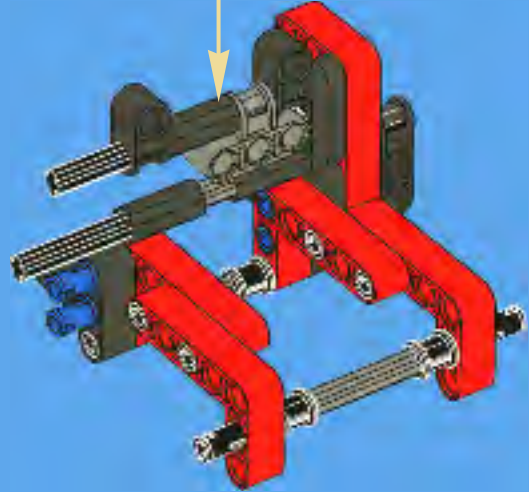
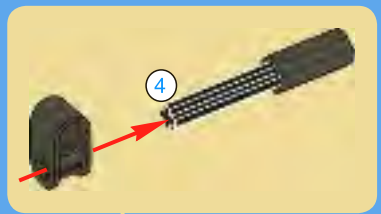




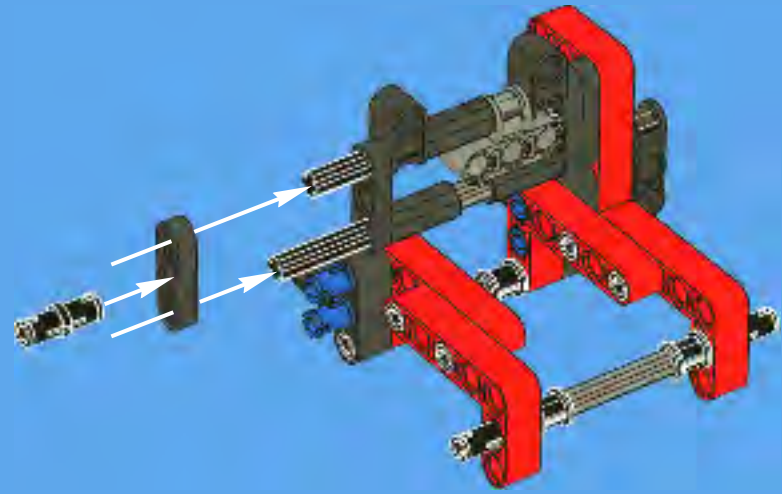
9 dark grey



10 dark grey

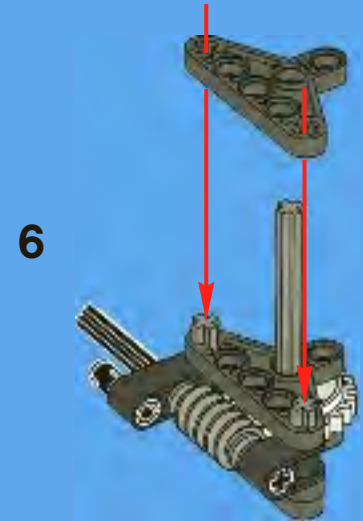
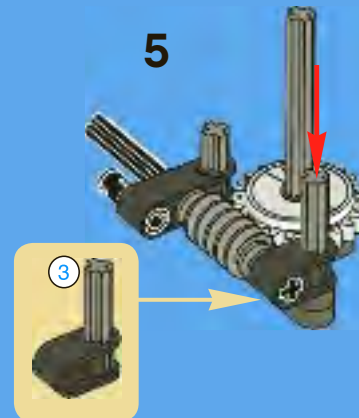
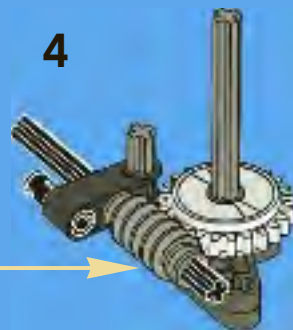
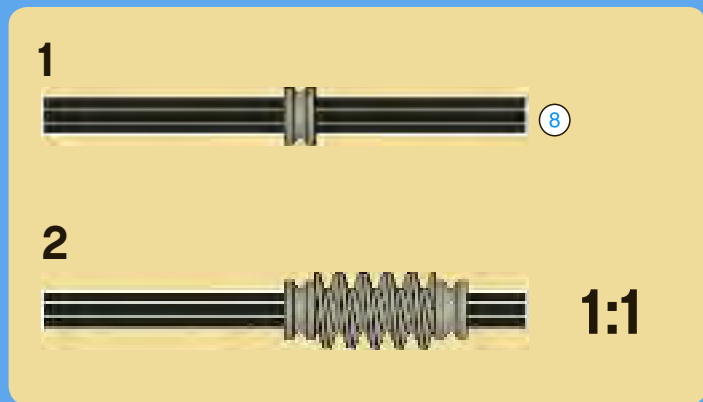
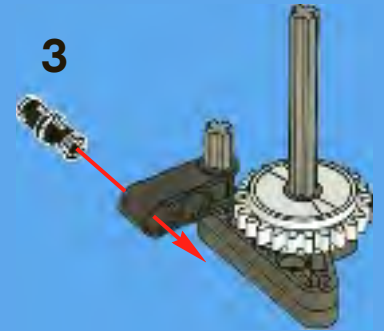
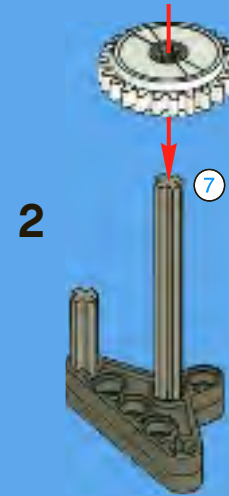
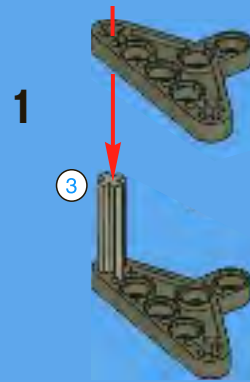


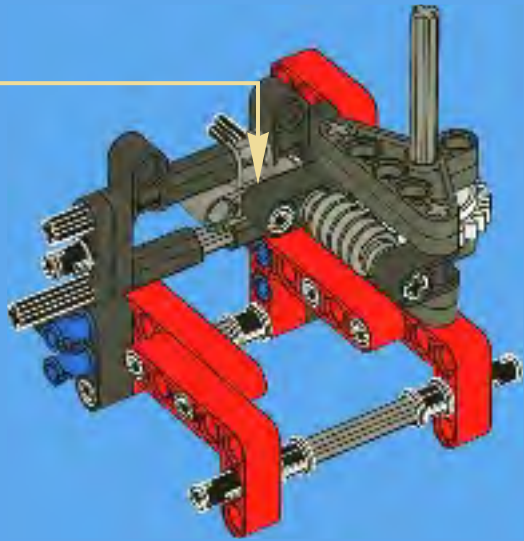
11



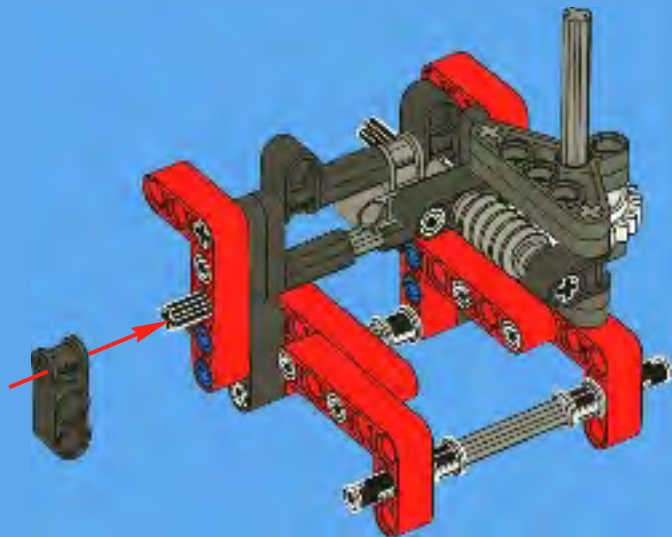


12

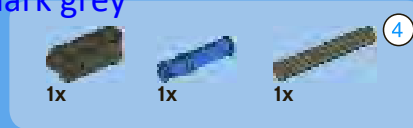




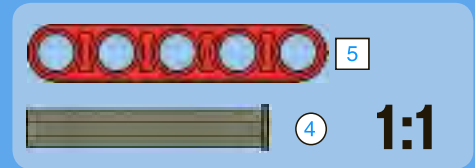
13



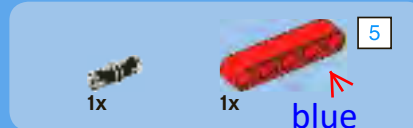
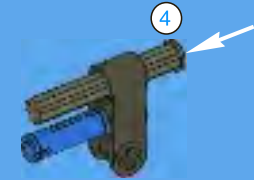
dark grey



1

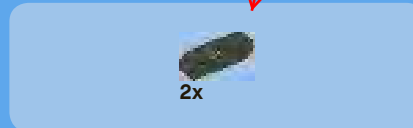
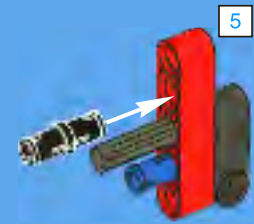


1:1

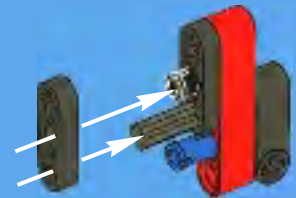


blue

2



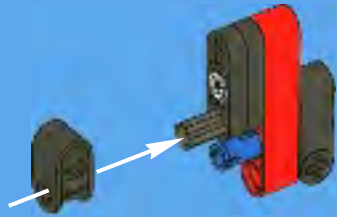
3



1x blue

④ 1:1

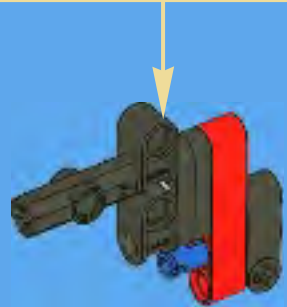
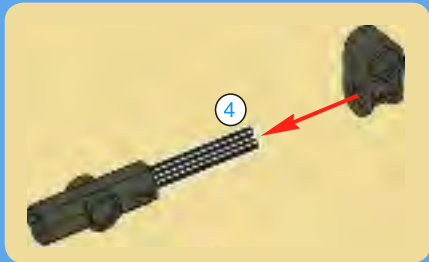
4



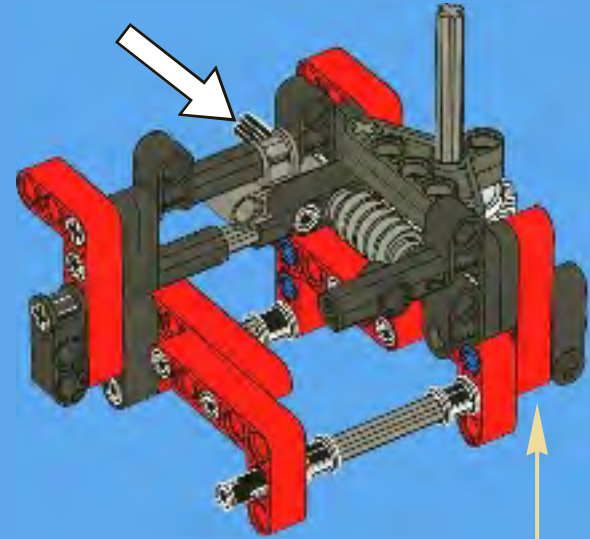
blue

④ 1x 1x 1x

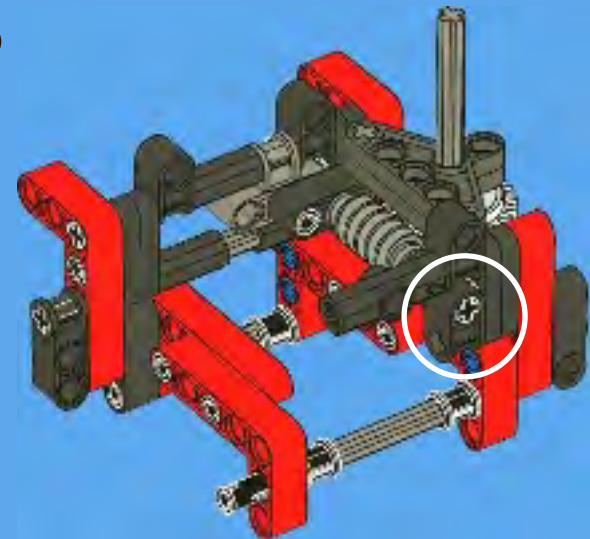
5

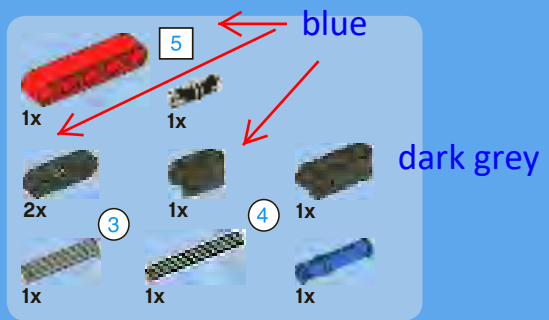


14

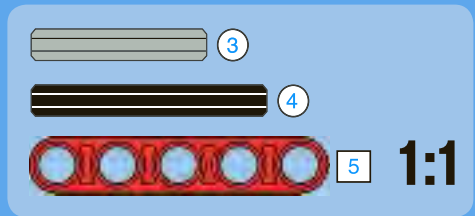
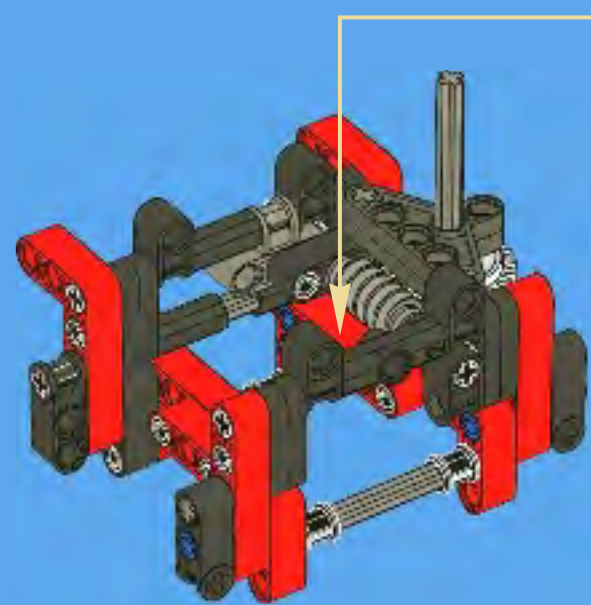
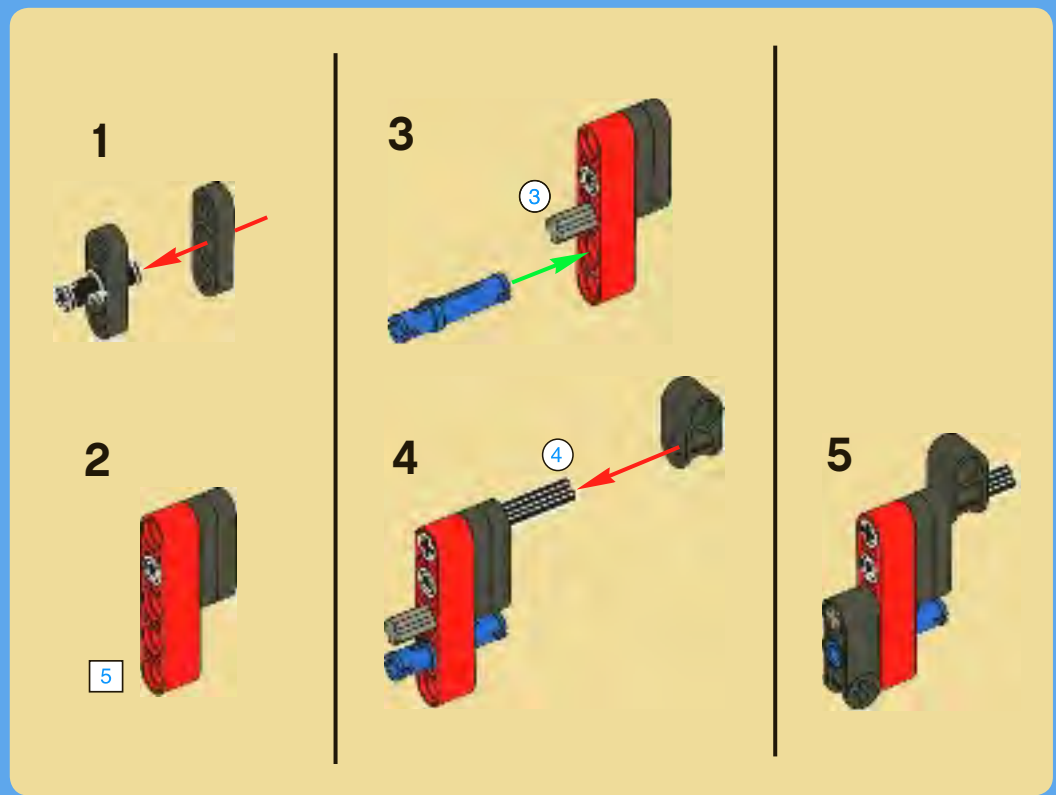


15





16

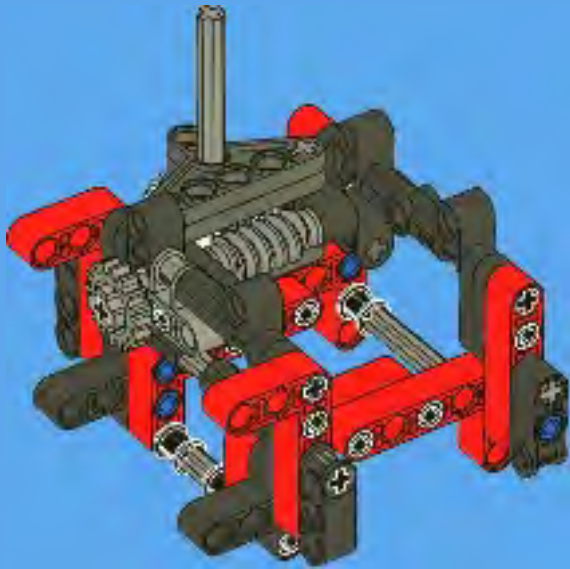




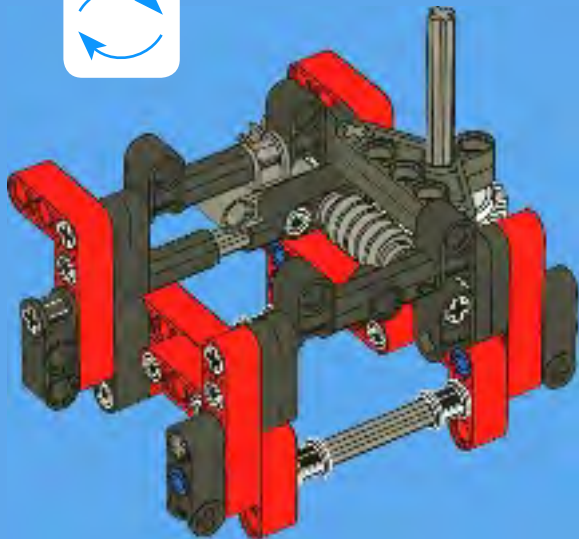
1x



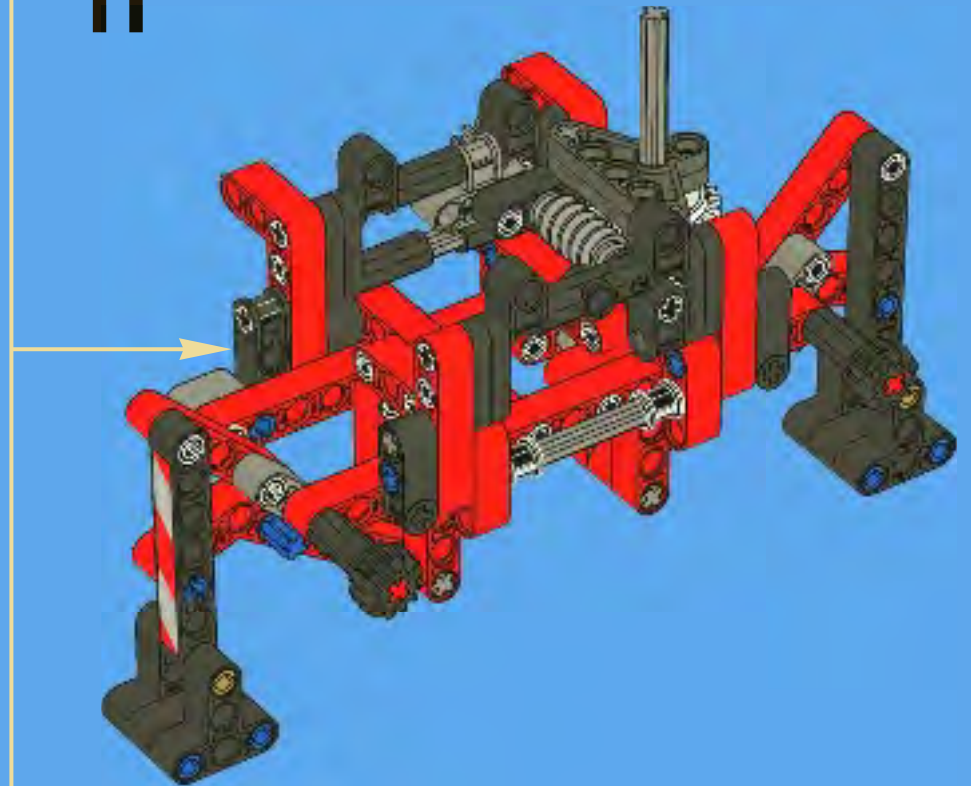
17

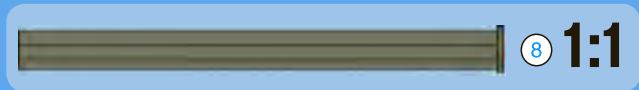


18

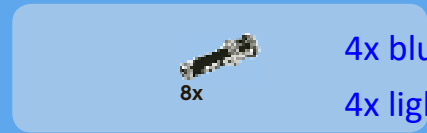
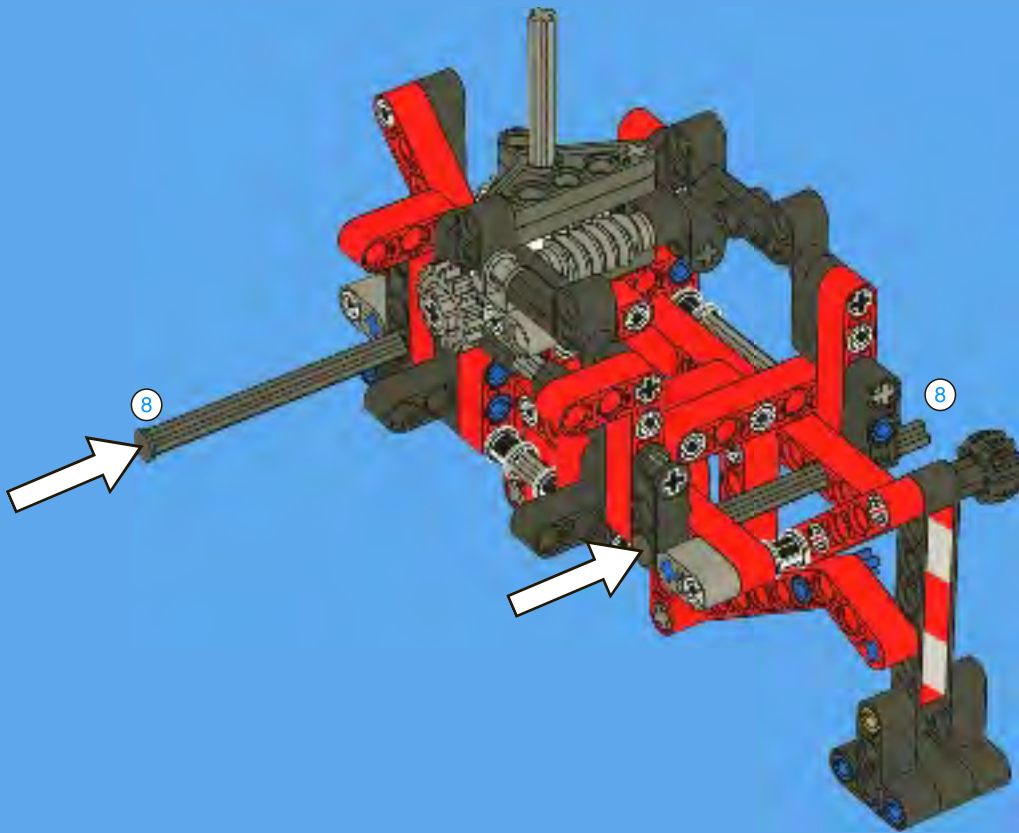


11



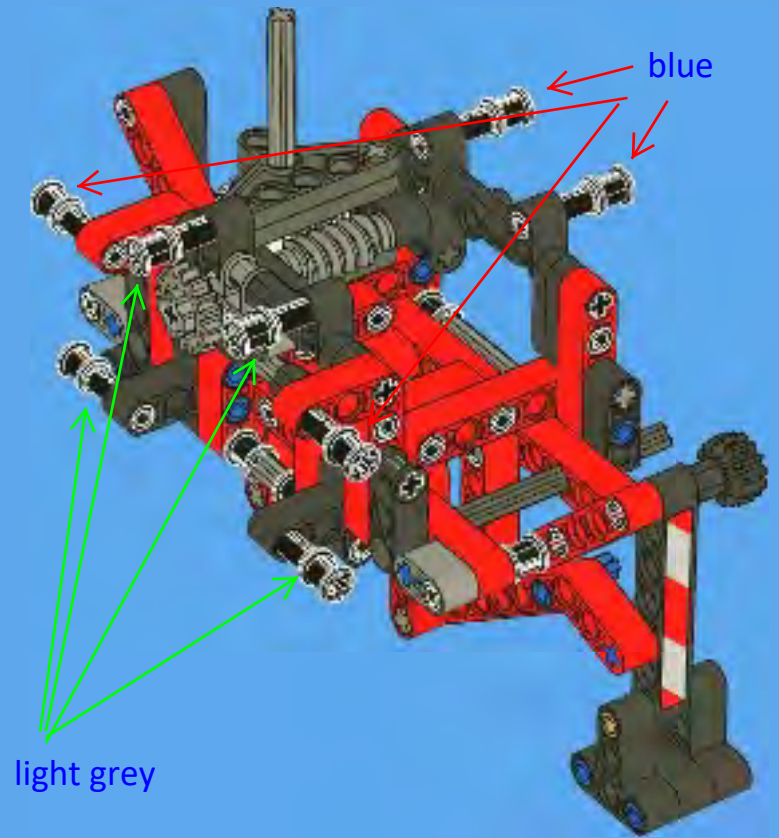


12

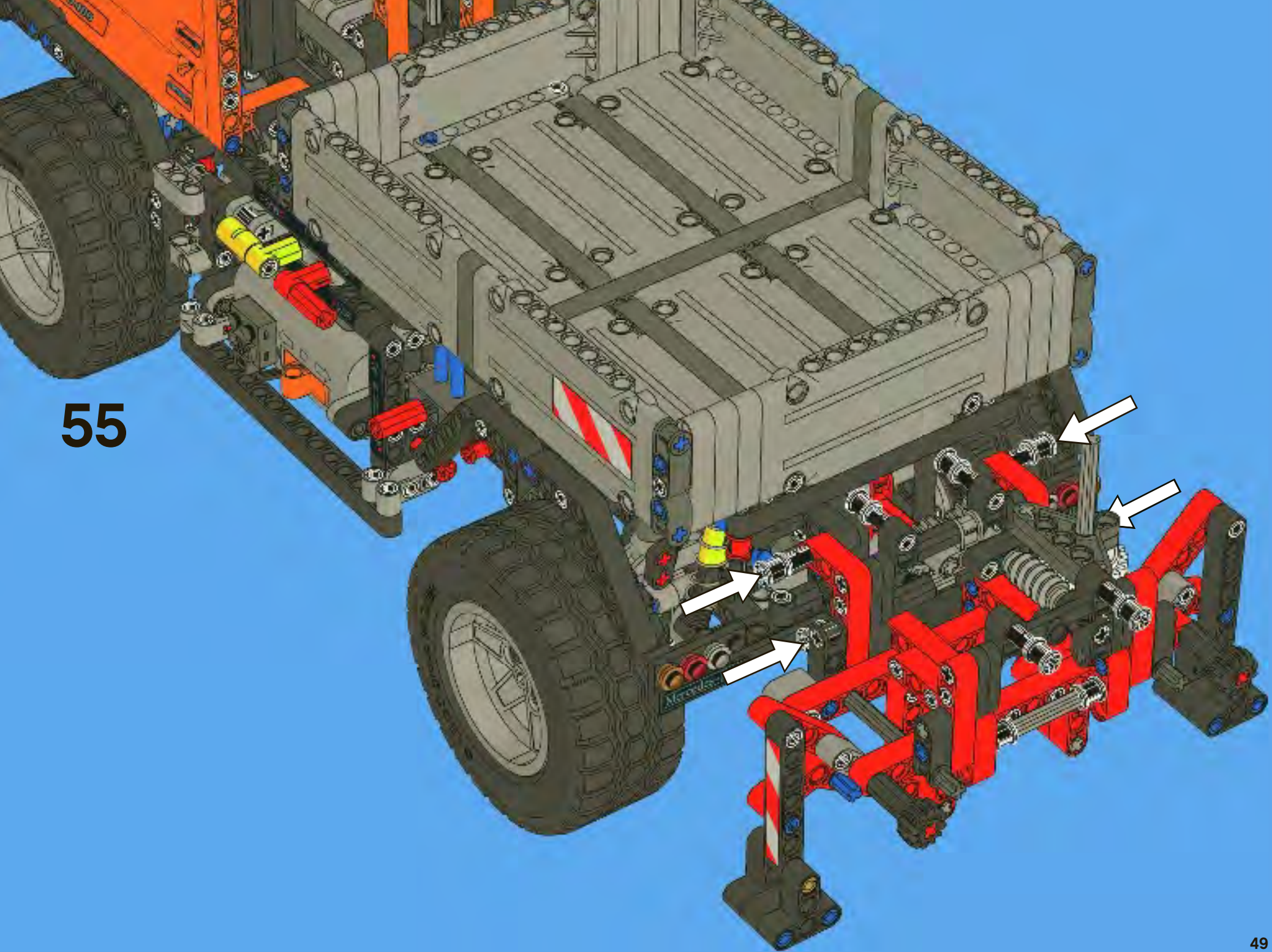


4x blue
4x light grey

13



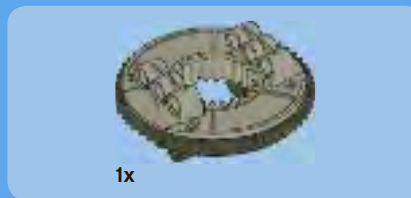
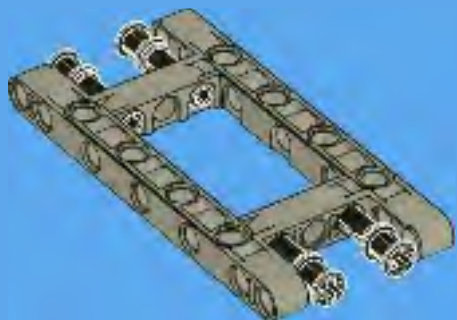
55





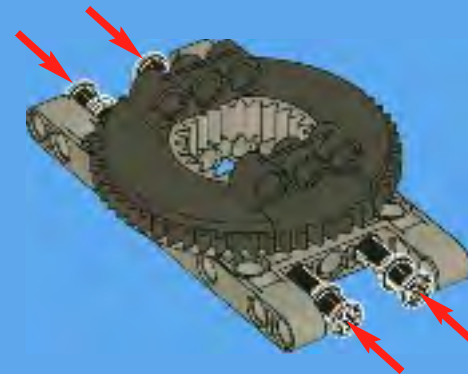
light grey

1



1x

2

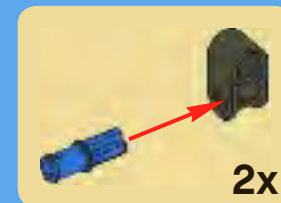


2x

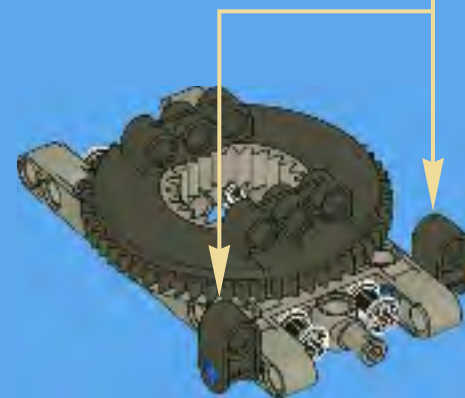
2x

1x

3



2x

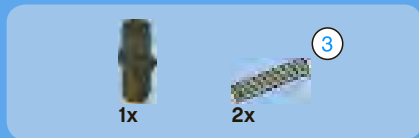
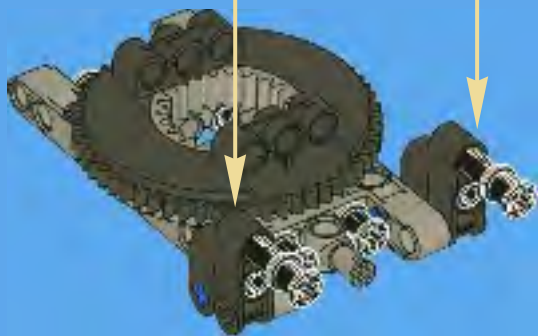




4

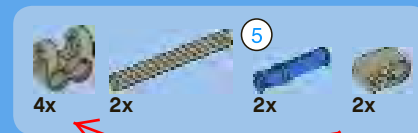
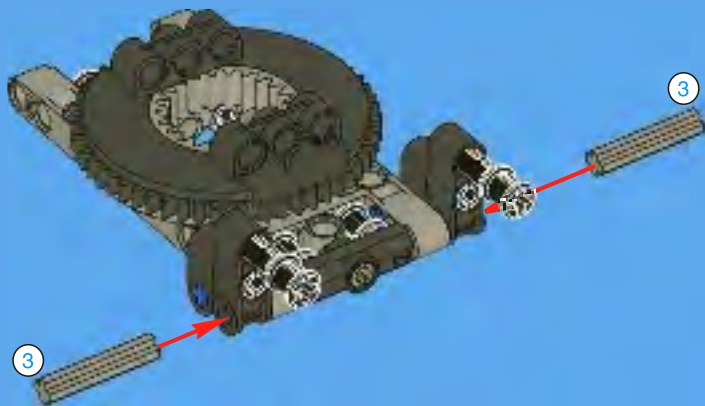
blue

dark grey



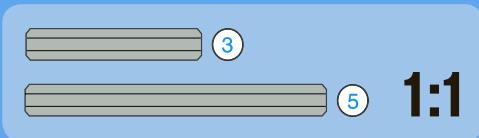
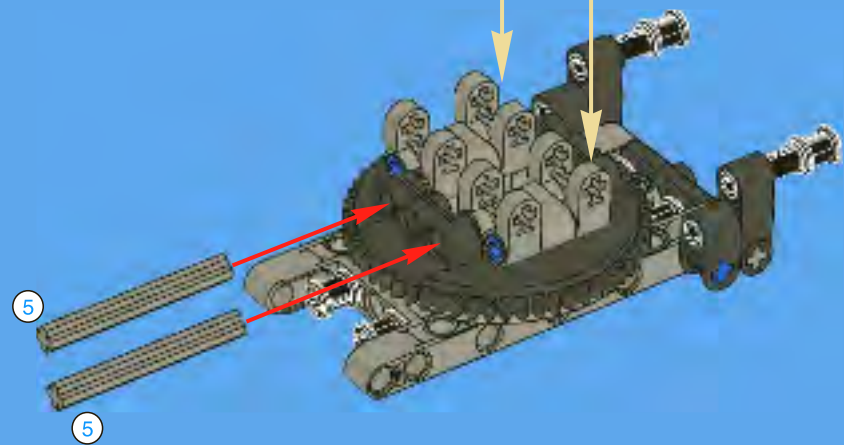
5

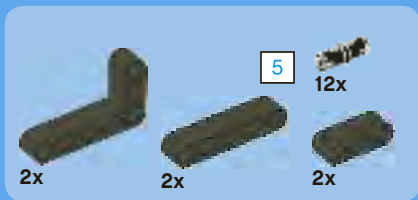
light grey



6

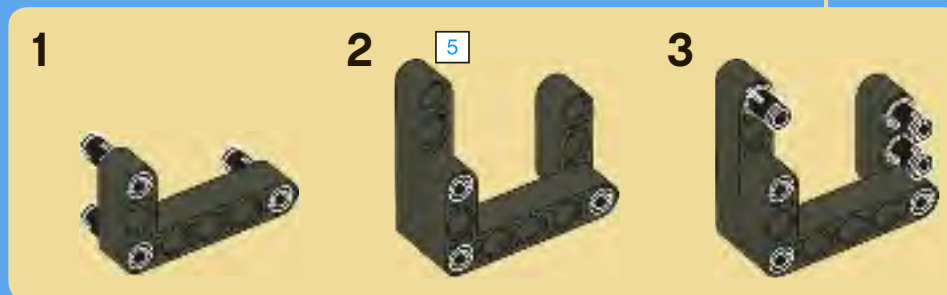
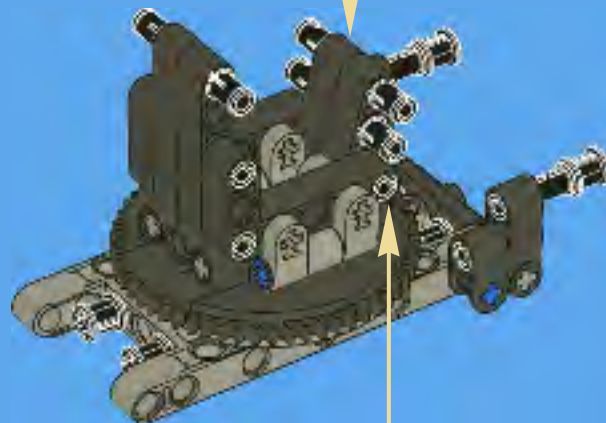
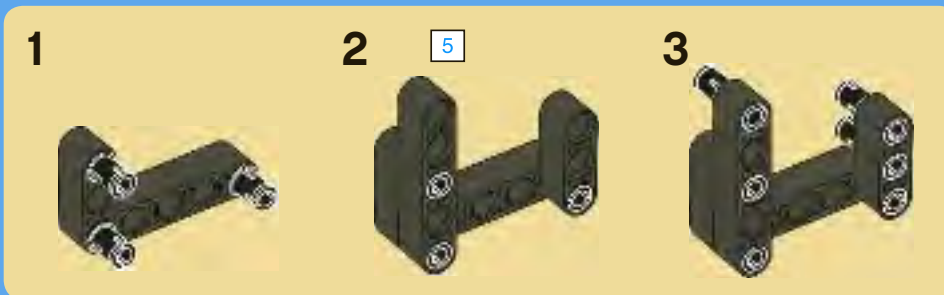
dark grey

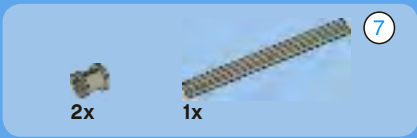




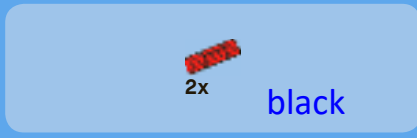
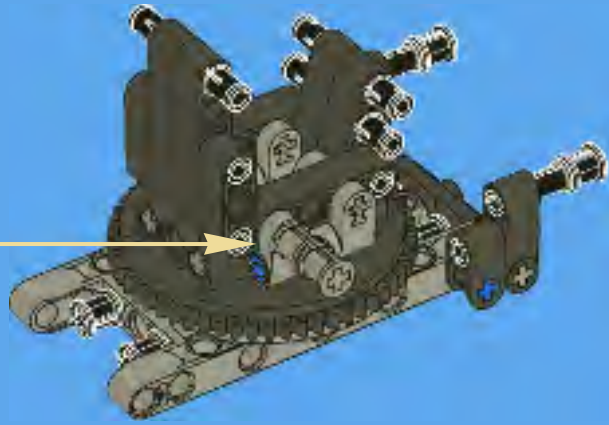
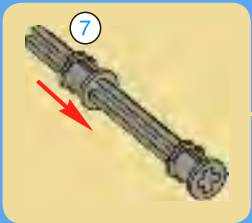
7

all blue

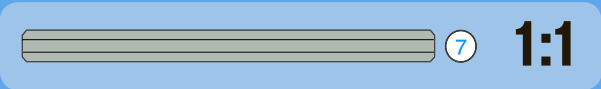
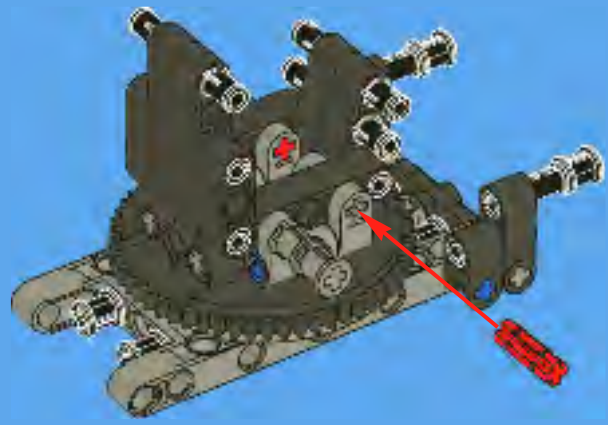


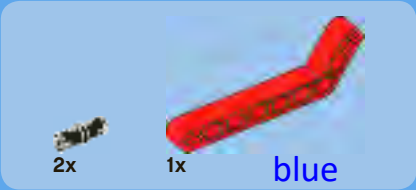


8



9





1



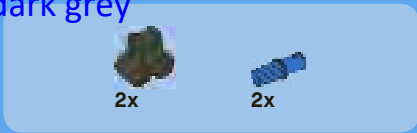
2



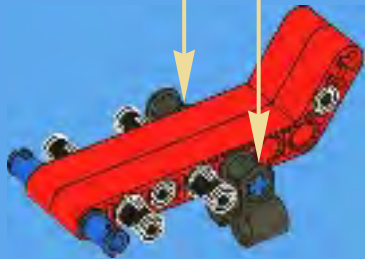
3



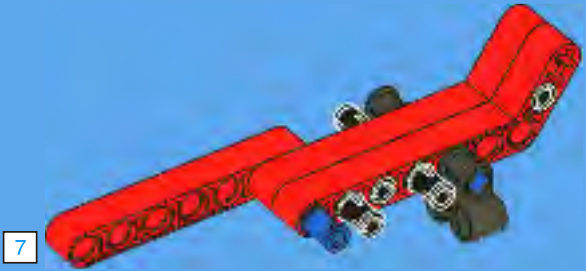
dark grey



4



5



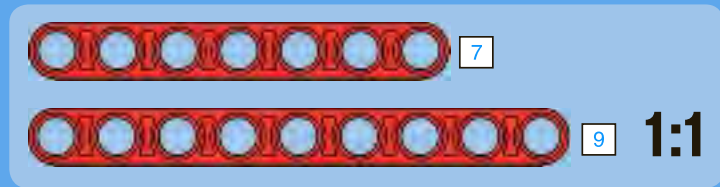
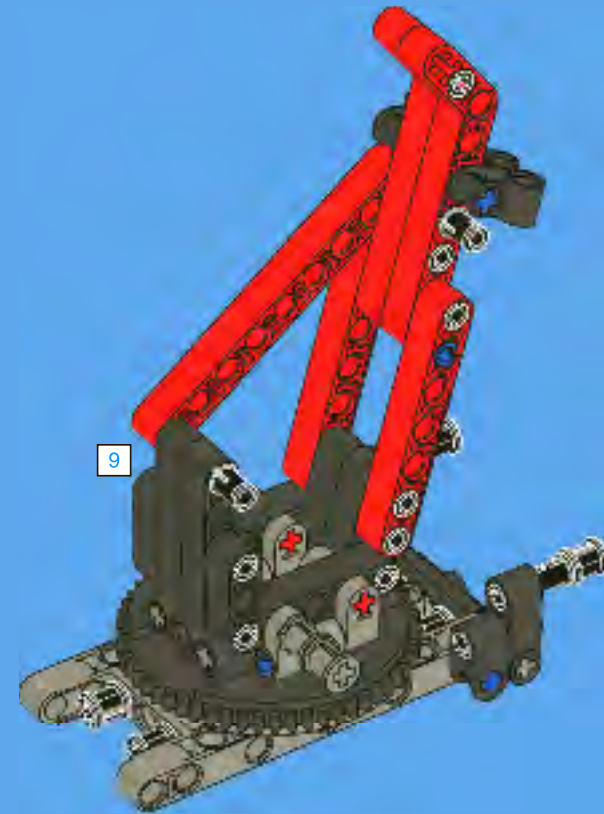
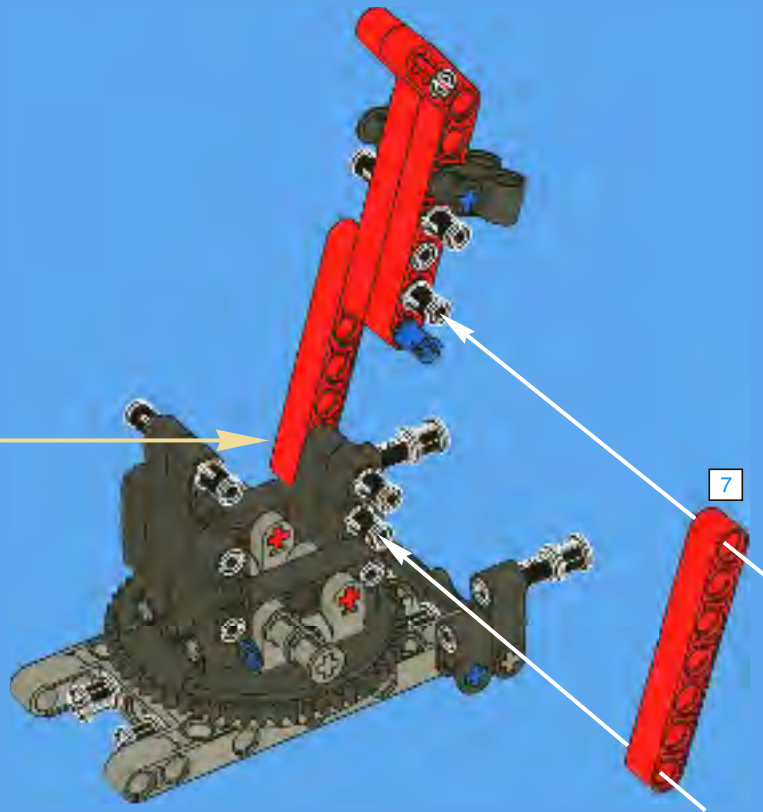


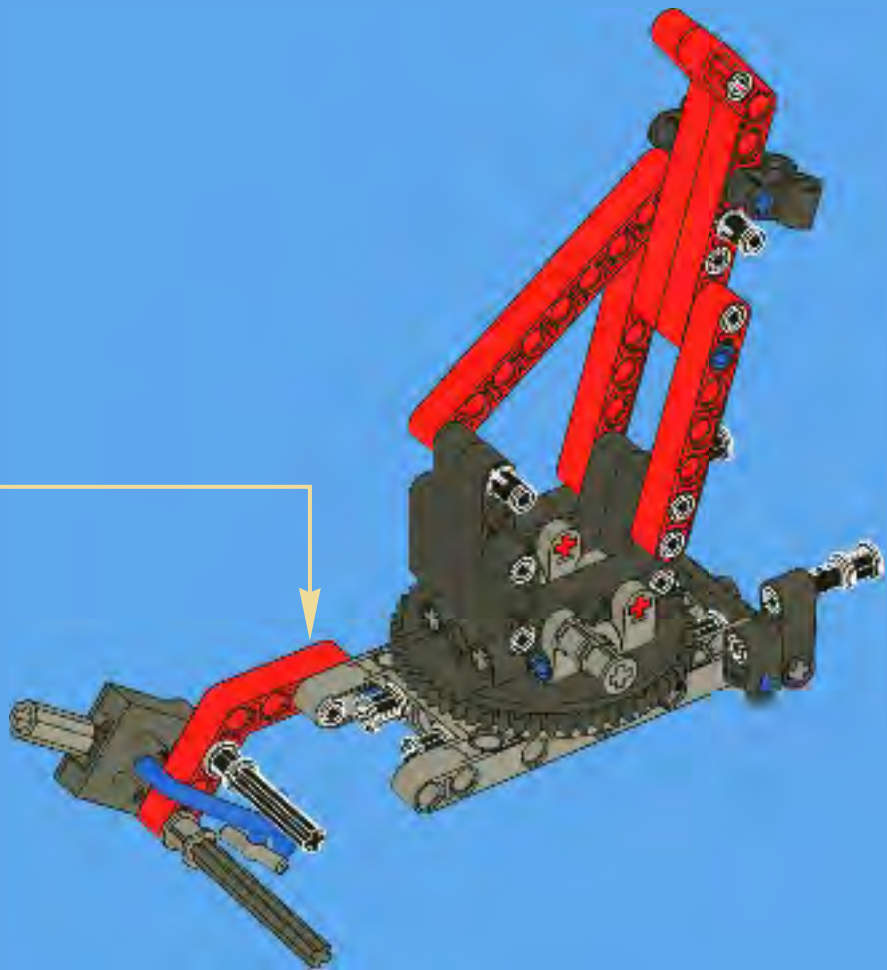
10

blue

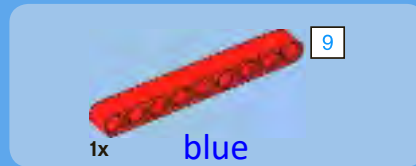
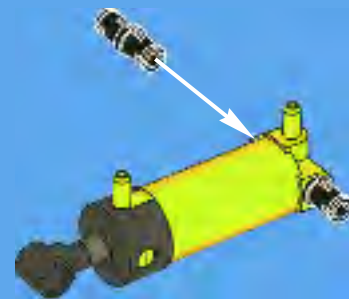


11



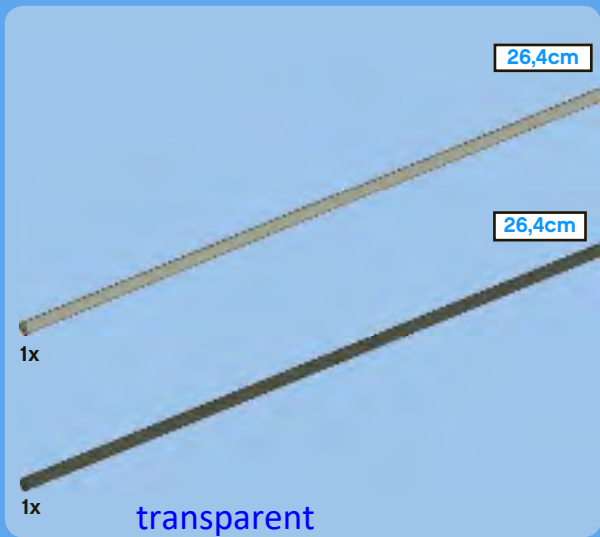


1

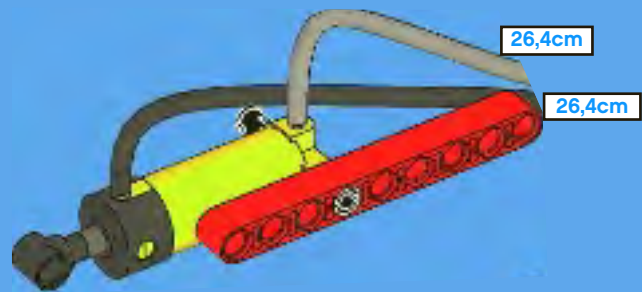


2

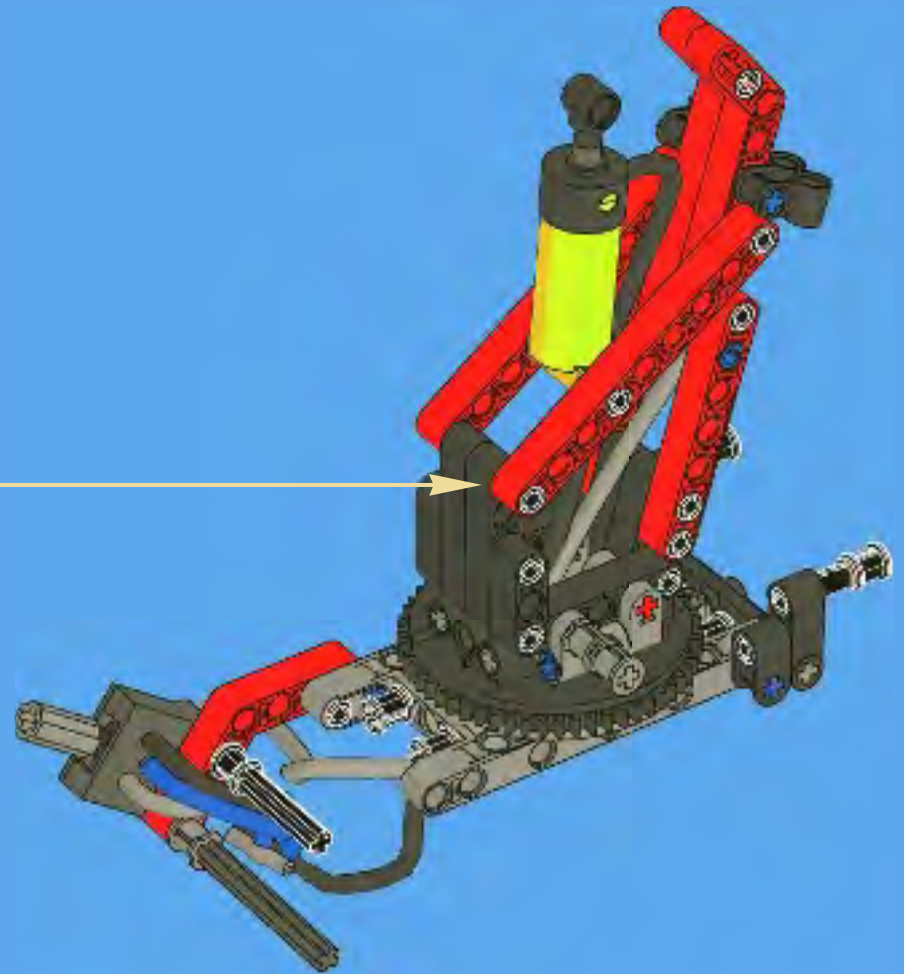




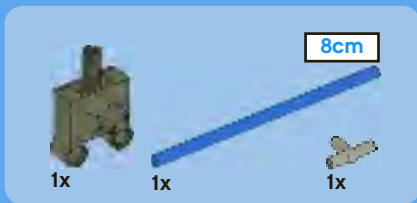
3



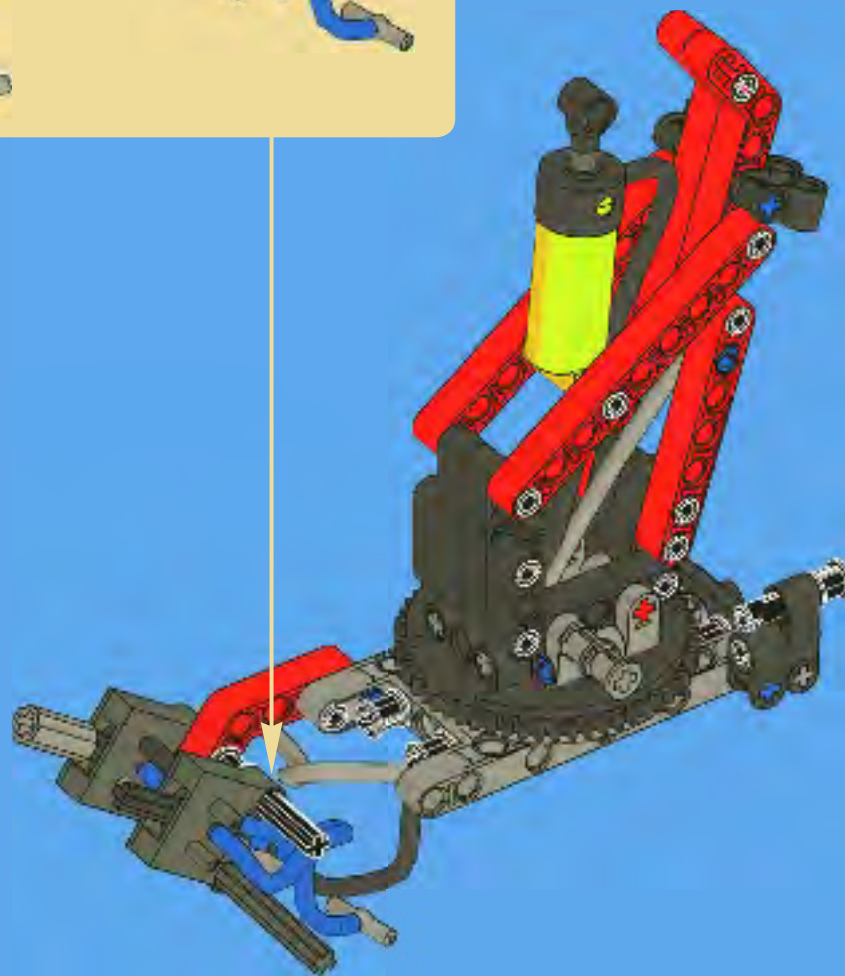
13



0 1 2 3 4 5 6 7 8 9 10 11 12 13 14 15 16 17 18 19 20 21 22 23 24



14



blue

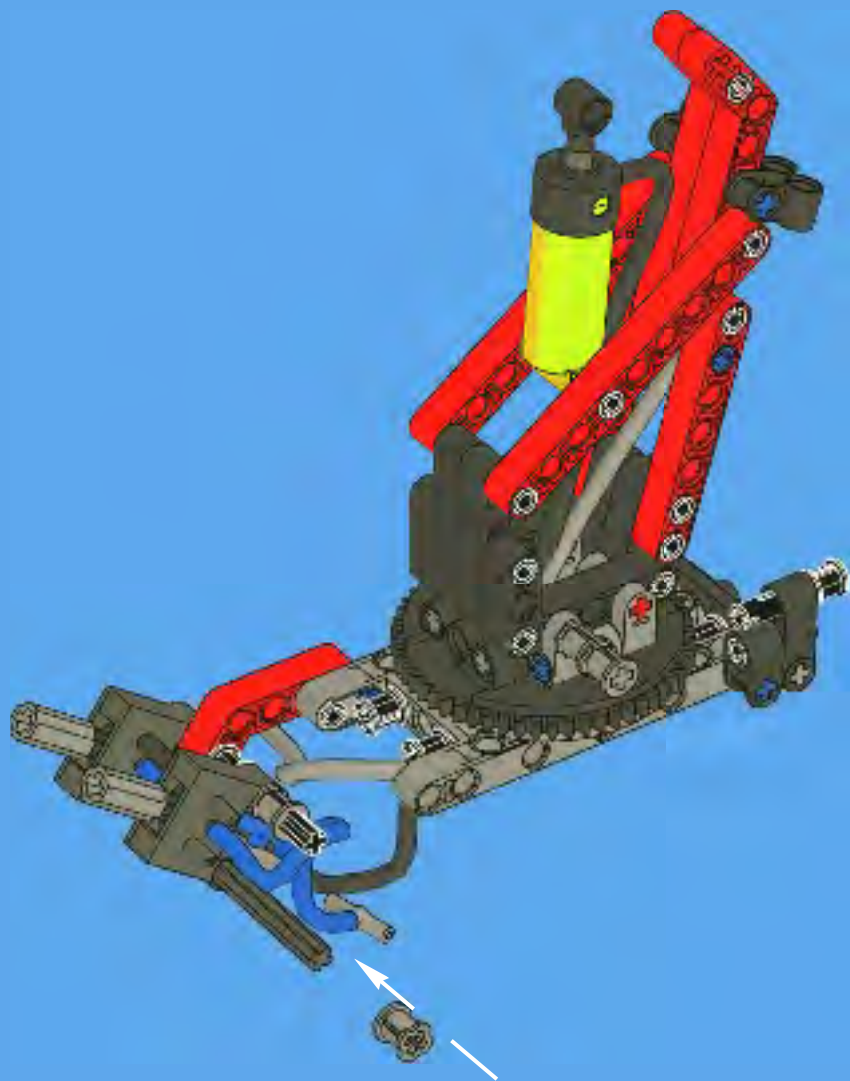


2x



1x

15



blue



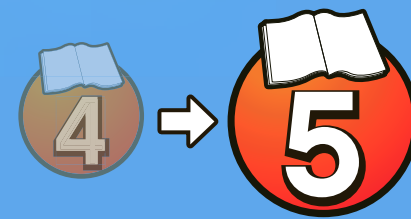
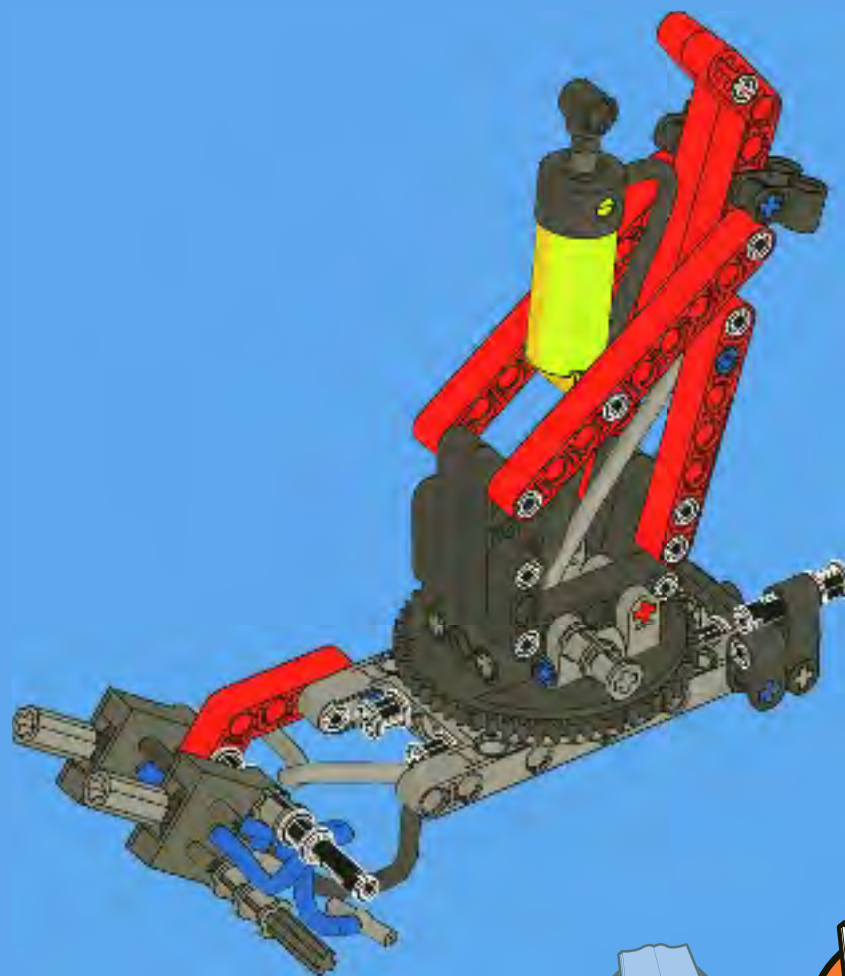
1x



1x

blue

16



www.LEGO.com

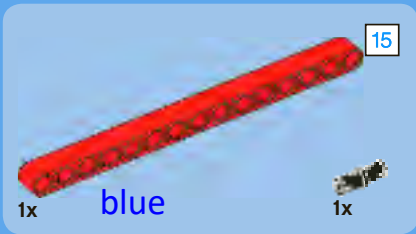
LEGO and the LEGO logo are trademarks of the/sonit des marques de commerce de/son marcas registradas de LEGO Group. ©2011 The LEGO Group.

4648793

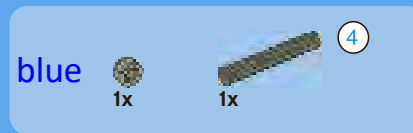
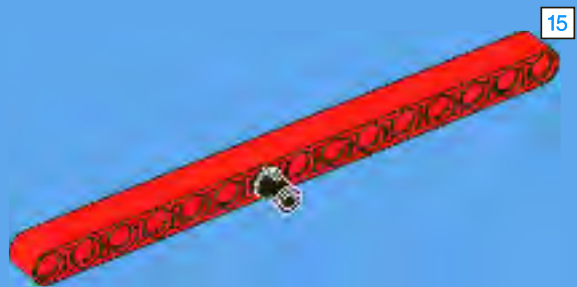
Mercedes-Benz and the design of the enclosed product are subject to intellectual property protection owned by Daimler AG. They are used by LEGO System A/S under license.

Mercedes-Benz et le design du produit inclus sont sujets à la protection de la propriété intellectuelle dont Daimler AG en est le propriétaire. Ils sont utilisés par LEGO System A/S sous licence.

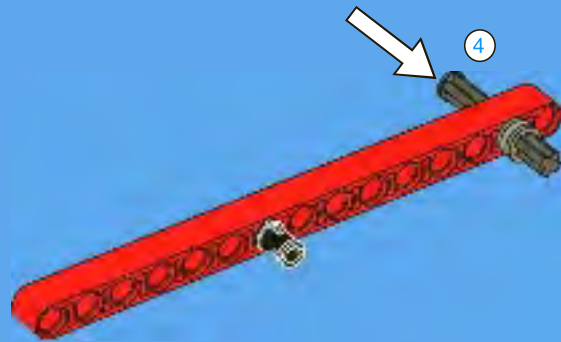
Mercedes-Benz y el diseño del producto incluido están sujetos a la protección de la propiedad intelectual de Daimler AG. Son utilizados por LEGO System A/S bajo licencia.



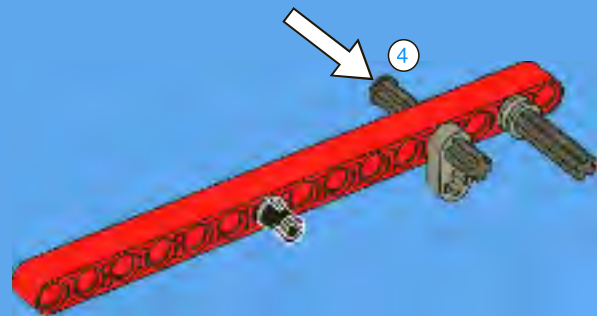
1



2



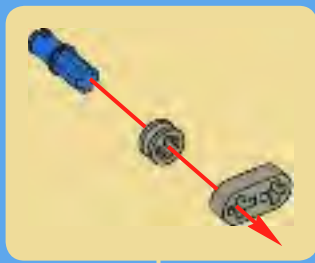
3





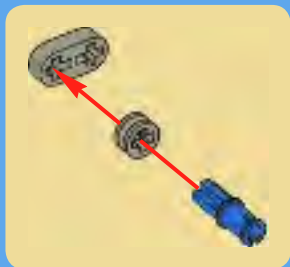
4

blue



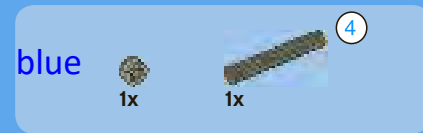
5

blue



6

blue



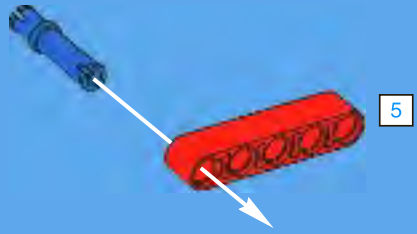
7

blue

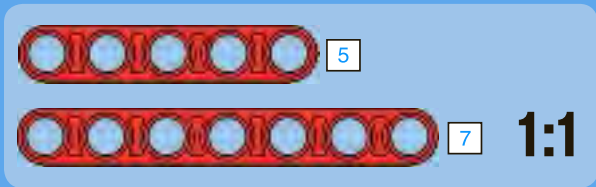
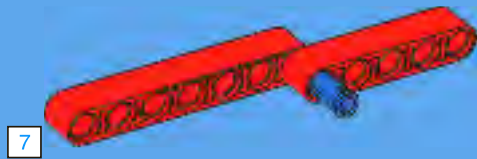




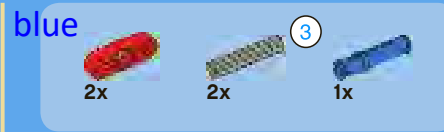
1



2



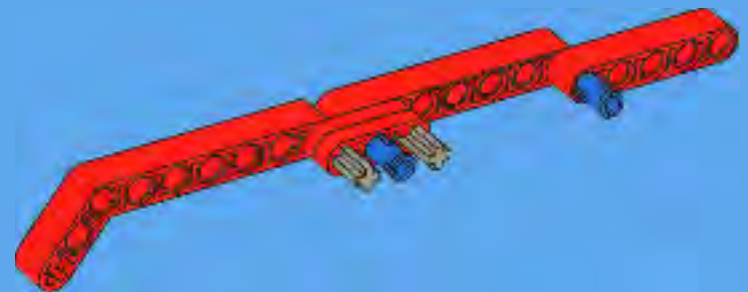
4



3



4



blue

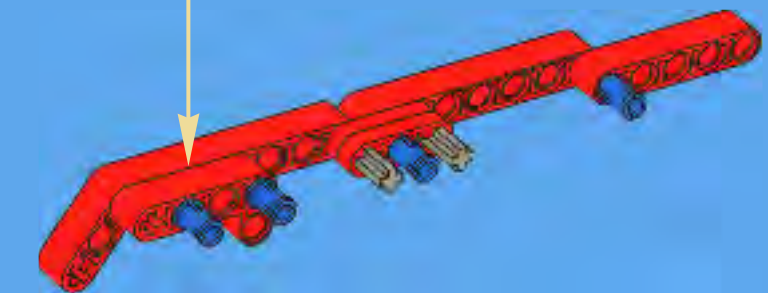


1x

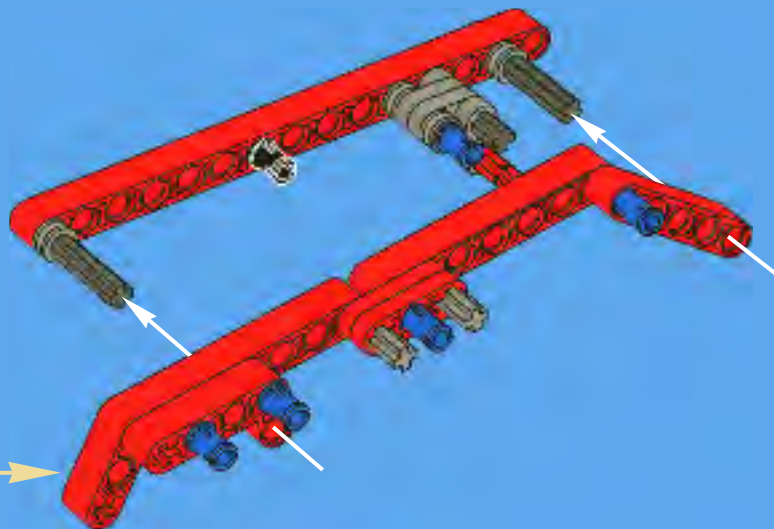


2x

5



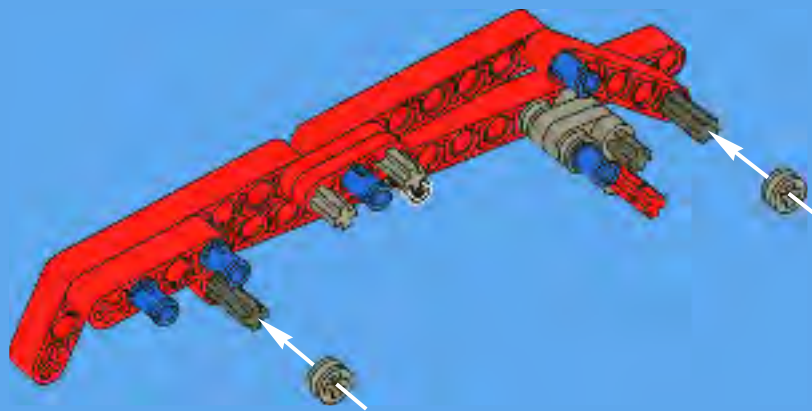
6

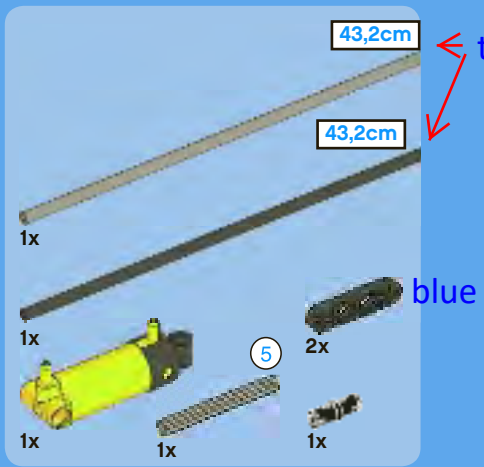


blue

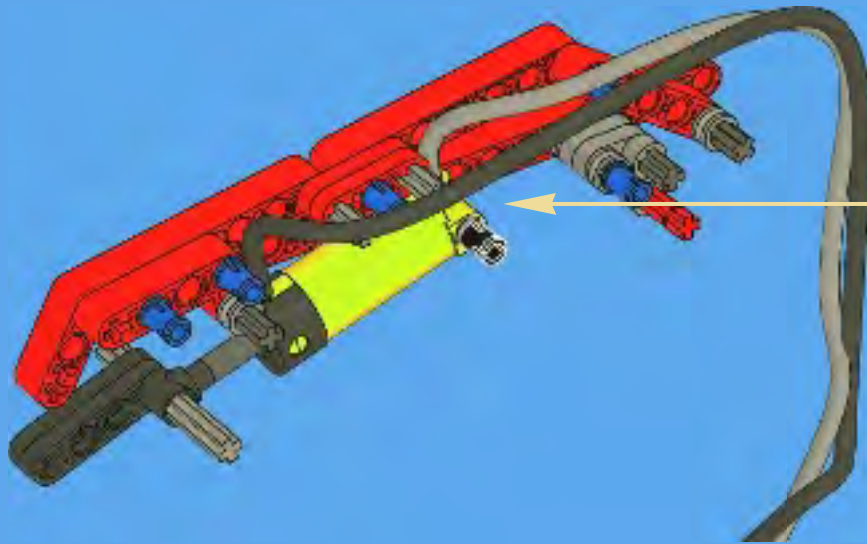
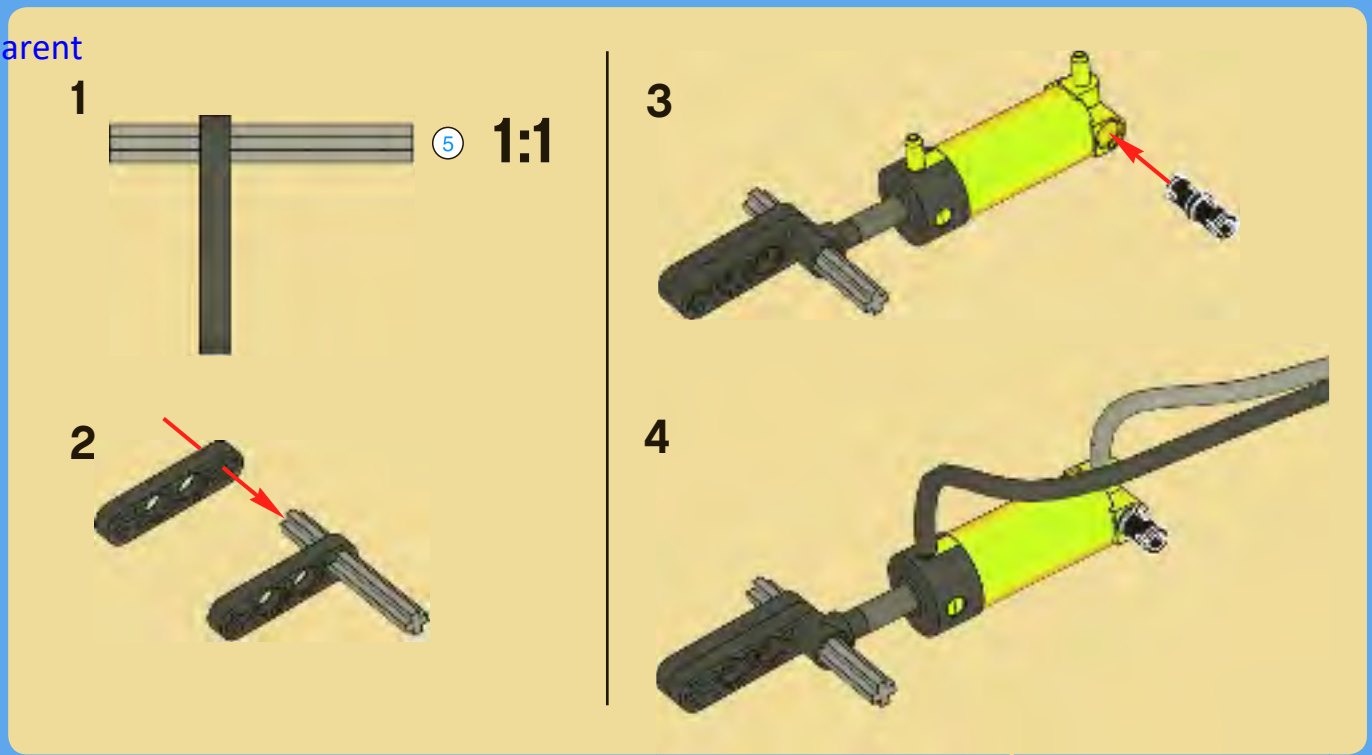
2x

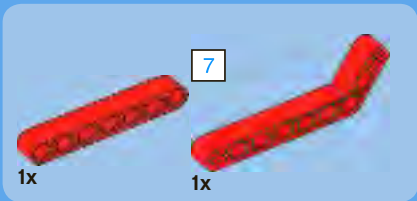
7





8

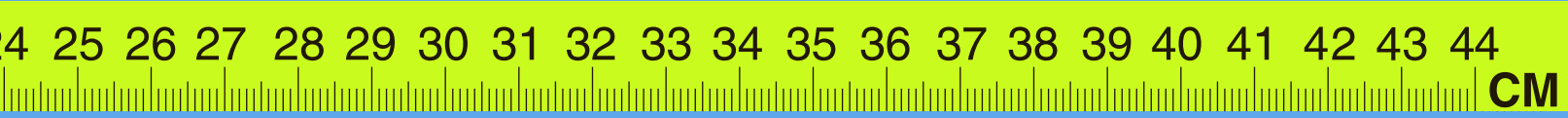
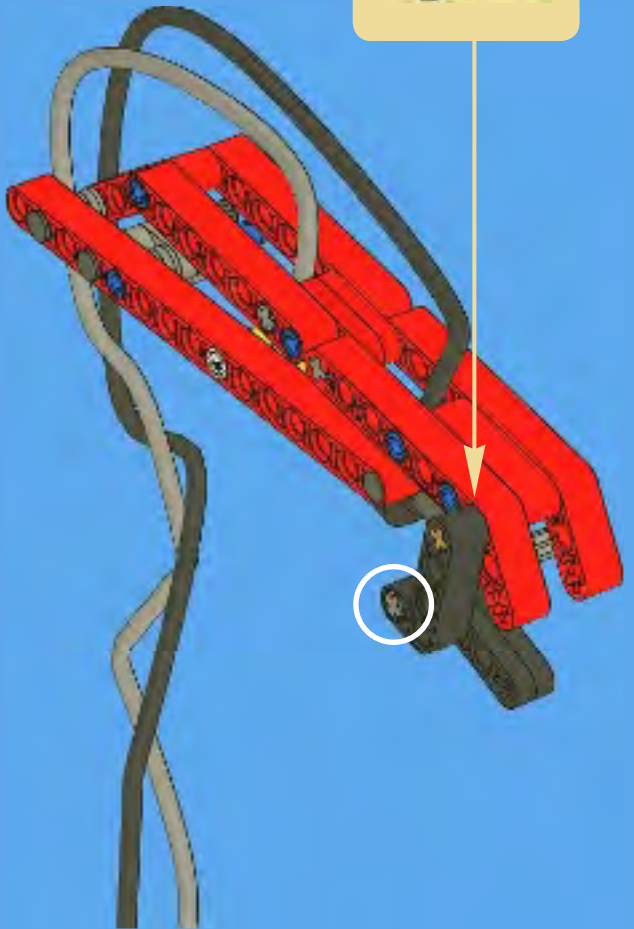




9 all blue



10



blue

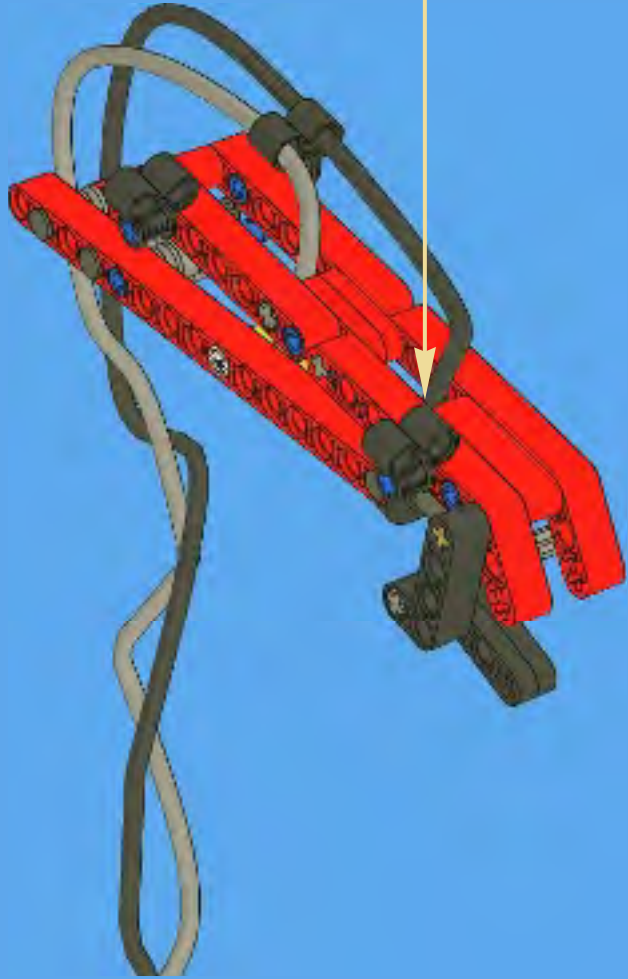


3x



3x

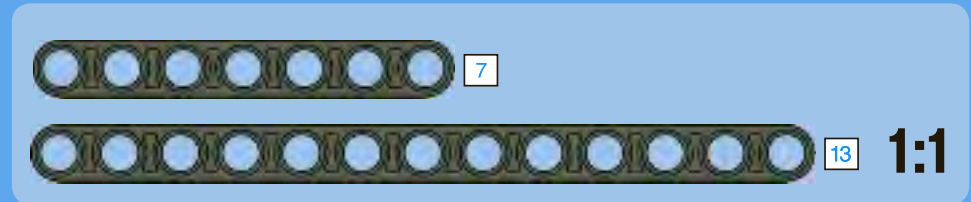
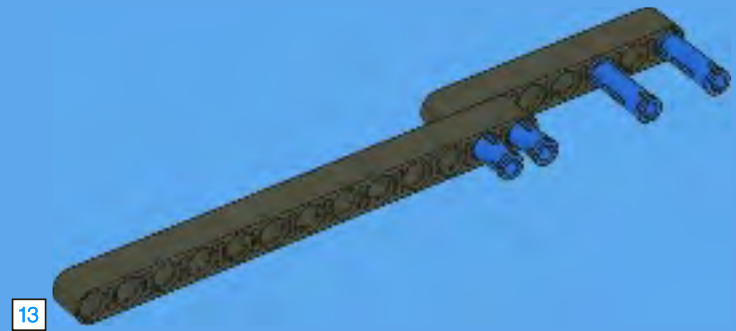
11



1

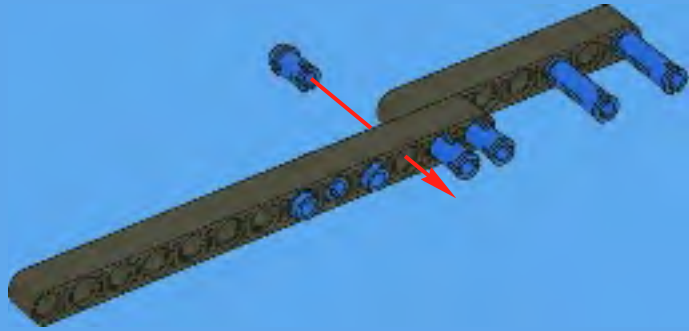


2



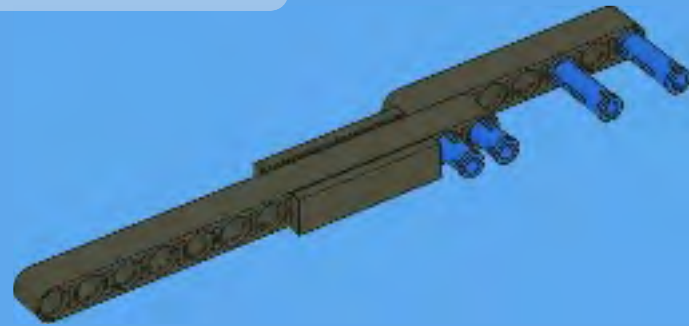
4x

3



2x blue

4



TECHNIC

5

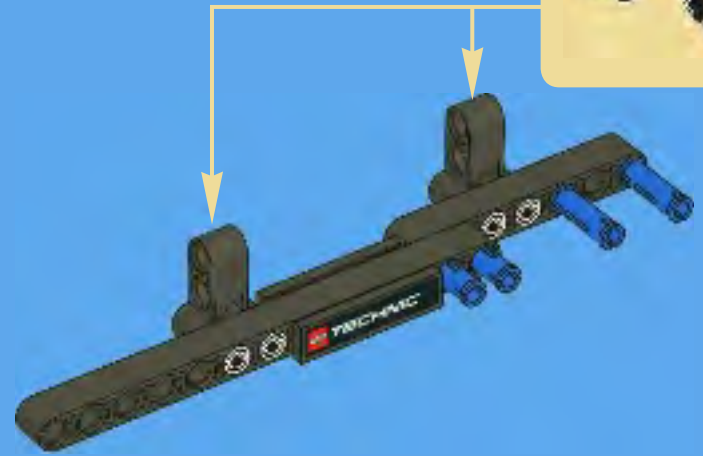


4x

2x

blue

6



2x

blue

2x

1x

3

1x

7

1

3

2



3

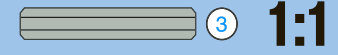
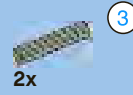
1:1



8



9



12

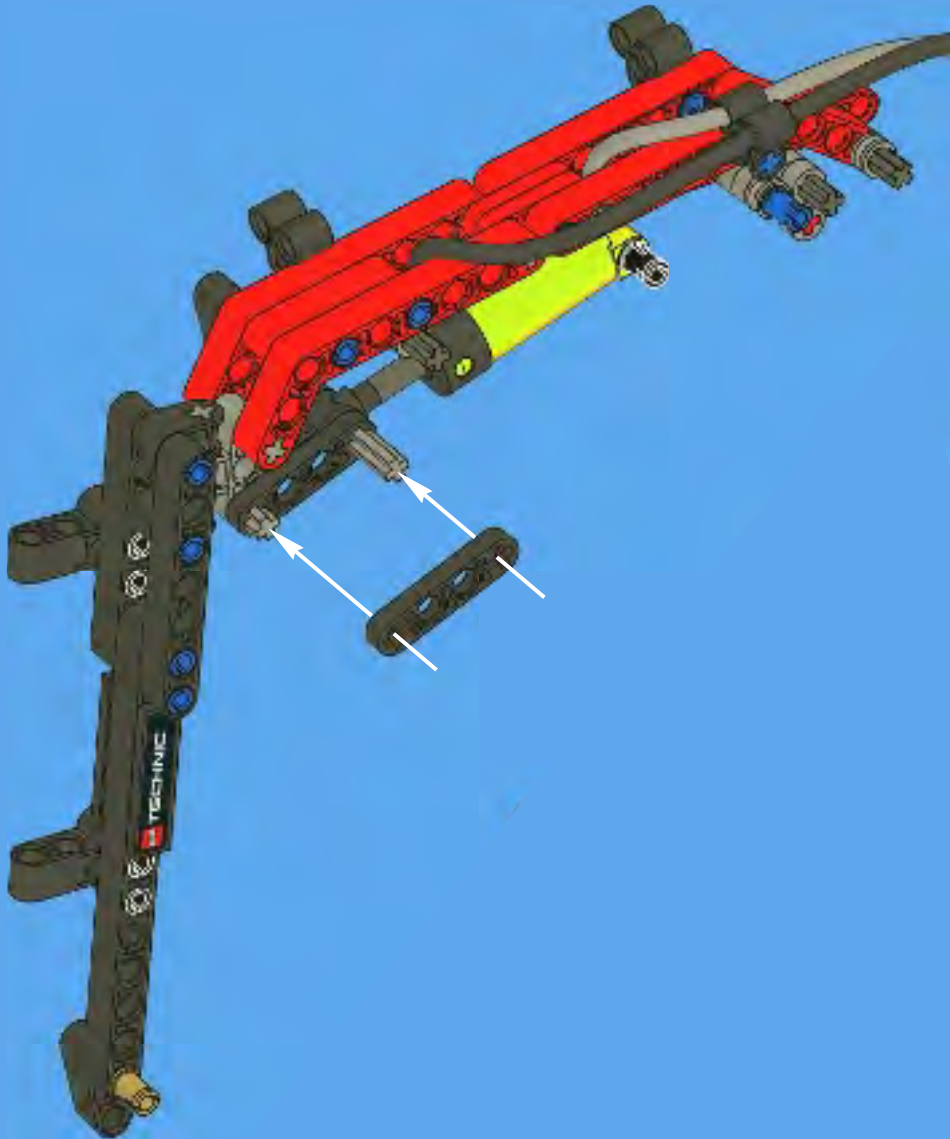




2x

blue

13



blue

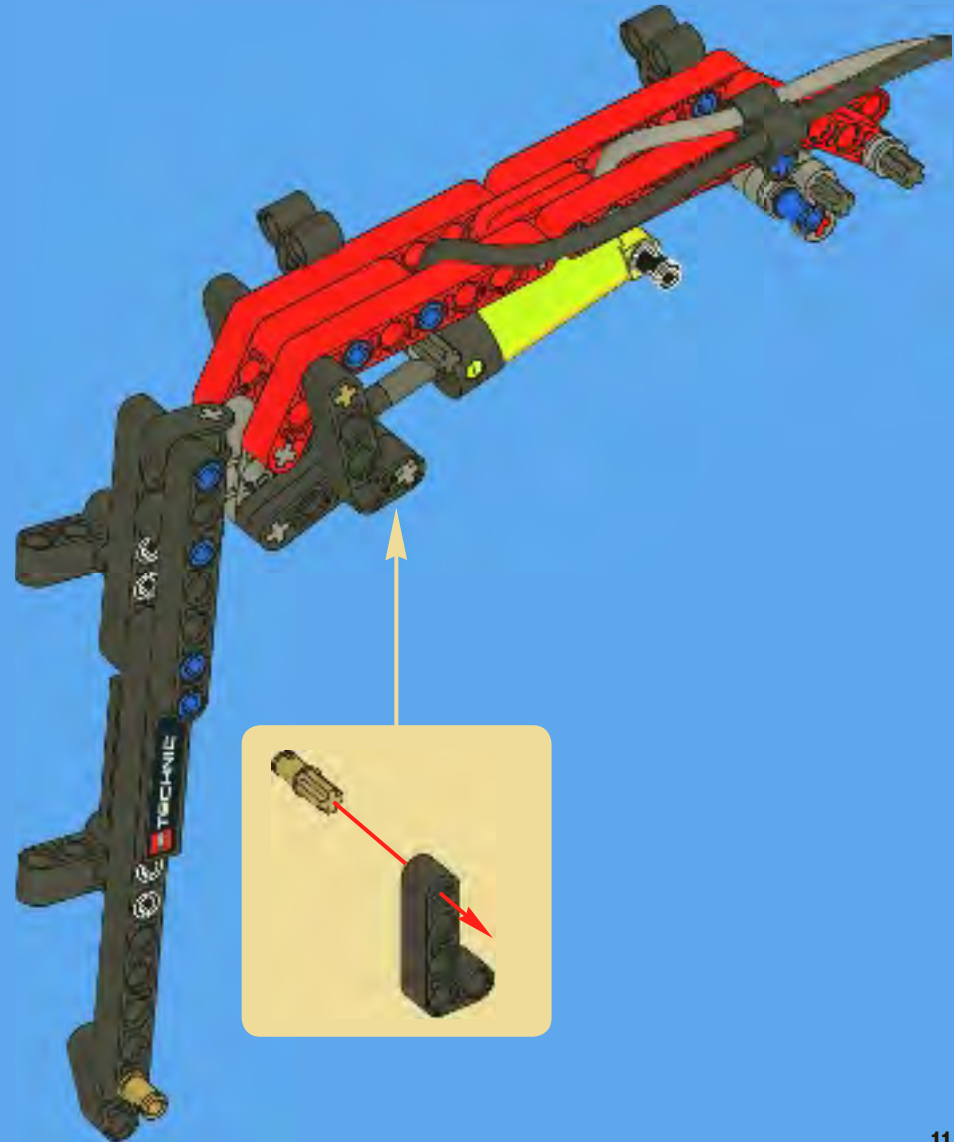
1x



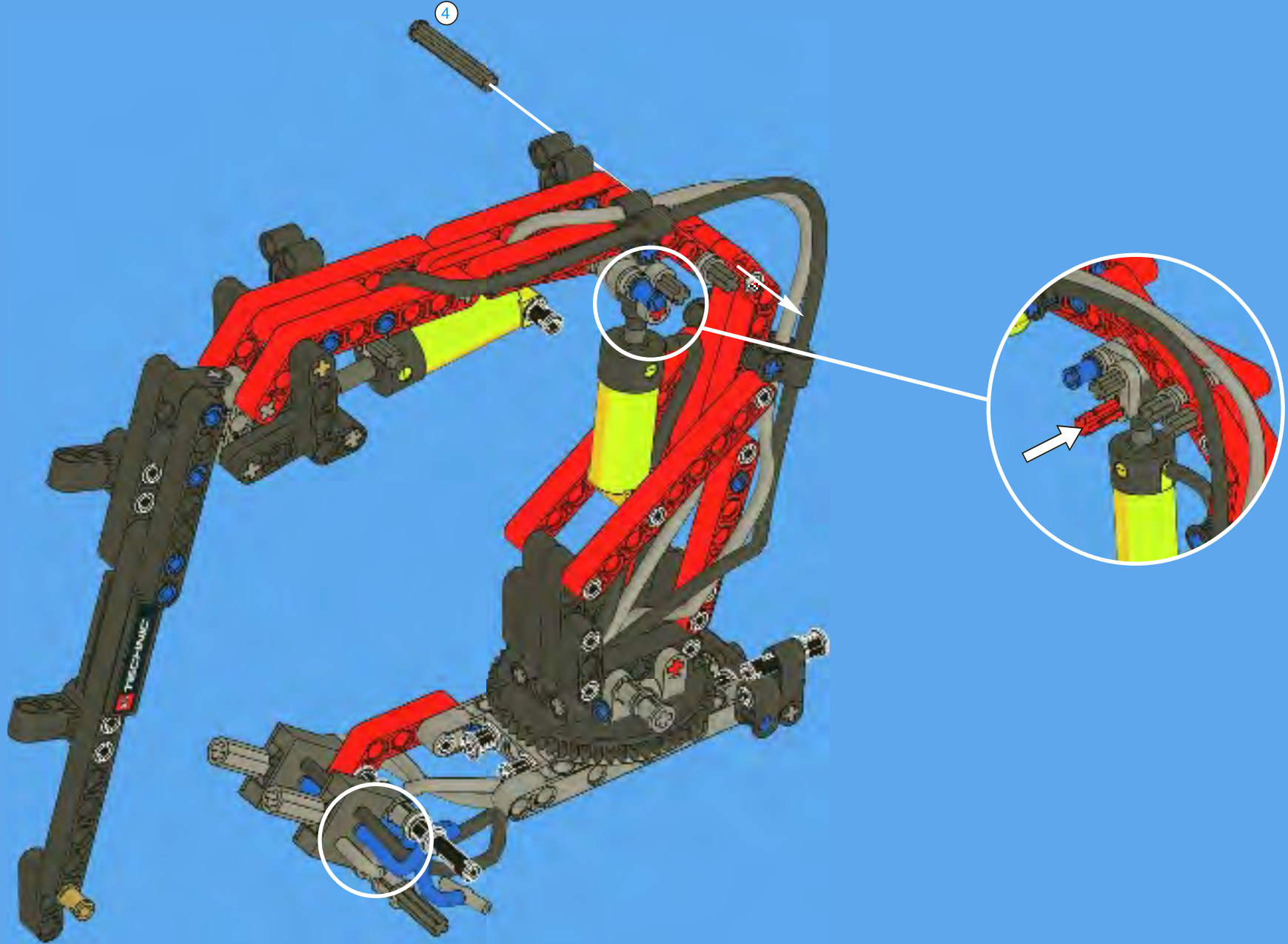
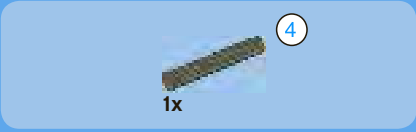
1x

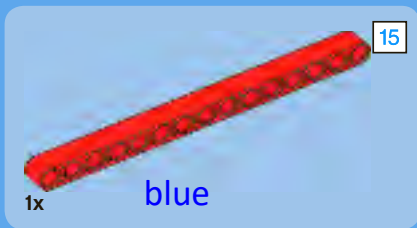
light grey

14

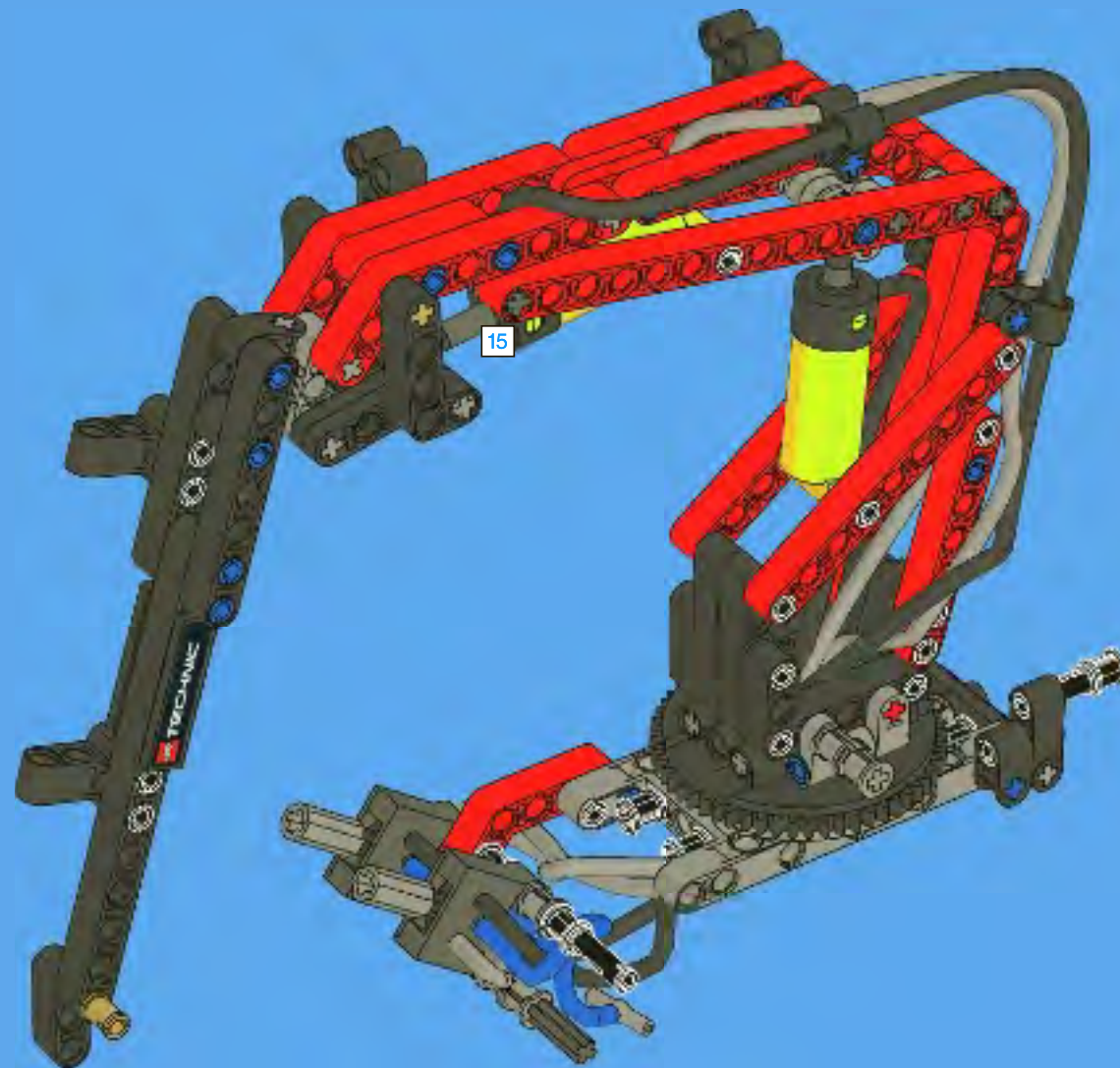


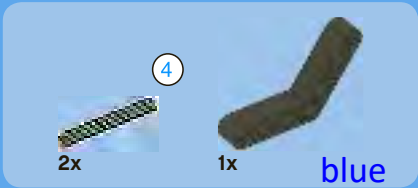
15



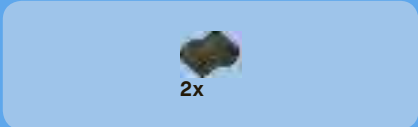
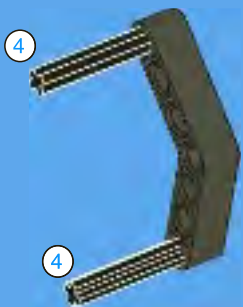


16

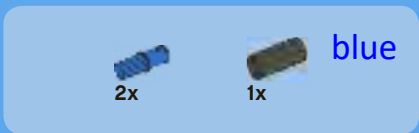
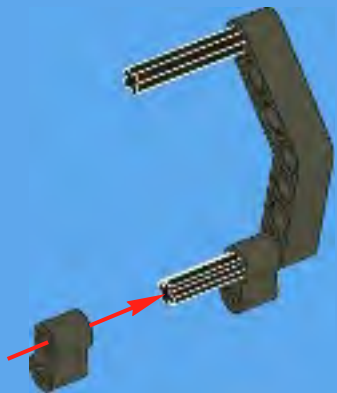




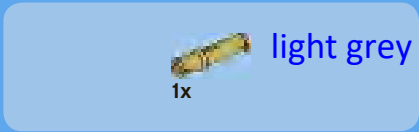
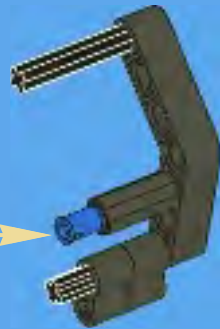
1



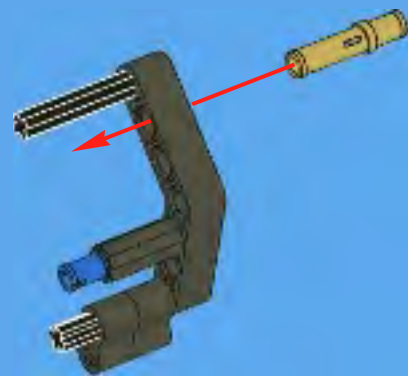
2



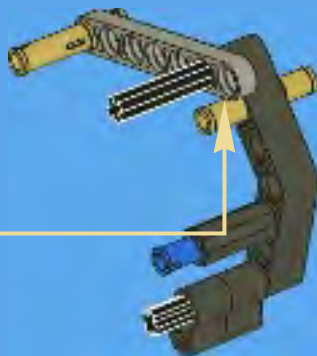
3

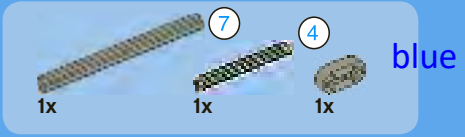


4

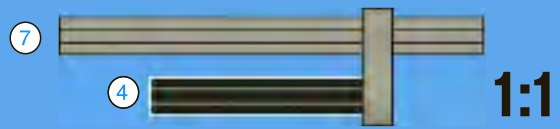


5



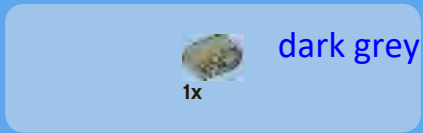
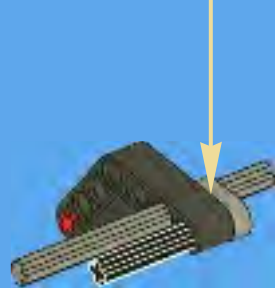
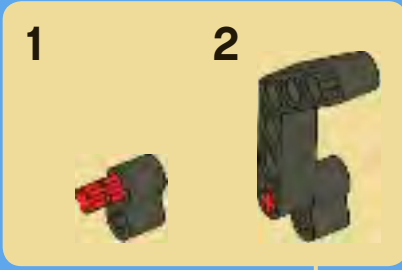


1

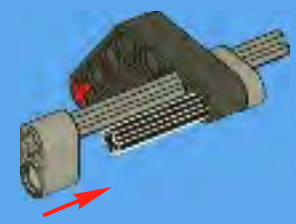


2

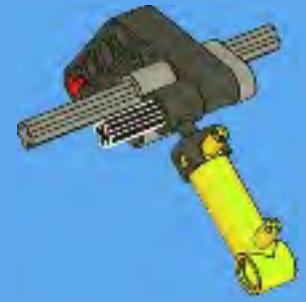
black



3



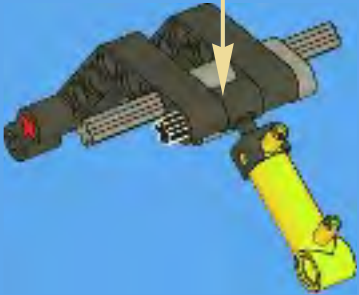
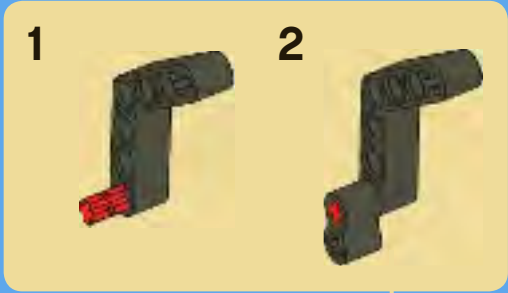
4



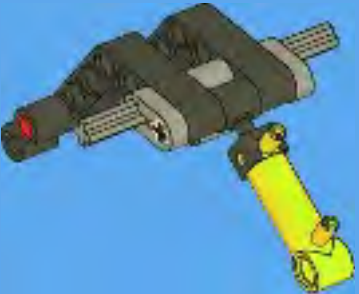


5

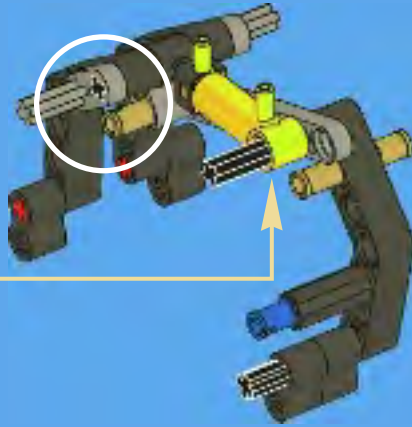
black



6

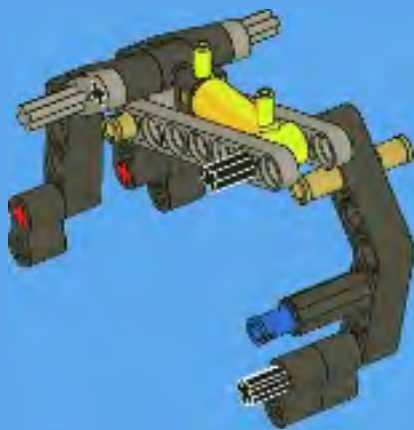


7

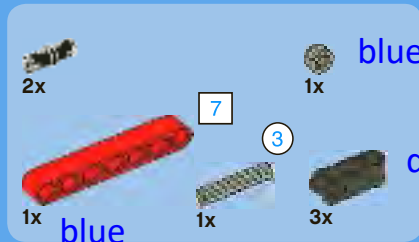
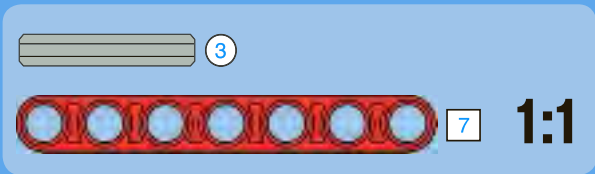
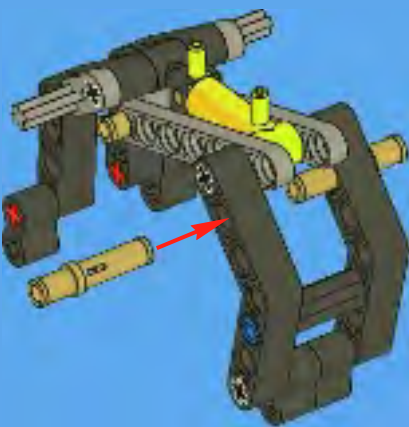




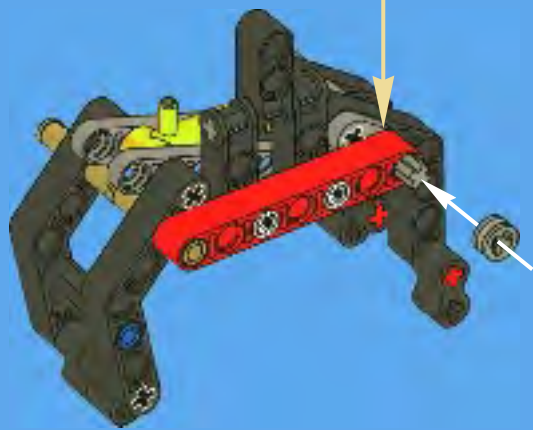
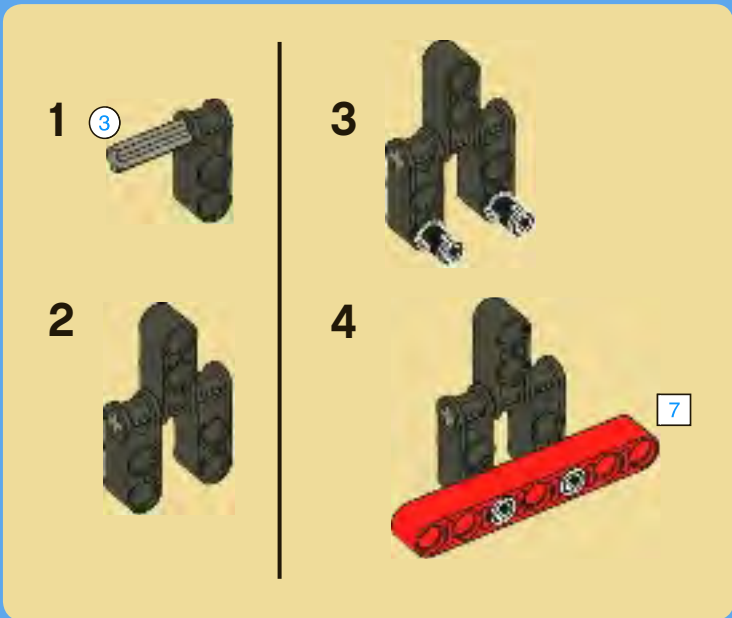
8



9

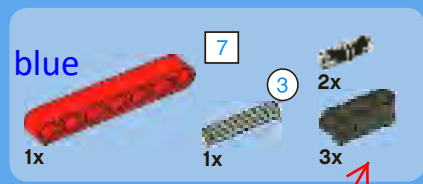
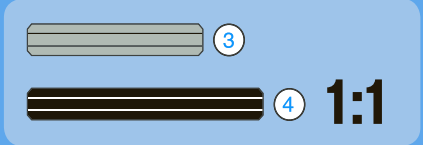
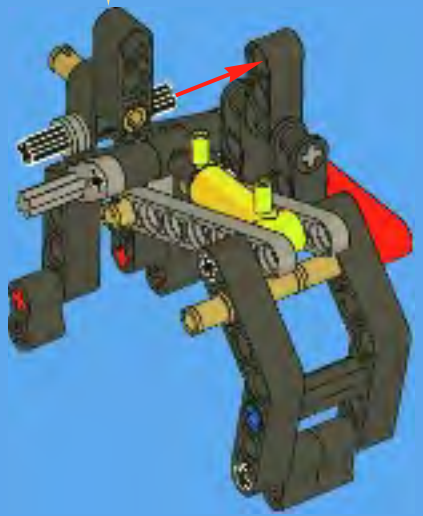
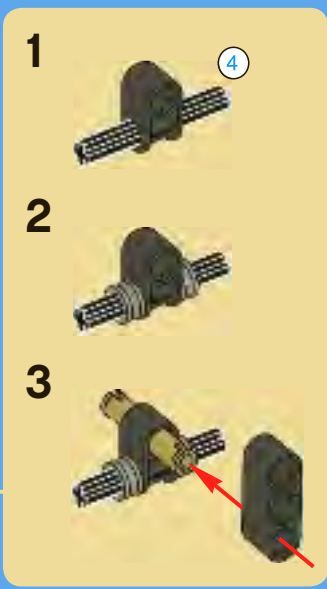


10

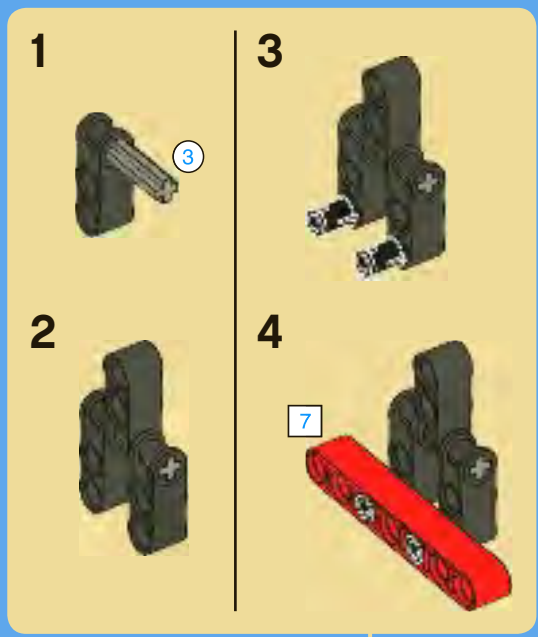




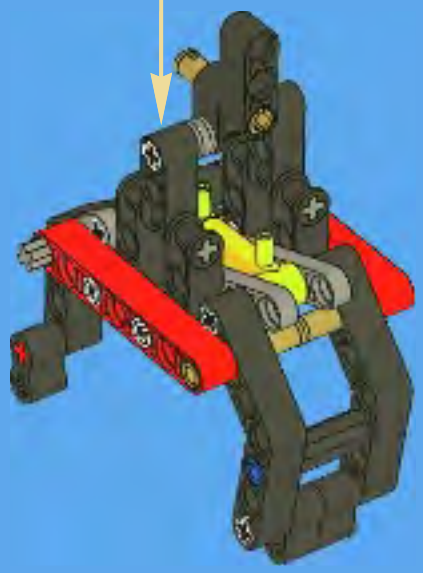
11



12

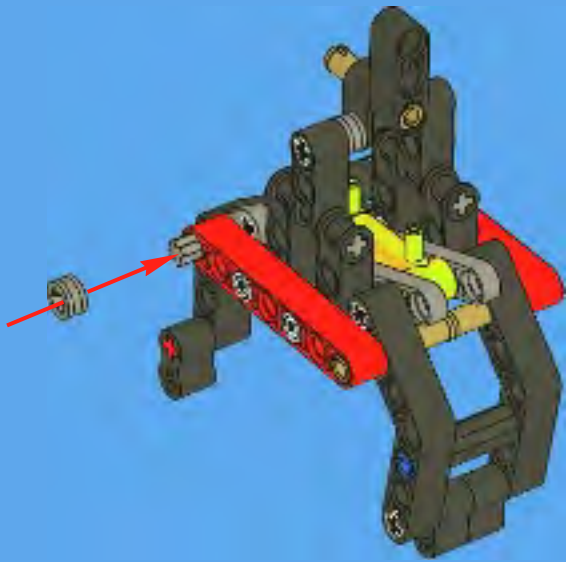


dark grey

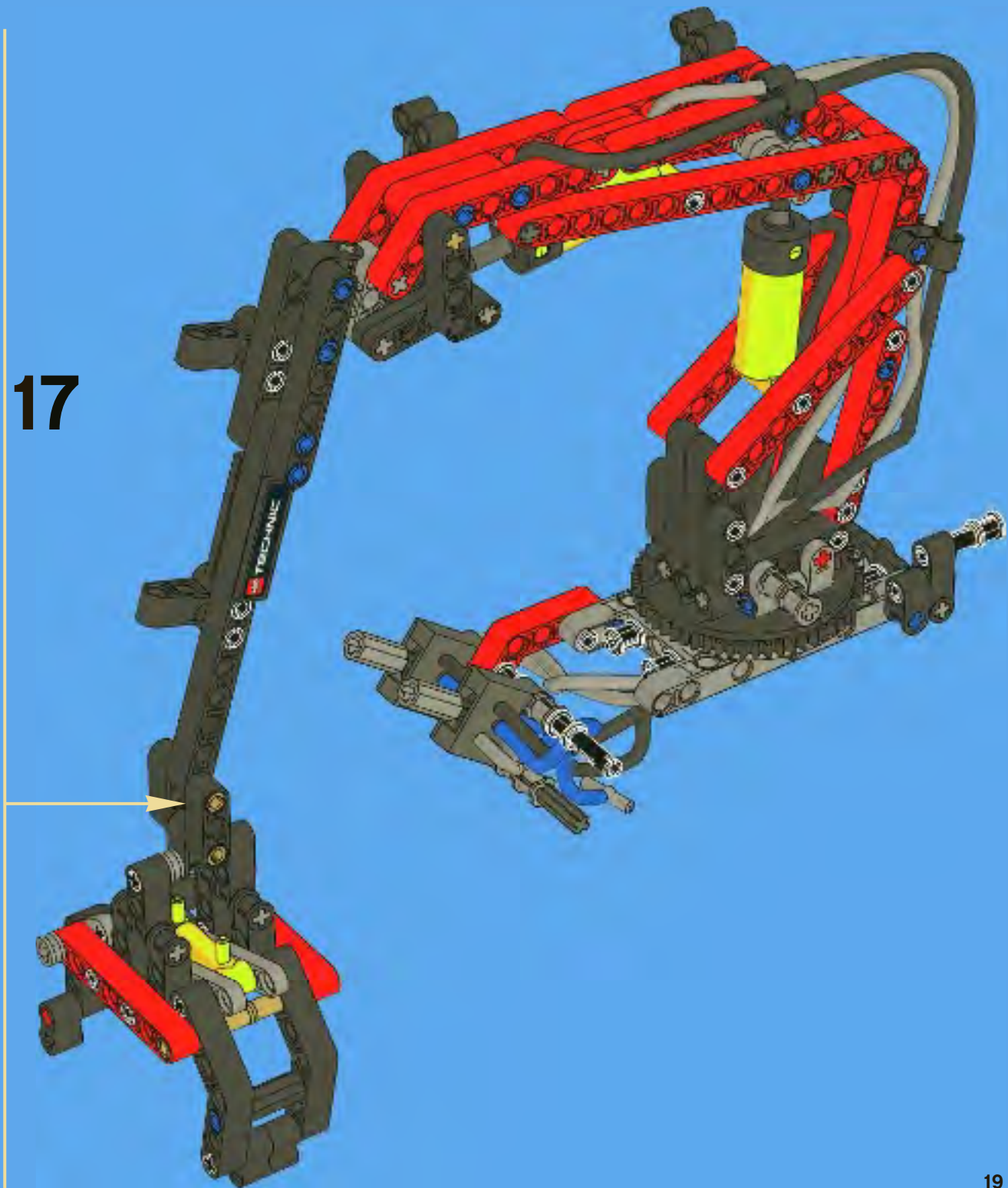


1x blue

13



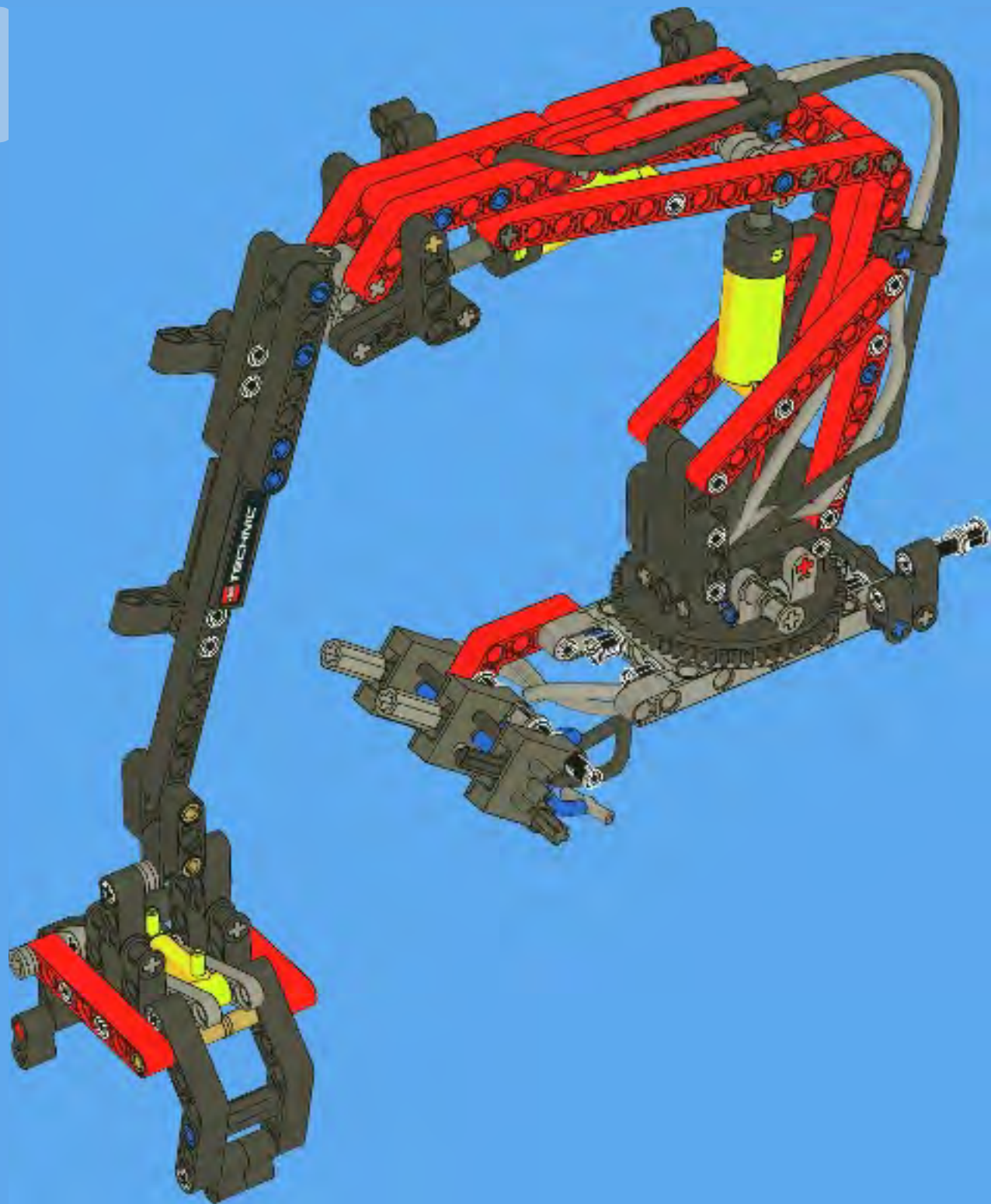
17



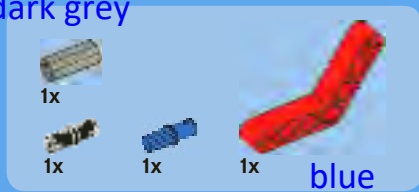


1x

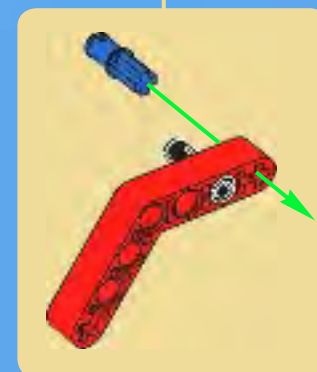
18

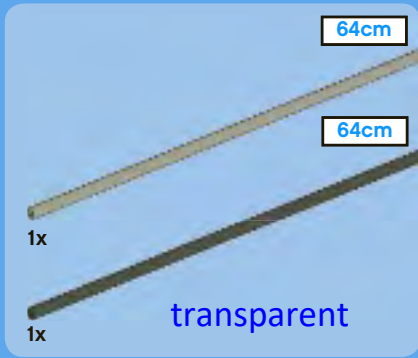


dark grey

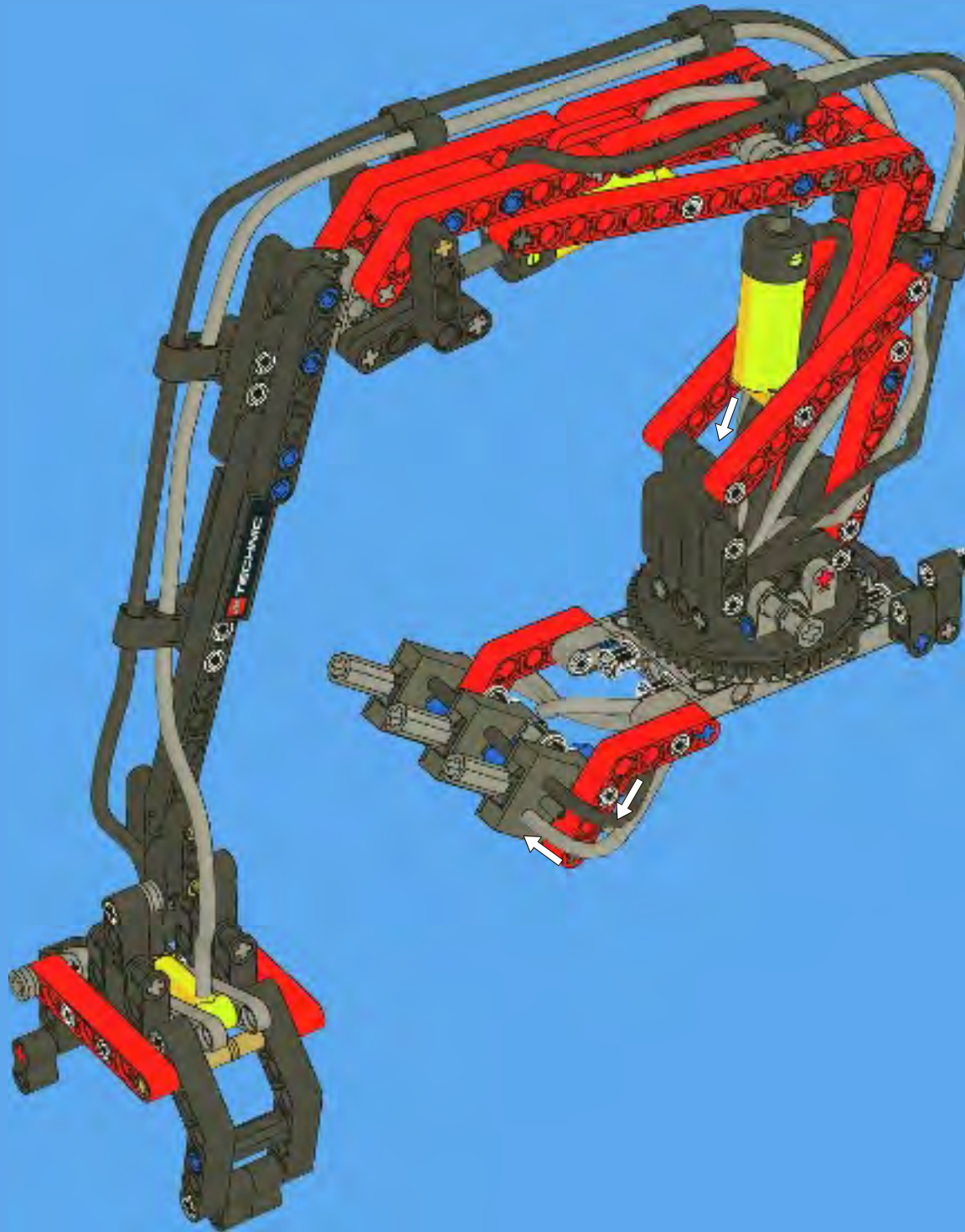
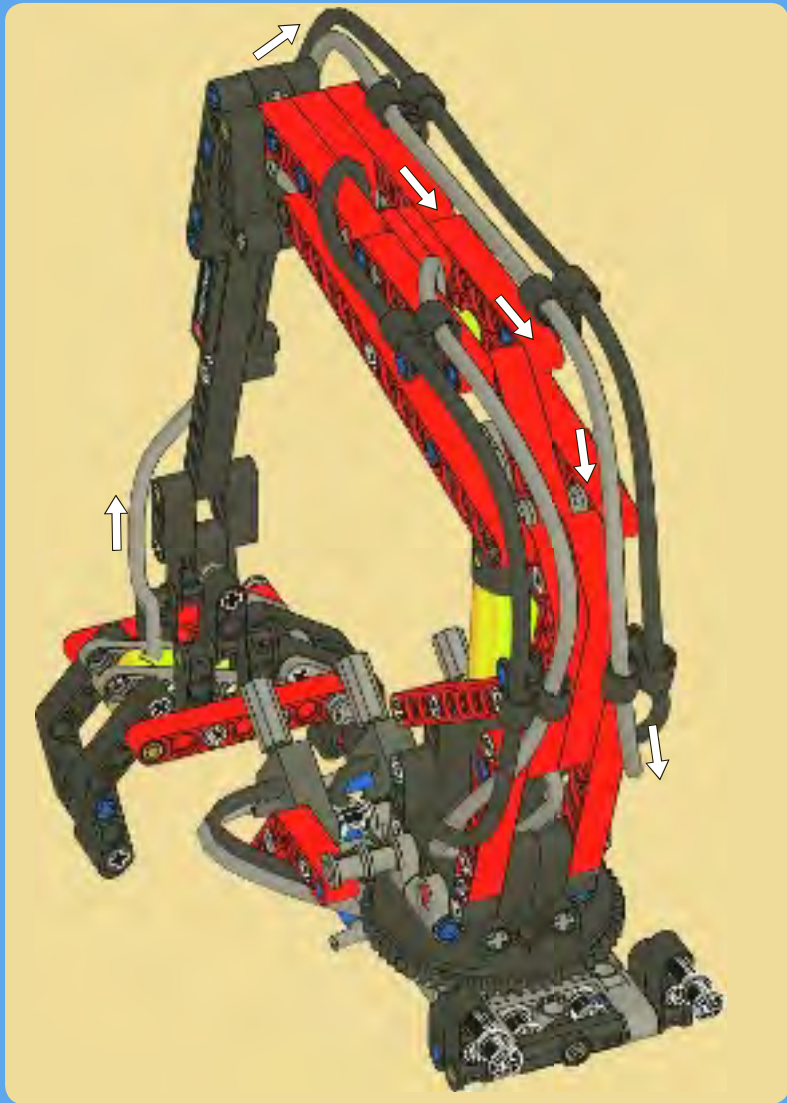


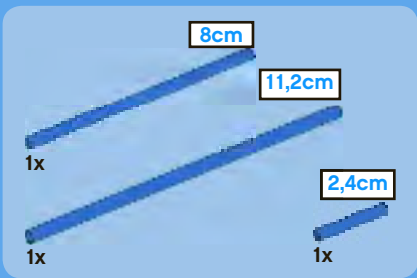
19



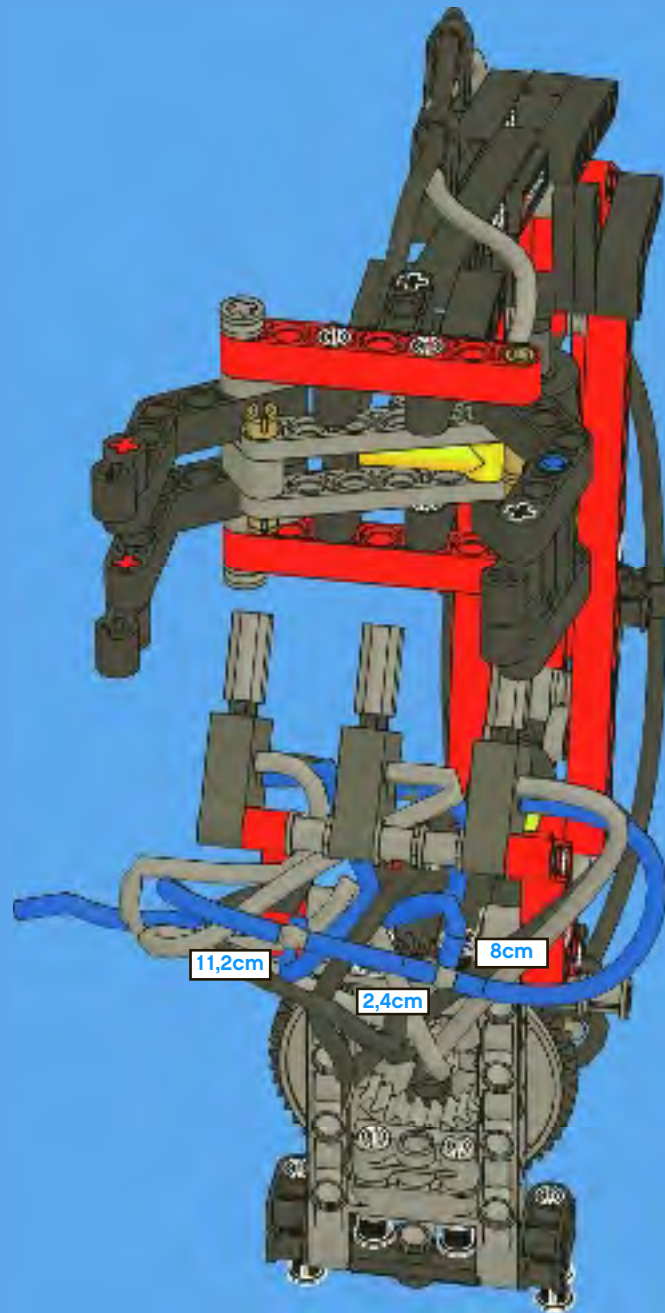


20

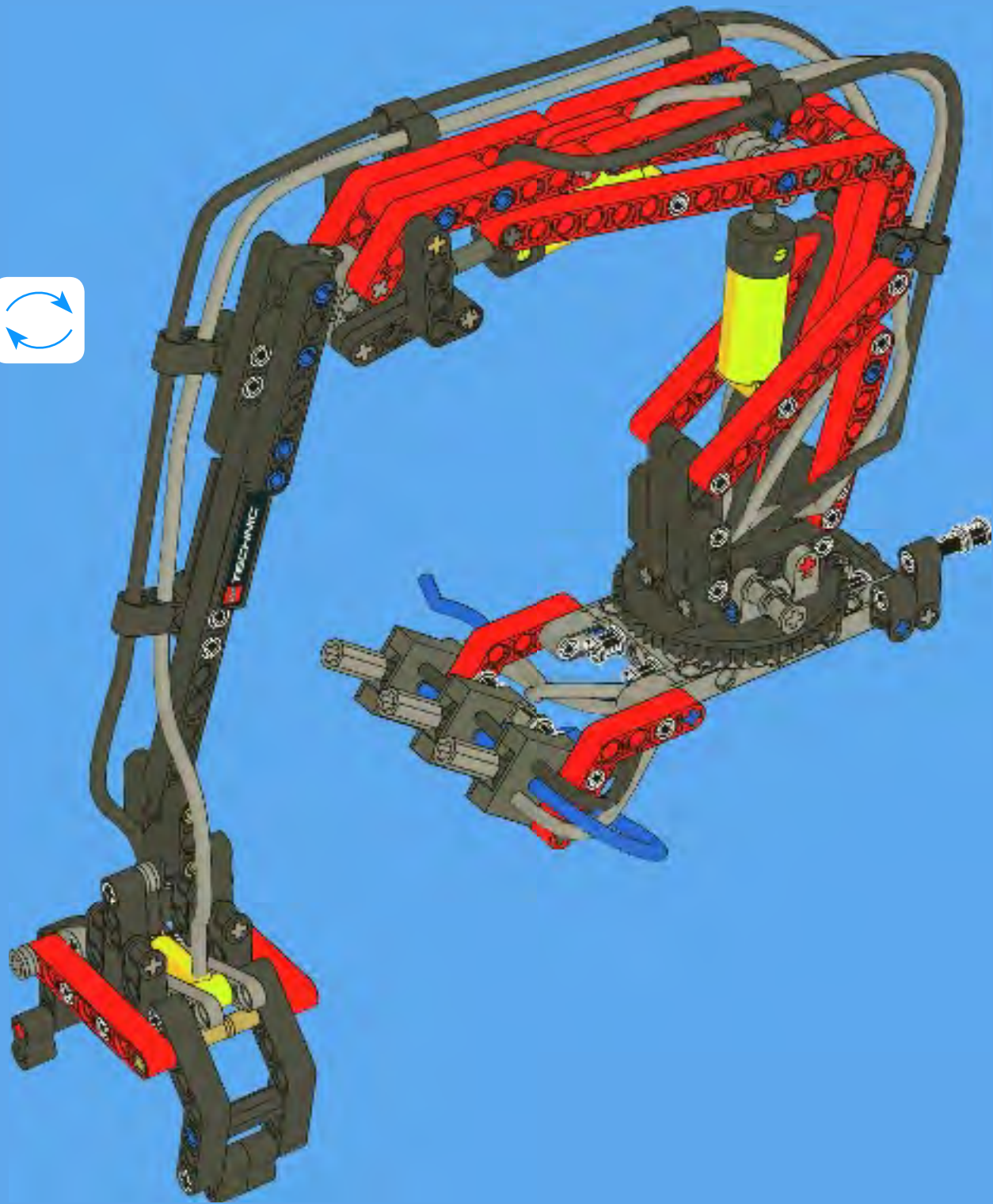




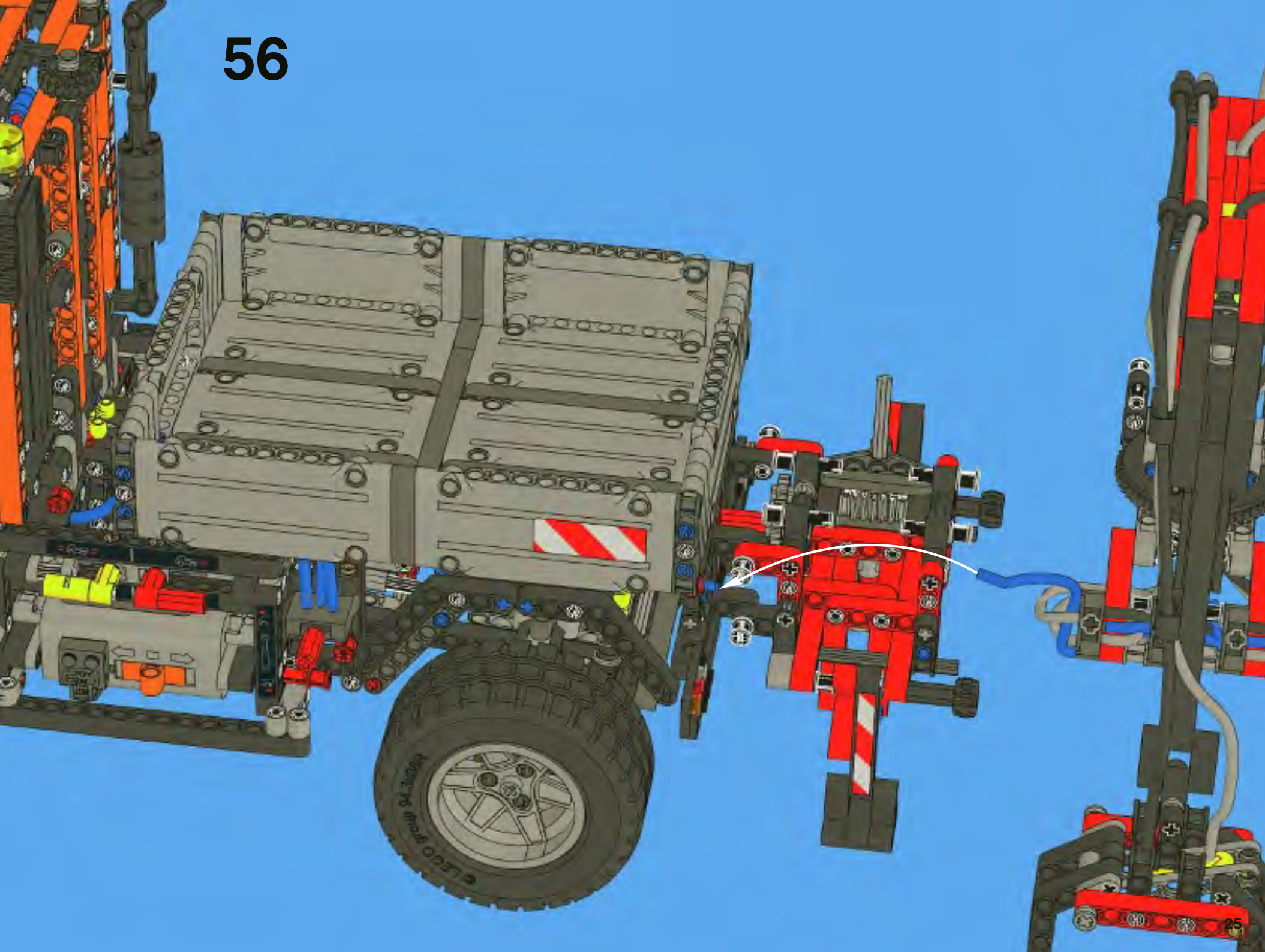
21



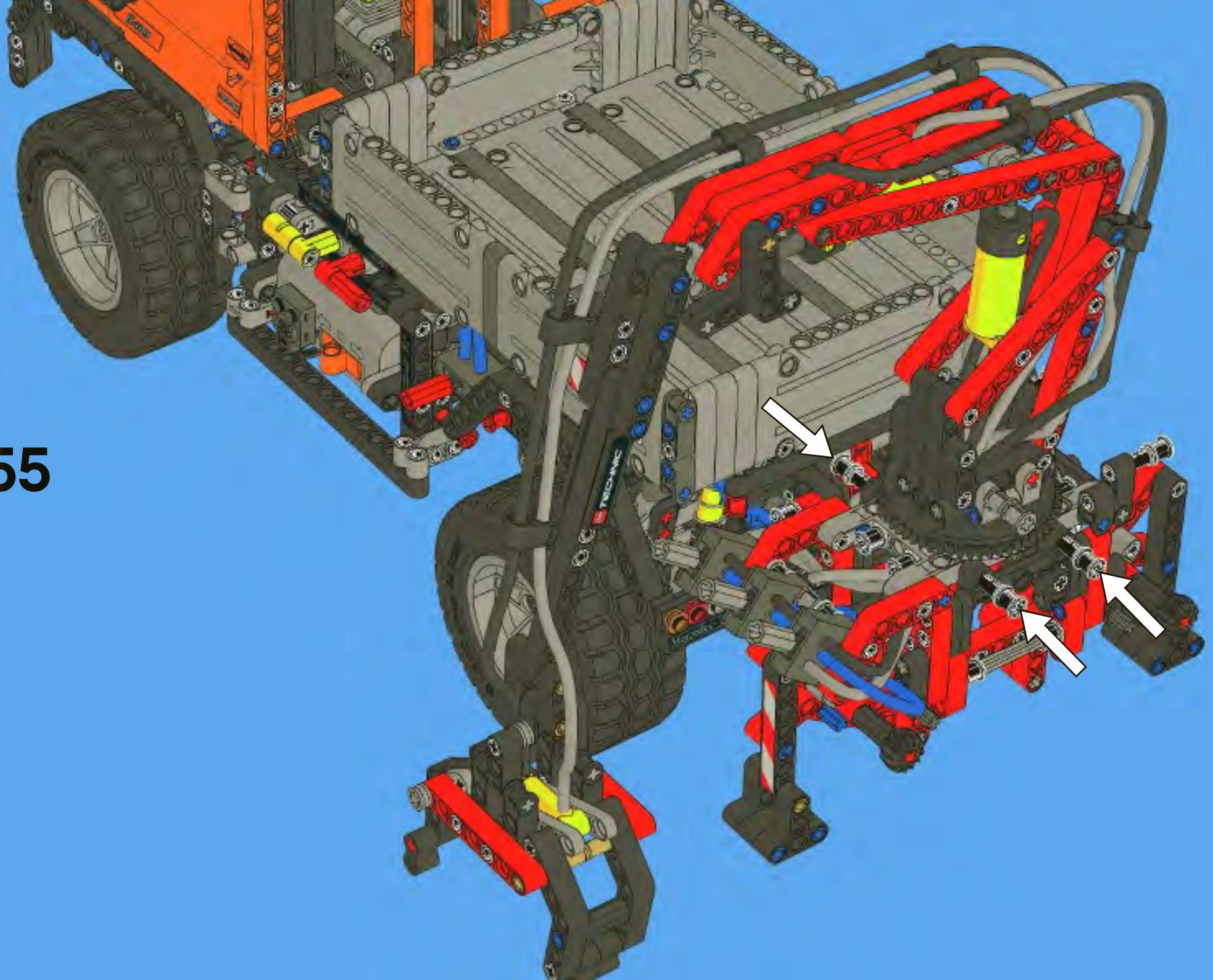
22



56



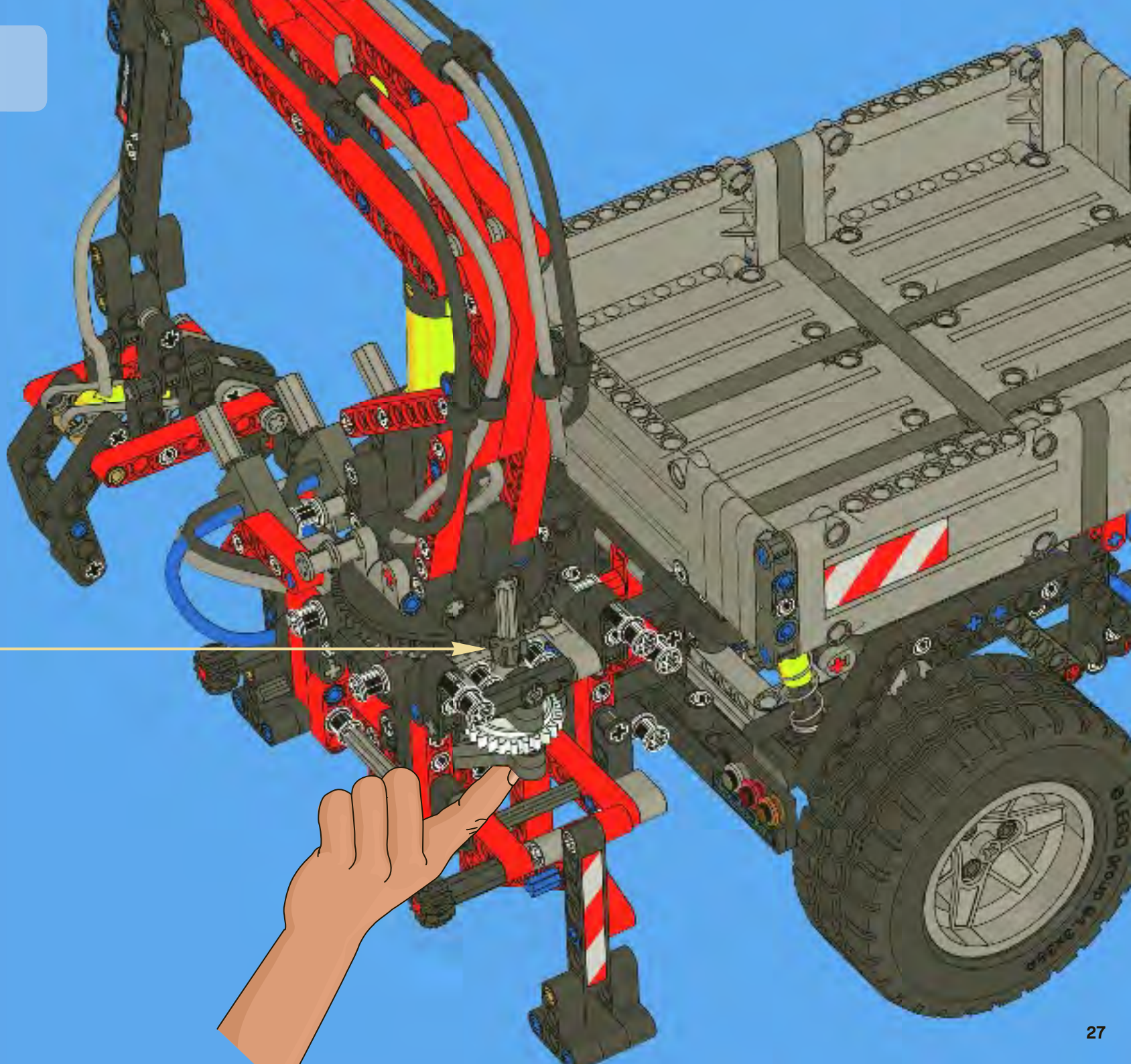
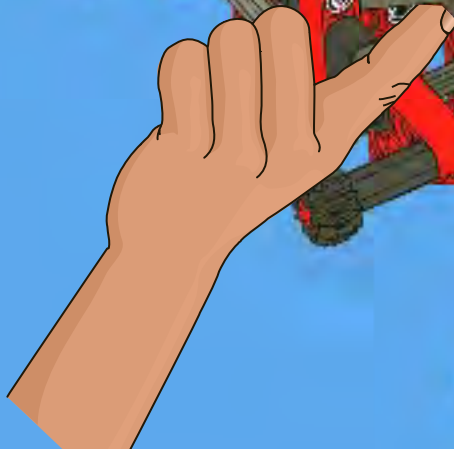
55





blue

57





blue



2x

1x

2x

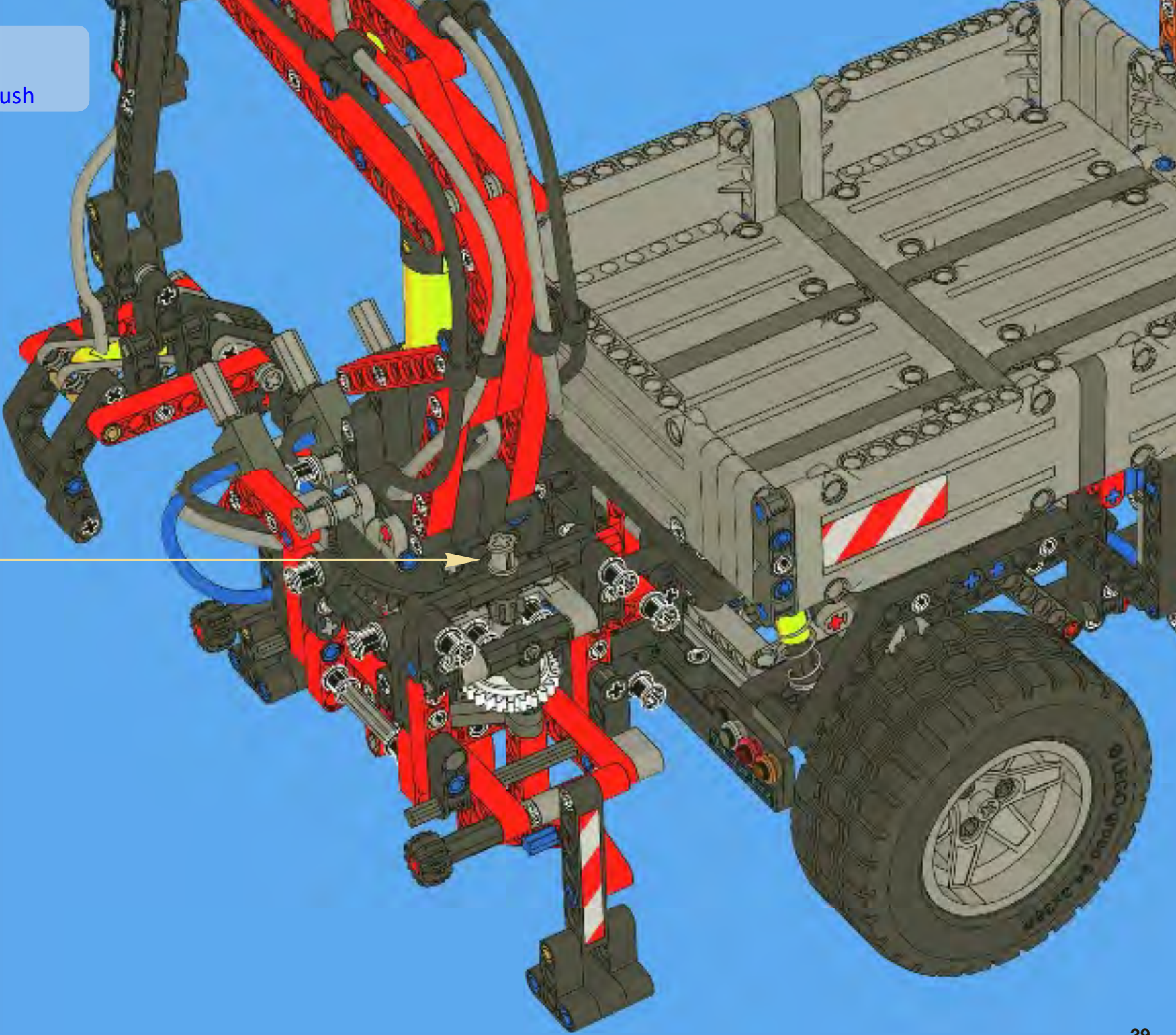
58

1



1x
2x 1/2 blue bush

59



7

